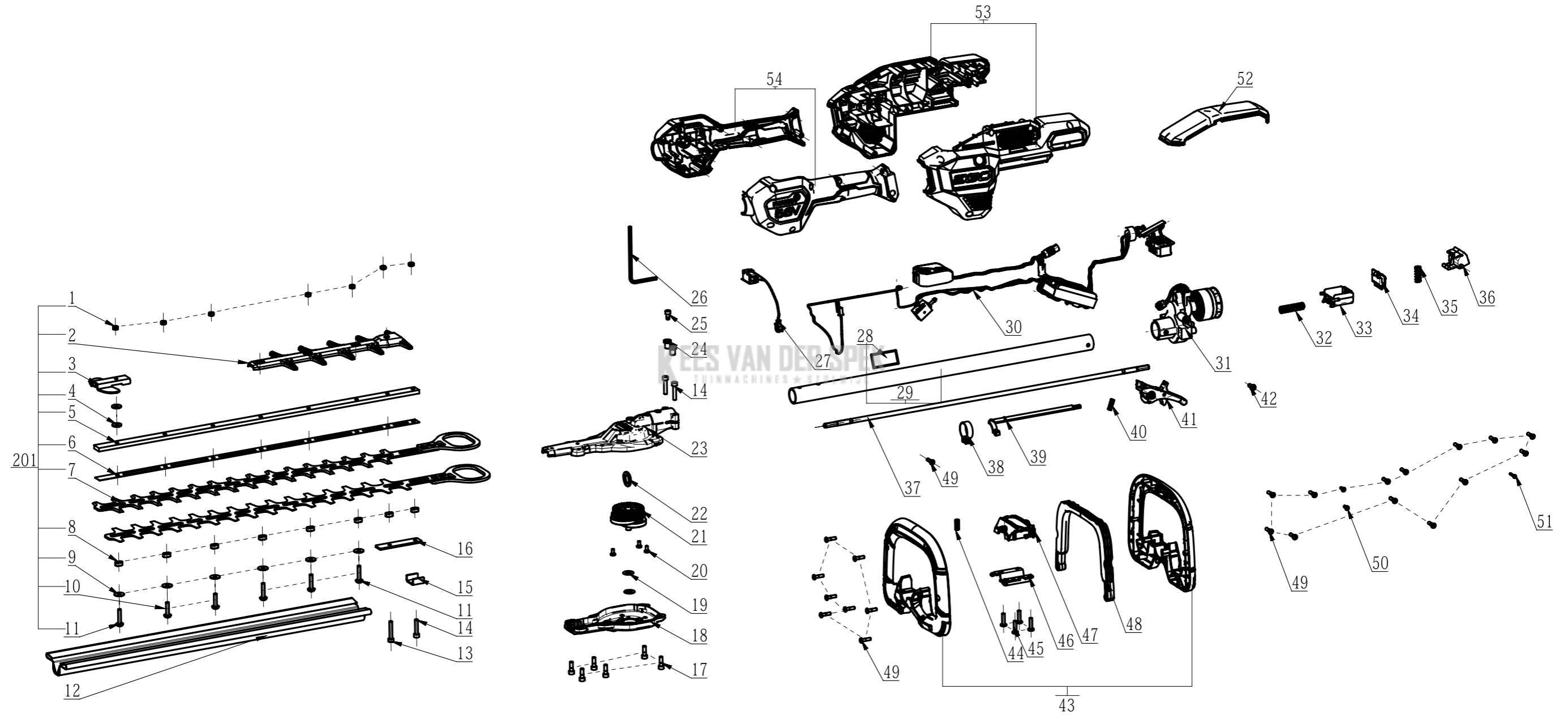




Product Description: Pole Hedge Trimmer
Model Number: HTX 5300-P
Service Item Number: F830037001S01
Version: B
Issue Date: 2023/11/07



| Index No. | Art. No. | Description EN | Partnumber | QTY in machine |
|-----------|------------|----------------------------------|------------|----------------|
| 1 | 5630007010 | Prevailing Torque Hexagon Nut | 5630007010 | 8 |
| 2 | 3403481001 | Protective Teeth | 3403481001 | 1 |
| 3 | 3705992001 | Tip Protector | 3705992001 | 1 |
| 4 | 5650047001 | Plain Washer | 5650047001 | 2 |
| 5 | 3709011001 | Clamp Support | 3709011001 | 1 |
| 6 | 3709018001 | Hold Down Strip | 3709018001 | 1 |
| 7 | 2829661001 | Blade Set | 2829661001 | 2 |
| 8 | 3580331001 | Bush | 3580331001 | 8 |
| 9 | 5650487001 | Plain Washer | 5650487001 | 6 |
| 10 | 5620605001 | Hexagon Socket Screw | 5620605001 | 2 |
| 11 | 5611133001 | Hexagon Socket Button Head Screw | 5611133001 | 4 |
| 12 | 3134546001 | Sheath | 3134546001 | 1 |
| 13 | 5620646002 | Hexagon Socket Screw | 5620646002 | 1 |
| 14 | 5620216005 | Hexagon Socket Screw | 5620216005 | 3 |
| 15 | 3709251001 | Support Plate | 3709251001 | 1 |
| 16 | 3709014001 | Support Plate | 3709014001 | 1 |
| 17 | 5620019005 | Hexagon Socket Screw | 5620019005 | 6 |
| 18 | 2790795001 | Lower Housing Assembly | 2790795001 | 1 |
| 19 | 5650569001 | Plain Washer | 5650569001 | 2 |
| 20 | 5620156007 | Hexagon Socket Screw | 5620156007 | 3 |
| 21 | 2850175001 | Bevel Gear Assembly | 2850175001 | 1 |
| 22 | 5651100001 | Plain Washer | 5651100001 | 1 |
| 23 | 2790815001 | Gear Case Assembly | 2790815001 | 1 |
| 24 | 5620606001 | Hexagon Socket Screw | 5620606001 | 2 |
| 25 | 5620213003 | Hexagon Socket Screw | 5620213003 | 1 |
| 26 | 5680164001 | Inner Hexagon Spanner | 5680164001 | 1 |
| 27 | 4870999001 | Switch and Wire Assembly | 4870999001 | 1 |
| 28 | 2244506004 | Nameplate | 2244506004 | 1 |
| 29 | 2850171003 | Connecting Tube Assembly | 2850171003 | 1 |
| 30 | 2831659001 | Electric Assembly | 2831659001 | 1 |
| 31 | 2790798001 | Motor And Gear Case Assembly | 2790798001 | 1 |
| 32 | 3660818001 | Compression Spring | 3660818001 | 1 |
| 33 | 3131427001 | Sliding Block | 3131427001 | 1 |
| 34 | 3127497001 | Power Pack Button | 3127497001 | 1 |
| 35 | 3660013003 | Spring1 | 3660013003 | 1 |
| 36 | 3127498001 | Power Pack Button | 3127498001 | 1 |
| 37 | 3556025001 | Drive Shaft | 3556025001 | 1 |
| 38 | 3705178001 | Fixed Ring | 3705178001 | 1 |
| 39 | 3134551001 | Wire Slot | 3134551001 | 1 |
| 40 | 3660088003 | Knob-reset Spring | 3660088003 | 1 |
| 41 | 2829162001 | Trigger Assembly | 2829162001 | 1 |
| 42 | 5620050007 | Screw | 5620050007 | 1 |
| 43 | 3900704001 | Front Handle Set | 3900704001 | 1 |
| 44 | 3660046001 | Spring | 3660046001 | 1 |
| 45 | 5610291001 | Tapping Screw | 5610291001 | 4 |
| 46 | 3709015001 | Mounting Plate | 3709015001 | 1 |
| 47 | 3134545001 | Clamping Block | 3134545001 | 1 |
| 48 | 3128269003 | Switch Trigger | 3128269003 | 1 |
| 49 | 5620479001 | Screw | 5620479001 | 22 |
| 50 | 5610295001 | Hexagon Socket Screw | 5610295001 | 2 |
| 51 | 5610241001 | Screw | 5610241001 | 1 |

| | | | | |
|-----|------------|-----------------|------------|---|
| 52 | 3133887001 | Cover Plate | 3133887001 | 1 |
| 53 | 3900691004 | L R Housing Set | 3900691004 | 1 |
| 54 | 3900651004 | L R Handle Set | 3900651004 | 1 |
| 201 | 2850156001 | Blade Set | 2850156001 | 1 |