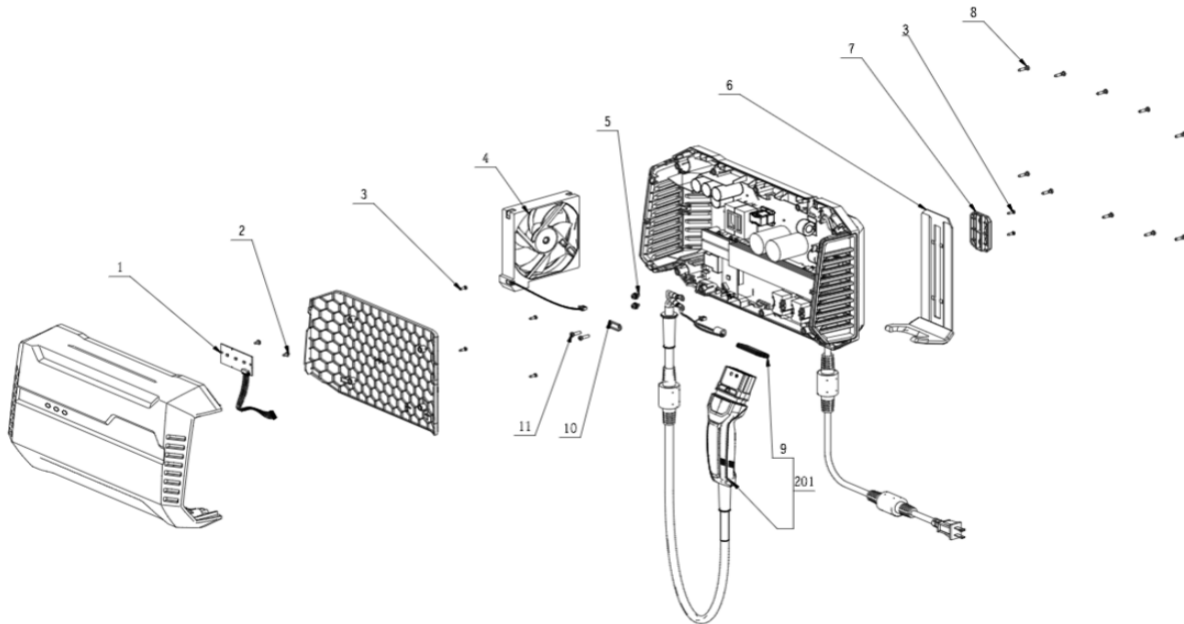


CHV1600E

Charger



Product Description: Charger  
 Model Number: CHV1600E  
 Body Number: 0800259001\_S  
 Version: A  
 Issue Date: 2021/12/2



Index No.	Art. No.	Description EN	QTY in machine
1	2830916001	5369 LED Electric Assembly	1
2	5620357001	Screw	2
3	5610011006	Tapping Screw	6
4	3300020001	Fan Assembly	1
5	5620618001	Screw with Washer	2
6	3403191001	Pothook	1
7	3131293001	Guide Block	1
8	5610264002	Hexagon Lobular Screw	10
9	5690356002	Seal Ring	1
10	3707506001	Cord Anchorage	1
11	5610031003	Thread Forming Screw	2
201	4860790001	Output Wire Assembly	1

KEES VANDER SPEK  
 TUINMACHINES \* STOLWIJK