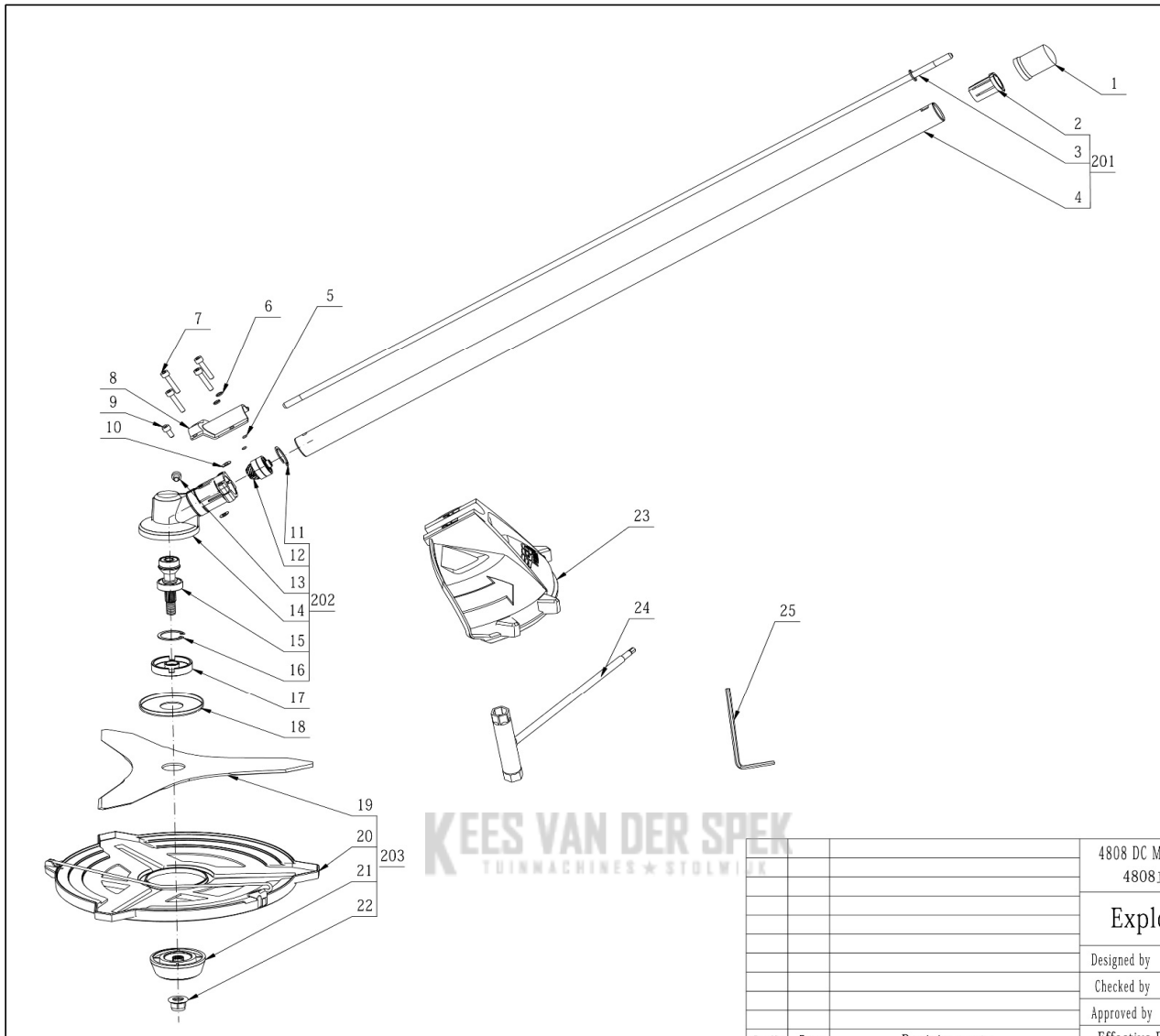


BCA1200



KEES VAN DER SPEK
TUINMACHINES * STOLWIJK

		4808 DC M
		48083
		Expl
		Designed by
		Checked by
		Approved by
		Effective T

Index No.	Art. No.	Technical Information	Description	QTY in machine
1	3128734001		Sleeve	1
2	3128556001		Guiding Block	1
3	2824792002		Shaft Assembly	1
4	2824791002		Tube Assembly	1
5	5690203001		O Ring	2
6	5650015012		Spring Washer	2
7	5620216003		Screw	4
8	3705417001		Fixing Board	1
9	5620213003		Hexagon Socket Screw	1
10	5650598001		Washer	2
11	5660151001		Circlips For Hole	1
12	2824588002		Pinion Assembly	1
13	5620546001		Hexagon Socket Screw	1
14	3421862001		Gear Case	1
15	2824589002		Shaft Assembly	1
16	5660021002		Circlips For Hole	1
17	3552509001		Inner Flange	1
18	3706103001		Shield	1
19		Available as accessory	Blade	1

20	2824948002		Blade Cover	1
21	3421864001		Outer Flange	1
22	5630292001		Nut	1
23	2824703001		Guard ASSY	1
24	5680217001		Wrench	1
25	5680164001		Inner Hexagon Spanner	1
201	2824590002		Connecting Tube ASSY	1
202	2824954002		Gear Case ASSY	1
203	2824941002		Blade Set	1

KEES VAN DER SPEK
 TUINMACHINES ★ STOLWIJK