

# EGO™

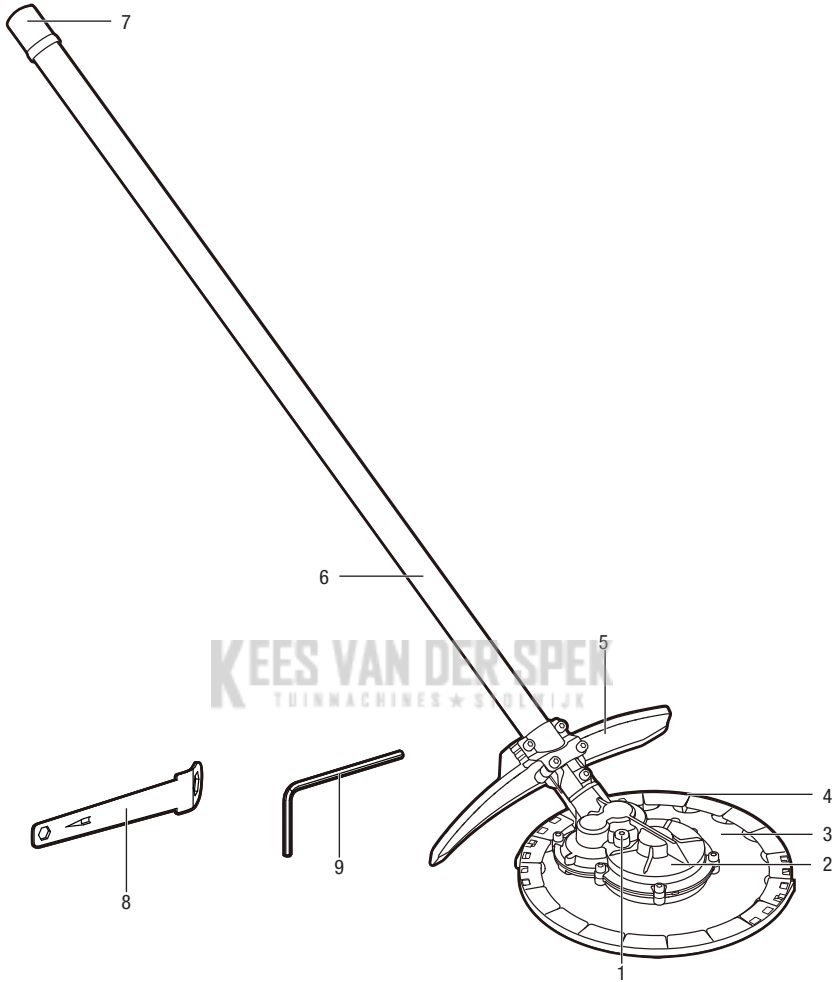
## POWER<sup>+</sup> MULTI TOOL



OPERATOR'S MANUAL  
**ROTOCUT ATTACHMENT**  
 MODEL NUMBER RTA2300

FOR USE WITH 56V LITHIUM-ION POWER HEAD PH1400E

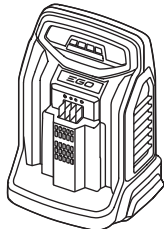
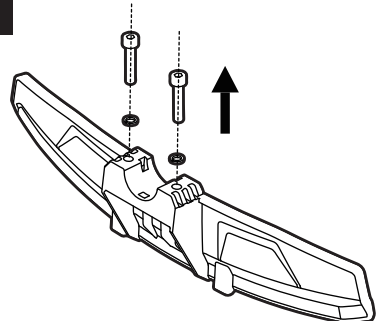
EN	Rotocut Attachment	4	RO	Atașament rotativ de tăiere	101
DE	Rotocut-anbauwerkzeug	10	SL	Priključek rotocut	107
FR	Extension rotocut	16	LT	Rotocut pjovimo įtaisas	112
ES	Accesorio rotocut	22	LV	Ritūļu preses pierīce	118
PT	Acessório de corte rotativo	28	GR	Προσαρτημα rotocut	124
IT	Accessorio rotocut	34	TR	Kenar düzeltme aparatı aksesuari	130
NL	Rotocut toebehoor	40	ET	Rotocut tarvik	135
DK	Drejeklip-tilbehør	46	UK	Насадка-ротаційна косарка	140
SE	Rotorskärar-tilbehör	52	BG	Приставка rotocut	146
FI	Pööröleikkurilisäosa	58	HR	Dodatak kružni rezač	152
NO	Rotocut vedlegg	64	KA	როტაციული სათიბის მიმაგრება	158
RU	Насадка-ротационная косилка	70	SR	Dodatak rotocut	166
PL	Przystawka wycinarka rotacyjna	77	BS	Priključak rotaciona rezna jedinica	172
CZ	Nástavec rotocut	83	HE	אביזר חרמש רוטורי	178
SK	Nástavec rotačnej rezačky	89	AR	ملحق جز الحشائش	183
HU	Rotocut alkatrész	95			

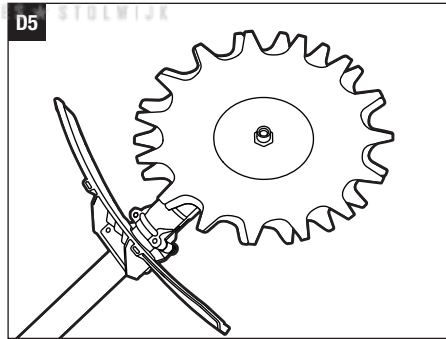
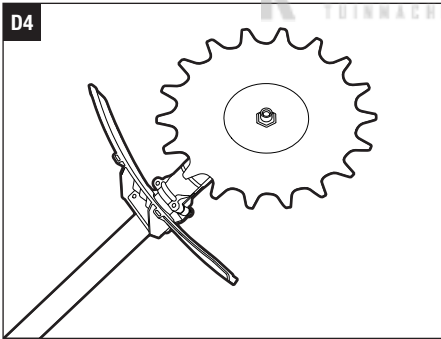
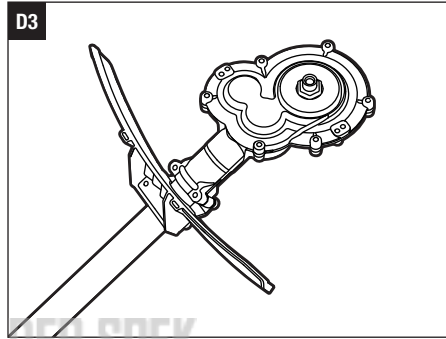
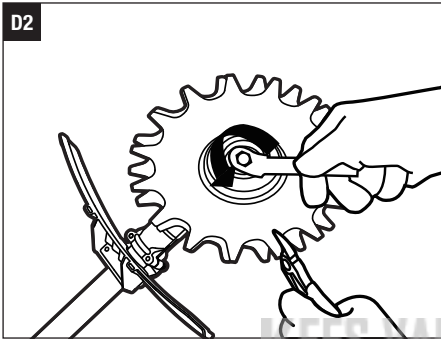
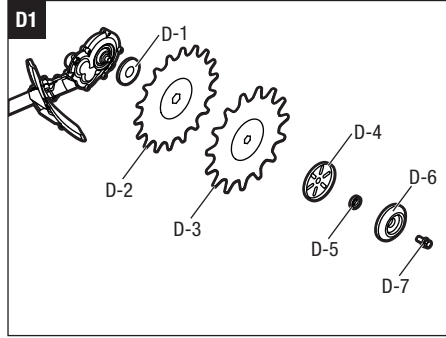
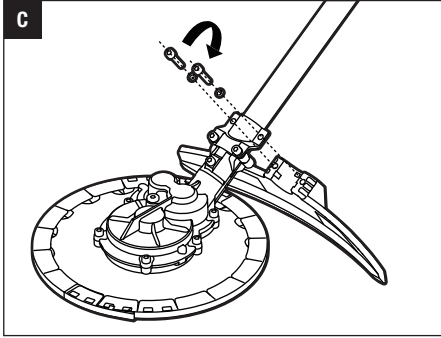
**A1****A2**

BA1400, BA2800,  
BA4200, BA1400T,  
BA2800T, BA4200T,  
BA5600T, BA2240T



CH2100E,  
CH5500E

**B**



**EN READ ALL INSTRUCTIONS!**



**READ OPERATOR'S MANUAL**

**⚠ Residual risk!** People with electronic devices, such as pacemakers, should consult their physician(s) before using this product. Operation of electrical equipment in close proximity to a heart pacemaker could cause interference or failure of the pacemaker.

**⚠ WARNING:** To ensure safety and reliability, all repairs and replacements should be performed by a qualified service technician.

**SAFETY SYMBOL**

The purpose of safety symbols is to attract your attention to possible dangers. The safety symbols and the explanations with them deserve your careful attention and understanding. The symbol warnings do not, by themselves, eliminate any danger. The instructions and warnings they give are no substitutes for proper accident prevention measures.

**⚠ WARNING:** Be sure to read and understand all safety instructions in this Operator's Manual, including all safety alert symbols such as "DANGER," "WARNING," and "CAUTION" before using this tool. Failure to follow all instructions listed below may result in electric shock, fire, and/or serious personal injury.

**SYMBOL MEANING**

**⚠ SAFETY ALERT SYMBOL:** Indicates DANGER, WARNING, OR CAUTION, may be used in conjunction with other symbols or pictographs.

**⚠ WARNING:** The operation of any power tools can result in foreign objects being thrown into your eyes, which can result in severe eye damage. Before beginning power tool operation, always wear safety goggles or safety glasses with side shields and a full-face shield when needed. We recommend a Wide Vision Safety Mask for use over eyeglasses or standard safety glasses with side shields.

**SAFETY INSTRUCTIONS**

This page depicts and describes safety symbols that may appear on this product. Read, understand, and follow all instructions on the machine before attempting to assemble and operate it.

	Safety Alert	Precautions that involve your safety.
	Read Operator's Manual	To reduce the risk of injury, user must read and understand operator's manual before using this product.
	Wear Eye Protection	Always wear safety goggles or safety glasses with side shields and a full face shield when operating this product.
	Wear Ear Protection	Always wear ear protection when operating this product.
	Wear Head Protection	Wear an approved safety hard hat to protect your head.
	Wear Protective Gloves	Protect your hands with gloves when handling blade or blade guard.
	Wear Safety Footwear	Wear non-slip safety footwear when using this equipment.
	Beware of blade thrust	Warn the operator of the danger of blade thrust.
	Do Not Expose To Rain	Do not use in the rain or leave outdoors while it is raining.
	Ricochet and Keep Bystanders Away	Thrown objects can ricochet and result in personal injury or property damage. Ensure that other people and pets remain away from the brush cutter when it is in use
	Keep Bystanders Away	Ensure that other people and pets remain at least 15m away from the line trimmer when it is in use.
	No round blade	Do not install round cutting blades.
	WEEE	Waste electrical products should not be disposed of with household waste. Take to an authorized recycler.

	Noise	Guaranteed sound power level. Noise emission to the environment according to the European community's Directive
	CE	This product is in accordance with applicable EC directives.
V	Volt	Voltage
$n_0$	No Load Speed	Rotational speed, at no load
$\text{min}^{-1}$	Per Minute	Revolutions per minute
	Direct Current	Type or a characteristic of current
kg	Kilogram	Weight

- Blade thrust can occur without warning if the blade snags, stalls or binds.
- Blade thrust is more likely to occur in areas where it is difficult to see the material being cut.
- **Do not attach any blade to a unit without proper installation of all required parts. Failure to use the proper parts can cause the blade to fly off and seriously injure the operator and/or bystanders. Discard blades that are bent, warped, cracked, broken, or damaged in any way. Use a sharp blade. A dull blade is more likely to snag and thrust.**
- **A coasting blade/line can cause injury while it continues to spin after the motor is stopped or trigger is released. Maintain proper control until the blade/line has completely stopped rotating.**
- **Battery tools do not have to be plugged into an electrical outlet; therefore, they are always in operating condition.** Be aware of possible hazards even when the tool is not operating. Take care when performing maintenance or service.
- **Do not wash with a hose; avoid getting water in motor and electrical connections.**
- **If situations occur that are not covered in this manual, use care and good judgment. Contact the EGO Customer Service Center for assistance.**
- Use only with battery packs and chargers listed in fig. A2

## IMPORTANT SAFETY INSTRUCTIONS

**⚠ WARNING:** Read all safety warnings, instructions, illustrations and specifications provided with this power tool. Failure to follow all instructions listed below may result in electric shock, fire and/or serious injury.

Save all warnings and instructions for future reference.

- **Avoid Dangerous Environments** – Don't use appliances on damp or wet slope.
- **Keep guards in place and in working order.**
- **Keep hands and feet away from the cutting area.**
- **To reduce the risk of injury, never work on a ladder or on any other insecure support. Never hold the cutting unit above waist height.**
- **Check the cutting unit at regular short intervals during operation, or immediately if there is a noticeable change in cutting behavior.**
- **For best results, your battery should be charged in a location where the temperature is greater than 5°C and less than 40°C.** Do not store it outside or in vehicles.
- **If you are approached, stop the motor and cutting unit.**
- **Warn the operator of the danger of blade thrust.**
- Blade thrust may occur when the spinning blade contacts an object that it does not immediately cut.
- Blade thrust can be violent enough to cause the unit and/or operator to be propelled in any direction, and possibly lose control of the unit.

**SAVE THESE INSTRUCTIONS!**

## SPECIFICATIONS

No-load Speed	450±5%rpm
Cutting Blade	ABR2300
Recommended Operating Temperature	0°C-40°C
Recommended Storage Temperature	-20°C-70°C
Weight (without battery pack)	2.6 kg
Measured sound power level $L_{WA}$	97.36 dB(A) K= 2.7 dB(A)
Sound pressure level at operator's ear $L_{PA}$	83 dB(A) K= 2.5 dB(A)
Guaranteed sound power level $L_{WA}$ (measured according to 2000/14/EC)	100 dB(A)

Valuation of vibration $a_{h,v}$ :	Front-assist handle	3.3 m/s <sup>2</sup> K= 1.5 m/s <sup>2</sup>
	Rear handle	2.0 m/s <sup>2</sup> K= 1.5 m/s <sup>2</sup>

- The declared vibration total value has been measured in accordance with a standard test method and may be used for comparing one tool with another;
- The declared vibration total value may also be used in a preliminary assessment of exposure.

**NOTICE:** The vibration emission during actual use of the power tool can differ from the declared value in which the tool is used; In order to protect the operator, user should wear gloves and ear protectors in the actual conditions of use.

## PACKING LIST (FIG. A1)

### DESCRIPTION

#### KNOW YOUR ROTOCUT ATTACHMENT (Fig. A1)

1. Sealing Screw
2. Gear Case
3. Blade
4. Sliding Cover Assembly
5. Guard Assembly
6. Shaft
7. End cup
8. Wrench
9. Allen Key

### ASSEMBLY

**⚠ WARNING:** If any parts are damaged or missing, do not operate this product until the parts are replaced. Use of this product with damaged or missing parts could result in serious personal injury.

**⚠ WARNING:** Do not attempt to modify this product or create accessories not recommended for use with this machine. Any such alteration or modification is misuse and could result in a hazardous condition leading to possible serious personal injury.

#### MOUNTING THE GUARD

**⚠ WARNING:** Always wear gloves when mounting or replacing the guard. Take care of the blade on the guard and protect your hand from cutting.

**⚠ WARNING:** Never operate the tool without the guard firmly in place. The guard must always be on the

tool to protect the user! When the guard is fixed, never attempt to remove or adjust the guard, if a replacement is needed, it should be performed by a qualified service technician!

Loosen and remove the two screws from the guard (Fig. B), align the guard mounting holes with the assembly holes and then lock the guard onto the shaft base with the two screws, together with two spring washers (Fig. C).

**⚠ WARNING:** Make sure the guard is fixed according to Fig. B & C, any reverse fixing will cause great danger!

#### CONNECTING THE ROTOCUT ATTACHMENT TO THE POWER HEAD

This rotocut attachment is designed for use with EGO Power Head PH1400E. See “**INSTALLING AN ATTACHMENT TO THE POWER HEAD**” section in the power head PH1400E operator’s manual.

### OPERATION

**⚠ WARNING:** Do not allow familiarity with this product to make you careless. Remember that a careless fraction of a second is sufficient to inflict serious injury.

**⚠ WARNING:** Do not use any attachments or accessories not recommended by the manufacturer of this product. The use of attachments or accessories not recommended can result in serious personal injury.

You may use this product for the purposes listed below:

**Cutting:** used for cutting the grass around stakes or guard rails, wall edges, road curbs, fences in the running traffic, or trimming the vegetation on parking lots.

**NOTICE:** When using the rotocut attachment, ensure that no foreign objects are thrown out which entails strong risks: broken windows, dented car bodies, slit fences, torn tree bark or personal injury.

#### USING THE ROTOCUT ATTACHMENT WITH POWER HEAD

**⚠ WARNING:** To avoid serious personal injury, wear goggles or safety glasses at all times when operating this unit. Wear a face mask or dust mask in dusty locations.

Clear the area to be cut before each use. Remove all objects, such as rocks, broken glass, nails, wire, or line, that can be thrown or become entangled in the cutting attachment. Clear the area of children, bystanders, and pets. At a minimum, keep all children, bystanders and pets at least 15m away; there still may be risk to bystanders from thrown objects. Bystanders should be encouraged to wear eye protection. If

you are approached, stop the motor and cutting attachment immediately.

### Before each use, check for damage/worn parts

Check the rotocut attachment, guard and loop handle and replace the parts that are cracked, warped, bent, or damaged in any way.

### After each use, clean the tool.

**⚠ CAUTION:** Obstructions in the vents will prevent the air from flowing into the motor housing and result in overheating or damaged of the motor.

- Use only mild soap and a damp cloth to clean the tool. Never let any liquid get inside the tool; never immerse any part of the tool into a liquid.
- Keep air vents in the motor housing from debris at all times.

## MAINTENANCE

**⚠ WARNING:** When servicing, use only identical replacement parts. Inspect and maintain the machine regularly. To ensure safety and reliability, all repairs should be performed by a qualified service technician.

**⚠ WARNING:** Battery tools do not have to be plugged into an electrical outlet; therefore, they are always in operating condition. To prevent serious personal injury, take extra precautions and care when performing maintenance, service or for changing the cutting attachment or other attachments.

**⚠ WARNING:** To prevent serious personal injury, unplug the battery connector from the socket before servicing, cleaning, changing add-on attachments or removing material from the unit.

### ROTOCUT BLADE REPLACEMENT

**⚠ WARNING:** If the blades become loose after it is fixed in position or the blades are badly worn, replace the blades immediately. Never use a tool with a loose or ineffective cutting attachment.

Know the ROTO-CUT head as Fig. D1 shown.

D-1	Shaft Cup	D-2	Top-Blade
D-3	Bottom-Blade	D-4	Support Cup
D-5	Washer	D-6	Gliding Bowl
D-7	Nut		

1. Place the gear case of the ROTO-CUT head against a solid surface. Clamp the up and down blades with pliers or in a vise, then use the wrench to loosen the nut (Fig. D2).
2. Remove the nut, gliding bowl, washer, support cup, down blade, up blade and shaft cup in sequence as Fig. D1 shown.
3. Before installing new blades, put the shaft cup on the shaft (Fig. D3). Put the top-blade with big hexagonal hole onto the shaft with the surface printed "EGO" logo facing toward the gear case (Fig. D4), then put the bottom-blade with small hexagonal hole onto the shaft with the surface printed "EGO" logo facing toward operator (Fig. D5).
4. Follow the sequence shown in Fig. D1 to reassemble them.

### LUBRICATE THE GEAR CASE

For best operation and longer lifetime, lubricate the gear case with a special grease (4-5g each time) after every 50 hours' operation.

The special grease should meet the following requirements.

1. Belong to DIN51818: NLGI-1 cone penetration degree.
2. Ester base grease.
3. Excellent low-temperature startup, EP, mechanical shearing, abrasion resistance and oxidative stability properties.
4. Operation temperature must contain -40~180°C. Remove the battery plug and the sealing screw. Lubricating the gear case through the oil-hole.

**⚠ WARNING:** Do not lubricate while the machine is still connected with battery or running.

### CLEANING THE UNIT

- Clean the unit using a damp cloth with a mild detergent.
- Do not use any strong detergents on the plastic housing or the handle. They can be damaged by certain aromatic oils, such as pine and lemon, and by solvents such as kerosene. Moisture can also cause a shock hazard. Wipe off any moisture with a soft dry cloth.

EN

## STORING THE UNIT

- Clean the tool thoroughly before storing it.
- Store the unit in a dry, well-ventilated area, locked-up or up high, out of the reach of children. Do not store the unit on or adjacent to fertilizers, petrol, or other chemicals.
- Use of a transport cover for metal blades during transport and storage.

## Protecting the environment



Do not dispose of electrical equipment, used battery and charger into household waste! Take this product to an authorized recycler and make it available for separate collection. Electric tools must be returned to an environmentally compatible recycling facility.

**KEES VAN DER SPEK**  
TUINMACHINES ★ STOLWIJK





## TROUBLESHOOTING

EN

PROBLEM	CAUSE	SOLUTION
ROTOCUT fails to start.	<ul style="list-style-type: none"><li>■ The battery pack is not properly connected to the power head.</li><li>■ The battery pack is depleted.</li><li>■ The lock-off lever and trigger are not depressed simultaneously.</li></ul>	<ul style="list-style-type: none"><li>■ Connect the battery pack to the power head.</li><li>■ Charge the battery pack with an EGO charger listed in this manual.</li><li>■ Press the lock-off lever and hold it, then depress the trigger to turn on the unit.</li></ul>
ROTOCUT stops while cutting.	<ul style="list-style-type: none"><li>■ The motor is overloaded.</li><li>■ The battery pack is too hot.</li><li>■ The battery pack is disconnected from the tool</li></ul>	<ul style="list-style-type: none"><li>■ The motor will recover when the load is removed. For continuous work, decrease the load on the ROTO CUT and avoid deep cutting; instead, make progressively deeper cuts.</li><li>■ Allow the battery pack to cool down naturally, or air blow to speed up the cooling.</li><li>■ Reconnect the battery pack.</li></ul>

## WARRANTY

### EGO WARRANTY POLICY

Please visit the website [egopowerplus.com](http://egopowerplus.com) for full terms and conditions of the EGO Warranty policy.

KEES VAN DER SPEK  
TUINMACHINES \* STOLWIJK

## LESEN SIE ALLE ANWEISUNGEN!

DE



### LESEN SIE DIE BETRIEBSANLEITUNG

**⚠ Restrisiko!** Menschen mit elektronischen Geräten, wie z.B. Herzschrittmachern, sollten ihren Arzt konsultieren, bevor sie dieses Gerät verwenden. Die Bedienung von Elektrogeräten in unmittelbarer Nähe zu Herzschrittmachern kann zu Interferenzen und Störungen des Schrittmachers führen.

**⚠ WARNUNG:** Um die Sicherheit und Zuverlässigkeit zu gewährleisten, sollten alle Reparaturen und der Austausch von Teilen nur von qualifizierten Servicetechnikern durchgeführt werden.

## WARNSYMBOL

Der Zweck von Warnsymbolen besteht darin, Ihre Aufmerksamkeit auf mögliche Gefahren zu lenken. Die Warnsymbole und deren Erklärungen verdienen Ihre vollste Aufmerksamkeit und Beachtung. Durch die Warnsymbole allein sind die Gefahren noch nicht ausgeschaltet. Die Anweisungen und Warnhinweise stellen keinen Ersatz für angemessene Unfallverhütungsmaßnahmen dar.

**⚠ WARNUNG:** Vor der Benutzung des Geräts sollten Sie alle Sicherheitsanweisungen in dieser Bedienungsanleitung gelesen und verstanden haben, vor allem die Sicherheits- und Gefahrenzeichen wie „VORSICHT“, „WARNUNG“ und „ACHTUNG“. Die Nichtbeachtung aller aufgeführten Anweisungen kann zu Stromschlägen, Bränden und/oder schweren Verletzungen führen.

## SYMBOLBEDEUTUNG

**⚠ SICHERHEITSWARNSYMBOL:** Weist auf **GEFAHR**, **WARNUNG** ODER **VORSICHT** hin, es kann zusammen mit anderen Symbolen oder Bildern verwendet werden.

**⚠ WARNUNG:** Beim Betrieb von Elektrowerkzeugen besteht die Gefahr, dass Fremdkörper in Ihre Augen geschleudert werden und Sie dadurch schwerwiegende Augenschäden davortragen. Tragen Sie immer eine Schutzbrille, wenn möglich mit Seitenschutz, oder, falls nötig, einen vollen Gesichtsschutz, bevor Sie Arbeiten mit dem Elektrowerkzeug verrichten. Wir empfehlen Ihnen, einen Gesichtsschutz über Ihrer eigenen Brille oder eine herkömmliche Schutzbrille mit Seitenschutz zu tragen.

## SICHERHEITSHINWEISE

Auf dieser Seite werden die Warnsymbole vorgestellt und beschrieben, die sich unter Umständen an dem Gerät befinden. Alle Anweisungen am Gerät lesen, verstehen und befolgen, bevor das Gerät montiert und eingesetzt wird.

	Sicherheitswarnung	Vorsichtsmaßnahmen zu Ihrer Sicherheit
	Bedienungsanleitung lesen	Um das Verletzungsrisiko zu verringern, muss der Benutzer die Bedienungsanleitung vor der Benutzung des Gerätes gelesen und verstanden haben.
	Augenschutz tragen	Tragen Sie immer eine Schutzbrille, möglichst mit Seitenschutz, und einen Gesichtsschutz, wenn Sie das Gerät bedienen.
	Gehörschutz tragen	Tragen Sie immer einen Gehörschutz, wenn Sie das Gerät bedienen.
	Kopfschutz tragen	Tragen Sie einen geprüften Helm, um Ihren Kopf zu schützen.
	Schutzhandschuhe tragen	Schützen Sie Ihre Hände beim Umgang mit dem Messer oder dem Schneidschutz mit Handschuhen.
	Tragen Sie Sicherheitsschuhe	Tragen Sie beim Gebrauch dieses Gerätes rutschfeste Sicherheitsschuhe.
	Achten Sie auf Rückschlag des Messers	Warnen Sie den Benutzer vor den Gefahren eines Rückschlags durch das Messer.
	Vor Regen schützen	Nicht im Regen verwenden oder bei Regen im Freien liegen lassen.
	Querschläger, unbefugte Personen fernhalten	Weggeschleuderte Gegenstände können abprallen und Personen- oder Sachschäden verursachen. Stellen Sie bei Betrieb sicher, dass andere Personen und Haustiere dem Gestrüppschneider fernbleiben.

	Unbefugte Personen fernhalten	Bei Einsatz des Rasentrimmers müssen andere Personen und Haustiere einen Abstand von mindestens 15 m vom Rasentrimmer einhalten.
	Kein rundes Messer	Keine runden Messer montieren.
	WEEE	Elektrische Altgeräte dürfen nicht im Hausmüll entsorgt werden. Bringen Sie das Gerät zu einem Wertstoffhof.
	Lärm	Garantierter Schalleistungspegel. Geräuschemission an die Umgebung gemäß Richtlinie der Europäischen Gemeinschaft.
	CE	Dieses Produkt erfüllt die einschlägigen EG-Richtlinien.
V	Volt	Spannung
$n_0$	Leerlaufdrehzahl	Drehzahl im Leerlauf
$\text{min}^{-1}$	pro Minute	Umdrehungen pro Minute
	Gleichstrom	Art oder Eigenschaft der Stromzufuhr
kg	Kilogramm	Gewicht

- Halten Sie Hände und Füße vom Arbeitsbereich fern.
- Um das Verletzungsrisiko zu reduzieren, arbeiten Sie nie auf einer Leiter oder einem anderen wackeligen Untergrund. Halten Sie den Schneidaufsatz niemals über Tailenhöhe.
- Überprüfen Sie das Schneidwerkzeug in regelmäßigen Abständen während des Betriebs oder sobald Sie eine Veränderung beim Schnittverhalten bemerken.
- Der Akku sollte nach Möglichkeit an einem Ort aufgeladen werden, an dem die Temperatur zwischen 5°C und 40°C beträgt. Nicht im Freien oder in Fahrzeugen aufbewahren.
- Wenn jemand auf Sie zukommt, stellen Sie den Motor und das Schneidwerkzeug ab.
- Warnen Sie den Benutzer vor den Gefahren eines Rückschlags durch das Messer.
- Zu einem Rückschlag kann es kommen, wenn das rotierende Messer auf einen Gegenstand trifft, den es nicht sofort schneiden kann.
- Der Rückschlag kann so heftig sein, dass das Gerät und/oder der Benutzer in eine beliebige Richtung geschleudert werden kann. Dabei geht die Kontrolle über das Gerät unter Umständen verloren.
- Ein Rückschlag kann plötzlich ohne Vorwarnung auftreten, wenn das Messer stecken bleibt, stillsteht oder verkantet.
- Rückschläge treten eher an Stellen auf, an denen das zu schneidende Material schwer zu erkennen ist.
- Befestigen Sie erst dann ein Messer am Gerät, wenn alle erforderlichen Teile korrekt montiert sind. Werden die Teile nicht korrekt montiert, kann sich das Messer lösen und den Benutzer und/oder Passanten ernsthaft verletzen. Verbogene, verformte, gerissene, gebrochene oder auf andere Weise beschädigte Messer müssen entsorgt werden. Verwenden Sie ein scharfes Messer. Ein stumpfes Messer wird eher stecken bleiben und einen Rückschlag verursachen.
- Ein auslaufendes Messer bzw. eine Schnur kann Verletzungen verursachen, während es bzw. sie sich noch dreht, nachdem der Motor ausgeschaltet oder der Auslöser losgelassen wurde. Halten Sie das Gerät gut fest, bis das Messer bzw. die Schnur vollkommen stillsteht.
- Akkubetriebene Werkzeuge müssen nicht an eine Steckdose angeschlossen werden; sie sind daher immer einsatzbereit. Seien Sie sich möglicher Gefahren bewusst, selbst wenn das Werkzeug nicht in Betrieb ist. Lassen Sie bei Wartungsarbeiten oder Reparaturen Vorsicht walten.

## WICHTIGE SICHERHEITSHINWEISE

**⚠️ WARNUNG:** Lesen Sie alle Sicherheitshinweise, Anweisungen, Abbildungen und Spezifikationen, die diesem Elektrowerkzeug beigelegt wurden. Die Nichtbeachtung aller unten aufgeführter Anweisungen kann zu Stromschlägen, Feuer und/oder schweren Verletzungen führen.

Bewahren Sie alle Warn- und Bedienhinweise für Nachschlagezwecke auf.

- Gefährliche Umgebungen meiden – Benutzen Sie das Gerät nicht an feuchten oder nassen Böschungen.
- Alle Schutzvorrichtungen müssen angebracht und intakt sein.

- Das Gerät nicht mit einem Wasserschlauch abspritzen. In den Motor und die elektrischen Verbindungen darf kein Wasser gelangen.
- Falls Situationen auftreten, die nicht in dieser Bedienungsanleitung behandelt werden, gehen Sie vorsichtig und vernünftig vor. Für Hilfestellungen wenden Sie sich an das EGO-Kundendienstzentrum.
- Nur mit akkus und ladegeräten verwenden, die in abb. A2 aufgeführt sind.

**HEBEN SIE DIESE ANLEITUNG AUF!**

## TECHNISCHE DATEN

Leerlaufdrehzahl	450 ± 5% min <sup>-1</sup>	
Messer	ABR2300	
Empfohlene Betriebstemperatur	0°C-40°C	
Empfohlene Lagertemperatur	-20 - 70 °C	
Gewicht (ohne Akku)	2,6 kg	
Gemessener Schalleistungspegel L <sub>WA</sub>	97,36 dB(A) K=2,7 dB(A)	
Schalldruckpegel am Ohr des Bedieners L <sub>PA</sub>	83 dB(A) K=2,5 dB(A)	
Garantierter Schalleistungspegel L <sub>WA</sub> (gemessen gemäß 2000/14/EC)	100 dB(A)	
Vibrationswert a <sub>h</sub> :	Vorderer Haltegriff	3,3 m/s <sup>2</sup> K=1,5 m/s <sup>2</sup>
	Hinterer Griff	2,0 m/s <sup>2</sup> K=1,5 m/s <sup>2</sup>

- Der angegebene Vibrationsgesamtwert wurde nach einem Standard-Prüfverfahren gemessen und kann zum Vergleich mit einem anderen Werkzeug herangezogen werden.
- Der angegebene Vibrationsgesamtwert kann auch zur vorläufigen Risikobewertung herangezogen werden.

**HINWEIS:** Die beim Einsatz des Elektrowerkzeugs entstehenden Istvibrationen können von dem angegebenen Wert abweichen. Zum Schutz des Benutzers sollten Handschuhe und ein Gehörschutz während des Geräteinsatzes getragen werden.

## PACKING LIST (FIG. A1)

### BESCHREIBUNG

**ÜBERSICHT ÜBER DAS ROTOCUT-ANBAUWERZEUG (Abb. A1)**

- Verschlusschraube
- Getriebegehäuse
- Messer
- Abnehmbare Abdeckung
- Schneidschutz
- Schaft
- Verschlusskappe
- Schraubenschlüssel
- Innensechskantschlüssel

### MONTAGE

**⚠️ WARNUNG:** Wenn irgendwelche Teile beschädigt sind oder fehlen, verwenden Sie das Produkt nicht, bis alle Teile ersetzt worden sind. Die Verwendung dieses Produkts mit beschädigten oder fehlenden Teilen kann zu schweren Verletzungen führen.

**⚠️ WARNUNG:** Versuchen Sie nicht, dieses Produkt zu verändern oder Zubehörteile zu verwenden, die für den Einsatz mit dieser Maschine nicht empfohlen werden. Jegliche Änderung oder falsche Anwendung dieses Geräts gilt als Zweckentfremdung und kann sehr riskant sein und zu möglichen schweren Körperverletzungen führen.

### SCHNEIDSCHUTZ MONTIEREN

**⚠️ WARNUNG:** Tragen Sie beim Anbringen oder Auswechseln des Schneidschutzes immer Handschuhe. Achten Sie auf das Messer am Schneidschutz und schützen Sie Ihre Hände vor Schnitten.

**⚠️ WARNUNG:** Setzen Sie das Werkzeug nur in Betrieb, wenn der Schneidschutz fest angebracht ist. Der Schneidschutz muss zum Schutz des Benutzers immer am Werkzeug befestigt sein! Wenn der Schneidschutz montiert ist, darf er weder entfernt noch justiert werden. Falls dieser ersetzt werden muss, wenden Sie sich an eine qualifizierte Werkstatt!

Lösen Sie die beiden Schrauben am Schneidschutz (Abb. B) und lassen Sie die Befestigungslöcher des Schneidschutzes mit den Halterungsöffnungen fluchten. Schrauben Sie den Schneidschutz anschließend mit den beiden Schrauben und zwei Federscheiben am Schaftende an (Abb. C).

**⚠️ WARNUNG:** Vergewissern Sie sich, dass der Schutz wie in Abb. B und C befestigt ist. Eine falsche Montage ist sehr gefährlich!

## MONTAGE DES ROTOCUT-ANBAUWERKZEUGS AM KOMBIMOTOR

Dieses Rotocut-Anbauwerkzeug ist für den Einsatz am EGO Kombimotor PH1400E vorgesehen. Siehe den Abschnitt „**INSTALLATION EINES ANBAUWERKZEUGS AN DEN KOMBIMOTOR**“ in der Betriebsanleitung des Kombimotors PH1400E.

## BEDIENUNG

**⚠️ WARNUNG:** Auch wenn Sie sich mit dem Gerät auskennen, sollten Sie sich nicht zu einer gewissen Nachlässigkeit verleiten lassen. Denken Sie daran, dass ein kurzer Moment der Unachtsamkeit zu ernsthaften Verletzungen führen kann.

**⚠️ WARNUNG:** Verwenden Sie keine Anbauwerkzeuge oder Zubehörteile, die nicht vom Hersteller dieses Produkts empfohlen worden sind. Der Gebrauch von nicht empfohlenen Aufsätzen oder Zubehör kann zu schweren Verletzungen führen.

Sie können dieses Produkt für die unten aufgeführten Zwecke einsetzen:

**Schneiden:** zum Schneiden von Gras rund um Pflähe oder Geländer, entlang Wandkanten, Bordsteinen, Zäunen im fließenden Verkehr oder Schneiden der Begrünung auf Parkplätzen.

**HINWEIS:** Achten Sie bei der Benutzung des ROTOCUT-Anbauwerkzeugs darauf, dass keine Fremdkörper herausgeschleudert werden, die ein großes Sicherheitsrisiko darstellen: Glasbruch, Karosserieschäden am Auto, zerstörte Zäune, beschädigte Baumborke oder Verletzungen.

## VERWENDUNG DES ROTOCUT-ANBAUWERKZEUGS AM KOMBIMOTOR

**⚠️ WARNUNG:** Tragen Sie zum Schutz vor schweren Verletzungen immer eine Schutzbrille. Tragen Sie eine Gesichts- oder Staubschutzmaske in staubigen Bereichen.

Räumen Sie den Arbeitsbereich vor jedem Einsatz auf. Entfernen Sie alle Gegenstände, wie z.B. Steine, zerbrochenes Glas, Nägel, Drähte oder Fäden, die vom Gerät umhergeschleudert werden oder sich in der Schneidvorrichtung verfangen könnten. Halten Sie Kinder, Passanten und Haustiere von dem Bereich fern. Halten Sie einen Mindestabstand von 15 m zu Kindern, Passanten und Haustieren ein; auch dann besteht noch Gefahr durch umhergeschleuderte Gegenstände. Schaulustige sollten gebeten werden, Schutzbrillen aufzusetzen. Wenn

jemand auf Sie zukommt, stellen Sie den Motor und das Schneidwerkzeug sofort ab.

## Prüfen Sie vor jedem Gebrauch auf Schäden/ abgenutzte Teile

Prüfen Sie das ROTOCUT-Anbauwerkzeug, den Schneidschutz und den Bügelgriff und ersetzen Sie gerissene, verzogene, verbogene oder anders beschädigte Teile.

## Reinigen Sie das Werkzeug nach jedem Gebrauch.

**⚠️ VORSICHT:** Verstopfte Lüftungsschlitze verhindern, dass die Luft in das Motorgehäuse strömen kann. Das führt zu einer Überhitzung oder zu Motorschäden.

- Verwenden Sie nur milde Seife und ein feuchtes Tuch zum Reinigen des Werkzeugs. Keine Flüssigkeit im Werkzeug lassen. Das Werkzeug darf auf keinen Fall in Flüssigkeit getaucht werden.
- Halten Sie die Lüftungsschlitze im Motorgehäuse immer frei von Ablagerungen.

## WARTUNG

**⚠️ WARNUNG:** Verwenden Sie für die Wartung nur baugleiche Ersatzteile. Prüfen und warten Sie das Werkzeug regelmäßig. Um die Sicherheit und Zuverlässigkeit zu gewährleisten, sollten alle Reparaturen nur von qualifizierten Servicetechnikern durchgeführt werden.

**⚠️ WARNUNG:** Akkubetriebene Werkzeuge müssen nicht an eine Steckdose angeschlossen werden; sie sind daher immer einsatzbereit. Um schwere Verletzungen zu vermeiden, seien Sie beim Warten, Reparieren oder Auswechseln des Schneidaufsatzes oder anderer Aufsätze besonders vorsichtig und treffen Sie besondere Sicherheitsvorkehrungen.

**⚠️ WARNUNG:** Um schwere persönliche Verletzungen zu verhindern, ziehen Sie vor jeder Wartung, Reinigung oder vor einem Wechsel des Anbauteils bzw. vor dem Entfernen von Schnittgut am Gerät den Akkustecker vom Anschluss ab.

## WECHSEL DES ROTOCUT-MESSERS

**⚠️ WARNUNG:** Wenn die Messer sich gelockert haben, nachdem sie fixiert wurden, oder wenn die Messer stark abgenutzt sind, wechseln Sie die Messer unverzüglich aus. Verwenden Sie niemals ein Werkzeug mit einem locker sitzenden oder stumpfen Schneidwerkzeug.

Beschreibung des ROTOCUT-Kopfes, wie in Abb. D1 gezeigt.

D-1	Antriebsschaffteller	D-2	Oberes Messer
D-3	Unteres Messer	D-4	Stützteller
D-5	Unterlegscheibe	D-6	Gleitschale
D-7	Mutter		

1. Stützen Sie das Getriebegehäuse des ROTOCUT-Kopfes an einer festen Fläche ab. Klemmen Sie das obere und untere Messer mit einer Zange oder einem Schraubstock fest; lösen Sie dann mithilfe des Schraubenschlüssels die Mutter (Abb. D2).
2. Entfernen Sie Mutter, Gleitschale Unterlegscheibe, Stützteller, unteres Messer und Antriebsschaffteller in der in Abb. D1 gezeigten Reihenfolge.
3. Setzen Sie den Schaffteller vor dem Montieren neuer Messer auf den Antriebsschaft (Abb. D3). Setzen Sie das obere Messer mit der großen Sechskant-Öffnung auf den Antriebsschaft. Die Seite mit dem aufgedruckten „EGO“ Logo muss auf das Getriebegehäuse gerichtet sein (Abb. D4). Setzen Sie dann das untere Messer mit der kleinen Sechskant-Öffnung auf den Antriebsschaft. Die Seite mit dem aufgedruckten „EGO“ Logo muss in Richtung des Benutzers zeigen (Abb. D5).

**HINWEIS:** Achten Sie darauf, dass die Sechskant-Öffnungen an den Messern und die Sechskant-Schaftkupplung ineinandergreifen. Wenn die Messer verkehrt herum montiert sind, kann das ROTOCUT-ANBAUWERKZEUG nicht korrekt arbeiten und die Messer werden beschädigt.

4. Folgen Sie der in Abb. D1 gezeigten Reihenfolge, um sie korrekt zu montieren.

### SCHMIEREN DES GETRIEBEGEHÄUSES

Für optimales Funktionieren und eine längere Lebensdauer sollten Sie das Getriebegehäuse nach jeweils 50 Betriebsstunden mit einem speziellen Öl schmieren (jedes Mal 4-5 g).

Dieses Öl sollte folgende Anforderungen erfüllen:

1. Fällt unter DIN51818: Walkpenetration NLGI-1.
2. Schmieröl auf Esterbasis
3. Hervorragende Kaltstart- und EP-Eigenschaften, mechanische Abscherung, Abriebfestigkeit und Oxidationsstabilität.
4. Die Betriebstemperatur muss zwischen -40 und 180°C liegen. Entfernen Sie den Akkustecker und die Dichtungsschraube. Abschmieren des Getriebegehäuses über die Einfüllöffnung.

**⚠️ WARNUNG:** Ölen Sie das Werkzeug nicht, wenn es noch mit dem Akku verbunden ist oder läuft.

### REINIGEN DES GERÄTES

- Reinigen Sie das Gerät mithilfe eines feuchten Tuchs mit einem milden Reinigungsmittel.
- Benutzen Sie keine starken Reiniger am Kunststoffgehäuse oder am Griff. Die Teile können von bestimmten ätherischen Ölen, wie z. B. Kiefern- oder Zitronenöl und von Lösungsmitteln wie Petroleum angegriffen werden. Feuchtigkeit stellt zudem eine Stromschlaggefahr dar. Wischen Sie feuchte Stellen mit einem weichen trockenen Tuch ab.

### AUFBEWAHREN DES GERÄTES

- Reinigen Sie das Werkzeug gründlich, bevor Sie es verstauen.
- Lagern Sie das Gerät an einem trockenen, gut belüfteten Ort, der sich abschließen lässt oder hoch gelegen und für Kinder unerreichbar ist. Lagern Sie das Gerät nicht auf oder neben Düngemitteln, Benzin oder anderen Chemikalien.
- Benutzen Sie eine Transportabdeckung für das Transportieren und Aufbewahren von Metallschneiden.

### Schutz der Umwelt



Elektrogeräte, alte Akkus und Ladegeräte dürfen nicht im Hausmüll entsorgt werden! Das Gerät muss einer offiziellen Recycling-Sammelstelle zur getrennten Entsorgung zugeführt werden. Elektrowerkzeuge müssen bei einer umweltfreundlichen Recycling-Einrichtung abgegeben werden.

## TROUBLESHOOTING

DE

PROBLEM	URSACHE	LÖSUNG
ROTOCUT startet nicht.	<ul style="list-style-type: none"> <li>■ Der Akku ist nicht richtig mit dem Kombimotor verbunden.</li> <li>■ Der Akku ist leer.</li> <li>■ Der Hebel zum Entriegeln und der Auslöser wurden nicht gleichzeitig gedrückt.</li> </ul>	<ul style="list-style-type: none"> <li>■ Verbinden Sie den Akku mit dem Kombimotor.</li> <li>■ Akku mit den in dieser Anleitung aufgeführten EGO-Ladegeräten aufladen.</li> <li>■ Hebel zum Entriegeln gedrückt halten und dann den Auslöser drücken, um das Werkzeug einzuschalten.</li> </ul>
ROTOCUT stoppt während des Schneidens.	<ul style="list-style-type: none"> <li>■ Der Motor ist überlastet.</li> <li>■ Der Akku ist zu heiß.</li> <li>■ Akku ist nicht mit dem Werkzeug verbunden.</li> </ul>	<ul style="list-style-type: none"> <li>■ Der Motor kommt wieder in Schwung, wenn die Last abgenommen wird. Um längere Zeit zu arbeiten, reduzieren Sie die Last auf den RTOCUT und schneiden Sie nicht zu tief; arbeiten Sie stattdessen mit unterschiedlichen Tiefen.</li> <li>■ Lassen Sie den Akku auf natürliche Weise abkühlen oder beschleunigen Sie das Abkühlen mithilfe eines Luftgebläses.</li> <li>■ Verbinden Sie den Akkusatz wieder.</li> </ul>

## GARANTIE

### EGO-GARANTIEBEDINGUNGEN

Sämtliche EGO Garantiebedingungen finden Sie auf der Website [egopowerplus.com](http://egopowerplus.com).

## LISEZ TOUTES LES INSTRUCTIONS !

FR



LISEZ LE MANUEL D'UTILISATION

**⚠ Risques résiduels!** Les personnes portant des appareils électroniques, par exemple des stimulateurs cardiaques, doivent consulter leur(s) médecin(s) avant d'utiliser ce produit. L'utilisation d'un équipement électrique près d'un stimulateur cardiaque peut provoquer des interférences ou la panne du stimulateur cardiaque.

**⚠ AVERTISSEMENT:** Pour garantir la sécurité et la fiabilité, toutes les réparations et tous les changements de pièce doivent être effectués par un réparateur qualifié.

## SYMBOLE DE SECURITE

L'objectif des symboles de sécurité est d'attirer votre attention sur des dangers potentiels. Les symboles de sécurité et les explications les accompagnant doivent être lus attentivement et compris. Les symboles de mise en garde ne permettent pas par eux-mêmes d'éliminer les dangers. Les consignes et mises en garde ne se substituent pas à des mesures de prévention appropriées des accidents.

**⚠ AVERTISSEMENT:** Lisez et comprenez impérativement toutes les consignes de sécurité de ce manuel d'utilisation, y compris les symboles de mise en garde de sécurité tels que « **DANGER** », « **AVERTISSEMENT** » et « **ATTENTION** » avant d'utiliser cet outil. Le non respect de toutes les instructions énumérées ci-dessous peut entraîner un choc électrique, un incendie et / ou des blessures graves.

## SIGNIFICATION DES SYMBOLES

### SYMBOLE DE MISE EN GARDE DE SECURITE:

Indique un **DANGER**, un **AVERTISSEMENT** ou une **MISE EN GARDE**, peut être utilisé en conjonction avec d'autres symboles ou pictogrammes.

**⚠ AVERTISSEMENT:** L'utilisation d'un outil électrique peut provoquer la projection d'objets étrangers dans vos yeux, ce qui peut entraîner des lésions oculaires graves. Avant de commencer à utiliser l'outil électrique, portez toujours un masque de sécurité ou des lunettes de sécurité avec des protections latérales et une visière complète si nécessaire. Nous vous recommandons de porter un Masque de Sécurité à Vision Panoramique par-dessus des

lunettes de vue ou des lunettes de sécurité standards avec des protections latérales.

## CONSIGNES DE SECURITE

Cette page décrit des symboles de sécurité pouvant être présents sur ce produit. Lisez, comprenez et respectez toutes les instructions présentes sur l'outil avant d'essayer de l'assembler et de l'utiliser.

	Alerte de sécurité	Précautions concernant votre sécurité.
	Lire la notice d'utilisation	Pour réduire le risque de blessures, l'utilisateur doit lire et comprendre le manuel d'utilisation avant d'utiliser ce produit.
	Porter une protection oculaire	Toujours porter un masque de sécurité ou des lunettes de sécurité avec boucliers latéraux et un masque facial intégral lors de l'utilisation de ce produit.
	Porter une protection auditive	Toujours porter une protection auditive pendant l'utilisation de ce produit.
	Porter un casque de protection.	Porter un casque de sécurité homologué pour protéger votre tête.
	Porter des gants protecteurs.	Protéger vos mains avec des gants pendant la manipulation des lames.
	Porter des chaussures de sécurité.	Porter des chaussures de sécurité antidérapantes pendant l'utilisation de cet équipement.
	Prendre garde au rebond de lame.	Mettre en garde l'opérateur contre le danger de rebond de lame.
	Ne pas exposer à la pluie.	N'utilisez pas ce produit sous la pluie et ne le laissez pas à l'extérieur quand il pleut.



	Projections, tenir toute tierce personne à distance	Des objets projetés peuvent ricocher et provoquer des blessures corporelles ou des dommages matériels. Toujours veiller à ce que les autres personnes et les animaux restent éloignés de la débroussailleuse pendant son utilisation.
	Garder les autres personnes éloignées	Veiller à ce que les autres personnes et les animaux restent éloignés d'au moins 15 m du taille-bordure pendant son utilisation.
	Lame non ronde	Ne pas installer de lame de coupe ronde.
	DEEE	Les produits électriques usagés ne doivent pas être jetés avec les ordures ménagères. Apportez-les dans un centre de recyclage agréé.
	Bruit	Niveau de puissance acoustique garanti. Émission de bruit dans l'environnement conformément à la directive CE.
	CE	Ce produit est conforme aux directives CE applicables.
V	Volts	Tension
$n_0$	Régime à vide	Vitesse de rotation sans charge
$\text{min}^{-1}$	Par minute	Tours par minute
	Courant continu	Type ou caractéristique du courant
kg	Kilogramme	Poids

dessous peut provoquer un choc électrique, un incendie et/ou des blessures graves.

**Conservez tous les consignes de sécurité et toutes les instructions pour consultation ultérieure.**

FR

- **Évitez les environnements dangereux** – N'utilisez pas les appareils sur des pentes mouillées et détrempées.
- **Les dispositifs de protection doivent toujours être assemblés et en bon état de marche.**
- **Maintenez vos mains et vos pieds éloignés de la zone de coupe.**
- **Pour réduire le risque de blessures, ne travaillez jamais sur une échelle ni sur aucun autre support instable. Ne maintenez jamais l'accessoire de coupe au-dessus du niveau de votre taille.**
- **Inspectez l'accessoire de coupe à intervalles courts et réguliers pendant l'utilisation ou immédiatement si vous constatez un changement important dans son comportement de coupe.**
- **Pour des résultats optimaux, votre batterie doit être rechargée dans un endroit où la température est supérieure à 5°C et inférieure à 40°C. Ne la rangez pas à l'extérieur ni dans un véhicule.**
- **Si une personne s'approche de vous, éteignez immédiatement le moteur et l'accessoire de coupe.**
- **Mettez en garde l'opérateur contre le danger de rebond de lame.**
- Un rebond de lame peut se produire si la lame en rotation entre en contact avec un objet qu'elle ne coupe pas immédiatement.
- Le rebond de lame peut être suffisamment violent pour projeter l'outil et/ou l'opérateur dans n'importe quelle direction et provoquer la perte de contrôle de l'outil.
- Le rebond de lame peut se produire sans avertissement si la lame se coince, se bloque ou s'accroche.
- Un rebond de lame a une plus forte probabilité de se produire dans les endroits où il est difficile de voir le matériau en train d'être coupé.
- **N'assemblez jamais une lame sur un outil sans correctement installer toutes les pièces requises. Ne pas utiliser les pièces appropriées peut provoquer la désolidarisation et la projection de la lame, et des blessures graves chez l'opérateur et/ou d'autres personnes. Jetez les lames tordues, voilées, fissurées, cassées ou endommagées de quelque manière que ce soit. Utilisez une lame affûtée. Une lame émoussée risque davantage d'accrocher et de provoquer un rebond.**

## CONSIGNES DE SÉCURITÉ IMPORTANTES

**⚠ AVERTISSEMENT:** Lisez toutes les consignes de sécurité, les instructions, les illustrations et les spécifications de sécurité fournies avec cet outil électrique. Le non-respect des consignes figurant ci-

- Une lame/un fil en roue libre peut provoquer des blessures lorsqu'elle/il reste en rotation après que vous avez relâché l'interrupteur marche/arrêt ou après l'arrêt du moteur. Maintenez un contrôle approprié jusqu'à ce que la lame/le fil se soit complètement arrêté de tourner.
- Les outils alimentés par batterie n'ont pas à être branchés dans une prise électrique, ils sont donc toujours prêts à fonctionner. Prenez garde aux dangers potentiels même quand l'outil n'est pas en fonctionnement. Faites attention pendant l'entretien ou la réparation.
- Ne lavez pas l'outil avec un tuyau. Évitez que de l'eau ne pénètre dans le moteur et sur les connexions électriques.
- Si des situations non décrites par ce manuel se produisent, faites preuve de prudence et de bon sens. Contactez le centre de réparation EGO pour toute demande d'assistance.
- Utilisez exclusivement les batteries et les chargeurs listes à la fig. A2.

CONSERVEZ CE MANUEL D'UTILISATION !

## SPÉCIFICATIONS

Régime à vide	450±5% tr/min	
Lame	ABR2300	
Température d'utilisation recommandée	0 °C - 40 °C	
Température de stockage recommandée	-20°C - 70°C	
Poids (sans batterie)	2,6 kg	
Niveau de puissance acoustique mesuré $L_{WA}$	97,36 dB(A) K= 2,7 dB(A)	
Niveau de pression acoustique au niveau des oreilles de l'opérateur $L_{PA}$	83 dB(A) K= 2,5 dB(A)	
Niveau de puissance acoustique garanti $L_{WA}$ (mesuré selon 2000/14/EC)	100 dB(A)	
Niveau de vibration $a_h$ :	Poignée auxiliaire avant	3,3 m/s <sup>2</sup> K= 1,5 m/s <sup>2</sup>
	Poignée arrière	2,0 m/s <sup>2</sup> K= 1,5 m/s <sup>2</sup>

- La valeur totale des vibrations indiquée a été mesurée selon une procédure conforme à une méthode de test standardisée et peut servir pour comparer différents outils.

- La valeur totale des vibrations déclarée peut également servir pour effectuer une évaluation préliminaire de l'exposition.

**REMARQUE:** Le niveau de vibrations lors de l'utilisation réelle de l'outil peut être différent de la valeur déclarée totale en fonction de la manière dont l'outil est utilisé ; Afin de protéger l'opérateur, l'utilisateur doit porter des gants et des protecteurs d'oreilles en conditions réelles d'utilisation.

## CONTENU DE L'EMBALLAGE (IMAGE A1)

### DESCRIPTION

#### DESCRIPTION DE VOTRE EXTENSION ROTOCUT (Image A1)

1. Vis d'étanchéité
2. Boîtier d'engrenage
3. Lame
4. Cache de protection amovible
5. Carter de protection
6. Manche
7. Capuchon d'extrémité
8. Clé
9. Clé Allen

### ASSEMBLAGE

**⚠ AVERTISSEMENT:** Si une ou plusieurs pièces sont manquantes ou endommagées, n'utilisez pas cet outil tant que toutes les pièces n'ont pas été remplacées. Utiliser cet outil avec des pièces endommagées ou manquantes peut provoquer des blessures corporelles graves.

**⚠ AVERTISSEMENT:** N'essayez pas de modifier ce produit ni de créer des accessoires non recommandés pour l'usage avec cette machine. De tels modifications et changements constituent un usage impropre et peuvent engendrer des situations dangereuses pouvant provoquer des blessures corporelles graves.

#### MONTAGE DU CARTER

**⚠ AVERTISSEMENT:** Portez toujours des gants pour assembler ou remplacer le carter de protection. Prenez garde à la lame lorsque vous montez le carter de protection et protégez votre main pour éviter de vous couper.

**⚠ AVERTISSEMENT:** N'utilisez jamais l'outil sans son carter de protection solidement assemblé. Le carter de protection doit toujours être assemblé sur l'outil pour protéger l'utilisateur ! Une fois que le carter a été fixé, n'essayez jamais de le démonter ou de le régler. S'il doit être remplacé, cela doit être fait par un réparateur qualifié !

Desserrez et enlevez les deux vis du carter (schéma B), alignez les trous de montage du carter avec les trous de montage, puis verrouillez le carter sur la base du manche avec les deux vis et deux rondelles à ressort (schéma C).

**⚠ AVERTISSEMENT:** Vérifiez que le carter de protection est fixé comme montré sur les images B et C, un montage inversé est très dangereux !

### MONTAGE DE L'EXTENSION ROTOCUT SUR LE BLOC-MOTEUR

Cette extension rotocut est conçue pour être utilisée avec le bloc-moteur EGO PH1400E. Consultez la partie « **MONTAGE D'UNE EXTENSION SUR LE BLOC-MOTEUR** » du manuel d'utilisation du bloc-moteur PH1400E.

### FONCTIONNEMENT

**⚠ AVERTISSEMENT:** Veillez à ne pas devenir moins prudent(e) au fur et à mesure que vous vous familiarisez avec cet outil. Gardez à l'esprit qu'une fraction de seconde d'inattention peut suffire pour provoquer des blessures graves.

**⚠ AVERTISSEMENT:** N'utilisez aucun accessoire ou pièce non recommandé par le fabricant de ce produit. L'utilisation d'accessoires ou de pièces non recommandés peut provoquer des blessures corporelles graves.

Vous pouvez utiliser cet outil pour les usages listés ci-dessous :

**Coupe:** pour couper l'herbe autour de poteaux ou de rambardes, le long des murs, des bordures ou de barrières à côté de zones de circulation ou pour tailler la végétation sur les parkings.

**REMARQUE:** Lors de l'utilisation de l'extension rotocut, veillez à ce qu'aucun corps étranger ne soit projeté, cela pourrait entraîner des risques graves : fenêtres brisées, carrosserie cabossée, clôture fendue, tronc d'arbre déchiré ou blessures corporelles.

### UTILISATION DE L'EXTENSION ROTOCUT AVEC LE BLOC-MOTEUR

**⚠ AVERTISSEMENT:** Pour éviter des blessures corporelles graves, portez en permanence des lunettes de sécurité ou un masque pendant l'utilisation de cet outil. Portez un masque facial ou un masque à poussière dans les endroits poussiéreux.

Nettoyez la zone à couper avant chaque utilisation. Retirez tous les objets pouvant s'emmêler dans les accessoires de coupe ou être projetés, par exemple les pierres, les

morceaux de verre, les clous, les fils métalliques, les ficelles. Veillez à ce qu'il n'y ait aucune autre personne, aucun enfant, ni aucun animal dans l'aire de travail. Veillez à ce que les enfants, les animaux ainsi que toute autre personne se tiennent toujours à au moins 15 m de l'outil en fonctionnement ; le risque de projection d'objets reste présent. Insistez à ce que les autres personnes présentes à proximité portent une protection oculaire. Si une personne s'approche de vous, éteignez immédiatement le moteur et l'accessoire de coupe.

### Avant chaque utilisation, inspectez l'outil pour vérifier qu'aucune de ses pièces n'est endommagée/usée.

Inspectez l'extension rotocut, le carter de protection et le guidon, et remplacez les pièces fissurées, voilées, tordues ou présentant une autre détérioration.

### Après chaque utilisation, nettoyez l'outil.

**⚠ ATTENTION:** Si les ouïes de ventilation sont bouchées, cela empêchera l'air de circuler dans le boîtier du moteur, ce qui peut provoquer la surchauffe et la détérioration du moteur.

- Nettoyez l'outil exclusivement avec un chiffon humide et du savon doux. Veillez à ce qu'aucun liquide ne pénètre jamais dans l'outil. N'immergez jamais aucune partie de l'outil dans un liquide.
- Veillez à ce que les ouïes de ventilation du boîtier du moteur soient toujours exemptes de débris.

### ENTRETIEN

**⚠ AVERTISSEMENT:** L'outil ne doit être réparé qu'avec des pièces de rechange identiques. Inspectez et entretenez l'outil régulièrement. Pour garantir la sécurité et la fiabilité, toutes les réparations doivent être effectuées par un réparateur qualifié.

**⚠ AVERTISSEMENT:** Les outils alimentés par batterie n'ont pas à être branchés dans une prise électrique, ils sont donc toujours prêts à fonctionner. Pour éviter des blessures corporelles graves, faites extrêmement attention lors de l'entretien et de la réparation de l'outil et lors du changement de l'accessoire de coupe ou d'autres accessoires.

**⚠ AVERTISSEMENT:** Pour éviter les blessures corporelles graves, retirez la batterie de l'outil avant de le réparer, de le nettoyer, de changer un accessoire ou d'enlever des matières de l'outil.

## REMPLACEMENT DE LA LAME ROTOCUT

**⚠ AVERTISSEMENT:** Si les lames se desserrent ou si elles sont très usées, remplacez-les immédiatement. N'utilisez jamais l'outil avec un accessoire de coupe desserré ou inefficace.

FR

Description de la tête ROTOCUT à la Fig. D1.

D-1	Capuchon d'arbre	D-2	Lame supérieure
D-3	Lame inférieure	D-4	Disque support de lame
D-5	Rondelle	D-6	Bol glisseur
D-7	Écrou		

- Positionnez le boîtier d'engrenage de la tête ROTOCUT contre une surface solide. Serrez les lames inférieure et supérieure avec une pince ou dans un étau, puis utilisez la clé pour desserrer l'écrou (Fig. D2).
  - Retirez l'écrou, le bol glisseur, la rondelle, le disque support de lame, la lame inférieure, la lame supérieure et le capuchon d'arbre l'un après l'autre comme montré à la Fig. D3.
  - Avant de monter de nouvelles lames, placez le capuchon d'arbre sur l'arbre (Fig. D3). Placez la lame supérieure avec le grand trou hexagonal sur l'arbre avec le logo « EGO » orienté vers le boîtier d'engrenage (Fig. D4), puis placez la lame inférieure avec le petit trou hexagonal sur l'arbre avec le logo « EGO » orienté vers l'opérateur (Fig. D5).
- REMARQUE:** Veillez à ce que les trous hexagonaux sur les lames et l'épaulement hexagonal de l'arbre soient bien en place. Sinon, une fois les lames montées inversement, L'EXTENSION ROTOCUT ne peut pas fonctionner correctement et endommagera les lames.
- Suivez les étapes indiquées à la Fig. D1 pour les réassembler.

## LUBRIFIER LE BOITIER D'ENGRENAGE

Pour optimiser le fonctionnement et maximiser la durée d'utilisation, lubrifiez le boîtier d'engrenage avec une graisse spéciale (4-5 g à chaque fois) toutes les 50 heures d'utilisation.

La graisse spéciale doit satisfaire aux critères suivants.

- Appartenir à la classe DIN51818 : NLGI-1 de profondeur de pénétration d'un cône.
- Graisse à base d'ester.
- Avoir d'excellentes propriétés de démarrage à basse température, de stabilité oxydative, de résistance aux pressions extrêmes, au cisaillement mécanique et à l'abrasion.

- La température d'utilisation doit être comprise entre -40 °C et 180 °C. Débranchez la fiche de la batterie et la vis d'étanchéité. Lubrifiez le boîtier d'engrenage par le trou de graissage.

**⚠ AVERTISSEMENT:** Ne lubrifiez pas lorsque l'outil est encore connecté à la batterie ou en fonctionnement.

## NETTOYER L'OUTIL

- Nettoyez l'outil avec un chiffon humide et un détergent doux.
- N'utilisez pas de détergent puissant sur le boîtier en plastique ou sur la poignée, car ils peuvent être endommagés par certaines huiles aromatiques, par exemple de pin et de citron, et par les solvants, par exemple l'essence. L'humidité peut également générer un risque de choc électrique. Essuyez les traces d'humidité avec un chiffon doux et sec.

## RANGER L'OUTIL

- Nettoyez soigneusement et intégralement l'outil avant de le ranger.
- Rangez l'outil dans un endroit sec, bien aéré, fermé à clé ou en hauteur, et hors de portée des enfants. Ne rangez pas l'outil sur ou à côté d'engrais, d'essence ou d'autres substances chimiques.
- Placez les lames en métal dans un étui de protection lors du transport et du stockage.

## Protection de l'environnement



Ne jetez pas les équipements électriques, les batteries usées et les chargeurs avec les ordures ménagères ! Apportez ce produit chez un recycleur agréé et rendez-le disponible pour une collecte séparée. Les outils électriques doivent être amenés dans un centre de recyclage pour assurer un respect de l'environnement.

## DÉPANNAGE

PROBLÈME	CAUSE	SOLUTION
ROTOCUT ne démarre pas	<ul style="list-style-type: none"> <li>■ La batterie n'est pas correctement raccordée au bloc-moteur.</li> <li>■ La batterie est déchargée.</li> <li>■ Le levier de déverrouillage et l'interrupteur-gâchette ne sont pas tous les deux appuyés.</li> </ul>	<ul style="list-style-type: none"> <li>■ Raccordez la batterie au bloc-moteur.</li> <li>■ Rechargez la batterie avec un chargeur EGO listé dans ce manuel d'utilisation.</li> <li>■ Maintenez le levier de déverrouillage enfoncé, puis appuyez sur la gâchette pour allumer l'outil.</li> </ul>
ROTOCUT s'arrête pendant la coupe.	<ul style="list-style-type: none"> <li>■ Le moteur est en surcharge.</li> <li>■ La batterie est trop chaude.</li> <li>■ La batterie est déconnectée de l'outil.</li> </ul>	<ul style="list-style-type: none"> <li>■ Le moteur pourra redémarrer quand la charge aura été retirée. Lors d'un travail en continu, diminuez la charge exercée sur le ROTO CUT et évitez les coupes en profondeur, coupez plutôt progressivement de plus en plus profond.</li> <li>■ Laissez la batterie refroidir naturellement ou utiliser une soufflerie pour accélérer le refroidissement.</li> <li>■ Reconnectez la batterie.</li> </ul>

FR

## GARANTIE

### POLITIQUE DE GARANTIE EGO

Visitez le site Web [egopowerplus.com](http://egopowerplus.com) pour consulter les conditions complètes de la politique de garantie EGO.

## ¡LEA TODAS LAS INSTRUCCIONES!



**LEA EL MANUAL DEL USUARIO**

ES

**⚠ ¡Riesgo residual!** Las personas con implantes electrónicos, como marcapasos, deberán consultar a su médico antes de utilizar este producto. La utilización de equipos eléctricos en las proximidades inmediatas de un marcapasos podría causar en este interferencias o averías.

**⚠ ADVERTENCIA:** Para garantizar la seguridad y fiabilidad de la herramienta, las reparaciones y sustituciones debe realizarlas únicamente un técnico cualificado.

### SÍMBOLO DE SEGURIDAD

El propósito de los símbolos de seguridad es atraer su atención hacia posibles peligros. Los símbolos de seguridad y las explicaciones que los acompañan requieren su máxima atención y comprensión. Por sí solos, los símbolos de advertencia no eliminan los posibles peligros. Las instrucciones y advertencias que proporcionan no sustituyen a las medidas adecuadas de prevención de accidentes.

**⚠ ADVERTENCIA:** Antes de utilizar esta herramienta, asegúrese de haber leído y entendido perfectamente todas las instrucciones incluidas en este Manual del usuario, incluidos todos los símbolos de aviso sobre seguridad, tales como "PELIGRO", "ADVERTENCIA" y "PRECAUCIÓN". Si no se observan todas las instrucciones que se indican a continuación existe riesgo de incendio, electrocución, así como de lesiones graves.

### SIGNIFICADO DE LOS SÍMBOLOS

**⚠ SÍMBOLO DE AVISO DE SEGURIDAD:** Indica PELIGRO, ADVERTENCIA O PRECAUCIÓN, puede utilizarse de manera conjunta con otros símbolos o pictogramas.

**⚠ ADVERTENCIA:** Cuando se utilizan herramientas eléctricas, es posible que salgan despedidos objetos que podrían causar lesiones oculares graves. Antes de empezar a usar herramientas eléctricas, póngase siempre gafas de seguridad, gafas con cristales anti-impacto que cuenten con pantallas de protección lateral y una máscara facial completa. Recomendamos usar una máscara de seguridad de amplia visión que pueda utilizarse encima de gafas graduadas, o bien gafas normales de seguridad equipadas con pantallas laterales.

## PRECAUCIONES DE SEGURIDAD

Esta página muestra y describe los símbolos de seguridad que puede haber en este producto. Asegúrese de leer, comprender y cumplir todas las instrucciones que se indican en la máquina antes de proceder a su montaje y utilización.

	Aviso de seguridad	Precauciones relacionadas con su seguridad.
	Leer el Manual del usuario	Para reducir el riesgo de lesiones, el usuario debe leer y comprender el manual del usuario antes de utilizar este producto.
	Utilizar protección ocular	Utilice siempre gafas de seguridad, gafas con cristales anti-impacto que cuenten con pantallas de protección lateral, o bien una máscara facial que proteja completamente la cara.
	Utilizar protección auditiva	Lleve siempre protección auditiva cuando utilice este producto.
	Utilizar protección para la cabeza	Lleve puesto casco de seguridad para protegerse la cabeza.
	Utilizar guantes de protección	Utilice guantes para protegerse las manos cuando manipule cuchillas o el protector de las cuchillas.
	Utilizar calzado de seguridad	Lleve calzado de seguridad antideslizante siempre que utilice este equipo.
	Tener cuidado con el contragolpe de las cuchillas	Adverta al usuario del peligro de contragolpe de las cuchillas.
	No exponga la herramienta a la lluvia	No utilice la herramienta bajo la lluvia ni la deje a la intemperie cuando esté lloviendo.

	Puede rebotar. Mantener a otras personas alejadas	Los objetos lanzados pueden rebotar y provocar lesiones personales o daños materiales. Asegúrese de que las personas y los animales domésticos se mantengan alejados de la desbrozadora cuando se esté usando.
	Mantener a otras personas apartadas de la zona donde se use la herramienta	Asegúrese de que las personas y los animales domésticos se mantengan a una distancia mínima de 15 m cuando se esté usando el cortabordes con cabezal de hilo.
	No usar cuchillas redondas	No instale cuchillas redondas.
	RAEE	Los productos eléctricos no deben eliminarse con la basura doméstica. Llévelos a un centro de reciclaje autorizado.
	Ruido	Nivel de potencia acústica garantizado. La emisión de ruido al medio ambiente cumple la directiva de la Comunidad Europea.
	CE	Este producto está en conformidad con las directivas de la CE aplicables.
V	Voltios	Tensión
$n_0$	Velocidad sin carga	Velocidad de giro, sin carga
$\text{min}^{-1}$	Por minuto	Revoluciones por minuto
	Corriente continua	Tipo o característica de la corriente
kg	Kilogramo	Peso

**incluidas con esta herramienta eléctrica.** Si no se cumplen todas las instrucciones que se enumeran a continuación, pueden producirse descargas eléctricas, incendios o lesiones graves.

**Conserve todas las instrucciones y advertencias para poder consultarlas en el futuro.**

- **Evite los entornos peligrosos.** No utilice aparatos en una pendiente mojada o húmeda.
- **Mantenga los dispositivos de protección correctamente instalados y en buen estado.**
- **Mantenga las manos y los pies alejados de la zona de corte.**
- **Para reducir el riesgo de lesiones, nunca utilice la herramienta subido a una escalera ni ningún otro soporte inseguro. Nunca eleve el elemento de corte por encima de su cintura.**
- **Compruebe el elemento de corte a intervalos breves mientras utiliza la herramienta, o inmediatamente si observa cualquier cambio notable en la eficacia de corte.**
- **Para obtener los mejores resultados, cargue la batería en lugares donde la temperatura sea superior a 5°C e inferior a 40°C.** No la guarde en exteriores ni en vehículos.
- **Pare el motor y el elemento de corte si alguien se le acerca.**
- **Advierta al usuario del peligro de contragolpe de las cuchillas.**
- Puede producirse contragolpe de las cuchillas cuando la cuchilla giratoria entra en contacto con un objeto que no corta inmediatamente.
- El contragolpe de las cuchillas puede ser lo bastante violento para provocar que el aparato y/o el usuario salgan impulsados en cualquier dirección, pudiendo perder el control de la herramienta.
- El contragolpe de las cuchillas se puede producir sin previo aviso si la cuchilla se queda trabada, se para o se engancha.
- Es más probable que se produzca contragolpe de las cuchillas en zonas en las que resulta difícil ver el material que se está cortando.
- **No instale ninguna cuchilla a una unidad sin colocar correctamente todas las piezas necesarias. Si no se utilizan las piezas adecuadas, la cuchilla podría salir despedida y provocar lesiones graves al usuario o a otras personas. Deseche las cuchillas que estén dobladas, deformadas, agrietadas, rotas o dañadas de cualquier otro modo. Use cuchillas afiladas. Una cuchilla roma es más probable que se atasque o sufra contragolpe.**

ES

## PRECAUCIONES IMPORTANTES DE SEGURIDAD

**⚠ ADVERTENCIA:** Lea todas las advertencias, instrucciones, ilustraciones y especificaciones

- Una cuchilla o hilo que se mueve en inercia puede provocar lesiones mientras sigue girando tras haber parado el motor o soltado el gatillo. Mantenga un control adecuado hasta que la cuchilla o el hilo haya dejado de girar completamente.
- Las herramientas que funcionan a batería no requieren enchufarse en una toma de corriente. Por lo tanto, siempre están listas para funcionar. Tenga en cuenta los posibles peligros, incluso cuando la herramienta no está funcionando. Preste especial atención al efectuar reparaciones u operaciones de mantenimiento en la herramienta.
- No limpie la herramienta utilizando una manguera. Evite que penetre agua en el motor y en las conexiones eléctricas.
- Si se produce alguna situación que no esté incluida en este manual, actúe con cuidado y sentido común. Póngase en contacto con el departamento de atención al cliente de EGO para solicitar ayuda.
- Utilizar solo con los acumuladores y cargadores enumerados en la fig. A2.

¡CONSERVE ESTAS INSTRUCCIONES!

## ESPECIFICACIONES

Velocidad sin carga	450 ±5 % rpm	
Cuchilla de corte	ABR2300	
Temperatura de funcionamiento recomendada	de 0°C a 40°C	
Temperatura de almacenamiento recomendada	de -20°C a 70°C	
Peso (sin batería)	2,6 kg	
Nivel de potencia acústica medido $L_{WA}$	97,36 dB(A) K= 2,7 dB(A)	
Nivel de presión acústica medido a la altura del oído del usuario $L_{PA}$	83 dB(A) K= 2,5 dB(A)	
Nivel de potencia acústica garantizado $L_{WA}$ (medido conforme a los requisitos de la Directiva 2000/14/CE)	100 dB(A)	
Evaluación de la vibración $a_{h,v}$	Empuñadura auxiliar delantera	3,3 m/s <sup>2</sup> K= 1,5 m/s <sup>2</sup>
	Empuñadura trasera	2,0 m/s <sup>2</sup> K= 1,5 m/s <sup>2</sup>

- El valor de vibración total ha sido medido de acuerdo con el método de prueba estándar y se puede utilizar para comparar herramientas.

- El valor total de vibración declarado se puede usar además en una evaluación preliminar del grado de exposición.

**AVISO:** Las vibraciones generadas durante el uso real de la herramienta eléctrica pueden diferir del valor declarado en función de la manera en que se utilice. Como protección, el usuario debería utilizar guantes y protectores auditivos en condiciones reales de uso.

## LISTA DEL CONTENIDO (FIG. A1) DESCRIPCIÓN

CONOZCA SU ACCESORIO DE ROTOCUT (Fig. A1)

1. Tornillo de sellado
2. Caja de engranajes
3. Cuchilla
4. Conjunto de la cubierta deslizante
5. Conjunto de protección
6. Tubo
7. Tapón
8. Llave de tuercas
9. Llave Allen

## MONTAJE

**⚠ ADVERTENCIA:** Si alguna pieza falta o está rota, no utilice el producto hasta haber sustituido las piezas. Podrían producirse lesiones graves en caso de utilizar el producto si alguna de sus piezas falta o está dañada.

**⚠ ADVERTENCIA:** No intente modificar este producto ni fabricar accesorios no recomendados para su uso en esta máquina. Cualquier alteración o modificación se considerará uso indebido y podría provocar una situación peligrosa con riesgo de sufrir lesiones graves.

### MONTAJE DE LA PROTECCIÓN

**⚠ ADVERTENCIA:** Utilice siempre guantes al instalar o sustituir la protección. Tenga cuidado con la cuchilla instalada en la protección y protéjase las manos adecuadamente para evitar cortarse.

**⚠ ADVERTENCIA:** Nunca utilice la herramienta sin la protección instalada y firmemente sujeta en su sitio. ¡La protección deberá estar siempre instalada en la herramienta para proteger al usuario! Cuando la protección esté fijada, no intente nunca quitarla o ajustarla. ¡En caso de que haya que sustituirla, deberá hacerlo un técnico cualificado!

Afloje los dos tornillos de la protección y quítelos (fig. B), alinee los orificios de montaje de la protección con los orificios de instalación y, a continuación, bloquee la protección sobre la base del tubo utilizando los dos tornillos, junto con dos arandelas elásticas (fig. C).



**⚠ ADVERTENCIA:** Asegúrese de que la protección esté fijada tal como se muestra en las fig. B y C. ¡Si se fija de forma inversa provocará una situación de peligro grave!

### CONEXIÓN DEL ACCESORIO ROTOCUT AL CONJUNTO DE MOTOR

Este Rotocut está diseñado para usarlo con el conjunto de motor EGO PH1400E. Consulte el apartado "INSTALACIÓN DE UN ACCESORIO EN EL CONJUNTO DE MOTOR" del manual del usuario del conjunto de motor PH1400E.

## FUNCIONAMIENTO

**⚠ ADVERTENCIA:** No permita que el hecho de estar familiarizado con el producto le haga descuidarse. Recuerde que cualquier distracción de una fracción de segundo es suficiente para provocar lesiones graves.

**⚠ ADVERTENCIA:** No utilice piezas o accesorios no recomendados por el fabricante de este producto. La utilización de piezas o accesorios no recomendados puede provocar lesiones graves.

Este producto puede utilizarse para los fines indicados a continuación:

**Corte:** se utiliza para cortar hierba alrededor de estacas o barandillas, bordes de paredes, bordillos de calles, vallas en el tráfico, o para recortar vegetación en aparcamientos.

**AVISO:** Cuando utilice el accesorio Rotocut, asegúrese de que no salgan despedidos objetos extraños que supongan riesgos importantes: rotura de ventanas, abolladura de carrocerías de coches, rotura de vallas, desgarramiento en la corteza de árboles o lesiones personales.

### UTILIZACIÓN DEL ACCESORIO ROTOCUT CON EL CONJUNTO DE MOTOR

**⚠ ADVERTENCIA:** Para evitar lesiones graves, lleve gafas de seguridad siempre que utilice esta herramienta. Utilice una mascarilla de protección o antipolvo en entornos en los que se produzca polvo.

Antes de cada uso, despeje la zona de corte. Quite todos los objetos como piedras, vidrios rotos, clavos, alambres, cables o cuerdas, ya que podrían salir despedidos por la acción de la herramienta o enredarse en el elemento de corte. Mantenga a los niños, las mascotas y otras personas fuera de la zona de trabajo. Mantenga a niños, mascotas y otras personas a una distancia mínima de 15 m; existe riesgo de que salgan objetos despedidos. Se recomienda que cualquier persona presente en la zona de trabajo utilice protección ocular. Apague inmediatamente el motor o desactive el dispositivo de corte si se acerca alguna persona.

**Antes de cada uso, examine la herramienta por si hubiera piezas dañadas o desgastadas.**

Examine el accesorio Rotocut, la protección y la empuñadura con bucle. Sustituya cualquier pieza que esté agrietada, deformada, doblada o presente cualquier tipo de daño.

**Limpie la herramienta después de cada uso.**

**⚠ PRECAUCIÓN:** Cualquier obstrucción de los orificios de ventilación impedirá la correcta circulación de aire por el interior de la carcasa del motor, pudiendo hacer que este se sobrecaliente o sufra daños.

- Use solo jabón suave y un paño húmedo para limpiar la herramienta. No deje nunca que entre líquido en la herramienta ni sumerja ninguna parte de la herramienta en ningún líquido.
- Mantenga en todo momento los orificios de ventilación de la carcasa del motor libres de residuos.

## MANTENIMIENTO

**⚠ ADVERTENCIA:** Cuando repare la herramienta, utilice solo piezas idénticas a las originales. Examine la herramienta regularmente y lleve a cabo las operaciones de mantenimiento. Para garantizar la seguridad y fiabilidad de la herramienta, las reparaciones debe realizarlas únicamente un técnico cualificado.

**⚠ ADVERTENCIA:** Las herramientas que funcionan a batería no requieren enchufarse en una toma de corriente. Por lo tanto, siempre están listas para funcionar. Para evitar lesiones graves, extreme las precauciones y proceda con cuidado al efectuar tareas de mantenimiento, reparación o sustitución del elemento de corte o de otros accesorios.

**⚠ ADVERTENCIA:** Para evitar lesiones graves, desenchufe el conector de la batería de la conexión antes de realizar cualquier reparación, limpieza, cambio o instalación de accesorios o de retirar acumulaciones de material cortado.

### SUSTITUCIÓN DE LAS CUCHILLAS DEL ROTOCUT

**⚠ ADVERTENCIA:** Si las cuchillas se sueltan después de haberlas sujetado en su posición, o si están muy desgastadas, cámbielas inmediatamente. Nunca utilice una herramienta con un accesorio de corte suelto o ineficaz.

Familiarícese con el cabezal ROTOCUT consultando la fig. D1.

D-1	Copa del eje	D-2	Cuchilla superior
D-3	Cuchilla inferior	D-4	Copa de soporte
D-5	Arandela	D-6	Plato de deslizamiento
D-7	Tuerca		

1. Coloque la caja de engranajes del ROTOCUT contra una superficie sólida. Sujete las cuchillas superior e inferior con alicates o en un tornillo de banco, y utilice la llave de tuercas para soltar la tuerca (fig. D2).
2. Quite la tuerca, el plato de deslizamiento, la arandela, la copa de soporte, la cuchilla inferior, la cuchilla superior y la copa del eje en el orden que se indica en la fig. D1.
3. Antes de instalar cuchillas nuevas, ponga la copa del eje sobre el eje (fig. D3). Coloque la cuchilla superior con el orificio hexagonal grande sobre el eje, con la superficie que lleva la impresión «EGO» mirando hacia la caja de engranajes (fig. D4) y, a continuación, ponga la cuchilla inferior con el orificio hexagonal pequeño sobre el eje con la superficie que lleva la impresión del logotipo «EGO» indicando hacia el usuario (fig. D5).

**AVISO:** Asegúrese de que los orificios hexagonales de las cuchillas y la parte hexagonal del eje encajen en su lugar. De lo contrario, si las cuchillas se montan invertidas, el ACCESORIO ROTOCUT no funcionará correctamente y se dañarán las cuchillas.

4. Siga el orden indicado en la fig. D1 para volver a montarlas.

## LUBRICACIÓN DE LA CAJA DE ENGRANAJES

Para obtener un funcionamiento óptimo y una vida útil más larga de la herramienta, lubrique la caja de engranajes con una grasa especial (4-5 g cada vez) cada 50 horas de funcionamiento.

La grasa especial debe cumplir los siguientes requisitos:

1. Estar incluida en DIN51818: NLGI-1 grado de penetración de cono.
2. Grasa con base de éster.
3. Excelente arranque a baja temperatura, EP, cizallamiento mecánico, resistencia a la abrasión propiedades de estabilidad oxidativa.
4. La temperatura de funcionamiento debe incluir -40~180 °C. Quite el conector de la batería y el tornillo de sellado. Lubrique la caja de engranajes a través del orificio para aceite.

**⚠ ADVERTENCIA:** No lubrique mientras la herramienta esté todavía conectado a la batería o en marcha.

## LIMPIEZA DE LA UNIDAD

- Limpie la herramienta utilizando un paño húmedo y detergente suave.
- No utilice detergentes fuertes en la carcasa de plástico o la empuñadura. Algunos aceites aromáticos, como aquellos a base de limón o pino, y disolventes como el queroseno, podrían dañar estas piezas. La humedad también puede provocar descargas eléctricas. Utilice un paño suave y seco para eliminar cualquier resto de humedad.

## ALMACENAMIENTO DE LA HERRAMIENTA

- Limpie a fondo la herramienta antes de guardarla.
- Almacene la herramienta en un lugar seco y bien ventilado, ya sea cerrado o a una altura suficiente que impida que los niños puedan alcanzarla. No la guarde encima ni cerca de fertilizantes, gasolina u otros productos químicos.
- Use una cubierta de transporte para las cuchillas de metal durante el transporte y almacenamiento.

## Protección del medio ambiente



¡No elimine aparatos eléctricos, baterías usadas ni cargadores de baterías junto con los desperdicios domésticos! Lleve este producto a un punto de reciclaje autorizado y deposítelo por separado según corresponda. Las herramientas eléctricas se deben llevar a un punto de reciclaje con fin de proteger el medio ambiente.

## SOLUCIÓN DE PROBLEMAS

PROBLEMA	CAUSA	SOLUCIÓN
El ROTOCUT no arranca.	<ul style="list-style-type: none"> <li>■ La batería no está conectada correctamente al conjunto del motor.</li> <li>■ La batería está agotada.</li> <li>■ No ha presionado simultáneamente la palanca de desbloqueo y el gatillo interruptor.</li> </ul>	<ul style="list-style-type: none"> <li>■ Conecte la batería al conjunto del motor.</li> <li>■ Cargue la batería con un cargador EGO indicado en este manual.</li> <li>■ Mantenga presionada la palanca de desbloqueo y apriete el gatillo interruptor para poner en marcha el aparato.</li> </ul>
El ROTOCUT se para cuando está cortando.	<ul style="list-style-type: none"> <li>■ El motor se ha sobrecargado.</li> <li>■ La batería se ha sobrecalentado.</li> <li>■ La batería está desconectada de la herramienta.</li> </ul>	<ul style="list-style-type: none"> <li>■ El motor se recuperará cuando se retire la carga. Para un uso continuado, reduzca la carga en el ROTOCUT y evite cortar en profundidad; en lugar de ello, realice progresivamente cortes más profundos.</li> <li>■ Deje que la batería se enfríe de forma natural, o sople con aire para que se enfríe más deprisa.</li> <li>■ Vuelva a conectar la batería.</li> </ul>

ES

## GARANTÍA

### POLÍTICA DE GARANTÍA DE EGO

Visite la página web [egopowerplus.com](http://egopowerplus.com) para conocer los términos y condiciones completos de la política de garantía de EGO.

## LEIA TODAS AS INSTRUÇÕES!



### LEIA O MANUAL DE INSTRUÇÕES

PT

**⚠ Risco residual!** As pessoas com dispositivos eletrônicos, como pacemakers, deverão consultar o seu médico antes de utilizarem este produto. A utilização de equipamento elétrico perto de um pacemaker pode causar interferências ou falhas no pacemaker.

**⚠ AVISO:** Para assegurar a segurança e bom funcionamento, todas as reparações e substituições deverão ser efetuadas por um técnico de reparação qualificado.

## SÍMBOLO DE SEGURANÇA

O objetivo dos símbolos de segurança é chamar a atenção para possíveis perigos. Os símbolos de segurança e as respectivas explicações apresentadas requerem a sua atenção e compreensão. Os avisos de segurança, só por si, não eliminam o perigo. As instruções e avisos dados não são substitutos para medidas de prevenção adequadas a acidentes.

**⚠ AVISO:** Certifique-se de que lê e compreende todos os avisos de segurança neste manual do utilizador, incluindo todos os símbolos de alerta de segurança, como "PERIGO", "AVISO" e "CUIDADO" antes de usar esta ferramenta. O não cumprimento de todas as instruções apresentadas abaixo pode resultar em choque elétrico, incêndio e/ou lesões pessoais graves.

## SIGNIFICADO DOS SÍMBOLOS

**⚠ SÍMBOLO DE ALERTA DE SEGURANÇA:** Indica PERIGO, AVISO ou CUIDADO e pode ser usado juntamente com outros símbolos ou imagens.

**⚠ AVISO:** O funcionamento de qualquer ferramenta elétrica pode dar origem ao ressalto de quaisquer objetos estranhos que podem atingir os olhos, podendo dar origem a sérias lesões oculares. Antes de começar a utilizar a ferramenta elétrica, utilize sempre óculos de segurança com proteções laterais e uma proteção completa para o rosto, quando necessário. Recomendamos a utilização de máscaras de segurança com visão panorâmica por cima dos óculos ou óculos de segurança padrão com proteção lateral.

## INSTRUÇÕES DE SEGURANÇA

# 28

ACESSÓRIO DE CORTE ROTATIVO — RTA2300

Esta página retrata e descreve os símbolos de segurança que podem aparecer neste produto. Leia, compreenda e siga todas as instruções na máquina antes de tentar montar e utilizar.

	Alerta de segurança	Precauções que envolvam a sua segurança.
	Leia o manual do utilizador	Para reduzir o risco de lesões, o utilizador tem de ler e compreender o manual do utilizador antes de utilizar este produto.
	Utilize proteção ocular.	Utilize sempre óculos de segurança com proteção lateral e, se necessário, uma proteção completa do rosto, quando utilizar este produto.
	Utilize proteção auditiva.	Utilize sempre proteção auditiva ao utilizar este produto.
	Utilize proteção para a cabeça.	Use um chapéu de proteção aprovado para proteger a cabeça.
	Utilize luvas de proteção.	Proteja as suas mãos com luvas quando manusear a lâmina ou a proteção da lâmina.
	Utilize calçado de segurança.	Use calçado de segurança anti-derrapante quando usar este equipamento.
	Cuidado com o impulso da lâmina.	Avise o operador do perigo de impulso da lâmina.
	Não exponha à chuva	Não use este produto à chuva nem o deixe no exterior quando chover.
	Ricochete e Manter terceiros afastados	Objetos podem ressaltar e causar lesões pessoais ou danos materiais. Certifique-se de que outras pessoas e animais permanecem afastados da moto-roçadora durante a utilização.
	Mantenha terceiros afastados.	Certifique-se de que outras pessoas e animais permanecem a, pelo menos, 15 metros da roçadora durante a utilização.

	Sem lâmina redonda	Não instale lâminas de corte redondas.
	REEE	Os resíduos elétricos não deverão ser eliminados juntamente com o lixo doméstico comum. Entregue-os num centro de reciclagem autorizado.
	Ruído	Nível de potência do som garantido. Emissão de ruído para o ambiente de acordo com a diretiva da Comunidade Europeia.
	CE	Este produto encontra-se em conformidade com as diretivas CE aplicáveis.
V	Volts	Voltagem
$n_0$	Velocidade sem carga	Velocidade de rotação, sem carga
$\text{min}^{-1}$	Por minuto	Rotações por minuto
	Corrente direta	Tipo ou característica da corrente
kg	Quilograma	Peso

## INSTRUÇÕES DE SEGURANÇA IMPORTANTES

**⚠ AVISO:** Leia todos os avisos de segurança, instruções, ilustrações e especificações fornecidas com esta ferramenta elétrica. Não seguir todas as instruções apresentadas abaixo pode resultar em choque elétrico, incêndio e/ou lesões graves.

Guarde todos os avisos e instruções para futuras referências.

- Evite ambientes perigosos – Não use aparelhos em locais húmidos ou em encostas.
- Mantenha as proteções no lugar e em bom estado de funcionamento.
- Mantenha as mãos e pés afastados da área de corte.
- Para reduzir o risco de lesões, nunca trabalhe em cima de uma escada ou noutro suporte inseguro. Nunca segure o acessório de corte acima da altura da cintura.

- Verifique regularmente o acessório de corte durante a utilização ou imediatamente após reparar alguma alteração no comportamento de corte.
- Para melhores resultados, a sua bateria deverá ser carregada num local onde a temperatura seja superior a 5 °C e inferior a 40 °C. Não guarde no exterior nem dentro de veículos.
- Se alguém se aproximar, desligue o motor e o acessório de corte.
- Avise o operador do perigo de impulso da lâmina.
- O impulso da lâmina pode ocorrer quando a lâmina giratória entrar em contacto com um objeto que não corte imediatamente.
- O impulso da lâmina pode ser suficientemente violento para fazer com que a unidade e/ou operador seja ressaltado em qualquer direção e possivelmente perca o controlo da unidade.
- O impulso da lâmina pode ocorrer sem aviso, caso a lâmina bata, fique presa ou limitada.
- O impulso é mais provável em áreas onde seja difícil ver o material a ser cortado.
- Não fixe qualquer lâmina numa unidade sem a instalação adequada de todas as peças necessárias. Não usar as peças adequadas pode fazer com que a lâmina se solte e lesione seriamente o operador e/ou outras pessoas. Elimine as lâminas dobradas, torcidas, rachadas, partidas ou danificadas de algum modo. Use uma lâmina afiada. Uma lâmina que não esteja afiada pode prender e sofrer um ressalto.
- Uma lâmina/fio solto pode causar lesões enquanto continua a girar após o motor parar ou libertar o gatilho. Mantenha o controlo adequado até que a lâmina/fio pare de rodar por completo.
- As ferramentas que funcionam a bateria não têm de ser ligadas a uma tomada elétrica; assim, estão sempre em estado de funcionamento. Tenha cuidado com possíveis perigos quando o aparelho não estiver a funcionar. Tenha cuidado quando efetuar a manutenção ou reparações.
- Não lave com uma mangueira. Evite que entre água no motor e nas ligações elétricas.
- Se ocorrerem situações que não sejam abrangidas por este manual, tenha cuidado e faça uso do bom senso. Contacte o centro de reparação da EGO para obter assistência.
- Utilize apenas com as baterias e carregadores listados na imagem A2.

**GUARDE ESTAS INSTRUÇÕES!**

## CARACTERÍSTICAS TÉCNICAS

Velocidade sem carga	450±5% rpm	
Lâmina de corte	ABR2300	
Temperatura de funcionamento recomendada	0°C a 40°C	
Temperatura de armazenamento recomendada	-20°C a 70°C	
Peso (sem a bateria)	2,6 kg	
Nível de potência do som medido $L_{WA}$	97,36 dB(A) K= 2,7 dB(A)	
Nível da pressão do som no ouvido do operador $L_{PA}$	83 dB(A) K= 2,5 dB(A)	
Nível de potência do som garantido $L_{WA}$ (medido de acordo com a norma 2000/14/CE)	100 dB(A)	
Avaliação da vibração $a_{h,v}$	Pega auxiliar dianteira	3,3 m/s <sup>2</sup> K= 1,5 m/s <sup>2</sup>
	Pega traseira	2,0 m/s <sup>2</sup> K= 1,5 m/s <sup>2</sup>

- O valor total declarado da vibração foi medido de acordo com um método de teste padrão e pode ser usado para comparar duas ferramentas;
- O valor total declarado da vibração também pode ser usado numa avaliação preliminar da exposição.

**AVISO:** A emissão de vibrações durante a utilização da ferramenta elétrica pode diferir do valor declarado em que a ferramenta é usada. De modo a proteger o utilizador, este deverá usar luvas e proteção auditiva nas condições atuais de utilização.

## LISTA DE PEÇAS (IMAGEM A1)

### DESCRIÇÃO

#### CONHEÇA O SEU ACESSÓRIO DE MOTOCULTIVADORA (Imagem A1)

1. Parafuso vedante
2. Caixa do carreto
3. Lâmina
4. Conjunto da cobertura deslizante
5. Conjunto da proteção
6. Eixo
7. Vedante da extremidade
8. Chave
9. Chave sextavada

## MONTAGEM

**AVISO:** Se quaisquer peças estiverem danificadas ou em falta não utilize este produto até as peças serem substituídas. Utilizar este produto com peças danificadas ou em falta pode dar origem a lesões pessoais sérias.

**AVISO:** Não tente modificar este produto nem criar acessórios que não sejam recomendados para utilizar com esta máquina. Qualquer alteração ou modificação é considerada uma má utilização e pode dar origem a perigos, que podem levar a possíveis lesões pessoais sérias.

### MONTAR A PROTEÇÃO

**AVISO:** Utilize sempre luvas quando montar ou substituir a proteção. Tenha cuidado com a lâmina na proteção e proteja a sua mão contra cortes.

**AVISO:** Nunca utilize o aparelho sem a proteção bem colocada. A proteção tem de estar sempre no aparelho para proteger o utilizador. Quando a proteção estiver fixada, nunca tente retirá-la nem ajustá-la. Se tiver de a substituir, isso deverá ser efetuado por um técnico qualificado!

Solte e retire os dois parafusos da proteção (Imagem B), alinhe os orifícios de montagem da proteção com os orifícios de montagem e, depois, bloqueie a proteção na base do eixo com dois parafusos, juntamente com duas anilhas de mola (Imagem C).

**AVISO:** Certifique-se de que a proteção está fixada de acordo com a Imagem B e C. Qualquer fixação inversa irá provocar um grande perigo!

### LIGAR O ACESSÓRIO DE MOTOCULTIVADORA À CABEÇA MOTORA

Este acessório de motocultivadora foi criado para ser usado com a cabeça motora EGO Power PH1400E. Consulte a secção “**INSTALAR UM ACESSÓRIO NA CABEÇA MOTORA**” no manual de utilização da cabeça motora PH1400E.

## FUNCIONAMENTO

**AVISO:** Não deixe que a sua familiaridade com o produto o tome descuidado. Lembre-se, uma fração de segundo de desatenção é suficiente para infligir ferimentos graves.

**AVISO:** Não utilize quaisquer ligações ou acessórios não recomendados pelo fabricante deste produto. O uso de ligações ou acessórios não recomendados pode resultar em ferimentos pessoais graves.

Pode utilizar este produto para os objetivos abaixo listados:

**Cortar:** Usado para cortar a erva em redor de estacas ou barreiras de proteção, paredes, lancis, vedações, ou para aparar a vegetação em parques de estacionamento.

**AVISO:** Quando usar o acessório de motocultivadora, certifique-se de que não são atirados objetos estranhos, pois isso pode dar origem a grandes riscos: Janelas partidas, amolgadelas nos carros, vedações dobradas, ramos de árvores partidos ou lesões pessoais.

### USAR O ACESSÓRIO DE MOTOCULTIVADORA COM A CABEÇA MOTORA

**AVISO:** Para evitar lesões pessoais sérias, utilize sempre óculos de segurança quando utilizar este aparelho. Utilize uma máscara para o rosto ou máscara do pó em locais poeirentos.

Limpe a área a cortar antes de cada utilização. Retire todos os objetos, como pedras, vidro partido, pregos, arames ou fios que possam ser atirados ou ficar presos no acessório de corte. Afaste as crianças, terceiros e animais. No mínimo, mantenha as crianças, terceiros e animais a um raio de 15 metros. Poderá continuar a haver um risco para as pessoas devido aos objetos que possam ser atirados. As outras pessoas deverão ser encorajadas a usar proteção ocular. Se alguém se aproximar, desligue imediatamente o motor e o acessório de corte.

### Antes de cada utilização, verifique se existem peças gastas/danificadas.

Verifique o acessório de motocultivadora, proteção e pega em arco, e substitua as peças rachadas, torcidas, dobradas ou danificadas de algum modo.

### Após cada utilização, limpe a ferramenta.

**CUIDADO:** As obstruções nas aberturas de ventilação impedem que o ar flua para a estrutura do motor, dando origem a um sobreaquecimento ou danos no motor.

- Utilize apenas detergente neutro e um pano humedecido para limpar a ferramenta. Nunca permita que entrem líquidos no aparelho e nunca coloque qualquer parte da ferramenta dentro de qualquer líquido.
- Mantenha sempre as aberturas de ventilação da estrutura do motor sem lixo.

## MANUTENÇÃO

**AVISO:** Quando fizer reparações, utilize apenas peças de substituição idênticas. Inspeccione e efetue a manutenção da ferramenta com regularidade. Para assegurar a segurança e bom funcionamento, todas as reparações deverão ser efetuadas por um técnico de reparação qualificado.

**AVISO:** As ferramentas que funcionam a bateria não têm de ser ligadas a uma tomada elétrica; assim, estão sempre em estado de funcionamento. Para evitar lesões pessoais sérias, tenha muito cuidado quando efetuar a manutenção, reparação ou mudança do acessório de corte ou de outros acessórios.

**AVISO:** Para evitar lesões pessoais sérias, retire o conector da bateria da tomada antes da reparação, limpeza, mudança de acessórios ou remoção de material da unidade.

### SUBSTITUIÇÃO DA LÂMINA DO PRODUTO DE CORTE ROTATIVO

**AVISO:** Se a lâmina ficar solta após ser fixada na respetiva posição, ou se as lâminas estiverem muito gastas, substitua as lâminas imediatamente. Nunca utilize uma ferramenta com um acessório de corte solto ou ineficaz.

Conheça a cabeça do PRODUTO DE CORTE ROTATIVO, conforme apresentado na Imagem D1.

D-1	Copa do eixo	D-2	Lâmina superior
D-3	Lâmina inferior	D-4	Copa de suporte
D-5	Anilha	D-6	Lâmina deslizante
D-7	Porca		

1. Coloque a estrutura do carreto da cabeça do PRODUTO DE CORTE ROTATIVO contra uma superfície sólida. Fixe as lâminas superior e inferior com um alicate ou num torno, depois use a chave para libertar a porca (Imagem D2).
2. Retire a porca, lâmina deslizante, anilha, copa de suporte, lâmina inferior, lâmina superior e copa do eixo em sequência, conforme apresentado na Imagem D1.
3. Antes de instalar lâminas novas, coloque a copa do eixo no eixo (Imagem D3). Coloque a lâmina superior com o orifício sextavado no eixo com a superfície com a impressão "EGO" virada para a estrutura do carreto (Imagem D4), depois coloque a lâmina inferior com o pequeno orifício sextavado no eixo com a superfície com a impressão "EGO" virada para o operador (Imagem D5).

**AVISO:** Certifique-se de que os orifícios sextavados nas lâminas e dobra do eixo sextavado encaixam no respetivo lugar. Caso contrário, as lâminas são montadas na ordem inversa e o ACESSÓRIO DE MOTOCULTIVADORA não pode funcionar corretamente, danificando as lâminas.

4. Siga a sequência apresentada na Imagem D1 para voltar a montar.

## LUBRIFICAR A CAIXA DO CARRETO

Para um melhor funcionamento e maior tempo de vida útil, lubrifique a estrutura do carreto com um lubrificante especial (4 a 5 g de cada vez) a cada 50 horas de funcionamento.

PT

O lubrificante especial deverá ir ao encontro dos seguintes requisitos.

1. Pertence ao grau de penetração cônica DIN51818: NLGI-1.
2. Lubrificante à base de éster.
3. Excelente arranque a baixas temperaturas, EP, corte mecânico, propriedades de resistência à abrasão e estabilidade oxidativa.
4. A temperatura de funcionamento tem de se encontrar entre os -40 °C e os 180 °C. Retire a ficha da bateria e o parafuso vedante. Lubrifique a caixa do carreto através do orifício do óleo.

**⚠ AVISO:** Não lubrifique enquanto a ferramenta estiver ligada à bateria ou a funcionar.

## LIMPEZA DA UNIDADE

- Limpe a unidade usando um pano humedecido com detergente suave.
- Não utilize detergentes fortes na estrutura de plástico ou na pega. Estes podem ser danificados por determinados óleos aromáticos, como pinho e limão e por solventes como querosene. A humidade também pode causar um perigo de choque. Retire qualquer vestígio de humidade com um pano macio e seco.

## GUARDAR A UNIDADE

- Limpe bem a ferramenta antes de a guardar.
- Guarde a unidade num local seco, bem ventilado, trancado ou elevado, fora do alcance das crianças. Não armazene a unidade em cima ou perto de fertilizantes, gasolina ou outros químicos.
- Use uma cobertura de transporte para as lâminas de metal durante o transporte e armazenamento.

## Proteja o ambiente



Não elimine equipamento elétrico, bateria gasta nem carregador juntamente com o lixo doméstico comum! Leve este produto a um centro de reciclagem autorizado para que possa haver uma separação das peças. As ferramentas elétricas têm de ser devolvidas em instalações de reciclagem ambientalmente compatíveis.



## RESOLUÇÃO DE PROBLEMAS

PROBLEMA	CAUSA	SOLUÇÃO
O PRODUTO DE CORTE ROTATIVO não arranca.	<ul style="list-style-type: none"><li>▪ A bateria não foi ligada corretamente na cabeça motora.</li><li>▪ A bateria está gasta.</li><li>▪ A alavanca de bloqueio e o gatilho não foram premidos em simultâneo.</li></ul>	<ul style="list-style-type: none"><li>▪ Fixe a bateria na cabeça motora.</li><li>▪ Carregue a bateria com um carregador EGO listado neste manual.</li><li>▪ Prima a alavanca de desbloqueio e mantenha premida, depois prima o gatilho para ligar a unidade.</li></ul>
O PRODUTO DE CORTE ROTATIVO pára durante o corte.	<ul style="list-style-type: none"><li>▪ O motor está sobrecarregado.</li><li>▪ A bateria está demasiado quente.</li><li>▪ A bateria foi retirada da ferramenta.</li></ul>	<ul style="list-style-type: none"><li>▪ O motor recupera quando a carga for retirada. Para um trabalho contínuo, diminua a carga no PRODUTO DE CORTE ROTATIVO e evite cortes profundos. Em vez disso, faça cortes progressivamente mais fundos.</li><li>▪ Permita que a bateria arrefeça naturalmente. Ou use ar comprimido para despachar o arrefecimento.</li><li>▪ Volte a ligar a bateria.</li></ul>

PT

## GARANTIA

### POLÍTICA DE GARANTIA EGO

Visite o website [egopowerplus.com](http://egopowerplus.com) para os termos e condições completos da política de garantia da EGO.

## LEGGERE TUTTE LE ISTRUZIONI!



### LEGGERE IL MANUALE DI ISTRUZIONI

**⚠️ Rischi residui!** Le persone portatrici di dispositivi elettronici, ad esempio pacemaker, devono consultare il proprio medico prima di usare questo prodotto. L'uso di apparecchi elettrici in prossimità di pacemaker cardiaci comporta il rischio di interferenze o malfunzionamento del pacemaker.

**⚠️ AVVERTENZA!** Per garantire sicurezza e affidabilità, tutte le riparazioni e sostituzioni devono essere eseguite da un tecnico qualificato.

## SIMBOLI DI SICUREZZA

Lo scopo dei simboli di sicurezza è attirare l'attenzione dell'operatore su possibili pericoli. I simboli di sicurezza e le relative spiegazioni richiedono la massima attenzione e comprensione da parte dell'operatore. Le avvertenze espresse dai simboli, da sole, non eliminano tutti i rischi. Le istruzioni e le avvertenze non sostituiscono le adeguate misure di prevenzione contro gli incidenti.

**⚠️ AVVERTENZA!** Accertarsi di aver letto e compreso tutte le istruzioni di sicurezza in questo manuale, inclusi tutti i simboli di avvertenza come **"PERICOLO"**, **"AVVERTENZA"** e **"ATTENZIONE"**, prima di usare questo apparecchio. Il mancato rispetto di tutte le istruzioni elencate di seguito comporta il rischio di scossa elettrica, incendio e/o lesioni gravi.

## SIGNIFICATO DEI SIMBOLI

**⚠️ SIMBOLO DI AVVERTENZA:** indica **PERICOLO**, **AVVERTENZA** o **ATTENZIONE**; può essere usato in combinazione con altri simboli o icone.

**⚠️ AVVERTENZA!** L'uso di apparecchi elettrici può causare il lancio di oggetti estranei verso l'operatore, con il rischio di lesioni gravi agli occhi. Durante l'uso dell'apparecchio, indossare sempre occhiali protettivi o occhiali di sicurezza con protezioni laterali e, se necessario, una maschera facciale. Si consiglia di indossare una maschera di sicurezza con ampio campo visivo sopra gli occhiali o occhiali di sicurezza standard con protezioni laterali.

## AVVERTENZE DI SICUREZZA

Questa pagina illustra e descrive i simboli di sicurezza che possono comparire sul prodotto. Leggere, comprendere e seguire tutte le istruzioni sull'apparecchio prima di tentare di assemblarlo e ripararlo.

	Avvertenza di sicurezza	Precauzioni relative alla sicurezza dell'operatore.
	Leggere il manuale di istruzioni	Per ridurre il rischio di infortunio, l'utente deve leggere e comprendere tutte le istruzioni prima di usare questo prodotto.
	Indossare protezioni per gli occhi	Durante l'uso del prodotto, indossare sempre occhiali protettivi o occhiali di sicurezza con protezioni laterali e una maschera facciale.
	Indossare protezioni per le orecchie	Durante l'uso del prodotto, indossare sempre protezioni per le orecchie.
	Indossare protezioni per la testa	Indossare un casco di sicurezza omologato per proteggere la testa.
	Indossare guanti di sicurezza	Proteggere le mani con i guanti durante la manipolazione della lama o della cuffia di protezione.
	Indossare calzature di sicurezza	Indossare calzature di sicurezza antiscivolo durante l'uso di questo apparecchio.
	Fare attenzione al rischio di contraccolpo	Avverte l'operatore del pericolo di contraccolpo della lama.
	Non esporre alla pioggia	Non usare l'apparecchio in caso di pioggia e non lasciarlo all'aperto quando piove.

	Rimbalzo - Tenere lontane le altre persone	Gli oggetti lanciati possono rimbalzare e causare danni o lesioni. Assicurarsi che eventuali altre persone e animali rimangano a distanza dall'apparecchio quando è in funzione.
	Tenere lontane le altre persone	Assicurarsi che eventuali altre persone e animali rimangano ad almeno 15 m di distanza dall'apparecchio quando è in funzione.
	Non usare lame rotonde	Non installare lame rotonde.
	RAEE	I prodotti elettrici non devono essere smaltiti insieme ai rifiuti domestici. Portarli presso un centro di riciclaggio autorizzato.
	Rumorosità	Livello di potenza sonora garantito. Emissione di rumore nell'ambiente conforme alla direttiva dell'Unione europea.
	CE	Questo prodotto è conforme alle direttive europee applicabili.
V	Volt	Tensione
$n_0$	Velocità a vuoto	Velocità di rotazione, senza carico
min <sup>-1</sup>	Al minuto	Rotazioni al minuto
	Corrente continua	Tipo o caratteristica della corrente
kg	Chilogrammo	Peso

## AVVERTENZE DI SICUREZZA IMPORTANTI

**⚠ AVVERTENZA!** Leggere tutte le avvertenze di sicurezza, le istruzioni, le illustrazioni e le specifiche fornite insieme a questo utensile elettrico. Il mancato rispetto delle istruzioni sotto riportate comporta il rischio di scossa elettrica, incendio e/o gravi infortuni.

**Conservare tutte le avvertenze e le istruzioni per futuro riferimento.**

- **Evitare gli ambienti pericolosi.** Non usare l'apparecchio in ambienti umidi o bagnati.
- **Mantenere la cuffia di protezione dell'apparecchio installata e in buono stato.**
- **Tenere mani e piedi lontani dall'area di taglio.**
- **Per ridurre il rischio di infortunio, non lavorare mai su scale o su altri supporti instabili. Non tenere mai l'unità di taglio sopra l'altezza della vita.**
- **Ispezionare l'unità di taglio a brevi e regolari intervalli durante l'uso o immediatamente dopo aver rilevato un evidente cambiamento nell'efficienza di taglio.**
- **Per i migliori risultati, ricaricare la batteria in locali in cui la temperatura è superiore a 5°C e inferiore a 40°C.** Non conservare l'apparecchio all'aperto o all'interno di veicoli.
- **Se un'altra persona si avvicina, arrestare immediatamente il motore e l'unità di taglio.**
- **Avverte l'operatore del pericolo di contraccolpo della lama.**
- Il contraccolpo della lama può verificarsi quando la lama in movimento entra a contatto con un oggetto che non riesce a tagliare immediatamente.
- Il contraccolpo della lama può essere così violento da spingere l'unità e/o l'operatore in qualsiasi direzione, causando la perdita di controllo dell'unità.
- Il contraccolpo della lama può verificarsi senza preavviso se la lama si inceppa, si blocca o si piega.
- Il contraccolpo può verificarsi maggiormente in aree in cui è difficile vedere il materiale da tagliare.
- **Non fissare alcuna lama all'unità senza aver installato correttamente tutti i componenti necessari. Il mancato utilizzo dei componenti corretti può causare il distacco della lama, con il conseguente rischio di lesioni per l'operatore e/o le persone presenti. Gettare lame piegate, deformate, incurvate, rotte o danneggiate in qualsiasi modo. Usare una lama affilata. Una lama smussata ha più probabilità di incepparsi e causare contraccolpi.**
- La lama/il filo di taglio può causare lesioni anche dopo l'arresto del motore o il rilascio dell'interruttore a grilletto perché continua a ruotare. Mantenere il controllo dell'apparecchio finché la lama/il filo di taglio non si ferma completamente.
- **Gli apparecchi a batteria non hanno bisogno di essere collegati a un impianto elettrico; pertanto sono sempre in condizioni operative.** Tenere a mente i possibili rischi anche quando l'apparecchio non è in funzione. Prestare attenzione durante le operazioni di manutenzione o riparazione.

IT

- **Non pulire l'apparecchio con tubi per innaffiare; evitare le infiltrazioni d'acqua nel motore e nelle connessioni elettriche.**
- **In caso di situazioni non contemplate in questo manuale, agire con cautela e usare il buon senso. Contattare il centro di assistenza EGO per assistenza.**
- Usare esclusivamente con i gruppi batteria e i caricabatteria elencati in fig. A2.

**IT**

## CONSERVARE QUESTE ISTRUZIONI!

## SPECIFICHE TECNICHE

Velocità a vuoto	450±5% rpm	
Lama di taglio	ABR2300	
Temperatura di funzionamento raccomandata	Da 0°C a 40°C	
Temperatura di conservazione raccomandata	Da -20°C a 70°C	
Peso (senza gruppo batteria)	2,6 kg	
Livello di potenza sonora misurato $L_{WA}$	97,36 dB(A) K= 2,7 dB(A)	
Livello di pressione sonora a livello dell'orecchio dell'operatore $L_{PA}$	83 dB(A) K= 2,5 dB(A)	
Livello di potenza sonora garantito $L_{WA}$ (misurazione conforme a 2000/14/EC)	100 dB(A)	
Valore di vibrazioni $a_{h1}$	Impugnatura anteriore ausiliaria	3,3 m/s <sup>2</sup> K= 1,5 m/s <sup>2</sup>
	Impugnatura posteriore	2,0 m/s <sup>2</sup> K= 1,5 m/s <sup>2</sup>

- Il valore totale dichiarato delle vibrazioni è stato misurato con un metodo di valutazione standard e può essere utilizzato per confrontare l'apparecchio con altri prodotti analoghi.
- Il valore totale di vibrazioni indicato può essere utilizzato anche per una valutazione preliminare dei livelli di esposizione.

**NOTA:** l'emissione di vibrazioni durante l'uso effettivo dell'apparecchio può variare rispetto al valore indicato in base a come viene utilizzato l'utensile. Per proteggersi, l'operatore deve indossare guanti e dispositivi di protezione per le orecchie in base alle reali condizioni d'uso.

## CONTENUTO DELL'IMBALLAGGIO (FIG. A1)

# 36

ACCESSORIO ROTOCUT — RTA2300

## DESCRIZIONE

### DESCRIZIONE DELL'ACCESSORIO ROTOCUT (Fig. A1)

1. Vite sigillante
2. Scatola ingranaggi
3. Lama
4. Copertura scorrevole
5. Protezione
6. Asta
7. Cappuccio terminale
8. Chiave
9. Chiave esagonale

## ASSEMBLAGGIO

**⚠ AVVERTENZA!** In caso di componenti danneggiati o mancanti, non usare l'apparecchio finché i componenti non vengono sostituiti. L'uso dell'apparecchio con componenti danneggiati o mancanti comporta il rischio di lesioni gravi.

**⚠ AVVERTENZA!** Non tentare di modificare l'apparecchio o creare accessori non raccomandati per l'uso con questo apparecchio. Tali alterazioni o modifiche costituiscono un uso improprio e comportano condizioni pericolose e il rischio di lesioni gravi.

### INSTALLAZIONE DELLA PROTEZIONE

**⚠ AVVERTENZA!** Indossare sempre i guanti durante l'installazione o la sostituzione della protezione. Fare attenzione alla lama sulla protezione e proteggere le mani dal rischio di lesioni.

**⚠ AVVERTENZA!** Non usare l'apparecchio se la protezione non è posizionata correttamente e saldamente. La protezione deve essere sempre installata per proteggere l'operatore! Dopo aver fissato la protezione, non tentare mai di rimuoverla o regolarla. Se è necessario sostituirla, affidare l'operazione a un tecnico qualificato!

Allentare e rimuovere le due viti dalla protezione (Fig. B), allineare i fori di montaggio della protezione con i fori di assemblaggio, quindi bloccare la protezione sulla base dell'asta con le due viti e le due rondelle a molla (Fig. C).

**⚠ AVVERTENZA!** Accertarsi che la protezione sia fissata come illustrato in Fig. B e C; il fissaggio invertito comporta gravi rischi!

### COLLEGAMENTO DELL'ACCESSORIO ROTOCUT ALL'UNITÀ MOTORE

Questo accessorio roto-cut è progettato per l'uso con l'unità motore EGO PH1400E. Consultare la sezione "INSTALLAZIONE DI UN ACCESSORIO SULL'UNITÀ

**MOTORE** nel manuale di istruzioni dell'unità motore PH1400E.

## UTILIZZO

**AVVERTENZA!** La familiarità con questo apparecchio non deve rendere l'operatore disattento. Anche un solo momento di disattenzione comporta il rischio di lesioni gravi.

**AVVERTENZA!** Non usare accessori non raccomandati dal costruttore dell'apparecchio. L'uso di accessori non raccomandati comporta il rischio di lesioni gravi.

Questo prodotto può essere usato per gli scopi elencati di seguito.

Taglio: per tagliare l'erba intorno a paletti o ringhiere, lungo pareti, marciapiedi, recinzioni nel traffico o nei parcheggi.

**NOTA:** durante l'uso dell'accessorio rotocut, assicurarsi che nessun oggetto estraneo possa essere lanciato dall'apparecchio per evitare i seguenti rischi: finestre rotte, carrozzerie ammaccate, recinti danneggiati, cortecce lacerate o lesioni personali.

### UTILIZZO DELL'ACCESSORIO ROTOCUT CON L'UNITÀ MOTORE

**AVVERTENZA!** Per evitare lesioni gravi, indossare sempre occhiali di protezione o di sicurezza durante tutto l'uso dell'apparecchio. Indossare una maschera facciale o antipolvere in ambienti polverosi.

Sgombrare l'area da tagliare prima di ogni utilizzo. Rimuovere oggetti come pietre, vetri rotti, chiodi, cavi o corde perché potrebbero venire lanciati o impigliarsi nell'accessorio di taglio. Tenere lontani dall'area di lavoro bambini, altre persone e animali. Tenere eventuali bambini, altre persone e animali ad almeno 15 m di distanza; permane tuttavia il rischio di lesioni alle altre persone dovute al lancio di oggetti. Si raccomanda di far indossare dei dispositivi di protezione per gli occhi a eventuali persone presenti. Se un'altra persona si avvicina, arrestare immediatamente il motore e l'accessorio di taglio.

### Prima di ogni utilizzo, verificare l'assenza di componenti danneggiati/usurati.

Ispezionare l'accessorio rotocut, la protezione e l'impugnatura ad anello e sostituire i componenti incrinati, deformati, piegati o danneggiati in qualsiasi modo.

### Pulire l'accessorio dopo ogni utilizzo.

**AVVERTENZA!** L'ostruzione delle aperture di

ventilazione impedirà il flusso d'aria all'interno del vano motore, causando il surriscaldamento o il danneggiamento del motore.

- Usare esclusivamente sapone neutro e un panno umido per pulire l'apparecchio. Evitare l'infiltrazione di liquidi all'interno dell'apparecchio. Non immergere mai alcuna parte dell'apparecchio in liquidi.
- Mantenere le aperture di ventilazione sul vano motore prive di detriti.

## MANUTENZIONE

**AVVERTENZA!** Per la riparazione dell'apparecchio, usare esclusivamente parti di ricambio identiche. Ispezionare l'accessorio ed effettuare la manutenzione regolarmente. Per garantire sicurezza e affidabilità, tutte le riparazioni e sostituzioni devono essere eseguite da un tecnico qualificato.

**AVVERTENZA!** Gli apparecchi a batteria non hanno bisogno di essere collegati a un impianto elettrico; pertanto sono sempre in condizioni operative. Per evitare lesioni gravi, prestare particolare attenzione durante le operazioni di manutenzione o riparazione e la sostituzione dell'accessorio di taglio o di altri accessori.

**AVVERTENZA!** Per evitare lesioni gravi, scollegare il connettore della batteria dalla presa prima delle operazioni di pulizia e riparazione e prima di sostituire gli accessori o rimuovere del materiale dall'apparecchio.

### SOSTITUZIONE DELLA LAMA DEL ROTOCUT

**AVVERTENZA!** Se la lama si allenta dopo averla fissata in posizione o se è molto usurata, sostituirla immediatamente. Non usare mai l'accessorio se la lama è allentata o smussata.

La Fig. D1 illustra i componenti dell'accessorio ROTOCUT.

D-1	Coppetta dell'asta	D-2	Lama superiore
D-3	Lama inferiore	D-4	Coppetta di supporto
D-5	Rondella	D-6	Coppa scorrevole
D-7	Dado		

1. Posizionare la scatola degli ingranaggi del ROTOCUT contro una superficie solida. Bloccare le lame con una pinza o una morsa, quindi usare la chiave per allentare il dado (Fig. D2).
2. Rimuovere il dado, la coppa scorrevole, la rondella, la coppetta di supporto, la lama superiore, la lama inferiore e la coppetta dell'asta nella sequenza illustrata in Fig. D1.

3. Prima di installare delle lame nuove, installare la coppetta dell'asta (Fig. D3). Posizionare la lama superiore con il foro esagonale grande sull'asta con la superficie che riporta il logo "EGO" rivolta verso la scatola degli ingranaggi (Fig. D4), quindi posizionare la lama inferiore con il foro esagonale piccolo sull'asta con la superficie che riporta il logo "EGO" rivolta verso l'operatore (Fig. D5).

IT

**NOTA:** assicurarsi che i fori esagonali sulle lame e la spalla esagonale dell'asta siano allineati. In caso contrario le lame sono in posizione invertita: l'accessorio rotocut non funzionerà correttamente e danneggerà le lame.

4. Seguire la sequenza illustrata in Fig. D1 per riassamblarle.

### LUBRIFICAZIONE DELLA SCATOLA INGRANAGGI

Per un funzionamento ottimale e una maggiore durata di vita, lubrificare la scatola degli ingranaggi con del grasso speciale (4-5 g ogni volta) ogni 50 ore di utilizzo.

Il grasso deve rispettare i requisiti elencati di seguito.

1. Grado di consistenza conforme a DIN51818: NLGI-1.
2. Grasso a base di estere.
3. Bassa temperatura di avviamento, EP, abbassamento meccanico, resistenza all'abrasione e proprietà ossidative stabili.
4. La temperatura operativa deve essere compresa tra -40°C e 180°C. Rimuovere il connettore della batteria e la vite sigillante. Lubrificare la scatola ingranaggi attraverso l'apposito foro.

**AVVERTENZA!** Non lubrificare l'accessorio mentre è in funzione o collegato alla batteria.

### PULIZIA DELL'APPARECCHIO

- Pulire l'apparecchio usando un panno inumidito con del detergente neutro.
- Non usare detersivi aggressivi sulle superfici esterne in plastica o sull'impugnatura perché possono essere danneggiate da alcuni oli aromatici, come pino e limone, e da solventi come il cherosene. L'umidità comporta il rischio di scossa elettrica. Rimuovere eventuali segni di umidità con un panno asciutto e morbido.

### CONSERVAZIONE DELL'APPARECCHIO

- Pulire accuratamente l'apparecchio prima di riporlo.
- Conservare l'apparecchio in un luogo asciutto, ben ventilato, elevato o chiuso a chiave, e fuori dalla portata dei bambini. Non conservare l'apparecchio sopra o in prossimità di fertilizzanti, benzina o altre sostanze chimiche.
- Rivestire la lama con l'apposito coprilama durante il trasporto e lo stoccaggio.

### Protezione dell'ambiente



Non smaltire apparecchi elettrici, caricabatteria e batterie insieme ai rifiuti domestici. Portare il prodotto presso un centro di riciclaggio autorizzato affinché venga raccolto separatamente. Gli apparecchi elettrici devono essere portati presso un centro di riciclaggio ecocompatibile.

## TROUBLESHOOTING

PROBLEMA	CAUSA	SOLUZIONE
Il ROTOCUT non si avvia.	<ul style="list-style-type: none"><li>Il gruppo batteria non è collegato correttamente sull'unità motore.</li><li>Il gruppo batteria è scarico.</li><li>La leva di sbloccaggio e l'interruttore a grilletto non sono stati premuti contemporaneamente.</li></ul>	<ul style="list-style-type: none"><li>Collegare il gruppo batteria all'unità motore.</li><li>Ricaricare il gruppo batteria con i caricabatteria EGO elencati in questo manuale.</li><li>Tenere premuta la leva di sbloccaggio contemporaneamente all'interruttore a grilletto per avviare l'unità.</li></ul>
Il ROTOCUT si arresta durante il taglio.	<ul style="list-style-type: none"><li>Il motore è sovraccarico.</li><li>Il gruppo batteria è troppo caldo.</li><li>Il gruppo batteria si è scollegato.</li></ul>	<ul style="list-style-type: none"><li>Il motore si riavvierà alla rimozione del carico. Per il funzionamento continuo, diminuire il carico sul ROTOCUT ed evitare il taglio profondo; effettuare tagli progressivi.</li><li>Lasciare che il gruppo batteria si raffreddi naturalmente, o raffreddarlo con dell'aria compressa.</li><li>Ricollegare il gruppo batteria.</li></ul>

IT

## GARANZIA

KEES VAN DER SPEK  
TUINMACHINES ★ STOLWIJK

### CONDIZIONI DELLA GARANZIA EGO

Visitare il sito web [egopowerplus.com](http://egopowerplus.com) per consultare le condizioni complete della garanzia EGO.

## LEES ALLE INSTRUCTIES!



### LEES DE GEBRUIKSAANWIJZING

**⚠ Restrisico!** Personen met elektronische apparaten, zoals pacemakers, moeten eerst hun arts(en) raadplegen voordat ze dit product gebruiken. De werking van een elektrisch apparaat in de nabijheid van een pacemaker kan een storing of defect van de pacemaker veroorzaken.

**⚠ WAARSCHUWING:** Om een continue veiligheid en betrouwbaarheid te waarborgen, dienen alle reparaties en vervangingen van onderdelen uitgevoerd te worden door een vakbekwame reparateur.

## VEILIGHEIDSSYMBOL

Het doel van de veiligheidssymbolen is om u te wijzen op mogelijke gevaren. Besteed daarom voldoende aandacht hieraan en begrijp de veiligheidssymbolen en bijbehorende uitleg. De symboolwaarschuwingen op zich elimineren geen enkel gevaar. De verstrekte instructies en waarschuwingen gelden niet als vervanging voor gepaste voorzorgsmaatregelen tegen ongevallen.

**⚠ WAARSCHUWING:** Lees en begrijp alle veiligheidsinstructies die in deze gebruiksaanwijzing staan vermeld, waaronder alle veiligheidssymbolen zoals “GEVAAR,” “WAARSCHUWING,” en “OPGELET” voordat u dit gereedschap in gebruik neemt. Het negeren van onderstaande instructies kan leiden tot een elektrische schok, brand en/of ernstig persoonlijk letsel.

## BETEKENIS VAN DE SYMBOLEN

**⚠ VEILIGHEIDS-WAARSCHUWINGSSYMBOL:** Duidt op **GEVAAR, WAARSCHUWING, OF OPLETLEN**, kan worden gebruikt in combinatie met andere symbolen of pictogrammen.

**⚠ WAARSCHUWING:** De werking van het apparaat kan leiden tot het rondslingeren van (vreemde) objecten die in uw ogen kunnen terechtkomen. Dit kan leiden tot ernstig oogletsel. Wanneer u elektrisch gereedschap gebruikt, zorg er dan voor dat u altijd een veiligheidsbril (met zijschermen) of een gelaatsscherm draagt. We bevelen aan om een gelaatsscherm over uw bril of standaard veiligheidsbril met zijschermen te gebruiken.

## VEILIGHEIDSSYMBOLEN

Deze pagina toont en beschrijft alle veiligheidssymbolen die zich op dit product kunnen bevinden. Lees, begrijp en volg alle instructies op de machine voordat u deze in elkaar zet en gebruikt.

	Veiligheidswaarschuwing	Voorzorgsmaatregelen voor uw veiligheid.
	Lees de gebruiksaanwijzing	De gebruiker dient de gebruiksaanwijzing voor het gebruik van dit product te lezen en te begrijpen om risico op letsel te beperken.
	Draag oogbescherming	Draag altijd een veiligheidsbril met zijschermen en een gelaatsscherm als u dit product gebruikt.
	Draag gehoorbescherming	Draag altijd gehoorbescherming wanneer u dit product gebruikt.
	Draag hoofdbescherming	Draag een goedgekeurde veiligheidshelm om uw hoofd te beschermen.
	Draag beschermende handschoenen	Bescherm uw handen met handschoenen bij de omgang met de messen of de mesbeschermer.
	Draag veiligheidsschoenen	Draag slipvrije veiligheidsschoenen als u dit apparaat gebruikt.
	Pas op de stoot van het mes	Waarschuw de bediener voor de gevaren van de stuwkracht van het mes.
	Niet aan regen blootstellen	Gebruik het apparaat niet in de regen en laat het tevens niet buiten achter als het regent.

NL



	Afkaa-tsing en houd omstanders uit de buurt	Wegslingerende voorwerpen kunnen afketsen en leiden tot persoonlijk letsel of schade aan eigendommen. Zorg dat andere personen en huisdieren zich uit de buurt van de bosmaaier bevinden wanneer in gebruik.
	Houd omstanders uit de buurt	Zorg dat andere personen en huisdieren zich op minstens 15m van de trimmer bevinden wanneer deze in gebruik is.
	Geen rond mes	Installeer geen ronde snijmesses.
	WEEE	Gooi elektrisch afval niet via het huishoudelijk afval weg. Breng het naar een geautoriseerd recyclingbedrijf.
	Geluid	Gewaarbord geluidsvermogensniveau. Geluidsemisatie voor de omgeving in overeenstemming met de richtlijnen van de Europese Unie
	CE	Dit product is in overeenstemming met de EG-richtlijnen.
V	Volt	Spanning
$n_0$	Snelheid zonder belasting	Draaisnelheid, zonder belasting
min <sup>-1</sup>	Per minuut	Toeren per minuut
	Gelijks-troom	Stroomtype of -karakteristiek
kg	Kilogram	Gewicht

**Bewaar alle waarschuwingen en instructies voor toekomstig gebruik.**

- **Vermijd een gevaarlijke omgeving** – Gebruik het gereedschap niet op een vochtige of natte helling.
- **Houd de schermen op hun plaats en in een goede staat.**
- **Houd handen en voeten uit de buurt van het snijgebied.**
- **Om het risico op letsel te vermijden, werk nooit op een ladder of andere onveilige steun. Houd het snijelement nooit boven uw middel.**
- **Controleer het snijelement regelmatig tijdens het gebruik of onmiddellijk na een duidelijke wijziging in de snijprestaties.**
- **Voor het beste resultaat dient u de batterij te laden op een plek waar de temperatuur hoger is dan 5°C en lager dan 40°C. Niet buiten of in voertuigen bewaren.**
- **Als iemand in de buurt komt, stop de motor en het snijelement.**
- **Waarschuw de bediener voor de gevaren van de stuwkracht van het mes.**
- **Terugslag kan optreden wanneer het draaiend mes contact maakt met een voorwerp dat niet onmiddellijk wordt gesneden.**
- **De terugslag kan hevig genoeg zijn om ervoor te zorgen dat het gereedschap en/of de bediener naar een bepaalde richting wordt geduwd, wat tot een mogelijk controleverlies over het gereedschap kan leiden.**
- **Terugslag kan zich zonder waarschuwing voordoen als het mes vastzit, blijft steken of wordt gebogen.**
- **Er is een grotere kans op terugslag in een gebied waar het te maaien materiaal moeilijk te zien is.**
- **Maak geen mes aan een gereedschap vast zonder de juiste installatie van alle vereiste onderdelen. Het niet gebruiken van de juiste onderdelen kan tot het wegvliegen van het mes leiden en kan ernstig letsel bij de bediener en/of omstanders veroorzaken. Gooi messen die gebogen, vervormd, gebarsten, gebroken of beschadigd zijn weg op een juiste manier. Een bot mes heeft meer kans om te blijven steken of op terug slaan.**
- **Een ronddraaiend mes/snijdraad kan letsel veroorzaken wanneer het na het stoppen van de motor of het loslaten van de trekker nog verder ronddraait. Houd het gereedschap op een veilige manier vast totdat het mes/snijdraad volledig tot stilstand is gekomen.**

NL

## BELANGRIJKE VEILIGHEIDSINSTRUCTIES

**WAARSCHUWING:** Lees alle veiligheids waarschuwingen, instructies, illustraties en specificaties die met het elektrisch gereedschap zijn meegeleverd. Het negeren van onderstaande instructies kan leiden tot een elektrische schok, brand en/of ernstig letsel.

- **Accugereedschap hoeft niet aan een stopcontact te worden aangesloten en kan dus altijd onmiddellijk gebruikt worden. Pas op voor mogelijke gevaren, zelfs wanneer het gereedschap niet in werking is.** Let op wanneer u onderhoud op het gereedschap uitvoert.
- **Reinig het gereedschap niet met een slang. Zorg dat de motor of elektrische componenten niet met water in aanraking komen.**
- **Als er zich situaties voordoen die niet in deze handleiding zijn behandeld, gebruik uw gezond verstand. Neem contact op met het EGO servicecentrum voor hulp.**
- Gebruik alleen met in afb. A vermelde accupacks en opladers<sup>2</sup>.

**BEWAAR DEZE GEBRUIKSAANWIJZING!**

## SPECIFICATIES

Snelheid zonder belasting	450±5%tpm	
Zaagblad	ABR2300	
Aanbevolen bedrijfstemperatuur	0°C-40°C	
Aanbevolen opslagtemperatuur	-20°C-70°C	
Gewicht (zonder accupack)	2,6 kg	
Gemeten geluidsvermogensniveau $L_{WA}$	97,36 dB(A) K= 2,7 dB(A)	
Geluidsdrukniveau bij het oor van de bediener $L_{PA}$	83 dB(A) K= 2,5 dB(A)	
Gewaarborgd geluidsvermogensniveau $L_{WA}$ (gemeten conform 2000/14/EC)	100 dB(A)	
Inschatting van de vibratie $a_{h,v}$ :	Voorste handgreep	3,3 m/s <sup>2</sup> K= 1,5 m/s <sup>2</sup>
	Achterste handgreep	2,0 m/s <sup>2</sup> K= 1,5 m/s <sup>2</sup>

- De opgegeven totale vibratiewaarde is gemeten volgens de standaard testmethode en kan worden gebruikt om het apparaat met een ander apparaat te vergelijken;
- De opgegeven totale vibratiewaarde kan tevens worden gebruikt in een voorafgaande beoordeling op blootstelling.

**OPMERKING:** De vibratie-afgifte tijdens het werkelijk gebruik van het elektrisch gereedschap kan verschillen van de opgegeven totale waarde; Om de bediener te beschermen dient de gebruiker tijdens het gebruik handschoenen en gehoorbescherming te dragen.

## PAKLIJST (AFB.A1)

### BESCHRIJVING

#### KEN UW ROTOCUT TOEBEHOOR (afb. A1)

1. Afdichtschroef
2. Tandwielkast
3. Mes
4. Schuifafdekking
5. Bescherming
6. As
7. Einddop
8. Sleutel
9. Binnenzeskantsleutel

### MONTAGE

**⚠ WAARSCHUWING:** Als er onderdelen beschadigd zijn of ontbreken, gebruik dit product niet totdat alle onderdelen vervangen of aanwezig zijn. Dit product gebruiken met beschadigde of ontbrekende onderdelen kan ernstig persoonlijk letsel veroorzaken.

**⚠ WAARSCHUWING:** Probeer niet om dit product aan te passen of accessoires te maken die niet voor gebruik met deze machine zijn aanbevolen. Een dergelijke aanpassing of wijziging is misbruik en kan leiden tot gevaar en een ernstig persoonlijk letsel.

#### DE BESCHERMING MONTEREN

**⚠ WAARSCHUWING:** Draag altijd handschoenen wanneer u de bescherming monteert of vervangt. Let op voor het mes op de bescherming zodat u geen letsel oploopt.

**⚠ WAARSCHUWING:** Gebruik het gereedschap nooit zonder juist gemonteerde bescherming. De bescherming moet zich altijd op het gereedschap bevinden om de gebruiker te beschermen! Als de bescherming is vastgemaakt, mag u nooit pogen de bescherming te verwijderen of aan te passen. Als u een vervanging nodig heeft, dient dit te worden uitgevoerd door een gekwalificeerde onderhoudsmonteur!

Maak de twee schroeven los en verwijder ze van de bescherming (afb. B), breng de bevestigingsgaten op één lijn met de montagegaten en maak vervolgens de beschermkap vast met de twee schroeven, samen met de onderlegplaatjes (afb. C).

**⚠ WAARSCHUWING:** Zorg ervoor dat de bescherming volgens afb. B & C is bevestigd; een andere bevestiging kan groot gevaar veroorzaken!

## AANSLUITEN VAN HET ROTOCUT TOEBEHOOR AAN DE MOTORKOP

Deze rotocut toebehoor is ontworpen voor het gebruik met de EGO motorkop PH1400E. Zie hoofdstuk "INSTALLEREN VAN TOEBEHOOR AAN DE MOTORKOP" in de gebruiksaanwijzing van de motorkop PH1400E.

## GEBRUIK

**⚠ WAARSCHUWING:** Vertrouwdheid kan leiden tot onvoorzichtigheid. Opgelet, één seconde van onoplettendheid kan ernstig letsel teweegbrengen.

**⚠ WAARSCHUWING:** Gebruik geen opzetstukken of toebehoren die niet door de fabrikant van dit product zijn aanbevolen. Het gebruik van niet aanbevolen opzetstukken of toebehoren kan leiden tot ernstig persoonlijk letsel.

U kunt dit product gebruiken voor onderstaand vermelde doeleinden:

**Snijden:** gebruik voor het snijden van gras rond palen of relingen, randen van wanden, stoepranden, hekken bij verkeer of het trimmen van vegetatie op parkeerplaatsen.

**OPMERKING:** Als u het rotocut toebehoor gebruikt, moet u ervoor zorgen dat geen vreemde voorwerpen worden rondgeslingerd die grote risico's veroorzaken: gebroken ramen, deuken in auto's, kapotte hekken, schors die loskomt van bomen of persoonlijk letsel.

## GEBRUIKEN VAN HET ROTOCUT TOEBEHOOR MET DE MOTORKOP

**⚠ WAARSCHUWING:** Om ernstig persoonlijk letsel te voorkomen, draag altijd een veiligheidsbril wanneer u dit gereedschap gebruikt. Draag een gezichts- of stofmasker in geval van een stoffige omgeving.

Voor gebruik, verwijder alle mogelijke obstakels uit de te maaien zone. Verwijder voorwerpen zoals stenen, gebroken glas, spijkers, draad of koorden, die opgegooid kunnen worden of in het snijelement terecht kunnen komen. Zorg dat er zich geen kinderen, omstanders of huisdieren in de omgeving bevinden. Houd kinderen, omstanders en huisdieren op een afstand van minstens 15 m; er is nog altijd risico op het wegslingeren van voorwerpen richting omstanders. Omstanders worden aangespoord om oogbescherming te dragen. Als iemand in de buurt komt, stop de motor en het snijelement dan onmiddellijk.

### Controleer voor elk gebruik op beschadigde/ versleten onderdelen

Controleer het rotocut toebehoor, bescherming en lusgreep

en vervang de onderdelen die gebarsten, scheef getrokken, gebogen of beschadigd zijn.

### Maak het gereedschap na elk gebruik schoon.

**⚠ OPGELET:** Belemmeringen in de ventilatieopeningen beletten de aanvoer van lucht in de motorbehuizing. Dit kan oververhitting of schade aan de motor veroorzaken.

- Maak het gereedschap alleen schoon met een vochtige doek en milde zeep. Zorg dat er geen vloeistof het gereedschap binnendringt. Dompel nooit een deel van het gereedschap in een vloeistof.
- Houd de luchtopeningen in de motorbehuizing op elk moment vrij van vuil.

NL

## ONDERHOUD

**⚠ WAARSCHUWING:** Gebruik tijdens reparaties uitsluitend identieke reserve-onderdelen. Controleer en onderhoud het gereedschap regelmatig. Laat alle reparaties uitvoeren door een vakbekwame reparateur om een continue veiligheid en betrouwbaarheid te waarborgen.

**⚠ WAARSCHUWING:** Accugereedschap hoeft niet aan een stopcontact te worden aangesloten en kan dus altijd onmiddellijk gebruikt worden. Neem extra voorzorgsmaatregelen wanneer u het snijelement of andere accessoires onderhoudt, reinigt of wijzigt om ernstig persoonlijk letsel te voorkomen.

**⚠ WAARSCHUWING:** Om ernstig persoonlijk letsel te voorkomen, koppelt u de accuconnector los van de aansluiting alvorens onderhoud, reiniging, het wijzigen van add-on accessoires of het verwijderen van materiaal.

### VERVANGEN VAN HET ROTOCUT MES

**⚠ WAARSCHUWING:** Als de messen los raken nadat ze zijn bevestigd of als de messen ernstig zijn versleten, moet u de messen onmiddellijk vervangen. Gebruik nooit een gereedschap met los of ineffektieve snijelementen.

Ken de ROTOCUT kop zoals weergegeven in afb. D1.

D-1	Schachtkop	D-2	Bovenste mes
D-3	Onderste mes	D-4	Ondersteunende kop
D-5	Ring	D-6	Glijkom
D-7	Moer		

1. Plaats de tandwielkast van de ROTOCUT kop tegen een stevig oppervlak. Klem de bovenste en onderste messen vast met een tang of in een bankschroef, en gebruik vervolgens een sleutel om de moer los te maken (afb. D2).

2. Verwijder de moer, de glijkom, ring, ondersteunende kop, onderste mes, bovenste mes en schachtkop in de volgorde zoals weergegeven in afb. D1.
3. Voordat u nieuwe messen installeert, moet u de schachtkop op de schacht plaatsen (afb. D3). Plaats het bovenste blad met het grote zeskante gat op de schacht met het geprinte 'EGO' logo richting de tandwielkast (afb. D4), plaats vervolgens het onderste mes met het kleine zeskante gat op de schacht met het geprinte 'EGO' logo richting de bediener (afb. D5).

NL

**OPMERKING:** Zorg ervoor dat de zeshoekige gaten van de messen en de zeshoekige schacht op hun plek passen. Anders als de messen andersom zijn geplaatst, kan het ROTOCUT TOEBEHOOR niet naar behoren werken en zullen de messen beschadigd raken.

4. Volg de volgorde weergegeven in afb. D1 om alles weer te monteren.

### DE TANDWIELKAST SMEREN

Voor de beste werking en een langere levensduur smeert u de tandwielkast met een speciaal vet (iedere keer ongeveer 4 à 5g) na elke 50 bedrijfsuren.

Het speciale vet moet voldoen aan de volgende eisen.

1. Behoort tot DIN51818: NLGI-1 kegel penetratiegraad.
2. Vet op basis van esters.
3. Uitstekende start bij lage temperaturen, EP, mechanische schering, bestendig tegen slijtage en oxidatieve stabiliteitseigenschappen.
4. Gebruikstemperatuur moet tussen -40~180°C liggen. Verwijder de accustekker en de afdichtingsschroef. Smeer de tandwielkast door het oliegat.

**⚠ WAARSCHUWING:** Niet smeren terwijl het gereedschap nog is aangesloten op de accu of nog loopt.

### HET APPARAAT SCHOONMAKEN

- Maak het apparaat schoon met een vochtige doek en mild schoonmaakmiddel.
- Maak de kunststof behuizing of handgreep niet schoon met een agressief schoonmaakmiddel. Deze kunnen door bepaalde aromatische oliën, zoals pijnboom en citroen, en oplosmiddelen, zoals kerosine, worden beschadigd. Vocht kan risico op elektrische schokken met zich meebrengen. Veeg eventueel vocht weg met een zachte en droge doek.

### HET APPARAAT OPBERGEN

- Maak het gereedschap grondig schoon voordat u het opbergt.
- Berg het apparaat op in een droge, goed geventileerde en afsluitbare ruimte of op een hoge hoogte en buiten het bereik van kinderen. Berg het apparaat niet op in de buurt van meststoffen, benzine of andere chemicaliën.
- Gebruik een transportafdekking voor de metalen messen tijdens transport en opslag.

### Het milieu beschermen



Gooi geen elektrische apparatuur, gebruikte batterijen en laders weg via het huishoudelijk afval! Geef dit product af bij een geautoriseerd recyclingbedrijf en zorg dat het apart kan worden ingezameld. Elektrisch gereedschap moet worden afgegeven voor een milieuvriendelijke recycling.

## PROBLEEMOPLOSSING

PROBLEEM	OORZAAK	OPLOSSING
De ROTOCUT wil niet starten.	<ul style="list-style-type: none"> <li>■ Het accupack is niet goed aangesloten op de motorkop.</li> <li>■ Het accupack is uitgeput.</li> <li>■ De ontgrendelingshendel en trekker zijn niet gelijktijdig ingedruwd.</li> </ul>	<ul style="list-style-type: none"> <li>■ Sluit het accupack aan op de motorkop.</li> <li>■ Laad het accupack op met een EGO oplader die in de lijst in deze gebruiksaanwijzing wordt genoemd.</li> <li>■ Druk op de ontgrendelingshendel en houd deze ingedrukt, druk vervolgens op de schakelaar om het elektrisch gereedschap in te schakelen.</li> </ul>
De ROTOCUT stopt tijdens het snijden.	<ul style="list-style-type: none"> <li>■ De motor is overbelast.</li> <li>■ Het accupack is te warm.</li> <li>■ Het accupack is niet met het gereedschap verbonden</li> </ul>	<ul style="list-style-type: none"> <li>■ De motor herstelt weer zodra de belasting is verdwenen. Voor ononderbroken werk, verminder de belasting op de ROTOCUT en vermijd het te diep snijden; maak in plaats daarvan geleidelijk dieper wordende sneden.</li> <li>■ Laat het accupack op een natuurlijke manier afkoelen, of gebruik een luchtblazer om het afkoelen te versnellen.</li> <li>■ Sluit het accupack opnieuw aan.</li> </ul>

NL

## GARANTIE

### EGO GARANTIEBELEID

Bezoek alstublieft de website [egopowerplus.com](http://egopowerplus.com) voor de volledige voorwaarden van het EGO garantiebeleid.

## LÆS ALLE ANVISNINGER!



### LÆS BRUGERVEJLEDNINGEN

**⚠ Resterende risiko!** Folk med elektroniske anordninger, såsom pacemakere, bør spørge deres læge(r) til råds, før de bruger dette produkt. Betjening af elektrisk udstyr i umiddelbar nærhed af et hjerte pacemaker kan forårsage forstyrrelser eller svigt af pacemakere.

DK

**⚠ ADVARSEL:** For at sikre sikkerhed og pålidelighed bør alle reparationer og udskiftninger udføres af en kvalificeret servicetekniker.

## SIKKERHEDSSYMBOL

Formålet med sikkerheds- symboler er at tiltrække din opmærksomhed på mulige farer. Du bør være meget opmærksom på sikkerhedssymbolerne og forklaringerne til dem og lære at forstå dem. Symbolernes advarsler fjerner ikke i sig selv eventuelle farer. De anvisninger og advarsler, de giver ingen erstatninger for ordentlig forebyggelse af ulykker foranstaltninger.

**⚠ ADVARSEL:** Sørg for at læse og forstå alle sikkerhedsanvisninger i denne brugsanvisning, inklusive alle sikkerhedssymboler, såsom "FARE", "ADVARSEL" og "FORSIGTIG", før du bruger dette værktøj. Hvis anvisningerne nedenfor ikke følges, kan det føre til elektrisk stød, brand og/eller alvorlig personskade.

## SYMBOL BETYDNING

**⚠ ADVARSELSSYMBOL:** Indikerer FARE, ADVARSEL ELLER FORSIGTIG, kan bruges sammen med andre symboler eller billeder.

**⚠ ADVARSEL:** Når elværktøjer bruges, er der altid en risiko for at genstande slynges ind i øjnene, som kan føre til alvorlige øjenskader. Inden du begynder elværktøj drift, altid bære beskyttelsesbriller eller sikkerhedsbriller med side skjolde og en fuld ansigtsmaske når det er nødvendigt. Vi anbefaler en Wide Vision Safety Maske til brug over briller eller standard sikkerhedsbriller med sideskærme.

## SIKKERHEDSANVISNINGER

Denne side viser og beskriver sikkerheds- symboler, der kan vises på dette produkt. Læs, forstå, og følg alle

anvisninger på maskinen, før du forsøger at samle og betjene den.

	Sikkerhed Alert	Forholdsregler, der omfatter din sikkerhed.
	Læs Betjening-svejledning	For at reducere risikoen for skader, skal brugeren læse og forstå brugsanvisningen før du bruger dette produkt.
	Wear Eye Protection	Bær altid beskyttelsesbriller eller sikkerhedsbriller med side skjolde og en fuld ansigtsskærm, når du betjener dette produkt.
	Brug høreværn	Bær altid høreværn ved betjening af dette produkt.
	Brug hovedbeskyttelse	Bær en godkendt sikkerhedshjelm til at beskytte dit hoved.
	Brug beskyttelseshandsker	Beskyt dine hænder med handsker, når du håndterer kniven eller skærmen til kniven.
	Benyt sikkerhedsfodtøj	Benyt skridsikkert sikkerhedsfodtøj, når du bruger dette udstyr.
	Pas på ryk i kniven	Advar brugeren om faren for ryk i kniven.
	Må ikke udsættes for regn	Må ikke bruges i regn og må ikke efterlades udenfor i regnvejr.
	Rikoche-tering. Hold personer på afstand	Vildtfarende smågenstande kan slynges ud og føre til personskader eller materielle skader. Sørg for, at andre mennesker og kæledyr er væk fra buskrydderen, når den er i brug.
	Hold nærtstående personer på afstand	Sørg for, at andre mennesker og kæledyr står mindst 15 m væk fra græstrimmeren, når den er i brug.
	Ikke rund kniv	Monter ikke runde skæreknive

	WEEE	Elektriske affaldsprodukter må ikke bortskaffes sammen med husholdningsaffald. Bring det til en godkendt genbrugsplads.
	Støj	Garanteret lydniveau. Støjemission til miljøet opfylder EF-direktivet
	CE	Dette produkt er i overensstemmelse med gældende EU-direktiver.
V	Volt	Spænding
$n_0$	Hastighed uden belastning	Rotationshastighed, uden belastning
$\text{min}^{-1}$	Per minut	Omdrejninger per minut
	Direct Current	Spændingstype eller -karakteristika
kg	Kg	Vægt

## VIGTIGE SIKKERHEDSANVISNINGER

**⚠ ADVARSEL:** Læs alle sikkerhedsadvarsel, anvisninger, illustrationer og specifikationer, der følger med dette elværktøj. Hvis anvisningerne nedenfor ikke følges, kan det føre til elektrisk stød, brand og/eller alvorlig personskade

Gem alle advarsler og instruktioner til fremtidig reference.

- Undgå farlige omgivelser – Brug ikke apparatet på fugtige eller våde skråninger.
- Hold skærmene på plads og i orden.
- Hold hænder og fødder borte fra klingens.
- For at mindske risikoen for personskade, skal man aldrig arbejde på en stige eller på ethvert andet usikkert underlag. Hold aldrig klippedelen over hofteøjde.
- Kontroller regelmæssigt og ofte klippedelen, når der arbejdes, eller omgående, hvis der er en mærkbar forandring i måden, hvorpå apparatet trimmer.
- For at opnå de bedste resultater bør dit batteri oplades et sted, hvor temperaturen er over 5°C og under 40°C. Opbevar det ikke uden for eller i køretøjer.
- Hvis andre personer nærmer sig, skal du straks stoppe motoren og klippedelen.
- Advar brugeren om faren for ryk i kniven.
- Det kan give et ryk i klingens, når den drejende klinge rammer en genstand, som den ikke bare skærer igennem.
- Et ryk i klingens kan være kraftigt nok til at slynge enheden og/eller brugeren i alle retninger, og man kan eventuelt miste kontrollen over enheden.
- Ryk i klingens kan forekomme uden varsel, hvis klingens hager sig fast, går i stå eller binder.
- Ryk i klingens sker oftere på steder, hvor det er vanskeligt at se det, der bliver ryddet.
- Sæt ikke en klinge på en enhed, uden at alle nødvendige dele er korrekt monteret. Hvis man ikke bruger de korrekte dele, kan klingens flyve af og kvæste brugeren og/eller de omkringstående. Kassér klingers, der er bøjedede, skævede, revnede, knækkede eller på anden måde beskadigede. Brug en skarp kniv. En sløv kniv er mere tilbøjelig til at hænge fast og give ryk.
- Klingens/snoren fortsætter med at dreje, når motoren er stoppet eller startknappen slippes, og kan derfor fortsat gøre skade. Hold godt fast på enheden, indtil klingens/snoren er stoppet helt.
- Batteridrevne værktøjer behøver ikke at være tilsluttet en stikkontakt, og derfor er de altid driftsklar. Vær opmærksom på mulige farer, selv når værktøjet ikke arbejder. Vær forsigtig, når du udfører vedligeholdelse eller service.
- Undlad at vaske med en slange; undgå at få vand i motor og elektriske forbindelser.
- Ved situationer, der ikke er dækket i denne vejledning: Vær forsigtig, og arbejd med omtanke. Kontakt EGO's kundeservicecenter for at få hjælp.
- Produktet må kun bruges med batteripakkerne og opladerne, der står på listen i fig. A2.

### GEM DISSE ANVISNINGER!

DK

## SPECIFIKATIONER

Hastighed ubelastet	450±5 % rpm	
Skær	ABR2300	
Anbefalet driftstemperatur	0°C-40°C	
Anbefalet opbevaringstemperatur	-20°C-70°C	
Vægt (uden batteri)	2,6 kg	
Målt lydeffektniveau $L_{WA}$	97,36 dB(A) K= 2,7 dB(A)	
Lydtryk ved brugerens øre $L_{PA}$	83 dB(A) K= 2,5 dB(A)	
Garanteret lydeffekt $L_{WA}$ (målt i henhold til 2000/14/EF)	100 dB(A)	
Vibration- sværdi $a_h$ :	Forreste hjælpehåndtag	3,3 m/s <sup>2</sup> K= 1,5 m/s <sup>2</sup>
	Baghåndtag	2,0 m/s <sup>2</sup> K= 1,5 m/s <sup>2</sup>

- Den deklarerede vibrationer samlede værdi er målt i overensstemmelse med en standard testmetode og kan anvendes til at sammenligne et værktøj med et andet;
- Den samlede angivne værdi for vibrationer kan også anvendes ved en foreløbig vurdering af eksponeringen.

**BEMÆRK:** vibrationer emission ved faktisk brug af elværktøjet kan afvige fra den angivne værdi, hvor værktøjet anvendes; For at beskytte operatøren, bør brugeren bære handsker og høreværn i de faktiske brugsforhold.

## PAKKELISTE (FIG. A1)

## BESKRIVELSE

### LÆR DIT ROTCUT-TILBEHØR AT KENDE (fig. A1)

- Lukkeskrue
- Gearkasse
- Kniv
- Glidende dækselsamling
- Skærmsamling
- Skæft
- Endehætte
- Skruenøgle
- Unbrakonøgle

## SAMLING

**⚠ ADVARSEL:** Hvis der er dele, der er beskadigede eller mangler, anvendes apparatet ikke, før delene er udskiftet. Brug af dette produkt med beskadigede eller manglende dele kan medføre alvorlig personskade.

**⚠ ADVARSEL:** Forsøg ikke at ændre dette produkt eller fremstille tilbehør, der ikke anbefales til brug med denne maskine. Enhver sådan ændring eller modifikation er misbrug og kan resultere i en farlig situation og føre til eventuel alvorlig personskade.

### MONTERING AF SKÆRMEN

**⚠ ADVARSEL:** Brug altid handsker ved montering eller udskiftning af kappen. Vær forsigtig med kniven på kappen, og beskyt din hånd mod at blive skåret.

**⚠ ADVARSEL:** Brug aldrig værktøjet uden skærmen solidt på plads. Kappen skal altid være på værktøjet for at beskytte brugeren! Når kappen er monteret, så forsøg aldrig at fjerne eller tilpasse den; hvis der er behov for udskiftning, skal det gøres af en kvalificeret servicetekniker!

Løsn, og fjern de to skruer på kappen (fig. B), flugt kappens monteringshuller med enhedens huller; sæt derefter kappen fast på skæftet med de to skruer sammen med to fjederskiver (fig. C).

**⚠ ADVARSEL:** Sørg for, at kappen sidder som på fig. B og C. Hvis monteringen gøres omvendt kan det forårsage stor fare!

### MONTERING AF MOTOCUT-TILBEHØRET PÅ MOTORDELEN

Dette rotocut-tilbehør er beregnet til brug med EGO motordel PH1400E. Se afsnittet "**MONTERING AF TILBEHØR PÅ MOTORDEL**" i brugsanvisningen til motordel PH1400E.

## BETJENING

**⚠ ADVARSEL:** Lad ikke fortroilighed med dette produkt gøre dig skodesløs. Husk på, at det kan føre til alvorlige skader, hvis du ikke er opmærksom i blot et sekund.

**⚠ ADVARSEL:** Anvend ikke tilbehør eller påmonteringer, der ikke anbefales af fabrikanten af dette produkt. Brug af tilbehør eller påmonteringer, der ikke anbefales, kan forårsage alvorlig personskade.

Du kan bruge dette produkt til de formål, der er nævnt nedenfor:



**Klipning:** bruges til at klippe græsset omkring pinde eller beskyttelseskiner, vægkanter, vejkantsten, hegn i løbende trafik, eller til beskæring af plantevækst på parkeringspladser.

**BEMÆRK:** Når du bruger rotocut-tilbehøret, skal du sørge for at der ikke slynges genstande rundt, som kan medføre stærke risici: ødelagte vinduer, bulede køretøjer, ødelagte hegn, revet træbark eller personskader.

#### BRUG AF ROTOCUT-TILBEHØRET PÅ MOTORDELEN

**⚠ ADVARSEL:** For at undgå alvorlig personskade bæres altid beskyttelsesbriller eller sikkerhedsbriller, når denne enhed betjenes. Brug en ansigtsmaske eller støvmaske, hvor der er støvet.

Ryd op i området, hvor der skal klippes, før hver brug. Fjern alle genstande, såsom sten, glasskår, søm, tråd, eller linje, der kan slynges eller blive viklet ind i trimmerdelen. Få børn, tilskuere og kæledyr væk fra området. Hold alle børn, omkringstående og kæledyr mindst 15 m væk. Tilskuere kan stadig være i fare for at blive ramt af genstande, der slynges ud. Omkringstående bør opfordres til at bære øjenbeskyttelse. Hvis nogen nærmer sig, så stop straks motoren og trimmerdelen.

#### Før hver anvendelse undersøges for skader / slidte dele

Tjek rotocut-tilbehøret, skærmen og højhåndtag, og udskift de dele, der er revnede, skæve, bøjedede eller på nogen måde beskadigede.

#### Efter hver brug rengøres værktøjet.

**⚠ ADVARSEL:** Forhindringer i ventilationsåbningerne forhindrer luften i at komme ind i motorhuset og forårsager overophedning eller beskadigelse af motoren.

- Brug kun mild sæbe og en fugtig klud til at rengøre værktøjet. Lad aldrig væsker komme ind i værktøjet, nedsænk det aldrig i nogen form for væske.
- Hold altid lufthuller i motorhuset fri for snavs og skidt.

### VEDLIGEHOLDELSE

**⚠ ADVARSEL:** Ved service må der kun bruges originale reservedele. Efterse og vedligehold værktøjet regelmæssigt. For at sikre sikkerhed og pålidelighed, bør alle reparationer udføres af en kvalificeret servicetekniker.

**⚠ ADVARSEL:** Batteridrevne værktøjer behøver ikke at være tilsluttet en stikkontakt, og derfor er de altid driftsklar. Tag ekstra forholdsregler og udvis forsigtighed, når du udfører vedligeholdelse, service eller skal skifte kultivator-

tilbehøret eller andet tilbehør.

**⚠ ADVARSEL:** For at undgå alvorlig tilskadekomst tages batteriets stik ud af stikdåsen før service, rengøring, udskiftning af påmonteringer, eller før der fjernes noget fra apparatet.

#### UDSKIFTNING AF DREJEKLIP-KLINGEN

**⚠ ADVARSEL:** Hvis klingen bliver løs, efter den er fastgjort eller hvis den er slidt ned, skal den straks udskiftes. Brug aldrig et værktøj med en løs eller ineffektiv skæredel.

Gør dig bekendt med DREJEKLIP-hovedet, som vist på fig. D1.

D-1	Akselkop	D-2	Øverste klinge
D-3	Nederste klinge	D-4	Støttekop
D-5	Spændeskive	D-6	Drejekop
D-7	Møtrik		

1. Placer DREJEKLIP-hovedets gearkasse mod en solid overflade. Hold i øvre og nedre klinge med en tang eller i en skruestik, og brug derefter nøglen til at løsne møtrikken (fig. D2).
  2. Fjern møtrikken, drejekoppen, spændeskiven, støttekoppen, nedre og øvre klinge og akselkoppen i rækkefølgen, der er vist i fig. D1.
  3. Sæt akselkoppen på akslen, inden nye klinger sættes på (fig. D3). Sæt den øvre klinge med det store sekskantede hul på akslen med »EGO« loget vendende mod gearkassen (fig. D4). Sæt derefter den nedre klinge med det lille sekskantede hul på akslen med »EGO« siden vendende mod brugeren (fig. D5).
- BEMÆRK:** Sørg for, at det sekskantede hul på begge klinger og den sekskantede aksel passer sammen. Hvis klingerne sættes omvendt på, virker dit ROTOCUT-TILBEHØR ikke ordentligt og det kan beskadige klingerne.
4. Følg rækkefølgen vist i fig. D1 for at samle dem igen.

#### SMØRING AF GEARKASSEN

For optimal drift og længere levetid, skal du smøre gearkassen med en særlig slags fedt (4-5 g. hver gang) efter hver 50 timers brug.

Det særlige fedt, skal opfylde følgende krav.

1. Tilhører DIN51818: NLGI-1-kegle indtrængningsgrad.
2. Esterbaseret fedt.
3. Fremragende start i lave temperaturer, EP, mekanisk forskydning, slidstærk og oxidativ stabilitetsegenskaber.

DK

4. Driftstemperaturen skal være inden for -40 ~ 180 °C. Tag batteristikket og tætningsskruerne ud. Smøring af gearkassen gennem oliehuset.

**⚠ ADVARSEL:** Smør ikke, når værktøjet stadig er forbundet til batteriet eller hvis det kører.

## RENGØRING AF APPARATET

- Rengør apparatet med en fugtig klud med et mildt rengøringsmiddel.
- Brug ikke stærke rengøringsmidler på plastkabinettet eller -håndtaget. De kan tage skade af visse aromatiske olier, såsom fyr og citron, og opløsningsmidler såsom petroleum. Fugt kan også give elektrisk stød. Tør al fugt af med en blød tør klud.

DK

## OPBEVARING AF APPARATET

- Rengør værktøjet grundigt, før det lægges væk.
- Opbevar apparatet på et tørt og godt ventileret sted, der er låst og utilgængeligt for børn. Opbevar ikke apparatet på eller ved siden af gødning, benzin eller andre kemikalier.
- Brug af en transportskærm til metalklinger under transport og opbevaring.

## Beskyttelse af miljøet



Elektrisk udstyr, batterioplader og batterier må ikke smides ud sammen med almindelig husholdningsaffald! Tag dette produkt til en autoriseret genbrugsplads, og sørg for at det sendes til genbrug. Elektriske værktøjer skal returneres til et miljøkompatibelt genvindingsanlæg.

## FEJLFINDING

PROBLEM	ÅRSAG	LØSNING
DREJEKLIP-enheden starter ikke.	<ul style="list-style-type: none"> <li>■ Batteripakken er ikke ordentlig forbundet i motordelen.</li> <li>■ Batteriet er afladet.</li> <li>■ Låsehåndtag og startknappen er ikke blevet trykket ned samtidigt.</li> </ul>	<ul style="list-style-type: none"> <li>■ Sørg for, at batteripakken er forbundet til motordelen.</li> <li>■ Oplad batteriet med de opladere fra EGO, der er anført i denne vejledning.</li> <li>■ Tryk låsehåndtaget ned, og hold det nede. Tryk derefter på startknappen for at starte værktøjet.</li> </ul>
DREJEKLIP-enheden stopper under drift.	<ul style="list-style-type: none"> <li>■ Motoren er overbelastet.</li> <li>■ Batteripakken er for varm.</li> <li>■ Batteripakken er taget af værktøjet</li> </ul>	<ul style="list-style-type: none"> <li>■ Motoren vil begynde at køre igen, når belastningen ophører. Ved konstant drift, skal du reducere belastningen på DREJEKLIP-enheden og undgå at grave for dybt for hurtigt. Grav i stedet gradvist ned.</li> <li>■ Lad batteripakken køle af naturligt, eller blæs den med kølig luft, for at køle den ned hurtigere.</li> <li>■ Sæt batteripakken i igen.</li> </ul>

**DK**

## GARANTI

**KEES VAN DER SPEK**  
TUINMACHINES ★ STOLWIJK

### EGO GARANTI POLITIK

Besøg venligst hjemmesiden [egopowerplus.com](http://egopowerplus.com) for fuldstændige vilkår og betingelser for EGO's garantipolitik.

## LÄS IGENOM ALLA INSTRUKTIONER!



### LÄS IGENOM BRUKSANVISNINGEN

**⚠ Dolda risker!** Personer med elektroniska enheter såsom pacemaker skall rådfråga sin läkare innan denna produkt används. Användning av elektronisk utrustning i närheten av en pacemaker kan orsaka störningar eller fel på pacemakern.

**⚠ VARNING:** För att garantera säkerheten och pålitligheten skall alla reparationer och utbyten utföras av en kvalificerad servicetekniker.

SE

## SÄKERHETSSYMBOL

Syftet med säkerhetssymboler är att uppmärksamma eventuella faror. Säkerhetssymbolerna och förklaringarna av dessa kräver din fullständiga uppmärksamhet och förståelse. Symbolvarningarna i sig eliminerar inte några faror. Instruktionerna och varningarna som ges är inte något substitut för korrekta åtgärder för förhindrande av olyckor.

**⚠ VARNING:** Var noga med att läsa och förstå alla säkerhetsinstruktioner i denna bruksanvisning, inklusive alla varningssymboler som t.ex. "FARA!", "VARNING!" och "FÖRSIKTIGHET!" innan du använder detta verktyg. Underlåtenhet att läsa alla instruktioner som listas nedan kan resultera i elektrisk stöt, brand och/eller allvarig personskada.

## SYMBOLBETYDELSE

**SÄKERHETSLARMSYMBOL:** Indikerar FARA, VARNING ELLER FÖRSIKTIGHET, kan användas tillsammans med andra symboler eller bilder.

**⚠ VARNING:** Användning av något elverktyg kan resultera i att främmande föremål kastas in i dina ögon vilket kan resultera i allvarliga ögonskador. Innan elverktyget börjar användas skall alltid skyddsglasögon eller skyddsglasögon med sidoskydd och full ansiktsskydd användas när så behövs. Vi rekommenderar att en ansiktsmask med brett synfält används ovanpå glasögonen eller standard skyddsglasögon med sidoskydd.

## SÄKERHETSINSTRUKTIONER

Denna sida framställer och beskriver säkerhetssymboler

som kan visas på denna produkt. Läs igenom, förstå och följ alla instruktioner på maskinen innan försök görs att montera och hantera den.

	Säkerhetslarm	Åtgärder som involverar din säkerhet.
	Läs igenom bruksanvisningen	För att minska risker för skador måste användare läsa igenom och förstå bruksanvisningen innan denna produkt används.
	Använd ögon-skydd	Använd alltid skyddsglasögon eller säkerhetsglasögon med sidoskydd och en full ansiktsmask när denna produkt används.
	Använd hörselskydd	Använd alltid hörselskydd när denna produkt används.
	Använd skyddshjälm	Använd en godkänd skyddshjälm för att skydda huvudet.
	Använd skyddshandskar	Skydda dina händer med handskar när bladen eller bladskyddet hanteras.
	Använd skyddsskor	Använd halkfria skyddsskor vid användning av denna utrustning.
	Var försiktig med maskinens kastbenägenhet	Varna användaren för faran med maskinens kastbenägenhet.
	Utsätt den inte för regn	Använd den inte vid regn och lämna den inte utomhus om det regnar.
	Rikoschett och håll åskådare på avstånd	Föremål som slungas ut kan studsas och orsaka skador på person eller egendom. Se till att övriga personer och husdjur hålls på avstånd från buskskäraren när den används.
	Håll åskådare på avstånd	Se till att andra personer och husdjur befinner sig minst 15 m från trådtrimmen när den används.

	Inga runda skärblad	Montera inte runda skärblad.
	WEEE	Förbrukade elektriska produkter får inte kastas i hushållssoporna. Lämnas in dem till en auktoriserad återvinningsstation.
	Buller	Garanterad ljudeffektnivå. Bulleremissioner för omgivningen enligt EU-direktivet.
	CE	Denna produkt är i enlighet med gällande EC-direktiv.
V	Volt	Spänning
$n_0$	Tomgångshastighet	Rotationshastighet utan belastning
min <sup>-1</sup>	Per minut	Varv per minut
	Likström	Typ eller karakteristik av ström
kg	Kilogram	Vikt

## VIKTIGA SÄKERHETSINSTRUKTIONER

**⚠ VARNING:** Läs igenom alla säkerhetsvarningar, instruktioner, illustrationer och specifikationer som medföljer detta motordrivna verktyg. Underlåtenhet att följa alla instruktioner som listas nedan kan resultera i elektriska stötar, brand och/eller allvarliga personskador

Spara alla varningar och instruktioner för framtida referens

- Undvik farliga miljöer – Använd inte apparater i fuktiga eller våta slutningar.
- Håll skydden på plats och i fungerande skick.
- Håll händer och fötter borta från skärområdet.
- Minska risken för personskador genom att aldrig använda en stege eller annat ostadigt stöd. Håll aldrig skärenheten ovanför midjehöjd.
- Kontrollera skärenheten med regelbundna och korta intervaller och kontrollera den omedelbart om du upplever en märkbar förändring av beskärningen.

- Du får bäst resultat om du ser till att batteriet laddas på en plats där temperaturen är över 5°C och under 40°C. Förvara inte utomhus eller i fordon.
- Om någon närmar sig dig ska du stoppa motorn och skärenheten.
- Varna användaren för faran med maskinens kastbenägenhet.
- Maskinens kastbenägenhet inträffar när det snurrande skärbladet får kontakt med ett objekt som inte kapas omedelbart.
- Maskinens kastbenägenhet kan vara kraftigt nog för att flytta på enheten och/eller användaren i någon riktning, vilket kan leda till att kontrollen över enheten tappas.
- Maskinens kastbenägenhet kan inträffa utan förvarning om bladet fastnar, stannar eller binds fast.
- Det är större risk för maskinens kastbenägenhet i områden där det är svårt att se materialet som beskärs.
- Montera inte skärbladet på en enhet utan korrekt installation av alla nödvändiga delar. Underlåtenhet att använda korrekta delar kan få skärbladet att flyga av och allvarligt skada användaren och/eller åskådare. Kassera skärblad som är böjda, skeva, spruckna, trasiga eller skadade på något sätt. Använd ett vasst blad. Det är större risk för att ett slött skärblad fastnar och kastas.
- Ett fritt roterande skärblad/-tråd kan orsaka personskador när det fortsätter snurra efter att motorn stoppats eller gasreglaget släppts upp. Upprätthåll lämplig kontroll över apparaten tills skärbladet/-tråden har stannat fullständigt.
- Batteridrivna verktyg behöver inte vara avslutna till ett eluttag och är därför alltid redo för användning. Var medveten om eventuella faror även när verktyget inte är igång. Var försiktig när du utför underhåll eller service.
- Tvätta inte av den med en slang; låt inte vatten tränga in i motorn och de elektriska anslutningarna.
- Om en situation som inte beskrivs i bruksanvisningen uppstår, använd försiktighet och gott omdöme. Kontakta EGO kundservice för hjälp.
- Använd endast med de batteripack och laddare som listas i bild A2.

SPARA DESSA INSTRUKTIONER!

SE

## SPECIFIKATIONER

Ingen belastningshastighet	450±5%rpm	
Skärblad	ABR2300	
Rekommenderad användningstemperatur	0°C - 40°C	
Rekommenderad förvaringstemperatur	-20°C - 70°C	
Vikt (utan batteripaket)	2,6 kg	
Uppmätt ljudeffektnivå $L_{WA}$	97,36 dB(A) K= 2,7 dB(A)	
Ljudtrycksnivå vid operatörens öra $L_{PA}$	83 dB(A) K= 2,5 dB(A)	
Garanterad ljudeffektnivå $L_{WA}$ (mätt enligt 2000/14/EG)	100 dB(A)	
Värdering av vibration $a_{h,v}$	Främre hjälphandtag	3,3 m/s <sup>2</sup> K= 1,5 m/s <sup>2</sup>
	Bakre handtag	2,0 m/s <sup>2</sup> K= 1,5 m/s <sup>2</sup>

- Det deklarerade totala vibrationsvärdet har uppmätts i enlighet med en standardtestmetod och kan användas för att jämföra ett verktyg med ett annat.
- Det deklarerade totala vibrationsvärdet kan också användas i en preliminär utvärdering av exponeringen.

**OBS!** Vibrationsutstrålningen under verklig användning av elverktyg kan skilja sig från det deklarerade värdet i vilken verktyget används. För att skydda användaren skall skyddshandskar och hörselskydd användas under faktiska användningsförhållandet.

## FÖRPACKNINGSLISTA (BILD A1)

### BESKRIVNING

#### LÄR KÄNNA DITT ROTORSKÄRARTILLBEHÖR (bild A1)

1. Tätningsskruv
2. Växelhus
3. Kniv
4. Glidande lockmontering
5. Skyddsenshet
6. Axel
7. Ändkopp
8. Skiftnyckel
9. Insexnyckel

## MONTERING

**⚠ VARNING:** Om någon del är skadad eller saknas skall inte denna produkt användas innan delarna ersatts. Användning av denna produkt om den är skadad eller saknar delar kan resultera i allvarliga personskador.

**⚠ VARNING:** Försök inte att modifiera denna produkt eller skapa tillbehör som inte rekommenderas för användning med denna maskin. Alla sådana ändringar eller modifieringar är missbruk och kan resultera i allvarliga situationer som kan leda till allvarliga personskador.

### MONTERA SKYDDET

**⚠ VARNING:** Använd alltid handskar vid montering eller utbyte av skyddet. Var försiktig med skärbladet på skyddet och skydda din hand.

**⚠ VARNING:** Använd aldrig verktyget utan att skyddet är korrekt på plats. Skyddet måste alltid vara monterat på verktyget för att skydda användaren! När skyddet är fastsatt, försök aldrig att ta bort eller justera det, om utbyte krävs måste det utföras av en kvalificerad servicetekniker!

Lossa och ta bort de två skruvarna från skyddet (bild B), rikta in skyddets monteringshål mot monteringshålen och lås sedan skyddet på axelbasen med de två skruvarna tillsammans med två fjäderbrickor (bild C).

**⚠ VARNING:** Se till att skyddet är korrekt fastsatt enligt bild B och C. En omvänd fastsättning är mycket farligt!

### ANSLUTA ROTORSKÄRAR-TILLBEHÖRET TILL MOTORENHETEN

Detta rotoskärartillbehör är utvecklat för användning med EGO-motorenhet PH1400E. Se sektionen **“MONTERA ETT TILLBEHÖR TILL MOTORENHETEN”** i motorenheten PH1400E bruksanvisning.

## ANVÄNDNING

**⚠ VARNING:** Bli inte vårdslös bara för att du är bekant med denna produkt. Kom ihåg att oaksamhet under en bråkdel av en sekund är tillräcklig för att orsaka allvarliga skador.

**⚠ VARNING:** Använd inga andra tillsatser eller tillbehör än de som rekommenderas av tillverkaren av denna produkt. Användning av tillbehör eller tillsatser som inte rekommenderas kan resultera i allvarlig personskada.

Du kan använda denna produkt för de tillämpningar som listas nedan:

**Klippning:** använd för klippning av gräs runt stolpar eller skyddsstenar, väggar, väggrunnar, staket på trafikerade vägar eller trimning av vegetation på parkeringsplatser.

**NOTERA:** När rotorskärartillbehöret används, se till att inga främmande föremål kastas iväg som kan utgöra en risk för personer, trasiga fönster, buckla bilar, slitsa staket, riva los trädbark eller orsaka personskador.

### ANVÄNDA ROTORSKÄRER-TILLBEHÖRET MED MOTORENHETEN

**⚠ VARNING:** För att undvika allvarliga personskador, använd alltid ögonskydd eller skyddsglasögon vid användning av denna enhet. Använd en ansikts- eller dammask på dammiga platser.

Rensa området som ska beskåras före varje användning. Ta bort alla objekt som t.ex. stenar, krossat glas, spikar, trådar eller ledningar som kan slungas ut eller trasslas in i skärenheten. Se till att inga barn, åskådare eller husdjur är inom området. Håll alla barn, åskådare och husdjur minst 15 meter bort. Det kan fortfarande finnas en risk att föremål slungas mot åskådare. Uppmana åskådare att använda skyddsglasögon. Om någon närmar sig dig, stoppa omedelbart motorn och skärenheten.

### Kontrollera efter skadade/slitna delar före varje användning.

Kontrollera rotorskärartillbehöret, skyddet och loop-handtaget och byt ut delar som är spruckna, skeva, böjda eller skadade på något sätt.

### Rengör verktyget efter varje användning.

**⚠ FÖRSIKTIGHET:** Om ventilerna blockeras förhindras luften från att flöda in i motorhöljet, vilket kan resultera i överhettning eller skada på motorn.

- Använd endast mild tvål och en fuktad trasa för att rengöra verktyget. Låt aldrig någon vätska komma in i verktyget; sänk aldrig ner någon del av verktyget i en vätska.
- Håll alltid luftventilerna på motorhöljet fria från skräp.

## UNDERHÅLL

**⚠ VARNING:** Vid service ska enbart identiska utbyteskomponenter användas. Inspektera och underhåll verktyget regelbundet. För att garantera en säker och pålitlig användning måste alla reparationer utföras av en kvalificerad servicetekniker.

**⚠ VARNING:** Batteridrivna verktyg behöver inte vara anslutna till ett eluttag och är därför alltid redo för

användning. För att förhindra allvarliga personskador, vidta extra försiktighet och omsorg vid underhåll, service eller när skärenhet eller andra tillbehör byts ut.

**⚠ VARNING:** För att förhindra allvarliga personskador, koppla ur batterikontakten från uttaget före service, rengöring, ändring av monterade tillbehör och borttagning av material från enheten.

### BYTA ROTORSKÄRARBLADET

**⚠ VARNING:** Om bladet lossnar efter att det satts på plats eller om bladet är kraftigt slitet, byt omedelbart bladet. Använd aldrig en trimmer med löst eller ineffektivt skärtillbehör.

Lär känna ROTORSKÄRAR-huvudet såsom bild D1 visar.

D-1	Axelkopp	D-2	Övre blad
D-3	Undre blad	D-4	Stödkopp
D-5	Bricka	D-6	Glidskål
D-7	Mutter		

1. Placera växelhöljet för ROTORSKÄRAR-huvudet mot en fast yta. Kläm fast det över och nedre bladet med tvingar eller i ett skruvstäd, använd sedan en skiftnyckel för att lossa muttern (bild D2).
2. Ta bort muttern, glidskålen, brickan, stödkoppen, nedre bladet, övre bladet och axelkoppen i sekvens såsom visas i bild D1.
3. Innan de nya bladen installeras, placera axelkoppen på axeln (bild D3). Placera det övre bladet med stora hexagonala hålet på axeln med ytan med skriften "EGO" logotypen riktad mot växellådshöljet (bild D4), placera sedan nedre bladet med lilla hexagonala hålet på axeln med ytan med skriften EGO" logotypen riktad mot operatören (bild D5).

**NOTERA:** Se till att de hexagonala hålen på bladen och hexagon axeln passar på plats. I annat fall om bladen monteras i motsatt ordning kan inte ROTORSKÄRARTILLBEHÖRET arbeta korrekt och kommer att skada bladen.

4. Följ sekvensen som visas i bild D1 för att återmontera dem.

### SMÖRJA VÄXELLÅDSHÖLJET

För bästa drift och längre livslängd, smörj växellådshöljet med specialfett (4-5g varje gång) efter var 50:e timmes drift.

Specialfettet skall uppfylla följande krav.

1. Tillhör DIN51818: NLGI-1 konpenetreringsgrad.

SE

2. Esterbaserat fett.
3. Excellent lågtemperaturstart, EP, mekanisk skjuvning, friktionsmotståndskraftig och oxideringsstabila egenskaper.
4. Drifttemperatur måste vara  $-40\sim 180$  °C. Ta bort batterikontakten och tätningsskruven. Smörj växelhöljet genom oljehålet.

**⚠ VARNING:** Smörj inte medan verktyget fortfarande är anslutet till batteriet eller körs.

## RENGÖRA ENHETEN

- Rengör enheten med en fuktad trasa och ett mildt rengöringsmedel.
- Använd inte starka rengöringsmedel på plasthöljet eller handtaget. De kan skadas av vissa aromatiska oljor som t.ex. tall och citron, samt av lösningsmedel som t.ex. fotogen. Fukten kan även utgöra en risk för elektriska stötar. Torka bort fukt med en mjuk och torr trasa.

## FÖRVARA ENHETEN

- Rengör verktyget noga innan förvaring.
- Förvara enheten på en torr, välventilerad plats, inlåst eller högt upp, utom räckhåll för barn. Förvara inte enheten på eller i anslutning till gödningsmedel, bensin eller andra kemikalier.
- Använd ett transportskydd för metallskärbladen vid transport och förvaring.

## Skydda miljön



Kasta inte elektrisk utrustning, använt batteri och laddare i hushållssoporna! Ta denna produkt till en auktoriserad återvinnare och gör den tillgänglig för separat insamling. Elektriska verktyg måste returneras till en miljöanpassad återvinningsanläggning.

SE



## FELSÖKNING

PROBLEM	ORSAK	LÖSNING
OTORSKÄRAREN startar inte.	<ul style="list-style-type: none"><li>▪ Batteripaketet är inte korrekt anslutet till motorenheten.</li><li>▪ Batteriet är helt tomt.</li><li>▪ Startspärren och avtryckaren trycks inte in samtidigt.</li></ul>	<ul style="list-style-type: none"><li>▪ Anslut batteripaketet till motorenheten.</li><li>▪ Ladda batteripaketet med en EGO-laddare som listas i denna bruksanvisning.</li><li>▪ Tryck in startspärren och håll den nertryckt, tryck sedan in avtryckaren för att slå på enheten.</li></ul>
ROTORSKÄRAREN stoppas vid beskärning.	<ul style="list-style-type: none"><li>▪ Motorn är överbelastad.</li><li>▪ Batteripaketet är för varmt.</li><li>▪ Batteripaketet är frånkopplat från verktyget.</li></ul>	<ul style="list-style-type: none"><li>▪ Motorn hämtar igen sig när belastningen har tagits bort. För kontinuerligt arbete bör du minska belastningen på ROTORSKÄRAREN och undvika djup bearbetning, gör istället progressivt djupare nedskärningar.</li><li>▪ Låt batteripaketet svalna naturligt eller använd luftblås för att skynda på kylningen.</li><li>▪ Återanslut batteripaketet.</li></ul>

**SE**

## GARANTI

**KEES VAN DER SPEK**  
TUINMACHINES \* STOLWIJK

### EGO GARANTIPOLICY

Besök webbsidan [egopowerplus.com](http://egopowerplus.com) för fullständiga villkor för EGO garantipolicy.

## LUE KAIKKI OHJEET!



### LUE KÄYTTÖOPAS

**⚠ Jäännösriski!** Henkilöiden, joilla on sydämentahdistin tai muu vastaava elektroninen laite, tulisi keskustella lääkärin kanssa ennen tämän tuotteen käyttöä. Sähkölaitteiden käyttö sydämentahdistimen lähettävillä saattaa häiritä tahdistimen toimintaa tai aiheuttaa vakavan toimintahäiriön.

**⚠ VAROITUS:** Anna asiantuntevan huoltoteknikon tehdä kaikki korjaukset ja osien vaihdot, jotta laite on varmasti turvallinen ja luotettava.

FI

## TURVALLISUUSYMBOLIT

Turvallisuussymbolien tarkoituksena on kiinnittää huomiota mahdollisiin vaaroihin. Turvallisuussymbolit ja niiden selitykset on syytä lukea tarkkaan ja ymmärtää perusteellisesti. Varoitussymbolit eivät yksin poista vaaran mahdollisuutta. Niiden antamat ohjeet ja varoitukset eivät korvaa kunnollisia onnettomuuksien ehkäisytoimenpiteitä.

**⚠ VAROITUS:** Lue ja ymmärrä tämän käyttöoppaan kaikki turvallisuusohjeet, mukaan lukien kaikki turvallisuusvaroitussymbolit, kuten **"VAARA"**, **"VAROITUS"** ja **"HUOMIO"** ennen laitteen käyttämistä. Alla olevien ohjeiden noudattamatta jättäminen saattaa aiheuttaa sähköiskun, tulipalon ja/tai vakavan henkilökohtaisen vamman.

## SYMBOLIEN MERKITYKSET

**⚠ TURVALLISUUSHÄLYTYKSEN SYMBOLI:** Ilmaisee **VAARAA**, **VAROITUSTA** tai **HUOMIOTA**, voidaan käyttää muiden symboleiden tai kuvamerkkien yhteydessä.

**⚠ VAROITUS:** Minkä tahansa sähkötyökalun käyttö saattaa aiheuttaa vierasesineiden sinkoutumisen silmiin, mikä voi aiheuttaa vakavia silmävammoja. Käytä aina suojalaseja, joissa on sivusuojat, ja tarvittaessa koko kasvat peittävää suojaa, kun käytät sähkötyökaluja. Silmälasien päällä suosittelemme käytettäväksi suojamaskia, jossa on laaja näkökenttä, tai tavallisia suojalaseja, joissa on sivusuojat.

## TURVALLISUUSOHJEET

58

PYÖRÖLEIKKURILISÄOSA — RTA2300

Tällä sivulla kuvataan ja esitellään turvallisuussymbolit, jotka saattavat esiintyä tässä tuotteessa. Lue, ymmärrä ja noudata kaikkia laitteen ohjeita ennen kuin yrität koota sen tai käyttää sitä.

	Turvallisuushälytys	Varotoimet, jotka liittyvät turvallisuuteesi.
	Lue käyttöopas	Käyttäjän on luettava ja ymmärrettävä käyttöopas ennen tämän laitteen käyttöä loukkaantumisvaaran vähentämiseksi.
	Käytä silmäsuojaimia	Käytä aina suojalaseja, joissa on sivusuojat, ja koko kasvat peittävää suojaa, kun käytät laitetta.
	Käytä kuulosuojaimia	Käytä aina kuulosuojaimia, kun käytät laitetta.
	Käytä suojakypärää	Käytä hyväksyttyä suojakypärää suojataksesi pääsi.
	Käytä suojakäsineitä	Käytä suojakäsineitä, kun käsittelet terää tai terän suojusta.
	Käytä turvajalkineita	Käytä luistamattomia turvajalkineita varusteen käytön aikana.
	Varo terän työntövoimaa	Varoita käyttäjää terän takaiskun vaarallisuudesta.
	Älä altista sateelle	Älä käytä sateella tai jätä ulos sateeseen.
	Kimppoisuusvaara, pidä sivulliset etäällä	Sinkoutuvat esineet voivat kimmota ja aiheuttaa henkilö- tai omaisuusvahingon. Varmista, että muut ihmiset ja lemmikit ovat etäällä pensasleikkurista, kun se on käytössä.
	Pidä sivulliset loitolla	Varmista, että muut ihmiset ja lemmikkieläimet ovat vähintään 15 m päässä siimaleikkurista, kun se on käytössä.

	Ei pyöreää terää	Älä asenna siihen pyöreitä terää.
	WEEE	Vanhoja sähkölaitteita ei saa hävittää kotitalousjätteen mukana. Vie laite valtuutettuun kierrätyslaitokseen.
	Melu	Taattu äänitehotaso. Melupäästöt ympäristöön Euroopan yhteisön direktiivin mukaiset
	CE	Tämä tuote vastaa sovellettavia EU-direktiivejä.
V	Voltti	Jännite
$n_0$	Tyhjäkäyntinopeus	Pyörimisnopeus ilman kuormaa
min <sup>-1</sup>	per minuutti	Kierrosta minuutissa
	Tasavirta	Virran tyyppi tai ominaisuus
kg	Kilogramma	Paino

## TÄRKEITÄ TURVALLISUUSOHJEITA

**VAROITUS:** Lue kaikki tämän sähkötyökalun mukana tulleet turvallisuusvaroitukset, ohjeet, piirustukset ja tekniset tiedot. Jos kaikkia alla olevia ohjeita ei noudateta, seurauksena saattaa olla sähköisku, tulipalo ja/tai vakava loukkaantuminen.

Säilytä kaikki varoitukset ja ohjeet myöhempää käyttöä varten.

- Vältä vaarallisia olosuhteita – älä käytä laitteita kosteissa tai märissä rinteissä.
- Pidä suojat paikallaan ja toimintakuntoisina.
- Pidä kätesi ja jalkasi etäällä leikkuualueelta.
- Loukkaantumisaaran vähentämiseksi älä työskentele tikkailla tai muilla epävakailta alustoilla. Älä pidä leikkaavaa osaa vyötärön tasoa korkeammalla.
- Tarkasta leikkaava osa tasaisin väliajoin käytön aikana tai heti, jos laitteen leikkuuteho muuttuu merkittävästi.
- Parhaan tuloksen saat, kun akku ladataan tilassa,

jonka lämpötila on yli 5°C, mutta alle 40°C. Älä säilytä ulkona tai ajoneuvoissa.

- Jos joku lähestyy sinua, sammuta moottori ja leikkuulaite.
- Varoita käyttäjää terän takaiskun vaarallisuudesta.
- Takapotku saattaa tapahtua, kun pyörivä terä osuu kohteeseen, joka ei heti katkea.
- Terän takapotku voi olla niin voimakas, että laite ja/ tai käyttäjä lennähtävät mihin tahansa suuntaan ja käyttäjä voi menettää laitteen hallinnan.
- Terän takapotku tapahtuu ilman varoitusta, jos terä jää kiinni ja pysähtyy.
- Terän takapotku tapahtuu usein alueilla, joissa leikattavaa materiaalia on vaikea nähdä.
- Älä kiinnitä terää laitteeseen, ellei kaikkia tarvittavia osia ole kiinnitetty kunnolla. Kunnollisten osien käytön laiminlyönti voi aiheuttaa terän sinkoutumisen irti ja aiheuttaa vakavan henkilövahingon käyttäjälle ja/ tai sivullisille. Hävitätä taipuneet, vääntyneet, murtuneet, rikkoutuneet tai muulla tavalla vaurioituneet terät. Käytä terävää terää, tylsä terä jää kiinni helpommin ja aiheuttaa takapotkun.
- Liikkuva terä/siima voi aiheuttaa henkilövahingon, koska se voi jatkaa pyörimistä moottorin sammuttamisen tai liipaisimen vapauttamisen jälkeen. Pidä työkalu kunnolla hallinnassa, kunnes terä/siima on täysin pysähtynyt.
- Akkutyökaluja ei tarvitse liittää sähköverkkoon. Tästä syystä ne ovat aina käyttökunnossa. Huomioi mahdolliset vaarat myös silloin, kun työkalu ei ole käynnissä. Ole varovainen tehdessäsi kunnossapito- tai huoltotoimenpiteitä.
- Älä puhdistu letkulla; vältä veden pääsemistä moottoriin ja sähköliitäntöihin.
- Jos kohtaat tilanteen, jota ei tässä käyttöoppaassa käsitellä, toimi varoen ja käytä omaa harkintakykyäsi. Pyydä lisäohjeita EGO-asiakaspalvelusta.
- Käytä vain kuvassa A2 lueteltujen akkujen ja latureiden kanssa.

**SÄILYTÄ NÄMÄ OHJEET!**

## TEKNISET TIEDOT

Tyhjäkäyntinopeus	450 ±5 % rpm	
Leikkuuterä	ABR2300	
Suositteltu käyttölämpötila	0°C–40°C	
Suositteltu säilytyslämpötila	-20°C–70°C	
Paino (ilman akkua)	2,6 kg	
Mitattu äänitehotaso $L_{WA}$	97,36dB(A) K= 2,7 dB(A)	
Äänenpaineen taso käyttäjän korvien tasolla $L_{PA}$	83 dB(A) K= 2,5 dB(A)	
Taattu äänitehotaso $L_{WA}$ (mitattu direktiivin 2000/14/EY mukaan)	100 dB(A)	
Tärinäarvo $a_{h,v}$	Etuapukahva	3,3 m/s <sup>2</sup> K= 1,5 m/s <sup>2</sup>
	Takakahva	2,0 m/s <sup>2</sup> K= 1,5 m/s <sup>2</sup>

- Ilmoitettu tärinän kokonaispäästöarvo on mitattu standarditestausmenetelmän mukaisesti, ja sen avulla voidaan vertailla työkaluja keskenään;
- Ilmoitettua tärinän kokonaispäästöarvoa voidaan käyttää myös altistumisen alustavaan arviointiin.

**HUOMAA:** Työkalun käytön aikana mitattu todellinen tärinäpäästöarvo voi poiketa ilmoitetusta kokonaispäästöarvosta työkalun käyttötavasta johtuen; käyttäjän suojaamiseksi tulee käyttää käsineitä ja kuulosuojaimia varsinaisissa käyttöolosuhteissa.

## PAKKAUSLUETTELO (KUVA A1)

### KUVAUS

#### PYÖRÖLEIKKURILISÄOSAN OSAT (kuva A1)

1. Tiivistysruuvi
2. Vaihteistokotelo
3. Terä
4. Liukuvaan suojuksen kokoonpano
5. Suojuskokoonpano
6. Varsi
7. Päätytulppa
8. Avain
9. Kuusioavain

## KOKOONPANO

**VAROITUS:** Jos jokin osa on vahingoittunut tai puuttuu, älä käytä tuotetta ennen kuin osat on vaihdettu. Tuotteen käyttö vioittuneilla tai puuttuvilla osilla voi aiheuttaa vakavan henkilövahingon.

**VAROITUS:** Älä yritä muuttaa tätä tuotetta tai käyttää siinä lisävarusteita, joita ei ole suunniteltu käytettäväksi tämän koneen kanssa. Mikä tahansa tällainen muokkaus tai muutos on väärinkäytös ja saattaa aiheuttaa vaarallisen tilan, joka saattaa johtaa vakavaan henkilövammaan.

### SUOJAN KIINNITTÄMINEN

**VAROITUS:** Käytä aina käsineitä, kun kiinnität tai vaihdat suojusta. Varo suojuksen terää ja suojava katesi leikkautumiselta.

**VAROITUS:** Älä koskaan käytä työkalua ilman, että suojuksen on kunnolla paikallaan. Suojuksen on aina oltava työkalussa käyttäjän suojaamiseksi! Kun suojuksen on kiinnitetty, älä poista tai säädä sitä. Jos suojuksen vaihtaminen on tarpeen, vain asiantunteva huoltoteknikko saa tehdä sen!

Löysää ja poista kaksi ruuvia suojuksesta (kuva B). Kohdista suojuksen kiinnitysreiät kokoonpanoreikiin ja lukitse suojuksen varren tyveen kahden ruuvien ja jousialuslaattojen kanssa (kuva C).

**VAROITUS:** Varmista, että suojuksen on paikallaan kuvien B ja C mukaisesti, käänteinen kiinnitys aiheuttaa suuren vaaran!

### PYÖRÖLEIKKURILISÄOSAN KIINNITTÄMINEN AKKUPÄÄHÄN

Tämä pyöröleikkurilisäosa on suunniteltu käytettäväksi EGO-akkupään PH1400E kanssa. Katso akkupään PH1400E käyttöoppaasta kohta ”LISÄOSAN ASENTAMINEN AKKUPÄÄHÄN”.

### TOIMINTA

**VAROITUS:** Älä anna tämän laitteen tuttuuden tehdä sen käsittelystä huolimattontta. Muista, että sekunnin sadasosankin huolimattomuus riittää vakavan vamman aiheutumiseen.

**VAROITUS:** Älä käytä lisälaitteita tai lisävarusteita, jos tämän tuotteen valmistaja ei ole suositellut niitä. Tällaisten lisävarusteiden tai apuvälineiden käyttö saattaa aiheuttaa vakavia henkilövahinkoja.

Tätä laitetta voi käyttää seuraavassa mainittuihin tarkoituksiin:

**Leikkaaminen:** käytetään ruohon leikkaamiseen pylväiden tai suojakaiteiden ympäriltä, seinien vieriltä, jalkakäytävien reunoista, aitojen reunoilta tai kasvillisuuden leikkaamiseen pysäköintipaikoilta.

**HUOMAA:** Kun käytät pyöröleikkurilisäosaa, varmista, ettei mitään vieraita esineitä pääse sinkoutumaan siitä. Se aiheuttaa vakavan vaaran: rikkoo ikkunoita, kolhii autojen runkoja, hajottaa aitoja, repii kaarnaa puista tai aiheuttaa henkilövahingon.

### PYÖRÖLEIKKURILISÄOSAN KÄYTTÄMINEN AKKUPÄÄN KANSSA

**VAROITUS:** Vakavan henkilövamman välttämiseksi käytä aina suojalaseja, kun käytät laitetta. Käytä pölysisissä olosuhteissa hengityssuojainta.

Tyhjennä leikattava alue ennen jokaista käyttökertaa. Poista kaikki esineet, kuten kivet, rikkiäinen lasi, naulat, rautalanka tai narut, jotka saattavat lentää tai sotkeutua leikkurin osiin. Tyhjennä alue lapsista, sivullisista ja lemmikkieläimistä. Pidä lapset, sivulliset ja lemmikkieläimet vähintään 15 metrin päässä. Sinkoutuvat esineet voivat silti vielä aiheuttaa vaaraa sivullisille. Sivullisia tulee kannustaa pitämään suojalaseja. Jos joku lähestyy sinua, sammuta moottori ja leikkulaite välittömästi.

### Tarkasta tuote ennen jokaista käyttökertaa vaurioituneiden/kuluneiden osien varalta

arkasta pyöröleikkurilisäosa, suojus ja kaarikahva. Vaihda murtuneet, vääntyneet, taipuneet tai muulla tavoin vaurioituneet osat.

### Puhdista työkalu jokaisen käyttökerran jälkeen.

**HUOMIO:** Tukokset ilma-aukoissa estävät ilman virtaamisen moottorikehikkoon ja voivat aiheuttavat ylikuumentumista tai moottorin vahingoittumisen.

- Käytä työkalun puhdistuksessa vain mietoa pesuainetta ja kosteaa liinaa. Älä ikinä päästä vettä työkalun sisälle; älä koskaan upota mitään työkalun osaa nesteeseen.
- Pidä moottorikehikon ilma-aukot aina puhtaana irtoaineksestä.

### KUNNOSSAPITO

**VAROITUS:** Käytä huollon yhteydessä vain identtisiä varaosia. Tarkasta työkalu ja huolla sitä säännöllisesti. Pätevän huoltoteknikon tulee suorittaa kaikki korjaukset, jotta voidaan taata tuotteen turvallinen ja luotettava käyttö.

**VAROITUS:** Akkutyökaluja ei tarvitse liittää sähköverkkoon. Tästä syystä ne ovat aina käyttökunnossa. Vakavan henkilövahingon välttämiseksi ole erityisen varovainen, kun teet kunnossapittoa, huollat tai vaihdat leikkuosia tai muita osia.

**VAROITUS:** Irrota akun liitin liitännästä ennen kuin huollat tai puhdistat laitetta tai vaihdat siihen varusteita tai poistat materiaalia laitteesta, jotta vältät vakavat henkilövahingot.

### PYÖRÖLEIKKURIN TERÄN VAIHTAMINEN

**VAROITUS:** Jos terät irtoavat sen jälkeen kun ne on kiinnitetty paikoilleen, tai terät ovat pahoin kuluneet, vaihda terät välittömästi. Älä ikinä käytä työkalua, jonka leikkaava osa on löystynyt tai viallinen.

PYÖRÖLEIKKURIN pää kuten kuvassa D1.

D-1	Akselikuppi	D-2	Yläterä
D-3	Alaterä	D-4	Tukikuppi
D-5	Aluslevy	D-6	Liukumalja
D-7	Mutteri		

1. Aseta PYÖRÖLEIKKURIN pää vaihdekotelo kiinteää pintaa vasten. Kiinnitä ylä- ja alaterät pihdeillä tai ruuvipenkkiin, käytä sitten avainta ja löysää mutteri (kuva D2).
  2. Poista mutteri, liukumalja, aluslevy, tukikuppi, alaterä, yläterä ja akselikuppi järjestyksessä, kuten kuvassa D1 näytetään.
  3. Ennen uusien terien asentamista, aseta akselikuppi akseliin (kuva D3). Aseta yläterä, jossa on suuri kuusikulmainen reikä, akselille siten, että pintaan painettu "EGO"-logo osoittaa kohti vaihdelaatikkoa (kuva D4). Aseta sitten alaterä, jossa on pieni kuusikulmainen reikä, akselille siten, että pintaan painettu "EGO"-logo osoittaa kohti käyttäjää (kuva D5).
- HUOMAA:** Varmista, että terien kuusikulmaiset reiät ja akselin kuusio-osa asettuvat paikoillaan. Jos terät asennetaan päinvastoin, PYÖRÖLEIKKURILISÄOSA ei toimi oikein, ja se vaurioittaa teriä.
4. Noudata kokoamisessa kuvassa D1 näytettyä järjestystä.

### VAIHEISTOKOTELON VOITELU

Parhaan toimivuuden ja pitkän käyttöiän takaamiseksi voitele vaihteistokotelo erikoisrasvalla (noin 4–5 g joka kerta) 50 käyttötunnin välein.

Erikoisrasvan on täytettävä seuraavat vaatimukset.

1. Kuuluttava luokkaan DIN51818: NLGI-1 kartion tunkeutumisaste.
2. Esteripohjainen rasva.
3. Erinomainen alhaisen lämpötilan käynnistys, EP, mekaaninen leikkaus, hankauksen kestävyys ja hapettumisenkestävyyssominaisuudet.
4. Käyttölämpötilan on oltava -40–180 °C. Irrota akun pistoke ja tiivistysruuvi. Vaihteistokotelon voitelu voitelureiän kautta.

**VAROITUS:** Älä voitele, jos työkalu on vielä yhdistettynä akkuun tai se on käynnissä.

## LAITTEEN PUHDISTAMINEN

- Puhdista laite kostealla liinalla ja miedolla puhdistusaineella.
- Älä käytä voimakkaita puhdistusaineita muoviseen kuoreen tai kahvaan. Ne saattavat vahingoittaa tietyistä aromaattisista öljyistä, kuten männystä ja sitruunasta, ja liuottimista, kuten kerosiinista. Kosteus voi myös aiheuttaa sähköiskun vaaran. Pyyhi kosteus pois pehmeällä ja kuivalla liinalla.

## LAITTEEN VARASTOINTI

- Puhdista työkalu perusteellisesti ennen varastoon laittamista.
- Säilytä laite kuivassa, hyvin ilmastoidussa, lukitussa paikassa tai korkealla, poissa lasten ulottuvilta. Älä säilytä laitetta lannoitteiden, bensiinin tai muiden kemikaalien vieressä tai päällä.
- Käytä metalliterissä kuljetussuojusta kuljetuksen ja varastoinnin aikana.

## Ympäristönsuojelu



Älä hävitä sähkölaitteita, akkulaturia tai akkuja/ladattavia paristoja kotitalousjätteen seassa! Vie tämä tuote hyväksytyyn kierrätyspaikkaan tai anna se erilliseen keräilyyn. Sähkötyökalut tulee palauttaa asianmukaiseen ympäristöstavalliseen kierrätyslaitokseen.

## VIANMÄÄRITYS

ONGELMA	SYY	RATKAISU
PYÖRÖLEIKKURI ei käynnisty.	<ul style="list-style-type: none"> <li>■ Akkua ei ole yhdistetty oikein akkupäähän.</li> <li>■ Akku on tyhjä.</li> <li>■ Lukituksenpoistokytintä ja liipaisinta ei paineta samanaikaisesti.</li> </ul>	<ul style="list-style-type: none"> <li>■ Yhdistä akku akkupäähän.</li> <li>■ Lataa akku käyttöoppaan luettelossa olevalla EGO-laturilla.</li> <li>■ Paina lukituksen poistokytin alas ja pidä sitä painettuna, käynnistä laite sen jälkeen painamalla liipaisinta.</li> </ul>
PYÖRÖLEIKKURI pysähtyy kesken leikkaamisen.	<ul style="list-style-type: none"> <li>■ Moottori on ylikuormittunut.</li> <li>■ Akku on liian kuuma.</li> <li>■ Akku on irronnut työkalusta</li> </ul>	<ul style="list-style-type: none"> <li>■ Moottori tunnistaa, kun kuorma poistetaan. Voit jatkaa työskentelyä vähentämällä PYÖRÖLEIKKURIN pään kuormitusta ja pitkän ruohon leikkaamista, leikkaa sen sijaan asteittain.</li> <li>■ Anna akun jäähtyä itsestään tai puhalla siihen ilmaa jäähtymisen nopeuttamiseksi.</li> <li>■ Yhdistä akku uudelleen.</li> </ul>

FI

## TAKUU

KEES VAN DER SPEK  
TUINMACHINES \* STOLWIJK

### EGON TAKUUEHDOT

Verkkosivustolta [egopowerplus.com](http://egopowerplus.com) löydät EGO:n takuuehtojen täydelliset ehdot kokonaisuudessaan.

## LES GJENNOM ALLE INSTRUKSJONENE!



### LES BRUKERHÅNDBOKEN

**⚠ Restrisiko!** Personer med elektroniske enheter, for eksempel pacemakere, må rådføre seg med lege før de bruker dette produktet. Drift av elektrisk utstyr i umiddelbar nærhet av en pacemaker kan føre til at pacemakeren forstyrres eller svikter.

**⚠ ADVARSEL:** For å ivareta sikkerheten og påliteligheten må alle reparasjoner og utskiftinger utføres av en kvalifisert servicetekniker.

## SIKKERHETSSYMBOL

Formålet med sikkerhetssymbolene er å rette oppmerksomheten din mot mulige faresituasjoner. Sikkerhetssymbolene og forklaringene krever din fulle oppmerksomhet og forståelse. Symbolvarslene eliminerer ikke faren i seg selv. Instruksjonene og advarslene i dem kan ikke erstatte passende ulykkesforebyggende tiltak.

**⚠ ADVARSEL:** Sørg for at du har lest og forstått alle sikkerhetsanvisningene i denne bruksanvisningen, inkludert alle varselssymboler som «FARE», «ADVARSEL» og «FORSIKTIG» før du bruker dette verktøyet. Hvis du ikke følger alle instruksjonene nedenfor kan det føre til elektrisk støt, brann og/eller alvorlig personskade.

## SYMBOLFORKLARINGER

**⚠ SIKKERHETSSYMBOL:** Indikerer FARE, ADVARSEL ELLER FORSIKTIGHET, kan brukes sammen med andre symboler eller piktogrammer.

**⚠ ADVARSEL:** Bruk av hvilke som helst elektroverktøy kan føre til at fremmedlegemer blir kastet mot øynene, noe som kan gi alvorlige øyeskader. Før du begynner å bruke elektroverktøyet, skal du alltid ta på vernebriller eller vernebriller med sidebeskyttelse, og en full ansiktsskjerm der det trengs. Vi anbefaler en sikkerhetsmaske med bred visjon til bruk over briller, eller standard vernebriller med sidebeskyttelse.

## SIKKERHETSINSTRUKSER

Denne siden viser og beskriver sikkerhetssymboler som kan være på produktet. Les, forstå og følg alle instruksjoner på enheten før du begynner montering og tar den i bruk.

	Sikkerhetsadvarsel	Forsiktighetsregler som har med sikkerheten din å gjøre.
	Les brukermanualen	For at risikoen for personskader skal unngås må brukeren lese og forstå bruksanvisningen før produktet tas i bruk.
	Bruk vernebriller	Bruk alltid vernebriller eller vernebriller med sidebeskyttelse, og full ansiktsskjerm når du bruker dette produktet.
	Bruk hørselvernet	Bruk alltid hørselsvern når du bruker dette produktet.
	Bruk hodevern	Bruk en godkjent vernehjelm for å beskytte hodet.
	Bruk vernehansker	Beskytt hendene med hansker når du håndterer knivbladene.
	Bruk verneskotøy	Bruk sklisikre vernesko når du bruker utstyret.
	Vær på vakt mot forskyning av skjæreblad	Varsle operatøren om faren for forskyvning av skjæreblad.
	Må ikke utsettes for regn.	Må ikke brukes i regnvær eller etterlates utendørs når det regner.
	Rikosjett og hold tilskuere på avstand	Objekter kan rikosjettere og forårsake skader på person eller eiendom. Forsikre deg om at andre mennesker og kjøledyr forblir borte fra børstemaskinen når den er i bruk
	Hold tilskuere på avstand	Sørg for at andre mennesker og kjøledyr er minst 15 m unna kantklipperen når den er i bruk.
	Rundt skjæreblad ikke tillatt	Ikke installer runde skjæreblad.



	WEEE Elektrisk og elektronisk avfall	Elektrisk avfall skal ikke kastes sammen med husholdningsavfall. Innlever ved en godkjent gjenvinningsstasjon.
	Støy	Garantert lydeffektnivå. Støy i omgivelsene er i henhold til EUs direktiv.
	CE	Dette produktet er i samsvar med gjeldende EF-direktiver.
V	Volt	Spennning
$n_0$	Hastighet uten last	Rotasjonshastighet, uten last
$\text{min}^{-1}$	Per minutt	Omdreining pr. minutt
	Likestrøm	Strømtype
kg	Kilogram	Vekt

## VIKTIGE SIKKERHETSINSTRUKSJONER

**⚠ ADVARSEL:** Gjør deg kjent med alle sikkerhetsadvarslene, instruksjonene, illustrasjonene og spesifikasjonene som følger med dette elektroverktøyet. Manglende etterlevelse av alle instruksjonene under kan resultere i elektrisk støt, brann og/eller alvorlig skade

Ta vare på alle advarsler og instruksjoner for fremtidig bruk.

- Unngå farlige omgivelser – ikke bruk apparatet i fuktige eller våte skråninger.
- Hold skjermene på plass, og i orden.
- Hold hender og føtter unna klippeområdet.
- For å redusere risikoen for skade må du aldri jobbe på en stige eller på et annet ustabil underlag. Skjæreenheten må aldri holdes over midjehøyde.
- Kontroller skjæreenheten ofte og regelmessig under drift eller umiddelbart hvis du merker at klippeegenskapene endres merkbart.
- For best resultat skal batteriet lades på et sted der temperaturen er høyere enn 5°C og under 40°C. Ikke oppbevar det utenfor eller i kjøretøy.

- Hvis noen nærmer seg deg, så stopp motoren og skjæreenheten umiddelbart.
- Varsle operatøren om faren for forskyvning av skjærebladet.
- Skjærebladet kan skyves ut når det roterende bladet kommer i kontakt med en gjenstand som ikke umiddelbart lar seg klippe.
- Utskyvingen av bladet kan være såpass voldsom at verktøyet og/eller operatøren kan bli dyttet forover i en vilkårlig retning og kanskje miste kontrollen over verktøyet.
- Utskyving av blad kan forekomme uten forvarsel dersom bladet plutselig brykker, stanser eller henger seg opp.
- Mest sannsynlig skjer dette på områder der det er vanskelig å se materialet som blir kuttet.
- Skjæreblad må ikke settes på en enhet med mindre alle nødvendige deler blir installert korrekt. Hvis riktige deler ikke brukes, kan skjærebladet kastes av og skade operatør og/eller tilskuere alvorlig. Kassér skjæreblad som er bøyd, skjevt, sprukket, brukket eller ødelagt på annen måte. Bruk et skarpt blad. Et sløvt blad rives lettere opp og kan bli skjøvet ut.
- Et skjæreblad eller tråd som går på tomgang, kan forårsake skade når det fortsetter å snurre etter at motoren er stoppet eller du har sluppet utløseren. Fortsett å ha kontroll til skjærebladet/tråden har stoppet helt opp.
- Batteridrevne verktøy trenger ikke å være tilkoblet et strømuttak for å fungere og er derfor alltid klare for bruk. Vær obs på mulige farer også når verktøyet ikke er i gang. Vær forsiktig når du utfører vedlikehold eller service.
- Må ikke vaskes med slange; unngå å få vann i motoren og i elektriske koblinger.
- Hvis situasjoner oppstår som ikke er dekket i denne håndboken, må du utvise forsiktighet og sunn fornuft. Kontakt EGOs servicesenter for hjelp.
- Bruk kun med batteripakker og ladere som oppført i fig. A2.

TA VARE PÅ DISSE INSTRUKSJONENE!

NO

## SPESIFIKASJONER

Hastighet uten belastning	450±5%rpm	
Skjæreblad	ABR2300	
Anbefalt driftstemperatur	0°C-40°C	
Anbefalt lagringstemperatur	-20°C-70°C	
Vekt (uten batteripakke)	2,6 kg	
Målt lydeffektnivå $L_{WA}$	97,36 dB(A) K= 2,7 dB(A)	
Lydtryknivå ved brukerens øre $L_{PA}$	83 dB(A) K= 2,5 dB(A)	
Garantert lydeffektnivå $L_{WA}$ (målt iht. 2000/14/EC)	100 dB(A)	
Vibrasjonsnivå $a_{v1}$ :	Fremre hjelpehåndtak	3,3 m/s <sup>2</sup> K= 1,5 m/s <sup>2</sup>
	Bakre håndtak	2,0 m/s <sup>2</sup> K= 1,5 m/s <sup>2</sup>

NO

- Erklært total vibrasjonsverdi er målt i overensstemmelse med en standard testmetode og kan brukes til å sammenligne ett verktøy med et annet;
- Erklært total vibrasjonsverdi kan også brukes i en foreløpig vurdering av eksponering.

**MERK:** Vibrasjoner under faktisk bruk av elektroverktøyet kan variere fra den opplyste verdien der verktøyet brukes; For å beskytte brukeren skal det alltid benyttes hansker og hørselsvern under faktiske bruksforhold.

## PAKKELISTE (FIG.A1)

### BESKRIVELSE

**BLI KJENT MED DITT ROTOCUT-TILBEHØR (Fig. A1)**

1. Tetningsskrue
2. Girkasse
3. Knivblad
4. Skyvedeksel
5. Skjermmontasje
6. Skåft
7. Sluttkopp
8. Skiftenøkkel
9. Unbrakonøkkel

## MONTERING

**⚠ ADVARSEL:** Hvis noen av delene er skadet eller mangler, må du ikke bruke dette produktet før delene er byttet. Bruk av dette produktet dersom deler er skadet eller mangler, kan føre til alvorlige personskader.

**⚠ ADVARSEL:** Ikke prøv å tilpasse produktet eller lage tilbehør som ikke er anbefalt for bruk med dette produktet. Enhver slik endring eller modifisering er feil bruk, og kan føre til farlige situasjoner og alvorlige personskader.

### MONTERING AV VERNET

**⚠ ADVARSEL:** Bruk alltid hansker når du monterer eller skifter ut skjermen. Legg merke til hvor knivbladet er på bladvernet, og beskytt hendene dine så de ikke blir skadet.

**⚠ ADVARSEL:** Bruk aldri verktøyet uten at bladvernet er på plass. Bladvernet må alltid være påmontert verktøyet for å beskytte brukeren! Når bladvernet sitter fast, må du ikke forsøke å fjerne eller justere det. Hvis det trengs å byttes, må dette gjøres av en kvalifisert fagperson!

Løsne og fjern de to skruene fra skjermen (Fig.

B). Posisjoner skjermmonteringshullene over monteringshullene, og lås skjermen fast på skaffbasen med de to skruene sammen med to fjærskiver (Fig. C).

**⚠ ADVARSEL:** Sørg for at skjermen er festet slik Fig. B og C viser. Festes den motsatt, kan det forårsake stor skade!

### KOBLE TIL ROTOCUT-TILBEHØRET TIL MOTORENHETEN

Dette rotocut-tilbehøret er designet for bruk med EGO Power Head PH1400E. Se "INSTALLERE ET TILBEHØR TIL MOTORENHETEN" -delen i motorenhet PH1400E sin brukerhåndbok.

## BRUK

**⚠ ADVARSEL:** Ikke føl deg så trygg med dette verktøyet at du blir skjodesløs. Husk at et uforsiktig tiendedel av et sekund er nok til å forårsake alvorlige skader.

**⚠ ADVARSEL:** Ikke bruk tilbehør eller deler som ikke er anbefalt av produsenten av produktet. Bruk av tilbehør eller deler som ikke anbefales, kan medføre alvorlige personskader.

Du kan bruke dette produktet til formålene som er listet opp under:

Skjæring: brukes til å skjære gresset rundt innsatser eller beskyttelsesskinner, veggkanter, fortauskanter, gjerder i løpende trafikk, eller til å trimme vegetasjonen på parkeringsplasser.

**MERK:** Når du bruker rotocut-tilbehøret, må du forsikre deg om at det ikke blir kastet fremmedlegemer som medfører sterk risiko: ødelagte vinduer, bulkede karosserier, spaltede gjerder, revet trebark eller personskaide.

### Å BRUKE ROTOCUT-TILBEHØRET MED MOTORENHETEN

**ADVARSEL:** For å unngå alvorlige personskader skal det brukes briller eller vernebriller hele tiden mens du bruker denne enheten. Bruk en ansiktsmaske eller støvmaske i støvete omgivelser.

Rydd arbeidsområdet før du bruker verktøyet. Fjern alle gjenstander som steiner, glasskår, spikre, ståltråd eller snorer som kan slynges bort eller vikle seg inn i skjæretilbehøret. Hold barn, tilskuere og kjæledyr unna området. Som et minimum må alle barn, tilskuere og kjæledyr holdes på minst 15 meters avstand. Vær obs på at gjenstander som slynges ut, fremdeles kan representere en fare for tilskuere. Tilskuere bør oppfordres til å bruke øyebeskyttelse. Hvis noen nærmer seg deg, så stopp motoren og skjæretilbehøret umiddelbart.

### Før hver bruk må du se etter skadede/slitte deler

Kontroller rotocut-tilbehøret, beskyttelsen og sløyfehåndtaket, og bytt ut delene som er sprukket, skjevt, bøyd eller skadet på noe som helst sted.

### Rengjør verktøyet hver gang du har brukt det.

**ADVARSEL:** Dersom ventilasjonsåpningene blokkeres, vil dette hindre luft fra å komme inn i motorhuset og resultere i overoppheting av eller skade på motoren.

- Bruk bare mild såpe og en fuktig klut for å rengjøre verktøyet. La aldri væske trenge inn i verktøyet, og nedsenk aldri noen del av verktøyet i væske.
- Hold ventilasjonsåpningene i motorhuset fri for rusk til enhver tid.

### VEDLIKEHOLD

**ADVARSEL:** Når verktøyet trenger service, må bare identiske reservedeler benyttes. Maskinen må etteres og vedlikeholdes regelmessig. For å sikre trygg og pålitelig bruk må alle reparasjoner utføres av en kvalifisert fagperson.

**ADVARSEL:** Batteridrevne verktøy trenger ikke å være tilkoblet et strømuttak for å fungere og er derfor alltid klare for bruk. For å unngå alvorlige personskader må du være ekstra forsiktig når du utfører vedlikehold eller service, og når du skal bytte skjæretilbehør eller annet tilbehør.

**ADVARSEL:** For å unngå alvorlig personskaide må du trekke batterikoblingen ut av kontakten før du går i gang med service, rengjøring, bytte av tilbehør eller fjerning av materiale fra enheten.

### BYTTE AV ROTOCUT BLADET

**ADVARSEL:** Hvis bladene løsner etter at de er festet i riktig stilling eller bladene er slitt, må du bytte bladene umiddelbart. Ikke bruk en kantklipper med skjæretilbehør som sitter løst.

Kjenn ROTOCUT-hodet som vist i fig. D1.

D-1	Skaftkopp	D-2	Toppblad
D-3	Bunnblad	D-4	Støttekopp
D-5	Vasker	D-6	Glideskål
D-7	Mutter		

1. Sett girkassen på ROTOCUT mot en solid overflate for støtte. Klem opp og ned bladene med en tang eller et skruestykke, og bruk deretter skiftenøkkelen til å løsne mutteren (fig. D2).
  2. Fjern mutteren, glideskålen, skiven, støttekoppen, bunnbladet, toppbladet og skaftkoppen i rekkefølge som anvist i fig. D1.
  3. Før du installerer nye kniver, sett skaftkoppen på akselen (fig. D3). Sett toppbladet med det store sekskantete hullet på skaftet med "EGO" logoen vendt mot girhuset (fig. D4), og sett deretter bunnbladet med det lille sekskantete hullet på skaftet med "EGO" logoen vendt mot operatøren (fig. D5).
- MERK:** Forsikre deg om at sekskanthullene på bladene og sekskantskaftet sitter på plass. Når ikke knivene er montert omvendt, kan ikke ROTOCUT-TILBEHØREN fungere korrekt og vil skade knivene.
4. Følg sekvensen vist i fig. D1 for å sette dem sammen igjen.

### Å SMØRE GIRKASSEN

For best mulig drift og lengre levetid, smør girkassen med et spesielt fett (4-5 g hver gang) etter hver 50 timers drift.

Spesialfettet må oppfylle følgende krav:

1. Klassifisert iht. DIN51818: Kjeglepenetrasjonsgrad NLGI-1.

NO

2. Ester basefett.
3. Enestående egenskaper mht. oppstart ved lav temperatur, EP, mekanisk avklipping, slitasjebestandighet og oksideringsstabilitet.
4. Betjeningstemperatur må være innenfor -40 ~ 180 °C. Fjern batteripluggen og tetningsskruen. Smør girkassen gjennom oljehullet.

**⚠ ADVARSEL:** Ikke smør verktøyet mens den fremdeles er koblet til batteriet eller er i gang.

## RENGJØRING AV ENHETEN

- Rengjør apparatet med en fuktig klut og et mildt rengjøringsmiddel.
- Ikke bruk sterke vaskemidler på plastdeksel eller håndtak. Disse delene kan bli skadet av enkelte aromatiske oljer, som furu og sitron, og av løsemidler som parafin. Fuktighet kan også medføre fare for elektrisk støt. Tørk av eventuell fuktighet med en myk og tørr klut.

NO

## OPPBEVARING AV VERKTØYET

- Rengjør verktøyet grundig før du setter det til oppbevaring.
- Oppbevar verktøyet på et tørt og godt ventilert sted, innelåst eller høyt plassert, og utilgjengelig for barn. Ikke oppbevar enheten på eller like ved gjødsel, bensin eller andre kjemikalier.
- Bruk et transportdeksel for metallblader under transport og oppbevaring.

## Beskytt miljøet



Elektrisk utstyr, batteriladere og batterier / oppladbare batterier må ikke kastes i husholdningsavfallet! Ta med dette produktet til autorisert gjenvinning, og gjør det tilgjengelig for separat innsamling. Elektriske verktøy må returneres til et egnet resirkuleringsanlegg.

## FEILSØKING

PROBLEM	ÅRSAK	LØSNING
ROTOCUT starter ikke.	<ul style="list-style-type: none"><li>▪ Batteripakken er ikke satt ordentlig inn i motorenheten.</li><li>▪ Batteripakken er utladet.</li><li>▪ Låsespaken og utløseren ble ikke trykket inn samtidig.</li></ul>	<ul style="list-style-type: none"><li>▪ Sett batteripakken inn i motorenheten.</li><li>▪ Lad batteripakken med en av EGO-laderne som står oppført i denne håndboken.</li><li>▪ Trykk ned låsespaken og hold den inne, og trykk deretter på utløseren for å slå på verktøyet.</li></ul>
ROTOCUT stopper under kutting.	<ul style="list-style-type: none"><li>▪ Motoren er overbelastet.</li><li>▪ Batteripakken er for varm.</li><li>▪ Batteripakken er fjernet fra verktøyet.</li></ul>	<ul style="list-style-type: none"><li>▪ Motoren vil fungere igjen når lasten er fjernet. Skal du arbeide kontinuerlig, må du minske belastningen på ROTO CUT og unngå å klippe for dypt, men heller klippe dypere i flere omganger.</li><li>▪ La batteripakken avkjøles naturlig, eller luftblås for å øke hastigheten på kjøling.</li><li>▪ Koble til batteripakken på nytt.</li></ul>

**NO**

## GARANTI

KEES VAN DER SPEK  
TUINMACHINES ★ STOLWIJK

### EGOs GARANTIREGLER

Besøk nettsiden [egopowerplus.com](http://egopowerplus.com) for å se fullstendige vilkår og betingelser for EGO-garantireglene.

## ПРОЧИТАЙТЕ ВСЕ ИНСТРУКЦИИ!



### ПРОЧИТАЙТЕ РУКОВОДСТВО ПОЛЬЗОВАТЕЛЯ

**⚠️ Остаточный риск!** Если вы используете такие электронные устройства, как кардиостимулятор, перед эксплуатацией данного устройства проконсультируйтесь с врачом. Использование электрооборудования в непосредственной близости от кардиостимулятора может привести к образованию помех и повреждению кардиостимулятора.

**⚠️ ПРЕДУПРЕЖДЕНИЕ.** Для обеспечения безопасной и надежной работы устройства его ремонт и замену частей должен выполнять квалифицированный специалист.

**RU**

## СИМВОЛЫ БЕЗОПАСНОСТИ

Символы безопасности предназначены для привлечения внимания к возможным рискам. Символы безопасности, а также пояснения к ним, требуют особого внимания и понимания. Предупреждения по технике безопасности сами по себе не устраняют опасность. Инструкции и предупреждения не заменяют соответствующие меры по предотвращению несчастных случаев.

**⚠️ ПРЕДУПРЕЖДЕНИЕ.** Перед использованием устройства внимательно прочитайте все инструкции в данном руководстве пользователя и ознакомьтесь с предупреждающими символами безопасности, такими как «ОПАСНОСТЬ», «ПРЕДУПРЕЖДЕНИЕ» и «ВНИМАНИЕ». Несоблюдение всех приведенных ниже инструкций может привести к поражению электрическим током, возникновению пожара и (или) получению серьезных травм.

## УСЛОВНЫЕ ОБОЗНАЧЕНИЯ

**⚠️ ПРЕДУПРЕЖДАЮЩИЙ СИМВОЛ.** Означает **ОПАСНОСТЬ**, **ПРЕДУПРЕЖДЕНИЕ**, или **ВНИМАНИЕ** и может использоваться с другими символами или изображениями.

**⚠️ ПРЕДУПРЕЖДЕНИЕ.** В результате работы электроинструмента в глаза могут попасть посторонние предметы, что приведет к серьезному повреждению глаз. Перед началом использования электроинструмента всегда надевайте защитную маску или защитные очки с боковыми щитками и полнопрофильную защитную маску

(при необходимости). Поверх очков или стандартных защитных очков рекомендуется надевать безопасную маску с широким обзором.

## ИНСТРУКЦИЯ ПО ТЕХНИКЕ БЕЗОПАСНОСТИ

Далее приведено изображение и описание символов безопасности, которые могут присутствовать на данном устройстве. Перед сборкой или использованием внимательно прочитайте все инструкции, приведенные на устройстве, и соблюдайте их.

	Предупреждение об опасности	Меры предосторожности, касающиеся безопасности.
	Прочитайте руководство пользователя.	Чтобы уменьшить риск получения травм, перед использованием устройства необходимо прочитать и понять руководство по эксплуатации.
	Используйте защитные очки.	При работе с данным устройством всегда используйте защиту для глаз или защитные очки с боковыми щитками и полнопрофильную защитную маску.
	Используйте средства защиты органов слуха.	При использовании устройства всегда надевайте средства защиты органов слуха.
	Используйте защитный головной убор.	Используйте надежную каску для защиты головы.
	Используйте защитные перчатки.	При работе с режущим элементом и щитком надевайте защитные перчатки.
	Используйте надежную обувь.	При использовании устройства надевайте надежную нескользящую обувь.

	Остерегайтесь отдачи режущего элемента.	Предупредите оператора об опасности отдачи режущего элемента.
	Не оставляйте под дождем.	Во время дождя не используйте устройство и не оставляйте его вне помещения.
	Возможен рикошет, не позволяйте посторонним людям находиться поблизости.	Отброшенные предметы могут отскочить и привести к травмам или повреждению имущества. Убедитесь, что другие люди и животные находятся на расстоянии от работающего устройства.
	Не позволяйте посторонним людям находиться поблизости.	Убедитесь, что другие люди и животные находятся на расстоянии не менее 15 м от работающего устройства.
	Не используйте круглые режущие элементы.	Не используйте круглые режущие элементы.
	WEEE (утилизация электрического и электронного оборудования)	Неисправные электрические устройства нельзя выбрасывать вместе с бытовым мусором. Сдавайте их в авторизованные пункты сбора и утилизации.
	Шум	Гарантированный уровень звуковой мощности. Уровень шума в окружающей среде в соответствии с директивой ЕС.
	CE	Соответствует основным требованиям стандартов безопасности Европейских директив.

V	Вольт	Напряжение
$n_0$	Скорость работы без нагрузки	Скорость вращения без нагрузки
$\text{min}^{-1}$	В минуту	Оборотов в минуту
	Постоянный ток	Тип или характеристика тока
kg	Килограмм	Масса

## ВАЖНЫЕ ИНСТРУКЦИИ ПО ТЕХНИКЕ БЕЗОПАСНОСТИ

**⚠ ПРЕДУПРЕЖДЕНИЕ.** Прочитайте все правила безопасности, инструкции, иллюстрации и спецификации, прилагаемые к этому электроинструменту. Невыполнение изложенных ниже инструкций может привести к поражению электрическим током, пожару и (или) тяжелым травмам.

Сохраните все предупреждения и инструкции для использования в будущем.

- Не работайте в опасных условиях. Не используйте устройство на влажных и мокрых склонах.
- Щитки должны быть установлены и находиться в рабочем состоянии.
- Всегда держите руки и ноги подальше от режущих частей.
- Чтобы снизить риск получения травм, никогда не работайте на стремянке или на любой другой неустойчивой поверхности. Никогда не поднимайте режущий элемент выше уровня талии.
- Регулярно проверяйте режущий элемент во время использования, а также сразу после обнаружения серьезных изменений в работе устройства.
- Для достижения наилучших результатов аккумулятор следует заряжать при температуре окружающей среды от 5 до 40 °C. Не храните его вне помещения или в транспортном средстве.
- В случае приближения к препятствиям или посторонним лицам остановите двигатель и режущий элемент.

RU

- Предупредите оператора об опасности отдачи режущего элемента.
- Отдача возникает при контакте вращающегося режущего элемента с объектом, который он не может сразу разрезать.
- Отдача может быть достаточно сильной, чтобы оттолкнуть устройство и (или) оператора в любом направлении и привести к потере контроля над устройством.
- **Отдача может возникнуть внезапно, если режущий элемент зацепился, застрял или зажался.**
- Отдача наиболее вероятна в таких ситуациях, когда обрабатываемый материал плохо видно.
- Не прикрепляйте никакие режущие элементы к устройству без надлежащей установки всех необходимых частей. Несоблюдение рекомендаций по установке надлежащих частей может привести к отлетанию режущего элемента и нанесению серьезных травм оператору и (или) посторонним лицам. Заменяйте погнутые, изношенные, треснувшие, сломанные или как-либо иначе поврежденные режущие элементы. Используйте только острые режущие элементы. Тупой режущий элемент чаще застревает и провоцирует отдачу.
- Режущий элемент или леска по инерции могут нанести травмы во время вращения даже при остановке двигателя или отпуске курка. Сохраняйте полный контроль над устройством, пока режущий элемент или леска полностью не остановится.
- Работающие от аккумуляторов инструменты не требуется подключать к розетке электросети, поэтому они всегда готовы к использованию. Помните о возможности возникновения опасных ситуаций даже когда устройство не используется. Соблюдайте осторожность при выполнении технического обслуживания или ремонта.
- Не мойте устройство из шланга. Избегайте попадания воды в двигатель и электрические соединения.
- При возникновении ситуаций, не описанных в данном руководстве, соблюдайте осторожность и

**руководствуйтесь здравым смыслом. Обратитесь в сервисный центр EGO за помощью.**

- Используйте только аккумуляторы и зарядные устройства, указанные на рис. А2.

**СОХРАНИТЕ ДАННОЕ РУКОВОДСТВО!**

## ХАРАКТЕРИСТИКИ

Скорость вращения без нагрузки	450±5 % об/мин	
Режущий элемент	ABR2300	
Рекомендуемая рабочая температура	0...40 °C	
Рекомендуемая температура хранения	-20...70 °C	
Масса (без аккумулятора)	2,6 кг	
Измеренный уровень звуковой мощности, $L_{WA}$	97,36 dB(A) K= 2,7 dB(A)	
Уровень звукового давления на уши оператора, $L_{PA}$	83 dB(A) K= 2,5 dB(A)	
Гарантированный уровень звуковой мощности, $L_{WA}$ (измеренный в соответствии со стандартом 2000/14/EC)	100 dB(A)	
Значение вибрации $a_h$ :	Передняя вспомогательная рукоятка	3,3 m/s <sup>2</sup> K= 1,5 m/s <sup>2</sup>
	Задняя рукоятка	2,0 m/s <sup>2</sup> K= 1,5 m/s <sup>2</sup>

- Указанное общее значение вибрации было определено с помощью стандартного теста и может быть использовано для сравнения разных инструментов.
- Указанное общее значение вибрации также может использоваться для предварительной оценки уровня воздействия.

**ПРИМЕЧАНИЕ.** Реальное вибрационное воздействие электроинструмента может отличаться от указанного в зависимости от способа использования. В целях безопасности оператор должен надевать перчатки и средства защиты органов слуха во время использования устройства.



## КОМПЛЕКТ ПОСТАВКИ (РИС. А1) ОПИСАНИЕ

### ЧАСТИ РОТАЦИОННОЙ КОСИЛКИ (Рис. А1)

1. Уплотнительный винт
2. Корпус редуктора
3. Режущий элемент
4. Подвижная крышка в сборе
5. Щиток в сборе
6. Вал
7. Крышка
8. Гаечный ключ
9. Шестигранный ключ

## СБОРКА

**⚠ ПРЕДУПРЕЖДЕНИЕ.** Если какие-либо части повреждены или отсутствуют, не используйте устройство, пока они не будут установлены. Использование устройства в случае повреждения или отсутствия частей может привести к получению серьезной травмы.

**⚠ ПРЕДУПРЕЖДЕНИЕ.** Не пытайтесь изменить конструкцию устройства или создать не рекомендованные для него дополнительные приспособления. Подобное изменение считается ненадлежащим использованием и способствует возникновению опасной ситуации, которая приведет к получению серьезной травмы.

### УСТАНОВКА ЩИТКА

**⚠ ПРЕДУПРЕЖДЕНИЕ.** Всегда надевайте перчатки при установке и демонтаже щитка. Остерегайтесь лезвия на щитке и берегите руки от порезов.

**⚠ ПРЕДУПРЕЖДЕНИЕ.** Никогда не используйте устройство без надежно установленного щитка. Щиток всегда должен быть установлен на устройство для защиты пользователя! Не пытайтесь снимать или регулировать установленный щиток. Если щиток необходимо заменить, эту работу должен выполнить квалифицированный специалист по обслуживанию!

Открутите и извлеките два винта из щитка (Рис. В), совместите крепежные отверстия щитка с отверстиями для установки, а затем зафиксируйте щиток на основании вала при помощи двух винтов и двух пружинных шайб (Рис. С).

**⚠ ПРЕДУПРЕЖДЕНИЕ.** Убедитесь, что щиток установлен так, как показано на Рис. В и С. Любое другое положение может быть очень опасным!

## УСТАНОВКА РОТАЦИОННОЙ КОСИЛКИ НА ПРИВОДНОЙ БЛОК

Эта ротационная косилка предназначена для использования с приводным блоком EGO PH1400E. См. раздел «УСТАНОВКА ИНСТРУМЕНТА НА ПРИВОДНОЙ БЛОК» в руководстве пользователя приводного блока PH1400E.

## ЭКСПЛУАТАЦИЯ

**⚠ ПРЕДУПРЕЖДЕНИЕ.** Не допускайте небрежности и беспечности при работе с устройством. Помните, что потери бдительности на долю секунды достаточно для получения серьезной травмы.

**⚠ ПРЕДУПРЕЖДЕНИЕ.** Не используйте насадки или дополнительные приспособления, не рекомендованные производителем устройства. Использование нереконструированных насадок и дополнительных приспособлений может привести к серьезным травмам.

Данное устройство можно использовать в следующих целях.

**Срезание:** используется для скашивания травы вокруг столбов, барьеров, краев стен, бордюров, ограждений проезжей части, а также для обрезки растительности на парковках.

**ПРИМЕЧАНИЕ.** При использовании ротационной косилки необходимо следить за тем, чтобы не выбрасывались посторонние предметы, представляющие серьезную опасность: разбитые окна, вмятины на кузове автомобиля, перерезанные ограждения, разорванная кора деревьев или травы.

### ИСПОЛЬЗОВАНИЕ РОТАЦИОННОЙ КОСИЛКИ С ПРИВОДНЫМ БЛОКОМ

**⚠ ПРЕДУПРЕЖДЕНИЕ.** Во избежание травм всегда надевайте защитные очки при работе с данным устройством. Надевайте маску или респиратор при работе в пыльной среде.

Очищайте обрабатываемый участок перед каждым использованием инструмента. Удалите такие предметы, как камни, осколки стекла, гвозди, проволоку или веревки, которые могут запутаться в режущем приспособлении или которые оно может отбросить. На участке не должны находиться дети, прохожие и животные. Дети, прохожие и животные должны находиться на расстоянии не менее 15 м, так как во время работы могут отлетать предметы. Посторонние лица должны надевать защитные очки. В случае приближения посторонних лиц немедленно остановите двигатель и режущее приспособление.

RU

## Перед каждым использованием проверяйте устройство на наличие поврежденных и изношенных частей.

Проверьте ротационную косилку, щиток и рукоятку-скобу и замените треснувшие, деформированные, изогнутые или поврежденные части.

## Очищайте инструмент после каждого использования.

**⚠ ВНИМАНИЕ!** Загрязнения в вентиляционных отверстиях могут помешать попаданию воздуха в корпус двигателя и привести к перегреву и повреждению двигателя.

- Для очистки устройства используйте только слабый мыльный раствор и влажную ткань. Никогда не допускайте попадания какой-либо жидкости внутрь инструмента и никогда не погружайте никакие части инструмента в жидкость.
- Следите за тем, чтобы вентиляционные отверстия на корпусе двигателя всегда были чистыми.

RU

## ОБСЛУЖИВАНИЕ

**⚠ ПРЕДУПРЕЖДЕНИЕ.** При ремонте используйте только идентичные запасные части. Регулярно проверяйте устройство и выполняйте его обслуживание. Для обеспечения безопасности и надежности устройства его ремонт должен выполнять квалифицированный специалист.

**⚠ ПРЕДУПРЕЖДЕНИЕ.** Работающие от аккумуляторов инструменты не требуются подключать к розетке электросети, поэтому они всегда готовы к использованию. Чтобы предотвратить получение серьезных травм, будьте особо осторожны и внимательны при выполнении технического обслуживания, ремонта или замене режущих или других приспособлений.

**⚠ ПРЕДУПРЕЖДЕНИЕ.** Чтобы предотвратить получение серьезных травм, отсоединяйте разъем аккумулятора перед выполнением сервисного обслуживания, очистки, замены принадлежностей или удаления материала из устройства.

## ЗАМЕНА РЕЖУЩЕГО ЭЛЕМЕНТА РОТАЦИОННОЙ КОСИЛКИ

**⚠ ПРЕДУПРЕЖДЕНИЕ.** Если режущие элементы ослабевают после фиксации на месте или сильно изношены, немедленно замените их. Никогда не используйте инструмент, если режущий элемент плохо закреплен или не обеспечивает нужной производительности.

Ознакомьтесь с конструкцией ротационной косилки на Рис. D-1.

D-1	Колпачок вала	D-2	Верхнее лезвие
D-3	Нижнее лезвие	D-4	Опорный стакан
D-5	Шайба	D-6	Скользящий барабан
D-7	Гайка		

1. Положите корпус редуктора ротационной косилки на твердую поверхность. Зажмите верхнее и нижнее лезвия плоскогубцами или тисками, затем используйте гаечный ключ, чтобы ослабить гайку (Рис. D2).
  2. Последовательно снимите гайку, скользящий барабан, шайбу, опорный стакан, нижнее лезвие, верхнее лезвие и колпачок вала, как показано на Рис. D1.
  3. Перед установкой новых лезвий наденьте колпачок на вал (Рис. D3). Поместите верхнее лезвие с большим шестиугольным отверстием на вал так, чтобы поверхность с логотипом «EGO» была обращена к корпусу редуктора (Рис. D4), затем поместите нижнее лезвие с небольшим шестиугольным отверстием на вал так, чтобы поверхность с логотипом «EGO» была обращена к оператору (Рис. D5).
- ПРИМЕЧАНИЕ.** Убедитесь, что шестигранные отверстия в лезвиях и шестигранный буртик вала находятся на своих местах. В противном случае лезвия будут установлены в обратном порядке. Ротационная косилка не сможет работать правильно и повредит лезвия.
4. Для выполнения сборки соблюдайте последовательность, приведенную на Рис. D1.

### СМАЗКА РЕДУКТОРА

Для максимальной эффективности и продления срока службы смазывайте редуктор специальной смазкой (4–5 г) после каждых 50 часов эксплуатации.

Специальная смазка должна удовлетворять следующим требованиям.

1. Соответствие степени конусной пенетрации по стандарту DIN51818: NLGI-1.
2. Смазка на основе сложного эфира.
3. Отличный низкотемпературный запуск, EP, механическая резка, устойчивость к истиранию и свойства окислительной стабильности.
4. Диапазон рабочей температуры от -40 до 180 °С. Извлеките разъем аккумулятора и уплотнительный винт (Рис. О). Добавьте смазку в редуктор через смазочные отверстия.

**⚠ ПРЕДУПРЕЖДЕНИЕ.** Не выполняйте смазку устройства, если оно включено или подключено к источнику питания.

### ОЧИСТКА УСТРОЙСТВА

- Очистите устройство с помощью влажной ткани и мягкого моющего средства.
- Не используйте активные моющие средства для очистки пластикового корпуса или рукоятки. Они могут быть повреждены определенными ароматическими маслами, такими как хвойное и лимонное масла, а также растворителями, например керосином. Кроме того, наличие влаги может привести к поражению электрическим током. Протрите влажное место мягкой сухой тканью.

### ХРАНЕНИЕ УСТРОЙСТВА

- Тщательно очистите устройство перед хранением.
- Храните устройство в сухом, хорошо проветриваемом, закрытом или высоком месте, недоступном для детей. Не храните устройство рядом с удобрениями, бензином или другими химическими веществами.
- Используйте транспортировочный чехол для металлических ножей во время транспортировки и хранения.

### Защита окружающей среды



Не выбрасывайте электроприборы, зарядные устройства и аккумуляторные батареи вместе с бытовыми отходами! Отправьте данное изделие на переработку в специализированное предприятие или сдайте его для раздельного сбора. Электроинструменты должны быть возвращены на перерабатывающее предприятие, не наносящее ущерба окружающей среде.

RU

## УСТРАНЕНИЕ НЕПОЛАДКОВ

ПРОБЛЕМА	ПРИЧИНА	РЕШЕНИЕ
Ротационная косилка не запускается.	<ul style="list-style-type: none"> <li>■ Аккумулятор неправильно подключен к приводному блоку.</li> <li>■ Аккумулятор разряжен.</li> <li>■ Рычаг блокировки и курковый переключатель не зажаты одновременно.</li> </ul>	<ul style="list-style-type: none"> <li>■ Подключите аккумулятор к приводному блоку.</li> <li>■ Зарядите аккумулятор с помощью зарядного устройства EGO, указанного в данном руководстве.</li> <li>■ Нажмите на рычаг блокировки и удерживайте его, затем зажмите курковый переключатель, чтобы включить инструмент.</li> </ul>
<div style="background-color: black; color: white; padding: 2px 5px; display: inline-block; font-weight: bold;">RU</div> Ротационная косилка остановилась во время резки.	<ul style="list-style-type: none"> <li>■ Двигатель перегружен.</li> <li>■ Аккумулятор перегрелся.</li> <li>■ Аккумулятор не подключен к устройству.</li> </ul>	<ul style="list-style-type: none"> <li>■ Двигатель начнет работать снова, как только нагрузка уменьшится. Для непрерывной работы уменьшите нагрузку на ротационную косилку и избегайте глубокой резки, вместо этого выполняйте резку постепенно.</li> <li>■ Дайте аккумулятору остыть естественным образом или продуйте воздухом, чтобы ускорить охлаждение.</li> <li>■ Отсоедините аккумулятор.</li> </ul>

## ГАРАНТИЯ

### ГАРАНТИЙНАЯ ПОЛИТИКА EGO

Посетите веб-сайт [egopowerplus.com](http://egopowerplus.com), чтобы ознакомиться со всеми условиями и сроками гарантийной политики EGO.

## PRZECZYTAJ WSZYSTKIE INSTRUKCJE!



### PRZECZYTAJ INSTRUKCJĘ OBSŁUGI

**⚠ Ryzyko resztkowe!** Osoby z urządzeniami elektronicznymi, takimi jak rozruszniki serca, powinny przed użyciem produktu skonsultować się ze swoim(i) lekarzem(-ami). Używanie urządzeń elektrycznych blisko rozrusznika serca może spowodować zakłócenia lub uszkodzić rozrusznik.

**⚠ OSTRZEŻENIE:** Aby zagwarantować bezpieczeństwo i niezawodność, wszystkie naprawy i wymiany części powinny być wykonywane przez wykwalifikowanych techników serwisu.

## SYMBOL BEZPIECZEŃSTWA

Celem symboli bezpieczeństwa jest zwrócenie uwagi użytkownika na możliwe zagrożenia. Symbole bezpieczeństwa i objaśnienia do nich zastępują na to, aby je uważnie przestudiować i zrozumieć. Symbole bezpieczeństwa nie eliminują same z siebie jakichkolwiek zagrożeń. Podawane w nich instrukcje i ostrzeżenia nie zastępują odpowiednich środków zapobiegania wypadkom.

**⚠ OSTRZEŻENIE:** Przed użyciem narzędzia należy koniecznie przeczytać ze zrozumieniem wszystkie instrukcje dotyczące bezpieczeństwa podane w podręczniku użytkownika, łącznie z wszystkimi symbolami ostrzegawczymi takimi jak „**NIEBEZPIECZEŃSTWO**”, „**OSTRZEŻENIE**” i „**UWAGA**”. Niestosowanie się do wszystkich podanych niżej instrukcji może doprowadzić do porażenia prądem, pożaru i/lub poważnych obrażeń.

## ZNACZENIE SYMBOLI

**⚠ SYMBOL OSTRZEGAWCZY:** Oznacza **NIEBEZPIECZEŃSTWO**, **OSTRZEŻENIE** lub **UWAGĘ**, może być używany razem z innymi symbolami lub piktogramami.

**⚠ OSTRZEŻENIE:** Praca elektronarzędziami może spowodować wyrzucenie ciał obcych w oczy użytkownika, co może doprowadzić do poważnych urazów oczu. Przed rozpoczęciem pracy elektronarzędziem należy zawsze założyć gogle ochronne lub okulary z osłonami bocznymi, a w stosownych przypadkach także pełną osłonę na twarz. Zalecamy nakładanie na zwykłe okulary maski zabezpieczającej o szerokim polu widzenia lub stosowanie

standardowych okularów zabezpieczających z osłonami bocznymi.

## INSTRUKCJE DOTYCZĄCE BEZPIECZEŃSTWA

Na tej stronie pokazano i opisano symbole bezpieczeństwa, które mogą występować na produkcie. Przed podjęciem próby złożenia i użycia urządzenia należy przeczytać i zrozumieć wszystkie instrukcje dotyczące narzędzia oraz zastosować się do nich.

	Ostrzeżenie dotyczące bezpieczeństwa	Ostrzeżenia istotne dla bezpieczeństwa użytkownika.
	Przeczytaj instrukcję operatora	Aby zmniejszyć ryzyko urazów, przed rozpoczęciem korzystania z produktu, użytkownik musi przeczytać i zrozumieć instrukcję.
	Noś okulary ochronne	Podczas używania urządzenia należy zawsze nosić gogle ochronne lub okulary ochronne z osłonami bocznymi, a także pełną osłonę na twarz.
	Noś ochronniki słuchu	Podczas pracy urządzeniem należy zawsze nosić ochronniki słuchu.
	Noś kask ochronny	Aby chronić głowę, należy nosić atestowany kask ochronny.
	Noś rękawice ochronne	Na czas prac przy ostrzu i osłonie ostrza należy zabezpieczyć ręce rękawicami.
	Noś obuwie ochronne	Podczas używania urządzenia należy nosić obuwie ochronne z podeszwami antypoślizgowymi.
	Uwaga na możliwość odbicia ostrza	Prosimy ostrzec operatora o ryzyku związanym z odbiciem ostrza.
	Chronić przed deszczem	Nie używać w deszczu i nie zostawiać na dworze podczas deszczu.

**PL**

	Uwaga na rykoszet, osoby postronne trzymaj z daleka	Przedmioty wyrzucone w powietrze mogą odbić się rykoszetem i doprowadzić do urazów lub strat materialnych. Należy zawsze pilnować, aby inni ludzie oraz zwierzęta domowe pozostawali z dala od pracującej kosi do zarośli.
	Osoby postronne trzymaj z daleka	Należy zawsze pilnować, aby inni ludzie i zwierzęta domowe pozostawali w odległości co najmniej 15 m od pracującej podkaszarki.
	Ne zakładać tarczy tnącej	Nie należy montować okrągłych tarcz tnących.
	WEEE	Zużytych wyrobów elektrycznych nie należy wyrzucać razem ze zwykłymi odpadami domowymi. Należy je oddać do autoryzowanego punktu recyklingu.
	Hałas	Gwarantowany poziom mocy akustycznej. Emisja hałasu do środowiska zgodnie z dyrektywą Wspólnoty Europejskiej.
	CE	Ten produkt jest zgodny z obowiązującymi dyrektywami WE.
V	Wolt	Napięcie
$n_0$	Prędkość bez obciążenia	Prędkość obrotowa bez obciążenia
$\text{min}^{-1}$	Na minutę	Obroty na minutę
	Prąd stały	Rodzaj lub charakterystyka prądu
kg	Kilogram	Ciężar

się do wszystkich podanych niżej instrukcji może doprowadzić do porażenia prądem, pożaru i/lub poważnych obrażeń.

**Prosimy zachować na przyszłość wszystkie ostrzeżenia i instrukcje.**

- **Należy unikać pracy w niebezpiecznych warunkach**
  - Nie używać urządzeń na podmokłych lub wilgotnych pochyłościach.
- **Oslony zabezpieczające muszą być zawsze założone i sprawne.**
- **Ręce i stopy należy trzymać z dala od strefy cięcia.**
- **Aby ograniczyć ryzyko urazów, nigdy nie należy pracować na drabinie lub innych niebezpiecznych podporach. Końcówki tnącej nie wolno nigdy trzymać powyżej pasa.**
- **W czasie użytkowania końcówkę tnącą należy sprawdzać w regularnych odstępach czasu. W przypadku zauważalnej zmiany w sposobie cięcia kontrolę należy przeprowadzić natychmiast.**
- **Aby uzyskać najlepsze wyniki, akumulator należy ładować w miejscu, w którym temperatura mieści się w przedziale od 5°C do 40°C. Nie przechowywać na dworze lub w pojazdach.**
- **Jeśli do użytkownika zbliży się jakaś osoba, należy wyłączyć silnik i zatrzymać końcówkę tnącą.**
- **Prosimy ostrzec operatora o ryzyku związanym z odbiciem ostrza.**
- **Gdy kręcące się ostrze dotknie przedmiotu, który nie poddaje się natychmiastowemu przecięciu, może pojawić się siła odbicia ostrza.**
- **Siła odbicia ostrza może być na tyle gwałtowna, że może spowodować odepchnięcie narzędzia i/lub operatora w dowolną stronę, z możliwością utraty kontroli nad narzędziem.**
- **Jeśli ostrze zaczepi się o coś, zablokuje się lub zaklinuje, do odbicia może dojść bez jakiegokolwiek ostrzeżenia.**
- **Odbicie ostrza zdarza się częściej w miejscach, w których trudno jest zobaczyć przecinany materiał.**
- **Nie należy zakładać żadnego ostrza do urządzenia bez prawidłowego zainstalowania wszystkich wymaganych części. Bez użycia odpowiednich części mogłyby dojść do wyrzucenia ostrza w powietrze i do poważnych urazów operatora lub osób postronnych. Ostrza, które ulegną skrzywieniu, skręceniu, pęknięciu, nadłamaniu lub innemu uszkodzeniu należy zawsze wyrzucić. Używane ostrze musi być ostre. Tępe ostrze łatwiej**

## WAŻNE INSTRUKCJE DOTYCZĄCE BEZPIECZEŃSTWA

**OSTRZEŻENIE:** Prosimy przeczytać wszystkie dotyczące narzędzia ostrzeżenia i instrukcje oraz przestudiować ilustracje i specyfikację. Niestosowanie

klinuje się i ulega odbiciu.

- Ostrze obracające się na luzie po wyłączeniu silnika lub puszczeniu spustu może spowodować urazy. Do momentu całkowitego zatrzymania obrotów należy pilnować narzędzia.
- Narzędzia akumulatorowe nie wymagają podłączenia do kontaktu elektrycznego i dlatego są zawsze gotowe do pracy. Należy więc mieć świadomość możliwych zagrożeń, występujących nawet wtedy, gdy narzędzie nie jest używane. Podczas wykonywania czynności konserwacyjnych lub serwisowych należy zachować ostrożność.
- Nie należy czyścić urządzenia węžem; należy unikać zachlapania wodą silnika i połączeń elektrycznych.
- W sytuacjach, które nie zostały przewidziane w niniejszej instrukcji należy zachować ostrożność i kierować się własnym zdrowym rozsądkiem. W celu uzyskania pomocy prosimy skontaktować się z centrum obsługi klienta EGO.
- W urządzeniu należy używać wyłącznie akumulatorów i ładowarek podanych na rys. A2.

**ZACHOWAJ TĘ INSTRUKCJĘ!**

- Deklarowana całkowita wartość drgań może również służyć do wstępnej oceny narażenia na drgania.

**UWAGA:** Emisja dźwięku podczas rzeczywistego stosowania elektronarzędzia może różnić się od deklarowanej wartości, w której narzędzie jest używane; aby się zabezpieczyć, użytkownik powinien nosić rękawice i ochronniki na uszy w rzeczywistych warunkach użytkowania.

## LISTA ELEMENTÓW W OPAKOWANIU (RYS. A1)

### OPIS

#### ZAPOZNANIE SIĘ Z WYCINARKĄ ROTACYJNĄ (Rys. A1)

1. Śruba uszczelniająca
2. Obudowa przekładni
3. Ostrze
4. Pokrywa przesuwana (zespół)
5. Osłona (zespół)
6. Trzonek
7. Nasadka końcowa
8. Klucz
9. Klucz imbusowy

PL

## SPECYFIKACJA

Prędkość bez obciążenia	450±5% obr./min	
Ostrze tnące	ABR2300	
Zalecana temperatura użytkowania	0°C-40°C	
Zalecana temperatura przechowywania	-20°C-70°C	
Ciężar (bez akumulatora)	2,6 kg	
Zmierzony poziom mocy akustycznej $L_{WA}$	97,36 dB(A) K= 2,7 dB(A)	
Poziom ciśnienia akustycznego na wysokości ucha operatora $L_{PA}$	83 dB(A) K= 2,5 dB(A)	
Gwarantowany poziom mocy akustycznej $L_{WA}$ (pomiar zgodnie z dyrektywą 2000/14/WE)	100 dB(A)	
Szacunkowe drgania $a_{Hr}$ :	Przedni uchwyt pomocniczy	3,3 m/s <sup>2</sup> K= 1,5 m/s <sup>2</sup>
	Uchwyt tylny	2,0 m/s <sup>2</sup> K= 1,5 m/s <sup>2</sup>

- Deklarowana całkowita wartość drgań została zmierzona zgodnie ze standardowymi metodami testowania i może służyć do porównywania różnych narzędzi.

## MONTAŻ

**⚠ OSTRZEŻENIE:** W przypadku braku lub uszkodzenia którejś z części nie należy uruchamiać urządzenia aż do momentu wymiany lub naprawy części. Używanie urządzenia z uszkodzonymi częściami lub gdy którejś z części brakuje może doprowadzić do poważnych urazów ciała.

**⚠ OSTRZEŻENIE:** Nie należy próbować przerabiać urządzenia lub tworzyć akcesoriów, które nie są zalecane do używania w tym urządzeniu. Wszelkie tego typu zmiany lub modyfikacje są niedozwolone i mogą prowadzić do niebezpiecznych sytuacji oraz poważnych urazów ciała.

### MONTAŻ OSŁONY

**⚠ OSTRZEŻENIE:** Podczas zakładania lub wymieniaania osłony należy mieć zawsze założone rękawice. Należy uważać na ostrze na osłonie – ryzyko skaleczenia dłoni.

**⚠ OSTRZEŻENIE:** Nigdy nie należy włączać narzędzia bez mocno założonej osłony. Osłona musi być zawsze założona na narzędzie, aby chronić użytkownika! Jeśli osłona jest założona, nie należy nigdy próbować jej zdejmować lub regulować. Jeśli potrzebna jest wymiana, powinien ją przeprowadzić wykwalifikowany technik!

Należy poluzować i wykręcić 2 śruby z osłony (rys. B).

Dopasować otwory montażowe do otworów w zespole i zablokować osłonę na podstawie trzonka 2 śrubami z 2 podkładkami sprężynującymi (rys. C).

**⚠ OSTRZEŻENIE:** Osłona musi być zamocowana zgodnie z rys. B i C, jakiegokolwiek rodzaju montaż odwrotną stroną stanowi poważne zagrożenie!

## ZAKŁADANIE WYCINARKI ROTACYJNEJ NA GŁOWICĘ UNIWERSALNĄ

Wycinarka rotacyjna została zaprojektowana do używania z głowicą uniwersalną EGO model PH1400E. Więcej informacji – patrz część „ZAKŁADANIE KOŃCÓWKI NA GŁOWICĘ UNIWERSALNĄ” w instrukcji do głowicy uniwersalnej PH1400E.

## UŻYTKOWANIE

**⚠ OSTRZEŻENIE:** Nie wolno dopuścić do tego, aby znajomość narzędzia doprowadziła do nieuwagi. Należy pamiętać, że do spowodowania poważnych obrażeń wystarczy zaledwie chwila nieuwagi.

**⚠ OSTRZEŻENIE:** Nie należy używać końcówek lub akcesoriów innych niż zalecane przez producenta produktu. Używanie końcówek lub akcesoriów innych niż zalecane może doprowadzić do poważnych obrażeń.

Urządzenia można używać wyłącznie do celów podanych poniżej:

**Cięcie:** używać do koszenia trawy wokół Słupków lub balustrad, krawędzi ścian, krawężników, plotów i barierok lub do przycinania roślinności na parkingach.

**INFORMACJA:** Podczas używania wycinarki rotacyjnej, należy pilnować, aby narzędzie nie wyrzuciło w powietrze żadnych przedmiotów, ponieważ stwarza to różnego rodzaju zagrożenia, np. wybicia okien, wgniecenia karoserii aut, zniszczenia ogrodzeń, odarcia kory drzew lub urazów osób.

## UŻYWANIE WYCINARKI ROTACYJNEJ ZAŁOŻONEJ NA GŁOWICĘ UNIWERSALNĄ

**⚠ OSTRZEŻENIE:** Aby uniknąć poważnych obrażeń ciała, podczas używania narzędzia należy zawsze nosić gogle lub okulary ochronne. Podczas pracy przy silnym zapyleniu należy nosić osłonę na twarz lub maskę przeciwpyłową.

Przed każdym użyciem narzędzia należy uprzątnąć teren pracy. Usunąć wszystkie przedmioty takie jak kamienie, połączzone szkło, gwoździe, kawałki drutu lub sznurka itp., które mogą zostać wyrzucone w powietrze lub mogą

zaplątać się w końcówkę tnącą. Z terenu, który ma zostać skoszony wyprosić dzieci i osoby postronne oraz wygonić zwierzęta. Jako minimum dzieci i osoby postronne oraz zwierzęta muszą znajdować się w odległości 15 m, jednak taka odległość nadal nie eliminuje całkowicie ryzyka trafienia wyrzucenymi w powietrze przedmiotami. Osoby postronne należy zachęcać do noszenia okularów ochronnych. Jeśli do użytkownika zbliży się jakaś osoba, należy natychmiast wyłączyć silnik i zatrzymać końcówkę tnącą.

**Przed każdym użyciem należy sprawdzić, czy jakieś części nie są uszkodzone lub zużyte.**

Należy skontrolować wycinarkę rotacyjną, osłonę i uchwyt oraz wymienić części pęknięte, wypaczone, skrzywione lub uszkodzone w jakikolwiek inny sposób.

**Po każdym użyciu należy wyczyścić narzędzie.**

**⚠ OSTROŻNIE:** Zanieczyszczenia w otworach wentylacyjnych uniemożliwiają dopływ powietrza do obudowy silnika i w efekcie prowadzą do przegrzania się i uszkodzenia silnika.

- Do czyszczenia narzędzia należy używać wyłącznie łagodnego mydła i wilgotnej ściereczki. Do środka urządzenia nie mogą się dostać żadne płyny, nie wolno też zanurzać części urządzenia w jakiegokolwiek cieczy.
- Otwory wentylacyjne w obudowie silnika nie mogą być nigdy zabrudzone.

## KONSERWACJA

**⚠ OSTRZEŻENIE:** Podczas serwisowania należy używać wyłącznie części zamiennych identycznych z oryginalnymi. Narzędzie należy regularnie kontrolować i konserwować. Aby zagwarantować bezpieczeństwo i niezawodność, wszystkie naprawy powinny być wykonywane przez wykwalifikowanych techników serwisu.

**⚠ OSTRZEŻENIE:** Narzędzia akumulatorowe nie wymagają podłączenia do kontaktu elektrycznego i dlatego są zawsze gotowe do pracy. Aby zapobiec poważnym urazom ciała, podczas wykonywania czynności konserwacyjnych, w czasie serwisowania lub wymiany końcówek tnących lub innych należy stosować dodatkowe środki ostrożności.

**⚠ OSTRZEŻENIE:** Aby uniknąć poważnych urazów, przed serwisowaniem, czyszczeniem, wymianą osprzętu dodatkowego oraz usuwaniem materiału z urządzenia należy zawsze odłączyć akumulator.

## WYMIANA OSTRZA WYCINARKI ROTACYJNEJ



**⚠ OSTRZEŻENIE:** Jeżeli po zamocowaniu ostrza obluźują się lub zużywają, należy je natychmiast wymienić. Nigdy nie należy używać narzędzia z poluzowaną lub niedziałającą końcówką tnącą.

Zapoznanie się z głowicą WYCINARKI ROTACYJNEJ pokazaną na Rys. D1.

D-1	Nasadka	D-2	Ostrze górne
D-3	Ostrze dolne	D-4	Nakładka
D-5	Podkładka	D-6	Prowadnica
D-7	Nakrętka		

1. Położyć i oprzeć na solidnej powierzchni obudowę przekładni WYCINARKI ROTACYJNEJ. Zamocować ostrze dolne i górne zaciskami lub w imadle i odkręcić nakrętkę kluczem (Rys. D2).
2. Kolejno zdjąć: nakrętkę, prowadnicę, podkładkę, nakładkę, ostrze dolne, ostrze górne i nasadkę, tak jak na Rys. D1.
3. Przed założeniem nowych ostrzy nałożyć na wałek nasadkę (Rys. D3). Nałożyć ostrze górne z dużym sześciokątnym otworem na wałek w taki sposób, aby powierzchnia z logo „EGO” była skierowana w stronę obudowy przekładni (Rys. D4), następnie nałożyć ostrze dolne z małym otworem sześciokątnym na wałek w taki sposób, aby powierzchnia z logo „EGO” była skierowana w stronę operatora (Rys. D5).

**⚠ INFORMACJA:** Należy dopilnować, aby sześciokątne otwory na ostrzach i sześciokątny wypustek na wałku dopasowały się do siebie. Inaczej, po odwrotnym zamontowaniu ostrzy, WYCINARKA ROTACYJNA nie będzie mogła pracować prawidłowo, co doprowadzi do zniszczenia ostrzy.

4. Podczas składania należy przestrzegać kolejności pokazanej na rys. D1.

#### SMAROWANIE OBUDOWY PRZEKŁADNI

Aby narzędzie działało optymalnie i przez długi czas, po każdym 50 godzinach użytkowania, przekładnię należy nasmarować specjalnym smarem (każdorazowo około 4-5 g).

Smar ten powinien spełniać następujące wymagania:

1. Należać do klasy DIN51818: stopień NLGI-1 w badaniu penetracji sondą stożkową.
2. Smar na bazie estrów.
3. Posiadać znakomite właściwości w warunkach uruchamiania na zimno i podczas zwiększonego nacisku (EP), doskonałą odporność na ścinanie mechaniczne i ścieranie oraz własności stabilizujące utlenianie.

4. Temperatura pracy musi zawierać przedział od -40 do 180°C. Wyjąć wtyczkę akumulatora i wykręcić śrubę uszczelniającą. Smar do obudowy przekładni należy wprowadzać przez otwór smarowy.

**⚠ OSTRZEŻENIE:** Gdy narzędzie jest nadal podłączone do akumulatora lub włączone, nie należy przeprowadzać smarowania.

#### CZYSZCZENIE URZĄDZENIA

- Wyrób należy oczyścić wilgotną ściereczką i łagodnym detergentem.
- Do czyszczenia części plastikowych lub uchwytu nie należy używać jakichkolwiek silnych detergentów. Mogą one zostać uszkodzone przez niektóre oleje aromatyczne, takie jak olejek sosnowy i cytrynowy oraz przez rozpuszczalniki takie jak nafta. Wilgoć może także spowodować porażenie prądem. Wszelką wilgoć należy wycierać miękką suchą ściereczką.

#### PRZECHOWYWANIE URZĄDZENIA

- Przed schowaniem dokładnie wyczyścić narzędzie.
- Urządzenie należy przechowywać w suchym i przewiewnym miejscu niedostępnym dla dzieci: albo pod kluczem, albo wystarczająco wysoko. Urządzenia nie należy przechowywać na nawozach lub w ich pobliżu, to samo dotyczy podłoży zanieczyszczonych benzyną i substancjami chemicznymi.
- Podczas transportu i przechowywania należy używać pokrowca transportowego na metalowe ostrza.

#### Ochrona środowiska



Urządzeń elektrycznych, zużytych akumulatorów i ładowarki nie należy wyrzucać do zwykłych zmieszanych śmieci domowych! Produkt należy oddać do zbiórki selektywnej w autoryzowanym punkcie recyklingu. Narzędzia elektryczne należy oddawać do zakładów recykling przyjaznych dla środowiska.

## ROZWIĄZYWANIE PROBLEMÓW

PROBLEM	PRZYCZYNA	ROZWIĄZANIE
WYCINARKA ROTACYJNA nie włącza się.	<ul style="list-style-type: none"> <li>■ Akumulator nie jest poprawnie podłączony do głowicy.</li> <li>■ Akumulator jest rozładowany.</li> <li>■ Dźwignia odblokowująca i przełącznik spustowy nie zostały wciśnięte jednocześnie.</li> </ul>	<ul style="list-style-type: none"> <li>■ Podłączyć akumulator do głowicy.</li> <li>■ Naładować akumulator jedną z ładowarek EGO podanych w niniejszym podręczniku.</li> <li>■ Aby włączyć narzędzie, wcisnąć i przytrzymać dźwignię odblokowującą, a następnie nacisnąć spust.</li> </ul>
WYCINARKA ROTACYJNA wyłącza się podczas cięcia.	<ul style="list-style-type: none"> <li>■ Silnik jest przeciążony.</li> <li>■ Akumulator jest zbyt gorący.</li> <li>■ Akumulator jest odłączony od narzędzia.</li> </ul>	<ul style="list-style-type: none"> <li>■ Gdy tylko obciążenie zostanie usunięte, silnik wznowi pracę. W przypadku pracy ciągłej należy zmniejszyć obciążenie WYCINARKI ROTACYJNEJ i unikać cięcia na dużą głębokość; zamiast tego należy stopniowo wykonywać coraz głębsze nacięcia.</li> <li>■ Należy pozwolić, aby akumulator ostygł w sposób naturalny. Aby przyspieszyć stygnięcie, można na akumulator skierować strumień powietrza.</li> <li>■ Ponownie podłączyć akumulator.</li> </ul>

PL

## GWARANCJA

### POLITYKA GWARANCYJNA EGO

W celu zapoznania się z wszystkimi warunkami polityki gwarancyjnej EGO prosimy odwiedzić stronę [egopowerplus.com](http://egopowerplus.com).

## PŘEČTĚTE SI VŠECHNY POKYNY!



### PŘEČTĚTE SI NÁVOD K OBSLUZE

**⚠ Zbytkové riziko!** Lidé s elektronickými přístroji, jako jsou např. kardiostimulátory, by se měli před použitím toho výrobku poradit se svým lékařem. Použití elektrického zařízení v těsné blízkosti kardiostimulátoru může způsobit narušení činnosti nebo poruchu kardiostimulátoru.

**⚠ VAROVÁNÍ:** Z důvodu bezpečnosti by měl všechny opravy a výměny provádět kvalifikovaný servisní technik.

## SYMBOL IP

Účelem bezpečnostních symbolů je upoutat vaši pozornost k případným nebezpečím. Bezpečnostní symboly a jejich vysvětlení vyžadují vaši zvýšenou pozornost a porozumění. Výstražné symboly samy o sobě nevylučují žádné nebezpečí. Pokyny a varování nejsou náhradou vhodných opatření pro prevenci úrazů.

**⚠ VAROVÁNÍ:** Před použitím tohoto nástroje si přečtete a seznámte se se všemi bezpečnostními pokyny v tomto návodu k obsluze včetně veškerých výstražných symbolů jako např. „**NEBEZPEČÍ**“, „**VAROVÁNÍ**“ a „**UPOZORNĚNÍ**“. Nedodržení níže uvedených pokynů může mít za následek úraz elektrickým proudem, požár a nebo vážná poranění osob.

## VÝZNAM SYMBOLŮ

**⚠ BEZPEČNOSTNÍ VÝSTRAŽNÉ SYMBOLY:** Označují **NEBEZPEČÍ**, **VAROVÁNÍ**, **NEBO UPOZORNĚNÍ** a mohou se použít ve spojení s dalšími symboly nebo piktogramy.





**⚠ VAROVÁNÍ:** Při použití elektrického nářadí může dojít k vymrštění cizích těles do očí, což může způsobit jejich závažné poškození. Před použitím elektrického nářadí si vždy nasadte ochranné brýle, ochranné brýle s bočními kryty nebo v případě potřeby obličejový štít. Na brýle nebo standardní ochranné brýle s bočními kryty doporučujeme použít ochrannou masku.

## BEZPEČNOSTNÍ POKYNY

Na této stránce jsou zobrazeny a popsány bezpečnostní symboly, které se mohou objevit na výrobku. Před montáží a provozem si přečtete, seznámte se a dodržujte veškeré pokyny ke stroji.

	Bezpečnostní upozornění	Bezpečnostní opatření týkající se vaší bezpečnosti.
	Přečtete si návod k obsluze	Z důvodu snížení rizika úrazu si musí uživatel před použitím tohoto výrobku přečíst a seznámit se s návodem k obsluze.
	Používejte ochranu očí	Při používání tohoto výrobku vždy noste ochranné brýle, ochranné brýle s bočními kryty nebo obličejový štít.
	Používejte chrániče sluchu	Při práci s tímto výrobkem vždy používejte chrániče sluchu.
	Používejte ochranu hlavy	K ochraně hlavy použijte schválenou pevnou ochrannou přilbu.
	Používejte ochranné rukavice	Chraňte své ruce rukavicemi při manipulaci s čepeli nebo chráničem čepele.
	Používejte ochrannou obuv	Při použití tohoto zařízení noste protisklizovou bezpečnostní obuv.
	Dejte si pozor na zpětný ráz	Upozorněte obsluhu na nebezpečí zpětného rázu.
	Nevystavujte dešti.	Nepoužívejte ani nenechávejte venku na dešti.
	Nebezpečí odrazu a Udržování ostatních osob v bezpečné vzdálenosti	Vržené objekty se mohou odrazit a mít za následek zranění osob nebo poškození majetku. Když křovinořez používáte, udržujte od ostatních osob a domácích zvířat bezpečnou vzdálenost
	Udržujte ostatní osoby v bezpečné vzdálenosti	Když strunovou sekačku používáte, udržujte od ostatních osob a domácích zvířat bezpečnou vzdálenost aspoň 15 m.
	Bez kulatých čepelí	Neinstalujte kulaté řezací čepelí.

**CZ**

	WEEE	Odpadní elektrické výrobky se nesmí likvidovat s domovním odpadem. Odevzdejte do autorizovaného recyklačního střediska.
	Hlučnost	Garantovaná hladina akustického výkonu. Emise hluku do prostředí dle směrnice Evropského společenství.
	CE	Tento výrobek je v souladu s platnými směnicemi ES.
V	Volt	Napětí
$n_0$	Rychlost při chodu naprázdno	Otáčky při chodu naprázdno
$\text{min}^{-1}$	Za minutu	Otáčky za minutu
	Stejnosměrný proud	Druh nebo vlastnosti proudu
kg	Kilogram	Hmotnost

CZ

## DŮLEŽITÉ BEZPEČNOSTNÍ POKYNY

**⚠ VAROVÁNÍ:** Prostudujte všechny bezpečnostní výstrahy, pokyny, ilustrace a technické údaje dodané s tímto elektrickým nářadím. Nedodržení všech níže uvedených pokynů může vést k úrazu elektrickým proudem, požáru a/nebo vážnému úrazu

Všechna varování a pokyny si uschovejte pro budoucí použití.

- Vyhňte se nebezpečnému prostředí – nepoužívejte zařízení na vlhkém nebo mokřém svahu.
- Veškeré chrániče musejí být instalovány na příslušných místech a musejí být v dobrém stavu.
- Udržujte ruce a nohy v bezpečné vzdálenosti od prostoru sečení.
- Pro snížení rizika úrazu nikdy nepracujte na žebříku nebo jiné nestabilní opěře. Nikdy nedržte žací jednotku nad úroveň pasu.
- Žací jednotku kontrolujte při práci v pravidelných intervalech, nebo okamžitě v případě zjevné změny v chodu sekání.

- Chcete-li dosáhnout co nejlepších výsledků, nabíjejte akumulátor v místě, kde je teplota v rozmezí od 5 do 40°C. Neskladujte jej venku nebo ve vozidle.
- Pokud se k vám někdo blíží, okamžitě vypněte motor a žací jednotku.
- Upozorněte obsluhu na nebezpečí zpětného rázu.
- Ke zpětnému rázu může dojít při kontaktu otáčející se čepel s objektem, který není okamžitě přerušeno.
- Zpětný ráz může být dost silný, aby způsobil pohyb zařízení a/nebo obsluhy v libovolném směru a může taky vést ke ztrátě kontroly nad zařízením.
- Ke zpětnému rázu může dojít bez varování, jestliže se čepel zadrhne, zastaví nebo zasekne.
- Zpětný ráz je pravděpodobnější v oblastech, kde je obtížné vidět sečený materiál.
- Na přístroj nepřipojujte žádnou čepel bez řádné instalace všech potřebných dílů. Pokud se nepoužijí správné díly, může dojít k odletění čepel a vážnému poranění obsluhy a/nebo kolemstojících. Zlikvidujte čepel, které jsou ohnuté, zdeformované, popraskané, rozbité nebo jinak jakkoli poškozené. Používejte ostrou čepel. Tupá čepel se dříve zadrhne a odskočí.
- Volnoběžná čepel/struna může způsobit zranění, když se dále otáčí potom, co je motor zastaven nebo je uvolněn spínač. Zařízení řádně ovládejte, dokud čepel/struna zcela nezastaví svoje otáčení.
- Akumulátorové nářadí se nemusí zapojovat do elektrické zásuvky, proto je vždy v provozním stavu. Nezapomínejte na možná rizika ani v případě, že je nářadí vypnuté. Dbejte opatrnosti při údržbě.
- K mytí nepoužívejte hadici; dbejte, aby se do motoru a elektrických přípojek nedostala voda.
- Pokud nastane situace, která není popsána v tomto návodu, situaci řádně zvažte a použijte zdravý úsudek. Obratě se na zákaznické servisní středisko EGO se žádostí o pomoc.
- Používejte pouze akumulátory a nabíječky uvedené na obr. A2.

ULOŽTE SI TYTO POKYNY!

## SPECIFIKACE

Otáčky naprázdno	450±5 % ot/min
Žací čepel	ABR2300
Doporučená provozní teplota	0°C – 40°C

Doporučená teplota skladování	-20°C – 70°C	
Hmotnost (bez akumulátoru)	2,6 kg	
Měřená hladina akustického výkonu $L_{WA}$	97,36 dB(A) K= 2,7 dB(A)	
Hladina akustického tlaku na sluch obsluhy $L_{PA}$	83 dB(A) K= 2,5 dB(A)	
Zaručená úroveň akustického výkonu $L_{WA}$ (měřená podle 2000/14/ES)	100 dB(A)	
Hodnota vibrací $a_h$ :	Přední pomocná rukojeť	3,3 m/s <sup>2</sup> K= 1,5 m/s <sup>2</sup>
	Zadní rukojeť	2,0 m/s <sup>2</sup> K= 1,5 m/s <sup>2</sup>

- Celková deklarovaná hodnota vibrací byla naměřena podle standardní zkušební metody a lze ji použít ke srovnání s jiným nářadím;
- Celkovou deklarovanou hodnotu vibrací lze použít také k předběžnému stanovení expozičních limitů.

**POZNÁMKA:** Emise vibrací při konkrétním použití elektrického nářadí se mohou lišit od deklarované hodnoty, při které se nářadí používá; z důvodu ochrany provozovatele by měl uživatel ve skutečných pracovních podmínkách nosit rukavice a chrániče sluchu.

## OBSAH BALENÍ (OBR. A1)

### POPIS

#### SEZNAMTE SE S NÁSTAVCEM ROTOCUT (obr. A1)

1. Těsnící šroub
2. Převodová skříň
3. Čepel
4. Sestava posuvného krytu
5. Sestava chrániče
6. Násada
7. Koncový kryt
8. Klíč
9. Imbusový klíč

### ONTÁŽ

**VAROVÁNÍ:** Pokud jsou některé díly poškozené, nebo chybí, výrobek nepoužívejte, dokud nedojde k jejich výměně. Použití tohoto výrobku s poškozenými nebo chybějícími díly může vést k vážnému úrazu.

**VAROVÁNÍ:** Nepokoušejte se výrobek upravovat ani vytvářet příslušenství, které se k tomuto výrobku nedoporučuje. Každá taková změna nebo úprava

představuje špatné použití a může vést k nebezpečné situaci, která může zapříčinit vážný úraz.

### MONTÁŽ CHRÁNIČE

**VAROVÁNÍ:** Při montáži nebo výměně krytu vždy používejte rukavice. Pozor na nůž na krytu, chraňte si ruce před pořezáním.

**VAROVÁNÍ:** Nikdy nepoužívejte nářadí bez řádně nainstalovaného krytu. Kryt musí být vždy na nářadí z důvodu ochrany uživatele! Pokud je kryt instalovaný napevno, nikdy se jej nepokoušejte odstranit nebo upravit; pokud je nezbytná výměna, měla by být provedena kvalifikovaným servisním technikem!

Uvolněte a vyjměte dva šrouby z krytu (obr. B), vyrovnejte montážní otvory krytu s instalačními otvory a pak upevněte kryt na spodní část násady dvěma šrouby společně se dvěma pružnými podložkami (obr. C).

**VAROVÁNÍ:** Zkontrolujte, zda je kryt upevněn podle obr. B a C, obrácené upevnění představuje vysoké riziko!

### PŘIPOJENÍ NÁSTAVCE ROTOCUT NA POHONNOU HLAVU

Tento nástavec Rotocut je určen pro použití s pohonnou hlavou EGO PH1400E. Viz část „**INSTALACE NÁSTAVCE NA POHONNOU HLAVU**“ v příručce pro obsluhu pohonné hlavy PH1400E.

GZ

### POUŽITÍ

**VAROVÁNÍ:** Dbejte na to, abyste po seznámení s výrobkem nepřestali být opatrní. Nezapomínejte, že stačí chvíle nepozornosti a může se stát vážný úraz.

**VAROVÁNÍ:** Nepoužívejte nástavce nebo příslušenství, které nedoporučuje výrobce tohoto výrobku. Použití nedoporučených nástavců a příslušenství může vést k vážnému úrazu.

Výrobek lze použít k následujícím účelům:

**Sekání:** se používá pro sekání trávy kolem kolíků nebo zábradlí, okrajů zdí, obrubníků, plotů za provozu nebo zastíhování vegetace na parkovištích.

**POZNÁMKA:** Při používání nástavce Rotocut zajistěte, aby nedošlo k odhození žádných cizích předmětů, což by znamenalo velká rizika: rozbitá okna, karoserie aut, poškozené ploty, poničená kůra stromů nebo zranění osob.

### POUŽITÍ NÁSTAVCE ROTOCUT S POHONNOU HLAVOU

**VAROVÁNÍ:** Aby nedošlo k vážnému úrazu, při práci s tímto nářadím vždy používejte ochranné brýle. V prašném prostředí používejte ochrannou masku nebo protiprachový respirátor.

Před každým použitím vyčistěte prostor, kde budete zařízení používat. Odstraňte veškeré předměty, jako jsou např. kameny, rozbité sklo, hřebíky, dráty nebo provazy, které mohou být odhozeny, nebo se mohou do žacího nástavce zaplést. Z prostoru vyžeňte děti, ostatní osoby a domácí zvířata. Minimální bezpečná vzdálenost pro děti, ostatní osoby a domácí zvířata je 15 m; stále však hrozí riziko zasažení ostatních osob vymrštěnými předměty. Ostatním osobám doporučte použití ochrany očí. Pokud se k vám někdo blíží, okamžitě vypněte motor a žací příslušenství.

### Před každým použitím zkontrolujte poškozené/ opotřeбенé díly

Zkontrolujte nástavec Rotocut, kryt a obloukovou rukojeť a vyměňte díly, které jsou prasklé, zdeformované, ohnuté nebo jinak poškozené.

### Po každém použití nářadí vyčistěte.

**UPOZORNĚNÍ:** Překážky ve větracích otvorech zabrání proudění vzduchu do krytu motoru, což povede k jeho přehřátí nebo poškození.

- K čištění nářadí používejte pouze neagresivní mýdlo a vlhký hadr. Dbejte na to, aby do nářadí nepronikla žádná kapalina; žádný díl tohoto nářadí nikdy neponořujte do kapaliny.
- Udržujte větrací otvory krytu motoru vždy v čistotě.

## ÚDRŽBA

**VAROVÁNÍ:** Při opravách používejte pouze originální náhradní díly. Pravidelně stroj kontrolujte a udržujte. Z důvodu bezpečnosti by měl všechny opravy provádět kvalifikovaný servisní technik.

**VAROVÁNÍ:** Akumulátorové nářadí se nemusi zapojovat do elektrické zásuvky, proto je vždy v provozním stavu. Aby nedošlo k vážnému úrazu, věnujte zvýšenou pozornost a péči údržbě, servisu, výměně žacího nebo jiného nástavce.

**VAROVÁNÍ:** Před prováděním servisu, čištěním, výměnou nástavců nebo odstraněním materiálu odpojte konektor baterie ze zásuvky, aby nedošlo k vážnému úrazu.

## VÝMĚNA ČEPELE ROTOCUT

**VAROVÁNÍ:** Pokud se čepel po upevnění na svém místě uvolní nebo jsou hodně opotřebované, okamžitě je vyměňte. Nikdy nepoužívejte nářadí s uvolněným žacím nástavcem.

Seznamte se s hlavou ROTOCUT (viz obr. D1).

D-1	Pouzdro hřídele	D-2	Horní čepel
D-3	Spodní čepel	D-4	Podpěra
D-5	Podložka	D-6	Kluzná miska
D-7	Matice		

1. Položte převodovou skříň na pevnou podložku pro získání opory. Uprňte horní a spodní čepel pomocí kleští nebo ve svěráku, poté pomocí klíče uvolněte matici (obr. D2).
  2. Demontujte matici, kluznou misku, podložku, podpěru, spodní čepel, horní čepel a hřídel postupně tak, jak je znázorněno na obr. D1.
  3. Před instalací nové čepel nasadte pouzdro hřídele na hřídel (obr. D3). Nasadte horní čepel s velkým šestihřanným otvorem na hřídel s natištěným logem „EGO“ otočeným směrem k převodovce (obr. D4), potom vložte spodní čepel s malým šestihřanným otvorem na hřídel s natištěným logem „EGO“ směřujícím k obsluze (obr. D5).
- POZNÁMKA:** Ujistěte se, že jsou šestihřanné otvory na čepelích a osazení šestihřanného hřídele na svém místě. Pokud jsou čepel namontovány opačně, nemůže NÁSTAVEC ROTOCUT správně fungovat a dojde k poškození čepelí.
4. Pro opětovné sestavení postupujte podle pořadí znázorněného na obr. D1.

## MAZÁNÍ PŘEVODOVÉ SKŘÍŇE

Pro nejlepší provoz a delší životnost mažte převodovou skříň speciálním mazivem (pokaždé přibližně 4-5 g) po každých 50 hodinách provozu.

Speciální mazivo musí splňovat následující požadavky.

1. Patří do DIN51818: Stupeň kuželové penetrace NLGI-1.
2. Esterové mazivo.

3. Vynikající spouštění při nízkých teplotách, EP, mechanický stříh, odolnost proti otěru a vlastnosti oxidativní stability.
4. Provozní teplota musí být od -40 do 180 °C. Odpojte zátku baterie a těsnicí šroub. Mažte převodovou skříň přes otvor pro olej.

**⚠ VAROVÁNÍ:** Mazání neprovádějte, když je nářadí stále připojené k akumulátoru nebo je v provozu.

### ČIŠTĚNÍ NÁŘADÍ

- Nářadí čistěte vlhkým hadrem s neagresivním čisticím prostředkem.
- Na plastový kryt nebo rukojeť nepoužívejte žádné silné čisticí prostředky. Mohou být poškozeny některými aromatickými oleji, jako např. borovicovým nebo citronovým, a rozpouštědly, jako např. petrolejem. Vlhkost může rovněž způsobit riziko úrazu elektrickým proudem. Veškerou vlhkost setřete suchým měkkým hadrem.

### SKLADOVÁNÍ NÁŘADÍ

- Nářadí před uskladněním řádně vyčistěte.
- Nářadí skladujte na suchém, dobře větraném, uzamčeném nebo vyvýšeném místě mimo dosah dětí. Nářadí neskladujte v blízkosti hnojiv, benzínu nebo jiných chemických látek.
- Na kovové čepele během přepravy a skladování použijte přepravní kryt.

### Ochrana životního prostředí



Elektrické zařízení, nabíječku a baterie / nabíjecí baterie nevhazujte do domovního odpadu! Předajte tento výrobek autorizované recyklační společnosti ke tříděnému sběru. Elektrické nářadí musí být vráceno do zařízení k ekologické recyklaci.

## ODSTRAŇOVÁNÍ ZÁVAD

PROBLÉM	PŘÍČINA	ŘEŠENÍ
ROTOCUT se nespustí.	<ul style="list-style-type: none"><li>■ Akumulátor není správně připojen k pohonné hlavě.</li><li>■ Akumulátor je vybitý.</li><li>■ Páka pojistky a spoušť nejsou stisknuté současně.</li></ul>	<ul style="list-style-type: none"><li>■ Připojte akumulátor na pohonnou hlavou.</li><li>■ Nabijte akumulátor pomocí nabíječek EGO, které jsou uvedeny v tomto návodu k obsluze.</li><li>■ Zatlačte jistící páčku a podržte ji, pak stiskněte spoušť pro zapnutí stroje.</li></ul>
Při sekání se ROTO-CUT zastaví.	<ul style="list-style-type: none"><li>■ Motor je přetížen.</li><li>■ Akumulátor je příliš horký.</li><li>■ Akumulátor je odpojený od nářadí.</li></ul>	<ul style="list-style-type: none"><li>■ Motor se zotaví po odstranění zátěže. Pro kontinuální práci snižte zatížení zařízení ROTO-CUT a vyhněte se sekání na krátko. Místo toho sekejte trávu postupně.</li><li>■ Nechte akumulátor přirozeně vychladnout nebo zrychlete chlazení pomocí vzduchu.</li><li>■ Znovu zapojte akumulátor.</li></ul>

### **CZ** ZÁRUKA

#### ZÁRUKA SPOLEČNOSTI EGO

Úplné záruční podmínky společnosti EGO naleznete na webové stránce [egopowerplus.com](http://egopowerplus.com).



## PREČÍTAJTE SI VŠETKY POKYNY!



### PREČÍTAJTE SI NÁVOD NA OBSLUHU

**⚠ Zvyškové riziko!** Ľudia s elektronickými zariadeniami, napríklad kardiostimulátorom, musia používanie tohto výrobku konzultovať so svojim lekárom. Použitie elektrických zariadení v tesnej blízkosti kardiostimulátora by mohlo spôsobiť rušenie alebo zlyhanie kardiostimulátora.

**⚠ VAROVANIE:** Pre zaistenie bezpečnosti a spoľahlivosti je nevyhnutné, aby všetky opravy a výmeny vykonával len kvalifikovaný servisný technik.

## BEZPEČNOSTNÝ SYMBOL

Účelom bezpečnostných symbolov je upozorniť na možné nebezpečenstvá. Venujte príslušnú pozornosť a pochopte bezpečnostné symboly a ich vysvetlenia. Varovné symboly, samy o sebe, nedokážu eliminovať nebezpečenstvo. Pokyny a varovania, ktoré obsahujú, nie sú náhradou za vhodné opatrenia na prevenciu úrazov.

**⚠ VAROVANIE:** Pred použitím tohto nástroja si prečítajte a pochopte všetky bezpečnostné pokyny v tomto návode na obsluhu, vrátane všetkých bezpečnostných výstražných symbolov, ako sú „NEBEZPEČENSTVO“, „VAROVANIE“ a „UPOZORNENIE“. Nedodržanie nižšie uvedených pokynov môže mať za následok úraz elektrickým prúdom, požiar a/alebo vážne zranenie.

## VÝZNAM SYMBOLU

**⚠ BEZPEČNOSTNÝ VÝSTRAŽNÝ SYMBOL:** Označuje **NEBEZPEČENSTVO**, **VAROVANIE** ALEBO **UPOZORNENIE** a môže byť použitý v spojení s inými symbolmi alebo piktogramami.




**⚠ VAROVANIE:** Prevádzka akéhokoľvek elektrického náradia môže viesť k vymršteniu cudzích predmetov do vašich očí, čo môže spôsobiť vážne poškodenie zraku. Predtým, než začnete používať elektrické náradie, si vždy nasadte ochranné okuliare alebo ochranné okuliare s postrannými krytmi a prípadne celotvárový štít. Odporúčame použiť bezpečnostnú masku so širokým priezorom na okuliare alebo štandardné bezpečnostné okuliare s postrannými krytmi.

## BEZPEČNOSTNÉ POKYNY

Táto strana zobrazuje a popisuje bezpečnostné symboly, ktoré sa objavujú na tomto výrobku. Pred pokusom o zostavenie a prevádzkovanie si prečítajte, pochopte a dodržiavajte všetky pokyny na stroji.

	Bezpečnostné upozornenie	Opatrenia, ktoré sa týkajú vašej bezpečnosti.
	Prečítajte si návod na obsluhu.	Ak chcete znížiť riziko zranenia, používateľ musí pred použitím tohto výrobku prečítať a pochopiť návod na obsluhu.
	Používajte ochranu zraku.	Pri práci s týmto výrobkom vždy noste ochranné okuliare alebo ochranné okuliare s postrannými krytmi a celotvárový štít.
	Používajte ochranu sluchu.	Pri práci s týmto výrobkom vždy používajte ochranu sluchu.
	Používajte ochranu hlavy.	Používajte schválenú bezpečnostnú prilbu na ochranu hlavy.
	Používajte ochranné rukavice.	Pri manipulácii s čepeľou alebo chráničom čepele si ruky chráňte rukavicami.
	Používajte ochrannú obuv.	Pri používaní tohto zariadenia noste protišmykovú bezpečnostnú obuv.
	Pozor na spätný ráz	Upozornite obsluhu na nebezpečenstvo spätného rázu.
	Nevystavujte dažďu	Nepoužívajte ani nenechávajte vonku na daždi.
	Odras a ostatné osoby v bezpečnej vzdialenosti	Vymrštené objekty sa môžu odraziť a mať za následok zranenie osôb alebo poškodenie majetku. Keď krovínorez používate, udržiavajte od ostatných osôb a domácich zvierat bezpečnú vzdialenosť.
	Udržiavajte okolostojace osoby v bezpečnej vzdialenosti.	Zabezpečte, aby ostatní ľudia a domáce zvieratá zostali vo vzdialenosti aspoň 15 m od strunovej kosačky, keď sa používa.

SK

	Bez okružlej čepele	Neinštalujte okružle rezacie čepele.
	WEEE	Odpadové elektrické výrobky sa nesmú likvidovať spolu s domovým odpadom. Odovzdajte do autorizovaného recyklačného strediska.
	Hluk	Garantovaná hladina akustického výkonu. Emisie hluku do prostredia podľa smernice Európskeho spoločenstva.
	CE	Tento výrobok je v súlade s platnými smernicami ES.
V	Volt	Napätie
$n_0$	Rýchlosť bez zaťaženia	Rýchlosť otáčania, bez záťaže
min <sup>-1</sup>	Za minútu	Otáčky za minútu
	Jednosmerný prúd	Typ alebo charakteristika prúdu
kg	Kilogram	Hmotnosť

SK

## DŮLEŽITÉ BEZPEČNOSTNÉ POKYNY

**⚠ VAROVANIE:** Prečítajte si všetky bezpečnostné výstrahy, pokyny, ilustrácie a technické údaje dodané s týmto elektrickým nástrojom. Nedodržanie nižšie uvedených pokynov môže mať za následok úraz elektrickým prúdom, požiar a/alebo vážne zranenie.

Všetky varovania a pokyny si ponechajte pre prípadnú potrebu v budúcnosti.

- Vyhňte sa nebezpečným prostrediam - Nepoužívajte spotrebič na vlhkom alebo mokrom svahu.
- Majte chrániče nasadené a vo funkčnom stave.
- Udržujte ruky a nohy v bezpečnej vzdialenosti od rezacieho priestoru.
- Za účelom zníženia rizika zranenia nikdy nepracujte na rebríku alebo na inom nestabilnom podklade. Nikdy nedržte rezáciu jednotku nad úrovňou pásu.
- Počas prevádzky kontrolujte rezáciu jednotku v

pravidelných krátkych intervaloch, alebo ihneď, ak vznikne nápadná zmena v charakteristike rezania.

- Pre dosiahnutie najlepších výsledkov je potrebné akumulátory nabíjať na mieste, kde je teplota vyššia ako 5°C a nižšia ako 40°C. Neskladujte akumulátory vonku alebo vo vozidlách.
- Ak sa k vám niekto blíži, ihneď vypnite motor a rezáciu jednotku.
- Upozorníte obsluhu na nebezpečenstvo spätného rázu.
- K spätnému rázu môže dôjsť pri kontakte otáčajúcej sa čepele s objektom, ktorý nie je okamžite prerazaný.
- Spätňý ráz môže byť dosť silný, aby spôsobil pohyb prístroja a/alebo používateľa v ľubovoľnom smere a môže tiež viesť k strate kontroly nad prístrojom.
- K spätnému rázu môže dôjsť bez varovania, ak sa čepeľ zadrhne, zastaví alebo zasekne.
- Spätňý ráz je pravdepodobnejší v oblastiach, kde je náročné vidieť rezaný materiál.
- Nepripájajte žiadnu čepeľ na prístroj bez správnej inštalácie všetkých potrebných dielov. Ak sa nepoužijú správne diely, môže dôjsť k odleteniu čepele a vážnemu poraneniu obsluhy a/alebo okolostojacich osôb. Vyhodte čepele, ktoré sú ohnuté, zdeformované, popraskané, rozbité alebo inak akokoľvek poškodené. Používajte ostré čepele. Tupá čepeľ sa skôr zadrhne a odskočí.
- Voľnobežná čepeľ/struna môže spôsobiť zranenie, keď sa ďalej otáča potom, čo je motor zastavený alebo spúšť uvoľnená. Dodržujte náležitú kontrolu, pokiaľ čepeľ/struna celkom nezastaví svoje otáčanie.
- Nástroje na batérie nemusia byť zapojené do elektrickej zásuvky; preto sú vždy v prevádzkovom stave. Buďte si vedomí možných rizík, aj keď sa nástroj nepoužíva. Buďte opatrní pri vykonávaní údržby alebo servisu.
- Neumývajte s hadicou; zabráňte tomu, aby sa voda dostala do motora a elektrických pripojok.
- Ak sa vyskytnú situácie, ktoré nie sú zahrnuté v tomto návode, dávajte pozor a použite zdravý úsudok. Obráťte sa na zákaznicke servisné stredisko EGO pre pomoc.
- Používajte iba s akumulátormi a nabíjačkami, ktoré sú uvedené na obr. A2.

ODLOŽTE SI TIETO POKYNY!

## TECHNICKÉ ÚDAJE

Rýchlosť naprázdno	450 ± 5 % ot./min.	
Strižná lišta	ABR2300	
Odporúčaná prevádzková teplota	0°C - 40°C	
Odporúčaná skladovacia teplota	- 20°C ~ 70°C	
Hmotnosť (bez akumulátora)	2,6 kg	
Nameraná hladina akustického výkonu $L_{WA}$	97,36 dB(A) K= 2,7 dB(A)	
Hladina akustického tlaku na uši obsluhy $L_{PA}$	83 dB(A) K= 2,5 dB(A)	
Garantovaná hladina akustického výkonu $L_{WA}$ (meraná podľa 2000/14/ES)	100 dB(A)	
Ohodnotenie vibrácií $a_h$ :	Predná pomocná rukoväť	3,3 m/s <sup>2</sup> K= 1,5 m/s <sup>2</sup>
	Zadná rukoväť	2,0 m/s <sup>2</sup> K= 1,5 m/s <sup>2</sup>

- Deklarovaná celková hodnota vibrácií bola meraná v súlade so štandardnou skúšobnou metódou a môže sa použiť na vzájomné porovnanie jednotlivých náradí;
- Uvádzaná celková hodnota vibrácie sa môže použiť aj na predbežný odhad expozície.

**POZNÁMKA:** Emisia vibrácií pri skutočnom používaní náradia sa môže odlišovať od deklarovanej hodnoty, pri akej sa nástroj používa; Za účelom ochrany obsluhy má používateľ v skutočných podmienkach použitia nosiť rukavice a ochranu sluchu.

## OBSAH BALENIA (OBR. A1)

### POPIS

#### ZOZNÁMTE SA S NÁSTAVCOM ROTAČNEJ REZAČKY (obr. A1)

1. Tesniaca skrutka
2. Prevodová skriňa
3. Čepel
4. Zostava posuvného krytu
5. Zostava chrániča
6. Hriadeľ
7. Koncový uzáver
8. Kľúč
9. Imbusový kľúč

## MONTÁŽ

**VAROVANIE:** Ak akýkoľvek diel chýba, alebo je poškodený, nepoužívajte tento výrobok, kým nie sú vymenené diely. Ak používate tento výrobok s poškodenými alebo chýbajúcimi časťami, môže dôjsť k vážnemu zraneniu.

**VAROVANIE:** Nepokúšajte sa upravovať tento výrobok alebo vytvoriť príslušenstvo, ktoré nie je odporúčané na použitie s týmto strojom. Každá takáto zmena alebo modifikácia sa považuje za zneužitie a môže spôsobiť nebezpečný stav, ktorý vedie k možnému vážnemu zraneniu.

## MONTÁŽ CHRÁNIČA

**VAROVANIE:** Pri montáži alebo výmene chrániča vždy používajte rukavice. Dajte si pozor na ostré hrany na chrániči a chráňte si ruky pred porezaním.

**VAROVANIE:** Nikdy nepoužívajte náradie bez nasadeného ochranného krytu. Chránič musí byť vždy na nástroji pre ochranu používateľa! Keď je chránič pripevnený, nikdy sa nepokúšajte ho odobrať alebo upraviť. Ak je nutná výmena, nechajte ju vykonať oprávnenému servisnému technikovi!

Uvoľnite a odstráňte dve skrutky z chrániča (obr. B), zarovnajte montážne otvory chrániča s montážnymi otvormi a následne pripevnite chránič na základňu hriadeľa pomocou dvoch skrutiek, spolu s dvomi pružnými podložkami (obr. C).

**VAROVANIE:** Zabezpečte, aby bol chránič pripevnený podľa obr. B a C. Akékoľvek opačné upevnenie spôsobí veľké nebezpečenstvo!

## PRIPOJENIE NÁSTAVCA ROTAČNEJ REZAČKY NA POHONNÚ HLAVU

Tento nástavec rotačnej rezačky je určený na použitie s pohonnou hlavou EGO PH1400E. Pozrite si časť „INŠTALÁCIA NÁSTAVCA NA POHONNÚ HLAVU“ v návode na obsluhu pohonnej hlavy PH1400E.

## OBSLUHA

**VAROVANIE:** Nedovoľte, aby znalosť tohto výrobku spôsobila vašu neopatrnosť. Pamätajte na to, že aj chvíľková neopatrnosť stačí na to, aby spôsobila vážny úraz.

**VAROVANIE:** Nepoužívajte žiadne doplnky alebo príslušenstvo, ak ho neodporúča výrobca uvedeného výrobku. Používanie nástavcov alebo príslušenstva, ktoré nie je odporúčané, môže viesť k vážnemu zraneniu osôb.

SK

Tento výrobok môžete použiť na tieto uvedené účely:

**Kosenie:** slúži sa na kosenie trávy okolo stĺpov alebo ochranného zábradlia, okrajov stien, cestných obrubníkov, zábran pri cestách alebo na orezávanie vegetácie na parkoviskách.

**POZNÁMKA:** Pri používaní nástavca rotačnej rezačky zabezpečte, aby nedochádzalo k vymršťovaniu akýchkoľvek predmetov, nakoľko to predstavuje veľké riziko: rozbité okná, poškodenie karosérií automobilov, roztrhnutie plotov, poškodenie kôry stromov alebo zranenie osôb.

## POUŽITIE NÁSTAVCA ROTAČNEJ REZAČKY S POHONNOU HLAVOU

**VAROVANIE:** Aby nedošlo k vážnemu zraneniu, noste okuliare alebo ochranné okuliare po celú dobu používania prístroja. V prašnom prostredí používajte masku alebo masku proti prachu.

Pred každým použitím vyčistite oblasť, ktorá má byť kosená. Odstráňte všetky predmety, ako sú kamene, rozbité sklo, klince, drôty alebo šnúry, ktoré môžu byť vymrštené alebo môžu uviaznuť v stroji. Zabráňte prístupu deťom, prítomným osobám a domácim zvieratám. Všetky deti, prizerajúce sa osoby a zvieratá sa musia zdržiavať vo vzdialenosti najmenej 15 metrov; stále ešte môže existovať riziko vymrštenia predmetov na prizerajúce sa osoby. Okolostojace osoby by mali mať ochranu očí. Ak sa približujú, okamžite zastavte motor a reznú príslušenstvo.

**Pred každým použitím skontrolujte, či nie sú poškodené/opotrebované diely.**

Skontrolujte nástavec rotačnej rezačky, chránič, rukoväť a vymeňte diely, ktoré sú prasknuté, zdeformované, ohnuté alebo inak poškodené.

**Po každom použití vyčistite nástroj.**

**UPOZORNENIE:** Prekážky vo vetracích otvoroch bránia prívodu vzduchu do krytu motora, čoho následkom je prehriatie alebo poškodenie motora.

- Používajte iba mydlový roztok a vlhkú handričku na čistenie náradia. Zabráňte preniknutiu akejkoľvek kvapaliny do vnútorných častí náradia. Nikdy neponárajte žiadnu časť náradia do kvapaliny.
- Vždy udržiavajte vetracie otvory v kryte motora bez nečistôt.

## ÚDRŽBA

**VAROVANIE:** Pri servise používajte iba identické náhradné diely. Pravidelne kontrolujte a udržiavajte nástroj. Pre zaistenie bezpečnosti a spoľahlivosti je nevyhnutné, aby všetky opravy vykonával len kvalifikovaný servisný technik.

**VAROVANIE:** Nástroje na batérie nemusia byť zapojené do elektrickej zásuvky; preto sú vždy v prevádzkovom stave. Aby nedošlo k vážnemu zraneniu, prijmite osobitné opatrenia a pozornosť pri vykonávaní údržby, opravy alebo výmene rezacieho alebo iného príslušenstva.

**VAROVANIE:** Aby nedošlo k vážnemu zraneniu, pred vykonávaním údržby, čistením, výmenou príslušenstva alebo odstraňovaním materiálu zo zariadenia vytiahnite prípojku akumulátora zo zásuvky.

## VÝMENA ČEPELE ROTAČNEJ REZAČKY

**VAROVANIE:** Ak sa čepele po upevnení na svoje miesto uvoľnia alebo sú veľmi opotrebované, okamžite ich vymeňte. Nikdy nepoužívajte nástroj s voľným alebo neúčinným rezacím príslušenstvom.

Zoznámte sa s hlavico ROTAČNEJ REZAČKY podľa zobrazenia na obr. D1.

D-1	Manžeta hriadeľa	D-2	Vrchná čepeľ
D-3	Spodná čepeľ	D-4	Podporná manžeta
D-5	Podložka	D-6	Klzná miska
D-7	Matica		

1. Položte prevodovú skriňu hlavice ROTAČNEJ REZAČKY na pevnú podložku pre podporu. Uprite vrchnú a spodnú čepele pomocou klieští alebo zveráka a potom pomocou kľúča uvoľnite maticu (obr. D2).
2. Maticu, klznú misku, podložku, podpernú manžetu, spodnú čepeľ, vrchnú čepeľ a manžetu hriadeľa odoberte postupne, ako je to znázornené na obr. D1.
3. Pred inštaláciou nových čepelí položte manžetu hriadeľa na hriadeľ (obr. D3). Nasadte vrchnú čepeľ s veľkým šesťhranným otvorom na hriadeľ s vytlačeným logom „EGO“ otočeným smerom k prevodovej skrinii (obr. D4), potom nasadte spodnú čepeľ s malým šesťhranným otvorom na hriadeľ s vytlačeným logom „EGO“ smerujúcim k obsluhu (obr. D5).

**POZNÁMKA:** Uistite sa, či šesťhranné otvory na čepeliach dosadajú na osadenie šesťhranného hriadeľa. V opačnom prípade, keď sú čepele namontované opačne, nástavec rotačnej rezačky nemôže správne fungovať a poškodí ich.

- Postupujte podľa poradia znázomeného na obr. D1 a znovu ich zložte.

### MAZANIE PREVODOVEJ SKRINE

Pre najlepšiu prevádzku a dlhšiu životnosť mažte prevodovú skriňu špeciálnym mazivom (zakaždým približne 4-5 g) po každých 50 hodinách prevádzky.

Špeciálne mazivo musí spĺňať nasledujúce požiadavky.

- Patrí do DIN51818: Stupeň kuželovej penetrácie NLGI-1.
- Esterové základné mazivo.
- Vynikajúce spúšťanie pri nízkych teplotách, EP, mechanický strih, odolnosť proti oderu a vlastnosti oxidatívnej stability.
- Prevádzková teplota musí byť od - 40 do 180 ° C. Odpojte zástrčku akumulátora a tesniacu skrutku. Mažte prevodovú skriňu cez otvor na olej.

**VAROVANIE:** Mazanie nevykonávajte, keď je nástroj stále pripojený na akumulátor alebo je v prevádzke.

### ČISTENIE PRÍSTROJA

- Prístroj čistite vlhkou handrou a jemným saponátom.
- Nepoužívajte žiadne silné čistiace prostriedky na plastovom kryte alebo rukoväti. Môžu byť poškodené určitými aromatickými olejmi, ako je borovica a citrón, a rozpúšťadlami, ako je petrolej. Vlhkosť môže tiež spôsobiť nebezpečenstvo úrazu elektrickým prúdom. Akúkoľvek vlhkosť poutierajte mäkkou a suchou handrou.

### USKLADNENIE PRÍSTROJA

- Pred uložením prístroj dôkladne vyčistite.
- Prístroj skladujte na suchom a dobre vetranom uzamknutom alebo vyvýšenom mieste mimo dosahu detí. Prístroj neskladujte v blízkosti hnojív, benzínu alebo iných chemikálií.
- Počas prepravy a skladovania používajte prepravný kryt na kovové čepele.

### Ochrana životného prostredia



Nevyhadzujte elektrické zariadenia, nabíjačku batérií a použité batérie/akumulátory do domového odpadu! Tento výrobok odneste na autorizované recyklačné miesto a dajte ho k dispozícii na separovaný zber. Elektrické náradie sa musí vrátiť do recyklačného zariadenia, ktoré je zlučiteľné so životným prostredím.

## ODSTRAŇOVANIE PORÚCH

PROBLÉM	PRÍČINA	RIEŠENIE
ROTAČNÁ REZAČKA sa nespustí.	<ul style="list-style-type: none"><li>■ Akumulátor nie je správne pripojený na pohonnú hlavu.</li><li>■ Akumulátor je vybitý.</li><li>■ Poistná páčka a spínač nie sú súčasne stlačené.</li></ul>	<ul style="list-style-type: none"><li>■ Pripojte akumulátor na pohonnú hlavu.</li><li>■ Nabite akumulátor pomocou nabíjačiek EGO, ktoré sú uvedené v tomto návode na obsluhu.</li><li>■ Zatlačte poistnú páčku a podržte ju, potom stlačte spínač pre zapnutie nástroja.</li></ul>
ROTAČNÁ REZAČKA sa zastaví pri rezaní.	<ul style="list-style-type: none"><li>■ Motor je preťažený.</li><li>■ Akumulátor je príliš horúci.</li><li>■ Akumulátor je odpojený od nástroja.</li></ul>	<ul style="list-style-type: none"><li>■ Motor sa zotaví po odstránení záťaže. Pre nepretržitú prácu znížte zaťaženie ROTAČNEJ REZAČKY a vyhýbajte sa hlbokému orezávaniu. Miesto toho robte postupné orezávanie.</li><li>■ Nechajte akumulátor prirodzene vychladnúť, alebo zrýchlite chladenie prúdiacim vzduchom.</li><li>■ Znovu pripojte akumulátor.</li></ul>

## ZÁRUKA

**SK**

### ZÁRUČNÁ POLITIKA EGO

Navštívte webové stránky [egopowerplus.com](http://egopowerplus.com) pre úplné podmienky záručnej politiky spoločnosti EGO.

## OLVASSA EL AZ ÖSSZES UTASÍTÁST!



### OLVASSA EL A HASZNÁLATI ÚTMUTATÓT

**⚠ Fenmaradó kockázat!** Az elektronikus készülékekkel, például pacemakerrel élő emberek a termék használata előtt kérjék ki az orvos véleményét. Az elektromos felszerelésnek a pacemakerhez közel való működtetése interferenciát vagy meghibásodást okozhat a pacemakerben.

**⚠ FIGYELMEZTETES:** A biztonságosság és megbízhatóság biztosítása érdekében minden javítást és cserét szakképzett szerviztechnikus hajtson végre.

## BIZTONSÁGI SZIMBÓLUM

A biztonsági szimbólumok célja, hogy felhívják a figyelmet az esetleges veszélyekre. Nagyon figyeljen a biztonsági szimbólumokra és magyarázatokra, ill. ezek megértésére. A szimbólumok figyelmeztetési önmagukban nem hártják el a veszélyeket. Az utasítások és figyelmeztetések nem helyettesítik a megfelelő balesetmegelőző intézkedéseket.

**⚠ FIGYELMEZTETES:** A szerszám használata előtt feltétlenül olvassa el a jelen használati útmutató minden biztonsági utasítását, a „VESZÉLY”, „FIGYELMEZTETÉS” és „FIGYELEM” biztonsági szimbólumokat is. Az alább felsorolt utasítások be nem tartása áramütést, tűzveszélyt és/vagy súlyos személyi sérülést idézhet elő.

## SZIMBÓLUM JELENTÉSE

**⚠ BIZTONSÁGI SZIMBÓLUM:** A következőket jelöli: **VESZÉLY, FIGYELMEZTETÉS VAGY FIGYELEM**, és más szimbólumokkal vagy rajzokkal együtt használható.

**⚠ FIGYELMEZTETES:** Bármely elektromos kéziszerszám működtetése azzal járhat, hogy idegen tárgyak szembe kerülnek, ami súlyos szemsérüléseket okozhat. Az elektromos kéziszerszám működtetése előtt mindig vegyen fel oldalsó védőlemezzel ellátott védőszemüveget és a teljes védőárlapot, ha szükséges. Javasoljuk, hogy viseljen Wide Vision Safety Mask-ot (védőárlap) a védőszemüveg fölött vagy standard védőszemüveget oldalsó védőlemezzel.

## BIZTONSÁGI ELŐÍRÁSOK

Ezen az oldalon olyan biztonsági szimbólumok láthatók és olvashatók, amelyek megjelenhetnek a terméken. Az

összeszerelés vagy működtetés előtt olvassa el, érte meg és tartsa be a gép minden utasítását.

	Biztonsági figyelmeztetés	Az Ön biztonságát érintő óvintézkedések.
	Olvassa el a használati útmutatót	A sérülések kockázatának csökkentése érdekében a használat előtt el kell olvasnia és meg kell értenie a használati útmutatót.
	Viseljen szemvédőt	Mindig viseljen védőszemüveget vagy oldalsó védőlemezzel ellátott védőszemüveget és teljes védőárlapot a termék működtetése közben.
	Viseljen fülvédőt	Mindig viseljen hallásvédőt a termék működtetése közben.
	Viseljen fejvédőt	Viseljen hivatalos biztonsági kemény sisakot a feje védelme érdekében.
	Viseljen védőkesztyűt	Védje a kezét kesztyűvel, amikor a pengét vagy a pengevédőt kezeli.
	Viseljen védő lábbelit.	Viseljen csúszásgátló cipőt, amikor a készüléket használja.
	Ügyeljen a penge lököerejére	Figyelmeztesse a kezelőt a penge lököerejére.
	Ne tegye ki esőnek	Ne használja esőben, és ne hagyja kültéren, ha esik az eső.
	Visszapattanás és a nézelődők távol tartása	A visszapattanó tárgyak súlyos személyi sérülést vagy anyagi kárt okozhatnak. Ügyeljen arra, hogy más személyek és a háziállatok távol legyenek a fűkasza használata közben.
	Tartsa távol a nézelődőket	Ügyeljen arra, hogy más személyek és a háziállatok legalább 15 m távolságban legyenek a fűkasza használata közben.

HU

	Nem kerek penge	Ne szereljen fel kerek vágópengét.
	WEEE	Az elhasználódott elektromos termékek nem helyezhetők a háztartási hulladék közé. Vigye hivatalos újrahasznosító telephelyre.
	Zaj	Garantált hangteljesítményszint. Környezetre ható zajkibocsátás a Európai Közösség irányelve szerint.
	CE	A termék megfelel az érvényes EK irányelveknek.
V	Volt	Feszültség
$n_0$	Üresjárat fordulatszám	Forgási sebesség üresjáraton
$\text{min}^{-1}$	Percenként	Fordulat percenként
	Egyenáram	Áram típusa vagy jellemzői
kg	Kilogramm	Súly

HU

## FONTOS BIZTONSÁGI UTASÍTÁSOK

**▲ FIGYELMEZTETES:** Olvassa el az elektromos kéziszerszámhoz mellékelt összes biztonsági figyelmeztetést, utasítást, ábrát és specifikációt. Az alább felsorolt utasítások be nem tartása áramütést, tűzveszélyt és/vagy súlyos sérülést idézhet elő.

**Őrizzen meg minden figyelmeztetést és utasítást, hogy később is elő tudja majd venni.**

- Kerülje a veszélyes környezetet – ne használja a berendezéseket nedves vagy vizes lejtőn.
- Tartsa a helyén és működőképesen a védőburkolatot.
- A kezét és lábát tartsa távol a vágási területtől.
- A sérülések kockázatának csökkentése érdekében soha ne dolgozzon létrán vagy más nem biztonságos támasztékon. Soha ne tartsa a vágóegységet derékmagasságon felül.
- Működés közben ellenőrizze a vágóegységet

rendszeresen, rövid időközönként, vagy azonnal, ha látható a vágás láthatóan megváltozik.

- A legjobb eredmény elérése érdekében az akkumulátort olyan helyiségben töltsse, ahol a hőmérséklet 5°C-nál magasabb és 40°C-nál alacsonyabb. Ne tárolja kültéren, vagy járművekben.
- Amikor Ön felé közeledik valaki, állítsa le a motort és a vágóegységet.
- Figyelmeztesse a kezelőt a penge lököerejére.
- A penge akkor kaphat lökést, ha olyan tárgyba ütközik, amelyet nem tud azonnal elvágni.
- A penge lökése révén az egység és/vagy a kezelő bármely irányba elfordulhat, és egyensúlyát veszítheti.
- A penge előzetes jel nélkül is lökőerőt fejthet ki, ha a penge elakad, leáll vagy megakad.
- A penge nagyobb valószínűséggel fejt ki lökőerőt, olyan területeken, ahol nehezen látható a vágandó anyag.
- Ne csatlakoztasson pengét az egységre, amíg minden szükséges alkatrész megfelelően fel nincs szerelve. Amennyiben nem megfelelő alkatrészeket használ, akkor a penge lerepülhet, és súlyos sérüléseket okozhat a kezelőnek és/vagy nézelődőknek. A behajlott, repedt, törött vagy sérült pengét ártalmatlanítsa. Használjon éles pengét. A tompa penge nagyobb valószínűséggel beakadhat, és lökőerőt fejthet ki.
- A leálló penge/damil sérülést okozhat, miközben még forog, miután a motor leállt, vagy megnyomta a kioldót. Tartsa meg az irányítást, amíg a penge/damil teljesen abba nem hagyja a forgást.
- Az akkumulátorral működő szerszámokat nem kell hálózati aljzathoz csatlakoztatni; ezért mindig működőképes állapotban vannak. Ügyeljen a lehetséges veszélyekre, akkor is, ha a szerszám nem működik. Legyen óvatos karbantartás és szervizelés közben.
- Ne mossa tömlővel; ne kerüljön víz a motorba és az elektromos csatlakozásokba.
- Amennyiben olyan helyzet adódik, amely nem szerepel a jelen használati útmutatóban, akkor óvatosan és kellő mérlegeléssel cselekedjen. Forduljon az EGO ügyfélszolgálatához segítségért.
- Csak az A2.ábrán felsorolt akkumulátoregységeket és töltőket használja.

**ŐRIZZE MEG EZEKET AZ UTASÍTÁSOKAT!**



## JELLEMZŐK

Üresjárat fordulatszám	450 ± 5 % ford./perc	
Vágópenge	ABR2300	
Javasolt működési hőmérséklet	0°C-40°C	
Javasolt tárolási hőmérséklet	-20°C-70°C	
Súly (akkumulátoregység nélkül)	2,6 kg	
Mért hangteljesítményszint $L_{WA}$	97,36 dB(A) K = 2,7 dB(A)	
Hangnyomásszint a kezelő fülénél $L_{PA}$	83 dB(A) K = 2,5 dB(A)	
Garantált hangteljesítményszint $L_{WA}$ (a 2000/14/EK szerint mérve)	100 dB(A)	
Vibráció értéke $a_{h,v}$ :	Elülső segédfogantyú	3,3 m/s <sup>2</sup> K = 1,5 m/s <sup>2</sup>
	Hátsó fogantyú	2,0 m/s <sup>2</sup> K = 1,5 m/s <sup>2</sup>

- A névleges rezgési összérték mérése standard bevizsgálási módszerrel történt, és használatával a szerszámok egymással összehasonlíthatók.
- A névleges rezgési érték a kockázat előzetes felméréséhez is felhasználható.

**MEGJEGYZÉS:** A rezgés kibocsátás az elektromos szerszám aktuális használata közben eltérhet attól a névleges értéktől, amellyel a szerszámot használják: a kezelő védelme érdekében a használónak kesztyűt és hallásvédőt kell használnia működtetés közben.

## A CSOMAG TARTALMA (A. ÁBRA1)

### LEÍRÁS

#### ISMERJE MEG A ROTOCUT ADAPTERT (A. ábra1)

1. Rögzítőcsavar
2. Szerelvényburkolat
3. Penge
4. Rátolható burkolat
5. Védőburkolat egység
6. Tengely
7. Végzáró kupak
8. Csavarkulcs
9. Imbuszkulcs

## ÖSSZESZERELÉS

**⚠ FIGYELMEZTETES:** Ha bármely alkatrész sérült vagy hiányzik, akkor ne működtesse a terméket, amíg az alkatrészeket ki nem cserélik. Sérült vagy hiányzó alkatrészekkel való használat súlyos személyes sérülést okozhat.

**⚠ FIGYELMEZTETES:** Ne próbálja megváltoztatni a terméket, és ne készítsen hozzá tartozékokat, amelyek nem javasoltak ehhez a géphez. Bármilyen módosítás vagy változtatás helytelen használatnak minősül, és veszélyes feltételeket teremthet, amely súlyos személyi sérüléssel végződhet.

### A VÉDŐBURKOLAT FELSZERELÉSE

**⚠ FIGYELMEZTETÉS:** Mindig viseljen kesztyűt, amikor felszereli vagy kicseréli a védőburkolatot. Legyen óvatos a védőburkolat alatti pengével, és óvja a kezét vágástól.

**⚠ FIGYELMEZTETÉS:** Soha ne működtesse a szerszámot, ha a védőburkolat nincs megfelelően a helyén. A védőburkolatnak mindig a szerszámon kell lennie a használó védelme érdekében! Ha a védőburkolat rögzítve van, akkor soha ne próbálja meg eltávolítani vagy beállítani, ha ki kell cserélni, akkor azt szakképzett szerviztechnikus végezze!

Lazítsa meg, és vegye le a két csavart a védőburkolatról (B. ábra), illessze a rögzítőfuratokat a szerelési lyukakba, majd rögzítse a védőburkolatot a tengely talpához a két csavarral és két rugós alátéttel (C. ábra).

**⚠ FIGYELMEZTETÉS:** Ellenőrizze, hogy a védőburkolat a B és C ábrának megfelelően rögzítve van-e, a fordított rögzítés nagy veszélyt okozhat!

### A ROTOCUT ADAPTER CSATLAKOZTATÁSA A MEGHAJTÓFEJRE

A rotocut adaptert EGO PH1400E meghajtófejjel történő használatra tervezték. Lásd az „ALKATRÉS ZS CSATLAKOZTATÁSA A MEGHAJTÓFEJHEZ” fejezetet a PH1400E meghajtófej használati útmutatójában.

## MŰKÖDTETÉS

**⚠ FIGYELMEZTETES:** Ne hagyja, hogy a termékkel szerzett jártassága miatt óvatlanná váljon. Emlékezzen arra, hogy a másodperc töredéke alatt történő óvatlanság súlyos sérülést okozhat.

**⚠ FIGYELMEZTETES:** Ne használjon a termék gyártója által nem javasolt tartozékokat. A nem javasolt tartozékok használata súlyos személyi sérülést okozhat.

HU

A terméket az alábbi célokra használhatja:

**Vágás:** arra használják, hogy rudak vagy védőkorlátok, falszélek, közúti járdaszegélyek, forgalom mentén lévő kerítések körül lenyírják a fűvet, vagy parkolóhelyeken levágják a növényeket.

**MEGJEGYZÉS:** A rotocut adapter használatakor ügyeljen arra, hogy ne repüljenek szét idegen tárgyak, amelyek komoly kockázatot jelentenek: törött ablakok, behorpadt jármű karosszériák, megvágott kerítések, fa kéreg sérülések vagy személyi sérülések.

## A ROTOCUT ADAPTER HASZNÁLATA A MEGHAJTÓFEJJELE

**▲ FIGYELMEZTETES:** A súlyos személyi sérülések elkerülése érdekében mindig viseljen védőszemüveget az egység működtetésekor. Viseljen arc- vagy porvédő maszkot poros körülmények között.

Minden használat előtt tisztítsa meg a nyírándó területet. Távolítsa el minden tárgyat, pl. követ, törött üveget, tűt, vezetékét vagy zsinórt, amely beakadhat a vágóegységbe. A területen ne legyenek gyermekek, nézelődők vagy állatok. Minden nézelődő, gyermek és állat legalább 15 m távolságban legyen; még így fennáll a veszélye, hogy tárgyak repülnek a nézelődők felé. A nézelődők is viseljenek védőszemüveget. Amikor Ön felé közeledik valaki, azonnal állítsa le a motort és a vágóegységet.

## Minden használat előtt ellenőrizze a sérült/kopott alkatrészeket

Ellenőrizze a rotocut adaptert, a védőburkolatot és kétkézes fogantyút, és cserélje ki a repedt, elgörbült vagy bármilyen módon megsérült alkatrészeket.

## Minden használat után tisztítsa meg a szerszámot.

**▲ FIGYELEM:** A szellőzőnyílásokban lévő akadályok megakadályozzák, hogy levegő áramoljon a motorházba, így a motor megsérülhet vagy túlmelegedhet.

- A szerszám tisztítását csak kímélő szappannal és nedves ruhával végezze. Soha ne hagyja, hogy bármilyen folyadék a szerszámba kerüljön, soha ne merítse vízbe a szerszám egyetlen alkatrészét sem.
- A motorházon lévő szellőzőnyílásokat mindig tartsa szennyeződésektől mentesen.

## KARBANTARTÁS

**▲ FIGYELMEZTETES:** Javításkor használjon azonos pótalkatrészeket. Rendszeresen ellenőrizze a

szerszámot, és végezzen karbantartást. A biztonságosság és megbízhatóság biztosítása érdekében minden javítást szakképzett szerviztechnikus hajtsa végre.

**▲ FIGYELMEZTETES:** Az akkumulátorral működő szerszámokat nem kell hálózati aljzathoz csatlakoztatni; ezért mindig működőképés állapotban vannak. A súlyos személyi sérülések elkerülése érdekében legyen rendkívül óvatos, amikor karbantartást, szervizelést végez, vagy kicseréli a vágóegységet vagy más alkatrészeket.

**▲ FIGYELMEZTETÉS:** A súlyos személyi sérülések elkerülése érdekében húzza ki az akkumulátoregység csatlakozóját az aljzathoz szervizelés, tisztítás, tartozékok cseréje vagy anyagok szerszámból való eltávolítása előtt.

## ROTOCUT PENGE CSERÉJE

**▲ FIGYELMEZTETES:** Ha a pengék meglazulnak, miután a helyükre rögzítették őket, vagy a pengék rosszul koptak, azonnal cserélje ki a pengéket. Soha ne használja a szerszámot laza vagy hatástalan vágóegységgel.

Ismerje meg a ROTOCUT fejet a D1 ábrán látható módon.

D-1	Tengely tölcser	D-2	Felső penge
D-3	Alsó penge	D-4	Támasztófedél
D-5	Alátét	D-6	Csúszódedény
D-7	Anyá		

1. Helyezze a ROTOCUT szerelvényburkolatát erős felületre. Rögzítse a felső és alsó pengéket fogóval vagy egy befogóba, majd a csavarulccsal oldja meg az anyát (D2 ábra).
2. Távolítsa el az anyát, a csúszódedényt, az alátétet, a támasztófedelelet, az alsó pengét, a felső pengét és a tengely tölcserét a D1 ábra szerint.
3. Az új pengék felszerelése előtt helyezze a tengely tölcserét a tengelyre (D3 ábra). Helyezze a nagy hatszögletű furattal ellátott felső pengét a tengelyre úgy, hogy a felületre nyomtatott „EGO” logó a fogaskerék felé nézzen (D4 ábra), majd helyezze a kis hatszögletű furattal ellátott alsó pengét a tengelyre, a felületre nyomtatott „EGO” logó a kezelő felé nézzen (D5 ábra).

**MEGJEGYZÉS:** Győződjön meg arról, hogy a pengék hatszögletű furatai és a hatszögű tengelyváll a helyén van-e. Ellenkező esetben, ha a pengék fordítva vannak felszerelve, a ROTOCUT ADAPTER nem képes megfelelően működni és megrongálja a pengéket.

4. Az összeszereléshez a D1. ábrán látható sorrendet kövesse.

## A HAJTÓMŰHÁZ KENÉSE

A legjobb működés és a hosszabb élettartam érdekében a szerelvényburkolatot speciális zsírral kell bekenni (minden alkalommal körülbelül 4-5 g) minden 50 óra működés után.

A speciális kenőanyagnak meg kell felelnie a következő követelményeknek.

1. A DIN51818: NLGI-1 kúpbehatolási fokba tartozik.
2. Észter alapú zsír
3. Kiváló alacsony-hőmérsékletű indítás, EP, mechanikus nyírás, kopásálló és oxidációs stabilitás tulajdonságok.
4. Az üzemi hőmérsékletnek  $-40\sim 180$  °C között kell lennie. Távolítsa el az akkumulátor csatlakozót és a tömitőcsavart. A hajtómű ház kenése az olajnyíláson keresztül.

**▲ FIGYELMEZTETES:** Ne kenje be, amíg a szerszám még az akkumulátorhoz van csatlakoztatva, vagy működésben van.

## AZ EGYSÉG TISZTÍTÁSA

- Nedves törőruhával és enyhe tisztítószerrel tisztítsa meg az egységet.
- Ne használjon erős tisztítószereket a műanyag burkolaton vagy a fogantyún. Ezek megsérülhetnek a különböző aromaolajaktól, pl. fenyő vagy citrom, és az olyan oldószerektől, mint a kerozin. A nedvesség szintén áramütés veszélyét okozhatja. A nedvességet egy puha, száraz törővel törölje le.

## AZ EGYSÉG TÁROLÁSA

- Tárolás előtt alaposan tisztítsa meg a szerszámot.
- Az egységet száraz, jól szellőző, elzárt vagy magas helyen tárolja, ahol gyermekek nem érik el. Ne tárolja az egységet benzin vagy más vegyszerek mellett.
- Szállítás és tárolás közben használja a szállítási burkolatot a fémpengékhez.

## Környezetvédelem



Ne dobja az elektromos felszerelést, az elhasznált akkumulátort és a töltőt a háztartási hulladékok közé! Vigye hivatalos újrahasznosító telephelyre, és tegye hozzáférhetővé a szelektív gyűjtéshez. Az elektromos szerszámokat környezetbarát újrahasznosító üzembe kell vinni.

## HIBAELHÁRÍTÁS

PROBLÉMA	OK	MEGOLDÁS
A ROTOCUT nem indul.	<ul style="list-style-type: none"><li>■ Az akkumulátoregység nincs megfelelően csatlakoztatva a meghajtófejhez.</li><li>■ Az akkumulátoregység lemerült.</li><li>■ A kapcsoló gomb és a trigger nem egyidejűleg van megnyomva.</li></ul>	<ul style="list-style-type: none"><li>■ Csatlakoztassa az akkumulátoregységet a meghajtófejhez.</li><li>■ Töltse fel az akkumulátoregységet EGO a jelen útmutatóban megadott töltővel.</li><li>■ Nyomja meg és tartsa lenyomva a kapcsoló gombot, majd oldja ki a trigger az egység bekapcsolásához.</li></ul>
A ROTOCUT leáll vágás közben.	<ul style="list-style-type: none"><li>■ A motor túlterhelt</li><li>■ Az akkumulátoregység túl forró.</li><li>■ Az akkumulátoregység ki van véve a szerszámból.</li></ul>	<ul style="list-style-type: none"><li>■ A motor újra működőképes, ha a terhet eltávolítja. A folyamatos munkavégzéshez csökkentse a ROTOCUT terhelését, és kerülje a mély vágást; inkább fokozatosan mélyítse a vágásokat.</li><li>■ Hagyja az akkumulátoregységet természetesen lehűlni, vagy fújja levegővel a hűlés felgyorsításához.</li><li>■ Csatlakoztassa újból az akkumulátoregységet.</li></ul>

## HU GARANCIA

### EGO GARANCIÁLIS FELTÉTELEK

Kérjük, látogasson el az [egopowerplus.com](http://egopowerplus.com) oldalra, ahol megtalálja a részletes EGO garanciális feltételeket.

## CITIȚI TOATE INSTRUCȚIUNILE!



### CITIȚI MANUALUL DE INSTRUCȚIUNI

**⚠ Riscuri reziduale!** Persoanele cu dispozitive electronice precum stimuloare cardiace ar trebui să se consulte cu medicul (medicii) înainte de a utiliza acest produs. Funcționarea echipamentelor electrice în imediata apropiere a unui stimulator cardiac ar putea provoca interferențe sau defecțiuni ale stimulatorului cardiac.

**⚠ AVERTISMENT:** Pentru siguranța și fiabilitatea produsului, toate reparațiile și înlocuirile de piese ar trebui efectuate de către un tehnician de service autorizat.

## SIMBOL DEEE

Scopul simbolurilor privind siguranța este să vă atragă atenția asupra pericolelor posibile. Simbolurile privind siguranța și explicațiile furnizate cu acestea merită atenția și înțelegerea dumneavoastră. Avertizările simbolurilor nu elimină, prin ele însele, niciun pericol. Instrucțiunile și avertizările pe care le oferă acestea nu pot înlocui măsurile adecvate de prevenire a accidentelor.

**⚠ AVERTISMENT:** Asigurați-vă că ați citit și înțelegiți toate instrucțiunile privind siguranța din acest Manual de utilizare, inclusiv toate simbolurile de alertă privind siguranța precum “PERICOL,” “AVERTISMENT,” și “ATENȚIE” înainte de a utiliza această sculă. Nerespectarea tuturor avertismentelor și instrucțiunilor poate duce la electrocutare, incendiu și/sau răni grave.

## SEMNIFICAȚIA SIMBOLURILOR

### ⚠ SIMBOL DE AVERTIZARE PRIVIND

**SIGURANȚA:** Indică PERICOL, AVERTISMENT, SAU ATENȚIE, poate fi utilizat împreună cu alte simboluri sau pictograme.




**⚠ AVERTISMENT:** Exploatarea oricărui scule electrice se poate solda cu ricoșarea de obiecte străine în ochii dumneavoastră, ceea ce se poate solda cu vătămarea gravă a ochilor. Înainte de a începe să utilizați scula electrică, echipați-vă întotdeauna cu ochelari de protecție sau ochelari de protecție cu apărători laterale și vizieră pentru față, atunci când este nevoie. Vă recomandăm să purtați o vizieră lată de protecție peste ochelarii de vedere sau ochelari de protecție standard cu apărători laterale.

## INSTRUCȚIUNI PRIVIND SIGURANȚA

Această pagină descrie simbolurile de siguranță ce pot apărea pe acest produs. Citiți, înțelegeți și respectați toate instrucțiunile de pe mașină înainte de a o asambla și de a o utiliza.

	Alertă privind siguranța	Precauții care implică siguranța dumneavoastră.
	Citiți manualul de instrucțiuni	Pentru a reduce riscul de vătămare, utilizatorul trebuie să citească și să înțeleagă manualul de instrucțiuni înainte de a utiliza acest produs.
	Purtați echipament de protecție oculară	Purtați întotdeauna ochelari de protecție sau ochelari de protecție cu apărători laterale și o vizieră facială completă când utilizați acest produs.
	Purtați echipament de protecție auditivă	Purtați întotdeauna echipament de protecție auditivă când utilizați acest produs.
	Purtați echipament de protecție a capului	Purtați o cască de protecție aprobată pentru a vă proteja capul.
	Purtați mănuși de protecție	Protejați-vă mâinile cu mănuși când manevrați lama sau apărătoarea lamei.
	Purtați încălțăminte de protecție	Purtați încălțăminte antiderapantă când utilizați acest echipament.
	Ferți-vă de propulsarea lamei	Avertizați operatorul asupra pericolului propulsiei lamei.
	A nu se expune la ploaie	Nu utilizați acest produs în ploaie și nu-l lăsați în exterior în timp ce plouă.
	Ricoșeul și Menținerea trecătorilor la distanță	Obiectele aruncate pot ricoșa și cauza vătămări corporale și pagube. Asigurați-vă că terți și animalele de companie se află la distanță de trimmerul pentru tufișuri când acesta este în funcțiune.

RO

	Țineți trecătorii la distanță	Asigurați-vă că alte persoane și animalele de companie se află o distanță de cel puțin 15 m de trimmerul cu fir când acesta este în funcțiune.
	Fără lamă rotundă	Nu instalați lame de tăiere rotunde.
	DEEE	Deșeurile produselor electrice nu trebuie să fie eliminate împreună cu deșeurile menajere. Predați-le unui punct de reciclare autorizat.
	Zgomot	Nivelul puterii sunetului garantat. Emisii sonore în mediul înconjurător conform Directivei comunitare europene.
	CE	Acest produs este în conformitate cu directivele europene aplicabile.
V	Volt	Tensiune
n <sub>0</sub>	Turație de mers în gol	Turație de mers în gol
min <sup>-1</sup>	Pe minut	rotații pe minut
	Curent continuu	Tip sau o caracteristică de curent
kg	Kilogram	Greutate

RO

## INSTRUCȚIUNI IMPORTANTE PRIVIND SIGURANȚA

**⚠️ AVERTISMENT:** Citiți toate instrucțiunile, avertizările de siguranță, ilustrațiile și specificațiile livrate împreună cu această sculă electrică. Nerespectarea tuturor instrucțiunilor enumerate mai jos se poate solda cu șoc electric, incendiu și/sau vătămare corporală gravă.

**Păstrați toate avertizările și instrucțiunile pentru consultare ulterioară.**

- **Evitați mediile periculoase** - Nu utilizați aparate electrice pe pante ude sau cu umezeală.
- **Păstrați apărătorile instalate și în stare de funcționare.**
- **Țineți mâinile și picioarele departe de zona de**

tundere.

- **Pentru a reduce riscul de rănire, nu lucrați niciodată stând pe o scară sau pe orice alt suport nesigur. Nu țineți niciodată unitatea de tăiere la înălțime deasupra taliei.**
- **Verificați unitatea de tăiere la intervale scurte regulate în timpul utilizării, sau imediat dacă observați o modificare vizibilă a modului de tăiere.**
- **Pentru rezultate cât mai bune, acumulatorul dumneavoastră ar trebui încărcat în locații unde temperatura depășește 5°C și este sub 40°C.** Nu depozitați acumulatorul în exterior sau în interiorul vehiculelor.
- **Dacă cineva se apropie de dumneavoastră, opriți imediat motorul și unitatea de tăiere.**
- **Avertizați operatorul asupra pericolului propulsiei lamei.**
- Propulsarea lamei poate avea loc când lama rotativă intră în contact cu un obiect care nu este tăiat imediat.
- Propulsarea lamei poate să fie suficient de violentă încât să cauzeze propulsarea sculei și/sau a operatorului în orice direcție, și eventual poate cauza pierderea controlului asupra unității.
- Propulsarea lamei poate avea loc fără avertisment dacă lama întâmpină dificultăți, se blochează sau este prinsă.
- Propulsarea are șanse mai mari să apară în zone unde materialul ce trebuie tăiat este greu de văzut.
- **Nu instalați lama pe o unitate fără a instala corect toate piesele necesare.** Neutilizarea componentelor adecvate poate cauza proiectarea lamei și rănirea grave a operatorului și/sau a trecătorilor. Eliminați lamele îndoite, exfoliate, crăpate, fisurate sau avariate în vreun fel. Utilizați o lamă ascuțită. O lamă tocită are șanse mai mari să provoace dificultăți și recul.
- O lamă/fir de debitare poate cauza răniri în cazul care continuă să se rotească după oprirea motorului sau eliberarea trăgaciului. Mențineți un control adecvat asupra unității până la oprirea completă a lamei/firului.
- **Sculele electrice alimentate cu baterii nu trebuie să fie racordate la o priză electrică; de aceea, acestea sunt întotdeauna în stare de funcționare.** Atenție la eventualele riscuri chiar și când scula nu este în funcțiune. Aveți grijă când efectuați operații de întreținere sau de service.
- **Nu spălați trimmerul cu furtunul de grădini; evitați pătrunderea apei în motor și în conexiunile electrice.**

- În cazul situațiilor care nu sunt adresate în acest manual, utilizați grijă și raționament. Contactați centrul de service pentru clienți EGO pentru asistență.
- Utilizați numai seturile de acumulatori și încărcătorii din fig. A2.

#### PĂSTRAȚI ACESTE INSTRUCȚIUNI!

## SPECIFICAȚII

Turație de mers în gol	450±5% rpm	
Lamă de tăiere	ABR2300	
Temperatură de funcționare recomandată	0°C-40°C	
Temperatură de depozitare recomandată	-20°C-70°C	
Greutate (fără set de acumulatori)	2,6 kg	
Nivel de putere sonoră măsurată $L_{WA}$	97,36 dB(A) K= 2,7 dB(A)	
Nivel de presiune sonoră la urechea operatorului $L_{PA}$	83 dB(A) K= 2,5 dB(A)	
Nivel de putere acustică garantat $L_{WA}$ (măsurat în conformitate cu 2000/14/CE)	100 dB(A)	
Valoarea vibrațiilor $a_h$ :	Mâner frontal de susținere	3,3 m/s <sup>2</sup> K= 1,5 m/s <sup>2</sup>
	Mâner posterior	2,0 m/s <sup>2</sup> K= 1,5 m/s <sup>2</sup>

- Valoarea totală declarată a vibrațiilor a fost măsurată în conformitate cu o metodă standard de testare și poate fi utilizată pentru compararea sculelor între ele;
- Valoarea totală declarată poate fi utilizată în evaluarea preliminară a expunerii.

**OBSERVAȚIE:** Vibrațiile emise în timpul utilizării efective a sculei electrice pot diferi față de valoarea celor declarate pentru scula utilizată; Pentru protejarea operatorului, utilizatorul trebuie să poarte mănuși și protecții auditive în timpul utilizării efective a produsului.

## LISTA COMPONENTELOR (FIG. A1)

### DESCRIERE

#### DESCRIEREA ACCESORIULUI ROTATIV DE TĂIERE (Fig. A1)

1. Șurub de etanșeizare

2. Carcasă angrenaj
3. Lamă
4. Ansamblul apărătorii glisante
5. Ansamblu apărătoare
6. Tijă
7. Capac de capăt
8. Cheie
9. Cheie hexagonală

## ASAMBLAREA

**⚠️ AVERTISMENT:** Dacă unele piese sunt deteriorate sau lipsesc, nu utilizați acest produs până la înlocuirea pieselor. Utilizarea acestui produs cu piese deteriorate sau lipsă s-ar putea solda cu vătămări grave.

**⚠️ AVERTISMENT:** Nu încercați să modificați acest produs sau să creați accesorii nerecomandate pentru a fi utilizate cu această mașină. Orice astfel de modificare sau schimbare reprezintă o utilizare necorespunzătoare și se poate solda cu condiții periculoase care pot conduce la posibile vătămări grave.

## MONTAREA APĂRĂTORII

**⚠️ AVERTIZARE:** Purtați întotdeauna mănuși când montați sau înlocuiți apărătoarea. Aveți grijă la lama de pe apărătoare și protejați-vă mâna împotriva tăieturilor.

**⚠️ AVERTIZARE:** Nu utilizați niciodată scula fără apărătoarea bine fixată. Apărătoarea trebuie să fie întotdeauna instalată pe scula pentru a proteja utilizatorul. Când apărătoarea este atașată, nu încercați niciodată să o îndepărtați sau să o reglați; dacă este nevoie să fie înlocuită, această operație trebuie executată de un tehnician de service autorizat!

Desfaceți și îndepărtați cele două șuruburi de pe apărătoare (Fig. B), aliniați orificiile de fixare ale apărătorii cu orificiile ansamblului, după care prindeți apărătoarea de baza tijei cu ajutorul celor două șuruburi împreună cu două șaibe elastice (Fig. C).

**⚠️ AVERTIZARE:** Asigurați-vă că apărătoarea este fixată conform ilustrațiilor din Fig. B și C, orice fixare inversată va cauza un mare pericol!

## CONECTAREA ACCESORIULUI ROTATIV DE TĂIERE LA CAPUL DE ALIMENTARE

Acest accesoriu rotativ de tăiere este conceput pentru a fi utilizat cu capul de alimentare EGO Power PH1400E. Consultați secțiunea privind „INSTALAREA UNUI ACCESORIU LA CAPUL DE ALIMENTARE” din manualul de instrucțiuni al capului de alimentare PH1400E.

RO

## FUNCȚIONAREA

**⚠️ AVERTISMENT:** Nu permiteți ca familiarizarea cu acest produs să vă determine să fiți neatent. Amintiți-vă că o fracțiune de secundă de neatenție este suficientă pentru a provoca vătămări grave.

**⚠️ AVERTISMENT:** Nu utilizați nicio componentă sau accesoriu care nu a fost recomandat de producătorul acestui produs. Utilizarea de accesorii nerecomandate se poate solda cu vătămări grave.

Puteți utiliza acest produs în scopurile menționate mai jos:

**Tăiere:** pentru tăierea ierbiilor din jurul stâlpilor sau a balustradelor, a zidurilor, trotuarelor, gardurilor de-a lungul străzilor, sau pentru toaletarea vegetației din parcuri.

**OBSERVAȚIE:** Când utilizați accesoriul rotativ de tăiere, asigurați-vă că nu sunt proiectate obiecte străine care ar putea cauza riscuri grave: ferestre sparte, caroserii de mașină afectate, garduri despicate, trunchiuri de copaci rupte sau vătămări corporale.

### UTILIZAREA ACCESORIULUI ROTATIV DE TĂIERE CU CAPUL DE ALIMENTARE

**⚠️ AVERTISMENT:** Pentru evitarea vătămarilor corporale grave, purtați ochelari de protecție în permanență când utilizați acest produs. Purtați mască de protecție a feței sau mască de protecție la praf în locurile cu praf.

Curățați zona de tuns iarba înainte de fiecare utilizare. Îndepărtați toate obiectele, cum ar fi pietre, sticlă spartă, cuie, sârmă sau fire care pot fi aruncate sau se pot încurca în capul de tăiere. Îndepărtați din zonă copiii, trecătorii și animalele de companie. Țineți toți copiii, trecătorii și animalele la o distanță minimă de 15 m; poate exista totuși un risc pentru trecători datorită obiectelor ejectate. Trecătorii trebuie încurajați să poarte ochelari de protecție. Dacă cineva se apropie de dumneavoastră, opriți imediat motorul și capul de tăiere.

### Înainte de fiecare utilizare, verificați scula pentru depistarea pieselor deteriorate/uzate.

Verificați accesoriul rotativ de tăiere, apărătoarea și mânerul de susținere și înlocuiți piesele care sunt fisurate, distorsionate, îndoite sau deteriorate în vreun fel.

### După fiecare utilizare, curățați scula.

**⚠️ ATENȚIE:** Obturarea orificiilor de ventilație va împiedica pătrunderea aerului în carcasa motorului și va provoca supraîncălzirea sau deteriorarea motorului.

- Utilizați numai săpun cu acțiune moderată și o lavetă umedă pentru a curăța scula. Nu lăsați niciun lichid să pătrundă în interiorul sculei; nu scufundați niciodată vreo parte a sculei în vreun lichid.
- Păstrați în permanență curate orificiile de ventilație din carcasa motorului.

## ÎNȚREȚINEREA

**⚠️ AVERTISMENT:** La depanare, utilizați numai piese de schimb identice. Inspectați și efectuați întreținerea sculei cu regularitate. Pentru siguranța și fiabilitatea produsului, toate reparațiile trebuie efectuate de către un tehnician de service autorizat.

**⚠️ AVERTISMENT:** Sculele electrice alimentate cu baterii nu trebuie să fie racordate la o priză electrică; de aceea, acestea sunt întotdeauna în stare de funcționare. Pentru prevenirea vătămarilor corporale grave, adoptați măsuri de siguranță suplimentare și de îngrijire când efectuați operații de întreținere, service sau înlocuiți accesoriile de tăiere sau alte accesorii.

**⚠️ AVERTIZARE:** Pentru prevenirea vătămarilor corporale grave, deconectați conectorul acumulatorului din priză înainte de a depana, curăța, înlocui accesorii detașabile sau de a îndepărta materialul din produs.

### ÎNLOCUIREA LAMEI ROTATIVE DE TĂIERE

**⚠️ AVERTISMENT:** Dacă lama se slăbește după fixarea ei în poziție sau dacă lamele sunt foarte tocite, înlocuiți-le imediat. Nu utilizați niciodată o sculă cu un cap de tăiere slăbit sau ineficace.

Descrierea capului ROTATIV DE TĂIERE precum în ilustrațiile din Fig. D1.

D-1	Capac tijă	D-2	Lamă superioară
D-3	Lamă inferioară	D-4	Capac de suport
D-5	Șaibă	D-6	Culisor
D-7	Piuliță		

1. Amplasați cutia angrenajelor a capului ROTATIV DE TĂIERE pe o suprafață solidă. Prindeți lamele inferioare și superioare cu clești sau într-o menghină, după care utilizați cheia pentru a slăbi piulița (Fig.D2).
2. Îndepărtați piulița, culisorul, șaiba, capacul de suport, lama inferioară, lama superioară, capacul axului în ordinea ilustrată în Fig. D1.



- Înainte de instalării unor lame noi, amplasați capacul axului pe ax (Fig.D3). Introduceți lama superioară cu orificiul hexagonal mare pe ax, cu suprafața marcată cu logo-ul „EGO” îndreptată înspre cutia de angrenaje (Fig. D4), apoi instalați lama inferioară cu orificiul hexagonal mic pe ax cu suprafața marcată cu logo-ul „EGO” îndreptată înspre operator (Fig.D5).

**OBSERVAȚIE:** Asigurați-vă că orificiile hexagonale de pe lame și flancul axului sunt bine instalate. În caz contrar, când lamele sunt asamblate invers, ACCESORIUL ROTATIV DE TĂIERE nu va funcționa corect și va deteriora lamele.

- Urmați ordinea indicată în Fig. D1 pentru a le reasambla.

### LUBRIFIEREA CUTIEI DE VITEZE

Pentru o durată de viață cât mai lungă și rezultate de utilizare cât mai bune, lubrifiați cutia de viteze cu unsoare specială (4-5g de fiecare dată) după fiecare 50 de ore de utilizare.

Unsoarea specială trebuie să întrunească următoarele cerințe.

- Să aparțină categoriei DIN51818: NLGI-1 grad de penetrație cu con.
- Unsoare pe bază de ester.
- Pornire excelentă la temperaturi joase, EP; rezistență mecanică, rezistență la frecare și proprietăți de stabilitate oxidantă.
- Intervalul de temperatură trebuie să fie cuprins între -40~180°C. Îndepărtați mufa acumulatorului și șurubul de etanșeizare. Lubrifiați cutia de viteze prin orificiul de ungere cu ulei.

**⚠️ AVERTISMENT:** Nu lubrifiați cât timp scula mai este conectată la baterie sau este în funcțiune.

### CURĂȚAREA PRODUSULUI

- Curățați scula cu o cârpă umedă, înmuțată în detergent cu acțiune moderată.
- Nu utilizați detergenți puternici pe carcasa de plastic sau pe mâner. Acestea pot fi deteriorate de anumite uleiuri parfumate precum brad și lămâie, și de către solvenți precum kerosenul. Umezeala poate cauza un risc de electrocutare. Ștergeți orice urmă de umezeală cu o cârpă uscată.

### DEPOZITAREA PRODUSULUI

- Curățați scula bine înainte de a o depozita.
- Depozitați produsul într-un loc uscat, bine ventilat, închis cu cheia sau la înălțime, inaccesibil copiilor. Nu depozitați produsul peste sau lângă îngrășăminte, benzină sau alte substanțe chimice.
- Folosiți o husă de transport în cazul lamelor metalice, pe durata transportului și a depozitării.

### Protejarea mediului înconjurător



Nu eliminați echipamentul electric, încărcătorul de acumulator și acumulatorul împreună cu deșeurile menajere! Predați acest produs unui punct de reciclare autorizat sau puneți-l la dispoziția colectării separate. Suclele electrice trebuie returnate unui centru de reciclare ecologic.

## DEPANAREA

PROBLEMĂ	CAUZĂ	SOLUȚIE
Capul ROTATIV DE TĂIERE nu pornește.	<ul style="list-style-type: none"> <li>■ Setul de acumulatori nu este atașat corect de capul de alimentare.</li> <li>■ Setul de acumulatori este descărcat.</li> <li>■ Maneta de blocare și trăgaciul nu sunt apăstate simultan.</li> </ul>	<ul style="list-style-type: none"> <li>■ Conectați setul de acumulatori de capul de alimentare.</li> <li>■ Încărcați acest set de acumulatori cu încărcătorul EGO menționat în acest manual.</li> <li>■ Apăsăți maneta de blocare și țineți-o apăsată, după care apăsați trăgaciul declanșator pentru a pune porni unitatea.</li> </ul>
Capul ROTATIV DE TĂIERE se oprește în timpul tăierii.	<ul style="list-style-type: none"> <li>■ Motorul este suprasolicitat.</li> <li>■ Setul de acumulatori este prea fierbinte.</li> <li>■ Setul de acumulatori este deconectat de la sursă.</li> </ul>	<ul style="list-style-type: none"> <li>■ Motorul își va reveni după ce sarcina este îndepărtată. Pentru funcționare continuă, descreșteți gradul de solicitare al capului ROTATIV DE TĂIERE și evitați tăierea adâncă; în schimb, efectuați tăieri mai adânci în mod progresiv.</li> <li>■ Lăsați setul de acumulatori să se răcească natural, sau suflați aer pentru a grăbi răcirea.</li> <li>■ Reconectați setul de acumulatori.</li> </ul>

## GARANȚIE

**RO**

### POLITICA PRIVIND GARANȚIA EGO

Vă rugăm să consultați site-ul [egopowerplus.com](http://egopowerplus.com) pentru termenii și condițiile complete ale politicii privind garanția EGO.

## PREBERITE VSA NAVODILA!



### PREBERITE PRIROČNIK Z NAVODILI ZA UPORABO

**⚠ Tveganje zaradi preostalega toka!** Pred uporabo izdelka se morajo osebe z elektronskimi napravami, kot je srčni spodbujevalnik, posvetovati s svojim zdravnikom. Delovanje električne opreme v bližini srčnega spodbujevalnika lahko povzroči motnje ali okvaro srčnega spodbujevalnika.

**⚠ OPOZORILO:** Za zagotovitev varnosti in zanesljivosti mora vsa popravila in zamenjave izvesti usposobljen servisni tehnik.

## VARNOSTNI SIMBOL

Namen varnostnih simbolov je, da vas opozorijo na morebitne nevarnosti. Bodite pozorni na varnostne simbole in njihova pojasnila ter jih poskušajte razumeti. Opozorilni simboli sami ne odpravljajo nobene nevarnosti. Navodila in opozorila niso nadomestilo za ustrezne ukrepe za preprečevanje nesreč.

**⚠ OPOZORILO:** poskrbite, da boste pred uporabo orodja prebrali in razumeli vsa varnostna navodila v priročniku z navodili za uporabo, vključno z vsemi simboli za varnostna opozorila, kot so »NEVARNOST«, »OPOZORILO«, in »SVARILO«. Neupoštevanje spodaj navedenih navodil se lahko odrazi v električnem udaru, požaru in/ali resnih telesnih poškodbah.

## POMEN SIMBOLA

**⚠ SIMBOL VARNOSTNEGA OPOZORILO:** Označuje NEVARNOST, OPOZORILO ALI PREVIDNOST in se lahko uporablja skupaj z drugimi simboli ali piktogrami.

**⚠ OPOZORILO:** Delovanje katerega koli električnega orodja lahko povzroči metanje tujkov v vaše oči, kar lahko povzroči resne poškodbe očesa. Pred začetkom dela z električnim orodjem vedno nosite zaščitna ali varnostna očala s stranskimi zaščitami in po potrebi tudi zaščitno za celoten obraz. Priporočamo vam uporabo varnostne maske Wide Vision Safety Mask za uporabo prek očal ali standardnih varnostnih očal s stransko zaščito.






## VARNOSTNA NAVODILA

Na tej strani so prikazani in opisani varnostni simboli, ki se

lahko pojavijo na tem izdelku. Preberite in osvojite navodila na stroju ter jih upoštevajte, preden se lotite sestavljanja in upravljanja stroja.

	Varnostno opozorilo	Varnostni ukrepi.
	Preberite si priročnik za uporabo	Za zmanjšanje nevarnosti poškodb je pomembno, da si uporabnik pred uporabo naprave prebere in razume priročnik za upravljavce.
	Nosite zaščito za oči	Pri upravljanju tega izdelka vedno nosite zaščitna ali varnostna očala s stransko zaščito in zaščito za celoten obraz.
	Nosite zaščito za ušesa	Pri delu s tem izdelkom vedno nosite zaščito za ušesa.
	Nosite zaščito za glavo	Za zaščito glave nosite odobreno varnostno čelado.
	Nosite zaščitne rokavice	Med rokovanju z rezilom ali zaščito rezila zaščitte roke z rokavicami.
	Nosite zaščitno obutev	Pri uporabi te opreme nosite nedreščo zaščitno obutev.
	Pazite na sunek rezila	Upravljalca opozorite na nevarnost sunka rezila.
	Ne izpostavljajte dežju.	Naprave ne uporabljajte v dežju ali je puščajte zunaj, ko dežuje.
	Nevarnost odboja, prisotni naj se zadržujejo na varni razdalji.	Izvrženi predmeti se lahko odbijejo in povzročijo telesno poškodbo ali poškodbo lastnine. Poskrbite, da bodo drugi ljudje in hišni ljubljenci ustrezno oddaljeni od motorne kose, ko je ta v uporabi.
	Prisotni naj se zadržujejo na varni razdalji.	Poskrbite, da bodo drugi ljudje in hišni ljubljenci vsaj 15 m stran od kosilnice z nitko, ko je ta v uporabi.

SL

	Prepovedana uporaba okroglega rezila	Ne nameščajte okroglih rezil.
	Odpadna električna in elektronska oprema (OEEO)	Odpadnih električnih izdelkov ne odlagajte med gospodinjinske odpadke. Odnosite jih na pooblaščen obrat za recikliranje.
	Hrup	Zajamčena raven zvočne moči. Emisije hrupa v okolico so v skladu z direktivo Evropske skupnosti.
	CE	Ta izdelek je skladen z veljavnimi direktivami ES.
V	Volt	Napetost
$n_0$	Hitrost brez obremenitve	Vrtilna hitrost brez obremenitve
min <sup>-1</sup>	Na minuto	Število vrtljajev na minuto
	Enosmerni tok	Vrsta ali značilnost toka
kg	Kilogram	Teža

## SL

### POMEMBNA VARNOSTNA NAVODILA

**⚠ OPOZORILO:** Preberite vsa varnostna opozorila, navodila, slike in tehnične podatke, ki so priloženi temu električnemu orodju. Zaradi neupoštevanja spodaj navedenih navodil lahko pride do električnega udara, požara in/ali hudih telesnih poškodb.

Vsa opozorila in navodila shranite za kasnejšo uporabo.

- Izogibajte se uporabi na nevarnih območjih – naprave ne uporabljajte na vlažnem ali mokrem klancu.
- Poskrbite, da bodo varovala nameščena in brezhibno delujoča.
- Z rokami in nogami ne segajte v območje košnje.
- Nikoli ne delajte na lestvi ali na drugi nestabilni podpori. Tako boste znatno zmanjšali nevarnost poškodb. Kosilne enote nikoli ne dvigujte nad višino pasu.

- Med uporabo redno preverjajte kosilno enoto v kratkih intervalih ali nemudoma po tem, ko opazite spremenjeno učinkovitost košnje.
- Za najboljše rezultate baterijo polnite na mestu, kjer je temperatura višja od 5°C in nižja od 40°C. Ne hranite je zunaj ali v vozilih.
- Če se vam kdo približa, takoj ustavite motor in kosilno enoto.
- Upravljavca opozorite na nevarnost sunka rezila.
- Do sunka rezila lahko pride takrat, ko vrteče rezilo zadene ob predmet, ki ga takoj ne prereže.
- Sunek rezila je lahko dovolj močan, da porine enoto in/ali upravljavca v katero koli smer in lahko povzroči izgubo nadzora nad enoto.
- Do sunka rezila lahko pride brez opozorila, če se rezilo zatika, ustavlja ali zapleta.
- Večja verjetnost za sunek rezila je na območjih, kjer je težko videti material, ki ga obrezujete.
- Rezila nikoli ne priključite na enoto, ki nima pravilno nameščenih vseh potrebnih delov. Neuporaba pravih delov lahko povzroči, da rezilo pade z enote in resno poškoduje upravljavca in/ali osebe, ki se nahajajo v bližini. Rezila, ki so upognjena, zvitja, razpokana, zlomljena ali kakor koli poškodovana, zavrzite. Uporabite ostro rezilo Pri topem rezilu obstaja večja verjetnost, da se zatakne in povzroči sunek.
- Rezilo/nitka v vztrajnim momentom lahko povzroči poškodbo, ker se vrtilni tudi po zaustavitvi motorja ali po sprostitvi sprožilca. Obdržite nadzor toliko časa, da se rezilo/nitka popolnoma ustavi.
- Baterijskih orodij ni treba priključiti v električno vtičnico, zato so vedno v stanju delovanja. Zavedajte se mogočih nevarnosti tudi, ko orodje ne deluje. Bodite previdni pri vzdrževanju ali servisiranju.
- Naprave ne umivajte s cevjo. Voda ne sme zaiti v motor ali električne priključke.
- Če pride do situacij, ki niso zajete v tem priročniku, bodite pazljivi in uporabite dobro presojo. Za pomoč se obrnite na servisni center za stranke EGO.
- Napravo uporabljajte le z akumulatorskimi baterijami in polnilniki, navedenimi v sliki A2.

SHRANITE TA NAVODILA.

## TEHNIČNI PODATKI

Št. vrtljajev brez obremenitve	450 ± 5 % vrt./min.	
Rezilo	ABR2300	
Priporočena obratovalna temperatura	Od 0°C do 40°C	
Priporočena temperatura za shranjevanje	od -20°C do 70°C	
Teža (brez akumulatorja)	2,6 kg	
Izmerjena raven zvočne moči $L_{WA}$	97,36 dB(A) K= 2,7 dB(A)	
Raven zvočnega tlaka v ušesu upravljavca $L_{PA}$	83 dB(A) K= 2,5 dB(A)	
Zajamčena raven zvočnega tlaka $L_{WA}$ (izmerjeno v skladu z Direktivo 2000/14/ES)	100 dB(A)	
Vrednotenje oddajanja vibracij $a_{h,v}$ :	Nastavljiv sprednji ročaj za prijem	3,3 m/s <sup>2</sup> K= 1,5 m/s <sup>2</sup>
	Zadnji ročaj	2,0 m/s <sup>2</sup> K= 1,5 m/s <sup>2</sup>

- Nazivna skupna vrednost tresljajev je bila izmerjena v skladu s standardno preskusno metodo in jo je mogoče uporabiti za primerjavo enega orodja z drugim.
- Nazivno skupno vrednost tresljajev je mogoče uporabiti tudi za predhodno oceno izpostavljenosti.

**OPOMBA:** oddajanje tresljajev med dejansko uporabo električnega orodja se lahko razlikuje od nazivne vrednosti, v kateri se uporablja orodje. Upravljaavec se lahko zaščiti tako, da uporablja rokavice in naušnike, primerne dejanskim pogojem uporabe.

## VSEBINA PAKETA (SL A1)

### OPIS

#### SPOZNAJTE PRIKLJUČEK ROTOCUT (sl A1)

1. Tesnilni vijak
2. Ohišje zobnikov
3. Rezilo
4. Sklop drsnega pokrova
5. Sklop varovala
6. Gred
7. Zaključni pokrovček
8. Ključ
9. Imbus ključ

## SESTAVLJANJE

**⚠ OPOZORILO:** Če so deli poškodovani ali manjkajo, orodja ne uporabljajte, dokler ne zamenjate delov. Če ta izdelek uporabljate s poškodovanimi ali manjkajočimi deli, lahko pride do hudih telesnih poškodb.

**⚠ OPOZORILO:** Tega izdelka ne spreminjajte in ne izdelujte dodatkov, ki niso priporočeni za uporabo s to napravo. Vsako tako spreminjanje ali predelava se šteje za napačno uporabo in povzroči tveganja, ki lahko povzročijo hude telesne poškodbe.

### NAMEŠČANJE VAROVALA

**⚠ OPOZORILO:** pri montaži ali zamenjavi ščitnika vedno nosite rokavice. Bodite pozorni na rezilo na ščitniku in zaščitite dlan, da se ne poškodujete.

**⚠ OPOZORILO:** orodja nikoli ne upravljajte brez ščitnika, varno pritrjenega na mestu. Ščitnik mora biti vedno pritrjen na orodju za zaščito uporabnika! Ko je ščitnik pritrjen, ga ne poskušajte odstraniti ali prilagoditi. Če ga morate zamenjati, naj delo izvede kvalificiran serviser!

Na varovalu odvijte in odstranite dva vijaka (sl. B), odprtine za montažo varovala poravnajte z odprtini sklopa in nato varovalo zaklenite na podnožje gredi z dvema vijakoma in z dvema vzmetnima podložkama (sl. C).

**⚠ OPOZORILO:** prepričajte se, da je ščitnik pritrjen v skladu s sl. B in C. Kakršna koli drugačna namestitvev bo povzročila veliko nevarnost!

SL

### NAMEŠČANJE PRIKLJUČKA ROTOCUT NA POGONSKO ENOTO

Ta priključek rotocut je zasnovan za uporabo s pogonsko glavo EGO PH1400E. Glejte razdelek »NAMEŠČANJE PRIKLJUČKA NA POGONSKO GLAVO« v uporabniškem priročniku pogonske glave PH1400E.

## UPRAVLJANJE

**⚠ OPOZORILO:** Tudi če se dobro seznanite s tem izdelkom, bodite pri ravnanju z njim pazljivi. Upoštevajte, da je samo delec sekunde, ko ste nepazljivi, dovolj, da pride do hude poškodbe.

**⚠ OPOZORILO:** Ne uporabljajte priključkov ali dodatkov, ki jih proizvajalec tega izdelka ne priporoča. Uporaba priključkov ali dodatkov, ki niso priporočeni, lahko povzroči hude telesne poškodbe.

Ta izdelek lahko uporabljate za naslednje namene:

**Košnja in obrezovanje:** uporablja se za obrezovanje trave okoli količkov ali varovalnih ograj, robov sten, robnikov ob cesti, ograj med vozniimi pasovi ali obrezovanja vegetacije na parkiriščih.

**OPOMBA:** pri uporabi priključka rotocut pazite, da ne izvrže tujkov, saj to predstavlja veliko tveganje: razbito steklo, vdolbine na karoserijah avtomobilov, reže v ograjah, odtrgano lubje drevesa ali telesne poškodbe.

## UPORABA PRIKLJUČKA ROTOCUT S POGONSKO ENOTO

**⚠ OPOZORILO:** Da se izognete resni telesni poškodbi, nosite varovalna ali zaščitna očala ves čas, ko delate z enoto. Na prašnih lokacijah uporabljajte masko za obraz ali protiprašno masko.

Pred vsako uporabo počistite območje košnje. Odstranite vse predmete, kot so kamni, zdrobljeno steklo, žebliji, žica ali vrvi, ki jih lahko izvrže ali se zapletejo v priključek za košnjo. Otroci, prisotni in hišni ljubljenci naj se ne zadržujejo na območju. Otroci, prisotni in hišni ljubljenci naj bodo oddaljeni vsaj 15 m. Še vedno lahko obstaja nevarnost izvrženih predmetov za osebe, ki se nahajajo v bližini. Prisotni naj uporabljajo tudi zaščito za oči. Če se vam neko približa, takoj ustavite motor in priključek za košnjo.

**Pred vsako uporabo napravo pregledjte, ali ima morda poškodovane/obrabljene dele.**

Pregledjte priključek rotocut, ščitnik in krožno krmilo ter zamenjajte dele, ki so razpokani, zviti, upognjeni ali kakor koli poškodovani.

SL

**Orodje po vsaki uporabi očistite.**

**⚠ POZOR:** Če bodo na zračnih odprtinah ovire, bodo te ovirale tok zraka v ohišje motorja, kar bo privedlo do pregrevanja ali poškodbe motorja.

- Za čiščenje orodja uporabite blago milo in vlažno krpo. Ne dovolite, da bi tekočina zašla v orodje. Nobenega dela orodja nikoli ne potopite v katero koli tekočino.
- Poskrbite, da bodo zračne odprtine motorja vedno prosto prehodne.

## VZDRŽEVANJE

**⚠ OPOZORILO:** Za popravila uporabljajte samo identične nadomestne dele. Orodje redno pregledujte in vzdržujte. Za zagotovitev varnosti in zanesljivosti mora vsa popravila izvesti usposobljen servisni tehnik.

**⚠ OPOZORILO:** Baterijskih orodij ni treba priklopiti v električno vtičnico, zato so vedno v stanju delovanja. Da preprečite hude telesne poškodbe, bodite izjemno previdni pri vzdrževanju, servisiranju ali zamenjavi priključka za košnjo oziroma drugih priključkov.

**⚠ OPOZORILO:** pred servisiranjem, čiščenjem, zamenjavo dodatnih priključkov ali odstranjevanjem materiala iz enote baterijski sklop izključite iz vtičnice, da preprečite hujšo telesno poškodbo.

## ZAMENJAVA REZILA ROTOCUT

**⚠ OPOZORILO:** Če se rezila zrahljajo, ko jih pritrdite v položaj ali so rezila močno obrabljena, jih takoj zamenjajte. Nikoli ne uporabljajte orodja, ki ima zrahljan ali slabo delujoč priključek za rezanje.

Spoznajte glavo ROTOCUT, kot je prikazano na sl. D1.

D-1	Nastavek gredi	D-2	Zgornje rezilo
D-3	Spodnje rezilo	D-4	Oporni nastavek
D-5	Podložka	D-6	Drsni kolot
D-7	Matica		

1. Ohišje zobnikov glave ROTOCUT položite na trdno površino. Rezila v smeri navzgor in navzdol vpnite s kleščami ali s pomočjo primeža, nato pa s ključem odvijte matico (sl. D2).
2. Odstranite matico, drsni kolot, podložko, oporni nastavek, rezilo navzdol, rezilo navzgor in nastavek gredi v zaporedju, kot je prikazano na sl. D1.
3. Pred namestitvijo novih rezil nastavek gredi postavite na gred (sl. D3). Zgornje rezilo z veliko šesterkotno luknjo položite na gred s površino z natisnjnim logotipom »EGO«, obrnjeno proti ohišju zobnikov (sl. D4), nato pa spodnje rezilo z majhno šesterkotno luknjo položite na gred s površino z natisnjnim logotipom »EGO«, obrnjeno proti upravljavcu (sl. D5).

**OPOMBA:** prepričajte se, da se šesterkotne luknje na rezilih in opora šesterkotne gredi dobro nalegajo. V nasprotnem primeru, ko rezila namestite v obratni smeri, PRIKLJUČEK ROTOCUT ne more pravilno delovati in poškoduje rezila.

4. Sledite zaporedju, prikazanemu na sl. D1, da jih ponovno sestavite.

## MAZANJE OHIŠJA ZOBNIKOV

Za najboljšo delovanje in dolgotrajnejšo uporabo namažite ohišje zobnikov vsakih 50 obratovnih ur s posebno mastjo (vsakič 4–5 g).

Posebna mast mora biti skladna z navedenimi zahtevami.

1. Skladno s standardom DIN51818: stopnja penetracije stožca NLGI-1.
2. Mast na osnovi estra.
3. Odličen zagon pri nizki temperaturi, EP, mehanske škarje, odpornost proti odrgnjenju in lastnosti oksidacijske stabilnosti.
4. Delovna temperatura je med -40 in 180 °C. Odstranite čep akumulatorja in tesnilo vijaka. Namažite ohišje zobnikov prek odprtine za olje.

**⚠ OPOZORILO:** Ne mažite, če je orodje še vedno priključeno na baterijski sklop ali deluje.

#### ČIŠČENJE ENOTE

- Enoto očistite z vlažno krpo in blagim detergentom.
- Za čiščenje plastičnega ohišja ali ročaja ne uporabljajte močnih čistilnih sredstev. Poškodujejo jih lahko določena aromatična olja, kot sta olje bora in limone, ter topila, kot je kerozin. Vlaga prav tako lahko ustvari nevarnost električnega udara. Vlago obrišite z mehko in suho krpo.

#### SHRANJEVANJE ENOTE

- Orodje pred shranjevanjem temeljito očistite.
- Enoto shranjujte v suhem in dobro zračenem prostoru, ki ga je mogoče zakleniti ali je dvignjen, da je izven dosega otrok. Enote ne shranjujte na ali v bližino gnojil, bencina ali drugih kemikalij.
- Pri transportu ali shranjevanju uporabljajte pokrov.

#### Varovanje okolja



Električne opreme, iztrošene baterije in polnilnika ne odvrzite med gospodinjstve odpadke. Izdelek odnesite na pooblaščen obrat za recikliranje in ga zavrzite ločeno. Električna orodja je treba odnesti na obrat za recikliranje in ga reciklirati na okolju prijazen način.

## ODPRAVLJANJE TEŽAV

TEŽAVA	VZROK	REŠITEV
ROTOCUT se ne zažene.	<ul style="list-style-type: none"> <li>■ Baterijski sklop ni pravilno priključen na pogonsko glavo.</li> <li>■ Baterijski sklop je izpraznjen.</li> <li>■ Vzvod za odklepanje in sprožilec nista bila pritisnjena hkrati.</li> </ul>	<ul style="list-style-type: none"> <li>■ Baterijski sklop priključite na pogonsko glavo.</li> <li>■ Baterijski sklop polnite z napajalnikom EGO, ki je naveden v tem priročniku.</li> <li>■ Vzvod za odklepanje pritisnite in ga pridržite, nato pritisnite sprožilec, da vključite enoto.</li> </ul>
ROTOCUT se med košenjem ustavi.	<ul style="list-style-type: none"> <li>■ Motor je preobremenjen.</li> <li>■ Baterijski sklop je prevroč.</li> <li>■ Baterijski sklop je odklopljen z orodja.</li> </ul>	<ul style="list-style-type: none"> <li>■ Motor bo zopet deloval, ko boste odpravili obremenitev. Pri neprekinjenem delu zmanjšajte obremenitev priključka RTOCUT in se izogibajte globokim rezom; namesto tega naredite postopno globlje reze.</li> <li>■ Pustite, da se baterija ohladi ali s pihanjem zraka pospešite hlajenje.</li> <li>■ Ponovno priključite baterijski sklop.</li> </ul>

SL

## GARANCIJA

### GARANCIJSKA POLITIKA DRUŽBE EGO

Za popolne pogoje garancijske politike družbe EGO obiščite spletno mesto [egopowerplus.com](http://egopowerplus.com).

## PERSKAITYKITE VISĄ INSTRUKCIJĄ!



Perskaitykite Naudojimo Instrukciją

**⚠ Liekamasis pavojus!** Žmonėms, kuriems implantuoti elektroniniai prietaisai, pvz., širdies stimulatoriai, prieš pradėdami naudoti šį gaminį, reikia pasitarti su savo gydytoju (-ais). Arti širdies stimulatoriaus veikianti elektros įranga gali trikdyti širdies stimulatoriaus veikimą arba jį sugadinti.

**⚠ ĮSPĖJIMAS:** norint užtikrinti saugų ir patikimą gaminio naudojimą, visus remonto ir keitimo darbus turi atlikti kvalifikuotas techninės priežiūros specialistas.

## SAUGOS SIMBOLIS

Saugos simbolių paskirtis – atkreipti dėmesį į galimus pavojus. Gerai susipažinkite su saugos simboliais bei jų paaiškinimais ir juos įsidėmėkite. Simbolių įspėjimai patys savaime negali apsaugoti nuo pavojų. Jais žymimi nurodymai ir įspėjimai neatstoja tinkamų nelaimingų atsitikimų prevencijos priemonių.

**⚠ ĮSPĖJIMAS:** Prieš pradėdami naudoti šį įrankį, perskaitykite visus šioje naudojimo instrukcijoje pateiktus saugos nurodymus, taip pat susipažinkite su visais saugos įspėjamaisiais simboliais, tokiais kaip PAVOJUS, ĮSPĖJIMAS ir DĖMESIO ir įsitinkite, ar juos supratote. Nesilaikant visų toliau išdėstytų nurodymų galima patirti elektros smūgį, sukelti gaisrą ir (ar) sunkiai susižaloti.

LT

## SIMBOLIO REIŠKĖ

**⚠ SAUGOS ĮSPĖJAMASIS SIMBOLIS:** Reiškia PAVOJŲ, ĮSPĖJIMĄ, ar ATSARGUMO PRIEMONES ir gali būti panaudotas su kitais simboliais arba piktogramomis.

**⚠ ĮSPĖJIMAS:** bet koks elektrinis įrankis naudojimo metu gali išsviesti šiukšlės, kurios gali pataikyti į akis ir sunkiai jas sužaloti. Prieš pradėdami naudoti elektrinį įrankį, visada užsidėkite apsauginius akinius arba apsauginius akinius su šonine apsauga ir, jei reikia, visą veidą dengiantį skydelį. Rekomenduojame naudoti platų matymo lauką užtikrinančią apsauginę kaukę, dedamą ant akinių, arba standartinius apsauginius akinius su šonine apsauga.

## SAUGOS NURODYMAI

Šiame puslapyje pavaizduoti ir aprašyti saugos simboliai, kurie gali būti nurodyti ant šio gaminio. Prieš bandydami surinkti ir naudoti įrenginį, perskaitykite visus ant jo pateiktus nurodymus, įsitinkite, ar juos supratote, ir jais vadovaukitės.

	Saugos įspėjimas	Atsargumo priemonės, skirtos užtikrinti jūsų saugumą.
	Skaityti naudojimo instrukciją	Kad sumažintų susižalojimo pavojų, naudotojas turi perskaityti naudojimo instrukciją ir įsitikinti, kad ją suprato.
	Užsidėti apsauginius akinius	Dirbdami su šiuo gaminiu, visada užsidėkite apsauginius akinius arba apsauginius akinius su šonine apsauga ir visą veidą dengiantį skydelį.
	Užsidėti klausos apsaugos priemones	Dirbdami su šiuo gaminiu visada dėvėkite klausos apsaugos priemones.
	Užsidėti galvos apsaugos priemonę	Galvai apsaugoti užsidėkite patvirtintą apsauginį šalmą.
	Mūvėti apsaugines pirštines	Tvarkydami peilį ar jo apsaugą, apsaugokite rankas pirštinėmis.
	Mūvėti apsauginę avalynę	Dirbdami su šiuo įrankiu mūvėkite neslidžią avalynę.
	Saugokitės peilio atoveiksmio	Įspėkite operatorių apie peilio atoveiksmio keliamą pavojų.
	Nenaudoti lyjant lietuvi	Nenaudokite lyjant ir nepalikite lauke per lietu.
	Rikošeto pavojus ir neleisti artintis pašaliniams asmenims	Išsviestos šiukšlės gali atšokti ir sužaloti arba sugadinti turą. Kai dirbate su krūmapjove, neleiskite kitiems asmenims ar naminiams gyvūnams prisitarti.
	Neleisti artintis pašaliniams asmenims	Pjaudami žoliapjove su lyneliu, neleiskite kitiems žmonėms ir naminiams gyvūnams prisitarti arčiau nei per 15 metrų.
	Nenaudoti pjovimo disko	Nenaudokite apskritų pjovimo diskų.



	WEEE	Elektros prietaisų atliekas draudžiama utilizuoti kartu su buitiniėmis atliekomis. Nuvežkite įgaliotam perdirbėjui.
	Triukšmas	Garantuojamas garso galios lygis. Triukšmo sklaida į aplinką atitinka Europos Bendrijos direktyvą.
	CE	Šis gaminytis atitinka taikomas EB direktyvas.
V	Voltais	Įtampa
n <sub>0</sub>	Sūčiai be apkrovos	Sukimosi greitis be apkrovos
min <sup>-1</sup>	Per minutę	Sūčiai per minutę
	Nuolatinė elektros srovė	Srovės tipas arba charakteristika
kg	Kilogramai	Svoris

- Įspėkite operatorių apie peilio atoveiksčio keliamą pavojų.
- Peilio atatranka gali įvykti, kai besisukantis peilis atstrenkia į kliūtį, kurios negali iškart nupjauti.
- Peilio atatranka gali būti pakankamai staigi, kad atstumtų įrankį ir (ar) operatorių bet kuria kryptimi, dėl ko įrankio galite nesuvaldyti.
- Peilio atatranka gali įvykti be jokio įspėjimo, jei peilis užklius, įstrigs ar bus suspaustas.
- Peilio atatranka labiau tikėtina vietose, kuriose sunku matyti įjaunamą medžiagą.
- **Ant įrankio netvirtinkite jokio peilio, prieš tai tinkamai nesumontavę visų būtinų dalių. Naudojant netinkamas dalis peilis gali nuskrėsti ir sunkiai sužaloti operatorių ir (ar) pašalinius asmenis. Išmeskite sulenktus, deformuotus, įtrūkusius, sulūžusius ar kitaip pažeistus peilius. Naudokite aštrų peilį. Yra didesnė tikimybė, kad bukas peilis užklius ir sukurs atoveiksį.**
- Iš inercijos besisukantis peilis ar lynelis gali sužeisti, nes jis vis dar sukasi sustabdžius variklį ar atleidus jungiklį. Tvirtai laikykite įrankį, kol peilis ar lynelis visiškai sustos.
- Akumuliatorinių įrankių nereikia jungti į elektros lizdą; jie visada yra darbinės būsenos. Net įrankiui neveikiant neužmirškite apie jo keliamus pavojus. Atlikdami remonto arba techninės priežiūros darbus, būkite atidūs.
- Neplaukite vandens žarna. Saugokite, kad vandens nepatektų ant variklio ir elektros jungčių.
- Susidarius šioje instrukcijoje neaprašytai situacijai, būkite atsargūs ir vadovaukitės sveika nuovoka. Dėl techninės pagalbos kreipkitės į EGO klientų aptarnavimo centrą.
- Naudokite tik su A2 paveikslė nurodytomis sudėtinėmis baterijomis ir įkrovikliais.

**IŠSAUGOKITE ŠIĄ INSTRUKCIJĄ!**

## SVARBŪS SAUGOS NURODYMAI

**⚠ ĮSPĖJIMAS:** perskaitykite visus su šiuo elektriniu įrankiu pateiktus įspėjimus dėl saugos, instrukcijas, peržiūrėkite paveikslus ir specifikacijas. Nesilaikant visų toliau išdėstytų nurodymų galima patirti elektros smūgį, sukelti gaisrą ir (ar) sunkiai sužaloti.

**Išsaugokite visas instrukcijas su įspėjimais, nes jų gali prireikti ateityje.**

- Venkite pavojingos aplinkos – nedirbkite su įrankiu drėgnuose šlaituose.
- Naudokite uždėtas techniškai tvarkingas apsaugas.
- Rankas ir pėdas laikykite atokiau nuo pjovimo zonos.
- Kad sumažėtų pavojus susižaloti, niekada nedirbkite stovėdami ant kopėčių arba kito nestabilaus pagrindo. Niekada nelaikykite pjovimo įtaiso aukščiau juosmens.
- Tikrinkite pjovimo įtaisą reguliariais trumpais intervalais darbo metu arba iš karto, kai pastebite pasikeitusį pjovimo pobūdį.
- Siekiant geriausių rezultatų, bateriją reikia įkrauti vietoje, kurioje temperatūra yra nuo 5 °C iki 40 °C. Nelaikykite lauke ar automobilyje.
- Jeigu prie jūsų kas nors artinasi, sustabdykite variklį ir pjovimo įtaisą.

LT

## TECHNINIAI DUOMENYS

Sūkiai be apkrovos	450 ± 5 % aps./min.	
Pjovimo įtaisas	ABR2300	
Rekomenduojama darbinė temperatūra	Nuo 0 iki 40°C	
Rekomenduojama sandėliavimo temperatūra	Nuo -20°C iki 70°C	
Svoris (be akumulatoriaus bloko)	2,6 kg	
Išmatuotas garso galios lygis $L_{WA}$	97,36 dB(A) K= 2,7 dB(A)	
Garso slėgio lygis ties operatoriaus ausimi $L_{PA}$	83 dB(A) K= 2,5 dB(A)	
Garantuojamas garso galios lygis $L_{WA}$ (išmatuotas pagal 2000/14/EB)	100 dB(A)	
Vibracijos vertė $a_n$ :	Priekinė pagalbinė rankena	3,3 m/s <sup>2</sup> K= 1,5 m/s <sup>2</sup>
	Galinė rankena	2,0 m/s <sup>2</sup> K= 1,5 m/s <sup>2</sup>

- Nurodyta bendroji vibracijos vertė išmatuota taikant standartinį bandymo metodą, todėl pagal ją galima palyginti skirtingus įrankius.
- Nurodytą bendrąją vibracijos vertę taip pat galima naudoti pirminiam poveikio vertinimui.

**PASTABA:** Naudojant įrenginį realiomis sąlygomis, sklaidžiamos vibracijos stiprumo vertė gali skirtis nuo nurodytos. Kad apsaugotų dirbdamas realiomis sąlygomis, naudotojas turi mūvēti pirštines ir naudoti klausos apsaugos priemones.

## PAKUOTĖS TURINIO SĄRAŠAS (A1 PAV.)

### APRAŠYMAS

#### PAŽINKITE „ROTOCUT“ PJOVIMO PRIEDĄ (A1 pav.)

1. Sandarinimo varžtas
2. Reduktoriaus korpusas
3. Geležė
4. Slankioji gaubto konstrukcija
5. Apsaugos konstrukcija
6. Velenas
7. Galinis dangtelis
8. Veržliaraktis
9. Šėšiakampis raktas

## SURINKIMAS

**⚠️ ĮSPĖJIMAS:** jei kurios nors dalys pažeistos arba jų nėra, nenaudokite šio gaminio tol, kol tos dalys nebus pakeistos. Naudojant šį gaminį su pažeistomis dalimis arba kai jų trūksta, galima sunkiai susižaloti.

**⚠️ ĮSPĖJIMAS:** nebandykite keisti šio gaminio konstrukcijos arba naudoti priedus, kurie nėra rekomenduojami naudoti su šiuo įrankiu. Visi tokie pakeitimai laikomi netinkamu naudojimu ir gali sukelti pavojingas situacijas, kurių metu galite būti sunkiai susižaloti.

### APSAUGOS TVIRTINIMAS

**⚠️ ĮSPĖJIMAS:** montuodami arba keisdami apsaugą būtina mūvēkite pirštines. Atidžiai elkitės su ant apsaugos esančia geležte ir saugokite rankas nuo įpjovimo.

**⚠️ ĮSPĖJIMAS:** niekada nenaudokite įrenginio, kai jo apsauga nėra tvirtai užfiksuota tinkamoje padėtyje. Apsauga visada turi būti ant įrenginio, kad apsaugotų naudotoją! Po to, kai apsauga pritvirtinama, niekada nebandykite jos nuimti arba sureguliuoti. Jeigu apsaugą reikia pakeisti, tai turi atlikti kvalifikuotas techninės priežiūros specialistas!

Išsukite du varžtus iš apsaugos (B pav.), sulygininkite apsaugos tvirtinimo skyles su apsaugos konstrukcijos skylėmis ir pritvirtinkite apsaugą ant veleno pagrindo dviem varžtais kartu su spyruoklinėmis poveržlėmis (C pav.).

**⚠️ ĮSPĖJIMAS:** įsitikinkite, kad apsauga pritvirtinta, kaip parodyta B ir C paveiksluose. Sumontavus atvirščiai kyla didelis pavojus!

### „ROTOCUT“ PJOVIMO PRIEDO PRITVIRTINIMAS PRIE ELEKTRINĖS GALVUTĖS

Šis „Rotocut“ pjovimo priedas skirtas naudoti su EGO elektrine galvute PH1400E. Žr. „PRIEDO PRITVIRTINIMAS PRIE ELEKTRINĖS GALVUTĖS“ skyrių elektrinės galvutės PH1400E naudotojo vadove.

## NAUDOJIMAS

**⚠️ ĮSPĖJIMAS:** mokėjimas naudotis šiuo įrankiu nesuteikia teisės dirbti nerūpestingai. Atsiminkite, kad trumpam atitraukę dėmesį galite sunkiai susižaloti.

**⚠️ ĮSPĖJIMAS:** nenaudokite jokių priedų arba įtaisų, kurių nerekomendavo šio įrankio gamintojas. Naudojant nerekomenduojamus papildomus įtaisus arba priedus, galima sunkiai susižaloti.

Galite naudoti šį gaminį toliau išvardytais tikslais:

**Pjovimas:** pjauti žolę aplink stulpus ar apsauginius turėklus, šalia sienų, kelkraščių ar kelio aptvarų, arba automobilių stovėjimo aikštelėse.

**PASTABA:** pjaudami su „Rotocut“ pjovimo priedu saugokitės, kad prietaisas neišsviestų šiukšlių ir taip nesukeltų didelio pavojaus, pvz., jis gali išdaužti langą, įlenkti automobilio kėbulą, sugadinti tvorą ar įpjauti medžio žievę arba sužaloti žmogų.

## „ROTOCUT“ PRIEDO NAUDOJIMAS SU ELEKTRINE GALVUTE

**⚠️ ĮSPĖJIMAS:** siekdami išvengti sunkaus susižalojimo, dirbdami su įrankiu visada dėvėkite apsauginius akinius. Dirbdami dulkelioje aplinkoje, užsidėkite visą veidą dengiančią kaukę arba respiratorių.

Kaskart prieš naudodami išvalykite pjaunamą plotą nuo šiukšlių. Pašalinkite visas kliūtis, pavyzdžiui, akmenukus, stiklo duženas, vinis, vielas ar laidus, t. y. šiukšles, kurias pjovimo įtaisas gali išsviesti į orą arba jose įsipainioti. Darbo zonoje neturi būti vaikų, pašalinių asmenų ir naminių gyvūnų. Vaikai, pašaliniai asmenys bei naminiai gyvūnai turi būti atitraukti ne mažesniu kaip 15 m atstumu; net ir tokiu atveju išlieka pavojus pašaliniams asmenims dėl išsviestų šiukšlių. Šalia esantys asmenys turi dėvėti akių apsaugą. Jeigu matote jūsų link artėjantį asmenį, nedelsdami išjunkite pjovimo įtaisą.

**Kaskart prieš naudodami prietaisą patikrinkite, ar nėra pažeistų ir (ar) sudilusių dalių.**

Apžiūrėkite pjovimo galvutę, apsaugą ir lanko formos rankeną. Pakeiskite sutrūkinėjusias, pakeitusias formą, sulinkusias arba bet kaip kitaip pažeistas dalis.

**Kaskart baigę naudoti įrankį jį išvalykite.**

**⚠️ DĖMESIO:** ventiliacinėse angose susikaupę šiukšlės trukdo orui patekti į variklio korpusą, dėl ko variklis gali perkaišti ar sugesti.

- Įrankį valykite tik mažos koncentracijos indų ploviklio tirpale sudrėkinta šluoste. Niekada neleiskite jokiam skysčiui patekti į įrankio vidų; niekada nenardinkite jokios įrankio dalies į skystį.
- Variklio korpuso ventiliacinės angos visada turi būti neužkimštos.

## TECHNINĖ PRIEŽIŪRA

**⚠️ ĮSPĖJIMAS:** atlikdami techninės priežiūros darbus, naudokite tik identiškas atsargines dalis. Įrankį reguliariai tikrinkite ir techniškai prižiūrėkite. Norint užtikrinti saugumą ir patikimumą, visus remonto darbus turi atlikti kvalifikuotas techninės priežiūros specialistas.

**⚠️ ĮSPĖJIMAS:** Akumuliatorių įrankių nereikia įjungti į elektros lizdą; jie visada yra darbinės būsenos. Norėdami išvengti sunkių sužalojimų, imkitės papildomų atsargumų priemonių ir būkite atidūs atlikdami techninę priežiūrą, remontą ar keisdami pjovimo įtaisą ar kitus priedus.

**⚠️ ĮSPĖJIMAS:** kad išvengtumėte sunkių traumų, prieš atlikdami techninę priežiūrą, valydami, keisdami papildomus priedus arba valydami žolės likučius ištraukite akumuliatoriaus kištuką iš lizdo.

## ROTOCUT PEILIO KEITIMAS

**⚠️ ĮSPĖJIMAS:** Atsipalaidavus savo vietoje pritvirtintam peiliui arba jam sudilus, nedelsdami jį pakeiskite. Niekada nenaudokite įrankio, jeigu jo pjovimo įtaisas atsipalaidavęs ar prastai pjauna.

Susipažinkite su ROTOCUT galvute (D1 pav.)

D-1	Veleno puodelis	D-2	Viršutinis peilis
D-3	Apatinis peilis	D-4	Atraminis puodelis
D-5	Poveržlė	D-6	stantis dubenėlis
D-7	Veržlė		

1. Atremkite ROTOCUT galvutės reduktoriaus korpusą į kietą paviršių. Įtvirtinkite viršutinį ir apatinį peilį spaustuvuose ar prilaikykite replėmis ir veržliarakčiu atsukite veržlę (D2 pav.).
2. Nuimkite veržlę, slystantį dubenėlį, poveržlę, atraminį puodelį, apatinį peilį, viršutinį peilį ir veleno puodelį D1 paveiksle nurodyta tvarka.
3. Prieš uždėdami naujus peilius ant veleno uždėkite veleno puodelį (D3 pav.). Uždėkite ant veleno viršutinį peilį su plačia šešiakampe anga taip, kad paviršiuje įspaustas „EGO“ logotipas būtų nukreiptas į reduktoriaus korpusą (D4 pav.), po to uždėkite ant veleno apatinį peilį su siaura šešiakampe anga taip, kad paviršiuje įspaustas „EGO“ logotipas būtų nukreiptas į operatorių (D5 pav.).

**PASTABA:** šešiakampės geležtės angos turi atitikti šešiakampius veleno profilius. Atvirkščiai pritvirtinus peilius, ROTOCUT tinkamai neveiks ir sugadinsite geležtes.

4. Geležtės nuėmimo tvarka parodyta D1 paveiksle.

## REDUKTORIAUS TEPIMAS

Kad įrankis geriau ir ilgiau dirbtų, reduktorių sutepkite specialiu tepalu (kiekvieną kartą po 4–5 g) kas 50 naudojimo valandų.

Specialus tepalas turi atitikti šiuos reikalavimus.

1. Atitikti DIN 51818 standartą: NLGI-1 kūgio skvarbos laipsnis.
2. Tepalas esterių pagrindu.
3. Nepraranda savo savybių žemoje temperatūroje, atsparus mechaninei šlyčiai, dilimui ir oksidacijai.
4. Darbinė temperatūra turi būti nuo -40 °C iki 180 °C. Ištraukite akumuliatoriaus kištuką ir išsukite sandarinimo varžtą. Tepimo angą reduktoriaus korpusu užpildykite tepalu.

**⚠ ĮSPĖJIMAS:** nebandykite tepti veikiančio arba nuo baterijos neatjungto įrankio.

## ĮRANKIO VALYMAS

- Įrankį valykite mažos koncentracijos ploviklio tirpale suvilgyta šluoste.
- Plastikinėms korpuso arba rankenos dalims valyti nenaudokite jokių koncentruotų ploviklių. Aromatinės alyvos (pvz., pušies ar citrinų) ir tirpikliai, pvz., žibalas, gali jas sugadinti. Drėgmė taip pat gali kelti elektros smūgio pavojų. Bet kokią drėgmę nusausinkite minkštu sausu audeklu.

## ĮRANKIO SANDĖLIAVIMAS

- Prieš sandėliavimą kruopščiai nuvalykite įrankį.
- Laikykite sausoje, gerai vėdinamoje, rakinamoje patalpoje arba aukštai, vaikams neprieinamoje vietoje. Nelaikykite įrankio ant arba šalia trašų, benzino arba kitų chemikalų.
- Gabenimui arba sandėliavimui naudokite pjovimo peilių apsauginį dėklą.

## Aplinkos apsauga



Neišmeskite elektros įrangos, panaudotų baterijų ir įkroviklio kartu su buitinėmis atliekomis! Šias atliekas reikia pristatyti į jų surinkimo vietą ar įgaliotam perdirbėjui. Elektrinius įrankius reikia grąžinti į atitinkamą perdirbimo įmonę.

## TRIKČIŲ DIAGNOSTIKA

PROBLEMA	PRIEŽASTIS	SPRENDIMAS
ROTOCUT nepasileidžia.	<ul style="list-style-type: none"><li>■ Sudėtinė baterija tinkamai neprijungta prie elektrinės galvutės.</li><li>■ Sudėtinė baterija visiškai išsikrovusi.</li><li>■ Vienu metu nenuspausta blokuotės išjungimo svirtelė ir jungiklis.</li></ul>	<ul style="list-style-type: none"><li>■ Prijunkite sudėtinę bateriją prie elektrinės galvutės.</li><li>■ Įkraukite sudėtinę bateriją šioje naudojimo instrukcijoje nurodytu EGO įkrovikliu.</li><li>■ Norėdami įjungti įrankį, nuspauskite ir laikykite nuspaudę blokuotės išjungimo svirtelę, o po to nuspauskite jungiklį.</li></ul>
ROTOCUT sustoja pjaunant.	<ul style="list-style-type: none"><li>■ Variklio perkrova.</li><li>■ Sudėtinė baterija yra pemelyg įkaitusi.</li><li>■ Sudėtinė baterija atjungta nuo įrankio.</li></ul>	<ul style="list-style-type: none"><li>■ Variklis ims veikti normaliai pašalinus apkrovą. Kad įrankis nesustotų, sumažinkite ROTO CUT apkrovą ir nepjaukite giliai; vietoje to pjūvius gilinkite palaipsniui.</li><li>■ Leiskite sudėinei baterijai natūraliai atvėsti arba pūskite į ją orą, jei procesą norite pagreitinoti.</li><li>■ Vėl prijunkite sudėtinę bateriją.</li></ul>

## GARANTIJA

### EGO GARANTINĖ POLITIKA

Norėdami sužinoti visas EGO garantinės politikos sąlygas, apsilankykite interneto svetainėje [egopowerplus.com](http://egopowerplus.com).

KEES VAN DER SPEK  
TUINMACHINES ★ STOLWIJK

LT

## IZLASIET VISUS NORĀDĪJUMUS!



Izlasiet Lietotāja Rokasgrāmatu

**⚠ Citi riski!** Personām, kuras lieto elektroniskas ierīces, piemēram, elektrokardiostimulatorus, pirms šīs ierīces lietošanas jākonsultējas ar savu ārstu. Elektriskā aprīkojuma darbība sirds elektrokardiostimulatora tuvumā var radīt stimulatora darbības traucējumus vai kļūmes.

**⚠ BRĪDINĀJUMS!** Lai garantētu drošību un uzticamību, ierīces remontu un tās detaļu nomaiņu uzticiet veikt tikai kvalificētam servisa tehniķim.

## DROŠĪBAS APZĪMĒJUMS

Drošības apzīmējumi ir paredzēti, lai pievērstu jūsu uzmanību iespējamam apdraudējumam. Pievērsiet uzmanību drošības apzīmējumiem un to skaidrojumiem, un izprotiet tos. Brīdinājumu apzīmējumi paši par sevi nenovērš apdraudējumu. Tajos ietvertie norādījumi un brīdinājumi neaizstāj atbilstošu negadījumu novēršanas pasākumu īstenošanu.

**⚠ BRĪDINĀJUMS!** Pirms šī instrumenta lietošanas izlasiet un izprotiet visus šajā lietotāja rokasgrāmatā iekļautos drošības norādījumus, tostarp visus drošības brīdinājuma apzīmējumus, piemēram, „**BĪSTAMI!**”, „**BRĪDINĀJUMS!**” un „**UZMANĪBU!**”. Visu turpmāk uzskaitīto norādījumu neievērošana var izraisīt elektriskās strāvas triecienu, aizdegšanos un/vai smagus miesas bojājumus.

LV

## SIMBOLA NOZĪME

**⚠ DROŠĪBAS BRĪDINĀJUMA APZĪMĒJUMS:** Norāda signālvārdu **BRIESMAS, BRĪDINĀJUMS VAI UZMANĪBU**; var būt norādīts kopā ar citiem apzīmējumiem vai piktogrammām.

**⚠ BRĪDINĀJUMS!** Jebkura elektroinstrumenta lietošanas laikā acis var iekļūt svešķermeņi, kas var radīt smagu acu traumu. Pirms elektroinstrumenta ieslēgšanas vienmēr uzvelciet aizsargbrilles vai aizsargbrilles ar sānu aizsargiem un, ja nepieciešams, pilnu sejas aizsargmasku. Iesakām izmantot aizsargmasku ar plašu skata leņķi, ko uzvelk virs parastajām brillēm, vai arī standarta aizsargbrilles ar sānu aizsargiem.

## DROŠĪBAS INSTRUKCIJA

Šajā lapaspusē ir parādīti un aprakstīti drošības apzīmējumi, kas var būt norādīti uz šī izstrādājuma. Pirms iekārtas montāžas un lietošanas izlasiet, izprotiet un ievērojiet visus uz iekārtas sniegtos norādījumus.

	Drošības brīdinājums	Piesardzības pasākumi personiskai drošībai.
	Izlasiet ekspluatācijas rokasgrāmatu	Lai mazinātu traumu rašanās bīstamību, pirms šī izstrādājuma lietošanas tā lietotājam jāizlasa un jāizprot lietošanas rokasgrāmata.
	Valkāt acu aizsarglīdzekļus	Šī izstrādājuma darbināšanas laikā vienmēr valkājiet aizsargbrilles vai aizsargbrilles ar sānu aizsargiem un pilnu sejas aizsargmasku.
	Valkāt dzirdes aizsarglīdzekļus	Strādājot ar šo instrumentu, vienmēr izmantojiet dzirdes aizsarglīdzekļus.
	Valkāt galvas aizsarglīdzekļus	Valkājiet apstiprinātu cieto aizsargcepurīti, lai pasargātu savu galvu.
	Valkāt aizsargcimdus	Darbojoties ar asmeni vai asmens aizsargu, sargājiet savas rokas, valkājot cimdus.
	Valkāt drošības apavus	Lietojot šo aprīkojumu, valkājiet drošības apavus ar neslīdošu zoli.
	Sargieties no asmens atsitiena	Brīdiniet operatoru par asmens atsitiena briesmām.
	Sargāt no lietus	Neizmantojiet lietū vai neatstājiet ārā, kamēr līst lietus.
	Atsitiena risks! Neļaut tuvoties nepiederošām personām!	Lidojoši priekšmeti var atsitīties un radīt miesas bojājumus vai kaitējumu īpašumam. Lietojot krūmgriezi, sekojiet, lai citi cilvēki un mājdzīvnieki neatrastos tā tuvumā

	Neļaujiet tuvoties nepiederošām personām	Lietojot auklas trimmeri, sekojiet, lai citi cilvēki un mājdzīvnieki atrastos vismaz 15 m attālumā no tā.
	Nav paredzēts izmantot apaļas formas asmeni	Neuzstādiēt apaļas formas griešanas asmeņus.
	EEIA	Elektrisko izstrādājumu atkritumus nedrīkst izmest kopā ar sadzīves atkritumiem. Nogādājiet uz pilnvarotu pārstrādes punktu.
	Troksnis	Garantētais skaņas intensitātes līmenis. Trokšņa emisija vidē atbilstoši Eiropas Kopienas direktīvai
	CE	*Šis izstrādājums atbilst piemērojamām EK direktīvām.
V	Volti	Spriegums
$n_0$	Apgriezienu skaits bez slodzes	Rotācijas ātrums bez slodzes
$\text{min}^{-1}$	Minūtē	Apgriezieni minūtē
	Līdzstrāva	Strāvas veids vai raksturojums
kg	kilograms	Svars

## SVARĪGAS DROŠĪBAS INSTRUKCIJAS

**▲ BRĪDINĀJUMS!** Izlasiet visus ar šo elektroinstrumentu saistītos drošības brīdinājumus, norādījumus, specifikācijas un aplūkojiet attēlus. Visu turpmāk uzskaitīto norādījumu neievērošana var izraisīt elektriskās strāvas triecienu, aizdegšanos un/vai nopietnas traumas

Saglabājiet visus brīdinājumus un instrukcijas turpmākai atsaucei.

- Izvairieties no bīstamas vides — nelietojiet instrumentus mitrās vai slapjās vietās slīpumā.
- Sekojiet, lai aizsargi atrastos paredzētajās vietās un būtu labā darba stāvoklī.
- Neturiet rokas un kājas griešanas zonā.

- Lai mazinātu traumu rašanās iespējamību, nekādā gadījumā nestrādājiet, stāviet uz trepēm vai uz cita nedroša balsta. Nekad neturiet griešanas ierīci augstāk par ķermeņa vidukli.
- Darbarīka lietošanas laikā regulāri pārbaudiet griešanas ierīci vai arī dariet to uzreiz, līdzko konstatējat būtiskas izmaiņas griešanas darbībā.
- Lai iegūtu optimālāko rezultātu, akumulatora uzlāde jāveic vietā, kurā temperatūra ir virs 5° un ne augstāka par 40°. Neuzglabājiet akumulatoru ārpus telpām vai automašīnās.
- Ja strādājot ar ierīci kāds jums tuvojas, apturiet motoru un griešanas ierīci.
- Brīdiniet operatoru par asmens atsitiena briesmām.
- Asmens atsitieni var rasties, ja rotējošs asmens saskaras ar priekšmetu, ko tas uzreiz nesagriež.
- Asmens atsitieni var būt pietiekami spēcīgi, lai pagrūstu ierīci un/vai operatoru jebkurā virzienā, un, iespējams, zaudētu vadību pār ierīci.
- Asmens atsitieni var atgadīties pēkšņi, ja asmens iekeras, saķeras vai apstājas motors.
- Asmens atsitieni biežāk rodas zonās, kur ir grūti saskatīt zāģējamo materiālu.
- Nepiestipriniet asmeni pie ierīces, ja nav atbilstoši uzstādītas visas nepieciešamās detaļas. Ja netiek izmantotas atbilstošas detaļas, asmens var nokrist no ierīces un nopietni savainot operatoru un/vai apkārtējos cilvēkus. Atbrīvojieties no asmeņiem, kas jebkādā veidā ir saliekti, likumaini, ielaisījuši, salūzuši vai sabojāti. Izmantojiet asu asmeni. Neass asmens var iekerties un izraisīt atsitienus.
- Kustīgs asmens/aukla, kas pēc motora apturēšanas vai sprūda atlaisānas turpina griezties, var radīt traumas. Nenovērsiet uzmanību no asmens/auklas, līdz tie nav pilnībā pārstājuši griezties.
- Ar akumulatoru darbināmiem instrumentiem nav jābūt pievienotiem strāvas avotam, tāpēc tie vienmēr ir gatavi darbam. Pat, ja darbarīks nedarbojas, vienmēr sargieties no iespējama apdraudējuma. Ievērojiet piesardzību, veicot apkopes vai uzturēšanas darbus.
- Nemazgājiet ar šūtenī; nepieļaujiet ūdens iekļūšanu motorā un elektriskajos savienojumos.
- Gadījumos, kas nav aprakstīti šajā rokasgrāmatā, esiet uzmanīgi un rīkojieties prātīgi. Lai saņemtu palīdzību, sazinieties ar EGO klientu apkalpošanas centru.
- Izmantojiet tikai A2 attēlā uzskaitītos akumulatora blokus un lādētājus.

SAGLABĀJIET ŠOS NORĀDĪJUMUS!

LV

## SPECIFIKĀCIJAS

Apgriezienu skaits, strādājot bez slodzes	450±5%rpm	
Griezējasmens	ABR2300	
Ieteicamā darba temperatūra	0°C-40°C	
Ieteicamā uzglabāšanas temperatūra	-20°C-70°C	
Svars (bez akumulatoru bloka)	2,6 kg	
Izmērītais skaņas intensitātes līmenis $L_{WA}$	97,36 dB(A) K= 2,7 dB(A)	
Trokšņa spiediena līmenis pie lietotāja auss $L_{PA}$	83 dB(A) K= 2,5 dB(A)	
Garantētais skaņas intensitātes līmenis $L_{WA}$ (izmērīts saskaņā ar 2000/14/EK)	100 dB(A)	
Vibrācijas ietekmes novērtējums $a_{h1}$ :	Priekšējais palīgrokturis	3,3 m/s <sup>2</sup> K= 1,5 m/s <sup>2</sup>
	Aizmugurējais rokturis	2,0 m/s <sup>2</sup> K= 1,5 m/s <sup>2</sup>

- Norādītā vibrāciju kopējā vērtība ir izmērīta saskaņā ar standarta pārbaudes metodi un var tikt izmantota, lai salīdzinātu vairākus instrumentus.
- Deklarēto vibrāciju emisijas vērtību var arī lietot iepriekšējai vibrāciju iedarbības novērtēšanai.

**PIEZĪME!** Vibrāciju emisijas faktiskajā elektroinstrumenta darbināšanas laikā var atšķirties no norādītās vērtības. Lai pasargātu operatoru, lietotājam jāvalkā cimdi un dzirdes aizsarglīdzekļi atbilstoši patiesajiem darba apstākļiem.

LV

## IPAKOJUMA SATURA SARAKSTS (A1 ATT.)

### APRAKSTS

#### PĀRZINIET SAVAS RITUĻU PRESES PIERĪCI (A1 att.)

1. Bļivējuma skrūve
2. Pāmesumkārbā
3. Asmens
4. Samontēts bīdāmais pārsegs
5. Samontēts aizsargs
6. Vārpsta
7. Uzgalis
8. Uzgriežņu atslēga
9. Seškanšu atslēga

## MONTĀŽA

**⚠ BRĪDINĀJUMS!** Ja kāda daļa ir bojāta vai trūkst, nedarbiniet šo izstrādājumu, kamēr nav nomainīta bojātā daļa. Darbinot šo izstrādājumu ar bojātām vai trūkstošām daļām, varat gūt smagus miesas bojājumus.

**⚠ BRĪDINĀJUMS!** Nemēģiniet pārveidot šo instrumentu vai izveidot piederumus, kas nav ieteicami lietošanai kopā ar šo instrumentu. Jebkādi šādi uzlabojumi vai pārveidojumi ir uzskatāmi par neatbilstošiem lietošanai un var radīt bīstamus apstākļus, kas var izraisīt nopietnus ievainojumus.

### AIZSARGA MONTĀŽA

**⚠ BRĪDINĀJUMS!** Uzstādot vai nomainot aizsargu, vienmēr valkājiet cimdus. Sargieties no asmens, kas atrodas uz aizsarga, un aizsargājiet rokas pret sagriešanos.

**⚠ BRĪDINĀJUMS!** Nekādā gadījumā nelietojiet darbarīku, ja nav nostiprināts aizsargs. Aizsargam vienmēr jāatrodas uz instrumenta, lai aizsargātu lietotāju! Kad aizsargs ir piestiprināts, nekad nemēģiniet to noņemt vai regulēt; ja aizsargs ir jānomaina, nogādājiet to kvalificētam apkopes tehnikim!

Atskrūvējiet un izņemiet abas skrūves no vārpstas pamatnes aizsarga (B att.), salāgojiet aizsarga uzstādīšanas caurumiņus ar montāžas caurumiņiem un pēc tam piestipriniet aizsargu vārpstas pamatnei, pieskrūvējot abas skrūves un abas atspereplāksnes (C att.).

**⚠ BRĪDINĀJUMS!** Pārliecinieties, vai aizsargs ir piestiprināts pareizi tā, kā norādīts B un C attēlos; nepareizi uzstādīts aizsargs ir ļoti bīstams!

### RITUĻU PRESES PIERĪCES PIESTIPRINĀŠANA INSTRUMENTGALVAI

Šī rituļu preses pierīce ir paredzēta lietošanai kopā ar EGO instrumentgalvu PH1400E. Skatiet instrumentgalvas PH1400E operatora rokasgrāmatā sadaļu „PIERĪCES PIESTIPRINĀŠANA INSTRUMENTGALVAI”.

## EKSPLUATĀCIJA

**⚠ BRĪDINĀJUMS!** Saglabājiet modrību visu griezējinstrumenta lietošanas laiku. Neaizmirstiet, ka pat mīkls neuzmanības var izraisīt nopietnu traumu.

**⚠ BRĪDINĀJUMS!** Nelietojiet pierīces vai piederumus, ko nav ieteicis šī produkta ražotājs. Šādu neapstiprinātu palīgierīču vai piederumu lietošana var radīt nopietnus ievainojumus.

Šo izstrādājumu var lietot tālāk norādītajiem mērķiem:



**Pļaušana:** izmanto zāles pļaušanai ap mietiem vai aizsargjoslām, sienu malām, ceļa apmalēm, žogiem kustīgajā satiksmē vai nezāļu izgriešanai stāvvietās.

**PIEZĪME!** Izmantojot rītuļu preses pierīci, pārliecinieties, vai netiek atsviesti svešķermeņi, kas rada bīstamus draudus, piemēr, tie vat izsist logus, sabojāt automašīnas virsbūvi, sagriezt žogu, noraut koku mizu vai izraisīt miesas bojājumus.

### RITUĻU PRESES PIERĪCES LIETOŠANA KOPĀ AR INSTRUMENTGALVU

**⚠ BRĪDINĀJUMS!** Lai nepieļautu smagas traumas rašanos lietojot šo instrumentu, vienmēr izmantojiet aizsargbrilles. Putekļainā vidē lietojiet sejas vai putekļu masku.

Pirms katras lietošanas reizes attīriet apstrādājamo vietu. Savāciet akmeņus, stikla lauskas, naglas, vadus vai auklas, kas var tikt izsviestas vai iekļūt griešanas pierīcē. Nepieļaujiet bērnu, citu personu un mājdzīvnieku atrašanos darba vietā. Sekojiet, lai bērni, citas personas un mājdzīvnieki atrastos vismaz 15 m attālumā; vēl arvien pastāv apdraudējums, ko rada izsviesti objekti. Sekojiet, lai apkārtējie izmantotu acu aizsarglīdzekļus. Ja strādājot kāds jums tuvojas, nekavējoties apturiet motoru un griešanas pierīci.

**Pirms katras lietošanas reizes pārbaudiet, vai nav bojātu/nodilušu daļu**

Pārbaudiet rītuļu preses pierīci, aizsargu un cilpveida formas rokturi, un nomainiet detaļas, ja tās ir saplaisājušas, savijušas, saliekušas vai bojātas.

**Instrumenti ir jānotīra pēc katras lietošanas reizes.**

**⚠ UZMANĪBU.** Ja ventilācijas atveres būs aizsērējušas, gaiss nevarēs iekļūt motora korpusā un motors pārkaršīs vai tiks sabojāts.

- Instrumenta tīrīšanai izmantojiet tikai vieglu ziepjūdeni un mitru lupatiņu. Nekādā gadījumā nepieļaujiet šķidrums iekļūšanu instrumentā; nekad neiegremdējiet šķidrumā nevienu no instrumenta daļām.
- Turiet motora korpusa atveres tīras no gružiem.

### APKOPE

**⚠ BRĪDINĀJUMS!** Veicot ierīces apkopi, izmantojiet tikai identiskas rezerves daļas. Regulāri pārbaudiet instrumentu un veiciet tam apkopi. Lai garantētu drošību un uzticamību, visi remontdarbi jāveic kvalificētam apkopes tehnikam.

**⚠ BRĪDINĀJUMS!** Ar akumulatoru darbināmiem instrumentiem nav jābūt pievienotiem strāvas avotam,

tāpēc tie vienmēr ir gatavi darbam. Lai nepieļautu smagas traumas, apkopes un remontdarbu laikā, kā arī griezējierīces vai citu piederumu maiņas laikā veiciet papildu piesardzības pasākumus un esiet uzmanīgs.

**⚠ BRĪDINĀJUMS!** Lai izvairītos no smagām traumām, pirms instrumenta apkopes, tīrīšanas, papildierīču nomaiņas vai nogrieztā materiāla izņemšanas izvelciet akumulatora spraudni no ligzdas.

### RITUĻU PRESE NOMAĪŅA

**⚠ BRĪDINĀJUMS!** Ja asmeņi pēc piestiprināšanas atkal atskrūvējas vai stipri nodilst, tie ir nekavējoties jānomaina. Nekādā gadījumā nelietojiet instrumentu ar atskrūvējušos griešanas pierīci.

Pārziniet D1 attēlā redzamo RITUĻU PRESES galvu.

D-1	Vārpstas uzgali	D-2	Augšējais asmens
D-3	Apakšējais asmens	D-4	Atbalsta blodiņa
D-5	Paplāksne	D-6	Ritulis
D-7	Uzgriezni		

- Atbalstiet RITUĻU PRESES pārnēsukārību pret cietu virsmu. Nostipriniet augšējo un apakšējo asmeni ar knaiblēm vai skrūvspīli, pēc tam ar uzgriežņu atslēgu atskrūvējiet uzgriezni (D2 att.).
- Noņemiet uzgriezni, rituli, paplāksni, atbalsta blodiņu, apakšējo asmeni, augšējo asmeni un vārpstas uzgali D1 attēlā norādītajā secībā.
- Pirms jaunu asmeņu uzstādīšanas uzlieciet vārpstai uzgali (D3. att.). Uzlieciet augšējo asmeni ar lielo sešstūra formas caurumu uz vārpstas ar virspusē uzdrukātu „EGO” logotipu vērstu pret pārnēsukārību (D4 att.), pēc tam uzlieciet apakšējo asmeni ar mazo sešstūra formas caurumu uz vārpstas ar virspusē uzdrukātu „EGO” logotipu vērstu pret operatoru (D5. att.).

**PIEZĪME!** Pārliecinieties, vai sešstūra formas caurumi uz asmeņiem sakrīt ar sešstūra vārpstas pleca caurumiem. Ja asmeņi būs uzstādīti otrādi, RITUĻU PRESES PIERĪCE nevarēs pareizi darboties un sabojās asmeņus.

- Lai vēlreiz uzstādītu, izpildiet darbības D1 attēlā redzamajā secībā.

### PĀRNESUMKĀRBAS EĻĻOŠANA

Lai pārnēsukārība kalpotu labāk un ilgāk, eļļojiet pārnēsukārību ik pēc 50 ekspluatācijas stundām, izmantojot speciālu smērvielu (katrā reizē 4–5 g).

Speciālajai smērvielai ir jāatbilst turpmāk norādītajām prasībām.

1. Atbilstība DIN51818: konusa iespiešanās pakāpe NLGI-1.
2. Estera bāzes smērviela.
3. Teicama iedarbināšana arī zemā temperatūrā, EP, mehāniskā griešana, izturība pret nodilumu un oksidatīvās stabilitātes īpašības.
4. Darba temperatūrai jābūt robežās no -40~180 °C. Izņemiet akumulatora barošanas spraudni un blīvskrūvi. Pāresumkārbu eļļo caur eļļošanas caurumu.

**⚠ BRĪDINĀJUMS!** Neēļļojiet instrumentu, kamēr tas ir savienots ar akumulatoru vai darbojas.

## INSTRUMENTA TĪRĪŠANA

- Tīriet ierīci ar mitru drānu un maigu mazgāšanas līdzekli.
- Neīriet plastmasas korpusu un rokturi ar kodīgiem tīrīšanas līdzekļiem. Plastmasas daļas var sabojāt ar zināmām aromatizētām eļļām, piemēram, priežu un citrona, un šķīdinātājiem, piemēram, petroleju. Elektrotraumu var radīt arī mitrums. Kārtīgi noslaukiet mitrumu ar mīkstu, tīru drānu.

## INSTRUMENTA UZGLABĀŠANA

- Pirms uzglabāšanas instruments ir kārtīgi jānotīra.
- Uzglabājiet ierīci sausā, labi vēdināmā, aizslēdzamā vai augstā — bērniem nepieejamā — vietā. Neuzglabājiet instrumentu blakus mēslojumam, degvielai vai citām ķīmikālijām.
- Metāla asmeņiem pārvadāšanas un uzglabāšanas laikā ir jāizmanto transportēšanas pārsegs.

## Apkārtējās vides aizsardzība



Neutilizējiet elektrisko aprīkojumu, izlietoto akumulatoru un lādētāju sadzīves atkritumos! Nogādājiet šo produktu uz pilnvarotu pārstrādes punktu un sagatavojiet atkritumu šķirošanai. Elektriskos instrumentus jānogādā videi nekaitīgā pārstrādes rūpnīcā.

## KĻŪDU NOVĒRŠANA

PROBLĒMA	CĒĻONIS	RISINĀJUMS
RITUĻU PRESI nevar iedarbināt.	<ul style="list-style-type: none"> <li>■ Instrumentgalvā nav pareizi ievietots akumulatoru bloks.</li> <li>■ Akumulatoru bloks ir izlādējies.</li> <li>■ Vienlaikus nav nospiesta bloķēšanas svira un pārslēdzējs.</li> </ul>	<ul style="list-style-type: none"> <li>■ Ievietojiet instrumentgalvā akumulatoru bloku.</li> <li>■ Uzlādējiet akumulatoru bloku ar šajā rokasgrāmatā norādītajiem EGO lādētājiem.</li> <li>■ Nospiediet bloķēšanas sviru un pieturiet, pēc tam nospiediet pārslēdzēju, lai ieslēgtu instrumentu.</li> </ul>
RITUĻU PRESE griešanas laikā apstājas.	<ul style="list-style-type: none"> <li>■ Motora pārslodze.</li> <li>■ Akumulators ir pārāk karsts.</li> <li>■ Akumulatoru bloks ir atvienots no darbarīka</li> </ul>	<ul style="list-style-type: none"> <li>■ Motors pēc noslogojuma atbrīvošanas atsāks darboties. Lai darbs ritētu raiti, samaziniet RITUĻU PRESEI slodzi un nemēģiniet nopļaut ar pirmo reizi; tā vietā pļaujiet pakāpeniski.</li> <li>■ Pļaujiet akumulatoram atdzist dabiskā veidā vai arī, lai paātrinātu atdzišanas procesu, izmantojiet gaisa pūšanu.</li> <li>■ Vēlreiz pieslēdziet akumulatoru bloku.</li> </ul>

## GARANTIJA

### EGO GARANTIJAS POLITIKA

Lūdzu, apmeklējiet tīmekļa vietni [egopowerplus.com](http://egopowerplus.com), kur pieejama pilna EGO garantijas politikas noteikumu un nosacījumu versija.

KEES VAN DER SPEK  
TUINMACHINES ★ STOLWIJK

LV

## ΔΙΑΒΑΣΤΕ ΟΛΕΣ ΤΙΣ ΟΔΗΓΙΕΣ!



Διαβάστε Το Εγχειρίδιο Χρήσης

**⚠ Υπολειπόμενοι κίνδυνοι!** Άνθρωποι που φέρουν ηλεκτρονικές συσκευές όπως βηματοδότες πρέπει να συμβουλευτούν τους γιατρούς τους, πριν τη χρήση αυτού του προϊόντος. Η λειτουργία ηλεκτρολογικού εξοπλισμού κοντά σε βηματοδότη μπορεί να προκαλέσει παρεμβολές ή βλάβη στο βηματοδότη.

**⚠ ΠΡΟΕΙΔΟΠΟΙΗΣΗ:** Προκειμένου να διασφαλιστεί η ασφάλεια και η αξιοπιστία, όλες οι επισκευές και οι αντικαταστάσεις πρέπει να πραγματοποιούνται από εξειδικευμένο τεχνικό σέρβις.

## ΣΥΜΒΟΛΟ ΑΣΦΑΛΕΙΑΣ

Ο σκοπός των συμβόλων ασφαλείας είναι να σας επιστήσουν την προσοχή σε ενδεχόμενους κινδύνους. Προσέξτε και κατανοήστε τα σύμβολα ασφαλείας και τις επεξηγήσεις που τα συνοδεύουν. Τα σύμβολα προειδοποίησης από μόνα τους δεν εξαλείφουν κανέναν κίνδυνο. Οι οδηγίες και οι προειδοποιήσεις που παρέχουν δεν υποκαθιστούν τα κατάλληλα μέτρα πρόληψης ατυχημάτων.

**⚠ ΠΡΟΕΙΔΟΠΟΙΗΣΗ:** Βεβαιωθείτε ότι έχετε διαβάσει και κατανοήσει όλες τις οδηγίες ασφαλείας στο παρόν εγχειρίδιο χειριστή, συμπεριλαμβανομένων όλων των συμβόλων ασφαλείας όπως «**ΚΙΝΔΥΝΟΣ**», «**ΠΡΟΕΙΔΟΠΟΙΗΣΗ**» και «**ΠΡΟΣΟΧΗ**», προτού να χρησιμοποιήσετε αυτό το εργαλείο. Η μη τήρηση όλων των παρακάτω οδηγιών μπορεί να οδηγήσει σε ηλεκτροπληξία, πυρκαγιά και/ή σοβαρό τραυματισμό.

## ΕΠΕΞΗΓΗΣΗ ΣΥΜΒΟΛΩΝ

### ⚠ ΣΥΜΒΟΛΟ ΠΡΟΕΙΔΟΠΟΙΗΣΗΣ ΑΣΦΑΛΕΙΑΣ:

Υποδηλώνει **ΚΙΝΔΥΝΟ**, **ΠΡΟΕΙΔΟΠΟΙΗΣΗ** ή **ΠΡΟΦΥΛΑΞΗ**, ενώ μπορεί να χρησιμοποιείται σε συνδυασμό με άλλα σύμβολα ή εικονογράμματα.

**⚠ ΠΡΟΕΙΔΟΠΟΙΗΣΗ:** Η λειτουργία ηλεκτρικών εργαλείων μπορεί να προκαλέσει την εκτόξευση ξένων αντικειμένων στα μάτια σας, με αποτέλεσμα σοβαρό τραυματισμό. Προτού ξεκινήσετε τη χρήση του ηλεκτρικού εργαλείου, φοράτε πάντα προστατευτικά γυαλιά ή γυαλιά με πλευρική προστασία και, εφόσον απαιτείται, πλήρη προστατευτική προσωπίδα. Συνιστούμε μια προσωπίδα ασφαλείας ευρείας όρασης, για χρήση πάνω από γυαλιά ή τα συνήθη προστατευτικά γυαλιά με πλευρική προστασία.

## ΟΔΗΓΙΕΣ ΑΣΦΑΛΕΙΑΣ

Αυτή η σελίδα απεικονίζει και περιγράφει τα σύμβολα ασφαλείας που μπορεί να υπάρχουν επάνω στο προϊόν. Διαβάζετε, κατανοείτε και τηρείτε όλες τις οδηγίες επάνω στη μηχανή, προτού επιχειρήσετε να τη συναρμολογήσετε ή να τη χρησιμοποιήσετε.

	Προειδοποίηση ασφαλείας	Προφυλάξεις που σχετίζονται με την ασφάλειά σας.
	Διαβάστε το εγχειρίδιο χρήσης	Προκειμένου να μειωθεί ο κίνδυνος τραυματισμού, ο χρήστης πρέπει να διαβάσει και να κατανοήσει το εγχειρίδιο χρήσης προτού να χρησιμοποιήσει αυτό το προϊόν.
	Φοράτε προστατευτικά γυαλιά	Φοράτε πάντοτε προστατευτικά γυαλιά ή γυαλιά ασφαλείας με πλευρική προστασία και πλήρη προστατευτική προσωπίδα κατά τη λειτουργία αυτού του προϊόντος.
	Φοράτε προστατευτικά ακοής	Φοράτε πάντα προστασία ακοής όταν χρησιμοποιείτε αυτό το προϊόν.
	Φοράτε προστασία για το κεφάλι	Φοράτε ένα εγκεκριμένο για την ασφάλεια κράνος για την προστασία του κεφαλιού σας.
	Φοράτε προστατευτικά γάντια	Προστατεύετε τα χέρια σας με γάντια κατά το χειρισμό της λεπίδας ή της καλύπτρας της λεπίδας.

GR

	Φοράτε υποδήματα ασφαλείας	Φοράτε αντιολισθητικά υποδήματα ασφαλείας όταν χρησιμοποιείτε αυτό τον εξοπλισμό.
	Προσέχετε την αναπήδηση της λεπίδας	Ο χειριστής πρέπει να έχει πάντα το νου του στον κίνδυνο από την αναπήδηση της λεπίδας.
	Να μην εκτίθεται στη βροχή	Να μη χρησιμοποιείται στη βροχή και να μη μένει σε εξωτερικό χώρο όταν βρέχει.
	Σε περίπτωση εξοστρακισμού, διατηρείτε μακριά τους παρευρισκομένους	Αντικείμενα που εκτοξεύονται μπορεί να εξοστρακιστούν, προκαλώντας τραυματισμό ή υλικές ζημιές. Εξασφαλίστε ότι άλλα άτομα ή κατοικίδια παραμένουν μακριά από το θαμνοκοπτικό, όταν αυτό χρησιμοποιείται.
	Διατηρείτε μακριά τους παρευρισκομένους	Εξασφαλίστε ότι άλλα άτομα ή κατοικίδια παραμένουν σε απόσταση τουλάχιστον 15 m από το χλοοκοπτικό με μεινέζα όταν αυτό χρησιμοποιείται.
	Η λεπίδα δεν είναι στρογγυλή	Μην εγκαθιστάτε στρογγυλές λεπίδες κοπής.

	ΑΗΗΕ	Τα απόβλητα ηλεκτρικών προϊόντων δεν πρέπει να απορρίπτονται μαζί με τα οικιακά απορρίμματα. Παραδώστε τα σε εξουσιοδοτημένη μονάδα ανακύκλωσης.
	Θόρυβος	Εγγυημένη στάθμη ηχητικής ισχύος. Εκπομπές θορύβου στο περιβάλλον, σύμφωνα με την οδηγία της Ευρωπαϊκής Ένωσης.
	CE	Αυτό το προϊόν συμμορφώνεται με τις εφαρμοστές οδηγίες της ΕΚ.
	Volt	Τάση
	Ταχύτητα χωρίς φορτίο	Ταχύτητα περιστροφής, χωρίς φορτίο
	Ανά λεπτό	Στροφές ανά λεπτό
	Συνεχές ρεύμα	Τύπος ή χαρακτηριστικά ρεύματος
	Κιλό	Βάρος

**GR**

## ΣΗΜΑΝΤΙΚΕΣ ΟΔΗΓΙΕΣ ΑΣΦΑΛΕΙΑΣ

**⚠ ΠΡΟΕΙΔΟΠΟΙΗΣΗ:** Μελετήστε όλες τις προειδοποιήσεις ασφαλείας, τις οδηγίες, τις εικόνες και τις προδιαγραφές που συνοδεύουν αυτό το ηλεκτρικό εργαλείο. Εάν δεν τηρηθούν όλες οι οδηγίες που αναφέρονται παρακάτω, μπορεί να προκληθεί ηλεκτροπληξία, φωτιά και/ή σοβαρός τραυματισμός.

**Φυλάξτε όλες τις προειδοποιήσεις και τις οδηγίες για μελλοντική αναφορά.**

- Αποφεύγετε τα επικίνδυνα περιβάλλοντα – Μη χρησιμοποιείτε συσκευές σε βρεγμένες ή υγρές πλαγιές.

- Οι καλύπτρες πρέπει να παραμένουν στη θέση τους και σε άρτια κατάσταση λειτουργίας.
- Διατηρείτε πάντοτε τα χέρια και τα πόδια μακριά από την περιοχή κοπής.
- Για μείωση του κινδύνου τραυματισμού, μην εργάζεστε ποτέ επάνω σε σκάλα ή σε οποιαδήποτε άλλη μη ασφαλή υποστήριξη. Μην κρατάτε ποτέ τη μονάδα κοπής πάνω από το ύψος μέσης.
- Ελέγχετε τη μονάδα κοπής ανά τακτά χρονικά διαστήματα, κατά τη λειτουργία ή αμέσως, εάν υπάρχει αισθητή αλλαγή στη συμπεριφορά κοπής.
- Για καλύτερα αποτελέσματα, η μπαταρία σας πρέπει να φορτίζεται σε σημείο όπου η θερμοκρασία κυμαίνεται μεταξύ 5°C και 40°C. Να μην αποθηκεύεται σε εξωτερικό χώρο ή μέσα σε αχέσιμα.
- Εάν σας προσεγγίσουν, σταματήστε τον κινητήρα και τη μονάδα κοπής.
- Ο χειριστής πρέπει να έχει πάντα το νου του στον κίνδυνο από την αναπήδηση της λεπίδας.
- Η ανάκρουση λεπίδας μπορεί να προκύψει όταν η περιστρεφόμενη λεπίδα έρθει σε επαφή με ένα αντικείμενο που δεν το κόβει αμέσως.
- Η ανάκρουση του δίσκου κοπής μπορεί να είναι τόσο απότομη, ώστε να τινάξει τη μονάδα και/ή το χειριστή προς οποιαδήποτε κατεύθυνση, με κίνδυνο να χαθεί ο έλεγχος της μονάδας.
- Η ανάκρουση του δίσκου κοπής μπορεί να συμβεί απροειδοποίητα, εάν η λεπίδα πάθει εμπλοκή, σβήσει ή κολλήσει.
- Η ανάκρουση του δίσκου κοπής είναι πιθανότερο να συμβεί σε περιοχές όπου δεν διακρίνεται καλά το υλικό που κόβει το μηχάνημα.
- Μην προσαρτάτε λεπίδες σε μια μονάδα χωρίς τη σωστή εγκατάσταση των απαιτούμενων εξαρτημάτων. Εάν δεν χρησιμοποιούνται τα σωστά τα εξαρτήματα μπορεί να προκληθεί εκτόξευση της λεπίδας και σοβαρός τραυματισμός του χειριστή ή/και των παρευρισκόμενων. Απορρίψτε τις λεπίδες που έχουν λυγίσει, στραβώσει, ραγίσει, σπάσει ή καταστραφεί με οποιονδήποτε τρόπο. Χρησιμοποιήστε αιχμηρή λεπίδα. Μια στομωμένη λεπίδα έχει περισσότερες πιθανότητες να σκαλώσει και να αναπηδήσει.
- Μια λεπίδα ή μια μεσινέζα που κινείται ελεύθερα μπορεί να προκαλέσει τραυματισμό, όταν συνεχίζει να περιστρέφεται αφού σβήσει ο κινητήρας ή απελευθερωθεί η σκανδάλη. Διατηρείτε τον έλεγχο μέχρι να σταματήσει τελείως η περιστροφή της λεπίδας ή της μεσινέζας.

- Τα εργαλεία μπαταρίας δε χρειάζεται να συνδεθούν σε ηλεκτρική πρίζα. Γι' αυτό και βρίσκονται πάντοτε σε κατάσταση λειτουργίας. Προσέχετε πιθανούς κινδύνους ακόμα και όταν το εργαλείο δε λειτουργεί. Προσέχετε όταν πραγματοποιείτε συντήρηση ή σέρβις.
- Να μην πλένεται με λάστιχο. Αποφύγετε την εισχώρηση νερού στον κινητήρα και στις ηλεκτρικές συνδέσεις.
- Εάν προκύψουν καταστάσεις που δεν καλύπτονται στο παρόν εγχειρίδιο, προσέχετε και κρίνετε σωστά. Επικοινωνήστε με το Κέντρο εξυπηρέτησης πελατών της EGO για βοήθεια.
- Να χρησιμοποιείται μόνο με τις συστοιχίες μπαταριών και τους φορτιστές που αναφέρονται στην εικ. Α2.

## ΦΥΛΑΞΤΕ ΑΥΤΕΣ ΤΙΣ ΟΔΗΓΙΕΣ!

## ΤΕΧΝΙΚΕΣ ΠΡΟΔΙΑΓΡΑΦΕΣ

Ταχύτητα χωρίς φορτίο	450±5%rpm	
Λεπίδα κοπής	ABR2300	
Προτεινόμενη θερμοκρασία λειτουργίας	0°C-40°C	
Προτεινόμενη θερμοκρασία αποθήκευσης	-20°C-70°C	
Βάρος (χωρίς συστοιχία μπαταριών)	2,6 kg	
Μετρημένη στάθμη ηχητικής ισχύος $L_{WA}$	97,36 dB(A) K= 2,7 dB(A)	
Στάθμη ηχητικής πίεσης στο αυτί του χειριστή $L_{PA}$	83 dB(A) K= 2,5 dB(A)	
Εγγυημένη στάθμη ηχητικής ισχύος $L_{WA}$ (μετρημένη κατά 2000/14/EK)	100 dB(A)	
Αξιολόγηση δονήσεων $a_h$ :	Χειρολαβή μπροστινής υποβοήθησης	3,3 m/s <sup>2</sup> K= 1,5 m/s <sup>2</sup>
	Πίσω χειρολαβή	2,0 m/s <sup>2</sup> K= 1,5 m/s <sup>2</sup>

- Η αναφερόμενη συνολική τιμή κραδασμών έχει μετρηθεί σύμφωνα με την πρότυπη μέθοδο ελέγχου και μπορεί να χρησιμοποιηθεί για τη σύγκριση ενός εργαλείου με κάποιο άλλο.
- Η αναφερόμενη συνολική τιμή κραδασμών μπορεί να χρησιμοποιηθεί, επίσης, για την προκαταρκτική αξιολόγηση της έκθεσης.

**ΣΗΜΕΙΩΣΗ:** Οι εκπομπές κραδασμών κατά τη διάρκεια της πραγματικής χρήσης του ηλεκτρικού εργαλείου μπορεί να διαφέρουν από τη δηλωμένη τιμή στην οποία χρησιμοποιείται το εργαλείο. Για την προστασία του χειριστή, πρέπει να χρησιμοποιούνται γάντια και προστασία της ακοής στις πραγματικές συνθήκες χρήσης.

## ΚΑΤΑΛΟΓΟΣ ΕΞΑΡΤΗΜΑΤΩΝ ΣΥΣΚΕΥΑΣΙΑΣ (ΕΙΚ. Α1)

### ΠΕΡΙΓΡΑΦΗ

#### ΓΝΩΡΙΣΤΕ ΤΟ ΠΡΟΣΑΡΤΗΜΑ ROTOCUT (ΕΙΚ. Α1)

1. Βίδα στεγανοποίησης
2. Κιβώτιο γραναζιών
3. Λεπίδα
4. Διάταξη συρόμενου καλύμματος
5. Διάταξη καλύπτρας
6. Άξονας
7. Τερματική τάπα
8. Μηχανικό κλειδί
9. Κλειδί άλλεν

### ΣΥΝΑΡΜΟΛΟΓΗΣΗ

**⚠️ ΠΡΟΕΙΔΟΠΟΙΗΣΗ:** Σε περίπτωση που κάποια από τα εξαρτήματα έχουν υποστεί ζημιά ή λείπουν, μη χρησιμοποιήσετε το προϊόν, μέχρι να αντικατασταθούν. Η χρήση αυτού του προϊόντος με φθαρμένα ή ελλιπή εξαρτήματα μπορεί να έχει ως αποτέλεσμα σοβαρό τραυματισμό.

**⚠️ ΠΡΟΕΙΔΟΠΟΙΗΣΗ:** Μην επιχειρήσετε να τροποποιήσετε αυτό το εργαλείο ή να δημιουργήσετε εξαρτήματα που δεν συνιστώνται για χρήση με αυτή τη μηχανή. Κάθε παρόμοια μετατροπή ή τροποποίηση συνιστά κακή χρήση και μπορεί να δημιουργήσει επικίνδυνες καταστάσεις με επακόλουθο τον σοβαρό τραυματισμό.

#### ΠΡΟΣΑΡΤΗΣΗ ΚΑΛΥΠΤΡΑΣ

**⚠️ ΠΡΟΕΙΔΟΠΟΙΗΣΗ:** Φοράτε πάντα γάντια κατά την προσάρτηση ή αντικατάσταση της καλύπτρας. Προσέχετε τη λεπίδα της καλύπτρας και προστατεύετε το χέρι σας από κοπή.

**⚠️ ΠΡΟΕΙΔΟΠΟΙΗΣΗ:** Μη χρησιμοποιήσετε ποτέ το εργαλείο χωρίς να είναι καλά τοποθετημένη η καλύπτρα. Η καλύπτρα πρέπει να βρίσκεται πάντα προσαρτημένη στο εργαλείο για την προστασία του χρήστη! Εφόσον έχει προσαρτηθεί η καλύπτρα, μην επιχειρήσετε ποτέ να την αφαιρέσετε ή να τη ρυθμίσετε. Εφόσον απαιτηθεί αντικατάσταση, αυτή θα πρέπει να διεξαχθεί από εξειδικευμένο τεχνικό σέρβις! Ξεβιδώστε και αφαιρέστε τις δύο βίδες από την καλύπτρα (Εικ. Β), ευθυγραμμίστε τις οπές στην καλύπτρα με τις οπές της διάταξης και, στη συνέχεια, ασφαλίστε την καλύπτρα στη βάση του άξονα με τις δύο βίδες και τις δύο ελατηριωτές ροδέλες (Εικ. C).

**⚠️ ΠΡΟΕΙΔΟΠΟΙΗΣΗ:** Διασφαλίστε ότι η καλύπτρα έχει προσαρτηθεί σύμφωνα με τις Εικ. Β και C, ενώ οποιαδήποτε αντίστροφη προσάρτηση είναι εξαιρετικά επικίνδυνη!

#### ΣΥΝΔΕΣΗ ΤΟΥ ΠΡΟΣΑΡΤΗΜΑΤΟΣ ROTOCUT ΣΤΗΝ ΗΛΕΚΤΡΙΚΗ ΚΕΦΑΛΗ

Αυτό το προσάρτημα rotocut έχει σχεδιαστεί για χρήση με την ηλεκτρική κεφαλή EGO RH1400E. Βλ. ενότητα «ΕΓΚΑΤΑΣΤΑΣΗ ΕΝΟΣ ΠΡΟΣΑΡΤΗΜΑΤΟΣ ΣΤΗΝ ΗΛΕΚΤΡΙΚΗ ΚΕΦΑΛΗ» στο εγχειρίδιο χρήσης της ηλεκτρικής κεφαλής RH1400E.

### ΛΕΙΤΟΥΡΓΙΑ

**⚠️ ΠΡΟΕΙΔΟΠΟΙΗΣΗ:** Η εξοικείωσή σας με αυτό το προϊόν δε θα πρέπει να σας κάνει λιγότερο προσεκτικούς. Θυμηθείτε πως ένα κλάσμα δευτερολέπτου απροσεξίας μπορεί να προκαλέσει σοβαρό τραυματισμό.

**⚠️ ΠΡΟΕΙΔΟΠΟΙΗΣΗ:** Μη χρησιμοποιείτε εξαρτήματα που δε συνιστώνται από τον κατασκευαστή αυτού του προϊόντος. Η χρήση παρεκκομένων ή εξαρτημάτων που δε συνιστώνται από τον κατασκευαστή, ενέχει τον κίνδυνο σοβαρού τραυματισμού.

Μπορείτε να χρησιμοποιήσετε αυτό το προϊόν για τους ακόλουθους σκοπούς:

**Κοπή:** Χρησιμοποιείται για την κοπή γρασιδιού γύρω από πασσάλους ή προστατευτικά κυκλιδώματα, κοντά σε τοίχους/τοιχώματα, οδοφράγματα, φράχτες, ή για την κοπή βλάστησης σε χώρους στάθμευσης.

**ΣΗΜΕΙΩΣΗ:** Κατά τη χρήση του προσαρτήματος rotocut, προσέχετε να μην εκτοξευτούν ξένα αντικείμενα, αφού υπάρχουν σοβαροί κίνδυνοι, όπως, θραύση τζαμιών, δημιουργία βαθουλμάτων σε αμαξώματα, καταστροφή φραχτών, αποκόλληση φλοιού δέντρων και τραυματισμοί.

#### ΧΡΗΣΗ ΤΟΥ ΠΡΟΣΑΡΤΗΜΑΤΟΣ ROTOCUT ΜΕ ΤΗΝ ΗΛΕΚΤΡΙΚΗ ΚΕΦΑΛΗ

**⚠️ ΠΡΟΕΙΔΟΠΟΙΗΣΗ:** Για την αποφυγή σοβαρού τραυματισμού, φοράτε πάντοτε προστατευτικά γυαλιά ή γυαλιά προστασίας κατά τη χρήση της μονάδας. Φοράτε μάσκα προσώπου ή προστασίας από σκόνη σε τοποθεσίες με σκόνη.

Καθαρίζετε την περιοχή κοπής πριν από κάθε χρήση. Απομακρύνετε όλα τα αντικείμενα, όπως πέτρες, σπασμένα γυαλιά, καρφιά, σύρματα ή μεσινέζες, τα οποία μπορεί να πεταχτούν ή να μπερδευτούν στο προσάρτημα κοπής. Απομακρύνετε παιδιά, παρευρισκόμενους και κατοικίδια από το χώρο. Τα παιδιά, οι παρευρισκόμενοι και τα κατοικίδια

πρέπει να βρίσκονται σε απόσταση τουλάχιστον 15 m. Ενδέχεται να εξακολουθεί να υπάρχει κίνδυνος για τους παρευρισκόμενους λόγω εκτοξευόμενων αντικειμένων. Ενθαρρύνετε τους παρευρισκόμενους να φορούν προστασία για τα μάτια. Εάν σας προσεγγίσει κάποιος, απενεργοποιήστε αμέσως τον κινητήρα και το προσάρτημα κοπής.

## Πριν από κάθε χρήση, ελέγχετε για τυχόν εξαρτήματα με ζημιές/φθορές

Ελέγχετε το προσάρτημα rotocut, την καλύπτρα και τη λαβή του κονταριού και αντικαθιστάτε τα εξαρτήματα που έχουν ρωγμές, παραμόρφωση, λυγίσματα ή οποιεσδήποτε ζημιές.

## Μετά από κάθε χρήση, καθαρίζετε το εργαλείο.

**⚠️ ΠΡΟΣΟΧΗ:** Τα εμπόδια στις οπές εμποδίζουν ροή του αέρα στο περιβλήμα κινητήρα και προκαλούν υπερθέρμανση ή τη ζημιά σε αυτόν.

- Χρησιμοποιείτε μόνο ήπιο σαπούνι και ένα νωπό πανί για τον καθαρισμό του εργαλείου. Δεν πρέπει να εισχωρήσουν υγρά στο εσωτερικό του εργαλείου. Μη βυθίζετε ποτέ οποιοδήποτε τμήμα του εργαλείου σε υγρά.
- Διατηρείτε πάντοτε τις οπές αερισμού στο περιβλήμα κινητήρα και τον άξονα ελεύθερα από υπολείμματα.

## ΣΥΝΤΗΡΗΣΗ

**⚠️ ΠΡΟΕΙΔΟΠΟΙΗΣΗ:** Κατά τη συντήρηση του εργαλείου, χρησιμοποιείτε μόνο όμοια ανταλλακτικά. Επιθεωρείτε και συντηρείτε τακτικά το εργαλείο. Για να διασφαλιστεί η ασφάλεια και η αξιοπιστία, όλες οι επισκευές πρέπει να διεξάγονται από εξειδικευμένο τεχνικό σέρβις.

**⚠️ ΠΡΟΕΙΔΟΠΟΙΗΣΗ:** Τα εργαλεία μπαταρίας δε χρειάζεται να συνδεθούν σε ηλεκτρική πρίζα. Γι' αυτό και βρίσκονται πάντοτε σε κατάσταση λειτουργίας. Προκειμένου να αποφευχθεί σοβαρός τραυματισμός, λαμβάνετε επιπρόσθετα προληπτικά μέτρα και προσέχετε όταν διεξάγετε συντήρηση, επισκευή ή όταν αλλάζετε προσάρτημα κοπής ή άλλα προσάρτηματα.

**⚠️ ΠΡΟΕΙΔΟΠΟΙΗΣΗ:** Προκειμένου να αποφευχθεί σοβαρός τραυματισμός, αποσυνδέστε τη συστοιχία συσσωρευτών από το εργαλείο πριν από τη συντήρηση, τον καθαρισμό, την αλλαγή επιπρόσθετων προσαρτημάτων ή την αφαίρεση υλικού από τη μονάδα.

## ΑΝΤΙΚΑΤΑΣΤΑΣΗ ΛΕΠΙΔΑΣ ROTOCUT

**⚠️ ΠΡΟΕΙΔΟΠΟΙΗΣΗ:** Σε περίπτωση που χαλαρώσουν οι λεπίδες αφού τοποθετηθούν στη θέση τους ή έχουν φθαρεί υπερβολικά, αντικαταστήστε αμέσως τις λεπίδες. Ποτέ μη χρησιμοποιείτε εργαλείο με λασκαρισμένο ή μη αποτελεσματικό προσάρτημα κοπής.

Γνωρίστε την κεφαλή ROTOCUT, σύμφωνα με την Εικ. D1.

D-1	Καπάκι άξονα	D-2	Επάνω λεπίδα
D-3	Κάτω λεπίδα	D-4	Καπάκι βάσης
D-5	Ροδέλα	D-6	Λεκάνη ολίσθησης
D-7	Παξιμάδι		

1. Τοποθετήστε το κιβώτιο γραναζιών της κεφαλής ROTOCUT σε γερή επιφάνεια. Συμφίξτε τις επάνω και κάτω λεπίδες με πένσα ή μέγγενη και, στη συνέχεια, χρησιμοποιήστε το κλειδί για να ξεβιδώσετε το παξιμάδι (Εικ. D2).
2. Αφαιρέστε το παξιμάδι, τη λεκάνη ολίσθησης, τη ροδέλα, την κάτω λεπίδα, την επάνω λεπίδα και το καπάκι άξονα με την εικονιζόμενη στην Εικ. D1 σειρά.
3. Πριν από την εγκατάσταση νέων λεπίδων, τοποθετείτε το καπάκι άξονα επάνω σε αυτόν (Εικ. D3). Τοποθετήστε την επάνω λεπίδα με τη μεγάλη εξαγωνική οπή επάνω στον άξονα με το λογότυπο «EGO» και κατεύθυνση το κιβώτιο γραναζιών (Εικ. D4). Στη συνέχεια, την κάτω λεπίδα με τη μικρή εξαγωνική οπή επάνω στον άξονα με το λογότυπο «EGO» και κατεύθυνση το χειριστή (Εικ. D5).

**ΣΗΜΕΙΩΣΗ:** Βεβαιωθείτε ότι οι εξαγωνικές οπές επάνω στις λεπίδες εφαρμόζουν σωστά στον εξαγωνικό άξονα. Στην αντίθετη περίπτωση, εάν τοποθετηθούν αντίθετα οι λεπίδες, το ΠΡΟΣΑΡΤΗΜΑ ROTOCUT δε θα λειτουργήσει σωστά και θα καταστραφούν οι λεπίδες.

4. Ακολουθήστε τη σειρά της Εικ. D1 για να τις συναρμολογήσετε εκ νέου.

## ΛΙΠΑΝΣΗ ΚΙΒΩΤΙΟΥ ΓΡΑΝΑΖΙΩΝ

Για καλύτερη λειτουργία και μεγαλύτερη διάρκεια ζωής, λιπαίνετε το κιβώτιο γραναζιών με ειδικό γράσο (4-5 g τη φορά) ανά 50 λεπτά χρήσης.

Το ειδικό γράσο πρέπει να ανταποκρίνεται στις εξής απαιτήσεις:

1. Ανήκει σε DIN51818: Βαθμός διεύθυνσης κίνου NLGI-1
2. Γράσο με βάση εστέρα.
3. Άριστη εκκίνηση χαμηλής θερμοκρασίας, EP, μηχανικό κούρεμα, αντίσταση σε λείανση και αντιδιαβρωτικές ιδιότητες.
4. Θερμοκρασία λειτουργίας μεταξύ -40~180°C. Αφαιρέστε το φιλς της συστοιχία συσσωρευτών και τη βίδα στεγανοποίησης. Λίπανση του κιβωτίου γραναζιών μέσω της οπής λίπανσης.

**⚠️ ΠΡΟΕΙΔΟΠΟΙΗΣΗ:** Μη λιπαίνεται ενδών το εργαλείο εξακολουθεί να λειτουργεί ή βρίσκεται συνδεδεμένο στην μπαταρία.



### ΚΑΘΑΡΙΣΜΟΣ ΤΗΣ ΜΟΝΑΔΑΣ

- Καθαρίζετε τη μονάδα, χρησιμοποιώντας ένα νωπό πανί με ήπιο απορρυπαντικό.
- Μη χρησιμοποιήσετε κανένα δραστικό απορρυπαντικό πάνω στο πλαστικό περίβλημα ή τη λαβή. Αυτά μπορούν να καταστραφούν από ορισμένα αρωματικά έλαια, όπως πεύκο και λεμόνι, καθώς και από διαλύτες, όπως η κηροζίνη. Η υγρασία μπορεί, επίσης, να προκαλέσει κίνδυνο ηλεκτροπληξίας. Σκουπίζετε την ενδεχόμενη υγρασία με ένα μαλακό στεγνό πανί.

### ΑΠΟΘΗΚΕΥΣΗ ΤΗΣ ΜΟΝΑΔΑΣ

- Καθαρίστε σχολαστικά το εργαλείο προτού το αποθηκεύσετε.
- Αποθηκεύετε τη μονάδα σε έναν στεγνό, καλά αεριζόμενο χώρο, κλειδωμένο ή σε ψηλό σημείο, εκτός εμβέλειας παιδιών. Μην αποθηκεύετε τη μονάδα επάνω ή δίπλα σε λιπάσματα, βενζίνη ή άλλες χημικές ουσίες.

- Κατά τη διάρκεια της μεταφοράς και αποθήκευσης, χρησιμοποιήστε κάλυμμα μεταφοράς για τις μεταλλικές λεπίδες.

### Προστασία του περιβάλλοντος



Μη απορρίπτετε ηλεκτρικό εξοπλισμό, παλιές μπαταρίες και φορτιστές στα οικιακά απορρίμματα! Μεταφέρετε αυτό το προϊόν σε εξουσιοδοτημένο κέντρο ανακύκλωσης και παραδώστε το για ξεχωριστή συλλογή. Τα ηλεκτρικά εργαλεία πρέπει να επιστρέφονται σε περιβαλλοντικά συμβατή μονάδα ανακύκλωσης.

## ΑΝΤΙΜΕΤΩΠΙΣΗ ΠΡΟΒΛΗΜΑΤΩΝ

ΠΡΟΒΛΗΜΑ	ΑΙΤΙΑ	ΑΝΤΙΜΕΤΩΠΙΣΗ
Το ROTOCUT δεν εκκινείται.	<ul style="list-style-type: none"> <li>■ Η συστοιχία μπαταριών δεν έχει προσαρτηθεί σωστά στην ηλεκτρική κεφαλή.</li> <li>■ Η συστοιχία μπαταριών έχει αδειάσει.</li> <li>■ Ο μοχλός ασφάλισης και η σκανδάλη δεν πατήθηκαν ταυτόχρονα.</li> </ul>	<ul style="list-style-type: none"> <li>■ Επανασυνδέστε τη συστοιχία μπαταριών στην ηλεκτρική κεφαλή.</li> <li>■ Φορτίστε τη συστοιχία μπαταριών με τους φορτιστές EGO που παρατίθενται στο παρόν εγχειρίδιο.</li> <li>■ Πατήστε το μοχλό απασφάλισης και διατηρήστε το πιεσμένο. Στη συνέχεια, πιέστε τη σκανδάλη για να ενεργοποιήσετε το εργαλείο.</li> </ul>
Το ROTOCUT σταματάει κατά την κοπή.	<ul style="list-style-type: none"> <li>■ Ο κινητήρας έχει υπερφορτωθεί.</li> <li>■ Η συστοιχία μπαταριών είναι υπερβολικά ζεστή.</li> <li>■ Η συστοιχία μπαταριών έχει αποσυνδεθεί από το εργαλείο.</li> </ul>	<ul style="list-style-type: none"> <li>■ Ο κινητήρας θα συνεχίσει να λειτουργεί μόλις αφαιρεθεί το φορτίο. Σε περίπτωση συνεχούς εργασίας, μειώστε το φορτίο του ROTOCUT και αποφύγετε τις βαθιές κοπές. Αντίθετα, πραγματοποιείτε σταδιακά βαθύτερες κοπές.</li> <li>■ Αφήστε την μπαταρία να κρυώσει με φυσικό τρόπο ή επισπεύστε την ψύξη με τη βοήθεια ανεμιστήρα.</li> <li>■ Επανασυνδέστε τη συστοιχία μπαταριών.</li> </ul>

GR

## ΕΓΓΥΗΣΗ

### ΠΟΛΙΤΙΚΗ ΕΓΓΥΗΣΗΣ EGO

Επισκεφθείτε την ιστοσελίδα [egopowerplus.com](http://egopowerplus.com) για όλους τους όρους και τις προϋποθέσεις της πολιτικής εγγύησης EGO.

## TÜM TALİMATLARI OKUYUN!



**Kullanım Kilavuzunu Okuyun**

**⚠ Artık risk!** Kalp pili gibi elektronik cihaz kullanan kişiler bu ürünü kullanmadan önce hekimlerine danışmalıdır. Elektrikli cihazların, kalp pili yakınında çalıştırılması kalp pilinde parazite veya arızaya neden olabilir.

**⚠ UYARI:** Güvenliği ve güvenilirliği sağlamak için, tüm onarım ve değiştirme işlemleri yetkili bir servis teknisyeni tarafından gerçekleştirilmelidir.

## GÜVENLİK SEMBOLÜ

Güvenlik sembollerinin amacı olası tehlikelere dikkatinizi çekmektir. Güvenlik sembolleri ve yanlarındaki açıklamalar özel dikkat ve anlayış göstermenizi gerektirir. Uyarı sembolleri kendi başlarına herhangi bir tehlikeyi gidermez. Sundukları talimat ve uyarılar uygun kaza önleme önlemlerinin yerine geçmez.

**⚠ UYARI:** Bu aleti kullanmadan önce, "TEHLİKE", "UYARI" ve "DİKKAT" gibi tüm güvenlik uyarı ve sembollerini içeren bu Kullanım Kilavuzu içerisindeki tüm güvenlik talimatlarını okuyup anladığınızdan emin olun. Aşağıdaki talimatların tamamına uyulmaması elektrik çarpması, yangın ve/veya ciddi kişisel yaralanma ile sonuçlanabilir.

## SEMBOLÜN ANLAMI

**⚠ GÜVENLİK UYARI SEMBOLÜ:** TEHLİKE, UYARI VEYA DİKKAT demektir, diğer semboller veya resimlerle birlikte kullanılabilir.

**⚠ UYARI:** Elektrikli aletlerin kullanımı yabancı nesnelerin gözlerinize fırlatılması sonucunu doğurabilir, bu da gözlerde ciddi hasara yol açabilir. Elektrikli aleti kullanmaya başlamadan önce, daima göz koruması veya yan siperleri olan koruyucu gözlük takın ve gerektiğinde tam yüz siperi kullanın. Gözlük üzerine kullanım için Wide Vision Koruyucu Maske ya da yan siperleri olan standart koruyucu gözlükleri tavsiye ederiz.

## GÜVENLİK TALİMATLARI

Bu sayfada, bu ürün üzerinde görülebilecek güvenlik sembolleri gösterilmekte ve açıklanmaktadır. Makineyi monte etmeye ve kullanmaya başlamadan önce, makineye ilişkin tüm talimatları okuyup anlayın ve bu talimatlara uyun.

	Güvenlik Uyarısı	Güvenliğinizle ilgili önlemler.
	Kullanma Kilavuzunu Okuyun	Yaralanma riskini azaltmak için, kullanıcı bu ürünü kullanmadan önce kullanım kilavuzunu okuyup anlamalıdır.
	Koruyucu Gözlük Takın	Bu ürünü çalıştırırken daima göz koruması, yan siperleri olan koruyucu gözlük ya da tam yüz maskesi kullanın.
	Kulak Koruması Takın	Bu ürünü kullanırken daima kulak koruması kullanın.
	Koruyucu Kask Takın	Başınızı korumak için onaylanmış bir kask takın.
	Koruyucu Eldiven Takın	Bıçağa veya bıçak muhafazasına dokunurken eldiven giyerek ellerinizi koruyun.
	Koruyucu Ayakkabı Giyin	Bu cihazı kullanırken kaymaz emniyet ayakkabılarını giyin.
	Bıçağın kuvvetle itilmesine karşı dikkatli olun	Operatörü tırpan bıçağının oluşturacağı tehlikeye karşı uyarın.
	Yağmura Maruz Bırakmayın	Bu ürünü yağmur altında kullanmayın veya yağmur yağarken dışarıda bırakmayın.
	Sekebilir, İzleyenleri Uzak Tutun	Fırlayan nesnelere sekebilir ve kişisel yaralanma veya mal hasarına yol açabilir. Fırçalı kesici kullanılırken diğer insanların ve evcil hayvanların en az 15m uzakta olduklarından emin olun.
	Üçüncü Şahısları Uzak Tutun	Misinalı çim biçme makinesi kullanılırken diğer insanların ve evcil hayvanların en az 15m uzakta olduklarından emin olun.
	Yuvarlak bıçak yok	Yuvarlak kesim bıçağı takmayın.

TR

	WEEE	Atık elektrikli ürünler, evsel atıklar ile birlikte imha edilmemelidir. Yetkili bir geri dönüşüm merkezine teslim edilmelidir.
	Gürültü	Garanti edilen ses gücü seviyesi. Avrupa Birliği Yönetmeliği'ne göre çevre gürültü emisyonu.
	CE	Bu ürün, yürürlükteki AB yönetmeliklerine uygundur.
V	Volt	Voltaj
n <sub>0</sub>	Yüksüz Hız	Yüksüz dönüş hızı
min <sup>-1</sup>	Dakika Başına	Dakika başına dönüş
	Doğru Akım	Akımın türü veya özelliği
kg	Kilogram	Ağırlık

- Çalışırken yanınıza yaklaşan kimselerin olması durumunda motoru ve kesme ünitesini durdurun.
- **Operatörü tirpan bıçağının oluşturacağı tehlikeye karşı uyarın.**
- Bıçağın kuvvetle itilmesi, döner bıçağın hemen kesmediği bir nesneyle temas etmesi durumunda meydana gelebilir.
- Bıçağın kuvvetle itilmesi, cihazın ve/veya operatörün herhangi bir yönde itilerek cihaz kontrolünün kaybedileceği şiddette olabilir.
- Bıçak takılır, durur veya dönməsi engellenirse uyarı olmaksızın bıçak itişi meydana gelebilir.
- Bıçağın kuvvetle itilmesi olayı, kesilen malzemeyi görmenin zor olduğu bölgelerde daha çok olabilir.
- **Gerekli tüm parçaları düzgün bir şekilde monte etmeden makineye herhangi bir bıçak takmayın. Uygun parçaların kullanılmaması, bıçağın çıkarak fırlamasına ve operatörün ve/veya üçüncü şahısların ciddi şekilde yaralanmasına neden olabilir. Kıvrılmış, bükülmüş, çatlak, kırık veya herhangi bir şekilde hasar görmüş bıçakları atın. Keskin bir bıçak kullanın Kör bir bıçağın takım ve itilme olasılığı daha fazladır.**

## ÖNEMLİ GÜVENLİK TALİMATLARI

**⚠ UYARI:** Bu elektrikli alet ile birlikte verilen tüm güvenlik uyarılarını, talimatları, çizimleri ve teknik özellikleri okuyun. Aşağıdaki talimatların tamamına uyulmaması elektrik çarpması, yangın ve/veya ciddi yaralanma ile sonuçlanabilir.

**Tüm uyarı ve talimatları gelecekte başvuru amacıyla muhafaza edin.**

- **Tehlikeli Ortamlardan Kaçının** – Cihazları nemli veya ıslak yerlerde kullanmayın.
- Koruyucu donanımın yerinde ve çalışır durumda olmasını sağlayın.
- **Ellerinizi ve ayaklarınızı kesim alanından uzak tutun.**
- Yaralanma riskini azaltmak için, asla merdiven üzerinde ya da diğer herhangi bir güvenli olmayan destek üzerinde çalışmayın. Asla kesme ünitesini bel yüksekliğinin üzerinde tutmayın.
- Çalışma sırasında, kesme ünitesini kısa aralıklarla düzenli olarak kontrol edin veya kesim işleminde gözle görülür bir değişim varsa derhal kontrol edin.
- **En iyi sonuçlar için, pil sıcaklığın 5°C'nin üzerinde ve 40°C'nin altında olduğu bir ortamda şarj edilmelidir.** Dışarıda veya araçlarda depolamayın.

- Boşta dönen bir bıçak/misina, motor durdurulduktan veya tezik bırakıldıktan sonra dönmeye devam ettiğinden yaralanmalara neden olabilir. Bıçak/misina tamamen duruncaya kadar cihazın kontrolünü bırakmayın.
- Aküyle çalışan aletlerin elektrik prizine takılmalarına gerek yoktur; bu nedenle daima çalışır durumdadırlar. Alet kullanılmadığı zaman dahi oluşabilecek muhtemel tehlikelere karşı dikkatli olun. Bakım veya onarım işlemi yaparken dikkatli olun.
- **Hortumla yıkamayın; motor ve elektrik bağlantılarında su kaçırılmaya dikkat edin.**
- Bu kılavuzda yer almayan durumlar meydana gelirse, dikkatli ve sağduyulu davranın. Yardım için EGO Müşteri Hizmetleri Merkeziyle irtibata geçin.
- Sadece şek. A2'da listelenen pil paketi ve şarj cihazlarını kullanın.

**BU TALİMATLARI SAKLAYIN!**

TR

## TEKNİK ÖZELLİKLER

Yüksüz Hız	450±5%rpm	
Kesme Bıçağı	ABR2300	
Tavsiye Edilen Çalışma Sıcaklığı	0°C-40°C	
Tavsiye Edilen Depolama Sıcaklığı	-20°C-70°C	
Ağırlık (akü hariç)	2,6 kg	
Ölçülen ses güç düzeyi $L_{WA}$	97,36 dB(A) K= 2,7 dB(A)	
Operatörün duyduğu ses güç düzeyi $L_{PA}$	83 dB(A) K= 2,5 dB(A)	
Garantili ses gücü seviyesi $L_{WA}$ (2000/14/EC'ye göre ölçülen)	100 dB(A)	
Titreşim değeri $a_{h,v}$ :	Ön destek sapı	3,3 m/s <sup>2</sup> K= 1,5 m/s <sup>2</sup>
	Arka kol	2,0 m/s <sup>2</sup> K= 1,5 m/s <sup>2</sup>

- Bildirilen toplam titreşim değeri standart test yöntemine uygun olarak ölçülmüştür ve bir cihazı diğer bir cihaz ile karşılaştırmak için kullanılabilir.
- Bildirilen toplam titreşim değeri ayrıca ön maruz kalma değerlendirmesinde de kullanılabilir.

**DİKKAT:** Elektrikli aletin gerçek kullanımı sırasında meydana gelen titreşim emisyonu aletin kullanım şekline bağlı olarak bildirilen değerden farklı olabilir; Operatörü korumak için, kullanıcı gerçek kullanım koşullarında eldiven ve kulak koruması takmalıdır.

## PAKET LİSTESİ (ŞEK. A1)

### AÇIKLAMA

TR

#### KENAR DÜZELTME APARATINIZI TANIYIN (Şek. A1)

1. Conta Vidası
2. Dişli Kutusu
3. Bıçak
4. Kayan Kapak Aksamı
5. Koruyucu Donanım
6. Şaft
7. Uç kap
8. Anahtar
9. Alyen Anahtar

### MONTAJ

**⚠ UYARI:** Hasarlı veya eksik parça varsa, bu parçalar değiştirilinceye kadar ürünü çalıştırmayın. Bu ürünün

hasarlı veya eksik parçalar ile kullanılması ciddi kişisel yaralanmalara yol açabilir.

**⚠ UYARI:** Bu ürün üzerinde değişiklik yapmaya veya bu üfleyci ile kullanılması önerilmeyen aksesuarlar oluşturmaya çalışmayın. Bu tür değişiklikler veya modifikasyonlar hatalı kullanımdır ve ciddi kişisel yaralanmalara neden olabilen tehlikeli bir duruma sebep olabilir.

### KORUMANIN TAKILMASI

**⚠ UYARI:** Koruyucu monte edilirken veya değiştirilirken daima eldiven takın. Koruyucu üzerindeki bıçağa ve elinizin kesilmemesine dikkat edin.

**⚠ UYARI:** Aleti asla koruması düzgün şekilde takılı değilken kullanmayın. Koruyucu, kullanıcıyı korumak için daima alete takılı durumda olmalıdır! Koruyucu takılıyken, asla koruyucuyu çıkarmaya veya ayarlamaya çalışmayın, değiştirilmesi gerekirse, yetkili bir servis teknisyeni tarafından gerçekleştirilmelidir!

Koruyucu üzerindeki iki adet vidayı gevşetin ve sökün (Şek. B), koruyucu montaj deliklerini cihaz üzerindeki montaj delikleriyle hizalayın ve ardından koruyucuyu mil tabanına iki vida ve iki yaylı rondela ile sabitleyin (Şek. C).

**⚠ UYARI:** Koruyucunun Şek. B ve C'ye uygun olarak monte edildiğinden emin olun, hatalı bir montaj büyük tehlikeye yol açar!

### ELEKTRİKLİ ALET KAFASINA BİR KENAR DÜZELTME APARATI BAĞLAMA

Bu kenar düzeltme aparatı EGO Elektrikli Alet Başlığı PH1400E ile kullanılmak üzere tasarlanmıştır. PH1400E elektrikli alet başlığı kullanım kılavuzunda yer alan "ELEKTRİKLİ ALET BAŞLIĞINA AKSESUAR TAKMA" bölümüne bakın.

### ÇALIŞMA

**⚠ UYARI:** Ürüne aşına olmanız sizi dikkatsiz yapmasın. Bir anlık dikkatsizliğin ciddi yaralanmalara sebep olabileceğini unutmayın.

**⚠ UYARI:** Bu ürünün üreticisi tarafından tavsiye edilmeyen herhangi bir ataşmanı veya aksesuarı kullanmayın. Tavsiye edilmeyen aksesuarların veya ataşmanların kullanımı ciddi kişisel yaralanmalara sebep olabilir.

Bu ürünün aşağıda listelenen amaçlar için kullanabilirsiniz:

**Kesme:** kazıkların veya korkulukların, duvar kenarlarının, kaldırım taşlarının, trafikteki çitlerin etrafındaki çitleri kesmek için veya park yerlerindeki bitileri budamak için kullanılır.

**DİKKAT:** Kenar düzeltme aparatını kullanırken yabancı nesnelere fırlatılmadığından emin olun, bu şu riskleri taşır: pencerelemlerin kırılması, araç gövdelerinin hasar görmesi, çitlerin kesilmesi, ağaç kabuklarının sıyrılmaması veya kişisel yaralanma.

### ELEKTRİKLİ ALET KAFASI İLE KENAR DÜZELTME APARATINI KULLANMA

**UYARI:** Ciddi kişisel yaralanmayı önlemek için, bu cihazı kullanırken daima göz koruması veya koruyucu gözlük takın. Çalışma ortamı tozluysa, yüz veya toz maskesi takın.

Her kullanımdan önce kesilecek alanı temizleyin. Kesim parçalarına takılabilecek veya fırlatılabilecek taş, kırık cam, çivi, tel veya sicim vb. tüm nesnelere temizleyin. Çocukları, üçüncü şahısları ve evcil hayvanları çalışma alanından uzak tutun. Çocukları, üçüncü şahısları ve evcil hayvanları çalışma alanından en az 15 metre uzak tutun; buna rağmen üçüncü şahısların fırlayan nesnelere yaralanma riski olabilir. Üçüncü şahısların göz koruması kullanmaları önerilir. Çalışırken yanınıza yaklaşan kimselerin olması durumunda derhal motoru ve kesici parçaları durdurun.

### Her kullanımdan önce hasarlı/aşınmış parça olup olmadığını kontrol edin

Kenar düzeltme aparatı başlığını, koruyucuyu ve halka kolunu kontrol edin, çatlak, kıvrılmış, eğik veya hasarlı kesim parçalarını değiştirin.

### Her kullanımın ardından, aleti temizleyin.

**DİKKAT:** Hava deliklerindeki tıkanıklıklar motor gövdesindeki hava akımını engelleyerek aşırı ısınmaya ve motor hasarına neden olabilir.

- Aleti temizlemek için sadece nemli bir bez ve yumuşak bir temizleyici kullanın. Asla cihaza su girmesine izin vermeyin; aletin herhangi bir parçasını sıvıya daldırmayın.
- Motor gövdesindeki hava deliklerinin her zaman temiz kalmasını sağlayın.

## BAKIM

**UYARI:** Bakım yaparken sadece aynı olan yedek parçaları kullanın. Aleti düzenli olarak kontrol edin ve bakımını yapın. Emniyet ve güvenilirliği sağlamak için tüm tamir işleri uzman bir servis teknisyeni tarafından yapılmalıdır.

**UYARI:** Aküyle çalışan aletlerin elektrik prizine takılmalarına gerek yoktur, bu nedenle daima çalışır durumdadırlar. Ciddi kişisel yaralanmayı önlemek için, kesim parçaları veya diğer parçalara bakım veya onarım yaparken veya değişim sırasında ekstra önlemler alın ve dikkatli olun.

**UYARI:** Ciddi kişisel yaralanmaları önlemek için, eklenen aksesuarlara bakım veya onarım, temizlik, değişim yapmadan veya makineden malzeme çıkarmadan önce akü bağlantı parçasını soketten çıkarın.

### KENAR DÜZELTME APARATININ BIÇAĞININ DEĞİŞTİRİLMESİ

**UYARI:** Eğer bıçaklar sabit pozisyona alındıktan sonra gevşerlerse veya bıçaklar çok kötü derecede aşınmışsa bıçakları hemen değiştirin. Asla aleti etkin olmayan veya gevşek bir kesim parçasıyla kullanmayın.

Şek. D1'de gösterildiği gibi KENAR DÜZELTME APARATININ kafasını tanyın.

D-1	Şaft Kabı	D-2	Üst Bıçak
D-3	Alt Bıçak	D-4	Destek Kabı
D-5	Rondela	D-6	Akış Kasesi
D-7	Somun		

1. KENAR DÜZELTME APARATININ kafasının dışı kutusunu destek için sağlam bir yüzey üzerine yerleştirin. Kargaburun veya mengene yardımıyla bıçakları yukarı ve aşağı sıkıştırın, ardından somunu gevşetmek için anahtar kullanın (Şek. D2)
2. Somunu, akış kasesini, rondelayı, destek kabını, alt bıçağı, üst bıçağı ve şaft kabını Şek. D1'de gösterilen sırayla çıkarın.
3. Yeni bıçakları takmadan önce şaft kabını şafta geri koyun (Şek. D3). Büyük altıgen delikli üst bıçağı yüzeyinde "EGO" logosu basılı olan şafta logo dışı kutusuna bakacak şekilde yerleştirin (Şek. D4), ardından küçük altıgen delikli alt bıçağı yüzeyinde "EGO" logosu basılı olan şafta logo kullanıcısına bakacak şekilde yerleştirin (Şek. D5).

**DİKKAT:** Bıçaklardaki altıgen deliklerle altıgen şaft omzunun yerine oturduğundan emin olun. Aksi halde bıçaklar ters takıldığında KENAR DÜZELTME APARATI düzgün çalışmaz ve bıçaklara zarar verecektir.

4. Onları tekrar birleştirmek için Şek. D1'de gösterilen sırayı takip edin.

### DİŞLİ KUTUSUNU YAĞLAYIN

En iyi çalışma ve daha uzun kullanım ömrü için, her 50 saatlik çalışmadan sonra özel bir gresle (her defasında yaklaşık 4-5g) dişli kutusunu yağlayın.

Özel yağ aşağıdaki gereksinimleri sağlamalıdır.

1. DIN51818: NLGI-1 koni penetrasyon derecesine sahip olmalıdır.
2. Ester bazlı yağ olmalıdır.

- Mükemmel düşük ısıda başlatma, EP, mekanik kesme, aşınma dayanımı, oksidatif stabilite özelliklerine sahip olmalıdır.
- Çalışma sıcaklığı -40~180°C arasında olmalıdır. Akü fişini ve conta vidasını sökün. Gresi yağ deliğinden dışı kutusuna doldurun.

**⚠ UYARI:** Aleti akü takılı ve çalışır haldeyken yağlamayın.

### ÜNİTENİN TEMİZLENMESİ

- Cihazı nemli bir bez ve yumuşak deterjanla temizleyin.
- Plastik gövde veya tutma sapı üzerinde güçlü deterjanlar kullanmayın. Çam ve limon gibi belirli aromatik yağlar ve kerosen gibi çözücü maddeler bu yüzeylere zarar verebilir. Nem nedeniyle elektrik çarpması tehlikesi oluşabilir. Yumuşak kuru bir bezle nemli yerleri silin.

### CİHAZIN SAKLANMASI

- Cihazı saklamadan önce tamamen temizleyin.
- Cihazı çocukların ulaşamayacağı kuru, iyi havalandırılmış, kilitli veya yüksek bir yerde muhafaza edin. Gübre, benzin veya diğer kimyasal maddelerin yanında saklamayın.
- Taşıma ve depolama sırasında metal bıçaklar için bir taşıma kapağı kullanın.

### Çevre koruması



Elektrikli cihazları, kullanılmış aküyü ve akü şarj cihazını evsel atıklarla birlikte atmayın! Bu ürünü yetkili bir geri dönüşümcüye götürün ve ayrı bir şekilde toplanmasını sağlayın. Elektrikli aletler çevreyle uyumlu bir geri dönüşüm tesisine götürülmelidir.

## SORUN GİDERME

SORUN	SEBEP	ÇÖZÜM
KENAR DÜZELTME APARATI başlatılmıyor.	<ul style="list-style-type: none"> <li>Akü elektrikli alet başlığına düzgün şekilde takılı değil.</li> <li>Akü boşalmış.</li> <li>Kilitleme kolu ve tetiğe aynı anda basılmıyor.</li> </ul>	<ul style="list-style-type: none"> <li>Aküyü elektrikli alet başlığına takın.</li> <li>Aküyü bu kılavuzda belirtilen EGO şarj cihazları ile şarj edin.</li> <li>Kilitleme koluna basın ve basılı tutun, ardından üniteyi çalıştırmak için tekrar tetiğe basın.</li> </ul>
KENAR DÜZELTME APARATI kesim sırasında duruyor.	<ul style="list-style-type: none"> <li>Motora aşırı yüklenilmiş.</li> <li>Pil paketi çok sıcak.</li> <li>Akü ile aletin bağlantısı kesilmiş</li> </ul>	<ul style="list-style-type: none"> <li>Yük kaldırıldığında motor normale dönecektir. Sürekli çalışma için, KENAR DÜZELTME APARATI üzerindeki yükü azaltın ve derin kesimden kaçının; bunun yerine aşamalı olarak daha derin kesimler yapın.</li> <li>Akünün doğal bir şekilde soğumasına izin verin veya soğutmayı hızlandırmak için hava üfleyin.</li> <li>Aküyü tekrar takın.</li> </ul>

TR

## GARANTİ

### EGO GARANTİ POLİTİKASI

EGO Garanti politikasına ilişkin tüm hüküm ve koşullar için, lütfen [egopowerplus.com](http://egopowerplus.com) adresindeki web sitemizi ziyaret edin.

## LUGEGE KÕIKI JUHISEID!



### Lugege Kasutusjuhendit

**⚠️ Kaasnev risk!** Inimesed, kes kasutavad elektroonilisi seadmeid, nt südamestimulaatorit, peaksid enne selle toote kasutamist konsulteerima oma arstiga. Elektriseadmete kasutamine südamestimulaatori läheduses võib põhjustada südamestimulaatori häireid või rikkeid.

**⚠️ HOIATUS!** Ohutuse ja töökindluse tagamiseks tohivad seda seadet remontida ainult vastava kvalifikatsiooniga hooldustehnikud.

## OHUTUSSÜMBOL

Ohutussümbolite eesmärk on pöörata tähelepanu võimalikele ohtudele. Ohutussümbolitele ja nende juures olevatele seletustele tuleb korralikult tähelepanu pöörata ja need endale selgeks teha. Ohutussümbolid iseenesest ei kõrvalda ohu olemasolu. Nendega kaasnevad juhendid ja hoiatused ei asenda asjakohaseid õnnestuste ennetamise meetmeid.

**⚠️ HOIATUS!** Enne käesoleva seadme kasutamist lugege kindlasti läbi ja tehke endale selgeks kõik Kasutusjuhendis toodud ohutusjuhised, sh kõik ohutussümbolid nagu „OHT”, „HOIATUS”, ja „ETTEVAATUST”. Kui kõiki allpool loetletud juhiseid ei järgita, võib tagajärjeks olla elektrilöök, tulekahju ja/või tõsised isikuvigastused.

## SÜMBOLITE TÄHENDUSED

**⚠️ TURVATEATE SÜMBOL** Sümboliteid OHT, HOIATUS, VÕI ETTEVAATUST võidakse kasutada koos teiste sümbolite või piktograafidega.





**⚠️ HOIATUS!** Mis tahes elektriliste tööriistade kasutamine võib põhjustada võõrkehade paiskumist silma, mis võib põhjustada raskeid silmakahjustusi. Kandke elektriliste tööriistade kasutamise ajal alati kaitseprille või külgkaitsetega kaitseprille ja vajadusel täielikku näokaitset. Soovitame kanda prillide peal laia vaatealaga kaitsemaski või tavalisi külgkaitsetega kaitseprille.

## OHUTUSJUHISED

Sel lehel on kujutatud ja kirjeldatud ohutussümboliteid, mida võib käesolevalt tootelt leida. Enne seadme kokkupanemist ja kasutamist lugege, tehke omale selgeks ja järgige kõiki juhiseid.

	Ohutusteade	Teie turvalisusega seotud ettevaatusabinõud.
	Lugege kasutusjuhendit	Et vähendada vigastuste ohtu, peab kasutaja enne toote kasutamist lugema kasutusjuhendit ja selle endale selgeks tegema.
	Kandke kaitseprille	Kandke selle toote kasutamise ajal alati kaitseprille või külgkaitsetega kaitseprille ja täielikku näokaitset.
	Kasutage kuulmiskaitsevahendeid	Kasutage seadmega töötades alati kuulmiskaitset.
	Kandke tugevat peakatet	Pea kaitsmiseks kandke nõuetekohast tugevast materjalist peakatet.
	Kandke kaitsekindaid	Tera või tera kaitse käsitsemisel kandke käte kaitsmiseks kindaid.
	Kandke turvalisusjalu	Tööriista kasutamisel kandke mittelibisevaid turvajalu.
	Ettevaatust tera tagasilööbiga	Hoiatage seadme operaatorit tera tagasilöögi ohu eest.
	Mitte jätta vihma kätte	Mitte kasutada vihma käes ega jätta välistingimustesse vihmajärgi ajal.
	Rikošett ja Hoidke kõrvalised isikud eemal	Võõrkehad võivad rikošetiga eemale paiskuda ja selle tagajärjeks võivad olla isikuvigastused või vara kahjustumine. Võsalõikuri- ja töötamise ajal ei tohi läheduses olla loomi ega teisi inimesi
	Ärge laske kellelgi töö ajal enda lähedal seista	Jõhvitrimmeriga töötamise ajal ei tohi vähemalt 15 m raadiuses olla loomi ega teisi inimesi.
	Ümarad terad ei sobi	Ärge paigaldage ümaraid lõiketerasid.

ET

	WEEE	Elektriseadmete jäätmeid ei tohi visata olmejäätmete hulka. Viige volitatud taaskäitleja juurde.
	Müra	Garanteeritud helivõimsuse tase. Seadme müra keskkonnas on Euroopa Ühenduse direktiiviga vastavuses.
	CE	Toode vastab rakendatavatele EÜ direktiividele.
V	Volti	Pinge
$n_0$	Tühikäigu kiirus	Tühikäigu pöörlemiskiirus
$\text{min}^{-1}$	Minutis	Pööret minutis
	Alalisvool	Voolu tüüp või omadus
kg	Kilogramm	Kaal

- Tera tagasilöök võib esineda siis, kui pöörlev tera puutub kokku esemega, mida see koheselt läbi ei löika.
- Tera tagasilöök võib olla piisavalt tugev, et tööriista ja/või selle operaatorit suvalises suunas lennutada ning võib juhtuda, et operaator kaotab seadme üle kontrolli.
- Tera tagasilöök võib tekkida ootamatult, kui tera puruneb, seiskub või paindub.
- Tera tagasilöögi esinemine on tõenäolisem piirkondades, kus lõigatavat materjali on raske näha.
- Ärge paigaldage seadme külge ühtegi tera ilma kõigi nõutavate osadeta. Õigete osade kasutamata jätmise korral võib tera seadme küljest minema lennata ning selle operaatorit ja/või kõrvalisi isikuid tõsiselt vigastada. Visake ära kõik paindunud, kõverdunud, pragunenud, katkised või muul moel kahjustunud terad. Kasutage teravaid lõiketerasid. Nüri lõiketera võib kergemini puruneda või tagasilööki anda.
- **Tühikäigul pöörlev tera/jõhv võib tekitada vigastusi, sest see jätkab pöörlemist ka siis, kui mootor on peatunud ja päästik vabastatud. Säilitage kontroll seadme üle kuni tera/jõhv on pöörlemise täielikult lõpetanud.**
- Akuga töötavaid tööriistu pole vaja vooluvõrku ühendada, seega on nad alati töörežiimis. Olge teadlik võimalikest ohtudest ka ajal, mil tööriist pole sisse lülitatud. Seadme hooldamise või remontimise ajal olge ettevaatlik.
- Ärge peske voolikuga, vältige vee sattumist mootoris ja elektriühenduste peale.
- Kui esineb olukordi, mida pole käesolevas juhendis kirjeldatud, käituge hoolsalt ja lähtuge tervest mõistusest. Küsige abi EGO hoolduskeskusest.
- Kasutage ainult joonisel A2 esitatud akuplokke ja laadijaid.

**HOIDKE SEE KASUTUSJUHEND ALLES!**

## OLULISED OHUTUSJUHISED

**⚠ HOIATUS! Lugege läbi kõik elektritööriistaga kaasas olevad hoiatused, juhised, joonised ja andmed.** Alltoodud juhiste eiramine võib põhjustada elektrilööki, tulekahju ja/või raskeid vigastusi.

**Säilitage hoiatused ja juhised hilisemaks kasutuseks.**

- **Vältige ohtlikke keskkondi** – ärge kasutage seadmeid niisketil või märgadel kallakutel.
- Hoidke piirded omal kohal ja töökorras.
- **Hoidke käed ja jalad lõikealast eemal.**
- Vigastuste esinemise ohu vähendamiseks ärge kunagi kasutage seda seadet, kui seisate redelil või muul ebakindlal pinnal. Ärge kunagi hoidke lõiketarvikut vöökohast kõrgemal.
- **Kontrollige lõiketarviku seisukorda töötamise ajal regulaarselt ja sagedasti või koheselt kui ilmneb märgatav muutus lõikeseadmete töös.**
- **Parimate tulemuste saavutamiseks tuleks laadida akut keskkonnas, mille temperatuur jääb vahemikku 5° C kuni 40° C.** Ärge hoiustage akut välistingimustes või sõidukites.
- Kui keegi teile läheneb, seisake mootor ja lõiketarvik koheselt.
- Hoiatage seadme operaatorit tera tagasilöögi ohu eest.

ET



## SPETSIFIKATSIOONID

Tühikäik	450±5%rpm	
Lõiketera	ABR2300	
Soovituslik töökeskkonna temperatuur	0°C-40°C	
Soovituslik hoiustamise temperatuur	-20°C-70°C	
Kaal (ilma akuplokita)	2,6 kg	
Mõõdetud helivõimsuse tase $L_{WA}$	97,36 dB(A) K= 2,7 dB(A)	
Helirõhk seadme operaatori kõrva juures $L_{PA}$	83 dB(A) K= 2,5 dB(A)	
Garanteeritud helivõimsuse tase $L_{WA}$ (mõõdetud vastavalt direktiivile 2000/14/EÜ)	100 dB(A)	
Vibratsioon $a_h$ mootmine:	Eesmine abikäepide	3,3 m/s <sup>2</sup> K= 1,5 m/s <sup>2</sup>
	Tagumine käepide	2,0 m/s <sup>2</sup> K= 1,5 m/s <sup>2</sup>

- Esitatud vibratsioonitaseme näit on mõõdetud standardsete testmeetodite kohaselt ja seda võidakse kasutada erinevate tööriistade võrdlemiseks.
- Esitatud vibratsioonitaseme näitu võib kasutada ka alge kokkupuutehinnangu andmiseks.

**MÄRKUS!** Tegelikul kasutamisel tekivad vibratsioonitase võib esitatust erineda; turvalisuse eesmärgil peaks seadme kasutaja tegelikes kasutustingimustes kandma kindaid ja kuulmiskaitsmeid.

## PAKENDI LOEND (Joon. A1)

### KIRJELDUS

#### TUNNE OMA ROTOCUT TARVIKUT (joon. A1)

1. Kinnituskruvi
2. Käigukast
3. Tera
4. Libistatava katte moodul
5. Kaitsepiire
6. Vars
7. Otsakork
8. Mutrivõti
9. Kuuskantvõti

## KOKKUPANEK

**⚠ HOIATUS!** Kui mõni osa on kahjustatud või puudub, ärge kasutage seadet enne, kui see osa on parandatud. Kasutades kahjustatud või vajalike komponentideta seadet, võite saada raskeid vigastusi.

**⚠ HOIATUS!** Ärge üritage seadet ümber ehitada ega kasutada tarvikuid, mis pole mõeldud selle seadmega koos kasutamiseks. Kõik niisugused muudatused loetakse väärkasutuseks ja need võivad põhjustada ohtlikke olukordi, mis lõppevad raskete vigastustega.

### KAITSEPIIRDE PAIGALDAMINE

**⚠ HOIATUS!** Piirde paigaldamise või vahetamise ajal kasutage alati kindaid. Jälgige tera liikumist ja olge ettevaatlik, et te ei vigastaks oma käsi.

**⚠ HOIATUS!** Ärge kasutage tööriista, mille kaitsepiire pole korrektselt paigaldatud. Kasutaja turvalisuse huvides peab kaitsepiire kogu aeg kinnitatud olema. Kaitsepiirde paigaldamise järgselt ärge kunagi üritage seda eemaldada ega kohandada. Väljavahetamise vajaduse korral peab seda tegema kvalifitseeritud tehnik!

Kruvige lahti kaks kaitsepiirde (joon. B) küljes olevat kruvi, joondage kaitsepiirde paigaldusavad aluse kinnitussavadega ja kinnitage kaitsepiire varre alumise osa külge kahe kruvi ja kahe vedruseibiga (joon. C).

**⚠ HOIATUS!** Veenduge, et kaitsepiire on kinnitatud vastavalt joonistel B ja C antud juhiste. Juhiste mittejärgimine tekitab väga ohtliku olukorra!

### ROTOCUT TARVIKU ÜHENDAMINE TOITEPEAGA

See ROTOCUT tarvik on mõeldud kasutamiseks EGO toitepeaga PH1400E. Lugege tööriistapea PH1400E kasutusjuhendist jaotist "TARVIKU PAIGALDAMINE TÖÖRIISTAPEA KÜLGE".

## SEADME KASUTAMINE

**⚠ HOIATUS!** Ärge muutuge toodet tundma õppides hooletuks. Pidage meeles, et raskeid vigastusi põhjustavaks õnnetuseks piisab ka sekundi murdosa pikkusest lähelepanemastusest.

**⚠ HOIATUS!** Ärge kasutage lisaseadmeid või -tarvikuid, mida selle seadme valmistaja pole soovitanud. Mittesooovituslike lisaseadmete või -tarvikute kasutamine võib põhjustada raskeid kehavigastusi.

Seda toodet võite kasutada allpool loetletud eesmärkidel.

**Lõikamine:** kasutatakse rohu lõikamiseks vaiade või kaitsepiirete, seinte, kõnniteeservade, aedade lähedusest või parkimisplatside taimestiku piiramiseks.

ET

**MÄRKUS!** ROTOCUTI tarviku kasutamisel jälgige, et seadme ei paisuks võõrkehased, sest need kujutavad endast suurt riski - purunenud aknad, mölgid autodel, rebenenud aiad, kahjustatud puukoor ja isikuvigastused.

## ROTOCUT TARVIKU KASUTAMINE KOOS TOITEPEAGA

**⚠ HOIATUS!** Raskete vigastuste vältimiseks kasutage seadmega töötades alati kaitseprille. Tolmustes tingimustes kandke näomaski või tolumumaski.

Enne töö alustamist puhastage tööpiirkond võõrkehadest. Eemaldage tööpinna kõik kivid, klaasikillud, naelad, juhtmed ja nõõrid, mis võivad seadme töö tõttu paiskuda või selle külge või sisse kinni jääda. Jälgige, et tööpiirkonnas poleks lapsi, kõrvalisi isikuid ega loomi. Lapsed, kõrvalised isikud ja loomad peavad olema vähemalt 15 meetri kaugusel; ka selle tingimuse täidetuse korral säilib mõningane paiskuvatest esemetest tingitud oht kõrvalistele isikutele. Soovitage kõrvalistel isikutel kasutada kaitseprille. Kui keegi teile läheneb, seisake mootor ja lõikeseade koheselt.

## Enne iga kasutuskorda kontrollige seadme kahjustumist / kulumist.

Kontrollige ROTOCUT tarvikut, kaitsepiiret ja aaskäepidid ning vahetage välja mõranenud, väändunud, paindunud või muul moel kahjustatud komponendid.

## Puhastage seadet pärast iga kasutuskorda.

**⚠ ETTEVAATUST!** Õhutusava ees olevad objektid takistavad õhu pääsemist mootori korpusesse ning selle tulemusena võib mootor üle kuumeneda või kahjustusi saada.

- Puhastamiseks kasutage ainult pehmetoimelist seepi ja niisket lappi. Ärge kunagi laske vedelikul tööriista sisse sattuda ja ärge kunagi pange tööriista vedelikku sisse.
- Jälgige alati, et mootori korpuse õhutusavad oleksid puhtad.

ET

## HOOLDUS

**⚠ HOIATUS!** Remontimisel kasutage vaid originaalvaruosi. Kontrollige ja hooldage tööriista regulaarselt. Turvalisuse ja vastupidavuse tagamiseks peab kõiki parandustöid läbi viima kvalifitseeritud hooldustehnik.

**⚠ HOIATUS!** Akuga töötavaid tööriistu pole vaja vooluvõrku ühendada, seega on nad alati töörežiimis. Raskete kehavigastuste ennetamiseks olge väga hoolikas, kui teostate hooldus- või remonttöid või vahetate lõikeseadmeid või muid tarvikuid.

**⚠ HOIATUS!** Raskete vigastuste vältimiseks ühendage aku konnektor alati pesast lahti enne, kui asute seadet hooldama, puhastama, lisatarvikuid vahetama või kinni jäänud materjali eemaldama.

## ROTOCUTI TERA VAHETAMINE

**⚠ HOIATUS!** Vahetage terad välja kohe kui terad tulevad pärast asendisse fikseerimist lahti või kui terad on väga kulunud. Ärge kunagi kasutage lahtese või mittetöötava lõikeseadmega tööriista.

Tutvuge ROTOCUTI pea ülesehitusega, joon. D1.

D-1	Võlli ots	D-2	Pealmine tera
D-3	Alumine tera	D-4	Tugikuppel
D-5	Seib	D-6	Vedamisketas
D-7	Mutter		

1. Asetage ROTOCUTI pea käigukast toetamiseks kindla pinna vastu. Kinnitage pealmine ja alumine tera tangide või kruustangide vahele ja vabastage mutter mutrivõtme abil (joon. D2).
2. Eemaldage mutter, vedamisketas, seib, tugikuppel, alumine tera, pealmine tera ja võlli ots joon. D1 näidatud järjekorras.
3. Enne uute terade paigaldamist paigaldage võlli ots võllile (joon. D3). Pange suure kuuskantavaga pealmine tera võllile nii, et „EGO“ logoga pind on suunatud käigukasti poole (joon. D4), seejärel pange väikese kuuskantavaga alumine tera võllile nii, et „EGO“ logoga pind on suunatud operatori poole (joon. D5).

**⚠ HOIATUS!** Veenduge, et terade kuuskantavad ja kuuskantvõlli ots lähevad paika. Kui paigaldate terad vastupidiselt, siis ei tööta ROTOCUT tarvik korrektselt ja kahjustab terasid.

4. Kokkupanelul toimige joon. D1 esitatud järjekorras.

## KÄIGUKASTI MÄÄRIMINE

Seadme parima töövoime ja pikema kasutusea tagamiseks määrige selle käigukasti erimäärdega (iga kord 4–5 g) pärast iga 50 töötatud tundi.

Erimääre peab vastama järgnevatele tingimustele.

1. Kuulub DIN51818: NLGI-1 koospenetratsiooni klassi.
2. Estril põhinev määre.
3. Suurepärase käivitus madalal temperatuuril, vastupidavus ekstreemsetele rõhkudele ja mehaanilisele hõõrdumisele, kulumiskindlus ning oksüdatiivne stabiilsus.

4. Töötemperatuuri vahemik -40~180°C. Eemaldage aku pistik ja kinnituskruvi. Käigukasti määrimine õliava kaudu.

**⚠ HOIATUS!** Ärge määrige, kui tööriist on endiselt akuga ühendatud või töötab.

#### SEADME PUHASTAMINE

- Seadme puhastamiseks kasutage leebetoimelise puhastusvahendiga immutatud niisket lappi.
- Ärge kasutage plastmasskomponentide või käepideme puhastamiseks tugevatoimelisi puhastusaineid. Seadme osi võivad kahjustada teatud aromaatsed õlid (nt männi- või sidruniõli) ja teatud ained (nt petrooleum). Niiskus võib tekitada elektrilöögi ohu. Eemaldage niiskus pehme kuiva lapiga.

#### SEADME HOIUSTAMINE

- Enne tööriista hoiustamist puhastage see hoolikalt.
- Hoidke tööriista kuivas, hästi ventileeritavas, lukustatud kohas ja kõrge, lastele ligipääsmatus kohas. Ärge hoidke seadet väetiste, bensiini või muude kemikaalide läheduses.
- Seadme transportimisel ja hoiustamisel kasutage metallterade jaoks mõeldud transpordikatteid.

#### Keskonnakaitse



Ärge visake elektriseadmeid, akulaadurit ega patareisid/akusid olmeprügi hulka! Viige toode volitatud taaskäitleja juurde ja võimaldage selle komponendid sorteerituna kõrvaldada. Elektritööriistad viige keskkonnakaitse nõudeid järgivasse jäätmekäitluskeskusesse.

## TÕRKEOTSING

PROBLEEM	PÕHJUS	LAHENDUS
ROTOCUT ei käivitu.	<ul style="list-style-type: none"> <li>Akuplokk pole korralikult toitepea külge ühendatud.</li> <li>Akuplokk on tühi.</li> <li>Lukustushooba ja päästikut ei vajutatud samaaegselt.</li> </ul>	<ul style="list-style-type: none"> <li>Ühendage akuplokk toitepeaga.</li> <li>Laadige akuplokki käesolevas juhendis märgitud EGO laaduri abil.</li> <li>Seadme sisse lülitamiseks vajutage lukustushooba ja hoidke seda all ning vajutage päästikut.</li> </ul>
ROTOCUT peatub löikamise ajal.	<ul style="list-style-type: none"> <li>Mootor on ülekoormatud.</li> <li>Akuplokk on liiga kuum.</li> <li>Akuplokk on tööriista küljest lahti ühendatud.</li> </ul>	<ul style="list-style-type: none"> <li>Mootori võimsus taastub koormuse eemaldamisel. Järjepideva töö jaoks vähendage ROTO CUTi koormust ja vältige sügavuti freesimist, selle asemel tehke löikeid, mis järjest sügavamaks lähevad.</li> <li>Laske akul loomulikult teel maha jahtuda või puhuge sellele õhku, et jahtumist kiirendada.</li> <li>Ühendage akuplokk uuesti.</li> </ul>

ET

## GARANTII

### EGO GARANTIIPÕHIMÕTTED

Täielikud EGO garantiitingimused leiata veebilehelt [egopowerplus.com](http://egopowerplus.com).

## ПРОЧИТАЙТЕ ВСІ ІНСТРУКЦІЇ!



Прочитайте Посібник З Експлуатації

**⚠ Залишковий ризик!** Люди з електронними пристроями, наприклад кардіостимуляторами, повинні проконсультуватися зі своїм лікарем (лікарями) перед використанням цього виробу. Експлуатація електрообладнання в безпосередній близькості від кардіостимулятора може спричинити перешкоди або несправність кардіостимулятора.

**⚠ ПОПЕРЕДЖЕННЯ.** Для гарантування безпеки та надійності всі роботи з ремонту та заміни повинен проводити кваліфікований технічний спеціаліст.

## СИМВОЛ БЕЗПЕКИ

Мета символів, пов'язаних із безпекою, – привернути вашу увагу до можливих небезпек. Символи безпеки та їхнє пояснення заслуговують на вашу пильну увагу та розуміння. Символи попереджень самі по собі не усувають будь-якої небезпеки. Інструкції та попередження, які вони надають, не замінюють належних заходів щодо запобігання аваріям.

**⚠ ПОПЕРЕДЖЕННЯ.** Перш ніж користуватися цим інструментом, обов'язково ознайомтеся з усіма інструкціями з безпеки, наведеними в цьому посібнику користувача, зокрема з усіма символами попереджень, такими як «НЕБЕЗПЕКА», «ПОПЕРЕДЖЕННЯ» та «ЗАСТЕРЕЖЕННЯ». Недотримання наведених нижче вказівок може спричинити ураження електричним струмом, пожежу та/або серйозні травми.

## ЗНАЧЕННЯ СИМВОЛУ

**⚠ СИМВОЛ ПОПЕРЕДЖЕННЯ ЩОДО БЕЗПЕКИ:** Вказує на НЕБЕЗПЕКУ, ПОПЕРЕДЖЕННЯ або ЗАСТЕРЕЖЕННЯ. Може використовуватися разом з іншими символами або піктограмами.

**⚠ ПОПЕРЕДЖЕННЯ.** Використання будь-яких електроінструментів може призвести до потрапляння сторонніх предметів в очі, що може спричинити серйозне пошкодження очей. Перед початком експлуатації електроінструмента завжди надягайте закриті захисні окуляри або відкриті захисні окуляри з бічними щитами та, якщо потрібно, повнопрофільну захисну маску. Ми рекомендуємо захисну маску широкого розміру для використання поверх окулярів або стандартні відкриті захисні окуляри з бічними щитами.

## ПРАВИЛА ТЕХНІКИ БЕЗПЕКИ

На цій сторінці зображено та описано символи, пов'язані з безпекою, які можуть відобразитися на цьому виробі. Перш ніж намагатися зібрати та експлуатувати його, ознайомтеся з усіма інструкціями на інструменті та дотримуйтесь їх.

	Попередження щодо безпеки	Запобіжні заходи, що стосуються вашої безпеки.
	Прочитайте посібник з експлуатації	Щоб зменшити ризик травми, користувач повинен ознайомитися з інструкцією користувача перед використанням цього виробу.
	Надягайте засоби захисту очей	Працюючи з цим виробом, завжди носіть закриті захисні окуляри чи відкриті захисні окуляри з бічними щитами або повнопрофільну захисну маску.
	Надягайте засоби захисту органів слуху	Під час роботи з цим виробом завжди використовуйте засоби захисту органів слуху.
	Надягайте засоби захисту голови	Носіть схвалений захисний шолом для захисту голови.
	Надягайте захисні рукавиці.	Під час роботи з лезом і щитком леза одягайте рукавиці для захисту рук.
	Надягайте захисне взуття	Використовуючи таке обладнання, одягайте неслизьке захисне взуття.
	Остерігайтеся упору леза	Попередьте оператора про небезпеку упору леза.
	Не залишайте під дощем	Не використовуйте цей пристрій у дощ і не залишайте його в дощ надворі.

UK

	Небезпека рикошету, тримайте сторонніх спостерігачів подалі	Відкинуті предмети можуть відрикошетитись і призвести до травм або пошкоджень майна. Переконайтеся, що інші люди та домашні тварини залишаються на відстані від кущоріза, коли він використовується
	Тримайте сторонніх подалі	Переконайтеся, що інші люди та домашні тварини залишаються на відстані принаймні 15 м від лісового тримера, коли він використовується.
	Кругле лезо не використовується	Не встановлюйте кругові різальні леза.
	WEEE	Відходи електричних виробів не слід викидати разом із побутовим сміттям. Зверніться до авторизованого пункту переробки.
	Шум	Гарантований рівень звукової потужності. Розповсюдження шуму в навколишнє середовище згідно з директивою Європейського співтовариства
	CE	Цей виріб відповідає чинним директивам ЄС.
V	Вольти	Напруга
$n_0$	Швидкість холостого ходу	Обертова швидкість без навантаження
$\text{min}^{-1}$	На хвилину	Обертів на хвилину

	Постійний струм	Тип або характеристика струму
kg	Кілограм	Вага

## ВАЖЛИВІ ВКАЗІВКИ ЩОДО БЕЗПЕКИ

**⚠ ПОПЕРЕДЖЕННЯ.** Прочитайте всі попередження безпеки, інструкції, ілюстрації та характеристики, надані з цим електроінструментом. Недотримання наведених нижче вказівок може спричинити ураження електричним струмом, пожежу та/або серйозні травми

**Зберігайте всі попередження та інструкції для використання у майбутньому.**

- Уникайте небезпечних середовищ. Не використовуйте прилади на вологих або мокрих схилах.
- Запобіжники мають бути на місці та в робочому стані.
- Тримайте руки та ноги подалі від місця різання.
- Щоб зменшити ризик отримання травми, ніколи не слід працювати на драбині або на будь-якій іншій небезпечній опорі. Ніколи не тримайте ріжучий пристрій вище висоти пояса.
- Регулярно перевіряйте ріжучий пристрій через короткі проміжки часу під час роботи, або негайно, якщо помітна зміна в способі різання.
- Для досягнення найкращих результатів акумулятор потрібно заряджати при температурі від 5 °C до 40 °C. Не зберігайте його надворі або в автомобілі.
- Перед наближенням зупиніть мотор і ріжучий пристрій.
- Попередьте оператора про небезпеку упору леза.
- Упор леза може мати місце, коли обертове лезо контактує з предметом, який він не зрізає негайно.
- Упор леза може бути достатньо сильним і відштовхнути прилад і/або користувача в будь-якому напрямку, і, можливо, призвести до втрати контролю над приладом.
- Упор леза може статися без попередження, якщо лезо налетить на корчі, застопориться або заплутається.
- Упор леза частіше відбуваються в областях, де важко побачити матеріал, що зрізається.

**UK**

- Не прикріплюйте лезо до приладу без належного встановлення всіх необхідних частин. Використання невідповідних деталей може призвести до вильоту леза та серйозного пошкодження оператора та/або сторонніх спостерігачів. Викидайте лезо, якщо воно зігнулося, деформувалося, тріснуло, зламалося або його пошкоджено будь-яким іншим чином. Використовуйте гостре лезо. Тупе лезо з більшою ймовірністю зачепиться або застрягне.
- Лезо/ліска, що рухається, може спричинити пошкодження, коли продовжує обертатися після зупинки мотора або звільнення тригера. Підтримуйте належний контроль, доки лезо/ліска повністю не припинить обертатися.
- Акумуляторні інструменти не потрібно підключати до електричної розетки; отже, вони завжди в робочому стані. Будьте в курсі можливих небезпек, навіть якщо інструмент не працює. Будьте обережні, виконуючи технічне обслуговування чи догляд.
- Не мийте шлангом; уникайте потрапляння води в мотор та електричні з'єднання.
- Якщо виникають ситуації, які не розглядаються в цьому посібнику, проявляйте обережність і розсудливість. Зверніться до сервісного центру для клієнтів EGO по допомогу.
- Використовуйте лише акумулятори та зарядні пристрої, перелічені на рис. A2.

**ЗБЕРЕЖІТЬ ЦЮ ІНСТРУКЦІЮ!**

## ТЕХНІЧНІ ХАРАКТЕРИСТИКИ

Швидкість холостого ходу	450±5% об./хв
Ріжуче лезо	ABR2300
Діапазон рекомендованих робочих температур	0°C-40°C
Діапазон рекомендованих температур зберігання	-20°C-70°C
Вага (без акумулятора)	2,6 кг
Вимірний рівень звукової потужності $L_{WA}$	97,36 дБ(A) K= 2,7 дБ(A)
Рівень звукового тиску на місці вуха оператора $L_{PA}$	83 дБ(A) K= 2,5 дБ(A)
Гарантований рівень звукової потужності $L_{WA}$ (виміряно відповідно до 2000/14/EC)	100 дБ(A)

Оцінка вібрації $a_{hv}$ :	Передня допоміжна ручка	3,3 м/с <sup>2</sup> K= 1,5 м/с <sup>2</sup>
	Задня ручка	2,0 м/с <sup>2</sup> K= 1,5 м/с <sup>2</sup>

- Вказане загальне значення вібрації виміряне за стандартним методом тестування і може використовуватися для порівняння одного інструмента з іншим;
- Заявлене сумарне значення вібрації може також використовуватися для попередньої оцінки впливу.

**ПРИМІТКА.** Емісія вібрації під час фактичного використання електроінструмента може відрізнятися від заявленої величини, у якій використовується інструмент. Щоб захистити оператора, користувач повинен одягати рукавички та захисні навушники в реальних умовах використання.

## ПАКУВАЛЬНИЙ СПИСОК (РИС. A1)

### ОПИС

#### ОЗНАЙОМЛЕННЯ З НАСАДКОЮ-РОТАЦІЙНОЮ КОСАРКОЮ (рис. A1)

1. Герметичний гвинт
2. Корпус редуктора
3. Лезо
4. Зсувна кришка в зборі
5. Щиток у зборі
6. Вал
7. Торцевий ковпачок
8. Гайковий ключ
9. Торцевий ключ

### ЗБИРАННЯ

**▲ ПОПЕРЕДЖЕННЯ.** Якщо якісь частини пошкоджені або відсутні, не користуйтеся цим інструментом, доки вони не будуть замінені. Використання цього виробу з пошкодженими або відсутніми деталями може призвести до серйозних травм.

**▲ ПОПЕРЕДЖЕННЯ.** Не намагайтеся вдосконалити цю машину або застосувати приладдя, не рекомендоване для неї. Кожна така заміна чи переробка є фактом неправильного користування, створює небезпечні умови й загрожує серйозними травмами.

#### УСТАНОВЛЕННЯ ЩИТКА

**▲ ПОПЕРЕДЖЕННЯ.** Під час установлення або заміни щитка завжди слід носити рукавички. Остерігайтеся леза на щитку та захистіть руку від травм.

**UK**

**⚠ ПОПЕРЕДЖЕННЯ.** Ніколи не використовуйте інструмент, якщо щиток міцно не закріплено. Щиток завжди має бути на інструменті для захисту користувача! Коли щиток зафіксовано, ніколи не намагайтеся зняти або відрегулювати щиток. Якщо потрібно замінити його, це має виконувати кваліфікований технічний персонал!

Відкрутіть і зніміть два гвинти зі щитка (рис. В), вирівняйте захисні монтажні отвори з отворами для збирання, а потім закріпіть щиток на основі вала за допомогою двох гвинтів разом із двома пружинними шайбами (рис. С).

**⚠ ПОПЕРЕДЖЕННЯ.** Переконайтесь, що захисний щиток закріплений відповідно до рисунків В і С, будь-яке зворотнє кріплення може призвести до великої небезпеки!

### ПІД'ЄДНАННЯ НАСАДКИ-РОТАЦІЙНОЇ КОСАРКИ ДО ПРИВІДНОЇ ГОЛОВКИ

Ця насадка-ротаційна косарка призначена для використання з приводною головою EGO RH1400E. Див. розділ «УСТАНОВЛЕННЯ НАСАДКИ НА ПРИВІДНУ ГОЛОВКУ» в посібнику користувача приводної головки RH1400E.

## ЕКСПЛУАТАЦІЯ

**⚠ ПОПЕРЕДЖЕННЯ.** Знання виробу не має робити вас небалим. Пам'ятайте, що півсекунди неухважності досить для серйозної травми.

**⚠ ПОПЕРЕДЖЕННЯ.** Не використовуйте приладдя чи насадки, не рекомендовані виробником цього пристрою. Використання нерекomenдованого приладдя чи насадок може призвести до серйозних травм.

Ви можете використовувати цей виріб для цілей, перелічених нижче:

**Зрізання:** використовується для зрізання трави навколо стовпчиків або огорож, країв стін, бордюрів, огорож у місцях із поживленим рухом або для обрізання рослинності на парковках.

**ПРИМІТКА.** Під час використання насадки-ротаційної косарки переконайтесь, що сторонні предмети не буде відкинуто, що може тягну за собою серйозні ризики: розбиті вікна, вм'ятини кузова, прорізи в парканах, порвана кора дерева або тілесні ушкодження.

### ВИКОРИСТАННЯ НАСАДКИ-РОТАЦІЙНОЇ КОСАРКИ З ПРИВІДНОЮ ГОЛОВКОЮ

**⚠ ПОПЕРЕДЖЕННЯ.** Щоб уникнути серйозних травм, завжди використовуйте закриті або відкриті захисні окуляри під час роботи з цим пристроєм.

Одягайте маску для обличчя або пилову маску в місцях, де є пил.

Очищуйте ділянку підрізання перед кожним використанням. Видаліть усі предмети, такі як камені, бите скло, цвяхи, дроти або ліску, які можуть бути відкинуті або зтягнуті в ріжуче обладнання. Приберіть із робочої області дітей, сторонніх і домашніх тварин. Принаймні тримайте всіх дітей, сторонніх спостерігачів і домашніх тварин на відстані не менше 15 м; проте для сторонніх спостерігачів усе одно може бути ризик від відкинутих предметів. Стороннім спостерігачам слід рекомендувати носити засоби захисту очей. Перед наближенням зупиніть мотор і ріжучий пристрій негайно.

### Перед кожним використанням перевірте наявність пошкоджень/зношених деталей

Перевірте насадку-ротаційну косарку, щиток і ручку-скобу, а також замініть частини, які тріснули, викривлені, зігнуті або будь-яким чином пошкоджені.

Після кожного використання очистьте інструмент.

**⚠ ЗАСТЕРЕЖЕННЯ.** Засмічення вентиляційних отворів перешкоджає проникненню повітря в корпус мотора і може призвести до перегріву або пошкодження мотора.

- Чистьте тільки м'яким милом і вологою ганчіркою. Ніколи не допускайте потрапляння рідини всередину інструмента; ніколи не занурюйте будь-яку частину інструмента в рідину.
- Завжди оберегайте вентиляційні отвори в корпусі мотора від сміття.

## ОБСЛУГОВУВАННЯ

**⚠ ПОПЕРЕДЖЕННЯ.** Використовуйте для технічного обслуговування лише ідентичні запчастини. Регулярно оглядайте інструмент і виконуйте його обслуговування. Для гарантування безпеки та надійності всі ремонтні роботи повинен проводити кваліфікований технічний спеціаліст.

**⚠ ПОПЕРЕДЖЕННЯ.** Акумуляторні інструменти не потрібно підключати до електричної розетки; отже, вони завжди в робочому стані. Щоб запобігти серйозному травмуванню, вживайте додаткових заходів та будьте обережні під час технічного обслуговування або зміни різального обладнання чи інших пристосувань.

**⚠ ПОПЕРЕДЖЕННЯ.** Щоб запобігти серйозним травмам, від'єднайте роз'єм акумулятора від гнізда перед обслуговуванням, очищенням, заміною додаткових насадок або видаленням матеріалу з пристрою.

UK

## ЗАМІНА ЛЕЗА РОТАЦІЙНОЇ КОСАРКИ

**⚠ ПОПЕРЕДЖЕННЯ.** Якщо леза не закріплені щільно після того, як вони зафіксовані на місці, або леза сильно зношені, негайно замініть їх. Ніколи не використовуйте інструмент із незакріпленим або неефективним ріжучим пристроєм.

Ознайомлення з головою РОТАЦІЙНОЇ КОСАРКИ, показаної на рис. D1.

D-1	Ковпачок вала	D-2	Верхнє лезо
D-3	Нижнє лезо	D-4	Опорний ковпачок
D-5	Шайба	D-6	Ковзна чаша
D-7	Гайка		

1. Поставте корпус редуктора головки РОТАЦІЙНОЇ КОСАРКИ на тверду поверхню. Затисніть верхнє та нижнє леза за допомогою плоскогубців або лещат, потім за допомогою гайкового ключа ослабте гайку (рис. D2).
2. Зніміть гайку, ковзну чашу, шайбу, опорний ковпачок, нижнє лезо, верхнє лезо та ковпачок вала у тій послідовності, яка показана на рис. D1.
3. Перш ніж установлювати нові леза, установіть на вал ковпачок вала (рис. D3). Помістіть верхнє лезо з великим шестикутним отвором на вал так, щоб поверхня з надрукованим логотипом «EGO» була звернута до корпусу редуктора (рис. D4), потім надіньте нижнє лезо з невеликим шестикутним отвором на вал поверхню, на якій надруковано логотип «EGO», зверненою до оператора (рис. D5).

**ПРИМІТКА.** Переконайтеся, що шестикутні отвори на лезах і шестигранне плече вала розташовані на місці. В іншому разі, коли леза встановлені у зворотному порядку, НАСАДКА-РОТАЦІЙНА КОСАРКА не зможе працювати правильно й пошкодити леза.

4. Дотримуйтесь послідовності, показаній на рис. D1, щоб зібрати їх.

## ЗМАЩУВАННЯ КОРПУСУ РЕДУКТОРА

Для кращої експлуатації та більш тривалого терміну служби змащуйте корпус редуктора спеціальним мастилом (4–5 г щоразу) кожні 50 годин роботи.

Спеціальне мастило має відповідати зазначеним далі вимогам.

1. Відповідність стандарту DIN51818: ступінь проникнення конуса NLGI-1.
2. Мастило на основі ефіру.
3. Властивості відмінного низькотемпературного запуску, протизадирні властивості, стійкість до механічного розривання, стирання та окислення.

4. Робоча температура має бути в межах від -40 до +180°C. Зніміть заглушку акумулятора та герметичний гвинт. Змажте редуктор через отвір для масла.

**⚠ ПОПЕРЕДЖЕННЯ.** Не змащуйте інструмент, коли він під'єднаний до акумулятора або працює.

## ОЧИЩЕННЯ ПРИЛАДУ

- Очистьте прилад вологою ганчіркою з м'яким миючим засобом.
- Не використовуйте сильні миючі засоби на пластиковому корпусі або ручці. Вони можуть бути пошкоджені деякими ароматичними маслами, наприклад хвойним і лимонним, а також розчинниками, такими як гас. Вологість також може становити небезпеку удару. Обережно протріть вологу м'якою сухою тканиною.

## ЗБЕРІГАННЯ ПРИЛАДУ

- Перед зберіганням інструмент необхідно ретельно очистити.
- Зберігайте пристрій у сухому, добре вентильованому, закритому або високо розташованому недоступному для дітей місці. Не зберігайте пристрій біля мінеральних добрив, бензину та інших хімікатів.
- Використовуйте транспортувальний чохол для металевих лез під час транспортування та зберігання.

## Захист довкілля



Не викидайте електричне обладнання, акумулятор і зарядний пристрій у побутові відходи! Віднесіть цей виріб авторизованому переробнику й надайте його для роздільного збирання. Електроінструменти необхідно повернути в підприємство, що займається екологічно безпечною переробкою.

**UK**



## УСУНЕННЯ НЕСПРАВНОСТЕЙ

НЕСПРАВНІСТЬ	ПРИЧИНА	ВИРІШЕННЯ
РОТАЦІЙНА КОСАРКА не запускається.	<ul style="list-style-type: none"> <li>■ Акумуляторна батарея не приєднана до приводної головки належним чином.</li> <li>■ Акумуляторна батарея розряджена.</li> <li>■ Важіль блокування та тригер не натиснуто одночасно.</li> </ul>	<ul style="list-style-type: none"> <li>■ Під'єднайте акумулятор до приводної головки.</li> <li>■ Заряджайте акумулятор зарядним пристроєм EGO, зазначеним у цьому посібнику.</li> <li>■ Натисніть важіль блокування та утримуйте його, а потім натисніть на тригер, щоб увімкнути пристрій.</li> </ul>
РОТАЦІЙНА КОСАРКА зупиняється під час різання.	<ul style="list-style-type: none"> <li>■ Мотор перевантажено.</li> <li>■ Акумулятор занадто гарячий.</li> <li>■ Акумулятор від'єднано від інструмента</li> </ul>	<ul style="list-style-type: none"> <li>■ Мотор відновить роботу, коли навантаження буде усунуто. Для безперервної роботи зменште навантаження на РОТАЦІЙНУ КОСАРКУ та уникайте глибокого різання; натомість поступово збільшуйте глибину.</li> <li>■ Дайте акумуляторній батареї охолонути природним чином або продуйте повітрям, щоб прискорити охолодження.</li> <li>■ Під'єднайте акумуляторну батарею.</li> </ul>

## ГАРАНТІЯ

### ПРАВИЛА ГАРАНТІЇ EGO

Відвідайте веб-сайт [egopowerplus.com](http://egopowerplus.com) для отримання повного тексту умов гарантійної політики EGO.

UK

## ПРОЧЕТЕТЕ ВСИЧКИ ИНСТРУКЦИИ!



Прочетете Ръководството На Оператора

**⚠ Остатъчен риск!** Хора с електронни устройства, като пейсмейкър трябва да се консултират с лекуващия(те) си лекар(и) преди употреба на този продукт. Работата с електрическо оборудване в непосредствена близост до сърдечен пейсмейкър може да предизвика смущение или неизправност на пейсмейкъра.

**⚠ ПРЕДУПРЕЖДЕНИЕ:** За да осигурите безопасността и надеждността, всички поправки и подмени трябва да се извършват от квалифициран сервизен техник.

## СИМВОЛ ЗА БЕЗОПАСНОСТ

Целта на символите за безопасност е да привличат вниманието към възможни опасности. Символите за безопасност и обясненията към тях заслужават вашето повишено внимание и осъзнаване. Символите за безопасност сами по себе си не елиминират каквато и да е опасност. Инструкциите и предупрежденията, които предоставят не са заместители за подходящите мерки за предотвратяване на инцидент.

**⚠ ПРЕДУПРЕЖДЕНИЕ:** Уверете се, че сте прочели и осъзнали всички инструкции за безопасност в това Ръководство на оператора, включително всички известяващи символи за безопасност, като "ОПАСНОСТ," "ПРЕДУПРЕЖДЕНИЕ," и "ВНИМАНИЕ" преди да използвате този инструмент. Неспазването на всички инструкции изброени долу може да доведе до електрически шок, пожар и/или сериозно нараняване.

## ЗНАЧЕНИЕ НА СИМВОЛИТЕ

**⚠ СИМВОЛ СИГНАЛИЗИРАЩ ЗА**

**БЕЗОПАСНОСТ:** Означава **ОПАСНОСТ, ПРЕДУПРЕЖДЕНИЕ ИЛИ ВНИМАНИЕ**, може да бъде използван във връзка с други символи или пиктограми.

**⚠ ПРЕДУПРЕЖДЕНИЕ:** Експлоатацията на всички електрически инструменти, може да доведе до изхвърляне на чужди предмети към вашите очи, което може да доведе до сериозно нараняване на очите. Преди започване на работа с електрически инструмент, винаги носете предпазни очила със странична защита и визьор за цялото лице, когато е необходимо. Ние препоръчваме предпазна маска с широк визьор за употреба над очила или стандартни предпазни очила със странична защита.

## ИНСТРУКЦИИ ЗА БЕЗОПАСНОСТ

Тази страница изобразява и описва символите за безопасност, които може да се появят по този продукт. Прочетете, осъзнайте и следвайте всички инструкции по машината преди предприемане на сплобяване и работа.

	Сигнал за безопасност	Предпазни мерки, които засягат Вашата безопасност.
	Прочетете ръководството на оператора	За намаляване на опасността от нараняване, потребителят трябва да прочете и разбере ръководството на оператора преди използването на този продукт.
	Носете защита за очите	Винаги носете предпазни очила със странична защита и предпазен екран за цялото лице, когато работите с този продукт.
	Носете защита за слуха	Винаги носете защита за слуха, когато работите с този продукт.
	Носете защита за главата	Носете одобрена предпазна каска с твърдо бомбе за да предпазите главата.
	Носете защитни ръкавици	Защитете ръцете си с ръкавици, когато боравите с ножа или предпазителя на ножа.
	Носете предпазни ръкавици	Носете неплъзгащи се обувки за безопасност, когато използвате това оборудване.
	Пазете се от тласкане на ножа	Предупредете оператора за опасност от тласкане на ножа.
	Не излагайте на дъжд	Не използвайте в дъжд или не го оставяйте навън, когато вали.

BG

	Дръжте околните хора надалеч поради рикошет	Изхвърлените обекти могат да рикошират и да доведат до нараняване или щети по собствеността. Уверете се, че други хора и домашни любимци спазват достатъчно разстояние от хростореза, когато го използвате.
	Дръжте околните хора надалеч	Уверете се, че други хора и домашни любимци спазват поне 15 м разстояние от тримера, когато го използвате.
	Без кръгъл нож	Не монтирайте кръгли режещи ножове.
	WEEE	Отпадъчните електрически продукти не трябва да бъдат изхвърляни заедно с домакинския отпадък. Отнесете го до упълномощено място за рециклиране.
	Шум	Гарантирано ниво на мощност на звука. Звуките емисии към околната среда са в съответствие с директивите на европейската общност.
	CE	Този продукт е в съответствие с приложимите директиви на ЕС.
V	Волт	Напрежение
$n_0$	Скорост без натоварване	Скорост на въртене без товар
min <sup>-1</sup>	В минута	Обороти в минута
	Постоянен ток	Вид или характеристика на тока
kg	Килограм	Тегло

## ВАЖНИ ИНСТРУКЦИИ ЗА БЕЗОПАСНОСТ

**⚠ ПРЕДУПРЕЖДЕНИЕ:** Прочетете всички предупреждения за безопасност, инструкции, илюстрации и спецификации предоставени с този електрически инструмент. Неспазването на всички инструкции изброени долу може да доведе до токов удар, пожар и/или сериозно нараняване.

Запазете всички предупреждения и инструкции за бъдеща справка.

- Избягвайте опасни среди - не използвайте ел. уреди във влажни или мокри места.
- Дръжте предпазителите по местата им в работно състояние.
- Дръжте ръцете и краката далеч от зоната на рязане.
- За да намалите риска от нараняване, никога не работете на стълба или на някаква друга несигурна опора. Никога не дръжте режещия блок над нивото на талията.
- Проверявайте режещия блок на чести кратки интервали по време на работа или незабавно, ако има забележима промяна в поведението при рязане.
- За най-добри резултати, вашата акумулаторна батерия трябва да се зарежда на място, където температурата е по-висока от 5°C и по-ниска от 40°C. Не я съхранявайте на открито или в превозни средства.
- Ако бъдете приближен от човек, спрете мотора и режещия блок.
- Предупредете оператора за опасност от тласкане на ножа.
- Тласкане на ножа може да се получи, когато въртящият се нож, влезе в контакт с предмет, който не може да отреже незабавно.
- Тласкането на ножа може да бъде достатъчно силно за да причини уредът и/или операторът да бъдат изхвърлени на всяка посока и вероятно да се загуби контрол върху уреда.
- Тласкането на ножа може да се случи без предупреждение, ако ножът се блъсне, заседне или се заклепчи.
- Тласкането на ножа е по вероятно да се случи в зона, където е трудно да видите рязания материал.
- Не закачайте нож на уред, без правилно монтиране на всички необходими части. Неспазването за употреба

BG

на правилни части, може да причини излитане на ножа и сериозно да нарани оператора и/или околното стоящице. Изхвърлете от употреба ножове, които са огнати, деформирани, напукани, счупени или повредени по друг начин. Използвайте остър нож. Затъпен нож е по вероятно да се заклеци и тласне.

- Движещ се по инерция нож/корда, може да причини нараняване, тъй като продължава да се върти след като моторът е спрял или спусъкът е освободен. Упражнявайте правилен контрол, докато ножът/кордата напълно спре да се върти.
- Инструментите с батерия не трябва да бъдат закачени към електрически контакт, поради това те винаги са в работно състояние. Бъдете подготвени за възможни опасности, дори когато инструментът не работи. Бъдете внимателни, когато извършвате поддръжка или обслужване.
- Не измивайте с маркуч, избягвайте попадане на вода в мотора и електрическите връзки.
- Ако настъпят събития, които не са засегнати в това ръководство, бъдете предпазливи и използвайте добра преценка. Свържете се с сервизния потребителски център на EGO за помощ.
- Използвайте само с акумулаторни батерии и зарядни устройства изброени на фиг. A2.

**ЗАПАЗЕТЕ ТЕЗИ ИНСТРУКЦИИ!**

## СПЕЦИФИКАЦИИ

Скорост без натоварване	450±5% об/мин	
Режещо острие	ABR2300	
Препоръчителна работна температура	0°C-40°C	
Препоръчителна температура на съхранение	-20°C-70°C	
Тегло (без акумулаторна батерия)	2,6 кг	
Измерено ниво на сила на звука $L_{WA}$	97,36 dB(A) K= 2,7 dB(A)	
Ниво на звуково налягане при ухото на оператора $L_{PA}$	83 dB(A) K= 2,5 dB(A)	
Гарантирано ниво на сила на звука $L_{WA}$ (измерено съгласно 2000/14/EC)	100 dB(A)	
Оценка на вибрации $a_n$ :	Предна спомагателна ръкохватка	3,3 м/сек <sup>2</sup> K= 1,5 м/сек <sup>2</sup>
	Задна ръкохватка	2,0 м/сек <sup>2</sup> K= 1,5 м/сек <sup>2</sup>

BG

- Декларираният общ размер на вибрации е измерен в съответствие със стандартния метод за тест и може да бъде използван за сравнение между два инструмента;
- Декларираният общ размер на вибрации може също така да бъде използван за предварителна оценка на влиянието.

**БЕЛЕЖКА:** Вибрационните емисии по време на действителната употреба на електрическия инструмент може да се различава от декларираната стойност. С цел да се защити оператора, потребителят трябва да носи ръкавици и антифони в действителни условия на работа.

## ОПАКОВЪЧЕН ЛИСТ (ФИГ. A1)

### ОПИСАНИЕ

**ЗАПОЗНАЙТЕ СЕ С ВАШАТА ПРИСТАВКА ROTOCUT (Фиг. A1)**

1. Уплътняващ винт
2. Предавателна кутия
3. Нож
4. Плъзгащ се капак комплект
5. Предпазител комплект
6. Вал
7. Крайна чаша
8. Гаечен ключ
9. Ключ за вътрешен шестостен

### МОНТАЖ

**▲ ПРЕДУПРЕЖДЕНИЕ:** Ако някои от частите са повредени или липсват, не работете с този продукт, докато частите не се подменят. Използването на този продукт с повредени или липсващи части може да доведе до сериозно лично нараняване.

**▲ ПРЕДУПРЕЖДЕНИЕ:** Не се опитвайте да модифицирате този продукт или да създадете аксесоари, които не се препоръчват за употреба с тази машина. Всяка такава промяна или модификация е злоупотреба и може да доведе до опасни условия с последици от възможни сериозни наранявания.

### МОНТАЖ НА ПРЕДПАЗИТЕЛЯ

**▲ ПРЕДУПРЕЖДЕНИЕ:** Винаги носете ръкавици, когато монтирате или подмените предпазителя. Внимавайте за ножа в предпазителя и защитете своята ръка от порязване.

**⚠ ПРЕДУПРЕЖДЕНИЕ:** Никога не работете с инструмента без предпазителят да е здраво на мястото си. Предпазителят трябва винаги да е на инструмента, за да предпазва потребителя! Когато предпазителят е фиксиран, никога не се опитвайте да извадите или да регулирате предпазителя, ако е необходима подмяна, трябва да бъде извършена от квалифициран сервизен техник!

Разхлабете и извадете двата винта от предпазителя (фиг. В), подравнете монтажните отвори на предпазителя с отворите за монтажния механизъм и след това захванете предпазителя в основата на щангата с двата винта, заедно с две пружинни шайби (фиг. С).

**⚠ ПРЕДУПРЕЖДЕНИЕ:** Уверете се, че предпазителят е закрепен съгласно фиг. В и С, всяко закрепване на обратно ще причини голяма опасност!

### СВЪРЗВАНЕ НА ПРИСТАВКАТА ROTOCUT КЪМ ЗАХРАНВАЩАТА ГЛАВА

Тази приставка за ротационно рязане е проектирана за употреба с EGO захранваща глава RH1400E. Вижте раздел “МОНТИРАНЕ НА ПРИСТАВКА КЪМ ЗАХРАНВАЩАТА ГЛАВА” в ръководството на оператора на захранваща глава RH1400E.

## ЕКСПЛОАТАЦИЯ

**⚠ ПРЕДУПРЕЖДЕНИЕ:** Не позволявайте рутината с този продукт да ви направи непредпазливи. Запомнете, че невнимание за малка част от секундата е достатъчна за да нанесете сериозно нараняване.

**⚠ ПРЕДУПРЕЖДЕНИЕ:** Не използвайте други приставки или аксесоари, които не са препоръчани от производителя на този продукт. Употребата на приставки или аксесоари, които не са препоръчани, може да доведе до сериозно нараняване.

Може да използвате този продукт за целите описани долу:

**Рязане:** използва се за косене на трева около колове или направляващи релси, ръбове на стени, пътни извивки, огради в движещ се трафик или подрязване на растителността на паркинги.

**БЕЛЕЖКА:** Когато използвате приставката Rotocut се уверете, че няма да бъдат изхвърлени чужди предмети, което създава големи опасности: счупени стъкла, назъбени каросерии на автомобили, счупени огради, разкъсана кора на дървета или нараняване на хора.

### ИЗПОЛЗВАНЕ НА ПРИСТАВКА ROTOCUT СЪС ЗАХРАНВАЩАТА ГЛАВА

**⚠ ПРЕДУПРЕЖДЕНИЕ:** За да избегнете сериозно нараняване, носете предпазни очила по всяко време, когато работите с този уред. Носете маска за лицето или прахова маска при запрашени места.

Почистете зоната, която трябва да бъде подрязана преди всяка употреба. Почистете всички обекти, като камъни, счупени стъкла, пирони, кабели или въжета, които могат да бъдат изхвърлени или да се оплетат в приставката за рязане. Изчистете зоната от деца, околни хора или домашни любимци. Като минимум дръжте всички деца, околни хора и домашни любимци минимум на 15 м разстояние, въпреки това пак може да съществува риск за околните от изхвърлени обекти. Околните наблюдатели трябва да бъдат насърчени да носят защита за очите. Ако бъдете приближен от човек спрете незабавно мотора и приставката за рязане.

### Преди всяка употреба проверявайте за повредени/износени части

Проверете приставката Rotocut, предпазителя и затворената ръкохватка и подменете всички части, които са напукани, деформирани, изкривени или повредени по някакъв начин.

### След всяка употреба почистете инструмента.

**⚠ ВНИМАНИЕ:** Запушвания на вентилационните отвори ще предотвратят навлизане на въздух във корпуса на мотора и ще доведат до прегряване или повреда на мотора.

- Използвайте единствено мек сапун и влажна кърпа за да почистите инструмента. Никога не позволявайте каквато и да е течност да навлезе вътре в инструмента, никога не потапяйте някоя част от инструмента във вода.
- По всяко време пазете вентилационните отвори от корпуса на мотора от отпадъци.

## ПОДДРЪЖКА

**⚠ ПРЕДУПРЕЖДЕНИЕ:** Когато обслужвате, използвайте само идентични резервни части. Проверявайте и поддържайте инструмента редовно. За да осигурите безопасността и надеждността, всички поправки трябва да се извършват от квалифициран сервизен техник.

**⚠ ПРЕДУПРЕЖДЕНИЕ:** Инструментите с батерия не трябва да бъдат закачени към електрически контакт, поради това те винаги са в работно състояние. За да предотвратите сериозно нараняване вземете допълнителни предпазни мерки и грижи, когато извършвате поддръжка, обслужване или при смяна на режещите или други приставки.

**⚠ ПРЕДУПРЕЖДЕНИЕ:** За да предотвратите сериозно нараняване, извадете конектора на акумулаторната батерия от контакта преди обслужване, почистване, смяна на приставки или изваждане на материал от устройството.

## ПОДМЯНА НА НОЖА ROTOCUT

**⚠ ПРЕДУПРЕЖДЕНИЕ:** Ако ножовете се разхлабят след като са фиксирани в позицията или ножовете са силно износени, заменете ножовете незабавно. Никога не използвайте инструмент с разхлабена или неефективна приставка за рязане.

Запознайте се с главата ROTOCUT, както е показано на Фиг. D1.

D-1	Чаша на вала	D-2	Горен нож
D-3	Долен нож	D-4	Опорна чаша
D-5	Шайба	D-6	Плъзгаща се купа
D-7	Гайка		

1. Поставете предавателната кутия на главата ROTOCUT върху твърда повърхност за опора. Затегнете горния и долния ножове с клещи или в менгеме, след което използвайте гаечния ключ, за да развиете гайката (Фиг. D2).
2. Отстранете гайката, плъзгащата се купа, шайбата, опорната чаша, долния нож, горния нож и чашата на вала последователно, както е показано на Фиг. D1.
3. Преди инсталиране на новите ножове поставете чашата на вала върху вала (Фиг. D3). Поставете горния нож с големия шестостенен отвор върху вала с повърхност с отпечатано лого „EGO“ насочена към предавателната кутия (Фиг. D4), след това поставете долния нож с малкия шестостенен отвор върху вала с повърхност с отпечатано лого „EGO“ насочена към оператора (Фиг. D5).

**БЕЛЕЖКА:** Уверете се, че шестостенните отвори на ножовете и шестостенното рамо на вала са на място. В противен случай, ако ножовете са монтирани обратно, ПРИСТАВКАТА ROTOCUT не може да работи правилно и ще повреди ножовете.

4. Следвайте последователността показана на Фиг. D1, за да ги сглобите отново.

## СМАЗВАНЕ НА ПРЕДАВАТЕЛНАТА КУТИЯ

За най-добра работа и по-дълъг живот, смазвайте предавателната кутия със специална грес (4 -5 g всеки път) след всеки 50 часа работа.

Специалната грес трябва да отговаря на следните изисквания.

1. Съответствие с DIN51818: NLGI-1 степен на проникване на конус.
2. Грес на естерна основа.
3. Отлични нискотемпературни стартови качества, EP, механично срязване, устойчивост на абразия и стабилност на окисляване.
4. Работната температура трябва да бъде -40~180°C. Отстранете щепсела на батерията и уплътняващия винт. Смажете предавателната кутия през отвора за смазка.

**⚠ ПРЕДУПРЕЖДЕНИЕ:** Не смазвайте, докато инструментът е все още свързан с батерията или работи.

## ПОЧИСТВАНЕ НА УРЕДА

- Почистете уреда използвайки влажна кърпа и мек почистващ препарат.
- Не използвайте силен почистващ препарат по пластмасата на корпуса или ръкохватката. Те могат да бъдат повредени от определени ароматни масла като бор и лимон и от разтворители като керосин. Влагата също може да причини токов удар. Избършете всякаква влага със суха мека кърпа.

## СЪХРАНЯВАНЕ НА УРЕДА

- Почистете изцяло инструмента преди да го съхраните.
- Съхранете уреда в сухо място с добра вентилация, заключен или съхраняван на високо извън достъпа на деца. Не съхранявайте уреда в близост или върху тор, бензин или други химикали.
- Използвайте транспортен капак за металните остриета по време на транспортиране и съхранение.

## Опазване на околната среда



Не изхвърляйте електрическо оборудване, използвана батерия или зарядно устройство в домакинския отпадък! Отнесете продукта до упълномощена фирма за рециклиране и го предоставете за разделно събиране. Електрическите инструменти трябва да бъдат връщани в съоръжения за рециклиране съвместими с околната среда.

## ОТСТРАНЯВАНЕ НА ПРОБЛЕМИ

ПРОБЛЕМ	ПРИЧИНА	РЕШЕНИЕ
ROTOCUT не може да стартира.	<ul style="list-style-type: none"> <li>■ Акумулаторната батерия не е свързана към захранващата глава.</li> <li>■ Акумулаторната батерия е изтощена.</li> <li>■ Лостът за отключване и спусъкът не са натиснати едновременно.</li> </ul>	<ul style="list-style-type: none"> <li>■ Свържете акумулаторната батерия към захранващата глава.</li> <li>■ Заредете акумулаторната батерия със зарядно устройство EGO посочено в това ръководство.</li> <li>■ Натиснете и задръжте лоста за отключване и след това натиснете спусъка за да включите уреда.</li> </ul>
ROTOCUT спира по време на рязане.	<ul style="list-style-type: none"> <li>■ Моторът е претоварен.</li> <li>■ Акумулаторната батерия е твърде гореща.</li> <li>■ Акумулаторната батерия е разединена от инструмента</li> </ul>	<ul style="list-style-type: none"> <li>■ Моторът ще се възстанови, когато натоварването е отстранено. За непрекъсната работа намалете натоварването на ROTO CUT и избягвайте дълбоко рязане, вместо това правете постепенно по-дълбоки нарези.</li> <li>■ Оставете акумулаторната батерия да се охлади естествено или я продухайте с въздух, за да ускорите охлаждането.</li> <li>■ Свържете отново акумулаторната батерия.</li> </ul>

## ГАРАНЦИЯ

### ГАРАНЦИОННА ПОЛИТИКА EGO

Моля, посетете уебсайта [egopowerplus.com](http://egopowerplus.com) за пълните срокове и условия по гаранционната политика на EGO.

## PROČITAJTE UPUTE U CIJELOSTI!



Pročitajte Priručnik Za Rukovatelje.

**⚠️ Preostale opasnosti!** Osobe s elektroničkim uređajima poput srčanih elektrostimulatora prije uporabe ovog proizvoda trebaju se posavjetovati sa svojim liječnikom. Rad električne opreme u neposrednoj blizini srčanih elektrostimulatora može prouzročiti smetnju ili kvar srčanog elektrostimulatora.

**⚠️ UPOZORENJE:** Zbog sigurnosti i pouzdanosti, sve popravke treba obavljati kvalificirani servisni tehničar.

## SIGURNOSNI SIMBOL

Svrha sigurnosnih simbola je skretanje pozornosti na moguće opasnosti. Sigurnosni simboli i njihova objašnjenja zahtijevaju vašu potpunu pozornost i razumijevanje. Sami simboli upozorenja ne isključuju opasnost. Upute i upozorenja koja pružaju nisu zamjena za propisne mjere za prevenciju nesreća.

**⚠️ UPOZORENJE!** Prije uporabe ovog alata pobrinite se da sve upute u ovom korisničkom priručniku, uključujući sve sigurnosne simbole kao što su "OPASNOST", "UPOZORENJE" i "OPREZ" pročitate s razumijevanjem. Zanemarivanje svih uputa navedenih u nastavku može rezultirati strujnim udarom, požarom i/ili teškim tjelesnim ozljedama.

## ZNAČENJE SIMBOLA

**⚠️ SIMBOL UPOZORENJA U VEZI SIGURNOSTI:** Naznačuje **OPASNOST**, **UPOZORENJE** ili **OPREZ** i može se upotrebljavati povezan s drugim simbolima ili piktogramima.

**⚠️ UPOZORENJE:** Rukovanje električnim alatima može rezultirati odbacivanjem stranih predmeta u oči što opet može izazvati teška oštećenja očiju. Prije početka rukovanja električnim alatom nosite zatvorene zaštitne naočale ili zaštitne naočale s bočnim štitnicima, a prema potrebi i štitičnik za cijelo lice. Preporučujemo nošenje sigurnosne maske proizvođača Wide Vision preko naočala, ili nošenje standardnih zaštitnih naočala s bočnim štitnicima.

HR

## SIGURNOSNE UPUTE

Na ovoj stranici slikovno su prikazani i objašnjeni sigurnosni simboli koji se mogu pojaviti na ovom proizvodu. Prije pokušaja sastavljanja i rukovanja s razumijevanjem pročitajte sve upute na stroju i pridržavajte ih se.

	Sigurnosno upozorenje	Mjere opreza koje se odnose na vašu sigurnost.
	Pročitajte korisnički priručnik	Radi smanjenja opasnosti od ozljeda, prije uporabe ovog proizvoda korisnik treba s razumijevanjem pročitati ovaj korisnički priručnik.
	Nosite zaštitu za oči.	Kada rukujete ovim proizvodom, uvijek nosite zatvorene zaštitne naočale ili zaštitne naočale s bočnim štitnicima i štitičnik za cijelo lice.
	Nosite zaštitu za sluh.	Kada upotrebljavate proizvod, nosite zaštitu za sluh.
	Nosite zaštitu za glavu.	Radi zaštite glave nosite odobrenu sigurnosnu kacigu.
	Nosite zaštitne rukavice.	Kada rukujete nožem ili štitičnikom noža zaštitite ruke rukavicama.
	Nosite sigurnosnu obuću.	Kada koristite ovu opremu nosite neklizajuću sigurnosnu obuću.
	Čuvajte se povratnog udara noža.	Upozorite rukovatelja na opasnost od povratnog udara noža.
	Ne izlažite kiši	Proizvod ne upotrebljavajte na kiši i ne ostavljajte ga na otvorenom kad pada kiša.
	Opasnost od povratnog udara! Promatrače držite na udaljenosti.	Odbačeni predmeti mogu odskočiti i rezultirati tjelesnim ozljedama ili materijalnom štetom. Pobrinite se da druge osobe i kućni ljubimci ostanu podalje od obrezivača grmlja kada je u uporabi.



	Promatrače držite na udaljenosti.	Pobrinite se da druge osobe i kućni ljubimci ostanu najmanje 15 m udaljeni od šišača trave s reznom niti kada je u uporabi.
	Ne koristite okrugle noževe.	Ne postavljajte okrugle rezne noževe.
	OEEO	Otpadni električni proizvodi ne smiju se odlagati s otpadom iz kućanstva. Odnosite ih u ovlašteni centar za reciklažu.
	Buka	Zajamčena razina zvučne snage. Emisija buke u okruženju u skladu je s direktivom Europske unije.
	CE	Ovaj proizvod je u skladu s važećim direktivama EU.
V	Volt	Napon
$n_0$	Brzina bez opterećenja	Brzina vrtnje u praznom hodu
$\text{min}^{-1}$	U minuti	Okretaji u minuti
	Istosmjerna struja	Vrsta ili karakteristike struje
kg	Kilogram	Masa

## VAŽNE UPUTE U VEZI SIGURNOSTI

**▲ UPOZORENJE:** Pročitajte sva upozorenja, upute, ilustracije u vezi sigurnosti i tehničke podatke isporučene s ovim električnim alatom. Zanemarivanje svih uputa navedenih u nastavku može rezultirati strujnim udarom, požarom i/ili teškim ozljedama.

Sačuvajte sva upozorenja i sve upute za buduće potrebe.

- Izbjegavajte opasna okruženja – ne upotrebljavajte uređaje na vlažnom ili mokrom nagibu.
- Održavajte štitnike na njihovom mjestu i u radnom stanju.
- Ruke i stopala držite dalje od područja rezanja.
- Radi smanjenja opasnosti od ozljeda, nikada ne radite na ljestvama ili na nekoj drugoj nesigurnoj podlozi.

Rezni priključak ne držite na visini iznad struka.

- Rezni priključak tijekom rada redovito provjeravajte u kratkim intervalima ili odmah ako uočite primjetnu promjenu u načinu rezanja.
- Za najbolje rezultate bateriju je potrebno puniti na mjestu gdje je temperatura viša od 5 °C i niža od 40 °C. Nemojte čuvati na otvorenom prostoru ili u vozilima.
- Ako vam netko priđe, zaustavite motor i rezni priključak.
- Upozorite rukovatelja na opasnost od povratnog udara noža.
- Povratni udar noža može se dogoditi kada rotirajuća oštrica dođe u doticaj s predmetom kojeg ne može odmah odrezati.
- Povratni udar noža može biti dovoljno silovit da rezultira odbacivanjem jedinice i/ili rukovatelja u bilo kojem smjeru i mogućim gubitkom kontrole nad jedinicom.
- Povratni udar noža može se dogoditi bez upozorenja ako oštrica zapne, ako blokira ili se zaglavi.
- Povratni udar noža prije će se dogoditi u područjima gdje je teško vidjeti materijal koji se reže.
- Ne pričvršćujte nož na jedinicu bez propisnog postavljanja svih potrebnih dijelova. Zanemarivanje uporabe odobrenih dijelova može rezultirati odbacivanjem noža i teškim ozljedama rukovatelja i/ili promatrača. Zbrinite noževe koji su svinuti, izobličeni, napuknuti, polomljeni ili oštećeni na bilo koji način. Kod tupog noža postoji veća vjerojatnost da će se zaglaviti i doći do povratnog udara.
- Nož u praznom hodu može prouzročiti ozljede dok se još okreće nakon zaustavljanja motora ili otpuštanja aktivatora. Održavajte odgovarajuću kontrolu dok se nož u potpunosti ne zaustavi.
- Baterijske alate nije potrebno uključivati u električnu utičnicu, stoga su u radnom stanju. Imajte na umu moguće opasnosti čak i kada alat ne radi. Budite pažljivi pri obavljanju radova održavanja ili servisiranja.
- Uređaj ne perite s crijevom; izbjegavajte da voda dospije u motor i električne priključke.
- Ako se pojave situacije koje nisu obuhvaćene ovim priručnikom, postupite oprezno i uz dobru procjenu. Za pomoć se obratite centru korisničke službe proizvođača EGO.
- Upotrebljavajte samo s baterijskim modulima i punjačima koji su navedeni na sl. A2.

SAČUVAJTE OVE UPUTE!

## TEHNIČKI PODACI

Brzina bez opterećenja	450±5%rpm	
Rezni nož	ABR2300	
Preporučena radna temperatura	0°C-40°C	
Preporučena temperatura skladištenja	-20°C-70°C	
Težina (bez baterijskog modula)	2,6 kg	
Izmjerena razina zvučne snage $L_{WA}$	97,36 dB(A) K= 2,7 dB(A)	
Razina zvučnog tlaka kod uha rukovatelja $L_{PA}$	83 dB(A) K= 2,5 dB(A)	
Zajamčena razina zvučne snage $L_{WA}$ (izmjereno sukladno Direktivi 2000/14/EZ)	100 dB(A)	
Procjena vibracija $a_h$ :	Prednji pomoćni rukohvat	3,3 m/s <sup>2</sup> K= 1,5 m/s <sup>2</sup>
	Stražnji rukohvat	2,0 m/s <sup>2</sup> K= 1,5 m/s <sup>2</sup>

- Deklarirane ukupne vrijednosti vibracija izmjerene su u skladu sa standardnom metodom ispitivanja i mogu se koristiti za usporedbu jednog alata s drugim.
- Deklarirane ukupne vrijednosti vibracija mogu se koristiti i u preliminarnoj procjeni izloženosti.

**NAPOMENA!** Emisija vibracija tijekom aktualnog korištenja električnog alata može se razlikovati od deklarirane vrijednosti u kojoj se alat upotrebljavao; Radi zaštite rukovatelja korisnik treba nositi rukavice i štitnike za uši u aktualnim uvjetima uporabe.

## POPIS ZA PAKIRANJE (SL. A1)

### OPIS

#### UPOZNAJTE NASTAVAK ZA KRUŽNO REZANJE (SL. A1)

1. Vijak za brtvljenje
2. Kućište prijenosnika
3. Nož
4. Sklop kliznog poklopca
5. Sklop štitnika
6. Vratilo
7. Završna kapica
8. Ključ
9. Imbus ključ

HR

## SASTAVLJANJE

**⚠ UPOZORENJE:** Ako je bilo koji dio oštećen ili nedostaje, nemojte koristiti proizvod dok se ne zamijene dijelovi. Korištenje proizvoda na kojemu nedostaju dijelovi ili su oštećeni može dovesti do ozbiljne tjelesne ozljede.

**⚠ UPOZORENJE:** Ne pokušavajte obavljati preinake na ovom proizvodu ili raditi pribor koji nije preporučen za uporabu s ovim strojem. Sve takve izmjene ili preinake predstavljaju nepropisnu uporabu i mogu rezultirati opasnim stanjima koja mogu dovesti do mogućih teških tjelesnih ozljeda.

### POSTAVLJANJE ŠTITNIKA

**⚠ UPOZORENJE:** Pri postavljanju ili zamjeni štitnika nosite rukavice. Pazite na nož na štitniku i zaštitite ruke od posjeklina.

**⚠ UPOZORENJE:** Alat ne upotrebljavajte bez dobro pričvršćenog štitnika. Štitnik mora biti na alatu radi zaštite korisnika! Kada je štitnik učvršćen, nemojte ga skidati ili podešavati. Ako ga je potrebno zamijeniti, neka to obavi kvalificirani serviser!

Otpustite i uklonite dva vijka sa štitnika (sl. B), poravnajte rupe na štitniku s montažnim rupama i zatim štitnik pričvrstite na podnožju vratila s dva vijka i dvije elastične podloške (sl. C).

**⚠ UPOZORENJE:** Uvjerite se da je štitnik pričvršćen u skladu sa Sl. B i C jer ćete u suprotnom biti u velikoj opasnosti!

### PRIKLJUČIVANJE NASTAVKA ZA KRUŽNO REZANJE NA POGONSKU GLAVU

Ovaj nastavak za kružno rezanje predviđen je za upotrebu s pogonskom glavom PH1400E proizvođača EGO. Pogledajte poglavlje "POSTAVLJANJE NASTAVKA NA POGONSKU GLAVU" u korisničkom priručniku pogonske glave PH1400E.

## RAD

**⚠ UPOZORENJE:** Nemojte biti nepažljivi jer ste upoznati s načinom rada proizvoda. Zapamtite da je samo jedan djelić sekunde nepažnje dovoljan za nastanak ozbiljne ozljede.

**⚠ UPOZORENJE:** Nemojte koristiti nikakve priključke ili pribor koje nije preporučio proizvođač ovog proizvoda. Uporaba priključaka ili pribora koji nije preporučen može dovesti do ozbiljnih tjelesnih ozljeda.

Proizvod možete koristiti za svrhe navedene u nastavku:

**Rezanje:** za rezanje trave oko ograda, rubova zidova, pločnika, ograda uz cestu ili vegetacije na parkirnim prostorima.

**OBAVIJEST:** Kada upotrebljavate nastavak za kružno rezanje, pazite da njime ne odbacite strane predmete jer oni predstavljaju veliki rizik: razbijeni prozori, udubljenja na vozilima, potrgane ograde, rezovi na kori drva ili tjelesne ozljede.

#### UPOTREBA NASTAVKA ZA KRUŽNO REZANJE S POGONSKOM GLAVOM

**⚠ UPOZORENJE:** Kako biste izbjegli ozbiljne tjelesne ozljede, u svakom trenutku tijekom rada s ovim uređajem nosite zaštitne naočale ili sigurnosne naočale. U prašnjavim područjima nosite zaštitnu masku za lice ili masku za zaštitu od prašine.

Prije svake uporabe očistite radno područje. Uklonite sve predmete poput kamenja, razbijenog stakla, čavala, žica ili niti koje stroj može odbaciti ili koji se mogu zaplesti u rezni priključak. Iz područja udaljite djecu, promatrače i kućne ljubimce. Djecu, promatrače i kućne ljubimce udaljite najmanje 15 m; čak i tada postoji opasnost od odbačenih predmeta za promatrače. Promatrače potaknite da nose zaštitu za oči. Ako Vam netko prilazi, odmah zaustavite motor i rezni priključak.

#### Prije svake uporabe provjerite da nema oštećenih/istrošenih dijelova

Provjerite glavu nastavka za kružno rezanje, štitnik i prednji rukohvat i zamijenite dijelove koji su napukli, deformirani, svinuti ili oštećeni na bilo koji način.

#### Očistite alat nakon svake uporabe.

**⚠ OPREZ!** Prepreke u ventilacijskim otvorima sprječavaju da zrak struji u kućište motora što uzrokuje pregrijavanje ili oštećenje motora.

- Za čišćenje alata koristite samo blagi sapun i vlažnu krpu. Nemojte dopustiti da tekućina uđe u alat; ne uranjajte nijedan dio alata u tekućinu.
- Održavajte ventilacijske otvore kućišta motora u svakom trenutku bez nečistoća.

## ODRŽAVANJE

**⚠ UPOZORENJE:** Pri servisiranju koristite samo identične zamjenske dijelove. Redovito obavljajte preglede i održavajte stroj. Radi sigurnosti i pouzdanosti sve popravke treba obavljati kvalificirani servisni tehničar.

**⚠ UPOZORENJE:** Baterijske alate nije potrebno uključivati u električnu utičnicu, stoga su u radnom stanju.

Da biste spriječili ozbiljne tjelesne ozljede, poduzmite dodatne mjere opreza i brige prilikom održavanja, servisiranja ili mijenjanja priključaka za rezanje ili drugih priključaka.

**⚠ UPOZORENJE:** Radi prevencije teških tjelesnih ozljeda, prije servisiranja, čišćenja, promjene priključaka ili uklanjanja materijala iz uređaja, baterijski modul izvadite iz jedinice.

#### ZAMJENA NOŽA KRUŽNOG REZAČA

**⚠ UPOZORENJE:** Ako se noževi olabave nakon pričvršćivanja na položaj ili ako se jako istroše, smjestite ih zamijenite. Nikad ne upotrebljavajte stroj ako je rezni priključak olabavljen ili ne reže dobro.

Proučite glavu za KRUŽNI REZAČ kako je prikazana na sl. D1.

D-1	Šalica vratila	D-2	Gornji nož
D-3	Donji nož	D-4	Potporna šalica
D-5	Podloška	D-6	Klizna posudica
D-7	Matica		

1. Oslonite kućište prijenosnika glave za KRUŽNI REZAČ na čvrstu površinu. Kliještima stegnite gornji i donji nož i zatim olabavite maticu pomoću ključa (Sl. D2).
2. Izvadite maticu, kliznu posudicu, podlošku, potpornu šalicu, donji nož, gornji nož i šalicu vratila redom kako je naznačeno na Sl. D1.
3. Prije postavljanja novih noževa postavite šalicu vratila na vratilo (Sl. D3). Postavite gornji nož s velikom šesterokutnom rupom na vratilo tako da je logotip "EGO" usmjeren prema kućištu prijenosnika (Sl. D4), zatim postavite donji nož s manjom šesterokutnom rupom na vratilo tako da je logotip "EGO" usmjeren prema korisniku (Sl. D5).

**OBAVIJEST:** Pazite da šesterokutne rupe na noževima i šesterokutno rame vratila budu postavljeni na odgovarajuće mjesto. Ako noževe postavite na pogrešan način, nastavak za kružno rezanje neće raditi ispravno i doći će do oštećenja noževa.

4. Slijedite postupak prikazan na Sl. D1 za ponovno sastavljanje.

## PODMAŽITE KUČIŠTE PRIJENOSNIKA

Za najbolji rad i duži vijek trajanja podmažite kućište prijenosnika posebnim mazivom (4-5 g svaki put) nakon svakih 50 sati rada.

Posebno mazivo bi trebalo zadovoljavati sljedeće uvjete.

1. Pripadnost u DIN51818: NLGI-1 konični stupanj penetracije.
2. Mazivo na bazi estera.
3. Izvršna svojstva na nižim temperaturama, EP, mehaničko smicanje, abrazivna otpornost i svojstva oksidacijske stabilnosti.
4. Radna temperatura mora iznositi -40~180 °C. Izvadite utikač baterije i vijak za brtvljenje. Podmažite kućište prijenosnika kroz rupu za ulje.

**UPOZORENJE:** Nemojte podmazivati dok je na stroj spojena baterija ili je uključen.

## ČIŠĆENJE UREĐAJA

- Uređaj očistite vlažnom krpom i blagim deterdžentom.
- Za čišćenje plastičnog kućišta ili rukohvata ne koristite jake deterdžente. Mogu ih oštetiti neka aromatična ulja, kao što su borovo i limunovo ulje i otapala kao što je kerozin. Vлага može izazvati opasnost od strujnog udara. Vlažna mjesta obrišite mekanom suhom krpom.

## SKLADIŠTENJE UREĐAJA

- Prije skladištenja temeljito očistite alat.
- Uređaj skladištite na suhom, dobro prozračenom mjestu koje je moguće zaključati ili koje je na visini izvan dohvata djece. Uređaj nemojte pohranjivati na gnojivima, benzinu ili drugim kemikalijama ili u njihovoj blizini.
- Koristite pokrov za metalne noževe tijekom prevoženja i skladištenja.

## Zaštita okoliša



Električnu opremu, iskorištenu bateriju i punjač ne odlažite u otpad iz kućanstva! Ovaj proizvod odnesite u ovlaštenu centar za reciklažu i time omogućite odvojeno sakupljanje. Električne alate potrebno je vratiti u ekološki prihvatljiv pogon za reciklažu.

## OTKLANJANJE SMETNJI

PROBLEM	UZROK	RJEŠENJE
KRUŽNI REZAČ se ne pokreće.	<ul style="list-style-type: none"> <li>■ Komplet baterija nije pravilno pričvršćen na pogonsku jedinicu.</li> <li>■ Baterijski modul je ispražnjen.</li> <li>■ Ručica za deblokadu i okidač ne pritišću se istodobno.</li> </ul>	<ul style="list-style-type: none"> <li>■ Pričvrstite komplet baterija na pogonsku jedinicu.</li> <li>■ Napunite komplet baterija s punjačima proizvođača EGO koji su navedeni u ovom priručniku.</li> <li>■ Pritisnite ručicu za blokadu i držite je pritisnutom, a zatim pritisnite aktivator kako biste uključili šišač živice.</li> </ul>
KRUŽNI REZAČ se zaustavlja tijekom rezanja.	<ul style="list-style-type: none"> <li>■ Motor je preopterećen.</li> <li>■ Baterijski modul je prevruć.</li> <li>■ Komplet baterija odspojen je od alata.</li> </ul>	<ul style="list-style-type: none"> <li>■ Motor će se povratiti po uklanjanju opterećenja. Kod neprekidnog rada smanjite opterećenje na KRUŽNI REZAČ i izbjegavajte duboko rezanje, umjesto toga režite progresivno sve dublje.</li> <li>■ Pričekajte da se baterijski komplet samo ohladi ili pušite zračnim pištoljem kako biste ubrzali.</li> <li>■ Ponovno priključite baterijski modul.</li> </ul>

## JAMSTVO

### JAMSTVENA POLITIKA PROIZVOĐAČA EGO

Za cjelokupne uvjete jamstvene politike proizvođača EGO posjetite internetsku stranicu [egopowerplus.com](http://egopowerplus.com).

## სრულად გაეცანით ინსტრუქციას!



გაეცანით მომხმარებლის ინსტრუქციას

**▲ არსებული რისკი** პიროვნებებმა ისეთი ელექტრული მოწყობილობებით, როგორცაა იმპლანტირებული დეფიბრილატორი, უნდა მიმართონ პირად ექიმს რჩევებისთვის ამ პროდუქტის გამოყენებამდე. იმპლანტირებულ დეფიბრილატორთან უშუალო სიახლოვეს ელექტრული მოწყობილობის ოპერირებამ შესაძლოა დეფიბრილატორს ხელი შეუშალოს მუშაობაში ან გათიშოს იგი.

**▲ გაფრთხილება:** ხელსაწყო უსაფრთხოდ და გამართულად მუშაობისთვის საჭიროა მისი ყველა შეკეთება და ნაწილის შეცვლა შესრულდეს კვალიფიციური სერვისის ტექნიკოსის მიერ.

## უსაფრთხოების წესის სიმბოლოები

უსაფრთხოების წესის სიმბოლოების მიზანია მიაქციოთ ყურადღება შესაძლო საფრთხეებს. ყურადღებით გაეცანით და შეისწავლეთ უსაფრთხოების წესის სიმბოლოები და მათი შესაბამისი განმარტებები. უსაფრთხოების წესის სიმბოლოების მინიშვნები თავისთავად არ ანიეტრალეებს რაიმე საფრთხის არსებობის რისკს. მათ მიერ მოწოდებული ინსტრუქციები და გაფრთხილებები არ არიან შემთხვევის თავიდან აცილების სწორი პროცედურის შემცველები.

**▲ გაფრთხილება:** ხელსაწყო გამოყენებამდე დაწვრილებით გაეცანით და შეისწავლეთ ყველა უსაფრთხოების წესი მომხმარებლის ამ ინსტრუქციაში, მათ შორის ყველა უსაფრთხოების წესის სიმბოლო როგორცაა „საშიშროება“, „გაფრთხილება“ და „ყურადღება“. ქვემოთ ჩამოთვლილი ყველა ინსტრუქციის უგულვებელყოფამ შესაძლოა გამოიწვიოს ელექტრული შოკი, ხანძარი და/ან მოგაყენოთ სერიოზული პირადი ზიანი.

## სიმბოლოების მნიშვნელობა

**▲ უსაფრთხოების შეტყობინების სიმბოლო:** აღნიშნავს - „საშიშროება“, „გაფრთხილება“ ან „ყურადღება“. შესაძლოა გამოყენებულ იქნას სხვა სიმბოლოებთან ან პიქტოგრამებთან ერთად.

**▲ გაფრთხილება:** ელექტრული ხელსაწყო გამოყენებისას შესაძლოა უცხო სხეულის თვალის მიდამოში მოხვედრა, რამაც შესაძლოა გამოიწვიოს თვალის მნიშვნელოვანი დაზიანება. ელექტრული ხელსაწყო გამოყენებამდე აუცილებლად მიირჩეთ უსაფრთხოების თვალსაფარი ან სათვალე მყარი თვალის დამცავებით და მთლიანი სახის ეკრანით. ჩვენ რეკომენდაციას ვუწევთ ფართო ხედვის არის მქონე უსაფრთხოების ნიღაბს სათვალეებთან ერთად ან სტანდარტულ გვერდითა ეკრანების მქონე უსაფრთხოების სათვალეებს.

## უსაფრთხოების წესის ინსტრუქცია

ეს გვერდი აჩვენებს და აღწერს იმ უსაფრთხოების წესის სიმბოლოებს, რომლებიც შესაძლოა აღბეჭდილია მოცემულ პროდუქტზე. წაიკითხეთ, შეისწავლეთ და მიყევით ხელსაწყოს ყველა ინსტრუქციას მის აწყობამდე და ჩართვამდე.

	უსაფრთხოების ნიშანი	გამართხილებელი ზომები, რომლებიც მოიცავს თქვენს უსაფრთხოებას.
	გაეცანით მომხმარებლის ინსტრუქციას	დაზიანების რისკის შესამცირებლად მომხმარებელმა უნდა წაიკითხოს და გაეცნოს ხელსაწყო მუშაობის ინსტრუქციას მის გამოყენებამდე.
	გაკეთეთ თვალის დამცავი	ყოველთვის მიირჩეთ უსაფრთხოების თვალსაფარი ან გვერდითა ეკრანების მქონე უსაფრთხოების სათვალე და მთლიანი სახის ეკრანი ხელსაწყოთი სარგებლობისას.

KA

	გაიკეთეთ ყურების დამცავი	ყოველთვის გაიკეთეთ ყურების დამცავი ხელსაწყოთი სარგებლობისას.
	გაიკეთეთ თავის დამცავი საშუალება	გამოიყენეთ აპრობირებული მყარი ჩაფხუტი, რათა დაიცვათ თავის არე.
	ჩაიცვით დამცავი ხელთათმანები	დაიცავით თქვენი ხელები ხელთათმანებით, როდესაც ეხებით დანას ან დანის დამცავ კვრანს.
	ჩაიცვით უსაფრთხოების დამცავი ფეხსაცმელი	ჩაიცვით მოცურების საწინააღმდეგო ფეხსაცმელი ხელსაწყოთი გამოყენებისას.
	მოერიდეთ დანის ბიძგს	გაფრთხილეთ მომხმარებელი დანის ბიძგის საფრთხის შესახებ.
	არ მოათავსოთ ხელსაწყო წვიმის ქვეშ	არ გამოიყენოთ წვიმაში ან დატოვოთ გარეთ წვიმის დროს.
	რიკომეტის საფრთხე და მოარიდეთ სხვა ადამიანები ხელსაწყოს	შესაძლოა გამოტყორცნილი სხეულების რიკომეტებზე და ამით პირადი ან ქონებრივი ზიანის მიყენება. დარწმუნდით რომ სხვა ადამიანები ან შინაური ცხოველები იმყოფებიან ბუჩქის საკრეჭიდან მოშორებით ხელსაწყოთი სარგებლობისას.
	მოარიდეთ სხვა ადამიანები	დარწმუნდით რომ სხვა ადამიანები ან შინაური ცხოველები იმყოფებიან მინიმუმ 15 მ მოშორებით ელექტრო მთიბავით სარგებლობისას.
	წრიული დანის გამოყენება აკრძალულია	არ დაუყენოთ მრგვალი ფორმის საჭრელი დანები.

	WEEE	ელექტრული ხელსაწყოების უტილიზაცია არ უნდა მოხდეს საყოფაცხოვრებო ნარჩენებთან ერთად. წაიღეთ ხელსაწყო ავტორიზებულ ნარჩენების გადამამუშავებელიან.
	ხმაური	გარანტირებული ხმის სიმძლავრის დონე. გარემოში ხმაურის გავრცელების დონე ევროკავშირის რეგულაციების შესატყვისა.
	CE	ხელსაწყო შეესაბამება ევროკავშირის მიერ წამოყენებულ რეგულაციებს.
V	ვოლტი	ძაბვა
n <sub>s</sub>	დაუტერითავი სიჩქარე	დაუტერითავი ბრუნვის სიჩქარე
min <sup>-1</sup>	წუთში	ბრუნთა რიცხვი წუთში
	მუდმივი დენი	დენის ტიპი ან სახე
kg	კილოგრამი	წონა

## მნიშვნელოვანი უსაფრთხოების ინსტრუქციები

**▲ გაფრთხილება:** გაეცანით ამ ელექტრულ ხელსაწყოთან დაკავშირებულ ყველა უსაფრთხოების მითითებას, ინსტრუქციას, ილუსტრაციას და სპეციფიკაციას. ქვემოთ ჩამოთვლილი ნებისმიერი ინსტრუქციის უგულვებელყოფამ შესაძლოა გამოიწვიოს ელექტრული შოკი, ხანძარი და/ან მოგაყენოთ სერიოზული ზიანი.

შეინახეთ ყველა მითითება და ინსტრუქცია სამომავლოდ გამოყენებისთვის.

- მოერიდეთ საშიშ გარემო პირობებს - არ გამოიყენოთ ხელსაწყო ნესტიან ან სველ ფერდობზე.

KA

- დამცავი ეკრანები იქონიეთ ხელსაწყოზე შესაბამის ადგილას და მუშა მდგომარეობაში.
- მოარიდეთ ხელები და ფეხები მჭრელ ნაწილებს.
- ფიზიკური ზიანის რისკის შესამცირებლად, არასოდეს ამუშაოთ ხელსაწყო კიბეზე ან სხვა არამყარ საყრდენის მქონე ობიექტზე დგომისას. არასოდეს დაიჭიროთ ხელსაწყო მჭრელი ნაწილი წელს ზევით.
- შეამოწმეთ მჭრელი ნაწილი რეგულარული მცირე ინტერვალებით ხელსაწყოთი სარგებლობისას, ან დაუყოვნებლივ, თუ წარმოიქმნა მნიშვნელოვანი ცვლილება თიბვის პროცესის განმავლობაში.
- საუკეთესო შედეგის მისაღებად, თქვენი აკუმულატორი დატენეთ 5° C-ზე მაღალ და 40° C-ზე დაბალი ტემპერატურის პირობებში. არ შეინახოთ ხელსაწყო გარეთ ან ავტომობილში.
- თუ თქვენ სხვა პიროვნება მოგიახლოვდათ, დაუყოვნებლივ გააჩერეთ მოტორი და მჭრელი მოწყობილობა.
- გააფრთხილეთ მომხმარებელი დანის ბიძგის საფრთხის შესახებ.
- დანის ბიძგი შესაძლოა მოხდეს როდესაც მზრუნავი დანა შეეხება ისეთ საგანს, რომელსაც მყისიერად ვერ მოჭრის.
- დანის ბიძგი შესაძლოა იყოს იმდენად ძლიერი რომ, მოახდინოს ხელსაწყო და/ან მომხმარებლის გაწევა ნებისმიერი მიმართულებით და შესაძლოა, ასევე გამოიწვიოს ხელსაწყოზე კონტროლის დაკარგვა.
- დანის ბიძგი შესაძლოა მოხდეს გაფრთხილების გარეშე თუ დანა დაბრკოლდება, გაჩერდება ან გაიხლართება.
- დანის ბიძგი უფრო სავარაუდოა მოხდეს ისეთ არეში, სადაც რთულია მოჭრადი საგნების დანახვა.
- არ გაუკეთოთ დანა მოწყობილობას აუცილებელი ნაწილების შესაბამისი დამაგრების გარეშე. სათანადო ნაწილების გამოყენების უზრუნველყოფამ შესაძლოა გამოიწვიოს დანის მოწყვეტა და სერიოზულად დააზიანოს მომხმარებელი და/ან გვერდზე მდგომი ადამიანი. გადაადგეთ დანები, რომლებიც მოღუნულია, აქვს შეცვლილი ფორმა, გაზარულია, გატეხილია ან დაზიანებულია სხვაგვარად. გამოიყენეთ ბასრი დანა. ზღაგვი დანა მეტად იხლართება და მიიღებს ბიძგს.
- ინერციით მზრუნავმა დანამ/მუამ შესაძლოა მოგაყენოთ ფიზიკური ზიანი მოტორის ან ტრიგერის გათიშვის შემდეგაც. სათანადოდ აკონტროლეთ ხელსაწყო სანამ მზრუნავი დანა/მუა ბოლომდე არ გაჩერდება.
- აკუმულატორიანი ელექტრული ხელსაწყოების ქსელში შეერთება არ არის აუცილებელი; ისინი ყოველთვის მუშა მდგომარეობაში არიან. გაითვალისწინეთ შესაძლო საფრთხეები მაშინაც კი როცა ხელსაწყო არ არის გამოყენებაში. გამოიჩინეთ სიფრთხილე როდესაც ახდენთ ხელსაწყო შეკეთებას ან ტექნიკურ სერვისს.
- არ გარეცხოთ ხელსაწყო წყლის მილით; მოერიდეთ მოტორში და ელექტრულ შეერთებებში წყლის მოხვედრას.
- თუ ისეთი სიტუაცია შეიქმნა, რომელიც არაა აღწერილი ინსტრუქციაში, გამოიყენეთ საღი აზრი და მიიღეთ ფრთხილი გადაწყვეტილებები. მიმართეთ EGO-ს კლიენტთა მომსახურების ცენტრს დახმარებისთვის.
- გამოიყენეთ მხოლოდ ის აკუმულატორის ბლოკები და დამტენები, რომლებიც მითითებულია სურ. A2-ში

**შეინახეთ ეს მომხმარებლის ინსტრუქცია!**

KA



## სპეციფიკაციები

დაუტვირთავი ბრუნვის სიჩქარე	450±5% ბრუნვა წამში	
საჭრელი დანა	ABR2300	
რეკომენდირებული საექსპლუატაციო ტემპერატურა:	0°C-40°C	
რეკომენდირებული დასაწყობების ტემპერატურა:	-20°C-70°C	
წონა (აკუმულატორის გარეშე)	2,6 კგ	
გაზომილი ხმის სიმძლავრის დონე $L_{WA}$	97,36 dB(A) K= 2,7 dB(A)	
ბგერის წნევის დონე მომხმარებლის ყურზე $L_{PA}$	83 dB(A) K= 2,5 dB(A)	
გარანტირებული ხმის სიმძლავრის დონე $L_{WA}$ (გაზომილი 2000/14/EC რეგულაციის მიხედვით)	100 dB(A)	
ვიბრაციის შეფასება $a_h$ :	რეგულირებადი წინა სახელური	3,3 m/s <sup>2</sup> K= 1,5 m/s <sup>2</sup>
	უკანა სახელური	2,0 m/s <sup>2</sup> K= 1,5 m/s <sup>2</sup>

- მითითებული ვიბრაციის სრული მნიშვნელობა გაზომილია სტანდარტული ტესტირების მეთოდით და შესაძლოა გამოყენებულ იქნას ერთი ხელსაწყოს მეორესთან შედარებისას.
- მითითებული ვიბრაციის სრული მნიშვნელობა ასევე შესაძლოა გამოყენებულ იქნას ზემოქმედების პირველადი შეფასებისას.

**შენიშვნა:** ელექტრული ხელსაწყო ვიბრაციის ემისია გამოყენებისას შესაძლოა განსხვავდებოდეს მითითებული ოდენობისგან; მომხმარებელმა ხელსაწყოთი სარგებლობისას საჭიროა გამოიყენოს ხელთათმანები და ყურის დამცავი საშუალებები.

## შეფუთვის ჩამონათვალი (სურ. A1)

### აღწერა

შეისწავლეთ თქვენი ძელზემდებარე ხერხის მიმაგრება (ნახ. A1)

1. დამლუქავი ხრახნი
2. გადაცემათა კოლოფი
3. დანა
4. ქვედა ხუფი
5. დამცავი ეკრანის კომპლექტი
6. ტარი
7. დაპრესილი ფოლადის თავი
8. ქანჩის გასადები
9. ექვსწახნაგა შლიცის გასადები

### აწყობა

**▲ გაფრთხილება:** თუ რომელიმე ნაწილი დაზიანებულია ან დაკარგულია, არ ისარგებლოთ ხელსაწყოთი, სანამ ყველა ნაწილი არ შეიცვლება. დაზიანებული ან დანაკლისი ნაწილების მქონე ხელსაწყოთი სარგებლობას შესაძლოა მოჰყვეს სერიოზული პირადი ზიანი.

**▲ გაფრთხილება:** არ სცადოთ ხელსაწყოს გადაკეთება ან ისეთი ნაწილების გამოყენება, რომლებიც არაა რეკომენდირებული ამ მანქანისთვის. ნებისმიერი მსგავსი ცვლილება ან მოდიფიკაცია არის ხელსაწყოს არასათანადო გამოყენება და შესაძლოა წარმოქმნას სახიფათო მდგომარეობა, რომელმაც შესაძლოა გამოიწვიოს სერიოზული პირადი ზიანი.

### დამცავი ეკრანის დამონტაჟება

**▲ გაფრთხილება:** ყოველთვის გამოიყენეთ ხელთათმანები, როდესაც ამონტაჟებთ ან ცვლით დამცავ ეკრანს. ფრთხილად მოეპყარით დანას ეკრანზე და დაიცავით ხელი გაჭრისგან.

KA

**▲ გაფრთხილება:** არ გამოიყენოთ ხელსაწყო მჭიდროდ დამაგრებული დამცავი ეკრანის გარეშე. დამცავი ეკრანი ყოველთვის უნდა იყოს დამაგრებული ხელსაწყოზე, რათა დაიცვას მომხმარებელი! არ შეეცადოთ მოხსნათ ან შეასწოროთ დამცავი ეკრანის პოზიცია, თუ საჭიროა მისი შეცვლა, მიმართეთ კვალიფიციურ სერვისის ტექნიკოსს!

მოუშვით და მოხსენით ორი ხრახნი დამცავი ეკრანს (ნახ. B), გაუსწოროთ დამცავი ეკრანზე არსებული ხვრელები ასაწყობ ხვრელებს და დაამაგრეთ ეკრანი ტარის ფუძეზე ორი ხრახნითა და შუასადებიით (ნახ. C).

**▲ გაფრთხილება:** დარწმუნდით რომ დამცავი ეკრანი დამაგრებულია, როგორც ნაჩვენებია ნახ. B და C-ზე, ნებისმიერი სხვაგვარი დამაგრება არის სახიფათო!

### ხელსაწყოს თავზე კიდის მკრეჭავი სამაგრის დამონტაჟება

მისამაგრებელი კულტივატორი განკუთვნილია EGO PH1400E ელექტრულ თავთან მუშაობისთვის. იხილეთ „ხელსაწყოს თავზე მიმაგრებული მოწყობილობის დამონტაჟება“ სექცია PH1400E ელექტრული თავის მომხმარებლის ინსტრუქციაში.

### ექსპლუატაცია

**▲ გაფრთხილება:** შეეცადეთ მსგავსი პროდუქტის გამოყენების გამოცდილებამ არ გამოიწვიოს თქვენი უფულისყურობა. დაიმასხვოვრეთ რომ უფულისყურობამ წამის მეთაღმდეგ კი შესაძლოა მოგიტანოთ სერიოზული ზიანი.

**▲ გაფრთხილება:** არ გამოიყენოთ სხვა ნებისმიერი ნაწილი, რომელიც არაა რეკომენდირებული ამ ხელსაწყოს მწარმოებლის მიერ. არარეკომენდირებული ნაწილის გამოყენებამ შესაძლოა მოგაყენოთ სერიოზული ზიანი.

თქვენ შეგიძლიათ გამოიყენოთ ხელსაწყო ქვემოთ ჩამოთვლილი მიზნებისთვის:

**თიბვა:** გამოიყენება ბალახის მოსათიბად ბომბების ან მოაჯირის, კედლის კიდის, გზის კიდის, სამანქანო გზის გასწვრივ მდებარე

ლობების გარშემო, ან ავტოსადგომის გარშემო არსებული მცენარეების გასაკრეჭად.

**შენიშვნა:** როტაციული სათიბის გამოყენებისას დარწმუნდით რომ, რაიმე უცხო სხეულები არ გამოიტყორცნება, რაც მნიშვნელოვან რისკს ქმნის: გატეხილი ფანჯრების, დაზიანებული მანქანების, გარღვეული ღობის, მოსხეპილი ხის მერქნის ან პირადი დაზიანების მხრივ.

### კიდის მკრეჭავი სამაგრის გამოყენება ელექტრულ თავზე

**▲ გაფრთხილება:** სერიოზული პერსონალური ზიანისგან თავის არიდების მიზნით ყოველთვის მოირგეთ უსაფრთხოების თვალსაფარი ან სათვალე ხელსაწყოთი სარგებლობისას. გამოიყენეთ სახის ნიღაბი ან მტვრის საწინააღმდეგო ნიღაბი მტვრიან ადგილას მუშაობისას.

გასაუფთავეთ გასათიბი არე მუშაობის დაწყებამდე. მოაცილეთ ყველა ობიექტი როგორცაა ქვები, დამტვრეული მინა, ლურსმანი, სადენი ან ბაწარი, რომელიც შესაძლოა ჩაყვებს ან დაეხვიოს ხელსაწყოს მთიბავ ნაწილს. მთარიდეთ სამუშაო ადგილს ბავშვები, სხვა პირები და შინაური ცხოველები. დარწმუნდით რომ ბავშვები, სხვა ადამიანები ან შინაური ცხოველები იმყოფებიან მინიმუმ 15 მ მოშორებით; არსებობს რისკი რომ უცხო სხეულები მაღალი სიჩქარით გვერდზე მდგომი პირებისკენ გაიტყორცნონ. გვერდზე მდგარი პირებისთვის რეკომენდირებულია თვალის დამცავი საშუალებების გამოყენება. თუ თქვენ სხვა პიროვნება მოგიახლოვდათ, დაუყონებლივ გააჩერეთ მოტორი და სათიბი მოწყობილობა.

### ყოველი გამოყენების წინ შეამოწმეთ ნაწილები დაზიანებაზე/ცვეთაზე

შეამოწმეთ როტაციული სათიბის თავი, დამცავი ეკრანი და ჩარჩოსებრი სახელური, შეცვალეთ ნაწილები, რომლებიც გაზარულია, გაღუნულია, აქვს შეცვლილი ფორმა ან დაზიანებულია სხვაგვარად.

KA

**ყოველი გამოყენების შემდეგ გაასუფთავეთ ხელსაწყო.**

**▲ ყურადღება:** საჭაერობის დახშობა ხელს უშლის ჰაერის შედინებას მოტორში და გამოიწვევს მის გადახურებას და დაზიანებას.

- გამოიყენეთ მხოლოდ რბილი საპონი და ნოტიო ქსოვილი ხელსაწყოს გასაწმენდად. არასდროს დაუშვით ხელსაწყოში სითხის შეღწევა; არასდროს მოათავსოთ ხელსაწყოს რაიმე ნაწილი სითხეში.
- ყოველთვის გაათავისუფლეთ მოტორის საჭაეროები ნარჩენებისგან.

**ექსპლუატაცია**

**▲ გაფრთხილება:** ტექნიკური სერვისისას გამოიყენეთ მხოლოდ იდენტური სათადარიგო ნაწილები. გაუკეთეთ ხელსაწყოს რეგულარული შემოწმება და ინსპექტირება. ხელსაწყოს უსაფრთხოდ და გამართულად მუშაობისთვის საჭიროა მისი ყველა შეკეთება და ნაწილის შეცვლა შესრულდეს კვალიფიციური სერვისის ტექნიკოსის მიერ.

**▲ გაფრთხილება:** აკუმულატორიანი ელექტრული ხელსაწყოების ქსელში შეერთება არ არის აუცილებელი; ისინი ყოველთვის მუშა მდგომარეობაში არიან. სერიოზული პერსონალური ზიანისგან თავის არიდების მიზნით მიიღეთ დამატებითი ზომები და გამოიჩინეთ სიფრთხილე შეკეთებისას, სერვისის ან სათიბი და სხვა ნაწილების შეცვლისას.

**▲ გაფრთხილება:** სერიოზული პერსონალური ზიანისგან თავის არიდების მიზნით ამორთეთ აკუმულატორი ხელსაწყოდან ტექნიკური სერვისის, გაწმენდის, მისამაგრებელი ნაწილების შეცვლის ან ნარჩენი ნივთიერების მოცილების დროს.

**როტაციული სათიბის დანის შეცვლა**

**▲ გაფრთხილება:** თუ დანები მოეშვება ადგილზე დამაგრების შემდეგ ან ძლიერ გაიცვითება, დაუყოვნებლივ შეცვალეთ ისინი. არასოდეს გამოიყენოთ ხელსაწყო მორყეულად დამაგრებული ან არაეფექტური მთიბავი ნაწილით.

შეისწავლეთ როტაციული სათიბის თავი, როგორც ნახ. D1-ზე არის ნაჩვენები.

D-1	ტარის ხუფი	D-2	ზედა დანა
D-3	ქვედა დანა	D-4	საყრდენი ხუფი
D-5	შუსაადები	D-6	მოსრიალე თევზა
D-7	ქანჩი		

1. მოათავსეთ როტაციული სათიბის გადაცემათა კოლოფი მყარ საყრდენ ზედაპირზე. ერთად დაიჭირეთ ზედა და ქვედა დანები ბრტყელტუჩით ან გირავით, შემდეგ გამოიყენეთ ქანჩის გასაღები, რათა მოუშვათ ქანჩი (ნახ. D2).
2. მოხსენით ქანჩი, მოსრიალე თევზა, შუსაადები, საყრდენი ხუფი, ქვედა დანა, ზედა დანა და ტარის ხუფი იმ თანმიმდევრობით, როგორც ნახ. D1-ზე არის ნაჩვენები.
3. ახალი დანების დამონტაჟებამდე, დაამაგრეთ ტარზე ხუფი (ნახ. D3). დაამაგრეთ ზედა დანა დიდი ზომის ექსწახნაგა ნასვრეტით ტარზე ზედაპირზე დატანილი „EGO“-ს ლოგოთი გადაცემათა კოლოფის მიმართულებით (ნახ. D4), შემდეგ დაამაგრეთ ქვედა დანა მცირე ზომის ექსწახნაგა ნასვრეტით ტარზე ზედაპირზე დატანილი „EGO“-ს ლოგოთი თქვენი მიმართულებით (ნახ. D5).

**შენიშვნა:** დარწმუნდით რომ ექსწახნაგა ნასვრეტები დანებზე და ექსწახნაგა ტარის მხარზე ერგება ერთმანეთს. სხვა შემთხვევაში, თუ დანები საპირისპირო მიმართულებითაა დამაგრებული, როტაციული სათიბი ვერ იმუშავებს სწორად და დააზიანებს დანებს.

**KA**

4. მიჰყევით ნახ. D1-ზე ნაჩვენები ინსტრუქციის მიმდევრობას, რათა ხელახლა ააწყოთ ისინი.

### გადაცემათა კოლოფის შეზღუდვის წესი

ხელსაწყო ოპტიმალური მუშაობისთვის და ხანგრძლივი მოხმარებისთვის შეზღუდვით გადაცემათა კოლოფი სპეციალური საპოხით (4-5 გ ყოველ ჯერზე) ყოველი 50 საათიანი ექსპლუატაციის პერიოდის შემდეგ.

სპეციალური საპოხი უნდა აკმაყოფილებდეს შემდეგ მოთხოვნებს:

1. მიეკუთვნებოდეს DIN51818 ტიპს: კონუსის შკალაზე NLGI-1 სირბილის.
2. სინთეტიკური ეთერის ცხიმი.
3. შესანიშნავი საპოხი დაბალტემპერატურული ჩართვისთვის, მაღალი წნევის პირობებისთვის, მექანიკური ცვეთისა და გახეხის საწინააღმდეგო და ოქსიდაციის სტაბილიზაციის თვისებებით.
4. ტემპერატურის მუშა რეჟიმი უნდა მოიცავდეს  $-40 \sim 180^{\circ}\text{C}$  ინტერვალს, მოხსენით აკუმულატორის კვების ჩანგალი და დამლუქავი ხრახნი. შეზღუდვით გადაცემათა კოლოფი სპეციალურად განკუთვნილი ხვრელის საშუალებით.

**⚠ გაფრთხილება:** არ შეზღუდვით ხელსაწყო როდესაც ხელსაწყო შეერთებულია აკუმულატორთან ან მუშა რეჟიმშია.

### ხელსაწყო გაწმენდა

- გაწმინდეთ ხელსაწყო ნოტიო ქსოვილით და რბილი სარეცხი საშუალებით.
- არ გამოიყენოთ ძლიერი გამწმენდი საშუალებები პლასტმასის ბუდეზე ან სახელურზე. ისინი შესაძლოა დაზიანდეს ისეთი არომატიზატორებით, როგორცაა ნაძვის ან ლიმონის ზეთი, ან ნავთის ტიპის გამხსნელი საშუალებებით. სინესტემ ასევე შეიძლება შექმნას ელექტრული შოკის საფრთხე. რბილი, მშრალი ქსოვილით მოწმინდეთ ხელსაწყო ნებისმიერ ნესტი,

### ხელსაწყო შენახვის წესი

- საფუძვლიანად გაწმინდეთ ხელსაწყო შენახვამდე.
- შეინახეთ ხელსაწყო მშრალ, კარგად განიავებად ადგილას ჩაკეტილ და მაღალ სათავსოში, ბავშვებისთვის მიუწვდომელ ადგილას. არ შეინახოთ ხელსაწყო სასუქის, ბენზინის და სხვა ქიმიური ნივთიერებების სიახლოვეს.
- ხელსაწყო ტრანსპორტირების დროს გამოიყენეთ ლითონის დანების საფარი.

### გარემოს დაცვა



არ მოახდინოთ ელექტრული მოწყობილობის, დამტენის და აკუმულატორის / მისი ბატარეების მოთავსება საყოფაცხოვრებო ნაგავში! მიუტანეთ ისინი ავტორიზირებულ ნარჩენების გადამამუშავებელს და მოახდინეთ ასეთი ნარჩენის განცალკევებულად შეგროვება. ელექტრული ხელსაწყოები უნდა ჩაბარდეს ნარჩენების გადამამუშავებელ ორგანოს გარემოს დაცვის ნორმების გათვალისწინებით.

## გაუმართაობის დიაგნოსტიკა

პრობლემა	მიზეზი	გადაჭრის გზა
როტაციული სათიბი არ ირთვება.	<ul style="list-style-type: none"> <li>აკუმულატორი არ არის სწორად შეერთებული ელექტრულ თავზე.</li> <li>აკუმულატორი დაცლილია.</li> <li>ჩამკეტი ბერკეტი და ტრიგერი ერთდროულად არაა აქტივირებული.</li> </ul>	<ul style="list-style-type: none"> <li>მიუერთეთ აკუმულატორი ელექტრულ თავს.</li> <li>დატენეთ აკუმულატორი მხოლოდ EGO-ს მიერ ამ მომხმარებლის ინსტრუქციაში ჩამოთვლილი დამტენი მოწყობილობით.</li> <li>დააჭირეთ ჩამკეტ ბერკეტს და გააჩერეთ ამ მდგომარეობაში, შემდეგ დააჭირეთ თითო ტრიგერს რათა ჩართოთ ხელსაწყო.</li> </ul>
როტაციული სათიბი ითიშება მუშაობის პროცესში.	<p>მოტორი არის გადატვირთული.</p> <ul style="list-style-type: none"> <li>აკუმულატორი ზედმეტად გაცხელებულია.</li> <li>აკუმულატორი მოხსნილია ხელსაწყოდან.</li> </ul>	<ul style="list-style-type: none"> <li>ხელსაწყო განაახლებს მუშაობას, როდესაც დატვირთვა მოიხსნება. განუწყვეტლივი მუშაობისას შეამცირეთ დატვირთვა როტაციულ სათიბზე და მოერიდეთ ღრმად თიბვას; ამის მაგივრად, თანდათანობით გაზარდეთ მოთიბვის სიღრმე.</li> <li>დააცადეთ აკუმულატორს გაგრილდეს ზუნებრივად ან გამოიყენეთ ჰაერის ჭავლი გაგრილების დასაჩქარებლად.</li> <li>ხელახლა მიუერთეთ აკუმულატორი.</li> </ul>

## გარანტია

### EGO-ს გარანტიის მომსახურების წესი

გთხოვთ ეწვიოთ ვებ-გვერდს [egopowerplus.com](http://egopowerplus.com), რათა მიიღოთ EGO-ს საგარანტიო მომსახურების სრული დადგენილებები და პირობები.

KA

## PROČITAJTE SVA UPUTSTVA!



Pročitajte Priručnik Za Rukovaoca

**⚠ Rezidualni rizik!** Osobe sa elektronskim uređajima, poput pejsmejkera, treba da konsultuju svog lekara (svoje lekare) pre upotrebe ovog proizvoda. Rukovanje električnom opremom u neposrednoj blizini srčanog pejsmejkera moglo bi da izazove smetnje ili otkazivanje pejsmejkera.

**⚠ UPOZORENJE:** Da bi se osigurala sigurnost i pouzdanost, sve popravke i zamene treba da radi kvalifikovani servisni tehničar.

## SIGURNOSNI SIMBOL

Svrha sigurnosnih simbola je da vam skrenu pažnju na moguće opasnosti. Sigurnosni simboli i objašnjenja uz njih zaslужuju vašu ponnu pažnju i shvatanje. Simboli upozorenja, sami po sebi, ne eliminišu nikakve opasnosti. Uputstva i upozorenja koja oni daju nisu zamena za odgovarajuće mere sprečavanja nezgoda.

**⚠ UPOZORENJE:** Obavezno pročitajte i shvatite sva sigurnosna uputstva u ovom Priručniku za rukovaoca, obuhvatajući i sve simbole sigurnosnih upozorenja poput „OPASNOST“, „UPOZORENJE“ i „OPREZ“ pre korišćenja ovog alata. Nepridržavanje svih dolenađenih uputstava može da dovede do strujnog udara, požara i/ili ozbiljne telesne povrede.

## ZNAČENJE SIMBOLA

**⚠ SIMBOL SIGURNOSNOG UPOZORENJA:** Ukazuje na **OPASNOST**, **UPOZORENJE**, ILI **OPREZ**, može se koristiti zajedno sa drugim simbolima ili piktogramima.

**⚠ UPOZORENJE:** Rukovanje svakim električnim alatom može da dovede do izbacivanja stranih tela ka očima, što može da dovede do ozbiljnog oštećenja očiju. Pre započinjanja rada sa električnim alatom, uvek stavite sigurnosne naočare sa bočnim štitnicima ili po potrebi masku za celo lice. Preporučujemo sigurnosnu masku Wide Vision za upotrebu preko naočara ili standardnih sigurnosnih naočara sa bočnim štitnicima.

## SIGURNOSNA UPUTSTVA

Ova stranica prikazuje i opisuje sigurnosne simbole koji mogu da se pojave na ovom proizvodu. Pročitajte, shvatite i sledite sva uputstva na mašini pre no što pokušate da je sklopite i da rukujete njom.

	Sigurnosno upozorenje	Mere opreza koje se tiču vaše sigurnosti.
	Pročitajte Priručnik za rukovaoca	Da bi smanjio rizik od povreda, korisnik pre korišćenja ovog proizvoda mora pročitati i shvatiti priručnik za rukovaoca.
	Nosite zaštitu za oči	Uvek nosite sigurnosne naočare sa bočnim štitnicima ili po potrebi masku za celo lice kad rukujete ovim proizvodom.
	Nosite zaštitu za uši	Uvek nosite zaštitu za uši kad rukujete ovim proizvodom.
	Nosite zaštitu za glavu	Nosite odobreni sigurnosni šlem da biste zaštitili glavu.
	Nosite zaštitne rukavice	Zaštitite ruke rukavicama kada rukujete sečivom ili štitnikom sečiva.
	Nosite sigurnosnu obuću	Nosite sigurnosnu obuću koja se ne kliže kada koristite ovaj uređaj.
	Čuvajte se odbijanja noža	Upozorite rukovaoca na opasnosti od odbijanja noža.
	Ne izlazite kiši	Ne koristite po kiši i ne ostavljajte napolju dok pada kiša.
	Držite prolaznike podalje zbog odbijenih predmeta	Izbačeni predmeti se mogu odbiti i izazvati telesnu povredu ili oštetiti imovinu. Osigurajte da drugi ljudi i kućni ljubimci budu udaljeni od motome kose kada je u upotrebi
	Držite prolaznike podalje	Osigurajte da drugi ljudi i kućni ljubimci budu udaljeni najmanje 15 m od trimera kada je u upotrebi.
	Bez okruglog noža	Ne instalirajte okrugle noževe za sečenje.

SR

	WEEE	Otpadne električne proizvode ne bi trebalo odlagati zajedno sa otpadom iz domaćinstva. Odnosite ih u ovlašćeni pogon za reciklažu.
	Buka	Garantovan nivo jačine zvuka. Emisija buke u okruženju prema Direktivi Evropske zajednice
	CE	Ovaj proizvod je u skladu sa primenljivim EC direktivama.
V	Volt	Voltaža
$n_0$	Brzina bez opterećenja	Rotaciona brzina, bez opterećenja
min <sup>-1</sup>	U minutu	Obrtaji u minutu
	Jednosmer- na struja	Tip ili karakteristika struje
kg	Kilogram	Težina

## VAŽNA SIGURNOSNA UPUTSTVA

**▲ UPOZORENJE: Pročitajte sva sigurnosna upozorenja, uputstva, ilustracije i specifikacije priložene uz ovaj električni alat.** Nepridržavanje svih dolenavedenih uputstava može da dovede do strujnog udara, požara i/ili ozbiljne povrede

**Sačuvajte sva upozorenja i uputstva za buduću upotrebu.**

- **Izbegavajte opasna okruženja** – ne koristite aparate na vlažnim ili mokrim nagibima.
- Držite štitnike na svom mestu i u radnom stanju.
- Držite šake i stopala dalje od mesta sečenja.
- Da biste smanjili rizik od povreda, nikada nemojte raditi na lestvama ili na bilo kojoj nestabilnoj površini. Nikada nemojte držati jedinicu za sečenje iznad visine struka.
- Proveravajte jedinicu za sečenje redovno u kratkim intervalima za vreme korišćenja, ili odmah ako ima приметnih promena u ponašanju sečenja.
- Za najbolje rezultate, bateriju treba puniti na mestu gde je temperatura veća od 5 °C i manja od 40 °C. Ne skladištite je na otvorenom prostoru ili u vozilima.
- Ako vam neko pride, zaustavite motor i jedinicu za sečenje.

- **Upozorite rukovaoca na opasnosti od odbijanja noža.**
- Do odbijanja noža može doći kada nož koji se okreće dođe u dodir sa predmetom koji ne preseče istog trenutka.
- Odbijanje noža može biti dovoljno silovito da izazove da jedinica i/ili korisnik budu odgurnuti u bilo kojem smeru, i mogući je gubitak kontrole nad jedinicom.
- Do odbijanja noža može doći bez upozorenja ako se nož zakači, zaguši ili zaplete.
- Veće šanse za odbijanje noža postoje na mestima gde je teško videti materijal koji se kosi.
- **Nemojte pričvrstiti nož na jedinicu bez pravilne instalacije svih potrebnih delova.** Nekorišćenje odgovarajućih delova može izazvati da nož odleti i ozbiljno povredi operatera i/ili prolaznike. Odbacite noževe koji su savijeni, iskrivljeni, naprsli, polomljeni ili oštećeni na bilo koji način. Koristite oštar nož. Tup nož ima veće šanse da se zakači i odbije.
- **Kretanje noža/strune može da izazove povredu dok nastavlja da se vrti nakon zaustavljanja motora ili puštanja okidača.** Održavajte pravilnu kontrolu dok se nož/struna ne zaustavi potpuno.
- **Alati na baterije ne moraju da budu uključeni u utičnicu; oni su stoga uvek u radnom stanju.** Budite svesni mogućih opasnosti čak i kada se alat ne koristi. Budite pažljivi kada održavate ili servisirate.
- **Ne perite crevom; izbegavajte ulaženje vode u motor i električne veze.**
- **Ako dođe do situacija koje nisu obrađene u ovom priručniku, primenjujte oprez i zdravo rasuđivanje.** Obratite se EGO korisničkoj službi za pomoć.
- Koristite samo sa baterijama i punjačima navedenim na slici A2.

**SAČUVAJTE OVO UPUTSTVO!**

## SPECIFIKACIJE

Brzina bez opterećenja	450±5% o/min	
Nož za sečenje	ABR2300	
Preporučena radna temperatura	Od 0 °C do 40 °C	
Preporučena temperatura skladištenja	Od -20°C do +70°C	
Težina (bez baterije)	2,6 kg	
Izmereni nivo jačine zvuka $L_{WA}$	97,36 dB(A) K= 2,7 dB(A)	
Nivo zvučnog pritiska kod uha rukovaoca $L_{PA}$	83 dB(A) K= 2,5 dB(A)	
Garantovan nivo jačine zvuka $L_{WA}$ (izmereno prema 2000/14/EC)	100 dB(A)	
Procena vibracije $a_{h^*}$	Prednja pomoćna drška	3,3 m/s <sup>2</sup> K= 1,5 m/s <sup>2</sup>
	Zadnja drška	2,0 m/s <sup>2</sup> K= 1,5 m/s <sup>2</sup>

- Deklarisana ukupna vrednost vibracije je izmerena u skladu sa standardnim metodom testiranja i može se koristiti za upoređivanje jednog alata sa drugim;
- Deklarisana ukupna vrednost vibracije može se koristiti i u preliminarnoj proceni izlaganja.

**NAPOMENA:** Emisija vibracija tokom stvarne upotrebe električnog alata može da se razlikuje od deklarisanе vrednosti u kojoj se alat koristi. Da bi se rukovalac zaštitio, korisnik bi trebalo da nosi rukavice i štitnike za uši u stvarnim uslovima korišćenja.

## POPIS PAKOVANJA (SLIKA A1)

### OPIS

#### UPOZNAJTE SVOJ DODATAK ROTOCUT (slika A1)

1. Zaptivni vijak
2. Menjač brzina
3. Nož
4. Sklop kliznog poklopca
5. Sklop štitnika
6. Vratilo
7. Krajnja kapica
8. Ključ
9. Inbus ključ

SR

## SKLAPANJE

**⚠ UPOZORENJE:** Ako su neki delovi oštećeni ili nedostaju, nemojte koristiti ovaj proizvod dok delovi ne budu zamenjeni. Korišćenje ovog proizvoda sa oštećenim ili nedostajućim delovima može dovesti do ozbiljnih telesnih povreda.

**⚠ UPOZORENJE:** Ne pokušavajte da modifikujete ovaj proizvod ili da pravite dodatke koji nisu preporučeni za korišćenje sa ovom mašinom. Svaka takva promena ili modifikacija je zloupotreba i može dovesti do opasnih uslova koji mogu da dovedu do ozbiljnih telesnih povreda.

### MONTIRANJE ŠTITNIKA

**⚠ UPOZORENJE:** Uvek nosite rukavice kad montirate ili zamenjujete štitnik. Pazite na nož na štitniku i zaštitite šaku od posekotina.

**⚠ UPOZORENJE:** Nikada ne koristite alat bez štitnika čvrsto na mestu. Štitnik mora uvek biti na alatu da bi zaštitio korisnika! Kad je štitnik fiksiran, nikad ne pokušavajte da skinete ili podesite štitnik; ako je potrebna zamena, nju treba da uradi kvalifikovani servisni tehničar!

Olabavite i uklonite dva vijka sa štitnika (slika B), poravnajte montažne rupe štitnika sa rupama na sklopu pa zatim zaključajte štitnik na bazu vratila pomoću dva vijka, zajedno sa dve elastične podloške (slika C).

**⚠ UPOZORENJE:** Proverite da li je štitnik fiksiran prema slici B i C, svako obrnuto fiksiranje će izazvati veliku opasnost!

### POVEZIVANJE DODATKA ROTOCUT NA POGONSKU GLAVU

Ovaj dodatak rotocut je dizajniran za korišćenje sa EGO pogonskom glavom PH1400E. Pogledajte odeljak „INSTALIRANJE DODATKA NA POGONSKU GLAVU“ u priručniku za rukovaoca za pogonsku glavu PH1400E.

## RUKOVANJE

**⚠ UPOZORENJE:** Ne dozvolite da zbog poznavanja ovog proizvoda postanete nemarni. Zapamtite da je delić sekunde nepažnje dovoljan da nanese ozbiljnu povredu.

**⚠ UPOZORENJE:** Ne koristite nikakve dodatke ili pribor koje nije preporučio proizvođač ovog proizvoda. Upotreba dodataka ili pribora koji nisu preporučeni može da dovede do ozbiljne telesne povrede.

Možete koristiti ovaj proizvod za svrhe navedene ispod:



**Sečenje:** koristi se za sečenje trave oko stubova ili ograda, ivica zidova, ivičnjaka puta, barijera u saobraćaju ili za trimovanje vegetacije na parkinzima.

**NAPOMENA:** Kad koristite dodatak rotocut, vodite računa da ne dođe do izbacivanja stranih predmeta jer to podrazumeva visok rizik: razbijene prozore, ulubljene karoserije automobila, prosečene ograde, pokidanu koru drveta ili telesne povrede.

### KORIŠĆENJE DODATKA ROTOCUT SA POGONSKOM GLAVOM

**⚠ UPOZORENJE:** Da biste izbegli ozbiljne telesne povrede, uvek nosite sigurnosne naočare sa bočnim štitnicima ili sigurnosne naočare kad rukujete ovom jedinicom. Nosite masku za lice ili masku za prašinu na prašnjavim mestima.

Očistite područje na kojem ćete seći pre svake upotrebe. Uklonite sve predmete poput kamenja, razbijenog stakla, eksera, žica ili strune koji bi mogli biti izbačeni ili zakačeni dodatkom za sečenje. Uklonite decu, prolaznike i kućne ljubimce iz područja gde ćete raditi. U najmanju ruku, držite svu decu, prolaznike i ljubimce na udaljenosti od najmanje 15 m; i dalje može postojati rizik po posmatrača od izbačenih predmeta. Posmatrača bi trebalo podstaći da nose zaštitne naočare. Ako vam neko priđe, odmah zaustavite motor i dodatak za sečenje.

### Pre svake upotrebe proverite da li ima oštećenih/pohabanih delova.

Proverite dodatak rotocut, štitnik i kružnu dršku i zamenite delove koji su naprsli, iskrivljeni, savijeni ili na bilo koji način oštećeni.

### Nakon svake upotrebe, očistite alat.

**⚠ OPREZ:** Začepljenje otvora će sprečiti protok vazduha u kućište motora i dovešće do pregrevanja ili oštećenja motora.

- Koristite samo blag sapun i vlažnu krpu da čistite alat. Nikad ne dozvolite da neka tečnost ude u alat; nikad ne potapajte nijedan deo alata u tečnost.
- Uvek održavajte otvore za vazduh u kućištu motora bez prijavštine.

## ODRŽAVANJE

**⚠ UPOZORENJE:** Tokom servisiranja, koristite samo identične rezervne delove. Redovno pregledajte i održavajte alat. Da bi se osigurala sigurnost i pouzdanost, sve popravke treba da radi kvalifikovani servisni tehničar.

**⚠ UPOZORENJE:** Alati na baterije ne moraju da budu uključeni u utičnicu; oni su stoga uvek u radnom stanju. Da biste sprečili ozbiljne telesne povrede, budite veoma oprezni i pažljivi kad radite održavanje, servisiranje ili kad menjate dodatak za sečenje ili druge dodatke.

**⚠ UPOZORENJE:** Da biste sprečili ozbiljne telesne povrede, isključite konektor baterije iz utičnice pre servisiranja, čišćenja, menjanja dodataka ili skidanja materijala sa jedinice.

### ZAMENA ROTOCUT NOŽA

**⚠ UPOZORENJE:** Ako se noževi olabave nakon što su fiksirani na svoje mesto ili ako su jako pohabani, odmah ih zamenite. Nikad ne koristite alat sa labavim ili neefikasnim dodatkom za sečenje.

Upoznajte ROTOCUT glavu kako je prikazano na slici D1.

D-1	Šolja vratila	D-2	Gornji nož
D-3	Donji nož	D-4	Potporna šolja
D-5	Podloška	D-6	Klizna posuda
D-7	Navrtanj		

1. Postavite menjač brzina ROTOCUT glave na čvrstu površinu. Spojite gornji i donji nož kleštima ili stegom a zatim pomoću ključa olabavite navrtanj (slika D2).
2. Uklonite navrtanj, kliznu posudu, podlošku, potporna šolju, donji nož, gornji nož i šolju vratila redosledom prikazanim na slici D1.
3. Pre instaliranja novih noževa, stavite šolju vratila na vratilo (slika D3). Stavite gornji nož sa velikom šestougaonom rupom na vratilo tako da je površina na kojoj je odštampan „EGO“ logotip okrenuta prema menjaču brzina (slika D4) a zatim stavite donji nož sa malom šestougaonom rupom na vratilo tako da je površina na kojoj je odštampan „EGO“ logotip okrenuta prema rukovaocu (slika D5).
4. Pratite redosled prikazan na slici D1 da biste ih ponovo sklopili.

**NAPOMENA:** Vodite računa da se šestougaone rupe na noževima i šestougaoni obod vratila uklapaju. U suprotnom, ako su noževi montirani obrnuto, DODATAK ROTOCUT ne može pravilno da radi i oštetiće noževe.

### PODMAZIVANJE MENJAČA BRZINA

Za najbolji rad i duži radni vek, podmazujte menjač brzina specijalnim mazivom (4-5 g svaki put) posle svakih 50 sati rada.

Specijalno mazivo treba da ispuni sledeće zahteve.

1. Spada u DIN51818: NLGI-1 stepen penetracije konusa.
2. Mazivo na bazi estra.
3. Svojstva odličnog pokretanja na niskoj temperaturi, EP, mehaničkog smicanja, otpornosti na abraziju i oksidativne stabilnosti.
4. Radna temperatura mora da obuhvati od -40 do +180 °C. Izvadite utikač baterije i zaptivni vijak. Podmazivanje menjača brzina kroz rupicu za ulje.

**⚠ UPOZORENJE:** Ne podmazujte dok je alat još uvek spojen sa baterijom ili dok radi.

#### ČIŠĆENJE JEDINICE

- Očistite jedinicu vlažnom krpom i blagim deterdžentom.
- Ne koristite jake deterdžente na plastičnom kućištu i drški. Mogu ih oštetiti određena aromatična ulja, poput bora i limuna, i rastvarači poput kerozina. Vлага može da izazove i opasnost od strujnog udara. Obrišite svu vlagu mekom suvom krpom.

#### SKLADIŠTENJE JEDINICE

- Temeljno očistite alat pre no što ga uskladištite.
- Skladištite jedinicu na suvom, dobro provetrenom mestu, zaključanu ili na visini, van domašaja dece. Ne skladištite jedinicu na ili pored đubriva, benzina ili drugih hemikalija.
- Upotrebljavajte transportnu navlaku za metalne noževe tokom transportovanja i skladištenja.

#### Zaštita životne sredine



Ne odlažite električnu opremu, potrošene baterije i punjače u kućni otpad! Odnosite ovaj proizvod u ovlašćeni pogon za reciklažu ili ga odvojite od ostalog smeća radi zasebnog prikupljanja. Električni alati moraju se odneti u ekološki prihvatljiv pogon za reciklažu.

## REŠAVANJE PROBLEMA

PROBLEM	UZROK	REŠENJE
ROTOCUT se ne pokreće.	<ul style="list-style-type: none"><li>■ Baterija nije pravilno spojena na pogonsku glavu.</li><li>■ Baterija je prazna.</li><li>■ Poluga za zaključavanje i okidač nisu pritisnuti istovremeno.</li></ul>	<ul style="list-style-type: none"><li>■ Spojite bateriju na pogonsku glavu.</li><li>■ Napunite bateriju EGO punjačem navedenim u ovom priručniku.</li><li>■ Pritisnite polugu za zaključavanje i držite je, zatim pritisnite okidač da biste uključili jedinicu.</li></ul>
ROTOCUT se zaustavlja tokom sečenja.	<ul style="list-style-type: none"><li>■ Motor je preopterećen.</li><li>■ Baterija je prevruća.</li><li>■ Baterija se odvojila od alata</li></ul>	<ul style="list-style-type: none"><li>■ Motor će se ponovo pokrenuti kad se opterećenje ukloni. Za neprekidan rad, smanjite opterećenje na ROTOCUT i izbegavajte duboko sečenje; umesto toga postepeno povećavajte dubinu sečenja.</li><li>■ Ostavite bateriju da se prirodno ohladi ili duvajte vazduh na nju da ubrzate hlađenje.</li><li>■ Ponovo spojite bateriju.</li></ul>

## GARANCIJA

### EGO POLITIKA GARANCIJE

Posetite veb-lokaciju [egopowerplus.com](http://egopowerplus.com) za potpune uslove i odredbe EGO politike garancije.

## PROČITAJTE UPUTSTVO U CIJELOSTI!



### PROČITAJTE KORISNIČKI PRIRUČNIK

**⚠ Preostale opasnosti!** Osobe s elektroničkim uređajima poput srčanih elektrostimulatora prije upotrebe ovog proizvoda trebaju se posavjetovati sa svojim ljekarom. Rad električne opreme u neposrednoj blizini srčanih elektrostimulatora može uzrokovati smetnju ili kvar srčanog elektrostimulatora.

**⚠ UPOZORENJE!** Radi osiguranja sigurnosti i pouzdanosti, sve popravke i zamjene treba obavljati kvalifikovani servisni tehničar.

## SIGURNOSNI SIMBOL

Svrha sigurnosnih simbola je skretanje pažnje na moguće opasnosti. Sigurnosni simboli i njihova objašnjenja zahtijevaju vašu potpunu pažnju i razumijevanje. Sami simboli upozorenja sami po sebi ne isključuju opasnost. Uputstva i upozorenja koja pružaju nisu zamjena za propisne mjere za prevenciju nesreća.

**⚠ UPOZORENJE!** Prije upotrebe ovog alata pobrinite se da sva sigurnosna uputstva u ovom korisničkom priručniku, uključujući sve sigurnosne simbole kao što su "OPASNOST", "UPOZORENJE" i "OPREZ" pročitate s razumijevanjem. Zanemarivanje svih uputstava navedenih u nastavku može rezultirati strujnim udarom, požarom i/ili teškim tjelesnim povredama.

## ZNAČENJE SIMBOLA

**⚠ SIGURNOSNI SIMBOL UPOZORENJA:** ukazuje na OPASNOST, UPOZORENJE ILI OPREZ i može se upotrebljavati u kombinaciji s drugim simbolima ili piktogramima.

**⚠ UPOZORENJE!** Rukovanje električnim alatima može rezultirati odbacivanjem stranih predmeta u oči, što opet može izazvati teška oštećenja očiju. Prije početka rukovanja električnim alatom, uvijek nosite zatvorene zaštitne naočale ili zaštitne naočale s bočnim štitnicima, a prema potrebi i štitičnik za cijelo lice. Preporučujemo nošenje sigurnosne maske proizvođača Wide Vision preko naočala, ili nošenje standardnih zaštitnih naočala s bočnim štitnicima.

## SIGURNOSNA UPUTSTVA

Na ovoj stranici slikovno su prikazani i objašnjeni sigurnosni simboli koji se mogu pojaviti na ovom proizvodu. Prije pokušaja sastavljanja i rukovanja, s razumijevanjem pročitajte sva uputstva na proizvodu i pridržavajte ih se.

	Simbol upozorenja	Mjere opreza koje se odnose na vašu sigurnost.
	Pročitajte korisnički priručnik.	Radi smanjenja opasnosti od povreda, prije upotrebe ovog proizvoda korisnik treba s razumijevanjem pročitati ovaj korisnički priručnik.
	Nosite zaštitu za oči.	Kada upotrebljavate ovaj proizvod, uvijek nosite zatvorene zaštitne naočale ili zaštitne naočale s bočnim štitnicima i štitičnik za cijelo lice.
	Nosite zaštitu za sluh.	Kada rukujete ovim proizvodom, uvijek nosite zaštitu za sluh.
	Nosite zaštitu za glavu.	Radi zaštite glave nosite odobrenu sigurnosnu kacigu.
	Nosite zaštitne rukavice.	Kada rukujete nožem i štitičnikom noža zaštitite ruke rukavicama.
	Nosite sigurnosnu obuću.	Kada upotrebljavate ovu opremu nosite neklizajuću sigurnosnu obuću.
	Čuvajte se povratnog udara noža.	Upozorite rukovaoca na opasnost od povratnog udara noža.
	Ne izlažite uređaj kiši.	Uređaj nemojte upotrebljavati na kiši ili nemojte ga ostavljati na otvorenom kada pada kiša.
	Opasnost od povratnog udara! Druge prisutne osobe držite na udaljenosti.	Odbačeni predmeti mogu odskočiti i rezultirati tjelesnim povredama ili materijalnom štetom. Pobrinite se da druge osobe i kućni ljubimci ostanu podalje od čistača šikare tokom upotrebe.

	Druge prisutne osobe držite na udaljenosti.	Pobrinite se da druge osobe i kućni ljubimci ostanu na udaljenosti od najmanje 15 m od trimera s reznom niti tokom upotrebe.
	Ne upotrebljavajte zaobljeni nož.	Nemojte postavljati zaobljene rezne noževe.
	WEEE	Otpadni električni proizvodi ne smiju se odlagati s otpadom iz domaćinstva. Odnosite ih u ovlašteni centar za reciklažu.
	Buka	Zagarantovani nivo zvučne snage. Emisija buke u okruženju u skladu je s Direktivom Evropske unije.
	Oznaka CE	Ovaj proizvod je u skladu s primjenjivim Direktivama EU.
V	Volt	Napon
$n_0$	Brzina vrtnje bez opterećenja	Brzina okretanja, bez opterećenja
$\text{min}^{-1}$	U minuti	Okretaji u minuti
	Istosmjerna struja	Vrsta ili karakteristike struje
kg	Kilogram	Masa

## VAŽNA SIGURNOSNA UPUTSTVA

**⚠ UPOZORENJE!** Pročitajte sva sigurnosna upozorenja, uputstva, sve ilustracije i specifikacije isporučene s ovim električnim alatom. Zanemarivanje svih uputstava navedenih u nastavku može rezultirati strujnim udarom, požarom i/ili teškim povredama.

Sačuvajte sva upozorenja i uputstva za buduće potrebe.

- Izbjegavajte opasna okruženja. – Uređaje nemojte upotrebljavati na vlažnim ili mokrim nagibima.
- Održavajte štitnike na njihovom mjestu i u radnom stanju.
- Ruke i stopala držite podalje od područja rezanja.

- Radi smanjenja opasnosti od povreda, nemojte nikada raditi na ljestvama ili na nekoj drugoj nesigurnoj podlozi. Reznu jedinicu nemojte nikada držati na visini iznad struka.
- Reznu jedinicu tokom rada redovno provjeravajte u kratkim intervalima ili odmah ako uočite primjetnu promjenu u postupku rezanja.
- Za najbolje rezultate bateriju je potrebno puniti na mjestu gdje je temperatura viša od 5 °C i niža od 40 °C. Bateriju nemojte skladištiti na otvorenom ili u vozilu.
- Ako vam neko prilazi, zaustavite motor i reznu jedinicu.
- Upozorite rukovaoca na opasnost od povratnog udara noža.
- Povratni udar noža može se dogoditi kada rotirajući nož dođe u kontakt s predmetom kojeg ne može odmah odrezati.
- Povratni udar noža može biti dovoljno silovit da rezultira odbacivanjem jedinice i/ili rukovaoca u bilo kojem smjeru i mogućim gubitkom kontrole nad jedinicom.
- Povratni udar noža može se dogoditi bez upozorenja ako nož zapne, ako blokira ili se zaglavi.
- Povratni udar noža prije će se dogoditi u područjima gdje je teško vidjeti materijal koji se reže.
- Nemojte pričvršćivati nož na jedinicu bez propisnog postavljanja svih potrebnih dijelova. Zanemarivanje upotrebe propisnih dijelova može rezultirati odbacivanjem noža i teškim povredama rukovaoca i/ili drugih prisutnih osoba. Zbrinite noževe koji su savijeni, deformisani, napuknuti, polomljeni ili oštećeni na bilo koji način. Upotrebljavajte oštar nož. Tup nož prije će zapeti i uzrokovati povratni udar.
- Nož/nit u praznom hodu može uzrokovati povrede dok se još okreće nakon zaustavljanja motora ili otpuštanja okidača. Održavajte propisnu kontrolu dok se nož/nit u potpunosti ne zaustavi.
- Baterijske alate nije potrebno uključivati u električnu utičnicu, stoga su uvijek u radnom stanju. Imajte na umu moguće opasnosti čak i kada alat ne radi. Budite oprezni pri obavljanju radova održavanja ili servisiranja.
- Uređaj nemojte prati crijevom; izbjegavajte da voda dospije u motor i električne priključke.
- Ako se pojave situacije koje nisu obuhvaćene ovim priručnikom, postupite oprežno i uz dobru procjenu. Za pomoć se obratite centru korisničke službe proizvođača EGO.
- Upotrebljavajte samo s kompletima baterija i punjačima koji su navedeni na sl. A2.

SAČUVAJTE OVA UPUTSTVA!

BS

## TEHNIČKI PODACI

Brzina vrtnje bez opterećenja	450 ± 5% o/min.	
Rezni nož	ABR2300	
Preporučena radna temperatura	0°C-40°C	
Preporučena temperatura skladištenja	-20°C-70°C	
Masa (bez kompleta baterija)	2,6 kg	
Izmjereni nivo zvučne snage $L_{WA}$	97,36 dB(A) K= 2,7 dB(A)	
Nivo zvučnog pritiska kod uha rukovaoca $L_{PA}$	83 dB(A) K= 2,5 dB(A)	
Zagarantovani nivo zvučne snage $L_{WA}$ (izmjereno u skladu s Direktivom 2000/14/EZ)	100 dB(A)	
Procjena vibracija $a_{hv}$ :	Prednji pomoćni rukohvat	3,3 m/s <sup>2</sup> K= 1,5 m/s <sup>2</sup>
	Stražnji rukohvat	2,0 m/s <sup>2</sup> K= 1,5 m/s <sup>2</sup>

Deklarisane ukupne vrijednosti vibracija izmjerene su u skladu sa standardnom metodom ispitivanja i mogu se primjenjivati za poređenje jednog alata s drugim.

- Deklarisane ukupne vrijednosti vibracija mogu se primjenjivati i u preliminarnoj procjeni izloženosti.

**NAPOMENA!** Emisija vibracija tokom aktualne upotrebe električnog alata može se razlikovati od deklarirane vrijednosti u kojoj se alat upotrebljavao; Korisnik radi zaštite treba nositi rukavice i štitnike za uši u aktualnim uslovima upotrebe.

## SADRŽAJ PAKOVANJA (SL. A1)

### OPIS

#### UPOZNAJTE SVOJU ROTACIONU REZNU JEDINICU (sl. A1)

1. Brtveni vijak
2. Kućište prijenosnika
3. Nož
4. Sklop kliznog poklopca
5. Sklop štitnika
6. Drška
7. Krajnja kapica
8. Ključ
9. Allen ključ

BS

## SASTAVLJANJE

**⚠ UPOZORENJE!** Ako je bilo koji dio oštećen ili ako nedostaje, nemojte upotrebljavati ovaj proizvod dok ne zamijenite dijelove. Upotreba ovog proizvoda oštećenih dijelova ili dijelova koji nedostaju može rezultirati teškim tjelesnim povredama.

**⚠ UPOZORENJE!** Nemojte pokušavati da modifikujete ovaj proizvod ili da pravite pribor koji nije preporučen za upotrebu s ovim uređajem. Sve takve izmjene ili modifikacije predstavljaju nepropisnu upotrebu i mogu rezultirati opasnim stanjima koja mogu dovesti do mogućih teških tjelesnih povreda.

### POSTAVLJANJE ŠTITNIKA

**⚠ UPOZORENJE!** Pri postavljanju štitnika ili zamjeni štitnika uvijek nosite rukavice. Pazite na nož na štitniku i zaštitite ruke od posjekotina.

**⚠ UPOZORENJE!** Alat nemojte nikada upotrebljavati bez dobro pričvršćenog štitnika. Štitnik uvijek mora biti na alatu radi zaštite korisnika! Kada je štitnik pričvršćen, nemojte nikada pokušavati da ga uklanjate ili podešavate. Ako je potrebna zamjena, treba je obaviti kvalifikovani servisni tehničar!

Otpustite i uklonite dva vijka sa štitnika (sl. B). Poravnajte montažne provrte na štitniku s montažnim provrtima i štitnik zatim pričvrstite na kućište drške s dva vijka i dvije opružne podloške (sl. C).

**⚠ UPOZORENJE!** Uvjerite se da je štitnik pričvršćen u skladu sa sl. B i C. Svako obrnuto pričvršćivanje izazvat će veliku opasnost!

### PRIKLJUČIVANJE ROTACIONE REZNE JEDINICE NA POGONSKU JEDINICU

Ovaj priključak rotacione rezne jedinice predviđen je za upotrebu s pogonskom jedinicom PH1400E proizvođača EGO. Pogledajte poglavlje "POSTAVLJANJE PRIKLJUČKA NA POGONSKU JEDINICU" u korisničkom priručniku pogonske jedinice PH1400E.

### RAD

**⚠ UPOZORENJE!** Nemojte dozvoliti da vas poznavanje ovog proizvoda učini nepažljivim. Imajte na umu da je za nanošenje teških povreda dovoljan samo djelić sekunde nepažnje.

**⚠ UPOZORENJE!** Nemojte upotrebljavati priključke ili pribor koje nije preporučio proizvođač ovog proizvoda. Upotreba nepreporučenih priključaka ili pribora može rezultirati teškim tjelesnim povredama.

Ovaj proizvod možete upotrebljavati za svrhe navedene u nastavku:

**Rezanje:** upotrebljava se za košnju trave oko stubova ili zaštitnih ograda, rubova zidova, ivičnjaka, ograda u saobraćaju ili za košnju vegetacije na parkiralištima.

**NAPOMENA!** Kada upotrebljavate rotacionu reznu jedinicu, uvjerite se da u području rada nema odbačenih stranih predmeta, kao što su razbijeni prozori, ulupljene karoserije vozila, ograde za zaštitu od nanosa, odcijepljena kora stabla, koji predstavljaju veliku opasnost od tjelesnih povreda.

#### UPOTREBA PRIKLJUČKA ROTACIONE REZNE JEDINICE S POGONSKOM JEDINICOM

**⚠ UPOZORENJE!** Radi izbjegavanja tjelesnih povreda, uvijek nosite zatvorene zaštitne naočale ili zaštitne naočale kada radite s ovom jedinicom. U prašnjavim područjima nosite zaštitnu masku za lice ili masku za zaštitu od prašine.

Očistite radno područje prije svake upotrebe. Uklonite sve predmete poput kamenja, razbijenog stakla, eksera, žica ili niti koje trimmer može odbaciti ili koji se mogu zaplesti u rezni priključak. Iz područja udaljite djecu, druge prisutne osobe i kućne ljubimce. Držite djecu, druge prisutne osobe i kućne ljubimce udaljene najmanje 15 m; za posmatrača čak i tada postoji opasnost od odbačenih predmeta. Druge prisutne osobe potrebno je zamoliti da nose zaštitu za oči. Ako vam neko prilazi, odmah zaustavite motor i rezni priključak.

#### Prije svake upotrebe provjerite ima li oštećenih/istrošenih dijelova.

Provjerite priključak rotacione rezne jedinice, štitnik i rukohvat s omčom i zamijenite dijelove koji su napukli, deformisani, savijeni ili oštećeni na bilo koji način.

#### Očistite alat nakon svake upotrebe.

**⚠ OPREZ!** Zapreke u ventilacijskim otvorima spriječit će protok zraka u kućište motora i rezultirati pregrijavanjem ili oštećenjem motora.

- Za čišćenje alata upotrebljavajte samo blagu sapunicu i vlažnu krpu. Nemojte nikada dozvoliti da tekućina dospjeje u alat i nemojte nikada uranjati dijelove alata u tekućinu.
- Zračne ventilacijske otvore u kućištu motora cijelo vrijeme održavajte čistim od naslaga.

## ODRŽAVANJE

**⚠ UPOZORENJE!** Kada obavljate radove servisiranja, upotrebljavajte samo identične zamjenske dijelove. Redovno obavljajte pregled i održavanje alata. Radi osiguranja sigurnosti i pouzdanosti, sve popravke treba obavljati kvalifikovani servisni tehničar.

**⚠ UPOZORENJE!** Baterijske alate nije potrebno uključivati u električnu utičnicu, stoga su uvijek u radnom stanju. Radi sprečavanja teških tjelesnih povreda poduzmite dodatne mjere opreza i budite oprezni kada obavljate radove održavanja, servisiranja ili zamjene reznog priključka ili drugih priključaka.

**⚠ UPOZORENJE!** Radi sprečavanja teških tjelesnih povreda, prije servisiranja, čišćenja, promjene priključaka ili uklanjanja materijala iz jedinice isključite konektor baterije iz utičnice.

#### ZAMJENA NOŽA ROTACIONE REZNE JEDINICE

**⚠ UPOZORENJE!** Ako se noževi otpuste nakon pričvršćivanja ili ako su noževi vrlo istrošeni, odmah ih zamijenite. Alat nemojte nikada upotrebljavati ako je rezni priključak otpušten ili nefunkcionalan.

Upoznajte se s glavom ROTACIONE REZNE JEDINICE kako je prikazano na sl. D1.

D-1	Čašica osovine	D-2	Gornji nož
D-3	Donji nož	D-4	Potporna čašica
D-5	Podloška	D-6	Klizna posuda
D-7	Matica		

1. Stavite kućište prijenosnika glave ROTACIONE REZNE JEDINICE uz čvrstu površinu. Stegnite gornje i donje noževe klijestima ili u škripcu, a zatim upotrijebite ključ za otpuštanje maticе (sl. D2).
2. Uklonite maticu, kliznu posudu, podlošku, potpornu čašicu, donji nož, gornji nož i čašicu osovine redoslijedom prikazanim na sl. D1.
3. Prije postavljanja novih noževa, stavite čašicu osovine na osovinu (sl. D3). Stavite gornji nož s velikim heksagonalnim otvorom na osovinu tako da površina s otisnutim logotipom "EGO" bude usmjerena prema kućištu prijenosnika (sl. D4), a zatim na osovinu stavite donji nož s malim heksagonalnim otvorom tako da površina s otisnutim logotipom "EGO" bude usmjerena prema rukovaocu (sl. D5).

**NAPOMENA!** Vodite računa da heksagonalni otvori na noževima i heksagonalno rame osovine nalježu. U suprotnom, ako se noževi postave obrnuto, ROTACIONA REZNA JEDINICA neće moći pravilno raditi i oštetit će noževe.

4. Za skidanje noževa pratite redoslijed prikazan na sl. D1.

## PODMAZIVANJE KUĆIŠTA PRIJENOSNIKA

Za najbolji rad i duži radni vijek, kućište prijenosnika podmazujte specijalnom mašću (4 - 5 g svaki put) nakon svakih 50 sati rada.

Posebna mast mora ispunjavati sljedeće zahtjeve:

1. Spadati u DIN51818: NLGI-1 gradaciju penetracije konusa.
2. Mast na bazi estera.
3. Izuzetno pokretanje na niskoj temperaturi, EP, mehanički posmak, svojstva otpornosti na abraziju i oksidacijske stabilnosti.
4. Radna temperatura mora biti -40 - 180 °C. Izvucite utikač baterije i brtveni vijak. Kućište prijenosnika podmažite kroz otvor za ulje.

**⚠ UPOZORENJE!** Nemojte obavljati podmazivanje kada je alat priključen na bateriju ili kada radi.

## ČIŠĆENJE JEDINICE

- Jedinicu čistite vlažnom krpom i blagim deterdžentom.
- Za čišćenje plastičnog kućišta ili rukohvata nemojte upotrebljavati jake deterdžente jer mogu ih oštetiti neka aromatična ulja, kao što su borovo i limunovo ulje i rastvori kao što je kerozin. Vлага može izazvati opasnost od strujnog udara. Vlažna mjesta obrišite mekanom suhom krpom.

## SKLADIŠTENJE JEDINICE

- Alat dobro očistite prije skladištenja.
- Jedinicu skladištite na suhom, dobro prozračenom mjestu koje je moguće zaključati ili koje je na visini izvan dohvata djece. Jedinicu nemojte skladištiti na gnojivima, benzinu ili drugim hemikalijama ili u njihovoj blizini.
- Za transport i skladištenje upotrebljavajte transportnu navlaku za metalne noževe.

## Zaštita životne sredine



Električnu opremu, iskorištenu bateriju i punjač ne odlažite u kućni otpad! Ovaj proizvod odnesite u ovlaštenu centar za reciklažu i time omogućite odvojeno sakupljanje. Električne alate potrebno je vratiti u ekološki prihvatljiv pogon za reciklažu.



## OTKLANJANJE PROBLEMA

PROBLEM	UZROK	RJEŠENJE
ROTACIONA REZNA JEDINICA se ne pokreće.	<ul style="list-style-type: none"> <li>■ Komplet baterija nije propisno pričvršćen na pogonsku jedinicu.</li> <li>■ Komplet baterija je ispražnjen.</li> <li>■ Ručica za deblokadu i okidač ne pritišću se istovremeno.</li> </ul>	<ul style="list-style-type: none"> <li>■ Pričvrstite komplet baterija na pogonsku jedinicu.</li> <li>■ Komplet baterija punitite punjačem proizvođača EGO koji je naveden u ovom priručniku.</li> <li>■ Pritisnite ručicu za deblokadu i držite je pritisnutom, a zatim pritisnite okidač za uključivanje jedinice.</li> </ul>
ROTACIONA REZNA JEDINICA se zaustavlja tokom rezanja.	<ul style="list-style-type: none"> <li>■ Motor je preopterećen.</li> <li>■ Komplet baterija je previše vruć.</li> <li>■ Komplet baterija je odspojen od alata.</li> </ul>	<ul style="list-style-type: none"> <li>■ Motor će se povratiti po uklanjanju opterećenja. Za kontinuirani rad smanjite opterećenje na ROTACIONU REZNU JEDINICU i izbjegavajte duboko rezanje; umjesto toga pravite progresivno dublje rezove.</li> <li>■ Pričekajte da se komplet baterija prirodno ohladi ili upotrijebite zračnu struju za brže hlađenje.</li> <li>■ Ponovo postavite komplet baterija.</li> </ul>

## GARANCIJA

### POLITIKA GARANCIJE PROIZVOĐAČA EGO

Za sve odredbe i uslove politike garancije proizvođača EGO posjetite internetsku stranicu [egopowerplus.com](http://egopowerplus.com).

## קראו את כל ההוראות!

**תוארוהה ירדמ תא וארק**

**⚠ סיכון שיורי!** אנשים בעלי מכשירים חשמליים כגון קוצבי לב, צריכים להתייעץ עם הרופא(ים) המטפל(ים) בהם לפני השימוש במכשיר זה. הפעלה של ציוד חשמלי בקרבת קוצבי לב עלולה להפריע לפעולת הקוצב או אפילו להפסיק את פעולתו.

**⚠ אזהרה:** על מנת להבטיח בטיחות ואמינות, יש לבצע את כל התיקונים וההחלפות בעזרת טכנאי שירות מוסמך.

### סמל בטיחות

מטרתם של סימני הבטיחות היא למשוך את תשומת לבכם אל סכנות אפשריות. סימני הבטיחות וההסברים שלהם דורשים את תשומת הלב וההבנה המלאות שלכם. סימני הבטיחות בעצמם לא ימנעו כל סכנה. ההוראות והאזהרות אותן הם מספקים לא תחלפנה נקיטת אמצעי מניעה מתאימים בעת תאונת.

**⚠ אזהרה:** וודאו שאתם קוראים ומבינים את כל ההוראות הבטיחות המופיעות במדריך זה למשתמש, כולל את כל סימני התרעות הבטיחות כגון „סכנה“, „אזהרה“ ו-„זהירות“ לפני השימוש במכשיר זה. אי מילוי אחר כל ההוראות המופיעות למטה יכול לגרום אחריו שוק חשמלי, שרפה ו/או פציעות חמורות.

### פירוש הסימן

**⚠ סימן התראת בטיחות:** מצוין סכנה, אזהרה, או זהירות, יכול להיות מלווה בסימנים או תמונות אחרים.

**⚠ אזהרה:** הפעלה של כלי עבודה חשמליים עלולה לגרום לעצמים זרים להיזרק אל תוך העיניים, דבר העלול לגרום לנזק חמור לעיניים. לפני ההפעלה של כלי עבודה חשמלי, ענדו תמיד משקפי מגן או משקפי בטיחות עם הגנה צדדית, ובעת הצורך, הגנה עבור כל הפנים. אנו ממליצים על שימוש במסכת בטיחות רחבה מעל למשקפי המגן או על שימוש במשקפי בטיחות עם הגנה צדדית.

### הוראות בטיחות

עמוד זה מצוין ומתאר את סימני הבטיחות העשויים להופיע על גבי המוצר. קראו, הבינו ועקבו אחר ההוראות המופיעות על המכשיר לפני כל ניסיון להרכיב ולהשתמש בו.

אמצעים הקשורים לבטיחותכם.	התראת בטיחות	
על מנת להפחית את הסיכון לפציעות, על המשתמש לקרוא ולהבין את המדריך למשתמש לפני השימוש במוצר זה.	קראו את המדריך למשתמש	
חבשו תמיד משקפי מגן או משקפי בטיחות עם הגנה צדדית, ובעת הצורך, הגנה עבור כל הפנים, בעת הפעלת מוצר זה.	לבשו מגני עיניים	
השתמשו תמיד במגני אוזניים בעת הפעלת מוצר זה.	לבשו מגני אוזניים	
חבשו קסדת בטיחות מאושרת על מנת להגן על הראש שלכם.	לבשו מגני ראש	
הגנו על הידיים שלכם עם כפפות בעת הטיפול בלהב או במגן הלהב.	לבשו כפפות מגן	
נעלו נעליים בטוחות שאינן מחליקות בעת השימוש בציוד.	לבשו נעליים בטוחות	
הזהירו את המפעיל מפני סכנה של נעיצת להב.	היו זהירים מנתז נעיצת להב	
אין להשתמש במזג אוויר גשום או להשאיר בחוץ בגשם.	נא לא לחשוף לגשם	
עצמים עלולים להיות מותזים ולגרום לפציעה אישית או לנזק לרכוש. וודאו שאנשים אחרים וחיות מחמד נמצאים רחוק ממסכת הדשא בעת השימוש בה.	והרחיקו אנשים אחרים מהאזור	
וודאו שאנשים אחרים וחיות מחמד נמצאים במרחק של לפחות 15 מ' מגוזם החוט בעת השימוש בו.	הרחיקו אנשים אחרים מהאזור	
אין להתקין להבי חיתוך עגולים.	ללא להב עגול	

אין להשליך מוצרים חשמליים ביחד עם אשפה ביתית. הביאו את המכשיר למרכז מחזור מוסמך.	WEEE	
רמת עוצמת קול מובטחת. פליטת רעש אל הסביבה בהתאם לתקנת האיחוד האירופי	רעש	
מוצר זה תואם לתקנות ה-EC הרלוונטיות.	CE	
מתח	וולט	V
מהירות ללא עומס	מהירות ללא עומס	$n_0$
סיבובים לדקה	לדקה	$min^{-1}$
סוג או מאפיין מתח	זרם ישיר	
משקל	קילוגרם	kg

- נעיצת להב עלולה להתרחש כאשר הלהב המסתובב בא במגע עם עצם אשר הוא לא חותך מיד.
- נעיצת הלהב יכולה להיות אלימה מספיק על מנת לגרום ליחידה ו/או למפעיל להיזרק בכל כיוון, ולאבד את השליטה על היחידה.
- נעיצת להב עלולה להתרחש ללא אזהרה אם הלהב נקרע, נתקע או נכרך.
- נעיצת להב עלולה להתרחש בסביבות בהם קשה לראות את החומר הנחתך.
- אל תצמידו להב כלשהו אל יחידה, ללא התקנה מתאימה של כל החלקים הנדרשים. אי שימוש בחלקים הנכונים עלול לגרום ללהב לעוף ולגרום לפציעה אישית של המפעיל ו/או עוברי אורח. אל תשתמשו בלהבים עקומים, מלופפים, שבורים או ניזוקים בכל דרך שהיא. השתמשו בלהב חד. להב קהה נוטה יותר להיתפס או להינעץ.
- להב/חוט גולש עלול לגרום לפציעה בגלל שהוא ממשך להסתובב לאחר עצירת המנוע או לאחר שחרור ההדק. שימרו על שליטה מתאימה עד לעצירה מלאה של סיבוב הלהב/החוט.

■ כלי הסוללה לא צריכים להיות מחוברים אל החשמל; לכן, הם תמיד נמצאים במצב הפעלה. היו מודעים לסכנות גם כאשר המכשיר איננו פועל. היו זהירים בעת ביצוע עבודות תחזוקה או שירות.

- אין לטשטף את המכשיר בעזרת צינור; מנעו ממים להיכנס אל המנוע ואל חיבורי החשמל.
- אם יתקלו במצבים שאינם מתוארים במדריך זה, פעלו בזירות ובעזרת שכל ישר. צרו קשר עם מרכז שירות הלקוחות של EGO לעזרה.
- השתמשו רק עם מארזי הסוללה והמטענים הרשומים באיור

שימרו על הוראות אלו!

## הוראות בטיחות חשובות

**⚠ אזהרה:** קראו את כל אזהרות הבטיחות, את ההוראות, התמונות והמפרטים המסופקים ביחד עם מכשיר חשמלי זה. אי מילוי כל ההוראות המופיעות למטה יכול לגרום אחריו שוק חשמלי, שרפה ו/או פציעה חמורה

שימרו את כל האזהרות וההוראות לעיון עתידי.

■ הימנעו מסביבות מסוכנות - אל תשתמשו במכשירי חשמל במקומות לחים או רטובים.

■ שימרו על המגנים במקומם ופועלים כהלכה.

■ שימרו על הידיים והרגליים מחוץ לאזור החיתוך.

■ על מנת להפחית את הסיכון לפציעה, לעולם אל תעבדו על סולם או על עצמים לא בטוחים אחרים. לעולם אל תחזיקו את יחידת החיתוך מעל לקו המותניים.

■ בדקו את יחידת החיתוך בטווחי זמן סדירים בעת ההפעלה, או מיד אם מתרחש שינוי בולט באופן החיתוך.

■ לתוצאות הטובות ביותר, הטעינו את הסוללה שלכם במקומות בהם הטמפרטורה גבוהה מ- 5°C ונמוכה מ- 40°C. אל תאחסנו בחוץ או בתוך כלי רכב.

■ אם אתם רואים מישהו מתקרב, עצרו את המנוע ואת יחידת החיתוך מיד.

■ הזהירו את המפעיל מפני סכנה של נעיצת להב.

## מפרטים

סיבובים לדקה 450±5%	מהירות ללא עומס
ABR2300	להב חיתוך
0°C-40°C	טמפרטורת הפעלה מומלצת
-20°C-70°C	טמפרטורת אחסון מומלצת
2.6 ק"ג	משקל (ללא מארז סוללה)
97.36 dB(A) K = 2.7 dB(A)	רמת עוצמת קול נמדדת $L_{WA}$
83 dB(A) K = 2.5 dB(A)	רמת לחץ קול באוזן המפעיל $L_{PA}$
100 dB(A)	רמת עוצמת קול מובטחת (נמדדת על פי 2000/14/EC)
3.3 מ'שנייה <sup>2</sup> 1.5=K	הערכת רטט $a_h$
2.0 מ'שנייה <sup>2</sup> 1.5=K	

■ ערך הרטט הכללי המוצהר נמדד בהתאם לשיטת בדיקה סטנדרטית וניתן להשתמש בו על מנת להשוות ציוד אחד עם ציוד אחר;

■ ניתן להשתמש בערך הרטט הכללי המוצהר בהערכה ראשונית של חשיפה.

**הודעה:** פליטת הרטט בעת השימוש המעשי בכלי יכולה להיות שונה מן הערך המוצהר כאשר הכלי נמצא בשימוש; על מנת להגן על המפעיל, על המשתמש ללבוש כפפות ומגני אוזניים בעת השימוש למעשה.

## רשימת אריזה (איור A1)

### תיאור

הכירו את אביזר החרמש הרטורי שלכם (איור A1)

1. בורג איטום
2. תיבת הילוכים
3. להב
4. מכסה הרכבה גולש
5. חיבור מגן
6. מוט
7. כוסיית קצה
8. מפתח ברגים
9. מפתח אלן

## הרכבה

**⚠ אזהרה:** אם ישנם חלקים ניזוקים או חסרים, אל תפעילו את המכשיר עד אשר חלקים אלו יוחלפו. שימוש במכשיר זה עם חלקים פגומים או חסרים עלול לגרום לפציעה אישית חמורה.

**⚠ אזהרה:** אל תנסו לשנות את המוצר או ליצור אביזרים אשר אינם מומלצים לשימוש ביחד עם המכשיר. כל שינוי שכזה או הספה מהווה שימוש לא נכון במכשיר ועלול לגרום לתנאים מסוכנים אשר יובילו לפציעה אישית אפשרית.

### הרכבת המגן

**⚠ אזהרה:** לבשו תמיד כפפות בעת הרכבת או החלפת המגן. היו זהירים עם הלהב שעל גבי המגן והגנו על הידיים שלכם מפני חיתוך.

**⚠ אזהרה:** לעולם אין להפעיל את הכלי כאשר המגן אינו נמצא במקומו. על המגן להיות תמיד על גבי הכלי על מנת לנגן על המשתמש! כאשר המגן נמצא במקומו, לעולם אין לנסות להסיר או לכווץ את המגן. אם יש צורך להחליף את המגן, על הדבר להיעשות על ידי טכנאי שירות מוסמך!

שחררו והסירו את שני הברגים מבסיס המוט (תמונה B), יישרו את חורי המשענת של המגן עם חורי ההרכבה ולאחר מכן נעלו את המגן אל המוט בעזרת שני הברגים ביחד עם שני שוטפי הקפיצים (תמונה C).

**⚠ אזהרה:** וודאו שהמגן נעול במקומו בהתאם לתמונות B ו-C, כל נעילה הפוכה תגרום לסכנה גדולה!

### חיבור אביזר החרמש הרטורי לראש החשמלי

אביזר חרמש רטורי זה מיועד לשימוש עם ראש חשמלי EGO PH1400E. עיינו בסעיף „חיבור אביזר לראש החשמלי” במדריך למשתמש עבור הראש החשמלי PH1400E.

## הפעלה

**⚠ אזהרה:** אל תניחו לעובדה שאתם מכירים את המוצר להפוך אתכם לפחות זהירים. זכרו שחוסר זהירות של שבריר אחד של שנייה מספיק לגרום לפציעה אישית חמורה.

**⚠ אזהרה:** אל תעשו שימוש בחיבורים או אביזרים אשר לא הומלצו על ידי יצרן מוצר זה. השימוש בחיבורים או אביזרים אשר לא הומלצו עלול לגרום לפציעה חמורה. אתם יכולים להשתמש במוצר רק עבור המטרות להלן:

**חיתוך:** משמש לחיתוך הדשא סביב כלונסאות, או גדרות, קצות קירות, מדרכות, גדרות בכביש או לגיזום הצמחיה במגרשי חניה.

**הודעה:** בזמן השימוש באביזר החרמש הרטורי, וודאו שחפצים זרים אינם מושלכים החוצה, מה שכרוך בסיכונים חמורים: חלונות שבורים, שלדות מעוקמות של

## החלפת להב החרמש הרוטורי

כלי רכב, גדרות משוסעות, קליפת גזעים קרועה ופציעה אישית.

### שימוש באביזר החרמש הרוטורי עם הראש החשמלי

**⚠ אזהרה:** על מנת למנוע פציעות אישיות חמורות, השתמשו במשקפיים או משקפי מגן בכל זמן בו אתם מפעילים את היחידה. לבשו מסכת פנים או מסכת אבק במקומות מאובקים.

נקו את האזור שיש לגזום לפני כל שימוש. הסירו עצמים כגון סלעים, שברי זכוכית, מסמרים, חוטים או כבלים העלולים להזרק או להיתפס באביזר החיתוך. וודאו שאין ילדים, עוברי אורח ובעלי חיים באזור. כמינימום, שימרו על כל הילדים, עוברי האורח ובעלי החיים במרחק של לפחות 15 מ'; עדיין יכול להיות סיכון לעוברי אורח מעצמים נזרקים. יש לעודד עוברי אורח לחבוש אמצעי הגנה על העיניים. אם אתם רואים מישהו מתקרב, עצרו את המנוע ואת אביזר החיתוך מיד.

### לפני כל שימוש, בדקו לאיתור חלקים בלויים/פגומים

בדקו את אביזר החרמש הרוטורי, את המגן ואת ידית הלולאה והחליפו את החלקים הסדוקים, המלופפים, המעוקלים או הניזוקים בכל צורה שהיא.

### לאחר כל שימוש, נקו את הכלי.

**⚠ זהירות:** מחסומים בפתחי האוורור ימנעו מן האוויר לזרום אל תוך המנוע והתוצאה תהיה חימום יתר או נזקים למנוע.

■ השתמשו רק בסבון עדין ובמטלית לחה על מנת לנקות את המכשיר. לעולם אל תרשו לנזלים להיכנס אל תוך הכלי; לעולם אל תטבילו כל חלק של המכשיר בתוך נזלים.

■ שימרו על פתחי האוורור בתא המנוע נקיים מפני חלקי אשפה.

## תחזוקה

**⚠ אזהרה:** במקרה של עבודות תיקון, השתמשו רק בחלקי חילוף זהים. בדקו ותחזקו את המכשיר באופן סדיר. על מנת להבטיח בטיחות ואמינות, יש לבצע את כל התיקונים וההחלפות בעזרת טכנאי שירות מוסמך.

**⚠ אזהרה:** כלי הסוללה לא צריכים להיות מחוברים אל החשמל; לכן, הם תמיד נמצאים במצב הפעלה. על מנת למנוע פציעות אישיות חמורות, היו זהירים מאוד בעת ביצוע עבודות תחזוקה, עבודות שירות או בעת החלפת אביזר החיתוך או אביזרים אחרים.

**⚠ אזהרה:** על מנת למנוע פציעות אישיות חמורות, הוציאו את מחבר הסוללה מן השקע לפני ביצוע כל עבודות שירות, ניקיון, החלפת צרופות או הסרה של חומרים מן היחידה.

**⚠ אזהרה:** אם הלהבים נהיים רופפים לאחר שהם מותקנים במקומם או שהלהבים בלויים מאד, החליפו אותם מיד. לעולם אל תשתמשו בגזום כאשר אביזר החיתוך רופף או לא יעיל. הכירו את ראש החרמש הרוטורי כמוצג באיור D1.

D-1	כוסית המוט	D-2	להב עליון
D-3	להב תחתון	D-4	כוסית תמיכה
D-5	דסקית	D-6	צלחת גלישה
D-7	אום		

1. העמידו את תיבת ההילוכים של ראש החרמש הרוטורי נגד משטח מוצק. הצמידו את הלהב העליון והתחתון בעזרת צבת או מלחציים, ואז השתמשו במפתח ברגים כדי לשחרר את האום (איור D2).
2. הסירו את האום צלחת הגלישה, הדסקית, כוסית התמיכה, הלהב התחתון, הלהב העליון וכוסית המוט לפי הסדר כמוצג באיור D1.
3. לפני התקנת הלהבים חדשים, שימו את כוסית המוט על המוט (איור D3). שימו את הלהב העליון עם החור המשושה הגדול על המוט כשהמשטח עם הסמל המודפס, "EGO", פונה כלפי תיבת ההילוכים (איור D4), ואז שימו את הלהב התחתון עם החור המשושה הקטן על המוט כשהמשטח עם הסמל המודפס, "EGO", פונה כלפי המפעיל (איור D5).
4. בצעו את רצף הפעולות המוצגות באיור D1 כדי לחבר מחדש.

### שימון תיבת ההילוכים

עבור הביצועים הטובים ביותר וחיים ארוכים יותר, שמנו את תיבת ההילוכים עם חומר סיכה מיוחד (4-5 גרם בכל פעם) לאחר כל 50 שעות הפעלה.

על חומר הסיכה המיוחד לעמוד בדרישות הבאות.

1. להיות שייך אל DIN51818: NLGI-1 דרגת חדרת חרוט.
2. חומר סיכה על בסיס אסטר.
3. טמפרטורת הפעלה מאוד נמוכה, EP, גיזום מכני, עמידות לשריטות ומאפייני יציבות חימצונית.
4. טמפרטורת פעולה בין 40°C - 180°C. הסירו את תקע הסוללה ואת בורג האיטום. שמנו את תיבת ההילוכים דרך חור השמן.

**⚠ אזהרה:** אל תשמנו כאשר הכלי עדיין מחובר אל הסוללה או פועל.

## ניקיון היחידה

- נקו את היחידה בעזרת מטלית לחה עם סבון עדין.
- אל תעשו שימוש בחומרי ניקוי חזקים על תא הפלסטיק או על גבי הידית. עלול להיגרם להם נזק על ידי שמנים ארומטיים למיניהם, כגון אורן ולימון, ועל ידי ממסים כגון נפט. לחות עלולה גם לגרום לסכנת שוק חשמלי. נקו כל לחות בעזרת מטלית רכה ויבשה.

## אחסון היחידה

- נקו את היחידה ביסודיות לפני אחסונה.
- אחסנו את היחידה במקום יבש, מאוורר היטב, נעולה או במקום גבוה, הרחק מהישג ידם של ילדים. אל תאחסנו את היחידה קרוב לחומרי דשן, חומרי דלק או כימיקלים אחרים.
- השתמשו במכסי להב עבור להבי מתכת בעת הובלה ואחסון.

## הגנה על הסביבה

אל תיזרקו ציוד חשמלי, מטעני סוללות וסוללות ביחד עם אשפה ביתית! קחו מוצרים אלו למרכז מחזור מוסמך ו-וודאו שהם זמינים לאיסוף בנפרד. יש להחזיר כלים חשמליים אל מתקן מחזור המתאים לסביבה.



## איתור וטיפול בבעיות

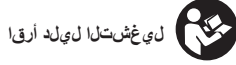
בעיה	סיבה	פתרון
לא ניתן להפעיל את החרמש הרוטורי.	<ul style="list-style-type: none"> <li>■ מארז הסוללה איננו מחובר כראוי לראש החשמלי.</li> <li>■ קיבולת מארז הסוללה ריקה.</li> <li>■ דושת הנעילה וההדק אינם משוחררים בזמנית.</li> </ul>	<ul style="list-style-type: none"> <li>■ חברו את מארז הסוללה אל הראש החשמלי.</li> <li>■ הטעינו את מארז הסוללה עם מטעני EGO הרשומים במדריך זה.</li> <li>■ לחצו על דושת הנעילה והחזיקו אותה, לאחר מכן לחצו על ההדק על מנת להפעיל את היחידה.</li> </ul>
החרמש הרוטורי מפסיק את פעולתו בעת החיתוך.	<ul style="list-style-type: none"> <li>■ ישנו עומס יתר של המנוע.</li> <li>■ מארז הסוללה חם מדי.</li> <li>■ מארז הסוללה מנותק מן הכלי.</li> </ul>	<ul style="list-style-type: none"> <li>■ המנוע יחזור לפעילות רגילה ברגע בו העומס יוסר. לעבודה ממושכת, הפחיתו את העומס על החרמש הרוטורי והימנעו מחיתוך עמוק, במקום זאת בצעו חתכים עמוקים יותר בהדרגה.</li> <li>■ אפשרו למארז הסוללה להתקרר באופן טבעי, או באמצעות מפוח אוויר כדי לזרז את הקירור.</li> <li>■ חברו מחדש את מארז הסוללה.</li> </ul>

## אחריות

מדיניות האחריות של EGO

אנא בקרו באתר [egopowerplus.com](http://egopowerplus.com) עבור התנאים וההתניות השלמים של מדיניות האחריות של EGO.

## اقرأ جميع التعليمات!



**⚠️ خطر زائد!** الأشخاص الذين تم تركيب أجهزة طبية إلكترونية لهم، مثل منظم ضربات القلب، يجب عليهم استشارة الطبيب قبل استخدام هذا المنتج. لأن تشغيل معدات كهربائية بالقرب من منظم ضربات القلب قد ينشأ عنه خلل أو فشل في أداء منظم ضربات القلب.

**⚠️ تحذير:** لضمان السلامة والاعتمادية، يجب تنفيذ جميع أعمال الإصلاح واستبدال الأجزاء من قبل فني خدمة مؤهل.

## رموز السلامة

الغرض من رموز السلامة هو جذب انتباهك إلى المخاطر المحتملة. رموز السلامة والشروح المصاحبة لها تستحق اهتمامك وفهمك الدقيق. تحذيرات كل رمز، بنفسها، لا تمنع وقوع أي خطر. التعليمات والتحذيرات التي تمنحك إياها لا تعد بديلاً عن تطبيق الإجراءات الملائمة لمنع وقوع الحوادث.

**⚠️ تحذير:** احرص على قراءة وفهم جميع تعليمات السلامة في دليل التشغيل هذا، بما في ذلك جميع رموز تنبيهات السلامة، مثل «خطر»، و«تحذير» و«تنبيه» قبل استخدام هذه الآلة. عدم اتباع جميع التعليمات الواردة أدناه قد يؤدي إلى حدوث صدمة كهربائية أو نشوب حريق أو التعرض للإصابة الشخصية، أحدها أو جميعها.

## معنى الرمز

**⚠️ رمز تنبيه السلامة:** يشير إلى خطر أو تحذير أو تنبيه، وقد يتم استخدامه بشكل متزامن مع الرموز أو الصور الكتابية الأخرى.

**⚠️ تحذير:** قد يؤدي تشغيل أي آلة عاملة بالطاقة إلى دخول أي أشياء غريبة في عينيك، وهو ما قد يؤدي إلى إلحاق أضرار خطيرة بالعين. قبل بدء تشغيل الآلة العاملة بالطاقة، احرص دائماً على ارتداء واقبات العينين أو نظارات حماية العينين ذات دروع جانبية، ودرع واقي لكامل الوجه عند اللزوم. نوصي بارتداء قناع السلامة واسع الرؤية لاستخدامه فوق نظارات العين أو نظارات السلامة العادية ذات الدروع الجانبية.

## تعليمات السلامة

هذه الصفحة تصف وتشرح رموز السلامة التي قد تظهر على هذا المنتج. اقرأ جميع التعليمات المذكورة على الآلة وافهمها واتبعها قبل محاولة تجميع الآلة وتشغيلها.

احتياطات تتعلق بسلامتك.	تنبيه سلامة	
للحد من خطر الإصابة، يجب على المستخدم قراءة وفهم دليل التشغيل قبل استخدام هذا المنتج.	اقرأ دليل التشغيل	

ارتد أدوات حماية العينين	ارتد دائماً نظارات الحماية المزودة بواقبات على الجانبين، وينبغي ارتداء واقي لكامل الوجه أثناء تشغيل هذا المنتج.	
ارتد أدوات حماية الأذنين	احرص دائماً على ارتداء أدوات حماية الأذنين عند تشغيل هذا المنتج.	
ارتد أدوات حماية الرأس	احرص على ارتداء خوذة أمان صلبة معتمدة لحماية رأسك.	
ارتد قفازات الحماية	احرص على ارتداء قفازات لليدين عند التعامل مع الشفرة أو الواقي الخاص بها.	
ارتد حذاء الحماية	احرص على ارتداء أحذية أمان مانعة للانزلاق عند استخدام هذه الآلة.	
احذر من قوة اندفاع الشفرة	احذر مشغل الآلة من خطر قوة اندفاع الشفرة.	
لا تُعرض المنتج للمطر	لا تستخدم المنتج تحت المطر أو أن تتركه في مكان مفتوح أثناء هطول المطر.	
احذر الأشياء المتطايرة وأبق المرافقين بعيداً عن نطاق عمل الآلة	فالأشياء المتطايرة من الآلة قد تترد وتؤدي إلى إصابات شخصية أو تلف للممتلكات. احرص على بقاء الأشخاص الآخرين والحيوانات الأليفة بعيداً عن قاطع الأغصان أثناء استخدامه.	
ابق المرافقين بعيداً عن نطاق عمل الآلة	احرص على بقاء الأشخاص الآخرين والحيوانات الأليفة بعيداً عن قاطع الأغصان أثناء استخدامه.	
عدم تركيب شفرة مستديرة	لا تقم بتركيب شفرات جزّ مستديرة.	
نفايات المعدات الكهربائية المستهلكة في النفايات المنزلية والإلكترونية (WEEE)	لا يجب التخلص من الأجهزة الكهربائية المستهلكة في النفايات المنزلية. توجه بالجهاز إلى مركز إعادة تدوير معتمد.	
الضوضاء	مستوى قوة الصوت المضمون. انبعاثات الضوضاء في البيئة وفقاً لتوجيه الاتحاد الأوروبي	

هذا المنتج متوافق مع توجيهات شهادة الجودة الأوروبية (CE) المعمول بها.	شهادة الجودة الأوروبية CE	CE
الجهد الكهربائي	فولت	V
سرعة الدوران، بدون حمل	السرعة بدون حمل	$n_0$
لفة في الدقيقة	في الدقيقة	$\text{min}^{-1}$
النوع أو خصائص التيار	تيار مستمر	
الوزن	كيلوجرام	kg

## قماء عمال س تا ميل عت

**⚠ تحذير:** اقرأ جميع تحذيرات السلامة والتعليمات والرسوم التوضيحية والموصفات المرفقة مع هذه الآلة. عدم اتباع جميع التعليمات الواردة أدناه قد يؤدي إلى حدوث صدمة كهربائية أو نشوب حريق أو التعرض للإصابة، أحدها أو جميعها.

احتفظ بجميع التحذيرات والتعليمات للرجوع إليها في المستقبل.

■ تجنب بيئات العمل الخطيرة – لا تستخدم الأجهزة في المواقع الرطبة أو المبللة.

■ حافظ على الواقبات في مكانها وبترتيبها الصحيح.

■ أبق يديك وقدميك بعيداً عن منطقة الجِز.

■ لتقليل خطر التعرض لإصابات، لا تعمل أبداً وأنت فوق سلم أو على أي دعامة غير آمنة أخرى. لا تمسك أبداً بوحد الجِز أعلى من ارتفاع الخصر.

■ أفحص وحدة الجِز على فواصل زمنية قصيرة منتظمة أثناء التشغيل، أو على الفور إذا لاحظت وجود تغيير ملحوظ في سلوك الجِز.

■ لتحقيق أفضل الإنتاج، يجب شحن بطاريك في مكان درجة حرارته أكبر من 5 درجة مئوية وأقل من 40 درجة مئوية. لا تتم بتخزين الآلة في مكان خارجي مفتوح أو في السيارات.

■ عند اقتراب أي شخص، أوقف المحرك ووحدة الجِز.

■ حذر مشغل الآلة من خطر قوة اندفاع الشفرة.

■ قد يحدث اندفاع للشفرة عند ملامسة الشفرة وهي تدور لشيء لم يتم جزه على الفور.

■ قد يكون اندفاع الشفرة عنيفاً بما يكفي لدفع الوحدة و/أو المشغل في أي اتجاه، مع احتمالية فقد السيطرة على الوحدة.

■ قد يحدث اندفاع الشفرة دون إنذار إذا علقت الشفرة أو تباطأت أو انثنت.

■ عادة ما يحدث اندفاع الشفرة في المناطق التي يكون من الصعب رؤية المواد التي يتم جزها.

■ لا تقم بتركيب أي شفرة على أي وحدة دون القيام بتركيب جميع الأجزاء المطلوبة على النحو الصحيح. عدم استخدام الأجزاء

الملائمة قد يتسبب في تحرر الشفرة من مكانها، ما قد يؤدي إلى تعرض مشغل الآلة و/أو المرافقين لإصابات خطيرة. تخلص من الشفرات المثنية أو الملتوية، أو المشققة، أو المكسورة، أو التالفة بأي حال من الأحوال. استخدم شفرة حادة، لأن الشفرة غير الحادة عادة ما تنثني وتتسبب في ارتداد في الآلة.

■ قد يتسبب تحرر الشفرة/الخيوط في التعرض لإصابات إذا استمر في الدوران بعد توقف المحرك أو ترك الزناد. حافظ على تحكمك الملائم في الآلة حتى توقف الشفرة/الخيوط تماماً عن الدوران.

■ لا تحتاج الآلات العاملة بالبطارية إلى توصيلها بمصدر تيار كهربائي؛ ولهذا فهي دائماً ما تكون جاهزة للتشغيل. احذر المخاطر المحتملة، حتى عند عدم تشغيل الآلة. كن حذراً عند تنفيذ أعمال الصيانة أو الخدمة.

■ لا تغسل المنتج بخرطوم الماء؛ وتجنب وصول الماء إلى المحرك والتوصيلات الكهربائية.

■ إذا حدثت حالات غير مذكورة في هذا الدليل، توخ الحذر واتخذ قرارات حكيمة. تواصل مع مركز خدمة العملاء بشركة EGO طلباً للدعم.

■ لا تستخدم الآلة إلا مع مجموعات البطارية والشواحن المدرجة في الشكل A.

احتفظ هذه التعليمات!

## المواصفات

السرعة بدون حمل	450±5% لفة في الدقيقة
شفرة القطع	ABR2300
درجة حرارة التشغيل الموصى بها	0-40 درجة مئوية
درجة حرارة التخزين الموصى بها	20-70 درجة مئوية
الوزن (بدون وحدة البطارية)	2.6 كجم
مستوى قوة الصوت المُقدَّر $L_{WA}$	97.36 ديسيبل (A) 2.7=K ديسيبل (A)
مستوى ضغط الصوت عند أذن مُشغل الآلة $L_{PA}$	83 ديسيبل (A) 2.5=K ديسيبل (A)
مستوى قوة الصوت المضمون $L_{WA}$ (تم قياسه وفقاً للمعيار 2000/14/EC)	100 ديسيبل (A)
القيمة المقدرة للاهتزاز $a_n$ :	3.3 م/ثانية <sup>2</sup> 1.5=K م/ثانية <sup>2</sup>
	2.0 م/ثانية <sup>2</sup> 1.5=K م/ثانية <sup>2</sup>

■ القيمة الكلية للاهتزاز الموضحة تم قياسها وفقاً لطريقة اختبار قياسية وقد تستخدم لمقارنة أداة بأخرى؛

■ كما يمكن استخدام القيمة الكلية للاهتزاز الموضحة في التقييم



التمهيدي للعرض.

## التشغيل

**ملاحظة:** قد تختلف انبعاثات الاهتزاز أثناء الاستخدام الفعلي للألة العاملة بالطاقة عن القيمة المعلنة التي يتم استخدام الآلة فيها؛ ولحماية مشغل الآلة، ينبغي على المستخدم ارتداء قفازات وواقبات للأذن في ظروف الاستخدام الفعلية.

## قائمة المحتويات (الشكل A1)

### الوصف

#### تعرف على ملحق القاطع (الشكل A1)

1. مسمار القفل
2. صندوق ناقل الحركة
3. الشفرة
4. تجميعة الغطاء المنزلق
5. تجميعة الواقي
6. عمود
7. غطاء خارجي
8. مفتاح ربط
9. مفتاح ربط سداسي (الإنكيه)

### التجميع

**تحذير:** إذا حدث تلف أو فقد في أي أجزاء، لا تقم بتشغيل هذا المنتج إلا بعد استبدال الأجزاء. استخدام هذا المنتج مع وجود أجزاء تالفة أو مفقود قد يؤدي إلى وقوع إصابات شخصية خطيرة.

**تحذير:** لا تحاول إجراء أي تعديلات على هذا المنتج أو ابتداء ملحقات غير موصى بها للاستخدام مع هذه الآلة. أي تغيير أو تعديل من هذا النوع يعتبر سوء استخدام، وقد يؤدي إلى وضع خطير قد يتسبب في وقوع إصابات شخصية خطيرة محتملة.

### تركيب الواقي

**تحذير:** احرص دائماً على ارتداء قفازات عند تركيب الواقي أو استبداله. كن حذراً من الشفرة الموجودة عند الواقي، واحم يديك من التعرض للجرح.

**تحذير:** لا يجب أبداً تشغيل الآلة دون تثبيت الواقي بإحكام في مكانه. يجب أن يكون الواقي دائماً على الآلة لحماية المستخدم! عندما يكون الواقي مثبتاً، لا تحاول أبداً خلع الواقي أو تعديله وضعه؛ وعند الحاجة لاستبداله، ينبغي أن يقوم بذلك فني صيانة متخصص!

فك المسارين من الواقي (الشكل B) واخلعهما، ثم قم بمحاذاة فتحات تركيب الواقي مع فتحات التجميع، ثم ثبت الواقي على قاعدة العمود بالمسمارين، بالإضافة للوردتين الزنبركيتين (الشكل C).

**تحذير:** احرص على تثبيت الواقي وفقاً للشكلين B و C، لأن أي تثبيت بخالف ذلك قد يتسبب في مخاطر كبيرة!

#### توصيل ملحق القاطع برأس الطاقة

قواطل س آر عم مَادخستال مل مصمم اذہ عطاقل ا ق ل ح م  
ق ح ل م ب ي ل ك ر ت م م ر ق ع ج ا ر EGO ق ل ك ر ش ن م PH1400E  
ق ق ا ط ل ا س ا ر ل ل ي ع م ت ل ل ي ل د ي ف د و ج و م ل ا « ق ق ا ط ل ا س ا ر ب  
PH1400E.

**تحذير:** لا تسمح لإعتيادك على تشغيل هذا المنتج أن يجعلك مستهتراً عند التعامل معه. ولا تنس أن الاستهترار لجزء من الثانية كافٍ للتسبب في حدوث إصابات خطيرة.

**تحذير:** لا تستخدم أي مرفقات أو ملحقات سوى تلك الموصى بها من قبل الشركة الصانعة لهذا المنتج. لأن استخدام مرفقات أو ملحقات غير موصى بها قد يؤدي إلى وقوع إصابات شخصية خطيرة.

يمكنك استخدام هذا المنتج للأغراض الموضحة أدناه:

**الجزء:** تستخدم في جزّ الحشائش الموجودة حول الأعمدة أو الحواجز الأمنية، أو حواف الجدران، أو حواجز الطرق الحديدية، أو السياج على الطرق العامة، أو جزّ النباتات النامية في باحات ووقوف السيارات.

**ملاحظة:** عند استخدام ملحق القاطع، تأكد من عدم تطاير أي أشياء غريبة قد تنطوي على مخاطر كبيرة: زجاج مسكور، أو هيكل السيارات المسننة، أو السياج المشوقة، أو لحاء الأشجار الممزق، أو الإصابات الشخصية.

#### استخدام ملحق القاطع مع رأس الطاقة

**تحذير:** لتجنب التعرض لإصابات خطيرة، ارتد واقبات العينين أو نظارات حماية العينين في جميع الأوقات أثناء تشغيل هذه الوحدة. ارتد قناعاً للوجه أو قناعاً أتربية في الأماكن كثيرة الأثرية.

نظف منطقة الجزّ قبل كل استخدام للألة. تخلص من جميع الأشياء مثل الصخور أو الزجاج المكسور أو المسامير أو الأسلاك أو الخيوط التي قد تدخل في ملحق الجزّ أو تعيقه. أبق المنطقة خالية من الأطفال والمرافقين والحيوانات الأليفة. على الأقل، اجعل الأطفال والمرافقين والحيوانات الأليفة على مسافة لا تقل عن 15 متراً؛ فقد يكون هناك خطر تعرض المرافقين للأشياء المتطايرة. يجب تشجيع المرافقين على ارتداء أدوات حماية العينين. عند اقتراب أي شخص، أوقف المحرك وملحق الجزّ على الفور.

#### قبل كل استخدام، افحص الأجزاء التالفة/المتآكلة

افحص ملحق القاطع والواقي ومقبض العروة، واستبدل الأجزاء المشققة أو المتوتبة أو المتآكلة بأي شكل من الأشكال.

#### نظف الآلة بعد كل استخدام.

**تنبيه:** العوائق الموجودة في الفتحات قد تمنع الهواء من التدفق في هيكل المحرك، وهو ما قد يؤدي إلى السخونة المفرطة أو تلف المحرك.

■ استخدم فقط صابوناً خفيفاً وقطعة قماش مبللة عند تنظيف الآلة. لا تسمح أبداً بدخول أي سوائل إلى داخل الآلة، ولا تغمر أي جزء منها في السوائل بأي حال من الأحوال.

■ حافظ على خلو فتحات الهواء الموجودة في هيكل المحرك من العوائق في جميع الأوقات.

## الصيانة

**تحذير:** استخدم فقط قطع غيار أصلية عند إجراء أعمال الصيانة. قم بفحص وصيانة الآلة بانتظام. لضمان السلامة.

والاعتمادية، يجب تنفيذ جميع أعمال الإصلاح من قبل فني خدمة مؤهل.

**تحذير:** لا تحتاج الآلات العاملة بالبطارية إلى توصيلها بمصدر تيار كهربائي؛ ولهذا فهي دائماً ما تكون جاهزة للتشغيل. لمنع وقوع إصابات شخصية خطيرة، تعامل بحذر شديد عند تنفيذ أعمال الصيانة، أو الخدمة، أو تغيير ملحق الجزّ أو الملحقات الأخرى.

**تحذير:** لمنع التعرض لإصابات شخصية خطيرة، افصل موصل البطارية من المقبس قبل إجراء أعمال الصيانة، أو التنظيف، أو تغيير المرفقات المضافة، أو إزالة المواد من الوحدة.

### استبدال شفرة القاطع

**تحذير:** إذا انفكت الشفرات بعد تثبيتها في موضعها أو إذا كانت الشفرات مهالكة للغاية، فاستبدل الشفرات على الفور. احرص على ألا تستخدم أبداً آلة بها ملحق جزّ مفكوك أو عديم الجدوى. تعرف على رأس القاطع على النحو الموضح في الشكل D1.

D-1	طاسة العمود	D-2	الشفرة العلوية
D-3	الشفرة السفلية	D-4	طاسة الدعم
D-5	وردة	D-6	مسمار مجوف منزلق
D-7	صامولة		

- ضع صندوق ناقل الحركة برأس القاطع على سطح صلب. اشبك الشفرتين، العلوية والسفلية، باستخدام كمامة أو على منجلة، ثم استخدم مفتاح الربط لفك الصامولة (الشكل D2).
- أخلع الصامولة والمسمار المجوف المنزلق والوردة وطاسة الدعم والشفرة السفلية والشفرة العلوية وطاسة العمود بالترتيب الموضح في الشكل D1.
- قبل تركيب الشفرات الجديدة، ضع طاسة الدعم على العمود (الشكل D3). ضع الشفرة العلوية ذات الفتحة السداسية الكبيرة على العمود بحيث يكون الجانب الذي عليه كلمة «EGO» متجهًا نحو صندوق ناقل الحركة (الشكل D4)، وبعد ذلك ضع الشفرة السفلية ذات الفتحة السداسية الصغيرة على العمود بحيث يكون الجانب الذي عليه كلمة «EGO» متجهًا نحو مشغل الآلة (الشكل D5).

**ملاحظة:** تأكد من توافم الفتحات السداسية الموجودة بالشفرات في مكانها الملائم على الطرف السداسي للعمود. وإلا، فعند ربط الشفرات بشكل عكسي، لن يعمل ملحق القاطع بشكل صحيح، وهو ما قد يؤدي لتلف الشفرات.

4. اتبع الترتيب الموضح في الشكل D1 لتعيد تجميعهم.

### تشحيم صندوق ناقل الحركة

لتحقيق أفضل تشغيل وأطول عمر للآلة، قم بتشحيم صندوق ناقل الحركة بشحم خاص (4-5 جم في كل مرة) بعد كل 50 ساعة تشغيل.

يجب أن يلي الشحم الخاص المتطلبات التالية.

- أن ينتمي لدرجة الاختراق المخروطي DIN51818: NLGI-1.
- شحم قائم على ملح الإستر.
- بدء التشغيل المثالي في درجات الحرارة المنخفضة، والضغط الفائق، والجزّ الميكانيكي، والمقاومة أثناء الكشط، وخصائص

النبات التأكسدية.

4. يجب أن تكون درجة حرارة التشغيل ما بين 40-180 درجة مئوية. أخلع قابس البطارية ومسمار القفل. قم بتشحيم صندوق ناقل الحركة عبر فتحة الزيت.

**تحذير:** لا تقم بالتشحيم أثناء توصيل الآلة بالبطارية أو تشغيلها.

### تنظيف الوحدة

- نظف الوحدة باستخدام قطعة قماش مبللة مع منظف خفيف.
- لا تستخدم أي منظفات قوية على الهيكل البلاستيكي أو المقبض. لأنهم معرضون للتلف بفعل زيوت عطرية معينة، مثل الصنوبر والليمون، ويفعل محاليل مثل الكيروسين. كما قد تتسبب الرطوبة في التعرض لصدمة كهربائية. امسح أي بلل بقطعة قماش جافة ناعمة.

### تخزين الوحدة

- نظف الآلة جيداً قبل تخزينها.
- خزن الوحدة في منطقة جافة جيدة التهوية، بحيث يكون في مكان مقفل أو عالٍ عن سطح الأرض بعيداً عن متناول أيدي الأطفال. لا تقم بتخزين الوحدة على الأسمدة أو البنزين أو المواد الكيميائية الأخرى، أو بجوارها.

■ استخدم غطاء نقل لتغطية الشفرات المعدنية أثناء عملية النقل والتخزين.

### حماية البيئة

لا تتخلص من المعدات الكهربائية أو البطارية المستهلكة أو الشاحن في النفايات المنزلية! بل توجه بهذا المنتج إلى مركز إعادة تدوير معتمد ليكون متاحاً للفرز بشكل منفرد. يجب إعادة الآلات الكهربائية إلى مرفق إعادة تدوير صديق للبيئة.



## استكشاف الأخطاء وإصلاحها

المشكلة	السبب	الحل
لا يمكن بدء تشغيل القاطع.	<ul style="list-style-type: none"> <li>مجموعة البطارية غير موصلة كما ينبغي برأس الآلة العاملة بالطاقة.</li> <li>نفد شحن مجموعة البطارية.</li> <li>لم يتم الضغط على ذراع القفل والزناد بشكل متزامن.</li> </ul>	<ul style="list-style-type: none"> <li>قم بتوصيل مجموعة البطارية في رأس الآلة العاملة بالطاقة.</li> <li>اشحن مجموعة البطارية بشاحن EGO المدرج في هذا الدليل.</li> <li>اضغط مع التثبيت على ذراع القفل، ثم اضغط مع التثبيت على الزناد لتشغيل الوحدة.</li> </ul>
القاطع يتوقف أثناء الجز.	<ul style="list-style-type: none"> <li>هناك حمل زائد على المحرك.</li> <li>مجموعة البطارية ساخنة للغاية.</li> <li>مجموعة البطارية مفصولة من الآلة.</li> </ul>	<ul style="list-style-type: none"> <li>سيعاود المحرك العمل عند التخلص من الحمل الواقع عليه. عند العمل بشكل متواصل، خفف الحمل الواقع على القاطع وتجنب الجز العميق؛ بل بدلاً من ذلك، قم بتعميق الجز بشكل تدريجي.</li> <li>اترك مجموعة البطارية تبرد بشكل طبيعي، أو استخدم منفاخ هواء لتسريع عملية التبريد.</li> <li>أعد توصيل مجموعة البطارية.</li> </ul>

## الضمان

### سياسة ضمان EGO

تفضل بزيارة الموقع الإلكتروني [egopowerplus.com](http://egopowerplus.com) للتعرف على الشروط والأحكام الكاملة الخاصة بسياسة ضمان EGO.

KEES VAN DER SPEK  
TUINMACHINES \* STOLWIJK

**KEES VAN DER SPEK**  
TUINMACHINES ★ STOLWIJK