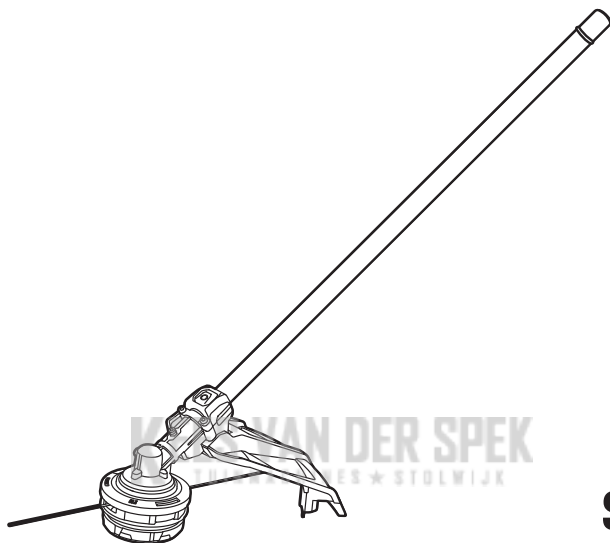


EGO™

POWER+ LINE TRIMMER ATTACHMENT



STA1600

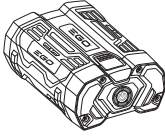
LINE TRIMMER ATTACHMENT

FOR USE ONLY WITH THE 56V LITHIUM-ION POWER HEAD PH1420E

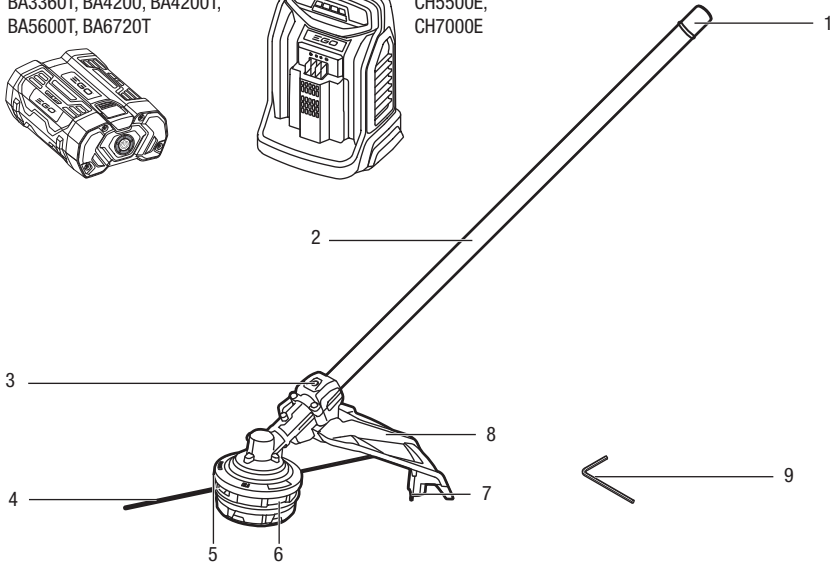
EN	Line trimmer attachment	5	RO	Accesoriu trimmer cu fir	181
DE	Rasentrimmer-Anbauwerkzeug	15	SL	Priključek za kosilnico z nitko	192
FR	Extension Taille-bordure	27	LT	Žoliapjovės įtaisas	203
ES	Accesorio cortabordes con cabezal de hilo	38	LV	Auklas trimera pierce	214
PT	Acessório da roçadora	50	GR	Προσάρτημα χλοοκοπτικού με νήμα	225
IT	Accessorio decespugliatore a filo	61	TR	Misinalı Çim Biçme Aparatı	237
NL	Grastrimmer toebehoor	72	ET	Murutrimmeri tarvik	248
DK	Græstrimmertilbehør	83	UK	Насадка-нісковий тример	258
SE	Tillbehör för kanttrimmer	93	BG	Приставка кордов тример	270
FI	Silmaleikkurilisäosa	103	HR	Priključak šišača trave s reznom niti	282
NO	Tilbehør til kantklipper	114	KA	ელექტროლ სათიბი მიმაგრება	293
RU	Насадка триммера с леской	124	SR	Dodatak trimera sa strunom	309
PL	Końcówka-podkaszarka na żyłkę	136	BS	Priključak trimera s reznom niti	319
CZ	Nástavec pro strunovou sekačku	148	HE	אביזר גוזם חוט	351
SK	Nástavec pre strunovú kosačku	159	AR	ملحق الجَزَاة العائمة بالخيط	341
HU	Fűkaszáló tartozék	170			

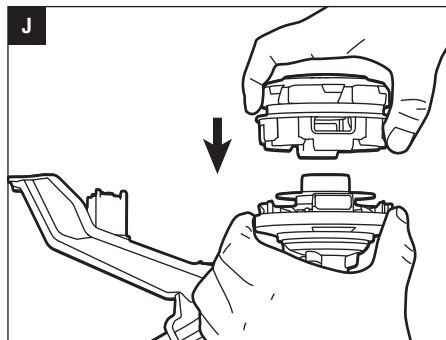
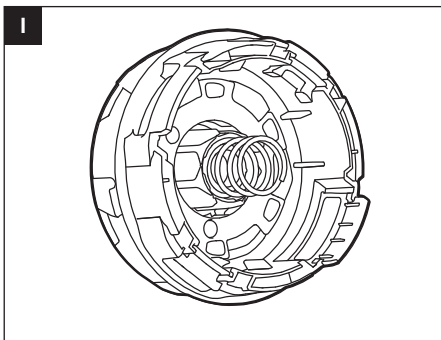
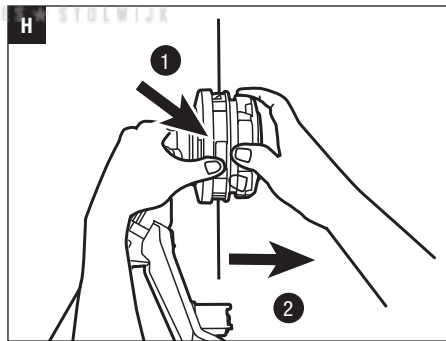
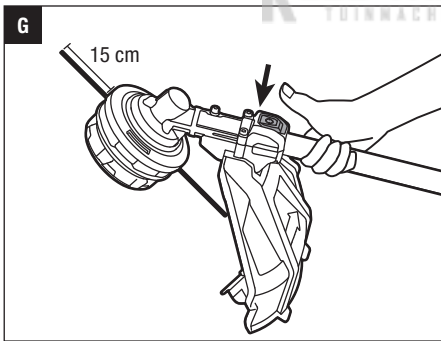
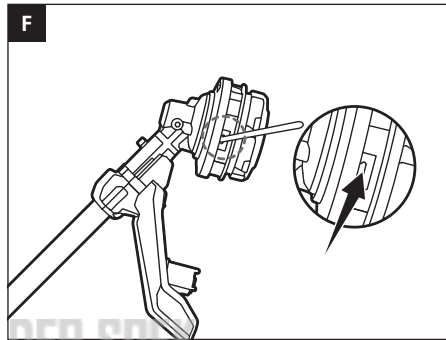
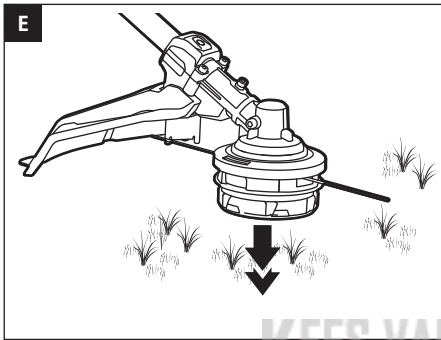
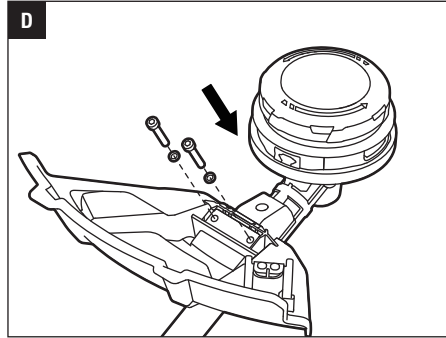
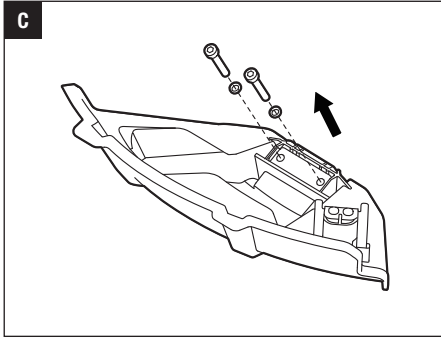
A

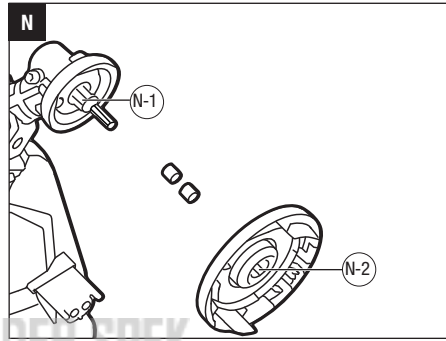
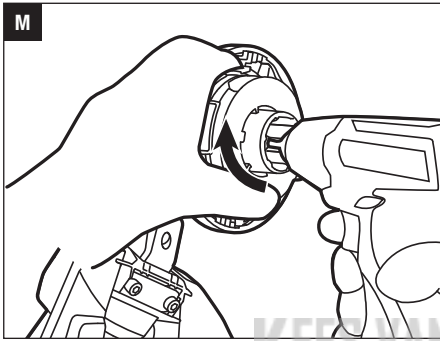
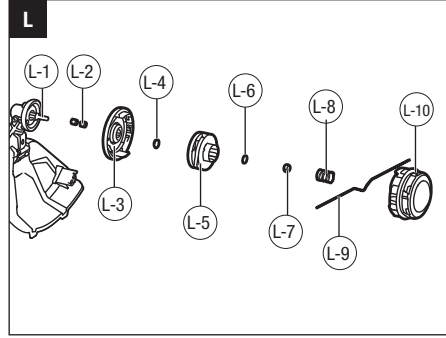
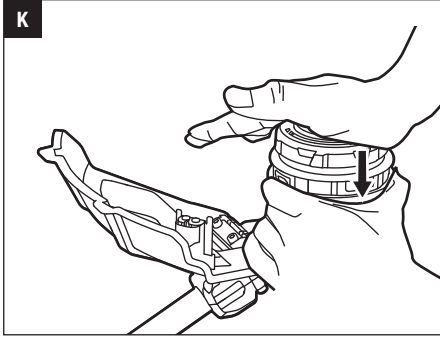
BA1400, BA1400T, BA2240T,
BA2242T, BA2800, BA2800T,
BA3360T, BA4200, BA4200T,
BA5600T, BA6720T



CH2100E,
CH3200E,
CH5500E,
CH7000E

**B**





READ ALL INSTRUCTIONS!



READ OPERATOR'S MANUAL

⚠ Residual risk! People with electronic devices, such as pacemakers, should consult their physician(s) before using this product. Operation of electrical equipment in close proximity to a heart pacemaker could cause interference or failure of the pacemaker.

⚠ WARNING: To ensure safety and reliability, all repairs and replacements should be performed by a qualified service technician.

SAFETY SYMBOLS

The purpose of safety symbols is to attract your attention to possible dangers. The safety symbols and the explanations with them deserve your careful attention and understanding. The symbol warnings do not, by themselves, eliminate any danger. The instructions and warnings they give are no substitutes for proper accident prevention measures.

⚠ WARNING: Be sure to read and understand all safety instructions in this Operator's Manual, including all safety alert symbols such as "DANGER," "WARNING," and "CAUTION" before using this tool. Failure to follow all instructions listed below may result in electric shock, fire, and/or serious personal injury.

SYMBOL MEANING

⚠ SAFETY ALERT SYMBOL: Indicates DANGER, WARNING, or CAUTION, may be used in conjunction with other symbols or pictographs.

SAFETY INSTRUCTIONS

This page depicts and describes safety symbols that may appear on this product. Read, understand, and follow all instructions on the machine before attempting to assemble and operate it.

	Safety Alert	Indicates a potential personal injury hazard.
	Read Operator's Manual	To reduce the risk of injury, user must read and understand the operator's manual before using this product.

	Wear eye, ear and head protection	Always wear eye, ear and head protection.
	Cutting Width	The Max. cutting width of line trimmer.
	Line Diameter	The Diameter of the nylon cutting line.
	Do not use metal blades	Alerts user not to use metal blades
	Ricochet and Keep Bystanders Away	Thrown objects can ricochet and result in personal injury or property damage. Ensure that other people and pets remain away from the brush cutter when it is in use.
	The distance between the machine and bystanders shall be at least 15 m	Ensure that other people and pets remain at least 15m away from the line trimmer when it is in use.
IPX4	IP Symbol	Protection against ingress of water degree 4.
	CE	This product is in accordance with applicable EC directives.
	UKCA	This product is in accordance with applicable UK legislation.
	WEEE	Waste electrical products should not be disposed of with household waste. Take to an authorized recycler.
	Noise	Guaranteed sound power level. Noise emission to the environment according to the European community's Directive.
V	Volt	Voltage
mm	Millimeter	Length or size
cm	Centimeter	Length or size
kg	Kilogram	Weight

GENERAL POWER TOOL SAFETY WARNINGS

⚠ WARNING: Read all safety warnings, instructions, illustrations and specifications provided with this power tool. Failure to follow all instructions listed below may result in electric shock, fire and/or serious injury.

Save all warnings and instructions for future reference.

The term “power tool” in the warnings refers to your mains-operated (corded) power tool or battery-operated (cordless) power tool.

WORK AREA SAFETY

- **Keep work area clean and well lit.** Cluttered or dark areas invite accidents.
- **Do not operate power tools in explosive atmospheres, such as in the presence of flammable liquids, gases or dust.** Power tools create sparks which may ignite the dust or fumes.
- **Keep children and bystanders away while operating a power tool.** Distractions can cause you to lose control.

ELECTRICAL SAFETY

- **Power tool plugs must match the outlet. Never modify the plug in any way. Do not use any adaptor plugs with earthed (grounded) power tools.** Unmodified plugs and matching outlets will reduce risk of electric shock.
- **Avoid body contact with earthed or grounded surfaces, such as pipes, radiators, ranges and refrigerators.** There is an increased risk of electric shock if your body is earthed or grounded.
- **Do not operate the machine in rain or wet conditions.** Water entering the machine may increase the risk of electric shock or malfunction that could result in personal injury.
- **Do not abuse the cord. Never use the cord for carrying, pulling or unplugging the power tool. Keep cord away from heat, oil, sharp edges or moving parts.** Damaged or entangled cords increase the risk of electric shock.
- **When operating a power tool outdoors, use an extension cord suitable for outdoor use.** Use of a cord suitable for outdoor use reduces the risk of electric shock.
- **If operating a power tool in a damp location is unavoidable, use a residual current device (RCD) protected supply.** Use of an RCD reduces the risk of electric shock.

PERSONAL SAFETY

- **Stay alert, watch what you are doing and use common sense when operating a power tool. Do not use a power tool while you are tired or under the influence of drugs, alcohol medication.** A moment of inattention while operating power tools may result in serious personal injury.
- **Use personal protective equipment. Always wear eye protection.** Protective equipment such as a dust mask, non-skid safety shoes, hard hat or hearing protection used

for appropriate conditions will reduce personal injuries.

- **Prevent unintentional starting. Ensure the switch is in the off-position before connecting to power source and/or battery pack, picking up or carrying the tool.** Carrying power tools with your finger on the switch or energizing power tools that have the switch on invites accidents.
- **Remove any adjusting key or wrench before turning the power tool on.** A wrench or a key left attached to a rotating part of the power tool may result in personal injury.
- **Do not overreach. Keep proper footing and balance at all times.** This enables better control of the power tool in unexpected situations.
- **Dress properly. Do not wear loose clothing or jewellery. Keep your hair, clothing and gloves away from moving parts.** Loose clothes, jewelry or long hair can be caught in moving parts.
- **If devices are provided for the connection of dust extraction and collection facilities, ensure these are connected and properly used.** Use of dust devices can reduce dust-related hazards.
- **Do not let familiarity gained from frequent use of tools allow you to become complacent and ignore tool safety principles.** A careless action can cause severe injury within a fraction of a second.

POWER TOOL USE AND CARE

- **Do not force the power tool. Use the correct power tool for your application.** The correct power tool will do the job better and safer at the rate for which it was designed.
- **Do not use the power tool if the switch does not turn it on and off.** Any power tool that cannot be controlled with the switch is dangerous and must be repaired.
- **Disconnect the plug from the power source and/or the battery pack from the power tool before making any adjustments, changing accessories, or storing power tools.** Such preventive safety measures reduce the risk of starting the power tool accidentally.
- **Store idle power tools out of the reach of children and do not allow persons unfamiliar with the power tool or these instructions to operate the power tool.** Power tools are dangerous in the hands of untrained users.
- **Maintain power tools and accessories. Check for misalignment or binding of moving parts, breakage of parts and any other condition that may affect the power tool's operation. If damaged, have the power tool repaired before use.** Many accidents are caused by poorly maintained power tools.

- **Keep cutting tools sharp and clean.** Properly maintained cutting tools with sharp cutting edges are less likely to bind and are easier to control.
- **Use the power tool, accessories and tool bits etc. in accordance with these instructions, taking into account the working conditions and the work to be performed.** Use of the power tool for operations different from those intended could result in a hazardous situation.
- **Keep handles and grasping surface dry, clean and free from oil and grease.** Slippery handles and grasping surfaces do not allow for safe handling and control of the tool in unexpected situations.

BATTERY TOOL USE AND CARE

- **Recharge only with the charger specified by the manufacturer.** A charger that is suitable for one type of battery pack may create a risk of fire when used with another battery pack.
- **Use power tools only with specifically designated battery packs.** Use of any other battery packs may create a risk of injury and fire.
- **When battery pack is not in use, keep it away from other metal objects, like paper clips, coins, keys, nails, screws or other small metal objects, that can make a connection from one terminal to another.** Shorting the battery terminals together may cause burns or a fire.
- **Under abusive conditions, liquid may be ejected from the battery; avoid contact. If contact accidentally occurs, flush with water. If liquid contacts eyes, additionally seek medical help.** Liquid ejected from the battery may cause irritation or burns.
- **Do not use a battery pack or tool that is damaged or modified.** Damaged or modified batteries may exhibit unpredictable behavior resulting in fire, explosion or risk of injury.
- **Do not expose a battery pack or tool to fire or excessive temperature.** Exposure to fire or temperature above 130°C may cause explosion.
- **Follow all charging instructions and do not charge the battery pack or tool outside the temperature range specified in the instructions.** Charging improperly or at temperatures outside the specified range may damage the battery and increase the risk of fire.

SERVICE

- **Have your power tool serviced by a qualified repair person using only identical replacement parts.** This will ensure that the safety of the power tool is maintained.

- **Never service damaged battery packs.** Service of battery packs should only be performed by the manufacturer or authorized service providers.

SPECIAL SAFETY WARNINGS FOR LINE TRIMMER

- **Do not use the machine in bad weather conditions, especially when there is a risk of lightning.** This decreases the risk of being struck by lightning.
- **Thoroughly inspect the area for wildlife where the machine is to be used.** Wildlife may be injured by the machine during operation.
- **Thoroughly inspect the area where the machine is to be used and remove all stones, sticks, wires, bones, and other foreign objects.** Thrown objects can cause personal injury.
- **Before using the machine, always visually inspect to see that the cutter or blade and the cutter or blade assembly are not damaged.** Damaged parts increase the risk of injury.
- **Follow instructions for changing accessories.** Improperly tightened cutter securing nuts or bolts may either damage the blade or result in it becoming detached.
- **Wear eye, ear, head and hand protection.** Adequate protective equipment will reduce personal injury by flying debris or accidental contact with the cutting line or blade.
- **While operating the machine, always wear non-slip and protective footwear. Do not operate the machine when barefoot or wearing open sandals.** This reduces the chance of injury to the feet from contact with the moving cutters or lines.
- **While operating the machine, always wear long trousers.** Exposed skin increases the likelihood of injury from thrown objects.
- **Keep bystanders away while operating the machine.** Thrown debris can result in serious personal injury.
- **Always use two hands when operating the machine.** Holding the machine with both hands will avoid loss of control.
- **Hold the machine by the insulated gripping surfaces only, because the cutting line or blade may contact hidden wiring.** Cutting line or blades contacting a «live» wire may make exposed metal parts of the machine «live» and could give the operator an electric shock.
- **Always keep proper footing and operate the machine only when standing on the ground.** Slippery or unstable surfaces may cause a loss of balance or control of the machine.

- **Do not operate the machine on excessively steep slopes.** This reduces the risk of loss of control, slipping and falling which may result in personal injury.
- **When working on slopes, always be sure of your footing, always work across the face of slopes, never up or down and exercise extreme caution when changing direction.** This reduces the risk of loss of control, slipping and falling which may result in personal injury.
- **Keep all parts of the body away from the cutter, line or blade when the machine is operating. Before you start the machine, make sure the cutter, line or blade is not contacting anything.** A moment of inattention while operating the machine may result in injury to yourself or others.
- **Do not operate the machine above waist height.** This helps prevent unintended cutter or blade contact and enables better control of the machine in unexpected situations.
- **When cutting brush or saplings that are under tension, be alert for spring back.** When the tension in the wood fibres is released, the brush or sapling may strike the operator and/or throw the machine out of control.
- **Use extreme caution when cutting brush and saplings.** The slender material may catch the blade and be whipped toward you or pull you off balance.
- **Maintain control of the machine and do not touch cutters, lines or blades and other hazardous moving parts while they are still in motion.** This reduces the risk of injury from moving parts.
- **When clearing jammed material or servicing the machine, make sure the switch is off and the battery pack is removed.** Unexpected starting of the machine while clearing jammed material or servicing may result in serious personal injury.
- **Carry the machine with the machine switched off and away from your body.** Proper handling of the machine will reduce the likelihood of accidental contact with a moving cutter, line or blade.
- **Only use replacement cutters, lines, cutting heads and blades specified by the manufacturer.** Incorrect replacement parts may increase the risk of breakage and injury.
- **Damage to Trimmer** - If you strike a foreign object with the trimmer or it becomes entangled, stop the tool immediately, check for damage and have any damage repaired before further operation is attempted. Do not operate with a broken guard or spool.
- **If the equipment should start to vibrate abnormally, stop the motor and check immediately for the cause.** Vibration is generally a warning of trouble. A loose head may vibrate, crack, break or come off the trimmer, which may result in serious or fatal injury. Make sure that the cutting attachment is properly fixed in position. If the head loosens after fixing it in position, replace it immediately. Never use a trimmer with a loose cutting attachment.
- **Battery tools do not have to be plugged into an electrical outlet; therefore, they are always in operating condition.** Be aware of possible hazards even when the tool is not operating. Take care when performing maintenance or service.
- **Do not wash with a hose; avoid getting water in motor and electrical connections.**
- **If situations occur that are not covered in this manual, use care and good judgment. Contact the EGO Customer Service Center for assistance.**
- Use only with battery packs and chargers listed in fig.A.

SAVE THESE INSTRUCTIONS!

SPECIFICATIONS

Cutting Mechanism	Bump Head	
Line Diameter	2.4 mm nylon twist line	
Cutting Width	40 cm	
Maximum Speed	4900/5800 min ⁻¹	
Weight (Without battery pack)	1.53 kg	
Recommended Operating Temperature	0°C-40°C	
Storage Temperature	-20°C-70°C	
Measured sound power level L _{wa}	95.72 dB(A) K=0.77 dB(A)	
Sound pressure level at operator's ear L _{PA}	81.6 dB(A) K= 3 dB(A)	
Guaranteed sound power level L _{wa} (measured according to 2000/14/EC)	96 dB(A)	
Valuation of vibration a _h	Front-assist handle	2.5 m/s ² K=1.5 m/s ²
	Rear handle	1.8 m/s ² K=1.5 m/s ²

- The above parameters are tested and measured equipped with power head PH1420E.

- The declared vibration total value has been measured in accordance with a standard test method and may be used for comparing one tool with another;
- The declared vibration total value may also be used in a preliminary assessment of exposure.

⚠ WARNING: The vibration and noise emissions during actual use of the power tool can differ from the declared values depending on the ways in which the tool is used especially what kind of workpiece is processed; and Of the need to identify safety measures to protect the operator that are based on an estimation of exposure in the actual conditions of use (taking account of all parts of the operating cycle such as the times when the tool is switched off and when it is running idle in addition to the trigger time).

PACKING LIST (FIG. A)

About recommended cutting line, please visit the website egopowerplus.com or refer to the EGO Product Catalogue.

DESCRIPTION

KNOW YOUR LINE TRIMMER ATTACHMENT (Fig. A)

1. End Cap
2. Line trimmer Shaft
3. Line-Loading Button
4. Cutting Line
5. Trimmer Head (Bump Head)
6. Release Tab
7. Line-cutting Blade
8. Guard
9. Hex Wrench

⚠ WARNING: Never operate the tool without the guard firmly in place. The guard must always be on the tool to protect the user.

ASSEMBLY

⚠ WARNING: If any parts are damaged or missing, do not operate this product until the parts are replaced. Use of this product with damaged or missing parts could result in serious personal injury.

⚠ WARNING: Do not attempt to modify this product or create accessories not recommended for use with this line trimmer. Any such alteration or modification is misuse and could result in a hazardous condition leading to possibly serious personal injury.

⚠ WARNING: Do not connect to power head until assembly is complete. Failure to comply could result in accidental starting and possible serious personal injury.

MOUNTING THE GUARD

⚠ WARNING: Always wear gloves when mounting or replacing the guard. Be careful of the blade on the guard and protect your hands from being injured by the blade.

Loosen and remove the two screws from the guard (Fig. C), align the guard mounting holes with the assembly holes and then lock the guard onto the shaft base with the two screws, together with two spring washers (Fig. D).

Make sure the guard is fixed according to Fig. C & D, any reverse fixing will cause great danger!

CONNECTING THE LINE TRIMMER ATTACHMENT TO THE POWER HEAD

This line trimmer attachment is designed for use with EGO Power Head PH1420E.

See “**INSTALLING A POWER HEAD ATTACHMENT**” section in the power head PH1420E operator’s manual.

OPERATION

⚠ WARNING: Do not allow familiarity with this product to make you careless. Remember that a careless fraction of a second is sufficient to inflict serious injury.

⚠ WARNING: Always wear eye protection, along with hearing protection. Failure to do so could result in objects being thrown into your eyes and other possible serious injuries.

APPLICATIONS

You may use this product for the purpose listed below:

- Trimming grass and weeds from around porches, fences, and decks

NOTICE: The tool is to be used only for its prescribed purpose. Any other use is deemed to be a case of misuse.

Before each use check for damaged/worn parts

Check the trimmer head, guard and front handle and replace any parts that are cracked, warped, bent, or damaged in any way.

The line-cutting blade on the edge of the guard can dull over time. It is recommended that you periodically sharpen it with a file or replace it with a new blade.

⚠ WARNING: Always wear gloves when mounting or replacing the guard or when sharpening or replacing the blade. Note the location of the blade on the guard and protect your hand from injury.

⚠ WARNING: To prevent serious personal injury, remove the battery pack from the power head before servicing, cleaning, changing attachments or removing material from the unit.

USING THE LINE TRIMMER WITH POWER HEAD

⚠ WARNING: Dress properly to reduce the risk of injury when operating this tool. Do not wear loose clothing or jewelry. Wear eye and ear/hearing protection. Wear heavy, long pants, boots and gloves. Do not wear short pants or sandals or go barefoot.

⚠ WARNING: Clear the area to be cut before each use. Remove all objects, such as rocks, broken glass, nails, wire, or string that can be thrown or become entangled in the cutting attachment. Clear the area of children, bystanders, and pets. At a minimum, keep all children, bystanders and pets at least 15m away; there still may be risk to bystanders from thrown objects. Bystanders should be encouraged to wear eye protection. If you are approached, stop the motor and cutting attachment immediately.

For safe and better operation, put on the shoulder strap across the shoulder. Adjust the shoulder strap in a comfortable operating position. Hold the line trimmer with your one hand on the rear handle and your other hand on the front handle. Keep a firm grip with both hands while in operation. The line trimmer should be held at a comfortable position with the rear handle about hip height. The trimmer head should be parallel to the ground so that it easily contacts the material to be cut without the operator having to bend over (Fig. B).

⚠ WARNING: The shoulder strap is also a quick release mechanism in hazardous situation. When emergency occurs, take it off from your shoulder immediately, no matter what way the strap is in.

After each use, clean the trimmer

See the MAINTENANCE section for cleaning instructions.

TO START/STOP THE TOOL

See “STARTING/STOPPING THE POWER HEAD” section in the power head PH1420E operator’s manual.

ADJUSTING CUTTING LINE LENGTH

The trimmer head allows the operator to release more cutting line without stopping the motor. As line becomes frayed or worn, additional line can be released by lightly tapping the trimmer head on the ground while operating the trimmer (Fig. E).

NOTICE: Line release will become more difficult as the cutting line becomes shorter.

⚠ WARNING: Do not remove or alter the line-cutting blade assembly. Excessive line length will cause the motor to overheat and may result in serious personal injury.

LINE REPLACEMENT

NOTICE: Always use the recommended nylon cutting line with diameter no more than 2.4mm. Using line other than that specified may cause the line trimmer to overheat or become damaged.

⚠ WARNING: Never use metal-reinforced line, wire, or rope, etc. These can break off and become dangerous projectiles.

The line trimmer is equipped with an advanced **POWERLOAD™** system. The cutting line can be wound into the spool simply by pressing a single button. Loading a full spool can usually be completed in 12 seconds. **Avoid repeated operation of the winding system in rapid succession to reduce the possibility of motor damage.**

NOTICE: The **POWERLOAD™** system is only available when the attachment is connected to Power Head PH1420E and the battery pack is installed.

1. Remove the battery pack.
2. Cut 4m long cutting line. Insert the line into the eyelet (Fig. F). Push and pull the line from the other side until equal amounts of the line appear on both sides of the trimmer head

NOTICE: If the line cannot be inserted into the eyelet when the lower cover is stuck, install the battery pack onto the power head, then press the line-loading button briefly to reset the lower cover.

3. Remove the battery pack if it has been installed onto the power head in the NOTICE after step 2. And follow the steps specified in step 2 to reinsert and align the cutting line.
4. Install the battery pack onto the power head.
5. Press and hold the line-loading button to wind the line into the trimmer head continuously until approximately 15 cm of the line is showing on each side. (Fig. G).
6. Push down on the trimmer head while pulling on the lines to manually advance the line in order to check for proper assembly of the cutting line.

NOTICE: In case the line is pulled into the trimmer head by accident, open the head and pull the cutting line out from the spool. Follow the section “RELOADING THE CUTTING LINE” in this manual to reload the line.

RELOADING THE CUTTING LINE

When the cutting line breaks from the eyelet or the cutting line is not released when the trimmer head is tapped, you will need to remove the remaining cutting line from the trimmer head and follow the steps below to reload the line.

1. Remove the battery pack.
2. Press the release tabs on the trimmer head and remove the lower cover assembly of the trimmer head by pulling it straight out (Fig. H).
3. Remove the cutting line from the trimmer head.
4. Take the spring out of the spool assembly, if necessary. Save it for reassembling.
5. Insert the spring into the slot in the lower cover assembly (Fig. I).
6. With one hand holding the trimmer, use another hand to grasp the lower cover assembly and align the slots in the lower cover assembly with the release tabs (Figure J). Press the lower cover assembly until it snaps into place, at which time you will hear a distinct click sound (Fig. K).
7. Follow the instructions in the “**LINE REPLACEMENT**” section to reload the cutting line.

TRIMMER HEAD REPLACEMENT

⚠ WARNING: If the head loosens after it is fixed in position, replace it immediately.

Never use a trimmer with a loose cutting attachment. Replace a cracked, damaged or worn out cutting head immediately, even if damage is limited to superficial cracks. Such attachments may shatter at high speed and cause serious injury.

Familiarize yourself with the trimmer head (Fig. L).

Fig. L parts description see below:

L-1	Shaft	L-6	Washer
L-2	Bushing(2)	L-7	Nut
L-3	Upper Cover	L-8	Spring
L-4	Circlip	L-9	Cutting Line
L-5	Spool Retainer	L-10	Lower Cover Assembly

Remove the trimmer head

1. Remove the battery pack.
2. Press the release tabs on the trimmer head and remove the lower cover assembly of the trimmer head by pulling it straight out.
3. Remove the cutting line from the trimmer head.

4. Take the spring out of the spool assembly, if necessary. Save it for reassembly.
5. Wear gloves. Use one hand to grasp the spool assembly to stabilize it, and use the other hand to hold a 13mm impact wrench (not included) to loosen the nut in a **CLOCKWISE** direction (Fig. M).
6. Remove the nut, washer and spool retainer from the motor shaft (Fig. L).
7. Use circlip pliers (not included) to remove the circlip. Remove the upper cover and two bushings from the motor shaft (Fig. L).
8. Replace with a new trimmer head and mount it in following steps.

Install the new trimmer head

1. Mount the two bushings on the motor shaft.
2. Align the flat slot in the upper cover with the flat in motor shaft and mount the upper cover into place (Fig. N).

Fig. N parts description see below

N-1	Flat	N-2	Flat Slot
-----	------	-----	-----------

3. Mount the circlip, spool retainer, and washer in that order (Fig. L). Use an impact wrench on the nut to tighten it **COUNTERCLOCKWISE**.
4. Following steps 4 and 5 in “**RELOADING THE CUTTING LINE**” section in this manual to mount the lower cover assembly.
5. Follow the instructions in “**LINE REPLACEMENT**” section in this manual to reload the cutting line.
6. Start the tool to see whether the line trimmer will work normally. If it does not, reassemble as described above.

MAINTENANCE

⚠ WARNING: Before inspecting, cleaning or servicing the unit, stop the motor, wait for all moving parts to stop, and remove the battery pack. Failure to follow these instructions can result in serious personal injury or property damage.

⚠ WARNING: When servicing, use only identical replacement parts. Use of any other parts can create a hazard or cause product damage. To ensure safety and reliability, all repairs, other than the items listed in these maintenance instructions, should be performed by a qualified service technician.

GENERAL MAINTENANCE

Avoid using solvents when cleaning plastic parts. Most plastics are susceptible to damage from various types of commercial solvents and may be damaged by their use. Use clean cloths to remove dirt, dust, oil, grease, etc.

CLEAN THE UNIT

- Clear any grass that may have wrapped itself around the motor shaft or trimmer head.
- Use a small brush or a small vacuum cleaner to clean the air vents on the rear housing.
- Clean the unit using a damp cloth with a mild detergent.
- Do not use any strong detergents on the plastic housing or the handle. They can be damaged by certain aromatic oils, such as pine and lemon, and by solvents such as kerosene. Moisture can also cause a shock hazard. Wipe off any moisture with a soft dry cloth.

TRANSMISSION GEARS LUBRICATION

The transmission gears in the gear case need be lubricated periodically with gear grease. Check the gear case grease level about every 50 hours of operation by removing the sealing screw on the side of the case.

If no grease can be seen on the flanks of the gear, follow the steps below to fill with gear grease up to 3/4 capacity.

Do not completely fill the transmission gears.

1. Hold the line trimmer on its side so that the sealing screw is facing upwards .
2. Use the multi-function wrench provided to loosen and remove the sealing screw.
3. Use a grease syringe (not included) to inject some grease into the screw hole; do not exceed 3/4 capacity.
4. Tighten the sealing screw after injection.

STORING THE UNIT

- Remove the battery pack from the power head.
- Clean the tool thoroughly before storing it.
- If the line trimmer attachment is removed from the power head and stored separately: Fit the end cap on the attachment shaft to avoid dirt getting into the coupler.
- Store the unit in a dry, well-ventilated area, locked-up or up high, out of the reach of children. Do not store the unit on or adjacent to fertilizers, gasoline, or other chemicals.

SHARPEN THE LINE-CUTTING BLADE

⚠ WARNING: Always protect your hands by wearing heavy gloves when performing any maintenance on the line-cutting blade.

1. Remove the battery.
2. Remove the line-cutting blade from the guard.
3. Secure the blade in a vise.
4. Wear proper eye protection and gloves and be careful not to cut yourself.
5. Carefully file the cutting edges of the blade with a fine-tooth file or sharpening stone, maintaining the original cutting edge angle.
6. Replace the blade on the guard and secure it in place with the two screws.

Protecting the environment



Do not dispose of electrical equipment, battery charger and batteries/ rechargeable batteries into household waste!

Take this product to an authorized recycler and make it available for separate collection. Electric tools must be returned to an environmentally compatible recycling facility.

If electrical appliances are disposed of in landfills or dumps, hazardous substances can leak into the groundwater and get into the food chain, damaging your health and well-being.

TROUBLESHOOTING

EN

PROBLEM	CAUSE	SOLUTION
Line trimmer fails to start.	<ul style="list-style-type: none"> ■ The battery pack is not attached to the power head. ■ No electrical contact between the power head and the battery pack. ■ The battery pack charge is depleted. ■ The lock-off lever and trigger are not depressed simultaneously. 	<ul style="list-style-type: none"> ■ Attach the battery pack to the power head. ■ Remove battery, check contacts and reinstall the battery pack until it snaps into place. ■ Charge the battery pack with EGO chargers listed in this manual. ■ Press down the lock-off lever and hold it, then depress the trigger to turn on the line trimmer.
Line trimmer stops while cutting.	<ul style="list-style-type: none"> ■ The guard is not mounted on the trimmer, resulting in an overly long cutting line and motor overload. ■ Heavy cutting line is used. ■ The motor shaft or trimmer head is bound with grass. ■ The motor is overloaded. ■ The battery pack or line trimmer is too hot. ■ The battery pack is disconnected from the tool. ■ The battery pack is depleted. 	<ul style="list-style-type: none"> ■ Remove the battery pack and mount the guard on the trimmer. ■ Use recommended nylon cutting line with diameter no greater than 2.4 mm. ■ Stop the trimmer, remove the battery, and remove the grass from the motor shaft and trimmer head. ■ Remove the trimmer head from the grass. The motor will recover when the load is removed. When cutting, move the trimmer head in and out of the grass to be cut and remove no more than 20 cm of length in a single cut. ■ Allow the battery pack or trimmer to cool until the temperature drops below 67°C . ■ Re-install the battery pack. ■ Charge the battery pack with EGO chargers listed in this manual.

PROBLEM	CAUSE	SOLUTION
Trimmer head will not advance line.	<ul style="list-style-type: none"> ■ The motor shaft or trimmer head is bound with grass. ■ There is not enough line on the spool. ■ The trimmer head is dirty. ■ The line is tangled in the trimmer head assembly. ■ The line is too short. 	<ul style="list-style-type: none"> ■ Stop the trimmer, remove the battery, and clean the motor shaft and trimmer head. ■ Remove the battery and replace the cutting line; follow the section “RELOADING THE CUTTING LINE” in this manual. ■ Remove the battery and clean the spool, lower cover assembly and upper cover. ■ Remove the battery, remove the line from the spool and rewind; follow the section “RELOADING THE CUTTING LINE” in this manual. ■ Remove the battery and pull the lines manually while alternately pressing down and releasing the trimmer head.
Grass wraps around trimmer head and motor housing.	<ul style="list-style-type: none"> ■ Cutting tall grass at ground level. 	<ul style="list-style-type: none"> ■ Cut tall grass from the top down, removing no more than 20 cm in each pass to prevent wrapping.
The blade is not cutting the line.	<ul style="list-style-type: none"> ■ The line-cutting blade on the edge of the guard has become dull. 	<ul style="list-style-type: none"> ■ Sharpen the line-cutting blade with a file or replace it with a new blade.
Cracks on the trimmer head or the spool retainer comes loose from the spool base.	<ul style="list-style-type: none"> ■ The trimmer head is worn out. ■ The nut that locks the trimmer head is loose. 	<ul style="list-style-type: none"> ■ Replace the trimmer head immediately; follow the section “TRIMMER HEAD REPLACEMENT” in this manual. ■ Open the trimmer head and use an impact wrench to tighten the nut.
During line replacement, the line can't be loaded into the trimmer head properly.	<ul style="list-style-type: none"> ■ The string line is not correctly inserted into the mounting hole in the eyelet. ■ Spool retainer's LOAD lines do not align with the eyelets in the spool base. 	<ul style="list-style-type: none"> ■ Align the LOAD lines with the eyelets firstly, then insert the line into the mounting hole, which is located inside the eyelet. ■ Rotate the spool retainer in the arrow direction to align the LOAD lines on the spool retainer with the eyelets in the spool base.

WARRANTY

EGO WARRANTY POLICY

Please visit the website egopowerplus.com for full terms and conditions of the EGO Warranty policy.

LESEN SIE ALLE ANWEISUNGEN



LESEN SIE DIE BEDIENUNGSANLEITUNG

⚠ Restrisiko! Menschen mit elektronischen Geräten, wie z.B. Herzschrittmachern, sollten ihren Arzt konsultieren, bevor sie dieses Gerät verwenden. Die Bedienung von Elektrogeräten in unmittelbarer Nähe zu Herzschrittmachern kann zu Interferenzen und Störungen des Schrittmachers führen.

⚠ WARNUNG: Um die Sicherheit und Zuverlässigkeit zu gewährleisten, sollten alle Reparaturen und der Austausch von Teilen nur von qualifizierten Servicetechnikern durchgeführt werden.

SICHERHEITSSYMBOL

Der Zweck von Warnsymbolen besteht darin, Ihre Aufmerksamkeit auf mögliche Gefahren zu lenken. Die Warnsymbole und deren Erklärungen verdienen Ihre vollste Aufmerksamkeit und Beachtung. Durch die Warnsymbole allein sind die Gefahren noch nicht ausgeschaltet. Die Anweisungen und Warnhinweise stellen keinen Ersatz für angemessene Unfallverhütungsmaßnahmen dar.

⚠ WARNUNG: Vor der Benutzung dieses Werkzeugs sollten alle Sicherheitshinweise in dieser Bedienungsanleitung gelesen und bekannt sein. Das gilt auch für sämtliche Warnsymbole, die auf „GEFAHR“, „WARNUNG“, und „VORSICHT“ hinweisen. Die Nichtbeachtung auch nur einer der unten aufgeführten Anweisungen kann zu Stromschlägen, Feuer und/oder schweren Verletzungen führen.

SYMBOLBEDEUTUNG

⚠ SICHERHEITSWARNSYMBOL: Bedeutet GEFAHR, WARNUNG oder Vorsicht, kann zusammen mit anderen Symbolen oder Symbolen benutzt werden.

SICHERHEITSHINWEISE

Auf dieser Seite werden die Warnsymbole vorgestellt und beschrieben, die sich unter Umständen am Gerät befinden. Lesen, verinnerlichen und befolgen Sie alle Anleitungen am Gerät, bevor Sie versuchen, das Gerät zusammenzubauen und zu bedienen.

	Sicherheitswarnung	Weist auf mögliche Verletzungsgefahr hin.
--	--------------------	---

	Lesen sie alle anweisungen!	Um das Verletzungsrisiko zu verringern, muss der Benutzer die Bedienungsanleitung vor der Verwendung des Gerätes gelesen und verstanden haben.
	Tragen Sie Augen-, Gehör- und Kopfschutz	Tragen Sie immer Augen-, Ohren- und Kopfschutz.
	Schnittbreite	Die max. Schnittbreite des Rasentrimmers
	Fadendurchmesser	Der Durchmesser des Nylonfadens
	Keine Metallmesser verwenden	Warnt den Benutzer, keine Metallmesser zu verwenden
	Unbefugte Personen fernhalten	Herumgeschleuderte Objekte können abprallen und Verletzungen oder Sachschäden verursachen. Stellen Sie bei Betrieb sicher, dass andere Personen und Haustiere sich von dem Gestrüppschneider fernhalten.
	Zwischen dem Gerät und Passanten muss ein Sicherheitsabstand von mindestens 15 m eingehalten werden.	Stellen Sie bei Betrieb sicher, dass andere Personen und Haustiere mindestens 15 m vom Rasentrimmer entfernt sind.
IPX4	IP Symbol	Schutzgrad 4 gegen das Eindringen von Wasser
	CE	Dieses Produkt erfüllt die anwendbaren EG-Richtlinien.
	UKCA	Dieses Produkt entspricht den geltenden Vorschriften des Vereinigten Königreichs.
	WEEE	Elektro- und Elektronik-Altgeräte dürfen nicht im Hausmüll entsorgt werden. Bringen Sie das Gerät zu einem zugelassenen Recyclinghof.
	Lärm	Garantierter Schalleistungspegel. Geräuschemission an die Umgebung gemäß Richtlinie der Europäischen Gemeinschaft.
V	Volt	Spannung
mm	Millimeter	Länge oder Größe
cm	Zentimeter	Länge oder Größe
kg	Kilogramm	Gewicht

DE

ALLGEMEINE SICHERHEITSHINWEISE ZU ELEKTROWERKZEUGEN

⚠️ WARNUNG: Lesen Sie alle Sicherheitshinweise, Anweisungen, Abbildungen und Spezifikationen, die mit diesem Elektrowerkzeug geliefert werden.

Die Nichtbeachtung der unten aufgeführten Anleitungen kann zu Stromschlägen, Feuer und/oder schweren Verletzungen führen.

Bewahren Sie alle Warn- und Bedienhinweise für Nachschlagezwecke auf.

Unter den Begriff „Elektrowerkzeug“ in den Warnhinweisen fallen Ihre netzbetriebenen (d. h. schnurgebundenen) oder akkubetriebenen (d. h. schnurlosen) Elektrowerkzeuge.

SICHERHEIT IM ARBEITSBEREICH

- Halten Sie den Arbeitsbereich stets sauber und gut beleuchtet. Nicht aufgeräumte oder dunkle Bereiche können Unfälle provozieren.
- Verwenden Sie das Elektrowerkzeug nicht in explosionsgefährdeten Umgebungen wie z. B. in Gegenwart von entzündlichen Flüssigkeiten, Gasen oder Staub. Elektrowerkzeuge erzeugen Funken, die Staub oder Dämpfe entzünden können.
- Halten Sie Schaulustige und Kinder beim Arbeiten mit dem Elektrowerkzeug fern. Ablenkungen können dazu führen, dass Sie die Kontrolle verlieren.

ELEKTRISCHE SICHERHEIT

- Die Netzstecker der Elektrowerkzeuge müssen in die Steckdosen passen. Der Netzstecker darf unter keinen Umständen modifiziert werden. Verwenden Sie keine Adapterstecker an geerdeten Elektrowerkzeugen. Nicht modifizierte Stecker und passende Steckdosen reduzieren die Stromschlaggefahr.
- Vermeiden Sie den Körperkontakt zu geerdeten Flächen wie zum Beispiel Rohrleitungen, Heizkörpern, Herden und Kühlschränken. Es besteht erhöhte Stromschlaggefahr, wenn Ihr Körper geerdet ist.
- Bedienen Sie die Maschine nicht bei Regen oder Nässe. Wasser, das in die Maschine eindringt, kann das Risiko eines Stromschlags oder einer Fehlfunktion erhöhen, die zu Verletzungen führen kann.
- Das Kabel darf nicht zweckentfremdet werden. Das Netzkabel darf nicht zum Tragen, Ziehen oder Herausziehen des Elektrowerkzeugs aus der Steckdose verwendet werden. Das Netzkabel muss vor Hitze, Öl, scharfen Kanten oder beweglichen Teilen ferngehalten werden. Durch beschädigte oder verknottete Kabel besteht erhöhte Stromschlaggefahr.

- Wenn Sie ein Elektrowerkzeug im Freien benutzen, verwenden Sie ein Verlängerungskabel, das für den Gebrauch im Freien geeignet ist. Die Stromschlaggefahr verringert sich bei Gebrauch eines Netzkabels, das für den Einsatz im Freien geeignet ist.
- Wenn der Gebrauch eines Elektrowerkzeuges an einem feuchten Ort unvermeidbar ist, benutzen Sie eine durch eine Fehlerstromschutzeinrichtung (FI-Schalter) geschützte Stromquelle. Die Verwendung einer Fehlerstromschutzeinrichtung reduziert die Stromschlaggefahr.

PERSONENSICHERHEIT

- Seien Sie wachsam, geben Sie darauf Acht, was Sie tun, und benutzen Sie Ihren gesunden Menschenverstand, wenn Sie das Elektrowerkzeug verwenden. Betreiben Sie das Gerät nicht, wenn Sie müde sind oder unter dem Einfluss von Drogen, Alkohol oder Medikamenten stehen. Ein Moment der Unachtsamkeit kann zu ernsthaften Verletzungen führen.
- Tragen Sie eine persönliche Schutzausrüstung. Tragen Sie immer einen Augenschutz. Durch eine für die jeweiligen Bedingungen geeignete Schutzausrüstung wie etwa eine Staubschutzmaske, rutschfeste Schuhe, Helm oder Gehörschutz lässt sich die Verletzungsgefahr verringern.
- Ungewollten Motorstart verhindern. Vor dem Anschließen an eine Steckdose und/oder einen Akku und vor dem Aufheben oder Transportieren des Werkzeugs immer kontrollieren, ob der Betriebsschalter ausgestellt ist. Unfälle sind vorprogrammiert, wenn Sie Elektrowerkzeuge mit einem Finger am Netzschalter tragen oder Elektrowerkzeuge mit eingeschaltetem Netzschalter an eine Steckdose anschließen.
- Entfernen Sie alle Einstellschlüssel oder Schraubenschlüssel, bevor Sie das Elektrowerkzeug einschalten. Ein Schraubenschlüssel oder ein Schlüssel, der noch an einem beweglichen Teil des Elektrowerkzeuges befestigt ist, kann zu Verletzungen führen.
- Nicht überstrecken. Achten Sie stets auf einen festen Stand und halten Sie das Gleichgewicht. Dies ermöglicht eine bessere Kontrolle über das Elektrowerkzeug in unerwarteten Situationen.
- Tragen Sie angemessene Kleidung. Tragen Sie keine weite Kleidung oder Schmuck. Halten Sie Ihr Haar, Ihre Kleidung und Handschuhe von den beweglichen Teilen fern. Weite Kleidung, Schmuck oder langes Haar können sich in den beweglichen Teilen verfangen.

- **Wenn Komponenten zum Anschluss an eine Absauganlage und an Auffangvorrichtungen mitgeliefert werden, achten Sie darauf, dass diese ordnungsgemäß befestigt und benutzt werden.** Durch eine Staubabsaugvorrichtung lassen sich Gefahrenquellen durch Staub ausschalten.
- **Lassen Sie sich nicht durch die aufgrund häufiger Benutzung entstandene Vertrautheit mit Werkzeugen dazu verleiten, unachtsam zu werden und die für Werkzeuge geltenden Sicherheitsgrundsätze zu ignorieren.** Eine fahrlässige Handlung kann bereits im Bruchteil einer Sekunde zu schweren Verletzungen führen.

GEBRAUCH UND PFLEGE DES ELEKTROWERKZEUGS

- **Üben Sie keinen übermäßigen Druck auf das Elektrowerkzeug aus. Verwenden Sie geeignetes Elektrowerkzeug für die jeweiligen Arbeiten.** Durch das passende Elektrowerkzeug lassen sich die Arbeiten besser und sicherer in dem jeweils vorgesehenen Tempo erledigen.
- **Verwenden Sie das Elektrowerkzeug nicht, wenn sich der Schalter nicht ein- und ausschalten lässt.** Ein Elektrowerkzeug, das sich über den Schalter nicht betätigen lässt, ist gefährlich und muss repariert werden.
- **Ziehen Sie den Netzstecker aus der Steckdose bzw. nehmen Sie den Akku vom Elektrowerkzeug ab, bevor Sie Einstellungen vornehmen, das Zubehör wechseln oder das Elektrowerkzeug verstauen.** Solche vorsorglichen Sicherheitsmaßnahmen verringern die Gefahr, dass sich das Elektrowerkzeug unbeabsichtigt einschaltet.
- **Bewahren Sie nicht benutzte Elektrowerkzeuge außerhalb der Reichweite von Kindern auf und verbieten Sie Personen die Gerätebenutzung, die das Elektrowerkzeug oder diese Anweisungen nicht kennen.** In den Händen ungeübter Benutzer stellen Elektrowerkzeuge eine große Gefahr dar.
- **Warten Sie Elektrowerkzeuge und Zubehörteile. Achten Sie auf falsch ausgerichtete oder fest sitzende Bauteile, Bruchstellen und sonstige Umstände, die die Funktion des Elektrowerkzeuges beeinträchtigen können. Lassen Sie beschädigte Elektrowerkzeuge reparieren, bevor Sie sie wieder einsetzen.** Viele Unfälle entstehen durch schlecht gewartete Elektrowerkzeuge.
- **Halten Sie Schneidwerkzeuge scharf und sauber.** Sachgemäß gewartete Schneidwerkzeuge mit scharfen Schneiden neigen weniger zum Festfahren und sind leichter zu kontrollieren.

- **Benutzen Sie das Elektrowerkzeug, Zubehör, Werkzeuteile usw. gemäß diesen Anweisungen und berücksichtigen Sie dabei die Arbeitsbedingungen und die auszuführende Arbeit.** Die Verwendung des Elektrowerkzeugs für Aufgaben, die von seinem bestimmungsgemäßen Zweck abweichen, können zu gefährlichen Situationen führen.
- **Halten Sie die Griffe und Grifffläche trocken, sauber und frei von Öl und Fett.** Rutschige Griffe und Griffflächen beeinträchtigen die sichere Handhabung des Werkzeugs und führen in unerwarteten Situationen zum Verlust der Kontrolle über das Werkzeug.

BENUTZUNG UND PFLEGE VON AKKUWERKZEUGEN

- **Laden Sie den Akku nur mit dem vom Hersteller angegebenen Ladegerät auf.** Ein Ladegerät, das für einen bestimmten Akkutyp geeignet ist, kann bei der Benutzung eines anderen Akkus zu einer Brandgefahr werden.
- **Benutzen Sie für die Elektrowerkzeuge nur die jeweils zugehörigen Akkus.** Durch die Verwendung anderer Akkus besteht Verletzungs- und Brandgefahr.
- **Wenn der Akku nicht benutzt wird, halten Sie ihn von anderen metallischen Objekten fern, wie Büroklammern, Münzen, Schlüssel, Nägel, Schrauben oder anderen kleinen Metallgegenständen, die eine Verbindung zwischen den Batteriekontakten herstellen können.** Das Kurzschließen der Batteriekontakte kann Verbrennungen oder Brände verursachen.
- **Bei unsachgemäßer Anwendung kann Flüssigkeit aus dem Akku austreten; Kontakt vermeiden. Bei versehentlichem Kontakt sofort mit Wasser spülen. Falls Flüssigkeit in die Augen geraten ist, suchen Sie außerdem einen Arzt auf.** Aus dem Akku austretende Flüssigkeit kann Reizungen oder Verbrennungen verursachen.
- **Benutzen Sie keinen Akku oder ein Werkzeug, das beschädigt oder umgebaut wurde.** Beschädigte oder umgebaute Akkus können sich unvorhergesehen verhalten, wodurch möglicherweise ein Brand, eine Explosion oder Verletzungen verursacht werden.
- **Setzen Sie einen Akku oder ein Werkzeug keinem Feuer oder extremen Temperaturen aus.** Feuer oder Temperaturen über 130 °C können eine Explosion verursachen.
- **Beachten Sie alle Ladeanleitungen und laden Sie den Akku oder das Werkzeug nicht außerhalb des in den Anleitungen angegebenen Temperaturbereichs auf.** Das unsachgemäße Aufladen oder Laden außerhalb des angegebenen Temperaturbereichs kann den Akku beschädigen und die Brandgefahr erhöhen.

REPARATUR

- **Lassen Sie Ihr Elektrowerkzeug von einer qualifizierten Fachkraft und nur unter Verwendung identischer Ersatzteile reparieren.** Nur so kann für die Sicherheit des Elektrowerkzeugs gesorgt werden.
- **Reparieren Sie unter keinen Umständen beschädigte Akkus.** Die Reparatur von Akkus sollte ausschließlich von dem Hersteller oder autorisierten Serviceanbietern vorgenommen werden.

BESONDERE SICHERHEITSHINWEISE FÜR RASENTRIMMER

- **Verwenden Sie das Gerät nicht bei schlechtem Wetter und insbesondere nicht bei Gewitter.** Bei Gewitter besteht die Gefahr eines Blitzschlags.
- **Untersuchen Sie den Bereich, in dem die Maschine verwendet werden soll, gründlich auf wild lebende Tiere.** Tiere können beim Betrieb der Maschine verletzt werden.
- **Untersuchen Sie gründlich den Bereich, in dem die Maschine verwendet werden soll, und entfernen Sie alle Steine, Stöcke, Drähte, Knochen und andere Fremdkörper.** Weggeschleuderte Gegenstände können zu Verletzungen führen.
- **Bevor Sie das Gerät verwenden, nehmen Sie es immer in Augenschein, um sicherzustellen, dass der Schneidfaden, das Messer oder die Messereinheit nicht beschädigt sind.** Beschädigte Teile erhöhen das Verletzungsrisiko.
- **Befolgen Sie die Anweisungen zum Wechseln des Zubehörs.** Unsachgemäß festgezogene Sicherungsmuttern oder Schrauben können das Messer beschädigen oder dazu führen, dass sich das Messer lockert.
- **Tragen Sie Augen-, Gehör-, Kopf- und Handschutz.** Angemessene Schutzausrüstung verringert die Gefahr von Verletzungen durch umhergeschleudertes Schnittgut oder durch Berührung des Schneidfadens oder des Messers.
- **Tragen Sie beim Gebrauch der Maschine immer rutschfeste Sicherheitsschuhe. Verwenden Sie das Gerät nicht barfuß oder mit offenen Sandalen.** Dies verringert die Gefahr von Fußverletzungen durch Berührung mit dem rotierenden Schneidfaden oder Messer.
- **Tragen Sie beim Gebrauch der Maschine immer eine lange Hose.** Auf unbedeckten Hautstellen besteht die Gefahr von Verletzungen durch umhergeschleudertes Schnittgut.
- **Halten Sie Umstehende fern, während Sie die Maschine verwenden.** Umhergeschleudertes Schnittgut kann zu schweren Verletzungen führen.
- **Verwenden Sie immer zwei Hände, wenn Sie die Maschine bedienen.** Wenn Sie die Maschine mit beiden Händen halten, wird Kontrollverlust vermieden.
- **Halten Sie die Maschine nur an den isolierten Griffflächen, da der Schneidfaden oder das Messer mit verdeckten Kabeln in Berührung kommen kann.** Bei Kontakt des Schneidfadens oder Messers mit einem stromführenden Kabel können blanke Metallteile der Maschine unter Strom gesetzt werden und dem Bediener einen Stromschlag versetzen.
- **Halten Sie immer einen sicheren Stand und bedienen Sie die Maschine nur, wenn Sie auf dem Boden stehen.** Rutschige oder instabile Oberflächen können zu einem Verlust des Gleichgewichts oder der Kontrolle über die Maschine führen.
- **Bedienen Sie die Maschine nicht an übermäßig steilen Hängen.** Dadurch wird die Gefahr von Kontrollverlust, Ausrutschen und Stürzen und damit einhergehenden Verletzungen verringert.
- **Achten Sie bei der Arbeit an Hängen immer auf sicheren Stand. Arbeiten Sie immer parallel zum Hang und nicht auf- oder abwärts, und seien Sie äußerst vorsichtig bei Richtungswechsel.** Dadurch wird die Gefahr von Kontrollverlust, Ausrutschen und Stürzen und damit einhergehenden Verletzungen verringert.
- **Halten Sie alle Körperteile vom Schneidwerkzeug, vom Faden oder vom Messer fern, wenn die Maschine in Betrieb ist. Bevor Sie die Maschine starten, vergewissern Sie sich, dass das Schneidwerkzeug, der Faden oder das Messer nichts berühren.** Ein Moment der Unaufmerksamkeit während der Bedienung der Maschine kann zu Verletzungen des Benutzers oder von Umstehenden führen.
- **Halten Sie die Maschine nicht über Hüfthöhe.** So vermeiden Sie eine versehentliche Berührung des Schneidwerkzeugs oder Messers und behalten eine bessere Kontrolle der Maschine in unerwarteten Situationen.
- **Achten Sie beim Schneiden von unter Spannung stehenden Büschen oder jungen Bäumen auf Rückfederung.** Wenn die Spannung in den Holzfasern freigesetzt wird, kann der Busch oder Ast den Bediener treffen und/oder die Maschine außer Kontrolle bringen.
- **Seien Sie besonders vorsichtig beim Schneiden von Buschwerk und jungen Trieben.** Das dünne Schnittgut kann vom Messer erfasst und in Ihre Richtung geschleudert werden oder Sie aus dem Gleichgewicht bringen.

- **Behalten Sie die Kontrolle über die Maschine, und berühren Sie keine Schneidwerkzeuge, Schneidfäden oder Messer und andere gefährliche, sich bewegende Teile, während diese noch in Bewegung sind.** Dies reduziert die Verletzungsgefahr durch bewegliche Teile.
- **Schalten Sie das Gerät aus und nehmen Sie den Akku heraus, bevor Sie eingeklemmtes Schnittgut entfernen oder das Gerät warten.** Das unerwartete Ingangsetzen der Maschine, während Sie eingeklemmtes Schnittgut entfernen oder das Gerät warten, kann schwere Verletzungen verursachen.
- **Tragen Sie die Maschine im ausgeschalteten Zustand und in sicherem Abstand von Ihrem Körper.** Die richtige Handhabung der Maschine verringert die Wahrscheinlichkeit eines versehentlichen Kontakts mit einem sich bewegenden Schneidwerkzeug, Faden oder Messer.
- **Verwenden Sie nur vom Hersteller angegebene Schneidwerkzeuge, Schneidfäden, Schneidköpfe und Messer.** Falsche Ersatzteile können das Bruch- und Verletzungsrisiko erhöhen.
- **Schäden am Rasentrimmer** – Wenn Sie mit dem Rasentrimmer einen Fremdkörper treffen oder er sich verfängt, halten Sie das Werkzeug sofort an, prüfen Sie ihn auf Schäden, und lassen Sie eventuelle Schäden reparieren, bevor Sie den Betrieb fortsetzen. Benutzen Sie das Gerät nicht mit defektem Fadenschutz oder Spule.
- **Falls das Gerät ungewöhnlich zu vibrieren beginnt, schalten Sie den Motor aus und suchen Sie sofort nach der Ursache.** Vibrationen sind im Allgemeinen Warnsignale, die auf ein Problem hinweisen. Ein gelockterter Kopf kann vibrieren, zerspringen, durchbrechen oder sich vom Rasentrimmer ablösen. Dadurch besteht schwere oder gar tödliche Verletzungsgefahr. Stellen Sie sicher, dass das Schneidwerkzeug korrekt angebracht ist. Falls sich der Kopf nach dem Anbringen wieder löst, muss dieser sofort ersetzt werden. Verwenden Sie niemals einen Rasentrimmer mit lockerem Schneidwerkzeug.
- **Akkubetriebene Werkzeuge müssen nicht an eine Steckdose angeschlossen werden; sie sind daher immer einsatzbereit.** Seien Sie sich möglicher Gefahren bewusst, selbst wenn das Werkzeug nicht eingeschaltet ist. Lassen Sie bei Wartungsarbeiten oder Reparaturen Vorsicht walten.
- **Waschen Sie das Gerät nicht mit dem Wasserschlauch; lassen Sie kein Wasser in den Motor und die elektrischen Verbindungen gelangen.**
- **Falls Situationen auftreten, die nicht in dieser Bedienungsanleitung behandelt werden, gehen Sie vorsichtig und vernünftig vor. Reparaturanfragen richten Sie bitte an das EGO-Kundendienstzentrum.**

- **Nur mit akkus und ladegeräten verwenden, die in abb. A aufgeführt sind.**

HEBEN SIE DIESE ANLEITUNG AUF
TECHNISCHE DATEN

Schneidmechanismus	Fadenkopf	
Fadendurchmesser	2,4mm Nylon-Trimmerschnur	
Schnittbreite	40 cm	
Leerlaufdrehzahl	4900/5800 min ⁻¹	
Gewicht (ohne Akku)	1,53 kg	
Empfohlene Betriebstemperatur	0 - 40°C	
Empfohlene Lagertemperatur	-20°C-70°C	
Gemessener Schallleistungspegel L _{WA}	95,72 dB(A) K=0,77 dB(A)	
Schalldruckpegel am Ohr des Bedieners L _{PA}	81,6 dB(A) K=3 dB(A)	
Garantierter Schallleistungspegel L _{WA} (nach 2000/14/EG gemessen)	96 dB(A)	
Vibration a _h	Vorderer Haltegriff	2,5 m/s ² K=1,5 m/s ²
	Hinterer Griff	1,8 m/s ² K=1,5 m/s ²

- Oben genannte Parameter wurden mit dem Kombimotor PH1420E getestet und gemessen.
- Der angegebene Schwingungs-Gesamtwert wurde in Übereinstimmung mit einer Standard-Testmethode gemessen und kann verwendet werden, um Werkzeuge miteinander zu vergleichen.
- Der angegebene Schwingungs-Gesamtwert kann auch als einleitende Feststellung der Belastung verwendet werden.

⚠️ WARNUNG: Die Schwingungs- und Geräuschemissionen während des tatsächlichen Einsatzes des Elektrowerkzeugs können je nach Verwendung des Werkzeugs und insbesondere je nach verarbeitetem Werkstück von den angegebenen Werten abweichen, und Treffen Sie Sicherheitsmaßnahmen zum Schutz des Bedieners, die auf einer Einschätzung der Gefährdung unter den tatsächlichen Nutzungsbedingungen beruhen. (Zu berücksichtigen sind dabei alle Bestandteile des Betriebszyklus, wie die Zeiten, in denen das Gerät ausgeschaltet ist und im Leerlauf betrieben wird, sowie die Einschaltzeiten).

PACKLISTE (ABB. A)

Empfehlungen zum Mähfaden finden Sie auf der Website egopowerplus.com oder im EGO-Produktkatalog.

BESCHREIBUNG

AUFBAU (Abb. A)

1. Schutzkappe
2. Rasentrimmerschaft
3. Fadenwickelschalter
4. Mähfaden
5. Mähkopf (Fadenkopf)
6. Freigabelasche
7. Fadenmesser
8. Fadenschutz
9. Innensechskantschlüssel

⚠️ WARNUNG: Setzen Sie das Werkzeug nur in Betrieb, wenn der Fadenschutz fest angebracht ist. Der Fadenschutz muss zum dauerhaften Schutz des Benutzers immer am Werkzeug befestigt sein!

MONTAGE

⚠️ WARNUNG: Wenn Teile beschädigt sind oder fehlen, darf das Gerät erst in Betrieb genommen werden, wenn alle Teile vollständig angebracht sind. Die Verwendung des Geräts mit beschädigten oder fehlenden Teilen kann zu schweren Verletzungen führen.

⚠️ WARNUNG: Versuchen Sie nicht, dieses Produkt zu verändern oder Zubehörteile zu verwenden, die für den Einsatz des Rasentrimmers nicht empfohlen werden. Derartige Änderungen oder Umbauten stellen eine Zweckentfremdung dar und können gefährliche Arbeitsbedingungen hervorrufen, bei denen eine schwere Verletzungsgefahr besteht.

⚠️ WARNUNG: Verbinden Sie das Anbauwerkzeug erst mit dem Kombimotor, wenn es vollständig montiert ist. Die Nichtbeachtung dieser Anweisung kann zu ungewolltem Start und schweren Verletzungen führen.

MONTIEREN DES FADENSCHUTZES

⚠️ WARNUNG: Tragen Sie beim Anbringen oder Auswechseln des Fadenschutzes immer Handschuhe.. Achten Sie auf das Messer am Fadenschutz und passen Sie auf, dass Sie sich nicht verletzen.

Lösen Sie die beiden Schrauben am Schaftende (Abb. C) und lassen Sie die Befestigungslöcher des Fadenschutzes mit den Halterungsöffnungen fluchten. Schrauben Sie den Fadenschutz anschließend mit den beiden Schrauben und zwei Federscheiben am Schaftende an (Abb. D).

Achten Sie darauf, dass der Fadenschutz wie in Abb. C & D montiert ist. Wird er falsch herum montiert, besteht große Gefahr!

INSTALLATION DES RASENTRIMMER-ANBAUWERKZEUGS AM KOMBIMOTOR

Dieses Rasentrimmer-Anbauwerkzeug ist für den Einsatz an einem EGO Kombimotor PH1420E vorgesehen.

Siehe Abschnitt „ANBAUGERÄT AM UNIVERSALANTRIEB MONTIEREN“ in der Bedienungsanleitung Kombimotors PH1420E.

BEDIENUNG

⚠️ WARNUNG: Vermeiden Sie es, dass die Vertrautheit mit dem Produkt zu Nachlässigkeit führt. Denken Sie daran, dass ein kurzer Moment der Unachtsamkeit zu ernsthaften Verletzungen führen kann.

⚠️ WARNUNG: Tragen Sie immer einen Augenschutz und einen Gehörschutz. Andernfalls besteht die Gefahr, dass Gegenstände in Ihre Augen geschleudert oder andere schwere Verletzungen hervorgerufen werden.

ANWENDUNGEN

Sie können dieses Produkt für den unten aufgeführten Zweck einsetzen:

- Mähen von Gras und Unkraut rund um Veranden, Zäune und Terrassen

HINWEIS: Das Gerät darf nur für seinen vorgeschriebenen Zweck verwendet werden. Jede andere Verwendung gilt als Missbrauch.

Prüfen Sie vor jedem Gebrauch auf beschädigte/ abgenutzte Teile

Prüfen Sie den Mähkopf, den Fadenschutz und den vorderen Haltegriff und ersetzen Sie gerissene, verzogene, verbogene oder anders beschädigte Teile.

Das Fadenmesser am Fadenschutzrand wird im Laufe der Zeit stumpf. Es sollte daher regelmäßig mit einer Feile nachgeschliffen oder durch ein neues Messer ersetzt werden.

⚠️ WARNUNG: Tragen Sie immer Handschuhe, wenn Sie den Fadenschutz montieren oder auswechseln oder das Messer nachschleifen bzw. auswechseln. Achten Sie auf das Messer am Fadenschutz und passen Sie auf, dass Sie sich nicht verletzen.

⚠️ WARNUNG: Um schwere Verletzungen zu verhindern, nehmen Sie den Akku vom Kombimotor ab, bevor Sie das Gerät warten, reinigen, Anbauwerkzeuge auswechseln oder Schnittgut aus dem Gerät entfernen.

VERWENDUNG DES RASENTRIMMERS MIT DEM KOMBIMOTOR

⚠️ WARNUNG: Tragen Sie geeignete Kleidung, um das Verletzungsrisiko bei der Benutzung dieses Geräts zu reduzieren. Tragen Sie keine weite Kleidung oder Schmuck. Tragen Sie einen Augen- und Gehörschutz. Tragen Sie eine robuste lange Hose, Stiefel und Handschuhe. Tragen Sie keine kurze Hose oder Sandalen und gehen Sie nicht barfuß.

⚠️ WARNUNG: Räumen Sie den Arbeitsbereich vor jedem Einsatz auf. Entfernen Sie alle Objekte, wie z. B. Steine, zerbrochenes Glas, Nägel, Drähte oder Schnüre, die aus dem Gerät herausgeschleudert werden oder sich in der Schneidvorrichtung verfangen könnten. Halten Sie den Bereich von Kindern, Passanten und Haustieren frei. Halten Sie einen Mindestabstand von 15 m zu Kindern, Passanten und Haustieren ein; auch dann besteht Gefahr durch umhergeschleuderte Gegenstände. Umstehende sollten gebeten werden, Schutzbrillen aufzusetzen. Wenn jemand auf Sie zukommt, stellen Sie den Motor und das Schneidwerkzeug sofort ab.

Legen Sie zum sicheren und einfacheren Arbeiten den Schultergurt an Stellen Sie den Schultergurt so ein, dass die Arbeitsposition bequem ist. Halten Sie den Rasentrimmer mit einer Hand am hinteren Griff und mit der anderen Hand am vorderen Haltegriff fest. Halten Sie das Werkzeug beim Betrieb mit beiden Händen gut fest. Der Rasentrimmer ist in einer bequemen Position zu halten, der hintere Griff befindet sich dabei etwa in Hüfthöhe. Der Mähkopf sollte parallel über dem Boden geführt werden, sodass er das Mähgut problemlos erfassen kann, ohne dass sich der Benutzer nach vorn beugen muss (Abb. B).

⚠️ WARNUNG: Nehmen Sie den Schultergurt in Gefahrensituationen oder Notfällen unverzüglich von der Schulter.

Reinigen Sie den Rasentrimmer nach jedem Gebrauch.

Siehe dazu die Reinigungsanweisungen im Abschnitt WARTUNG.

START/STOPP DES WERKZEUGS

Siehe das Kapitel „STARTEN/STOPPEN DES KOMBIMOTORS“ in der Betriebsanleitung des Kombimotors PH1420E.

EINSTELLEN DER FADENLÄNGE

Der Mähkopf ermöglicht dem Benutzer, den Mähfaden zu verlängern, ohne den Motor anzuhalten. Wenn der Faden ausgefranst oder abgenutzt ist, kann mehr Faden freigegeben werden, indem Sie mit dem Mähkopf leicht auf den Boden klopfen, während Sie den Trimmer benutzen (Abb. E).

HINWEIS: Das Nachführen des Fadens wird umso schwerer, je kürzer der Faden wird.

⚠️ WARNUNG: Der Faden- und Messer-Mechanismus darf nicht verändert oder beseitigt werden. Zu viel Fadenlänge führt zu einer Überhitzung des Motors und kann schwere Verletzungen nach sich ziehen.

AUSWECHSELN DES FADENS

HINWEIS: Verwenden Sie den empfohlenen Nylonmähfaden mit einem Durchmesser von höchstens 2,4 mm. Bei Verwendung eines anderen Fadens kann der Rasentrimmer überhitzen oder beschädigt werden.

⚠️ WARNUNG: Verwenden Sie niemals metallverstärkte Mähfäden, Drähte oder Seile o. ä. Diese können abbrechen und zu gefährlichen Geschossen werden. Der Rasentrimmer ist mit einem fortschrittlichen **POWERLOAD™** System ausgestattet. Mit einem Tastendruck lässt sich der Mähfaden auf die Spule aufwickeln. Das Laden einer vollen Spule kann normalerweise in 12 Sekunden abgeschlossen werden. **Eine rasch wiederholte Betätigung der Aufwicklung sollte vermieden werden, um der Gefahr eines Motorschadens vorzubeugen.**

HINWEIS: Das **POWERLOAD™** System ist nur verfügbar, wenn das Anbaugerät am Kombimotor PH1420E angeschlossen und der Akku eingesetzt ist.

1. Entfernen Sie den Akkusatz.
2. Schneiden Sie 4 m Mähfaden ab. Führen Sie den Faden durch die Öse ein (Abb. F). Schieben und ziehen Sie auf der anderen Seite am Mähfaden, bis auf beiden Seiten des Mähkopfs ein gleich langes Stück Faden austritt.

HINWEIS: Wenn sich der Faden nicht durch die Öse hindurchfädeln lässt, da die untere Abdeckung klemmt, schließen Sie den Akku am Kombimotor an und drücken Sie kurz den Fadenwickelschalter, um die untere Abdeckung zurückzusetzen.

3. Nehmen Sie den Akku ab, falls dieser nach Schritt 2 unter dem HINWEIS montiert wurde. Führen Sie die in Schritt 2 beschriebenen Schritte aus, um den Mähfaden wieder einzuführen und auszurichten.
4. Bringen Sie den Akku am Kombimotor an.
5. Halten Sie den Fadenwickelschalter gedrückt, um den Faden kontinuierlich auf den Mähkopf aufzuwickeln, bis auf jeder Seite etwa 15 cm Faden zu sehen sind. (Abb. G).
6. Halten Sie den Mähkopf nach unten gedrückt fest und ziehen Sie an den Fäden, um sie weiter herauszubefördern und sie auf korrekten Sitz zu prüfen.

HINWEIS: Falls der Faden versehentlich in den Trimmerkopf gezogen wurde, öffnen Sie den Trimmerkopf und ziehen Sie den Mähfaden aus der Spule. Befolgen Sie zum Aufwickeln des Fadens die Anweisungen im Abschnitt „MÄHFADEN NEU EINFÄDELN“ in dieser Bedienungsanleitung.

MÄHFADEN NEU EINFÄDELN

Wenn der Mähfaden vom Fadenauslass abreißt oder wenn der Mähfaden beim Klopfen auf den Mähkopf nicht freigegeben wird, gehen Sie wie folgt vor, um den übrigen Mähfaden aus dem Mähkopf zu entfernen und den Faden neu einzufädeln:

1. Entfernen Sie den Akkusatz.
2. Die beiden Freigabelaschen am Mähkopf drücken und die untere Spulenabdeckung geradlinig vom Mähkopf ziehen (Abb. H).
3. Den Mähfaden vom Trimmerkopf entfernen.
4. Die Feder ggf. aus der Spule nehmen. Zur späteren Montage aufbewahren.
5. Führen Sie die Feder in die Öffnung an der unteren Abdeckung ein (Abb. I).
6. Den Trimmer mit einer Hand und mit der anderen Hand die untere Spulenabdeckung festhalten. Die Öffnungen in der unteren Spulenabdeckung mit den Freigabelaschen fluchten lassen (Abbildung J). Drücken Sie die untere Spulenabdeckung an, bis sie fest einrastet. Dies macht sich durch ein hörbares Klickgeräusch bemerkbar (Abb. K).
7. Zum erneuten Einsetzen des Mähfadens beachten Sie die Anweisungen im Abschnitt „**AUSWECHSELN DES FADENS**“.

TRIMMERKOPF AUSWECHSELN

⚠️ WARNUNG: Falls sich der Kopf nach dem Anbringen wieder löst, muss dieser sofort ersetzt werden.

Verwenden Sie niemals einen Rasentrimmer mit lockerem Schneidwerkzeug. Ein gerissener, beschädigter oder abgenutzter Mähkopf muss sofort ausgewechselt werden, selbst wenn sich die Beschädigung lediglich auf oberflächliche Risse beschränkt. Anbaugeräte dieser Art können bei hoher Drehzahl zerspringen und schwere Verletzungen verursachen.

Machen Sie sich mit dem Mähkopf vertraut (Abb. L).

Teilebezeichnung in Abb. L siehe unten:

L-1	Schaft	L-6	Unterlegscheibe
L-2	Buchse (2)	L-7	Mutter

L-3	Obere Spulenabdeckung	L-8	Feder
L-4	Sicherungsring	L-9	Mähfaden
L-5	Spulenhalterung	L-10	Untere Spulenabdeckung

Mähkopf abbauen

1. Entfernen Sie den Akkusatz.
2. Die beiden Freigabelaschen am Mähkopf drücken und die untere Spulenabdeckung geradlinig vom Mähkopf abziehen.
3. Den Mähfaden vom Trimmerkopf entfernen.
4. Die Feder ggf. aus der Spule nehmen. Zur späteren Montage aufbewahren.
5. Ziehen Sie Handschuhe an. Die Spule mit einer Hand gegenhalten und mit der anderen Hand die Mutter gegen den Uhrzeigersinn mit einem 13 mm Schlagschrauber (nicht mitgeliefert) lösen (Abb. M).
6. Entfernen Sie die Mutter, die Unterlegscheibe und die Spulenhalterung von der Motorwelle (Abb. L).
7. Verwenden Sie eine Sicherungsringzange (nicht im Lieferumfang enthalten), um den Sicherungsring abzumontieren. Entfernen Sie die obere Abdeckung und zwei Lagerbuchsen von der Motorwelle (Abb. L).
8. Als Ersatz einen neuen Trimmerkopf einsetzen und wie folgt montieren.

Den neuen Mähkopf montieren

1. Montieren Sie die beiden Lagerbuchsen auf der Motorwelle.
2. Beim Montieren der oberen Abdeckung darauf achten, dass die flachen Nuten der Abdeckung in die Aussparungen der Motorwelle greifen, dann die obere Abdeckung aufschieben (Abb. N).

Teilebezeichnung in Abb. N siehe unten

N-1	Steg	N-2	Aussparung
-----	------	-----	------------

3. Montieren Sie den Sicherungsring, die Spulenhalterung und die Unterlegscheibe in dieser Reihenfolge (Abb. L). Die Mutter mit einem Schlagschrauber GEGEN DEN UHRZEIGERSINN festziehen.
4. Zur Montage der unteren Spulenabdeckung beachten Sie die Arbeitsschritte 4 und 5 im Abschnitt „MÄHFADEN NEU EINFÄDELN“.
5. Zum erneuten Einsetzen des Mähfadens beachten Sie die Anweisungen im Abschnitt „**AUSWECHSELN+ DES FADENS**“ in dieser Anleitung.

6. Schalten Sie das Gerät ein, um zu prüfen, ob der Trimmer regulär funktioniert. Falls nicht, die oben genannten Montageschritte wiederholen.

WARTUNG

⚠️ WARNUNG: Vor Überprüfung, Reinigung oder Reparatur des Geräts den Motor ausschalten, warten, bis alle beweglichen Teile zum Stillstand gekommen sind, und Akku abnehmen. Bei Nichtbeachtung dieser Anweisungen kann es zu schweren Verletzungen oder Sachschäden kommen.

⚠️ WARNUNG: Verwenden Sie für die Wartung nur identische Ersatzteile. Die Verwendung anderer Teile kann Unfälle und Schäden am Gerät hervorrufen. Um die Sicherheit und Zuverlässigkeit des Geräts zu gewährleisten, sind alle nicht in dieser Wartungsanleitung genannten Reparaturen von einem qualifizierten Kundendiensttechniker vornehmen zu lassen.

ALLGEMEINE WARTUNG

Verwenden Sie keine Lösungsmittel zum Reinigen von Kunststoffteilen. Die verschiedenen handelsüblichen Lösungsmittel greifen die meisten Kunststoffe an. Verwenden Sie saubere Lappen zum Entfernen von Schmutz, Staub, Öl, Fett usw.

REINIGUNG DES GERÄTES

- Entfernen Sie eventuell um die Motorwelle oder den Mähkopf gewickeltes Gras.
- Reinigen Sie die Lüftungsschlitze am hinteren Gehäuse mit einer kleinen Bürste oder einem kleinen Staubsauger.
- Reinigen Sie das Gerät mithilfe eines feuchten Tuchs mit einem milden Reinigungsmittel.
- Benutzen Sie keine starken Reiniger am Kunststoffgehäuse oder am Griff. Die Teile können von bestimmten ätherischen Ölen, wie z. B. Kiefern- oder Zitronenöl, und von Lösungsmitteln wie Petroleum angegriffen werden. Feuchtigkeit stellt zudem eine Stromschlaggefahr dar. Wischen Sie feuchte Stellen mit einem weichen trockenen Tuch ab.

SCHMIERUNG DES GETRIEBES

Das Getriebe im Getriebegehäuse muss regelmäßig mit Getriebefett geschmiert werden. Entfernen Sie etwa alle 50 Betriebsstunden die Dichtungsschraube auf der Gehäuseseite und überprüfen Sie den Schmiermittelstand im Getriebegehäuse.

Ist auf den Seiten des Getriebes kein Fett zu sehen, füllen Sie das Getriebe gemäß untenstehenden Schritten zu 3/4 mit Getriebefett.

Getriebe nicht vollständig befüllen.

1. Halten Sie den Rasentrimmer seitlich, so dass die Dichtungsschraube nach oben zeigt.
2. Lockern Sie die Dichtungsschraube mit dem im Lieferumfang enthaltenen Multifunktionsschlüssel und nehmen Sie sie ab.
3. Befüllen Sie das Gehäuse durch das Schraubenloch mit einer Fettspritze (nicht enthalten) bis zu höchstens 3/4 mit Getriebefett.
4. Ziehen Sie die Dichtungsschraube nach dem Fetteinspritzen wieder fest.

AUFBEWAHREN DES GERÄTES

- Nehmen Sie den Akkusatz vom Kombimotor ab.
- Reinigen Sie das Werkzeug gründlich, bevor Sie es verstauen.
- Falls das Rasentrimmer-Anbauwerkzeug vom Kombimotor abgenommen und getrennt gelagert wird, setzen Sie die Schutzkappe auf den Schaft des Anbauwerkzeugs, damit kein Schmutz in die Kupplung gelangt.
- Lagern Sie das Gerät an einem trockenen, gut belüfteten Ort, der sich abschließen lässt oder hoch gelegen und für Kinder unerreichbar ist. Lagern Sie das Gerät nicht auf oder neben Düngemitteln, Benzin oder anderen Chemikalien.

FADENABSCHNEIDER NACHSCHLEIFEN

DE

⚠️ WARNUNG: Bei Wartungsarbeiten am Fadenmesser immer die Hände durch schnittfeste Handschuhe schützen.

1. Akku abnehmen.
2. Bauen Sie den Fadenabschneider vom Schneidschutz ab.
3. Den Abschneider in einen Schraubstock einspannen.
4. Tragen Sie einen geeigneten Augenschutz und Handschuhe und passen Sie auf, dass Sie sich nicht schneiden.
5. Feilen Sie die Schneidkanten des Abschneiders vorsichtig mit einer feinen Feile oder einem Schleifstein an, ohne den ursprünglichen Schnittwinkel zu verändern.
6. Bringen Sie den Abschneider wieder am Schneidschutz an und ziehen Sie die beiden Schrauben fest.

Schutz der Umwelt



Entsorgen Sie elektronische Geräte, Ladegeräte und Batterien/Akkus nicht im Hausmüll!

Das Gerät muss einer offiziellen Recycling-Sammelstelle zur getrennten Entsorgung zugeführt werden. Elektrowerkzeuge müssen bei einem umweltfreundlichen Recycling-Betrieb abgegeben werden.

Wenn elektrische Geräte auf Deponien oder Schutthalden entsorgt werden, können gefährliche Stoffe in das Grundwasser sickern und in die Nahrungskette gelangen. Dadurch

werden Ihre Gesundheit und Ihr Wohlbefinden beeinträchtigt.

FEHLERBEHEBUNG

DE

PROBLEM	URSACHE	LÖSUNG
Rasentrimmer lässt sich nicht starten.	<ul style="list-style-type: none"> ■ Der Akku ist nicht am Kombimotor angebracht. ■ Kein elektrischer Kontakt zwischen Kombimotor und Akku. ■ Der Akku ist entladen. ■ Der Hebel zum Entriegeln und der Auslöser werden nicht gleichzeitig gedrückt. 	<ul style="list-style-type: none"> ■ Akku in den Kombimotor einsetzen. ■ Akku abnehmen, Kontakte überprüfen und wieder einsetzen, bis er einrastet. ■ Akku mit den in dieser Anleitung aufgeführten EGO-Ladegeräten aufladen. ■ Halten Sie den Hebel zum Entriegeln gedrückt und drücken Sie dann den Auslöser, um den Fadenmäher einzuschalten.
Fadenmäher stoppt während des Mähens.	<ul style="list-style-type: none"> ■ Die Schutzabdeckung ist nicht am Fadenmäher montiert, was einen zu langen Faden und Motorüberlastung zu Folge hat. ■ Es wird ein schwerer Mähfaden verwendet. ■ Die Motorwelle oder der Mähkopf wird durch Gras blockiert. ■ Der Motor ist überlastet. ■ Der Akkusatz oder der Fadenmäher ist zu heiß. ■ Der Akkusatz ist nicht mit dem Werkzeug verbunden. ■ Der Akkusatz ist leer. 	<ul style="list-style-type: none"> ■ Entfernen Sie die Akkusatz und befestigen Sie die Schutzabdeckung am Fadenmäher. ■ Verwenden Sie den empfohlenen Nylonmähfaden mit höchstens 2,4 mm Durchmesser. ■ Halten Sie den Fadenmäher an, entfernen Sie den Akku und entfernen Sie das Gras von der Motorwelle und Mähkopf. ■ Nehmen Sie den Mähkopf vom Rasen. Der Motor ist wieder einsatzbereit, sobald die Last entfernt wurde. Bewegen Sie beim Schneiden den Mähkopf in und aus dem Gras heraus und entfernen Sie nicht mehr als 20 cm Länge mit einem einzelnen Schnitt. ■ Lassen Sie den Akkusatz abkühlen, bis die Temperatur unter 67° C fällt. ■ Setzen Sie den Akkusatz wieder ein. ■ Akku mit den in dieser Anleitung aufgeführten EGO-Ladegeräten aufladen.

PROBLEM	URSACHE	LÖSUNG
Mähkopf verlängert den Faden nicht.	<ul style="list-style-type: none"> ■ Die Motorwelle oder der Mähkopf wird durch Gras blockiert. ■ Es ist nicht mehr genügend Faden in der Spule. ■ Der Mähkopf ist verschmutzt. ■ Faden hat sich in der Spulenhalterung verheddert. ■ Der Faden ist zu kurz. 	<ul style="list-style-type: none"> ■ Halten Sie den Fadenmäher an, entfernen Sie den Akku und entfernen Sie das Gras von der Motorwelle und Mähkopf. ■ Akku entnehmen und Mähfaden wieder anbringen, siehe dazu das Kapitel „MÄHFADEN NEU EINFÄDELN“ in diesem Handbuch. ■ Entfernen Sie den Akku und reinigen Sie die Spule, die Spulenhalterung und die Spulenbasis. ■ Akku entnehmen, Mähfaden aus der Spule ziehen und aufwickeln, siehe dazu das Kapitel „MÄHFADEN NEU EINFÄDELN“ in dieser Bedienungsanleitung. ■ Entfernen Sie den Akku und ziehen Sie die Fäden, während Sie abwechselnd den Auftippknopf drücken und loslassen.
Gras wickelt sich um den Mähkopf und das Motorgehäuse.	<ul style="list-style-type: none"> ■ Hohes Gras wird auf Bodenebene geschnitten. 	<ul style="list-style-type: none"> ■ Mähen Sie hohes Gras, indem Sie von oben nach unten mähen. Schneiden Sie dabei nicht mehr als 20 cm bei jedem Durchgang, um zu vermeiden, dass sich das Gras um das Gerät wickeln kann.
Klinge schneidet den Faden nicht.	<ul style="list-style-type: none"> ■ Das Messer zum Abschneiden des Fadens am Rand der Schutzabdeckung ist stumpf geworden. 	<ul style="list-style-type: none"> ■ Schärfen Sie das Messer mit einer Feile oder wechseln Sie es durch eine neue Klinge aus.
Risse am Mähkopf oder Spulenhalterung löst sich von der Spulenunterseite.	<ul style="list-style-type: none"> ■ Der Mähkopf ist abgenutzt. ■ Die Mutter zum Sichern des Mähkopfs hat sich gelöst. 	<ul style="list-style-type: none"> ■ Entfernen Sie den Akku, nehmen Sie den Faden aus der Spule und wickeln Sie ihn wieder auf; folgen Sie hierzu dem Abschnitt „AUSWECHSELN DES FADENS“ in dieser Bedienungsanleitung. ■ Mähkopf öffnen und die Mutter mit einem Schlagschrauber festziehen.
Beim Fadenwechsel kann der Faden nicht richtig in den Mähkopf eingezo-gen werden.	<ul style="list-style-type: none"> ■ Die Striche „LOAD“ der Spulenhalterung stimmen nicht mit den Ösen in der Spulenbasis überein. ■ Die „LOAD“ Striche an der Spulenhalterung mit den Ösen an der Spulenunterseite nicht in der Flucht. 	<ul style="list-style-type: none"> ■ Drehen Sie die Spulenhalterung in Pfeilrichtung, bis die Striche „LOAD“ auf der Spulenhalterung mit den Ösen in der Spulenbasis übereinstimmen. ■ Spulenhalterung in Pfeilrichtung drehen, bis die „LOAD“ Striche an der Spulenhalterung mit den Ösen an der Spulenunterseite fluchten.

GARANTIE

EGO GEWÄHRLEISTUNGSRICHTLINIE

Bitte besuchen Sie unsere website egopowerplus.com mit den kompletten EGO Garantiebedingungen.

LISEZ TOUTES LES INSTRUCTIONS!



LISEZ LE MANUEL D'UTILISATION

⚠ Risques résiduels ! Les personnes portant des appareils électroniques, par exemple des stimulateurs cardiaques, doivent consulter leur(s) médecin(s) avant d'utiliser ce produit. L'utilisation d'un équipement électrique près d'un stimulateur cardiaque peut provoquer des interférences ou la panne du stimulateur cardiaque.

⚠ AVERTISSEMENT : Pour garantir la sécurité et la fiabilité, toutes les réparations et tous les changements de pièce doivent être effectués par un réparateur qualifié.

SYMBOLES DE SÉCURITÉ

L'objectif des symboles de sécurité est d'attirer votre attention sur des dangers potentiels. Les symboles de sécurité et les explications les accompagnant doivent être lus avec attention et compris. Les symboles de mise en garde ne permettent pas par eux-mêmes d'éliminer les dangers. Les consignes et mises en garde ne se substituent pas à des mesures de prévention appropriées des accidents.

⚠ AVERTISSEMENT : Lisez et comprenez impérativement toutes les instructions de sécurité de ce manuel d'utilisation, y compris les symboles de mise en garde de sécurité tels que « **DANGER** », « **AVERTISSEMENT** » et « **ATTENTION** » avant d'utiliser cet outil. Ne pas respecter toutes les instructions listées dans ce manuel d'utilisation peut provoquer un choc électrique, un incendie et/ou des blessures corporelles graves.

SIGNIFICATION DES SYMBOLES

⚠ SYMBOLE DE MISE EN GARDE DE SÉCURITÉ : DANGER, AVERTISSEMENT, ou ATTENTION peut être utilisé en conjonction d'autres symboles ou pictogrammes..

CONSIGNES DE SÉCURITÉ

Cette page décrit des symboles de sécurité pouvant être présents sur ce produit. Lisez, comprenez et respectez toutes les instructions présentes sur l'outil avant d'essayer de l'assembler et de l'utiliser.

	Alerte de sécurité	Indique un risque potentiel de blessure corporelle.
--	--------------------	---

	Lisez le manuel d'utilisation	Pour réduire le risque de blessures, l'utilisateur doit lire et comprendre le manuel d'utilisation avant d'utiliser ce produit.
	Portez des protections pour les yeux, les oreilles et la tête	Portez toujours une protection pour les yeux, les oreilles et la tête.
	Largeur de coupe	Largeur de coupe maximale du taille-bordure
	Diamètre du fil	Le diamètre du fil de coupe en nylon.
	Ne pas utiliser de lames métalliques	Avertissez l'utilisateur de ne pas utiliser de lames métalliques
	Maintenir les autres personnes éloignées	Des objets projetés peuvent ricocher et provoquer des blessures corporelles ou des dommages matériels. Toujours veiller à ce que les autres personnes et les animaux restent éloignés de la débroussailluse pendant son utilisation.
	La distance entre la machine et les personnes présentes doit être d'au moins 15 m	Veillez à ce que les autres personnes et les animaux restent éloignés d'au moins 15 m du taille-bordure pendant son utilisation.
IPX4	Symbole IP	Protection contre la pénétration d'eau de degré 4.
	CE	Ce produit est conforme aux directives CE applicables.
	UKCA	Ce produit est conforme à la législation britannique applicable.
	WEEE	Les produits électriques usagés ne doivent pas être jetés avec les ordures ménagères. Apportez-les dans un centre de recyclage agréé.
	Bruit	Niveau de puissance acoustique garanti. Émission de bruit dans l'environnement conformément à la directive CE.
v	Volt	Tension
mm	Millimètre	Longueur ou taille
cm	Centimètre	Longueur ou taille
kg	Kilogramme	Poids

FR

CONSIGNES DE SÉCURITÉ GÉNÉRALES POUR L'OUTIL ÉLECTRIQUE

FR

⚠ AVERTISSEMENT: Lisez toutes les consignes de sécurité, les instructions, les illustrations et les spécifications de sécurité fournies avec cet outil électrique. Ne pas respecter toutes les consignes indiquées ci-dessous peut provoquer une décharge électrique, un incendie et/ou des blessures graves. **Conservez toutes les consignes de sécurité et toutes les instructions pour consultation ultérieure.**

Le terme « outil électrique » utilisé dans les consignes de sécurité désigne votre outil électrique fonctionnant sur le secteur (filaire) ou sur batterie (sans fil).

SÉCURITÉ DE L'AIRES DE TRAVAIL

- **Maintenez l'espace de travail propre et bien éclairé.** Une zone de travail en désordre ou mal éclairée augmente les risques d'accident.
- **N'utilisez pas un outil électrique dans une atmosphère explosive, par exemple en présence de liquides, de gaz ou de poussières inflammables.** Les outils électriques génèrent des étincelles pouvant enflammer les poussières ou les vapeurs.
- **Veillez à ce que les enfants et les autres personnes restent à distance quand vous faites fonctionner un outil électrique.** Un moment d'inattention peut vous faire perdre le contrôle de l'outil.

SÉCURITÉ ÉLECTRIQUE

- **La fiche de l'outil électrique doit correspondre à la prise électrique. Ne modifiez jamais la prise de quelque manière que ce soit. N'utilisez jamais d'adaptateur de prise avec les outils électriques pourvus d'une mise à la terre ou à la masse.** Les fiches non modifiées et les prises électriques appropriées réduisent le risque de choc électrique.
- Évitez tout contact physique avec des surfaces mises à la terre ou mises à la masse, telles que tuyaux, radiateurs, fours et réfrigérateurs. Il y a un risque accru de choc électrique si votre corps est relié à la terre ou à la masse, directement ou indirectement.
- **N'utilisez pas la machine sous la pluie ou dans des conditions humides.** La pénétration d'eau dans la machine peut augmenter le risque de choc électrique ou de dysfonctionnement pouvant entraîner des blessures corporelles.
- **Prenez soin du câble d'alimentation. N'utilisez jamais le câble d'alimentation pour porter, tirer ou débrancher l'outil électrique. Veillez à ce que le câble d'alimentation n'entre jamais en contact**

avec de l'huile, des pièces mobiles, des arêtes tranchantes, et ne soit jamais exposé à la chaleur. Les câbles d'alimentation endommagés ou emmêlés augmentent le risque de choc électrique.

- **Quand vous utilisez un outil électrique en extérieur, utilisez une rallonge électrique adaptée à un usage en extérieur.** L'utilisation d'une rallonge conçue pour un usage en extérieur permet de réduire le risque de choc électrique.
- **Si vous êtes obligé d'utiliser un outil électrique dans un endroit humide, utilisez une alimentation protégée par un dispositif différentiel à courant résiduel (DDR).** L'utilisation d'un DDR réduit le risque de choc électrique.

SÉCURITÉ DES PERSONNES

- **Restez vigilant(e), soyez attentif(ve) à ce que vous faites et faites preuve de bon sens lors de l'utilisation d'un outil électrique. N'utilisez pas un outil électrique si vous êtes fatigué(e), sous l'emprise de l'alcool ou de drogues ou après avoir pris des médicaments.** Un moment d'inattention lors de l'utilisation d'un outil électrique peut provoquer des blessures graves.
- **Utilisez des équipements de protection individuelle. Portez toujours une protection oculaire.** Des équipements de protection appropriés, tels qu'un masque anti-poussière, des chaussures de sécurité antidérapantes, un casque et un dispositif de protection auditive, réduisent les risques de blessures.
- **Évitez les démarrages accidentels. Assurez-vous que l'interrupteur est sur la position arrêt avant de brancher l'outil sur une prise électrique et/ou sur une batterie, de le saisir ou de le transporter.** Transporter un outil électrique avec un doigt sur l'interrupteur ou le brancher sur une alimentation électrique alors que son interrupteur est en position de marche favorise les accidents.
- **Retirez les clés de réglage et de serrage avant de mettre l'outil en marche.** Une clé de réglage ou de serrage restée sur une pièce en rotation d'un outil électrique peut provoquer des blessures.
- **N'essayez pas d'atteindre des endroits difficiles d'accès. Restez d'aplomb et gardez l'équilibre en permanence.** Ceci permet de mieux contrôler l'outil électrique dans des situations inattendues.
- **Portez une tenue adaptée. Ne portez pas de vêtement ample ni de bijou. Veillez à ce que vos cheveux, vêtements et gants restent éloignés des pièces mobiles.** Les vêtements amples, les bijoux et les cheveux longs peuvent se prendre dans les pièces mobiles.

- **Si un appareil est conçu pour être utilisé avec des dispositifs d'extraction et de récupération des poussières, veillez à ce que ces dispositifs soient bien raccordés et correctement utilisés.** L'utilisation de dispositifs de récupération des poussières permet de réduire les dangers liés aux poussières.
- **Veillez à ne pas devenir trop sûr(e) de vous et à ne pas vous mettre à ne plus respecter les principes de sécurité à cause de la familiarité acquise par les utilisations fréquentes des outils.** La négligence peut provoquer des blessures graves en une fraction de seconde.

UTILISATION ET ENTRETIEN DE L'OUTIL ÉLECTRIQUE

- **Ne forcez pas un outil électrique. Utilisez l'outil électrique adapté au travail à effectuer.** Un outil électrique adapté permet d'effectuer ce travail plus efficacement, avec une sécurité accrue, et au rythme pour lequel l'outil a été conçu.
- **N'utilisez pas un outil électrique si son interrupteur marche/arrêt ne permet plus de l'allumer ou de l'éteindre.** Tout outil électrique qui ne peut pas être contrôlé par son interrupteur marche/arrêt est dangereux et doit être réparé.
- **Débranchez la fiche électrique de la prise secteur et/ou retirez la batterie de l'outil électrique avant de procéder à des réglages, de changer des accessoires ou de ranger l'outil électrique.** Cette mesure de sécurité préventive réduit le risque de démarrage accidentel de l'outil électrique.
- **Rangez les outils électriques hors de portée des enfants. Ne laissez pas les personnes non familiarisées avec l'outil électrique ou avec ce manuel d'utilisation l'utiliser.** Les outils électriques sont dangereux dans les mains de personnes inexpérimentées.
- **Entretenez les outils électriques et les accessoires. Inspectez-les pour vérifier qu'aucune pièce mobile n'est grippée ou mal alignée, qu'aucune pièce n'est cassée, et pour tout autre problème pouvant affecter leur fonctionnement. Si un outil électrique est endommagé, il doit être réparé avant d'être réutilisé.** De nombreux accidents sont dus à des outils électriques mal entretenus.
- **Maintenez les accessoires de coupe affûtés et propres.** Des accessoires de coupes bien entretenus et bien affûtés risquent moins de se coincer et facilitent le contrôle de l'outil.
- **Utilisez l'outil électrique, ses accessoires, ses mèches et embouts et toutes les autres pièces en respectant ces instructions et en tenant compte des conditions d'utilisation et du travail à effectuer.**

Utiliser l'outil électrique à d'autres fins que celles pour lesquelles il a été conçu peut provoquer des situations dangereuses.

- **Maintenez les poignées et surfaces de préhension propres, sèches et exemptes d'huile et de graisse.** Les poignées et surfaces de préhension glissantes ne permettent pas de tenir et de contrôler l'outil de manière sûre en cas de situations inattendues.

UTILISATION ET ENTRETIEN DES OUTILS ALIMENTÉS PAR BATTERIE

- **La batterie ne doit être rechargée qu'avec le chargeur spécifié par le fabricant.** Un chargeur adapté à un seul type de batterie peut présenter un risque d'incendie s'il est utilisé avec une batterie différente.
- **Utilisez les outils électriques uniquement avec les batteries spécifiquement indiquées.** L'utilisation de toute autre batterie peut créer un risque de blessures et d'incendie.
- **Lorsque la batterie n'est pas utilisée, elle doit être rangée loin de tout objet métallique, tel que trombone, pièce de monnaie, clef, clou, vis et tout autre petit objet métallique qui risquerait de mettre en contact ses bornes.** Court-circuiter les bornes de la batterie peut provoquer des brûlures et un incendie.
- **Si la batterie est soumise à des conditions d'utilisation excessives, du liquide peut s'en échapper. Évitez tout contact avec ce liquide. En cas de contact accidentel, rincez à grande eau. En cas de contact avec les yeux, vous devez en outre consulter un médecin.** Le liquide qui s'échappe des batteries peut provoquer des irritations et des brûlures.
- **N'utilisez pas une batterie ou un outil endommagé ou modifié. Les batteries modifiées ou endommagées peuvent avoir un comportement imprévisible pouvant provoquer un incendie, une explosion ou un risque de blessure.**
- **N'exposez pas la batterie ou l'outil à des flammes ou à une température excessive.** L'exposition au feu ou à des températures supérieures à 130°C peut provoquer une explosion.
- **Respectez toutes les instructions de charge et ne rechargez pas la batterie ou l'outil quand la température ambiante est en dehors de la plage spécifiée dans les instructions.** Une recharge incorrecte ou recharger une batterie sous des températures hors de la plage spécifiée peut endommager la batterie et accroître le risque d'incendie.

SERVICE

- **Faites réparer votre outil électrique par un réparateur qualifié n'utilisant que des pièces de rechange identiques.** Cela garantit que l'outil électrique reste sûr.
- **Ne faites jamais réparer une batterie endommagée.** La réparation des batteries doit toujours être effectuée par le fabricant ou des réparateurs agréés.

AVERTISSEMENTS DE SÉCURITÉ SPÉCIAUX POUR LE COUPE-BORDURE À FIL

- **N'utilisez pas la machine par mauvais temps, notamment lorsqu'il y a un risque de foudre.** Cela réduit le risque d'être frappé(e) par la foudre.
- **Inspectez minutieusement la zone où la machine doit être utilisée pour vérifier l'absence d'animaux sauvages.** Les animaux sauvages peuvent être blessés par la machine pendant son fonctionnement.
- **Inspectez minutieusement la zone où la machine doit être utilisée et retirez toutes les pierres, bâtons, câbles, os et autres objets étrangers.** Les objets projetés peuvent provoquer des blessures corporelles.
- **Avant d'utiliser la machine, effectuez toujours une inspection visuelle pour vous assurer que le cutter ou la lame et l'ensemble de coupe ou des lames ne sont pas endommagés.** Les pièces endommagées augmentent le risque de blessure.
- **Suivez les instructions pour le remplacement des accessoires.** Des écrous ou des boulons de fixation du cutter mal serrés peuvent endommager la lame ou la faire se détacher.
- **Portez une protection pour les yeux, les oreilles, la tête et les mains.** Un équipement de protection adéquat réduira les blessures causées par la projection de débris ou le contact accidentel avec le fil de coupe ou la lame.
- **Lors de l'utilisation de la machine, portez toujours des chaussures antidérapantes et protectrices.**
- **N'utilisez pas la machine si vous êtes pieds nus ou si vous portez des sandales ouvertes.** Cela réduit les risques de blessures aux pieds en cas de contact avec les cutters ou le fil en mouvement.
- **Lors de l'utilisation de la machine, portez toujours un pantalon long.** La peau exposée augmente le risque de blessures causées par des objets projetés.
- **Gardez les passants éloignés lorsque vous utilisez la machine.** Les débris projetés peuvent entraîner des blessures graves.
- **Utilisez toujours les deux mains pour tenir la machine.** Tenir la machine à deux mains permet d'éviter une perte de contrôle.
- **Tenez la machine uniquement par les surfaces de préhension isolées, car le fil de coupe ou la lame peut entrer en contact avec des câbles cachés.** Si le fil de coupe ou la lame entre en contact avec un fil sous tension, les parties métalliques exposées de la machine risquent d'être sous tension et de provoquer un choc électrique.
- **Gardez toujours un bon équilibre et n'utilisez la machine que si vous êtes debout sur le sol.** Des surfaces glissantes ou instables peuvent entraîner une perte d'équilibre ou le contrôle de la machine.
- **Ne faites pas fonctionner la machine sur des pentes excessivement raides.** Cela réduit le risque de perte de contrôle, de glissade et de chute pouvant entraîner des blessures corporelles.
- **Lorsque vous travaillez sur des pentes, assurez-vous toujours de garder vos pieds au sol ; travaillez toujours en travers des pentes, jamais en haut ou en bas et faites preuve d'une extrême prudence lorsque vous changez de direction.** Cela réduit le risque de perte de contrôle, de glissade et de chute pouvant entraîner des blessures corporelles.
- **Gardez toutes les parties du corps éloignées du mécanisme de coupe, du fil ou de la lame lorsque la machine est en marche. Avant de démarrer la machine, assurez-vous que le cutter, le fil ou la lame ne touche rien.** Un moment d'inattention lors de l'utilisation de la machine peut entraîner des blessures sur vous-même ou sur d'autres personnes.
- **N'utilisez pas la machine au-dessus de la hauteur de la taille.** Cela permet d'éviter tout contact involontaire avec le cutter ou la lame et permet un meilleur contrôle de la machine dans des situations inattendues.
- **Lorsque vous coupez des broussailles ou des jeunes arbres qui sont sous tension, faites attention au risque de rebond.** Lorsque la tension des fibres de bois est relâchée, les broussailles ou les jeunes arbres peuvent heurter l'opérateur et/ou rendre la machine incontrôlable.
- **Faites extrêmement attention lors de la coupe de broussailles et de jeunes arbres.** Le matériau mince peut happer la lame et se rabattre violemment dans votre direction ou vous faire perdre l'équilibre.
- **Gardez le contrôle de la machine et ne touchez pas les cutters, le fil ou les lames et toutes les autres pièces mobiles dangereuses lorsqu'elles sont encore en mouvement.** Cela permet de réduire le risque de blessures causées par les pièces mobiles.

- **Lors de l'élimination de matériaux coincés ou de l'entretien de la machine, assurez-vous que l'interrupteur est éteint et que la batterie est retirée.** Un démarrage inattendu de la machine pendant le déblaiement d'un matériau coincé ou l'entretien peut entraîner des blessures graves.
- **Transportez la machine après l'avoir éteinte et en l'éloignant de votre corps.** Une manipulation correcte de la machine réduit le risque de contact accidentel avec un cutter, un fil ou une lame en mouvement.
- **N'utilisez que des cutters, des fils, des têtes de coupe et des lames de rechange spécifiés par le fabricant.** Des pièces de rechange incorrectes peuvent augmenter le risque de bris et de blessures.
- **Détérioration du coupe-bordure** - Si vous heurtez un objet étranger avec le coupe-bordure ou si celui-ci s'emmêle, arrêtez immédiatement l'outil, vérifiez qu'il n'est pas endommagé et faites-le réparer avant de poursuivre l'opération. N'utilisez pas l'outil avec un dispositif de protection ou une bobine cassé.
- **Si l'outil se met à vibrer anormalement, éteignez immédiatement le moteur et inspectez l'outil pour en trouver la cause.** Les vibrations indiquent généralement qu'il y a un problème. Une tête desserrée peut vibrer, se fissurer, casser ou se désolidariser de l'outil, ce qui peut provoquer des blessures graves ou mortelles. Vérifiez que l'accessoire de coupe est correctement fixé en position. Si la tête se desserre après avoir été fixée en position, remplacez-la immédiatement. N'utilisez jamais l'outil avec un accessoire de coupe desserré.
- **Les outils alimentés par batterie n'ont pas à être branchés dans une prise électrique, ils sont donc toujours prêts à fonctionner.** Prenez garde aux dangers potentiels même quand l'outil n'est pas en fonctionnement. Faites attention pendant l'entretien ou la réparation.
- **Ne lavez pas l'outil avec un tuyau. Évitez que de l'eau ne pénètre dans le moteur et sur les connexions électriques.**
- **Si des situations non couvertes par ce manuel se produisent, faites preuve de prudence et de bon sens. Contactez le centre de réparation EGO pour lui demander conseil.**
- **Utilisez exclusivement les batteries et les chargeurs listés à la fig. A.**

CONSERVEZ CE MANUEL D'UTILISATION!

SPÉCIFICATIONS

Mécanisme de coupe	Tête de frappe	
Diamètre du fil	Fil torsadé en nylon 2,4 mm	
Largeur de coupe	40 cm	
Régime à vide	4900/5800 min ⁻¹	
Poids (sans la batterie)	1,53 kg	
Température d'utilisation recommandée	0°C-40°C	
Température de stockage recommandée	-20°C-70°C	
Niveau de puissance acoustique mesuré L _{WA}	95,72 dB(A) K=0,77 dB(A)	
Niveau de pression acoustique au niveau des oreilles de l'opérateur L _{PA}	81,6 dB(A) K=3 dB(A)	
Niveau de puissance acoustique garanti L _{WA} (conformément à la norme 2000/14/CE)	96 dB(A)	
Vibration a _h	Poignée auxiliaire avant	2,5 m/s ² K=1,5 m/s ²
	Poignée arrière	1,8 m/s ² K=1,5 m/s ²

FR

- Les paramètres ci-dessus ont été testés et mesurés avec le bloc moteur PH1420E.
- La valeur totale des vibrations indiquée a été mesurée selon une procédure conforme à une méthode de test standardisée et peut servir pour comparer différents outils.
- La valeur totale des vibrations indiquée peut également servir pour effectuer une première évaluation de l'exposition.

⚠ AVERTISSEMENT : Les émissions de vibrations et de bruit lors de l'utilisation réelle de l'outil électrique peuvent différer des valeurs déclarées en fonction de la manière dont l'outil est utilisé, en particulier du type de pièce à usiner ; et il est nécessaire d'identifier les mesures de sécurité nécessaires pour protéger l'opérateur en se basant sur une estimation de l'exposition dans les conditions réelles d'utilisation (en prenant en compte toutes les phases du cycle d'utilisation, telles que les temps d'arrêt et de marche à vide de l'outil en plus du temps de déclenchement).

CONTENU DE L'EMBALLAGE (SCHEMA A)

Pour connaître le fil de coupe recommandé, consultez le site Web egopowerplus.com ou le catalogue des produits EGO.

DESCRIPTION

DESCRIPTION DE VOTRE TAILLE-BORDURE

(Image A)

FR

1. Embout
2. Manche du taille-bordure
3. Bouton de charge de fil
4. Fil de coupe
5. Tête de coupe (tête de frappe)
6. Languette de déblocage
7. Lame de coupe
8. Carter
9. Clé à six pans

⚠ AVERTISSEMENT: N'utilisez jamais l'outil sans son capot de protection solidement assemblé. Le capot de protection doit toujours être assemblé sur l'outil pour protéger l'utilisateur.

ASSEMBLAGE

⚠ AVERTISSEMENT: Si une pièce est manquante ou endommagée, n'utilisez pas cet outil tant qu'elle n'a pas été remplacée. Utiliser cet outil avec des pièces endommagées ou manquantes peut provoquer des blessures corporelles graves.

⚠ AVERTISSEMENT: N'essayez jamais de modifier l'outil ni de créer des accessoires non recommandés pour être utilisés avec ce taille-bordure. De tels modifications et changements constituent une utilisation impropre et peuvent engendrer des situations dangereuses.

⚠ AVERTISSEMENT: Ne branchez pas le bloc moteur dans une alimentation électrique tant que l'assemblage n'est pas terminé. Ne pas respecter cette exigence peut provoquer un démarrage accidentel et des blessures corporelles graves.

ASSEMBLER LE CAPOT DE PROTECTION

⚠ AVERTISSEMENT: Portez toujours des gants pour assembler ou remplacer le capot de protection. Prenez garde à la lame du capot de protection et protégez vos mains des blessures dues à la lame.

Desserrez et retirez les deux vis de la base du manche (Image C), alignez les trous du capot de protection avec les trous d'assemblage, puis fixez-le sur la base du manche avec les deux vis et deux rondelles élastiques (Image D).

Vérifiez que le capot de protection est fixé comme montré sur les images C et D, un montage inversé est très dangereux!

ASSEMBLER L'EXTENSION TAILLE-BORDURE SUR LE BLOC MOTEUR

Cette extension taille-bordure est conçue pour être utilisée avec le bloc moteur EGO PH1420E.

Consultez la partie « **INSTALLATION D'UN BLOC MOTEUR** » du manuel d'utilisation du bloc-moteur PH1420E.

UTILISATION

⚠ AVERTISSEMENT: Veillez à ne pas devenir moins prudent au fur et à mesure que vous vous familiarisez avec cet outil. Gardez à l'esprit qu'une seconde d'inattention peut suffire pour provoquer des blessures graves.

⚠ AVERTISSEMENT: Portez toujours une protection oculaire et une protection auditive. Sans protection, des objets peuvent être projetés dans vos yeux et d'autres blessures graves peuvent se produire.

APPLICATIONS

Vous pouvez utiliser ce produit à la finalité suivante :

- Couper le gazon et les mauvaises herbes autour des porches, barrières et terrasses.

REMARQUE: L'outil ne doit être utilisé qu'à la finalité prescrite. Tout autre usage est considéré impropre.

Avant chaque utilisation, inspectez l'outil pour vérifier qu'aucune de ses pièces n'est endommagée/usée.

Inspectez la tête de coupe, le capot de protection et la poignée avant, et remplacez toutes les pièces fissurées, voilées, tordues ou présentant tout autre signe de détérioration.

La lame de coupe du fil présente sur le bord du capot de protection s'use avec le temps. Il est recommandé de l'affûter régulièrement avec une lime ou de la remplacer par une lame neuve.

⚠ AVERTISSEMENT: Portez toujours des gants quand vous assemblez ou remplacez le capot de protection ou quand vous affûtez ou remplacez la lame. Notez le positionnement de la lame sur le capot de protection et protégez vos mains des blessures.

⚠ AVERTISSEMENT: Pour éviter des blessures corporelles graves, retirez la batterie du bloc moteur avant toute opération de réparation, nettoyage, changement d'accessoires ou de retrait de matières de l'outil.

UTILISER LE TAILLE-BORDURE AVEC LE BLOC MOTEUR

⚠ AVERTISSEMENT : Soyez correctement vêtu pour réduire le risque de blessures pendant l'utilisation de cet outil. Ne portez pas de vêtement ample ni de bijou ! Portez des protections oculaires et auditives. Portez un pantalon long et épais, des chaussures montantes et des gants. Ne portez pas de shorts ni de sandales et ne soyez pas pieds nus.

⚠ AVERTISSEMENT: Nettoyez la zone à couper avant utilisation. Retirez tous les objets pouvant s'em mêler dans les accessoires de coupe ou être projetés, par exemple les pierres, les morceaux de verre, les clous, les fils métalliques ou les ficelles. Veillez à ce qu'il n'y ait aucune autre personne, aucun enfant, ni aucun animal dans l'aire de travail. Au minimum, veillez à ce que tous les enfants, toutes les autres personnes et tous les animaux restent éloignés d'au moins 15 m, car ils pourraient être blessés par des objets projetés. Il faut insister pour que les autres personnes présentes portent une protection oculaire. Si une personne s'approche de vous, éteignez immédiatement le moteur et l'accessoire de coupe.

Pour votre sécurité et une meilleure prise en main, placez la bandoulière en travers de vos épaules. Réglez la sangle d'épaule dans une position d'utilisation confortable. Tenez le taille-bordure avec une main sur la poignée arrière et l'autre main sur la poignée avant. Tenez toujours fermement l'outil à deux mains pendant l'utilisation. Le taille-bordure doit être tenu dans une position confortable avec sa poignée arrière à la hauteur de la hanche de l'opérateur. La tête de coupe doit être parallèle au sol pour qu'elle puisse facilement entrer en contact avec le matériau à couper sans que l'opérateur ne soit obligé de se pencher (Fig. B).

⚠ AVERTISSEMENT: La sangle d'épaule est aussi un mécanisme de retrait rapide en cas de situation dangereuse. En cas d'urgence, retirez-la immédiatement de votre épaule, quelle que soit la manière dont elle est portée.

Après chaque utilisation, nettoyez l'outil.

Consultez le chapitre ENTRETIEN pour connaître les instructions de nettoyage.

ALLUMER/ÉTEINDRE L'OUTIL

Consultez la partie « DÉMARRAGE / ARRÊT DU BLOC MOTEUR » du manuel d'utilisation du bloc moteur PH1420E.

RÉGLER LA LONGUEUR DU FIL DE COUPE

La tête de coupe permet à l'opérateur d'allonger le fil de coupe sans éteindre le moteur. Quand le fil de coupe est usé ou effiloché, vous pouvez l'allonger en frappant légèrement la tête de coupe sur le sol pendant que l'outil est en marche (Image E).

REMARQUE: L'allongement du fil de coupe devient plus difficile au fur et à mesure qu'il se raccourcit.

⚠ AVERTISSEMENT: Ne retirez pas et ne modifiez pas l'assemblage de la lame de coupe du fil. Si la longueur du fil de coupe est excessive, cela peut provoquer la surchauffe du moteur et des blessures corporelles graves.

CHANGER LE FIL DE COUPE

REMARQUE : Utilisez toujours le fil de coupe en nylon recommandé d'un diamètre ne dépassant pas 2,4 mm. Utiliser un autre fil que celui spécifié peut provoquer la surchauffe et la détérioration du taille-bordure.

⚠ AVERTISSEMENT : N'utilisez jamais de corde, de fil métallique, de fil à renfort métallique, etc. Ces derniers peuvent se rompre et devenir des projectiles dangereux.

Le taille-bordure est équipé d'un système avancé **POWERLOAD™**. Le fil de coupe peut être enroulé sur la bobine par simple pression sur un bouton. Le chargement d'une bobine pleine peut généralement être effectué en 12 secondes. Évitez d'enrouler le fil de façon répétée et en successions rapides afin de ne pas endommager le moteur.

REMARQUE : Le système **POWERLOAD™** n'est disponible que lorsque l'extension est connectée au bloc moteur PH1420E et que la batterie est installée.

1. Retirez la batterie.
2. Coupez 4 m de fil de coupe. Insérez le fil dans l'œillet (Fig. F). Poussez le fil et tirez-le de l'autre côté jusqu'à ce qu'il y ait une longueur de fil identique de chaque côté de la tête de coupe

REMARQUE : Si le fil ne peut pas être inséré dans l'œillet lorsque le capot inférieur est bloqué, installez la batterie sur le bloc moteur, puis appuyez brièvement sur le bouton de chargement du fil pour débloquer le capot inférieur.

3. Retirez la batterie si elle a été installée sur le bloc moteur comme conseillé par la REMARQUE figurant après l'étape 2. Suivez les consignes de l'étape 2 pour réinsérer et aligner le fil de coupe.
4. Installez la batterie sur le bloc moteur.
5. Maintenez le bouton de chargement du fil enfoncé pour enrouler le fil dans la tête de coupe de manière continue jusqu'à ce qu'il y ait environ 15 cm de fil de chaque côté. (Fig. G)

- Appuyez sur la tête du taille-bordures tout en tirant les extrémités du fil pour les faire sortir manuellement afin de contrôler le bon assemblage du fil de coupe.

FR

REMARQUE : Si le fil est entièrement rentré dans la tête de coupe par accident, ouvrez la tête et retirez le fil de la bobine. Suivez l'étape « RECHARGER LE FIL DE COUPE » de ce manuel pour recharger le fil.

RECHARGER LE FIL DE COUPE

Si le fil de coupe se rompt au niveau de l'œillet ou s'il ne sort pas quand vous tapez la tête de coupe, vous devez retirer le fil restant de la tête de coupe et suivre les consignes ci-dessous pour recharger le fil.

- Retirez la batterie.
- Appuyez sur les languettes de déblocage de la tête de coupe et retirez le capot inférieur de la tête de coupe en tirant dessus (Fig. H).
- Retirez le fil de coupe de la tête de coupe.
- Retirez le ressort hors de la bobine si nécessaire. Conservez-le pour le réassemblage.
- Insérez le ressort dans la fente du capot inférieur (Fig. I).
- Tenez l'outil à une main et utilisez l'autre main pour mettre en place le capot inférieur en alignant les fentes du capot inférieur avec les languettes de déblocage (Fig. J). Enfoncez le capot inférieur jusqu'à ce qu'il se mette en place en émettant un « clic » audible (Fig. K).
- Pour recharger le fil de coupe, suivez la procédure « **REMPLACEMENT DU FIL DE COUPE** ».

REMPLACEMENT DE LA TÊTE DE COUPE

⚠ AVERTISSEMENT : Si la tête se desserre après avoir été fixée, remplacez-la immédiatement.

N'utilisez jamais l'outil avec un accessoire de coupe desserré. Remplacez immédiatement la tête de coupe si elle est fissurée, endommagée ou usée, même si la détérioration se limite à des fissures superficielles. De tels accessoires peuvent éclater à haute vitesse et provoquer des blessures graves.

Familiarisez-vous avec la tête de coupe (Fig. L).

Schéma L - Description des pièces ci-dessous :

L-1	Manche	L-6	Rondelle
L-2	Bague (2)	L-7	Écrou
L-3	Capot supérieur	L-8	Ressort
L-4	Circlip	L-9	Fil de coupe
L-5	Boîtier de bobine	L-10	Capot inférieur

Retirer la tête de coupe

- Retirez la batterie.
- Appuyez sur les languettes de déblocage de la tête de coupe et retirez le capot inférieur de la tête en le tirant vers l'extérieur.
- Retirez le fil de coupe de la tête de coupe.
- Retirez le ressort hors de la bobine si nécessaire. Conservez-le pour le réassemblage.
- Portez des gants. Stabilisez la bobine à une main et utilisez l'autre main pour tenir une clé à chocs de 13 mm (non fournie) et desserrer l'écrou dans le sens des aiguilles d'une montre (Fig. M).
- Retirez l'écrou, la rondelle et le boîtier de la bobine de l'arbre du moteur (Fig. L).
- Utilisez une pince à circlips (non fournie) pour retirer le circlip. Retirez le capot supérieur et les deux bagues de l'arbre moteur (Fig. L).
- Placez une nouvelle tête de coupe et montez-la comme décrit dans les étapes suivantes.

Installer la nouvelle tête de coupe

- Montez les deux bagues sur l'arbre du moteur.
- Alignez la fente plate du capot supérieur avec le plat de l'arbre du moteur et mettez le capot supérieur en place (Fig. N).

Fig. N - Description des pièces ci-dessous :

N-1	Plat	N-2	Fente plate
-----	------	-----	-------------

- Montez le circlip, le boîtier de bobine et la rondelle dans cet ordre (Fig. L). Utilisez une clé à chocs sur l'écrou pour le serrer dans le sens INVERSE des aiguilles d'une montre.
- Suivez les étapes 4 et 5 de la partie « RECHARGER LE FIL DE COUPE » de ce manuel pour monter le capot inférieur.
- Pour recharger le fil de coupe, suivez la procédure « **REMPLACEMENT DU FIL DE COUPE** » décrite dans ce manuel.
- Démarrez l'outil pour voir si le taille-bordures fonctionne normalement. Si tel n'est pas le cas, réassemblez l'outil comme décrit ci-dessus.

ENTRETIEN

⚠ AVERTISSEMENT: Avant d'inspecter, de nettoyer ou de réparer l'outil, éteignez le moteur, attendez que toutes les pièces mobiles se soient arrêtées et retirez la batterie. Ne pas respecter ces instructions peut provoquer des blessures corporelles graves et des dommages matériels.

⚠ AVERTISSEMENT: L'outil ne doit être réparé qu'avec des pièces de rechange identique. L'utilisation de toute autre pièce peut créer un danger ou détériorer l'outil. Pour garantir la sécurité et la fiabilité, toutes les réparations, autres que les opérations listées dans ces instructions d'entretien, doivent être effectuées par un réparateur qualifié.

ENTRETIEN GÉNÉRAL

N'utilisez pas de solvant pour nettoyer les pièces en plastique. La plupart des plastiques peuvent être détériorés par de nombreux solvants différents vendus dans le commerce. Utilisez des chiffons propres pour enlever les saletés, les poussières, l'huile, les graisses, etc.

NETTOYER L'OUTIL

- Enlevez les herbes ayant pu s'enrouler autour de l'arbre du moteur ou de la tête de coupe.
- Avec une petite brosse ou un petit aspirateur, nettoyez les ouïes de ventilation du boîtier arrière.
- Nettoyez l'outil avec un chiffon humide et un détergent doux.
- N'utilisez pas de détergent puissant sur le boîtier en plastique ou sur la poignée, car ils peuvent être endommagés par certaines huiles aromatiques, par exemple de pin et de citron, et par les solvants, par exemple l'essence. L'humidité peut également générer un risque de choc électrique. Essayez les traces d'humidité avec un chiffon doux et sec.

LUBRIFICATION DES ENGRENAGES DE TRANSMISSION

Les engrenages de transmission dans le boîtier d'engrenage doivent être lubrifiés régulièrement avec de la graisse à engrenage. Contrôlez le niveau de graisse dans le boîtier d'engrenage toutes les 50 h d'utilisation en retirant la vis d'étanchéité sur le côté du boîtier.

Si vous ne voyez pas de graisse sur les flancs des engrenages, procédez comme suit pour remplir le boîtier de graisse jusqu'au 3/4.

Ne remplissez pas complètement les engrenages de transmission.

1. Posez le taille-bordure sur son côté en sorte que la vis d'étanchéité soit vers le haut.
2. Utilisez la clé multifonction fournie pour desserrer et retirer la vis d'étanchéité.
3. Avec une seringue à graisse (non fournie), injectez de la graisse dans le trou de vis sans dépasser les 3/4 de la capacité.
4. Revissez complètement la vis d'étanchéité après l'injection.

RANGER L'OUTIL

- Retirez la batterie du bloc moteur.
- Nettoyez soigneusement et intégralement l'outil avant de le ranger.
- Si l'extension taille-bordure est démontée du bloc moteur et stockée séparément : Insérez le capuchon d'extrémité sur le manche de l'extension pour éviter que des saletés ne rentrent dans le coupleur.
- Rangez l'outil dans un endroit sec, bien aéré, fermé à clé ou en hauteur, et hors de portée des enfants. Ne rangez pas l'outil sur ou à côté d'engrais, d'essence ou d'autres substances chimiques.

AFFUTER LA LAME DE COUPE

⚠ AVERTISSEMENT : Protégez toujours vos mains en portant des gants pour travaux lourds pendant toutes les opérations d'entretien de la lame de coupe.

1. Retirez la batterie.
2. Retirez la lame de coupe du capot de protection.
3. Fixez la lame dans un étiau.
4. Portez une protection oculaire appropriée et des gants et faites attention à ne pas vous couper.
5. Limez soigneusement les bords coupants de la lame à l'aide d'une lime fine ou d'une pierre à aiguiser, en suivant l'angle du bord original de coupe.
6. Remplacez la lame sur le capot et fixez-la avec deux vis.

Protection de l'environnement



Ne jetez pas les équipements électriques, les chargeurs de batterie, les batteries rechargeables et les piles avec les ordures ménagères !

Apportez ce produit chez un recycleur agréé et rendez-le disponible pour une collecte séparée. Les outils électriques doivent être amenés dans un centre de recyclage pour assurer le respect de l'environnement.

Si les appareils électriques sont jetés dans des décharges ou des dépôts d'ordures, des substances dangereuses peuvent se répandre dans la nappe phréatique et rentrer dans la chaîne alimentaire, ce qui est néfaste pour votre santé et votre bien-être.

DÉPANNAGE

FR

PROBLÈME	URSACHE	LÖSUNG
Le taille-bordure ne s'allume pas.	<ul style="list-style-type: none"> ■ La batterie n'est pas insérée sur le bloc moteur. ■ Il n'y a pas de contact électrique entre le bloc moteur et la batterie. ■ La batterie est déchargée. ■ Le levier de déverrouillage et l'interrupteur-gâchette ne sont pas tous les deux appuyés. 	<ul style="list-style-type: none"> ■ Insérez la batterie sur le bloc moteur. ■ Retirez la batterie, contrôlez les contacts, puis réinsérez la batterie jusqu'à ce qu'elle s'encastre. ■ Rechargez la batterie avec les chargeurs EGO listés dans ce manuel d'utilisation. ■ Appuyez sur le levier de déverrouillage et maintenez-le appuyé, puis appuyez sur l'interrupteur-gâchette pour allumer le taille-bordure.
Le taille-bordure s'arrête pendant la coupe.	<ul style="list-style-type: none"> ■ Le capot de protection n'est pas assemblé sur l'outil, ce qui provoque une longueur excessive du fil de coupe et la surcharge du moteur. ■ Un fil de coupe trop épais est utilisé. ■ L'arbre du moteur ou la tête de coupe est bloqué par de l'herbe. ■ Le moteur est en surcharge. ■ La batterie ou le taille-bordure est trop chaud. ■ La batterie est déconnectée de l'outil. ■ La batterie est déchargée. 	<ul style="list-style-type: none"> ■ Retirez la batterie, puis assemblez le capot de protection sur l'outil. ■ Nous recommandons d'utiliser du fil de coupe en nylon d'un diamètre ne dépassant pas 2,4 mm. ■ Éteignez l'outil, retirez la batterie, puis retirez l'herbe de l'arbre du moteur et de la tête de coupe. ■ Retirez la tête de coupe de l'herbe. Le moteur retrouve un fonctionnement normal dès que la charge est retirée. Pendant la coupe, déplacez la tête de coupe dans et hors de l'herbe à couper, et ne coupez pas une longueur supérieure à 20 cm en un seul passage. ■ Laissez la batterie et l'outil refroidir jusqu'à ce que sa température devienne inférieure à 67 °C. ■ Réinstallez la batterie. ■ Rechargez la batterie avec les chargeurs EGO listés dans ce manuel d'utilisation.

PROBLÈME	URSACHE	LÖSUNG
La tête de coupe ne fait pas avancer le fil de coupe.	<ul style="list-style-type: none"> ■ L'arbre du moteur ou la tête de coupe est bloqué par de l'herbe. ■ Il n'y a pas assez de fil de coupe sur la bobine. ■ La tête de coupe est sale. ■ Le fil est emmêlé dans le boîtier de bobine. ■ Le fil de coupe est trop court. 	<ul style="list-style-type: none"> ■ Éteignez l'outil, retirez la batterie, puis retirez l'herbe de l'arbre du moteur et de la tête de coupe. ■ Retirez la batterie et remplacez le fil de coupe ; suivez la section « CHANGEMENT DU FIL DE COUPE » de cette notice d'utilisation. ■ Retirez la batterie et nettoyez la bobine, le boîtier de bobine et la base de la bobine. ■ Retirez la batterie, enlevez le fil de coupe de la bobine, puis rembobinez-le. Pour cela, consultez la section « CHANGEMENT DU FIL DE COUPE » de cette notice d'utilisation. ■ Retirez la batterie, puis tirez les extrémités du fil de coupe en appuyant et en actionnant le bouton de frappe alternativement.
De l'herbe s'enroule autour de la tête de coupe et du boîtier du moteur.	<ul style="list-style-type: none"> ■ Vous coupez de l'herbe haute au ras du sol. 	<ul style="list-style-type: none"> ■ Coupez les herbes hautes de haut en bas en coupant 20 cm au maximum à chaque passage pour éviter que l'herbe ne s'enroule.
La lame ne coupe pas le fil de coupe.	<ul style="list-style-type: none"> ■ La lame de coupe du fil sur le bord du capot de protection est usée. 	<ul style="list-style-type: none"> ■ Affûtez la lame de coupe du fil avec une lime ou remplacez-la par une lame neuve.
La tête de coupe est fissurée ou le dispositif de retenue de la bobine se détache de la base de la bobine.	<ul style="list-style-type: none"> ■ La tête de coupe est usée. ■ L'écrou qui maintient la tête de coupe est desserré. 	<ul style="list-style-type: none"> ■ Changez la tête de coupe immédiatement. Pour cela, suivez la procédure du chapitre « CHANGER LA TÊTE DE COUPE » de ce manuel d'utilisation. ■ Ouvrez la tête de coupe et utilisez une clé à chocs pour serrer l'écrou.
Lors du changement du fil de coupe, il n'est pas possible de le charger correctement dans la tête de coupe.	<ul style="list-style-type: none"> ■ Les lignes LOAD du boîtier de bobine ne sont pas alignées avec les œillets de la base de bobine. ■ Les lignes LOAD du dispositif de retenue de bobine ne sont pas alignées avec les œillets de la base de bobine. 	<ul style="list-style-type: none"> ■ Tournez le boîtier de bobine dans le sens de la flèche pour aligner les lignes LOAD du boîtier de bobine avec les œillets de la base de bobine. ■ Tournez le dispositif de retenue de bobine dans le sens de la flèche pour aligner les lignes LOAD du dispositif de retenue de bobine avec les œillets de la base de bobine.

GARANTIE

POLITIQUE DE GARANTIE EGO

Veuillez consulter le site egopowerplus.com pour trouver l'ensemble des modalités et conditions de la politique de garantie EGO

¡LEA TODAS LAS INSTRUCCIONES!



LEA EL MANUAL DEL USUARIO

ES

⚠ Riesgo residual! Aquellas personas con implantes electrónicos, tales como marcapasos, deberán consultar a su médico antes de utilizar este producto. La utilización de equipos eléctricos a proximidad de un marcapasos podría causar en este interferencias o averías.

⚠ ADVERTENCIA: Para garantizar la seguridad y fiabilidad de la herramienta, confíe cualquier reparación y sustitución de piezas que sea necesaria a personal técnico cualificado.

SÍMBOLOS RELACIONADOS CON LA SEGURIDAD

El propósito de los símbolos de seguridad es el de atraer su atención hacia los posibles peligros que conlleva la utilización del producto. Los símbolos de seguridad y las explicaciones que los acompañan requieren su máxima atención y comprensión. Por sí solos, los símbolos de advertencia no eliminan los posibles peligros que pudieran existir. Las instrucciones y advertencias que aquí se incluyen no son sustitutas en modo alguno de las medidas de prevención adecuadas que deben tomarse para evitar posibles accidentes.

⚠ ADVERTENCIA: Antes de utilizar esta herramienta, asegúrese de haber leído y entendido perfectamente todas las instrucciones incluidas en este Manual del usuario, incluidos todos los símbolos de aviso sobre seguridad, como "PELIGRO", "ADVERTENCIA", y "PRECAUCIÓN". De no observarse todas las instrucciones proporcionadas a continuación podría existir un riesgo de incendio, electrocución, así como de lesiones físicas graves.

SIGNIFICADO DE LOS DISTINTOS SÍMBOLOS

⚠ SÍMBOLO DE AVISO DE SEGURIDAD: Indica PELIGRO, ADVERTENCIA, o PRECAUCIÓN, se puede usar en combinación con otros símbolos o pictogramas.

INSTRUCCIONES RELACIONADAS CON LA SEGURIDAD

Esta página muestra y describe los símbolos de seguridad que puede haber en este producto. Asegúrese de leer, comprender y cumplir todas las instrucciones que se indican en la máquina antes de proceder a su montaje y utilización.

	Aviso de seguridad	Indica una situación potencialmente peligrosa que podría provocar lesiones.
	Lea el Manual del usuario	Para reducir el riesgo de lesiones, será necesario leer y entender el Manual del usuario antes de utilizar este producto.
	Utilice protección para la cabeza, los ojos y los oídos	Utilice siempre protección para los ojos, los oídos y la cabeza.
	Anchura de corte	La anchura de corte máxima del cortabordes con cabezal de hilo
	Diámetro del hilo de corte	Observe el diámetro del hilo de corte indicado.
	No utilice cuchillas de metal.	Avisa al usuario de que no debe utilizar cuchillas metálicas
	Mantener a terceros apartados de la zona donde se esté utilizando la herramienta	Los objetos lanzados pueden rebotar y provocar lesiones personales o daños materiales. Asegúrese de que las personas y los animales domésticos se mantengan alejados cuando se esté usando la desbrozadora.
	La distancia entre la máquina y otras personas debe ser al menos 15 m.	Asegúrese de que las personas y los animales domésticos se mantengan a una distancia mínima de 15 m cuando se esté usando el cortabordes con cabezal de hilo.
IPX4	Símbolo de tipo de protección IP	Protección de nivel 4 contra la penetración de agua.
CE	CE	Este producto está en conformidad con las directivas de la CE aplicables.
UKCA	UKCA	Este producto cumple la legislación aplicable del Reino Unido.
	RAEE	Los productos eléctricos no deben eliminarse con la basura doméstica. Llévelos a un centro de reciclaje autorizado.
	ruído	Nivel de potencia acústica garantizado. Emisiones de ruido al medio ambiente en conformidad con la Directiva de la Unión Europea.
V	Voltios	Tensión
mm	Milimetro	Longitud o tamaño
cm	Centímetro	Longitud o tamaño
kg	Kilogramo	Peso

ADVERTENCIAS GENERALES SOBRE HERRAMIENTAS ELÉCTRICAS

⚠️ ADVERTENCIA: Lea todas las advertencias, instrucciones, ilustraciones y especificaciones incluidas con esta herramienta eléctrica. Si no se cumplen todas las instrucciones que se enumeran a continuación, pueden producirse descargas eléctricas, incendios o lesiones graves.

Conserve todas las instrucciones y advertencias para futuras consultas.

El término “herramientas eléctricas” que aparece en las advertencias se refiere tanto a aquellas herramientas que funcionan conectadas a la red eléctrica (mediante cable) como a aquellas otras que funcionan con acumuladores (inalámbricas).

SEGURIDAD EN LA ZONA DE TRABAJO

- **Mantenga la zona de trabajo limpia y bien iluminada.** Los lugares desordenados o poco iluminados favorecen los accidentes.
- **No utilice herramientas eléctricas en ambientes explosivos, por ejemplo, en presencia de líquidos, gases o polvo inflamables.** Las herramientas eléctricas crean chispas que podrían hacer que el polvo o los humos se incendiaran.
- **Mantenga a los niños y las demás personas alejados cuando esté utilizando una herramienta eléctrica.** Cualquier distracción podría hacerle perder el control de la herramienta.

SEGURIDAD ELÉCTRICA

- **El enchufe de la herramienta eléctrica debe corresponder con la toma de corriente. No modifique nunca el enchufe de ningún modo. Nunca utilice enchufes adaptadores con herramientas eléctricas equipadas con conexión a tierra.** Si no se modifican los enchufes y estos corresponden con las tomas de corriente, se reducirán enormemente los riesgos de electrocución.
- **Evite cualquier contacto corporal con superficies conectadas a tierra, como tuberías, radiadores, hornillos eléctricos y frigoríficos.** Existe un mayor riesgo de descarga eléctrica si su cuerpo tiene conexión a tierra.
- **No utilice la máquina en condiciones de lluvia o humedad.** La entrada de agua en la máquina puede aumentar el riesgo de descarga eléctrica o de mal funcionamiento, lo cual podría provocar lesiones personales.
- **No maltrate el cable. Nunca utilice el cable para transportar, arrastrar o desencharar la herramienta**

eléctrica. Mantenga el cable alejado del calor, el aceite, los bordes afilados o las piezas móviles. Los cables dañados o enredados aumentan el riesgo de descarga eléctrica.

- **Cuando use una herramienta eléctrica al aire libre, utilice un cable alargador adecuado para uso en exteriores.** Si se usa un cable adecuado para exteriores, se reducirá el riesgo de descarga eléctrica.
- **Utilice un interruptor diferencial (RCD) si debe utilizar la herramienta eléctrica en un lugar húmedo.** La utilización de un interruptor de protección diferencial reducirá el riesgo de electrocución.

SEGURIDAD PERSONAL

- **Manténgase alerta, preste atención a lo que está haciendo y use el sentido común cuando esté utilizando una herramienta eléctrica. No utilice herramientas eléctricas cuando esté cansado o si se encuentra bajo los efectos de drogas, alcohol o fármacos.** Cualquier momento de descuido durante la utilización de herramientas eléctricas podría ocasionar lesiones físicas graves.
- **Utilice equipo de protección personal. Utilice siempre protección ocular.** El equipo de protección, como máscaras antipolvo, calzado de seguridad antideslizante, casco protector o protección auditiva, cuando se utiliza adecuadamente, reduce las lesiones personales.
- **Evite la puesta en marcha accidental de la herramienta. Asegúrese de que el interruptor se encuentra en la posición de apagado antes de enchufar la herramienta a la red eléctrica y/o de acoplar la batería, así como al recoger o transportar la herramienta.** Si lleva una herramienta eléctrica con el dedo puesto sobre el interruptor, o si enchufa una herramienta eléctrica con el interruptor encendido, pueden producirse accidentes.
- **Retire cualquier llave de ajuste o llave inglesa de la herramienta antes de activarla.** Una llave inglesa o una llave de ajuste enganchada a una parte giratoria de la herramienta puede producir lesiones físicas.
- **No se estire demasiado para alcanzar lugares de difícil acceso.** Mantenga una posición firme y equilibrada en todo momento. De este modo podrá controlar mejor la herramienta eléctrica en situaciones inesperadas.
- **Utilice ropa adecuada. No lleve puesta ropa holgada ni joyas. Mantenga el pelo, la ropa y los guantes alejados de las piezas móviles.** La ropa holgada, así como las joyas o el pelo largo podrían engancharse en las partes móviles de la herramienta.

ES

- **Si se incluyen dispositivos de conexión a extractores y colectores de polvo, asegúrese de conectarlos y utilizarlos adecuadamente.** La utilización de dispositivos colectores de polvo puede reducir los peligros ocasionados por el polvo.
- **El hecho de haberse familiarizado con la herramienta por el uso frecuente no debe hacer que se descuide e ignore los principios de seguridad.** Una distracción puede provocar lesiones graves en una fracción de segundo.

UTILIZACIÓN Y CUIDADO DE LAS HERRAMIENTAS ELÉCTRICAS

- **No fuerce la herramienta eléctrica. Utilice la herramienta eléctrica adecuada para la tarea que vaya a realizar.** La herramienta correcta funcionará mejor y con más seguridad a la velocidad para la que ha sido diseñada.
- **No use la herramienta si el interruptor de alimentación no funciona.** Toda herramienta que no se puede controlar con el interruptor es peligrosa y debe repararse.
- **Desconecte el enchufe de la toma de corriente o quite la batería de la herramienta antes de realizar algún ajuste, cambiar accesorios o guardarla.** Estas medidas de seguridad reducen el riesgo de que la herramienta se ponga en marcha por accidente.
- **Guarde las herramientas eléctricas apagadas fuera del alcance de niños y no deje que las usen personas que no estén familiarizadas con estas instrucciones o con las herramientas.** Las herramientas eléctricas son peligrosas si las usan personas sin experiencia.
- **Cuide las herramientas eléctricas y sus accesorios. Examine las herramientas eléctricas por si alguno de sus elementos móviles está desalineado o trabado, o si hay piezas rotas u otra circunstancia que afecte a su funcionamiento. Si la herramienta eléctrica está dañada, llévela a reparar antes de usarla.** Muchos accidentes se deben a un mantenimiento deficiente de las herramientas eléctricas.
- **Mantenga las herramientas de corte afiladas y limpias.** Las herramientas de corte bien afiladas tienen menos probabilidades de atascarse y son más fáciles de controlar.
- **Use la herramienta eléctrica, los accesorios, las brocas, etc., siguiendo las instrucciones y teniendo en cuenta las condiciones de trabajo y la tarea a realizar.** El uso de la herramienta eléctrica para fines diferentes a los previstos puede provocar situaciones de peligro.
- **Mantenga las asas y la superficie de agarre secas, limpias y libres de aceite y grasa.** Si las asas y las superficies de agarre están resbaladizas no se puede manejar la herramienta de forma segura ni mantener el control en las situaciones inesperadas.

UTILIZACIÓN Y MANTENIMIENTO DE HERRAMIENTAS A BATERÍA

- **Recargue únicamente con el cargador especificado por el fabricante.** Un cargador que es adecuado para un tipo de batería puede ocasionar un incendio si es utilizado con otra batería.
- **Utilice herramientas eléctricas solamente con las baterías asignadas para las ellas.** El uso de otras baterías podría producir riesgo de lesiones físicas e incendio.
- **Cuando no se esté utilizando la batería, manténgala apartado de objetos metálicos como clips para papeles, monedas, llaves, clavos, tornillos, o cualquier otro objeto metálico pequeño que pudiera provocar un cortocircuito en sus terminales de corriente.** Un cortocircuito en los terminales de la batería podría provocar quemaduras o un incendio.
- **En condiciones de uso intensivo, es posible que se produzca una fuga de ácido de los acumuladores. Evite el contacto. Enjuague con agua si se produce un contacto accidental. Si el líquido entra en contacto con los ojos, solicite también atención médica.** El líquido que emana de la batería puede provocar irritaciones o quemaduras.
- **No utilice una batería o una herramienta que haya sido modificada o que esté dañada.** Las baterías dañadas o modificadas pueden tener un comportamiento impredecible y provocar un incendio, explosión o riesgo de lesiones.
- **No exponga la batería ni la herramienta al fuego ni a una temperatura excesiva.** La exposición al fuego o a una temperatura superior a 130 °C podría provocar una explosión.
- **Siga todas las instrucciones de carga y no cargue la batería ni la herramienta fuera del rango de temperatura especificado en las instrucciones.** Una carga incorrecta o a temperaturas fuera del rango especificado puede dañar la batería y aumentar el riesgo de incendio.

SERVICIO TÉCNICO

- **Las reparaciones de la herramienta eléctrica debe realizarlas un técnico cualificado, utilizando solo piezas de recambio idénticas.** Así se asegurará de que la herramienta eléctrica siga siendo segura.

- **No repare nunca baterías que estén dañadas.** Las baterías solo debe repararlas el fabricante o un centro de servicio técnico autorizado.

ADVERTENCIAS ESPECIALES DE SEGURIDAD PARA EL CORTABORDES DE HILO

- **No utilice la máquina cuando haga mal tiempo, especialmente si hay riesgo de relámpagos.** Así reducirá el riesgo de ser alcanzado por un rayo.
- **Inspeccione minuciosamente la zona en la que se va a utilizar la máquina, por si hubiese algún animal.** La fauna silvestre puede resultar herida por la máquina durante su funcionamiento.
- **Examine minuciosamente la zona donde vaya a utilizarse la herramienta y retire las piedras, ramas, cables, huesos o cualquier otro objeto extraño.** Los objetos arrojados pueden causar lesiones personales.
- **Antes de utilizar la máquina, inspeccione siempre visualmente que el elemento de corte o la cuchilla no estén dañados.** Las piezas dañadas aumentan el riesgo de lesiones.
- **Siga las instrucciones para cambiar accesorios.** Las tuercas o tornillos de fijación del elemento de corte mal apretados pueden dañar la cuchilla o provocar su desprendimiento.
- **Utilice protección para los ojos, los oídos, la cabeza y las manos.** Un equipo de protección adecuado reducirá las lesiones personales por los restos que salgan despedidos o por el contacto accidental con el hilo de corte o la cuchilla.
- **Cuando utilice la máquina, lleve siempre calzado antideslizante y de protección. No utilice la máquina cuando vaya descalzo o lleve puestas sandalias abiertas.** De este modo, se reduce la posibilidad de que los pies se lesionen al entrar en contacto con las cuchillas o hilos de corte en movimiento.
- **Cuando utilice la máquina, lleve siempre pantalones largos.** La piel expuesta aumenta la probabilidad de que se produzcan lesiones debido a objetos que salen despedidos.
- **Mantenga a otras personas apartadas de la zona cuando esté utilizando la máquina.** Los residuos que salgan despedidos podría provocar lesiones graves.
- **Utilice siempre las dos manos cuando maneje la máquina.** Sujetar la máquina con ambas manos evitará la pérdida de control.
- **Sujete la máquina únicamente por las superficies de agarre aisladas, ya que el hilo de corte o la cuchilla podrían entrar en contacto con cables ocultos.** El contacto del hilo de corte o las cuchillas con un cable bajo tensión podría hacer que las piezas metálicas expuestas de la máquina transmitan tensión y provoquen una descarga eléctrica al usuario.
- **Mantenga siempre una posición correcta y maneje la máquina solo cuando esté de pie en el suelo.** Las superficies resbaladizas o inestables pueden provocar una pérdida de equilibrio o de control de la máquina.
- **No utilice la máquina en pendientes excesivamente pronunciadas.** Con ello se reduce el riesgo de pérdida de control, resbalones y caídas que pueden provocar lesiones personales.
- **Cuando trabaje en pendientes, asegúrese siempre de apoyar bien los pies, trabaje siempre en sentido transversal, nunca hacia arriba o hacia abajo, y extreme las precauciones al cambiar de dirección.** Con ello se reduce el riesgo de pérdida de control, resbalones y caídas que pueden provocar lesiones personales.
- **Mantenga todas las partes del cuerpo alejadas del elemento de corte, el hilo o la cuchilla cuando la máquina esté en funcionamiento. Antes de poner en marcha la máquina, asegúrese de que el elemento de corte, el hilo o la cuchilla no estén en contacto con nada.** Un momento de descuido mientras se maneja la máquina puede provocar lesiones a usted o a otras personas.
- **No utilice la máquina por encima de la altura de la cintura.** Esto ayuda a evitar el contacto involuntario con el elemento de corte o la cuchilla y permite un mejor control de la máquina en situaciones inesperadas.
- **Cuando corte matorrales o arbustos que están bajo tensión, esté atento a los rebotes.** Cuando se libera la tensión de las fibras de madera, el matorral o arbusto pueden golpear al usuario y/o hacerle perder el control de la máquina.
- **Extreme las precauciones al cortar matorrales y arbustos.** El material fino puede quedar atrapado en la cuchilla y golpearle o hacerle perder el equilibrio.
- **Mantenga el control de la máquina y no toque los elementos de corte, hilos o cuchillas, ni otras partes móviles peligrosas mientras estén en movimiento.** Así se reduce el riesgo de lesiones por piezas móviles.
- **Cuando limpie el material atascado o realice el mantenimiento de la máquina, asegúrese de que el interruptor está apagado y de que se haya quitado la batería.** Un arranque inesperado de la máquina al quitar material atascado o realizar el mantenimiento puede provocar lesiones graves.

- **Lleve la máquina con el interruptor apagado y alejada de su cuerpo.** El manejo adecuado de la máquina reducirá la probabilidad de un contacto accidental con el elemento de corte, hilo o cuchilla en movimiento.
- **Utilice únicamente los elementos de corte, hilos, cabezales de corte y cuchillas de repuesto especificados por el fabricante.** Las piezas de repuesto incorrectas pueden aumentar el riesgo de rotura y lesiones.
- **Daños en el cortabordes** - Si golpea un objeto extraño con el cortabordes o si se enreda, pare la herramienta inmediatamente, compruebe si se ha dañado y, dado el caso, llévela a reparar antes de seguir usándola. No utilice la herramienta si su guarda de protección o carrete de hilo están dañados o rotos.
- **Si la herramienta empieza a vibrar de forma anómala, apague el motor e investigue inmediatamente la causa.** Las vibraciones suelen indicar alguna anomalía. Un cabezal suelto podría provocar vibraciones, agrietarse, romperse o salir despedido del cortabordes, pudiendo causar lesiones graves o incluso mortales. Asegúrese de que el accesorio de corte está correctamente sujeto en su sitio. Si el cabezal se suelta tras haberlo fijado en su sitio, sustitúyalo inmediatamente por otro nuevo. Nunca utilice un cortabordes con un accesorio de corte suelto.
- **Las herramientas que funcionan a batería no requieren enchufarse en una toma de corriente. Por lo tanto, siempre están listas para funcionar.** Sea consciente de los posibles peligros, incluso cuando la herramienta no está funcionando. Preste especial atención al efectuar reparaciones u operaciones de mantenimiento en la herramienta.
- **No limpie la herramienta utilizando una manguera. Evite que penetre agua en el motor y en las conexiones eléctricas.**
- **Si se produce alguna situación que no esté incluida en este manual, actúe con cuidado y sentido común. Póngase en contacto con el departamento de atención al cliente de EGO para solicitar ayuda.**
- **Utilizar solo con los acumuladores y cargadores enumerados en la fig. A.**

CONSERVE ESTAS INSTRUCCIONES EN UN LUGAR SEGURO!

ESPECIFICACIONES

Sistema de corte	Cabezal con extracción de hilo automática por impacto	
Diámetro del hilo de corte	Hilo retorcido de nailon de 2,4 mm	
Anchura de corte	40 cm	
Revoluciones del motor en vacío	4900/5800 min ⁻¹	
Peso (sin acumulador)	1,53 kg	
Temperatura de funcionamiento recomendada	0°C-40°C	
Temperatura de almacenamiento recomendada	-20°C-70°C	
Nivel de potencia acústica ponderado L _{WA}	95,72 dB(A) K=0,77 dB(A)	
Nivel de presión acústica medido a la altura del oído del usuario L _{PA}	81,6 dB(A) K=3 dB(A)	
Nivel de potencia acústica garantizado L _{WA} (medido según 2000/14/CE)	96 dB(A)	
Nivel de vibraciones (a _v)	Empuñadura auxiliar delantera	2,5 m/s ² K=1,5 m/s ²
	Empuñadura trasera	1,8 m/s ² K=1,5 m/s ²

- Los parámetros anteriores se han comprobado y medido equipando un conjunto de motor PH1420E.
- El nivel total de vibraciones especificado ha sido medido conforme al método de prueba estándar empleado en la industria y puede utilizarse para efectuar comparaciones entre herramientas.
- Asimismo, el nivel total de vibraciones declarado podrá utilizarse para efectuar una evaluación preliminar de la exposición del usuario a los niveles de vibración generados por la herramienta.

⚠ ADVERTENCIA: Las emisiones de vibración y ruido durante el uso real de la herramienta eléctrica pueden diferir de los valores declarados en función de las formas de uso de la herramienta, especialmente del tipo de pieza que se procese, y de la necesidad de identificar medidas de seguridad para proteger al usuario, que se basen en una estimación de la exposición en las condiciones reales de uso (teniendo en cuenta todas las partes del ciclo de uso, como los tiempos en los que la herramienta está parada y el funcionamiento en ralentí, además del tiempo de accionamiento).

LISTA DE CONTENIDO (FIG. A)

Consulte el hilo de corte recomendado en la página web egopowerplus.com, o en el catálogo de productos de EGO.

DESCRIPCIÓN

FAMILIARÍCESE CON SU CORTABORDES CON CABEZAL DE HILO (Fig. A)

1. Caperuza
2. Tubo del cortabordes con cabezal de hilo
3. Botón de carga de hilo
4. Hilo de corte
5. Cabezal del cortabordes (cabezal de impacto)
6. Lengüeta de liberación
7. Cuchilla de recorte del hilo
8. Protección
9. Llave hexagonal

⚠ ADVERTENCIA: Nunca utilice la herramienta sin la protección instalada y firmemente sujeta en su sitio. La protección deberá estar siempre instalada en la herramienta a fin de ofrecer protección al usuario.

CONJUNTO

⚠ ADVERTENCIA: Si alguna pieza falta o está rota, no utilice el producto hasta haber sustituido las piezas rotas o instalado las que faltan. Podrían producirse lesiones físicas graves en caso de utilizar el producto si alguna de sus piezas falta o está dañada.

⚠ ADVERTENCIA: No intente modificar esta herramienta en modo alguno ni fabricar accesorios no recomendados para su uso en este cortabordes con cabezal de hilo. Cualquier alteración o modificación se considerará uso indebido y podría provocar una situación peligrosa con riesgo de sufrir lesiones graves.

⚠ ADVERTENCIA: No conecte el conjunto de motor hasta después de haber finalizado el montaje. De lo contrario, podría producirse un arranque accidental y posibles lesiones graves.

MONTAJE DE LA GUARDA DE PROTECCIÓN

⚠ ADVERTENCIA: Utilice siempre guantes al instalar o sustituir la protección. Tenga cuidado con la cuchilla instalada en la protección y proteja sus manos para evitar cortarse con ella.

Afloje los dos tornillos de la base del tubo y quítelos (fig. C), alinee los orificios de montaje de la guarda de protección con los orificios de instalación y, a continuación, bloquee la guarda de protección sobre la base del tubo utilizando los dos tornillos, junto con dos arandelas elásticas (fig. D).

Asegúrese de que la guarda esté fijada tal como se muestra en las fig. C y D. i se fija de forma inversa provocará una situación de peligro grave.

CONEXIÓN DEL ACCESORIO DE CORTABORDES CON CABEZAL DE HILO AL CONJUNTO DE MOTOR

Este accesorio de cortabordes con cabezal de hilo está diseñado para su uso con el conjunto de motor EGO PH1420E.

Consulte el apartado «**INSTALACIÓN DE UN ACCESORIO EN EL CONJUNTO DE MOTOR**» en el manual del usuario del conjunto de motor PH1420E.

UTILIZACIÓN

⚠ ADVERTENCIA: No permita que la confianza que supone el hecho de estar familiarizado con el producto dé lugar a descuidos. Recuerde que cualquier distracción de una fracción de segundos es suficiente para sufrir o provocar lesiones graves.

⚠ ADVERTENCIA: Utilice siempre gafas de seguridad, así como protección auditiva. De lo contrario, los objetos despedidos por la acción de la herramienta podrían alcanzar sus ojos y provocar lesiones graves oculares o de otro tipo.

APLICACIONES

Este producto podrá utilizarse para los fines indicados a continuación:

- Recortar hierba y malas hierbas alrededor de porches, vallas y terrazas

AVISO: La herramienta debe utilizarse únicamente para el fin previsto. Cualquier otro uso se considerará uso indebido.

Antes de cada utilización, examine la herramienta por si hubiera piezas dañadas o desgastadas.

Examine el cabezal del cortabordes, la protección y empuñadura delantera. Sustituya cualquier pieza que esté agrietada, deformada, doblada o presente algún tipo de daño.

Con el tiempo, el filo de la cuchilla de recorte de hilo situada en la protección puede llegar a embotarse. Se recomienda afilarla con una lima a intervalos periódicos o sustituirla por otra nueva.

⚠ ADVERTENCIA: Utilice siempre guantes cuando instale o sustituya la protección, así como cuando afíle o cambie la cuchilla. Tenga en cuenta la situación de la cuchilla instalada en la protección y proteja adecuadamente sus manos para evitar lesionarse.

⚠ ADVERTENCIA: Para evitar lesiones graves, quite el acumulador del conjunto de motor antes de realizar cualquier reparación, limpieza, sustitución de accesorios, y cuando vaya a retirar material de la unidad.

UTILIZACIÓN DEL CORTABORDES CON EL CONJUNTO DE MOTOR

⚠ ADVERTENCIA: Utilice ropa adecuada cuando trabaje con esta herramienta, para reducir el riesgo de lesiones. No lleve puesta ropa holgada ni joyas. Utilice protección ocular y auditiva. Utilice pantalones largos, botas y guantes resistentes. No lleve pantalones cortos, sandalias, ni vaya descalzo.

⚠ ADVERTENCIA: Antes de cada uso, despeje la zona de trabajo. Asegúrese de retirar los objetos extraños como piedras, vidrios rotos, clavos, alambres, cables o cuerdas, ya que podrían salir despedidos o enredarse en el elemento de corte. Mantenga a niños, mascotas y otros espectadores apartados de la zona de trabajo. Mantenga a niños, mascotas, y otros espectadores a una distancia mínima de 15 m; existe riesgo de que salgan objetos despedidos. Se recomienda que cualquier persona presente en la zona de trabajo utilice protección ocular. Apague inmediatamente el motor o desactive el dispositivo de corte si cualquiera se le acerca.

Para un funcionamiento mejor y más seguro, póngase la correa bandolera cruzada desde el hombro. Ajuste la correa bandolera en una posición cómoda para utilizar la herramienta. Sujete el cortabordes con cabezal de hilo con una mano sobre la empuñadura trasera y la otra mano sobre la empuñadura delantera. Mantenga un agarre firme con las dos manos mientras utiliza la herramienta. El cortabordes con cabezal de hilo deberá sujetarse en una posición cómoda con la empuñadura trasera aproximadamente a la altura de la cadera. El cabezal del cortabordes debe estar paralelo al suelo, de forma que pueda entrar en contacto fácilmente con el material a cortar sin que el usuario tenga que inclinarse (fig. B).

⚠ ADVERTENCIA: La correa bandolera también es un mecanismo de liberación rápida si se produce una situación peligrosa. En caso de emergencia, quitesela del hombro inmediatamente, sin importar cómo esté colocada la correa.

Limpie el cortabordes después de cada uso.

Consulte en el apartado «MANTENIMIENTO» las instrucciones de limpieza.

PARA PONER EN MARCHA/PARAR LA HERRAMIENTA

Consulte el apartado «PUESTA EN MARCHA/PARADA DEL CONJUNTO DE MOTOR» del manual del usuario del conjunto de motor PH1420E.

CÓMO AJUSTAR LA LONGITUD DEL HILO DE CORTE

El cabezal del cortabordes permite al usuario ir extrayendo más hilo de corte del carrete sin tener que detener el motor. A medida que el hilo se deshilacha o se desgasta, se puede extraer hilo adicional golpeando levemente el cabezal del cortabordes sobre el suelo mientras se utiliza el cortabordes (fig. E).

AVISO: La extracción del hilo de corte se hará más difícil a medida que se hace más corto o va quedando menos cantidad en el carrete.

⚠ ADVERTENCIA: No retire ni modifique el conjunto de la cuchilla de corte del hilo. Una longitud excesiva de hilo de corte hará que el motor se sobrecaliente y podría dar lugar a lesiones físicas graves.

SUSTITUCIÓN DEL HILO DE CORTE

AVISO: Utilice siempre el hilo de corte de nailon recomendado, con un diámetro no superior a 2,4 mm. Si se utiliza otro hilo de corte distinto al especificado, el cortabordes de hilo podría calentarse excesivamente y sufrir daños.

⚠ ADVERTENCIA: No utilice nunca hilo con refuerzo de metal, alambre, cuerda, etc. Podrían romperse y sus trozos convertirse en proyectiles peligrosos.

El cortabordes de hilo está equipado con un avanzado sistema **POWERLOAD™**. El hilo de corte se puede enrollar en la bobina con solo pulsar un botón. La carga de un carrete completo generalmente se puede realizar en 12 segundos. **Evite el uso repetido del sistema de bobinado en rápida sucesión, para reducir la posibilidad de que se dañe el motor.**

AVISO: El sistema **POWERLOAD™** solo está disponible cuando el accesorio está conectado al conjunto de motor PH1420E y la batería está instalada.

1. Quite la batería.
2. Corte 4 m de hilo de corte. Introduzca el hilo en el ojal (fig. F). Empuje y tire del hilo desde el otro lado, hasta que aparezca la misma cantidad de hilo por ambos lados del cabezal del cortabordes.

AVISO: Si el hilo no puede introducirse en el ojal cuando la cubierta inferior está atascada, instale la batería en el conjunto de motor y, a continuación, pulse brevemente el botón de carga del hilo para restablecer la cubierta inferior.

- Quite la batería si se ha instalado en el conjunto de moto, siguiendo las indicaciones del AVISO después del paso 2. A continuación, siga los pasos especificados en el paso 2 para volver a insertar y alinear el hilo de corte.
- Instale la batería en el conjunto de motor.
- Mantenga pulsado el botón de carga del hilo para enrollar el hilo en el cabezal de corte de forma continua, hasta que aparezcan aproximadamente 15 cm del hilo en cada lado. (Fig. G).
- Empuje hacia abajo el cabezal del cortabordes mientras tira de los hilos para hacer que el hilo avance manualmente y para comprobar el montaje correcto del hilo de corte.

AVISO: En caso de que el hilo se introduzca accidentalmente en el cabezal del cortabordes, abra el cabezal y saque el hilo de corte de la bobina. Siga el apartado «RECARGAR EL HILO DE CORTE» en este manual para recargar el hilo.

RECARGAR EL HILO DE CORTE

Si el hilo de corte se rompe en el ojal o si no se libera hilo de corte cuando se golpea el cabezal del cortabordes, deberá quitar el hilo de corte restante del cabezal del cortabordes y realizar los pasos siguientes para recargar el hilo.

- Quite la batería.
- Presione las lengüetas de liberación situadas en el cabezal del cortabordes y retire el conjunto de la cubierta inferior del cabezal del cortabordes tirando de él hacia fuera (fig. H).
- Quite el hilo de corte del cabezal del cortabordes.
- Saque el resorte del conjunto de la bobina en caso necesario. Guárdelo para volver a instalarlo después.
- Inserte el resorte en la ranura en el conjunto de la cubierta inferior (fig. I).
- Sujetando el cortabordes con una mano, use la otra mano para agarrar el conjunto de la cubierta inferior y alinear las ranuras en el conjunto de la cubierta inferior con las lengüetas de liberación (figura J). Presione el conjunto de la cubierta inferior hasta que enganche en su lugar y se oiga un «click» (fig. K).
- Siga las instrucciones del apartado «SUSTITUCIÓN DEL HILO DE CORTE» para volver a cargar el hilo de corte.

SUSTITUCIÓN DEL CABEZAL DEL CORTABORDES

⚠ ADVERTENCIA: Si el cabezal se suelta tras haberlo fijado en su sitio, sustitúyalo inmediatamente.

Nunca utilice un cortabordes con un accesorio de corte suelto. Sustituya inmediatamente cualquier cabezal de corte que esté agrietado, dañado o desgastado, incluso si el daño observado se limita a grietas superficiales. Un elemento de corte en esas condiciones podría romperse en pedazos al funcionar a altas revoluciones y provocar lesiones graves.

Familiarícese con el cabezal del cortabordes (fig. L).

Fig. L, ver abajo la descripción de las piezas:

L-1	Tubo	L-6	Arandela
L-2	Casquillo (2)	L-7	Tuerca
L-3	Cubierta superior	L-8	Resorte
L-4	Anillo de seguridad	L-9	Hilo de corte
L-5	Cartucho del carrete	L-10	Conjunto de la cubierta inferior

Quitar el cabezal del cortabordes

- Quite la batería.
- Presione las lengüetas de liberación situadas en el cabezal del cortabordes y retire el conjunto de la cubierta inferior del cabezal del cortabordes tirando de él hacia fuera.
- Quite el hilo de corte del cabezal del cortabordes.
- Saque el resorte del conjunto de la bobina en caso necesario. Guárdelo para volver a instalarlo después.
- Utilice guantes. Sujete con una mano el conjunto de la bobina para estabilizarlo y, con la otra mano, sujete una llave de impacto de 13 mm (no incluida) para aflojar la tuerca en sentido HORARIO (fig. M).
- Quite la tuerca, la arandela y el cartucho del carrete del eje del motor (fig. L).
- Use alicates especiales (no incluidos) para quitar el anillo de seguridad. Quite la cubierta superior y los dos casquillos del eje del motor (fig. L).
- Sustitúyalo por un nuevo cabezal del cortabordes y móntelo en los pasos siguientes.

Instale el nuevo cabezal del cortabordes

- Monte los dos casquillos en el eje del motor.
- Alinee la ranura plana de la cubierta superior con la parte plana del eje del motor, y monte la cubierta superior en su lugar (fig. N).

Fig. N, ver abajo la descripción de las piezas

N-1	Parte plana	N-2	Ranura plana
-----	-------------	-----	--------------

ES

- Monte el anillo de seguridad, el cartucho del carrete y la arandela en ese orden (fig. L). Utilice una llave de impacto en la tuerca para apretarla en sentido ANTIHORARIO.
- Siga los pasos 4 y 5 del apartado «RECARGAR EL HILO DE CORTE» en este manual para montar el conjunto de la cubierta inferior.
- Siga las instrucciones del apartado «SUSTITUCIÓN DEL HILO DE CORTE» en este manual para volver a cargar el hilo de corte.
- Ponga en marcha la herramienta para comprobar si el cortabordes con cabezal de hilo funciona normalmente. De lo contrario, vuelva a montarlo como se ha descrito arriba.

MANTENIMIENTO

⚠ ADVERTENCIA: Antes de inspeccionar, limpiar o reparar la unidad, apague el motor, espere a que se detengan todas las partes móviles y retire el acumulador. El incumplimiento de estas instrucciones podría tener como resultado lesiones personales graves o daños materiales.

⚠ ADVERTENCIA: Cuando efectúe reparaciones en la herramienta, utilice únicamente piezas idénticas a las originales. La utilización de piezas diferentes o no homologadas puede suponer un peligro o causar daños en el producto. Para garantizar la seguridad y fiabilidad del producto, todas las reparaciones que no se enumeran en estas instrucciones de mantenimiento deberá realizarlas un técnico cualificado.

MANTENIMIENTO GENERAL

Evite utilizar disolventes para limpiar los elementos plásticos del producto. La mayoría de las piezas de plástico utilizadas son susceptibles de sufrir daños si se limpian con algunos de los tipos de disolventes disponibles en el mercado. Utilice paños limpios para eliminar la suciedad y los residuos de polvo, aceite, grasa, etc.

LIMPIEZA DE LA UNIDAD

- Limpié toda la hierba que se pueda haber enrollado alrededor del eje del motor o del cabezal del cortabordes.
- Utilice un cepillo pequeño o una aspiradora para limpiar los orificios de ventilación de la carcasa trasera.
- Limpié la herramienta utilizando un paño húmedo y detergente suave.

- No utilice detergentes fuertes en la carcasa de plástico o empuñadura. Algunos aceites aromáticos, como aquellos a base de limón o pino, y disolventes como el queroseno, podrían dañar estas piezas. La humedad también puede provocar descargas eléctricas. Utilice un paño suave y seco para eliminar cualquier resto de humedad.

LUBRICACIÓN DE LOS ENGRANAJES DE TRANSMISIÓN

Los engranajes de transmisión de la caja de engranajes deberán lubricarse periódicamente con grasa para engranajes. Compruebe el nivel de grasa de la caja de engranajes aproximadamente cada 50 horas de uso retirando el tornillo de sellado del lateral de la caja.

Si no se ve grasa en los flancos de los engranajes, siga los pasos que se indican a continuación para rellenar con grasa para engranajes hasta 3/4 de la capacidad.

No rellene por completo los engranajes de transmisión con grasa.

- Sujete el cortabordes por un lado, de modo que el tornillo de sellado esté hacia arriba.
- Emplee la llave multifunción suministrada para aflojar y retirar el tornillo de sellado.
- Utilice una jeringa de grasa (no incluida) para inyectar la grasa en el orificio del tornillo; no sobrepase 3/4 de la capacidad.
- Apriete el tornillo de sellado tras la inyección.

ALMACENAMIENTO DE LA HERRAMIENTA

- Quite el acumulador del conjunto de motor.
- Limpié minuciosamente la herramienta antes de proceder a su almacenamiento.
- Si el accesorio cortabordes se quita del conjunto de motor y se guarda por separado: acople el tapón sobre el eje del accesorio para evitar que entre suciedad en el acoplador.
- Almacene la herramienta en un lugar seco y bien ventilado, ya sea cerrado o a una altura suficiente que impida que niños puedan alcanzarla. No la guarde encima ni cerca de fertilizantes, gasolina u otros productos químicos.

AFILAR LA CUCHILLA DE RECORTE DEL HILO

⚠ ADVERTENCIA: Proteja siempre sus manos utilizando guantes gruesos cuando realice el mantenimiento de la cuchilla de recorte del hilo.

1. Quite la batería.
2. Quite de la protección la cuchilla de corte del hilo.
3. Sujete la cuchilla en un tornillo de banco.
4. Use guantes adecuados y protección ocular. Tenga cuidado de no cortarse.
5. Lime con cuidado los filos de la cuchilla utilizando una lima de dientes finos o piedra de afilar y procurando mantener el ángulo original del filo.
6. Vuelva a colocar la cuchilla en la protección y sujétela en su lugar con los dos tornillos.

Protección del medio ambiente



¡No elimine aparatos eléctricos, cargadores de baterías, pilas o baterías recargables junto con los desperdicios domésticos!

Lleve este producto a un punto de reciclaje autorizado y deposítelo por separado según corresponda. Las herramientas eléctricas se deben llevar a un punto de reciclaje con el fin de proteger el medio ambiente.

Si los aparatos eléctricos acabaran tirándose a vertederos o basureros, podrían desprender sustancias perjudiciales que llegarían a contaminar las capas freáticas y entrar en la cadena alimenticia, con el consecuente peligro para la salud y calidad de vida humana.

ES

RESOLUCIÓN DE PROBLEMAS

ES

PROBLEMA	CAUSA	SOLUCIÓN
El cortabordes con cabezal de hilo no se pone en marcha	<ul style="list-style-type: none"> ■ El acumulador no está acoplado al conjunto de motor. ■ No hay contacto eléctrico entre el conjunto de motor y el acumulador. ■ La carga de la batería está agotada. ■ No ha presionado simultáneamente la palanca de desbloqueo y el gatillo interruptor. 	<ul style="list-style-type: none"> ■ Instale el acumulador en el conjunto de motor. ■ Retire la batería, compruebe los contactos eléctricos y vuelva a instalar el acumulador de modo que encaje en su sitio. ■ Cargue el acumulador con los cargadores EGO indicados en este manual. ■ Mantenga presionada hacia abajo la palanca de desbloqueo y apriete el gatillo interruptor para poner en marcha su cortabordes.
El cortabordes con cabezal de hilo deja de funcionar durante su uso.	<ul style="list-style-type: none"> ■ La guarda de protección no está instalada en el cortabordes, haciendo que el hilo de corte quede extraído a una longitud excesiva y el motor se sobrecargue. ■ Se está utilizando un hilo de corte demasiado grueso. ■ Hay una acumulación excesiva de hierba en el eje del motor o cabezal del cortabordes. ■ El motor se ha sobrecargado ■ El acumulador o el circuito del cortabordes se han sobrecalentado. ■ El acumulador se ha desconectado de la herramienta. ■ El acumulador está agotado. 	<ul style="list-style-type: none"> ■ Retire el acumulador e instale la guarda de protección en el cortabordes. ■ Utilice hilo de corte de nailon RECOMENDADO, con un diámetro no superior a 2,4 mm. ■ Apague el cortabordes, retire el acumulador y, a continuación, elimine cualquier acumulación de hierba presente en el eje del motor o cabezal del cortabordes. ■ Aparte el cabezal del cortabordes de la hierba. El motor se recuperará y volverá a funcionar normalmente tan pronto como se haya aliviado la carga. Al cortar la hierba, desplace el cabezal del cortabordes por esta siguiendo un movimiento de vaivén y procurando cortar una longitud máxima de 20 cm en cada pasada. ■ Espere a que el acumulador o el cortabordes se hayan enfriado lo suficiente hasta que su temperatura sea inferior a 67°C . ■ Vuelva a instalar en su sitio el acumulador. ■ Cargue el acumulador con los cargadores EGO indicados en este manual.

PROBLEMA	CAUSA	SOLUCIÓN
El hilo de corte no se extrae automáticamente del cabezal del cortabordes.	<ul style="list-style-type: none"> ■ Hay una acumulación excesiva de hierba en el eje del motor o cabezal del cortabordes. ■ No queda suficiente longitud del hilo de corte en el carrete. ■ El cabezal del cortabordes está sucio. ■ El hilo está enredado en el cartucho del carrete. ■ El hilo de corte es demasiado corto. 	<ul style="list-style-type: none"> ■ Apague el cortabordes, retire el acumulador y, a continuación, elimine cualquier acumulación de hierba presente en el eje del motor o cabezal del cortabordes. ■ Quite la batería y sustituya el hilo de corte. Consulte el apartado «CAMBIAR EL HILO DE CORTE» en este manual. ■ Retire el acumulador y limpie el carrete, su cartucho y la base. ■ Quite la batería, retire el hilo del carrete y vuelva a enrollarlo. Consulte el apartado «CAMBIAR EL HILO DE CORTE» en este manual. ■ Retire el acumulador y tire de los extremos del hilo de corte mientras presiona y suelta reiteradamente el botón de extracción del hilo de corte.
La hierba se enreda alrededor del cabezal y de la carcasa del motor.	<ul style="list-style-type: none"> ■ Está cortando a nivel del suelo hierba que está demasiado alta. 	<ul style="list-style-type: none"> ■ Corte la hierba alta de arriba hacia abajo, cortando un máximo de 20 cm en cada pasada para evitar que se enrede.
La cuchilla no corta el hilo.	<ul style="list-style-type: none"> ■ El filo de la cuchilla de recorte de hilo situada en la guarda de protección está embotado. 	<ul style="list-style-type: none"> ■ Afile la cuchilla de recorte del hilo utilizando una lima, o bien sustitúyala por una cuchilla nueva.
Grietas en el cabezal del cortabordes o el cartucho del carrete se suelta de la base de carrete.	<ul style="list-style-type: none"> ■ El cabezal del cortabordes está desgastado. ■ La tuerca que bloquea el cabezal del cortabordes está suelta. 	<ul style="list-style-type: none"> ■ Sustituya inmediatamente el cabezal del cortabordes; consulte el apartado «SUSTITUCIÓN DEL CABEZAL DEL CORTABORDES» de este manual. ■ Abra el cabezal del cortabordes y utilice una llave de impacto para apretar la tuerca.
Al cambiar el hilo, no se puede cargar correctamente el hilo en el cabezal del cortabordes.	<ul style="list-style-type: none"> ■ Las líneas "LOAD" del cartucho del carrete no están alineadas con las anillas de la base del carrete. ■ Las líneas "LOAD" del cartucho del carrete no están alineadas con las anillas de la base del carrete. 	<ul style="list-style-type: none"> ■ Las líneas "LOAD" del cartucho del carrete no están alineadas con las anillas de la base del carrete. ■ Gire el cartucho del carrete en la dirección de la flecha para alinear las líneas "LOAD" del cartucho del carrete con las anillas de la base del carrete).

GARANTÍA

POLITICA DE GARANTÍA EGO

Por favor visite nuestra página web egopowerplus.com para los terminos y las condiciones completas de la política de garantía EGO.

LEIA TODAS AS INSTRUÇÕES!



LEIA O MANUAL DO UTILIZADOR

PT

⚠ Risco residual! As pessoas com dispositivos eletrônicos, como pacemakers, deverão consultar o seu médico antes de utilizarem este produto. A utilização de equipamento elétrico perto de um pacemaker pode causar interferências ou falhas no pacemaker.

⚠ AVISO: Para assegurar a segurança e bom funcionamento, todas as reparações e substituições deverão ser efetuadas por um técnico de reparação qualificado.

SÍMBOLOS DE SEGURANÇA

O objetivo dos símbolos de segurança é chamar a atenção para possíveis perigos. Os símbolos de segurança e as respetivas explicações apresentadas requerem a sua atenção e compreensão. Os avisos de segurança, só por si, não eliminam o perigo. As instruções e avisos dados não são substitutos para medidas de prevenção adequadas a acidentes.

⚠ AVISO: Certifique-se de que lê e compreende todos os avisos de segurança neste manual do utilizador, incluindo todos os símbolos de alerta de segurança, como “PERIGO”, “AVISO” e “CUIDADO” antes de usar esta ferramenta. Não seguir todas as instruções apresentadas abaixo pode resultar em choque elétrico, incêndio e/ou lesões graves.

SIGNIFICADO DOS SÍMBOLOS

⚠ SÍMBOLO DE ALERTA DE SEGURANÇA: Indica PERIGO, AVISO ou CUIDADO e pode ser usado juntamente com outros símbolos ou imagens.

INSTRUÇÕES DE SEGURANÇA

Esta página retrata e descreve os símbolos de segurança que podem aparecer neste produto. Leia, compreenda e siga todas as instruções na máquina antes de tentar montar e utilizar.

	Alerta de segurança	Indica um potencial perigo de lesões pessoais.
	Leia o manual do utilizador	Para reduzir o risco de lesões, o utilizador tem de ler e compreender o manual do utilizador antes de usar este produto.

	Use proteções oculares, auditivas e para a cabeça.	Use sempre proteções oculares, auditivas e para a cabeça.
	Largura de corte	A largura máx. de corte da roçadora
	Diâmetro do fio	O diâmetro do fio de corte de nylon
	Não use lâminas de metal.	Alerta o utilizador para não usar lâminas de metal
	Mantenha terceiros afastados	Objetos podem ressaltar e causar lesões pessoais ou danos materiais. Certifique-se de que outras pessoas e animais permanecem afastados da roçadeira durante a utilização.
	A distância entre a máquina e terceiros deve ser de, pelo menos, 15 m.	Certifique-se de que outras pessoas e animais permanecem a, pelo menos, 15 m da roçadora de fio durante a utilização.
IPX4	Símbolo IP	Proteção contra a entrada de água de grau 4.
	CE	Este produto encontra-se em conformidade com as diretivas CE aplicáveis.
	UKCA	Este produto está em conformidade com a legislação aplicável do Reino Unido.
	REEE	Os produtos elétricos residuais não deverão ser eliminados juntamente com o lixo doméstico comum. Entregue-os num centro de reciclagem autorizado.
	Barulho	Nível de potência do som garantido. Emissão de ruído para o ambiente de acordo com a diretiva da Comunidade Europeia.
V	Volts	Tensão
mm	Milímetro	Comprimento ou tamanho
cm	Centímetro	Comprimento ou tamanho
kg	Quilograma	Peso

AVISOS DE SEGURANÇA GERAIS DA FERRAMENTA ELÉTRICA

⚠ AVISO: Leia todos os avisos de segurança, instruções, ilustrações e especificações fornecidas com esta ferramenta elétrica. Não seguir todas as instruções apresentadas abaixo pode resultar em choque elétrico, incêndio e/ou lesões graves.

Guarde todos os avisos e instruções para futuras referências.

O termo "ferramenta elétrica" nos avisos refere-se às suas ferramentas elétricas ligadas à corrente elétrica (com fios) ou ferramentas elétricas que funcionam com bateria (sem fios).

SEGURANÇA NA ÁREA DE TRABALHO

- **Mantenha a área de trabalho limpa e bem iluminada.** Áreas desarrumadas ou escuras são propícias a acidentes.
- **Não ligue ferramentas elétricas em atmosferas explosivas, tal como na presença de líquidos inflamáveis, gases ou pó.** As ferramentas elétricas geram faíscas que podem provocar a ignição dos fumos ou pó.
- **Mantenha crianças e terceiros afastados durante a utilização de uma ferramenta elétrica.** As distrações podem fazer com que perca o controlo.

SEGURANÇA ELÉTRICA

- **As fichas da ferramenta elétrica têm de corresponder à tomada. Nunca modifique uma ficha de forma alguma. Não utilize adaptadores de ficha com ferramentas elétricas com ligação à terra.** Fichas não modificadas e tomadas correspondentes reduzirão o risco de choque elétrico.
- **Evite o contacto corporal com superfícies com ligação à terra, tais como tubos, radiadores, faixas e frigoríficos.** Existe um risco acrescido de choque elétrico se o seu corpo estiver ligado à terra.
- **Não utilize a máquina à chuva ou em condições húmidas.** A entrada de água na máquina pode aumentar o risco de choque elétrico ou mau funcionamento que pode dar origem a ferimentos.
- **Não force o fio da alimentação. Nunca utilize o fio para transportar, puxar ou desligar a ferramenta elétrica. Mantenha o fio afastado do calor, óleo, arestas afiadas ou peças móveis.** Fios danificados ou presos aumentam o risco de choque elétrico.
- **Quando estiver a trabalhar com uma ferramenta elétrica ao ar livre, utilize uma extensão adequada para a utilização no exterior.** A utilização de um fio adequado ao exterior reduz o risco de choque elétrico.
- **Se for inevitável trabalhar com uma ferramenta elétrica num local húmido, use uma alimentação protegida por um dispositivo de corrente residual (DCR).** A utilização de um DCR reduz o risco de choque elétrico.

SEGURANÇA PESSOAL

- **Mantenha-se alerta, observe o que está a fazer e use senso comum quando estiver a trabalhar com uma ferramenta elétrica. Não utilize uma ferramenta elétrica enquanto estiver cansado ou sob o efeito de drogas, álcool ou medicação.** Um momento de falta de atenção enquanto trabalha com ferramentas elétricas pode resultar em lesões pessoais graves.
- **Use equipamento pessoal de proteção. Utilize sempre proteção ocular.** O equipamento de segurança, tal como máscara de pó, calçado de segurança antiderrapante, capacete de segurança, ou proteção para os ouvidos, utilizado nas condições adequadas, reduzirá a hipótese de lesões.
- **Evite os arranques sem intenção. Certifique-se de que o interruptor se encontra na posição de desligado antes de ligar à alimentação e/ou bateria e antes de pegar ou transportar a ferramenta.** Transportar ferramentas elétricas com o seu dedo no interruptor ou fornecer energia a ferramentas elétricas que tenham o interruptor na posição de ligado convida a acidentes.
- **Retire qualquer chave de ajuste ou chave de fendas antes de ligar a ferramenta elétrica.** Uma chave de porcas ou uma chave deixada ligada a uma peça rotativa da ferramenta elétrica pode provocar uma lesão.
- **Não cometa excessos. Mantenha sempre a base e o equilíbrio adequados.** Isto permite um melhor controlo da ferramenta elétrica em situações inesperadas.
- **Vista-se adequadamente. Não utilize roupa larga ou jóias. Mantenha o seu cabelo, roupa e luvas afastadas das peças móveis.** Roupas largas, jóias ou cabelo comprido podem ser apanhados pelas peças em movimento.
- **Se forem fornecidos dispositivos para a ligação de extração de pó e facilidades de recolha, certifique-se de que estes estão ligados e de que são devidamente utilizados.** A utilização de dispositivos de recolha de pó pode reduzir os perigos relacionados com o pó.
- **Não permita que a familiaridade ganhe com a utilização de ferramentas o torne mais complacente e ignore os princípios de segurança da ferramenta.** Uma ação descuidada pode causar lesões severas numa fração de segundo.

UTILIZAÇÃO E CUIDADOS DA FERRAMENTA ELÉTRICA

- **Não force a ferramenta elétrica.** Utilize a ferramenta elétrica correta para a sua aplicação. A ferramenta elétrica correta fará o trabalho melhor e de forma mais segura ao ritmo para o qual foi concebida.
- **Não utilize a ferramenta elétrica se o interruptor não a ligar ou desligar.** Qualquer ferramenta que não possa ser controlada com o interruptor é perigosa e deve ser reparada.
- **Desligue a ficha da fonte de alimentação e/ou o conjunto de baterias da ferramenta elétrica antes de proceder a ajustes, trocar acessórios ou armazenar ferramentas elétricas.** Tais medidas de segurança preventiva ajudam a reduzir os riscos de ligar inadvertidamente a ferramenta elétrica.
- **Guarde as ferramentas elétricas não utilizadas fora do alcance das crianças e não permita que pessoas não familiarizadas com a ferramenta elétrica ou com estas instruções utilizem a ferramenta elétrica.** As ferramentas elétricas são perigosas nas mãos de utilizadores sem formação.
- **Proceda à manutenção das ferramentas elétricas e acessórios. Certifique-se de que as partes móveis não estão desalinhas ou bloqueadas, que não há peças quebradas ou qualquer outra condição que possa afetar o funcionamento da ferramenta elétrica. Se estiver danificada, leve a ferramenta elétrica para ser reparada antes da utilização.** Muitos acidentes são provocados pela fraca manutenção das ferramentas elétricas.
- **Mantenha as ferramentas de corte afiadas e limpas.** Ferramentas devidamente mantidas com arestas de corte afiadas são menos fáceis de prender e mais fáceis de controlar.
- **Use a ferramenta elétrica, acessórios e brocas, etc., de acordo com estas instruções, tendo em conta as condições de trabalho e o trabalho a ser efetuado.** A utilização da ferramenta elétrica para operações diferentes daquelas para que foi criada pode dar origem a uma situação perigosa.
- **Mantenha as pegas e superfícies de segurar secas, limpas e sem óleo ou gordura.** Pegas e superfícies de segurar escorregadias não permitem o manuseamento seguro nem o controlo da ferramenta em situações inesperadas.

UTILIZAÇÃO E CUIDADOS DA FERRAMENTA COM A BATERIA

- **Recarregue apenas com o carregador especificado pelo fabricante.** Um carregador que seja adequado a um tipo de bateria pode criar um risco de incêndio quando usado com outra bateria.
- **Use ferramentas elétricas apenas com as baterias especificamente designadas.** A utilização de outras baterias pode criar um risco de lesão e incêndio.
- **Quando não usar a bateria, mantenha-a afastada de outros objetos de metais, como clipes de papel, moedas, chaves, pregos, parafusos ou outros pequenos objetos de metal que possam fazer a ligação entre os dois terminais.** Colocar os terminais da bateria em curto-circuito pode dar origem a queimaduras ou fogo.
- **Sob condições abusivas, pode ser ejetado líquido da bateria; evite o contacto. Se ocorrer contacto acidentalmente, lave com água corrente. Se o líquido entrar em contacto com os olhos, procure ajuda médica.** O líquido ejetado da bateria pode provocar irritação ou queimaduras.
- **Não use a bateria nem a ferramenta se estiverem danificadas ou modificadas.** Baterias danificadas ou modificadas podem apresentar comportamentos imprevisíveis, dando origem a fogo, explosão ou risco de lesões.
- **Não exponha a bateria ou a ferramenta ao fogo ou temperatura excessiva.** A exposição ao fogo ou a temperaturas acima dos 130 °C pode causar uma explosão.
- **Siga todas as instruções de carregamento e não carregue a bateria nem a ferramenta a uma temperatura fora dos parâmetros especificados nas instruções.** Carregar incorretamente ou a temperaturas fora dos parâmetros especificados pode danificar a bateria e aumentar o risco de fogo.

REPARAÇÃO

- **A manutenção da sua ferramenta elétrica deverá ser sempre efetuada por pessoas qualificadas, utilizando apenas peças sobresselentes idênticas.** Tal irá assegurar que a segurança da ferramenta elétrica é mantida.
- **Nunca tente reparar uma bateria danificada.** A reparação das baterias só deverá ser efetuada pelo fabricante ou por um reparador autorizado.

AVISOS ESPECIAIS DE SEGURANÇA DA ROÇADORA DE FIO

- **Não use a máquina com más condições atmosféricas, especialmente quando existir o risco de trovoada.** Isto diminui o risco de ser atingido por um relâmpago.
- **Inspeccione cuidadosamente a área onde a máquina vai ser usada.** Durante o funcionamento, a máquina pode dar origem a ferimentos em animais.
- **Inspeccione cuidadosamente a área onde vai utilizar a máquina e retire quaisquer pedras, paus, ossos e outros objetos estranhos.** Os objetos atirados podem causar ferimentos.
- **Antes de usar a máquina, inspeccione sempre visualmente se o cortador ou lâmina e respetivo conjunto não estão danificados.** Peças danificadas aumentam o risco de ferimentos.
- **Siga as instruções quanto à mudança de acessórios.** Porcas ou parafusos de fixação do cortador indevidamente apertados podem danificar a lâmina ou fazer com que esta se liberte.
- **Use proteção ocular, auditiva, para a cabeça e para as mãos.** Equipamento de proteção adequado reduz a possibilidade de ferimentos devido a lixo a voar ou contacto accidental com o fio de corte ou lâmina.
- **Enquanto usa a máquina, utilize sempre calçado de proteção antiderrapante. Não utilize a máquina descalço ou de sandálias.** Isto reduz a possibilidade de ferimentos nos pés devido ao contacto do cortador ou fio de corte em movimento.
- **Enquanto utiliza a máquina, use sempre calças compridas.** A pele exposta aumenta a probabilidade de ferimentos devido a objetos atirados.
- **Mantenha outras pessoas afastadas enquanto trabalhar com a máquina.** Os detritos que ressaltam podem dar origem a ferimentos sérios.
- **Use sempre as duas mãos para utilizar a máquina.** Segure a máquina com ambas as mãos para evitar a perda de controlo.
- **Segure a máquina apenas através das pegas isoladas, pois a lâmina de corte pode entrar em contacto com fios escondidos.** O contacto do fio ou das lâminas de corte com um fio “vivo” fará com que as peças de metal expostas do produto deem um choque elétrico ao operador.
- **Mantenha sempre os pés numa base estável e nunca utilize a máquina em cima de algum suporte.** Superfícies escorregadias ou instáveis podem causar a perda de equilíbrio ou controlo da máquina.
- **Não utilize a máquina em encostas excessivamente inclinadas.** Isto reduz o risco de perda de controlo, escorregar e cair, o que poderia dar origem a ferimentos.
- **Quando trabalhar em encostas, certifique-se de que está sempre estável, trabalhe sempre perpendicularmente em encostas, nunca para cima ou para baixo, e tenha muito cuidado quando mudar de direção.** Isto reduz o risco de perda de controlo, escorregar e cair, o que poderia dar origem a ferimentos.
- **Mantenha todas as partes do seu corpo afastadas do fio de corte ou da lâmina quando a máquina estiver a funcionar. Antes de ligar a máquina, certifique-se que o fio de corte ou a lâmina não está em contacto com nada.** Um momento de falta de atenção enquanto trabalha com a máquina pode dar origem a ferimentos a si ou a outras pessoas.
- **Não use a máquina acima da altura da cintura.** Isto ajuda a evitar o contacto sem intenção do cortador ou da lâmina, e permite um melhor controlo da máquina em situações inesperadas.
- **Quando cortar um arbusto ou árvores pequenas que estejam sob tensão, tenha cuidado com ressaltos.** Quando a tensão das fibras da madeira for libertada, o arbusto ou árvore pequena pode bater no operador e/ou fazer com que perca o controlo da máquina.
- **Tenha muito cuidado quando cortar arbustos e árvores pequenas.** O material esguio pode ficar preso na lâmina e ser projetado na sua direção ou afetar o seu equilíbrio.
- **Mantenha o controlo da máquina e não toque nos cortadores, fios ou lâminas nem noutras peças móveis perigosas enquanto elas estiverem em movimento.** Isto reduz o risco de ferimentos devido às peças móveis.
- **Quando libertar materiais obstruídos ou efetuar afinações na máquina, certifique-se de que todos os interruptores da alimentação estão desligados e que a bateria é retirada ou desligada.** Um arranque inesperado da máquina enquanto liberta material obstruído ou durante a afinação pode dar origem a ferimentos pessoais sérios.
- **Transporte a máquina desligada e afastada do corpo.** O manuseamento adequado da máquina reduz a probabilidade de contacto accidental com um cortador, fio ou lâmina em movimento.
- **Use apenas fios de corte, cabeças de corte e lâminas especificadas pelo fabricante.** Peças de substituição incorretas podem dar origem a quebras e ferimentos.

- **Danos na roçadora:** Se bater num objeto estranho com a roçadora ou se esta ficar emaranhada, pare imediatamente a ferramenta, retire a bateria, verifique se existem danos e leve o aparelho para ser reparado antes de tentar voltar a utilizá-lo. Não utilize com uma proteção ou bobinas partidas.
- **Se a máquina começar a vibrar anormalmente, desligue o motor e verifique imediatamente as causas.** A vibração é habitualmente um aviso de problemas. Uma cabeça solta pode vibrar, rachar, partir ou soltar-se da roçadora, o que pode dar origem a ferimentos sérios ou fatais. Certifique-se de que o acessório de corte está devidamente fixado na respetiva posição. Se a cabeça se soltar após fixá-la, substitua-a imediatamente. Nunca use uma roçadora com um acessório de corte solto.
- **As ferramentas que funcionam a bateria não têm de ser ligadas a uma tomada. Assim, estão sempre em estado de funcionamento.** Tenha cuidado com possíveis perigos quando o aparelho não estiver a funcionar. Tenha cuidado quando efetuar a manutenção ou reparações.
- **Não lave com uma mangueira. Evite que entre água no motor e nas ligações elétricas.**
- **Se ocorrerem situações que não sejam abrangidas por este manual, tenha cuidado e faça uso do bom senso. Contacte o centro de reparação da EGO para obter assistência.**
- **Utilize apenas com as baterias e carregadores listados na imagem A.**

GUARDE ESTAS INSTRUÇÕES!

ESPECIFICAÇÕES

Mecanismo de corte	Cabeça de choque
Diâmetro da linha	Linha torcida de nylon de 2,4 mm
Largura de corte	40 cm
Velocidade sem carga	4900/5800 min ⁻¹
Peso (sem a bateria)	1,53 kg
Temperatura de funcionamento recomendada	0°C-40°C
Temperatura de armazenamento recomendada	-20°C-70°C
Nível de potência do som medido L _{WA}	95,72 dB(A) K=0,77 dB(A)

Nível da pressão do som no ouvido do operador L _{PA}	81,6 dB(A) K=3 dB(A)	
Nível de potência acústica garantido L _{WA} (medido de acordo com 2000/14/CE)	96 dB(A)	
Vibração a _h :	Pega dianteira	2,5 m/s ² K=1,5 m/s ²
	Pega traseira	1,8 m/s ² K=1,5 m/s ²

- As definições apresentadas anteriormente são testadas e medidas equipadas com a cabeça motora PH1420E.
- O valor total declarado da vibração foi medido de acordo com um método de teste padrão e pode ser usado para comparar duas ferramentas;
- O valor total declarado da vibração também pode ser usado numa avaliação preliminar da exposição.

⚠ AVISO: A emissão de vibração ruídos durante a utilização atual da ferramenta elétrica pode diferir dos valores declarados, dependendo dos modos como a ferramenta é usada e o tipo de peça a ser processada e da necessidade de identificar medidas de segurança para proteger o operador, que se baseiam numa estimativa de exposição nas condições reais de utilização (tendo em conta todos os componentes do ciclo de funcionamento como as alturas em que a ferramenta se encontra desligada ou inativa, para além do tempo de ativação).

LISTA DE PEÇAS (IMAGEM A)

Relativamente à linha de corte recomendada, visite o website egopowerplus.com ou consulte o Catálogo dos Produtos EGO.

DESCRIÇÃO

CONHEÇA O SEU ACESSÓRIO DA ROÇADORA DE LINHA (Imagem A)

1. Tampão da extremidade
2. Eixo da roçadora
3. Botão de carregamento do fio
4. Fio de corte
5. Cabeça da roçadora (cabeça de choque)
6. Aba de libertação
7. Lâmina de corte do fio
8. Proteção
9. Chave sextavada

AVISO: Nunca utilize o aparelho sem a proteção bem colocada. A proteção tem de estar sempre no aparelho para proteger o utilizador.

MONTAR

AVISO: Se quaisquer peças estiverem danificadas ou em falta não utilize este produto até as peças serem substituídas. Utilizar este produto com peças danificadas ou em falta pode dar origem a lesões pessoais sérias.

AVISO: Não tente modificar este produto nem criar acessórios que não sejam recomendados para utilizar com este aparador de fio. Qualquer alteração ou modificação é considerada uma má utilização e pode dar origem a perigos, que podem levar a possíveis lesões pessoais sérias.

AVISO: Não ligue à cabeça motora até que a montagem esteja completa. Se não o fizer, pode originar um arranque accidental e possíveis lesões pessoais sérias.

MONTAGEM DA PROTEÇÃO

AVISO: Use sempre luvas quando montar ou substituir a proteção. Tenha cuidado com a lâmina na proteção e proteja as suas mãos de lesões devido à lâmina.

Solte e retire os dois parafusos da base do eixo (Fig. C), alinhe os orifícios de montagem da proteção com os orifícios de montagem e, depois, bloqueie a proteção na base do eixo com dois parafusos, juntamente com duas anilhas de pressão (Fig. D).

Certifique-se de que a proteção está fixada de acordo com a Fig. C e D, qualquer fixação inversa irá provocar um grande perigo!

LIGAR O ACESSÓRIO DA ROÇADORA À CABEÇA MOTORA

Este acessório da roçadora foi criado para ser usado com a cabeça motora EGO PH1420E.

Consulte a secção “**INSTALAR O ACESSÓRIO DA CABEÇA MOTORA**” no manual de utilização da cabeça motora PH1420E.

FUNCIONAMENTO

AVISO: Não deixe que a sua familiaridade com o produto o torne descuidado. Lembre-se, uma fração de segundo de desatenção é suficiente para infligir ferimentos graves.

AVISO: Utilize sempre proteção ocular, juntamente com proteção auricular. Se não o fizer, pode apanhar com objetos nos olhos, dando origem a possíveis lesões sérias.

APLICAÇÕES

Podem utilizar este produto para os objetivos abaixo listados:

- Aparar relva e ervas em redor de varandas, vedações e cobertas.

AVISO: A ferramenta tem de ser usada apenas conforme descrito. Qualquer outra utilização será considerada má utilização.

Antes de cada utilização, verifique se existem peças gastas ou danificadas.

Verifique a cabeça da roçadora, proteção e pega dianteira e substitua as peças rachadas, torcidas, dobradas ou danificadas de algum modo.

A lâmina para cortar a linha na extremidade da proteção pode deixar de ficar afiada com o passar do tempo. Recomendamos que afie periodicamente com uma lima ou que a substitua por uma lâmina nova.

AVISO: Utilize sempre luvas quando montar ou substituir a proteção ou afiar ou substituir a lâmina. Tenha em conta a localização da lâmina e proteja a sua mão contra lesões.

AVISO: Para evitar lesões pessoais sérias, retire a bateria da cabeça motora antes da reparação, limpeza, mudança de acessórios ou remoção de material da unidade.

USAR O ACESSÓRIO DA ROÇADORA COM A CABEÇA MOTORA

AVISO: Vista-se adequadamente para reduzir o risco de lesões quando utilizar este aparelho. Não utilize roupa larga ou jóias. Use proteções oculares e auditivas. Use calças compridas e resistentes, mangas compridas, botas e luvas. Não utilize roupa curta, sandálias nem ande descalço.

AVISO: Limpe a área a cortar antes de cada utilização. Retire todos os objetos, como pedras, vidro partido, pregos, arames ou fios que possam ser atirados ou ficar presos no acessório de corte. Afaste as crianças, terceiros e animais. No mínimo, mantenha as crianças, terceiros e animais a um raio de 15 metros. Poderá continuar a haver um risco para as pessoas devido aos objetos que possam ser atirados. As outras pessoas deverão ser encorajadas a usar proteção ocular. Se alguém se aproximar, desligue imediatamente o motor e o acessório de corte.

Por razões de segurança e para um melhor funcionamento, coloque a alça para os ombros. Ajuste a alça numa posição de funcionamento confortável. Segure a roçadora com uma mão na pega traseira e a outra mão na pega dianteira. Agarre firmemente com ambas as mãos durante a utilização. Deve segurar a roçadora numa posição confortável, mantendo a pega traseira sensivelmente à altura da anca. A cabeça da roçadora deverá estar paralela ao chão e entrar facilmente em contacto com o material a ser cortado sem que o operador tenha de se dobrar (Imagem B).

AVISO: A alça para o ombro é também um mecanismo de libertação rápida em situações perigosas. Quando ocorre uma emergência, retire-a imediatamente do seu ombro, não importa o modo como a alça se encontra.

Após cada utilização, limpe a roçadora.

Consulte a secção **MANUTENÇÃO** para obter instruções de limpeza.

LIGAR/DESLIGAR A FERRAMENTA

Consulte a secção **“LIGAR/DESLIGAR A CABEÇA MOTORA”** no manual de utilização da cabeça motora PH1420E.

AJUSTAR O COMPRIMENTO DA LINHA DE CORTE

A cabeça da roçadora permite ao operador libertar mais linha de corte sem parar o motor. À medida que a linha fica gasta, pode libertar mais linha, batendo ligeiramente a cabeça da bobina no chão enquanto utiliza a roçadora (Imagem E).

AVISO: A libertação da linha irá ser mais difícil pois a linha começa a ficar mais curta.

AVISO: Não retire nem altere o conjunto da lâmina de corte da linha. Uma linha com um comprimento excessivo faz o motor sobreaquecer e pode dar origem a lesões pessoais sérias.

SUBSTITUIÇÃO DO FIO

OBSERVAÇÃO: Utilize sempre o fio de corte de nylon recomendado com um diâmetro máximo de 2,4 mm. Usar outro fio para além do especificado pode fazer com que a roçadora sobreaqueça ou fique danificada.

AVISO: Nunca use fio de metal reforçado, arame ou corda, etc. Estes podem partir e tornar-se projéteis perigosos.

A roçadora vem equipada com um sistema avançado **POWERLOAD™**. O fio de corte pode ser enrolado na bobina premindo simplesmente um botão. Carregar uma bobina cheia habitualmente leva 12 segundos. **Evite um funcionamento repetido do sistema de enrolar em rápida sucessão, para reduzir a possibilidade de danos no motor.**

OBSERVAÇÃO: O sistema **POWERLOAD™** só está disponível quando o acessório for ligado à cabeça motora PH1420E e quando a bateria estiver instalada.

1. Retire a bateria.
2. Corte fio de corte de 4 m. Insira o fio no ilhó (Imagem F). Pressione e puxe o fio a partir do outro lado, até que apareçam quantidades iguais de fio em ambos os lados da cabeça da roçadora.

OBSERVAÇÃO: Se não conseguir inserir o fio no ilhó quando a cobertura inferior estiver presa, fixe a bateria na cabeça motora e prima brevemente o botão de carregamento do fio para reiniciar a cobertura inferior.

3. Retire a bateria, caso esta tenha sido montada na cabeça motora nos AVISOS após o passo 2. Siga os passos especificados no passo 2 para voltar a inserir e alinhar o fio de corte.
4. Instale a bateria na cabeça motora.
5. Prima e mantenha premido o botão de carregamento do fio para enrolar o fio continuamente na cabeça da roçadora até que fique cerca de 15 cm de fio de cada lado. (Imagem G).
6. Pressione a cabeça da roçadora enquanto puxa os fios para avançar manualmente o fio e verificar a montagem correta do fio de corte.

OBSERVAÇÃO: Caso o fio seja puxado para dentro da cabeça da roçadora por acidente, abra a cabeça e puxe o fio de corte para fora da bobina. Siga a secção **“RECARREGAR O FIO DE CORTE”** neste manual para recarregar o fio.

RECARREGAR O FIO DE CORTE

Quando o fio de corte se partir do ilhó ou ficar preso na cabeça da roçadora, tem de retirar o fio de corte restante da cabeça da roçadora e seguir os passos apresentados abaixo para recarregar o fio.

1. Retire a bateria.
2. Prima as abas de libertação na cabeça da roçadora e retire o conjunto da cobertura inferior da cabeça da roçadora puxando a direita (Imagem H).
3. Retire o fio de corte da cabeça da roçadora.
4. Se necessário, retire a mola do conjunto da bobina. Guarde-a para voltar a ser montada.
5. Insira a mola na ranhura no conjunto da cobertura inferior (Imagem I).

- Com uma mão a segurar a roçadora, use a outra mão para segurar o conjunto da cobertura inferior e alinhar as ranhuras no conjunto da cobertura inferior com as abas de libertação (Imagem J). Pressione o conjunto da cobertura inferior até encaixar no devido lugar. Ouvirá um clique distinto (Imagem K).
- Siga as instruções em “**SUBSTITUIÇÃO DO FIO**” para recarregar o fio de corte.

SUBSTITUIÇÃO DA CABEÇA DA ROÇADORA

⚠ AVISO: Se a cabeça se soltar após fixá-la, substitua-a imediatamente.

Nunca use uma roçadora com um acessório de corte solto. Substitua imediatamente uma cabeça de corte rachada, danificada ou gasta, mesmo que o dano esteja limitado a rachas superficiais. Tais acessórios podem despedaçar-se a alta velocidade e causar lesões sérias.

Familiarize-se com a cabeça da roçadora (Imagem L).

Imagem L: Descrição das peças apresentada abaixo:

L-1	Eixo	L-6	Anilha
L-2	Casquilho (2)	L-7	Porca
L-3	Cobertura superior	L-8	Mola
L-4	Anel de impulso	L-9	Fio de corte
L-5	Fixador da bobina	L-10	Conjunto da cobertura inferior

Retirar a cabeça da roçadora

- Retire a bateria.
- Prima as abas de libertação na cabeça da roçadora e retire o conjunto da cobertura inferior da cabeça da roçadora puxando a direito.
- Retire o fio de corte da cabeça da roçadora.
- Se necessário, retire a mola do conjunto da bobina. Guarde-a para voltar a ser montada.
- Use luvas. Com uma mão, segure o conjunto da bobina para o estabilizar e, com a outra, segure uma chave de impacto de 13 mm (não fornecida) para desapertar a porca no sentido inverso ao dos ponteiros do relógio (Imagem M).
- Retire a porca, anilha e fixador da bobina do eixo do motor (Imagem L).
- Use um alicate de anel (não incluído) para retirar o anel de impulso. Retire a cobertura superior e os dois casquilhos do eixo do motor (Imagem L).
- Substitua por uma nova cabeça da roçadora e monte seguindo os passos a seguir.

Instalar a nova cabeça da roçadora

- Monte os dois casquilhos no eixo do motor.
- Alinhe a ranhura plana na cobertura superior com a parte plana no eixo do motor, e monte a cobertura superior no respetivo lugar (Imagem N).

Imagem N: Descrição das peças apresentada abaixo:

N-1	Parte plana	N-2	Ranhura plana
-----	-------------	-----	---------------

- Monte o anel de impulso, fixador da bobina e anilha por esta ordem (Imagem L). Use uma chave de impacto na porca para a apertar no sentido inverso ao dos ponteiros do relógio.
- Siga os passos 4 e 5 na secção “**RECARREGAR O FIO DE CORTE**” neste manual para montar o conjunto da cobertura inferior.
- Siga as instruções na secção “**SUBSTITUIÇÃO DO FIO**” neste manual para recarregar o fio de corte.
- Ligue a ferramenta para ver se a roçadora de fio funciona normalmente. Se não for o caso, volte a montar conforme descrito anteriormente.

MANUTENÇÃO

⚠ AVISO: Antes de inspecionar, limpar ou reparar a unidade, pare o motor, espere que todas as peças móveis parem por completo e retire a bateria. O não seguimento destas instruções pode dar origem a lesões corporais sérias ou danos de propriedade.

⚠ AVISO: Quando fizer reparações, utilize apenas peças de substituição idênticas. A utilização de outras peças pode dar origem a perigos ou danos no produto. Para assegurar a segurança, todas as reparações para além dos itens listados nestas instruções de manutenção deverão ser efetuadas por um técnico de reparação qualificado.

MANUTENÇÃO GERAL

Evite usar solventes quando limpar peças de plástico. Grande parte dos plásticos é susceptível a danos devido a vários tipos de solventes comerciais. Use panos limpos para retirar a sujidade, pó, óleo, gordura, etc.

LIMPEZA DA UNIDADE

- Limpe qualquer gordura que possa aparecer à volta do eixo do motor ou cabeça da roçadora.
- Use uma pequena escova ou um pequeno aspirador para limpar as entradas de ar na estrutura traseira.
- Limpe a unidade com um pano ligeiramente embebido em água e um detergente neutro.

- Não use detergentes fortes na estrutura de plástico ou na pega. Estes podem ser danificados por determinados óleos aromáticos, como pinho e limão e por solventes como querosene. A humidade também pode causar um perigo de choque. Retire qualquer vestígio de humidade com um pano suave e seco.

PT

LUBRIFICAÇÃO DOS CARRETOS DE TRANSMISSÃO

Os carretos de transmissão na caixa dos carretos têm de ser lubrificados periodicamente com lubrificante para carretos. Verifique o nível de lubrificação da caixa dos carretos a cada 50 horas de funcionamento, retirando o parafuso vedante na parte lateral da caixa.

Se não vir qualquer lubrificante nas partes laterais do carreto, siga os passos apresentados em baixo para atestar com lubrificante para carretos até 3/4 da capacidade.

Não encha completamente os carretos de transmissão.

1. Segure a roçadora de lado, de modo a que o parafuso vedante fique virado para cima .
2. Use a chave multifunções fornecida para desapertar e retirar o parafuso vedante.
3. Use uma seringa lubrificante (não incluída) para injetar algum lubrificante no orifício do parafuso. Não exceda 3/4 da capacidade.
4. Aperte o parafuso vedante após a injeção.

GUARDAR A UNIDADE

- Retire a bateria da cabeça motora.
- Limpe bem o aparelho antes de o guardar.
- Se o acessório da roçadora for retirado da cabeça motora e guardado em separado: Coloque o tampão da extremidade no eixo do acessório para evitar que a sujidade entre no acoplador.
- Guarde a unidade num local seco, bem ventilado, trancado ou elevado, fora do alcance das crianças. Não armazene a unidade em cima ou perto de fertilizantes, gasolina ou outros químicos.

AFIAR A LÂMINA DE CORTE DO FIO

⚠ AVISO: Proteja sempre as suas mãos com luvas resistentes quando efetuar qualquer trabalho de manutenção na lâmina de corte do fio.

1. Retire a bateria.
2. Retire a lâmina de corte do fio da proteção.
3. Fixe a lâmina num torno.
4. Use proteção ocular adequada e luvas, e tenha cuidado para não se cortar.

5. Lime cuidadosamente as extremidades de corte da lâmina com uma lima para dentes finos, ou pedra de afiar, mantendo o ângulo original da extremidade de corte.
6. Volte a colocar a lâmina na proteção e fixe no respetivo lugar com os dois parafusos.

Proteja o ambiente



Não elimine equipamento elétrico, carregador da bateria e baterias/baterias recarregáveis juntamente com o lixo doméstico comum!

Leve este produto a um centro de reciclagem autorizado para que possa haver uma separação das peças. As ferramentas elétricas têm de ser devolvidas em instalações de reciclagem ambientalmente compatíveis.

Se os equipamentos elétricos forem eliminados em aterros ou lixeiras, substâncias perigosas podem vazarem para os lençóis freáticos e entrar na cadeia de alimentação, danificando a sua saúde e bem-estar.

RESOLUÇÃO DE PROBLEMAS

PROBLEMA	CAUSA	SOLUÇÃO
O aparador de fio não pega.	<ul style="list-style-type: none"> ■ A bateria não foi colocada na cabeça motora. ■ Não existe contacto elétrico entre a cabeça motora e a bateria. ■ A carga da bateria está gasta. ■ A alavanca de bloqueio e o gatilho não foram premidos em simultâneo. 	<ul style="list-style-type: none"> ■ Fixe a bateria na cabeça motora. ■ Retire a bateria, verifique os contactos e volte a instalar a bateria até ficar fixada no respetivo lugar. ■ Carregue a bateria com carregadores EGO listados neste manual. ■ Prima a alavanca de bloqueio e mantenha premida, depois prima o gatilho para ligar o aparador de fio.
O aparador de fio para durante o corte.	<ul style="list-style-type: none"> ■ A proteção não está montada no aparador, fazendo com que haja um fio excessivamente comprido e o sobreaquecimento do motor. ■ Está a utilizar um fio de corte muito pesado. ■ O eixo do motor ou a cabeça do aparador estão cheios de relva. ■ O motor está sobrecarregado. ■ A bateria ou aparador de fio estão muito quentes. ■ A bateria foi retirada da ferramenta. ■ A bateria está gasta. 	<ul style="list-style-type: none"> ■ Retire a bateria e monte a proteção no aparador. ■ Use a linha de corte de nylon recomendada com um diâmetro nunca superior a 2,4 mm. ■ Pare o aparador, retire a bateria e retire a relva do eixo do motor e da cabeça do aparador. ■ Retire a cabeça do aparador da relva. O motor volta a funcionar mal a carga seja retirada. Quando cortar, mova a cabeça do aparador para um lado e para o outro na relva a ser cortada e nunca retire mais de 20 cm num único corte. ■ Deixe a bateria ou aparador arrefecer até que a temperatura atinja menos de 67°C . ■ Volte a colocar a bateria. ■ Carregue a bateria com carregadores EGO listados neste manual.

PT

PROBLEMA	CAUSA	SOLUÇÃO
A cabeça do aparador não faz o fio avançar.	<ul style="list-style-type: none"> ■ O eixo do motor ou a cabeça do aparador estão cheios de relva. ■ Não tem linha suficiente na bobina. ■ A cabeça do aparador está suja. ■ O fio está entrelaçado no fixador da bobina. ■ O fio é demasiado curto. 	<ul style="list-style-type: none"> ■ Pare o aparador, retire a bateria e retire a relva do eixo do motor e da cabeça do aparador. ■ Retire a bateria e substitua o fio de corte; siga a secção “RECARREGAR O FIO DE CORTE” apresentada neste manual. ■ Retire a bateria e limpe a bobina, fixador da bobina e base da bobina. ■ Retire a bateria, retire o fio da bobina e enrole. Siga a secção “RECARREGAR O FIO DE CORTE” neste manual. ■ Retire a bateria e puxe as linhas enquanto prime alternadamente e liberta o manípulo de choque.
A relva enrola-se à volta da cabeça do aparador e da estrutura do motor.	<ul style="list-style-type: none"> ■ Cortar relva alta ao nível do solo. 	<ul style="list-style-type: none"> ■ Corte erva alta do topo até baixo, nunca retirando mais de 20 cm em cada passo, para evitar que a erva se enrolle.
A lâmina não está a cortar o fio.	<ul style="list-style-type: none"> ■ A lâmina de corte do fio na extremidade da proteção deixou de estar afiada. 	<ul style="list-style-type: none"> ■ Afie a lâmina de corte do fio com uma lima, ou substitua por uma lâmina nova.
Existem rachas na cabeça da roçadora ou o fixador da bobina solta-se da base da bobina.	<ul style="list-style-type: none"> ■ A cabeça do aparador está gasta. ■ A porca que fixa a cabeça da roçadora está solta. 	<ul style="list-style-type: none"> ■ Substitua imediatamente a cabeça da roçadora. Siga a secção “SUBSTITUIÇÃO DA CABEÇA DA ROÇADORA” neste manual. ■ Abra a cabeça da roçadora e use uma chave de impacto para apertar a porca.
Durante a substituição do fio, este não é carregado corretamente para a cabeça do aparador.	<ul style="list-style-type: none"> ■ Os fios CARREGADOS do fixador da bobina não ficam alinhados com os ilhós na base da bobina. ■ Os fios CARREGADOS do fixador da bobina não ficam alinhados com os ilhós na base da bobina. 	<ul style="list-style-type: none"> ■ Rode o fixador da bobina na direção da seta para alinhar o fio CARREGADO no fixador da bobina com os ilhós na base da bobina. ■ Rode o fixador da bobina na direção da seta para alinhar o fio CARREGADO no fixador da bobina com os ilhós na base da bobina.

GARANTIA

POLÍTICA DE GARANTIA EGO

Por favor, visite o website egopowerplus.com para saber todos os termos e condições da política de garantia EGO.

LEGGERE TUTTE LE ISTRUZIONI!



LEGGERE IL MANUALE DI ISTRUZIONI

⚠️ Rischi residui! Le persone portatrici di dispositivi elettronici, ad esempio pacemaker, devono consultare il proprio medico prima di usare questo prodotto. L'utilizzo di apparecchi elettrici in prossimità di pacemaker cardiaci comporta il rischio di interferenze o malfunzionamento del pacemaker.

⚠️ AVVERTENZA! Per garantire sicurezza e affidabilità, tutte le riparazioni e sostituzioni devono essere eseguite da un tecnico qualificato.

SIMBOLI DI SICUREZZA

Lo scopo dei simboli di sicurezza è attirare l'attenzione dell'operatore su possibili pericoli. I simboli di sicurezza e le relative spiegazioni richiedono la massima attenzione e comprensione da parte dell'operatore. Le avvertenze espresse dai simboli, da sole, non eliminano tutti i rischi. Le istruzioni e le avvertenze non sostituiscono le adeguate misure di prevenzione contro gli incidenti.

⚠️ AVVERTENZA! Accertarsi di aver letto e compreso tutte le istruzioni di sicurezza in questo manuale, inclusi tutti i simboli di avvertenza come "PERICOLO", "AVVERTENZA" e "ATTENZIONE", prima di usare questo apparecchio. Il mancato rispetto di tutte le istruzioni riportate di seguito comporta il rischio di scossa elettrica, incendio e/o lesioni gravi.

SIGNIFICATO DEI SIMBOLI

⚠️ SIMBOLO DI AVVERTENZA: indica PERICOLO, AVVERTENZA o ATTENZIONE; può essere usato in combinazione con altri simboli o icone.

ISTRUZIONI DI SICUREZZA

Questa pagina illustra e descrive i simboli di sicurezza che possono comparire sul prodotto. Leggere, comprendere e seguire tutte le istruzioni sull'apparecchio prima di tentare di assemblarlo e ripararlo.

	Avvertenza di sicurezza	Indica un potenziale rischio di infortunio.
	Leggere il manuale di istruzioni	Per ridurre il rischio di infortunio, l'utente deve leggere e comprendere tutte le istruzioni prima di usare questo prodotto.

	Indossare protezioni per occhi, orecchie e testa	Indossare sempre protezioni per gli occhi, le orecchie e la testa.
	Ampiezza di taglio	Ampiezza di taglio max. del decespugliatore
	Diametro filo	Diametro del filo di taglio in nylon
	Non usare lame metalliche	Non usare lame metalliche.
	Tenere lontane le altre persone	Gli oggetti lanciati possono rimbalzare e causare danni o lesioni. Assicurarsi che eventuali altre persone e animali rimangano a distanza dall'apparecchio quando è in funzione.
	La distanza tra l'apparecchio e le altre persone presenti deve essere di almeno 15 m	Assicurarsi che eventuali altre persone e animali rimangano ad almeno 15 metri di distanza dall'apparecchio quando è in funzione.
IPX4	Simbolo IP	Protezione contro l'ingresso di acqua di livello 4
	CE	Questo prodotto è conforme alle direttive europee applicabili.
	UKCA	Questo prodotto è conforme alla legislazione britannica pertinente.
	RAEE	I prodotti elettrici non devono essere smaltiti insieme ai rifiuti domestici. Portarli presso un centro di riciclaggio autorizzato.
	Rumore	Livello di potenza sonora garantito. Emissione di rumore nell'ambiente conforme alla direttiva dell'Unione europea.
V	Volts	Voltaggio
mm	Millimetro	Lunghezza o dimensioni
cm	Centimetro	Lunghezza o dimensioni
kg	Chilogrammo	Peso

IT

AVVERTENZE DI SICUREZZA COMUNI A TUTTI GLI UTENSILI ELETTRICI

⚠️ AVVERTENZE Leggere tutte le avvertenze di sicurezza, istruzioni, illustrazioni e specifiche fornite insieme a questo utensile elettrico. Il mancato rispetto delle istruzioni sotto riportate comporta il rischio di scossa elettrica, incendio e/o gravi infortuni.

Conservare tutte le avvertenze e le istruzioni per futuro riferimento.

Il termine "utensile elettrico" nelle avvertenze si riferisce a un utensile elettrico alimentato da una rete elettrica (con cavo) o a batterie (senza cavo).

SICUREZZA DELL'AREA DI LAVORO

- **Mantenere l'area di lavoro pulita e ben illuminata.** Aree ingombre e ombreggiate favoriscono gli incidenti.
- **Non usare gli utensili elettrici in atmosfere esplosive, ad esempio in presenza di liquidi, gas o polveri infiammabili.** Gli utensili elettrici creano scintille che possono incendiare polveri o fumi.
- **Tenere eventuali altre persone e bambini lontane durante l'uso di un utensile elettrico.** Le distrazioni comportano il rischio di perdita di controllo.

SICUREZZA ELETTRICA

- **Le spine degli utensili elettrici devono essere adatte al tipo di presa. Non modificare la spina in alcun modo. Non usare adattatori con gli utensili elettrici dotati di messa a terra (collegati a massa).** L'uso di spine originali corrispondenti al tipo di presa riduce il rischio di scossa elettrica.
- **Evitare il contatto del corpo con superfici collegate a terra come tubi, radiatori, fornelli elettrici e frigoriferi.** Il rischio di scossa elettrica aumenta se il proprio corpo è collegato a terra.
- **Non esporre l'apparecchio a pioggia o umidità.** L'infiltrazione di acqua all'interno dell'apparecchio aumenta il rischio di scossa elettrica, malfunzionamenti e lesioni personali.
- **Non utilizzare il cavo in modo improprio. Non usare il cavo per trasportare, tirare o scollegare l'utensile elettrico dalla presa di corrente. Tenere il cavo al riparo da calore, olio, bordi taglienti o parti in movimento.** La presenza di cavi danneggiati o aggrovigliati aumenta il rischio di scossa elettrica.
- **Durante l'uso di un utensile elettrico all'aperto, utilizzare una prolunga idonea per ambienti esterni.** L'uso di un cavo idoneo riduce il rischio di scossa elettrica.
- **Se è necessario lavorare in un luogo umido, utilizzare un circuito elettrico dotato di interruttore differenziale (RCD).** L'uso di un interruttore differenziale riduce il rischio di scossa elettrica.

SICUREZZA PERSONALE

- **Durante l'uso di un utensile elettrico, prestare sempre la massima attenzione e utilizzare il buon senso. Non usare un utensile elettrico se si è stanchi o sotto l'effetto di droghe, alcol o farmaci.** Un solo attimo di disattenzione durante l'uso dell'utensile elettrico può provocare gravi infortuni.
- **Indossare attrezzatura di protezione. Indossare sempre protezioni per gli occhi.** Se le condizioni lo richiedono, indossare anche maschere antipolveri, calzature antiscivolo, caschi o protezioni per le orecchie per ridurre il rischio di infortunio.
- **Prevenire l'avvio accidentale. Assicurarsi che l'interruttore sia in posizione di spegnimento prima di sollevare, trasportare o collegare l'utensile elettrico alla presa di corrente e/o alla batteria.** Per ridurre il rischio di incidenti, non trasportare gli utensili elettrici tenendo le dita sull'interruttore e non collegarli alla presa di corrente se l'interruttore è in posizione di accensione.
- **Rimuovere eventuali chiavi di serraggio prima di accendere l'utensile elettrico.** Una chiave di serraggio rimasta inserita in un elemento mobile dell'utensile elettrico può provocare infortuni.
- **Non allungarsi eccessivamente. Tenere i piedi a contatto con il pavimento e mantenere sempre l'equilibrio.** Ciò permette di avere un maggiore controllo dell'utensile elettrico in caso di imprevisti.
- **Vestirsi adeguatamente. Non indossare indumenti ampi o gioielli. Tenere i capelli, gli indumenti e le mani lontano dalle parti mobili.** Indumenti ampi, gioielli o capelli lunghi possono rimanere impigliati nelle parti in movimento.
- **Se sono presenti dispositivi di aspirazione e trattenimento delle polveri, assicurarsi che siano collegati e usati correttamente.** Tali dispositivi possono ridurre i rischi legati alle polveri.
- **Non lasciare che la familiarità con l'apparecchio (derivata da un uso frequente) abbassi il livello di attenzione.** Anche una minima distrazione può causare gravi infortuni.

USO E MANUTENZIONE DELL'UTENSILE ELETTRICO

- **Non forzare l'utensile elettrico. Utilizzare l'utensile più adatto al lavoro da svolgere.** L'utensile elettrico è più sicuro ed efficace se utilizzato alla velocità per la quale è stato progettato.
- **Non usare l'utensile elettrico se l'interruttore non funziona correttamente.** Un utensile elettrico che non può essere controllato dall'interruttore è pericoloso e deve essere riparato.

- **Scollegare l'utensile elettrico dalla presa di corrente e/o dal gruppo batteria prima di regolarlo, riporlo o sostituire gli accessori.** Tali misure preventive riducono il rischio di avvio accidentale dell'utensile elettrico.
 - **Riporre gli utensili elettrici fuori dalla portata dei bambini e non permetterne l'uso a persone che non hanno familiarità con l'apparecchio o con queste istruzioni.** Gli utensili elettrici sono pericolosi se utilizzati da persone non competenti.
 - **Mantenere gli utensili elettrici e gli accessori in buono stato. Verificare che le parti mobili non siano disallineate o piegate, che i componenti non siano danneggiati e che non siano presenti altri problemi che potrebbero pregiudicare il corretto funzionamento dell'utensile elettrico. Se l'utensile elettrico è danneggiato, farlo riparare prima di utilizzarlo nuovamente.** Molti incidenti sono provocati da utensili elettrici in cattive condizioni.
 - **Mantenere gli utensili di taglio puliti e affilati.** Un'adeguata manutenzione degli accessori da taglio con bordi affilati riduce l'adesione del materiale alle lame e facilita il controllo dell'utensile elettrico.
 - **Usare l'utensile elettrico, gli accessori, le punte ecc. conformemente a queste istruzioni, tenendo conto delle condizioni dell'area di lavoro e del tipo di lavoro da svolgere.** L'uso dell'utensile elettrico per scopi diversi da quelli per i quali è stato progettato costituisce un pericolo.
 - **Tenere le impugnature e le superfici di presa asciutte, pulite e prive di olio o grasso.** Impugnature e superfici di presa scivolose non garantiscono l'uso sicuro e il controllo dell'utensile in situazioni impreviste.
- **L'utilizzo improprio dell'utensile elettrico può causare fuoriuscite di liquido dalla batteria: evitare il contatto con tale liquido. In caso di contatto accidentale, lavare con acqua. Se il liquido entra a contatto con gli occhi, contattare un medico.** Il liquido fuoriuscito dalla batteria può causare irritazioni o ustioni.
 - **Non usare gruppi batteria o utensili danneggiati o modificati.** Le batterie danneggiate o modificate possono manifestare comportamenti imprevisti, con il rischio di incendio, esplosione o infortunio.
 - **Non esporre il gruppo batteria o l'utensile a fiamme o temperature eccessive.** L'esposizione a fiamme o temperature superiori a 130°C comporta il rischio di esplosione.
 - **Rispettare tutte le istruzioni relative alla ricarica e non ricaricare il gruppo batteria o l'utensile a temperature diverse da quelle specificate nelle istruzioni.** Una ricarica eseguita in modo improprio o a temperature diverse da quelle specificate può danneggiare la batteria e aumentare il rischio di incendio.

RIPARAZIONI

- **Affidare la riparazione dell'utensile a personale qualificato e utilizzare esclusivamente parti di ricambio identiche.** Ciò garantisce la sicurezza dell'utensile elettrico.
- **Non riparare gruppi batteria danneggiati.** La riparazione dei gruppi batteria deve essere effettuata esclusivamente dal fabbricante o da un centro di assistenza autorizzato.

AVVERTENZE DI SICUREZZA SPECIFICHE PER DECESPUGLIATORI A FILO

USO E MANUTENZIONE DELLA BATTERIA

- **Ricaricare l'utensile elettrico utilizzando esclusivamente il caricabatteria specificato dal costruttore.** Un caricabatteria adatto a un certo tipo di gruppo batteria può comportare il rischio di incendio se usato con un altro gruppo batteria.
- **Usare esclusivamente gruppi batteria progettati specificamente per questo utensile elettrico.** L'uso di altri gruppi batteria comporta il rischio di incendio e infortunio.
- **Quando il gruppo batteria non è in uso, tenerlo lontano da piccoli oggetti metallici, ad esempio graffette, monete, chiavi, chiodi, viti ecc. poiché potrebbero creare un collegamento tra i due terminali.** Il cortocircuito dei terminali della batteria comporta il rischio di incendio o ustioni.
- **Non usare l'apparecchio in condizioni climatiche avverse, in particolare se sussiste il rischio di fulmini.** Ciò riduce il rischio di essere colpiti da un fulmine.
- **Assicurarsi che non siano presenti animali nell'area di lavoro.** L'apparecchio potrebbe ferire eventuali animali selvatici.
- **Ispezionare accuratamente l'area di lavoro e rimuovere pietre, rami, cavi, ossi e altri oggetti analoghi.** Se lanciati dall'apparecchio, tali materiali possono causare lesioni gravi.
- **Prima dell'uso, ispezionare visivamente l'apparecchio per verificare che la lama o l'accessorio di taglio o l'unità di taglio non siano danneggiati.** Componenti danneggiati aumentano il rischio di scossa elettrica.

- **Seguire le istruzioni relative alla sostituzione degli accessori.** Un serraggio errato dei dadi o dei bulloni di fissaggio dell'accessorio di taglio può danneggiare l'accessorio o causarne il distacco.
- **Indossare protezioni per gli occhi, le orecchie, la testa e le mani.** Un'attrezzatura di protezione adeguata riduce il rischio di infortuni causati da detriti scagliati dalla all'apparecchio o dal contatto accidentale con la lama o il filo di taglio.
- **Durante l'uso dell'apparecchio, indossare sempre calzature di protezione antiscivolo. Non usare l'apparecchio a piedi nudi o indossando sandali.** Ciò riduce il rischio di lesioni ai piedi causate dal contatto con la lama o il filo di taglio in movimento.
- **Durante l'uso dell'apparecchio, indossare pantaloni lunghi.** La pelle esposta aumenta il rischio di lesioni causate dai detriti proiettati dall'apparecchio.
- **Tenere le altre persone lontane dall'apparecchio quando è in funzione.** I detriti proiettati dall'apparecchio possono causare lesioni gravi.
- **Tenere l'apparecchio con entrambe le mani durante l'uso.** Impugnare l'apparecchio con entrambe le mani per evitare il rischio di perdita di controllo.
- **Tenere l'apparecchio esclusivamente tramite le superfici di presa isolate, perché la lama o il filo di taglio può entrare in contatto con cavi elettrici nascosti.** Se la lama o il filo di taglio tocca un cavo elettrificato può trasmettere la corrente alle parti metalliche dell'utensile, esponendo l'operatore al rischio di scossa elettrica.
- **Mantenere sempre il contatto dei piedi con il terreno e utilizzare l'apparecchio esclusivamente quando si è in piedi sul terreno.** Superfici scivolose o instabili comportano il rischio di perdita di equilibrio o di controllo dell'apparecchio.
- **Non usare l'apparecchio su terreni eccessivamente in pendenza.** Ciò riduce il rischio di perdita di controllo, scivolamenti, cadute e lesioni personali.
- **Durante l'uso dell'apparecchio su terreni in pendenza, mantenere sempre il contatto dei piedi con il terreno, lavorare sempre perpendicolarmente alla discesa, mai verso l'alto o verso il basso, e prestare particolare attenzione quando si cambia direzione.** Ciò riduce il rischio di perdita di controllo, scivolamenti, cadute e lesioni personali.
- **Tenere tutte le parti del corpo lontane dalla lama o dal filo di taglio quando l'apparecchio è in funzione. Prima di avviare l'apparecchio, accertarsi che la lama o il filo di taglio non sia a contatto con alcun oggetto.** Anche un solo momento di disattenzione durante l'uso dell'apparecchio comporta il rischio di lesioni gravi a sé o agli altri.
- **Non usare l'apparecchio sopra l'altezza della vita.** Ciò contribuisce a evitare il contatto accidentale con la lama o il filo di taglio e migliora il controllo sull'apparecchio in situazioni impreviste.
- **Durante il taglio di cespugli o arbusti in tensione, prestare attenzione al rischio di rimbalzo.** Al rilascio della tensione nelle fibre del legno, il cespuglio o l'arbusto torna bruscamente nella posizione originale, con il rischio di colpire l'operatore e/o causare la perdita di controllo dell'apparecchio.
- **Prestare estrema attenzione durante il taglio di cespugli e arbusti.** I materiali sottili possono impigliarsi nell'accessorio di taglio e colpire l'operatore, o causare una perdita di equilibrio.
- **Mantenere il controllo dell'apparecchio e non toccare la lama, il filo di taglio o altre parti pericolose quando sono in movimento.** Ciò riduce il rischio di lesioni causate dal contatto con le parti in movimento.
- **Prima di rimuovere il materiale incastrato o di effettuare lavori sull'apparecchio, assicurarsi che l'interruttore sia in posizione di arresto e che il gruppo batteria sia stato rimosso.** L'avvio accidentale dell'apparecchio durante la rimozione di materiale incastrato o la manutenzione comporta il rischio di lesioni gravi.
- **Trasportare l'apparecchio tenendolo spento e lontano dal proprio corpo.** La corretta manipolazione dell'apparecchio riduce la possibilità di contatto accidentale con la lama o il filo di taglio in movimento.
- **Utilizzare esclusivamente lame, fili di taglio e unità di taglio specificate dal costruttore.** L'installazione di parti scorrette aumenta il rischio di rottura e lesioni personali.
- **Danni all'apparecchio** - Se il decespugliatore urta un oggetto estraneo o se rimane incastrato, arrestarlo immediatamente, verificare l'assenza di danni o procedere alla riparazione prima di usarlo nuovamente. Non usare il decespugliatore se la cuffia di protezione o la bobina sono danneggiati.
- **Se l'apparecchio inizia a vibrare in modo anomalo, arrestare il motore e individuare immediatamente la causa.** La vibrazione è generalmente sintomo di un problema. Se è allentata, la testa di taglio può vibrare, incrinarsi, rompersi o staccarsi dal decespugliatore, comportando il rischio di lesioni gravi o mortali. Verificare che l'accessorio di taglio sia fissato correttamente. Se la testa di taglio si allenta dopo averla fissata, sostituirla immediatamente. Non usare mai il decespugliatore se l'accessorio di taglio è allentato.

- **Gli apparecchi a batteria non hanno bisogno di essere collegati a un impianto elettrico; pertanto sono sempre in condizioni operative.** Tenere a mente i possibili rischi anche quando l'apparecchio non è in funzione. Prestare attenzione durante le operazioni di manutenzione o riparazione.
- **Non pulire l'apparecchio con tubi per innaffiare; evitare le infiltrazioni d'acqua nel motore e nelle connessioni elettriche.**
- **In caso di situazioni non contemplate in questo manuale, agire con cautela e usare il buon senso. Contattare il centro di assistenza EGO per assistenza.**
- **Usare esclusivamente con i gruppi batteria e i caricabatteria elencati in fig. A.**

CONSERVARE QUESTE ISTRUZIONI!

SPECIFICHE TECNICHE

Meccanismo di taglio	Testa di rilascio del filo mediante pressione	
Diametro filo	Filo in nylon attorcigliato 2,4 mm	
Ampiezza di taglio	40 cm	
Velocità a vuoto	4900/5800 min ⁻¹	
Peso (senza gruppo batteria)	1,53 kg	
Temperatura di esercizio raccomandata	0°C-40°C	
Temperatura di conservazione raccomandata	-20°C-70°C	
Livello di potenza sonora misurato L _{WA}	95,72 dB(A) K=0,77 dB(A)	
Livello di pressione sonora a livello dell'orecchio dell'operatore L _{PA}	81,6 dB(A) K=3 dB(A)	
Livello di potenza sonora garantito L _{WA} (misurato conformemente a 2000/14/EC)	96 dB(A)	
Vibrazioni a _h	Impugnatura anteriore ausiliaria	2,5 m/s ² K=1,5 m/s ²
	Impugnatura posteriore	1,8 m/s ² K=1,5 m/s ²

- I parametri sopra riportati sono stati collaudati e misurati in combinazione con la testa motore PH1420E.
- Il valore totale di vibrazioni indicato è stato misurato tramite il metodo di collaudo standard e può essere utilizzato per confrontare l'apparecchio con altri prodotti analoghi.

- Il valore totale di vibrazioni indicato può essere utilizzato anche per una valutazione preliminare dei livelli di esposizione.

AVVERTENZA! I valori di emissione acustica e delle vibrazioni durante l'uso effettivo dell'utensile elettrico possono variare rispetto ai valori totali dichiarati in base alla modalità di utilizzo dell'utensile e in particolare al tipo di materiale lavorato.

Adottare adeguate misure di sicurezza per proteggere l'operatore in base alla stima dell'esposizione nelle condizioni di utilizzo effettive (tenendo in considerazione tutte le fasi del ciclo di utilizzo: tempo di arresto, di funzionamento a vuoto e di avvio).

IT

CONTENUTO DELL'IMBALLAGGIO (FIG. A)

Per informazioni sul filo di taglio corretto, visitare il sito web egopowerplus.com o consultare il catalogo dei prodotti EGO.

DESCRIZIONE

DESCRIZIONE DEL DECESPUGLIATORE A FILO (Fig. A).

1. Cappuccio terminale
2. Asta del decespugliatore
3. Pulsante di avvolgimento del filo
4. Filo di taglio
5. Testa di taglio con filo (rilascio mediante pressione)
6. Linguetta di rilascio
7. Lama taglia-filo
8. Cuffia di protezione
9. Chiave esagonale

AVVERTENZA! Non usare l'apparecchio se la protezione parasassi non è posizionata correttamente e saldamente. La protezione parasassi deve essere sempre installata per proteggere l'operatore.

ASSEMBLAGGIO

AVVERTENZA! In caso di componenti danneggiati o mancanti, non usare l'apparecchio finché i componenti non vengono sostituiti. L'uso dell'apparecchio con componenti danneggiati o mancanti comporta il rischio di lesioni gravi.

AVVERTENZA! Non tentare di modificare l'apparecchio o creare accessori non raccomandati per l'uso con questo decespugliatore. Tali alterazioni o modifiche costituiscono un uso improprio e comportano condizioni pericolose e il rischio di lesioni gravi.

AVVERTENZA! Non collegare l'unità motore finché l'assemblaggio non è terminato, per evitare l'avvio accidentale e il rischio di lesioni gravi.

ASSEMBLARE LA PROTEZIONE PARASASSI

AVVERTENZA! Indossare sempre i guanti durante l'installazione o la sostituzione della protezione parasassi. Fare attenzione alla lama sulla protezione parasassi e proteggere le mani dal rischio di lesioni.

Allentare e rimuovere le due viti dalla base dell'albero (Fig. C). Allineare i fori di montaggio della cuffia con i fori di assemblaggio, quindi bloccare la cuffia sulla base dell'albero con le due viti (Fig. D).

Accertarsi che la cuffia sia fissata come illustrato in Fig. C e D; un fissaggio invertito comporta gravi rischi!

COLLEGARE L'ACCESSORIO DECESPUGLIATORE ALL'UNITÀ MOTORE

Questo accessorio decespugliatore è progettato per l'uso con l'unità motore EGO PH1420E.

Consultare la sezione «**INSTALLAZIONE DI UN ACCESSORIO SULL'UNITÀ MOTORE**» nel manuale di istruzioni dell'unità motore PH1420E.

FUNZIONAMENTO

AVVERTENZA! La familiarità con questo apparecchio non deve rendere l'operatore disattento. Anche un solo momento di disattenzione comporta il rischio di lesioni gravi.

AVVERTENZA! Indossare sempre protezioni per gli occhi e protezioni per le orecchie. Il mancato rispetto di questa istruzione comporta il rischio di oggetti proiettati verso gli occhi dell'operatore e altre lesioni gravi.

DESTINAZIONE D'USO

Questo prodotto può essere usato per gli scopi elencati di seguito.

- Tagliare erba ed erbaccia intorno a verande, recinti e piattaforme.

ATTENZIONE! Usare l'apparecchio esclusivamente per gli scopi previsti. Altri utilizzi sono da considerarsi uso improprio.

Prima di ogni utilizzo, verificare l'assenza di componenti danneggiati/usurati

Ispezionare la testa di taglio, la cuffia di protezione e l'impugnatura anteriore e sostituire i componenti incrinati, deformati, piegati o danneggiati in qualsiasi modo.

La lama del filo di taglio sul bordo della protezione parasassi può smussarsi col tempo. Si consiglia di affilarla periodicamente con una lima o di sostituirla con una lama nuova.

AVVERTENZA! Indossare sempre i guanti durante l'installazione o la sostituzione della protezione parasassi o durante l'affilatura o la sostituzione della lama. Individuare la posizione della lama sulla protezione parasassi e proteggere le mani dal rischio di lesioni.

AVVERTENZA! Per evitare lesioni gravi, rimuovere il gruppo batteria dall'unità motore prima di pulirla o ripararlo e prima di sostituire gli accessori o rimuovere del materiale dall'apparecchio.

USARE L'ACCESSORIO DECESPUGLIATORE CON L'UNITÀ MOTORE

AVVERTENZA! Vestirsi adeguatamente per ridurre il rischio di infortunio durante l'uso dell'apparecchio. Non indossare indumenti ampi o gioielli. Indossare dispositivi di protezione per gli occhi/orecchie. Indossare pantaloni lunghi e pesanti, stivali e guanti. Non indossare pantaloni corti o sandali e non usare l'apparecchio a piedi nudi.

AVVERTENZA! Sgombrare l'area da tagliare prima di ogni utilizzo. Rimuovere oggetti come pietre, vetri rotti, chiodi, cavi o corde perché potrebbero venire lanciati o impigliarsi nell'accessorio di taglio. Tenere lontani dall'area di lavoro bambini, altre persone e animali. Tenere eventuali bambini, altre persone e animali ad almeno 15 m di distanza; permane tuttavia il rischio di lesioni alle altre persone dovute al lancio di oggetti. Si raccomanda di far indossare dei dispositivi di protezione per gli occhi a eventuali persone presenti. Se un'altra persona si avvicina, arrestare immediatamente il motore e l'accessorio di taglio.

Per un funzionamento efficiente e sicuro, indossare la tracolla sulla spalla. Regolare la tracolla per una posizione di lavoro confortevole. Tenere sempre il decespugliatore con la mano destra sull'impugnatura posteriore e la mano sinistra sull'impugnatura anteriore. Mantenere una presa salda con entrambe le mani durante l'uso dell'apparecchio. Tenere il decespugliatore in una posizione confortevole con l'impugnatura posteriore all'altezza del fianco. La testa di taglio deve essere parallela al terreno affinché entri facilmente a contatto con il materiale da tagliare senza che l'operatore debba piegarsi in avanti (Fig. B).

AVVERTENZA! La tracolla funziona anche da meccanismo di rilascio rapido in situazioni di pericolo. In caso di emergenza, sfilarla immediatamente dalla spalla, indipendentemente dalla sua modalità di fissaggio.

Pulire il decespugliatore dopo ogni utilizzo.

Consultare la sezione MANUTENZIONE per le istruzioni relative alla pulizia.

AVVIO/ARRESTO DELL'APPARECCHIO

Consultare la sezione «AVVIO/ARRESTO DELL'UNITÀ MOTORE» nel manuale di istruzioni dell'unità motore PH1420E.

REGOLARE LA LUNGHEZZA DEL FILO DI TAGLIO

La testa di taglio permette all'operatore di allungare il filo di taglio senza arrestare il motore. Quando il filo diventa sfilacciato o usurato, allungarlo premendo leggermente la testa di taglio sul terreno mentre il decespugliatore è in funzione (Fig. E).

ATTENZIONE! Allungare il filo diventa più difficile mano a mano che il filo di taglio si accorcchia.

AVVERTENZA! Non rimuovere o alterare la lama del filo di taglio. Una lunghezza eccessiva del filo causerà il surriscaldamento del motore e il conseguente rischio di lesioni gravi.

SOSTITUZIONE DEL FILO DI TAGLIO

NOTA: utilizzare il filo di taglio in nylon raccomandato con diametro non superiore a 2,4 mm. L'uso di fili diversi da quello specificato comporta il rischio di surriscaldamento o danneggiamento del decespugliatore.

AVVERTENZA! Non usare filo metallico o rinforzato in metallo, corda, ecc. perché possono rompersi e diventare proiettili pericolosi.

Questo decespugliatore è dotato del sistema di avvolgimento avanzato **POWERLOAD™**. Per avvolgere il filo di taglio intorno alla bobina basta premere un solo pulsante. L'avvolgimento del filo su una bobina vuota richiede in media 12 secondi. **Non mettere in funzione il sistema di avvolgimento ripetutamente in rapida successione per ridurre il rischio di danni al motore.**

NOTA: il sistema **POWERLOAD™** funziona esclusivamente se l'accessorio è collegato all'unità motore PH1420E e il gruppo batteria è installato.

1. Rimuovere il gruppo batteria.
2. Tagliare 4 metri di filo di taglio. Inserire il filo nell'occhiello (Fig. F). Spingere e tirare il filo dall'altro lato finché da entrambi i lati della testa di taglio non fuoriescono quantità uguali.

NOTA: se il filo di taglio non entra nell'occhiello perché il coperchio inferiore è bloccato, installare il gruppo batteria sull'unità motore e premere brevemente il pulsante di avvolgimento per sbloccare il coperchio inferiore.

3. Rimuovere il gruppo batteria se è stato installato sull'unità motore dopo il passaggio 2. Quindi procedere come indicato al passaggio 2 per reinserire e allineare il filo di taglio.
4. Installare il gruppo batteria sull'unità motore.
5. Tenere premuto il pulsante di avvolgimento del filo per avvolgere il filo nella testa di taglio finché da entrambi i lati non fuoriescono circa 15 cm di filo (Fig. G).
6. Premere la testa di taglio e contemporaneamente tirare i fili per farli avanzare manualmente e controllare il corretto assemblaggio della testa di taglio.

NOTA: se il filo si avvolge completamente nella testa di taglio senza fuoriuscire, aprire la testa di taglio ed estrarre il filo dalla bobina. Seguire le istruzioni alla sezione "RICARICA DEL FILO DI TAGLIO" per ricaricare il filo.

RICARICA DEL FILO DI TAGLIO

Se il filo di taglio si rompe a livello dell'occhiello o non viene rilasciato alla pressione della testa di taglio, sarà necessario rimuovere il filo di taglio rimanente dalla testa di taglio e procedere come descritto di seguito per ricaricarlo.

1. Rimuovere il gruppo batteria.
2. Premere le linguette di rilascio sulla testa di taglio e rimuovere il coperchio inferiore estraendolo in linea retta (Fig. H).
3. Rimuovere il filo di taglio dalla testa di taglio.
4. Se necessario, rimuovere la molla dalla bobina. Conservarla per il riassetto.
5. Inserire la molla nella fessura sul coperchio inferiore (Fig. I).
6. Tenendo il decespugliatore con una mano, afferrare il coperchio inferiore con l'altra mano e allineare le fessure sul coperchio inferiore con le linguette di rilascio (Fig. J). Premere il coperchio inferiore finché non si incastra in posizione emettendo un "clic" (Fig. K).
7. Seguire le istruzioni alla sezione "**SOSTITUZIONE DEL FILO DI TAGLIO**" per ricaricare il filo di taglio.

SOSTITUZIONE DELLA TESTA DI TAGLIO

AVVERTENZA! Se la testa di taglio si allenta dopo averla fissata, sostituirla immediatamente.

Non usare mai il decespugliatore se l'accessorio di taglio è allentato. Sostituire immediatamente la testa di taglio se è incrinata, danneggiata o usurata, anche se il danno è limitato a incrinature superficiali. Ad alta velocità, gli accessori di taglio possono frantumarsi e causare lesioni gravi.

Familiarizzarsi con i componenti della testa di taglio (Fig. L).

Descrizione delle parti in Fig. L:

L-1	Albero motore	L-6	Rondella
L-2	Boccola (2)	L-7	Dado
L-3	Coperchio superiore	L-8	Molla
L-4	Anello elastico	L-9	Filo di taglio
L-5	Alloggio della bobina	L-10	Coperchio inferiore

IT

Rimozione della la testa di taglio

1. Rimuovere il gruppo batteria.
2. Premere le linguette di rilascio sulla testa di taglio e rimuovere il coperchio inferiore estraendolo in linea retta.
3. Rimuovere il filo di taglio dalla testa di taglio.
4. Se necessario, rimuovere la molla dalla bobina. Conservarla per il riassettaggio.
5. Indossare guanti. Afferrare la bobina con una mano per stabilizzarla, quindi usare l'altra mano per allentare il dado in senso ORARIO con una chiave a impulsi da 13 mm (non fornita) (Fig. M).
6. Rimuovere il dado, la rondella e l'alloggio della bobina dall'albero motore (Fig. L).
7. Usare un'apposita pinza (non inclusa) per rimuovere l'anello elastico. Rimuovere il coperchio superiore e le due boccole dall'albero motore (Fig. L).
8. Per installare la nuova testa di taglio, procedere come descritto di seguito.

Installazione della testa di taglio

1. Installare le due boccole sull'albero motore.
2. Allineare la fessura piatta sul coperchio superiore con la scanalatura piatta sull'albero motore e fissare il coperchio superiore in posizione (Fig. N).

Descrizione delle parti in Fig. N:

N-1	Scanalatura piatta	N-2	Fessura piatta
-----	--------------------	-----	----------------

3. Installare l'anello elastico, l'alloggio della bobina e la rondella in quest'ordine (Fig. L). Usare una chiave a impulsi per serrare il dado in senso ANTIORARIO.
4. Seguire i passaggi 4 e 5 alla sezione "RICARICA DEL FILO DI TAGLIO" di questo manuale per installare il coperchio inferiore.

5. Seguire le istruzioni alla sezione "SOSTITUZIONE DEL FILO DI TAGLIO" di questo manuale per ricaricare il filo di taglio.
6. Avviare l'utensile per assicurarsi che funzioni correttamente. In caso contrario, riassemblylo come descritto in precedenza.

MANUTENZIONE

AVVERTENZA! Prima di ispezionare, pulire o regolare l'unità, arrestare il motore, attendere che tutte le parti mobili si arrestino e rimuovere il gruppo batteria. Il mancato rispetto di questa avvertenza comporta il rischio di danni o lesioni gravi.

AVVERTENZA! Per la riparazione dell'apparecchio, usare esclusivamente parti di ricambio identiche. L'uso di altri ricambi comporta situazioni pericolose o il rischio di danni all'apparecchio. Per garantire sicurezza e affidabilità, tutte le operazioni diverse da quelle elencate di seguito devono essere eseguite da un tecnico qualificato.

MANUTENZIONE GENERALE

Evitare l'uso di solventi durante la pulizia delle parti in plastica. La maggior parte dei materiali plastici può essere danneggiata da diversi tipi di solventi in commercio. Usare un panno pulito per rimuovere sporczia, polvere, olio, grasso, ecc.

PULIZIA DELL'APPARECCHIO

- Rimuovere l'eventuale erba intrappolata intorno all'albero motore o alla testa di taglio.
- Usare una piccola spazzola o un piccolo aspirapolvere per pulire le aperture di ventilazione sul rivestimento posteriore.
- Pulire l'apparecchio usando un panno inumidito con del detergente neutro.
- Non usare detergenti aggressivi sulle superfici esterne in plastica o sull'impugnatura perché possono essere danneggiate da alcuni oli aromatici, come pino e limone, e da solventi come il cherosene. L'umidità comporta il rischio di scossa elettrica. Rimuovere eventuali segni di umidità con un panno asciutto e morbido.

LUBRIFICAZIONE DEGLI INGRANAGGI DI TRASMISSIONE

Gli ingranaggi di trasmissione nella scatola degli ingranaggi devono essere lubrificati periodicamente con del grasso per ingranaggi. Controllare il livello del grasso della scatola degli ingranaggi ogni 50 ore di utilizzo rimuovendo la vite sigillante sul lato della scatola.

Se ai lati dell'ingranaggio non è visibile del grasso, seguire i passaggi riportati di seguito per riempirlo di grasso fino ai 3/4 della sua capacità.

Non riempire completamente gli ingranaggi di trasmissione.

1. Posizionare il decespugliatore su un lato affinché la vite sigillante sia rivolta verso l'alto.
2. Usare la chiave multifunzione fornita per allentare e rimuovere la vite sigillante.
3. Usare una siringa per grasso (non inclusa) per iniettare del grasso nel foro della vite; non superare i 3/4 della capacità.
4. Serrare la vite sigillante dopo il riempimento.

CONSERVAZIONE DELL'APPARECCHIO

- Rimuovere il gruppo batteria dall'unità motore.
- Pulire accuratamente l'apparecchio prima di riportarlo.
- Se l'accessorio decespugliatore viene rimosso dall'unità motore e riposto separatamente, inserire il cappuccio terminale sull'asta dell'accessorio per evitare che la sporcizia penetri nel raccordo.
- Conservare l'apparecchio in un luogo asciutto, ben ventilato, elevato o chiuso a chiave, e fuori dalla portata dei bambini. Non conservare l'apparecchio sopra o in prossimità di fertilizzanti, benzina o altre sostanze chimiche.

AFFILATURA DELLA LAMA TAGLIA-FILO

AVVERTENZA! Proteggere sempre le mani indossando guanti robusti durante qualsiasi operazione di manutenzione sulla lama taglia-filo.

1. Rimuovere la batteria.
2. Rimuovere la lama taglia-filo dalla cuffia di protezione.
3. Fissare la lama in una morsa.
4. Indossare un'adeguata protezione per gli occhi e dei guanti e prestare attenzione a non tagliarsi.
5. Affilare con attenzione i bordi di taglio della lama con una lima a denti fini o una pietra cote, assicurandosi di mantenere l'angolo di taglio originale.
6. Riposizionare la lama sulla cuffia di protezione e fissarla con le due viti.

Protezione dell'ambiente



Non smaltire apparecchi elettrici, caricabatteria e batterie/batterie ricaricabili insieme ai rifiuti indifferenziati!

Portare il prodotto presso un centro di riciclaggio autorizzato affinché venga raccolto separatamente. Gli apparecchi elettrici devono essere portati presso un centro di riciclaggio ecocompatibile.

Se gli apparecchi elettrici vengono gettati in discarica, le sostanze pericolose che contengono possono infiltrarsi nella falda freatica ed entrare nella catena alimentare, con un effetto nocivo sulla salute e il benessere.

RISOLUZIONE DEI PROBLEMI

IT

PROBLEMA	CAUSA	SOLUZIONE
Il decespugliatore non si avvia.	<ul style="list-style-type: none"> ■ Il gruppo batteria non è installato sull'unità motore. ■ Nessun contatto elettrico tra l'unità motore e il gruppo batteria. ■ Il gruppo batteria è scarico. ■ La leva di sbloccaggio e l'interruttore a grilletto non sono stati premuti contemporaneamente. 	<ul style="list-style-type: none"> ■ Installare il gruppo batteria sull'unità motore. ■ Rimuovere la batteria, ispezionare i contatti e reinstallare il gruppo batteria. ■ Ricaricare il gruppo batteria con i caricabatteria EGO elencati in questo manuale. ■ Per avviare il decespugliatore, tenere premuta la leva di sbloccaggio contemporaneamente all'interruttore a grilletto.
Il decespugliatore si arresta durante il taglio.	<ul style="list-style-type: none"> ■ La protezione parasassi non è installata sul decespugliatore, causando l'eccessiva lunghezza del filo di taglio e il sovraccarico del motore. ■ È in uso un filo di taglio troppo spesso. ■ L'albero di comando o la testa di taglio sono bloccati dall'erba. ■ Il motore è sovraccarico. ■ Il gruppo batteria o il decespugliatore sono troppo caldi. ■ Il gruppo batteria non è installato sul decespugliatore. ■ Il gruppo batteria è scarico. 	<ul style="list-style-type: none"> ■ Rimuovere il gruppo batteria e installare la protezione parasassi sul decespugliatore. ■ Utilizzare filo di taglio in nylon raccomandato con diametro non superiore a 2,4 mm. ■ Arrestare il decespugliatore, rimuovere la batteria e rimuovere l'erba dall'albero di comando e dalla testa di taglio. ■ Rimuovere la testa di taglio dall'erba. Il motore si riavvierà alla rimozione del carico. Durante il taglio, spostare la testa di taglio dentro e fuori dall'erba da tagliare e rimuovere non più di 20 cm di lunghezza a ogni passata. ■ Attendere che la temperatura del gruppo batteria e del decespugliatore scenda al di sotto di 67°C . ■ Reinstallare il gruppo batteria. ■ Ricaricare il gruppo batteria con i caricabatteria EGO elencati in questo manuale.

PROBLEMA	CAUSA	SOLUZIONE
Non è possibile allungare il filo della testa di taglio.	<ul style="list-style-type: none"> ■ L'albero di comando o la testa di taglio sono bloccati dall'erba. ■ La bobina non contiene abbastanza filo. ■ La testa di taglio è sporca. ■ Il filo è impigliato nel fermo della bobina. ■ Il filo è troppo corto. 	<ul style="list-style-type: none"> ■ Arrestare il decespugliatore, rimuovere la batteria e rimuovere l'erba dall'albero di comando e dalla testa di taglio. ■ Rimuovere la batteria e sostituire il filo di taglio. Seguire le istruzioni alla sezione "RICARICA DEL FILO DI TAGLIO" in questo manuale. ■ Rimuovere la batteria e pulire la bobina, il fermo della bobina e la base della bobina. ■ Rimuovere la batteria, rimuovere il filo dalla bobina e riavvolgerlo. Seguire le istruzioni alla sezione "RICARICA DEL FILO DI TAGLIO" in questo manuale. ■ Rimuovere la batteria, quindi tirare il filo e nel contempo premere e rilasciare il pulsante di rilascio del filo.
L'erba si avvolge intorno alla testa di taglio e al vano motore.	<ul style="list-style-type: none"> ■ Tagliare l'erba a livello del terreno. 	<ul style="list-style-type: none"> ■ Tagliare l'erba dall'alto verso il basso, rimuovendo non più di 20 cm a ogni passata per evitare il problema.
La lama non taglia il filo.	<ul style="list-style-type: none"> ■ La lama del filo di taglio sul bordo della protezione parasassi è smussata. 	<ul style="list-style-type: none"> ■ Affilarle la lama del filo di taglio con una lima o sostituirla con una lama nuova.
Incrinature sulla testa di taglio, o l'alloggio della bobina è allentato dalla base della bobina.	<ul style="list-style-type: none"> ■ La testa di taglio è usurata. ■ Il dado che blocca la testa di taglio è allentato. 	<ul style="list-style-type: none"> ■ Sostituire immediatamente la testa del decespugliatore; consultare la sezione "SOSTITUZIONE DELLA TESTA DEL DECESPUGLIATORE" in questo manuale. ■ Aprire la testa di taglio e serrare il dado con una chiave a impulsi.
Durante la sostituzione del filo, il filo non viene caricato correttamente nella testa di taglio.	<ul style="list-style-type: none"> ■ Le linee LOAD sul fermo della bobina non sono allineate con gli occhielli nella base della bobina. ■ Le linee LOAD sull'alloggio della bobina non sono allineate con gli occhielli sulla base della bobina. 	<ul style="list-style-type: none"> ■ Ruotare il fermo della bobina in direzione della freccia, se necessario, per allineare le linee LOAD sul fermo della bobina con gli occhielli nella base della bobina. ■ Ruotare l'alloggio della bobina in direzione della freccia per allineare le linee LOAD sull'alloggio della bobina con gli occhielli sulla base della bobina.

GARANZIA

CONDIZIONI DELLA GARANZIA EGO

Visitare il sito web egopowerplus.com per consultare le condizioni complete della garanzia EGO.

LEES ALLE INSTRUCTIES!



LEES DE GEBRUIKERSHANDLEIDING

⚠ Restrisico! Personen met elektronische apparaten, zoals pacemakers, moeten eerst hun art(sen) raadplegen voordat ze dit product mogen gebruiken. De werking van een elektrisch apparaat in de nabijheid van een pacemaker kan een storing of defect aan de pacemaker veroorzaken.

⚠ WAARSCHUWING: Om de veiligheid en betrouwbaarheid continu te kunnen waarborgen, dienen alle reparaties en vervangingen van onderdelen uitgevoerd te worden door een vakbekwame reparateur.

VEILIGHEIDSSYMBOLEN

Het doel van de veiligheidssymbolen is om u te wijzen op mogelijke gevaren. Besteed daarom voldoende aandacht hieraan en begrijp de veiligheidssymbolen en bijbehorende uitleg. De symboolwaarschuwingen op zich elimineren geen enkel gevaar. De gegeven instructies en waarschuwingen gelden niet als vervanging voor gepaste voorzorgsmaatregelen tegen ongevallen.

⚠ WAARSCHUWING: Lees en begrijp alle veiligheidsinstructies die in deze gebruikershandleiding zijn vermeld, waaronder alle veiligheidssymbolen zoals „GEVAAR“, „WAARSCHUWING“, en „OPGELET“ voordat u dit gereedschap in gebruik neemt. Het negeren van onderstaande instructies kan leiden tot elektrische schokken, brand en/of ernstig persoonlijk letsel.

BETEKENIS VAN DE SYMBOLEN

⚠ VEILIGHEIDS-WAARSCHUWINGSSYMBOL: De indicatie GEVAAR, WAARSCHUWING of OPGELET kunnen in combinatie met andere symbolen of pictogrammen worden gebruikt.

VEILIGHEIDSVOORSCHRIFTENS

Deze pagina toont en beschrijft alle veiligheidssymbolen die zich op dit product kunnen bevinden. Lees, begrijp en volg alle instructies op de machine voordat u deze in elkaar zet en gebruikt.

	Veiligheidsvoorschriftens	Geeft een risico op persoonlijk letsel aan.
--	---------------------------	---

	Lees de gebruikershandleiding	De gebruiker dient de gebruiksaanwijzing voor het gebruik van dit product te lezen en te begrijpen om risico op letsel te beperken.
	Draag oog-, gehoor- en hoofdbescherming	Draag altijd oog-, gehoor- en hoofdbescherming.
	Snijbreedte	De max. snijbreedte van de grastrimmer
	Diameter draad	De diameter van de nylon snijdraad
	Gebruik geen metalen messen	Waarschuwt de gebruiker geen metalen messen te gebruiken
	Houd omstanders uit de buurt	Rondvliegende voorwerpen kunnen terugkaatsen wat tot persoonlijk letsel en materiële schade kan leiden. Zorg dat andere personen en huisdieren uit de buurt blijven van de bosmaaier wanneer deze in gebruik is.
	De afstand tussen het gereedschap en de omstanders mag niet minder dan 15 m zijn	Zorg dat andere personen en huisdieren zich op minstens 15m van de trimmer bevinden wanneer deze in gebruik is.
IPX4	IP symbool	Bescherming tegen het binnendringen van water klasse 4.
	CE	Dit product is in overeenstemming met de EG-richtlijnen.
	UKCA	Dit product is in overeenstemming met de geldende wetgeving van het VK.
	WEEE	Gooi elektrisch afval niet via het huishoudelijk afval weg. Breng het naar een geautoriseerd recyclingbedrijf.
	Lawaai	Gewaarborgd geluidsvermogensniveau. Geluidsemissie voor de omgeving in overeenstemming met de richtlijnen van de Europese Unie.
V	Volt	Spanning
mm	Millimeter	Lengte of afmeting
cm	Centimeter	Lengte of afmeting
kg	Kilogram	Gewicht

ALGEMENE VEILIGHEIDSWAARSCHUWINGEN VOOR ELEKTRISCH GEREEDSCHAP

⚠ WAARSCHUWING: Lees alle veiligheidswaarschuwingen, instructies, illustraties en specificaties die met het elektrisch gereedschap zijn meegeleverd. Het niet opvolgen van de waarschuwingen en instructies kan leiden tot elektrische schokken, brand en/of ernstig letsel. Bewaar alle waarschuwingen en instructies voor toekomstig gebruik.

De term "elektrisch gereedschap" in de waarschuwingen verwijst naar uw op het voedingsnet aangedreven (met snoer) handgereedschap of batterij aangedreven (snoerloos) handgereedschap.

VEILIGHEID OP DE WERKPLAATS

- **Houd uw werkplaats schoon en goed verlicht.** Rommelige of donkere ruimten kunnen ongevallen veroorzaken.
- **Gebruik geen elektrisch gereedschap in explosieve ruimten, bijvoorbeeld in de aanwezigheid van ontvlambare vloeistoffen, gassen of stof.** Elektrisch gereedschap creëert vonken, deze kunnen stof of dampen in brand steken.
- **Houd kinderen en omstanders uit de buurt wanneer u elektrisch gereedschap bedient.** Aflleiding kan leiden tot controleverlies.

ELEKTRISCHE VEILIGHEID

- **De stekker van het elektrisch gereedschap dient met het stopcontact overeen te stemmen. Pas de stekker op geen enkele manier aan. Gebruik geen adapterstekker met geaard elektrisch gereedschap.** Niet aangepaste stekkers en overeenkomstige stopcontacten beperken het risico op elektrische schokken.
- **Vermijd lichamen contact met geaarde oppervlakken, zoals pijpleidingen, radiatoren, fornuizen of koelkasten.** Het risico op een elektrische schok is groter als uw lichaam geaard is.
- **Gebruik het gereedschap niet in regen of natte omstandigheden.** Water dat het gereedschap binnendringt, kan het risico op een elektrische schok of storingen met persoonlijk letsel tot gevolg hebben, vergroten.
- **Gebruik de kabel niet op een verkeerde manier. Gebruik de kabel nooit om het elektrisch gereedschap te dragen, te trekken of om de stekker uit het stopcontact te halen. Houd de kabel uit de buurt van hitte, olie, scherpe randen of bewegende onderdelen.** Beschadigde of verstrikte kabels vergroten het risico op een elektrische schok.

- **Wanneer u een elektrisch gereedschap buitenshuis bedient, gebruik dan een verlengkabel die geschikt is voor gebruik buitenshuis.** Het gebruik van een kabel die voor gebruik buitenshuis geschikt is, verkleint het risico op een elektrische schok.
- **Als het gebruik van elektrisch gereedschap in een vochtige ruimte noodzakelijk is, gebruik een differentieelschakelaar.** Het gebruik van een differentieelschakelaar verkleint het risico op elektrische schokken.

PERSOONLIJKE VEILIGHEID

- **Wees waakzaam, let op wat u doet en gebruik uw gezond verstand wanneer u elektrisch gereedschap gebruikt. Gebruik het elektrisch gereedschap niet als u moe bent of onder de invloed bent van drugs, alcohol of medicijnen.** Een moment van onoplettendheid tijdens het gebruik van elektrische gereedschappen kan leiden tot ernstig persoonlijk letsel.
- **Draag persoonlijke beschermingsuitrusting. Draag altijd oogbescherming.** Beschermingsmiddelen zoals een stofmasker, slipvaste werkschoenen, veiligheidshelm of gehoorbescherming afhankelijk van de aard en het gebruik van het gereedschap verkleint het risico op persoonlijk letsel.
- **Vermijd dat het gereedschap per ongeluk wordt gestart. Zorg dat de schakelaar op de stand 'Uit' is ingesteld voordat u het gereedschap op een stroombron en/of accu aansluit, vastneemt of draagt.** Het dragen van elektrisch gereedschap met uw vinger op de schakelaar of gereedschap ingeschakeld op de stroomvoorziening aansluiten kan ongevallen veroorzaken.
- **Verwijder instelsleutels of moersleutels voordat u het elektrisch gereedschap inschakelt.** Een instelsleutel of moersleutel in een draaiend deel van het elektrisch gereedschap achterlaten kan leiden tot persoonlijk letsel.
- **Reik niet te ver. Zorg er altijd voor dat u stevig en stabiel staat.** Dit zorgt ervoor dat u het elektrisch gereedschap in onverwachte situaties beter onder controle kunt houden.
- **Draag passende kleding. Draag geen los hangende kleding of sieraden. Houd uw haar, kleding en handschoenen uit de buurt van bewegende onderdelen.** Los hangende kleding, sieraden en lang haar kunnen in bewegende onderdelen verstrikt raken.
- **Wanneer de montage van stofafzuigings- of stofopvangvoorzieningen mogelijk is, dient u ervoor te zorgen dat deze juist aangesloten en gebruikt worden.** Het gebruik van voorzieningen voor stofopvang kan helpen om het risico in verband met stof te verlagen.

- **Word niet zelfingenomen door de ervaring die u heeft opgedaan door frequent gebruik, waardoor u dan de veiligheidswaarschuwingen negeert.** Een achteloze actie kan binnen een fractie van een seconde ernstig letsel veroorzaken.

ELEKTRISCH GEREEDSCHAP GEBRUIKEN EN ONDERHOUDEN

- **Overbelast het elektrisch gereedschap niet. Gebruik het juiste elektrisch gereedschap voor uw werkzaamheid.** Met het juiste elektrisch gereedschap werkt u beter en veiliger binnen het aangegeven capaciteitsbereik.
- **Gebruik het elektrisch gereedschap niet als de schakelaar niet kan worden in- en uitgeschakeld.** Elektrisch gereedschap dat niet kan worden in- of uitgeschakeld is gevaarlijk en moet worden gerepareerd.
- **Trek de stekker uit het stopcontact en/of accu voordat u het elektrisch gereedschap instelt, accessoires vervangt of het gereedschap opbergt.** Deze preventieve voorzorgsmaatregelen beperken het risico op onbedoeld starten van het elektrisch gereedschap.
- **Berg niet-gebruikt gereedschap op buiten het bereik van kinderen en zorg ervoor dat personen die niet vertrouwd zijn met het gereedschap of die deze instructies niet hebben gelezen het gereedschap niet gebruiken.** Elektrisch gereedschap is gevaarlijk wanneer het door onervaren personen wordt gebruikt.
- **Onderhoud het elektrisch gereedschap en de accessoires. Controleer of de bewegende onderdelen correct functioneren en niet vastklemmen en of de onderdelen zodanig gebroken of beschadigd zijn dat de werking van het elektrisch gereedschap nadelig wordt beïnvloed. Laat beschadigde onderdelen repareren voordat u het elektrisch gereedschap gebruikt.** Vele ongevallen worden veroorzaakt door slecht onderhouden elektrisch gereedschap.
- **Houd de snij-onderdelen scherp en schoon.** Zorgvuldig onderhouden snij-gereedschap met scherpe snijranden klemmen minder snel vast en zijn gemakkelijker te beheersen.
- **Gebruik het elektrisch gereedschap, accessoires, inzetgereedschap, etc. in overeenstemming met deze instructies en houd hierbij rekening met de werkomstandigheden en de uit te voeren werkzaamheden.** Het gebruik van elektrisch gereedschap voor andere dan de voorziene toepassingen kan tot gevaarlijke situaties leiden.
- **Houd de handvatten en greepvlakken droog, schoon en vrij van olie en smeervet.** Glibberige handvatten en greepvlakken maken een veilige

omgang en de controle over het elektrisch gereedschap in onverwachte situaties onmogelijk.

ACCUGEREEDSCHAP GEBRUIKEN EN ONDERHOUDEN

- **Laad alleen op met de lader die door de fabrikant is gespecificeerd.** Een lader die geschikt is voor één type van accu kan tot brandgevaar leiden wanneer gebruikt met een andere accu.
- **Gebruik elektrisch handgereedschap alleen met de specifiek aangegeven accu.** Het gebruik van andere accu's kan risico op letsel en brandgevaar veroorzaken.
- **Wanneer u de accu niet gebruikt, houd het uit de buurt van andere metalen voorwerpen zoals paperclips, munten, sleutels, nagels, schroeven of andere kleine metalen voorwerpen die de twee aansluitklemmen kunnen verbinden.** Het kortsluiten van de aansluitklemmen kan brandwonden of brand veroorzaken.
- **Bij verkeerd gebruik kan er vloeistof uit de accu worden gespoten; vermijd elk contact. Als aanraking met de vloeistof toevallig plaatsvindt, spoel met water af. Als de vloeistof in de ogen komt, dient u onmiddellijk een arts te consulteren.** Vloeistof dat uit de accu wordt gespoten kan irritatie of brandwonden veroorzaken.
- **Gebruik een accu of gereedschap dat is beschadigd of aangepast niet.** Beschadigde of aangepaste accu's kunnen resulteren in onvoorziën gedrag zoals brand, explosie of het risico op letsel.
- **Stel een accu of gereedschap niet bloot aan vuur of excessieve temperaturen.** Blootstelling aan vuur of temperaturen boven 130 °C kunnen leiden tot een explosie.
- **Neem alle laadinstructies in acht en laad de accu of het gereedschap niet buiten het gespecificeerde temperatuurbereik in de handleiding op.** Het onjuist laden of bij een temperatuur buiten het temperatuurbereik kan de accu beschadigen en er bestaat een gevaar op brand.

REPARATIE

- **Laat uw elektrisch gereedschap repareren door een vakbekwame reparateur en alleen met identieke reserveonderdelen.** Dit waarborgt de veiligheid van het elektrisch gereedschap.
- **Repareer nooit een beschadigde accu.** Reparatie van accu's mag alleen worden uitgevoerd door de fabrikant of een erkend servicecentrum.

SPECIALE VEILIGHEIDSWAARSCHUWINGEN VOOR GRASTRIMMER

- **Gebruik het elektrisch gereedschap niet onder slechte weersomstandigheden, vooral niet als er sprake is van kans op bliksem.** Hierdoor neemt het risico te worden getroffen door bliksem, af.
- **Inspecteer het gebied waar het gereedschap moet worden gebruikt grondig op wilde dieren.** Wilde dieren kunnen tijdens het gebruik door het elektrisch gereedschap gewond raken.
- **Controleer het gebied waar u het gereedschap wilt gebruiken en verwijder alle stenen, stokken, draden, botten en andere vreemde voorwerpen.** Weggeslingerde voorwerpen kunnen persoonlijk letsel veroorzaken.
- **Controleer voordat u het gereedschap gebruikt altijd visueel om te zien of het mes en de mesbevestiging niet beschadigd zijn.** Beschadigde onderdelen verhogen het risico op letsel.
- **Volg de instructies over het vervangen van accessoires.** Onjuist vastgedraaide bevestigingsmoeren of bouten van het mes kunnen het mes beschadigen of ertoe leiden dat het losraakt.
- **Draag oog-, gehoor-, hoofd- en handbescherming.** Adequate beschermingsmiddelen verminderen persoonlijk letsel door rondvliegend puin of onbedoeld contact met de snijdraad of het mes.
- **Draag tijdens het gebruik van het gereedschap altijd antislip en beschermend schoeisel. Gebruik het gereedschap nooit met blote voeten of sandalen.** Dit verkleint de kans op letsel aan de voeten door contact met de bewegende messen of draden.
- **Draag tijdens het gebruik van het gereedschap altijd een lange broek.** Blootgestelde huid vergroot de kans op letsel door rondvliegende voorwerpen.
- **Houd omstanders uit de buurt terwijl u het gereedschap gebruikt.** Rondvliegend puin kan resulteren in ernstig persoonlijk letsel.
- **Gebruik altijd beide handen tijdens het bedienen van het gereedschap.** Door het gereedschap met beide handen vast te houden, wordt verlies van controle voorkomen.
- **Houd het gereedschap alleen aan de geïsoleerde grijppoppervlakken vast, omdat de draad of het mes in contact kan komen met verborgen bedrading.** Draden of messen die met een draad onder stroom in aanraking komen kunnen de blootgestelde metalen onderdelen van het gereedschap onder stroom zetten en de gebruiker een elektrische schok geven.
- **Zorg altijd voor een goede stand en bedien het gereedschap alleen wanneer u op de grond staat.** Gladde of instabiele oppervlakken kunnen leiden tot verlies van evenwicht of controle over het gereedschap.
- **Gebruik het gereedschap niet op te steile hellingen.** Dit vermindert het risico op controleverlies, uitglijden en vallen, wat kan leiden tot persoonlijk letsel.
- **Wanneer u op hellingen werkt, moet u altijd stevig staan, altijd naar de top van de helling werken, nooit omhoog of omlaag en wees uiterst voorzichtig wanneer u van richting verandert.** Dit vermindert het risico op controleverlies, uitglijden en vallen, wat kan leiden tot persoonlijk letsel.
- **Houd alle delen van uw lichaam uit de buurt van de frees, draad of het mes wanneer het gereedschap in gebruik is. Voordat u het gereedschap start, moet u ervoor zorgen dat de frees, draad of het mes met niets in contact komt.** Een moment van onoplettendheid tijdens het gebruik van het gereedschap kan leiden tot letsel bij uzelf of anderen.
- **Gebruik het gereedschap niet boven heuphoogte.** Dit helpt onbedoeld contact van frees of mes te voorkomen en zorgt voor een betere bediening van het gereedschap in onverwachte situaties.
- **Wanneer u takken of jonge boompjes snijdt die onder spanning staan, moet u erop letten dat ze terug kunnen springen.** Wanneer de spanning in de houtvezels verdwijnt, kan de tak of het jonge boompje de bediener raken en/of het gereedschap onbedienbaar maken.
- **Wees uiterst voorzichtig bij het zagen van takken en jonge boompjes.** Het dunne materiaal kan door het mes worden vastgegrepen en in uw richting worden geslingerd of u uit balans brengen.
- **Behoud de controle over het gereedschap en raak de frezen, draden of messen en andere gevaarlijke bewegende onderdelen niet aan terwijl ze nog in beweging zijn.** Dit vermindert het risico op letsel door bewegende onderdelen.
- **Wanneer u vastgelopen materiaal verwijdert of onderhoud aan het gereedschap uitvoert, moet u ervoor zorgen dat de schakelaar is uitgeschakeld en het accupack is verwijderd.** Het onverwacht starten van het gereedschap tijdens het verwijderen van vastgelopen materiaal of onderhoud kan leiden tot ernstig persoonlijk letsel.
- **Draag het gereedschap alleen als het gereedschap is uitgeschakeld uit de buurt van uw lichaam is.** Een juiste omgang met het gereedschap verkleint de kans op onbedoeld contact met een bewegende frees, draad of mes.

- **Gebruik uitsluitend vervangende frezen, draden, snijkoppen en messen die door de fabrikant zijn gespecificeerd.** Onjuiste vervangende onderdelen kunnen het risico op breuk en letsel vergroten.
- **Schade aan de trimmer** – Als u een vreemd voorwerp met de trimmer raakt of als de trimmer vast komt te zitten, schakel het gereedschap onmiddellijk uit, controleer op schade en laat het gereedschap repareren voordat u het opnieuw gebruikt. Gebruik het apparaat niet met een beschadigd scherm of spool.
- **Als het gereedschap abnormaal trilt, stop de motor en zoek onmiddellijk naar de oorzaak.** Trilling wijst over het algemeen op een storing. Een losse kop kan trillen, barsten, breken of van de trimmer los komen, wat tot ernstig letsel of de dood kan leiden. Zorg dat het snijelement juist op zijn positie is vastgemaakt. Als de kop na bevestiging op de juiste positie loskomt, vervang het onmiddellijk. Gebruik nooit een trimmer met een los snijelement.
- **Accugereedschap moet niet op een stopcontact worden aangesloten en is daarom altijd gereed voor gebruik.** Let op voor mogelijke gevaren, zelfs wanneer het gereedschap niet in gebruik is. Let op wanneer u onderhoud aan het gereedschap uitvoert.
- **Reinig het gereedschap niet met een slang. Zorg dat de motor of elektrische componenten niet met water in aanraking komen.**
- **Als er zich situaties voordoen die niet in deze handleiding worden behandeld, dient u uw gezond verstand te gebruiken. Neem contact op met het EGO klantenservice als u hulp nodig heeft.**
- **Gebruik alleen met in afb. A vermelde accupacks en opladers.**

BEWAAR DEZE GEBRUIKSAANWIJZING!

SPECIFICATIES

Snijmechanisme	Aantikkop
Diameter draad	2,4 mm nylon gedraaide draad
Snijbreedte	40 cm
Snelheid zonder belasting	4900/5800 min ⁻¹
Gewicht (zonder accupack)	1,59 kg
Aanbevolen werkingstemperatuur	0°C-40°C
Aanbevolen opslagtemperatuur	-20°C-70°C
Gemeten geluidsvermogensniveau L _{WA}	95,72 dB(A) K=0,77 dB(A)

Geluidsdruk niveau aan het oor van de bediener L _{PA}	81,6 dB(A) K=3 dB(A)
Gegarandeerd geluidsvermogensniveau L _{WA} (gemeten volgens 2000/14/EG)	96 dB(A)
Vibratie a _n	Voorste handvat 2,5 m/s ² K=1,5 m/s ²
	Achterste handvat 1,8 m/s ² K=1,5 m/s ²

- De bovengenoemde parameters werden getest en gemeten met de motorkop PH1420E.
- De opgegeven totale vibratiewaarde is gemeten volgens de standaard testmethode en kan worden gebruikt om het apparaat met een ander apparaat te vergelijken;
- De opgegeven totale vibratiewaarde kan ook worden gebruikt in een voorafgaande beoordeling op blootstelling.

⚠ WAARSCHUWING: De trillings- en geluidsemisies bij het daadwerkelijke gebruik van het elektrisch gereedschap kunnen afwijken van de opgegeven waarden, afhankelijk van de manier waarop het gereedschap wordt gebruikt, met name wat voor soort werkstuk wordt verwerkt; en

Van de noodzaak om veiligheidsmaatregelen vast te stellen ter bescherming van de bediener die gebaseerd zijn op een schatting van de blootstelling in de werkelijke gebruiksomstandigheden (waarbij rekening wordt gehouden met alle onderdelen van de gebruikscyclus, zoals het tijdstip waarop het gereedschap wordt uitgeschakeld en wanneer het stationair draait, naast de activeringstijd).

PAKLIJST (AFB. A)

Voor de aanbevolen snijdraad kunt u de website egopowerplus.com of de EGO productcatalogus raadplegen.

BESCHRIJVING

KEN UW TOEBEHOR VAN DE GRASTRIMMER (afb. A)

1. Einddop
2. Grastrimmer schacht
3. Draad-laad knop
4. Snijdraad
5. Trimmerkop (aantikkop)
6. Ontgrendelingsknop
7. Mes voor het snijden van de draad
8. Scherm
9. Binnenzeskantsleutel

⚠ WAARSCHUWING: Gebruik het gereedschap nooit zonder juist gemonteerd scherm. Het scherm moet zich altijd op het gereedschap bevinden om de gebruiker te beschermen.

MONTAGE

⚠ WAARSCHUWING: Als er onderdelen beschadigd zijn of ontbreken, gebruik dit product niet totdat alle onderdelen vervangen of aanwezig zijn. Dit product gebruiken met beschadigde of ontbrekende onderdelen kan ernstig persoonlijk letsel veroorzaken.

⚠ WAARSCHUWING: Probeer niet om dit product aan te passen of accessoires te maken die niet voor gebruik met deze grastrimmer zijn aanbevolen. Een dergelijke aanpassing of wijziging is verkeerd en kan leiden tot gevaar en een ernstig persoonlijk letsel.

⚠ WAARSCHUWING: Sluit de motorkop niet aan totdat u klaar bent met de montage. Het niet in acht nemen kan resulteren in het onbedoeld starten en mogelijk ernstig persoonlijk letsel.

DE BESCHERMING MONTEREN

⚠ WAARSCHUWING: Draag altijd handschoenen wanneer u het scherm monteert of vervangt. Wees voorzichtig bij het mes en bescherm uw handen tegen letsel door het mes.

Maak de twee schroeven los en verwijder ze van de basis (afb. C), breng de bevestigingsgaten in één lijn met de montagegaten en maak vervolgens de bescherming vast met de twee schroeven, samen met de onderlegplaatjes (afb. D).

Zorg ervoor dat het scherm volgens afb. C & D is bevestigd; een andere bevestiging kan groot gevaar veroorzaken!

AANSLUITEN VAN HET GRASTRIMMER TOEBEHOOR AAN DE MOTORKOP

Dit grastrimmer toebehoor is ontworpen voor het gebruik met de EGO motorkop PH1420E.

Zie het hoofdstuk «EEN ACCESSOIRE VOOR DE MOTORKOP BEVESTIGEN» in de gebruiksaanwijzing van de motorkop PH1420E.

BEDIENING

⚠ WAARSCHUWING: Vertrouwdheid kan leiden tot onvoorzichtigheid. Opgelet, één seconde van onvoorzichtigheid kan ernstig letsel teweegbrengen.

⚠ WAARSCHUWING: Draag altijd oogbescherming, samen met gehoorbescherming. Het niet dragen van deze beschermingsuitrusting kan ertoe leiden dat voorwerpen in uw ogen terechtkomen of kan een ander ernstig letsel veroorzaken.

APPLICATIES

U kunt dit product gebruiken voor onderstaand vermeld doeleinde:

- Gras en onkruid trimmen rond veranda's, heggen en terrassen.

OPMERKING: Het gereedschap mag alleen voor het voorheen genoemde doeleinde worden gebruikt. Ieder ander gebruik is in dit geval misbruik.

Voor elk gebruik, controleer op beschadigde/versleten onderdelen

Controleer de trimmerkop, scherm en voorste handgreep en vervang alle onderdelen die gebarsten, scheef getrokken, gebogen of beschadigd zijn.

Het mes voor het snijden van de draad op de rand van het scherm kan na verloop van tijd bot worden. Het is aanbevolen om het mes regelmatig met een vijl te slijpen of door een nieuw mes te vervangen.

⚠ WAARSCHUWING: Draag altijd handschoenen wanneer u het scherm monteert of vervangt of het mes slijpt of vervangt. Let op de positie van het mes op het scherm zodat u geen letsel oploopt.

⚠ WAARSCHUWING: Om ernstig persoonlijk letsel te voorkomen, haal het accupack uit de motorkop voor onderhoud, reiniging, het wijzigen van accessoires of het verwijderen van materiaal.

GEbruik VAN HET GRASTRIMMER TOEBEHOOR MET DE MOTORKOP

⚠ WAARSCHUWING: Draag gepaste kleding om het risico op letsel tijdens gebruik van dit gereedschap te beperken. Draag geen los hangende kleding of juwelen. Draag oog- en oorbescherming. Draag een stevige lange broek, laarzen en handschoenen. Draag geen korte broek of sandalen of ga niet blootsvoets.

⚠ WAARSCHUWING: Voor gebruik, verwijder alle mogelijke obstakels uit de te maaien zone. Verwijder voorwerpen zoals rotsen, gebroken glas, nagels, draad of koorden, die opgegooid kunnen worden of in het snijelement terecht kunnen komen. Zorg dat er zich geen kinderen, omstanders of huisdieren in de omgeving bevinden. Houd kinderen, omstanders en huisdieren op een afstand van minstens 15m; er is nog altijd risico op het wegslingeren van voorwerpen richting omstanders. Omstanders worden aangespoord om oogbescherming te dragen. Als iemand in de buurt komt, stop de motor en het snijelement onmiddellijk.

Voor een veiliger en beter gebruik draagt u de schouderriem over uw schouder. Pas de schouderriem aan zodat u een comfortabele werkpositie bereikt. Houd de grastrimmer met één hand op de achterste handgreep en uw andere hand op de voorste handgreep vast. Zorg tijdens het gebruik voor een stevige greep met beide handen. De grastrimmer dient op een prettige manier te worden vastgehouden met het achterste handvat ongeveer op heuphoogte. De trimmerkop dient evenwijdig met de grond te zijn zodat hij eenvoudig contact maakt met het te maaien materiaal zonder dat de bediener zich moet buigen (afb. B).

⚠ WAARSCHUWING: De schouderriem heeft ook een snelontspanningsmechanisme voor gevaarlijke situaties. Als er sprake is van een noodgeval, haalt u hem direct van de schouder, ongeacht hoe de riem zit.

Maak de trimmer na elk gebruik schoon

Kijk in het hoofdstuk ONDERHOUD voor de reinigingsinstructies.

HET GEREEDSCHAP STARTEN/STOPPEN

Zie het gedeelte «**STARTEN/STOPPEN VAN DE MOTORKOP**» in de gebruiksaanwijzing van de motorkop PH1420E.

DE LENGTE VAN DE SNIJDRAAD AANPASSEN

De trimmerkop stelt de bediener in staat om meer snijdraad vrij te geven zonder de motor te moeten stoppen. Als de draad uitgerafeld of versleten raakt, geef extra draad vrij door de trimmerkop tijdens gebruik van de trimmer voorzichtig tegen de grond te tikken (afb. E).

OPMERKING: Het vrijgeven van draad wordt moeilijker naarmate de draad korter wordt.

⚠ WAARSCHUWING: Verwijder of pas de draadsnijder niet aan. Een te lange snijdraad zal de motor oververhitten wat tot ernstig persoonlijk letsel kan leiden.

DE DRAAD VERVANGEN

OPMERKING: Gebruik altijd de geadviseerde nylon snijdraad met een diameter van niet meer dan 2,4 mm. Het gebruik van een andere dan de aanbevolen draad kan leiden tot oververhitting of schade aan de grastrimmer.

⚠ WAARSCHUWING: Gebruik nooit een met metaal versterkte draad, kabel of koord etc. Deze kunnen afbreken en een gevaarlijk projectiel worden.

De grastrimmer is uitgerust met een geavanceerd **POWERLOAD™** systeem. De snijdraad kan eenvoudig op de spoel worden gewikkeld door op een enkele knop te drukken. Het laden van een volledige spoel kan meestal in 12 seconden worden voltooid. **Vermijd herhaalde bediening van het wikkelsysteem snel achter elkaar om de mogelijkheid van motorschade te verminderen.**

OPMERKING: Het **POWERLOAD™** systeem is alleen beschikbaar wanneer het hulpstuk is aangesloten op de motorkop PH1420E en het accupack is geïnstalleerd.

1. Het accupack verwijderen.
2. Snij 4m van de snijdraad af. Steek de draad in het bevestigings oogje (afb. F). Druk en trek de draad van de andere kant totdat aan beide zijden van de trimmerkop evenveel draad is.

OPMERKING: Als de lijn niet in het oogje kan worden gestoken wanneer de onderste afdekking vast zit, installeer dan het accupack op de motorkop en druk vervolgens eventjes op de draadlaadknop om de onderste afdekking te resetten.

3. Verwijder het accupack als deze in de INFORMATIE na stap 2 op de motorkop is geïnstalleerd. En volg de in stap 2 aangegeven stappen om de snijdraad opnieuw te plaatsen en uit te lijnen.
4. Plaats het accupack op de motorkop.
5. Houd de draadlaadknop ingedrukt om de draad continu op de trimmerkop te wikkelen totdat aan elke kant ongeveer 15 cm van de draad te zien is. (Fig. G).
6. Druk de trimmerkop naar beneden terwijl u met de hand aan de draden trekt om de draden naar voren te halen en om te kijken of de snijdraad goed zit.

OPMERKING: Als de draad per ongeluk in de trimmerkop wordt getrokken, opent u de kop en trekt u de snijdraad uit de spoel. Volg de paragraaf «**DE SNIJDRAAD TERUG PLAATSEN**» in deze handleiding om de draad opnieuw te laden.

DE SNIJDRAAD TERUG PLAATSEN

Wanneer de snijdraad van het oogje breekt of de snijdraad niet vrijkomt wanneer op de trimmerkop wordt getikt, moet u de resterende snijdraad uit de trimmerkop verwijderen en de onderstaande stappen volgen om de draad opnieuw te laden.

1. Het accupack verwijderen.
2. Druk op de ontgrendelingsknoppen op de trimmerkop en verwijder de onderste afdekking van de trimmerkop door deze recht eruit te trekken (afb. H).
3. Verwijder de snijdraad van de trimmerkop.
4. Haal indien nodig de veer uit de gemonteerde spoel. Bewaar het voor de hernieuwde montage.
5. Plaats de veer in de sleuf in de onderste afdekking (afb. I).
6. Met een hand aan de trimmer, gebruikt u de andere hand om de onderste afdekking vast te pakken en de sleuven in de onderste afdekking in een lijn te brengen met de ontgrendelingsknoppen (afb. J). Druk de onderste afdekking totdat deze op zijn plek vergrendeld. U hoort op dat moment een duidelijke klik (afb. K).
7. Volg de instructies in de alinea **“DE DRAAD VERVANGEN”** om een nieuwe snijdraad te plaatsen.
5. Draag handschoenen. Gebruik een hand om de gemonteerde spoel te stabiliseren en gebruik de andere hand om een 13 mm slagmoersleutel (niet inbegrepen) los te draaien **TEGEN DE KLOK IN** (afb. M).
6. Verwijder de moer, de ring en de spoelhouder van de motoras (afb. L).
7. Gebruik een borgringtang (niet inbegrepen) om de borgring te verwijderen. Verwijder het bovenste afdekking en de twee busen van de motoras (afb. L).
8. Vervang door een nieuwe trimmerkop en monteer hem met de volgende stappen.

NL

Plaats de nieuwe trimmerkop

1. Monteer de twee busen op de motoras.
2. Lijn de platte sleuf in de bovenste afdekking uit met de platte deel in de motoras en monteer de bovenste afdekking op zijn plaats (afb. N).

Afb. N beschrijving van de onderdelen zie beneden

N-1	Plat	N-2	Platte sleuf
-----	------	-----	--------------

3. Monteer de borgring, de spoelhouder en de sluitring in die volgorde (afb. L). Gebruik een slagmoersleutel op de moer om hem **TEGEN DE KLOK IN** vast te draaien.
4. Volg de stappen 4 en 5 in het hoofdstuk **“DE SNIJDRAAD TERUG PLAATSEN”** in deze handleiding om de onderste afdekking te monteren.
5. Volg de instructies in de alinea **“DE DRAAD VERVANGEN”** in deze gebruiksaanwijzing om een nieuwe snijdraad te plaatsen.
6. Start het gereedschap om te zien of de grastrimmer naar behoren werkt. Als dat niet het geval is, monteer dan zoals boven beschreven.

TRIMMERKOP VERVANGEN

⚠ WAARSCHUWING: Als de kop na bevestiging op de juiste positie loskomt, vervang hem onmiddellijk.

Gebruik nooit een trimmer met een los snijelement. Vervang een gebarsten, beschadigde of versleten snijkop onmiddellijk, zelfs al is de schade beperkt tot oppervlakkige barstjes. Dergelijk toebehoor kan op een hoge snelheid uiteen spatten en ernstig letsel veroorzaken.

Maak uzelf vertrouwd met de trimmerkop (afb. L).

Afb. L beschrijving van de onderdelen zie beneden:

L-1	As	L-6	Sluitring
L-2	Bus (2)	L-7	Moer
L-3	Bovenste afdekking	L-8	Veer
L-4	Borgring	L-9	Snijdraad
L-5	Spoelhouder	L-10	Montage van de onderste afdekking

Verwijder de trimmerkop

1. Het accupack verwijderen.
2. Druk op de ontgrendelingsknoppen op de trimmerkop en verwijder de onderste afdekking van de trimmerkop door deze recht eruit te trekken.
3. Verwijder de snijdraad van de trimmerkop.
4. Haal indien nodig de veer uit de gemonteerde spoel. Bewaar het voor de hernieuwde montage.

ONDERHOUD

⚠ WAARSCHUWING: Voor het inspecteren, reinigen of onderhouden van het apparaat dient u de motor te stoppen, te wachten totdat alle bewegende onderdelen tot stilstand zijn gekomen en het accupack te verwijderen. Het negeren van deze instructies kan ernstig persoonlijk letsel of materiële schade tot gevolg hebben.

⚠ WAARSCHUWING: Bij reparatie, gebruik uitsluitend identieke reserve-onderdelen. Het gebruik van andere onderdelen kan gevaar opleveren of schade aan het product veroorzaken. Om een continue veiligheid en betrouwbaarheid te waarborgen, dienen alle reparaties, uitgezonderd zulke die worden opgesomd in deze gebruiksaanwijzing, te worden uitgevoerd door een vakbekwame reparateur.

ALGEMEEN ONDERHOUD

Maak de kunststof onderdelen niet schoon met oplosmiddelen. De meeste kunststoffen kunnen worden beschadigd wanneer ze in contact komen met commerciële oplosmiddelen. Gebruik een schone doek voor het verwijderen van vuil, stof, olie, smeer, etc.

HET APPARAAT SCHOONMAKEN

- Verwijder gras dat zich om de motorschacht of trimmerkop heeft gewikkeld.
- Maak de ventilatieopeningen aan de achterkant van de motorbehuizing schoon met een kleine borstel of een stofzuiger.
- Maak het apparaat schoon met een vochtige doek en mild schoonmaakmiddel.
- Maak de kunststof behuizing of handvat niet schoon met een agressief schoonmaakmiddel. Deze kunnen door bepaalde aromatische oliën, zoals pijnboom en citroen, en oplosmiddelen, zoals kerosine, worden beschadigd. Vocht kan risico op elektrische schokken met zich meebrengen. Veeg eventueel vocht weg met een zachte en droge doek.

SMEREN VAN DE VERSNELLING

De versnelling in de versnellingsbak dient regelmatig met smeervet voor versnellingen te worden gevet. Controleer het vetniveau van de versnellingsbak ongeveer alle 50 uur van gebruik door de vergrendelschroef aan de zijkant van de bak te verwijderen.

Als u geen vet meer ziet aan de flanken van de versnelling, dient u de onderstaande stappen te volgen voor het tot 3/4 bijvullen van het vet.

Vul de versnellingen niet helemaal.

1. Houd de grastrimmer op zijn zij zodat de verzegelingschroef naar boven is gericht.
2. Gebruik de meegeleverde multifunctionele sleutel en verwijder de vergrendelschroef.
3. Gebruik een vetspuit (niet inbegrepen) om een beetje vet in het schroefgat te spuiten; niet meer dan 3/4 van de capaciteit vullen.
4. Maak de vergrendelschroef na het injecteren weer vast.

HET APPARAAT OPBERGEN

- Verwijder het accupack van de motorkop.
- Maak het gereedschap grondig schoon voordat u het opbergt.
- Als het grastrimmer toebehoor wordt verwijderd van de motorkop en apart wordt opgeborgen: Steek de einddop op de schacht van het toebehoor om te voorkomen dat vuil in de koppeling terecht komt.

- Berg het apparaat op in een droge, goed geventileerde en afsluitbare ruimte of op een hoge hoogte en buiten het bereik van kinderen. Berg het apparaat niet op in de buurt van meststoffen, benzine of andere chemicaliën.

HET MES VOOR HET SNIJDEN VAN DE DRAAD SLIJPEN

⚠ WAARSCHUWING: Bescherm altijd uw handen door zware handschoenen te dragen als u onderhoud aan het mes voor het snijden van de draad uitvoert.

1. De accu verwijderen.
2. Verwijder het mes voor het snijden van de draad van het scherm.
3. Bevestig het mes in een bankschroef.
4. Draag geschikte oogbescherming en handschoenen en wees voorzichtig zodat u zich niet snijdt.
5. Vijl de randen van het mes voorzichtig met een fijne vijl of een slijpsteen. Let hierbij op de originele hoek van het mes.
6. Plaats het mes terug op het scherm en zet het vast met twee schroeven.

Het milieu beschermen



Gooi geen elektrische apparaten, acculaders en accu's/oplaadbare batterijen met het huisafval weg!

Geef dit product af bij een geautoriseerd recyclingbedrijf en zorg dat het apart kan worden ingezameld. Elektrisch gereedschap moet worden afgegeven voor een milieuvriendelijke recycling.

Als elektrische apparaten op een vuilstort of vuilnisbelt terecht komen, kunnen gevaarlijke stoffen in het grondwater lekken en in de voedselketen komen wat schadelijk is voor uw gezondheid en welzijn.

PROBLEEMOPLOSSING

PROBLEEM	OORZAAK	OPLOSSING
Accugrastrimmer-start niet.	<ul style="list-style-type: none"> ■ Het accupack is niet op de motorkop aangesloten. ■ Er is geen elektrisch contact tussen de motorkop en het accupack. ■ De accu is leeg. ■ De ontgrendelingshendel en trekker zijn niet gelijktijdig ingedruwd. 	<ul style="list-style-type: none"> ■ Sluit het accupack aan op de motorkop. ■ Verwijder het accupack, controleer de aansluitklemmen en plaats het accupack terug totdat deze vast klikt. ■ Laat het accupack op met de EGO lader die in deze gebruiksaanwijzing wordt vermeld. ■ Om de grastrimmer te starten, duw de ontgrendelingshendel omlaag en houd op deze positie. Duw vervolgens de trekker in.
Accugrastrimmer-stopt tijdens het maaien.	<ul style="list-style-type: none"> ■ Het scherm is niet op de grastrimmer gemonteerd waardoor de snijdraad te lang is en de motor oververhit raakt. ■ Er wordt zware snijdraad gebruikt. ■ De motoras of snijkop zit vol met gras. ■ De motor is overbelast. ■ Het accupack of de grastrimmer is te warm. ■ Het accupack is niet met het gereedschap verbonden. ■ Het accupack is uitgeput. 	<ul style="list-style-type: none"> ■ Verwijder het accupack en monteer het scherm op de trimmer. ■ Gebruik de geadviseerde nylon snijdraad met een diameter van niet meer dan 2,4 mm. ■ Stop de grastrimmer, haal het accupack uit en verwijder het gras van de motoras en snijkop. ■ Verwijder het gras uit de snijkop. De motor werkt opnieuw zodra het gras is verwijderd. Beweeg de snijkop tijdens het maaien in en uit het gras en verwijder niet meer dan 20 cm gras in één maaibeurt. ■ Laat het accupack of de trimmer afkoelen totdat de temperatuur lager dan 67°C is. ■ Installeer het accupack opnieuw. ■ Laat het accupack op met de EGO lader die in deze gebruiksaanwijzing wordt vermeld.

NL

PROBLEEM	OORZAAK	OPLOSSING
De draad wordt niet door de snijkop vrijgegeven.	<ul style="list-style-type: none"> ■ De motoras of snijkop zit vol met gras. ■ Er is onvoldoende draad op de spoel. ■ De snijkop is vuil. ■ De draad is verstrikt geraakt op de spoelhouder. ■ De draad is te kort. 	<ul style="list-style-type: none"> ■ Stop de grastrimmer, haal het accupack uit en verwijder het gras van de motoras en snijkop. ■ Verwijder de accu en vervang de snijdraad volgens de sectie "DE SNIJDRAAD VERVANGEN" in deze handleiding. ■ Verwijder het accupack en maak de spoel, vastzetting en basis schoon. ■ Verwijder de accu en verwijder de snijdraad van de spoel en wikkel op, zoals beschreven in de sectie "DE SNIJDRAAD VERVANGEN" in deze handleiding. ■ Verwijder het accupack en trek aan de draden terwijl de aantikknop afwisselen wordt ingedruwd en losgelaten.
Gras wordt om de snijkop en motorbehuizing gewikkeld.	<ul style="list-style-type: none"> ■ Lang gras wordt op grondniveau gemaaid. 	<ul style="list-style-type: none"> ■ Maai lang gras van boven naar onder en verwijder niet meer dan 20 cm per maaibeurt om omwikkeling te voorkomen.
Het mes snijdt de draad niet.	<ul style="list-style-type: none"> ■ Het mes voor het snijden van de draad op de rand van het scherm is bot. 	<ul style="list-style-type: none"> ■ Slijp het mes met behulp van een vijl of vervang het door een nieuwe.
Scheuren op de trimmerkop of de spoelhouder raken los van de spoelbasis.	<ul style="list-style-type: none"> ■ De trimmerkop is versleten. ■ De moer die de trimmerkop op zijn plek houdt is los. 	<ul style="list-style-type: none"> ■ Vervang de trimmerkop direct; volg de instructies in sectie "TRIMMERKOP VERVANGEN" in deze gebruiksaanwijzing. ■ Open de trimmerkop en gebruik een moersleutel om de moer vast te draaien.
Tijdens het vervangen van de draad, kan de draad niet goed in de trimmerkop worden gehouden.	<ul style="list-style-type: none"> ■ De LOAD draden van de spoelhouder zijn niet in één lijn met de gaatjes in de spoelbasis. ■ De LOAD draden van de spoelhouder zijn niet in één lijn met de gaatjes in de spoelbasis. 	<ul style="list-style-type: none"> ■ Draai de spoelhouder in de richting van de pijl, om de LOAD draden op de spoel van de houder in een lijn te brengen met de gaten in de basis van de spoel. ■ Draai de spoelhouder in de richting van de pijl, om de LOAD draden op de spoel van de houder in een lijn te brengen met de gaten in de basis van de spoel.

GARANTIE

EGO GARANTIEVOORWAARDEN

Bezoek onze website egopowerplus.com voor alle voorwaarden van de EGO garantie.

LÆS ALLE ANVISNINGER!



LÆS BRUGANVISNING

⚠ Særlig risiko! Folk med elektroniske anordninger, såsom pacemakere, bør spørge deres læge til råds, før de bruger dette produkt. Betjening af elektrisk udstyr i umiddelbar nærhed af en pacemaker kan forårsage forstyrrelser eller svigt af pacemakeren.

⚠ ADVARSEL: For at sikre sikkerhed og pålidelighed, bør alle reparationer og udskiftninger udføres af en kvalificeret servicetekniker.

SIKKERHEDSSYMBOLER

Formålet med sikkerhedssymboler er at gøre dig opmærksom på mulige farer. Du bør være meget opmærksom på sikkerhedssymbolerne og forklaringer til dem og lære at forstå dem. Symboladvarsler fjerner ikke i sig selv eventuelle farer. Anvisningerne og advarslerne er ingen erstatning for korrekte forebyggelsesforanstaltninger mod ulykker.

⚠ ADVARSEL: Sørg for at læse og forstå alle sikkerhedsanvisninger i denne brugsanvisning, herunder alle advarselssymbolerne, såsom "FARE", "ADVARSEL" og "FORSIGTIG", før du bruger dette værktøj. Hvis man ikke følger nedenstående anvisninger, kan det medføre elektrisk stød, brand og/eller alvorlig personskade.

SYMBOLBETYDNING

⚠ ADVARSELSSYMBOLER: Angiver FARE, ADVARSEL eller FORDIGTIG, og kan bruges sammen med andre symboler eller billeder.

SIKKERHEDSANVISNINGER

Denne side viser og beskriver sikkerhedssymboler, der kan forekomme på dette produkt. Læs, forstå og følg alle anvisninger på apparatet, før du forsøger at samle og betjene det.

	Sikkerhedsvarsel	Angiver en potentiel fare for personskade.
	Læs brugsanvisningen	For at nedsætte risikoen for personskade, skal brugeren læse og forstå brugsanvisningen, før dette produkt tages i brug.
	Brug øjen- og hovedbeskyttelse	Brug altid øjen-, øre- og hovedbeskyttelse.

	Trimmebredde	Græstrimmerens maks. klippebredde
	Diameter af snor	Diameteren af nylontrimmersnoren
	Brug ikke metalknive.	Advarer brugeren om ikke at bruge metalknive
	Hold omkringstående på afstand	Genstande, der udslynges kan rikochettere og resultere i personskade eller skade på ejendommen. Sørg for, at andre personer og kæledyr er væk fra buskrydderen, når den er i brug.
	Afstanden mellem apparatet og omkringstående skal være mindst 15 meter	Sørg for, at andre mennesker og kæledyr står mindst 15 m væk fra græstrimmeren, når den er i brug.
IPX4	IP-symbol	Beskyttelse mod indtrængen af vand grad 4.
	Det Europæiske Fællesskab	Dette produkt er i overensstemmelse med gældende EU-direktiver.
	UKCA	Dette produkt overholder gældende britisk lovgivning.
	WEEE	Affald fra elektriske produkter bør ikke bortskaffes sammen med husholdningsaffald. Bring det til en godkendt genbrugsplads.
	Støj	Garanteret lydniveau. Støjemission til miljøet opfylder EF-direktivet.
V	Volt	Spænding
mm	Millimeter	Længde eller størrelse
cm	Centimeter	Længde eller størrelse
kg	Kg	Vægt

DK

GENERELLE SIKKERHEDSADVARSLER OM ELELTRISKE APPARATETER

⚠ ADVARSEL: Læs alle sikkerhedsadvarsler, instruktioner, billeder og specifikationer, der

følger med dette elværktøj. Hvis man ikke følger nedenstående anvisninger, kan det medføre elektrisk stød, brand og/eller alvorlig personskade.

Gem alle advarsler og anvisninger til fremtidig brug.

Udtrykket "elværktøj" i advarslerne refererer til dit lysnetdrevne (med ledning) elværktøj eller batteridrevne (ledningsfrie) elværktøj.

SIKKERHED I ARBEJDSOMRÅDET

- Hold arbejdsområdet rent og godt oplyst Rodede eller uoplyste arbejdsområder inviterer til ulykker.
- Brug ikke elværktøj i eksplosive atmosfærer, såsom ved tilstedeværelse af brændbare væsker, gasser eller støv. Elværktøj skaber gnister, der kan antænde støv eller dampe.
- Hold børn og omkringstående på afstand, mens du betjener et elværktøj. Forstyrrelser kan medføre, at du mister kontrollen.

SIKKERHED OMKRING ELEKTRICITET

- **Stikket på elværktøjet skal passe i stikkontakten. Stikket må på ingen måde ændres. Jordforbundet elværktøj må ikke bruges med et adapterstik.** Uændrede stik, der passer til stikkontakterne, nedsætter risikoen for elektrisk stød.
- **Undgå kropskontakt med jordforbundne overflader, såsom rør, radiatorer, komfurer og køleskabe.** Der er øget risiko for elektrisk stød, hvis din krop er jordforbundet.
- **Maskinen må ikke bruges i regn eller våde forhold.** Der kan trænge vand ind i maskinen, som kan øge risikoen for elektrisk stød eller funktionsfejl, og som kan føre til personskader.
- **Ledningen må ikke mishandles. Brug aldrig ledningen til at bære eller trække elværktøjet eller til at trække stikket ud af stikkontakten. Hold ledningen væk fra varme, olie, skarpe kanter og bevægelige dele.** Beskadede eller sammenfildrede ledninger, øger risikoen for elektrisk stød.
- **Når et elværktøj bruges udendørs, skal der bruges en forlængerledning, der er egnet til udendørs brug.** Brug af en egnet ledning til udendørs brug, reducerer risikoen for elektrisk stød.
- **Hvis det ikke kan undgås at benytte apparatet i fugtige omgivelser, så brug et stik med fejlstrømsrelæ.** Anvendelse af et fejlstrømsrelæ mindsker risikoen for elektrisk stød.

PERSONLIG SIKKERHED

DK

- **Vær opmærksom, se, hvad du laver, og brug sund fornuft, når du benytter et elværktøj. Brug ikke apparatet, hvis du er træt eller er påvirket af narkotika, alkohol eller medicin.** Et øjeblikks uopmærksomhed ved brug af maskinen kan føre til alvorlige personskader.
 - **Brug personlige værnemidler. Bær altid beskyttelsesbriller.** Værnemidler, såsom støvmaske, skridsikre sikkerhedssko, hjelm eller høreværn, der anvendes under passende betingelser, nedsætter risikoen for personskade.
 - **Forebyg utilsigtet start. Sørg for kontakten er i slukket position, før værktøjet tilsluttes til strømkilde og/eller batteripakke, samles op eller bæres.** Hvis du bærer elværktøj med fingeren på kontakten eller sætter strøm til elværktøj, der har kontakten tændt, beder du om ulykker.
 - **Fjern indstillingsværktøj eller skruenøgler, før elværktøjet startes.** En skruenøgle eller andet værktøj, der sidder i en roterende del af elværktøjet, kan give personskade.
 - **Læn dig ikke for langt forover. Stå ordentlig fast og vær hele tiden i balance.** Dette giver bedre kontrol over elværktøjet i uventede situationer.
 - **Fornuftig påklædning. Bær ikke løst tøj eller smykker. Hold dit hår, tøj og handske væk fra bevægelige dele.** Løst tøj, smykker eller langt hår kan blive fanget i bevægelige dele.
 - **Hvis der er installeret anordninger for tilslutning af støvudsugnings- og opsamlingsudstyr, så sørg for, at dette tilsluttes og anvendes korrekt.** Anvendelse af støvanordninger kan mindske støvrelaterede risici.
 - **Lad ikke kendskab til værktøjer pga. hyppig brug gøre dig for selvsikker, og ignorer værktøjernes sikkerhedsprincipper.** Uforsigtig håndtering kan forårsage alvorlig skade på en brøkdal af et sekund.
- ## BRUG OG PLEJE AF ELVÆRKTØJ
- **Tving ikke elværktøj. Brug det korrekte elværktøj til det, du skal lave.** Det korrekte elværktøj vil gøre arbejdet bedre og mere sikkert ved den hastighed, som det er beregnet til.
 - **Brug ikke elværktøjet, hvis kontakten ikke kan tænde og slukke.** Alt elværktøj, hvor kontakterne ikke dur, er farligt og skal repareres.
 - **Træk stikket ud af strømkilden og/eller tag batteripakken ud af elværktøjet, inden der foretages nogen justeringer, ændre tilbehør eller gemmer elværktøjet væk.** Sådanne forebyggende sikkerhedsforanstaltninger mindsker risikoen for at starte elværktøjet utilsigtet.

- **Opbevar elværktøjer utilgængeligt for børn og lad ikke personer, der ikke er bekendt med motorsaven eller disse instruktioner, bruge el-værktøjet.** Elværktøj er farligt i hænderne på utrænede brugere.
- **Elværktøj og deres tilbehør skal vedligeholdes.** Sørg for at bevægelige dele passer og ikke binder, at det ikke er gået i stykker og at generelt er i god stand og virker ordentligt. Hvis elværktøjet beskadiges, skal det repareres før brug. Mange ulykker skyldes dårligt vedligeholdt elværktøj.
- **Sørg for at holde skæreværktøjer skarpe og rene.** Skæreværktøjer med skarpe kanter, der vedligeholdes ordentligt, er mindre tilbøjelige til at binde og er lettere at styre.
- **Brug elværktøj, tilbehør og bits osv. i overensstemmelse med disse anvisninger, under hensyntagen til arbejdsforholdene og det arbejde, der skal udføres.** Anvendelse af elværktøj til andre formål end dem, de er beregnet til, kan medføre en farlig situation.
- **Hold håndtag og greb tørre, rene og fri for olie og fedt.** Løse håndtag og greb gør det usikkert, at håndtere og styre værktøjet i uventede situationer.

BRUG OG PLEJE AF BATTERIET

- **Batteripakken må kun oplades med opladeren, der er angivet af fabrikanten.** Hvis en oplader, der er egnede til én slags batteripakke, bruges med en anden slags batteripakke, kan det føre til brand.
- **Elværktøjer må kun bruges med batteripakker, der er beregnet til dem.** Hvis der bruges andre batteripakker, kan det føre til skader eller brand.
- **Når batteripakken ikke er i brug, skal den holdes væk fra andre metalgenstande som papirclips, mønter, nøgler, søm, skruer eller andre små metalgenstande, der kan skabe forbindelse fra en pol til en anden.** Kortslutning af batteripolerne kan forårsage forbrændinger eller brand.
- **Ved forkert anvendelse kan der slippe væske ud af batteriet; undgå kontakt.** Kommer man uheldigvis i kontakt med væsken: Skyl med vand. Hvis væsken kommer i øjnene, skal man også søge læge. Væskesprøjt fra batteriet kan forårsage irritation eller forbrændinger.
- **Brug ikke en batteripakke eller et værktøj, som er beskadiget eller modificeret.** Beskadigede eller modificerede batterier kan udvise uforudsigelig adfærd, der kan føre til brand, eksplosion eller risiko for skade.
- **En batteripakke eller et værktøj må ikke udsættes for brand eller for høj temperatur.** Udsættelse for brand eller temperatur over 130 °C kan føre til eksplosion.
- **Følg alle opladningsinstruktioner, og oplad ikke batteripakken eller værktøjet uden for det temperaturområde, der er angivet i vejledningen.** Forkert opladning eller i temperaturer uden for det angivne område kan beskadige batteriet og øge risikoen for brand.

SERVICE

- **Dit elværktøj skal repareres af en kvalificeret person, og der må kun bruges identiske reservedele.** På denne måde sikrer man, at elværktøjet forbliver sikkert at bruge.
- **Forsøg aldrig at reparere beskadigede batterier.** Batteripakker må kun repareres af producenten og autoriserede serviceudbydere.

SÆRLIGE SIKKERHEDSADVARSLER TIL GRÆSTRIMMEREN

- **Maskinen må ikke bruges i dårlige vejrforhold, særligt hvis der er risiko for lynnedslag.** Det mindsker risikoen for at blive ramt af lyn.
- **Området, hvor maskinen skal bruges, skal grundigt undersøges for dyreliv.** Dyrelivet kan tage skade af maskinen under drift.
- **Undersøg området, hvor maskinen skal bruges, og fjern evt. sten, pinde, ledninger, knogler og andre fremmedlegemer.** Genstande, der slynges ud af maskinen, kan føre til personskader.
- **Inden maskinen tages i brug, skal den altid ses efter for, at se om klippesnøren eller kniven og samlingen af disse er beskadiget.** Beskadigede dele øger risikoen for skader.
- **Følg anvisningerne for udskiftning af tilbehør.** Hvis møtrikkerne eller boltene, der fastholder kniven, ikke er spændt ordentligt fast, kan det beskadige kniven eller kniven kan falde af.
- **Brug altid beskyttelsesudstyr til øjne, øre, hoved og hænder.** Når brugeren bruger ordentligt beskyttelsesudstyr, reduceres chancen for personskader fra slyngede affald, eller kontakt med klippesnøren eller kniven ved et uheld.
- **Brug altid skridsikkert og beskyttende fodtøj, når maskinen bruges.** Maskinen må ikke bruges med bare fødder eller med åbne sandaler på. Dette reducerer risikoen for skader på fødderne ved kontakt med de bevægelige knive eller klippesnøren.
- **Brug altid langbukser, når maskinen bruges.** Udsat hud øger sandsynligheden for skader fra slyngede genstande.
- **Hold omkringstående personer væk, når maskinen bruges.** Slyngede genstande kan føre til alvorlige personskader.

DK

- **Brug altid to hænder, når maskinen bruges.** Hvis du holder maskinen med begge hænder, har du bedre kontrol over maskinen.
- **Hold kun maskinen på de isolerede grebflader, da klippesnøren eller kniven kan komme i kontakt med skjulte ledninger.** Hvis klippesnøren eller kniven kommer i kontakt med en strømførende ledning, kan det gøre de udsatte metaldele på maskinen strømførende, hvilket kan give brugeren elektrisk stød.
- **Sørg altid for, at have et godt fodfæste og brug kun maskinen, når du står på jorden.** Glatte eller ustabile overflader kan få dig til, at miste balancen eller kontrollen over maskinen.
- **Maskinen må ikke bruges på alt for stejle skråninger.** Dette reducerer risikoen for, at brugeren mister kontrollen over maskinen, glider eller falder, hvilket kan føre til personskader.
- **Hvis du arbejder på skråninger, skal du altid have et ordentligt fodfæste. Arbejd altid på tværs af skråningerne, og aldrig op eller ned ad skråningerne. Vær meget forsigtig, når du skifter retning.** Dette reducerer risikoen for, at brugeren mister kontrollen over maskinen, glider eller falder, hvilket kan føre til personskader.
- **Hold hele kroppen væk fra kniven/klippesnøren, når maskinen er i brug. Før maskinen startes, skal du sørge for, at kniven, klippesnøren eller klingens ikke kommer i kontakt med noget.** Et øjeblikvis uopmærksomhed ved brug af maskinen, kan føre til skader på dig selv eller andre.
- **Maskinen må ikke bruges over taljehøjde.** På denne måde undgår du utilsigtet kontakt med klippesnøren eller kniven. Du får også bedre kontrol over maskinen i uventede situationer.
- **Når du klipper buske eller unge træer, der er i spænd, skal du være opmærksom på tilbageslag.** Når spændingen i træets fibre løsnes, kan den spændte gren ramme brugeren, og/eller brugeren kan miste kontrollen over maskinen.
- **Vær meget forsigtig, hvis du saver buske og små træer.** Tynde grene kan komme i klemme i kniven, og slynges mod dig eller trække dig ud af balance.
- **Bevar kontrollen over maskinen, og undgå at røre klippesnøren eller kniven eller andre farlige bevægelige dele, når de er i bevægelse.** Dette reducerer risikoen for skader på grund af bevægelige dele.
- **Hvis fastklemt materiale skal fjernes, eller hvis maskinen skal serviceres, skal du sørge for, at tænd/sluk-knappen er slukket, og at batteripakken er taget ud.** Uventet igangsætning af maskinen, når fastklemt materiale fjernes eller under vedligeholdelse,

kan føre til alvorlige personskader.

- **Maskinen skal altid slukkes før den bæres. Og den skal bæres væk fra kroppen.** Når maskinen bruges rigtigt, reduceres sandsynligheden for utilsigtet kontakt med den bevægelige kniv eller klippesnøre.
- **Brug kun knive, klippesnøre og klippehoveder, der er specificeret af producenten.** Forkerte reservedele kan forøge risikoen for skader og personskader.
- **Skade på trimmeren** - Hvis du rammer et fremmedlegeme med trimmeren, eller den bliver filtreret ind i noget, så stop omgående værktøjet, og fjern batteripakken fra buskrydderen. Undersøg for skader, og få eventuelle skader udbedret, før arbejdet forsøges genoptaget. Brug ikke med en beskadiget kappe eller spole.
- **Hvis udstyret skulle begynde at vibrere unormalt, stoppes motoren og undersøges straks for årsagen.** Vibration er generelt en advarsel om problemer. Et løst hoved kan vibrere, revne, knække eller løse sig fra trimmeren, hvilket kan resultere i alvorlige eller dødelige kvæstelser. Sørg for, at trimmerdelen er anbragt korrekt og sidder fast. Hvis hovedet løsner sig, efter at det er sat på plads, skal det udskiftes med det samme. Brug aldrig en trimmer med en løs trimmerdel.
- **Batteridrevne værktøjer behøver ikke at være tilsluttet en stikkontakt, derfor er de altid driftsklar.** Vær opmærksom på mulige farer, selv når værktøjet ikke arbejder. Vær forsigtig, når du udfører vedligeholdelse eller service.
- **Undlad at vaske med en slange; undgå at få vand i motor og elektriske forbindelser.**
- **Ved situationer, der ikke er dækket i denne vejledning: Vær forsigtig, og arbejd med omtanke. Kontakt Egos servicecenter for at få hjælp.**
- **Produktet må kun bruges med batteripakkerne og opladerne, der står på listen i fig. A.**

GEM DISSE ANVISNINGER!

SPECIFIKATIONER

Trimmemekanisme	Fjederhoved
Diameter af snor	2,4 mm snoet nylontråd
Trimmebredde	40 cm
Ubelastet hastighed	4900/5800 min ⁻¹
Vægt (uden batteripakke)	1,53 kg
Anbefalet driftstemperatur	0°C-40°C

Anbefalet opbevaringstemperatur	-20°C-70°C	
Målt lydeffektniveau L_{WA}	95,72 dB(A) K=0,77 dB(A)	
Lydtryk ved brugerens øre L_{PA}	81,6 dB(A) K= 3 dB(A)	
Garanteret lydeffektniveau L_{WA} (målt i henhold til direktiv 2000/14/EF)	96 dB(A)	
Vibration a_h	Hjælpehåndtag	2,5 m/s ² K=1,5 m/s ²
	Bageste håndtag	1,8 m/s ² K=1,5 m/s ²

- Ovenstående parametre er blevet testet og målt under anvendelse af motordel PH1420E.
- Den samlede værdi af angivne vibrationer er målt i overensstemmelse med en standardiseret prøvningsmetode og kan anvendes til at sammenligne et værktøj med et andet
- Den samlede angivne værdi for vibrationer kan også anvendes ved en foreløbig vurdering af eksponeringen.

⚠ ADVARSEL: TVibrations- og støjemissionerne under brug af elværktøjet er muligvis ikke ens med de angivne værdier, afhængigt af hvordan værktøjet bruges, og især hvilken slags emne, der bearbejdes; og

Om behovet for at identificere sikkerhedsforanstaltninger til beskyttelse af brugeren, som er baseret på en estimering af eksponering under brugsforholdene (med hele driften taget i betragtning, såsom hvornår værktøjet slukkes, og hvornår det kører i tomgang ud over driftstiden).

LISTE OVER DELE I PAKKEN (FIG. A)

Vedrørende anbefalet skæreline henvises til hjemmesiden egopowerplus.com eller til EGO's produktkatalog.

BESKRIVELSE

BLIV FORTROLIG MED DIT GRÆSTRIMMERTILBEHØR (Fig. A)

1. Endedæksel
2. Græstrimmerskaft
3. Knap til opvikling af trimmersnor
4. Klippesnor
5. Trimmerhoved (fjederhoved)
6. Udløsertap
7. Kniv til afskæring af snor
8. Skærm

9. Unbrakonøgle

⚠ ADVARSEL: Brug aldrig værktøjet uden kappen solidt på plads. Kappen skal altid være på værktøjet for at beskytte brugeren.

MONTERING

⚠ ADVARSEL: Hvis der er dele, der er beskadigede eller mangler, anvendes apparatet ikke, før delene er udskiftet. Brug af dette produkt med beskadigede eller manglende dele kan medføre alvorlig personskade.

⚠ ADVARSEL: Forsøg ikke at ændre dette produkt eller fremstille tilbehør, der ikke anbefales til brug med denne græstrimmer. Enhver sådan ændring eller modifikation er misbrug og kan resultere i en farlig situation, der fører til eventuel alvorlig personskade.

⚠ ADVARSEL: Tilslut ikke motordelen til strøm, før samlingen af værktøjet er fuldført. Manglende overholdelse af anvisningerne vil kunne medføre utilsigtet igangsætning og risiko for alvorlig personskade.

MONTERING AF KAPPE

⚠ ADVARSEL: Brug altid handsker ved montering eller udskiftning af kappen. Vær forsigtig med kniven på knappen, og beskyt dine hænder mod at blive skåret af kniven.

Løsn, og fjern de to skruer fra skaffets nederste kant (fig. C), flugt kappens monteringshuller med enhedens huller; sæt derefter kappen fast på skaffet med de to skruer sammen med to fjederskiver (fig. D).

Sørg for, at kappen sidder som på fig. C og D. Hvis monteringen gores omvendt kan det forårsage stor fare!

MONTERING AF TRIMMERTILBEHØRET PÅ MOTORDELEN

Denne græstrimmertilbehør er beregnet til brug med EGO motordel PH1420E.

Se afsnittet "MONTERING AF MOTORDELEN" i brugsanvisningen til motordel PH1420E.

BETJENING

⚠ ADVARSEL: Selvom du kender dette produkt, så bliv ikke skødesløs. Husk, at skødesløshed i en brøkdal af et sekund kan forvolde betydelig personskade.

⚠ ADVARSEL: Bær altid sikkerhedsbriller samt høreværn. Hvis du ikke gør, kan du få genstande slynget i øjnene, og der kan også opstå andre alvorlige skader.

DK

ANVENDELSER

Du kan bruge dette produkt til de formål, der er nævnt nedenfor:

- Trimming af græs og ukrudt omkring indgangspartier, hegn, terrasser

BEMÆRK: Værktøjet skal kun bruges til det formål, det er beregnet til. Enhver anden anvendelse anses for at være et tilfælde af fejlbrug.

Før hver anvendelse undersøges for skader / slidte dele

Tjek trimmerhoved, kappe og forreste håndtag, og udskift de dele, der er revnede, skæve, bøjedede eller beskadigede på nogen måde.

Snorkniven på kanten af kappen bliver med tiden sløv. Det anbefales regelmæssigt at slibe den med en fil eller udskifte den med en ny kniv.

⚠ ADVARSEL: Brug altid handsker ved montering af kappe eller ved slibning eller udskiftning af kniven. Vær forsigtig med kniven på kappen, og beskyt hænderne mod at blive skåret.

⚠ ADVARSEL: For at undgå alvorlig personskade fjernes batteripakken fra motordelen før service, rengøring, udskiftning af tilbehør, eller før der fjernes skidt fra apparatet.

BRUG AF GRÆSTRIMMEREN MED MOTORDELEN

⚠ ADVARSEL: Bær rigtig påklædning for at mindske risikoen for skader, når du betjener dette værktøj. Bær ikke løst tøj eller smykker. Bær øjen- og øre- / høreværn. Bær kraftige, lange bukser, støvler og handsker. Gå ikke i korte bukser, sandaler eller på bare fødder.

⚠ ADVARSEL: Ryd området, hvor der skal trimmes, før hver brug. Fjern alle genstande, såsom sten, glasskår, søm, tråd eller snor, der kan slynges ud eller blive viklet ind i trimmerdelen. Få børn, tilskuere og kæledyr væk fra området. Hold alle børn, omkringstående og kæledyr mindst 15 m væk. Tilskuere kan stadig være i fare for at blive ramt af genstande, der slynges ud. Omkringstående bør opfordres til at bære øjenbeskyttelse. Hvis nogen nærmer sig, så stop straks motoren og trimmerdelen.

Betjeningen gøres sikker og behagelig ved at benytte skulderremmen. Justér skulderremmen, så den giver en behagelig arbejdsstilling. Hold altid græstrimmeren med den ene hånd på det bageste håndtag og den anden hånd på det forreste håndtag. Hold godt fast med begge hænder under arbejdet. Græstrimmeren bør bæres i en behagelig stilling med bagerste håndtag i hoftehøjde. Trimmerens hoved bør være parallelt med jorden, så det

nemt kommer i kontakt med det, der skal skæres, uden at operatøren skal strække sig (fig. B).

⚠ ADVARSEL: Skulderremmen er også en mekanisme til hurtig frigørelse i farlige situationer. Når der opstår en fare, så tag den straks af skulderen, uanset hvordan remmen er sat på.

Efter hver brug rengøres trimmeren

Se afsnittet VEDLIGEHOLDELSE for oplysninger om rengøring.

START/STOP AF VÆRKTØJET

Se afsnittet "START / STOP AF MOTORDELEN" i brugsanvisningen til motordel PH1420E.

JUSTERING AF TRIMMERSNORENS LÆNGDE

Trimmeren giver operatøren mulighed for at frigive mere trimmersnor uden at stoppe motoren. Efterhånden som snoren bliver flosset eller slidt, kan man frigive ekstra snor ved at trykke fjederhovedet let mod jorden, mens trimmeren kører (Se Fig. E).

BEMÆRK: Frigivelse af snor bliver vanskeligere, når trimmersnoren bliver kortere.

⚠ ADVARSEL: Du må ikke fjerne snorkniven eller ændre på den enhed, hvor den sidder. For lang snor vil få motoren til at overophede og kan give i alvorlig personskade.

UDSKIFTNING AF SNOREN

BEMÆRK: Brug altid anbefalet trimmersnor af nylon med en diameter på højst 2,4 mm. Brug af snor med anden diameter kan medføre, at kantklipperen bliver overophedet eller beskadiget.

⚠ ADVARSEL: Brug aldrig metalforstærket snor, ståltråd eller reb osv. Disse kan brække af og blive farlige projektiler.

Græstrimmeren er udstyret med et avanceret system, der hedder **POWERLOAD™**. Klippesnoren kan vikles på spolen ved blot at trykke på en enkelt knap. Det tager ca. 12 sekunder, at rulle en hel spole op. **Undgå gentagen brug af oprulningssystemet umiddelbart efter hinanden for at mindske risikoen for beskadigelse af motoren.**

BEMÆRK: **POWERLOAD™** systemet kan kun bruges, når motordelen PH1420E og batteripakken er monteret.

1. Fjern batteripakken.
2. Klip en snor på 4 meter. Stik snoren i hullet (fig. F). Tryk snoren ind og træk den ud fra den anden

DK

side, indtil der er lige meget snor på begge sider af trimmerhovedet.

BEMÆRK: Hvis snoren ikke stikket gennem hullet og det nedre dæksel sidder fast, skal du montere batteripakken på motordelen, og tryk derefter kort på snorindtrækningsknappen for, at nulstille det nedre dæksel.

3. Tag batteripakken ud, hvis den er monteret på motordelen i BEMÆRK efter trin 2. Og følg vejledningerne i trin 2 for, at sætte snoren i igen og justere den.
4. Monter batteripakken på motordelen.
5. Hold snorindtrækningsknappen nede, for at vikle snoren ind i trimmerhovedet, indtil der er ca. 15 cm snor på begge sider. (fig. G).
6. Skub trimmerhovedet nedad, mens der trækkes i snorene, for manuelt at trække snor ud og kontrollere om trimmersnoren er korrekt sat i.

BEMÆRK: Hvis snoren ved et uheld trækkes ind i trimmerhovedet, så åbnes hovedet og klippesnoren trækkes ud af spolen. I afsnittet "SÅDAN SÆTTES TRIMMERSNOREN PÅ IGEN" i denne vejledning kan du se, hvordan snoren ruller på igen.

SÅDAN SÆTTES KLIPPESNOREN PÅ IGEN

Hvis trimmersnoren knækker ved hullet, eller hvis snoren ikke frigives, når trimmerhovedet trykkes mod jorden, skal du følges trinene nedenfor for, at fjerne resten af trimmersnoren og vikle en ny på.

1. Fjern batteripakken.
2. Tryk på udløsertappene på trimmerhovedet, og tag den nederste dækselenhed på trimmerhovedet ved at trække den lige ud (fig. H).
3. Tag klippesnoren af trimmerhovedet.
4. Tag om nødvendigt fjederen ud af spoleenheden. Gem den, til at udstryret skal samles igen.
5. Sæt fjederen i rillen i den nederste dækselenhed (fig. I).
6. Hold trimmeren med den ene hånd, og brug den anden hånd til at gribe om den nederste dækselenhed. Flugt indhakkene i den nederste dækselenhed med udløsertappene (fig. J). Tryk på den nederste dækselenhed, indtil den klikker på plads med en tydelig kliklyd (fig. K).
7. Følg vejledningen i afsnittet "UDSKIFTNING AF SNOREN", når der skal fyldes mere klippesnor i.

UDSKIFTNING AF TRIMMERHOVEDET

ADVARSEL: Hvis hovedet løsner sig, efter at det

er monteret, skal det straks spændes fast igen.

Brug aldrig en trimmer med en løs trimmerdel. Udskift straks et revnet, beskadiget eller slidt trimmerhoved, selv om skaden er begrænset til overfladiske revner. Sådanne påmonteringer kan splintre ved høj hastighed og forårsage alvorlige skader.

Gør dig bekendt med trimmerhovedet (fig. L).

Beskrivelse af dele i fig. L, se nedenfor:

L-1	Aksel	L-6	Spændeskive
L-2	Bøsning (2)	L-7	Møtrik
L-3	Øvre dæksel	L-8	Fjedr
L-4	Låsering	L-9	Klippesnor
L-5	Spoleholder	L-10	Nedre dækselsamling

DK

Aftagning af trimmerhoved

1. Fjern batteripakken.
2. Tryk på udløsertappene på trimmerhovedet, og tag den nederste dækselenhed på trimmerhovedet ved at trække den lige ud.
3. Tag klippesnoren af trimmerhovedet.
4. Tag om nødvendigt fjederen ud af spoleenheden. Gem den, til det hele skal samles igen.
5. Brug handsker. Brug den ene hånd til at gribe om spoleenheden for at stabilisere den, og brug den anden hånd til at holde en 13 mm slagngøgle (medfølger ikke) til at løsne møtrikken MED URET (fig. M).
6. Tag møtrikken, spændeskive og spoleholderen af motorakslen (fig. L).
7. Brug låseringstænger (medfølger ikke) til, at tage låseringen af. Tag de øvre dæksel og de to bøsninger af motorakslen (fig. L).
8. Sæt et nyt trimmerhoved på, og monter det på følgende måde.

Montering af det nye trimmerhoved

1. Monter de to bøsninger på motorakslen.
2. Sørg for, at den flade rille på det øvre dæksel passer med den flade rille på motorakslen, og sæt det øvre dæksel på plads (fig. N).

Beskrivelse af dele i fig. N, se nedenfor

N-1	Flad	N-2	Flad rille
-----	------	-----	------------

3. Monter låsering, spoleenhed og skive i den nævnte rækkefølge (fig. L). Brug en slagngøgle til at spænde møtrikken MOD URET.

4. Følg trin 4 og 5 i afsnittet »NY OPVIKLING AF SNOR« i denne vejledning, for at sætte det nedre dæksel på.
5. Følg vejledningerne i afsnittet »UDSKIFTNING AF SNOR«, når der skal sættes mere trimmersnor på.
6. Start værktøjet for at se om græstrimmeren fungerer normalt. I modsat fald kontrolleres, at samlingen er sket som beskrevet ovenfor.

VEDLIGEHOLDELSE

⚠ ADVARSEL: Før eftersyn, rengøring eller service på enheden standses motoren. Vent til alle bevægelige dele er standset, og fjern batteripakken. Efterkommes disse anvisninger ikke, kan det medføre alvorlig personskade eller materielle skader.

⚠ ADVARSEL: Ved service må der kun bruges originale reservedele. Brug af andre reservedele kan medføre fare eller forårsage skader på produktet. For at sikre sikkerhed og pålidelighed, bør alle reparationer, der ligger ud over dem, der foretages i henhold til listen i vedligeholdelsesanvisningerne, udføres af en kvalificeret servicetekniker.

ALMINDELIG VEDLIGEHOLDELSE

Undgå at bruge opløsningsmidler ved rengøring af plastdele. De fleste plastmaterialer risikerer at blive ødelagt ved brug af forskellige typer af alment tilgængelige opløsningsmidler. Brug rene klude til at fjerne snavs, støv, olie, fedt osv.

RENGØRING AF APPARATET

- Fjern eventuelt græs, der kan have viklet sig rundt om motorakslen eller trimmerhovedet.
- Brug en lille børste eller en lille støvsuger til at rengøre lufthullerne på det bagerste kabinet.
- Rengør apparatet med en fugtig klud med et mildt rengøringsmiddel.
- Brug ikke stærke rengøringsmidler på plastkabinettet eller -håndtaget. De kan tage skade af visse aromatiske olier, såsom fyr og citron, og opløsningsmidler såsom petroleum. Fugt kan også give elektrisk stød. Tør al fugt af med en blød tør klud.

TRANSMISSIONSGEARENES SMØRING

Transmissionsgearene i gearkassen skal smøres regelmæssigt med gearfedt. Kontrollér oliestanden i gearkassen for hver ca. 50 timers drift ved at fjerne tætningskrue på siden af gearkassen.

Hvis der ikke er fedt på siderne af gearet, skal du følge trinnene nedenfor og fylde 3/4 op med fedt.

Fyld ikke transmissionsgearene helt op.

1. Læg græstrimmeren på siden, så låseskruen vender

opad .

2. Brug multifunktions-skrueøglen til at løsne og fjerne låseskruen.
3. Brug en fedtsprøjte (medfølger ikke) til at pumpe fedt ind i skruehullet; fyld op til højst 3/4 af kapaciteten.
4. Når der er pumpet fedt ind, spændes låseskruen.

OPBEVARING AF APPARATET

- Tag batteripakken ud af motordelen.
- Rengør værktøjet grundigt, før det lægges væk.
- Hvis græstrimmertilbehøret er fjernet fra motordelen og opbevaret separat: Monter endedækslet på tilbehørsskaffet for at undgå at snavs trænger ind i koblingsstykket.
- Opbevar apparatet på et tørt og godt ventileret sted, der er låst og utilgængeligt for børn. Opbevar ikke apparatet på eller ved siden af gødning, benzin eller andre kemikalier.

SLIB KNIVEN TIL AFSKÆRING AF SNOR

⚠ ADVARSEL: Beskyt altid dine hænder ved at bruge kraftige handsker, når du udfører vedligeholdelsesarbejde på kniven til afskæring af snor.

1. Fjern batteriet.
2. Tag kniven til afskæring af snor af kappen.
3. Sæt bladet i en skruestik.
4. Bær passende øjenværn og handsker, og pas på ikke at skære dig.
5. Fil forsigtigt skærefladerne på kniven med en fintandet fil eller slibesten. Bevar skærets oprindelige vinkel.
6. Sæt kniven fast på kappen igen med de to skruer.

Beskyttelse af miljøet



Smid ikke elektrisk udstyr, batterioplader og batterier / genopladelige batterier i affaldsspanden!

Tag dette produkt til en autoriseret genbrugsplads, og sørg for at det sendes til genbrug. Elektriske værktøjer skal returneres til et miljøkompatibelt genvindingsanlæg.

Hvis elektriske apparater smides på lossepladsen eller affaldsdeponier kan der sive giftige stoffer ned i grundvandet og komme ud i fødekæden og gøre skade på menneskers sundhed og velfærd.

FEJLFINDING

PROBLEM	ÅRSAG	LØSNING
Græstrimmer starter ikke.	<ul style="list-style-type: none"> ■ Batteripakken er ikke sat i motordelen. ■ Ingen elektrisk kontakt mellem motordel og batteripakke. ■ Batteripakken er afladet. ■ Låsehåndtag og startknappen er ikke blevet trykket ned samtidigt. 	<ul style="list-style-type: none"> ■ Sæt batteripakken i motordelen. ■ Tag batteriet ud, kontrollér kontakterne, og sæt batteripakken i igen, indtil den klikker på plads. ■ Oplad batteriet med de opladere fra EGO, der er anført i denne vejledning. ■ Tryk ned låsehåndtaget ned og hold det, tryk derefter på startknappen for at starte græstrimmeren.
Græstrimmer stopper, mens der trimmes.	<ul style="list-style-type: none"> ■ Kappen er ikke monteret på trimmeren, hvilket resulterer i en alt for lang trimmersnor og overbelastning af motoren. ■ Der anvendes kraftig trimmersnor. ■ Motoraksel eller trimmerhoved er fyldt med græs. ■ Motoren er overbelastet. ■ Batteripakke eller græstrimmer er for varm. ■ Batteripakken er taget af værktøjet. ■ Batteripakken er afladet. 	<ul style="list-style-type: none"> ■ Fjern batteripakken, og sæt kappen på trimmeren. ■ Brug standard trimmersnor af nylon med en diameter på højst 2,4 mm. ■ Stop trimmeren, fjern batteriet, og fjern græs fra motoraksel og trimmerhoved. ■ Løft trimmerhovedet op fra græsset. Motoren vil begynde at arbejde igen, så snart belastningen er fjernet. Når der trimmes, flyttes trimmerhovedet ind og ud af græsset, der skal trimmes. Der bør højst fjernes 20 cm ad gangen i et enkelt snit. ■ Lad batteripakke eller trimmer køle indtil temperaturen falder til under 67 °C . ■ Sæt batteripakken på plads igen. ■ Oplad batteriet med de opladere fra EGO, der er anført i denne vejledning.

DK

PROBLEM	ÅRSAG	LØSNING
Trimmerhoved rykker ikke snoren frem.	<ul style="list-style-type: none"> ■ Motoraksel eller trimmerhoved er fyldt med græs. ■ Der er ikke tilstrækkeligt med snor på spolen. ■ Trimmerhovedet er snavset. ■ Snoren er filtret i spoleholderen. ■ Snoren er for kort. 	<ul style="list-style-type: none"> ■ Stop trimmeren, fjern batteriet, og fjern græs fra motoraksel og trimmerhoved. ■ Fjern batteriet, og udskift klippesnøren. Følg vejledningerne i afsnittet »GENSÆTNING AF SNØREN« i denne vejledning. ■ Fjern batteriet, og rens spolen, spoleholderen og spolekant. ■ Tag batteriet af, tag snøren af trimmerhovedet, og vikl den på igen. Se vejledningerne i afsnittet »GENSÆTNING AF SNØREN« i denne vejledning. ■ Fjern batteriet og træk i snorene, mens fjederknoppen skiftevis trykkes ned og slippes.
Græs er snoet omkring trimmerhoved og motorhus.	<ul style="list-style-type: none"> ■ Trimming af højt græs i jordhøjde. 	<ul style="list-style-type: none"> ■ Klip højt græs oppefra og ned, og tag ikke mere end 20 cm hver gang for at forhindre, at græsset snor sig fast.
Kniven skærer ikke snoren.	<ul style="list-style-type: none"> ■ Snorkniven på kanten af kappen er blevet sløv. 	<ul style="list-style-type: none"> ■ Sharpen the line-cutting blade with a file or replace it with a new blade.
Revner på trimmerhovedet eller spoleholderen løsner sig fra spolebunden.	<ul style="list-style-type: none"> ■ Trimmerhovedet er slidt. ■ Møtrikken, der låser trimmerhovedet, er løs. 	<ul style="list-style-type: none"> ■ Udskift straks trimmerhovedet; se afsnittet »UDSKIFTNING AF TRIMMERHOVED« i denne brugsanvisning. ■ Åbn trimmerhovedet, og brug en stagnøgle til at stramme møtrikken.
Under udskiftning kan snoren ikke fyldes korrekt ind i trimmerhovedet.	<ul style="list-style-type: none"> ■ Spoleholderens FYLDE-linjer flugter ikke med øjerne i spolebunden. ■ Spoleholderens FYLDE-linjer flugter ikke med øjerne i spolebunden. 	<ul style="list-style-type: none"> ■ Drej spoleholderen i pilens retning for at flugte FYLDE-linjerne på spoleholderen med de små øjer i spolebunden. ■ Drej spoleholderen i pilens retning for at flugte FYLDE-linjerne på spoleholderen med de små øjer i spolebunden.

GARANTI

EGO's GARANTIPOLITIK

Besøg venligst hjemmesiden egopowerplus.com for fuldstændige vilkår og betingelser for EGO's garantipolitik.

LÄS IGENOM OCH FÖRSTA BRUKSANVISNINGEN



LÄS IGENOM BRUKSANVISNINGEN

⚠ Kvarstående risker! Personer med elektroniska implantat såsom hjärtstimulatorer bör konsultera sin(a) läkare innan de använder denna produkt. Användning av elutrustning nära en hjärtstimulator kan störa eller avbryta dess funktion.

⚠ WARNING! Alla reparationer bör utföras av en kvalificerad servicetekniker för att upprätthålla produktens säkerhet och driftsäkerhet.

SÄKERHETSSYMBOLER

Syftet med säkerhetssymboler är att fåsta din uppmärksamhet på eventuella risker. Säkerhetssymbolerna och deras betydelser bör uppmärksammas noga och förstås. Själva varningssymboler kan dock inte förebygga någon fara. De instruktioner och varningar som de hänvisar till kan aldrig ersätta lämpliga olycksförebyggande åtgärder.

⚠ WARNING! Se till att läsa igenom och förstå alla säkerhetsinstruktioner i denna bruksanvisning, inklusive alla säkerhetslarmsymboler såsom „FARA“, „WARNING“ och „FÖRSIKTIGHET“ innan detta verktyg används. Underlåtenhet att följa alla instruktioner som listas nedan kan resultera i elektrisk stöt, brand och/eller allvarlig personskada.

SYMBOLINNEBÖRD

⚠ SÄKERHETSLARMSYMBOL: Anger FARA, WARNING eller FÖRSIKTIGHET och kan användas tillsammans med andra symboler eller piktogram.

SÄKERHETSINSTRUKTIONER

Denna sida avbildar och beskriver säkerhetssymboler som kan visas på denna produkt. Läs igenom, förstå och följ alla instruktioner på maskinen innan försök görs att montera och hantera den.

	Säkerhetsvarning	Indikerar en potentiell risk för personskada.
	Läs igenom bruksanvisningen	För att minska risken för personskador måste användaren läst igenom och förstått bruksanvisningen innan denna produkt används.

	Använd ögon-, hörsel- och huvudskydd	Använd alltid ögon-, hörsel- och huvudskydd.
	Klippbredd	Max. skärbredd för kantrimmern
	Tråddiameter	Diametern på skärtråden av nylon
	Använd inte metallklor	Varnar användaren att inte använda metallblad
	Håll obehöriga på avstånd	Utslagnade föremål kan rikoschettera och leda till skador på personer eller egendom. Se till att övriga personer och husdjur håller ett säkert avstånd från röjsågen när den används.
	Avståndet mellan maskinen och åskådare måste vara minst 15 meter.	Se till att andra personer och husdjur befinner sig minst 15 m från trådtrimmern när den används.
	IP-symbol	Skyddar mot inträngande av vatten grad 4
	CE	Denna produkt är i enlighet med gällande EC-direktiv.
	UKCA	Denna produkt uppfyller tillämplig lagstiftning i Storbritannien.
	WEEE	Förbrukade elektriska produkter får inte kastas i hushållsoporna. Lämnas in dem till en auktoriserad återvinningsstation.
	Ljud	Garanterat ljudeffektivt. Bulleremissioner för omgivningen enligt EU-direktiv.
V	Volt	Spänning
mm	Millimeter	Längd eller storlek
cm	Centimeter	Längd eller storlek

SE

kg	Kilogram	Vikt
----	----------	------

ALLMÄNNA SÄKERHETSVARNINGAR FÖR MOTORDRIVNA VERKTYG

⚠️ VARNING! Läs igenom alla säkerhetsvarningar, instruktioner, illustrationer och specifikationer som medföljer detta motordrivna verktyg. Underlåtenhet att följa alla instruktioner som listas nedan kan resultera i elektriska stötar, brand och/eller allvarliga personskador. **Spara alla varningar och instruktioner för framtida bruk.**

Termen "motordrivet verktyg" i varningar avser ditt strömdrivna (med strömkabel) motordrivna verktyg eller batteridrivna (utan strömkabel) motordrivna verktyg.

SE

SÄKERHET I ARBETSOMRÅDET

- Håll arbetsområdet rent och väl upplyst. Oordnade eller mörka områden kan orsaka olyckor.
- Använd inte motordrivna verktyg i explosiva miljöer som t.ex. i närvaron av brandfarliga vätskor, gaser eller damm. Motordrivna verktyg bildar gnistor som kan antända damm eller ångor.
- Håll barn och åskådare på avstånd när ett motordrivet verktyg används. Distractioner kan få dig att tappa kontrollen.

ELEKTRISK SÄKERHET

- **Elverktygets kontakter måste matcha uttaget. Modifiera aldrig kontakten på något sätt. Använd inte några adapterkontakter med jordanslutna (jordade) elektriska verktyg.** Stickkontakter som inte modifierats och passar i eluttaget minskar risken för elektriska stötar.
- **Undvik kroppskontakt med jordanslutna eller jordade ytor såsom rör, värmeelement, spisar och kylskåp.** Det finns en ökad risk för elektrisk stöt om din kropp är jordansluten eller jordad.
- **Använd inte maskinen vid regn eller under våta förhållanden.** Vatten som kommer in i maskinen kan öka risken för elektriska stötar eller funktionsfel som kan leda till personskada.
- **Vanvärda inte kabeln. Använd aldrig kabeln för att bära, släpa eller dra ut kontakten för elverktyget. Håll kabeln borta från värme, olja, skarpa kanter och rörliga delar.** Skadade eller tilltrasslade sladdar ökar risken för elektrisk stöt.
- **Vid användning av motordrivna verktyg utomhus, använd en förlängningskabel som är avsedd för utomhusbruk.** Användning av en sladd som passar för utomhusanvändning minskar risken för elektrisk stöt.

- **Om du måste använda ett motordrivet verktyg i en fuktig miljö, använd en jordfelsbrytare.** En jordfelsbrytare minskar risken för elektriska stötar.

PERSONLIG SÄKERHET

- **Var uppmärksam och observant samt använd sunt förnuft när du använder ett motordrivet verktyg. Använd inte ett motordrivet verktyg om du är trött eller under påverkan av droger, alkohol eller medicin.** Ett ögonblicks ouppmärksamhet kan leda till allvarliga personskador
- **Använd personlig skyddsutrustning. Använd alltid skyddsglasögon.** Om skyddsutrustning som t.ex. ansiktsmask, halkfria skyddsskor, hjälm och hörselskydd används minskar risken för personskador.
- **Förhindra oavsiktlig start. Säkerställ att strömbrytaren är i av-läget innan en strömkälla och/eller batteripaket ansluts, samt när verktyget plockas upp.** Att bära det motordrivna verktyget med fingret på strömbrytaren eller verktyg som är påslagna inbjuder till olyckor.
- **Ta bort alla inställningsverktyg och skruvnycklar innan det motordrivna verktyget slås på.** En skruvnyckel eller ett inställningsverktyg som lämnas på en roterande del av verktyget kan resultera i personskador.
- **Undvik att sträcka ut dig. Håll ett gott fotfäste och balans vid alla tillfällen.** Det ger dig bättre kontroll över det maskindrivna verktyget i oväntade situationer.
- **Använd korrekta kläder. Använd inte löst sittande kläder eller smycken. Håll hår, kläder och handskar borta från de rörliga delarna.** Löst sittande kläder, smycken och långt hår kan fastna i de rörliga delarna.
- **Om enheter för anslutning av dammuppsamlare finns tillgängliga, se till att de är anslutna och används på korrekt sätt.** Användning av dammuppsamlare kan minska dammrelaterade faror.
- **Var alltid uppmärksam vid användning av verktyget, även efter många användningstillfällen, och ignorera inte verktygets säkerhetsprinciper.** En vårdslös handling kan orsaka allvarliga personskador inom bråkdelen av en sekund.

ANVÄNDNING OCH SKÖTSEL AV MOTORDRIVET VERKTYG

- **Forcera inte det motordrivna verktyget. Använd ett korrekt motordrivet verktyg för din tillämpning.** Ett korrekt motordrivet verktyg utför jobbet bättre och säkrare om det används för rätt tillämpning.
- **Använd inte det motordrivna verktyget om strömbrytaren inte kan slås på och av.** Alla motordrivna verktyg som inte kan kontrolleras med strömbrytaren är farliga och måste repareras.

- **Koppla ifrån kontakten från strömkällan och/eller batteripaketet från elverket innan några justeringar gör, tillbehör byts eller elverket läggs undan.** Dessa förebyggande säkerhetsåtgärder minskar risken för att elverket startas oavsiktligt.
- **Förvara motordrivna verktyg som inte används utom räckhåll för barn och låt inte personer som inte är bekanta med verktyget eller dessa instruktioner att använda det.** Motordrivna verktyg är farliga i händerna på oerfarna användare.
- **Underhåll motordrivna verktyg och tillbehör. Kontrollera efter felinställning eller bindning av rörliga delar, brott på delar och alla andra tillstånd som kan påverka funktionen på det motordrivna verktyget. Om skadad, lämna in det motordrivna verktyget på reparation innan det används.** Många olyckor beror på dåligt underhållna motordrivna verktyg.
- **Håll skärverktygen vassa och rena.** Korrekt underhållna skärverktyg med vassa skärkanter löper mindre risk för att fastna och är lättare att kontrollera.
- **Använd det motordrivna verktyget, tillbehör, insatsverktyg osv. i enlighet med dessa instruktioner och ta hänsyn till arbetsförhållanden och det arbete som ska utföras.** Om det motordrivna verktyget används för andra tillämpningar än det är avsett för kan det resultera i farliga situationer.
- **Håll handtagen och greppytan torra, rena och fria från olja och fett.** Halkiga handtag och greppytor förhindrar säker hantering och kontroll av verktyget vid oväntade situationer.

ANVÄNDNING OCH SKÖTSEL AV BATTERIDRIVET VERKTYG

- **Ladda endast med laddaren som anges av tillverkaren.** En laddare som är lämplig för en specifik typ av batteripack kan resultera i brand när den används med ett annat batteripack.
- **Använd endast motordrivna verktyg med avsedda batteripack.** Användning av andra batteripack kan orsaka personskador och brand.
- **När batteripaketet inte används, håll det borta från metallobjekt som t.ex. pappersgem, mynt, nycklar, spikar, skruvar och andra små metallobjekt som kan bilda en anslutning från en batterikontakt till den andra.** Om batterikontakterna kortsluts kan det orsaka brännskador eller brand.
- **Vid felaktig användning kan vätska tränga ut från batteriet; undvik kontakt med vätskan. Om kontakt inträffar, skölj med vatten. Uppsök dessutom läkare om vätskan får kontakt med ögon.** Vätskan som trängt ut från batteriet kan orsaka irritationer eller brännskador.
- **Använd inte ett batteripack eller verktyg som skadats eller modifierats.** Skadade eller modifierade batterier kan leda till oförutsägbart uppträdande som leder till brand, explosion eller risk för personskador.
- **Utsätt inte batteripaketet eller verktyget för eld eller extrema temperaturer.** Exponering av eld eller temperaturer över 130 °C kan orsaka explosion.
- **Följ alla laddningsinstruktioner och ladda inte batteripaketet eller verktyget utanför det temperatursområde som anges i instruktionerna.** Felaktig laddning eller vid temperaturer utanför angivet temperatursområde kan skada batteriet och ökar risken för brand.

SERVICE

- **Serva ditt motordrivna verktyg hos en kvalificerad servicetekniker som endast använder identiska utbytesdelar.** Det säkerställer att säkerheten hos det motordrivna verktygets underhålls.
- **Utför aldrig service på skadade batteripack.** Service av batteripack bör endast utföras av tillverkaren eller auktoriserade serviceverkstäder.

SÄRSKILDA SÄKERHETSVARNINGAR FÖR TRÄDTRIMMER

- **Undvik att använda maskinen under dåliga väderförhållanden, i synnerhet när det är risk för åska.** Det minskar risken att bli träffad av blixten.
- **Kontrollera noggrant området om det finns vilda djur där maskinen ska användas.** Djuren kan skadas av maskinen under drift.
- **Undersök grundligt området där apparaten ska användas och ta bort alla stenar, pinnar, trådar, ben och andra främmande föremål.** Föremål som kastas iväg kan orsaka allvarliga personskador.
- **Innan du använder maskinen ska du alltid inspektera visuellt för att se att kniven eller bladet och knivenheten eller bladenheten inte är skadade.** Skadade delar ökar risken för skador.
- **Följ instruktionerna för hur man byter ut tillbehör.** Felaktig åtdragning av knivens fästmuttrar eller bultar kan antingen skada bladet eller leda till att det lossnar.
- **Använd ögon-, hörsel-, huvud- och handskydd.** Tillräcklig skyddsutrustning minskar personskador från flygande skräp eller oavsiktlig kontakt med skärtråden eller bladet.
- **Använd alltid halkfria och skyddande skor när du använder maskinen. Använd inte verktyget om du är barfota eller har öppna sandaler.** Detta minskar risken för skador på fötterna från kontakt med rörliga knivar eller trådar.

SE

- **Använd alltid långbyxor när du använder maskinen.** Exponerad hud ökar sannolikheten för skada från kastade föremål.
- **Håll åskådare borta när du använder maskinen.** Utkastat skräp kan resultera i allvarliga personskador.
- **Använd alltid två händer när maskinen används.** Att hålla maskinen med båda händerna undviker att kontrollen förloras.
- **Håll maskinen endast vid de isolerade greppytorna, eftersom skärinjen eller bladet kan komma i kontakt med dolda ledningar.** Om skärtråden eller bladen kommer i kontakt med en strömförande ledning kan exponerade metalldelar på det motordrivna verktyg också bli strömförande, vilket kan resultera i att operatören utsätts för elektriska stötar.
- **Ha alltid korrekt fotfäste och använd maskinen endast när du står på marken.** Hala eller instabila ytor kan orsaka förlust av balans eller kontroll av maskinen.
- **Använd inte maskinen i alltför branta slutningar.** Detta minskar risken för förlust av kontroll, om du halkar och faller kan det leda till personskada.
- **När du arbetar i slutningar, var alltid säker på ditt fotfäste, arbeta alltid över slutningarna, aldrig upp eller ner och var försiktig när du ändrar riktning.** Detta minskar risken för förlust av kontroll, om du halkar och faller kan det leda till personskada.
- **Håll alla delar av kroppen borta från kniven, träden eller bladet när maskinen är i drift. Innan du startar maskinen, se till att kniven, träden eller bladet inte har kontakt med någonting.** Ett ögonblick av ouppmärksamhet när du använder maskinen kan leda till att du skadar dig själv eller andra.
- **Använd inte maskinen över midjehöjd.** Detta hjälper till att förhindra oavsiktlig kontakt med kniven eller bladet och möjliggör bättre kontroll av maskinen i oväntade situationer.
- **Vid kapning av ris eller unga träd som är under spänning, var beredd på återfjädring.** När spänningen i träfiberna frigörs kan riset eller det unga trädet slå operatören och/eller kasta maskinen ur kontroll.
- **Var extremt försiktig när du kapar snårskog och buskar.** Det slanka materialet kan fastna i sågkedjan och piskas mot dig eller dra dig ur balans.
- **Behåll kontrollen över maskinen och rör inte kniven, trådar eller blad och andra farliga rörliga delar medan de fortfarande är i rörelse.** Detta minskar risken för skador från rörliga delar.
- **När du rensar fastnat material eller servar maskinen, se till att strömbrytaren är avstängd och att batteripaketet är borttaget.** Övåntad start av maskinen när du tar bort material som fastnat eller vid service kan leda till allvarliga personskador.
- **Bär maskinen med maskinen avstängd och undan från kroppen.** Korrekt hantering av maskinen minskar sannolikheten för oavsiktlig kontakt med en kniv, tråd eller blad i rörelse.
- **Använd endast ersättningsknivar, tråd, skärhuvuden och blad som anges av tillverkaren.** Felaktiga reservdelar kan öka risken för brott och skador.
- **Skada på trimmern - Om du träffar ett främmande objekt med trimmern eller om den fastnar, stäng omedelbart av verktyget, kontrollera om det finns skador och reparera eventuella skador innan verktyget används igen.** Använd inte med trasigt skydd eller spole.
- **Om utrustningen börjar vibrera onormalt, stoppa motorn och kontrollera omedelbart orsaken.** Vibrationer är vanligtvis en varning för problem. Ett löst trimmerhuvud kan vibrera, spricka, gå sönder eller lossna från trimmern, vilket kan resultera i allvarliga personskador eller dödsfall. Se till att knivenheten är korrekt fastsatt i sitt läge. Byt omedelbart ut trimmerhuvudet om det lossnar efter att den satts fast korrekt i sitt läge. Använd aldrig en trimmer med löst skärtillbehör.
- **Batteridrivna verktyg behöver inte vara anslutna till ett eluttag och är därför alltid redo för användning.** Var medveten om eventuella faror även när verktyget inte är igång. Var försiktig när du utför underhåll eller service.
- **Tvätta inte av den med en slang; låt inte vatten tränga in i motorn och de elektriska anslutningarna.**
- **Om en situation som inte beskrivs i bruksanvisningen uppstår, använd försiktighet och gott omdöme. Kontakta EGO kundtjänstcenter för hjälp.**
- **Använd endast med de batteripack och laddare som listas i bild A.**

SPARA DESSA INSTRUKTIONER!

SPECIFIKATIONER

Skärmekanism	Trådhuvid
Trådens diameter	2,4 mm nylonlina
Klippbredd	40 cm
Obelastad hastighet	4900/5800 min ⁻¹
Vikt (utan batteripack)	1,53 kg
Rekommenderad drifttemperatur	0°C-40°C
Rekommenderad förvaringstemperatur	-20°C-70°C

Uppmätt ljudeffektnivå L_{WA}	95,72 dB(A) K=0,77 dB(A)
Ljudtrycksnivå vid operatörens öra L_{PA}	81,6 dB(A) K= 3 dB(A)
Garanterad ljudeffektnivå L_{WA} (uppmätt i enlighet med 2000/14/EC)	96 dB(A)
Vibration a_n	Främre handtag 2,5 m/s ² K=1,5 m/s ²
	Bakre handtag 1,8 m/s ² K=1,5 m/s ²

- Ovanstående parametrar har testats och utmätts med motorenheten PH1420E.
- Det angivna totalvärdet för vibration är uppmätt enligt standardprovningemetoden och kan användas för att jämföra olika verktyg;
- Det angivna totalvärdet för vibration kan även användas vid preliminär utvärdering av exponering.

⚠ VARNING! Vibrationer och buller vid faktisk användning av elverktyget kan skilja sig från de deklarerade värdena beroende på hur verktyget används, särskilt på vilken typ av arbetsstycke som bearbetas; och

Behovet av att identifiera säkerhetsåtgärder för att skydda operatören som baseras på en uppskattning av exponeringen under de faktiska användningsförhållandena (med beaktande av alla delar av driftcykeln, t.ex. de tider då verktyget stängs av och när det körs på tomgång utöver utlösningstiden).

PACKLISTA (BILD A)

För information om rekommenderad skärtråd, besök webbplatsen: egopowerplus.com eller se produktkatalogen för EGO.

BESKRIVNING

BEKANTA DIG MED TILLBEHÖRET FÖR KANTTRIMMERN (bild A)

1. Ändlock
2. Axel för kantrimmern
3. Trådladdningsknapp
4. Trimmertråd
5. Trimmerhuvud (stöthuvud)
6. Låsfläk
7. Skärblad för trådkapning
8. Skydd

9. Insexnyckel

⚠ VARNING! Använd aldrig verktyget utan att skyddet är korrekt på plats. Skyddet måste alltid vara monterat på verktyget för att skydda användaren.

MONTERING

⚠ VARNING! Om någon av delarna skadats eller saknas, använd inte denna produkt förrän delarna har bytts ut. Användning av denna produkt med skadade eller saknade delar kan resultera i allvarliga personskador.

⚠ VARNING! Försök inte att modifiera denna produkt eller skapa tillbehör som inte rekommenderas för användning med denna trådtrimmer. Alla sådana ändringar eller modifikationer är felaktig användning och resulterar i farliga förhållanden som kan leda till allvarliga personskador.

⚠ VARNING! Anslut inte motorenheten förrän monteringen är slutförd. Underlåtenhet att följa detta kan resultera i oavsiktlig maskinstart och allvarliga personskador.

MONTERA SKYDDET

⚠ VARNING! Använd alltid handskar vid montering eller utbyte av skyddet. Var försiktig med skärbladet inuti skyddet och skydda dina händer från att skadas av skärbladet.

Lossa och ta bort de två skruvarna från axelns bas (bild C), rikta in skyddets fästhål mot monteringshålen och lås sedan fast skyddet till axelns bas med de två skruvarna och fjäderbrickorna (bild D).

Säkerställ att skyddet är korrekt fastsatt enligt bild C och D. En omvänd fastsättning är mycket farligt!

ANSLUTA KANTTRIMMERNS TILLBEHÖR TILL MOTORENHETEN

Detta tillbehör för kantrimmern är utvecklat för användning med EGO-motorenheten PH1420E.

Se avsnittet "INSTALLERA EN MOTORENHETSTILLSATS" i bruksanvisningen för motorenhet PH1420E.

ANVÄNDNING

⚠ VARNING! Var aldrig vårdslös, även om du är väl förtrogen med verktyget. Glöm inte att en bråkdel av en sekund av ouppmärksamhet är tillräcklig för att orsaka svåra personskador

⚠ VARNING! Använd alltid ögonskydd, tillsammans med hörselskydd. Underlåtenhet att följa detta kan resultera i att

SE

objekt slungas in i dina ögon eller leda till andra allvariga personsador.

TILLÄMPNINGAR

Du kan använda denna produkt för de tillämpningar som listas nedan:

- Klippa gräs och ogräs runt verandor, staket och altaner.

OBS! Verktuget får endast användas för sitt avsedda ändamål. All annan användning bedöms som felaktig användning.

Kontrollera efter skadade/slitna delar före varje användning.

Kontrollera trimmerhuvudet, skyddet och det främre handtaget och byt ut delar som är spruckna, skeva, böjda eller skadade på något sätt.

Skärbladet för trädkapning kan bli slött efter en tid. Det rekommenderas att vässa det regelbundet med en fil eller byta ut det mot ett nytt skärblad.

⚠ VARNING! Använd alltid handskar när du monterar eller byter ut skyddet, eller när du vässar eller byter ut skärbladet. Observera skärbladets placering i skyddet och skydda dina händer från skador.

⚠ VARNING! För att förhindra allvariga personsador, ta ut batteripacket ur motorenheten före service, rengöring, ändring av tillbehör eller borttagning av material från enheten.

ANVÄNDA KANTRIMMERN MED MOTORENHETEN

⚠ VARNING! Använd korrekta kläder för att minska risken för personsador vid användning av detta verktyg. Använd inte löst sittande kläder eller smycken. Använd ögon- och öron-/hörselskydd. Använd rejäla långbyxor, kängor och handskar. Använd inte kortbyxor, sandaler eller gå barfota.

⚠ VARNING! Rensa området som ska beskäras före varje användning. Ta bort alla objekt som t.ex. stenar, krossat glas, spikar, ledningar eller trådar som kan slungas ut eller traslas in i skärenheten. Se till att inga barn, åskådare eller husdjur är inom området. Håll alla barn, åskådare och husdjur minst 15 meter bort. Det kan fortfarande finnas en risk för slungade föremål mot åskådare. Uppmuntra åskådare att använda skyddsglasögon. Om någon närmar sig dig, stoppa omedelbart motorn och skärenheten.

För en säkrare och bättre användning, använd axelremmen över din axel. Justera axelremmen för ett bekvämt arbetsläge. Håll trådrimmern med ena handen på det bakre handtaget och den andra handen på det främre handtaget. Håll verktyget stadigt med båda

händerna vid användning. Kanttrimmern bör hållas i ett bekvämt läge med det bakre handtaget kring höfthöjd. Trimmerhuvudet bör vara parallellt med marken så att den enkelt får kontakt med materialet som ska skäras utan att användaren behöver böja sig framåt (bild B).

⚠ VARNING! Axelremmen är även en snabb frigöringsmekanisk vid farliga situationer. När ett nödläge inträffar, ta omedelbart av den från axeln oavsett vilket läge som remmen är i.

Rengör trimmern efter varje användning

Se avsnittet UNDERHÅLL för rengöringsinstruktioner.

STARTA/STOPPA VERKTYGET

Se avsnittet "STARTA/STOPPA MOTORENHETEN" i bruksanvisningen för motorenhet PH1420E.

JUSTERA SKÄRTRÅDENS LÅNGD

Trimmerhuvudet låter operatören dra ut mer skärtråd utan att motorn behöver stoppas. När tråden blir fransig eller slitnen kan mer tråd frigöras genom att knacka trimmerhuvudet lätt mot marken när trimmern är igång (bild E).

OBS! Tråden blir svårare att mata ut i takt med att skärtråden blir kortare.

⚠ VARNING! Ta inte bort eller modifiera skärbladet för tråden. En för lång tråd får motorn att överhettas och kan resultera i allvariga personsador.

BYTA UT TRÅDEN

UPPMÄRKSAMMA: Använd rekommenderad nylontrimmertråd med en diameter som inte överstiger 2,4 mm. Om en annan trimmertråd än den som anges används kan trådrimmern överhettas eller skadas.

⚠ VARNING: Använd aldrig metallförstärkt tråd, kablar eller rep etc. Dessa kan gå av och bli farliga projektiler.

Trådrimmern är utrustad med ett avancerat **POWERLOAD™** system. Trimmertråden kan lindas på spolen helt enkelt genom att trycka på en enda knapp. Laddning av en full spole kan vanligtvis slutföras på 12 sekunder. **Undvik upprepad drift av lindningssystemet i snabb följd för att minska risken för motorsador.**

UPPMÄRKSAMMA: **POWERLOAD™** systemet är endast tillgängligt när tillbehöret är anslutet till Power Head PH1420E och batteripaketet är installerat.

1. Ta ut batteripaketet.
2. Skär av 4 m trimmertråd. För in tråden i

monteringshålet på insidan av hålet (bild F). Tryck in och dra tråden från den andra sidan tills en likvärdig längd visas på spolens båda sidor.

UPPMÄRKSAMMA: Om tråden inte kan föras in i ögla när den nedre luckan sitter fast, installera batteripaketet på strömhuvudet och tryck sedan kort på trådladdningsknappen för att återställa den nedre luckan.

3. Ta bort batteripaketet om det har installerats på motorenheten i MEDDELANDE efter steg 2. Och följ stegen som anges i steg 2 för att återinsätta och rikta in trimmertråden.
4. Installera batteripaketet på motorenheten.
5. Tryck på och håll in trådladdningsknappen för att ladda tråden in i trimmerhuvudet kontinuerligt tills cirka 15 cm av tråden syns på varje sida. (Bild G)
6. Tryck ner trimmerhuvudet medan tråden dras ut manuellt för att förlänga den och för att kontrollera att trimmertråden monterats korrekt.

UPPMÄRKSAMMA: Om tråden dras in i trimmerhuvudet av misstag, öppna huvudet och dra trimmertråden ut från spolen. Följ instruktionerna i sektionen "LADDA OM TRIMMERTRÅD" för att ladda trimmertråden igen.

LADDA TRIMMERTRÅDEN.

När trimmertråden bryts från ögla eller trimmertråden inte släpps när trimmerhuvudet knackas, måste du ta bort den återstående trimmertråden från trimmerhuvudet och följa stegen nedan för att ladda om tråden.

1. Ta ut batteripaketet.
2. Tryck in flikarna på trimmerhuvudet och ta bort nedre lockmontaget på trimmerhuvudet genom att dra den rakt ut. (bild H)
3. Ta bort trimmertråden från trimmerhuvudet.
4. Ta ut fjädern från spolenheten, om så behövs. Spara den för återmontering.
5. Sätt in fjädern i öppningen på den nedre höljet (bild I).
6. Håll trimmern i ena handen, använd den andra handen för att ta tag i den nedre höljet och rikta in öppningen i den nedre höljet mot låsflikarna (bild J). Tryck på nedre höljet tills det snäpper på plats, du kommer att höra ett distinkt klickljud (bild K).
7. Följ instruktionerna i sektionen "BYTA TRIMMERTRÅD" för att ladda trimmertråden igen.

BYTE TRIMMERHUVUD

⚠ VARNING: Om huvudet lossnar efter att det satts

fast i dess läge, byt det omedelbart.

Använd aldrig en trimmer med löst skärillbehör. Byt omedelbart ut ett sprucket, skadat eller slitet skärhuvud, även om skadat är begränsad till ytliga sprickor. Dessa tillbehör kan splittras i hög hastighet och orsaka allvarliga personskador.

Bekanta dig med trimmerhuvudet (Fig. L).

Bild L. Se nedan för beskrivning av delar:

L-1	Axel	L-6	Bricka
L-2	Bussning (2)	L-7	Mutter
L-3	Övre hölje	L-8	Fjäder
L-4	Låsring	L-9	Trimmertråd
L-5	Spolhållare	L-10	Nedre hölje

SE

Ta bort trimmerhuvudet

1. Ta ut batteripaketet.
2. Tryck in flikarna på övre locket och ta bort nedre lockmontaget på trimmerhuvudet genom att dra den rakt ut.
3. Ta bort trimmertråden från trimmerhuvudet.
4. Ta ut fjädern från spolenheten, om så behövs. Spara den för återmontering.
5. Använd handskar. Ta tag med ena handen i spolenheten för att stabilisera det och använd andra handen för att hålla en 13 mm slagnyckel (medföljer inte) för att lossa muttern i riktning moturs (bild M).
6. Ta bort muttern, brickan och spolhållaren från motoraxeln (Fig. L).
7. Använd låstång (ingår ej) för att ta bort låsringen. Ta bort den övre kåpan och två bussningar från motoraxeln (Fig. L).
8. Byt till ett nytt trimmerhuvud och montera enligt följande steg.

Installera det nya trimmerhuvudet

1. Montera de två bussningarna på motoraxeln.
2. Rikta in den platta skåran i den övre kåpan med den platta i motoraxeln och montera den övre kåpan på plats (bild N).

Bild N. Se nedan för beskrivning av delar:

N-1	Platt	N-2	Platt öppning
-----	-------	-----	---------------

3. Montera låsringen, spolhållaren och brickan i den ordningen (bild L). Använd en slagnyckel på muttern för att dra åt den MOTURS.
4. Följ steg 4 och 5 i avsnittet "LADDA OM

TRIMMERTRÅDEN" i denna manual för att montera den nedre kåpan.

5. Följ instruktionerna i sektionen "BYTA TRIMMERTRÅD" för att ladda trimmertråden igen.
6. Starta verktyget för att se om trådtrimmern fungerar normalt. Om den inte gör det, återmontera såsom beskrivs ovan.

UNDERHÅLL

⚠ VARNING! Före inspektion, rengöring eller service av enheten, stoppa motorn, vänta tills alla rörliga delar har stoppats och ta sedan ut batteripaketet. Underlåtenhet att följa dessa instruktioner kan resultera i allvarliga personskador eller skada på egendom.

⚠ VARNING! Vid service, används endast identiska utbytesdelar. Om andra delar används kan det skapa en fara eller orsaka produktskador. För att säkerställa produktens säkerhet och pålitlighet måste alla reparationer, förutom de som anges i dessa underhållsinstruktioner, utföras av en behörig servicetekniker.

ALLMÄNT UNDERHÅLL

Använd inte lösningsmedel när du rengör plastdelarna. De flesta plaster är känsliga för skador från olika typer av kommersiella lösningsmedel och kan skadas av dess användning. Använd rena trasor för att ta bort smuts, damm, olja, fett osv.

RENGÖRA ENHETEN

- Ta bort eventuellt gräs som lindats runt motoraxeln eller trimmerhuvudet.
- Använd en liten borste eller en liten dammsugare för att rengöra luftventilerna på det bakre höljet.
- Rengör enheten med en fuktad trasa och ett mildt rengöringsmedel.
- Använd inte starka rengöringsmedel på plasthöljet eller handtaget. De kan skadas av vissa aromatiska oljor som t.ex. tall och citron, samt av lösningsmedel som t.ex. fotogen. Fukt kan även utgöra en risk för elektriska stötar. Torka bort fukt med en mjuk och torr trasa.

SMÖRJNING AV VÄXELLÅDAN

Växellådan i växellådan måste smörjas regelbundet med växellådsolja. Kontrollera växellådans fettnivå efter varje 50 timmars användning genom att ta bort tätningsskruven på sidan av växellådan.

Om inget fett kan ses på sidorna av växellådan, följ stegen nedan för att fylla på med växellådsolja upp till 3/4 kapacitet.

Fyll inte upp den fullt.

1. Luta kantrimmern på sidan så att tätningsskruven är riktad uppåt.
2. Använd den multifunktionella skiftnyckeln (medföljer) för att lossa och ta bort tätningsskruven.
3. Använd en fettspruta (medföljer ej) för att trycka in lite fett i skruvhålet. Överskrid inte 3/4 kapacitet.
4. Dra åt tätningsskruven efter appliceringen.

FÖRVARA ENHETEN

- Ta ut batteripaketet från motorenheten.
- Rengör maskinen noggrant innan den ställs av.
- Om kantrimmerns tillbehör tas bort från motorenheten och förvaras separat: Montera ändlocket på tillbehöraxeln för att undvika att smuts tränger in i kopplingen.
- Förvara enheten på en torr, välventilerad plats, inlåst eller högt upp, utom räckhåll för barn. Förvara inte enheten på eller i anslutning till gödningsmedel, bensin eller andra kemikalier.

VÄSSA TRÅDSKÄRBLADET

⚠ VARNING: Skydda alltid dina händer genom att använda kraftiga handskar när underhåll utförs på trådsjärbladet.

1. Ta ut batteriet.
2. Ta bort trådsjärbladet från skyddet.
3. Fäst bladet i ett skruvståd.
4. Använd lämpliga ögonskydd och handskar och var försiktig så att du inte skär dig.
5. Fila försiktigt kanterna på bladet med en fintandad fil eller slipsten, var försiktig så att kanten på skärkantens originalvinkel bibehålls.
6. Sätt tillbaka bladet på skyddet och fäst det på plats med de två skruvarna.

Miljöskydd



Elektriska enheter, batteriladdare och batterier/uppladdningsbara batterier får inte kastas med hushållsavfall!

Ta denna produkt till en auktoriserad återvinnare och gör den tillgänglig för separat insamling. Elektriska verktyg måste returneras till en miljöanpassad återvinningsanläggning.

Om elektriska enheter hamnar i soptippar eller avfallsdepåer kan farliga ämnen läcka ut till grundvattnet, hamna i näringskedjan och skada din hälsa och ditt välmående.

FELSÖKNING

PROBLEM	ORSAK	ÅTGÄRD
Grästrimmern startar inte.	<ul style="list-style-type: none"> ■ Batteripacket är inte monterat på motorenheten. ■ Det saknas elektrisk kontakt mellan motorenheten och batteripacket. ■ Batteripaketets laddning är slut. ■ Säkring och avtryckaren är inte nedtryckta samtidigt. 	<ul style="list-style-type: none"> ■ Montera batteripacket på motorenheten. ■ Ta bort batteriet, kontrollera kontakterna och sätt tillbaka batteripacket tills det klickar på plats. ■ Ladda batteripacket med EGO-laddarna som listas i denna bruksanvisning. ■ Håll säkringen nedtryckt och tryck sedan ner avtryckaren för att starta grästrimmern.
Grästrimmern stänger av sig under arbetet.	<ul style="list-style-type: none"> ■ Skyddet är inte monterat på trimmern vilket har lett till för lång skärtråd och överbelastning av motorn. ■ För tjock skärtråd används. ■ Gräs har fastnat på motorskaftet eller trimmerhuvudet. ■ Motorn är överbelastad. ■ Batteripacket eller trimmern är för varmt. ■ Batteripacket är inte anslutet till verktyget. ■ Batteripacket är urladdat. 	<ul style="list-style-type: none"> ■ Ta ut batteripacket och montera skyddet på trimmern. ■ Använd rekommenderad nylontråd med en diameter som inte överstiger 2,4 mm. ■ Stäng av trimmern, ta ut batteriet och rensa motorskaftet och trimmerhuvudet från gräs. ■ Lyft upp trimmerhuvud från gräset. Motorn fortsätter att köra när belastningen avtar. Flytta trimmerhuvudet in i och ut ur gräset som ska klippas och klipp inte mer än 20cm i taget. ■ Låt batteripacket or trimmern svalna ned tills temperaturen är under 67°C . ■ Anslut batteripacket igen. ■ Ladda batteripacket med EGO-laddarna som listas i denna bruksanvisning.

SE

PROBLEM	ORSAK	ÅTGÄRD
Trimmerhuvudet matar inte fram ny skärtråd.	<ul style="list-style-type: none"> ■ Gräs har fastnat på motorskaftet eller trimmerhuvudet ■ Det finns inte tillräckligt med tråd på spolen. ■ Smutsigt trimmerhuvud ■ Tilltraslad tråd på spolen ■ För kort tråd 	<ul style="list-style-type: none"> ■ Stäng av trimmern, ta ut batteriet och rensa motorskaftet och trimmerhuvudet från gräs. ■ Ta bort batteriet och byt ut trimmertråden; följ avsnittet "LADDA OM TRIMMERTRÅDEN" i den här bruksanvisningen. ■ Ta ut batteriet och rengör spolhållaren och spolsockeln. ■ Ta ut batteriet, ta bort tråden från spolen och linda in på den igen; följ instruktionerna i avsnittet "LADDA TRIMMERTRÅDEN" i denna bruksanvisning. ■ Ta ut batteriet och dra i trådarna medan du trycker ner och släpper stöthuvudet upprepade gånger
Gräs fastnar i trimmerhuvudet och motorhöljet.	<ul style="list-style-type: none"> ■ Klippning av högt gräs vid marknivå. 	<ul style="list-style-type: none"> ■ Skär högt gräs nerifrån och upp, kapa inte mer än 20 cm per svep för att undvika grästrassel.
Skärbladet skär inte av tråden.	<ul style="list-style-type: none"> ■ Trådkniven på skyddets kant är slö. 	<ul style="list-style-type: none"> ■ Slipa trådkniven med en fil eller byt ut den mot en ny kniv.
Sprickor på trimmerhuvudet eller spolhållaren lossnar från spolbasen.	<ul style="list-style-type: none"> ■ Trimmerhuvudet är slitet. ■ Muttern som låser trimmerhuvudet har lossnat. 	<ul style="list-style-type: none"> ■ Byt omedelbart ut trimmerhuvudet; följ avsnittet "BYTA UT TRIMMERHUVUD" i denna bruksanvisning. ■ Öppna trimmerhuvudet och använd en slagskruvnyckel för att dra åt muttern.
Vid byte av tråden kan inte tråden matas in korrekt i trimmerhuvudet.	<ul style="list-style-type: none"> ■ Spolbehållarens belastningstrådar stämmer inte överens med hålen i spolbasen. ■ Spolbehållarens belastningstrådar stämmer inte överens med hålen i spolbasen. 	<ul style="list-style-type: none"> ■ Vrid spolhållaren i pilens riktning för att rikta in belastningstråden på spolhållaren med hålen på spolens bas. ■ Vrid spolhållaren i pilens riktning för att rikta in belastningstråden på spolhållaren med hålen på spolens bas.

GARANTI

GARANTIVILLKOREN AV EGO

Var god besök webbplatsen egopowerplus.com för att se de fullständiga garantivillkoren av EGO.

LUE KAIKKI OHJEET!



LUE KÄYTTÖOPAS

⚠️ A VAARA: Henkilöiden, joilla on elektroniikkalaitteita, kuten sydämentahdistimia, tulee neuvotella lääkärin kanssa ennen tuotteen käyttöä. Sähkölaitteiden käyttö sydämentahdistimen läheisyydessä voi aiheuttaa tahdistimeen häiriöitä tai vikoja

⚠️ VAROITUS: Valtuutetun huoltoteknikon tulee suorittaa kaikki korjaukset ja osien vaihdot, jotta voidaan taata tuotteen turvallinen ja luotettava käyttö.

TURVALLISUUSYMBOLIT

Turvamerkkien tavoitteena on kiinnittää huomio mahdollisiin vaaroihin. Sinun tulee lukea huolellisesti käyttöohjeet ja ymmärtää turvamerkit ja niiden selitteet. Turvamerkit eivät itsessään poista vaaraa. Niiden antamat ohjeet ja varoitukset eivät korvaa asianmukaisia tapaturman torjuntatoimenpiteitä.

⚠️ VAROITUS: Lue ja ymmärrä tämän käyttöoppaan kaikki turvallisuusohjeet, mukaan lukien kaikki turvallisuusvaroitussymbolit, kuten "VAARA", "VAROITUS" ja "HUOMIO" ennen laitteen käyttämistä. Alla olevien ohjeiden noudattamatta jättäminen saattaa aiheuttaa sähköiskun, tulipalon ja/tai vakavan henkilövahingon.

SYMBOLIN MERKITYS

⚠️ TURVALLISUUSVAROITUKSEN SYMBOLI:

Ilmaisee VAARAA, VAROITUSTA tai HUOMIOTA, voidaan käyttää muiden symboleiden tai kuvamerkkien yhteydessä.

TURVALLISUUSOHJEET

Tällä sivulla kuvataan ja esitellään turvallisuussymbolit, jotka saattavat esiintyä tässä tuotteessa. Lue, ymmärrä ja noudata kaikkia laitteen ohjeita ennen kuin yrität koota sen tai käyttää sitä.

	Turvallis-uushälytys	Ilmaisee mahdollista henkilövahinkojen vaaraa.
	Läs lgenom Bruksanvisningen	Käyttäjän tulee ennen käytön aloittamista lukea käyttöopas ja ymmärtää se loukkaantumisriskin pienentämiseksi.

	Käytä silmäsuojaimia, kuulonsuojaimia ja suojakypärää	Käytä aina silmäsuojaimia, kuulonsuojaimia ja suojakypärää.
	Leikkausleveys	Siimaleikkurin maks. leikkausleveys
	Siiman halkaisija	Nylonvalmistaisen leikkusiiman halkaisija
	Älä käytä metalliteriä	Varoittaa käyttäjää käyttämästä metalliteriä
	Pidä sivulliset loitolla	Sinkoutuvat esineet voivat kimmota ja aiheuttaa henkilö- tai omaisuusvahingon. Varmista, että muut ihmiset ja lemmikit ovat etäällä, kun pensasleikkuria käytetään.
	Koneen ja sivullisten väliä tulisi olla vähintään 15 metrin etäisyys.	Varmista, että muut ihmiset ja lemmikkieläimet ovat vähintään 15 m päässä siimaleikkurista, kun se on käytössä.
	IP-symbolit	Suojaus vesiroiskeilta luokitus 4.
	CE	Tämä tuote vastaa sovellettavia EU-direktiivejä.
	UKCA	Tämä tuote on Yhdistyneen kuningaskunnan lainsäädännön mukainen.
	WEEE	Vanhoja sähkölaitteita ei saa hävittää kotitalousjätteen mukana. Vie laite valtuutettuun kierrätyslaitokseen.
	Melu	Taattu äänen tehotaso. Melupäästöt ympäristöön Euroopan yhteisen direktiivin mukaiset.
V	Voltti	Jännite
mm	Millimetri	Pituus tai koko
cm	Senttimetri	Pituus tai koko
kg	Kilogramma	Paino

YLEISET SÄHKÖTYÖKALUJEN

TURVALLISUUSVAROITUKSET

⚠ WARNING: Lue kaikki tämän sähkötyökalun mukana tulleet turvallisuusvaroitukset, ohjeet, piirustukset ja tekniset tiedot. Jos kaikkia alla olevia ohjeita ei noudateta, seurauksena saattaa olla sähköisku, tulipalo ja/tai vakava loukkaantuminen. **Säilytä kaikki varoitukset ja ohjeet myöhempää käyttöä varten.**

Varoituksissa käytetty termi ”sähkötyökalu” tarkoittaa joko verkkovirtakäyttöistä (johdollista) sähkötyökalua tai akkukäyttöistä (johdotonta) sähkötyökalua.

TYÖALUEEN TURVALLISUUS

- Pidä työskentelyalue siistinä ja hyvin valaistuna. Sotkuiset tai hämärät alueet aiheuttavat onnettomuuksia.
- Älä käytä sähkötyökaluja räjähdysherkässä ympäristössä, kuten syttyvien nesteiden, kaasujen tai pölyn läheisyydessä. Sähkötyökalut muodostavat kipinöitä, jotka saattavat sytyttää pölyn tai höyryt.
- Älä päästä lapsia tai sivullisia lähelle, kun käytät sähkötyökaluja. Häiriötekijät voivat aiheuttaa hallinnan menettämisen.

SÄHKÖTURVALLISUUS

- **Sähkötyökalun pistotulpan on vastattava pistorasiaa.** Älä ikinä muokkaa pistotulppaa millään tavalla. Älä käytä minkäänlaisia sovitinpistotulppia maadoitettujen sähkötyökalujen kanssa. Muokkaamattomat pistotulpat ja niihin sopivat pistorasiat vähentävät sähköiskun vaaraa.
- Vältä koskemasta vartaloosi maadoitettuihin pintoihin, kuten putkiin, lämmityspattereihin, liesiin ja jääkaappeihin. Sähköiskun riski kasvaa, jos kehosi on maadoitettu.
- Älä käytä konetta sateessa tai märissä olosuhteissa. Koneeseen pääsevä vesi voi lisätä sähköiskun tai toimintahäiriöiden riskiä, joka voi johtaa henkilövahinkoihin.
- Älä väärinkäytä johtoa. Älä koskaan kannan tai vedä laitetta johdosta tai irrota pistoketta pistorasiasta johdosta vetämällä. Pidä johto poissa tulen, öljyn, terävien reunojen tai liikkuvien osien läheltä. Vahingoittuneet tai sotkeutuneet johdot lisäävät sähköiskun vaaraa.
- Kun käytät sähkötyökalua ulkona, käytä ulkokäyttöön tarkoitettua jatkojohtoa. Ulkokäyttöön tarkoitettun jatkojohdon käyttö vähentää sähköiskun riskiä.
- Jos et voi välttää sähkötyökalun käyttöä kosteissa olosuhteissa, käytä vikavirtasuojakytkimellä (vsvk)

suojattua virtälähdettä. Vikavirtasuojakytkimen käyttö vähentää sähköiskun vaaraa.

HENKILÖKOHTAINEN TURVALLISUUS

- Ole valpas, tarkkaavainen ja käytä maalaisjärkeä, kun käytät sähkötyökalua. Älä käytä sähkötyökalua, kun olet väsynyt tai kun olet huumeiden, alkoholin tai lääkityksen vaikutuksen alaisena. Hetkellinenkin huomion herpaantuminen sähkötyökalua käytettäessä saattaa aiheuttaa vakavan henkilökohtaisen vamman.
 - Käytä henkilönsuojaimia. Käytä aina suojalaseja. Tarvittaessa käytettävät suojavarusteet, kuten hengityssuojain, liukusteelliset turvakengät, suojakypärä tai kuulosuojaimet, vähentävät henkilövahinkoja.
 - Estä vahingossa käynnistyminen. Varmista, että kytkin on off-asennossa, ennen kuin liität virtalähteen ja/tai akun, nostat laitteen tai kannat sitä. Sähkötyökalujen kantaminen niin, että sormesi on kytkimellä, tai sähkötyökaluihin virran kytkeminen kytkin päällä voi aiheuttaa onnettomuuksia.
 - Poista kaikki säätöön käytetyt avaimet tai kiintoavaimet ennen kuin käynnistät sähkötyökalun. Sähkötyökalun pyöriivään osaan jätetty avain tai kiintoavain saattaa aiheuttaa henkilövamman.
 - Älä kurkottele. Säilytä aina tukeva asento ja hyvä tasapaino. Näin hallitset sähkötyökalun parhaalla mahdollisella tavalla odottamattomissa tilanteissa.
 - Pukeudu asianmukaisesti. Älä käytä välijiä vaatteita tai koruja. Pidä hiukseksi, vaatteesi ja käsiinesi poissa liikkuvien osien läheltä. Väljät vaatteet, korut tai pitkät hiukset voivat takertua liikkuviin osiin.
 - Jos laitteissa on liitännät pölynpoistolaitteille ja keräilylaitteille, varmista, että ne on liitetty ja niitä käytetään oikein. Tomulaitteiden käyttö voi vähentää tomuun liittyviä vaaroja.
 - Älä anna tuotteen tuttuuden toistuvan käytön takia tehdä sinua liian itsevarmaksi, äläkä jätä työkalun turvallisuusohjeita noudattamatta. Huolimaton toiminta voi aiheuttaa vakavan henkilövahingon sekunnin murto-osassa.
- ## SÄHKÖTYÖKALUJEN KÄYTTÖ JA YLLÄPITO
- Älä pakota sähkötyökalua. Käytä omaan käyttötarkoitukseesi soveltuvaa sähkötyökalua. Oikeaa sähkötyökalua käyttämällä teet työn paremmin ja turvallisemmin laitteelle tarkoitetulla teholla.
 - Älä käytä sähkötyökalua, jos sitä ei saa käynnistettyä ja suljettua kytkimellä.

Sähkötyökulun, jota ei voida hallita kytkimellä, käyttöön vaarallista ja laite on korjattava.

- **Irrota pistotulppa virtalähteestä ja/tai akku sähkötyökälistä ennen kuin teet mitään muutoksia, vaihdat apuvälineitä tai laitait sähkötyökälistä varastoon.** Nämä estävät turvallisuustoimenpiteet vähentävät sähkötyökälistä vahingossa käynnistämisen riskiä.
- **Säilytä käyttämättömiä sähkötyökälistä lasten ulottumattomissa, äläkä anna henkilöiden, jotka eivät tunne sähkötyökälistä tai näitä ohjeita, käyttää sähkötyökälistä.** Sähkötyökälistä ovat vaarallisia kokemattomien käyttäjien käsissä.
- **Huolla sähkötyökälistä ja lisävarusteet.** Tarkista, että liikkuvat osat ovat kunnolla paikallaan, että osat ovat ehjiä, ja että sähkötyökälistä on ole muita ongelmia, jotka saattaisivat vaikuttaa sen toimintaan. Jos sähkötyökälistä on vahingoittunut, korjautta se ennen käyttöä. Monet onnettomuudet johtuvat huonosti ylläpidetyistä sähkötyökälistä.
- **Pidä leikkuutyökälistä terävinä ja puhtaina.** Hyvin huolletut leikkaustyökälistä, joissa on terävät reunat, eivät todennäköisesti jumiudu ja niitä on helpompi hallita.
- **Käytä sähkötyökälistä, lisävarusteita ja teriä yms. näiden ohjeiden mukaisesti ja niin, että otat huomioon käyttöolosuhteet ja tehtävän työn.** Sähkötyökälistä käyttö muihin kuin niille suunniteltuihin tarkoituksiin saattaa aiheuttaa vaaratilanteen.
- **Pidä kahvat ja tartuntapinnat kuivina, puhtaina, öljyttöminä ja rasvattomina.** Liukkaat kahvat ja tartuntapinnat eivät mahdollista työkalun turvallista käsittelyä ja hallintaa odottamattomissa tilanteissa.

AKKUTYÖKÄLISTÄN KÄYTTÖ JA YLLÄPITO

- **Lataa vain valmistajan määrittelemällä laturilla.** Tietynlaisen laturin käyttö tietynlaisen akun kanssa saattaa aiheuttaa tulipalon riskin, jos sitä käytetään toisenlaisen akun kanssa.
- **Käytä sähkötyökälistä vain niille erikseen määriteltujen akkujen kanssa.** Muunlaisten akkujen käyttö saattaa aiheuttaa vamma- tai tulipaloriskin.
- **Kun akku ei ole käytössä, pidä se erillään metalliesineistä, kuten paperiliittimet, kolikot, avaimet, naulat, ruuvit ja muut pienet metalliesineet, jotka voivat yhdistää akun navat toisiinsa.** Akun napojen oikosulku voi aiheuttaa palovammoja tai tulipalon.
- **Akusta voi valua nestettä väärästä käytöstä johtuen. Vältä kosketusta nesteeseen.** Jos kosket nesteeseen vahingossa, huuhtele vedellä. Jos nestettä pääsee silmiin, hakeudu lääkäriin hoitoon. Akusta

valuva neste voi aiheuttaa ärsytystä tai palovammoja.

- **Älä käytä akkua tai työkalua, joka on vaurioitunut tai jota on muutettu.** Vaurioituneet tai muutetut akut voivat käyttäytyä arvaamattomasti ja aiheuttaa tulipalon, räjähdyksen tai henkilövahingon vaaran.
- **Älä altista akkua tai työkalua tulelle tai äärimmäisille lämpötiloille.** Altistaminen yli 130 °C:n lämpötilalle voi aiheuttaa räjähdyksen.
- **Noudata kaikkia latausohjeita. Älä lataa akkua tai työkalua lämpötilassa, joka ole ohjeissa ilmoitetun lämpötila-alueen sisällä.** Virheellinen lataaminen tai lataaminen ilmoitetun lämpötila-alueen ulkopuolella olevassa lämpötilassa voi vaurioittaa akkua ja lisätä palovaaraa.

HUOLTO

- **Huollata sähkötyökälistä asiantuntevalla korjaajalla, joka käyttää vain identtisiä varaosia.** Näin taataan sähkötyökälistä turvallisuuden säilyminen.
- **Älä koskaan huolla vaurioituneita akkuja.** Akkujen huollon saa tehdä vain valmistaja tai sen valtuuttamat huoltoliikkeet.

ERITYISET TURVALLISUUSVAROITUKSET SIIMAILEIKKURILLE

- **Vältä koneen käyttämistä huonoissa sääolosuhteissa, etenkin jos on salamointivaara.** Tämä vähentää salamaiskuvaa.
- **Tarkista koneen käyttöalue huolellisesti eläinten varalta.** Eläimet voivat loukkaantua koneesta käytön aikana.
- **Tarkista koneen käyttöalue huolellisesti ja poista kaikki kivet, oksat, rautalangat, luut ja muut vieraat esineet.** Heitetyt esineet voivat aiheuttaa henkilövahinkoja.
- **Tarkista aina silmämääräisesti ennen koneen käyttöä, että leikkuri tai terä ja leikkurin tai terän kokoonpano ei ole vaurioitunut.** Vaurioituneet osat lisäävät loukkaantumisen riskiä.
- **Noudata ohjeita, kun vaihdat lisävarusteita.** Väärin kiristetyt leikkurin kiinnitysmutterit tai -pultit voivat joko vahingoittaa terää tai johtaa sen irtoamiseen.
- **Käytä silmäsuojaimia, kuulonsuojaimia ja suojakypärää.** Riittävät suojavarusteet vähentävät lentävien roskien aiheuttamia henkilövahinkoja tai vahingossa tapahtuvia leikkausvammoja tai terän kosketuksia.
- **Käytä konetta käyttäessäsi aina luistamattomia suojajalkineita. Älä käytä konetta paljain jaloin tai käyttäen avosandaaleja.** Tämä vähentää jalkojen loukkaantumisen vaaraa liikkuvien leikkureiden tai

siirtojen kosketuksesta.

- **Käytä konetta käyttäessäsi aina pitkälahkeisia housuja.** Paljas iho lisää sinkoutuvien esineiden aiheuttaman loukkaantumisen todennäköisyyttä.
- **Pidä sivulliset etäällä konetta käyttäessäsi.** Sinkoutuvat roskat saattavat aiheuttaa vakavan henkilövahingon.
- **Käytä aina molempia käsiä, kun käytät konetta.** Koneen pitäminen molemmin käsin auttaa välttämään hallinnan menetyksen.
- **Pidä konetta vain eristetyiltä tartuntapinnoilta, koska leikkuusiima tai terä voi koskettaa piilotettuja johdotuksia.** Jännitteeseen johtoon osuvat leikkuusiimat tai terät voivat tehdä sähkötyökalun paljaat metalliosat ”jännitteisiksi” ja käyttäjä voi saada niistä sähköiskun.
- **Seiso aina tukevasti ja käytä konetta vain, kun seisot maassa.** Liukkaat tai epävakaat pinnat voivat aiheuttaa tasapainon menetyksen tai koneen hallinnan menetyksen.
- **Älä käytä konetta liian jyrkissä rinteissä.** Tämä vähentää hallinnan menettämisen, liukastumisen ja kaatumisen vaaroja, mitkä voivat johtaa henkilövahinkoihin.
- **Kun työskentelet rinteissä, varmista aina hyvä alusta, työskentele aina poikittain rinteissä, älä koskaan ylös tai alas ja ole erityisen varovainen vaihtaessasi suuntaa.** Tämä vähentää hallinnan menettämisen, liukastumisen ja kaatumisen vaaroja, mitkä voivat johtaa henkilövahinkoihin.
- **Pidä kaikki kehonosat etäällä leikkurista, siimasta tai terästä, kun kone on käytössä.** Ennen kuin käynnistät koneen, varmista, että leikkuri, siima tai terä ei kosketa mihinkään. Hetken tarkkaamattomuus koneen käytön aikana voi aiheuttaa käyttäjän tai sivullisten loukkaantumisen.
- **Älä käytä konetta vyötärön korkeuden yläpuolella.** Tämä auttaa estämään tahattoman leikkurin tai terän kosketuksen ja mahdollistaa koneen paremman hallinnan odottamattomissa tilanteissa.
- **Varo takapotkua jännityksessä olevia taimia tai oksia leikatessasi.** Kun puukuitujen jännitys vapautuu, pensas tai taimi voi iskeä käyttäjään ja/tai heittää koneen pois hallinnasta.
- **Ole erityisen varovainen pensaita ja taimikkoo sahatessasi.** Ohuet oksat voivat tarttua terään ja sinkoutua sinua päin tai nykyistä sinut pois tasapainosta.
- **Säilytä koneen hallinta äläkä kosketa leikkureita, siimoja tai teriä ja muita vaarallisia liikkuvia**

osia, kun ne ovat vielä liikkeessä. Tämä vähentää liikkuvien osien aiheuttamaa loukkaantumisvaaraa.

- **Kun poistat juuttunutta materiaalia tai huollat konetta, varmista, että kytkin on pois päältä ja akku on irrotettu.** Odottamaton koneen käynnistyminen juuttunutta materiaalia poistettaessa tai huollon aikana voi aiheuttaa vakavan henkilövahingon.
- **Kanna konetta kone kytkettynä pois päältä ja etäällä kehostasi.** Koneen asianmukainen käsittely vähentää todennäköisyyttä joutua vahingossa kosketuksiin liikkuvan leikkurin, siiman tai terän kanssa.
- **Käytä vain valmistajan määrittelemiä varaleikkureita, varasiimoja ja varateriä.** Virheelliset varaosat voivat lisätä rikkoutumisen ja loukkaantumisen vaaraa.
- **Leikkurin vahingoittuminen** – Jos leikkuri osuu tuntemattomaan esineeseen tai tarttuu kiinni johonkin, sammuta työkalu välittömästi. Tarkista laitteen vauriot ja korjaa ne ennen työskentelyn jatkamista. Älä käytä, jos suoja tai rulla on vahingoittunut.
- **Jos laite alkaa tärästä poikkeavasti, pysäytä moottori ja tarkasta välittömästi syy.** Tärinä on yleensä merkki häiriöistä. Löysä pää saattaa värähtää, revetä, rikkoutua tai irrota leikkurista ja aiheuttaa näin vakavan tai hengenvaarallisen vamman. Varmista, että leikkaava osa on kunnolla paikallaan. Jos pää löystyy sen jälkeen, kun se on kiinnitetty paikalleen, vaihda se välittömästi. Älä ikinä käytä leikkuria, jonka leikkaava osa on löystynyt.
- **Akkutyökaluja ei tarvitse liittää sähköverkkoon.** Tästä syystä ne ovat aina käyttökunnossa. Huomioi mahdolliset vaarat myös silloin, kun työkalu ei ole käynnissä. Ole varovainen tehdessäsi kunnossapito- tai huoltotoimenpiteitä.
- **Älä puhdistu letkulla; vältä veden pääsemistä moottoriin ja sähköliitäntöihin.**
- **Jos kohtaat tilanteen, jota ei tässä käyttöoppaassa käsitellä, toimi varoen ja käytä omaa harkintakykyäsi.** Pyydä lisäohjeita EGO-asiakaspalvelusta.
- **Käytä vain kuvassa A lueteltujen akkujen ja latureiden kanssa.**

SÄILYTÄ NÄMÄ OHJEET!

MÄÄRITYKSET

Leikkausmekanismi	Kupupää	
Siiman läpimitta	2,4 mm:n kierresiima nailonista	
Leikkausleveys	40 cm	
Tyhjäkäyntinopeus	4900/5800 min ⁻¹	
Paino (ilman akkua)	1,53 kg	
Suosittelut käyttölämpötila	0°C-40°C	
Suosittelut säilytyslämpötila	-20°C-70°C	
Mitattu äänen tehotaso L _{WA}	95,72 dB(A) K=0,77 dB(A)	
Äänenpaineen taso käyttäjän korvien tasolla L _{PA}	81,6 dB(A) K= 3 dB(A)	
Taattu äänen tehotaso L _{WA} (mitattu 2000/14/EC:n mukaisesti)	96 dB(A)	
Värinä a _n	Edessä oleva apukahva	2,5 m/s ² K=1,5 m/s ²
	Takakahva	1,8 m/s ² K=1,5 m/s ²

- Edellä esitetyt parametrit on testattu ja mitattu akkupään PH1420E kanssa.
- Ilmoitettu värinän kokonaisarvo on mitattu standardikoemenetelmän mukaan ja sitä voidaan käyttää verrattaessa työkaluja keskenään
- Ilmoitettua värinän kokonaisarvoa voidaan myös käyttää altistumisen ennakkoarvioinnissa.

VAROITUS: Värähtely- ja melupäästöt sähkötyökalun varsinaisen käytön aikana voivat poiketa ilmoitetuista arvoista riippuen siitä, millä tavoin työkalua käytetään erityisesti siitä, millaista työkalualetta käsitellään; ja

Tarpeesta yksilöidä käyttäjän suojelemiseksi turvatoimenpiteet, jotka perustuvat altistumisen arviointiin todellisissa käyttöolosuhteissa (ottaen huomioon kaikki käyttösyklin osat, kuten ajat, jolloin työkalu on kytkettynä pois päältä, ja kun se käy tyhjäkäynnillä laukaisuaajan lisäksi).

PAKKAUSLUETTELO (KUVA A)

Tiedot suositellusta leikkuusiimasta ovat verkkosivustolla egopowerplus.com tai EGO-tuoteluettelossa.

KUVAUS

SIIMALEIKKURILISÄOSAN OSAT (kuva A)

- Päätytulppa
- Siimaleikkurin varsi
- Siiman latauspainike
- Leikkuusiima
- Leikkuupää (kupupää)
- Vapautusuloke
- Siimaleikkuuterä
- Suojus
- Kuusiokoloavain

VAROITUS: Älä koskaan käytä työkalua ilman, että suoja on kunnolla paikallaan. Suojan on aina oltava työkalussa käyttäjän suojaamiseksi.

FI

KOKOONPANO

VAROITUS: Jos jokin osa on vahingoittunut tai puuttuu, älä käytä tuotetta ennen kuin osat on vaihdettu. Tuotteen käyttö silloin, kun siinä on vahingoittuneita osia tai osia puuttuu, saattaa aiheuttaa vakavan henkilövamman.

VAROITUS: Älä yritä muokata tätä laitetta tai luoda sille lisävarusteita, joita ei suositella käytettäväksi tämän siimaleikkurin kanssa. Mikä tahansa tällainen muokkaus tai muutos on väärinkäytös ja saattaa aiheuttaa vaarallisen tilan, joka saattaa johtaa vakavaan henkilövammaan.

VAROITUS: Älä yhdistä akkupäähän, ennen kuin laite on valmiiksi koottu. Tämän ohjeen noudattamatta jättäminen saattaa aiheuttaa tahattoman käynnistymisen ja johtaa vakavaan henkilövahinkoon.

SUOJUKSEN KIINNITTÄMINEN

VAROITUS: Käytä aina käsineitä, kun kiinnität tai vaihdat suojaa. Varo suojan terää. Huolehdi siitä, että suojan terä ei leikkaa käsiäsi.

Löystä ja poista kaksi yhdistelmäruuvia varren tyvestä (kuva C). Linjaa suojuksen kiinnitysaukot kokoonpanoaukkojen kanssa ja lukitse suojuksen varren tyveen ruuvien ja jousialuslaattojen kanssa (kuva D).

Varmista, että suojuksen on paikallaan kuvien C ja D mukaisesti, käänteinen kiinnitys aiheuttaa merkittävän vaaran!

SIIMALEIKKURILISÄOSAN KIINNITTÄMINEN AKKUPÄÄHÄN

Tämä siimaleikkurilissäosa on suunniteltu käytettäväksi EGO-akkupään PH1420E kanssa.

Katso akkupään PH1420E käyttöoppaasta kohta "AKKUPÄÄLISÄOSAN ASENTAMINEN".

KÄYTTÖ

VAROITUS: Älä anna perehtyneisyyden tuotteeseen saada sinua huolimattomaksi. Muista, että sekunnin murto-osa huolimattomuutta riittää aikaansaamaan vakavan henkilövahingon.

VAROITUS: Käytä aina suojalaseja ja kuulosuojaimia. Tämän ohjeen laiminlyöminen saattaa aiheuttaa esineiden sinkoutumisen silmiin ja mahdollisen vakavan henkilövahingon.

KÄYTTÄMINEN

Voit käyttää laitetta alla lueteltuihin tarkoituksiin:

- Käytetään ruohon ja rikkaruohojen poistamiseen terassien, aitojen ja laattojen ympäriltä.

HUOMAA: Laitetta tulee käyttää vain sille tarkoitettuun tarkoitukseen. Kaikki muu käyttö katsotaan väärinkäytöksi.

Tarkasta ennen jokaista käyttöä vaurioituneiden/ kuluneiden osien varalta.

Tarkasta trimmeripää, suojuja ja etukahva. Vaihda murtuneet, vääntyneet, taipuneet tai muulla tavoin vaurioituneet osat.

Suojuksen reunassa oleva siimaleikkurin terä voi tylsyä ajan myötä. Suosittelemme, että teroitat sen määrääjain viilalla tai vaihdat sen uuteen terään.

VAROITUS: Käytä aina käsineitä, kun asennat suojusta tai teroitat terää tai vaihdat terän. Huomioi terän sijainti suojuksessa ja suojele käsiäsi leikkautumiselta.

VAROITUS: Vakavan henkilövahingon välttämiseksi poista akku akkupäästä ennen kuin huollat tai puhdistat sitä tai vaihdat siihen lisäosia tai poistat materiaalia laitteesta.

SIIMALEIKKURIN KÄYTTÄMINEN AKKUPÄÄN KANSSA

VAROITUS: Pukeudu asianmukaisesti, niin vähennät loukkaantumisvaaraa tätä laitetta käyttäessäsi. Älä käytä väliji vaatteita tai koruja. Käytä suojalaseja ja kuulosuojaimia. Käytä paksuja, pitkälahkeisia housuja, kunnollisia jalkineita ja suojakäsineitä. Älä käytä lyhytlahkeisia housuja, sandaaleita tai ole paljain jaloin.

VAROITUS: Puhdista leikattava alue ennen jokaista käyttökertaa. Poista kaikki esineet, kuten kivet, rikkoutunut lasi, naulat, vajjerit tai siimat, jotka voivat sinkoutua leikkuulaitteesta tai sotkeutua siihen. Tyhjennä alue lapsista, sivullisista ja lemmikkieläimistä. Pidä lapset, sivulliset ja lemmikkieläimet vähintään 15 metrin päässä. Sinkoutuvat esineet voivat siiltä vielä aiheuttaa vaaraa sivullisille. Sivullisia tulee kannustaa pitämään suojalaseja. Jos joku lähestyy sinua, sammuta moottori ja leikkuulaite välittömästi.

Käytön turvallisuuden ja sujuvuuden takia laita olkahihna olan yli. Säädä olkahihnaa, kunnes käyttöasento on mukava. Pidä siimaleikkurista kiinni aina niin, että toinen kätesi on takakahvalla ja toinen kätesi etukahvalla. Pidä kummallakin kädellä kunnan ote käytön aikana. Siimaleikkuri tulee pitää miellyttävässä asennossa ja takakahva noin lonkan korkeudella. Trimmerin pään on oltava samansuuntainen maanpinnan kanssa, jotta se koskettaa helposti leikattavaa materiaalia ilman, että käyttäjän tarvitsee kumartua (kuva B).

VAROITUS: Olkahihna on myös nopea vapautusmekanismi vaaratilanteissa. Kun on hätätilanne, ota laite olaltasi välittömästi riippumatta hihnan asennosta.

Puhdista leikkuri jokaisen käyttökerran jälkeen.

Katso HUOLTO-osiosta puhdistamisohjeet.

TYÖKALUN KÄYNNISTÄMINEN/SAMMUTTAMINEN

Katso akkupään PH1420E käyttöoppaasta kohta "AKKUPÄÄN KÄYNNISTÄMINEN/SAMMUTTAMINEN".

LEIKKAUSSIIMAN PITUUDEN SÄÄTÄMINEN

Käyttäjä voi siimapään avulla vapauttaa lisää leikkaussiimaa moottoria sammuttamatta. Kun siima hankautuu tai kuluu, siimaa voidaan vapauttaa lisää kopauttamalla leikkurin päätä kevyesti maahan leikkurin käytön aikana (kuva E).

HUOMAA: Siiman vapautus vaikeutuu, kun leikkaussiima lyhenee.

VAROITUS: Älä poista siimaleikkurin teräkokooppausta tai muuta sitä. Ylimääräinen siiman pituus aiheuttaa moottorin ylikuumentumisen ja voi aiheuttaa vakavan henkilövahingon.

SIIMAN VAIHTAMINEN

HUOMAUTUS: Käytä aina suositeltua nailonleikkaussiimaa, jonka halkaisija on korkeintaan 2,4 mm. Muunlaisen siiman käyttäminen saattaa aiheuttaa siimaleikkurin kuumentumisen tai vaurioitumisen.

VAROITUS: Älä ikinä käytä metallilla vahvistettua siimaa, rautalankaa tai narua yms. Ne saattavat katketa ja muodostaa vaarallisia ammuksia.

Siimaleikkuri on varustettu edistyksellisellä **POWERLOAD™** järjestelmällä. Leikkuusiima kelautuu kelalle helposti yhtä painiketta painamalla. Kelan lataaminen täyteen voidaan yleensä suorittaa 12 sekunnissa. **Vältä kelausjärjestelmän toistuvaa käyttöä nopeassa tahdissa peräkkäin. Näin vältät mahdolliset moottorivauriot.**

HUOMAUTUS: **POWERLOAD™** järjestelmä on käytettävissä vain, kun lisälaite on liitetty akkupäähän PH1420E ja akku on asennettu.

- Poista akku.
- Katkaise leikkuusiima 4 metrin pituiseksi. Työnnä siima pujotusreikään (kuva F). Työnnä ja vedä siimaa toiselta puolelta, kunnes kummallakin puolella trimmeripäätä on yhtä paljon siimaa.

HUOMAUTUS: Jos siimaa ei saa työnnettyä pujotusreikään, asenna akku akkupäähän ja paina sitten siiman latauspainiketta lyhyesti nollataksesi alemman kannen.

- Irrota akku, jos se on asennettu akkupäähän HUOMAUTUS vaiheen 2 jälkeen. Työnnä ja kohdista leikkuusiima vaiheessa 2 annettujen ohjeiden mukaisesti.
- Asenna akku akkupäähän.
- Pidä siiman latauspainiketta painettuna, jotta siima voidaan kelata leikkuupäähän yhtäjaksoisesti, kunnes noin 15 cm siimaa näkyy kummallakin puolella. (kuva G).
- Paina trimmeripäätä alas ja vedä samalla siimoja käsin siiman liikuttamiseksi eteenpäin. Tarkista leikkuusiiman oikea kiinnitys.

HUOMAUTUS: Mikäli siima on vedetty leikkuupäähän vahingossa, avaa pää ja vedä leikkuusiima pois kelalta. Noudata tämän käyttöoppaan kohdan "LEIKKUUSIIMAN LATAAMINEN" ohjeita siiman uudelleen lataamisessa.

LEIKKUUSIIMAN LATAAMINEN

Kun leikkuusiima katkeaa pujotusreiästä tai leikkuusiimaa ei vapaudu trimmeripäätä napautettaessa, noudata seuraavia ohjeita jäljelle jääneen siiman poistamiseksi trimmeripäältä ja siiman uudelleen lataamiseksi.

- Poista akku.
- Paina trimmeripään vapautusulokkeita ja poista alemman suojuksen kokoonpano trimmeripäältä

vetämällä sitä suoraan ulospäin (kuva H).

- Poista leikkuusiima trimmerin päästä.
- Poista jousi kelakokoonpanosta, mikäli tarpeen. Säilytä se uudelleen kokoamista varten.
- Työnnä jousi alemman suojuksen koloon (kuva I).
- Pidä toisella kädellä trimmeristä ja toisella kädellä alemman suojuksen kokoonpanosta, kohdista alemman suojuksen kolot vapautusulokkeisiin (kuva J). Paina alemmaa suojusta, kunnes se asettuu paikalleen, jolloin kuulet napsahdavan äänen (kuva K).
- Noudata leikkuusiiman uudelleen lataamisessa kohdan "SIIMAN VAIHTAMINEN" ohjeita.

LEIKKUUPÄÄN VAIHTAMINEN

VAROITUS: Jos pää löystyy sen jälkeen, kun se on kiinnitetty paikalleen, vaihda se välittömästi.

Älä ikinä käytä leikkuria, jonka leikkaava osa on löystynyt. Vaihda murtunut, vahingoittunut tai kulunut leikkuupää välittömästi, vaikka vahinko rajoittuisikin vain pinnallisiin murtumiin. Vaurioituneet osat saattavat särkyä kovissa nopeuksissa ja aiheuttaa vakavan henkilövahingon.

Tutustu trimmeripäähän (kuva L).

Kuvan L osien kuvaus alla:

L-1	Varsi	L-6	Aluslevy
L-2	Holkki (2)	L-7	Mutteri
L-3	Ylempi suojus	L-8	Jousi
L-4	Lukkorengas.	L-9	Leikkuusiima
L-5	Kelan pidike	L-10	Alemman suojuksen kokoonpano

Trimmeripään irrottaminen

- Poista akku.
- Paina leikkuupään vapautusulokkeita ja poista alempi suojus leikkuupäältä vetämällä sitä suoraan ulospäin.
- Poista leikkuusiima trimmerin päästä.
- Poista jousi kelakokoonpanosta, mikäli tarpeen. Laita se talteen takaisin asentamista varten.
- Käytä käsiineitä. Tartu toisella kädellä kelaan ja vakauta se ja pidä toisella kädellä 13 mm:n iskuväänintä (ei tule mukana), jonka avulla irrotat mutterin kääntämällä MYÖTÄPÄIVÄÄN (kuva M).
- Irrota mutteri, aluslevy ja kelan pidike moottorin karasta (kuva L).
- Käytä lukkorengaspihtejä (ei mukana) lukkorengkaan poistamiseen. Irrota ylempi suojus ja kaksi holkkia moottorin karasta (kuva L).

- Asenna uusi leikkuupää seuraavien ohjeiden mukaisesti.

Uuden trimmeripään asentaminen

- Asenna kaksi holkkia moottorin karaan.
- Kohdista ylempään suojuksen litteä ura moottorin karan litteään aukkoon ja kiinnitä ylempi suojuksen paikalleen (kuva N).

Kuvan N osien kuvaukset alla

N-1	Litteä	N-2	Litteä kolo
-----	--------	-----	-------------

- Asenna lukkorengas, kelan pidike ja aluslevy tässä järjestyksessä (kuva L). Kiristä mutteri iskuvääntimellä VASTAPÄIVÄÄN.
- Noudata tämän käyttöoppaan kohdan "LEIKKUUSIIMAN UUDELLEEN LATAAMINEN" vaiheiden 4 ja 5 ohjeita alemman suojuksen asentamisessa.
- Noudata leikkuusiiman uudelleen lataamisessa kohdan "SIIMAN VAIHTAMINEN" ohjeita.
- Käynnistä työkalu ja tarkasta toimiiko siimaleikkuri oikein. Jos ei, kokoa uudelleen kuten edellä on kuvattu.

FI

HUOLTO

VAROITUS: Pysäytä moottori, odota kaikkien liikkuvien osien pysähtymistä ja poista akku ennen laitteen tarkastamista, puhdistamista tai huoltamista. Näiden ohjeiden noudattamatta jättäminen saattaa johtaa vakavaan henkilövahinkoon tai omaisuusvahinkoon.

VAROITUS: Käytä huollon yhteydessä vain identtisiä varaosia. Muiden osien käyttö voi aiheuttaa vaaran tai tuotteen vaurioitumisen. Turvallisuuden ja luotettavuuden takia kaikki korjaukset, muut kuin näissä huolto-ohjeissa luetellut, tulee antaa ammattiasentajien suoritettaviksi.

YLEINEN KUNNOSSAPITO

Vältä liuotainaineiden käyttöä, kun puhdistat muoviosia. Useimmat muovit ovat herkkiä vaurioitumaan erilaisista kaupallisista liuottimista. Poista lika, pöly, öljy, rasva jne. puhtaalla liinalla.

LAITTEEN PUHDISTAMINEN

- Irrota kaikki ruoho, joka on takertunut moottorin akseliin tai leikkurin päähän
- Puhdista takakotelon tuuletusaukot pienellä harjalla tai pölynimurilla.
- Puhdista laite kostealla liinalla ja miedolla

puhdistusaineella.

- Älä käytä voimakkaita puhdistusaineita muoviseen kuoreen tai kahvaan. Ne saattavat vahingoittaa tietyistä aromaattisista öljyistä (esim. männyn ja sitruunan öljyistä) ja liuottimista (esim. kerosiineista). Kosteus voi myös aiheuttaa sähköiskun vaaran. Pyyhi kosteus pois pehmeällä ja kuivalla liinalla.

VAIHDEPYÖRÄN VOITELU

Vaihdekotelossa oleva vaihdepyörä tulee voidella säännöllisesti vaihderasvalla. Tarkasta vaihdekotelon rasvan taso noin 50 käyttötunnin välein poistamalla kotelon sivussa oleva tiivistysruuvi.

Jos vaihteen sivuilla ei näy rasvaa, lisää vaihderasvaa enintään 3/4 kapasiteetista seuraavien ohjeiden mukaisesti.

Älä täytä vaihdepyörää kokonaan rasvalla.

- Pidä siimaleikkuria kyljellään siten, että tiivistysruuvi on ylöspäin.
- Löysää tiivistysruuvia mukana toimitetulla monitoimivaimella ja poista ruuvi.
- Käytä rasvaruiskua (ei mukana) ja ruiskuta jonkin verran rasvaa ruuvin reikään; älä ylitä 3/4 kapasiteetista.
- Kiristä tiivistysruuvi ruiskutuksen jälkeen.

LAITTEEN VARASTOINTI

- Poista akku akkupäystä.
- Puhdista työkalu perusteellisesti ennen varastointia.
- Jos siimaleikkuriliisäosa poistetaan akkupäystä ja säilytetään erikseen: kiinnitä päätytulppa lisäosan varteen, jotta lika ei pääse liitoskappaleeseen.
- Säilytä laite kuivassa, hyvin ilmastoidussa, lukitussa paikassa tai korkealla, poissa lasten ulottuvilta Älä säilytä laitetta lannoitteiden, bensiinin tai muiden kemikaalien päällä tai vieressä.

SIIMAN LEIKKUUTERÄN TEROTTAMINEN

VAROITUS: Suojaa aina kätesi paksuilla käsineillä silloin, kun teet huoltotoimenpiteitä siiman leikkuuterälle.

- Poista akku.
- Irrota siimaleikkuuterä suojusta.
- Kiinnitä terä ruuvipenkkiin.
- Käytä kunnollisia suojalaseja ja käsineitä ja ole varovainen, ettei terä satuta sinua.
- Viilaa terän leikkuureunoja hienohampaisella viilalla tai hiomakivellä. Säilytä leikkuureunan alkuperäinen kulma.

6. Vaihda terä suojaan ja kiinnitä se paikalleen kahdella ruuvilla.

Ympäristönsuojelu



Älä hävitä sähkölaitteita, akun latauslaitteita ja akkuja/ladattavia akkuja kotitalousjätteen mukana!

Vie tämä tuote hyväksytyyn kierrätyspaikkaan tai anna se erilliseen keräilyyn. Sähkötyökalut tulee palauttaa asianmukaiseen ympäristöystävälliseen kierrätyslaitokseen.

Jos sähkölaitteet hävitetään viemällä kaatopaikoille tai roskaläjiin, vaarallisia aineita voi vuotaa pohjaveteen ja päästä ravintoketjuun ja vahingoittaa täten ihmisten terveyttä ja hyvinvointia.

FI

KEES VAN DER SPEK
TUINMACHINES ★ STOLWIJK

VIANETSINTÄ

ONGELMA	SYY	RATKAISU
Trimmeri ei käynnisty	<ul style="list-style-type: none"> ■ Akkua ei ole liitetty akkupäähän. ■ Akkupään ja akun väliillä ei ole sähköliitäntää. ■ Akun varaus on tyhjentynyt. ■ Lukitusvipua ja liipaisinta ei paineta samanaikaisesti. 	<ul style="list-style-type: none"> ■ Kiinnitä akku akkupäähän. ■ Poista akku, tarkasta liitäntäkohdat ja asenna akku takaisin, kunnes se naksauttaa paikalleen. ■ Lataa akku käyttöoppaan luettelossa olevalla EGO-laturilla. ■ Paina lukitusvipu alas ja pidä sitä painettuna, käynnistä sen jälkeen trimmeri painamalla liipaisinta.
Trimmeri sammuu leikkauksen aikana.	<ul style="list-style-type: none"> ■ Suojusta ei ole asennettu trimmeriin, mistä seuraa liian pitkä leikkusuima ja moottorin ylikuormittuminen ■ Käytetään paksua leikkusuimaa. ■ Moottorin varteen tai siimapäähän on takertunut ruohoa. ■ Moottori on ylikuormittunut. ■ Akkuyksikkö tai trimmeri on liian kuuma ■ Akkuyksikköä ei ole kytketty työkaluun ■ Akkuyksikkö on tyhjä. 	<ul style="list-style-type: none"> ■ Irrota akkuyksikkö ja asenna suojus trimmeriin ■ Käytä aina suositeltua nailonleikkusuimaa, jonka halkaisija on korkeintaan 2,4 mm. ■ Sammuta trimmeri, irrota akku ja poista ruoho moottorin varresta ja siimapäästä. ■ Irrota siimapää ruohosta. Moottori toimii jälleen heti, kun kuormitus on poistettu. Liikuta leikatessa siimapäätä leikattavaan ruohon ja pois äläkä leikkaa kerralla yli 20 cm pituudelta. ■ Anna akkuyksikön tai trimmerin jäähtyä, kunnes lämpötila laskee alle 67 °C :een. ■ Asenna akkuyksikkö uudelleen. ■ Lataa akku käyttöoppaan luettelossa olevalla EGO-laturilla.

FI

ONGELMA	SYY	RATKAISU
Siimapäästä ei tule siimaa.	<ul style="list-style-type: none"> ■ Moottorin varteen tai siimapäähän on takertunut ruohoa ■ Kelassa ei ole riittävästi siimaa. ■ Siimapää on likainen. ■ Siima on sotkeutunut kelan pidikkeeseen. ■ Siima on liian lyhyt. 	<ul style="list-style-type: none"> ■ Sammuta trimmeri, irrota akku ja poista ruoho moottorin varresta ja siimapäästä. ■ Poista akku ja vaihda leikkuusiima; noudata tämän käyttöoppaan "LEIKKUUSIIMAN UUELLEEN LATAAMINEN" -osion ohjeita. ■ Irrota akku ja puhdista kela, kelanpidin ja kelateline. ■ Poista akku, poista siima kelapäästä ja kela se uudelleen; noudata tämän käyttöoppaan kohdan "LEIKKUUSIIMAN UUELLEEN LATAAMINEN" ohjeita. ■ Irrota akku ja vedä siimojen päistä samalla, kun vuorotellen painat siiman säätönupin alas ja vapautat sen.
Ruohoa kietoutuu siimapään ja moottorin kotelon ympärille.	<ul style="list-style-type: none"> ■ Pitkää ruohoa leikataan maan tasolla. 	<ul style="list-style-type: none"> ■ Leikkaa pitkä ruohikko ylhäältä alas niin, että leikkaat kerralla korkeintaan 20 cm ruohon pituudesta, jotta estät ruohon kiertymisen.
Terä ei leikkaa siimaa.	<ul style="list-style-type: none"> ■ Suojuksen reunassa oleva siiman rajoitusterä on tylsynyt. 	<ul style="list-style-type: none"> ■ Teroita siimaleikkurin terä viilalla tai vaihda se uuteen terään.
Leikkuupää on vaurioitunut tai kelan pidike on irronnut kelan pohjasta.	<ul style="list-style-type: none"> ■ Leikkuupää on kulunut. ■ Leikkuupään kiinnitysmutteri on irronnut. 	<ul style="list-style-type: none"> ■ Vaihda leikkurin pää välittömästi; noudata käyttöoppaan kohtaa "LEIKKURIN PÄÄN VAIHTAMINEN". ■ Avaa leikkuupää ja kiristä mutteri iskuvääntimellä.
Siiman vaihdon aikana siimaa ei saada leikkuupäähän kunnolla	<ul style="list-style-type: none"> ■ Kelan pidikkeen LOAD-rajat eivät kohdistu kelan pohjan pujotusreikiin. ■ Kelan pidikkeen LOAD-rajat eivät kohdistu kelan pohjan pujotusreikiin. 	<ul style="list-style-type: none"> ■ Pyöritä kelan pidikettä nuolen suuntaan ja kohdista kelan pidikkeen LOAD-rajat kelan pohjan pujotusreikiin. ■ Pyöritä kelan pidikettä nuolen suuntaan ja kohdista kelan pidikkeen LOAD-rajat kelan pohjan pujotusreikiin.

TAKUU

EGO-TAKUUKÄYTTÄNTÖ

Katso verkkosivuilta osoitteesta egopowerplus.com EGO-takuukäytännön ehdot ja edellytykset kokonaisuudessaan.

LES ALLE INSTRUKSJONER!



LES BRUKERMANUALEN

⚠ Restrisiko! Personer med elektroniske enheter, for eksempel pacemakere, må rådføre seg med lege før de bruker dette produktet. Drift av elektrisk utstyr i umiddelbar nærhet av en pacemaker kan føre til at pacemakeren forstyrres eller svikter.

⚠ ADVARSEL: For sikre både sikkerheten og påliteligheten, skal alle reparasjoner utføres av en kvalifisert servicetekniker.

SIKKERHETSSYMBOLER

NO

Formålet med sikkerhetssymbolene er å trekke oppmerksomheten din mot mulige faresituasjoner. Sikkerhetssymbolene og forklaringene krever din fulle oppmerksomhet og forståelse. Symbolvarslene eliminerer ikke farer på egen hånd. Instruksjonene og advarslene som finnes i dem er ikke erstatninger for passende ulykkesforebyggende tiltak.

⚠ ADVARSEL: Sørg for å lese og forstå alle sikkerhetsanvisningene i denne brukerhåndboken, inkludert alle sikkerhetsvarselsymboler så som «FARE», «ADVARSEL» og «FORSIKTIG» før du bruker dette verktøyet. Manglende etterlevelse av alle instruksjonene under kan resultere i elektrisk støt, brann og/eller alvorlig personskade.

SYMBOLFORKLARINGER

⚠ SIKKERHETSSYMBOL: Indikerer en FARE, ADVARSEL eller FORSIKTIGHETSREGEL og kan bli brukt i kombinasjon med andre symboler eller piktogrammer.

SIKKERHETSINSTRUKSJONER

Denne siden viser og beskriver sikkerhetssymboler som finnes på produktet. Les, forstå og følg alle instruksjoner på maskinen før du forsøker å montere og bruke den.

	Sikkerhetsvarsel	Angir en fare for mulig personskade.
	Les brukermanualen.	For å redusere risikoen for skader må brukeren lese og forstå brukerhåndboken før produktet brukes.

	Bruk øye-, øre- og hodebeskyttelse	Bruk alltid øye-, øre- og hodebeskyttelse.
	Klippebredde	Kantklipperens maks. skjærebredde
	Linediameter	Diameteren på nylonkuttelinene
	Ikke bruk metallblader	Varsler brukeren om ikke å bruke metallblader
	Hold tilskuere borte.	Gjenstander som slynges bort, kan rikosjettere og forårsake skade på personer eller eiendom. Sørg for at andre mennesker og kjøledyr er unna busktrimmeren når den er i bruk.
	Avstanden mellom maskinen og tilskuere skal være minst 15 m	Sørg for at andre mennesker og kjøledyr er minst 15 m unna kantklipperen når den er i bruk.
IPX4	IP-symbol	Beskyttelse mot inntrengning av vanngrad 4.
	CE	Dette produktet er utformet i tråd med gjeldende EC-direktiver.
	UKCA	Dette produktet er i samsvar med gjeldende britisk lovgivning.
	WEEE	Elektrisk avfall må ikke kastes sammen med vanlig husholdningsavfall. Må avleveres på en godkjent gjenvinningsstasjon.
	Bråk	Garantert lydeffektivitet. Støy i omgivelsene er i henhold til EUs direktiv.
V	Volt	Spenning
mm	Millimeter	Lengde eller størrelse
cm	Centimeter	Lengde eller størrelse
kg	Kilogram	Vekt

GENERELLE SIKKERHETSADVARSLER FOR ELEKTROVERKTØY

⚠ ADVARSEL: Les alle sikkerhetsadvarsler, instruksjoner, illustrasjoner og spesifikasjoner som følger med dette verktøyet. Manglende etterlevelse av alle instruksjonene under kan resultere i elektrisk støt, brann og/eller alvorlig skade.

Ta vare på alle advarsler og instruksjoner for fremtidig bruk.

Betegnelsen "elektroverktøy" i advarslene refererer til hovednettdrevne (med ledning) elektroverktøy eller batteridrevne (trådløs) elektroverktøy.

SIKKERHET I ARBEIDSRÅDET

- Hold arbeidsområdet rent og godt opplyst. Rotete eller mørke områder inviterer til ulykker.
- Ikke bruk maskinen i eksplosjonsfarlige atmosfærer, for eksempel der det finnes brennbare væsker, gasser eller støv i nærheten. Elektroverktøy lager gnister som kan antenne støv eller damper.
- Hold barn og andre personer unna når elektroverktøyet er i bruk. Distraksjoner kan føre til at du mister kontrollen.

ELEKTRISK SIKKERHET

- **Støpselet til elektroverktøyet må passe inn i stikkkontakten. Støpselet må ikke modifiseres på noen som helst måte. Ikke bruk adapterstøpsler sammen med jordede elektroverktøy.** Støpsler det ikke er gjort endringer med og riktige stikkontakter reduserer risikoen for elektrisk støt.
- **Unngå kroppskontakt med jordete overflater som rør, radiatorer, komfyrer og kjøleskap.** Det er økt risiko for elektrisk støt hvis kroppen din er jordet.
- **Ikke bruk maskinen i regn eller under våte forhold.** Vann som kommer inn i maskinen kan øke risikoen for elektrisk støt eller funksjonsfeil som kan føre til personskade.
- **Ikke utsett ledningen for feil behandling. Unngå å bære eller dra i verktøyet ved hjelp av ledningen, eller å dra i ledningen når du skal ta verktøyet ut av stikkkontakten. Hold ledningen på avstand fra varme, olje, skarpe kanter og bevegelige deler.** Skadede eller sammenflettede ledninger øker risikoen for elektriske støt.
- **Når du bruker et elektroverktøy utendørs må du bruke skjøteledning som er godkjent for dette.** Bruk av ledning som er egnet for utendørs bruk reduserer risikoen for elektrisk støt.
- **Hvis du ikke kan unngå å bruke verktøyet i fuktige omgivelser, så benytt en jordfeilbryter.** Bruk av jordfeilbryter reduserer risikoen for elektrisk støt.

PERSONLIG SIKKERHET

- **Vær oppmerksom, pass på hva du gjør og bruk**

sunn fornuft når du bruker elektroverktøy. Ikke bruk verktøyet når du er trøtt eller påvirket av narkotika, alkohol eller medisin. Et øyeblikks uoppmerksomhet ved bruk av elektroverktøy kan føre til alvorlige personskader.

- **Bruk personlig verneutstyr. Bruk alltid vernebriller.** Verneutstyr som støvmasker, skliskre vernesko, hjelm eller hørselsvern i egnede forhold reduserer risikoen for personskader.
- **Unngå utilsiktet start. Pass på at bryteren er i av-stilling før du kobler til strømkilden og/eller batteripakken, plukker opp eller bærer verktøyet.** Å bære elektroverktøy med fingeren på bryteren eller å slå på verktøy som har bryteren på er å invitere til ulykker.
- **Fjern eventuelle justeringsnøkler før du slår på elektroverktøyet.** Et verktøy eller en nøkkel som sitter igjen i en roterende del av elektroverktøyet kan føre til personskade.
- **Ikke strekk deg for langt. Pass på å ha skikkelig foffeste og balanse til enhver tid.** Dette muliggjør bedre kontroll over elektroverktøyet i uventede situasjoner.
- **Kle deg riktig. Ikke bruk løstsittende klær eller smykker. Hold hår, klær og hansker unna bevegelige deler.** Løse klær, smykker eller langt hår kan sette seg fast i bevegelige deler.
- **Hvis det følger med utstyr for tilkoping av støvavsug og oppsamlingsutstyr, skal disse koples til og brukes riktig.** Bruk av støvenheter kan redusere støvrelaterte farer.
- **Selv om du opparbeidet deg erfaring gjennom hyppig bruk av verktøyet, må du alltid være årvåken og følge sikkerhetsinstruksjonene.** Et ørlite øyeblikks uoppmerksomhet er alt som skal til for at alvorlige personskader kan oppstå.

BRUK OG VEDLIKEHOLD AV ELEKTROVERKTØY

- **Ikke tving elektroverktøyet. Bruk det riktige elektroverktøyet til det du skal gjøre.** Det riktige elektroverktøyet vil gjøre jobben bedre og sikrere, i den hastigheten som det ble laget for.
- **Ikke bruk elektroverktøyet hvis bryter ikke slår det på og av.** Elektroverktøy som ikke kan kontrolleres med bryteren, er farlig og må repareres.
- **Koble støpselet fra strømkilden og/eller ta batteripakken ut av verktøyet før du foretar justeringer, skifter tilbehør eller setter bort maskinen.** Slike forebyggende sikkerhetstiltak reduserer risikoen for at det elektriske verktøyet starter utilsiktet.

NO

- **Oppbevar elektroverktøy utilgjengelig for barn, og ikke la personer som ikke er kjent med verktøyet eller disse instruksjonene betjene maskinen.** Elektroverktøy er farlige når de brukes av uerfarne personer.
- **Vedlikehold elektroverktøy og tilbehør. Se etter feiljusteringer eller oppbinding av bevegelige deler, skadede deler og eventuelle andre forhold som kan påvirke elektroverktøyet funksjon. Hvis skadet, må elektroverktøyet repareres før bruk.** Mange ulykker er forårsaket av dårlig vedlikeholdte elektroverktøy.
- **Hold kutteverktøyet skarpt og rent.** Riktig vedlikehold av kutteverktøy med skarpe kanter gjør at det er mindre sannsynlighet for oppbinding, og at det er lettere å kontrollere.
- **Bruk elektroverktøy, tilbehør, verktøy, osv. i henhold til disse anvisningene, og ta hensyn til arbeidsforholdene og arbeidet som skal utføres.** Bruk av elektroverktøy til andre formål enn det som er angitt kan føre til farlige situasjoner.
- **Hold håndtaket og gripeflaten tørr, ren og fri for olje og fett.** Glatte håndtak og gripeflater vil gjøre det vanskelig å kontrollere verktøyet og håndtere det på en sikker måte i uventede situasjoner.

BRUK OG VEDLIKEHOLD AV BATTERIVERKTØY

- **Lades bare med ladere som er spesifisert av produsenten.** En lader som passer for én type batteripakke kan skape fare for brann når den brukes med andre batteripakker.
- **Elektroverktøyet skal bare brukes med den spesifiserte batteripakken.** Bruk av andre batteripakker kan skape risiko for skader og brann.
- **Når batteriet ikke er i bruk, skal det holdes unna andre metallgjenstander så som binders, mynter, nøkler, spikere, skruer eller andre små metallgjenstander som kan lage forbindelse fra én terminal til en annen.** Kortslutning av batteripolene kan forårsake brannskader eller brann.
- **Under skadelige forhold, kan væske kastes ut fra batteriet. Unngå kontakt.** Hvis kontakt oppstår ved uhell, skyl med vann. Hvis man får væske i øynene, skal det i tillegg søkes medisinsk hjelp. Væske som blir kastet ut av batteriet kan forårsake irritasjon eller brannskader.
- **Ikke bruk en batteripakke eller et verktøy som er skadet eller modifisert.** Skadde eller modifiserte batterier kan oppføre seg uforutsigbart og medføre brann, eksplosjon eller risiko for personskade.

- **Ikke eksponer en batteripakke eller verktøyet for flammer eller svært høye temperaturer.** Eksponering for brann eller temperaturer over 130 °C kan forårsake eksplosjon.
- **Følg alle ladeinstruksjonene, og ikke lad batteripakken eller verktøyet utenfor temperaturområdet som er angitt i instruksjonene.** Hvis batteriet lades på feil måte eller ved temperaturer som er utenfor det angitte området, kan batteriet bli skadet og brannrisikoen øke.

SERVICE

- **Elektroverktøyet må repareres av et kvalifisert serviceverksted som kun bruker identiske reservedeler.** Dette gjør at sikkerheten til elektroverktøyet opprettholdes.
- **Aldri bruk skadede batteripakker.** Service på batteripakker må bare utføres av produsenten eller autoriserte tjenesteleverandører.

SPEIELLE SIKKERHETSADVARSLER FOR LINJETRIMMEREN

- **Ikke bruk maskinen under dårlige værforhold, spesielt når det er fare for lynnedslag.** Dette reduserer risikoen for å bli truffet av lynet.
- **Inspiser området grundig for dyreliv der maskinen skal brukes.** Dyreliv kan bli skadet av maskinen under drift.
- **Inspiser området der maskinen skal brukes grundig og fjern alle steiner, pinner, ledninger, bein og andre fremmedlegemer.** Gjenstander som kastes kan forårsake personskade.
- **Før du bruker maskinen, inspiser alltid visuelt for å se at kutteren eller bladet og kutteren eller knivenheten ikke er skadet.** Skadede deler øker risikoen for skade.
- **Følg instruksjonene for å bytte tilbehør.** Feil strammet kutter som sikrer muttere eller bolter, kan enten skade bladet eller føre til at det løsnes.
- **Bruk øye-, øre-, hode- og håndbeskyttelse.** Tilstrekkelig verneutstyr vil redusere personskade ved flyvende rusk eller utilsikket kontakt med skjærelinjen eller bladet.
- **Når du bruker maskinen, bruk alltid skliskre og beskyttende fottøy. Ikke bruk maskinen når du er barbeint eller bruker åpne sandaler.** Dette reduserer sjansen for skade på føttene ved kontakt med de bevegelige kutterne eller linjene.
- **Når du bruker maskinen, bruk alltid lange bukser.** Eksponert hud øker sannsynligheten for skade fra gjenstander som kastes.

- **Hold tilskuere unna mens du bruker maskinen.** Kastet rusk kan føre til alvorlig personskade.
- **Bruk alltid to hender når du bruker maskinen.** Å holde maskinen med begge hender vil unngå å miste kontrollen.
- **Hold kun maskinen i de isolerte gripeflatene, fordi skjærelinjen eller bladet kan komme i kontakt med skjulte ledninger.** Kuttelinje eller kniver som kommer i kontakt med en «strømførende» ledning kan gjøre utsatte metalleder på maskinen «strømførende» og kan gi operatøren et elektrisk støt.
- **Hold alltid godt fotfeste og bruk maskinen kun når du står på bakken.** Glatte eller ustabile overflater kan føre til tap av balanse eller kontroll over maskinen.
- **Ikke bruk maskinen i for bratte bakker.** Dette reduserer risikoen for tap av kontroll, skli og fall som kan føre til personskade.
- **Når du jobber i skråninger, vær alltid sikker på fotfeste, arbeid alltid på tvers av skråninger, aldri opp eller ned og utvis ekstrem forsiktighet når du endrer retning.** Dette reduserer risikoen for tap av kontroll, skli og fall som kan føre til personskade.
- **Hold alle deler av kroppen unna kutteren, linen eller bladet når maskinen er i drift. Før du starter maskinen, sørg for at kutteren, linen eller bladet ikke kommer i kontakt med noe.** Et øyeblikks uoppmerksomhet mens du bruker maskinen kan føre til skade på deg selv eller andre.
- **Ikke bruk maskinen over midjehøyde.** Dette bidrar til å forhindre utilsiktet kutter- eller knivkontakt og gir bedre kontroll over maskinen i uventede situasjoner.
- **Når du skjærer børster eller spirer som er under spenning, vær oppmerksom på at du fjerner tilbake.** Når spenningen i trefibrene løsnes, kan børsten eller spiren treffe operatøren og/eller kaste maskinen ut av kontroll.
- **Vær ekstremt forsiktig når du skjærer børster og spirer.** Det slanke materialet kan fange bladet og bli pisket mot deg eller trekke deg ut av balanse.
- **Oppretthold kontroll over maskinen og berør ikke kuttere, linjer eller kniver og andre farlige bevegelige deler mens de fortsatt er i bevegelse.** Dette reduserer risikoen for skade fra bevegelige deler.
- **Når du fjerner fastkjørt materiale eller utfører service på maskinen, sørg for at bryteren er av og batteripakken er fjernet.** Uventet start av maskinen under fjerning av fastkjørt materiale eller service kan føre til alvorlig personskade.
- **Bær maskinen med maskinen slått av og vekk fra kroppen.** Riktig håndtering av maskinen vil redusere sannsynligheten for utilsiktet kontakt med en bevegelig

kutter, line eller kniv.

- **Bruk kun nye kuttere, linjer, skjærehoder og kniver spesifisert av produsenten.** Feil reservedeler kan øke risikoen for brudd og skade.
- **Skade på trimmeren** - Hvis du treffer et fremmedlegeme med trimmeren eller den blir viklet inn, må du stoppe verktøyet umiddelbart, se etter skader og få eventuelle skader reparert før du forsøker videre bruk. Skal ikke brukes med skadet skjerm eller spole.
- **Hvis utstyret begynner å vibrere unormalt mye, må du stoppe motoren og finne årsaken umiddelbart.** Vibrasjoner er gjerne et tegn på at noe er galt. Et løst hode kan vibrere, sprekke, brekke eller løsne fra trimmeren, noe som kan resultere i alvorlige eller livstruende skader. Pass på at skjæreutstyret er festet skikkelig i posisjon. Hvis hodet løsner etter at det er satt på plass, må det byttes umiddelbart. Ikke bruk en kantklipper med skjæretilbehør som sitter løst.
- **Batteridrevne verktøy trenger ikke å være tilkoblet strømuttak for å fungere, og er derfor alltid klare for bruk.** Vær oppmerksom på mulige færer, selv når verktøyet ikke er i drift. Vær forsiktig når du utfører vedlikehold eller service.
- **Ikke vask med hageslange; unngå å få vann i motoren og i elektriske kontakter.**
- **Hvis situasjoner oppstår som ikke er dekket i denne håndboken, må du utvise forsiktighet og god dømmekraft.** Kontakt EGOs servicesenter for å få hjelp.
- **Bruk kun med batteripakker og ladere som oppført i fig. A.**

NO

TA VARE PÅ DISSE INSTRUKSJONENE!

SPESIFIKASJONER

Kuttemekanisme	Trimmerhode
Tråddiameter	2,4 mm tvunnet nylontråd
Klippebredde	40 cm
Hastighet uten last	4900/5800 min ⁻¹
Vekt (uten batteripakke)	1,53 kg
Anbefalt driftstemperatur	0°C-40°C
Anbefalt lagringstemperatur	-20°C-70°C
Målt lydeffektnivå L _{WA}	95,72 dB(A) K=0,77 dB(A)
Lydtrykknivå ved brukerens øre L _{PA}	81,6 dB(A) K= 3 dB(A)

Garantert lydeffektnivå L_{WA} (målt i henhold til 2000/14/EC)		96 dB(A)
Vibrasjon a_h	Fremre hjelpehåndtak	2,5 m/s ² K=1,5 m/s ²
	Bakre håndtak	1,8 m/s ² K=1,5 m/s ²

- Parametrene over er testet og målt sammen med verktøyet PH1420E.
- Den deklarererte totale vibrasjonsverdien er målt i overensstemmelse med en standard testmetode, og kan brukes til å sammenligne ett verktøy med et annet;
- Den deklarererte totale vibrasjonsverdien kan også brukes i en foreløpig vurdering av eksponering.

⚠ ADVARSEL: Vibrasjons- og støytuslappene under faktisk bruk av elektroverktøyet kan avvike fra de oppgitte verdiene avhengig av måten verktøyet brukes på, spesielt hva slags arbeidsstykke som behandles; og

Om behovet for å identifisere sikkerhetstiltak for å beskytte operatøren som er basert på en estimering av eksponering under de faktiske bruksforholdene (som tar hensyn til alle deler av driftssyklusen, for eksempel tidspunktene når verktøyet er slått av og når det kjører inaktiv i tillegg til utløsertiden).

PAKNINGSLISTE (FIG. A)

Når det gjelder skjæretråd som anbefales, gå inn på nettstedet egopowerplus.com eller slå opp i EGOs produktkatalog.

BESKRIVELSE

BLI KJENT MED DITT TRIMMERENHETSUTSTYR (Fig. A)

1. Endekapsel
2. Linjetrimmer Skaft
3. Spoleknapp
4. Skjærelinje
5. Trimmerhode (stifthode)
6. Slipp fanen
7. Linjekuttingsblad
8. Vakt
9. Sekskantnøkkel

⚠ ADVARSEL: Bruk aldri verktøyet uten at bladvernet er på plass. Bladvernet må alltid være påmontert verktøyet for å beskytte brukeren.

ENHET

⚠ ADVARSEL: Hvis noen av delene er skadet eller mangler, må du ikke bruke dette produktet før delene er skiftet ut. Bruk av dette produktet med skadede eller mangler deler kan føre til alvorlig personskade.

⚠ ADVARSEL: Ikke forsøk å modifisere dette produktet eller lage tilbehør som ikke er anbefalt for bruk med denne gresstrimmeren. Enhver slik endring eller modifisering er misbruk, og kan føre til farlige situasjoner og mulige alvorlige personskader

⚠ ADVARSEL: Ikke koble til verktøyet før monteringen er fullført. Hvis du gjør det, kan det resultere i uforvarende start og mulig personskade.

MONTERING AV SKJERMEN

⚠ ADVARSEL: Bruk alltid hansker når du tar på eller bytter bladvernet. Vær forsiktig med bladvernet, og beskytt hendene dine så de ikke skades av knivbladet.

Løsne og fjern de to skruene fra nedre del av skaftet (fig. C). Juster skjermmonteringshullene sammen med monteringshullene, og lås skjermen på skaftbasen med de to skruene, og to fjærskiver (fig. D).

Sørg for at skjermen er festet slik fig. C og D viser. Omvendt festing kan forårsake stor skade!

MONTER KANTKLIPPETILBEHØRET PÅ VERKTØYHODET

Dette tilbehøret til kantklipperen er beregnet til bruk med verktøyet EGO PH1420E.

Se avsnittet "INSTALLERING AV KRAFTHODE TILBEHØR" i håndboken til verktøyet PH1420E.

DRIFT

⚠ ADVARSEL: Ikke la fortrolighet med dette produktet gjøre deg uforsiktig. Husk at et uforsiktig tiendedel av et sekund er nok til å forårsake alvorlige skader.

⚠ ADVARSEL: Bruk alltid vernebriller i tillegg til hørselsvern. Dersom dette ikke blir gjort, kan du få fremmedlegemer inn i øynene eller pådra deg andre alvorlige skader.

BRUKSOMRÅDER

Du kan bruke dette produktet til de formålene som er oppført nedenfor:

- Kutte gress og ugress rundt inngangspartier, gjerder og uteplasser

MERK: Verktøyet skal bare brukes til sitt foreskrevne formål. All annen bruk er feil.

Kontroller om noen deler er ødelagte eller utslitte før bruk

Kontroller trimmerhodet, beskyttelsen og fronthåndtaket og skift ut alle deler som er sprukket, skjevt, bøyd eller skadet.

Trådskjærebladet langs kanten av bladvernet kan sløves over tid. Det anbefales å skjerpe den jevnlig med en fil, eller bytte den ut med et nytt blad.

⚠ ADVARSEL: Bruk alltid hansker når du tar på eller bytter bladvernet, eller når du skjerper eller bytter knivbladet. Legg merke til hvor knivbladet er på bladvernet, og beskytt hendene dine så de ikke blir skadet.

⚠ ADVARSEL: For å unngå alvorlig personskaade må batteripakken tas ut av verktøyet før service, rengjøring, bytte av tilbehør eller når du fjerner fremmedlegemer fra verktøyet.

BRUK AV KANTKLIPPEREN MED VERKTØYHODET

⚠ ADVARSEL: Kle deg riktig for å redusere risikoen for skader når du bruker dette verktøyet. Ikke bruk løstsittende klær eller smykker. Bruk vernebriller og øre-/hørselsvern. Bruk solide og lange bukser, støvler og hansker. Ikke bruk korte bukser eller sandaler, og ikke gå barbert.

⚠ ADVARSEL: Ta bort ting fra området som skal klippes, før du bruker verktøyet. Fjern alle gjenstander som steiner, knust glass, spiker, ståltråd eller hyssing som kan kastes og vikle seg inn i skjæretilbehøret. Hold barn, tilskuere og kjæledyr unna området. Som et minimum må alle barn, tilskuere og kjæledyr holde seg på minst 15 meters avstand. Likevel kan gjenstander som flyr gjennom luften, utsette tilskuere for risiko. Tilskuere bør oppfordres til å bruke øyebeskyttelse. Hvis noen nærmer seg deg, så stopp motorren og skjæretilbehøret umiddelbart.

For sikker og bedre drift, ta på skulderremmen over skulderen. Juster skulderstroppen i en komfortabel arbeidsstilling. Hold linjetrimmeren med den ene hånden på det bakre håndtaket og den andre hånden på det fremre håndtaket. Hold et fast grep med begge hender mens du er i drift. Snøtrimmeren skal holdes i en komfortabel stilling med det bakre håndtaket omtrent i hoftehode. Trimmerhodet skal være parallelt med bakken slik at det lett kommer i kontakt med materialet som skal kuttet uten at operatøren trenger å bøye seg (fig. B).

⚠ ADVARSEL: Skulderremmen er også en rask utløsermekanisme i farlige situasjoner. Når en nødssituasjon oppstår, ta apparatet av skulderen

umiddelbart, uansett hvordan remmen er satt inn.

Kantklipperen skal rengjøres etter hver gangs bruk

Se avsnittet VEDLIKEHOLD for rengjøringsinstrukser.

SLIK STARTER/STOPPER DU VERKTØYET

Se avsnittet "STARTE/STOPPE VERKTØYHODET" i håndboken for PH1420E.

JUSTERE LENGDEN PÅ SKJÆRETRÅDEN

Trimmerhodet gjør at brukeren kan utløse mer skjæretråd uten å stoppe motoren. Etter hvert som tråden blir frynset eller slitt, kan ekstra tråd utløses med et lett trykk på trimmerhodet mot bakken mens kantklipperen er i gang (Fig. E).

MERK: Det blir vanskeligere å utløse mer tråd når skjæretråden blir kortere.

⚠ ADVARSEL: Unngå å ta av eller endre på monteringen av skjærebladet. For lang tråd vil medføre at motoren blir overopphetet og kan resultere i alvorlig personskaade.

LINJEBYTTE

MERKNAD: Bruk alltid den anbefalte nylonskjærelinjen med en diameter på ikke mer enn 2,4 mm. Hvis du bruker en annen tråd enn den som er anbefalt, kan kantklipperen bli overopphetet eller skadet.

⚠ ADVARSEL: Det må aldri benyttes metallforsterket tråd, wire, tau e.l. Disse kan brenne og bli farlige prosjektiler.

Linjetrimmeren er utstyrt med et avansert **POWERLOAD™** system. Skjærelinjen kan vikles inn i spolen ved å trykke på en enkelt knapp. Lasting av en full spole kan vanligvis fullføres på 12 sekunder. **Unngå gjentatt drift av vikingssystemet i rask rekkefølge for å redusere muligheten for motorskaade.**

MERKNAD: POWERLOAD™ ystemet er kun tilgjengelig når tilbehøret er koblet til Power Head PH1420E og batteripakken er installert.

1. Ta ut batteripakken.
2. Kutt 4m lang skjærelinje. Sett linjen inn i øyet (fig. F). Skyv og trekk snøret fra den andre siden til like store mengder snøre vises på begge sider av trimmerhodet

MERKNAD: Hvis ledningen ikke kan settes inn i øyet når det nedre dekselet sitter fast, installerer du batteripakken på strømhodet, og trykker deretter kort på linje-lasteknappen for å tilbakestille det nedre dekselet.

NO

3. Fjern batteripakken hvis den har blitt installert på strømhodet i MERKNAD etter trinn 2. Og følg trinnene spesifisert i trinn 2 for å sette inn og justere skjærelinjen igjen.
4. Installer batteripakken på strømhodet.
5. Trykk og hold inne linjelastingsknappen for å vikle linjen inn i trimmerhodet kontinuerlig til ca. 15 cm av linjen vises på hver side. (Fig. G).
6. Trykk ned på trimmerhodet mens du trekker i trådene for å føre tråden manuelt for å kontrollere om kappetråden er riktig montert.

MERKNAD: I tilfelle snøret trekkes inn i trimmerhodet ved et uhell, åpner du hodet og trekker skjæretråden ut av spolen. Følg avsnittet "LASTING AV SKJÆRELINJEN" i denne håndboken for å laste inn snøret på nytt.

NO

LASTING AV KJÆRESLINJEN

Når skjærelinjen bryter fra øyet eller skjærelinjen ikke frigjøres når trimmerhodet bankes, må du fjerne den gjenværende skjærelinjen fra trimmerhodet og følge trinnene nedenfor for å laste snøen på nytt.

1. Ta ut batteripakken.
2. Trykk på frigjøringsstappene på trimmerhodet og fjern det nedre dekselet på trimmerhodet ved å trekke det rett ut (fig. H).
3. Fjern skjærelinjen fra trimmerhodet.
4. Ta fjæren ut av spolen om nødvendig. Ta vare på den for montering igjen.
5. Sett fjæren inn i sporet i den nedre dekselenheten (fig. I).
6. Hold den ene hånden i trimmeren, bruk en annen hånd til å ta tak i den nedre dekselenheten og juster sporene i den nedre dekselenheten med utløserklaffene (Figur J). Trykk på den nedre dekselenheten til den klikker på plass, da vil du høre en tydelig klikklyd (fig. K).
7. Følg instruksjonene i avsnittet "UTSKIFTNING AV TRÅDEN" for å laste inn kuttetråden.

UTSKIFTNING AV TRIMMERHODE

⚠ ADVARSEL: Hvis trimmerhodet løsner etter at du har festet det, må det byttes umiddelbart.

Ikke bruk en kantklipper med skjæretilbehør som sitter løst. Bytt et sprukket, skadet eller slitt trimmerhode umiddelbart, selv om skaden begrenser seg til overfladiske sprekker. Slikt tilbehør kan knuses i høy hastighet og medføre alvorlige skader.

Gjør deg kjent med trimmerhodet (fig. L).

Se Fig. L under for beskrivelse av delene:

L-1	Skaft	L-6	Vasker
L-2	Hylse (2)	L-7	Mutter
L-3	Øvre deksel	L-8	Fjær
L-4	Circlip	L-9	Skjærelinje
L-5	Spoleholder	L-10	Nedre dekselenhet

Ta av trimmerhodet

1. Ta ut batteripakken.
2. Trykk på utløsertappene på trimmerhodet, og fjern det nedre dekselet på trimmerhodet ved å trekke det rett ut.
3. Fjern skjærelinjen fra trimmerhodet.
4. Ta fjæren ut av spolen om nødvendig. Ta vare på den til den skal settes på igjen.
5. Ha på hansker. Bruk den ene hånden til å ta tak i spolen for å stabilisere den, og bruk den andre hånden til å holde en 13 mm slagnøkkel (ikke inkludert) for å løsne mutteren i retning med klokken (fig. M).
6. Fjern mutteren, skiven og spoleholderen fra motorakselen (fig. L).
7. Bruk låsetang (ikke inkludert) for å fjerne låseringen. Fjern det øvre dekselet og to foringer fra motorakselen (fig. L).
8. Bytt ut med et nytt trimmerhode og monter det i følgende trinn.

Installere det nye trimmerhodet

1. Monter de to foringene på motorakselen.
2. Rett inn det flate sporet i det øvre dekselet med det flate i motorakselen og monter det øvre dekselet på plass (fig. N).

Fig. N delebeskrivelse se nedenfor

N-1	Flat	N-2	Flat spor
-----	------	-----	-----------

3. Monter låseringen, spoleholderen og skiven i den rekkefølgen (fig. L). Bruk en slagnøkkel på mutteren for å stramme den MOT URVISEN.
4. Følg trinn 4 og 5 i avsnittet "LASTING AV SKJÆRESLINJEN" i denne håndboken for å montere den nedre dekselenheten.
5. Følg instruksjonene i avsnittet "BYTTE AV LINJE" i denne håndboken for å laste skjærelinjen på nytt.
6. Start verktøyet for å se om linetrimmeren vil fungere

normalt. Hvis den ikke gjør det, må du sette den sammen på nytt som beskrevet over.

VEDLIKEHOLD

⚠ ADVARSEL: Før du etterser, rengjør eller vedlikeholder verktøyet, må du stoppe motoren, vente på at alle deler har stanset, og så ta ut batteripakken. Hvis du ikke følger disse instruksjonene, kan det resultere i alvorlig personskade eller skade på eiendeler.

⚠ ADVARSEL: Når verktøyet trenger service, må bare identiske reservedeler benyttes. Bruk av uoriginale deler kan forårsake fare eller skade produktet. For å sikre trygg og pålitelig bruk må alle reparasjoner bortsett fra det som er behandlet i vedlikeholdsinstruksene, utføres av en kvalifisert fagperson.

GENERELT VEDLIKEHOLD

Unngå bruk av løsemidler når plastdeler skal rengjøres. De fleste plasttyper kan ta skade av ulike typer løsemidler som er i salg, og kan dermed bli ødelagt. Bruk rene kluter for å fjerne skitt, støv, olje, fett, etc.

RENGJØRING AV VERKTØYET

- Fjern eventuelt gress som har festet seg rundt motorakselen eller trimmerhodet.
- Bruk en liten støvsuger til å rengjøre ventilene på bakre deksel.
- Rengjør apparatet med en fuktig klut og et mildt rengjøringsmiddel.
- Ikke bruk sterke vaskemidler på plastdeksel eller håndtak. De kan bli skadet av enkelte aromatiske oljer, som furu og sitron, og av løsemidler som parafin. Fuktighet kan også medføre fare for elektrisk støt. Tørk av eventuell fuktighet med en myk og tørr klut.

SMØRING AV GIRDRETVET

Girdrevet i girkassen må smøres med jevne mellomrom med girolje. Sjekk nivået på oljen i girkassen ca. hver 50. driftstime ved å ta av forseglingskruen på siden av kassen.

Hvis du ikke ser noe olje langs sidene av giret, følger du trinnene under for å fylle girolje til 3/4 av kapasiteten.

Girdrevet må ikke fylles helt opp.

1. Plasser kantklipperen på siden slik at forseglingskruen vender opp.
2. Bruk den medfølgende flerbruksnøkkelen til å løsne og fjerne forseglingskruen.
3. Bruk en oljesprøyte (følger ikke med) til å sprøyte inn olje i skruehullet; ikke fyll opp mer enn 3/4.

4. Stram til forseglingskruen når du er ferdig.

LAGRING AV ENHETEN

- Fjern batteripakken fra strømhodet.
- Rengjør verktøyet grundig før lagring.
- Hvis du fjerner tilbehøret fra verktøyet, oppbevarer det separat: Sett endekapselen på skaffet for å unngå at det kommer skitt og rusk inn i koplingsstykket.
- Oppbevar verktøyet på et tørt og godt ventilert sted, innelåst eller høyt plassert, og utilgjengelig for barn. Unngå å oppbevare verktøyet på eller ved siden av gjødningsmidler, bensin eller andre kjemikalier.

SKJERPING AV TRÅDSKJÆREBLAD

⚠ ADVARSEL: Beskytt alltid hendene med solide hansker når du utfører vedlikehold på trådskjærebladet.

1. Ta ut batteriet.
2. Fjern linjeskjærebladet fra vernet.
3. Fest bladet i en skrutikke.
4. Bruk riktig øyevern og hansker og pass på at du ikke kutter deg.
5. Fil forsiktig skjærekantene på bladet med en fintannfil eller slipestein, og beholder den opprinnelige skjærekantvinkelen.
6. Sett tilbake bladet på beskyttelsen og fest det på plass med de to skruene.

Beskytt miljøet



Elektrisk utstyr, batterilader og batterier/ oppladbare batterier skal ikke kastes i husholdningsavfall.

Ta med dette produktet til autorisert gjenvinning, og gjør det tilgjengelig for separat innsamling. Elektriske verktøy må returneres til et egnet resirkuleringsanlegg.

Hvis elektrisk apparat kastes på søppelfyllinger, kan farlige stoffer lekke ut i grunnvannet og komme inn i næringskjeden, og forårsake skader på helse og velvære.

NO

FEILSØKING

PROBLEM	ÅRSAK	LØSNING
Linetrimmeren vil ikke starte.	<ul style="list-style-type: none"> ■ Batteripakken er ikke satt inn i verktøyhodet. ■ Ingen elektrisk kontakt mellom verktøyhodet og batteripakken. ■ Batteripakkens ladning er oppbrukt. ■ Låsespaken og utløseren ble ikke trykket inn samtidig. 	<ul style="list-style-type: none"> ■ Fest batteripakken til verktøyhodet. ■ Fjern batteriet, sjekk kontakter og installer batteripakken igjen. Forsikre deg om at det låses på plass. ■ Lad batteripakken med EGO-ladere som står oppført i denne håndboken. ■ Trykk ned låsespaken og hold den inne, og trykk deretter på utløseren for å starte gresstrimmeren.
Gresstrimmeren stopper under trimmingen.	<ul style="list-style-type: none"> ■ Skjermen er ikke montert på trimmeren, noe som resulterer i altfor lang kutteline og overbelastning av motoren. ■ Tung kutteline brukes. ■ Motorakselen eller trimmerhodet er tettet av gress. ■ Motoren er overbelastet. ■ Batteripakken eller gresstrimmeren er for varm. ■ Batteripakken er koblet fra verktøyet. ■ Batteripakken er tom. 	<ul style="list-style-type: none"> ■ Ta ut batteripakken og fest skjermen på trimmeren. ■ Bruk alltid anbefalt skjæretråd av nylon med en diameter som ikke er større enn 2,4 mm. ■ Stopp trimmeren, ta ut batteriet, og fjern gress fra motorakselen og trimmerhodet. ■ Fjern trimmerhodet fra gresset. Motoren vil begynne å arbeide igjen straks belastningen er fjernet. Når du kutter, flyttes trimmerhodet inn og ut av gresset som skal klippes, og ikke fjern mer enn 20 cm lengde i et enkelt kutt. ■ La batteripakken eller trimmeren kjøle seg ned til temperaturen synker under 67 °C . ■ Installer batteripakken på nytt. ■ Lad batteripakken med EGO-ladere som står oppført i denne håndboken.

NO

PROBLEM	ÅRSAK	LØSNING
Trimmerhodet vil ikke slippe ut line.	<ul style="list-style-type: none"> ■ Motorakselen eller trimmerhodet er tettet av gress. ■ Det er ikke nok tråd på spolen. ■ Trimmerhodet er skittent. ■ Tråden har viklet seg inn i spoleholderen. ■ Linen er for kort. 	<ul style="list-style-type: none"> ■ Stopp trimmeren, ta ut batteriet, og fjern gress fra motorakselen og trimmerhodet. ■ Ta ut batteriet og bytt ut skjærelinjen; følg avsnittet “LASTING AV SKJÆRELINJEN” i denne håndboken. ■ Ta ut batteriet og rengjør spolen, spoleholderen og spolebasen. ■ Ta ut batteriet, fjern ledningen fra spolen og spole tilbake; følg avsnittet “LASTING AV SKJÆRELINJEN” i denne håndboken. ■ Ta ut batteriet og trekk linene mens du vekselvis trykker ned på og slipper støtknotten.
Gress vikler seg rundt trimmerhodet og motorhuset.	<ul style="list-style-type: none"> ■ Klipping av høyt gress på bakkenivå. 	<ul style="list-style-type: none"> ■ Klipp høyt gress fra toppen og ned, og ikke fjern mer enn 20 cm i hver passering, for å hindre opphopning.
Knivbladet skjærer ikke tråden.	<ul style="list-style-type: none"> ■ Linekappskiven på kanten av skjermen har blitt sløv. 	<ul style="list-style-type: none"> ■ Skjerp trådkappskiven med en fil, eller bytt den ut med en ny.
Sprekker på trimmerhodet eller spoleholderen løsner fra spolebasen.	<ul style="list-style-type: none"> ■ Trimmerhodet er utslitt. ■ Mutteren som låser trimmerhodet er løs. 	<ul style="list-style-type: none"> ■ Bytt trimmerhodet umiddelbart; følg avsnittet “ERSTATNING AV TRIMMERHODET” i denne håndboken. ■ Åpne trimmerhodet og bruk en slagnøkkel for å stramme mutteren.
Når du bytter tråd, blir den ikke plassert riktig i trimmerhodet.	<ul style="list-style-type: none"> ■ Spoleholderens LOAD-tråd er ikke justert i forhold til maljene i spolebunnen. ■ Spoleholderens innlastingstråd er ikke justert så de er på linje med maljene i spolebunnen. 	<ul style="list-style-type: none"> ■ Drei spoleholderen i pilens retning for å justere LOAD-tråden på spoleholderen i forhold til maljene i spolebunnen. ■ Drei spoleholderen i pilens retning for å justere LOAD-tråden på spoleholderen i forhold til maljene i spolebunnen.

NO

GARANTI

EGOs GARANTIREGLER

Besøk nettsiden egopowerplus.com for å se fullstendige vilkår og betingelser for EGO-garantireglene.

ПРОЧИТАЙТЕ ВСЕ ИНСТРУКЦИИ!



ВНИМАТЕЛЬНО ПРОЧИТАЙТЕ РУКОВОДСТВО ПОЛЬЗОВАТЕЛЯ.

⚠ Остаточные риски! Если вы используете электронные устройства, такие как кардиостимулятор, перед эксплуатацией данного устройства проконсультируйтесь с врачом. Использование электрооборудования в непосредственной близости от кардиостимулятора может привести к образованию помех и повреждению кардиостимулятора.

⚠ ПРЕДУПРЕЖДЕНИЕ. Чтобы обеспечить безопасность и надежность устройства, его ремонт и замену частей должен выполнять квалифицированный специалист.

RU СИМВОЛЫ БЕЗОПАСНОСТИ

Символы безопасности предназначены для привлечения внимания к возможным рискам. Символы безопасности, а также объяснения к ним, требуют особого внимания и понимания. Предупреждения по технике безопасности сами по себе не устраняют опасность. Инструкции и предупреждения не заменяют соответствующие меры по предотвращению несчастных случаев.

⚠ ПРЕДУПРЕЖДЕНИЕ Перед использованием устройства внимательно прочитайте все инструкции в данном руководстве пользователя и ознакомьтесь с предупреждающими символами безопасности, такими как «ОПАСНОСТЬ», «ПРЕДУПРЕЖДЕНИЕ» и «ВНИМАНИЕ». Несоблюдение всех приведенных ниже инструкций может привести к поражению электрическим током, возникновению пожара и/или получению серьезных травм.

ЗНАЧЕНИЕ СИМВОЛОВ

⚠ ПРЕДУПРЕЖДАЮЩИЙ СИМВОЛ: Означает «ОПАСНОСТЬ», «ПРЕДУПРЕЖДЕНИЕ» или «ВНИМАНИЕ» и может использоваться с другими символами

ИНСТРУКЦИИ ПО ТЕХНИКЕ БЕЗОПАСНОСТИ

Далее приведено изображение и описание символов безопасности, которые могут присутствовать на данном устройстве. Перед сборкой или использованием внимательно прочитайте все инструкции, приведенные на устройстве, и соблюдайте их.

	Предупреждение об опасности	Указывает на потенциальную опасность получения травмы.
	Внимательно прочитайте руководство пользователя.	Чтобы уменьшить риск получения травм, перед использованием устройства необходимо прочитать и понять руководство по эксплуатации.
	Используйте средства защиты глаз, ушей и головы.	Всегда используйте средства защиты глаз, ушей и головы.
	Ширина резания	Макс. ширина резания триммера с леской
	Диаметр лески	Диаметр нейлоновой режущей лески
	Не используйте металлические лезвия.	Предупреждает о недопустимости использования металлических лезвий.
	Не позволяйте посторонним людям находиться поблизости.	Отброшенные предметы могут отскочить и привести к травмам или повреждению имущества. Убедитесь, что другие люди и животные находятся на расстоянии от работающего устройства.
	Расстояние между устройством и посторонними лицами должно составлять не менее 15 м.	Убедитесь, что другие люди и животные находятся на расстоянии не менее 15 м от работающего устройства.
IPX4	Класс защиты IP	Защита от воздействия воды 4 степени
CE	CE	Соответствует основным требованиям стандартов безопасности Европейских директив.

	UKCA	Данный продукт соответствует действующему законодательству Великобритании.
	WEEE	Неисправные электрические устройства нельзя выбрасывать вместе с бытовым мусором. Сдавайте их в авторизованные пункты сбора и утилизации.
	Шум	Гарантированный уровень звуковой мощности. Уровень шума в окружающей среде в соответствии с директивой ЕС.
V	Вольт	Напряжение
mm	Миллиметр	Длина или размер
cm	Сантиметр	Длина или размер
kg	Килограмм	Масса

ОБЩИЕ ПРАВИЛА ТЕХНИКИ БЕЗОПАСНОСТИ ПРИ РАБОТЕ С ЭЛЕКТРОИНСТРУМЕНТАМИ

⚠ ПРЕДУПРЕЖДЕНИЕ. Прочитайте все правила безопасности, инструкции, иллюстрации и спецификации, прилагаемые к этому электроинструменту. Невыполнение изложенных ниже инструкций может привести к поражению электрическим током, пожару и (или) тяжелым травмам.

Сохраните все предупреждения и инструкции для использования в будущем.

Термин «электроинструмент» в предупреждениях означает электрический инструмент с питанием от сети (с кабелем) или электрический инструмент с питанием от аккумулятора (без кабеля).

БЕЗОПАСНОСТЬ РАБОЧЕГО МЕСТА

- Обеспечьте чистоту и освещенность рабочего места. Загроможденные и плохо освещенные места служат причиной несчастных случаев.
- Не используйте электроинструменты во взрывоопасных местах, например вблизи горючих жидкостей, газов или пыли.

Электроинструменты генерируют искры, которые могут воспламенить пыль или испарения.

- Не позволяйте детям и посторонним находиться вблизи работающего электроинструмента. Отвлекающие факторы могут привести к потере контроля.

ЭЛЕКТРОТЕХНИЧЕСКАЯ БЕЗОПАСНОСТЬ

- Вилка электроинструмента должна соответствовать розетке. Никогда не переделывайте вилку. Не используйте переходники для заземленного электроинструмента. Использование оригинальных вилок и соответствующих им розеток уменьшает риск поражения электрическим током.
- Избегайте прикосновений к заземленным объектам, таким как трубы, радиаторы, плиты и холодильники. Риск поражения электрическим током выше, когда тело заземлено.
- Не эксплуатируйте устройство во время дождя или в условиях высокой влажности. Попадание воды внутрь устройства повышает риск поражения электрическим током и возникновения неисправностей, которые могут привести к травмам.

RU

- Обращайтесь с кабелем аккуратно. Никогда не переносите, не тяните и не выключайте электроинструмент за кабель. Держите кабель подальше от источников тепла, масла, острых предметов и движущихся частей. Поврежденные и запутанные кабели повышают риск поражения электрическим током.

- Для работы с электроинструментом вне помещения используйте предназначенный для этого удлинительный кабель. Использование кабеля, подходящего для использования вне помещения, снижает риск поражения электрическим током.

- Если использование электроинструмента в сыром помещении неизбежно, подключайте его через устройство защитного отключения (УЗО). Использование УЗО снижает риск поражения электрическим током.

ЛИЧНАЯ БЕЗОПАСНОСТЬ

- При использовании электроинструмента будьте бдительны, следите за своими действиями и следуйте здравому смыслу. Не пользуйтесь электроинструментом, если вы устали или находитесь под воздействием наркотиков, алкоголя или медикаментов. Даже кратковременная невнимательность при работе с электроинструментом может привести к тяжелым

травмам.

- **Используйте средства индивидуальной защиты.** Всегда используйте защитные средства для глаз. Использование защитных средств, таких как респиратор, нескользкая защитная обувь, каска и средства защиты органов слуха в соответствующих условиях уменьшает риск получения травм.
- **Не допускайте непредвиденных запусков.** Перед подключением инструмента к сети питания (или аккумулятору) и перед его переноской убедитесь, что выключатель находится в выключенном положении. Не держите палец на выключателе при переноске электроинструментов и не включайте вилку в розетку, если электроинструмент включен. Это может привести к несчастному случаю.
- **Перед включением электроинструмента снимите с него регулировочные инструменты и гаечные ключи.** Регулировочный инструмент или гаечный ключ, оставленный на вращающейся части электроинструмента, может стать причиной травмы.
- **Не тянитесь.** Всегда сохраняйте устойчивое положение и равновесие. Это позволит лучше контролировать электроинструмент в непредвиденных ситуациях.
- **Одевайтесь надлежащим образом.** Не надевайте свободную одежду и украшения. Держите волосы, одежду и перчатки подальше от движущихся частей. Свободная одежда, украшения и длинные волосы могут попасть в движущиеся части.
- **При наличии устройств для отвода и сбора пыли убедитесь, что они подключены и правильно работают.** Использование пылеулавливающих устройств снижает вред, причиняемый пылью.
- **Не допускайте небрежности, которая может возникнуть из-за частого использования инструмента и повлечь за собой самоуверенность и игнорирование правил безопасности.** Неосторожное действие может причинить серьезную травму за доли секунды.

ИСПОЛЬЗОВАНИЕ И ОБСЛУЖИВАНИЕ ЭЛЕКТРОИНСТРУМЕНТА

- **Не прикладывайте к электроинструменту чрезмерных усилий.** Используйте подходящий для ваших задач электроинструмент. Правильно выбранный электроинструмент более эффективен и безопасен при номинальной нагрузке.
- **Не используйте электроинструмент, если его выключатель неисправен.** Электроинструменты

с неисправным выключателем опасны и подлежат ремонту.

- **Перед регулировкой, сменой аксессуаров или хранением отключите электроинструмент от сети питания и (или) аккумулятора.** Такие меры предосторожности уменьшают риск случайного запуска электроинструмента.
- **Храните неиспользуемые электроинструменты в местах, недоступных для детей, и не доверяйте электроинструмент лицам, не знакомым с ним и с этими инструкциями.** Электроинструменты опасны в руках неподготовленных пользователей.
- **Выполняйте техническое обслуживание электроинструментов и принадлежностей.** Проверьте выравнивание и сцепление подвижных деталей, наличие поломок и прочие условия, которые могут повлиять на работу электроинструмента. Если электроинструмент поврежден, перед использованием его необходимо отремонтировать. Недостаточный уход за электроинструментом является причиной многих несчастных случаев.
- **Храните режущие инструменты в чистоте и заточенном состоянии.** Правильно обслуживаемые и хорошо заточенные режущие инструменты меньше заклинивают и лучше контролируются.
- **Используйте электроинструмент, аксессуары, насадки и т. п. в соответствии с этими инструкциями, учитывая условия и специфику выполняемой работы.** Использование электроинструмента для выполнения непредусмотренных операций может привести к опасным ситуациям.
- **Следите за тем, чтобы рукоятки и поверхности захвата были сухими и чистыми и на них не было масла или смазочного материала.** Скользкие рукоятки и поверхности захвата не позволяют безопасно использовать инструмент и контролировать его в непредвиденных ситуациях.

ЭКСПЛУАТАЦИЯ И ОБСЛУЖИВАНИЕ ИНСТРУМЕНТА С ПИТАНИЕМ ОТ АККУМУЛЯТОРА

- **Заряжайте аккумуляторы только с помощью зарядного устройства, указанного изготовителем.** Зарядное устройство, предназначенное для одного типа аккумуляторных батарей, может стать причиной пожара при использовании с другим типом батарей.
- **Используйте электроинструмент только со специально предназначенными для него аккумуляторами.** Использование любого другого вида аккумуляторных батарей может стать причиной несчастных случаев или пожара.

RU

- Когда аккумулятор не используется, храните его отдельно от металлических предметов — канцелярских скрепок, монет, ключей, гвоздей, винтов и др. — они могут соединить контакты. Короткое замыкание контактов аккумуляторной батареи может стать причиной ожогов или пожара.
- При неблагоприятных обстоятельствах из аккумулятора может потечь электролит; избегайте контакта с ним. При случайном контакте промойте водой. Если жидкость попала в глаза, обратитесь к врачу. Жидкость из аккумуляторной батареи может вызвать раздражение и ожоги.
- Не используйте аккумулятор и инструмент, если они повреждены или подвергались модификациям. Поведение поврежденных или модифицированных аккумуляторов может быть непредсказуемым, что приведет к возгоранию, взрыву и риску получения травм.
- Не подвергайте аккумуляторную батарею и инструмент воздействию огня и высокой температуры. Воздействие огня или температуры выше 130°C может привести к взрыву.
- Следуйте всем инструкциям по зарядке и не заряжайте аккумулятор и инструмент при температуре, выходящей за пределы указанного диапазона. Если зарядка выполняется неправильно или в условиях неподходящей температуры, это может привести к повреждению аккумулятора и возгоранию.

- использовать устройство, и уберите все камни, палки, провода, кости и другие посторонние предметы. Отбрасываемые предметы могут нанести травмы.
- Перед работой всегда осматривайте режущий элемент и весь режущий узел на наличие повреждений. Поврежденные детали повышают риск получения травм.
- Соблюдайте инструкции по замене принадлежности. Неправильно затянутые гайки или болты могут стать причиной повреждения или отсоединения режущего элемента.
- Используйте средства защиты глаз, ушей, головы и рук. Подходящее защитное снаряжение уменьшает риск получения травм от разлетающихся обломков или случайного контакта с леской или лезвием.
- Во время работы с устройством всегда носите нескользящую защитную обувь. Не работайте с устройством босиком или в открытых сандалиях. Это снижает вероятность травмирования ног в результате контакта с движущимся лезвием или леской.
- Во время работы с устройством всегда носите длинные брюки. Наличие открытых участков кожи увеличивает вероятность травм от отбрасываемых предметов.

RU

РЕМОНТ

- Ремонт электроинструмента должен производиться квалифицированным специалистом с использованием только идентичных запасных частей. Это обеспечит безопасную работу электроинструмента.
- Никогда не выполняйте обслуживание поврежденного аккумулятора. Обслуживание аккумуляторов должно выполняться только производителем или в авторизованном сервисном центре.

СПЕЦИАЛЬНЫЕ ПРЕДУПРЕЖДЕНИЯ ОТНОСИТЕЛЬНО БЕЗОПАСНОГО ОБРАЩЕНИЯ С ТРИММЕРОМ

- Не используйте устройство при плохих погодных условиях, особенно в грозу. Это позволит снизить риск удара молнией.
- Тщательно проверьте участок, где будет использоваться устройство, на наличие животных. Животные могут быть травмированы устройством во время работы.
- Тщательно осмотрите участок, где будет

- Не позволяйте посторонним находиться вблизи во время работы с устройством. Отброшенный мусор может привести к получению серьезных травм.
- Во время работы всегда держите инструмент двумя руками. Это позволит избежать потери контроля.
- Держите устройство только за поверхности с защитным покрытием, так как леска или лезвие может коснуться скрытой электропроводки. Касание леской или лезвием проводки под напряжением может передать напряжение на металлические части устройства и привести к поражению оператора электрическим током.
- Всегда сохраняйте устойчивое положение и используйте устройство только стоя на земле. Работа на скользкой или неустойчивой поверхности может привести к потере равновесия или контроля над устройством.
- Не используйте устройство на очень крутых склонах. Это снижает риск потери контроля, поскользывания и падения, что может привести к травме.
- При работе на склонах всегда следите за

равновесием, перемещайтесь только поперек склона, а не вверх и вниз, и будьте крайне осторожны при смене направления движения.

Это снижает риск потери контроля, поскользывания и падения, что может привести к травме.

- **Во время работы держите леску или лезвие на безопасном расстоянии от всех частей тела.** Перед запуском инструмента убедитесь, что леска или лезвие не касается других предметов. Даже кратковременная невнимательность при работе с устройством может привести к травме пользователя или других лиц.
- **Никогда не поднимайте инструмент выше уровня талии.** Это позволит избежать случайного контакта с режущим элементом и обеспечит лучший контроль над устройством в непредвиденных ситуациях.
- **При обрезке натянутых ветвей кустарника и молодой поросли берегитесь отдачи.** Натянутые ветви могут ударить оператора, что в свою очередь может привести к потере контроля над устройством.
- **Будьте предельно осторожны при обрезке кустарников и молодой поросли.** Тонкие ветви могут попасть в режущий элемент и отлететь в сторону оператора либо привести к потере равновесия.
- **Сохраняйте контроль над устройством и не прикасайтесь к режущим элементам, леске и другим опасным движущимся частям, пока они находятся в движении.** Это снижает риск травм от движущихся частей.
- **При извлечении застрявшего материала и обслуживании устройства убедитесь, что выключатель питания находится в выключенном положении, а аккумулятор извлечен.** Случайная активация устройства при извлечении застрявшего материала или обслуживании может привести к серьезным травмам.
- **Переносите устройство в выключенном состоянии на безопасном расстоянии от тела.** Правильное обращение с устройством уменьшает вероятность случайного касания движущейся лески или режущего элемента.
- **Используйте только сменные лески и режущие элементы, указанные производителем.** Использование неподходящих запасных частей может увеличить риск поломки и травм.
- **Повреждение триммера.** Если устройство столкнулось с посторонним предметом или запуталось в чем-либо, немедленно выключите его, проверьте на наличие повреждений и отремонтируйте перед следующим использованием. Не используйте устройство с поврежденными щитком или катушкой.

- **Если устройство чрезмерно вибрирует, выключите двигатель и немедленно выясните причину.** Обычно вибрация указывает на возникновение проблемы. Выполните следующие действия. Ослабленная головка может вибрировать, трескаться, ломаться или соскочить с триммера, что может привести к серьезным травмам или смерти. Убедитесь, что режущее приспособление установлено должным образом и надежно закреплено. Если головка расшатывается после закрепления, немедленно замените ее. Никогда не используйте триммер, если какие-либо его части плохо закреплены.
- **Работающие от аккумуляторов инструменты не требуется подключать к розетке электросети, поэтому они всегда готовы к использованию.** Помните о возможности возникновения опасных ситуаций даже когда устройство не используется. Соблюдайте осторожность при выполнении технического обслуживания или ремонта.
- **Не мойте устройство из шланга. Избегайте попадания воды в двигатель и электрические соединения.**
- **При возникновении ситуаций, не опасных в данном руководстве, соблюдайте осторожность и руководствуйтесь здравым смыслом.** Обратитесь в сервисный центр EGO за помощью.
- **Используйте только аккумуляторы и зарядные устройства, указанные на рис. А.**

RU

СОХРАНИТЕ ДАННЫЕ ИНСТРУКЦИИ!

ТЕХНИЧЕСКИЕ ХАРАКТЕРИСТИКИ

Режущий механизм	Головка катушки
Диаметр лески	Нейлоновая крученая леска 2,4 мм
Ширина резания	40 см
Скорость работы без нагрузки	4900/5800 мин ⁻¹
Масса (без аккумулятора)	1,53 кг
Рекомендуемая рабочая температура	от 0 до 40 °C
Рекомендуемая температура хранения	от -20 до 70 °C
Измеренный уровень звуковой мощности L _{WA}	95,72 дБ (А) K=0,77 дБ (А)
Уровень звукового давления на уши оператора L _{PA}	81,6 дБ (А) K=3 дБ (А)

Гарантированный уровень звуковой мощности L_{WA} (измерен в соответствии с 2000/14/ЕС)		96 дБ (А)
Вибрация a_n	Передняя вспомогательная рукоятка	2,5 м/с ² K=1,5 м/с ²
	Задняя рукоятка	1,8 м/с ² K=1,5 м/с ²

- Вышеуказанные параметры протестированы и измерены при использовании с приводным блоком RH1420E.
- Указанный общий показатель уровня вибрации был определен с помощью стандартного теста и может быть использован для сравнения разных инструментов.
- Указанный общий уровень вибрации может использоваться также для предварительной оценки уровня воздействия.

ПРЕДУПРЕЖДЕНИЕ. Реальный уровень вибрации и уровень шума электроинструмента могут отличаться от указанных в зависимости от способа использования инструмента и в особенности от обрабатываемого материала.

Необходимо определить меры безопасности для защиты оператора на основе оценки воздействия в реальных условиях использования (учитывая все периоды рабочего цикла — время, когда инструмент выключен и когда он работает вхолостую, а также время запуска).

КОМПЛЕКТ ПОСТАВКИ (РИС. А)

Информацию о рекомендуемой режущей леске можно найти на сайте egorowerplus.com или при помощи каталога продуктов компании EGO.

ОПИСАНИЕ

ЧАСТИ НАСАДКИ ТРИММЕРА С ЛЕСКОЙ (Рис. А).

1. Концевой колпачок
2. Вал триммера с леской
3. Кнопка загрузки лески
4. Режущая леска
5. Головка триммера (катушки)
6. Фиксатор
7. Лезвие для обрезки лески
8. Щиток

9. Шестигранный ключ

⚠ ПРЕДУПРЕЖДЕНИЕ. Никогда не используйте устройство без надежно установленного щитка. Щиток всегда должен быть установлен на устройство для защиты пользователя.

СБОРКА

⚠ ПРЕДУПРЕЖДЕНИЕ. Если какие-либо части повреждены или отсутствуют, не используйте устройство, пока они не будут заменены. Использование устройства в случае повреждения или отсутствия частей может привести к получению серьезной травмы.

⚠ ПРЕДУПРЕЖДЕНИЕ. Не пытайтесь изменить конструкцию триммера или создать не рекомендованные для него дополнительные приспособления. Подобное изменение считается ненадлежащим использованием и способствует возникновению опасной ситуации, которая приведет к получению серьезной травмы.

⚠ ПРЕДУПРЕЖДЕНИЕ. Не подключайте устройство к приводному блоку до завершения сборки. Несоблюдение данного правила может привести к преждевременному запуску и получению серьезных травм.

УСТАНОВКА ЩИТКА

⚠ ПРЕДУПРЕЖДЕНИЕ. Всегда надевайте перчатки при установке и демонтаже щитка. Остерегайтесь лезвия на щитке и берегите руки от порезов.

Открутите и удалите два винта с основания вала (Рис. С), совместите крепежные отверстия щитка с отверстиями для установки, а затем зафиксируйте щиток на основании вала при помощи двух винтов и двух пружинных шайб (Рис. D).

Убедитесь, что щиток установлен так, как показано на Рис. С и D. Любое другое положение установки может быть очень опасным!

УСТАНОВКА НАСАДКИ ТРИММЕРА С ЛЕСКОЙ НА ПРИВОДНОЙ БЛОК

Этот триммер с леской предназначен для использования с приводным блоком EGO RH1420E.

См. раздел «УСТАНОВКА НАСАДКИ ПРИВОДНОГО БЛОКА» в руководстве пользователя приводного блока RH1420E.

RU

ИСПОЛЬЗОВАНИЕ

⚠ ПРЕДУПРЕЖДЕНИЕ. Не допускайте небрежности и беспечности при работе с устройством. Помните, что потери бдительности на долю секунды достаточно для получения серьезной травмы.

⚠ ПРЕДУПРЕЖДЕНИЕ. Всегда надевайте защитные очки, а также используйте защиту органов слуха. В противном случае выбрасываемые предметы попадут в глаза, что может привести к получению серьезной травмы.

ПРИМЕНЕНИЕ

Данное устройство можно использовать в следующих целях:

- стрижка травы и сорняков около подъездов, заборов и настилов.

ПРИМЕЧАНИЕ. Данный инструмент должен использоваться только по назначению. Любое другое использование, кроме упомянутого, считается ненадлежащим.

Перед каждым использованием проверяйте устройство на наличие поврежденных и изношенных частей.

Проверьте головку триммера, щиток и переднюю рукоятку и замените все треснувшие, деформированные, изогнутые или поврежденные части.

Лезвие для обрезки лески на краю щитка может время от времени затупляться. Рекомендуется периодически затачивать его напильником или заменять новым.

⚠ ПРЕДУПРЕЖДЕНИЕ. Всегда надевайте перчатки при установке или замене щитка, заточке или замене лезвия. Остерегайтесь лезвия на щитке и берегите руки от порезов.

⚠ ПРЕДУПРЕЖДЕНИЕ. Чтобы предотвратить получение серьезных травм, извлекайте аккумулятор из приводного блока перед выполнением сервисного обслуживания, очистки, замены принадлежностей или удаления материала из устройства.

ИСПОЛЬЗОВАНИЕ ТРИММЕРА С ЛЕСКОЙ С ПРИВОДНЫМ БЛОКОМ

⚠ ПРЕДУПРЕЖДЕНИЕ. Одевайтесь надлежащим образом, чтобы снизить риск получения травм при использовании данного инструмента. Не надевайте свободную одежду и украшения. Используйте защиту

органов зрения и слуха. Надевайте плотные длинные брюки, прочную обувь и перчатки. Не надевайте шорты, сандалии и не работайте босиком.

⚠ ПРЕДУПРЕЖДЕНИЕ. Очищайте обрабатываемый участок перед каждым использованием инструмента. Удалите такие предметы, как камни, осколки стекла, гвозди, проволоку или веревки, которые могут запутаться в режущем приспособлении или которые оно может отбросить. На участке не должны находиться дети, прохожие и животные. Дети, прохожие и животные должны находиться на расстоянии не менее 15 м, так как во время работы могут отлетать предметы. Посторонние лица должны надевать защитные очки. В случае приближения посторонних лиц немедленно остановите двигатель и режущее приспособление.

Для более безопасной и удобной работы используйте наплечный ремень. Отрегулируйте наплечный ремень до удобного положения. Удерживайте триммер одной рукой за заднюю рукоятку, а другой — за переднюю рукоятку. Во время работы крепко держите устройство обеими руками. Триммер с леской необходимо держать в удобном положении так, чтобы задняя рукоятка была расположена на уровне бедра. Головка триммера должна располагаться параллельно земле, чтобы оператору не нужно было нагибаться для того, чтобы головка могла лучше контактировать со срезаемым материалом (Рис. В).

⚠ ПРЕДУПРЕЖДЕНИЕ. Наплечный ремень также является быстроразъемным механизмом, используемым в опасных ситуациях. В случае возникновения чрезвычайной ситуации немедленно снимите его с плеча любым способом.

Очищайте триммер после каждого использования.

Инструкции по очистке см. в разделе «ОБСЛУЖИВАНИЕ».

ВКЛЮЧЕНИЕ И ВЫКЛЮЧЕНИЕ ИНСТРУМЕНТА

См. раздел «ВКЛЮЧЕНИЕ И ВЫКЛЮЧЕНИЕ ПРИВОДНОГО БЛОКА» в руководстве пользователя приводного блока PH1420E.

РЕГУЛИРОВКА ДЛИНЫ РЕЖУЩЕЙ ЛЕСКИ

Головка триммера позволяет оператору вытянуть дополнительное количество лески, не выключая двигатель. Если леска износилась во время использования триммера, слегка прижмите головку триммера к земле, чтобы вытянуть дополнительную леску (Рис. Е).

RU

ПРИМЕЧАНИЕ. Вытягивание лески становится сложнее по мере ее укорачивания.

⚠ ПРЕДУПРЕЖДЕНИЕ. Не демонтируйте и не изменяйте узел лезвия для обрезки лески. Слишком длинная леска может стать причиной перегрева двигателя и серьезных травм.

ЗАМЕНА ЛЕСКИ

ПРИМЕЧАНИЕ. Используйте рекомендуемую нейлоновую режущую леску диаметром не более 2,4 мм. Использование другой лески может привести к перегреву или повреждению триммера.

⚠ ПРЕДУПРЕЖДЕНИЕ. Никогда не используйте усиленную металлом леску, проволоку, веревку и т. д. Части этих материалов могут отделиться и опасно разлетаться в стороны.

Триммер с леской оборудован усовершенствованной системой **POWERLOAD™** для наматывания лески на катушку достаточно нажать на кнопку. Полное наматывание катушки обычно занимает не более 12 секунд. **Чтобы уменьшить вероятность повреждения двигателя, не допускайте многократной работы системы катушки в быстрой последовательности.**

ПРИМЕЧАНИЕ. Система **POWERLOAD™** доступна только в том случае, если насадка подключена к приводному блоку PH1420E и установлен аккумулятор.

1. Извлеките аккумулятор.
2. Отрежьте 4 м лески. Вставьте леску в ушко (Рис. F). Проденьте и вытяните леску с другой стороны таким образом, чтобы с обеих сторон головки триммера леска была одинаковой длины.

ПРИМЕЧАНИЕ. Если леску не удастся вставить в ушко, когда нижняя крышка застряла, установите аккумулятор в приводной блок, затем кратковременно нажмите кнопку загрузки лески, чтобы сбросить нижнюю крышку.

3. Извлеките аккумулятор, если он был установлен в приводной блок при выполнении действий ПРИМЕЧАНИЯ после шага 2. Затем выполните действия, указанные в шаге 2, чтобы снова вставить и выровнять леску.
4. Установите аккумулятор на приводной блок.
5. Нажмите и удерживайте кнопку загрузки лески, чтобы непрерывно втягивать леску в головку триммера, пока с каждой стороны не будет видно

примерно 15 см лески (Рис. G).

6. Прижмите головку триммера и одновременно вытяните обе лески, чтобы вручную отрегулировать длину и проверить правильность установки.

ПРИМЕЧАНИЕ. Если вся леска оказалась случайно затянута в головку триммера, откройте головку и вытяните леску из катушки. Для регулировки лески выполните инструкции в разделе «УСТАНОВКА ЛЕСКИ» данного руководства.

УСТАНОВКА ЛЕСКИ

Если леска выскочила из отверстия или не вытягивается при нажатии на головку триммера, необходимо удалить оставшуюся леску из головки и выполнить следующие действия для установки лески.

1. Извлеките аккумулятор.
2. Нажмите на фиксаторы на головке триммера и потяните нижнюю крышку в сборе, чтобы снять (Рис. H).
3. Извлеките режущую леску из головки триммера.
4. При необходимости извлеките из катушки пружину. Сохраните ее для дальнейшей сборки.
5. Вставьте пружину в паз в нижней крышке (Рис. I).
6. Удерживая триммер одной рукой, другой рукой возьмитесь за нижнюю крышку и совместите пазы в нижней крышке с фиксаторами (Рис. J). Прижмите нижнюю крышку таким образом, чтобы она зафиксировалась на месте с характерным щелчком (Рис. K).
7. Инструкции по установке режущей лески см. в разделе **ЗАМЕНА ЛЕСКИ** данного руководства.

ЗАМЕНА ГОЛОВКИ ТРИММЕРА

⚠ ПРЕДУПРЕЖДЕНИЕ. Если головка шатается после установки на место, немедленно замените ее.

Никогда не используйте триммер, если какие-либо его части плохо закреплены. Немедленно замените головку, если она треснула, повреждена или изношена, даже если повреждение находится только на поверхности. Поврежденные элементы могут разрушиться на высокой скорости и нанести серьезные травмы.

Ознакомьтесь с триммерной головкой (Рис. L).

Описание частей на Рис. L.

L-1	Вал	L-6	Шайба
L-2	Втулка (2)	L-7	Гайка
L-3	Верхняя крышка	L-8	Пружина
L-4	Пружинный кольцевой замок	L-9	Режущая леска
L-5	Фиксатор катушки	L-10	Нижняя крышка в сборе

Демонтаж режущей головки

1. Извлеките аккумулятор.
2. Нажмите на фиксаторы на головке триммера и потяните нижнюю крышку, чтобы снять.
3. Извлеките режущую леску из головки триммера.
4. При необходимости извлеките из катушки пружину. Сохраните ее для дальнейшей сборки.
5. Наденьте перчатки. Одной рукой крепко удерживайте катушку, а другой рукой открутите гайку по часовой стрелке при помощи ударного гайковерта 13 мм (не входит в комплект) (Рис. М).
6. Снимите с вала двигателя гайку, шайбу и фиксатор катушки (Рис. L).
7. Снимите стопорное кольцо с помощью плоскогубцев (не входят в комплект). Снимите с вала двигателя верхнюю крышку и две втулки (Рис. L).
8. Установите новую головку триммера с помощью следующих инструкций.

Установка новой головки триммера

1. Установите две втулки на вал двигателя.
2. Совместите плоский паз на верхней крышке с плоскостью на валу двигателя и установите верхнюю крышку на место (Рис. N).

Описание частей на Рис. N.

N-1	Плоскость	N-2	Плоский паз
-----	-----------	-----	-------------

3. Установите стопорное кольцо, фиксатор катушки и шайбу в указанном порядке (Рис. L). Затяните гайку с помощью ударного гайковерта против часовой стрелки.
4. Установите нижнюю крышку в соответствии с шагами 4 и 5 в разделе «УСТАНОВКА ЛЕСКИ» данного руководства.
5. Инструкции по установке режущей лески см. в разделе «ЗАМЕНА ЛЕСКИ» данного руководства.
6. Включите триммер и убедитесь, что он работает

нормально. В противном случае выполните сборку повторно в соответствии с приведенными выше инструкциями.

ОБСЛУЖИВАНИЕ

⚠ ПРЕДУПРЕЖДЕНИЕ. При ремонте используйте только идентичные запасные части. Регулярно проверяйте и выполняйте техническое обслуживание устройства. Чтобы обеспечить безопасность и надежность устройства, его ремонт должен выполнять квалифицированный специалист.

⚠ ПРЕДУПРЕЖДЕНИЕ. При ремонте используйте только идентичные запасные части. Использование других запасных частей может привести к возникновению опасной ситуации или повреждению устройства. Чтобы обеспечить безопасность и надежность устройства, любой ремонт, кроме указанного в данных инструкциях по обслуживанию, должен выполнять квалифицированный специалист.

ОБЩЕЕ ОБСЛУЖИВАНИЕ

Не используйте растворители для очистки пластиковых частей. Большинство пластиковых частей чувствительны к различным бытовым растворителям и могут быть повреждены. Для очистки от грязи, пыли, масла, смазки и т. п. используйте чистую ткань.

ОЧИСТКА УСТРОЙСТВА

- Удалите всю траву, которая могла намотаться на вал двигателя или головку триммера.
- С помощью маленькой щетки или небольшого пылесоса очистите вентиляционные отверстия на задней стороне корпуса.
- Очистите устройство с помощью влажной ткани и мягкого моющего средства.
- Не используйте активные моющие средства для очистки пластикового корпуса или рукоятки. Они могут быть повреждены определенными ароматическими маслами, такими как хвойное и лимонное масла, а также растворителями, например керосином. Кроме того, наличие влаги может привести к поражению электрическим током. Протрите влажное место мягкой сухой тканью.

СМАЗКА ШЕСТЕРНЕЙ РЕДУКТОРА

Шестерни в редукторе необходимо периодически смазывать трансмиссионной смазкой. Проверяйте уровень смазки каждые 50 часов работы, сняв уплотнительный винт на боковой стороне корпуса.

Если по бокам шестерней не видно следов смазки, выполните указанные ниже действия, чтобы залить

трансмиссионную смазку на 3/4 объема.

Не заливайте шестерни редуктора полностью.

1. Положите триммер с леской на бок таким образом, чтобы уплотнительный винт был направлен вверх.
2. Используйте прилагаемый многофункциональный гаечный ключ, чтобы открутить и извлечь уплотнительный винт.
3. Используйте смазочный шприц (не входит в комплект), чтобы впрыснуть немного смазки в отверстие для винта (не более 3/4 объема).
4. Закрутите уплотнительный винт после смазки.

ХРАНЕНИЕ УСТРОЙСТВА

- Извлеките аккумулятор из приводного блока.
- Тщательно очистите устройство перед хранением.
- Если насадка триммера с леской снята с приводной головки и хранится отдельно, установите концевой колпачок на вал инструмента, чтобы избежать попадания грязи внутрь муфты.
- Храните устройство в сухом, хорошо проветриваемом, закрытом или высоком месте, недоступном для детей. Не храните устройство рядом с удобрениями, бензином или другими химическими веществами.

ЗАТОЧКА ЛЕЗВИЯ ДЛЯ ОБРЕЗКИ ЛЕСКИ

⚠ ПРЕДУПРЕЖДЕНИЕ. При выполнении любых работ по обслуживанию лезвия для обрезки лески всегда надевайте прочные перчатки.

1. Извлеките аккумулятор.
2. Снимите с щитка лезвие для обрезки лески.
3. Зафиксируйте лезвие в тисках.
4. Используйте очки и перчатки. Соблюдайте осторожность, чтобы не порезаться.
5. Аккуратно заточите лезвие при помощи мелкозубчатого напильника или точильного камня, сохраняя оригинальный угол режущей кромки.
6. Установите лезвие на щиток и закрепите на месте двумя винтами.

Защита окружающей среды



Не выбрасывайте электрооборудование, зарядные устройства, батарейки и аккумуляторы вместе с бытовыми отходами!

Отправьте данное изделие на переработку в специализированное предприятие или сдайте его для раздельного сбора. Электроинструменты должны быть возвращены на перерабатывающее предприятие, не наносящее ущерба окружающей среде.

При утилизации электрических устройств на свалках в подземные воды могут просочиться опасные вещества, которые затем попадут в пищевую цепь и приведут к общему ухудшению здоровья и благополучия.

RU

KEES VAN DER SPEK
MACHINES ★ STOLWIJK

УСТРАНЕНИЕ НЕИСПРАВНОСТЕЙ

ПРОБЛЕМА	ПРИЧИНА	РЕШЕНИЕ
Триммер с леской не запускается.	<ul style="list-style-type: none"> ■ Аккумулятор не установлен в приводной блок. ■ Нет электрического контакта между приводным блоком и аккумулятором. ■ Аккумулятор разряжен. ■ Рычаг блокировки и курковый переключатель не зажаты одновременно. 	<ul style="list-style-type: none"> ■ Установите аккумулятор в приводной блок. ■ Извлеките аккумулятор, проверьте контакты и установите аккумулятор на место до щелчка. ■ Зарядите аккумулятор с помощью зарядного устройства EGO, указанного в данном руководстве. ■ Нажмите на рычаг блокировки и удерживайте его, затем нажмите курковый переключатель, чтобы включить триммер.
<div style="background-color: black; color: white; padding: 2px 5px; font-weight: bold;">RU</div> <p>Устройство остановилось во время работы.</p>	<ul style="list-style-type: none"> ■ Щиток не установлен на триммер, в результате чего леска стала очень длинной, и двигатель перегрелся. ■ Используется слишком тяжелая режущая леска. ■ Вал двигателя и головка триммера забились травой. ■ Двигатель перегружен. ■ Аккумулятор или триммер перегрелись. ■ Аккумулятор не подключен к устройству. ■ Аккумулятор разряжен. 	<ul style="list-style-type: none"> ■ Извлеките аккумулятор и установите щиток на триммер. ■ Используйте рекомендуемую нейлоновую режущую леску диаметром не более 2,4 мм. ■ Выключите триммер, извлеките аккумулятор и удалите траву из вала двигателя и головки триммера. ■ Поднимите головку триммера над травой. Двигатель начнет работать снова, как только нагрузка уменьшится. Во время скашивания перемещайте головку триммера в траву и из нее, срезая не более 20 см длины за раз. ■ Дайте аккумулятору или триммеру остыть, пока температура не упадет ниже 67 °C . ■ Установите аккумулятор. ■ Зарядите аккумулятор с помощью зарядного устройства EGO, указанного в данном руководстве.

ПРОБЛЕМА	ПРИЧИНА	РЕШЕНИЕ
Из головки триммера не вытягивается леска.	<ul style="list-style-type: none"> ■ Вал двигателя и головка триммера забились травой. ■ Недостаточно лески в катушке. ■ Головка триммера загрязнена ■ Леска запуталась в фиксаторе катушки. ■ Леска слишком короткая. 	<ul style="list-style-type: none"> ■ Выключите триммер, извлеките аккумулятор и удалите траву из вала двигателя и головки триммера. ■ Извлеките аккумулятор и замените леску в соответствии с инструкциями в разделе УСТАНОВКА ЛЕСКИ данного руководства. ■ Извлеките аккумулятор, очистите катушку, ее фиксатор и основание. ■ Извлеките аккумулятор, извлеките леску из катушки и намотайте ее заново в соответствии с инструкциями в разделе УСТАНОВКА ЛЕСКИ данного руководства. ■ Извлеките аккумулятор и вытяните леску, нажимая на фиксатор катушки.
Трава наматалась на головку триммера и корпус двигателя.	<ul style="list-style-type: none"> ■ Стрижка высокой травы на уровне земли. 	<ul style="list-style-type: none"> ■ Скашивайте высокую траву сверху вниз и срезайте не более 20 см за один раз, чтобы предотвратить подобные ситуации.
Лезвие не режет леску.	<ul style="list-style-type: none"> ■ Лезвие для обрезки лески на краю щитка затупилось. 	<ul style="list-style-type: none"> ■ Заточите лезвие для обрезки лески напильником или замените.
Трещины на головке триммера или фиксаторе катушки привели к ослаблению основания катушки.	<ul style="list-style-type: none"> ■ Головка триммера изношена. ■ Ослаблена гайка фиксации головки триммера. 	<ul style="list-style-type: none"> ■ Немедленно выполните замену головки триммера. См. раздел «ЗАМЕНА ГОЛОВКИ ТРИММЕРА» в настоящем руководстве. ■ Откройте головку триммера и затяните гайку с помощью гаечного ключа.
Во время замены не удается установить леску в головку триммера надлежащим образом.	<ul style="list-style-type: none"> ■ Метки LOAD фиксатора катушки не выровнены с ушками на основании катушки. ■ Метки LOAD фиксатора катушки не выровнены с ушками на основании катушки. 	<ul style="list-style-type: none"> ■ Поверните фиксатор катушки в направлении, указанном стрелкой, чтобы совместить метки LOAD на фиксаторе катушки с ушками в основании катушки. ■ Поверните фиксатор катушки в направлении, указанном стрелкой, чтобы совместить метки LOAD на фиксаторе катушки с ушками в основании катушки.

ГАРАНТИЯ

ГАРАНТИЙНАЯ ПОЛИТИКА EGO

Посетите веб-сайт egopowerplus.com, чтобы ознакомиться со всеми условиями и сроками гарантийной политики EGO.

PRZECZYTAJ WSZYSTKIE INSTRUKCJE!



PRZECZYTAJ INSTRUKCJĘ OPERATORA

⚠ Ryzyko szczątkowe! Osoby z urządzeniami elektronicznymi, takimi jak rozruszniki serca, powinny przed użyciem produktu skonsultować się ze swoim(i) lekarzem/-ami. Używanie urządzeń elektrycznych blisko rozrusznika serca może spowodować zakłócenia lub uszkodzić rozrusznik.

⚠ OSTRZEŻENIE: Aby zagwarantować bezpieczeństwo i niezawodność, wszystkie naprawy i wymiany części powinny być wykonywane przez wykwalifikowanych techników serwisu.

SYMBOLE BEZPIECZEŃSTWA

Celem symboli bezpieczeństwa jest zwrócenie uwagi użytkownika na możliwe zagrożenia. Symbole bezpieczeństwa i objaśnienia do nich zasługują na to, by je uważnie przestudiować i zrozumieć. Symbole bezpieczeństwa nie eliminują same z siebie jakichkolwiek zagrożeń. Podawane w nich instrukcje i ostrzeżenia nie zastępują odpowiednich środków zapobiegania wypadkom.

⚠ OSTRZEŻENIE: Przed użyciem narzędzia należy koniecznie przeczytać ze zrozumieniem wszystkie instrukcje dotyczące bezpieczeństwa podane w podręczniku użytkownika, łącznie z wszystkimi symbolami ostrzegawczymi takimi jak „**NIEBEZPIECZEŃSTWO**”, „**OSTRZEŻENIE**” i „**UWAGA**”. Niestosowanie się do wszystkich podanych niżej instrukcji może doprowadzić do porażenia prądem, pożaru i/lub poważnych obrażeń.

ZNACZENIE SYMBOLI

⚠ SYMBOL OSTRZEGAWCZY: Oznacza **NIEBEZPIECZEŃSTWO**, **OSTRZEŻENIE** lub **UWAGĘ**, może być używany razem z innymi symbolami lub piktogramami.

INSTRUKCJE DOTYCZĄCE BEZPIECZEŃSTWA

Na tej stronie pokazano i opisano symbole bezpieczeństwa, które mogą występować na produkcie. Przed podjęciem próby złożenia i użycia urządzenia należy przeczytać i zrozumieć wszystkie instrukcje dotyczące urządzenia oraz zastosować się do nich.

	Ostrzeżenie dotyczące bezpieczeństwa	Wskazuje na potencjalne ryzyko urazów ciała.
	Przeczytaj instrukcję operatora	Aby zmniejszyć ryzyko urazów, użytkownik musi przeczytać i zrozumieć instrukcję przed rozpoczęciem korzystania z produktu.
	Noś okulary i nauszniki ochronne oraz kask ochronny	Należy zawsze nosić okulary i nauszniki ochronne oraz kask ochronny.
	Szerokość koszenia	Maks. szerokość koszenia podkaszarką
	Średnica żyłki	Średnica żyłki nylonowej
	Nie używaj metalowych ostrzy	Ostrzega użytkownika, aby nie używał metalowych ostrzy
	Osoby postronne trzymaj z daleka	Przedmioty wyrzucone w powietrze mogą odbić się rykoszetem i doprowadzić do urazów lub strat materialnych. Należy zawsze pilnować, aby inni ludzie oraz zwierzęta domowe pozostawali w z dala od pracującej kosi do zarośli.
	Odległość między narzędziem a osobami postronnymi musi wynosić co najmniej 15 metrów	Należy zawsze pilnować, aby inni ludzie i zwierzęta domowe pozostawali w odległości co najmniej 15 m od pracującej podkaszarki.
IPX4	Symbol IP	Zabezpieczenie przed dostawianiem się wody do środka, stopień 4.
CE	CE	Produkt jest zgodny z obowiązującymi dyrektywami WE.

PL

	UKCA	Produkt jest zgodny z obowiązującym ustawodawstwem Wielkiej Brytanii.
	WEEE	Zużytych urządzeń elektrycznych nie należy wyrzucać razem ze zwykłymi odpadami domowymi. Należy je oddać do autoryzowanego punktu recyklingu.
	Hałas	Gwarantowany poziom mocy akustycznej. Emisja hałasu do środowiska zgodnie z dyrektywą Wspólnoty Europejskiej.
V	Wolt	Napięcie
mm	Milimetr	Długość lub rozmiar
cm	Centymetr	Długość lub rozmiar
kg	Kilogram	Ciężar

OGÓLNE OSTRZEŻENIA DOTYCZĄCE BEZPIECZEŃSTWA UŻYWANIA ELEKTRONARZĘDZI

⚠ OSTRZEŻENIE: Prosimy przeczytać wszystkie ostrzeżenia i instrukcje oraz przestudiować specyfikację i ilustracje dostarczone wraz z elektronarzędziem. Niestosowanie się do wszystkich podanych niżej instrukcji może doprowadzić do porażenia prądem, pożaru i/lub poważnych obrażeń.

Prosimy zachować na przyszłość wszystkie ostrzeżenia i instrukcje.

Termin „elektronarzędzie” występujący w ostrzeżeniach dotyczy narzędzia elektrycznego o zasilaniu sieciowym (przewodowego) lub akumulatorowym (beprzewodowego).

BEZPIECZEŃSTWO W MIEJSCU PRACY

- **Należy dbać o czystość i dobre oświetlenie w miejscu pracy.** Bałagan i złe oświetlenie sprzyjają wypadkom.
- **Nie należy używać elektronarzędzi w miejscach zagrożonych wybuchem, np. w obecności łatwopalnych cieczy, gazów lub pyłu.** Elektronarzędzia wytwarzają iskry, które mogą zapalić opary lub pył.

- **W czasie pracy elektronarzędzie należy trzymać z dala od dzieci i osób postronnych.** Chwila nieuwagi może spowodować utratę kontroli nad urządzeniem.

BEZPIECZEŃSTWO ELEKTRYCZNE

- **Wtyczki elektronarzędzi muszą pasować do gniazdek. Nigdy w jakikolwiek sposób nie wolno przerabiać wtyczki.** Do elektronarzędzi wymagających uziemienia nie należy używać przejściówek. Oryginalne wtyczki i pasujące do nich gniazdzka zmniejszają ryzyko porażenia prądem.
- **Należy unikać dotykania ciałem powierzchni uziemionych, takich jak np. rury, kaloryfery, kuchenki i lodówki.** Uziemienie ciała zwiększa ryzyko porażenia prądem.
- **Narzędzia nie należy używać podczas deszczu lub w warunkach dużej wilgotności.** Woda dostająca się do urządzenia może zwiększyć ryzyko porażenia prądem lub awarii, która może doprowadzić do urazów ciała.
- **Nie należy nadwyręzać przewodu. Nigdy nie należy używać przewodu do noszenia lub ciągnięcia elektronarzędzia; nie należy chwycić za przewód, aby wyjąć wtyczkę z kontaktu.** Przewód należy chronić przed gorącym, ropą, olejem, ostrymi krawędziami i poruszającymi się częściami. Zapłatanie lub uszkodzone przewody zwiększają ryzyko porażenia prądem.
- **Podczas używania elektronarzędzia na dworze należy stosować przedłużacz nadający się do używania na dworze.** Używanie przewodu przeznaczonego do stosowania na dworze zmniejsza ryzyko porażenia prądem.
- **Jeżeli użycie elektronarzędzia w miejscu o dużej wilgotności jest nieuniknione, należy stosować zasilanie zabezpieczone wyłącznikiem różnicowoprądowym.** Używanie wyłącznika różnicowoprądowego zmniejsza ryzyko porażenia prądem.

BEZPIECZEŃSTWO OSOBISTE

- **Podczas pracy narzędziem należy zachowywać czujność, patrzeć, co się robi i kierować się zdrowym rozsądkiem. Nie należy używać elektronarzędzia, gdy użytkownik jest zmęczony, albo jest pod wpływem narkotyków, alkoholu lub leków.** Chwila nieuwagi w czasie posługiwania się elektronarzędziami może spowodować poważne obrażenia.
- **Należy używać środków ochrony osobistej i zawsze nosić okulary ochronne.** Stosowanie w odpowiednich warunkach sprzętu ochronnego takiego jak np. maska przeciwpyłowa, obuwie ochronne z podeszwami antypoślizgowymi, kask lub ochronniki słuchu zmniejszą ewentualne obrażenia.
- **Nie należy dopuszczać do przypadkowego włączenia.**

PL

- Należy pilnować, aby przed podłączeniem narzędzia do zasilania i/lub baterii akumulatorowej oraz przed podniesieniem i przeniesieniem przełącznik był ustawiony w pozycji „wyłączone”. Trzymanie palca na przełączniku w czasie przenoszenia narzędzi elektrycznych lub podłączanie ich do zasilania, gdy przełącznik jest ustawiony w pozycji „włączone” może doprowadzić do wypadku.
- **Przed włączeniem elektronarzędzia należy usunąć wszystkie klucze regulacyjne i inne narzędzia.** Klucz zaczepony o obracającą się część elektronarzędzia może spowodować obrażenia.
 - **Nie należy sięgać za daleko. Należy zawsze dbać o utrzymanie równowagi i pewne podparcie nóg.** W nieprzewidzianych sytuacjach zapewnia to lepszą kontrolę nad elektronarzędziem.
 - **Należy nosić odpowiednią odzież. Nie powinno się nosić luźnych ubrań ani biżuterii.** Włosy, odzież i rękawice należy trzymać w bezpiecznej odległości od poruszających się części. Luźne ubrania, biżuteria lub długie włosy mogą zacześcić się o poruszające się części.
 - **Jeżeli urządzenie jest przystosowane do podłączania do odsysacza pyłu i urządzenia zbierającego, należy dopilnować, aby systemy te były podłączone i właściwie stosowane.** Używanie urządzeń służących do pochłaniania pyłu może zmniejszyć zagrożenia związane z pyłem.
 - **Nie wolno dopuścić do tego, aby poczucie znajomości narzędzia wynikające z jego częstego używania doprowadziło do lekceważenia i ignorowania zasad bezpieczeństwa.** Jedno lekkomyślne działanie może w ułamku sekundy doprowadzić do ciężkich urazów.
 - **Nie używane elektronarzędzia należy przechowywać w miejscu niedostępnym dla dzieci. Osobom, które nie znają narzędzia lub nie zapoznały się z instrukcją nie należy pozwalać go używać.** W rękach nieprzeszkolonych użytkowników elektronarzędzia mogą stanowić zagrożenie.
 - **Elektronarzędzia i akcesoria należy utrzymywać w dobrym stanie. Należy kontrolować, czy części ruchome nie są odchylone od osi, nie zacinają się i nie są pęknięte lub uszkodzone w inny sposób, który mógłby wpłynąć na działanie narzędzia. W razie uszkodzenia, przed użyciem należy oddać narzędzie do naprawy.** Wiele wypadków wynika ze złej konserwacji narzędzi.
 - **Należy dbać o czystość i naostrzenie narzędzi tnących.** Odpowiednio utrzymane narzędzia tnące z ostrymi krawędziami tnącymi są mniej narażone na zakleszczanie się i łatwiej jest je kontrolować.
 - **Elektronarzędzia, akcesoriów, wiertła, bitów, itp. należy używać zgodnie z niniejszą instrukcją, z uwzględnieniem warunków i rodzaju wykonywanej pracy.** Korzystanie z elektronarzędzi niezgodnie z przeznaczeniem może prowadzić do niebezpiecznych sytuacji.
 - **Należy dbać o to, aby powierzchnia uchwytów była sucha, czysta i niezaplamią olejem lub smarem.** Śliszkie uchwyty nie pozwalają w bezpieczny sposób kontrolować narzędzia w nieprzewidzianych sytuacjach.

UŻYWANIE I KONSERWOWANIE ELEKTRONARZĘDZI

- **Elektronarzędzia nie należy forsować. Należy używać narzędzia dostosowanego do wykonywanej pracy.** Odpowiednie narzędzie elektryczne wykona pracę lepiej i bezpieczniej, gdy pozwoli mu się pracować z prędkościami/obrotami do jakich zostało zaprojektowane.
- **Nie należy używać elektronarzędzia, jeżeli przełącznik zasilania nie włącza go lub nie wyłącza.** Elektronarzędzie, którego nie da się kontrolować przełącznikiem, jest potencjalnie niebezpieczne i wymaga naprawy.
- **Przed jakąkolwiek regulacją, wymianą akcesoriów lub schowaniem elektronarzędzia należy wyjąć wtyczkę z gniazdka i/lub odłączyć od narzędzia akumulator.** Tego typu zapobiegawcze środki ostrożności zmniejszają ryzyko przypadkowego włączenia się elektronarzędzia.
- **Do ładowania należy używać wyłącznie ładowarki wskazanej przez producenta.** Użycie ładowarki pochodzącej od jednego akumulatora do ładowania innego akumulatora grozi pożarem.
- **Elektronarzędzia należy używać wyłącznie z dedykowanymi do nich akumulatorami.** Użycie jakichkolwiek innych akumulatorów grozi obrażeniami i pożarem.
- **Jeżeli akumulator nie jest używany, należy go przechowywać z dala od innych przedmiotów metalowych, np. spinaczy, monet, kluczy, gwoździ, śrub i innych drobnych przedmiotów metalowych, które mogłyby spowodować zwarcie wyprowadzeń akumulatora.** Zwarcie wyprowadzeń akumulatora może doprowadzić do oparzenia lub pożaru.
- **W niesprzyjających warunkach może dojść do wycieku cieczy z akumulatora. Należy wtedy unikać wszelkiego kontaktu z tą cieczą. W razie przypadkowego kontaktu ze skórą, zabrudzone miejsce należy obficie przemyć wodą. Jeżeli płyn dostanie się do oczu, należy dodatkowo zasięgnąć**

porady lekarza. Płyn wyciekający z akumulatora może powodować podrażnienie lub oparzenia.

- **Nie należy używać akumulatora lub narzędzia, które są uszkodzone lub zostały poddane przeróbkom.** Uszkodzone lub zmodyfikowane akumulatory mogą zachowywać się w sposób nieprzewidywalny, co może doprowadzić do pożaru lub wybuchu lub stwarzać ryzyko urazów.
- **Nie należy narażać akumulatora lub narzędzia na kontakt z ogniem lub zbyt wysokimi temperaturami.** Ogień lub temperatury przekraczające 130°C mogą doprowadzić do wybuchu.
- **Należy przestrzegać wszystkich instrukcji ładowania. Nie należy ładować akumulatora lub narzędzia poza przedziałem temperatur podanym w instrukcji.** Ładowanie w sposób nieprawidłowy lub w temperaturze wykraczającej poza określony zakres może doprowadzić do uszkodzenia akumulatora i zwiększa ryzyko pożaru.

SERWISOWANIE

- **Serwisowanie elektronarzędzia należy powierzać wykwalifikowanemu serwisantowi, a do naprawy używać wyłącznie części zamiennych identycznych z oryginalnymi.** Zapewni to bezpieczeństwo eksploatacji elektronarzędzia.
- **Uszkodzonych akumulatorów nie należy nigdy naprawiać.** Jakiegokolwiek czynności serwisowe przy akumulatorach powinny być wykonywane wyłącznie przez producenta lub pracowników autoryzowanego serwisu.

SPECJALNE OSTRZEŻENIA DOTYCZĄCE BEZPIECZEŃSTWA UŻYWANIA PODKASZARKI

- **Narzędzia nie należy używać podczas niepogody, zwłaszcza zaś wtedy, gdy istnieje ryzyko uderzenia pioruna.** Zasada to ograniczyć ryzyko porażenia piorunem.
- **Prosimy dokładnie sprawdzić teren, na którym będzie używane narzędzie, pod kątem obecności na nim dzikich zwierząt.** Pracujące narzędzie może podczas użytkowania doprowadzić do poranienia dzikich zwierząt.
- **Teren, na którym będzie używane narzędzie, należy dokładnie sprawdzić. Wszystkie kamienie, patyki, druty, kości i inne przedmioty należy usunąć.** Wyrzucone w powietrze przedmioty mogą doprowadzić do obrażeń ciała.
- **Przed użyciem narzędzia należy zawsze sprawdzić wzrokowo, czy nóż lub ostrze oraz zespół noża lub ostrza nie są uszkodzone.** Uszkodzone części zwiększają ryzyko urazów.

- **Należy przestrzegać instrukcji dotyczących wymiany akcesoriów.** Nieprawidłowo dokręcone nakrętki lub śruby mocujące nóż mogą spowodować uszkodzenie ostrza lub jego oderwanie.
- **Prosimy stosować środki ochrony oczu, uszu, głowy i rąk.** Odpowiednie wyposażenie ochronne ograniczy obrażenia ciała spowodowane wyrzuceniami w powietrze odłamkami lub przypadkowym kontaktem z żyłką tnącą lub ostrzem.
- **Podczas używania narzędzia należy zawsze nosić antypoślizgowe obuwie ochronne.** Nie wolno używać narzędzia na bosą lub w otwartych sandałach. Zmniejsza to ryzyko skaleczenia stóp w wyniku kontaktu z poruszającymi się nożami lub żyłkami.
- **Podczas używania narzędzia należy zawsze nosić długie spodnie.** Nieosłonięta skóra zwiększa prawdopodobieństwo skaleczenia przedmiotami wyrzuceniami w powietrze.
- **W czasie pracy narzędziem osoby postronne należy trzymać z daleka.** Wyrzucone w powietrze odpady mogą doprowadzić do poważnych urazów ciała.
- **W czasie pracy narzędziem należy zawsze używać obu rąk.** Trzymanie narzędzia oburącz pozwoli uniknąć utraty kontroli nad nim.
- **Ponieważ żyłka tnąca lub ostrze mogą natrafić na ukryte przewody, narzędzie należy trzymać wyłącznie za izolowane uchwyty.** Dotknięcie żyłką tnącą lub ostrzem przewodu pod napięciem może spowodować, że przez nieizolowane elementy metalowe narzędzia popłynie prąd, co grozi operatorowi porażeniem.
- **Należy zawsze dbać o pewne podparcie stóp i używać narzędzia wyłącznie stojąc na ziemi.** Śliskie lub niestabilne powierzchnie mogą spowodować utratę równowagi lub kontroli nad narzędziem.
- **Nie należy używać narzędzia na zbyt stromych zboczach.** Zmniejsza to ryzyko utraty kontroli, poślizgnięcia się i upadku, co może skutkować obrażeniami ciała.
- **Podczas pracy na pochyłościach należy zawsze stać na pewnym podłożu, zawsze pracować w poprzek zbocza, nigdy w górę lub w dół, a przy zmianie kierunku należy zawsze zachowywać szczególną ostrożność.** Zmniejsza to ryzyko utraty kontroli, poślizgnięcia się i upadku, co może skutkować obrażeniami ciała.
- **Podczas pracy narzędziem należy trzymać wszystkie części ciała z dala od noża, żyłki lub ostrza. Przed włączeniem narzędzia należy upewnić się, że nóż, żyłka lub ostrze niczego nie dotykają.** Chwila nieuwagi podczas używania narzędzia może spowodować obrażenia ciała bądź użytkownika, bądź innych osób.

- **Nie należy pracować narzędziem powyżej wysokości pasa.** Pomaga to zapobiec niezamierzonemu zetknięciu się z nożami lub ostrzami i umożliwia lepszą kontrolę nad narzędziem w nieoczekiwanych sytuacjach.
- **Podczas przecinania naprężonych gałęzi lub pędów należy liczyć się z tym, że gałąź odegnie się i odskoczy.** Gdy napięcie we włóknach drewna zostanie zwolnione, krzaki lub młode pędy mogą uderzyć operatora i/lub doprowadzić do tego, że narzędzie wymknie się spod kontroli.
- **Szczególną ostrożność należy zachować podczas przycinania krzaków i młodych drzewek.** Wiotki materiał może zaczepić o ostre, nagiąć się i uderzyć operatora, co może spowodować utratę równowagi.
- **Nad narzędziem trzeba mieć kontrolę.** Nie wolno dotykać noży, żyłki lub ostrzy oraz innych poruszających się niebezpiecznych części ruchomych. Zmniejsza to ryzyko urazów spowodowanych ruchomymi częściami.
- **Podczas usuwania zakleszczonego materiału lub serwisowania urządzenia należy się upewnić, że wyłącznik jest wyłączony, a akumulator wyjęty.** Niespodziewane włączenie narzędzia w czasie serwisowania lub usuwania zaklinowanych materiałów może doprowadzić do poważnych urazów ciała.
- **Narzędzie należy przenosić wyłączone, należy je trzymać z dala od ciała.** Właściwe używanie narzędzia zmniejsza prawdopodobieństwo przypadkowego kontaktu z ruchomym nożem, żyłką lub ostrzem.
- **Należy używać wyłącznie zamiennych noży, żyłek, głowic tnących i ostrzy określonych przez producenta.** Niewłaściwe części zamienne mogą zwiększać ryzyko złamania i obrażeń.
- **Uszkodzenie podkaszarki** – Jeśli podkaszarka uderzy w jakąś przeszkodę lub zaplącze się w coś, należy natychmiast ją wyłączyć, sprawdzić, czy narzędzie nie ma uszkodzeń, a jeśli są, wówczas naprawić je przed podjęciem próby dalszego użytkowania. Nie należy używać urządzenia z uszkodzoną osłoną lub szpulą.
- **Jeśli urządzenie zaczyna nienormalnie wibrować, należy wyłączyć silnik i natychmiast sprawdzić, co jest przyczyną.** Wibracje są na ogół sygnałem ostrzegającym o problemach. Poluzowana głowica może wibrować, pęknąć, rozlecieć się lub odpaść z podkaszarki, co może doprowadzić do poważnych lub śmiertelnych obrażeń. Należy upewnić się, że końcówka tnąca jest poprawnie zamocowana. Jeżeli po zamocowaniu głowica tnąca obluzuje się, należy ją natychmiast wymienić. Nigdy nie należy używać podkaszarki z poluzowaną głowicą tnącą.
- **Narzędzia akumulatorowe nie wymagają podłączenia do kontaktu elektrycznego i dlatego są zawsze gotowe do pracy.** Należy więc mieć świadomość możliwych zagrożeń, występujących nawet wtedy, gdy narzędzie nie jest używane. Podczas wykonywania czynności konserwacyjnych lub serwisowych należy zachować ostrożność.
- **Nie należy czyścić urządzenia węzem; należy unikać zachlapywania wodą silnika i połączeń elektrycznych.**
- **W sytuacjach, które nie zostały przewidziane w niniejszej instrukcji należy zachować ostrożność i kierować się własnym zdrowym rozsądkiem.** W celu uzyskania pomocy prosimy skontaktować się z centrum obsługi klienta EGO.
- **W urządzeniu należy używać wyłącznie akumulatorów i ładowarek podanych na rys. A.**

INSTRUKCJI NIE NALEŻY WYRZUCAĆ!

SPECYFIKACJA

Mechanizm tnący	Głowica-uderzak	
Średnica żyłki	Żyłka nylonowa 2,4 mm	
Szerokość koszenia	40 cm	
Prędkość bez obciążenia	4900/5800 min ⁻¹	
Waga (bez akumulatora)	1,53 kg	
Zalecana temperatura pracy	0°C-40°C	
Zalecana temperatura składowania	-20°C-70°C	
Zmierzony poziom mocy akustycznej L _{WA}	95,72 dB(A) K=0,77 dB(A)	
Poziom ciśnienia akustycznego przy uchu operatora L _{PA}	81,6 dB(A) K=3 dB(A)	
Gwarantowany poziom mocy akustycznej L _{WA} (zmierzony zgodnie z dyrektywą 2000/14/WE)	96 dB(A)	
Drgania a _n	Przedni uchwyt pomocniczy	2,5 m/s ² K=1,5 m/s ²
	Uchwyt tylny	1,8 m/s ² K=1,5 m/s ²

- Powyższe parametry są testowane i mierzone na głowicy uniwersalnej PH1420E.
- Deklarowana całkowita wartość drgań została zmierzona zgodnie ze standardowymi metodami testowania i może służyć do porównywania różnych narzędzi.
- Deklarowana całkowita wartość drgań może również służyć do wstępnej oceny narażenia na drgania.

OSTRZEŻENIE: W zależności od sposobu użytkowania, a w szczególności w zależności od rodzaju materiału, w którym odbywa się praca, emisja hałasu podczas faktycznego użytkowania narzędzia może się różnić od deklarowanej wartości całkowitej.

Środki ostrożności służące ochronie operatora należy określić na podstawie oceny narażenia w rzeczywistych warunkach użytkowania (z uwzględnieniem wszystkich elementów cyklu pracy, tj. oprócz czasu włączenia także okresów takich jak czas, w którym narzędzie jest wyłączone oraz w którym pracuje bez obciążenia).

LISTA ELEMENTÓW W OPAKOWANIU (RYS. A)

Informacje nt. zalecanej długości żyłki znaleźć można na stronie egopowerplus.com lub w katalogu produktów EGO.

OPIS

POZNAJ KOŃCÓWKĘ-PODKASZARKĘ NA ŻYŁKĘ

1. Zaślepka
2. Walek podkaszarki
3. Przycisk ładowania żyłki
4. Żyłka tnąca
5. Głowica podkaszarki (głowica-uderzak)
6. Zaczep odblokowujący
7. Ostrze do obcinania żyłki
8. Osłona
9. Klucz imbusowy

OSTRZEŻENIE: Nigdy nie należy włączać narzędzia bez mocno założonej osłony. Aby chronić użytkownika, osłona musi być zawsze założona na narzędzie!

MONTAŻ

OSTRZEŻENIE: W przypadku braku lub uszkodzenia którejś z części nie należy uruchamiać urządzenia aż do momentu wymiany lub naprawy części. Używanie urządzenia z uszkodzonymi lub brakującymi częściami może doprowadzić do poważnych urazów ciała.

OSTRZEŻENIE: Nie należy próbować przerabiać urządzenia lub tworzyć akcesoriów, które nie są zalecane do używania w podkaszarce. Wszelkie tego typu zmiany lub modyfikacje są niedozwolone i mogą prowadzić do niebezpiecznych sytuacji oraz poważnych urazów ciała.

OSTRZEŻENIE: Przed całkowitym złożeniem urządzenia nie należy podłączać zasilania. Nieprzestrzeganie tego zalecenia może doprowadzić do przypadkowego włączenia się narzędzia, co może spowodować poważne urazy ciała.

MONTAŻ OSŁONY

OSTRZEŻENIE: Podczas zakładania lub wymienia osłony należy zawsze mieć założone rękawice. Należy uważać na ostrze na osłonie i chronić dłonie przed skaleczeniem ostrzem.

Odkręcić i wyjąć dwie śruby z trzonka podstawy (Rys. C), wyrównać otwory mocujące osłony względem otworów montażowych i dwiema śrubami z dwiema podkładkami sprężynującymi zablokować osłonę na podstawie trzonka (Rys. D).

Upewnić się, że osłona jest zamocowana zgodnie z Rys. C i D, jakiegokolwiek rodzaju montaż odwrotną stroną stanowi poważne zagrożenie!

ZAKŁADANIE KOŃCÓWKI-PODKASZARKI NA GŁOWICĘ UNIWERSALNĄ

Ta końcówka-podkaszarka na żyłkę została zaprojektowana do używania z głowicą uniwersalną EGO model PH1420E.

Więcej informacji – patrz część „INSTALOWANIE GŁOWICY NAPĘDOWEJ” w instrukcji do głowicy uniwersalnej PH1420E.

ŻYTKOWANIE

OSTRZEŻENIE: Nie wolno dopuść do tego, aby znajomość narzędzia doprowadziła do nieuwagi. Należy pamiętać, że do spowodowania poważnych obrażeń wystarczy zaledwie chwila nieuwagi.

OSTRZEŻENIE: Należy zawsze nosić środki ochrony oczu i uszu. Nieprzestrzeganie tego zalecenia może doprowadzić do poważnych obrażeń oczu odłamkiem lub skrawkiem materiału wyrzuconym przez pracujące narzędzie, a także grozi innymi możliwymi urazami.

ZASTOSOWANIA

Urządzenia można używać wyłącznie do celów podanych poniżej:

- przycinanie trawy i chwastów przy gankach, płotach i podestach.

UWAGA: Narzędzia należy używać tylko do celów zgodnych z przeznaczeniem. Wszelkie inne zastosowania uznaje się za niezgodne z przeznaczeniem.

Przed każdym użyciem należy sprawdzić, czy jakieś części nie są uszkodzone/zużyte

Należy skontrolować głowicę podkaszarki, osłonę i uchwyty przedni oraz wymienić części pęknięte, wypaczone, skrzywione lub uszkodzone w jakikolwiek sposób.

Ostrze do żyłki tnącej na krawędzi osłony może się z czasem stępić. Zaleca się je okresowo ostrzyć pilnikiem lub wymieniać na nowe.

⚠ OSTRZEŻENIE: Na czas mocowania lub zdejmowania osłony lub ostrzenia lub wymieniania ostrza należy zawsze zakładać rękawice. Należy zwrócić uwagę na położenie ostrza na osłonie i chronić rękę przed skałeczeniem ostrzem.

⚠ OSTRZEŻENIE: Aby uniknąć poważnych obrażeń ciała, przed serwisowaniem, czyszczeniem, wymianą osprzętu dodatkowego (końcówki) oraz usuwaniem materiału, z głowicy uniwersalnej należy zawsze wyjmować akumulator.

UŻYWANIE PODKASZARKI ZAŁOŻONEJ NA GŁOWICĘ UNIWERSALNĄ

⚠ OSTRZEŻENIE: Aby ograniczyć ryzyko obrażeń, podczas pracy narzędziem należy nosić odpowiednią odzież. Nie należy nosić luźnych ubrań ani biżuterii. Należy nosić środki ochrony oczu i ochronniki słuchu. Należy nosić ciężkie długie spodnie, solidne buty i rękawice. Nie należy nosić krótkich spodni lub sandałów ani używać narzędzia na bosą.

⚠ OSTRZEŻENIE: Przed każdym użyciem narzędzia należy uprzętnąć teren pracy. Usunąć wszystkie przedmioty takie jak kamienie, pośluzzone szkło, gwoździe, kawałki drutu lub sznurka itp., które mogą zostać wyrzucone w powietrze lub mogą zaplątać się w końcówkę tnącą. Z terenu, który ma zostać skoszony wyprosić dzieci i osoby postronne oraz wygonić zwierzęta. Jako minimum dzieci i osoby postronne oraz zwierzęta muszą znajdować się w odległości 15 m, jednak taka odległość nadal nie eliminuje całkowicie ryzyka trafienia wyrzucenymi w powietrze przedmiotami. Osoby postronne należy zachęcać do noszenia okularów ochronnych. Jeśli do użytkownika zbliży się jakaś osoba, należy natychmiast wyłączyć silnik i zatrzymać końcówkę tnącą.

Aby bezpieczniej i lepiej pracować narzędziem, należy przełożyć przez ramię pasek na ramię. Pasek należy wyregulować w taki sposób, aby zagwarantować wygodną pozycję pracy. Podkaszarkę należy trzymać jedną ręką na uchwycie tylnym, a drugą na uchwycie przednim. Podczas pracy narzędziem należy mocno trzymać uchwyty obiema rękoma. Podkaszarkę należy trzymać wygodnie z tylnym uchwytem znajdującym się mniej więcej na

wysokości bioder. Głowica podkaszarki powinna być ustawiona równolegle do ziemi, tak aby łatwo mogła dotknąć przecinanego materiału bez potrzeby schylenia się operatora (Rys. B).

⚠ OSTRZEŻENIE: Pasek na ramię jest także mechanizmem szybkiego odcepienia w niebezpiecznych sytuacjach. W sytuacji awaryjnej należy go natychmiast zdjąć z ramienia, niezależnie od sposobu założenia paska.

Po każdym użyciu należy wyczyścić podkaszarkę.

Instrukcje dotyczące czyszczenia – patrz część zatytułowana KONSERWACJA.

WŁĄCZANIE/WYŁĄCZANIE NARZĘDZIA

Więcej informacji – patrz część „WŁĄCZANIE/WYŁĄCZANIE GŁOWICY UNIWERSALNEJ” w instrukcji do głowicy uniwersalnej PH1420E.

REGULACJA DŁUGOŚCI ŻYŁKI TNĄCEJ

Głowica-uderzak pozwala operatorowi wysuwać więcej żyłki tnącej bez wyłączania silnika. W miarę jak żyłka strzępi się i zużywa, dodatkową żyłkę można wysunąć lekkim uderzeniem głowicą podkaszarki w ziemię w czasie, gdy podkaszarka pracuje (Rys. E).

UWAGA: Im krótsza żyłka, tym trudniejsze staje się jej wysuwanie.

⚠ OSTRZEŻENIE: Nie należy demontować lub przerabiać zespołu ostrza do żyłki. Zbyt długa żyłka prowadzi do przegrzewania się silnika i może spowodować poważne urazy ciała.

WYMIANA ŻYŁKI

INFORMACJA: Należy używać zalecanej nylonowej żyłki tnącej o średnicy nie większej niż 2,4 mm. Używanie żyłki innego typu może doprowadzić do przegrzewania się podkaszarki i spowodować jej uszkodzenie.

⚠ OSTRZEŻENIE. Nigdy nie należy używać żyłek wzmocnionych metalem, drutów, sznurków itp. Mogą się one ułamać i zmienić w niebezpieczne pociski.

Podkaszarka jest wyposażona w zaawansowany system **POWERLOAD™**. Żyłkę tnącą można nawinać na szpulę po prostu naciśnięciem jednego przycisku. Ładowanie pełnej szpuli trwa zwykle 12 sekund. **Unikaj wielokrotnego działania systemu nawijania w krótkich odstępach czasu, aby zmniejszyć możliwość uszkodzenia silnika.**

INFORMACJA. System **POWERLOAD™** jest dostępny tylko wtedy, gdy końcówka jest podłączona do głowicy napędowej PH1420E i gdy zainstalowany jest akumulator..

- Wyjąć akumulator.
- Odciać 4 m żyłki tnącej. Włożyć żyłkę w oczko (Rys. F). Wcisnąć żyłkę i wyciągnąć ją z drugiej strony, tak aby po obu stronach głowicy podkaszarki znajdowało się tyle samo żyłki.

INFORMACJA. Jeśli żyłki nie da się włożyć do oczka, bo pokrywa dolna jest zablokowana, należy zainstalować akumulator w głowicy napędowej, a następnie na krótko nacisnąć przycisk ładowania żyłki, aby przestawić pokrywę dolną.

- Wyjąć akumulator, o ile został on zainstalowany w głowicy napędowej w INFORMACJI po kroku 2. Wykonać czynności określone w kroku 2, aby ponownie włożyć i wyrównać żyłkę tnącą.
- Zainstalować akumulator w głowicy napędowej.
- Nacisnąć i przytrzymać przycisk ładowania żyłki, aby nawinąć żyłkę w głowicy podkaszarki w sposób ciągły, aż z każdej strony będzie widoczne około 15 cm żyłki (Rys. G)
- Nacisnąć głowicę podkaszarki i pociągnąć żyłki, aby je ręcznie wysunąć, sprawdzić prawidłowe złożenie głowicy podkaszarki.

INFORMACJA: Jeśli żyłka zostanie wciągnięta do głowicy przez przypadek, należy otworzyć głowicę i wyciągnąć żyłkę ze szpuli. W celu ponownego załadowania żyłki należy wykonać kroki opisane w niniejszej instrukcji w części „PONOWNE ZAKŁADANIE ŻYŁKI TNAŃCEJ”.

PONOWNE ZAKŁADANIE ŻYŁKI TNAŃCEJ

Gdy żyłka tnąca urwie się na wylocie żyłki lub gdy żyłka tnąca nie wysuwa się z głowicy podkaszarki pod wpływem uderzenia głowicą o ziemię, należy wówczas wykonać następujące kroki, aby wyjąć pozostałą żyłkę i ją przeladować:

- Wyjąć akumulator.
- Wcisnąć zaczepy odblokowujące w głowicy podkaszarki i wyjąć (wysunąć prosto na zewnątrz) zespół pokrywy dolnej głowicy podkaszarki (Rys. H).
- Wyjąć żyłkę tnącą z głowicy podkaszarki.
- W razie potrzeby wyjąć zespół szpuli. Zachować go do ponownego montażu.
- Włożyć żyłkę w szczelinę w zespole pokrywy dolnej (Rys. I).
- Jedną ręką przytrzymać podkaszarkę, a drugą chwycić zespół pokrywy dolnej i dopasować szczeliny w zespole pokrywy do zaczepów odblokowujących (Rys. J). Wcisnąć zespół osłony dolnej, aż zaskoczy na miejscu, przy czym słyszalne będzie wyraźne

kliknięcie (Rys. K).

7. Aby ponownie założyć żyłkę tnącą, wykonaj instrukcje podane w części „WYMIANA ŻYŁKI”.

WYMIANA GŁOWICY TNAŃCEJ

⚠ OSTRZEŻENIE: Jeżeli po zamocowaniu głowica obluzuje się, należy ją natychmiast wymienić.

Nigdy nie należy używać podkaszarki z poluzowaną głowicą tnącą. Pękniętą, uszkodzoną i zużytą głowicę tnącą należy natychmiast wymienić, nawet jeśli uszkodzenie polega tylko na spękaniu powierzchni elementu. Tego typu końcówki mogą rozpaść się przy dużej prędkości i spowodować poważne obrażenia.

Należy zapoznać się z głowicą podkaszarki (Rys. L).

Rys. L – opis części patrz poniżej:

L-1	Trzonek	L-6	Podkładka
L-2	Tuleja (2)	L-7	Nakrętka
L-3	Oslona górna	L-8	Sprężyna
L-4	Pierścień sprężynujący zabezpieczający	L-9	Żyłka tnąca
L-5	Oslona mocująca szpuli	L-10	Zespół pokrywy dolnej

PL

1. Wyjąć akumulator.
2. Wcisnąć i zwolnić zaczepy odblokowujące na głowicy tnącej i wyjąć zespół pokrywy dolnej głowicy wyciągając ją prosto na zewnątrz.
3. Wyjąć żyłkę tnącą z głowicy podkaszarki.
4. W razie potrzeby wyjąć zespół szpuli. Zachować go do ponownego montażu.
5. Założyć rękawice. Jedną ręką chwycić zespół szpuli, aby go ustabilizować, a drugiej ręki użyć do przytrzymania klucza udarowego 13 mm (do dokupienia osobno), aby poluzować nakrętkę W PRAWO (zgodnie z kierunkiem ruchu wskazówek zegara) (Rys. X).
6. Z wału silnika zdjąć nakrętkę, podkładkę i element ustalający szpulę (Rys. L).
7. Szczypcami montażowymi wyjąć pierścień sprężynujący zabezpieczający (do dokupienia osobno). Zdjąć z wału silnika pokrywę górną i dwie tuleje (Rys. L).
8. Wymienić głowicę na nową i zamontować ją w następujących krokach.

Instalowanie nowej głowicy tnącej

1. Zamontować dwie tuleje na wale silnika.
2. Dopasować płaską szczelinę w pokrywie górnej do płaskiego gniazda w wale silnika i zamontować na miejsce pokrywę górną (Rys. N).

Rys. N – opis części patrz poniżej:

N-1	Płaski	N-2	Płaskie gniazdo
-----	--------	-----	-----------------

3. Zamontować kolejno pierścien sprężynujący zabezpieczający, uchwyt szpuli i podkładkę (Rys. L). Kluczem udarowym dokręcić nakrętkę, kręcić W LEWO (przeciwnie do kierunku ruchu wskazówek zegara).
4. Zamontować zespół pokrywy dolnej według instrukcji 4 i 5 podanych w części „PONOWNE ZAKŁADANIE ŻYŁKI TNAŃCEJ” w niniejszym podręczniku.
5. Aby ponownie założyć żyłkę tnącą, wykonać instrukcje podane w części „WYMIANA ŻYŁKI”.
6. Uruchom narzędzie, aby sprawdzić prawidłowość działania. Jeżeli tak nie jest, należy złożyć ją ponownie, tak jak opisano wyżej.

PL

KONSERWACJA

⚠ OSTRZEŻENIE: Przed kontrolą, czyszczeniem lub serwisowaniem urządzenia należy wyłączyć silnik, odczekać aż wszystkie poruszające części zatrzymają się i wyjąć akumulator. Niezastosowanie się do powyższych instrukcji może doprowadzić do poważnych obrażeń ciała lub do uszkodzenia mienia.

⚠ OSTRZEŻENIE: Podczas serwisowania należy używać wyłącznie części zamiennych identycznych z oryginalnymi. Używanie jakichkolwiek innych części stwarza ryzyko i może spowodować usterkę produktu. Aby zagwarantować bezpieczeństwo i niezawodność, wszystkie naprawy części innych niż wymienione w niniejszej instrukcji powinny być wykonywane przez wykwalifikowanych techników serwisu.

KONSERWACJA OGÓLNA

Podczas czyszczenia części plastikowych należy unikać używania rozpuszczalników. Pod wpływem kontaktu z różnego rodzaju rozpuszczalnikami dostępnymi w handlu większość tworzyw może ulec uszkodzeniu. Do usuwania zabrudzeń, kurzu, oleju, smaru itp. należy używać czystych ściereczek.

CZYSZCZENIE URZĄDZENIA

- Usunąć trawę, która mogła się owinąć wokół wałka silnika lub wokół głowicy podkaszarki.
- Do czyszczenia otworów wentylacyjnych z tylnej części obudowy należy używać małej szczoteczki lub małego

odkurzacza.

- Wyrób należy czyścić wilgotną ściereczką i łagodnym detergentem.
- Do czyszczenia części plastikowych lub uchwytu nie należy używać jakichkolwiek silnych detergentów. Mogą one zostać uszkodzone przez niektóre olejkii aromatyczne, takie jak olejek sosnowy i cytrynowy oraz przez rozpuszczalniki takie jak nafta. Wilgoć może także spowodować porażenie prądem. Wszelką wilgoć należy wycierać miękką suchą ściereczką.

SMAROWANIE PRZEKŁADNI TRANSMISYJNEJ

Przekładnia transmisyjna wymaga okresowego smarowania smarem do przekładni. Co 50 godzin pracy, należy kontrolować stan smaru w obudowie przekładni: w tym celu należy zdjąć śrubę uszczelniającą z boku obudowy.

Jeśli po bokach przekładni nie widać w ogół smaru, należy wykonać kroki podane poniżej w celu napełnienia obudowy smarem do 3/4 pojemności.

Przekładni transmisyjnej nie należy całkowicie napełniać.

1. Położyć podkaszarkę na boku tak, aby śruba uszczelniająca była skierowana do góry.
2. Kluczem wielofunkcyjnym odkręcić i zdjąć śrubę uszczelniającą.
3. Użyć strzykawki olejowej (do dokupienia osobno), aby wstrzyknąć odrobinę smaru w otwór na śrubę; nie przekraczać 3/4 pojemności.
4. Po wstrzyknięciu smaru dokręcić śrubę uszczelniającą.

PRZECHOWYWANIE URZĄDZENIA

- Wyjąć akumulator z głowicy napędowej.
- Przed schowaniem narzędzie należy dokładnie wyczyścić.
- Jeśli końcówka-podkaszarka na żyłkę ma być wyjęta z głowicy uniwersalnej i przechowywana osobno, należy założyć zaślepkę na wałek końcówki, aby nie dopuścić do zbierania się na łączówce brudu.
- Urządzenie należy przechowywać w suchym i przewiewnym miejscu niedostępnym dla dzieci: albo pod kluczem, albo wystarczająco wysoko. Urządzenia nie należy używać na nawozach lub w ich pobliżu, to samo dotyczy podłoży zanieczyszczonych benzyną i substancjami chemicznymi.

OSTRZEŻENIE OSTRZA DO PRZYCINANIA ŻYŁKI TNAŃCEJ

⚠ OSTRZEŻENIE: Należy zawsze chronić swoje dłonie i na czas wykonywania prac serwisowych przy ostrze do przycinania żyłki zakładać grube rękawice.

1. Wyjąć akumulator.
2. Wyjmij ostrze z osłony.
3. Zamocować ostrze w imadle.
4. Noś odpowiednią osłonę oczu oraz rękawice i zachowuj ostrożność, aby się nie skaleczyć.
5. Ostrożnie piluj krawędzie tnące ostrza drobnym pilnikiem lub osełką zachowując oryginalny kąt krawędzi tnącej.
6. Ponownie załóż ostrze w osłonę i zabezpiecz na miejscu dwiema śrubami.

Ochrona środowiska



Urządzeń elektrycznych, ładowarki do akumulatorów oraz akumulatorów/baterii akumulatorowych nie należy wyrzucać do zwykłych zmieszanych śmieci domowych!

Produkt należy oddać do zbiórki selektywnej w autoryzowanym punkcie recyklingu. Elektronarzędzia należy oddawać do przyjaznego dla środowiska zakładu recyklingu.

Wyrzucanie urządzeń elektrycznych na wysypisko grozi wyciekami niebezpiecznych substancji do wód gruntowych i przedostaniem się ich do łańcucha pokarmowego, ze szkodą dla zdrowia i jakości życia użytkownika.

PL

ROZWIĄZYWANIE PROBLEMÓW

PROBLEM	PRZYCZYNA	ROZWIĄZANIE
Podkaszarka nie włącza się.	<ul style="list-style-type: none"> ■ Akumulator nie jest podłączony do głowicy. ■ Głowica uniwersalna i akumulator nie kontaktują. ■ Akumulatora jest rozładowany. ■ Dźwignia odblokowująca i przełącznik spustowy nie zostały wciśnięte jednocześnie. 	<ul style="list-style-type: none"> ■ Włożyć akumulator do głowicy. ■ Wyjąć akumulator, sprawdzić styki i założyć akumulator z powrotem aż do oporu. ■ Naładować akumulator jedną z ładowarek EGO podanych w niniejszym podręczniku. ■ Aby włączyć podkaszarkę, należy wcisnąć i przytrzymać dźwignię odblokowującą, a następnie nacisnąć przełącznik spustowy.
Podkaszarka wyłącza się podczas koszenia.	<ul style="list-style-type: none"> ■ Na podkaszarce nie ma zamontowanej osłony, przez co żyłka jest za długa i dochodzi do przeciążenia silnika. ■ Używana jest ciężka żyłka. ■ Walek silnika lub głowica podkaszarki są zapchane trawą. ■ Silnik jest przeciążony. ■ Akumulator lub podkaszarka jest zbyt gorący/-a. ■ Akumulator jest odłączony od narzędzia. ■ Akumulator jest rozładowany. 	<ul style="list-style-type: none"> ■ Wyjąć akumulator i zamocować osłonę w podkaszarce. ■ Używać zalecanej nylonowej żyłki tnącej o średnicy nie większej niż 2,4 mm . ■ Zatrzymać podkaszarkę, wyjąć akumulator i usunąć trawę z walka silnika i głowicy podkaszarki. ■ Wyjąć głowicę podkaszarki z trawy. Gdy tylko obciążenie zostanie usunięte, silnik wznowi pracę. Podczas koszenia przesuwaj głowicę podkaszarki w koszoną trawę i wysuwaj ją z niej, nie więcej niż o 20 cm długości w jednym cięciu. ■ Pozwolić, aby akumulator lub podkaszarka ostygły do temperatury poniżej 67°C . ■ Ponownie założyć akumulator. ■ Naładować akumulator jedną z ładowarek EGO podanych w niniejszym podręczniku.

PL

PROBLEM	PRZYCZYNA	ROZWIĄZANIE
Głowica podkaszarki nie wysuwa żyłki.	<ul style="list-style-type: none"> ■ Wałek silnika lub głowica podkaszarki są zapchane trawą. ■ W szpuli jest za mało żyłki. ■ Głowica podkaszarki jest zabrudzona. ■ Żyłka w osłonie mocującej szpuli poplątała się. ■ Żyłka jest za krótka. 	<ul style="list-style-type: none"> ■ Zatrzymać podkaszarkę, wyjąć akumulator i usunąć trawę z wałka silnika i głowicy podkaszarki. ■ Wyjąć akumulator i wymienić żyłkę tnącą; postępować zgodnie z opisem w części „PONOWNE ZAKŁADANIE ŻYŁKI TNAĆEJ” w niniejszej instrukcji. ■ Wyjąć akumulator i wyczyścić szpulę, osłonę mocującą szpuli i podstawę szpuli. ■ Wyjąć akumulator, wyjąć żyłkę ze szpuli i przewinąć; patrz część „PONOWNE ZAKŁADANIE ŻYŁKI TNAĆEJ” w niniejszej instrukcji. ■ Wyjąć akumulator i pociągnąć żyłki, a jednocześnie na przemian wciskać i puszczać uderzak.
Trawa owija się wokół głowicy podkaszarki i obudowy silnika.	<ul style="list-style-type: none"> ■ Koszenie wysokiej trawy tuż przy ziemi. 	<ul style="list-style-type: none"> ■ Wysoką trawę kosić od góry ku dołowi, za jednym razem skracać źdźbła nie więcej niż o 20 cm, aby nie dopuścić do owijania się trawy wokół głowicy.
Ostrze nie docina żyłki tnącej.	<ul style="list-style-type: none"> ■ Ostrze do żyłki tnącej na krawędzi osłony stępilo się. 	<ul style="list-style-type: none"> ■ Naostrzyć pilnikiem ostrze do przycinania żyłki tnącej lub wymienić je na nowe.e.
Pęknięcia na głowicy podkaszarki lub osłona mocująca szpuli odczepia się od podstawy szpuli.	<ul style="list-style-type: none"> ■ Głowica podkaszarki jest zużyta. ■ Poluzowała się nakrętka blokująca głowicę podkaszarki, 	<ul style="list-style-type: none"> ■ Natychmiast wymienić głowicę podkaszarki; postępować zgodnie z częścią „WYMIANA GŁOWICY PODKASZARKI” w niniejszej instrukcji. ■ Otworzyć głowicę podkaszarki i dokręcić ją kluczem udarowym.
W czasie wymiany żyłki nie da się prawidłowo włożyć żyłki do głowicy podkaszarki.	<ul style="list-style-type: none"> ■ Żyłki założone do osłony mocującej szpuli nie pasują do oczek w podstawie szpuli. ■ Żyłki założone do osłony mocującej szpuli nie pasują do oczek w podstawie szpuli. 	<ul style="list-style-type: none"> ■ Obrócić osłonę mocującą szpuli w kierunku zaznaczonym strzałką, tak aby dopasować założone w osłonie szpuli żyłki (LOAD) do otworów w podstawie szpuli. ■ Obrócić osłonę mocującą szpuli w kierunku zaznaczonym strzałką, tak aby dopasować założone w osłonie szpuli żyłki (LOAD) do otworów w podstawie szpuli.

GWARANCJA

POLITYKA GWARANCYJNA EGO

W celu zapoznania się z wszystkimi warunkami polityki gwarancyjnej EGO prosimy odwiedzić stronę egopowerplus.com.

PŘEČTĚTE SI VŠECHNY POKYNY!



PŘEČTĚTE SI NÁVOD K OBSLUZE

⚠ Zbytkové riziko! Lidé s elektronickými přístroji, jako jsou např. kardiostimulátory, by se měli před použitím tohoto výrobku poradit se svým lékařem. Použití elektrického zařízení v těsné blízkosti kardiostimulátoru může způsobit narušení činnosti nebo poruchu kardiostimulátoru.

⚠ VAROVÁNÍ: Z důvodu bezpečnosti by měl všechny opravy a výměny provádět kvalifikovaný servisní technik.

BEZPEČNOSTNÍ SYMBOLY

Účelem bezpečnostních symbolů je upoutat vaši pozornost k případným nebezpečím. Bezpečnostní symboly a jejich vysvětlení vyžadují vaši zvýšenou pozornost a porozumění. Výstražné symboly samy o sobě nevyklučují žádné nebezpečí. Pokyny a varování nejsou náhradou vhodných opatření pro prevenci úrazů.

⚠ VAROVÁNÍ: Před použitím tohoto nástroje si přečtěte a seznamte se se všemi bezpečnostními pokyny v tomto návodu k obsluze včetně veškerých výstražných symbolů jako např. „**NEBEZPEČÍ**“, „**VAROVÁNÍ**“ a „**UPOZORNĚNÍ**“. Nedodržení níže uvedených pokynů může mít za následek úraz elektrickým proudem, požár anebo vážná poranění osob.

VÝZNAM SYMBOLŮ

⚠ BEZPEČNOSTNÍ VÝSTRAŽNÝ SYMBOL: Označuje **NEBEZPEČÍ**, **VAROVÁNÍ** nebo **UPOZORNĚNÍ**, který může být použit ve spojení s jinými symboly nebo piktogramy.

BEZPEČNOSTNÍ POKYNY

Na této stránce jsou zobrazeny a popsány bezpečnostní symboly, které se mohou objevit na výrobku. Před montáží a provozem si přečtěte, seznamte se a dodržujte veškeré pokyny ke stroji.

	Bezpečnostní upozornění	Upozorňuje na možné riziko úrazu.
	Přečtěte si návod k obsluze	Z důvodu snížení rizika úrazu si musí uživatel před použitím tohoto výrobku přečíst a seznámit se s návodem k obsluze.
	Použijte ochranu očí, uší a hlavy	Vždy používejte ochranu očí, uší a hlavy.
	Šířka sekání	Max. šířka sekání strunové sekačky
	Průměr struny	Průměr nylonové žací struny
	Nepoužívejte kovové čepele	Upozorní uživatele, aby nepoužíval kovové čepele
	Udržujte ostatní osoby v bezpečné vzdálenosti	Vymřštěné objekty se mohou odrazit a mít za následek zranění osob nebo poškození majetku. Když křivinožec používáte, udržujte od ostatních osob a domácích zvířat bezpečnou vzdálenost.
	Vzdálenost mezi strojem a ostatními osobami musí být nejméně 15 m	Při použití strunové sekačky udržujte od ostatních osob a domácích zvířat bezpečnou vzdálenost aspoň 15 m.
IPX4	Symbol IP	Ochrana proti vniknutí vody stupeň 4.
CE	CE	Tento výrobek je v souladu s platnými směrnici ES.
UK CA	UKCA	Tento výrobek je v souladu s příslušnou britskou legislativou.
	WEEE	Odpadní elektrické výrobky se nesmí likvidovat s domovním odpadem. Odevzdejte do autorizovaného recyklačního střediska.
	Hluk	Garantovaná hladina akustického výkonu. Emise hluku do prostředí dle direktivy Evropského společenství.
V	Voltů	Napětí
mm	Milimetr	Délka nebo velikost
cm	Centimetr	Délka nebo velikost
kg	Kilogram	Hmotnost

OBECNÁ BEZPEČNOSTNÍ VAROVÁNÍ PRO PRÁCI S ELEKTRICKÝM NÁŘADÍM

⚠ VAROVÁNÍ: Přečtěte si všechny bezpečnostní výstrahy, pokyny, ilustrace a technické údaje dodané s tímto elektrickým nářadím. Nedodržení všech níže uvedených pokynů může vést k úrazu elektrickým proudem, požáru a / nebo vážnému úrazu!

Všechna varování a pokyny si uschovejte pro budoucí použití.

Termín „elektrické nářadí“ ve varováních odkazuje na vaše elektrické (s kabelem) nebo akumulátorové (bez kabelu) elektrické nářadí.

BEZPEČNOST NA PRACOVIŠTI

- **Udržujte pracovní prostor v čistotě a dobře osvětlený.** Nepořádek nebo neosvětlené pracovní oblasti mohou vést k úrazům.
- **Nepracujte s elektrickým nářadím ve výbušném prostředí, například v přítomnosti hořlavých kapalin, plynů nebo prachu.** Elektrické nářadí je zdrojem jiskření, které může zapálit prach nebo výpary.
- **Při práci s elektrickým nářadím udržujte děti a přihlížející osoby v bezpečné vzdálenosti.** Nesoustředěnost může způsobit ztrátu kontroly.

ELEKTRICKÁ BEZPEČNOST

- **Zástrčky elektrického nářadí musí odpovídat zásuvkám. V žádném případě nikdy neupravujte zástrčku.** Nepoužívejte adaptér zástrčky s uzemněným (ukostřeným) elektrickým nářadím. Neupravené zástrčky a vhodné zásuvky snižují riziko úrazu elektrickým proudem.
- **Zabraňte kontaktu těla s uzemněnými povrchy, jako jsou potrubí, radiátory, sporáky a ledničky.** Existuje zvýšené riziko úrazu elektrickým proudem, pokud je vaše tělo uzemněno.
- **Neprovozte stroj v dešti nebo za mokra.** Voda vstupující do stroje může zvýšit riziko úrazu elektrickým proudem nebo poruchy, která by mohla mít za následek zranění osob.
- **Nezatěžujte kabel. Nikdy nepoužívejte napájecí kabel k přenášení nářadí, tahání nebo vytahování zástrčky ze zásuvky. Udržujte kabel daleko od tepla, oleje, ostrých hran nebo pohyblivých částí.** Poškozené nebo spletené kabely zvyšují riziko úrazu elektrickým proudem.
- **Při práci s nářadím venku používejte prodlužovací kabel vhodný pro venkovní použití.** Použití kabelu vhodného pro venkovní použití snižuje riziko úrazu elektrickým proudem.

- **Pokud musíte s elektrickým nářadím pracovat ve vlhkém prostředí, použijte napájení s ochranou proti zbytkovému proudu (RCD).** Použití RCD snižuje riziko úrazu elektrickým proudem.

BEZPEČNOST OSOB

- **Zůstaňte stále pozorní, sledujte, co děláte a používejte zdravý rozum při práci s elektrickým nářadím. Nepoužívejte elektrické nářadí, jste-li unaveni nebo pod vlivem drog, alkoholu nebo léků.** Jediná chvilka nepozornosti při práci s elektrickým nářadím může mít za následek vážný úraz.
- **Používejte osobní ochranné pracovní prostředky.** Vždy používejte ochranu očí. Ochranné pomůcky, jako např. respirátor, protiskluzová bezpečnostní obuv, pevná přilba nebo chrániče sluchu používané ve vhodném prostředí snižují riziko úrazu.
- **Zabraňte náhodnému spuštění. Před připojením ke zdroji napětí a/nebo akumulátoru, zvednutím nebo přenášením nářadí se ujistěte, že spínač je ve vypnuté poloze.** Přenášení elektrického nářadí s prstem na spínači, nebo zapojování elektrického nářadí, které má zapnutý spínač, může snadno způsobit nehodu či úraz.
- **Před zapnutím elektrického nářadí odstraňte seřizovací klíče nebo klíče.** Nástroj nebo klíč, který ponecháte připevněn k otáčející se části elektrického nářadí, může způsobit osobní zranění.
- **Nepřeceňujte se. Vždy udržujte pevný postoj a rovnováhu.** To umožňuje lepší ovladatelnost nářadí v neočekávaných situacích.
- **Vhodně se oblékejte. Nenoste volný oděv ani šperky. Udržujte své vlasy, oblečení a rukavice mimo dosah pohybujících se částí.** Volný oděv, šperky nebo dlouhé vlasy se mohou zachytit do pohybujících se dílů.
- **Pokud je zařízení vybaveno adaptérem pro připojení odsávání prachu a sběrnými zařízeními, zajistěte jejich správné připojení a řádnou funkci.** Použití zařízení k odsávání prachu může snížit rizika spojená s prachem.
- **Nedovoďte, abyste se po získání zkušeností častým používáním nástrojů stali neobezřetnými a ignorovali zásady bezpečnosti.** Nedbalá činnost může způsobit vážné zranění za zlomek sekundy.

POUŽITÍ A PÉČE O ELEKTRICKÉ NÁŘADÍ

- **Netlačte příliš na nářadí. Používejte správný typ nářadí pro vaši aplikaci.** Správné elektrické nářadí bude pracovat lépe a bezpečněji rychlostí, pro kterou bylo navrženo.

GZ

■ **Nepoužívejte nářadí, pokud ho spínač nezapne a nevypne.** Jakékoliv elektrické nářadí, které nelze ovládat spínačem, je nebezpečné a musí být opraveno.

■ **Před jakýmkoliv seřizováním, výměnou příslušenství nebo před uložením nepoužívaného elektrického nářadí odpojte zástrčku od zdroje energie a/nebo akumulátoru.** Tato preventivní bezpečnostní opatření snižují riziko náhodného spuštění elektrického nářadí.

■ **Uložte elektrické nářadí mimo dosah dětí a nedovoďte ostatním osobám, které nejsou seznámeny s elektrickým nářadím nebo s tímto návodem, aby s nářadím pracovali.** Elektrické nářadí se v rukou nekalifikovaných osob stává nebezpečným.

■ **Udržujte elektrické nářadí a příslušenství.** Zkontrolujte vychýlení či zaseknutí pohyblivých částí, poškození jednotlivých dílů a jiné okolnosti, které mohou ovlivnit chod nářadí. Je-li nářadí poškozeno, nechejte ho před použitím opravit. Mnoho nehod je způsobeno nedostatečnou údržbou nářadí.

■ **Udržujte řezné nástroje ostré a čisté.** Řádně udržované řezné nástroje s ostrými řeznými břity jsou méně náchylné k zanášení nečistotami a lépe se ovládají.

■ **Používejte elektrické nářadí, příslušenství a nástrojové bity atd. v souladu s těmito pokyny s přihlédnutím k pracovním podmínkám a práci, která má být provedena.** Používání elektrického nářadí k činnostem, pro které není určeno, může vést k nebezpečným situacím.

■ **Udržujte rukojeti a uchopovací plochy suché, čisté, bez oleje a maziva.** Kluzké držadla a uchopovací plochy neumožňují bezpečnou manipulaci s nástrojem a jeho ovládání v nečekaných situacích.

POUŽITÍ A PÉČE O AKUMULÁTOROVÉ NÁŘADÍ

■ **Nabíjejte pouze v nabíječce určené výrobcem.** Nabíječka vhodná pro jeden typ akumulátoru může způsobit riziko požáru při použití s jiným akumulátorem.

■ **Používejte elektrické nářadí pouze s výslovně určenými akumulátory.** Použití jiných akumulátorů může způsobit riziko úrazu a požáru.

■ **Pokud akumulátor nepoužíváte, držte jej z dosahu kovových předmětů, jako jsou kancelářské sponky na papír, mince, klíče, hřebíky, šroubky nebo další drobné kovové předměty, které mohou spojit vývody baterie navzájem.** Zkratování kontaktů baterie může způsobit spálení nebo požár.

■ **V nevhodných podmínkách může kapalina unikat z baterie. Zabraňte kontaktu. Při náhodném kontaktu opláchněte vodou. Při zasažení očí kapalinou**

vyhledejte lékařskou pomoc. Unikající kapalina z akumulátoru může způsobit podráždění pokožky nebo popáleniny.

■ **Nepoužívejte akumulátor nebo nástroj, který je poškozen nebo upraven.** Poškozené nebo upravené baterie mohou mít nepředvídatelné chování, které může vést k požáru, výbuchu nebo nebezpečí zranění.

■ **Nevystavujte akumulátor ani nástroj ohni nebo nadměrné teplotě.** Při vystavení ohni nebo teplotě nad 130°C může dojít k výbuchu.

■ **Dodržujte všechny pokyny pro nabíjení a nenabíjejte baterii nebo nástroj mimo rozsah teplot uvedených v pokynech.** Nesprávné nabíjení nebo při teplotách mimo stanovený rozsah může poškodit akumulátor a zvýšit riziko požáru.

SERVIS

■ **Svěřte opravu vašeho elektrického nářadí kvalifikované osobě používající pouze shodné náhradní díly.** Tím zajistíte bezpečnost elektrického nářadí.

■ **Nikdy neopravujte poškozené akumulátory.** Servis akumulátorů smí provádět pouze výrobce nebo autorizovaní poskytovatelé služeb.

ZVLÁŠTNÍ BEZPEČNOSTNÍ UPOZORNĚNÍ PRO STRUNOVOU SEKAČKU

■ **Nepoužívejte nářadí za špatných povětrnostních podmínek, zejména pokud existuje nebezpečí blesku.** Tím se snižuje riziko úrazu bleskem.

■ **Důkladně prohlédněte oblast, kde se má nářadí používat, zda se v ní nenachází divoká zvířata.** Divoká zvířata může být během provozu zraněna nářadím.

■ **Pečlivě zkontrolujte prostor, kde budete nářadí používat, a odstraňte všechny kameny, klacky, dráty, kosti a další cizí předměty.** Vymrštěné předměty mohou způsobit zranění osob.

■ **Před použitím nářadí vždy vizuálně zkontrolujte, zda řezačka nebo čepel a sestava řezačky nebo čepele nejsou poškozeny.** Poškozené díly zvyšují riziko zranění.

■ **Dodržujte pokyny pro výměnu příslušenství.** Nesprávně utažené upevňovací matice nebo šrouby řezačky mohou buď poškodit čepel, nebo vést k jejímu odpojení.

■ **Používejte ochranu očí, uší, hlavy a rukou.** Adekvátní ochranné prostředky snižují zranění osob vymrštěnými troskami nebo náhodným kontaktem se žací strunou nebo čepelí.

■ **Při obsluze nářadí vždy noste protiskluzovou a ochrannou obuv.** Nepracujte s tímto nářadím, pokud

jsste bosí nebo pokud na nohou máte otevřené sandály
To snižuje pravděpodobnost zranění nohou při kontaktu s pohyblivými seřezačkami nebo strunami.

- **Při obsluze nářadí vždy noste dlouhé kalhoty.**
Odhalená kůže zvyšuje pravděpodobnost poranění z vymrštěných předmětů.
- **Při práci s nářadím udržujte kolemstojící osoby mimo dosah.** Vymrštěný odpad může způsobit vážné zranění.
- **Při obsluze nářadí vždy používejte obě ruce.** Držení nářadí oběma rukama zabrání ztrátě kontroly.
- **Držte nářadí pouze za izolované uchopovací plochy, protože žací struna nebo čepel se mohou dotknout skryté kabeláže.** Žací struna nebo čepel, která se dostane do kontaktu s „živým“ vodičem, může způsobit, že se nechráněné kovové části nářadí stanou „živé“ a tak můžou způsobit obsluze úraz elektrickým proudem.
- **Vždy udržujte správný postoj a pracujte s nářadím, pouze když stojíte na zemi.** Kluzké nebo nestabilní povrchy mohou způsobit ztrátu rovnováhy nebo kontroly nad nářadím.
- **Nepoužívejte stroj na příliš strmých svazích.** Tím se snižuje riziko ztráty kontroly, uklouznutí a pádu, což může mít za následek zranění osob.
- **Při práci na svazích se vždy ujistěte, že máte stabilní postoj, vždy pracujte napříč svahem, nikdy ne nahoru nebo dolů a při změně směru buďte mimořádně opatrní.** Tím se snižuje riziko ztráty kontroly, uklouznutí a pádu, což může mít za následek zranění osob.
- **Udržujte všechny části těla mimo dosah řezačky, struny nebo čepele, když je nářadí v provozu. Před spuštěním nářadí se ujistěte, že se řezačka, šňůra nebo čepel nedotýkají ničeho.** Okamžik nepozornosti při obsluze nářadí může mít za následek zranění vás nebo ostatních.
- **Nepoužívejte nářadí nad výškou pasu.** To pomáhá zabránit neúmyslnému kontaktu řezačky nebo kotouče a umožňuje lepší ovládání nářadí v neočekávaných situacích.
- **Při řezání keřů nebo stromků, která jsou napnuté, dávejte pozor na jejich vymrštění.** Když se uvolní napětí v dřevěných vláknech, může keř nebo stromek zasáhnout obsluhu a/nebo vymknout nářadí z kontroly.
- **Dbejte zvýšené opatrnosti při řezání křovinatého podrostu a malých stromků.** Štíhlý materiál může zachytit čepel a může být vyhozen směrem k vám nebo vás vyvést z rovnováhy.
- **Udržujte kontrolu nad nářadím a nedotýkejte se řezaček, strun nebo čepele a jiných nebezpečných pohyblivých částí, dokud jsou stále v pohybu.** Tím se snižuje riziko zranění z pohyblivých částí.

- **Při odstraňování zaseknutého materiálu nebo při servisu nářadí se ujistěte, že je vypínač vypnutý a akumulátor je odstraněn.** Neočekávané spuštění nářadí při odstraňování zaseknutého materiálu nebo při údržbě může vést k vážnému zranění osob.
- **Vypnuté nářadí přenášejte za přední rukojeť a směrem od těla.** Správná manipulace s nářadím snižuje pravděpodobnost náhodného kontaktu s pohyblivými seřezačkou, strunou nebo čepelí.
- **Používejte pouze náhradní řezačky, struny, žací hlavy a čepele určené výrobcem.** Nesprávné náhradní díly mohou zvýšit riziko zlomení a zranění.
- **Poškození křovinořezu – Pokud narazíte křovinořezem do cizího předmětu, nebo se nástroj zamotá, okamžitě jej vypněte, vyjměte akumulátor, zkontrolujte, zda není poškozený a před dalším použitím opravte případné poškození.** Nepoužívejte ji s poškozeným krytem nebo cívkou.
- **Pokud začne zařízení abnormálně vibrovat, zastavte motor a okamžitě vyhledejte příčinu.** Vibrace obvykle upozorňují na problém. Uvolněná hlava může vibrovat, prasknout, poškodit se, nebo odpadnout od sekačky, což může vést k vážnému nebo smrtelnému úrazu. Zkontrolujte, zda je žací nástavec řádně upevněn v správné poloze. Pokud se hlava uvolní po upevnění v dané poloze, okamžitě ji vyměňte. Nikdy nepoužívejte sekačku s uvolněným žacím nástavcem.
- **Akumulátorové nářadí se nemusí zapojovat do elektrické zásuvky, proto jsou vždy v provozním stavu.** Nezapomínejte na možná rizika ani v případech, že je nářadí vypnuté. Dávejte pozor při provádění údržby nebo opravy.
- **Nemyjte hadici; dbejte, aby se do motoru a elektrických přípojek nedostala voda.**
- **Pokud nastane situace, která není popsána v tomto návodu, použijte pečlivý a zdravý úsudek. Obrat'te se na zákaznické servisní středisko EGO se žádostí o pomoc.**
- **Používejte pouze akumulátory a nabíječky uvedené na obr. A.**

TYTO POKYNY USCHOVEJTE PRO BUDOUCÍ POUŽITÍ!

GZ

SPECIFIKACE

Žací mechanismus	Strunová hlava	
Průměr struny	2,4 mm nylonová skroucená struna	
Šířka sekání	40 cm	
Rychlost při chodu naprázdno	4900/5800 min ⁻¹	
Hmotnost nůžek (bez akumulátoru)	1,53 kg	
Doporučovaná provozní teplota	0°C-40°C	
Doporučovaná teplota skladování	-20°C-70°C	
Měřená hladina akustického výkonu L _{WA}	95,72 dB(A) K=0,77 dB(A)	
Hladina akustického tlaku na sluch obsluhy L _{PA}	81,6 dB(A) K=3 dB(A)	
Zaručená úroveň akustického výkonu L _{WA} (měřeno podle směrnice 2000/14/ES)	96 dB(A)	
Vibrace a _h	Přední pomocná rukojeť	2,5 m/s ² K=1,5 m/s ²
	Zadní rukojeť	1,8 m/s ² K=1,5 m/s ²

- Výše uvedené parametry jsou testovány a měřeny s nástrojem vybaveným pohonnou hlavou PH1420E.
- Celková deklarovaná hodnota vibrací byla naměřena podle standardní zkušební metody a lze ji použít ke srovnání s jiným nářadím;
- Celkovou deklarovanou hodnotu vibrací lze použít také k předběžnému stanovení expozičních limitů.

VAROVÁNÍ: Emise vibrací a hluku při skutečném používání elektrického nářadí se mohou lišit od deklarovaných hodnot v závislosti na způsobech použití nářadí, zejména na tom, jaký druh obrobku je zpracováván; a o potřebě určit bezpečnostní opatření na ochranu obsluhy, která jsou založena na odhadu expozice za skutečných podmínek použití (s přihlédnutím ke všem částem pracovního cyklu, jako jsou časy, kdy je nářadí vypnuté a kdy běží na volnoběh, kromě doby spouštění).

OBSAH BALENÍ (OBR. A)

Informace o doporučené žací struně naleznete na webových stránkách egopowerplus.com nebo nahlédněte do katalogu výrobků EGO.

POPIS

SEZNAMTE S NÁSTAVCEM PRO STRUNOVOU SEKAČKU (obr. A)

1. Koncovka
2. Hřídel strunové sekačky
3. Tlačítko podávání struny
4. Žací struna
5. Strunová hlava (Bump Head)
6. Uvolňovací západka
7. Řezací čepel
8. Kryt
9. Imbusový klíč

VAROVÁNÍ: Nářadí nikdy nepoužívejte bez řádně nainstalovaného chrániče. Chránič musí být vždy na nářadí z důvodu ochrany uživatele.

MONTÁŽ

VAROVÁNÍ: Pokud jsou některé díly poškozené, nebo chybí, nepoužívejte výrobek, dokud se díly nevymění. Použití tohoto výrobku s poškozenými nebo chybějícími díly může vést k vážnému úrazu.

VAROVÁNÍ: Nepokoušejte se výrobek upravovat ani vytvářet příslušenství, které se k této strunové sekačce nedoporučuje. Každá taková změna nebo úprava je nesprávná a může vést k nebezpečné situaci, která může zapříčinit vážný úraz.

VAROVÁNÍ: Nepřipojujte pohonnou hlavu před dokončením sestavení. Nedodržení tohoto pokynu může vést k náhodnému startu a možnému vážnému poranění.

MONTÁŽ KRYTU

VAROVÁNÍ: Při montáži nebo výměně krytu vždy používejte rukavice. Dávejte pozor na ostří na chrániči a chraňte svoje ruce před poraněním ostřím.

Uvolněte a vyšroubujte dva šrouby ze spodní části hřídele (obr. C), srovnajte upevňovací otvory krytu s montážními otvory a upevněte kryt ke spodní části hřídele s pomocí dvou šroubů a dvou pružinových podložek (obr. D).

Zkontrolujte, zda je kryt upevněn podle obr. C a D, obrácené upevnění představuje vysoké riziko!

PŘIPOJENÍ NÁSTAVCE PRO STRUNOVOU SEKAČKU NA Pohonnou Hlavu

Tento nástavec pro strunovou sekačku je určen pro použití s pohonnou hlavou EGO PH1420E.

Viz část „PŘIPOJENÍ NÁSTAVCE NA Pohonnou Hlavu“ v návodu k obsluze pohonné hlavy PH1420E.

POUŽITÍ

VAROVÁNÍ: Dbejte, abyste se po seznámení s výrobkem nestali neopatrní. Nezapomínejte, že stačí chvíle nepozornosti a může se stát vážný úraz.

VAROVÁNÍ: Vždy používejte ochranu zraku spolu s chrániči sluchu. Pokud tak neučiníte, může dojít k vyvrstvení předmětu do očí, nebo případně jiným vážným úrazům.

APLIKACE

Výrobek lze použít k následujícím účelům:

- Osekávání trávy a plevele kolem přístřešků, plotů a palub

POZNÁMKA: Nářadí se smí používat pouze k vyhrazenému účelu. Jakékoliv jiné použití se považuje za nesprávné.

Před každým použitím zkontrolujte poškozené/ opotřebené díly

Zkontrolujte strunovou hlavu, kryt, přední rukojeť a vyměřte díly, které jsou prasklé, zdeformované, ohnuté nebo jinak poškozené.

Vyžínací kotouč na okraji krytu se může časem ztupit. Doporučujeme vyžínací kotouč pravidelně brousit pilníkem, nebo jej vyměnit za nový.

VAROVÁNÍ: Při montáži nebo výměně chrániče, broušení nebo výměně kotouče vždy používejte rukavice. Pozor na ostří na chrániči a chraňte si ruce před poraněním.

VAROVÁNÍ: Před servisem, čištěním, výměnou nástavců nebo odstraněním materiálu vyjměte akumulátor z pohonné hlavy, aby nedošlo k vážnému úrazu.

POUŽITÍ STRUNOVÉ SEKAČKY S Pohonnou Hlavou

VAROVÁNÍ: Pro práci s tímto nářadím se vhodné oblékněte, abyste snížili riziko úrazu. Nenoste volný oděv

ani šperky. Používejte ochranu očí a chrániče sluchu. Noste odolné, dlouhé kalhoty, pevné boty a rukavice. Nenoste krátké kalhoty, sandály ani nechoďte bosí.

VAROVÁNÍ: Před každým použitím m vyčistěte prostor, kde budete stříhat. Odstraňte veškeré předměty, jako jsou např. kameny, rozbité sklo, hřebíky, dráty nebo provazy, které mohou být vrženy, nebo se mohou do žacího nástavce zaplést. Z prostoru vyžeňte děti, ostatní osoby a domácí zvířata. Minimální bezpečná vzdálenost pro děti, ostatní osoby a domácí zvířata je 15 m; stále však hrozí riziko zasažení ostatních osob vyvrstvenými předměty. Ostatním osobám doporučte použití ochrany očí. Pokud se k vám někdo blíží, okamžitě vypněte motor a žací nástavec.

Pro bezpečnější a lepší používání si dejte ramenní popruh přes rameno. Upravte ramenní popruh do pohodlné pracovní polohy. Vždy držte strunovou sekačku jednou rukou za zadní rukojeť a druhou rukou za přední rukojeť. Udržujte pevný úchop oběma rukama při provozu. Strunová sekačka by se měla držet pohodlně poloze se zadní rukojeť ve výšce kyčelního kloubu. Strunová hlava musí být rovnoběžná se zemí tak, aby se lehce dotýkala řezaného materiálu, aniž by se operátor musel ohýbat (obr. B).

VAROVÁNÍ: Ramenní popruh je vybaven rychlé vypínacím mechanismem pro nebezpečné situace. Dojde-li k nouzové situaci, okamžitě si odepněte popruh ze svého ramene bez ohledu na to, jakým způsobem je popruh připnutý.

Po každém použití sekačky vyčistěte.

Viz část ÚDRŽBA pro pokyny k čištění.

ZAPNUTÍ/VYPNUTÍ NÁSTROJE

Viz část „ZAPNUTÍ/VYPNUTÍ Pohonné Hlavy“ v příručce pro obsluhu pohonné hlavy PH1420E.

NASTAVENÍ DÉLKY ŽACÍ STRUNY

Strunová hlava umožňuje obsluhu více vysunutou žací strunu bez zastavení motoru. Když se struna rozťepí nebo rozedře, lze během práce se sekačkou vysunout další část struny lehkým poklepnutím hlavy sekačky o zem (obr. E).

POZNÁMKA: Vysouvání struny se stává obtížnějším se zkracováním žací struny.

VAROVÁNÍ: Nevýjímte ani neupravujte sestavu vyžínacího kotouče. Nadměrná délka struny způsobí přehřátí motoru, což může vést k vážnému úrazu.

GZ

VÝMĚNA STRUNY

POZNÁMKA: Vždy používejte doporučenou nylonovou žací strunu s max. průměrem 2,4 mm. Použitím jiné než specifikované struny může dojít k přehřátí nebo poškození strunové sekačky.

VAROVÁNÍ: Nikdy nepoužívejte kovem vyztužené struny, dráty, šňůry atd. Mohou se odломit a stát se nebezpečnými projektily.

Strunová sekačka je vybavena pokročilým systémem **POWERLOAD™**. Žací strunu lze navinout na cívku pouhým stisknutím jediného tlačítka. Natáhnutí celé cívky lze obvykle dokončit za 12 sekund. **Vyhňte se opakovanému provozu navijecího systému v rychlém sledu za sebou, abyste snížili možnost poškození motoru.**

POZNÁMKA: Systém **POWERLOAD™** je k dispozici pouze v případě, že je nástavec připojen k pohonné hlavě PH1420E a je nainstalován akumulátor.

1. Vyměňte akumulátor.
2. Uřízněte strunu dlouhou 4 metry. Vložte strunu do oka (obr. F). Zatlačte a vytáhněte strunu z druhé strany, dokud se na obou stranách strunové hlavy neobjeví stejná délka struny.

POZNÁMKA: Pokud nelze strunu vložit do oka, když je spodní kryt zaseknutý, vložte akumulátor do pohonné hlavy a poté krátce stiskněte tlačítko pro navinutí struny, abyste resetovali spodní kryt.

3. Vyměňte akumulátor, pokud byl nainstalován do pohonné hlavy podle POZNÁMKY v kroku 2. A postupujte podle kroků uvedených v kroku 2 pro opětovné vložení a zarovnaní žací struny.
4. Namontujte akumulátor do pohonné hlavy.
5. Stiskněte a podržte tlačítko pro navinutí struny do strunové hlavy, dokud se na každé straně hlavy neukáže přibližně 15 cm struny. (Obr. G).
6. Zatlačte na strunovou hlavu při současném vytahování strun, abyste ručně vysunuli strunu a zkontrolovali tak její správné navinutí.

POZNÁMKA: V případě, že se struna náhodně vtáhne do strunové hlavy, otevřete hlavu a vytáhněte strunu z cívky. Pro opětovné natáhnutí struny se řiďte částí „OPĚTOVNĚ NATÁHNUTÍ STRUNY“ v tomto návodu.

OPĚTOVNĚ NATÁHNUTÍ STRUNY

Pokud se struna odtrhne od oka nebo se struna při poklepání na strunovou hlavu neuvolní, budete muset odstranit zbývající strunu ze strunové hlavy a pro opětovné

natažení struny postupujte podle níže uvedených kroků.

1. Vyměňte akumulátor.
2. Stiskněte uvolňovací západky na strunové hlavě a sejměte sestavu spodního krytu strunové hlavy jejím vytažením přímo ven (obr. H).
3. Odstraňte strunu ze strunové hlavy.
4. Pokud je to nutné, vyměňte pružinu ze sestavy cívky. Uložte ji pro opětovné sestavení.
5. Vložte pružinu do štěrbin v sestavě spodního krytu (obr. I).
6. Jednou rukou přidržíte sekačku a druhou ruku použijte k uchopení sestavy spodního krytu a vyrovnejte drážky v sestavě spodního krytu s uvolňovacími západkami (obr. J). Zatlačte na sestavu spodního krytu, dokud nezapadne na místo (uslyšíte zřetelné cvaknutí) (obr. K).
7. Postupujte podle pokynů v části „VÝMĚNA STRUNY“ pro opětovné natažení žací struny.

VÝMĚNA STRUNOVÉ HLAVY

VAROVÁNÍ: Pokud se hlava uvolní po upevnění v dané pozici, okamžitě ji vyměňte.

Nikdy nepoužívejte sekačku s uvolněným žacím nástavcem. Prasklou, poškozenou nebo opotřebovanou strunovou hlavu okamžitě vyměňte, i kdyby se jednalo pouze o povrchové praskliny. Tyto nástavce se mohou roztržít ve vysoké rychlosti a způsobit vážné zranění.

Seznamte se s strunovou hlavou (obr. L).

Popis dílů na obr. L viz níže:

L-1	Násada	L-6	Podložka
L-2	Pouzdro (2)	L-7	Malice
L-3	Horní kryt	L-8	Pružina
L-4	Kroužek	L-9	Žací struna
L-5	Držák cívky	L-10	Sestava spodního krytu

Demontáž strunové hlavy

1. Vyměňte akumulátor.
2. Stiskněte uvolňovací západky na strunové hlavě a demontujte sestavu spodního krytu strunové hlavy tahem směrem ven.
3. Odstraňte strunu ze strunové hlavy.
4. Pokud je to nutné, vyměňte pružinu ze sestavy cívky. Uložte ji pro opětovné sestavení.
5. Použijte rukavice. Pomocí jedné ruky uchopte sestavu cívky a stabilizujte ji a druhou rukou držte 13 mm rázový klíč (není součástí balení), abyste uvolnili

matku VE SMĚRU HODINOVÝCH RUČÍČEK (obr. M).

6. Vyměte matici, podložku a držák cívky z hřídele motoru (obr. L).
7. K odstranění kroužku použijte kleště s kroužkem (nejsou součástí dodávky). Sejměte horní kryt a dvě pouzdra z hřídele motoru (obr. L).
8. Vyměňte za novou strunovou hlavu a namontujte ji v následujících krocích.

Instalace nové strunové hlavy

1. Namontujte obě pouzdra na hřídel motoru.
2. Zarovnejte plochou šterbinu v horním krytu s plochou částí hřídele motoru a namontujte horní kryt na místo (obr. N).

Popis dílů na obr. N viz níže:

N-1	Plochá část	N-2	Plochá šterbina
-----	-------------	-----	-----------------

3. Namontujte kroužek, držák cívky a podložku v tomto pořadí (obr. L). Pomocí rázového klíče matici utáhněte PROTI SMĚRU HODINOVÝCH RUČÍČEK.
4. Podle kroků 4 a 5 v části „OPĚTOVNĚ NATÁHNUTÍ STRUNY“ v tomto návodu namontujte sestavu spodního krytu.
5. Postupujte podle pokynů v části „VÝMĚNA STRUNY“ pro opětovné natažení žací struny.
6. Spusťte nástroj, abyste zjistili, zda bude strunová sekačka fungovat normálně. Pokud tomu tak není, znovu ji sestavte podle výše uvedeného popisu.

ÚDRŽBA

VAROVÁNÍ: Před kontrolou, čištěním nebo údržbou přístroje zastavte motor, počkejte, až se všechny pohyblivé díly zastaví a vyjměte baterii. Nedodržení těchto instrukcí může vést k vážnému zranění nebo poškození majetku.

VAROVÁNÍ: Při opravách používejte pouze originální náhradní díly. Použití jiných dílů může být rizikem nebo způsobit poškození výrobku. Pro zajištění bezpečnosti a spolehlivosti musí veškeré opravy, kromě položek uvedených v tomto návodu na údržbu, provádět kvalifikovaný servisní technik.

CELKOVÁ ÚDRŽBA

K čištění plastových dílů nepoužívejte rozpouštědla. Většina plastů je náchylná k poškození různými typy komerčních rozpouštědel a jejich použití je může poškodit. K odstranění nečistot, prachu, oleje, maziva atd. použijte čistý hadr.

ČIŠTĚNÍ NÁŘADÍ

- Odstraňte jakoukoliv trávu, která se namotala kolem hřídele motoru nebo strunové hlavy.
- K čištění větracích otvorů na zadní části pouzdra použijte malý kartáč nebo malý vysavač.
- Nářadí čistěte vlhkým hadrem s neagresivním čisticím prostředkem.
- Na plastové pouzdro nebo rukojeť nepoužívejte žádné silné čisticí prostředky. Mohou být poškozeny některými aromatickými oleji, jako např. borovicovým nebo citronovým a rozpouštědly, jako např. petrolej. Vlhkost může rovněž způsobit riziko úrazu elektrickým proudem. Veškerou vlhkost setřete suchým měkkým hadrem.

MAZÁNÍ PŘEVODOVKY

Převody v převodové skříně se musí pravidelně mazat převodovkovým tukem. Zkontrolujte hladinu převodového maziva v převodovce přibližně každých 50 hodin provozu odstraněním těsnícího šroubu na boku skříně.

Pokud na bocích převodovky není vidět žádný tuk, postupujte podle pokynů pro naplnění převodovým mazivem až do 3/4 kapacity.

Nezapíchte zcela převody.

1. Přidržte strunovou sekačku na boku, aby těsnící šroub směřoval nahoru.
2. Pomocí dodaného multifunkčního klíče povolte a odstraňte těsnící šroub.
3. Použijte mazací stříkačku (není součástí dodávky) pro zavedení maziva do otvoru pro šroub; nepřekročte 3/4 kapacity.
4. Po naplnění utáhněte těsnící šroub.

SKLADOVÁNÍ NÁŘADÍ

- Vyměte akumulátor z pohonné hlavy.
- Nářadí před uskladněním řádně vyčistěte.
- Je-li nástavec strunové sekačky odpojen od pohonné hlavy a skladován odděleně: Namontujte koncovku na hřídel nástavce, aby se nečistoty nedostaly do spojky.
- Nářadí skladujte na suchém, dobře větraném, uzamčeném nebo vyvýšeném místě mimo dosah dětí. Nářadí neskladujte v blízkosti hnojiv, benzínu nebo jiných chemických látek.

BROUŠENÍ ŘEZACÍ ČEPELE

VAROVÁNÍ: Při údržbě řezací čepele si vždy chraňte ruce pevnými rukavicemi.

1. Vyměte akumulátor.
2. Demontujte řezací čepel z ochranného krytu.
3. Zabezpečte čepel ve svéráku.

GZ

4. Noste správnou ochranu očí, rukavice a dávejte pozor, abyste se nepořezali.
5. Opatrně přepilujte řezací hrany čepelí jemným pilníkem nebo brusným kamenem a zároveň udržujte původní úhel bříty.
6. Čepel nasadte do krytu a zajistěte pomocí šroubů.

Ochrana životního prostředí



Elektrické zařízení, nabíječku a baterie/ nabíjecí baterie nevhazujte do domovního odpadu!

Tento výrobek předejte autorizované recyklační společnosti ke tříděnému sběru. Elektrické nářadí musí být vráceno do zařízení pro ekologickou recyklaci.

Pokud se elektrická zařízení likvidují na zavážkách nebo skládkách, mohou do podzemní vody prosáknout nebezpečné látky, dostat se do potravního řetězce a poškodit tak vaše zdraví a zdravotní stav.

CZ

KEES VAN DER SPEK
TUINMACHINES ★ STOLWIJK

ODSTRAŇOVÁNÍ PROBLÉMŮ

PROBLÉM	PŘÍČINA	ŘEŠENÍ
Strunová sekačka se nespustí.	<ul style="list-style-type: none"> ■ Akumulátor není připojen k pohonné hlavě. ■ Bez elektrického kontaktu mezi pohonnou hlavou a akumulátorem. ■ Akumulátor je vybitý. ■ Páka pojistky a spoušť nejsou stisknuté současně. 	<ul style="list-style-type: none"> ■ Připojte akumulátor na pohonnou hlavou. ■ Vyměňte baterii, zkontrolujte kontakty a vložte akumulátor, dokud nezapadne na své místo. ■ Nabijte akumulátor pomocí nabíječek EGO, které jsou uvedeny v tomto návodu k obsluze. ■ Stlačte páku pojistky, držte ji a stisknutím spouště zapněte strunovou sekačku.
Při sekání se strunová sekačka zastaví.	<ul style="list-style-type: none"> ■ Na sekačce není namontovaný kryt, což má za následek příliš dlouhou žací strunu a přetížení motoru. ■ Je použita těžká žací struna. ■ Hřídel motoru nebo strunová hlava jsou zablokované trávou. ■ Motor je přetížen. ■ Akumulátor strunové sekačky je příliš horký. ■ Akumulátor je odpojený od nářadí. ■ Akumulátor je vybitý. 	<ul style="list-style-type: none"> ■ Vyměňte ze sekačky akumulátor a namontujte kryt. ■ Používejte standardní nylonovou žací strunu s průměrem nejvíce 2,4 mm. ■ Zastavte sekačku, vyjměte akumulátor a odstraňte trávu z hřídele motoru a strunové hlavy. ■ Vytáhněte strunovou hlavu z trávy. Motor začne pracovat, jakmile odstraníte zatížení. Při sekání pohybujte strunovou hlavou v sekané trávě tam a zpět, délka pohybu by neměla přesáhnout délku 20 cm v jednom tahu. ■ Nechejte akumulátor nebo sekačku zchladnout, dokud teplota neklesne pod 67 °C . ■ Znovu nainstalujte akumulátor. ■ Nabijte akumulátor pomocí nabíječek EGO, které jsou uvedeny v tomto návodu k obsluze.

CZ

PROBLÉM	PŘÍČINA	ŘEŠENÍ
Ze strunové hlavy se nevysouvá struna.	<ul style="list-style-type: none"> ■ Hřídel motoru nebo strunová hlava jsou zablokované trávou. ■ Na cívce není struna v dostatečné délce. ■ Strunová hlava je znečištěná. ■ Struna je zamotaná v držáku cívky. ■ Struna je příliš krátká. 	<ul style="list-style-type: none"> ■ Zastavte sekačku, vyjměte akumulátor a odstraňte trávu z hřídele motoru a strunové hlavy. ■ Vyjměte akumulátor a vyměňte žací strunu; postupujte podle kapitoly „OPĚTOVNÉ NATÁHNUTÍ STRUNY“ v tomto návodu. ■ Vyjměte akumulátor, vyčistěte cívku, držák cívky a spodní část cívky. ■ Vyjměte akumulátor, vymotejte strunu ze strunové hlavy a znovu ji naviňte; postupujte podle pokynů v části „OPĚTOVNÉ NATÁHNUTÍ STRUNY“ v tomto návodu. ■ Vyjměte baterii, zatáhněte za struny a současně poklepejte na regulátor struny.
Kolem strunové hlavy a pouzdra motoru se namotala tráva.	<ul style="list-style-type: none"> ■ Sekání vysoké trávy na úrovni terénu. 	<ul style="list-style-type: none"> ■ Vysokou trávu sekejte shora dolů, pokaždé ne více než 20 cm, aby nedocházelo k zamotání.
Čepel neřeže strunu.	<ul style="list-style-type: none"> ■ Vyžínací kotouč na okraj krytu se ztupil. 	<ul style="list-style-type: none"> ■ Nabruste vyžínací kotouč pilníkem nebo jej vyměňte za nový.
Praskliny na strunové hlavě nebo držáku cívky se uvolňují ze základny cívky.	<ul style="list-style-type: none"> ■ Strunová hlava je opotřebovaná. ■ Matice, která zajišťuje strunovou hlavu, je uvolněná. 	<ul style="list-style-type: none"> ■ Ihned vyměňte strunovou hlavu; postupujte podle části „VÝMĚNA STRUNOVÉ HLAVY“ v tomto návodu k obsluze. ■ Otevřete strunovou hlavu a matici utáhněte rázovým klíčem.
Během výměny struny nelze strunu správně vložit do strunové hlavy.	<ul style="list-style-type: none"> ■ Značky LOAD na strunové hlavě nejsou v souladu s očky na základně cívky. ■ Značky LOAD držáku cívky nejsou zarovnané s očky v základně cívky. 	<ul style="list-style-type: none"> ■ Otočte držák cívky ve směru šipky, vyrovnejte značky LOAD na držáku cívky s očky na základně cívky. ■ Otočte držák cívky ve směru šipky, vyrovnejte značky LOAD na držáku cívky s očky na základně cívky.

ZÁRUKA

ZÁRUKA SPOLEČNOSTI EGO

Úplné záruční podmínky společnosti EGO naleznete na webové stránce egopowerplus.com.

PREČÍTAJTE SI VŠETKY POKYNY!



PREČÍTAJTE SI NÁVOD NA OBSLUHU

⚠ Potenciálne riziká! Ľudia s elektronickými zariadeniami, ako sú napríklad kardiostimulátory, sa musia pred použitím tohto výrobku poradiť so svojím lekárom. Použitie elektrických zariadení v tesnej blízkosti kardiostimulátora by mohlo spôsobiť rušenie alebo zlyhanie kardiostimulátora.

⚠ VAROVANIE: Pre zaistenie bezpečnosti a spoľahlivosti je nevyhnutné, aby všetky opravy a výmeny vykonával len kvalifikovaný servisný technik.

BEZPEČNOSTNÉ SYMBOLY

Účelom bezpečnostných symbolov je upozorniť vás na možné nebezpečenstvá. Venujte príslušnú pozornosť a pochopte bezpečnostné symboly a ich vysvetlenia. Varovné symboly, samy o sebe, nedokážu eliminovať nebezpečenstvo. Pokyny a varovania, ktoré obsahujú, nie sú náhradou za vhodné opatrenia na prevenciu úrazov.

⚠ VAROVANIE: Pred použitím tohto nástroja si prečítajte a pochopte všetky bezpečnostné pokyny v tomto návode na obsluhu, vrátane všetkých bezpečnostných výstražných symbolov, ako sú „**NEBEZPEČENSTVO**“, „**VAROVANIE**“ a „**UPOZORNENIE**“. Nedodržanie nižšie uvedených pokynov môže mať za následok úraz elektrickým prúdom, požiar a/alebo vážne zranenie.

VÝZNAM SYMBOLU

⚠ BEZPEČNOSTNÝ VÝSTRAŽNÝ SYMBOL: Označuje **NEBEZPEČENSTVO, VAROVANIE** alebo **UPOZORNENIE**, ktorý môže byť použitý v spojení s inými symbolmi alebo piktogramami.

BEZPEČNOSTNÉ POKYNY

Táto strana zobrazuje a popisuje bezpečnostné symboly, ktoré sa objavujú na tomto výrobku. Pred pokusom o zostavenie a prevádzkovanie si prečítajte, pochopte a dodržiavajte všetky pokyny na stroji.

	Bezpečnostné upozornenie	Upozorňuje na potenciálne nebezpečenstvo úrazu.
	Prečítajte si návod na obsluhu.	Ak chcete znížiť riziko zranenia, používateľ musí pred použitím tohto výrobku prečítať a pochopiť návod na obsluhu.
	Používajte ochranu očí, uší a hlavy	Vždy používajte ochranu očí, uší a hlavy.
	Rezná šírka	Max. rezná šírka strunovej kosačky
	Priemer struny	Priemer nylonovej rezacej struny
	Nepoužívajte kovové čepele.	Upozorní používateľa, aby nepoužíval kovové čepele
	Udržiavajte okolostojace osoby v bezpečnej vzdialenosti.	Vymrštené objekty sa môžu odraziť a mať za následok zranenie osôb alebo poškodenie majetku. Keď krovinnorez používate, udržiajte od ostatných osôb a domácich zvierat bezpečnú vzdialenosť.
	Vzdialenosť medzi strojom a okolostojacími osobami musí byť najmenej 15 m	Zabezpečte, aby ostatní ľudia a domáce zvieratá zostali vo vzdialenosti aspoň 15 m od strunovej kosačky, keď sa používa.
IPX4	Symbol IP	Ochrana proti vniknutiu vody 4. stupňa
	CE	Tento výrobok je v súlade s platnými smernicami ES.
	UKCA	Tento výrobok je v súlade s príslušnou britskou legislatívou.
	WEEE	Nepotrebné elektrické výrobky sa nesmú likvidovať spolu s domovým odpadom. Odovzdajte do autorizovaného recyklačného strediska.
	Hluk	Garantovaná hladina akustického výkonu. Emisie hluku do prostredia podľa smernice Európskeho spoločenstva.

SK

V	Volt	Napätie
mm	Milimeter	Dĺžka alebo veľkosť
cm	Centimeter	Dĺžka alebo veľkosť
kg	Kilogram	Hmotnosť

VŠEOBECNÉ BEZPEČNOSTNÉ UPOZORNENIA PRE ELEKTRICKÉ NÁRADIE

⚠ VAROVANIE: Prečítajte si všetky bezpečnostné výstrahy, pokyny, ilustrácie a technické údaje dodané s týmto elektrickým nástrojom. Nedodržanie nižšie uvedených pokynov môže mať za následok úraz elektrickým prúdom, požiar a/alebo vážne zranenie.

Uchovajte všetky varovania a pokyny pre budúce použitie.

Výraz „elektrické náradie“ vo všetkých varovaniach odkazuje na náradie napájané zo siete (káblom) alebo náradie napájané batériou (bez kábla), ktoré ste si zaobstarali.

BEZPEČNOSŤ PRACOVNÉHO PRIESTORU

- **Udržiavajte pracovisko čisté a dobre osvetlené.** Neporiadok a tmavé priestory vedú k úrazom.
- **Nepoužívajte elektrické náradie vo výbušnom prostredí, napríklad v prítomnosti horľavých kvapalín, plynov alebo prachu.** Elektrické náradie vytvára iskry, ktoré môžu zapáliť prach alebo výpary.
- **Pri používaní elektrického náradia udržiavajte deti a okolostojace osoby mimo pracoviska.** Rozptýlenie môže spôsobiť stratu kontroly.

ELEKTRICKÁ BEZPEČNOSŤ

- **Zástrčka elektrického náradia musí zodpovedať elektrickej zásuvke.** Nikdy a žiadnym spôsobom nemodifikujte zástrčku. **Nepoužívajte adaptér na zástrčku s uzemnenými elektrickými zariadeniami.** Neupravené zástrčky a vhodné zásuvky obmedzia nebezpečenstvo úrazu elektrickým prúdom.
- **Zabráňte kontaktu tela s uzemnenými povrchmi, ako sú rúry, radiátory, sporáky a chladničky.** Dochádza k zvýšeniu rizika úrazu elektrickým prúdom, ak je vaše telo uzemnené.
- **Neprevádzkujte stroj v daždi alebo vo vlhkom prostredí.** Voda vstupujúca do stroja môže zvýšiť riziko úrazu elektrickým prúdom alebo poruchy, ktorá by mohla mať za následok zranenie osôb.
- **Nepoužívajte kábel nesprávnym spôsobom.** **Nepoužívajte ho na prenášanie, ťahanie alebo odpájanie elektrického náradia.** Udržujte kábel v

dostatočnej vzdialenosti od zdrojov tepla, oleja, ostrých hrán alebo pohyblivých častí. Poškodená alebo zamotaná šnúra zvyšuje riziko zasiahnutia elektrickým prúdom.

- **Ak sa chystáte náradie použiť v exteriéroch, použite výhradne predlžovaciu šnúru vhodnú na použitie v exteriéroch.** Použitie šnúry vhodnej pre použitie v exteriéroch znižuje riziko úrazu elektrickým prúdom.
- **Ak je používanie elektrického náradia vo vlhkom prostredí nevyhnutné, použite napájanie chránené prúdovým chráničom (RCD).** Použitie prúdového chrániča znižuje riziko úrazu elektrickým prúdom.

BEZPEČNOSŤ OSÔB

- **Buďte pozorni, sledujte to, čo robíte a používajte zdravý rozum pri práci s elektrickým náradím.** **Nepoužívajte elektrické náradie, ak ste unavení alebo pod vplyvom drog, alkoholu alebo liekov.** Chvilka nepozornosti pri práci s náradím môže viesť k vážnemu úrazu.
- **Používajte osobné ochranné pomôcky.** Vždy používajte ochranu očí. Ochranné prostriedky ako respirátor, protišmyková bezpečnostná obuv, prilba alebo chrániče sluchu použité za vhodných podmienok znižujú nebezpečenstvo zranenia.
- **Zabráňte náhodnému spusteniu.** Pred pripojením k zdroju napájania a/alebo akumulátoru, pri zdvíhaní alebo prenášaní nástroja sa uistite, že prepínač je vo vypnutej polohe. Prenášanie elektrického náradia s prstom na vypínači alebo aktivácia elektrického náradia, ktorý má zapnutý vypínač môže viesť k úrazu.
- **Pred zapnutím elektrického náradia odstráňte akékoľvek nastavovacie nástroje alebo kľúče.** **Nástroj alebo kľúč, ktorý zostane pripojený na rotujúcu časť stroja, môže spôsobiť zranenie.**
- **Nepreceňujte sa.** Pri práci vždy dodržujte správny postoj a rovnováhu. Umožňuje to lepšiu kontrolu elektrického náradia v neočakávaných situáciách.
- **Vhodne sa oblečte.** **Nenoste šperky alebo voľný odev.** **Udržujte vlasy, oblečenie a rukavice v dostatočnej vzdialenosti od pohybujúcich sa dielov.** Voľný odev, šperky alebo dlhé vlasy môžu byť zachytené pohybujúcimi sa dielmi.
- **Pokiaľ je náradie vybavené zariadením na zachytávanie prachu a úlomkov materiálu, skontrolujte, či je k náradiu správne pripojené.** Použitie odsávania prachu môže znížiť nebezpečenstvo, ktoré súvisí s prachom.
- **Nedovoľte, aby ste sa po získaní skúseností častým používaním nástrojov stali neobozretnými a ignorovali zásady bezpečnosti.** Nedbalá činnosť

môže spôsobiť vážne zranenie za zlomok sekundy.

POUŽITIE ELEKTRICKÉHO NÁRADIA A STAROSTLIVOSŤ

- **Netlačte na elektrické náradie. Používajte správne náradie na vašu prácu.** Správne elektrické náradie bude pracovať lepšie a bezpečnejšie pri rýchlosti, na ktorú bolo určené.
- **Nepoužívajte elektrické náradie v prípade, že vypínač nie je možné zapnúť a vypnúť.** Akékoľvek elektrické náradie, ktoré sa nedá ovládať vypínačom je nebezpečné a musí sa opraviť.
- **Pred akýmkoľvek nastavením, výmenou príslušenstva alebo pred uložením elektrického náradia odpojte zástrčku od zdroja a/alebo akumulátora.** Takéto preventívne bezpečnostné opatrenia znižujú riziko náhodného spustenia elektrického náradia.
- **Uchovávajte nepoužívané elektronáradie mimo dosahu detí a nedovoľte, aby osoby neoboznámené s elektrickým náradím alebo s týmito pokynmi náradie používali.** Elektrické náradie je nebezpečné, ak ho používajú neskúsené osoby.
- **Udržujte elektrické náradie a príslušenstvo. Skontrolujte nastavenie pohyblivých častí, poškodenie dielov a akékoľvek ďalšie okolnosti, ktoré môžu mať vplyv na funkciu elektrického náradia. Ak je elektrické náradie poškodené, nechajte ho pred použitím opraviť.** Veľa úrazov je zapríčinených zle udržiavaným náradím.
- **Rezacie nástroje udržiavajte ostré a čisté.** Starostlivo ošetrované rezné nástroje s ostrými čepelmi menej pravdepodobne uviaznu a jednoduchšie sa ovládajú.
- **Používajte elektronáradie, príslušenstvo, násady apod. podľa týchto pokynov a rešpektujte pritom pracovné podmienky a vykonávanú činnosť.** Použitie elektrického náradia na iné ako určené účely môže viesť k nebezpečným situáciám.
- **Udržujte rukoväť a uchopovacie plochy suché, čisté, bez oleja a maziva.** Klzké držiadlá a uchopovacie plochy neumožňujú bezpečnú manipuláciu s nástrojom a jeho ovládanie v nečakaných situáciách.

POUŽITIE BATÉRIE A STAROSTLIVOSŤ

- **Nabíjajte iba nabíjačkou určenou výrobcom.** Nabíjačka vhodná pre jeden typ akumulátora môže spôsobiť riziko požiaru pri použití s iným akumulátorom.
- **Používajte elektrické náradie iba s výslovne určenými akumulátormi.** Použitie iných akumulátorov môže spôsobiť riziko úrazu a požiaru.

- **Ak sa batériový modul nepoužíva, držte ho mimo iných kovových predmetov, ako sú sponky, mince, kľúče, klince, skrutkovače alebo iné malé kovové predmety, ktoré by mohli navzájom prepojiť kontakty batérie.** Skratovanie kontaktov akumulátora môže spôsobiť popáleniny alebo požiar.
- **V nevhodných podmienkach môže kvapalina unikáť z batérie. Zabráňte kontaktu. Pri náhodnom kontakte opláchnite vodou. Pri zasiahnutí očí vyhľadajte lekársku pomoc.** Unikajúca kvapalina z akumulátora môže spôsobiť podráždenie pokožky alebo popáleniny.
- **Nepoužívajte akumulátor alebo nástroj, ktorý je poškodený alebo upravený.** Poškodené alebo upravené batérie môžu mať nepredvídateľné chovanie, ktoré môže viesť k požiaru, výbuchu alebo nebezpečenstvu poranenia.
- **Nevystavujte akumulátor ani nástroj ohňu alebo nadmernej teplote.** Pri vystavení ohni alebo teplote nad 130°C môže dôjsť k výbuchu.
- **Dodržujte všetky pokyny pre nabíjanie a nenabíjajte akumulátor alebo nástroj mimo rozsah teplôt uvedených v pokynoch.** Nesprávne nabíjanie alebo nabíjanie pri teplotách mimo stanovený rozsah môže poškodiť akumulátor a zvýšiť riziko požiaru.

OPRAVA

- **Nechajte vaše elektrické náradie opraviť kvalifikovanou osobou s použitím iba identických náhradných dielov.** Tým sa zabezpečí, že bezpečnosť stroja zostane zachovaná.
- **Nikdy neopravujte poškodené akumulátory.** Servis akumulátorov smie robiť iba výrobca alebo autorizovaní poskytovatelia služieb.

ŠPECIÁLNE BEZPEČNOSTNÉ UPOZORNENIA PRE STRUNOVÚ KOSAČKU

- **Nepoužívajte stroj za nepriaznivých poveternostných podmienok, najmä ak existuje nebezpečenstvo blesku.** Tým sa znižuje riziko úderu bleskom.
- **Dôkladne skontrolujte oblasť, v ktorej sa má stroj používať, či sa v nej nenachádzajú voľne žijúce zvieratá.** Počas prevádzky môže stroj zraniť voľne žijúce zvieratá.
- **Dôkladne skontrolujte oblasť, kde má byť stroj používaný a odstráňte všetky kamene, palice, dróty, kosti a iné cudzie predmety.** Vymrštené predmety môžu spôsobiť vážne zranenie.
- **Pred použitím stroja vždy vizuálne skontrolujte, či nôž alebo čepeľ a zostava noža a čepele nie sú poškodené.** Poškodené časti zvyšujú riziko zranenia.

SK

- **Dodržujte pokyny pre výmenu príslušenstva.** Nesprávne utiahnuté upevňovacie matice alebo skrutky noža môžu poškodiť čepeľ alebo viesť k jej odpojeniu.
- **Používajte ochranu očí, uší, hlavy a rúk.** Primerané ochranné prostriedky znižujú zranenie osôb spôsobené odletujúcimi úlomkami alebo náhodným kontaktom s rezacou strunou alebo čepeľou.
- **Pri prevádzke stroja vždy noste protišmykovú a ochrannú obuv. Náradie nikdy nepoužívajte naboso ani v otvorených sandáloch.** Tým sa znižuje pravdepodobnosť zranenia nôh pri kontakte s pohyblivými nožmi alebo strunami.
- **Počas prevádzky stroja vždy noste dlhé nohavice.** Odhalená koža zvyšuje pravdepodobnosť zranenia od vymrštených predmetov.
- **Udržujte okolo stojace osoby v bezpečnej vzdialenosti počas prevádzky stroja.** Odletávajúce úlomky môžu vážne poraniť osoby.
- **Pri obsluhu stroja vždy používajte dve ruky.** Držanie stroja oboma rukami zabráni strate kontroly.
- **Stroj držte len za izolované rukoväte, pretože rezacia struna alebo čepeľ môže prísť do kontaktu so skrytým vedením.** Pri kontakte so „živým“ vodičom sa môžu nekruté kovové časti náradia stať „živými“ a môžu spôsobiť obsluhu elektrický šok.
- **Vždy udržiavajte správne postavenie a obsluhujte stroj iba vtedy, keď stojíte na zemi.** Klzké alebo nestabilné povrchy môžu spôsobiť stratu rovnováhy alebo kontrolu nad strojom.
- **Stroj neprevádzkujte na príliš strmých svahoch.** Tým sa znižuje riziko straty kontroly, pošmyknutia a pádu, ktoré môžu mať za následok zranenie osôb.
- **Pri práci na svahoch sa vždy uistite, že máte stabilný postoj, vždy pracujte naprieč povrchu svahu, nikdy nie hore alebo dole a pri zmene smeru buďte mimoriadne opatrní.** Tým sa znižuje riziko straty kontroly, pošmyknutia a pádu, ktoré môžu mať za následok zranenie osôb.
- **Udržujte všetky časti tela mimo noža, struny alebo čepele, keď je stroj v prevádzke.** Pred spustením stroja sa uistite, že nôž, struna alebo čepeľ nie je s ničím v kontakte. Chvilka nepozornosti pri obsluhu stroja môže viesť k zraneniu vás alebo iných.
- **Neobsluhujte stroj nad výškou pása.** To pomáha predchádzať neúmyselnému kontaktu noža alebo čepele a umožňuje lepšiu kontrolu nad strojom v neočakávaných situáciách.
- **Pri rezaní kríkov alebo stromčekov, ktoré sú napnuté, dávajte pozor na ich vymrštenie.** Keď sa uvoľní napätie v drevených vláknach, krík alebo stromček môže zasiahnuť obsluhu a/alebo uviesť stroj mimo kontrolu.
- **Pri rezaní kríkov a mladých stromčekov buďte mimoriadne opatrní.** Čepeľ môže zachytiť tenký materiál a vymrštiť ho smerom k vám alebo vás vyviesť z rovnováhy.
- **Udržujte kontrolu nad strojom a nedotýkajte sa nožov, strún alebo čepeľí a iných nebezpečných pohyblivých častí, ktoré sa ešte pohybujú.** Tým sa znižuje riziko zranenia pohyblivými časťami.
- **Pri odstraňovaní zaseknutého materiálu alebo údrzbe stroja sa uistite, že je vypínač vypnutý a akumulátor odstránený.** Neočakávané uvedenie stroja do pohybu pri odstraňovaní zaseknutého materiálu alebo servisu môže mať za následok vážne zranenie.
- **Prenášajte vypnutý stroj a smerom od tela.** Správna manipulácia so strojom zníži pravdepodobnosť náhodného kontaktu s pohyblivým nožom, strunou alebo čepeľou.
- **Používajte iba náhradné nože, struny, rezacie hlavy a čepele špecifikované výrobcom.** Nesprávne náhradné diely môžu zvýšiť riziko poškodenia a zranenia.
- **Poškodenie krovínorezu – Ak krovínorezom zasiahnete cudzí predmet, alebo ak sa krovínorez zamotá, okamžite náradie zastavte, skontrolujte na poškodenie a akékoľvek poškodenie nechajte opraviť skôr, než sa pokúsite o ďalšiu prevádzku.** Nepracujte s poškodeným krytom alebo cievkou.
- **V prípade, že nástroj začne nezvyčajne vibrovať, vypnite motor a ihneď zistite príčinu.** Vibrácie zvyčajne upozorňujú na problém. Uvoľnená hlava môže vibrovať, prasknúť, zlomiť sa alebo vyletieť z kosačky, čo môže viesť k vážnemu alebo smrteľnému zraneniu. Uistite sa, že rezné príslušenstvo je správne uchytené na svojom mieste. V prípade, že sa hlava po upevnení uvoľní, ihneď ju vymeňte. Nikdy nepoužívajte kosačku s uvoľneným rezacím príslušenstvom.
- **Nástroje na batérie nemusia byť zapojené do elektrickej zásuvky; preto sú vždy v prevádzkovom stave.** Buďte si vedomí možných rizík, ak keď sa nástroj nepoužíva. Buďte opatrní pri vykonávaní údržby alebo servisu.
- **Neumývajte s hadicou; zabráňte tomu, aby sa voda dostala do motora a elektrických pripojiek.**
- **Ak sa vyskytnú situácie, ktoré nie sú zahrnuté v tomto návode, dávajte pozor a použite zdravý úsudok.** Obráťte sa na zákaznicke servisné stredisko EGO pre pomoc.
- **Používajte iba s akumulátormi a nabíjačkami, ktoré sú uvedené na obr. A.**

ODLOŽTE SI TIETO POKYNY!

TECHNICKÉ ÚDAJE

Rezací mechanizmus	Rezací hlava	
Priemer struny	2,4 mm nylonová stočená struna	
Rezná šírka	40 cm	
Rýchlosť naprázdno	4900/5800 min ⁻¹	
Hmotnosť (bez akumulátora)	1,53 kg	
Odporúčaná prevádzková teplota	0°C-40°C	
Odporúčaná skladovacia teplota	-20°C-70°C	
Hladina akustického výkonu L _{WA}	95,72 dB(A) K=0,77 dB(A)	
Hladina akustického tlaku pri uchu obsluhy L _{PA}	81,6 dB(A) K=3 dB(A)	
Garantovaná hladina akustického výkonu L _{WA} (meraná podľa 2000/14/EC)	96 dB(A)	
Vibrácie a _n	Predná pomocná rukoväť	2,5 m/s ² K=1,5 m/s ²
	Zadná rukoväť	1,8 m/s ² K=1,5 m/s ²

- Vyššie uvedené parametre sú testované a merané s nástrojom vybaveným pohonnou hlavou PH1420E.
- Uvádzaná celková hodnota vibrácií bola meraná v súlade so štandardnou skúšobnou metódou a môže byť použitá na porovnanie jedného zariadenia s iným;
- Uvádzaná celková hodnota vibrácie sa môže použiť aj na predbežný odhad expozície.

VAROVANIE: Emisie vibrácií a hluku počas skutočného používania elektrického náradia sa môžu líšiť od deklarovaných hodnôt v závislosti od spôsobu použitia nástroja, najmä od toho, aký druh obrobku sa spracováva; a o potrebe identifikovať bezpečnostné opatrenia na ochranu prevádzkovateľa, ktoré sú založené na odhade vystavenia v skutočných podmienkach používania (berúc do úvahy všetky časti pracovného cyklu, ako napríklad časy, kedy je nástroj vypnutý a keď beží na voľnobeh okrem času spustenia).

OBSAH BALENIA (OBR. A)

Informácie o odporúčanej rezacej strune nájdete na webových stránkach egopowerplus.com alebo sa pozrite do katalógu výrobkov EGO.

POPIS

ZOZNÁMTE S NÁSTAVCOM PRE STRUNOVÚ KOSAČKU (obr. A)

1. Koncovka
2. Hriadel strunovej kosačky
3. Tlačidlo pre natiehanie struny
4. Rezací struna
5. Hlava kosačky (strunová hlava)
6. Uvoľňovacia zarážka
7. Rezací čepeľ
8. Chránič
9. Imbusový kľúč

VAROVANIE: Nikdy nepoužívajte náradie bez nasadeného ochranného krytu. Chránič musí byť vždy na nástroji pre ochranu používateľa.

ZOSTAVA

VAROVANIE: Ak akýkoľvek diel chýba, alebo je poškodený, nepoužívajte tento výrobok, kým nie sú vymenené diely. Ak používate tento výrobok s poškodenými alebo chýbajúcimi časťami, môže dôjsť k vážnemu zraneniu.

VAROVANIE: Nepokúšajte sa upravovať tento výrobok alebo vytvoriť príslušenstvo, ktoré nie je odporúčané pre použitie s touto strunovou kosačkou. Každá takáto zmena alebo úprava je zneužitím a môže viesť k nebezpečnému stavu spôsobujúcemu vážne poranenie.

VAROVANIE: Nepripájajte pohonnú hlavu pred dokončením zmontovania. Nedodržanie tohto pokynu môže viesť k náhodnému štartu a možnému vážnemu poraneniu.

MONTÁŽ CHRÁNIČA

VAROVANIE: Pri montáži alebo výmene chrániča vždy používajte rukavice. Dávajte pozor na ostrie na chrániči a chráňte svoje ruky pred poranením ostrím.

Povoľte a odstráňte dve skrutky zo základne hriadeľa (obr. C), vyrovnajte montážne otvory chrániča s montážnymi otvormi a pripevnite chránič na základňu hriadeľa s dvoma skrutkami a dvoma pružnými podložkami (obr. D). Zabezpečte, aby bol chránič pripevnený podľa obr. C a D.

Akkoľvek iné upevnenie spôsobí veľké nebezpečenstvo!

SK

PRIPOJENIE NÁSTAVCA PRE STRUNOVÚ KOSAČKU NA POHONNÚ HLAVU

Tento nástavec pre strunovú kosačku je určený na použitie s pohonnou hlavou EGO PH1420E.

Pozrite si časť „PRIPOJENIE NÁSTAVCA NA POHONNÚ HLAVU“ v návode na obsluhu pohonnej hlavy PH1420E.

OBSLUHA

VAROVANIE: Nedovoľte, aby ste sa po zoznámení s týmto výrobkom stali neopatrnými. Zapamätajte si, že zlomok sekundy neopatrnosti postačuje na spôsobenie vážneho poranenia.

VAROVANIE: Vždy používajte ochranu zraku spolu s chráničmi sluchu. Ak tak neurobíte, môže dôjsť k vymršteniu predmetov do očí a iným možným vážnym zraneniam.

APLIKÁCIE

Tento výrobok môžete použiť na nižšie uvedené účely:

- Osekávanie trávy a buriny okolo prístreškov, plotov a plošín

SK

POZNÁMKA: Nástroj sa musí používať len na predpísané účely. Každé iné použitie sa považuje za prípad zneužitia.

Pred každým použitím skontrolujte, či nie sú poškodené / opotrebované diely

Skontrolujte strunovú hlavu, chránič a prednú rukoväť a vymeňte diely, ktoré sú prasknuté, zdeformované, ohnuté, alebo inak poškodené.

Strunová čepeľ na okrajoch chrániča sa v priebehu času otupí. Odporúčame, aby ste ju pravidelne prebrúsili pilníkom, alebo ju nahradili za novú čepeľ.

VAROVANIE: Pri montáži alebo ostrení chrániča, brúsení alebo pri výmene čepele vždy používajte rukavice. Dajte si pozor na ostré hrany na chrániči a chráňte si ruky pred porezaním.

VAROVANIE: Aby nedošlo k vážnemu zraneniu, tak pred vykonávaním údržby, čistením, výmenou príslušenstva alebo odstraňovaním materiálu z prístroja vyberte akumulátor z pohonnej hlavy.

POUŽITÍ STRUNOVEJ KOSAČKY S POHONNOU HLAVOU

VAROVANIE: Oblečte sa vhodne pri práci s týmto náradím, aby sa znížilo riziko poranenia. Nenoste šperky alebo voľný odev. Používajte ochranu očí a sluchu. Oblečte si odolné, dlhé nohavice, vysoké topánky a rukavice. Nenoste krátke nohavice, sandále alebo nebudte naboso.

VAROVANIE: Pred každým použitím vyčistite oblasť, ktorá má byť rezaná. Odstráňte všetky predmety, ako sú kamene, rozbité sklo, klince, drôty alebo šnúry, ktoré môžu byť vymrštené alebo môžu uviaznuť v stroji. Zabráňte prístupu deťom, prítomným osobám a domácim zvieratám. Všetky deti, prizerajúce sa osoby a zvieratá sa musia zdržiavať vo vzdialenosti najmenej 15 metrov; stále ešte môže existovať riziko vymrštenia predmetov na prizerajúce sa osoby. Okoloostojace osoby by mali mať ochranu očí. Ak sa približujú, okamžite zastavte motor a reznú príslušenstvo.

Pre bezpečnejšie a lepšie používanie si dajte ramenný popruh cez rameno. Upravte ramenný popruh do pohodlnej pracovnej polohy. Vždy držte strunovú kosačku jednou rukou na zadnej rukoväti a druhou rukou na prednej rukoväti. Udržujte pevný úchop obomi rukami pri používaní náradia. Strunová kosačka sa má držať v pohodlnej polohe so zadnou rukoväťou vo výške bedrového kĺbu. Strunová hlava musí byť rovnoobežná so zemou tak, aby sa zľahka dotýkala rezaného materiálu bez toho, aby sa operátor musel ohýbať (obr. B).

VAROVANIE: Ramenný popruh má takisto rýchlovypínací mechanizmus pre nebezpečné situácie. Ak dôjde k núdzovej situácii, ihneď si popruh odopnite zo svojho ramena bez ohľadu na to, akým spôsobom je popruh pripnutý.

Po každom použití vyčistite kosačku.

Pozrite si časť ÚDRŽBA pre pokyny na čistenie.

ZAPNUTIE/VYPNUTIE NÁSTROJA

Pozrite si časť „ZAPNUTIE/VYPNUTIE POHONNEJ HLAVY“ v návode na obsluhu pohonnej hlavy PH1420E.

NASTAVENIE DĹŽKY REZNEJ STRUNY

Strunová hlava umožňuje obsluhu predĺžiť rezáciu strunu bez zastavenia motora. Ak sa struna rozstrapká alebo opotrebuje, je možné vysunúť ďalšiu strunu ľahkým poklepaním hlavy kosačky o zem pri používaní kosačky (obr. E).

POZNÁMKA: Vysúvanie struny sa stáva ťažšie, keď sa struna skracuje.

VAROVANIE: Neodstraňujte alebo nemeňte zostavu strunovej rezacej čepele. Nadmerná dĺžka struny môže spôsobiť prehriatie motora a môže dôjsť k vážnemu zraneniu.

VÝMENA STRUNY

POZNÁMKA: Vždy používajte odporúčanú nylonovú rezaciu strunu s priemerom najviac 2,4 mm. Použitie inej struny, než je uvedené, môže spôsobiť prehriatie alebo poškodenie strunovej kosačky.

VAROVANIE: Nikdy nepoužívajte kovom vystužené struny, dróty, šnúry atď. Môžu sa odtrhnúť a stať sa nebezpečnými projektíli.

Strunová kosačka je vybavená pokročilým systémom **POWERLOAD™**. Rezacia struna môže byť navinutá na cievku jednoduchým stlačením jediného tlačidla. Navinutie plnej cievky môže byť zvyčajne dokončené za 12 sekúnd.

Vyhýbajte sa opakovanému používaniu navijacieho systému v rýchlom slede, aby sa znížila možnosť poškodenia motora.

POZNÁMKA: Systém **POWERLOAD™** je k dispozícii iba vtedy, keď je nástavec pripojený k pohonnej hlave PH1420E a je nainštalovaný akumulátor.

1. Vyberte akumulátor.
2. Odrežte 4 m rezacej struny. Vložte strunu do očka (obr. F). Pretlačte a vyťahnite strunu z druhej strany, pokiaľ nebude rovnaká dĺžka struny na oboch stranách strunovej hlavy.

POZNÁMKA: Ak sa struna nedá vložiť do očka, keď je spodný kryt zaseknutý, namontujte akumulátor do pohonnej hlavy a potom krátkym stlačením tlačidla pre natiahnutie struny resetujte spodný kryt.

3. Vyberte akumulátor, ak bola nainštalovaný do pohonnej hlavy v poznámke kroku 2. A postupujte podľa krokov uvedených v kroku 2, aby ste znova vložili a zarovnali rezaciu strunu.
4. Pripojte akumulátor do pohonnej hlavy.
5. Stlačte a podržte tlačidlo pre navinutie rezacej struny do strunovej hlavy, až kým sa na každej strane neukáže približne 15 cm struny. (obr. G).
6. Zatláčte zostavu strunovej hlavy smerom nadol pri ťahaní struny, ak chcete manuálne vyťahnúť strunu a skontrolovať správnu montáž rezacej struny.

POZNÁMKA: V prípade neúmyselného vtiahnutia struny do strunovej hlavy otvorte hlavu a vyťahnite strunu von z cievky. Postupujte podľa pokynov v časti „NATIAHNUTIE REZACEJ STRUNY“ v tomto návode pre natiahnutie novej rezacej struny.

NATIAHNUTIE REZACEJ STRUNY

Keď sa rezacia struna odtrhne na výstupe struny alebo sa rezacia struna nevysunie pri poklepaní na strunovú hlavu, postupujte podľa nasledujúcich krokov pre odstránenie zvyšnej struny zo strunovej hlavy a natiahnutie novej.

1. Vyberte akumulátor.
2. Stlačte uvoľňovacie zarážky na strunovej hlave a demontujte zostavu spodného krytu strunovej hlavy priamym vyťahnutím (obr. H).
3. Odstráňte rezaciu strunu zo strunovej hlavy.
4. Ak je to potrebné, vyťahnite strunu zo zostavy cievky. Odložte si ju na opätovnú montáž
5. Vložte pružinu do otvoru v zostave spodného krytu (obr. I).
6. Jednou rukou pridržiňte kosačku, druhou rukou uchopte zostavu spodného krytu a zarovnajtie drážky v zostave spodného krytu s uvoľňovacími zarážkami (obr. J). Zatláčte zostavu spodného krytu, kým nezapadne na miesto s počuteľným a zreteľným zvukom kliknutia (obr. K).
7. Postupujte podľa pokynov v časti „VÝMENA STRUNY“ pre natiahnutie novej rezacej struny.

VÝMENA STRUNOVEJ HLAVY

VAROVANIE: V prípade, že sa hlava po upevnení uvoľní, ihneď ju vymeňte.

Nikdy nepoužívajte kosačku s voľným rezacím príslušenstvom. Ihneď vymeňte prasknutú, poškodenú alebo opotrebovanú rezaciu hlavu, aj keď je poškodenie obmedzené na povrchové praskliny. Takéto príslušenstvo sa môže pri vysokej rýchlosti roztrieštiť a spôsobiť vážne zranenie.

Zoznámte sa so strunovou hlavou (obr. L).

Obr. L s popisom dielov:

L-1	Hriadel'	L-6	Podložka
L-2	Puzdro (2)	L-7	Matica
L-3	Horný kryt	L-8	Pružina
L-4	Krúžok	L-9	Rezacia struna
L-5	Držiak cievky	L-10	Zostava spodného krytu

SK

ODSTRÁNENIE STRUNOVEJ HLAVY

1. Vyberte akumulátor.
2. Stlačte uvoľňovacie zarážky na strunovej hlave a demontujte zostavu spodného krytu strunovej hlavy vytiahnutím rovno von.
3. Odstráňte rezáciu strunu zo strunovej hlavy.
4. Ak je to potrebné, vytiahnite strunu zo zostavy cievky. Odložte si ju na opätovnú montáž.
5. Používajte rukavice. Pomocou jednej ruky uchopte zostavu cievky, aby ste ju stabilizovali, a druhú ruku použite na uchopenie 13 mm nárazového kľúča (nie je súčasťou dodávky) na uvoľnenie matice v SMERE HODINOVÝCH RUČÍČIEK (obr. M).
6. Vyberte maticu, podložku a držiak cievky z hriadeľa motora (obr. L).
7. Na odstránenie krúžku použite kliešte na poistné krúžky (nie sú súčasťou balenia). Odstráňte horný kryt a dve puzdrá z hriadeľa motora (obr. L).
8. Namontujte novú strunovú hlavu nasledovne.

Inštalácia novej strunovej hlavy

1. Namontujte dve puzdrá na hriadeľ motora.
2. Zarovnajte plochú štrbinu v hornom kryte s plochou časťou hriadeľa motora a horný kryt namontujte na miesto (obr. N).

Obr. N s popisom dielov:

N-1	Plochá časť hriadeľa	N-2	Plochá štrbina
-----	----------------------	-----	----------------

3. Namontujte krúžok, držiak cievky a podložku v tomto poradí (obr. L). Pomocou nárazového kľúča maticu utiahnite PROTI SMERU HODINOVÝCH RUČÍČIEK.
4. Postupujte podľa krokov 4 a 5 v časti „NATIAHNUTIE REZACEJ STRUNY“ v tomto návode pre montáž zostavy spodného krytu.
5. Postupujte podľa pokynov v časti „VÝMENA STRUNY“ v tomto návode pre natiahnutie novej rezacej struny.
6. Spustite nástroj, aby ste zistili, či strunová kosačka funguje normálne. Ak sa tak nestane, znova ju zostavte, ako je to popísané vyššie.

ÚDRŽBA

VAROVANIE: Pred kontrolou, čistením alebo údržbou prístroja zastavte motor, počkajte, kým sa všetky pohyblivé diely zastavia a vyberte akumulátor. Nedodržanie týchto pokynov môže viesť k vážnemu zraneniu alebo poškodeniu majetku.

VAROVANIE: Pri servise používajte iba identické náhradné diely. Použitie iných častí môže vyvolať nebezpečenstvo, alebo spôsobiť poškodenie výrobku. Pre zaistenie bezpečnosti a spoľahlivosti musí všetky opravy, okrem položiek uvedených v tomto návode na údržbu, vykonávať kvalifikovaný servisný technik.

CELKOVÁ ÚDRŽBA

Na čistenie plastových dielov nepoužívajte rozpúšťadlá. Väčšina plastov je náchylná na poškodenie z rôznych typov komerčných rozpúšťadiel a môžu sa poškodiť, ak sa použijú. Použite čisté handry na odstránenie nečistôt, prachu, oleja, maziva, atď.

ČISTENIE PRÍSTROJA

- Odstráňte akúkoľvek trávu, ktorá sa namotala okolo hriadeľa motora alebo hlavy kosačky.
- Použite malú kefu alebo malý vysávač na vyčistenie vetracích otvorov na zadnom kryte.
- Výrobok čistite vlhkou handričkou a jemným saponátom.
- Nepoužívajte žiadne silné čistiace prostriedky na plastovom kryte alebo rukoväti. Môžu byť poškodené určitými aromatickými olejmi, ako je borovica a citrón, a rozpúšťadlami, ako je petrolej. Vlhkosť môže tiež spôsobiť nebezpečenstvo úrazu elektrickým prúdom. Akúkoľvek vlhkosť poutierajte mäkkou a suchou handrou.

MAZANIE PREVODOVKY

Prevody v prevodovej skriní sa musia pravidelne mazať prevodovým mazivom. Skontrolujte hladinu prevodového maziva v prevodovke približne každých 50 prevádzkových hodín odstránením tesniacej skrutky na boku skrine.

Ak na stranách prevodov nie je vidno žiadne mazivo, postupujte podľa pokynov pre naplnenie prevodovým mazivom až do 3/4 kapacity.

Nezaplnite celkom prevody.

1. Pridržte strunovú kosačku na boku, aby tesniaca skrutka smerovala hore.
2. Pomocou dodaného multifunkčného kľúča povolte a odstráňte tesniacu skrutku.
3. Použite mazacu striekačku (nie je súčasťou dodávky) na zavedenie maziva do otvoru pre skrutku; neprekročte 3/4 kapacity.
4. Po naplnení utiahnete tesniacu skrutku.

USKLADNENIE PRÍSTROJA

- Vyberte akumulátor z pohonnej hlavy.
- Pred uložením prístroj dôkladne vyčistite.

- Ak je nástavec strunovej kosačky odpojený od pohonnej hlavy a skladovaný oddelene: Namontujte koncovku na hriadeľ nástavca, aby sa nečistoty nedostali do spojky.
- Prístroj skladujte na suchom a dobre vetranom uzamknutom alebo vyvýšenom mieste mimo dosahu detí. Náradie neskladujte v blízkosti hnojív, benzínu alebo iných chemikálií.

NAOSTRENIE REZACEJ ČEPELE

VAROVANIE: Vždy si chráňte ruky pomocou odolných rukavíc pri vykonávaní akejkoľvek údržby na rezacej čepeľi.

1. Vyberte akumulátor.
2. Demontujte rezáciu čepeľ z ochranného krytu.
3. Zaisťte čepeľ do zveráka.
4. Noste vhodnú ochranu očí a rukavice a dávajte pozor, aby ste sa neporezali.
5. Opatrne opilujte reznú hranu čepele s jemným pilníkom alebo brúsnym kameňom, pričom zachovajte pôvodný uhol naostrenia.
6. Namontujte čepeľ späť na ochranný kryt a zaisťte ju pomocou dvoch skrutiek.

Ochrana životného prostredia



Nevyhadzujte elektrické zariadenia, nabíjačku batérií a batérie / akumulátory do domového odpadu!

Tento výrobok odneste na autorizované recyklačné miesto a poskytnite ho na separovaný zber. Elektrické náradie sa musí odovzdať do príslušného zariadenia na ekologicky šetrnú recykláciu.

Ak sú elektrické spotrebiče likvidované na neorganizovaných skládkach alebo smetiskách, môžu nebezpečné látky unikať do podzemných vôd, dostať sa do potravinového reťazca a poškodzovať zdravie.

SK

ODSTRÁŇOVANIE PROBLÉMOV

PROBLÉM	PRÍČINA	RIEŠENIE
Strunová kosačka sa nespustí.	<ul style="list-style-type: none"> ■ Akumulátor nie je pripojený na pohonnú hlavu. ■ Bez elektrického kontaktu medzi pohonnou hlavou a akumulátorom. ■ Akumulátor je vybitý. ■ Poistná páčka a spínač nie sú súčasne stlačené. 	<ul style="list-style-type: none"> ■ Pripojte akumulátor na pohonnú hlavu. ■ Vybte batériu, skontrolujte kontakty a vložte akumulátor, pokiaľ nezapadne na svoje miesto. ■ Nabite akumulátor pomocou nabíjačiek EGO, ktoré sú uvedené v tomto návode na obsluhu. ■ Pre zapnutie strunovej kosačky zatlačte poistnú páčku a podržte ju, potom stlačte vypínač.
Strunová kosačka sa zastaví pri kosení.	<ul style="list-style-type: none"> ■ Chránič nie je namontovaný na kosačke, čo spôsobuje príliš dlhý rez a preťaženie motora. ■ Je použitá príliš ťažká struna. ■ Tráva sa namotala na hriadeľ motora alebo hlavu kosačky. ■ Motor je preťažený. ■ Akumulátor alebo strunová kosačka sú príliš horúce. ■ Akumulátor je odpojený od nástroja. ■ Akumulátor je vybitý. 	<ul style="list-style-type: none"> ■ Vybte akumulátor a namontujte chránič na kosačku. ■ Používajte odporúčanú štandardnú nylonovú strunu s priemerom najviac 2,4 mm. ■ Zastavte kosačku, vyberte batériu a odstráňte trávu z hriadeľa motora a hlavy kosačky. ■ Vytiahnite hlavu kosačky z trávy. Motor sa rozbehne, keď sa preťaženie odstráni. Pri kosení pohybujte hlavou kosačky dovnútra a von z trávy tak, aby sa pokosila a odstránila najviac 20 cm dĺžka v jednom reze. ■ Nechajte akumulátor alebo strunovú kosačku vychladnúť, kým teplota neklesne pod 67°C . ■ Znovu vložte akumulátor. ■ Nabite akumulátor pomocou nabíjačiek EGO, ktoré sú uvedené v tomto návode na obsluhu.
Strunová hlava nevysúva strunu.	<ul style="list-style-type: none"> ■ Tráva sa namotala na hriadeľ motora alebo hlavu kosačky. ■ Na cievke nie je dostatok struny. ■ Strunová hlava je znečistená. ■ Struna je zamotaná na cievke. ■ Struna je príliš krátka. 	<ul style="list-style-type: none"> ■ Zastavte kosačku, vyberte batériu a odstráňte trávu z hriadeľa motora a hlavy kosačky. ■ Vybte akumulátor a vymeňte rezaciu strunu; postupujte podľa časti „VÝMENA REZACEJ STRUNY“ v tomto návode. ■ Vybte batériu a vyčistite cievku, držiak cievky a základňu cievky. ■ Vybte akumulátor, vytiahnite strunu z cievky a prevíňte ju; postupujte podľa časti „VÝMENA REZACEJ STRUNY“ v tomto návode. ■ Vybte batériu a vytiahnite strunu a zároveň striedavo pritlačte gombík hlavy.

PROBLÉM	PRÍČINA	RIEŠENIE
Tráva obaluje hlavu kosačky a kryt motora.	<ul style="list-style-type: none"> ■ Kosenie vysokej trávy na úrovni terénu. 	<ul style="list-style-type: none"> ■ Koste vysokú trávu zhora nadol, pri každom prechode odstraňujte najviac 20 cm, aby nedošlo k namotaniu.
Čepeľ nereže strunu..	<ul style="list-style-type: none"> ■ Strunová čepeľ na okraji chrániča sa otúpila. 	<ul style="list-style-type: none"> ■ Naostríte strunovú čepeľ pilníkom, alebo ju vymeňte za novú čepeľ.
Praskliny na strunovej hlave alebo držiaku cievky sa uvoľňujú zo základne cievky.	<ul style="list-style-type: none"> ■ Strunová hlava je opotrebovaná ■ Matica, ktorá zaisťuje strunovú hlavu, je uvoľnená. 	<ul style="list-style-type: none"> ■ Ihneď vymeňte strunovú hlavu; postupujte podľa časti „VÝMENA STRUNOVEJ HLAVY“ v tomto návode na obsluhu. ■ Otvorte strunovú hlavu a maticu dotiahnite nárazovým kľúčom.
Pri výmene sa struna nedá správne vložiť do strunovej hlavy.	<ul style="list-style-type: none"> ■ Značky LOAD nie sú zarovnané s očkami na základni cievky. ■ Značky LOAD nie sú zarovnané s očkami na základni cievky. 	<ul style="list-style-type: none"> ■ Otočte držiak cievky v smere šípky, vyrovnajte značky LOAD na držiaku cievky s očkami na základni cievky. ■ Otočte držiak cievky v smere šípky, zarovnajtie značky LOAD na držiaku cievky s očkami na základni cievky.

ZÁRUKA

ZÁRUČNÁ POLITIKA EGO

Navštívte webové stránky egopowerplus.com pre úplné podmienky záručnej politiky spoločnosti EGO.

KES VAN DER SPEK

SK

OLVASSA EL AZ ÖSSZES UTASÍTÁST!



OLVASSA EL A HASZNÁLATI ÚTMUTATÓT

⚠ Maradék kockázat! Az elektronikus készülékekkel, például pacemakerrel, élő emberek a termék használata előtt kérjék ki orvos véleményét. Az elektromos felszerelés a szív pacemakerhez közel való működtetése interferenciát vagy meghibásodást okozhat a pacemakerben.

⚠ FIGYELMEZTETÉS: A biztonságosság és megbízhatóság biztosítása érdekében minden javítást szakképzett szerviztechnikus hajtson végre.

BIZTONSÁGI SZIMBÓLUMOK

A biztonsági szimbólumok célja, hogy felhívják a figyelmet az esetleges veszélyekre. Nagyon figyeljen a biztonsági szimbólumokra és magyarázatokra, ill. ezek megértésére. A szimbólumok figyelmeztetése önmagukban nem hárítják el a veszélyeket. Az utasítások és figyelmeztetések nem helyettesítik a megfelelő balesetmegelőző intézkedéseket.

⚠ FIGYELMEZTETÉS: A szerszám használata előtt feltétlenül olvassa el a jelen használati útmutató minden biztonsági utasítását, a „VESZÉLY”, „FIGYELMEZTETÉS” és „FIGYELEM” biztonsági szimbólumokat is. Az alább felsorolt utasítások be nem tartása áramütést, tűzveszélyt és/vagy súlyos személyi sérülést idézhet elő.

SZIMBÓLUM JELENTÉSE

⚠ BIZTONSÁGI SZIMBÓLUM: VESZÉLYT vagy **FIGYELMEZTETÉST** jelöl. Más szimbólumokkal vagy rajzokkal együtt használható.

BIZTONSÁGI UTASÍTÁSOK

Ezen az oldalon olyan biztonsági szimbólumok láthatók és olvashatók, amelyek megjelenhetnek a terméken. Az összeszerelés vagy működtetés előtt olvassa el, értse meg és tartsa be a gép minden utasítását.

	Biztonsági figyelmeztetés	Potenciális személyi sérülés veszélyét jelzi.
	Olvassa el a használati útmutatót	A sérülések kockázatának csökkentése érdekében a használatnak a termék használata előtt el kell olvasnia, és meg kell értenie a használati útmutatót.
	Viseljen szem-, fül- és fejevédőt	Mindig viseljen szem-, fül- és fejevédőt.
	Vágásszélesség	A fúkasza max. vágásszélessége
	Vezeték átmérője	A nylon vágószál átmérője
	Semmilyen fém vágókés nem használható.	Figyelmezteti a felhasználót, hogy ne használjon fém vágókést
	Tartsa távol a nézőlódókat	Ügyeljen arra, hogy más személyek és a háziállatok távolságban legyenek a fúkasza használata közben.
	A gép és a közelben tartózkodók között legalább 15 m távolság legyen	Ügyeljen arra, hogy más személyek és a háziállatok legalább 15 m távolságban legyenek a fúkasza használata közben.
IPX4	IP szimbólum	Víz behatolása elleni védelmi szint: 4.
	CE	A termék megfelel az érvényes EK irányelveknek.
	UKCA	Ez a termék megfelel az alkalmazandó brit jogszabályoknak.
	WEEE	Az elhasznált elektromos termékek nem helyezhetők a háztartási hulladék közé. Vigye hivatalos újrahasznosító telephelyre.
	Zaj	Garantált hangteljesítményszint. Környezetre ható zajkibocsátás a Európai Közösség irányelve szerint.
V	Volt	Feszültség

HU

mm	Milliméter	Hossz vagy méret
cm	centiméter	Hossz vagy méret
kg	kilogramm	Súly

AZ ELEKTROMOS SZERSZÁMOKRA VONATKOZÓ ÁLTALÁNOS BIZTONSÁGI FIGYELMEZTETÉSEK

▲ FIGYELMEZTETÉS: Olvassa el az elektromos kéziszerszámhoz mellékelte összes biztonsági figyelmeztetést, utasítást, ábrát és specifikációt. Az alább felsorolt utasítások be nem tartása áramütést, tűzveszélyt és/vagy súlyos sérülést idézhet elő.

Őrizzen meg minden figyelmeztetést és utasítást, hogy később is elő tudja majd venni.

Az „elektromos kéziszerszám” megnevezése a figyelmeztetésekben egyaránt vonatkozik a hálózati feszültségről meghajtott elektromos kéziszerszámokra (hálózati vezetékkel rendelkező elektromos kéziszerszámok), valamint az akkumulátorral működtetett elektromos kéziszerszámokra (hálózati vezeték nélküli elektromos kéziszerszámok).

MUNKATERÜLET BIZTONSÁG

- **A munkaterület legyen tiszta és jól megvilágított.** A munkahelyen uralkodó rendetlenségnek vagy a rossz megvilágításnak baleset lehet a következménye.
- **Ne használjon elektromos szerszámokat robbanási veszélynek kitett környezetben, például olyan helyen, ahol éghető folyadékok, gázok vagy porok találhatóak.** Az elektromos kéziszerszámok szikrákat képeznek, amelyek meggyújthatják a porokat vagy gázokat.
- **Tartsa távol a gyermekeket és az illetéktelen személyeket, amikor elektromos kéziszerszámmal dolgozik.** Ha megzavarják, elveszítheti uralmát a készülék felett.

ELEKTROMOS BIZTONSÁG

- **Az elektromos kéziszerszám hálózati csatlakozódugójának illeszkednie kell az elektromos aljzathoz. Soha és semmiképpen se módosítsa a csatlakozódugót. Ne használjon adapteres csatlakozódugókat a földelt elektromos kéziszerszámokhoz.** Az eredeti csatlakozódugó és megfelelő hálózati aljzat alkalmazásával megelőzi az áramütés veszélyét.
- **Ne érjen földelt felületekhez, ilyenek pl. a csövek, fűtőtestek, tűzhelyek vagy hűtőszekrények.** Az áramütés kockázata nagyobb, ha a teste le van földelve.
- **Ne működtesse a gépet esőben vagy nedves körülmények között.** A gépbe jutó víz növelheti az

áramütés és a személyi sérülést okozó meghibásodás kockázatát.

- **Ne használja a kábelt helytelen módon. Soha ne használja a kábelt az elektromos szerszám hordozására, húzására vagy lecsatlakoztatására. Tartsa távol a vezetékét hőtől, olajtól, éles szegélyektől és mozgó alkatrészekről.** A sérült vagy összegabalyodott hálózati kábelek megnövelik az áramütés veszélyét.
- **Az elektromos szerszám szabadtéri üzemeltetéséhez használjon szabadtéren használható hosszabbító kábelt.** A szabadtéren használható kábel alkalmazása csökkenti az áramütés kockázatát.
- **Ha elkerülhetetlen az elektromos szerszám használata nedves helyen, használjon földzárlat-megszakítóval (FI-relé) ellátott tápellátást.** A FI-relé használata csökkenti az áramütés veszélyét.

SZEMÉLYI BIZTONSÁG

- **Legyen figyelmes, ügyeljen arra, amit csinál, és józan ésszel fogjon a munkához, ha elektromos kéziszerszámot használ. Ne használjon elektromos kéziszerszámot, ha fáradt, kábítószert, alkohol vagy gyógyszer befolyása alatt áll.** Az elektromos kéziszerszám üzemeltetése közben egy pillanatnyi figyelmeltenség is súlyos személyi sérülést okozhat.
- **Használjon személyi védőfelszerelést. Mindig viseljen védőszemüveget.** A védőfelszerelések, mint például porvédő maszk, csúszásmentes lábbeli, sisak és hallásvédő, rendeltetés szerű használata révén elkerüli a sérülési veszélyeket.
- **Akadályozza meg a véletlen indítást. Ügyeljen arra, hogy a kapcsoló kikapcsolt állásban legyen, mielőtt tápforrásra és/vagy akkumulátoregységre csatlakoztat, felveszi vagy viszi a szerszámot.** Balesetekhez vezethet, ha a hálózatra csatlakoztatott szerszámot úgy viszi, hogy közben az uja a bekapcsoló gombon van, vagy ha a hálózati csatlakozódugót olyankor dugja be az aljzatba, amikor be van kapcsolva a szerszám.
- **Vegye ki a szerszámkulcsot és a beállító szerszámot, mielőtt az elektromos kéziszerszámot bekapcsolná.** Az elektromos kéziszerszám mozgó alkatrészén felejtett csavarkulcs vagy szerszám személyi sérülést okozhat.
- **Ne hajoljon a gép fölé. Vegyen fel stabil testhelyzetet, és mindig tartsa meg az egyensúlyát.** Ezáltal jobban tudja irányítani az elektromos kéziszerszámot a legváratlanabb helyzetben is.

- **Viseljen megfelelő ruhát. Ne viseljen laza ruházatot vagy ékszereket. Tartsa távol haját, ruházatát és kesztyűjét a mozgó alkatrészekről.** A laza ruházat, az ékszert vagy a hosszú hajat becsíphetik a mozgó alkatrészek.
- **Ha az elektromos kéziszerszámot porfelszívó vagy porfelfogó eszközzel szerelik fel, akkor győződjön meg arról, hogy ezek előírászerűen vannak-e csatlakoztatva, és használja őket a rendeltetésüknek megfelelően.** Porgyűjtő használata csökkentheti a porral járó veszélyeket.
- **Ne hagyja, hogy a rendszeres használat során megszerzett tapasztalat miatt önteltté váljon, és emiatt figyelmen kívül hagyja a biztonsági irányelveket.** Egy óvatlan cselekedet a másodperc töredéke alatt súlyos sérülést okozhat.
- **A vágószerszámok legyenek mindig élesek és tiszták.** A megfelelően karbantartott és kiélezett vágószerével rendelkező vágószerszámok kevésbé hajlamosak az elgörbülésre, valamint könnyebben kezelhetők.
- **Az elektromos kéziszerszámot, tartozékot, vágóféléteket, stb. mindig ezen biztonsági utasításoknak megfelelően használja, mindig vegye figyelembe a munkakörülményeket, és legyen tekintettel a megmunkálandó munkadarabra.** Az elektromos kéziszerszámoknak az előírt rendeltetési céltól eltérő célra való használata veszélyes.
- **Tartsa szárazon, tisztán, olajtól és zsirtól mentesen a fogantyúkat és a tartófelületeket.** A csúszós fogantyúk és tartófelületek miatt a szerszám kezelése és vezérlése váratlan helyzetekben nem biztonságos.

A KÉZI SZERSZÁMGÉP ÜZEMELTETÉSE ÉS GONDOZÁSA

- **Ne terhelje túl az elektromos kéziszerszámot.** A munkájához használja az arra alkalmas elektromos kéziszerszámot. A megfelelő elektromos kéziszerszámmal jobban és biztonságosabban dolgozhat a megadott teljesítményhatáron belül.
- **Ne használja az elektromos kéziszerszámot, ha nem lehet a bekapcsoló segítségével be- vagy kikapcsolni.** Az olyan elektromos kéziszerszám, amely nem irányítható a kapcsolóval, veszélyes és javításra szorul.
- **Húzza ki a hálózati csatlakozó dugót az aljzatból, mielőtt beállításokat végezne, tartozékokat cserélne vagy az elektromos kéziszerszámot félretenné.** Az ilyen megelőző biztonsági óvintézkedések csökkentik az elektromos szerszám véletlen beindításának kockázatát.
- **A használaton kívüli elektromos kéziszerszámokat gyermekektől távol tárolja, és ne engedje meg, hogy olyan személyek használják az elektromos kéziszerszámot, akik nem ismerik azt, vagy nincsenek tisztában ezekkel a biztonsági utasításokkal.** Az elektromos kéziszerszámok veszélyt jelentenek a gyakorlatlan felhasználó kezében.
- **Gondosan ápolja az elektromos szerszámot és tartozékait.** Ellenőrizze a mozgó részek beállítását és rögzítését, vizsgáljon meg minden részt, nem sérült-e, és ellenőrizze, nem állnak-e fenn olyan körülmények, amelyek befolyásolhatják az elektromos kéziszerszámok helyes kezelését. Használat előtt javítsa meg a sérült elektromos kéziszerszámot. A rosszul karbantartott elektromos kéziszerszámok sok balesetet okoznak.

AZ AKKUMULÁTORRAL MŰKÖDŐ SZERSZÁM ÜZEMELTETÉSE ÉS GONDOZÁSA

- **Csak a gyártó által meghatározott töltőt használja.** Az olyan töltő, amely egy típusú akkumulátoregységhez alkalmas, tűzveszélyt okozhat, ha más típusú akkumulátoregységhez használja.
- **Az elektromos kéziszerszámokat csak speciálisan meghatározott akkumulátoregységekkel használja.** Bármely más akkumulátoregység használata sérülés- vagy tűzveszélyt okozhat.
- **Amikor nem használja az akkumulátoregységet, tartsa távol más fémtárgyaktól, például gemkapocs, érmék, kulcsok, tűk, csavarok vagy más kis fémtárgyak, amelyek kapcsolatba léphetnek vele.** Amennyiben együtt tartja az akkumulátorokat, az égési sérülést vagy tüzet okozhat.
- **Nem megfelelő körülmények között folyadék szivároghat az akkumulátorból; ne érjen ehhez.** Amennyiben véletlenül hozzáérne, mossa le vízzel. Ha ez a folyadék szembe kerül, kiegészítőleg forduljon orvoshoz. Az akkumulátorból kiszivárgó folyadék irritációt vagy égést okozhat.
- **Ne használjon sérült vagy módosított akkumulátoregységet vagy szerszámot.** A sérült vagy módosított akkumulátorok előre nem látható viselkedést válthatnak ki, amelyek eredménye tűz vagy sérülésveszély lehet.
- **Ne tegye ki az akkumulátoregységet tűznek vagy túlzott hőmérsékletnek.** Ha tűznek, vagy 130 °C feletti hőmérsékletnek teszi ki, akkor felrobbanhat.

- **Tartsa be a töltési utasításokat, és ne töltsse az akkumulátoregységet vagy a szerszámot az utasításokban meghatározott hőmérséklet-tartományon kívül.** A nem megfelelő vagy a meghatározott hőmérséklet-tartományon kívüli töltés megrongálhatja az akkumulátort, és növeli a tűzveszélyt.

SZERVIZ

- **Az elektromos kéziszerszámot szakképzett személyvel, eredeti cserealkatrész felhasználásával javíttassa meg.** Ezzel biztosítja az elektromos kéziszerszám biztonságának fenntartását.
- **Soha ne szervizeljen sérült akkumulátoregységet.** Az akkumulátoregységet csak a gyártó vagy felhatalmazott szerviz szolgáltató szervizelheti.

A FŰKASZÁRA VONATKOZÓ SPECIÁLIS BIZTONSÁGI FIGYELMEZTETÉSEK

- **Ne használja a gépet kedvezőtlen időjárási körülmények között, különösen, ha fennáll a villámás veszélye.** Ez megnöveli annak veszélyét, hogy eltalálja a villám.
- **Alaposan ellenőrizze a vadon élő állatok élőhelyeül szolgáló területeket, ahol a gépet használni kívánja.** A vadon élő állatok megsérülhetnek a működésben lévő gép miatt.
- **Alaposan vizsgálja meg a területet, ahol a készüléket használni fogja és távolítson el minden követ, botot, vezetékét, csontot és minden egyéb idegen tárgyat.** A szétdobált tárgyak személyi sérülést okozhatnak.
- **A gép használata előtt mindig ellenőrizze szemrevételezéssel, hogy a vágó vagy a vágókés, illetve a szerelvényük nem sérült-e.** A sérült alkatrészek növelik a sérülés kockázatát.
- **Tartsa be a tartozékok cseréjére vonatkozó utasításokat.** A vágó nem megfelelően meghúzott rögzítő anyái vagy csavarjai károsíthatják a vágókést, vagy leválhatnak.
- **Viseljen szem-, fül-, fej- és kézvédőt.** A megfelelő védőfelszerelés által csökken a kockázata, hogy személyi sérülés történik a repülő apríték miatt, vagy ha véletlenül a vágószállal vagy a vágókéssel érintkeznek.
- **A gép működtetése közben mindig viseljen csúszásmentes munkavédelmi cipőt. Ne használja a gépet mezítláb és nyitott lábbeliben.** Így kisebb a lábsérülés esélye a mozgó vágófejülettel vagy vágószállal való érintkezés esetén.
- **A gép működtetése közben mindig viseljen hosszú nadrágot.** A fedetlen bőrt könnyebben felsértik a szétszóródó tárgyak.

- **Tartsa távol a közelben tartózkodó személyeket, amikor a gépet használja.** A szétszóródó apríték súlyos sérülést okozhat.
- **Mindig használja mindkét kezét, amikor a gépet működteti.** Ha mindkét kezével tartja a gépet, nem veszíti el az irányítást.
- **Csak a szigetelt markolatoknál fogva tartsa a gépet, mert a vágószál vagy vágókés érintkezhet a rejtett vezetékekkel.** A «feszültség» alatt lévő vezetékkel érintkező vágókések «feszültség» alá helyezhetik a gép burkolat nélküli fém alkatrészeit, és a gépkezelő áramütést szenvedhet.
- **Mindig stabil testhelyzetet vegyen fel, és csak akkor működtesse a gépet, ha a talajon áll.** A csúszós és instabil felületek miatt elveszítheti az egyensúlyát vagy a gép feletti irányítást.
- **Ne működtesse a gépet túl meredek lejtőkön.** Így kisebb eséllyel veszíti el az irányítást, és kevésbé valószínű, hogy elcsúszik, elesik és súlyosan megsérül.
- **Ha lejtőn dolgozik, mindig ügyeljen a stabil testhelyzetre, mindig a lejtőre merőlegesen dolgozzon, soha ne felfelé vagy lefele, és fokozott óvatossággal járjon el az irányváltás során.** Így kisebb eséllyel veszíti el az irányítást, és kevésbé valószínű, hogy elcsúszik, elesik és súlyosan megsérül.
- **Tartsa távol minden testrészét a vágótól, a vágószáltól vagy vágókéstől, amikor a gép működik.** Mielőtt elkezdene a gépet, győződjön meg arról, hogy a vágó, a vágószál vagy a vágókés nem érintkezik semmivel. Egy pillanatnyi figyelmetlenség a gép üzemeltetése közben sérülést okozhat saját magának vagy másoknak.
- **Ne működtesse a gépet derékmagasság felett.** Ez segít megelőzni a vágófejjel vagy a vágókéssel való véletlen érintkezést, és lehetővé teszi a gép jobb irányítását váratlan helyzetekben.
- **Kifeszített bokrok vagy csemetek vágásakor vigyázzon, mert előfordulhat, hogy visszacsapódnak.** Amikor a megfeszített fa rostjait elengedik, a bokor vagy a csemete megütheti a kezelőt és/vagy kiránthatja a gépet az irányítás alól.
- **Legyen különösen elővigyázatos a bokrok és facsemetek vágásakor.** A vékony ág elakadhat a vágókésben, és Ön felé csapódhat vagy kibillentheti az egyensúlyából.
- **Őrizze meg a gép feletti irányítását, és ne érintse meg a vágót, a vágószálat vagy vágókést, és más veszélyes mozgó alkatrészeket, amíg azok még mozgásban vannak.** Ez csökkenti a mozgó alkatrészek által okozott sérülésének kockázatát.

HU

- **Az elakadt anyag eltávolításakor és a gép szervizeléskor ellenőrizze, hogy a kapcsoló ki van-e kapcsolva, és az akkumulátort eltávolította-e.** Ha a gép váratlanul működésbe lép, miközben a beszerült anyagot eltávolítják vagy a gépet szervizelik, az súlyos személyi sérüléseket okozhat.
- **Vigye a kikapcsolt gépet távolabb.** A gép megfelelő kezelése csökkenti a mozgó vágóval, a vágószállal vagy a vágókéssel való véletlen érintkezés valószínűségét.
- **Csak a gyártó által megadott csere vágókat, vágószálakat, vágófejeket és vágókéseket használjon.** A nem megfelelő pótkatrészek növelik a törés és a sérülések kockázatát.
- **A fűkasza sérülése – Ha a fűkasza idegen tárgyhoz ütdődik, vagy valamibe beakad, akkor azonnal állítsa le a szerszámot, ellenőrizze, hogy nem sérült-e meg, és bármilyen sérülést javítson meg a további működtetés előtt.** Ne működtesse törött védőburkolattal vagy orsóval.
- **Ha a felszerelés rendellenesen vibrálni kezd, akkor azonnal állítsa le a motort, és ellenőrizze az okot.** A rázkódás rendszerint valamilyen problémát jelez. A laza fej vibrálhat, megrepedhet, eltörhet vagy lejöhet a fűkaszaról, amely súlyos vagy végzetes sérülést okozhat. Győződjön meg arról, hogy a vágóegység megfelelően van-e rögzítve. Ha a fej rögzítés után kilazul, azonnal cserélje ki. Soha ne használja a fűkaszáat laza vágóegységgel.
- **Az akkumulátorral működő szerszámokat nem kell hálózati aljzathoz csatlakoztatni; ezért mindig működőképés állapotban vannak.** Ügyeljen a lehetséges veszélyekre, akkor is, ha a szerszám nem működik. Legyen óvatos karbantartás és szervizelés közben.
- **Ne mossa tömlővel; ne kerüljön víz a motorba és az elektromos csatlakozásokba.**
- **Amennyiben olyan helyzet adódik, amely nem szerepel a jelen használati útmutatóban, akkor óvatosan és kellő mérlegeléssel cselekedjen.** Forduljon az EGO ügyfélszolgálatához segítségért.
- **Csak az A.ábrán felsorolt akkumulátoregységeket és töltőket használja.**

ŐRIZZE MEG EZEKET AZ UTASÍTÁSOKAT

MŰSZAKI ADATOK

Vágómechanizmus	Ütköző fej
Vezeték átmérője	2,4 mm nylon sodort vágószál
Vágósszélesség	40 cm

Üresjárat fordulatszám	4900/5800 min ⁻¹	
Súly (akkumulátoregység nélkül)	1,53 kg	
Javasolt működési hőmérséklet	0°C-40°C	
Javasolt tárolási hőmérséklet	-20°C-70°C	
Mért hangteljesítményszint L _{WA}	95,72 dB(A) K=0,77 dB(A)	
Max. Hangnyomásszint a kezelő fülénél L _{PA}	81,6 dB(A) K=3 dB(A)	
Nivel de putere sonoră garantat L _{WA} (măsurat în conformitate cu 2000/14/CE)	96 dB(A)	
Vibrații a _h	Elülső segédfogantyú	2,5 m/s ² K=1,5 m/s ²
	Hátsó fogantyú	1,8 m/s ² K=1,5 m/s ²

- A fenti paraméterek PH1420E meghajtófejjel felszerelve kerültek tesztelésre és mérésre.
- Valoarea totală declarată a vibrațiilor a fost măsurată în conformitate cu o metodă standard de testare și poate fi utilizată pentru compararea sculelor între ele;
- Valoarea totală declarată poate fi utilizată în evaluarea preliminară a expunerii.

▲ FIGYELMEZTÉS: Az elektromos kéziszerszám tényleges használata során fellépő rezgés- és zajkibocsátás eltérhet a feltüntetett értékektől, attól függően, hogy milyen módon használják a szerszámot, és különösen attól, hogy milyen munkadarabon dolgoznak vele; és A kezelő személy védelmét szolgáló biztonsági intézkedések is változhatnak, amelyek a tényleges használati körülmények közötti kitettség becslésén alapulnak (figyelembe véve a működési ciklus minden részét, például azt az időt, amikor a szerszám ki van kapcsolva, vagy amikor a kioldási idő mellett üresjáratban jár).

A CSOMAG TARTALMA (A ÁBRA)

A javasolt vágószálat kérjük, nézze meg az egopowerplus.com honlapon, vagy az EGO termékkatalógusban.

DESCRIERE

ISMERJE MEG A FŰKASZA TARTOZÉKOT(A ábra)

1. Zárósapka
2. Fűkaszálo tengely
3. Vágószál-adagoló gomb
4. Vágószál
5. Fűkasza fej (ütköző fej)
6. Kioldógomb

7. Damiilvágó penge
8. Védőburkolat
9. Imbuszkulcs

⚠ FIGYELMEZTETÉS: Soha ne működtesse a szerszámot, ha a védőburkolat nincs megfelelően a helyén. A védőburkolatnak mindig a szerszámon kell lennie a használó védelme érdekében.

ÖSSZESZERELÉS

⚠ FIGYELMEZTETÉS: Ha bármely alkatrész sérült vagy hiányzik, akkor ne működtesse a terméket, amíg az alkatrészeket ki nem cserélik. Sérült vagy hiányzó alkatrészekkel való használat súlyos személyes sérülést okozhat.

⚠ FIGYELMEZTETÉS: Ne próbálja megváltoztatni a fűkaszát, és ne készítsen hozzá tartozékokat, amelyek nem javasoltak ehhez a láncfűrészhez. Bármilyen módosítás vagy változtatás helytelen használatnak minősül, és veszélyes feltételeket teremthet, amely súlyos személyi sérüléssel végződhet.

FIGYELMEZTETÉS: Ne csatlakoztassa a meghajtófejet, amíg az összeszerelés nem teljes. Amennyiben ezt nem tartja be, akkor véletlenül bekapcsolhatja a készüléket, amely súlyos személyi sérülést okozhat.

A VÉDŐBURKOLAT ÖSSZESZERELÉSE

⚠ FIGYELMEZTETÉS: Mindig viseljen kesztyűt, amikor felszereli vagy kicseréli a védőburkolatot. Legyen óvatos a védőburkolat alatt lévő pengével, és védje a kezét a penge vágásától.

Lazítsa meg, és vegye le a két csavart a tengely talpán (C ábra), illessze a rögzítőfuratokat a szerelési lyukakba, majd rögzítse a védőburkolatot a tengely talpához a két csavarral és két rugós alátéttel (D ábra).

Ellenőrizze, hogy a védőburkolat a C és D ábrának megfelelően rögzítve van-e, a fordított rögzítés nagy veszélyt okozhat!

FŰKASZA TARTOZÉK RÖGZÍTÉSE A MEGHAJTÓFEJRE

A damilos fűkasza tartozékokat EGO PH1420E meghajtófejjel való használatra tervezték.

Lásd a „A MEGHAJTÓFEJ TARTOZÉK FELSZERELÉSE” című részt a PH1420E meghajtófej használati útmutatójában.

MŰKÖDTETÉS

⚠ FIGYELMEZTETÉS: Ne hagyja, hogy a termékkel szerzett jártassága miatt óvatlanná váljon. Emlékezzon arra, hogy a másodperc töredéke alatt történő óvatlanság súlyos sérülést okozhat.

⚠ FIGYELMEZTETÉS: Mindig viseljen védőszemüveget és hallásvédőt. Amennyiben nem eszti teszi, tárgyak repülhetnek a szemébe, és más komoly sérülések keletkezhetnek.

ALKALMAZÁSOK

A terméket az alábbi célokra használhatja:

- Kapualjak, kerítések és burkolatok körül lévő fű és dudva vágásához.

MEGJEGYZÉS: A szerszámot csak az előírt célokra használja. Bármilyen más használat helytelen használatnak minősül.

A sérült/kopott alkatrészek ellenőrzése minden használat előtt

Ellenőrizze a fűkasza fejet, a védőburkolatot és elülső segédgöngyölét, és cserélje ki a repedt, megvetemedett, meghajlott vagy sérült alkatrészeket.

A védőburkolat szélén lévő vágópenge egy idő után tompa lehet. Javasoljuk, hogy időnként élezze meg reszelővel, vagy cserélje ki új pengére.

⚠ FIGYELMEZTETÉS: Mindig viseljen kesztyűt, amikor felszereli vagy kicseréli a védőburkolatot, illetve megélezi vagy kicseréli a pengét. Jegyezze meg a penge helyét a védőburkolat alatt, és óvja a kezét sérülésektől.

⚠ FIGYELMEZTETÉS: A súlyos személyi sérülések elkerülése érdekében távolítsa el az akkumulátoregységet a meghajtófejből szervizelés, tisztítás, tartozékok cseréje vagy anyagok szerszámból való eltávolítása közben.

FŰKASZA TARTOZÉK HASZNÁLATA A MEGHAJTÓFEJRE

⚠ FIGYELMEZTETÉS: Megfelelően öltözzön fel a sérülések kockázatának csökkentése érdekében, amikor a szerszámot működteti. Ne viseljen laza ruházatot vagy ékszereket. Viseljen védőszemüveget és fülvédőt; Viseljen erős, hosszú szárú nadrágot, cipőt és kesztyűt. Ne viseljen rövidnadrágot vagy szandált, és ne járjon meztláb.

HU

▲ FIGYELMEZTETÉS: Minden használat előtt tisztítsa meg a nyírándó területet. Távolítsa el minden tárgyat, pl. követ, törött üveget, tűt, vezetéket vagy zsinórt, amely beakadhat a vágóegységbe. A területen ne legyenek gyermekek, nézelődők vagy állatok. Minden nézelődő, gyermek és állat legalább 15 m távolságban legyen; még így fennáll a veszélye, hogy tárgyak repülnek a nézelődők felé. A nézelődők is viseljenek védőszemüveget. Amikor Ön felé közeledik valaki, azonnal állítsa le a motort és a vágóegységet.

A biztonságos és jobb működés érdekében helyezze fel a vallszijat a vállán keresztben. A vallszijat kényelmes működtetési pozícióba állítsa. A damilos fűkaszázt mindig az egyik kezével a hátsó fogantyún és a másik kezével az előlső fogantyún tartsa. A szerszámot működtetés közben mindig erősen fogja. A fűkaszázt kényelmes pozícióban tartsa, a hátsó fogantyú körülbelül csípőmagasságban legyen. A fűkasza fej legyen párhuzamos a talajjal, hogy könnyen érintkezzen a vágni kívánt anyaggal, anélkül, hogy a kezelőnek fölé kellene hajolnia (B ábra).

▲ FIGYELMEZTETÉS: A vallszjij gyorskioldó mechanizmus is veszélyes helyzetben. Ha vészhelyzet adódik, akkor azonnal vegye le a válláról, függetlenül attól, hogy van feltéve a szjij.

Minden használat után tisztítsa meg a fűkaszázt

Lásd a KARBANTARTÁS fejezetben lévő tisztítási utasításokat.

A KÉSZÜLÉK INDÍTÁSA/LEÁLLÍTÁSA

Lásd „A MEGHAJTÓFEJ INDÍTÁSA/LEÁLLÍTÁSA“ fejezetet a PH1420E meghajtófej használati útmutatójában.

A VÁGÁS HOSSZÁNAK BEÁLLÍTÁSA

A fűkasza fej lehetővé teszi a kezelőnek, hogy a motor leállítása nélkül oldjon ki vágószálat. Ha a szál kopott vagy elhasználódott, akkor kiegészítő szál oldható ki, ha enyhén megnyomja az orsó rögzítőelemét a fűkasza fej működése közben (E ábra).

MEGJEGYZÉS: A vágószál kioldása egyre nehezebb, ha a vágószál rövidebb lesz.

▲ FIGYELMEZTETÉS: Ne távolítsa el, és ne változtassa meg a vágóegységet. A felesleges hossz miatt a motor túlmelegszik, amely súlyos sérülést okozhat.

VÁGÓSZÁL CSERÉJE

MEGJEGYZÉS: Mindig a javasolt, legfeljebb 2,4 mm átmérőjű nejlón vágószálat használja. Ha nem ilyen használna, akkor a fűkasza túlmelegedhet, vagy megsérülhet.

▲ FIGYELMEZTETÉS: Soha ne használjon fémmel

merevített szálat, zsinórt, vezetéket stb. Ezek eltörhetnek, és veszélyesek lehetnek a szétröppendő részek miatt.

A damilos fűkasza fejlett automatikus **POWERLOAD™** rendszerrel rendelkezik. A vágószál egyszerűen felcsévélhető az orsóra a különálló gomb megnyomásával. A teljes orsó betöltése jellemzően 12 másodperc alatt elvégezhető. **A motor károsodásának elkerülése érdekében kerülje a csévélő rendszer gyors egymásutánban történő használatát.**

MEGJEGYZÉS: A **POWERLOAD™** rendszer csak akkor érhető el, ha a tartozék csatlakoztatva van a PH1420E meghajtófejhez, és az akkumulátoregység be van szerelve.

1. Vegye le az akkumulátoregységet.
2. 4 m hosszú vágószál. Helyezze a vágószálat a fűzőlyukba (F ábra). Tolja és húzza a vágószálat a másik oldalról, amíg egyenlő mennyiség nincs a fűkasza fej két oldalán

MEGJEGYZÉS: Ha a vágószálat nem lehet behelyezni a fűzőlyukba az alsó burkolat beragadása esetén, szerezje fel az akkumulátoregységet a meghajtófejre, majd nyomja meg röviden a vágószál-adagoló gombot az alsó fedél visszaállításához.

3. Vegye ki az akkumulátoregységet, ha azt a 2. lépés után az **MEGJEGYZÉS**EN szereplő meghajtófejre szerelték. Majd kövesse a 2. lépésben megadott műveleteket a vágószál újjból beillesztéséhez és beállításához.
4. Szerezje fel az akkumulátoregységet a meghajtófejre.
5. Nyomja meg és tartsa lenyomva a vágószál-adagoló gombot, és csévélje a vágószálat folyamatosan a fűkasza fejbe, amíg a vágószál kb. 15 cm-re megjelenik mindkét oldalon. (G. ábra).
6. Nyomja le a fűkasza fejét, miközben húzza a vágószálat, hogy kézzel felemelje, és ellenőrizze a vágószál megfelelő összeszerelését.

MEGJEGYZÉS: Ha a vágószál véletlenül behúzódik a fűkasza fejbe, nyissa ki a fejet és húzza ki a vágószálat az orsóból. A vágószál újratöltéséhez kövesse az útmutató „VÁGÓSZÁL ÚJRATÖLTÉSE” című fejezetét.

TÖLTSE ÚJRA A VÁGÓSZÁLAT

Ha a vágószál kiszakad a fűzőlyukból, vagy a vágószál nem oldódik ki, ha a fűkasza fej beakad, akkor távolítsa el a fennmaradó vágószálat a fűkasza fejből, és kövesse az alábbi lépéseket a vágószál újratöltéséhez.

1. Vegye le az akkumulátoregységet.
2. Nyomja meg a kioldógombot a fűkasza fejen, és távolítsa el az alsó burkolatot úgy, hogy egyenesen kihúzza (H ábra).

3. Vegye ki a vágószálat a fűkasza fejből.
4. Vegye ki a rugót az orsó szerkezetből, ha szükséges. Tartsa meg a későbbi összeszereléshez.
5. Helyezze a rugót az alsó burkolat nyílásába (I ábra).
6. Miközben egyik kezével tartja a kapcsolót, a másik kezével fogja az alsó burkolatot, és igazítsa az alsó burkolat nyílásait a kioldógombokhoz (J ábra). Nyomja az alsó burkolatot, amíg a helyére ugrik egy jól hallható kattánással (K ábra).
7. A vágószál újratöltéséhez kövesse a „VÁGÓSZÁL CSERÉJE” pontban található utasításokat.

A FŰKASZA FEJ CSERÉJE

▲ FIGYELMEZTETÉS: Ha a fej rögzítés után kilazul, azonnal cserélje ki.

Soha ne használja a fűkaszt laza vágógépséggel. Azonnal cserélje ki a repedt, sérült vagy kopott vágófejet, akkor is, ha a sérülés csak felületi repedéseket jelent. Az ilyen alkatrészek nagy sebességen darabokra törhetnek és súlyos sérülést okozhatnak.

Ismerkedjen meg a fűkasza fejjel (L ábra).

Az L ábra alkatrészeinek leírását lásd lent:

L-1	Tengely	L-6	Alátét
L-2	Persely (2)	L-7	Anyacsavar
L-3	Felső burkolat	L-8	Rugó
L-4	Zégergyűrű	L-9	Vágószál
L-5	Orsó kioldógomb	L-10	Alsó burkolat

Távolítsa el a fűkasza fejt

1. Vegye le az akkumulátoregységet.
2. Nyomja meg a kioldógombot a fűkasza fejn, és távolítsa el az alsó burkolatát úgy, hogy egyenesen kihúzza.
3. Vegye ki a vágószálat a fűkasza fejből.
4. Vegye ki a rugót az orsó szerkezetből, ha szükséges. Tartsa meg az újra összeszereléshez.
5. Viseljen védőkesztyűt. Egyik kezével tartsa stabilan az orsót, a másikkal pedig fogjon egy 13 mm-es ütvecsavarozót (nem tartozék), és lazítsa meg az anyacsavart az ÓRAMUTATÓ JÁRÁSÁVAL MEGEGYEZŐ irányban (M ábra).
6. Távolítsa el az anyacsavart, az alátétet és az orsótartót a motor tengelyéről (L ábra).
7. Használjon zégergyűrű-fogót (nem tartozék) a zégergyűrű eltávolításához. Távolítsa el a felső

burkolatot és a két perselyt a motor tengelyéről (L ábra).

8. Cserélje ki egy új fűkasza fejre és szerelje be a következő lépések szerint.

Szerelje fel az új fűkasza fejet

1. Szerelje fel a két perselyt a motor tengelyére.
2. Igazítsa a felső burkolat bordás nyílását a motor tengelyéhez, és szerelje fel a felső burkolatot a helyére (N ábra).

Az N ábra részeinek leírását lásd lent

N-1	Bordás tengely	N-2	Bordás nyílás
-----	----------------	-----	---------------

3. Szerelje fel a zégergyűrűt, az orsótartót és az alátétet, ebben a sorrendben (L ábra). Egy ütvecsavarozó segítségével húzza meg az anyacsavart az ÓRAMUTATÓ JÁRÁSÁVAL ELLENTÉTES irányban.
4. Az útmutató „VÁGÓSZÁL ÚJRATÖLTÉSE” című fejezetének 4. és 5. lépését követve szerelje fel az alsó burkolatot.
5. A vágószál újratöltéséhez kövesse az útmutató „VÁGÓSZÁL CSERÉJE” című fejezetét.
6. Indítsa be az eszközt, hogy lássa, rendben működik-e a damilos fűkasza. Ha nem, szerelje össze ismét a fent leírt módon.

HU

KARBANTARTÁS

▲ FIGYELMEZTETÉS: Az egység ellenőrzése, tisztítása vagy szervizelése előtt állítsa le a motort, várjon, amíg minden mozgó alkatrész leáll, és vegye ki az akkumulátoregységet. A jelen utasítások nem tartása súlyos személyi sérülést vagy anyagi kárt eredményezhet.

▲ FIGYELMEZTETÉS: Javításkor használjon azonos pótalkatrészeket. Más alkatrészek használata veszélyt okozhat, vagy megrongálhatja a terméket. A biztonságosság és megbízhatóság biztosítása érdekében minden, a jelen karbantartási utasításokban nem szereplő javítást és cserét szakképzett szerviztechnikus hajtson végre.

ÁLTALÁNOS KARBANTARTÁS

A műanyag alkatrészek tisztításához ne használjon oldószereket. A legtöbb műanyag a vegyi oldószerek által deformálódás általi sérülésnek van kitéve, ezek megrongálhatják őket. Használjon tiszta ruhát a szennyeződés, por, olaj, zsír stb. eltávolításához.

AZ EGYSÉG TISZTÍTÁSA

- Töröljön le minden fűvet, amely a motor tengelye vagy fűkasza fej köré tekeredett.

- Használjon kis kefét vagy kis porszívó kefét a hátsó burkolat szellőzőnyílásainak megtisztításához.
- Nedves törölruhával és enyhe tisztítószerrel tisztítsa meg az egységet.
- Ne használjon erős tisztítószereket a műanyag burkolaton vagy a fogantyún. Ezek megsérülhetnek a különböző aromaolajaktól, pl. fenyő vagy citrom, és az olyan oldószerektől, mint a kerozin. A nedvesség szintén áramütés veszélyét okozhatja. A nedvességet egy puha, száraz törölvél törölje le.

SEBESSÉGVÁLTÓ OLAJOZÁSA

A szerelvényburkolatban lévő sebességváltót időnként be kell olajozni kenőanyaggal. Ellenőrizze a szerelvényburkolat kenőanyag szintjét minden 50. működési óra után, úgy, hogy leveszi a burkolat oldalán lévő rögzítőcsavart.

Ha nem lát kenőanyagot a burkolat oldalán, akkor kövesse a lenti lépéseket, hogy feltöltse a térfogat 3/4-éig kenőanyaggal.

Ne tölts fel teljesen a sebességváltót.

1. Tartsa a fűkaszát az oldalán, hogy a rögzítőcsavar felfelé nézzen.
2. Használja a mellékelt multifunkciós csavarkulcsot a rögzítőcsavar meglazításához és levételéhez.
3. Használjon zsirzó fecskendőt (nem tartozék), hogy kenőanyagot vigyen fel a csavar nyílásra; ne lépje túl a 3/4 térfogatot.
4. Befecskendezés után húzza meg a rögzítőcsavart.

AZ EGYSÉG TÁROLÁSA

- Vegye ki az akkumulátoregységet a motorblokkból.
- Tárolás előtt alaposan tisztítsa meg a szerszámot.
- Amennyiben leveszi a fűkasza tartozék a meghajtófejről, és külön tárolja: Helyezze fel a tartozék tengelyre a zárósapkát, hogy ne kerüljön szennyeződés a csatlakozóba.
- Az egységet száraz, jól szellőző, elzárt vagy magas helyen tárolja, ahol gyermekek nem érik el. Ne tárolja az egységet benzín vagy más vegyszerek mellett.

A DAMILVÁGÓ PENGE ÉLEZÉSE

▲ FIGYELMEZTETÉS: Mindig védje a kezét védőkesztyűvel, amikor karbantartást végez a damilvágó pengén.

1. Vegye ki az akkumulátort.
2. Távolítsa el a damilvágó pengét a védőburkolatról.
3. Rögzítse a pengét satuban.

4. Viseljen megfelelő szemvédőt és kesztyűt és ügyeljen rá, hogy ne vágja meg magát.
5. Óvatosan reszelje a penge vágószéleit egy finomfogú reszelővel vagy köszörűkövel, megtartva az eredeti vágási szöveget.
6. Cserélje ki a pengét a védőburkolaton és rögzítse a helyére két csavarral.

A környezet védelme



Ne dobja az elektromos felszerelést, az akkumulátor töltőt és az akkumulátorokat/újratölthető akkumulátorokat a háztartási hulladékok közé!

Vigye hivatalos újrahasznosító telephelyre, és tegye hozzáférhetővé a szelektív gyűjtéshez. Az elektromos eszközt megfelelő környezetbarát újrahasznosító üzembe kell vinni.

Ha az elektromos berendezéseket talajfeltöltési vagy árokbetömési célokra használják, olyan veszélyes anyagok kerülhetnek belőlük a talajvízbe, majd onnan a táplálkozási láncba, amelyek veszélyeztetik az egészséget.

HIBAEHÁRÍTÁS

PROBLÉMA	A PROBLÉMA OKA	REŠENÍ
Fűkaszázó nem indul.	<ul style="list-style-type: none"> ■ Az akkumulátoregység nincs csatlakoztatva a meghajtófejhez. ■ Nincs elektromos kapcsolat a meghajtófej és az akkumulátoregység között. ■ Az akkumulátoregység lemerült. ■ A kapcsoló gomb és a trigger nem egyidejűleg van megnyomva. 	<ul style="list-style-type: none"> ■ Csatlakoztassa az akkumulátoregységet a meghajtófejhez. ■ Vegye ki az akkumulátoregységet, ellenőrizze a csatlakozást, és helyezze vissza az akkumulátoregységet, amíg a helyén nincsen. ■ Töltse fel az akkumulátoregységet EGO a jelen útmutatóban megadott töltővel ■ Nyomja meg és tartsa lenyomva a kapcsoló gombot, majd oldja ki a triggert a fűkasza bekapcsolásához.
A fűkasza vágás közben leáll.	<ul style="list-style-type: none"> ■ A védőburkolat nincs felszerelve a fűkaszára, amely révén a vágószál túl hosszú, és a motor túlterhelt. ■ Használjon nagy teherbírású vágószálat. ■ A motor tengely vagy fűkasza fej beakadt a fűbe. ■ A motor túlterhelt ■ Az akkumulátoregység vagy a fűkasza túl forró. ■ Az akkumulátoregység ki van véve a szerszámból. ■ Az akkumulátoregység lemerült. 	<ul style="list-style-type: none"> ■ Vegye ki az akkumulátoregységet, és szerelje fel a védőburkolatot a fűkaszára. ■ Használja a javasolt nylon vágószálat, legfeljebb 2,4 mm átmérővel. ■ Állítsa le a fűkaszt, vegye ki az akkumulátort, és távolítsa el a fűvet a motor tengelyről és fűkasza fejről. ■ Távolítsa el a fűvet a fűkasza fejről. A motor újra működőképes, ha a terhet eltávolítja. Vágás közben a fűkasza fejet oda-vissza mozgassa a vágandó fűvön, és 20 cm-nél hosszabb fűvet ne vágjon egy vágással. ■ Hűtse le az akkumulátoregységet vagy a fűkaszt 67 °C alatti hőmérsékletre. ■ Helyezze vissza az akkumulátoregységet. ■ Töltse fel az akkumulátoregységet EGO a jelen útmutatóban megadott töltővel

PROBLÉMA	A PROBLÉMA OKA	ŘEŠENÍ
A fűkasza fej nem enged ki a szálát.	<ul style="list-style-type: none"> ■ A motor tengely vagy fűkasza fej beakadt a fűbe. ■ Nincs elég szál az orsón. ■ A fűkasza fej piszkos. ■ A szál összegabalyodott az orsó rögzítőelemben. ■ A szál túl rövid. 	<ul style="list-style-type: none"> ■ Állítsa le a fűkaszát, vegye ki az akkumulátort, és távolítsa el a fűvet a motor tengelyről és fűkasza fejről. ■ Vegye ki az akkumulátort, és cserélje ki a vágószálát; kövesse a jelen használati útmutató „VÁGÓSZÁL ÚJRATÖLTÉSE” című fejezetét. ■ Vegye ki az akkumulátort, és tisztítsa meg az orsó rögzítőelemét, orsót és orsó talpát. ■ Vegye ki az akkumulátort, és vegye ki a vágószálát az orsóból, és tekerje fel újra; a jelen használati útmutató „VÁGÓSZÁL ÚJRATÖLTÉSE” című fejezetét követve. ■ Vegye ki az akkumulátort, és húzza ki a szálát, közben nyomja le, és oldja ki az ütköző gombot.
Fű tekeredett a fűkasza fejre és motorházra.	<ul style="list-style-type: none"> ■ Magas fűvet talajhoz közel vág. 	<ul style="list-style-type: none"> ■ A magas fűvet felülről vágja, egyszerre 20 cm-nél többet ne vágjon, így elkerüli a feltekeredést.
A penge nem vágja el a szálát.	<ul style="list-style-type: none"> ■ A védőburkolat szélén lévő vágópenge egy tompává vált. 	<ul style="list-style-type: none"> ■ Élezze meg a vágópengét reszelővel, vagy cserélje ki új pengére.
A fűkasza fej vagy orsó rögzítőelem repedése miatt az orsó alap meglazult.	<ul style="list-style-type: none"> ■ A fűkasza fej elhasználódott. ■ A fűkasza fejet rögzítő anya laza. 	<ul style="list-style-type: none"> ■ Azonnal cserélje ki a fűkasza fejet; kövesse a jelen használati útmutató „FŰKASZA FEJ CSERÉJE” fejezetét. ■ Nyissa ki a vágófejet és ütvecsavarozóval húzza meg az anyát.
Csere közben a szálát nem lehet megfelelően a fűkasza fejbe betölteni.	<ul style="list-style-type: none"> ■ Az orsó rögzítőelem BEFŰZŐ szála nem illik az orsó alap fűzőlyukába. ■ Az orsó rögzítőelem BEFŰZŐ szála nem illik az orsó alap fűzőlyukába. 	<ul style="list-style-type: none"> ■ Forgassa az orsó rögzítőelemét a nyíl irányába, hogy behelyezze a BEFŰZŐ szálát az orsó rögzítőelemébe az orsó alapján lévő fűzőlyukban. ■ Forgassa az orsó rögzítőelemét a nyíl irányába, hogy behelyezze a BEFŰZŐ szálát az orsó rögzítőelemébe az orsó alapján lévő fűzőlyukban.

HU

GARANCIA

EGO GARANCIÁLIS FELTÉTELEK

Kérjük, látogasson el az egopowerplus.com oldalra, ahol megtalálja a részletes EGO garanciális feltételeket.

CITIȚI TOATE INSTRUCȚIUNILE!



CITIȚI MANUALUL DE INSTRUCȚIUNI

⚠ Riscuri reziduale! Persoanele cu dispozitive electronice precum stimulatoare cardiace ar trebui să-și consulte medicul (medicii) înainte de a utiliza acest produs. Utilizarea unui echipament electric în imediata apropiere a unui stimulator cardiac poate cauza interferențe sau până stimulatorului.

⚠ AVERTISMENT: Pentru siguranța și fiabilitatea produsului, toate reparațiile ar trebui efectuate de către un tehnician de service autorizat.

SIMBOLURI PRIVIND SIGURANȚA

Scopul simbolurilor privind siguranța este să vă atragă atenția asupra pericolelor posibile. Simbolurile privind siguranța și explicațiile furnizate cu acestea merită atenția și înțelegerea dumneavoastră. Simbolurile de avertizare, ele singure, nu elimină niciun pericol. Instrucțiunile și avertismentele pe care le oferă nu pot înlocui măsurile corecte de prevenire a accidentelor.

⚠ AVERTISMENT: Asigurați-vă că ați citit și înțelegți toate instrucțiunile privind siguranța din acest Manual de utilizare, inclusiv toate simbolurile de alertă privind siguranța precum "PERICOL," "AVERTISMENT," și "ATENȚIE" înainte de a utiliza această sculă. Nerespectarea tuturor avertismentelor și instrucțiunilor poate duce la electrocutare, incendiu și/sau răni grave.

SEMNIFICAȚIA SIMBOLURILOR

⚠ SIMBOL DE AVERTIZARE PRIVIND SIGURANȚA: Indică PERICOL, AVERTISMENT, sau ATENȚIE, poate fi utilizat împreună cu alte simboluri sau pictograme.

INSTRUCȚIUNI PRIVIND SIGURANȚA

Această pagină descrie simbolurile de siguranță ce pot apărea pe acest produs. Citiți, înțelegeți, și respectați toate instrucțiunile de pe mașină înainte de a încerca să o asamblați și să o operați.

	Alertă privind siguranța	Indică un risc posibil de vătămare personală.
	Citiți manualul de instrucțiuni	Pentru a reduce riscul de rănire, utilizatorul trebuie să citească și să înțeleagă manualul de instrucțiuni înainte de a utiliza acest produs.

	Purtați echipament de protecție a ochilor, urechilor și a capului	Purtați întotdeauna protecție pentru ochi, urechi și cap.
	Lățime de tăiere	Lățimea maximă de tăiere a trimmerului cu fir
	Diametrul firului	Diametrul firului de tăiere din nailon
	Nu utilizați lame de metal	Avertizează utilizatorul să nu folosească lame metalice
	Țineți trecătorii la distanță	Obiectele aruncate pot ricoșa și cauza vătămări corporale și pagube. Asigurați-vă că terții și animalele de companie se află la distanță de trimmerul pentru tușișuri când acesta este în funcțiune.
	Distanța dintre produs și trecătorii ar trebuie să fie de cel puțin 15 m.	Asigurați-vă că alte persoane și animalele de companie se află o distanță de cel puțin 15 m de cositoarea cu fir când aceasta este în funcțiune.
IPX4	Simbol IP	Protecție de grad 4 împotriva pătrunderii apei.
	CE	Acest produs este în conformitate cu directivele europene aplicabile.
	UKCA	Acest produs este în conformitate cu legislația aplicabilă din Marea Britanie.
	DEEE	Deșeurile produselor electrice nu trebuie să fie eliminate împreună cu deșeurile menajere. Predați-le unui punct de reciclare autorizat.
	Zgomot	Nivelul puterii sunetului garantat. Emisii sonore în mediul înconjurător conform Directivei comunitare europene.
V	Volt	Voltaj
mm	Milimetru	Lungime sau dimensiuni
cm	Centimetru	Lungime sau dimensiuni
kg	Kilogram	Greutate

RO

INSTRUCȚIUNI GENERALE DE SIGURANȚĂ PENTRU SCULE ELECTRICE

⚠ AVERTISMENT: Citiți toate instrucțiunile, avertismentele de siguranță, ilustrațiile și specificațiile livrate împreună cu această sculă electrică. Nerespectarea

tuturor avertismentelor și instrucțiunilor poate duce la electrocutare, incendiu și/sau accidente grave.

Păstrați toate avertizările și instrucțiunile pentru consultare ulterioară.

Termenul „sculă electrică” din avertizări se referă la scula electrică (cu cablu) alimentată de la rețeaua electrică sau scula electrică (fără cablu de alimentare) care funcționează cu acumulator.

SIGURANȚA ZONEI DE LUCRU

- Păstrați zona de lucru curată și bine iluminată. Zonele dezordonate și întunecoase predispun la accidente.
- Nu puneți în funcțiune sculele electrice în atmosfere explozive, cum ar fi în prezența lichidelor, gazelor sau prafurilor inflamabile. Sculele electrice creează scânteii, care pot aprinde praful sau gazele.
- Țineți copii și persoanele prezente la distanță atunci când operați o sculă electrică. Distragerea atenției vă poate face să pierdeți controlul.

SIGURANȚA ELECTRICĂ

- **Ștecherile sculelor electrice trebuie să corespundă cu priza de rețea electrică. Nu modificați niciodată ștecherul în vreun fel.** Nu utilizați adaptoare de priză cu scule electrice împământate. Ștecherile nemodificate și prizele adecvate vor reduce riscul de electrocutare.
- **Evitați contactul corpului cu suprafețele legate la împământare, cum sunt țevile, caloriferele, mașinile de gătit și frigidererele.** Acest lucru reprezintă un risc sporit de electrocutare în cazul care corpul dumneavoastră este împământat.
- **Nu utilizați sculă în condiții de ploaie sau umezeală.** Pătrunderea apei în sculă poate crește riscul de electrocutare sau defecțiuni care ar putea duce la vătămări corporale.
- **Nu folosiți în mod abuziv cablul de alimentare. Nu utilizați niciodată cordonul de alimentare pentru a transporta, a trage sau a scoate din priză scula electrică.** Țineți cablul de alimentare departe de căldură, ulei, margini tăioase sau piese în mișcare. Cablurile electrice deteriorate sau încălcite cresc riscul de electrocutare.
- **Când utilizați o sculă electrică în aer liber utilizați un cablu prelungitor adecvat pentru utilizarea în aer liber.** Utilizarea unui cablu adecvat pentru utilizare în aer liber reduce riscul de electrocutare.
- **Dacă utilizarea unei scule electrice într-o zonă umedă este inevitabilă, utilizați o sursă de**

alimentare protejată cu un întrerupător de protecție la curent rezidual (DCR). Utilizarea unui astfel de întrerupător reduce riscul de electrocutare.

SIGURANȚA PERSONALĂ

- **Păstrați-vă vigilența, urmăriți ceea ce faceți și apelați la bunul simț când utilizați o sculă electrică. Nu utilizați o sculă electrică când sunteți obosit, sau sub influența drogurilor, a alcoolului sau a medicației.** Un moment de neatenție în timp ce utilizați sculele electrice se poate solda cu vătămări grave.
- **Utilizați echipamente de protecție personală. Purtați întotdeauna echipament de protecție oculară.** Echipamentele de protecție, cum ar fi masca de praf, bocancii de protecție antiderapanți, casca sau antifoaiele utilizate în condiții corespunzătoare, vor reduce vătămrile corporale.
- **Preveniți pornirea accidentală. Asigurați-vă că întrerupătorul este în poziția oprit înainte de a conecta la o sursă de alimentare și/sau set de acumulatori, înainte de a ridica sau transporta scula.** Transportul sculelor electrice cu degetul pe întrerupător sau cu alimentarea cu energie electrică pornită, predisune la accidente.
- **Îndepărtați orice cheie de reglare înainte de a porni scula electrică.** O cheie lăsată într-o piesă rotativă a sculei electrice poate duce la accidente.
- **Nu vă întindeți excesiv. Păstrați-vă stabilitatea și echilibrul în orice moment.** Astfel veți avea un mai bun control asupra sculei electrice în situații neașteptate.
- **Îmbrăcați-vă corespunzător. Nu purtați haine largi sau bijuterii. Păstrați-vă părul, îmbrăcămintea și mânușile departe de componentele în mișcare.** Îmbrăcămintea largă, bijuteriile sau părul lung pot fi prinse de piesele în mișcare.
- **Dacă sunt furnizate dispozitive pentru conectarea sistemelor de extragere și colectare a prafului, asigurați-vă că acestea sunt conectate și utilizate corespunzător.** Utilizarea dispozitivelor colectoare de praf poate reduce pericolele legate de praf.
- **Nu permiteți ca familiaritatea dobândită în urma utilizării frecvente a sculelor să vă facă să neglijați sau să nesocotiți principiile de siguranță ale sculei.** O operație neglijentă poate cauza răni grave într-o fracțiune de secundă.

UTILIZAREA ȘI ÎNGRIJIREA SCULELOR ELECTRICE

- **Nu forțați scula electrică. Utilizați scula electrică corespunzător pentru aplicația dumneavoastră.** Scula electrică corectă va face o treabă mai bună și mai sigură utilizată conform specificațiilor pentru care a fost

concepută.

- **Nu utilizați scula electrică dacă întrerupătorul nu comută pe pozițiile pornit și oprit.** Orice sculă electrică ce nu poate fi controlată cu întrerupătorul este periculoasă și trebuie reparată.
- **Deconectați ștecherul de la sursa de alimentare și/sau setul de acumulatori de scula electrică înainte de efectuarea oricăror reglaje, schimbări de accesorii sau înainte de depozitarea sculelor electrice.** Astfel de măsuri preventive reduc riscul de pornire accidentală a sculei electrice.
- **Depozitați sculele electrice într-un loc inaccesibil copiilor și nu permiteți utilizarea sculei electrice de persoane nefamiliarizate cu aceasta sau cu aceste instrucțiuni.** Sculele electrice sunt periculoase în mâna utilizatorilor neinstruiți.
- **Întrețineți sculele electrice și accesoriile. Verificați dacă există abateri de la coaxialitate sau îndoiri ale pieselor în mișcare, avarii ale pieselor și orice altă situație care poate afecta funcționarea sculelor electrice.** În caz de deteriorare, reparați scula electrică înainte de utilizare. Multe accidente sunt cauzate de sculele electrice prost întreținute.
- **Mențineți sculele de tăiere ascuțite și curate.** Elementele de tăiere întreținute corespunzător și cu muchii de tăiere ascuțite sunt mai puțin probabil să se îndoiască și sunt mai ușor de controlat.
- **Utilizați scula electrică, accesoriile și cuțitele demontabile etc. în conformitate cu aceste instrucțiuni, ținând cont de condițiile de lucru și lucrarea de efectuat.** Utilizarea sculei electrice pentru operații diferite de cele intenționate s-ar putea solda cu o situație periculoasă.
- **Mențineți mânerul și suprafețele de apucare uscate, curate și fără ulei și vaselină.** Mânerul și suprafețele de apucare alunecoase nu permit manevrarea în siguranță și controlul asupra sculei în situații neașteptate.

UTILIZAREA ȘI ÎNGRIJIREA ACUMULATORULUI

- **Reîncărcați numai cu încărcătorul specificat de producător.** Un încărcător adecvat pentru un tip de set de acumulatori poate prezenta risc de incendiu dacă este utilizat cu alt set de acumulatori.
- **Utilizați sculele electrice doar cu seturile de acumulatori special menționate.** Utilizarea oricărui alt set de acumulatori prezintă risc de accidente și incendiu.
- **Când setul de acumulatori nu este utilizat, țineți-l departe de alte obiecte metalice precum clamele de hârtie, monedele, cheile, cuiele, șuruburile sau alte obiecte metalice mici care pot realiza o conexiune între borne.** Scurtcircuitarea bornelor bateriei poate produce arsuri sau un incendiu.
- **În condiții abuzive se poate scurge lichid din acumulator; evitați contactul.** Dacă are loc contactul accidental, clătiți cu apă. Dacă lichidul intră în contact cu ochii, efectuați suplimentar un consult medical. Lichidul scurs din acumulator poate produce iritări sau arsuri.
- **Nu utilizați un set de acumulatori sau o sculă avariată sau modificată.** Acumulatorii avariați sau modificați pot prezenta un comportament neprevizibil ceea ce poate cauza incendii, explozii sau accidente.
- **Nu expuneți setul de acumulatori la foc sau la temperaturi excesive.** Expunerea acestuia la foc sau la temperaturi ce depășesc 130°C poate cauza o explozie.
- **Respectați instrucțiunile de încărcare și nu încărcați setul de acumulatori sau scula în afara intervalului de temperatură specificat în instrucțiuni.** Încărcarea inadecvată sau la temperaturi situate în afara intervalului specificat pot avaria acumulatorul și spori riscul de incendiu.

OPERAȚIILE DE SERVICE

- **Apelați numai la o persoană calificată pentru a vă repara scula electrică utilizând numai piese de schimb identice.** Astfel se asigură menținerea nivelului de siguranță al sculei electrice.
- **Nu efectuați niciodată operații de service asupra seturilor de acumulatori avariați.** Operații de service asupra seturilor de acumulatori trebuie efectuate numai de către fabricant sau de furnizori de service autorizați.

AVERTISMENTĂRI SPECIALE DE SIGURANȚĂ PENTRU TRIMMERUL CU FIR

- **Nu folosiți scula în condiții meteorologice nefavorabile, mai ales atunci când există riscul de fulgere.** Acest lucru scade riscul de a fi lovit de fulgere.
- **Inspectați cu atenție zona pentru animale sălbatice în care va fi utilizată scula.** Animalele sălbatice poate fi rănită de sculă în timpul funcționării.
- **Inspectați cu atenție zona în care urmează a fi utilizată scula pentru a îndepărta toate pietrele, bețele, oasele și alte obiecte străine.** Obiectele aruncate în aer ar putea cauza răni grave.
- **Înainte de a utiliza scula, verificați întotdeauna vizual pentru a vă asigura că dispozitivul de tăiere sau lama și ansamblul cuțitului sau al lamei nu sunt deteriorate.** Piesele deteriorate cresc riscul de rănire.
- **Respectați instrucțiunile legate de schimbarea accesoriilor.** Puiițele sau șuruburile de fixare a tăietorului strănse necorespunzător pot deteriora lama sau pot duce la desprinderea acesteia.

RO

- **Purtați protecție pentru ochi, urechi, cap și mâini.** Echipamentul de protecție adecvat va reduce vătămările personale cauzate de resturile zburătoare sau contactul accidental cu firul de tăiere sau cu lama.
- **În timpul utilizării sculei, purtați întotdeauna încălțăminte anti-alunecare și de protecție. Nu utilizați scula dacă sunteți desculți(ă) sau purtați sandale cu deschidere.** Acest lucru reduce șansa de rănire a picioarelor din cauza contactului cu tăietorii sau firele în mișcare.
- **În timpul utilizării sculei, purtați întotdeauna pantaloni lungi.** Pielea expusă crește probabilitatea de rănire din cauza obiectelor aruncate.
- **Țineți persoanele prezente la distanță atunci când utilizați scula.** Resturile aruncate pot duce la vătămări corporale grave.
- **Întotdeauna utilizați ambele mâini când utilizați scula.** Ținerea sculei cu ambele mâini va evita pierderea controlului.
- **Țineți scula numai de suprafețele izolate de prindere, deoarece linia de tăiere sau lama pot intra în contact cu cablurile ascunse.** Lamaele dispozitivului de tăiere care intră în contact cu un circuit «viu» (sub tensiune) pot pune sub tensiune părțile metalice exterioare ale sculei electrice și pot electrocuta operatorul.
- **Păstrați întotdeauna o poziție adecvată și utilizați scula numai când stați pe sol.** Suprafețele alunecoase sau instabile pot cauza pierderea echilibrului sau a controlului sculei.
- **Nu utilizați scula pe pante excesiv de abrupte.** Acest lucru reduce riscul pierderii controlului, alunecării și căderii, ceea ce poate duce la vătămări corporale.
- **Când lucrați pe pante, asigurați-vă întotdeauna de poziție, lucrați întotdeauna peste fața pantelor, niciodată în sus sau în jos și fiți extrem de precauți când schimbați direcția.** Acest lucru reduce riscul pierderii controlului, alunecării și căderii, ceea ce poate duce la vătămări corporale.
- **Țineți toate părțile corpului departe de tăietor, fir sau lamă atunci când scula funcționează. Înainte de a porni scula, asigurați-vă că tăietorul, firul sau lama nu intră în contact cu nimic.** Un moment de neatenție în timpul utilizării sculei poate duce la rănirea dumneavoastră sau a altora.
- **Nu utilizați scula peste înălțimea taliei.** Acest lucru ajută la prevenirea contactului neintenționat cu tăietorul sau cu lama și permite un control mai bun al sculei în situații neașteptate.
- **Când tăiați desigur sau puiți care sunt tensionați, fiți atenți că vor putea sări înapoi.** Când tensiunea din fibrele de lemn este eliberată, desigurul sau puietul pot lovi operatorul și/sau arunca scula scăpată de sub control.
- **Fiți foarte atenți când tăiați tufișuri și puiți.** Materialul subțire poate prinde lama și îl poate ricoșa către dumneavoastră, sau vă poate dezechilibra.
- **Păstrați controlul asupra sculei și nu atingeți tăietoarele, firele sau lamele și alte părți mobile periculoase în timp ce acestea sunt încă în mișcare.** Acest lucru reduce riscul de rănire din cauza pieselor mobile.
- **Când curățați materialul blocat sau când efectuați întreținerea sculei, asigurați-vă că întrerupătorul este oprit și că bateria este scoasă.** Acționarea neașteptată a sculei în timp ce curățați materialul blocat sau faceți întreținerea poate duce la vătămări corporale grave.
- **Transportați scula oprită și departe de corp.** Manipularea corectă a sculei va reduce probabilitatea contactului accidental cu un tăietor, fir sau cuțit în mișcare.
- **Utilizați numai tăietoare, fire, capete de tăiere și lame de schimb specificate de producător.** Piese de schimb incorecte pot crește riscul de rupere și rănire.
- **Avarii ale trimmerului - Dacă loviți un obiect străin cu trimmerul sau se incurcă, opriți imediat scula, detașați setul de acumulatori de trimmerul cu fir, verificați avariile și asigurați-vă că orice defect este reparat înainte de a încerca să reutilizați trimmerul.** Nu utilizați aparatul dacă aparătoria sau bobina este spartă.
- **Dacă echipamentul începe să producă vibrații anormale, opriți motorul și identificați imediat cauza.** Vibrațiile sunt în general semnul unor probleme. Un cap slăbit poate vibra, se poate fisura, se poate rupe sau să se detașeze de trimmer, putând produce răni grave sau fatale. Asigurați-vă că accesoriul de tăiere este instalat corespunzător. Dacă accesoriul de tăiere se slăbește după fixarea sa în poziție, înlocuiți-l imediat. Nu utilizați niciodată o cositoare cu un cap de tăiere slăbit.
- **Sculele electrice alimentate cu baterii nu trebuie să fie racordate la o priză electrică, de aceea, acestea sunt întotdeauna în stare de funcționare.** Atenție la eventualele riscuri chiar și când scula nu este în funcțiune. Aveți grijă când efectuați operații de întreținere sau de service.
- **Nu spălați trimmerul cu furtunul de grădini; evitați pătrunderea apei în motor și în conexiunile electrice.**
- **În cazul situațiilor care nu sunt adresate în acest**

manual, utilizați grijă și raționament. Contactați centrul de service pentru clienți EGO pentru asistență.

- Utilizați numai seturile de acumulatori și încărcătorii din fig.A.

PĂSTRAȚI ACESTE INSTRUCȚIUNI!

SPECIFICAȚII

Mecanismul de tăiere	Cap cu bobină	
Diametrul firului	Fir de nailon răsucit de 2,4 mm	
Lățime de tăiere	40 cm	
Turație la mers în gol	4900/5800 min ⁻¹	
Greutate (fără set de acumulatori)	1,53 kg	
Temperatură de funcționare recomandată	0°C-40°C	
Temperatură de stocare recomandată	-20°C-70°C	
Nivel de putere sonoră măsurat L _{WA}	95,72 dB(A) K=0,77 dB(A)	
Max. Nivel de presiune sonoră la urechea operatorului L _{PA}	81,6 dB(A) K=3 dB(A)	
Nivel de putere sonoră garantată L _{WA} (conform 2000/14/CE)	96 dB(A)	
Vibrații a _n	Mâner frontal de operare	2,5 m/s ² K=1,5 m/s ²
	Mâner posterior	1,8 m/s ² K=1,5 m/s ²

- Parametrii de mai sus sunt testați și măsurați când scula este echipată cu capul de alimentare PH1420E.
- Valoarea totală declarată a vibrațiilor a fost măsurată în conformitate cu o metodă standard de testare și poate fi utilizată pentru compararea sculelor între ele;
- Valoarea totală declarată poate fi utilizată în evaluarea preliminară a expunerii.

⚠ AVERTISMENT: Emisiile de vibrații și zgomot în timpul utilizării efective a sculei electrice pot diferi de valorile declarate în funcție de modurile în care este utilizată unealta, în special de ce fel de piesă este prelucrată; și

Din nevoia de a identifica măsurile de siguranță pentru a proteja operatorul în funcție de estimarea expunerii în condițiile efective de utilizare (luând în considerare toate

elementele ciclului de operare precum timpul de oprire ai sculei și când acestea funcționează în gol, plus timpul de pornire).

LISTA COMPONENTELOR (FIG. A)

Despre firul de tăiere recomandată, vă rugăm să vizitați site-ul web egopowerplus.com sau să consultați Catalogul de produse EGO .

DESCRIERE

DESCRIEREA ACCESORIULUI COSITORII CU FIR (Fig. A)

1. Dop
2. Arbore de tăiere cu fir
3. Buton de încărcare fir
4. Fir de tăiere
5. Cap de cositoare (Cap cu bobină)
6. Ureche de detașare
7. Lamă de tăiere
8. Apărătoare
9. Cheie hexagonală

⚠ AVERTISMENT: Nu utilizați niciodată scula fără apărătoarea bine fixată. Apărătoarea trebuie să fie întotdeauna instalată pe sculă pentru a proteja utilizatorul.

ASAMBLAREA

⚠ AVERTISMENT: În caz de piese avariate sau care lipsesc, nu utilizați acest produs dacă piesele nu sunt înlocuite. Utilizarea acestui produs cu piese avariate sau lipsă poate rezulta în vătămări personale grave.

⚠ AVERTISMENT: Nu încercați să modificați acest produs sau să creați accesorii nerecomandate pentru acest trimmer cu fir. Orice alterare sau modificare este considerată utilizare greșită și poate duce la condiții periculoase ce pot rezulta în vătămări personale grave.

AVERTISMENT: Nu conectați capul de alimentare dacă asamblarea nu este terminată. Nerespectarea acestei instrucțiuni poate duce la pornirea accidentală și la eventuale accidentări grave.

ATAȘAREA APĂRĂTORII

RO

⚠️ AVERTISMENT: Întotdeauna purtați mănuși când atașați sau înlocuiți apărătoarea. Atenție la lama de pe apărătoare și protejați-vă mâinile pentru a nu fi rănite de lamă.

Slăbiți și îndepărtați cele două șuruburi de la baza tije (Fig. C), aliniați orificiile de montare ale apărătorii cu orificiile de asamblare și blocați apărătoarea pe baza tije cu ajutorul celor două șuruburi, împreună cu cele două șaibe elastice (Fig. D).

Asigurați-vă că apărătoarea este fixată conform ilustrațiilor din Fig. C & D, orice fixare inversată va cauza un mare pericol!

CONECTAREA ACCESORIULUI DE TRIMMER CU FIR LA CAPUL DE ALIMENTARE

Acest accesoriu de trimmer cu fir este conceput pentru a fi utilizat cu Capul de alimentare EGO Power PH1420E.

Consultați secțiunea „INSTALAREA UNUI ACCESOR AL CAPULUI ELECTRIC” din manualul de utilizare al capului de putere PH1420E.

FUNCȚIONAREA

⚠️ AVERTISMENT: Nu permiteți ca familiarizarea cu acest produs să vă facă neglijent. Amintiți-vă că o fracțiune de secundă de neglijență este suficientă pentru a provoca vătămări grave.

RO

⚠️ AVERTISMENT: Întotdeauna purtați protecție oculară și echipament de protecție auditivă. Nerespectarea acestei instrucțiuni ar putea avea ca rezultat proiectarea în ochi a obiectelor și alte posibile vătămări grave.

APLICAȚII

Puteți utiliza acest produs în scopul menționat mai jos:

- Tunderea ierbii și a buruienilor din jurul verandelor, gardurilor și a teraselor

OBSERVAȚIE: Scula trebuie utilizată numai în scopul pentru care a fost proiectată. Orice altă utilizare este considerată a fi caz de utilizare necorespunzătoare.

Înainte de tăiere utilizări, verificați pentru depistarea pieselor uzate/avariate.

Verificați capul trimmer-ului, apărătoarea și mânerul frontal și înlocuiți piesele care sunt fisurate distorsionate, indoite sau avariate în vreun fel.

Lama de tăiere a firului de pe muchia apărătorii se poate toci cu timpul. Se recomandă să o ascuțiți periodic cu o pilă sau să o înlocuiți cu una nouă.

⚠️ AVERTISMENT: Întotdeauna purtați mănuși când atașați sau înlocuiți apărătoarea ori când înlocuiți sau ascuțiți lama. Rețineți amplasamentul lamei pe apărătoare și protejați-vă mâna împotriva tăieturilor.

⚠️ AVERTISMENT: Pentru prevenirea rănilor personale grave, scoateți setul de acumulatori din capul de alimentare înainte de a depana, curăța, înlocui accesoriile sau de a îndepărta materialul din produs.

UTILIZAREA TRIMMERULUI CU FIR CU CAPUL DE ALIMENTARE

⚠️ AVERTISMENT: Îmbrăcați-vă corespunzător pentru a reduce riscul de rănire când utilizați această sculă. Nu purtați haine largi sau bijuterii. Purtați echipament de protecție/oculari și auditiv/pentru urechi. Purtați pantaloni lungi rezistenți, cizme și mănuși. Nu purtați pantaloni scurți, sandale sau să stați desculți.

⚠️ AVERTISMENT: Curățați zona de tuns înainte de fiecare utilizare. Îndepărtați toate obiectele, cum ar fi pietre, sticlă spartă, cuie, sârmă sau fire care pot fi aruncate sau se pot încurca în capul de tăiere. Îndepărtați din zonă copiii, trecătorii și animalele de companie. În cel mai rău caz, țineți copiii, trecătorii și animalele la cel puțin 15m distanță; la această distanță încă persistă riscul lovirii trecătorilor cu obiecte proiectate. Trecătorii trebuie încurajați să poarte ochelari de protecție. Dacă cineva se apropie de dumneavoastră, opriți imediat motorul și capul de tăiere.

Pentru o utilizare mai sigură și mai bună, așezați-vă pe umăr cureaua de umăr. Reglați curea de umăr într-o poziție confortabilă de lucru. Țineți întotdeauna trimmer-ul cu fir cu mâna dreaptă pe mânerul posterior și cu mâna stângă pe mânerul frontal. Apucați ferm cu ambele mâini în timpul utilizării sculei. Trimmer-ul cu fir trebuie menținut într-o poziție confortabilă cu mânerul posterior aproximativ la înălțimea soldului. Capul trimmer-ului trebuie să fie paralel cu solul, astfel încât să intre cu ușurință în contact cu materialul care urmează să fie tăiat fără ca operatorul să fie nevoit să se aplece (Fig. B).

⚠️ AVERTISMENT: Cureaua de umăr este și un mecanism rapid de detașare în situații periculoase. În caz de urgență, îndepărtați imediat cureaua de pe umăr, indiferent de modul de instalare al curelei.

După fiecare utilizare, curățați trimmerul.

Consultați secțiunea ÎNTREȚINEREA pentru instrucțiuni privind curățarea.

PORNIREA/OPRIREA SCULEI

Consultați secțiunea privind “ PORNIREA/OPRIREA CAPULUI DE ALIMENTARE ” din manualul de instrucțiuni al capului de alimentare PH1420E.

AJUSTAREA LUNGIMII FIRULUI DE TĂIERE

Capul trimmerului permite utilizatorului să elibereze mai mult fir fără să oprească motorul. Pe măsură ce firul devine fragil sau uzat, fir adițional poate fi eliberat prin lovirea ușoară a capului cu bobină de sol în timpul operării trimmerului (Vezi Fig. E).

OBSERVAȚIE: Eliberarea firului devine mai dificilă pe măsură ce firul devine mai scurt.

⚠️ AVERTISMENT: Nu îndepărtați sau să modificați ansamblul lamei de tăiere a firului. Lungimea excesivă a firului poate cauza supraîncălzirea motorului și poate duce la răni personale grave.

ÎNLOCUIREA FIRULUI

OBSERVAȚIE: Utilizați întotdeauna firul de tăiere din nailon recomandat cu un diametru de cel mult 2,4 mm. Utilizarea unui fir diferit de cel specificat poate duce la supraîncălzirea cositorii cu fir sau la deteriorarea acesteia.

⚠️ AVERTISMENT: Nu utilizați niciodată fir de metal ranforsat, sârmă sau frânghie etc. Acestea se pot rupe și pot deveni proiectile periculoase.

Trimmerul cu fir este echipat cu un sistem avansat **POWERLOAD™**. Firul de tăiere poate fi înfășurat pe bobină prin simpla apăsare a unui singur buton. Încărcarea unei bobine pline poate fi finalizată, de obicei, în 12 secunde. Evitați repetarea operațiunii de înfășurarea în succesiuni rapide pentru a reduce riscul de avariere a motorului.

OBSERVAȚIE: Sistemul **POWERLOAD™** este disponibil numai atunci când atașamentul este conectat la Power Head PH1420E și când este instalat acumulatorul.

1. Îndepărtați setul de acumulatori.
2. Tăiați un fir de tăiere cu lungimea de 4m. Introduceți firul în gaura de montare (Fig. F). Împingeți și trageți firul din partea opusă până când firele au aceeași lungime de ambele părți ale capului trimmerului.

OBSERVAȚIE: Dacă firul nu poate fi introdus în gaura de montare atunci când capacul inferior este blocat, instalați pachetul de baterii pe capul de alimentare, apoi apăsați scurt butonul de încărcare a firului pentru a reseta capacul inferior.

3. Îndepărtați pachetul de baterii dacă a fost instalat pe capul de alimentare din NOTICE după pasul 2. Urmați pașii specificați la pasul 2 pentru a reintroduce și alinia firul de tăiere.
4. Atașați setul de acumulatori pe capul de alimentare.
5. Apăsăți și mențineți apăsat butonul de încărcare a firului pentru a înfășura continuu firul în capul trimmerului până când se văd aproximativ 15 cm de fir pe fiecare parte. (Fig. G).
6. Apăsăți în jos capul cositorii în timp ce trageți de fire pentru a derula manual firul și a vă asigura că asamblarea firului de tăiere este corectă.

OBSERVAȚIE: În cazul tragerii accidentale a firului în capul mașinii de tuns iarba, desfaceți capul și scoateți firul din bobină. Respectați instrucțiunile din capitolul “ÎNCĂRCAREA FIRULUI DE TĂIERE” din acest manual pentru realimentarea cu fir.

REÎNCĂRCAȚI FIRUL DE TĂIERE

Când firul de tăiere se rupe din gaura de montare al acestuia sau dacă firul nu este eliberat când capul trimmerului este lovit, trebuie să îndepărtați firul de tăiere rămas din capul trimmerului și să urmați pașii de mai jos pentru a reîncărca cu fir.

1. Îndepărtați setul de acumulatori.
2. Apăsăți cele două clape de detașare de pe capul trimmerului și scoateți ansamblul capacului inferior extrăgându-l direct (Fig. H).
3. Scoateți firul de tăiere de pe capul mașinii de tuns iarba.
4. Dacă este nevoie, scoateți arcul din ansamblul bobinei. Păstrați-l pentru reasamblare.
5. Introduceți arcul în fanta din ansamblul capacului inferior (Fig. I).
6. Ținând cositoarea cu o mână, utilizați o altă mână pentru a apuca ansamblul capacului inferior și aliniați fantele din ansamblul capacului inferior cu clapetele de detașare (Figura J). Apăsăți ansamblul capacului inferior până când acesta se anclanșează în poziție, moment în care veți auzi un clichet distinct (Fig. K).
7. Urmați instrucțiunile din secțiunea „ÎNLOCUIREA FIRULUI DE TĂIERE” pentru a reîncărca firul de tăiere.

ÎNLOCUIREA CAPULUI COSITORII

⚠️ AVERTISMENT: În cazul care capul se slăbește după fixarea sa în poziție, înlocuiți-l imediat.

RO

Nu utilizați niciodată o cositoare cu un cap de tăiere slăbit. Înlocuiți imediat un cap de tăiere fisurat, avariat sau uzat, chiar dacă defectul se limitează la fisuri superficiale. Astfel de accesorii se pot sparge la viteză mare și pot cauza răni grave.

Familiarizați-vă cu capul trimmerului (Fig. L).

Pentru descrierea pieselor din Fig. L, consultați mai jos:

L-1	Tijă	L-6	Șaibă
L-2	Bucșă (2)	L-7	Piuliță
L-3	Ansamblul apărătorii superioare	L-8	Arc
L-4	Circlip	L-9	Fir de tăiere
L-5	Suport de bobină	L-10	Ansamblul apărătorii inferioare

Îndepărtarea capului trimmerului

1. Îndepărtați setul de acumulatori.
2. Apăsăți cele două clape de detașare de pe capul cositorii și scoateți ansamblul capacului inferior extrăgându-l direct.
3. Scoateți firul de tăiere de pe capul mașinii de tuns iarba.
4. Dacă este nevoie, scoateți arc din ansamblul bobinei. Păstrați-l pentru reasamblare.
5. Purtați mănuși. Cu o mână, apăcați de ansamblul bobinei pentru a-l stabiliza și utilizați cealaltă mână pentru a ține o cheie cu impact de 13mm (neincluse) pentru a slăbi piulița în direcția SENSULUI ACELOR DE CEASORNIC (Fig. M).
6. Îndepărtați piulița, șaiba și dispozitivul de fixare a bobinei de pe arborele motorului (Fig. L).
7. Folosiți un clește pentru șaibă elastică (nu este inclus) pentru a scoate șaibă elastică. Îndepărtați capacul superior și cele două bucșe de pe arborele motorului (Fig. L).
8. Înlocuiți cu un cap nou de cositoare și montați-l în ordinea următoare.

Instalarea noului cap de trimmer

1. Montați cele două bucșe pe arborele motorului.
2. Aliniați fanta plată din capacul superior cu cea din arborele motorului și montați capacul superior în poziție (Fig. N).

Pentru descrierea pieselor din Fig. N consultați mai jos:

N-1	Plat	N-2	Fanta plată
-----	------	-----	-------------

3. Se montează, în această ordine șaibă elastică, dispozitivul de reținere a bobinei și șaiba (Fig. L). Utilizați o cheie cu impact pentru a strânge piulița ÎN SENS INVERS ACELOR DE CEASORNIC.
4. Urmați pașii 4 și 5 din capitolul "ÎNCĂRCAREA FIRULUI DE TĂIERE" din acest manual pentru a monta ansamblul capacului inferior.
5. Urmați instrucțiunile din capitolul "ÎNLOCUIREA FIRULUI DE TĂIERE" din acest manual pentru a reincărca firul de tăiere.
6. Porniți trimmerul pentru a vă asigura că acesta funcționează corect. În caz contrar, reasamblați-l conform descrierilor de mai sus.

ÎNȚREȚINEREA

⚠️ AVERTISMENT: Înainte de a inspecta, curăța sau de efectua operațiuni de service asupra aparatului, opriți motorul, asigurați-vă că toate componentele mobile sunt oprite și îndepărtați setul de acumulatori dacă este nevoie. Nerespectarea acestor instrucțiuni se poate solda cu vătămări corporale grave sau distrugerea bunurilor.

⚠️ AVERTISMENT: Când efectuați operații de service, utilizați doar piese de schimb identice. Utilizarea oricăror altor piese poate crea un pericol sau poate produce pagube. Pentru a asigura siguranța și fiabilitatea produsului, toate reparațiile, în afara celor menționate în aceste instrucțiuni de întreținere ar trebui efectuate de către un tehnician de service autorizat.

ÎNȚREȚINERE GENERALĂ

Evitați utilizarea solvenților când curățați piese din plastic. Majoritatea pieselor din plastic sunt susceptibile să se deterioreze de la diverse tipuri de solvenți comerciali și se pot defecta prin utilizarea acestora. Utilizați cârpe curate pentru a îndepărta murdăria, praful, uleiul, vaselina etc.

CURĂȚAREA PRODUSULUI

- Curățați iarba care s-ar fi putu înfășura în jurul axului motorului sau a capului trimmerului.
- Utilizați o perie mică sau un aspirator mic pentru a curăța fantele de aerisire de pe carcasa posterioară.
- Curățați produsul cu ajutorul unei cârpe umede și cu detergent slab.
- Nu utilizați detergenți puternici pe carcasa de plastic sau pe mâner. Acestea pot fi deteriorarea de anumite uleiuri parfumate precum brad și lămâie, și de către solvenți precum kerosenul. Umezeala poate cauza un

risc de electrocutare. Ștergeți orice urmă de umezeală cu o cârpă uscată.

LUBRIFIEREA ANGRENAJELOR DE TRANSMISIE

Angrenajele de transmisie din carcasa cutiei de viteze trebuie lubrifiate periodic cu unsoare pentru angrenaje. Verificați nivelul unsoarii din carcasa cutiei de viteze la fiecare 50 de ore de utilizare îndepărtând șurubul de etanșeizare de pe latura carcasei.

Dacă pe laturile angrenajului nu se vede unsoare, urmați pașii de mai jos pentru a umple cu unsoare de angrenaj 3/4 din capacitate.

Nu umpleți complet angrenajele de transmisie.

1. Țineți trimmerul cu fir culcat pe o parte astfel încât șurubul de etanșeizare să fie îndreptat în sus.
2. Utilizați cheia multifuncțională furnizată pentru a slăbi și îndepărta șurubul de etanșeizare.
3. Utilizați o seringă (neinclusă) pentru a injecta o cantitate de unsoare în orificiul șurubului; nu depășiți 3/4 din capacitate.
4. După injectare, strângeți șurubul de etanșeizare.

DEPOZITAREA PRODUSULUI

- Detașați setul de acumulatori de la capul de alimentare.
- Curățați scula bine înainte de a o depozita.
- Dacă accesoriul trimmer cu fir este detașat de capul de alimentare și depozitat separat: Instalați dopul pe tija dispozitivului pentru a se evita pătrunderea murdăriei în cuplor.
- Depozitați aparatul într-un loc uscat, bine aerisit, închis cu cheia sau la înălțime, în care copiii nu au acces. Nu depozitați produsul pe sau lângă fertilizanți, benzină sau alte chimicale.

ASCUȚIREA LAMEI DE TĂIERE A FIRULUI

⚠ AVERTISMENT: Întotdeauna protejați-vă mâinile purtând mănuși super rezistente când efectuați orice operație de întreținere a lamei de tăiere a firului.

1. Îndepărtați acumulatorul.
2. Detașați lama de tăiere a firului de apărătoare.
3. Prindeți lama într-o menghină.
4. Purtați echipament adecvat de protecție a ochilor și mănuși și aveți grijă să nu vă tăiați.
5. Piliți cu grijă muchiile lamei cu o pilă fină sau cu o piatră de ascuțit, păstrând unghiul original de tăiere al muchiei.
6. Repuneți lama pe apărătoare și prindeți-o cu cele două șuruburi.

Protejarea mediului înconjurător



Nu eliminați echipamentul electric, încărcătorul de acumulatori și bateriile/acumulatorii împreună cu deșeurile menajere!

Predați acest produs unui punct de reciclare autorizat și puneți-l la dispoziția colectării separate. Sculele electrice trebuie returnate unui centru de reciclare ecologic.

Dacă aparatele electrice sunt aruncate la groapa de gunoi sau la haldă, se pot scurge substanțe periculoase în pânza freatică și acestea pot intra în lanțul trofic, afectându-vă sănătatea și bunăstarea.

GHID DE DEPANARE

PROBLEMĂ	CAUZĂ	SOLUȚIE
Trimmerul cu fir nu pornește.	<ul style="list-style-type: none"> ■ Setul de acumulatori nu este atașat de capul de alimentare. ■ Nu există contact electric între capul de alimentare și setul de acumulatori. ■ Încărcarea acumulatorului este epuizată. ■ Maneta de blocare și trăgaciul nu sunt apăstate simultan. 	<ul style="list-style-type: none"> ■ Atașați setul de acumulatori de capul de alimentare. ■ Îndepărtați acumulatorul, verificați contactele și reinstalați setul de acumulatori până când acesta se anclanșează în poziție. ■ Încărcați acest set de acumulatori cu încărcătorii EGO menționați în acest manual. ■ Apăsăți în jos maneta de blocare și țineți-o apăsată, după care apăsați trăgaciul declanșator pentru a porni trimmerul.
FIRUL trimmerului se oprește în timpul utilizării.	<ul style="list-style-type: none"> ■ Apărătoarea nu este montată pe trimmer, rezultând un fir prea lung de depășește și un motor suprasolicitat. ■ Este utilizat un fir gros. ■ Axul motorului sau capul trimmerului sunt blocate cu iarbă. ■ Motorul este suprasolicitat. ■ Setul de acumulatori sau trimmerul sunt prea fierbinți. ■ Setul de acumulatori este deconectat de la sculă. ■ Setul de acumulatori este descărcat. 	<ul style="list-style-type: none"> ■ Îndepărtați setul de acumulatori și montați apărătoarea pe trimmer. ■ Utilizați firul de nailon de tăiere recomandat cu diametrul de maxim 2,4 mm. ■ Opiți trimmerul, îndepărtați acumulatorul și curățați iarbă de pe axul motorului și capul trimmerului. ■ Îndepărtați capul trimmerului din iarbă. Motorul își va reveni imediat ce sarcina este îndepărtată. Când tăiați, deplasați capul trimmerului în iarbă și în afara ei pentru a o tăia și îndepărtați maxim 20cm de lungime dintr-o tăiere. ■ Lăsați setul de acumulatori sau trimmerul cu fir să se răcească până când temperatura scade sub 67°C . ■ Reinstalați setul de acumulatori. ■ Încărcați acest set de acumulatori cu încărcătorii EGO menționați în acest manual.

RO

PROBLEMĂ	CAUZĂ	SOLUȚIE
Capul trimmerului nu mai debitează fir.	<ul style="list-style-type: none"> ■ Axul motorului sau capul trimmerului sunt blocate cu iarbă. ■ Pe bobină nu mai este suficient fir. ■ Capul trimmerului este murdar. ■ Firul este încărcat în suportul de bobină. ■ Firul este prea scurt. 	<ul style="list-style-type: none"> ■ Opriți trimmerul, îndepărtați acumulatorul și curățați iarbă de pe axul motorului și capul trimmerului. ■ Îndepărtați acumulatorul și înlocuiți firul de tăiere; urmați instrucțiunile din capitolul „REÎNCĂRCAREA FIRULUI DE TĂIERE” din acest manual. ■ Îndepărtați acumulatorul și curățați bobina, suportul bobinei și baza acesteia. ■ Îndepărtați acumulatorul, îndepărtați firul de pe capul cositorii și reînfășurați-l; respectați instrucțiunile din capitolul „REÎNCĂRCAREA FIRULUI DE TĂIERE” din acest manual. ■ Scoateți acumulatorul și scoateți firele în timp ce apăsați alternativ în jos pe și eliberați butonul de derulare a firului.
Iarbă înfășurată în jurul capului trimmerului și a carcasei motorului.	<ul style="list-style-type: none"> ■ Tăierea ierbii înalte la nivelul solului. 	<ul style="list-style-type: none"> ■ Tăiați iarbă înaltă de sus în jos, îndepărtând maxim 20 cm cu fiecare tăiere pentru a preveni înfășurarea.
Lama nu taie firul.	<ul style="list-style-type: none"> ■ Lama de tăiere a firului situată pe marginea apărătorii s-a tocit. 	<ul style="list-style-type: none"> ■ Ascuțiți lama de tăiere a firului cu o pilă sau înlocuiți-o cu una nouă.
Fisuri pe capul cositorii sau suportul bobinei se detașează ușor de baza bobinei.	<ul style="list-style-type: none"> ■ Capul trimmerului este uzat. ■ Piulița care blochează capul cositorii este slăbită. 	<ul style="list-style-type: none"> ■ Înlocuiți capul de tăiere a ierbii imediat; respectați secțiunea „ÎNLOCUIREA CAPULUI DE TĂIERE A IERBII” din acest manual. ■ Deschideți capul cositorii și utilizați o cheie cu impact pentru a strânge piulița.
În timpul înlocuirii firului, firul nu poate fi încărcat corect pe capul trimmerului.	<ul style="list-style-type: none"> ■ Firele de ÎNCĂRCARE ale suportului bobinei nu se aliniază cu orificiile din baza bobinei. ■ Firele de ÎNCĂRCARE ale suportului bobinei nu se aliniază cu orificiile din baza bobinei. 	<ul style="list-style-type: none"> ■ Rotiți suportul de bobină în direcția săgeții aliniând firul de ÎNCĂRCARE de pe suportul bobinei cu orificiile din baza bobinei. ■ Rotiți suportul de bobină în direcția săgeții aliniind firul de ÎNCĂRCARE de pe suportul bobinei cu orificiile din baza bobinei.

RO

GARANȚIA

POLITICA DE GARANȚIE EGO

Vă rugăm consultați website-ul egopowerplus.com pentru termenii și condițiile complete ale politicii de garanție EGO.

PREBERITE VSA NAVODILA!



PREBERITE PRIROČNIK Z NAVODILI ZA UPORABO

⚠ Preostalo tveganje! Pred uporabo izdelka se morajo osebe z elektronskimi napravami, kot je srčni spodbujevalnik, posvetovati s svojim zdravnikom. Delovanje električne opreme v bližini srčnega spodbujevalnika lahko povzroči motnje ali okvaro srčnega spodbujevalnika.

⚠ OPOZORILO: Za zagotovitev varnosti in zanesljivosti mora vsa popravila izvesti usposobljen serviser.

VARNOSTNI SIMBOLI

Namen varnostnih simbolov je, da pritegnejo vašo pozornost na morebitne nevarnosti. Varnostni simboli in njihova pojasnila si zaslužijo vašo pozornost in razumevanje. Opozorilni simboli sami ne odpravljajo nobene nevarnosti. Navodila in opozorila niso nadomestilo za ustrezne ukrepe za preprečevanje nesreč.

⚠ OPOZORILO: Poskrbite, da boste pred uporabo orodja prebrali in razumeli vsa varnostna navodila v priročniku z navodili za uporabo, vključno z vsemi simboli za varnostna opozorila, kot so »NEVARNOST«, »OPOZORILO« in »POZOR«. Neupoštevanje spodaj navedenih navodil se lahko odrazi v električnem udaru, požaru in/ali resnih telesnih poškodbah.

SL

POMEN SIMBOLOV

⚠ SIMBOL VARNOSTNEGA OPOZORILO: označuje NEVARNOST, OPOZORILO ali POZOR, uporabiti ga je mogoče skupaj z drugimi simboli ali piktogrami.

VARNOSTNA NAVODILA

Na tej strani so prikazani in opisani varnostni simboli, ki se lahko pojavijo na tem izdelku. Preberite, osvojite in sledite navodilom na stroju preden ga boste poskušali sestaviti in upravljati.

	Varnostno opozorilo	Označuje potencialno nevarnost telesnih poškodb.
	Preberite priročnik z navodili za uporabo	Za zmanjšanje nevarnosti poškodb je pomembno, da uporabnik pred uporabo naprave prebere uporabniški priročnik.
	Nosite zaščito za oči, ušesa in glavo	Vedno nosite zaščito za oči, ušesa in glavo.
	Širina košnje	Največja širina košnje kosilnice z nitko
	Premer nitke	Premer najonske nitke
	Ne uporabite kovinskih rezil.	Uporabnika opozarja, naj ne uporablja kovinskih rezil.
	Prisotni naj bodo varno oddaljeni	Sunjeni predmeti se lahko odbijejo in povzročijo telesno poškodbo ali poškodbo lastnine. Poskrbite, da bodo drugi ljudje in hišni ljubljenci ustrezno oddaljeni od motorne kose,
	Razdalja med napravo in drugimi prisotnimi ljudmi mora biti najmanj 15 m	ko je ta v uporabi.
IPX4	Simbol IP	stopnja zaščite pred vdorom vode
	CE	Ta izdelek je v skladu z veljavnimi direktivami ES.
	UKCA	Ta izdelek je v skladu z veljavno zakonodajo Združenega kraljestva.
	Odpadna električna in elektronska oprema (OEEO)	Odpadnih električnih izdelkov se ne sme odlagati med gospodinjne odpadke. Odnosite jih k pooblaščenemu izvajalcu postopka recikliranja.
	Hrup	Zajamčena raven zvočnega tlaka. Emisije hrupa v okolico so v skladu z direktivo Evropske skupnosti.
V	Volt	Voltaj

mm	Milimeter	Dolžina ali velikost
cm	Centimeter	Dolžina ali velikost
kg	Kilogram	Teža

SPLOŠNA VARNOSTNA OPOZORILA ZA ELEKTRIČNA ORODJA

⚠ OPOZORILO: Preberite vsa varnostna opozorila, navodila, slike in tehnične podatke, ki so priloženi temu električnemu orodju. Zaradi neupoštevanja spodaj navedenih navodil lahko pride do električnega udara, požara in/ali hudih telesnih poškodb.

Vsa opozorila in navodila shranite za kasnejšo uporabo.

Izraz »električno orodje« v opozorilih se nanaša na orodja, ki jih poganja električni tok (žična), ali na akumulatorska (brezžična) orodja.

VARNOST DELOVNEGA OBMOČJA

- Delovno območje naj bo čisto in dobro osvetljeno. V neurejenih in temnih območjih se rade zgodijo nesreče.
- Električnega orodja ne upravljajte v eksplozivnih atmosferah, kot je ob prisotnosti vnetljivih tekočin, plinov ali prahu. Električno orodje ustvarja iskre, ki lahko povzročijo vžig prahu ali hlapov.
- Med uporabo električnega orodja v bližini ne pustite otrok in drugih ljudi. Zaradi motenj lahko izgubite nadzor.

ELEKTRIČNA VARNOST

- Vtiči električnih orodij se morajo prilegati vtičnicam.** Vtiča nikoli ne smete spreminjati na kakršen koli način. Z ozemljenimi električnimi orodji ne uporabljajte adapterjev. Nespremenjeni vtiči in pripadajoče vtičnice bodo zmanjšali tveganje električnega udara.
- Izogibajte se telesnemu stiku z ozemljenimi površinami, kot so cevi, radiatorji, štedilniki in hladilniki.** Če je vaše telo ozemljeno, obstaja povečano tveganje električnega udara.
- Naprave ne uporabljajte v dežju ali mokrih pogojih.** Voda, ki pride v napravo, lahko poveča tveganje za električni udar ali okvaro, kar bi lahko povzročilo telesne poškodbe.
- Ne poškodujte električnega kabla.** Kabla nikoli ne uporabljajte za nošenje, vlečenje ali odklapanje električnega orodja. Kabel hranite stran od vročine, olja, ostrih robov ali premikajočih se delov.

Poškodovani ali zapleteni kabli zvišujejo tveganje električnega udara.

- Med zunanjo uporabo električnega orodja uporabljajte podaljšek, ki je primeren za zunanjo uporabo.** Uporaba kabla, primernega za zunanjo uporabo, znižuje tveganje električnega udara.
- Če je uporaba električnega orodja na vlažnem mestu neizogibna, uporabite napajanje, zaščiteno z napravo na diferenčni tok.** Uporaba zaščitne naprave na diferenčni tok (RCD) bo zmanjšala nevarnost električnega udara.

OSEBNA VARNOST

- Med uporabo električnega orodja bodite pozorni, spremljajte potek dela in uporabljajte zdrav razum.** Električnega orodja ne uporabljajte, kadar ste utrujeni ali pod vplivom drog, alkohola ali zdravil. Trenutek nepazljivosti med uporabo električnega orodja lahko povzroči hude telesne poškodbe.
- Uporabljajte osebno varovalno opremo. Vedno nosite zaščito za oči.** Če v različnih okoliščinah nosite ustrezno zaščitno opremo, kot so maska proti prahu, obutev z nedrsečim podplatom, trdno pokrivalo glave in zaščita za sluh, zmanjšate možnost telesnih poškodb.
- Preprečite neželen zagon. Pred priključitvijo napajanja in/ali baterijskega sklopa, pred dvigovanjem ali nošenjem orodja se prepričajte, da je stikalo v položaju za izklop.** Prenajanje električnega orodja s prstom na stikalu ali dovajanje napajanja električnim orodjem, pri katerih je stikalo v položaju za vklop, poveča tveganje nesreč.
- Pred vklopom električnega orodja odstranite morebitne prilagojevalne ključe ali izvijače.** Izvijač ali ključ, ki je pritrjen na vrtljivi del električnega orodja, lahko povzroči telesne poškodbe.
- Ne segajte preko dosega. Pazite, da stojite stabilno in da ohranjate ravnotežje.** To omogoča boljši nadzor nad električnim orodjem v nepričakovanih situacijah.
- Bodite primerno oblečeni. Ne nosite ohlapnih oblačil ali nakita. Pazite, da lasje, oblačila in rokavice ne pridejo v bližino gibljivih delov.** Ohlapna oblačila, nakit ali dolgi lasje se lahko zapletejo v gibljive dele.
- Če imate na voljo naprave za sesanje in zbiranje prahu, preverite, ali so priključene in ali se ustrezno uporabljajo.** Uporaba naprav za odstranjevanje prahu lahko zmanjša nevarnosti, povezane s prahom.
- Čeprav dobro poznate orodje zaradi pogoste uporabe, ne postanite samozadovoljni in ne ignorirajte varnostnih načel orodja.** Nepazljivost pri uporabi lahko povzroči hude telesne poškodbe v delu sekunde.

SL

UPORABA IN NEGA ELEKTRIČNEGA ORODJA

- **Električnega orodja ne preobremenjujte. Uporabite električno orodje, ki ustreza vašemu delu.** Ustrezno električno orodje bo nalogo opravilo bolje in varneje pri zmogljivosti, za katero je bilo zasnovano.
- **Ne uporabljajte električnega orodja, če ga stikalo ne vklopi ali izklopi.** Kakršno koli električno orodje, ki ga ni mogoče nadzirati s stikalom, je nevarno in ga je potrebno popraviti.
- **Električna orodja, ki niso v uporabi, shranjujte izven dosega otrok in ne dovolite, da bi električno orodje uporabljale osebe, ki niso seznanjene z električnim orodjem ali s temi navodili.** Električno orodje je v rokah neusposobljenih uporabnikov nevarno.
- **Odklopite vtič iz vira napajanja in/ali baterije, preden opravite kakršne koli prilagoditve, menjate dodatke ali shranjujete električno orodje.** Tovrstni preventivni varnostni ukrepi zmanjšujejo tveganje nenamernega zagona električnega orodja.
- **Električna orodja in dodatke redno vzdržujte.** Preverite morebitno nepravilnost ali povezavo premikajočih se delov, zlome delov ali morebitno drugačno stanje, ki bi lahko vplivalo na delovanje električnega orodja. Če je električno orodje poškodovano, ga pred ponovno uporabo dajte v popravilo. Mnogo nesreč se pripeti zaradi slabo vzdrževanih električnih orodij.
- **Rezalna orodja naj bodo vedno nabrušena in čista.** Pravilno vzdrževana rezalna orodja z ostrimi rezili se težje zaskočijo in jih je lažje nadzirati.
- **Električno orodje, dodatke in dele orodja itd. uporabljajte v skladu s temi navodili, pri tem pa upoštevajte delovne pogoje in delo, ki ga boste opravljali.** Če boste električno orodje uporabljali za neustrezne namene, lahko pride do nevarnih situacij.
- **Ročaji in prijemna površina naj bodo suhi, čisti in brez madežev olja ali masti.** Drseči ročaji in prijemne površine ne omogočajo varnega ravnanja in nadzorovanja orodja v nepričakovanih situacijah.

UPORABA IN VZDRŽEVANJE BATERIJSKEGA ORODJA

- **Baterijo polnite le s polnilnikom, ki ga določa proizvajalec.** Polnilnik, ki ustreza eni vrsti baterij, morda lahko povzroči požar, če z njim polnite drugo vrsto baterij.
- **Baterijska orodja uporabljajte samo s predpisano vrsto baterij.** Uporaba katerih koli drugih baterij ustvari tveganje poškodb in požara.
- **Ko baterijski sklop ni v uporabi, ga hranite ločeno od kovinskih predmetov, kot so sponke za papir, kovanci, ključji, žebelji, vijaki ali drugi majhni kovinski predmeti, ki**

lahko povzročijo stik med enim in drugim terminalom. Kratke stike zaradi povezanih terminalov baterije lahko povzročijo opekline ali požar.

- **Ob zlorabi baterije lahko iz nje steče tekočina. Če se naključno dotaknete tekočine, mesto dotika sperite z vodo. Če pride tekočina v stik z očmi, poiščite zdravstveno pomoč.** Tekočina, ki izteče iz baterije lahko povzroči vnetje ali opekline.
- **Baterijskega sklopa ali orodja, ki je poškodovano ali spremenjeno, ne uporabljajte.** Poškodovane ali spremenjene baterije se lahko nepredvidljivo vedejo, kar lahko povzroči požar, eksplozijo ali tveganje telesnih poškodb.
- **Baterijskega sklopa ali orodja ne izpostavljajte ognju ali previsokim temperaturam.** Izpostavljenost ognju ali temperaturam nad 130°C lahko povzroči eksplozijo.
- **Upoštevajte vsa navodila za polnjenje in baterijskega sklopa ali orodja ne polnite izven temperaturnega razpona, navedenega v navodilih.** Nepravilno polnjenje ali temperature izven navedenega razpona lahko poškodujejo baterijo in povečajo tveganje požara.

SERVIS

- **Električno orodje naj servisira usposobljeno servisno osebo, ki uporablja le enake nadomestne dele.** To bo zagotovilo ohranjanje varnosti električnega orodja.
- **Nikoli ne popravljajte poškodovanih baterijskih sklopov.** Baterijske sklope lahko popravi le proizvajalec ali pooblaščen izvajalec storitev.

POSEBNA VARNOSTNA OPOZORILA ZA KOSILNICO Z NITKO

- **Naprave ne uporabljajte v slabih vremenskih razmerah, zlasti če obstaja nevarnost strele.** S tem boste zmanjšali možnost udara strele.
- **Temeljito preglejte, ali so na območju, kjer boste uporabljali napravo, prostoživeče živali in rastline.** Med delovanjem lahko naprava poškoduje prostoživeče živali.
- **Območje, kjer boste uporabljali napravo, temeljito preglejte in odstranite vse kamne, palice, žice, kosti in druge tujke.** Takšni predmeti lahko povzročijo telesne poškodbe.
- **Pred uporabo napravo vedno preglejte in se prepričajte, da rezilo ali nož in sklop rezila ali noža nista poškodovana.** Zaradi poškodovanih delov je nevarnost poškodb večja.
- **Sledite navodilom za menjavo priključkov.** Nepravilno privite matice ali vijaki na rezilu lahko poškodujejo nož ali povzročijo, da se ta sname.

SL

- **Nosite zaščito za oči, ušesa, glavo in roke.** Ustrezna zaščitna oprema bo zmanjšala telesne poškodbe zaradi letečih delcev ali nenameren stik z nitko za košnjo ali nožem.
- **Med uporabo naprave vedno nosite zaščitno obutev z nedrsečim podplatom.** Naprave ne upravljajte bos ali v odprtih sandalih. To zmanjšuje možnost poškodb stopal zaradi stika s premikajočimi se rezili ali nitkami.
- **Med upravljanjem naprave vedno nosite dolge hlače.** Izpostavljena koža povečuje verjetnost poškodb zaradi izvrženih predmetov.
- **Med uporabo naprave se morajo prisotni zadrževati na varni razdalji.** Izvrženi delci lahko povzročijo hude telesne poškodbe.
- **Pri upravljanju naprave vedno uporabljajte dve roki.** Če boste napravo držali z obema rokama, ne boste izgubili nadzora.
- **Napravo držite samo za izolirane površine za prirezovanje, saj lahko nitka za košnjo ali nož prideta v stik s skritimi napeljavami.** Če se nitka ali noži dotaknejo žice, ki je pod električno napetostjo, se lahko izpostavljeni kovinski deli naprave naelektrijo in povzročijo električni udar.
- **Pazite, da vedno stojite stabilno, in napravo uporabljajte samo, ko stojite na tleh.** Spolzke ali nestabilne površine, lahko povzročijo izgubo ravnotežja ali nadzora nad napravo.
- **Naprave ne uporabljajte na preveč strmih pobočjih.** To zmanjšuje nevarnost izgube nadzora, zdrsa in padca, zaradi česar lahko pride do telesnih poškodb.
- **Pri delu na pobočjih vedno pazite na ravnotežje, vedno delajte poševno po pobočju, nikoli navzgor ali navzdol, in bodite izredno previdni pri menjavanju smeri.** To zmanjšuje nevarnost izgube nadzora, zdrsa in padca, zaradi česar lahko pride do telesnih poškodb.
- **Med delovanjem naprave delov telesa ne izpostavljajte rezilu, nitki ali nožu.** Preden zaženete napravo, se prepričajte, da se rezilo, nitka ali nož ničesar ne dotika. Zaradi trenutka nepazljivosti med uporabo naprave lahko poškodujete sebe ali druge.
- **Naprave ne uporabljajte nad višino pasu.** To pomaga preprečiti nenamerne stike z rezilom ali nožem in omogoča boljši nadzor nad napravo v nepričakovanih situacijah.
- **Ko žagate grmičevje ali mlado drevje, ki je napeto, pazite, da ne švignejo nazaj.** Ko napetost v lesnih vlaknih popusti, lahko grmičevje ali mlado drevje udari upravljavca in/ali naprava ostane brez nadzora.
- **Bodite posebej pozorni pri žaganju grmičevja in mladega drevja.** Takšen les lahko namreč zatakne nož oziroma zleti v vas ter vas vrže iz ravnotežja.
- **Ohranite nadzor nad napravo in se ne dotikajte rezil, nitk ali nožev in drugih nevarnih premikajočih delov, medtem ko se še premikajo.** To zmanjšuje nevarnost poškodb zaradi premikajočih delov.
- **Pred odstranjevanjem zagozdenega materiala ali popravilom naprave se prepričajte, da je stikalo izklopljeno in da je akumulator odstranjen.** Nepričakovan zagon naprave med odstranjevanjem zataknenega materiala ali servisiranjem lahko povzroči hude telesne poškodbe.
- **Napravo nosite tako, da je izključena in obrnjena stran od telesa.** Če boste z napravo pravilno ravnali, se bo zmanjšala verjetnost nenamernega stika s premikajočim rezilom, nitko ali nožem.
- **Uporabljajte samo nadomestna rezila, nitke, glave za košnjo in nože, ki jih določi proizvajalec.** Napačni nadomestni deli lahko povečajo nevarnost zloma in poškodb.
- **Poškodbe kosilnice – Če udarite ob tuje ali se kosilnica zaplete, jo takoj ustavite, preglejte za poškodbe in morebitne poškodbe pred nadaljnjo uporabo odpravite.** Izdelka ne uporabljate z zlomljenim ščitnikom ali vretenom.
- **Če začne oprema nenormalno vibrirati, ustavite motor in takoj poskušajte ugotoviti vzrok.** Vibracije običajno opozarjajo na težave. Vibracije lahko povzročajo zrahljana glava, razpoka, odlomljenje rezila, kar lahko vodi v resne telesne poškodbe ali celo smrt. Prepričajte se, da je priključek za košnjo pravilno nameščen na mestu. Če se glava zrahlja potem, ko ste jo pričvrstili na mesto, jo nemudoma zamenjajte. Nikoli ne uporabljajte kosilnice, ki ima zrahljan priključek za košnjo.
- **Baterijskih orodij ni potrebno priklopiti v električno vtičnico, zato so vedno v stanju delovanja.** Zavedajte se mogočih nevarnosti tudi, ko orodje ne deluje. Bodite previdni pri vzdrževanju ali servisiranju.
- **Naprave ne umivajte s cevjo.** Voda naj ne pride v motor ali električne priključke.
- **Če pride do situacij, ki niso zajete v tem priročniku, bodite pazljivi in uporabite dobro presojo.** Za pomoč stopite v stik servisnim centrom EGO.
- **Napravo uporabljajte le z akumulatorskimi baterijami in polnilniki, navedenimi v sliki A.**

SL
TA NAVODILA SHRANITE!

TEHNIČNI PODATKI

Mehanizem za košnjo	Udarna glava	
Premer nitke	2,4 mm najlonska zavita nitka	
Širina košnje	40 cm	
Hitrost brez obremenitve	4900/5800 min ⁻¹	
Teža (baterijskega sklopa)	1,53 kg	
Priporočena delovna temperatura	0°C-40°C	
Priporočena temperatura za shranjevanje	-20°C-70°C	
Izmerjena raven zvočnega tlaka L _{WA}	95,72 dB(A) K=0,77 dB(A)	
Raven zvočnega tlaka v ušesu upravljavca L _{PA}	81,6 dB(A) K=3 dB(A)	
Zajamčena raven zvočnega tlaka L _{WA} (glede na 2000/14/EC)	96 dB(A)	
Vibracije a _h	Sprednji ročaj za prijem	2,5 m/s ² K=1,5 m/s ²
	Zadnji ročaj	1,8 m/s ² K=1,5 m/s ²

- Zgornji parametri so preskušeni in izmerjeni z nameščenno pogonsko enoto PH1420E.
- Deklarirana skupna vrednost vibracij je bila izmerjena v skladu s standardno preskusno metodo in se lahko uporabi za medsebojno primerjavo različnih orodij;
- Navedena skupna vrednost vibracij se lahko uporabi za predhodne ocene izpostavljenosti.

⚠ OPOZORILO: Vibracije in emisije hrupa med dejansko uporabo električnega orodja se lahko razlikujejo od navedenih vrednosti odvisno od načinov, na katere se orodje uporablja, še posebej glede na to, kakšen obdelovalec se obdeluje; in

glede na to, da je treba opredeliti varnostne ukrepe za zaščito upravljavca, ki temeljijo na oceni izpostavljenosti v dejanskih pogojih uporabe (ob upoštevanju vseh delov delovnega cikla, kot so časi, ko je orodje izklopljeno in ko teče v prostem teku, poleg časa sprožitve).

VSEBINA PAKETA (SLIKA A)

Za priporočene nitke za košnjo obiščite spletno mesto egopowerplus.com ali si oglejte katalog izdelkov EGO.

OPIS

SPOZNAJTE DODATKE ZA SVOJO NITNO KOSILNICO (slika A)

1. Pokrovček
2. Gred kosilnice z nitko
3. Gumb za nalaganje nitke
4. Nitka za košnjo
5. Glava kosilnice (udarna glava)
6. Jeziček za sprostitve
7. Rezilo nitke za košnjo
8. Varovalo
9. Imbusni ključ

⚠ OPOZORILO: orodja nikoli ne upravljajte brez ščitnika trdno nameščenega na mestu. Ščitnik mora biti vedno nameščen na orodju za zaščito uporabnika.

SESTAVA

⚠ OPOZORILO: Če so deli poškodovani ali manjkajo, izdelka ne uporabljajte, dokler deli niso zamenjani. Če ta izdelek uporabljate s poškodovanimi ali manjkajočimi deli, se lahko resno poškodujete.

⚠ OPOZORILO: Tega izdelka ne poskušajte spreminjati in ne poskušajte izdelovati dodatkov, ki niso priporočeni za uporabo s to kosilnico z nitko. Vsako tako spreminjanje je zloraba in lahko privede do tveganj, ta pa do hudih telesnih poškodb.

OPOZORILO: ne priključite na pogonsko enoto do zaključka montaže. Neupoštevanje tega navodila lahko povzroči nenamerni zagon in resno telesno poškodbo.

MONTAŽA ŠČITNIKA

⚠ OPOZORILO: pri montaži ali zamenjavi ščitnika vedno nosite rokavice. Pazite na rezilo na ščitniku in zaščitite dlani, da se ne poškodujete.

Odvijte vijaka z osnove gredi (sl. C), poravnajte odprtine za montažo zaščite z odprtinami na delu in pritrdite zaščito na osnovo gredi z vijakoma ter dvema vzmetnima podložkama (sl. D).

Prepričajte se, da je ščitnik pritrjen v skladu s slikama C in D. Kakršna koli drugačna namestitvev bo povzročila veliko nevarnost.

NAMEŠČANJE PRIKLJUČKA ZA KOSILNICO Z NITKO NA POGONSKO ENOTO

Ta priključek za kosilnico z nitko je zasnovan za uporabo s pogonsko enoto EGO PH1420E.

Glejte razdelek »**NAMEŠČANJE PRIKLJUČKA NA POGONSKO ENOTO**« v uporabniškem priročniku pogonske enote PH1420E.

DELOVANJE

⚠ OPOZORILO: Četudi se dodobra seznanite s tem izdelkom, pri rokovanju z njim ne postanite nepredvidni. Pomnite, da je brezskrbni delec sekunde dovolj za resno poškodbo.

⚠ OPOZORILO: vedno nosite zaščito za oči in ušesa. Če tega ne storite, vam lahko v oči priletijo predmeti ali pride do drugih hudih poškodb.

APLIKACIJE

Ta izdelek lahko uporabljate za naslednje namene:

- košnja trave in plevla okoli verand, ograj in poti.

OPOMBA: orodje se lahko uporablja samo za predpisan namen. Kakršna koli druga uporaba se smatra za nepravilno uporabo.

Pred vsako uporabo napravo preglejte za poškodovane/obrabljene dele

Preglejte glavo kosilnice, ščitnik in sprednji ročaj ter zamenjajte dele, ki so razpokani, zviti, upognjeni ali kakor koli poškodovani.

Rezilo z nitko na robu ščitnika lahko sčasoma postane topo. Priporočljivo je, da ga redno ostrite s pilo ali ga zamenjate z novim rezilom.

⚠ OPOZORILO: pri montaži ali zamenjavi ščitnika oziroma ostrenju ali zamenjavi rezila vedno nosite rokavice. Bodite pozorni na položaj rezila na ščitniku in zaščitite dlan, da se ne poškodujete.

⚠ OPOZORILO: da preprečite resno telesno poškodbo, pred servisiranjem, čiščenjem, zamenjavo priključkov ali odstranjevanjem materiala iz enote odstranite baterijski sklop iz pogonske enote.

UPORABLJANJE KOSILNICE Z NITKO S POGONSKO ENOTO

⚠ OPOZORILO: za upravljanje tega orodja se primerno oblecite, da zmanjšate nevarnost poškodb. Ne nosite ohlapnih oblačil ali nakita. Nosite zaščito za oči in ušesa. Nosite robustne dolge hlače, škornje in rokavice. Ne nosite kratkih hlač, sandal ali bodite bos.

⚠ OPOZORILO: območje rezanja pred vsako uporabo počistite. Odstranite vse predmete, kot so kamni, zdrobljeno steklo, žebliji, žica ali vrvice, ki jih lahko vrže ali se zapletejo v priključek za košnjo. Na območju naj ne bo otrok, opazovalcev in hišnih ljubljencev. Otroci, opazovalci in hišni ljubljenci naj bodo oddaljeni vsaj 15 m. Še vedno lahko obstaja nevarnost letečih predmetov za opazovalce. Prisotni naj tudi uporabljajo zaščito za oči. Če pristopite, takoj ustavite motor in priključek za košnjo.

Za varno in boljše upravljanje si preko rame nadenite ramenski pas. Ramenski pas nastavite v udoben položaj za upravljanje. Kosilnico z nitko držite z eno roko na zadnjem ročaju in drugo roko na sprednjem ročaju. Med delovanjem čvrsto držite obrezovalnik robov z obema rokama. Kosilnico z nitko držite v udobnem položaju z zadnjim ročajem približno v višini pasu. Glava kosilnice mora biti vzporedna s tlemi, da brez težav pride v stik z materialom za košnjo, ne da bi se upravljavec moral prikloniti (slika B).

⚠ OPOZORILO: ramenski pas je tudi hiter mehanizem za sprostitve v nevarnih situacijah. V nujnih primerih ga nemudoma snemite z rame, ne glede na to, kako je vstavljen.

Kosilnico z nitko po vsaki uporabi očistite

Navodila za čiščenje najdete v razdelku »VZDRŽEVANJE«.

ZAGON/ZAUSTAVITEV ORODJA

Glejte razdelek »**ZAGON/ZAUSTAVITEV POGONSKE ENOTE**« v priročniku z navodili pogonske enote PH1420E.

PRILAGAJANJE DOLŽINE NITKE

Glava kosilnice z nitko upravljavcu omogoča sprostitve več nitke za košnjo brez zaustavitve motorja. Ko se nitka scefra ali obrabi, lahko sprostite dodatno nitko tako, da narahlo potolčete z glavo kosilnice ob tla med delovanjem kosilnice (slika E).

OPOMBA: sproščanje nitke bo postalo težje, ko bo nitka postajala krajša.

⚠ OPOZORILO: sklopa rezila ne odstranjujte ali spreminjajte. Prevelika dolžina nitke bo povzročila pregrevanje motorja, ki lahko povzroči resno telesno poškodbo.

ZAMENJAVA NITKE

OPOMBA: Vedno uporabljajte priporočeno najlonsko nitko za košnjo s premerom, ki ni večji od 2,4 mm. Uporaba drugačne nitke lahko povzroči pregretje ali poškodbe kosilnice.

⚠ OPOZORILO: nikoli ne uporabljajte nitke s kovinsko ojačitvijo, žice ali vrvi itd. Lahko se odtrgajo in postanejo nevarne.

Kosilnica z nitko je opremljena z naprednim sistemom **POWERLOAD™**. Nitko za košnjo lahko ovijete na vreteno že z enim samim gumbom. Nalaganje polnega vretena se običajno lahko zaključi v 12 sekundah. **Izogibajte se prekomerni uporabi sistema za navijanje, da zmanjšate možnost poškodbe motorja.**

OPOMBA: Sistem **POWERLOAD™** je na voljo le, če je priključek priključen na pogonsko enoto PH1420E in je nameščen baterijski sklop.

1. Odstranite akumulator.
2. Odrežite 4 m dolgo nitko za košnjo. Vstavite nitko v vstavitveno odprtino (slika F). Potisnite nitko in jo izvlecite na drugi strani tako, da bosta na obeh straneh glave kosilnice enaki dolžini nitke.

OPOMBA: Če nitke ne morete vstaviti v vstavitveno odprtino, ko je spodnji pokrov zataknen, namestite baterijski sklop na pogonsko enoto, nato pa pritisnite gumb za nalaganje nitke, da ponastavite spodnji pokrov.

3. Odstranite baterijski sklop, če ste ga po 2. koraku namestili na pogonsko enoto v skladu z navodili v OBVESTILU. Nato upoštevajte navodila, navedena v 2. koraku, in znova vstavite in poravnajte nitko za košnjo.
4. Namestite baterijski sklop na pogonsko enoto.
5. Pritisnite in držite gumb za nalaganje nitke za neprekinjeno navijanje nitke v glavo kosilnice, dokler ni na vsaki strani približno 15 cm nitke. (slika G).
6. Glavo kosilnice potiskajte navzdol, medtem ko ročno vlečete nitko za ročno namestitev nitke, da preverite pravilno namestitev nitke.

OPOMBA: Če nitko pomotoma potegne v glavo obrezovalnika, odprite glavo in povlecite nitko iz vretena. Upoštevajte navodila v razdelku »NAVIJANJE NITKE ZA KOŠNJO« v tem priročniku in navijte nitko.

VNOVIČNO NAVIJANJE NITKE ZA KOŠNJO.

Če se nitka za košnjo sname iz vstavitvene odprtine ali če se nitka ne sprost, ko potolčete z glavo obrezovalnika, morate odstraniti preostalo nitko za košnjo iz glave obrezovalnika in upoštevati spodnja navodila za ponovno navijanje nitke.

1. Odstranite akumulator.
2. Pritisnite jezičke za sprostitev na glavi kosilnice in odstranite sklop spodnjega pokrova glave obrezovalnika tako, da ga izvlečete (slika H).

3. Odstranite nitko za košnjo iz glave obrezovalnika.
4. Po potrebi vzmet odstranite iz sestava vretena. Shranite jo, saj jo boste potrebovali pri sestavljanju.
5. Vzmet vstavite v režo v spodnjem sklopu pokrova (slika I).
6. Z eno roko pridržite obrezovalnik, z drugo pa primite sklop spodnjega pokrova in reže v sklopu spodnjega pokrova poravnajte s sprostivvenima jezičkoma (slika J). Pritisnite sklop spodnjega pokrova tako, da se zaskoči na mestu. Ko se bo zaskočil, boste slišali značilen klik (slika K).
7. Upoštevajte navodila v razdelku »ZAMENJAVA NITKE« in navijte nitko za košnjo.

ZAMENJAVA GLAVE KOSILNICE

⚠ OPOZORILO: če se glava zrahlja potem, ko ste jo pričvrstili na mesto, jo nemudoma zamenjajte.

Nikoli ne uporabljajte kosilnice, ki ima zrahljan priključek za košnjo. Razpokano, poškodovano ali obrabljeno glavo za košnjo nemudoma zamenjajte, tudi če gre le za površinske razpoke. Takšni priključki se lahko pri visokih hitrostih razletijo in povzročijo resne telesne poškodbe.

Seznajte se z glavo obrezovalnika (slika L).

Slika L: za opis delov glejte spodaj:

L-1	Gred	L-6	Podložka
L-2	Puša (2)	L-7	Matica
L-3	Zgornji pokrov	L-8	Vzmet
L-4	Vzmetni obroč	L-9	Nitka za košnjo
L-5	Držalo vretena	L-10	Sklop spodnjega pokrova

Odstranjevanje glave kosilnice z nitko

1. Odstranite akumulator.
2. Pritisnite sprostivna jezička na glavi kosilnice in odstranite sklop spodnjega pokrova glave kosilnice tako, da ga izvlečete.
3. Odstranite nitko za košnjo iz glave obrezovalnika.
4. Po potrebi vzmet odstranite iz sestava vretena. Shranite jo, saj jo boste potrebovali pri sestavljanju.
5. Nosite rokavice. Z eno dlanjo primite sklop vretena, da ga stabilizirate, z drugo dlanko pa primite 13-milimetrski udarni vijačnik (ni priložen) in zrahljate matico v smeri URINEGA KAZALCA (slika M).
6. Odstranite matico, podložko in držalo vretena z gredi motorja (slika L).

- Vzmetni obroč odstranite z vzmetnimi kleščami (niso priložene). Odstranite zgornji pokrov in puši iz gredi motorja (slika L).
- Zamenjajte z novo glavo kosilnice in jo vgradite ob upoštevanju naslednjih korakov.

Namestitev nove glave kosilnice z nitko

- Namestite puši na gred motorja.
- Poravnajte ravno režo na zgornjem pokrovu z režo na gredi motorja in namestite zgornji pokrov na ustrezno mesto (slika N).

Slika N: za opis delov glejte spodaj

N-1	Reža	N-2	Ravna reža
-----	------	-----	------------

- Namestite vzmetni obroč, držalo vretena in podložko v tem vrstnem redu (slika L). Privijte matico z udarnim ključem v NASPROTNI SMERI URINEGA KAZALCA.
- Upošteвайте navodila v 4. in 5. koraku v razdelku »NAVIJANJE NITKE ZA KOŠNJO« v tem priročniku ter namestite sklop spodnjega pokrova.
- Upošteвайте navodila v razdelku »ZAMENJAVA NITKE« v tem priročniku in navijte nitko za košnjo.
- Zaženite orodje in preverite, ali kosilnica z nitko deluje pravilno. Če ne deluje pravilno, ga sestavite ponovno po navodilih, opisanih v tem dokumentu.

VZDRŽEVANJE

⚠ OPOZORILO: pred pregledom, čiščenjem ali popravilom enote zaustavite motor, počakajte, da se zaustavijo vsi premikajoči se deli in odstranite baterijski sklop. Neupoštevanje teh navodil lahko povzroči hude telesne poškodbe ali materialno škodo.

⚠ OPOZORILO: pri servisiranju uporabljajte le identične nadomestne dele. Uporaba drugih delov je tvegana in lahko poškoduje izdelek. Za zagotovitev varnosti in zanesljivosti mora vsa popravila, razen tistih, ki so navedena v navodilih za vzdrževanje, izvesti usposobljen serviser.

SPLOŠNO VZDRŽEVANJE

Pri čiščenju plastičnih delov se izogibajte uporabi topli. Večina vrst plastike se lahko pri uporabi različnih komercialnih topli poškoduje. Za odstranjevanje umazanije, prahu, olja, masti itd. uporabite čiste krpe.

ČIŠČENJE ENOTE

- Očistite vso travo, ki se je ovila okoli gredi motorja ali glave kosilnice.

- Zračne odprtine v zadnjem delu ohišja očistite z majhno krtačo ali majhnim sesalnikom.
- Enoto očistite z vlažno krpo in blagim detergentom.
- za čiščenje plastičnega dela ročaja ne uporabljajte močnih čistilnih sredstev. Poškodujejo ga lahko določena aromatična olja, kot sta olje bora in limone, ter topila, kot je kerozin. Vlaga prav tako lahko ustvari nevarnost električnega udara. Vlago obrišite z mehko in suho krpo.

MAZANJE ZOBNIKOV

Zobnike in ohišja je potrebno redno mazati z mazivom za zobnike. Raven maziva preverite približno vsakih 50 ur delovanja, tako da odstranite tesnilni vijak pri strani ohišja.

Če pri strani zobnikov ne vidite maziva, sledite spodnjim korakom in ohišje napolnite z mazivom do 3/4 prostornine.

Ohišja z zobniki ne napolnite povsem.

- Kosilnico z nitko obrnite na stran, da je tesnilni vijak obrnjen navzgor.
- S priloženim večnamenskim ključem odvijte vijak in ga odstranite.
- Z brizgalko (ni priložena) vbrizgajte nekaj maziva v luknjo vijaka. Ne napolnite več kot 3/4 prostornine ohišja.
- Privijte tesnilni vijak.

SHRANJEVANJE ENOTE

- Odstranite baterijski sklop iz pogonske enote.
- Orodje pred shranjevanjem temeljito očistite.
- Če priključek za kosilnico z nitko odstranite in shranite ločeno od pogonske enote: namestite pokrov na gred priključka, da umazanija ne pride v spojnik.
- Shranite ga v suhem in dobro zračenem prostoru, ki se zaklepa ali je dvignjen, da ne bo na doseg otrok. Enote ne shranjujte na ali v bližini gnojil, bencina ali drugih kemikalij.

OSTREJNE REZILA NITKE ZA KOŠNJO

⚠ OPOZORILO: pri izvajanju vzdrževalnih del na rezilu nitke za košnjo vedno nosite zaščitne rokavice.

- Odstranite baterijo.
- Odstranite rezilo nitke za košnjo iz zaščite.
- Rezilo postavite v primež.
- Nosite ustrezno zaščito za oči in rokavice ter pazite, da se ne urežete.
- Robove rezila za rezanje pazljivo opilite z mehko pilo ali brusilnim kamnom, da boste ohranili prvotni kot roba za rezanje.

SL

6. Zamenjajte rezilo zaščite in ga pritrдите z dvema vijakoma.

Varovanje okolja



Električne opreme, polnilnika baterij in baterij/baterij, ki jih je mogoče polniti, ne odvrzite med gospodinjske odpadke!

Izdelek odnesite v pooblaščen obrat za recikliranje in ga zavrzite ločeno. Električna orodja je treba odnesti na obrat za recikliranje in ga reciklirati na okolju prijazen način.

Če električne naprave odvržete na smetišča, lahko nevarne snovi pronicajo v podtalnico in tako pridejo v prehranjevalno verigo, s čimer ogrozijo vaše zdravje in dobro počutje.

KEES VAN DER SPEK
TUINMACHINES ★ STOLWIJK

SL

ODPRAVLJANJE TEŽAV

TEŽAVA	VZROK	REŠITEV
Kosilnica z nitko se ne vključi.	<ul style="list-style-type: none"> ■ Baterijski sklop ni nameščen na pogonsko enoto. ■ Med pogonsko enoto in baterijskim sklopom ni električnega stika. ■ Baterijski sklop je izpraznjen. ■ Vzvod za odklepanje in sprožilec nista bila pritisnjena hkrati. 	<ul style="list-style-type: none"> ■ Baterijski sklop namestite na pogonsko enoto. ■ Odstranite baterijo, preverite kontakte in ponovno namestite baterijski sklop, tako da se zaskoči. ■ Baterijske sklope polnite s polnilniki EGO, ki so navedeni v tem priročniku. ■ Vzvod za odklepanje pritisnite navzdol in ga pridržite, nato pritisnite sprožilec, da vključite kosilnico z nitko.
Kosilnica z nitko se med delovanjem ustavi.	<ul style="list-style-type: none"> ■ Na kosilnici z nitko ni nameščenega ščitnika, kar je povzročilo predolgo nitko in preobremenjenost motorja. ■ Uporabljate težko nitko za košnjo. ■ Gred motorja ali glava kosilnice nitke je zamašena s travo. ■ Motor je preobremenjen. ■ Baterijski sklop ali kosilnica z nitko je prevroča. ■ Baterijski sklop je odklopljen iz orodja. ■ Baterijski sklop je izpraznjen. 	<ul style="list-style-type: none"> ■ Odstranite baterijski sklop in ščitnik namestite na kosilnico z nitko. ■ Uporabljajte standardno najlonsko nitko za košnjo s premerom do 2,4 mm. ■ Ustavite kosilnico z nitko, odstranite baterijo in odstranite travo iz gredi motorja in glave kosilnice z nitko. ■ Glavo kosilnice z nitko odstranite iz trave. Motor bo zopet deloval, ko boste odstranili obremenitev. Pri košnji premakajte glavo kosilnice z nitko v in iz trave ter je ne ob enem rezu ne premaknite več kot 20 cm. ■ Baterijski sklop ali kosilnico z nitko ohladite do temperature, ki je nižja od 67 °C . ■ Ponovno namestite baterijski sklop. ■ Baterijske sklope polnite s polnilniki EGO, ki so navedeni v tem priročniku.

SL

TEŽAVA	VZROK	REŠITEV
Glava kosilnice z nitko ne podaja nitke.	<ul style="list-style-type: none"> ■ Gred motorja ali glava kosilnice nitke je zamašena s travo. ■ Na vretenu ni dovolj nitke. ■ Glava kosilnice z nitko je umazana. ■ Nitka je zavozlana v držalu vretena. ■ Nitka je prekratka. 	<ul style="list-style-type: none"> ■ Ustavite kosilnico z nitko, odstranite baterijo in odstranite travo iz gredi motorja in glave kosilnice z nitko. ■ Odstranite baterijo in zamenjajte rezalno vrstico. Upoštevajte navodila v poglavju »PONOVNO NALAGANJE REZALNE NITKE« v tem priročniku. ■ Odstranite baterijo in očistite vreteno, držalo vretena in podnožje vretena. ■ Odstranite baterijo, odstranite nitko iz vretena in jo znova navijte. Upoštevajte navodila v poglavju »VNOVIČNO NAMEŠČANJE NITKE ZA KOŠNJO« v tem priročniku. ■ Odstranite baterijo in povlecite nitko, medtem ko izmenično pritiskate in sprostite gumb udarne glave.
Trava se ovija okrog glave kosilnice z nitko in ohišja motorja.	<ul style="list-style-type: none"> ■ Travo režite pri tleh. 	<ul style="list-style-type: none"> ■ Visoko travo kosite z vrha navzdol in je naenkrat ne pokosite več kot 20 cm, da preprečite ovijanje.
Rezilo ne reže nitke za košnjo.	<ul style="list-style-type: none"> ■ Rezilo z nitko na robu ščitnika je postalo topo. 	<ul style="list-style-type: none"> ■ Rezilo za rezanje nitke za košnjo naostrite s pilo ali ga zamenjate z novim rezilom.
Razpoke na glavi kosilnice ali pa se je držalo vretena zrahljalo s podnožja vretena.	<ul style="list-style-type: none"> ■ Glava kosilnice z nitko je izrabljena. ■ Matica, ki zaklepa glavo kosilnice, je razrahljana. 	<ul style="list-style-type: none"> ■ Glavo kosilnice takoj zamenjajte; glejte poglavje »ZAMENJAVA GLAVE KOSILNICE« v tem priročniku. ■ Odprite glavo kosilnice in s pomočjo udarnega vijaka privijte matico.
Med zamenjavo nitke slednje ni mogoče pravilno namestiti v glavo kosilnice z nitko.	<ul style="list-style-type: none"> ■ Črta LOAD na držalu vretena ni poravnana z vstavitvenimi odprtlinami na podnožju vretena. ■ Črta LOAD na držalu vretena ni poravnana z vstavitvenimi odprtlinami na podnožju vretena. 	<ul style="list-style-type: none"> ■ Držalo vretena zasučite v smeri puščice, da poravnate črte LOAD na držalu vretena z vstavitvenimi odprtlinami na podnožju vretena. ■ Držalo vretena zasučite v smeri puščice, da poravnate črte LOAD na držalu vretena z vstavitvenimi odprtlinami na podnožju vretena.

SL

GARANCIJA

GARANCIJSKA POLITIKA DRUŽBE EGO

Za popolne pogoje garancijske politike družbe EGO obiščite spletno stran egopowerplus.com.

PERSKAITYKITE VISĄ INSTRUKCIJĄ!



PERSKAITYKITE NAUDOJIMO INSTRUKCIJĄ

⚠ Liekamoji rizika! Žmonės, kuriems implantuoti elektroniniai prietaisai, pvz., širdies stimulatoriai, prieš pradėdami naudoti šį gaminį turėtų pasikonsultuoti su savo gydytoju (-ais). Šalia širdies stimulatoriaus veikianti elektros įranga gali sukelti širdies stimulatoriaus veikimo trukdžius arba gedimą.

⚠ ĮSPĖJIMAS: Norint užtikrinti saugų ir patikimą gaminio naudojimą, visus remonto ir keitimo darbus turi atlikti kvalifikuotas techninės priežiūros specialistas.

SAUGOS SIMBOLIAI

Šių simbolių paskirtis – atkreipti dėmesį į galimus pavojus. Gerai susipažinkite su saugos simboliais bei jų paaiškinimais ir juos įsidėmėkite. Simbolių įspėjimai patys savaime negali apsaugoti nuo pavojų. Jais žymimi nurodymai ir įspėjimai neatstoja tinkamų nelaimingų atsitikimų prevencijos priemonių.

⚠ ĮSPĖJIMAS: Prieš pradėdami naudoti šį įrankį perskaitykite visus šioje naudojimo instrukcijoje pateiktus saugos nurodymus, taip pat susipažinkite su visais saugos įspėjamaisiais simboliais, tokiais kaip „**PAVOJUS**“, „**ĮSPĖJIMAS**“ ir „**DĖMESIO**“, ir įsitikinkite, kad juos supratote. Nesilaikant visų toliau išdėstytų nurodymų galima patirti elektros smūgį, sukelti gaisrą ir (ar) sunkiai susižaloti.

SIMBOLIO REIKŠMĖ

⚠ SAUGOS ĮSPĖJAMASIS SIMBOLIS: rodo **PAVOJŲ**, **ĮSPĖJIMĄ** ar **DĖMESIO** ir gali būti naudojamas su kitais simboliais ar piktogramomis.

SAUGOS NURODYMAI

Šiame puslapyje pavaizduoti ir aprašyti saugos simboliai, kurių gali būti ant šio gaminio. Prieš pradėdami įrankį surinkinėti ir naudoti, perskaitykite visus ant jo pateiktus nurodymus, įsitikinkite, kad juos supratote, ir jų laikykitės.

	Saugos įspėjimas	Rodo galimą sužalojimo pavojų.
	Perskaitykite naudojimo instrukciją	Kad sumažintų pavojų susižaloti, naudotojas turi perskaityti naudojimo instrukciją ir įsitikinti, kad ją suprato.

	Dėvėkite akių, klausos ir galvos apsaugos priemones.	Visada dėvėkite akių, klausos ir galvos apsaugos priemones.
	Pjovimo plotis	Didžiausias žoliapjovės pjovimo tako plotis
	Linijos skersmuo	Nailoninio pjovimo valo skersmuo
	Nenaudokite metalinių geležčių.	Įspėja naudotoją nenaudoti metalinių geležčių.
	Neleiskite artintis pašaliniais asmenims	Išsviesti svetimkūniai gali atšokti ir sužaloti žmones ar sugadinti turtą. Kiti žmonės ir naminiai gyvūnai turi atitraukti toliau nuo naudojamos žoliapjovės.
	Visi pašaliniai asmenys nuo įrenginio turi būti atitraukę ne mažesniu kaip 15 m atstumu.	Pjudami žoliapjovėje su lyneliu, neleiskite kitiems žmonėms ir naminiams gyvūnams prisirinti arčiau nei per 15 metrų.
	IP simbolis	4 klasės apsauga nuo vandens įsikverbtimo.
	CE	Šis gaminis atitinka taikomas EB direktyvas.
	UKCA	Šis gaminis atitinka jam taikomus JK reglamentus.
	WEEE	Elektros prietaisų atliekas draudžiama utilizuoti kartu su buitinėmis atliekomis. Perduoti įgalotam perdirbėjui.
	triukšmas	Garantuojamas garso galios lygis. Triukšmo sklaida į aplinką atitinka Europos Bendrijos direktyvą.
V	Volts	Įtampa
mm	Milimetras	Ilgis arba dydis
cm	Centimetras	Ilgis arba dydis
kg	Kilogramas	Svoris

LT

BENDRIEJI SAUGOS NURODYMAI DĖL ELEKTRINIO ĮRANKIO

⚠️ ĮSPĖJIMAS. perskaitykite ir peržiūrėkite visus su šiuo elektriniu įrankiu pateiktus saugos nurodymus, instrukcijas, paveikslus ir specifikacijas. Nesilaikant visų toliau išdėstytų nurodymų galima patirti elektros smūgį, sukelti gaisrą ir (ar) sunkiai susižaloti.

Išsaugokite visus įspėjimus ir nurodymus, kad prireikus galėtumėte pasižūrėti.

Terminu „elektrinis įrenginys“ įspėjimuose vadinamas elektros energiją (prijungtas laidu) naudojančią elektrinį įrenginį arba baterijos energiją naudojančią (akumuliacinį) elektrinį įrenginį.

DARBO VIETOS SAUGA

- Darbo vieta turi būti švari ir gerai apšviesta. Jei darbo vieta netvarkinga ar blogai apšviesta, gali įvykti nelaimingų atsitikimų.
- Nedirbkite su elektros prietaisu sprogoje aplinkoje, pavyzdžiui, ten, kur yra degių skysčių, dujų arba dulkių. Elektros prietaisai gali kibirkščiuoti, o nuo kibirkščių gali užsidegti dulės arba susikaupę garai.
- Dirbdami su elektros prietaisais neįsikiškite šalia bėgimo vamzčių ir pašaliniais stebėtojais. Dėl dėmesį blaškančių asmenų galite nesuvaldyti įrankio.

ELEKTROSAUGA

- Elektrinio įrankio kištukas turi tiktai elektros lizdai. Niekada jokiais būdais kištuko neperdarykite. Įžemintiems elektriniams įrankiams nenaudokite jokių kištukinių adapterių. Originalūs kištukai, tiksliai tinkantys elektros tinklo lizdai, sumažina elektros smūgio pavojų.
- Nesilieskite prie įžemintų paviršių, pavyzdžiui, vamzdžių, radiatorių, viryklių ir šaldytuvų. Jei jūsų kūnas bus įžemintas, padidės elektros smūgio pavojus.
- Nenaudokite įrenginio lyjant ar drėgmės sąlygomis. Į įrenginį patekęs vanduo gali padidinti elektros smūgio arba gedimo pavojų, dėl kurio galite susižaloti.
- Atsargiai elkitės su maitinimo laidu. Niekada neneškite ir netempkite elektrinio įrankio, laikydami už maitinimo laido. Netraukite laikydami už maitinimo laido, norėdami ištraukti kištuką iš elektros lizdo. Saugokite laidą nuo kaitros šaltinių, alyvos, aštrių briaunų ir judančių dalių. Pažeidus arba supainiojus laidus išauga pavojus patirti elektros smūgį.
- Kai elektriniu įrankiu dirbate lauke, naudokite laukui skirtą laido ilgutuvą. Naudojant laukui skirtą maitinimo laidą, sumažėja pavojus patirti elektros smūgį.

- Jeigu elektriniu įrankio naudojimas drėgnoje vietoje yra neišvengiamas, naudokite maitinimo šaltinį su liekamąja srove valdomu atjungimo įtaisu (RCD). RCD naudojimas sumažina elektros smūgio pavojų.

ASMENINĖ SAUGA

- Dirbdami su elektriniu įrankiu, būkite budrūs, stebėkite ką darote ir vadovaukitės sveika nuovoka. Nedirbkite su prietaisu, jei esate pavargę arba vartojote narkotikus, alkoholį ar medikamentus. Neatidumo akimirka dirbant su elektriniu įrankiu gali lemti sunkią traumą.
- Naudokite asmenines apsaugos priemones. Visada dėvėkite apsauginius akinius. Naudojant asmenines apsaugos priemones, pvz., apsaugos nuo dulkių kaukę, neslystančius batus, apsauginį šalną ar klausos apsaugos priemones, rekomenduojamas dirbant tam tikromis sąlygomis, sumažėja pavojus susižeisti.
- Saugokitės atsitiktinio paleidimo. Prieš jungdami įrenginį prie maitinimo šaltinio ir (ar) sudėtinės baterijos, paimdami ar nešdami įrenginį, išitikinkite, kad jungiklis yra išjungtoje padėtyje. Nešant elektrinius įrankius uždėjęs pirštą ant jungiklio arba prijungiant elektrinių įrankių maitinimą, kai jungiklis įjungtas, gali įvykti nelaimingas atsitikimas.
- Prieš jungdami elektrinį įrankį, patraukite į šalį visus reguliavimo raktus ir veržliaraktus. Palikus veržliaraktį arba raktą uždėtą ant sukamosios elektrinio įrankio dalies, galima susižaloti.
- Nepraraskite pusiausvyros. Visada tvirtai stovėkite ir išlaikykite pusiausvyrą. Tuomet geriau suvaldysite elektrinį įrankį netikėtose situacijose.
- Tinkamai apsirenkite. Nedėvėkite laisvų drabužių ir nenešioti laisvai kabančių papuošalų. Plaukus, drabužius ir pirštines laikykite toliau nuo judamųjų dalių. Laisvus drabužius, papuošalus ar ilgus plaukus gali įtraukti judamosios dalys.
- Jei yra numatyta galimybė prijungti dulkių nusiurbimo ar surinkimo įtaisus, visada užtikrinkite, kad jie būtų prijungti ir naudojami teisingai. Naudojant dulkių filtravimo įtaisus galima sumažinti kenksmingas dulkių poveikį.
- Dažnai naudodami įrankius pernelyg savimi nepasitikėkite ir nepraraskite budrumo, kad paisytumėte saugaus įrankio naudojimo taisyklių. Užtenka akimirkos, kad dėl neatsargaus veiksmo sunkiai susižalotumėte.

ELEKTRINIO ĮRANKIO NAUDOJIMAS IR PRIEŽIŪRA

- Elektrinio įrankio neforsuokite. Naudokite jūsų darbui tinkamą elektrinį įrankį. Veikdamas numatytuju greičiu, tinkamas elektrinis įrankis darbą atlieka veiksmingiau ir saugiau.

- **Nenaudokite elektrinio įrankio, jei jungiklis jo neįjungia arba neišjungia.** Bet koks elektrinis įrankis, kurio jungiklis neveikia, yra pavojingas ir jį būtina sutaisyti.
- **Prieš reguliuodami elektrinį įrankį, keisdami jo priedus arba padėdami jį į laikymo vietą, atjunkite kištuką nuo maitinimo šaltinio ir (ar) sudėtinę bateriją nuo įrankio.** Ši saugumo priemonė apsaugos jus nuo netyčinio elektrinio įrankio įjungimo.
- **Nenaudojamą prietaisą laikykite vaikams ir nemokantiems juo naudotis asmenims neprieinamoje vietoje.** Neapmokytų naudotojų naudojami elektriniai įrankiai kelia pavojų.
- **Tinkamai prižiūrėkite elektrinius įrankius ir priedus.** Patikrinkite, ar judamosios dalys išcentruotos ir nestringa, ar nėra sulūžusių dalių ar kitų sąlygų, kurios gali turėti įtakos elektrinio įrankio veikimui. Jei elektrinis įrankis sugedęs, prieš naudodami jį sutaisykite. Dauguma nelaimingų atsitikimų įvyksta dėl prastai prižiūrimų elektrinių įrankių.
- **Pjovimo įrankiai turi būti aštrūs ir švarūs.** Tinkamai prižiūrimi pjovimo įrankiai aštriais ašmenimis rečiau stringa ir lengviau valdomi.
- **Elektrinį įrankį, priedus, antgalius ir kitas dalis naudokite pagal šią instrukciją, atsižvelgdami į darbo sąlygas ir atliekamą darbą.** Naudojant elektrinį įrankį ne pagal numatytąją paskirtį, gali susidaryti pavojinga situacija.
- **Įrankių rankenos ir sugriebimo paviršiai turi būti sausi, švarūs ir neištepti alyva ar tepalu.** Dėl slidžių rankenų ir sugriebimo paviršių įrankį sunku saugiai valdyti ir jis gali išsprūsti netikėtomis aplinkybėmis.

AKUMULIATORINIŲ ĮRANKIŲ NAUDOJIMAS IR PRIEŽIŪRA

- **Įkraukite naudodami tik gamintojo nurodytą įkroviklį.** Naudojant įkroviklį, skirtą kito tipo sudėtinėi baterijai, gali kilti pavojus sukelti gaisrą.
- **Elektrinius įrankius naudokite tik su jiems skirtomis sudėtinėmis baterijomis.** Naudojant kitokias sudėtines baterijas, gali kilti pavojus susižaloti ir sukelti gaisrą.
- **Nenaudojama sudėtinė baterija turi būti laikoma atokiau nuo metalinių daiktų, tokių kaip svarožėlės, monetos, raktai, vinyas, varžtai ar kiti smulkūs metaliniai daiktai, galintys sujungti abu baterijos gnybtus.** Įvykus tūpajam jungimui tarp baterijos gnybtų galima nusideginti ar gali kilti gaisras.
- **Dėl netinkamų sąlygų iš baterijos gali ištekti skystis – nelieskite jo.** Skystiui atsitiktinai patekus ant odos, nedelsiant nuplaukite vandeniu. Jeigu skystis

- pateko į akis, kreipkitės ir į gydytojus. Iš baterijos ištekėjęs skystis gali dirginti arba nudeginti.
- **Nenaudokite pažeistos ar modifikuotos sudėtinės baterijos ar įrankio.** Tokios netinkamos sudėtinės baterijos gali kelti gaisro, sprogdimo ar sužalojimo pavojų.
- **Sudėtinės baterijos ar įrankio negalima deginti ar kaitinti.** Bateriją deginant ar įkaitinus virš 130°C ji gali sprogti.
- **Laikykitės įrankio ar sudėtinės baterijos įkrovimo instrukcijų ir įkrovimą vykdykite nurodytame temperatūrų diapazone.** Priešingu atveju galite sugadinti sudėtinę bateriją ar net sukelti gaisrą.

TECHNINĖ PRIEŽIŪRA

- Techninės priežiūros darbus turi atlikti kvalifikuotas remonto meistras, naudodamas tik identiškas atsargines dalis. Taip elektrinis įrankis išliks saugus.
- Niekada neremontuokite sugadintos sudėtinės baterijos. Tokias baterijas remontuoti gali tik gamintojas arba įgalioto techninės priežiūros centro specialistai.

SPECIALŪS ŽOLIAPJOVĖS SU LYNELIU NAUDOJIMO SAUGOS ĮSPĖJIMAI

- **Nenaudokite įrenginio prastu oru, ypač esant žaibo pavojui.** Laikantis šios taisyklės, sumažėja žaibo smūgio pavojus.
- **Prieš pradėdami pjauti atidžiai patikrinkite, ar darbo zonoje nėra laukinių gyvūnų.** Įrenginys darbo metu laukinius gyvūnus gali sužaloti.
- **Atidžiai apžiūrėkite vietą, kurioje ketinate naudoti įrenginį, ir pašalinkite visus akmenis, pagalius, vielas, kaulus ir kitus pašalinius daiktus.** Išsviesti daiktai gali sužaloti.
- **Prieš naudodami įrenginį visada apžiūrėkite pjoviklį ar geležtę ir jų įtaisus, ar nepažeisti.** Pažeistos dalys didina pavojų susižaloti.
- **Vadovaukitės priedų keitimo instrukcijomis.** Netinkamai priveržus pjoviklio tvirtinimo varžtus ar varžtus, geležtė gali išlėkti arba ją sugadinsite.
- **Dėvėkite akių, klausos, galvos ir rankų apsaugos priemones.** Tinkama apsauginė įranga sumažina sužalojimo dėl skriejančių šiukšlių ar atsitiktinio prisilietimo prie pjovimo lynelio ar geležtės pavojų.
- **Dirbdami su įrenginiu visada avėkite neslidžią apsauginę avalynę. Nedirbkite su įrenginiu basi ar avėdami atvirus sandalus.** Taip sumažinsite pavojų susižaloti kojas, netyčia prisilietus prie besisukančių pjoviklių ar lynelių.

LT

- **Dirbdami su įrenginiu visada mėvėkite ilgus kelnes.** Neuždengus viso kūno išauga sužalojimo pavojus dėl išsviestų daiktų.
- **Dirbdami su įrenginiu neleiskite artintis pašaliniam asmeniui.** Išsviestos šiukšlės gali sunkiai sužaloti.
- **Įrenginį visada laikykite abiem rankomis.** Laikydami įrenginį abiem rankomis neprarasite jo kontrolės.
- **Įrenginį laikykite tik už izoliuoto, laikymui skirto paviršiaus, nes pjovimo lynelis ar geležtė gali prisiliesti prie pasislėpusio elektros laido.** Prie laido, kuriuo teka elektros srovė, prisilietęs pjovimo lynelis ar geležtė srovę gali perduoti į kitas metalines įrenginio dalis, ir tuomet operatorius gali patirti elektros smūgį.
- **Visada tvirtai stovėkite ir įrenginį naudokite tik stovėdami ant žemės.** Dėl slidaus ar nestabiliaus paviršiaus galite prarasti pusiausvyrą ar nesuvaldyti įrenginio.
- **Nedirbkite su įrenginiu labai stačiuose šlaituose.** Taip sumažinsite susižalojimo pavojų nesuvaldžius įrenginio, paslydus ir nukritus.
- **Dirbdami šlaituose visada tvirtai stovėkite ir pjaukite judėdami skersai šlaitu, o ne aukštyn ir žemyn, ir keisdami judėjimo kryptį būkite ypač atsargūs.** Taip sumažinsite susižalojimo pavojų nesuvaldžius įrenginio, paslydus ir nukritus.
- **Kai įrenginys paleistas, nuo pjoviklio, pjovimo lynelio ar geležtės laikykite atokiau visas savo kūno dalis.** Prieš paleisdami įrenginį patikrinkite, ar pjoviklis, pjovimo lynelis ar geležtė nieko neliečia. Pakanka akimirks neatidumo dirbant su įrenginiu, kad patirtumėte sunkią traumą ar sužalotumėte kitus.
- **Pjaudami nekelkite įrenginio aukščiau juosmens.** Taip lengviau išvengsite netyčinio prisilietimo prie pjoviklio ar geležtės ir geriau suvaldysite įrenginį netikėtose situacijose.
- **Pjaudami įtemptus krūmokšnius ar liaunus medelius, būkite atsargūs, kad jie neatšoktų atgal.** Atsileidus medienos plaušo įtampai, krūmokšnio šakos ar liaunas medelis gali atšokti į operatorių ir (ar) išplėsti iš jo rankų įrenginį.
- **Būkite itin atsargūs, kai pjaunate krūmokšnius ir liaunus medelius.** Plona šakelė ar liaunas kamienas gali įstrigti geležtėje, o įrenginys gali atšokti į jus arba išmušti jus iš pusiausvyros.
- **Valdykite įrenginį ir nelieskite pjoviklio, pjovimo lynelio ar geležtės ir kitų pavojingų judančių dalių, kol jos dar sukasi.** Taip sumažinsite pavojų susižaloti dėl judančių dalių.
- **Valydami įstrigusias šiukšles ar vykdydami įrenginio techninės priežiūros procedūras įsitinkinkite, kad išjungtas jungiklis ir išimta sudėtinė baterija.** Jei įrenginys netikėtai įsijungtų valant įstrigusias šiukšles ar vykdamt techninės priežiūros procedūras, galite sunkiai susižaloti.
- **Išjungtą įrenginį neškite atitraukę toliau nuo savęs.** Tinkamai naudojant įrenginį sumažėja pavojus atsitiktinai paliesti besisukančių pjoviklių, pjovimo lynelį ar geležtę.
- **Naudokite tik gamintojo nurodytus atsarginius pjoviklius, pjovimo lynelius, pjovimo galvutes ir geležtes.** Netinkamos atsarginės dalys gali padidinti dalių skilimo ir operatoriaus sužalojimo pavojų.
- **Žoliapjovės pažeidimas – jei žoliapjovės pjoviklis ar pjovimo lynelis atsitrenkia į kliūtį ar įsipainioja, nedelsdami sustabdykite įrenginį ir patikrinkite, ar jis nepažeistas; prieš tęsdami darbą pašalinkite visus gedimus.** Nedirbkite, jei pažeista apsauga ar lynelio ritė.
- **Jei įrenginys pradeda nejprastai vibruoti, nedelsdami išjunkite variklį ir nustatykite priežastį.** Vibracija paprastai įspėja apie problemą. Atsivalaidavusi galvutė gali vibruoti, įskilti, sulūžti ar nulėkti nuo žoliapjovės ir sunkiai ar net mirtinai sužaloti. Įsitinkinkite, kad pjovimo įtaisas tinkamai pritvirtintas savo padėtyje. Jeigu galvutė atsivalaiduoja po pritvirtinimo, nedelsdami ją pakeiskite. Niekada nenaudokite žoliapjovės su atsivalaidavusiu pjovimo įtaisu.
- **Akumuliatorių įrankių nereikia jungti į elektros lizdą; dėl to jie visada yra darbinėje būklėje.** Net įrankiui neveikiant neužmirškite apie jo keliamus pavojus. Atlikdami remonto arba techninės priežiūros darbus, būkite atidūs.
- **Neplaukite vandens žarna.** Saugokite, kad vandens nepatektų ant variklio ir elektros jungčių.
- **Susidarius šioje instrukcijoje neaprašytoms aplinkybėms, būkite atsargūs ir vadovaukitės sveika nuovoka.** Pagalbos kreipkitės į EGO klientų aptarnavimo centrą.
- **Naudokite tik su A paveiksle nurodytomis sudėtinėmis baterijomis ir įkrovikliais.**

ISSAUGOKITE ŠIAS INSTRUKCIJAS!

TECHNINIAI DUOMENYS

Pjovimo mechanizmas	Pjovimo galvutė
Valo skersmuo	2,4 mm nailoninis susuktas valas
Pjovimo plotis	40 cm

LT

Sūkiai be apkrovos	4900/5800 min ⁻¹	
Svoris (be sudėtinės baterijos)	1,53 kg	
Rekomenduojama darbo temperatūra	0°C-40°C	
Rekomenduojama laikymo temperatūra	-20°C-70°C	
Išmatuotas garso galios lygis L _{WA}	95,72 dB(A) K=0,77 dB(A)	
Garso slėgio lygis ties operatoriaus ausimi L _{PA}	81,6 dB(A) K=3 dB(A)	
Garantuojamas garso galios lygis L _{WA} (išmatuotas pagal 2000/14/EB)	96 dB(A)	
Vibracija a _n	Priekinė pagalbinė rankena	2,5 m/s ² K=1,5 m/s ²
	Galinė rankena	1,8 m/s ² K=1,5 m/s ²

- Pirmiau nurodyti parametrai išbandyti ir išmatuoti naudojant elektrinę galvutę PH1420E.
- Nurodyta bendroji vibracijos vertė išmatuota taikant standartinį bandymo metodą, todėl pagal ją galima palyginti skirtingus įrenginius.
- Nurodytą bendrąją vibracijos vertę taip pat galima naudoti pirminiam poveikio vertinimui.

⚠ ĮSPĖJIMAS: Vibracijos ir triukšmo emisija elektrinio įrankio realaus naudojimo metu gali skirtis nuo deklaruojamų verčių, priklausomai nuo įrankio naudojimo būdų, ypač nuo to, koks darbas vykdomas; ir

nuo poreikio nustatyti saugos priemones, skirtas operatoriui apsaugoti, kurios būtų pagrįstos poveikio vertinimu realiomis naudojimo sąlygomis (atsižvelgiant į visas darbo ciklo dalis, pvz., be darbo laiko ir laiką, kai įrankis išjungtas ir veikia tuščiaja eiga).

PAKUOTĖS TURINIO SĄRAŠAS (A PAV.)

Informaciją apie rekomenduojamą pjovimo lynelį rasite interneto svetainėje egopowerplus.com arba EGO gaminių kataloge.

APRAŠAS

PAŽINKITE ŽOLIAPJOVĖS ĮTAISĄ (A pav.)

1. Kamštelis
2. Žoliapjovės su lyneliu velenas
3. Lynelio vyniojimo mygtukas
4. Pjovimo lynelis

5. Žoliapjovės galvutė (lynelis paduodamas stuktelėjus galvutę į žemę)
6. Atkabinimo auselė
7. Lynelio nukirtimo peilis
8. Apsauga
9. Šešiabriaunis raktas

⚠ ĮSPĖJIMAS. niekada nenaudokite įrenginio, kai jo apsaugos priemonė nėra tvirtai užfiksuota tinkamoje padėtyje. Kad apsaugotų naudotoją, apsauga visada turi būti uždėta ant įrankio.

SURINKIMAS

⚠ ĮSPĖJIMAS: jeigu bet kuri dalis yra sugadinta arba jos trūksta, nenaudokite šio įrenginio, kol ji nebus pakeista. Jeigu įrenginys naudojamas, kai dalys yra sugadintos arba jų trūksta, galima sunkiai susižeisti.

⚠ ĮSPĖJIMAS: nebandykite keisti šio įrenginio arba kurti priedus, kurių nerekomenduojama naudoti su šia žoliapjove. Bet koks pakeitimas arba modifikavimas yra laikomas netinkamu naudojimu, dėl kurio gali susidaryti pavojingos sąlygos, kurių metu galite sunkiai susižaloti.

⚠ ĮSPĖJIMAS. Prie elektrinės galvutės junkite tik visiškai surinktą. Nešilaikant šio nurodymo gali būti netyčia įjungtas įrankis ir sunkiai sužeisti žmonės.

APSAUGOS PRIEMONĖS MONTAVIMAS

⚠ ĮSPĖJIMAS. Montuodami arba keisdami apsaugą būtinai mūvėkite pirštines. Atidžiai elkitės su ant apsaugos esančiu peiliu ir saugokite rankas, kad neįsijautumėte.

Atlaisvinkite ir nuimkite du varžtus nuo veleno pagrindo (C pav.), sulygininkite apsaugos priemonės tvirtinimo skyles su bloko skylėmis, tada pritvirtinkite apsaugos priemonę ant veleno pagrindo dviem varžtais kartu su dviem spyruoklinėmis poveržlėmis (D pav.).

Įsitinkinkite, kad apsaugos priemonė pritvirtinta pagal C & D pav., nes dėl bet kokio pritvirtinimo atvirkščiai kils didelis pavojus!

ŽOLIAPJOVĖS ĮTAISO JUNGIMAS PRIE ELEKTRINĖS GALVUTĖS

Šis žoliapjovės su lyneliu įtaisas skirtas naudoti su EGO elektrine galvute PH1420E.

Žr. skyrių „ELEKTRINĖS GALVUTĖS ĮTAISO TVIRTINIMAS“ elektrinės galvutės PH1420E naudotojo vadove.

NAUDOJIMAS

⚠️ ĮSPĖJIMAS: mokėjimas naudotis įrenginiu nesuteikia teisės dirbti nerūpestingai. Atsiminkite, kad trumpam atitraukę dėmesį galite sunkiai susižeisti.

⚠️ ĮSPĖJIMAS. Būtinai naudokite akių ir klausos organų apsaugos priemones. Nesilaikant šio nurodymo į akis gali pataikyti išsviestų daiktų arba galite kitaip sunkiai susižeisti.

NAUDOJIMAS

Gaminį galima naudoti toliau išvardytais tikslais.

- Žolės ir piktžolių pjovimas aplink verandas, tvoras ir terasas.

PASTABA. Įrankį galima naudoti tik pagal nurodytą paskirtį. Naudojimas bet koku kitu tikslu laikomas netinkamu naudojimu.

Kaskart prieš naudodami tikrinkite, ar nėra sugadintų arba nusidėvėjusių dalių

Patikrinkite žoliapjovės galvutę, apsaugą ir priekinę rankeną. Pakeiskite sutrūkinėjusias, pakeitusias formą, sulinkusias arba bet kaip kitaip pažeistas dalis.

Valo nukirtimo peilis, esantis apsaugos pakraštyje, laikui bėgant gali atšipti. Rekomenduojama reguliariai galąsti jį dilde arba pakeisti nauju.

⚠️ ĮSPĖJIMAS. Montuodami arba keisdami apsaugą, galąsdami arba keisdami peilį būtinai mūvėkite pirštines. Nepamirškite, kurioje vietoje ant apsaugos yra peilis, ir saugokite rankas, kad neįsipjautumėte.

⚠️ ĮSPĖJIMAS. Kad išvengtumėte sunkių traumų, prieš atlikdami techninę priežiūrą, valydami įrankį, keisdami priedus arba valydami žolės likučius iš elektrinės galvutės išimkite akumuliatorių.

ŽOLIAPJOVĖS NAUDOJIMAS SU ELEKTRINE GALVUTE

⚠️ ĮSPĖJIMAS. Siekdami sumažinti susižeidimo riziką, įrankį naudokite tinkamai apsirengę. Nedėvėkite laisvų drabužių ir nenešiotkite laisvai kabančių papuošalų. Naudokite akių ir ausų apsaugas. Mūvėkite tvirtos medžiagos ilgas kelnes ir pirštines, avėkite tinkamus batus. Nedirbkite su trumpomis kelnėmis, su sandalais ar basomis.

⚠️ ĮSPĖJIMAS. Kaskart prieš naudodami išvalykite pjaujamą plotą. Pašalinkite visus daiktus, pvz., akmenis, stiklo duženas, vinis, vielas arba virveles, kuriuos pjovimo įtaisas gali išsviesti arba kurie gali įstrigti įtaise. Pasirūpinkite,

kad darbo zonoje nebūtų vaikų, pašalinių asmenų bei naminių gyvūnų. Vaikai, pašaliniai asmenys bei naminiai gyvūnai turi būti nutolę ne mažesniu kaip 15 m atstumu; net ir laikantis šio atstumo, žoliapjovės sviedžiamų objektų pavojus pašaliniams asmenims išlieka. Šalia esantys asmenys turėtų dėvėti akių apsaugą. Jeigu matote jūsų link artėjantį asmenį, nedelsdami išjunkite įrenginį.

Kad dirbti būtų saugu ir patogiau, užsidėkite diržą per petį. Susireguliuokite diržą per petį, kad jums būtų patogiu dirbti. Žoliapjovę su lyneliu laikykite viena ranka suėmę galinę rankeną, o kita – priekinę rankeną. Dirbdami tvirtai laikykite abiem rankomis. Žoliapjovę su lyneliu reikia laikyti patogioje padėtyje taip, kad galinė rankena būtų maždaug klubų aukštyje. Žoliapjovės galvutė turi būti lygiagreči žemės paviršiumi, kad lengvai liestų pjaujamą medžiagą ir operatoriumi nereikėtų lenktis (B pav.).

⚠️ ĮSPĖJIMAS. Diržas per petį yra greitai atkabinamas mechanizmas pavojingoje situacijoje. Krintinėje situacijoje nedelsiant nusiimkite diržą nuo peties nesvarbu koku būdu.

Kaskart baigę naudoti išvalykite žoliapjovę

Valymo nurodymus žr. skyriuje PRIEŽIŪRA.

ĮRANKIO PALEIDIMAS IR STABDYMAS

Žr. skyrių „ELEKTRINĖS GALVUTĖS PALEIDIMAS IR STABDYMAS“ elektrinės galvutės PH1420E naudotojo vadove.

PJOVIMO VALO ILGIO REGULIAVIMAS

Naudotojas gali pailginti žoliapjovės galvutės pjovimo valą nestabdydamas variklio. Pjovimo valui atspurus ar sudilus, daugiau valo galima ištraukti, žoliapjovėi veikiant nestipriai stuktelėjus žoliapjovės galvutę į žemės paviršius (E pav.).

PASTABA. Kuo pjovimo valas trumpesnis, tuo sunkiau jį pailginti.

⚠️ ĮSPĖJIMAS. Neišimkite ir nekeiskite pjovimo valo nukirtimo peilio konstrukcijos. Jeigu valas per ilgas, gali perkaisti variklis ir galite sunkiai susižeisti.

LYNELIO KEITIMAS

PASTABA: Visada naudokite rekomenduojamą pjovimo lynelį, kurio skersmuo neviršija 2,4 mm. Naudojant kitokį nei nurodyta pjovimo lynelį, žoliapjovė gali perkaisti arba sugesti.

⚠️ ĮSPĖJIMAS: Niekada nenaudokite metalinio lynelio, vielos, trosu, ir pan. Jie gali nutrukti ir tapti pavojingomis skriejančiomis šiukšlėmis.

Žoliapjovėje su lyneliu įrengta pažangi **POWERLOAD™** sistema. Pjovimo lynelį ant ritės galima suvynioti tiesiog paspaudus vieną mygtuką. **Visą ritę paprastai galima suvynioti per 12 sekundžių. Venkite be pertraukos kartoti suvyniojimo procedūrą, nes galite sugadinti variklį.**

PASTABA: POWERLOAD™ sistema galima naudotis tik tuomet, kai žoliapjovės įtaisas prijungtas prie elektrinės galvutės PH1420E ir įstatyta sudėtinė baterija.

1. Išimkite sudėtinę bateriją.
2. Atpjaukite 4 m ilgio pjovimo lynelio atkarpa. Įkiškite lynelį į ašelę (F pav.). Kiškite pjovimo lynelį ir ištraukite kitoje pusėje; traukite, kol abiejose žoliapjovės galvutės pusėse lynelio ilgai bus vienodi.

PASTABA: Jei užstrigus apatiniam dangteliui lynelio negalima įkišti į ašelę, įstatykite į elektrinę galvutę sudėtinę bateriją ir spustelėkite lynelio vyniojimo mygtuką, kad apatinį dangtelį atstatytumėte į pradinę padėtį.

3. Išimkite sudėtinę bateriją, jei ji buvo įstatyta į elektrinę galvutę po 2 žingsnio. Atlikite 2 žingsnius nurodytus veiksmus, kad vėl įkištumėte pjovimo lynelį ir sulygintumėte jo galus.
4. Įstatykite sudėtinę bateriją į elektrinę galvutę.
5. Paspauskite ir laikykite nuspaudę lynelio vyniojimo mygtuką, kad lynelis vyniotųsi į žoliapjovės galvutę, kol abiejose pusėse liks maždaug po 15 cm lynelio (G pav.).
6. Norėdami patikrinti, ar tinkamai suvyniojote pjovimo lynelį, paspauskite žoliapjovės galvutę ir ranka traukite lynelį.

PASTABA: Jei į žoliapjovės galvutę atsitiktinai įtraukiamas visas lynelis, galvutę atidarykite ir ištraukite pjovimo lynelį iš ritės. Kaip vėl suvynioti lynelį, žiūrėkite skyriuje „PJOVIMO LYNELIO SUVYNOJIMAS“.

PJOVIMO LYNELIO SUVYNOJIMAS

Kai pjovimo lynelis nutrūksta nuo ašelės arba jo negalima ištraukti stuktelėjus žoliapjovės galvutę, likusį pjovimo lynelį reikia ištraukti iš žoliapjovės galvutės ir atlikti toliau nurodytus veiksmus, kad būtų galima suvynioti naują lynelį.

1. Išimkite sudėtinę bateriją.
2. Nuspauskite žoliapjovės galvutės atkabinimo auseles ir traukdami nuimkite apatinį dangtelį (H pav.).
3. Ištraukite iš žoliapjovės galvutės likusį lynelį.
4. Jei reikia, ištraukite spyruoklę iš ritės. Pasidėkite, nes jos prireiks surinkimo metu.

5. Įstatykite spyruoklę į apatinio dangtelio lizdą (I pav.).
6. Viena ranka laikydami žoliapjovę, kita ranka suimkite apatinį dangtelį ir sulygiuokite jo angas su atkabinimo auselėmis (J pav.). Spauskite apatinį dangtelį, kol išgirsite spragtelėjimą, kuris reiškia, kad dangtelis užsifiksavo (K pav.).
7. Kaip pakeisti pjovimo lynelį, žiūrėkite skyriuje „LYNELIO KEITIMAS“.

ŽOLIAPJOVĖS GALVUTĖS KEITIMAS

⚠ ĮSPĖJIMAS: Jeigu galvutė atsipalaiduoja po to, kai ji pritvirtinama, ją iš karto pakeiskite.

Niekada nenaudokite žoliapjovės su atsipalaidavusiu pjovimo įtaisu. Nedelsdami pakeiskite pjovimo galvutę, jei ji įtrūkusi, pažeista arba susidėvėjusi, net jei tai tik paviršiniai įtrūkimai. Tokie pjovimo įtaisai sukdami dideliu greičiu gali subyrėti ir sunkiai sužaloti.

Išnagrinėkite žoliapjovės galvutę (L pav.).

L pav. pavaizduotos dalys:

L-1	Kotelis	L-6	Poveržlė
L-2	Įvorės (2)	L-7	Veržlė
L-3	Viršutinis dangtelis	L-8	Spyruoklė
L-4	Fiksavimo žiedas	L-9	Pjovimo lynelis
L-5	Ritės laikiklis	L-10	Apatinis dangtelis

Žoliapjovės galvutės nuėmimas

1. Išimkite sudėtinę bateriją.
2. Nuspauskite žoliapjovės galvutės atkabinimo auseles ir traukdami nuimkite apatinį dangtelį.
3. Ištraukite iš žoliapjovės galvutės likusį lynelį.
4. Jei reikia, ištraukite iš ritės spyruoklę. Pasidėkite, nes jos prireiks surinkimo metu.
5. Mūvėkite pirštines. Viena ranka tvirtai laikykite ritę, o kita ranka laikydami 13 mm smūginį veržliaraktį (nėra komplekte) atsukite veržlę, sukdami PAGAL laikrodžio rodyklę (M pav.).
6. Nuo variklio veleno nuimkite veržlę, poveržlę ir ritės laikiklį (L pav.).
7. Specialiomis replėmis (nėra komplekte) nuimkite fiksavimo žiedą. Nuo variklio veleno nuimkite viršutinį dangtelį ir abi įvares (L pav.).
8. Uždėkite naują žoliapjovės galvutę ir pritvirtinkite ją, atlikdami toliau nurodytus veiksmus.

LT

Naujos žoliapjovės galvutės uždėjimas

1. Ant variklio veleno uždėkite abi įvares.
2. Įtaikykite viršutinio dangtelio plyšį į variklio veleno briauną ir pritvirtinkite viršutinį dangtelį (N pav.).

N pav. pavaizduotos dalys:

N-1	Briauna	N-2	Plyšys
-----	---------	-----	--------

3. Paveiksle pavaizduota tvarka (L pav.) sumontuokite fiksavimo žiedą, ritės laikiklį ir poveržlę. Veržlę priveržkite smūginiu veržliarakčiu PRIEŠ laikrodžio rodyklę.
4. Pagal šio vadovo skyriaus „PJOVIMO LYNELIO SUVYNIJOJIMAS“ 4 ir 5 žingsnius pritvirtinkite apatinį dangtelį.
5. Kaip pakeisti pjovimo lynelį, žiūrėkite skyriuje „LYNELIO KEITIMAS“.
6. Paleiskite įrankį ir patikrinkite, ar žoliapjovė su lyneliu normaliai dirba. Jei ne, pakartokite surinkimą pirmiau aprašyta tvarka.

TECHNINĖ PRIEŽIŪRA

⚠ ĮSPĖJIMAS. Prieš atlikdami įrenginio patikrą, valymą ar techninę priežiūrą, sustabdykite variklį, palaukite, kol visos judančios dalys sustos, ir išimkite akumuliatorių. Nesilaikydami šių nurodymų galite sunkiai arba net mirtinai susižaloti arba sugadinti turą.

⚠ ĮSPĖJIMAS. Atlikdami techninės priežiūros darbus, naudokite tik identiškas atsargines dalis. Naudojant bet kokias kitas dalis gali kilti pavojus arba sugesti gaminys. Kad gaminys būtų saugus ir patikimas, visus šioje priežiūros instrukcijoje neaprašytus remonto darbus turi atlikti kvalifikuotas techninės priežiūros technikas.

BENDROJI PRIEŽIŪRA

Plastikinių dalių nevalykite tirpikliais. Įvairūs komerciniai tirpikliai gali pažeisti daugelį plastikų ir neturėtų būti naudojami, nes gali sugadinti gaminį. Purvą, dulkes, tepalus, riebalus ir panašius nešvarumus valykite švariomis šluostėmis.

ĮRENGINIO VALYMAS

- Nuimkite aplink variklio veleną arba žoliapjovės galvutę apsivyniojusią žolę.
- Šepetėlių arba mažų dulkių siurblių išvalykite korpuso galinėje dalyje esančias vėdinimo angas.
- Įrenginį valykite silpnu plovikliu suvilgyta šluoste.
- Nenaudokite jokių stiprių ploviklių plastikinių korpuso arba rankenos dalių valymui. Aromatinės alyvos (pušies

arba citrinų kvapo) ir tirpikliai, pvz., žibalas, gali jas sugadinti. Drėgmė taip pat gali kelti elektros smūgio pavojų. Bet kokią drėgmę nuvalykite minkštu sausu skudurėliu.

TRANSMISIJOS PAVARŲ TEPIMAS

Pavarų dėžėje įrengtas transmisijos pavaras būtina reguliariai tepti pavarų tepalu. Kas 50 veikimo valandų, atsukę dėžės šone esantį sandarinimo varžtą, tikrinkite pavarų dėžės tepalo lygį.

Jei pavarų šonuose nėra jokių tepalo požymių, pripilkite 3/4 talpos pavarų tepalo pagal toliau pateiktus nurodymus:

Nepripildykite transmisijos pavarų dėžės iki galo.

1. Padėkite žoliapjovės įtaisą ant šono, kad sandarinimo varžtas būtų nukreiptas aukštyn.
2. Pateiktu esančiu daugiafunkčiu veržliarakčiu atleiskite ir išsukite sandarinimo varžtą.
3. Tepalo švirktu (nepateikiamas) į varžto angą įšvirškite tepalo. Neviršykite 3/4 talpos.
4. Baigę užveržkite sandarinimo varžtą.

ĮRENGINIO SANDĖLIAVIMAS

- Iš elektrinės galvutės išimkite sudėtinę bateriją.
- Prieš sandėliavimą kruopščiai nuvalykite įrenginį.
- Jeigu žoliapjovės įtaisas nuimtas nuo elektrinės galvutės ir laikomas atskirai, ant įtaiso veleno uždėkite kamštelį, kad į jungiamąją movą nepatektų nešvarumų.
- Įrenginį laikykite sausoje, gerai vėdinamoje, rakinamoje patalpoje arba aukštai, vaikams nepasiekiamoje vietoje. Nelaikykite įrenginio ant arba šalia trašų, benzino arba kitų chemikalų.

PJOVIMO LYNELIO PEILIO GALANDIMAS

⚠ ĮSPĖJIMAS: Kai vykdate pjovimo lynelio techninės priežiūros darbus, visada apsaugokite rankas užsimaudami tvirtas pirštines.

1. Išimkite bateriją.
2. Nuimkite pjovimo lynelio peilį nuo apsaugos.
3. Įtvirtinkite peilį spaustuvoje.
4. Dėvėkite tinkamas akių apsaugos priemonės ir pirštines ir būkite atsargūs, kad neįsijautumėte.
5. Peilio pjovimo briaunas atsargiai nušlifukite dilde smulkiais dantukais arba galandimo akmeniu; būkite atsargūs, kad išlaikytumėte pradinį pjovimo briaunų kampą.
6. Vėl uždėkite peilį ant apsaugos ir priveržkite abiem varžtais.

Aplinkos apsauga



Neišmeskite elektros įrangos, akumuliatoriaus įkroviklio ir baterijų / akumuliatorių su buitinėmis atliekomis!

Šias atliekas reikia pristatyti į jų surinkimo vietą ar įgaliotam perdirbėjui. Elektrinius įrankius reikia grąžinti į tokių atliekų perdirbimo įmonę.

Elektros prietaisus užkasus su atliekomis arba išmetus sąvartynuose, pavojingos medžiagos gali patekti į gruntinį vandenį ir į maisto grandinę, taip pakenkti jūsų sveikatai ir gerovei.

KEES VAN DER SPEK
TUINMACHINES ★ STOLWIJK

LT

TRIKČIŲ DIAGNOSTIKA IR JŲ ŠALINIMAS

PROBLEMA	PRIEŽASTIS	SPRENDIMAS
Žoliapjovės nepavyksta paleisti.	<ul style="list-style-type: none"> ■ Akumuliatorius neprijungtas prie elektrinės galvutės. ■ Nėra elektros kontakto tarp elektrinės galvutės ir akumuliatoriaus. ■ Akumuliatorius visiškai išsikrovęs. ■ Nenuspausta fiksavimo svirtis ir gaidukas. 	<ul style="list-style-type: none"> ■ Prijunkite akumuliatorių prie elektrinės galvutės. ■ Išimkite akumuliatorių, patikrinkite kontaktus ir vėl įdėkite akumuliatorių, kol užsifiksuos vietoje. ■ Įkraukite akumuliatorių šioje naudojimo instrukcijoje nurodytais EGO įkrovikliais. ■ Kad įjungtumėte žoliapjovę, nuspauskite fiksavimo svirtį ir ją laikykite, o tada nuspauskite gaiduką.
Žoliapjovė sustoja darbo metu.	<ul style="list-style-type: none"> ■ Nesumontuota žoliapjovės apsaugos priemonė, todėl per ilgą pjovimo valas perkrauna variklį. ■ Naudojamas per tvirtas pjovimo valas. ■ Ant variklio veleno arba žoliapjovės galvutės apsvyniojusi žolė. ■ Perkrautas variklis. 	<ul style="list-style-type: none"> ■ Išimkite sudėtinę bateriją ir sumontuokite žoliapjovės apsaugos priemonę. ■ Naudokite rekomenduojamą pjovimo valą, kurio skersmuo ne didesnis kaip 2,4 mm . ■ Sustabdykite žoliapjovę, išimkite sudėtinę bateriją, tada pašalinkite žolę nuo variklio veleno arba žoliapjovės galvutės. ■ Pašalinkite žolę nuo žoliapjovės galvutės. Kai tik bus pašalinta apkrova, variklis pradės veikti kaip įprasta. Pjaudami judinkite pjovimo galvutę link ir nuo pjaunamos žolės, bei vienu kartu nenupjaukite daugiau kaip 20 cm. ■ Leiskite sudėtinei baterijai arba žoliapjovei atvėsti, iki temperatūra nukris žemiau 67°C . ■ Vėl įstatykite akumuliatorių. ■ Įkraukite akumuliatorių šioje naudojimo instrukcijoje nurodytais EGO įkrovikliais.

LT

PROBLEMA	PRIEŽASTIS	SPRENDIMAS
Žoliapjovės galvutė nepadaudą pjovimo valo.	<ul style="list-style-type: none"> ■ Ant variklio veleno arba žoliapjovės galvutės apsvyniojusi žolė. ■ Ritėje nepakanka pjovimo valo. ■ Purvina žoliapjovės galvutė. ■ Pjovimo valas susipainiojo ant ritės. ■ Pjovimo valas per trumpas. 	<ul style="list-style-type: none"> ■ Sustabdykite žoliapjovę, išimkite sudėtinę bateriją, tada pašalinkite žolę nuo variklio veleno arba žoliapjovės galvutės. ■ Šimkite akumuliatorių ir pakeiskite pjovimo lynelį; vadovaukitės šio vadovo skyriumi „LYNELIO KEITIMAS“. ■ Išimkite sudėtinę bateriją ir išvalykite ritę, ritės laikiklį ir ritės pagrindą. ■ Išimkite akumuliatorių, ištraukite lynelį iš žoliapjovės galvutės ir iš naujo pervyniokite; vadovaukitės šio vadovo skyriumi „LYNELIO KEITIMAS“. ■ Išimkite sudėtinę bateriją ir patraukite pjovimo valo galus į priešingas puses spausdami ir atleisdami pjovimo valo atleidimo mygtuką.
Žolė apsvynioja aplink žoliapjovės galvutę ir variklio korpusą.	<ul style="list-style-type: none"> ■ Aukštą žolę pjaukite palei žemę. 	<ul style="list-style-type: none"> ■ Kad ant žoliapjovės galvutės neapsivyniotų žolė, aukštą žolę pjaukite iš viršaus į apačią, vienu kartu pjaudami ne daugiau kaip 20 cm .
Ašmenys nenupjauna valo..	<ul style="list-style-type: none"> ■ Ašpio pjovimo valo nukirtimo peilis, esantis ant apsaugos priemonės krašto. 	<ul style="list-style-type: none"> ■ Valo nukirtimo peilį pagaląskite dilde arba pakeiskite nauju peiliu.
Žoliapjovės galvutės įtrūkimai arba ritės pagrinde atsilaisvino ritės laikiklis.	<ul style="list-style-type: none"> ■ Sudilo žoliapjovės galvutė. ■ Atsilaisvino žoliapjovės galvutę laikanti veržlė. 	<ul style="list-style-type: none"> ■ Nedelsdami pakeiskite žoliapjovės galvutę; žr. šios instrukcijos skyriuje ŽOLIAPJOVĖS GALVUTĖS KEITIMAS ■ Atidarykite žoliapjovės galvutę ir priveržkite veržlę smūginiu veržiarakčiu.
Keičiant valą neįmanoma tinkamai jo suvynioti žoliapjovės galvutėje.	<ul style="list-style-type: none"> ■ Ritės laikiklio „LOAD“ linija nesutampa su ritės pagrindo plyšeliais. ■ Ritės laikiklio „LOAD“ linija nesutampa su ritės pagrindo plyšeliais. 	<ul style="list-style-type: none"> ■ Pasukite ritės laikiklį rodyklės kryptimi taip, kad sutaptintumėte ritės laikiklio „LOAD“ linijas su ritės pagrindo plyšeliais. ■ Pasukite ritės laikiklį rodyklės kryptimi taip, kad sutaptintumėte ritės laikiklio „LOAD“ linijas su ritės pagrindo plyšeliais.

LT

GARANTIJA

EGO GARANTINIS POLISAS

Norėdami sužinoti visas „EGO“ garantinio poliso sąlygas, apsilankykite interneto svetainėje egopowerplus.com.

APMAĻU GRIEZĒJA PAPILDIERĪCE!



Izlasiet Lietošanas Rokasgrāmatu

⚠️ Atlikušā sprieguma apdraudējums!

Cilvēkiem, kuri izmanto elektroniskas ierīces, piemēram, elektrokardiostimulatorus, pirms šīs ierīces lietošanas jāsaazinās ar savu ārstējošo ārstu. Elektroierīču darbība tuvu elektrokardiostimulatoram var izraisīt traucējumus vai tā atteici.

⚠️ **BRĪDINĀJUMS.** Lai garantētu drošību un uzticamību, ierīces remontu un tās detaļu nomaiņu veikt drīkst tikai kvalificēts apkopes tehniķis.

DROŠĪBAS APZĪMĒJUMI

Drošības apzīmējumu nolūks ir pievērst uzmanību iespējamiem apdraudējumiem. Drošības apzīmējumiem un to skaidrojumiem jāpievērš īpaša uzmanība, un tie pilnībā jāizprot. Apzīmējumu brīdinājumi paši par sevi nenovērš apdraudējumu. Apzīmējumos iekļautie norādījumi un brīdinājumi neaizstāj atbilstošus darba drošības pasākumus.

⚠️ **BRĪDINĀJUMS.** Pirms šī instrumenta lietošanas izlasiet un izprotiet visus šajā lietotāja rokasgrāmatā ietvertos drošības norādījumus, tostarp visus drošības brīdinājuma simbolus, piemēram, „**BRIESMAS**”, „**BRĪDINĀJUMS**” un „**UZMANĪBU**”. Visu turpmāk uzskaitīto norādījumu neievērošana var izraisīt elektriskās strāvas triecieni, ugunsgrēku un/vai smagus miesas bojājumus.

LV SIMBOLA NOZĪME

⚠️ Drošības brīdinājuma simbols

Norāda signālvārdu **BRIESMAS**, **BRĪDINĀJUMS** vai **UZMANĪBU**, var būt norādīts kopā ar citiem simboliem vai piktogrammām.

DROŠĪBAS NORĀDĪJUMI

Šajā lapaspusē ir parādīti un aprakstīti drošības simboli, kas var būt norādīti uz šī izstrādājuma. Pirms iekārtas montāžas un lietošanas izlasiet, izprotiet un ievērojiet visus uz iekārtas sniegtos norādījumus.

	Drošības brīdinājums	Norāda uz iespējamu ievainojumu gūšanas risku.
--	----------------------	--

	Izlasiet lietošanas rokasgrāmatu	Lai mazinātu traumu rašanās bīstamību, pirms šī izstrādājuma lietošanas tā lietotājam jāizlasa un jāizprot operatora rokasgrāmata.
	Valkājiet acu, ausu un galvas aizsarglīdzekļus	Vienmēr valkājiet acu, ausu un galvas aizsarglīdzekļus.
	Griešanas platums	Maksimālais auklas trimera griešanas platums
	Auklas diametrs	Neilona griešanas auklas diametrs
	Neizmantojiet metāla asmeņus	Brīdina lietotāju neizmantoj metāla asmeņus
	Neļaujiet tuvoties nepiederošām personām	Lidojoši priekšmeti var atstāties un radīt miesas bojājumus vai kaļķējumu īpašumam. Lietojot krūmgriezi, sekojiet, lai citi cilvēki un mājdzīvnieki neatrastos tā tuvumā.
	Attālumam starp iekārtu un tuvumā esošām personām jābūt vismaz 15 m	Lietojot auklas trimmeri, sekojiet, lai citi cilvēki un mājdzīvnieki atrastos vismaz 15 m attālumā no tā.
IPX4	IP simbols	4. aizsardzības klase pret ūdens iekļūšanu.
CE	CE	Šis izstrādājums atbilst piemērojamām EK direktīvām.
UK CA	UKCA	Šis produkts atbilst spēkā esošajiem Apvienotās Karalistes tiesību aktiem.
	EEIA	Elektrisko izstrādājumu atkritumus nedrīkst izmest kopā ar sadzīves atkritumiem. Nogādāt uz pilnvarotu pārstrādes punktu.
	Troksnis	Garantētais akustiskās jaudas līmenis. Trokšņa emisija vidē atbilstoši Eiropas Kopienas direktīvai.
V	Volti	Spriegums
mm	Milimetrs	Garums vai izmērs

cm	centimetrs	Garums vai izmērs
kg	kilograms	Svars

VISPĀRĒJIE ELEKTROINSTRUMENTA DROŠĪBAS BRĪDINĀJUMI

▲ BRĪDINĀJUMS! Izlasiet visus ar šo elektroinstrumentu saistītos drošības brīdinājumus, norādījumus, specififikācijas un aplūkojiet attēlus. Visu turpmāk uzskaitīto norādījumu neievērošana var izraisīt elektriskās strāvas triecienu, ugunsgrēku un/vai nopietnas traumas.

Saglabājiet visus brīdinājumus un instrukcijas turpmākai atsaucēi.

Brīdinājumos lietotais termins „elektroinstrumenti” attiecas uz elektriski darbināmu instrumentu, kura barošana nodrošina elektrotīkls (ar elektrokabeļi) vai akumulators (bez elektrokabeļa).

DROŠĪBA DARBA ZONĀ

- Uzturiet darba zonu tīru un labi apgaismotu. Nesakārtotā un slikti apgaismotā darba zonā var notikt nelaimes gadījumi.
- Nedarbiniet elektroinstrumentu sprādzienbīstamā vidē, piemēram, viegli uzliesmojošu šķidrumu, gāzu vai putekļu klātbūtnē. Elektroinstrumenti rada dzirksteles, kas var aizdedzināt putekļus vai izgarojumu tvaikus.
- Neļaujiet bērniem un klātesošajiem atrasties elektroinstrumenta tuvumā, kamēr tas darbojas. Apjukuma brīdī Jūs varat zaudēt vadību pār griezējinstrumentu.

ELEKTRODROŠĪBA

- **Elektroinstrumenta kontaktdakšai ir jāatbilst kontaktlīdzdai. Nekad nekādā veidā nepārveidojiet kontaktdakšu. Neizmantojiet adaptera savienojumus kopā ar saņemtiem elektroinstrumentiem.** Lietojot nepārveidotas kontaktdakšas un atbilstošas kontaktlīdzdas, tiek samazināts elektriskās strāvas triecienu risks.
- **Nepieskarieties saņemtiem virsmām, piemēram cauruļvadiem, radiatoriem, plītiem un ledusskapjiem.** Ķermenim saņemoties, tiek palielināts elektriskās strāvas triecienu risks.
- **Nedarbiniet iekārtu lietū vai mitros apstākļos.** Ūdens, kas iekļūst iekārtā, var palielināt elektriskās strāvas triecienu vai darbības traucējumu risku, kas var izraisīt miesas bojājumus.
- **Nebojājiet strāvas vadu. Nekad nelietojiet strāvas vadu elektroinstrumenta pārnēsāšanai, vilkšanai**

vai kontaktdakšas izvilkšanai no kontaktlīdzdas.

Sargājiet strāvas vadu no karstuma, eļļas, asām malām vai kustīgām daļām. Bojāti vai sapinušies strāvas vadi palielina elektriskās strāvas triecienu risku.

- **Strādājot ar elektroinstrumentu ārpus telpām, nodrošiniet, lai arī izmantotie vadu pagarinātāji būtu piemēroti āra darbiem.** Āra darbiem paredzēta vadu pagarinātāja izmantošana samazina elektriskās strāvas triecienu risku.
- **Ja nav iespējams izvairīties no elektroinstrumenta darbināšanas mitrā vietā, izmantojiet barošanas sistēmu, kas aizsargāta ar noplūdes strāvas aizsardzības ierīcēm (RCD).** Noplūdes strāvas aizsardzības ierīču izmantošana samazina elektriskās strāvas triecienu risku.

PERSONISKĀ DROŠĪBA

- **Darbinot elektroinstrumentu, esiet modri, pievērsiet uzmanību tam, ko Jūs darāt, un rīkojieties ar to saprātīgi. Nelietojiet elektroinstrumentu, ja esat noguris, atrodaties apreibinošo vielu vai alkohola iedarbībā vai lietojat medikamentus.** Pat viens mirklis neuzmanības elektroinstrumenta lietošanas laikā var kļūt par cēloni nopietnām traumām.
- **Izmantojiet individuālos aizsarglīdzekļus. Vienmēr valkājiet acu aizsarglīdzekļus.** Ja tiek lietots darba specifika atbilstošs aizsargaprīkojums, piemēram, maska ar putekļu filtru, neslīdoši darba apavi, ķivere vai austiņas, samazinās traumu gūšanas risks.
- **Novērsiet nejaušas ieslēgšanās iespējamību.** Pirms instrumenta pievienošanas strāvas avotam un/vai akumulatoram pārliecinieties, vai slēdzis atrodas izslēgtā stāvoklī. Elektroinstrumentu pārvietošana, turot pirkstu uz slēdža, vai strāvas padeve elektroinstrumentiem, kuru slēdzis atrodas ieslēgtā stāvoklī, palielina negadījumu risku.
- **Pirms elektroinstrumenta ieslēgšanas izņemiet visas noregulēšanas vai uzgriezņu atslēgas.** Regulēšanas instruments vai atslēga, kas palikusi elektroinstrumenta rotējošās daļās, var izraisīt traumas.
- **Nepārvērtējiet savas spējas. Iegemiet stabilu pozu un vienmēr saglabājiet līdzsvaru.** Tādējādi Jūs varēsiet labāk apvaldīt elektroinstrumentu negaidītās situācijās.
- **Valkājiet atbilstošu apģērbu. Nevalkājiet vaļīgu apģērbu vai rotaslietas. Sargājiet matus, apģērbu un cimdus no kustīgajām daļām.** Vaļīgs apģērbs, rotaslietas vai gari mati var iekerties ierīces kustīgajās daļās.

- Ja ierīces ir paredzētas savienošanai ar putekļu nosūkšanas un savākšanas iekārtām, pārliecinieties, vai tās ir pieslēgtas un tiek izmantotas pareizi. Putekļu savākšanas iekārtu izmantošana var samazināt ar putekļiem saistītos apdraudējumus.
- Nepieļaujiet, ka šī instrumenta bieža lietošana varētu izraisīt nevērīgu attieksmi darbā ar to, un neignorējiet ar instrumenta lietošanu saistītos drošības principus. Viens brīdis neuzmanības var izraisīt nopietnas traumas.

ELEKTROINSTRUMENTA LIETOŠANA UN APKOPE

- **Nepārlogojiet elektroinstrumentu.** Lietojiet attiecīgajam darbam piemērotāko elektroinstrumentu. Piemērots elektroinstrumenti labāk un drošāk spēs izpildīt veicamo darbu, darbojoties tam paredzētajā ātrumā.
- **Nelietojiet elektroinstrumentu, ja ar slēdzi to nav iespējams ieslēgt un izslēgt.** Ja elektroinstrumentu nav iespējams ieslēgt un izslēgt ar slēdzi, tas ir bīstams, tāpēc nekavējoties jāsalabo.
- **Pirms jebkādu pielāgojumu veikšanas, piederumu maiņas vai elektroinstrumenta novietošanas glabāšanā atvienojiet kontaktdakšņu no barošanas avota un/vai izņemiet no elektroinstrumenta akumulatoru.** Šādi piesardzības pasākumi palīdzēs novērst nejašu elektroinstrumenta ieslēgšanu.
- **Ja elektroinstrumenti kādu laiku netiek lietoti, uzglabājiet tos bērniem nepieejamā vietā un neļaujiet ar elektroinstrumentu darboties personām, kas instrumentu nepārzina vai nav izlasījušas šīs instrukcijas.** Nemākulīgās rokās nonākuši elektroinstrumenti ir potenciāls briesmu avots.
- **Veiciet elektroinstrumentam un piederumiem apkopi.** Pārbaudiet, vai ir pareizi uzstādītas kustīgās daļas un vai tās neķeras, un vai elektroinstrumenta daļām nav bojājumu, kas var negatīvi ietekmēt tā darbību. Bojāts elektroinstruments ir jāsalabo pirms nākamās lietošanas reizes. Daudzu negadījumu cēlonis ir sliktā stāvoklī esošu elektroinstrumentu izmantošana.
- **Griezējinstrumentiem jābūt asiem un tīriem.** Rūpīgi kopti griezējinstrumenti retāk iestrēgst un ir vieglāk vadāmi.
- **Lietojiet elektroinstrumentu, tā piederumus un maināmos instrumentus, kā arī citus saistītos elementus atbilstoši šiem norādījumiem, ņemot vērā darba apstākļus un veicamo uzdevumu.** Elektroinstrumenta lietošana neparedzētiem mērķiem var radīt bīstamu situāciju.

- **Rokturiem un satveršanas daļām jābūt sausiem, tīriem un uz tiem nedrīkst būt eļļa vai smērviela.** Ja rokturi un satveršanas daļas ir mitras, tās slidēs, un ar instrumentu vairs nebūs droši strādāt, kā arī apvaldīt neparedzētu apstākļu gadījumos.

AKUMULATORA LIETOŠANA UN APKOPE

- **Uzlādējiet instrumentu tikai ar ražotāja noteikto lādētāju.** Lādētājs, kas paredzēts lietošanai tikai ar viena veida akumulatoru bloku, var radīt ugunsgrēka draudus, ja to izmanto kopā ar citu akumulatoru bloku.
- **Lietojiet elektroinstrumentus kopā tikai ar tiem paredzētiem akumulatoru blokiem.** Jebkura cita akumulatoru bloka lietošana var radīt traumu gūšanas un ugunsgrēka risku.
- **Kad akumulatoru bloks netiek izmantots, neglabājiet to citu metāla priekšmetu, piemēram, papīra saspaužu, monētu, atslēgu, naglu, skrūvju vai citu sīku metāla priekšmetu, kas var veidot savienojumu starp spailēm, tuvumā.** Akumulatora spaiļu īsslēgums var izraisīt aizdegšanos vai ugunsgrēku.
- **Nepareizas rīcības gadījumā no akumulatora var izkļūt šķidrums; izvairieties no saskares ar to.** Ja tas nejausi nokļuvis uz ādas, noskalojiet ar ūdeni. Ja šķidrums iekļuvis acīs, nekavējoties meklējiet medicīnisko palīdzību. No akumulatora izkļuvušais šķidrums var izraisīt kairinājumu vai apdegumus.
- **Nelietojiet bojātu vai pārveidotu akumulatoru bloku vai instrumentu.** Bojātu vai pārveidotu akumulatoru izmantošana var izraisīt neparedzamus apstākļus, kas rada aizdegšanās, sprādziena vai traumas gūšanas draudus.
- **Nepakļaujiet akumulatoru bloku vai instrumentu uguns liesmu vai pārmērīgas temperatūras iedarbībai.** Uguns liesmu iedarbība vai temperatūra virs 130 °C var izraisīt sprādzienu.
- **Izpildiet visas uzlādēšanas instrukcijas un neuzlādējiet akumulatoru bloku vai instrumentu ārpus instrukcijās norādītajām temperatūras vērtībām.** Ja instruments tiek uzlādēts nepareizi vai tiek pārsniegtas instrukcijās norādītās uzlādēšanas temperatūras vērtības, akumulators var sabojāties un palielināt aizdegšanās risku.

APKOPE

- Elektroinstrumenta remontdarbus drīkst veikt tikai kvalificēts speciālists, izmantojot tikai oriģinālās rezerves daļas. Tādējādi tiks garantēts elektroinstrumenta lietošanas drošums.
- Nekad neveiciet bojātam akumulatoru blokam remontdarbus pašrocīgi. Bojāta akumulatoru bloka remontdarbus drīkst veikt tikai ražotājs vai pilnvaroti servisa darbinieki.

ĪPAŠI DROŠĪBAS BRĪDINĀJUMI PAR AUKLAS TRIMMERI

- **Neizmantojiet iekārtu sliktos laikapstākļos, īpaši tad, ja pastāv zibens iespējāmība.** Tas samazinās risku, ka ierīcei ekspluatācijas laikā var iespert zibens.
- **Rūpīgi pārbaudiet, vai zonā, kur paredzēts izmantot iekārtu, nav savvaļas dzīvnieku.** Izmantošanas laikā iekārta var savainot savvaļas dzīvniekus.
- **Rūpīgi pārbaudiet zonu, kur paredzēts izmantot iekārtu, un aizvāciet visus akmeņus, zarus, vadus, kaulus un citus svešķermeņus.** Izsviestie priekšmeti var izraisīt miesas bojājumus.
- **Pirms iekārtas lietošanas vienmēr vizuāli pārbaudiet, vai grieznis vai asmens un griežņa vai asmens bloks nav bojāti.** Bojātas daļas palielina traumu risku.
- **Ievērojiet piederumu maiņas norādījumus.** Nepareizi pievilkti griežņa stiprinājuma uzgriežņi vai skrūves asmeni var sabojāt vai arī tas var atdalīties.
- **Valkājiet acu, ausu, galvas un roku aizsarglīdzekļus.** Piemēroti aizsarglīdzekļi samazinās miesas bojājumus, ko izraisa izsviesti gruži vai nejaūša saskare ar griešanas auklu vai asmeni.
- **Izmantojot iekārtu, vienmēr valkājiet neslidošus un aizsargājošus apavus. Nestrādājiet ar iekārtu basām kājām vai sandalēs.** Tas samazina pēdu traumu, kas var rasties, saskaroties ar kustīgajiem griežņiem vai auklām, iespējāmību.
- **Izmantojot iekārtu, vienmēr valkājiet garas bikses.** Atklāta āda palielina izsviestu objektu radītu traumu iespējāmību.
- **Izmantojot iekārtu, gādājiet, lai citas personas neatrastos tuvumā.** Izsviestie gruži var radīt smagas traumas.
- **Izmantojot iekārtu, vienmēr dariet to ar abām rokām.** Turot iekārtu ar abām rokām, tiks novērsta kontroles zaudēšana.
- **Turiet iekārtu tikai aiz izolētajām satveršanas virsmām, jo griešanas aukla vai asmens var saskarties ar apslēptiem vadiem.** Griešanas auklai vai asmeņiem nonākot saskarē ar spriegumam pakļautu vadu, iekārtas atklātās metāla daļas var tikt pakļautas spriegumam, un operators var saņemt elektriskās strāvas triecienu.
- **Vienmēr ievērojiet stabilu stāju un darbiniet iekārtu, tikai stāvot uz zemes.** Slidenas vai nestabilas virsmas var izraisīt līdzsvara zaudēšanu vai iekārtas kontroles zaudēšanu.
- **Neizmantojiet iekārtu uz pārāk stāvām nogāzēm.** Tas samazina kontroles zaudēšanas, paslīdēšanas un krišanas risku, kas var izraisīt miesas bojājumus.
- **Strādājot uz nogāzēm, vienmēr ņemiet vērā savu stāju, vienmēr strādājiet vertikāli gar nogāzi, nevis augšup vai lejup pa nogāzi un ievērojiet īpašu piesardzību, mainot virzienu.** Tas samazina kontroles zaudēšanas, paslīdēšanas un krišanas risku, kas var izraisīt miesas bojājumus.
- **Kamēr iekārta darbojas, sargājiet visas ķermeņa daļas no griežņa, auklas vai asmens. Pirms iekārtas iedarbināšanas pārlicinieties, vai grieznis, aukla vai asmens ne ar ko nesaskaras.** Pat īss neuzmanības mirklis, kamēr iekārta tiek izmantota, var izraisīt nopietnas traumas lietotājam vai citām personām.
- **Nedarbiniet iekārtu augstāk par vidukli.** Tas palīdz novērst neparedzētu saskari ar griezni vai asmeni, un ļauj iekārtu kontrolēt labāk negaidītās situācijās.
- **Griežot krūmus vai jaunus kokus, kas ir pakļauti nospiegumam, uzmanieties no atsitiena.** Kad koksnes šķiedru nospiegums ir atgrīvots, krūms vai jaunais koks var iesist operatoram un/vai traucēt iekārtas kontrolei.
- **Esiet ļoti uzmanīgi, apgriežot krūmājus un jaunus kokus.** Plānais materiāls var saskarties ar asmeni un tā rezultātā triekties jūsu virzienā vai likt jums zaudēt līdzsvaru.
- **Saglabājiet iekārtas kontroli un nepieskarieties griežņiem, auklām vai asmeņiem un citām bīstamām kustīgām daļām, kamēr tās vēl ir kustībā.** Tas samazina kustīgo daļu izraisītu traumu risku.
- **Tirot iestrēgušo materiālu vai veicot iekārtas apkopi, pārlicinieties, vai slēdzis ir izslēgts un akumulators ir izņemts.** Negaidīta iekārtas iedarbināšana iestrēgušā materiāla izņemšanas laikā vai tā apkopes veikšanas laikā var izraisīt smagas traumas.
- **Nēsājiet iekārtu, kamēr tā ir izslēgta un turot to prom no ķermeņa.** Pareiza iekārtas pārvietošana samazinās nejaūšas saskares ar kustīgu griezni, auklu vai asmeni iespējāmību.
- **Izmantojiet tikai ražotāja norādītos rezerves griežņus, auklas, griešanas galvas un asmeņus.** Nepareizas rezerves daļas var palielināt bojājumu un traumu risku.
- **Trimmera bojājums — ja trimmeris saduras ar svešķermeņiem vai iesprūst, nekavējoties apturiet darbarīku, pārbaudiet, vai nav radušies bojājumi, novērsiet tos un tikai tad turpiniet ierīces izmantošanu.** Nelietojiet trimeri, ja ir bojāts tā aizsargs vai spole.

LV

- Ja iekārta sāk neierasti vibrēt, apturiet motoru un nekavējoties nosakiet cēloni. Vibrēšana parasti brīdina par kļūmi. Nenostiprināta galva var vibrēt, ieplaisāt, salūzt vai atdalīties no trimmera, radot smagu vai nāvējošu traumu. Pārļiecinieties, ka griešanas pierīce ir nostiprināta pareizi. Ja ierīces galva pēc tās nostiprināšanas kļūst vaļīga, nekavējoties nomainiet to. Nekādā gadījumā nelietojiet trimmeri ar vaļīgu griešanas pierīci.
- Akumulatora darbarīkus nav nepieciešams pieslēgt elektrotīklam, tādēļ tie vienmēr ir darbības stāvoklī. Pat, ja darbarīks nedarbojas, vienmēr sargieties no iespējama apdraudējuma. Ievērojiet piesardzību, veicot apkopes vai uzturēšanas darbus.
- Nemazgājiet ar šļūteni; nepieļaujiet ūdens iekļūšanu motorā un elektriskajos savienojumos.
- Gadījumos, kas nav aprakstīti šajā rokasgrāmatā, esiet uzmanīgi un rīkojieties prātīgi. Lai saņemtu palīdzību, sazinieties ar EGO klientu apkalpošanas centru.
- Izmantojiet tikai A attēlā uzskaitītos akumulatora blokus un lādētājus.

SAGLABĀJIET ŠOS NORĀDĪJUMUS!

SPECIFIKĀCIJAS

Griešanas mehānisms	Piespiežamā galva	
Auklas diametrs	2,4 mm neilona griešanas aukla	
Griešanas platums	40 cm	
Ātrums, strādājot bez slodzes	4900/5800 min ⁻¹	
Svars (bez akumulatora bloka)	1,53 kg	
Ieteicamā darba temperatūra	0°C-40°C	
Ieteicamā uzglabāšanas temperatūra	-20°C-70°C	
Izmērītais skaņas jaudas līmenis L _{WA}	95,72 dB(A) K=0,77 dB(A)	
Skaņas spiediena līmenis pie operatora auss L _{PA}	81,6 dB(A) K=3 dB(A)	
Garantētais skaņas jaudas līmenis L _{WA} (mērīts saskaņā ar 2000/14/EK)	96 dB(A)	
Vibrācija a _h	Priekšējais palīgrokturis	2,5 m/s ² K=1,5 m/s ²
	Aizmugurējais rokturis	1,8 m/s ² K=1,5 m/s ²

- Iepriekš minētie parametri ir pārbaudīti un izmērīti kopā ar instrumentgalvu PH1420E.
- Norādītā kopējā vibrācijas vērtība tika mērīta saskaņā ar parasto mērīšanas paņēmieni; tā var tikt izmantota darbarīku salīdzināšanai.
- Norādīto kopējo vibrācijas vērtību var izmantot arī sākotnējai ietekmes izvērtēšanai.

▲ BRĪDINĀJUMS! Vibrācijas un trokšņa emisijas elektroinstrumenta faktiskās lietošanas laikā var atšķirties no deklarētajām vērtībām atkarībā no instrumenta izmantošanas veida, jo īpaši no tā, kāda veida materiāls tiek apstrādāts; un

par nepieciešamību noteikt drošības pasākumus operatora aizsardzībai, kuru pamatā ir iedarbības novērtējums faktiskajos lietošanas apstākļos (ņemot vērā visas darbības cikla daļas, piemēram, laikus, kad instruments ir izslēgts un kad tas darbojas tukšgaitā papildus mēlītes nospiešanas laikam).

IETAKOJUMA SATURA SARAKSTS (ATT. A)

Informāciju par ieteicamo griešanas auklu lūdzam skatīt tīmekļa vietnē: egopowerplus.com vai EGO izstrādājumu katalogā.

APRAKSTS

PĀRZINIET SAVU AUKLAS TRIMERA PIERĪCI (A att.)

1. Uzgalis
2. Auklas trimera vārpsta
3. Auklas uztišanas poga
4. Griezējaukļa
5. Trimmera galva (piespiežamā galva)
6. Atļaišanas izcilnis
7. Auklas griezējamsens
8. Aizsargs
9. Sešskaldņu uzgriežņu atslēga

▲ BRĪDINĀJUMS! Nekādā gadījumā nelietojiet darbarīku, ja nav nostiprināts aizsargs. Aizsargam vienmēr jāatrodas uz darbarīka, lai aizsargātu lietotāju!

MONTĀŽA

▲ BRĪDINĀJUMS. Ja kāda no daļām trūkst vai ir bojāta, nelietojiet šo izstrādājumu. Itdz daļas ir nomainītas. Izmantojot šo izstrādājumu, ja trūkst kāda no daļām vai arī tā ir bojāta, var rasties smagas traumas.

⚠ BRĪDINĀJUMS. Nemēģiniet pārveidot šo izstrādājumu vai pievienot piederumus, kuru izmantošana šajā auklas trimērī nav ieteicama. Jebkādas šādas izmaiņas vai pārveidojumi ir ierīces neatbilstoša lietošana un var izraisīt bīstamu situāciju un smagu traumu.

⚠ BRĪDINĀJUMS! Nesavienot ar instrumentgalvu, kamēr montāža nav pilnībā pabeigta. Šo noteikumu neievērošanas rezultātā darbarīks var nejauši ieslēgties un izraisīt smagus miesas bojājumus.

AIZSARGA UZSTĀDĪŠANA

⚠ BRĪDINĀJUMS! Uzstādot vai nomainot aizsargu, vienmēr valkājiet cimdus. Esiet piesardzīgi, rīkojoties ar asmens aizsargu, un sargiet savas rokas no traumām, ko var izraisīt asmens.

Atskrūvējiet un izņemiet abas skrūves no trimmera kāta pamatnes (C att.), novietojiet aizsarga montāžas caurumus vienā līmenī ar pamatnes caurumiem, pēc tam piestipriniet aizsargu kāta pamatnei kopā ar abām atsperu paplāksnēm (D att.).

Pārļiecinieties, ka aizsargs ir piestiprināts pareizi tā, kā norādīts C un D attēlos; nepareiza montāža ir ļoti bīstama!

AUKLAS TRIMERA PIERĪCES PIESTIPRINĀŠANA INSTRUMENTGALVAI

Šī auklas trimera pierīce ir paredzēta lietošanai kopā ar EGO instrumentgalvu PH1420E.

Skatiet instrumentgalvas PH1420E lietotāja rokasgrāmatā sadaļu „INSTRUMENTGALVAS PIERĪCES UZSTĀDĪŠANA”.

LIETOŠANA

⚠ BRĪDINĀJUMS. Iepazīstot darbu ar šo ierīci, nekļūstiet nolaidīgs. Atcerieties, ka neuzmanība sekundes daļā var radīt smagu traumu.

⚠ BRĪDINĀJUMS! Vienmēr valkājiet aizsargbrilles, kā arī dzirdes aizsarglīdzekļus. Šo noteikumu neievērošanas rezultātā acis var tikt iesviesti svešķermeņi vai jūs varat būt cita veida smagas traumas.

PIELIETOJUMS

Šo izstrādājumu var lietot tālāk norādītajam mērķim —

- zāles un nezāļu apgriešana pie lieveņa, žoga un nojumes.

PIEZĪME. Darbarīku drīkst izmantot tikai aprakstītajam mērķim. Izmantošana jebkādā citā veidā tiks uzskatīta par neatbilstošu lietošanu.

Pirms katras trimera lietošanas reizes pārbaudiet, vai nav bojātu / nodilušu daļu

Pārbaudiet trimmera galvu, aizsargu un priekšējo rokturi un nomainiet detaļas, ja tās ir saplaisājušas, deformējušas, salocījušas vai bojātas.

Ar laiku auklas griešanas asmens uz aizsarga var kļūt truls. Ieteicams periodiski asināt asmeni ar vīli vai nomainīt to.

⚠ BRĪDINĀJUMS! Uzstādot vai nomainot aizsargu, asinot vai nomainot asmeni, vienmēr valkājiet cimdus. Ņemiet vērā asmens atrašanās vietu uz aizsarga, un sargiet rokas no savainošanās.

⚠ BRĪDINĀJUMS! Lai izvairītos no smagu miesas bojājumu gūšanas, pirms trimera apkopes, tīrīšanas, pierīču nomaiņišanas vai nogriezītā materiāla izņemšanas izņemiet akumulatora bloku no instrumentgalvas.

AUKLAS TRIMERA LIETOŠANA KOPĀ AR INSTRUMENTGALVU

⚠ BRĪDINĀJUMS! Gērbieties atbilstīgi, lai mazinātu traumu rašanās draudus, lietojot šo darbarīku. Nevalkājiet vaļīgu apģērbu vai rotaslietas. Izmantojiet acu un dzirdes aizsarglīdzekļus. Valkājiet izturīgas, garas bikses, apavus un cimdus. Nevalkājiet īsās bikses, sandales; nesaīgājiet basām kājām.

⚠ BRĪDINĀJUMS! Pirms trimera lietošanas attīriet apstrādājamo vietu. Savāciet akmeņus, stikla lauskas, naglas, vadus vai auklas, kas var tikt izsviestas vai iekļūt griešanas pierīcē. Nepieļaujiet bērnu, citu personu un mājdzīvnieku atrašanos darba vietā. Sekojiet, lai bērni, citas personas un mājdzīvnieki atrastos vismaz 15 m attālumā; vēl arvien pastāv apdraudējums, ko rada izsviesti objekti. Sekojiet, lai apkārtējie izmantotu acu aizsarglīdzekļus. Ja strādājot kāds jums tuvojas, nekavējoties apturiet motoru un griešanas pierīci.

Uzlieciet plecu siksnu ekspluatācijai labākā un drošākā Uzlieciet plecu siksnu ekspluatācijai labākā un drošākā stāvoklī. Noregulējiet siksnu ērtā darba pozīcijā. Turiet auklas trimmeri tā, lai viena roka satvertu aizmugurējo rokturi, savukārt otra roka — priekšējo rokturi. Strādājot ar darbarīku, turiet to stingri ar abām rokām. Turiet auklas trimmeri ērtā pozīcijā, aizmugurējam rokturim atrodoties gurnu augstumā. Trimmera galvai jāatrodas paralēli zemei tā, lai tā varētu viegli saskarties ar griežamo materiālo, operatoram neliecoties uz leju (B att.).

⚠ BRĪDINĀJUMS! Plecu siksnai ir arī ātrās atbrīvošanas mehānisms bīstamām situācijām. Avārijas situācijas gadījumā nekavējoties noņemiet siksnu no pleca neatkarīgi no tā, kādā pozīcijā tā atrodas.

Pēc katras trimera lietošanas notīriet to

Tīrīšanas norādījumus skatīt sadaļā „APKOPE”.

DARBARĪKA PALAIŠANA / APTURĒŠANA

Skatiet instrumentgalvas PH1420E lietotāja rokasgrāmatā sadaļu „INSTRUMENTGALVAS PALAIŠANA/ APTURĒŠANA”.

GRIEŠANAS AUKLAS GARUMA REGULĒŠANA

Trimera galva ļauj operatoram izbīdīt vairāk griešanas auklas, neapsturot motoru. Ja aukla sadilst vai nolietojas, nedaudz piesitot trimera galvu pret zemi trimera lietošanas laikā, var izbīdīt jaunu auklas garumu (E att.).

PIEZĪME. Trimera auklai paliekojot tsākai, auklas padeve kļūst apgrūtināta.

▲ BRĪDINĀJUMS! Nenoveiciet un nepārveidojiet auklas griešanas asmens mezglu. Pārmērīgi gara aukla izraisīs motora pārkaršanu, un var rasties smagi miesas bojājumi.

AUKLAS NOMAIŅA

PIEZĪME! Vienmēr izmantojiet ieteikto neilona griezējauklu, kuras diametrs nepārsniedz 2,4 mm. Cita veida auklas izmantošana var izraisīt auklas trimmera pārkaršanu vai var to sabojāt.

▲ BRĪDINĀJUMS! Nekad neizmantojiet auklu ar metāla pastiprinājumiem, stiepli, virvi u.tml. Šāda veida auklas var salūst un kļūt par bīstamiem, lielā ātrumā izsviestiem objektiem.

Auklas trimmeris ir aprīkots ar uzlabotu **POWERLOAD™** sistēmu. Griezējauklu uztin spolē, vienkārši nospiežot pogu. **Parasti pilnas spoles uztīšana notiek 12 sekunžu laikā. Lai samazinātu motora bojājuma iespējamību, nedarbiniet sistēmu atkārtoti pēc kārtas.**

PIEZĪME! **POWERLOAD™** sistēma ir pieejama tikai tad, ja pierīce ir piestiprināta instrumentgalvai PH1420E un ir ievietots akumulatoru bloks.

1. Izņemiet akumulatoru bloku.
2. Nogrieziet 4 m griezējauklu. Izvelciet auklu caur acīni (F att.). Iespiediet un izvelciet auklu no otras puses, līdz trimmera galvai abās pusēs var redzēt vienāda garuma auklu

PIEZĪME! Ja auklu nevar ievietot acīnā, kad apakšējais vāciņš ir iestrēdzis, ievietojiet instrumentgalvā akumulatoru bloku un pēc tam īsi nospiediet auklas uztīšanas pogu, lai uzstādītu atpakaļ apakšējo vāciņu.

3. Izņemiet akumulatoru bloku, ja tas bija ievietots instrumentgalvā, kā tas norādīts PIEZĪMES sadaļā

pēc 2. soļa. Un izpildiet 2. soli norādītās darbības, lai vēlreiz ievietotu un izlīdzinātu griezējauklu.

4. Ievietojiet instrumentgalvā akumulatoru bloku.
5. Nospiediet un pieturiet auklas uztīšanas pogu, lai nepārtraukti uztītu auklu trimmera galvā, līdz abās pusēs ir redzama aptuveni 15 cm gara aukla. (G att.)
6. Lai pārbaudītu, vai griezējaukla ir pareizi uzstādīta, velkot auklu, piespiediet trimmera galvu — šādi to varēs izvilkt ar rokām.

PIEZĪME! Gadījumā, ja aukla tiek nejausi ierauta trimmera galvā, atveriet auklu un izvelciet griezējauklu no spoles. Lai uztītu auklu, izlasiet šīs rokasgrāmatas sadaļā „GRIEZĒJAUKLAS UZTĪŠANA” sniegto informāciju.

GRIEZĒJAUKLAS UZTĪŠANA

Ja griezējaukla pārtrūkst pie acīņa vai arī griezējaukla netiek padota, piesitot ar trimmera galvu, izpildiet tālāk norādītās darbības, kas palīdzēs izņemt atlikušo griezējauklu daļu un uztīt auklu.

1. Izņemiet akumulatoru bloku.
2. Nospiediet atlaišanas izciļņus uz trimmera galvas un noņemiet trimmera galvas apakšējo daļu, izvelkot to uz āru (H att.).
3. Izņemiet griezējauklu no trimmera galvas.
4. Vajadzības gadījumā izņemiet no spoles atspēri. Saglabājiet, jo tā būs nepieciešama uzstādīšanai.
5. Ievietojiet atspēri apakšējā vāciņa rievā (I att.).
6. Ar vienu roku pieturiet trimmeri, un ar otru roku satveriet apakšējo vāciņu, lai salāgotu apakšējā vāciņa rievās ar atlaišanas izciļņiem (J attēls). Piespiediet apakšējo daļu, līdz tā nofikšjas, un būs dzirdama „klikšķa” skaņa (K attēls).
7. Lai uztītu griezējauklu, ievērojiet sadaļā „AUKLAS NOMAIŅA” sniegtos norādījumus.

TRIMMERA GALVAS NOMAIŅA

▲ BRĪDINĀJUMS! Ja galva pēc tās nostiprināšanas kļūst vajīga, nekavējoties nomainiet to.

Nekādā gadījumā nelietojiet trimmeri ar vajīgu griešanas pierīci. Nekavējoties nomainiet saplaisājušu, bojātu vai nolietoto griezējauklu pat tad, ja konstatētas tikai nenozīmīgas plaisas. Šādas pierīces var salūst, griežoties lielā ātrumā, un radīt smagu traumu.

Iepazīstieties ar trimmera galvas daļām (L attēls).

Zemāk norādīts L attēla detaļu apraksts:

L-1	Vārpsta	L-6	Paplāksne
L-2	Bukse (2)	L-7	Uzgrieznis

L-3	Augšējā daļa	L-8	Atspere
L-4	Sprostgredzens	L-9	Griezējaukļa
L-5	Spoles aizturis	L-10	Apakšējais vāciņš

Trimmera galvas noņemšana

1. Izņemiet akumulatoru bloku.
2. Nospiediet atlaišanas izciļņus uz trimmera galvas un noņemiet trimmera galvas apakšējo daļu, izvelkot to uz āru.
3. Izņemiet griezējaukļu no trimmera galvas.
4. Vajadzības gadījumā izņemiet no spoles atspēri. Saglabājiet atspēri, jo tā būs nepieciešama uzstādīšanai.
5. Uzvelciet cimdus. Ar vienu roku satveriet spoli, lai to stabilizētu, un otrā rokā paņēmiat 13 mm triecienu uzgriezņu atslēgu (komplektā nav iekļauta), lai atskrūvētu uzgriezni PULKSTENRĀDĪTĀJA KUSTĪBAS VIRZIENĀ (M att.).
6. Noņemiet no motora vārpstas uzgriezni, paplāksni un spoles aizturi (L att.).
7. Lai noņemtu sprostgredzenu, izmantojiet riņķveida liektās knaibles (komplektā nav iekļautas). Noņemiet no motora vārpstas augšējo vāciņu un buksi (L att.).
8. Nomainiet jaunu trimmera galvu un uzstādiet to tā, kā tas parādīts turpmākajos soļos.

Jaunas trimmera galvas uzstādīšana

1. Uzstādiet motora vārpstai abas bukses.
2. Salāgojiet apakšējā vāciņa plakano rievu ar motora vārpstas montāžas plāksnīti un uzstādiet augšējo vāciņu (N att.).

Zemāk norādīts N attēla detaļu apraksts

N-1	Montāžas plāksnīte	N-2	Plakanā rievā
-----	--------------------	-----	---------------

3. Uzstādiet sprostgredzenu, spoles aizturi un paplāksni šādā secībā (L attēls). Pievelciet uzgriezni ar triecienu uzgriezņu atslēgu PRETĒJI PULKSTENRĀDĪTĀJA VIRZIENĀ.
4. Lai uzstādītu apakšējo vāciņu, ievērojiet šīs rokasgrāmatas sadaļā „GRIEZĒJAUKLAS UZTĪŠANA” 4. un 5. solī esošās norādes.
5. Lai uzlītu griezējaukļu, izlasiet norādījumus šīs rokasgrāmatas sadaļā „AUKLAS NOMAIŅA”.
6. Iedarbiniet darbarīku, lai redzētu, vai normāli darbojas auklas trimmeris. Ja tas tā nav, uzstādiet vēlreiz, kā aprakstīts iepriekš.

APKOPE

⚠ BRĪDINĀJUMS! Pirms ierīces pārbaudīšanas, tīrīšanas vai apkopes darbu veikšanas apturiet motoru, pagaidiet, līdz apstājas visas kustīgās daļas, un izņemiet akumulatora bloku. Šo norādījumu neievērošana var radīt smagus miesas bojājumus vai kaitējumu īpašumam.

⚠ BRĪDINĀJUMS! Veicot ierīces apkopi, izmantojiet tikai identiskas rezerves daļas. Jebkuru citu daļu izmantošana var radīt apdraudējumu vai izstrādājuma bojājumus. Lai ierīces darbība būtu droša un uzticama, visus izstrādājumu remontdarbus, izņemot šajās apkopes instrukcijās norādītos, veic kvalificēts servisa speciālists.

VISPĀRĒJĀ APKOPE

Tīrot plastikāta detaļas, izvairieties no šķīdinātāju lietošanas. Vairums plastmasu ir uzņēmīgas pret dažāda veida komerciālu šķīdinātāju bojājumiem un, tos izmantojot, var tikt sabojātas. Lai notīrītu netīrumus, putekļus, eļļu, smērvielas u.c., izmantojiet tīras drāniņas.

IERĪCES TĪRĪŠANA

- Izfīrēt visu ap motora vārpstu vai trimera galvu apvjušos zāli.
- Ventilācijas atveru tīrīšanai korpusa aizmugurē izmantojiet nelielu suku vai nelielu putekļsūcēju.
- Tīriet ierīci ar mitru drānu un maigu mazgāšanas līdzekli.
- Netīriet plastmasas korpusu un rokturi ar kodīgiem tīrīšanas līdzekļiem. Plastmasas daļas var sabojāt ar zināmām aromatizētām eļļām, piemēram, priežu un citrona, un šķīdinātājiem, piemēram, petroleju. Elektrotraumu var radīt arī mitrums. Kārtīgi noslaukiet mitrumu ar mīkstu, tīru drānu.

REDUKTORU EĻĻOŠANA

Reduktorus pārnesumkārbā ir periodiski jāieeļļo ar reduktoru smērvielu. Pārbaudiet pārnesumkārbā smērvielas līmeni ik pēc 50 darba stundām, noņemot kārbas pusē esošo blīvējuma skrūvi.

Ja uz reduktora malām nav redzama smērviela, tad, lai uzpildītu reduktoru smērvielu līdz 3/4 ietilpības, izpildiet tālāk redzamās darbības.

Neiepildiet smērvielu reduktoros līdz augšai.

1. Pagrieziet auklas trimeri uz sāniem tā, lai blīvējuma skrūve būtu vērsta virzienā uz augšu.
2. Atskrūvēšanai izmantojiet komplektācijā iekļauto daudzfunkciju uzgriezņu atslēgu un izņemiet blīvējuma skrūvi.
3. Izmantojiet smērvielas šļirci (komplektācijā nav iekļauta), lai iepildītu smērvielu caur skrūves atveri; nepārsniedzot 3/4 ietilpības.

4. Pēc iepildīšanas aizskrūvējiet blīvējuma skrūvi.

IERĪCES UZGLABĀŠANA

- Izņemiet no instrumentgalvas akumulatora bloku.
- Pirms uzglabāšanas kārtīgi notīriet darbarīku.
- Ja auklas trimera pierīce ir izņemta no instrumentgalvas un uzglabāta atsevišķi: lai savienotājapskavā neiekļūtu netīrumi, uzlieciet uz pierīces vārpstas uzgali.
- Uzglabājiet ierīci sausā, labi vēdināmā, aizslēdzamā vai augstā — bērniem nepieejamā — vietā. Neuzglabājiet ierīci blakus mēslojumam, benzīnam vai citām ķīmikālijām.

AUKLAS GRIEZĒJASMENS UZASINĀŠANA

⚠ BRĪDINĀJUMS! Vienmēr aizsargājiet savas rokas, valkājot biezus cimdus auklas griezējasmens apkopes darbu veikšanas laikā.

1. Izņemiet akumulatoru.
2. Izņemiet no aizsarga auklas griezējasmēni.
3. Nostipriniet asmeni skrūvspīlē.
4. Valkājiet piemērotus acu aizsarglīdzekļus un cimdus, un rīkojieties uzmanīgi, lai sev neiegrieztu.
5. Uzmanīgi novīlējiet asmens griezējmalas ar smalku zobu asināšanas vīli vai asināšanas akmeni, saglabājot oriģinālo griešanas leņķi.
6. Nomainiet aizsargam asmeni un nostipriniet to ar divām skrūvēm.

Apkārtējās vides aizsardzība



Neizmetiet elektroierīces, akumulatora lādētājus un baterijas/uzlādējamus akumulatorus mājsaimniecības atkritumos!

Nogādājiet šo produktu uz pilnvarotu pārstrādes punktu un sagatavojiet atkritumu šķirošanai. Elektriskos instrumentus jānogādā videi nekaitīgā pārstrādes rūpnīcā.

Ja elektroierīces tiek izmestas atkritumu poligonos vai izgāztuvēs, gruntsūdenī var iekļūt bīstamas vielas, piesārņojot barības ķēdi, kaitējot veselībai un labsajūtai.

KĻŪMJU NOVĒRŠANA

PROBLĒMA	CĒLONIS	RISINĀJUMS
Auklas trimēris neieslēdzas.	<ul style="list-style-type: none"> ■ Instrumentgalvā nav akumulatora bloka. ■ Starp instrumentgalvu un akumulatoru bloku nav elektriskā savienojuma. ■ Akumulatoru bloks ir izlādējies. ■ Vienlaikus nav nospiesta bloķēšanas svira un pārslēdzējs. 	<ul style="list-style-type: none"> ■ Ievietojiet instrumentgalvā akumulatora bloku. ■ Izņemiet akumulatoru, pārbaudiet kontaktus un ievietojiet to atpakaļ, līdz tas nokļūst vietā. ■ Uzlādējiet akumulatora bloku ar šajā rokasgrāmatā norādītajiem EGO lādētājiem. ■ Nospiediet bloķēšanas sviru un turiet to, tad nospiediet pārslēdzēju, lai ieslēgtu auklas trimēri.
Auklas trimēris apstājas griešanas laikā.	<ul style="list-style-type: none"> ■ Uz trimēra nav uzstādīts aizsargs, kā rezultātā griešanas aukla ir par garu un rodas motora pārslodze. ■ Izmantota smaga griešanas aukla. ■ Motora vārpstu vai trimēra galvu nosprostojusi zāle. ■ Motora pārslodze. ■ Akumulatora bloks vai auklas trimēris ir pārkaris. ■ Akumulatora bloks ir atvienots no darbarīka. ■ Akumulatora bloks ir izlādējies. 	<ul style="list-style-type: none"> ■ Izņemiet akumulatora bloku un uzstādiet uz trimēra aizsargu. ■ Izmantojiet ieteikto neilona griešanas auklu, kuras diametrs nepārsniedz 2,4 mm . ■ Apturiet trimēri, izņemiet akumulatoru un iztīriet zāli no motora vārpstas un trimēra galvas. ■ Paceliet trimēra galvu no zāles. Pēc slodzes noņemšanas motors atsāks darboties, kā paredzēts. Griežot ievirziet trimēra galvu griežamajā zālē, noņemot ne vairāk par 20 cm garuma vienā griezumā. ■ Ļaujiet akumulatora blokam vai trimērim atdzist, līdz temperatūra nokrītas zem 67 °C . ■ Uzstādiet atpakaļ akumulatora bloku. ■ Uzlādējiet akumulatora bloku ar šajā rokasgrāmatā norādītajiem EGO lādētājiem.
Trimēra galva neizbīda auklu.	<ul style="list-style-type: none"> ■ Motora vārpstu vai trimēra galvu nosprostojusi zāle. ■ Spolē nepietiek auklas. ■ Trimēra galva ir netīra. ■ Aukla spolē ir sapinusies. ■ Aukla ir par īsu. 	<ul style="list-style-type: none"> ■ Apturiet trimēri, izņemiet akumulatoru un iztīriet zāli no motora vārpstas un trimēra galvas. ■ Izņemiet akumulatoru un nomainiet griezējauklu; sekojiet šīs rokasgrāmatas sadaļai „GRIEZĒJAUKLAS UZTĪŠANA”. ■ Izņemiet akumulatoru un notīriet spoli, spoles turētāju un spoles pamatni. ■ Izņemiet akumulatoru, izņemiet no spoles auklu un uztīniet to jauna; skatiet šīs rokasgrāmatas sadaļu „GRIEZĒJAUKLAS UZTĪŠANA”. ■ Izņemiet bateriju un velciet auklu, vienlaikus nospiežot un atlaižot izcilni.

PROBLĒMA	CĒĻONIS	RISINĀJUMS
Ap trimera galvu un motora korpusu ir aptinusies zāle.	<ul style="list-style-type: none"> Garas zāles griešana zemes līmenī. 	<ul style="list-style-type: none"> Grieziet garu zāli no augšas uz leju, katru reizi vienā gājienā nogriežot pa 20 cm, lai nepieļautu zāles aptīšanos.
Asmens nenogriež auklu.	<ul style="list-style-type: none"> Ar laiku aizsarga auklas griešanas asmens mala kļūst trula. 	<ul style="list-style-type: none"> Uzasiniet auklas griešanas asmeni ar vīli vai nomainiet to.
Plaisas uz trimmera galvas vai spoles aizturi atskrūvējies no spoles pamatnes.	<ul style="list-style-type: none"> Trimera galva ir nodilusi. Uzgrieznis, kas nofiksē trimmera galvu, ir atskrūvējies. 	<ul style="list-style-type: none"> Nekavējoties nomainiet trimera galvu; sekojiet norādījumiem šīs rokasgrāmatas sadaļā „TRIMERA GALVAS NOMAIŅA”. Atveriet trimmera galvu un ar triecienu uzgriežņu atslēgu pievelciet uzgriezni.
Auklas nomaiņas laikā auklu nevar iefīt trimera galvā pareizi.	<ul style="list-style-type: none"> Spoles aiztura LOAD līnija nesakrīt ar spoles pamatnes actiņām. Spoles aiztura LOAD līnija nesakrīt ar spoles pamatnes actiņām. 	<ul style="list-style-type: none"> Pagrieziet spoles aizturi bultiņas virzienā, lai salāgotu līniju ar uzrakstu LOAD uz spoles aiztura ar actiņām spoles pamatnē. Pagrieziet spoles aizturi bultiņas virzienā, lai salāgotu līniju ar uzrakstu LOAD uz spoles aiztura ar actiņām spoles pamatnē.

GARANTĪJA

EGO GARANTĪJAS POLITIKA

Lūdzu, apmeklējiet tīmekļa vietni egopowerplus.com, kur pieejama pilna EGO Garantijas politikas noteikumu un nosacījumu versija.

LV

ΔΙΑΒΑΣΤΕ ΟΛΕΣ ΤΙΣ ΟΔΗΓΙΕΣ!



Διαβάστε Το Εγχειρίδιο Χρήσης

⚠ Υπολειπόμενοι κίνδυνοι! Άνθρωποι που φέρουν ηλεκτρονικές συσκευές όπως βηματοδότες πρέπει να συμβουλευονται τους γιατρούς τους πριν τη χρήση αυτού του προϊόντος. Η λειτουργία ηλεκτρικών εξοπλισμών κοντά σε βηματοδότη μπορεί να προκαλέσει παρεμβολές ή βλάβη στον βηματοδότη.

⚠ ΠΡΟΕΙΔΟΠΟΙΗΣΗ: Για να διασφαλίσετε την ασφάλεια και την αξιοπιστία, όλες οι επισκευές πρέπει να διεξάγονται από εξειδικευμένο τεχνικό του σέρβις.

ΣΥΜΒΟΛΑ ΑΣΦΑΛΕΙΑΣ

Ο σκοπός των συμβόλων ασφαλείας είναι να σας τραβήξουν την προσοχή για ενδεχόμενους κινδύνους. Προσέξτε και κατανοήστε τα σύμβολα ασφαλείας και τις επεξηγήσεις που τα συνοδεύουν. Οι προειδοποιήσεις συμβόλων από μόνες τους δεν εξαλείφουν κανέναν κίνδυνο. Οι οδηγίες και οι προειδοποιήσεις που παρέχουν δεν υποκαθιστούν τα μέτρα σωστής πρόληψης ατυχημάτων.

⚠ ΠΡΟΕΙΔΟΠΟΙΗΣΗ: Βεβαιωθείτε ότι έχετε διαβάσει και κατανοήσει όλες τις οδηγίες ασφαλείας στο παρόν Εγχειρίδιο χειριστή, συμπεριλαμβανομένων όλων των συμβόλων ασφαλείας όπως «**ΚΙΝΔΥΝΟΣ**», «**ΠΡΟΕΙΔΟΠΟΙΗΣΗ**» και «**ΠΡΟΣΟΧΗ**», προτού χρησιμοποιήσετε αυτό το εργαλείο. Η μη τήρηση όλων των παρακάτω οδηγιών μπορεί να οδηγήσει σε ηλεκτροπληξία, πυρκαγιά ή/και σοβαρό ατομικό τραυματισμό.

ΣΗΜΑΣΙΑ ΣΥΜΒΟΛΩΝ

⚠ ΣΥΜΒΟΛΟ ΕΙΔΟΠΟΙΗΣΗΣ ΑΣΦΑΛΕΙΑΣ: Υποδηλώνει **ΚΙΝΔΥΝΟ**, **ΠΡΟΕΙΔΟΠΟΙΗΣΗ** ή **ΠΡΟΣΟΧΗ** και μπορεί να χρησιμοποιείται σε συνδυασμό με άλλα σύμβολα ή εικονογράμματα.




ΟΔΗΓΙΕΣ ΑΣΦΑΛΕΙΑΣ

Αυτή η σελίδα απεικονίζει και περιγράφει τα σύμβολα ασφαλείας που υπάρχουν ενδεχομένως σε αυτό το προϊόν. Διαβάξτε, κατανοήστε και ακολουθείτε όλες τις οδηγίες στη μηχανή προτού προσπαθήσετε να διεξάγετε εργασίες συναρμολόγησης και λειτουργίας.

	Είδοποίηση ασφαλείας	Υποδηλώνει ενδεχόμενο κίνδυνο ατομικού τραυματισμού.
--	----------------------	--

	Διαβάστε το εγχειρίδιο χρήσης	Προκειμένου να μειωθεί ο κίνδυνος τραυματισμού, ο χρήστης πρέπει να διαβάσει και να κατανοήσει το εγχειρίδιο χρήσης προτού χρησιμοποιήσει αυτό το προϊόν.
	Φοράτε προστασία των ματιών, ωτοπροστασία και κράνος	Φοράτε πάντα προστασία των ματιών, ωτοπροστασία και κράνος.
	Πλάτος κοπής	Μέγ. πλάτος κοπής χλοοκοπτικού με νήμα
	Διάμετρος νήματος	Διάμετρος του νήλου νήματος κοπής
	Μη χρησιμοποιείτε μεταλλικές λεπίδες	Προειδοποιεί το χρήστη προκειμένου να μην χρησιμοποιήσει μεταλλικές λεπίδες
	Διατηρείτε μακριά τους παρευρισκόμενους	Αντικείμενα που πετούνται μπορεί να εξοστρακιστούν και να προκύψει ατομικός τραυματισμός ή ζημιά στην ιδιοκτησία. Εξασφαλίστε ότι άλλα άτομα ή κατοικίδια παραμένουν τουλάχιστον μακριά από το θερμοκοπτικό όταν αυτό χρησιμοποιείται.
	Η απόσταση μεταξύ του μηχανήματος και παριστάμενων πρέπει να είναι τουλάχιστον 15 m	Εξασφαλίστε ότι άλλα άτομα ή κατοικίδια παραμένουν σε απόσταση τουλάχιστον 15 m από το χλοοκοπτικό με μεσινέζα όταν αυτό χρησιμοποιείται.
IPX4	Σύμβολο IP	Βαθμός προστασίας έναντι διείσδυσης νερού 4.
	CE	Αυτό το προϊόν συμφώνει με τις ισχύουσες οδηγίες της ΕΚ.

GR

	UKCA	Αυτό το προϊόν συμμορφώνεται με την ισχύουσα νομοθεσία του ΗΒ.
	ΑΗΗΕ (WEEE)	Τα άχρηστα ηλεκτρικά προϊόντα δεν πρέπει να απορρίπτονται στα οικιακά απόβλητα. Παραδοίτε τα σε μια εξουσιοδοτημένη εταιρεία ανακύκλωσης.
	Θόρυβος	Εγγυημένη στάθμη ηχητικής ισχύος. Εκπομπές θορύβου στο περιβάλλον σύμφωνα με την οδηγία της Ευρωπαϊκής Ένωσης.
V	Volt	Τάση
mm	Χιλιοστό	Μήκος ή διαστάσεις
cm	Εκατοστό	Μήκος ή διαστάσεις
kg	Κιλό	Βάρος

ΓΕΝΙΚΕΣ ΠΡΟΕΙΔΟΠΟΙΗΣΕΙΣ ΑΣΦΑΛΕΙΑΣ ΓΙΑ ΤΑ ΗΛΕΚΤΡΙΚΑ ΕΡΓΑΛΕΙΑ

▲ ΠΡΟΕΙΔΟΠΟΙΗΣΗ: Μελετήστε όλες τις προειδοποιήσεις ασφάλειας, τις οδηγίες, τις εικόνες και τις προδιαγραφές που συνοδεύουν αυτό το ηλεκτρικό εργαλείο. Αν δεν τηρηθούν όλες οι οδηγίες που αναφέρονται παρακάτω, μπορεί να προκληθεί ηλεκτροπληξία, φωτιά και/ή σοβαρός τραυματισμός.

Φυλάξτε όλες τις προειδοποιήσεις και τις οδηγίες για μελλοντική αναφορά.

Ο όρος «ηλεκτρικό εργαλείο» στις προειδοποιήσεις αναφέρεται στο ηλεκτρικό εργαλείο που έχετε στην κατοχή σας, είτε λειτουργεί με σύνδεση στην πρίζα (με καλώδιο) είτε λειτουργεί με μπαταρίες (χωρίς καλώδιο).

ΑΣΦΑΛΕΙΑ ΣΤΟ ΧΩΡΟ ΕΡΓΑΣΙΑΣ

- Διατηρείτε το χώρο εργασίας καθαρό και καλά φωτισμένο. Η ακαταστασία και ο κακός φωτισμός αυξάνουν την πιθανότητα ατυχημάτων.
- Μη χρησιμοποιείτε ηλεκτρικά εργαλεία σε περιβάλλον με εύφλεκτη ατμόσφαιρα, όπως όταν υπάρχουν

εύφλεκτα υγρά, αέρια ή σκόνη. Τα ηλεκτρικά εργαλεία δημιουργούν σπινθήρες που μπορεί να αναφλέξουν τη σκόνη ή τις αναθυμιάσεις.

- Όταν χρησιμοποιείτε ηλεκτρικά εργαλεία, κρατήστε μακριά τα παιδιά και κάθε άλλο άτομο που δεν συμμετέχει στην εργασία. Αν κάτι αποσπάσει την προσοχή σας, μπορεί να χάσετε τον έλεγχο του εργαλείου.

ΗΛΕΚΤΡΙΚΗ ΑΣΦΑΛΕΙΑ

- **Το φως του ηλεκτρικού εργαλείου πρέπει να ταιριάζει στην πρίζα. Μην τροποποιήσετε ποτέ και με κανέναν τρόπο το φως.** Μη χρησιμοποιείτε κανενός είδους προσαρμογείς πριζών με ηλεκτρικά εργαλεία, τα οποία διαθέτουν προστατευτικό καλώδιο (γείωση). Τα μη τροποποιημένα φως και οι κατάλληλες πριζές μειώνουν τον κίνδυνο ηλεκτροπληξίας.
- **Αποφεύγετε την επαφή με γειωμένες επιφάνειες, όπως σωλήνες, θερμαντικά σώματα, εστίες και ψυγεία.** Υπάρχει αυξημένος κίνδυνος ηλεκτροπληξίας όταν το σώμα σας είναι γειωμένο.
- **Μην χρησιμοποιείτε το μηχάνημα υπό βροχή ή υγρές συνθήκες.** Η εισχώρηση νερού στο μηχάνημα μπορεί να αυξήσει τον κίνδυνο ηλεκτροπληξίας ή δυσλειτουργίας, οδηγώντας σε τραυματισμό.
- **Μην κακομεταχειρίζεστε το καλώδιο. Μη χρησιμοποιείτε ποτέ το καλώδιο για να μεταφέρετε, να τραβήξετε ή να αποσυνδέσετε το ηλεκτρικό εργαλείο από την πρίζα.** Διατηρείτε το καλώδιο μακριά από θερμότητα, λάδια, αιχμηρές γωνίες ή κινούμενα εξαρτήματα. Τα κατεστραμμένα ή μπλεγμένα καλώδια αυξάνουν τον κίνδυνο ηλεκτροπληξίας.
- Όταν χρησιμοποιείτε ένα ηλεκτρικό εργαλείο σε εξωτερικό χώρο, χρησιμοποιείτε καλώδιο πρόεκτασης κατάλληλο για χρήση σε εξωτερικούς χώρους. Τα καλώδια που είναι κατάλληλα για εξωτερικό χώρο περιορίζουν τον κίνδυνο ηλεκτροπληξίας.
- **Εφόσον δεν μπορείτε να αποφύγετε τη χρήση του ηλεκτρικού εργαλείου σε περιοχή με υγρασία, χρησιμοποιείτε προφοδοσία με διάταξη προστασίας ρεύματος διαρροής (RCD).** Η χρήση διάταξης RCD μειώνει τον κίνδυνο ηλεκτροπληξίας.

ΠΡΟΣΩΠΙΚΗ ΑΣΦΑΛΕΙΑ

- **Να είστε πάντα σε εγρήγορση, να προσέχετε τι κάνετε και να χρησιμοποιείτε την κοινή λογική όταν χρησιμοποιείτε ηλεκτρικά εργαλεία. Μη χρησιμοποιείτε ηλεκτρικά εργαλεία όταν είστε κουρασμένοι ή υπό την επήρεια ναρκωτικών, αλκοόλ ή φαρμάκων.** Όταν χρησιμοποιείτε ηλεκτρικά εργαλεία, μια στιγμή απροσεξίας μπορεί να προκαλέσει σοβαρό τραυματισμό.

- **Χρησιμοποιείτε εξοπλισμό ατομικής προστασίας.** Φοράτε πάντα προστατευτικά για τα μάτια. Η χρήση του κατάλληλου προστατευτικού εξοπλισμού ανάλογα με τις συνθήκες, όπως μάσκα σκόνης, αντιολισθητικά παπούτσια, κράνος ή γυαλιά, μειώνει τον κίνδυνο τραυματισμού.
- **Λάβετε μέτρα για να μην ενεργοποιηθεί κατά λάθος το εργαλείο.** Βεβαιωθείτε ότι είναι κλειστός ο διακόπτης (OFF) πριν συνδέσετε το ηλεκτρικό εργαλείο στην πρίζα και/ή στην μπαταρία, καθώς και όταν σκλώνετε ή μεταφέρετε το εργαλείο. Μη μεταφέρετε το ηλεκτρικό εργαλείο με το δάκτυλο πάνω στο διακόπτη και μη βάζετε το ηλεκτρικό εργαλείο στην πρίζα με ανοικτό το διακόπτη, διότι αυξάνεται ο κίνδυνος ατυχήματος.
- **Πριν ενεργοποιήσετε το ηλεκτρικό εργαλείο, αφαιρέστε κάθε ρυθμιστικό εργαλείο ή εξάρτημα.** Αν το ρυθμιστικό εργαλείο ή εξάρτημα παραμείνει συνδεδεμένο στο περιστρεφόμενο εξάρτημα του ηλεκτρικού εργαλείου, μπορεί να προκληθεί τραυματισμός.
- **Μην τεντώνετε υπερβολικά για να πραγματοποιήσετε την εργασία.** Πατάτε πάντα σταθερά και διατηρείτε την ισορροπία σας. Έτσι θα ελέγχετε καλύτερα το ηλεκτρικό εργαλείο αν προκύψει κάποια απροσδόκητη κατάσταση.
- **Φοράτε κατάλληλα ρούχα.** Μη φοράτε φαρδιά ρούχα ή κοσμήματα. Κρατήστε τα μαλλιά, τα ρούχα και τα γάντια σας μακριά από κινούμενα μέρη. Χαλαρά ρούχα, κοσμήματα ή μακριά μαλλιά μπορεί να πιαστούν στα κινούμενα μέρη.
- **Αν υπάρχει δυνατότητα σύνδεσης συσκευών απομάκρυνσης και συλλογής της σκόνης, βεβαιωθείτε ότι αυτές οι συσκευές έχουν συνδεθεί και χρησιμοποιούνται σωστά.** Αυτές οι συσκευές μπορούν να περιορίσουν τους κινδύνους που σχετίζονται με τη σκόνη.
- **Ακόμα κι αν χρησιμοποιείτε συχνά ηλεκτρικά εργαλεία, μην εφησυχάζετε και μην παραβλέπετε τους βασικούς κανόνες ασφαλείας.** Μια στιγμή απροσεξίας μπορεί να προκαλέσει σοβαρό τραυματισμό.

ΧΡΗΣΗ ΚΑΙ ΦΡΟΝΤΙΔΑ ΤΟΥ ΗΛΕΚΤΡΙΚΟΥ ΕΡΓΑΛΕΙΟΥ

- **Μην πιέζετε το ηλεκτρικό εργαλείο.** Χρησιμοποιήστε το κατάλληλο ηλεκτρικό εργαλείο για την εκάστοτε εργασία. Η εργασία θα πραγματοποιηθεί καλύτερα και ασφαλέστερα αν χρησιμοποιηθεί το κατάλληλο ηλεκτρικό εργαλείο στην ταχύτητα για την οποία έχει σχεδιαστεί.
- **Μη χρησιμοποιήσετε το ηλεκτρικό εργαλείο αν**

δεν μπορείτε να το ενεργοποιήσετε και να το απενεργοποιήσετε από το διακόπτη. Κάθε ηλεκτρικό εργαλείο που δεν ελέγχεται από το διακόπτη είναι επικίνδυνο και πρέπει να επισκευάζεται.

- **Αποσυνδέστε το φως από την πρίζα και/ή αφαιρέστε την μπαταρία από το ηλεκτρικό εργαλείο πριν κάνετε οποιαδήποτε ρύθμιση, αλλάξετε εξαρτήματα και πριν αποθηκεύσετε το εργαλείο.** Χάρη σε τέτοια προληπτικά μέτρα περιορίζεται ο κίνδυνος να ενεργοποιηθεί κατά λάθος το ηλεκτρικό εργαλείο.
- **Όταν δεν λειτουργεί το ηλεκτρικό εργαλείο, πρέπει να φυλάσσεται μακριά από παιδιά και να μην επιτρέπεται σε άτομα που δεν είναι εξοικειωμένα με το εργαλείο ή με τις παρούσες οδηγίες να χρησιμοποιούν το εργαλείο.** Τα ηλεκτρικά εργαλεία είναι επικίνδυνα στα χέρια ατόμων που δεν έχουν εκπαιδευτεί στη χρήση τους.
- **Συντηρείτε σωστά τα ηλεκτρικά εργαλεία και τα βοηθητικά τους εξαρτήματα.** Ελέγχετε για κακή ευθυγράμμιση ή εμπλοκή των κινούμενων εξαρτημάτων, για σπασμένα εξαρτήματα και για κάθε άλλη κατάσταση που μπορεί να επηρεάσει τη λειτουργία του ηλεκτρικού εργαλείου. Αν υποστεί ζημιά το ηλεκτρικό εργαλείο, επισκευάστε το πριν το χρησιμοποιήσετε. Πολλά ατυχήματα οφείλονται σε κακώς συντηρημένα ηλεκτρικά εργαλεία.
- **Διατηρείτε τα κοπτικά εξαρτήματα αιχμηρά και καθαρά.** Όταν τα κοπτικά εξαρτήματα έχουν συντηρηθεί σωστά και είναι αιχμηρά, ελέγχονται ευκολότερα και είναι λιγότερο πιθανό να μπλοκάρουν.
- **Χρησιμοποιείτε το ηλεκτρικό εργαλείο, τα εξαρτήματα, τα τρυπάνια κ.λπ. σύμφωνα με τις παρούσες οδηγίες και λαμβάνοντας υπόψη τις συνθήκες και την εργασία που θα εκτελεστεί.** Αν το ηλεκτρικό εργαλείο χρησιμοποιηθεί για εργασία για την οποία δεν προορίζεται, μπορεί να δημιουργηθούν επικίνδυνες καταστάσεις.
- **Διατηρείτε τις λαβές και την επιφάνεια συγκράτησης του εργαλείου στεγνές και καθαρές, χωρίς λάδια και γράσα.** Αν γλιστρούν οι λαβές και οι επιφάνειες συγκράτησης, δεν θα μπορείτε να χειριστείτε με ασφάλεια το εργαλείο, ούτε θα μπορείτε να το ελέγξετε αν προκύψει κάποια απροσδόκητη κατάσταση.

ΧΡΗΣΗ ΚΑΙ ΦΡΟΝΤΙΔΑ ΤΟΥ ΕΡΓΑΛΕΙΟΥ ΜΕ ΜΠΑΤΑΡΙΑ

- **Επαναφορτίξτε το εργαλείο μόνο με τον φορτιστή που ορίζεται από τον κατασκευαστή.** Οι φορτιστές που είναι κατάλληλοι για ορισμένο τύπο μπαταρίας μπορεί να προκαλέσουν φωτιά αν χρησιμοποιηθούν με άλλο τύπο μπαταρίας.
- **Χρησιμοποιήστε το ηλεκτρικό εργαλείο μόνο με την ειδική φορητή μπαταρία που προορίζεται για αυτό.** Αν

GR

χρησιμοποιηθεί οποιαδήποτε άλλη φορητή μπαταρία, μπορεί να προκληθεί τραυματισμός και φωτιά.

- Όταν δεν χρησιμοποιείται η φορητή μπαταρία, πρέπει να φυλάσσεται μακριά από μεταλλικά αντικείμενα όπως συνδετήρες, νομίσματα, κλειδιά, καρφιά, βίδες ή άλλα μικρά μεταλλικά αντικείμενα, που μπορεί να δημιουργήσουν σύνδεση μεταξύ των πόλων της μπαταρίας. Το βραχυκύκλωμα των πόλων της μπαταρίας μπορεί να προκαλέσει εγκαύματα ή φωτιά.
- Σε συνθήκες κακής χρήσης, μπορεί να διαρρεύσει υγρό από την μπαταρία. Μην το αγγίζετε. Αν το αγγίζετε κατά λάθος, ξεπλυθείτε με νερό. Αν το υγρό έρθει σε επαφή με τα μάτια, απευθυνθείτε επίσης σε γιατρό. Το υγρό που διαρρέει από την μπαταρία μπορεί να προκαλέσει ερεθισμό ή εγκαύματα.
- Μη χρησιμοποιείτε την μπαταρία ή το εργαλείο αν έχουν υποστεί ζημιά ή έχουν τροποποιηθεί. Οι μπαταρίες που έχουν υποστεί ζημιά ή έχουν τροποποιηθεί μπορεί να έχουν απρόβλεπτη συμπεριφορά και να προκαλέσουν φωτιά, έκρηξη ή τραυματισμό.
- Η μπαταρία και το εργαλείο δεν πρέπει να εκτίθενται σε φωτιά ή υπερβολικά υψηλή θερμοκρασία. Η έκθεση σε φωτιά ή σε θερμοκρασία πάνω από 130°C μπορεί να προκαλέσει έκρηξη.
- Τρέψτε όλες τις οδηγίες για τη φόρτιση και μη φορτίζετε την μπαταρία ή το εργαλείο εκτός του εύρους θερμοκρασίας που αναφέρεται στις οδηγίες. Αν η φόρτιση δεν γίνει σωστά ή πραγματοποιηθεί εκτός του καθορισμένου εύρους θερμοκρασίας, μπορεί να υποστεί ζημιά η μπαταρία και να προκληθεί φωτιά.

ΣΕΡΒΙΣ

- Το ηλεκτρικό εργαλείο πρέπει να επισκευάζεται μόνο από πιστοποιημένο επαγγελματία, χρησιμοποιώντας μόνο πανομοιότυπα ανταλλακτικά. Έτσι διασφαλίζεται η ασφαλής λειτουργία του ηλεκτρικού εργαλείου.
- Μην επιχειρείτε να επισκευάσετε την μπαταρία αν έχει υποστεί ζημιά. Οι μπαταρίες πρέπει να επισκευάζονται μόνο από τον κατασκευαστή ή από εξουσιοδοτημένα κέντρα σέρβις.

ΕΙΔΙΚΕΣ ΠΡΟΕΙΔΟΠΟΙΗΣΕΙΣ ΑΣΦΑΛΕΙΑΣ ΓΙΑ ΧΛΟΟΚΟΠΤΙΚΟ ΜΕ ΜΕΣΙΝΕΖΑ

- Μην χρησιμοποιείτε το μηχάνημα υπό κακές καιρικές συνθήκες, ειδικά όταν υπάρχει κίνδυνος αστραπών. Έτσι μειώνεται ο κίνδυνος να σας χτυπήσει κεραυνός.
- Επιθεωρείτε διεξοδικά την περιοχή, όπου πρόκειται

να χρησιμοποιηθεί το μηχάνημα, για τυχόν άγρια ζώα. Τα άγρια ζώα μπορούν να τραυματιστούν από το μηχάνημα κατά τη διάρκεια της λειτουργίας του.

- Επιθεωρείτε διεξοδικά την περιοχή, όπου πρόκειται να χρησιμοποιηθεί το μηχάνημα, και απομακρύνετε όλες τις πέτρες, τα κλαδιά, τα καλώδια, τα κόκαλα και άλλα ξένα σώματα. Τα εκσφενδονιζόμενα αντικείμενα μπορούν να προκαλέσουν τραυματισμούς.
- Πριν από τη χρήση του μηχανήματος, ελέγχετε το πάντα οπτικά, για να βεβαιωθείτε ότι ο κόφτης ή η λεπίδα και το συγκρότημα του κόφτη ή της λεπίδας δεν έχουν υποστεί ζημιά. Τα εξαρτήματα που έχουν υποστεί ζημιά αυξάνουν τον κίνδυνο τραυματισμού.
- Ακολουθείτε τις οδηγίες σχετικά με την αλλαγή παρελκομένων. Τα πλημμελώς συσφιγμένα παξιμάδια ή μπουλόνια στερέωσης του κόφτη μπορεί να προκαλέσουν ζημιά στη λεπίδα ή να οδηγήσουν στην αποκόλλησή της.
- Φοράτε προστασία των ματιών, ωτοπροστασία, κράνος και γάντια. Ο επαρκής εξοπλισμός προστασίας θα μειώσει τον κίνδυνο τραυματισμού από εκσφενδονιζόμενα θραύσματα ή τυχαία επαφή με τη μεσινέζα ή τη λεπίδα.
- Κατά το χειρισμό του μηχανήματος, φοράτε πάντα αντιολισθητικά και προστατευτικά υποδήματα. Μην χρησιμοποιείτε το μηχάνημα ξυπόλητοι ή φορώντας σανδάλια. Αυτό μειώνει την πιθανότητα τραυματισμού των ποδιών σε περίπτωση επαφής με τους κινούμενους κόφτες ή τις μεσινέζες.
- Κατά το χειρισμό του μηχανήματος, φοράτε πάντα μακρύ παντελόνι. Το εκτεθειμένο δέρμα αυξάνει την πιθανότητα τραυματισμού από εκσφενδονιζόμενα αντικείμενα.
- Διατηρείτε μακριά τους παρευρισκόμενους κατά τη διάρκεια λειτουργίας του μηχανήματος. Στην αντίθετη περίπτωση, ενέχει κίνδυνος σοβαρού τραυματισμού από εκσφενδονιζόμενα θραύσματα.
- Κρατάτε πάντα το μηχάνημα και με τα δύο σας χέρια όταν το χρησιμοποιείτε. Κρατώντας το μηχάνημα και με τα δύο χέρια θα αποφύγετε την απώλεια ελέγχου.
- Κρατάτε το μηχάνημα μόνο από τις μονωμένες επιφάνειες των χειρολαβών, αφού η μεσινέζα ή η λεπίδα ενδέχεται να έλθουν σε επαφή με κρυφές καλωδιώσεις. Εάν η μεσινέζα ή η λεπίδα έλθουν σε επαφή με ηλεκτροφόρα καλώδια, τα εκτεθειμένα μεταλλικά μέρη του ηλεκτρικού εργαλείου ενδέχεται να καταστούν ηλεκτροφόρα και να προκαλέσουν ηλεκτροπληξία στο χειριστή.
- Πατάτε πάντα σταθερά και χειρίζετε το μηχάνημα μόνο όταν στέκεστε στο έδαφος. Οι ολισθηρές

και ασταθείς επιφάνειες, μπορούν να προκαλέσουν απώλεια ισορροπίας και απώλεια ελέγχου του μηχανήματος.

- **Μην χρησιμοποιείτε το μηχάνημα σε υπερβολικά απότομες πλαγιές.** Αυτό μειώνει τον κίνδυνο απώλειας ελέγχου, ολίσθησης και πτώσης, τα οποία μπορούν να οδηγήσουν σε τραυματισμό.
- **Όταν εργάζεστε σε πλαγιές, πατάτε πάντα σταθερά, εργάζεστε πάντα κατά μήκος της επιφάνειας των πλαγιών, ποτέ με κλίση προς τα πάνω ή προς τα κάτω, και να είστε εξαιρετικά προσεκτικοί όταν αλλάζετε κατεύθυνση.** Αυτό μειώνει τον κίνδυνο απώλειας ελέγχου, ολίσθησης και πτώσης, τα οποία μπορούν να οδηγήσουν σε τραυματισμό.
- **Διατηρείτε όλα τα μέλη του σώματός σας μακριά από τον κόφτη, τη μεσινέζα ή τη λεπίδα, εφόσον το μηχάνημα βρίσκεται σε λειτουργία.** Προτού ενεργοποιήσετε το μηχάνημα, βεβαιωθείτε ότι ο κόφτης, η μεσινέζα ή η λεπίδα δεν έρχεται σε επαφή με κανένα αντικείμενο. Μια στιγμή απροσεξίας κατά το χειρισμό του μηχανήματος μπορεί να οδηγήσει σε τραυματισμό, δικό σας ή άλλων.
- **Μην χειρίζεστε το μηχάνημα σε ύψος μεγαλύτερο από εκείνο της μέσης σας.** Αυτό συμβάλλει στην αποφυγή ακούσιας επαφής του κόφτη ή της λεπίδας και επιτρέπει τον καλύτερο έλεγχο του μηχανήματος σε απρόβλεπτες καταστάσεις.
- **Όταν κόβετε θάμνους ή δενδρύλλια που βρίσκονται υπό τάση, λαμβάνετε υπόψη ότι μπορούν να πιναχθούν στην αντίθετη κατεύθυνση καθώς τα κόβετε.** Μόλις η αποδεσμευτεί τάση των ινών του ξύλου, το κλαδί ενδέχεται να χτυπήσει το χειριστή και/ή να θέσει το μηχάνημα εκτός ελέγχου.
- **Να είστε ιδιαίτερα προσεκτικοί κατά την κοπή κλαδιών και δενδρυλλίων.** Το λεπτό υλικό είναι πιθανό να εγκλωβιστεί στη λεπίδα και να εκσφενδονιστεί προς το μέρος σας ή να σας κάνει να χάσετε την ισορροπία σας.
- **Διατηρείτε τον έλεγχο του μηχανήματος και μην αγγίζετε τους κόφτες, τις μεσινέζες ή τις λεπίδες και άλλα επικίνδυνα κινούμενα μέρη, ενώ αυτά εξακολουθούν να κινούνται.** Αυτό θα μειώσει τον κίνδυνο τραυματισμού από κινούμενα μέρη.
- **Όταν απομακρύνετε το εγκλωβισμένο υλικό ή συντηρείτε το μηχάνημα, βεβαιώνετε ότι ο διακόπτης είναι απενεργοποιημένος και ότι η συστοιχία μπαταριών έχει αφαιρεθεί.** Η τυχαία ενεργοποίηση του μηχανήματος κατά την αφαίρεση εγκλωβισμένου υλικού ή κατά τη συντήρηση μπορεί να οδηγήσει σε σοβαρό τραυματισμό.
- **Μεταφέρετε το μηχάνημα όταν αυτό είναι**

απενεργοποιημένο και διατηρείτε το μακριά από το σώμα σας. Ο σωστός χειρισμός του μηχανήματος θα μειώσει την πιθανότητα ακούσιας επαφής με κινούμενο κόφτη, μεσινέζα ή λεπίδα.

- **Χρησιμοποιείτε μόνο κόφτες, μεσινέζες, κεφαλές κοπής και λεπίδες που συνιστώνται από τον κατασκευαστή για ανταλλακτικά.** Τα λάθος ανταλλακτικά μπορεί να αυξήσουν τον κίνδυνο θραύσης και τραυματισμών.
- **Ζημιά στο χλοοκοπτικό – Εάν χτυπήσετε ξένο σώμα με το χλοοκοπτικό ή εάν το χλοοκοπτικό μπλοκάρει, ακινητοποιήστε αμέσως το ηλεκτρικό εργαλείο, ελέγξτε για ζημιές και αναθέστε την επισκευή της ζημιάς σε επαγγελματία, προτού επιχειρήσετε να το χρησιμοποιήσετε περαιτέρω.** Μη χειρίζεστε με σπασμένο προστατευτικό ή καρούλι.
- **Εάν ο εξοπλισμός αρχίσει να δονείται μη φυσιολογικά, σταματήστε τον κινητήρα και αναζητήστε αμέσως την αιτία.** Οι κραδασμοί αποτελούν συνήθως προειδοποίηση προβλημάτων. Μια χαλαρή κεφαλή μπορεί να δονείται, να ραγίσει, να σπάσει ή να ξεφύγει από το χλοοκοπτικό με αποτέλεσμα σοβαρό ή θανατηφόρο τραυματισμό. Βεβαιώνετε ότι το εξάρτημα κοπής είναι σωστά στερεωμένο στη θέση του. Εάν η κεφαλή λασκάρει μετά τη στερέωση στη θέση της, αντικαταστήστε την αμέσως. Ποτέ μη χρησιμοποιείτε ένα χλοοκοπτικό με λασκαρισμένο προσάρτημα κοπής.
- **Τα εργαλεία μπαταρίας δεν πρέπει να συνδέονται σε ηλεκτρική πρίζα.** Γι' αυτό βρίσκονται πάντα σε κατάσταση λειτουργίας. Προσέχετε πιθανούς κινδύνους ακόμα και όταν το εργαλείο δεν λειτουργεί. Προσέχετε όταν διεξάγετε συντήρηση ή σέρβις.
- **Μην πλένετε με λάστιχο.** Αποφεύγετε να εισέρχεται νερό στον κινητήρα και στις ηλεκτρικές συνδέσεις.
- **Εάν προκύψουν καταστάσεις που δεν καλύπτονται στο παρόν εγχειρίδιο, να είστε προσεκτικοί και να κρίνετε σωστά.** Επικοινωνήστε με το κέντρο σέρβις πελατών της EGO για βοήθεια.
- **Να χρησιμοποιείται μόνο με τις συστοιχίες μπαταριών και τους φορτιστές που αναφέρονται στην εικ. Α.**

GR

ΦΥΛΑΞΤΕ ΑΥΤΕΣ ΤΙΣ ΟΔΗΓΙΕΣ!

ΠΡΟΔΙΑΓΡΑΦΕΣ

Μηχανισμός κοπής	Κεφαλή πρόσκρουσης
Διάμετρος νήματος	2,4 χιλ νάιλον συστρεφόμενο νήμα

Πλάτος κοπής	40 εκ	
Ταχύτητα χωρίς φορτίο	4900/5800 min^{-1}	
Βάρος (χωρίς την μπαταρία)	1,53 κιλά	
Προτεινόμενη θερμοκρασία λειτουργίας	0°C-40°C	
Προτεινόμενη θερμοκρασία αποθήκευσης	-20°C-70°C	
Μετρημένη στάθμη ηχητικής ισχύος L_{WA}	95,72 dB(A) K=0,77 dB(A)	
Στάθμη ηχητικής πίεσης στη θέση χειριστή L_{PA}	81,6 dB(A) K=3 dB(A)	
Εγγυημένο επίπεδο ισχύος ήχου L_{WA} (σύμφωνα με 2000/14/EC)	96 dB(A)	
Δονήσεις a_h	Λαβή μπροστινής υποβοήθησης	2,5 m/s^2 K=1,5 m/s^2
	Μπροστινή λαβή	1,8 m/s^2 K=1,5 m/s^2

- Οι παραπάνω παράμετροι έχουν ελεγχθεί και μετρηθεί με εξοπλισμό ηλεκτρικής κεφαλής RH1420E.
- Η αναφερόμενη συνολική τιμή κραδασμών έχει μετρηθεί σύμφωνα με την πρότυπη μέθοδο ελέγχου και μπορεί να χρησιμοποιηθεί για τη σύγκριση ενός εργαλείου με κάποιο άλλο.
- Η αναφερόμενη συνολική τιμή κραδασμών μπορεί να χρησιμοποιηθεί επίσης για την προκαταρκτική αξιολόγηση της έκθεσης.

ΠΡΟΕΙΔΟΠΟΙΗΣΗ: Η δόνηση και οι εκπομπές θορύβου κατά τη διάρκεια της πραγματικής χρήσης του ηλεκτρικού εργαλείου μπορεί να διαφέρουν από τις δηλωθείσες τιμές ανάλογα με τον τρόπο χρήσης του ηλεκτρικού εργαλείου, ιδίως, ανάλογα με το είδος του τεμαχίου επεξεργασίας.

Ο χειριστής οφείλει να λαμβάνει μέτρα ασφαλείας για την προστασία του, τα οποία να βασίζονται σε μια εκτίμηση της έκθεσης υπό πραγματικές συνθήκες χρήσης (λαμβάνοντας υπόψη όλα τα μέρη του κύκλου λειτουργίας, όπως, τους χρόνους κατά τους οποίους το ηλεκτρικό εργαλείο είναι απενεργοποιημένο και αδρανές, επιπλέον του χρόνου λειτουργίας).

ΚΑΤΑΛΟΓΟΣ ΕΞΑΡΤΗΜΑΤΩΝ ΣΥΣΚΕΥΑΣΙΑΣ (ΕΙΚ. Α)

Σχετικά με το προτεινόμενο μήκος κοπής, επισκεφθείτε την ιστοσελίδα egorowerplus.com ή ανατρέξτε στον κατάλογο προϊόντων της EGO.

ΠΕΡΙΓΡΑΦΗ

ΓΝΩΡΙΣΤΕ ΤΟ ΠΡΟΣΑΡΤΗΜΑ ΧΛΟΟΚΟΠΤΙΚΟΥ ΜΕ ΝΗΜΑ (ΕΙΚ. Α)

1. Τερματικό πώμα
2. Άξονας χλοοκοπτικού με μεσινέζα
3. Κουμπί τροφοδοσίας μεσινέζας
4. Μεσινέζα
5. Κεφαλή χλοοκοπτικού (κεφαλή πρόσκρουσης)
6. Γλωπίδα αποδέσμευσης
7. Λεπίδα κοπής νήματος
8. Καλύπτρα
9. Εξάγωνο κλειδί

▲ ΠΡΟΕΙΔΟΠΟΙΗΣΗ: Ποτέ μη χειρίζεστε το εργαλείο χωρίς το προστατευτικό στη θέση του. Το προστατευτικό πρέπει να βρίσκεται πάντα στο εργαλείο για την προστασία του χρήστη.

ΣΥΝΑΡΜΟΛΟΓΗΣΗ

▲ ΠΡΟΕΙΔΟΠΟΙΗΣΗ: Σε περίπτωση που κάποια από τα εξαρτήματα έχουν υποστεί ζημιά ή λείπουν, μη χρησιμοποιήσετε το μηχάνημα, μέχρι να αντικατασταθούν. Η χρήση αυτού του προϊόντος με φθαρμένα ή ελλειπή εξαρτήματα μπορεί να έχει σαν αποτέλεσμα σοβαρό ατομικό τραυματισμό.

▲ ΠΡΟΕΙΔΟΠΟΙΗΣΗ: Μην επιχειρήσετε να τροποποιήσετε αυτό το εργαλείο ή να χρησιμοποιήσετε εξαρτήματα που δεν συστήνονται για χρήση με αυτό το χλοοκοπτικό με νήμα. Οποιαδήποτε τέτοια μετατροπή ή τροποποίηση μπορεί να προκαλέσει επικίνδυνες συνθήκες με επακόλουθο σοβαρό τραυματισμό

▲ ΠΡΟΕΙΔΟΠΟΙΗΣΗ: Μη συνδέετε στην ηλεκτρική κεφαλή, μέχρι να ολοκληρωθεί η συναρμολόγηση. Σε αντίθετη περίπτωση ενέχει κίνδυνο τυχαίας ενεργοποίησης και επακόλουθου σοβαρού τραυματισμού.

ΤΟΠΟΘΕΤΗΣΗ ΤΟΥ ΠΡΟΣΤΑΤΕΥΤΙΚΟΥ

▲ ΠΡΟΕΙΔΟΠΟΙΗΣΗ: Φοράτε πάντα γάντια κατά την τοποθέτηση ή αντικατάσταση του προστατευτικού. Προσέχετε τη λεπίδα στο προστατευτικό και προστατεύετε τα χέρια σας από τραυματισμό λόγω της λεπίδας.

Ξεβιδώστε τις δυο βίδες από τη βάση του άξονα (Εικ. C) και αφαιρέστε τις. Ευθυγραμμίστε τις οπές εγκατάστασης του προστατευτικού με τις οπές της συναρμολόγησης και ασφαλίστε το προστατευτικό πάνω στη βάση του άξονα, με τη βοήθεια των δυο βιδών και δύο ελατηριωτών ροδελών (Εικ. D).

Εξασφαλίστε ότι το προστατευτικό έχει σφίχτει σύμφωνα με τις Εικ. C & D, οποιαδήποτε αντίστροφη στερέωση θα προκαλέσει εξαιρετικά σοβαρό κίνδυνο!

ΣΥΝΔΕΣΗ ΤΟΥ ΠΡΟΣΑΡΤΗΜΑΤΟΣ ΧΛΟΟΚΟΠΤΙΚΟΥ ΜΕ ΜΕΣΙΝΕΖΑ ΣΤΗΝ ΗΛΕΚΤΡΙΚΗ ΚΕΦΑΛΗ

Αυτό το προσάρτημα χλοοκοπτικού έχει σχεδιαστεί για χρήση με την ηλεκτρική κεφαλή EGO PH1420E.

Ανατρέξτε στην ενότητα «ΕΓΚΑΤΑΣΤΑΣΗ ΠΡΟΣΑΡΤΗΜΑΤΟΣ ΗΛΕΚΤΡΙΚΗΣ ΚΕΦΑΛΗΣ» στο εγχειρίδιο χρήστη της ηλεκτρικής κεφαλής PH1420E.

ΛΕΙΤΟΥΡΓΙΑ

⚠️ ΠΡΟΕΙΔΟΠΟΙΗΣΗ: Η εξοικειώσή σας με αυτό το προϊόν δε θα πρέπει να σας κάνει λιγότερο προσεκτικούς. Θυμηθείτε πως ένα κλάσμα δευτερολέπτου απροσεξίας μπορεί να προκαλέσει σοβαρό τραυματισμό.

⚠️ ΠΡΟΕΙΔΟΠΟΙΗΣΗ: Φοράτε πάντα προστασία για τα μάτια μαζί με προστασία ακοής. Σε αντίθετη περίπτωση, είναι πιθανό να υπάρξει εκτόξευση αντικειμένων στα μάτια σας και άλλοι πιθανοί σοβαροί τραυματισμοί.

ΕΦΑΡΜΟΓΕΣ

Μπορείτε να χρησιμοποιήσετε αυτό το προϊόν για τους κατωτέρω αναφερόμενους σκοπούς:

- Κούρεμα γρασιδιού και αγριόχορτων γύρω από βεράντες, φράχτες και δάπεδα

ΣΗΜΕΙΩΣΗ: Το εργαλείο πρέπει να χρησιμοποιείται αποκλειστικά για τη σκοπούμενη χρήση. Οποιαδήποτε άλλη χρήση θα χαρακτηριστεί ως περίπτωση κακής χρήσης.

Πριν από κάθε χρήση ελέγχετε για εξαρτήματα με ζημιές/φθορές

Ελέγχετε την κεφαλή του χλοοκοπτικού, την καλύπτρα και την μπροστινή λαβή και αντικαθιστάτε τα μέρη που είναι ραγισμένα, στρεβλωμένα, λυγισμένα ή κατεστραμμένα κατά οποιονδήποτε τρόπο.

Η λεπίδα κοπής νήματος στο άκρο του προστατευτικού μπορεί να στομώνει με την πάροδο του χρόνου.

Συστήνεται να την τροχίζετε ανά τακτά χρονικά διαστήματα με μια λίμα ή να την αντικαθιστάτε με νέα.

⚠️ ΠΡΟΕΙΔΟΠΟΙΗΣΗ: Φοράτε πάντα γάντια κατά την τοποθέτηση ή αντικατάσταση του προστατευτικού ή κατά το τρόχισμα ή την αντικατάσταση της λεπίδας. Προσέχετε τη θέση της λεπίδας στο προστατευτικό και προστατεύετε το χέρι σας από τραυματισμό.

⚠️ ΠΡΟΕΙΔΟΠΟΙΗΣΗ: Για να εμποδίσετε σοβαρό ατομικό τραυματισμό, απομακρύνετε τη συστοιχία μπαταριών από την ηλεκτρική κεφαλή πριν από σέρβις, καθαρισμό, αλλαγή προσαρτημάτων ή αφαίρεση υλικού από τη μονάδα.

ΧΡΗΣΗ ΤΟΥ ΠΡΟΣΑΡΤΗΜΑΤΟΣ ΧΛΟΟΚΟΠΤΙΚΟΥ ΜΕ ΤΗΝ ΗΛΕΚΤΡΙΚΗ ΚΕΦΑΛΗ

⚠️ ΠΡΟΕΙΔΟΠΟΙΗΣΗ: Ντύνεστε κατάλληλα για τη μείωση κινδύνου τραυματισμού κατά τη λειτουργία αυτού του εργαλείου. Μη φοράτε φαρδιά ρούχα ή κοσμήματα. Φοράτε προστατευτικά γυαλιά και προστατευτικό αφιτών/ακοής. Φοράτε βοριά, μακριά παντελόνια, μπότες και γάντια. Μη φοράτε κοντά παντελόνια, σανδάλια και μην είστε ξυπόλυτοι.

⚠️ ΠΡΟΕΙΔΟΠΟΙΗΣΗ: Καθαρίζετε την περιοχή κοπής πριν από κάθε χρήση. Απομακρύνετε όλα τα αντικείμενα όπως πέτρες, σπασμένα γυαλιά, καρφιά, σύρματα ή νήματα τα οποία μπορεί να πεταχτούν ή να μπερδευτούν στο προσάρτημα κοπής. Εκκενώνετε το χώρο από παιδιά, παρευρισκόμενους και κατοικίδια. Τα παιδιά, οι παρευρισκόμενοι και τα κατοικίδια πρέπει να βρίσκονται τουλάχιστον 15 μ. μακριά. Μπορεί να συνεχίζει να υπάρχει κίνδυνος για τους παρευρισκόμενους λόγω εκτοξευόμενων αντικειμένων. Οι παρευρισκόμενοι πρέπει να ενθαρρύνονται να φοράνε προστασία για τα μάτια. Εάν σας προσεγγίσουν, σταματήστε το μοτέρ και το προσάρτημα κοπής αμέσως.

Για ασφαλέστερη και καλύτερη λειτουργία, τοποθετήστε τον ιμάντα ώμου εγκάρσια στον ώμο. Ρυθμίστε τον ιμάντα ώμου σε μια άνετη θέση λειτουργίας. Κρατάτε πάντοτε το χλοοκοπτικό με μεσινέζα με το ένα χέρι στην πίσω λαβή και το άλλο χέρι στην μπροστινή λαβή. Κρατάτε σφιχτά και με τα δύο χέρια κατά τη λειτουργία. Το χλοοκοπτικό με μεσινέζα πρέπει να κρατιέται σε άνετη θέση με την πίσω λαβή περίπου στο ύψος των γοφών. Η κεφαλή χλοοκοπτικού πρέπει να είναι παράλληλη προς το έδαφος, έτσι ώστε να έρχεται εύκολα σε επαφή με το υλικό που θα κοπεί, χωρίς ο χειριστής να πρέπει να σκύψει (Εικ. Β).

⚠️ ΠΡΟΕΙΔΟΠΟΙΗΣΗ: Ο ιμάντας ώμου είναι επίσης ένας μηχανισμός γρήγορης αποδέσμευσης σε επικίνδυνη κατάσταση. Σε επείγουσα κατάσταση αφαιρέστε τον από τον ώμο σας αμέσως, ανεξάρτητα από τη θέση του ιμάντα.

Μετά από κάθε χρήση, καθαρίζετε το χλοοκοπτικό
Δείτε το απόσπασμα ΣΥΝΤΗΡΗΣΗ για οδηγίες καθαρισμού.

ΕΝΑΡΞΗ/ΣΤΑΜΑΤΗΜΑ ΤΟΥ ΕΡΓΑΛΕΙΟΥ

Βλ. ενότητα «ΕΝΕΡΓΟΠΟΙΗΣΗ/ΑΠΕΝΕΡΓΟΠΟΙΗΣΗ ΤΗΣ ΗΛΕΚΤΡΙΚΗΣ ΚΕΦΑΛΗΣ» στο εγχειρίδιο χρήσης της ηλεκτρικής κεφαλής PH1420E.

GR

ΡΥΘΜΙΣΗ ΤΟΥ ΜΗΚΟΥ ΝΗΜΑΤΟΣ ΚΟΠΗΣ

Η κεφαλή χλοοκοπτικού επιτρέπει στον χειριστή να αποδεσμεύσει περισσότερο νήμα κοπής χωρίς να σταματήσει το μοτέρ. Καθώς το νήμα ξεφτίζει ή φθείρεται, μπορεί να αποδεσμευτεί περισσότερο νήμα πατώντας ελαφρά την κεφαλή χλοοκοπτικού στο έδαφος ενώ λειτουργεί το χλοοκοπτικό (Εικ. Ε).

ΣΗΜΕΙΩΣΗ: Η αποδεσμευση νήματος θα είναι πιο δύσκολη καθώς το νήμα κοπής γίνεται πιο κοντό.

⚠️ ΠΡΟΕΙΔΟΠΟΙΗΣΗ: Μην απομακρύνετε ή τροποποιείτε τη μονάδα λεπίδας κοπής νήματος. Υπερβάλλον μήκος νήματος θα προκαλέσει υπερθέρμανση στο μοτέρ και μπορεί να προκύψει σοβαρός απομικός τραυματισμός.

ΑΝΤΙΚΑΤΑΣΤΑΣΗ ΜΕΣΙΝΕΖΑΣ

ΣΗΜΕΙΩΣΗ: Χρησιμοποιείτε πάντα τη συνιστώμενη νάιλον μεσινέζα διαμέτρου έως και 2,4 mm. Η χρήση διαφορετικής μεσινέζας μπορεί να προκαλέσει υπερθέρμανση ή ζημιά στο χλοοκοπτικό με μεσινέζα.

⚠️ ΠΡΟΕΙΔΟΠΟΙΗΣΗ: Μη χρησιμοποιείτε ποτέ μεσινέζα ενισχυμένη με μέταλλο, καλώδιο ή σχοινί. Αυτές μπορεί να στάσουν και να εκτοξευθούν.

Το χλοοκοπτικό με μεσινέζα είναι εξοπλισμένο με ένα προηγμένο σύστημα **POWERLOAD™**. Το νήμα κοπής μπορεί να τυλιχτεί στο καρούλι απλά πιέζοντας ένα μόνο κουμπί. Η φόρτωση ενός πλήρους καρουλιού απαιτεί συνήθως 12 δευτερόλεπτα. **Αποφεύγετε την επαναλαμβανόμενη λειτουργία του συστήματος τυλίγματος με γρήγορες διαδοχικές διαδικασίες, ώστε να μειώσετε την πιθανότητα ζημιάς στον κινητήρα.**

ΣΗΜΕΙΩΣΗ: Το σύστημα **POWERLOAD™** είναι διαθέσιμο μόνο όταν το προσάρτημα είναι συνδεδεμένο στην ηλεκτρική κεφαλή PH1420E και έχει τοποθετηθεί η συστοιχία μπαταριών.

1. Αφαιρέστε τη συστοιχία μπαταριών.
2. Κόψτε ένα νήμα κοπής 4 μ. Περάστε τη μεσινέζα στο οφθαλμίδιο (Εικ. F). Πατήστε και τραβήξτε τη μεσινέζα από την άλλη πλευρά, ώσπου να έχετε ίση ποσότητα μεσινέζας και στις δύο πλευρές της κεφαλής χλοοκοπτικού.

ΣΗΜΕΙΩΣΗ: Εάν η μεσινέζα δεν μπορεί να εισαχθεί στο οφθαλμίδιο όταν έχει κολλήσει το κάτω κάλυμμα, τοποθετήστε τη συστοιχία μπαταριών στην ηλεκτρική κεφαλή και, στη συνέχεια, πατήστε στιγμιαία το κουμπί τροφοδοσίας για να επαναφέρετε το κάτω κάλυμμα.

3. Αφαιρέστε τη συστοιχία μπαταριών εάν έχει τοποθετηθεί στην ηλεκτρική κεφαλή στη ΣΗΜΕΙΩΣΗ μετά το βήμα 2. Και ακολουθήστε τα βήματα που

καθορίζονται στο βήμα 2 για να επανατοποθετήσετε και να ευθυγραμμίσετε τη μεσινέζα.

4. Τοποθετήστε την μπαταρία στην ηλεκτρική κεφαλή.
5. Πατήστε και κρατήστε πατημένο το κουμπί τροφοδοσίας μεσινέζας για να τυλίξετε τη μεσινέζα στην κεφαλή χλοοκοπτικού, ώσπου να έχετε περίπου 15 cm μεσινέζας σε κάθε πλευρά. (Εικ. G).
6. Πιέστε κάτω την κεφαλή χλοοκοπτικού ενώ τραβάτε τις μεσινέζες, ώστε να προωθήσετε χειροκίνητα τη μεσινέζα και να ελέγξετε τη σωστή συναρμολόγηση της μεσινέζας χλοοκοπτικού.

ΣΗΜΕΙΩΣΗ: Σε περίπτωση που το νήμα τραβηχτεί κατά λάθος στην κεφαλή χλοοκοπτικού, ανοίξτε την κεφαλή και τραβήξτε το νήμα κοπής έξω από το καρούλι. Ακολουθήστε τις οδηγίες της ενότητας «ΕΠΑΝΑΤΟΠΟΘΕΤΗΣΗ ΜΕΣΙΝΕΖΑΣ» στο παρόν εγχειρίδιο για να επανατοποθετήσετε τη μεσινέζα.

ΕΠΑΝΑΤΟΠΟΘΕΤΗΣΗ ΜΕΣΙΝΕΖΑΣ

Εάν η μεσινέζα βγει από το οφθαλμίδιο ή δεν βγαίνει όταν αγγίζετε την κεφαλή του χλοοκοπτικού, θα πρέπει να αφαιρέσετε την υπόλοιπη μεσινέζα από την κεφαλή του χλοοκοπτικού και να ακολουθήσετε τα παρακάτω βήματα για να επανατοποθετήσετε τη μεσινέζα.

1. Αφαιρέστε τη συστοιχία μπαταριών.
2. Πιέστε τις γλωττίδες αποδεσμευσης στην κεφαλή του χλοοκοπτικού και αφαιρέστε το συγκρότημα κάτω καλύμματος της κεφαλής χλοοκοπτικού τραβώντας το ευθεία προς τα έξω (Εικ. H).
3. Αφαιρέστε τη μεσινέζα από την κεφαλή του χλοοκοπτικού.
4. Απομακρύνετε το ελατήριο από το συγκρότημα καρουλιού, εάν απαιτείται. Αποθηκεύστε το για την επανασυναρμολόγηση.
5. Εισαγάγετε το ελατήριο στην υποδοχή που υπάρχει στο συγκρότημα κάτω καλύμματος (Εικ. I).
6. Κρατώντας με το ένα χέρι το χλοοκοπτικό χρησιμοποιήστε το άλλο χέρι για να πιάσετε το συγκρότημα κάτω καλύμματος και ευθυγραμμίστε τις υποδοχές στο συγκρότημα κάτω καλύμματος με τις γλωττίδες αποδεσμευσης (Εικόνα J). Πιέστε το συγκρότημα κάτω καλύμματος μέχρι να κουμπώσει στη θέση του, οπότε και θα ακούσετε το χαρακτηριστικό ήχο «κλικ» (Εικ. K).
7. Ακολουθήστε τις οδηγίες της ενότητας «ΑΝΤΙΚΑΤΑΣΤΑΣΗ ΜΕΣΙΝΕΖΑΣ» στο παρόν εγχειρίδιο για να επαναφορτώσετε τη μεσινέζα κοπής.

ΑΝΤΙΚΑΤΑΣΤΑΣΗ ΚΕΦΑΛΗΣ ΧΛΟΟΚΟΠΤΙΚΟΥ

⚠ ΠΡΟΕΙΔΟΠΟΙΗΣΗ: Εάν η κεφαλή λασκάρει μετά τη στερέωσή της, αντικαταστήστε την αμέσως.

Ποτέ μη χρησιμοποιείτε ένα χλοοκοπτικό με λασκαρισμένο προσάρτημα κοπής. Αντικαθιστάτε μια ραγισμένη, με ζημιές ή φθαρμένη κεφαλή κοπής αμέσως, ακόμα και εάν η ζημιά περιορίζεται μόνο επιφανειακές ρωγμές. Τέτοια προσαρτήματα μπορεί να σπάσουν σε υψηλή ταχύτητα και να προκαλέσουν σοβαρό τραυματισμό.

Εξοικειωθείτε με την κεφαλή του χλοοκοπτικού (Εικ. L).

Η περιγραφή των εξαρτημάτων της Εικ. L ακολουθεί στη συνέχεια:

L-1	Άξονας	L-6	Ροδέλα
L-2	Χιτώνιο (2)	L-7	Παξιμάδι
L-3	Επάνω κάλυμμα	L-8	Ελατήριο
L-4	Δαχτυλιδωτή ασφάλεια	L-9	Μεσινέζα
L-5	Συγκρατητήρας καρουλιού	L-10	Συγκρότημα κάτω καλύμματος

Απομάκρυνση κεφαλής χλοοκοπτικού

1. Αφαιρέστε τη συστοιχία μπαταριών.
2. Πιέστε τις γλωττίδες αποδέσμευσης στην κεφαλή χλοοκοπτικού και απομακρύνετε το κάτω συγκρότημα καλύμματος της κεφαλής χλοοκοπτικού τραβώντας το ίσια προς τα έξω.
3. Αφαιρέστε τη μεσινέζα από την κεφαλή του χλοοκοπτικού.
4. Απομακρύνετε το ελατήριο από το συγκρότημα καρουλιού, εάν απαιτείται. Αποθηκεύστε το για την επανασυναρμολόγηση.
5. Φοράτε γάντια. Χρησιμοποιήστε το ένα χέρι για να πιέσετε το συγκρότημα καρουλιού και να το σταθεροποιήσετε και το άλλο χέρι για να κρατήσετε το γαλλικό κλειδί κρούσης 13 mm (δεν περιλαμβάνεται) για το ΔΕΞΙΟΣΤΡΟΦΟ λασκάρισμα του παξιμαδιού (Εικ. M).
6. Αφαιρέστε το παξιμάδι, τη ροδέλα και το συγκρατητήρα καρουλιού από τον άξονα κινητήρα (Εικ. L).
7. Χρησιμοποιήστε πένσα δαχτυλιδωτής ασφάλειας (δεν περιλαμβάνεται) για να αφαιρέσετε τη δαχτυλιδωτή ασφάλεια. Αφαιρέστε το επάνω κάλυμμα και τα δύο χιτώνια από τον άξονα κινητήρα (Εικ. L).
8. Αντικαταστήστε με μια νέα κεφαλή χλοοκοπτικού και τοποθετήστε την με τα εξής βήματα.

Εγκατάσταση της νέας κεφαλής χλοοκοπτικού

1. Τοποθετήστε τα δύο χιτώνια στον άξονα κινητήρα.
2. Ευθυγραμμίστε την επίπεδη υποδοχή στο επάνω κάλυμμα με το επίπεδο τμήμα στον άξονα κινητήρα και τοποθετήστε το επάνω κάλυμμα στη θέση του (Εικ. N).

Η περιγραφή των εξαρτημάτων της Εικ. N ακολουθεί στη συνέχεια

N-1	Επίπεδο τμήμα	N-2	Επίπεδη υποδοχή
-----	---------------	-----	-----------------

3. Προσαρτήστε τη δαχτυλιδωτή ασφάλεια, το συγκρατητήρα καρουλιού και τη ροδέλα με αυτήν τη σειρά (Εικ. L). Χρησιμοποιήστε ένα γαλλικό κλειδί κρούσης για να σιαφίξετε το παξιμάδι ΑΡΙΣΤΕΡΟΣΤΡΟΦΑ.
4. Ακολουθήστε τις οδηγίες των βημάτων 4 και 5 της ενότητας «ΕΠΑΝΑΤΟΠΟΘΕΤΗΣΗ ΜΕΣΙΝΕΖΑΣ» στο παρόν εγχειρίδιο για να προσαρτήσετε το συγκρότημα κάτω καλύμματος.
5. Ακολουθήστε τις οδηγίες της ενότητας «ΑΝΤΙΚΑΤΑΣΤΑΣΗ ΜΕΣΙΝΕΖΑΣ» στο παρόν εγχειρίδιο για να επαναφορτώσετε τη μεσινέζα.
6. Ενεργοποιήστε το εργαλείο για να δείτε εάν το χλοοκοπτικό με μεσινέζα λειτουργεί φυσιολογικά. Στην αντίθετη περίπτωση, επανασυναρμολογήστε όπως περιγράφεται παραπάνω.

ΣΥΝΤΗΡΗΣΗ

⚠ ΠΡΟΕΙΔΟΠΟΙΗΣΗ: Πριν τον έλεγχο, τον καθαρισμό ή τη συντήρηση της μονάδας, σταματήστε το μοτέρ, περιμένετε να σταματήσουν όλα τα κινούμενα εξαρτήματα και απομακρύνετε τη συστοιχία μπαταριών. Η μη τήρηση των οδηγιών μπορεί να οδηγήσει σε σοβαρό τραυματισμό ή υλικές ζημιές.

⚠ ΠΡΟΕΙΔΟΠΟΙΗΣΗ: Όταν κάνετε συντήρηση του εργαλείου, χρησιμοποιείτε μόνο ίδια ανταλλακτικά. Η χρήση οποιωνδήποτε άλλων εξαρτημάτων μπορεί να προκαλέσει κίνδυνο ή ζημιά του προϊόντος. Για να διασφαλίσετε την ασφάλεια και την αξιοπιστία, όλες οι επισκευές που δεν αναφέρονται σε αυτές τις οδηγίες συντήρησης πρέπει να διεξάγονται από εξειδικευμένο τεχνικό του σέρβις.

ΓΕΝΙΚΗ ΣΥΝΤΗΡΗΣΗ

Αποφύγετε τη χρήση διαλυτών κατά τον καθαρισμό των πλαστικών εξαρτημάτων. Τα περισσότερα πλαστικά είναι ευπαθή στη χρήση διαφόρων τύπων διαλυτών του εμπορίου και καταστρέφονται από τη χρήση τους. Χρησιμοποιείτε καθαρό πανί για την απομάκρυνση βρωμιάς, σκόνης, λαδιού, γράσου κτλ.

GR

ΚΑΘΑΡΙΣΜΟΣ ΤΗΣ ΜΟΝΑΔΑΣ

- Καθαρίστε γρασίδι που έχει τυλιχτεί γύρω από τον άξονα μοτέρ ή την κεφαλή χλοοκοπτικού.
- Χρησιμοποιείτε μια μικρή βούρτσα ή μια μικρή ηλεκτρική αναρροφητική σκούπα για να καθαρίζετε τις οπές αερισμού στο πίσω περίβλημα.
- Καθαρίζετε τη μονάδα χρησιμοποιώντας ένα νωπό πανί με ήπιο απορρυπαντικό.
- Μη χρησιμοποιήσετε κανένα δραστικό απορρυπαντικό πάνω στο πλαστικό περίβλημα ή τη λαβή. Αυτά μπορούν να καταστραφούν από ορισμένα αρωματικά έλαια, όπως πεύκο και λεμόνι, καθώς και από διαλύτες, όπως η κηροζίνη. Η υγρασία μπορεί επίσης να προκαλέσει κίνδυνο ηλεκτροπληξίας. Σκουπίζετε ενδεχόμενη υγρασία με ένα μαλακό στεγνό πανί.

ΛΙΠΑΝΣΗ ΣΥΣΤΗΜΑΤΟΣ ΟΔΟΝΤΟΤΡΟΧΩΝ

Το σύστημα οδοντοτροχών στο κιβώτιο γραναζιών πρέπει να λιπαίνεται περιοδικά με το γράσο μειωτήρων. Ελέγχετε σχεδόν κάθε 50 ώρες λειτουργίας τη στάθμη γράσου στο κιβώτιο γραναζιών αφαιρώντας τη βίδα στεγανοποίησης στα πλάγια του κιβωτίου.

Εάν δεν φαίνεται γράσο στις πλευρικές επιφάνειες του μειωτήρα, ακολουθήστε τα παρακάτω βήματα για να γεμίσετε με γράσο μειωτήρων έως την ένδειξη 3/4.

Μην γεμίσετε έως πάνω το σύστημα οδοντοτροχών.

1. Κρατάτε το χλοοκοπτικό με νήμα στα πλάγια έτσι ώστε η βίδα στεγανοποίησης να βλέπει προς τα επάνω.
2. Χρησιμοποιήστε το παρεχόμενο κλειδί πολλαπλών λειτουργιών για να λασκάρετε και να απομακρύνετε τη βίδα στεγανοποίησης.
3. Χρησιμοποιήστε μια σύριγγα γράσου (δεν περιλαμβάνεται) για να εισαγάγετε λίγο γράσο μέσα στην οπή βίδας. Μην υπερβείτε την ένδειξη 3/4.
4. Σφίξτε τη βίδα στεγανοποίησης μετά την έγχυση γράσου.

ΑΠΟΘΗΚΕΥΣΗ ΤΗΣ ΜΟΝΑΔΑΣ

- Αφαιρέστε τη συστοιχία μπαταριών από την ηλεκτρική κεφαλή.
- Καθαρίστε το εργαλείο σχολαστικά προτού το αποθηκεύσετε.
- Εάν το προσάρτημα χλοοκοπτικού με νήμα αφαιρεθεί από την ηλεκτρική κεφαλή και αποθηκευτεί ξεχωριστά: Τοποθετήστε το τερματικό καπάκι στον άξονα προσαρτήματος προς αποφυγή διείσδυσης ρύπων στη διάταξη ζεύξης.

- Αποθηκεύετε τη μονάδα σε έναν στεγνό, καλά αεριζόμενο χώρο, κλειδωμένο ή σε ψηλό σημείο, εκτός εμβέλειας παιδιών. Μην αποθηκεύετε τη μονάδα επάνω ή δίπλα σε λιπάσματα, βενζίνη ή άλλες χημικές ουσίες.

ΤΡΟΧΙΣΜΑ ΛΕΠΙΔΑΣ ΚΟΠΗΣ ΜΕΣΙΝΕΖΑΣ

⚠ ΠΡΟΕΙΔΟΠΟΙΗΣΗ: Προσέχετε πάντα τα χέρια σας, φορώντας ανθεκτικά γάντια όταν πραγματοποιείτε συντήρηση στη λεπίδα κοπής μεσινέζας.

1. Αφαιρέστε τη μπαταρία.
2. Απομακρύνετε το νήμα-λεπίδα κοπής από το προστατευτικό.
3. Ασφαλίστε τη λεπίδα σε μια μέγγενη.
4. Φοράτε σωστή προστασία για τα μάτια και γάντια και προσέχετε να μην κοπείτε.
5. Λιμάρετε προσεκτικά τις ακμές κοπής της λεπίδας με λίμα λεπτής οδόντωσης ή ακονόπετρα διατηρώντας την αρχική γωνία ακμής κοπής.
6. Αντικαταστήστε τη λεπίδα στο προστατευτικό και ασφαλίστε την στη θέση της με δύο βίδες.

Προστασία του περιβάλλοντος



Μην απορρίπτετε τους ηλεκτρικούς εξοπλισμούς, το φορτιστή μπαταρίας και τις μπαταρίες/επαναφορτιζόμενες μπαταρίες στα οικιακά απορρίμματα!

Σύμφωνα με τον Ευρωπαϊκό νόμο 2012/19/ΕΕ, οι ηλεκτρικοί και οι ηλεκτρονικοί εξοπλισμοί που δεν χρησιμοποιούνται πλέον και σύμφωνα με τον Ευρωπαϊκό νόμο 2006/66/ΕΚ, οι ελαττωματικές ή χρησιμοποιημένες συστοιχίες μπαταριών/μπαταρίες πρέπει να συλλέγονται ξεχωριστά.

Εάν οι ηλεκτρικές συσκευές απορριφθούν στο ύπαιθρο ή σε χωματερές, τότε είναι πιθανό να διαρρεύσουν επικίνδυνες ουσίες στα υπόγεια ύδατα, με αποτέλεσμα να περάσουν στην τροφική αλυσίδα, προκαλώντας ζημιές στην υγεία και την φυσική σας κατάσταση.

ΑΝΤΙΜΕΤΩΠΙΣΗ ΠΡΟΒΛΗΜΑΤΩΝ

ΠΡΟΒΛΗΜΑ	ΑΙΤΙΑ	ΕΠΙΛΥΣΗ
Το χλοοκοπτικό με νήμα δεν εκκινείται.	<ul style="list-style-type: none"> ■ Η συστοιχία μπαταριών δεν έχει προσαρτηθεί στην ηλεκτρική κεφαλή. ■ Δεν υπάρχει ηλεκτρική επαφή μεταξύ της ηλεκτρικής κεφαλής και της συστοιχίας μπαταριών. ■ Η συστοιχία μπαταριών έχει αδειάσει. ■ Ο μοχλός ασφάλισης και η σκανδάλη δεν πατήθηκαν ταυτόχρονα. 	<ul style="list-style-type: none"> ■ Τοποθετήστε τη συστοιχία μπαταριών στην ηλεκτρική κεφαλή. ■ Απομακρύνετε τη μπαταρία, ελέγξτε τις επαφές και επαναγκαταστήστε τη συστοιχία μπαταριών, έως ότου κομπώσει στη θέση της. ■ Φορτίστε τη συστοιχία μπαταριών με τους φορτιστές EGO που παρατίθενται στο παρόν εγχειρίδιο. ■ Πατήστε κάτω το μοχλό ασφάλισης και κρατήστε τον, κατόπιν πιέστε τη σκανδάλη για να ενεργοποιήσετε το χλοοκοπτικό με νήμα.
Το χλοοκοπτικό ΜΕ ΝΗΜΑ σταματάει κατά την κοπή.	<ul style="list-style-type: none"> ■ Το προστατευτικό δεν έχει τοποθετηθεί στο χλοοκοπτικό με αποτέλεσμα εξαιρετικά μακριά γραμμή κοπής και υπερφόρτωση του μοτέρ. ■ Χρησιμοποιείται βαριά γραμμή κοπής. ■ Ο άξονας μοτέρ ή η κεφαλή χλοοκοπτικού έχουν μπλοκαρισθεί με γρασίδι. ■ Το μοτέρ έχει υπερφορτωθεί. ■ Η συστοιχία μπαταριών ή το χλοοκοπτικό με νήμα είναι πολύ καυτά. ■ Η συστοιχία μπαταριών έχει αποσυνδεθεί από το εργαλείο. ■ Η συστοιχία μπαταριών έχει εξανληθεί. 	<ul style="list-style-type: none"> ■ Απομακρύνετε τη συστοιχία μπαταριών και τοποθετήστε το προστατευτικό στο χλοοκοπτικό. ■ Χρησιμοποιείτε το προτεινόμενο νήλον νήμα κοπής με διάμετρο όχι μεγαλύτερη από 2,4 χιλ. ■ Σταματήστε το χλοοκοπτικό, απομακρύνετε τη μπαταρία και αφαιρέστε το γρασίδι από τον άξονα μοτέρ και την κεφαλή χλοοκοπτικού. ■ Απομακρύνετε την κεφαλή χλοοκοπτικού από το γρασίδι. Το μοτέρ θα συνεχίσει να λειτουργεί μόλις αφαιρεθεί το φορτίο. Κατά την κοπή μετακινείτε την κεφαλή χλοοκοπτικού μέσα και έξω από το γρασίδι που θα κοπεί και μην απομακρύνετε σε μήκος περισσότερο από 20 εκ. σε μια μόνο κοπή. ■ Επιτρέψτε να κρυώσει η συστοιχία μπαταριών ή το χλοοκοπτικό, έως ότου η θερμοκρασία πέσει κάτω από τους 67°C . ■ Επαναγκαταστήστε τη συστοιχία μπαταριών. ■ Φορτίστε τη συστοιχία μπαταριών με τους φορτιστές EGO που παρατίθενται στο παρόν εγχειρίδιο.

GR

ΠΡΟΒΛΗΜΑ	ΑΙΤΙΑ	ΕΠΙΛΥΣΗ
Η κεφαλή χλοοκοπτικού δεν προωθεί νήμα	<ul style="list-style-type: none"> ■ Ο άξονας μοτέρ ή η κεφαλή χλοοκοπτικού έχουν μπλοκαριστεί με γρασίδι. ■ Δεν υπάρχει επαρκές νήμα στο καρούλι. ■ Η κεφαλή χλοοκοπτικού είναι βρώμικη. ■ Το νήμα έχει μπλοκάρει στον συγκρατητήρα καρουλιού. ■ Το νήμα είναι πολύ κοντό. 	<ul style="list-style-type: none"> ■ Σταματήστε το χλοοκοπτικό, απομακρύνετε τη μπαταρία και αφαιρέστε το γρασίδι από τον άξονα μοτέρ και την κεφαλή χλοοκοπτικού. ■ Αφαιρέστε την μπαταρία και αντικαταστήστε τη μεσινέζα, σύμφωνα με τις οδηγίες της ενότητας «ΕΠΑΝΑΤΟΠΟΘΕΤΗΣΗ ΜΕΣΙΝΕΖΑΣ» στο παρόν εγχειρίδιο. ■ Απομακρύνετε τη μπαταρία και καθαρίστε το καρούλι, το συγκρατητήρα καρουλιού και τη βάση καρουλιού. ■ Αφαιρέστε την μπαταρία, αφαιρέστε τη μεσινέζα από το καρούλι και ξανατυλίξτε. Ακολουθήστε τις οδηγίες της ενότητας «ΕΠΑΝΑΤΟΠΟΘΕΤΗΣΗ ΜΕΣΙΝΕΖΑΣ» στο παρόν εγχειρίδιο. ■ Απομακρύνετε τη μπαταρία και τραβήξτε το νήμα ενώ πατάτε κάτω και αποδεσμεύετε διαδοχικά το κουμπί πρόσκρουσης.
Τυλίγεται γρασίδι γύρω από την κεφαλή χλοοκοπτικού και από το περιβλήμα μοτέρ.	<ul style="list-style-type: none"> ■ Κοπή ψηλού γρασιδιού στο επίπεδο εδάφους. 	<ul style="list-style-type: none"> ■ Κόβετε ψηλό γρασίδι από επάνω προς τα κάτω, απομακρύνοντας όχι περισσότερα από 20 εκ. σε κάθε διέλευση, ώστε να εμποδίσετε τύλιξη.
Η λεπίδα δεν κόβει το νήμα.	<ul style="list-style-type: none"> ■ Η λεπίδα κοπής νήματος στο άκρο του προστατευτικού έχει στομάσει. 	<ul style="list-style-type: none"> ■ Τροχήστε τη λεπίδα κοπής νήματος με μια λίμα ή αντικαταστήστε με μια νέα λεπίδα.
Ρωγμές στην κεφαλή χλοοκοπτικού ή ο συγκρατητήρας καρουλιού βγαίνει από τη βάση καρουλιού.	<ul style="list-style-type: none"> ■ Η κεφαλή χλοοκοπτικού έχει φθαρεί. ■ Το παξιμάδι που ασφαλίζει την κεφαλή χλοοκοπτικού έχει λασκάρει. 	<ul style="list-style-type: none"> ■ Αντικαταστήστε αμέσως την κεφαλή χλοοκοπτικού. Τηρείτε τις οδηγίες στο απόσπασμα «ΑΝΤΙΚΑΤΑΣΤΑΣΗ ΚΕΦΑΛΗΣ ΧΛΟΟΚΟΠΤΙΚΟΥ» στο παρόν εγχειρίδιο. ■ Ανοίξτε την κεφαλή χλοοκοπτικού και χρησιμοποιήστε το κλειδί τοποθέτησης περικοχλίων για να συσφιζέτε το παξιμάδι.
Κατά την αντικατάσταση νήματος, το νήμα δεν φορτώνεται σωστά στην κεφαλή χλοοκοπτικού.	<ul style="list-style-type: none"> ■ Οι γραμμές ΦΟΡΤΙΟΥ του συγκρατητήρα καρουλιού δεν ευθυγραμμίζονται με τα οφθαλμίδια στη βάση καρουλιού. ■ Οι γραμμές ΦΟΡΤΙΟΥ του συγκρατητήρα καρουλιού δεν ευθυγραμμίζονται με τα οφθαλμίδια στη βάση καρουλιού. 	<ul style="list-style-type: none"> ■ Περιστρέψτε τον συγκρατητήρα καρουλιού στην κατεύθυνση βέλους για να ευθυγραμμίσετε τις γραμμές ΦΟΡΤΙΟΥ στον συγκρατητήρα καρουλιού με τα οφθαλμίδια στη βάση καρουλιού. ■ Περιστρέψτε τον συγκρατητήρα καρουλιού στην κατεύθυνση βέλους για να ευθυγραμμίσετε τις γραμμές ΦΟΡΤΙΟΥ στον συγκρατητήρα καρουλιού με τα οφθαλμίδια στη βάση καρουλιού.

GR

ΕΓΓΥΗΣΗ

ΠΟΛΙΤΙΚΗ ΕΓΓΥΗΣΗΣ EGO

Επισκεφθείτε την ιστοσελίδα egopowerplus.com για όλους τους όρους και τις προϋποθέσεις της πολιτικής εγγύησης EGO.

TÜM TALIMATLARI OKUYUN!



Kullanım Kilavuzunu Okuyun

⚠️ Artık risk! Kalp pili gibi elektronik cihaz kullanan kişiler bu ürünü kullanmadan önce hekimlerine danışmalıdır. Elektrikli cihazların, kalp pili yakınında çalıştırılması kalp pilinde parazite veya arızaya neden olabilir.

⚠️ UYARI: Güvenliği ve güvenilirliği sağlamak için, tüm onarım işlemleri yetkili bir servis teknisyeni tarafından gerçekleştirilmelidir.

GÜVENLİK SEMBOLLERİ

Güvenlik sembollerinin amacı olası tehnelere dikkatinizi çekmektir. Güvenlik sembolleri ve yanlarındaki açıklamalar özel dikkat ve anlayış göstermenizi gerektirir. Uyarı sembolleri kendi başlarına herhangi bir tehlikeyi gidemez. Sundukları talimat ve uyarılar uygun kaza önleme önlemlerinin yerine geçmez.

⚠️ UYARI: Bu aleti kullanmadan önce **"TEHLİKE,"** **"UYARI"** ve **"DİKKAT"** gibi tüm güvenlik uyarı sembollerini içeren bu Kullanım Kilavuzu içindeki tüm güvenlik talimatlarını okuyup anladığınızdan emin olun. Aşağıdaki talimatların tamamına uyulmaması elektrik çarpması, yangın ve/veya ciddi kişisel yaralanma ile sonuçlanabilir.

SEMBOLÜN ANLAMI

⚠️ GÜVENLİK UYARI SEMBOLÜ: TEHLİKE, UYARI veya DİKKAT sembolünün diğer semboller veya resimlerle birlikte kullanılabileceğini gösterir.

GÜVENLİK TALIMATLARI

Bu sayfada, bu ürün üzerinde görülebilecek güvenlik sembolleri gösterilmekte ve açıklanmaktadır. Makineyi monte etmeye ve kullanmaya başlamadan önce, makineye ilişkin tüm talimatları okuyup anlayın ve bu talimatlara uyun.

	Güvenlik Uyarısı	Potansiyel bir kişisel yaralanma tehlikesini gösterir.
	Kullanım Kilavuzunu Okuyun	Yaralanma riskini azaltmak için, kullanıcı bu ürünü kullanmadan önce kullanım kilavuzunu okuyup anlamalıdır.
	Göz, kulak ve baş koruması takın	Her zaman göz, kulak ve baş koruması takın

	Kesim Genişliği	Misinali çim biçme makinesinin maks. kesim genişliği
	Misina Çapı	Naylon kesim ipinin çapı
	Metal bıçak kullanmayın	Kullanıcıyı metal bıçak kullanmaması konusunda uyarır
	Üçüncü Şahısları Uzak Tutun	Fırlayan cisimler sekebilir ve kişisel yaralanma veya mal hasarına yol açabilir. Çalı kesici kullanılırken üçüncü şahısların ve evcil hayvanların cihazdan uzakta durduklarından emin olun.
	Makine ile çevredeki insanlar arasında en az 15 m mesafe olmalıdır	Misinali çim biçme makinesi kullanılırken diğer insanların ve evcil hayvanların en az 15 m uzakta olduklarından emin olun.
IPX4	IP Sembölü	Su girişine karşı koruma sınıfı 4.
	CE	Bu ürün, yürürlükteki AB yönetmeliklerine uygundur.
	UKCA	Bu ürün, yürürlükteki Birleşik Krallık yasalarına uygundur.
	WEEE	Atık elektrikli ürünler, evsel atıklar ile birlikte imha edilmemelidir. Yetkili bir geri dönüşüm merkezine teslim edilmelidir.
	Gürültü	Garanti edilen ses gücü seviyesi. Avrupa Birliği Yönetmeliği'ne göre çevre gürültü emisyonu.
V	Volt	Voltaj
mm	Milimetre	Uzunluk veya boyut

TR

cm	Santimetre	Uzunluk veya boyut
kg	Kilogram	Ağırlık

ELEKTRİKLİ ALETLER İÇİN GENEL GÜVENLİK UYARILARI

⚠ UYARI: Bu elektrikli aletle birlikte verilen tüm güvenlik uyarılarını, talimatları, resimli açıklamaları ve teknik özellikleri okuyun. Aşağıdaki talimatların tamamına uyulmaması elektrik çarpması, yangın ve/veya ciddi yaralanma ile sonuçlanabilir.

Tüm uyarı ve talimatları gelecekte başvuru amacıyla muhafaza edin.

Uyarılarda geçen “elektrikli alet” terimi ile elektrik prizinden beslenen (kablolu) elektrikli alet veya şarjlı (kablolu) elektrikli alet kastedilmektedir.

ÇALIŞMA ALANI GÜVENLİĞİ

- Çalışma alanını temiz tutun ve yeterli aydınlatma sağlayın. Karışık veya karanlık alanlar kazalara yol açar.
- Elektrikli aletleri yanıcı sıvı, gaz veya toz içeren patlayıcı ortamlarda çalıştırmayın. Elektrikli aletten çıkan kıvılcıklar toz veya gazları tutuşturabilir.
- Çalışırken çocukları ve üçüncü şahısları elektrikli aletten uzak tutun. Dikkatinizin dağılması kontrolü kaybetmenize neden olabilir.

ELEKTRİK GÜVENLİĞİ

- Elektrikli aletin fişi prize uygun olmalıdır. Fiş üzerinde asla değişiklik yapmayın. Topraklanmış elektrikli aletler için herhangi bir adaptör fişi kullanmayın. Üzerinde değişiklik yapılmamış fişler ve uygun prizler elektrik çarpması riskini azaltır.
- Boru, radyatör, fırınlı ocak ve buzdolabı gibi topraklanmış yüzeylerle temastan kaçının. Topraklanmış yerlerle temas etmeniz halinde elektrik çarpması riski artar.
- Makineyi yağmurlu veya ıslak koşullarda çalıştırmayın. Makineye giren su, yaralanmaya neden olabilecek elektrik çarpması veya arıza riskini artırabilir.
- Kabloyu hatalı kullanmayın. Kabloyu elektrikli aleti taşımak, çekmek veya prizden çıkarmak için kullanmayın. Kabloyu sıcağından, yağdan, keskin kenarlardan veya hareketli parçalardan uzak tutun. Hasarlı veya birbirine dolaşmış kablolar elektrik çarpması riskini artırır.
- Bir elektrikli aleti açık havada kullanırken, uygun bir dış mekan uzatma kablosu kullanın. Dış mekan

için uygun bir kablolu kullanılması elektrik çarpması riskini azaltır.

- Elektrikli aletin nemi bir yerde çalıştırılması gerekiyorsa kaçak akım rölesi (RCD) korumalı bir kaynak kullanın. RCD (kaçak akım rölesi) kullanımı elektrik çarpması riskini azaltır.

KİŞİSEL GÜVENLİK

- Elektrikli aletleri kullanırken daima dikkatli olun, yaptığınız işe yoğunlaşın ve sağlıklı davranın. Yorgunken, uyuşturucu, alkol veya ilaçlı bir tedavi etkisi altındayken elektrikli aleti kullanmayın. Elektrikli aletleri kullanırken bir anlık dikkatsizlik ciddi kişisel yaralanmayla sonuçlanabilir.
- Kişisel koruyucu ekipman kullanın. Daima koruyucu gözlük takın. Koşullara uygun toz maskesi, kaymaz emniyet ayakkabıları, kask veya işitme koruması vb. koruyucu ekipman kullanılması kişisel yaralanmaları azaltır.
- Yanışıklı çalıştırmaktan kaçının. Aleti güç kaynağına ve/veya pil takımına bağlamadan, havaya kaldırmadan veya taşımadan önce, açma kapama düğmesinin kapalı olduğundan emin olun. Aleti, parmağınız açma kapama düğmesi üzerinde dururken taşımak veya alet açıkken fişi prize takmak kazalara davetiye çıkarır.
- Elektrikli aleti çalıştırmadan önce, herhangi bir alyen veya anahtar varsa çıkarın. Elektrikli aletin döner parçalarına takılı kalmış bir alyen veya anahtar kişisel yaralanmalara neden olabilir.
- Dengesiz bir duruşla çalışma yapmayın. Çalışma süresince ayaklarınızı sağlam basın ve dengeyi koruyun. Böyle yapılması, beklenmedik durumlarda elektrikli aletin daha iyi kontrol edilmesini sağlar.
- Uygun bir şekilde giyinin. Bol giysiler giymeyin veya takı takmayın. Saçlarınızı, elbiselerinizi ve eldivenlerinizi hareketli parçalardan uzak tutun. Bol giysiler, takılar veya uzun saçlar aletin hareketli parçalarına takılabilir.
- Toz toplayıcı cihaz bağlantıları ve toplama tesisleri olması durumunda, bu bağlantıların düzgün yapılmış ve kullanılıyor olduğundan emin olun. Toz tutucu cihazların kullanımı tozdan kaynaklanabilecek tehlikeleri azaltabilir.
- Aletlerin sık kullanılmasından kaynaklanan aşınalığınız sizin boş vermeniz ve aletin güvenlik prensiplerini görmezden gelmeniz nedeniyle izin vermeyin. Dikkatsiz bir hareket, saniyenin binde birindeki bir sürede ağır yaralanmalara neden olabilir.

ELEKTRİKLİ ALET KULLANIMI VE BAKIMI

- Elektrikli aleti zorlamayın. Yaptığınız işe uygun elektrikli aleti kullanın. Doğru elektrikli alet, tasarımına uygun değerlerde kullanıldığında daha iyi ve daha güvenli çalışacaktır.
- Açma kapama düğmesi çalışmıyorsa elektrikli aleti kullanmayın. Açma kapama düğmesi ile kontrol edilemeyen bir elektrikli alet tehlikelidir ve onarılması gerekir.
- Herhangi bir ayar işlemi, aksesuar değişimi veya elektrikli aletlerin depolanması öncesinde fişi prizden çekin ve/veya bataryalı elektrikli aletten çıkarın. Bu tür önleyici güvenlik önlemleri, elektrikli aletin yanlışlıkla çalışması riskini azaltır.
- Çalıştırılmayan elektrikli aletleri çocuklardan uzak tutun ve elektrikli aletin kullanımına veya bu talimatlara aşına olmayan kimselerin elektrikli aleti çalıştırmalarına izin vermeyin. Elektrikli aletler eğitimsiz kullanıcıların elinde tehlikelidir.
- Elektrikli aletlere ve aksesuarlara bakım yapın. Hareketli parçaların kusursuz olarak işlev görüp görmediğini veya sıkışıp sıkışmadığını, parçaların hasarlı olup olmadığını ve elektrikli aletin çalışmasını etkileyebilecek diğer tüm koşulları kontrol edin. Elektrikli alet hasarlı ise, kullanmadan önce onarılmasını sağlayın. Kazaların çoğu, elektrikli alet bakımının yeterli şekilde yapılmamasından kaynaklanır.
- Kesici aletleri keskin ve temiz tutun. Keskin kesim kenarlarına sahip, bakımı yapılmış kesim aletleri daha az sorun çıkarır ve kontrolü kolaydır.
- Elektrikli aleti, aksesuarlarını ve alet uçlarını vb. çalışma şartlarını ve yapılacak işi dikkate alarak bu talimatlara uygun şekilde kullanın. Elektrikli aletin kullanım amacı dışındaki işlerde kullanılması tehlikeli durumlara neden olabilir.
- Tutma saplarını ve kavrama yüzeyini kuru, temiz, benzin ve yağdan uzak tutun. Kaygan saplar ve kavrama yüzeyleri, aletin beklenmeyen durumlarda güvenli bir şekilde tutulmasına ve kontrol edilmesine izin vermez.

PİLLE ÇALIŞAN ALETLERİNİN KULLANIMI VE BAKIMI

- Sadece üretici tarafından belirtilen şarj cihazı ile şarj edin. Bir pil takımı için uygun olan şarj cihazı, başka bir pil takımı ile kullanıldığında yangın riski oluşturabilir.
- Elektrikli aletleri sadece özel olarak üretilmiş pil paketleri ile kullanın. Başka pil paketlerinin kullanımı yaralanma ve yangın tehlikesi oluşturabilir.
- Pil paketinin kullanımda olmadığı durumlarda pil

- takımını atış, bozuk para, anahtar, çivi, vida veya pil kutupları arasında kısa devre yapabilecek diğer metal nesnelere uzak tutun. Pil kutuplarının kısa devre edilmesi yangın veya yanıklara neden olabilir.
- **Kötü şartlar altında pilden sıvı akışı olabilir; sıvı ile temas etmekten kaçınınız. Yanlışlıkla temas edilirse, etkilenen bölgeyi su ile yıkayın. Sıvı göze temas ederse, ayrıca tıbbi yardım alın. Pilden akan sıvı tahriş veya yanıklara neden olabilir.**
- **Pil takımını veya aleti hasarlı veya üzerinde değişiklik yapılmış şekilde kullanmayın.** Hasarlı veya üzerinde değişiklik yapılmış pil takımları yangın, patlama veya yaralanma riskine neden olacak şekilde beklenmeyen davranışlar gösterebilir.
- **Pil takımını veya aleti ateşe veya aşırı sıcaklıklara maruz bırakmayın.** Ateşe veya 130°C nin üzerindeki sıcaklıklara maruz kalması patlamaya neden olabilir.
- **Tüm şarj talimatlarına uyun ve pil takımını veya aleti talimatlarda belirtilen sıcaklık aralığının dışındaki sıcaklıklarda şarj etmeyin.** Hatalı veya belirtilen sıcaklık aralığının dışındaki sıcaklıklarda şarj etmek, pil takımına zarar verebilir ve yangın riskini artırır.

SERVİS

- Elektrikli aletinizin bakımını, sadece orijinal yedek parça kullanan uzman bir tamirciye yaptırın. Böyle yapılması, elektrikli alet güvenliğinin korunmasını sağlayacaktır.
- **Asla hasarlı pil paketlerine bakım-onarım yapmayın.** Pil paketlerinin bakımı sadece üretici veya yetkili servisler tarafından yapılmalıdır.

MİSİNALI ÇİM BİÇME MAKİNASI İÇİN ÖZEL GÜVENLİK UYARILARI

- **Kötü hava koşullarında, özellikle de yıldırım riski olduğunda makineyi kullanmayın.** Bu sayede yıldırım çarpması riskini azaltmış olursunuz.
- **Makinenin kullanılacağı alanı yabani hayat açısından etraflıca kontrol edin.** Makine çalışırken yabani hayvanlar yaralanabilir.
- **Makinenin kullanılacağı alanı etraflıca kontrol edin, tüm taş, sopa, kablo, kemik ve diğer yabancı cisimleri kaldırın.** Fırlayan nesnelere yaralanmaya neden olabilir.
- **Makineyi kullanmadan önce kesicinin veya bıçağın ve kesicinin veya bıçak tertibatının hasarlı olmadığını görmek için her zaman görsel olarak kontrol edin.** Hasarlı parçalar yaralanma riskini artırır.
- **Aksesuar değişimi için verilen talimatlara uyun.** Kesiciyi sabitleyen somunların veya civataların yanlış sıkılması bıçağa hasar verebilir veya yerinden çıkmasına neden olabilir.

TR

- **Göz, kulak, baş ve el koruması takın.** Yeterli koruyucu ekipman kullanılması uçuşan artıklar ya da kesme misinası veya bıçakla kazara temas edilmesi nedeniyle yaralanmayı azaltacaktır.
- **Makineyi çalıştırırken daima kaymayan ve koruyucu ayakkabılar giyin.** Çıplak ayakla veya açık sandaletlerle makineyi çalıştırmayın. Böylece hareketli kesiciler veya misinalarla temastan dolayı ayakların yaralanma olasılığını azaltır.
- **Makineyi çalıştırırken daima uzun pantolon giyin.** Açıkta cilt, fırlatılan nesnelere kaynaklı yaralanma olasılığını artırır.
- **Makineyi çalıştırırken etraftaki kişileri uzak tutun.** Fırlayan artıklar ciddi yaralanmalara neden olabilir.
- **Makineyi çalıştırırken daima iki elinizi kullanın.** Makineyi iki elinizle tutmak kontrol kaybını önler.
- **Kesme misinası veya bıçak gizli kablolarla temas edebileceği için makineyi yalnızca yalıtılmış tutma yüzeylerinden tutun.** "Elektrik akımlı" bir kabloya temas eden kesme misinası veya bıçaklar, makinenin metal kısımlarının da "elektrik akımlı" olmasına neden olabilir ve çalışan kişinin çarpmasına yol açabilir.
- **Her zaman ayaklarınızı yere sağlam basın ve makineyi yalnızca yerde dururken çalıştırın.** Kaygan veya dengesiz yüzeyler, makinenin dengesinin veya kontrolünün kaybolmasına neden olabilir.
- **Makineyi aşırı dik eğimlerde çalıştırmayın.** Bu önleme uyulması, yaralanmaya neden olabilecek kontrol kaybı, kayma ve düşme riskini azaltır.
- **Eğimli yerlerde çalışırken her zaman ayakta durun, her zaman eğime karşı çalışın, asla yukarı veya aşağı hareket etmeyin ve yön değiştirirken çok dikkatli olun.** Bu önleme uyulması, yaralanmaya neden olabilecek kontrol kaybı, kayma ve düşme riskini azaltır.
- **Makine çalışırken vücudun tüm kısımlarını kesiciden, misinadan veya bıçaktan uzak tutun.** Makineyi çalıştırmadan önce kesicinin, misinanın veya bıçağın herhangi bir şeye temas etmediğinden emin olun. Makineyi çalıştırırken bir anlık dikkatsizlik sizin veya başkalarının yaralanmasına neden olabilir.
- **Makineyi bel yüksekliğinin üzerinde çalıştırmayın.** Bu önlem, istenmeyen kesici veya bıçak temasını önlemeye yardımcı olur ve beklenmedik durumlarda makinenin daha iyi kontrol edilmesini sağlar.
- **Gergin çalı veya fidanları keserken geri tepmeye karşı dikkatli olun.** Ağaçtaki gerilim boşaldığında, çalı veya fidan operatöre çarpabilir ve/veya makineyi kontrolden çıkarabilir.
- **Çalı ve fidan keserken son derece dikkatli olun.** İnce parçalar bıçağa takılabilir ve size doğru savrulabilir veya dengeni bozabilir.
- **Makinenin kontrolünü elinizde tutun ve hareket halindeyken kesicilere, misinalara veya bıçaklara ve diğer tehlikeli hareketli parçalara dokunmayın.** Bu, hareketli parçalardan kaynaklanan yaralanma riskini azaltır.
- **Sıkışan malzemeyi temizlerken veya makineye bakım yaparken, anahtarın kapalı olduğundan ve bataryanın çıkarıldığından emin olun.** Sıkışan malzemeyi temizlerken veya bakım yaparken makinenin beklenmedik şekilde çalıştırılması ciddi yaralanmalara neden olabilir.
- **Makineyi, makine kapalıyken ve vücudunuzdan uzakta taşıyın.** Makinenin uygun şekilde kullanılması, hareketli bir kesici, misina veya bıçakla kazara temas olasılığını azaltır.
- **Yalnızca üretici tarafından belirtilen yedek kesiciler, misinalar, kesme başlıkları ve bıçakları kullanın.** Yanlış yedek parçalar kırılma ve yaralanma riskini artırabilir.
- **Biçme Makinesinde Hasar - Biçme makinesi bir yabancı nesneye çarparsa veya takılırsa makineyi derhal durdurun, hasar olup olmadığını kontrol edin ve herhangi bir hasar varsa yeniden çalıştırmadan önce onarılmasını sağlayın.** Arızalı bir koruyucu donanım veya makara ile çalıştırmayın.
- **Cihaz anormal şekilde titremeye başlarsa, motoru derhal durdurun ve nedenini kontrol edin.** Titreşim genellikle bir sorun olduğunu gösterir. Gevşek bir başlık titreşim yapabilir, çatlatabilir, bozulabilir veya biçiciye temas ederek ciddi yaralanmalara neden olabilir. Kesim parçalarının düzgün bir şekilde takıldığından emin olun. Başlık yerine takıldıktan sonra gevşiyorsa derhal değiştirin. Bir çim biçme makinesini asla gevşek bir kesme aparatıyla kullanmayın.
- **Pille çalışan aletlerin elektrik prizine takılmalarına gerek yoktur; bu nedenle bu tür aletler daima çalışmaya hazır durumdadır.** Alet kullanılmadığı zaman dahi oluşabilecek muhtemel tehlikelere karşı dikkatli olun. Bakım veya onarım işlemleri sırasında dikkatli olun.
- **Hortumla yıkamayın; motor ve elektrik bağlantılarını su kaçırmamaya dikkat edin.**
- **Bu kılavuzda yer almayan durumlar meydana gelirse, dikkatli ve sağlıklı davranın.** Yardım için EGO Müşteri Hizmetleri Merkeziyle iletişime geçin.
- **Sadece şek. A'da listelenen pil paketi ve şarj cihazlarını kullanın.**

BU TALİMATLARI SAKLAYIN!

TEKNİK ÖZELLİKLER

Kesim Mekanizması	Çarpma Başı	
Misina Çapı	2,4 mm naylon bükülü misina	
Kesim Genişliği	40 cm	
Yüksüz hız	4900/5800 min ⁻¹	
Ağırlık (pil paketi hariç)	1,53 kg	
Tavsiye Edilen Çalışma Sıcaklığı	0°C-40°C	
Tavsiye Edilen Depolama Sıcaklığı	-20°C-70°C	
Ölçülen ses güç düzeyi L _{WA}	95,72 dB(A) K=0,77 dB(A)	
Operatör konumundaki ses güç düzeyi L _{PA}	81,6 dB(A) K=3 dB(A)	
Garanti edilen ses güç düzeyi L _{WA} (2000/14/EC uyarınca ölçülmüş)	96 dB(A)	
Titreşim a _n	Ön Tutma Sapı	2,5 m/s ² K=1,5 m/s ²
	Arka Tutma Sapı	1,8 m/s ² K=1,5 m/s ²

- Yukarıdaki parametreler, PH1420E elektrikli alet başlığı takılı olarak test edilmiş ve ölçülmüştür.
- Bildirilen toplam titreşim değeri standart test yöntemine uygun olarak ölçülmüştür ve bir cihazı diğer bir cihaz ile karşılaştırmak için kullanılabilir.
- Bildirilen toplam titreşim değeri ayrıca ön maruz kalma değerlendirilmesinde de kullanılabilir.

UYARI: Elektrikli aletin fiili kullanımı sırasındaki titreşim ve gürültü emisyonları, aletin kullanıma şekillerine, özellikle ne tür iş parçasının işlendiğine bağlı olarak beyan edilen değerlerden farklı olabilir ve

Gerçek kullanım koşullarında tahmini maruz kalmaya bağlı olarak kullanıcıyı korumak için güvenlik önlemlerinin alınması gereklidir (aletin kapalı kaldığı zamanlar ve tetikleme süresine ek olarak boşta çalışma gibi çalışma döngüsüne ait tüm zamanlar dikkate alınmalıdır).

AMBALAJ İÇERİĞİ (ŞEK. A)

Önerilen kesim misinası hakkında, lütfen web sitemizi (egopowerplus.com) ziyaret edin veya EGO Ürün Kataloğuna bakın.

AÇIKLAMA

TEL ÇİM BİÇME MAKİNESİ AKSESUARINIZI

TANIYIN (Şek. A)

- Uç Kapak
- Misinalı Çim Biçme Makinesi Mili
- Misina Yükleme Dügmesi
- Kesme Misinası
- Biçme Başlığı (Misina Besleme Başlığı)
- Açma Tırnağı
- Misina kesim bıçağı
- Siper
- Alyan Anahtar

UYARI: Aleti asla koruması düzgün şekilde takılı değilken kullanmayın. Koruyucu, kullanıcıyı korumak için daima alete takılı durumda olmalıdır!

MONTAJ

UYARI: Hasarlı veya eksik parça varsa, bu parçalar değiştirilmeye kadar ürünü çalıştırmayın. Bu ürünün hasarlı veya eksik parçalar ile kullanılması ciddi kişisel yaralanmalara yol açabilir.

UYARI: Bu ürün üzerinde değişiklik yapmaya veya bu misinalı çim biçme makinesi ile kullanılması önerilmeyen aksesuarlar oluşturmaya çalışmayın. Bu tür değişiklikler veya modifikasyonlar hatalı kullanımdır ve ciddi kişisel yaralanmalara neden olabilen tehlikeli bir duruma sebep olabilir.

UYARI: Montaj tamamlanmaya kadar elektrikli alet başlığına bağlamayın. Böyle yapılması durumunda, ürün yanlışlıkla çalışıp ciddi kişisel yaralanmalara neden olabilir.

KORUYUCUNUN MONTE EDİLMESİ

UYARI: Koruyucu monte edilirken veya değiştirilirken daima eldiven takın. Koruyucu üzerindeki bıçağı dikkat edin ve ellerinizi bıçak yaralanmalarından koruyun.

Mil tabanından iki vidayı gevşetin ve çıkarın (Şek. C), muhafaza montaj delikleri ile aksam deliklerini hizalayın ve ardından muhafazayı mil tabanına iki yaylı rondela ve iki vida ile sabitleyin (Şek. D).

Koruyucunun Şek. C ve D'ye uygun olarak monte edildiğinden emin olun, hatalı bir montaj büyük tehlikeye yol açar!

ÇİM BİÇME APARATININ ELEKTRİKLİ ALET BAŞLIĞINA BAĞLANMASI

Bu çim biçme aparatı EGO Elektrikli Alet Başlığı PH1420E ile kullanılmak üzere tasarlanmıştır.

PH1420E kullanım kılavuzundaki “ELEKTRİKLİ ALET BAŞLIĞI APARATINI TAKMA” bölümüne bakın.

ÇALIŞTIRMA

⚠ UYARI: Ürüne aşına olmanız sizi dikkatsiz yapmasın. İkinci dereceden bir dikkatsizliğin ciddi yaralanmalara neden olmak için yeterli olduğunu unutmayın.

⚠ UYARI: Daima göz koruması ve kulak koruması kullanın. Böyle yapılması sonucu gözlerinize fırlayan nesnelere ciddi kişisel yaralanmalara neden olabilir.

UYGULAMALAR

Bu ürünü aşağıdaki işlemler için kullanabilirsiniz:

- Sundurma, çit ve tabliyelerdeki çim ve otların biçilmesi

⚠ UYARI: Cihaz sadece belirtilen kullanım amacı doğrultusunda kullanılmalıdır. Diğer kullanım şekilleri hatalı kullanım olarak kabul edilir.

Her kullanımdan önce hasarlı/aşınmış parça olup olmadığını kontrol edin.

Biçme başlığını, siperi ve ön tutma kolunu kontrol edin ve çatlak, kıvrılmış, eğik veya hasarlı parçaları değiştirin.

Koruyucunun kenarındaki misina kesim bıçağı zamanla körelebilir. Bu bıçağı düzenli olarak bir ege ile bilemeniz veya yenisiyle değiştirmeniz önerilir.

⚠ UYARI: Korumayı monte ederken veya değiştirirken, bıçağı bilersen veya değiştirirken daima eldiven takın. Koruyucu üzerindeki bıçağı ve elinizin kesilmemesine dikkat edin.

⚠ UYARI: Ciddi kişisel yaralanmaları önlemek için, aksesuarlara bakım-onarım, temizlik yapmadan, aksesuarları değiştirmeden veya cihazdan malzeme çıkarmadan önce pil paketini elektrikli alet başlığından çıkarın.

TR

MİSİNALI ÇİM BİÇME APARATINI ELEKTRİKLİ ALET BAŞLIĞI İLE KULLANMA

⚠ UYARI: Bu cihazı kullanırken yaralanma riskini azaltmak için uygun şekilde giyinin. Bol giysiler giymeyin veya takı takmayın. Göz ve kulak/ışık koruması takın. Dayanıklı, uzun pantolon, eldiven ve bot giyin. Kısa pantolon, sandalet giymeyin veya çıplak ayakla çalışmayın.

⚠ UYARI: Her kullanımdan önce kesilecek alanı temizleyin. Kesim aparatına takılabilecek veya kesim sırasında fırlatılabilecek taş, kırık cam, çivi, tel veya sicim vb. tüm nesnelere temizleyin. Çocukları, üçüncü şahısları ve evcil hayvanları çalışma alanından uzak tutun. Çocukları,

üçüncü şahısları ve evcil hayvanları çalışma alanından en az 15 metre uzak tutun; buna rağmen üçüncü şahısların fırlayan nesnelere yaralanma riski olabilir. Üçüncü şahısların göz koruması kullanmaları önerilir. Çalışırken yanınıza yaklaşan kimselerin olması durumunda derhal motoru ve kesici parçaları durdurun.

Güvenli ve daha iyi çalışma için omuz askısını omuzunuza takın. Omuz askısını rahat bir çalışma konumuna ayarlayın. Çim biçme makinesini bir elinizle arka tutma kolundan ve diğer elinizle ön tutma kolundan tutarak kullanın. Çalışma sırasında makineyi her iki elinizle sıkıca tutun. Çim biçme makinesi, arka tutma kolu kalça hizasında olacak şekilde rahat bir konumda tutulmalıdır. Biçme başlığı, operatörün yere doğru eğilmesine gerek kalmadan, kesilecek malzemeye kolayca temas edecek şekilde yere paralel olmalıdır (Şek. B).

⚠ UYARI: Omuz askısı ayrıca tehlikeli durumlarda hızla çıkarılabilen bir mekanizmadır. Acil bir durumda, askı hangi şekilde takılı olursa olsun derhal omuzunuzdan çıkarın.

Her kullanımdan sonra, çim biçme aparatını temizleyin.

Temizleme talimatları için BAKIM bölümüne bakın.

CIHAZI ÇALIŞTIRMA/DURDURMA

Elektrikli alet başlığı PH1420E kullanım kılavuzundaki “ELEKTRİKLİ ALET BAŞLIĞINI ÇALIŞTIRMA/DURDURMA” bölümüne bakın.

KESİM İPİ UZUNLUĞUNUN AYARLANMASI

Çim biçme makinesi başlığı operatörün motoru durdurmayla gerek kalmadan kesim ipini salmasına olanak sağlar. Misina aşınır veya yıpranırsa, çim biçme makinesi çalışır durumdayken çim biçme başlığını hafifçe yere vurarak biraz daha misina salmak mümkündür (Şek. E).

⚠ UYARI: Kesim misinası kısıldıkça misinanın salınması zorlaşır.

⚠ UYARI: Misinalı kesim bıçağı donanımını çıkarmayın veya değiştirmeyin. Aşırı uzun kesim ipi motorun aşırı ısınmasına neden olabilir ve ciddi kişisel yaralanmaya yol açabilir.

MİSİNANIN DEĞİŞTİRİLMESİ

DİKKAT: Çapı 2,4 mm'den fazla olmayan önerilen naylon kesme hattını daima kullanın. Belirtilen dışında kesim misinası kullanımı kesim makinesinin aşırı ısınmasına veya hasar görmesine neden olabilir.

⚠ UYARI: Asla metal takviyeli misina, tel, ip vb. malzeme kullanmayın. Bunlar koparak tehlikeli biçimde fırlatılabilir.

Misinalı çim biçme makinesi gelişmiş bir **POWERLOAD™** sistemi ile donatılmıştır. Kesme misinası, tek bir düğmeye basılarak makaraya sarılabilir. Dolu bir makaranın yüklenmesi genellikle 12 saniyede tamamlanabilir. **Motorun hasar görme olasılığını azaltmak için sarma sisteminin hızlı bir şekilde art arda çalıştırılmasından kaçının.**

DİKKAT: **POWERLOAD™** sistemi, sadece aparat PH1420E Elektrikli Alet Başlığına bağlıyken ve batarya takılıyken kullanılabilir.

1. Bataryayı çıkarın.
2. Kesme misinasını 4m uzunluğunda kesin. Misinayı halka delikten geçirin (Şek. F). Biçme başlığının her iki tarafında eşit miktarda misina oluncaya kadar misinayı itin ve diğer taraftan çekin.

DİKKAT: Alt kapak sıkıştığında misina halka delikten geçmiyorsa bataryayı elektrikli alet başlığına takın, ardından alt kapağı ayarlamak için misina yüklemeye düğmesine kısaca basın.

3. 2. adımdan sonra **DİKKAT** bölümünde elektrikli alet başlığına takılıysa bataryayı çıkarın. Ve kesme misinasını yeniden yerleştirmek ve hizalamak için 2. adımda belirtilen adımları izleyin.
4. Bataryayı elektrikli alet başlığına takın.
5. Misina her iki tarafta yaklaşık 15 cm görünene kadar sürekli olarak biçme başlığına sarmak için misina yüklemeye düğmesini basılı tutun. (Şek. G).
6. Biçme başlığını aşağı bastırarak misinaları çekin ve kesme misinasının düzgün monte edildiğini kontrol etmek için manuel olarak iletin.

DİKKAT: Misina yanlışlıkla biçme başlığına çekilirse başlığı açın ve kesme misinasını makaradan dışarı çekin. Misinayı yeniden yüklemek için bu kılavuzdaki "KESME MİSİNASINI YENİDEN YÜKLEME" bölümünü takip edin.

KESME MİSİNASINI YENİDEN YÜKLEME

Kesme misinası halka delikten kırıldığında veya biçme başlığına dokunulduğunda kesme misinası salınmazsa, kalan kesme misinasını biçme başlığından çıkarmanız ve misinayı yeniden yüklemek için aşağıdaki adımları uygulamanız gerekir.

1. Bataryayı çıkarın.
2. Biçme başlığındaki açma tırnaklarına bastırın ve biçme başlığının alt kapak aksamını çekerek çıkarın (Şek. H).
3. Kesme misinasını biçme başlığından çıkarın.
4. Gerekirse yayı makara tertibatından çıkarın. Yeniden monte etmek için saklayın.
5. Yayı alt kapak düzeneğindeki yuvaya yerleştirin (Şek. I).

6. Bir elle çim biçme makinesini tutarken diğer elle alt kapak aksamını kavrayın ve alt kapak aksamındaki yuvalarla açma tırnaklarını hizalayın (Şekil J). Alt kapak aksamına yerine oturana kadar bastırın, bu sırada belirgin bir tıklama sesi duyacaksınız (Şek. K).
7. "MİSİNASININ DEĞİŞTİRİLMESİ" bölümündeki talimatları izleyerek misinayı tekrar takın.

BIÇME BAŞLIĞININ DEĞİŞTİRİLMESİ

⚠ UYARI: Başlık yerine takıldıktan sonra gevşiyorsa derhal değiştirin.

Bir çim biçme makinesini asla gevşek bir kesim parçasıyla kullanmayın. Hasar yüzeysel çatlaklarla sınırlı olsa dahi, çatlaklı, hasarlı veya aşınmış bir kesme başlığını derhal değiştirin. Bu tür parçalar yüksek hızda parçalanabilir ve ciddi yaralanmalara neden olabilir.

Biçme başlığını tanıyın (Şek. L).

Şek. L parça açıklaması aşağıdaki gibidir:

L-1	Mil	L-6	Rondela
L-2	Burç (2)	L-7	Somun
L-3	Üst kapak	L-8	Yay
L-4	Halka segman	L-9	Kesme Misinası
L-5	Makara Tutucu	L-10	Alt Kapak Aksamı

Biçme başlığını çıkarma

1. Bataryayı çıkarın.
2. Biçme başlığının üzerindeki açma tırnaklarına bastırın ve biçme başlığının alt kapak aksamını çekerek çıkarın.
3. Kesme misinasını biçme başlığından çıkarın.
4. Gerekirse yayı makara tertibatından çıkarın. Yeniden montaj için saklayın.
5. Eldiven takın. Makara grubunu sabitlemek için bir elinizi kullanırken diğer elinizle 13 mm'lik bir darbeli anahtar kullanarak (ürüne dahil değildir) somunu SAAT YÖNÜNDE gevşetin (Şek. M).
6. Somunu, rondelayı ve makara tutucuyu motor milinden sökün (Şek. L).
7. Halka segmanı çıkarmak için segman pensesi (ürüne dahil değildir) kullanın. Üst kapağı ve iki burcu motor milinden çıkarın (Şek. L).
8. Yeni bir biçme başlığıyla değiştirin ve aşağıdaki adımları takip ederek takın.

Yeni biçme başlığını takma

1. İki burcu motor miline monte edin.
2. Üst kapaktaki silindirik yuvasını motor milindeki silindir

ile hizalayın ve üst kapağı yerine monte edin (Şek. N).

Şek. N'deki parçaların açıklaması aşağıdadır

N-1	Silindir	N-2	Silindir yuvası
-----	----------	-----	-----------------

3. Bu sırayla halka segman, makara tutucu ve rondelayı takın (Şek. L). Somunu SAAT YÖNÜNÜN TERSİNE sıkılmak için darbeli anahtar kullanın.
4. Alt kapak tertibatını monte etmek için bu kılavuzdaki «KESME MİSİNASINI YENİDEN YÜKLEME» bölümündeki 4. ve 5. adımları izleyin.
5. «MİSİNANIN DEĞİŞTİRİLMESİ» bölümündeki talimatları izleyerek tekrar misina takın.
6. Misinalı çim biçme makinesinin normal çalışıp çalışmadığını görmek için aracı başlatın. Düzgün çalışmıyorsa yukarıda açıklandığı gibi yeniden monte edin.

BAKIM

⚠ UYARI: Cihazın kontrol, temizlik veya bakımından önce motoru durdurun ve tüm hareketli parçaların durmasını bekleyin, ardından pil takımını çıkarın. Bu talimatlara uyulmaması ciddi kişisel yaralanmalara veya maddi hasara yol açabilir.

UYARI: Bakım ve onarım sırasında birbirini yedek parçaları kullanın. Diğer parçaların kullanılması tehlike oluşturabilir veya ürünün hasar görmesine neden olabilir. Güvenlik ve güvenilirliği sağlamak için, bu bakım kılavuzunda belirtilenler dışındaki tüm onarımlar uzman bir servis teknisyeni tarafından gerçekleştirilmelidir.

GENEL BAKIM

Plastik parçaları temizlerken çözücü maddeler kullanmaktan kaçının. Çoğu plastik malzeme çeşitli ticari çözücü türlerinden etkilenmeye yatkındır ve kullanılmaları durumunda zarar görebilir. Kir, toz, yağ, gres, vb. gidermek için temiz bez kullanın.

CİHAZIN TEMİZLENMESİ

- Motor miline veya çim biçme başlığına dolanmış olabilecek çimleri temizleyin.
- Arka gövde üzerindeki hava deliklerini temizlemek için küçük bir fırça veya küçük elektrikli süpürge kullanın.
- Cihazı nemli bir bez ve yumuşak deterjanla temizleyin.
- Plastik gövde veya tutma sapı üzerinde güçlü deterjanlar kullanmayın. Çam ve limon gibi belirli aromatik yağlar ve kerosen gibi çözücü maddeler bu yüzeylere zarar verebilir. Nem nedeniyle elektrik çarpması tehlikesi oluşabilir. Yumuşak kuru bir bezle nemli yerleri silin.

TRANSMİSYON DIŞLİLERİNİN YAĞLANMASI

Dişli kutusundaki transmisyon dişlileri periyodik olarak dişli gres yağı ile yağlanmalıdır. Dişli kutusunun gres seviyesini her 50 saatlik çalışmada bir kutunun yanındaki sızdırmazlık vidasını sökerek kontrol edin.

Dişli kenarlarında hiçbir gres görülemezse, aşağıdaki adımları izleyerek dişliye 3/4 kapasiteye kadar gres basın.

Transmisyon dişlilerini tamamen doldurmayın.

1. Çim biçme makinesini, sızdırmazlık vidası yukarı bakacak şekilde yana yatırın .
2. Verilen çok işlevli anahtar kullanarak sızdırmazlık vidasını gevşetin ve sökün.
3. Vida deliğine az miktarda gres enjekte etmek için bir gres şırıngası (ürüne dahil değildir) kullanın; 3/4'lük kapasiteyi aşmayın.
4. Enjeksiyondan sonra sızdırmazlık vidasını sıkın.

CİHAZIN SAKLANMASI

- Bataryayı elektrikli alet başlığından çıkarın.
- Cihazı saklamadan önce tamamen temizleyin.
- Çim biçme aparatı elektrikli alet başlığından çıkarılırsa ve ayrı olarak saklanırsa: Kaplin içerisine pisliklerin girmesini önlemek için uç kapağı aparatın miline takın.
- Cihazı çocukların ulaşamayacağı kuru, iyi havalandırılmış, kilitli veya yüksek bir yerde muhafaza edin. Cihazı gübre, benzin veya diğer kimyasal maddelerin yakınına saklamayın.

MİSİNA KESME BİÇAĞINI KESKİNLEŞTİRME

⚠ UYARI: Misina kesme bıçağı üzerinde herhangi bir bakım işlemi gerçekleştirirken daima dayanıklı eldivenler takarak ellerinizi koruyun.

1. Bataryayı çıkarın.
2. Misina-kesme bıçağını siperden çıkarın.
3. Bıçağı bir mengene ile sabitleyin.
4. Uygun göz koruması ve eldiven giyin ve kendinizi kesmemeye dikkat edin.
5. Orijinal kesici kenar açısını koruyarak, bıçağın kesici kenarlarını ince diş bileyci veya bileme taşıyla dikkatlice bileyin.
6. Bıçağı sipere takın ve iki vidayla yerine sabitleyin.

Çevre koruması



Elektrikli cihazları, pil şarj cihazını ve pilleri/ şarj edilebilir pilleri evsel atıklarla birlikte atmayın!

Bu ürünü yetkili bir geri dönüşüm merkezine götürün ve aynı bir şekilde toplanmasını sağlayın. Elektrikli aletler çevreyle uyumlu bir geri dönüşüm tesisine teslim edilmelidir.

Elektrikli cihazlar katı atık sahaları veya çöp toplama alanlarına atılırsa, yer altı sularına ve besin zincirine tehlikeli maddeler sızabilir, bu da sağlığınızın bozulmasına yol açabilir.

KES VAN DER SPEK
TUINMACHINES ★ STOLWIJK

TR

SORUN GİDERME

SORUN	NEDENİ	ÇÖZÜM
Misinalı çim biçme makinesi başlatılmıyor.	<ul style="list-style-type: none">■ Pil takımı elektrikli alet başlığına takılı değil.■ Elektrikli alet başlığı ve pil takımı arasında elektrik teması yok.■ Batarya boşalmıştır.■ Kilitleme kolu ve tetiğe aynı anda basılmıyor.	<ul style="list-style-type: none">■ Pil takımını elektrikli alet başlığına takın.■ Pil takımını çıkarın, temas noktalarını kontrol edin ve yerine oturana kadar pil takımını yeniden takın.■ Pil takımını bu kılavuzda belirtilen EGO şarj cihazları ile şarj edin.■ Kilitleme kolunu basılı tutun, ardından tetik düğmesine basarak makineyi çalıştırın.
Misinalı çim biçme makinesi kesim yaparken duruyor.	<ul style="list-style-type: none">■ Çim biçme makinesine koruyucu takılmamış, sonuç olarak aşırı uzun kesim ipi ve motorun aşırı ısınması söz konusu.■ Ağır kesim ipi kullanılıyor.■ Motor mili veya çim biçme başlığı çimler nedeniyle tutukluk yapıyor.■ Motor aşırı yüklenmiş.■ Pil paketi veya misinalı çim biçme makinesi çok sıcak.■ Pil paketi ile aletin bağlantısı kesilmiş.■ Pil paketi boş.	<ul style="list-style-type: none">■ Pil paketini çıkarın ve koruyucuyu çim biçme makinesine monte edin.■ Çapı en fazla 2,4 mm olan naylon kesim misinası kullanmanız önerilir.■ Çim biçme makinesini durdurun, pili çıkarın ve motor mili ve çim biçme başlığındaki çimleri temizleyin.■ Çim biçme başlığını çimlerden kaldırın. İş yükü kalkar kalkmaz motor eskisi gibi çalışacaktır. Kesim yaparken, çim biçme başlığını kesilecek çimlerde ileri-geri hareket ettirin ve tek bir kesimde en fazla 20 cm uzunlukta kesim yapın.■ Pil paketi veya çim biçme makinesinin 67°C' nin altına düşene kadar soğumasını bekleyin.■ Pil paketini yeniden takın.■ Pil takımını bu kılavuzda belirtilen EGO şarj cihazları ile şarj edin.

TR

SORUN	NEDENİ	ÇÖZÜM
Çim biçme başlığı misinayı ilerletmiyor.	<ul style="list-style-type: none"> Motor mili veya çim biçme başlığı çimler nedeniyle tutukluk yapıyor. Makarada yeterli misina yok. Çim biçme başlığı kirlidir. Misina makara tutucuya dolanmış. Misina çok kısa. 	<ul style="list-style-type: none"> Çim biçme makinesini durdurun, pili çıkarın ve motor mili ve çim biçme başlığındaki çimleri temizleyin. Bataryayı çıkarın ve kesme misinasını değiştirin; bu kılavuzdaki "KESME MİSİNASINI YENİDEN YÜKLEME" bölümünü takip edin. Pili çıkarın ve makarayı, makara tespit pimini ve makara tabanını temizleyin. Bataryayı çıkarın, misinayı makaradan çıkarın ve yeniden sarın; bu kılavuzdaki "KESME MİSİNANI YENİDEN YÜKLEME" bölümünü takip edin. Pili çıkarın ve çarpma düğmesine basıp bırakarak ipleri çekin.
Çimler, çim biçme başlığının etrafına ve motor gövdesine dolanıyor.	<ul style="list-style-type: none"> Uzun çimler zemin seviyesinde kesiliyor. 	<ul style="list-style-type: none"> Uzun çimleri üstten alta doğru kesin, dolanmayı önlemek için her geçişte en fazla 20 cm kesin.
Uzun çimler zemin seviyesinde kesiliyor.	<ul style="list-style-type: none"> Koruyucunun kenarındaki misina kesim bacağı körelmiş. 	<ul style="list-style-type: none"> Misina kesim bacağı bir eğe ile bileyin veya yeni bir bıçakla değiştirin.
Kesme başlığında çatlaklar mevcut veya makara tutucu makara tabanından gevşemiş.	<ul style="list-style-type: none"> Çim biçme başlığı aşınmış. Kesme başlığını kilitleyen somun gevşek. 	<ul style="list-style-type: none"> Çim biçme makinesinin kafasını hemen değiştirin; bu kılavuzdaki "ÇİM BİÇME KAFASI DEĞİŞİMİ" bölümündeki talimatlara uyun. Kesme başlığını açın ve somunu sıkılamak için bir darbeli anahtar kullanın.
Misina değiştirme sırasında, misina çim biçme başlığına düzgün yüklenmiyor.	<ul style="list-style-type: none"> Makara tutucunun LOAD çizgileri makara tabanındaki halkalar ile hizalanmamış. Makara tutucunun LOAD çizgileri makara tabanındaki halkalar ile hizalanmamış. 	<ul style="list-style-type: none"> Makara tutucu üzerindeki LOAD çizgisini makara tabanındaki halka ile hizalamak için, makara tutucuyu ok yönünde döndürün. Makara tutucu üzerindeki LOAD çizgisini makara tabanındaki halka ile hizalamak için, makara tutucuyu ok yönünde döndürün.

GARANTİ

EGO GARANTİ POLİTİKASI

EGO Garanti politikasına ilişkin tüm hüküm ve koşullar için, lütfen egopowerplus.com adresindeki web sitemizi ziyaret edin.

LUGEGE KÕIKI JUHISEID!



Lugege Kasutusjuhendit

⚠️ Kaasnev risk! Inimesed, kes kasutavad elektroonilisi seadmeid, nt südamestimulaatorit, peaksid enne selle toote kasutamist konsulteerima oma arstiga. Elektriseadmete kasutamine südamestimulaatori läheduses võib põhjustada südamestimulaatori häireid või rikkeid.

⚠️ HOIATUS: Ohutuse ja töökindluse tagamiseks tohivad seda seadet remontida ainult vastava kvalifikatsiooniga hooldustehnikud.

OHUTUSSÜMBOLID

Ohutussümbolite eesmärk on tõmmata teie tähelepanu võimalikele ohtudele. Ohutussümbolitele ja nende juures olevatele seletustele tuleb korralikult tähelepanu pöörata ja need endale selgeks teha. Ohutussümbolid iseenesest ei kõrvalda ohu olemasolu. Nendega kaasnevad juhendid ja hoiatused ei asenda korralikke õnetuste vältimise meetmeid.

⚠️ HOIATUS: Enne käesoleva tööriista kasutamist lugege kindlasti läbi ja tehke endale selgeks kõik Kasutusjuhendis toodud ohutusjuhised, sh kõik ohutussümbolid nagu „OHT,” „HOIATUS,” ja „ETTEVAATUST”. Kui kõiki allpool loetletud juhiseid ei järgita, võib tagajärjeks olla elektrilöök, tulekahju ja/või tõsised isikuvigastused.

SÜMBOLITE TÄHENDUSED

⚠️ TURVATEATE SÜMBOL Sümbolite OHT, HOIATUS või ETTEVAATUST võidakse kasutada koos teiste sümbolite või piltidega.

ET

OHUTUSJUHISED

Sel lehel on kujutatud ja kirjeldatud ohutussümboliteid, mida võib käesolevalt tootelt leida. Enne seadme kokkupanemist ja kasutamist lugege, tehke omale selgeks ja järgige kõiki juhiseid.

	Ohutus-teade	Viitab võimalikule kehavigastuste ohule.
--	--------------	--

	Lugege kasutusjuhendit	Vigastuste ohu vähendamiseks peab kasutaja enne toote kasutamist lugema kasutusjuhendit ja selle endale selgeks tegema.
	Kandke silmade ja kõrvade kaitsevahendeid ning kaitsekiivrit	Kandke alati silmade ja kõrvade kaitsevahendeid ning kaitsekiivrit.
	Lõikelaius	Murutrimmeri maksimaalne lõikelaius
	Jõhvi diameeter	Nailonist lõikejõhvi diameeter
	Ärge kasutage metallist teri.	Hoiatab kasutajat, et ta ei kasutaks metallist terasid
	Ärge laske kellelgi töö ajal enda lähedal seista	Võõrkehad võivad rikošetiga eemale paiskuda ja selle tagajärjeks võivad olla isikuvigastused või vara kahjustumine. Võsaiõikuriga töötamise ajal ei tohi läheduses olla loomi ega teisi inimesi.
	Vahemaa seadme ja kõrvaliste isikute vahel peab olema vähemalt 15 m	Jõhvitrimmeriga töötamise ajal ei tohi vähemalt 15 m raadiuses olla loomi ega teisi inimesi.
IPX4	IP-sümbol	4. astme kaitse vee sissepääsu vastu.
CE	CE	Toode vastab rakendatavatele EÜ direktiividele.
UK CA	UKCA	See toode vastab asjakohastele UK seadustele.
	WEEE	Elektriseadmete jäätmeid ei tohi visata olmejäätmetesse. Viige heaks kiidetud taaskäitleja juurde.
	Müra	Garanteeritud helivõimsuse tase. Seadme müra keskkonnas on Euroopa Ühenduse direktiiviga vastavuses.
V	Volti	Pinge
mm	Millimeeter	Pikkus või suurus
cm	Sentimeeter	Pikkus või suurus

kg	Kilogramm	Kaal
----	-----------	------

ÜLDISED ELEKTRITÖÖRIISTADE HOIATUSED

⚠ HOIATUS: Lugege läbi kõik elektritööriistaga kaasas olevad hoiatused, juhised, joonised ja andmed. Alloodud juhiste eiramine võib põhjustada elektrilööki, tulekahju ja/või tõsiseid vigastusi.

Säilitage hoiatused ja juhised hilisemaks kasutuseks.

Hoiatustes kasutatud termin "elektritööriist" viitab voolu jõul (juhtmega) töötavale elektrilisele tööriistale või aku jõul töötavale (juhtmeta) elektrilisele tööriistale.

TÖÖPIIRKONNA OHUTUS

- Tööpiirkond peab olema puhas ja hästi valgustatud. Segadus või valgustamata tööpiirkonnad suurendavad õnnetuste tõenäosust.
- Ärge kasutage elektritööriistu plahvatusohtlikes keskkondades, näiteks kergesti süttivate vedelike, gaaside või tolmu läheduses. Elektritööriistad tekitavad sädemeid, mis võivad süüdata tolmu või auru.
- Elektritööriistadega töötamisel hoidke lapsed ja kõrvalseisjad eemal. Tähelepanu hajumine võib põhjustada seadme üle kontrolli kaotamise.

ELEKTRILINE OHUTUS

- Elektritööriistad tuleb ühendada sobivasse pistikupesasse. Ärge kunagi muutke pistikut mitte mingil viisil. Ärge kasutage maandatud elektritööriistadega mistahes üleminekuadaptereid. Muutmata pistikud ja sobivad pistikupesad vähendavad elektrilöögi ohtu.
- Vältige kehalist kontakti maandatud pindadega (nt torud, radiaatorid, katted, külmikud). Kui teie keha on maandatud, suureneb elektrilöögi oht.
- Ärge kasutage seadet vihmase ega niisketes tingimustes. Seadmesse sattuv vesi võib suurendada ohtu elektrilöögiks või seadme rikkeks, mis võivad põhjustada kehavigastusi.
- Ärge rikkuge juhet. Ärge kasutage juhet elektritööriista kandmiseks või tõmbamiseks ja ärge tõmmake juhtmest, kui soovite pistikut pistikupesast eemaldada. Vältige juhtme kokkupuudet kuumade esemete, õli, teravate servade või liikuvate osadega. Kahjustatud või puntras juhe suurendab elektrilöögi ohtu.
- Elektritööriistaga välitingimustes töötamiseks kasutage välitingimustesse sobivat pikendusjuhet. Välitingimustesse sobiva juhtme kasutamine vähendab elektrilöögi ohtu.
- Kui peate kindlasti kasutama tööriista niiskes kohas, kasutage seadet, mille toite tagab jääkvooluseade (RCD). RCD kasutamine vähendab elektrilöögi ohtu.

ISIKLIK OHUTUS

- Olge tähelepanelik, töötage hoolikalt ja kasutage tervet mõistust. Ärge kasutage elektritööriista, kui olete väsinud, või rohtude, alkoholi või narkootikumide mõju all. Vaid hetkeline tähelepanematus elektritööriista kasutamisel võib põhjustada raskeid kehavigastusi.
- Kasutage isikukaitsevahendeid. Kandke alati silmakaitsevahendeid. Töötingimustele vastava kaitsevarustuse (nt tolmumaski, mittelibisevate turvakingade, tugeva peakatte või kuulmiskaitsete) kasutamine vähendab kehavigastuste ohtu.
- Vältige tööriista juhuslikku käivitumist. Veenduge, et lüliti on mitteaktiivses asendis, enne tööriista vooluvõrgu või akuplokiga ühendamist ning enne tööriista kandmist või üles tõstmist. Elektritööriistade kandmine sõrme lülilil hoides või aktiivses olekus lülitiga põhjustab õnnetusi.
- Enne tööriista sisselülitamist eemaldage sellelt reguleerimis- ja nutrivõtmed. Elektritööriista pöörleva osa külge unustatud võtmed vms tööriistad võivad põhjustada kehavigastusi.
- Ärge küünitage liiga kaugele. Töötage ainult kindlal maapinnal ja kohtades, kus pole ohtu tasakaalu kaotada. Nii säilitate ootamatutes olukordades elektritööriista üle parema kontrolli.
- Riietuge asjakohaselt. Ärge kandke ehteid ega avaraid riideid. Vältige oma juuste, riiete ja kinnaste kokkupuudet liikuvate osadega. Liiga avarad riided, ehted ja pikad juuksed võivad liikuvate osade vahele kinni jääda.
- Kui tootega on kaasas vahendid tolmukogumis- ja väljavõtuseadmete ühendamiseks, veenduge, et need seadmed on korralikult ühendatud ja korrektses kasutuses. Tolmukogumisseadmete kasutamine vähendab tolmuga seotud ohtusid.
- Kui seade on teile sagedase kasutamise tulemusel harjumuspäraseks saanud, ärge laske ennast lödvaks ega ignoreerige tööriista kasutamise ohutusreegleid. Hooletuse tõttu võite saada tõsiseid vigastusi ka sekundi murdosa jooksul.

AKUSEADMETE KASUTAMINE JA HOOLDUS

- Ärge rakendage elektritööriista kasutamisel jõudu. Kasutage konkreetselt tööks sobivat elektritööriista. Sobiva elektritööriistaga sobival kiirusel töötades saate töö valmis kiiresti ja ohutult.
- Ärge kasutage tööriista, mida ei saa lülitist sisse ja välja lülitada. Elektrilised tööriistad, mille lüliti ei tööta, on ohtlikud ja tuleb parandada.
- Eemaldage juhe vooluvõrgust ja/või akuplokk seadme küljest enne seadme reguleerimist, lisakomponentide lisamist või eemaldamist ja

ET

enne seadme hoiustamist. Selliste ohutusmeetmete rakendamisel vähendate elektritööriista tahtmatu käivitamise võimalust.

- **Tööriistu, mida te hetkel ei kasuta, hoidke lastele kättesaamatus kohas ning ärge lubage nendega töötada isikutel, kes pole tööriistade tööpõhimõtetega või käesoleva juhendiga tutvunud.** Koolitamata isikute käes on elektrilised tööriistad ohtlikud.
- **Hooldage nii elektritööriistu kui tarvikuid.** Kontrollige, et komponendid on korrektselt joondatud ja ükski osa ei ole paindunud ning jälgige ka muid aspekte, mis võiksid tööriista omadusi mõjutada. Kahjustuste leidmisel laske tööriista enne järgmist kasutust remontida. Halvasti hooldatud tööriistad põhjustavad palju õnnetusi.
- **Hoidke oma tööriistu teravate ja puhasena.** Korralikult hooldatud ja teravate servadega lõikeservad ei paindu nii kergesti ja on lihtsamini juhitavad.
- **Kasutage tööriista, selle tarvikuid, tööriistaosi jm vastavalt käesolevale juhendile, võttes arvesse töötingimusi ja teostatavat tööd.** Tööriista mitte-eesmärgipärane kasutamine võib põhjustada ohtlikke olukordi.
- **Hoidke haardepind ja käepidemed kuivad, puhtad ja vältige õli ja rasva sattumist seadmele.** Libedad käepidemed ja haardepinnad takistavad seadme ohutut kasutamist ja käsitsemist ootamatutes olukordades.

AKUSEADMETE KASUTAMINE JA HOOLDUS

- **Kasutage laadimiseks ainult tootja poolt ette nähtud laadijaid.** Akulaadija, mis sobib teatud tüüpi akuplokkile, võib põhjustada tulekahju ohtu, kui seda kasutada mõne teise akuplokkiga.
- **Kasutage elektrilisi tööriistu ainult nende jaoks ette nähtud akuplokkidega.** Mõne muu akuploki kasutamine võib põhjustada vigastuste ja tulekahju ohtu.
- **Kui akut ei kasutata, hoidke seda eemal muudest metallesemetest nagu kirjaklambritest, müntidest, võtmetest, naeltest, kruvidest ja muudest väikestest metallesemetest, mis võivad klemmide vahel ühenduse luua.** Aku klemmide lüühiühendus võib põhjustada põletushaavu ja tulekahju ohtu.
- **Vaades tingimustes kasutamisel võib akut vedelikku välja tulla; vältige kokkupuudet sellega.** Kokkupuute tekkimisel loputage veega. Kui vedelik satub silma, pöörduge lisaks ka arsti poole. Akust väljuv vedelik võib põhjustada ärritust või põletusi.
- **Ärge kasutage kahjustunud või modifitseeritud akuplokki või tööriista.** Kahjustunud või modifitseeritud akud võivad toimida ettearvatult, mille tagajärjeks võivad olla tulekahju, plahvatus või vigastuste oht.

- **Vältige akuploki või tööriista kokkupuudet tule või liiga kõrge temperatuuriga.** Kokkupuude lahtise tule või temperatuuriga üle 130°C võib põhjustada plahvatuset.
- **Järgige kõiki laadimisjuhiseid ja ärge laadige akuplokki või tööriista vale temperatuuri juures (vt. juhised).** Valesti või valel temperatuuril laadimine võib kahjustada akut ja suurendada tulekahju ohtu.

HOOLDUS

- **Laske oma akutööriista hooldada kvalifitseeritud remonditehnikul, kes kasutab ainult identseid originaalvaruosi.** See tagab akuploki ohutuse säilimise.
- **Ärge kunagi hooldage kahjustunud akuplokke.** Akuplokkide hooldust võib teostada ainult tootja või volitatud teeninduskeskus.

JÕHVTRIMMERI SPETSIIFILISED OHUTUSNÕUDED

- **Vältige seadme kasutamist halva ilmaga, eriti äikese ohu korral.** Niiviisi vähendate pikselöögi saamise ohtu.
- **Kontrollige seadme võimalikku kasutuspiirkonda põhjalikult metsloomade suhtes.** Metsloomad võivad seadme töö ajal vigastada saada.
- **Enne töö alustamist kontrollige tööala ja eemaldage sealt kõik kivid, oksad, traadid, luud ja muud võõrkehad.** Eemale paiskuvad esemed võivad tekitada kehavigastusi.
- **Enne seadme kasutamist kontrollige alati visuaalselt, et lõikur või tera ja lõikuri või tera moodul ei oleks kahjustatud.** Kahjustatud osad suurendavad vigastuste ohtu.
- **Järgige komponentide vahetamise juhiseid.** Valesti pingutatud lõikuri kinnitusmutrid või -poldid võivad tera kahjustada või põhjustada selle lahtitulemist.
- **Kandke silmade ja kõrvade kaitsevahendeid ning kaitsekiivrit.** Asjakohane kaitsevarustus vähendab eemalepaiskuvast prahist või lõikejõhvi või -teraga juhusiliku kokkupuutumisel tekkivate vigastuste ohtu.
- **Seadme kasutamisel kandke alati libisemiskindlaid turvajalanõusid.** Ärge kasutage tööriista paljajalu ega kandke sandaale. See vähendab võimalust vigastada jalgu kokkupuutel liukvate lõikurite või jõhvidega.
- **Seadme kasutamise ajal kandke alati pikki pükse.** Paljastatud nahk suurendab eemalepaiskuvatest esemetest tingitud vigastuste tõenäosust.
- **Tööriistaga töötamisel hoidke kõrvalised isikud eemal.** Eemale paiskuv prahst võib tekitada tõsiselt kehavigastusi.
- **Seadme kasutamisel hoidke seda alati kahe käega.**

Seadme hoidmine mõlema käega aitab vältida kontrolli kaotamist seadme üle.

- Hoidke seadet ainult isoleeritud haardepindadest, sest lõikejõhv või -tera võib puutuda kokku peidetud juhtmetega. Kui lõikejõhv või -terad puutuvad kokku voolu all olevate juhtmetega, võib elekter levida seadme katmata metallosadele ja anda kasutajale elektrilöögi.
- Säilitage tasakaal ja kasutage seadet ainult maapinnal seistes. Libedatel või ebastabiilsetel pindadel võite kaotada tasakaalu või kontrolli seadme üle.
- Ärge kasutage seadet väga järskudel kallakutel. See vähendab kontrolli kaotamise, libisemise ja kukkumise ohtu, mis võivad tekitada kehavigastusi.
- Nõlvadel töötades veenduge alati, et olete kindlal pinnal, töötage alati mööda nõlvade külgi, mitte kunagi üles ega alla, ning olge suuna muutmisel äärmiselt ettevaatlik. See vähendab kontrolli kaotamise, libisemise ja kukkumise ohtu, mis võivad tekitada kehavigastusi.
- Hoidke kõik kehaosad töötava seadme lõikurist, lõikejõhvist või -terast eemal. Enne seadme käivitamist veenduge, et lõikur, lõikejõhv või -tera ei puutuks millegi vastu. Vaid hetkeline tähelepanu hajumine seadme kasutamisel võib tekitada tõsiseid kehavigastusi teile või teistele.
- Ärge kasutage seadet võõkohast kõrgemal. Sellega ennetate lõikuri või tera soovimatut kokkupuudet ja suudate seadet ootamatutes olukordades paremini kontrollida.
- Pinge all olevate pöösaste või võrsete lõikamisel olge ettevaatlik, sest need võivad teie poole tagasi paiskuda. Puidu kiududes oleva pinge vabanemisel võib mõni koormatud pöõsa oks või võrse vastu operaatorit paiskuda ja/või teie võite kaotada kontrolli seadme üle.
- Võsa ja võrsete lõikamisel olge väga ettevaatlik. Õm materjal võib põhjustada tera kinnikiilumise ja paiskuda teie poole või tõmmata teid nii, et kaotate tasakaalu.
- Säilitage kontroll seadme üle ja ärge puudutage lõikureid, lõikejõhve ega -terasad ning teisi ohtlikke liikuvaid osi, kui need veel liiguvad. See vähendab liikuvatest osadest tingitud vigastuste ohtu.
- Kinnikiilunud materjali eemaldamisel või seadme hooldamisel veenduge, et toitelüliti on väljalülitatud asendis ja akuplokk on eemaldatud. Seadme ootamatu käivitamine kinnikiilunud materjali eemaldamisel või seadme hooldamisel võib tekitada raskeid vigastusi.

- Kandke seadet väljalülitatuna ja keha eemale suunatuna. Seadme nõuetekohane käsitlemine vähendab liikuva lõikuri, lõikejõhvi või -teraga juhusliku kokkupuutumise ohtu.
- Kasutage ainult tootja poolt heaks kiidetud lõikureid, lõikejõhve, -päid ja -terasad. Valed varuosad võivad suurendada seadme purunemise ja vigastuste ohtu.
- Jõhvtrimmeri kahjustumine - kui trimmer puutub vastu võõrkeha või kui see jääb kinni, seisake tööriist koheselt, kontrollige kahjustusi ja laske kõik tekkinud kahjustused enne seadme taaskäivitamist remontida. Ärge kasutage seadet, mille kaitsepiire või pool on katki.
- Kui seade peaks ebanormaalselt vibreerima hakkama, peatage mootor ja otsige koheselt vibreerimise põhjust. Vibratsioon on reeglina ohu märgiks. Lahtine lõikepea võib vibreerida, möraneda, murduda või trimmeri küljest ära tulla. Selle tulemuseks võivad olla raskest või surmavad kehavigastused. Veenduge, et lõikeseadme asend on korrektselt fikseeritud. Kui lõikepea tuleb pärast kohale fikseerimist lahti, vahetage see kohe välja. Ärge kunagi kasutage lahtise lõikeseadmega trimmerit.
- Akuga töötavaid tööriistu pole vaja vooluvõrku ühendada, seega on nad alati töörežiimis. Olge teadlik võimalikest ohtudest ka ajal, mil tööriist pole sisse lülitatud. Seadme hooldamise või remontimise ajal olge ettevaatlik.
- Ärge peske seadet vooliku abil, vältige vee sattumist mootoris ja elektriühenduste peale.
- Kui esineb olukordi, mida pole käesolevas juhendis kirjeldatud käituge hoolsalt ja lähtuge tervest mõistusest. Küsige abi EGO hoolduskeskusest.
- Kasutage ainult joonisel A esitatud akuplokke ja laadjaid.

HOIDKE SEE KASUTUSJUHEND ALLES!

SPETSIFIKATSIOONID

Lõikemechanism	Muhuga pea
Jõhvi diameeter	2,4 mm nailonist jõhv (keerumusega)
Lõikelaius	40 cm
Tühikäigu kiirus	4900/5800 min ⁻¹
Mass (ilma akuplokita)	1,53 kg
Soovituslik töökeskkonna temperatuur	0°C-40°C

ET

Soovituslik hoiustamise temperatuur	-20°C-70°C	
Möödetud helirõhu tase L_{WA}	95,72 dB(A) K=0,77 dB(A)	
Helirõhk seadme operaatori kõrva juures L_{PA}	81,6 dB(A) K=3 dB(A)	
Garanteeritud helirõhk L_{WA} (möödetud vastavalt 2000/14/EN)	96 dB(A)	
Vibratsioon a_h	Eesmine abikäepide	2,5 m/s ² K=1,5 m/s ²
	Tagumine käepide	1,8 m/s ² K=1,5 m/s ²

- Ülaltoodud näitajaid on testitud ja möödetud kasutades toitepead PH1420E.
- Ametlik vibratsioonitaseme näit on möödetud standardsete testmeetodite kohaselt ja seda võidakse kasutada erinevate tööriistade võrdlemiseks.
- Ametlikku vibratsioonitaseme näitu võib kasutada ka algse kokkupuutehinnangu andmiseks.

HOIATUS! Elekritööriista tegelikul kasutamisel tekkivad vibratsiooni- ja müratasemed võivad erineda esitatud väärtustest, sõltuvalt tööriista kasutamise viisist ja eriti sellest, millist detaili töödeldakse; ja

vajadusest tuvastada ohutusmeetmed seadme kasutaja kaitsmiseks, mis põhinevad tegelikes kasutustingimustes tekkiva kokkupuute hinnangutel (arvestades lisaks kokkupuuteajale ka kõiki töötüki osi, nt. väljalülitatud olek, ning tühikäigul töötamine).

PAKENDI LOEND (Joon. A)

Seadme jaoks mõeldud jõhvi kohta info saamiseks külastage veebilehte egopowerplus.com või lugege EGO tootekataloogi.

ET

KIRJELDUS

TUNNE OMA MURUTRIMMERI TARVIKUT (joon. A)

- Otsakork
- Murutrimmeri vars
- Jõhvi laadimise nupp
- Lõikejõhv
- Trimmeripea (muhuga pea)
- Vabastussakk
- Jõhvi lõiketera
- Kaitsepiire
- Kuuskantvõti

HOIATUS Ärge kasutage tööriista, mille turvapiire pole korrektselt paigaldatud. Kasutaja turvalisuse huvides peab piire kogu aeg kinnitatud olema.

SEADE

HOIATUS: Kui mõni osa on kahjustatud või puudub, ärge kasutage seadet enne kui see osa on parandatud. Kasutades kahjustatud või vajalike komponentideta seadet, võite saada raskeid vigastusi.

HOIATUS: toote kokkupanemise, kohandamise, puhastamise või mittekasutamise ajaks tuleb akuplokk alati eemaldada.

HOIATUS Ärge ühendage toitepead enne, kui seade on koos. Juhiste eiramine võib kaasa tuua juhusliku käivitumise ja tõsise vigastuse.

PIIRDE PAIGALDAMINE

HOIATUS Piirde paigaldamise või vahetamise ajal kasutage alati kindaid. Olge piirdel oleva teraga ettevaatlik ja kaitske oma käsi vigastuste eest.

Kruvige lahti kaks võlli aluse (joon. C) küljes olevat kruvi, joondage aluse kinnitusaugud kaitseparti aukudega ja kinnitage kaitseparti aluse külge kahe kruvi ja kahe seibiga (joon. D)

Veenduge, et kaitseparti on kinnitatud vastavalt joonistel C ja D antud juhistele. Juhiste mittejärgimine tekitab väga ohtliku olukorra!

MURUTRIMMERI TARVIKU ÜHENDAMINE TOITEPEAGA

See murutrimmeri tarvik on mõeldud kasutamiseks koos EGO toitepeaga PH1420E.

Lugege tööriistapea PH1420E kasutusjuhendist jaotist "TOITEPEA TARVIKU PAIGALDAMINE".

KASUTAMINE

HOIATUS: Ärge muutuge toodet tundma õppides hooletuks. Pidage meeles, et raskeid vigastusi põhjustavaks õnnetuseks piisab ka sekundi murdosa pikkusest tähelepanematusast.

HOIATUS Kasutage alati nägemis- ja kuulmiskaitsevahendeid. Vastasel juhul võivad esemed silma lenduda ja tekitada silma- või teisi tõsiseid kahjustusi.

RAKENDUSED

Seadet tohib kasutada allpool loetletud eesmärkidel.

- Muru ja umbrohu eemaldamine välistrepi, aia ja veranda ümbert

MÄRKUS Seadet tohib kasutada vaid käesolevas juhendis toodud eesmärgil. Igasugust muud kasutust loetakse väärkasutuseks.

Enne iga kasutuskorda kontrollige ega seadme osad kulunud või kahjustatud pole.

Kontrollige trimmeri toitepead, kaitsepiiret ja eesmist käepidet ning vahetage välja mõranenud, väändunud, paindunud või muul moel kahjustatud komponendid.

Piirde jõhvi lõikav äär võib aja jooksul kuluda. Soovitav on seda aeg-ajalt viiliga teritada või nürinemise korral uue vastu vahetada.

⚠ HOIATUS Piirde paigaldamise või vahetamise ning tera teritamise või vahetamise ajal kasutage alati kindaid. Jälgige tera paiknemist ja olge ettevaatlik, et te ei vigastaks oma käsi.

⚠ HOIATUS Raskete vigastuste vältimiseks eemaldage alati aku toitepeast, enne kui asute seadet remontima, puhastama, lisaseadmeid vahetama või kinni jäänud objekte eemaldama.

TOITEPEAGA MURUTRIMMERI KASUTAMINE

⚠ HOIATUS Kandke sobivat riietust, et vältida trimmeri kasutamise käigus vigastuste teket. Ärge kasutage ehteid ega avaraid riideid. Kandke nägemis- ja kuulmiskaitsevahendeid. Kandke tugevast materjalist pikki pükse, saapaid ja kindaid. Ärge kandke trimmeriga töötades lühikesi pükse või sandaale ja ärge töötage paljajalu.

⚠ HOIATUS Enne töö alustamist puhastage tööpiirkond võrkehadest. Eemaldage tööpinna kõik objektid, näiteks kivid, klaasikillud, naelad, juhtmed ja nõõrid, mis võivad õhku paiskuda või lõikeseadme sisse kinni jääda. Jälgige, et tööpiirkonnas poleks lapsi, kõrvalisi isikuid ega loomi. Lapsed, kõrvalised isikud ja loomad peavad olema vähemalt 15 meetri kaugusel; ka selle tingimuse täidetuse korral säilib kõrvalistele isikutele mõningane oht. Soovitage kõrvalistel isikutel kasutada kaitseprille. Kui keegi teile läheneb, seisake mootor ja lõikeseade koheselt.

Ohutu ja parema kasutamiskogemuse jaoks asetage õlarihm üle õla. Reguleerige õlarihma nii, et teil on mugav töötada. Hoidke murutrimmerit ühe käega tagumisesest ja teise käega eesmisest käepidemest. Seadmega töötamise ajal hoidke mõlema käega kindlalt käepidemetest kinni. Murutrimmerit peab hoidma mugavas asendis, tagumine käepide umbes puusa kõrgusel. Trimmeri toitepea peab hoidma maapinnaga paralleelsest, sest nii puutub see lõigatava materjaliga kokku, ilma et kasutaja peaks küürutama (joon. B).

⚠ HOIATUS Õlarihm al on ka mehhanism kiireks rihma avamiseks ohtlikes olukordades. Ohtlikus olukorras võtke see kohe õlalt ära olenemata rihma asendist.

Puhastage trimmerit pärast iga kasutuskorda

Puhastamisjuhiseid vaadake osast HOOLDUS.

SEADME KÄIVITAMINE/PEATAMINE

Lugege tööriistapea PH1420E kasutusjuhendist jaotist "TÖÖRIISTAPEA KÄIVITAMINE/SEISKAMINE".

LÕIKEJÕHVI KÕRGUSE KOHANDAMINE

Trimmeri pea abil saab kasutaja jõhvi pikendada seadet seiskamata. Kui jõhv läheb katki või kulub, puudutage jõhvi pikendamiseks lõikepeaga kergelt maad ilma trimmerit seiskamata (vt joon. E).

MÄRKUS Lõikejõhvi vabastamine muutub jõhvi lühenedes järjest raskemaks.

⚠ HOIATUS Ärge eemaldage ega kohandage jõhvi lõikekera. Liiga pikk jõhv põhjustab mootori ülekuumenemist, mis omakorda suurendab raskete vigastuste ohtu.

JÕHVI VAHETAMINE

MÄRKUS! Kasutage alati seadme jaoks ette nähtud nailonist jõhvi, mille diameeter pole suurem kui 2,4 mm. Määratud jõhvist erineva jõhvi kasutamine võib kaasa tuua trimmeri ülekuumenemise või kahjustumise.

⚠ HOIATUS! Ärge kunagi kasutage metalliga tugevdatud jõhvi, traati või köit vms. Need võivad murduda ning õhku paiskudes ohtlikuks muutuda.

Murutrimmer on varustatud täiustatud **POWERLOAD™** süsteemiga. Lõikejõhvi poolile kerimiseks tuleb vajutada ainult ühte nuppu. **Pooli täiskerimine võtab tavaliselt aega umbes 12 sekundit. Vältige süsteemi korduvat järjestikust kasutamist, et vähendada mootori kahjustumise riski.**

MÄRKUS! Süsteem **POWERLOAD™** on kasutatav vaid siis, kui tarvik on ühendatud toitepeaga PH1420E ja aku on paigaldatud.

1. Eemaldage akuplokk.
2. Lõigake 4m pikkune lõikejõhv. Sisestage jõhv augukesse (joon. F). Lükake ja tõmmake jõhvi teiselt poolt kuni mõlemal pool trimmeripead on sama palju jõhvi.

MÄRKUS! Kui jõhvi ei saa augukesse sisestada, kui alumine kaas on kinni jäänud, siis paigaldage akuplokk toitepea külge ja seejärel vajutage alumise katte

ET

lähtestamiseks jõhvi laadimise nuppu.

- Eemaldage aku, kui see on MÄRKUSE etapi 2 järel toitepea külge paigaldatud. Lõikejõhvi uuesti sisestamiseks ja joondamiseks järgige punktis 2 kirjeldatud etappe.
- Paigaldage aku toitepea külge tagasi.
- Vajutage ja hoidke all jõhvi laadimise nuppu ja kerige jõhvi trimmeripeasse seni, kuni mõlemal küljel on umbes 15 cm jõhvi. (joonis G).
- Vajutage trimmeripead alla, samal ajal jõhve tõmmates, et jõhvi käsitsi edasi liigutada ja kontrollida, kas lõikejõhv on korralikult kokku pandud.

MÄRKUS: Juhul kui jõhv tõmmatakse kogemata trimmeripeasse, siis avage trimmeripea ja tõmmake lõikejõhvi poolilt maha. Jõhvi uuesti laadimiseks järgige juhiseid kasutusjuhendi jaotises „LÕIKEJÕHVI UUESTI LAADIMINE“.

PANGE POOLILE UUS LÕIKELIIN.

Kui jõhv läheb katki augukeses, kust jõhv välja tuleb, või kui lõikejõhv ei tule trimmeripea vastu koputades välja, siis eemaldage järelejäänud lõikejõhv ja laadige jõhv uuesti toodud etappide kohaselt.

- Eemaldage akuplokk.
- Vajutage trimmeripea vabastussakkidele ja eemaldage trimmeripea alumise katte moodul, tõmmates see otse välja (joonis H).
- Eemaldage lõikejõhv trimmeripeast.
- Vajadusel võtke vedru pooli moodulist välja. Hoidke see tagasipanemiseks alles.
- Paigaldage vedru alumise katte mooduli avasse (joon. I).
- Hoides ühe käega trimmerist ja haarates teise käega alumise katte moodulist, joondage alumise katte mooduli avad vabastussakkidega (joonis J). Vajutage alumise katte moodulit alla, kuni see kinnitub selgelt kuuldava klõpsatusega (joon. K).
- Jõhvi uuesti laadimiseks järgige juhiseid jaotises „JÕHVI VAHETAMINE“.

TRIMMERIPEA VAHETAMINE

⚠ HOIATUS! Kui lõikepea tuleb pärast kohale fikseerimist lahti, vahetage see viivitamatult välja.

Ärge kunagi kasutage lahtise lõikeseadmega trimmerit. Mõranenud, kahjustunud või kulunud lõikepea tuleb viivitamatult välja vahetada, isegi kui kahjustuseks on vaevumärgatav mõra. Niisugused lisaseadmed võivad suurel kiirusel puruneda ja põhjustada raskeid vigastusi.

Tutvuge trimmeri toitepeaga (joonis L).

Joonise L osade kirjeldus:

L-1	Vars	L-6	Seib
L-2	Puks (2)	L-7	Mutter
L-3	Ülemine kate	L-8	Vedru
L-4	Vedrurõngas	L-9	Lõikejõhv
L-5	Poolihoidik	L-10	Alumise katte moodul

Eemaldage trimmeripea

- Eemaldage akuplokk.
- Vajutage trimmeripea vabastussakkidele ja eemaldage trimmeripea alumise katte moodul, tõmmates selle otse välja.
- Eemaldage lõikejõhv trimmeripeast.
- Vajadusel võtke vedru pooli moodulist välja. Hoidke see tagasipanemiseks alles.
- Kandke kindaid. Haarake ühe käega pooli moodulist, et seda stabiliseerida ning hoidke teise käega 13 mm lõõkvõtit (ei ole komplektis) ning keerake mutter selle abil lahti PÄRIPÄEVA (joon. M).
- Eemaldage mutter, seib ja poolihoidik mootorivõlli küljest (joon. L).
- Vedrurõnga eemaldamiseks kasutage vedrurõnga tange (ei kuulu komplekti). Eemaldage mootorivõllilt ülemine kate ja kaks puksi (joonis L).
- Vahetage trimmeripea uue vastu välja ja paigaldage see järgnevalt.

Paigaldage uus trimmeripea

- Paigaldage kaks puksi mootorivõllile.
- Joondage pealmise kaane soonkinniti ava mootorivõlli soonkinnitiga ja paigaldage pealmine kate oma kohale (joonis N).

Joonise N osade kirjeldus

N-1	Soonkinniti	N-2	Soonkinniti ava
-----	-------------	-----	-----------------

- Paigaldage vedrurõngas, poolihoidik ja seib selles järjekorras (joonis L). Pingutage mutrit lõõkvõtme abil VASTUPÄEVA.
- Alumise katte mooduli paigaldamiseks järgige juhiseid kasutusjuhendi jaotise „LÕIKEJÕHVI UUESTI LAADIMINE“ etappides 4 ja 5.
- Jõhvi uuesti laadimiseks järgige juhiseid jaotises „JÕHVI VAHETAMINE“.
- Käivitage tööriist, et näha, kas jõhvtrimmer töötab normaalselt. Kui töötab, siis pange see kokku nii, nagu on kirjeldatud järgnevalt.

ET

HOOLDUS

⚠ HOIATUS Enne seadme kontrolli, puhastamist või hooldust tuleb mootor peatada ja oodata kõigi liikuvate osade peatumist ja eemaldada akupakk. Juhiste mittejärgimine võib kaasa tuua tõsise vigastuse või varalise kahju.

⚠ HOIATUS Remontimisel kasutage vaid originaalvaruosi. Mis tahes muude osade kasutamine võib põhjustada ohtlikke olukordi või seadet vigastada. Kõik parandused, peale nende, mis on nendes hooldusjuhistes kirjas, peab tegema kvalifitseeritud hooldustehnik.

ÜLDINE HOOLDUS

Vältige plastosade puhastamisel lahustite kasutamist. Enamik plastmasse on kaubanduslike lahustite suhtes tundlikud ja võivad nende kasutamisel kahjustada saada. Kasutage mustuse, tolm, õli, rasva jm eemaldamiseks puhast lappi.

SEADME PUHASTAMINE

- Eemaldage muru, mis on mootorivõlli või trimmeri pea külge kinni jäänud.
- Tagumise korpuse õhutusavade puhastamiseks kasutage väikest harja või väikest tolmuimejat.
- Puhastage seade, kasutades õrna puhastusvahendiga immutatud niisket lappi.
- Ärge kasutage plastmasskomponentide või käepidemete puhastamiseks tugevatoimelisi puhastusaineid. Seadme osi võivad kahjustada teatud aroomaatsed õlid (nt männi- või sidruniõli) ja teatud ained (nt petrooleum). Niiskus võib tekitada elektrilöögi ohu. Eemaldage niiskus pehme kuiva lapiga.

ÜLEKANDEHAMMASRATASTE MÄÄRIMINE

Ülekandehammasrattaid peab määrima korrapäraselt hammasrattaste määrdega. Kontrollige määrde taset hammasrattaste ümbrises iga kord, kui olete 50 tundi toodet kasutanud, võttes ära tihenduskrui ühelt ümbrise küljelt.

Kui määret ei ole hammasrattaste hambavahedes näha, jälgi all olevaid juhiseid, et 3/4 mahust määrdega täita.

Ärge ülekandehammasrattaid määrdega täiesti täitke.

1. Pange murutrimmer küljele, et tihenduskrui jääks üles poole.
2. Kasutage kaasas olnud mitmeotstarbelist mutrivõtit, et tihenduskrui avada ja eemaldada.
3. Kasutage süstalt (ei ole kaasas), et natuke määret krui auku pritsida, ja jälgige, et te ei ületa 3/4 mahust.
4. Keerake tihenduskrui peale pritsimist tugevalt kinni.

SEADME HOIUSTAMINE

- Eemaldage toitepea küljest akuplokk.
- Enne tööriista hoiustamist puhastage see hoolikalt.
- Kui murutrimmeri tarvik on toitepeast eemaldatud ja seda hoiustatakse eraldi. Paigaldage otsakork tarviku varre külge, et mustus ei pääseks ühendusdetaili.
- Hoidke tööriista kuivas ja kõrges lukustatud ning lastele ligipääsmatus kohas. Ärge hoidke seadet väetiste, bensiini või muude kemikaalide läheduses.

JÕHVI LÕIKETERA TERITAMINE

⚠ HOIATUS! Käte kaitsmiseks kandke jõhvi lõiketera hooldamisel alati tugevast materjalist kindaid.

1. Eemaldage aku.
2. Eemaldage jõhvi lõiketera piirde küljest.
3. Kinnitage tera kruustangide vahele.
4. Kanke asjakohaseid silmakaitsevahendeid ja kindaid ning jälgige, et te endale sisse ei löikaks.
5. Viilige tera lõikeservi hoolikalt peenehambalise viili või luisuga, säilitades lõikeservade algse nurga.
6. Vahetage piirde küljes olev tera välja ja kinnitage see kahe kruvi abil.

Keskkonnakaitse



Ärge visake elektriseadmeid, akulaadijat ega patareisid / akusid olmeprügi hulka!

Viige toode volitatud taaskäitleja juurde ja võimaldage selle komponendid sorteerituna kõrvaldada. Elektritööriistad tuleb viia keskkonnakaitseühenduste järgivasse jäätmekäitluskeskusesse.

Kui elektriseadmed maetakse maa sisse või viiakse prügimäele, võivad ohtlikud ained põhjavele lekkida ja toiduahelasse sattuda ning kahjustada teie tervist ja heaolu.

ET

TÕRKEOTSING

PROBLEEM	PÕHJUS	LAHENDUS
Jõhvtrimmer ei käivitu.	<ul style="list-style-type: none"> ■ Akuplokk pole toitepeaga ühendatud. ■ Toitepea ja akuploki vahel puudub elektriline ühendus. ■ Akuplokk on tühi. ■ Lukustushooba ja päästikut ei vajutatud samaaegselt. 	<ul style="list-style-type: none"> ■ Kinnitage akuplokk toitepea külge. ■ Eemaldage aku, kontrollige kontakte ja paigaldage akuplokk uuesti oma kohale nii, et kõlab plõksatus. ■ Laadige akuplokki mõne selles kasutusjuhendis nimetatud EGO laadijaga. ■ Jõhvtrimmeri sisse lülitamiseks vajutage lukustushooba ja hoidke seda all ning suruge päästik alla.
Jõhvtrimmer seisub niitmise ajal.	<ul style="list-style-type: none"> ■ Piire pole trimmeri külge kinnitatud, mistõttu on jõhv liiga pikaks läinud ja mootor üle koormatud. ■ Kasutatakse rasket jõhvi. ■ Muru on ummistanud mootori võlli või trimmeri pea. ■ Mootor on ülekoormatud ■ Akuplokk või jõhvtrimmer on liiga kuum. ■ Akuplokk on tööriista küljest lahti ühendatud. ■ Akuplokk on tühi. 	<ul style="list-style-type: none"> ■ Eemaldage akuplokk ja kinnitage piire trimmeri külge. ■ Kasutage seadme jaoks mõeldud nailonist jõhvi, mille diameeter pole suurem kui 2,4 mm. ■ Seisake trimmer, ühendage aku lahti ja eemaldage mootori võlli ja trimmeripea ümber kogunenud muru. ■ Tõstke trimmeri pea muru seest välja. Mootor hakkab uuesti tööle kohe, kui takistus on eemaldatud. Niitmise ajal liigutage trimmeri pead niidetava muru sisse ja sealt välja ning ärge lõigake korraga rohkem kui 20 mm muru. ■ Jahutage akuplokki või trimmerit, kuni temperatuur langeb alla 67°C. ■ Paigaldage akuplokk tagasi. ■ Laadige akuplokki mõne selles kasutusjuhendis nimetatud EGO laadijaga.

ET

PROBLEEM	PÕHJUS	LAHENDUS
Trimmeri pea ei anna lisajõhvi välja.	<ul style="list-style-type: none"> ■ Muru on ummistanud mootori võlli või trimmeri pea. ■ Pooli ümber pole piisavalt jõhvi. ■ Trimmeri pea on määrdunud. ■ Jõhv on pooli ümber sõlme läinud. ■ Jõhv on liiga lühike. 	<ul style="list-style-type: none"> ■ Seisake trimmer, ühendage aku lahti ja eemaldage mootori võlli ja trimmeripea ümber kogunenud muru. ■ Eemaldage aku ja vahetage lõikejõhvi välja; järgige käesoleva kasutusjuhendi jaotist “LÕIKEJÕHVI UUESTI LAADIMINE”. ■ Eemaldage aku ja puhastage pool ning pooli pesa ja alus. ■ Eemaldage aku, kerige jõhv poolilt maha ja siis uuesti peale, järgides juhiseid käesoleva kasutusjuhendi jaotises „LÕIKEJÕHVI UUESTI LAADIMINE”. ■ Eemaldage aku ja tõmmake jõhvi, ning vajutage samaaegselt mitu korda lõikepea muhu peale.
Muru keerdub ümber trimmeri pea ja mootori korpuse.	<ul style="list-style-type: none"> ■ Kõrget muru lõigatakse maapinna lähedal. 	<ul style="list-style-type: none"> ■ Alustage kõrge muru lõikamist ülevalt ja keerdumise vältimiseks eemaldage korraka kuni 20 cm.
Tera ei lõika jõhvi.	<ul style="list-style-type: none"> ■ Piirde jõhvi lõikav äär on kulunud. 	<ul style="list-style-type: none"> ■ Teritage jõhvi lõikavat äärt või vahetage see uue vastu.
Trimmeripea on mõranenud või poolihoidik tuleb pooli aluse küljest lahti.	<ul style="list-style-type: none"> ■ Trimmeri lõikepea on kulunud. ■ Trimmeripead lukustav mutter on lahti tulnud. 	<ul style="list-style-type: none"> ■ Vahetage trimmeripea kohe välja, järgides juhiseid selle kasutusjuhendi osas “TRIMMERIPEA VAHETAMINE”. ■ Avage trimmeripea ja keerake mutter lõõkvõtme abil kinni.
Jõhvi asendamisel ei õnnestu jõhvi õigesti trimmeri lõikepeasse paigaldada.	<ul style="list-style-type: none"> ■ LOAD kriipsud pooli hoidikul ei ole kohakuti augukestega pooli alusel. ■ Poolihoidiku märged „LOAD“ ei joondu pooli aluse augukestega. 	<ul style="list-style-type: none"> ■ Jõhv ei ole korralikult augukeses olevasse paigaldusavasse sisestatud. ■ Keerake poolihoidikut noolega näidatud suunas nii palju, et poolihoidikul olev märged „LOAD“ oleks kohakuti pooli aluse augukestega.

ET

GARANTII

EGA GARANTIIPÕHIMÕTTED

Täielikud EGO garantiitingimused leiate veebilehelt egopowerplus.com.

ПРОЧИТАЙТЕ ВСІ ІНСТРУКЦІЇ!



ПРОЧИТАЙТЕ ПОСІБНИК З ЕКСПЛУАТАЦІЇ

⚠ Залишковий ризик! Люди з електронними пристроями, наприклад кардіостимуляторами, повинні проконсультуватися зі своїм лікарем (лікарями) перед використанням цього виробу. Експлуатація електрообладнання в безпосередній близькості від кардіостимулятора може спричинити перешкоди або несправність кардіостимулятора.

⚠ ПОПЕРЕДЖЕННЯ. Для гарантування безпеки та надійності всі роботи з ремонту та заміни повинен проводити кваліфікований технічний спеціаліст.

СИМВОЛИ, ЩО СТОСУЮТЬСЯ БЕЗПЕКИ

Мета символів, пов'язаних із безпекою, – привертити вашу увагу до можливих небезпек. Символи безпеки та їхнє пояснення заслуговують на вашу пильну увагу та розуміння. Символи попереджень самі по собі не усувають будь-якої небезпеки. Інструкції та попередження, які вони надають, не замінюють належних заходів щодо запобігання аваріям.

⚠ ПОПЕРЕДЖЕННЯ. Перш ніж користуватися цим інструментом, обов'язково ознайомтеся з усіма інструкціями з безпеки, наведеними в цьому посібнику користувача, зокрема з усіма символами попереджень, такими як «НЕБЕЗПЕКА», «ПОПЕРЕДЖЕННЯ» та «ЗАСТЕРЕЖЕННЯ». Недотримання наведених нижче вказівок може спричинити ураження електричним струмом, пожежу та/або серйозні травми.

ЗНАЧЕННЯ СИМВОЛУ

⚠ СИМВОЛ ПОПЕРЕДЖЕННЯ ЩОДО БЕЗПЕКИ: Вказує на НЕБЕЗПЕКУ, ПОПЕРЕДЖЕННЯ АБО ЗАСТЕРЕЖЕННЯ. Може використовуватися разом з іншими символами або піктограмами.

UK

ВКАЗІВКИ З ТЕХНІКИ БЕЗПЕКИ

На цій сторінці зображено та описано символи, пов'язані з безпекою, які можуть відображатися на цьому виробі. Перш ніж намагатися зібрати та експлуатувати його, ознайомтеся з усіма інструкціями на машині та дотримуйтесь їх.

	Попередження щодо безпеки	Вказує на потенційну небезпеку травмування.
	Прочитайте посібник користувача	Щоб зменшити ризик травми, користувач повинен ознайомитися з інструкцією користувача перед використанням цього виробу.
	Надягайте засоби захисту очей, вух і голови	Завжди надягайте засоби захисту очей, вух і голови.
	Ширина різання	Макс. ширина різання ліскового тримера
	Діаметр ліски	Діаметр нейлонової ріжучої ліски
	Не використовуйте металеві леза.	Попереджає користувача про заборону використання металевих лез
	Тримайте сторонніх подалі	Відкинуті предмети можуть відрикошетитися і призвести до травм або пошкоджень майна. Переконайтеся, що інші люди та домашні тварини залишаються на відстані від куцюріза, коли він використовується.
	Відстань між інструментом і сторонніми спостерігачами має бути не менше 15 м	Переконайтеся, що інші люди та домашні тварини залишаються на відстані принаймні 15 м від ліскового тримера, коли він використовується.
	Символ IP	Захист від проникнення води ступеня 4.
	CE	Цей виріб відповідає чинним директивам ЄС.
	UKCA	Цей продукт відповідає чинному законодавству Великої Британії.

	WEEE	Відходи електричних виробів не слід викидати разом із побутовим сміттям. Зверніться до авторизованого пункту переробки.
	Шум	Гарантований рівень звукової потужності. Розповсюдження шуму в навколишнє середовище згідно з директивою Європейського співтовариства.
V	Вольти	Напруга
mm	Міліметр	Довжина або розмір
cm	Сантиметр	Довжина або розмір
kg	Кілограм	Маса

ЗАГАЛЬНІ ПОПЕРЕДЖЕННЯ ЩОДО ТЕХНІКИ БЕЗПЕКИ РОБОТИ З ЕЛЕКТРОІНСТРУМЕНТАМИ

▲ ПОПЕРЕДЖЕННЯ. Прочитайте всі попередження безпеки, інструкції, ілюстрації та характеристики, надані з цим електроінструментом. Недотримання наведених нижче вказівок може спричинити ураження електричним струмом, пожежу та/або серйозні травми.

Зберігайте всі застереження та інструкції для подальшого використання.

Термін «електроінструмент» у попередженнях стосується електричного інструмента, що працює від електромережі (через шнур) або від акумулятора (без шнура).

БЕЗПЕКА В РОБОЧІЙ ЗОНІ

- Робоче місце має бути чистим і гарно освітленим. Неприбрана або погано освітлена робоча зона може стати причиною нещасного випадку.
- Не працюйте з інструментом у вибухонебезпечному середовищі, наприклад за наявності легкозаймистих рідин, газів або пилу. Під час роботи електроприладу утворюються іскри, від яких можуть зайнятися пил або випари.
- Дітям і спостерігачам заборонено перебувати поруч з електроінструментом, що працює. Це може відволікати вас і призвести до втрати контролю.

ЕЛЕКТРИЧНА БЕЗПЕКА

- Штепсельні вилки електроінструмента мають підходити до розеток. Заборонено модифікувати

вилку будь-яким чином. Не використовуйте жодні штепселі-перехідники для роботи з заземленими електроінструментами. Використання штепселів і розеток, у які не вносилися зміни, зменшує ризик ураження електричним струмом.

- Уникайте контакту частин тіла із заземленими поверхнями, такими як труби, батареї, плити й холодильники. У разі заземлення тіла збільшується ризик ураження електричним струмом.
- Не експлуатуйте інструмент під час дощу або у вологих умовах. Потраплення води в інструмент може збільшити ризик ураження електричним струмом або несправності, які можуть призвести до травмування.
- Поводьтесь обережно зі шнуром живлення. Не використовуйте шнур живлення для перенесення чи перетягування інструмента та виймання вилки з розетки. Бережіть шнур живлення від джерел тепла, мастил, гострих країв та рухомих частин. Пошкоджені або заплутані шнури живлення підвищують ризик ураження електричним струмом.
- Під час роботи з електроінструментом надворі використовуйте подовжувач, призначений для зовнішніх робіт. Використання подовжувача, призначеного для зовнішніх робіт, зменшує ризик ураження електричним струмом.
- Якщо роботи з електроінструментом у вологому середовищі не уникнути, скористайтеся пристроєм захисного вимкнення (ПЗВ). Використання ПЗВ зменшує ризик ураження електричним струмом.

ІНДИВІДУАЛЬНА ТЕХНІКА БЕЗПЕКИ

- Під час роботи з електроінструментом будьте уважними, слідкуйте за своїми діями та мисліть розсудливо. Не працюйте з електроінструментом, якщо ви втомлені або перебуваєте під дією наркотичних речовин, алкоголю або ліків. Навіть миттєва неуважність під час роботи з електроінструментом може призвести до важкої травми.
- Використовуйте засоби особистого захисту. Завжди носіть засоби захисту очей. Використання у відповідних умовах таких захисних засобів, як протипиловий респіратор, неслизьке захисне взуття, шолом-каска і навушники допоможе зменшити ризик травмування.
- Уникайте випадкового запуску. Перш ніж підключати електроінструмент до мережі живлення чи акумулятора, брати чи переносити його, перевірте, чи встановлено перемикач у положення «вимкнено». Якщо переносити електроінструмент, тримаючи палець на перемикачі живлення, або

UK

підключати його до джерела живлення, коли перемикач живлення перебуває в положенні «увімкнено», це може призвести до травмування.

- **Перш ніж вмикати електроінструмент, слід зняти всі регульовальні клини або гайкові ключі.** Якщо залишити такий ключ на рухомій частині електроінструмента, це може призвести до травмування.
- **Не дотягуйтеся. Завжди міцно стійте на ногах і втримуйте рівновагу.** Це дає змогу краще керувати електроінструментом у разі виникнення непередбачуваних ситуацій.
- **Одягайтеся належним чином. Не носіть вільного одягу або прикрас. Стежте за тим, щоб волосся, одяг та рукавиці не потрапили на рухомі частини.** Вільний одяг, прикраси або довге волосся можуть потрапити в рухомі частини.
- **Якщо пристрій обладнано системою видалення пилу, переконайтеся, що її правильно підключено і що ви використовуєте її належним чином.** Використання пристрою для збирання пилу може зменшити небезпеку, пов'язану з пилом.
- **Не дозволяйте навичкам, отриманим після частого використання інструментів, змусити вас стати самовпевненими та ігнорувати принципи безпеки інструмента.** Недбала дія може спричинити серйозну травму протягом доли секунди.

ВИКОРИСТАННЯ ТА ДОГЛЯД ЗА ЕЛЕКТРОІНСТРУМЕНТОМ

- **Не застосовуйте силу до електроінструмента. Використовуйте належний електроінструмент відповідно до потреби.** Правильно підібраний електроінструмент допоможе краще і безпечніше зробити роботу зі швидкістю, яка для неї передбачена.
- **Не використовуйте електроінструмент, якщо перемикач не вмикає або не вимикає його.** Усі електроінструменти, якими неможливо керувати за допомогою перемикача, становлять небезпеку й підлягають ремонту.
- **Перш ніж проводити будь-які налаштування, замінювати приладдя, а також перед зберіганням вийміть штепсель із розетки або акумулятор з інструмента.** Такі запобіжні заходи техніки безпеки зменшують ризик випадкового запуску електроінструмента.
- **Тримайте інструмент, що не використовується, подалі від дітей і не дозволяйте особам, які не мають досвіду роботи з такими інструментами або не знайомі з цими інструкціями,**

користуватись електроінструментом.

Електроінструменти становлять небезпеку в руках недосвідчених користувачів.

- **Доглядайте за електроінструментами та аксесуарами. Перевіряйте їх на предмет розладнання чи блокування рухомих частин, а також будь-яких обставин, які можуть вплинути на роботу електроінструмента.** У разі пошкодження електроінструмент слід здати в ремонт, перш ніж користуватися ним. Часто нещасні випадки трапляються внаслідок неналежного технічного обслуговування електроінструментів.
- **Тримайте ріжучі інструменти гострими й чистими.** Належним чином доглянуті ріжучі інструменти з гострими ріжучими краями рідше блокуються, і ними легше керувати.
- **Користуйтеся електроінструментом, аксесуарами та насадками для інструмента згідно з цією інструкцією, зважаючи на робочі умови та роботу, яку слід виконати.** Використання електроінструмента всупереч призначенню може стати причиною виникнення небезпечних ситуацій.
- **Підтримуйте руків'я та захватні поверхні сухими, чистими, без жиру і бруду.** Слизькі ручки та захватні поверхні не дають змоги безпечно тримати та керувати інструментом у непередбачених ситуаціях.

КОРИСТУВАННЯ І ДОГЛЯД ЗА АКУМУЛЯТОРНИМ ІНСТРУМЕНТОМ

- **Заряджайте лише за допомогою зарядного пристрою, указанного виробником.** Зарядний пристрій, який підходить для акумуляторів одного виду, може викликати ризик пожежі у випадку його використання з іншим акумулятором.
- **З електроінструментами слід використовувати лише призначені для них акумуляторні батареї.** Використання будь-яких інших акумуляторних батарей може призвести до травми або пожежі.
- **Коли батарея не використовується, її слід тримати окремо від металевих предметів – затискачів паперу, монет, ключів, цвяхів, шурупів та інших дрібних предметів, які можуть замкнути клемі.** Коротке замикання клем акумулятора може стати причиною опіків чи пожежі.
- **У надто важких умовах експлуатації з акумулятора може витікати рідина; не доторкайтесь до неї.** Якщо випадково ви все ж торкнулися її, слід промити це місце водою. Якщо рідина потрапила в очі, слід також звернутися до лікаря. Рідина, яка виступає з акумулятора, може спричинити

подразнення або опіки.

- **Не використовуйте акумуляторну батарею або інструмент, які пошкоджено або змінено.** Пошкоджені або змінені батареї можуть мати непередбачувану поведінку, що може спричинити пожежу, вибух або ризик травмування.
- **Не піддавайте акумуляторну батарею або інструмент дії вогню або високих температур.** Вогонь або температура вище 130°C може спричинити вибух.
- **Дотримуйтесь усіх інструкцій щодо заряджання та не заряджайте акумуляторну батарею або інструмент за межами температурного діапазону, зазначеного в інструкціях.** Зарядження неналежним чином або при температурах за межами вказаного діапазону може пошкодити акумулятор і збільшити ризик виникнення пожежі.

SERVIS

- **Обслуговування електроінструмента повинен виконувати кваліфікований ремонтник із використанням лише ідентичних запасних частин.** Це забезпечить нормальну роботу електроінструмента.
- **Ніколи не ремонтуйте пошкоджені акумулятори.** Сервісне обслуговування акумуляторних акумуляторів має виконувати лише виробник або авторизовані постачальники послуг.

СПЕЦІАЛЬНІ ПОПЕРЕДЖЕННЯ ЩОДО БЕЗПЕКИ ДЛЯ ЛІСКОВОГО ТРИММЕРА

- **Не використовуйте інструмент у поганих погодних умовах, особливо якщо існує ризик блискавки.** Це знижує ризик ураження блискавкою.
- **Ретельно огляньте на наявність диких тварин територію, де використовуватиметься інструмент.** Дикі тварини можуть бути поранені інструментом під час роботи.
- **Ретельно огляньте ділянку, де буде використовуватись інструмент, і приберіть усе каміння, гілки, проводи, кістки та інші сторонні предмети.** Відкинуті предмети можуть стати причиною травмування.
- **Перед використанням інструмента завжди візуально перевіряйте, чи ніж або лезо та їхні вузли не пошкоджені.** Пошкоджені деталі підвищують ризик травмування.
- **Дотримуйтесь інструкцій із заміни аксесуарів.** Неправильно затягнуті гайки або болти кріплення ножа можуть пошкодити лезо або призвести до його від'єднання.
- **Використовуйте засоби захисту очей, вух, голови та рук.** Належне захисне спорядження знизить ризик отримання травм від уламків, що розлітаються, або випадкового контакту з ліскою або лезом.
- **Під час роботи з інструментом завжди носіть нековзне та захисне взуття. Не користуйтеся інструментом босоніж або у відкритих сандалях.** Це знижує ймовірність травмування ніг у результаті контакту з ножами або лісками, що рухаються.
- **Під час експлуатації інструмента завжди носіть довгі штани.** Відкриті ділянки шкіри підвищують ймовірність травмування від предметів, що відкидаються.
- **Під час роботи з інструментом тримайте сторонніх осіб подалі.** Відкидання сміття може призвести до серйозних травм.
- **Під час роботи з інструментом завжди тримайте його обома руками.** Тримавши інструмент обома руками, ви уникнете втрати контролю.
- **Тримайте інструмент лише за ізольовані захватні поверхні, оскільки ріжуча ліска або лезо можуть торкнутися прихованої проводки.** Контакт ріжучої ліски або лез із дротом під напругою призводить до появи напруги в металевих частинах інструмента, що може призвести до ураження користувача електричним струмом.
- **Завжди міцно стійте на ногах і керуйте інструментом лише стоячи на землі.** Слизькі або нестійкі поверхні можуть призвести до втрати рівноваги або контролю над інструментом.
- **Не використовуйте інструмент на надто крутих схилах.** Це знижує ризик втрати контролю, ковзання та падіння, що може призвести до травми.
- **Під час роботи на схилах завжди стежте за своєю поставою, завжди працюйте поперек схилу, а не вгору чи вниз і будьте надзвичайно обережні, змінюючи напрямок.** Це знижує ризик втрати контролю, ковзання та падіння, що може призвести до травми.
- **Тримайте всі частини тіла на відстані від ножа, ліски або леза під час роботи інструмента.** Перш ніж запускати інструмент, переконайтеся, що ніж, ліска чи лезо ні з чим не стикаються. Миттєва неухважність під час роботи з інструментом може призвести до травмування вас чи інших людей.
- **Не працюйте з інструментом вище рівня талії.** Це допомагає запобігти ненавмисному контакту ножа або леза і дає змогу краще контролювати інструмент у непередбачених ситуаціях.

UK

- Під час обрізання кущів або саджанців, які перебувають під напругою, будьте готові до відскоку. Коли натяг деревних волокон слабшає, щітка або саджанець можуть ударити оператора та/або вивести машину з-під контролю.
- Будьте надзвичайно обережними під час пиляння кущів та молодих дерев. Тонкий матеріал може зачепитися за лезо та бути відкинутий до вас або вивести вас із рівноваги.
- Зберігайте контроль над машиною і не торкайтеся ножів, ліски або лез та інших небезпечних частин, що рухаються, поки вони перебувають у русі. Це знижує ризик травмування від рухомих частин.
- Під час видалення застряглого матеріалу або обслуговування машини переконайтеся, що вимикач вимкнено, а акумулятор вийнято. Непередбачений запуск машини під час видалення застряглого матеріалу або обслуговування може призвести до серйозної травми.
- Переносьте інструмент у вимкненому стані та подаль від тіла. Правильне поводження з інструментом зменшить імовірність випадкового контакту з рухомим ножем, ліскою або лезом.
- Використовуйте тільки змінні ножі, ліски, ріжучі голівки та леза, вказані виробником. Використання невідповідних запасних частин може збільшити ризик поломки та травмування.
- Пошкодження тримера. Якщо ви ударили тримером сторонній предмет або він заплутався, негайно зупиніть інструмент, перевірте наявність пошкоджень і усуньте будь-які пошкодження, перш ніж намагатися продовжити роботу. Не працюйте зі зламаним щитком або катушкою.
- Якщо обладнання почне незвично вібрувати, вимкніть мотор і негайно виявіть причину. Вібрація зазвичай сигналізує про несправність. Незакріплена головка може вібрувати, тріснути, зламатися або відірватися від тримера, що може призвести до серйозних або смертельних травм. Переконайтеся, що ріжучий пристрій правильно закріплено на місці. Якщо кріплення головки послаблюється після фіксації в її положенні, негайно замініть її. Ніколи не використовуйте тример із незакріпленим ріжучим пристроєм.
- Акумуляторні інструменти не потрібно підключати до електричної розетки; отже, вони завжди в робочому стані. Будьте в курсі можливих небезпек, навіть якщо інструмент не працює. Будьте обережні, виконуючи технічне обслуговування чи догляд.
- Не мийте шлангом; уникайте потрапляння води в мотор та електричні з'єднання.
- Якщо виникають ситуації, які не розглядаються в цьому посібнику, проявляйте обережність і розсудливість. Зверніться до сервісного центру для клієнтів EGO по допомогу.
- Використовуйте лише акумулятори та зарядні пристрої, перелічені на рис. А.

ЗБЕРЕЖІТЬ ЦЮ ІНСТРУКЦІЮ!

СПЕЦИФІКАЦІЇ

Ріжучий механізм	Ударна головка	
Діаметр ліски	2,4-міліметрова нейлонова вита ліска	
Ширина різання	40 мм	
Швидкість холостого ходу	4900/5800 хв ⁻¹	
Вага (без акумулятора)	1,53 кг	
Діапазон рекомендованих робочих температур	0°C–40°C	
Soovituslik hoiumastamise temperatuur	-20°C-70°C	
Вимірний рівень звукової потужності L _{WA}	95,72 дБ(A) K=0,77 дБ(A)	
Рівень звукового тиску на місці вуха оператора L _{PA}	81,6 дБ(A) K=3 дБ(A)	
Гарантований рівень звукової потужності L _{WA} (виміряно відповідно до 2000/14/EC)	96 дБ(A)	
Оцінка вібрації a _n	Передня допоміжна ручка	2,5 м/с ² K=1,5м/с ²
	Задня ручка	1,8 м/с ² K=1,5 м/с ²

- Зазначені вище параметри випробувано та виміряно з приводною головкою PH1420E;
- Вказане загальне значення вібрації виміряне за стандартним методом тестування і може використовуватися для порівняння одного інструмента з іншим;
- Заявлене сумарне значення вібрації може також використовуватися для попередньої оцінки впливу.

⚠ ПОПЕРЕДЖЕННЯ. Емісія вібрації та шуму під час фактичного використання електроінструмента можуть відрізнятися від заявлених значень залежно від способів використання інструменту, особливо від того, яка заготовка обробляється; а також від необхідності визначення заходів

безпеки для захисту оператора, що ґрунтуються на оцінці впливу в реальних умовах використання (з урахуванням усіх частин робочого циклу, таких як час, коли інструмент вимкнено та коли він працює на холостому ходу на додаток до часу роботи).

ПАКУВАЛЬНИЙ СПИСОК (РИС. А)

Щоб дізнатися про рекомендовану ріжучу ліску, відвідайте веб-сайт egorowerplus.com або зверніться до каталогу продукції EGO.

ОПИС

ОЗНАЙОМЛЕННЯ З НАСАДКОЮ-ЛІСКОВИМ ТРИМЕРОМ (рис. А)

1. Торцевий ковпачок
2. Вал ліскового тримера
3. Кнопка заправлення ліски
4. Ріжуча ліска
5. Головка тримера (ударна головка)
6. Фіксатор
7. Лісковий ніж
8. Щиток
9. Шестигранний ключ

⚠ ПОПЕРЕДЖЕННЯ. Ніколи не використовуйте інструмент, якщо щиток міцно не закріплено. Щиток завжди має бути на інструменті для захисту користувача.

ЗБИРАННЯ

⚠ ПОПЕРЕДЖЕННЯ. Якщо якісь частини пошкоджені або відсутні, не користуйтеся цим інструментом, доки вони не будуть замінені. Використання цього виробу з пошкодженими або відсутніми деталями може призвести до серйозних травм.

⚠ ПОПЕРЕДЖЕННЯ. Не намагайтесь вдосконалити цей лісковий тример або застосувати приладдя, не рекомендоване для нього. Кожна така заміна чи переробка є фактом неправильного користування, створює небезпечні умови й загрожує серйозними травмами.

⚠ ПОПЕРЕДЖЕННЯ. Не приєднуйте пристрій до приводної головки, доки складання не буде закінчене. Недотримання цієї вимоги може призвести до неконтрольованого запуску та серйозних персональних травм.

УСТАНОВЛЕННЯ ЩИТКА

⚠ ПОПЕРЕДЖЕННЯ. Під час установавання або заміни щитка завжди слід носити рукавички. Будьте обережні та оберігайте руки від травмування лезом на щитку.

Відкрутіть і зніміть два гвинти з основи вала (рис. С), вирівняйте захисні монтажні отвори з отворами для збирання, а потім закріпіть щиток на основі вала за допомогою двох гвинтів разом із двома пружинними шайбами (рис. D).

Переконайтесь, що захисний щиток закріплений відповідно до рисунків С і D, і будь-яке зворотне кріплення може призвести до великої небезпеки!

ПІД'ЄДНАННЯ НАСАДКИ-ЛІСКОВОГО ТРИМЕРА ДО ПРИВІДНОЇ ГОЛОВКИ

Ця насадка-лісковий тример призначена для використання з приводною головкою EGO PH1420E.

Див. розділ «УСТАНОВЛЕННЯ НАСАДКИ НА ПРИВІДНУ ГОЛОВКУ» в посібнику оператора приводної головки PH1420E.

ЕКСПЛУАТАЦІЯ

⚠ ПОПЕРЕДЖЕННЯ. Знання виробу не має робити вас недбалим. Пам'ятайте, що півсекунди неухважності досить для серйозної травми.

⚠ ПОПЕРЕДЖЕННЯ. Завжди носіть засоби захисту органів зору та слуху. Без окулярів ви ризикуєте травмами очей від викинутих предметів та іншими серйозними травмами.

ЗАСТОСУВАННЯ

Ви можете використовувати цей виріб для цілі, зазначеної нижче:

- Trimming grass and weeds from around porches, fences, and decks

ПРИМІТКА. Цей інструмент має використовуватись тільки за призначенням. Будь-яке інше використання вважається випадком використання не за призначенням.

Перед кожним використанням перевірте наявність пошкоджених/зношених деталей

Перевірте головку тримера, запобіжник і передню ручку, а також замініть будь-які частини, які тріснули, викривлені, зігнуті або пошкоджені.

Ріжучий лісковий ніж на краю щитка може затупитися з часом. Рекомендується періодично заточувати його за допомогою напилка або замінити його на нове лезо.

⚠ ПОПЕРЕДЖЕННЯ. Завжди слід носити рукавички під час кріплення або заміни щитка або заточування чи заміни леза. Зверніть увагу на розташування леза на щитку та захист вашої руки від травм.

⚠ ПОПЕРЕДЖЕННЯ. Щоб запобігти серйозним травмам, вийміть акумуляторну батарею з приводної головки перед обслуговуванням, очищенням, заміною насадок або видаленням матеріалу з пристрою.

ВИКОРИСТАННЯ ЛІСКОВОГО ТРИМЕРА З ПРИВодноЮ ГОЛОВКОЮ

⚠ ПОПЕРЕДЖЕННЯ. Одягайтеся правильно, щоб зменшити ризик травми під час роботи з цим інструментом. Не носіть вільного одягу або прикрас. Одягайте захисні окуляри та навушники. Носіть важкі, довгі штани, міцне взуття та рукавички. Не носіть шорти, сандалі, не працюйте босоніж.

⚠ ПОПЕРЕДЖЕННЯ. Очищуйте ділянку підрізання перед кожним використанням. Видаліть усі предмети, такі як камені, бите скло, цвяхи, дроти або ліску, які можуть бути відкинуті або затягнуті в ріжуче обладнання. Приберіть із робочої області дітей, сторонніх і домашніх тварин. Принаймні тримайте всіх дітей, сторонніх спостерігачів і домашніх тварин на відстані не менше 15 м; проте для сторонніх спостерігачів усе одно може бути ризик від відкинутих предметів. Стороннім спостерігачам слід рекомендувати носити засоби захисту очей. Перед наближенням зупиніть мотор і ріжучий пристрій негайно.

Для безпечної та кращої роботи надягайте ремінець через плече. Відрегулюйте плечовий ремінець у зручному робочому положенні. Тримайте лісковий тример однією рукою за задню ручку, а іншою рукою за передню ручку. Під час експлуатації інструмента тримайте його міцно обома руками. Лісковий тример необхідно тримати в зручному положенні, при чому задня ручка має бути на висоті стегна. Головка тримера має бути розташована паралельною до землі так, щоб вона легко контактувала з матеріалом, який треба зрізати, і щоб оператору не доводилося згинатися (рис. B).

⚠ ПОПЕРЕДЖЕННЯ. Плечовий ремінь також є механізмом швидкого звільнення в небезпечній ситуації. Коли трапляється надзвичайна ситуація, негайно зніміть його з плеча, незалежно від того, у який спосіб одягнено ремінь.

Після кожного використання очистьте тример

Див. розділ «ТЕХНІЧНЕ ОБСЛУГОВУВАННЯ» для отримання вказівок з очищення

ЗАПУСК/ЗУПИНКА ІНСТРУМЕНТА

Див. розділ «ЗАПУСК/ЗУПИНКА ПРИВодноЮ ГОЛОВКИ» в посібнику користувача приводної головки RH1420E.

РЕГУЛЮВАННЯ ДОВЖИНИ РІЖУЧОЇ ЛІСКИ.

Тримерна головка дає оператору змогу випускати більше ріжучої ліски, не зупиняючи мотор. Коли ліска стирається або зношується, можна випустити додаткову ліску, злегка вдаривши головкою тримера об землю під час роботи з тримером (рис. E).

ПРИМІТКА. Випуск ліски стане складнішим, коли ріжуча ліска стане коротшою.

⚠ ПОПЕРЕДЖЕННЯ. Не видаляйте та не змінюйте ріжуче лезо в зборі. Надмірна довжина ліски призведе до перегріву мотора та може спричинити серйозні травми.

ЗАМІНА ЛІСКИ

ПРИМІТКА. Завжди використовуйте рекомендовану нейлонову ріжучу ліску з діаметром не більше 2,4 мм. Використання іншої ліски, відмінної від указаної, може спричинити перегрівання ліскового тримера або його пошкодження.

⚠ ПОПЕРЕДЖЕННЯ. Ніколи не використовуйте армовану металом ліску, дріт, мотузку тощо. Вони можуть зламатися і стати небезпечними снарядами.

Лісковий тример оснащений передовою системою **POWERLOAD™**. Ріжучу ліску можна намотати на котушку простим натисканням однієї кнопки. Заправлення повної котушки може бути виконано за 12 секунд. **Не використовуйте систему намотування кілька разів поспіль, щоб зменшити ймовірність пошкодження мотора.**

ПРИМІТКА. Система **POWERLOAD™** доступна, лише якщо насадка підключена до головки Power Head RH1420E та встановлено акумулятор.

1. Вийміть акумуляторну батарею.
2. Відріжте 4 м ріжучої ліски. Вставте ліску у вушко (рис. F). Натисніть і витягніть ліску з іншої сторони, доки не з'явиться рівна кількість ліски з обох боків головки тримера

ПРИМІТКА. Якщо ліска не може бути вставлена у вушко, коли нижня кришка застрягла, встановіть акумуляторну батарею на приводну головку, потім коротко натисніть кнопку заправлення ліски, щоб скинути нижню кришку.

3. Вийміть акумуляторну батарею, якщо вона була встановлена на приводну головку, як зазначено в ПРИМІТЦІ після кроку 2. І дотримуйтеся вказівок, вказаних у кроці 2, для повторного вставлення та вирівнювання лінії різання.
4. Встановіть акумуляторну батарею на приводну головку.
5. Натисніть і утримуйте кнопку заправлення ліски, щоб безперервно вмотувати ліску в головку тримера, доки з кожного боку не буде видно приблизно 15 см ліски. (Рис. G).
6. Натисніть на головку тримера, тягнучи за ліску, щоб просувати ліску вручну, і перевірте, чи ліску заправлено правильно.

ПРИМІТКА. У випадку, якщо ліска випадково втягнулася в головку тримера, відкрийте головку та витягніть ріжучу ліску з катушки. Дотримуйтесь розділу «ЗАПРАВЛЕННЯ РІЖУЧОЇ ЛІСКИ» в цьому посібнику, щоб заправити ліску.

ЗАПРАВЛЕННЯ РІЖУЧОЇ ЛІСКИ

Якщо ріжуча ліска відривається від вушка або ліска не вивільняється в разі постукування по головці тримера, вам потрібно буде видалити ліску, що залишилася, з головки тримера і виконати наведені нижче дії, щоб перезарядити ліску.

1. Вийміть акумуляторну батарею.
2. Натисніть на фіксатори на головці тримера та зніміть нижню кришку в зборі, витягнувши її (рис. Н).
3. Вийміть ріжучу ліску з головки тримера.
4. За необхідності вийміть пружину з катушки. Збережіть її для подальшого збирання.
5. Вставте пружину в проріз у вузлі нижньої кришки (рис. І).
6. Тримавши однією рукою тример, іншою рукою візьміться за нижню кришку в зборі та сумістіть отвори в нижній кришці в зборі з фіксаторами (рис. J). Натискайте на нижню кришку в зборі, доки вона не зафіксується на місці, і тоді ви почуєте виразний звук клацання (рис. К).
7. Дотримуйтеся інструкцій у розділі «ЗАМІНА ЛІСКИ», щоб заправити ріжучу ліску.

ЗАМІНА ГОЛОВКИ ТРИМЕРА

⚠ ПОПЕРЕДЖЕННЯ. Якщо кріплення головки послабніється після фіксації в її положенні, негайно замініть її.

Ніколи не використовуйте тример із незакріпленим ріжучим пристроєм. Негайно замініть тріснуту, пошкоджену або зношену ріжучу головку, навіть якщо пошкодження являє собою лише поверхневі тріщини. Такі насадки можуть руйнуватися на високій швидкості і призвести до серйозних травм.

Ознайомтеся із головою тримера (рис. L).

Рис. L див. опис деталей нижче:

L-1	Вал	L-6	Шайба
L-2	Втулка (2)	L-7	Гайка
L-3	Верхня кришка	L-8	Пружина
L-4	Стопорне кільце	L-9	Ріжуча ліска
L-5	Фіксатор катушки	L-10	Нижня кришка в зборі

Зняття головки тримера

1. Вийміть акумуляторну батарею.
2. Натисніть на фіксатори на головці тримера та зніміть нижню кришку в зборі, витягнувши її.
3. Вийміть ріжучу ліску з головки тримера.
4. За необхідності вийміть пружину з катушки. Збережіть її для подальшого збирання.
5. Відягніть рукавички. Однією рукою візьміться за катушку в зборі, щоб стабілізувати її, а іншою рукою тримайте ударний гайковерт на 13 мм (не входить у комплект), щоб відкрутити гайку ЗА ГОДИННИКОВОЮ СТРІЛКОЮ (рис. М).
6. Зніміть гайку, шайбу та фіксатор катушки з вала мотора (рис. L).
7. Використовуйте щипці для стопорних кілець (не входять у комплект), щоб зняти стопорне кільце. Зніміть верхню кришку та дві втулки з вала мотора (рис. L).
8. Замініть на нову головку тримера та встановіть її, виконавши перелічені нижче дії.

Установлення нової головки тримера

1. Установіть дві втулки на вал мотора.
2. Сумістіть плоский проріз у верхній кришці з площиною на валу мотора та встановіть верхню кришку на місце (рис. N).

Рис. N – див. опис деталей нижче

N-1	Площина	N-2	Плоский проріз
-----	---------	-----	----------------

3. Установіть стопорне кільце, фіксатор катушки та шайбу у вказаному порядку (рис. L). За допомогою ударного гайковерта затягніть гайку ПРОТИ ГОДИННИКОВОЇ СТРІЛКИ.

4. Виконайте кроки 4 і 5 у розділі «ЗАПРАВЛЕННЯ РІЗЧОЇ ЛІСКИ» в цьому посібнику, щоб установити нижню кришку в зборі.
5. Дотримуйтеся вказівок у розділі «ЗАМІНА ЛІСКИ» в цьому посібнику, щоб заправити ліску.
6. Запустіть інструмент, щоб перевірити, чи лісковий тример працює нормально. Якщо ні, повторно зберіть його, як описано вище.

ТЕХНІЧНЕ ОБСЛУГОВУВАННЯ

⚠ ПОПЕРЕДЖЕННЯ. Перед оглядом, чищенням або обслуговуванням пристрою зупиніть двигун, почекайте доки всі рухомі частини зупиняться, і вийміть акумуляторну батарею. Недотримання цих інструкцій може призвести до серйозних персональних травм або пошкодження майна.

⚠ ПОПЕРЕДЖЕННЯ. Використовуйте для технічного обслуговування лише ідентичні запчастини. Використання будь-яких інших частин створює небезпеку або може призвести до поломки виробу. Для гарантування безпеки та надійності всі роботи з ремонту, крім описаних в інструкціях з обслуговування, повинен проводити кваліфікований технічний спеціаліст.

ЗАГАЛЬНИЙ ТЕХНІЧНИЙ ДОГЛЯД

Не застосовуйте розчинники, коли чистите пластмасові деталі. Більшість пластмас чутливі до різноманітних промислових розчинників і можуть бути ними пошкоджені. Для видалення бруду, пилу, мастила тощо користуйтеся чистою ганчіркою.

ОЧИЩЕННЯ ПРИЛАДУ

- Приберіть траву, яка могла намотатися на вал мотора або головку тримера.
- Використовуйте невелику щітку або невеликий пілосос для очищення вентиляційних отворів ззаду на корпусі.
- Очистьте прилад вологою ганчіркою з м'яким миючим засобом.
- Не використовуйте сильні миючі засоби на пластиковому корпусі або ручці. Вони можуть бути пошкоджені деякими ароматичними маслами, наприклад хвойним і лимонним, а також розчинниками, такими як гас. Вологість також може становити небезпеку удару. Обережно протріть вологу м'якою сухою тканиною.

ЗМАЩЕННЯ ЗУБЧАСТИХ ПЕРЕДАЧ

Зубчасті передачі в корпусі редуктора необхідно періодично змащувати трансмісійним мастилом. Перевіряйте рівень змащення корпусу редуктора приблизно кожні 50 годин роботи, знявши гвинт із гнізда на боці корпусу.

Якщо на боках редуктора не видно мастила, виконайте кроки нижче, щоб залити трансмісійне мастило на 3/4 ємності.

Не заповнюйте редуктори повністю.

1. Тримайте лісковий тример на боці так, щоб герметичний гвинт був спрямований вгору.
2. Використовуйте багатофункціональний гайковий ключ, який входить у комплект, щоб відкрутити та зняти герметичний гвинт.
3. Використовуйте шприц для змащення (не входить у комплект), щоб влити мастило в отвір; не перевищуйте 3/4 ємності.
4. Затягніть герметичний гвинт після вливання.

ЗБЕРІГАННЯ ПРИЛАДУ

- Вийміть акумуляторну батарею з приводної головки.
- Перед зберіганням інструмент необхідно ретельно очистити.
- Якщо насадка-лісковий тример знімається з приводної головки та зберігається окремо: установіть торцевий ковпачок на вал для насадок, щоб уникнути потрапляння бруду в муфту.
- Зберігайте пристрій у сухому, добре вентильованому, закритому або високо розташованому недоступному для дітей місці. Не зберігайте пристрій біля мінеральних добрив, бензину та інших хімікатів.

ЗАТОЧУВАННЯ ЛІСКОВОГО НОЖА

⚠ ПОПЕРЕДЖЕННЯ. Завжди захищайте руки, одягаючи міцні рукавички під час виконання будь-якого технічного обслуговування ліскового ножа.

1. Вийміть акумулятор.
2. Вийміть лісковий ніж із кожуха.
3. Закріпіть ніж у лещатах.
4. Використовуйте належні засоби захисту очей та рукавички й будьте обережні, щоб не порізатися.
5. Акуратно заточіть ріжучі кромки ножа дрібним напилком або точильним каменем, зберігаючи вихідний кут ріжучої кромки.
6. Установіть ніж на захисний кожух та зафіксуйте його двома гвинтами.

Захист довкілля



Не викидайте електричне обладнання, зарядний пристрій та батарейки/акумулятори в побутові відходи!

Віднесіть цей виріб авторизованому переробнику й надайте його для роздільного збирання.

Електроінструменти необхідно повернути в підприємство, що займається екологічно безпечною переробкою.

Якщо електричний пристрій утилізується на сміттєзвалищі, небезпечні речовини можуть вилетіти в ґрунтові води та потрапити в харчовий ланцюг, що може зашкодити вашому здоров'ю та самопочуттю.

KEES VAN DER SPEK
TUINMACHINES ★ STOLWIJK

UK

УСУНЕННЯ НЕСПРАВНОСТЕЙ

НЕСПРАВНІСТЬ	ПРИЧИНА	ВИРІШЕННЯ
Лісовий тример не запускається.	<ul style="list-style-type: none"> ■ Акумуляторна батарея не приєднана до приводної головки. ■ Немає електричного контакту між приводною головкою та акумуляторною батареєю. ■ Акумуляторна батарея розряджена. ■ Важіль блокування та тригер не натиснуто одночасно. 	<ul style="list-style-type: none"> ■ Прикріпіть акумулятор до приводної головки. ■ Вийміть акумулятор, перевірте контакти та встановіть акумулятор знову, доки він не зафіксується. ■ Заряджайте акумулятор зарядними пристроями EGO, переліченими в цьому посібнику. ■ Натисніть важіль блокування та утримуйте його, а потім натисніть на тригер, щоб увімкнути лісовий тример.
Лісовий тример зупиняється під час різання.	<ul style="list-style-type: none"> ■ Щиток не встановлено на тример, у результаті чого ріжуча ліска надмірно довга і мотор перевантажено. ■ Використовується важка ріжуча ліска. ■ У валі мотора або головці тримера застрягла трава. ■ Мотор перевантажено. ■ Акумулятор або лісовий тример занадто гарячі. ■ Акумулятор від'єднано від інструмента. ■ Акумуляторна батарея розряджена. 	<ul style="list-style-type: none"> ■ Вийміть акумуляторну батарею та встановіть щиток на тример. ■ Використовуйте рекомендовану нейлонову ріжучу ліску з діаметром не більше 2,4 mm. ■ Зупиніть тример, вийміть акумулятор і витягніть траву з вала мотора та головки тримера. ■ Заберіть головку тримера з трави. Мотор відновить роботу, коли навантаження буде усунуто. Під час різання переміщайте тримерну головку в траву і з неї, і прибирайте не більше 20 см довжини за одне різання. ■ Дайте акумуляторній батареї або тримеру охолонути, доки температура не опуститься нижче 67 °C . ■ Знову встановіть акумуляторну батарею. ■ Заряджайте акумулятор зарядними пристроями EGO, переліченими в цьому посібнику.

UK

НЕСПРАВНІСТЬ	ПРИЧИНА	ВИРІШЕННЯ
Тримерна головка не просуває ліску.	<ul style="list-style-type: none"> ■ У валі мотора або головці тримера застрягла трава. ■ На катушці бракує ліски. ■ Тримерна головка брудна. ■ Лінія заплуталась у тримачі катушки. ■ Ліска занадто коротка. 	<ul style="list-style-type: none"> ■ Зупиніть тример, вийміть акумулятор і очистьте вал мотора та головку тримера. ■ Вийміть акумулятор і замініть ліску; дотримуйтеся вказівок у розділі «ЗАПРАВЛЕННЯ РІЗУЧОЇ ЛІСКИ» в цьому посібнику. ■ Вийміть акумулятор і очистьте тримач катушки та основу катушки в зборі. ■ Зніміть акумулятор, витягніть ліску з катушки та перемотайте; дотримуйтеся вказівок у розділі «ЗАПРАВЛЕННЯ РІЗУЧОЇ ЛІСКИ» в цьому посібнику. ■ Вийміть акумулятор і витягніть ліску вручну, попеременно натискаючи та відпускаючи тримерну головку.
Трава намоталася на головку тримера та корпус мотора.	<ul style="list-style-type: none"> ■ Різання високої трави на рівні землі. 	<ul style="list-style-type: none"> ■ Вирізайте високу траву згори вниз, видаляючи не більше 20 см за кожен прохід, щоб запобігти намотуванню.
Лезо не ріже ліску.	<ul style="list-style-type: none"> ■ Ріжучий лісковий ніж на краю щитка затупився. 	<ul style="list-style-type: none"> ■ Заточіть лісковий ніж напилком або замініть на новий ніж.
Тріщини на головці тримера або тримачі катушки поступово відкручуються на основі катушки.	<ul style="list-style-type: none"> ■ Головка тримера зношена. 	<ul style="list-style-type: none"> ■ Замініть тримерну головку негайно; дотримуйтеся вказівок у розділі «ЗАМІНА ГОЛОВКИ ТРИМЕРА» в цьому посібнику.
	<ul style="list-style-type: none"> ■ Ослаблена гайка, яка фіксує головку тримера. 	<ul style="list-style-type: none"> ■ Відкрийте головку тримера та за допомогою ударного ключа затягніть гайку.
Під час заміни ліски вона не може бути правильно завантажена в головку тримера.	<ul style="list-style-type: none"> ■ Лінії НАВАНТАЖЕННЯ тримача катушки не відповідають вушкам на основі катушки. 	<ul style="list-style-type: none"> ■ Поверніть фіксатор катушки в напрямку стрілки, щоб вирівняти лінії НАВАНТАЖЕННЯ на тримачі катушки з вушками на основі катушки (рис. F).
	<ul style="list-style-type: none"> ■ Лінії ЗАВАНТАЖЕННЯ тримача катушки не відповідають вушкам на основі катушки. 	<ul style="list-style-type: none"> ■ Поверніть фіксатор катушки в напрямку стрілки, щоб вирівняти лінії ЗАВАНТАЖЕННЯ на тримачі катушки з вушками на основі катушки.

UK

ГАРАНТІЯ

ПРАВИЛА ГАРАНТІЇ EGO

Будь ласка, відвідайте веб-сайт egopowerplus.com для отримання повних умов гарантійної політики EGO.

ПРОЧЕТЕТЕ ВСИЧКИ ИНСТРУКЦИИ!



Прочетете ръководството на оператора

⚠️ Остатъчен риск! Хора с електронни устройства, като пейсмейкър трябва да се консултират с лекуващия(те) си лекар(и) преди употреба на този продукт. Работата с електрическо оборудване в непосредствена близост до сърдечен пейсмейкър може да предизвика смущение или неизправност на пейсмейкъра.

⚠️ ПРЕДУПРЕЖДЕНИЕ: За да осигурите безопасността и надеждността, всички поправки и подмени трябва да се извършват от квалифициран сервизен техник.

СИМВОЛИ ЗА БЕЗОПАСНОСТ

Целта на символите за безопасност е да превличат вниманието към възможни опасности. Символите за безопасност и обясненията към тях заслужават вашето повишено внимание и осъзнаване. Символите за безопасност сами по себе си не елиминират каквато и да е опасност. Инструкциите и предупрежденията, които предоставят не са заместители за подходящите мерки за предотвратяване на инцидент.

⚠️ ПРЕДУПРЕЖДЕНИЕ: Уверете се, че сте прочели и осъзнали всички инструкции за безопасност в това Ръководство на оператора, включително всички известяващи символи за безопасност, като **“ОПАСНОСТ,” “ПРЕДУПРЕЖДЕНИЕ,”** и **“ВНИМАНИЕ”** преди да използвате този инструмент. Неспазването на всички инструкции изброени долу може да доведе до електрически шок, пожар и/или сериозно нараняване.

ЗНАЧЕНИЕ НА СИМВОЛИТЕ

⚠️ СИМВОЛ СИГНАЛИЗИРАЩ ЗА БЕЗОПАСНОСТ: Показва **ОПАСНОСТ, ПРЕДУПРЕЖДЕНИЕ, ИЛИ ВНИМАНИЕ.** Могат да бъдат използвани във връзка с други символи или пиктограми.

BG

ИНСТРУКЦИИ ЗА БЕЗОПАСНОСТ

Тази страница изобразява и описва символите за безопасност, които може да се появят по този продукт. Прочетете, осъзнайте и следвайте всички инструкции по машината преди предприемане на сглобяване или работа.

	Сигнал за безопасност	Показва риска от потенциално нараняване на човек.
	Прочетете ръководството на оператора	За намаляване на опасността от нараняване, потребителят трябва да прочете и разбере ръководството на оператора преди използването на този продукт.
	Носете защита за очите, ушите и главата	Винаги носете защита за очите, ушите и главата.
	Ширина на рязане	Максималната режеща ширина на кордов тример
	Диаметър на кордата	Диаметър на найлонова режеща корда
	Не използвайте метални ножове	Предупреждава потребителя да не използва метални ножове
	Дръжте околните хора надалеч	Изхвърлените обекти могат да рикошират и да доведат до нараняване или щети по собствеността. Уверете се, че други хора и домашни любимци спазват достатъчно разстояние от хростореза, когато го използвате.
	Разстоянието между машината и околните хора трябва да бъде минимум 15 м	Уверете се, че други хора и домашни любимци спазват поне 15 м разстояние от тримера, когато го използвате.
IPX4	IP символ	Защита от навлизане на вода степен 4.
CE	CE	Този продукт е в съответствие с приложимите директиви на ЕС.

	UKCA	Този продукт е в съответствие с приложимото законодателство на Великобритания.
	WEEE	Отпадъчните електрически продукти не трябва да бъдат изхвърляни заедно с домакинския отпадък. Отнесете го до упълномощено място за рециклиране.
	Шум	Гарантирано ниво на мощност на звука. Звуковите емисии към околната среда са в съответствие с директивите на европейската общност.
V	Волта	Напрежение
mm	Милиметър	Дължина или размер
cm	Сантиметър	Дължина или размер
kg	Килограм	Тегло

ОБЩИ ПРЕДУПРЕЖДЕНИЯ ЗА БЕЗОПАСНОСТ НА ЕЛЕКТРИЧЕСКИ ИНСТРУМЕНТИ

▲ ПРЕДУПРЕЖДЕНИЕ: Прочетете всички предупреждения за безопасност, инструкции, илюстрации и спецификации предоставени с този електрически инструмент. Неспазването на всички инструкции изброени долу може да доведе до токов удар, пожар и/или сериозно нараняване.

Запазете всички предупреждения и инструкции за бъдеща справка.

Терминът "Електрически инструмент" в предупрежденията се отнася до захранвани от мрежата (кабелни) електрически инструменти или захранвани чрез батерия (безкабелни) електрически инструменти.

БЕЗОПАСНОСТ В РАБОТНАТА ЗОНА

- Поддържайте работната зона чиста и добре осветена. Разхвърляни или тъмни работни зони пораждат инциденти.
- Не работете с електроинструменти в експлозивна атмосфера, като например в присъствието на запалими течности, газ или прах. Електрическият инструмент създава искра, която може да възпламени праха или изпаренията.

- Дръжте на разстояние децата и страничните лица, докато работите с електрически инструмент. Разсейването може да причини загуба на контрол.

ЕЛЕКТРИЧЕСКА БЕЗОПАСНОСТ

- Щепселите на електрическия инструмент трябва да съответстват на контакта. **Никога не модифицирайте щепсела по какъвто и да е начин. Не използвайте какъвто и да е адаптер със заземени електрически инструменти.** Немодифицираните щепсели и съответстващите контакти ще намалят риска от електрически шок.
- Избягвайте контакт на тялото със заземени повърхности, като тръби, радиатори, кухненски печки и хладилници. Съществува повишена опасност от токов удар, ако тялото Ви е заземено.
- Не работете с машината при дъждовни или мокри условия. Водата, влизаща в машината, може да увеличи риска от токов удар или неизправност, които могат да доведат до телесна повреда.
- Не злоупотребявайте с кабела. Никога не използвайте кабела за пренасяне, изтегляне или изключване от контакта на електрическия инструмент. Дръжте кабела настрана от топлина, масло, остри ръбове или движещи се части. Повредени или оплетени кабели увеличават риска от електрически удар.

- Когато работите с електрически инструмент на открито, използвайте удължителен кабел подходящ за употреба на открито. Употребата на кабел подходящ за употреба на открито намалява риска от електрически удар.
- Ако работата с електрическия инструмент на влажно място е неизбежна, използвайте захранване с дефектнотокова защита (RCD). Употребата на RCD намалява риска от токов удар.

ЛИЧНА БЕЗОПАСНОСТ

- Внимавайте, гледайте какво правите и използвайте здрав разум, когато работите с електрически инструмент. **Не използвайте електрически инструмент, когато сте уморени или когато сте под влияние на наркотици, алкохол или лекарства.** Момент невнимание по време на работата с електрически инструмент, може да доведе до сериозно лично нараняване.
- Използвайте лични предпазни средства. **Винаги носете защита за очите.** Защитно оборудване като прахови маски, неплъзгащи се безопасно обувки, твърда каска или защита за слуха използвана при подходящи условия ще намали риска от лични наранявания.

BG

- **Предотвратете непреднамерено пускане.** Уверете се, че ключът е в изключена позиция, преди да свържете към захранване и/или батерия, повдигайки или носейки инструмента. Носейки инструмента, докато пръстът ви е на спусъка или подаването на захранване на инструменти, които са с включен прекъсвач е предпоставка за инциденти.
- **Извадете всеки регулиращ ключ или гаечен ключ, преди да включите захранването.** Гаечен или друг ключ оставен закачен към въртящите се части на електрическия инструмент, може да доведе до лично нараняване.
- **Не се протягайте.** Запазете правилна стойка и баланс по всяко време. Това позволява по-добър контрол върху електрическия инструмент в непредвидени ситуации.
- **Облечете се подходящо.** Не носете отпуснати дрехи или бижута. Дръжте косата, дрехите и ръкавиците далеч от движещи се части. Отпуснати дрехи, бижута или дълга коса, могат да бъдат хванати в движещите се части.
- **Ако са предоставени устройства за сварване на прахоуловител или съоръжения за събиране, уверете се, че те са свързани и са правилно използвани.** Употребата на устройства за прах може да намали рисковете свързани с прах.
- **Не позволявайте на рутинността придобита от честата употреба на инструмента да позволи да станете небрежни и да игнорирате принципите за безопасност на инструмента.** Небрежно действие може да причини сериозно нараняване за части от секундата.

УПОТРЕБА И ГРИЖА ЗА ЕЛЕКТРИЧЕСКИЯ ИНСТРУМЕНТ

- **Не пресилвайте електрически инструмент.** Използвайте правилния електрически инструмент за вашата работа. Правилният електрически инструмент ще свърши работата по-добре и по-безопасно при капацитета за който е проектиран.
- **Не използвайте електрическия инструмент ако ключът не го включва или изключва.** Всеки електрически инструмент, който не може да бъде контролиран от ключа е опасен и трябва да бъде поправен.
- **Разкачете щепсела от захранването и/или батерията от електрическия инструмент, преди да извършите настройки, смяна на аксесоари или съхраняване на инструментите.** Подобни превантивни мерки за безопасност намаляват риска от стартиране на инструмента инцидентно.
- **Дръжте свободния електрически инструмент**

извън достъпа до деца и не позволявайте хора, които не са запознати с електрическия инструмент или тези инструкции да работят с него. Електрическите инструменти са опасни в ръцете на необучени потребители.

- **Поддръжка на електрически инструменти и аксесоари.** Проверете за разместване или блокиране на подвижни части, счупване на части, и всякакви други условия, които могат да повлияят на работата на електрическия инструмент. При повреда ремонтирайте инструмента преди употреба. Много инциденти са причинени от лошо поддържани електрически инструменти.
- **Дръжте режещите инструменти остри и чисти.** Правилно поддържани режещи инструменти, с остри режещи ръбове е по-малко вероятно да се закледят и по-лесно се контролират.
- **Използвайте електрическия инструмент, аксесоарите, частите на инструмента и т.н в съответствие с тези инструкции, като вземете предвид условията на работа и вида работа, която ще бъде извършвана.** Употребата на електрическия инструмент за дейности различни от предназначението може да доведе до опасни ситуации.
- **Дръжте ръкохватките и местата за захващане сухи, чисти и без масло и грес.** Хлъзгавите ръкохватки и места за захващане не позволяват безопасно боравене и контролиране на инструмента при неочаквана ситуация.

УПОТРЕБА И ГРИЖА ЗА ИНСТРУМЕНТ С БАТЕРИЯ

- **Презареждайте само с зарядно устройство определено от производителя.** Зарядно устройство, което е подходящо за един тип акумулаторни батерии може да създаде риск от пожар, когато се използва с други акумулаторни батерии.
- **Използвайте електроинструменти само със специфично обозначени акумулаторни батерии.** Употребата на каквато и да е друга батерия може да създаде риск от нараняване или пожар.
- **Когато акумулаторните батерии не са в употреба ги дръжте на разстояние от други метални обекти, като кламери, монети, ключове, пирони, отвертки или други малки метални предмети, които могат да направят свързване между клемите.** Свързване на късо на клемите на акумулаторната батерия може да причини изгаряния или пожар.
- **При условия на злоупотреба, течност може да се отдели от акумулаторната батерия; предотвратете контакт.** Ако инцидентно възникне контакт, изплакнете с вода. Ако течност влезе в контакт с очите, допълнително потърсете медицинска помощ. Течност отделена от акумулаторната батерия може са предизвика възпаление или изгаряния.

- **Не използвайте акумулаторна батерия или инструмент, които са повредени или модифицирани.** Повредените или модифицираните батерии може да проявят непредсказуемо поведение, което да доведе до пожар, експлозия или риск от нараняване.
- **Не излагайте батерията или инструмента на огън или прекомерна температура.** Излагане на огън или температури над 130 °C може да причини експлозия.
- **Следвайте всички инструкции за зареждане и не зареждайте батерията или инструмента извън температурния обхват зададен в инструкциите.** Неправилното зареждане или зареждане извън определения температурен обхват може да повреди батерията и да повиши риска от пожар.

ОБСЛУЖВАНЕ

- **Обслужвайте вашия електрически инструмент чрез квалифициран техник, като използвате само идентични резервни части.** Това ще осигури поддържането на безопасността на електрическия инструмент.
- **Никога не поправяйте повредени акумулаторни батерии.** Ремонтът на акумулаторни батерии трябва да бъде извършван от производителя или оторизиран сервис.

СПЕЦИАЛНИ ПРЕДУПРЕЖДЕНИЯ ЗА БЕЗОПАСНОСТ ЗА КОРДОВ ТРИМЕР

- **Не използвайте машината в лоши метеорологични условия, особено, когато има риск от светкавици.** Това намалява риска да бъдете ударен от светкавица.
- **Внимателно проверете района за дивата природа, където трябва да се използва машината.** Дивата природа може да бъде увредена от машината по време на работа.
- **Инспектирайте старателно зоната, където ще бъде използвано машината и премахнете всички камъни, пръчки, жици, кости и други чужди предмети.** Изхвърлените предмети могат да причинят телесна повреда.
- **Преди да използвате машината, винаги визуално инспектирайте, за да видите, че резачката или ножа и възелът на резачката или ножа не са повредени.** Повредените части увеличават риска от нараняване.
- **Следвайте инструкциите за смяна на аксесоари.** Неправилно затегнатите обезопасяващи гайки или болтове на резачката могат или да повредят ножа, или да доведат до отделянето му.
- **Носете защита за очите, ушите, главата и ръцете.** Подходяща предпазна екипировка ще намали

телесните наранявания от летящи отломки или случаен контакт с режещата корда или ножа.

- **Докато работите с машината, винаги носете нехлъзгащи се и защитни обувки. Не работете с машината, когато сте боси или носите отворени сандали.** Това намалява вероятността от нараняване на краката от контакт с движещите се ножове или корди.
- **Докато работите с машината, винаги носете дълги панталони.** Откритата кожа увеличава вероятността от нараняване от изхвърлени предмети.
- **Дръжте околните хора надалеч, докато работите с машината.** Изхвърлянето на отпадъци може да доведе до сериозно нараняване на хора.
- **Винаги използвайте две ръце, когато работите с машината.** Държането на машината с двете ръце ще предотврати загубата на контрол.
- **Дръжте машината само за изолираните захващащи повърхности, защото режещата корда или ножът могат да се контактуват със скрити кабели.** Режещата корда или ножове в контакт с кабел под напрежение могат да направят откритите метални части под напрежение и могат да причинят токов удар на оператора.
- **Винаги поддържайте правилна стойка и работете с машината само когато стоите на земята.** Хлъзгавите или нестабилни повърхности могат да причинят загуба на баланс или контрол на машината.
- **Не работете с машината на прекалено стръмни склонове.** Това намалява риска от загуба на контрол, подхлъзване и падане, което може да доведе до телесна повреда.
- **Когато работите върху склонове, винаги бъдете сигурни в стойката си, винаги работете напречно на склоновете, никога нагоре или надолу и проявявайте изключителна предпазливост при промяна на посоката.** Това намалява риска от загуба на контрол, подхлъзване и падане, което може да доведе до телесна повреда.
- **Дръжте всички части на тялото далеч от резачката, кордата или ножа, когато машината работи.** Преди да стартирате машината, уверете се, че резачката, кордата или ножът не контактуват с нищо. Момент на невнимание по време на работа на машината може да доведе до нараняване на себе си или на другите.
- **Не работете с машината над височината на талията.** Това помага за предотвратяване на непреднамерен контакт с резачката или ножа и позволява по-добър контрол на машината в

неочаквани ситуации.

- **Когато режете храсти или фиданки, които са под механично напрежение, бъдете нащрек за отскачане назад.** Когато механичното напрежение в дървесните влакна се освободи, храстът или фиданката могат да ударят оператора и/или да изхвърлят машината извън контрол.
- **Бъдете изключително внимателни, когато режете храсти и фиданки.** Тънкият материал може да бъде хванат от ножа и да бъде камшично върнат към вас или да ви извади от равновесие.
- **Поддържайте контрол на машината и не докосвайте резачки, корди или ножове и други опасни движещи се части, докато те все още са в движение.** Това намалява риска от нараняване от движещи се части.
- **Когато почиствате заседнал материал или обслужвате машината, уверете се, че превключвателят е изключен и батерията е отстранена.** Неочаквано стартиране на машината по време на почистване на заседнал материал или сервизно обслужване могат да доведат до сериозно нараняване на хора.
- **Носете машината изключена и далеч от тялото си.** Правилното боравене с машината ще намали вероятността от случаен контакт с движеща се резачка, корда или нож.
- **Използвайте само резервни резачки, корди, режещи глави и ножове, посочени от производителя.** Неправилните резервни части могат да увеличат риска от счупване и нараняване.
- **Повреди по тримера - ако ударите чужд предмет с тримера или ако се оплете, спрете незабавно инструмента, проверете за повреди и поправете всички щети преди да опитате по нататъшна работа.** Не работете със счупен предпазител или ролка.
- **Ако оборудването започне да вибрира неестествено, спрете мотора и незабавно проверете за причината.** Вибрациите обикновено са предупреждение за проблем. Разхлабена глава може да вибрира, напука, счупи или да излезе от тримера, което може да доведе до сериозно или фатално нараняване. Уверете се, че режещата приставка е правилно закрепена на местото си. Подменете незабавно ако главата се разхлаби след като сте я закрепили в позиция. Никога не използвайте тримера с разхлабени приставки за рязане.
- **Инструментите с батерия не трябва да бъдат закачени към електрически контакт, поради това те винаги са в работно състояние.** Бъдете готови за възможни опасности, дори когато инструментът

не работи. Бъдете внимателни, когато извършвате поддръжка или обслужване.

- **Не измивайте с маркуч, избягвайте попадане на вода в мотора и електрическите връзки.**
- **Ако настъпят събития, които не са засегнати в това ръководство, бъдете предпазливи и използвайте добра преценка.** Свържете се с сервизния потребителски център на EGO за помощ.
- **Използвайте само с акумулаторни батерии и зарядни устройства изброени на фиг. А.**

ЗАПАЗЕТЕ ТЕЗИ ИНСТРУКЦИИ!

СПЕЦИФИКАЦИИ

Механизъм за рязане	Ударна глава	
Диаметър на кордата	2,4 м найлонова усукана корда	
Ширина на рязане	40 cm	
Тегло (без акумулаторна батерия)	4900/5800 min ⁻¹	
Измерено ниво на сила на звука L _{WA}	1,53 kg	
Препоръчителна работна температура	0°C-40°C	
Препоръчителна температура на съхранение	-20°C-70°C	
Измерено ниво на сила на звука L _{WA}	95,72 dB(A) K=0,77 dB(A)	
Ниво на звуково налягане при ухото на оператора L _{PA}	81,6 dB(A) K=3 dB(A)	
Гарантирано ниво на сила на звука L _{WA} (измерен съгласно 2000/14/EC)	96 dB(A)	
Оценка на вибрации h	Предната спомогателна ръкохватка	2,5 m/s ² K=1,5 m/s ²
	Задна ръкохватка	1,8 m/s ² K=1,5 m/s ²

- Горните параметри са тествани и измерени оборудвани със захранваща глава PH1420E;
- Декларираният общ размер на вибрации е измерен в съответствие със стандартния метод за тест и може да бъде използван за сравнение между два инструмента;
- Декларираният общ размер на вибрации може също така да бъде използван за предварителна оценка на влиянието.

⚠ ПРЕДУПРЕЖДЕНИЕ: Вибрациите и шумовите емисии по време на действителното използване на електроинструмента могат да се различават от декларираните стойности в зависимост от начините, по които се използва инструментът, особено какъв вид детайл се обработва; и За необходимостта от идентифициране на мерки за безопасност за защита на оператора, които се основават на оценка на експозицията при действителните условия на употреба (като се вземат предвид всички части на работния цикъл, като например времето, когато инструментът е изключен и когато работи на празен ход в допълнение към времето за действие).

ОПАКОВЪЧЕН ЛИСТ (ФИГ. А)

Относно препоръчителната режеща корда, моля посетете уебсайта egopowerplus.com или вижте продуктивият каталог на EGO.

ОПИСАНИЕ

ЗАПОЗНАЙТЕ СЕ С ВАШАТА ПРИСТАВКА КОРДОВ ТРИМЕР (Фиг. А)

1. Крайна капачка
2. Прът на кордовия тример
3. Бутон за зареждане на корда
4. Режеща корда
5. Тримерна глава (ударна глава)
6. Бутон за освобождаване
7. Режещ нож за кордата
8. Предпазител
9. Ключ шестограм

⚠ ПРЕДУПРЕЖДЕНИЕ: Никога не работете с инструмента без предпазителят да е здраво на местото си. Предпазителят трябва винаги да е на инструмента за да предпазва потребителя.

МОНТАЖ

⚠ ПРЕДУПРЕЖДЕНИЕ: Ако някои от частите са повредени или липсват, не работете с този продукт, докато частите не се подменят. Използването на този продукт с повредени или липсващи части може да доведе до сериозно лично нараняване.

⚠ ПРЕДУПРЕЖДЕНИЕ: Не се опитвайте да модифицирате този продукт или да създадете аксесоари, които не се препоръчват за употреба

с този кордов тример. Всяка такава промяна или модификация е злоупотреба и може да доведе до опасни условия с последици от възможни сериозни наранявания.

⚠ ПРЕДУПРЕЖДЕНИЕ: Не свързвайте със захранващата глава, докато монтажът не е завършен. Неспазването може да доведе до инцидентно стартиране и възможно сериозно нараняване.

МОНТАЖ НА ПРЕДПАЗИТЕЛЯ

⚠ ПРЕДУПРЕЖДЕНИЕ: Винаги носете ръкавици, когато монтирате или подменяте предпазител. Внимавайте за ножа на предпазителя и предпазвайте ръцете си от нараняване от ножа.

Разхлабете и извадете двата винта от основата на щангата (фиг. С), подравнете монтажните отвори на предпазителя с отворите за монтажния механизъм и след това захванете предпазителя в основата на щангата с двата винта, заедно с две пружинни шайби (фиг. D).

Уверете се, че предпазителят е закрепен съгласно фиг. С и D, всяко закрепване на обратно ще причини голяма опасност!

СВЪРЗВАНЕ НА ПРИСТАВКАТА КОРДОВ ТРИМЕР КЪМ ЗАХРАНВАЩАТА ГЛАВА

Тази приставка за кордов тример е проектирана за употреба със захранваща глава EGO PH1420E.

Вижте раздел „ИНСТАЛИРАНЕ НА ПРИСТАВКАТА ЗА ЗАХРАНВАЩА ГЛАВА“ в ръководството за оператора на захранващата глава PH1420E.

ЕКСПЛОАТАЦИЯ

⚠ ПРЕДУПРЕЖДЕНИЕ: Не позволявайте рутината с този продукт да ви направи непредпазливи. Запомнете, че невнимание за малка част от секундата е достатъчна за да нанесе сериозно нараняване.

⚠ ПРЕДУПРЕЖДЕНИЕ: Винаги носете защита за очите заедно със защита за слуха. Ако не го направите може да доведе до изхвърляне на предмети към очите ви и други възможни сериозни наранявания.

ПРИЛОЖЕНИЯ

Може да използвате този продукт за целите описани долу:

- Trimming grass and weeds from around porches, fences, and decks

BG

БЕЛЕЖКА: Инструментът трябва да бъде използван само за предназначенията цели. Всяка друга употреба се смята за случай на злоупотреба.

Преди всяка употреба проверявайте за повредени/износени части

Проверете тримерната глава, предпазителя и предната ръкохватка и подменете всички части, които са напукани, деформирани, изкривени или повредени по някакъв начин.

Режещият нож за кордата на ръба на предпазителя може да се изтъпи в течение на времето. Препоръчва се периодично да го заточавате с пила или да го подмените с нов нож.

▲ ПРЕДУПРЕЖДЕНИЕ: Винаги носете ръкавици, когато монтирате или подмените предпазителя или когато заточвате или подмените ножа. Отбележете позицията на ножа в предпазителя и защитете вашата ръка от нараняване.

▲ ПРЕДУПРЕЖДЕНИЕ: За да предотвратите сериозно нараняване, извадете акумулаторната батерия от захранващата глава, преди обслужване, почистване, смяна на приставките или изваждане на материал от устройството.

ИЗПОЛЗВАНЕ НА КОРДОВ ТРИМЕР СЪС ЗАХРАНВАЩА ГЛАВА

▲ ПРЕДУПРЕЖДЕНИЕ: Облечете се правилно за да намалите риска от нараняване, когато работите с този инструмент. Не носете отпуснати дрехи или бижута. Носете защита за очите и защита за очите/слуха. Носете тежки, дълги панталони, ботуши и ръкавици. Не носете къси панталони или сандали или не ходете бос.

▲ ПРЕДУПРЕЖДЕНИЕ: Почистете зоната, която трябва да бъде подрязана преди всяка употреба. Почистете всички обекти, като камъни, счупени стъкла, пирони, кабели или въжета, които могат да бъдат изхвърлени или да се оплетат в приставката за рязане. Изчистете зоната от деца, околни хора или домашни любимци. Като минимум дръжте всички деца, околни хора и домашни любимци минимум на 15 м разстояние, въпреки това пак може да съществува риск за околните от изхвърлени обекти. Околните наблюдатели трябва да бъдат насърчени да носят защита за очите. Ако бъдете приближен от човек спрете незабавно мотора и приставката за рязане.

За по-добра и безопасна работа, поставете ремъка за рамо през рамото си. Регулирайте ремъка за рамо

в удобна работна позиция. Дръжте кордовия тример с едната си ръка за задната ръкохватка и с другата ръка за предната ръкохватка. Поддържайте здрав захват и с двете ръце, докато работите с инструмента. Кордовият тример трябва да бъде държан в удобна позиция, като задната ръкохватка е на височината на бедрото. Тримерната глава трябва да бъде успоредна на земята, така че лесно да влиза в контакт с материалите, които трябва да бъдат отрязани, без да се налага операторът да се навежда (фиг. В).

▲ ПРЕДУПРЕЖДЕНИЕ: Ремъкът за рамо, също е механизъм за бързо освобождаване при опасни ситуации. При наличие на аварийна ситуация, свалете го незабавно от рамото си, независимо по кой начин се намира.

След всяка употреба почистете тримера.

Вижте раздел ПОДДРЪЖКА за инструкции за почистване.

ЗА ДА СТАРТИРАТЕ/СПРЕТЕ ИНСТРУМЕНТА

Вижте раздел " СТАРТИРАНЕ/СПИРАНЕ НА ЗАХРАНВАЩАТА ГЛАВА " в ръководството на оператора на захранваща глава RH1420E.

РЕГУЛИРАНЕ НА ДЪЛЖИНАТА НА РЕЖЕЩАТА КОРДА

Главата на тримера позволява на оператора да отпусне повече режеща корда без да спира мотора. Когато кордата стане разкъсана или износена, може да бъде отпусната допълнителна корда чрез леко потупване в земята на главата на тримера (Фиг. Е).

БЕЛЕЖКА: Освобождаването на корда ще стане по трудно, с намаляването на кордата.

▲ ПРЕДУПРЕЖДЕНИЕ: Не премахвайте или променяйте устройството на режещия нож за кордата. Прекалената дължина на кордата ще причини прегряване на мотора и може да доведе до сериозно нараняване.

ПОДМЯНА НА КОРДАТА

БЕЛЕЖКА: Винаги използвайте препоръчаната найлонова режеща корда с диаметър не повече от 2,4 mm. Използване на корда, различна от посочената, може да причини прегряване или повреда на тримера.

▲ ПРЕДУПРЕЖДЕНИЕ: Не използвайте никога усилена с метал корда, тел или въже и т.н. Те могат да се счупят и да станат опасни летящи предмети.

Кордовият тример е оборудван с усъвършенствана **POWERLOAD™** система. Режещата корда може да бъде навита на макаратата само с натискане на един

бугон. Зареждането на пълна макарата обикновено може да бъде извършено за 12 секунди. **Избягвайте повтаряща се работа на системата за навиване в бърза последователност, за да намалите вероятността от повреда на мотора.**

БЕЛЕЖКА: Системата **POWERLOAD™** е налична само когато приставката е свързана към захранващата глава RH1420E и акумулаторната батерия е инсталирана.

1. Премахнете акумулаторната батерия.
2. Отрежете режещата корда с дължина 4 м. Прокарайте кордата в ухото (фиг. F). Избутайте и издърпайте кордата от другата страна, докато корда с еднаква дължина се появи от двете страни на тримерната глава.

БЕЛЕЖКА: Ако кордата не може да премине през ухото, когато долният капак е блокирал, поставете акумулаторната батерия в захранващата глава, след което натиснете за кратко бугона за зареждане на кордата, за да пренастроите долния капак.

3. Извадете акумулаторната батерия, ако е била монтирана в захранващата глава в БЕЛЕЖКАТА след стъпка 2. И следвайте стъпките, описани в стъпка 2, за да поставите режещата корда отново и да я подравните.
4. Монтирайте акумулаторната батерия в захранващата глава.
5. Натиснете и задръжте бугона за зареждане на кордата, за да навиете кордата в тримерната глава непрекъснато, докато се покаже около 15 cm от кордата от всяка страна. (фиг. G)
6. Натиснете тримерната глава, докато издърпвате кордата, за да я придвижите ръчно напред и да проверите за правилно монтиране на режещата корда.

БЕЛЕЖКА: В случай че кордата е издърпана в тримерната глава поради инцидент, отворете главата и издърпайте режещата корда от макарата. Следвайте раздел „ПРЕЗАРЕЖДАНЕ НА РЕЖЕЩАТА КОРДА“ в това ръководство, за да презаредите кордата.

ПРЕЗАРЕЖДАНЕ НА РЕЖЕЩАТА КОРДА

Когато режещата корда се откъсне от ухото или не се освобождава, когато потупвате тримерната глава, отстранете оставащата режещата корда от тримерната глава и следвайте долните стъпки, за да презаредите кордата.

1. Премахнете акумулаторната батерия.
2. Натиснете пластините за освобождаване на тримерната глава и снемете долния капак на

тримера, като го издърпате навън (фиг. H).

3. Отстранете режещата корда от тримерната глава.
4. Извадете пружината от възела на макарата, ако е необходимо. Запазете го за повторен монтаж.
5. Вмъкнете пружината в прореза на долния капак (фиг. I).
6. С едната си ръка дръжте тримера, използвайте другата си ръка да хванете долния капак и подравнете прорезите на долния капак с пластините за освобождаване (фиг. J). Натиснете долния капак, докато се фиксира на място, при което ще чуете характерен щракващ звук (фиг. K).
7. Следвайте инструкциите в раздела **“ПОДМЯНА НА КОРДАТА”** в това ръководство, за да презаредите режещата корда.

ПОДМЯНА НА ТРИМЕРНАТА ГЛАВА

▲ ПРЕДУПРЕЖДЕНИЕ: Подменете незабавно, ако главата се разхлаби след като сте я закрепили в позиция.

Никога не използвайте тримера с разхлабени приставки за рязане. Подменете незабавно напукана, повредена или износена режещата глава, дори ако щетите са ограничени до повърхностни пукнатини. Подобни приставки могат да се пръснат при високи скорости и да причинят сериозно нараняване.

Запознайте се с тримерната глава (фиг. L).

Фиг. L описание на части виж долу:

L-1	Вал	L-6	Шайба
L-2	Втулка (2)	L-7	Гайка
L-3	Горен капак	L-8	Пружина
L-4	Зегеров пръстен	L-9	Режещата корда
L-5	Фиксатор на макарата	L-10	Възел на долния капак

Демонтиране на тримерната глава

1. Премахнете акумулаторната батерия.
2. Натиснете пластините за освобождаване на тримерната глава и снемете долния капак, като го издърпате право навън.
3. Отстранете режещата корда от тримерната глава.
4. Извадете пружината от възела на макарата, ако е необходимо. Запазете я за повторния монтаж.
5. Носете ръкавици. Използвайте едната си ръка, за да хванете възела на макарата, за да я стабилизирате и използвайте другата си

ръка, за да държите ударен ключ 13 mm (не е включен), за да разхлабите гайката В ПОСОКА НА ЧАСОВНИКОВАТА СТРЕЛКА (фиг. М).

- Отстранете гайката, шайбата и възела на макарата от вала на мотора (фиг. L).
- Използвайте клещи за зегерови пръстени (не са включени в комплекта), за да отстраните зегеровия пръстен. Сваляте горния капак и двете втулки от вала на мотора (фиг. L).
- Заменете с нова тримерна глава и я монтирайте съгласно следните стъпки.

Инсталиране на новата тримерна глава

- Монтирайте двете втулки върху вала на мотора.
- Подравнете плоския прорез в горния капак с плоския прорез във вала на двигателя и монтирайте горния капак на място му (фиг. N).

Вижте описание на частите от фиг. N по-долу:

N-1	Плосък	N-2	Плосък прорез
-----	--------	-----	---------------

- Монтирайте зегеревия пръстен, възела на макарата и шайбата в тази последователност (фиг. L). Използвайте ударен гайковерт, за да затегнете гайката ОБРАТНО НА ЧАСОВНИКОВАТА СТРЕЛКА.
- Следвайте стъпки 4 и 5 в раздел „ПРЕЗАРЕЖДАНЕ НА РЕЖЕЩАТА КОРДА“ в това ръководство, за да монтирате възела на долния капак.
- Следвайте инструкциите в раздела „ПОДМЯНА НА КОРДАТА“ в това ръководство, за да презаредите режещата корда.
- Стартирайте инструмента, за да видите дали кордовият тример работи нормално. Ако не, слобете го отново по описания по-горе начин.

ПОДДРЪЖКА

⚠ ПРЕДУПРЕЖДЕНИЕ: Преди инспекция, почистване или обслужване на уреда спрете мотора, изчакайте всички движещи части да спрат и извадете акумулаторната батерия. Неспазването на тези инструкции може да доведе до сериозно нараняване или щети по собствеността.

ПРЕДУПРЕЖДЕНИЕ: Когато обслужвате, използвайте само идентични резервни части. Употребата на каквито и да е други части може да създаде опасност или да предизвика повреда на продукта. За да осигурите безопасност и издръжливост, всички ремонти,

различни от артикулите изброени в тези инструкции за поддръжка, трябва да бъдат извършвани от квалифициран сервизен техник.

ОБЩА ПОДДРЪЖКА

Избягвайте употребата на разтворители, когато почиствате пластмасовите части. Повечето пластмасови части са уязвими на повреда от различни видове разтворители в търговската мрежа и може да се повредят от тяхната употреба. Използвайте чист плат, за премахване на мръсотия, прах, масло и т.н.

ПОЧИСТВАНЕ НА УРЕДА

- Почистете тревата, която може да се е увила около вала на мотора или главата на тримера.
- Използвайте малка четка или малка прахосмукачка за да почистите, вентилационните отвори в задната страна на корпуса.
- Почистете уреда използвайки влажна кърпа и мек почистващ препарат.
- Не използвайте силен почистващ препарат по пластмасата на корпуса или ръкохватката. Те могат да бъдат повредени от определени ароматни масла като бор и лимон и от разтворители като керосин. Влагата също може да причини токов удар. Избършете всякаква влага със суха мека кърпа.

СМАЗВАНЕ НА ПРЕДАВКИТЕ НА ТРАНСМИСИЯТА

Предавките на трансмисията в предавателната кутия трябва да бъдат периодично смазвани със смазка за редукторни предавки. Проверете нивото на смазката в предавателната кутия приблизително на всеки 50 часа работа, като извадите уплътняващия винт от страни на кутията.

Ако не може да бъде видяна смазка по страните на редуктора, следвайте долните стъпки за да запълните с грес за редукторни предавки до 3/4 от капацитета.

Не напълвайте изцяло предавките на трансмисията

- Дръжте тримера на една страна, така че уплътняващият винт да сочи нагоре.
- Използвайте предоставения мултифункционален ключ за да разхлабите и премахнете уплътняващия винт.
- Използвайте гресьорка (не е включена) за да вкарате малко грес е отвора на винта, не надвишавайте 3/4 от капацитета.
- Затегнете уплътняващия винт след гресирането.

СЪХРАНЯВАНЕ НА УРЕДА

- Извадете акумулаторната батерия от захранващата глава.
- Почистете изцяло инструмента преди да го съхраните.
- Ако приставката кордов тример е извадена от захранващата глава и съхранена отделно: Поставете крайната капачка на пръта на приставката за да избегнете навлизането на мръсотия в съединителното устройство.
- Съхранете уреда в сухо място с добра вентилация, заключен или съхраняван на високо извън достъпа на деца. Не съхранявайте уреда в близост или върху тор, бензин или други химикали.

ЗАТОЧВАНЕ НА РЕЖЕЩИЯ НОЖ ЗА КОРДАТА

⚠ ПРЕДУПРЕЖДЕНИЕ: Винаги защитавайте ръцете си, като носите ръкавици за тежка употреба, когато извършвате поддръжка на режещия нож за кордата.

1. Премахнете батерията.
2. Демонтирайте режещия нож за кордата от предпазителя.
3. Затегнете ножа в менгеме.
4. Носете подходяща защита за очите и ръкавици и внимавайте да не се порежете.
5. Внимателно заточете режещите ръбове на ножа с фина пила или точило като запазите първоначалния ъгъл на режещия ръб
6. Поставете отново ножа в предпазителя и го затегнете на място с двата винта.

Опазване на околната среда



Не изхвърляйте електрическо оборудване, зарядно устройство за акумулаторни батерии и батерии/ акумулаторни батерии в домакинския отпадък!

Отнесете продукта до упълномощена фирма за рециклиране и го предоставете за разделно събиране. Електрическите инструменти трябва да бъдат връщани в съоръжения за рециклиране съвместими с околната среда.

Ако се изхвърлят електрически уреди в сметища или бунища, опасни вещества могат да изтекат в подпочвените води и да попаднат в хранителната верига, като увредят вашето здраве и благосъстояние.

BG

ОТСТРАНЯВАНЕ НА НЕИЗПРАВНОСТИ

ПРОБЛЕМ	ПРИЧИНА	РЕШЕНИЕ
Кордовият тример не може да стартира.	<ul style="list-style-type: none"> ■ Аккумуляторната батерия не е прикрепена към захранващата глава. ■ Няма електрически контакт между захранващата глава и батерията. ■ Аккумуляторната батерия е изтощена. ■ Лостът за отключване и спусъкът не са натиснати едновременно. 	<ul style="list-style-type: none"> ■ Закрепете аккумуляторната батерия към захранващата глава. ■ Извадете батерията, проверете контактите и монтирайте отново докато влезе на местото си. ■ Заредете аккумуляторната батерия със зарядни EGO посочени в това ръководство. ■ Натиснете и задръжте лоста за отключване и след това натиснете спусъка за да включите тримера.
Кордовият тример спира по време на рязане.	<ul style="list-style-type: none"> ■ Предпазителят не е монтиран на тримера, което води до прекалено дълга режеща корда и прегряване на мотора. ■ Използвана е тежка корда за рязане. ■ Валът на мотора и тримерната глава са обвити в трева. ■ Моторът е претоварен. ■ Аккумуляторната батерия или кордовият тример са твърде горещи. ■ Аккумуляторната батерия е разединена от инструмента. ■ Аккумуляторната батерия е изтощена. 	<ul style="list-style-type: none"> ■ Извадете аккумуляторната батерия и монтирайте предпазителя на тримера. ■ Използвайте препоръчана найлонова режеща корда с диаметър не по-голям от 2,4 mm. ■ Спрете тримера, извадете батерията и извадете тревата от вала на мотора и тримерната глава. ■ Извадете тримерната глава от тревата. Моторът ще се възстанови, когато натоварването е отстранено. Когато режете изваждайте и вкарвайте тримерната глава в тревата, която трябва да бъде отрязана и отстранявайте не повече от 20 cm дължина на единично рязане. ■ Позволете на аккумуляторната батерия или тримера да се охлади, докато температурата спадне под 67°C . ■ Монтирайте отново аккумуляторната батерия. ■ Заредете аккумуляторната батерия със зарядни EGO посочени в това ръководство.

BG

ПРОБЛЕМ	ПРИЧИНА	РЕШЕНИЕ
Главата на тримера не издърпва кордата.	<ul style="list-style-type: none"> ■ Валът на мотора и тримерната глава са обвити в трева. ■ Няма достатъчно корда на макарата. ■ Главата на тримера е замърсена. ■ Кордата е оплетена в устройството на фиксатора на макарата. ■ Кордата е твърде къса. 	<ul style="list-style-type: none"> ■ Спрете тримера, извадете батерията и почистете вала на мотора и тримерната глава. ■ Извадете батерията и сменете режещата корда; следвайте раздела "ПРЕЗАРЕЖДАНЕ НА РЕЖЕЩАТА КОРДА" в това ръководство. ■ Отстранете батерията и почистете устройството на фиксатора на макарата и основа на макарата. ■ Извадете батерията, извадете кордата от макарата и превъртете, следвайте раздел "ПРЕЗАРЕЖДАНЕ НА РЕЖЕЩАТА КОРДА" в това ръководство. ■ Извадете батерията и издърпайте ръчно кордата, като последователно натиснете и освободите главата на тримера.
Тревата обгръща главата на тримера и корпуса на мотора.	<ul style="list-style-type: none"> ■ Рязане на висока трева при нивото на земята. 	<ul style="list-style-type: none"> ■ Режете висока трева от горе на долу, като не отстранявате повече от 20 cm при всяко преминаване за да предотвратите увиване.
Ножът не реже кордата.	<ul style="list-style-type: none"> ■ Режещият нож за кордата на ръба на предпазителя се е изтъпил. 	<ul style="list-style-type: none"> ■ Заточете режещия нож за кордата с пила или го подменете с нов.
Пукнатини по главата на тримера или фиксаторът на макарата се е освободил от основата на макарата.	<ul style="list-style-type: none"> ■ Главата на тримера е износена. 	<ul style="list-style-type: none"> ■ Подменете незабавно главата на тримера следвайки раздел "ПОДМЯНА НА ГЛАВАТА НА ТРИМЕРА" в това ръководство.
	<ul style="list-style-type: none"> ■ Гайката, която фиксира главата на тримера, е разхлабена. 	<ul style="list-style-type: none"> ■ Отворете тримерната глава и използвайте ударния гаечен ключ, за да затегнете гайката.
По време на подмяна на кордата, кордата не може да бъде заредена правилно в главата на тримера.	<ul style="list-style-type: none"> ■ ЗАРЕДЕНИТЕ корди на фиксатора на макарата не са изравнени с ушите в основата на макарата. ■ ЗАРЕДЕНИТЕ корди на фиксатора на макарата не са изравнени с ушите в основата на макарата. 	<ul style="list-style-type: none"> ■ Завъртете фиксатора на макарата в посоката посочена със стрелка, за да изравните ЗАРЕДЕНАТА корда на фиксатора на макарата с ушите в основата на макарата. ■ Завъртете фиксатора на макарата в посоката посочена със стрелка, за да изравните ЗАРЕДЕНАТА корда на фиксатора на макарата с ушите в основата на макарата.

ГАРАНЦИЯ

ГАРАНЦИОННА ПОЛИТИКА EGO

Моля посетете уебсайта egopowerplus.com за пълните условия по гаранционната политика на EGO.

PROČITAJTE UPUTE U CJELOSTI!



Pročitajte korisnički priručnik

⚠️ Preostale opasnosti! Osobe s elektroničkim uređajima poput srčanih elektrostimulatora prije korištenja ovog proizvoda trebaju se posavjetovati sa svojim liječnikom. Rad električne opreme u neposrednoj blizini srčanih elektrostimulatora može prouzročiti smetnju ili kvar srčanog elektrostimulatora.

⚠️ UPOZORENJE! Radi osiguranja sigurnosti i pouzdanosti sve popravke i zamjene treba obavljati kvalificirani servisni tehničar.

SIGURNOSNI SIMBOLI

Svrha sigurnosnih simbola je skretanje pozornosti na moguće opasnosti. Sigurnosni simboli i njihova objašnjenja zahtijevaju vašu potpunu pozornost i razumijevanje. Sami simboli upozorenja ne isključuju opasnost. Upute i upozorenja koja pružaju nisu zamjena za propisne mjere za prevenciju nesreća.

⚠️ UPOZORENJE! Prije korištenja ovog alata pobrinite se da sve upute u ovom korisničkom priručniku, uključujući sve sigurnosne simbole kao što su "**OPASNOST**", "**UPOZORENJE**" i "**OPREZ**" pročitate s razumijevanjem. Zanemarivanje svih uputa navedenih u nastavku može rezultirati strujnim udarom, požarom ili teškim tjelesnim ozljedama.

ZNAČENJE SIMBOLA

⚠️ SIGURNOSNI SIMBOL: ukazuje na **OPASNOST**, **UPOZORENJE** ILI **OPREZ**. Može se koristiti u kombinaciji s drugim simbolima ili piktogramima.

SIGURNOSNE NAPOMENE

Na ovoj stranici slikovno su prikazani i objašnjeni sigurnosni simboli koji se mogu pojaviti na ovom proizvodu. Prije pokušaja sastavljanja i rukovanja s razumijevanjem pročitajte sve upute na stroju i pridržavajte ih se.

HR

	Simbol upozorenja	Označava potencijalnu opasnost od osobnih ozljeda.
	Pročitajte korisnički priručnik.	Radi smanjenja opasnosti od ozljeda, prije korištenja ovog proizvoda korisnik treba s razumijevanjem pročitati ovaj korisnički priručnik.

	Nosite zaštitu za oči, uši i glavu	Uvijek nosite zaštitu za oči, uši i glavu.
	Širina rezanja	Maks. širina rezanja šišača trave s reznom niti
	Promjer rezne niti	Promjer najlonske rezne niti
	Nemojte upotrebljavati metalne noževe	Upozorava korisnika da ne upotrebljava metalne oštrice
	Promatrače držite na udaljenosti.	Odbačeni predmeti mogu odskočiti i rezultirati tjelesnim ozljedama ili materijalnom štetom. Pobrinite se da druge osobe i kućni ljubimci ostanu podalje od obrezaivača gmlja kada je u uporabi.
	Udaljenost između stroja i promatrača treba biti najmanje 15 m	Pobrinite se da druge osobe i kućni ljubimci ostanu najmanje 15 m udaljeni od šišača s reznom niti kada je u upotrebi.
	IP simbol	Zaštita od prodora vode, 4. stupanj
	CE	Ovaj proizvod je u skladu s primjenjivim Direktivama EU.
	UKCA	Ovaj proizvod sukladan je važećim zakonima u UK.
	WEEE	Otpadni električni proizvodi ne smiju se odlagati s otpadom iz kućanstva. Odnosite ih u ovlaštenu centar za reciklažu.
	Buka	Zajamčena razina zvučne snage: emisija buke u okruženju u skladu je s Direktivom Europske unije.
V	Volt	Napon
mm	Milimetar	Duljina ili dimenzija
cm	Centimetar	Duljina ili dimenzija
kg	Kilogram	Masa

OPĆA UPOZORENJA O SIGURNOSTI ELEKTRIČNIH ALATA

⚠ UPOZORENJE: Pročitajte sva upozorenja, upute, ilustracije u vezi sigurnosti i tehničke podatke isporučene s ovim električnim alatom. Zanemarivanje svih uputa navedenih u nastavku može rezultirati strujnim udarom, požarom i/ili teškim ozljedama.

Sva upozorenja i upute spremite za buduće potrebe.

Pojam „električni alat“ se u upozorenjima odnosi na sav alat s mrežnim napajanjem (s priključnim kabelom) ili s baterijskim napajanjem (bez priključnog kabela).

SIGURNOST RADNOG PODRUČJA

- Обеспечьте чистоту и освещенность рабочего места. Загроможденные и плохо освещенные места служат причиной несчастных случаев.
- Не используйте электроинструменты во взрывоопасных местах, например вблизи горячих жидкостей, газов или пыли. Электроинструменты генерируют искры, которые могут воспламенить пыль или испарения.
- Не позволяйте детям и посторонним находиться вблизи работающего электроинструмента. Отвлекающие факторы могут привести к потере контроля.

ELEKTRIČNA SIGURNOST

- **Utikači električnog alata moraju odgovarati utičnici. Nikad ne radite preinake utikača.** Ne upotrebljavajte adaptere za utikače s uzemljenim električnim alatima. Nepreinačeni utikači i odgovarajuće utičnice smanjit će rizik od električnog udara.
- **Izbjegavajte kontakt tijela s uzemljenim površinama, kao što su slavine, radijatori, peći i hladnjaci.** Postoji povećan rizik od strujnog udara ako je vaše tijelo uzemljeno.
- **Ne upotrebljavajte stroj za vrijeme kiše i na mokrim mjestima.** Ulazak vode u stroj može povećati rizik od električnog udara ili kvara koji mogu rezultirati tjelesnom ozljedom.
- **Kabel nemojte upotrebljavati nepropisno. Kabel nemojte upotrebljavati za nošenje, povlačenje ili odspajanje električnog alata od električnog napajanja.** Kabel držite dalje od izvora topline, ulja, oštirih rubova ili pokretnih dijelova. Oštećeni ili prignječeni kabeli povećavaju rizik od električnog udara.
- **Kada električnim alatom radite na otvorenom, upotrebljavajte produžni kabel prikladan za upotrebu na otvorenom.** Uporaba kabela prikladnog za uporabu na otvorenom smanjuje rizik od električnog udara.

- **Ako je rad s električnim alatom u području s parom neizbježan, upotrebljavajte napajanje sa zaštitnim uređajem diferencijalne struje (RCD).** Upotrebom zaštitnog uređaja diferencijalne struje smanjuje se rizik od strujnog udara.

OSOBNA SIGURNOST

- **Budite oprezni i koncentrirajte se na posao koji obavljate i ponašajte se razumno pri korištenju električnog alata. Nemojte raditi s električnim alatom ako ste umorni ili pod utjecajem droge, alkohola ili lijekova.** Trenutak nepažnje pri radu s električnim alatom može dovesti do ozbiljne ozljede.
- **Koristite osobnu zaštitnu opremu. Nosite zaštitu za oči.** Osobna zaštitna oprema kao što je maska protiv prašine, zaštitne cipele s potplatama protiv klizanja, zaštitna kaciga ili štitnici za sluh, koja se koristi za odgovarajuća stanja, umanjit će opasnost od ozljede.
- **Spriječite nehотиčno uključivanje alata. Prije nego alat povežete na izvor napajanja i/ili dio sa baterijom, podižite ili nosite alat provjerite nalazi li se prekidač u položaju “isključeno”.** Nošenje alata s prstom na sklopki ili priključivanje alata na napajanje s uključenom sklopkom pogoduje nezgodama.
- **Skinite s alata sve ključeve za podešavanje ili pritezanje prije uključivanja njegovog napajanja.** Viličasti ključ ili ključ za stezanje glave koji su ostali na rotirajućem dijelu električnog alata mogu izazvati ozljede.
- **Nemojte se pretjerano naginjati. U svakom trenutku stojte stabilno na nogama.** Na taj način ćete zadržati bolju kontrolu nad alatom u nepredviđenim situacijama.
- **Obucite se prikladno. Ne nosite široku odjeću ili nakit. Kosu, odjeću i rukavice držite dalje od pokretnih dijelova.** Pokretni dijelovi mogu zahvatiti široku odjeću, nakit ili dugu kosu.
- **Ako postoje uređaji za povezivanje s usisivačima i skupljačima prašine, provjerite jesu li dobro spojeni i koriste li se ispravno.** Uporaba uređaja za prašinu smanjuje opasnost koja nastaje nakupljanjem prašine.
- **Zbog sigurnosti koju ste stekli zbog učestale upotrebe uređaja nemojte biti opušteni i zanemariti sigurnosna načela rukovanja s alatom.** Neoprezna radnja može dovesti do teške ozljede u djeliću sekunde.

KORIŠTENJE I BRIGA O ELEKTRIČNOM ALATU

- **Nemojte preopterećivati električni alat. Koristite alat koji odgovara poslu koji obavljate.** S prikladnim električnim alatom ćete posao obaviti bolje i sigurnije i predviđenom brzinom.
- **Nemojte koristiti alat ako ga sklopkom ne možete uključiti ili isključiti.** Električni alat koji se ne može

uključiti ili isključiti sklopom opasan je i treba ga popraviti.

- **Prije obavljanja podešavanja, zamjene dodatne opreme ili skladištenja električnih alata odspojite utikač od izvora napajanja i/ili komplet baterija od električnog alata.** Takve preventivne sigurnosne mjere smanjuju rizik od iznenadnog pokretanja električnog alata.
- **Električni alat koji ne koristite spremite izvan dohvata djece i nemojte dozvoliti da njime rade osobe koje nisu upoznate s električnim alatom ili s ovim uputama za rad s električnim alatom.** Električni alati su opasni u rukama neizvježbanih osoba.
- **Održavajte električni alat i pribor.** Provjerite da pokretni dijelovi alata nisu necentrirani ili zaglavljani, da nema polomljenih dijelova i drugih stanja koja mogu utjecati na rad električnog alata. Ako ima oštećenja, svakako ih prije korištenja otklonite. Mnoge nezgode su nastale upravo zbog slabog održavanja električnog alata.
- **Rezne alate održavajte oštrima i čistima.** Pravilno održavani rezni alati s oštrim reznim bridovima manje su skloni zaglavljivanju i njima se lakše upravlja.
- **Koristite električne alate, dodatke i nastavke u skladu s ovim uputama, uzimajući u obzir radne uvjete i vrstu rada koji će te obavljati.** Upotreba električnog alata za radove za koje on nije predviđen može dovesti do opasnih stanja.
- **Neka vam ruke i površine rukohvata budu suhe, čiste i bez ulja i masti.** Skliske ručke i površine za hvatanje ne omogućuju sigurno rukovanje i upravljanje alatom u neočekivanim situacijama.

KORIŠTENJE I NJEGA BATERIJSKOG ALATA

- **Punjenje obavljajte samo s punjačem kojeg je naveo proizvođač.** Punjač koji je prikladan za jedan tip baterijskog modula, može stvoriti rizik od požara ako se koristi s drugim baterijskim modulom.
- **Električni alat koristite samo s točno propisanim baterijskim modulima.** Korištenje drugih kompleta baterija može stvoriti rizik od ozljeda i požara.
- **Kada baterija nije u uporabi, držite je podalje od metalnih predmeta, kao što su spajalice, kovanice, ključevi, čavli, vijci ili bilo koji drugi metalni predmeti koji mogu uspostaviti vezu s priključkom.** Kratko spajanje baterijskih kontakata može prouzročiti opekline ili požar.
- **U slučaju pogrešne uporabe, baterija može izbaci tekućinu; izbjegavajte kontakt.** Ako slučajno dođe do doticaja, mjesta doticaja isperite vodom. Ako tekućina dođe u doticaj s očima, dodatno potražite pomoć liječnika. Tekućina koju izbaci baterija može

prouzročiti nadražaj kože ili opekline.

- **Nemojte rabiti ako je pakiranje oštećeno ili otvoreno** Oštećene ili izmijenjene baterije mogu se nepredviđeno ponašati, što može dovesti do požara, eksplozije i posljedičnih ozljeda.
- **Baterijski modul nemojte izlagati vatri i prekomjernim temperaturama.** Izlaganje utjecaju vatre i temperature iznad 130 °C može dovesti do eksplozije.
- **Slijedite sve upute za punjenje i nemojte puniti baterijski modul ili alat izvan raspona temperature navedenog u uputama.** Nepravilno punjenje ili punjenje na temperaturi izvan zadanog raspona može dovesti do oštećenja baterije i povećavanja opasnosti od nastanka požara.

SERVISIRANJE

- **Servisiranje strojnog alata prepustite kvalificiranom osoblju za popravak koje koristi samo identične zamjenske dijelove.** Time će se osigurati održavanje sigurnosti strojnog alata.
- **Nemojte popravljati oštećene baterijske module.** Popravak baterijskog modula smije izvršiti samo proizvođač ili ovlašteni serviser.

POSEBNA SIGURNOSNA UPOZORENJA ZA ŠIŠAČ S NITI

- **Ne upotrebljavajte stroj u lošim vremenskim uvjetima, posebno kada postoji opasnost od grmljavine.** Time ćete smanjiti opasnost od udara groma.
- **Dobro pregledajte područje za divlje životinje na kojemu će se stroj upotrebljavati.** Stroj može ozlijediti divlje životinje tijekom rada.
- **Dobro pregledajte područje na kojemu ćete upotrebljavati stroj i uklonite sve kamenje, štapove, žice, kosti i druge strane predmete.** Odbačeni predmeti mogu prouzročiti tjelesnu ozljedu.
- **Prije upotrebe stroja, vizualno pregledajte da rezač ili nož i sklop rezača ili noža nisu oštećeni.** Oštećeni dijelovi povećavaju opasnost od ozljede.
- **Pridržavajte se uputa za zamjenu pribora.** Nepravilno zategnute matice ili vijci za pričvršćenje rezača mogu oštetiti nož ili dovesti do odvajanja.
- **Nosite zaštitu za oči, uši, glavu i ruke.** Odgovarajuća zaštitna oprema smanjit će tjelesne ozljede uslijed letećih krotihina ili nehotičnog kontakta s reznom niti ili nožem.
- **Dok upravljate strojem, uvijek nosite protukliznu i zaštitnu obuću.** Nemojte rukovati uređajem kada ste bos ili kada nosite otvorene sandale. To smanjuje mogućnost ozljede stopala uslijed kontakta s pokretnim

rezačima ili nitima.

- **Nosite duge hlače dok upravljate strojem.** Nezaštićeni dijelovi kože povećavaju vjerojatnost ozljede odbačenim predmetima.
- **Udaljite promatrače dalje dok upravljate strojem.** Odbačeni ostaci mogu dovesti do ozbiljne tjelesne ozljede.
- **Stroj upotrebljavajte s pomoću dvije ruke.** Držanjem stroja s obje ruke izbjeći ćete gubitak kontrole.
- **Držite stroj samo za izolirane površine za hvatanje, jer rezna nit ili nož mogu dodirnuti skriveno ožičenje.** Kada rezna nit ili noževi dođu u dodir s vodičem pod naponom, nezaštićeni metalni dijelovi stroja također mogu doći pod napon uslijed čega rukovatelj može pretrpjeti električni udar.
- **Uvijek zauzmite pravilan stav i upravljajte strojem samo kada stojite na tlu.** Skliske ili nestabilne površine mogu uzrokovati gubitak ravnoteže ili kontrole nad strojem.
- **Ne upotrebljavajte stroj na prekomjerno strmim padinama.** Time se smanjuje rizik od gubitka kontrole, klizanja i pada što može rezultirati tjelesnim ozljedama.
- **Kada radite na padinama, uvijek budite sigurni u svoje uporište, uvijek radite poprečno na površine padina, nikada gore ili dolje i budite iznimno oprezni pri promjeni smjera.** Time se smanjuje rizik od gubitka kontrole, klizanja i pada što može rezultirati tjelesnim ozljedama.
- **Sve dijelove tijela držite dalje od rezača, niti ili noža kada stroj radi.** Prije pokretanja stroja, uvjerite se da rezač, nit ili nož ništa ne dotiču. Trenutak nepažnje tijekom rada stroja može rezultirati vašom ozljedom ili ozljedom drugih.
- **Ne upotrebljavajte stroj iznad visine struka.** To pomaže u sprječavanju nenamjernog kontakta s rezačem ili nožem i omogućuje bolju kontrolu nad strojem u neočekivanim situacijama.
- **Prilikom rezanja grmlja ili mladica koje su pod napetošću, budite oprezni radi povratnog udarca.** Kada se napetost u drvenim vlaknima oslobodi, grmlje ili mladica mogu udariti rukovatelja i/ili izbaciti stroj izvan kontrole.
- **Budite posebno oprezni pri piljenju grmlja i mladih grana.** Tanak materijal može zahvatiti nož i koji će ga odbaciti prema vama ili izbaciti vas iz ravnoteže.
- **Održavajte kontrolu nad strojem i ne dodirujte rezače, niti ili lopatice i druge opasne pokretne dijelove dok su još u pokretu.** Time se smanjuje rizik od ozljeda pokretnim dijelovima.
- **Prilikom čišćenja zaglavljenog materijala ili servisiranja stroja, provjerite je li sklopka isključena**

i je li baterijski modul uklonjen. Neočekivano pokretanje stroja prilikom odstranjivanja zaglavljenog materijala može prouzročiti teške tjelesne ozljede.

- **Stroj nosite u isključenom stanju i dalje od tijela.** Pravilno rukovanje strojem smanjit će vjerojatnost slučajnog kontakta s pokretnim rezačem, niti ili nožem.
- **Upotrebljavajte samo one rezače, niti, rezne glave ili noževe koje preporučuje proizvođač pile.** Neispravni zamjenski dijelovi mogu povećati rizik od loma i ozljede.
- **Oštećenje šišača - ako šišačem udarite u strani predmet ili ako se strani predmet zaplete u šišač, odmah zaustavite rad alata, provjerite da nema oštećenja i prije nego nastavite s radom obavite popravak eventualnog oštećenja.** Šišač trave ne koristite ako je štitnik ili kalem polomljen.
- **Ako oprema počne neobičajeno vibrirati, zaustavite rad motora i odmah potražite uzrok.** Vibracije u pravilu ukazuju na problem. Otpuštena glava može vibrirati, puknuti, polomiti se ili odvojiti se od šišača trave što može rezultirati teškim ili smrtonosnim ozljedama. Uvjerite se da je rezni priključak ispravno pričvršćen na svom mjestu. Ako se glava nakon pričvršćivanja otpusti, odmah je zamijenite. Šišač trave nikad ne upotrebljavajte ako je rezni priključak otpušten.
- **Baterijske alate nije potrebno uključivati u električnu utičnicu, stoga su uvijek u radnom stanju.** Imajte na umu moguće opasnosti čak i kada alat ne radi. Budite oprezni pri obavljanju radova održavanja ili servisiranja.
- **Uređaj ne perite sa crijevom; izbjegavajte da voda dospije u motor i električne priključke**
- **Ako se pojave situacije koje nisu obuhvaćene ovim priručnikom, postupite oprezno i uz dobru procjenu. Za pomoć se obratite servisnom centru proizvođača EGO.**
- **Upotrebljavajte samo s baterijskim modulima i punjačima koji su navedeni na sl. A.**

SAČUVAJTE OVE UPUTE!

TEHNIČKI PODACI

Rezni mehanizam	Rezna glava
Promjer rezne niti	Najlonska rezna nit 2,4 mm
Širina rezanja	40 cm
Brzina bez opterećenja	4900/5800 min ⁻¹
Masa (bez kompleta baterija)	1,53 kg
Preporučena radna temperatura	0 °C - 40 °C
Preporučena temperatura skladištenja	-20 °C - 70 °C

HR

Izmjerena razina zvučne snage L_{WA}	95,72 dB(A) K=0,77 dB(A)	
Razina zvučnog tlaka kod uha rukovatelja L_{PA}	81,6 dB(A) K=3 dB(A)	
Zajamčena razina zvučne snage L_{WA} (izmjereno sukladno Direktivi 2000/14/EZ)	96 dB(A)	
Procjena vibracija a_n	Prednji pomoćni rukohvat	2,5 m/s ² K=1,5 m/s ²
	Stražnji rukohvat	1,8 m/s ² K=1,5 m/s ²

- Gore navedeni parametri ispitani su i izmjereni za stroj opremljen pogonskom jedinicom;
- Deklarirane ukupne vrijednosti vibracija izmjerene su u skladu sa standardnom metodom ispitivanja i mogu se koristiti za usporedbu jednog alata s drugim.
- Deklarirane ukupne vrijednosti vibracija mogu se koristiti i u preliminarnoj procjeni izloženosti.

⚠ UPOZORENJE: Emisije vibracija i buke tijekom stvarne uporabe električnog alata mogu se razlikovati od deklariranih vrijednosti ovisno o načinima na koje se alat koristi, posebno o vrsti obratka koji se obrađuje i o potrebi utvrđivanja sigurnosnih mjera za zaštitu rukovatelja koje se temelje na procjeni izloženosti u stvarnim uvjetima uporabe (uzimajući u obzir sve dijelove radnog ciklusa, kao što su vremena kada je alat isključen i kada radi u stanju mirovanja uz vrijeme pokretanja).

PAKIRANJE (SL. A)

Za preporučenu reznu nit posjetite internetsku stranicu egopowerplus.com ili pogledajte katalog proizvoda proizvođača EGO.

OPIS

UPOZNAJTE PRIKLJUČAK ŠIŠAČA TRAVE S REZONOM NITI (sl. A)

1. Krajnja kapica
2. Držak šišača trave s reznom niti
3. Gumb za namotavanje rezne niti
4. Rezna nit
5. Glava šišača (rezna glava)
6. Jezičak za oslobađanje
7. Oštrica za rezanje rezne niti
8. Štitnik

286

PRIKLJUČAK ŠIŠAČA TRAVE S REZONOM NITI — STA1600

9. Imbus ključ

⚠ UPOZORENJE! Alat nikada ne koristite bez dobro pričvršćenog štitnika. Štitnik uvijek mora biti na alatu radi zaštite korisnika.

SASTAVLJANJE

⚠ UPOZORENJE! Ako je bilo koji dio oštećen ili ako nedostaje, ne koristite ovaj proizvod dok ne zamijenite dijelove. Korištenje ovog proizvoda oštećenih dijelova ili dijelova koji nedostaju može rezultirati teškim tjelesnim ozljedama.

⚠ UPOZORENJE! Ne pokušavajte obavljati preinake na ovom proizvodu ili raditi pribor koji nije preporučen za uporabu s ovim šišačem trave s reznom niti. Sve takve izmjene ili preinake predstavljaju nepropisno korištenje i mogu rezultirati opasnim stanjima koja mogu dovesti do mogućih teških tjelesnih ozljeda.

⚠ UPOZORENJE! Ne spajajte pogonsku jedinicu dok sklop ne bude potpun. Nepostupanje u skladu s tim može rezultirati iznenadnim pokretanjem i mogućim teškim tjelesnim ozljedama.

POSTAVLJANJE ŠITNIKA

⚠ UPOZORENJE! Pri postavljanju ili zamjeni štitnika uvijek nosite rukavice. Budite oprezni s oštricom na štitniku i zaštitite ruke od ozljeda od oštrice.

Otpustite i uklonite dva vijka s kućišta drška (sl. C). Uravnajte montažne provrte na štitniku s montažnim provrtima i štitnik zatim pričvrstite na kućište drška s dvama vijcima i dvjema opružnim podloškama (sl. D).

Uvjerite se da je štitnik pričvršćen u skladu sa slikama C i D. Svako obrnuto pričvršćivanje izazvat će veliku opasnost!

PRIKLJUČIVANJE PRIKLJUČKA ŠIŠAČA TRAVE S REZONOM NITI NA POGONSKU JEDINICU

Ovaj priključak šišača trave s reznom niti predviđen je za korištenje s pogonskom jedinicom PH1420E proizvođača EGO.

Pogledajte odjeljak "UGRADNJA PRIKLJUČKA ZA POGONSKU GLAVU" u priručniku za rukovatelje pogonskom glavom PH1420E.

RAD

⚠ UPOZORENJE! Nemojte dopustiti da vas poznavanje ovog proizvoda učini nepažljivim. Imajte na umu da je za nanošenje teških ozljeda dovoljan samo djelić sekunde nepažnje.

⚠ UPOZORENJE! Uvijek nosite zaštitu za oči i sluh. Nepostupanje u skladu s tim može rezultirati odbacivanjem predmeta u oči i drugim mogućim teškim ozljedama.

PRIMJENE

Ovaj proizvod možete koristiti za svrhe navedene u nastavku:

- Trimming grass and weeds from around porches, fences, and decks

NAPOMENA: alat se smije koristiti samo za prethodno opisanu namjenu. Svaka druga uporaba smatra se nepropisnom uporabom.

Prije svake uporabe provjerite oštećene/istrošene dijelove.

Provjerite glavu šišača trave, štitnik i prednji rukohvat i zamijenite dijelove koji su napukli, izobličeni, svinuti ili oštećeni na bilo koji način.

Oštrica za rezanje rezne niti na rubu štitnika vremenom može otupjeti. Preporučujemo povremeno oštrenje oštrice turpijom ili zamjenu oštrice novom.

⚠ UPOZORENJE! Pri postavljanju ili zamjeni štitnika ili pri oštrenju ili zamjeni oštrice uvijek nosite rukavice. Pazite na mjesto oštrice na štitniku i zaštitite ruke od ozljeda.

⚠ UPOZORENJE! Radi sprečavanja teških tjelesnih ozljeda prije servisiranja, čišćenja, promjene priključaka ili uklanjanja materijala iz jedinice izvadite komplet baterija iz pogonske jedinice.

KORIŠTENJE ŠIŠAČA TRAVE S REZKOM NITI S POGONSKOM JEDINICOM

⚠ UPOZORENJE! Obucite se propisno kako biste smanjili rizik od ozljeda tijekom rukovanja alatom. Ne nosite široku odjeću ili nakit. Nosite zaštitu za oči i uši/sluh. Nosite jake duge hlače, čizme i rukavice. Nemojte nositi kratke hlače ili sandale ili biti bosonogi.

⚠ UPOZORENJE! Prije svake uporabe očistite radno područje. Uklonite sve predmete poput kamenja, razbijenog stakla, čavala, žica ili niti koje stroj može odbaciti ili koji se mogu zaplesti u rezni priključak. Iz područja udaljite djecu, promatrače i kućne ljubimce. Držite djecu, promatrače i kućne ljubimce udaljene najmanje 15 m; čak i tada postoji opasnost od odbacanih predmeta za promatrače. Promatrače je potrebno zamoliti da nose zaštitu za oči. Ako vam netko prilazi, odmah zaustavite motor i rezni priključak.

Za siguran i bolji rad, preko ramena stavite ramenu traku. Podesite naramenicu u udoban radni položaj. Držite šišač trave s reznom niti jednom rukom na stražnjem rukohvatu,

a drugom rukom na prednjem rukohvatu. Tijekom rukovanja rukohvate čvrsto primite objema rukama. Šišač trave s reznom niti potrebno je držati u ugodnom položaju sa stražnjim rukohvatom u visini kuka. Glava šišača trave treba stajati paralelno u odnosu na tlo tako da jednostavno dotiče materijal kojeg je potrebno rezati bez potrebe za naginjanjem rukovatelja (sl. B).

⚠ UPOZORENJE! Ramena traka je i mehanizam za brzo otpuštanje u opasnim situacijama. U slučaju nužde ramenu traku odmah skinite s ramena, bez obzira na koji način.

Šišač trave s reznom niti očistite nakon svake uporabe.

Za upute o čišćenju pogledajte poglavlje ODRŽAVANJE.

POKRETANJE/ZAUSTAVLJANJE ALATA

Pogledajte poglavlje "POKRETANJE/ZAUSTAVLJANJE POGONSKE JEDINICE" u korisničkom priručniku pogonske jedinice PH1420E.

PODEŠAVANJE DULJINE REZNE NITI

Glava šišača trave rukovatelju omogućuje otpuštanje više rezne niti bez zaustavljanja motora. Ako se rezna nit pohaba ili istroši, laganim doticanjem glave šišača trave o tlo tijekom rukovanja šišačem trave moguće je otpustiti više niti (sl. E).

NAPOMENA: otpuštanje niti teže je kako se rezna nit skraćuje.

⚠ UPOZORENJE! Ne uklanjajte sklop rezne oštrice niti ili ne obavljajte preinake na njemu. Prekomjerna duljina niti prouzročit će pregrijavanje motora što može rezultirati teškim tjelesnim ozljedama.

ZAMJENA REZNE NITI

OBAVIJEST: Koristite preporučenu najlonsku reznu nit promjera ne većeg od 2,4 mm. Upotreba nepreporučenih reznih niti može prouzročiti pregrijavanje ili oštećenje šišača.

⚠ UPOZORENJE: Nikada nemojte koristiti metalom ojačane niti, žice ili užad i sl. Mogu se odlomiti i postati opasni projektili.

Šišač s reznom niti opremljen je naprednim sustavom **POWERLOAD™**. Reznu nit moguće je namotati na kalem jednostavnim pritiskom na jedan gumb. Stavljanje punog koluta obično se može završiti za 12 sekundi. **Izbjegavajte ponavljani brzi rad sustava namotavanja kako biste smanjili mogućnost oštećenja motora.**

OBAVIJEST: POWERLOAD™ sustav dostupan je samo

kada je priključak spojen na Power Head PH1420E i kada je ugrađen baterijski modul.

1. Uklonite baterijski modul.
2. Odrežite reznu nit duljine 4 m. Umetnite reznu nit u ušicu (sl. F). Gurajte i vucite reznu nit s druge strane dok rezna nit ne bude jednake duljine s obje strane glave šišača.

OBAVIJEST: Ako se nit ne može umetnuti u ušicu kada se donji poklopac zaglavi, ugradite baterijski modul na pogonsku glavu, a zatim nakratko pritisnite gumb za uvlačenje niti kako biste ponovno namjestili donji poklopac.

3. Izvadite baterijski modul ako je ugrađen u pogonsku glavu u OBAVIJESTI nakon 2. koraka. I slijedite korake navedene u 2. koraku da biste ponovno umetnuli i poravnali reznu nit.
4. Ugradite baterijski modul u pogonsku glavu.
5. Pritisnite i držite tipku za uvlačenje niti kako biste neprekidno namotavali nit u glavu šišača dok se sa svake strane ne preostane otprilike 15 cm niti. (Sl. G)
6. Gumite glavu šišača trave prema dolje pritom povlačeći reznu nit kako biste je ručno pomakli prema naprijed i provjerili je li ispravno postavljena.

OBAVIJEST: U slučaju nehotičnog uvlačenja rezne niti u glavu šišača trave, otvorite glavu i izvucite reznu nit iz kalema. Za ponovno namotavanje rezne niti slijedite upute u poglavlju "NAMOTAVANJE REZNE NITI".

NAMOTAVANJE REZNE NITI

Ako se rezna nit otkine na izlazu niti ili ako se rezna nit ne otpušta lupkanjem glave šišača trave, trebat ćete ukloniti preostalu reznu nit iz glave šišača i ponovno namotati reznu nit, slijedite korake u nastavku.

1. Uklonite baterijski modul.
2. Pritisnite jezičke za otpuštanje na glavi šišača i uklonite sklop donjeg poklopca glave šišača povlačeći ga ravno van (Sl. H).
3. Izvadite reznu nit iz glave šišača.
4. Ako je potrebno, izvadite oprugu iz sklopa kalema. Sačuvajte je za ponovno sastavljanje.
5. Umetnite oprugu u utor u sklopu donjeg poklopca (sl. I).
6. Jednom rukom držite šišač trave, drugom rukom uzimate sklop donjeg poklopca i poravnajte otore u sklopu donjeg poklopca s jezičcima za otpuštanje (sl. I). Pritisnite sklop donjeg poklopca dok ne ulegne u svoje ležište, pri čemu ćete čuti karakterističan zvuk (sl. K).

7. Za ponovno namotavanje rezne niti slijedite upute u odjeljku "ZAMJENA REZNE NITI".

ZAMJENA GLAVE ŠIŠAČA

⚠ UPOZORENJE: Ako se glava nakon pričvršćivanja otpusti, odmah je zamijenite.

Šišač trave nikad ne upotrebljavajte ako je rezni priključak otpušten. Puknutu, oštećenu ili istrošenu reznu glavu odmah zamijenite čak i ako je oštećenje ograničeno na površinske pukotine. Takvi priključci mogu se raspuknuti pri visokoj brzini i prouzročiti teške ozljede.

Upoznajte se s glavom šišača (sl. L).

Opis dijelova na sl. L pogledajte u nastavku:

L-1	Vratilo	L-6	Podloška
L-2	Čahura (2)	L-7	Matica
L-3	Gornji poklopac	L-8	Opruga
L-4	Sigurnosni prsten	L-9	Rezna nit
L-5	Držač koluta	L-10	Sklop donjeg poklopca

Uklanjanje glave šišača trave

1. Uklonite baterijski modul.
2. Pritisnite jezičke za otpuštanje na glavi šišača i uklonite sklop donjeg poklopca glave šišača povlačeći ga ravno van.
3. Izvadite reznu nit iz glave šišača.
4. Ako je potrebno, izvadite oprugu iz sklopa kalema. Sačuvajte je za ponovno sastavljanje.
5. Nosite rukavice. Jednom rukom prihvatite sklop kalema kako biste ga stabilizirali, a drugom rukom držite udarni ključ od 13 mm (nije isporučen) kako biste otpustili maticu UDESNO (sl. M).
6. Uklonite maticu, podlošku i kolut s vratila motora (sl. L).
7. Za uklanjanje sigurnosnog prstena upotrijebite kliješta za sigurnosni prsten (nisu isporučena). Uklonite gornji poklopac i dvije čahure s vratila motora (slika L).
8. Zamijenite glavu šišača trave i postavite je prema sljedećim koracima.

Postavljanje nove glave šišača trave

1. Montirajte dvije čahure na vratilo motora.
2. Poravnajte ravni utor u gornjem poklopcu s ravnom površinom na vratilu motora i montirajte gornji poklopac na mjesto (sl. N).

Opis dijelova na sl. N pogledajte u nastavku

N-1	Ravna površina	N-2	Ravni utor
-----	----------------	-----	------------

3. Montirajte sigurnosni prsten, držač koluta i podlošku tim redoslijedom (sl. L). Udarnim ključem zategnite maticu ULJEVO.
4. Za postavljanje sklopa donjeg poklopca slijedite korake 4 i 5 u poglavlju "NAMOTAVANJE REZNE NITI" u ovim uputama za uporabu.
5. Za ponovno namotavanje rezne niti slijedite upute u poglavlju "ZAMJENA REZNE NITI" u ovim uputama za uporabu.
6. Pokrenite alat kako biste vidjeli da li šišač trave s reznom niti ispravno radi. Ako to nije slučaj, ponovno ga sastavite prema gornjim uputama.

ODRŽAVANJE

⚠ UPOZORENJE! Prije pregleda, čišćenja ili servisiranja jedinice, zaustavite motor, pričekajte da se svi pokretni dijelovi zaustave i izvadite komplet baterija. Zanemarivanje ovih uputa može rezultirati teškim tjelesnim ozljedama ili materijalnim štetama.

⚠ UPOZORENJE! Pri servisiranju koristite samo identične zamjenske dijelove. Korištenje drugih dijelova može izazvati opasnost ili prouzročiti oštećenje proizvoda. Radi osiguranja sigurnosti i pouzdanosti, sve popravke drukčije od navedenih u ovim uputama za održavanje treba obavljati kvalificirani servisni tehničar.

OPĆE ODRŽAVANJE

Pri čišćenju plastičnih dijelova izbjegavajte koristiti otapala. Većina plastika podložne su oštećenju od različitih vrsta komercijalnih otapala i mogu se oštetiti u slučaju njihovog korištenja. Za uklanjanje nečistoće, prašine, ulja, masti i sl. koristite čiste krpe.

ČIŠĆENJE JEDINICE

- Očistite travu koja se možda omotala oko vratila motora ili glave šišača trave.
- Za čišćenje ventilacijskih otvora na stražnjem kućištu koristite malu četku ili mali usisavač.
- Jedinicu očistite vlažnom krpom i blagim deterdžentom.
- Za čišćenje plastičnog kućišta ili rukohvata ne koristite jake deterdžente jer mogu ih oštetiti neka aromatična ulja, kao što su borovo i limunovo ulje i otapala kao što je kerozin. Vlaga može izazvati opasnost od strujnog udara. Vlažna mjesta obrišite mekanom suhom krpom.

PODMAZIVANJE PRIJENOSNIKA

Prijenosnike u kućištu potrebno je povremeno podmazivati mašću za prijenosnike. Razinu masti u kućištu prijenosnika provjeravajte svakih 50 radnih sati uklanjanjem brtvenog vijka na strani kućišta.

Ako se na bočnim stranama prijenosnika ne vidi mast, za punjenje s mašću za prijenosnike do 3/4 zapremine slijedite korake u nastavku.

Prijenosnik nemojte puniti u cijelosti.

1. Držite šišač trave na njegovoj bočnoj strani tako da brtveni vijak bude usmjeren prema gore.
2. Za otpuštanje i uklanjanje brtvenog vijka koristite isporučeni višefunkcijski ključ.
3. Za ubrizgavanje masti kroz otvor vijka koristite brizgaljku za mast (nije u sadržaju isporuke); ne prekoračujte 3/4 zapremine.
4. Brtveni vijak pritegnite nakon ubrizgavanja.

SKLADIŠTENJE JEDINICE

- Prije skladištenja iz pogonske jedinice izvadite komplet baterija.
- Prije skladištenja temeljito očistite alat.
- Ako se priključak šišača trave s reznom niti uklanja s pogonske jedinice i skladišti zasebno: stavite krajnju kapicu na držak priključka kako biste izbjegli da nečistoća dospije u spojku.
- Jedinicu skladištite na suhom, dobro prozračenom mjestu koje je moguće zaključati ili koje je na visini izvan dohvata djece. Jedinicu nemojte skladištiti na gnojivima, benzinu ili drugim kemikalijama ili u njihovoj blizini.

OŠTRENJE OŠTRICE ZA REZANJE REZNE NITI

⚠ UPOZORENJE! Kad obavljate radove održavanja oštrice za rezanje rezne niti, uvijek zaštitite ruke nošenjem debelih rukavica.

1. Uklonite bateriju.
2. Uklonite oštricu za rezanje rezne niti sa štitnika.
3. Osigurajte oštricu u škripcu.
4. Nosite propisnu zaštitu za oči i rukavice i budite oprezni kako biste izbjegli porezotine.
5. Pažljivo obradite rezne bridove oštrice turpijom s finim zupcima ili kamenom za oštrenje, održavajući pritom originalni kut reznog brida.
6. Ponovno stavite oštricu na štitnik i osigurajte je dvama vijcima.

Zaštita okoliša



Električnu opremu, punjač baterije i baterije/akumulatorske baterije ne odlažite u otpad iz kućanstva!

Ovaj proizvod odnesite u ovlaštenu centar za reciklažu i time omogućite odvojeno sakupljanje. Električne alate potrebno je vratiti u ekološki prihvatljiv pogon za reciklažu.

Ako se električni uređaji odlažu na odlagališta otpada ili deponije, opasne tvari mogu isteći u podzemne vode i dospjeti u lanac ishrane, nanoseći tako štetu vašem zdravlju i blagostanju.

KEES VAN DER SPEK
TUINMACHINES ★ STOLWIJK

HR

OTKLANJANJE POGREŠKI

PROBLEM	UZROK	RJEŠENJE
Šišač trave s reznom niti ne pokreće se.	<ul style="list-style-type: none"> ■ Komplet baterija nije pričvršćen na pogonsku jedinicu. ■ Nema električnog kontakta između pogonske jedinice i kompleta baterija. ■ Baterijski modul je ispražnjen. ■ Ručica za deblokadu i okidač ne pritišću se istodobno. 	<ul style="list-style-type: none"> ■ Pričvrstite komplet baterija na pogonsku jedinicu. ■ Uklonite bateriju, provjerite kontakte i ponovo stavite komplet baterija da ulegne. ■ Napunite komplet baterija s punjačima proizvođača EGO koji su navedeni u ovom priručniku. ■ Pritisnite ručicu za blokadu i držite je pritisnutom, a zatim pritisnite okidač kako biste uključili šišač trave s reznom niti.
Šišač trave s reznom niti zaustavlja se tijekom rezanja.	<ul style="list-style-type: none"> ■ Štitnik nije postavljen na šišač trave, što rezultira predugačkom reznom niti i preopterećenjem motora. ■ Koristi se teška rezna nit. ■ Vratilo motora ili glavu šišača trave blokira trava. ■ Motor je preopterećen. ■ Komplet baterija ili šišač trave s reznom niti previše je vruć. ■ Komplet baterija odspojen je od alata. ■ Komplet baterija je ispražnjen. 	<ul style="list-style-type: none"> ■ Uklonite komplet baterija i na šišač trave postavite štitnik. ■ Koristite preporučenu najlonsku reznu nit promjera ne većeg od 2,4 mm ■ Zaustavite šišač trave, izvadite bateriju i očistite travu s vratila motora i glave šišača trave. ■ Uklonite glavu šišača trave s trave. Motor će se povratiti po uklanjanju opterećenja. Glavu šišača trave prilikom rezanja pomičite u travu i iz trave i jednim rezom ne uklanjajte više od 20 cm duljine. ■ Pričekajte da se komplet baterija ili šišač trave ohladi na temperaturu ispod 67 °C . ■ Ponovno stavite komplet baterija. ■ Napunite komplet baterija s punjačima proizvođača EGO koji su navedeni u ovom priručniku.

PROBLEM	UZROK	RJEŠENJE
Glava šišača ne izvlači reznu nit.	<ul style="list-style-type: none"> ■ Vratilo motora ili glavu šišača trave blokira trava. ■ Na kalemu nema dovoljno rezne niti. ■ Glava šišača trave je zaprljana. ■ Rezna nit zapetjela se u sklopu držača kalema. ■ Rezna nit je prekratka. 	<ul style="list-style-type: none"> ■ Zaustavite šišač trave, izvadite bateriju i očistite vratilo motora i glavu šišača trave. ■ Izvadite bateriju i zamijenite reznu nit; slijedite upute u poglavlju "NAMOTAVANJE REZNE NITI" u ovom priručniku. ■ Izvadite bateriju i očistite sklop držača kalema i kućište kalema. ■ Izvadite bateriju, uklonite reznu nit s držača kalema i namotajte ju; slijedite upute u poglavlju "NAMOTAVANJE REZNE NITI" u ovom priručniku. ■ Uklonite bateriju i ručno povucite rezne niti dok izmjenično pritišćete i otpuštate glavu šišača trave.
Trava se omotava oko glave šišača trave i kućišta motora.	<ul style="list-style-type: none"> ■ Visoka trava reže se od razine tla. 	<ul style="list-style-type: none"> ■ Visoku travu režite odozgo prema dolje i pritom ne režite više od 20 cm u svakom prolazu kako biste izbjegli omotavanje.
Oštrica ne reže reznu nit.	<ul style="list-style-type: none"> ■ Oštrica za rezanje rezne niti na rubu štitnika tupa je. 	<ul style="list-style-type: none"> ■ Oštricu za rezanje rezne niti naoštrite turpijom ili zamijenite je novom.
Opažene su pukotine na glavi šišača ili se držač koluta otpustio sa svog postolja.	<ul style="list-style-type: none"> ■ Glava šišača trave istrošena je. 	<ul style="list-style-type: none"> ■ Odmah zamijenite glavu šišača trave; slijedite upute u poglavlju "ZAMJENA GLAVE ŠIŠAČA TRAVE" u ovom priručniku.
	<ul style="list-style-type: none"> ■ Otpuštena je matica koja pričvršćuje glavu šišača. 	<ul style="list-style-type: none"> ■ Otvorite glavu šišača i stegnite maticu koristeći udarni ključ.
Tijekom zamjene rezne niti, reznu nit nije moguće propisno uvući u glavu šišača trave.	<ul style="list-style-type: none"> ■ Crtice "LOAD" na držaču kalema nisu uravnane s ušicama u kućištu kalema. ■ Crtice LOAD na držaču kalema nisu uravnane s ušicama u kućištu kalema. 	<ul style="list-style-type: none"> ■ Okrenite držač kalema u smjeru strelice kako biste crtice "LOAD" na držaču kalema uravnali s ušicama u kućištu kalema. ■ Okrenite držač kalema u smjeru strelice kako biste crtice LOAD na držaču kalema uravnali s ušicama u kućištu kalema.

JAMSTVO

JAMSTVENA POLITIKA PROIZVOĐAČA EGO

Za cjelokupne uvjete jamstvene politike proizvođača EGO posjetite internetsku stranicu egopowerplus.com.

HR



სრულად გაეცანით ინსტრუქციას!



წაიკითხეთ და გაეცანით ინსტრუქციას

▲ არსებული რისკი! პიროვნებებმა ისეთი ელექტრული მოწყობილობებით, როგორცაა იმპლანტირებული დეფიბრილატორი, უნდა მიმართონ პირად ექიმს რჩევებისთვის ამ პროდუქტის გამოყენებამდე. იმპლანტირებულ დეფიბრილატორთან უშუალო სიახლოვეს ელექტრული მოწყობილობის ოპერირებამ შესაძლოა დეფიბრილატორს ხელი შეუშალოს მუშაობაში ან გათიშოს იგი.

▲ გაფრთხილება: ხელსაწყო უსაფრთხოდ და გამართულად მუშაობისთვის საჭიროა მისი ყველა შეკეთება და ნაწილის შეცვლა შესრულდეს კვალიფიციური სერვისის ტექნიკოსის მიერ.

უსაფრთხოების წესის სიმბოლოები

უსაფრთხოების წესის სიმბოლოების მიზანია მიაქციოთ ყურადღება შესაძლო საფრთხეებს. ყურადღებით გაეცანით და შეისწავლეთ უსაფრთხოების წესის სიმბოლოები და მათი შესაბამისი განმარტებები. უსაფრთხოების წესის სიმბოლოების მინიშნებები თავისთავად არ ანეიტრალებს რაიმე საფრთხის არსებობის რისკს. მათ მიერ მოწოდებული ინსტრუქციები და გაფრთხილებები არ არიან შემთხვევის თავიდან აცილების სწორი პროცედურის შემცველები.

▲ გაფრთხილება: ხელსაწყო გამოყენებამდე დაწვრილებით გაეცანით და შეისწავლეთ ყველა უსაფრთხოების წესი მომხმარებლის ამ ინსტრუქციაში, მათ შორის ყველა უსაფრთხოების წესის სიმბოლო როგორცაა „სამიშროება“, „გაფრთხილება“ და

„ყურადღება“. ქვემოთ ჩამოთვლილი ყველა ინსტრუქციის უგულებელყოფამ შესაძლოა გამოიწვიოს ელექტრული შოკი, ხანძარი და/ან მოგაყენოთ სერიოზული პირადი ზიანი.

სიმბოლოების მნიშვნელობა



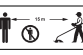




▲ უსაფრთხოების შეტყობინების სიმბოლო: აღნიშნავს - „სამიშროება“, „გაფრთხილება“ ან „ყურადღება“. შესაძლოა გამოყენებულ იქნას სხვა სიმბოლოებთან ან პიქტოგრამებთან ერთად.

უსაფრთხოების წესის ინსტრუქცია

ეს გვერდი აჩვენებს და აღწერს იმ უსაფრთხოების წესის სიმბოლოებს, რომლებიც შესაძლოა აღბეჭდილია მოცემულ პროდუქტზე. წაიკითხეთ, შეისწავლეთ და მიყევით ხელსაწყოს ყველა ინსტრუქციას მის აწყობამდე და ჩართვამდე.

	უსაფრთხოების ნიშანი	აღნიშნავს შესაძლო პირადი ზიანის საფრთხეს.
	გაეცანით მომხმარებლის ინსტრუქციას	დაზიანების რისკის შესამცირებლად მომხმარებელმა უნდა წაიკითხოს და გაეცნოს ხელსაწყო მუშაობის ინსტრუქციას მის გამოყენებამდე.
	გაიკეთეთ თვალის, ყურის და თავის დამცავი საშუალებები	ყოველთვის ატარეთ თვალის, ყურის და თავის დამცავი საშუალებები.
	თიბვის სიგანე	ელექტრული სათიბის მაქსიმალური თიბვის სიგანე
	ძუის დიამეტრი	მთიბავი ნეილონის ძუის დიამეტრი

KA

	არ გამოიყენოთ ლითონის საჭრელი დანები.	აფრთხილებს მომხმარებელს არ გამოიყენოს ლითონის პირები.
	მოარიდეთ სხვა ადამიანებს.	შესაძლოა გამოტყორცნილი სხეულების რიკოშეტირება და ამით პირადი ან ქონებრივი ზიანის მიყენება. დარწმუნდით რომ სხვა ადამიანები ან შინაური ცხოველები იმყოფებიან ბუჩქის საკრეჭიდან მოშორებით ხელსაწყოთი სარგებლობისას.
	ხელსაწყოსა და სხვა პირებს შორის დისტანცია უნდა იყოს მინიმუმ 15 მ	დარწმუნდით რომ სხვა ადამიანები ან შინაური ცხოველები იმყოფებიან მინიმუმ 15 მ მოშორებით ელექტრო ცელით სარგებლობის დროს.
IPX4	IP სიმბოლო	მე-4 დონის დაცვა წყლის შეღწევისგან.
	CE	ხელსაწყო შეესაბამება ევროკავშირის მიერ წამოყენებულ რეგულაციებს.
	გსცო	ეს პროდუქტი შეესაბამება დიდი ბრიტანეთის მოქმედ კანონმდებლობას.
	WEEE	ელექტრული ხელსაწყოების უტილიზაცია არ უნდა მოხდეს საყოფაცხოვრებო ნარჩენებთან ერთად. წაიღეთ ხელსაწყო ავტორიზირებულ ნარჩენების გადამამუშავებელთან.
	ხმაური	გარანტირებული ხმის სიმძლავრის დონე. გარემოში ხმაურის გავრცელების დონე ევროკავშირის რეგულაციების შესატყვისია.

V	ვოლტი	მაბვა
mm	მილიმე-ტრი	სიგრძე ან ზომა
cm	სანტიმე-ტრი	სიგრძე ან ზომა
kg	კილოგრ-ამი	წონა

ელექტრული ხელსაწყოს უსაფრთხოების ზოგადი მაჩვენებლები

⚠ გაფრთხილება: გაეცანით ამ ელექტრულ ხელსაწყოსთან დაკავშირებულ ყველა უსაფრთხოების მითითებას, ინსტრუქციას, ილუსტრაციას და სპეციფიკაციას. ქვემოთ ჩამოთვლილი ყველა ინსტრუქციის უგულვებელყოფამ შესაძლოა გამოიწვიოს ელექტრული შოკი, ხანძარი და/ან მოგაყენოთ სერიოზული ზიანი.

შეინახეთ ყველა მითითება და ინსტრუქცია სამომავლოდ გამოყენებისთვის.

ტერმინი „ელექტრული ხელსაწყო“ უსაფრთხოების ინსტრუქციაში შეესაბამება ქსელიდან (სადენით) ან აკუმულატორით (უსადენო) მიღებულ დენზე მომუშავე ელექტრულ ხელსაწყოს.

სამუშაო არეს უსაფრთხოება

- დაიცავით სამუშაო არის სისუფთავე და იქონიეთ კარგი განათება. ჩახერგილი ან ბნელი სამუშაო არე იწვევს ინციდენტებს.
- არ ამუშაოთ ელექტრული ხელსაწყო ჰაერში ფეთქებადი საშუალებების არსებობისას, როგორცაა აალებადი სითხეები, აირები ან მტვერი. ელექტრული ხელსაწყოები წარმოქმნიან ნაპერწკალს, რომელმაც შესაძლოა აანთოს მტვერი ან აირი.
- ელექტრული ხელსაწყოთი სარგებლობისას მოარიდეთ მას ბავშვები და სხვა პირები. ყურადღების გაფანტვას შეუძლია გამოიწვიოს ხელსაწყოზე კონტროლის დაკარგვა.

ელექტრო უსაფრთხოება

- ელექტრული ხელსაწყოს დენის ჩანგალი უნდა ერგებოდეს შტეფსელს. არასოდეს გაუკეთოთ მოდიფიცირება ხელსაწყოს დენის ჩანგალს. არ გამოიყენოთ

KA

ადაპტორები ისეთი ხელსაწყოების დენის ჩანგალზე, რომელსაც აქვს დამიწება. არსებული დენის ჩანგალი და მისი შესაბამისი შტეფსელის არსებობა ამცირებს ელექტრული შოკის რისკს.

- **მოერიდეთ სხეულით დამიწებულ საგნების ზედაპირებთან კონტაქტს, როგორცაა მიღები, რადიატორები, ქურები და მაცივრები.** ელექტრული შოკის მიღების რისკი იზრდება თუ თქვენი სხეული დამიწებულია.
- **არ გამოიყენოთ ხელსაწყო წვიმაში ან სველ პირობებში.** ხელსაწყოში წყლის შესვლამ შეიძლება გაზარდოს ელექტროშოკის ან გაუმართაობის რისკი, რამაც შეიძლება გამოიწვიოს პირადი ზიანი.
- **არ დააზიანოთ დენის სადენი.** არასოდეს გამოიყენოთ სადენი ხელსაწყოს სატარებლად, მოსაქაჩად ან შტეფსელიდან ამოსართვლად. დაიცავით დენის სადენი სიმბურვალისგან, ზეთისგან, მჭრელი და მოძრავი საგნებისგან. დაზიანებული ან გადახლართული დენის სადენი ზრდის ელექტრული შოკის რისკს.
- **ელექტრული ხელსაწყოთი გარეთ სარგებლობისას გამოიყენეთ დამაგრებელბედი, რომელიც გამოსადეგია გარეთ მუშაობისთვის.** გარეთ მუშაობისთვის შესაბამისი ელექტრო სადენის გამოყენება ამცირებს ელექტრული შოკის რისკს.
- **თუ ელექტრული ხელსაწყოს ნესტიან გარემოში მუშაობა გარდაუვალია, გამოიყენეთ დიფერენციალური დაცვის მქონე (RCD) კვების წყარო.** დიფერენციალური RCD დაცვის გამოყენება ამცირებს ელექტრული შოკის რისკს.

პირადი უსაფრთხოება

- **ხელსაწყოს გამოყენებისას იყავით ფხიზლად, იმოქმედეთ დაკვირვებით და საღი აზრის გათვალისწინებით.** არ გამოიყენოთ ხელსაწყო როდესაც ხართ დაღლილი, ან ალკოჰოლის,

მედკამენტების ან ნარკოტიკების ზემოქმედების ქვეშ. ხელსაწყოთი სარგებლობისას მყისიერმა უყურადღებობამ შეიძლება მოგაყენოთ სერიოზული პირადი ზიანი.

- **გამოიყენეთ პირადი დამცავი საშუალებები.** ყოველთვის გაიკეთეთ თვალების დამცავი. შესაბამისი სამუშაო პირობებში დამცავი საშუალებების გამოყენება, როგორცაა მტერის საწინააღმდეგო ნიღაბი, მოცურების საწინააღმდეგო სპეც ფეხსაცმელი, მყარი ჩაფხუტი ან სმენის დამცავი, ამცირებს სამუშაო ტრამეებს.
- **უცაბედი ჩართვის აღკვეთა.** დარწმუნდით რომ ჩამრთველი არის გამორთულ პოზიციამი ხელსაწყოს დენში და/ ან აკუმულატორთან მიერთებამდე, ხელსაწყოს ძალა აწევამდე ან ტარებამდე. ელექტრული ხელსაწყოების ტარება ჩამრთველის ლილაკზე დადებული თითით ან ხელსაწყოს დენში მიერთება, რომელსაც გააქტიურებული აქვს ჩართვის ლილაკი, იწვევს ინციდენტებს.
- **მოხსენით ნებისმიერი დამაგრებული მარეგულირებელი ხელსაწყო ან ქანჩის გასაღები ჩართვამდე.** ელექტრული ხელსაწყოს მბრუნავ ნაწილზე დამაგრებულმა ქანჩის გასაღებმა ან სხვა მარეგულირებელმა შესაძლოა მოგაყენოთ პირადი ზიანი.
- **არ გადაიხაროთ.** ყოველთვის დაიცავით ბალანსი და მყარად იდგეთ ფეხზე. ეს გაძლევთ საშუალებას მოახდინოთ ხელსაწყოს უკეთესი კონტროლი მოულოდნელ სიტუაციებში.
- **ჩაიცვით შესაბამისად.** არ ჩაიცვით განიერი, ფრიალა ტანსაცმელი და ძვირფასეულობა. მოავილეთ თქვენი თმა, ტანსაცმელი და ხელთათმანები მოძრავ ნაწილებს. განიერი, ფრიალა ტანსაცმელი, ძვირფასეულობა და თმა შესაძლოა ჩაითრიოს მოძრავმა ნაწილებმა.
- **თუ არსებობს მტერის ან ნარჩენების შემგროვებელი საშუალებების შეერთების ადგილები, დარწმუნდით რომ ისინი სწორადაა დაკავშირებული**

KA

და გამოყენებული. მტვრისთვის განკუთვნილი საშუალებების გამოყენებამ შესაძლოა შეამციროს მასთან დაკავშირებული საფრთხეები.

- შეეცადეთ მსგავს ხელსაწყოებთან ხშირი მუშაობის გამოცდილებამ არ გამოიწვიოს თქვენი უზრუნველობა და არ გაუკეთოთ ხელსაწყოს უსაფრთხოების პრინციპებს იგნორირება. უგულისყურო საეკილმა წამის მეთაქმეც კი შესაძლოა მოგიტანოთ სერიოზული ზიანი.

ელექტრული ხელსაწყოს გამოყენება და მოვლა

- არ დაატანოთ ძალა ხელსაწყოს. გამოიყენეთ სწორი ხელსაწყო თქვენი მიზნებისთვის. სწორი ხელსაწყო უკეთ და უფრო უსაფრთხოდ გააკეთებს იმ საქმეს, რომლისთვისად განკუთვნილია იგი.
- არ გამოიყენოთ ხელსაწყო თუ ჩამრთველი არ რთავს ან თიშავს მას. ნებისმიერი ხელსაწყო, რომელიც ვერ კონტროლდება ჩამრთველით, სახიფათოა და საჭიროებს შეკეთებას.
- გათიშეთ დენის ჩანგალი შტეფსელიდან და/ან მოხსენით აკუმულატორი ხელსაწყოს ნებისმიერი რეგულირებისას, ნაწილის ცვლილებისას ან ხელსაწყოს შენახვამდე. მსგავსი პრევენციული უსაფრთხოების ზომები ამცირებს ელექტრო ხელსაწყოს უცაბედი ჩართვის რისკს.
- გათიშული ელექტრული ხელსაწყოები შეინახეთ ზავშეხებისთვის მიუწვდომელ ადგილას და არ მისცეთ ხელსაწყოს გამოყენების უფლება მისით სარგებლობის არმცოდნე ან მის ინსტრუქციაში ჩაუხედავ პირებს. ელექტრული ხელსაწყოები გამოუცდელი პირების ხელში სახიფათოა.
- მოუარეთ ელექტრულ ხელსაწყოებს და მის ნაწილებს. შეამოწმეთ მოძრავი და შემაკავშირებელი ნაწილების ურთიერთწანაცვლება, ნაწილების დაზიანება და სხვა მდგომარეობა, რომელმაც შეიძლება გავლენა იქონიოს ხელსაწყოს მუშაობაზე. დაზიანების შემთხვევაში შეაკეთეთ ხელსაწყო

გამოყენებამდე. ბევრი ინციდენტი გამოწვეულია ცუდად მოვლილი ელექტრო ხელსაწყოების გამო.

- მჭრელი ხელსაწყოები იქონიეთ სუფთა და ბასრ მდგომარეობაში. სწორად მოვლილი ბასრი დანის პირის მქონე მჭრელი ხელსაწყოების გახლართვა ნაკლებად ალბათურია და მათი კონტროლიც გაადვილებულია.
 - გამოიყენეთ ეს ხელსაწყო, მისი ნაწილები, მათი დამჭრები და ა.შ. ინსტრუქციის მიხედვით, სამუშაო გარემოს და სამუშაოს ტიპის გათვალისწინებით. ელექტრული ხელსაწყოს არადანიშნულებისამებრ გამოყენებამ შესაძლოა შექმნას სახიფათო სიტუაცია.
 - იქონიეთ სახელურები და სხვა ხელის ჩასაჭიდი ზედაპირები მშრალ და სუფთა, მათ შორის ცხიმისა და ზეთისგან თავისუფალ მდგომარეობაში. სრიალა სახელურები და ხელის ჩასაჭიდი ზედაპირები არ იძლევა ხელსაწყოს უსაფრთხო მოპყრობისა და კონტროლის საშუალებას მოულოდნელ სიტუაციებში.
- ### აკუმულატორის გამოყენება და მოვლა
- დატენით მხოლოდ მწარმოებლის მიერ მითითებული დამტენი მოწყობილობით. დამტენმა მოწყობილობამ, რომელიც თავსებადია ერთი ტიპის აკუმულატორთან, შესაძლოა წარმოშვას ხანძრის გაჩენის რისკი სხვა აკუმულატორზე გამოყენებისას.
 - გამოიყენეთ ელექტრული ხელსაწყოები მხოლოდ სპეციალურად აღნიშნული აკუმულატორებით. სხვა აკუმულატორების გამოყენებამ შესაძლოა წარმოშვას ფიზიკური დაზიანების ან ხანძრის რისკი.
 - როდესაც აკუმულატორს არ იყენებთ, მოაცილეთ იგი ლითონის საგნებს, როგორცაა ქაღალდის კლიპი, მონეტა, გასადები, ლურსმანი, ხრახნი ან სხვა მცირე ზომის ლითონის საგნები, რომელთაც შეუძლიათ აკუმულატორის კონტაქტების დამოკლება. აკუმულატორის კონტაქტების დამოკლებამ შესაძლოა გამოიწვიოს

დამწვრობა ან ხანძარი.

- არასწორი მოპყრობის შემთხვევაში სითხემ შესაძლოა გამოჟონოს აკუმულატორიდან; მოერიდეთ მასთან შეხებას. თუ შემთხვევით შეეხეთ სითხეს, ჩამოიბანეთ წყლით. თუ სითხე მოხვდა თვალბში, მიმართეთ ექიმს. აკუმულატორიდან გამოიწვიოს გალიზიანება ან დამწვრობა.
- არ გამოიყენოთ აკუმულატორი ან ხელსაწყო, რომელიც დაზიანებული ან გადაკეთებულია. დაზიანებულმა ან გადაკეთებულმა აკუმულატორმა შესაძლოა გამოავლინოს არაპროგნოზირებადი ქცევა, რამაც შეიძლება გამოიწვიოს ხანძარი, აფეთქება ან პირადი ზიანი.
- არ მოათავსოთ აკუმულატორი ან ხელსაწყო ცეცხლში ან მაღალ ტემპერატურულ გარემოში. 130 °C-ზე მაღალმა ტემპერატურამ შესაძლოა გამოიწვიოს აფეთქება.
- მიყევით დატენვის ინსტრუქციებს და არ დატენოთ აკუმულატორი ინტრუქციაში მითითებული ტემპერატურული დიაპაზონის გარეთ. არასწორი დატენვა ანდა აკუმულატორის დატენვა ინსტრუქციაში მითითებული ტემპერატურული დიაპაზონის გარეთ ზრდის ხანძრის რისკს.

ტექნიკური სერვისი

- ხელსაწყოს ტექნიკური სერვისი შესარულებინეთ კვალიფიციურ პირს მხოლოდ იდენტური სათადარიგო ნაწილების გამოყენებით. მსგავსი პროცედურა უზრუნველყოფს ხელსაწყოს უსაფრთხოდ მუშაობას.
- არასოდეს შეაკეთოთ დაზიანებული აკუმულატორები. აკუმულატორების სერვისი მხოლოდ მწარმოებლის ან ავტორიზირებული სერვისის მომწოდებლის მიერ არის შესაძლებელი.

უსაფრთხოების სპეციალური გაფრთხილებები ძუის ტრინერისთვის

- მოერიდეთ ხელსაწყოს გამოყენებას ცუდი

ამინდის პირობებში, განსაკუთრებით როდესაც არსებობს ელვის საშიშროება. ეს შეამცირებს თქვენზე მეხის დაცემის რისკს.

- საფუძვლიანად შეამოწმეთ ბუნებაში ის ღია სივრცე, სადაც ხელსაწყო უნდა იქნას გამოყენებული. ბუნებაში ღია სივრცე შეიძლება დაზიანდეს ხელსაწყოს მუშაობის დროს.
- საგულდაგულოდ შეამოწმეთ ის ტერიტორია, სადაც ხელსაწყო გამოყენებული უნდა იქნეს და გაასუფთავეთ ტერიტორია ისეთი ელემენტებისგან, როგორცაა ქვა, ჩხირები, ჯოხები, სადენები, ძვლები და სხვა უცხო საგნები. გამოტყორცნილმა საგნებმა შესაძლოა მოაყენოთ სერიოზული პირადი ზიანი.
- ხელსაწყოს გამოყენებამდე ყოველთვის ვიზუალურად შეამოწმეთ რომ დანა, დანის ჭანჭიკი და საჭრელი ნაწილი არ იყოს დაზიანებული. დაზიანებული ნაწილები ზრდის დაშავების რისკს.
- მისდით დამტენი მოწყობილობის ინსტრუქციებს. არასწორად მოჭერილმა დანის დამჭერმა ჭანჭიკებმა შეიძლება დააზიანოს დანა ან გამოიწვიოს მისი მოწყვეტა.
- ატარეთ თვალის, ყურის, თავისა და ხელების დამცავი. ადეკვატური დამცავი აღჭურვილობა შეამცირებს პირად ზიანს გამოწვეულს გამოტყორცნილი ნარჩენების და ხერხის ჯაჭვზე უცაბედი შეხების გამო.
- ხელსაწყოს მუშაობის დროს ყოველთვის ატარეთ ფეხსაცმელი, რომელიც არ ცურავს და დამცავია. არ ამუშაოთ ხელსაწყო, როდესაც ხართ ფეხშიშველი ან ღია ფეხსაცმელს ატარებთ. ეს ამცირებს ფეხების დაზიანების რისკს მომრავ დანასთან ან ძუასთან კონტაქტის შედეგად.
- ყოველთვის ატარეთ გრძელი შარვალი ხელსაწყოს გამოყენების დროს. ღია კანი ზრდის გამოტყორცნილი საგნებისგან დაზიანების ალბათობას.

KA

- **ხელსაწყოთა გამოყენების დროს მთავრად მას ბავშვები და გავლელელები.** გამოტყორცნილმა ნარჩენებმა შესაძლოა მოგაყენოთ სერიოზული პირადი ზიანი.
- **ყოველთვის იმუშავეთ ორივე ხელით ხელსაწყოთა გამოყენების დროს.** ხელსაწყოთა ორივე ხელით დაჭერა თავიდან აგაცილებთ აღჭურვილობაზე კონტროლის დაკარგვას.
- **დაიჭირეთ ხელსაწყო მხოლოდ იზოლირებული ხელჩასაჭიდი ადგილებით, რადგან საჭრელი ძეხა ან დანა შესაძლოა შეეხოს დაფარულ დენის სადენს.** საჭრელი ძეხა ან დანა, რომელიც ეხება ხელსაწყოთა „ცოცხალ“ ძველს შიდა მუხის გააშიშვლოს ლითონის „ცოცხალი“ ნაწილები და გამოიწვიოს მომხმარებლის ელექტრო შოკი.
- **ყოველთვის იდექით მყარად ფეხზე და გამოიყენეთ ხელსაწყო, როდესაც დგახართ მიწის ზედაპირზე.** სრიალა ან არასაიმედო ზედაპირებმა, შესაძლოა გამოიწვიოს ბალანსის ან აღჭურვილობაზე კონტროლის დაკარგვა.
- **არ გამოიყენოთ ხელსაწყო მალან ციცაბო ფერდობებზე.** ეს ამცირებს კონტროლის დაკარგვის, დაცურების და დაცემის რისკს, რამაც შეიძლება გამოიწვიოს პირადი ზიანი.
- **ფერდობებზე მუშაობის დროს ყოველთვის მყარად იდექით ფეხზე, ყოველთვის იმუშავეთ ფერდობის გასწვრივ და არა მალა ან დაბლა და გამოიჩინეთ განსაკუთრებული სიფრთხილე მიმართულების შეცვლის დროს.** ეს ამცირებს კონტროლის დაკარგვის, დაცურების და დაცემის რისკს, რამაც შეიძლება გამოიწვიოს პირადი ზიანი.
- **მთავრად სხეულის ნაწილები საჭრელ დანას, ძეხას ან პირს ხელსაწყოთა გამოყენების დროს.** ხელსაწყოთა ჩართვამდე დარწმუნდით რომ საჭრელი დანა, ძეხა ან პირი არ ეხება რაიმეს. ხელსაწყოთა სარგებლობის დროს, მისიერმა უყურადღებობამ შეიძლება მოგაყენოთ სერიოზული პირადი ზიანი თქვენ და სხვებს.
- **არ გამოიყენოთ ხელსაწყო წელის სიმაღლეზე ზემოთ.** ეს აგრიდებთ საჭრელი დანის ან პირის უცაბედ შეხებას და მოგცემთ საშუალებას მოახდინოთ ხელსაწყოთა უკეთესი კონტროლი მოულოდნელ სიტუაციებში.
- **ტოტის ან ნორჩი ხის ჭრის დროს, რომელიც დაჭიმულ მდგომარეობაშია, ყურადღებით იყავით, რადგან მან შეიძლება ტოტი უკან გამოიქნოს.** როდესაც ხის ტოტის დაჭიმულობა დუნდება, დაჭიმული ტოტი ან ბუჩქი შეიძლება მოხვდეს მომხმარებელს და/ან კონტროლი დააკარგვინოს ხელსაწყოზე.
- **დაიცავით განსაკუთრებული სიფრთხილე როდესაც ჭრით ტოტებს ან ნორჩ ხეებს.** თხელმა ტოტებმა შესაძლოა გაჭედოს დანა და ის თქვენსკენ გამოტყორცნოს ან დაგაკარგვინოთ ბალანსი.
- **შეინარჩუნეთ კონტროლი ხელსაწყოზე და არ შეეხოთ დანებს, ძეხას ან დანის პირებს და სხვა საბიფათო მოძრავ ნაწილებს, სანამ ისინი უკიდურეს მოძრაობაში არიან.** ეს ამცირებს მოძრავი ნაწილებისგან ზიანის მიღების რისკს.
- **გაჭედოთ მასალის მოცილების ან ხელსაწყოთა ტექნიკური სერვისის დროს, დარწმუნდით რომ ყველა ჩამრთველი გამორთულია და აკუმულატორი მოხსნილია.** აღჭურვილობის უცაბედმა ჩართვამ გაჭედოთ საგნების მოცილების ან ხელსაწყოთა ტექნიკური სერვისის დროს, შეიძლება მოგაყენოთ სერიოზული პირადი ზიანი.
- **ატარეთ ხელსაწყოთა გათიშულ მდგომარეობაში და სხეულისგან მოშორებით.** ხელსაწყოთა სწორი მოპყრობა შეამცირებს მოძრავ მჭრელ პირთან უნებლიე კონტაქტის ალბათობას.
- **გამოიყენეთ მხოლოდ მწარმოებლის მიერ მითითებული საჭრელი თავები და დანები.** არასწორმა სათადარიგო ნაწილებმა შეიძლება გაზარდოს გატეხვისა და დაზიანების რისკი.

KA

- ბალახის საკრეჭის დაზიანება - თუ ბალახის საკრეჭით უცხო სხეულს დაეჯახებით ან იგი გაიხლართება, დაუყოვნებლივ გათიშეთ ხელსაწყო, შეამოწმეთ დაზიანება და შეაკეთებინეთ ის, სანამ გააგრძელებთ მისით სარგებლობას. არ ამუშაოთ ხელსაწყო დაზიანებული ეკრანით ან კოჭით.
- თუ ხელსაწყო დაიწყებს უზვეულო ვიბრაციას, გათიშეთ მოტორი და შეამოწმეთ ვიბრაციის მიზეზი. ვიბრაცია, როგორც წესი, არის დაზიანების მომასწავებელი. მოყვანალებული თავი შესაძლოა ვიბრირებდეს, გაიზაროს ან მოსძვრეს მთიბავს, რამაც შესაძლოა გამოიწვიოს სერიოზული ან ფატალური ზიანი. დარწმუნდით რომ მთიბავი ნაწილი არის სათანადოდ დამაგრებული სწორ პოზიციასში. თუ თავი მოირყევა საკუთარ ადგილზე დამაგრების შემდეგ, დაუყოვნებლივ გამოცვალეთ ეს ნაწილი. არასოდეს გამოიყენოთ ხელსაწყო მორყეულად დამაგრებული საკრეჭი ნაწილით.
- აკუმულატორიანი ელექტრული ხელსაწყოების ქსელში შეერთება არ არის აუცილებელი; ისინი ყოველთვის მუშა მდგომარეობაში არიან. გაითვალისწინეთ შესაძლო საფრთხეები მაშინაც კი როცა ხელსაწყო არ არის გამოყენებაში. გამოიჩინეთ სიფრთხილე როდესაც ახდენთ ხელსაწყოს შეკეთებას ან ტექნიკურ სერვისს.
- არ გარეცხოთ ხელსაწყო წყლის მილით; მოერიდეთ მოტორში და ელექტრულ შეერთებებში წყლის მოხვედრას.
- თუ ისეთი სიტუაცია შეიქმნა, რომელიც არაა აღწერილი ინსტრუქციაში, გამოიყენეთ სადი აზრი და მიიღეთ ფრთხილი გადაწყვეტილებები. მიმართეთ EGO-ს კლიენტთა მომსახურების ცენტრს დახმარებისთვის.
- გამოიყენეთ მხოლოდ ის აკუმულატორის ბლოკები და დამტენები, რომლებიც მითითებულია სურ. A-ში

შეინახეთ ეს მომხმარებლის ინსტრუქცია!

სპეციფიკაციები

მთიბავი მექანიზმი	მთიბავის თავაკვი	
ძულის დიამეტრი	2.4 მმ სისქის ნეილონის დაგრებილი ძუა	
თიბვის სიგანე	40 სმ	
დაუტვირთავი სიჩქარე	4900/5800 ბრ/წთ	
წონა (აკუმულატორის გარეშე)	1.53 კგ	
რეკომენდირებული საექსპლუატაციო ტემპერატურა	0°C-40°C	
რეკომენდირებული დასაწყობების ტემპერატურა	-20°C-70°C	
გაზომილი ხმის სიმძლავრის დონე L_{WA}	95.72 dB(A) K=0.77 dB(A)	
ბგერის წნევის დონე მომხმარებლის ყურზე L_{PA}	81.6 dB(A) K= 3 dB(A)	
გარანტირებული ხმის სიმძლავრის დონე L_{WA} (გაზომილი 2000/14/EC რეგულაციის მიხედვით)	96 dB(A)	
ვიბრაციის შეფასება a_h	რეგულირებადი წინა სახელური	2.5 მ/წმ ² K=1.5 მ/წმ ²
	უკანა სახელური	1.8 მ/წმ ² K=1.5 მ/წმ ²

- მითითებული პარამეტრები ტესტირებული და გაზომილია PH1420E ელექტრული თავის საშუალებით.
- მითითებული ვიბრაციის სრული მნიშვნელობა გაზომილია სტანდარტული ტესტირების მეთოდით და შესაძლოა გამოყენებულ იქნას ერთი ხელსაწყოს მეორესთან შედარებისას.
- მითითებული ვიბრაციის სრული მნიშვნელობა ასევე შესაძლოა გამოყენებულ იქნას ზემოქმედების პირველადი შეფასებისას.

KA

▲ გაფრთხილება: ელექტრული ხელსაწყოთა ფაქტობრივი გამოყენებისას ვიზრაცია და ხმაური შეიძლება განსხვავდებოდეს მითითებული მნიშვნელობებისგან იმის გათვალისწინებით, თუ როგორ გამოიყენება ხელსაწყო, განსაკუთრებით, რა სახის სამუშაო ნაწილია შესრულებული; და ოპერატორის დაცვის მიზნით უსაფრთხოების ზომების იდენტიფიცირების აუცილებლობიდან გამომდინარე, რომლებიც ეფუძნება რეალურ პირობებში აღჭურვილობის გამოყენებას (ოპერაციული ციკლის ყველა ნაწილის გათვალისწინებით, როგორცაა ხელსაწყოთა გამოყენების დრო და უმოქმედო მდგომარეობა, ტრიგერის დროს გარდა).

შეფუთვის ფურცელი (სურ. ა)

რეკომენდირებული საჭრელი ძუის სანახავად, ეწვიეთ ვებგვერდს egopowerplus.com ან იხილეთ EGO-ს პროდუქციის კატალოგი.

აღწერა

შეისწავლეთ თქვენი ელექტრო სათიბი მიმაგრება (ნახ. A)

1. ტორსული ხუფი
2. ელექტრო სათიბის ტარი
3. ძუის ჩატვირთვის ღილაკი
4. ჭრის ხაზი
5. სათიბის თავაკი
6. გამშვები ღილაკი
7. სათიბის დანა
8. დამცავი ფარი
9. ექსპლანაგა ქანჩის გასაღები

▲ გაფრთხილება: არ გამოიყენოთ ხელსაწყო მჭიდროდ დამაგრებულ დამცავი ეკრანის გარეშე. დამცავი ეკრანი ყოველთვის უნდა იყოს დამაგრებული ხელსაწყოზე, რათა დაიცვას მომხმარებელი.

აწყობა

▲ გაფრთხილება: თუ რომელიმე ნაწილი დაზიანებულია ან დაკარგულია, არ ისარგებლოთ ხელსაწყოთი სანამ ყველა ნაწილი არ შეიცვლება. ხელსაწყოთი სარგებლობას დაზიანებული ან დანაკლისი ნაწილებით შესაძლოა მოჰყვეს სერიოზული პირადი ზიანი.

▲ გაფრთხილება: არ სცადოთ ხელსაწყოთა გადაკეთება ან ისეთი ნაწილების გამოყენება, რომლებიც არაა რეკომენდირებული ამ ელექტრო სათიბისთვის. ნებისმიერი მსგავსი ცვლილება ან მოდიფიკაცია არის ხელსაწყოთა არასათანადო გამოყენება და შესაძლოა წარმოქმნას სახიფათო მდგომარეობა, რომელმაც შესაძლოა გამოიწვიოს სერიოზული პირადი ზიანი.

▲ გაფრთხილება: არ შეუერთოთ ელექტრულ თავს, სანამ არ დაასრულებთ აწყობას ბოლომდე. ამ ინსტრუქციის უგულბელებიდან შესაძლოა გამოიწვიოს უცაბედი ჩართვა და მოციტანოთ სერიოზული პერსონალური ზიანი.

დამცავი ეკრანის დამონტაჟება

▲ გაფრთხილება: ყოველთვის გამოიყენეთ ხელთათმანები, როდესაც ამონტაჟებთ ან ცვლით დამცავ ეკრანს. უფრთხილდით დამცავ ეკრანზე არსებულ დანას და დაიცავით ხელები, რათა არ დაიშვოთ ისინი დანის პირზე.

მოუშვით და მოხსენით ორი ხრახნი დამცავ ეკრანს (ნახ. C), გაუსწორეთ დამცავ ეკრანზე არსებული ხვრელები ასაწყობ ხვრელებს და დაამაგრეთ ეკრანი ტარის ფუძეზე ორი ხრახნითა და შუასადებით (ნახ. D).

დარწმუნდით რომ დამცავი ეკრანი დამაგრებულია, როგორც ნაჩვენებია ნახ. C და D-ზე, ნებისმიერი სხვაგვარი დამაგრება არის სახიფათო!

ხელსაწყოთა თავზე ელექტრო სათიბი მიმაგრების დამონტაჟება

ელექტრო სათიბი მისამაგრებელი მოწყობილობა განკუთვნილია EGO PH1420E ელექტრულ თავთან მუშაობისთვის.

KA

იხილეთ „ელექტრონული თავის დანართის მონტაჟი“ სექცია PH1420E ელექტრული თავის მომხმარებლის ინსტრუქციაში.

ექსპლუატაცია

▲ გაფრთხილება: შეეცადეთ მსგავსი პროდუქტის გამოყენების გამოცდილებამ არ გამოიწვიოს თქვენი უგულისყურობა. დაიმახსოვრეთ რომ უგულისყურობამ წამის მეათედშიც კი შესაძლოა მოგიტანოთ სერიოზული ზიანი.

▲ გაფრთხილება: ყოველთვის მორიგეთ გვერდითა ეკრანების მქონე უსაფრთხოების სათვალე და სმენის დამცავი საშუალება. ამ ინსტრუქციის უგულებელყოფამ შესაძლოა გამოიწვიოს სხვადასხვა სხეულის თვალში მოხვედრა და სხვა შესაძლო სერიოზული ზიანი.

გამოყენებები

თქვენ შეგიძლიათ გამოიყენოთ ხელსაწყო ქვემოთ ჩამოთვლილი მიზნებისთვის:

- ბალახის და სარეველას მოჭრა ტერასის, ღობის ან აივნის გარშემო.

შენიშვნა: ხელსაწყო გამოყენება შესაძლებელია მხოლოდ დანიშნულებისამებრ. სხვა ნებისმიერი სარგებლობა ჩაითვლება როგორც არამიზნობრივი გამოყენების შემთხვევა.

ყოველი გამოყენების წინ შეამოწმეთ დაზიანებული/გაცვეთილი ნაწილების არსებობა.

შეამოწმეთ სათიბის თავი, დამცავი და რეგულირებადი წინა სახელური და შეცვალეთ ნებისმიერი ნაწილი, რომელიც გაზარულია, გაღუნულია, აქვს შეცვლილი ფორმა ან დაზიანებულია სხვაგვარად.

დამცავ ეკრანის კიდესთან მდებარე მთიბავის დანა შესაძლოა დაჩლუნგდეს დროთა განმავლობაში რეკომენდირებულია მისი გალესვა პერიოდულად ქლიბის საშუალებით ან ახალი დანის დამონტაჟება.

▲ გაფრთხილება: ყოველთვის გამოიყენეთ ხელთათმანები, როდესაც ამონტაჟებთ ან

ცვლით დამცავ ეკრანს ან ლესავთ ან ცვლით დანას. დაიმახსოვრეთ დამცავ ეკრანზე მიმგარებული დანის პოზიცია და დაიცავით ხელი გაჭრისგან.

▲ გაფრთხილება: სერიოზული პერსონალური ზიანისგან თავის არიდების მიზნით მოხსენით აკუმულატორი ელექტრულ თავს ტექნიკური სერვისის, გაწმენდის, მიმაგრების შეცვლის ან ნარჩენი ნივთიერების მოცილების დროს.

ელექტრო სათიბი მიმაგრების გამოყენება ელექტრულ თავზე

▲ გაფრთხილება: ჩაიცვით შესაბამისად, რათა შეამციროთ დაზიანების რისკი ხელსაწყოთი სარგებლობისას. არ ჩაიცვათ განიერი, ფრიალა ტანსაცმელი და ძვირფასეულობა. მორიგეთ თვალის და თვალის/სმენის დამცავი საშუალებები. ჩაიცვით სამუშაო გრძელი შარვალი, ჩექმა და ხელთათმანები. დაუშვებელია გეცვათ მოკლე შორტი, სანდლები ან იაროთ ფეხშიშველმა.

▲ გაფრთხილება: გაასუფთავეთ სამუშაო არე მუშაობის დაწყებამდე. მოაცილეთ ყველა ობიექტი სამუშაო არეს როგორცაა ქვები, დამტვრეული მინა, ლურსმანი, სადენი ან ბაწარი, რომელიც შესაძლოა ჩაიყოლოს ან დაეხვის მთიბავ ნაწილს. მთარიდეთ სამუშაო ადგილს ბავშვები, სხვა პირები და შინაური ცხოველები. დარწმუნდით რომ ბავშვები, სხვა ადამიანები ან შინაური ცხოველები იმყოფებიან მინიმუმ 15 მ მოშორებით; არსებობს რისკი რომ უცხო სხეულები მაღალი სიჩქარით გვერდზე მდგომი პირებისკენ გაიტყორცნონ. გვერდზე მდგარი პირებისთვის რეკომენდირებულია თვალის დამცავი საშუალებების გამოყენება. თუ თქვენ სხვა პიროვნება მოგიახლოვდათ, დაუყონებლივ გააჩერეთ მატორი და სათიბი მოწყობილობა.

უსაფრთხო და უკეთესი მოხმარებისთვის, გადაიკიდეთ ჩამოსაკიდი ღვედი მხარზე. დაარეგულირეთ ღვედი კომფორტულ სამუშაო პოზიციაში. დაიჭირეთ ელექტრო სათიბი ერთი ხელით უკანა სახელურზე,

KA

ხოლო მეორე ხელით - წინა სახელურზე. მუშაობისას ორივე ხელი მჭიდროდ დაიჭირეთ კომფორტულ მდგომარეობაში, უკანა სახელურით დაახლოებით ბარძაყის დონეზე. ელექტრო სათიბის თავი უნდა იყოს მიწის პარარელური ისე რომ მარტივად ეხებოდეს სათიბ მცენარეებს მომხმარებლის დახრის გარეშე (ნახ. B).

▲ გაფრთხილება: მხრის ღვედი ასევე წარმოადგენს ხელსაწყოს სწრაფად მოხსნის საშუალებას სახიფათო სიატუაციაში. როდესაც ხდება გაუთვავლისწინებელი შემთხვევა, მაშინვე მოიხსენით ღვედი მხრიდან, მიუხედავდ იმისა თუ რომელ მხარზე მდებარეობს იგი.

ყოველი გამოყენების შემდეგ გაასუფთავეთ სათიბი.

იხილეთ სექცია „ექსპლუატაცია“ გაწმენდის ინსტრუქციებისთვის.

ხელსაწყოს ჩასართავად/გამოსართავად

იხილეთ სექცია „ელექტრული თავის ჩართვა/გამორთვა“ PH1420E ელექტრული თავის მომხმარებლის ინსტრუქციაში.

სათიბი ძუის სიგრძის ცვლილება

სათიბის თავაკი აძლევს მომხმარებელს საშუალებას გაზარდოს სათიბის ძუის სიგრძე მოტორის გაუჭერებლად. როდესაც ძუა იცვითება და წყდება, დამატებითი ძუის სიგრძის გამოშვება შესაძლებელია სათიბის თავაკის მიწაზე რბილი დარტყმით ხელსაწყოთი სარგებლობისას (ნახ. E).

შენიშვნა: ძუის გამოშვება მით უფრო გართულდება, რაც ხვიაზე მისი სიგრძე მოკლდება.

▲ გაფრთხილება: არ მოხსნათ ან შეცვალოთ ძუის საჭრელი დანის კონსტრუქცია. საჭრელი ძუის დიდი სიგრძე გამოიწვევს მოტორის გადახურებას, რამაც შესაძლოა მოგაყენოთ სერიოზული ზიანი.

ხაზის გამოცვლა

შენიშვნა: გამოიყენეთ რეკომენდირებული ნეილონის სათიბი ძუა, არაუმეტეს 2.4 მმ დიამეტრის სისქით. მითითებულისგან განსხვავებული ტიპის ძუის გამოყენება

შესაძლოა გამოიწვიოს სათიბის გადახურება და დაზიანება.

▲ გაფრთხილება: არასოდეს გამოიყენოთ ლითონის არმიერების მქონე მავთული, ზონარი, თოკი და სხვ. ისინი შესაძლოა გაწყდეს და წარმოქმნას სახიფათო გამოტყორცნილი ხეულეები.

ელექტრო სათიბი აღჭურვილია მოწინავე **POWERLOAD™** სისტემით. სათიბი ძუის დახვევა კოჭაზე შესაძლებელია ღილაკზე მარტივი დაჭერით. კოჭაზე სრულად დახვევა შესაძლებელია 12 წამში. **მოერიდეთ დამხვევი სისტემის განმეორებით გამოყენებას ხშირი თანმიმდევრობით, რათა შეამციროთ ძრავის დაზიანების რისკი.**

შენიშვნა: **POWERLOAD™** სისტემა ხელმისაწვდომია მხოლოდ მაშინ, როდესაც დანამატი უკავშირდება ელექტრონულ თავს PH1420E და დაყენებულია აკუმულატორი.

1. მოხსენით აკუმულატორი
2. მოჭერით 4 მ სიგრძის სათიბი ძუა. გაატარეთ ძუა ხვრელში (ნახ. F). შეიყვანეთ და ამოქაჩეთ ძუა მეორე მხრიდან, სანამ სათიბის თავის ორივე მხარეს თანაბარი რაოდენობის ძუა არ გამოჩნდება.

შენიშვნა: თუ სიღრუეში ძუის ჩასმა შეუძლებელია რადგან სათიბელას ქვედა ნაწილი გაჭედულია, სათიბელაზე დამონტაჟეთ აკუმულატორი, შემდეგ სწრაფად დააჭირეთ ძუას დახვევის ღილაკს, რათა გადატვირთოთ ქვედა საფარში დახვევის მექანიზმი.

3. ამოიღეთ აკუმულატორი, თუ იგი დამონტაჟებულია ელექტრონულ თავზე შეტყობინებაში ასახული 2 ნაბიჯის შემდეგ. მიჰყევით ქმედებებს, რომელიც მოცემულია საკრეჭი ძუის განმეორებითი ჩასმის და გასწორების 2 საფეხურზე.
4. დაამაგრეთ აკუმულატორი ელექტრონულ თავზე.
5. დააჭირეთ და გეჭიროთ უწყვეტად ძუის ჩატვირთვის ღილაკზე, რომ მოხდეს ძუის დახვევა სათიბელას თავზე, სანამ დაახლოებით 15 სმ ძუა არ გამოჩნდება

- თითოეულ მხარეს. (სურ. G)
- დააჭირეთ სათიბის თავს, რათა მანუალურად გამოწიოთ ძუა და შემოწმდეთ სათიბის ძუის ჯეროვანი დახვევა.

შენიშვნა: თუ ხაზი შემთხვევით ჩაითრია საკრეჭის თავაკმა, მოხსენით თავაკი და მოქაჩეთ იგი კოჭიდან. მიყევით სექციაში „სათიბი ძუის ხელახლა დახვევის“ ნაწილში მოცემულ მითითებებს, რათა ხელით მოხდეს ძუის ჩატვირთვა.

სათიბი ძუის ხელახლა დახვევა

როდესაც სათიბი ძუა წყდება და დილაკზე დაჭერით ძუა არ გამოდის ბუდიდან, გაჭედია, მიყევით შემდეგ ინსტრუქციებს, რათა მოხსნათ დარჩენილი ძუა სათიბელას და ხელახლა ჩატვირთოთ იგი.

1. მოხსენით აკუმულატორი
2. დააჭირეთ სათიბელას თავზე არსებულ დილაკებს და მოხსენით ქვედა ხუფი მისი პირდაპირ მოქაჩვის გზით (სურ. H).
3. მოხსენით საჭრელი ხაზი ბალახის საკრეჭის თავაკიდან.
4. საჭიროებისამებრ კოჭას მოხსენით ზამზარაც. შეინახეთ ის ხელახლა ასაწყობად.
5. ჩასვით ზამზარა ქვედა ხუფში არსებულ ნასვრეტში (ნახ. I).
6. ერთი ხელით დაიჭირეთ სათიბელა, მეორეთი - ქვედა ხუფი და გაუსწორეთ ქვედა ხუფის ნასვრეტები გამშვებ დილაკებს (ნახ. J). ჩასვით ქვედა ხუფი თავის ადგილას, ის უნდა ჩაიკეტოს წკაპ ხმით (ნახ. K).
7. მიყევით ინსტრუქციებს სექციაში „ხაზის გამოცვლა“, რათა ხელახლა დაახვიოთ საჭრელი ხაზი.

ბალახის საკრეჭის თავაკის გამოცვლა

▲ გაფრთხილება: თუ თავი მოირყევა საკუთარ ადგილზე დამაგრების შემდეგ, დაუყოვნებლივ გამოცვალეთ ეს ნაწილი. არასოდეს გამოიყენოთ ხელსაწყო

მორყეულად დამაგრებული მთიბავი ნაწილით. გამოცვალეთ გაზზარული, დაზიანებული ან გაცვეთილი თავი დაუყოვნებლივ, მიუხედავად იმისა რამდენად ზედაპირული შეიძლება სჩანდეს ზზარები. მსგავსი ნაწილები შესაძლოა დაიმსხვრეს მაღალ ბრუნებზე და მოგაყენოთ სერიოზული ზიანი.

კარგად დაათვალიერეთ სათიბელას თავი (ნახ. L).

ნახ. L ნაჩვენები ნაწილების აღწერა მოცემულია ქვევით:

L-1	ლილვი	L-6	საყელური
L-2	მილისი (2)	L-7	ქანჩი
L-3	ზედა ხუფი	L-8	ზამზარა
L-4	საჩერებელი რგოლი	L-9	ჭრის ხაზი
L-5	კოჭის დამჭერი	L-10	ქვედა ხუფი

სათიბის თავაკის მოხსნა

1. მოხსენით აკუმულატორი
2. დააჭირეთ სათიბის თავზე არსებულ გამშვებ დილაკებს და მოხსენით ქვედა ხუფი ამოქაჩვით.
3. მოხსენით საჭრელი ხაზი ბალახის საკრეჭის თავაკიდან.
4. საჭიროებისამებრ კოჭას მოხსენით ზამზარაც. შეინახეთ ის ხელახალი ასაწყობისთვის.
5. ჩაიცვით ხელთათმანები. ერთი ხელით დაიჭირეთ კოჭა სტაბილიზაციისთვის და მეორეთი 13 მმ ქანჩის გასაღები (არ არის კომპლექტში), რათა მოხსნათ ქანჩი საათის ისრის საწინააღმდეგო მიმართულებით დატრიალებით (ნახ. M).
6. მოხსენით ქანჩი, შუასაღები, კოჭას დამჭერი მოტორის ლილვს (ნახ. L).
7. გამოიყენეთ ბრტყელტუჩა (არ არის კომპლექტში) მზამზარავი საჩერებელი რგოლის მოსახსნელად. მოხსენით ქანჩი, შუასაღები, კოჭა და ზედა ხუფი მოტორის ლილვს (ნახ. L).

KA

8. შევცვალეთ ახალი საკრეკი თავაკით და დაამაგრეთ ის შემდეგი ნაბიჯებით მიღევნებით.

ახალი სათიბის თავაკის დამონტაჟება

1. დამონტაჟეთ ორი სავარცხელი მოტორის ლილვაზე.
2. გაუსწორეთ ზედა საფარის ბრტყელი ჭრილი ძრავის ლილვის ბრტყელ მონაკვეთთან და ჩაამაგრეთ ზედა საფარი თავის ადგილას (ნახ. N).

ნახ. N ნაჩვენები ნაწილების აღწერა მოცემულია ქვევით:

N-1	სიბრტყელე	N-2	ბრტყელი ჭრილი
-----	-----------	-----	---------------

სიბრტყელე
ბრტყელი ჭრილი

3. დაამგრეთ დამჭერი, კოჭის დამჭერი და მრეცხავი ამ მიმდევრობით. გამოიყენეთ დარტყმითი ქანჩსახრახნი ქანჩის მოსაჭერად საათის ისრის საწინააღმდეგო მიმართულებით.
4. მიჰყევით მითითებებს მომხმარებლის ინსტრუქციის 4 და 5 სექციაში „სათიბი ძუის ხელახალი დახვევა“, რათა დამონტაჟოთ ქვედა ხუფი.
5. მიყევით ინსტრუქციებს სექციაში „ძუის გამოცვლა“, რათა ხელახლა დაახვიოთ ძუა.
6. ჩართეთ ხელსაწყო რათა შეამოწმოთ სათიბის სწორი მუშაობა. თუ ის არ მუშაობს ნორმალურად, ხელახლა ააწყვეთ იგი ზევით მითითებული სახით.

ექსპლუატაცია

▲ გაფრთხილება: ხელსაწყო შემოწმებამდე, გაწმენდამდე და სერვისამდე, გააჩერეთ მოტორი, დაელოდეთ ყველა მოძრავი ნაწილის გაჩერებას და მოხსენით აკუმულატორი. ჩამოთვლილი ინსტრუქციების უგულვებლყოფამ შესაძლოა გამოიწვიოს სერიოზული ფიზიკური ან მატერიალური ზიანი.

გაფრთხილება: ტექნიკური სერვისისას გამოიყენეთ მხოლოდ იდენტური სათადარიგო ნაწილები. სხვა ნებისმიერი ნაწილის გამოყენებამ შესაძლოა შექმნას საფრთხე ან გამოიწვიოს ხელსაწყო დაზიანება. ხელსაწყო უსაფრთხოდ და გამართულად მუშაობისთვის საჭიროა მისი ყველა შეკეთება, გარდა ინსტრუქციაში მოცემული მოვლის წესებში აღწერილი პროცედურებისა, უნდა შესრულდეს კვალიფიციური სერვისის ტექნიკოსის მიერ.

ზოგადი მოვლის წესი

მოერიდეთ გამხსნელების გამოყენებას ხელსაწყო პლასტმასის ნაწილების გაწმენდისას. უმეტესობა პლასტმასები ადვილად ზიანდება მათზე გამხსნელების გამოყენების შედეგად. გამოიყენეთ სუფთა ტილო ტალახის, მტვრის, ზეთის, ცხიმის და სხვ. მოსაცილებლად.

ხელსაწყო გაწმენდის წესი

- მოაცილეთ ბალახი, რომელიც დახვეულია მოტორის ლილვსა და სათიბის თავაკზე.
- გამოიყენეთ მცირე ფუნჯი ან პატარა მტვერსასრული რათა გაწმინდოთ ხელსაწყო საპეროები ბუდის უკანა მხარეს.
- გაწმინდეთ ხელსაწყო ნოტიო ქსოვილით და რბილი სარეცხი საშუალებით.
- არ გამოიყენოთ ძლიერი გამწმენდი საშუალებები პლასტმასის ბუდეზე ან სახელურზე. ისინი შესაძლოა დაზიანდეს ისეთი არომატიზატორებით, როგორცაა ნაძვის ან ლიმონის ზეთი, ან ნავთის ტიპის გამხსნელი საშუალებებით. სინესტემ ასევე შეიძლება შექმნას ელექტრული შოკის საფრთხე. რბილი, მშრალი ქსოვილით მოწმინდეთ ხელსაწყო ნებისმიერი ნესტი,

გადაცემათა კოლოფის კბილანების შუზეთვა

გადაცემათა კოლოფში არსებული კბილანები საჭიროებენ პერიოდულ შეზეთვას სპეციალური საპოხით. შეამოწმეთ გადაცემათა კოლოფის შეზეთვის დონე ექსპლუატაციის ყოველ 50 საათთან პერიოდში კოლოფის გვერდითა მხარეს მოთავსებული



დამლუქავი ხრახნის მოხსნით.

თუ კბილანების გვერდებზე საპოხი მასალა არ სჩანს, მიყევით ქვემოთ მოცემულ ინსტრუქციას და შეავსეთ გადაცემათა კოლოფის სივრცე 3/4-ზე საპოხი მასალით.

ბოლომდე არ გაავსოთ გადაცემათა კოლოფი.

1. დაიჭირეთ ელექტრო სათიბი გვედლულად იმგვარად რომ დამლუქავი ხრახნი აღმოჩნდეს ზედა მხარეს .
2. გამოიყენეთ არსებული მრავალფუნქციური ქანჩის გასადები, რათა მოუშვათ და მოხსნათ დამლუქავი ხრახნი.
3. გამოიყენეთ ზეთის შპრიცი (არ არის კომპლექტში), რათა შეიყვანოთ საპოხი მასალა ხრახნის ნასვრეტში; არ გადააჭარბოთ მოცულობის 3/4-ზე მეტს.
4. საპოხის შეყვანის შემდეგ დაუჭირეთ დამლუქავი ხრახნი.

ხელსაწყოს შენახვის წესი

მოხსენით აკუმულატორი ძალოვანი თავაკიდან.

საფუძვლიანად გაწმინდეთ ხელსაწყო შენახვამდე.

თუ ელექტრო სათიბი მიმაგრება მოხსნილია ელექტრული თავიდან და შენახულია ცალკე: მოარგეთ მიმაგრების ტარის ბოლოს ხუფი, რათა აიცილოთ თავიდან ჭუჭყის მოხვედრა სამაგრ ქუროში.

შეინახეთ ხელსაწყო მშრალ, კარგად განიავებად ადგილას ჩაკეტილ და მაღალ სათავსოში, ზეშვებისთვის მოუწვდომელ ადგილას. არ შეინახოთ ხელსაწყო სასუქის, ბენზინის და სხვა ქიმიური ნივთიერებების სიახლოვეს.

ძუის საჭრელი დანის გალესვა

⚠ გაფრთხილება: ყოველთვის დაიცავით თქვენი ხელები დამცავი ხელთათმანებით, როცა საჭრელი ხაზის დანას უტარებთ ნებისმიერ ტექნოსახურებას.

1. მოხსენით აკუმულატორი.
2. მოხსენით ძუის საჭრელი დანა დამცავ ეკრანს.

3. მჭიდროდ დაამაგრეთ დანა გირაგში.
4. გამოიყენეთ მხედველობის დამცავი დაშუალევა და ხელთათმანები და გამოიჩინეთ სიფრთხილე არ დაიზიანოთ თავი.
5. ფრთხილად გაქლიბეთ დანის მჭრელი პირები ქლიბით ან სალესი ქვით, პირველადი მჭრელი დანის დახრის კუთხის შენარჩუნებით.
6. მოათავსეთ დანა დამცავ აკრანზე და დაამაგრეთ ორი ხრახნით.

გარემოს დაცვა



არ მოახდინოთ ელექტრული მოწყობილობის, დამტენის და აკუმულატორის / მისი ბატარეების მოთავსება საყოფაცხოვრებო ნაგავში!

მიუტანეთ პროდუქტი ნარჩენების ავტორიზირებულ გადამამუშავებელს და უზრუნველყავით ასეთი ნარჩენის განცალკევებულად შეგროვება. ელექტრო ხელსაწყოები უნდა ჩაბარდეს გარემოს თვალსაზრისით თავსებად ნარჩენების გადამამუშავებელ ობიექტს. ელექტრო მოწყობილობების ნაგავსაყრელზე მოთავსებისას სახიფათო ნარჩენებმა შესაძლოა გაჟონოს გრუნტის წყლებში და მოხდეს საკვებ ჯაჭვში, რამაც შესაძლოა დააზიანოს თქვენი ჯანმრთელობა და კეთილდღეობა.

KA

გაუმართაობის დიაგნოსტიკა

პრობლემა	მიზეზი	გადაჭრის გზა
სათიბი არ ირთვება.	<ul style="list-style-type: none"> აკუმულატორი არ არის შეერთებული ელექტრულ თავზე. ელექტრულ თავსა და აკუმულატორს შორის არ არის ელექტრული კონტაქტი. აკუმულატორის ბლოკი დაცლილია. ჩამკეტი ბერკეტი და ტრიგერი ერთდროულად არაა აქტივირებული. 	<ul style="list-style-type: none"> დაამაგრეთ აკუმულატორი ელექტრულ თავზე. მოხსენით აკუმულატორი, შეამოწმეთ კონტაქტები და კვლავ მოათავსეთ იგი უკან, სანამ არ ჩაჯდება თავის ადგილას. დატენეთ აკუმულატორი მხოლოდ EGO-ს მიერ ამ მომხმარებლის ინსტრუქციაში ჩამოთვლილი დამტენი მოწყობილობებით. დააჭირეთ ჩამკეტი ბერკეტი და გააჩერეთ ამ მდგომარეობაში, შემდეგ დააჭირეთ თითო ტრიგერს რათა ჩართოთ სათიბი.
სათიბი ითიმება მუშაობის პროცესში.	<ul style="list-style-type: none"> დამცავი ეკრანი არაა დამონტაჟებული სათიბზე, რის გამოც სათიბი ძუა არის უზომოდ გრძელი და მოტორი იტვირთება. მძიმე სათიბი ძუა არის გამოყენებული. მოტორის ტარი ან სათიბის თავი ბალახშია გახლართული. მოტორი არის გადატვირთული. აკუმულატორი ან სათიბი ზედმეტად გაცხელებულია. აკუმულატორი მოხსნილია ხელსაწყოდან. აკუმულატორი დაცლილია. 	<ul style="list-style-type: none"> მოხსენით აკუმულატორი და დაამონტაჟეთ დამცავი ეკრანი სათიბზე. გამოიყენეთ რეკმენდირებული ნეილონის სათიბი ძუა, არაუმეტეს 2.4 mm დიამეტრის სისქით. გამორთეთ სათიბი, მოხსენით აკუმულატორი, მოაცილეთ ბალახი მოტორის სახელურს და სათიბის თავაკს. მოაცილეთ სათიბის თავაკი ბალახს, ხელსაწყო განაახლებს მუშაობას როდესაც დატვირთვა მოიხსნება. თიბვის პროცესში ჩაწიეთ და ამოწიეთ სათიბის თავაკი ბალახიდან და არ მოჭრათ 20 სმ-ზე მეტი სიგრძის ბალახი ერთ ჯერზე. აცალეთ სათიბს ან აკუმულატორს გაგრილება 67°C-ის ქვევით. ხელახლა ჩასვით აკუმულატორი. დატენეთ აკუმულატორი მხოლოდ EGO-ს მიერ ამ მომხმარებლის ინსტრუქციაში ჩამოთვლილი დამტენი მოწყობილობებით.

KA

პრობლემა	მიზეზი	გადაჭრის გზა
სათიბის თავაკი არ უშვებს ძულს.	<ul style="list-style-type: none"> ■ მოტორის ტარი ან სათიბის თავი ბალახშია გახლართული. ■ კოჭაზე არასაკმარისი ოდენობის ძულა არის დარჩენილი. ■ სათიბის თავაკი ჭუჭყლიანია. ■ ძულა გახლართულია სათიბ თავაკში. ■ ძულა საკმარისზე მოკლეა. 	<ul style="list-style-type: none"> ■ გამორთეთ სათიბი, მოხსენით აკუმულატორი, გაწმინდეთ მოტორის ლილვი და სათიბის თავაკი. ■ ამოიღეთ აკუმულატორი და შეცვალეთ სათიბი ძულა; მიჰყევით ამ ინსტრუქციაში მოცემულ ნაწილს „სათიბი ძულის ხელახლა ჩატვირთვა“. ■ მოხსენით აკუმულატორი და გაწმინდეთ კოჭა, ქვედა და ზედა ხუფები. ■ ამოიღეთ აკუმულატორი, მოხსენით ძულა კოჭადან და ხელახლა დაახვიეთ იგი; მიჰყევით ამ ინსტრუქციაში მოცემულ ნაწილს „სათიბი ძულის ხელახლა ჩატვირთვა“. ■ მოხსენით აკუმულატორი და მოჭარეთ ძულის წვერებზე ხელით, თან შიგადაშოგ დააწეკით და აუშვით ხელი სათიბის თავაკს.
ბალახი ეხვევა სათიბის თავაკს და მოტორის ბუდეს.	<ul style="list-style-type: none"> ■ მაღალი ბალახის ჭრა ძირში. 	<ul style="list-style-type: none"> ■ მოჭერით მაღალი ბალახი წვეროდან დაბლა, არ მოჭრათ 20 სმ-ზე მეტი სიგრძის ბალახი ერთ ჯერზე, რათა აარიდოთ თავი ბალახის დახვევას.
დანა არ ჭრის ძულს.	<ul style="list-style-type: none"> ■ დამცავ ეკრანის კიდესთან მდებარე სათიბის დანა დაჩლუნგდა. 	<ul style="list-style-type: none"> ■ გალესეთ სათიბის დანა ქლიბის საშუალებით ან ახალი დანა დაამონტაჟეთ.
ბზარები სათიბის თავაკზე ან კოჭის დამჭერზე, მოდის კოჭის ფუმიდან.	<ul style="list-style-type: none"> ■ სათიბის თავაკი გაცვეთილია. 	<ul style="list-style-type: none"> ■ შეცვალეთ სათიბი თავაკი დაუყოვნებლივ; მიყევით ამ მომხმარებლის ინსტრუქციაში სექციის „სათიბი თავაკის შეცვლა“ მითითებებს.
	<ul style="list-style-type: none"> ■ ქანჩი, რომელიც აფიქსირებს სათიბ თავაკს, მოშვებულია. 	<ul style="list-style-type: none"> ■ გახსენით სათიბის თავაკი და გამოიყენეთ დარტყმითი ქანჩგასაღები, რათა დაუჭიროთ ქანჩი.

პრობლემა	მიზეზი	გადაჭრის გზა
შეცვლისას ძუა არ მაგრდება სათიბის თავაკში ჯეროვნად.	<ul style="list-style-type: none"> ძუა არ არის სწორად ჩასმული ხვრელში არსებულ სამაგრ სიღრუეში. 	<ul style="list-style-type: none"> ჯერ გაუსწორეთ ძუა ნასვრეტებს, შემდეგ ჩასვით იგი სამაგრ ხვრელში, რომელიც ნასვრეტშია მოთავსებული.
	<ul style="list-style-type: none"> კოჭის დამჭერის ბუის დასახვევი არ უსწორდება სამაგრ ნახვრეტებს კოჭის ფუძეზე. 	<ul style="list-style-type: none"> დაატრიალეთ კოჭის დამჭერი ისრის მიმართულებით, რათა გაუსწოროთ კოჭის დამჭერზე არსებული ძუა კოჭის ფუძეზე არსებულ სამაგრ სიღრუეებს.

გარანტია

EGO-ს გარანტიის მომსახურების წესი

გთხოვთ ეწვიოთ ვებ-გვერდს

egopowerplus.com, რათა მიიღოთ EGO-ს საგარანტიო მომსახურების სრული დადგენილებები და პირობები.

KEES VAN DER SPEK
TUINMACHINES * STOLWIJK

KA

PROČITAJTE SVA UPUTSTVA!



PROČITAJTE PRIRUČNIK ZA RUKOVAOCA

⚠ Rezidualni rizik! Osobe sa elektronskim uređajima, poput pejsmejкера, treba da konsultuju svog lekara (svoje lekare) pre upotrebe ovog proizvoda. Rukovanje električnom opremom u neposrednoj blizini srčanog pejsmejкера moglo bi da izazove smetnje ili otkazivanje pejsmejкера.

⚠ UPOZORENJE: Da bi se osigurala sigurnost i pouzdanost, sve popravke i zamene treba da radi kvalifikovani servisni tehničar.

SIGURNOSNI SIMBOLI

Svrha sigurnosnih simbola je da vam skrenu pažnju na moguće opasnosti. Sigurnosni simboli i objašnjenja uz njih zaslužuju vašu pognu pažnju i shvatanje. Simboli upozorenja, sami po sebi, ne eliminišu nikakve opasnosti. Uputstva i upozorenja koja oni daju nisu zamena za odgovarajuće mere sprečavanja nezgoda.

⚠ UPOZORENJE: Obavezno pročitajte i shvatite sva sigurnosna uputstva u ovom Priručniku za rukovaoca, obuhvatajući i sve simbole sigurnosnih upozorenja poput „OPASNOST“, „UPOZORENJE“ i „OPREZ“ pre korišćenja ovog alata. Nepridržavanje svih dolenađenih uputstava može da dovede do strujnog udara, požara i/ili ozbiljne telesne povrede.

ZNAČENJE SIMBOLA

⚠ SIMBOL SIGURNOSNOG UPOZORENJA: Ukazuje na **OPASNOST**, **UPOZORENJE** ili **OPREZ**. Može se koristiti zajedno sa drugim simbolima ili piktogramima.

SIGURNOSNA UPUTSTVA

Ova stranica prikazuje i opisuje sigurnosne simbole koji mogu da se pojave na ovom proizvodu. Pročitajte, shvatite i sledite sva uputstva na mašini pre no što pokušate da je sklopite i da rukujete njom.

	Sigurnosno upozorenje	Označava potencijalnu opasnost od telesne povrede.
	Pročitajte priručnik za rukovaoca	Da bi smanjio rizik od povreda, korisnik pre korišćenja ovog proizvoda mora pročitati i shvatiti priručnik za rukovaoca.

	Nosite zaštitu za oči, uši i glavu	Uvek nosite zaštitu za oči, uši i glavu.
	Širina sečenja	Maks. širina sečenja trimera sa strunom
	Prečnik strune	Prečnik najlonske strune za sečenje
	Ne koristite metalne nožve	Upozorava korisnika da ne koristi metalne nožve
	Držite prolaznike podalje	Izbačeni predmeti se mogu odbiti i izazvati telesnu povredu ili oštetiti imovinu. Osigurajte da drugi ljudi i kućni ljubimci budu udaljeni od trimera kada je u upotrebi.
	Udaljenost između mašine i prolaznika mora biti najmanje 15 m	Pobrinite se da druge osobe i kućni ljubimci ostanu na udaljenosti od najmanje 15 m od trimera sa strunom tokom upotrebe.
IPX4	IP simbol	Zaštita od prodiranja vode, stepen 4.
	CE	Ovaj proizvod je u skladu sa primenljivim EC direktivama.
	UKCA	Ovaj proizvod je u skladu sa primenljivim zakonima u UK.
	WEEE	Otpadne električne proizvode ne bi trebalo odlagati zajedno sa otpadom iz domaćinstva. Odnosite ih u ovlašćeni pogon za reciklažu.
	Buka	Garantovan nivo jačine zvuka. Emisija buke u okruženju prema Direktivi Evropske zajednice.
V	Volt	Voltaža
mm	Milimetar	Dužina ili veličina
cm	Centimetar	Dužina ili veličina
kg	Kilogram	Težina

OPŠTA SIGURNOSNA UPOZORENJA ZA ELEKTRIČNI ALAT

⚠ UPOZORENJE: Pročitajte sva sigurnosna upozorenja, uputstva, ilustracije i specifikacije priložene uz ovaj električni alat. Nepridržavanje svih dolenađenih uputstava može da dovede do strujnog udara, požara i/ili ozbiljne povrede.

SR

Sačuvajte sva upozorenja i uputstva za buduću upotrebu.

Pojam „električni alat“ u upozorenjima označava električni alat (sa žicom) koji se uključuje u utičnicu ili električni alat (bežični) na baterije.

BEZBEDNOST NA RADNOM PODRUČJU

- Održavajte radno područje čistim i dobro osvetljenim. Na pretrpanim ili mračnim područjima su veće šanse da dođe do nezgoda.
- Ne koristite električne alate u eksplozivnim atmosferama, kao na primer u prisustvu zapaljivih tečnosti, gasova ili prašine. Električni alat stvara varnice koje mogu zapaliti prašinu ili isparenja.
- Držite decu i prolaznike podalje dok koristite električni alat. Ako vam neko odvraća pažnju, možete izgubiti kontrolu.

ELEKTRIČNA BEZBEDNOST

- Utičak električnog alata mora odgovarati utičnici. Nikada ne modifikujete utikač ni na koji način. Ne koristite adapterske utikače sa uzemljenim električnim alatom. Nemodifikovani utikači i odgovarajuće utičnice će smanjiti rizik od strujnog udara.
- Izbegavajte kontakt delova tela sa uzemljenim površinama, poput cevi, radijatora, šporeta i frižidera. Postoji povećan rizik od strujnog udara ako je vaše telo uzemljeno.
- Ne rukujte mašinom po kiši ili u vlažnim uslovima. Ako voda uđe u mašinu, to može povećati rizik od strujnog udara ili kvara, što bi moglo da dovede do telesne povrede.
- Nemojte zloupotrebljavati kabl. Nikada ne koristite kabl za nošenje, vučenje ili isključivanje iz utičnice električnog alata. Čuvajte kabl podalje od toplote, nafte, oštih ivica ili pokretnih delova. Oštećen ili upetljan kabl povećava rizik od strujnog udara.
- Kada koristite električni alat na otvorenom prostoru, koristite produžni kabl pogodan za korišćenje na otvorenom prostoru. Upotreba kabla pogodnog za korišćenje na otvorenom prostoru smanjuje rizik od strujnog udara.
- Ako je korišćenje električnog alata u vlažnom području neizbežno, koristite izvor napajanja sa zaštitnim uređajem diferencijalne struje (RCD). Korišćenje RCD smanjuje rizik od strujnog udara.

SR

LIČNA BEZBEDNOST

- Ostanite u pripravnosti, pazite šta radite i koristite zdrav razum kada koristite električni alat. Ne koristite električni alat kada ste umorni ili pod

uticajem droga, alkohola ili lekova. Trenutak nepažnje kada koristite električni alat je dovoljan da izazove ozbiljne telesne povrede.

- **Koristite ličnu zaštitnu opremu. Uvek nosite zaštitu za oči.** Zaštitna oprema poput maske za prašinu, radnih cipela koje se ne klizaju, šlema ili zaštite sluha će, kada se koristi za odgovarajuće uslove, smanjiti telesne povrede.
- **Sprečite slučajno pokretanje. Osigurajte da prekidač bude u isključenom položaju pre povezivanja na izvor napajanja i/ili bateriju, podizanja ili nošenja alata.** Nošenje električnih alata sa prstom na prekidaču ili uključivanje u utičnicu električnih alata čiji prekidač je u uključenom položaju priziva nezgode.
- **Uklonite sve ključeve za podešavanje pre uključivanja električnog alata.** Ključ koji ostane pričvršćen za rotacioni deo električnog alata može da izazove telesnu povredu.
- **Ne presežite. U svakom trenutku održavajte pravilan položaj nogu i ravnotežu.** To omogućava bolju kontrolu električnog alata u neočekivanim situacijama.
- **Prikladno se obucite. Ne nosite labavu odeću niti nakit. Držite kosu, odeću i rukavice dalje od pokretnih delova.** Labava odeća, nakit ili duga kosa mogu da se zakače pokretnim delovima.
- **Ako su priloženi uređaji za povezivanje delova za izbacivanje i prikupljanje prašine, osigurajte da oni budu povezani i da se pravilno koriste.** Upotreba uređaja za prašinu može da smanji opasnosti koje izaziva prašina.
- **Ne dozvolite da zbog poznavanja koje ste stekli kroz čestu upotrebu alata postanete samozadovoljni i ignorišete principe bezbednosti alata.** Nemarni postupak može da izazove ozbiljnu povredu u deliću sekunde.

UPOTREBA I ODRŽAVANJE ELEKTRIČNOG ALATA

- **Ne silite električni alat. Koristite odgovarajući električni alat za ono što radite.** Odgovarajući električni alat uradiće posao bolje i bezbednije onom brzinom za koju je dizajniran.
- **Ne koristite električni alat ako ga prekidač ne uključuje i isključuje.** Svaki električni alat koji se ne može kontrolisati prekidačem je opasan i mora se popraviti.
- **Odvojite utikač iz izvora napajanja i/ili bateriju iz električnog alata pre bilo kakvog podešavanja, menjanja dodataka ili skladištenja električnog alata.** Takve preventivne sigurnosne mere smanjuju rizik od nehotičnog pokretanja električnog alata.

- **Skladistište isključene električne alate van domašaja dece i ne dozvolite osobama koje nisu upoznate sa ovim električnim alatom ili ovim uputstvom da rukuju električnim alatom.** Električni alat je opasan u rukama nekvalifikovanih korisnika.
- **Održavajte električni alat i dodatke.** Proverite pravilno poravnanje ili spojeve pokretnih delova, lomljenje delova i sva druga stanja koja mogu da utiču na rad električnog alata. Ako je oštećen, odnesite električni alat na popravku pre upotrebe. Mnoge nezgode su izazvane loše održanim električnim alatom.
- **Održavajte alate koji seku oštirim i čistim.** Pravilno održavani alati za sečenje sa oštirim ivicama za sečenje se ređe zapetljavaju i lakše se kontrolišu.
- **Koristite električni alat, dodatke, delove itd. u skladu sa ovim uputstvom, uzimajući u obzir radne uslove i rad koji treba obaviti.** Korišćenje električnog alata za rad drugačiji od predviđenog moglo bi da dovede do opasne situacije.
- **Održavajte drške i površine koje hvatate suvim, čistim i bez ulja i masnoće.** Klizave drške i površine koje hvatate ne omogućavaju bezbedno rukovanje i kontrolu alata u neočekivanim situacijama.

UPOTREBA I ODRŽAVANJE ALATA NA BATERIJE

- **Punite samo punjačem koji navodi proizvođač.** Punjač koji je prikladan za jedan tip baterije može da stvori opasnost od požara kad se koristi sa drugom baterijom.
- **Koristite električni alat samo sa konkretno imenovanim baterijama.** Upotreba bilo kakvih drugih baterija može da stvori rizik od povrede i požara.
- **Kad se baterija ne koristi, držite je dalje od drugih metalnih predmeta, poput spajalica, novčića, ključeva, eksera, vijaka ili drugih malih metalnih predmeta koji mogu da napravie spoj jednog terminala sa drugim.** Kratak spoj terminala baterije može da izazove opekotine ili požar.
- **U ekstremnim uslovima može doći do curenja tečnosti iz baterije; izbegavajte kontakt sa njom. Ako dođe do nehotičnog kontakta, isperite vodom. Ako tečnost dođe u kontakt sa očima, takode potražite i medicinsku pomoć.** Tečnost iz baterije može da izazove iritaciju ili opekotine.
- **Ne koristite bateriju ili alat koji su oštećeni ili modifikovani.** Oštećene ili modifikovane baterije mogu da ispolje nepredvidivo ponašanje, dovodeći do požara, eksplozije ili rizika od povrede.
- **Ne izlažite bateriju ili alat vatri ili previsokoj temperaturi.** Izlaganje vatri ili temperaturi iznad 130 °C može izazvati eksploziju.

- **Pratite sva uputstva za punjenje i ne punite bateriju ili alat izvan temperaturnog opsega navedenog u uputstvima.** Punjenje na nepravilan način ili na temperaturama izvan navedenog opsega može da ošteti bateriju i poveća rizik od požara.

SERVIS

- **Odnesite električni alat na servisiranje kod kvalifikovanog servisera koji će koristiti samo identične rezervne delove.** To će osigurati da bezbednost električnog alata bude održana.
- **Nikad ne servisirajte oštećene baterije.** Servisiranje baterija treba da radi samo proizvođač ili ovlašćeni servis.

SPECIJALNA SIGURNOSNA UPOZORENJA ZA TRIMER SA STRUNOM

- **Ne koristite mašinu u lošim vremenskim uslovima, naročito kad postoji rizik od grmljavine.** Time ćete smanjiti opasnost od udara munje.
- **Temeljno pregledajte da li na površini gde ćete koristiti mašinu ima divljih životinja.** Mašina tokom rada može povrediti divlje životinje.
- **Temeljno pregledajte površinu na kojoj ćete koristiti mašinu i uklonite svo kamenje, štapove, žice, kosti i druge strane predmete.** Izbačeni predmeti mogu da izazovu telesnu povredu.
- **Pre korišćenja mašine, uvek je vizuelno pregledajte da biste videli da sekač ili nož i sekač ili sklop noža nisu oštećeni.** Oštećeni delovi povećavaju rizik od povreda.
- **Pratite uputstva za menjanje dodataka.** Nepravilno zategnute matice ili vijci za pričvršćivanje sekača mogu da oštete nož ili da dovedu do njegovog odvajanja.
- **Nosite zaštitu za oči, uši, glavu i šake.** Adekvatna zaštitna oprema će smanjiti telesne povrede od letećih komadića ili nehotičnog kontakta sa strunom za sečenje ili nožem.
- **Dok rukujete mašinom, uvek nosite zaštitnu obuću koja se ne klizi.** Ne rukujte mašinom dok ste bos ili nosite sandale ili papuče. To smanjuje šanse za povrede stopala od kontakta sa sekačem ili strunom u pokretu.
- **Dok rukujete mašinom, uvek nosite duge pantalone.** Izložena koža povećava verovatnoću povrede od izbačenih predmeta.
- **Držite posmatrača dalje dok rukujete mašinom.** Izbačeni otpad može da izazove teške telesne povrede.
- **Uvek koristite obe ruke kad rukujete mašinom.** Držanje mašine obema rukama će sprečiti gubitak kontrole.

- **Držite mašinu samo za izolovane površine za hvatanje jer struna za sečenje ili nož može da dođe u dodir sa skrivenim ožičenjem.** Ako struna za sečenje ili noževi dođu u dodir sa žicom pod naponom, i izloženi metalni delovi mašine mogu da budu pod naponom pa rukovalac može da dobije strujni udar.
- **Uvek održavajte pravilan položaj nogu i rukujte mašinom samo kad stojite na tlu.** Klizave ili nestabilne površine mogu da izazovu gubljenje ravnoteže ili kontrole nad mašinom.
- **Nemojte rukovati mašinom na prekomerno strmim nagibima.** To smanjuje rizik od gubitka kontrole, okliznuća i pada koji može dovesti do telesne povrede.
- **Kad radite na nagibima, uvek budite sigurni u položaj nogu, uvek radite popreko nagiba, nikad uzbrdo ili nizbrdo, i budite krajnje oprezni kad menjate smer.** To smanjuje rizik od gubitka kontrole, okliznuća i pada koji može dovesti do telesne povrede.
- **Držite sve delove tela dalje od sekača, strune ili noža dok je mašina u upotrebi.** Pre startovanja mašine, osigurajte da sekač, struna ili nož nije u kontaktu ni sa čim. Trenutak nepažnje dok rukujete mašinom može dovesti do povrede vas ili drugih.
- **Ne rukujte mašinom iznad visine struka.** To pomaže da se spreči nenameravan kontakt sekača ili noža i omogućava bolju kontrolu mašine u neočekivanim situacijama.
- **Kad sećete šiblje ili mladice koji su pod tenzijom, pazite na odskakanje.** Kad se tenzija u vlaknima drveta otpusti, šiblje ili mladice mogu da udare rukovaoca i/ili izbace mašinu van kontrole.
- **Budite krajnje oprezni kad sećete šiblje i mladice.** Tanak materijal može da uhvati nož i da vas ošine ili vas izvuče iz ravnoteže.
- **Održavajte kontrolu nad mašinom i ne dodirujte sekače, strune ili noževe i druge opasne pokretne delove dok se još uvek kreću.** To smanjuje rizik od povreda pokretnim delovima.
- **Kad čistite zaglavljene materijal ili servisirate mašinu, vodite računa da prekidač bude isključen i da baterija bude izvađena.** Neočekivano startovanje mašine tokom čišćenja zaglavljene materijala ili servisiranja može da rezultira teškim telesnim povredama.
- **Nosite mašinu kad je isključena i držite je dalje od sebe.** Pravilno rukovanje mašinom će smanjiti verovatnoću nehotičnog kontakta sa sekačem, strunom ili nožem koji su u pokretu.
- **Koristite samo zamenske sekače, strune, glave za sečenje i noževe koje navodi proizvođač.**

Neodgovarajući rezervni delovi mogu povećati rizik od kvarova i povreda.

- **Oštećenje trimera - Ako udarite strani predmet trimenom ili ako se on zapetlja, zaustavite alat odmah, proverite ima li oštećenja i popravite sva oštećenja pre no što pokušate da nastavite sa radom.** Ne koristite sa polomljenim štitnikom ili kalemom.
- **Ako oprema počne abnormalno da vibrira, zaustavite motor i odmah potražite uzrok.** Vibracija je generalno upozorenje da postoji problem. Labava glava može vibrirati, napuknuti, polomiti se ili otpasti sa trimera, što može dovesti do ozbiljne ili fatalne povrede. Vodite računa da dodatak za sečenje bude pravilno fiksiran na svoje mesto. Ako se glava olabavi posle fiksiranja na njeno mesto, zamenite je odmah. Nemojte nikada upotrebljavati trimer ako je priključak za sečenje otpušten.
- **Alati na baterije ne moraju da budu uključeni u utičnicu; oni su stoga uvek u radnom stanju. Budite svesni mogućih opasnosti čak i kada se alat ne koristi.** Budite pažljivi kada održavate ili servisirate.
- **Ne perite crevom; izbegavajte ulaženje vode u motor i električne veze.**
- **Ako dođe do situacija koje nisu obrađene u ovom priručniku, primenjujte oprez i zdravo rasuđivanje.** Obratite se EGO korisničkoj službi za pomoć.
- **Koristite samo sa baterijama i punjačima navedenim na slici A.**

SAČUVAJTE OVO UPUTSTVO!

SPECIFIKACIJE

Mehanizam sečenja	Izbočena glava
Prečnik strune	2,4 mm najlonska upletena struna
Širina sečenja	40 cm
Brzina bez opterećenja	4900/5800 min ⁻¹
Težina (bez baterije)	1,53 kg
Preporučena radna temperatura	0°C-40°C
Preporučena temperatura skladištenja	-20°C-70°C
Izmereni nivo jačine zvuka L _{WA}	95,72 dB(A) K=0,77 dB(A)
Nivo zvučnog pritiska kod uha rukovaoca L _{PA}	81,6 dB(A) K= 3 dB(A)
Garantovan nivo jačine zvuka L _{WA} (izmereno prema 2000/14/EC)	96 dB(A)

Procena vibracije a_n	Prednja pomoćna drška	2,5 m/s ² K=1,5 m/s ²
	Zadnja drška	1,8 m/s ² K=1,5 m/s ²

- Gornji parametri su testirani i izmereni sa pogonskom glavom PH1420E.
- Deklarisana ukupna vrednost vibracije je izmerena u skladu sa standardnim metodom testiranja i može se koristiti za upoređivanje jednog alata sa drugim;
- Deklarisana ukupna vrednost vibracije može se koristiti u preliminarnoj proceni izlaganja.

⚠ UPOZORENJE: Emisije vibracija i buke tokom stvarne upotrebe električnog alata mogu da se razlikuju od deklariranih vrednosti u zavisnosti od načina kako se alat koristi i naročito od vrste materijala koji se obrađuje; i Od potrebe da se identifikuju sigurnosne mere za zaštitu rukovaoca koje su zasnovane na proceni izlaganja u stvarnim uslovima upotrebe (uzimajući u obzir sve delove radnog ciklusa, poput vremena kad je alat isključen i kad radi bez opterećenja, pored vremena rada sa opterećenjem).

POPIS PAKOVANJA (SLIKA A)

Za preporučenu strunu za sečenje, posetite veb-lokaciju egopowerplus.com ili pogledajte katalog EGO proizvoda.

OPIS

UPOZNAJTE SVOJ DODATAK TRIMERA SA STRUNOM (slika A)

1. Krajnja kapica
2. Vratilo trimera sa strunom
3. Dugme za namotavanje strune
4. Struna za sečenje
5. Glava trimera (reznna glava)
6. Jezičak za otpuštanje
7. Nož za sečenje strunom
8. Štitnik
9. Inbus ključ

⚠ UPOZORENJE: Nikada ne koristite alat bez štitnika čvrsto na mestu. Štitnik mora uvek biti na alatu da bi zaštitio korisnika.

SKLAPANJE

⚠ UPOZORENJE: Ako su neki delovi oštećeni ili nedostaju, nemojte koristiti ovaj proizvod dok delovi ne budu zamenjeni. Korišćenje ovog proizvoda sa oštećenim ili nedostajućim delovima može dovesti do ozbiljnih telesnih povreda.

⚠ UPOZORENJE: Ne pokušavajte da modifikujete ovaj proizvod ili da pravite dodatke koji nisu preporučeni za korišćenje sa ovim trimenom sa strunom. Svaka takva promena ili modifikacija je zloupotreba i može dovesti do opasnih uslova koji mogu da dovedu do ozbiljnih telesnih povreda.

⚠ UPOZORENJE: Ne spajajte sa pogonskom glavom dok sklapanje ne bude završeno. Nepridržavanje toga može izazvati nehotično pokretanje i ozbiljne telesne povrede.

MONTIRANJE ŠTITNIKA

⚠ UPOZORENJE: Uvek nosite rukavice kad montirate ili zamenjujete štitnik. Čuvajte se noža na štitniku i zaštitite ruke od povrede nožem.

Olabavite i uklonite dva vijka sa štitnika (slika C), poravnajte montažne rupe štitnika sa rupama na sklopu pa zatim zaključajte štitnik na bazu vratila pomoću dva vijka, zajedno sa dve elastične podloške (slika D).

Proverite da li je štitnik fiksiran prema slici C i D, svako obrnuto fiksiranje će izazvati veliku opasnost!

POVEZIVANJE DODATKA TRIMERA SA STRUNOM NA POGONSKU GLAVU

Ovaj dodatak trimera sa strunom je dizajniran za korišćenje sa EGO pogonskom glavom PH1420E.

Pogledajte odeljak „**INSTALIRANJE NASTAVKA POGONSKE GLAVE**“ u priručniku za rukovaoca za pogonsku glavu PH1420E.

RUKOVANJE

⚠ UPOZORENJE: Ne dozvolite da zbog poznavanja ovog proizvoda postanete nemarni. Zapamtite da je delić sekunde nepažnje dovoljan da nanese ozbiljnu povredu.

⚠ UPOZORENJE: Uvek nosite zaštitne naočare i zaštitu za sluh. Nepridržavanje toga može dovesti do predmeta izbačenih prema očima i drugih ozbiljnih povreda.

SR

PRIMENA

Možete koristiti ovaj proizvod za svrhu navedenu ispod:

- Trimovanje trave i korova oko tremova, ograda i terasa

NAPOMENA: Alat treba koristiti samo za propisanu svrhu. Svaka druga upotreba smatra se slučajem zloupotrebe.

Pre svake upotrebe proverite da li ima oštećenih/pohabanih delova.

Proverite glavu trimera, štitnik i prednju dršku i zamenite sve delove koji su naprsli, iskrivljeni, savijeni ili na bilo koji način oštećeni.

Nož za sečenje strunom na ivici štitnika može vremenom da se istupi. Preporučuje se da ga periodično naoštrite turpijom ili da ga zamenite novim nožem.

⚠ UPOZORENJE: Uvek nosite rukavice kad montirate ili zamenjujete štitnik ili kad oštirate ili zamenjujete nož. Imajte u vidu lokaciju noža na štitniku i zaštitite šaku od povreda.

⚠ UPOZORENJE: Da biste sprečili ozbiljne telesne povrede, izvadite bateriju iz pogonske glave pre servisiranja, čišćenja, menjanja dodatka ili skidanja materijala sa jedinice.

KORIŠĆENJE TRIMERA SA STRUNOM SA POGONSKOM GLAVOM

⚠ UPOZORENJE: Obucite se prikladno da biste smanjili rizik od povrede dok koristite ovaj alat. Ne nosite labavu odeću ili nakit. Nosite zaštitne naočare i zaštitu uva/slaha. Nosite duge radne pantalone, duboke cipele i rukavice. Ne nosite kratke pantalone, sandale, papuče i ne radite bos.

⚠ UPOZORENJE: Očistite područje na kojem ćete seći pre svake upotrebe. Uklonite sve predmete poput kamenja, razbijenog stakla, eksera, žica ili kanapa koji bi mogli biti izbačeni ili zakačeni dodatkom za sečenje. Uklonite decu, prolaznike i kućne ljubimce iz područja gde ćete raditi. U najmanju ruku, držite svu decu, prolaznike i ljubimce na udaljenosti od najmanje 15 m; i dalje može postojati rizik po posmatrača od izbačenih predmeta. Posmatrača bi trebalo podstaći da nose zaštitne naočare. Ako vam neko pride, odmah zaustavite motor i dodatak za sečenje.

Radi bezbednog i boljeg rada, stavite ramenu traku preko ramena. Podesite remen za rame u udoban radni položaj. Držite trimer sa strunom sa jednom rukom na zadnjoj drški i drugom rukom na prednjoj drški. Održavajte čvrst hvat sa obe ruke tokom rada. Trimer sa strunom treba držati u udobnom položaju sa zadnjom drškom približno u visini kuka. Glava trimera treba da bude paralelna sa tlom tako da lako dolazi u kontakt sa materijalom koji treba seći a da rukovalac ne mora da se saginje (slika B).

⚠ UPOZORENJE: Remen za rame ima i mehanizam za brzo otkopčavanje u opasnim situacijama. Kada se desi hitan slučaj, odmah skinite uređaj sa ramena, bez obzira kako je remen namešten.

Nakon svake upotrebe, očistite trimer

Pogledajte odeljak ODRŽAVANJE za uputstva za čišćenje.

ZA POKRETANJE/ZAUSTAVLJANJE ALATA

Pogledajte odeljak „**POKRETANJE/ZAUSTAVLJANJE POGONSKE GLAVE**“ u priručniku za rukovaoca za pogonsku glavu PH1420E.

PODEŠAVANJE DUŽINE STRUNE ZA SEČENJE

Glava trimera omogućava rukovaocu da otpusti još strune za sečenje bez zaustavljanja motora. Kako struna postaje iskrzana ili pohabana, još strune se može otpustiti laganim tapkanjem glave trimera o tlo tokom rukovanja trimenom (slika E).

NAPOMENA: Otpuštanje strune postaće teže kako struna za sečenje postaje kraća.

⚠ UPOZORENJE: Ne uklanjajte niti prepravljajte sklop noža za sečenje strunom. Prekomerna dužina strune će izazvati pregrevanje motora i može da dovede do ozbiljnih telesnih povreda.

ZAMENA STRUNE

NAPOMENA: Uvek koristite preporučenu najlonsku strunu za sečenje, prečnika ne većeg od 2,4 mm. Upotreba strune za sečenje koja je drugačija od navedene može da prouzrokuje pregrevanje ili oštećenje trimera.

⚠ UPOZORENJE! Nemojte nikada da upotrebljavate metalom ojačane niti, žicu ili uže i sl. jer mogu da se odlome i da postanu opasni projektili.

Trimer sa strunom je opremljen naprednim **POWERLOAD™** sistemom. Struna za sečenje se može namotati u kalem jednostavnim pritiskom na jedno dugme. Namotavanje celog kalema se obično može završiti za 12 sekundi. **Izbegavajte ponavljani rad sistema za namotavanje sa kratkim vremenskim razmacima da biste smanjili mogućnost oštećenja motora.**

NAPOMENA: Sistem **POWERLOAD™** je dostupan samo kad je nastavak povezan na pogonsku glavu PH1420E i baterija je instalirana.

1. Izvadite bateriju.
2. Odsecite strunu za sečenje u dužini od 4 m. Umetnite strunu u ušicu (slika F). Provucite strunu i povlačite je sa druge strane dok ne bude iste dužine sa obe strane glave trimera.

NAPOMENA: Ako se struna ne može umetnuti u ušicu kad je donji poklopac zaglavljen, instalirajte bateriju na pogonsku glavu a potom na kratko pritisnite dugme za namotavanje strune da biste resetovali donji poklopac.

- Izvadite bateriju ako je bila instalirana na pogonsku glavu u NAPOMENI posle 2. koraka. I pratite korake navedene u 2. koraku da biste ponovo umetnuli i poravnali strunu za sečenje.
- Instalirajte bateriju na pogonsku glavu.
- Pritisnite i držite dugme za namotavanje strune da biste kontinuirano namotali strunu u glavu trimera dok sa svake strane ne ostane približno 15 cm strune. (slika G).
- Gurnite glavu trimera prema dole pritom povlačeći strunu da je ručno pomerite prema napred i da proverite da li je pravilno postavljena.

NAPOMENA: U slučaju da struna bude nehotično uvučena u glavu trimera, otvorite glavu i izvucite strunu za sečenje iz kalema. Pratite odeljak „PONOVNO NAMOTAVANJE STRUNE ZA SEČENJE“ u ovom priručniku da biste ponovo udenuli strunu.

PONOVNO NAMOTAVANJE STRUNE ZA SEČENJE

Kad struna za sečenje puca dok izlazi iz ušice ili se struna za sečenje ne oslobađa kad se glava trimera tapka, moraćete da uklonite preostalu strunu za sečenje iz glave trimera i pratite korake ispod da biste ponovo uvukli strunu.

- Izvadite bateriju.
- Pritisnite jezičke za otpuštanje na glavi trimera i skinite sklop donjeg poklopca glave trimera tako što ćete ga ravno izvući napolje (slika H).
- Uklonite strunu za sečenje iz glave trimera.
- Izvadite oprugu iz sklopa kalema, ako je neophodno. Sačuvajte je za ponovno sklapanje.
- Umetnite oprugu u prerez u sklopu donjeg poklopca (slika I).
- Jednom rukom držite trimmer, drugom rukom uzmite sklop donjeg poklopca i poravnajte prereze u sklopu donjeg poklopca sa jezičcima za otpuštanje (slika J). Pritisnite sklop donjeg poklopca dok ne škljocne na svoje mesto, kad ćete čuti karakterističan zvuk škljocanja (slika K).
- Za ponovno namotavanje strune za sečenje pratite uputstva u odeljku „ZAMENA STRUNE“.

ZAMENA GLAVE TRIMERA

⚠ UPOZORENJE! Ako se glava nakon pričvršćivanja otpusti, odmah je zamenite.

Nemojte nikada upotrebljavati trimmer ako je priključak za sečenje otpušten. Puknutu, oštećenu ili istrošenu reznu

glavu odmah zamenite čak i ako je oštećenje ograničeno na površinske pukotine. Takvi priključci mogu da se rasprsku pri visokoj brzini i da prouzrokuju teške povrede.

Upoznajte se sa glavom trimera (slika L).

Opis delova sa slike L pogledajte ispod:

L-1	Vratilo	L-6	Podloška
L-2	Umetak (2)	L-7	Matica
L-3	Gornji poklopac	L-8	Opruga
L-4	Elastični prsten	L-9	Struna za sečenje
L-5	Držač kalema	L-10	Sklop donjeg poklopca

Uklonite glavu trimera

- Izvadite bateriju.
- Pritisnite jezičke za otpuštanje na glavi trimera i uklonite sklop donjeg poklopca glave trimera povlačeći ga ravno van.
- Uklonite strunu za sečenje iz glave trimera.
- Izvadite oprugu iz sklopa kalema, ako je neophodno. Sačuvajte je za ponovno sklapanje.
- Nosite rukavice. Jednom rukom uhvatite sklop kalema da biste ga stabilizovali a drugom rukom uzmite udarni ključ od 13 mm (nije priložen) da biste olabavili navrtanj U SMERU KAZALJKE na satu (slika M).
- Uklonite maticu, podlošku i držač kalema sa vratila motora (slika L).
- Kleštima za elastične prstenove (nisu priložena) izvadite elastični prsten. Uklonite gornji poklopac i dva umetka sa vratila motora (slika L).
- Zamenite glavu trimera i postavite je prema sledećim koracima.

Instalirajte novu glavu trimera

- Montirajte dva umetka na vratilo motora.
- Poravnajte pljosnati prerez na gornjem poklopcu sa pljosnatim delom vratila motora i montirajte gornji poklopac na njegovo mesto (slika N).

Opis delova sa slike N pogledajte ispod

N-1	Pljosnati deo	N-2	Pljosnati prerez
-----	---------------	-----	------------------

- Montirajte elastični prsten, držač kalema i podlošku tim redosledom (slika L). Koristite udarni ključ da zategnete navrtanj SUPROTNO KAZALJKI na satu.
- Pratite 4. i 5. korak u odeljku „PONOVNO NAMOTAVANJE STRUNE ZA SEČENJE“ u ovom priručniku da biste montirali sklop donjeg poklopca.

5. Pratite uputstva u odeljku „ZAMENA STRUNE“ u ovom priručniku da biste ponovo uvukli strunu za sečenje.
6. Pokrenite alat da biste videli da li će trimer sa strunom raditi normalno. Ako to nije slučaj, rastavljanje obavite na prethodno opisani način.

ODRŽAVANJE

▲ UPOZORENJE: Pre pregledanja, čišćenja ili servisiranja jedinice, zaustavite motor, sačekajte da se svi pokretni delovi zaustave i izvadite bateriju. Nepoštovanje ovih uputstava može izazvati ozbiljne telesne povrede ili oštećenje imovine.

▲ UPOZORENJE: Tokom servisiranja, koristite samo identične rezervne delove. Upotreba bilo kakvih drugih delova može da dovede do opasnosti ili da izazove oštećenje proizvoda. Da bi se osigurala sigurnost i pouzdanost, sve popravke, osim stavki navedenih u ovom uputstvu za održavanje, treba da radi kvalifikovani servisni tehničar.

OPŠTE ODRŽAVANJE

Izbegavajte korišćenje rastvarača kada čistite plastične delove. Većina plastike je podložna oštećenjima od raznih tipova komercijalnih rastvarača i može se oštetiti njihovom upotrebom. Koristite čiste krpe da uklonite zemlju, prašinu, ulje, masnoću itd.

ČIŠĆENJE JEDINICE

- Raščistite travu koja se eventualno omotala oko vratila motora ili glave trimera.
- Pomoću male četke ili malog usisivača očistite otvore za vazduh na zadnjoj strani kućišta.
- Očistite jedinicu vlažnom krpom i blagim deterdžentom.
- Ne koristite jake deterdžente na plastičnom kućištu i drški. Mogu ih oštetiti određena aromatična ulja, poput bora i limuna, i rastvarači poput kerozina. Vлага može da izazove i opasnost od strujnog udara. Obrisite svu vlagu mekom suvom krpom.

PODMAZIVANJE PRENOSNIH ZUPČANIKA

Prenosni zupčaniци u menjaču brzina treba periodično da se podmazuju mazivom za zupčanike. Proveravajte nivo maziva u menjaču brzina na svakih oko 50 sati rada tako što ćete ukloniti zaptivni vijak na bočnoj strani kućišta.

Ako se mazivo ne vidi na bočnim stranama zupčaniка, pratite korake ispod da biste sipali mazivo za zupčanike do 3/4 kapaciteta.

Nemojte potpuno napuniti prenosne zupčanike.

1. Držite trimer sa strunom na bočnoj strani tako da zaptivni vijak bude okrenut nagore.

2. Pomoću priloženog višenamenskog ključa olabavite zaptivni vijak i uklonite ga.
3. Pomoću šprica za mazivo (nije priložen) ubrizgajte malo maziva u rupicu za vijak; nemojte prekoračiti 3/4 kapaciteta.
4. Zategnite zaptivni vijak posle ubrizgavanja.

SKLADIŠTENJE JEDINICE

- Izvadite bateriju iz pogonske glave.
- Temeljno očistite alat pre no što ga uskladištite.
- Ako se dodatak trimera sa strunom skida sa pogonske glave i skladišti zasebno: Stavite krajnju kapicu na vratilo dodatka da biste izbegli ulaženje prljavštine u spojnicu.
- Skladištite jedinicu na suvom, dobro provetrenom mestu, zaključanu ili na visini, van domašaja dece. Ne skladištite jedinicu na ili pored đubriva, benzina ili drugih hemikalija.

OŠTRENJE NOŽA ZA SEČENJE STRUNE

▲ UPOZORENJE: Uvek zaštitite ruke tako što ćete nositi debele rukavice kad radite bilo kakvo održavanje na nožu za sečenje strunom.

1. Izvadite bateriju.
2. Uklonite nož za sečenje strunom iz štitnika.
3. Učvrstite nož u stegu.
4. Nosite odgovarajuću zaštitu za oči i rukavice i pazite da se ne posećete.
5. Pažljivo turpijajte ivice za sečenje na nožu finom turpijom ili kamenom za oštrenje, održavajući originalni ugao ivice za sečenje.
6. Vratite nož na njegovo mesto na štitniku i pričvrstite ga pomoću dva vijaka.

Zaštita životne sredine



Električnu opremu, punjač baterije i baterije/punjive baterije nemojte da odlažete u kućni otpad!

Odnosite ovaj proizvod u ovlašćeni pogon za reciklažu ili ga odvojite od ostalog smeća radi zasebnog prikupljanja. Električni alati moraju se odneti u ekološki prihvatljiv pogon za reciklažu.

Ako se električni aparati odlažu na deponije ili đubrišta, opasne supstance mogu da isure u podzemne vode i dospeju u lanac ishrane, nanoseći štetu vašem zdravlju i dobrobiti.

SR

REŠAVANJE PROBLEMA

PROBLEM	UZROK	REŠENJE
Trimer sa strunom neće da se uključi.	<ul style="list-style-type: none"> ■ Baterija nije spojena na pogonsku glavu. ■ Nema električnog kontakta između pogonske glave i baterije. ■ Punjenje baterije je potrošeno. ■ Poluga za zaključavanje i okidač nisu pritisnuti istovremeno. 	<ul style="list-style-type: none"> ■ Spojite bateriju na pogonsku glavu. ■ Izvadite bateriju, proverite kontakte i ponovo instalirajte bateriju dok ne škljocne na svoje mesto. ■ Napunite bateriju EGO punjačima navedenim u ovom priručniku. ■ Pritisnite nadole polugu za otključavanje i držite je, zatim pritisnite okidač da biste uključili trimer sa strunom.
Trimer sa strunom se isključuje tokom sečenja.	<ul style="list-style-type: none"> ■ Štitnik nije montiran na trimer, dovodeći do predugačke strune za sečenje i preopterećenja motora. ■ Koristi se debela struna za sečenje. ■ Vratilo motora ili glava trimera su se upetljali u travu. ■ Motor je preopterećen. ■ Baterija ili trimer sa strunom su prevrući. ■ Baterija se odvojila od alata. ■ Baterija je prazna. 	<ul style="list-style-type: none"> ■ Izvadite bateriju i montirajte štitnik na trimer. ■ Koristite preporučenu najlonsku strunu za sečenje, prečnika ne većeg od 2,4 mm. ■ Zaustavite trimer, izvadite bateriju i uklonite travu sa vratila motora i glave trimera. ■ Izvadite glavu trimera iz trave. Motor će se ponovo pokrenuti kad se opterećenje ukloni. Kad sečete, pomerajte glavu trimera unutra i napolje trave koju treba iseći i ne uklanjajte više od 20 cm dužine u jednom sečenju. ■ Ostavite bateriju ili trimer da se hlade dok temperatura ne padne ispod 67 °C. ■ Ponovo instalirajte bateriju. ■ Napunite bateriju EGO punjačima navedenim u ovom priručniku.

PROBLEM	UZROK	REŠENJE
Glava trimera neće da uvlači strunu.	<ul style="list-style-type: none"> ■ Vratilo motora ili glava trimera su se upetljali u travu. ■ Nema dovoljno strune na kalemu. ■ Glava trimera je prljava. ■ Struna je zapetljana u sklopu glave trimera ■ Struna je prekratka. 	<ul style="list-style-type: none"> ■ Zaustavite trimmer, izvadite bateriju i očistite vratilo motora i glavu trimera. ■ Izvadite bateriju i zamenite strunu za sečenje; pratite odeljak „PONOVNO NAMOTAVANJE STRUNE ZA SEČENJE“ u ovom priručniku. ■ Izvadite bateriju i očistite kalem, sklop donjeg poklopca i gornji poklopac. ■ Izvadite bateriju, skinite strunu sa kalema i ponovo je namotajte; pratite odeljak „PONOVNO NAMOTAVANJE STRUNE ZA SEČENJE“ u ovom priručniku. ■ Izvadite bateriju i ručno vucite strune dok naizmenično pritiskate nadole i puštate glavu trimera.
Trava se omotala oko glave trimera i kućišta motora.	<ul style="list-style-type: none"> ■ Sečenje visoke trave na nivou tla. 	<ul style="list-style-type: none"> ■ Secite visoku travu odozgo nadole, uklanjajući ne više od 20 cm u svakom prolasku da biste sprečili omotavanje.
Nož ne seče strunu.	<ul style="list-style-type: none"> ■ Nož za sečenje strunom na ivici štitnika se istupio. 	<ul style="list-style-type: none"> ■ Naoštrite nož za sečenje strunom pomoću turpije ili ga zamenite novim nožem.
Pukotine na glavi trimera ili držač kalema koji se olabavio sa osnovne kalema.	<ul style="list-style-type: none"> ■ Glava trimera je pohabana. 	<ul style="list-style-type: none"> ■ Odmah zamenite glavu trimera; pratite odeljak „ZAMENA GLAVE TRIMERA“ u ovom priručniku.
	<ul style="list-style-type: none"> ■ Navrtka koja završuje glavu trimera je otpuštena. 	<ul style="list-style-type: none"> ■ Otvorite glavu trimera i upotrebite udarni ključ za pritezanje navrtke.
Tokom zamene strune, struna se ne može pravilno uvlačiti u glavu trimera.	<ul style="list-style-type: none"> ■ Struna nije pravilno umetnuta u montažnu rupicu u rupi. 	<ul style="list-style-type: none"> ■ Prvo poravnajte ULAZNE strune sa rupicama, zatim uđenite strunu u rupicu za montiranje koja se nalazi unutar rupe.
	<ul style="list-style-type: none"> ■ ULAZNE strune u držaču kalema se ne poklapaju sa rupicama na osnovi kalema. 	<ul style="list-style-type: none"> ■ Okrenite držač kalema u smeru strelice da biste poravnali ULAZNE strune na držaču kalema sa rupicama na osnovi kalema.

GARANCIJA

EGO POLITIKA GARANCIJE

Posetite veb-lokaciju egopowerplus.com za potpune uslove i odredbe EGO politike garancije.

PROČITAJTE UPUTSTVO U CIJELOSTI!



PROČITAJTE KORISNIČKI PRIRUČNIK

⚠️ Preostale opasnosti! Osobe s elektroničkim uređajima poput srčanih elektrostimulatora prije upotrebe ovog proizvoda trebaju se posavjetovati sa svojim ljekarom. Rad električne opreme u neposrednoj blizini srčanih elektrostimulatora može uzrokovati smetnju ili kvar srčanog elektrostimulatora.

⚠️ UPOZORENJE! Radi osiguranja sigurnosti i pouzdanosti, sve popravke i zamjene treba obavljati kvalifikovani servisni tehničar.

SIGURNOSNI SIMBOLI

Svrha sigurnosnih simbola je skretanje pažnje na moguće opasnosti. Sigurnosni simboli i njihova objašnjenja zahtijevaju vašu potpunu pažnju i razumijevanje. Sami simboli upozorenja sami po sebi ne isključuju opasnost. Uputstva i upozorenja koja pružaju nisu zamjena za propisne mjere za prevenciju nesreća.

⚠️ UPOZORENJE! Prije upotrebe ovog alata pobrinite se da sva sigurnosna uputstva u ovom korisničkom priručniku, uključujući sve sigurnosne simbole kao što su "OPASNOST", "UPOZORENJE" i "OPREZ" pročitate s razumijevanjem. Zanemarivanje svih uputstava navedenih u nastavku može rezultirati strujnim udarom, požarom i/ili teškim tjelesnim povredama.

ZNAČENJE SIMBOLA

⚠️ SIGURNOSNI SIMBOL UPOZORENJA: ukazuje na **OPASNOST**, **UPOZORENJE** ili **OPREZ**. Može se upotrebljavati u kombinaciji s drugim simbolima ili piktoграмima.

SIGURNOSNA UPUTSTVA

Na ovoj stranici slikovno su prikazani i objašnjeni sigurnosni simboli koji se mogu pojaviti na ovom proizvodu. Prije pokušaja sastavljanja i rukovanja, s razumijevanjem pročitate sva uputstva na proizvodu i pridržavajte ih se.

	Simbol upozorenja	Ukazuje na potencijalnu opasnost od tjelesnih povreda.
--	-------------------	--

	Pročitajte korisnički priručnik.	Radi smanjenja opasnosti od povreda, prije upotrebe ovog proizvoda korisnik treba s razumijevanjem pročitati ovaj korisnički priručnik.
	Obavezno nošenje zaštite za oči, sluh i glavu.	Uvijek nosite zaštitu za oči, sluh i glavu.
	Širina rezanja	Maks. širina rezanja trimera s reznom niti
	Prečnik rezne niti	Prečnik najlonske rezne niti
	Nemojte upotrebljavati metalne noževe.	Upozorava korisnika da ne upotrebljava metalne noževe.
	Druge prisutne osobe držite na udaljenosti.	Odbačeni predmeti mogu odskočiti i rezultirati tjelesnim povredama ili materijalnom štetom. Pobrinite se da druge osobe i kućni ljubimci ostanu podalje od čistača šikare tokom upotrebe.
	Razmak između proizvoda i drugih prisutnih osoba treba biti najmanje 15 m.	Pobrinite se da druge osobe i kućni ljubimci ostanu na udaljenosti od najmanje 15 m od trimera s reznom niti tokom upotrebe.
IPX4	IP simbol	Zaštita od prodiranja vode, stepen 4.
	Oznaka CE	Ovaj proizvod je u skladu s primjenjivim Direktivama EU.
	UKCA	Ovaj proizvod je u skladu s važećim zakonodavstvom Ujedinjenog Kraljevstva.
	WEEE	Otpadni električni proizvodi ne smiju se odlagati s otpadom iz domaćinstva. Odnosite ih u ovlaštenu centar za reciklažu.
	Buka	Zagarantovani nivo zvučne snage. Emisija buke u okruženju u skladu je s Direktivom Evropske unije.
V	Volt	Napon
mm	Milimetar	Dužina ili dimenzija
cm	Centimetar	Dužina ili dimenzija
kg	Kilogram	Masa

BS

OPĆA SIGURNOSNA UPOZORENJA ZA ELEKTRIČNE ALATE

UPOZORENJE! Pročitajte sva sigurnosna upozorenja, uputstva, sve ilustracije i specifikacije isporučene s ovim električnim alatom.

Zanemarivanje svih uputstava navedenih u nastavku može rezultirati strujnim udarom, požarom i/ili teškim povredama.

Sačuvajte sva upozorenja i uputstva za buduće potrebe.

Pojam "električni alat" u upozorenjima odnosi se na vaš električni alat na strujni pogon (s kabelom) ili električni alat na baterijski pogon (bez kabela).

SIGURNOST RADNOG PODRUČJA

- Radno područje održavajte čistim i dobro osvijetljenim. Pretrpana ili mračna područja izazivaju nesreće.
- Električni alat nemojte upotrebljavati u eksplozivnim atmosferama, kao na primjer u prisutnosti zapaljivih tekućina, plinova ili prašine. Električni alat stvara iskre koje mogu zapaliti prašinu ili isparenja.
- Djecu i posmatrača držite podalje tokom rada s električnim alatom. Ometanja mogu rezultirati gubitkom kontrole nad alatom.

ELEKTRIČNA SIGURNOST

- **Utikači električnog alata moraju odgovarati utičnici. Nemojte modifikovati utikač ni na koji način.** Nemojte upotrebljavati utikače adaptera s uzemljenim električnim alatima. Nemodifikovani utikači i odgovarajuće utičnice umanjit će rizik od strujnog udara.
- **Izbjegavajte kontakt tijela s uzemljenim površinama, kao što su slavine, radijatori, peći i frižideri.** Postoji povećan rizik od strujnog udara ako je vaše tijelo uzemljeno.
- **Proizvod nemojte upotrebljavati na kiši ili u mokrim uslovima.** Ako voda dospjeje u proizvod, postoji opasnost od strujnog udara ili kvara, što može rezultirati tjelesnim povredama.
- **Nemojte nepropisno upotrebljavati kabel. Kabel nemojte nikada upotrebljavati za nošenje, povlačenje ili isključivanje električnog alata iz strujnog napajanja.** Kabel držite podalje od topline, ulja, oštih rubova ili pokretnih dijelova. Oštećeni ili isprepleteni kabeli povećavaju rizik od strujnog udara.
- **Kada električnim alatom radite na otvorenom, upotrebljavajte produžni kabel prikladan za upotrebu na otvorenom.** Upotrebom kabela prikladnog za upotrebu na otvorenom smanjuje se rizik od strujnog udara.

- **Ako je rad s električnim alatom u području s parom neizbježan, upotrebljavajte napajanje sa zaštitnim uređajem diferencijalne struje (RCD).** Upotrebom zaštitnog uređaja diferencijalne struje smanjuje se rizik od strujnog udara.

LIČNA SIGURNOST

- **Budite oprezni, gledajte šta radite i koristite se uobičajenim osjećajem kada radite s električnim alatom. Nemojte upotrebljavati električni alat kada ste umorni ili pod uticajem opojnih sredstava, alkohola ili lijekova.** Trenutak nepažnje tokom rada s električnim alatima može rezultirati teškim tjelesnim povredama.
- **Upotrebljavajte ličnu zaštitnu opremu. Uvijek nosite zaštitu za oči.** Zaštitna oprema poput maske za zaštitu od prašine, neklizajuće sigurnosne obuće, kacige ili zaštite za sluh upotrijebljena za odgovarajuće uslove smanjit će tjelesne povrede.
- **Spriječite nenamjerno pokretanje. Prije spajanja na izvor napajanja i/ili komplet baterija, uzimanja ili nošenja alata uvjerite se da se prekidač nalazi u isključenom položaju.** Nošenje električnih alata s prstom na prekidaču ili napajanje električnih alata koji imaju uključeni prekidač izaziva nesreće.
- **Prije uključivanja električnog alata uklonite sve ključeve za podešavanje ili ključeve.** Ključ ili ključ za podešavanje ostavljen pričvršćen na rotacijski dio električnog alata može rezultirati tjelesnim povredama.
- **Nemojte se previše naginjati prema naprijed. Cijelo vrijeme održavajte propisno držanje i ravnotežu.** To će omogućiti bolju kontrolu nad električnim alatom u neočekivanim situacijama.
- **Obucite se prikladno. Nemojte nositi široku odjeću ili nakit. Kosu, odjeću i rukavice uvijek držite podalje od dijelova koji se kreću.** Dijelovi koji se kreću mogu zahvatiti široku odjeću, nakit ili dugu kosu.
- **Ako su uređaji namijenjeni za spajanje sistema za izvlačenje i sakupljanje prašine, pobrinite se da se propisno spoje i upotrebljavaju.** Upotrebom uređaja za sakupljanje prašine mogu se smanjiti opasnosti koje se odnose na prašinu.
- **Nemojte dozvoliti da vas poznavanje alata stečeno čestom upotrebom učini samodopadnim pa da ignorirate sigurnosne principe za alat.** Nemame radnje u djeliću sekunde mogu rezultirati teškim povredama.

UPOTREBA I NJEGA ELEKTRIČNOG ALATA

- **Nemojte preopterećavati električni alat. Upotrebljavajte ispravan električni alat za svoju primjenu.** Ispravan električni alat bolje će i sigurnije

odraditi posao pri brzini za koju je predviđen.

- **Nemojte upotrebljavati električni alat ako ga prekidač ne uključuje i isključuje.** Svaki električni alat koji se ne može kontrolisati prekidačem opasan je i potrebno ga je popraviti.
- **Prije obavljanja podešavanja, zamjene dodatne opreme ili skladištenja električnih alata isključite utikač iz izvora napajanja i/ili komplet baterija iz električnog alata.** Takve preventivne sigurnosne mjere smanjuju rizik od iznenadnog pokretanja električnog alata.
- **Nekorišteni električni alat skladištite izvan dohvata djece i nemojte dozvoliti da osobe koje ne poznaju električni alat ili ova uputstva rade s električnim alatom.** Električni alati opasni su u rukama neobučениh korisnika.
- **Održavajte električne alate i dodatnu opremu.** Provjerite jesu li pokretni dijelovi centrirani ili spojeni, ima li polomljenih dijelova i postoji li stanje koje može uticati na rad električnog alata. **Ako je oštećen, električni alat dajte na popravak prije upotrebe.** Loše održavani električni alati uzrok su mnogih nesreća.
- **Rezne alate održavajte oštima i čistima.** Propisno održavani rezni alati s oštrim reznim rubovima vjerovatno se neće spajati i lakši su za upravljanje.
- **Električni alat, dodatnu opremu i alatne nastavke, itd., upotrebljavajte u skladu s ovim uputstvima, uzimajući u obzir radne uslove i posao koji je potrebno obaviti.** Upotreba električnog alata za radove drukčija od namjenske može rezultirati opasnim situacijama.
- **Rukohvate i površinu rukohvata održavajte suhim, čistim i očišćenim od ulja i masti.** Skliski rukohvati i skliske površine rukohvata onemogućuju sigurno rukovanje i upravljanje alatom u neočekivanim situacijama.

UPOTREBA I NJEGA BATERIJSKOG ALATA

- **Punjenje obavljajte samo s punjačem kojeg je naveo proizvođač.** Punjač koji je prikladan za jedan tip kompleta baterija može stvoriti rizik od požara ako ga se upotrebljava s drugim kompletom baterija.
- **Električni alat upotrebljavajte samo s izričito navedenim kompletima baterija.** Upotreba drugih kompleta baterija može stvoriti rizik od povreda i požara.
- **Kada se komplet baterija ne upotrebljava, držite ga podalje od drugih metalnih predmeta poput spajalica za papir, kovanica, ključeva, ekseera, vijaka ili drugih malih metalnih predmeta koji mogu međusobno spojiti kontakte.** Kratko spajanje baterijskih kontakata može uzrokovati opekotine ili požar.
- **U slučaju pogrešne upotrebe, baterija može izbaciti tekućinu; izbjegavajte kontakt. Ako slučajno dođe do kontakta, odnosna mjesta isperite vodom. Ako**

tekućina dođe u kontakt s očima, dodatno potražite pomoć ljekara. Tekućina koju izbacila baterija može uzrokovati nadražaj kože ili opekotine.

- **Nemojte upotrebljavati oštećen ili modifikovan komplet baterija ili alat.** Oštećene ili modifikovane baterije mogu pokazati nepredvidivo ponašanje koje može rezultirati požarom, eksplozijom ili opasnošću od povreda.
- **Komplet baterija ili alat nemojte izlagati vatri ili previsokoj temperaturi.** Izlaganje vatri ili temperaturi višoj od 130 °C može uzrokovati eksploziju.
- **Pridržavajte se svih uputstava za punjenje i komplet baterija ili alat nemojte puniti izvan okvira opsega temperature navedenog u uputstvima.** Nepropisno punjenje ili punjenje pri temperaturama izvan okvira određenog opsega može oštetiti bateriju i povećati opasnost od požara.

SERVISIRANJE

- **Servisiranje električnog alata prepustite kvalifikovanom osoblju za popravak koje upotrebljava samo identične zamjenske dijelove.** Time će se osigurati održavanje sigurnosti električnog alata.
- **Nemojte nikada servisirati oštećene kompletne baterija.** Servisiranje kompleta baterija smiju obavljati samo proizvođač ili ovlašteni serviseri.

POSEBNA SIGURNOSNA UPOZORENJA ZA TRIMER ZA TRAVU S REZKOM NITI

- **Proizvod nemojte upotrebljavati u lošim vremenskim uslovima, a posebno kada postoji opasnost od grmljavine.** Time ćete smanjiti opasnost od udara groma.
- **Detaljno pregledajte ima li divljih životinja u području u kojem ćete upotrebljavati proizvod.** Proizvod tokom rada može povrijediti divlje životinje.
- **Detaljno pregledajte područje u kojem ćete upotrebljavati proizvod i uklonite sve kamenje, štapove, žice, kosti i druge strane predmete.** Odbačeni predmeti mogu nanijeti tjelesne povrede.
- **Prije upotrebe proizvoda uvijek vizuelno pregledajte jesu li rezač ili nož i sklop rezača ili noža oštećeni.** Oštećeni dijelovi povećavaju opasnost od povreda.
- **Pridržavajte se uputstava za zamjenu pribora.** Nepropisno pritegnute sigurnosne matice ili matični vijci rezača mogu rezultirati oštećenjem ili odvajanjem noža.
- **Nosite zaštitu za oči, sluh, glavu i ruke.** Odgovarajuća zaštitna oprema smanjit će tjelesne povrede uslijed letećih krhotina ili nenamjernog kontakta s reznom niti ili nožem.

BS

321

- **Kada upotrebljavate proizvod, uvijek nosite zaštitnu obuću koja ne klizi. Proizvod nemojte upotrebljavati kada ste bos ili kada nosite otvorenu obuću.** Time se smanjuje rizik od povreda stopala uslijed kontakta s rezačima ili reznim nitima u pokretu.
- **Kada upotrebljavate proizvod, uvijek nosite duge hlače.** Izložena koža povećava vjerovatnoću povreda od odbačenih predmeta.
- **Kada upotrebljavate proizvod, udaljite prisutne osobe.** Odbačene krhotine mogu uzrokovati teške tjelesne povrede.
- **Proizvodom uvijek rukujte objema rukama.** Držanjem proizvoda objema rukama izbjeci ćete gubitak kontrole.
- **Proizvod držite samo za izolirane površine rukohvata jer rezna nit ili nož može dotaknuti skrivene kabele.** Ako rezna nit ili noževi dotaknu kabel koji provodi struju, postoji opasnost da izloženi metalni dijelovi proizvoda isto provode struju, što za rukavaoca može predstavljati opasnost od strujnog udara.
- **Uvijek održavajte čvrsto uporište i proizvod upotrebljavajte samo kada stojite na tlu.** Klizave ili nestabilne površine mogu uzrokovati gubitak ravnoteže ili kontrole nad proizvodom.
- **Proizvod nemojte upotrebljavati na previše strmim nagibima.** Time se smanjuje rizik od gubitka kontrole, klizanja i pada, što može rezultirati tjelesnim povredama.
- **Kada radite na nagibima, uvijek radite računa da imate sigurno uporište, uvijek radite poprečno, nikada uzbrdo ili nizbrdo, i budite veoma oprezni kada mijenjate smjer.** Time se smanjuje rizik od gubitka kontrole, klizanja i pada, što može rezultirati tjelesnim povredama.
- **Tokom rada s proizvodom, sve dijelove tijela držite podalje od rezača, rezne niti ili noža.** Prije pokretanja proizvoda uvjerite se da rezač, rezna nit ili nož ništa ne dodiruju. Trenutak nepažnje tokom rada s proizvodom može rezultirati tjelesnim povredama vas ili drugih osoba.
- **Nemojte upotrebljavati proizvod iznad visine struka.** Time se izbjegava slučajni kontakt s rezačem ili nožem i omogućuje bolja kontrola nad proizvodom u neočekivanim situacijama.
- **Kada režete napeto grmlje ili napete mlade grane, budite spremni na povratnu silu.** Kada se napetost u vlaknima drveta oslobodi, grm ili mlada grana može udariti rukavaoca i/ili uzrokovati gubitak kontrole nad proizvodom.
- **Budite posebno oprezni kada režete grmlje i mlade grane.** Nož može zahvatiti tanak materijal i odbaciti ga prema vama ili izbaciti vas iz ravnoteže.
- **Održavajte kontrolu nad proizvodom i ne dotičite rezače, rezne niti ili noževe i druge opasne pokretne dijelove kada su u pokretu.** Time se smanjuje opasnost od povreda pokretnim dijelovima.
- **Kada uklanjate zaglavljene materijal ili servisirate proizvod, uvjerite se da je prekidač isključen i da je komplet baterija uklonjen.** Neočekivano pokretanje proizvoda tokom čišćenja zaglavljene materijala ili servisiranja može rezultirati teškim tjelesnim povredama.
- **Proizvod nosite isključenog i podalje od svog tijela.** Propisnim rukovanjem proizvodom smanjit će se vjerovatnoća nenamjernog kontakta s rezačem, reznom nit ili nožem u pokretu.
- **Upotrebljavajte samo zamjenske rezače, rezne niti, rezne glave i noževe koje je naveo proizvođač.** Neodgovarajući zamjenski dijelovi mogu povećati rizik od loma i povreda.
- **Oštećenje trimera za travu - Ako trimerom za travu udarite o strani predmet ili ako se strani predmet zaplete u trimer za travu, odmah zaustavite alat, provjerite postoje li oštećenja i prije nego što nastavite s radom popravite eventualno oštećenje.** Proizvod nemojte upotrebljavati ako je štitnik ili kalem polomljen.
- **Ako oprema počne neobičajeno vibrirati, zaustavite motor i odmah potražite uzrok.** Vibracije u pravilu ukazuju na problem. Otpuštena glava može vibrirati, puknuti, polomiti se ili odvojiti se od trimera za travu, što može rezultirati teškim ili smrtonosnim povredama. Uvjerite se da je rezni priključak ispravno pričvršćen na svom mjestu. Ako se glava nakon pričvršćivanja otpusti, odmah je zamijenite. Trimer za travu nemojte nikada upotrebljavati ako je rezni priključak otpušten.
- **Baterijske alate nije potrebno uključivati u električnu utičnicu, stoga su uvijek u radnom stanju.** Imajte na umu moguće opasnosti čak i kada alat ne radi. Budite oprezni pri obavljanju radova održavanja ili servisiranja.
- **Uređaj nemojte prati crijevom; izbjegavajte da voda dospje u motor i električne priključke.**
- **Ako se pojave situacije koje nisu obuhvaćene ovim priručnikom, postupite oprezno i uz dobru procjenu.** Za pomoć se obratite centru korisničke službe proizvođača EGO.
- **Upotrebljavajte samo s kompletima baterija i punjačima koji su navedeni na sl. A.**

SAČUVAJTE OVA UPUTSTVA!

TEHNIČKI PODACI

Rezni mehanizam	Rezna glava	
Prečnik rezne niti	Najlonska rezna nit 2,4 mm	
Širina rezanja	40 cm	
Brzina vrtnje bez opterećenja	4900/5800 min ⁻¹	
Masa (bez kompleta baterija)	1,53 kg	
Preporučena radna temperatura	0°C-40°C	
Preporučena temperatura skladištenja	-20°C-70°C	
Izmjereni nivo zvučne snage L _{WA}	95,72 dB(A) K=0,77 dB(A)	
Nivo zvučnog pritiska kod uha rukovaoca L _{PA}	81,6 dB(A) K= 3 dB(A)	
Zagarantovani nivo zvučne snage L _{WA} (izmjereno u skladu s Direktivom 2000/14/EZ)	96 dB(A)	
Procjena vibracija ah:	Prednji pomoćni rukohvat	2,5 m/s ² K=1,5 m/s ²
	Stražnji rukohvat	1,8 m/s ² K=1,5 m/s ²

- Gore navedeni parametri ispitani su i izmjereni za uređaj opremljen pogonskom jedinicom PH1420E.
- Deklarisane ukupne vrijednosti vibracija izmjerene su u skladu sa standardnom metodom ispitivanja i mogu se primjenjivati za poređenje jednog alata s drugim.
- Deklarisane ukupne vrijednosti vibracija mogu se primjenjivati i u preliminarnoj procjeni izloženosti.

⚠ UPOZORENJE! Emisije vibracija i buke tokom aktualne upotrebe električnog alata mogu odstupati od deklariranih vrijednosti, zavisno od toga kako se alat upotrebljava, posebno od vrste radnog komada koji se obrađuje; i od potrebe uspostavljanja sigurnosnih mjera za zaštitu rukovaoca na osnovu procjene izloženosti u aktualnim uslovima upotrebe (uzimajući u obzir sve dijelove radnog ciklusa, kao što su vremena kada je alat isključen i kada radi u praznom hodu, uz vrijeme okidanja).

SADRŽAJ PAKOVANJA (SL. A)

Za preporučenu reznu nit posjetite internetsku stranicu egopowerplus.com ili pogledajte katalog proizvođača EGO.

OPIS

UPOZNAJTE SVOJ PRIKLJUČAK TRIMERA S REZONOM NITI (sl. A)

1. Krajnja kapica
2. Drška trimera za travu s reznom niti
3. Dugme za namotavanje rezne niti
4. Rezna nit
5. Glava trimera za travu (rezna glava)
6. Jezičak za otpuštanje
7. Nož za rezanje rezne niti
8. Štitnik
9. Inbus ključ

⚠ UPOZORENJE! Alat nemojte nikada upotrebljavati bez dobro pričvršćenog štitnika. Štitnik uvijek mora biti na alatu radi zaštite korisnika.

SASTAVLJANJE

⚠ UPOZORENJE! Ako je bilo koji dio oštećen ili ako nedostaje, nemojte upotrebljavati ovaj proizvod dok ne zamijenite dijelove. Upotreba ovog proizvoda oštećenih dijelova ili dijelova koji nedostaju može rezultirati teškim tjelesnim povredama.

⚠ UPOZORENJE! Nemojte pokušavati da modifikujete ovaj proizvod ili da pravite pribor koji nije preporučen za upotrebu s ovim trimenom s reznom niti. Sve takve izmjene ili modifikacije predstavljaju nepropisnu potrebu i mogu rezultirati opasnim stanjima koja mogu dovesti do mogućih teških tjelesnih povreda.

⚠ UPOZORENJE! Nemojte priključivati pogonsku jedinicu dok ne završite montažu. Nepostupanje u skladu s tim može rezultirati iznenadnim pokretanjem i mogućim teškim tjelesnim povredama.

POSTAVLJANJE ŠTITNIKA

⚠ UPOZORENJE! Pri postavljanju štitnika ili zamjeni štitnika uvijek nosite rukavice. Budite oprezni s nožem na štitniku i zaštitite ruke od povreda nožem.

Otpustite i uklonite dva vijka sa štitnika (sl. C). Poravnajte montažne provrte na štitniku s montažnim provrtima i štitnik zatim pričvrstite na kućište drške s dva vijka i dvije opružne podloške (sl. D).

Uvjerite se da je štitnik pričvršćen u skladu sa sl. C i D. Svako obrnuto pričvršćivanje izazvat će veliku opasnost!

PRIKLJUČIVANJE PRIKLJUČKA TRIMERA S REZKOM NITI NA POGONSKU JEDINICU

Ovaj priključak trimera s reznom niti predviđen je za upotrebu s pogonskom jedinicom PH1420E proizvođača EGO.

Pogledajte poglavlje "POSTAVLJANJE PRIKLJUČKA POGONSKE JEDINICE" u korisničkom priručniku pogonske jedinice PH1420E.

RAD

⚠ UPOZORENJE! Nemojte dozvoliti da vas poznavanje ovog proizvoda učini nepažljivim. Imajte na umu da je za nanošenje teških povreda dovoljan samo djelić sekunde nepažnje.

⚠ UPOZORENJE! Uvijek nosite zaštitu za oči, zajedno sa zaštitom za sluh. Nestupanje u skladu s tim može rezultirati odbacivanjem predmeta u oči i drugim mogućim teškim povredama.

PRIMJENE

Ovaj proizvod možete upotrebljavati za svrhe navedene u nastavku:

- šišanje trave i korova oko trijemova, ograda i verandi.

NAPOMENA! Alat se smije upotrebljavati samo za prethodno opisanu namjenu. Svaka druga upotreba smatra se nepropisnom upotrebom.

Prije svake upotrebe provjerite ima li oštećenih/istrošenih dijelova.

Provjerite glavu trimera za travu, štitnik i prednji rukohvat i zamijenite sve dijelove koji su napukli, deformisani, savijeni ili oštećeni na bilo koji način.

Nož za rezanje rezne niti na rubu štitnika vremenom može postati tup. Preporučujemo povremeno oštrenje noža turpijom ili zamjenu noža.

⚠ UPOZORENJE! Pri postavljanju ili zamjeni štitnika ili oštrenju ili zamjeni noža uvijek nosite rukavice. Pazite na mjesto noža na štitniku i zaštitite ruke od povreda.

⚠ UPOZORENJE! Radi sprečavanja teških tjelesnih povreda, prije servisiranja, čišćenja, promjene priključaka ili uklanjanja materijala iz jedinice izvadite komplet baterija iz pogonske jedinice.

UPOTREBA TRIMERA S REZKOM NITI S POGONSKOM JEDINICOM

⚠ UPOZORENJE! Obucite se propisno kako biste smanjili rizik od povreda tokom rukovanja alatom. Nemojte nositi široku odjeću ili nakit. Nosite zaštitu za oči i uši/sluh. Nosite robusne duge hlače, čizme i rukavice. Nemojte nositi kratke hlače, sandale ili biti bosonogi.

⚠ UPOZORENJE! Očistite radno područje prije svake upotrebe. Uklonite sve predmete poput kamenja, razbijenog stakla, eksera, žica ili niti koje trimer može odbaciti ili koji se mogu zaplesti u rezni priključak. Iz područja udaljite djecu, posmatrača i kućne ljubimce. Držite djecu, posmatrača i kućne ljubimce udaljene najmanje 15 m; za posmatrača čak i tada postoji opasnost od odbačenih predmeta. Posmatrača je potrebno zamoliti da nose zaštitu za oči. Ako vam neko prilazi, odmah zaustavite motor i rezni priključak.

Radi sigurnog i boljeg rada stavite ramenu traku preko ramena. Podesite ramenu traku u položaj ugodan za rad. Trimer za travu s reznom niti držite jednom rukom za stražnji rukohvat, a drugom rukom za prednji rukohvat. Tokom rukovanja rukohvate čvrsto primite objema rukama. Trimer za travu s reznom niti potrebno je držati u ugodnom položaju sa stražnjim rukohvatom u visini kuka. Glava trimera za travu treba stajati paralelno u odnosu na tlo tako da jednostavno dodiruje materijal kojeg je potrebno rezati bez potrebe za naginjanjem rukovaoca (sl. B).

⚠ UPOZORENJE! Ramena traka je i mehanizam za brzo otpuštanje u opasnim situacijama. U slučaju nužde ramenu traku odmah skinite s ramena, bez obzira na način na koji je stavljena.

Očistite trimer nakon svake upotrebe.

Za uputstva za čišćenje pogledajte poglavlje ODRŽAVANJE.

POKRETANJE/ZAUSTAVLJANJE ALATA

Pogledajte poglavlje "POKRETANJE/ZAUSTAVLJANJE POGONSKE JEDINICE" u korisničkom priručniku pogonske jedinice PH1420E.

PODEŠAVANJE DUŽINE REZNE NITI

Glava trimera rukovaocu omogućuje otpuštanje više rezne niti bez zaustavljanja motora. Ako se rezna nit pohaba ili istroši, laganim dodirivanjem glave trimera o tlo tokom rukovanja trimenom moguće je otpustiti više niti (sl. E).

NAPOMENA! Otpuštanje niti teže je kako se rezna nit skraćuje.

⚠ UPOZORENJE! Nemojte uklanjati sklop noža za rezanje rezne niti ili ne obavljajte preinake na njemu. Prevelika dužina niti uzrokovat će pregrijavanje motora što može rezultirati teškim tjelesnim povredama.

ZAMJENA REZNE NITI

NAPOMENA! Uvijek upotrebljavajte preporučenu najlonsku reznu nit prečnika ne većeg od 2,4 mm. Upotreba rezne niti drukčije od navedene može uzrokovati pregrijavanje ili oštećenje trimera za travu.

⚠ UPOZORENJE! Nemojte nikada upotrebljavati metalom ojačane niti, žicu ili uže i sl. jer mogu se odlomiti i postati opasni projektili.

Trimer za travu s reznom niti opremljen je naprednim **POWERLOAD™** sistemom. Reznu nit moguće je namotati na kalem jednostavnim pritiskom na jedno dugme. Namotavanje na kalem u cijelosti obično je moguće obaviti za 12 sekundi. **Izbjegavajte ponavljani brzi rad sistema namotavanja kako biste smanjili mogućnost oštećenja motora.**

NAPOMENA! POWERLOAD™ sistem dostupan je samo kada je priključak spojen na pogonsku jedinicu PH1420E i kada je postavljen komplet baterija.

1. Izvadite komplet baterija.
2. Odrežite reznu nit dužine 4 m. Umetnite reznu nit u ušicu (sl. F). Provcucite reznu nit i povlačite je s druge strane dok rezna nit ne bude iste dužine s obje strane glave trimera za travu.

NAPOMENA! Ako reznu nit nije moguće umetnuti u ušicu kada se donji poklopac zaglavi, postavite komplet baterija na pogonsku jedinicu, a zatim kratko pritisnite dugme za namotavanje rezne niti da ponovo postavite donji poklopac.

3. Izvadite komplet baterija ako je postavljena na pogonsku jedinicu u NAPOMENI nakon koraka 2. Za ponovno umetanje i poravnavanje rezne niti pratite korake navedene u koraku 2.
4. Postavite komplet baterija na pogonsku jedinicu.
5. Pritisnite dugme za namotavanje rezne niti i držite ga pritisnutim da kontinuirano namotate reznu nit na glavu trimera za travu dok se sa svake strane ne pokaže oko 15 cm rezne niti. (sl. G)
6. Gurnite glavu trimera za travu prema dolje pritom povlačeći reznu nit kako biste je ručno pomakli prema naprijed i provjerili je li ispravno postavljena.

NAPOMENA! U slučaju nehotičnog uvlačenja rezne niti u glavu trimera za travu, otvorite glavu i izvucite reznu nit iz kalema. Za ponovno namotavanje rezne niti pratite upute u odjeljku "PONOVNO NAMOTAVANJE REZNE NITI" u

ovom priručniku.

PONOVNO NAMOTAVANJE REZNE NITI

Ako se rezna nit otkine iz ušice ili ako se rezna nit ne otpusti lupkanjem po glavi trimera za travu, za uklanjanje preostale rezne niti iz glave trimera za travu i ponovno namotavanje rezne niti pratite korake u nastavku.

1. Izvadite komplet baterija.
2. Pritisnite jezičke za otpuštanje na glavi trimera za travu i uklonite sklop donjeg poklopca glave trimera za travu povlačeći ga ravno van (sl. H).
3. Izvadite reznu nit iz glave trimera za travu.
4. Ako je potrebno, izvadite oprugu iz sklopa kalema. Sačuvajte je za ponovno sastavljanje.
5. Umetnite oprugu u utor u sklopu donjeg poklopca (sl. I).
6. Jednom rukom držite trimer za travu, drugom rukom uzmite sklop donjeg poklopca i poravnajte uture u sklopu donjeg poklopca s jezičcima za otpuštanje (slika J). Pritišćite sklop donjeg poklopca dok ne ulegne u svoje ležište, pri čemu ćete čuti jasan zvuk klikanja (sl. K).
7. Za ponovno namotavanje rezne niti pratite upute u odjeljku "ZAMJENA REZNE NITI".

ZAMJENA GLAVE TRIMERA ZA TRAVU

⚠ UPOZORENJE! Ako se glava nakon pričvršćivanja otpusti, odmah je zamijenite.

Trimer za travu nemojte nikada upotrebljavati ako je rezni priključak otpušten. Puknutu, oštećenu ili istrošenu reznu glavu odmah zamijenite čak i ako je oštećenje ograničeno na površinske pukotine. Takvi priključci mogu se raspuknuti pri visokoj brzini i uzrokovati teške povrede.

Upoznajte se s glavom trimera za travu (sl. L).

Opis dijelova na sl. L pogledajte u nastavku:

L-1	Drška	L-6	Podloška
L-2	Čahura (2)	L-7	Matica
L-3	Gornji poklopac	L-8	Opruga
L-4	Sigurnosni prsten	L-9	Rezna nit
L-5	Držać kalema	L-10	Sklop donjeg poklopca

Uklanjanje glave trimera za travu

1. Izvadite komplet baterija.
2. Pritisnite jezičke za otpuštanje na glavi trimera za travu i uklonite sklop donjeg poklopca glave trimera za travu povlačeći ga ravno van.

BS

- Izvadite reznu nit iz glave trimera za travu.
- Ako je potrebno, izvadite oprugu iz sklopa kalema. Sačuvajte je za ponovno sastavljanje.
- Nosite rukavice. Jednom rukom prihvatite sklop kalema kako biste ga stabilizovali, a drugom rukom držite udarni ključ od 13 mm (nije u sadržaju isporuke) da otpustite maticu u SMJERU KRETANJA KAZALJKI NA SATU (sl. M).
- S vratila motora uklonite maticu, podlošku i držač kalema (sl. L).
- Za uklanjanje sigurnosnog prstena upotrijebite kliješta za sigurnosni prsten (nisu u sadržaju isporuke). S vratila motora uklonite gornji poklopac i dvije čahure (sl. L).
- Zamijenite glavu trimera za travu i postavite je prema sljedećim koracima.

Postavljanje nove glave trimera za travu

- Na vratilo motora postavite dvije čahure.
- Poravnajte utor za ravni element na gornjem poklopcu s ravnim elementom na vratilu motora i postavite prednji poklopac u ležište (sl. N).

Ovisi dijelova sa sl. N pogledajte u nastavku.

N-1	Ravni element	N-2	Utor za ravni element
-----	---------------	-----	-----------------------

- Postavite sigurnosni prsten, držač kalema i podlošku ovim redoslijedom (sl. L). Za pritezanje matice U SMJERU SUPROTNOM SMJERU KRETANJA KAZALJKI NA SATU upotrijebite udarni ključ.
- Za postavljanje sklopa donjeg poklopca pratite korake 4 i 5 u odjeljku "PONOVRNO NAMOTAVANJE REZNE NITI" u ovom priručniku.
- Za ponovno namotavanje rezne niti pratite uputstva u odjeljku "ZAMJENA REZNE NITI".
- Pokrenite alat kako biste vidjeli da li trimer za travu s reznom niti ispravno radi. Ako to nije slučaj, rastavljanje obavite na gore opisani način.

ODRŽAVANJE

⚠ UPOZORENJE! Prije pregleda, čišćenja ili servisiranja jedinice, zaustavite motor, pričekaite da se svi pokretni dijelovi zaustave i izvadite komplet baterija. Nepostupanje prema ovim uputstvima može rezultirati teškim povredama ili materijalnom štetom.

⚠ UPOZORENJE! Kada obavljate radove servisiranja, upotrebljavajte samo identične zamjenske dijelove. Upotreba drugih dijelova može uzrokovati opasnost ili oštećenje proizvoda. Radi osiguranja sigurnosti i

pouzdanosti, sve popravke drukčije od navedenih u ovim uputstvima za održavanje treba obavljati kvalifikovani servisni tehničar.

OSNOVNO ODRŽAVANJE

Kada čistite plastične dijelove, izbjegavajte upotrebljavati rastvore. Mnoge plastike mogu se oštetiti različitim vrstama komercijalnih rastvora i mogu se oštetiti njihovom upotrebom. Za uklanjanje prljavštine, prašine, ulja, masti i sl. upotrebljavajte čiste krpe.

ČIŠĆENJE JEDINICE

- Očistite travu koja se možda orotala oko osovine motora ili glave trimera.
- Za čišćenje zračnih ventilacijskih otvora na stražnjem kućištu upotrebljavajte malu četku ili mali usisivač.
- Jedinicu čistite vlažnom krpom i blagim deterdžentom.
- Za čišćenje plastičnog kućišta ili rukohvata nemojte upotrebljavati jake deterdžente jer mogu ih oštetiti neka aromatična ulja, kao što su borovo i limunovo ulje i rastvori kao što je kerozin. Vlaga može izazvati opasnost od strujnog udara. Vlažna mjesta obrišite mekanom suhom krpom.

PODMAZIVANJE PRIJENOSNIKA

Prijenosnike u kućištu potrebno je povremeno podmazivati mašću za prijenosnike. Nivo masti u kućištu prijenosnika provjeravajte svakih 50 radnih sati uklanjanjem brtvenog vijka na strani kućišta.

Ako se na bočnim stranama prijenosnika ne vidi mast, za punjenje s mašću za prijenosnike do 3/4 zapremine pratite korake u nastavku.

Prijenosnik nemojte puniti u cijelosti.

- Držite trimer s reznom niti na njegovoj bočnoj strani tako da brtveni vijak bude usmjeren prema gore.
- Za otpuštanje i uklanjanje brtvenog vijka upotrijebite isporučeni višefunkcijski ključ.
- Za ubrizgavanje masti u provrt za vijke upotrebljavajte mazalicu (nije u sadržaju isporuke); nemojte prekoračivati 3/4 zapremine.
- Brtveni vijak pritegnite nakon ubrizgavanja.

SKLADIŠTENJE JEDINICE

- Izvadite komplet baterija iz pogonske jedinice.
- Alat dobro očistite prije skladištenja.
- Ako se priključak trimera s reznom niti skida s pogonske jedinice i skladišti zasebno: stavite krajnju kapiću na dršku priključka kako biste izbjegli da nečistoća dospije u spojku.

- Jedinicu skladištite na suhom, dobro prozračenom mjestu koje je moguće zaključati ili koje je na visini izvan dohvata djece. Jedinicu nemojte skladištiti na gnojivima, benzinu ili drugim hemikalijama ili u njihovoj blizini.

OŠTRENJE NOŽA ZA REZANJE REZNE NITI

⚠ UPOZORENJE! Kada obavljate radove održavanja na noževima za rezanje rezne niti, uvijek zaštitite ruke nošenjem debelih rukavica.

1. Izvadite bateriju.
2. Uklonite nož za rezanje rezne niti sa štitnika.
3. Osigurajte nož u škripcu.
4. Nosite propisnu zaštitu za oči i rukavice i budite oprezni kako biste izbjegli posjekotine.
5. Pažljivo obradite rezne bridove noža turpijom s finim zupcima ili kamenom za oštrenje, održavajući pritom originalni ugao reznog brida.
6. Ponovo stavite nož na štitnik i osigurajte ga s dva vijka.

Zaštita životne sredine



Električnu opremu, punjač baterije i baterije/punjive baterije ne odlažite u kućni otpad!

Ovaj proizvod odnesite u ovlaštenu centar za reciklažu i time omogućite odvojeno sakupljanje. Električne alate potrebno je vratiti u ekološki prihvatljiv pogon za reciklažu.

Ako se električni uređaji odlažu na odlagališta otpada ili deponije, opasne tvari mogu iscuriti u podzemne vode i dospjeti u lanac ishrane i negativno uticati na zdravlje i dobrobit ljudi.

OTKLANJANJE PROBLEMA

UZROK	PROBLEM	RJEŠENJE
Trimer s reznom nije moguće pokrenuti.	<ul style="list-style-type: none"> ■ Komplet baterija nije pričvršćen na pogonsku jedinicu. ■ Nema električnog kontakta između pogonske jedinice i kompleta baterija. ■ Komplet/i baterija je ispražnjen. ■ Ručica za deblokadu i okidač ne pritišću se istovremeno. 	<ul style="list-style-type: none"> ■ Pričvrstite komplet baterija na glavu alata. ■ Izvadite bateriju, provjerite kontakte i ponovo stavite komplet baterija tako da zvučno ulegne. ■ Komplet baterija puniti punjačima proizvođača EGO koji su navedeni u ovom priručniku. ■ Pritisnite ručicu za deblokadu i držite je pritisnutom, a zatim pritisnite okidač kako biste uključili trimer s reznom niti.
Trimer s reznom niti zaustavlja se tokom rezanja.	<ul style="list-style-type: none"> ■ Štitnik nije postavljen na trimer, što rezultira predugačkom reznom niti i preopterećenjem motora. ■ Upotrebljava se teška rezna nit. ■ Osovinu motora ili glavu trimera blokira trava. ■ Motor je preopterećen. ■ Komplet baterija ili trimer s reznom niti je previše vruć. ■ Komplet baterija je odspojen od alata. ■ Komplet baterija je ispražnjen. 	<ul style="list-style-type: none"> ■ Izvadite komplet baterija i postavite štitnik na trimer. ■ Upotrebljavajte preporučenu najlonsku rezu nit prečnika ne većeg od 2,4 mm. ■ Zaustavite trimer, izvadite bateriju i očistite travu s osovine motora i glave trimera. ■ Očistite glavu trimera od trave. Motor će se povratiti po uklanjanju opterećenja. Glavu trimera prilikom rezanja pomjerajte u travu i iz trave i jednim rezom ne uklanjajte više od 20 cm dužine. ■ Pričekajte da se komplet baterija ili trimer ohladi na temperaturu ispod 67 °C. ■ Ponovo stavite komplet baterija. ■ Komplet baterija puniti punjačima proizvođača EGO koji su navedeni u ovom priručniku.

UZROK	PROBLEM	RJEŠENJE
Glava trimera ne izvlači reznu nit.	<ul style="list-style-type: none"> ■ Osovinu motora ili glavu trimera blokira trava. ■ Na kalemu nema dovoljno rezne niti. ■ Glava trimera je zaprljana. ■ Rezna nit zapetljala se u sklopu glave trimera. ■ Rezna nit je prekratka. 	<ul style="list-style-type: none"> ■ Zaustavite trimmer, izvadite bateriju i očistite osovinu motora i glavu trimera. ■ Izvadite bateriju i zamijenite reznu nit; pratite uputstva u poglavlju "PONOVNO NAMOTAVANJE REZNE NITI" u ovom uputstvu za upotrebu. ■ Izvadite bateriju i očistite kalem, sklop donjeg poklopca i gornji poklopac. ■ Izvadite bateriju, uklonite reznu nit iz kalema i ponovo je namotajte; pratite uputstva u poglavlju "PONOVNO NAMOTAVANJE REZNE NITI" u ovom uputstvu za upotrebu. ■ Izvadite bateriju i rukom povucite rezne niti dok naizmjenično pritišćete i otpuštate glavu trimera.
Trava se omotava oko glave trimera i kućišta motora.	<ul style="list-style-type: none"> ■ Visoka trava reže se od nivoa tla. 	<ul style="list-style-type: none"> ■ Visoku travu režite odozgo prema dolje i pritom ne režite više od 20 cm u svakom prolazu kako biste izbjegli omotavanje.
Nož ne reže reznu nit.	<ul style="list-style-type: none"> ■ Nož za rezanje rezne niti na rubu štitnika je tup. 	<ul style="list-style-type: none"> ■ Nož za rezanje rezne niti naoštrite turpijom ili ga zamijenite novim.
Pukotine na glavi trimera ili držač kalema se otpustio s kućišta kalema.	<ul style="list-style-type: none"> ■ Glava trimera je istrošena. 	<ul style="list-style-type: none"> ■ Odmah zamijenite glavu trimera; slijedite uputstva u poglavlju "ZAMJENA GLAVE TRIMERA" u ovom uputstvu za upotrebu.
	<ul style="list-style-type: none"> ■ Matica koja završuje glavu trimera je otpuštena. 	<ul style="list-style-type: none"> ■ Otvorite glavu trimera i upotrijebite udarni ključ za pritezanje matice.
Tokom zamjene rezne niti, reznu nit nije moguće propisno uvući u glavu trimera.	<ul style="list-style-type: none"> ■ Rezna nit nije ispravno umetnuta u montažni provrt u ušici. 	<ul style="list-style-type: none"> ■ Prvo poravnajte crtice LOAD s ušicama, a zatim reznu nit umetnite u montažni provrt koji se nalazi u ušici.
	<ul style="list-style-type: none"> ■ Crtice za NAMOTAVANJE na držaču kalema nisu poravnate s ušicama u kućištu kalema. 	<ul style="list-style-type: none"> ■ Okrenite držač kalema u smjeru strelice kako biste crtice za NAMOTAVANJE na držaču kalema poravnali s ušicama u kućištu kalema.

GARANCIJA

POLITIKA GARANCIJE PROIZVOĐAČA EGO

Za sve odredbe i uslove politike garancije proizvođača EGO posjetite internetsku stranicu egopowerplus.com.

KEES VAN DER SPEK
TUINMACHINES ★ STOLWIJK

KEES VAN DER SPEK
TUINMACHINES ★ STOLWIJK

المشكلة	السبب	الحل
تنتفخ الحشائش حول رأس الجزارة وهيكل المحرك.	<ul style="list-style-type: none"> يت جزّ الحشائش الطويلة عند مستوى الأرض. 	<ul style="list-style-type: none"> اقطع العشب الطويل من أعلى لأسفل، مع إزالة طول لا يزيد عن 20 سم في كل مرة لمنع التفاف العشب على أجزاء الآلة.
الشفرة لا تقطع الخيط.	<ul style="list-style-type: none"> أصبحت شفرة قطع الخيط الموجودة على حافة الواقي غير حادة. 	<ul style="list-style-type: none"> اشدح شفرة قطع الخيط باستخدام مبرد أو استبدلها بشفرة جديدة.
هناك تشققات في رأس الجزارة، أو محتجز ملف الخيوط ينفك من قاعدة ملف الخيوط.	<ul style="list-style-type: none"> رأس الجزارة متهالك. 	<ul style="list-style-type: none"> استبدل أس الجزارة على الفور؛ واتبع التعليمات الواردة في قسم "استبدال رأس الجزارة" من هذا الدليل.
الصامولة التي تثبت رأس الجزارة مفكوكة.	<ul style="list-style-type: none"> الصامولة التي تثبت رأس الجزارة مفكوكة. 	<ul style="list-style-type: none"> افتح رأس الجزارة، واستخدم جهاز ربط بالصدمات لربط الصامولة بإحكام.
أثناء استبدال الخيط، لا يمكن تحميل الخيط في رأس الجزارة كما ينبغي.	<ul style="list-style-type: none"> لم يتم إدخال خيط الجزّ بشكل صحيح في فتحة التثبيت الموجودة في الثقب. خيوط التحميل بمحتجز ملف الخيوط غير متحاذاة مع الثقوب الموجودة في قاعدة ملف الخيوط. 	<ul style="list-style-type: none"> قم بمحاذاة خيوط التحميل مع الثقوب أولاً، ثم أدخل الخيط في فتحة التركيب التي ستجدها داخل الثقب. أدر محتجز ملف الخيوط في اتجاه السهم لمحاذاة خيوط التحميل الموجودة بمحتجز ملف الخيوط مع الثقوب الموجودة في قاعدة ملف الخيوط.

الضمان

سياسة ضمان EGO

تفضل بزيارة الموقع الإلكتروني egopowerplus.com للتعرف على الشروط والأحكام الكاملة الخاصة بسياسة ضمان EGO.

KEES VAN DER SPEK
TUINMACHINES * STOLWIJK

استكشاف الأخطاء وإصلاحها

المشكلة	السبب	الحل
لا يمكن بدء تشغيل الجزّارة العاملة بالخيوط.	<ul style="list-style-type: none"> مجموعة البطارية غير مركّبة في رأس الآلة العاملة بالطاقة. لا يوجد اتصال كهربائي بين رأس الطاقة ومجموعة البطارية. نقد شحن مجموعة البطارية. لم يتم الضغط على ذراع القفل والزناد بشكل متزامن. 	<ul style="list-style-type: none"> قم بتركيب مجموعة البطارية في رأس الطاقة. اخلع البطارية، وافحص التوصيلات، ثم أعد تركيب مجموعة البطارية، إلى أن تتشكك في مكانها. اشحن مجموعة البطارية بشواحن EGO المدرجة في هذا الدليل. اضغط لأسفل مع التثبيت على ذراع القفل، ثم اضغط مع التثبيت على الزناد لتشغيل الجزّارة العاملة بالخيوط.
الجزّارة العاملة بالخيوط تتوقف أثناء الجزّ.	<ul style="list-style-type: none"> الواقى غير مركب على الجزّارة، وهو ما يؤدي إلى خيط قطع طويل للغاية ووجود حمل زائد على المحرك. تم استخدام خيط قطع ثقيل. هناك عشب ملتف حول عمود المحرك أو رأس الجزّارة. هناك حمل زائد على المحرك. مجموعة البطارية أو الجزّارة العاملة بالخيوط ساخنة للغاية. مجموعة البطارية مفصولة من الآلة. نقد شحن مجموعة البطارية. 	<ul style="list-style-type: none"> اخلع مجموعة البطارية وركّب الواقى على الجزّارة. استخدم خيط الجزّ الموصى به من النايلون بحيث لا يزيد قطره عن 2.4 مم. أوقف الجزّارة، واخلع البطارية، وتخلص من العشب الملتف على عمود المحرك ورأس الجزّارة. ارفع رأس الجزّارة عن الحشائش. سيعاود المحرك العمل عند التخلص من الحمل الواقع عليه. أثناء الجزّ، حرك رأس الجزّارة داخل الحشائش المراد جزّها خارجها، ولا تقم بإزالة طول يزيد عن 20 سم في كل مرة جزّ. اترك مجموعة البطارية أو الجزّارة تبرد إلى تهبط درجة الحرارة إلى ما دون 67 درجة مئوية. أعد تركيب مجموعة البطارية. اشحن مجموعة البطارية بشواحن EGO المدرجة في هذا الدليل.
لا يقوم رأس الجزّارة بدفع الخيط للأمام.	<ul style="list-style-type: none"> هناك عشب ملتف حول عمود المحرك أو رأس الجزّارة. لا يوجد خيط كافٍ على ملف الخيوط. رأس الجزّارة متسخ. الخيط متشابك في تجميعية رأس الجزّارة. الخيط قصير للغاية. 	<ul style="list-style-type: none"> أوقف الجزّارة، واخلع البطارية، ونظف عمود المحرك ورأس الجزّارة. اخلع البطارية واستبدل خيط الجزّ؛ واتبع التعليمات الواردة في قسم "إعادة تحميل خيط الجزّ" من هذا الدليل. اخلع البطارية، ونظف ملف الخيوط وتجميعية الغطاء السفلي والغطاء العلوي. اخلع البطارية، واخلع الخيط من ملف الخيوط وأعد لفّه؛ واتبع التعليمات الواردة في قسم "إعادة تحميل خيط الجزّ" من هذا الدليل. اخلع البطارية واسحب الخيوط يدويًا بينما تقوم بشكل متناوب بالضغط على رأس الجزّارة لأسفل ثم تحريرها.

حماية البيئة

لا تتخلص من المعدات الكهربائية وشاحن البطارية والبطاريات العادية/البطاريات القابلة لإعادة الشحن في النفايات المنزلية! وفقًا للقانون بل توجه بهذا المنتج إلى مركز إعادة تدوير معتمد ليكون متاحًا للفرز بشكل منفرد. تجنب إعادة الآلات الكهربائية إلى مرفق إعادة تدوير صديق للبيئة. إذا تم التخلص من الأجهزة الكهربائية في أكوام القمامة أو مقلب النفايات، قد تتسرب مواد خطيرة في المياه الجوفية وتصل إلى السلسلة الغذائية، وهو ما يضر بالصحة والعافية.



KEES VAN DER SPEK
TUINMACHINES * STOLWIJK

8. استبدل رأس الجرّازة بأخر جديد، ثم ركبها وفقاً للخطوات التالية.

تركيب رأس الجرّازة الجديد

1. قم بتركيب الجلبتين في عمود المحرك.
2. قم بمحاذاة الفتحة المسطحة الموجودة في الغطاء العلوي مع الجزء المسطح الموجود من عمود المحرك، ثم قم بتركيب الغطاء العلوي في مكانه (الشكل N).

الشكل N انظر أذناه للتعرف على شرح الأجزاء

N-1	مسطح
N-2	فتحة مسطحة

إن لم تستطع رؤية أي شحم على أسنان التروس، اتبع الخطوات التالية للتعينة بشحم ناقل الحركة حتى مستوى 4/3 من السعة الداخلية.

لا تملأ ناقل الحركة بالكامل.

1. أمسك الجرّازة العاملة بالخيوط وهي على جانبها بحيث يكون مسمار القفل وجهه لأعلى.
2. استخدم مفتاح الربط متعدد الوظائف المرفق في فك واخلع مسمار القفل.
3. استخدم محقنة تشحيم (غير مرفقة) لحقن بعض الشحم في فتحة المسمار؛ بحيث لا تتخطى 4/3 من السعة الداخلية.
4. اربط مسمار القفل بعد الحقن.

تخزين الوحدة

- أخرج مجموعة البطارية من رأس الطاقة.
- نظف الآلة جيداً قبل تخزينها.
- إذا تم خلع ملحق الجرّازة العاملة بالخيوط من رأس الطاقة وتخزينه بشكل منفصل؛ قم بتركيب الغطاء الخارجي على عمود الملحق لتجنب دخول الأوساخ إلى الوصلة.
- خزن الوحدة في منطقة جافة جيدة التهوية، بحيث يكون في مكان مقفل أو عالٍ عن سطح الأرض بعيداً عن متناول أيدي الأطفال. لا تقم بتخزين الوحدة على الأسمدة أو البزيرين أو المواد الكيميائية الأخرى، أو بجوارها.

شحن شفرة قطع الخيط

تحذير: احرص دائماً على حماية يديك عن طريق ارتداء قفازات قوية عند إجراء أي أعمال صيانة على شفرة قطع الخيط.

1. اخلع البطارية.
2. اخلع شفرة قطع الخيط من الوافي.
3. ثبت الشفرة في منجلة.
4. احرص على ارتداء أدوات حماية العينين والقفازات الملائمة، واحذر أن تتسبب في جرح نفسك.
5. ابرد حواف القطع بالشفرة بحذر باستخدام مبرد ناعم الأسنان أو حجر سن، مع المحافظة على زاوية حافة القطع الأصلية.
6. أعد تركيب الشفرة في الوافي مع تأمينها في مكانها باستخدام المسامير المخصصين لذلك.

3. قم بتركيب حلقة الزنق، ومحتجز ملف الخيوط، والوردة بهذا الترتيب (الشكل L). استخدم جهاز ربط بالصددمات لربط الصامولة بإحكام عكس اتجاه عقارب الساعة.
4. اتبع الخطوتين 4 و5 في قسم "إعادة تحميل خيط السفلي".
5. اتبع التعليمات الواردة في قسم "استبدال الخيط" من هذا الدليل بخصوص إعادة تحميل خيط الجرّازة.
6. ابدأ تشغيل الآلة لتزى ما إذا كانت الجرّازة العاملة بالخيوط ستعمل بشكل طبيعي. إن لم تعمل بشكل طبيعي، أعد تجميعها على النحو الموضح أعلاه.

الصيانة

تحذير: قبل فحص الوحدة أو تنظيفها أو صيانتها، أطفئ المحرك، وانتظر إلى أن تتوقف جميع الأجزاء المتحركة، ثم اخلع مجموعة البطارية. لأن عدم اتباع هذه التعليمات قد يؤدي إلى وقوع إصابات شخصية خطيرة أو تلف الممتلكات.

تحذير: استخدم فقط قطع غير أصلية عند إجراء أعمال الصيانة. لأن استخدام أي أجزاء أخرى قد ينشأ عنه خطر أو يتسبب في تعرض المنتج للتلوث لضمان السلامة والاعتمادية، يجب تنفيذ جميع أعمال الصيانة من قبل فني صيانة متخصص، باستثناء البنود المدرجة في تعليمات الصيانة هذه.

الصيانة العامة

تجنب استخدام المنظفات عند تنظيف الأجزاء البلاستيكية. غالبية المكونات البلاستيكية تكون سريعة التأثر بالأنواع المختلفة للمنظفات الموجودة بالسوق. وقد تتلف نتيجة استخدامها عليها. استخدم قطعة قماش نظيفة لإزالة الأوساخ والأتربة والزيوت والشحم وما شابههم.

تنظيف الوحدة

- تخلص من أي عشب قد يكون ملتقاً حول عمود المحرك أو رأس الجرّازة.
- استخدم فرشاة صغيرة أو مكنتة كهربائية صغيرة في تنظيف فتحات الهواء الموجودة بالهيكل الخلفي.
- نظف الوحدة باستخدام قطعة قماش مبللة مع منظف خفيف.
- لا تستخدم أي منظفات قوية على الهيكل البلاستيكي أو المقبض. لأنهم معرضون للتلوث بفعل زيوت عطرية معينة، مثل الصنوبر

1. تخلع مجموعة البطارية.
2. اضغط على السنّة التحرير الموجودة برأس الجرّازة، واخلع تجميع الغطاء السفلي الموجودة برأس الجرّازة عن طريق سحبها للخارج بشكل مستقيم (الشكل H).
3. اخلع خيط الجز من رأس الجرّازة.
4. أخرج الزنبرك من تجميع ملف الخيوط عند اللزوم، واحفظه لتزكيه عند إعادة التجميع.
5. أدخل الزنبرك في الفتحة الموجودة في تجميع الغطاء السفلي (الشكل A).
6. بينما تمسك بالجرّازة بإحدى يديك، استخدم اليد الأخرى في الإمساك بتجميع الغطاء السفلي مع محاذاة الفتحات الموجودة في تجميع الغطاء السفلي مع السنّة التحرير (الشكل J). اضغط على تجميع الغطاء السفلي إلى أن تنتهي في مكانها، وحين يحدث ذلك ستسمع صوت نقرة واضحة (الشكل K).
7. اتبع التعليمات الواردة في قسم "استبدال الخيط" لإعادة تحميل خيط الجز.

استبدال رأس الجرّازة

تحذير: إذا انفك الرأس بعد تثبيته في موضعه، فاستبدله على الفور.

احرص على ألا تستخدم أبداً جرّازة بها ملحق جرّ مفكوك. استبدل رأس الجرّ المشقوق أو التالف أو المتآكل على الفور، حتى لو كان التالف مجرد تشققات سطحية. لأن مثل تلك الملحقات قد تتحطم عند السرعات العالية مسببة إصابات خطيرة.

يجب عليك الاعتناء على رأس الجرّازة (الشكل L).

الشكل L انظر أدناه للتعرف على شرح الأجزاء:

L-1	العمود	L-6	وردة
L-2	الجابية (2)	L-7	صامولة
L-3	الغطاء العلوي	L-8	زنبرك
L-4	حلقة زنق	L-9	خيط الجزّ
L-5	محتجز ملف الخيوط	L-10	تجميع الغطاء السفلي

خلع رأس الجرّازة

1. اخلع مجموعة البطارية.
2. اضغط على السنّة التحرير الموجودة برأس الجرّازة، واخلع تجميع الغطاء السفلي الموجودة برأس الجرّازة عن طريق سحبها للخارج بشكل مستقيم.
3. اخلع خيط الجز من رأس الجرّازة.
4. أخرج الزنبرك من تجميع ملف الخيوط عند اللزوم، واحفظه لتزكيه عند إعادة التجميع.
5. احرص على ارتداء قفازات. استخدم إحدى يديك في الإمساك بتجميع ملف الخيوط لتثبيتها، واستخدم اليد الأخرى في الإمساك بجهاز ربط بالصدمات مقاس 13 مم (غير مرفق) لفك الصامولة في اتجاه عقارب الساعة (الشكل M).
6. اخلع الصامولة والوردة ومحتجز ملف الخيوط عمود المحرك (الشكل L).
7. استخدم كماشة (غير مرفقة) لخلع حلقة الزنق. اخلع الغطاء العلوي والجابيتين عن عمود المحرك (الشكل L).

تشغيل الجرّازة (الشكل E).

ملاحظة: سيصبح تحرير الخيط أكثر صعوبة عندما يصبح خيط الجز أقصر.

تحذير: لا تقم بخلع أو تعديل تجميعه شفرة قطع الخيط. الطول الزائد في الخيط قد يتسبب في السخونة المفرطة للمحرك، ما قد يؤدي إلى التعرض لإصابات شخصية خطيرة.

استبدال الخيط

ملاحظة: احرص دائماً على استخدام خيط الجزّ الموصى به من النايلون بحيث لا يزيد قطره عن 2.4 مم. لأن استخدام خيط آخر غير الموصى به قد يتسبب في السخونة المفرطة للجرّازة العاملة بالخيط أو تعرضها للتلف.

تحذير: لا تقم أبداً باستخدام خيط معزز معدنيًا، أو سلك معدني، أو حبل، أو ما شابه ذلك. لأن تلك الأشياء قد تنقطع وتتسبب في تطاير أشياء خطيرة.

الجرّازة العاملة بالخيط مجهزة بنظام POWERLOAD™ المتقدم. حيث يمكن لف خيط الجزّ في ملف الخيوط بكل بساطة عند الضغط على زر واحد. عادة ما يمكن تحميل ملف خيوط كامل خلال 12 ثانية. تجنب التشغيل المتكرر لنظام سحب الخيط بتعاقب سريع للحد من احتمالية تعرض المحرك للتلف.

ملاحظة: لا يتوفر نظام POWERLOAD™ إلا عند توصيل الملحق برأس الطاقة PH1420E وتثبيت مجموعة البطارية.

1. اخلع مجموعة البطارية.
2. اصنع قطعة من خيط الجزّ بطول 4 أمثاله. أدخل الخيط في الثقب (الشكل F). ادفع الخيط واسحبه من الجانب الآخر حتى تظهر نفس الطول للخيط على كلا جانبي رأس الجرّازة.

ملاحظة: إذا تعرّض إدخال الخيط عبر الثقب بينما الغطاء السفلي عالماً، قم بتثبيت مجموعة البطارية في رأس الطاقة، ثم اضغط على زر تحميل الخيط لوهلة قصيرة لإعادة تعيين الغطاء السفلي.

3. اخلع مجموعة البطارية إذا كان قد تم تركيبها في رأس الطاقة وفقاً للإشعار بعد الخطوة 2. واتبع الخطوات المحددة في الخطوة 2 لإعادة تركيب خيط الجز ومحاذاته.
4. قم بتركيب مجموعة البطارية في رأس الطاقة.
5. اضغط مع التثبيت على زر تحميل الخيط لفت الخيط إلى داخل رأس الجرّازة باستمرار إلى أن يصبح حوالي 15 سم فقط من الخيط بارزاً على كل جانب (الشكل G).
6. اضغط لأسفل على رأس الجرّازة، بينما تسحب من الخيوط لتدفع الخيط للأمام يدويًا كي تتحقق من التجميع السليم لخيط الجزّ.

ملاحظة: في حال سحب الخيط إلى داخل رأس الجرّازة دون قصد، افتح الرأس واسحب خيط الجزّ من ملف الخيوط. اتبع التعليمات الواردة في قسم "إعادة تحميل خيط الجزّ" من هذا الدليل لإعادة تحميل الخيط.

إعادة تحميل خيط الجزّ

إذا كان خيط الجزّ ينقطع عند الثقب أو لا يتم تحريره عند النقر على رأس الجرّازة، فسوف تحتاج إلى إزالة خيط الجزّ المتبقي من رأس الجرّازة، واتباع الخطوات أدناه لإعادة تحميل الخيط.

التجميع

قد تصبح شفرة قطع الخيط الموجودة على حافة الواقي غير حادة مع مرور الوقت. من الموصى به أن تقوم بشحذها من أن لأخر باستخدام مبرد أو استبدالها بشفرة جديدة.

تحذير: احرص دائماً على ارتداء قفازات عند تركيب الواقي أو استبداله، أو عند شحذ الشفرة أو استبدالها. انتبه لمكان الشفرة الموجودة عند الواقي، واحم يديك من التعرض لإصابات.

تحذير: لمنع التعرض لإصابات شخصية خطيرة، اخلع مجموعة البطارية من رأس الطاقة قبل إجراء أعمال الصيانة، أو التنظيف، أو تغيير المرفقات، أو إزالة المواد من الوحدة.

استخدام الجِزَاة العاملة بالخيط مع رأس الطاقة

تحذير: احرص على ارتداء ملابس ملائمة للحد من خطر التعرض لإصابات أثناء تشغيل هذه الآلة. لا ترتد ملابس أو مجوهرات غير ثابتة. ارتد أدوات حماية العينين والأذنين/السمع. احرص على ارتداء بنطال طويل قوي، وحذاء ذي رقيقة، وقفازات. لا ترتد بناطيل قصيرة أو صنادل أو أن تكون حافي القدمين.

تحذير: نظف منطقة الجِزَاة قبل كل استخدام للآلة. تلخص من جميع الأشياء مثل الصخور أو الزجاج المكسور أو المسامير أو الأسلاك أو الخيوط التي قد تدخل في ملحق الجِزَاة أو تعيقه. أبق المنطقة خالية من الأطفال والمرافقين والحيوانات الأليفة. على الأقل، اجعل الأطفال والمرافقين والحيوانات الأليفة على مسافة لا تقل عن 15 متراً؛ فقد يكون هناك خطر تعرض المرافقين للأشياء المتطايرة. يجب تشجيع المرافقين على ارتداء أدوات حماية العينين. عند اقتراب أي شخص، أوقف المحرك وملحق الجِزَاة على الفور.

للتشغيل بشكل أفضل وأكثر أمناً، ارتد حزام الكتف بحيث يمر عبر الكتف. اضبط حزام الكتف على وضعية تشغيل مريحة. أمسك الجِزَاة العاملة بالخيط وإحدى يديك على المقبض الخلفي، ويديك الأخرى على المقبض الأمامي. أمسك الجهاز بكتلتنا يديك بإحكام أثناء التشغيل. ينبغي إمساك الجِزَاة العاملة بالخيط في وضع مريح بينما المقبض الخلفي في مستوى الورك. يجب أن يكون رأس الجِزَاة موازياً للأرض بحيث يلامس الأشياء المراد جزها دون حاجة مشغل الآلة للانحناء (الشكل B).

تحذير: كما أن حزام الكتف مزود بآلية التحرير السريع في المواقف الخطرة. عند حدوث طارئ، اخلعه عن كتفك على الفور، بغض النظر عن طريقة تثبيته.

نظف الجِزَاة بعد كل استخدام.

راجع قسم «الصيانة» للتعرف على تعليمات التنظيف.

بدء تشغيل/إيقاف الآلة

راجع قسم «تشغيل/إيقاف رأس الطاقة» الموجود في دليل تشغيل رأس الطاقة PH1420E.

تعديل طول خيط الجِزَاة

رأس الجِزَاة يتيح للمشغل تحرير المزيد من خيط الجِزَاة دون إيقاف المحرك. بعد أن يصبح الخيط مستنلاً أو مهالكا، يمكن تحرير خيط إضافي عن طريق نقرة خفيفة برأس الجِزَاة على الأرض أثناء

تحذير: إذا حدث تلف أو فقد في أي أجزاء، لا تقم بتشغيل هذا المنتج إلا بعد استبدال الأجزاء. استخدام هذا المنتج مع وجود أجزاء تالفة أو مفقود قد يؤدي إلى وقوع إصابات شخصية خطيرة.

تحذير: لا تحاول إجراء أي تعديلات على هذا المنتج أو ابتداء ملحقات غير موصى بها للاستخدام مع الجِزَاة العاملة بالخيط هذه. أي تغيير أو تعديل من هذا النوع يعتبر سوء استخدام، وقد يؤدي إلى وضع خطير قد يتسبب في وقوع إصابات شخصية خطيرة محتملة.

تحذير: لا تقم بالتوصيل برأس الطاقة إلا بعد اكتمال التجميع. عدم الامتثال لذلك قد يؤدي إلى بدء التشغيل غير المقصود للآلة والتعرض المحتمل لإصابات شخصية خطيرة.

تركيب الواقي

تحذير: احرص دائماً على ارتداء قفازات عند تركيب الواقي أو استبداله. كن حذراً من الشفرة المثبتة على الواقي، واحم يديك من التعرض للإصابة بفعل الشفرة.

فك المسامير من الواقي (الشكل C) واخلعه، ثم قم بمحاذاة فتحات تركيب الواقي مع فتحات التجميع، ثم ثبت الواقي على قاعدة العمود بالمسامير، بالإضافة الوردتين الزنبركيتين (الشكل D).

احرص على تثبيت الواقي وفقاً للشكلين C وD، لأن أي تثبيت يخالف ذلك قد يتسبب في مخاطر كبيرة!

توصيل ملحق الجِزَاة العاملة بالخيط برأس الطاقة

هذه الجِزَاة العاملة بالخيط مصممة للاستخدام مع رأس الطاقة PH1420E من شركة EGO.

راجع قسم «تركيب ملحق برأس الطاقة» الموجود في دليل تشغيل رأس الطاقة PH1420E.

التشغيل

تحذير: لا تسمح لاعتيادك على تشغيل هذا المنتج أن يجعلك مستهتراً عند التعامل معه. ولا تنس أن الاستهتار لجزء من الثانية كافٍ للتسبب في حدوث إصابات خطيرة.

تحذير: ارتد بشكل دائم أدوات حماية العينين، بالإضافة إلى أدوات حماية السمع. قد ينجم عن عدم الامتثال لذلك دخول أشياء في عينيك، واحتمالية وقوع إصابات خطيرة.

الاستخدامات

يمكنك استخدام هذا المنتج في الغرض الموضح أدناه:

- جز العشب والحشائش الضارة من حول الأروقة والسياح والأسطح المزخرقة.

ملاحظة: يجب استخدام الآلة للغرض المحدد لها فقط. أي استخدام آخر يعد حالة من حالات سوء الاستخدام.

قبل كل استخدام، افحص الأجزاء التالفة/المتآكلة

افحص رأس الجِزَاة والواقي والمقبض الأمامي، واستبدل أي أجزاء مشققة أو متلوية أو مثنية أو تالفة بأي شكل من الأشكال.

مستوى قوة الصوت المُقَدَّر L_{WA}	95.72 ديسيبل (A) K = 0.77 ديسيبل (A)
مستوى ضغط الصوت عند أذن مُشغَل الآلة L_{PA}	81.6 ديسيبل (A) K = 3 ديسيبل (A)
مستوى قوة الصوت المضمون L_{WA} (تم قياسه وفقاً للمعيار (EC/2000/14))	96 ديسيبل (A)
القيمة المقدرة للاهتزاز a_{Hv}	مقبض المساعدة الأمامي 2.5 م/ثانية ² K = 1.5 م/ثانية ²
	المقبض الخلفي 1.8 م/ثانية ² K = 1.5 م/ثانية ²

- تم اختبار المعايير أعلاه وقياسها أثناء تركيب رأس الطاقة PH1420E.
- القيمة الكلية للاهتزاز الموضحة تم قياسها وفقاً لطريقة اختبار قياسية وقد تستخدم لمقارنة أداة بأخرى؛
- كما يمكن استخدام القيمة الكلية للاهتزاز الموضحة في التقييم التمهيدي للعرض.

⚠ تحذير: انبعاثات الاهتزاز والضوضاء أثناء الاستخدام الفعلي للآلة العاملة بالطاقة قد تختلف عن القيم الموضحة بحسب طرق استخدام الآلة، خاصة نوع القطعة التي يتم التعامل معها؛ و

من الحاجة إلى تحديد معايير السلامة اللازمة لحماية المستخدم القائمة على تقييم التعرض في الظروف الحالية للاستخدام (بالأخذ في الاعتبار بجميع أجزاء دورة التشغيل مثل الأوقات التي تكون فيها الآلة مطفأة وعند الدوران في وضع الاستعداد بالإضافة إلى وقت الانطلاق).

قائمة المحتويات (الشكل A)

للتعرف على خيط الجرّ الموصى به، يُرجى التوجه إلى الموقع الإلكتروني egopowerplus.com أو مراجعة دليل منتج EGO.

الوصف

تعرف على ملحق الجرّزة العاملة بالخيط (الشكل A)

1. غطاء خارجي
2. عمود الجرّزة العاملة بالخيط
3. زر تحميل الخيط
4. خيط الجرّ
5. رأس الجرّزة (رأس المصد)
6. لسان التحرير
7. شفرة قطع الخيط
8. الواقي
9. مفتاح ربط سداسي (الإنكيه)

⚠ تحذير: لا يجب أبداً تشغيل الآلة دون تثبيت الواقي بإحكام في مكانه. يجب أن يكون الواقي دائماً على الآلة لحماية المستخدم.

عن توازنك.

- حافظ على تحكمك في الآلة، ولا تلمس القواطع أو الخيوط أو الشفرات والأجزاء المتحركة الخطرة الأخرى أثناء حركتها. فهذا يحد من خطر الإصابة بفعل الأجزاء المتحركة.
- عند تنظيف الإمدادات أو صيانة الآلة، تأكد من أن مفتاح التشغيل على وضع الإيقاف مع خلع مجموعة البطارية. لأن بدء التشغيل غير المتوقع للآلة أثناء تنظيف الإمدادات أو الصيانة قد يؤدي إلى وقوع إصابات شخصية خطيرة.
- احمل الآلة وهي مطفأة بعيداً عن جسمك. سيؤدي التعامل السليم مع الآلة إلى تقليل فرص حدوث تلامس غير مقصود مع القاطع أو الخيط أو الشفرة المتحركين.
- لا تستخدم أي قواطع أو خيوط أو رؤوس جزء أو شفرات بديلة غير تلك المحددة بواسطة الشركة الصانعة. قد تزيد قطع الغيار غير المناسبة من خطر الانكسار والتعرض للإصابة.
- تلف الجرّزة - إذا اصطدم جسم غريب بالجرّزة أو إذا تعرّضت، أوقف الآلة على الفور، وتحقق من وجود أي تلف؛ وقم بإصلاح أي تلف قبل محاولة تشغيل الآلة مرة أخرى. لا تقم بتشغيل الآلة إذا كان الواقي أو ملف الخيوط مكسوراً.
- إذا بدأت الآلة في الاهتزاز بشكل غير طبيعي، أوقف المحرك على الفور وافحصه بحثاً عن السبب، فالاهتزاز عادة ما يكون تحذيراً بوجود مشكلة. قد يهتز الرأس المفكوك أو يتشقق أو ينكسر أو ينفصل عن الجرّزة، مما قد يؤدي إلى وقوع إصابة خطيرة أو مميتة. تأكد من ثبات ملحق الجرّ في مكانه بإحكام. إذا انفك الرأس بعد تثبيته في موضعه، فاستبدله على الفور. احرص على ألا تستخدم أبداً جرّزة بها ملحق جرّ مفكوك.
- لا تحتاج الآلات العاملة بالبطارية إلى توصيلها بمصدر تيار كهربائي؛ ولهذا فهي دائماً ما تكون جاهزة للتشغيل. احذر المخاطر المحتملة، حتى عند عدم تشغيل الآلة. كن حذراً عند تنفيذ أعمال الصيانة أو الخدمة.
- لا تغسل المنتج بخرطوم الماء؛ وتجنب وصول الماء إلى المحرك والتوصيلات الكهربائية.
- إذا حدثت حالات غير مذكورة في هذا الدليل، توخّ الحذر واتخذ قرارات حكيمة. تواصل مع مركز خدمة العملاء بشركة EGO طلباً للدعم.
- لا تستخدم الآلة إلا مع مجموعات بطارية وشواحن EGO المدرجة في الشكل A.

احفظ هذه التعليمات!

المواصفات

آلية الجرّ	رأس المصد
قطر الخيط	خيط مجدول من النايلون 2.4 مم
عرض الجرّ	40 سم
السرعة بدون حمل	5800/4900 دقيقة ⁻¹
الوزن (بدون وحدة البطارية)	1.53 كجم
درجة حرارة التشغيل الموصى بها	0 - 40 درجة مئوية
درجة حرارة التخزين الموصى بها	20 - 70 درجة مئوية

استخدام البطارية والعناية بها

- لا تُعد شحن الآلة إلا باستخدام الشاحن المحدد بواسطة الشركة الصانعة. فالشاحن الملائم لنوع من مجموعات البطارية قد يتسبب في نشوب حريق إذا تم استخدامه مع مجموعة بطارية أخرى.
 - استخدم الآلات العاملة بالطاقة مع مجموعات البطاريات المخصصة لها فقط. لأن استخدام أي مجموعات بطارية أخرى قد يؤدي إلى التعرض لإصابات أو نشوب حريق.
 - عند عدم استخدام مجموعة البطارية، احتفظ بها بعيداً عن الأغراض المعدنية الأخرى مثل مشابك الأوراق أو العملات المعدنية أو المفاتيح أو المسامير أو البراغي أو الأغراض المعدنية الصغيرة الأخرى التي قد تتسبب في عمل دائرة قصر (قفل للدائرة) بين أقطاب البطارية. عمل دائرة قصر (قفل الدائرة) بين أطراف البطارية قد يتسبب في حروق أو نشوب حريق.
 - في حالات التعامل السيء، قد يحدث ارتشاح للسوائل من البطارية؛ لا تلامسه. إذا حدثت ملامسة بشكل عرضي، فاغسلها بالماء. إذا لامس السائل العينين، فاطلب المساعدة الطبية على الفور. السائل المرتشح من البطارية قد يتسبب في حدوث احتياج في الجلد أو حروق.
 - لا تستخدم مجموعة البطارية أو الآلة إذا كانا تالفين أو تم إدخال تعديلات عليهما. لأن البطاريات التالفة أو التي تم تعديلها قد تعمل بشكل غير متوقع، وهو ما قد يؤدي لنشوب حريق أو حدوث انفجار أو خطر التعرض لإصابة.
 - لا تقم بتعريض مجموعة البطارية أو الآلة للحريق أو درجات الحرارة الزائدة. التعرض لدرجات الحرارة الأعلى من 130 درجة مئوية قد يؤدي لحدوث انفجار.
 - اتبع تعليمات الشحن ولا تشحن مجموعة البطارية أو الآلة في نطاق درجة حرارة خارج النطاق المحدد في التعليمات. قد يؤدي الشحن غير المضبوط أو في درجات حرارة خارج النطاق المسموح به إلى تلف البطارية وخطر نشوب حريق.
- ### الصيانة
- ينبغي إجراء الصيانة على الآلة بواسطة فني إصلاح متخصص باستخدام قطع غيار أصلية مطابقة فقط. فهذا سيضمن المحافظة على سلامة الآلة.
 - لا تقم بصيانة مجموعات البطارية التالفة بأي حال من الأحوال. بل ينبغي أن تكون صيانة مجموعات البطارية من خلال الشركة الصانعة أو مقدمي الخدمة المعتمدين فقط.
- ### تحذيرات سلامة خاصة للجزء العاملة بالخيوط
- تجنب استخدام الآلة في ظروف مناخية صعبة، خاصة عند وجود خطر حدوث برق. فهذا يحد من خطر الإصابة بالبرق.
 - افحص المنطقة المراد استخدام الآلة فيها بعناية بحثاً عن أي كائنات برية. لأنها الآلة قد تتسبب في إصابتها أثناء التشغيل.
 - افحص بعناية المنطقة التي سيتم استخدام الآلة فيها وتخلص من جميع الحصى والعصي والأسلاك والمظالم والأشياء الغريبة الأخرى. لأن الأشياء المتطايرة قد تتسبب في إصابات بدنية.
 - قبل استخدام الآلة، احرص دائماً على فحص المكان بعينيك

- لا تقف في مكان تُضطر لمد يديك بعيداً، قف وأنت ثابت ومتوازن في جميع الأوقات. وهو ما يسمح بتحكم أفضل في الآلة العاملة بالطاقة في الظروف غير المتوقعة.
 - ارتد الملابس الملائمة. لا ترتد ملابس أو مجوهرات غير ثابتة. احتفظ بشعرك وملابسك بعيداً عن الأجزاء المتحركة. قد تعلق الملابس الفضفاضة أو المجوهرات أو الشعر الطويل في الأجزاء المتحركة.
 - إذا تم تقديم أجهزة خاصة بتوصيل أدوات استخراج وجمع الغبار، فأحرص على توصيلها واستخدامها على النحو اللازم. قد يؤدي استخدام جمع الغبار إلى الحد من المخاطر المرتبطة به.
 - لا تدع الخبرة المكتسبة من الاستخدام المتكرر للآلات يجعلك تتعامل دون الانتباه اللازم وتجاهل مبادئ السلامة المتعلقة بالآلة. فقد يتسبب أي إجراء غير مدروس في إصابات خطيرة في جزء من الثانية.
- ### استخدام الآلة العاملة بالطاقة والعناية بها
- لا تجبر الآلة العاملة بالطاقة على أعمال تفوق قدرتها. استخدم الآلة العاملة بالطاقة الملائمة لأعمالك. ستقوم الآلة العاملة بالطاقة الملائمة بأداء أعمالك بشكل أفضل وأكثر أماناً بالمعدل الذي أعدت له.
 - لا تستخدم الآلة العاملة بالطاقة إذا كان مفتاح التشغيل لا يمكن نقله إلى وضع التشغيل أو وضع الإيقاف. أي آلة عاملة بالطاقة لا يمكن التحكم فيها بمفتاح التشغيل تعتبر خطيرة وينبغي إصلاحها.
 - أفضل القابس من مصدر التيار أو مجموعة البطاريات عن الآلة العاملة بالطاقة قبل إجراء أي تعديلات أو تغيير ملحقات أو تخزين الآلات العاملة بالطاقة. إجراءات السلامة الوافية هذه تحذ من خطر تشغيل الآلة العاملة بالطاقة بشكل خاطئ.
 - حزن الآلات العاملة بالطاقة غير المستخدمة بعيداً عن متناول أيدي الأطفال ولا تسمح للأشخاص غير المعتادين على استخدام الآلات العاملة بالطاقة أو على هذه التنظيمات بتشغيل الآلة. الآلات العاملة بالطاقة تكون خطيرة في أيدي الأشخاص غير المدربين.
 - حافظ على الآلات العاملة بالطاقة والملحقات. تحقق من عدم محاذة الأجزاء المتحركة أو ربطها، أو وجود كسور في الأجزاء، أو أي حالة أخرى قد تؤثر على عمل الآلة. إذا كان هناك تلف، فقم بإصلاح الآلة العاملة بالطاقة قبل استخدامها. فالعديد من الحوادث يكون سببها الآلات التي لم تتم صيانتها.
 - احتفظ بالأدوات القاطعة حادة ونظيفة. الأدوات القاطعة التي تتم صيانتها كما ينبغي للاحتفاظ بحوافها القاطعة حادة تكون أقل عرضة للانحناء وسهل التحكم فيها.
 - استخدم الآلة والملحقات والقمم وما شابههم وفقاً لهذه التعليمات، مع الأخذ في الاعتبار بظروف العمل والأعمال التي سيتم تنفيذها. قد يؤدي استخدام الآلة في أعمال غير تلك المخصصة لها إلى حوادث خطيرة.
 - حفظ المقابض وأسطح الإمساك جافة ونظيفة وخالية من الزيوت والشحوم. لأن المقابض وأسطح الإمساك المنزلة لا تمنحك القدرة على التعامل والتحكم الآمنين في الآلة في الموافقة غير المتوقعة.
- لا يتم بتشغيل الآلات العاملة بالطاقة في أجواء قابلة للانفجار، على سبيل المثال في وجود سوائل أو غازات أو غبار قابلة للاشتعال. فقد تتسبب الآلات العاملة بالطاقة في صدور شرارة، والتي قد تتسبب في اشتعال الغبار أو الأبخرة القابلة للاشتعال.
 - احتفظ بالأطفال والمشاهدين بعيداً عن موقع استعمال الآلة العاملة بالطاقة. حيث أن الإلهاءات قد تجعلك تفقد السيطرة على الآلة.
- ### السلامة الكهربائية
- ينبغي أن يتوافق قابس الآلة العاملة بالطاقة مع مقبس التيار. لا يجب إدخال تعديلات على القابض بأي حال من الأحوال. لا تستخدم أي قابض مهايئة مع الآلات العاملة بالطاقة المؤرّضة. ستؤدي القوابض غير المعلقة والمقابس المتوافقة إلى الحد من خطر حدوث صدمة كهربائية.
 - تجنب ملامسة الجسم لأسطح مؤرّضة مثل الأتباب والمشعاع والموائد والثلاجات. هناك خطر متزايد لحدوث صدمة كهربائية إذا كان جسمك مؤرّضاً.
 - لا تشغل الآلة في المطر أو في الأجواء الرطبة. الماء الذي يدخل الجهاز قد يزيد من خطر التعرض لصدمة كهربائية أو حدوث عطل قد يؤدي إلى إصابة بدنية.
 - لا تعبت بسلك التيار. لا تقم أبداً باستخدام سلك التيار لحمل الآلة العاملة بالطاقة أو سحبها أو فصلها عن التيار. احتفظ بالسلك بعيداً عن مصادر الحرارة أو الزيت أو الحواف الحادة أو الأجزاء المتحركة. تؤدي أسلاك التيار التالفة أو المتشابكة إلى زيادة خطر حدوث صدمة كهربائية.
 - عند تشغيل آلة عاملة بالطاقة في مكان خارجي مفتوح، استخدم سلك تمديد ملائم للاستخدام الخارجي. استخدم سلك ملائم للاستخدام الخارجي يحد من خطر حدوث صدمة كهربائية.
 - إذا كان لابد من تشغيل الآلة في مكان رطب، فاستخدم مصدر تيار محمي يقاطع تيار متبقي (RCD). يؤدي استخدام قاطع التيار المتبقي إلى الحد من خطر حدوث صدمة كهربائية.
- ### السلامة الشخصية
- ابق منتبهاً، وانتبه جيداً لما تفعله، وكن عقلانياً عند تشغيل آلة تعمل بالطاقة. لا تستخدم أداة بالطاقة وأنت مجهد أو تحت تأثير المخدرات أو الكحوليات أو الأدوية. قد تؤدي لحظة من عدم الانتباه أثناء تشغيل الآلات العاملة بالطاقة إلى حدوث إصابات شخصية خطيرة.
 - استعن بمعدات الحماية الشخصية. واربد دائماً أدوات حماية للعينين. سيؤدي استخدام أدوات الحماية كقناع الغبار أو أذنية السلامة المضادة للانزلاق أو القبعة الصلبة أو أدوات حماية السمع في ظروف مناسبة إلى الحماية من الإصابات الشخصية.
 - امنع بدء تشغيل الآلة غير المتعمد. احرص على أن يكون مفتاح الطاقة في وضع الإيقاف قبل توصيل الآلة بمصدر التيار أو مجموعة البطاريات، أو التقاط الآلة أو حملها. قد يؤدي حمل الآلات العاملة بالطاقة وأصبعك على مفتاح التشغيل أو شحن الآلات العاملة بالطاقة ومفتاح التشغيل في وضع التشغيل إلى وقوع حوادث.
 - أزل أي مفتاح تعديل أو مفتاح ربط قبل تشغيل الآلة العاملة بالطاقة. قد يؤدي ترك مفتاح ربط أو مفتاح عادي مركباً على جزء دوار بالآلة العاملة بالطاقة إلى وقوع إصابات شخصية.

اقرأ جميع التعليمات!



اقرأ دليل التشغيل

⚠ خطر زائد! الأشخاص الذين تم تركيب أجهزة طبية إلكترونية لهم، مثل منظم ضربات القلب، يجب عليهم استشارة الطبيب قبل استخدام هذا المنتج. لأن تشغيل معدات كهربائية بالقرب من منظم ضربات القلب قد ينتج عنه خلل أو فشل في أداء منظم ضربات القلب.

⚠ تحذير: لضمان السلامة والاعتمادية، يجب تنفيذ جميع أعمال الإصلاح واستبدال الأجزاء من قبل فني خدمة مؤهل.

رموز السلامة

الغرض من رموز السلامة هو جذب انتباهك إلى المخاطر المحتملة. رموز السلامة والشروح المصاحبة لها تستحق اهتمامك وفهمك الدقيق. تحذيرات كل رمز، بنفسها، لا تمنع وقوع أي خطر. التعليمات والتحذيرات التي تمنحك إياها لا تعد بديلاً عن تطبيق الإجراءات الملائمة لمنع وقوع الحوادث.

⚠ تحذير: احرص على قراءة وفهم جميع تعليمات السلامة في دليل التشغيل هذا، بما في ذلك جميع رموز تنبيهات السلامة، مثل «خطر»، و«تحذير» و«تنبيه» قبل استخدام هذه الآلة. عدم اتباع جميع التعليمات الواردة أدناه قد يؤدي إلى حدوث صدمة كهربائية أو نشوب حريق أو التعرض للإصابة الشخصية، أحدها أو جميعها.

معنى الرمز

رمز تنبيه السلامة: يشير إلى خطر أو تحذير. أو تنبيه، وقد يتم استخدامه بشكل متزامن مع الرموز أو الصور الكتابية الأخرى.

تعليمات السلامة

هذه الصفحة تصف وتنشر رموز السلامة التي قد تظهر على هذا المنتج. اقرأ جميع التعليمات المذكورة على الآلة وافهمها واتبعها قبل محاولة جميع الآلة وتشغيلها.

لا تستخدم شفرات معدنية	تنبيه للمستخدم كي لا يستخدم شفرات معدنية	
فالأشياء المتطيرة من الآلة قد ترتد وتؤدي إلى إصابات شخصية أو تلف للممتلكات. احرص على بقاء الأشخاص الآخرين والحيوانات الأليفة بعيداً عن قاطع الأعصان أثناء استخدامها.	احذر الأشياء المتطيرة وأبق المرافقين بعيداً عن نطاق عمل الآلة	
يجب ألا تقل المسافة بين الآلة والأشخاص الواقفين عن 15 متراً	احرص على بقاء الأشخاص الآخرين والحيوانات الأليفة على مسافة لا تقل عن 15 متراً بعيداً عن الحزازة العاملة بالخيوط أثناء استخدامها.	
رمز حماية المداخل IP	الحماية ضد دخول الماء، من الدرجة.	IPX4
هذا المنتج متوافق مع توجيهات شهادة الجودة الأوروبية (CE) المعمول بها.	شهادة الجودة الأوروبية CE	CE
هذا المنتج متوافق مع تشريعات المملكة المتحدة المعمول بها.	تتبع UKCA	UKCA
لا يجب التخلص من الأجهزة الكهربائية المستهلكة في النفايات المنزلية. توجه بالجهاز إلى مركز إعادة تدوير معتمد.	نفايات المعدات الكهربائية والإلكترونية (WEEE)	
مستوى قوة الصوت المضمون. انبعثات الضوضاء في البيئة وفقاً لتوجيه الاتحاد الأوروبي	الضوضاء	
الجهد الكهربائي	فولت	V
الطول أو الحجم	مليمتر	mm
الطول أو الحجم	سنتيمتر	cm
الوزن	كيلوجرام	kg

تحذيرات السلامة العامة المتعلقة بالآلة العاملة بالطاقة

⚠ تحذير: اقرأ جميع تحذيرات السلامة والتعليمات والرسوم التوضيحية والموصفات المرفقة مع هذه الآلة. عدم اتباع جميع التعليمات الواردة أدناه قد يؤدي إلى حدوث صدمة كهربائية أو نشوب حريق أو التعرض للإصابة، أحدها أو جميعها.

احتفظ بجميع التحذيرات والتعليمات للرجوع إليها في المستقبل.

يشير مصطلح «آلة عاملة بالطاقة» في التحذيرات إلى الآلة العاملة بالطاقة (الموصولة بسلك تيار) أو الآلة العاملة بالبطارية (غير الموصولة بسلك تيار).

سلامة منطقة العمل

- حافظ على منطقة العمل نظيفة ومضاءة جيداً. حيث عادة ما تتسبب المناطق المظلمة أو التي بها ركام إلى وقوع حوادث.

يشير إلى خطر محتمل للتعرض لإصابة شخصية.	تنبيه سلامة	
للحد من خطر الإصابة، يجب على المستخدم قراءة وفهم دليل التشغيل قبل استخدام هذا المنتج.	اقرأ دليل التشغيل	
ارتد أدوات حماية العينين والأنف والراس.	احرص دائماً على ارتداء أدوات حماية العينين والأنف والراس.	
الحد الأقصى لعرض جزء الحزازة العاملة بالخيوط	عرض الجزء	
قطر خيط الجزء المصنوع من النايلون	قطر الخيط	

בעיה	סיבה	פתרון
ראש הגוזם אינו מקדם את החוט.	<ul style="list-style-type: none"> מוט המנוע או ראש הגוזם מלאים בדשא. אין מספיק חוט על גבי הסליל. ראש הגוזם מלוכלך. חוט החיתוך מפותל בתוך מכלול ראש הגוזם. חוט החיתוך קצר מדי. 	<ul style="list-style-type: none"> הפסיקו את פעולת הגוזם, הסירו את הסוללה ונקו את מוט המנוע ואת ראש הגוזם. הסירו את הסוללה והחליפו את חוט החיתוך; עקבו אחר ההוראות בחלק "טעינה מחדש של קו החיתוך" הנמצא במדריך זה. הסירו את הסוללה ונקו את הסליל, את מכסה ההרכבה התחתון ואת המכסה העליון. הסירו את הסוללה, הסירו את חוט החיתוך מן הסליל ולפפו מחדש, עקבו אחר ההוראות בחלק "טעינה מחדש של חוט החיתוך" הנמצא במדריך זה. הסירו את הסוללה ומשכו את החוטים באופן ידני כאשר באופן חלופי אתם לוחצים כלפי מטה ומשחררים את ראש הגוזם.
הדשא מלופף סביב ראש הגוזם ותא המנוע.	<ul style="list-style-type: none"> גיזום של דשא גבוה בגובה הקרקע. 	<ul style="list-style-type: none"> חתכו דשא גבוה מן החלק העליון כלפי מטה, כאשר אינכם מסירים יותר מ-20 ס"מ בכל מעבר על מנת למנוע ליפוף.
הלהב אינו חותך את החוט.	<ul style="list-style-type: none"> להב חוט החיתוך בקצה המגן הופך להיות קהה. 	<ul style="list-style-type: none"> השחילו את להב חוט החיתוך בעזרת פצירה או החליפו בלהב חדש.
סדקים על ראש הגוזם או שמאחז הסליל משתחרר ביחד עם בסיס הסליל.	<ul style="list-style-type: none"> ישנם סימני בלאי על ראש הגוזם. הבורג אשר נועל את ראש הגוזם משוחרר. 	<ul style="list-style-type: none"> החליפו את ראש הגוזם מיד, עקבו אחר ההוראות בחלק "החלפת ראש הגוזם" הנמצא במדריך זה. פתחו את ראש הגוזם והשתמשו במפתח ברגים על מנת להדק את הבורג.
בעת החלפת החוט, לא ניתן להעמיס את החוט אל ראש הגוזם כהלכה.	<ul style="list-style-type: none"> חוט הקפיץ אינו מוכנס כהלכה לחור ההרכבה של העינית. 	<ul style="list-style-type: none"> יישרו את חוטי העומס עם העיניות תחילה ולאחר מכן החדירו את החוט אל חור ההרכבה הנמצא בתוך העינית.
	<ul style="list-style-type: none"> חוטי ההעמסה במאחז הסליל אינם מתיישרים עם העיניות בבסיס הסליל. 	<ul style="list-style-type: none"> סובבו את מאחז הסליל בכיוון החץ על מנת ליישר את חוטי העומס על מאחז הסליל עם העיניות על בסיס הסליל.

אחריות

מדיניות האחריות של EGO

אנא בקרו באתר egopowerplus.com עבור התנאים וההתניות השלמים של מדיניות האחריות של EGO.

איתור וטיפול בבעיות

בעיה	סיבה	פתרון
לא ניתן להפעיל את הגוזם.	<ul style="list-style-type: none"> מארז הסוללה איננו מחובר לראש החשמלי. לא מתבצע חיבור חשמלי בין הראש החשמלי למארז הסוללה. טעינת מארז הסוללה ריקה. דושת הנעילה וההדק אינם משוחררים בו זמנית. 	<ul style="list-style-type: none"> הצמידו את מארז הסוללה אל הראש החשמלי. הסירו את הסוללה, בדקו את החיבורים והתקינו מחדש את מארז הסוללה עד אשר הוא נמצא במקומו. הטעינו את הסוללה עם מטעני EGO הרשומים במדריך זה. לחצו על דושת הנעילה כלפי מטה והחזיקו אותה, לאחר מכן שחררו את ההדק על מנת להפעיל את גוזם הדשא.
חוט הגוזם מפסיק את פעולתו בעת החיתוך.	<ul style="list-style-type: none"> המגן איננו מורכב על גבי הגוזם, כאשר התוצאה היא חוט חיתוך ארוך מדי ועומס יתר על המנוע. נעשה שימוש בחוט חיתוך כבד מדי. מוט המנוע או ראש הגוזם מלאים בדשא. ישנו עומס יתר של המנוע. מארז הסוללה או גוזם הדשא חמים מדי. מארז הסוללה מנותק מן המכשיר. קיבולת מארז הסוללה ריקה. 	<ul style="list-style-type: none"> הסירו את מארז הסוללה והרכיבו את המגן על גבי גוזם הדשא. השתמשו בחוט החיתוך המומלץ מניילון עם היקף חוט אשר לא יעלה על 2.4 מ"מ. הפסיקו את פעולת הגוזם, הסירו את הסוללה והסירו את הדשא ממוט המנוע ומראש הגוזם. הסירו את ראש הגוזם מן הדשא. המנוע יחזור לפעילות רגילה ברגע בו העומס יוסר. בעת החיתוך, הזיזו את ראש הגוזם אל הדשא וממנו על מנת לחתוך והסירו לא יותר מ-20 ס"מ אורך בחיתוך יחיד. אפשרו למארז הסוללה או לגוזם להתקרר עד לטמפרטורה של פחות מ-67 °C. התקינו מחדש את מארז הסוללה. הטעינו את הסוללה עם מטעני EGO הרשומים במדריך זה.

חידוד של להב חותך החוט

⚠ אזהרה: הגן תמיד על ידיך על ידי לבישת כפפות מוצקות בעת ביצוע כל פעולת תחזוקה בלהב חותך החוט.

1. הסר את הסוללה.
2. הסר את להב חותך החוט מן המגן.
3. החזק את הלהב בעזרת מלחציים.
4. השתמש בהגנת עיניים מתאימה וכפפות והיזהר לא לחתוך את עצמך.
5. השתמש בפצירה לשיני הלהב על מנת לחדד בזהירות את קצוות הלהב או באבן חידוד, כשאתה שומר על הזווית המקורית של קצה החיתוך.
6. הנח מחדש את הלהב על גבי המגן והבטיחו אותו במקומו עם שני הברגים.

שמירה על הסביבה

אל תזרקו ציוד חשמלי, מטען הסוללה וסוללות/סוללות ניתנות לטעינה ביחד עם אשפה ביתית!



יש לקחת מוצר זה למרכז מחזור מוסמך ולוודא שהוא זמין לאיסוף נפרד. יש להחזיר כלים חשמליים אל מתקן מחזור ידיוותי לסביבה.

אם ציוד חשמלי נזרק ביחד עם אשפה ביתית או במזבלה, חומרים מסוכנים עלולים לדלוף אל האדמה ולהפוך לחלק משרשרת המזון, דבר העלול לגרום לנזק לבריאות ולרווחה שלכם.

הימנעו משימוש בממסים כאשר אתם מנקים חלקי פלסטיק. רוב חלקי הפלסטיק עלולים להינזק מסוגים שונים של ממסים מסחריים ועל ידי השימוש בהם. השתמשו במטליות נקיות על מנת להסיר לכלוך, אבק, שמן, חומר סיכה וכו'.

נקו את היחידה

- הסירו דשא אשר עשוי להיכרך סביב מוט המנוע או ראש הגוזם.
- עשו שימוש במברשת קטנה או בשואב אבק קטן על מנת לנקות את פתחי האוויר בתא האחורי.
- נקו את היחידה בעזרת מטלית לחה עם סבון עדין.
- אל תעשו שימוש בחומרי ניקוי חזקים על תא הפלסטיק או על גבי הידית. עלול להיגרם להם נזק על ידי שמנים ארומטיים למיניהם, כגון אורן או לימון, או על ידי ממסים כגון נפט. לחות עלולה גם לגרום לסכנת שוק חשמלי. נקו כל לחות על ידי מטלית רכה ויבשה.

שימון הילוכי התמסורת

יש לשמן את הילוכי התמסורת בתיבת הילוכים באופן קבוע עם שמן גיר. בדוק את מפלס שמן הגיר מידי 50 שעות של הפעלה על ידי הסרת בורג האיטום שבצד התיבה.

אם לא ניתן לראות שמן על צדי הילוכים, בצעו את השלבים הבאים כדי למלאות את שמן הגיר עד 3/4 מהקיבולת.

אין למלא הילוכי התמסורת במלואם.

1. החזיקו את גוזם החוט על צידו כך שבורג האיטום פונה כלפי מעלה.
2. השתמש במפתח הברגים הרב שימושי המצורף כדי לשחרר ולהוציא את בורג האיטום.
3. השתמשו במזרק שמן (לא מצורף) כדי להזריק חלק מהשמן לחור הבורג, אל תמלאו יותר מ-3/4 מהקיבולת.
4. הדקו את בורג האיטום לאחר ההזרקה.

אחסון היחידה

- הסר את מארז הסוללה מראש הכוח.
- נקו את היחידה ביסודיות לפני אחסונה.
- אם אביזר גוזם החוט מוסר מהראש החשמלי ומאוחסן בנפרד. חברו את מכסה הקצה על מוט האביזר כדי למנוע מלכלוך להיכנס לתוך המצמד.
- אחסנו את היחידה במקום יבש, מאוורר היטב, נעולה או במקום גבוה, הרחק מהישג ידם של ילדים. אל תאחסנו את היחידה קרוב לחומרי דשן, חומרי דלק או כימיקלים אחרים.

טעינה מחדש של חוט החיתוך

כאשר חוט החיתוך יוצא מיציאת החוט או כאשר חוט החיתוך איננו משתחרר כאשר מקישים על ראש הגוזם, תצטרך להסיר את החוט הנותר מראש הגוזם ולעקוב אחר ההוראות הבאות כדי לטעון את החוט מחדש.

1. הסר את מארז הסוללה.
2. לחץ על לשוניות השחרור על ראש הגוזם והסר את מכסה ההרכבה התחתון של הגוזם על ידי משיכתו החוצה בקו ישר (איור H).
3. הסר את חוט החיתוך מראש הגוזם.
4. הוצא את הקפיץ מחיבור הסליל, אם יש צורך בכך. שמור אותו להרכבה מחדש בעתיד.
5. הכנס את הקפיץ אל חריץ מכסה ההרכבה התחתון (איור I).
6. כאשר יד אחת מחזיקה את הגוזם, השתמש ביד השנייה על מנת לאחוז במכלול הכיסוי התחתון ויישר את החריצים במכסה התחתון עם לשוניות השחרור (איור J). לחץ על מכלול הכיסוי התחתון עד שהוא נכנס למקומו, צליל קליק ברור נשמע (איור K).

7. עקוב אחר ההוראות בחלק "החלפת חוט החיתוך" על מנת להטעין מחדש את חוט החיתוך.

החלפת ראש הגוזם

⚠ אזהרה: ומוקמב ועוביק רחאל קפוך וידיע שארה מא דימ ותוא פלחה

לעולם אל תשתמש בגוזם כאשר אביזר החיתוך רופף. החלף ראש חיתוך סדוק, ניזוק או בעל סימני בלאי מיד, אפילו אם הנזק מוגבל לסדקים שטחיים. חיבורים אלו עלולים להיהרס במהירויות גבוהות ולגרור לפגיעה רצינית.

הכר את ראש הגוזם (איור L).

עיינ בתיאור החלקים באיור L להלן:

L-1	מוט	L-6	דסקית
L-2	תותב מסב (2)	L-7	אום
L-3	מכסה עליון	L-8	קפיץ
L-4	פלייר	L-9	חוט חיתוך
L-5	מאחז סליל	L-10	מכסה הרכבה תחתון

הסר את ראש הגוזם

1. הסר את מארז הסוללה.
2. לחץ על לשוניות השחרור על ראש הגוזם והסר את מכסה ההרכבה התחתון של הגוזם על ידי משיכתו החוצה בקו ישר.
3. הסר את חוט החיתוך מראש הגוזם.

4. הוצא את הקפיץ מחיבור הסליל, אם יש צורך בכך. שמור אותו להרכבה מחדש.
5. חבש כפפות. השתמש ביד אחת כדי לאחוז בחיבור הסליל ולייצב אותו, וביד השנייה כדי לאחוז במפתח ברגים באורך 13 מ"מ (לא כלול) על מנת לשחרר את הבורג בכיוון השעון (איור M).
6. הסר את הבורג, את האום, הדסקית ואת חיבור הסליל ממוט המנוע (איור L).
7. השתמש בצבתות circlip (לא כלול) כדי להסיר את טבעת ה-circlip. הסר את הכיסוי העליון ואת שני התותבים ממוט המנוע (איור L).
8. החלף עם ראש גוזם חדש והרכב אותו לפי הצעדים הבאים:

התקנת ראש הגוזם החדש

1. הרכב את שני התותבים על מוט המנוע.
 2. יישר את החריץ השטוח שבכיסוי העליון עם החלק הישר במוט המנוע והדק את הכיסוי העליון במקומו (איור N).
- עיינ בתיאור החלקים באיור N להלן:

N-1	שטוח	N-2	חריץ שטוח
-----	------	-----	-----------

3. הרכב את טבעת ה-circlip, את חיבור הסליל ואת הדסקית בסדר זה (איור L).. השתמש במפתח ברגים על האום כדי להדק אותו נגד כיוון השעון.
4. עקוב אחר צעדים 4 ו-5 בסעיף "טעינה מחדש של חוט החיתוך" במדריך זה על מנת להרכיב את מכלול ההרכבה התחתון.
5. עקוב אחר ההוראות בסעיף "החלפת חוט החיתוך" כדי לטעון מחדש את חוט החיתוך.
6. הפעל את המכשיר כדי לוודא שראש הגוזם פועל כהלכה. אם לא, הרכב מחדש על פי הצעדים לעיל.

תחזוקה

⚠ אזהרה: לפני בדיקה, ניקיון או עבודות שירות עבור היחידה, עצרו את המנוע, חכו שכל החלקים הנעים יפסיקו את פעולתם והסירו את מארז הסוללה. אי ביצוע הוראות אלה עשוי לגרום לפגיעה אישית חמורה או נזק לרכוש.

⚠ אזהרה: במקרה של עבודות תיקון, השתמשו רק בחלקי חילוף זהים. שימוש בחלקי חילוף אחרים עלול לגרום לסכנה או נזק למוצר. על מנת להבטיח בטיחות ואמינות, יש לבצע את כל התיקונים, מלבד עבור הפריטים המצוינים בהוראות תחזוקה אלה, בעזרת טכנאי שירות מוסמך.

תחזוקה כללית

ידי לחיצה קלה של ראש הגוזם על הקרקע בעת הפעלת הגוזם (תמונה E).

הודעה: שחרור החוט יהפוך להיות קשה יותר ככל שחוט החיתוך יהפוך להיות קצר יותר.

⚠ אזהרה: לעולם אל תסירו או תשנו את מערך הלהב חוט החיתוך. חוט חיתוך ארוך מדי יגרום לחימום יתר של המנוע והדבר עלול לגרום לפגיעה אישית חמורה.

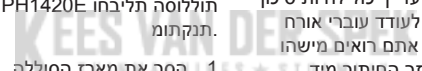
החלפת חוט החיתוך

הודעה: עם פלומה נוליינימ רותיחה טוחב דימת שמתשה רותיח טוחב שומיש מ"מ 2.4 לע הלוע וניאש טוח פ'קיה רתי סומיחל סורגל ללוע ניוצמה רותיחה טוח רשאמ רחא סיפסונ סיקזנל וא סילושה סזוג לש

⚠ אזהרה: תכתמב קזוחמה טוחב שמתשת לא סלועל תווהלו סזוגה נמ קתנתהל סילווע הלא. ד'כו לבח או לית הנכס.

תמדקתמ **POWERLOAD™** תכרעמב ד'יוצמ סזוגה תציחלב לילסה רות לא רותיחה טוח תא פ'פלל ותני תמייטסמ ללכ ר'רדב אלמ לילס תסמעה. הטושפ רותפכ תוניש 12 רות הימנע מפעולת ליפוך חוזרת בטוחי זמן קצרים על מנת להפחית את הסיכון לנזקים מנוע.

הודעה: רשאק קר הנימז **POWERLOAD™** תכרעמ תוללוסה תליבחו PH1420E חוכה שארל רבוחמ רזיבאה תנקתומ.



1. הסר את מארז הסוללה.

2. חתוך חוט חיתוך באורך 4 מטר. הכנס את החוט לתוך העינית (אזור F). דחוף ומשוך את החוט מן הצד השני עד שאורך החוט זהה בשני צידי ראש הגוזם

הודעה: תיניעה רותל טוחה תא סינכהל ותני אל מא תוללוסה זראמ תא ונתחתה יוסיכה רשאק טוחה תניעט וצחל לע וצחל נכמ רחאלו חוכה שאר לע ונתחתה יוסיכה תא שדחמ סקמל ידכ רצק נמז רשעב

3. אוה מא תוללוסה זראמ תא רסההותקן על ראש הכוח בהודעה לאחר שלב 2. בצע את השלבים שצוינו בשלב 2 כדי להכניס מחדש וליישר את חוט החיתוך.

4. התקן את מארז הסוללה על ראש הכוח.

5. לחץ לחיצה ממושכת על כפתור טעינת החוט כדי ללפף את החוט בראש הגוזם באופן רציף עד שכ-15 ס"מ חוט מופיע בכל צד. (אזור G)

6. לחץ על ראש הגוזם כלפי מטה תוך כדי משיכת החוטים באופן ידי על מנת לקדם את החוט ולבדוק אם חוט החיתוך הורכב. הרושכ

הודעה: סזוגה שאר לא תועטב סנכ טוחה וב הרקמב ארק. לילסה נמ רותיחה טוח תא וכשמו שארה תא חתפ הז ר'ירדמב "רותיחה טוח לש שדחמ הניעט" קלחה תא טוחה תא שדחמ וועטל תנמ לע

מומלץ להשחזר את הלהב חוט החיתוך בעזרת פצירה או להחליפו בלהב חדש.

⚠ אזהרה: לבשו תמיד כפפות בעת הרכבת המגן או ביצוע השחזת הלהב או החלפתו. שימו לב למיקום הלהב שעל גבי המגן והגנו על ידיכם מפני חיתוך.

⚠ אזהרה: על מנת למנוע פציעות אישיות חמורות, הסירו את מארז הסוללה מהראש החשמלי לפני ביצוע עבודות שירות, ניקיון, החלפת אביזרים או הסרה של חומרים מן היחידה.

השימוש בגוזם החוט עם הראש החשמלי

⚠ אזהרה: לבשו בגדים מתאימים על מנת להפחית את הסיכון לפציעות בעת השימוש בכלי זה. אל תלבשו בגדים רפויים או תכשיטים. השתמשו בהגנה לעיניים / אוזניים. לבשו מכנסיים כבדים, ארוכים, מגפיים וכפפות. אל תלבשו מכנסיים קצרים או סנדלים ואל תפעילו כאשר אתם יחפים.

⚠ אזהרה: נקו את האזור שיש לגזום לפני כל שימוש. הסירו עצמים כגון סלעים, שברי זכוכית, מסמרים, חוטים או כבלים העלולים להיזרק או להיתפס באביזר החיתוך. וודאו שאין ילדים, עוברי אורח ובעלי חיים באזור. כמינימום, שימרו על כל הילדים, עוברי האורח ובעלי החיים במרחק של לפחות 15 מ'; עדיין יכול להיות סיכון לעוברי אורח מעצמים נזרקים. יש לעודד עוברי אורח להשתמש בהגנה על העיניים. אם אתם רואים מישהו מתקרב, עצרו את המנוע ואת אביזר החיתוך מיד.

עבור הפעלה טובה ובטוחה יותר, לבש את רצועת הכתף מעל לכתף. התאם את רצועת הכתף בתנוחת הפעלה נוחה. אחוז את גוזם השוליים כשיד אחת על הידית האחורית והיד השנייה על הידית הקדמית. שמור על אחיזה יציבה בשתי ידיים בזמן ההפעלה. יש לאחוז את גוזם השוליים בתנוחה נוחה כשהידית האחורית בגובה המותניים. ראש הגוזם אמור להיות מקביל לקרקע כך שיוכל לגעת בקלות בחומרים אותם יש לגזום מבלי שהמפעיל צריך להתכופף (אזור B).

⚠ אזהרה: רצועת הכתף מהווה גם מנגנון שחרור מהיר במצבים מסוכנים. בעת מצב חירום, הסירו אותה מיד, ללא קשר לדרך בה היא חוברה.

לאחר כל שימוש, נקו את הגוזם.

עיינו בסעיף תחזוקה להוראות הניקוי.

הפעלה/לחיבה של כלי העבודה

עיינו בסעיף "הפעלה/חיבה של הראש החשמלי" במדריך למשתמש של הראש החשמלי PH1420E

כוונן אורך חוט החיתוך

ראש הגוזם מאפשר למפעיל לשחרר יותר חוט חיתוך ללא עצירת המנוע. כאשר חוט החיתוך הופך להיות משופשף או מראה סימני בלאי, ניתן לשחרר חוט חיתוך נוסף על

לפציעה אישית חמורה.

⚠ אזהרה: אל תנסו לשנות את המוצר או ליצור אביזרים אשר אינם מומלצים לשימוש ביחד עם הגוזם. כל שינוי או הוספה שכזה מהווה שימוש לא נכון במכשיר ועלול לגרום לתנאים מסוכנים אשר יובילו לפציעה אישית חמורה אפשרית.

⚠ אזהרה: אל תחבר לראש החשמלי לפני השלמת ההרכבה. אי ציות להוראה זו עלול לגרום להפעלה מקרית ופציעה אישית חמורה.

הרכבת המגן

⚠ אזהרה: לבשו תמיד כפפות בעת הרכבת או החלפת המגן. היו זהירים עם הלהב שעל גבי המגן והגנו על הידיים שלכם מפני חיתוך מהלהב.

שחררו והסירו את שני הברגים מהמגן (תמונה C). יישרו את חורי משענת המגן עם חורי ההרכבה ולאחר מכן נעלו את המגן על המוט בעזרת שני הברגים ביחד עם שני דסקיות הקפיצים (תמונה D).

וודאו שהמגן נעול במקומו בהתאם לתמונות C ו-D, כל נעילה הפוכה תגרום לסכנה גדולה!

חיבור אביזר גוזם חוט לראש החשמלי

אביזר גוזם השוליים הזה מיועד לשימוש עם ראש הכוח EGO PH1420E

ראה סעיף "התקנת אביזר לראש כוח" במדרוך המשתמש של ראש הכוח PH1420E.

הפעלה

⚠ אזהרה: אל תניחו לעובדה שאתם מכירים את המוצר להפוך אתכם לפחות זהירים. זכרו שחוסר זהירות של שבריר אחד של שנייה מספיק לגרום לפציעה אישית חמורה.

⚠ אזהרה: חבשו תמיד משקפי הגנה, ביחד עם מגני שמיעה. אם לא תעשו זאת עצמים עלולים להיזרק אל תוך העיניים שלכם ועלולות להיגרם פציעות חמורות אחרות.

יישומים

אתם יכולים להשתמש במוצר זה רק עבור המטרה להלן:

- לגיזום דשא ועשבים ממרפסות, גדרות ומשטחי עץ.

הודעה: יש להשתמש במכשיר רק עבור המטרות להן הוא יועד. כל שימוש אחר ייחשב לשימוש בלתי הולם.

לפני כל שימוש, בדקו עבור חלקים עם בלאי/ניזוקים

בדוק את ראש הגוזם, את המגן ואת הידיית הקדמית והחלף את החלקים הסדוקים, המלופפים, המעוקלים או הניזוקים.

להב חוט החיתוך בקצה המגן הופך להיות קהה עם הזמן.

2.5 מ' / שנייה ² K = 1.5 מ' / שנייה ²	ידיית עזרה קדמית	הערכת רטט a _n
1.8 מ' / שנייה ² K = 1.5 מ' / שנייה ²	ידיית אחורית	

- הפרמטרים לעיל נבדקים וממדדים ביחד עם ראש חשמלי PH1420E.
- ערך הרטט הכללי המוצהר נמדד בהתאם לשיטת בדיקה סטנדרטית וניתן להשתמש בו על מנת להשוות ציוד אחד עם ציוד אחר;
- ניתן להשתמש בערך הרטט הכללי המוצהר בהערכה ראשונית של חשיפה.

אזהרה: לעופב שומישה ךלהמב שערהו טטרה תוטילפ סירעצומה מיכרעהמ תונש תויהל תולוכי רישכמב סאתהב דחוימב, שמשמ רישכמה ונהבש מיכרדל סאתהב וכו; דבועמה הדובעה רמוח גוסל

על הצורך לזהות אמצעי בטיחות להגנה על המפעיל המבוססים על אומדן החשיפה בתנאי השימוש בפועל (תוך התחשבות בכל חלקי מחזור ההפעלה כגון זמני כיובי המומזלל ףסונב קרס בצמב לעופ אוה יתמו רישכ (קדהה).

רשימת אריזה (איור A)

אודות גוזם החוט המומלץ, היכנסו לאתר moc.sulprowopoge או עיינו בקטלוג המוצרים של EGO.

תיאור

הכירו את אביזר גוזם החוט שלכם (תמונה A)

- מכסה אחורי
 - מוט גוזם השוליים
 - כפתור העמסת חוט
 - חוט חיתוך
 - ראש גוזם (ראש בליטה)
 - לשונית שחרור
 - להב חוט החיתוך
 - מגן
 - מפתח מושהה
- ⚠ אזהרה:** לעולם אין להפעיל את הכלי כאשר המגן איננו נמצא במקומו. על המגן להיות תמיד על גבי הכלי על מנת להגן על המשתמש.

הרכבה

⚠ אזהרה: אם ישנם חלקים ניזוקים או חסרים, אל תפעילו את המכשיר עד אשר חלקים אלו יוחלפו. שימוש במכשיר זה עם חלקים פגומים או חסרים עלול לגרום

HE

347

- ולפציעה.
 - **נזק לגוזם - אם אתם פוגעים בעצם זר עם הגוזם או אם עצמים מסוימים מתלפפים, עצרו את המכונה מיד, בדקו האם נגרמו נזקים ותקנו אותם לפני הפעלה נוספת של המכונה.** אל תפעילו את המכונה עם מגן או סליל שבורים.
 - **אם הציוד מתחיל לרטוט באופן שאינו נורמלי, עצרו את המנוע וחפשו מיד את הסיבה לכך. רטט הוא בדרך כלל סימן לבעיות. ראש רופף עלול לרטוט, להיסדק, להישר או לצאת מן הגוזם, דבר העלול לגרום לפציעה רצינית או אפילו למוות. וודאו שאביזר החיתוך נמצא במקומו קבוע בעמדתו. אם הראש עדיין רופף לאחר קיבועו במקומו, החליפו אותו מיד. לעולם אל תשתמש בגוזם כאשר אביזר החיתוך רופף.**
 - **כלי הסוללה לא צריכים להיות מחוברים אל החשמל; לכן, הם תמיד נמצאים במצב הפעלה. היו מודעים לסכנות גם כאשר המכשיר אינו פועל. היו זהירים בעת ביצוע עבודות תחזוקה או שירות.**
 - **נא לא לשטוף את המכשיר בעזרת צינור; מנעו ממים להיכנס אל המנוע ואל חיבורי החשמל.**
 - **אם תיתקלו במצבים שאינם מתוארים במדריך זה, פעלו זהירות ובעזרת שכל ישר. צרו קשר עם מרכז שירות הלקוחות של EGO לעזרה.**
 - **השתמשו רק במארזי הסוללה והמטענים של EGO המפורטים באיור A**
- שמירו על הוראות אלו!**

מפרטים

מנגנון חיתוך	ראש בליטה
קוטר החוט	חוט ניילון מפותל של 2.4 מ"מ
רוחב חיתוך	40 ס"מ
מהירות ללא עומס	4900/5800 דקות ⁻¹
משקל (ללא מארז סוללה)	1.53 ק"ג
טמפרטורת הפעלה מומלצת	0°C-40°C
טמפרטורת אחסון מומלצת	-20°C-70°C
רמת עוצמת קול נמדדת L_{WA}	95.72 dB(A) K=0.77 dB(A)
רמת לחץ קול באוזן המפעיל L_{PA}	81.6 dB(A) K= 3 dB(A)
רמת עוצמת קול מובטחת L_{WA} (בהתאם ל-2000/14/EC)	96 dB(A)

- **החזיקו את המכשיר בעזרת משטחי המאחז המבודדים בלבד, בגלל שלהב או חוט החיתוך עלולים לפגוע בכבלים חבויים. חוטי חיתוך או להבים הבאים במגע עם כבל «חי» עלולים לגרום לחלקי מתכת של המכשיר להיות «חיים» ועלולים לגרום שוק חשמלי למפעיל.**
- **שימרו תמיד על עמידה מתאימה והפעילו את המכשיר רק כאשר אתם נמצאים על הקרקע. משטחים חלקלקים או לא יציבים עלולים לגרום לאבדן שיווי משקל או שליטה על המכשיר.**
- **אין להפעיל את המכשיר במדרונות תלולים במיוחד. הדבר מקטין את הסיכון לאבדן שליטה, החלקה ונפילה שעלולים לגרום לפציעה אישית.**
- **כשאתם עובדים על מדרונות, תמיד היו בטוחים ביציבות הרגליים שלכם, עבדו תמיד על פני המדרונות, לעולם לא כלפי מעלה או כלפי מטה ונקטו משנה זהירות כשאתם משנים כיוון. הדבר מקטין את הסיכון לאבדן שליטה, החלקה ונפילה שעלולים לגרום לפציעה אישית.**
- **הרחיקו את כל חלקי הגוף מהחותר, החוט או הלהב בעת הפעלת המכשיר. לפני הפעלת המכשיר, ודאו שהחותר, החוט או הלהב אינם יוצרים קשר עם עצם כלשהו. רגע של חוסר תשומת לב בזמן הפעלת המכשיר עלול לגרום לפגיעה בעצמכם או באחרים.**
- **אין להפעיל את המכשיר מעל גובה המותניים. הדבר מסייע במניעת מגע לא מכוון של חותר או להב ומאפשר שליטה טובה יותר במכשיר במצבים בלתי צפויים.**
- **בעת חיתוך מברשת או שתילים הנמצאים תחת מתח, היו ערניים לחזרת הקפיץ. כאשר המתח בסיבי העץ משתחרר, המברשת או השתיל עלולים לפגוע במפעיל ו/או להוציא את המכשיר מכלל שליטה.**
- **היו מאוד זהירים בעת חיתוך סכר ועצים צעירים. החומר הצעיר עלול להתפסס בלהב ולהיזרק אליכם או לגרום לכם לחוסר איזון.**
- **שמרו על שליטה במכשיר ואל תיגעו בחותכים, בחוטים או בלהבים ובחלקים נעים מסוכנים אחרים בזמן שהם עדיין בתנועה. הדבר מקטין את הסיכון לפציעה מחלקים נעים.**
- **בעת ניקוי חומר תקוע או מתן שירות למכשיר, ודאו שהמתג כבוי ומארז הסוללות מוסר. התנעה בלתי צפויה של המכשיר בעת פינוי חומרים תקועים או ביצוע עבודות שירות עלולה לגרום לפציעה אישית חמורה.**
- **שאו את המכשיר כאשר הוא אינו פועל ונמצא הרחק מן הגוף שלכם. טיפול נכון במכשיר יפחית את האפשרות של המגע המקרי עם חותר, חוט או להב פועלים.**
- **השתמשו רק חותכים חלופיים, חוטים, ראשי חיתוך ולהבים שצוינו על ידי היצרן. חלקי חילוף שאינם מתאימים עלולים להגביר את הסיכון לשבירה**

- **מילאו אחר כל הוראות ההטענה ואל תטעינו את מארז הסוללה או את הכלי החשמלי מחוץ לטווחי הטמפרטורה המצוינים בהוראות אלו.** הטענה לא נכונה או מחוץ לטווחי הטמפרטורה המצוינים עלולים לגרום לנזק ולהעלות את הסיכון לשרפה.

שירות

- **ביצעו עבודות שירות על המכשיר החשמלי שלכם רק באמצעות טכנאי שירות מוסמך העושה שימוש רק בחלקי חילוף זהים.** הדבר יבטיח שבטיחות המכשיר החשמלי נשמרת.
- **לעולם אל תבצעו עבודות שירות למארזי סוללה ניזוקים.** שירות למארזי סוללה צריך להתבצע רק על ידי היצרן או ספקי שירות מוסמכים.
- **אזהרות בטיחות מיוחדות עבור גוזם חוט**
- **אין להשתמש במכשיר בתנאי מזג אוויר רע, במיוחד כאשר ישנו סיכון לברק.** הדבר מפחית את הסיכון להיפגע על ידי ברק.
- **בדקו ביסודית את האזור בו אמורים להשתמש במכשיר עבור חיות בר.** חיות בר עלולות להיפצע על ידי המכשיר במהלך הפעולה.
- **חקרו בדירות את האזור בו אתם רוצים להשתמש במכשיר והסירו אבנים, מקלות, כבלים, עצמות ועצמים זרים אחרים.** חפצים שנזרקו עלולים לגרום לפציעות אישיות.
- **לפני השימוש במכשיר, בדקו תמיד באופן חזותי כדי לראות שהחוטך או הלהב והחוטך או מכלול הלהב אינם ניזוקים.** חלקים ניזוקים מגבירים את הסיכון לפציעה.
- **עקבו אחר ההוראות בנוגע להחלפת אביזרים.** חותך מהודק בצורה לא נאותה המאבטח אומים או ברגים עלול לפגוע בלהב או לגרום לו להתנתק.
- **לבשו מגני עיניים, אוזניים, ראש וידיים.** ציוד מגן הולם יפחית את הסיכון לפגיעה אישית על ידי חלקי פסולת מעופפים או מגע מקרי עם קו החיתוך או הלהב.
- **בעת הפעלת המכשיר, יש לנועל תמיד נעליים מונעות החלקה ומגנות.** אל תפעילו את המכשיר כאשר אתם יחפים או נועלים סנדלים. הדבר מקטין את הסיכוי לפציעה בכפות הרגליים ממגע עם החותכים או החוטים הנעים.
- **בעת הפעלת המכשיר, יש תמיד ללבוש מכנסיים ארוכים.** עור חשוף מגביר את הסבירות לפגיעה מחפצים שנזרקים.
- **יש להרחיק ילדים ועובדי אורח מהמכשיר בעת הפעלתו.** חלקי פסולת נזרקים עלולים לגרום לפציעות אישיות מחמורות.
- **תמיד עשו שימוש בשתי הידיים בעת הפעלת המכשיר.** החזקת המכשיר בשתי הידיים תמנע אבדן שליטה.

- **הרחק מהישג ידם של ילדים ואל תאפשרו לאנשים אשר אינם מכירים את המכשיר החשמלי או אשר לא קראו את ההוראות להפעיל את המכשיר החשמלי.** מכשירים חשמליים מסוכנים בידם של אנשים אשר לא הוכשרו להפעיל אותם.
- **תחזקו מכשירים חשמליים ואביזרים.** בדקו ישור או ליפוף של חלקים נעים, שבירה של חלקים וכל תנאים אחרים אשר עלולים להשפיע על פעולת המכשיר החשמלי. אם המכשיר החשמלי ניזוק, יש לתקן אותו לפני השימוש בו. תאונות רבות נגרמות כתוצאה מתחזוקה לקויה מכשירים חשמליים.
- **שימרו על כלי החיתוך חדים ונקיים.** לכלי חיתוך אשר תוחזקו כהלכה בעלי קצוות חדים יש פחות סיכון לבצע ליפוף וקל יותר לשלוט בהם.
- **השתמשו במכשירים החשמליים, באביזרים, בחתיכות המכשירים וכו' בהתאם להוראות אלו, כאשר אתם לוקחים בחשבון את תנאי העבודה ואת העבודה שיש לבצע.** שימוש במכשיר החשמלי לפעולות אחרות מאשר אלו אליהן הוא מיועד עלול להסתיים במצב מסוכן.
- **שימרו על הידיים ועל חלקי האחיזה יבשים, נקיים וללא שמן או חומרי סיכה.** ידיים ומשטחי אחיזה מחליקים לא מאפשרים טיפול נכון ושליטה במכשיר במצבים לא צפויים.

השימוש והטיפול בסוללה

- **הטעינו רק עם המטען המצוין על ידי היצרן.** מטען המתאים למארז סוללה אחד עלול ליצור סכנת אש עבור מארז סוללה אחר.
- **השתמשו במכשירים חשמליים עם מארזי סוללה המיועדים להם.** השימוש במארזי סוללה אחרים עלול ליצור סיכון לפציעות ושרפות.
- **כאשר מארז הסוללה איננו בשימוש, שימרו עליו במרחק מסוים מעצמים אחרים העשויים ממתכת, כגון מהדקי נייר, מטבחות, מפתחות, מסמרים, ברגים או עצמים קטנים ממתכת העלולים לבצע חיבור של מסוף אחד למשנהו.** ביצוע קצר בין מסופי הסוללה עלול לגרום לכוויות או שרפה.
- **תחת תנאי שימוש לא נאותים, נזול עלול להיפלט מן הסוללה; הימנעו ממגע. אם ישנו מגע מקרי, שטפו במים. אם מתרחש מגע עם העיניים, בנוסף, פנו לעזרה רפואית.** נזול הנפלט מן הסוללה עלול לגרום לפריחה או כוויות.
- **אל תשתמשו במארז סוללה או מכשיר חשמלי ניזוקים או אשר שונן.** סוללות ניזוקות או אשר שוננו עלולות להתנהג בצורה לא צפויה אשר עלולה להסתיים בשרפה, פיצוץ או סיכון לפציעה אישית.
- **אל תחשפו את מארז הסוללה או את המכשיר אל אש או טמפרטורות גבוהות.** חשיפה אל אש או טמפרטורות הגבוהות מ-130°C עלולה לגרום לפיצוץ.

kg	קילוגרם	משקל
----	---------	------

הוראות בטיחות חשובות/אזהרות בטיחות כלליות עבור מכשירים חשמליים

⚠ אזהרה: קראו את כל האזהרות הבטיחות, את ההוראות, התמונות והמפרטים המסופקים ביחד עם מכשיר חשמלי זה. אי מילוי אחר כל ההוראות המופיעות למטה יכול לגרום אחריו שוק חשמלי, שרפה ו/או פציעות חמורות.

שימרו את כל האזהרות וההוראות לעיון עתידי.

המושג "מכשיר חשמלי" בחלק האזהרות מתייחס אל המכשיר החשמלי שלכם (חוטני) או מכשיר חשמלי המונע על ידי סוללות (אלחוטי).

בטיחות סביבת העבודה

- שימרו על סביבת העבודה נקייה ומוארת כהלכה.
- סביבות לא מסודרות ואפלות מזמינות תאונות.
- אל תפעילו את המכשיר החשמלי באזורים דליקים, בנוכחות נוזלים דליקים, גזים או אבק. המכשירים החשמליים מייצרים ניצוצות העלולים להצית את האבק או האדים.
- בקשו מילדים ומועברי אורח להתרחק מן המכשיר החשמלי בעת הפעלתו. הסחות דעת עלולות לגרום לכם לאבד את השליטה.

בטיחות חשמלית

- התקעים של המכשיר החשמלי צריכים להיות מתאימים לשקע. לעולם אל תשנו את התקע בכל צורה שהיא.** אל תשתמשו במתאמים עבור תקעים של מכשירים חשמליים בעלי הארקה. תקעים שלא שווו שקעים מתאימים יפחיתו את הסיכון לשוק חשמלי.
- הימנעו ממגע עם משטחים בעלי הארקה, כגון צינורות, רדיאטורים, כיריים ומקררים.** יש סיכון גבוה להלם חשמלי אם הגוף שלכם מוארק.
- אין להפעיל את המכשיר בתנאי גשם או רטיבות.** כניסת מים למכשיר עלולה להגביר את הסיכון לשוק חשמלי או לתקלה העלולים לגרום לפגיעה גופנית.
- אל תפעילו לחץ על הכבל.** לעולם אל תשתמשו בכבל על מנת לשאת, למשוך או להוציא את המכשיר החשמלי מן השקע. שימרו על הכבל הרחק ממקורות חום, שמן, קצוות חדים או חלקים נעים. כבלים ניזוקים או מלופפים מגבירים את הסיכון לשוק חשמלי.
- בעת הפעלת המכשיר החשמלי בחוץ, עשו שימוש בכבל מאריך המתאים לשימוש בחוץ.** השימוש בכבל מאריך המתאים לשימוש בחוץ מפחית את הסיכון לשוק חשמלי.
- אם אין מבינה מהפעלת המכשיר החשמלי במקום לח, עשו שימוש בממסר פחת (DCR) להגנה על המתח.** השימוש בממסר פחת מפחית את הסיכון לשוק חשמלי.

בטיחות אישית

- הישארו דרוכים, הביטו במה שאתם עושים והשתמשו בשכל הישר כאשר אתם משתמשים במכשיר החשמלי. נא לא להשתמש במכשיר החשמלי כאשר אתם עייפים או תחת השפעה של סמים, אלכוהול או תרופות.** רגע אחד של חוסר תשומת לב בעת הפעלת המכשיר החשמלי עלול לגרום לפגיעה אישית חמורה.
- השתמשו בצידוד הגנה אישי. תמיד לבשו מגני עיניים.** כאשר נעשה שימוש בצידוד הגנה כגון מסכת אבק, נעלי בטיחות נגד החלקה, כובעים קשים או מגני אוזניים, בתנאים המתאימים, הדבר יפחית את הסיכון לפציעות אישיות חמורות.
- מנעו הפעלה מקרית. וודאו שהמתג נמצא במצב כבוי לפני חיבור של מקור מתח ו/או מארז הסוללה, לפני הרמת המכשיר החשמלי או נשיאתו.** נשיאה של מכשירים חשמליים כאשר האצבע שלכם ממוקמת על המתח או חיבור מקורות מתח למכשירים חשמליים בנמצאים במצב פועל, מזמינים תאונות.
- הסירו כל כלי כוונון או מפתח ברגים לפני ההפעלה של המכשיר החשמלי.** מפתח ברגים או כלי כוונון המוצמד אל חלק מסתובב של המכשיר החשמלי עלולה לגרום לפגיעה אישית חמורה.
- אל תבצעו מאמץ יתר. שימרו על צעידה ואיזון בטוחים בכל זמן.** הדבר מאפשר שליטה טובה יותר במכשיר החשמלי במצבים לא צפויים.
- לבשו בגדים מתאימים. אל תלבשו בגדים רפויים או תכשיטים.** שימרו על השיער שלכם ועל חלקי ביגוד וכפפות הרחק מחלקים נעים. בגדים רפויים, תכשיטים או שיער ארוך עלולים להתפס בחלקים הנעים.
- אם המכשירים מגיעים ביחד עם חיבור להוצאת אבק ומתקני איוסוף, וודאו שאלו מחוברים כהלכה והשימוש בהם נעשה באופן נכון.** השימוש במתקני אבק יכול להפחית סכנות הקשורות לאבק.
- אל תאפשרו לעצמכם להיות פחות זהירים בגלל שימוש תכוף במכשיר החשמלי, אל תהיו שאננים ואל תתעלמו מעקרונות הבטיחות.** פעולה לא זהירה עלולה לגרום לפגיעה חמורה בשבריר שנייה.
- השימוש והטיפול במכשיר החשמלי**
- אל תפעילו כוח על המכשיר החשמלי. השתמשו במכשיר החשמלי המיועד למטרה שלכם.** המכשיר החשמלי הנכון יבצע את עבודתו בצורה טובה ובטוחה יותר בקצב בו הוא עוצב.
- אל תשתמשו במכשיר החשמלי אם מתג ההפעלה והכיבוי איננו פועל.** כל מכשיר חשמלי אשר לא ניתן לשלוט בו בעזרת המתג הוא מסוכן ויש לתקן אותו.
- נתקו את התקע ממקור החשמל ו/או הסירו את מארז הסוללה מן המכשיר החשמלי לפני ביצוע כל התאמה, שינוי של אביזרים, או אחסון של מכשירי חשמל.** אמצעי זהירות למניעה אלו מפחיתים את הסיכון להפעלה מקרית של המכשיר החשמלי.
- אחסנו מכשירים חשמליים אשר אינם בשימוש**

לבשו מגני עיניים, אוזניים וראש.	לבשו מגני עיניים, אוזניים וראש.	
רוחב החיתוך המקסימלי של חוט הגזום	רוחב חיתוך	
קוטר חוט החיתוך מניילון	קוטר החוט	
התראות למשתמש על מנת שלא להשתמש בלהבי מתכת	אל תעשו שימוש בלהבי מתכת	
עצמים עלולים להיזרק ולגרום לפציעה אישית או לנזק לרכוש. וודאו שאנשים אחרים וחיות מחמד נמצאים רחוק ממסכת הדשא בעת השימוש בה.	בקשו מאנשים אחרים להתרחק	
וודאו שאנשים אחרים וחיות מחמד נמצאים במרחק של לפחות 15 מ' מגוזם החוט בעת השימוש בו.	המרחק בין המכשיר ובין עוברי האורח בקרבתו צריך להיות לפחות 15 מ'.	
הגנה מפני כניסה של מים בדרגה 4.	IP מל 4	IPX4
מוצר זה תואם לתקנות ה-EC הרלוונטיות.	CE	
מוצר זה הוא בהתאם לחוקים הרלוונטיים בבריטניה.	ACKU	
אין לזרוק מוצרים חשמליים ביחד עם אשפה ביתית. הביאו את המכשיר למרכז מחזור מוסמך.	WEEE	
רמת עוצמת קול מובטחת פליטת רעש אל הסביבה בהתאם לתקנת האיחוד האירופי.	רעש	
מתח	ולט	V
אורך או גודל	מילימטר	mm
אורך או גודל	סנטימטר	cm

קראו את כל ההוראות!

קראו והבינו את מדריך ההוראות



⚠ סיכון שארית! אנשים בעלי מכשירים חשמליים כגון קוצבי לב, צריכים להתייעץ עם הרופא(ים) המטפל(ים) בהם לפני השימוש במכשיר זה. הפעלה של ציוד חשמלי בקרבת קוצבי לב עלולה להפריע לפעולת הקוצב או אפילו להפסיק את פעולתו.

⚠ אזהרה: על מנת להבטיח בטיחות ואמינות, יש לבצע את כל התיקונים וההחלפות בעזרת טכנאי שירות מוסמך.

סימני בטיחות

מטרתם של סימני הבטיחות היא למשוך את תשומת לבכם אל סכנות אפשריות. סימני הבטיחות וההסברים שלהם דורשים את תשומת הלב וההבנה המלאות שלכם. סימני הבטיחות בעצמם לא ימנעו כל סכנה. ההוראות והאזהרות אותן הם מספקים לא תחלפנה נקיטת אמצעי מניעה מתאימים בעת תאונה.

⚠ אזהרה: וודאו שאתם קוראים ומבינים את כל הוראות הבטיחות המופיעות במדריך זה למשתמש. כולל את כל סימני התרעות הבטיחות כגון, "סכנה", "אזהרה" ו-"זהירות" לפני השימוש במכשיר זה. אי מילוי אחר כל הוראות המופיעות למטה יכול לגרום אחריו שוק חשמלי, שרפה ולאז פציעות חמורות.

פירוש הסימן

⚠ סימן התרעת בטיחות: מראה סכנה, אזהרה, או זהירות, יכול להיות מלווה בסימנים או תמונות אחרים.

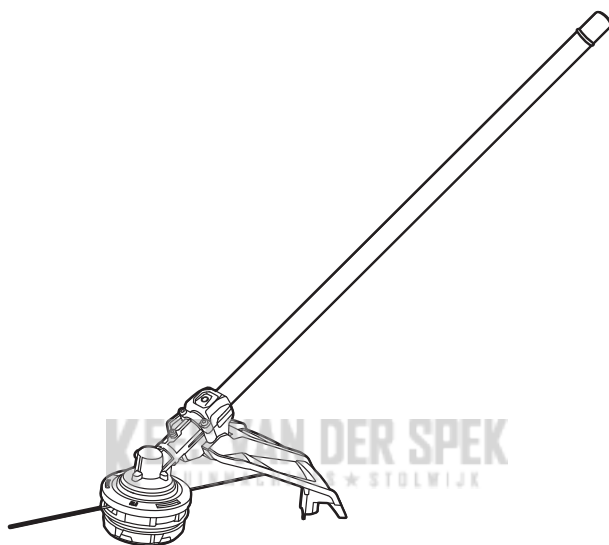
הוראות בטיחות

עמוד זה מציין ומתאר את סימני הבטיחות העלולים להופיע על גבי המוצר. קראו, הבינו ועקבו אחר ההוראות המופיעות על המכונה לפני כל ניסיון להרכיב ולהשתמש בה.

<p>מראה על סכנת פציעה אישית פוטנציאלית.</p>	<p>התרעת בטיחות</p>	
<p>על מנת להפחית את הסיכון לפציעות, על המשתמש לקרוא ולהבין את המדריך למשתמש לפני השימוש במוצר זה.</p>	<p>קראו את מדריך ההוראות</p>	

EGO™

POWER⁺ LINE TRIMMER ATTACHMENT



STA1600

אביזר גוזם חוט

HE

ملحق الجرازة العاملة بالخيط

AR

