

PARTS LIST BOOK

Wood Chipper

1300R

A.	Parts list complete	2
B.	Engine on frame	4
C.	Shredderbox	6
D.	Belt parts	7
E.	Frame with engine and shredderbox on caterpillar frame	8
F.	Input & output	9
G.	Input	10
H.	Output & accessories	11
I.	Caterpillar tracks	12

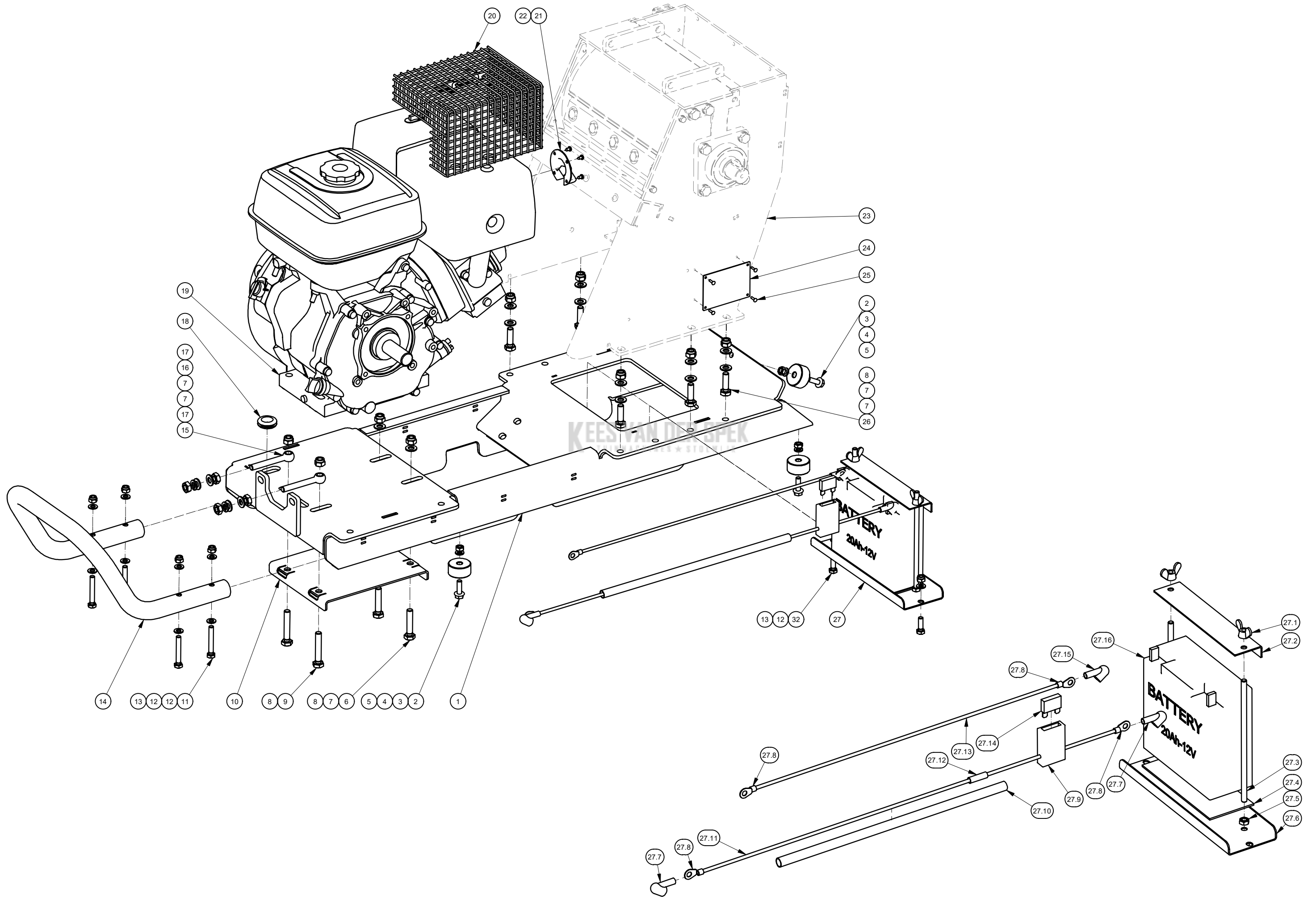
PARTNR.	ARTICLE NUMBER	PART NAME	QTY
1	MZSGTSM023046000	frame for caterpillar V5	1
2	MZSGTSS01M08025FFN	flange bolt with hexagon head M8x25	8
3	MZSGTSM053016000	buffer 40x20-8	5
4	MZSGTSS040M0815LIR	open spring washer 8	5
5	MZSGTSS03M08000N0N	hexagon standard nut M8	5
6	MZSGTSS01M10050NFN	hex bolt M10x50	2
7	MZSGTSS040M1020PIR	plain washer 10	27
8	MZSGTSS03M10000L0N	tall self lock nut with nylon insert M10	16
9	MZSGTSS01M10060NFN	hex bolt M10x60	2
10	MZSGTSM033166000	weldassembly engine lockingplate	1
11	MZSGTSS01M08055NFN	hex bolt M8x55	4
12	MZSGTSS040M0816PIR	plain washer 8	14
13	MZSGTSS03M08000L0N	tall self lock nut with nylon insert M8	10
14	MZSGTSM023047000	bumper for caterpillar	1
15	MZSGTSS01M10080EPN	eyebolt M10x80	2
16	MZSGTSS040M1016LIR	open spring washer 10	3
17	MZSGTSS03M10000N0N	hexagon standard nut M10	4
18	MZSGTSS180000006	feedthrough coil 34-27x21.0	1
19	MZSGTSC01GGTE420	engine loncin GTE420	1
20	MZSGTSM050002000	heat protector Loncin/Honda	1
20.1	MZSGTSM031815000	deflector 1800	1
20.3	MZSGTSS040M1025BIR	large washer 10	4
20.4	MZSGTSS040M0820BIR	large washer 8	4
20.5	MZSGTSS03M08000W0N	wing nut with edged wings M8	2
20.6	MZSGTSS01M08025XPN	carriage bolt M8x25	2
20.7	MZSGTSS040M1016LIR	open spring washer 10	2
20.8	MZSGTSS03M08000L0N	tall self lock nut with nylon insert M8	2
20.9	MZSGTSM031812000	weldassembly top part output GTS1800	1
20.10	MZSGTSM031813000	locking disc	2
20.11	MZSGTSM031814000	swivel part middle	1
20.12	MZSGTSM031818000	centring part middle	1
20.13	MZSGTSS01M06035NFN	hex bolt M6x35	6
20.14	MZSGTSS040M0615LIR	open spring washer 6	6
20.15	MZSGTSS040M0612BIR	waved spring washer	6
20.16	MZSGTSS040M0612PIR	plain washer 6	6
20.17	MZSGTSS03M06000L0N	tall self lock nut with nylon insert M6	6
20.18	MZSGTSM031811000	weldassembly output bottom GTS1800	1
20.19	MZSGTSS01M05016BFN	hexagon socket button head screw M5x16	2
20.20	MZSGTSS040M0510PIR	plain washer 5	2
20.21	MZSGTSS03M05000L0N	tall self lock nut with nylon insert M5	2
20.22	MZSGTSM033055001	safety switch plate	1
21	MZSGTSM03301500H	muffler deflector for Honda	1
22	MZSGTSS01M04005TFN	cross recessed head tapping screw 4,2x9,5	4
23	MZSGTSA11G13S002	sub assembly shredderbox GTS1300 EU	1
23.1	MZSGTSM030176000	shredder box 1300	1

PARTNR.	ARTICLE NUMBER	PART NAME	QTY
23.2	MZSGTSE023111BSP	limit switch	2
23.3	MZSGTSS180000006	feedthrough coil 34-27x21.0	2
23.4	MZSGTSS99M120800	thread plug M12x1.5-8	1
23.5	MZSGTSS01M06012BFB	hexagon socket button head screw M6x12	4
23.6	MZSGTSS040M0615LIR	open spring washer 6	10
23.7	MZSGTSS040M0612PIR	plain washer 6	10
23.8	MZSGTSS01M04016RFN	cross recessed pan head screw M4x16	4
23.9	MZSGTSS040M0409LIR	open spring washer 4	4
23.10	MZSGTSS040M0408PIR	plain washer 4	4
23.11	MZSGTSM039103000	safety switch cover	2
23.12	MZSGTSS040M1020PIR	plain washer 10	18
23.13	MZSGTSS040M1016LIR	open spring washer 10	18
23.14	MZSGTSS01M10025NFN	hex bolt M10x25	8
23.15	MZSGTSM053001000	bearing cap	1
23.16	MZSGTSM033040000	bearing cap support	1
23.17	MZSGTSS01M06010NFN	hex bolt M6x10	2
23.18	MZSGTSS12SSFY506NN	flanged bearing house FY506M	2
23.19	MZSGTSS01M10016N-FN	hex bolt M10x16	5
23.20	MZSGTSM033164000	GTS1300V5 top of box	1
23.21	MZSGTSM033020000	rotor GTS1300	1
23.22	MZSGTSS14100828R	key 10x8-28 rotor	1
23.23	MZSGTSS01M10030XFN	special M10 bolt for blade	10
23.24	MZSGTSM03014300PX1	X1 blade GTS1300	2
23.25	MZSGTSM033012000	rotor protector	2
23.26	MZSGTSS01M06016NFN	hex bolt M6x16	4
23.27	MZSGTSM033017000	counter blade GTS1300	1
23.28	MZSGTSS01M10020JFN	inner hexagon socket head cap bolt M10x20	5
24		serial number plate	1
25	MZSGTSS13AL32090	rivet 3.2x12	4
26	MZSGTSS01M10035NFN	hex bolt M10x35	8
27	MZSGTSA07GES1305	GTS1300 electrical start assembly	1
27.1	MZSGTSS03M08000W0N	wing nut with edged wings M8	2
27.2	MZSGTSM030134000	battery fixation plate	1
27.3	MZSGTSM013023000	threaded rod	2
27.4	MZSGTSM030132000	rubber plate	1
27.5	MZSGTSS03M08000N0N	hexagon standard nut M8	4
27.6	MZSGTSM033196000	support plate for battery 20Ah	1
27.7	MZSGTSE990000001	guard cap red (+)	2
27.8	MZSGTSE090000005	OT terminal 10-6	3
27.9	MZSGTSE05050A002	fuse holder for 50A fuse	1
27.10	MZSGTSE990000024	special resin tube for E-start	1
27.11	MZSGTSE03R010000	red cable 10mm2 for E-start	1
27.12	MZSGTSE990000018	copper rod 30mm	1
27.13	MZSGTSE03B010000	black cable 10mm2 for E-start	1
27.14	MZSGTSE05050A001	fuse 50A	1
27.15	MZSGTSE990000002	guard cap black (-)	1

PARTNR.	ARTICLE NUMBER	PART NAME	QTY
27.16	MZSGTSE01PB12001	battery E-start 12V 20Ah	1
27.17	MZSGTSE090000004	OT terminal 10-8	1
28	MZSGTSS01M10020NFN	hex bolt M10x20	1
29	MZSGTSM030235000	belt cover	1
30	MZSGTSM07314600T	taperlock V-belt rotor pulley 146mm	1
31	MZSGTSM033025000	safety ring for rotor	1
32	MZSGTSS01M08025NFN	hex bolt M8x25	4
33	MZSGTSM030200000	belt cover lid	1
34	MZSGTSS01M06025XPN	hex head bolt with reduced shank M6x25	2
35	MZSGTSS040M0612PIR	plain washer 6	2
36	MZSGTSA070010000	belt tensioner assembly	1
37	MZSGTSS07A691780LP	V-belt GTS1300	2
38	MZSGTSM033026000	safety ring for engine	1
39	MZSGTSM07002700T	taperlock pulley assembly Loncin MHI Honda engine	1
40	MZSGTSM013007000	bush for engine shaft 16mm	1
41	MZSGTSS01M08030XPN	carriage bolt M8x30	4
42	MZSGTSM033028000	belt cover support bending	1
43	MZSGTSM039081000	engine shaft cover 35mm	1
44	MZSGTSM013003000	loncin-honda engine key	1
45	MZSGTSM033121000	caterpillar frame fixation plate	2
46	MZSGTSC99CATPDS1	caterpillar 1300R complete	1
47	MZSGTSA11G13S001	sub assembly EU hopper	1
47.1	MZSGTSM033160000	GTS1300 low hopper	1
47.2	MZSGTSS210002000	silent block panic bar	2
47.3	MZSGTSS01M08010BFN	hexagon socket button head screw M8x10	2
47.4	MZSGTSS01M06020NFN	hex bolt M6x20	5
47.5	MZSGTSS040M0612PIR	plain washer 6	15
47.6	MZSGTSS03M06000L0N	tall self lock nut with nylon insert M6	11
47.7	MZSGTSM053008000	steel strip for rubber curtain low hopper	1
47.8	MZSGTSM053009000	rubber curtain low hopper GTS1300	1
47.9	MZSGTSS01M06016XPN	carriage bolt M6x16	4
47.10	MZSGTSS180000007	end cap tube 25x2	2
47.11	MZSGTSS01M08016NFN	hex bolt M8x16	2
47.12	MZSGTSS040M0815LIR	open spring washer 8	2
47.13	MZSGTSS040M0816PIR	plain washer 8	2
47.14	MZSGTSM033161000	panic bar GTS1300 low hopper	1
47.15	MZSGTSS01M04016CFN	hexagon head bolt partial thread M4x16	2
47.16	MZSGTSS14INDEXP1	index plunger dia 6mm	1
47.17	MZSGTSM030207000	index plunger distance plate	1
47.18	MZSGTSM030202000	panic bar bracket low hopper	1
47.19	MZSGTSS14-060020B	spring-type straight pin 6x20	1
47.20	MZSGTSS09O110000	circlips 11	1
47.21	MZSGTSS040M1225PIR	plain washer 12	5
47.22	MZSGTSS120081200	nylon slide bearing 12x14	1
47.23	MZSGTSS01M06050NFN	hex bolt M6x50	1

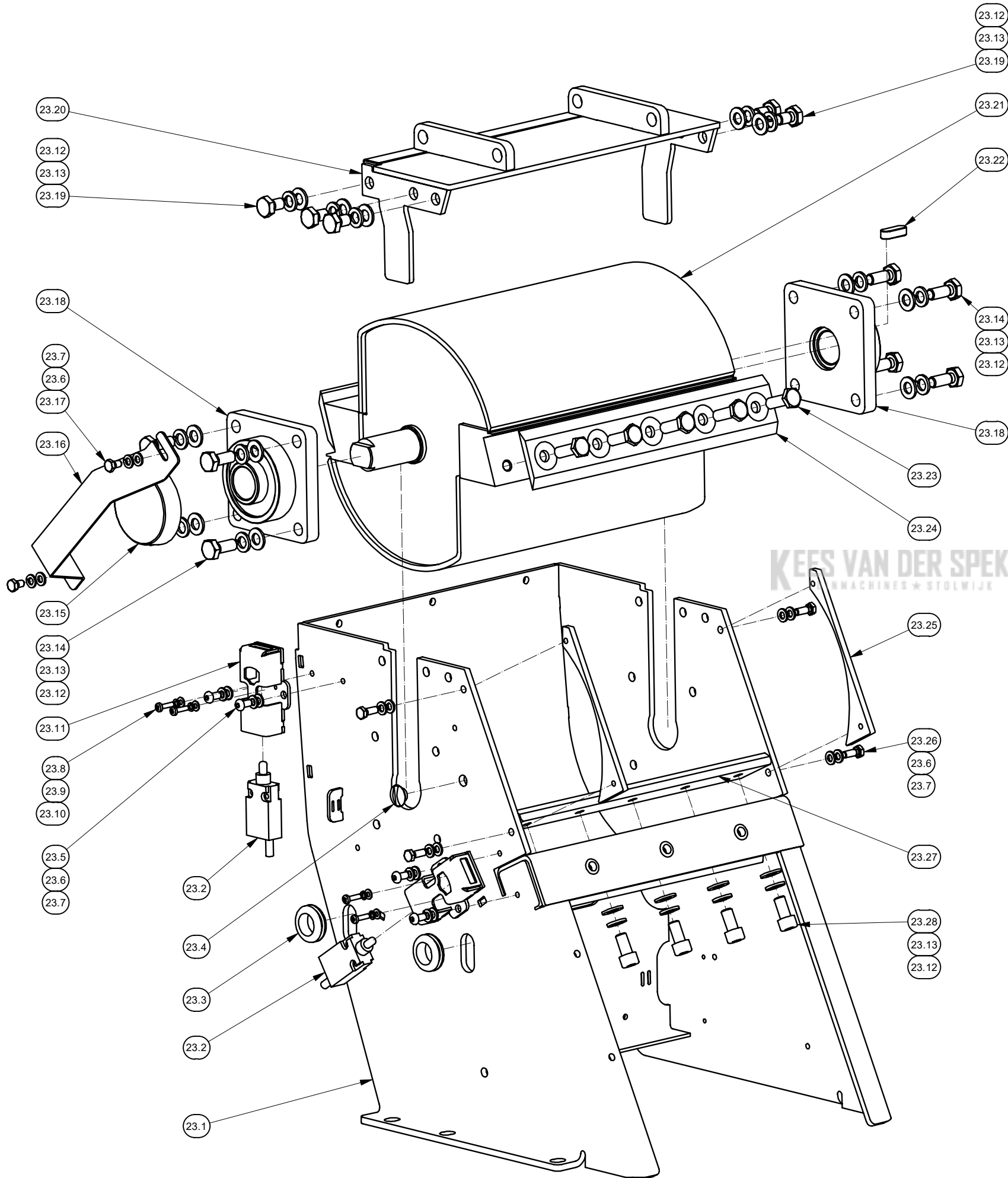
PARTNR.	ARTICLE NUMBER	PART NAME	QTY
47.24	MZSGTSS040M0618X	large special fender washer 6	1
47.25	MZSGTSS040M1020PIR	plain washer 10	2
47.26	MZSGTSM010098000	fork shaft	1
47.27	MZSGTSM083003000	torsion spring	1
47.28	MZSGTSM033173000	fork low hopper	1
47.29	MZSGTSS160000000	push pull cable connector	1
47.30	MZSGTSS240000008	cable assembly panic bar	1
47.31	MZSGTSM033162000	push assembly safety switch hopper	1
47.32	MZSGTSM033162002	push plate	1
47.33	MZSGTSS01M05016BFN	hexagon socket button head screw M5x16	2
47.34	MZSGTSS03M05000L0N	tall self lock nut with nylon insert M5	2
48	MZSGTSM023120000	U bolt	2
49	MZSGTSS040M0820BIR	large washer 8	6
50	MZSGTSS01M08016FFN	flange bolt with hexagon head M8x16	3
51	MZSGTSA070012000	output A030025000 with safety plate included	1
52	MZSGTSA07LPS13R5	loose part set for GTS1300RV5	1

KES VAN DER SPEK
DIJN MACHINES * STOLWIJK

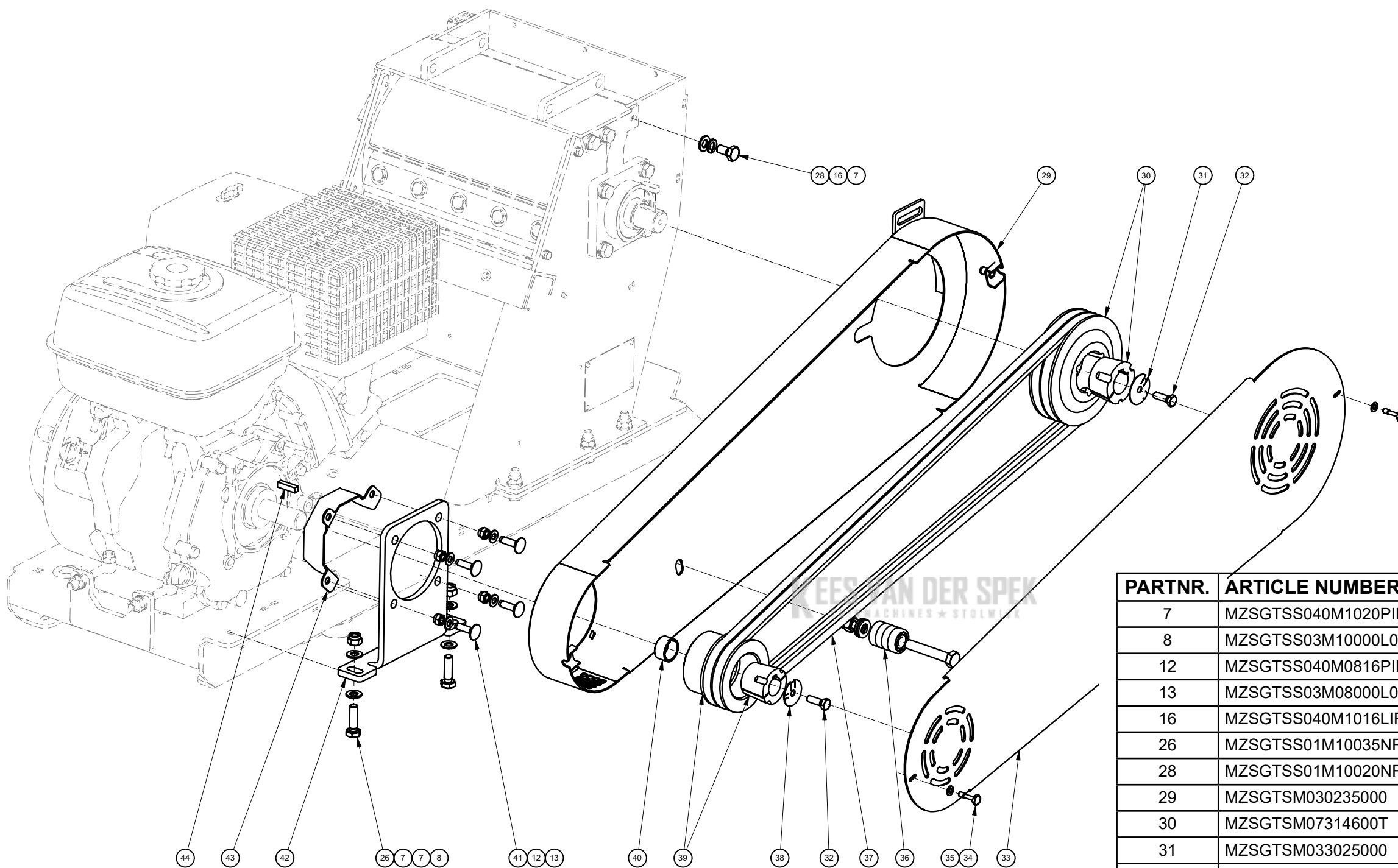


PARTNR.	ARTICLE NUMBER	PART NAME	QTY
1	MZSGTSM023046000	frame for caterpillar V5	1
2	MZSGTSS01M08025FFN	flange bolt with hexagon head M8x25	8
3	MZSGTSM053016000	buffer 40x20-8	5
4	MZSGTSS040M0815LIR	open spring washer 8	5
5	MZSGTSS03M08000N0N	hexagon standard nut M8	5
6	MZSGTSS01M10050NFN	hex bolt M10x50	2
7	MZSGTSS040M1020PIR	plain washer 10	27
8	MZSGTSS03M10000L0N	tall self lock nut with nylon insert M10	16
9	MZSGTSS01M10060NFN	hex bolt M10x60	2
10	MZSGTSM033166000	weldassembly engine lockingplate	1
11	MZSGTSS01M08055NFN	hex bolt M8x55	4
12	MZSGTSS040M0816PIR	plain washer 8	14
13	MZSGTSS03M08000L0N	tall self lock nut with nylon insert M8	10
14	MZSGTSM023047000	bumper for caterpillar	1
15	MZSGTSS01M10080EPN	eyebolt M10x80	2
16	MZSGTSS040M1016LIR	open spring washer 10	3
17	MZSGTSS03M10000N0N	hexagon standard nut M10	4
18	MZSGTSS180000006	feedthrough coil 34-27x21.0	1
19	MZSGTSC01GGTE420	engine loncin GTE420	1
20	MZSGTSB050002000	heat protector Loncin/Honda	1
21	MZSGTSM03301500H	muffler deflector for Honda	1
22	MZSGTSS01M04005TFN	cross recessed head tapping screw 4,2x9,5	4
23	MZSGTSA11G13S002	sub assembly shredderbox GTS1300 EU	1
24		serial number plate	1
25	MZSGTSS13AL32090	rivet 3.2x12	4
26	MZSGTSS01M10035NFN	hex bolt M10x35	8
27	MZSGTSA07GES1305	GTS1300 electrical start assembly	1
27.1	MZSGTSS03M08000W0N	wing nut with edged wings M8	2
27.2	MZSGTSM030134000	battery fixation plate	1
27.3	MZSGTSM013023000	threaded rod	2
27.4	MZSGTSM030132000	rubber plate	1
27.5	MZSGTSS03M08000N0N	hexagon standard nut M8	4
27.6	MZSGTSM033196000	support plate for battery 20Ah	1
27.7	MZSGTSE990000001	guard cap red (+)	2
27.8	MZSGTSE090000005	OT terminal 10-6	3
27.9	MZSGTSE05050A002	fuse holder for 50A fuse	1
27.10	MZSGTSE990000024	special resin tube for E-start	1
27.11	MZSGTSE03R010000	red cable 10mm2 for E-start	1
27.12	MZSGTSE990000018	copper rod 30mm	1
27.13	MZSGTSE03B010000	black cable 10mm2 for E-start	1
27.14	MZSGTSE05050A001	fuse 50A	1
27.15	MZSGTSE990000002	guard cap black (-)	1
27.16	MZSGTSE01PB12001	battery E-start 12V 20Ah	1
32	MZSGTSS01M08025NFN	hex bolt M8x25	4

KES VAN DER SPEK
TUINMACHINES * STOLWIJK

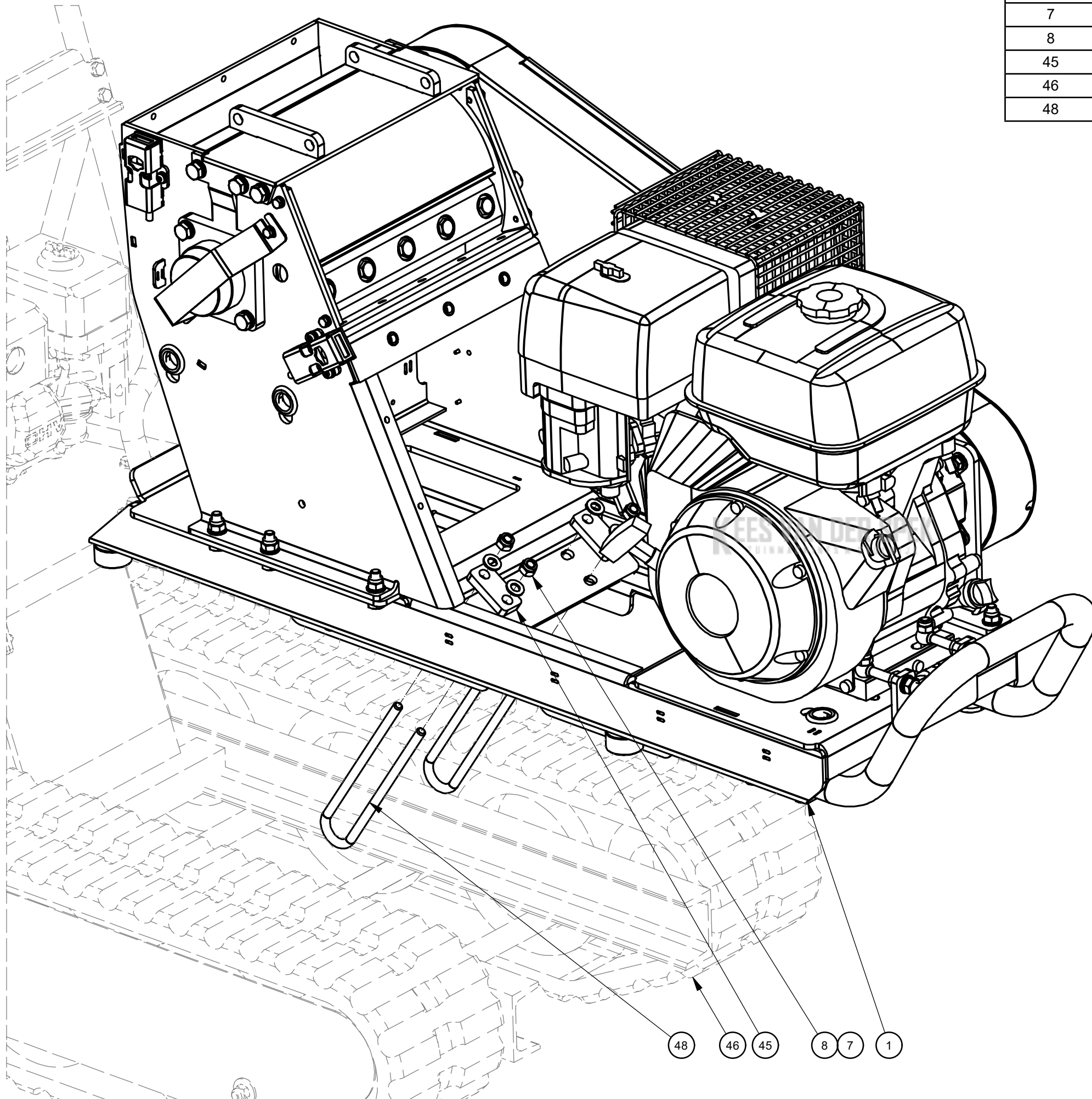


PARTNR.	ARTICLE NUMBER	PART NAME	QTY
23.1	MZSGTSM030176000	shredder box 1300	1
23.2	MZSGTSE023111BSP	limit switch	2
23.3	MZSGTSS180000006	feedthrough coil 34-27x21.0	2
23.4	MZSGTSS99M120800	thread plug M12x1.5-8	1
23.5	MZSGTSS01M06012BFB	hexagon socket button head screw M6x12	4
23.6	MZSGTSS040M0615LIR	open spring washer 6	10
23.7	MZSGTSS040M0612PIR	plain washer 6	10
23.8	MZSGTSS01M04016RFN	cross recessed pan head screw M4x16	4
23.9	MZSGTSS040M0409LIR	open spring washer 4	4
23.10	MZSGTSS040M0408PIR	plain washer 4	4
23.11	MZSGTSM039103000	safety switch cover	2
23.12	MZSGTSS040M1020PIR	plain washer 10	18
23.13	MZSGTSS040M1016LIR	open spring washer 10	18
23.14	MZSGTSS01M10025NFN	hex bolt M10x25	8
23.15	MZSGTSM053001000	bearing cap	1
23.16	MZSGTSM033040000	bearing cap support	1
23.17	MZSGTSS01M06010NFN	hex bolt M6x10	2
23.18	MZSGTSS12SSFY506NN	flanged bearing house FY506M	2
23.19	MZSGTSS01M10016N-FN	hex bolt M10x16	5
23.20	MZSGTSM033164000	GTS1300V5 top of box	1
23.21	MZSGTSM033020000	rotor GTS1300	1
23.22	MZSGTSS14100828R	key 10x8-28 rotor	1
23.23	MZSGTSS01M10030XFN	special M10 bolt for blade	10
23.24	MZSGTSM03014300PX1	X1 blade GTS1300	2
23.25	MZSGTSM033012000	rotor protector	2
23.26	MZSGTSS01M06016NFN	hex bolt M6x16	4
23.27	MZSGTSM033017000	counter blade GTS1300	1
23.28	MZSGTSS01M10020JFN	inner hexagon socket head cap bolt M10x20	5

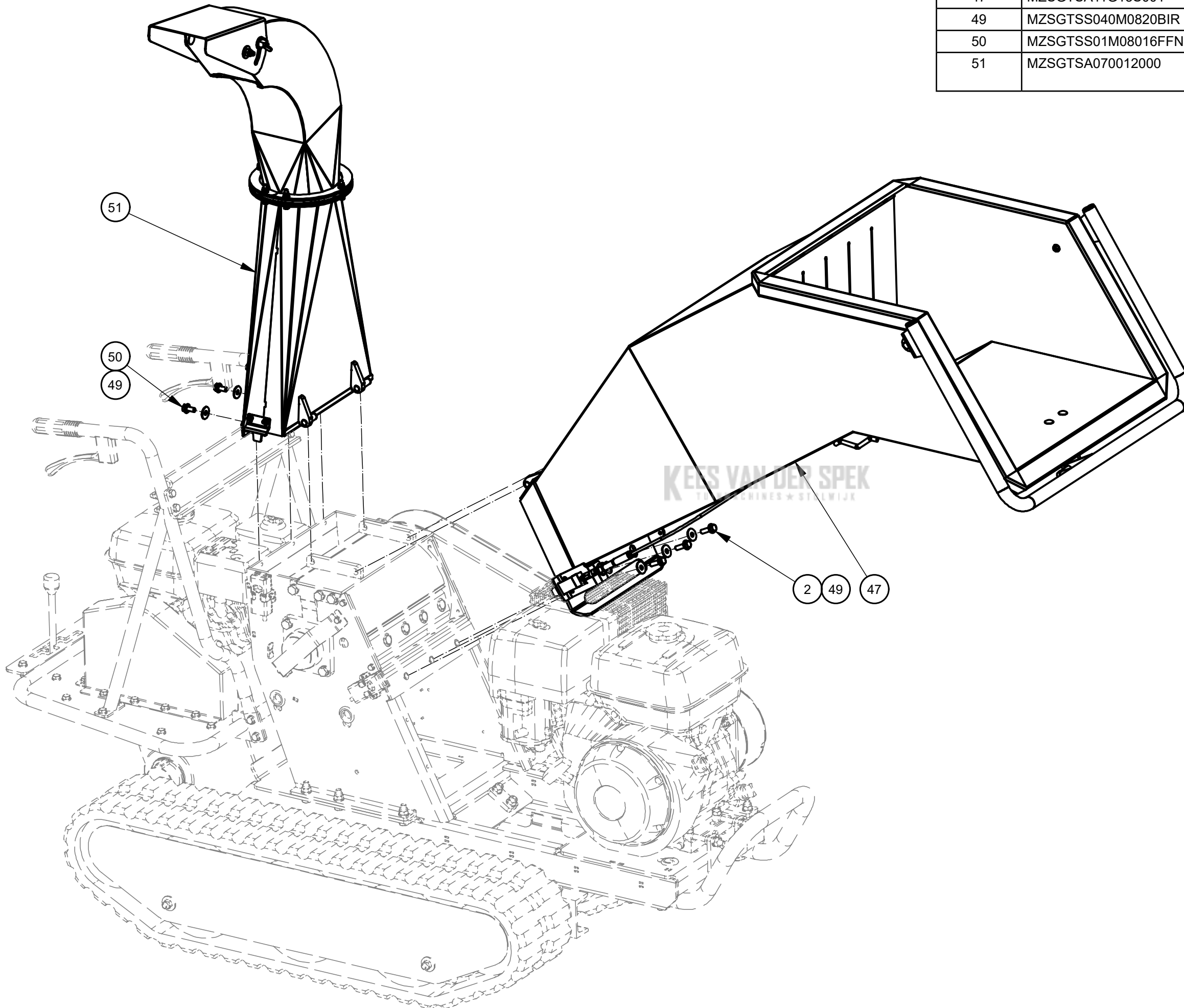


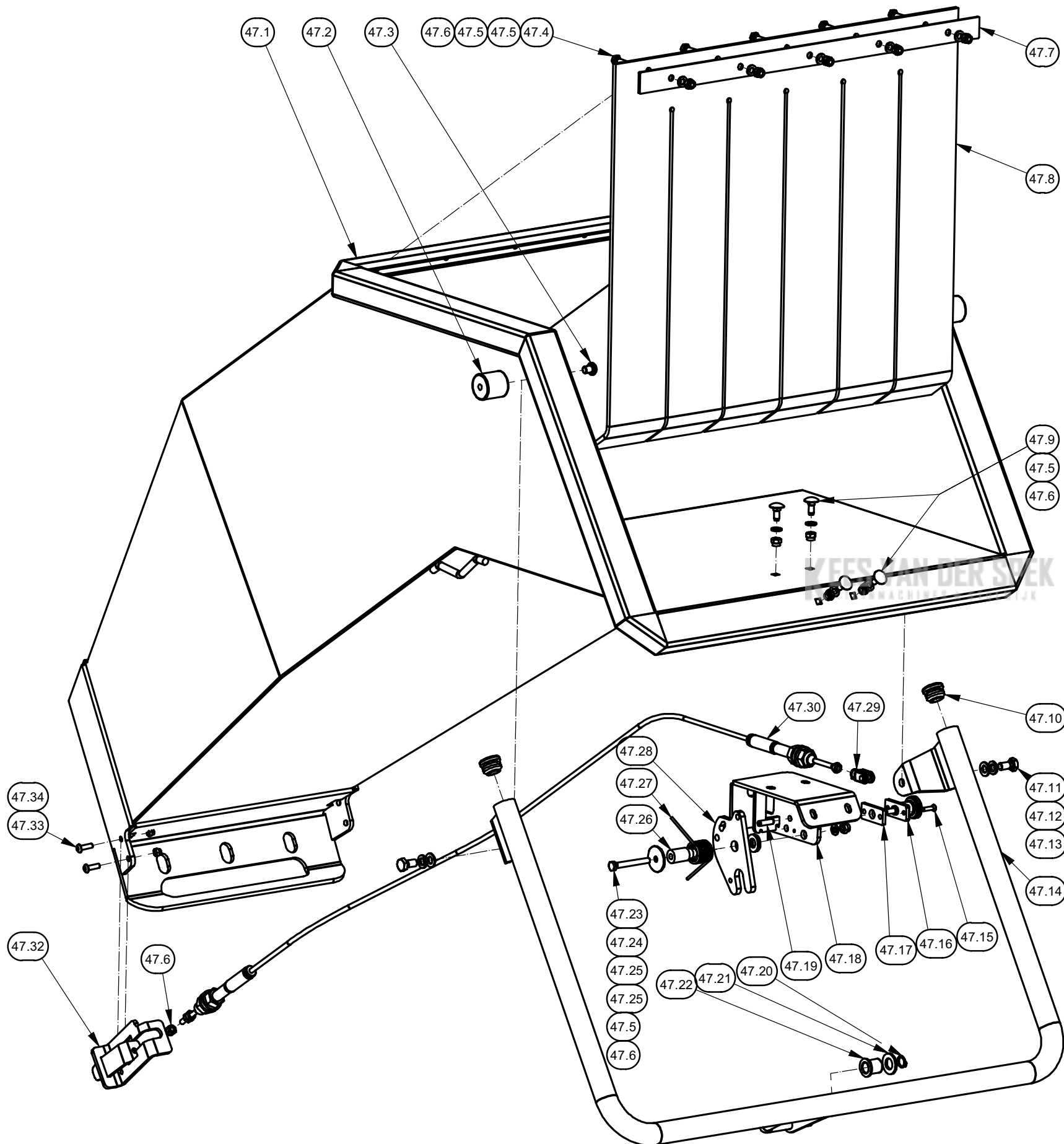
PARTNR.	ARTICLE NUMBER	PART NAME	QTY
7	MZSGTSS040M1020PIR	plain washer 10	27
8	MZSGTSS03M10000L0N	tall self lock nut with nylon insert M10	16
12	MZSGTSS040M0816PIR	plain washer 8	14
13	MZSGTSS03M08000L0N	tall self lock nut with nylon insert M8	10
16	MZSGTSS040M1016LIR	open spring washer 10	3
26	MZSGTSS01M10035NFN	hex bolt M10x35	8
28	MZSGTSS01M10020NFN	hex bolt M10x20	1
29	MZSGTSM030235000	belt cover	1
30	MZSGTSM07314600T	taperlock V-belt rotor pulley 146mm	1
31	MZSGTSM033025000	safety ring for rotor	1
32	MZSGTSS01M08025NFN	hex bolt M8x25	4
33	MZSGTSM030200000	belt cover lid	1
34	MZSGTSS01M06025XPN	hex head bolt with reduced shank M6x25	2
35	MZSGTSS040M0612PIR	plain washer 6	2
36	MZSGTSA070010000	belt tensioner assembly	1
37	MZSGTSS07A691780LP	V-belt GTS1300	2
38	MZSGTSM033026000	safety ring for engine	1
39	MZSGTSM07002700T	taperlock pulley assembly Loncin MHI Honda engine	1
40	MZSGTSM013007000	bush for engine shaft 16mm	1
41	MZSGTSS01M08030XPN	carriage bolt M8x30	4
42	MZSGTSM033028000	belt cover support bending	1
43	MZSGTSM039081000	engine shaft cover 35mm	1
44	MZSGTSM013003000	loncin-honda engine key	1

PARTNR.	ARTICLE NUMBER	PART NAME	QTY
1	MZSGTSM023046000	frame for caterpillar V5	1
7	MZSGTSS040M1020PIR	plain washer 10	27
8	MZSGTSS03M10000L0N	tall self lock nut with nylon insert M10	16
45	MZSGTSM033121000	caterpillar frame fixation plate	2
46	MZSGTSC99CATPDS1	caterpillar 1300R complete	1
48	MZSGTSM023120000	U bolt	2

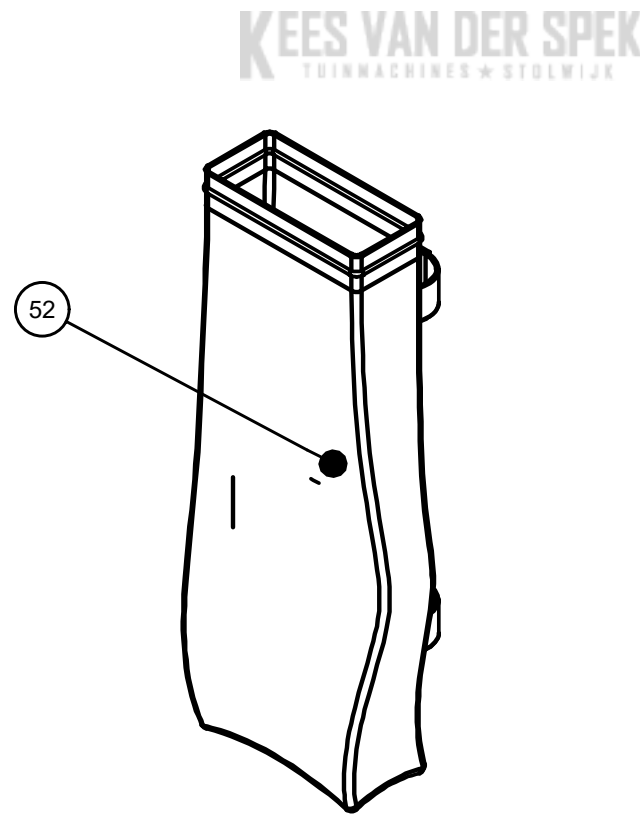
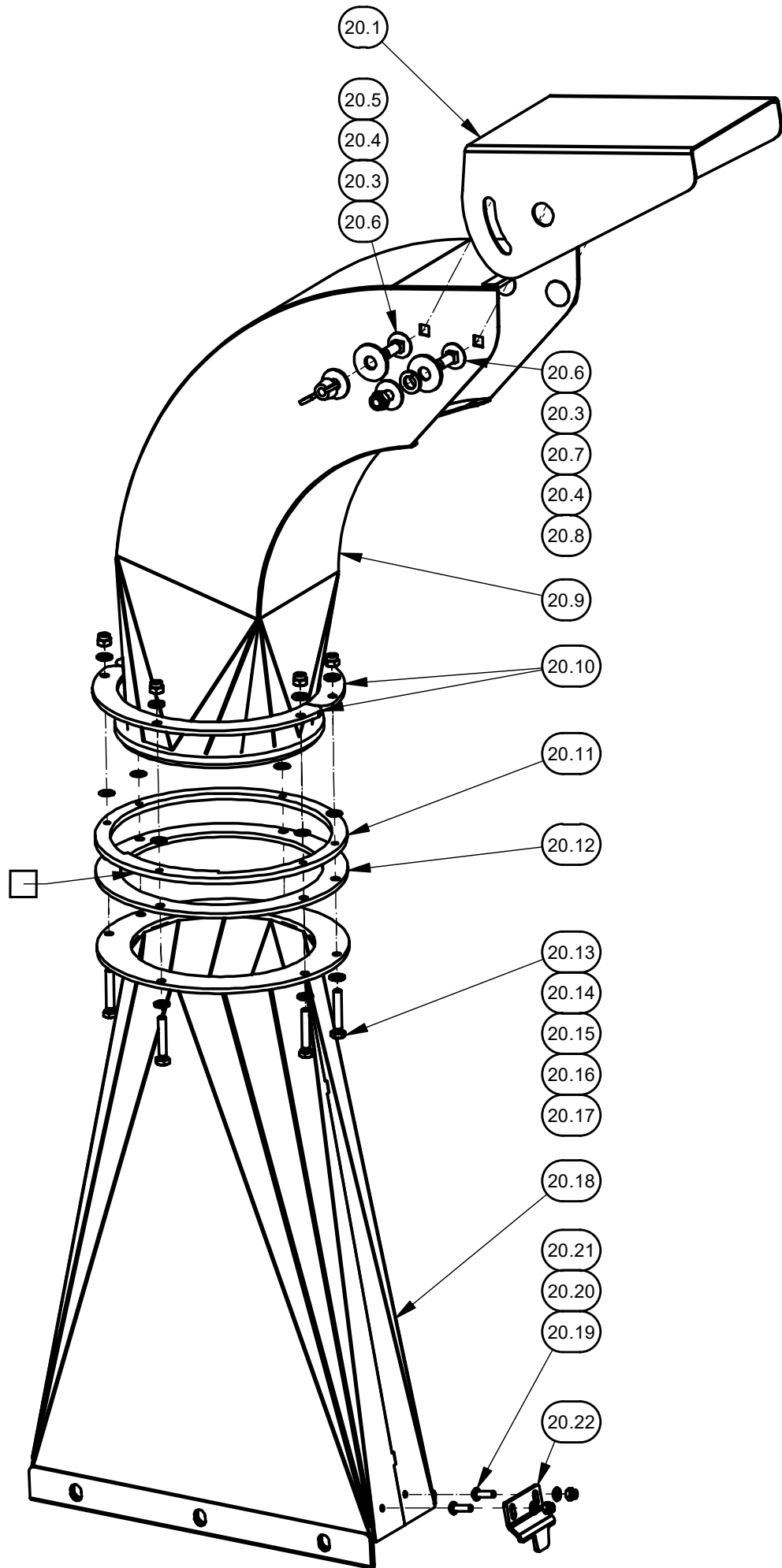


PARTNR.	ARTICLE NUMBER	PART NAME	QTY
2	MZSGTSS01M08025FFN	flange bolt with hexagon head M8x25	8
47	MZSGTSA11G13S001	sub assembly EU hopper	1
49	MZSGTSS040M0820BIR	large washer 8	6
50	MZSGTSS01M08016FFN	flange bolt with hexagon head M8x16	3
51	MZSGTSA070012000	output A030025000 with safety plate included	1

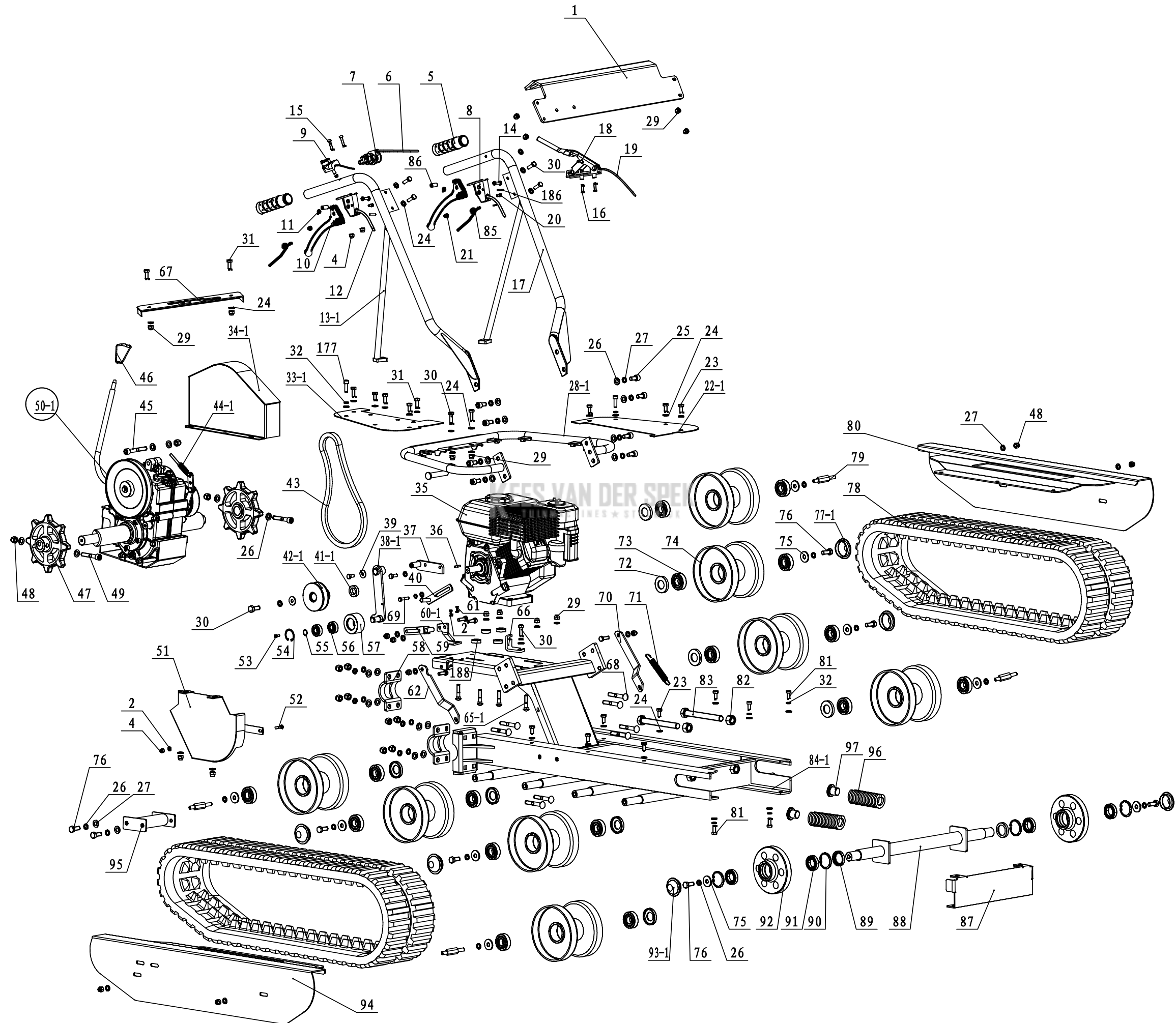




PARTNR.	ARTICLE NUMBER	PART NAME	QTY
47.1	MZSGTSM033160000	GTS1300 low hopper	1
47.2	MZSGTSS210002000	silent block panic bar	2
47.3	MZSGTSS01M08010BFN	hexagon socket button head screw M8x10	2
47.4	MZSGTSS01M06020NFN	hex bolt M6x20	5
47.5	MZSGTSS040M0612PIR	plain washer 6	15
47.6	MZSGTSS03M06000L0N	tall self lock nut with nylon insert M6	11
47.7	MZSGTSM053008000	steel strip for rubber curtain low hopper	1
47.8	MZSGTSM053009000	rubber curtain low hopper GTS1300	1
47.9	MZSGTSS01M06016XPN	carriage bolt M6x16	4
47.10	MZSGTSS180000007	end cap tube 25x2	2
47.11	MZSGTSS01M08016NFN	hex bolt M8x16	2
47.12	MZSGTSS040M0815LIR	open spring washer 8	2
47.13	MZSGTSS040M0816PIR	plain washer 8	2
47.14	MZSGTSM033161000	panic bar GTS1300 low hopper	1
47.15	MZSGTSS01M04016CFN	hexagon head bolt partial thread M4x16	2
47.16	MZSGTSS14INDEXP1	index plunger dia 6mm	1
47.17	MZSGTSM030207000	index plunger distance plate	1
47.18	MZSGTSM030202000	panic bar bracket low hopper	1
47.19	MZSGTSS14-060020B	spring-type straight pin 6x20	1
47.20	MZSGTSS09O110000	circlips 11	1
47.21	MZSGTSS040M1225PIR	plain washer 12	5
47.22	MZSGTSS120081200	nylon slide bearing 12x14	1
47.23	MZSGTSS01M06050NFN	hex bolt M6x50	1
47.24	MZSGTSS040M0618X	large special fender washer 6	1
47.25	MZSGTSS040M1020PIR	plain washer 10	2
47.26	MZSGTSM010098000	fork shaft	1
47.27	MZSGTSM083003000	torsion spring	1
47.28	MZSGTSM033173000	fork low hopper	1
47.29	MZSGTSS160000000	push pull cable connector	1
47.30	MZSGTSS240000008	cable assembly panic bar	1
47.32	MZSGTSM033162002	push plate	1
47.33	MZSGTSS01M05016BFN	hexagon socket button head screw M5x16	2
47.34	MZSGTSS03M05000L0N	tall self lock nut with nylon insert M5	2



PARTNR.	ARTICLE NUMBER	PART NAME	QTY
20.1	MZSGTSM031815000	deflector 1800	1
20.3	MZSGTSS040M1025BIR	large washer 10	4
20.4	MZSGTSS040M0820BIR	large washer 8	4
20.5	MZSGTSS03M08000W0N	wing nut with edged wings M8	2
20.6	MZSGTSS01M08025XPN	carriage bolt M8x25	2
20.7	MZSGTSS040M1016LIR	open spring washer 10	2
20.8	MZSGTSS03M08000L0N	tall self lock nut with nylon insert M8	2
20.9	MZSGTSM031812000	weldassembly top part output GTS1800	1
20.10	MZSGTSM031813000	locking disc	2
20.11	MZSGTSM031814000	swivel part middle	1
20.12	MZSGTSM031818000	centring part middle	1
20.13	MZSGTSS01M06035NFN	hex bolt M6x35	6
20.14	MZSGTSS040M0615LIR	open spring washer 6	6
20.15	MZSGTSS040M612BIR	waved spring washer	6
20.16	MZSGTSS040M0612PIR	plain washer 6	6
20.17	MZSGTSS03M06000L0N	tall self lock nut with nylon insert M6	6
20.18	MZSGTSM031811000	weldassembly output bottom GTS1800	1
20.19	MZSGTSS01M05016BFN	hexagon socket button head screw M5x16	2
20.20	MZSGTSS040M0510PIR	plain washer 5	2
20.21	MZSGTSS03M05000L0N	tall self lock nut with nylon insert M5	2
20.22	MZSGTSM033055001	safety switch plate	1
52	MZSGTSA07LPS13R5	loose part set for GTS1300RV5	1



PARTNR.	ARTICLE NUMBER	PART NAME	QTY
1	MZSGTSR8051740	plate	1
2	MZSGTSR2040002	washer ø6	10
3	MZSGTSR2040010	spring washer 6	7
4	MZSGTSR2030008	nut M6	8
5	MZSGTSR5030108	handle sleeve	2
6	MZSGTSR5010059	throttle cable	1
7	MZSGTSR5010295	throttle lever	1
8	MZSGTSR8060735	handle holder	1
9	MZSGTSR5010077	on / off switch	1
10	MZSGTSR5010809	right / left steering lever	2
11	MZSGTSR2040099	split washer	2
12	MZSGTSR5010980	right / left steering cable	2
13-1	MZSGTSR8053138	right handle frame	1
14	MZSGTSR5050513	short axis pin	2
15	MZSGTSR2020249	screw M6*35	2
16	MZSGTSR2020248	screw M6*25	2
17	MZSGTSR8053137	left handle frame	1
18	MZSGTSR8071821	clutch lever 2016 - 2020	1
or	MZSGTSR8073206	clutch lever from 2021	1
19	MZSGTSR5010570	clutch cable 2016 - 2020	1
or	MZSGTSR5012278	clutch cable from 2021	1
20	MZSGTSR2010102	screw M5*20	2
21	MZSGTSR2030007	nut M5	2
22-1	MZSGTSR8052842	soleplate (L)	1
23	MZSGTSR2010066	bolt M8*16	12
24	MZSGTSR2040003	washer ø8	60
25	MZSGTSR2020034	screw M10*20	8
26	MZSGTSR2040004	washer ø10	28
27	MZSGTSR2040012	washer ø10	28
28-1	MZSGTSR8052865	handle mounting frame	1
29	MZSGTSR2030009	nut M8	29
30	MZSGTSR2010068	bolt M8*25	12
31	MZSGTSR2010067	bolt M8*20	7
32	MZSGTSR2040011	washer ø8	9
33-1	MZSGTSR8052035	soleplate (R)	1
34-1	MZSGTSR5030792	small pulley cover	1
35	MZSGTSC01GGTE200	engine G200	1
36	MZSGTSR2050087	key 5x35	1
37	MZSGTSR8060682	fixing bracket	1
38-1	MZSGTSR8052839	tensioner pulley bracket	1
39	MZSGTSR2040025	washer ø8	2
40	MZSGTSR8060172	belt plate	1
41-1	MZSGTSR5051021	spacer bush	1
42-1	MZSGTSR8052840	small pulley	1
43	MZSGTSR2080028	V-belt B32	1
44-1	MZSGTSR5011396	expanding brake cable	1
45	MZSGTSR2020039	screw M10*70	1
46	MZSGTSR5030459	handle	1
47	MZSGTSR8050089	driving wheel	2

PARTNR.	ARTICLE NUMBER	PART NAME	QTY
48	MZSGTSR2030010	locknut M10	16
49	MZSGTSR2020038	screw M10*60	2
50-1	MZSGTSR8072577	gearbox complete	1
51	MZSGTSR8050090	big pulley cover	1
52	MZSGTSR2010132	bolt M6*20	1
53	MZSGTSR2020002	screw M5*12	1
54	MZSGTSR2040063	circlip 35	1
55	MZSGTSR2040079	circlip 15	1
56	MZSGTSR2060023	bearing 6202-2RS	2
57	MZSGTSR5050158	tensioner pulley	1
58	MZSGTSR8050083	wheel axis press plate	2
59	MZSGTSR8060649	belt plate	1
60-1	MZSGTSR8052841	connecting angle plate	1
61	MZSGTSR2010057	bolt M6*25	2
62	MZSGTSR8050537	support plate (right)	1
65-1	MZSGTSR2010136	bolt M8*40	4
66	MZSGTSR8050689	cable holder	1
67	MZSGTSR8060773	gear plate	1
68	MZSGTSR2010141	bolt M10*65	8
69	MZSGTSR2010069	bolt M8*30	1
70	MZSGTSR8050106	support plate (left)	1
71	MZSGTSR5010232	long extension sping	1
72	MZSGTSR2070024	combined gasket 25*47*7	8
73	MZSGTSR2060027	bearing 6204-2RS	16
74	MZSGTSR8050091	supporting wheel	8
75	MZSGTSR2040026	washer ø10	10
76	MZSGTSR2010079	bolt M10*25	12
77-1	MZSGTSR5030553	axle head cover ø47 (support wheel)	4
78	MZSGTSR5030068	track 180*60 (38)	2
79	MZSGTSR5050218	two-head stud bolt	4
80	MZSGTSR8050687	guard plate (left)	1
81	MZSGTSR2010067	bolt M8*20	4
82	MZSGTSR2030023	nut M16	2
83	MZSGTSR2030023	guide bolt	2
84-1	MZSGTSR8053133	chassis	1
85	MZSGTSR5010190	torsion spring	2
86	MZSGTSR5030197	sleeve	2
87	MZSGTSR8050672	rear cover	1
88	MZSGTSR8050726	guide wheel axle	1
89	MZSGTSR2070028	gasket 30*42*7	2
90	MZSGTSR2040066	circlip 42	4
91	MZSGTSR2060035	bearing 61905-2RS	4
92	MZSGTSR8050617	guide wheel	2
93-1	MZSGTSR5030552	axle head cover ø42 (guide wheel)	2
94	MZSGTSR8050688	guard plate (right)	1
95	MZSGTSR8050749	supporting bracket	1
96	MZSGTSR5011108	guide spring	2
97	MZSGTSR5051152	locating bush	2
186	MZSGTSR2050012	cylindrical pin	1
188	MZSGTSR5060021	vibration rubber	4