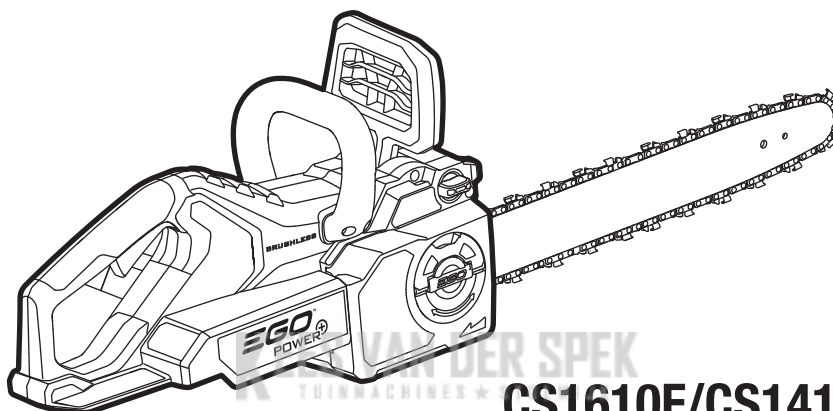


# EGO™

## POWER+ CHAIN SAW

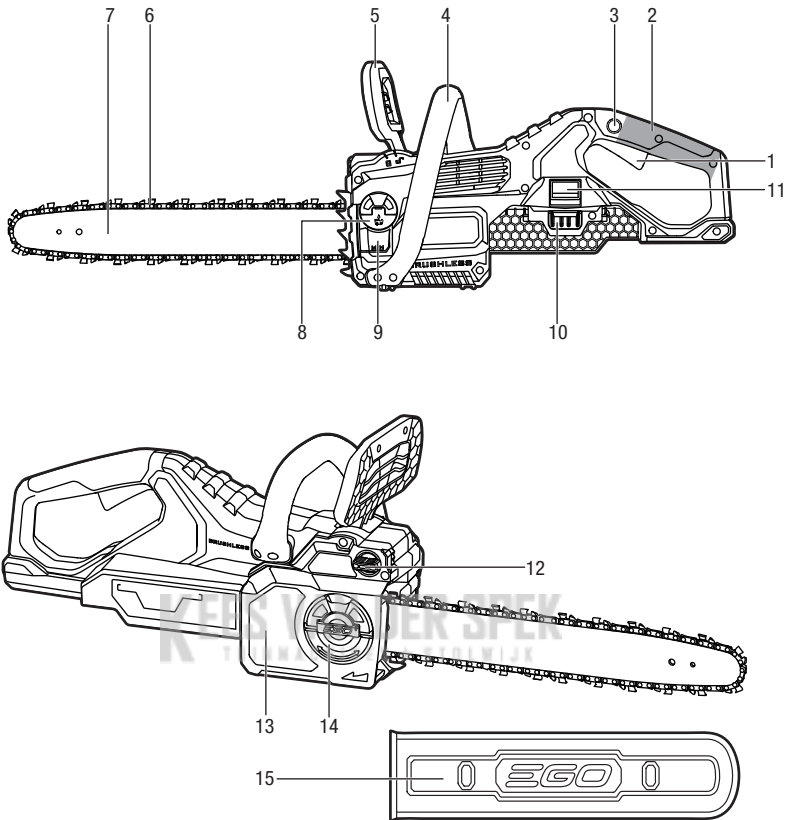


### CS1610E/CS1410E

#### 56 VOLT LITHIUM-ION CORDLESS CHAIN SAW

EN	56 volt Cordless chain saw	6	SL	56-voltna litij-ionska brezžična verižna žaga	153
DE	Akku-kettensäge (56 volt)	14	LT	Belaidis grandininis pjūklas su 56 v ličio jonų akumulatoriumi	161
FR	Tronçonneuse sans fil lithium-ion 56 v	23	LV	56 v litija-jonu bezvadu ķēdes zāģis	169
ES	Motosierra inalámbrica con batería de iones de litio de 56 v	32	GR	Ασυρματο αλυστοπρινο 56v λιθιου - ιοντων	177
PT	Motosserra sem fios com bateria de ião de lítio de 56V	41	TR	56v lityum-lyon kablosuz elektrikli testere	186
IT	Motosega cordless li-ion 56 v	50	ET	56v-liitiumioonakuga mootorsaag	194
NL	56v lithium-ion accukettingzaag	59	UK	56-вольтна літій-іонна акумуляторна ланцюгова пила	202
DK	Ledningsfri motorsav med 56v litium-ion-batteri	68	BG	56vлитиево-ионен безкабелен верижен трион	211
SE	56v litium-jon sladdlös kedjesåg	77	HR	Baterijska lančana pila s litij-ionskom baterijom od 56v	220
FI	56 voltin litiumioniakullinen moottorisaha	86	KA	56ვოლტიანი ლითიუმ-იონის უსადენო ჯაჭვური ხერხი	228
NO	56v lithium-ion trådløs motorsag	94	SR	Bežična motorna testera sa litijum-jonskom baterijom od 56 v	238
RU	Беспроводная цепная пила с литийионным аккумулятором (56в)	102	BS	Akumulatorska motorna žaga s litij-ionskom baterijom od 56 v	246
PL	Pilarka z akumulatorem litowo-jonowym 56 voltów	111	HE	מכסחה אלחוטית עם סוללת ליתיום-56 וולט	271
CZ	56v lithium-iontová akumulátorová řetězová pila	120	AR	منشار سلسلي ببطارية ليثيوم-أيون 56 فولت	263
SK	56 volto vá litium-iónová reťazová pila	128			
HU	56 v-os litium-ion vezeték nélküli láncfűrész	136			
RO	Ferăstrău fără fir cu lanț și cu acumulator litiu ion 56v 144	144			

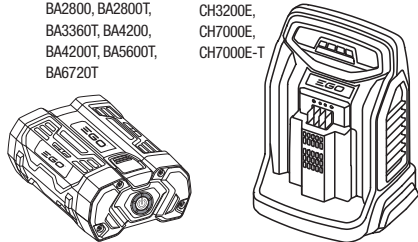
A1



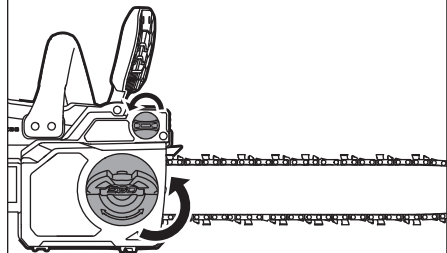
A2

BA1400, BA1400T,  
BA2240T, BA2242T,  
BA2800, BA2800T,  
BA3360T, BA4200,  
BA4200T, BA5600T,  
BA6720T

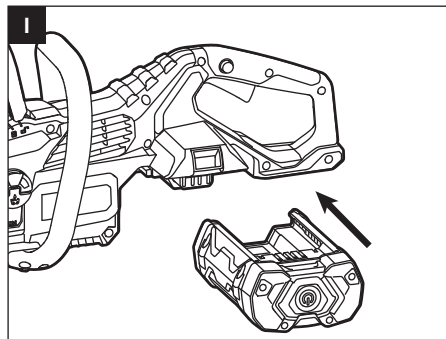
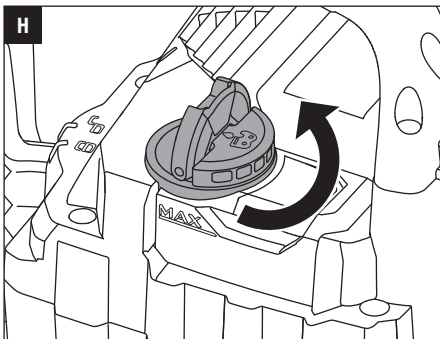
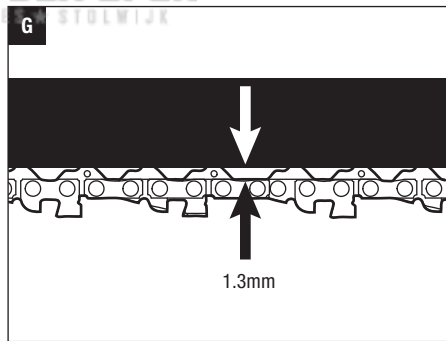
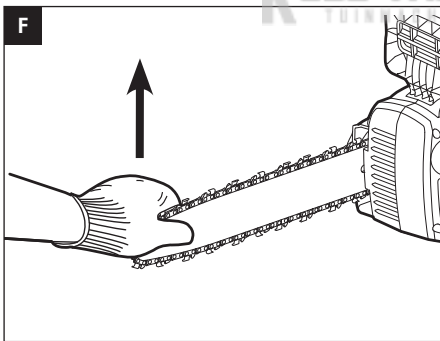
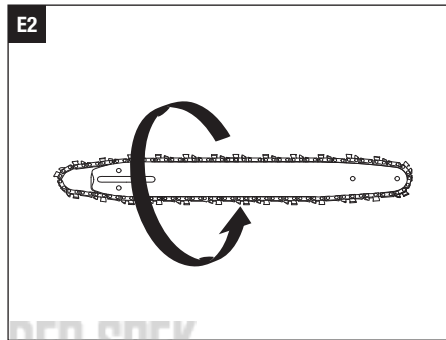
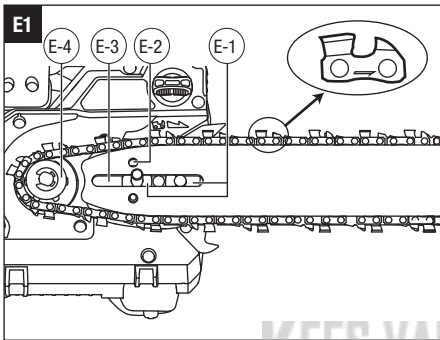
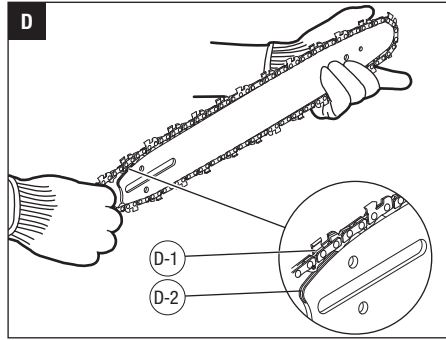
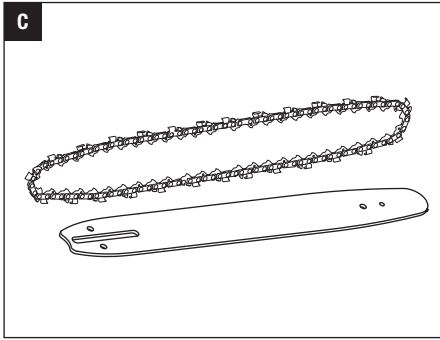
CH5500E,  
CH2100E,  
CH3200E,  
CH7000E,  
CH7000E-T

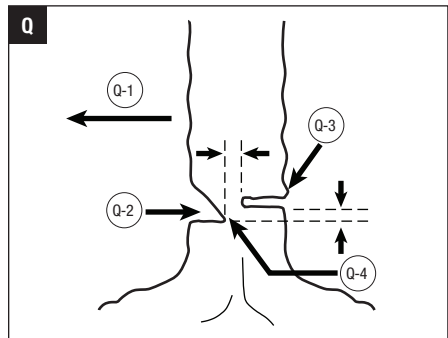
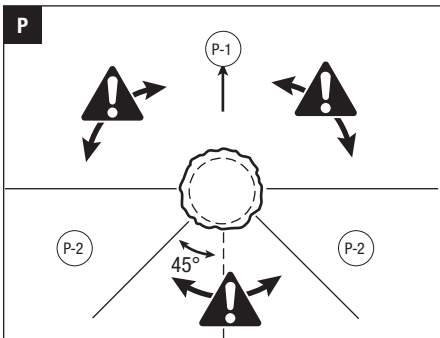
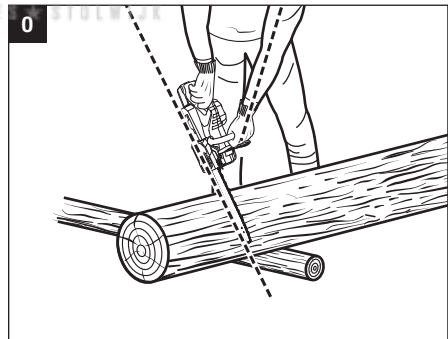
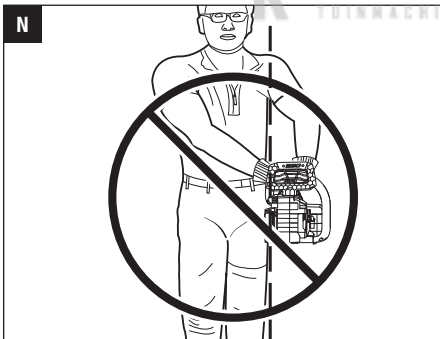
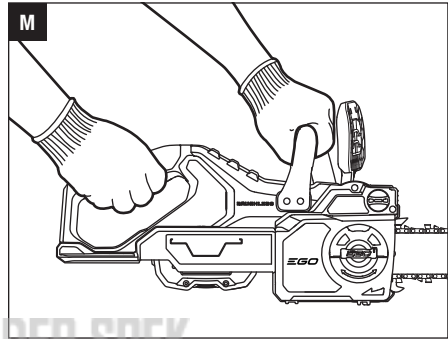
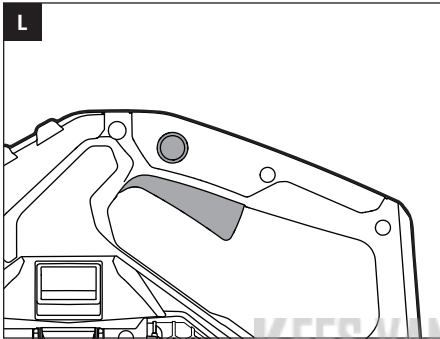
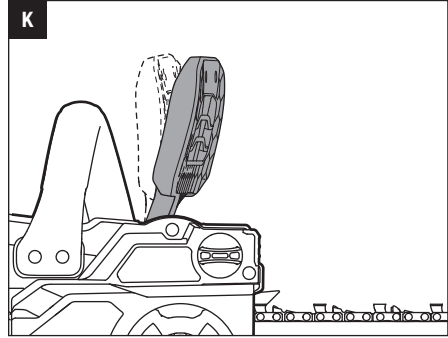
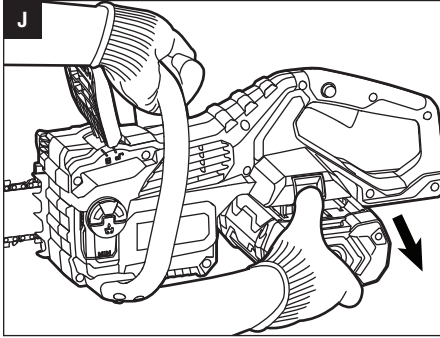


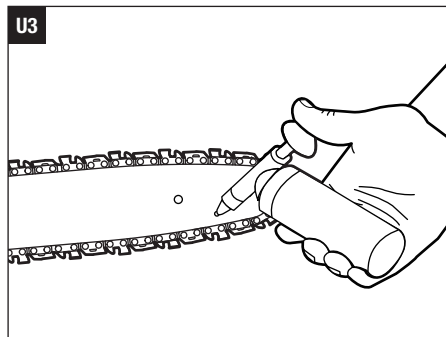
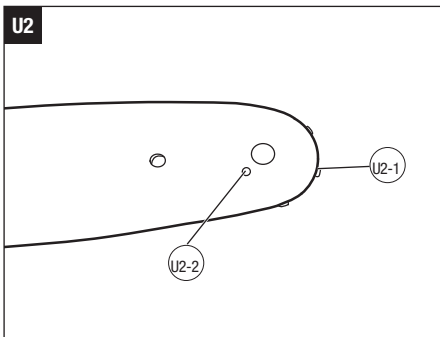
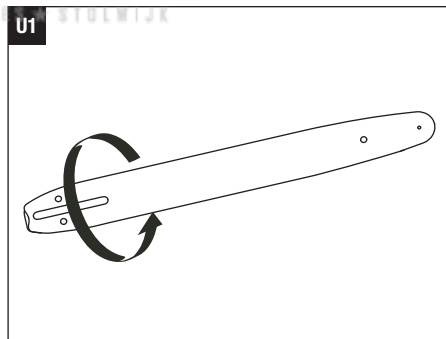
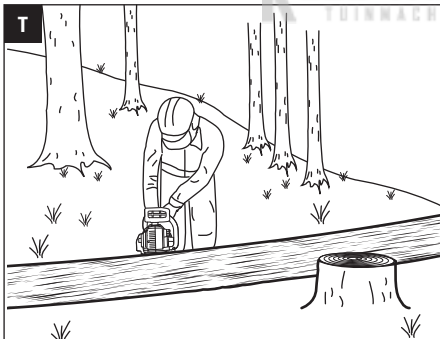
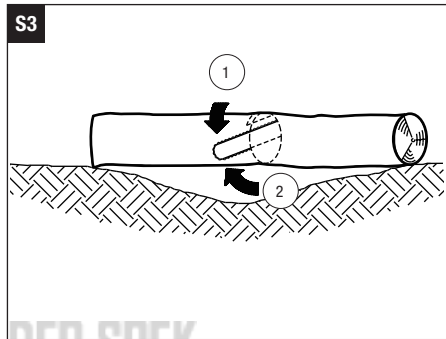
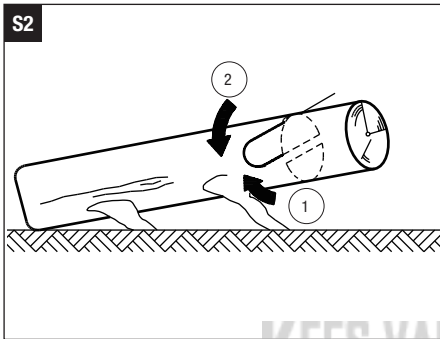
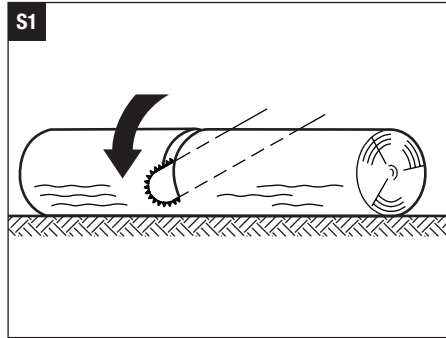
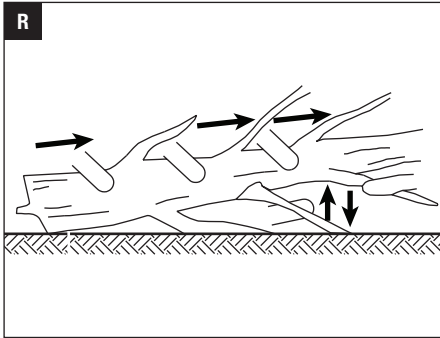
B











**EN READ ALL INSTRUCTIONS!**

**READ OPERATOR'S MANUAL**

**⚠ Residual risk!** People with electronic devices, such as pacemakers, should consult their physician(s) before using this product. Operation of electrical equipment in close proximity to a heart pacemaker could cause interference or failure of the pacemaker.

**SAFETY SYMBOL**

The purpose of safety symbols is to attract your attention to possible dangers. The safety symbols and the explanations with them deserve your careful attention and understanding. The symbol warnings do not, by themselves, eliminate any danger. The instructions and warnings they give are no substitutes for proper accident prevention measures.

**⚠ WARNING:** Be sure to read and understand all safety instructions in this Operator's Manual, including all safety alert symbols such as **"DANGER,"** **"WARNING,"** and **"CAUTION"** before using this tool. Failure to follow all instructions listed below may result in electric shock, fire, and/or serious personal injury.

**SYMBOL MEANING**

This page depicts and describes safety symbols that may appear on this product. Read, understand, and follow all instructions on the machine before attempting to assemble and operate it.

**SAFETY SYMBOLS**


Safety Alert



Read &amp; Understand Operator's Manual



Wear Eye Protection



Wear Ear Protection



Wear Head Protection



Wear Protective Gloves



Beware of chain saw kickback and avoid contact with bar tip



Guide bar tip kickback



Always use chain saw two-handed



Do Not Expose To Rain



The information of guide bar



Guaranteed sound power level.



WEEE



This product is in accordance with applicable UK legislation.



This product is in accordance with applicable EC directives.



Direct Current

V	Volt	A	Amperes
Hz	Hertz	W	Watt
min	Minutes	$n_0$	No Load Speed
.../min	Per Minute		

## SPECIFICATIONS

Voltage		56 V
Guide Bar Length		400 mm (CS1610E)
		350 mm (CS1410E)
Chain Pitch		3/8" (9.5mm)
Chain Gauge		1.1mm
Chain speed		20 m/s
Saw Chain Type	CS1610E	AC1600/AC1601(Recommend) AC1400/AC1401(Compatible)
	CS1410E	AC1400/AC1401(Recommend) AC1600/AC1601(Compatible)
Guide Bar Type	CS1610E	AG1600/AG1601(Recommend) AG1400/AG1401(Compatible)
	CS1410E	AG1400/AG1401(Recommend) AG1600/AG1601(Compatible)
Chain Oil Tank capacity		150 ml
Operating Temperature		-15°C–40°C
Storage Temperature		-20°C–70°C
Net Weight (Without battery pack, chain sheath)		3.9 kg (CS1610E) 3.8 kg (CS1410E)
Measured sound power level $L_{WA}$		102.25 dB(A) K=1.4 dB(A)
Sound pressure level at operator's ear $L_{PA}$		91.25 dB(A) K=2.5 dB(A)
Guaranteed sound power level $L_{WA}$ (according to 2000/14/EC)		103 dB(A)
Vibration $a_h$	Front Handle	3.377 m/s <sup>2</sup> K=1.5 m/s <sup>2</sup>
	Rear Handle	2.823 m/s <sup>2</sup> K=1.5 m/s <sup>2</sup>

- The declared vibration total value has been measured in accordance with a standard test method and may be used for comparing one tool with another;
- The declared vibration total value may also be used in a preliminary assessment of exposure.

**NOTICE:** The vibration emission during actual use of the power tool can differ from the declared value in which the tool is used; In order to protect the operator, user should wear gloves and ear protectors in the actual conditions of use.

## PACKING LIST(FIG.A1)

## DESCRIPTION

### KNOW YOUR CHAIN SAW (Fig. A1)

- Variable-Speed Trigger Switch
- Rear Handle
- Lock-off Button
- Front Handle
- Chain Kickback Brake Handle
- Saw Chain
- Guide Bar
- Oil-Tank Cap
- Oil-Inspection Window
- Electric Contacts
- Battery-Release Button
- Chain-tensioning Adjust Knob
- Side Cover
- Side-Cover Knob
- Chain Sheath

## ASSEMBLY

### ASSEMBLING/REPLACING THE BAR AND CHAIN

**WARNING:** Adjust the chain-kickback brake handle in the braking position before assembly.

1. Position the chain saw power head on its side with the side cover facing upwards (Fig. B).
2. Turn the side cover knob counterclockwise to remove the side cover and then loosen the chain tensioning knob as much as possible.
3. Lay the new saw chain in a loop on a flat surface and straighten any kinks (Fig. C).
4. Place the chain drive links into the guide bar groove and make the chain a loop at the back of the guide bar (Fig. D).
5. Hold the chain in position on the guide bar and place the loop around the sprocket of the power head.
6. Slide the guide bar slot over the alignment flanges until the tension adjusting pin is inserted in the lower hole in the tail of the bar (Fig. E1).

**NOTICE:** Small directional arrows are engraved in the saw chain. Another directional arrow is molded into the housing. When looping the saw chain onto the sprocket, make sure that the direction of the arrows on the saw chain will correspond to the direction of the arrow on the housing. If they face in opposite directions, turn over the saw chain and guide bar assembly (Fig. E2).

7. Replace the side cover and slightly tighten the side cover knob.
8. Lift the tip of the guide bar up to check for sag (Fig. F). Release the tip of the guide bar and turn the chain-tensioning adjust knob clockwise. Repeat this process until the sag is eliminated.
9. Tighten the side cover knob securely to ensure that the saw chain is properly tensioned before using.

D-1	Chain Drive Links	E-2	Tension Adjusting Pin
D-2	Guide Bar Groove	E-3	Guide Bar Slot
E-1	Alignment Flange	E-4	Sprocket

**NOTICE:** To extend the guide bar life, invert the bar occasionally.

**NOTICE:** If chain is too tight, it will not rotate. Loosen the side cover knob slightly and turn the chain-tensioning adjust knob once counterclockwise. Lift the tip of the guide bar up and retighten the side cover knob securely. Assure that the chain will rotate without binding.

### ADJUSTING THE CHAIN TENSION

- Stop the motor and remove the battery pack before adjusting the chain tension. Make sure the side cover knob is loosened. Turn the chain-tension adjust knob

clockwise to tension the chain. See the section: "ASSEMBLING/REPLACING THE BAR AND CHAIN" for additional information.

- A cold chain is correctly tensioned when there is no slack on the underside of the guide bar and the chain is snug, but it can be turned by hand without binding. The chain must be re-tensioned whenever the flats on the drive links do not sit in the bar groove.
- During normal saw operation, the temperature the chain will increase. The drive links of a correctly tensioned warm chain will hang approximately 1.3 mm out of the bar groove (Fig. G).

**NOTICE:** New chains tend to stretch; check chain tension frequently and tension as required.

**NOTICE:** A chain tensioned while it is warm may be too tight upon cooling. Check the cold tension before next use.

### OPERATION

**⚠ WARNING:** Do not allow familiarity with this product to make you careless. Remember that a careless fraction of a second is sufficient to inflict serious injury.

**⚠ WARNING:** Do not use any attachments or accessories not recommended by the manufacturer of this product. The use of attachments or accessories not recommended can result in serious personal injury.

**⚠ WARNING:** To prevent accidental starting that could cause serious personal injury, always remove the battery pack from the tool when assembling parts, making adjustments, cleaning, or when not in use.

Before each use, inspect the entire product for damaged, missing, or loose parts such as screws, nuts, bolts, caps, etc. Securely tighten all fasteners and caps and do not operate this product until all missing or damaged parts are replaced.

### APPLICATIONS

You may use this product for basic felling, limbing, pruning, and woodcutting of lumber and trees.

### FILLING BAR AND CHAIN LUBRICANT

**⚠ WARNING:** Do not smoke or bring any fire or flame near the oil or the chain saw. Oil may spill and cause a fire.

**NOTICE:** The chain saw is not filled with oil at the time of purchase. It is essential to fill the tank with oil before use. The chain is automatically lubricated with chain oil during operation.

1. Position the chain saw on its side with its oil tank cap facing towards.
2. Clean the oil tank cap and the area around it to ensure that no dirt falls into the oil tank.
3. Position the chain saw on its side on a firm, flat

surface, so that the tank cap is facing upwards. Lift up the semicircular plate and rotate the oil tank cap counterclockwise to remove it (Fig. H).

4. Carefully pour the bar and chain oil into the tank. Fill to the MAX Line.
5. Wipe off any excessive oil and replace the cap.

**NOTICE:** Check the oil level frequently and fill when the oil level falls below the minimum line. Never operate the chain saw if the oil is not visible.

### ATTACHING/DETACHING THE BATTERY PACK

#### Fully charge before first use.

Use only with battery packs and chargers listed in fig.A2.

#### To Attach (Fig. I)

Align the battery ribs with the mounting slots and slide the battery pack into the tool until it audibly snaps into position.

#### To Detach (Fig. J)

Depress the battery-release button and pull the battery pack out.

### STARTING/STOPPING THE CHAIN SAW

**NOTICE:** Before starting the chain saw, check for the oil level, saw teeth sharpness and properly working kickback brake handle. Besides, balanced footing and proper distance away from the ground are needed.

#### To Start

1. Pull the chain kickback brake handle towards the front handle to the operating position.(Fig. K)
2. Grasp the front and rear handles firmly, using both hands.
3. Press and hold the lock-off button with the thumb of your right hand, then squeeze the variable-speed trigger switch with the fingers of your right hand to start the saw (Fig. L).
4. Release the lock-off button and continue to squeeze the trigger for continued operation.

**WARNING:** Do not attempt to start the saw when the saw chain is in a cut.

#### To Stop

1. Release the variable-speed trigger switch to stop the chain saw.
2. Push the chain kickback brake handle forward to the brake position to engage the chain brake (Fig. K).

**WARNING:** Always remove the battery pack from the chain saw during work breaks and after finishing work.

#### Proper Grip On Handles (Fig. M)

- Wear non-slip gloves for maximum grip and protection.

- With the saw on a firm, flat surface, hold the saw firmly with both hands.
- Always grasp the front handle with the left hand and the rear handle with the right hand.
- The fingers should encircle the handle, with the thumb wrapped under the front handle

**WARNING:** Never use a left-handed (cross-handed) grip, or any stance which would place your body or arm across the chain line (Fig. N).

#### Proper Cutting Stance (Fig. O)

- Both feet should be on solid ground, with weight evenly spread between them.
- The left arm should be straight, with the elbow locked. This helps to withstand the forces generated by kickback.
- Your body should always be to the left of the chain line.

### INSTRUCTIONS CONCERNING THE PROPER TECHNIQUES FOR BASIC FELLING, LIMBING, AND CROSS-CUTTING

**WARNING:** Always be sure of your footing and hold the chain saw firmly with both hands while the motor is running.

**WARNING:** When the saw chain is stopped due to pinching during cutting, release the trigger switch; remove the saw chain and guide bar from the wood, then restart the chain saw.

**WARNING:** Do not pull the saw chain with hand when it is bound by the sawdust. Serious injury could result if the chain saw starts accidentally. Press the saw chain against the wood, move the chain saw back and forth to discharge the debris. Always remove the battery pack before cleaning. Wear heavy protective gloves when handling the saw chain.

**WARNING:** Never start the chain saw when it is in contact with the wood. Always allow the chain saw reach full speed before applying the saw to the wood.

### FELLING A TREE

- When bucking and felling operations are being performed by two or more persons at the same time, the felling operation should be separated from the bucking operation by a distance of at least twice the height of the tree being felled. Trees should not be felled in a manner that would endanger any person, strike any utility line or cause any property damage. If the tree does make contact with any utility line, the utility company should be notified immediately.
- The chain saw operator should stand on the uphill side of the terrain, as the tree is likely to roll or slide downhill after it is felled.

- An escape path should be planned and cleared as necessary before cuts are started. The escape path should extend back and diagonally to the rear of the expected line of fall as Fig. P shown.

P-1	Felling Direction
P-2	Safety Retreat Path

- Before felling is started, consider the natural lean of the tree, the location of larger branches and the wind direction to judge which way the tree will fall.
- Remove dirt, stones, loose bark, nails, staples and wire from the tree.

### Notching undercut

Make the notch 1/3 the diameter of the tree, perpendicular to the direction of falls as Fig. Q shown. Make the lower horizontal notching cut first. This will help to avoid pinching either the saw chain or the guide bar when the second notch is being made.

Q-1	Direction of fall
Q-2	Notch
Q-3	Felling back cut
Q-4	Hinge

### Felling back cut

- Make the felling back cut at least 50 mm higher than the horizontal notching cut as Fig. Q shown. Keep the felling back cut parallel to the horizontal notching cut. Make the felling back cut so enough wood is left to act as a hinge. The hinge wood keeps the tree from twisting and falling in the wrong direction. Do not cut through the hinge.
- As the felling gets close to the hinge, the tree should begin to fall. If there is any chance that the tree may not fall in desired direction or it may rock back and bind the saw chain, stop cutting before the felling back cut is complete and use wedges of wood, plastic or aluminium to open the cut and drop the tree along the desired line of fall.
- When the tree begins to fall remove the chain saw from the cut, stop the motor, put the chain saw down, then use the retreat path planned. Be alert for overhead limbs falling and watch your footing.

### Limbing a tree

Limbing is removing the branches from a fallen tree. When limbing leave larger lower limbs to support the log off the ground. Remove the small limbs in one cut as Fig. R shown.

Branches under tension should be cut from the bottom up to avoid binding the chain saw.

### Bucking a log

- Bucking is cutting a log into lengths. It is important to make sure your footing is firm and your weight is evenly distributed on both feet. When possible, the log should be raised and supported by the use of limbs, logs or chocks. Follow the simple directions for easy cutting.
- When the log is supported along its entire length as Fig. S1 shown, it is cut from the top (overbuck).
- When the log is supported on one end, as Fig. S2 shown, cut 1/3 the diameter from the underside (underbuck). Then make the finished cut by overbucking to meet the first cut.
- When the log is supported on both ends, as Fig. S3 shown, cut 1/3 the diameter from the top (overbuck). Then make the finished cut by underbucking the lower 2/3 to meet the first cut.
- When bucking on a slope always stand on the uphill side of the log, as Fig. T shown.
- When "cutting through", to maintain complete control release the cutting pressure near the end of the cut without relaxing your grip on the chain saw handles. Don't let the chain contact the ground. After completing the cut, wait for the saw chain to stop before you move the chain saw. Always stop the motor before moving from tree to tree.

## MAINTENANCE

**⚠ WARNING:** When servicing, use only identical replacement parts. Use of any other parts may create a hazard or cause product damage.

**⚠ WARNING:** To avoid serious personal injury, remove the battery pack from the chain saw before inspecting, cleaning, or performing maintenance. A battery operated tool with the battery pack inserted is always on and can start accidentally.

**⚠ WARNING:** When cleaning the chain saw, DO NOT immerse in water or other liquids.

**⚠ WARNING:** Do not at any time let brake fluids, petrol, petroleum-based products, penetrating oils, etc., come in contact with plastic parts. Chemicals can damage, weaken, or destroy plastic, which may result in serious personal injury.

### CLEANING

- After each use, clean debris from the chain and guide bar with a soft brush. Wipe the chain saw surface with a clean cloth moistened with a mild soap solution.



- Remove the side cover, and then use a soft brush to remove debris from the guide bar, saw chain, sprocket and side cover.
- Always clean out wood chips, saw dust, and dirt from the guide bar groove when replacing the saw chain.

### GUIDE BAR MAINTENANCE

When the guide bar shows signs of wear, disassemble it from the chain saw power head and reverse it for reassembly (Fig. U1). This way the wear will be distributed to maximize the guide bar life.

The bar should be cleaned every day of use and checked for wear and damage. Feathering or burring of the bar rails is a normal process of bar wear. Such faults should be smoothed with a file as soon as they occur. A bar with any of the following faults should be replaced.

- Wear inside the bar rails which permits the chain to lay over sideways.
- Bent guide bar.
- Cracked or broken rails.
- Spread rails.

In addition, the guide bar has a sprocket at its tip (Fig. U2). The sprocket must be lubricated weekly with a grease syringe to extend the guide bar life. Use a grease syringe to lubricate weekly with chain oil by means of the lubricating hole (Fig. U3). Turn the guide bar and check that the lubrication holes and chain groove are free from impurities.

U2-1	Sprocket in Guide Bar Tip
U2-2	Lubricating Hole

### TRANSPORTING AND STORING

- Do not store or transport the chain saw when it is running. Always remove the battery pack before storing or transporting.
- Always place the guide bar sheath on the guide bar and chain before storing or transporting the chain saw. Use caution to avoid the sharp teeth of the chain.
- Clean the chain saw thoroughly before storing. Store the chain saw indoors, in a dry place that is locked and/or inaccessible to children.
- Keep away from corrosive agents such as garden chemicals and de-icing salts.

### Protecting the environment



WEEE (Waste Electrical and Electronic Equipment) Do not dispose of electrical equipment, used battery and charger into household waste! Take this product to an authorized recycler and make it available for separate collection. Electric tools must be returned to an environmentally compatible recycling facility.

## EN TROUBLESHOOTING

**⚠ WARNING:** Always protect your hands by wearing heavy gloves when performing any maintenance on the saw chain. Always remove the battery pack when servicing or transporting the chain saw.

PROBLEM	CAUSE	SOLUTION
Motor does not start.	<ul style="list-style-type: none"> <li>■ The battery pack is not attached to the chain saw.</li> <li>■ There is no electrical contact between the saw and battery.</li> <li>■ The battery pack is depleted.</li> <li>■ The battery pack or chain saw is too hot.</li> <li>■ Chain brake is engaged.</li> <li>■ Debris in bar groove.</li> <li>■ Debris in side cover.</li> </ul>	<ul style="list-style-type: none"> <li>■ Attach the battery pack to the chain saw.</li> <li>■ Remove battery, check contacts and reinstall the battery pack.</li> <li>■ Charge the battery pack.</li> <li>■ Allow the battery pack or chain saw to cool until the temperature drops below 67°C.</li> <li>■ Pull the chain-kickback brake handle backward toward the front handle, arriving at the operating position.</li> <li>■ Press the saw chain against the wood, move the chain saw back and forth to discharge the debris.</li> <li>■ Remove battery pack, then remove side cover and clean out debris.</li> </ul>
Chain saw stops running during working.	<ul style="list-style-type: none"> <li>■ The chain saw is overloaded.</li> <li>■ The battery pack or chain saw is too hot.</li> <li>■ Saw chain is bound in the wood.</li> </ul>	<ul style="list-style-type: none"> <li>■ Decrease the load.</li> <li>■ Decrease the load. Allow the battery pack or chain saw to cool until the temperature drops below 67°C.</li> <li>■ Release the variable-speed trigger switch; remove the saw chain and guide bar from the wood, then restart the chain saw.</li> </ul>
Motor runs, but chain does not rotate.	<ul style="list-style-type: none"> <li>■ Chain does not engage drive sprocket.</li> </ul>	<ul style="list-style-type: none"> <li>■ Reinstall the chain, ensuring that the drive links on the chain are fully seated on the sprocket.</li> </ul>
Chain brake does not engage.	<ul style="list-style-type: none"> <li>■ Debris preventing full movement of the chain kickback brake handle.</li> <li>■ Possible chain brake malfunction.</li> </ul>	<ul style="list-style-type: none"> <li>■ Clean debris from the external chain brake mechanism.</li> <li>■ Contact EGO Customer Service for repair.</li> </ul>

PROBLEM	CAUSE	SOLUTION
Chain saw does not cut properly.	<ul style="list-style-type: none"> <li>■ Insufficient chain tension.</li> <li>■ Dull chain.</li> <li>■ Chain installed backwards.</li> <li>■ Worn chain.</li> <li>■ Dry or excessively stretched chain.</li> <li>■ Chain not in bar groove.</li> </ul>	<ul style="list-style-type: none"> <li>■ Readjust the chain tension, following the section: <b>“ADJUSTING THE CHAIN TENSION”</b>.</li> <li>■ Sharpen the chain.</li> <li>■ Reinstall the saw chain, following the section <b>“ASSEMBLING/REPLACING THE BAR AND CHAIN”</b>.</li> <li>■ Replace the chain, following the section: <b>“ASSEMBLING/REPLACING THE BAR AND CHAIN”</b>.</li> <li>■ Check the oil level. Refill the oil tank if necessary.</li> <li>■ Reinstall the saw chain, following the section: <b>“ASSEMBLING/REPLACING THE BAR AND CHAIN”</b>.</li> </ul>
Chain becomes loose or drops off the guide bar during normal use.	<ul style="list-style-type: none"> <li>■ The chain will become loose as the temperature of the chain increases during normal saw operation.</li> <li>■ Chain does not engage drive sprocket.</li> </ul>	<ul style="list-style-type: none"> <li>■ Tighten the chain tension, following the section <b>“ADJUSTING THE CHAIN TENSION”</b></li> <li>■ Reinstall the saw chain, following the section: <b>“ASSEMBLING/REPLACING THE BAR AND CHAIN”</b>.</li> </ul>

## WARRANTY

### EGO WARRANTY POLICY

Please visit the website [egopowerplus.eu](http://egopowerplus.eu) for full terms and conditions of the EGO Warranty policy.

## LESEN SIE ALLE ANWEISUNGEN!

DE



**LESEN SIE DIE BETRIEBSANLEITUNG!**

**⚠ Restrisiko!** Menschen mit elektronischen Geräten, wie z.B. Herzschrittmachern, sollten ihren Arzt konsultieren, bevor sie dieses Gerät verwenden. Der Betrieb von Elektrogeräten in unmittelbarer Nähe zu Herzschrittmachern kann zu Einstörungen und zum Versagen des Schrittmachers führen.

## WARNSYMBOL

Der Zweck von Warnsymbolen besteht darin, Ihre Aufmerksamkeit auf mögliche Gefahren zu lenken. Die Warnsymbole und deren Erklärungen verdienen Ihre vollste Aufmerksamkeit und Beachtung. Durch die Warnsymbole allein sind die Gefahren noch nicht ausgeschaltet. Die Anweisungen und Warnhinweise stellen keinen Ersatz für angemessene Unfallverhütungsmaßnahmen dar.

**⚠ WARNUNG:** Vor der Benutzung des Geräts sollten Sie alle Sicherheitsanweisungen in dieser Bedienungsanleitung gelesen und verstanden haben. Das gilt auch für die Sicherheits- und Gefahrenzeichen wie „**VORSICHT**“, „**WARNUNG**“ und „**ACHTUNG**“. Die Nichtbeachtung aller aufgeführter Anweisungen kann zu Stromschlägen, Bränden und/oder schweren Verletzungen führen.

## SYMBOLBEDEUTUNG

Auf dieser Seite werden die Warnsymbole vorgestellt und beschrieben, die sich unter Umständen an dem Gerät befinden. Alle Anweisungen am Gerät lesen und befolgen, bevor das Gerät montiert und in Betrieb gesetzt wird.

## WARNSYMBOL

KEES VAN DER SPEK  
TUINMACHINES \* STOLWIJK



Sicherheitswarnung



Lesen und verstehen Sie die Bedienungsanleitung



Augenschutz tragen



Gehörschutz tragen



Kopfschutz tragen



Schutzhandschuhe tragen



Vorsicht vor dem Rückstoß der Kettensäge und den Kontakt mit der Schienen spitze vermeiden.



Rückstoß von Schienenspitze



Kettensäge immer beidhändig führen



Vor Regen schützen



Angaben zur Führungsschiene



Garantierter Schalleistungspegel.



WEEE



Dieses Produkt entspricht den geltenden Vorschriften des Vereinigten Königreichs.

DE



Dieses Produkt stimmt mit den einschlägigen EG-Richtlinien überein.



Gleichstrom

V Volt  
Hz Hertz  
min Minuten  
... /min pro Minute

A Ampere  
W Watt  
 $n_0$  Leerlaufdrehzahl

## TECHNISCHE DATEN

Spannung	56 V	
Länge der Führungsschiene	400 mm (CS1610E)	
	350 mm (CS1410E)	
Kettenteilung	3/8" (9,5 mm)	
Kettengliedlänge	1,1 mm	
Kettengeschwindigkeit	20 m/s	
Sägekettentyp	CS1610E	AC1600/AC1601(Empfehlen) AC1400/AC1401(Empfehlen)
	CS1410E	AC1400/AC1401(Empfehlen) AC1600/AC1601(Empfehlen)
Führungsschiementyp	CS1610E	AG1600/AG1601(Empfehlen) AG1400/AG1401(Empfehlen)
	CS1410E	AG1400/AG1401(Empfehlen) AG1600/AG1601(Empfehlen)
Kettenöltank-Volumen	150ml	
Betriebstemperatur	-15°C–40°C	
Lagertemperatur	-20°C–70°C	
Nettogewicht (ohne Akku und Ketten-Schutzhülle)	3,9 kg (CS1610E) 3,8 kg (CS1410E)	
Gemessener Schalleistungspegel $L_{WA}$	102,25 dB(A) K=1,4 dB(A)	
Schalldruckpegel am Ohr des Bedieners $L_{PA}$	91,25 dB(A) K=2,5 dB(A)	
Garantierter Schalleistungspegel $L_{WA}$ (according to 2000/14/EG)	103 dB(A)	

Vibration $a_h$	Vorderer Griff Handle	3,377 m/s <sup>2</sup> K=1,5 m/s <sup>2</sup>
	Hinterer Griffbügel	2,823 m/s <sup>2</sup> K=1,5 m/s <sup>2</sup>

- Der angegebene Vibrationsgesamtwert wurde nach einem Standard-Prüfverfahren gemessen und kann zum Vergleich mit einem anderen Werkzeug herangezogen werden.
- Der angegebene Vibrationsgesamtwert kann auch zur vorläufigen Risikobewertung herangezogen werden.

**HINWEIS:** Die beim Einsatz des Elektrowerkzeugs entstehenden Istvibrationen können von dem angegebenen Wert abweichen. Zum Schutz des Benutzers sollten Handschuhe und ein Gehörschutz während des Geräteinsatzes getragen werden.

## PACKLISTE (ABB. A1)

### BESCHREIBUNG

#### AUFBAU (Abb. A1)

- Drehzahl-Wahlhebel
- Hinterer Griffbügel
- Auslöser-Freigabeknopf
- Vorderer Griff
- Kettenbremshebel
- Sägekette
- Führungsschiene
- Öltankverschluss
- Ölsichtfenster
- Elektrische Kontakte
- Akku-Entriegelungstaste

12. Einstellknopf für die Kettenspannung
13. Seitenabdeckung
14. Knauf der Seitenabdeckung
15. Kettenschutzhülle

## MONTAGE

### MONTIEREN/AUSWECHSELN DER SCHIENE UND DER KETTE

**⚠️ WARNUNG:** Stellen Sie den Kettenbremshebel vor der Montage in die Bremsstellung.

1. Legen Sie den Antriebskopf der Kettensäge auf die Seite. Die Seitenabdeckung sollte dabei nach oben zeigen (Ab. B).
  2. Drehen Sie den Knauf der Seitenabdeckung im Uhrzeigersinn, um die Seitenabdeckung abnehmen zu können. Drehen Sie den Kettenspannungsregler anschließend soweit wie möglich los.
  3. Legen Sie die neue Sägekette auf eine ebene Fläche kreisförmig ab und richten Sie etwaige Knicke gerade (Abb. C).
  4. Legen Sie die Kettenglieder in die Nut der Führungsschiene ein und verlegen Sie die Kette hinten an der Führungsschiene wieder zurück zur Schienenspitze (Abb. D).
  5. Halten Sie die Kette auf der Führungsschiene fest und verlegen Sie sie über das Zahnrad am Antriebskopf zurück.
  6. Schieben Sie den Führungsschienenschlitz über die Ausrichtungsflansche, bis der Spannstift in das untere Loch am Ende der Führungsschiene sinkt (Abb. E1).
- HINWEIS:** In die Sägekette sind kleine Richtungspfeile gestanzt. Ein weiterer Richtungspfeil befindet sich am Gehäuse. Wenn Sie die Sägekette auf das Zahnrad legen, achten Sie darauf, dass die Pfeilrichtung auf der Sägekette mit der Pfeilrichtung am Gehäuse übereinstimmt. Wenn sie in unterschiedliche Richtungen zeigen, drehen Sie die Sägekette und die Führungsschiene um (Abb. E2).
7. Bringen Sie die Seitenabdeckung wieder an und ziehen Sie den Knauf an der Seitenabdeckung leicht an.
  8. Heben Sie die Schienenspitze an, um zu prüfen, ob die Kette durchhängt (Abb. F). Lassen Sie die Spitze der Führungsschiene los und drehen Sie den Kettenspanner im Uhrzeigersinn fest. Spannen Sie die Kette, bis sie nicht mehr durchhängt.

9. Ziehen Sie den Knauf für die Seitenverkleidung fest an, damit die Sägekette vor dem Gebrauch mit der richtigen Spannung fixiert ist.

D-1	Kettenglieder	E-2	Spannstift
D-2	Nut der Führungsschiene	E-3	Führungsschienenschlitz
E-1	Ausrichtungsflansch	E-4	Zahnrad

**HINWEIS:** Um die Lebensdauer der Führungsschiene zu verlängern, drehen Sie die Schiene gelegentlich um.

**HINWEIS:** Wenn die Kette zu straff gespannt ist, kann sie sich nicht drehen. Lösen Sie den Knopf der Seitenabdeckung leicht und drehen Sie den Einstellknopf für die Kettenspannung einmal entgegen dem Uhrzeigersinn. Heben Sie die Spitze der Führungsschiene an und ziehen Sie den Knopf der Seitenabdeckung wieder fest. Stellen Sie sicher, dass die Kette rotiert, ohne stecken zu bleiben.

### EINSTELLEN DER KETTENSpannung

- Stellen Sie den Motor ab und entfernen Sie den Akku, bevor Sie die Kettenspannung einstellen. Stellen Sie sicher, dass der Knauf der Seitenabdeckung gelöst ist. Drehen Sie den Kettenspannungsregler im Uhrzeigersinn, um die Kette zu spannen. Sehen Sie den Abschnitt: „MONTIEREN/AUSWECHSELN DER SCHIENE UND DER KETTE“ in dieser Bedienungsanleitung, um mehr zu erfahren.
- Eine kalte Kette ist korrekt gespannt, wenn kein Spiel an der Unterseite der Führungsschiene vorhanden ist und die Kette anliegt, sich jedoch manuell drehen lässt, ohne stecken zu bleiben. Die Kette muss immer neu gespannt werden, wenn die Abflachungen an den Antriebsgliedern nicht in der Nut der Schiene sitzen.
- Während des normalen Sägebetriebs erhöht sich die Temperatur der Kette. Bei einer korrekt erwärmten Kette hängen die Kettenglieder etwa 1,3 mm aus der Nut der Schiene heraus (Abb. G).

**HINWEIS:** Neue Ketten neigen dazu sich zu dehnen. Prüfen Sie deshalb die Kettenspannung regelmäßig und spannen Sie nach Bedarf nach.

**HINWEIS:** Eine Kette, die im warmen Zustand gespannt wurde, ist im erkalteten Zustand möglicherweise zu straff gespannt. Prüfen Sie vor dem nächsten Gebrauch die Spannung der kalten Kette.

## BETRIEB

**⚠️ WARNUNG:** Auch wenn Sie sich mit dem Gerät auskennen, sollten Sie sich nicht zu einer gewissen Nachlässigkeit verleiten lassen. Denken Sie daran, dass ein kurzer Moment der Unachtsamkeit zu ernsthaften Verletzungen führen kann.

**⚠️ WARNUNG:** Verwenden Sie keine Anbauwerkzeuge oder Zubehörteile, die nicht vom Hersteller dieses Produkts empfohlen worden sind. Der Gebrauch von nicht empfohlenen Aufsätzen oder Zubehör kann zu schweren Verletzungen führen.

**⚠️ WARNUNG:** Um einen unbeabsichtigten Geräteanlauf bei der Montage von Teilen, bei Einstellarbeiten, beim Reinigen oder bei Nichtgebrauch zu verhindern, muss der Akku vom Gerät abgenommen werden. Andernfalls besteht schwere Verletzungsgefahr.

Inspezieren Sie das gesamte Produkt vor jeder Benutzung auf beschädigte, fehlende oder lockere Teile, wie z. B. Schrauben, Muttern, Bolzen, Abdeckungen usw. Ziehen Sie alle Befestigungsteile und Abdeckungen an und bedienen Sie das Produkt nicht, bis alle beschädigten oder fehlenden Teile ersetzt worden sind.

## ANWENDUNGEN

Sie können dieses Gerät zum einfachen Fällen, Entasten, Beschneiden und Sägen von Holzstämmen und Bäumen benutzen.

## EINFÜLLEN VON SCHIENEN- UND KETTEN-SCHMIERSTOFF

**⚠️ WARNUNG:** Rauchen Sie nicht und halten Sie Feuer oder Flammen vom Öl und der Kettensäge fern. Das Öl kann auslaufen und einen Brand verursachen.

**HINWEIS:** Beim Kauf ist die Kettensäge nicht mit Öl befüllt. Vor dem Gebrauch muss der Tank mit Öl befüllt werden. Während des Betriebs wird die Kette automatisch mit Kettenöl geschmiert.

1. Legen Sie die Kettensäge mit dem Öltankverschluss nach oben auf die Seite.
2. Säubern Sie den Öltankverschluss und den Bereich um den Verschluss, um sicherzustellen, dass kein Schmutz in den Öltank gelangen kann.
3. Legen Sie die Kettensäge auf die Seite auf einer festen, ebenen Fläche, sodass der Tankverschluss nach oben zeigt. Heben Sie die halbrunde Platte an und schrauben Sie den Öltankverschluss entgegen dem Uhrzeigersinn ab (Abb. H).

4. Gießen Sie vorsichtig das Schienen- und Kettenöl in den Tank. Befüllen Sie den Tank bis zur Markierung für max. Füllstand.
5. Wischen Sie die Ölrreste ab und bringen Sie den Deckel wieder an.

**HINWEIS:** Überprüfen Sie den Ölstand häufig und füllen Sie nach, wenn der Ölstand unter die Mindestmarkierung sinkt. Nehmen Sie die Kettensäge niemals in Betrieb, wenn kein Öl sichtbar ist.

## ANBRINGEN/ABNEHMEN DES AKKUS

### Vor dem ersten Gebrauch voll aufladen.

Nur mit Akku und Ladegeräten verwenden, die in Abb. A2 aufgeführt sind.

### Anbringen (Abb. I)

Lassen Sie die Rippen des Akkus mit den Anschlussöffnungen fluchten. Schieben Sie den Akku anschließend in das Werkzeug, bis er hörbar einrastet.

### Abnehmen (Abb. J)

Drücken Sie den Akku-Freigabeknopf und ziehen Sie den Akku heraus.

## STARTEN/STOPPEN DER KETTENSÄGE

**HINWEIS:** Vor dem Einschalten der Kettensäge müssen Sie den Ölstand, die Sägezahnschärfe und die korrekte Funktion des Kettenbremshebels überprüfen. Darüber hinaus sind ein fester Stand und ein sicherer Abstand zum Boden wichtig.

### Starten

1. Stellen Sie den Kettenbremshebel in Richtung des vorderen Griffs auf Betriebsstellung (Abb. K).
2. Halten Sie die Säge mit beiden Händen vom vorderen und hinteren Griff gut fest.
3. Halten Sie den Auslöser-Freigabeknopf mit dem Daumen Ihrer rechten Hand gedrückt; drücken Sie dann den stufenlosen Auslöser mit den Fingern Ihrer rechten Hand, um die Säge zu starten (Abb. L).
4. Lassen Sie den Auslöser-Freigabeknopf los und halten Sie den Ein-/Ausschalter weiter gedrückt. Die Säge läuft nun weiter.

**⚠️ WARNUNG:** Versuchen Sie nicht, die Säge zu starten, wenn sich die Sägekette in einem Schnitt befindet.

### Stoppen

1. Lassen Sie den stufenlosen Auslöser los, um die Kettensäge auszuschalten.
2. Bewegen Sie den Kettenbremshebel nach vorn in die Bremsstellung, um die Kettenbremse zu aktivieren (Abb. K).

**⚠️ WARNUNG:** Nehmen Sie bei Arbeitspausen und nach Abschluss der Arbeit stets den Akku aus der Kettensäge.

### Fester Halt an den Griffen (Abb. M)

- Mit rutschfesten Handschuhen sorgen Sie für maximalen Halt und Schutz.
- Legen Sie die Säge auf eine feste, ebene Fläche und halten Sie die Säge mit beiden Händen gut fest.
- Greifen Sie immer den vorderen Griff mit der linken Hand und den hinteren Griff mit der rechten Hand.
- Die Finger sollten den Griff umschließen und der Daumen sollte bis unter dem vorderen Griff anliegen.

**⚠️ WARNUNG:** Ein linkshändiger (überkreuzender) Griff oder eine Haltung, bei der Ihr Körper oder Arm die Kettenlinie überschreitet, sollte unbedingt vermieden werden (Abb. N).

### Richtige Haltung Stand beim Sägen (Abb. O)

- Beide Füße sollten auf festem Boden stehen und das Gewicht sollte gleichmäßig auf beide Beine verteilt sein.
- Der linke Arm sollte gerade und der Ellbogen durchgedrückt sein. Mit dieser Haltung können Sie den Kräften besser standhalten, die durch einen Rückschlag oder Rückstoß entstehen.
- Ihr Körper sollte sich immer links von der Kettenlinie befinden.

### ANWEISUNGEN IN BEZUG AUF DIE RICHTIGE VORGEHENSWEISE BEIM FÄLLEN, ENTASTEN UND DURCHTRENNEN

**⚠️ WARNUNG:** Achten Sie immer auf einen sicheren Stand und halten Sie die Kettensäge mit beiden Händen fest, solange der Motor läuft.

**⚠️ WARNUNG:** Wenn die Sägekette während des Sägens stoppt, weil sie fest sitzt, lassen Sie den Auslöser los. Ziehen Sie die Sägekette und Führungsschiene aus dem Holz und schalten Sie die Kettensäge wieder ein.

**⚠️ WARNUNG:** Ziehen Sie die Sägekette nicht mit der Hand, wenn Sie wegen Sägestaub blockiert. Wenn die Kettensäge versehentlich in Betrieb gesetzt wird, kann es zu ernsthaften Verletzungen kommen. Drücken Sie die Sägekette gegen das Holz und bewegen Sie die Kettensäge vor und zurück, um die Rückstände zu beseitigen. Entfernen Sie vor dem Reinigen immer den Akku. Tragen Sie robuste Schutzhandschuhe beim Umgang mit der Sägekette.

**⚠️ WARNUNG:** Starten Sie die Kettensäge niemals, wenn sie Kontakt mit dem Holz hat. Warten Sie immer zuerst, bis die Kettensäge ihre volle Drehzahl erreicht hat, bevor Sie mit der Säge in das Holz sägen.

### FÄLLEN EINES BAUMES

- Wenn zwei oder mehr Personen gleichzeitig ablängen und fällen, sollte zwischen der Fällarbeit und der Ablängarbeit ein Sicherheitsabstand eingehalten werden, der mindestens doppelt so groß ist wie die Höhe des zu fällenden Baumes. Bäume sollten so gefällt werden, dass keine Personen gefährdet werden, öffentliche Stromleitungen getroffen werden oder Sachschäden entstehen können. Wenn ein Baum mit einer öffentlichen Stromleitung in Berührung kommt, muss das Elektrizitätswerk sofort davon in Kenntnis gesetzt werden.
- Der Bediener der Kettensäge sollte sich auf der Bergseite des Geländes aufhalten, da der Baum nach dem Fällen wahrscheinlich bergab rollt oder rutscht.
- Vor Beginn der Sägearbeiten sollte ein Fluchtweg eingeplant und frei gehalten werden. Der Fluchtweg sollte hinter dem Baum schräg zu der erwarteten Fälllinie verlaufen (siehe Abb. P).

P-1	Fällrichtung
P-2	Sicherer Rückzugsweg

- Achten Sie vor dem Fällen auf die natürliche Neigung des Baumes, die Lage größerer Äste und die Windrichtung, um zu beurteilen, in welche Richtung der Baum fallen wird.
- Beseitigen Sie Schmutz, Steine, lose Rinde, Nägel, Heftklammern und Drähte/Seile vom Baum.

### Fällkerb-Unterschnitt

Sägen Sie eine Kerbe von einem Drittel des Stammdurchmessers senkrecht zur Fallrichtung, wie in Abb. Q dargestellt. Setzen Sie zuerst den unteren waagrechten Kerbschnitt. Dies hilft, das Einklemmen der Sägekette oder der Führungsschiene zu vermeiden, wenn die zweite Kerbe gesägt wird.

Q-1	Fällrichtung
Q-2	Kerbe
Q-3	Fällschnitt
Q-4	Scharnier



### Fällschnitt

- Setzen Sie den Fällschnitt mindestens 50 mm oberhalb des waagerechten Fällkerbschnitts an (siehe Abb. Q). Führen Sie den Fällschnitt parallel zum waagerechten Fällkerbschnitt. Setzen Sie den Fällschnitt so, dass genug Holz übrig bleibt, über das der Baum wie bei einem Scharnier abknicken kann. Dieser Knickpunkt verhindert, dass sich der Baum dreht und in die falsche Richtung fällt. Nicht durch den Knickpunkt sägen.
- Der Baum beginnt zu fallen, je näher der Fällschnitt dem Knickpunkt kommt. Sollte die Gefahr bestehen, dass der Baum nicht in die gewünschte Richtung fällt oder rückwärts kippt und die Sägekette einklemmt, sägen Sie nicht weiter, bevor der Fällschnitt abgeschlossen ist. Verwenden Sie Keile aus Holz, Kunststoff oder Aluminium, um den Schnitt zu öffnen und den Baum entlang der gewünschten Linie zum Fallen zu bringen.
- Wenn der Baum zu fallen beginnt, ziehen Sie die Kettensäge aus dem Schnitt, stellen Sie den Motor ab, legen die Kettensäge ab und verlassen Sie den Bereich über den geplanten Fluchtweg. Achten Sie auf herunterfallende Äste und auf festen Untergrund.

### Entasten eines Baums

Entasten bedeutet das Entfernen der Äste eines gefällten Baums. Beim Entasten werden die größeren Äste unter dem Baum gelassen, damit der Stamm über dem Boden abgestützt bleibt. Entfernen Sie die kleineren Äste in einem Schnitt, wie in Abb. R dargestellt. Unter Spannung stehende Äste sollten von unten nach oben geschnitten werden, um ein Einklemmen der Kettensäge zu vermeiden.

### Ablängen eines Stamms

- Ablängen bedeutet das Durchtrennen eines Stamms in mehrere Teile. Dabei ist es besonders wichtig, dass Sie fest stehen und Ihr Gewicht gleichmäßig auf beide Füße verteilt ist. Wenn möglich, sollte der Stamm angehoben sein und mithilfe von Ästen, Stämmen oder Unterlegkeilen gestützt werden. Um die Sägearbeit zu erleichtern, sollte Sie diese einfachen Anweisungen befolgen.
- Wenn der Stamm über seine gesamte Länge gestützt wird (siehe Abb. S1), wird er von der Oberseite her angesägt (Ablängen von oben).
- Wenn der Stamm an einem Ende gestützt wird (siehe Abb. S2), sägen Sie ein Drittel des Durchmessers an der Unterseite (Ablängen von unten). Führen Sie dann den letzten Schnitt von oben durch den Stamm, bis er auf den ersten Schnitt trifft.

- Wenn der Stamm an beiden Enden gestützt wird (siehe Abb. S3), sägen Sie ein Drittel des Durchmessers auf der Oberseite (Ablängen von oben). Führen Sie dann den letzten Schnitt von unten durch 2/3 des Stamms, bis dieser auf den Schnitt trifft.
- Stehen Sie bei Ablängarbeiten an einem Hang immer bergauf vom Stamm (siehe Abb. T).
- Um die vollständige Kontrolle beim „Durchsägen“ zu behalten, verringern Sie den Druck beim Sägen kurz vor dem Durchschneiden, ohne beim festen Halt an den Kettensägegriffen nachzugeben. Die Kette nicht den Boden berühren lassen. Warten Sie nach Fertigstellung des Schnitts, bis die Sägekette stillsteht, bevor Sie die Kettensäge bewegen. Stellen Sie stets den Motor ab, bevor Sie sich zum nächsten Baum bewegen.

### WARTUNG

**⚠️ WARNUNG:** Bei der Wartung nur identische Ersatzteile verwenden. Die Verwendung anderer Teile kann Unfälle und Schäden am Gerät hervorrufen.

**⚠️ WARNUNG:** Um schwere Verletzungen zu vermeiden, entfernen Sie den Akku aus der Kettensäge, bevor Sie das Gerät untersuchen, säubern oder Wartungsarbeiten vornehmen. Ein akkubetriebenes Werkzeug mit eingeletem Akku ist immer einsatzbereit und kann versehentlich in Betrieb gesetzt werden.

**⚠️ WARNUNG:** Wenn Sie die Kettensäge reinigen, tauchen Sie diese NICHT in Wasser oder andere Flüssigkeiten.

**⚠️ WARNUNG:** Achten Sie immer darauf, dass Bremsflüssigkeit, Benzin, Mineralöl-Erzeugnisse, Kriechöle usw. nicht mit den Kunststoffteilen in Kontakt kommen. Die Chemikalien können die Kunststoffe angreifen, mechanisch schwächen oder zerstören, was zu schweren Verletzungen führen kann.

### REINIGUNG

- Entfernen Sie nach jedem Gebrauch mithilfe einer weichen Bürste anhaftenden Schmutz von der Kette und Führungsschiene. Wischen Sie die Oberfläche der Kettensäge mit einem sauberen und mit milder Seifenlösung befeuchteten Tuch ab.
- Nehmen Sie die Seitenabdeckung ab und entfernen Sie dann mit einer weichen Bürste Ablagerungen von der Führungsschiene, Sägekette, vom Ritzel und der Seitenabdeckung.

- Reinigen Sie die Nut der Führungsschiene bei jedem Wechsel der Sägekette, um Holzspäne, Sägestaub und Schmutz zu beseitigen.

## WARTUNG DER FÜHRUNGSSCHIENE

Falls die Führungsschiene Verschleißerscheinungen aufweist, montieren Sie sie vom Antriebskopf der Säge ab und bauen Sie sie umgedreht wieder ein (Abb. U1). Dadurch verteilt sich die Abnutzung und die Schiene hält länger.

Die Schiene sollte jeden Tag, an dem das Gerät gebraucht wurde, gereinigt und auf Verschleiß sowie Schäden untersucht werden. Scharfe Kanten oder Grat an den Schienenstegen sind normale Verschleißerscheinungen an der Schiene. Diese Fehlstellen sollten mit einer Feile geglättet werden, sobald sie sich bemerkbar machen. Eine Schiene mit einem der folgenden Mängel sollte ausgewechselt werden:

- Verschleiß in den Schienenstegen, wodurch sich die Kette seitlich legen kann.
- Verbogene Führungsschiene
- Gesprungene oder gebrochene Stege.
- Gespreizte Stege.

Darüber hinaus ist die Führungsschiene mit einem Zahnrad an der Spitze versehen (Abb. U2). Das Zahnrad muss wöchentlich mit einer Fettpresse geschmiert werden, um die Nutzungsdauer der Führungsschiene zu verlängern. Schmier Sie mithilfe einer Fettpresse mit Kettenöl wöchentlich über das Schmierloch (Abb. U3). Wenden Sie die Führungsschiene und prüfen Sie, ob die Schmierlöcher und Kettennut frei von Verunreinigungen sind.

U2-1	Zahnrad in der Führungsschienen Spitze
U2-2	Schmierloch

## TRANSPORT UND LAGERUNG

- Eine laufende Kettensäge darf nicht verstaut oder transportiert werden. Entfernen Sie vor dem Lagern oder Transportieren immer den Akku.
- Schieben Sie die Führungsschienen-Schutzhülle über die Führungsschiene und Kette, bevor Sie die Kettensäge einlagern oder transportieren. Nehmen Sie sich vor den scharfen Zähnen der Kette in Acht.
- Reinigen Sie die Kettensäge gründlich, bevor Sie sie verstauen. Lagern Sie die Kettensäge im Haus an einem trockenen Ort, der abgeschlossen und/oder für Kinder nicht erreichbar ist.

- Halten Sie sie von korrosiven Mitteln wie Gartenchemikalien und Streusalz fern.

## Schutz der Umwelt



WEEE-Altgeräteverordnung - Elektro-Altgeräte, verbrauchte Akkus und Ladegeräte dürfen nicht im Hausmüll entsorgt werden! Das Gerät muss einer offiziellen Recycling-Sammelstelle zur getrennten Entsorgung zugeführt werden. Elektrowerkzeuge müssen bei einem umweltfreundlichen Recycling-Betrieb abgegeben werden.

## STÖRUNGSBEHEBUNG

**⚠ WARNING:** Schützen Sie immer Ihre Hände, indem Sie robuste Handschuhe tragen, wenn Sie Wartungsarbeiten an der Sägekette durchführen. Entfernen Sie immer den Akku, wenn Sie die Kettensäge warten oder transportieren.

DE

PROBLEM	URSACHE	LÖSUNG
Motor startet nicht.	<ul style="list-style-type: none"> <li>■ Der Akku ist nicht an der Kettensäge angeschlossen.</li> <li>■ Es besteht kein elektrischer Kontakt zwischen Säge und Akku.</li> <li>■ Der Akku ist entladen.</li> <li>■ Der Akku oder die Kettensäge ist zu heiß.</li> <li>■ Kettenbremse ist eingerückt.</li> <li>■ Sägereste in der Schienennut</li> <li>■ Sägereste in der Seitenabdeckung</li> </ul>	<ul style="list-style-type: none"> <li>■ Akku herausnehmen, Kontakte überprüfen und wieder anschließen.</li> <li>■ Den Akku aufladen.</li> <li>■ Akku bzw. Kettensäge unter 67°C abkühlen lassen.</li> <li>■ Ziehen Sie den Kettenbremshebel in Richtung des vorderen Griffs in Betriebsposition.</li> <li>■ Drücken Sie die Sägekette gegen das Holz und bewegen Sie die Kettensäge vor und zurück, um die Rückstände zu beseitigen.</li> <li>■ Entfernen Sie den Akku, nehmen Sie dann die Seitenabdeckung ab und entfernen Sie die Rückstände.</li> <li>■ Remove battery pack, then remove side cover and clean out debris.</li> </ul>
Kettensäge hält während des Sägens an.	<ul style="list-style-type: none"> <li>■ Die Kettensäge ist überlastet.</li> <li>■ Der Akku oder die Kettensäge ist zu heiß.</li> <li>■ Sägekette sitzt im Holz fest.</li> </ul>	<ul style="list-style-type: none"> <li>■ Verringern Sie die Belastung.</li> <li>■ Verringern Sie die Belastung. Akku bzw. Kettensäge unter 67°C abkühlen lassen.</li> <li>■ Lassen Sie den stufenlosen Auslöser los; ziehen Sie die Sägekette und Führungsschiene aus dem Holz und schalten Sie die Kettensäge wieder ein.</li> </ul>
Motor läuft, aber die Kette dreht sich nicht.	<ul style="list-style-type: none"> <li>■ Kette greift nicht in das Antriebsritzel ein.</li> </ul>	<ul style="list-style-type: none"> <li>■ Montieren Sie die Kette erneut. Achten Sie dabei darauf, dass die Kettenglieder vollständig auf dem Kettenrad sitzen.</li> </ul>
Kettenbremse rückt nicht ein	<ul style="list-style-type: none"> <li>■ Rückstände verhindern die vollständige Bewegung des Kettenbremshebels.</li> <li>■ Mögliche Fehlfunktion der Kettenbremse</li> </ul>	<ul style="list-style-type: none"> <li>■ Beseitigen Sie die Schmutzrückstände außen an der Kettenbremse.</li> <li>■ Wenden Sie sich zwecks Reparatur an den EGO-Kundendienst.</li> </ul>

PROBLEM	URSACHE	LÖSUNG
Kettensäge sägt nicht richtig.	<ul style="list-style-type: none"> <li>■ Ungenügende Kettenspannung</li> <li>■ Stumpfe Kette</li> <li>■ Kette verkehrt herum installiert</li> <li>■ Abgenutzte Kette</li> <li>■ Trockene oder übermäßig gedehnte Kette</li> <li>■ Kette nicht in der Nut der Führungsschiene.</li> </ul>	<ul style="list-style-type: none"> <li>■ Stellen Sie die Kettenspannung gemäß Abschnitt „<b>EINSTELLEN DER KETTENSpannung</b>“ ein.</li> <li>■ Schärfen Sie die Kette.</li> <li>■ Montieren Sie die Sägekette wieder. beachten dazu den Abschnitt „<b>MONTIEREN/AUSWECHSELN DER FÜHRUNGSSCHIENE UND DER KETTE</b>“.</li> <li>■ Wechseln Sie die Kette aus gemäß Abschnitt „<b>MONTIEREN/AUSWECHSELN DER SCHIENE UND DER KETTE</b>“.</li> <li>■ Überprüfen Sie den Ölstand. Füllen Sie gegebenenfalls Öl nach.</li> <li>■ Installieren Sie die Sägekette neu gemäß Abschnitt „<b>MONTIEREN/AUSWECHSELN DER SCHIENE UND DER KETTE</b>“.</li> </ul>
Die Kette wird locker oder fällt bei normalem Gebrauch von der Führungsschiene ab.	<ul style="list-style-type: none"> <li>■ Die Kette wird locker, da sich während des normalen Sägebetriebs die Temperatur der Kette erhöht.</li> <li>■ Kette greift nicht in das Antriebsritzel ein.</li> </ul>	<ul style="list-style-type: none"> <li>■ Stellen Sie die Kettenspannung gemäß Abschnitt „<b>EINSTELLEN DER KETTENSpannung</b>“ ein.</li> <li>■ Installieren Sie die Sägekette neu gemäß Abschnitt „<b>MONTIEREN/AUSWECHSELN DER SCHIENE UND DER KETTE</b>“.</li> </ul>

## GARANTIE

### EGO-GARANTIEBEDINGUNGEN

Sämtliche EGO Garantiebedingungen finden Sie auf der Website [egopowerplus.eu](http://egopowerplus.eu).

## LISEZ TOUTES LES INSTRUCTIONS !



**LISEZ LE MANUEL D'UTILISATION**

**FR**

**⚠ Risques résiduels !** Les personnes portant des appareils électroniques, par exemple des stimulateurs cardiaques, doivent consulter leur(s) médecin(s) avant d'utiliser ce produit. L'utilisation d'un équipement électrique près d'un stimulateur cardiaque peut provoquer des interférences ou la panne du stimulateur cardiaque.

## SYMBOLE DE SECURITE

L'objectif des symboles de sécurité est d'attirer votre attention sur des dangers potentiels. Les symboles de sécurité et les explications les accompagnant doivent être lus attentivement et compris. Les symboles de mise en garde ne permettent pas par eux-mêmes d'éliminer les dangers. Les consignes et mises en garde ne se substituent pas à des mesures de prévention appropriées des accidents.

**⚠ AVERTISSEMENT:** Lisez et comprenez impérativement toutes les consignes de sécurité de ce manuel d'utilisation, y compris les symboles de mise en garde de sécurité tels que « **DANGER** », « **AVERTISSEMENT** » et « **ATTENTION** » avant d'utiliser cet outil. Le non-respect de toutes les instructions énumérées ci-dessous peut entraîner un choc électrique, un incendie et / ou des blessures graves.

## SIGNIFICATION DES SYMBOLES

Cette page décrit des symboles de sécurité pouvant être présents sur ce produit. Lisez, comprenez et respectez toutes les instructions présentes sur l'outil avant d'essayer de l'assembler et de l'utiliser.

### SYMBOLES DE SÉCURITÉ

KEES VAN DER SPEK  
TUINMACHINES \* STOLWIJK



Alerte de sécurité



Lire et comprendre le manuel d'utilisation



Porter une protection oculaire



Porter une protection auditive



Porter un casque de protection.



Porter des gants protecteurs



Attention au risque de rebond de la tronçonneuse, éviter d'attaquer le bois avec l'extrémité du guide-chaîne



Rebond de nez de guide-chaîne



Utiliser toujours la tronçonneuse en la maintenant avec les deux mains



Ne pas exposer à la pluie.



Informations sur le guide-chaîne



Niveau de puissance acoustique garanti.



DEEE



Ce produit est conforme à la législation britannique applicable.

FR



Ce produit est conforme aux directives CE applicables.



Courant continu

V Volts

A Ampères

Hz Hertz

W Watt

min Minutes

$n_0$  Régime à vide

.../min Par minute

## SPÉCIFICATIONS

Tension	56 V	
Longueur du guide-chaîne	400 mm (CS1610E)	
	350 mm (CS1410E)	
Pas de chaîne	3/8" (9,5 mm)	
Limiteur de profondeur	1.1 mm	
Vitesse de chaîne	20 m/s	
Type de chaîne	CS1610E	AC1600/AC1601 (Recommandé) AC1400/AC1401 (Compatible)
	CS1410E	AC1400/AC1401 (Recommandé) AC1600/AC1601 (Compatible)
Type de guide-chaîne	CS1610E	AG1600/AG1601 (Recommandé) AG1400/AG1401 (Compatible)
	CS1410E	AG1400/AG1401 (Recommandé) AG1600/AG1601 (Compatible)
Capacité du réservoir d'huile de la chaîne	150 ml	
Température d'utilisation	-15°C–40°C	
Température de stockage	-20°C–70°C	
Poids net (sans la batterie et sans le protège-guide)	3,9 kg (CS1610E)	
	3,8 kg (CS1410E)	

Niveau de puissance acoustique mesuré $L_{WA}$	102,25 dB(A) K=1,4 dB(A)	
Niveau de pression acoustique au niveau des oreilles de l'opérateur $L_{PA}$	91,25 dB(A) K=2,5 dB(A)	
Niveau de puissance acoustique garanti $L_{WA}$ (d'après 2000/14/CE)	103 dB(A)	
Vibration $a_h$	Poignée avant	3,377 m/s <sup>2</sup> K=1,5 m/s <sup>2</sup>
	Poignée arrière	2,823 m/s <sup>2</sup> K=1,5 m/s <sup>2</sup>

- La valeur totale des vibrations indiquée a été mesurée selon une procédure conforme à une méthode de test standardisée et peut servir pour comparer différents outils.
- La valeur totale des vibrations déclarée peut également servir pour effectuer une évaluation préliminaire de l'exposition.

**REMARQUE:** Le niveau de vibrations lors de l'utilisation réelle de l'outil peut être différent de la valeur déclarée totale en fonction de la manière dont l'outil est utilisé ; Afin de protéger l'opérateur, l'utilisateur doit porter des gants et des protecteurs d'oreilles en conditions réelles d'utilisation.

## CONTENU DE L'EMBALLAGE (IMAGE A1)

### DESCRIPTION

#### DESCRIPTION DE VOTRE TRONÇONNEUSE (Image A1)

1. Interrupteur-gâchette de vitesse variable
2. Poignée arrière
3. Bouton de déverrouillage
4. Poignée avant
5. Poignée de frein de chaîne anti-rebond
6. Chaîne
7. Guide-chaîne
8. Bouchon du réservoir d'huile
9. Fenêtre d'observation du niveau d'huile
10. Contacts électriques
11. Bouton d'éjection de la batterie
12. Bouton de réglage de la tension de la chaîne
13. Capot latéral
14. Écrou moleté de capot latéral
15. Protège-guide

gravées sur la chaîne. Une autre flèche directionnelle est moulée sur le boîtier. Quand vous placez la chaîne autour du pignon d'entraînement, veillez à ce que la direction des flèches de la chaîne corresponde à celle de la flèche du boîtier. Si elles sont dans des directions opposées, retournez l'ensemble chaîne et guide (Image E2).

7. Remplacez le capot latéral et serrez à peine l'écrou moleté de capot latéral.
8. Relevez le nez du guide pour vérifier que la chaîne ne pend pas (Image F). Rabaissez le nez du guide et tournez le bouton de tension de la chaîne dans le sens horaire. Répétez cette procédure jusqu'à ce que la chaîne ne pende plus.
9. Serrez complètement l'écrou moleté du capot latéral pour garantir que la chaîne est correctement tendue avant l'utilisation.

D-1	Maillons d'entraînement de la chaîne	E-2	Pion de réglage de la tension
D-2	Rail du guide	E-3	Fente du guide
E-1	Goujon d'alignement	E-4	Pignon d'entraînement

### ASSEMBLAGE

#### ASSEMBLER/REPLACER LE GUIDE ET LA CHAÎNE

**⚠ AVERTISSEMENT:** Réglez la poignée de frein de chaîne anti-rebond sur la position de freinage avant l'assemblage.

1. Posez l'unité moteur de la tronçonneuse sur le côté avec son capot latéral vers le haut (Image B).
2. Tournez l'écrou moleté du capot latéral dans le sens antihoraire pour démonter le capot latéral, puis desserrez au maximum le bouton de tension de la chaîne.
3. Posez la chaîne neuve en boucle sur une surface plane et redressez tous les maillons (Image C).
4. Insérez les maillons d'entraînement de la chaîne dans le rail du guide et faites une boucle avec la chaîne à l'arrière du guide (Image D).
5. Maintenez la chaîne en position sur le guide et placez la boucle autour du pignon d'entraînement de l'unité moteur.
6. Insérez la fente du guide sur les goujons d'alignement jusqu'à ce que le pion de tension soit inséré dans le trou inférieur de l'arrière du guide (Image E1).

**REMARQUE:** De petites flèches directionnelles sont

**REMARQUE:** Pour prolonger la durée de vie du guide, retournez-le occasionnellement.

**REMARQUE:** Si la chaîne est trop tendue, elle ne tournera pas. Desserrez légèrement l'écrou moleté du capot latéral et tournez une fois le bouton de réglage de la tension de la chaîne dans le sens inverse des aiguilles d'une montre. Relevez le nez du guide et resserrez complètement l'écrou moleté du capot latéral. Vérifiez que la chaîne peut tourner sans coincer.

#### RÉGLER LA TENSION DE LA CHAÎNE

- Éteignez le moteur et retirez la batterie de l'outil avant de régler la tension de la chaîne. Desserrez l'écrou moleté du capot latéral. Tournez le bouton de tension de la chaîne dans le sens horaire pour accroître la tension de la chaîne. Consultez la section : Voir le chapitre « ASSEMBLER/REPLACER LE GUIDE ET LA CHAÎNE » pour plus d'informations.
- Une chaîne froide est correctement tendue quand elle ne pend pas sous le guide et qu'elle est bien ajustée autour du guide tout en pouvant être tournée à la main sans coincer. La chaîne doit toujours être retendue si les parties plates des maillons d'entraînement sortent du rail du guide.
- Pendant l'utilisation normale, la température de la chaîne augmente. Les maillons d'entraînement d'une

chaîne chaude correctement tendue pendent de 1,3 mm environ du rail du guide (Image G).

FR

**REMARQUE:** Une chaîne neuve a tendance à s'allonger. Contrôlez fréquemment la tension de la chaîne et retendez-la si nécessaire.

**REMARQUE:** Si la tension de la chaîne est réglée quand elle est chaude, la tension risque de devenir trop importante quand la chaîne refroidit. Contrôlez la tension de la chaîne froide avant l'utilisation suivante.

## FONCTIONNEMENT

**⚠ AVERTISSEMENT:** Veillez à ne pas devenir moins prudent(e) au fur et à mesure que vous vous familiarisez avec cet outil. Gardez à l'esprit qu'une fraction de seconde d'inattention peut suffire pour provoquer des blessures graves.

**⚠ AVERTISSEMENT:** N'utilisez aucun accessoire ou pièce non recommandé par le fabricant de ce produit. L'utilisation d'accessoires ou de pièces non recommandés peut provoquer des blessures corporelles graves.

**⚠ AVERTISSEMENT:** Pour prévenir un démarrage accidentel pouvant provoquer des blessures corporelles graves, veillez à ce que la batterie soit toujours retirée quand vous assemblez une pièce, faites un réglage, nettoyez et quand vous n'utilisez pas l'appareil. Avant chaque utilisation, inspectez l'ensemble du produit à la recherche de pièces endommagées, manquantes ou desserrées telles que des vis, écrous, boulons, capuchons, etc. Serrez fermement toutes les fixations et capuchons et ne faites pas fonctionner ce produit tant que toutes les pièces manquantes ou endommagées n'ont pas été remplacées.

### APPLICATIONS

Vous pouvez utiliser ce produit pour des travaux de base d'abattage, d'ébranchage, d'élagage et de coupe de bois de chauffage et d'arbres.

### AJOUTER DU LUBRIFIANT DE GUIDE ET DE CHAÎNE

**⚠ AVERTISSEMENT:** Ne fumez pas et n'approchez pas de flamme près de l'huile ou de la tronçonneuse. Il peut y avoir des coulures/projections d'huile qui peuvent provoquer un incendie.

**REMARQUE :** La tronçonneuse n'est pas remplie d'huile lors de son achat. Il faut impérativement remplir son réservoir d'huile avant de l'utiliser. La chaîne est automatiquement lubrifiée avec l'huile pour chaîne pendant l'utilisation.

1. Posez la tronçonneuse sur le côté avec le bouchon de son réservoir d'huile vers le haut.
2. Nettoyez le bouchon du réservoir d'huile et la zone l'entourant pour éviter que des saletés ne tombent dans le réservoir d'huile.
3. Placez la scie à chaîne sur le côté sur une surface solide et plane, de sorte que le capuchon du réservoir

pointe vers le haut. Relevez la plaque semi-circulaire et tournez le bouchon du réservoir d'huile dans le sens antihoraire pour l'enlever (Image H).

4. Versez soigneusement l'huile à chaîne et guide-chaîne dans le réservoir. Remplissez l'huile jusqu'à la ligne MAX.
5. Essuyez l'huile en excès et refermez le bouchon.

**REMARQUE :** Vérifiez souvent le niveau d'huile et remplissez le réservoir quand son niveau descend en dessous du minimum. N'utilisez pas la scie à chaîne si le niveau d'huile n'est pas visible.

### INSÉRER/RETIRER LA BATTERIE

**Rechargez complètement la batterie avant la première utilisation.**

Utilisez exclusivement les batteries et les chargeurs indiqués sur l'image A2.

#### Insérer la batterie (Image I)

Alignez les nervures de la batterie avec les rainures d'assemblage et glissez la batterie dans l'outil jusqu'à enclenchement (clic audible).

#### Retirer la batterie (Image J)

Appuyez sur le bouton de déblocage de la batterie et tirez la batterie hors de l'outil.

### DÉMARRER/ÊTEINDRE LA TRONÇONNEUSE

**REMARQUE :** Avant de démarrer la tronçonneuse, contrôlez son niveau d'huile, l'affûtage des gouges de la chaîne et le bon fonctionnement de la poignée de frein de chaîne. Vous devez aussi avoir des appuis des pieds équilibrés et être suffisamment éloigné du sol.

#### Démarrage

1. Tirez la poignée de frein de chaîne anti-rebond vers la poignée avant dans la position de travail (Image K).
2. Saisissez fermement les poignées avant et arrière des deux mains.
3. Tenez enfoncé le bouton de blocage avec le pouce de votre main droite, puis appuyez sur la gâchette avec les doigts de votre main droite pour démarrer la tronçonneuse (Image L).
4. Relâchez le verrou d'interrupteur et continuez d'appuyer sur l'interrupteur-gâchette pour poursuivre l'utilisation.

**⚠ AVERTISSEMENT :** N'essayez pas de démarrer la tronçonneuse quand la chaîne est dans la coupe.

#### Arrêt

1. Relâchez la gâchette pour arrêter la tronçonneuse.
2. Poussez la poignée de frein de chaîne anti-rebond vers l'avant dans la position de freinage pour engager le frein de chaîne (Image K).



**⚠ AVERTISSEMENT :** Retirez toujours la batterie de la tronçonneuse pendant les pauses durant le travail et après avoir terminé le travail.

### Bonne prise des poignées (Image M)

- Portez des gants antidérapants afin de maximiser la prise et la protection.
- Avec la tronçonneuse posée sur une surface plane et rigide, saisissez-la fermement des deux mains.
- Saisissez toujours la poignée avant avec la main gauche et la poignée arrière avec la main droite.
- Les doigts doivent enserrer les poignées avec le pouce placé sous la poignée avant.

**⚠ AVERTISSEMENT:** Ne tenez jamais l'outil en inversant la position des mains (position des gauchers) et ne prenez jamais une position dans laquelle votre corps ou vos bras coupent le plan longitudinal de la chaîne (Image N).

### Position de coupe appropriée (Image O)

- Les deux pieds doivent se trouver sur un sol ferme avec le poids également réparti sur les deux pieds.
- Le bras gauche doit être droit avec le coude bloqué. Cela aide à résister aux forces générées par un rebond.
- Votre corps doit toujours être positionné sur la gauche de l'alignement de la chaîne.

### INSTRUCTIONS CONCERNANT LES TECHNIQUES APPROPRIÉES POUR L'ABATTAGE, L'ÉBRANCHAGE ET LES COUPES TRANSVERSALES BASIQUES.

**⚠ AVERTISSEMENT:** Ayez toujours des appuis des pieds sûrs et tenez toujours la tronçonneuse fermement à deux mains quand le moteur est en marche.

**⚠ AVERTISSEMENT:** Quand la chaîne est arrêtée par un pincement pendant la coupe, relâchez l'interrupteur-gâchette, retirez la chaîne et le guide hors du bois, puis redémarrez la tronçonneuse.

**⚠ AVERTISSEMENT:** Ne tirez pas la chaîne à la main quand elle est coincée par des sciures. Cela peut provoquer des blessures graves si la tronçonneuse redémarre accidentellement. Appuyez la chaîne contre le bois et déplacez la tronçonneuse d'avant en arrière pour enlever les débris. Retirez toujours la batterie avant une opération de nettoyage. Portez des gants protecteurs pour travaux lourds pour manipuler la chaîne.

**⚠ AVERTISSEMENT:** Ne démarrez jamais la tronçonneuse quand elle est en contact avec le bois. Attendez toujours que la chaîne ait atteint sa pleine vitesse avant de la mettre en contact avec le bois.

### ABATTRE UN ARBRE

- Quand les opérations d'abattage et de débitage sont effectuées par plusieurs personnes en même temps, l'opération d'abattage doit être éloignée des opérations de débitage d'une distance d'au moins deux fois la hauteur de l'arbre à abattre. Les arbres ne doivent pas être abattus d'une manière pouvant mettre en danger une personne, percuter des lignes électriques ou provoquer des dommages matériels. Si l'arbre est en contact avec une ligne électrique, le fournisseur d'électricité doit en être informé immédiatement.
- L'opérateur de la tronçonneuse doit rester en amont sur la pente, car l'arbre peut rouler ou glisser vers le bas de la pente après avoir été abattu.
- Une voie d'issue doit être planifiée et dégagée autant que nécessaire avant de commencer les coupes. La voie d'issue doit se prolonger vers l'arrière et être diamétralement opposée à la ligne de chute prévue (Image P).

P-1	Direction d'abattage
P-2	Chemin de repli sécuritaire

- Avant de commencer l'opération d'abattage, prenez en compte l'inclinaison naturelle de l'arbre, l'emplacement des plus grandes branches et la direction du vent pour évaluer le sens de chute probable de l'arbre.
- Enlevez la terre, les morceaux d'écorce mal fixés, les pierres, les clous, les agrafes et les fils de fer de l'arbre.

### Entaille inférieure

Effectuez une entaille sur 1/3 du diamètre de l'arbre, perpendiculairement au sens de la chute (Image Q). Effectuez la coupe basse horizontale en premier. Cela aide à éviter le pincement de la chaîne ou du guide lors de la réalisation de la deuxième coupe oblique.

Q-1	Sens de la chute
Q-2	Encoche
Q-3	Coupe arrière d'abattage
Q-4	Charnière

## Coupe arrière d'abattage

- Effectuez la coupe arrière d'abattage au minimum 50 mm plus haut que la coupe horizontale (Image Q). Effectuez la coupe arrière d'abattage parallèlement à la première coupe horizontale. Effectuez la coupe arrière d'abattage en laissant une partie suffisante du tronc non coupée pour servir de charnière. La charnière de bois a pour but d'éviter que l'arbre ne pivote et ne tombe du mauvais côté. Ne coupez pas la partie du tronc servant de charnière.
- À mesure que la coupe se rapproche de la partie du tronc servant de charnière, l'arbre doit normalement commencer à tomber. S'il y a la moindre possibilité que l'arbre ne tombe pas dans la direction désirée ou qu'il bascule en arrière en bloquant la chaîne, stoppez la coupe arrière d'abattage avant de la terminer et utilisez des cales en bois, plastique ou aluminium pour ouvrir la coupe et faire tomber l'arbre dans le sens désiré.
- Quand l'arbre commence à tomber, retirez la tronçonneuse de la coupe, éteignez le moteur et posez la tronçonneuse, puis quittez la zone par la voie d'issue planifiée. Prenez garde à la chute de branches surplombantes et faites attention là où vous mettez les pieds.

## Ébrancher un arbre

- L'ébranchage consiste à couper les branches d'un arbre abattu. Pendant l'ébranchage, laissez les grosses branches inférieures pour qu'elles soutiennent le tronc au-dessus du sol. Retirez les petites branches en une seule coupe (Image R). Les branches sous tension doivent être coupées du bas vers le haut pour éviter que la chaîne et le guide-chaîne ne soient coincés.

## Débiter un tronc

- Le débitage consiste à découper un tronc en rondins. Il faut impérativement que vous ayez des appuis des pieds stables et que votre poids soit uniformément réparti sur vos deux pieds. Dans la mesure du possible, le tronc doit être surélevé et soutenu par des branches, des troncs ou des billots. Respectez les instructions simples facilitant la coupe.
- Si le tronc est soutenu sur toute sa longueur (Image S1), il doit être coupé par le dessus (coupe supérieure).
- Si le tronc est soutenu à une seule de ses extrémités (Image S2), coupez 1/3 de son diamètre par en dessous (coupe inférieure). Puis terminez en faisant une coupe par le dessus jusqu'à atteindre la première coupe.

- Si le tronc est soutenu à ses deux extrémités (Image S3), coupez 1/3 de son diamètre par le dessus (coupe supérieure). Puis terminez la coupe en effectuant une coupe par le dessous pour couper les 2/3 restants jusqu'à atteindre la première coupe.
- Lorsque vous débitez un tronc sur une pente, positionnez-vous toujours en amont sur la pente par rapport au tronc (Image T).
- Pour maintenir un contrôle total lors d'une coupe de part en part, arrêtez d'exercer une pression quand vous approchez de la fin de la coupe sans relâcher votre prise sur les poignées de la tronçonneuse. Veillez à ce que la chaîne n'entre pas en contact avec le sol. Une fois la coupe terminée, attendez l'arrêt complet de la chaîne avant de déplacer la tronçonneuse. Éteignez toujours le moteur avant de vous déplacer d'un arbre à l'autre.

## ENTRETIEN

**⚠ AVERTISSEMENT:** L'outil ne doit être réparé qu'avec des pièces de rechange identiques. L'utilisation de toute autre pièce peut créer un danger ou détériorer le produit.

**⚠ AVERTISSEMENT:** Pour vous prémunir contre des blessures corporelles graves, retirez toujours la batterie de la tronçonneuse avant toute opération d'inspection, de nettoyage ou d'entretien. Un outil alimenté par batterie avec la batterie insérée est toujours sous tension et peut démarrer accidentellement.

**⚠ AVERTISSEMENT:** Lors du nettoyage de la tronçonneuse, NE L'IMMERGEZ PAS dans de l'eau ni dans aucun autre liquide.

**⚠ AVERTISSEMENT:** Veillez à ce que les pièces en plastique de l'outil n'entrent jamais en contact avec du liquide de frein, de l'essence, des produits à base de pétrole, du dégrissant, etc. Les produits chimiques peuvent endommager, fragiliser ou détruire le plastique, ce qui peut provoquer des blessures corporelles graves.

## NETTOYAGE

- Après chaque utilisation, enlevez les débris de la chaîne et du guide avec une brosse souple. Essuyez la surface de la tronçonneuse avec un chiffon propre humidifié avec de l'eau et du savon doux.
- Retirez le capot latéral, puis enlevez les débris du guide, de la chaîne, du pignon d'entraînement et du capot latéral avec une brosse souple.

- Enlevez tous les copeaux de bois, les sciures et les saletés du rail du guide quand vous changez la chaîne.

### ENTRETIEN DU GUIDE-CHAÎNE

Lorsque le guide-chaîne présente des signes d'usure, démontez-le de l'unité moteur de la tronçonneuse et retournez-le avant de le remonter (Image U1). Ceci permet de répartir l'usure pour une durée de vie maximale du guide-chaîne.

Le guide doit être nettoyé chaque jour d'utilisation et inspecté pour contrôler son usure et sa détérioration. L'apparition de bavures et l'amincissement du guide font partie du processus normal d'usure du guide. Ces défauts doivent être lissés avec une lime dès leur apparition. Un guide présentant l'un des défauts suivants doit être changé.

- Usure interne du rail du guide permettant à la chaîne de se coucher sur le côté.
- Guide tordu.
- Rail fissuré ou cassé.
- Rail élargi.

Le nez du guide comporte un pignon de renvoi (Image U2). Ce pignon doit être lubrifié toutes les semaines avec une seringue à graisse pour prolonger la durée de vie du guide. Utilisez une seringue à graisse pour lubrifier toutes les semaines avec de l'huile de chaîne via le trou de lubrification (Image U3). Retournez le guide et vérifiez que les trous de lubrification et le rail sont exempts de saletés.

U2-1	Pignon de renvoi (dans le nez du guide)
U2-2	Trou de lubrification

### TRANSPORT ET RANGEMENT

- Ne rangez pas et ne transportez pas la tronçonneuse quand elle est en marche. Retirez toujours la batterie de l'outil avant de ranger ou de transporter l'outil.
- Recouvrez toujours le guide et la chaîne avec le protège-guide avant de ranger ou de transporter la tronçonneuse. Faites attention pour éviter qu'il ne soit endommagé par les gouges de la chaîne.
- Nettoyez soigneusement la tronçonneuse avant de la ranger. Rangez la tronçonneuse en intérieur, dans un endroit sec verrouillé et/ou hors de portée des enfants.
- Veillez à ce qu'elle reste à l'écart de produits corrosifs, par exemple les produits chimiques de jardinage et les sels de déverglacage.

### Protection de l'environnement



DEEE (déchet d'équipement électrique et électronique) Ne jetez pas les équipements électriques, les batteries et les chargeurs usagés avec les ordures ménagères ! Apportez ce produit dans un centre de recyclage agréé pour qu'il fasse l'objet d'une collecte séparée. Les outils électriques doivent être amenés dans un centre de recyclage pour assurer le respect de l'environnement.

FR

## DÉPANNAGE

**⚠ AVERTISSEMENT:** Protégez toujours vos mains en portant des gants pour travaux lourds pendant toutes les opérations d'entretien de la tronçonneuse. Retirez toujours la batterie pendant l'entretien ou le transport de la tronçonneuse.

FR

PROBLÈME	CAUSE	SOLUTION
Le moteur ne fonctionne pas.	<ul style="list-style-type: none"> <li>■ La batterie n'est pas insérée dans la tronçonneuse.</li> <li>■ Il n'y a pas de contact électrique entre la tronçonneuse et la batterie.</li> <li>■ La batterie est déchargée.</li> <li>■ La batterie ou la tronçonneuse est trop chaude.</li> <li>■ Le frein de chaîne est engagé.</li> <li>■ Il y a des débris dans le rail du guide.</li> <li>■ Il y a des débris dans le capot latéral.</li> </ul>	<ul style="list-style-type: none"> <li>■ Insérez la batterie dans la tronçonneuse.</li> <li>■ Retirez la batterie, inspectez les contacts, puis réinsérez la batterie.</li> <li>■ Rechargez la batterie.</li> <li>■ Laissez la batterie ou la tronçonneuse refroidir jusqu'à ce que sa température devienne inférieure à 67°C.</li> <li>■ Tirez la poignée de frein de chaîne en arrière vers la poignée avant jusqu'à la position de travail.</li> <li>■ Appuyez la chaîne contre le bois et déplacez la tronçonneuse d'avant en arrière pour enlever les débris.</li> <li>■ Retirez la batterie, puis retirez le capot latéral et enlevez les débris.</li> </ul>
La tronçonneuse s'arrête en cours de fonctionnement.	<ul style="list-style-type: none"> <li>■ Le moteur est en surcharge.</li> <li>■ La batterie ou la tronçonneuse est trop chaude.</li> <li>■ La chaîne est coincée dans le bois.</li> </ul>	<ul style="list-style-type: none"> <li>■ Diminuez la charge.</li> <li>■ Diminuez la charge. Laissez la batterie ou la tronçonneuse refroidir jusqu'à ce que sa température devienne inférieure à 67°C.</li> <li>■ Relâchez la gâchette, retirez la chaîne et le guide hors du bois, puis redémarrez la tronçonneuse.</li> </ul>
Le moteur fonctionne, mais la chaîne ne tourne pas.	<ul style="list-style-type: none"> <li>■ La chaîne n'est pas engagée dans le pignon d'entraînement.</li> </ul>	<ul style="list-style-type: none"> <li>■ Réinstallez la chaîne et veillez à ce que ses maillons d'entraînement soient complètement engagés sur le pignon.</li> </ul>
Le frein de chaîne ne s'enclenche pas.	<ul style="list-style-type: none"> <li>■ Des débris empêchent le mouvement complet de la poignée du frein de rebond de chaîne.</li> <li>■ Dysfonctionnement possible du frein de chaîne.</li> </ul>	<ul style="list-style-type: none"> <li>■ Enlevez les débris du mécanisme externe du frein de chaîne.</li> <li>■ Contactez le service client EGO pour la réparation.</li> </ul>

PROBLÈME	CAUSE	SOLUTION
La tronçonneuse ne coupe pas bien.	<ul style="list-style-type: none"> <li>■ La chaîne n'est pas assez tendue.</li> <li>■ La chaîne est émoussée.</li> <li>■ La chaîne a été assemblée à l'envers.</li> <li>■ La chaîne est usée.</li> <li>■ La chaîne est sèche ou excessivement tendue.</li> <li>■ La chaîne n'est pas dans le rail du guide.</li> </ul>	<ul style="list-style-type: none"> <li>■ Réajustez la tension de la chaîne en consultant la section : « <b>RÉGLER LA TENSION DE LA CHAÎNE</b> ».</li> <li>■ Aiguissez la chaîne.</li> <li>■ Réassemblez la chaîne en procédant comme indiqué dans la partie « <b>ASSEMBLER/REPLACER LE GUIDE ET LA CHAÎNE</b> ».</li> <li>■ Remplacez la chaîne en respectant les instructions du chapitre « <b>ASSEMBLER/REPLACER LE GUIDE ET LA CHAÎNE</b> ».</li> <li>■ Check the oil level. Refill the oil tank if necessary.</li> <li>■ Réinstallez la chaîne en respectant les instructions du chapitre « <b>ASSEMBLER/REPLACER LE GUIDE ET LA CHAÎNE</b> ».</li> </ul>
La chaîne est lâche ou ne reste pas sur le guide lors d'une utilisation normale.	<ul style="list-style-type: none"> <li>■ Lors d'une utilisation normale, la chaîne devient lâche avec l'augmentation de la température.</li> <li>■ La chaîne n'est pas engagée dans le pignon d'entraînement.</li> </ul>	<ul style="list-style-type: none"> <li>■ Augmentez la tension de la chaîne en procédant comme indiqué dans la section « <b>RÉGLER LA TENSION DE LA CHAÎNE</b> ».</li> <li>■ Réinstallez la chaîne en respectant les instructions du chapitre « <b>ASSEMBLER/REPLACER LE GUIDE ET LA CHAÎNE</b> ».</li> </ul>

## GARANTIE

### POLITIQUE DE GARANTIE EGO

Visitez le site Web [egopowerplus.eu](http://egopowerplus.eu) pour consulter les conditions complètes de la politique de garantie EGO.

## ¡LEA TODAS LAS INSTRUCCIONES!



LEA EL MANUAL DEL USUARIO

ES

**⚠ ¡Riesgo residual!** Las personas con implantes electrónicos, como marcapasos, deberán consultar a su médico antes de utilizar este producto. La utilización de equipos eléctricos en las proximidades inmediatas de un marcapasos podría causar en este interferencias o averías.

## SÍMBOLO DE SEGURIDAD

El propósito de los símbolos de seguridad es atraer su atención hacia posibles peligros. Los símbolos de seguridad y las explicaciones que los acompañan requieren su máxima atención y comprensión. Por sí solos, los símbolos de advertencia no eliminan los posibles peligros. Las instrucciones y advertencias que proporcionan no sustituyen a las medidas adecuadas de prevención de accidentes.

**⚠ ADVERTENCIA:** Antes de utilizar esta herramienta, asegúrese de haber leído y entendido perfectamente todas las instrucciones que aparecen en este manual del usuario, incluidos todos los símbolos de aviso sobre seguridad, como «PELIGRO», «ADVERTENCIA» y «PRECAUCIÓN». Si no se observan todas las instrucciones que se indican a continuación existe riesgo de incendio, electrocución y lesiones graves.

## SIGNIFICADO DE LOS SÍMBOLOS

Esta página muestra y describe los símbolos de seguridad que puede haber en este producto. Asegúrese de leer, comprender y cumplir todas las instrucciones que se indican en la máquina antes de proceder a su montaje y utilización.

## SÍMBOLOS DE SEGURIDAD



Aviso de seguridad



Lea y comprenda el manual del usuario



Utilizar protección ocular



Utilizar protección auditiva



Utilizar protección para la cabeza



Utilizar guantes de protección



Tener en cuenta en retroceso de la motosierra y evitar el contacto con la punta de la espada



Retroceso por contacto de la punta de la espada



Usar siempre la motosierra con las dos manos



No exponer la herramienta a la lluvia



Observe la información referente a la espada



Nivel de potencia acústica garantizado.



RAEE



Este producto cumple la legislación aplicable del Reino Unido.



Este producto está en conformidad con las directivas de la CE aplicables.



Corriente continua

V Voltio

A Amperios

Hz Hercios

W Vatios

min Minutos

$n_0$  Velocidad sin carga

.../min Por minuto

ES

## ESPECIFICACIONES

Tensión	56 V	
Longitud de la espada	400 mm (CS1610E)	
	350 mm (CS1410E)	
Paso de cadena	3/8" (9,5mm)	
Calibre de la cadena	1,1mm	
Velocidad de la cadena	20 m/s	
Tipo de cadena de la motosierra	CS1610E	AC1600/ AC1601 (recomendado) AC1400/AC1401 (compatible)
	CS1410E	AC1400/ AC1401 (recomendado) AC1600/AC1601 (Empfehlen)
Tipo de espada	CS1610E	AG1600/ AG1601 (recomendado) AG1400/AG1401 (compatible)
	CS1410E	AG1400/ AG1401 (recomendado) AG1600/AG1601 (compatible)
Capacidad del depósito de aceite	150ml	
Temperatura de funcionamiento	-15°C–40°C	
Temperatura de almacenamiento	-20°C–70°C	
Peso neto (sin batería ni protector de espada)	3,9 kg (CS1610E)	
	3,8 kg (CS1410E)	

Nivel de potencia acústica medido $L_{WA}$	102,25 dB(A) K=1,4 dB(A)	
Nivel de presión acústica medido a la altura del oído del usuario $L_{PA}$	91,25 dB(A) K=2,5 dB(A)	
Nivel de potencia acústica garantizado $L_{WA}$ (medido según 2000/14/CE)	103 dB(A)	
Nivel de vibraciones $a_h$	Empuñadura delantera	3,377 m/s <sup>2</sup> K=1,5 m/s <sup>2</sup>
	Empuñadura trasera	2,823 m/s <sup>2</sup> K=1,5 m/s <sup>2</sup>

- El valor de vibración total ha sido medido de acuerdo con el método de prueba estándar y se puede utilizar para comparar herramientas.
- El valor total de vibración declarado se puede usar además en una evaluación preliminar del grado de exposición.

**AVISO:** Las vibraciones generadas durante el uso real de la herramienta eléctrica pueden diferir del valor declarado en función de la manera en que se utilice. Como protección, el usuario debería utilizar guantes y protectores auditivos en condiciones reales de uso.

## LISTA DE CONTENIDO (FIG. A1)

### DESCRIPCIÓN

#### FAMILIARÍCESE CON SU MOTOSIERRA (fig. A1)

ES

1. Gatillo interruptor para la velocidad variable
2. Empuñadura trasera
3. Botón de desbloqueo
4. Empuñadura delantera
5. Palanca del freno de cadena/guarda de protección de mano
6. Cadena de la sierra
7. Espada
8. Tapón del depósito de aceite
9. Mirilla de nivel de aceite
10. Contactos eléctricos
11. Botón de liberación de la batería
12. Mando de ajuste de la tensión de la cadena
13. Tapa lateral
14. Perilla de fijación de la tapa lateral
15. Funda de la espada

### MONTAJE

#### MONTAJE Y SUSTITUCIÓN DE LA ESPADA Y LA CADENA

**⚠ ADVERTENCIA:** Ajuste la palanca del freno de cadena/guarda de protección de mano a la posición de frenado antes del montaje.

1. Ponga de lado el cabezal de la motosierra, con la tapa lateral hacia arriba (fig. B).
2. Gire la perilla de fijación en sentido antihorario para quitar la tapa lateral, y a continuación afloje todo lo posible el mando de ajuste de la tensión de la cadena.
3. Coloque la nueva cadena cerrada sobre una superficie plana y enderece cualquier doblez (fig. C).
4. Coloque los eslabones de arrastre de la cadena en el carril de la espada, y haga un bucle con la cadena en la parte trasera de la espada (fig. D).
5. Sujete la cadena en su sitio en la espada y pase el bucle alrededor del piñón de arrastre del cabezal de la motosierra.
6. Deslice la ranura de la espada sobre las bridas de alineación, hasta que el pasador de ajuste de la tensión esté insertado en el orificio inferior de la cola de la espada (fig. E1).

**AVISO:** Hay unas flechitas grabadas en la cadena que indican la dirección. Hay otra flecha direccional moldeada en la carcasa. Cuando pase el bucle de la cadena sobre el piñón, asegúrese de que la dirección de las flechas grabadas en la cadena coincide con la indicada por la flecha de la carcasa. Si indicaran direcciones opuestas, gire el conjunto formado por la cadena y la espada (fig. E2).

7. Vuelva a colocar la tapa lateral y apriete ligeramente su perilla de sujeción.
8. Levante la punta de la espada para comprobar que ninguna parte de la cadena esté holgada (fig. F). Suelte la punta de la espada y gire el mando de ajuste de la tensión de la cadena en sentido horario. Repita este proceso hasta eliminar la holgura.
9. Apriete firmemente la perilla de fijación de la tapa lateral para asegurarse de que la cadena esté bien tensada antes de usarla.

D-1	Eslabones de arrastre de la cadena	E-2	Pasador de ajuste de la tensión
D-2	Carril de la espada	E-3	Ranura de la espada
E-1	Brida de alineación	E-4	Piñón

**AVISO:** Para prolongar la vida útil de la espada, gírela de vez en cuando.

**AVISO:** Si la cadena está demasiado tensada, no girará. Afloje ligeramente la perilla de fijación de la tapa lateral y gire el mando de ajuste de la tensión de la cadena una vez en sentido antihorario. Mantenga levantada la punta de la espada y vuelva a apretar bien la perilla de fijación de la tapa lateral. Asegúrese de que la cadena gira en la espada sin atorarse.

#### CÓMO AJUSTAR DE LA TENSIÓN DE LA CADENA

- Pare el motor y quite la batería antes de ajustar la tensión de la cadena. Asegúrese de aflojar la perilla de fijación de la tapa lateral. Gire el mando de ajuste de la tensión de la cadena en sentido horario para tensar la cadena. Consulte el apartado: «MONTAJE Y SUSTITUCIÓN DE LA ESPADA Y LA CADENA» para obtener información adicional.
- Una cadena fría estará correctamente tensada cuando no haya holgura en la parte inferior de la espada y la cadena quede ajustada en el carril, pero pueda seguir girándose a mano sin atorarse. La cadena debe volver a tensarse cada vez que las caras planas de los



eslabones de arrastre no se asienten en el carril de la espada.

- La temperatura de la cadena aumenta durante el uso normal de la sierra. Los eslabones de una cadena caliente correctamente tensada colgarán aproximadamente 1,3 mm del carril de la espada (fig. G).

**AVISO:** Las nuevas cadenas tienden a estirarse al cabo de cierto tiempo. Compruebe la tensión de la cadena con frecuencia y ténsela cuando sea necesario.

**AVISO:** Tensar una cadena mientras está caliente puede hacer que quede demasiado tensada una vez que se haya enfriado. Compruebe la tensión en frío antes de su próxima utilización.

## FUNCIONAMIENTO

**⚠ ADVERTENCIA:** No permita que el hecho de estar familiarizado con el producto le haga descuidarse. Recuerde que cualquier distracción de una fracción de segundo es suficiente para provocar lesiones graves.

**⚠ ADVERTENCIA:** No utilice piezas o accesorios no recomendados por el fabricante de este producto. La utilización de piezas o accesorios no recomendados puede provocar lesiones graves.

**⚠ ADVERTENCIA:** Para evitar cualquier puesta en marcha accidental que pudiera causar lesiones físicas graves, asegúrese siempre de quitar la batería de la herramienta antes de proceder al montaje de cualquier pieza, de hacer ajustes o de limpiar la herramienta, así como cuando no la utilice.

Antes de cada uso, examine todo el producto para ver si hay piezas dañadas, extraviadas o sueltas, como tornillos, tuercas, pernos, tapones, etc. Apriete bien todas las sujeciones y los tapones y no ponga en marcha el producto hasta haber reemplazado todas las piezas que falten o que estén dañadas.

### APLICACIONES

Podrá utilizar este producto para operaciones básicas de la tala, desrame, poda, corte de leña y árboles.

### LLENAR CON LUBRICANTE PARA ESPADA Y CADENA

**⚠ ADVERTENCIA:** No fume ni acerque llamas vivas ni chispas cerca del aceite o la motosierra. El aceite podría derramarse y provocar un incendio.

**AVISO:** La motosierra no se suministra llena de aceite. Es esencial llenar de aceite el depósito antes de utilizarla. La cadena se lubrica de forma automática con aceite para cadenas durante el funcionamiento.

1. Coloque la motosierra de lado con el tapón del depósito de aceite hacia arriba.
2. Limpie el tapón del depósito de aceite y la zona a su alrededor para asegurarse de que no penetre suciedad en el depósito.

3. Coloque la motosierra de costado sobre una superficie firme y plana, de manera que el tapón del depósito quede orientado hacia arriba. Levante la placa semicircular y quite el tapón del depósito de aceite girándolo en sentido antihorario (fig. H).
4. Con cuidado, vierta aceite para cadenas y espadas en el depósito. Llene hasta la línea «MAX».
5. Limpie con un paño el exceso de aceite y vuelva a poner el tapón.

**AVISO:** Compruebe con frecuencia el nivel de aceite y rellénelo cuando esté por debajo de la línea del mínimo. Nunca utilice la motosierra si no puede verse aceite por la mirilla.

### INSTALAR/QUITAR LA BATERÍA

**Cargue totalmente la batería antes de usarla por primera vez.**

Use la herramienta solo con baterías recargables y cargadores incluidos en la lista de la fig. A2.

#### Instalar (fig. I)

Alinee las nervaduras de la batería con las ranuras de montaje y, a continuación, introduzca la batería en la herramienta, deslizándola hasta oír que enclava en la posición correcta.

#### Desinstalar (fig. J)

Pulse el botón de liberación de la batería y saque la batería.

### PUESTA EN MARCHA/PARADA DE LA MOTOSIERRA

**AVISO:** Antes de poner en marcha la motosierra, compruebe el nivel de aceite, el afilado de los dientes de la cadena y el funcionamiento correcto del freno de cadena/guarda de protección de mano. Además, debe mantener un buen equilibrio de los pies y una distancia al suelo adecuada.

#### Puesta en marcha

1. Tire de la palanca del freno de cadena/guarda de protección de mano hacia la empuñadura delantera, hasta su posición de uso normal (fig. K).
2. Sujete firmemente las empuñaduras delantera y trasera con ambas manos.
3. Mantenga pulsado el botón de desbloqueo con el pulgar de su mano derecha y, a continuación, apriete el gatillo interruptor para la velocidad variable con los dedos de su mano derecha para poner en marcha la motosierra (fig. L).
4. Suelte el botón de desbloqueo y continúe apretando el gatillo interruptor para seguir utilizando la motosierra de manera continua.

**⚠ ADVERTENCIA:** No intente poner en marcha la motosierra si la cadena está insertada en un corte.

#### Parada

1. Suelte el gatillo interruptor para la velocidad variable

para parar la motosierra.

- Empuje la palanca del freno de cadena/guarda de protección de mano hacia adelante hasta su posición accionada para activar el freno de cadena (fig. K).

**⚠ ADVERTENCIA:** Asegúrese siempre de quitar la batería de la motosierra durante cualquier de trabajo y cuando haya finalizado la tarea.

ES

### Sujeción correcta de las empuñaduras (fig. M)

- Utilice guantes antideslizantes para un mayor agarre y protección.
- Con la motosierra colocada sobre una superficie firme y plana, sujétela firmemente con ambas manos.
- Sujete siempre la empuñadura delantera con la mano izquierda y la empuñadura trasera con la mano derecha.
- Los dedos deberán envolver la empuñadura, con el pulgar replegado debajo de la empuñadura delantera.

**⚠ ADVERTENCIA:** Nunca sujete la motosierra con las manos colocadas al revés de lo indicado (como si fuera zurdo) ni en cualquier otra postura que pudiera colocar su cuerpo o brazo en la trayectoria de la línea de corte de la cadena (fig. N).

### Postura adecuada para cortar (fig. O)

- Ambos pies deberán estar bien apoyados en suelo firme, con el peso repartido uniformemente entre ellos.
- El brazo izquierdo deberá estar extendido, con el codo bloqueado en posición. Esta postura contribuirá a contrarrestar las fuerzas generadas por el retroceso.
- Su cuerpo deberá quedar siempre a la izquierda de la línea de corte de la cadena.

### INSTRUCCIONES RELATIVAS A LAS TÉCNICAS BÁSICAS ADECUADAS PARA TALA, DESRAME Y TROZADA

**⚠ ADVERTENCIA:** Asegúrese siempre de mantener un buen equilibrio y sostener la motosierra firmemente con ambas manos mientras su motor esté en marcha.

**⚠ ADVERTENCIA:** Si la cadena se detiene porque se queda trabada durante el corte, suelte el gatillo interruptor, y saque la espada y la cadena de la ranura de corte antes de volver a poner en marcha la motosierra.

**⚠ ADVERTENCIA:** No tire de la cadena con la mano cuando esté bloqueada con serrín. Podrían producirse lesiones graves si la motosierra llegara a ponerse en marcha de manera fortuita. Presione la cadena contra la madera y desplace la motosierra hacia adelante y hacia atrás para descargar los residuos. Quite siempre la batería antes de limpiar la herramienta. Utilice guantes gruesos de protección cuando manipule la cadena.

**⚠ ADVERTENCIA:** Nunca ponga en marcha la

motosierra mientras está en contacto con la madera. Espere siempre a que la motosierra alcance sus revoluciones máximas antes de acercarse a la cadena a la madera.

### TALA DE ÁRBOLES

- Quando las operaciones de tala y fragmentación se lleven a cabo entre dos o más personas de forma simultánea, la operación de tala deberá efectuarse alejada de la operación de fragmentación, a una distancia equivalente a al menos dos veces la altura del árbol que se está talando. Los árboles no deberán talarse de manera que puedan suponer un peligro para cualquier persona, golpear un cable eléctrico o causar daños materiales. Si el árbol llegara a tocar cables del tendido eléctrico, deberá avisarse inmediatamente a la empresa de distribución eléctrica.
- Al talar un árbol en terreno inclinado, el usuario de la motosierra deberá situarse en la zona más elevada de la pendiente, ya que el árbol tenderá a rodar o deslizarse cuesta abajo una vez talado.
- Hay que prever una ruta de escape y despejarla en caso necesario antes de empezar a cortar. La ruta de escape deberá prolongarse hacia atrás y en diagonal con respecto a la línea de caída prevista, como se muestra en la fig. P.

P-1	Dirección de tala
P-2	Ruta de escape de seguridad

- Antes de iniciar la tala, tenga en cuenta la inclinación natural del árbol, la ubicación de las ramas más grandes y la dirección del viento, para determinar la manera en que el árbol va a caer.
- Quite la suciedad, las piedras, la corteza suelta, los clavos, grapas y alambres que pueda haber en el árbol.

### Corte direccional

Haga el corte direccional hasta una profundidad de 1/3 del diámetro del árbol y perpendicular a la dirección de caída según se muestra en la fig. Q. Haga primero el corte direccional horizontal inferior. Esto ayudará a evitar que la cadena o espada se traben en el corte al efectuar el segundo corte.

Q-1	Dirección de caída
Q-2	Hendidura
Q-3	Corte de tala
Q-4	Bisagra

### Corte de tala

- Haga el corte de tala al menos 50 mm más alto que el corte direccional horizontal, como se muestra en la fig. Q. Mantenga el corte de tala paralelo con respecto al corte direccional horizontal. Haga el corte de tala a una profundidad tal que quede suficiente madera para actuar a modo de bisagra. La madera de la bisagra sujetará el árbol evitando que se tuerza y caiga en la dirección equivocada. No corte a través de la bisagra.
- A medida que el corte de tala se acerca a la bisagra, el árbol deberá iniciar su caída. Si hay alguna posibilidad de que el árbol no vaya a caer en la dirección deseada o pueda inclinarse hacia atrás y trabar la cadena, interrumpa el corte de tala antes de completarlo y utilice cuñas de derribo de madera, plástico o aluminio para abrir el corte y obligar a que el árbol caiga a lo largo de la trayectoria de caída deseada.
- Cuando el árbol comience a caer, retire la motosierra del corte, apague el motor, deposite la motosierra en el suelo y utilice la ruta de escape prevista. Esté atento a las ramas que puedan caer y procure mantener el equilibrio.

### Desrame de árboles

- El desrame consiste en eliminar las ramas de un árbol caído. Cuando lleve a cabo el desrame, deje las ramas inferiores más gruesas, de manera que soporten al tronco y no esté descansando sobre el suelo. Retire las ramas más pequeñas de una sola pasada, tal como se muestra en la fig. R. Las ramas que están en tensión deberán cortarse desde abajo hacia arriba, para evitar que la motosierra se trabé.

### Fragmentación de troncos

- La fragmentación de troncos consiste en cortar un árbol ya derribado en tramos más cortos. Es importante asegurarse de mantener un buen equilibrio y de repartir el peso uniformemente entre ambos pies. Cuando sea posible, deberá elevarse el tronco y apoyarlo sobre ramas, tocones o calzos. Siga las instrucciones básicas indicadas a continuación para efectuar cortes de manera fácil.
- Cuando el tronco esté apoyado en toda su longitud, como se muestra en la fig. S1, deberá cortarse desde arriba (fragmentación por arriba).
- Cuando el tronco esté apoyado únicamente en un extremo, como se muestra en la fig. S2, corte desde la parte inferior (fragmentación por abajo) hasta una profundidad de 1/3 de su diámetro. Finalice efectuando un corte desde arriba hasta alcanzar el primer corte.

- Cuando el tronco esté apoyado en ambos extremos, como se muestra en la fig. S3, corte desde la parte superior (fragmentación por arriba) hasta una profundidad de 1/3 de su diámetro. Finalice efectuando un corte desde abajo hasta una profundidad de 2/3 del diámetro y alcanzar el primer corte.
- Al fragmentar troncos en una pendiente, colóquese siempre en el lado más elevado de la misma, como se muestra en la fig. T.
- Cuando corte a través del tronco, para mantener un control total, relaje la presión de corte cerca del final de corte sin reducir la firmeza de agarre de las empuñaduras de la motosierra. No deje que la cadena llegue a tocar el suelo. Una vez completado el corte, espere a que la cadena se haya detenido antes de mover la motosierra. Apague siempre el motor antes de pasar de un árbol a otro.

## MANTENIMIENTO

**⚠ ADVERTENCIA:** Cuando repare la herramienta, utilice solo piezas idénticas a las originales. La utilización de otras piezas podría suponer un peligro o causar daños en el producto.

**⚠ ADVERTENCIA:** Para evitar lesiones físicas graves, asegúrese siempre de quitar la batería de la motosierra antes de proceder a examinarla, limpiarla o llevar a cabo cualquier tarea de mantenimiento. Una herramienta eléctrica que tenga instalada la batería siempre estará bajo tensión y podrá ponerse en marcha accidentalmente.

**⚠ ADVERTENCIA:** Al limpiar la motosierra, NO la sumerja en agua ni en ningún otro líquido.

**⚠ ADVERTENCIA:** No deje nunca que las piezas de plástico entren en contacto con líquido de frenos, gasolina, productos derivados del petróleo, aceites penetrantes, etc. Los productos químicos podrían dañar, debilitar o destruir el plástico, con el consiguiente riesgo de provocar lesiones graves.

### LIMPIEZA

- Después de cada uso, limpie cualquier residuo o acumulación de material de la cadena y la espada utilizando un cepillo suave. Limpie la superficie de la motosierra con un paño limpio, humedecido con una solución de agua y detergente suave.
- Quite la tapa lateral y, a continuación, utilice un cepillo suave para eliminar residuos y acumulaciones de material de la espada, la cadena, el piñón y la tapa lateral.

- Limpie siempre el carril de la espada de cualquier acumulación de virutas de madera, serrín y suciedad cuando proceda a sustituir la cadena.

## MANTENIMIENTO DE LA ESPADA

ES Cuando observe signos de desgaste en la espada, desmóntela del cabezal de la motosierra y vuelva a montarla en posición invertida (fig. U1). De este modo, el desgaste se repartirá y se maximizará la vida útil de la espada.

La espada deberá limpiarse tras cada día de utilización y examinarse por si presentase desgaste o daños. Los rebordes o rebabas presentes en el carril de la espada son un proceso normal de desgaste de la espada. Dichas anomalías deberán alisarse con una lima en cuanto se produzcan. Una espada que muestre cualquiera de las siguientes anomalías deberá sustituirse.

- Desgaste en el carril de la espada que permite a la cadena acostarse hacia los lados.
- Espada doblada o deformada.
- Carril con grietas o roturas.
- Carril ensanchado.

Además, la espada tiene un piñón en la punta (fig. U2). El piñón deberá lubricarse semanalmente utilizando una jeringa o pistola de engrase para así prolongar la vida útil de la espada. Utilice una jeringa o pistola de engrase para lubricar semanalmente el piñón con aceite para cadenas a través del orificio de lubricación (fig. U3). Gire la espada y compruebe que los orificios de lubricación y el carril de la cadena están libres de suciedad.

U2-1	Piñón en la punta de la espada
U2-2	Orificio de lubricación

## TRANSPORTE Y ALMACENAMIENTO

- No almacene ni transporte la motosierra mientras está funcionando. Quite siempre la batería antes de guardar o transportar la herramienta.
- Coloque siempre el protector de espada en la cadena y la espada antes de guardar o transportar la motosierra. Tenga cuidado para evitar cortarse con los dientes afilados de la cadena.
- Limpie a fondo la motosierra antes de guardarla. Guarde la motosierra en interiores, en un lugar seco, cerrado bajo llave o inaccesible para los niños.
- Manténgala apartada de agentes corrosivos, como productos químicos de jardinería y sal para deshielo.

## Protección del medio ambiente



RAEE (Residuos de Aparatos Eléctricos y Electrónicos) ¡No elimine aparatos eléctricos, baterías usadas ni cargadores de baterías junto con los desperdicios domésticos! Lleve este producto a un punto de reciclaje autorizado y dépositelo por separado según corresponda. Las herramientas eléctricas se deben llevar a un punto de reciclaje con fin de proteger el medio ambiente.

## SOLUCIÓN DE PROBLEMAS

**⚠ ADVERTENCIA:** Proteja siempre sus manos utilizando guantes gruesos cuando lleve a cabo cualquier operación de mantenimiento en la cadena de la motosierra. Quite siempre la batería antes de guardar o transportar la motosierra.

ES

PROBLEMA	CAUSA	SOLUCIÓN
El motor no arranca.	<ul style="list-style-type: none"> <li>■ La batería no está insertada correctamente en la motosierra.</li> <li>■ No hay contacto eléctrico entre la batería y la motosierra.</li> <li>■ La batería está agotada.</li> <li>■ La batería o el circuito de la motosierra se han sobrecalentado.</li> <li>■ Freno de cadena activado.</li> <li>■ Residuos en el carril de la espada.</li> <li>■ Residuos acumulados en la tapa lateral.</li> </ul>	<ul style="list-style-type: none"> <li>■ Inserte la batería correctamente en la motosierra.</li> <li>■ Quite la batería, compruebe los contactos eléctricos y vuelva a instalarla.</li> <li>■ Cargue la batería.</li> <li>■ Espere a que la batería o la motosierra se hayan enfriado lo suficiente hasta que su temperatura sea inferior a 67°C.</li> <li>■ Tire hacia atrás de la palanca del freno de cadena/guarda de protección de mano hacia la empuñadura delantera, hasta la posición de funcionamiento.</li> <li>■ Presione la cadena contra la madera y desplace la motosierra hacia adelante y hacia atrás para descargar los residuos.</li> <li>■ Quite la batería y, a continuación, desmonte la tapa lateral y limpie los residuos.</li> </ul>
La cadena se para durante el funcionamiento.	<ul style="list-style-type: none"> <li>■ La motosierra se ha sobrecargado.</li> <li>■ La batería o el circuito de la motosierra se han sobrecalentado.</li> <li>■ Cadena clavada en la madera.</li> </ul>	<ul style="list-style-type: none"> <li>■ Reduzca la carga.</li> <li>■ Reduzca la carga. Espere a que la batería o la motosierra se hayan enfriado lo suficiente hasta que su temperatura sea inferior a 67°C.</li> <li>■ Suelte el gatillo interruptor para la velocidad variable, saque la espada y la cadena de la madera y vuelva a poner en marcha la motosierra.</li> </ul>
El motor funciona, pero la cadena no gira.	<ul style="list-style-type: none"> <li>■ La cadena no está engranada en el piñón de arrastre.</li> </ul>	<ul style="list-style-type: none"> <li>■ Vuelva a instalar la cadena, asegurándose de que los eslabones de arrastre de la cadena han engranado en los dientes del piñón.</li> </ul>
El freno de cadena no se activa.	<ul style="list-style-type: none"> <li>■ Hay una acumulación de residuos o virutas que impiden que la palanca del freno de cadena/guarda de protección de mano se desplace como es debido.</li> <li>■ Posible avería del freno de cadena.</li> </ul>	<ul style="list-style-type: none"> <li>■ Limpie los residuos del mecanismo del freno de cadena exterior.</li> <li>■ Póngase en contacto con el departamento de atención al cliente de EGO para solicitar una reparación.</li> </ul>

PROBLEMA	CAUSA	SOLUCIÓN
La motosierra no corta correctamente.	<ul style="list-style-type: none"> <li>■ Cadena destensada.</li> <li>■ Cadena embotada.</li> <li>■ Cadena instalada al revés.</li> <li>■ Cadena desgastada.</li> <li>■ Cadena seca o excesivamente estirada.</li> <li>■ La cadena no está bien asentada en el carril de la espada.</li> </ul>	<ul style="list-style-type: none"> <li>■ Vuelva a ajustar la tensión de la cadena según se indica en el apartado titulado «<b>CÓMO AJUSTAR LA TENSIÓN DE LA CADENA</b>».</li> <li>■ Afíle la cadena.</li> <li>■ Vuelva a instalar la cadena de la sierra, siguiendo el apartado «<b>MONTAJE Y SUSTITUCIÓN DE LA ESPADA Y LA CADENA</b>».</li> <li>■ Sustituya la cadena según se indica en el apartado titulado «<b>MONTAJE Y SUSTITUCIÓN DE LA ESPADA Y LA CADENA</b>».</li> <li>■ Compruebe el nivel de aceite. Si es necesario, rellene el depósito de aceite.</li> <li>■ Vuelva a instalar la cadena según se indica en el apartado titulado «<b>MONTAJE Y SUSTITUCIÓN DE LA ESPADA Y LA CADENA</b>».</li> </ul>
La cadena se afloja o cuelga de la espada durante el uso normal..	<ul style="list-style-type: none"> <li>■ La cadena se afloja a medida que se calienta durante el uso normal de la sierra.</li> <li>■ La cadena no está engranada en el piñón de arrastre.</li> </ul>	<ul style="list-style-type: none"> <li>■ Tense la cadena siguiendo las indicaciones del apartado «<b>CÓMO AJUSTAR LA TENSIÓN DE LA CADENA</b>».</li> <li>■ Vuelva a instalar la cadena según se indica en el apartado titulado «<b>MONTAJE Y SUSTITUCIÓN DE LA ESPADA Y LA CADENA</b>».</li> </ul>

## GARANTÍA

### POLÍTICA DE GARANTÍA DE EGO

Visite la página web [egopowerplus.eu](http://egopowerplus.eu) para conocer los términos y condiciones completos de la política de garantía de EGO.

## LEIA TODAS AS INSTRUÇÕES!



### LEIA O MANUAL DE INSTRUÇÕES

**⚠ Riscos residuais!** As pessoas com dispositivos eletrônicos, como pacemakers, deverão consultar o seu médico antes de utilizarem este produto. A utilização de equipamento elétrico perto de um pacemaker pode causar interferências ou falhas no pacemaker.

PT

## SÍMBOLO DE SEGURANÇA

O objetivo dos símbolos de segurança é chamar a atenção para possíveis perigos. Os símbolos de segurança e as explicações apresentadas com eles requerem a sua atenção e compreensão. Os avisos de segurança, só por eles, não eliminam o perigo. As instruções e avisos dados não são substitutos para medidas de prevenção adequadas a acidentes.

**⚠ AVISO:** Certifique-se de que lê e compreende todos os avisos de segurança neste manual do utilizador, incluindo todos os símbolos de alerta de segurança, como "**PERIGO**", "**AVISO**" e "**CUIDADO**" antes de usar esta ferramenta. Não seguir todas as instruções apresentadas abaixo pode resultar em choque elétrico, incêndio e/ou ferimentos graves.

## SIGNIFICADO DOS SÍMBOLOS

Esta página retrata e descreve os símbolos de segurança que podem aparecer neste produto. Leia, compreenda e siga todas as instruções na máquina antes de tentar montar e utilizar.

## SÍMBOLOS DE SEGURANÇA



Alerta de segurança



Leia e compreenda o manual de instruções.



Use proteção ocular.



Utilize proteção auditiva.



Use proteção para a cabeça.



Use luvas de proteção.



Tenha cuidado com os ressaltos da motosserra e evite contactar com a ponta da barra.



Ressalto da ponta da barra de orientação



Use sempre a motosserra com as duas mãos.



Não exponha à chuva.



Informação da barra de orientação



Nível de potência do som garantido.



REEE



Este produto está em conformidade com a legislação aplicável do Reino Unido.



Este produto encontra-se em conformidade com as diretivas CE aplicáveis.



Corrente direta

V Volts

A Amperes

Hz Hertz

W Watt

min Minutos

$n_0$  Velocidade Sem Carga

PT

... /min Por minuto

## CARACTERÍSTICAS TÉCNICAS

Engate da serra	56 V
Extremidade da corrente	400 mm (CS1610E)
	350 mm (CS1410E)
Velocidade da corrente	3/8" (9,5 mm)
Tipo de corrente da serra	1,1 mm
Tipo de barra de orientação	20 m/s
Capacidade do depósito do óleo da corrente	CS1610E AC1600/AC1601 (Recomendado) AC1400/ AC1401 (Compatível)
	CS1410E AC1400/ AC1401 (Recomendado) AC1600/ AC1601 (Compatível)
Temperatura de funcionamento	CS1610E AG1600/AG1601 (Recomendado) AG1400/AG1401 (Compatível)
	CS1410E AG1400/ AG1401 (Recomendado) AG1600/ AG1601 (Compatível)
Temperatura de armazenamento	150 ml
Peso líquido (sem a bateria, bainha da corrente)	-15°C–40°C
Storage Temperature	-20°C–70°C
Net Weight (Without battery pack, chain sheath)	3,9 kg (CS1610E) 3,8 kg (CS1410E)

Nível de potência do som medido $L_{WA}$	102,25 dB(A) K=1,4 dB(A)
Nível da pressão do som no ouvido do operador $L_{PA}$	91,25 dB(A) K=2,5 dB(A)
Nível de potência do som garantido $L_{WA}$ (de acordo com a 2000/14/CE)	103 dB(A)
Vibração $a_h$	Pega dianteira K=1,5 m/s <sup>2</sup>
	Pega traseira K=1,5 m/s <sup>2</sup>

- O valor total declarado da vibração foi medido de acordo com um método de teste padrão e pode ser usado para comparar duas ferramentas.
- O valor total declarado da vibração também pode ser usado numa avaliação preliminar da exposição.

**AVISO:** A emissão de vibrações durante a utilização da ferramenta elétrica pode diferir do valor declarado em que a ferramenta é usada. De modo a proteger o utilizador, este deverá usar luvas e proteção auditiva nas condições atuais de utilização.

## LISTA DE PEÇAS (IMAGEM A1)

### DESCRIÇÃO

#### CONHEÇA A SUA MOTOSSERRA (Imagem A1)

1. Interruptor do gatilho de velocidade variável
2. Pega traseira
3. Botão de desbloqueio
4. Pega dianteira
5. Pega do travão de ressalto da corrente
6. Corrente da serra



7. Barra de orientação
8. Tampa do depósito do óleo
9. Janela de inspeção do óleo
10. Contactos elétricos
11. Botão de libertação da bateria
12. Manípulo de ajuste da tensão da corrente
13. Cobertura lateral
14. Manípulo da cobertura lateral
15. Bainha da corrente

## MONTAGEM

### MONTAR/SUBSTITUIR A BARRA E A CORRENTE

**⚠️ AVISO:** Ajuste a pega do travão de ressalto da corrente para a posição de travado antes da montagem.

1. Posicione a cabeça do motor da motosserra de lado com a cobertura lateral virada para cima (Imagem B).
2. Rode o manípulo de cobertura lateral no sentido inverso ao dos ponteiros do relógio para retirar a cobertura lateral e desapertar o manípulo de tensão da corrente tanto quanto possível.
3. Coloque a nova corrente da serra num arco numa superfície plana e endireite quaisquer dobras (Imagem C).
4. Coloque os elos condutores da corrente na ranhura da barra de orientação e coloque a corrente em arco na parte traseira da barra de orientação (Imagem D).
5. Segure a corrente em posição na barra de orientação e coloque o arco à volta da roda dentada da cabeça de alimentação.
6. Deslize a ranhura da barra de orientação sobre os rebordos de alinhamento até que a cavilha de ajuste da tensão esteja inserida no orifício inferior na cauda da barra (Imagem E1).

**AVISO:** Existem pequenas setas direcionais gravadas na corrente da serra. Existem outras setas direcionais moldadas na estrutura. Quando passar a corrente da serra à volta da roda dentada, certifique-se de que a direção das setas na corrente da serra corresponde à direção das setas na estrutura. Se estiverem em direções opostas, vire o conjunto da corrente da serra e da barra de orientação (Imagem E2.)

7. Volte a colocar a cobertura lateral e aperte ligeiramente o manípulo da cobertura lateral.
8. Levante a ponta da barra de orientação para verificar se existe abatimento (Imagem F). Liberte a ponta da barra de orientação e rode o manípulo de ajuste da

tensão da corrente no sentido dos ponteiros do relógio. Repita este processo até eliminar o abatimento.

9. Aperte bem o manípulo da cobertura lateral para se certificar de que a corrente da serra tem a tensão adequada antes da utilização.

D-1	Elos condutores da corrente	E-2	Cavilha de ajuste da tensão
D-2	Ranhura da barra de orientação	E-3	Ranhura da barra de orientação
E-1	Rebordo de alinhamento	E-4	Roda dentada

**AVISO:** Para aumentar o tempo de vida útil da barra de orientação, inverta-a ocasionalmente.

**AVISO:** Se a corrente estiver demasiado apertada esta não irá rodar. Desaperte ligeiramente o manípulo da cobertura lateral e rode o manípulo de ajuste da tensão da corrente uma vez no sentido inverso ao dos ponteiros do relógio. Levante a ponta da barra de orientação e volte a apertar bem o manípulo da cobertura lateral. Certifique-se de que a corrente roda sem prender.

### AJUSTAR A TENSÃO DA CORRENTE

- Pare o motor e retire a bateria antes de ajustar a tensão da corrente. Certifique-se de que o manípulo da cobertura lateral está desapertado. Rode o manípulo de ajuste da tensão da corrente no sentido dos ponteiros do relógio para apertar a corrente. Consulte a secção: "MONTAGEM/SUBSTITUIÇÃO DA BARRA E CORRENTE" para obter mais informações.
- Uma serra fria tem a tensão correta quando não houver folga na parte inferior da barra de orientação, a serra estiver justa, mas conseguir girá-la à mão sem prender. A corrente tem de ser apertada novamente quando a superfície achatada nos elos condutores não assentar na ranhura da barra.
- Durante o funcionamento normal da serra, a temperatura da corrente aumenta. Os elos condutores de uma corrente quente com a tensão correta ficam pendurados a cerca de 1,3 mm fora da ranhura da barra (Imagem G).

**AVISO:** Serras novas têm tendência a esticar. Verifique frequentemente a tensão da serra e aperte sempre que necessário.

**AVISO:** Apertar uma serra enquanto esta estiver quente pode deixá-la demasiado apertada quando arrefecer. Verifique a "tensão a frio" antes da utilização seguinte.

## FUNCIONAMENTO

**AVISO:** Não deixe que a sua familiaridade com o produto o torne descuidado. Lembre-se de que uma fração de segundo de desatenção é o suficiente para sofrer um ferimento sério.

**AVISO:** Não utilize quaisquer acessórios para além dos recomendados pelo fabricante deste produto. A utilização de acessórios que não sejam recomendados pode dar origem a lesões pessoais sérias.

**AVISO:** Para evitar a ligação accidental que pode provocar ferimentos pessoais graves, retire sempre a bateria da ferramenta quando montar as peças, fizer ajustes, proceder à limpeza ou quando não em uso. Antes de cada utilização, inspecione todo o produto quanto a peças danificadas, em falta ou soltas, como parafusos, porcas, tampas, etc. Aperte bem todos os fixadores e tampas e não utilize este produto até que todas as peças em falta ou danificadas sejam substituídas.

## APLICAÇÕES

Pode usar este produto para o abate simples, corte de ramos, poda e corte de madeira e árvores.

## ADICIONAR LUBRIFICANTE À BARRA E À SERRA

**AVISO:** Não fume nem aproxime chamas do óleo ou da motosserra. O óleo pode ser derramado e causar um incêndio.

**AVISO:** A motosserra não vem com óleo na altura da compra. É essencial abastecer com óleo antes da utilização. A corrente é lubrificada automaticamente com óleo da corrente durante o funcionamento.

1. Posicione a motosserra de lado com o depósito do óleo virado para cima.
2. Limpe a tampa do depósito do óleo e a área em redor desta, para se certificar de que não entra lixo no depósito do óleo.
3. Posicione a motosserra de lado numa superfície firme e plana, de modo a que a tampa do depósito fique virada para cima. Levante a placa semicircular e rode a tampa do depósito do óleo no sentido inverso ao dos ponteiros do relógio para a retirar (Imagem H).
4. Deite cuidadosamente o óleo da barra e da serra no depósito. Encha até à linha MAX.
5. Limpe o excesso de óleo e volte a colocar a tampa.

**AVISO:** Verifique frequentemente o nível do óleo e encha quando o nível descer abaixo da linha de mínimo. Nunca utilize a motosserra se o óleo não for visível.

## FIXAR/RETIRAR A BATERIA

**Carregue por completo antes da primeira utilização.**

Use apenas com baterias e carregadores listados na Imagem A2.

### Para fixar (Imagem I)

Alinhe as nervuras da bateria com as ranhuras de fixação, depois faça deslizar a bateria para a ferramenta até encaixar na respetiva posição.

### Para libertar (Imagem J)

Prima o botão de libertação da bateria e puxe a bateria para fora.

## LIGAR/DESLIGAR A MOTOSSERRA

**AVISO:** Antes de ligar a motosserra, verifique o nível do óleo, se os dentes da serra estão afiados e se a pega do travão de ressalto está a funcionar corretamente. Adicionalmente, é necessário manter a distância correta do solo e uma base estável.

### Para ligar

1. Puxe a pega do travão do ressalto da corrente na direção da pega dianteira para a posição de funcionamento (Imagem K).
2. Segure firmemente as pegas dianteira e traseira usando ambas as mãos.
3. Prima e mantenha premido o botão de desbloqueio com o polegar da sua mão direita e depois prima o gatilho da velocidade variável com os dedos da sua mão direita para ligar a motosserra (Imagem L).
4. Liberte o botão de desbloqueio e continue a premir o gatilho para uma utilização prolongada.

**AVISO:** Não tente ligar a motosserra quando a corrente da serra estiver num corte.

### Parar

1. Liberte o gatilho da velocidade variável para parar a motosserra.
2. Pressione a pega do travão do ressalto da corrente para a frente para a posição de travagem para ativar o travão da corrente (Imagem K).

**AVISO:** Retire sempre a bateria da motosserra durante pausas de trabalho e após terminar o trabalho.

### Segurar corretamente as pegas (Imagem M)

- Use luvas antiderrapantes para um fixar e proteção máximos.
- Com a serra numa superfície firme e plana, segure firmemente a serra com ambas as mãos.
- Segure sempre a pega dianteira com a mão esquerda e a pega traseira com a mão direita.

- Os dedos deverão envolver a pega, com o polegar por baixo da pega dianteira.

**AVISO:** Nunca use uma pega para canhotos (mãos cruzadas) nem nunca coloque o seu corpo ou braço através da linha da corrente (Imagem N).

#### Postura adequada para corte (Imagem O)

- Ambos os pés deverão estar em chão sólido, com o peso dividido uniformemente entre eles.
- O braço esquerdo deverá estar esticado, com o cotovelo apertado. Isto ajuda a aguentar as forças geradas pelo ressalto.
- O seu corpo deverá estar sempre do lado esquerdo da linha da corrente.

#### INSTRUÇÕES RELACIONADAS COM AS TÉCNICAS CORRETAS PARA CORTE-CRUZADO, CORTE DE RAMOS E ABATE BÁSICO

**AVISO:** Certifique-se sempre de que está estável e segure firmemente a motosserra com ambas as mãos quando o motor estiver a funcionar.

**AVISO:** Quando a corrente da serra parar por ter ficado presa durante o corte, deixe de premir o interruptor do gatilho. Retire a corrente da serra e a barra de orientação da madeira e volte a ligar a motosserra.

**AVISO:** Não puxe a corrente da serra com a mão quando estiver presa pela serradura. Podem ocorrer ferimentos sérios se a motosserra se ligar acidentalmente. Pressione a motosserra contra a madeira, mova-a para a frente e para trás para retirar os resíduos. Retire sempre a bateria antes de proceder à limpeza. Use luvas de proteção resistentes quando montar a corrente da serra.

**AVISO:** Nunca ligue a motosserra quando estiver em contacto com a madeira. Deixe a motosserra atingir a velocidade máxima antes de entrar em contacto com a madeira.

#### ABATE DE UMA ÁRVORE

- Quando operações de corte e abate estão a ser desempenhadas por duas ou mais pessoas ao mesmo tempo, a operação de abate deve ser separada da operação de corte por uma distância de, pelo menos, o dobro da altura da árvore para abate. As árvores não deverão ser abatidas de modo a colocar pessoas em perigo, a bater em linhas utilitárias ou a causar danos patrimoniais. Se a árvore entrar em contacto com linhas utilitárias, a empresa utilitária deverá ser notificada imediatamente.

- O operador da motosserra deverá manter-se do lado superior do terreno, pois é provável que a árvore role pela colina abaixo mal seja cortada.
- Deverá planear um caminho de fuga antes de começar os cortes. O caminho de fuga deverá estender-se para trás e na diagonal para trás da linha esperada do abate, conforme apresentado na Imagem P.

P-1	Direção da queda
P-2	Caminho seguro de fuga

- Antes de iniciar o abate, considere a inclinação natural da árvore, a localização dos ramos de maior dimensão e a direção do vento para avaliar de que forma a árvore vai cair.
- Retire detritos, pedras, casca solta, pregos, agramos e fios da árvore.

#### Corte de entalhe inferior

Faça o entalhe 1/3 do diâmetro da árvore, perpendicular à direção da queda, conforme indicado na Imagem Q. Faça primeiro o entalhe horizontal inferior. Isto ajuda a evitar que a corrente da serra ou a barra de orientação fiquem presas quando efetuar o segundo entalhe.

Q-1	Direção da queda
Q-2	Entalhe
Q-3	Corte traseiro de queda
Q-4	Articulação

#### Corte traseiro de queda

- Faça o corte traseiro de queda a, pelo menos, 50 mm acima do corte de entalhe horizontal, conforme apresentado na Imagem Q. Mantenha o corte traseiro de queda paralelo ao corte de entalhe horizontal. Faça o corte traseiro de queda de modo a deixar madeira suficiente para agir como articulação. A madeira que serve de articulação impede a árvore de torcer e cair na direção errada. Não corte a parte que serve de articulação.
- À medida que o corte de derrube se aproxima da articulação, a árvore deve começar a cair. Se houver a possibilidade de a árvore não cair na direção desejada ou oscilar para trás e prender a motosserra, pare o corte antes de terminar o corte traseiro de queda e use calços de madeira, plástico ou alumínio para abrir o corte e fazer a árvore cair ao longo da linha desejada de queda.

- Quando a árvore começa a cair, retire a motosserra do corte, pare o motor, coloque a motosserra no chão e use o caminho de fuga, conforme planeado. Esteja atento a ramos por cima de si que estejam a cair, e mantenha uma base estável para os pés.

### Corte de ramos de uma árvore

- Deve cortar os ramos de uma árvore abatida. Quando cortar os ramos, deixe os ramos inferiores mais grossos para suportar o tronco do chão. Retire os ramos pequenos num corte, conforme apresentado na Imagem R. Os ramos sob tensão deverão ser cortados de baixo para cima, para evitar que a motosserra fique presa.

### Cortar um tronco

- Um tronco caído deverá ser cortado em pedaços. É importante certificar-se de que está bem apoiado e que o seu peso está bem distribuído em ambos os pés. Sempre que possível, o tronco deverá ser levantado e suportado, usando os ramos, troncos ou calços. Siga a direção simples para um corte fácil.
- Quando o tronco está suportado ao longo de todo o seu comprimento, conforme apresentado na Imagem S1, corte-o do topo (corte superior).
- Quando o tronco está suportado por uma extremidade, conforme apresentado na Imagem S2, corte 1/3 do diâmetro por baixo (corte inferior). A seguir, faça o corte final, fazendo o corte superior de encontro ao primeiro corte.
- Quando o tronco está suportado em ambas as extremidades, conforme apresentado na Imagem S3, corte 1/3 do diâmetro por cima (corte superior). A seguir, faça o corte final, fazendo o corte inferior 2/3 de encontro ao primeiro corte.
- Quando cortar um tronco numa encosta, fique sempre na parte superior do tronco, conforme apresentado na Imagem T.
- Quando "cortar tudo" para manter um controlo completo, liberte a pressão de corte perto da extremidade do corte sem deixar de segurar bem as pegas da motosserra. Não permita que a corrente entre em contacto com o chão. Após completar o corte, espere que a corrente da serra pare por completo antes de mover a motosserra. Pare sempre o motor antes de passar para outra árvore.

## MANUTENÇÃO

**⚠ AVISO:** Quando fizer reparações, utilize apenas peças de substituição idênticas. A utilização de outras peças pode dar origem a perigos ou danos no produto.

**⚠ AVISO:** Para evitar lesões pessoais sérias, retire a bateria da motosserra antes de inspecionar, limpar ou efetuar a manutenção. Uma ferramenta que funcione a bateria e que tenha a bateria inserida está sempre ligada e pode começar a funcionar acidentalmente.

**⚠ AVISO:** Quando limpar a motosserra, NÃO mergulhe em água ou outros líquidos.

**⚠ AVISO:** Nunca permita que o líquido dos travões, gasolina, produtos à base de petróleo, óleos penetrantes, etc., entrem em contacto com as peças de plástico. Os químicos podem danificar, enfraquecer ou destruir plástico, o que pode dar origem a lesões pessoais sérias.

## LIMPEZA

- Após cada utilização, limpe os resíduos da corrente e barra de orientação com uma escova suave. Limpe a superfície da motosserra com um pano limpo embebido numa solução neutra de sabão.
- Retire a cobertura lateral e depois use uma escova suave para retirar os resíduos da barra de orientação, corrente da serra, roda dentada e cobertura lateral.
- Limpe sempre as lascas, serradura e sujidade da ranhura da barra de orientação quando voltar a colocar a corrente da serra.

## MANUTENÇÃO DA BARRA DE ORIENTAÇÃO

Quando a barra de orientação apresentar sinais de desgaste, desmonte-a da cabeça do motor da motosserra e vire-a para a voltar a montar (Imagem U1). Nesse caso, irá redistribuir o desgaste, para um tempo máximo de vida da barra.

A barra deverá ser limpa todos os dias em que for utilizada e verificada quanto a desgaste ou danos. Empenos ou rebarbas das calhas da barra são um processo normal do desgaste da barra. Tais falhas deverão ser reparadas com recurso a uma lima, mal aconteçam. Uma barra com qualquer uma das seguintes falhas deverá ser substituída.

- Desgaste dentro das calhas da barra que permita à corrente ficar virada de lado.
- Barra de orientação dobrada.
- Calhas rachadas ou partidas.
- Calhas separadas.

Além disso, a barra de orientação tem uma roda dentada na ponta (Imagem U2). A roda dentada tem de ser lubrificada todas as semanas com uma seringa de lubrificação para aumentar o tempo de vida útil da barra de orientação. Utilize uma seringa de lubrificação para lubrificar semanalmente com óleo de corrente através do orifício de lubrificação (Imagem U3). Vire a barra de orientação e certifique-se de que os orifícios de lubrificação e a ranhura da corrente não têm impurezas.

U2-1	Roda dentada na ponta da barra de orientação
U2-2	Orifício de lubrificação

#### TRANSPORTE E ARMAZENAMENTO

- Não guarde nem transporte a motosserra a funcionar. Retire sempre a bateria antes de guardar ou transportar.
- Coloque sempre a cobertura da barra de orientação e corrente antes de guardar ou transportar a motosserra. Tenha cuidado para evitar os dentes afiados da corrente.
- Limpe bem a motosserra antes de a guardar. Guarde a motosserra no interior, num local seco fechado e/ou inacessível às crianças.
- Mantenha afastado de agentes corrosivos, como químicos de jardinagem e sais de degelo.

#### Proteja o ambiente



REEE (Resíduos de Equipamento Elétrico e Eletrónico) Não elimine equipamento elétrico, bateria gasta nem carregador juntamente com o lixo doméstico comum! Leve este produto a um centro de reciclagem autorizado para que possa haver uma separação das peças. As ferramentas elétricas têm de ser devolvidas em instalações de reciclagem ambientalmente compatíveis.

PT

## RESOLUÇÃO DE PROBLEMAS

**⚠️ AVISO:** Proteja sempre as mãos usando luvas resistentes quando efetuar qualquer manutenção na corrente da serra. Retire sempre a bateria quando reparar ou transportar a motosserra.

PT

PROBLEMA	CAUSE	SOLUÇÃO
O motor não liga.	<ul style="list-style-type: none"><li>■ A bateria não foi colocada na motosserra.</li><li>■ Não existe contacto elétrico entre a motosserra e a bateria.</li><li>■ A bateria está gasta.</li><li>■ A bateria ou motosserra está muito quente.</li><li>■ O travão da corrente está ativado.</li><li>■ Existem resíduos na ranhura da barra.</li><li>■ Existem resíduos na cobertura lateral.</li></ul>	<ul style="list-style-type: none"><li>■ Fixe a bateria na motosserra.</li><li>■ Retire a bateria, verifique os contactos e volte a instalar a bateria.</li><li>■ Carregue a bateria.</li><li>■ Deixe a bateria ou motosserra arrefecer até que a temperatura atinja menos de 67°C.</li><li>■ Puxe a pega do travão do ressalto da corrente para trás na direção da pega dianteira para a posição de funcionamento.</li><li>■ Pressione a motosserra contra a madeira, mova-a para a frente e para trás para retirar os resíduos.</li><li>■ Retire a bateria, depois retire a cobertura lateral e limpe os resíduos.</li></ul>
A motosserra pára de funcionar durante o trabalho.	<ul style="list-style-type: none"><li>■ A motosserra está sobrecarregada.</li><li>■ A bateria ou motosserra está muito quente.</li><li>■ A corrente da serra ficou presa na madeira.</li></ul>	<ul style="list-style-type: none"><li>■ Diminua a carga.</li><li>■ Diminua a carga. Deixe a bateria ou motosserra arrefecer até que a temperatura atinja menos de 67°C.</li><li>■ Liberte o gatilho da velocidade variável, retire a corrente da serra e a barra de orientação da madeira, depois volte a ligar a motosserra.</li></ul>
O motor funciona, mas a corrente não roda.	<ul style="list-style-type: none"><li>■ A corrente não encaixa na roda dentada motriz.</li></ul>	<ul style="list-style-type: none"><li>■ Volte a instalar a corrente, certificando-se de que os elos condutores na corrente estão completamente assentes na roda dentada.</li></ul>
O travão da corrente não funciona.	<ul style="list-style-type: none"><li>■ Os resíduos impedem o movimento completo da pega do travão do ressalto da corrente.</li><li>■ Possível mau funcionamento do travão da corrente.</li></ul>	<ul style="list-style-type: none"><li>■ Limpe os resíduos do mecanismo externo do travão da corrente.</li><li>■ Contacte o serviço de apoio ao cliente da EGO para proceder à reparação.</li></ul>

PROBLEMA	CAUSE	SOLUÇÃO
A motosserra não corta corretamente.	<ul style="list-style-type: none"> <li>■ Tensão da corrente insuficiente.</li> <li>■ A corrente não está afiada.</li> <li>■ A corrente foi instalada para trás.</li> <li>■ Corrente gasta.</li> <li>■ Corrente seca ou excessivamente esticada.</li> <li>■ A corrente não se encontra na ranhura da barra.</li> </ul>	<ul style="list-style-type: none"> <li>■ Volte a ajustar a tensão da corrente, tendo em conta a secção: <b>"AJUSTAR A TENSÃO DA CORRENTE"</b>.</li> <li>■ Afie a corrente.</li> <li>■ Volte a colocar a corrente da serra, de acordo com a secção <b>"MONTAR/SUBSTITUIR A BARRA E A CORRENTE"</b>.</li> <li>■ Substitua a corrente, tendo em conta a secção: <b>"MONTAR/SUBSTITUIR A BARRA E A CORRENTE"</b>.</li> <li>■ Verifique o nível do óleo. Encha o depósito do óleo, se necessário.</li> <li>■ Volte a colocar a corrente da serra, tendo em conta a secção: <b>"MONTAR/SUBSTITUIR A BARRA E A CORRENTE"</b>.</li> </ul>
A corrente fica solta ou descai da barra de orientação durante uma utilização normal.	<ul style="list-style-type: none"> <li>■ A corrente fica solta à medida que a temperatura da corrente aumenta durante um funcionamento normal da serra.</li> <li>■ A corrente não encaixa na roda dentada motriz.</li> </ul>	<ul style="list-style-type: none"> <li>■ Aperte a tensão da corrente de acordo com a secção <b>"AJUSTAR A TENSÃO DA CORRENTE"</b>.</li> <li>■ Volte a colocar a corrente da serra, tendo em conta a secção: <b>"MONTAR/SUBSTITUIR A BARRA E A CORRENTE"</b>.</li> </ul>

## GARANTIA

### POLÍTICA DE GARANTIA EGO

Visite o website [egopowerplus.eu](http://egopowerplus.eu) para os termos e condições completos da política de garantia da EGO.

## LEGGERE TUTTE LE ISTRUZIONI!



### LEGGERE IL MANUALE DI ISTRUZIONI

**⚠️ Rischi residui!** Le persone portatrici di dispositivi elettronici, ad esempio pacemaker, devono consultare il proprio medico prima di usare questo prodotto. L'uso di apparecchi elettrici in prossimità di pacemaker cardiaci comporta il rischio di interferenze o malfunzionamento del pacemaker.

IT

## SIMBOLI DI SICUREZZA

Lo scopo dei simboli di sicurezza è attirare l'attenzione dell'operatore su possibili pericoli. I simboli di sicurezza e le relative spiegazioni richiedono la massima attenzione e comprensione da parte dell'operatore. Le avvertenze espresse dai simboli, da sole, non eliminano tutti i rischi. Le istruzioni e le avvertenze non sostituiscono le adeguate misure di prevenzione contro gli incidenti.

**⚠️ AVVERTENZA!** Accertarsi di aver letto e compreso tutte le istruzioni di sicurezza in questo manuale, inclusi tutti i simboli di avvertenza come "PERICOLO", "AVVERTENZA" e "ATTENZIONE", prima di usare questo apparecchio. Il mancato rispetto di tutte le istruzioni elencate di seguito comporta il rischio di scossa elettrica, incendio e/o lesioni gravi.

## SIGNIFICATO DEI SIMBOLI

Questa pagina illustra e descrive i simboli di sicurezza che possono comparire sul prodotto. Leggere, comprendere e seguire tutte le istruzioni sull'apparecchio prima di tentare di assemblarlo e ripararlo.

## SIMBOLI DI SICUREZZA

KEES VAN DER SPEK  
TUINMACHINES \* STOLWIJK



Avvertenza di sicurezza



Leggere e comprendere il manuale di istruzioni



Indossare protezioni per gli occhi



Indossare protezioni per le orecchie



Indossare protezioni per la testa



Indossare guanti protettivi



Prestare attenzione al rischio di contraccolpo ed evitare il contatto con la punta della barra guida.



Contraccolpo della punta della barra guida



Usare la motosega sempre con due mani.



Non esporre alla pioggia



Informazioni sulla barra guida



Livello di potenza sonora garantito



RAEE



Questo prodotto è conforme alla legislazione britannica pertinente.





Questo prodotto è conforme alle direttive europee applicabili.



Corrente continua

V Volt

A Ampere

Hz Hertz

W Watt

min Minuti

$n_0$  Velocità a vuoto

... /min Al minuto

IT

## SPECIFICHE

Tensione	56 V	
Lunghezza della barra guida	400 mm (CS1610E)	
	350 mm (CS1410E)	
Partitura della catena	3/8" (9,5 mm)	
Larghezza della scanalatura	1,1 mm	
Velocità catena	20 m/s	
Tipo di catena	CS1610E	AC1600/AC1601 (raccomandato) AC1400/AC1401 (compatibile)
	CS1410E	AC1400/ AC1401 (raccomandato) AC1600/AC1601 (compatibile)
Modello di barra guida	CS1610E	AG1600/AG1601 (raccomandato) AG1400/AG1401 (compatibile)
	CS1410E	AG1400/ AG1401 (raccomandato) AG1600/AG1601 (compatibile)
Capacità serbatoio dell'olio	150ml	
Temperatura operativa	-15°C-40°C	
Temperatura di conservazione	-20°C-70°C	
Peso netto (senza gruppo batteria, copertura della barra guida)	3,9 kg (CS1610E)	
	3,8 kg (CS1410E)	

Livello di potenza sonora misurato $L_{WA}$		102,25 dB(A) K=1,4 dB(A)
Livello di pressione sonora a livello dell'orecchio dell'operatore $L_{PA}$		91,25 dB(A) K=2,5 dB(A)
Livello di potenza sonora garantito $L_{WA}$ (misurato conformemente a 2000/14/EC)		103 dB(A)
Vibrazioni $a_h$	Impugnatura anteriore	3,377 m/s <sup>2</sup> K=1,5 m/s <sup>2</sup>
	Impugnatura posteriore	2,823 m/s <sup>2</sup> K=1,5 m/s <sup>2</sup>

■ Il valore totale di emissione delle vibrazioni dichiarato è stato misurato con un metodo di valutazione standard e può essere utilizzato per confrontare l'apparecchio con altri prodotti analoghi.

■ Il valore totale di emissione delle vibrazioni dichiarato può essere utilizzato anche per una valutazione preliminare dei livelli di esposizione.

**NOTA:** il valore di emissione delle vibrazioni durante l'uso effettivo dell'utensile elettrico può variare rispetto al valore totale dichiarato in base alla modalità di utilizzo dell'utensile. Per proteggersi, l'operatore deve indossare guanti e dispositivi di protezione per le orecchie in base alle condizioni di utilizzo effettive.

## CONTENUTO DELL'IMBALLAGGIO (FIG. A1)

### DESCRIZIONE

DESCRIZIONE DELLA MOTOSEGA (Fig. A1)

1. Interruttore a velocità variabile
2. Impugnatura posteriore
3. Pulsante di sbloccaggio
4. Impugnatura anteriore
5. Impugnatura del freno catena anti-contraccolpo
6. Catena
7. Barra guida
8. Tappo del serbatoio dell'olio
9. Finestra di ispezione dell'olio
10. Contatti elettrici
11. Pulsante di rilascio della batteria
12. Manopola di regolazione della tensione della catena
13. Copertura laterale
14. Manopola della copertura laterale
15. Copertura della catena

## ASSEMBLAGGIO

### ASSEMBLAGGIO/SOSTITUZIONE DELLA BARRA E CATENA

**AVVERTENZA!** Portare l'impugnatura del freno catena anti-contraccolpo in posizione di innescio prima dell'assemblaggio.

1. Posizionare l'unità motore della motosega su un fianco, con la copertura laterale rivolta verso l'alto (Fig. B).
2. Ruotare la manopola della copertura laterale in senso antiorario per rimuovere la copertura laterale, quindi allentare il più possibile la manopola di regolazione della tensione della catena.
3. Disporre la nuova catena ad anello su una superficie piana, raddrizzando eventuali pieghe (Fig. C).
4. Posizionare le maglie di trascinamento nella scanalatura della barra guida e posizionare la catena in modo tale che formi un anello alla fine della barra guida (Fig. D).
5. Tenere la catena in posizione sulla barra guida e posizionare l'anello intorno al pignone della testa motore.
6. Fare scorrere la fessura della barra guida sulle flange di allineamento affinché il perno di regolazione della tensione sia inserito nel foro inferiore della coda della barra (Fig. E1).

**NOTA:** sulla catena sono incise delle piccole frecce. Un'altra freccia è presente sull'apparecchio. Durante l'avvolgimento della catena sul pignone, accertarsi che

la direzione delle frecce sulla catena corrisponda alla direzione della freccia sull'apparecchio. Se le frecce sono rivolte in direzione opposta, capovolgere il gruppo catena e barra guida (Fig. E2).

7. Riposizionare la copertura laterale e serrare leggermente la manopola della copertura laterale.
8. Sollevare la punta della barra guida per controllare che la catena non sia allentata (Fig. F). Rilasciare la punta della barra guida e ruotare la manopola di regolazione della tensione della catena in senso orario. Ripetere questo processo finché la catena non è tesa.
9. Prima dell'uso, serrare saldamente la manopola della copertura laterale per assicurarsi che la catena sia tesa correttamente.

D-1	Chain Drive Links	E-2	Perno di regolazione della tensione
D-2	Guide Bar Groove	E-3	Fessura della barra guida
E-1	Alignment Flange	E-4	Pignone

**NOTA:** per estendere la durata di vita della barra di guida, invertirla di tanto in tanto.

**NOTA:** se è troppo tesa, la catena non ruoterà. Allentare leggermente la manopola della copertura laterale e ruotare la manopola di regolazione della tensione della catena di un giro in senso antiorario. Sollevare la punta della barra guida e serrare nuovamente la manopola della copertura laterale. Assicurarsi che la catena ruoti senza piegarsi.

### REGOLAZIONE DELLA TENSIONE DELLA CATENA

- Spegner il motore e rimuovere il gruppo batteria prima di regolare la tensione della catena. Accertarsi che la manopola della copertura laterale sia allentata. Ruotare la manopola di regolazione della tensione della catena in senso orario per tendere la catena. Per ulteriori informazioni, consultare la sezione "ASSEMBLAGGIO/SOSTITUZIONE DELLA BARRA E CATENA".
- Una catena fredda è tesa correttamente quando la catena è aderente alla parte inferiore della barra, ma è possibile ruotarla a mano senza piegarla. È necessario regolare nuovamente la tensione della catena quando la parte superiore delle maglie di trascinamento non rimangono nella scanalatura della barra.
- Durante il normale funzionamento della motosega, la temperatura della catena aumenta. Le maglie di trascinamento di una catena calda tesa correttamente

pendono di circa 1,3 mm dalla scanalatura della barra guida (Fig. G).

**NOTA:** le catene nuove tendono ad allungarsi; controllare la tensione della catena frequentemente.

**NOTA:** una catena che viene tesa mentre è calda può diventare troppo stretta quando si raffredda. Controllare la tensione a freddo prima del successivo utilizzo.

## UTILIZZO

**AVVERTENZA!** La familiarità con questo apparecchio non deve rendere l'operatore disattento. Anche un solo momento di disattenzione comporta il rischio di lesioni gravi.

**AVVERTENZA!** Non usare accessori non raccomandati dal costruttore dell'apparecchio. L'uso di accessori non raccomandati comporta il rischio di lesioni gravi.

**AVVERTENZA!** Per evitare l'avvio accidentale e il conseguente rischio di lesioni gravi, rimuovere sempre il gruppo batteria dall'apparecchio durante l'assemblaggio dei componenti, le operazioni di regolazione e pulizia e quando non è in uso.

Prima di ogni utilizzo, ispezionare l'intero apparecchio per verificare che nessun elemento sia mancante e non siano presenti componenti danneggiati o allentati, ad esempio viti, bulloni, cappucci, ecc. Serrare saldamente tutti i dispositivi di fissaggio e non usare l'apparecchio finché tutti i componenti mancanti o danneggiati non vengono sostituiti.

### APPLICAZIONI

Questo prodotto è destinato ad abbattimento, diramatura, potatura e taglio a pezzi di alberi e legname.

### AGGIUNTA DEL LUBRIFICANTE DI BARRA E CATENA

**AVVERTENZA!** Non fumare in prossimità dell'olio o della motosega e non avvicinare fonti di fuoco o fiamme. L'olio può fuoriuscire e causare un incendio.

**NOTA:** la motosega è priva d'olio al momento dell'acquisto. È essenziale riempire il serbatoio con l'olio prima dell'uso. La catena viene automaticamente lubrificata con olio durante il funzionamento.

1. Posizionare l'unità motore su un fianco, con il tappo del serbatoio dell'olio rivolto in avanti.
2. Pulire il tappo del serbatoio dell'olio e l'area circostante per evitare che la sporcizia penetri all'interno del serbatoio.
3. Posizionare la motosega su un lato, su una superficie piana e stabile, affinché il tappo del serbatoio dell'olio sia rivolto verso l'alto. Sollevare la piastra semicircolare e ruotare il tappo del serbatoio dell'olio in senso antiorario per rimuoverlo (Fig. H).
4. Versare con attenzione l'olio per barra e catena nel serbatoio fino alla linea MAX.
5. Rimuovere eventuali eccedenze d'olio e riposizionare il tappo.

**NOTA:** controllare frequentemente l'olio e riempire il serbatoio quando il livello dell'olio è inferiore alla linea minima. Non usare la motosega se l'olio non è visibile.

### INSTALLAZIONE/RIMOZIONE DEL GRUPPO BATTERIA

**Ricaricare completamente la batteria prima del primo utilizzo.**

Usare l'apparecchio esclusivamente con i gruppi batteria e i caricabatteria elencati in Fig. A2.

Installazione (Fig. I)

Allineare i rilievi sulla batteria con le scanalature di assemblaggio, quindi fare scorrere il gruppo batteria nell'apparecchio finché non si incastra in posizione.

Rimozione (Fig. J)

Premere il pulsante di rilascio della batteria ed estrarre il gruppo batteria.

### AVVIO/ARRESTO DELLA MOTOSEGA

**NOTA:** prima di avviare la motosega, controllare il livello dell'olio, l'affilatura dei denti di taglio della catena e il corretto funzionamento dell'impugnatura del freno catena. Assumere una posizione in equilibrio e osservare una corretta distanza dal terreno.

#### Avvio

1. Spingere l'impugnatura del freno catena verso l'impugnatura anteriore della sega per disinnestarlo (Fig. K).
2. Afferrare saldamente l'impugnatura anteriore e posteriore, usando entrambe le mani.
3. Per avviare la motosega, tenere premuto il pulsante di sbloccaggio con il pollice della mano destra, quindi premere l'interruttore a velocità variabile con le dita della mano destra (Fig. L).
4. Rilasciare il pulsante di sbloccaggio e continuare a premere l'interruttore per il funzionamento continuato.

**AVVERTENZA!** Non tentare di avviare la sega quando la catena è all'interno di un taglio.

#### Arresto

1. Rilasciare l'interruttore a velocità variabile per arrestare la motosega.
2. Spingere l'impugnatura del freno catena in avanti per innestare il freno catena (Fig. K).

**AVVERTENZA!** Rimuovere sempre il gruppo batteria dalla motosega durante le pause e al termine del lavoro.

#### Presca corretta sulle impugnature (Fig. M)

- Indossare guanti antiscivolo per la massima aderenza e protezione.
- Con i piedi su una superficie solida e piana, impugnare saldamente la motosega con entrambe le mani.

- Tenere sempre la mano sinistra sull'impugnatura anteriore e la mano destra sull'impugnatura posteriore.
- Le dita devono avvolgere l'impugnatura, con il pollice al di sotto dell'impugnatura anteriore.
- **AVVERTENZA!** Non usare mai una presa mancina (a mani invertite) e non assumere mai posizioni in cui il corpo o il braccio si trovano oltre la linea della catena (Fig. N).

**IT**

## Posizione di taglio corretta (Fig. O)

- Entrambi i piedi devono poggiare su un terreno solido, con il peso distribuito uniformemente tra di essi.
- Il braccio sinistro deve essere teso, con il gomito bloccato per poter resistere alle forze generate dal contraccolpo.
- Il corpo deve sempre trovarsi a sinistra della linea della catena.

## TECNICHE CORRETTE PER LE OPERAZIONI DI ABBATTIMENTO, DIRAMATURA E TAGLIO TRASVERSALE

**AVVERTENZA!** Mantenere una posizione in equilibrio e afferrare saldamente la motosega con entrambe le mani mentre il motore è in funzione.

**AVVERTENZA!** Se la catena della motosega si arresta durante il taglio perché si è incastrata, rilasciare l'interruttore a grilletto; rimuovere catena e barra guida dal legno, quindi riavviare la motosega.

**AVVERTENZA!** Non tirare la motosega con le mani quando è incastrata nella segatura. L'avvio accidentale della sega a batteria comporta il rischio di lesioni gravi. Premere la motosega contro il legno e muoverla avanti e indietro per rimuovere i detriti. Rimuovere sempre il gruppo batteria prima della pulizia. Indossare guanti di protezione durante la manipolazione della catena.

**AVVERTENZA!** Non avviare mai la motosega quando è a contatto con il legno. Attendere sempre che la motosega raggiunga la massima velocità prima di avvicinarla al legno.

## ABBATTIMENTO DI UN ALBERO

- Se le operazioni di taglio a pezzi o abbattimento sono eseguite da due o più persone contemporaneamente, la distanza tra gli operatori che tagliano il legno e quelli che abbattano l'albero deve essere pari ad almeno due volte l'altezza dell'albero da abbattere. Gli alberi devono essere abbattuti in modo tale da evitare di causare pericolo per altre persone, colpire linee di alimentazione o provocare danni materiali. Se l'albero

entra in contatto con una linea di alimentazione, informare immediatamente l'ente fornitore.

- Durante il taglio su terreni in pendenza, l'operatore deve posizionarsi sempre a monte dell'albero, poiché è probabile che l'albero rotoli o scivoli in discesa dopo l'abbattimento.
- Prima di iniziare il taglio, individuare e predisporre una via di fuga. La via di fuga deve condurre nella direzione diagonalmente opposta alla linea di caduta prevista, come illustrato in Fig. P.

P-1	Direzione di abbattimento
P-2	Via di fuga sicura

- Per determinare la direzione di caduta dell'albero, prima dell'abbattimento è necessario valutare la pendenza naturale dell'albero, la posizione dei rami più grossi e la direzione del vento.
- Rimuovere dall'albero pietre, sporczia, pezzi di corteccia, chiodi, graffette e cavi.

## Taglio direzionale

Effettuare un intaglio pari a 1/3 del diametro dell'albero, perpendicolarmente alla direzione di caduta come illustrato in Fig. Q. Praticare per primo l'intaglio inferiore orizzontale per evitare che la catena o la barra guida si inceppino durante l'esecuzione del secondo intaglio.

Q-1	Direzione di caduta
Q-2	Intaglio
Q-3	Taglio di abbattimento
Q-4	Raccordo

## Taglio di abbattimento

- Praticare il taglio di abbattimento almeno 50 mm sopra l'intaglio direzionale orizzontale, come illustrato in Fig. Q. Mantenere il taglio di abbattimento parallelo all'intaglio orizzontale. Effettuare il taglio lasciando una quantità di legno sufficiente affinché funga da cerniera. La cerniera impedisce all'albero di ruotare su se stesso e cadere nella direzione errata. Non tagliare la cerniera.
- Quando il taglio si avvicina alla cerniera, l'albero inizia a cadere. Se si teme che l'albero non cada nella direzione desiderata o che possa piegarsi all'indietro e bloccare la catena della motosega, interrompere il taglio di abbattimento e inserire cunei in legno, plastica o alluminio

- per aprire il taglio e dare all'albero la linea di caduta desiderata.
- Quando l'albero inizia a cadere, rimuovere la motosega dal taglio, arrestare il motore, posarla e abbandonare l'area di pericolo utilizzando la via di fuga programmata. Prestare attenzione ai rami che potrebbero cadere e a non inciampare.

### Diramatura di un albero

- La diramatura è il taglio dei rami da un albero abbattuto. Durante la diramatura, lasciare i rami inferiori più grandi e utilizzarli per tenere il tronco sollevato dal terreno. Rimuovere i rami più piccoli con un taglio solo, come illustrato in Fig. R. I rami in tensione devono essere tagliati dal basso verso l'alto per evitare che la catena rimanga incastrata.

### Taglio in pezzi

- Questa operazione consiste nel tagliare un tronco abbattuto in pezzi. È importante mantenere sempre il contatto con il terreno, con il peso distribuito su entrambi i piedi. Se possibile, il tronco deve essere rialzato e sostenuto da rami, ceppi o cunei. Per effettuare il taglio, procedere come descritto di seguito.
- Quando il tronco è sostenuto per tutta la sua lunghezza, come illustrato in figura S1, deve essere tagliato dall'alto (taglio superiore).
- Quando il tronco è sostenuto da una sola estremità, come illustrato in Fig. S2, tagliare 1/3 del diametro dal basso (taglio inferiore). Quindi effettuare il taglio finale partendo dall'alto, fino a incontrare il primo taglio.
- Quando il tronco è sostenuto da entrambe le estremità, come illustrato in Fig. S3, tagliare 1/3 del diametro dall'alto (taglio superiore). Quindi praticare il taglio finale tagliando i 2/3 inferiori per incontrare il primo taglio.
- Durante il taglio su terreni in pendenza, l'operatore deve posizionarsi sempre a monte del tronco, come illustrato in Fig. T.
- Per mantenere il controllo della motosega quando si taglia completamente un tronco, ridurre la pressione sull'apparecchio verso la fine del taglio senza allentare la presa sulle impugnature. Non lasciare che la catena entri a contatto con il terreno. Una volta completato il taglio, attendere che la catena si arresti prima di spostare la motosega. Arrestare sempre il motore prima di spostarsi da un albero all'altro.

## MANUTENZIONE

**AVVERTENZA!** Per la riparazione dell'apparecchio,

usare esclusivamente parti di ricambio identiche. L'uso di altri ricambi comporta situazioni pericolose o il rischio di danni all'apparecchio.

**AVVERTENZA!** Per evitare lesioni gravi, rimuovere sempre il gruppo batteria dalla motosega prima di ispezionarla, sostituire gli accessori o sottoporla a manutenzione. Un apparecchio elettrico con il gruppo batteria inserito è sempre acceso e può avviarsi accidentalmente.

**AVVERTENZA!** Durante la pulizia della motosega, NON immergerla in acqua o altri liquidi.

**AVVERTENZA!** Impedire il contatto di liquido per freni, benzina, prodotti a base di petrolio, oli penetranti, ecc. con le parti in plastica. Le sostanze chimiche possono danneggiare, indebolire o distruggere la plastica, comportando il rischio di lesioni gravi.

### PULIZIA

- Dopo ogni utilizzo, rimuovere i detriti da barra e catena con una spazzola morbida. Pulire la superficie della motosega con un panno pulito inumidito con acqua saponata.
- Rimuovere la copertura laterale, quindi usare una spazzola morbida per rimuovere i detriti da barra guida, catena, pignone e copertura laterale.
- Rimuovere sempre eventuali frammenti di legno, segatura e sporcizia dalla scanalatura della barra guida durante la sostituzione della catena.

### MANUTENZIONE DELLA BARRA GUIDA

Quando la barra guida mostra segni di usura, rimuoverla dall'unità motore della motosega e riassembrarla invertita (Fig. U1), per distribuire uniformemente l'usura e prolungare la durata di vita della barra.

La barra deve essere pulita ogni giorno di utilizzo e ispezionata per verificare che non sia usurata o danneggiata. La bavatura o smussatura dei binari della barra è un normale processo dell'usura della barra. Tali difetti devono essere immediatamente corretti con una lima. Un barra con i difetti riportati di seguito deve essere sostituita.

- Usura all'interno dei binari della barra che mantengono la catena in posizione.
- Barra guida piegata.
- Binari incrinati o rotti.
- Allargamento dei binari.

Inoltre, la barra guida è dotata di un rocchetto sulla punta (Fig. U2). Il pignone deve essere lubrificato settimanalmente con un'apposita siringa per prolungare la durata di vita della barra guida. Usare una siringa per grasso per lubrificarlo settimanalmente con olio per catena attraverso il foro di lubrificazione (Fig. U3). Capovolgere la barra guida e controllare che i fori di lubrificazione e la scanalatura della barra siano privi di impurità.

**IT**

U2-1	Pignone nella punta della barra guida
U2-2	Foro di lubrificazione

## TRASPORTO E CONSERVAZIONE

- Non conservare o trasportare la motosega quando è in funzione. Rimuovere sempre il gruppo batteria prima di riporla o trasportarla.
- Installare sempre la copertura su barra e catena prima di riporre o trasportare la motosega. Prestare attenzione per evitare il contatto con i denti affilati della catena.
- Pulire accuratamente la motosega prima di riporla. Conservare la motosega in interni, in un luogo asciutto, al chiuso e/o inaccessibile ai bambini.
- Tenerla al riparo da agenti corrosivi, ad esempio sostanze chimiche per il giardinaggio e sale per disgelo.

## Protezione dell'ambiente



Direttiva RAEE (Rifiuti di apparecchi elettrici ed elettronici) Non smaltire apparecchi elettrici, caricabatteria e batterie insieme ai rifiuti domestici. Portare il prodotto presso un centro di riciclaggio autorizzato affinché venga raccolto separatamente. Gli apparecchi elettrici devono essere portati presso un centro di riciclaggio ecocompatibile.

## RISOLUZIONE DEI PROBLEMI

**AVVERTENZA!** Proteggere sempre le mani indossando guanti robusti durante qualsiasi operazione di manutenzione sulla motosega. Rimuovere sempre il gruppo batteria durante la riparazione o il trasporto della motosega.

PROBLEMA	CAUSA	SOLUZIONE
Il motore non si avvia.	<ul style="list-style-type: none"> <li>■ Il gruppo batteria non è installato sulla motosega.</li> <li>■ Nessun contatto elettrico tra la motosega e la batteria.</li> <li>■ Il gruppo batteria è scarico.</li> <li>■ Il gruppo batteria o la motosega sono troppo caldi.</li> <li>■ Il freno catena è innescato.</li> <li>■ Detriti nella scanalatura della barra.</li> <li>■ Detriti nella copertura laterale.</li> </ul>	<ul style="list-style-type: none"> <li>■ Installare il gruppo batteria sulla motosega.</li> <li>■ Rimuovere la batteria, ispezionare i contatti e reinstallare il gruppo batteria.</li> <li>■ Ricaricare il gruppo batteria.</li> <li>■ Attendere che la temperatura del gruppo batteria o della motosega scenda al di sotto di 67°C.</li> <li>■ Spingere l'impugnatura del freno catena anti-contraccolpo verso l'impugnatura anteriore, in posizione operativa.</li> <li>■ Premere la motosega contro il legno e muoverla avanti e indietro per rimuovere i detriti.</li> <li>■ Rimuovere il gruppo batteria, quindi rimuovere la copertura laterale ed eliminare i detriti.</li> </ul>
La motosega si arresta durante il funzionamento.	<ul style="list-style-type: none"> <li>■ La motosega è sovraccarica.</li> <li>■ Il gruppo batteria o la motosega sono troppo caldi.</li> <li>■ La motosega è incastrata nel legno.</li> </ul>	<ul style="list-style-type: none"> <li>■ Diminuire il carico.</li> <li>■ Diminuire il carico. Attendere che la temperatura del gruppo batteria o della motosega scenda al di sotto di 67°C.</li> <li>■ Rilasciare l'interruttore a velocità variabile; rimuovere la catena e la barra guida dal legno, quindi riavviare la motosega.</li> </ul>
Il motore funziona ma la catena non ruota.	<ul style="list-style-type: none"> <li>■ La catena non ingrana il pignone.</li> </ul>	<ul style="list-style-type: none"> <li>■ Reinstallare la catena, assicurandosi che le maglie di trascinamento sulla catena siano posizionate correttamente sul pignone.</li> </ul>
Il freno catena non si innesca.	<ul style="list-style-type: none"> <li>■ I detriti impediscono il movimento completo dell'impugnatura del freno catena.</li> <li>■ Malfunzionamento del freno catena.</li> </ul>	<ul style="list-style-type: none"> <li>■ Rimuovere i detriti dal meccanismo esterno del freno catena.</li> <li>■ Contattare il centro di assistenza EGO per la riparazione.</li> </ul>

IT

PROBLEMA	CAUSA	SOLUZIONE
La motosega non taglia correttamente.	<ul style="list-style-type: none"> <li>■ Tensione della catena insufficiente.</li> <li>■ Catena smussata.</li> <li>■ Catena installata in senso inverso.</li> <li>■ Catena usurata.</li> <li>■ Catena secca o eccessivamente allungata.</li> <li>■ La catena non è posizionata nella scanalatura della barra.</li> </ul>	<ul style="list-style-type: none"> <li>■ Regolare nuovamente la tensione della catena, come descritto alla sezione <b>"REGOLAZIONE DELLA TENSIONE DELLA CATENA"</b>.</li> <li>■ Affilare la catena.</li> <li>■ Reinstallare la catena come descritto alla sezione <b>"ASSEMBLAGGIO/SOSTITUZIONE DELLA BARRA E CATENA"</b>.</li> <li>■ Sostituire la catena, come descritto alla sezione <b>"ASSEMBLAGGIO/SOSTITUZIONE DELLA BARRA E CATENA"</b>.</li> <li>■ Controllare il livello dell'olio. Riempire il serbatoio dell'olio, se necessario.</li> <li>■ Reinstallare la catena della sega, come descritto alla sezione <b>"ASSEMBLAGGIO/SOSTITUZIONE DELLA BARRA E CATENA"</b>.</li> </ul>
La catena si allenta o cade dalla barra guida durante l'uso normale.	<ul style="list-style-type: none"> <li>■ La catena si allenta mano a mano che la sua temperatura aumenta durante l'uso normale della motosega.</li> <li>■ La catena non ingrana il pignone.</li> </ul>	<ul style="list-style-type: none"> <li>■ Regolare la tensione della catena come descritto alla sezione <b>"REGOLAZIONE DELLA TENSIONE DELLA CATENA"</b>.</li> <li>■ Reinstallare la catena della sega, come descritto alla sezione <b>"ASSEMBLAGGIO/SOSTITUZIONE DELLA BARRA E CATENA"</b>.</li> </ul>

## GARANZIA

### CONDIZIONI DELLA GARANZIA EGO

Visitare il sito web [egopowerplus.eu](http://egopowerplus.eu) per consultare le condizioni complete della garanzia EGO.



## LEES ALLE INSTRUCTIES!



### LEES DE GEBRUIKSAANWIJZING

**⚠ Restrisico!** Personen met elektronische apparaten zoals pacemakers, moeten eerst hun arts(en) raadplegen voordat ze dit product gebruiken. De werking van een elektrisch apparaat in de nabijheid van een pacemaker kan een storing of defect van de pacemaker veroorzaken.

## VEILIGHEIDSSYMBOL

Het doel van de veiligheidssymbolen is om u te wijzen op mogelijke gevaren. Besteed daarom voldoende aandacht hieraan en begrijp de veiligheidssymbolen en bijbehorende uitleg. De symboolwaarschuwingen op zich elimineren geen enkel gevaar. De verstrekte instructies en waarschuwingen gelden niet als vervanging voor gepaste voorzorgsmaatregelen tegen ongevallen.

**⚠ WAARSCHUWING:** Lees en begrijp alle veiligheidsinstructies die in deze gebruiksaanwijzing staan vermeld, waaronder alle veiligheidssymbolen zoals "GEVAAR," "WAARSCHUWING," en "OPGELET" voordat u dit gereedschap in gebruik neemt. Het negeren van onderstaande instructies kan leiden tot een elektrische schok, brand en/of ernstig persoonlijk letsel.

## BETEKENIS VAN DE SYMBOLEN

Deze pagina toont en beschrijft alle veiligheidssymbolen die zich op dit product kunnen bevinden. Lees, begrijp en volg alle instructies op de machine voordat u deze in elkaar zet en gebruikt.

## VEILIGHEIDSSYMBOLEN

KEES VAN DER SPEK  
TUINMACHINES \* STOLWIJK



Veiligheidswaarschuwing



Lees & begrijp de gebruiksaanwijzing



Draag oogbescherming



Draag gehoorbescherming



Draag hoofdbescherming



Draag beschermende handschoenen



Pas op voor de terugslag van de kettingzaag en voorkom contact met de punt van het zaagblad



Terugslag van de punt van het zaagblad



Gebruik de kettingzaag altijd met twee handen



Niet aan regen blootstellen



Informatie over het zaagblad



Gewaarborgd geluidsvermogensniveau.

# EGO



WEEE

UK  
CA

Dit product is in overeenstemming met de geldende wetgeving van het VK.



Dit product is in overeenstemming met de EG-richtlijnen.



Gelijkstroom

V Volt

A Ampère

Hz Hertz

W Watt

min Minuten

$n_0$  Snelheid zonder belasting

.../min Per minuut

NL

## SPECIFICATIES

Spanning	56 V
Lengte zaagblad	400 mm (CS1610E)
	350 mm (CS1410E)
Kettingsteek	3/8" (9,5 mm)
Kettingpeil	1,1 mm
Kettingsnelheid	20 m/s
Zaag kettingtype	CS1610E AC1600/AC1601 (aanbevolen) AC1400/ AC1401(compatibel)
	CS1410E AC1400/ AC1401(aanbevolen) AC1600/ AC1601(compatibel)
Zaagblad type	CS1610E AG1600/AG1601 (aanbevolen) AG1400/AG1401 (compatibel)
	CS1410E AG1400/ AG1401(aanbevolen) AG1600/ AG1601(compatibel)
Kettingolie tankcapaciteit	150ml
Bedrijfstemperatuur	-15°C–40°C
Opslagtemperatuur	-20°C–70°C

Nettogewicht (zonder accupack, kettingbeschermer)	3,9 kg (CS1610E) 3,8 kg (CS1410E)
Gemeten geluid-svermogensniveau $L_{WA}$	102,25 dB(A) K=1,4 dB(A)
Geluidsd-rukkniveau bij het oor van de bediener $L_{PA}$	91,25 dB(A) K=2,5 dB(A)
Gegarandeerd geluid-svermogens-niveau $L_{WA}$ ((conform 2000/14/EC))	103 dB(A)
Trilling $a_h$	Voorste hand-greep 3,377 m/s <sup>2</sup> K=1,5 m/s <sup>2</sup>
	Achterste hand-greep 2,823 m/s <sup>2</sup> K=1,5 m/s <sup>2</sup>

- De opgegeven totale vibratiewaarde is gemeten volgens de standaard testmethode en kan worden gebruikt om het apparaat met een ander apparaat te vergelijken;
- De opgegeven totale vibratiewaarde kan tevens worden gebruikt in een voorafgaande beoordeling op blootstelling.

**OPMERKING:** De trillingsemisatie tijdens het werkelijk gebruik van het elektrisch gereedschap kan verschillen van de opgegeven totale waarde; Om de bediener te beschermen dient de gebruiker tijdens het gebruik handschoenen en gehoorbescherming te dragen.

## INHOUD VAN DE VERPAKKING (AFB. A1)

# 60

ACCU KETTINGZAAG — CS1610E/CS1410E

## BESCHRIJVING

### KEN UW KETTINGZAAG (afb. A1)

1. Instelbare snelheidsschakelaar
2. Achterste handgreep
3. Vergrendelknop
4. Voorste handgreep
5. Ketting terugslag remhendel
6. Zaagketting
7. Zaagblad
8. Oliereservoir dop
9. Oliepeilglas
10. Elektrische contacten
11. Accuvrijgaveknop
12. Knop voor de aanpassing van de kettingspanning
13. Zij-afdekking
14. Zij-afdekking knop
15. Kettingbescherming

## MONTAGE

### MONTEREN/VERVANGEN VAN HET ZAAGBLAD EN DE KETTING

**⚠ WAARSCHUWING:** Pas de terugslag-remhendel van de ketting in de repositie aan alvorens deze te monteren.

1. Plaats de kettingzaag motorkop op de zijkant met de zijkant naar boven gericht (afb. B).
2. Draai de knop van de afdekking linksom om het scherm te verwijderen en de knop voor de kettingspanning zo ver mogelijk.
3. Leg de nieuwe ketting in een lus op de vlakke ondergrond en maak eventuele knikken recht (afb. C).
4. Plaats de aandrijfschakels van de ketting in de groef van het zaagblad en laat de ketting in een lus naar de achterkant van het zaagblad lopen (afb. D).
5. Houd de ketting op zijn plaats op het zaagblad en plaats de lus rond het tandwiel van de motorkop.
6. Schuif de zaagbladgroef op de instelflens totdat de spanningspin zich in het onderste gat in de staart van het zaagblad bevindt (afb. E1).

**OPMERKING:** Kleine richtingspijlen zijn gegraveerd in de kettingzaag. Een andere richtingspijl bevindt zich op de behuizing. Als u de zaagketting op het tandwiel zet, dient u ervoor te zorgen dat de richting van de pijlen op de zaagketting overeen komen met de richting van de

pijl op de behuizing. Als zij zich in tegengestelde richting bevinden, dient u de zaagketting en de zaagbladmontage om te draaien (afb. E2).

7. Plaats de zij-afdekking terug en maakt de knop van de zij-afdekking een beetje vast.
8. Til de punt van het zaagblad op en controleer of hij doorhangt (afb. F). Laat de punt van het zaagblad los en draai de knop voor de aanpassing van de kettingspanning rechtsom. Herhaal dit proces totdat het doorbuigen is verdwenen.
9. Maak de knop van de afdekking goed vast en zorg ervoor dat de kettingzaag voldoende op spanning staat alvorens hem te gebruiken.

NL

D-1	Aandrijfschakels van de ketting	E-2	Pin voor het aanpassen van de spanning
D-2	Zaagblad groef	E-3	Zaagblad gleuf
E-1	Instelflens	E-4	Tandwiel

**OPMERKING:** Om de levensduur van het zaagblad te verlengen, dient u het zaagblad af en toe te draaien.

**OPMERKING:** Als de ketting te strak zit, kan hij niet draaien. Maak de knop voor de zij-afdekking lichtjes los en draai de knop voor het instellen van de kettingspanning een keer linksom. Til de punt van het zaagblad omhoog en draai de knop voor de zij-afdekking weer goed vast. Controleer of de ketting kan draaien zonder te blokkeren.

### AANPASSEN VAN DE KETTINGSpanNING

- Stop de motor en verwijder het accupack voordat u de kettingspanning aanpast. Controleer dat de knop van de zij-afdekking los is. Draai de knop voor het instellen van de kettingspanning rechtsom om de ketting op spanning te brengen. Zie alinea: "MONTEREN/VERVANGEN VAN HET ZAAGBLAD EN DE KETTING" voor meer informatie.
- Een koude ketting staat goed onder spanning als er geen sprake is van speling aan de onderkant van het zaagblad en als de ketting strak zit, maar zonder problemen met de hand gedraaid kan worden. De ketting moet opnieuw worden gespannen als vlakken van de schakels niet op de groef van het zaagblad zitten.
- Tijdens het normale zagen neemt de temperatuur van de ketting toe. De aandrijfschakels van een correct gespannen warme ketting hangen ongeveer 1,3 mm uit de groef van het zaagblad (afb. G).

**OPMERKING:** Nieuwe kettingen neigen te rekken; controleer de spanning van de ketting regelmatig en span hem indien nodig.

**OPMERKING:** Als de ketting wordt gespannen als hij warm is, kan hij te strak zitten als hij weer afkoelt. Controleer de koude spanning voor het volgende gebruik.

## GEBRUIK

**⚠ WAARSCHUWING:** Vertrouwdheid kan leiden tot onvoorzichtigheid. Opgelet, één seconde van onoplettendheid kan ernstig letsel teweegbrengen.

**⚠ WAARSCHUWING:** Gebruik geen opzetstukken of toebehoren die niet door de fabrikant van dit product zijn aanbevolen. Het gebruik van niet aanbevolen opzetstukken of toebehoren kan leiden tot ernstig persoonlijk letsel.

**⚠ WAARSCHUWING:** Om het per ongeluk starten van het gereedschap, wat persoonlijk letsel kan veroorzaken, te voorkomen, dient u altijd het accupack uit het gereedschap te halen als u onderdelen monteert, instellingen uitvoert, het reinigt of als het niet in gebruik is.

Voor elk gebruik dient u het complete product op beschadigingen, missende of los zittende onderdelen zoals schroeven, moeren, bouten, doppen etc. te controleren. Draai alle bevestigingen en doppen goed vast en gebruik dit product niet totdat alle missende of beschadigde onderdelen zijn vervangen.

### APPLICATIES

U kunt dit product gebruiken voor het normale kappen, snoeien, opsnoeien en houtsnedes van hout en bomen.

### SMEERMIDDEL VAN HET ZAAGBLAD EN DE KETTING BIJVULLEN

**⚠ WAARSCHUWING:** Niet roken en geen vuur of vlammen in de buurt van de olie of de kettingzaag brengen. Olie kan lekken en brand veroorzaken.

**OPMERKING:** De kettingzaag is niet gevuld met olie op het moment van aankoop. Het is van essentieel belang dat de tank voor gebruik met olie wordt gevuld. De ketting wordt automatisch gesmeerd met kettingolie tijdens het gebruik.

1. Positie van de kettingzaag op de zijkant met de dop van de olietank naar voren wijzend.
2. Reinig de dop van de olietank rondom om ervoor te zorgen dat er geen vuil in de olietank valt.
3. Positioneer de kettingzaag op zijn kant op een

stevige, vlakke ondergrond, zodat de tankdop naar boven wijst. Til de halfronde plaat op en draai de dop van het oliereservoir linksom eraf (afb. H).

4. Giet voorzichtig de olie voor het zaagblad en de ketting in de tank. Vullen tot de MAX.-markering.
5. Veeg overtollige olie weg en plaats de dop weer terug.

**OPMERKING:** Controleer het oliepeil regelmatig en vul bij wanneer het oliepeil onder het minimum is gedaald. Gebruik de kettingzaag nooit als er geen olie meer zichtbaar is.

### HET ACCUPACK INSTALLEREN/VERWIJDEREN

Voor de eerste ingebruikname volledig opladen. Gebruik alleen met de in afb. A2 vermelde accupacks en laders.

#### Voor het installeren (afb. I)

Breng de ribbels van het accupack in één lijn met de bevestigings sleuven en schuif het accupack in het gereedschap totdat hij hoorbaar op zijn plek vastklikt.

#### Voor het verwijderen (afb. J)

Druk de accu-ontgrendelingsknop naar beneden en trek het accupack eruit.

### DE KETTINGZAAG STARTEN/STOPPEN

**OPMERKING:** Voordat u de kettingzaag start, dient u het oliepeil, de scherpte van de tanden en de correct werkende terugslag-remhendel te controleren. Bovendien dient u goed te staan en voor voldoende ruimte te zorgen.

#### Starten

1. Trek de terugslag-remhendel van de ketting naar de voorste handgreep in de gebruikspositie (afb. K)
2. Pak de voorste en achterste handgrepen stevig vast met beide handen.
3. Druk de ontgrendelknop met de duim van uw rechterhand en houd hem ingedrukt. Druk vervolgens met de vingers van uw rechterhand op de drukschakelaar voor de variabele snelheid om de zaag te starten (afb. L).
4. Laat de ontgrendelknop los en houd de drukschakelaar ingedrukt voor continu gebruik.

**⚠ WAARSCHUWING:** Probeer de zaag niet te starten als de zaag in een zaagsnede steekt.

#### Stoppen

1. Laat de knop voor de variabele snelheid los om de kettingzaag te stoppen.
2. Druk de terugslag-remhendel van de ketting naar voren naar de rempositie om de kettingrem te activeren (afb. K).

**WAARSCHUWING:** Haal altijd het accupack uit de

kettingzaag wanneer u een pauze inlast of na gebruik van het gereedschap.

#### Correcte grip op de handgrepen (afb. M)

- Draag anti-slip handschoenen voor een maximale grip en bescherming.
- Met de zaag op een stevige, vlakke ondergrond houdt u de zaag stevig met beide handen vast.
- Pak altijd de voorste handgreep met de linkerhand en de achterste handgreep met de rechterhand vast.
- De vingers dienen de handgreep te omsluiten, met de duim onder de voorste handgreep

**⚠ WAARSCHUWING:** Gebruik nooit een linkshandige (gekruste) greep, of een houding waarbij u uw lichaam of arm over de kettinglijn plaatst (afb. N).

#### Goede zaagpositie (afb. O)

- Beide voeten moeten op een vaste ondergrond staan, het gewicht gelijkmatig verdeeld.
- De linkerarm moet recht zijn, met de elleboog vergrendeld. Dit helpt om de krachten van de terugslag te weerstaan.
- Uw lichaam moet zich altijd links van de zaaglijn bevinden.

### INSTRUCTIES VOOR DE JUISTE TECHNIEK VOOR HET NORMALE KAPPEN, SNOEIEN, EN KRUISELINGS ZAGEN

**⚠ WAARSCHUWING:** Zorg altijd voor een veilige stand en houd de kettingzaag stevig met beide handen vast terwijl de motor draait.

**⚠ WAARSCHUWING:** Als de zaagketting is gestopt tijdens het zagen doordat hij klem zit, laat u de drukschakelaar los; verwijder de zaagketting en het zaagblad uit het hout, start de zaag vervolgens opnieuw.

**⚠ WAARSCHUWING:** Trek de zaagketting niet met de hand eruit als hij bedekt is door zaagsel. Ernstig letsel kan het gevolg zijn als de zaag per ongeluk weer start. Druk de zaagketting tegen het hout, beweeg de zaagketting heen en weer om het vuil te verwijderen. Verwijder altijd de accu voor het reinigen. Draag zware beschermende handschoenen als u met de zaagketting werkt.

**⚠ WAARSCHUWING:** Start de kettingzaag nooit als deze contact heeft met het hout. Laat de kettingzaag eerst op snelheid komen voordat u de zaag in contact brengt met het hout.

### EEN BOOM KAPPEN

- Als het zagen en kappen door twee of meer personen gelijktijdig wordt uitgevoerd, dient het kappen apart van het zagen plaats te vinden op een afstand van tenminste twee keer de hoogte van de boom die wordt gekapt. Bomen mogen niet worden gekapt als hierdoor gevaren voor personen ontstaan, een stroomleiding kan worden geraakt of eigendom kan worden beschadigd. Als de boom contact heeft met een stroomleiding, dient u direct contact op te nemen met de stroomleverancier.
- De bediener van de kettingzaag dient aan de hogere zijde van het terrein te staan, aangezien de boom waarschijnlijk naar beneden rolt of glijdt als hij wordt gekapt.
- U dient altijd een vluchtweg te plannen en deze vrij te maken voordat u begint met zagen. De vluchtweg dient zich naar achteren en diagonaal ten opzichte van de verwachte vallijn te bevinden zoals weergegeven in afb. P.

P-1	Kaprichting
P-2	Veilige vluchtweg

- Voordat u begint met kappen, dient u op de natuurlijke hoek van de boom, de locatie of grotere takken en de windrichting te kijken om te beoordelen in welke richting de boom zal vallen.
- Verwijder vuil, stenen, losse schors, spijkers, nietjes en draden van de boom.

### Inkepen

Maak een inkeping 1/3 van de diameter van de boom, loodrecht op de valrichting, zoals te zien in afb. Q. Zet eerst de lagere horizontale inkeping aan. Hierdoor wordt voorkomen dat de kettingzaag of het zaagblad vast komen te zitten als de tweede inkeping wordt gemaakt.

Q-1	Richting van de val
Q-2	Inkeping
Q-3	Snoeisnede
Q-4	Scharnier

## Snoeisnede

- Maak de snoeisnede tenminste 50 mm hoger dan de horizontale inkeping zoals weergegeven in afb. Q. Houd de snoeisnede parallel met de horizontale inkeping. Maak de snoeisnede zo dat er genoeg hout over is dat als scharnier kan fungeren. Het scharnierhout zorgt ervoor dat de boom niet draait en in de verkeerde richting valt. Zaag niet door het scharnier.
- Als de snoeisnede dicht bij het scharnier komt, moet de boom beginnen te vallen. Als er een mogelijkheid bestaat, dat de boom niet in de gewenste richting valt of als hij terug wiegt en de zaagketting vast haakt, dient u te stoppen met zagen voordat de snoeisnede compleet is en dient u gebruik te maken van houten, plastic of aluminium wiggen om de snede te openen en de boom in de gewenste richting te laten vallen.
- Als de boom begint te vallen dient u de zaag uit de snede te halen, de motor te stoppen, de zaag neer te leggen en de geplande vluchtweg te gebruiken. Wees alert voor takken die boven uw hoofd omlaag kunnen vallen en pas op waar u loopt.

## Een boom snoeien

- Snoeien is het verwijderen van de takken van een omgehakte boom. Als u snoeit, dient u grotere, lager zittende takken aan de boom te laten zodat deze de boom op de grond kan steunen. Verwijder kleine takken in één beweging zoals weergegeven in afb. R. Takken onder spanning moeten van beneden naar boven worden gezaagd om te voorkomen dat de kettingzaag vast komt te zitten.

## Zagen van een blok

- Zagen van een blok is het zagen van een boomstam in kortere stukken. Het is belangrijk om ervoor te zorgen dat u stevig staat en uw gewicht gelijkmatig over beide voeten verdeelt. Indien mogelijk dient u de blok op hoogte te brengen door middel van blokken of stutten. Volg de eenvoudige aanwijzingen voor het eenvoudig zagen.
- Als de blok over de gehele lengte wordt ondersteund zoals weergegeven in afb. S1, dient u van boven te zagen (bovenzijde).
- Als de blok aan één uiteinde wordt ondersteund zoals weergegeven in afb. S2, zaagt u 1/3 diameter vanaf de onderkant (onderzijde). Rond de zaagsnede vervolgens af door van boven uit te zagen totdat u bij de eerste zaagsnede aankomt.

## ONDERHOUD

**⚠ WAARSCHUWING:** Gebruik voor reparaties uitsluitend identieke reserve-onderdelen. Het gebruik van andere onderdelen kan gevaar opleveren of schade aan het product veroorzaken.

**⚠ WAARSCHUWING:** Om ernstig persoonlijk letsel te voorkomen, haal het accupack uit de kettingzaag voordat u hem inspecteert, reiniging of onderhoud uitvoert. Een gereedschap met accu waar het accupack geplaatst is, is altijd aan en kan direct starten.

**⚠ WAARSCHUWING:** Als u de zaag reinigt, dompel hem dan NIET in water of andere vloeistoffen.

**⚠ WAARSCHUWING:** Zorg dat remvloeistoffen, benzine, producten op basis van aardolie, oliën, etc. op geen enkel moment met de kunststof onderdelen in aanraking komen. Chemicaliën kunnen de kunststof onderdelen beschadigen, verzwakken of vernietigen en ernstig persoonlijk letsel veroorzaken.

## REINIGING

- Na ieder gebruik dient u het vuil met een zachte borstel van de ketting en het zaagblad te verwijderen. Veeg het oppervlak van de kettingzaag schoon met een vochtige doek en een mild zeepsopje.
- Verwijder de zij-afdekking en gebruik een zachte borstel om het vuil van het zaagblad, zaagketting, het tandwiel en de zij-afdekking te verwijderen.
- Verwijder altijd houtsnippers, zaagsel en vuil van de groef van het zaagblad als u de zaagketting vervangt.

## ZAAGBLAD ONDERHOUD

Als het zaagblad tekenen van slijtage vertoont, demonteer het dan van de motorkop van de zaag en draai het om voor hernieuwde montage (afb. U1). Op deze manier wordt de slijtage verdeeld om de levensduur van het zaagblad te maximaliseren.

Het blad dient iedere dag van gebruik te worden gereinigd en op slijtage en beschadigingen te worden gecontroleerd. Vering of afbramen van de bladgeleiders is een normaal slijtageproces van het zaagblad. Dergelijke fouten dienen te worden verholpen met een vijl zodra deze de kop opsteken. Een blad met één van de volgende fouten dient te worden vervangen.

- Slijtage aan de binnenkant van de bladgeleiders waardoor de ketting over de zijkant kan lopen.
- Gebogen zaagblad.
- Gescheurde of gebroken geleiders.
- Uiteenstaande geleiders.

Bovendien heeft het zaagblad een tandwiel aan de punt (afb. U2). Het tandwiel moet op een wekelijkse basis worden gesmeerd met een vetspuit om de levensduur van het zaagblad te verlengen. Gebruik een vetspuit om op een wekelijkse basis met kettingolie te smeren door middel van de smeeroening (afb. U3). Draai het zaagblad en controleer of de smeeroeningen en de ketting groef vrij zijn van verontreinigingen.

U2-1	Tandwiel in de punt van het zaagblad
U2-2	Smeeroening

#### TRANSPORT EN OPSLAG

- Berg de kettingzaag nooit op en transporteer hem niet als hij aan staat. Verwijder altijd het accupack voor het opbergen of de transport.
- Plaats altijd de bescherming op het zaagblad en de ketting voordat u de kettingzaag opslaat of transporteert. Let op voor de scherpe tanden van de ketting.
- Maak de kettingzaag grondig schoon voordat u deze opbergt. Berg de kettingzaag binnenshuis op in een droge ruimte die voor kinderen gesloten en/of ontoegankelijk is.
- Houd uit de buurt van corrosieve middelen, zoals tuinchemicaliën en strooizout.

#### Het milieu beschermen



WEEE (afgedankte elektrische en elektronische apparatuur) Gooi geen elektrische apparatuur, gebruikte batterijen en laders weg via het huishoudelijk afval! Geef dit product af bij een geautoriseerd recyclingbedrijf en zorg dat het apart kan worden ingezameld. Elektrisch gereedschap moet worden afgegeven voor een milieuvriendelijke recycling.

NL

## PROBLEEMOPLOSSING

**⚠ WAARSCHUWING:** Bescherm altijd uw handen door zware handschoenen te dragen als u onderhoud aan de kettingzaag uitvoert. Verwijder altijd het accupack tijdens onderhoud of transport van de kettingzaag.

NL

PROBLEEM	OORZAAK	OPLOSSING
De motor start niet.	<ul style="list-style-type: none"> <li>■ Het accupack is niet met de kettingzaag verbonden.</li> <li>■ Er is geen elektrisch contact tussen de zaag en accu.</li> <li>■ Het accupack is uitgeput.</li> <li>■ Het accupack of de kettingzaag is te warm.</li> <li>■ De kettingrem is geactiveerd.</li> <li>■ Er bevindt zich vuil in de groef van het blad.</li> <li>■ Er bevindt zich vuil in de zij-afdekking.</li> </ul>	<ul style="list-style-type: none"> <li>■ Bevestig het accupack aan de kettingzaag.</li> <li>■ Verwijder de accu, controleer de contacten en bevestig het accupack weer.</li> <li>■ Laad het accupack op.</li> <li>■ Laat het accupack of de kettingzaag afkoelen totdat de temperatuur lager dan 67°C is.</li> <li>■ Trek de ketting terugslag remhendel naar achteren naar de voorste handgreep tot in de gebruikspositie.</li> <li>■ Druk de zaagketting tegen het hout, beweeg de zaagketting heen en weer om het vuil te verwijderen.</li> <li>■ Verwijder het accupack, verwijder vervolgens de zij-afdekking en ontdoe hem van vuil.</li> </ul>
De kettingzaag stopt met lopen tijdens het gebruik.	<ul style="list-style-type: none"> <li>■ De kettingzaag is overbelast.</li> <li>■ Het accupack of de kettingzaag is te warm.</li> <li>■ De zaagketting zit vast in het hout.</li> </ul>	<ul style="list-style-type: none"> <li>■ Verlaag de belasting.</li> <li>■ Verlaag de belasting. Laat het accupack of de kettingzaag afkoelen totdat de temperatuur lager dan 67°C is.</li> <li>■ Laat u de drukschakelaar voor variabele snelheid los; verwijder de zaagketting en het zaagblad uit het hout, start de kettingzaag vervolgens opnieuw.</li> </ul>
De motor loopt, maar de ketting draait niet.	<ul style="list-style-type: none"> <li>■ De ketting heeft geen contact met het tandwiel.</li> </ul>	<ul style="list-style-type: none"> <li>■ Bevestig de ketting weer; zorg ervoor dat de aandrijfschakels van de ketting volledig over het tandwiel lopen.</li> </ul>
De kettingrem wordt niet geactiveerd.	<ul style="list-style-type: none"> <li>■ Vuil voorkomt de volledige beweging van de ketting terugslag remhendel.</li> <li>■ Mogelijke storing van de kettingrem.</li> </ul>	<ul style="list-style-type: none"> <li>■ Verwijder vuil van het externe kettingremmechanisme.</li> <li>■ Neem contact op met de klantenservice van EGO in geval van reparaties.</li> </ul>



PROBLEEM	OORZAAK	OPLOSSING
De kettingzaag zaagt niet goed.	<ul style="list-style-type: none"> <li>■ Onvoldoende kettingspanning.</li> <li>■ Botte ketting.</li> <li>■ De ketting is achterste voren bevestigd.</li> <li>■ De ketting is versleten.</li> <li>■ Droge of overmatig gerekte ketting.</li> <li>■ De ketting loopt niet in de groef van het zaagblad.</li> </ul>	<ul style="list-style-type: none"> <li>■ Pas de kettingspanning aan; doe dit aan de hand van de volgende alinea: "<b>AANPASSEN VAN DE KETTINGSpanning</b>".</li> <li>■ Slijp de ketting.</li> <li>■ Monteer de zaagketting weer, volg hiervoor de instructies in alinea "<b>MONTEREN/VERVANGEN VAN HET ZAAGBLAD EN DE KETTING</b>".</li> <li>■ Vervang de ketting; doe dit aan de hand van de volgende alinea: "<b>MONTEREN/VERVANGEN VAN HET ZAAGBLAD EN DE KETTING</b>".</li> <li>■ Controleer het oliepeil. Vul de olietank indien nodig.</li> <li>■ Herinstalleer de zaagketting; doe dit aan de hand van de volgende alinea: "<b>MONTEREN/VERVANGEN VAN HET ZAAGBLAD EN DE KETTING</b>".</li> </ul>
De ketting raakt los of valt uit het zaagblad tijdens het normale gebruik.	<ul style="list-style-type: none"> <li>■ De ketting raakt los omdat de temperatuur van de ketting toeneemt tijdens het normale zaagproces.</li> <li>■ De ketting heeft geen contact met het tandwiel.</li> </ul>	<ul style="list-style-type: none"> <li>■ Zorg voor de kettingspanning, volg hiervoor de instructies in "<b>AANPASSEN VAN DE KETTINGSpanning</b>".</li> <li>■ Herinstalleer de zaagketting; doe dit aan de hand van de volgende alinea: "<b>MONTEREN/VERVANGEN VAN HET ZAAGBLAD EN DE KETTING</b>".</li> </ul>

NL

## GARANTIE

### EGO GARANTIEBELEID

Bezoek alstublieft de website [egopowerplus.eu](http://egopowerplus.eu) voor de volledige voorwaarden van het EGO garantiebeleid.

## LÆS ALLE ANVISNINGER!



### LÆS BRUGERVEJLEDNINGEN

**⚠ Resterende risiko!** Folk med elektroniske enheder, såsom pacemakere, skal spørge deres læge til råds, før de bruger dette produkt. Betjening af elektrisk udstyr i umiddelbar nærhed af en pacemaker, kan forårsage forstyrrelser eller svigt af pacemakeren.

## SIKKERHEDSSYMBOL

Formålet med sikkerheds- symboler er at tiltrække din opmærksomhed på mulige farer. Du skal være meget opmærksom på sikkerhedssymbolerne og forklaringerne til dem og lære at forstå dem. Symbolernes advarsler fjerner ikke i sig selv eventuelle farer. De anvisninger og advarsler, de giver ingen erstatninger for ordentlig forebyggelse af ulykker foranstaltninger.

DK

**⚠ ADVARSEL:** Sørg for at læse og forstå alle sikkerhedsanvisninger i denne brugsanvisning, herunder alle sikkerhedssymboler, såsom "FARE", "ADVARSEL" og »FORSIGTIG", før du bruger dette værktøj. Hvis anvisningerne nedenfor ikke følges, kan det føre til elektrisk stød, brand og/eller alvorlig personskade.

## SYMBOLERNES BETYDNING

Denne side viser og beskriver sikkerhedssymboler, der kan være på dette produkt. Læs, forstå, og følg alle anvisningerne på maskinen, før du forsøger at samle og betjene den.

## SIKKERHEDSSYMBOLER



Sikkerhedsadvarsel



Læs og forstå brugsanvisningen



Wear Eye Protection



Brug høreværn



Brug hovedbeskyttelse



Brug beskyttelseshandsker



På på tilbageslag fra motorsaven og undgå kontakt på spidsen af motorsaven



Spidsen af savsværdet kan slå tilbage



Motorsaven skal altid holdes med begge hænder



Må ikke udsættes for regn



Oplysninger om savsværdet



Garanteret lydniveau.



WEEE



Dette produkt overholder gældende britisk lovgivning.



Dette produkt er i overensstemmelse med gældende EU-direktiver.

V Volt

Hz Hertz

min Minutter

... /min Per minut



Jævnstrøm (DC)

A Ampere

W Watt

$n_0$  Hastighed uden belastning

## SPECIFIKATIONER

Spænding	56 V	
Længde på sværdet	400 mm (CS1610E)	
	350 mm (CS1410E)	
Kædedeling	3/8" (9,5 mm)	
Kædemåler	1,1 mm	
Kædehastighed	20 m/s	
Savkædetype	CS1610E	AC1600/AC1601 (anbefalet) AC1400/AC1401 (kompatibel)
	CS1410E	AC1400/AC1401 (anbefalet) AC1600/AC1601 (kompatibel)
Sværdtype	CS1610E	AG1600/AG1601 (anbefalet) AG1400/AG1401 (kompatibel)
	CS1410E	AG1400/AG1401 (anbefalet) AG1600/AG1601 (kompatibel)
Kapacitet på oliebeholderen til kæden	150 ml	
Driftstemperatur	-15°C–40°C	
Opbeva-ringstemperatur	-20°C–70°C	
Nettovægt (uden batteripakke, kædehylster)	3,9 kg (CS1610E)	
	3,8 kg (CS1410E)	
Målt lydeffektniveau $L_{WA}$	102,25 dB(A) K=1,4 dB(A)	
Lydtryk ved brugerens øre $L_{PA}$	91,25 dB(A) K=2,5 dB(A)	
Garanteret lydeffektniveau $L_{WA}$ (i henhold til 2000/14/EF)	103 dB(A)	

Vibration $a_h$	Forreste håndtag	3,377 m/s <sup>2</sup> K=1,5 m/s <sup>2</sup>
	Bageste håndtag	2,823 m/s <sup>2</sup> K=1,5 m/s <sup>2</sup>

DK

- Den samlede erklærede vibrationsværdi er målt i overensstemmelse med en standard testmetoden, og den kan bruges til at sammenligne et værktøj med et andet;
- Den samlede angivne vibrationsværdi kan også bruges ved en foreløbig vurdering af eksponeringen.

**BEMÆRK:** Vibrationsemissionen ved faktisk brug af elværktøjet kan afvige fra den angivne værdi, hvor værktøjet bruges. For at beskytte brugeren, skal brugeren bruge handsker og høreværn i de faktiske brugsforhold.

## LISTE OVER DELE (FIG. A1)

### BESKRIVELSE

**GØR DIG BEKENDT MED DIN MOTORSAV (fig. A1)**

- Gashåndtag
- Bageste håndtag
- Låseknop
- Forreste håndtag
- Kædebremsehåndtag
- Savkæde
- Savsværd
- Låg til oliebeholder
- Vindue til olietjek
- Elektriske kontakter
- Knop til frigørelse af batteri
- Knop til justering af kædespændingen
- Sidebeslag
- Knop til sidebeslag
- Kædehylster

## SAMLING

### MONTERING/UDSKIFTNING AF SVÆRDET OG KÆDEN

**⚠ ADVARSEL:** Sæt kædebremsehåndtaget på bremsset indstilling inden produktet samles.

1. Læg motorhuset på siden med sidebeslaget vendt opad (fig. B).
2. Drej håndtaget på sidebeslaget mod uret, for at tage beslaget af, og løsn derefter håndtaget til stramning af kæden så meget som muligt.
3. Læg den nye savkæde i en løkke på en plan flade, og ret alle knæk ud (fig. C).
4. Sæt kæden på rillen på sværdet, og sørg for at kæden danner en løkke på bagsiden af sværdet (fig. D).
5. Hold kæden på plads på sværdet, og sæt kædelokken omkring tandhjul på motorhuset.
6. Sæt hullet i sværdet over justeringsflangerne, indtil stiften til justering af kæden spænding sættes i det nedre hul for enden af sværdet (fig. E1).

**BEMÆRK:** Savkæden har indgraveret små retningspile. Der er støbt en anden retningspil i huset. Når savkæden sætter omkring tandhjulet, skal du sørge for at retningen på pilene på savkæden passer med retningen af pilen på huset. Hvis pilene ikke peger i samme retning, skal savkæden og sværdet vendes om (fig. E2).

7. Sæt sidebeslaget på igen, og spænd knoppen på sidebeslaget.
8. Løft spidsen af sværdet op, og se om kæden hænger (fig. F). Slip spidsen af sværdet, og drej justeringsknoppen til stramning af kæden med uret. Gentag denne proces, indtil kæden sidder stramt.
9. Stram knoppen til sidebeslaget, og sørg for at savkæden er spændt ordentligt fast før brug.

D-1	Kædeled	E-2	Stift til justering af stramning
D-2	Rille på savsværdet	E-3	Rille på sværd
E-1	Justeringsflange	E-4	Kædehjul

**BEMÆRK:** For at forlænge savsværdets levetid, skal det regelmæssigt vendes om.

**BEMÆRK:** Hvis kæden er for stram, kan den ikke dreje rundt. Løsn knoppen til sidebeslaget, og drej justeringsknoppen til stramning af kæden én omgang mod uret. Løft spidsen af savsværdet opad og stram knoppen til sidebeslaget igen. Sørg for at kæden kan dreje rundt uden binding.

### SÅDAN JUSTERES KÆDESTRAMNINGEN

- Stop motoren og tag batteripakken ud, inden kædestramningen justeres. Sørg for håndtaget på sidebeslaget løsnes. Drej knoppen til stramning af kæden med uret, for at stamme kæde kæden. Du kan læse mere i afsnittet: "SÅDAN MONTERES/SKIFTES SAVSVÆRDET OG KÆDEN".
- En kold kæde er korrekt spændt, når den ikke hænger ned på undersiden af sværdet og den sidder fast, men stadig kan dreje rundt uden at binde. Kæden skal spændes når de flade dele på leddene ikke sidder i rillen på savsværdet.
- Under normalt brug af saven stiger kædens temperatur. Leddene på en korrekt spændt varm kæde skal hænge ca. 1,3 mm fra rillen på savsværdet (fig. G).

**BEMÆRK:** Nye kæder har tendens til at udvide sig. Tjek regelmæssigt kædestramningen og spænd kæden, hvis nødvendigt.

**BEMÆRK:** Hvis en kæde strammes, når den er varm, bliver den muligvis for stram, når den bliver kold. Kædens stramning skal tjekkes, når den er kold og inden efterfølgende brug.

## BETJENING

**⚠ ADVARSEL:** Lad ikke fortrolighed med dette produkt gøre dig skødesløs. Husk på, at det kan føre til alvorlige skader, hvis du ikke er opmærksom i blot et sekund.

**⚠ ADVARSEL:** Anvend ikke tilbehør eller påmonteringer, der ikke anbefales af fabrikanten af dette produkt. Brug af tilbehør eller påmonteringer, der ikke anbefales, kan forårsage alvorlig personskade.

**⚠ ADVARSEL:** For at forhindre, at apparatet startes ved et uheld, som kan føre til alvorlige personskader, skal batteripakken altid tages ud, når dele sættes på, motorsaven justeres og rengøres og når den ikke er i brug.

Før hver brug skal du undersøge hele produktet for skader, manglende eller løse dele, såsom skruer, møtrikker, bolte, hætter etc. Spænd omhyggeligt alle befæstelsesdele og hætter, og betjen ikke dette produkt, før alle manglende eller beskadigede dele er udsiftet.

### ANVENDELSER

Dette produkt er beregnet til almindelig fældning, afkvistning, beskæring og savning af træstammer og træer.

## SÅDAN PÅFYLDES OLIEBEHOLDEREN TIL SMØRING AF SAVSVARDET OG KÆDEN

**⚠ ADVARSEL:** Der må ikke rygges eller være åbne flammer i nærheden af olien eller motorsaven. Der kan spildes olie, der kan føre til brand.

**BEMÆRK:** Motorsav er ikke fyldt med olie, når den købes. Der skal fyldes olie på motorsaven inden brug. Kæden smøres automatisk med kædeolien, når saven bruges.

1. Læg motorsaven på siden med dækslet til oliebeholderen mod dig selv.
2. Rengør oliebeholderens låg og området omkring det for at sikre, at der ikke kommer snavs ind i oliebeholderen.
3. Læg motorsaven på siden på en fast, flad overflade, så tankdækslet vender opad. Løft den halvrunde plade op og drej oliebeholderens dæksel mod uret for at tage det af (fig. H).
4. Hæld forsigtigt olien til sværd og kæde i beholderen. Fyld op til MAX-linjen.
5. Tør eventuelle olierester af, og sæt dækslet på igen.

**BEMÆRK:** Kontroller regelmæssigt olieniveauet, og fyld olie på, hvis niveauet falder under minimumslinjen. Motorsaven må aldrig bruges, hvis du ikke kan se noget olie.

## PÅSÆTNING / AFTAGNING BATTERIPAKKEN

### Lad batteriet helt op inden første brug.

Produktet må kun bruges med batteripakkerne og opladerne, der står på listen i fig. A2.

### Påsætning (fig. I)

Flugt ribberne på batteripakken med monteringsrillerne, og tryk derefter batteriet ind i værktøjet, indtil det klikker på plads.

### Aftagning (fig. J)

Tryk på knappen til batteriudløseren, og træk batteripakken ud.

## SÅDAN STARTES/STOPPES MOTORSAVEN

**BEMÆRK:** Inden motorsaven startes, skal den tjekkes for olie, tænderne på kæden skal tjekkes og bremsehåndtaget skal tjekkes. Du skal desuden have et godt fodfæste og holde en korrekt afstand fra jorden.

## Sådan startes produktet

1. Slå kædebremsehåndtaget til, ved at trække det mod det forreste håndtag (fig. K).
2. Tag ordentligt fat i forreste og bageste håndtag med begge hænder.
3. Hold låseknappen nede med tommelfingeren med din højre hånd. Tryk derefter på gashåndtaget med fingrene på højre hånd for at starte saven (fig. L).
4. Slip låseknappen, men hold fortsat gashåndtaget nede, for at holde motorsaven i gang.

**⚠ ADVARSEL:** Motorsaven må ikke startes, hvis savkæden sidder i et træ.

## Sådan stoppes produktet

1. Slip gashåndtaget for, at stoppe motorsaven.
2. Tryk kædebremsehåndtaget frem, for at bremse kæden (fig. K).

**⚠ ADVARSEL:** Tag altid batteripakken ud af motorsaven, hvis du holder en pause og når du er færdig med at bruge motorsaven.

## Sådan holder du et korrekt greb om håndtagene (fig. M)

- Brug skridsikre handsker, så du får et maksimalt greb og beskyttelse.
- Hold fast med begge hænder med saven på en stabil og flad overflade.
- Tag altid fast i det forreste håndtag med venstre hånd og i det bageste håndtag med højre hånd.
- Fingrene skal omringe håndtaget, med tommelfingeren under det forreste håndtag.

**⚠ ADVARSEL:** Brug aldrig et venstrehåndsgreb (kejthåndet). Og stå aldrig på måde, som ville placere din krop eller arm i savelinjen (fig. N).

## Ordentlig holdning under brug (fig. O)

- Stå med begge ben fast på jorden, med din vægt fordelt jævnt på begge fødder.
- Venstre arm skal være lige, med albuen låst. Dette hjælper til at modstå kræfterne, der genereres ved et tilbageslag.
- Din krop skal altid være til venstre for savelinjen.

DK

## VEJLEDNING OM KORREKTE TEKNIKKER TIL GRUNDLÆGGENDE FÆLDNING, AFKVISTNING OG TVÆRGÅENDE SAVNING

**⚠ ADVARSEL:** Sørg altid for at du har et godt fodfæste, og hold ordentligt fast i motorsaven med begge hænder, når den er i gang.

**⚠ ADVARSEL:** Hvis motorsaven kommer i klemme og stopper, skal du slippe gashåndtaget, og tag derefter motorsaven ud af træet, inden den startes igen.

**⚠ ADVARSEL:** Træk ikke i savkæden med hånden, hvis den sidder fast. Dette kan føre til alvorlige skader, hvis motorsavet starter ved et uheld. Tryk motorsaven mod træet, og ryk den frem og tilbage, så skidtet kommer ud. Batteripakken skal altid tages ud, inden motorsaven rengøres. Brug kraftige beskyttelseshandsker, når du håndterer kædesaven.

**⚠ ADVARSEL:** Motorsaven må aldrig startes, når den er i kontakt med træ. Sørg altid for at motorsaven kører med fuld hastighed, inden du begynder at save.

### SÅDAN FÆLDES ET TRÆ

- Når to eller flere personer arbejder i samme område, hvor træ fældes og træstammer saves over, skal træet fældes mindst to træ-længder væk fra stedet, hvor bukkene bruges. Træer må ikke fældes på en måde, der bringer andre personer i fare, ramme elkabler eller på nogen måde skade ejendomme. Hvis træet rammer nogen elkabler, skal elselskabet straks underrettes.
- Brugeren af motorsaven skal stå på den øverste del af skråningen, da træet sandsynligvis ruller eller glider ned ad skråningen, når det fældes.
- Sørg for der er en fri gang, hvor man kan komme væk fra træet, inden træet fældes. Gangen skal være lige og gå i modsat retning af, hvor træet regnes med at falde, som vist i fig. P.

P-1	Fælderetning
P-2	Sikker gangsti

- Inden træet fældes, skal du se hvilken retning træet hælder til, hvor de større grene sidder på træet og i hvilken retning vinden blæser, så du kan vurdere, hvilken retning træet vil vælte i.
- Fjern jord, sten, løs bark, som, hæfteklammer og kabler fra træet.

### Udskæring ved undersnit

Lav en udskæring 1/3 ind i træstammen i retningen, som træet skal falde, som vist i fig. Q. Lav først den nederste vandrette udskæring. Dette reducerer chancen for at savkæden eller sværdet sidder fast, når den anden udskæring laves.

Q-1	Falderetning
Q-2	Udskæring
Q-3	Fældning med bagsnit
Q-4	Hængsel

### Fældning med bagsnit

- Lav fældesnippet mindst 50 mm over det vandrette udskæring, som vist i fig. Q. Sørg for at fældesnippet er parallelt med den vandrette udskæring. Lav fældesnippet, så det resterende træ virker som et form for hængsel. Hængseltræet holder træet fra at dreje, og derved falde i den forkerte retning. Hængseltræet må ikke skæres over.
- Når fældningen kommer tæt på hængslet, begynder træet af falde. Hvis der er chance for, at træet ikke falder i den ønskede retning eller hvis det begynder at læne i den forkerte retning og fastklemmer saven, skal du holde op med at save. Brug i stedet for kiler af træ, plast eller aluminium til at åbne snittet, så træet begynder at hælde eller falder i den rigtige retning.
- Når træet begynder at falde, skal du tage motorsaven ud af snittet, stoppe den og sætte den på jorden. Gå derefter væk fra træet via den planlagte gang. Hold øje med det faldende træ, og hvor du går.

### Afkvistning af træ

- Afkvistning er når man saver grenene af det fældet træ. Når du afkvister, skal du efterlade større grene forned, som kan holde stammen over jorden. Sav de små grene af i et snit, som vist på i fig. R. Grene, der er under spænd, skal saves over fra undersiden, så saven ikke kommer i klemme.

### Opskæring af træstammer

- Opskæring er når man saver en træstamme i stykker. Det er vigtigt at dit du har et godt fodfæste, og at din vægt er fordelt jævnt på begge fødder. Træstammen skal hæves og støttes, enten med bukke, andre træstammer eller træklodser, hvis muligt. Følg de enkle anvisninger for nem opskæring.
- Hvis hele træstammen er støttet, som vist på fig. S1, saves den først over i toppen.

- Hvis træstammen er støttet i den ene ende, som vist på fig. S2, skal du lave et snit ca. 1/3 ind i stammen fra undersiden. Sav derefter resten af stammen over fra oven, og ned til det første snit.
- Hvis træstammen er støttet i begge ender, som vist på fig. S3, skal du lave et snit ca. 1/3 ind i stammen fra oversiden. Sav derefter resten af stammens 2/3 over fra undersiden, og op til det første snit.
- Hvis træstammen saves over på en skråning, skal du altid højere op end træstammen, som vist i fig. T.
- Hvis stammen skal saves helt over på en gang, skal du trykke mindre, når stammen er ved at være savet over, uden at afslappe dit greb. Undgå, at kæden røre ved jorden. Når stammen er savet over, skal du vente indtil den er stoppet helt, inden den flyttes. Motoren skal altid stoppes, inden du går videre med næste træ.

## VEDLIGEHOLDELSE

**⚠ ADVARSEL:** Ved service må der kun bruges originale reservedele. Brug af andre reservedele kan medføre fare eller forårsage skader på produktet.

**⚠ ADVARSEL:** For at undgå alvorlige personskader, skal batteripakken tages ud af motorsaven inden den ses efter, rengøres eller vedligeholdes. Et batteridrevet værktøj med batteripakken i, er altid tændt og kan starte ved et uheld.

**⚠ ADVARSEL:** Motorsaven må IKKE nedsænkes i vand eller andre væsker, når den rengøres.

**⚠ ADVARSEL:** Plastikdelene må aldrig komme i kontakt med bremsevæske, benzin, petroleum-baserede produkter, gennemtrængende olie, osv. Kemikalier kan beskadige, svække og ødelægge plastik, hvilket kan føre til alvorlige personskader.

## RENGØRING

Efter hver brug, skal kæden og savsværdet rengøres for rester med en blød børste. Tør motorsavens overflade af med en ren klud, fugtet med en mild sæbeopløsning.

Fjern sidebeslaget, og brug derefter en blød børste til at fjerne snavs fra sværdet, kæden, tandhjulet og sidebeslaget.

Rengør altid rillen på savsværdet for træflis, savsmuld og skidt, inden savkæden sættes på.

## VEDLIGEHOLDELSE AF SAVSVÆRDET

Når sværdet viser tegn på slid, skal det tages af motorhovedet og vendes om (fig. U1). På denne måde slides sværdet på begge sider, så det holder længere.

Sværdet skal rengøres hver dag efter brug, og ses efter for slid og skader. Udtynding og afgratning på rillen af sværdet er et normal tegn på slid. Sådanne fejl skal jævnes ud med en fil, så snart de opstår. Et sværd med en af følgende fejl, skal skiftes.

- Slid på indersiden af rillen på sværdet, som får kæden til at køre skævt.
- Et bøjet sværd.
- Revnede eller ødelagte riller.
- Udvidede riller.

Derudover har sværdet et tandhjul på spidsen (fig. U2). Tandhjulet skal smøres ugentligt med en fedtsprøjte, så dets levetid forlænges. Brug ugentligt en fedtsprøjte til at smøre med kædeolie via smøringshullet (fig. U3). Drej sværdet og sørg for at smørhullerne og kæderillen er fri for urenheder.

U2-1	Tandhjul på spidsen af sværdet
U2-2	Hul til smøring

## TRANSPORT OG OPBEVARING

- Motorsaven må ikke opbevares eller transporteres, når den kører. Batteripakken skal altid tages ud, inden motorsaven gemmes væk og transporteres.
- Sæt altid skeden på sværdet og hylsteret på kæden, inden motorsaven gemmes væk eller transporteres. Vær forsigtig med ikke at røre de skarpe tænder på kæden.
- Rengør motorsaven grundigt før opbevaring. Motorsaven skal opbevares indendørs på et tørt sted, der er låst og/eller utilgængelige for børn.
- Holdes væk fra ætsende stoffer, såsom havekemikalier og vejsalt.

DK

# EGO

---

## Beskyttelse af miljøet



WEEE (Waste Electrical and Electronic Equipment) Elektrisk udstyr, batterioplader og batterier må ikke smides ud sammen med almindelig husholdningsaffald! Tag dette produkt til en autoriseret genbrugsplads, og sørg for at det sendes til genbrug. Elektriske værktøjer skal returneres til et miljøkompatibelt genvindingsanlæg.

DK

KEES VAN DER SPEK  
TUINMACHINES ★ STOLWIJK



## FEJLFINDING

**⚠ ADVARSEL:** Beskyt altid dine hænder ved at bruge kraftige handsker, når du udfører vedligeholdelsesarbejde på savkæden. Batteripakken skal altid tages ud, hvis motorsaven skal repareres eller transporteres et andet sted hen.

PROBLEM	ÅRSAG	LØSNING
Motoren kører ikke.	<ul style="list-style-type: none"> <li>■ Batteripakken er ikke sat i motorsaven.</li> <li>■ Der er ingen elektrisk kontakt mellem saven og batteriet.</li> <li>■ Batteriet er afladet.</li> <li>■ Batteripakken eller motorsaven er for varm.</li> <li>■ Kædebremseren er aktiveret.</li> <li>■ Skidt i rillen på savsværdet.</li> <li>■ Snavs i sidebeslaget.</li> </ul>	<ul style="list-style-type: none"> <li>■ Sæt batteripakken i motorsaven.</li> <li>■ Fjern batteriet, kontrollér kontakter, og sæt batteriet på igen.</li> <li>■ Oplad batteripakken.</li> <li>■ Lad batteripakken eller motorsaven køle ned, indtil temperaturen kommer under 67°C.</li> <li>■ Træk kædebremshåndtaget tilbage mod det forreste håndtag, så det sidder i driftsindstillingen.</li> <li>■ Tryk motorsaven mod træet, og ryk den frem og tilbage, så skidt kommer ud.</li> <li>■ Tag batteripakken ud, og tag derefter sidebeslaget af og rengør evt. skidt.</li> </ul>
Motorsaven holder op med, at køre under arbejdet.	<ul style="list-style-type: none"> <li>■ Motorsaven overbelastet.</li> <li>■ Batteripakken eller motorsaven er for varm.</li> <li>■ Savkæden sidder fast i træet.</li> </ul>	<ul style="list-style-type: none"> <li>■ Reducer belastningen.</li> <li>■ Reducer belastningen. Lad batteripakken eller motorsaven køle ned, indtil temperaturen kommer under 67°C.</li> <li>■ Slip gashåndtaget. Tag savkæden og savsværdet ud af træet. Start derefter motorsaven igen.</li> </ul>
Motoren kører, men kæden kører ikke rundt.	<ul style="list-style-type: none"> <li>■ Kæden kører ikke på tandhjulet.</li> </ul>	<ul style="list-style-type: none"> <li>■ Sæt kæden på igen, og sørg for at leddene på kæden sidder ordentligt på tandhjulet.</li> </ul>
Kædebremseren aktiveres ikke.	<ul style="list-style-type: none"> <li>■ Snavs forhindrer kædebremsehåndtaget i at kunne bevæges.</li> <li>■ Mulig funktionsfejl på kædebremseren.</li> </ul>	<ul style="list-style-type: none"> <li>■ Rengør for snavs på den eksterne kædebremsemekanisme.</li> <li>■ Kontakt EGO's kundeservice for reparation.</li> </ul>

DK

PROBLEM	ÅRSAG	LØSNING
Motorsaven saver ikke ordentligt.	<ul style="list-style-type: none"> <li>■ Kæden er ikke strammet ordentligt.</li> <li>■ Kæden er døv.</li> <li>■ Kæden er sat omvendt på.</li> <li>■ Kæden er slidt.</li> <li>■ Kæden er tør eller sidder for stramt.</li> <li>■ Kæder kører ikke i rillen på savsværdet.</li> </ul>	<ul style="list-style-type: none"> <li>■ Juster kædestramningen i henhold til vejledningerne i afsnittet: »<b>SÅDAN JUSTERES KÆDESTRAMNINGEN</b>«.</li> <li>■ Slib kæden.</li> <li>■ Sæt savkæden på igen iht. afsnittet »<b>MONTERING/UDSKIFTNING AF SVÆRDET OG KÆDEN</b>«.</li> <li>■ Skift kæden i henhold til vejledningerne i afsnittet: »<b>MONTERING/UDSKIFTNING AF SVÆRDET OG KÆDEN</b>«.</li> <li>■ Tjek olien. Fyld olie på, hvis nødvendigt.</li> <li>■ Sæt kæden på igen i henhold til vejledningerne i afsnittet: »<b>MONTERING/UDSKIFTNING AF SVÆRDET OG KÆDEN</b>«.</li> </ul>
Kæden bliver løs eller falder af savsværdet under normal brug.	<ul style="list-style-type: none"> <li>■ Under normalt brug af saven stiger kædens temperatur, hvorefter den bliver løs.</li> <li>■ Kæden kører ikke på tandhjulet.</li> </ul>	<ul style="list-style-type: none"> <li>■ Justér kædestramningen iht. afsnit »<b>JUSTERING AF KÆDESTRAMNINGEN</b>«.</li> <li>■ Sæt kæden på igen i henhold til vejledningerne i afsnittet: »<b>MONTERING/UDSKIFTNING AF SVÆRDET OG KÆDEN</b>«.</li> </ul>

## GARANTI



### EGO GARANTI POLITIK

Besøg venligst hjemmesiden [egopowerplus.eu](http://egopowerplus.eu) for fuldstændige vilkår og betingelser for EGO's garantipolitik.

## LÄS IGENOM ALLA INSTRUKTIONER!



### LÄS IGENOM BRUKSANVISNINGEN

**⚠ Dolda risker!** Personer med elektroniska enheter såsom pacemaker skall rådfråga sin läkare innan denna produkt används. Användning av elektronisk utrustning i närheten av en pacemaker kan orsaka störningar eller fel på pacemakern.

## SÄKERHETSSYMBOL

Syftet med säkerhetssymboler är att uppmärksamma eventuella faror. Säkerhetssymbolerna och förklaringarna av dessa kräver din fullständiga uppmärksamhet och förståelse. Symbolvarningarna i sig eliminerar inte några faror. Instruktionerna och varningarna som ges är inte något substitut för korrekta åtgärder för förhindrande av olyckor.

**⚠ VARNING:** Var noga med att läsa igenom och förstå alla säkerhetsinstruktioner i denna bruksanvisning, inklusive alla varningssymboler såsom "FARA", "VARNING" och "FÖRSIKTIGHET" innan detta verktyg används. Underlåtenhet att läsa alla instruktioner som listas nedan kan resultera i elektrisk stöt, brand och/eller allvarig personskada.

SE

## SYMBOLBETYDELSE

Denna sida framställer och beskriver säkerhetssymboler som kan visas på denna produkt. Läs igenom, förstå och följ alla instruktioner på maskinen innan försök görs att montera och hantera den.

## SÄKERHETSSYMBOLER



Säkerhetslarm



Läs igenom och förstå bruksanvisningen



Använd ögonskydd



Använd hörselskydd



Använd skyddshjälm



Använd skyddshandskar



var medveten om kedjesågens rekyler och undvik kontakt med svärdets spets



Svärd spetsrekyl



Använd alltid båda händerna när sågen används



Utsätt den inte för regn



Information om svärdet



Garanterad ljudeffektivitet.



WEEE



Denna produkt uppfyller tillämplig lagstiftning i Storbritannien.

**CE** Denna produkt är i enlighet med gällande EG-direktiv.

V Volt

Hz Hertz

min Minuter

... /min Per minut

**≡** Likström

A Ampere

W Watt

$n_0$  Tomgångshastighet

## SPECIFIKATIONER

**SE**

Spänning	56 V <b>≡</b>	
Svärdlängd	400 mm (CS1610E)	
	350 mm (CS1410E)	
Kedjedelning	3/8 tum' (9,5 mm)	
Kedjemått	1,1mm	
Kedjehastighet	20 m/s	
Sågk-edjety	CS1610E	AC1600/AC1601(Rekommenderas) AC1400/AC1401(kompatibel)
	CS1410E	AC1400/AC1401(Rekommenderas) AC1600/AC1601(kompatibel)
Svärdtyp	CS1610E	AG1600/AG1601(Rekommenderas) AG1400/AG1401(kompatibel)
	CS1410E	AG1400/AG1401(Rekommenderas) AG1600/AG1601(kompatibel)
Kapacitet kedjeoljetank	150 ml	
Driftstemperatur	-15°C–40°C	
Förvaringstemperatur	-20°C–70°C	
Nettovikt (utan batteripaket, kedjeöverdrag)	3,9 kg (CS1610E) 3,8 kg (CS1410E)	
Uppmätt ljudeffektnivå $L_{WA}$	102,25 dB(A) K=1,4 dB(A)	
Ljudtrycksnivå vid operatörens öra $r L_{PA}$	91,25 dB(A) K=2,5 dB(A)	
Garanterad ljudeffektnivå $L_{WA}$ (enligt 2000/14/EG)	103 dB(A)	

Vibration $a_h$	Främre handtag	3,377 m/s <sup>2</sup> K=1,5 m/s <sup>2</sup>
	Bakre handtag	2,823 m/s <sup>2</sup> K=1,5 m/s <sup>2</sup>

- Det deklarerade totala vibrationsvärdet har uppmätts i enlighet med en standardtestmetod och kan användas för att jämföra ett verktyg med ett annat.
- Det deklarerade totala vibrationsvärdet kan också användas i en preliminär utvärdering av exponeringen.

**NOTERA:** Vibrationsutstrålningen under verklig användning av elverktyg kan skilja sig från det deklarerade värdet i vilken verktyget används. För att skydda användaren skall skyddshandskar och hörselskydd användas under faktiska användningsförhållandet.

## FÖRPACKNINGSLISTA (BILD A1)

### BESKRIVNING

#### LÄR KÄNNA DIN KEDJESÅG (Bild A1)

1. Avtryckare för variabel hastighet
2. Bakre handtag
3. Startspärr
4. Främre handtag
5. Bromshandtag kedjerekyl
6. Sågkedja
7. Svärd
8. Lock oljetank
9. Oljeinspektionsfönster
10. Elektriska kontakter
11. Låsknapp för batteriet
12. Justeringsratt för kedjespänningen

13. Sidokåpa
14. Ratt för sidokåpa
15. Kedjeöverdrag

## MONTERING

### MONTERING/BYTE AV SVÄRDET OCH KEDJAN

**⚠ VARNING:** Ändra bromshandtaget för kedjerekyl till bromspositionen innan montering.

1. Placera kedjesågens drivenhet på sidan med sidans kåpa riktad uppåt (bild B).
2. Vrid sidokåpens vred moturs för att ta bort sidans kåpa och lossa sedan kedjespänningsvreden så mycket som möjligt.
3. Lägg den nya kedjan i en loop på en plan yta och räta ut alla knutar (bild C)
4. Placera kedjedrivlänken på svärdsspåren och gör en lopp med kedjan på baksidan av svärdet (bild D).
5. Håll kedjan i positionen på svärdet och placera loopen runt kuggen på drivenheten.
6. Skjut svärdsöppningen över inriktningsflänsen tills spänningens inställningspinne är isatt i det nedre hålet på bakdelen av svärdet (Fig. E1).

**NOTERA:** Små riktningsspilar är ingraverade i sågkedjan. Andra riktningsspilar är tryckta i höljet. När kedjan loopas på kedjehjulet se till att riktningen pilarna på sågkedjan motsvarar riktningen på pilarna i höljet. Om de riktas i motsatt riktning, vänd på sågkedjan och svärdmontaget (bild E2).

7. Sätt tillbaka sidans kåpa och dra åt sidokåpens vred lätt.
8. Lyft spetsen på svärdet uppåt för att kontrollera om den sviktar (bild F). Släpp spetsen på svärdet och vrid kedjespänningsvreden medurs. Upprepa denna process tills nedböjningen är borta.
9. Dra åt sidokåpens vred för att garantera att sågkedjan är korrekt spänd innan användning.

D-1	Kedjedrivlänkar	E-2	Spänning- inställning-spinne
D-2	Svärdsspår	E-3	Svärdsöppning
E-1	Riktningssfläns	E-4	Kedjekarans

**NOTERA:** För att förlänga svärdets livslängd, vänd på svärdet emellanåt.

**NOTERA:** Om kedjan är för tight kommer den inte att rotera. Lossa sidohöljets ratt något och vrid på kedjespänningens inställningsratt ett varv moturs, Lyft upp spetsen på svärdet och dra åt sidohöljets ratt. Se till att kedjan roterar utan att den kärvar.

### INSTÄLLNING AV KEDJESPÄNNINGEN

- Stanna motorn och ta bort batteripaketet innan kedjespänningen justeras. Se till att sidokåpens vred är lossad. Vrid på kedjespänningens inställningsratt medurs för att späna kedjan. Se sektionen: "MONTERA /BYTA SVÄRD OCH KEDJA" för ytterligare information.
- En kall kedja är korrekt spänd när det inte finns något nedhäng på undersidan av svärdet och kedjan sitter tätt men den kan vridas för hand utan att den kärvar. Kedjan måste spännas om närhelst klackarna på drivlänkarna inte sitter i svärdsspåren.
- Vid normala sågarbeten kommer temperaturen på kedjan att öka. Drivlänkarna på en korrekt spänd varm kedja kommer att hänga ungefär 1,3 mm utanför svärdsspåren (bild G).

**NOTERA:** Nya kedjor har en tendens att sträckas, kontrollera kedjespänningen regelbundet och spänn om så behövs.

**NOTERA:** En kedja som späns när den är varm kommer att vara för tight när den kyls. Kontrollera den kalla spänningen innan nästa användning.

## DRIFT

**⚠ VARNING:** Bli inte vårdslös bara för att du är bekant med denna produkt. Kom ihåg att oaktsamhet under en bråkdel av en sekund är tillräcklig för att orsaka allvarliga skador.

**⚠ VARNING:** Använd inga andra tillsatser eller tillbehör än de som rekommenderas av tillverkaren av denna produkt. Användning av tillbehör eller tillsatser som inte rekommenderas kan resultera i allvarlig personskada.

**⚠ VARNING:** För att förhindra oavsiktlig start som kan orsaka allvarliga personskador skall alltid batteripaketet tas bort från verktyget när delar monteras, inställningar görs, vid rengöring eller när den inte används.

Inspektera hela produkten innan varje användning om där finns skador, saknade eller lösa delar såsom skruvar, muttrar, bultar, höljen etc. Dra åt alla fästelement och lock och använd inte denna produkt innan alla saknade eller skadade delar bytts ut.

SE

## TILLÄMPNINGAR

Du kan använda denna produkt för att grundläggande fällning, kvistning, beskärning och träsågning av timmer och träd.

## FYLLA PÅ SVÄRD OCH KEDJA MED SMÖRJMEDEL

**⚠ VARNING:** Rök inte eller för eld eller öppna lågor i närheten av oljan eller kedjesågen. Oljan kan spillas och orsaka brand.

**NOTERA:** Kedjesågen är inte fylld med olja vid köpet. Det är väsentligt att fylla tanken med olja före användning. Kedjan smörjs automatiskt med kedjeolja under arbetet.

SE

1. Placera kedjesågen på sidan med oljetankens lock riktad uppåt.
2. Rengör oljebehållarens locket och området runt det för att säkerställa att smuts inte tränger in i oljebehållaren.
3. Placera kedjesågen på sidan på en fast och plan yta så att tanklocket är riktad uppåt. Lyft upp den halvformade plattan och riktad uppåt och vrid oljelocket moturs för att ta bort det (bild H).
4. Håll försiktigt i svärds- och kedjeoljan i tanken. Fyll till MAX-linjen.
5. Torka bort överbliven olja och sätt tillbaka locket.

**NOTERA:** Kontrollera oljenivån regelbundet och fyll på när oljenivån sjunker under minimilinjén. Använd aldrig kedjesågen om oljan inte är synlig.

## FÄST/TA LOSS BATTERIPAKETET

- Ladda fullt innan första användning.
- Använd endast med de batteripaket och laddare som listas i bild A2.

### Fästa (bild I)

Rikta in listerna på batteripaketet med monteringsöppningarna och skjut sedan in batteripaketet i verktyget tills det ljudligt snäpper på plats.

### Ta loss (bild J)

Tryck på batteriets låsknapp och dra ut batteripaketet.

## STARTA/STOPPA KEDJESÅGEN

**NOTERA:** Innan kedjesågen startas, kontrollera oljenivån, sågtändernas skarpa och att rekylbromshandtaget fungerar korrekt. Dessutom behövs ett stadigt fotfäste och korrekt avstånd från marken.

## Starta

1. Dra kedjans rekylbromshandtag mot fronthandtaget till driftläget (bild K).
2. Ta ett fast tag i främre och bakre handtaget, använd båda händerna.
3. Tryck ned och håll kvar låsknappen med tummen på högra handen, tryck sedan in avtryckaren för variabel hastighet med fingrarna på höger hand för att starta sågen (bild L).
4. Släpp låsknappen och fortsätt att klämma in avtryckaren för fortsatt drift.

**⚠ VARNING:** Försök inte att starta sågen om kedjesågen är i ett sågspår.

## Stoppa

1. Släpp upp variabla gasreglaget för att stoppa kedjesågen.
2. Skjut kedjans rekylbromshandtag framåt till bromspositionen för att aktivera kedjebromsen (bild K).

**⚠ VARNING:** Ta alltid bort batteripaketet från kedjesågen vid arbetsavbrott och efter avslutat arbete.

## Korrekt grepp på handtagen (bild M)

- Använd halkfria handskar för maximalt grepp och skydd.
- Håll fast sågen med båda händerna på en fast och plan yta.
- Greppa alltid främre handtaget med vänster hand och det bakre handtaget med den högra handen.
- Fingrarna skall omsluta handtaget med tummen lindad under främre handtaget.

**⚠ VARNING:** Använd aldrig ett vänsterhandsgrepp (korsade händer) eller någon ställning som placerar kroppen eller händerna över kedjelinjen (bild N).

## Korrekt såghållning (bild O)

- Båda fötterna skall stå på fast underlag med vikten jämnt fördelad mellan fötterna.
- Vänster arm skall vara rak med armbågen låst. Detta hjälper till att stå emot de krafter som genereras av en rekyl.
- Kroppen skall alltid vara till vänster om kedjelinjen.

## INSTRUKTIONER OM KORREKT TEKNIK FÖR GRUNDLÄGGANDE FÄLLNING, KVISTNING OCH KAPNING

**⚠ VARNING:** Var alltid uppmärksam på fötternas placering och håll kedjesågen fast med båda händerna medan motorn är igång.

**⚠ VARNING:** När sågkedjan stoppas på grund av att den är sitter fast under kapningen, släpp avtryckaren, ta bort sågkedjan och svärdet från trädet och starta om kedjesågen.

**⚠ VARNING:** Dra inte sågkedjan med handen när den är sitter fast med sågspån. Allvarliga skador kan uppstå om kedjesågen startar oavsiktligt. Tryck kedjesågen mot trä, flytta kedjesågen fram och tillbaka för att lossa skräpet. Ta alltid bort batteripaketet innan rengöring. Använd kraftiga skyddshandskar när sågkedjan hanteras.

**⚠ VARNING:** Starta aldrig kedjesågen när den har kontakt med trä. Låt alltid kedjesågen nå full hastighet innan sågen placeras mot trä.

### FÄLLA ETT TRÄD

- Vid kapnings- och fällningsarbeten utförs av två eller fler personer samtidigt, skall fällningsarbetet vara åtskilt från kapningsarbetet med minst två gånger höjden på det träd som fälls. Träd skall inte fällas på ett sådant sätt som kan utsätta någon person för fara, träffa någon luftledning eller skada egendom. Om trädet kommer i kontakt med någon luftledning skall företaget meddelas omedelbart.
- Kedjesågens användare skall stå på ovansidan i terrängen då trädet mest troligt kommer att rulla eller glida nedåt efter att det fällts.
- En reträttväg skall planeras och rensas om så behövs innan kapningen startas. Reträttvägen skall vara bakåt och diagonalt mot baksidan av den förväntade fallinjen såsom bild P visar.

P-1	Fällriktning
P-2	Säkerhetsreträttväg

- Innan fällningen startar titta på den naturliga lutningen av trädet, placeringen av större grenar och vindriktningen för att avgöra åt vilket håll trädet kommer att falla.
- Ta bort smuts, stenar, lös bark, spikar, klamrar och ledningar från trädet.

### Skärning underkapning

Gör skåran 1/3 av trädets diameter, i rät vinkel mot riktning som trädet fälls såsom bild Q visar. Gör den nedre horisontella skåran först. Detta hjälper till att undvika klämning av antingen sågkedjan eller svärdet när den andra skåran görs, either the saw chain or the guide bar when the second notch is being made.

Q-1	Fällriktning
Q-2	Skåra
Q-3	Fällningskapning
Q-4	Gångjärn

### Fällningskapning

- Gör fällningskapningen minst 50 mm högre än den horisontella skårsågningen såsom bild Q visar. Håll fällningskapningen parallellt mot det horisontella skårsågningen. Gör fällningssågningen så långt så att tillräckligt med trä finns kvar att fungera som ett gångjärn. Gångjärnsträt förhindrar att trädet vrider sig och faller i fel riktning. Såga inte igenom gångjärnet.
- När fällskäret närmar sig gångjärnet börjar trädet att falla. Upphör omedelbart att såga innan fällningssnittet är klart om det finns risk för att trädet inte faller i önskad riktning eller risk för att trädet gungar och bryter av sågkedjan. Använd sedan kilar av trä, plast eller aluminium för att öppna fällningssnittet och fälla trädet i önskad fallinje.
- När trädet börjar att falla, ta bort kedjesågen från kapstället, stoppa motorn, lägg ned kedjesågen och använd den planerade reträttvägen. Var uppmärksam på grenar över huvudet och se upp med fotplaceringen.

### Kvista ett träd

- Kvistning är borttagning av grenar från ett träd som fällts. Vid kvistning lämna större kvistar för att stödja stocken från marken. Ta bort de mindre kvistarna i en kapning såsom bild R visar. Spända grenar ska skäras från undersidan och uppåt för att undvika att kedjan fastnar.

### Kapa en stock

- Kapning är att såga ett fällt träd i längder. Det är viktigt att se till att du har ett bra fotfäste och att vikten är jämnt fördelad på båda fötterna. När så är möjligt skall stocken lyftas och stödjas med hjälp av grenar, kvistar eller klossar. Följ de enkla direktiven för enkel kapning.
- När en stock stöds längs dess hela längd såsom bild S1 visar, kapas den från ovansidan (överkapning).

SE

- När stocken stöds i ena änden, såsom bild S2 visar, kapa 1/3 av diametern från undersidan (underkapning). Gör sedan den slutliga kapningen med överkapning för att möta den första sågningen.
- När stocken stöds i båda ändarna, såsom bild S3 visar, kapa 1/3 av diametern från ovasidan (överkapning). Gör sedan den slutliga kapningen med underkapning den nedre 2/3 för att möta den första sågningen.
- Vid kapning i en slutning stå alltid ovanför stocken såsom bild T visar.
- Vid "genomkapning", för att bibehålla fullständig kontroll lossa på sågtrycket nära änden på sågningen utan att släppa greppet om kedjesågens handtag. Låt inte kedjan komma i kontakt med marken. När sågning är klar, vänta tills sågkedjan stannar innan du flyttar kedjesågen. Stoppa alltid motorn innan du flyttar mellan träden.

## UNDERHÅLL

**⚠ VARNING:** Vid service ska enbart identiska utbyteskomponenter användas. Användning av andra delar kan skapa risker eller orsaka produktskador.

**⚠ VARNING:** För att undvika allvarliga personskador, ta bort batteripaketet från kedjesågen innan inspektion, rengöring eller underhåll utförs. Ett batteridrivet verktyg med batteripaketet isatt är alltid påslaget och kan starta oavsiktligt.

**⚠ VARNING:** Vid rengöring av kedjesågen, sänk INTE ned den i vatten eller annan vätska.

**⚠ VARNING:** Låt aldrig bromsvätska, bensen, petroleumbaserade produkter, penetrerande oljor etc. komma i kontakt med plastdelar. Kemikalier kan skada, försvaga eller förstöra plast vilket kan resultera i allvarliga personskador.

## RENGÖRING

Efter varje användning, ta bort skräp från kedjan och svärdet med en mjuk borste. Torka av kedjesågens yta med en ren trasa fuktad med en mild tvällösning.

Ta bort sidokåpan och använd sedan en mjuk borste för att ta bort skräp från svärdet, sågkedjan, kedjehjulet och sidokåpan.

Rensa alltid bort träspån, sågspån och smuts från svärdets spår när sågkedjan byts.

## UNDERHÅLL AV SVÄRDET

När svärdet visar tecken på slitage, ska den demonteras från kedjesågens drivenhet och vändas för återmontering (bild U1). På detta sätt kommer slitaget att fördelas för att maximera svärdets livslängd.

Svärdet skall rengöras dagligen efter användning och kontrolleras om det är slitet. Skäggnings och gradning hos sågsvärdet är en normal process vid svärdsslitage. Sådana fel skall jämnas till med en fil så snart som de uppstår. Ett svärd med något av följande fel skall bytas ut.

- Slitage på insidan av svärdsspåren som låter kedjan glida över åt sidan.
- Böjt sågsvärd.
- Spräckta eller trasiga spår.
- Breddade spår.

Dessutom har svärdet en kugge på dess spets (bild U2). Kuggen måste smörjas veckovis med fettspruta för att öka svärdets livslängd. Använd en fettspruta för att varje vecka smörja med kedjeolja med hjälp av smörjhålet (bild U3). Vrid svärdet och kontrollera att smörjhålen och kedjespåret är fria från föroreningar.

U2-1	Kedjekrans i svärdsspetsen
U2-2	Smörjhål

## TRANSPORT OCH FÖRVARING

- Förvara inte eller transportera kedjesågen när den körs. Ta alltid bort batteripaketet innan förvaring och transport.
- Placera alltid svärdsskyddet på svärdet och kedjan innan förvaring eller transport av kedjesågen. Var försiktig för att undvika de vassa tänderna på kedjan.
- Rengör kedjesågen noga innan förvaring. Förvara kedjesågen inomhus på en torr plats som är låst och/eller oåtkomlig för barn.
- Håll den undan från korrosiva medel såsom trädgårdskemikalier och avisningssalt.



### Skydda miljön



WEEE (Waste Electrical and Electronic Equipment) Kasta inte elektrisk utrustning, använt batteri och laddare i hushållssoporna! Ta denna produkt till en auktoriserad återvinnare och gör den tillgänglig för separat insamling. Elektriska verktyg måste returneras till en miljöanpassad återvinningsanläggning.

SE

**KES VAN DER SPEK**  
TUINMACHINES ★ STOLWIJK

## FELSÖKNING

**⚠ VARNING:** Skydda alltid dina händer genom att använda kraftiga handskar när underhåll utförs på kedjesågen. Ta alltid bort batteripaketet vid service eller transport av kedjesågen.

SE

PROBLEM	ORSAK	LÖSNING
Motorn startar inte.	<ul style="list-style-type: none"> <li>■ Batteripaketet är inte fastsatt på kedjesågen.</li> <li>■ Det finns ingen elektrisk kontakt mellan sågen och batteriet.</li> <li>■ Batteripaketet är helt tomt.</li> <li>■ Batteripaketet eller kedjesågen är för het.</li> <li>■ Kedjebromsen är aktiverad.</li> <li>■ Skräp i svärdsspåret.</li> <li>■ Skräp i sidokåpan.</li> </ul>	<ul style="list-style-type: none"> <li>■ Sätt i batteriet i kedjesågen.</li> <li>■ Ta ut batteriet, kontrollera kontaktorna och sätt sedan tillbaka batteripaketet.</li> <li>■ Ladda batteripaketet.</li> <li>■ Låt batteripaketet eller kedjesågen svalna tills temperaturen sjunker under 67 °C.</li> <li>■ Dra kedjans rekylbromshandtag bakåt mot fronthandtaget tills driftlåset näs.</li> <li>■ Tryck kedjesågen mot trä, flytta kedjesågen fram och tillbaka för att lossa skräpet.</li> <li>■ Ta bort batteripaketet, ta sedan bort sidokåpan och rensa bort skräpet.</li> </ul>
Kedjesågen stannar under arbetet.	<ul style="list-style-type: none"> <li>■ Kedjesågen är överbelastad.</li> <li>■ Batteripaketet eller kedjesågen är för het.</li> <li>■ Sågkedjan är klämd i trä.</li> </ul>	<ul style="list-style-type: none"> <li>■ Minska belastningen.</li> <li>■ Minska belastningen. Låt batteripaketet eller kedjesågen svalna tills temperaturen sjunker under 67 °C.</li> <li>■ Släpp det variabla gasreglaget, ta bort sågkedjan och svärdet från trä, starta sedan om kedjesågen.</li> </ul>
Motorn körs men kedjan roterar inte.	<ul style="list-style-type: none"> <li>■ Kedjan kuggar inte in i drivkedjehjulet.</li> </ul>	<ul style="list-style-type: none"> <li>■ Installera om kedjan, se till att drivlänkarna på kedjan är helt isatt i kedjehjulet.</li> </ul>
Kedjebromsen aktiveras inte.	<ul style="list-style-type: none"> <li>■ Skräp förhindrar fullständig rörelse hos kedjans rekylbromshandtag.</li> <li>■ Möjligt funktionsfel hos kedjebromsen.</li> </ul>	<ul style="list-style-type: none"> <li>■ Rensa bort skräp från den externa kedjebromsmekanismen</li> <li>■ Kontakta EGO kundtjänst för hjälp.</li> </ul>

PROBLEM	ORSAK	LÖSNING
Kedjesågen sågar inte korrekt.	<ul style="list-style-type: none"> <li>■ Otillräcklig kedjespänning.</li> <li>■ Slö kedja.</li> <li>■ Kedjan installerad baklänges.</li> <li>■ Sliten kedja.</li> <li>■ Torr eller kraftigt sträckt kedja.</li> <li>■ Kedjan är inte i svärdsspåren.</li> </ul>	<ul style="list-style-type: none"> <li>■ Justera kedjespänningen enligt följ sektionen: <b>"INSTÄLLNING AV KEDJESPÄNNINGEN"</b></li> <li>■ Vässa kedjan.</li> <li>■ För att montera tillbaka sågkedjan, följ avsnittet <b>"MONTERA/BYTA UT SVÄRDET OCH KEDJA"</b>.</li> <li>■ Byt kedjan enligt följ sektionen: <b>"MONTERING/BYTE AV SVÄRDET OCH KEDJAN"</b></li> <li>■ Kontrollera oljenivån. Fyll på oljebehållaren om så behövs.</li> <li>■ Installera om kedjesågen enligt följande sektion: <b>"MONTERING/BYTE AV SVÄRDET OCH KEDJAN"</b></li> </ul>
Kedjan blir lös och hoppar av svärdet vid normal användning.	<ul style="list-style-type: none"> <li>■ Kedjan kommer att bli lös då temperaturen på kedjan ökar under normalt sågarbete.</li> <li>■ Kedjan kuggar inte in i drivkedjehjulet.</li> </ul>	<ul style="list-style-type: none"> <li>■ Spänn kedjan genom att följa sektionen <b>"INSTÄLLNING AV KEDJESPÄNNINGEN"</b>.</li> <li>■ Installera om kedjesågen enligt följande sektion: <b>"MONTERING/BYTE AV SVÄRDET OCH KEDJAN"</b>.</li> </ul>

SE

## GARANTI

### EGO GARANTIPOLICY

Besök webbsidan [egopowerplus.eu](http://egopowerplus.eu) för fullständiga villkor för EGO garantipolicy.

## LUE KAIKKI OHJEET!



### LUE KÄYTTÖOPAS

**⚠ Jäännösriski!** Henkilöiden, joilla on sydämentahdistin tai muu vastaava elektroninen laite, tulisi keskustella lääkärin kanssa ennen tämän tuotteen käyttöä. Sähkölaitteiden käyttö sydämentahdistimen lähetyksillä saattaa häiritä tahdistimen toimintaa tai aiheuttaa vakavan toimintahäiriön.

## TURVALLISUUSYMBOLIT

Turvallisuussymbolien tarkoituksena on kiinnittää huomiota mahdollisiin vaaroihin. Turvallisuussymbolit ja niiden selitykset on syytä lukea tarkkaan ja ymmärtää perusteellisesti. Varoitusymbolit eivät yksin poista vaaran mahdollisuutta. Niiden antamat ohjeet ja varoitukset eivät korvaa kunnollisia onnettomuuksien ehkäisytoimenpiteitä.

**⚠ VAROITUS:** Lue ja ymmärrä tämän käyttöoppaan kaikki turvallisuusohjeet, mukaan lukien kaikki turvallisuusvaroitusymbolit, kuten ”VAARA”, ”VAROITUS” ja ”HUOMIO” ennen laitteen käyttämistä. Alla olevien ohjeiden noudattamatta jättäminen saattaa aiheuttaa sähköiskun, tulipalon ja/tai vakavan henkilövahingon.

FI

## SYMBOLIEN MERKITYKSET

Tällä sivulla kuvataan ja esitellään turvallisuussymbolit, jotka saattavat esiintyä tässä tuotteessa. Lue, ymmärrä ja noudata kaikkia laitteen ohjeita ennen kuin yrität koota sen tai käyttää sitä.

## TURVALLISUUSYMBOLI



Turvallisuushälytys



Lue ja ymmärrä käyttöopas



Käytä silmäsuojaimia



Käytä kuulosuojaimia



Käytä suojakypärää



Käytä suojakäsineitä



Varo moottorisahan takapotkua ja vältä kosketusta terälevyn kärkeen



Terälevyn kärjen takapotku



Käytä moottorisahaa aina kahdella kädellä



Älä altista sateelle



Terälevyn tiedot



Taattu äänitehotaso.



WEEE



Tämä tuote on Yhdistyneen kuningaskunnan lainsäädännön mukainen.



Tämä tuote vastaa sovellettavia EU-direktiivejä.

V Voltti  
Hz Hertsiä  
min Minuutti  
... /min per minuutti



Tasavirta

A Ampeeri  
W Wattia  
 $n_0$  Tyhjäkäyntinopeus

## TEKNISET TIEDOT

Jännite	56 V	
Terälevyn pituus	400 mm (CS1610E)	
	350 mm (CS1410E)	
Ketjujako	3/8" (9,5 mm)	
Ketjumittari	1,1 mm	
Ketjun nopeus	20 m/s	
Teräketjun tyyppi	CS1610E	AC1600/AC1601(suosittel) AC1400/AC1401(yhteensopiva)
	CS1410E	AC1400/AC1401(suosittel) AC1600/AC1601(yhteensopiva)
Terälevyn tyyppi	CS1610E	AG1600/AG1601(suosittel) AG1400/AG1401(yhteensopiva)
	CS1410E	AG1400/AG1401(suosittel) AG1600/AG1601(yhteensopiva)
Ketjuöljysäiliön tilavuus	150 ml	
Käyttölämpötila	-15°C–40°C	
Varastointilämpötila	-20°C–70°C	
Nettopaino (ilman akkua tai sahan suojusta)	3,9 kg (CS1610E) 3,8 kg (CS1410E)	
Mitattu äänitehotaso $L_{WA}$	102,25 dB(A) K=1,4 dB(A)	
Äänenpaineen taso käyttäjän korvien tasolla $L_{PA}$	91,25 dB(A) K=2,5 dB(A)	
Taattu äänen tehotaso $L_{WA}$ (mitattu 2000/14/EY mukaisesti)	103 dB(A)	

Tärinä $a_n$	Etukahva	3,377 m/s <sup>2</sup> K=1,5 m/s <sup>2</sup>
	Takakahva	2,823 m/s <sup>2</sup> K=1,5 m/s <sup>2</sup>

FI

- Ilmoitettu tärinän kokonaispäästöarvo on mitattu standarditestausmenetelmän mukaisesti, ja sen avulla voidaan vertailla työkaluja keskenään;
- Ilmoitettua tärinän kokonaispäästöarvoa voidaan käyttää myös altistumisen alustavaan arviointiin.

**HUOMAA:** Työkalun käytön aikana mitattu todellinen tärinäpäästöarvo voi poiketa ilmoitetusta kokonaispäästöarvosta työkalun käyttövasta johtuen; käyttäjän suojaamiseksi tulee käyttää käsiineitä ja kuulosuojaimia varsinaisissa käyttöolosuhteissa.

## PAKKAUSLUETTELO (KUVA A1)

### KUVAUS

#### TUNNE SAHASI (kuva A1)

- Portaaton nopeuden liipaisukytkin
- Takakahva
- Lukituksen vapautuspainike
- Etukahva
- Ketjun takapotkun jarrukahva
- Teräketju
- Laippa
- Öljysäiliön korkki
- Öljyntarkistusikkuna
- Sähköliitäntä
- Akun vapautuspainike
- Ketjun kireyden säätönappi
- Sivukansi
- Sivukannen nappi
- Teräsuoja

## KOKOAMINEN

### TERÄLEVYN JA KETJUN KOKOAMINEN/VAIHTAMINEN

**VAROITUS:** Säädä ketjun takapotkujarrun kahva jarrutusasentoon ennen kokoamista.

1. Aseta moottorisahan akkupää kyljelleen niin, että sivukansi osoittaa ylös (kuva B).
1. Käännä sivukannen nuppi vastapäivään ja poista sivukansi. Löysää sitten ketjun kiristysnuppia mahdollisimman paljon.
3. Aseta uusi teräketju tasaiselle alustalle ja oikaise kaikki kiertymät (kuva C).
4. Laita ketjun vetolenkit terälevyn uraan ja tee ketjusta silmukka terälevyn takaosaan (kuva D).
5. Pidä ketjua paikallaan terälevyllä ja laita silmukka akkupään vetopyörän ympärille.
6. Liu'uta terälevyn aukko kohdistuslaippojen yli, kunnes kiristyksen säätötappi on terälevyn perän alemmassa reiässä (kuva E1).

**HUOMAUTUS:** Teräketjuun on kaiverrettu pienet suuntanuolet. Toinen ohjausnuoli on merkitty kehikkoon. Kun kiertät teräketjua vetopyörään, varmista että teräketjun ohjausnuolten suunta vastaa kehikon nuolten suuntaa. Jos ne osoittavat vastakkaisiin suuntiin, käännä teräketju ja terälevykokoonpano ympäri (kuva E2).

7. Laita sivukansi takaisin paikalleen ja kiristä sivukannen nuppia jonkin verran.
8. Nosta terälevyn kärki ylös ja tarkista, ettei ketju roiku (kuva F). Vapauta terälevyn kärki ja käännä ketjun kiristyksen säätönuppia myötäpäivään. Toista, kunnes ketju ei enää roiku.
9. Kiristä sivukannen nuppi tiukkaan, jotta moottorisaha on kunnolla kiristetty ennen käyttöä.

D-1	Ketjun vetolenkit	E-2	Kiristyksen säätötappi
D-2	Terälevyn ura	E-3	Terälevyn aukko
E-1	Kohdistuslaippa	E-4	Vetopyörä

**HUOMAUTUS:** Pidennä terälaipan käyttöikää kääntämällä se välillä ympäri.

**HUOMAUTUS:** Jos ketju on liian tiukalla, se ei liiku. Löysää sivukannen nuppia hieman ja käännä ketjun kiristyksen säätönuppi yhden kerran vastapäivään. Nosta terälevyn kärki ylös ja kiristä sivukannen nuppi uudelleen. Varmista, että ketju pyörii ongelmitta.

### KETJUN KIREYDEN SÄÄTÖ

- Sammuta moottori ja irrota akkuyksikkö ennen kuin säädät ketjun kireyttä. Varmista, että sivukannen nuppia on löystetty. Käännä ketjun kiristyksen säätönuppia myötäpäivään kiristääksesi ketjun. Katso kohta: "TERÄLEVYN JA KETJUN KOKOAMINEN/VAIHTAMINEN" lisätietoja.
- Kylmä ketju on oikein kiristetty, kun ketju ei ole löysällä terälaipan alapuolella ja ketju on tiukka, mutta sitä voidaan kääntää käsin ongelmitta. Ketju on kiristettävä uudelleen aina silloin, kun liikeliihtien tasanteet eivät osu terälevyn uraan.
- Ketjun lämpötila nousee normaalin sahausajan aikana. Oikein kiristetyt lämpimän ketjun vetolenkit roikkuvat noin 1,3 mm terälevyn urasta (kuva G).

**HUOMAUTUS:** Uusilla ketjuilla on tapana venyä; tarkasta ketjunkireys säännöllisesti ja kiristä ketjua tarvittaessa.

**HUOMAUTUS:** Lämpimänä kiristetty ketju voi olla liian tiukka, kun se on jäähtynyt. Tarkasta kylmäkireys ennen seuraavaa käyttöä.

## KÄYTTÖ

**VAROITUS:** Älä anna tämän laitteen tuntuuden tehdä sen käsittelystä huolimattontta. Muista, että sekunnin sadasosankin huolimattomuus riittää vakavan vamman aiheutumiseen.

**VAROITUS:** Älä käytä lisälaitteita tai lisävarusteita, jos tämän tuotteen valmistaja ei ole suositellut niitä. Tällaisten lisävarusteiden tai apuvälineiden käyttö saattaa aiheuttaa vakavia henkilövahinkoja.

**VAROITUS:** Poista akku työkalusta aina, kun kokoat osia, teet muutoksia tai puhdistat laitetta tai kun et käytä sitä. Näin varmistat, ettei laite käynnisty vahingossa eikä aiheuta vakavia henkilövahinkoja. Ennen jokaista käyttökertaa tarkista koko laite vahingoittuneiden, puuttuvien tai löystyneiden osien varalta, kuten ruuvit, mutterit, pultit, korkit jne. Kiinnitä kaikki kiinnittimet ja korkit tiukasti äläkä käytä laitetta ennen kuin kaikki puuttuvat tai vahingoittuneet osat on vaihdettu.

### KÄYTTÄMINEN

Voit käyttää tätä tuotetta tavalliseen puunkaatoon, oksien karsimiseen ja puiden leikkuuseen.

### TERÄLEVYN JA KETJUN VOITELUAINEN TÄYTTÖ

**VAROITUS:** Älä polta tai pidä tulita öljyn tai moottorisahan lähellä. Öljy voi läikkyä ja seurauksena voi olla tulipalo.

**HUOMAUTUS:** Moottorisahassa ei ole ostohetkellä öljyä. On tärkeää täyttää säiliö öljyllä ennen käyttöä. Ketjua voidellaan ketjuöljyllä automaattisesti käytön aikana.

1. Aseta moottorisaha kyljelleen niin, että öljysäiliön korkki osoittaa ylös.
2. Puhdista öljysäiliön korkki ja sitä ympäröivä alue, jotta likaa ei pääse öljysäiliöön.
3. Aseta moottorisaha kyljelleen kiinteälle, tasaiselle pinnalle siten, että säiliön korkki on ylöspäin. Nosta puoliympyrän muotoinen levy ylös ja poista öljysäiliön korkki kääntämällä sitä vastapäivään (kuva H).
4. Kaada varovasti terälevy- ja ketjuöljyä säiliöön. Täytä MAX-linjaan saakka.
5. Pyyhi ylimääräiset öljyt pois ja laita korkki paikoilleen.

**HUOMAUTUS:** Tarkista öljyn taso säännöllisesti ja täytä, jos öljyn taso on minimilinja alapuolella. Älä käytä moottorisahaa, jos öljyä ei enää näy.

### AKUN LIITTÄMINEN/POISTAMINEN

#### Lataa täyteen ennen ensimmäistä käyttökertaa.

Käytä vain kuvassa A2 lueteltujen akkujen ja latureiden kanssa.

#### Liittäminen (kuva I)

Aseta akun ulokkeet kiinnitysaukkoihin ja liu'uta akkua työkaluun, kunnes se napsahtaa paikalleen.

#### Poistaminen (kuva J)

Paina akun vapautuspainiketta ja vedä akku ulos.

### MOOTTORISAHAN KÄYNNISTÄMINEN/SAMMUTTAMINEN

**HUOMAUTUS:** Ennen kuin käynnistät moottorisahan, tarkista öljytaso, sahan hampaiden terävyys ja takapotkun jarrukahvan toimivuus. Lisäksi tarvitsat tasapainoisen asennon ja riittävän etäisyyden maan ja moottorisahan välillä.

#### Käynnistäminen

1. Vedä ketjun takapotkun jarrukahvaa kohti etukahvaa toiminta-asentoon (kuva K).
2. Tartu etu- ja takakahvaan tiukasti. Käytä molempia käsiä.
3. Pidä lukituksen vapautuspainiketta painettuna toisen käden peukalolla ja purista sitten portaaton nopeuden liipaisinkytkintä sahan käynnistämiseksi (kuva L).
4. Vapauta lukituksen vapautuspainike ja jatka liipaisimen painamista, niin laite pysyy käynnissä.

**VAROITUS:** Älä yritä käynnistää sahaa, kun teräketju on leikkattavan asian keskellä.

#### Pysäyttämisen

1. Pysäytä moottorisaha vapauttamalla portaaton

nopeuden liipaisinkytkin.

2. Työnnä ketjun takapotkun jarrukahva eteenpäin jarrutusasentoon, niin ketjun jarru on käytössä (kuva K).

**VAROITUS:** Poista akku moottorisahasta aina, kun pidät työstä taukoa ja kun lopetat sen käytön.

#### Kunnollinen ote kahvoista (kuva M)

- Käytä liukumisen estäviä käsineitä, jotta saat parhaan mahdollisen otepitävyyden ja suojan.
- Pidä sahasta kiinni molemmin käsin, kun se on tukevalla, tasaisella alustalla.
- Tartu etukahvaan vasemmalla kädellä ja takakahvaan oikealla kädellä.
- Sormien tulisi kiertyä kahvan ympärille niin, että peukalo on kiertynyt etukahvan alle.

**VAROITUS:** Älä käytä vasenkätistä (ristikätistä) otetta tai asentoa, joka saattaisi asettaa kätesi tai kehosi teräketjun eteen (kuva N).

#### Oikeoppinen sahausasento (kuva O)

- Molemmat jalat tukevasti maassa ja paino jakautuneena niille tasaisesti.
- Vasen käsi suorana ja kyynärpää lukittuneena. Tämä auttaa kestämään takapotkun aiheuttamia voimia.
- Vartalosi pitäisi olla aina teräketjun vasemmalla puolella.

### YKSINKERTAISEN PUUNKAADON, KARSIMISEN JA RISTISAHAUKSEN OHJEET

**VAROITUS:** Seiso aina tasapainoisesti ja pidä moottorisahaa molemmilla käsillä, kun se on käynnissä.

**VAROITUS:** Kun moottorisaha sammuu, koska se juuttuu sahausken aikana johonkin, irrota ote liipaisinkytkimestä; irrota teräketju ja terälevy puusta ja käynnistä moottorisaha uudelleen.

**VAROITUS:** Älä vedä teräketjua käsin, kun se sakkaa sahanpurun takia. Jos moottorisaha käynnistyy vahingossa, se saattaa aiheuttaa vakavan vamman. Paina teräketjua puuta vasten ja liikuta moottorisahaa eteen ja taakse irrottaaksesi irtoaineksen. Poista akku aina ennen puhdistusta. Käytä tukevia suojahansikkaita, kun käsittelet teräketjua.

**VAROITUS:** Älä ikinä käynnistä moottorisahaa, kun se koskettaa puuhun. Anna moottorisahan kiihtyä täyteen nopeuteensa ennen kuin käytät sitä puun sahaamiseen.

#### PUUN KAATAMINEN

- Kun puita karsitaan tai kaadetaan samanaikaisesti kahden tai useamman henkilön toimesta,

vähimmäisetäisyys karsinta-alueen ja kaatopaikan välillä on vähintään kaksi kertaa puun pituus. Puuta ei saa kaataa tavalla, joka saattaa aiheuttaa vaaraa ihmisille, osua sähkölinjaan tai aiheuttaa omaisuusvahinkoja. Jos puu kuitenkin osuu sähkölinjaan, ilmoita välittömästi sähköyhtiölle.

- Moottorisahan käyttäjän tulee seistä ylämäen puolella, sillä puu todennäköisesti kieri tai valuu alamäkeen kaaduttuaan.
- Suunnittele ja tarvittaessa tyhjennä poistumisreitti valmiiksi ennen kuin alat sahata puuta. Poistumisreitit tulee ulottua arvioidun kaatosuunnan taakse vinosti, kuten näytetään kuvassa P.

P-1	Kaatosuunta
P-2	Turvallinen pakotie

FI

- Huomioi ennen kaatamisen aloittamista puun luonnollinen taipumissuunta, suurempien oksien sijainti ja tuulen suunta, jotta voit arvioida mihin suuntaan puu kaatuu.
- Poista lika, kivet, irtonainen kuoriossa, naulat, niitit ja rautalanka puusta.

## Alempi lovi

Tee runkoon lovi, joka ulottuu kolmasosaan puun halkaisijasta ja on kohtisuoraan kaatumissuuntaan kuvan Q osoittamalla tavalla. Sahaa ensin alempi vaakasuora lovi. Se auttaa välttämään teräketjun tai ohjausterälevyn vankeutumista, kun toista lovea sahataan.

Q-1	Kaatumissuunta
Q-2	Lovi
Q-3	Kaatosahaus
Q-4	Sarana

## Kaatosahaus

- Tee kaatosahaus ainakin 50 mm korkeammalta kuin vaakasuora lovi, kuten kuvassa Q näytetään. Tee kaatosahaus samansuuntaisesti vaakasuoran loven kanssa. Sahaa kaatosahaus niin, että jäljelle jää riittävästi puuta saranana toimimiseen. Sarana pitää huolta siitä, ettei puu käänny ja kaadu väärään suuntaan. Älä sahaa läpi saranasta.
- Kun saha on lähellä saranaa, puun pitäisi alkaa kaatua. Jos on olemassa mahdollisuus, että puu ei kaadu haluttuun suuntaan tai että se saattaa kaatua kohti sahaa ja lukita teräketjun, lopeta sahaaminen ennen kuin kaatolovi on valmis ja käytä puisia, muovisia tai

alumiinisia kiiloja pitämään lovi avonaisena. Kaada puu sitten haluttuun suuntaan.

- Kun puu alkaa kaatua, poista moottorisaha lovesta, sammuta moottori, laske moottorisaha alas ja käytä suunniteltua pakotietä. Varo ylhäältä putoavia oksia ja katso mihin astut.

## Puun karsiminen

- Tässä yhteydessä puhutaan kaadetun puun oksien karsimisesta. Kun karsit oksia, jätä suuremmat alaoksat tukemaan tukkia niin, että se pysyy irti maasta. Poista pienemmät oksat yhdellä sahauskella, kuten kuvassa R. Jännityksessä olevat oksat tulee sahata alhaalta ylös, jotta moottorisaha ei jää niihin kiinni.

## Tukin pilkkominen

- Tässä tarkoitetaan suuremman puun pilkkomista pienemmiksi paloiksi. On tärkeää, että asentosi on tasapainoinen ja painosi on tasaisesti molemmilla jaloilla. Mikäli mahdollista nosta runko irti maasta ja tue se oksien, pölkkyjen tai kiilojen avulla. Noudata yksinkertaisia ohjeita helppoon sahaamiseen.
- Kun tukki on tuettu koko pituudeltaan kuvan S1 osoittamalla tavalla, se sahataan ylhäältä (yläsahaus).
- Kun tukki on tuettu toisesta päästä kuvan S2 osoittamalla tavalla, sahaa halkaisijasta kolmasosa alapuolelta (aläsahaus). Sahaa sitten loput rungon yläpuolelta alemman sahausksen kohdalta.
- Kun tukki on tuettu molemmista päistä kuvan S3 osoittamalla tavalla, sahaa halkaisijasta kolmasosa ylhäältä (yläsahaus). Sahaa sitten loppuun alapuolelta niin, että alemmat 2/3 kohtaavat ensimmäisen sahausloven.
- Kun pilkot rinteessä, seiso aina tukin yläpuolella rinteessä, kuten kuvassa T.
- Kun sahaut läpi, säilytä täydellinen hallinta vapauttamalla sahauspaine sahausksen loppuvaiheessa niin, ettei irrota otetta moottorisahan kahvoista. Älä anna ketjun osua maahan. Kun sahaus on valmis, odota, että moottorisaha sammuu ennen kuin siirrät sitä. Sammuta moottori aina ennen kuin siirryt toisen puun luo.

## KUNNOSSAPITO

**VAROITUS:** Käytä huollon yhteydessä vain identtisiä varaosia. Muiden osien käyttö saattaa aiheuttaa vaaran tai laitteen vaurioitumisen.

**VAROITUS:** Vakavan henkilövamman välttämiseksi poista akku laitteesta, kun tarkistat laitteen, kokoat osia, teet muutoksia tai puhdistat laitetta. Akkukäyttöinen laite, jossa



on akku paikallaan, on aina päällä ja saattaa käynnistyä vahingossa.

**VAROITUS:** Kun puhdistat moottorisahaa, ÄLÄ upota sitä veteen tai muuhun nesteeseen.

**VAROITUS:** Älä anna jarrunesteiden, bensiinin, ruosteen irrotusaineiden tai muiden öljypohjaisten tuotteiden joutua kosketuksiin muoviosien kanssa. Kemikaalit saattavat vahingoittaa, heikentää tai tuhota muovia, mikä saattaa aiheuttaa vakavan henkilövamman.

### PUHDISTAMINEN

- Puhdista irtoaines ketjusta ja terälevystä jokaisen käyttökerran jälkeen pehmeällä harjalla. Pyyhi moottorisahan pinta puhtaalla, mietoon saippuoliuokseen kostutetulla liinalla.
- Poista sivukansi ja käytä pehmeää harjaa poistamaan irtoaines terälevystä, teräketjusta, ketjupyörästä ja sivukannesta.
- Puhdista aina puulastut, sahanpuru ja lika terälevyn urasta, kun vaihdat teräketjun.

### TERÄLEVYN KUNNOSSAPITO

Kun terälevyssä näkyy kulumisen merkkejä, irrota se moottorisahan akkupäästä, käännä se ja kiinnitä takaisin (kuva U1). Tällä tavalla sen käyttöikä on mahdollisimman pitkä.

Terälevy tulee puhdistaa jokaisena käyttöpäivänä ja tarkistettava kulumisen ja vahingoittumisen varalta. Terälevyn kiskojen rispaantuminen tai epätasaisuus on tavallista terälevyn kulumista. Nämä viat voidaan korjata viilalla heti niiden ilmestyessä. Terälevy, jossa on jokin seuraavista vioista, pitää vaihtaa.

- Kulumista terälevyn kiskojen sisäpuolella, jonka takia ketju voi olla liikkua sivuttain.
- Vääntynyt terälevy.
- Halkeilleet tai rikkiinäiset kiskot.
- Levinneet kiskot.

Terälevyllä on myös kärjessään kärkipyörä (kuva U2). Ratas on voideltava viikoittain rasvaruiskulla, jotta ohjausterälevyn käyttöikä pitenee. Käytä rasvaruiskua viikoittain ja voitele ketjuöljyllä voiteluaukon kautta (kuva U3). Käännä terälevy ja tarkista, että voitelurei'issä ja ketjun urassa ei ole epäpuhtauksia.

U2-1	Ohjausterälevyn kärjen ratas
U2-2	Voiteluaukko

### KULJETUS JA VARASTOINTI

- Älä varastoi tai kuljeta moottorisahaa, kun se on käynnissä. Irrota aina akkuyksikkö ennen varastointia tai kuljetusta.
- Laita aina terälevyn suojus terälevyn ja ketjun päälle ennen kuin varastoi tai kuljetat moottorisahaa. Varo ketjun teräviä hampaita.
- Puhdista moottorisaha perusteellisesti ennen varastointia. Säilytä moottorisahaa sisällä kuivassa paikassa, johon lapset eivät pääse.
- Pidä poissa syövyttävien aineiden, kuten puutarhakemikaalien ja jäänestosuolojen, läheltä.

### Ympäristönsuojelu



WEEE (Sähkö- ja elektroniikkalaiteromu)  
Älä hävitä sähkölaitteita, akkulaturia tai akkuja/ladattavia paristoja kotitalousjätteen seassa! Vie tämä tuote hyväksytyyn kierrätyspaikkaan tai anna se erilliseen keräilyyn. Sähkötyökalut tulee palauttaa asianmukaiseen ympäristöstävälliseen kierrätyslaitokseen.

FI

## VIANMÄÄRITYS

**VAROITUS:** Suojaa aina kätesi paksuilla käsineillä silloin, kun teet ylläpitotöitä sahan teräketjulle. Poista aina akku, kun huollat tai kuljetat moottorisaha.

ONGELMA	SYY	RATKAISU
<b>FI</b> Moottori ei käy	<ul style="list-style-type: none"> <li>■ Akkua ei ole liitetty moottorisahaan.</li> <li>■ Sahan ja akun välillä ei ole elektronista yhteyttä.</li> <li>■ Akku on tyhjä.</li> <li>■ Akku tai moottorisaha on ylikuumentunut.</li> <li>■ Ketjujarru on käytössä.</li> <li>■ Terälevyn urassa on irtoainesta.</li> <li>■ Sivukannessa on irtoainesta.</li> </ul>	<ul style="list-style-type: none"> <li>■ Liitä akku moottorisahaan.</li> <li>■ Poista akku, tarkista kosketuskohdat ja asenna akku uudelleen paikalleen.</li> <li>■ Lataa akku.</li> <li>■ Jäähdytä akkua tai moottorisaha, kunnes sen lämpötila on alle 67°C.</li> <li>■ Vedä ketjun takapotkun jarrukahvaa kohti etukahvaa takaisin toiminta-asentoon.</li> <li>■ Paina teräketjua puuta vasten ja liikuta moottorisaha eteen ja taakse irrottaaksesi irtoaineksen.</li> <li>■ Poista akku, poista sivukansi ja puhdista irtoaines.</li> </ul>
Moottorisaha lakkaa toimimasta käytön aikana.	<ul style="list-style-type: none"> <li>■ Moottorisaha on ylikuormittunut.</li> <li>■ Akku tai moottorisaha on ylikuumentunut.</li> <li>■ Teräketju on jäänyt puristuksiin puuhun.</li> </ul>	<ul style="list-style-type: none"> <li>■ Vähennä kuormitusta.</li> <li>■ Vähennä kuormitusta. Jäähdytä akkua tai moottorisaha, kunnes sen lämpötila on alle 67°C.</li> <li>■ Irrota ote portaattoman nopeuden liipaisinkytkimestä; irrota teräketju ja terälevy puusta ja käynnistä moottorisaha uudelleen.</li> </ul>
Moottori käy, mutta ketju ei pyöri.	<ul style="list-style-type: none"> <li>■ Ketju ei kiinnity vetopyörään.</li> </ul>	<ul style="list-style-type: none"> <li>■ Asenna ketju uudelleen ja varmista, että ketjun vetolenkit ovat kunnolla vetopyörässä.</li> </ul>
Ketjun jarru ei toimi.	<ul style="list-style-type: none"> <li>■ Irtoaines estää takapotkun katkaisukahvan vapaan liikkeen.</li> <li>■ Mahdollinen ketjujarrun vikatila.</li> </ul>	<ul style="list-style-type: none"> <li>■ Puhdista lika ulkoisesta ketjun jarrumechanismista.</li> <li>■ Ota yhteyttä EGO:n asiakaspalveluun korjausta varten.</li> </ul>

ONGELMA	SYY	RATKAISU
Moottorisaha ei sahaa kunnolla.	<ul style="list-style-type: none"> <li>■ Riittämätön ketjun kiristys.</li> <li>■ Tylsä ketju.</li> <li>■ Ketju asennettu väärin päin.</li> <li>■ Kulunut ketju.</li> <li>■ Kuiva tai liian kireä ketju.</li> <li>■ Ketju ei ole terälevyn urassa.</li> </ul>	<ul style="list-style-type: none"> <li>■ Säädä ketjun kireyttä, kuten osiossa: <b>KETJUN KIREYDEN SÄÄTÖ.</b></li> <li>■ Teroita ketju.</li> <li>■ Asenna teräketju uudelleen osion <b>TERÄLEVYN JA KETJUN KOKOAMINEN/VAIHTAMINEN mukaisesti.</b></li> <li>■ Vaihda ketju, kuten osiossa: <b>TERÄLEVYN JA KETJUN KOKOAMINEN/VAIHTAMINEN.</b></li> <li>■ Tarkista öljytilanne. Lisää öljysäiliöön tarvittaessa öljyä.</li> <li>■ Asenna teräketju uudelleen, kuten osiossa: <b>TERÄLEVYN JA KETJUN KOKOAMINEN/VAIHTAMINEN.</b></li> </ul>
Ketju löystyy tai putoaa terälevyiltä normaalin käytön aikana.	<ul style="list-style-type: none"> <li>■ Ketjun löystyy, koska ketjun lämpötila nousee normaalin sahausajan aikana.</li> <li>■ Ketju ei kiinnity vetopyörään.</li> </ul>	<ul style="list-style-type: none"> <li>■ Säädä ketjun kireyttä, kuten osiossa <b>KETJUN KIREYDEN SÄÄTÄMINEN</b></li> <li>■ Asenna teräketju uudelleen, kuten osiossa: <b>TERÄLEVYN JA KETJUN KOKOAMINEN/VAIHTAMINEN</b></li> </ul>

**FI**

## TAKUU

### EGON TAKUUEHDOT

Verkkosivustolta [egopowerplus.eu](http://egopowerplus.eu) löydät EGO:n takuukäytännön täydelliset ehdot.

KEES VAN DER SPEK  
VERKKEERDE WERKJUK

## LES GJENNOM ALLE INSTRUKSJONENE!



### LES BRUKERHÅNDBOKEN

**⚠ Restrisiko!** Personer med elektroniske enheter, for eksempel pacemakere, må rådføre seg med lege før de bruker dette produktet. Drift av elektrisk utstyr i umiddelbar nærhet av en pacemaker kan føre til at pacemakeren forstyrres eller svikter.

## SIKKERHETSSYMBOL

Formålet med sikkerhetssymbolene er å rette oppmerksomheten din mot mulige faresituasjoner. Sikkerhetssymbolene og forklaringene krever din fulle oppmerksomhet og forståelse. Symbolvarslene eliminerer ikke farer i seg selv. Instruksjonene og advarslene i dem kan ikke erstatte passende ulykkesforebyggende tiltak.

**⚠ ADVARSEL:** Sørg for å lese og forstå alle sikkerhetsinstruksjonene i denne brukerhåndboken, inkludert alle sikkerhetsvarslingsymboler som **“FARE”**, **“ADVARSEL”**, og **“FORSIKTIG”** før du bruker dette verktøyet. Hvis du ikke følger alle instruksjonene nedenfor kan det føre til elektrisk støt, brann og/eller alvorlig personskade.

**NO**

## SYMBOLFORKLARINGER

Denne siden viser og beskriver sikkerhetssymboler som kan være på produktet. Les, forstå og følg alle instruksjoner på enheten før du begynner montering og tar den i bruk.

## SIKKERHETSSYMBOLER



Sikkerhetsadvarsel



Les og forstå brukerhåndboken



Bruk vernebriller



Bruk hørselvern



Bruk hodevern



Bruk vernehansker



Vær forsiktig med tilbakeslag av motorsagen og unngå kontakt med stangspissen



Tilbakeslag fra styrestangen



Bruk alltid motorsag med to hender



Må ikke utsettes for regn.



Informasjonen i guide bar



Garantert lydeffektivå.



WEEE Elektrisk og elektronisk avfall



Dette produktet er i samsvar med gjeldende britisk lovgivning.

**CE** Dette produktet er i samsvar med gjeldende EF-direktiver.

V Volt

Hz Hertz

min Minutter

... /min Per minutt

Likestrøm

A Ampere

W Watt

$n_0$  Hastighet uten last

## SPESIFIKASJONER

Spennning	56 V
Styrestanglengde	400 mm (CS1610E)
	350 mm (CS1410E)
Kjedevinkel	3/8" (9.5 mm)
Kjedestørrelse	1,1 mm
Kjedehastighet	20 m/s
Sagkj-edetype	CS1610E AC1600/AC1601(Anbefaler) AC1400/AC1401(kompatibel)
	CS1410E AC1400/AC1401(Anbefaler) AC1600/AC1601(kompatibel)
Styre-stangtype	CS1610E AG1600/AG1601(Anbefaler) AG1400/AG1401(kompatibel)
	CS1410E AG1400/AG1401(Anbefaler) AG1600/AG1601(kompatibel)
Kapasiteten til kjedeoljetanken	150 ml
Driftstemperatur	-15°C–40°C
Lagringstemperatur	-20°C–70°C
Netto vekt (uten batteripakke, kjedeslire)	3,9 kg (CS1610E) 3,8 kg (CS1410E)
Målt lydeffektnivå $L_{WA}$	102,25 dB(A) K=1,4 dB(A)
Lydtryknivå ved brukerens øre $L_{PA}$	91,25 dB(A) K=2,5 dB(A)
Garantert lydeffektnivå $L_{WA}$ (i henhold til 2000/14 / EC)	103 dB(A)

Vibrasjon $a_h$	Fronthånd-tak	3,377 m/s <sup>2</sup> K=1,5 m/s <sup>2</sup>
	Bakre håndtak	2,823 m/s <sup>2</sup> K=1,5 m/s <sup>2</sup>

- Erklært total vibrasjonsverdi er målt i overensstemmelse med en standard testmetode og kan brukes til å sammenligne ett verktøy med et annet;
- Erklært total vibrasjonsverdi kan også brukes i en foreløpig vurdering av eksponering.

**NO**

**MERK:** Vibrasjoner under faktisk bruk av elektroverktøyet kan variere fra den opplyste verdien der verktøyet brukes; For å beskytte brukeren skal det alltid benyttes hansker og hørselsvern under faktiske bruksforhold.

## PAKKELISTE (FIG. A1)

## BESKRIVELSE

### KJENN DIN MOTORSAGEN (Fig. A1)

- Variabel hastighetsregulator
- Bakre håndtak
- Låseknapp
- Fronthåndtak
- Kjedets tilbakeslags-bremsehåndtak
- Sagkjede
- Styrestang
- Oljetanklokk
- Inspeksjonsvindu for oljenivå
- Elektriske kontakter
- Utløserknapp for batteri
- Justeringsknapp for kjedespennning
- Sidedeksel
- Sidedekselsknapp
- Kjedeslire

## MONTERING

### MONTERING/BYTTJE AV STANG OG KJEDE

**⚠ ADVARSEL:** Juster kjedestøtbremsehåndtaket i bremsestilling før montering.

1. Plasser motorsagens motorhode på siden med sidedekslet vendt oppover (fig. B).
2. Drei sidedekselknappen mot klokken for å fjerne sidedekelet, og løsne deretter kjedestrekkerknappen så mye som mulig.
3. Legg den nye sagkjedet i en sløyfe på en flat overflate og rett eventuelle knekk (fig. C).
4. Plasser kjettingdrevlenkene i svingesporet og gjør kjedet til en sløyfe bak på sværdet (fig. D).
5. Hold kjedet på plass på styrestangen og plasser løkken rundt drivhjulets tannhjul.
6. Skyv sving på glideskinnen over justeringsflensene til strekkjusteringspinnen er satt inn i det nedre hullet i halen på skinnen (Fig. E1).

**MERK:** Små piler som angir retningen, er inngravert i sagkjedet. En annen retningsspil er støpt inn i huset. Når sagkjedet legges over drivhjulet, skal man sørge for at retningen til pilene på sagkjedet tilsvarer retningen til pilen på huset. Hvis de vender i motsatt retning, snu sagkjedet og styrestangen (fig. E2).

7. Sett på sidedekslet og stram sidedekselknappen litt.
8. Løft spissen av styrestangen opp for å se etter sag (fig. F). Løsne spissen av sværdet og vri justeringsknappen for kjedespenning med klokken. Gjenta denne prosessen til slakket er borte.
9. Stram sidedekselknappen godt for å sikre at sagkjedet er riktig strammet før bruk.

D-1	Kjededriftslenker	E-2	Spenningsjusteringsstift
D-2	Styrestangspor	E-3	Guide Bar Slot
E-1	Justeringsflens	E-4	Tannhjul

**MERK:** For å utvide sverdetets levetid bør du innimellom snu det.

**MERK:** Hvis kjedet er for stramt, vil det ikke rotere. Løsne sidedekselknappen litt og vri justeringsknappen for kjedespenning en gang mot klokken. Løft spissen av svingstangen opp og stram sidedekselknappen godt. Sikre at kjedet roterer uten oppbinding.

### JUSTERE STRAMHETEN PÅ KJEDET

- Stopp motoren og ta ut batteripakken før du justerer kjedespenningen. Kontroller at sidedekselknotten er løsnet. Drei justeringsknappen for kjedespenning med klokken for å stramme kjedet. Se avsnittet: "MONTERING / UTSKIFTING AV STANGEN OG KJEDE" for ytterligere informasjon.
- Et kaldt kjede er korrekt strammet når det ikke henger ned på undersiden av sværdet, og kjedet er tettstående, men det kan bevegges for hånd uten oppbinding. Kjedet må etterstrammes når de flate delene av drevlenkene ikke sitter i sverdsporet.
- Under normal sagdrift vil temperaturen kjedet øke. Drivleddene til en riktig strammet varm kjede vil henge ca. 1,3 mm ut av stangsporet (fig. G).

**MERK:** Nye kjeder pleier å strekke seg, så sjekk kjedespenningen ofte og etterstram etter behov.

**MERK:** Et kjede som strammes mens det er varmt, kan bli for stramt når det er kaldt. Sjekk kaldspenningen før neste bruk.

## OPERASJON

**⚠ ADVARSEL:** Ikke føl deg så trygg med dette verktøyet at du blir skjodesløs. Husk at et uforutsiktlig tiendedel av et sekund er nok til å forårsake alvorlige skader.

**⚠ ADVARSEL:** Ikke bruk tilbehør eller deler som ikke er anbefalt av produsenten av produktet. Bruk av tilbehør eller deler som ikke anbefales, kan medføre alvorlige personskader.

**⚠ ADVARSEL:** For å hindre utilsikket start som kan føre til alvorlig personskade, skal batteripakken alltid tas ut av verktøyet når du monterer deler, gjør justeringer, utfører rengjøring, eller når verktøyet ikke er i bruk. Hver gang du skal bruke produktet, må du sjekke at det ikke er skadet eller mangler deler som skruer, muttre, bolter, hetter osv. Trekk til alle festene og hettene godt, og ikke bruk dette produktet før alle manglende eller skadede deler har blitt byttet.

### BRUKSOMRÅDER

Du kan bruke dette produktet til grunnleggende felling, kvisting, beskjæring og hogst av trelast og trær.

### PÅFYLLING AV SVERD- OG KJEDEOLJE

**⚠ ADVARSEL:** Ikke røyk eller ta med ild eller flammer i nærheten av olje eller motorsagen. Olje kan spilles og forårsake brann.

**MERK:** Motorsagen er ikke fylt med olje på kjøpstidspunktet. Det er svært viktig å fylle tanken med olje før bruk. Kjedet smøres automatisk med kjedeolje når saken er i gang.

NO

1. Plasser motorsagen på siden med oljetankklokke vendt mot deg.
2. Rengjør oljetankklokke og området rundt for å sikre at det ikke kommer smuss inn i oljetanken.
3. Plasser motorsagen på siden på en fast, flat overflate, slik at tankklokke vender oppover. Løft den halvcirkelformede platen og roter oljetankklokke mot klokken for å fjerne den (fig. H).
4. Hell forsiktig stangen og kjedeoljen i tanken. Fyll til MAX-linjen.
5. Tørk av overflødig olje og sett på lokket igjen.

**MERK:** Sjekk oljenivået ofte og fyll når oljenivået faller under minimumslinjen. Bruk aldri motorsagen hvis oljen ikke er synlig.

### FESTE/FJERNE BATTERIPAKKEN

#### Lad batteriet helt opp før første bruk.

Bruk kun med batteripakker og ladere som er oppført i fig. A2.

#### Å feste (fig. I)

Ret inn batteriribene etter monteringspalene og skyv batteripakken inn i verktøyet til den hørbart klikker på plass.

#### Å løse (fig. J)

Trykk ned batteriutløserknappen, og trekk batteripakken ut.

### START/STOPP AV MOTORSAGEN

**MERK:** Før du starter motorsagen, må du sjekke om oljenivået, sagene på tennene er skikkelige og fungerende tilbakeslagshåndtak. Dessuten er balanserte fotfeste og riktig avstand fra bakken helt nødvendig.

#### For å starte opp

1. Trekk kjedets tilbakeslagshåndtak mot det fremre håndtaket til operasjonsposisjon. (Fig. K)
2. Ta godt tak i fremre og bakre håndtak, og bruk begge hender.
3. Trykk på og hold inne låseknappen med tommelen på høyre hånd, og trykk deretter på avtrekksbryteren med variabel hastighet med fingrene på høyre hånd for å starte saken (fig. L).
4. Slipp låseknappen og fortsett å trykke på utløseren for å fortsette driften.

**⚠ ADVARSEL:** Ikke forsøk å starte saken når sagkjedet er i et kutt.

#### For å stanse

1. Slipp bryteren for variabel hastighet for å stoppe motorsagen.

2. Skyv kjedets tilbakeslagshåndtak til bremsestilling for å koble til kjedebremsen (fig. K).

**⚠ ADVARSEL:** Batteripakken må alltid fjernes fra motorsagen under pauser og etter endt arbeid.

#### Riktig grep på håndtakene (fig. M)

- Bruk sklisisikre hansker så du får best mulig grep og beskyttelse.
- Sett saken på et fast, flatt underlag, og hold saken fast med begge hender.
- Ta alltid tak i det fremre håndtaket med venstre hånd og det bakre håndtaket med høyre hånd.
- Fingrene skal omringe håndtaket, med tommelen viklet inn under det fremre håndtaket

**⚠ ADVARSEL:** Bruk aldri et venstrehendt (krysshånd) grep eller noe holdning som vil plassere kroppen eller armen din over kjettelinen (fig. N).

#### Riktig skjærestilling (fig. O)

- Begge føttene skal være på fast grunn, med vekten jevnt fordelt mellom dem.
- Den venstre armen skal være rett, med albuen låst. Dette hjelper til med å motstå kreftene som genereres av tilbakeslag.
- Kroppen din skal alltid være til venstre for kjedelinen.

### ANVISNINGER OM RIKTIGE TEKNIKKER FOR GRUNNLEGGENDE FELLING, KVISTING, OG KAPPING

**⚠ WARNING:** Alltid være sikker på fotfestet ditt, og hold motorsagen fast med begge hender mens motoren er i gang.

**⚠ WARNING:** Når sagkjedet er stoppet på grunn av klemming under skjæring, slippes bryteren; fjern sagkjedet og sverdet fra treet, og start deretter motorsagen.

**⚠ WARNING:** Ikke trekk sagkjedet med hånden når den er bundet opp av sagmugg. Alvorlig personskade kan oppstå hvis motorsagen starter ved et uhell. Trykk sagkjedet mot treet og flytt motorsagen frem og tilbake for løsne rusket. Ta alltid ut batteripakken før rengjøring. Bruk tykke hansker når du håndterer sagkjedet.

**⚠ WARNING:** Start aldri motorsagen når den er i kontakt med treverk. La alltid motorsagen nå full hastighet før du setter saken mot treet.

#### FELLING AV TRÆR

- I kapping og hogst utført av to eller flere personer samtidig, skal fellingoperasjonene skilles fra kappingen med en avstand på minst to ganger høyden av treet som felles. Trær skal ikke felles på en måte som kan være farlig for personer, som kan treffe

NO

strømlinjer eller forårsake skader på eiendom. Hvis treet får kontakt med strømlinjer, skal strømselskapet varsles umiddelbart.

- Motorsagsbrukeren skal stå på øvre side i terrenget, ettersom treet sannsynlig rulle eller skli nedoverbakke etter at det er felt.
- En fluktrute skal planlegges og ryddes som nødvendig før sagingen startes. Rømningsveien skal strekke seg tilbake og diagonalt til baksiden av den forventede falllinjen som vist på figur P.

P-1	Fellingsretning
P-2	Trygg rømningsvei

- Før trefelling startes må du vurdere den naturlige retningen som treet lener seg, plasseringen av større grener og vindretningen for å bedømme hvilken vei treet kommer til å falle.
- Fjern skitt, steiner, løs bark, spikre, stifter og ledninger fra treet

## Styreskår

Gjør hakket 1/3 av diameteren på treet, vinkelrett på fallretningen som vist på figur Q. Lag det nedre, horisontale hakket først. Det bidrar til å unngå å klemme enten sagkjedet eller sverdet når det andre hakket sages.

Q-1	Felleretning
Q-2	Innsnitt
Q-3	Hovedskår
Q-4	Hengsel

## Hovedskår

- Gjør fellingskjæret minst 50 mm høyere enn det horisontale hakkeskåret som vist på figur Q. Hold hovedskåret parallelt med den horisontale delen av styreskåret. Sag ut hovedskåret slik at det er nok treverk igjen til å danne et hengsel. Hengseltreet gjør at treet ikke vrir seg og faller i feil retning. Ikke kutt gjennom hengselen.
- Etter hvert som felling kommer i nærheten av hengslet, bør treet begynne å falle. Hvis det er noen sjanse for at treet kan komme til å falle i feil retning eller at det kan vippe tilbake og klemme fast sagkjedet skal sagingen avsluttes før hovedskåret er fullført, og kiler av tre, plast eller aluminium skal brukes for å åpne skåret og felle treet langs den ønskede linjen.
- Når treet begynner å falle skal motorsagen fjernes fra kuttet, motoren stoppes, motorsagen settes ned, og

deretter brukes fluktruten som planlagt. Vær på vakt for overhengende grener som kan falle, og pass på fotfestet.

## Kvisting av trær

Kvisting er å fjerne grenene fra et tre som har blitt felt. Under kvisting skal større nedre grener være igjen, for å støtte stammen opp fra bakken. Fjern de små lemmer i ett kutt som vist på figur R. Grener som står i spenn skal kappes fra bunnen og opp, for å unngå å oppbinding av motorsagen.

## Kappe en stokk

- Kapping er å kutte en stamme i lengder. Det er viktig å sørge for godt fotfeste, og at vekten er jevnt fordelt på begge føttene. Hvis mulig skal stammen heves og støttes med grener, stammer eller klosser. Følg de enkle instruksjonene for enkel saging.
- Når stokken støttes i hele sin lengde som vist på figur S1, blir den kuttet fra toppen (overbukk).
- Når stokken er støttet i den ene enden, som vist i figur S2, kuttet 1/3 diameteren fra undersiden (underbukk). Deretter gjøres det endelige kuttet med oversaging, til det første kuttet møtes.
- Når stokken er støttet i begge ender, som vist på figur S3, kuttet 1/3 diameteren fra toppen (overbukk). Deretter gjøres det endelige kuttet med undersaging av de nedre 2/3, til det første kuttet møtes.
- Når du henger i en skråning, skal du alltid stå på oppoverbakke av stokken, som fig. T vist.
- Når man «skjærer gjennom», slippes sagetrykket opp nær enden av kuttet for å beholde kontrollen, uten at man løsner grepet på håndtakene til motorsagen. Ikke la kjedet komme i kontakt med bakken. Etter endt saging må du vente på at sagkjedet stopper før du flytter på motorsagen. Stopp alltid motoren før du går fra tre til tre.

## VEDLIKEHOLD

**⚠ ADVARSEL:** Når verktøyet trenger service, må bare identiske reservedeler benyttes. Bruk av uoriginale deler kan forårsake fare eller skader på produktet.

**⚠ ADVARSEL:** For å unngå alvorlige personskader, skal batteripakken tas ut av motorsagen før inspeksjon, rengjøring eller vedlikehold. Et batteridrevet verktøy med batteripakken innsatt er alltid på, og kan starte ved et uhell.

**⚠ ADVARSEL:** Ved rengjøring av motorsagen, skal den IKKE dyppes i vann eller andre væsker.

**⚠ ADVARSEL:** Ikke på noe tidspunkt skal bremsevæske, bensin, petroleum-baserte produkter, penetrerende oljer,



osv. komme i kontakt med plastdeler. Kjemikalier kan skade, svekke eller ødelegge plastmaterialer, noe som kan føre til alvorlig personskade.

- Holdes vekk fra etsende midler, for eksempel hagekjemikalier og avisingssalter.

### RENGJØRING

- Etter hver bruk fjernes rusk fra kjedet og sverdet med en myk børste. Tørk av motorsagens overflater med en ren klut, fuktet med mildt såpevann.
- Ta av sidedekselet, og bruk deretter en myk børste for å fjerne rusk fra sverdet, sagkjedet, drivhjul og sidedeksel.
- Fjern alltid treflisser, spon og rusk fra fordypningen til sagsverdet når du bytter kjede.

### Beskytt miljøet



WEEE (elektrisk og elektronisk avfall) Ikke kast elektrisk utstyr, brukt batteri og lader i husholdningsavfallet! Ta med dette produktet til autorisert gjenvinning, og gjør det tilgjengelig for separat innsamling. Elektriske verktøy må returneres til et egnet resirkuleringsanlegg.

### VEDLIKEHOLD AV GUIDEbaren

Når føringsstangen viser tegn på slitasje, demonter du den fra motorsagens motorhode og snur den for montering igjen (fig. U1). På denne måten fordeles slitasjen for å maksimere svingets levetid.

Stangen skal rengjøres hver bruksdag, og sjekkes for slitasje og skader. Uttoning eller gradering på sverdskindene er en normal slitasjeprosess på stangen. Slike feil skal jevnes med en fil så snart de oppstår. En stang med noen av følgende feil skal byttes ut.

- Slitasje inne i stangskinnene, som gjør at kjedet legger seg over sidelengs.
- Bøyd stang.
- Sprukne eller ødelagte skinner.
- Spre sporene.

I tillegg har styret et tannhjul i spissen (fig. U2). Tannhjulet skal smøres ukentlig med fettsprøyte for å forlenge levetiden til sverdet. Bruk en fettsprøyte til å smøre ukentlig med kjedeolje ved hjelp av smørehullet (fig. U3). Snu stangen og kontroller at smørehullene og kjedesporet er frie for urenheter.

U2-1	Drivhjul i sverdspissen
U2-2	Smørehull

### TRANSPORT OG LAGRING

- Ikke oppbevar eller transporter motorsagen når den er i gang. Ta alltid ut batteriet før du lagrer eller transporterer den.
- Plasser alltid sverdskjeden over sverdet og kjedet før du lagrer eller transporterer motorsagen. Vær nøye med å unngå de skarpe tennene på kjedet.
- Rengjør motorsagen grundig før oppbevaring. Oppbevar motorsagen innendørs, på et tørt sted som er låst, og/eller utilgjengelig for barn.

NO

## FEILSØKING

**⚠ ADVARSEL:** Beskytt alltid hendene med seg tunge hansker når du utfører vedlikehold på sagkjedet. Ta alltid ut batteripakken ved service på eller transport av motorsagen.

**NO**

PROBLEM	ÅRSAK	LØSNING
Motoren starter ikke.	<ul style="list-style-type: none"> <li>■ Batteripakken er ikke festet til motorsagen.</li> <li>■ Ingen elektrisk kontakt mellom sagen og batteriet.</li> <li>■ Batteripakken er utladet.</li> <li>■ Batteripakken eller motorsagen er for varm.</li> <li>■ Kjedebremser er aktivert.</li> <li>■ Rusk i sverdsporet.</li> <li>■ Rusk i sidedekselet.</li> </ul>	<ul style="list-style-type: none"> <li>■ Fest batteripakken til motorsagen.</li> <li>■ Fjern batteriet, sjekk kontakter og installer batteripakken.</li> <li>■ Lad opp batteripakken.</li> <li>■ La batteripakken eller motorsagen avkjøles til temperaturen faller under 67°C.</li> <li>■ Trekk i kjedets bremsehåndtak for tilbakeslag mot fremre håndtak i driftsposisjon, slik at du er i driftsposisjonen.</li> <li>■ Trykk sagkjedet mot treet og flytt motorsagen frem og tilbake for løsne rusket.</li> <li>■ Fjern batteripakken og sidedekselet, og rens ut rusk.</li> </ul>
Motorsagen slutter å gå under drift.	<ul style="list-style-type: none"> <li>■ Motoren er overbelastet.</li> <li>■ Batteripakken eller motorsagen er for varm.</li> <li>■ Sagkjedet sitter fast i treet.</li> </ul>	<ul style="list-style-type: none"> <li>■ Reduser belastningen.</li> <li>■ Reduser belastningen. La batteripakken eller motorsagen avkjøles til temperaturen faller under 67°C.</li> <li>■ Slipp triggerbryteren med variabel hastighet; fjern sagkjedet og styrestangen fra treet, og start deretter motorsagen på nytt.</li> </ul>
Motoren går, men kjedet går ikke rundt.	<ul style="list-style-type: none"> <li>■ Kjedet tar ikke tak i drivhjulet.</li> </ul>	<ul style="list-style-type: none"> <li>■ Sett kjedet på igjen, og forsikre deg om at kjedene på kjedet sitter helt på tannhjulet.</li> </ul>
Kjedebremser går ikke i inngrep.	<ul style="list-style-type: none"> <li>■ Rusk hindrer full bevegelighet av kjedets bremsehåndtak for tilbakeslag.</li> <li>■ Mulig feil i kjedebremser.</li> </ul>	<ul style="list-style-type: none"> <li>■ Rengjør rusk fra den eksterne kjedebremsemekanismen.</li> <li>■ Kontakt EGOs kundeservice for å få hjelp.</li> </ul>

PROBLEM	ÅRSAK	LØSNING
Motorsagen sager ikke ordentlig.	<ul style="list-style-type: none"> <li>■ Utilstrekkelig kjedestramming.</li> <li>■ Sløvt kjede.</li> <li>■ Kjedet er installert baklengs.</li> <li>■ Slitt kjede.</li> <li>■ Tørt eller overstrukket kjede.</li> <li>■ Kjedet er ikke i sverdsporet.</li> </ul>	<ul style="list-style-type: none"> <li>■ Juster kjedestrammingen, per avsnittet: <b>"JUSTERE KJEDESPENNINGEN"</b>.</li> <li>■ Slip kjedet.</li> <li>■ Installer kjedet på nytt, slå opp på <b>"MONTERING/BYTT AV STANG OG KJEDE"</b>.</li> <li>■ Bytt kjedet ved å følge avsnittet: <b>"MONTERING / UTSKIFTING AV STANGEN OG KJEDE"</b>.</li> <li>■ Sjekk oljenivået. Etterfyll oljetanken om nødvendig.</li> <li>■ Installer sagkjedet, per seksjon: <b>"MONTERING / UTSKIFTING AV STANGEN OG KJEDE"</b>.</li> </ul>
Kjettingen løsner eller faller av styret under normal bruk.	<ul style="list-style-type: none"> <li>■ Kjedet vil løsne når temperaturen på kjedet øker under normal sagdrift.</li> <li>■ Kjedet tar ikke tak i drivhjulet.</li> </ul>	<ul style="list-style-type: none"> <li>■ Stram kjedespenningen, etter avsnittet <b>"JUSTERE KJETESPENNINGEN"</b></li> <li>■ Installer sagkjedet, per seksjon: <b>"MONTERING / UTSKIFTING AV STANGEN OG KJEDE"</b>.</li> </ul>

**NO**

## GARANTI

### EGOS GARANTIREGLER

Besøk nettsiden [egopowerplus.eu](http://egopowerplus.eu) for å se fullstendige vilkår og betingelser for EGO-garantireglene.

KEES VAN DER SPEK  
TUINMACHINES ★ STOLWIJK

## ПРОЧИТАЙТЕ ВСЕ ИНСТРУКЦИИ!



**ПРОЧИТАЙТЕ РУКОВОДСТВО  
ПОЛЬЗОВАТЕЛЯ**

**⚠️ Остаточный риск!** Если вы используете такие электронные устройства, как кардиостимулятор, перед эксплуатацией данного устройства проконсультируйтесь с врачом. Использование электрооборудования в непосредственной близости от кардиостимулятора может привести к образованию помех и повреждению кардиостимулятора.

## СИМВОЛЫ БЕЗОПАСНОСТИ

Символы безопасности предназначены для привлечения внимания к возможным рискам. Символы безопасности, а также пояснения к ним, требуют особого внимания и понимания. Предупреждения по технике безопасности сами по себе не устраняют опасность. Инструкции и предупреждения не заменяют соответствующие меры по предотвращению несчастных случаев.

**⚠️ ПРЕДУПРЕЖДЕНИЕ.** Перед использованием устройства внимательно прочитайте все инструкции в данном руководстве пользователя и ознакомьтесь с предупреждающими символами безопасности, такими как **ОПАСНОСТЬ**, **ПРЕДУПРЕЖДЕНИЕ** и **ВНИМАНИЕ**. Несоблюдение всех приведенных ниже инструкций может привести к поражению электрическим током, возникновению пожара и (или) получению серьезных травм.

**RU**

## УСЛОВНЫЕ ОБОЗНАЧЕНИЯ

Далее приведено изображение и описание символов безопасности, которые могут присутствовать на данном устройстве. Перед сборкой или использованием внимательно прочитайте все инструкции, приведенные на устройстве, и соблюдайте их.

## СИМВОЛЫ БЕЗОПАСНОСТИ



Предупреждение об опасности



Внимательно прочитайте руководство пользователя.



Используйте защитные очки.



Используйте средства защиты органов слуха.



Используйте защитный головной убор.



Используйте защитные перчатки.



Остерегайтесь отдачи цепной пилы и не допускайте контакта с концом шины цепи.



Отдача конца шины



Всегда держите цепную пилу двумя руками.



Не оставляйте под дождем.



Информация о шине.



Гарантированный уровень звуковой мощности.



WEEE (утилизация электрического и электронного оборудования)



Данный продукт соответствует действующему законодательству Великобритании.



Соответствует основным требованиям стандартов безопасности Европейских директив.



Постоянный ток

V Вольт

A Ампер

Hz Герц

W Ватт

min Минуты

$n_0$  Скорость работы без нагрузки

... /min В минуту

## СПЕЦИФИКАЦИИ

Напряжение	56 В
Длина шины	400 мм (CS1610E)
	350 мм (CS1410E)
Шаг цепи	3/8" (9,5 мм)
Калибр цепи	1,1 мм
Скорость цепи	20 м/с
Тип пильной цепи	CS1610E AC1600/ AC1601(рекомендуется) AC1400/ AC1401(совместимо)
	CS1410E AC1400/ AC1401(рекомендуется) AC1600/ AC1601(совместимо)
Тип шины	CS1610E AG1600/ AG1601(рекомендуется) AG1400/ AG1401(совместимо)
	CS1410E AG1400/ AG1401(рекомендуется) AG1600/ AG1601(совместимо)
Объем масляного резервуара цепи	150 мл
Рабочая температура	-15°C–40°C
Температура хранения	-20°C–70°C

Масса нетто (без аккумуляторной батареи и чехла для цепи)	3,9 кг (CS1610E) 3,8 кг (CS1410E)	
Измеренный уровень звуковой мощности, $L_{WA}$	102,25 дБ (A) K=1,4 дБ (A)	
Уровень звукового давления на уши оператора, $L_{PA}$	91,25 дБ (A) K=2,5 дБ (A)	
Гарантированный уровень звуковой мощности $L_{WA}$ (в соответствии со стандартом 2000/14/EC)	103 дБ (A)	
Вибрация $a_h$	Передняя рукоятка	3,377 м/с <sup>2</sup> K=1,5 м/с <sup>2</sup>
	Задняя рукоятка	2,823 м/с <sup>2</sup> K=1,5 м/с <sup>2</sup>

RU

- Указанное общее значение вибрации было определено с помощью стандартного теста и может быть использовано для сравнения разных инструментов.
- Указанное общее значение вибрации также может использоваться для предварительной оценки уровня воздействия.

**ПРИМЕЧАНИЕ.** Реальное вибрационное воздействие электроинструмента может отличаться от указанного в зависимости от способа использования. В целях безопасности оператор должен надевать перчатки и средства защиты органов слуха во время использования устройства.

## КОМПЛЕКТ ПОСТАВКИ (РИС. А1)

### ОПИСАНИЕ

#### ЗНАКОМСТВО С ЦЕПНОЙ ПИЛОЙ (Рис. А1)

1. Курковый переключатель скорости
2. Задняя рукоятка
3. Кнопка блокировки
4. Передняя рукоятка
5. Ручка цепного тормоза
6. Пильная цепь
7. Шина цепи
8. Крышка резервуара для масла
9. Окошко индикации уровня масла
10. Электрические контакты
11. Кнопка фиксации аккумулятора
12. Регулятор натяжения цепи
13. Боковой кожух
14. Фиксатор бокового кожуха
15. Чехол цепи

RU

### СБОРКА

#### СБОРКА/ЗАМЕНА ШИНЫ И ЦЕПИ

**▲ ПРЕДУПРЕЖДЕНИЕ.** Перед сборкой установите ручку цепного тормоза в положение торможения.

1. Положите силовой блок пилы на бок, боковым кожухом вверх (Рис. В).
2. Открутите фиксатор бокового кожуха против часовой стрелки, чтобы снять кожух. Ослабьте натяжение цепи с помощью регулятора, насколько это возможно.
3. Разложите новую пильную цепь петлей на плоской поверхности и распрямите все перегибы (Рис. С).
4. Поместите приводные звенья цепи в паз шины и оттяните цепь в задней части шины (Рис. D).
5. Удерживая цепь на шине, натяните ее на зубчатое колесо в силовом блоке.
6. Наденьте шину на установочные фланцы таким образом, чтобы штифт регулировки натяжения попал в нижнее отверстие в задней части шины (Рис. E1).

**ПРИМЕЧАНИЕ.** На пильной цепи имеются небольшие направляющие стрелки. Еще одна стрелка имеется на корпусе инструмента. При установке цепи на зубчатое колесо убедитесь, что направление стрелок на цепи совпадает с направлением стрелки на корпусе. Если стрелки указывают в разных направлениях, переверните шину с пильной цепью (Рис. E2).

7. Установите на место боковой кожух и слегка затяните фиксатор.
8. Приподнимите конец шины, чтобы проверить, не провисает ли цепь (Рис. F). Отпустите конец шины и поверните регулятор натяжения цепи по часовой стрелке. Повторяйте указанные действия, пока провисание не исчезнет.
9. Затяните как следует фиксатор бокового кожуха, чтобы зафиксировать натяжение цепи.

D-1	Приводные звенья цепи	E-2	Штифт регулировки натяжения
D-2	Паз шины цепи	E-3	Отверстие направляющей шины
E-1	Установочный фланец	E-4	Зубчатое колесо

**ПРИМЕЧАНИЕ.** Чтобы продлить срок службы шины, периодически переворачивайте ее.

**ПРИМЕЧАНИЕ.** Если цепь натянута слишком сильно, она не будет вращаться. Слегка ослабьте фиксатор бокового кожуха и регулятор натяжения цепи один раз против часовой стрелки. Поднимите конец шины вверх и надежно затяните фиксатор бокового кожуха. Убедитесь, что цепь вращается без заклинивания.

#### РЕГУЛИРОВКА НАТЯЖЕНИЯ ЦЕПИ

- Перед регулировкой натяжения цепи остановите двигатель и извлеките аккумулятор. Ослабьте фиксатор бокового кожуха. Поверните регулятор натяжения цепи по часовой стрелке, чтобы натянуть цепь. Дополнительные сведения см. в разделе «СБОРКА/ЗАМЕНА ШИНЫ И ЦЕПИ».
- Холодная цепь натянута правильно, если она не провисает под шиной и прилегает к ней, но при этом цепь можно беспрепятственно проверить вручную. Натяжение цепи необходимо отрегулировать, если выступы на приводных звеньях не держатся в пазу шины.
- Во время нормальной работы цепь нагревается. Приводные звенья правильно натянутой цепи в нагретом состоянии выступают из паза шины примерно на 1,3 мм (Рис. G).

**ПРИМЕЧАНИЕ.** Новая цепь быстро растягивается. Проверяйте натяжение цепи чаще и подтягивайте ее по мере необходимости.

**ПРИМЕЧАНИЕ.** Если отрегулировать натяжение на горячей цепи, после охлаждения она может стать слишком тугой. Перед следующим использованием проверьте натяжение холодной цепи.

## ЭКСПЛУАТАЦИЯ

**⚠ ПРЕДУПРЕЖДЕНИЕ.** Не допускайте небрежности и беспечности при работе с устройством. Помните, что потери бдительности на долю секунды достаточно для получения серьезной травмы.

**⚠ ПРЕДУПРЕЖДЕНИЕ.** Не используйте насадки или дополнительные приспособления, не рекомендованные производителем устройства. Использование нерекондованных насадок и дополнительных приспособлений может привести к серьезным травмам.

**⚠ ПРЕДУПРЕЖДЕНИЕ.** Чтобы предотвратить случайное включение устройства и получение серьезной травмы, извлекайте аккумулятор перед выполнением сборки, регулировки и очистки, а также когда устройство не используется.

Перед каждым использованием полностью проверяйте устройство на наличие поврежденных, отсутствующих или плохо закрепленных частей, таких как винты, гайки, болты, заглушки и т. д. Надежно закрепите все фиксаторы и заглушки и не пользуйтесь устройством до тех пор, пока не будут заменены поврежденные или отсутствующие части.

### ПРИМЕНЕНИЕ

Инструмент можно использовать для валки и обрезки деревьев, а также для распилки древесины.

### СМАЗКА ШИНЫ И ЦЕПИ

**⚠ ПРЕДУПРЕЖДЕНИЕ.** Не курите рядом с пилой и маслом. Не подносите их к источникам открытого пламени. Масло может пролиться, что приведет к пожару.

**ПРИМЕЧАНИЕ.** Пила не заправляется маслом на заводе. Перед использованием инструмента необходимо залить в него масло. Цепь автоматически смазывается маслом во время использования.

1. Положите пилу набок, так чтобы крышка масляного резервуара оказалась сверху.
2. Очистите крышку резервуара для масла и область вокруг нее, чтобы никакая грязь не попала внутрь резервуара.
3. Положите цепную пилу на бок на твердую плоскую поверхность так, чтобы крышка резервуара для масла была обращена вверх. Поднимите полукруглую пластину и поверните крышку резервуара для масла против часовой стрелки, чтобы снять ее (Рис. Н).
4. Аккуратно налейте масло в резервуар. Заполняйте до отметки MAX.

5. Вытрите пролитое масло и закройте крышку.

**ПРИМЕЧАНИЕ.** Регулярно проверяйте уровень масла и доливайте его, если уровень опускается ниже минимальной отметки. Никогда не эксплуатируйте цепную пилу, если уровень масла не виден.

### УСТАНОВКА И СНЯТИЕ АККУМУЛЯТОРА

#### Перед первым использованием полностью зарядите аккумулятор.

Используйте только аккумуляторы и зарядные устройства, указанные на Рис. А2.

#### Установка (Рис. I)

Совместите ребра аккумулятора с монтажными пазами, затем вставьте аккумулятор в инструмент до щелчка.

#### Снятие (Рис. J)

Нажмите кнопку фиксации аккумулятора и извлеките аккумулятор.

### ЗАПУСК И ОСТАНОВКА ЦЕПНОЙ ПИЛЫ

**ПРИМЕЧАНИЕ.** Перед запуском пилы необходимо проверить уровень масла, остроту зубьев, а также правильность работы ручки тормоза. Кроме того, необходимо принять правильную стойку и удерживать инструмент на надлежащем расстоянии от земли.

#### Запуск

1. Переверните ручку тормоза в рабочее положение, потянув ее в сторону передней рукоятки (Рис. К).
2. Крепко возьмитесь одной рукой за переднюю, а другой — за заднюю рукоятку.
3. Нажмите и удерживайте кнопку блокировки большим пальцем правой руки, затем зажмите остальными пальцами курковый переключатель скорости, чтобы включить инструмент (Рис. L).
4. Для продолжительной работы отпустите кнопку блокировки и продолжайте зажимать курок.

**⚠ ПРЕДУПРЕЖДЕНИЕ.** Не запускайте инструмент, когда цепь находится в распиле.

#### Остановка

1. Отпустите курок, чтобы остановить цепную пилу.
2. Переместите ручку тормоза вперед, чтобы включить цепной тормоз (Рис. K).

**⚠ ПРЕДУПРЕЖДЕНИЕ.** Во время перерывов в работе и после ее окончания всегда извлекайте аккумулятор из устройства.

RU

## Правильный хват (Рис. М)

- Для обеспечения крепкого захвата и максимальной защиты наденьте нескользящие перчатки.
- Положите пилу на ровную прочную поверхность и крепко возьмитесь за нее обеими руками.
- Всегда беритесь за переднюю рукоятку левой рукой, а за заднюю — правой.
- Пальцы должны плотно охватывать рукоятку, причем большой палец должен быть под передней рукояткой.

**⚠ ПРЕДУПРЕЖДЕНИЕ.** Никогда не держитесь левой рукой за заднюю рукоятку и не работайте в положении, в котором тело или рука пересекают линию цепи (Рис. N).

## Правильная стойка (Рис. O)

- Обе ноги должны стоять на твердой поверхности, масса тела должна быть равномерно распределена между ними.
- Левая рука должна быть прямой, локоть зафиксирован. Это поможет бороться с отдачей.
- Тело оператора должно находиться слева от линии цепи.

## БАЗОВАЯ ТЕХНИКА ПРИ ВАЛКЕ И ОБРЕЗКЕ ДЕРЕВЬЕВ, А ТАКЖЕ ПРИ ПОПЕРЕЧНОЙ РАСПИЛКЕ

**⚠ ПРЕДУПРЕЖДЕНИЕ.** Во время работы следите за равновесием и всегда держите пилу обеими руками.

**⚠ ПРЕДУПРЕЖДЕНИЕ.** Если во время работы цепь остановилась из-за зажатия, отпустите курок и извлеките пилу из распила, а затем продолжайте работу.

**⚠ ПРЕДУПРЕЖДЕНИЕ.** Не тяните за пильную цепь руками, если она забилась опилками. Случайный запуск пилы может привести к серьезным травмам. Прижмите цепь к заготовке и перемещайте назад и вперед, чтобы удалить загрязнения. Перед очисткой инструмента обязательно извлекайте аккумулятор. При работе с цепью надевайте прочные защитные перчатки.

**⚠ ПРЕДУПРЕЖДЕНИЕ.** Не запускайте пилу, если цепь касается заготовки. Прежде чем начинать резать заготовку, дайте инструменту набрать полную скорость.

## ВАЛКА ДЕРЕВЬЕВ

- Если несколько человек одновременно валят и распиливают деревья в одном месте, то валка должна выполняться отдельно от распиливания

на расстоянии, которое по крайней мере вдвое превышает высоту спиливаемых деревьев. Спиливаемое дерево при падении не должно представлять угрозу для людей, коммуникационных линий и имущества. Если дерево повредит коммуникационную линию, об этом нужно немедленно сообщить в обслуживающую организацию.

- При работе на склоне оператор должен стоять выше дерева, так как спиленное дерево может покатиться вниз.
- Путь отхода должен быть спланирован и очищен от посторонних предметов перед началом работы. Путь отхода должен быть направлен по диагонали в сторону, противоположную предполагаемому направлению падения (см. Рис. P).

P-1	Направление падения
P-2	Безопасный путь отхода

- Перед валкой необходимо рассчитать, в какую сторону дерево будет падать, учитывая его естественный наклон, расположение крупных ветвей и направление ветра.
- Удалите с дерева грязь, камни, рыхлую кору, гвозди, скобы и провода.

## Подпил

Сделайте подпил на 1/3 диаметра дерева перпендикулярно направлению падения, как показано на Рис. Q. Сначала сделайте нижний горизонтальный подпил. Это поможет избежать защемления цепи пилы или шины во время выполнения второго подпила.

Q-1	Направление падения
Q-2	Прорезь
Q-3	Задний пропил
Q-4	Шарнир

## Задний пропил

- Выполните задний пропил как минимум на 50 мм выше горизонтального, как показано на Рис. Q. Задний пропил должен быть параллелен горизонтальному подпилу. Выполняя задний пропил, оставьте достаточно дерева, чтобы оно работало как ось. Деревянная ось предохранит дерево от наклона и падения в неправильном направлении. Не распиливайте ось.
- При приближении заднего пропила к оси дерево должно начать падать. Если существует



вероятность, что дерево может упасть в другом направлении или может наклониться и защемить пилу, прекратите пилить, пока задний пропил еще не завершен, и используйте деревянные, пластиковые или алюминиевые клинья, чтобы открыть пропил и направить дерево по правильной траектории падения.

- Когда дерево начнет падать, уберите пилу из пропила, остановите двигатель и положите ее, а затем используйте запланированный путь отхода. Остерегайтесь падающих веток и смотрите под ноги.

### Обрезка ветвей

Обрезка — это удаление веток со спиленного дерева. При обрезке оставьте большие нижние ветви, чтобы они поддерживали ствол дерева над землей. Спливайте небольшие ветки одним движением, как показано на Рис. R. Распиливая ветви под нагрузкой, срежьте их последовательно, начиная с нижних, чтобы избежать застревания пилы.

### Раскрывка бревна

- Раскрывка — это распиливание бревен на части. При работе важно сохранять устойчивое положение и равномерно распределять вес тела на обе ноги. При возможности бревно должно поддерживаться козлами, другими бревнами или чурбанами. Для облегчения работы следуйте простым правилам.
- Если бревно поддерживается по все длине, как показано на Рис. S1, его необходимо распиливать сверху вниз.
- Если бревно поддерживается только с одной стороны, как показано на Рис. S2, его необходимо подпилить на 1/3 диаметра снизу. Затем распил завершается сверху.
- Если бревно поддерживается с обоих концов, как показано на Рис. S3, сделайте пропил глубиной в 1/3 диаметра сверху. Затем распил остальных 2/3 диаметра завершается снизу.
- При работе на склоне всегда стойте выше бревна, как показано на Рис. T.
- Чтобы сохранять полный контроль при сквозном пропиле, ослабьте давление резки ближе к концу пропила, не ослабляя хватку на рукоятках пилы. Не допускайте контакта цепи с землей. После завершения распила подождите, пока цепь остановится, прежде чем двигать пилу. Всегда выключайте пилу перед перемещением от одного дерева к другому.

## ОБСЛУЖИВАНИЕ

**⚠ ПРЕДУПРЕЖДЕНИЕ.** При ремонте используйте только идентичные запасные части. Использование других запасных частей может привести к возникновению опасной ситуации или повреждению устройства.

**⚠ ПРЕДУПРЕЖДЕНИЕ.** Во избежание тяжелых травм перед проведением осмотра, очистки или техобслуживания извлеките из инструмента аккумулятор. Электроинструмент с установленным аккумулятором всегда может случайно включиться.

**⚠ ПРЕДУПРЕЖДЕНИЕ.** При очистке пилы НЕ ПОГРУЖАЙТЕ ее в воду и другие жидкости.

**⚠ ПРЕДУПРЕЖДЕНИЕ.** Не допускайте попадания на пластиковые части тормозной жидкости, бензина, продуктов на нефтяной основе, пропитывающих масел и т. д. Химические вещества могут повредить, ослабить или разрушить пластик, что приведет к получению серьезных травм.

RU

### ОЧИСТКА

- После каждого использования очищайте цепь и шину мягкой щеткой. Очищайте поверхность пилы чистой тканью, смоченной в слабом мыльном растворе.
- Снимите боковой кожух и очистите шину, цепь, зубчатое колесо и кожух мягкой щеткой.
- При замене пильной цепи всегда очищайте паз шины цепи от щепок, опилок и загрязнений.

### УХОД ЗА ШИНОЙ

Если шина имеет признаки износа, демонтируйте ее с силового блока, переверните и установите заново (Рис. U1). Это позволит распределить износ таким образом, чтобы максимально продлить срок службы шины.

Шину необходимо очищать и проверять на наличие износа и повреждений каждый день после использования. Появление зазубрин и стружек на шине — нормальное явление, свидетельствующее о ее износе. Такие дефекты необходимо удалять напильником сразу же при их обнаружении. При наличии любого из перечисленных ниже дефектов шину необходимо заменить.

- Износ внутренней части шины, из-за которого цепь съезжает набок.
- Изгиб шины.
- Трещины или разрыв направляющих.
- Расширение направляющих.

Кроме того, на конце шины установлено зубчатое колесо (Рис. U2). Чтобы продлить срок службы шины, раз в неделю колесо необходимо смазывать из масленки. Смазывайте шину маслом для цепи раз в неделю, подавая его из масленки в смазочное отверстие (Рис. U3). Переверните шину и убедитесь, что смазочные отверстия и паз цепи не загрязнены.

U2-1	Зубчатое колесо на конце шины
U2-2	Смазочное отверстие

## ТРАНСПОРТИРОВКА И ХРАНЕНИЕ

- Не убирайте на хранение и не переносите инструмент, когда он работает. Перед хранением и транспортировкой всегда извлекайте аккумулятор из устройства.
- Перед транспортировкой или хранением инструмента всегда надевайте на цепь чехол. Будьте осторожны с острыми зубьями цепи.
- Прежде чем убрать пилу на хранение, тщательно очистите ее. Храните пилу в надежном сухом помещении, недоступном для детей.
- Храните вдали от источников коррозии, таких как садовые удобрения и техническая соль.

RU

## Защита окружающей среды



Утилизация отходов электрического и электронного оборудования (WEEE). Не выбрасывайте электроприборы, зарядные устройства и аккумуляторные батареи вместе с бытовыми отходами!

Отправьте данное изделие на переработку в специализированное предприятие или сдайте его для раздельного сбора.

Электроинструменты должны быть возвращены на перерабатывающее предприятие, не наносящее ущерба окружающей среде.

## УСТРАНЕНИЕ НЕПОЛАДОК

**⚠ ПРЕДУПРЕЖДЕНИЕ.** При выполнении любых работ по обслуживанию цепной пилы всегда надевайте прочные перчатки. Перед проведением обслуживания или транспортировкой устройства обязательно извлекайте аккумулятор.

ПРОБЛЕМА	ПРИЧИНА	РЕШЕНИЕ
Двигатель не запускается.	<ul style="list-style-type: none"> <li>■ В инструмент не установлена аккумуляторная батарея.</li> <li>■ Нет электрического контакта между пилой и аккумулятором.</li> <li>■ Аккумулятор разряжен.</li> <li>■ Перегрев аккумуляторной батареи или пилы.</li> <li>■ Сработал цепной тормоз.</li> <li>■ В пазу шины скопился мусор.</li> <li>■ Под боковой кожух набился мусор.</li> </ul>	<ul style="list-style-type: none"> <li>■ Установите аккумулятор в инструмент.</li> <li>■ Извлеките аккумулятор, проверьте контакты и установите его снова.</li> <li>■ Зарядите аккумулятор.</li> <li>■ Подождите, пока аккумулятор или пила не остынут до 67°C.</li> <li>■ Переведите ручку тормоза в рабочее положение, потянув ее в сторону передней рукоятки.</li> <li>■ Прижмите цепь к заготовке и перемещайте назад и вперед, чтобы удалить загрязнения.</li> <li>■ Извлеките аккумулятор, затем снимите боковой кожух и удалите загрязнения.</li> </ul>
Цепная пила останавливается во время работы.	<ul style="list-style-type: none"> <li>■ Пила перегружена.</li> <li>■ Перегрев аккумуляторной батареи или пилы.</li> <li>■ Цепь зажата в заготовке.</li> </ul>	<ul style="list-style-type: none"> <li>■ Уменьшите нагрузку.</li> <li>■ Уменьшите нагрузку. Подождите, пока аккумулятор или пила не остынут до 67°C.</li> <li>■ Отпустите курок. Извлеките шину из заготовки, затем запустите пилу снова.</li> </ul>
Двигатель работает, но цепь не вращается.	<ul style="list-style-type: none"> <li>■ Цепь не зацепляется за зубчатое колесо.</li> </ul>	<ul style="list-style-type: none"> <li>■ Установите цепь заново и убедитесь, что приводные звенья надежно прилегают к зубчатому колесу.</li> </ul>
Не срабатывает цепной тормоз.	<ul style="list-style-type: none"> <li>■ Ручка цепного тормоза не может свободно двигаться из-за мусора.</li> <li>■ Тормозная система неисправна.</li> </ul>	<ul style="list-style-type: none"> <li>■ Удалите мусор снаружи механизма цепного тормоза.</li> <li>■ Обратитесь в службу поддержки клиентов EGO для ремонта.</li> </ul>

RU

ПРОБЛЕМА	ПРИЧИНА	РЕШЕНИЕ
<p>Пила не режет надлежащим образом.</p>	<ul style="list-style-type: none"> <li>■ Цепь плохо натянута.</li> <li>■ Цепь затупилась.</li> <li>■ Цепь установлена задом наперед.</li> <li>■ Цепь изношена.</li> <li>■ Цепь не смазывается или сильно растянулась.</li> <li>■ Цепь вышла из паза в шине.</li> </ul>	<ul style="list-style-type: none"> <li>■ Отрегулируйте натяжение цепи. См. раздел <b>РЕГУЛИРОВКА НАТЯЖЕНИЯ ЦЕПИ</b>.</li> <li>■ Заточите цепь.</li> <li>■ Установите цепь заново. См. раздел <b>СБОРКА/ЗАМЕНА ШИНЫ И ЦЕПИ</b>.</li> <li>■ Замените цепь. См. раздел <b>СБОРКА/ЗАМЕНА ШИНЫ И ЦЕПИ</b>.</li> <li>■ Проверьте уровень масла. При необходимости залейте масло в резервуар.</li> <li>■ Установите цепь заново. См. раздел <b>СБОРКА/ЗАМЕНА ШИНЫ И ЦЕПИ</b>.</li> </ul>
<p>Цепь ослабевает или соскакивает с шины в процессе нормальной эксплуатации.</p>	<ul style="list-style-type: none"> <li>■ Цепь ослабевает по мере повышения температуры цепи при нормальной работе пилы.</li> <li>■ Цепь не зацепляется за зубчатое колесо.</li> </ul>	<ul style="list-style-type: none"> <li>■ Отрегулируйте натяжение цепи. См. раздел <b>РЕГУЛИРОВКА НАТЯЖЕНИЯ ЦЕПИ</b>.</li> <li>■ Установите цепь заново. См. раздел <b>СБОРКА/ЗАМЕНА ШИНЫ И ЦЕПИ</b>.</li> </ul>

**RU**

## ГАРАНТИЯ

### ГАРАНТИЙНАЯ ПОЛИТИКА EGO

Посетите веб-сайт [egopowerplus.eu](http://egopowerplus.eu), чтобы ознакомиться со всеми условиями и сроками гарантийной политики EGO.

## PRZECZYTAJ WSZYSTKIE INSTRUKCJE!



### PRZECZYTAJ INSTRUKCJĘ OBSŁUGI

**⚠ Ryzyko resztkowe!** Osoby z urządzeniami elektronicznymi, takimi jak rozruszniki serca, powinny przed użyciem produktu skonsultować się ze swoim(i) lekarzem/-ami. Używanie urządzeń elektrycznych blisko rozrusznika serca może spowodować zakłócenia lub uszkodzić rozrusznik.

## SYMBOL BEZPIECZEŃSTWA

Celem symboli bezpieczeństwa jest zwrócenie uwagi użytkownika na możliwe zagrożenia. Symbole bezpieczeństwa i objaśnienia do nich zasługują na to, aby je uważnie przestudiować i zrozumieć. Symbole bezpieczeństwa nie eliminują same z siebie jakichkolwiek zagrożeń. Podawane w nich instrukcje i ostrzeżenia nie zastępują odpowiednich środków zapobiegania wypadkom.

**⚠ OSTRZEŻENIE:** Przed użyciem narzędzia należy koniecznie przeczytać ze zrozumieniem wszystkie instrukcje dotyczące bezpieczeństwa podane w podręczniku użytkownika, łącznie z wszystkimi symbolami ostrzegawczymi takimi jak „NIEBEZPIECZEŃSTWO”, „OSTRZEŻENIE” i „OSTROŻNIE”. Niestosowanie się do wszystkich podanych niżej instrukcji może doprowadzić do porażenia prądem, pożaru i/lub poważnych urazów ciała.

## ZNACZENIE SYMBOLI

Na tej stronie pokazano i opisano symbole bezpieczeństwa, które mogą występować na produkcie. Przed podjęciem próby złożenia i użycia urządzenia należy przeczytać i zrozumieć wszystkie instrukcje dotyczące narzędzia oraz zastosować się do nich.

**PL**

## SYMBOLE BEZPIECZEŃSTWA



Ostrzeżenie dotyczące bezpieczeństwa



Przeczytaj ze zrozumieniem instrukcję użytkownika



Noś okulary ochronne



Noś ochronniki słuchu



Noś kask ochronny



Noś rękawice ochronne



Uważaj na możliwość odbicia pilarki i unikaj kontaktu z czubkiem przewodnicy



Odbicie czubka przewodnicy



Zawsze używaj pilarki oburącz



Chronić przed deszczem



Przewodnica - informacje



Gwarantowany poziom mocy akustycznej.



WEEE



Produkt jest zgodny z obowiązującym ustawodawstwem Wielkiej Brytanii.

**CE** Ten produkt jest zgodny z obowiązującymi dyrektywami WE.

V Volt

Hz Herc

min Minuty

... /min Na minutę

**— — —** Prąd stały

A Ampery

W Wat

$n_0$  Prędkość bez obciążenia

## SPECYFIKACJA

Napięcie	56 V <b>— — —</b>	
Długość prowadnicy	400 mm (CS1610E)	
	350 mm (CS1410E)	
Podziałka łańcucha	3/8" (9,5 mm)	
Grubość łańcucha	1,1 mm	
Prędkość łańcucha	20 m/s	
Rodzaj łańcucha tnącego	CS1610E	AC1600/AC1601(zalecana) AC1400/AC1401(kompatybilna)
	CS1410E	AC1400/AC1401(zalecana) AC1600/AC1601(kompatybilna)
Rodzaj prowadnicy	CS1610E	AG1600/AG1601(zalecana) AG1400/AG1401(kompatybilna)
	CS1410E	AG1400/AG1401(zalecana) AG1600/AG1601(kompatybilna)
Pojemność zbiornika na olej	150 ml	
Temperatura pracy	-15°C–40°C	
Temperatura przechowywania	-20°C–70°C	
Ciężar netto (bez akumulatora i osłony łańcucha)	3,9 kg (CS1610E)	
	3,8 kg (CS1410E)	
Zmierzony poziom mocy akustycznej $L_{WA}$	102,25 dB(A) K=1,4 dB(A)	
Poziom ciśnienia akustycznego na wysokości ucha operatora $L_{PA}$	91,25 dB(A) K=2,5 dB(A)	

Gwarantowany poziom mocy akustycznej $L_{WA}$ (zgodnie z dyrektywą 2000/14/WE)		103 dB(A)
Drgania $a_n$	Uchwyt przedni	3,377 m/s <sup>2</sup> K=1,5 m/s <sup>2</sup>
	Uchwyt tylny	2,823 m/s <sup>2</sup> K=1,5 m/s <sup>2</sup>

- Deklarowana całkowita wartość drgań została zmierzona zgodnie ze standardowymi metodami testowania i może służyć do porównywania różnych narzędzi.
- Deklarowana całkowita wartość drgań może również służyć do wstępnej oceny narażenia na drgania.

**UWAGA:** Emisja dźwięku podczas rzeczywistego stosowania elektronarzędzia może różnić się od deklarowanej wartości, w której narzędzie jest używane. Aby się zabezpieczyć, w rzeczywistych warunkach użytkowania użytkownik powinien nosić rękawice i naszłuki ochronne.

## LISTA ELEMENTÓW W OPAKOWANIU (RYS. A1)

### OPIS

#### ZAPOZNANIE SIĘ Z PILARKĄ (Rys. A1)

1. Przełącznik spustowy z regulacją prędkości
2. Uchwyt tylny
3. Przycisk odblokowujący
4. Uchwyt przedni
5. Dźwignia hamulca łańcucha
6. Łańcuch tnący
7. Prowadnica
8. Zakrętka zbiornika oleju
9. Okienko kontroli oleju

10. Styki elektryczne
11. Przycisk odblokowujący akumulator
12. Pokrętko napinania łańcucha
13. Pokrywa boczna
14. Pokrętko pokrywy bocznej
15. Osłona łańcucha

## MONTAŻ

### MONTAŻ/WYMIANA PROWADNICY I ŁAŃCUCHA

**⚠ OSTRZEŻENIE:** Przed przystąpieniem do montażu należy ustawić w pozycji hamowania dźwignię hamulca łańcucha.

1. Położyć głowicę napędową pilarki na boku, pokrywą boczną skierowaną do góry (Rys. B).
2. Przekręcić pokrętko pokrywy bocznej w lewo (przeciwnie do kierunku ruchu wskazówek zegara), aby zdjąć pokrywę boczną i maksymalnie poluzować pokrętko napinania łańcucha.
3. Położyć nowy łańcuch w postaci pętli na płaskiej powierzchni i wyprostować wszelkie splątane miejsca (Rys. C).
4. Włożyć ogniwa przesuwające łańcuch do rowka prowadnicy w taki sposób, aby z tyłu prowadnicy utworzył pętlę (Rys. D).
5. Przytrzymać łańcuch w odpowiedniej pozycji na prowadnicy i nałożyć pętlę na zębatkę głowicy napędowej.
6. Rowek prowadnicy nasunąć na kołnierze dopasowujące, aż bolec regulacji napięcia będzie włożony w dolny otwór w tylnej części prowadnicy (Rys. E1).

**UWAGA:** Na łańcuchu są wygrawerowane małe strzałki pokazujące kierunek. Inna strzałka wskazująca kierunek znajduje się na obudowie. Podczas zakładania łańcucha na zębatkę należy upewnić się, że strzałka kierunkowa na łańcuchu tnącym wskazuje ten sam kierunek co strzałka na obudowie. Jeśli strzałki wskazują przeciwne kierunki, należy obrócić zespół łańcucha i prowadnicy (Rys. E2).

7. Założyć pokrywę boczną i lekko dokręcić pokrętko pokrywy bocznej.
8. Podnieść czubek prowadnicy do góry, aby sprawdzić, czy łańcuch nie zwisa luźno (Rys. F). Puścić czubek prowadnicy i jeden raz przekręcić pokrętko napinania łańcucha w prawo (zgodnie z kierunkiem ruchu wskazówek zegara). Powtarzać tę procedurę aż luz całkowicie zniknie.
9. Przed użyciem mocno dokręcić pokrętko pokrywy bocznej, aby mieć pewność, że łańcuch pilarki jest odpowiednio napięty.

D-1	Ogniwa przesuwające łańcuch	E-2	Bolec regulacji napięcia
D-2	Rowek prowadnicy	E-3	Rowek prowadnicy
E-1	Kołnierze dopasowujące	E-4	Zębátka

**UWAGA:** Aby wydłużyć czas używalności prowadnicy, należy ją od czasu do czasu obracać.

**UWAGA:** Jeśli łańcuch zostanie naciągnięty zbyt mocno, nie będzie się kręcił. Poluzować pokrętko pokrywy bocznej i przekręcić pokrętko napinania łańcucha w lewo. Podnieść czubek prowadnicy i mocno dokręcić pokrętko pokrywy bocznej. Upewnić się, że łańcuch może się kręcić bez zacinania się.

### REGULACJA NAPIĘCIA ŁAŃCUCHA

- Przed regulacją naprężenia łańcucha należy wyłączyć silnik i wyjąć akumulator. Upewnić się, że pokrętko pokrywy bocznej jest poluzowane. Przekręcić w prawo pokrętko napinania łańcucha, aby napiąć łańcuch. Patrz część: Więcej informacji - patrz część „MONTAŻ/WYMIANA PROWADNICY I ŁAŃCUCHA”.
- Łańcuch jest poprawnie napięty, gdy nie ma luzu w dolnej części prowadnicy, łańcuch przylega do prowadnicy, ale można nim kręcić ręką i łańcuch nie zacina się. Łańcuch musi zostać napięty ponownie, gdy płaskie części ogniw napędowych nie znajdują się w rowku prowadnicy.
- W czasie zwykłej pracy pilarka zwiększa się temperatura łańcucha. Ogniwa przesuwające łańcucha prawidłowo napiętego rozgrzanego łańcucha mają około 1,3 mm luzu poza rowkiem prowadnicy (Rys. G).

**UWAGA:** Nowy łańcuch ma tendencję do rozciągania się, należy więc często kontrolować jego naciągnięcie i regulować je odpowiednio do potrzeb.

**UWAGA:** Rozgrzany i naprężony łańcuch może być założony zbyt ciasno. Naprężenie zimnego łańcucha należy kontrolować przed każdym użyciem.

## UŻYTKOWANIE

**⚠ OSTRZEŻENIE:** Nie wolno dopuścić do tego, aby znajomość narzędzia doprowadziła do nieuwagi. Należy pamiętać, że do spowodowania poważnych obrażeń wystarczy zaledwie chwila nieuwagi.

**⚠ OSTRZEŻENIE:** Nie należy używać końcówek lub akcesoriów innych niż zalecane przez producenta produktu. Używanie końcówek lub akcesoriów innych

niż zalecane może doprowadzić do poważnych obrażeń.

**⚠ OSTRZEŻENIE:** Aby zapobiec przypadkowemu włączeniu, które mogłoby spowodować ciężkie urazy, na czas mocowania części, regulacji, czyszczenia lub gdy narzędzie nie jest używane, z narzędzia należy zawsze wyjmować akumulator.

Przed każdym użyciem należy skontrolować cały produkt pod kątem uszkodzonych, brakujących lub obluzowanych części takich jak śruby, wkręty, nakrętki, nasadki itp. Wszystkie elementy połączeniowe i nasadki należy mocno dokręcić. Nie należy używać produktu zanim wszystkie brakujące lub uszkodzone części nie zostaną wymienione.

## ZASTOSOWANIA

Tego narzędzia można używać do obalania, okrzesywania i pilowania drzew.

## SMAROWANIE PROWADNICY I ŁAŃCUCHA

**⚠ OSTRZEŻENIE:** W pobliżu oleju lub pilarki nie należy palić tytoniu ani zapalać ognia lub płomieni. Olej może się rozlać i spowodować pożar.

**UWAGA:** W momencie zakupu w pilarce nie ma oleju. Bardzo ważne jest, aby przed użyciem wlać olej do zbiornika na olej. W czasie pracy łańcuch jest automatycznie smarowany olejem do łańcucha.

1. Położyć pilarkę na boku, wlewem zbiornika na olej do góry.
2. Wyczyścić korek zbiornika oleju i miejsce wokół, aby do zbiornika oleju nie dostały się żadne nieczystości.
3. Położyć pilarkę na boku na twardej, płaskiej powierzchni w taki sposób, aby korek zbiornika był skierowany do góry. Podnieść półokrągłą płytę i odkręcić korek zbiornika oleju w lewo, aby go zdjąć (Rys. H).
4. Ostrożnie nalać do zbiornika oleju do smarowania przewodnicy i łańcucha. Napelnić zbiornik do linii MAX.
5. Wyrzucić nadmiar oleju i zakręcić korek.

**UWAGA:** Należy często sprawdzać poziom oleju i dolewać olej, gdy poziom spadnie poniżej linii minimum. Nigdy nie wolno używać pilarki, gdy nie widać oleju.

## ZAKŁADANIE/WYJMOWANIE AKUMULATORA Naładować przed pierwszym użyciem.

Do urządzenia należy używać wyłącznie akumulatorów i ładowarek podanych na rys. A2.

### Zakładanie (Rys. I)

Należy dopasować żebra akumulatora do szczelin mocujących i wsunąć akumulator do narzędzia tak, aby

usłyszeć kliknięcie, że zaskoczył w odpowiedniej pozycji.

### Wymywanie (Rys. J)

Należy wcisnąć przycisk wymowywania akumulatora i wysunąć akumulator.

## WŁĄCZANIE/WYŁĄCZANIE PILARKI

**UWAGA:** Przed włączeniem pilarki należy sprawdzić poziom oleju, naostrzenie zębów tnących oraz właściwe działanie dźwigni hamulca łańcucha. Należy także zadbać o stabilność podłoża i wystarczającą odległość przewodnicy pilarki od podłoża.

### Włączanie

1. Pociągnąć dźwignię hamulca łańcucha do uchwytu przedniego, do pozycji roboczej (Rys. K)
2. Obiema rękoma mocno chwycić za przedni i tylny uchwyt.
3. Kciukiem prawej ręki wcisnąć i przytrzymać przycisk odblokowujący, następnie nacisnąć palcami przełącznik spustowy z regulacją prędkości, aby uruchomić pilarkę (Rys. L).
4. Zwolnić przycisk odblokowania i w dalszym ciągu wcisnąć wyzwalacz, aby podtrzymać działanie.

**⚠ OSTRZEŻENIE:** Nie należy próbować włączać pilarki, gdy łańcuch tnący znajduje się w nacięciu.

### Wyłączanie

1. Aby zatrzymać pilarkę, wystarczy puścić włącznik spustowy.
2. Aby załączyć hamulec łańcucha, należy popchnąć dźwignię hamulca łańcucha do przodu w pozycję hamowania (rys. K).

**⚠ OSTRZEŻENIE:** W czasie przerw w pracy i po zakończeniu pracy należy zawsze wyjmować akumulator z pilarki.

### Prawidłowe trzymanie uchwytów (Rys. M)

- Aby zapewnić optymalne trzymanie i maksymalną ochronę, należy zakładać rękawice antypoślizgowe.
- Położyć pilarkę na twardym, płaskim podłożu i mocno ją chwycić obiema rękoma.
- Należy zawsze chwycić przedni uchwyt lewą ręką, a tylny uchwyt prawą ręką.
- Palce powinny obejmować uchwyt, a kciuk należy umieścić pod przednim uchwytem.

**⚠ OSTRZEŻENIE:** Nigdy nie należy chwycić odwrotnie (na krzyż) lub ustawiać się w pozycji, w której ciało lub ramię znajdowałoby się na linii łańcucha (Rys. N).



### Prawidłowa postawa podczas piłowania (Rys. O)

- Obiema stopami należy stanąć na pewnym podłożu, a ciężar ciała rozłożyć równomiernie na obie nogi.
- Lewa ręka powinna być wyprostowana w łokciu. Pomaga to wytrzymać siły powstające wskutek odbicia.
- Ciało użytkownika powinno się zawsze znajdować po lewej stronie linii wyznaczonej przez łańcuch.

### INSTRUKCJE DOTYCZĄCE WŁAŚCIWEJ PODSTAWOWEJ TECHNIKI OBALANIA, OKRZESYWANIA I CIĘCIA

**⚠ OSTRZEŻENIE:** Po włączeniu silnika należy zawsze pilnować, aby stać na pewnym podłożu i pewnie trzymać pilarkę oburącz.

**⚠ OSTRZEŻENIE:** Gdy łańcuch tnący zatrzyma się wskutek zaklinowania się łańcucha podczas piłowania, należy puścić przełącznik spustowy; wyjąć łańcuch tnący i prowadnicę z drewna, a następnie ponownie włączyć pilarkę.

**⚠ OSTRZEŻENIE:** Gdy łańcuch tnący zapcha się wiórami, nie należy ciągnąć go ręką. Przypadkowe włączenie pilarki może doprowadzić do poważnych urazów. Docisnąć łańcuch tnący do drewna i przesunąć pilarkę do przodu i do tyłu, aby usunąć zanieczyszczenia. Przed czyszczeniem należy zawsze wyjąć akumulator. Podczas wykonywania czynności przy łańcuchu pilarki należy mieć założone grube rękawice ochronne.

**⚠ OSTRZEŻENIE:** Nigdy nie należy włączać pilarki, gdy dotyka ona drewna. Przed przyłożeniem pilarki do drewna należy zawsze pozwolić, aby silnik rozpedził się do swoich maksymalnych obrotów.

### OBALANIE DRZEWA

- Podczas jednoczesnego wykonywania operacji obalania i cięcia na kawałki przez 2 osoby lub więcej, operacje obalania i piłowania na kawałki należy wykonywać w bezpiecznej odległości od siebie, tj. w odległości co najmniej dwukrotnej wysokości obalanego drzewa. Drzew nie wolno obalać w sposób, który zagrażałby jakimkolwiek osobom. Należy pilnować, aby drzewo nie spadło na linie wysokiego napięcia i aby upadając nie spowodowało innych strat materialnych. Jeżeli drzewo dotyka linii wysokiego napięcia, należy o tym natychmiast powiadomić firmę zarządzającą linią.
- Jeżeli obalane drzewo rośnie na zboczu, operator pilarki powinien stać powyżej drzewa, ponieważ po ścięciu drzewo prawdopodobnie potoczy się w dół.
- Przed rozpoczęciem piłowania należy zaplanować i oczyścić z przeszkód ścieżkę oddalania. Ścieżka oddalania powinna bieć ukośnie w tył względem

oczekiwanej linii upadku drzewa, tak jak pokazano na Rys. P.

P-1	Kierunek obalania
P-2	Ścieżka oddalania

- Przed rozpoczęciem obalania należy zastanowić się nad naturalnym nachyleniem drzewa, położeniem większych konarów oraz kierunkiem wiatru. Czynniki te należy uwzględnić przy wyborze kierunku obalania.
- Z drzewa należy usunąć zanieczyszczenia, kamienie, luźną korę, gwoździe, klamry i druty.

### Rzaz podcinający

Rzaz należy wykonać na głębokość 1/3 średnicy drzewa, prostopadle do kierunku obalania, tak jak na rys. Q. Najpierw należy wykonać dolne nacięcie poziome. W ten sposób łańcuch i prowadnica pilarki nie będą się zakleszczały w nacięciu podczas wykonywania drugiego nacięcia.

Q-1	Kierunek obalania
Q-2	Karb
Q-3	Rzaz ścinający
Q-4	Zawias

PL

### Rzaz ścinający

- Rzaz ścinający należy wykonać co najmniej 50 mm wyżej niż poziomy rzaz podcinający, tak jak pokazano na Rys. Q. Rzaz ścinający powinien być równoległy do poziomego rzazu podcinającego. Rzaz ścinający należy wykonać w taki sposób, aby zostawić dostatecznie dużą część drzewa, która spełni rolę zawiasy. Zawiasa zapobiega obróceniu się drzewa w czasie obalania oraz upadkowi w złym kierunku. Zawiasy nie należy więc przecinać.
- Gdy rzaz ścinający zbliży się do zawiasy, drzewo powinno zacząć upadać. Jeżeli istnieje ryzyko, że drzewo może upaść w złą stronę lub stoczyć się lub zakleszczyć łańcuch pilarki, należy przerwać piłowanie przed dokończeniem rzazu ścinającego oraz użyć klinów (drewnianych, plastikowych lub aluminiowych) w celu otwarcia nacięcia i obalania drzewa w zaplanowaną stronę.
- Gdy drzewo zacznie opadać należy wyjąć pilarkę z nacięcia, wyłączyć silnik, opuścić pilarkę w dół i wycofać się zaplanowaną ścieżką oddalania. Należy uważać na spadające gałęzie i nierówności podłoża.

### Okrzesywanie drzewa

Okrzesywanie polega na obcinaniu gałęzi obalonego drzewa.

Podczas okrzyszowania należy zostawić konary znajdujące się na dole i podtrzymujące pień nad ziemią. Małe gałęzie należy usuwać jednym cięciem, tak jak pokazano na rys. R. Naprężone gałęzie należy przecinać od dołu w górę, tak aby uniknąć zakleszczania się łańcucha.

## Przecinanie kłód

- Przycinanie kłód to cięcie obalonego pnia na kawałki. Ważne: operator powinien pilnować, aby stać na pewnym podłożu i równomiernie rozkładać swój ciężar na obu nogach. Jeśli to możliwe, kłódę należy unieść i oprzeć na innych kłodach, gałęziach lub klockach drewnianych. Aby cięcie odbyło się bezproblemowo, prosimy pamiętać o następujących prostych zaleceniach:
  - Gdy kłoda jest podparta na całej długości, tak jak na rys. S1, należy ją ciąć od góry (nacięcie).
  - Gdy kłoda jest podparta na 1 końcu, tak jak na rys. S2, należy najpierw naciąć ją od dołu na 1/3 średnicy (podcięcie). Następnie należy wykonać cięcie kończące od góry (nacięcie), do wcześniejszego podcięcia.
  - Gdy kłoda jest podparta na obu końcach, tak jak na rys. S3, należy najpierw naciąć ją od góry na 1/3 średnicy (nacięcie). Następnie wykonać cięcie kończące od dołu (podcięcie), na dolne 2/3 średnicy, do wcześniejszego nacięcia.
  - Podczas przecinania kłód na zboczu należy zawsze stać powyżej kłody, tak jak na rys. T.
  - Podczas przecinania „do końca”, aby zachować pełną kontrolę, pod koniec cięcia należy zmniejszyć nacisk na ostrze, jednak bez poluzowania uchwytu pilarki. Nie należy dopuszczać do zetknięcia się łańcucha z ziemią. Po wykonaniu cięcia należy odczekać aż łańcuch pilarki zatrzyma się i dopiero potem przemieścić pilarkę. Przy przeniesieniu się od jednego drzewa do drugiego należy zawsze wyłączyć silnik.

## KONSERWACJA

**⚠ OSTRZEŻENIE:** Podczas serwisowania należy używać wyłącznie części zamiennych identycznych z oryginalnymi. Używanie jakichkolwiek innych części stwarza ryzyko i może spowodować usterkę produktu.

**⚠ OSTRZEŻENIE:** Aby uniknąć poważnych obrażeń ciała, na czas przeglądu, czyszczenia lub wykonywania prac konserwacyjnych należy zawsze wyjmować z pilarki akumulator. Narzędzie akumulatorowe z włożonym akumulatorem może się zawsze przypadkowo włączyć.

**⚠ OSTRZEŻENIE:** Podczas czyszczenia pilarki, NIE należy zanurzać jej w wodzie ani innych płynach.

**⚠ OSTRZEŻENIE:** Nigdy nie należy dopuszczać do zetknięcia się części plastikowych z substancjami takimi jak płyn hamulcowy, benzyna, produkty ropopochodne, oleje penetrujące itp. Substancje chemiczne mogą uszkodzić, osłabić lub zniszczyć plastik i spowodować poważne obrażenia ciała.

## CZYSZCZENIE

- Po każdym użyciu należy miękką szczoteczką usunąć zanieczyszczenia z łańcucha i prowadnicy. Powierzchnię pilarki należy przetrzeć czystą szmatką zwilżoną roztworem delikatnego mydła.
- Zdjąć pokrywę boczną i miękką szczoteczką usunąć zanieczyszczenia z prowadnicy, łańcucha tnącego, zębątki i pokrywy bocznej.
- Przy wymianie łańcucha tnącego należy zawsze usunąć z rowka prowadnicy drzazgi, wióry i zanieczyszczenia.

## KONSERWACJA PROWADNICY

Gdy prowadnica wykazuje ślady zużycia, należy ją wymontować z głowicy napędowej pilarki, odwrócić i zamontować ponownie (Rys. U1). W ten sposób jej zużywanie się rozkłada się równomiernie, przez co czas użytkowania jest maksymalny.

Prowadnicę należy czyścić każdego dnia pracy, jednocześnie należy ją kontrolować pod kątem zużycia i uszkodzenia. Szorstnienie się lub powstawanie wżerów na prowadnicy jest normalnym procesem zużywania się. Tego typu defekty należy wygładzać pilnikiem natychmiast gdy się pojawiają. Prowadnicę z następującymi defektami należy wymienić:

- Zużycie od środka szyn prowadnicy, pozwalające łańcuchowi zsuwać się na boki.
- Wygięta prowadnica.
- Pęknięte lub uszkodzone szyny.
- Rozgięte szyny.

Ponadto, prowadnica ma na końcu zębątkę (Rys. U2). Zębątką ta musi być co tydzień smarowana strzykawką olejową – przedłuży to czas użytkowania prowadnicy. Cotygodniowe smarowanie należy wykonywać przez wstrzykiwanie strzykawką olejową oleju do łańcuchów przez otwór do smarowania (Rys. U3). Przekręcić prowadnicę i sprawdzić, czy otwory do smarowania i rowek na łańcuch nie są zanieczyszczone.

U2-1	Zębątką na końcu prowadnicy
U2-2	Otwór do smarowania

## TRANSPORT I PRZECHOWYWANIE

- Pilarki nie należy chować ani transportować w czasie, gdy urządzenie pracuje. Przed schowaniem lub

transportowaniem należy zawsze wyjąć akumulator.

- Przed schowaniem lub transportowaniem pilarki należy zawsze założyć osłonę na prowadnicę. Prosimy zachować ostrożność, aby nie skaleczyć się zębami łańcucha.
- Przed schowaniem pilarkę należy dokładnie wyczyścić. Pilarkę należy przechowywać w suchym pomieszczeniu zamkniętym i/lub niedostępnym dla dzieci.
- Wyrób należy chronić przed żrącymi substancjami takimi jak chemia ogrodnicza i sól do usuwania lodu.

#### Ochrona środowiska



WEEE (Zużyty sprzęt elektryczny i elektroniczny) Urządzeń elektrycznych, zużytych akumulatorów i ładowarki nie należy wyrzucać do zwykłych zmieszanych śmieci domowych! Produkt należy oddać do zbiórki selektywnej w autoryzowanym punkcie recyklingu. Elektronarzędzia należy oddawać do przyjaznego dla środowiska zakładu recyklingu.

**PL**

**KEES VAN DER SPEK**  
TUINMACHINES ★ STOLWIJK

## ROZWIĄZYWANIE PROBLEMÓW

**⚠ OSTRZEŻENIE:** Należy zawsze chronić swoje dłonie i na czas wykonywania prac serwisowych przy pilarcze zakładać grube rękawice. Na czas wykonywania czynności serwisowych oraz transportowania pilarki należy zawsze wyjmować akumulator.

PROBLEM	PRZYCZYNA	ROZWIĄZANIE
Silnik nie włącza się.	<ul style="list-style-type: none"> <li>■ Do pilarki nie włożono akumulatora.</li> <li>■ Pila i akumulator nie kontaktują.</li> <li>■ Akumulator jest rozładowany.</li> <li>■ Akumulator lub pilarka jest zbyt gorący/-a.</li> <li>■ Zaciągnięty hamulec łańcucha.</li> <li>■ Zanieczyszczenia w rowku prowadnicy.</li> <li>■ Zanieczyszczenia w pokrywie bocznej.</li> </ul>	<ul style="list-style-type: none"> <li>■ Włożyć akumulator do pilarki.</li> <li>■ Wyjąć akumulator, sprawdzić styki i założyć akumulator z powrotem.</li> <li>■ Naładować akumulator.</li> <li>■ Pozwolić, aby akumulator lub pilarka ostygły do temperatury poniżej 67°C.</li> <li>■ Pociągnąć dźwignię hamulca łańcucha w tył do uchwytu przedniego, do pozycji roboczej.</li> <li>■ Docisnąć łańcuch tnący do drewna i przesuwając pilarkę do przodu i do tyłu, aby usunąć zanieczyszczenia.</li> <li>■ Wyjąć akumulator, następnie zdjąć pokrywę boczną i usunąć zanieczyszczenia.</li> </ul>
Pilarka zatrzymuje się w czasie pracy.	<ul style="list-style-type: none"> <li>■ Pilarka jest przeciążona.</li> <li>■ Akumulator lub pilarka jest zbyt gorący/-a.</li> <li>■ Łańcuch tnący zaklinował się w drewnie.</li> </ul>	<ul style="list-style-type: none"> <li>■ Zmniejszyć obciążenie.</li> <li>■ Zmniejszyć obciążenie. Pozwolić, aby akumulator lub pilarka ostygły do temperatury poniżej 67°C.</li> <li>■ Puścić przełącznik spustowy z regulacją prędkości; wyjąć łańcuch tnący i prowadnicę z drewna, następnie ponownie włączyć pilarkę.</li> </ul>
Silnik pracuje, ale łańcuch nie kręci się.	<ul style="list-style-type: none"> <li>■ Łańcuch nie jest zaczepiony na zębatce napędowej.</li> </ul>	<ul style="list-style-type: none"> <li>■ Ponownie założyć łańcuch; dopilnować, aby ogniwa przesuwające łańcucha były całkowicie nałożone na zębatkę.</li> </ul>
Nie włącza się hamulec łańcucha.	<ul style="list-style-type: none"> <li>■ Zanieczyszczenia uniemożliwiają pełne przestawienie dźwigni hamulca łańcucha</li> <li>■ Być może hamulec łańcucha nie działa prawidłowo.</li> </ul>	<ul style="list-style-type: none"> <li>■ Usunąć zanieczyszczenia z zewnętrznego mechanizmu hamulca łańcucha.</li> <li>■ Skontaktować się z punktem obsługi klienta EGO w celu dokonania naprawy.</li> </ul>

PROBLEM	PRZYCZYNA	ROZWIĄZANIE
Pilarka nie tnje prawidłowo.	<ul style="list-style-type: none"> <li>■ Zbyt słabo naciągnięty łańcuch.</li> <li>■ Tępy łańcuch.</li> <li>■ Łańcuch założony do tyłu.</li> <li>■ Zużyty łańcuch.</li> <li>■ Suchy lub nadmiernie rozciągnięty łańcuch.</li> <li>■ Łańcuch poza rowkiem prowadnicy.</li> </ul>	<ul style="list-style-type: none"> <li>■ Wyregulować naprężenie łańcucha zgodnie z instrukcjami podanymi w części „REGULACJA NAPIĘCIA ŁAŃCUCHA”.</li> <li>■ Naostrzyć łańcuch.</li> <li>■ Ponownie założyć łańcuch zgodnie z instrukcjami podanymi w części „MONTAŻ/ WYMIANA PROWADNICY I ŁAŃCUCHA”.</li> <li>■ Wymienić łańcuch zgodnie z instrukcjami podanymi w części „MONTAŻ/ WYMIANA PROWADNICY I ŁAŃCUCHA”.</li> <li>■ Sprawdzić poziom oleju. W razie potrzeby uzupełnić olej w zbiorniku oleju.</li> <li>■ Ponownie założyć łańcuch zgodnie z instrukcjami podanymi w części „MONTAŻ/ WYMIANA PROWADNICY I ŁAŃCUCHA”.</li> </ul>
W czasie zwykłego użytkowania, łańcuch poluzowuje się lub spada z prowadnicy.	<ul style="list-style-type: none"> <li>■ W czasie zwykłej pracy pilarką łańcuch poluzowuje się i zwiększa się temperatura łańcucha.</li> <li>■ Łańcuch nie jest zaczepiony na zębatce napędowej.</li> </ul>	<ul style="list-style-type: none"> <li>■ Napiąć łańcuch zgodnie z instrukcjami podanymi w części „REGULACJA NAPIĘCIA ŁAŃCUCHA”.</li> <li>■ Ponownie założyć łańcuch zgodnie z instrukcjami podanymi w części „MONTAŻ/ WYMIANA PROWADNICY I ŁAŃCUCHA”.</li> </ul>

**PL**

## GWARANCJA

### POLITYKA GWARANCYJNA EGO

W celu zapoznania się z wszystkimi warunkami polityki gwarancyjnej EGO prosimy odwiedzić stronę [egopowerplus.eu](http://egopowerplus.eu).

## PŘEČTĚTE SI VŠECHNY POKYNY!



**PŘEČTĚTE SI NÁVOD K OBSLUZE**

**⚠ Zbytkové riziko!** Osoby s elektronickými přístroji, jako jsou např. kardiostimulátory, by se měli před použitím toho výrobku poradit se svým lékařem. Použití elektrického zařízení v těsné blízkosti kardiostimulátoru může způsobit rušení činnosti nebo poruchu kardiostimulátoru.

## BEZPEČNOSTNÍ SYMBOL

Účelem bezpečnostních symbolů je upoutat vaši pozornost k případným nebezpečím. Bezpečnostní symboly a jejich vysvětlení vyžadují vaši zvýšenou pozornost a porozumění. Výstražné symboly samy o sobě nevylučují žádné nebezpečí. Pokyny a varování nejsou náhradou vhodných opatření pro prevenci úrazů.

**⚠ VAROVÁNÍ:** Před použitím tohoto nářadí si přečtěte a seznamte se se všemi bezpečnostními pokyny uvedenými v tomto návodu k obsluze včetně veškerých výstražných symbolů jako např. „**NEBEZPEČÍ**“, „**VAROVÁNÍ**“ a „**UPOZORNĚNÍ**“. Nedodržení níže uvedených pokynů může mít za následek úraz elektrickým proudem, požár a/nebo vážná zranění osob.

## VÝZNAM SYMBOLŮ

Na této stránce jsou zobrazeny a popsány bezpečnostní symboly, které se mohou na výrobku objevit. Před montáží a provozem si přečtěte, seznamte se a dodržujte veškeré pokyny související s nářadím.

**CZ**

## BEZPEČNOSTNÍ SYMBOLY



Bezpečnostní upozornění



Je nutné si přečíst návod k obsluze a porozumět pokynům v něm uvedeným



Používejte ochranu očí



Používejte chrániče sluchu



Používejte ochranu hlavy



Používejte ochranné rukavice



Dejte si pozor na zpětný ráz řetězové pily a vyvarujte se kontaktu s hrotem lišty



Zpětný ráz hrotu vodící lišty



Při práci s řetězovou pilou vždy používejte obě ruce



Neinstalujte dešti



Informace o vodící liště



Zaručená hladina akustického výkonu.



WEEE



Tento výrobek je v souladu s příslušnou britskou legislativou.



Tento výrobek je v souladu s platnými směnicemi ES.

V Volty

Hz Hertz

min Minuty

... /min Za minutu



Stejnoseměrný proud

A Ampéry

W Watt

$n_0$  Rychlost při chodu naprázdno

## TECHNICKÉ ÚDAJE

Napětí	56 V	
Délka vodící lišty	400 mm (CS1610E)	
	350 mm (CS1410E)	
Rozteč řetězu	3/8" (9,5 mm)	
Měrka řetězu	1,1 mm	
Rychlost řetězu	20 m/s	
Typ pilového řetězu	CS1610E	AC1600/AC1601 (doporučovaný) AC1400/AC1401 (kompatibilní)
	CS1410E	AC1400/AC1401 (doporučovaný) AC1600/AC1601 (kompatibilní)
Typ vodící lišty	CS1610E	AG1600/AG1601 (doporučovaný) AG1400/AG1401 (kompatibilní)
	CS1410E	AG1400/AG1401 (doporučovaný) AG1600/AG1601 (kompatibilní)
Objem olejové nádrže	150 ml	
Provozní teplota	-15°C–40°C	
Skladovací teplota	-20°C–70°C	
Čistá hmotnost (bez akumulátoru a krytu řetězu)	3,9 kg (CS1610E)	
	3,8 kg (CS1410E)	
Měřená hladina akustického výkonu $L_{WIA}$	102,25 dB(A) K=1,4 dB(A)	
Hladina akustického tlaku na sluch obsluhy $L_{PA}$	91,25 dB(A) K=2,5 dB(A)	
Zaručená úroveň akustického výkonu $L_{WIA}$ (podle 2000/14/ES)	103 dB(A)	

Vibrace $a_h$	Přední rukojeť	3,377 m/s <sup>2</sup> K=1,5 m/s <sup>2</sup>
	Zadní rukojeť	2,823 m/s <sup>2</sup> K=1,5 m/s <sup>2</sup>

- Celková deklarovaná hodnota vibrací byla naměřena podle standardní zkušební metody a lze ji použít ke srovnání s jiným nářadím;
- Celkovou deklarovanou hodnotu vibrací lze použít také k předběžnému stanovení expozičních limitů.

**POZNÁMKA:** Emise vibrací při konkrétním použití elektrického nářadí se mohou lišit od deklarované hodnoty, při které se nářadí používá; z důvodu ochrany provozovatele by měl uživatel ve skutečných pracovních podmínkách nosit rukavice a chrániče sluchu.

GZ

## OBSAH BALENÍ (OBR. A1)

### POPIS

#### SEZNAMTE SE S VAŠÍ ŘETĚZOVOU PÍLOU (Obr. A1)

1. Páka nastavení rychlosti
2. Zadní rukojeť
3. Blokovací tlačítko
4. Přední rukojeť
5. Rukojeť brzdy řetězu při zpětném rázu
6. Pilový řetěz
7. Vodící lišta
8. Uzávěr olejové nádrže
9. Průhled pro kontrolu hladiny oleje
10. Elektrické kontakty
11. Tlačítko pro uvolnění akumulátoru
12. Regulátor napnutí řetězu
13. Boční kryt
14. Upínák bočního krytu
15. Kryt řetězu

## MONTÁŽ

### MONTÁŽ/VÝMĚNA LIŠTY A ŘETĚŽU

**VAROVÁNÍ:** Před montáží nastavte rukojeť brzdy řetězu při zpětném rázu do brzdné polohy.

1. Položte hnací jednotku řetězové pily na bok tak, aby boční kryt směřoval vzhůru (obr. B).
2. Otočte upínákem bočního krytu proti směru hodinových ručiček, sejměte boční kryt a co nejvíce povolte regulátor napnutí řetězu.
3. Položte nový pilový řetěz ve smyčce na rovný povrch a vyrovnejte případné ohyby (obr. C).
4. Umístěte hnací články řetězu do drážky vodicí lišty a vytvořte ze řetězu smyčku v zadní části vodicí lišty (obr. D).
5. Držte řetěz v dané poloze na vodicí liště a nasadte smyčku okolo řetězového kola hnací jednotky.
6. Posouvajte výřez vodicí lišty přes vyrovnávací přírubu, dokud seřizovací čep napnutí nezapadne do dolního otvoru na konci lišty (obr. E1).

**POZNÁMKA:** V pilovém řetězu jsou vryté malé směrové šípky. Další směrová šípka je vyražena do pouzdra. Při navijení pilového řetězu na řetězové kolo dbejte, aby směr šipek na pilovém řetězu odpovídal směru šípky na pouzdru. Pokud směřují opačným směrem, otočte sestavu pilového řetězu a vodicí lišty (obr. E2).

7. Nasadte boční kryt a lehce utáhněte upínák bočního krytu.
8. Zdvihněte hrot vodicí lišty a zkontrolujte, zda není prohnutá (obr. F). Uvolněte hrot vodicí lišty a otočte regulátorem napnutí řetězu ve směru hodinových ručiček. Tento postup opakujte, dokud se průhyb nevyrovná.
9. Pevně utáhněte upínák bočního krytu, aby byl pilový řetěz před použitím správně napnutý.

D-1	Hnací články řetězu	E-2	Seřizovací čep napnutí
D-2	Drážka vodicí lišty	E-3	Výřez vodicí lišty
E-1	Vyrovnávací příruba	E-4	Řetězové kolo

**POZNÁMKA:** Chcete-li prodloužit životnost vodicí lišty, občas ji obraťte.

**POZNÁMKA:** Pokud je řetěz příliš napnutý, nebude se otáčet. Povolte mírně upínák bočního krytu a otočte regulátorem napnutí řetězu jednou proti směru hodinových ručiček. Zdvihněte hrot vodicí lišty a znovu pevně utáhněte upínák bočního krytu. Dbejte, aby se řetěz volně otáčel.

### NASTAVENÍ NAPNUTÍ ŘETĚŽU

- Před nastavením napnutí řetězu vypněte motor a vyjměte akumulátor. Zkontrolujte, zda je upínák bočního krytu povolený. Otočte regulátorem napnutí řetězu ve směru hodinových ručiček a řetěz napněte. Další informace viz část: Další informace viz „MONTÁŽ/VÝMĚNA LIŠTY A ŘETĚŽU“.
- Studený řetěz je správně napnutý, pokud není na spodní straně vodicí lišty prověšený, přiléhá, ale lze jím volně otáčet rukou. Řetěz se musí znovu napnout vždy, když plošky hnacích článků nedosedají do drážky lišty.
- Při běžném provozu pily se teplota řetězu zvyšuje. Hnací články správně napnutého horkého řetězu budou viset přibližně 1,3 mm pod drážkou lišty (obr. G).

**POZNÁMKA:** Nové řetězy mají tendenci se natáhnout; napnutí řetězu pravidelně kontrolujte a podle potřeby napněte.

**POZNÁMKA:** Řetěz napnutý za horka může být po vychladnutí příliš napnutý. Před dalším použitím zkontrolujte napnutí za studena.

### OBSLUHA

**VAROVÁNÍ:** Dbejte na to, abyste po seznámení s výrobkem nepředstali být opatrní. Nezapomínejte, že stačí chvíle nepozornosti a může se stát vážný úraz.

**VAROVÁNÍ:** Nepoužívejte nástavce nebo příslušenství, které nedoporučuje výrobce tohoto výrobku. Použití nedoporučených nástavců a příslušenství může vést k vážnému úrazu.

**VAROVÁNÍ:** Pokud provádíte montáž dílů, úpravy, čištění, nebo foukač nepoužíváte, vždy vyjměte akumulátor, aby nedošlo k neúmyslnému spuštění, které může způsobit vážný úraz.

Před každým použitím zkontrolujte celý výrobek, zda není poškozen, nechýbí nebo nejsou uvolněné žádné díly, jako např. vřuty, matice, šrouby, uzávěry atd. Pevně utáhněte všechny upevňovací prvky a uzávěry a výrobek nepoužívejte, dokud se nevymentí všechny chybějící nebo poškozené díly.

### POUŽITÍ

Tento výrobek lze použít k základnímu kácení, odvětvování, prořezávání a řezání řeziva a stromů.

### DOPLŇOVÁNÍ MAZIVA LIŠTY A ŘETĚŽU

**VAROVÁNÍ:** V blízkosti oleje nebo řetězové pily nekuřte ani nerozdělávejte oheň. Olej se může rozlít a způsobit požár.



**POZNÁMKA:** Při nákupu v řetězové pile není olej. Proto je před použitím nezbytné naplnit nádrž olejem. Pila se při práci automaticky maže řetězovým olejem.

1. Položte řetězovou pilu na bok tak, aby uzávěr olejové nádrže směřoval k vám.
2. Vyčistěte víčko olejové nádrže a její okolí, aby se do olejové nádrže nedostaly žádné nečistoty.
3. Řetězovou pilu položte na pevný rovný povrch tak, aby víčko nádrže směřovalo nahoru. Zvedněte půlkruhovou destičku a otočte víčko olejové nádrže proti směru hodinových ručiček (obr. H) pro odšroubování.
4. Opatrně nalijte řetězový olej do nádrže. Naplňte po rysku MAX.
5. Setřete přebytečný olej a našroubujte uzávěr.

**POZNÁMKA:** Často kontrolujte hladinu oleje a když hladina oleje klesne pod rysku minima, olej doplňte. Nikdy řetězovou pilu nepoužívejte, pokud není vidět olej.

#### INSTALACE/VYJMUTÍ AKUMULÁTORU

**Před prvním použitím akumulátor plně nabijte.**

Používejte pouze akumulátory a nabíječky uvedené na obr. A2.

#### Instalace (obr. I)

Vyrovnajte žebra baterie s montážními drážkami a zasuněte akumulátor do nářadí tak, aby slyšitelně zapadl.

#### Vyjmutí (obr. J)

Stiskněte tlačítko pro uvolnění akumulátoru a vytáhněte jej.

#### SPUŠTĚNÍ/VYPNUTÍ ŘETĚZOVÉ PILY

**POZNÁMKA:** Před spuštěním řetězové pily zkontrolujte hladinu oleje, ostrost zubů pily a správně fungující rukojeť brzdy při zpětném rázu. Kromě toho je nezbytný vyvážený postoj a správná vzdálenost od země.

#### Spuštění

1. Zatahněte rukojeť brzdy řetězu při zpětném rázu směrem k přední rukojeti do pracovní polohy (obr. K).
2. Oběma rukama pevně uchopte přední a zadní rukojeť.
3. Palcem pravé ruky stiskněte a podržte odblokovací tlačítko a potom prsty pravé ruky zmáčkněte spouštěcí spínač s proměnnou rychlostí, abyste pilu spustili (obr. L).
4. Uvolněte blokovací tlačítko a držte stlačený spínač a pokračujte v práci.

**VAROVÁNÍ:** Nepokoušejte se pilu spouštět, pokud je pilový řetěz v řezu.

#### Zastaven

1. Chcete-li řetězovou pilu vypnout, uvolněte spouštěcí spínač s proměnnou rychlostí.
2. Zatažením rukojeti brzdy řetězu při zpětném rázu do brzdící polohy aktivujete brzdu řetězu (obr. K).

**VAROVÁNÍ:** Při přestávce a po skončení práce vždy vyjměte akumulátor z řetězové pily.

#### Správný úchop rukojeti (obr. M)

- Pro dosažení maximální pevnosti úchopu a ochrany používejte protiskluzové rukavice.
- Na pevném a rovném povrchu držte pilu pevně oběma rukama.
- Vždy uchopte přední rukojeť levou rukou a zadní rukojeť pravou rukou.
- Prsty musí obepnout rukojeť s palcem sbaleným pod přední rukojetí

**VAROVÁNÍ:** Nikdy nepoužívejte levoruký (překřížený) úchop nebo postoj, při kterém tělo nebo paže kříží dráhu řetězu (obr. N).

#### Správný postoj při řezání (obr. O)

- Obě chodidla musí stát na pevné zemi s váhou rovnoměrně rozloženu.
- Levá paže musí být natažená se zafixovaným loktem. Pomáhá to odolávat silám generovaným zpětným rázem.
- Vaše tělo musí být vždy vlevo od dráhy řetězu.

#### POKYNY KE SPRÁVNÝM TECHNIKÁM PRO ZÁKLADNÍ KÁCENÍ, ODVĚTOVÁNÍ A PROŘEZÁVÁNÍ

**VAROVÁNÍ:** Když je motor v chodu, vždy dbejte na pevný postoj a pevně držte řetězovou pilu oběma rukama.

**VAROVÁNÍ:** Pokud se pilový řetěz při řezání zastaví v důsledku sevření, uvolněte spínač; vyjměte pilový řetěz a vodicí lištu ze dřeva, a pak řetězovou pilu restartujte.

**VAROVÁNÍ:** Netahejte za pilový řetěz rukou, pokud je zablokovaný pilinami. Hrozí riziko vážného úrazu, pokud se řetězová pila neúmyslně spustí. Zatláče pilový řetěz proti dřevu a pohybujte řetězovou pilou tam a zpět, dokud se úlomky neuvolní. Před čištním vždy vyjměte akumulátor. Při manipulaci s pilovým řetězem noste odolné ochranné rukavice.

**VAROVÁNÍ:** Nikdy řetězovou pilu nespouštějte, pokud je ve styku se dřevem. Než přiložíte řetězovou pilu ke dřevu, nechte ji roztočit na plně otáčky.

## KÁČENÍ STROMU

- Pokud rozřezávání a kácení provádí dvě a více osob současně, musí být kácení oddělené od rozřezávání vzdáleností aspoň dvojnásobku výšky káceného stromu. Stromy se nesmí kácet způsobem, který by ohrozil některou z osob, zasáhl síťové vedení nebo způsobil škodu na majetku. Pokud přijde strom do styku se síťovým vedením, je třeba okamžitě informovat provozovatele.
- Obsluha řetězové pily musí stát na vyvýšené straně, jelikož je pravděpodobné, že se strom svalí nebo sesune po skácení směrem ze svahu.
- Před začátkem kácení se musí naplánovat a vyčistit úniková cesta podle potřeby. Úniková cesta musí směřovat vzad a příčně k předpokládané dráze dopadu, jak je znázorněno na obr. P.

P-1	Směr kácení
P-2	Bezpečná úniková cesta

- Před začátkem kácení posuďte, kterým směrem strom spadne, a zohledněte přitom přirozený sklon stromu, umístění větších větví a směr větru.
- Ze stromu odstraňte nečistoty, kameny, uvolněnou kůru, hřebíky, sponky a dráty

### Spodní zářez

Provedte zářez do 1/3 průměru stromu kolmo ke směru pádu, jak je znázorněno na obr. Q. Nejprve provedte dolní vodorovný zářez. Pomůže vám to zabránit sevření pilového řetězu nebo vodící lišty při druhém zářezu.

Q-1	Směr pádu
Q-2	Zářez
Q-3	Hlavní řez
Q-4	Závěs

### Hlavní řez

- Hlavní řez provedte aspoň o 50 mm výše než vodorovný zářez, jak je znázorněno na obr. Q. Dbejte, aby byly hlavní řez rovnoběžný s vodorovným zářezem. Hlavní řez vedte tak, aby zůstal dostatek dřeva, které může sloužit jako závěs. Dřevěný závěs zabraňuje stromu, aby se při pádu zkroutil špatným směrem. Neřežte přes závěs.
- Když se hlavní zářez dostane do blízkosti závěsu, měl by strom začít padat. Pokud existuje možnost, že by strom nemusel spadnout v požadovaném směru, nebo by se mohl zakymácat a zaklínit pilový řetěz, zastavte

řezání dřív, než je hlavní řez dokončen a k rozveření řezu a poražení stromu v požadovaném směru použijte dřevěné, plastové nebo hliníkové klíny.

- Jakmile začne strom padat, vyjměte řetězovou pilu z řezu, vypněte motor, položte řetězovou pilu a použijte plánovanou únikovou cestu. Dávejte pozor na padající vrchní větve a sledujte cestu.

### Odvětvování stromu

Odvětvování je odstraňování větví z padlého stromu. Při odvětvování ponechte větší spodní větve jako oporu kmene nad zemí. Malé větve odstraňte jedním řezem, jak je znázorněno na obr. R. Větve pod napětím by se měly řezat zdola nahoru, aby nedošlo k zaklínění řetězové pily.

### Rozřezávání kmene

- Rozřezávání je řezání kmene do délek. Je třeba dbát, aby byl váš postoj pevný a váha rovnoměrně rozložena na obě nohy. Pokud lze, měl by být kmen zdvižen a podepřený s pomocí větví, kmenů nebo špalků. Dodržujte jednoduché pokyny pro snadné řezání.
- Když je strom podepřený po celé své délce, jak je znázorněno na obr. S1, řeze se od vrcholu (řezání shora).
- Pokud je strom podepřený na jednom konci, jak je znázorněno na obr. S2, nařízněte 1/3 průměru zespodu (řezání zdola). Pak proveďte závěrečný řez shora tak, aby se prořal s prvním řezem.
- Pokud je strom podepřený na obou koncích, jak je znázorněno na obr. S3, nařízněte 1/3 průměru shora (řezání shora). Pak proveďte závěrečný řez zdola v dolních 2/3 tak, aby se prořal s prvním řezem.
- Při rozřezávání ve svahu vždy stůjte na vyvýšené straně kmene, jak je znázorněno na obr. T.
- Abyste při „průřezu“ neztratili kontrolu, uvolněte před koncem řezný tlak, aniž byste uvolnili úchop rukojetí řetězové pily. Dbejte, aby se řetěz nedostal do styku se zemí. Než po dokončení řezu řetězovou pilu přesunete, počkejte, až se pilový řetěz zastaví. Před přesunem od jednoho stromu k druhému vždy vypněte motor.

## ÚDRŽBA

**VAROVÁNÍ:** Při opravách používejte pouze originální náhradní díly. Použití jiných dílů může být rizikem nebo způsobit poškození výrobku.

**VAROVÁNÍ:** Aby nedošlo k vážnému úrazu, vyjměte před kontrolou, čištěním nebo údržbou z řetězové pily akumulátor. Akumulátorové nářadí s vloženým akumulátorem je vždy zapnuté a může se neúmyslně spustit.

**VAROVÁNÍ:** Při čištění NEPONORUJTE řetězovou pilu do vody ani jiných kapalin.

**VAROVÁNÍ:** Dbejte, aby nikdy nedošlo ke styku plastových částí s brzdovými kapalinami, benzinem, ropnými produkty, penetračními oleji atd. Chemické látky mohou poškodit, zeslabit nebo poškodit plast, což může vést k vážnému úrazu.

### ČIŠTĚNÍ

- Po každém použití odstraňte nečistoty z řetězu a vodicí lišty měkkým kartáčem. Otřete povrch řetězové pily čistým hadrem navlhčeným ve slabém mýdlovém roztoku.
- Sejměte boční kryt, a pak použijte měkký kartáč k odstranění nečistot z vodicí lišty, pilového řetězu, řetězového kola a bočního krytu.
- Při výměně pilového řetězu vždy odstraňte z drážky vodicí lišty dřevěné štěpky, piliny a nečistoty.

### ÚDRŽBA VODICÍ LIŠTY

Pokud vodicí lišta vykazuje známky opotřebení, demontujte ji z hnací jednotky řetězové pily, obraťte ji a namontujte zpět (obr. U1). Tím se rozloží opotřebení a maximalizuje životnost lišty.

Lištu čistěte každý den, kdy se používá, a kontrolujte její opotřebení a poškození. Zkosení nebo otěpy vodicích lišt jsou běžným procesem opotřebení lišty. Tyto závady odstraňte pilníkem, jakmile se objeví. Lištu, u které se projeví jedna z následujících poruch, musíte vyměnit.

- Opotřebení uvnitř vodicích kolejnic, které umožňuje řetězu posun do boku.
- Ohnutá vodicí lišta.
- Prasklé nebo zlomené kolejnice.
- Roztažené kolejnice.

Vodicí lišta má dále na hrotu řetězové kolo (obr. U2). Řetězové kolo se musí jednou týdně mazat mazací stříkačkou, aby se prodloužila životnost vodicí lišty. Jednou týdně použijte mazací stříkačku k mazání řetězovým olejem s pomocí mazacího otvoru (obr. U3). Otočte vodicí lištu a zkontrolujte, zda jsou mazací otvory a drážka řetězu čisté.

U2-1	Řetězové kolo v hrotu vodicí lišty
U2-2	Mazací otvor

### PŘEPRAVA A SKLADOVÁNÍ

- Řetězovou pilu nepřevážte ani neskladujte, když je motor v chodu. Před uskladněním nebo přepravou vždy vyjměte akumulátor.

- Před uskladněním nebo přepravou řetězové pily vždy nasadte na vodicí lištu a řetěz kryt. Dávejte pozor na ostré zuby řetězu.
- Před uskladněním řetězovou pilu řádně vyčistěte. Řetězovou pilu skladujte v interiéru, na suchém místě, které je zamknuté anebo je mimo dosah dětí.
- Uchovávejte v bezpečné vzdálenosti od korozivních látek, jako jsou chemické látky a rozmrazovací soli.

### Ochrana životního prostředí



OEEZ (Odpadních elektrická a elektronická zařízení) Elektrické zařízení, použité baterie a nabíječku nevyhazujte do domovního odpadu! Tento výrobek předejte autorizované recyklační společnosti ke tříděnému sběru. Elektrické nářadí musí být vráceno do zařízení k ekologické recyklaci.

## ODSTRAŇOVÁNÍ PROBLÉMŮ

**⚠ VAROVÁNÍ:** Při údržbě pilového řetězu vždy chraňte ruce s pomocí pevných rukavic. Při servisu nebo přepravě řetězové pily vždy vyjměte akumulátor.

PROBLÉM	PŘÍČINA	ŘEŠENÍ
Motor neběží.	<ul style="list-style-type: none"> <li>■ K řetězové pile není připojen akumulátor.</li> <li>■ Bez elektrického kontaktu mezi pilou a akumulátorem.</li> <li>■ Akumulátor je vybitý.</li> <li>■ Akumulátor nebo řetězová pila jsou příliš horké.</li> <li>■ Je aktivní brzda řetězu.</li> <li>■ Nečistoty v drážce lišty.</li> <li>■ Nečistoty v bočním krytu.</li> </ul>	<ul style="list-style-type: none"> <li>■ Nasadte akumulátor na řetězovou pilu.</li> <li>■ Vyjměte akumulátor, zkontrolujte póly a znovu jej nainstalujte.</li> <li>■ Nabijte akumulátor.</li> <li>■ Nechejte akumulátor nebo řetězovou pilu zchladnout, dokud teplota neklesne pod 67°C.</li> <li>■ Zatáhněte rukojeť brzdy řetězu při zpětném rázu zpět směrem k přední rukojeti do pracovní polohy.</li> <li>■ Zatlačte pilový řetěz proti dřevu a pohybujte řetězovou pilou tam a zpět, dokud se úlomky neuvolní.</li> <li>■ Vyjměte akumulátor, sejměte boční kryt a odstraňte nečistoty.</li> </ul>
Během práce se řetězová pila zastaví.	<ul style="list-style-type: none"> <li>■ Řetězová pila je přetížena.</li> <li>■ Akumulátor nebo řetězová pila jsou příliš horké.</li> <li>■ Řetězová pila se zablokovala ve dřevě.</li> </ul>	<ul style="list-style-type: none"> <li>■ Snižte zatížení.</li> <li>■ Snižte zatížení. Nechejte akumulátor nebo řetězovou pilu zchladnout, dokud teplota neklesne pod 67°C.</li> <li>■ Uvolněte spínač s proměnnou rychlostí; vyjměte pilový řetěz a vodicí lištu ze dřeva, a pak řetězovou pilu znovu spusťte.</li> </ul>
Motor běží, ale řetěz se netočí.	<ul style="list-style-type: none"> <li>■ Řetěz není nasazený na hnacím řetězovém kole.</li> </ul>	<ul style="list-style-type: none"> <li>■ Řetěz znovu nainstalujte a dbejte, aby hnací články řetězu plně dosedly na řetězové kolo.</li> </ul>
Brzda řetězu se neaktivuje.	<ul style="list-style-type: none"> <li>■ Nečistoty brání úplnému pohybu rukojeti brzdy řetězu při zpětném rázu.</li> <li>■ Možné poruchy brzdy řetězu</li> </ul>	<ul style="list-style-type: none"> <li>■ Odstraňte nečistoty z externího mechanismu brzdy řetězu.</li> <li>■ Pro pomoc kontaktujte zákaznický servis společnosti EGO.</li> </ul>

PROBLÉM	PŘÍČINA	ŘEŠENÍ
Řetězová pila neřeže správně.	<ul style="list-style-type: none"> <li>■ Nedostatečně napnutý řetěz.</li> <li>■ Tupý řetěz.</li> <li>■ Obráceně instalovaný řetěz.</li> <li>■ Opotřeбенý řetěz.</li> <li>■ Suchý nebo příliš napnutý řetěz.</li> <li>■ Řetěz mimo drážku lišty.</li> </ul>	<ul style="list-style-type: none"> <li>■ Znovu nastavte napnutí řetězu podle pokynů v části: „<b>NASTAVENÍ NAPNUTÍ ŘETĚZU</b>“</li> <li>■ Naostřete řetěz.</li> <li>■ Znovu nainstalujte pilový řetěz podle části „<b>VÝMĚNA LIŠTY A ŘETĚZU</b>“.</li> <li>■ Řetěz vyměňte podle pokynů v části: „<b>MONTÁŽ/VÝMĚNA LIŠTY A ŘETĚZU</b>“</li> <li>■ Zkontrolujte hladinu oleje. V případě potřeby doplňte olejovou nádrž.</li> <li>■ Řetěz znovu nainstalujte podle pokynů v části: „<b>MONTÁŽ/VÝMĚNA LIŠTY A ŘETĚZU</b>“</li> </ul>
Řetěz se při běžném používání povolí nebo spadne z vodící lišty.	<ul style="list-style-type: none"> <li>■ Řetěz se povoluje, jak se teplota řetězu zvyšuje během normálního provozu pily.</li> <li>■ Řetěz není nasazený na hnacím řetězovém kole.</li> </ul>	<ul style="list-style-type: none"> <li>■ Napněte řetěz podle následující části „<b>NASTAVENÍ NAPNUTÍ ŘETĚZU</b>“.</li> <li>■ Řetěz znovu nainstalujte podle pokynů v části: „<b>MONTÁŽ/VÝMĚNA LIŠTY A ŘETĚZU</b>“</li> </ul>

## ZÁRUKA

### ZÁRUKA SPOLEČNOSTI EGO

Úplné záruční podmínky společnosti EGO naleznete na webové stránce [egopowerplus.eu](http://egopowerplus.eu).

**CZ**

## PREČÍTAJTE SI VŠETKY POKYNY!



PREČÍTAJTE SI NÁVOD NA OBSLUHU

**⚠ Zvyškové riziko!** Ľudia s elektronickými zariadeniami, napríklad kardiostimulátorom, musia používanie tohto výrobku konzultovať so svojim lekárom. Použitie elektrických zariadení v tesnej blízkosti kardiostimulátora by mohlo spôsobiť rušenie alebo zlyhanie kardiostimulátora.

## BEZPEČNOSTNÝ SYMBOL

Účelom bezpečnostných symbolov je upozorniť na možné nebezpečenstvá. Venujte príslušnú pozornosť a pochopte bezpečnostné symboly a ich vysvetlenia. Varovné symboly, samy o sebe, nedokážu eliminovať nebezpečenstvo. Pokyny a varovania, ktoré obsahujú, nie sú náhradou za vhodné opatrenia na prevenciu úrazov.

**⚠ VAROVANIE:** Pred použitím tohto nástroja si prečítajte a pochopte všetky bezpečnostné pokyny v tomto návode na obsluhu, vrátane všetkých bezpečnostných výstražných symbolov, ako sú „**NEBEZPEČENSTVO**“, „**VAROVANIE**“ a „**UPOZORNENIE**“. Nedodržanie nižšie uvedených pokynov môže mať za následok úraz elektrickým prúdom, požiar a/alebo vážne zranenie.

## VÝZNAM SYMBOLU

Táto strana zobrazuje a popisuje bezpečnostné symboly, ktoré sa objavujú na tomto výrobku. Pred pokusom o zostavenie a prevádzkovanie si prečítajte, pochopte a dodržiavajte všetky pokyny na stroji.

## BEZPEČNOSTNÉ SYMBOLY

SK



Bezpečnostné upozornenie



Prečítajte si a pochopte návod na obsluhu



Používajte ochranu zraku.



Používajte ochranu sluchu.



Používajte ochranu hlavy.



Používajte ochranné rukavice.



Dajte pozor na spätný ráz reťazovej píly a vyvarujte sa kontaktu s hrotom lišty



Spätný ráz špičky vodiacej lišty



Reťazovú pílu používajte vždy obojručne



Nevystavujte dažďu



Informácie o vodiacej lište



Garantovaná hladina akustického výkonu.



WEEE



Tento výrobok je v súlade s príslušnou britskou legislatívou.

**CE** Tento výrobok je v súlade s platnými smernicami ES.

V Volt

Hz Hertz

min Minúty

... /min Za minútu

Jednosmerný prúd

A Ampéry

W Watt

$n_0$  Rýchlosť bez zaťaženia

## TECHNICKÉ ÚDAJE

Napätie	56 V
Dĺžka vodiacej lišty	400 mm (CS1610E)
	350 mm (CS1410E)
Výška reťaze	3/8" (9,5 mm)
Meradlo lišty	1,1 mm
Rýchlosť reťaze	20 m/s
Typ reťaze píly	CS1610E AC1600/AC1601(Odporúčané) AC1400/AC1401(Kompatibilné)
	CS1410E AC1400/AC1401(Odporúčané) AC1600/AC1601(Kompatibilné)
Typ vodiacej lišty	CS1610E AG1600/AG1601(Odporúčané) AG1400/AG1401(Kompatibilné)
	CS1410E AG1400/AG1401(Odporúčané) AG1600/AG1601(Kompatibilné)
Objem olejovej nádrže reťaze	150 ml
Prevádzková teplota	-15°C–40°C
Skladovacia teplota	-20°C–70°C
Čistá hmotnosť (bez akumulátora, krytu reťaze)	3,9 kg (CS1610E)
	3,8 kg (CS1410E)
Nameraná hladina akustického výkonu $L_{WA}$	102,25 dB(A) K=1,4 dB(A)

Hladina akustického tlaku na uši obsluhy $L_{PA}$	91,25 dB(A) K=2,5 dB(A)	
Zaručená úroveň akustického výkonu $L_{WA}$ (podľa 2000/14/ES)	103 dB(A)	
Vibrácie $a_n$	Predná rukovať	3,377 m/s <sup>2</sup> K=1,5 m/s <sup>2</sup>
	Zadná rukovať	2,823 m/s <sup>2</sup> K=1,5 m/s <sup>2</sup>

- Deklarovaná celková hodnota vibrácií bola meraná v súlade so štandardnou skúšobnou metódou a môže sa použiť na vzájomné porovnanie jednotlivých náradí;
- Uvádzaná celková hodnota vibrácie sa môže použiť aj na predbežný odhad expozície.

**POZNÁMKA:** Emisia vibrácií pri skutočnom používaní náradia sa môže odlišovať od deklarovanej hodnoty, pri akej sa nástroj používa; za účelom ochrany obsluhy má používateľ v skutočných podmienkach použitia nosiť rukavice a ochranu sluchu.

## OBSAH BALENIA (OBR. A1)

### POPIS

#### SPOZNAJTE SVOJU REŤAZOVÚ PÍLU (obr. A1)

1. Páčka nastavenia premenlivej rýchlosti
2. Zadná rukovať
3. Zaisťovacie tlačidlo
4. Predná rukovať
5. Rukoväť brzdy spätného rázu reťaze
6. Reťaz píly
7. Vodiaca lišta
8. Uzáver olejovej nádrže
9. Okienko na kontrolu oleja
10. Elektrické kontakty

**SK**

11. Tlačidlo na uvoľnenie akumulátora
12. Nastavovacie koliesko pre napnutie reťaze
13. Bočný kryt
14. Koliesko bočného krytu
15. Kryt reťaze

## MONTÁŽ

### MONTÁŽ/VÝMENA LIŠTY A REŤAZE

**VAROVANIE:** Pred montážou nastavte rukoväť brzdy spätného rázu reťaze do brzdnjej polohy.

1. Umiestnite pohonnú hlavu reťazovej pily na bok s bočným krytom smerom nahor (obr. B).
2. Otočte ovládacie koliesko bočného krytu v proti smere hodinových ručičiek, aby ste odstránili bočný kryt a potom úplne uvoľnite ovládacie koliesko napnutia reťaze.
3. Uložte novú reťaz do slučky na rovnú plochu a vyrovnajte prípadné zalomenia (obr. C).
4. Umiestnite jednotlivé vodiace články reťaze do drážky vodiacej lišty a urobte slučku reťaze na zadnej strane vodiacej lišty (obr. D).
5. Držte reťaz v polohe na vodiacej lište a umiestnite slučku okolo ozubeného kolesa napájacej jednotky.
6. Posuňte otvor vodiacej lišty nad podpornú prírubu, až kým nevložíte nastavovací kolík napätia do dolného otvoru v zadnej časti lišty (obr. E1).

**POZNÁMKA:** V reťazi sú vryté malé smerové šípky. Ďalšia smerová šípka je visivovaná do plášťa. Pri nahadzovaní reťaze na ozubené koleso sa uistite, že smer šípok na reťazi zodpovedá smeru šípky na plášti. Ak smerujú proti sebe, otočte zostavu reťaze pily a vodiacej lišty (obr. E2).

7. Nasadíte bočný kryt a zľahka dotiahnite jeho ovládacie koliesko.
8. Zdvihnite špičku vodiacej lišty hore, aby ste skontrolovali prehnutie (obr. F). Uvoľnite špičku vodiacej lišty a otočte nastavovacie koliesko napnutia reťaze v smere hodinových ručičiek. Opakujte tento postup, až kým prehnutie nezmizne.
9. Pred začatím používania pevne utiahnite ovládacie koliesko bočného krytu, aby ste zabezpečili pevné napnutie reťaze.

D-1	Vodiace články reťaze	E-2	Napínací kolík
D-2	Drážka vodiacej lišty	E-3	Otvor vodiacej lišty
E-1	Podporná prírubu	E-4	Ozubené koleso

**POZNÁMKA:** Ak chcete predĺžiť životnosť lišty, občas ju obráťte.

**POZNÁMKA:** Pokiaľ je reťaz príliš napnutá, nebude sa otáčať. Miernu uvoľnite koliesko bočného krytu a otočte nastavovacím kolieskom napnutia reťaze raz proti smeru hodinových ručičiek. Zdvihnite špičku vodiacej lišty nahor a pevne utiahnite ovládacie koliesko bočného krytu. Uistite sa, že sa reťaz bude otáčať bez zasekávania.

### NASTAVENIE NAPNUTIA REŤAZE

- Pred nastavovaním napnutia reťaze zastavte motor a vyberte akumulátor. Uistite sa, že je ovládacie koliesko bočného krytu uvoľnené. Ak chcete napnúť reťaz, otočte nastavovacie koliesko napnutia reťaze v smere hodinových ručičiek. Pozri časť „MONTÁŽ/VÝMENA LIŠTY A REŤAZE“ pre ďalšie informácie.
- Studená reťaz je správne napnutá, ak nie je na spodnej strane vodiacej lišty žiaden priestor a reťaz prilieha, ale zároveň sa otáča bez zasekávania. Reťaz sa musí napínať vždy, keď plošky vodiacich článkov nezapadajú do drážky lišty.
- Počas bežného používania pily sa zvyšuje teplota reťaze. Vodiace články dobre napnutej teplej reťaze presahujú približne 1,3 mm von z drážky lišty (obr. G).

**POZNÁMKA:** Nové reťaze majú tendenciu sa natiahnuť; často kontrolujte napnutie reťaze a v prípade potreby ju dotiahnite.

**POZNÁMKA:** Reťaz, ktorá bola doťahovaná za tepla, môže byť po ochladnutí príliš tesná. Pred ďalším použitím skontrolujte napnutie reťaze za studena.

## OBSLUHA

**VAROVANIE:** Nedovoľte, aby dlhodobá skúsenosť práce s týmto výrobkom spôsobila vašu neopatrnosť. Pamätajte na to, že aj chvíľková neopatrnosť stačí na to, aby spôsobila vážny úraz.

**VAROVANIE:** Nepoužívajte žiadne doplnky alebo príslušenstvo, ak ho neodporúča výrobca uvedeného výrobku. Používanie nástavcov alebo príslušenstva, ktoré nie je odporúčané, môže viesť k vážnemu zraneniu osôb.

**VAROVANIE:** Pri montáži dielov, zmene nastavenia, čistení a ak náradie nepoužívate, vždy vyberte akumulátor zo stroja, aby ste zabránili náhodnému spusteniu, ktoré by mohlo spôsobiť vážne zranenia.

Pred každým použitím skontrolujte, či na zariadení nie sú poškodené, chýbajúce alebo uvoľnené časti, napríklad skrutky, matice, závit, uzávery atď. Bezpečne utiahnite všetky



upevňovacie prvky a uzávery a nepoužívajte tento výrobok, kým nebudú vymenené všetky chýbajúce alebo poškodené diely.

## POUŽITIE

Tento výrobok môžete používať na jednoduché stínanie, osekávanie vetiev, prerezávanie a výrub reziva a stromov.

## PLNENIE MAZIVA LIŠTY A REŤAZE

**VAROVANIE:** Nefajčite ani nepoužívajte oheň alebo plameň v blízkosti oleja alebo reťazovej pily. Olej sa môže rozliať a spôsobiť požiar.

**POZNÁMKA:** Pri kúpe nie je v reťazovej pile olej. Je nevyhnutné, aby ste pred použitím naplnili nádrž olejom. Reťaz je počas používania automaticky mazaná olejom.

1. Umiestnite reťazovú pílu na bok s uzáverom olejovej nádrže smerom dopredu.
2. Vyčistite veko olejovej nádrže a jej okolie, aby sa žiadna špina nedostala do olejovej nádrže.
3. Položte reťazovú pílu na bok na pevný, rovný povrch tak, aby uzáver nádrže smeroval nahor. Nadvíhnite polkruhový platňu a otočením veka olejovej nádrže ju odstráňte (obr. H).
4. Tyčový a reťazový olej opatrne nalejte do nádrže. Vyplňte po rysku MAX.
5. Utrite prebytočný olej a znovu nasadte uzáver.

**POZNÁMKA:** Hladinu oleja často kontrolujte a doplňte, keď klesne pod minimálnu rysku. Nikdy nepoužívajte motorovú pílu, ak nie je viditeľný olej.

## PRIPOJENIE/ODPOJENIE AKUMULÁTORA

**Pred prvým použitím úplne nabíte.**

Používajte iba s akumulátormi a nabíjačkami, ktoré sú uvedené na obr. A2.

### Pripojenie (obr. I)

Zarovnajte rebrovanie akumulátora s montážnymi drážkami a potom akumulátor zasuňte do nástroja, kým nezapadne na miesto.

### Odpojenie (obr. J)

Stlačte tlačidlo na uvoľnenie batérie a vytiahnite akumulátor.

## ZAPNUTIE/ZASTAVENIE REŤAZOVEJ PILY

**POZNÁMKA:** Pred zapnutím reťazovej pily skontrolujte hladinu oleja, ostrosť zubov a správnú funkciu rukoväte brzdy spätného rázu reťaze. Okrem toho je nevyhnutné udržiavať pevný postoj a správnu vzdialenosť od zeme.

### Zapnutie

1. Potiahnite rukoväť brzdy spätného rázu reťaze

smerom k prednej rukoväti do prevádzkovej polohy (obr. K).

2. Pevne uchopte predné a zadné rukoväte oboma rukami.
3. Stlačte a podržte zaistovacie tlačidlo palcom pravej ruky a stlačte zadnú páčku nastavenia premenlivej rýchlosti prstami pravej ruky, aby ste zapli pílu (obr. L).
4. Uvoľnite zaistovacie tlačidlo a stále držte spínač pre pokračovanie v činnosti.

**VAROVANIE:** Nepokúšajte sa zapnúť pílu, keď je reťaz pily v reze.

### Zastavenie

1. Uvoľnite páčku nastavenia premenlivej rýchlosti, aby ste zastavili reťazovú pílu.
2. Zatláčte rukoväť brzdy spätného rázu reťaze dopredu do brzdnej polohy, aby ste aktivovali brzdzu reťaze (obr. K).

**VAROVANIE:** Počas pracovných prestávok a po ukončení práce vždy vyberte z reťazovej pily akumulátor.

### Správne uchopenie rukovätí (obr. M)

- Noste protišmykové rukavice s cieľom maximalizovať uchopenie a ochranu.
- Držte pílu pevne obomi rukami na pevnom a rovnom povrchu.
- Vždy uchopte prednú rukoväť ľavou rukou a zadnú rukoväť pravou rukou.
- Prsty by mali obopínať rukoväť s palcom pod prednou rukoväťou.

**VAROVANIE:** Nikdy používajte úchop ľavou rukou (s prekríženými rukami) alebo akýkoľvek postoj, ktorý by posunul vaše telo alebo ruku do dráhy reťaze (obr. N).

### Správny postoj pri pílení (obr. O)

- Obe chodidlá musia byť na pevnej zemi s rovnomerne rozmiestnenou hmotnosťou.
- Ľavá ruka má byť vystretá a lakeť pevný. Pomáha to odolávať silám vytvoreným spätným rázom.
- Telo musí byť vždy na ľavej strane dráhy reťaze.

## POKYNY TÝKAJÚCE SA SPRÁVNEJ TECHNIKY JEDNODUCHÉHO STÍNANIA, OSEKÁVANIA VETIEV A PREREZÁVANIA

**VAROVANIE:** Vždy sa uistite, že váš postoj je pevný a držte reťazovú pílu pevne obomi rukami, keď je motor zapnutý.

**VAROVANIE:** Keď sa reťazová píla zastaví kvôli zablokovaniu počas pílenia, uvoľnite páčku; vytiahnite reťazovú pílu a vodiacu lištu z dreva, potom reťazovú pílu

znovu zapnite.

**VAROVANIE:** Neťahajte reťazovú pílu rukou, ak je obalená pilinami. Ak sa reťazová píla zapne náhodne, môže to viesť k vážnemu úrazu. Zatláčte reťazovú pílu proti drevu. Zatraste pílu hore dolu, aby ste sa zbavili úlomkov. Pred čistením vždy vyberte akumulátor. Pri manipulácii s reťazou používajte pevné ochranné rukavice.

**VAROVANIE:** Nikdy nezapínajte reťazovú pílu, keď sa dotýka dreva. Reťazová píla musí dosiahnuť plnú rýchlosť pred jej použitím na pilenie dreva.

## STÍNANIE STROMU

- Pri vykonávaní činností skracovania alebo stínania dvomi osobami naraz sa stínanie od skracovania musí vykonávať v minimálnej vzdialenosti dvakrát väčšej než je dĺžka stromu, ktorý mal byť stáť. Stromy nesmú byť odstraňované spôsobom, ktorý ohrozuje osoby, poškodzuje verejné rozvody alebo spôsobuje akúkoľvek škodu na majetku. V prípade, že sa strom dostal do kontaktu s verejnými rozvodmi, je nutné to ihneď oznámiť rozvodnej spoločnosti.
- Používateľ reťazovej pily má stáť na vrchnej strane terénu, keďže je pravdepodobné, že sa strom po výrube bude gúľať alebo šmýkať dolu kopcom.
- Pred začatím výrubov by mala byť naplánovaná a jasne stanovená úniková cesta. Úniková cesta sa má rozširovať dozadu a šikmo k zadnej strane predpokladanej trasy pádu podľa znázornenia na obr. P.

P-1	Smer výrubu
P-2	Bezpečnostná ústupová cesta

- Pred začatím výrubu zvážte prirodzený náklon stromu, umiestnenie väčších konárov a smer vetra s cieľom posúdiť, ako strom spadne.
- Zo stromu odstráňte špinu, kamene, uvoľnenú kôru, kince, skoby a drôty.

## Predný spodný rez

Urobte zárez do 1/3 priemeru stromu kolmo na smer pádu podľa zobrazenia na obr. Q. Najskôr urobte horizontálny predný spodný rez. Pomáha to predchádzať zovretiu reťaze alebo vodiacej lišty pri robení druhého rezu.

Q-1	Smer pádu
Q-2	Spodný rez
Q-3	Zadný horný rez
Q-4	Čap

## Zadný horný rez

- Urobte zadný horný rez minimálne 50 mm nad horizontálnym predným spodným rezom podľa zobrazenia na obr. Q. Dbajte na to, aby bol zadný horný rez paralelný s horizontálnym predným spodným rezom. Urobte zadný horný rez tak, aby ste nechali dostatok dreva, ktoré bude fungovať ako nedorezok. Nedorezok zabraňuje tomu, aby sa strom stočil a spadol zlým smerom. Nepilte nedorezok.
- Keď sa pri výrube dostanete do blízkosti nedorezku, strom by mal začať padať. Ak existuje možnosť, že strom nespadne v požadovanom smere, alebo rozkmitá reťazovú pílu, prestaňte píliť predtým, než dokončíte zadný horný rez a použite kliny z dreva, plastu alebo hliníka na to, aby ste otvorili výrez a zhodili strom v požadovanom smere pádu.
- Keď strom začne padať, odstráňte reťazovú pílu z výrezu, zastavte motor, dajte reťazovú pílu dolu, potom použite plánovanú ústupovú cestu. Dávajte pozor na padajúce vetvy v úrovni nad hlavou a dbajte na správny postoj.

## Odvetvovanie stromu

Odvetvovanie je odstraňovanie vetiev z vyrúbaného stromu. Pri odvetvovaní ponechajte väčšie spodné vetvy, aby držali kmeň nad zemou. Odstráňte malé vetvy jedným rezom, ako je znázornené na obr. R. Napnuté vetvy pilte zdola nahor, aby sa predišlo zablokovaniu reťazovej pily.

## Skracovanie kmeňa

- Skracovanie je rozpílenie kmeňa na určité dĺžky. Je dôležité zabezpečiť pevný postoj a rovnomerné rozloženie hmotnosti na obe nohy. Pokiaľ je to možné, kmeň by mal byť zdvihnutý a podopieraný vetvami, brvnami alebo klámi. Postupujte podľa jednoduchých pravidiel, ktoré uľahčujú pilenie.
- Ak je kmeň podopretý po celej svojej dĺžke, ako je znázornené na obr. S1, reže sa zhora (vrchný rez).
- Ak je brvno podopreté na jednom konci tak, ako je zobrazené na obr. S2, urobte zárez do 1/3 priemeru zo spodnej strany (spodný rez). Potom urobte konečný rez zhora na ukončenie prvého rezu.
- Ak je brvno podopreté na oboch koncoch tak, ako je zobrazené na obr. S3, urobte zárez do 1/3 priemeru zhora (vrchný rez). Potom dokončíte prvý rez spodným rezom do 2/3.
- Pri pilení na svahu stojte vždy na strane kmeňa, ktorá je vyššie tak, ako je to zobrazené na obr. T.
- Pre udržanie úplnej kontroly počas „prezávania“ uvoľnite tlak pilenia na konci rezu bez toho, aby ste uvoľnili uchopenie rúkoviť reťazovej pily. Nenechajte reťaz dotknúť sa zeme. Po ukončení rezu počkajte,

kým sa reťaz pily zastaví. Až potom môžete reťazovou pilou pohnúť. Pred prechodom k ďalšiemu stromu vždy vypnite motor.

## ÚDRŽBA

**VAROVANIE:** Pri servise používajte iba identické náhradné diely. Použitie iných častí môže vyvolať nebezpečenstvo, alebo spôsobiť poškodenie výrobku.

**VAROVANIE:** Ak chcete predísť vážnemu poraneniu osôb, pred kontrolou, čistením alebo vykonávaním údržby vyťahnite z reťazovej pily akumulátor. Náradie s pohonom na batériu sa môže spustiť náhodne, ak je v ňom vložený akumulátor.

**VAROVANIE:** Počas čistenia NEPONÁRAJTE reťazovú pilu do vody ani iných kvapalín.

**VAROVANIE:** Nikdy nedovoľte, aby brzdové kvapaliny, benzín, ropné výrobky, penetračné oleje atď. prišli do styku s plastovými časťami. Chemické látky môžu poškodiť, oslabiť alebo zničiť plast, čo môže viesť k vážnemu zraneniu.

## ČISTENIE

- Po každom použití odstráňte nečistoty z reťaze a vodiacej lišty použitím mäkkej kefy. Utrite povrch reťazovej pily čistou handričkou navlhčenou v slabom mydlovom roztoku.
- Zložte bočný kryt a potom použite mäkkú kefu na odstránenie nečistôt z vodiacej lišty, reťaze pily, ozubeného kolesa a bočného krytu.
- Pri výmene reťaze vždy odstráňte drevnú štiepku, piliny a nečistoty z drážky vodiacej lišty.

## ÚDRŽBA VODIACEJ LIŠTY

Keď vodiaca lišta vykazuje známky opotrebenia, demontujte ju z pohonnej hlavy reťazovej pily a pretočte ju na opätovnú montáž (obr. U1). V takom prípade sa opotrebenie rozdelí rovnomerne pre maximálnu životnosť lišty.

Lišta sa má čistiť po každom použití a je potrebné ju kontrolovať na známky opotrebenia a poškodenia. Rozstrapkanie alebo tvorenie drsných okrajov na kolajniciach lišty je bežný postup pri opotrebení lišty. Tieto nedokonalosti treba vyhladiť pomocou pilníka hneď, ako sa objavia. Lištu, ktorá vykazuje nasledujúce nedostatky, je potrebné vymeniť.

- Opotrebovanie vo vnútri kolajnice lišty umožňuje, aby sa reťaz dostala cez bočné strany.
- Zohnutá vodiaca lišta.
- Prasknuté alebo zlomené kolajnice.
- Rozšírené kolajnice.

Navyše má vodiaca lišta na svojom hrote ozubené koleso (obr. U2). Ozubené koleso treba mazať raz za týždeň mazacou striekačkou, aby sa predĺžila životnosť vodiacej lišty. Používajte mazacu striekačku raz do týždňa na mazanie reťazovým olejom cez mazací otvor (obr. U3). Otočte vodiacu lištu a skontrolujte, či sú mazacie otvory a drážka reťaze čisté.

U2-1	Řetězové kolo v hrotu vodící lišty
U2-2	Mazací otvor

## PREPRAVA A SKLADOVANIE

- Reťazovú pilu neskladujte ani neprepravujte, ak je zapnutý motor. Pred skladovaním alebo prepravou vždy vyberte akumulátor.
- Pred skladovaním alebo prepravou reťazovej pily umiestnite na vodiacu lištu kryt. Nedotýkajte sa ostrých zubov reťaze.
- Pred skladovaním reťazovú pilu dôkladne vyčistite. Skladujte reťazovú pilu v interiéri, na suchom mieste, ktoré je uzamknuté a/alebo mimo dosahu detí.
- Chráňte pred agresívnymi látkami, ako sú záhradné chemikálie a rozmrazovacie soli.

## Ochrana životného prostredia



WEEE (Odpad z elektrických a elektronických zariadení) Nevyhadzujte elektrické zariadenia, nabíjačku a použité akumulátory do domového odpadu! Tento výrobok odnesť na autorizované recyklačné miesto a poskytnite ho na separovaný zber. Elektrické náradie sa musí odovzdať do príslušného zariadenia na ekologicky šetrnú recykliáciu.

SK

## ODSTRAŇOVANIE PORÚCH

**⚠ VAROVANIE:** Pri údržbe reťazovej pily vždy používajte pevné rukavice, aby ste si chránili ruky. Pri údržbe alebo preprave reťazovej pily vždy vyťahnite akumulátor.

PROBLÉM	PRÍČINA	RIEŠENIE
Motor neštartuje.	<ul style="list-style-type: none"> <li>■ Akumulátor nie je pripojený k reťazovej pile.</li> <li>■ Medzi pilou a batériou nie je elektrický kontakt.</li> <li>■ Akumulátor je vybitý.</li> <li>■ Akumulátor alebo reťazová píla sú príliš horúce.</li> <li>■ Brzda reťaze je aktívna.</li> <li>■ Špina v drážke lišty.</li> <li>■ Špina v bočnom kryte.</li> </ul>	<ul style="list-style-type: none"> <li>■ Pripojte akumulátor k reťazovej pile.</li> <li>■ Vyberte akumulátor, skontrolujte kontakty a akumulátor nainštalujte naspäť.</li> <li>■ Nabite akumulátor.</li> <li>■ Nechajte akumulátor alebo reťazovú pílu vychladnúť, až kým teplota neklesne pod 67°C.</li> <li>■ Potiahnite rukoväť brzdy spätného rázu reťaze dozadu smerom k prednej rukoväti a dorazte do prevádzkovej polohy.</li> <li>■ Zatlačte reťazovú pílu proti drevu. Zatraste pílu hore dolu, aby ste sa zbavili úlomkov.</li> <li>■ Vyberte akumulátor, potom odstráňte bočný kryt a vyčistite špinu.</li> </ul>
Reťazová píla sa zastaví počas práce.	<ul style="list-style-type: none"> <li>■ Reťazová píla je preťažená.</li> <li>■ Akumulátor alebo reťazová píla sú príliš horúce.</li> <li>■ Reťaz pily je zaseknutá v dreve.</li> </ul>	<ul style="list-style-type: none"> <li>■ Znížte zaťaženie.</li> <li>■ Znížte zaťaženie. Nechajte akumulátor alebo reťazovú pílu vychladnúť, až kým teplota neklesne pod 67°C.</li> <li>■ Uvoľnite páčku nastavenia rýchlosti; vyťahnite reťaz pily a vodiacu lištu z dreva, potom reťazovú pílu znovu zapnite.</li> </ul>
Motor beží, ale reťaz sa neotáča.	<ul style="list-style-type: none"> <li>■ Reťaz nezapadá do ozubeného kolesa.</li> </ul>	<ul style="list-style-type: none"> <li>■ Znovu nainštalujte reťaz a uistite sa, že vodiace články na reťazi zapadajú do ozubeného kolesa.</li> </ul>
Brzda reťaze nezaberá.	<ul style="list-style-type: none"> <li>■ Nečistoty bránia pohybu rukoväte brzdy spätného rázu reťaze.</li> <li>■ Možná chyba brzdy reťaze.</li> </ul>	<ul style="list-style-type: none"> <li>■ Očistite špinu z vonkajšieho brzdového mechanizmu reťaze.</li> <li>■ Pre opravy kontaktujte zákaznický servis EGO.</li> </ul>

SK

PROBLÉM	PRÍČINA	RIEŠENIE
Reťazová píla pili nedostatočne.	<ul style="list-style-type: none"> <li>■ Nedostatočné napnutie reťaze.</li> <li>■ Tupá reťaz.</li> <li>■ Reťaz je nainštalovaná naopak.</li> <li>■ Opatrebovaná reťaz.</li> <li>■ Suchá alebo príliš napnutá reťaz.</li> <li>■ Reťaz nie je v drážke lišty.</li> </ul>	<ul style="list-style-type: none"> <li>■ Upravte dotiahnutie reťaze, postupujte podľa časti: „<b>NASTAVENIE NAPNUTIA REŤAZE</b>“.</li> <li>■ Naostrite reťaz.</li> <li>■ Znovu nainštalujte reťaz podľa časti „<b>MONTÁŽ/VÝMENA LIŠTY A REŤAZE</b>“.</li> <li>■ Vymeňte reťaz, postupujte podľa časti: „<b>MONTÁŽ/VÝMENA LIŠTY A REŤAZE</b>“.</li> <li>■ Skontrolujte hladinu oleja. V prípade potreby doplňte olejovú nádrž.</li> <li>■ Znovu nasadte reťaz, postupujte podľa časti: „<b>MONTÁŽ/VÝMENA LIŠTY A REŤAZE</b>“.</li> </ul>
Reťaz sa pri bežnom používaní uvoľní alebo spadne z vodiacej lišty.	<ul style="list-style-type: none"> <li>■ Reťaz sa uvoľní, keď sa teplota reťaze zvýši počas normálnej prevádzky píly.</li> <li>■ Reťaz nezapadá do ozubeného kolesa.</li> </ul>	<ul style="list-style-type: none"> <li>■ Upravte napnutie reťaze podľa časti „<b>NASTAVENIE NAPNUTIA REŤAZE</b>“.</li> <li>■ Znovu nasadte reťaz, postupujte podľa časti: „<b>MONTÁŽ/VÝMENA LIŠTY A REŤAZE</b>“.</li> </ul>

## ZÁRUKA

### ZÁRUČNÁ POLITIKA EGO

Navštívte webové stránky [egopowerplus.eu](http://egopowerplus.eu) pre úplné podmienky záručnej politiky spoločnosti EGO.

KEES VAN DER SPEK

SK

## OLVASSA EL AZ ÖSSZES UTASÍTÁST!



**OLVASSA EL A HASZNÁLATI ÚTMUTATÓT**

**⚠ Fenmaradó kockázat!** Az elektronikus készülékekkel, például pacemakerrel élő emberek a termék használata előtt kérjék ki az orvos véleményét. Az elektromos felszerelésnek a pacemakerhez közel való működtetése interferenciát vagy meghibásodást okozhat a pacemakerben.

## BIZTONSÁGI SZIMBÓLUM

A biztonsági szimbólumok célja, hogy felhívják a figyelmet az esetleges veszélyekre. Nagyon figyeljen a biztonsági szimbólumokra és magyarázatokra, ill. ezek megértésére. A szimbólumok figyelmeztetési önmagukban nem hátrítják el a veszélyeket. Az utasítások és figyelmeztetések nem helyettesítik a megfelelő balesetmegelőző intézkedéseket.

**⚠ FIGYELMEZTETÉS:** A szerszám használata előtt feltétlenül olvassa el és értse meg a jelen kezelési útmutatóban található valamennyi biztonsági utasítást, valamint a **"VESZÉLY"**, **"FIGYELMEZTETÉS"**, és **"FIGYELEM"** biztonsági figyelmeztető szimbólumokat is. Az alább felsorolt utasítások be nem tartása áramütést, tűzveszélyt és/vagy súlyos személyi sérülést idézhet elő.

## SZIMBÓLUM JELENTÉSE

Ezen az oldalon olyan biztonsági szimbólumok láthatók és olvashatók, amelyek megjelenhetnek a terméken. Az összeszerelés vagy működtetés előtt olvassa el, értse meg és tartsa be a gép minden utasítását.

## BIZTONSÁGI SZIMBÓLUMOK

HU



Biztonsági figyelmeztetés



Olvassa el és értelmezze a használati útmutatót



Viseljen szemvédőt



Viseljen fülvédőt



Viseljen fejevédőt



Viseljen védőkesztyűt



Óvakodjon a láncfűrész visszariágásától, és ügyeljen rá, hogy ne érjen hozzá a láncvezető csúcsához.



Láncvezető csúcs visszariágása



Mindig két kézzel használja a láncfűrész



Ne tegye ki esőnek



Információ a láncvezetőről



Garantált hangteljesítményszint.



WEEE



This product is in accordance with applicable UK legislation.

**CE** A termék megfelel az érvényes EK irányelveknek.

V Volt

Hz Hertz

min Perc

... /min Percenként

Egyenáram

A Amper

W Watt

$n_0$  Üresjárat fordulatszám

## JELLEMZŐK

Feszültség	56 V	
Láncvezető hossza	400 mm (CS1610E)	
	350 mm (CS1410E)	
Lánc fogosztása	3/8" (9,5 mm)	
Lánc idom	1,1 mm	
Lánc sebessége	20 m/s	
Fűrészlánc típusa	CS1610E	AC1600/AC1601 (ajánlott) AC1400/AC1401 (kompatibilis)
	CS1410E	AC1600/AC1601 (ajánlott) AC1400/AC1401 (kompatibilis)
Láncvezető típusa	CS1610E	AG1600/AG1601 (ajánlott) AG1400/AG1401 (kompatibilis)
	CS1410E	AG1600/AG1601 (ajánlott) AG1400/AG1401 (kompatibilis)
Lánckenő olaj tartály kapacitása	150 ml	
Működési hőmérséklet	-15°C–40°C	
Tárolási hőmérséklet	-20°C–70°C	
Nettó súly (akkumulátor-egység és lánc tok nélkül)	3,9 kg (CS1610E)	
	3,8 kg (CS1410E)	
Mért hangteljesítményszint $L_{WA}$	102,25 dB(A) K=1,4 dB(A)	
Hangnyomásszint a kezelő fülénél $L_{PA}$	91,25 dB(A) K=2,5 dB(A)	
Garantált hangteljesítményszint $L_{WA}$ (2000/14/EK szerint)	103 dB(A)	

Vibráció $a_n$	Elülső fogantyú	3,377 m/s <sup>2</sup> K=1,5 m/s <sup>2</sup>
	Hátsó fogantyú	2,823 m/s <sup>2</sup> K=1,5 m/s <sup>2</sup>

- A névleges rezgési összérték mérése standard bevizsgálási módszerrel történt, és használatával a szerszámok egymással összehasonlíthatók.
- A névleges rezgési összérték a kockázat előzetes felméréséhez is felhasználható.

**MEGJEGYZÉS:** A rezgés-kibocsátás az elektromos szerszám aktuális használata közben eltérhet attól a névleges értéktől, amellyel a szerszámot használják: a kezelő védelme érdekében a használatnak kesztyűt és hallásvédőt kell használnia működtetés közben.

**HU**

## A CSOMAG TARTALMA (A1 ÁBRA)

### LEÍRÁS

#### ISMERJE MEG A LÁNCFŰRÉSZT (A1 ábra)

1. Állítható sebességszabályozó kapcsoló
2. Hátsó fogantyú
3. Kikapcsoló gomb
4. Elülső fogantyú
5. Lánc visszarugás elleni fékfogantyú
6. Fűrészlánc
7. Láncvezető
8. Olajtartály sapka
9. Olaj ellenőrző ablak
10. Elektromos érintkezők
11. Akkumulátor kioldógomb
12. Láncfeszesség beállító gomb
13. Oldalsó burkolat
14. Oldalsó burkolat gomb
15. Lánc tok

## ÖSSZESZERELÉS

### LÁNCVEZETŐ ÉS LÁNC ÖSSZESZERELÉSE/ CSERÉJE

**▲ FIGYELMEZTETÉS:** Összeszerelés előtt állítsa a lánc visszarúgás elleni fék fogantyúját fékező állásba.

1. Helyezze a láncfűrész fejet oldalra, hogy az oldalsó burkolat felfelé nézzen (B ábra).
2. Fordítsa el az oldalsó burkolat gombot az óramutató járásával ellenkező irányba, hogy le tudja venni, majd lazítsa meg a lánc megfeszítő gombot, ahogy csak lehet.
3. Helyezze a fűrészláncot hurok alakban sima felületre, és egyenesítse ki az esetleges megtöréseket (C ábra).
4. Helyezze a láncajtó szemeket a láncvezetőre, és maradjon egy hurok a láncvezető hátulján (D ábra).
5. Tartsa pozícióban a láncot a láncvezetőn, és helyezze a hurkot a meghajtófej lánckerékére.
6. Csúsztassa a láncvezető nyílást az illesztő peremre, amíg a feszesség beállító csapot a láncvezető végén lévő alsó lyukba nem helyezi (E1 ábra).

**MEGJEGYZÉS:** Kis irányjelző nyilak vannak a fűrészláncra gravírozva. Más irányjelző nyíl is a burkolatra van nyomva. Amikor a fűrészláncot a lánckerékre helyezi, ellenőrizze, hogy a fűrészláncban lévő nyilainak iránya megfelelően a burkolaton lévő nyilak irányával. Ha ellenkező irányba mutatnak, akkor fordítsa meg a fűrészláncot és a láncvezető szerkezetet (E2 ábra).

7. Helyezze vissza az oldalsó burkolatot, és enyhén húzza meg az oldalsó burkolat gombot.
8. Emelje fel a láncvezető csúcsát a kilazulás ellenőrzéséhez (F ábra). Oldja ki a láncvezető csúcsát, és fordítsa el a láncfeszesség-állító gombot az óramutató járásával megegyező irányba. Addig ismétlje ezt a folyamatot, amíg ki nem javítja a kilazulást.
9. Húzza meg az oldalsó burkolat gombot biztonságosan, hogy a fűrészlánc használat előtt megfelelően feszes legyen.

D-1	Láncajtó szemek	E-2	Feszesség beállító csap
D-2	Láncvezető horony	E-3	Láncvezető nyílás
E-1	Illesztő perem	E-4	Lánckerék

**MEGJEGYZÉS:** A láncvezető élettartamának meghosszabbítása érdekében alkalmanként fordítsa meg.

**MEGJEGYZÉS:** Ha a lánc túl szoros, akkor nem fog forogni. Finoman lazítsa meg az oldalsó burkolat gombját, és fordítsa el a láncfeszesség-állító gombot egyszer az óramutató

járáásával ellentétes irányba. Emelje fel a láncvezető csúcsát, és húzza vissza biztonságosan az oldalsó burkolat gombját. Gondoskodjon arról, hogy a lánc akadozás nélkül forogjon.

### A LÁNC FESZESSÉG BEÁLLÍTÁSA

- Állítsa le a motort, és vegye le az akkumulátoregységet, mielőtt beállítja a lánc feszességét. Ellenőrizze, hogy az oldalsó burkolat gomb ki van-e lazítva. A lánc megfeszítéséhez az óramutató járásával megegyező irányba fordítsa el a láncfeszesség-állító gombot. Kiegészítő információkat a „A LÁNCVEZETŐ ÉS A LÁNC CSERÉJE” fejezetben talál.
- A hideg lánc akkor van megfelelően megfeszítve, ha nem laza a láncvezető alsó részén, és a lánc illeszkedik, de kézzel forgatni lehet akadály nélkül. A láncot meg kell húzni, ha a láncajtó szemek nem illeszkednek a láncvezetőre.
- A fűrész normál használata közben a lánc hőmérséklete megnő. A megfelelően megfeszített meleg lánc láncajtó szemei körülbelül 1,3 mm-rel lógnak le a láncvezetőről (G ábra).

**MEGJEGYZÉS:** Az új láncok hajlamosak a nyúlásra; ellenőrizze a lánc feszességét, és a javasolt módon feszítse meg.

**MEGJEGYZÉS:** A lánc megfeszítése akkor, amikor meleg, túl szorossá válhat, amikor kihűlt. Ezért hidegen ellenőrizze a feszességet a következő használat előtt.

### MŰKÖDTETÉS

**▲ FIGYELMEZTETÉS:** Ne hagyja, hogy a termékkel szerzett jártassága miatt óvatlanná váljon. Emlékezzon arra, hogy a másodperc töredéke alatt történő óvatlanság súlyos sérülést okozhat.

**▲ FIGYELMEZTETÉS:** Ne használjon a termék gyártója által nem javasolt tartozékokat. A nem javasolt tartozékok használata súlyos személyi sérülést okozhat.

**▲ FIGYELMEZTETÉS:** A véletlenszerű indítás elkerülése érdekében, amely súlyos személyi sérülést okozhat, mindig vegye ki az akkumulátoregységet a szerszámból, amikor összeszereli az alkatrészeket, beállításokat, tisztítást végez, vagy amikor nem használja.

Minden használat előtt ellenőrizze a teljes terméket sérülések, hiányzó vagy laza alkatrészek, pl. csavarok, anyák, alátétek, sapkák stb. szempontjából. Biztonságosan húzzon meg minden rögzítőt és sapkát, és ne használja a terméket addig, amíg a sérült vagy hiányzó alkatrészeket ki nem cserélték.



## ALKALMAZÁSOK

A terméket használhatja alapvető döntéshez, ágazáshoz, metszéshez, fűrészárúk és rönkfa vágásához.

## LÁNCVEZETŐ ÉS LÁNC KENŐANYAG

**▲ FIGYELMEZTETÉS:** Ne dohányozzon, és ne legyen tűz vagy láng a láncfűrész közelében. Az olaj kifröccsenhet, és tüzet okozhat.

**MEGJEGYZÉS:** A láncfűrész a vásárláskor nincs feltöltve olajjal. Használat előtt fel kell tölteni a tartályt olajjal. Működés közben a lánc kenése láncolajjal automatikusan történik.

1. Helyezze a láncfűrész az oldalára, az olajtartály sapka felfelé nézzen.
2. Ellenőrizze az olajtartály sapkát és a körülötte lévő területet, nehogy szennyeződés kerüljön az olajtartályba.
3. Fektesse a láncfűrész az oldalára egy stabil, sima felületen úgy, hogy az olajtartály sapkája felfelé álljon. Emelje fel a félkör alakú lemezt, és az óramutató járásával ellentétes irányban elforgatva vegye le az olajtartály sapkáját (H ábra).
4. Óvatosan öntse be a láncvezető- és láncolajat a tartályba. A MAX vonalig töltsön be olajat.
5. A felesleges olajat törölje le, és helyezze vissza a sapkát.

**MEGJEGYZÉS:** Gyakran ellenőrizze az olajsintet, és töltsön utána olajat, ha az olajsint a minimum vonal alá csökken. Soha ne használja a láncfűrész, ha nem látható olaj.

## AZ AKKUMULÁTOREGYSÉG BERAKÁSA/KIVÉTELE

### Az első használat előtt teljesen tölts fel.

Kizárólag az A2 ábrán felsorolt akkumulátoregységeket és töltőket használja.

## Csatlakoztatás (I ábra)

Illesse össze az akkumulátor bordáit a szerelőnyílásokkal, majd csúsztassa be az akkumulátoregységet a szerszámba, amíg az hallhatóan be nem kattant a helyére.

## Kivétel (J ábra)

Oldja ki az akkumulátor kioldógombot, és húzza ki az akkumulátoregységet.

## A LÁNCFŰRÉSZ INDÍTÁSA/LEÁLLÍTÁSA

**MEGJEGYZÉS:** A láncfűrész elindítása előtt ellenőrizze az olajsintet, a fűrészfogak élességét, és a visszarúgás elleni fékfogantyú megfelelő működését. Ezenfelül vegyen fel kiegyensúlyozott testhelyzetet és kellő távolságot a talajhoz.

## Indítás

1. Húzza a visszarúgás elleni fékfogantyút az első fogantyú felé, hogy működési helyzetben legyen (K ábra).
2. Két kézzel erősen fogja meg az elülső és hátsó fogantyút.
3. A jobb kéz hüvelykujjával nyomja meg és tartsa lenyomva a kioldógombot, majd jobb kéz ujjaiával nyomja meg a állítható sebességszabályozó kapcsolót a fűrész elindításához (L ábra).
4. Oldja ki a kikapcsoló gombot, és nyomja tovább a szabályozó kapcsolót a folyamatos működéshez.

**▲ FIGYELMEZTETÉS:** Ne próbálja meg elindítani a láncfűrész, ha a fűrészlánc bevágásban van.

## Leállítás

1. A láncfűrész megállításához engedje el az állítható sebességszabályozó kapcsolót.
2. A láncfék lefékezéséhez tolja előre a visszarúgás elleni fékfogantyút a fékezési pozícióhoz (K ábra).

**▲ FIGYELMEZTETÉS:** Mindig vegye ki az akkumulátoregységet a láncfűrészből, ha megszakítja a munkát, és a munka elvégzése után.

## A fogantyúk helyes megfogása (M ábra)

- Viseljen csúszásgátló kesztyűt a legjobb fogás és védelem érdekében.
- A láncfűrész legyen szilárd, sima felületen, és erősen fogja meg a láncfűrész két kézzel.
- Az elülső fogantyút mindig a bal kezével, a hátsót pedig a jobb kezével fogja.
- Az ujjai fogják körbe a fogantyút, a hüvelykujja pedig az első fogantyú alatt legyen

**▲ FIGYELMEZTETÉS:** Soha ne alkalmazzon balkezes fogást (fordított megfogás), és ne vegyen fel olyan testhelyzetet, amelyben láncfűrész a teste vagy a karja vonalába kerül (N ábra).

## Helyes testhelyzet vágáshoz (O ábra)

- Mindkét lába legyen szilárd talajon, és a testsúly egyenletesen legyen a kettő között elosztva.
- A bal karja legyen egyenes, a könyöke kinyújtva. Ez segít ellenállni a visszarúgás által generált erőnek.
- A teste mindig legyen a láncfűrész vonalának bal oldalán.

## ALAPVETŐ UTASÍTÁSOK A HELYES DÖNTÉS, GALLYAZÁSI ÉS KERESZTVÁGÁSI TECHNIKÁKRA VONATKOZÓLAG

**▲ FIGYELMEZTETÉS:** Mindig legyen biztos a testhelyzete, és a láncfűrész erősen tartsa két kézzel, amikor jár a motor.

HU

**▲ FIGYELMEZTETÉS:** Amikor a fűrészlánc vágás közben becsípődés miatt leáll, akkor engedje el a szabályozó kapcsolót; vegye le a fűrészláncot és a láncvezetőt a fáról, majd indítsa újra a láncfűrész.

**▲ FIGYELMEZTETÉS:** Ne húzza a fűrészláncot kézzel, ha beakad a fűrészpor miatt. Ha a láncfűrész véletlenül elindul, súlyos sérülést okozhat. Nyomja rá a fűrészláncot a fára, mozgassa a láncfűrész előre és hátra, hogy megszabadítsa a szennyeződéstől. Tisztítás előtt mindig vegye ki az akkumulátoregységét Viseljen védőkesztyűt, amikor a fűrészláncot kezeli.

**▲ FIGYELMEZTETÉS:** Soha ne indítsa el a láncfűrész, amikor a fához ér. A láncfűrész mindig érje el a teljes sebességet, mielőtt a láncfűrész a fához érinti.

## FADÖNTÉS

- Ha az aprítási és döntési műveleteket két vagy annál több személy végzi egyidejűleg, a döntési műveletet legalább a döntendő fa magasságának kétszeres távolságában kell az aprítási műveletől elkülöníteni. Nem szabad olyan módon dönteni a fát, amely bármely személyt veszélyeztethet, közművezeteket találhat el, vagy vagyoni kárt okozhat. Ha a fa elektromos vezetékkel érintkezik, akkor a vállalatot azonnal értesíteni kell.
- A láncfűrész kezelőjének a terület hegymeneti részén kell maradnia, mert a döntés után a fa valószínűleg legurul vagy lecsúszik.
- A vágások megkezdése előtt tervezze meg, és szükség esetén tisztítsa meg a menekülési útvonalat. A menekülési útvonalat a várható fadőléstől hátrafelé és arra átóson kell megtervezni, ahogy a P ábrán látható.

P-1	Döntési irány
P-2	Biztonsági menekülési útvonal

- A döntés megkezdése előtt vegye figyelembe a fa természetes dőlésirányát, a nagyobb ágak helyét és a szélirányt a fa dőlésének felmérésekor.
- Távolítsa el a szennyeződést, laza kérget, szegeket, kapcsolatokat és huzalokat a fáról.

## Alsó bevágás

A dőlésirányra merőlegesen készítsen a fa átmérőjének 1/3-ig bevágást, ahogy az Q ábrán látható. Először az alsó vízszintes bevágást készítse el. Ezzel segít megakadályozni a fűrészlánc vagy a láncvezető beszorulását a második bevágás készítésekor.

Q-1	Esés irány
Q-2	Bevágás

Q-3	Hátradöntési vágás
Q-4	Pánt

## Hátradöntési vágás

- A vízszintes bevágásnál legalább 50 mm-rel magasabban készítsen hátradöntési vágást, ahogyan az a Q ábrán látható. Tartsa a hátradöntési vágást a vízszintes bevágással párhuzamosan. Úgy készítse el a hátradöntési bevágást, hogy elegendő fa maradjon, amely csuklóként tud működni. A csukló fa megakadályozza, hogy a fa rossz irányba tekeredjen, vagy dőljön. Ne vágja át a csuklót.
- A döntés közeledtével a csuklóhoz a fa dőlni kezd. Amennyiben bármilyen esélye van annak, hogy a fa nem a kívánt irányba fog dőlni, vagy visszapattanhat, és beakaszthatja a fűrészláncot, állítsa le a vágást a visszadőlés befejeződése előtt, és fa, műanyag vagy alumínium ékkel nyissa meg a vágást, és engedje a fát a kívánt dőlési vonalba dőlni.
- Amikor a fa elkezd dőlni, vegye ki a láncfűrész a vágásból, állítsa le a motort, tegye le a láncfűrész, majd használja a megtervezett menekülési útvonalat. Álljon készen arra, hogy a feje feletti ágak leesnek, és ügyeljen a stabil álló helyzetre.

## Gallyazás

Az ágazás során a ledőlт fáról kell eltávolítani az ágakat. Ágazáskor hagyja meg a nagyobb alsó ágakat, hogy azok eltartsák a fát a talajtól. Egy vágással távolítsa el a kisebb ágakat az R ábrán látható módon. A megfeszült ágakat lenről felfelé kell vágni, hogy elkerülje a láncfűrész beszorulását.

## Fatörzsek aprítása

- Az aprítás során kisebb darabokra kell vágni a rönköket. Fontos a stabil álló helyzetről gondoskodni, és ügyeljen arra, hogy a testsúly egyenletesen legyen megosztva a lábain. Amikor lehetséges, a rönköket ágak, rönkök vagy ékek használatával kell megemelni, és alátámasztani. Kövesse az egyszerű utasításokat a könnyű vágás érdekében.
- Amikor a rönk az S1 ábrán látható módon a teljes hosszán alá van támasztva, felülről végezze a vágást (felső vágás).
- Amikor a rönk az S2 ábrán látható módon az egyik végénél van alátámasztva, akkor alulról vágjon az átmérő 1/3-ig (alsó vágás). Ezután alulról fejezze be a felső vágást, amíg az első vágással nem találkozik.
- Amikor a rönk az S3 ábrán látható módon mindkét végénél alá van támasztva, akkor felülről vágjon az átmérő 1/3-ig. Ezután alulról fejezze be a vágást 2/3-ig, amíg az első vágással nem találkozik.

- Lejtőn történő bakoláskor mindig a rönk emelkedő oldalán kell állni a T ábrán látható módon.
- „Átvágáskor”, a teljes irányítás fenntartása érdekében csökkentse a vágási nyomást a vágás vége felé, közben nem lazítva meg a láncfűrész fogantyúin a fogást. Ne engedje, hogy a lánc a talajjal érintkezzen. A vágás befejezése után várjon, amíg a fűrészlánc leáll, mielőtt elmozdítaná a láncfűrész. Mindig állítsa le a motort, amikor fától fáig halad.

## KARBANTARTÁS

**▲ FIGYELMEZTETÉS:** Javitáskor használjon az eredetivel megegyező pótalkatrészeket. Más alkatrészek használata veszélyt okozhat, vagy megrongálhatja a terméket.

**▲ FIGYELMEZTETÉS:** A súlyos személyi sérülések elkerülése érdekében vegye ki az akkumulátoregységet a láncfűrészről ellenőrzés, tisztítás vagy karbantartás alatt. Az akkumulátorral működtetett szerszám mindig be van kapcsolva, ha az akkumulátor be van helyezve, és bármikor elindulhat véletlenszerűen.

**▲ FIGYELMEZTETÉS:** A láncfűrész tisztításkor NE merítse vízbe vagy más folyadékba.

**▲ FIGYELMEZTETÉS:** Fékolaj, üzemanyag, petróleum alapú termékek, behatoló olajok stb. soha ne érintkezzenek a műanyag alkatrészekkel. A vegyszerek megrongálhatják, gyengíthetik vagy megsemmisíthetik a műanyagot, ami súlyos személyi sérülést okozhat.

### TISZTÍTÁS

- Minden használat után tisztítsa le a szennyeződést a láncról és a láncvezetőről egy puha kefével. Törölje le a láncfűrész felületét egy tiszta, kímélő szappanos oldattal megnedvesített ruhával.
- Vegye le az oldalsó burkolatot, majd egy puha kefével távolítsa el a szennyeződéseket a láncvezetőről, fűrészláncról, a lánckerékről és az oldalsó burkolatról.
- Mindig tisztítsa le a faforgácsokat, fűrészport és szennyeződést a láncvezető burkolatról, amikor kicseréli a fűrészláncot.

### A LÁNCVEZETŐ KARBANTARTÁSA

Ha a láncvezető kopás jeleit mutatja, akkor szerelje le a láncfűrész fejről, és a visszaszereléshez fordítsa meg (U1 ábra). Ebben az esetben a láncvezető kopása megoszlik a maximális élettartam érdekében.

A láncvezetőt minden nap meg kell tisztítani, és ellenőrizni kell sérülések és kopás szempontjából. A láncvezető homyok élezése és csiszolása normál folyamat a láncvezető kopása esetén. Az ilyen hibákat akkor kell lecsiszolni egy reszelővel, amikor jelentkeznek. A láncvezetőt a következő hibák esetén ki kell cserélni.

- Kopás a láncvezető síneken, ami lehetővé teszi, hogy a lánc az oldalára fekdődjön.
- Elgömbült láncvezető.
- Megrepedt vagy törött sínek.
- Szétnyílt sínek.

Ezenkívül a láncvezető végén egy lánckerékkel is rendelkezik (U2 ábra). A lánckeréket hetente be kell kenni zsírral fecskendővel a láncvezető élettartamának meghosszabbítása érdekében. Használjon zsírral fecskendőket, amikor hetente bekenni láncolajjal az olajozó nyíláson keresztül (U3 ábra). Fordítsa át a láncvezetőt, és ellenőrizze, hogy az olajozó nyílások és a láncvezető szennyezettek-e.

U2-1	Lánckerék a láncvezető hegyben
U2-2	Olajozó nyílás

### SZÁLLÍTÁS ÉS TÁROLÁS

- Működés közben ne szállítsa a láncfűrész. Tárolás vagy szállítás előtt mindig vegye ki az akkumulátoregységet.
- Mindig helyezze a láncvezető tokot a láncvezetőre, mielőtt elteszi vagy szállítja a láncfűrész. Legyen elővigyázatos, ne érjen a lánc éles fogaihoz.
- Tárolás előtt alaposan tisztítsa meg a láncfűrész. A láncfűrész beltéren, olyan száraz helyen tárolja, amely le van zárva, és/vagy amelyhez gyermekek nem tudnak hozzáférni.
- Tartsa távol maró hatású szerekől, például kerti vegyszerektől, és jégmentesítő sótól.

### Környezetvédelem



WEEE (Elektromos és elektronikus berendezések hulladékai) Ne dobja az elektromos felszerelést, az elhasznált akkumulátort és a töltőt a háztartási hulladékok közé! Vigye hivatalos újrahasznosító telephelyre, és tegye hozzáférhetővé a szelektív gyűjtéshez. Az elektromos szerszámokat környezetbarát újrahasznosító üzembe kell vinni.

HU

## HIBAELHÁRÍTÁS

**▲ FIGYELMEZTETÉS:** Mindig védje a kezét védőkesztyűvel, amikor karbantartást végez a fűrészláncon. Mindig vegye ki az akkumulátoregységet a láncfűrész szervizelése vagy szállítása közben.

PROBLÉMA	OK	MEGOLDÁS
A motor nem indul el.	<ul style="list-style-type: none"> <li>■ Az akkumulátoregység nincs csatlakoztatva a láncfűrészhez.</li> <li>■ Nincs elektromos kapcsolat a láncfűrész és az akkumulátor között.</li> <li>■ Az akkumulátoregység lemerült.</li> <li>■ Az akkumulátoregység vagy láncfűrész túl forró.</li> <li>■ A láncfék be van kapcsolva.</li> <li>■ Szennyeződés van a láncvezetőn.</li> <li>■ Szennyeződés van az oldalsó burkolaton.</li> </ul>	<ul style="list-style-type: none"> <li>■ Csatlakoztassa az akkumulátoregységet a láncfűrészhez.</li> <li>■ Vegye ki az akkumulátoregységet, ellenőrizze a csatlakozásokat, és helyezze vissza az akkumulátoregységet.</li> <li>■ Töltse fel az akkumulátoregységet.</li> <li>■ Hagyja lehűlni az akkumulátoregységet vagy a láncfűrész 67°C alatti hőmérsékletre.</li> <li>■ Húzza hátrafelé a visszarúgás elleni fékfogantyút az első fogantyú felé, hogy működési helyzetbe kerüljön.</li> <li>■ Nyomja rá a fűrészláncot a fára, mozgassa a láncfűrész előre és hátra, hogy megszabadítsa a szennyeződéstől.</li> <li>■ Vegye ki az akkumulátoregységet, majd vegye le az oldalsó burkolatot, és tisztítsa meg a szennyeződéstől.</li> </ul>
A láncfűrész munka közben leáll.	<ul style="list-style-type: none"> <li>■ A láncfűrész túlterhelt.</li> <li>■ Az akkumulátoregység vagy láncfűrész túl forró.</li> <li>■ A fűrészlánc beakadt a fába.</li> </ul>	<ul style="list-style-type: none"> <li>■ Csökkentse a terhelést.</li> <li>■ Csökkentse a terhelést. Hagyja lehűlni az akkumulátoregységet vagy a láncfűrész 67°C alatti hőmérsékletre.</li> <li>■ Engedje el az állítható sebességszabályozó kapcsolót; vegye ki a fűrészláncot és a láncvezetőt a fából, majd indítsa újra a láncfűrész.</li> </ul>
A motor jár, de a lánc nem forog.	<ul style="list-style-type: none"> <li>■ A lánc nem illeszkedik a lánckerékre.</li> </ul>	<ul style="list-style-type: none"> <li>■ Tegye vissza a láncot, és győződjön meg róla, hogy a lánc lánchajtó szemei teljesen felfekszenek-e a lánckeréken.</li> </ul>
A láncfék nem kapcsolódik be.	<ul style="list-style-type: none"> <li>■ A szennyeződés megakadályozza a visszarúgás elleni fékfogantyú teljes mozgását.</li> <li>■ A láncfék esetleg meghibásodott.</li> </ul>	<ul style="list-style-type: none"> <li>■ Tisztítsa meg a szennyeződésektől a külső láncfék mechanizmust.</li> <li>■ A javításhoz forduljon az EGO ügyfélszolgálatához.</li> </ul>

HU

PROBLÉMA	OK	MEGOLDÁS
A láncfűrész nem megfelelően vág.	<ul style="list-style-type: none"> <li>■ Nem megfelelő láncfeszesség.</li> <li>■ Tompa a lánc.</li> <li>■ A lánc fordítva van felszerelve.</li> <li>■ Elkopott a lánc.</li> <li>■ Száraz vagy túlságosan megnyúlt a lánc.</li> <li>■ A lánc nincs a láncvezetőn.</li> </ul>	<ul style="list-style-type: none"> <li>■ Állítsa be a láncfeszességet a következő fejezet szerint: <b>„A LÁNC FESZESSÉG BEÁLLÍTÁSA”</b>.</li> <li>■ Élezze meg a láncot.</li> <li>■ Helyezze vissza a fűrészláncot a <b>„LÁNCVEZETŐ ÉS LÁNC CSERÉJE”</b> fejezetben leírt módon.</li> <li>■ Helyezze vissza a láncot a következő fejezet szerint: <b>„A LÁNCVEZETŐ ÉS A LÁNC ÖSSZESZERELÉSE/CSERÉJE”</b></li> <li>■ Ellenőrizze az olajsintet. Töltse fel az olajtartályt, ha szükséges.</li> <li>■ Helyezze vissza a fűrészláncot a következő fejezet szerint: <b>„A LÁNCVEZETŐ ÉS A LÁNC ÖSSZESZERELÉSE/CSERÉJE”</b></li> </ul>
A lánc a normál használat során meglazul vagy leesik a láncvezetőről.	<ul style="list-style-type: none"> <li>■ Normál fűrészelés közben a lánc a hőmérsékletnövekedés hatására meglazul.</li> <li>■ A lánc nem illeszkedik a lánckerékre.</li> </ul>	<ul style="list-style-type: none"> <li>■ A lánc feszességének beállításához lásd a <b>„LÁNC FESZESSÉGÉNEK BEÁLLÍTÁSA”</b> c. fejezetet.</li> <li>■ Helyezze vissza a fűrészláncot a következő fejezet szerint: <b>„A LÁNCVEZETŐ ÉS A LÁNC ÖSSZESZERELÉSE/CSERÉJE”</b></li> </ul>

## GARANCIA

### EGO GARANCIÁLIS FELTÉTELEK

Kérjük, látogasson el az [egopowerplus.eu](http://egopowerplus.eu) oldalra, ahol megtalálja a részletes EGO garanciális feltételeket.

HU

## CITIȚI TOATE INSTRUCȚIUNILE!



CITIȚI MANUALUL DE INSTRUCȚIUNI

**⚠️ Riscuri reziduale!** Persoanele cu dispozitive electronice precum stimulatoare cardiace ar trebui să se consulte cu medicul (medicii) înainte de a utiliza acest produs. Funcționarea echipamentelor electrice în imediata apropiere a unui stimulator cardiac ar putea provoca interferențe sau defecțiuni ale stimulatorului cardiac.

## SIMBOL DEEE

Scopul simbolurilor privind siguranța este să vă atragă atenția asupra pericolelor posibile. Simbolurile privind siguranța și explicațiile furnizate cu acestea merită atenția și înțelegerea dumneavoastră. Avertizarea simbolurilor nu elimină, prin ele însele, niciun pericol. Instrucțiunile și avertizarea pe care le oferă acestea nu pot înlocui măsurile adecvate de prevenire a accidentelor.

**⚠️ AVERTISMENT:** Asigurați-vă că ați citit și înțelegiți toate instrucțiunile privind siguranța din acest Manual de utilizare, inclusiv toate simbolurile de alertă privind siguranța precum "PERICOL", "AVERTIZARE" și "ATENȚIE" înainte de a utiliza această sculă. Nerespectarea tuturor instrucțiunilor enumerate mai jos poate duce la electrocutare, incendiu și/sau vătămări corporale grave.

## SEMNIFICAȚIA SIMBOLURILOR

Această pagină descrie simbolurile de siguranță ce pot apărea pe acest produs. Citiți, înțelegiți și respectați toate instrucțiunile de pe mașină înainte de a o asambla și de a o utiliza.

## SIMBOLURI PRIVIND SIGURANȚA



Alertă privind siguranța



Citiți și înțelegiți manualul de instrucțiuni



Purtați echipament de protecție oculară



Purtați echipament de protecție auditivă



Purtați echipament de protecție a capului



Purtați mănuși de protecție



Aveți grijă la reculul ferăstrău cu lanț și evitați contactul cu vârful barei.



Recul vârf șină de ghidare



Folosiți întotdeauna ferăstrăul cu lanț cu două mâini



A nu se expune la ploaie



Informația privind șina de ghidare



Nivel de putere acustică garantat



DEEE



Acest produs este în conformitate cu legislația aplicabilă din Marea Britanie.

RO

**CE** Acest produs este în conformitate cu directivele europene aplicabile.

V Volt

Hz Hertz

min Minute

... /min Pe minut

Curent continuu

A Amperi

W Watt

$n_0$  Turație de mers în gol

## SPECIFICAȚII

Tensiune	56 V
Lungime șină de ghidare	400 mm (CS1610E)
	350 mm (CS1410E)
Pasul lanțului	3/8" (9,5 mm)
Adâncime dinte lanț	1.1 mm
Viteza lanțului	20 m/s
Tip de lanț de ferăstrău	CS1610E AC1600/AC1601 (Recomandat) AC1400/AC1401 (Compatibil)
	CS1410E AC1600/AC1601 (Recomandat) AC1400/AC1401 (Compatibil)
Tip șină de ghidare	CS1610E AG1600/AG1601 (Recomandat) AG1400/AG1401 (Compatibil)
	CS1410E AG1600/AG1601 (Recomandat) AG1400/AG1401 (Compatibil)
Capacitate rezervor de ulei de lanț	150 ml
Temperatură de funcționare	-15°C–40°C
Temperatură de depozitare	-20°C–70°C
Greutate neta (fără set de acumulatori, teacă de lanț)	3,9 kg (CS1610E) 3,8 kg (CS1410E)
Nivel de putere sonoră măsurată $L_{WA}$	102.25 dB(A) K=1.4 dB(A)

Nivel de presiune acustică la urechea operatorului $L_{PA}$	91.25 dB(A) K=2.5 dB(A)	
Nivel de putere sonoră garantată $L_{WA}$ (conform directivei 2000/14/CE)	103 dB(A)	
Vibrații $a_h$	Mâner frontal	3.377 m/s <sup>2</sup> K=1.5 m/s <sup>2</sup>
	Mâner posterior	2.823 m/s <sup>2</sup> K=1.5 m/s <sup>2</sup>

- Valoarea totală declarată a vibrațiilor a fost măsurată în conformitate cu o metodă standard de testare și poate fi utilizată pentru compararea sculelor între ele;
- Valoarea totală declarată poate fi utilizată în evaluarea preliminară a expunerii.

**OBSERVAȚIE:** Vibrațiile emise în timpul utilizării efective a sculei electrice pot diferi față de valoarea celor declarate pentru scula utilizată; Pentru protejarea operatorului, utilizatorul trebuie să poarte mănuși și protecții auditive în timpul utilizării efective a produsului.

**RO**

## LISTA COMPONENTELOR (FIG. A1)

### DESCRIERE

#### DESCRIEREA FERĂSTRĂULUI DUMNEAVOASTRĂ CU LANȚ (Fig. A1)

1. Întrerupător declanșator cu selector de viteză
2. Mâner posterior
3. Buton de blocare
4. Mâner frontal
5. Mâner frână de recul lanț
6. Lanț de ferăstrău
7. Șină de ghidare
8. Capac rezervor de ulei
9. Hublou de vizualizare ulei

10. Contacte electrice
11. Buton de detașare a acumulatorului
12. Buton de ajustare a tensionării lanțului
13. Capac lateral
14. Buton capac lateral
15. Teacă pentru lanț

## ASAMBLARE

### ASAMBLAREA/ÎNLOCUIREA ȘINEI DE GHIDARE ȘI A LANȚULUI

**⚠️ AVERTISMENT:** Reglați mânerul frânei de la lanțul de recul în poziția de frânare, înainte de asamblare.

1. Poziționați blocul motor al ferăstrăului cu lanț pe o parte cu capacul lateral îndreptat în sus (Fig. B).
2. Rotiți butonul capacului lateral în sens invers acelor de ceas pentru a îndepărta capacul lateral, după care slăbiți, cât de mult posibil, roțița de tensionare a lanțului.
3. Așezați noul lanț de ferăstrău într-o buclă pe o suprafață dreaptă și îndreptați orice răsuciri (Fig. C).
4. Amplasați verigile conductoare ale lanțului pe canelura șinei de ghidare și așezați lanțul pe șină, de-a lungul ei (Fig. D).
5. Mențineți lanțul poziționat pe bară și amplasați bucla lanțului în jurul roții dințate.
6. Glisați fanta șinei de ghidare peste flanșele de aliniere până când știftul de reglare a tensiunii intră în orificiul inferior de pe coada șinei (Fig. E1).

**OBSERVAȚIE:** Mici săgeți direcționale sunt gravate pe lanțul ferăstrăului. O altă săgeată direcțională apare în relief pe carcasă. Când așezați bucla lanțului pe roata dințată, asigurați-vă că direcția săgeților de pe lanțul ferăstrăului corespunde cu direcția săgeții de pe carcasă. Dacă acestea sunt direcționate în sensuri opuse, răsuciți ansamblul lanț de ferăstrău și șina de ghidare (Fig. E2).

7. Repuneți capacul lateral la loc și strângeți ușor butonul capacului lateral.
8. Ridicați vârful șinei în sus, pentru a verifica dacă lanțul atârnă (Fig. F). Eliberați vârful șinei de ghidare și rotiți butonul de reglare a tensiunii lanțului în sens orar. Repetați acest proces până când detensionarea este eliminată.
9. Strângeți bine butonul capacului lateral pentru a vă asigura că lanțul ferăstrăului este tensionat corect înainte de utilizare.

D-1	Verigi de transmisie lanț	E-2	Știft de reglare a tensiunii
D-2	Canelură șină de ghidare	E-3	Fantă șină de ghidare

E-1	Aliniere flanșă	E-4	Roată de lanț
-----	-----------------	-----	---------------

**OBSERVAȚIE:** Pentru a prelungi durata de viață a șinei de ghidare, din când în când inversați șina.

**OBSERVAȚIE:** Dacă lanțul este prea strâns, nu se va roti. Slăbiți ușor butonul capacului lateral și rotiți butonul de reglare a tensionării lanțului o dată în sens invers acelor de ceasornic. Ridicați vârful șinei de ghidare în sus și strângeți bine butonul capacului lateral. Asigurați-vă că lanțul se rotește fără dificultăți.

### REGLAREA TENSIONĂRII LANȚULUI

- Înainte de a regla tensiunea lanțului, opriți motorul și îndepărtați setul de acumulatori. Asigurați-vă că butonul capacului lateral este slăbit. Rotiți butonul de reglare a tensiunii lanțului în sensul acelor de ceas pentru a tensiona lanțul. Consultați capitolul: „ASAMBLARE/ÎNLOCUIREA ȘINEI ȘI LANȚULUI” pentru informații suplimentare.
- Un lanț rece este tensionat corect când nu atârnă în partea inferioară a șinei de ghidare, iar lanțul este tensionat, dar poate fi deplasat cu mâna fără să se întepenească. Lanțul trebuie retensionat de fiecare dată când plăcuțele de pe verigile de transmisie nu stau așezate în canelura șinei.
- În timpul operației de tăiere, temperatura lanțului va crește. Verigile de transmisie a unui lanț cald tensionat corect vor atârna la aproximativ 1,3mm în afara canelurii șinei (Fig. G).

**OBSERVAȚIE:** Lanțurile noi au tendința să se întindă; verificați frecvent tensiunea lanțului și tensionați în funcție de cum este nevoie.

**OBSERVAȚIE:** Un lanț tensionat cât timp este cald poate fi prea tensionat când este răcit. Verificați tensiunea la rece înaintea următoarei utilizări.

### FUNCȚIONARE

**⚠️ AVERTISMENT:** Nu permiteți ca familiarizarea cu acest produs să vă determine să fiți neatent. Amintiți-vă că o fracțiune de secundă de neatenție este suficientă pentru a provoca vătămări grave.

**⚠️ AVERTISMENT:** Nu utilizați nicio componentă sau accesoriu care nu a fost recomandat de producătorul acestui produs. Utilizarea de accesorii nerecomandate se poate solda cu vătămări grave.

**⚠️ AVERTISMENT:** Pentru a preveni pomirea accidentală care ar putea cauza vătămări personale grave, întotdeauna scoateți setul de acumulatori din sculă când asamblați componente, efectuați reglaje sau când produsul nu este utilizat.



Înainte de fiecare utilizări, inspectați întregul produs pentru depistarea defectelor, componentelor lipsă sau slăbite precum șuruburi, piulițe, bolțuri, capace etc. Strângeți bine toate elementele de prindere și capacele și nu utilizați acest produs dacă piesele lipsă sau defecte nu sunt înlocuite.

## APLICAȚII

Puteți utiliza acest produs pentru doborârea simplă a copacilor, tăierea crengilor, curățarea copacilor și decuparea cherestelei și a copacilor.

## UMPLEREA CU LUBRICANT DE ȘINĂ ȘI DE LANȚ

**⚠️ AVERTISMENT:** Nu fumați și nu aduceți în apropiere uleiului sau a ferăstrăului cu lanț surse de foc sau flăcări. Uleiul se poate deversa și cauza un incendiu.

**OBSERVAȚIE:** În momentul cumpărării, ferăstrăul cu lanț nu este umplut cu ulei. Este esențial să umpleți rezervorul cu ulei înainte de utilizare. Lanțul este uns automat cu ulei de lanț în timpul funcționării.

1. Poziționați ferăstrăul cu lanț pe o parte cu capacul rezervorului de ulei îndreptat în sus.
2. Curățați capacul rezervorului de ulei și zona din jurul acestuia pentru a vă asigura că nu cade murdărie în rezervorul de ulei.
3. Poziționați lateral ferăstrăul cu lanț pe o laterală pe o suprafață fermă și plană, astfel încât capacul rezervorului să fie orientat în sus. Ridicați placa semicirculară și rotiți capacul rezervorului de ulei în sens invers acelor de ceasornic pentru al scoate (Fig. H).
4. Se toarnă cu atenție ulei pentru șina și lanț în rezervor. Completați până la linia MAX.
5. Ștergeți uleiul în exces și repuneți capacul la loc.

**OBSERVAȚIE:** Verificați frecvent nivelul uleiului și umpleți-l atunci când nivelul uleiului scade sub linia minimă. Nu acționați niciodată ferăstrăul cu lanț dacă uleiul nu este vizibil.

## ATAȘAREA/DETAȘAREA SETULUI DE ACUMULATORI Încărcați acumulatorul complet înainte de prima utilizare.

Utilizați numai seturile de acumulatori și încărcătorii din fig. A2.

### Pentru atașare (Fig. I)

Aliniați nervurile bateriei cu sloturile de montare și glesați acumulatorul în sculă până când se fixează cu un sunet în poziție.

### Pentru detașare (Fig. J)

Apăsăți butonul de detașare al setului de acumulatori și scoateți setul de acumulatori.

## PORNIREA/OPRIREA FERĂSTRĂULUI CU LANȚ

**OBSERVAȚIE:** Înainte de pune în funcțiune ferăstrăul cu lanț, verificați nivelul uleiului, gradul de ascuțire al dinților de tăiere și asigurați-vă că mânerul frânei de recul funcționează corect. Pe lângă acestea, o poziționare echilibrată și o distanțare corectă de sol sunt necesare.

### Pornirea

1. Trageți mânerul frânei de recul a lanțului înspre mânerul frontal în poziția de funcționare (Fig. K).
2. Apucați cu fermitate mânerul frontal și cel posterior, cu ambele mâini.
3. Apăsăți și țineți apăsat butonul de blocare cu degetul mare al mâinii drepte, apoi strângeți comutatorul de declanșare cu viteză variabilă cu degetele mâinii drepte pentru a porni ferăstrăul (Fig. L).
4. Eliberați butonul de siguranță și strângeți în continuare trăgaciul pentru funcționare continuă.

**⚠️ AVERTISMENT:** Nu încercați să porniți ferăstrăul când lanțul ferăstrăului este într-o tăietură.

### Oprirea

1. Eliberați declanșatorul cu viteză variabilă pentru a opri ferăstrăul cu lanț.
2. Împingeți mânerul frânei de recul a lanțului înspre înainte înspre poziția de frânare pentru activarea frânei de lanț (Fig. K).

**⚠️ AVERTISMENT:** Întotdeauna scoateți setul de acumulatori din ferăstrău în timpul pauzelor de lucru și după terminarea lucrării.

### Apucarea corectă a mânerelor (Fig. M)

- Purtați mănuși antiderapante pentru aderență maximă și protecție.
- Cu ferăstrăul așezat pe o suprafață fermă, dreaptă, apucați ferăstrăul cu ambele mâini.
- Întotdeauna apucați mânerul frontal cu mâna stângă și mânerul posterior cu mâna dreaptă.
- Degetele trebuie să cuprindă mânerul, cu degetul mare înfășurat sub mânerul frontal

**⚠️ AVERTISMENT:** Nu utilizați niciodată o poziție stângace (cu brațele încrucișate) sau orice altă poziție care v-ar poziționa corpul sau brațul peste linia lanțului (Fig. N).

### Poziție corectă de tăiere (Fig. O)

- Ambele picioare trebuie poziționate stabil pe teren ferm, cu greutatea distribuită uniform între ele.
- Brațul stâng trebuie să fie drept, cu cotul blocat. Această poziție ajută la suportarea forțelor generate de recul.
- Corpul dumneavoastră trebuie întotdeauna poziționat în stânga lanțului.

## INSTRUCIUNI PRIVIND TEHNICILE CORECTE DE DOBORÂRE BAZICĂ A COPACILOR, DE CURĂȚARE A CRENGILOR ȘI DE TĂIERE A BUȘTENILOR

**⚠️ AVERTISMENT:** Asigurați-vă întotdeauna că aveți o poziție stabilă și țineți ferăstrăul cu fermitate cu ambele mâini în timp ce motorul funcționează.

**⚠️ AVERTISMENT:** Când ferăstrăul este oprit datorită blocării în timpul tăierii, eliberați trăgaciul declanșator; scoateți lanțul și șina de ghidare din lemn, după care reporniți ferăstrăul.

**⚠️ AVERTISMENT:** Nu scoateți lanțul cu mâinile când acesta este acoperit de rumeguș. Pot rezulta răni grave în cazul pornirii accidentale a ferăstrăului. Apăsați din nou ferăstrăul pe lemn, deplasați ferăstrăul cu lanț înainte și înapoi pentru îndepărtarea reziduurilor. Întotdeauna îndepărtați setul de acumulatori înainte de a curăța scula. Purtați mănuși de protecție super rezistente când manipulați lanțul ferăstrăului.

**⚠️ AVERTISMENT:** Nu porniți niciodată ferăstrăul când acesta este în contact cu lemnul. Întotdeauna așteptați ca ferăstrăul să atingă viteza maximă de funcționare înainte de a-l pune în contact cu lemnul.

### DOBORÂREA UNUI COPAC

- Când operațiile de tăiere în bușteni și doborâre sunt executate de două sau mai multe persoane în același timp, operațiunile de doborâre ar trebui separate de cele de tăiere la o distanță de cel puțin dublă față de înălțimea copacului doborât. Copacii nu trebuie doborâți într-un mod care ar putea pune în pericol o altă persoană, doborî o linie de curent sau cauza pagube materiale. În cazul contactului unui copac cu vreo linie utilitară, furnizorul de utilități trebuie avertizat imediat.
- Operatorul ferăstrăului cu lanț trebuie să stea în partea superioară a pantei, întrucât copacul se poate rostogoli sau să alunece după ce este doborât.
- Trebuie planificat și curățat de obstacole un traseu de degajare după cum este necesar, înainte de a începe tăierea. Calea de evacuare ar trebui să se extindă înapoi și în diagonală spre spatele liniei de cădere așteptate, așa cum se arată în Fig. P.

P-1	Direcție de doborâre
P-2	Calea retragerii în siguranță

- Înainte de a începe tăierea, țineți seama de înclinarea naturală a copacului, de amplasamentul crengilor mai mari și de direcția vântului pentru a aprecia direcția de cădere a copacului.

- Îndepărtați murdăria, pietrele, coaja de copac dezlipită, cuiele, capselle și sârmele de pe copac.

### Efectuarea unei creștături

Efectuați creștătura la 1/3 din diametrul copacului, perpendiculară pe direcția de cădere precum în ilustrația din Fig. Q. Efectuați mai întâi o creștătură orizontală joasă. Creștătura va ajuta la prevenirea prinderii fie a lanțului, fie a șinei de ghidare când a două creștătură este executată.

Q-1	Direcția căderii
Q-2	Creștătură
Q-3	Tăietură de doborâre
Q-4	Muchia de basculare

### Tăietură de doborâre

- Efectuați tăierea din spate cu cel puțin 50 mm mai mare decât tăierea orizontală, așa cum se arată în figura Q. Păstrați tăietura dorsală paralelă cu creștătura orizontală. Efectuați tăietura dorsală astfel încât să rămână suficient de mult lemn care să acționeze ca muchie pentru basculare. Muchia de basculare va împiedica rotirea și căderea copacului în direcția greșită. Nu secționați complet muchia.
- Pe măsură ce tăietura se apropie de muchia lăsată pentru basculare, copacul ar trebui să înceapă să cadă. În cazul în care există și cea mai mică posibilitate ca arborele să nu cadă în direcția dorită sau să se balanseze și să prindă lanțul, opriți tăierea înainte de secționarea completă și utilizați pene de lemn, plastic sau aluminiu pentru a mări tăietura și a face copacul să cadă în direcția dorită.
- Când copacul începe să cadă, scoateți ferăstrăul cu lanț din tăietură, opriți motorul, așezați produsul pe jos și luați-o pe traseul de degajare plănuit. Atenție! La crengile de deasupra ce pot să cadă și la unde pașiți.

### Tăierea crengilor unui copac doborât

Tăierea crengilor unui copac doborât reprezintă îndepărtarea ramurilor acestuia. Când efectuați această operație, lăsați crengile mai mari inferioare să sprijine copacul de sol. Îndepărtați crengile mici dintr-o singură tăietură precum în Fig. R. Ramurile aflate sub tensiune trebuie tăiate de jos în sus pentru a evita îndoirea ferăstrăului cu lanț.

### Tăierea în bușteni

- Tăierea în bușteni reprezintă secționarea copacului în lungimi stabile. Este important să vă asigurați că picioarele sunt amplasate stabil și că greutatea corpului dumneavoastră este distribuită egal pe ambele

picioare. Când este posibil, bușteanul trebuie ridicat și sprijinit cu ajutorul crengilor, a buștenilor sau a unor bucăți de lemn. Urmați aceste instrucțiuni simple pentru secționarea cât mai ușoară.

- Când bușteanul este sprijinit pe întreaga lungime precum în Fig. S1, acesta trebuie secționat începând de sus (tăiere pe sus).
- Când bușteanul este sprijinit la un capăt, precum este ilustrat în Fig. S2, tăiați 1/3 din diametru pe dedesubt (tăiere pe sub). Apoi efectuați tăietura finală pe deasupra pentru a întâlni prima tăietură.
- Când bușteanul este sprijinit la ambele capete, precum în Fig. S3, tăiați 1/3 din diametru dinspre partea de sus a bușteanului (tăietura peste). Apoi efectuați tăietura finală pe dedesubt la 2/3 pentru a întâlni prima tăietură.
- Când tăiați un buștean pe o pantă, stați întotdeauna mai sus de buștean, așa cum este ilustrat în Fig. T
- Când tăiați complet bușteanul, pentru a menține controlul integral, reduceți presiunea de tăiere aproape de sfârșitul tăieturii, fără a relaxa mâinile care sunt pe mânerul ferăstrăului. Nu lăsați lanțul să intre în contact cu solul. După terminarea tăierii, așteptați ca lanțul ferăstrăului să se oprească înainte de a deplasa ferăstrăul. Întotdeauna opriți motorul înainte de a vă deplasa de la un copac la altul.

## ÎNȚREȚINERE

**⚠️ AVERTISMENT:** La depanare, utilizați numai piese de schimb identice. Utilizarea oricăror altor piese poate crea un pericol sau poate produce o deteriorare.

**⚠️ AVERTISMENT:** Pentru evitarea rănilor personale grave, îndepărtați întotdeauna setul de acumulatori din sculă, înainte de a inspecta, efectuați curățarea sau orice operație de întreținere. O sculă alimentată cu set de acumulatori instalat este întotdeauna pornită și poate demara accidental.

**⚠️ AVERTISMENT:** Când curățați ferăstrăul, NU îl scufundați în apă sau în oricare alt lichid.

**⚠️ AVERTISMENT:** Nu permiteți niciodată lichidelor de frână, benzinei, produselor petroliere, uleiurilor penetrante etc. să intre în contact cu piese din plastic. Substanțele chimice pot deteriora, pot slăbi sau pot distruge plasticul, ceea ce se poate solda cu vătămări grave.

## CURĂȚARE

- După fiecare utilizare, îndepărtați reziduurile de pe lanț și de pe șina de ghidare cu ajutorul unei perii moi. Ștergeți suprafața ferăstrăului cu o cârpă curată, umezită cu o soluție ce conține un detergent slab.

- Îndepărtați capacul lateral, după care utilizați o perie moale pentru îndepărtarea reziduurilor de pe șina de ghidare, lanț, roată dințată și capac lateral.
- Întotdeauna îndepărtați așchiile, rumegușul și murdăria de pe canelura șinei de ghidare când înlocuiți lanțul ferăstrăului.

## ÎNȚREȚINEREA ȘINEI DE GHIDARE

Când șina de ghidare prezintă semne de uzură, dezamblați-o de la capul de forță al ferăstrăului cu lanț și inversați-o pentru reasamblare (Fig. U1). În acest fel uzura va fi distribuită pentru a maximiza durata de viață a șinei de ghidare.

Șina de ghidare trebuie curățată în fiecare zi de utilizare și verificată pentru depistarea uzurii. Așchiera sau bavurarea șinelor face parte din procesul normal de uzură al șinei. Astfel de defecte pot fi netezite cu o pilă imediat după ce au loc. O șină cu următoarele defecte trebuie înlocuită.

- Uzură în interiorul șinelor ce permite lanțului să stea în lateralul șinei.
- Șină de ghidare îndoită.
- Șine crăpate sau sparte.
- Șine întinse.

Suplimentar, șina de ghidare este echipată în vârf cu o roată dințată (Fig. U2). Roata dințată trebuie unsă săptămânal cu o siringă cu grăsime pentru a prelungi durata de viață a șinei. Utilizați o siringă pentru a unge zilnic cu ulei de lanț prin orificiile de lubrifiere (Fig. U3). Întoarceți șina de ghidare și asigurați-vă că orificiile de lubrifiere și canelurile lanțului nu sunt acoperite de impurități.

U2-1	Roată de lanț în vârful șinei de ghidare
U2-2	Orificiu de lubrifiere

## TRANSPORTARE ȘI DEPOZITARE

- Nu depozitați sau transportați ferăstrăul cu lanț când acesta este în funcțiune. Întotdeauna îndepărtați setul de acumulatori înainte de a depozita sau transporta scula.
- Întotdeauna plasați teaca de șină pe șina de ghidare și lanț înainte de a depozita sau transporta ferăstrăul. Fiți precaut pentru a evita dinții ascuțiți ai lanțului.
- Curățați bine ferăstrăul înainte de a-l depozita. Depozitați ferăstrăul cu lanț în interior, într-un loc uscat care este închis cu cheia și/sau inaccesibil copiilor.
- Țineți-l la distanță de agenți corozivi, precum substanțele chimice de grădină și sărurile de dezghețare.

RO

## Protejarea mediului înconjurător



DEEE (Deșeuri de echipamente electrice și electronice) - Nu eliminați echipamentul electric, acumulatorul epuizat și încărcătorul de acumulator împreună cu deșeurile menajere! Predați acest produs unui punct de reciclare autorizat și puneți-l la dispoziția colectării separate. Sculele electrice trebuie returnate unui centru de reciclare ecologic.

**KEES VAN DER SPEK**  
TUINMACHINES ★ STOLWIJK

RO

## DEPANARE

**⚠️ AVERTISMENT:** Întotdeauna protejați-vă mâinile purtând mănuși super rezistente când efectuați orice operație de întreținere a ferăstrăului cu lanț. Întotdeauna scoateți setul de acumulatori când efectuați operații de întreținere sau transportați ferăstrăul cu lanț.

PROBLEMĂ	CAUZĂ	SOLUȚIE
Motorul nu pornește.	<ul style="list-style-type: none"> <li>■ Setul de acumulatori nu este atașat la ferăstrăul cu lanț.</li> <li>■ Nu există contact electric între ferăstrău și acumulator.</li> <li>■ Setul de acumulatori este descărcat.</li> <li>■ Setul de acumulatori sau ferăstrăul sunt prea calde.</li> <li>■ Frâna de lanț este activată.</li> <li>■ Reziduuri în canelura șinei.</li> <li>■ Reziduuri în capacul lateral.</li> </ul>	<ul style="list-style-type: none"> <li>■ Atașați setul de acumulatori de ferăstrău.</li> <li>■ Îndepărtați acumulatorul, verificați contactele și reinstalați setul de acumulatori.</li> <li>■ Încărcați setul de acumulatori.</li> <li>■ Lăsați setul de acumulatori sau ferăstrăul cu lanț să se răcească până când temperatura scade sub 67°C.</li> <li>■ Trageți mânerul frânei de recul a lanțului în spate, spre mânerul frontal în poziția de funcționare.</li> <li>■ Apăsați din nou ferăstrăul pe lemn, deplasați ferăstrăul cu lanț înainte și înapoi pentru îndepărtarea reziduurilor.</li> <li>■ Îndepărtați setul de acumulatori, după care detașați capacul lateral și curățați reziduurile.</li> </ul>
Ferăstrăul cu lanț se oprește în timpul funcționării.	<ul style="list-style-type: none"> <li>■ Ferăstrăul cu lanț este suprasolicitat.</li> <li>■ Setul de acumulatori sau ferăstrăul sunt prea calde.</li> <li>■ Lanțul este prins în lemn.</li> </ul>	<ul style="list-style-type: none"> <li>■ Reduceți sarcina.</li> <li>■ Reduceți sarcina. Lăsați setul de acumulatori sau ferăstrăul cu lanț să se răcească până când temperatura scade sub 67°C.</li> <li>■ Eliberați trăgaciul declanșator; scoateți lanțul și șina de ghidare din lemn, după care reporniți ferăstrăul cu lanț.</li> </ul>
Motorul funcționează, dar lanțul nu se rotește.	<ul style="list-style-type: none"> <li>■ Lanțul nu anclanșează roata de lanț.</li> </ul>	<ul style="list-style-type: none"> <li>■ Repuneți lanțul la loc, asigurându-vă că verigile de transmisie de pe lanț sunt așezate complet pe pinion.</li> </ul>
Frâna de lanț nu se activează.	<ul style="list-style-type: none"> <li>■ Resturi împiedică mișcarea completă a mânerului frânei de recul a lanțului.</li> <li>■ Este posibil ca frâna de lanț să nu funcționeze corect.</li> </ul>	<ul style="list-style-type: none"> <li>■ Curățați resturile de pe mecanismul extern al frânei lanțului.</li> <li>■ Contactați Serviciul clienți EGO pentru reparații.</li> </ul>

RO

PROBLEMĂ	CAUZĂ	SOLUȚIE
Ferăstrăul cu lanț nu taie corect.	<ul style="list-style-type: none"> <li>■ Tensiune lanț insuficientă.</li> <li>■ Lanț tocit.</li> <li>■ Lanț instalat pe dos.</li> <li>■ Lanț uzat.</li> <li>■ Lanț uscat sau întins excesiv.</li> <li>■ Lanț neinstalat pe canelurile șinei.</li> </ul>	<ul style="list-style-type: none"> <li>■ Reglați tensiunea lanțului, urmând instrucțiunile din capitolul: <b>„REGLAREA TENSIUNII LANȚULUI”</b>.</li> <li>■ Ascuți lanțul.</li> <li>■ Repuneți la loc lanțul de ferăstrău urmând instrucțiunile din capitolul: <b>„ASAMBLAREA/ ÎNLOCUIREA ȘINEI ȘI A LANȚULUI”</b>.</li> <li>■ Înlocuiți lanțul de ferăstrău, urmând instrucțiunile din capitolul: <b>„ASAMBLAREA/ ÎNLOCUIREA ȘINEI DE GHIDARE ȘI A LANȚULUI”</b>.</li> <li>■ Verificați nivelul de ulei. Umpleți rezervorul de ulei dacă este nevoie.</li> <li>■ Repuneți la loc lanțul de ferăstrău urmând instrucțiunile din capitolul: <b>„ASAMBLAREA/ ÎNLOCUIREA ȘINEI DE GHIDARE ȘI A LANȚULUI”</b>.</li> </ul>
Lanțul se desprinde sau cade de pe șina de ghidare în timpul utilizării normale.	<ul style="list-style-type: none"> <li>■ Lanțul se va slăbi pe măsură ce temperatura lanțului crește în timpul funcționării normale a ferăstrăului.</li> <li>■ Lanțul nu anclanșează roata de lanț.</li> </ul>	<ul style="list-style-type: none"> <li>■ Tensionați lanțul, urmând secțiunea <b>„REGLAREA TENSIUNII ÎN LANȚULUI”</b>.</li> <li>■ Repuneți la loc lanțul de ferăstrău urmând instrucțiunile din capitolul: <b>„ASAMBLAREA/ ÎNLOCUIREA ȘINEI DE GHIDARE ȘI A LANȚULUI”</b>.</li> </ul>

**RO**

## GARANȚIE

### POLITICA PRIVIND GARAȚIA EGO

Vă rugăm să consultați site-ul [egopowerplus.eu](http://egopowerplus.eu) pentru termenii și condițiile complete ale politicii privind garanția EGO.

## PREBERITE VSA NAVODILA!



### PREBERITE PRIROČNIK Z NAVODILI ZA UPORABO

**⚠ Tveganje zaradi preostalega toka!** Pred uporabo izdelka se morajo osebe z elektronskimi napravami, kot je srčni spodbujevalnik, posvetovati s svojim zdravnikom. Delovanje električne opreme v bližini srčnega spodbujevalnika lahko povzroči motnje ali okvaro srčnega spodbujevalnika.

## VARNOSTNI SIMBOL

Namen varnostnih simbolov je, da vas opozorijo na morebitne nevarnosti. Bodite pozorni na varnostne simbole in njihova pojasnila ter jih poskušajte razumeti. Opozorilni simboli sami ne odpravljajo nobene nevarnosti. Navodila in opozorila niso nadomestilo za ustrezne ukrepe za preprečevanje nesreč.

**⚠ OPOZORILO:** Pred uporabo tega orodja preberite in razumite vsa varnostna navodila v tem priročniku, vključno z vsemi varnostnimi opozorilnimi simboli, kot so »NEVARNOST«, »OPOZORILO« in »POZOR«. Zaradi neupoštevanja spodaj navedenih navodil lahko pride do električnega udara, požara in/ali resnih telesnih poškodb.

## POMEN SIMBOLA

Na tej strani so prikazani in opisani varnostni simboli, ki se lahko pojavijo na tem izdelku. Preberite in osvojite navodila na napravi ter jih upoštevajte, preden se lotite sestavljanja in upravljanja stroja.

## VARNOSTNI SIMBOLI



Varnostno opozorilo



Uporabniški priročnik morate prebrati in razumeti.



Nosite zaščito za oči



Nosite zaščito za ušesa



Nosite zaščito za glavo



Nosite zaščitne rokavice



Pazite na povratni udarec verižne žage in se izogibajte stiku s konico žage



Povratni udarec konice vodilne palice



Verižno žago vedno uporabljajte z obema rokama



Ne izpostavljajte dežju



Informacije o vodilni palici.



Zajamčena raven zvočnega tlaka.



Odpadna električna in elektronska oprema (OEEO)



Ta izdelek je v skladu z veljavno zakonodajo Združenega kraljestva.

SL



Ta izdelek je skladen z veljavnimi direktivami ES.



Enosmerni tok

V Volt

A Amperi

Hz Hertz

W Watt

min Minute

$n_0$  Hitrost brez obremenitve

... /min Na minuto

## TEHNIČNI PODATKI

Napetost	56 V
Dolžina meča	400 mm (CS1610E)
	350 mm (CS1410E)
Delitev verige	3/8" (9,5 mm)
Širina utora	1,1 mm
Hitrost verige	20 m/s
Vrsta rezalne verige	CS1610E AC1600/AC1601 (priporočljivo) AC1400/AC1401 (združljivo)
	CS1410E AC1600/AC1601 (priporočljivo) AC1400/AC1401 (združljivo)
Vrsta vodila meča	CS1610E AG1600/AG1601 (priporočljivo) AG1400/AG1401 (združljivo)
	CS1410E AG1600/AG1601 (priporočljivo) AG1400/AG1401 (združljivo)
Kapaciteta rezervoarja za olje za verigo	150 ml
Obratovalna temperatura	-15°C–40°C
Temperatura za shranjevanje	-20°C–70°C
Neto teža (brez baterijskega sklopa, pokrova verige)	3,9 kg (CS1610E) 3,8 kg (CS1410E)
Izmerjena raven zvočne moči $L_{WA}$	102,25 dB(A) K=1,4 dB(A)
Raven zvočnega tlaka v ušesu upravljavca $L_{PA}$	91,25 dB(A) K=2,5 dB(A)

Zajamčena raven zvočnega tlaka $L_{WA}$ (v skladu z 2000/14/ES)	103 dB(A)	
Vibration $a_h$	Sprednji ročaj	3,377 m/s <sup>2</sup> K=1,5 m/s <sup>2</sup>
	Zadnji ročaj	2,823 m/s <sup>2</sup> K=1,5 m/s <sup>2</sup>

■ Nazivna skupna vrednost tresljajev je bila izmerjena v skladu s standardno preskusno metodo in jo je mogoče uporabiti za primerjavo enega orodja z drugim.

■ Nazivno skupno vrednost tresljajev je mogoče uporabiti tudi za predhodno oceno izpostavljenosti.

**OPOMBA:** oddajanje tresljajev med dejansko uporabo električnega orodja se lahko razlikuje od nazivne vrednosti, v kateri se uporablja orodje. Upravljavec se lahko zaščiti tako, da uporablja rokavice in nausnike, primerne dejanskim pogojem uporabe.

SL

## VSEBINA PAKETA (SL A1)

### OPIS

#### SPOZNAJTE SVOJO VERIŽNO ŽAGO (sl. A1)

1. Stikalo za spreminjanje hitrosti
2. Zadnji ročaj
3. Gumb za odklepanje
4. Sprednji ročaj
5. Ročaj zavore verige ob povratnem udarcu
6. Rezalna veriga
7. Vodilna palica
8. Pokrov rezervoarja za olje
9. Okence preverjanje ravni olja
10. Električni kontakti
11. Gumb za sprostitve baterije
12. Gumb za nastavitve napetosti verige



13. Stranski pokrov
14. Gumb stranskega pokrova
15. Pokrov verige

## SESTAVLJANJE

### NAMEŠČANJE/ZAMENJAVA MEČA IN VERIGE

**⚠ OPOZORILO:** Pred sestavljanjem nastavite ročico zavore verige v zavorni položaj.

1. Pogonsko enoto verižne žage namestite na stran tako, da bo stranski pokrov obrnjen navzgor (slika B).
2. Gumb stranskega pokrova zasučite v nasprotni smeri urinega kazalca, da odstranite stranski pokrov, nato pa koliko je mogoče odvijte napenjalni gumb verige.
3. Novo verigo v obliki zanke položite na ravno površino in poravnajte morebitne zgibe (slika C).
4. Povezave pogona verige namestite v utor vodilne palice in na zadnji strani vodilne palice verigo oblikujte v zanko (slika D).
5. Verigo držite v položaju na vodilni palici in zanko namestite okoli zobnika pogonske enote.
6. Režo vodilne palice potisnite preko priročnic za poravnavo, dokler sponka za uravnavanje napetosti ni vstavljena v spodnjo luknjo na zadnjem delu vodilne palice (slika E1).

**OPOMBA:** V verigo so vgrajene majhne smerne puščice. Se ena smerna puščica je vtisnjena tudi v ohišje. Pri nameščanju verige na zobnik poskrbite, da bo smer puščic na verigi skladna s smerjo puščice na ohišju. Če so obrnjene v nasprotni strani, obrnite verigo in sklop meča (slika E2).

7. Ponovno namestite stranski pokrov in rahlo privijte gumb stranskega pokrova.
8. Konico vodilne palice dvignite navzgor, da preverite če je kaj povešena (slika F). Sprostite konico vodilne palice in napenjalni gumb verige zasučite v smeri urinega kazalca. Postopek ponavljajte dokler povešanje ne izgine.
9. Gumb stranskega pokrova dobro privijte in s tem zagotovite, da je veriga pred uporabo primerno napeta.

D-1	Členi gonila	E-2	Sponka za uravnavanje napetosti
D-2	Utor vodilne palice	E-3	Reža vodilne palice
E-1	Priročnica za poravnavo	E-4	Verižnik

**OPOMBA:** Za podaljšanje življenjske dobe vodilne palice jo občasno zasučite.

**OPOMBA:** Če je veriga pretesna, se ne bo obračala. Nekoliko popustite gumb stranskega pokrova in enkrat obrnite gumb za nastavitve napenjanja verige v nasprotni smeri urinega kazalca. Dvignite konico vodila navzgor in ponovno trdno zategnite gumb stranskega pokrova. Zagotovite, da se bo veriga obračala brez ustavljanja.

### PRILAGAJANJE NAPETOSTI VERIGE

- Ustavite motor in odstranite baterijski sklop preden prilagodite napetost verige. Poskrbite, da bo gumb stranskega pokrova odvit. Napenjalni gumb verige obrnite v smeri urinega kazalca da napnete verigo. Glejte razdelek: »PONOVNNA NAMESTITEV VODILNE PALICE IN VERIGE« za dodatne informacije.
- Hladna veriga je pravilno napeta, ko na spodnji strani meča ni ohlapna in se prilega, vendar jo je mogoče obrniti z roko brez zatikanja. Verigo je treba ponovno napeti, kadar ploskve na povezavah pogona niso v utoru vodilne palice.
- Med normalnim delovanjem žage bo temperatura žage narasla. Povezave pogona pravilno napete tople verige bodo iz utora vodilne palice gledale ven približno 1,3 mm (slika G).

**OPOMBA:** Nove verige se rade raztegnejo, zato napetost verige redno preverjajte in jo po potrebi prilagodite.

**OPOMBA:** Če verigo napnete ko je topla, bo morda prekratka ko se ohladi. Pred naslednjo uporabo preverite hladno napetost.

## UPRAVLJANJE

**⚠ OPOZORILO:** Tudi če se dobora seznanite s tem izdelkom, bodite pri ravnanju z njim pazljivi. Upošteвайте, da je samo delček sekunde nepazljivosti dovolj, da pride do hude telesne poškodbe.

**⚠ OPOZORILO:** Ne uporabljate priključkov ali dodatkov, ki jih proizvajalec tega izdelka ne priporoča. Uporaba priključkov ali dodatkov, ki niso priporočeni, lahko povzroči hude telesne poškodbe.

**⚠ OPOZORILO:** za preprečitev nenamernega zagona, ki bi lahko povzročil hudo telesno poškodbo, pri sestavljanju delov, prilagajanju, čiščenju in kadar orodje ni v uporabi, vedno odstranite akumulator.

Pred vsako uporabo celoten izdelek pregledajte za poškodovane, manjkajoče ali zrahljanje dele, kot so vijaki, matice, pokrovi itd. Vsa zapirala in pokrove trdno privijte in izdelka ne uporabljajte dokler ne zamenjate manjkajočih ali poškodovanih delov.

### NAMENI UPORABE

Ta izdelek lahko uporabljate za osnovno podiranje dreves, kleščenje, obrezovanje in sečnjo lesa ter dreves.

SL

## POLNJENJE MAZIVA ZA VODILNO PALICO IN VERIGO

**⚠ OPOZORILO:** Ne kadite in ne uporabljajte ognja ali plamenov v bližini olja ali verižne žage. Olje se lahko razlije in povzroči požar.

**OPOMBA:** Ob nakupu v verižni žagi ni olja. Izjemno pomembno je, da pred uporabo rezervoar napolnite z oljem. Med delovanjem je veriga samodejno namazana z oljem za verigo.

1. Verižno žago namestite na stran tako, da bo pokrov rezervoarja za olje obrnjen proti vam.
2. Očistite pokrov rezervoarja za olje in območje okoli njega, da preprečite vstop umazanije v rezervoar.
3. Verižno žago položite na stran na trdo, ravno površino, tako da je pokrov rezervoarja za olje obrnjen navzgor. Priključek za višinski obrezovalnik položite v navpični položaj in obračajte pokrov rezervoarja za olje v obratni smeri urinega kazalca, da ga odstranite (slika H).
4. Previdno vlijte olje za vodila in verigo v rezervoar. Napolnite do črte označene z MAX.
5. Obrisite odvečno olje in zaprite pokrovček.

**OPOMBA:** Pogosto preverjajte nivo olja in ga napolnite, ko pade pod spodnjo črto. Verižne žage nikoli ne uporabljajte, če olje ni vidno.

## PRIKLJUČITEV/ODKLOP BATERIJSKEGA SKLOPA Pred prvo uporabo baterijo popolnoma napolnite.

Napravo uporabljajte le z akumulatorskimi baterijami in polnilniki, navedenimi na sliki A2.

SL

### Za priključitev (Slika I)

Uskladite rebra baterijskega sklopa z režami za montažo, nato spustite baterijski sklop v etui za akumulator, dokler ne skoči v pravi položaj.

### Za odklapanje (slika J)

Pritisnite gumb za sprostitev baterije in baterijski sklop potegnite ven.

## ZAGON/ZAUSTAVITEV VERIŽNE ŽAGE

**OPOMBA:** Pred zagonom verižne žage preverite nivo olja, ostrost zob verige in pravilno delovanje ročaja zavore verige ob povratnem udarcu. Poleg tega sta potrebni uravnotežena opora in primerna razdalja od tal.

### Zagon

1. Ročaj zavore verige ob povratnem udarcu potegnite proti sprednjemu ročaju v položaj za delovanje (slika K).

2. Sprednji in zadnji ročaj trdno primate z obema rokama.
3. S palcem druge roke pritisnite in pridržite gumb za odklepanje, nato s prsti stisnite vzvod zadnjega stikala za zagon obrezovalnika (slika L).
4. Sprostite gumb za odklepanje in še naprej stiskajte sprožilec za nadaljevanje delovanja.

**⚠ OPOZORILO:** Žage ne poskušajte zagnati, kadar je veriga v rezu.

### Zaustavitev

1. Sprostite sprožilec spreminjanja hitrosti da zaustavite verižno žago.
2. Ročaj zavore verige ob povratnem udarcu potisnite naprej v zavorni položaj da aktivirate zavoro verige (slika K).

**⚠ OPOZORILO:** Med delovnimi odmori in po končanem delu iz verižne žage vedno odstranite baterijski sklop.

### Primeren oprijem na ročajih (slika M)

- Nosite nederseče rokavice za najboljši oprijem in zaščito.
- Z žago na trdni in ravni površini jo trdno držite z obema rokama.
- Sprednji ročaj vedno primate z levo roko, zadnjega pa z desno roko.
- Prsti morajo obkrožiti ročaj, palec pa mora biti ovit pod sprednjim ročajem.

**⚠ OPOZORILO:** Nikoli ne uporabljajte levoročnega prijema (prekrižanih rok) ali položaja, ob katerem bi bila vaše telo ali roka preko linije verige (slika N).

### Pravilen položaj žaganja (slika O)

- Obe stopali morata biti na trdni površini, teža pa mora biti enakomerno razporejena.
- Leva roka mora biti iztegnjena, komolec pa nepremičen. To pomaga pri zoperstavljanju sil, ki jih ustvari povratni udarec.
- Vaše telo mora biti vedno levo od verižne žage.

## NAVODILA GLEDE PRIMERNIH TEHNIK OSNOVNEGA PODIRANJA, KLEŠČENJA IN IZDELAVE PRESEKA

**⚠ OPOZORILO:** Vedno poskrbite, da dobro stojite in da žago trdno držite v rokah, ko motor teče.

**⚠ OPOZORILO:** Ko se je veriga ustavila zaradi stiskanja med žaganjem, sprostite sprožilec stikala, odstranite verigo in vodilo meča iz lesa, nato verižno žago ponovno vključite.

**⚠ OPOZORILO:** Verige ne vlecite z roko, ko je omejena z žagovino. Če se verižna žaga naključno vključi, lahko

pride do resnih poškodb. Verigo pritisnite ob les ter verižno žago premaknite naprej in nazaj, da izpraznite delce. Pred čiščenjem baterijski sklop vedno odstranite. Pri rokovanju z verigo nosite robustne zaščitne rokavice.

**⚠ OPOZORILO:** Če je verižna žaga v stiku z lesom, je nikoli ne vključite. Pred začetkom žaganja vedno dovolite da verižna žaga doseže polno hitrost.

### PODIRANJE DREVES

- Če sta pri krojenju in podiranju dreves udeleženi dve osebi ali več hkrati, je treba podiranje dreves ločiti od krojenja vsaj v dvakratni razdalji višine drevesa, ki se ga podira. Dreves se ne sme podirati na kakršen koli način ki bi ogrožal katero koli osebo, ali tako da bi morda udarila oz. poškodovala daljnovode ali druge lastnine. Če drevo pride v stik z daljnovodom, je treba nemudoma obvestiti podjetje za oskrbo z energijo, ki ima ta daljnovod v lasti.
- Upravljevec mora štati v zgornjem delu terena, saj se bo drevo zvalilo ali zdrsnilo po hribu navzdol potem, ko ga boste podrli.
- Preden začnete z žaganjem, je treba načrtovati in izprazniti pot umika. Pot za pobeg mora biti na voljo v smeri nazaj in diagonalno stran od pričakovane linije padca drevesa, kot je prikazano na sliki P.

P-1	Smer sečnje
P-2	Varnostna pot za umik

- Preden začnete s podiranjem, preučite naraven nagib drevesa, položaj večjih vej in smer vetra ter tako ocenite, v katero smer naj bi drevo padlo.
- Iz drevesa odstranite umazanijo, kamne, ohlapno lubje, žeblice, sponke in žico.

### Izdelava zaseka

Zarezo naredite do 1/3 premera drevesa, pravokotno na smer padca, kot prikazuje slika Q. Najprej ustvarite spodnjo vodoravno zarezo. Tako se boste izognili ukleščanju verige ali meča žage pri ustvarjanju druge zareze.

Q-1	Smer padanja
Q-2	Zareza
Q-3	Rez za podiranje
Q-4	Zgib

### Rez za podiranje

- Zadnjo zarezo za podiranje naredite vsaj 50 mm višje od vodoravnega zaseka, kot je prikazano na sliki Q.

Zadnja zareza naj bo vzporedna spodnji. Zadnjo zarezo naredite tako, da ostane dovolj lesa, ki deluje kot sklep. Sklepni les omogoča, da se drevo ne zasuče in pade v napačno smer. Sklepa na prežagajte.

- Ko se zadnja zareza približuje sklepu, bi drevo moralo začeti padati. Če obstaja možnost, da drevo ne bo padlo v zeleno smer ali se lahko nagne nazaj in uklešči verigo, prenehajte z žaganjem preden je zadnja zareza za podiranje končana in uporabite lesene, plastične ali aluminijaste zagozde, da odprete zarezo in da drevo pade v zeleno smer.
- Ko drevo začne padati, iz zareze odstranite verižno žago, ustavite motor, žago odložite in uporabite načrtovano pot za umik. Pazite na padajoče veje nad vami ter na to, kod stopate.

### Kleščenje drevesa

Kleščenje pomeni odstranjevanje vej s padlega drevesa. Pri kleščenju pustite daljše spodnje veje za podporo debla stran od tal. Manjše veje odstranite z enim rezom, kot je prikazano na sliki R. Veje pod pritiskom morate odžagati od spodnjega dela navzgor, da se izognete upogibanju verižne žage.

### Žaganje debela na hlode

- Krojenje pomeni žaganje debela na krajše kose. Pomembno je, da trdno stojite in da je vaša teža enakomerno razporejena na obe nogi. Če je mogoče, deblo dvignite in ga podprite z vejami, drugimi debli ali zagozdami. Sledite preprostim navodilom za enostavno žaganje.
- Ko je deblo podprto po celotni dolžini, kot prikazuje slika S1, ga odžagajte z zgornje strani.
- Ko je deblo podprto na eni strani, kot prikazuje slika S2, 1/3 premera odžagajte s spodnje strani. Nato rez dokončajte od zgoraj, tako da se reza srečata.
- Ko je deblo podprto na obeh straneh, kot prikazuje slika S3, 1/3 premera odžagajte z zgornje strani. Nato od spodaj zarezite še 2/3, tako da se reza srečata.
- Pri žaganju na pobočju vedno stojite na zgornji strani debela, kot je prikazano na sliki T.
- Pri žaganju »skozi« za ohranitev popolnega nadzora sprostite pritisk žaganja ob koncu reza, vendar ne sprostite prijema na ročajih verižne žage. Pazite, da veriga ne pride v stik s tlemi. Po končanem žaganju počakajte, da se veriga ustavi, šele nato jo premaknite. Ko se pomikate od drevesa do drevesa, vedno ugasnite motor.

SL

### VZDRŽEVANJE

**⚠ OPOZORILO:** Za popravila uporabljajte samo identične nadomestne dele. Uporaba drugih delov je

tvegana in lahko poškoduje izdelek.

**⚠ OPOZORILO:** Da bi se izognili hudim telesnim poškodbam pred pregledom, čiščenjem ali vzdrževanjem iz verižne žage vedno odstranite baterijski sklop. Baterijsko orodje, ki ima nameščen baterijski sklop, je vedno vključeno in se lahko samodejno vključi.

**⚠ OPOZORILO:** Pri čiščenju, verižne žage NE potopite v vodo ali druge tekočine.

**⚠ OPOZORILO:** Zavorna tekočina, gorivo, izdelki na bazi nafte, prodirajoče olje ipd. naj nikoli ne pridejo v stik s plastičnimi deli. Kemikalije lahko plastiko poškodujejo, oslabijo ali uničijo, kar lahko privede do hudih poškodb.

## ČIŠČENJE

- Po vsaki uporabi, z mehko krtačo, z žage in vodilne palice odstranite delce. Površino verižne žage obrišite s čisto in vlažno krpo ter nekaj blage čistilne raztopine.
- Odstranite stranski pokrov, nato z mehko krtačo odstranite delce z vodila vodilne palice, verige, zobnika in stranskega pokrova.
- Pri čiščenju verige vedno očistite delce lesa, žagovino in umazanijo iz utora vodila vodilne palice.

## VZDRŽEVANJE VODILNE PALICE

Če je vodilna palica obrabljena, jo razstavite s pogonske enote verižne žage in jo obrnite ter ponovno sestavite (slika U1). Na ta način se obraba porazdeli tako, da je življenjska doba vodilne palice čim daljša.

SL

Vodilno palico je treba očistiti vsak dan uporabe in preveriti če ima kakršnekoli znake obrabe in poškodb. Na tirnicah meča se lahko pojavijo nitke oziroma igle, kar je normal proces obrabe. Takšne napake je treba zglediti s pilo takoj ko se pojavijo. Vodilno palico s katero izmed naslednjih napak je treba zamenjati.

- Obraba znotraj tirnic vodilne palice, ki dovoljuje verigi da je nameščena preko stranic.
- Zvito vodilo vodilne palice.
- Počene tirnice.
- Razširjene tirnice.

Poleg tega ima vodilna palica zobnik na konici (slika U2). Zobnik je treba tedensko mazati z masljo iz brizgalka da bi podaljšali življenjsko dobo vodilne palice. Za tedensko mazanje z oljem uporabite brizgalko da namažete luknjo za mazanje (slika U3). Vodilo meča obrnite in preverite, da v luknjah za mazanje in utoru verige ni nečistoč.

U2-1	Zobnik v konici vodilne palice
U2-2	Luknja za mazanje

## PREVOZ IN SHRANJEVANJE

- Verižne žage ne prenašajte ali shranjujte kadar je v teku. Pred skladiščenjem ali prevozom vedno odstranite baterijski sklop.
- Na vodilo vodilne palice in verigo pred skladiščenjem ali transportom verižne žage vedno namestite pokrov. Bodite previdni, da se izognete ostrim zobem verige.
- Pred skladiščenjem verižno žago temeljito očistite. Verižno žago skladiščite v notranjem prostoru, ki je zaklenjen in/ali nedostopen otrokom.
- Orodja ne shranjujte v bližini korozivnih sredstev, kot so vrtna kemikalije in soli za topljenje ledu.

## Varovanje okolja



Odpadna električna in elektronska oprema: električne opreme, rabljene baterije in polnilnika ne odvrzite med gospodinske odpadke. Izdelek odnesite v pooblaščen obrat za recikliranje in ga zavržite ločeno. Električna orodja je treba odnesti na obrat za recikliranje in ga reciklirati na okolju prijazen način.

## ODPRAVLJANJE TEŽAV

**⚠ OPOZORILO:** Pri vzdrževanju verige dlani vedno zaščitite tako, da nosite robustne rokavice. Pri servisiranju ali transportu verižne žage vedno odstranite baterijski sklop.

TEŽAVA	VZROK	REŠITEV
Motorja ni mogoče zagnati.	<ul style="list-style-type: none"> <li>■ Baterijski sklop ni pritrjen na verižno žago.</li> <li>■ Med žago in baterijo ni električnega stika.</li> <li>■ Baterijski sklop je izprazen.</li> <li>■ Baterijski sklop ali verižna žaga je prevroča.</li> <li>■ Zavora verige je aktivirana.</li> <li>■ Delci v meču.</li> <li>■ Delci v stranskem pokrovu.</li> </ul>	<ul style="list-style-type: none"> <li>■ Baterijski sklop pritrdite na verižno žago.</li> <li>■ Odstranite baterijo, preverite kontakte in znova namestite baterijo.</li> <li>■ Napolnite baterijski sklop.</li> <li>■ Baterijski sklop ali verižno žago ohladite do temperature, ki je nižja od 67°C.</li> <li>■ Zadnji ročaj zavore verige ob povratnem udarcu potegnite proti sprednjemu ročaju v položaj za delovanje.</li> <li>■ Verigo pritisnite ob les ter verižno žago premaknite naprej in nazaj, da izpraznite delce.</li> <li>■ Odstranite baterijski sklop, nato odstranite stranski pokrov in očistite delce.</li> </ul>
Verižna žaga se ustavi med delom.	<ul style="list-style-type: none"> <li>■ Verižna žaga je preobremenjena.</li> <li>■ Baterijski sklop ali verižna žaga je prevroča.</li> <li>■ Veriga je zataknjena v lesu.</li> </ul>	<ul style="list-style-type: none"> <li>■ Zmanjšajte obremenitev.</li> <li>■ Zmanjšajte obremenitev. Baterijski sklop ali verižno žago ohladite do temperature, ki je nižja od 67°C.</li> <li>■ Sprostite sprožilec stikala, odstranite verigo in vodilo vodilne palice iz lesa, nato verižno žago ponovno vključite.</li> </ul>
Motor teče, vendar se veriga ne vrti.	<ul style="list-style-type: none"> <li>■ Veriga ne aktivira pogonskega zobnika.</li> </ul>	<ul style="list-style-type: none"> <li>■ Ponovno namestite verigo in zagotovite, da so pogonske povezave na verigi popolnoma nameščene na zobniku.</li> </ul>
Zavora verige se ne aktivira.	<ul style="list-style-type: none"> <li>■ Delci preprečujejo popolno premikanje ročaja zavore verige ob povratnem udarcu.</li> <li>■ Možna je okvara zavore verige.</li> </ul>	<ul style="list-style-type: none"> <li>■ Odstranite delce iz zunanjega mehanizma zavore verige.</li> <li>■ Za popravilo se obrnite na podporo za kupce izdelkov EGO.</li> </ul>

SL

TEŽAVA	VZROK	REŠITEV
Verižna žaga ne žaga pravilno.	<ul style="list-style-type: none"> <li>■ Nezadostna napetost verige.</li> <li>■ Topa veriga.</li> <li>■ Veriga je nameščena v nasprotni smeri.</li> <li>■ Obrabljena veriga.</li> <li>■ Suha ali preveč raztegnjena veriga.</li> <li>■ Veriga ni v utoru vodilne palice.</li> </ul>	<ul style="list-style-type: none"> <li>■ Ponastavite napetost verige. Sledite navodilom v razdelku: »<b>PRILAGAJANJE NAPETOSTI VERIGE</b>«.</li> <li>■ Nabrusite verigo.</li> <li>■ Znova namestite verižno žago v skladu z razdelkom »<b>SESTAVLJANJE/ZAMENJAVA MEČA IN VERIGE</b>«.</li> <li>■ Zamenjajte verigo. Sledite navodilom v razdelku: <b>NAMEŠČANJE/ZAMENJAVA MEČA IN VERIGE</b></li> <li>■ Preverite nivo olja. Če je treba napolnite rezervoar za olje.</li> <li>■ Ponovno namestite verigo. Sledite navodilom v razdelku: <b>NAMEŠČANJE/ZAMENJAVA MEČA IN VERIGE</b></li> </ul>
Veriga se med običajno uporabo razrahlja ali pade z vodila.	<ul style="list-style-type: none"> <li>■ Med običajnem delovanjem žage narašča temperatura verige.</li> <li>■ Veriga ne aktivira pogonskega zobnika.</li> </ul>	<ul style="list-style-type: none"> <li>■ Verigo napnite v skladu z navodili v razdelku »<b>PRILAGAJANJE NAPETOSTI VERIGE</b>«.</li> <li>■ Ponovno namestite verigo. Sledite navodilom v razdelku: <b>NAMEŠČANJE/ZAMENJAVA MEČA IN VERIGE</b></li> </ul>

## GARANCIJA

### GARANCIJSKA POLITIKA DRUŽBE EGO

Za popolne pogoje garancijske politike družbe EGO obiščite spletno mesto [egopowerplus.eu](http://egopowerplus.eu).

SL

## PERSKAITYKITE VISĄ INSTRUKCIJĄ!



### PERSKAITYKITE NAUDOJIMO INSTRUKCIJĄ

**⚠ Liekamasis pavojus!** Žmonėms, kuriems implantuoti elektroniniai prietaisai, pvz., širdies stimulatoriai, prieš pradėdami naudoti šį gaminį, reikia pasitarti su savo gydytoju (-ais). Arti širdies stimulatoriaus veikianti elektros įranga gali trikdyti širdies stimulatoriaus veikimą arba jį sugadinti.

## SAUGOS SIMBOLIS

Saugos simbolių paskirtis – atkreipti dėmesį į galimus pavojus. Gerai susipažinkite su saugos simboliais bei jų paaiškinimais ir juos įsidėmėkite. Simbolių įspėjimai patys savaime negali apsaugoti nuo pavojų. Jais žymimi nurodymai ir įspėjimai neatstoja tinkamų nelaimingų atsitikimų prevencijos priemonių.

**⚠ ĮSPĖJIMAS:** Prieš pradėdami naudoti šį įrankį, perskaitykite visus šioje naudojimo instrukcijoje pateiktus saugos nurodymus, taip pat susipažinkite su visais saugos įspėjamaisiais simboliais, tokiais kaip „PAVOJUS“, „ISPĖJIMAS“ ir „DĖMESIO“; ir įsitikinkite, ar juos supratote. Nesilaikant visų toliau išdėstytų nurodymų galima patirti elektros smūgį, sukelti gaisrą ir (ar) sunkiai susižaloti.

## SIMBOLIO REIKŠMĖ

Šiame puslapyje pavaizduoti ir aprašyti saugos simboliai, kurie gali būti nurodyti ant šio gaminio. Prieš bandydami surinkti ir naudoti įrankį, perskaitykite visus ant jo pateiktus nurodymus, įsitikinkite, ar juos supratote, ir jais vadovaukitės.

## SAUGOS SIMBOLIAI



Įspėjimas dėl saugos



Perskaityti ir suprasti naudotojo instrukciją



Užsidėti apsauginius akinius



Užsidėti klausos apsaugos priemones



Užsidėti galvos apsaugos priemonę



Mūvėti apsaugines pirštines



Saugokitės grandininio pjūklo atatranks ir sąlyčio su juostos viršūne.



Kreipiamosios juostos viršūnės atatranka



Grandininį pjūklą visada laikykite dviem rankomis.



Saugoti nuo lietaus



Informacija apie kreipiamąją juostą



Garantuojamas garso galios lygis.



WEEE



šis gaminys atitinka jam taikomus JK reglamentus.

LT



Šis gaminytis atitinka taikomas EB direktyvas.



Nuolatinė srovė

V Voltai

A Amperai

Hz Hercai

W Vatai

min Minutės

$n_0$  Sūčiai be apkrovos

.../min Per minutę

## TECHNINIAI DUOMENYS

Įtampa	56 V
Kreipiamosios juostos ilgis	400 mm (CS1610E)
	350 mm (CS1410E)
Grandinės žingsnis	3/8 colio (9,5 mm)
Pjovimo gylis ribotuvais	1,1 mm
Grandinės greitis	20 m/s
Pjūklo grandinės tipas	CS1610E AC1600 / AC1601 (rekomenduojama) AC1400 / AC1401 (suderinama)
	CS1410E AC1600 / AC1601 (rekomenduojama) AC1400 / AC1401 (suderinama)
Kreipiamosios juostos tipas	CS1610E AG1600 / AG1601 (rekomenduojama) AG1400 / AG1401 (suderinama)
	CS1410E AG1600 / AG1601 (rekomenduojama) AG1400 / AG1401 (suderinama)
Grandinės alyvos bakelio talpa	150 ml
Darbinė temperatūra	-15°C–40°C
Laikymo temperatūra	-20°C–70°C
Svoris (be sudėtinės baterijos ir grandinės užmovos)	3,9 kg (CS1610E) 3,8 kg (CS1410E)
Išmatuotas garso galios lygis $L_{WA}$	102,25 dB(A) K=1,4 dB(A)

Garso slėgio lygis ties naudotojo ausimi $L_{PA}$	91,25 dB(A) K=2,5 dB(A)
Garantuojamas garso galios lygis $L_{WA}$ (išmatuotas pagal 2000/14/EB)	103 dB(A)
Vibracija $a_n$	Priekinė rankena 3,377 m/s <sup>2</sup> K=1,5 m/s <sup>2</sup>
	Galinė rankena 2,823 m/s <sup>2</sup> K=1,5 m/s <sup>2</sup>

- Nurodyta bendroji vibracijos vertė išmatuota taikant standartinį bandymo metodą, todėl pagal ją galima palyginti skirtingus įrankius.
- Nurodytą bendrąją vibracijos vertę taip pat galima naudoti pirminiam poveikio vertinimui.

**PASTABA:** Naudojant įrenginį realiomis sąlygomis, skleidžiamos vibracijos stiprumo vertė gali skirtis nuo nurodytos. Kad apsaugotų dirbdamas realiomis sąlygomis, naudotojas turi mūvėti pirštines ir naudoti klausos apsaugos priemones.

## PAKUOTĖS TURINIO SĄRAŠAS (A1 PAV.)

### APRAŠYMAS

#### PAŽINKITE SAVO GRANDININĮ PJŪKLĄ (A1 PAV.)

1. Greičio reguliavimo jungiklis
2. Galinė rankena
3. Blokuotės išjungiklis
4. Priekinė rankena
5. Grandinės atatranks stabdymo rankena
6. Pjūklo grandinė
7. Kreipiamoji juosta
8. Alyvos bakelio dangtelis
9. Alyvos lygio patikros langelis
10. Elektros kontaktai

LT



11. Baterijos atjungimo mygtukas
12. Grandinės įtempimo reguliavimo rankenėlė
13. Šoninis gaubtas
14. Šoninio gaubto rankenėlė
15. Grandinės užmova

## SURINKIMAS

### KREIPIAMOSIOS JUOSTOS IR GRANDINĖS MONTAVIMAS IR PAKEITIMAS

**⚠️ ĮSPĖJIMAS:** Prieš pradėdami surinkimą grandinės atatrunkos stabdymo rankeną nustatykite į stabdymo padėtį.

1. Padėkite grandininio pjūklo variklio bloką ant šono, kad šoninis gaubtas būtų nukreiptas aukštyn (B pav.).
2. Pasukę šoninio gaubto rankenėlę prieš laikrodžio rodyklę, nuimkite šoninį gaubtą, tada kiek įmanoma atlaisvinkite grandinės įtempimo rankenėlę.
3. Padėkite naujos pjūklo grandinės kilpą ant lygaus paviršiaus ir ištiesinkite sulenktas vietas (C pav.).
4. Įstatykite grandininės varančiuosius narelius į kreipiamosios juostos griovelį ir palikite grandinės kilpą kreipiamosios juostos gale (D pav.).
5. Laikykite grandinę tokioje padėtyje ant kreipiamosios juostos ir uždėkite kilpą ant žvaigždutės variklio bloke.
6. Užmaukite kreipiamosios juostos prapjovą ant lygiavimo jungių taip, kad įtempimo reguliavimo kaištis įsistatytų į apatinę skylę kreipiamosios juostos gale (E1 pav.).

**PASTABA:** Pjūklo grandinėje išgraviuotos mažos krypčių rodyklės. Dar viena krypties rodyklė išlieta korpuse. Kai dedate pjūklo grandinę ant žvaigždutės, įsitinkinkite, ar pjūklo grandinėje esančių rodyklių ir korpuse esančios rodyklės rodomos kryptys sutampa. Jeigu jų kryptys priešingos, apverskite kreipiamąją juostą kartu su uždėta grandine (E2 pav.).

7. Uždėkite šoninį gaubtą ir šiek tiek priveržkite šoninio gaubto rankenėlę.
8. Kilstelėkite kreipiamosios juostos viršūnę, kad patikrintumėte, ar nėra laisvumo (F pav.). Paleiskite kreipiamosios juostos viršūnę ir pasukite grandinės įtempimo rankenėlę pagal laikrodžio rodyklę. Kartokite šį veiksmą tol, kol neliks laisvumo.
9. Tvirtai priveržkite šoninio gaubto rankenėlę, kad pjūklo grandinė būtų tinkamai įtempta prieš naudojant pjūklą.

D-1	Grandinės varantieji nareliai	E-2	Įtempimo reguliavimo kaištis
D-2	Kreipiamosios juostos griovelis	E-3	Kreipiamosios juostos prapjova

E-1	Lygiavimo jungė	E-4	Žvaigždutė
-----	-----------------	-----	------------

**PASTABA:** Norėdami prailginti kreipiamosios juostos naudojimo trukmę, retkarčiais ją apverskite.

**PASTABA:** Jei grandinė pernelyg įtempta, ji nesisuka. Šiek tiek atlaisvinkite šoninio gaubto rankenėlę ir pasukite prieš laikrodžio rodyklę vieną apsisukimą grandinės įtempimo reguliavimo rankenėlę. Pakelkite į viršų kreipiamosios juostos viršūnę ir vėl tvirtai priveržkite šoninio gaubto rankenėlę. Patikrinkite, ar grandinė sukasi nestrigdama.

### GRANDINĖS ĮTEMPIMO REGULIAVIMAS

- Prieš reguliuodami grandinės įtempimą išjunkite variklį ir išimkite sudėtinę bateriją. Atlaisvinkite šoninio gaubto rankenėlę. Kad įtemptumėte grandinę, sukite grandinės įtempimo rankenėlę pagal laikrodžio rodyklę. Išsamesnę informaciją rasite skyriuje „KREIPIAMOSIOS JUOSTOS IR GRANDINĖS SURINKIMAS / KEITIMAS“.
- Atvėsusi grandinė yra tinkamai įtempta, kai nėra laisvumo kreipiamosios juostos apačioje ir kai grandinė gerai priglundusi, tačiau ją galima pasukti ranka ir ji nestringa. Jei varančiųjų narelių plokštumos neįsistatytos į kreipiamosios juostos griovelį, grandinę reikia įtempti iš naujo.
- Įprastai dirbant su pjūklu grandinės temperatūra pakyla. Įkaitusios grandinės, kuri yra tinkamai įtempta, varantieji nareliai maždaug 1,3 mm išlenda iš kreipiamosios juostos griovelio (G pav.).

**PASTABA:** Naujos grandinės dažnai išsitempia. Dažnai tikrinkite grandinės įtempimą ir, jei reikia, įtemptkite.

**PASTABA:** Jei įtemptama įkaitusi grandinė, atvėsusi ji gali būti įtempta per stipriai. Prieš naudodami kitą kartą, patikrinkite atvėsusios grandinės įtempimą.

### VEIKIMAS

**⚠️ ĮSPĖJIMAS:** Mokėjimas naudotis šiuo įrankiu nesuteikia teisės dirbti nerūpestingai. Atminkite, kad net akimirksniui atitraukę dėmesį galite sunkiai susižaloti.

**⚠️ ĮSPĖJIMAS:** Nenaudokite jokių papildomų įtaisų ar priedų, kurių nerekomendavo šio įrankio gamintojas. Naudojant nerekomenduojamus papildomus įtaisus arba priedus, galima sunkiai susižaloti.

**⚠️ ĮSPĖJIMAS:** Norėdami išvengti atsitiktinio paleidimo ir galimo sunkaus sužalojimo, visada išimkite sudėtinę bateriją iš įrankio, kai montuojate dalis, reguliuojate, valote arba įrankio nenaudojate.

Kaskart prieš naudodami gaminį nuodugniai jį patikrinkite, ar nesugadintas ir netrūksta ar neatsilaisvinusios dalys, pavyzdžiui, sraigčiai, varžlės, varžtai, dangteliai ir pan. Tvirtai priveržkite visas tvirtinimo detales ir dangtelius ir nenaudokite šio gaminio, kol nepakeisite visų trūkstančių ar sugadintų dalių.

## NAUDOJIMAS

Šiuo gaminiu galima įprastai versti medžius, genėti stambias ir smulkias šakas, pjaustyti pjautinę medieną ir raštus.

## KREIPIAMOSIOS JUOSTOS IR GRANDINĖS ALYVOS ĮPYLIMAS

**⚠️ ĮSPĖJIMAS:** Nerūkykite ir nenaudokite ugnies ar liepsnos arti alyvos arba grandininio pjūklo. Alyva gali išsilieti ir sukelti gaisrą.

**PASTABA:** Įsigytas naujas grandininis pjūklas neužpildytas alyva. Prieš naudojant pjūklą, bakelį būtina pripildyti alyvos. Darbo metu grandinė automatiškai tepama grandinių alyva.

1. Padėkite grandininį pjūklą ant šono, kad bakelio dangtelis būtų nukreiptas aukštyn.
2. Kad į alyvos bakelį nepatektų nešvarumų, nuvalykite jo dangtelį ir plotą aplink dangtelį.
3. Paguldykite grandininį pjūklą ant šono ant tvirto ir lygaus paviršiaus taip, kad alyvos bakelio dangtelis būtų viršuje. Pakelkite pusapvalę plokštelę ir, sukdami prieš laikrodžio rodyklę, nuimkite alyvos bakelio dangtelį (H pav.).
4. Atsargiai pripilkite kreipiamųjų juostų ir grandinių alyvos į bakelį. Pripilkite iki MAX linijos.
5. Nušluostykite alyvos perteklių ir užsukite dangtelį.

**PASTABA:** Dažnai tikrinkite alyvos lygį ir papildykite, kai jis nukrenta žemiau minimalaus kiekio linijos. Niekada nedirbkite grandiniu pjūklų, jei lygio patikros langelyje alyvos nesimato.

## SUDĖTINĖS BATERIJOS ĮSTATYMAS IR IŠĖMIMAS Prieš naudodami pirmą kartą, visiškai įkraukite bateriją.

Naudokite tik su A2 paveiksle nurodytomis sudėtinėmis baterijomis ir įkrovikliais.

### Įstatymas (I pav.)

Įtaikykite sudėtinės baterijos iškyšas į baterijos skyriaus griovelius ir stumkite žemyn, kol baterija užsifiksuos (turite išgirsti spragtelėjimą).

### Išėmimas (J pav.)

Nuspauskite baterijos atjungimo mygtuką ir išimkite sudėtinę bateriją.

## GRANDININIO PJŪKLO PALEIDIMAS IR SUSTABDYMAS

**PASTABA:** Prieš paleisdami grandininį pjūklą, patikrinkite alyvos lygį, grandinės dantukų aštrumą ir ar tinkamai veikia atatranks stabdymo rankena. Taip pat tvirtai atsistokite ir laikykite pjūklą tinkamame aukštyje virš žemės.

## Paleidimas

1. Patraukite grandinės atatranks stabdymo rankeną priekinės rankenos link, į darbinę padėtį (K pav.).
2. Abiem rankomis tvirtai suimkite priekinę ir galinę rankenas.
3. Pirmiausiai dešinėsios rankos nykščiu paspauskite ir laikykite nuspaudę blokuotės išjungimo mygtuką, tuomet kitais tos pačios rankos pirštais nuspauskite greičio reguliavimo jungiklį, kad paleistumėte pjūklą (L pav.).
4. Norėdami tęsti darbą, atleiskite blokuotės išjungimo mygtuką ir toliau laikykite nuspaudę jungiklį.

**⚠️ ĮSPĖJIMAS:** Nebandykite paleisti pjūklo, kai pjūklo grandinė įstatyta į įpjovą.

## Sustabdymas

1. Atleiskite greičio reguliavimo jungiklį ir grandininį pjūklą sustabdysite.
2. Pastumkite grandinės atatranks stabdymo rankeną pirmyn į stabdymo padėtį, kad įjungtumėte grandinės stabdį (K pav.).

**⚠️ ĮSPĖJIMAS:** Darydami pertraukas arba baigę dirbti, visada išimkite sudėtinę bateriją iš grandininio pjūklo.

## Tinkamas rankenų laikymas (M pav.)

- Mūvėkite neslidžias pirštines, užtikrinančias tvirtiausią sugriebimą ir apsaugą.
- Padėję pjūklą ant tvirto lygaus paviršiaus, tvirtai laikykite jį abiem rankomis.
- Visada kairiąja ranka laikykite priekinę rankeną, o dešiniąją – galinę rankeną.
- Pirštai turi apimti rankeną. Priekinės rankenos apačioje turi būti nykštys.

**⚠️ ĮSPĖJIMAS:** Niekada nelaikykite galinės rankenos kairiąja ranka (nesukryžiuokite rankų) ir nestovėkite taip, kad kūnas arba ranka kirstų grandinės plokštumą (N pav.).

## Tinkama stovėsena pjaunant (O pav.)

- Reikia abiem kojomis stovėti ant tvirto pagrindo ir tolygiai paskirstyti kūno svorį ant jų.
- Kairioji ranka turi būti ištiesta, o alkūnė turi būti fiksuotoje padėtyje. Tai padeda atlaikyti atatranks sukuriamas jėgas.
- Kūnas visada turi būti grandinės plokštumos kairėje pusėje.

## NURODYMAI DĖL TINKAMŲ METODŲ, TAIKYTINŲ ĮPRASTAI LEIDŽIANT MEDŽIUS, GENINT ŠAKAS IR DARANT SKERSINIUS PJŪVIUS

**⚠️ ĮSPĖJIMAS:** Kai variklis paleistas, visada tvirtai stovėkite ir laikykite pjūklą abiem rankomis.

**⚠️ ĮSPĖJIMAS:** Jei pjūklo grandinė sustoja dėl jos suspaudimo pjaunant, atleiskite jungiklį, ištraukite grandinę ir kreipiamąją juostą iš medienos ir po to vėl paleiskite grandininį pjūklą.

**⚠️ ĮSPĖJIMAS:** Jei pjūklo grandinė apsinėšę pjuvenomis, nebraukite per ją ranka. Netikėtai pradėjęs veikti, grandininis pjūklas gali sunkiai sužaloti. Spauskite pjūklo grandinę į medį ir stumdykite pjūklą pirmyn bei atgal, kad pjuvenos pasišalintų. Visada išimkite akumuliatorių prieš valydami. Tvarkydami pjūklo grandinę, mūvėkite tvirtas apsaugines pirštines.

**⚠️ ĮSPĖJIMAS:** Niekada nebandykite paleisti grandininio pjūklo, kai jis liečia medieną. Prieš pradėdami pjauti medieną, visada palaukite, kol grandininis pjūklas pasiekis didžiausią greitį.

### MEDŽIO VERTIMAS

- Kai du arba daugiau žmonių vienu metu pjauna rąstus ir verčia medžius, medžių vertimo ir rąstų pjovimo vietas turi skirti atstumas, kuris yra bent du kartus didesnis už pjaunamo medžio aukštį. Medžių negalima versti taip, kad kiltų pavojus žmonėms, būtų kliudomos elektros perdavimo linijos arba daroma žala nuosavybei. Jei medis kliudė elektros perdavimo liniją, reikia nedelsiant informuoti elektros perdavimo sistemos operatorių.
- Grandininio pjūklo operatorius turi stovėti aukštesnėje reljefo vietoje, nes nuverstas medis dažniausiai nurieda arba nuslysta žemyn.
- Prieš pradėdami pjauti suplanuokite ir, jei reikia, išvalykite atsitraukimo kelią. Einant atsitraukimo keliu, turi būti įstrižai tolstama atgal nuo tikėtinos medžio vartimo krypties, kaip parodyta P pav.

P-1	Medžio leidimo kryptis
P-2	Saugus atsitraukimo kelias

- Prieš pradėdami leisti medį, atsižvelkite į medžio pasvirimą, didesnių šakų augimo pusę ir vėjo kryptį, kad nuspręstumėte, į kurią pusę medis virs.
- Nuo medžio nuvalykite nešvarumus, pašalinkite akmenis, atsilupusią žievę, vinius, kabes ir vielas.

### Nukreipimo išpjova

Kaip parodyta Q paveiksle, padarykite medžio vartimo krypties statmeną nukreipimo išpjovą, kurios gylis 1/3 medžio skersmens. Pirmiausiai padarykite apatinę horizontalią išpjovą. Ji padės išvengti pjūklo grandinės arba kreipiamosios juostos prispaudimo darant antrąją išpjovą.

Q-1	Virtimo kryptis
Q-2	Išpjova
Q-3	Galinė nuvertimo išpjova
Q-4	Lanksto funkciją atliekanti dalis

### Galinė nuvertimo išpjova

- Padarykite galinę nuvertimo išpjovą, kuri būtų bent 50 mm aukščiau nei horizontali išpjova, kaip parodyta Q paveiksle. Galinę nuvertimo išpjovą turi būti lygiagreti su horizontalia išpjova. Galinę nuvertimo išpjovą padarykite tokio gylio, kad liktų pakankamai medienos, kuri atliktų lanksto funkciją. Lanksto funkciją atliekanti medžio dalis neleidžia medžiui pasisukti ir virsti netinkama kryptimi. Neperpjaukite lanksto funkciją atliekančios dalies.
- Kai nuvertimo išpjova priartėja prie lanksto funkciją atliekančios dalies, medis turi pradėti virsti. Jei yra tikimybė, kad medis virs netinkama kryptimi arba pasivirs atgal ir prispaus pjūklo grandinę, nustokite daryti galinę nuvertimo išpjovą, mediniais, plastikiniais arba aliumininiais pleištais išplėskite išpjovą ir nuverskite medį reikiama kryptimi.
- Kai medis pradeda virsti, ištraukite grandininį pjūklą iš pjovos, išjunkite variklį, padėkite grandininį pjūklą ir atsitraukite suplanuotu atsitraukimo keliu. Saugokitės krintančių viršutinių šakų ir žiūrėkite, kur žengiate.

### Medžio nugenėjimas

Medžio nugenėjimas – tai šakų pašalinimas nuo nuversto medžio. Genėdami nenujaukite didesnių apatinių šakų, kad jos laikytų kamieną virš žemės. Smulkias šakas nupjaukite vienu pjūviu, kaip parodyta R pav. Įtemptas šakas reikia pjauti iš apačios į viršų, kad jos neprispaustų grandininio pjūklo.

### Rąsto pjovimas

- Rąsto pjovimas – tai rasto pjaustymas į atskirus gabalus. Svarbu įsitikinti, ar tvirtai stovite ir ar kūno svoris tolygiai paskirstytas ant abiejų kojų. Jei įmanoma, rąstą reikia pakelti ir atremti šakomis, rąstais arba trinkomis. Laikykitės paprastų nurodymų, kad būtų lengviau pjauti.
- Kai rąstas atremtas per visą ilgį, kaip parodyta S1 pav., jį reikia pjauti iš viršaus.

- Kai rąstas atremtas tik viename gale, kaip parodyta S2 pav., padarykite įpjovą iš apačios, kurios gylis 1/3 skersmens. Tada darykite baigiamąjį pjūvį iš viršaus, kol pasieksite pirmąjį pjūvį.
- Kai rąstas atremtas abiejuose galuose, kaip parodyta S3 pav., padarykite įpjovą iš viršaus, kurios gylis 1/3 skersmens. Tada darykite baigiamąjį pjūvį iš apačios (per likusį 2/3 skersmens), kol pasieksite pirmąjį pjūvį.
- Kai pjaunate nuožulnioje vietoje, visada stovėkite aukščiau, nei guli rąstas, kaip parodyta T pav.
- Jei darydami pjūvį norite išlaikyti visišką kontrolę, pjūvio pabaigoje silpniau spauskite, tačiau tvirtai laikykite grandininio pjūklą rankenas. Neleiskite grandinei paliesti žemės. Kai nupjaunate, prieš patraukdami grandininį pjūklą palaukite, kol pjūklą grandinė sustos. Visada išjunkite variklį prieš eidami prie kito medžio.

## TECHNINĖ PRIEŽIŪRA

**▲ ĮSPĖJIMAS:** Vykdydami techninės priežiūros darbus, naudokite tik identiškas atsargines dalis. Naudojant bet kokias kitas dalis, gali kilti pavojus arba sugesti gaminys.

**▲ ĮSPĖJIMAS:** Išimkite sudėtinę bateriją iš grandininio pjūklą prieš jį tikrinami, valydami arba prieš atlikdami jo techninės priežiūros darbus, kad išvengtumėte pavojaus sunkiai susižaloti. Akumulatorinis įrankis su įdėta sudėtine baterija yra nuolat prijungtas prie maitinimo įtampos, todėl gali būti atsitiktinai paleistas.

**▲ ĮSPĖJIMAS:** Kai valote grandininį pjūklą, NIEKADA neįmerkite jo į vandenį arba kitą skystį.

**▲ ĮSPĖJIMAS:** Niekada neleiskite stabdžių skysčiui, benziniui, naftos produktams, skvarbiai alyvai ir panašioms medžiagoms patekti ant plastikinių dalių. Chemikalai gali sugadinti, susilpninti arba suardyti plastiką. Dėl to galite sunkiai susižaloti.

## VALYMAS

- Kaskart panaudoję, minkštu šepetėliu nuvalykite nešvarumus nuo grandinės ir krepimosios juostos. Grandininio pjūklą paviršių valykite švaria šluoste, sudrėkinta mažos koncentracijos muilo tirpalu.
- Nuimkite šoninį gaubtą ir minkštu šepetėliu nuvalykite nešvarumus nuo krepimosios juostos, pjūklą grandinės, žvaigždutės ir šoninio gaubto.
- Keisdami pjūklą grandinę iš krepimosios juostos griovelio būtinai išvalykite medienos skiedras, pjuvenas ir nešvarumus.

## KREPIAMOSIOS JUOSTOS TECHNINĖ PRIEŽIŪRA

Kai ant krepimosios juostos pasirodo nudilimo požymiai, nuimkite ją nuo grandininio pjūklą variklio bloko ir vėl uždėkite

apverstą (U1 pav.). Tokiu būdu ji tolygiau dils ir pailgės jos eksploatavimo trukmė.

Kiekvieną dieną, kai dirbate su įrankiu, reikia nuvalyti juostą ir patikrinti, ar ji nesudilusi ir nepažeista. Krepimosios juostos bėgelių šiaušimasis arba šerpetų atsiradimas juose yra normalūs juostos dilimo požymiai. Atsiradusius tokius nelygumus galima pašalinti su dilde. Krepiamąją juostą, kurioje yra toliau nurodytų defektų, reikia pakeisti:

- Išdilimas juostos bėgelyje, dėl kurio grandinė pakrypsta.
- Įlenkta krepiamoji juosta.
- Įtrūkę arba sulūžę bėgeliai.
- Išsiplėtę bėgeliai.

Be to, krepimosios juostos viršūnėje yra žvaigždutė (U2 pav.). Žvaigždutė reikia kas savaitę sutepti tepimo švirkštu, kad prailgintumėte krepimosios juostos naudojimo trukmę. Kas savaitę tepimo švirkštu įleiskite grandinės alyvos į tepimo skylutę (U3 pav.). Pasukite krepiamąją juostą ir patikrinkite, ar tepimo skylutėse ir grandinės griovelyje nėra nešvarumų.

U2-1	Žvaigždutė krepimosios juostos viršūnėje
U2-2	Tepimo anga

## GABENIMAS IR LAIKYMAS

- Nepalikite laikymo vietoje ir neneškite veikiančio grandininio pjūklą. Prieš padėdami į sandėlį arba gabendami būtinai išimkite sudėtinę bateriją.
- Visada uždėkite užmovą ant krepimosios juostos prieš palikdami grandininį pjūklą laikymo vietoje arba gabendami. Būkite atsargūs, kad nepaliesumėte aštrių grandinės dantukų.
- Kruopščiai nuvalykite grandininį pjūklą prieš padėdami jį į sandėlį. Grandininį pjūklą laikykite patalpoje, kuri yra sausa, rakinama ir (ar) neprieinama vaikams.
- Laikykite toliau nuo šildančių medžiagų, pvz., sodo chemikalų ir ledo tirpymo druskų.

## Aplinkos apsauga



WEEE (elektrinės ir elektroninės įrangos atliekos). Neišmeskite elektros įrangos, panaudotų baterijų ir įkroviklio kartu su buitinėmis atliekomis! Šias atliekas reikia pristatyti į jų surinkimo vietą ar įgaliotam perdirbėjui. Elektrinius įrankius reikia gražinti į atitinkamą perdirbimo įmonę.

## TRIKČIŲ ŠALINIMAS

**⚠️ ĮSPĖJIMAS:** Kai atliekate grandininio pjūklo techninės priežiūros darbus, visada apsaugokite rankas, užsimaudami tvirtas pirštines. Visada išimkite sudėtinę bateriją, kai vykdote grandininio pjūklo techninės priežiūros darbus arba jį gabenate.

PROBLEMA	PRIEŽASTIS	SPRENDIMAS
Neįsijungia variklis.	<ul style="list-style-type: none"> <li>■ Sudėtinė baterija neprijungta prie grandininio pjūklo.</li> <li>■ Nėra elektrinio kontakto tarp pjūklo ir baterijos.</li> <li>■ Sudėtinė baterija visiškai išsikrovusi.</li> <li>■ Sudėtinė baterija arba grandininis pjūklas pernelyg įkaitę.</li> <li>■ Įjungtas grandinės stabdys.</li> <li>■ Nešvarumai kreipiamosios juostos griovelyje.</li> <li>■ Nešvarumai šoniniame gaubte.</li> </ul>	<ul style="list-style-type: none"> <li>■ Prijunkite sudėtinę bateriją prie grandininio pjūklo.</li> <li>■ Išimkite sudėtinę bateriją, patikrinkite kontaktus ir vėl ją įstatykite.</li> <li>■ Įkraukite sudėtinę bateriją.</li> <li>■ Palaukite, kol sudėtinė baterija arba grandininis pjūklas atvės iki žemesnės nei 67°C temperatūros.</li> <li>■ Patraukite grandinės atatranks stabdymo rankeną priekinės rankenos link į darbinę padėtį.</li> <li>■ Spauskite pjūklo grandinę į medį ir stumdykite pjūklą pirmyn bei atgal, kad pjūvenos pasišalintų.</li> <li>■ Išimkite sudėtinę bateriją, nuimkite šoninį gaublį ir išvalykite nešvarumus.</li> </ul>
Grandinė sustoja darbo metu.	<ul style="list-style-type: none"> <li>■ Grandininio pjūklo perkrova.</li> <li>■ Sudėtinė baterija arba grandininis pjūklas pernelyg įkaitę.</li> <li>■ Pjūklo grandinė įstrigo medienoje.</li> </ul>	<ul style="list-style-type: none"> <li>■ Sumažinkite apkrovą.</li> <li>■ Sumažinkite apkrovą. Palaukite, kol sudėtinė baterija arba grandininis pjūklas atvės iki žemesnės nei 67°C temperatūros.</li> <li>■ Atleiskite greičio reguliavimo jungiklį, ištraukite grandinę ir kreipiamąją juostą iš medienos ir vėl paleiskite grandininį pjūklą.</li> </ul>
Variklis veikia, tačiau grandinė nesisuka.	<ul style="list-style-type: none"> <li>■ Grandinė nesusikabina su varančiąja žvaigždute.</li> </ul>	<ul style="list-style-type: none"> <li>■ Iš naujo uždėkite grandinę ir įsitikinkite, ar grandinės varantieji nareliai tinkamai uždėti ant žvaigždutės.</li> </ul>
Neįsijungia grandinės stabdys.	<ul style="list-style-type: none"> <li>■ Nešvarumai trukdo grandinės atatranks stabdymo rankenai laisvai judėti.</li> <li>■ Galimas grandinės stabdžio gedimas.</li> </ul>	<ul style="list-style-type: none"> <li>■ Nuvalykite nešvarumus nuo išorinio grandinės stabdžio mechanizmo.</li> <li>■ Kreipkitės į „EGO“ klientų aptarnavimo tarnybą dėl remonto.</li> </ul>

LT

PROBLEMA	PRIEŽASTIS	SPRENDIMAS
Grandininis pjūklas netinkamai pjauna.	<ul style="list-style-type: none"> <li>■ Nepakankamai įtempta grandinė.</li> <li>■ Atšipusi grandinė.</li> <li>■ Grandinė uždėta atvirkščiai.</li> <li>■ Sudilusi grandinė.</li> <li>■ Sausa arba per daug įtempta grandinė.</li> <li>■ Grandinė neįstatyta į kreipiamosios juostos griovelį.</li> </ul>	<ul style="list-style-type: none"> <li>■ Iš naujo sureguliuokite įtempimą pagal nurodymus skyriuje „<b>GRANDINĖS ĮTEMPIMO REGULIAVIMAS</b>“.</li> <li>■ Pagaląškite grandinę.</li> <li>■ Pagal skyriuje „<b>KREIPIAMOSIOS JUOSTOS IR GRANDINĖS UŽDĖJIMAS IR KEITIMAS</b>“ pateiktus nurodymus vėl uždėkite pjūklo grandinę.</li> <li>■ Pakeiskite grandinę pagal nurodymus skyriuje „<b>KREIPIAMOSIOS JUOSTOS IR GRANDINĖS MONTAVIMAS IR PAKEITIMAS</b>“.</li> <li>■ Patikrinkite alyvos lygį. Jei reikia, pripildykite alyvos bakelį.</li> <li>■ Iš naujo uždėkite pjūklo grandinę pagal nurodymus skyriuje „<b>KREIPIAMOSIOS JUOSTOS IR GRANDINĖS MONTAVIMAS IR PAKEITIMAS</b>“.</li> </ul>
Įprasto darbo metu grandinė atsipalaiduoja ar nukrenta nuo kreipiamosios juostos.	<ul style="list-style-type: none"> <li>■ Įprastai dirbant su pjūkle, pakyla grandinės temperatūra ir ji išsitempia (atsipalaiduoja).</li> <li>■ Grandinė nesusikabina su varančiaja žvaigždute.</li> </ul>	<ul style="list-style-type: none"> <li>■ Įtempkite grandinę pagal nurodymus skyriuje „<b>GRANDINĖS ĮTEMPIMO REGULIAVIMAS</b>“.</li> <li>■ Iš naujo uždėkite pjūklo grandinę pagal nurodymus skyriuje „<b>KREIPIAMOSIOS JUOSTOS IR GRANDINĖS MONTAVIMAS IR PAKEITIMAS</b>“.</li> </ul>

## GARANTIJA

**LT**

### „EGO“ GARANTIJOS TAISYKLĖS

Jei norite sužinoti visas „EGO“ garantinės politikos sąlygas, apsilankykite interneto svetainėje [egopowerplus.eu](http://egopowerplus.eu).

## INSTRUKCIJAS TULKOJUMS NO ORIĢINĀLVALODAS



### IZLASIET LIETOTĀJA ROKASGRĀMATU

**⚠ Citi riski!** Personām, kuras lieto elektroniskas ierīces, piemēram, elektrokardiosimulatorus, pirms šīs ierīces lietošanas jākonsultējas ar savu ārstu. Elektriskā aprīkojuma darbība sirds elektrokardiosimulatora tuvumā var radīt stimulatora darbības traucējumus vai kļūmes.

## DROŠĪBAS APZĪMĒJUMS

Drošības apzīmējumi ir paredzēti, lai pievērstu jūsu uzmanību iespējamiem apdraudējumiem. Pievērsiet uzmanību drošības apzīmējumiem un to skaidrojumiem, un izprotiet tos. Brīdinājumu apzīmējumi paši par sevi nenovērš apdraudējumu. Tajos ietvertie norādījumi un brīdinājumi neaizstāj atbilstošu negadījumu novēršanas pasākumu īstenošanu.

**⚠ BRĪDINĀJUMS!** Pirms šī instrumenta lietošanas izlasiet un izprotiet visus šajā lietotāja rokasgrāmatā iekļautos drošības norādījumus, tostarp visus drošības brīdinājuma apzīmējumus, piemēram, „**BĪSTAMI!**”, „**BRĪDINĀJUMS!**” un „**UZMANĪBU!**”. Visu turpmāk uzskaitīto norādījumu neievērošana var izraisīt elektriskās strāvas triecienu, aizdegšanos un/vai smagus miesas bojājumus.

## SIMBOLA NOZĪME

Šajā lapaspusē ir parādīti un aprakstīti drošības apzīmējumi, kas var būt norādīti uz šī izstrādājuma. Pirms iekārtas montāžas un lietošanas izlasiet, izprotiet un ievērojiet visus uz iekārtas sniegtos norādījumus.

## DROŠĪBAS SIMBOLI



Drošības brīdinājums



Izlasiet un izprotiet lietotāja rokasgrāmatu



Lietot acu aizsarglīdzekļus



Valkāt dzirdes aizsarglīdzekļus



Valkāt galvas aizsarglīdzekļus



Valkājiet aizsargcimdus



Uzmanieties no ķēdes zāga radīta atsītiņa un saskares ar slīdes galu



Vadotnes slīdes gala atsītiens



Vienmēr turiet ķēdes zāģi ar abām rokām



Sargāt no lietus



Informācija par vadotnes slīdi



Garantētais skaņas intensitātes līmenis.



EEIA



Šis produkts atbilst spēkā esošajiem Apvienotās Karalistes tiesību aktiem.

LV



Šis izstrādājums atbilst piemērojamām EK direktīvām.

V Volti  
Hz Herci  
min Minūtes  
.../min Minūtē



Līdzstrāva

A Ampēri  
W Vati  
 $n_0$  Apgriezienu skaits bez slodzes

## SPECIFIKĀCIJAS

Spriegums	56 V	
Vadotnes sliedes garums	400 mm (CS1610E)	
	350 mm (CS1410E)	
Ķēdes solis	3/8" (9,5 mm)	
Ķēdes mērinstruments	1,1 mm	
Ķēdes ātrums	20 m/s	
Zāģa ķēdes veids	CS1610E	AC1600/AC1601 (Ieteiktais) AC1400/AC1401 (Saderīgais)
	CS1410E	AC1600/AC1601 (Ieteiktais) AC1400/AC1401 (Saderīgais)
Vadsliedes veids	CS1610E	AG1600/AG1601 (Ieteiktais) AG1400/AG1401 (Saderīgais)
	CS1410E	AG1600/AG1601 (Ieteiktais) AG1400/AG1401 (Saderīgais)
Ķēdes eļļas tvertnes ietilpība	150 ml	
Darba temperatūra	-15°C–40°C	
Uzglabāšanas temperatūra	-20°C–70°C	
Neto svars (bez akumulatoru bloka, ķēdes pārvalka)	3,9 kg (CS1610E)	
	3,8 kg (CS1410E)	
Izmērītāis skaņas intensitātes līmenis $L_{WA}$	102,25 dB(A) K=1,4 dB(A)	
Trokšņa spiediena līmenis pie lietotāja auss $L_{PA}$	91,25 dB(A) K=2,5 dB(A)	

Garantētais skaņas intensitātes līmenis $L_{WA}$ (saskaņā ar Direktīvu Nr. 2000/14/EK)	103 dB(A)	
Vibrācija $a_h$	Priekšējais rokturis	3,377 m/s <sup>2</sup> K=1,5 m/s <sup>2</sup>
	Aizmugurējais rokturis	2,823 m/s <sup>2</sup> K=1,5 m/s <sup>2</sup>

- Norādītā vibrāciju kopējā vērtība ir izmērīta saskaņā ar standarta pārbaudes metodi un var tikt izmantota, lai salīdzinātu vairākus instrumentus.
- Deklarēto vibrāciju emisijas vērtību var arī lietot iepriekšējai vibrāciju iedarbības novērtēšanai.

**PIEZĪME!** Vibrāciju emisijas faktiskajā elektroinstrumenta darbināšanas laikā var atšķirties no norādītās vērtības. Lai pasargātu operatoru, lietotājam jāvalkā cimdi un dzirdes aizsarglīdzekļi atbilstoši patiesajiem darba apstākļiem.

## IÉPAKOJUMA SATURA SARAKSTS (A1 ATT.)

### APRAKSTS

#### PĀRZINIET SAVU ĶĒDES ZĀĢI (A1 att.)

1. Ātruma pārslēgšanas slēdzis
2. Aizmugurējais rokturis
3. Bloķēšanas poga
4. Priekšējais rokturis
5. Ķēdes atsitienu bremzes rokturis
6. Zāģa ķēde
7. Vadsliede
8. Eļļas tvertnes vāciņš
9. Eļļas līmeņa pārbaudes lodziņš
10. Elektriskie kontakti
11. Akumulatora atbrīvošanas poga
12. Ķēdes spriegojuma regulēšanas poga

LV



13. Sānu pārsegs
14. Sānu pārsega svira
15. Ķēdes pārvalks

## MONTĀŽA

### SLIEDES UN ĶĒDES MONTĀŽA/MAIŅA

**▲ BRĪDINĀJUMS!** Pirms montāžas noregulējiet ķēdes bremzes rokturi bremzēšanas stāvoklī ķēdes apturēšanai atsitiena gadījumā.

1. Novietojiet ķēdes instrumentgalvu uz sāniem tā, lai sānu pārsegs būtu vērstis uz augšpusi (B att.).
2. Pagrieziet sānu pārsega sviru pretēji pulksteņu rādītāju kustības virzienam, lai noņemtu sānu pārsegu, un pēc tam pēc iespējas vairāk atskrūvējiet ķēdes sprieguma sviru.
3. Novietojiet jauno zāga ķēdi cilpā uz līdzenas virsmas un iztaisnojiet visus mezglus (C att.).
4. Ievietojiet ķēdes piedziņas locekļus vadotnes slīdes rievā un savienojiet ķēdi nepārtrauktā cilpā vadotnes slīdes aizmugurē (D att.).
5. Turiet ķēdi tās vietā uz vadotnes slīdes un uzlieciet cilpu apkārt instrumentgalvas ķēzratam.
6. Bīdīd vadotnes slīdes slotu pāri izlīdzināšanas atlokim līdz slīdes aizmugures daļas apakšējā caurumā iespējams ievietot sprieguma regulēšanas tapu (E1 att.).

**PIEZĪME!** Zāga ķēdē ir iegravētas nelielas virzienu norādošas bultiņas. Vēl viena virzienu norādoša bulta ir atrodama uz korpusa. Uzstādot zāga ķēdi uz ķēzrata, pārlicinieties, ka bultas uz zāga ķēdes ir vērstas tajā pašā virzienā, kur bulta uz korpusa. Ja tās ir vērstas pretējos virzienos, apgrieziet zāga ķēdi un vadotnes slīdes sistēmu otrādi (E2 att.).

7. Uzstādiet atpakaļ sānu pārsegu un viegli pievelciet sānu pārsega sviru.
8. Paceliet vadotnes slīdes galu uz augšu, lai pārbaudītu, vai ķēde nenokarājas (F att.). Atbrīvojiet vadotnes slīdes galu un pagrieziet ķēdes sprieguma noregulēšanas pogu pulksteņrādītāja kustības virzienā. Atkārtojiet šo darbību līdz ķēde vairs nenokarājas.
9. Kārtīgi pievelciet sānu pārsega sviru, lai nodrošinātu, ka pirms lietošanas zāga ķēde ir pienācīgi nospriegota.

D-1	Ķēdes piedziņas posmi	E-2	Sprieguma regulēšanas tapa
D-2	Vadotnes slīdes rievā	E-3	Vadotnes slīdes rievā

E-1	Izlīdzināšanas atloks	E-4	Ķēzrats
-----	-----------------------	-----	---------

**PIEZĪME!** Lai pāildzinātu vadotnes slīdes kalpošanas laiku, ik pa laikam apgrieziet slīdi otrādi.

**PIEZĪME!** Ja ķēde ir pārāk cieša, tā negriezīsies. Nedaudz atskrūvējiet ķēdes pārsega skrūvi un pagrieziet ķēdes sprieguma regulēšanas pogu vienu reizi pretēji pulksteņrādītāja kustības virzienam. Paceliet vadotnes slīdes galu uz augšu un atkārtoti kārtīgi pievelciet sānu pārsega sviru. Pārlicinieties, vai ķēde griežas bez saķeršanās.

### ĶĒDES SPRIEGOJUMA REGULĒŠANA

- Pirms ķēdes sprieguma regulēšanas apturiet zāga motoru un izņemiet akumulatora bloku. Pārlicinieties, ka sānu pārsega svira ir atskrūvēta. Pagrieziet ķēdes sprieguma regulēšanas pogu pulksteņrādītāja kustības virzienā, lai nospriegotu ķēdi. Lai iegūtu vairāk informācijas skatiet sadaļu: Papildu informācija par „SLIEDES UN ĶĒDES UZSTĀDĪŠANU/NOMAIŅU”.
- Auksta ķēde ir pareizi nospriegota tad, ja tā nenokarājas vadotnes slīdes apakšpusē un cieši pieguļ, taču to var kustināt ar roku bez saķeršanās. Ķēde jāpārspriego ik reizi, kad piedziņas locekļu plakanās virsmas neieguļ slīdes rievā.
- Parasti zāga darbības laikā ķēdes temperatūra palielinās. Pareizi nospriegotas uzsilušas ķēdes piedziņas locekļi karāsies aptuveni 1,3 mm ārpus slīdes rievās (G att.).

**PIEZĪME!** Jaunām ķēdēm ir tendence stiepties, tādēļ bieži pārbaudiet to spriegumu un, ja nepieciešams, atkārtoti nospriegojiet.

**PIEZĪME!** Ķēde, kura tika nospriegota, kamēr tā bija silta, pēc atdzišanas var būt pārāk cieši savilkta. Pirms nākamās lietošanas reizes pārbaudiet aukstās ķēdes spriegumu.

### EKSPLUATĀCIJA

**▲ BRĪDINĀJUMS!** Saglabājiet modrību visu griezējinstrumenta lietošanas laiku. Neaizmirstiet, ka pat mīkls neuzmanības var izraisīt nopietnu traumu.

**▲ BRĪDINĀJUMS!** Nelietojiet palīgierces vai piederumus, ko nav ieteicis šī produkta ražotājs. Šādu neapstiprinātu palīgierču vai piederumu lietošana var radīt nopietnus ievainojumus.

**▲ BRĪDINĀJUMS!** Lai novērstu nejašu ieslēgšanos, kas var radīt smagas traumas, saliekot instrumentu, kā arī veicot regulēšanas, tīrīšanas darbus vai, kad to nelietojat, vienmēr izņemiet no tā akumulatoru bloku.

LV

Pirms katras lietošanas pārbaudiet visu ierīci, vai tā nav bojāta, vai tai nav trūkstošu vai atskrūvējušos daļu, piemēram, skrūves, uzgriežņi, bultskrūves, vāciņi utt. Stingri pievelciet visus stiprinājumus un vāciņus un nedarbiniet šo ierīci, līdz visas trūkstošās vai bojātās daļas nav nomainītas.

## PIELIETOJUMS

Šo zāģi varat izmantot parastām koku gāšanas, atzarošanas, zaru apzāģēšanas, kā arī blūku un koku sazāģēšanas darbībām.

## SLIEDĒS UN ĶĒDES SMĒRVIELAS UZPILDĪŠANA

**⚠ BRĪDINĀJUMS!** Nesmēķējiet, kā arī nenovietojiet uguni vai atklātu liesmu eļļas vai ķēdes zāģa tuvumā. Eļļa var izšakstīties un izraisīt ugunsgrēku.

**PIEZĪME!** Iegādes brīdī ķēdes zāģi nav iepildīta eļļa. Pirms lietošanas tvertnē noteikti ir jāiepilda eļļa. Darbības laikā ķēde tiek automātiski ieeļļota ar ķēdes eļļu.

1. Novietojiet ķēdes zāģi uz sāniem, eļļas tvertnes vāciņam esot vērstam uz priekšpusi.
2. Lai eļļas tvertnē neiekristu netīrumi, notīriet eļļas tvertnes vāciņu un vietu ap to.
3. Novietojiet ķēdes zāģi uz sāniem, eļļas tvertnes vāciņam esot vērstam uz priekšpusi. Paceliet pusapaļa plāksni taisni uz augšu un pagrieziet eļļas tvertnes vāciņu pretēji pulksteņrādītāja kustības virzienam, lai to noņemtu (H att.).
4. Uzmaniģi iepildiet sliedes un ķēdes eļļu tvertnē. Iepildiet līdz atzīmei MAX.
5. Noslaukiet visu notecējušo eļļu un uzlieciet atpakaļ vāciņu.

**PIEZĪME!** Regulāri pārbaudiet eļļas līmeni un piepildiet, kad eļļas līmenis nokrītās zem minimālās atzīmes līnijas. Nekad nedarbiniet ķēdes zāģi, ja nav redzama eļļa.

## AKUMULATORU BLOKA IEVIETOŠANA/IZŅEMŠANA

**Pirms pirmās lietošanas reizes akumulators ir pilnībā jāuzlādē.**

Izmantojiet tikai A2 attēlā uzskaitītos akumulatoru blokus un lādētājus.

### Ievietošana (I att.)

Salāgojiet akumulatora izciņģus ar stiprinājuma rievām un iespiediet akumulatoru bloku akumulatora instrumentā, līdz tas nokļūst ar dzirdamu klikšķa skaņu.

### Izņemšana (J att.)

Nospiediet akumulatora atbrīvošanas pogu un izņemiet akumulatoru.

## ĶĒDES ZĀĢA IESLĒGŠANA/IZSLĒGŠANA

**PIEZĪME!** Pirms ķēdes zāģa ieslēgšanas pārbaudiet eļļas līmeni, zāģa zobu asumu un atsietena bremzes roktura darbību. Tāpat ievērojiet pareizu stāju un ieturi atbilstoši attālumam no zemes.

### Iedarbināšana

1. Paveļciet ķēdes atsietena bremzes rokturi uz priekšējā roktura pusi līdz darba pozīcijai (K att.).
2. Stingri satveriet priekšējo un aizmugurējo rokturi, izmantojot abas rokas.
3. Ar otras rokas īkšķi turiet nospiestu bloķēšanas pogu un pēc tam ar labās rokas pirkstiem saspiediet regulējamā ātruma slēdzi, lai iedarbinātu zāģi (L att.).
4. Atbrīvojiet atbloķēšanas pogu un turpiniet spiest palaišanas slēdzi, lai ierīce darbotos nepārtraukti.

**⚠ BRĪDINĀJUMS!** Nemēģiniet iedarbināt zāģi, kamēr tā ķēde atrodas griezumā.

### Apturēšana

1. Lai izslēgtu ķēdes zāģi, atlaidiet regulējamā ātruma slēdzi.
2. Bīdīet ķēdes atsietena bremzes rokturi uz priekšu līdz bremzēšanas stāvoklim, lai aktivizētu ķēdes bremzi (K att.).

**⚠ BRĪDINĀJUMS!** Vienmēr darba pārtraukumos un pēc darbu pabeigšanas izņemiet akumulatoru no ķēdes zāģa.

### Pareizs rokturu satvēriens (M att.)

- Lai nodrošinātu maksimālu satvērienu un aizsardzību, valkājiet neslidošus cimdus.
- Zāģim atrodoties uz stabilas, līdzenas virsmas, stingri satveriet to ar abām rokām.
- Vienmēr satveriet priekšējo rokturi ar kreiso roku un aizmugurējo rokturi ar labo roku.
- Pirkstiem jāaptver rokturis tā, lai īkšķis atrastos zem priekšējā roktura

**⚠ BRĪDINĀJUMS!** Nekad neturiet zāģi satvērienā, kur vadošā ir kreisā roka (apgrieztais satvēriens), kā arī nestāviet tā, lai kāda jūsu ķermeņa daļa vai roka varētu atrasties virs ķēdes līnijas (N att.).

### Pareiza stāja zāģēšanas laikā (O att.)

- Abām kājām jāatrodas stabili uz zemes, svaram esot vienlīdzīgi izdalītam starp tām.
- Kreisajai rokai jābūt taisnai, elkonim nokļūstam. Tas palīdz izturēt atsietena radītās ietekmes spēku.
- Jūsu ķermenim vienmēr jāatrodas ķēdes līnijas kreisajā pusē.

## NORĀDĪJUMI ATTIECĪBĀ UZ PAREIZĀM KOKU GĀŠANAS, ATZAROŠANAS, ZARU APZĀĢEŠANAS UN PĀRZĀĢEŠANAS TEHNIKĀM

**⚠ BRĪDINĀJUMS!** Kad dzinējs darbojas, vienmēr pārliecinieties, ka stāvat pareizi un stingri turat zāģi ar abām rokām.

**⚠ BRĪDINĀJUMS!** Kad zāģēšanas laikā zāģa ķēde tiek apturēta saspiešanas dēļ, atļaidiet palaišanas mehānisma slēdzi, noņemiet zāģa ķēdi un vadotnes sliedi no koka un pēc tam no jauna ieslēdziet zāģi.

**⚠ BRĪDINĀJUMS!** Neraujiet zāģa ķēdi ar rokām, kad tajā ir iekērušās zāģskaidas. Varat gūt nopietnus ievainojumus, ja ķēde sāk nejauši darboties. Piespiediet zāģa ķēdi pret koku, kustiniet ķēdes zāģi uz priekšu un aizmuguri, lai atbrīvotos no grūžiem. Vienmēr pirms tīrīšanas izņemiet akumulatoru. Darbojoties ar zāģa ķēdi, valkājiet augstākās aizsardzības pakāpes cimdus.

**⚠ BRĪDINĀJUMS!** Nekad nedarbiniet ķēdes zāģi, ja tas ir saskarē ar koku. Pirms pietuviniet zāģi kokam ļaujiet tam sasniegt pilnu ātrumu.

### KOKA GĀŠANA

- Kad sagarumošanas un koka gāšanas darbus vienlaicīgi veic divi vai vairāk cilvēki, koka gāšanas darbi un sagarumošanas darbi jāveic divās dažādās vietās, kas viena no otras atrodas tādā attālumā, kas vienlīdzīgs divkārtšam gāzamā koka garumam. Kokus nedrīkst gāzt veidā, kas apdraud citus cilvēkus, var pārtraukt elektropārvades līniju vai radīt īpašuma bojājumus. Ja tomēr koks saskaras ar elektropārvades līniju, nekavējoties par to jāpaziņo atbildīgajiem dienestiem.
- Ķēdes zāģa operatoram jāstāv kalnup vērstaļā koka pusē, jo koks pēc nogāšanas visticamāk rīpos vai slīdēs lejup pa kalnu.
- Pirms zāģēšanas jāizplāno un jāattīra bēgšanas ceļš. Atkāpšanās ceļam jāiet uz aizmuguri un diagonāli uz sagaidāmās koka krišanas līnijas aizmuguri, kā parādīts P attēlā.

P-1	Gāšanas virziens
P-2	Drošības atkāpšanās ceļš

- Pirms koka gāšanas darbu uzsākšanas ņemiet vērā dabisko koka liekšanās virzienu, lielāko zaru novietojumu un vēja virzienu, lai noteiktu koka krišanas virzienu.
- Notīriet no koka netīrumus, noņemiet nokarājošos mizu, naglas, skavas un stieples.

### Robojošs aizzāģējums

Perpendikulāri koka krišanas virzienam iezāģējiet robu līdz 1/3 no koka diametra, kā tas parādīts Q attēlā. Vispirms veiciet apakšējo horizontālo robojošo iezāģējumu. Tas palīdzēs novērst zāģa ķēdes vai vadotnes slīdes iespīšanu otrā roba iezāģēšanas laikā.

Q-1	Krišanas virziens
Q-2	Iedobums
Q-3	Gāšanas iezāģējums pretējā koka pusē
Q-4	Enģe

### Gāšanas iezāģējums pretējā koka pusē

- Veiciet gāšanas iezāģējumu pretējā koka pusē vismaz 50 mm virs horizontālā robojošā iezāģējuma, kā parādīts Q. attēlā. Gāšanas iezāģējumu pretējā koka pusē saglabājiet paralēlu horizontālajam robojošajam iezāģējumam. Gāšanas iezāģējumu pretējā koka pusē veiciet tik dziļi, lai atlikušais koka daudzums varētu tikt izmantots kā enģe. Koka enģe novērs koka sargiešanas un krišanu nepareizajā virzienā. Neizzāģējiet cauri enģei.

■ Tiklīdz gāšanas darbības tiek veiktas tuvu pie enģes, kokam būtu jāsāk krist. Ja pastāv kaut mazākā iespēja, ka koks varētu nekrist paredzētajā virzienā vai tas varētu sašūpoties uz aizmuguri un iespiest zāģa ķēdi, pārtrauciet zāģēšanu pirms gāšanas iezāģējums otrā koka pusē ir pabeigts un izmantojiet koka, plastmasa vai alumīnija ķīli, lai atvērtu iezāģējumu un nogāztu koku vēlamajā krišanas virzienā.

- Kad koks sāk krist, izņemiet ķēdes zāģi no iezāģētās līnijas, apturiet motoru, nolieciet zāģi uz zemes un izmantojiet noteikto atkāpšanās plānu. Uzmanieties no kritošajiem zariem un skatieties, kur liekat kājas.

### Koka atzarošana

Atzarošana ir zaru nozāģēšana nokrišušam kokam. Veicot atzarošanu, atstājiet lielākos apakšējos zarus, lai tie noturētu koku virs zemes. Nozāģējiet mazākos zarus ar vienu piegājieni, kā tas parādīts R attēlā. Saliektie zari jāzāģē no apakšas uz augšu, lai izvairītos no ķēdes zāģa iespīšanas.

### Baļķa sagarināšana

- Sagarināšana ir dēļa sazāģēšana garumos. Pirms sagarināšanas darbu veikšanas, svarīgi ir pārliecināties, ka stāvat stabili un jūsu svārs ir vienlīdzīgi izdalīts uz abām kājām. Kad iespējams, blūķis jāpāceļ uz augšu un jāatbalsta, izmantojot zarus, dēļus vai klučus. Ievērojiet vienkārtšos virzienus vieglai zāģēšanai.
- Ja blūķis tiek balstīts visā tā garumā, kā tas parādīts

S1. attēlā, tas jāzāgē no augšpusēs (gareniskā garumošana).

- Ja tiek balstīts tikai viens blūka gals, kā parādīts S2. attēlā, no apakšpusēs veiciet iegriezumu līdz 1/3 no diametra (apakšējā garumošana). Pēc tam pabeidziet griezumumu, veicot gareniskās garumošanas kustību līdz pirmajam iezāgējumam.
- Ja tiek balstīti abi blūka gali, kā parādīts S3. attēlā, no augšpusēs veiciet griezumumu līdz 1/3 no diametra (augšējā garumošana). Pēc tam pabeidziet griezumumu, veicot apakšējo garumošanu atlikušajās 2/3 līdz pirmajai griezumuma vietai.
- Veicot garumošanu slīpumā, vienmēr stāviet tajā blūka pusē, kas atrodas kalnup, kā parādīts T attēlā.
- Zāgējot cauri, lai saglabātu pilnīgu kontroli, īsi pirms zāgēšanas darbības pabeigšanas samaziniet zāgēšanas spiedienu, neatslābinot ķēdes zāga rokturu satvērienu. Neļaujiet ķēdei saskarties ar zemi. Kad pabeidzat zāgēšanu, pagaidiet, lai ķēde apstājas, pirms pārvietojat zāģi citur. Pārejot no viena koka uz citu, vienmēr apturiet motoru.

## APKOPE

**⚠ BRĪDINĀJUMS!** Veicot apkopi, izmantojiet tikai identiskas rezerves daļas. Jebkuru citu daļu izmantošana var radīt apdraudējumu vai instrumenta bojājumus.

**⚠ BRĪDINĀJUMS!** Lai novērstu nopietnu ievainojumu gūšanas risku, pirms ķēdes zāga pārbaudīšanas, tīrīšanas vai apkopes darbu veikšanas izņemiet akumulatoru. Ar akumulatoru darbināms instruments, kurā ir ievietots akumulators, vienmēr ir ieslēgts un var nejauši sākt darboties.

LV

**⚠ BRĪDINĀJUMS!** Tīrot ķēdes zāģi, NEIEMĒRCIET to ūdenī vai kādā citā šķidrumā.

**⚠ BRĪDINĀJUMS!** Nekad neļaujiet bremžu šķidrumiem, degvielai, uz naftu bāzētiem izstrādājumiem, iestrādes eļļām u.tml. nonākt saskarē ar plastmasa daļām. Ķīmikālijas var sabojāt, pavājināt vai iznīcināt plastmasu, kā rezultātā varat gūt nopietnus ievainojumus.

## TĪRĪŠANA

- Pēc katras lietošanas reizes ar mīkstu suku iztīriet no ķēdes un vadslīdes gružus. Noslaukiet ķēdes zāģa virsmu ar tīru drānu, kas samitrināta ar maigu ziepju šķīdumu.
- Noņemiet sānu vāku un pēc tam ar mīkstu suku notīriet gružus no vadotnes slīdes, zāģa ķēdes, ķēzrta un sānu pārsega.
- Vienmēr, kad maināt zāģa ķēdi, iztīriet koka skaidas, zāģskaidas un neīrums no vadotnes slīdes rievās.

## VADSLĪDES APKOPE

Kad vadotnes slīdei rodas nodiluma pazīmes, demontējiet to no ķēdes zāģa instrumentgalvas, apgrieziet otrādi un uzlieciet atpakā (U1 att.). Šādā veidā nodilums tiks sadalīts, lai maksimāli palielinātu vadotnes slīdes kalpošanas laiku.

Katrā lietošanas dienā slīde jānotīra un jāpārbauda, vai nav redzamas nodiluma pazīmes un bojājumi. Slīdes līniju atstarpošanās un atskabargu veidošanās ir normāls slīdes nodilšanas process. Šādas nepilnības jānolīdzina ar vīli tiklīdz tās tiek konstatētas. Slīdi, kurai ir kāds no šiem bojājumiem, jānomaina:

- nodilums slīdes līnijās, kuras ļauj uzlikt ķēdi sāniski;
- saliekta vadslīde;
- iekļūstīšanās vai saplītušās slīdes līnijas;
- izpletušās slīdes līnijas.

Turklāt vadotnes slīdes galā ir ķēzrats (U2 attēls). Šis ķēzrats katru nedēļu jāieeļļo ar eļļas šļirci, lai pagarinātu vadotnes slīdes kalpošanas ilgumu. Izmantojot eļļas šļirci, iknedēļu veiciet ieeļļošanu ar ķēdes eļļu caur eļļošanas atveri (U3 att.). Pagrieziet vadotnes slīdi un pārliecinieties, vai eļļošanas atverēs un ķēdes rievā nav gružu.

U2-1	Ķēzrats vadotnes slīdes galā
U2-2	Eļļošanas atvere

## TRANSPORTĒŠANA UN UZGLABĀŠANA

- Neuzglabājiet vai netransportējiet ķēdes zāģi, kamēr tas darbojas. Vienmēr pirms novietošanas glabāšanā vai transportēšanas izņemiet akumulatoru.
- Vienmēr pirms ķēdes zāģa novietošanas glabāšanā vai transportēšanas uzlieciet vadotnes slīdei un ķēdei vadotnes slīdes pārvalku. Rīkojieties uzmanīgi, lai izvairītos no asajiem ķēdes zobiem.
- Pirms uzglabāšanas rūpīgi notīriet ķēdes zāģi. Uzglabājiet ķēdes zāģi iekšējā, sausā un aizsēgtā vai bērniem nepieejamā vietā.
- Sargājiet no kodīgām vielām, piemēram, dārzā lietojamajām ķīmikālijām un atledošanas sāls.

## Apkārtējās vides aizsardzība



Direktīva par elektroiskro un elektronisko iekārtu atkritumiem (EEIA) Neutilizējiet elektroiskro aprīkojumu, izlietoto akumulatoru un lādētāju sadzīves atkritumos. Nogādājiet šo produktu uz pilnvarotu pārstrādes punktu un sagatavojiet atkritumu šķirošanai. Elektroiskros instrumentus jānogādā videi nekaitīgā pārstrādes rūpnīcā.

## KĻŪDU NOVĒRŠANA

**⚠ BRĪDINĀJUMS!** Vienmēr aizsargājiet savas rokas, valkājot biezus cimdus zāga ķēdes apkopes darbu veikšanas laikā. Vienmēr pirms ķēdes zāga apkopes darbu veikšanas vai transportēšanas izņemiet akumulatoru.

PROBLĒMA	CĒLONIS	RISINĀJUMS
Nedarbojas motors.	<ul style="list-style-type: none"> <li>■ Ķēdes zāģī nav ievietots akumulators.</li> <li>■ Starp zāģi un akumulatoru nav elektriskā savienojuma.</li> <li>■ Akumulatoru bloks ir izlādējies.</li> <li>■ Akumulators vai ķēdes zāģis ir pārāk karsts.</li> <li>■ Ieslēgta ķēdes bremze.</li> <li>■ Gruži sliedes rievā.</li> <li>■ Gruži sānu pārsegā.</li> </ul>	<ul style="list-style-type: none"> <li>■ Ievietojiet ķēdes zāģī akumulatoru.</li> <li>■ Izņemiet akumulatoru, pārbaudiet kontaktus un ievietojiet atpakaj.</li> <li>■ Uzlādējiet akumulatoru bloku.</li> <li>■ Ļaujiet akumulatoram vai ķēdes zāģim atdzist līdz temperatūra nokrītas zemāk par 67 °C.</li> <li>■ Atvelciet ķēdes atsiena bremzes rokturi priekšējā roktura virzienā darba stāvoklī.</li> <li>■ Piespiediet zāga ķēdi pret koku, kustiniet ķēdes zāģi uz priekšu un aizmuguri, lai atbrīvotos no gružiem.</li> <li>■ Izņemiet akumulatoru, pēc tam noņemiet sānu pārsegu un iztīriet gružus.</li> </ul>
Zāģēšanas laikā laikā ķēdes zāģis pārstāj darboties.	<ul style="list-style-type: none"> <li>■ Ķēdes zāga pārslodze.</li> <li>■ Akumulators vai ķēdes zāģis ir pārāk karsts.</li> <li>■ Kokā iestrēgusi zāga ķēde.</li> </ul>	<ul style="list-style-type: none"> <li>■ Samaziniet slodzi.</li> <li>■ Samaziniet slodzi. Ļaujiet akumulatoram vai ķēdes zāģim atdzist līdz temperatūra nokrītas zemāk par 67 °C.</li> <li>■ Atlaidiet regulējamā ātruma slēdzi, noņemiet zāga ķēdi un vadotnes joslu no koka un pēc tam no jauna ieslēdziet zāģi.</li> </ul>
Motors darbojas, bet ķēde negriežas.	<ul style="list-style-type: none"> <li>■ Ķēde neiedarbina piedziņas ķēzratu.</li> </ul>	<ul style="list-style-type: none"> <li>■ Uzstādiet atpakaj ķēdi, pārliecinoties, ka ķēdes piedziņas posmi pilnībā atrodas uz ķēzrata.</li> </ul>
Nedarbojas ķēdes bremze.	<ul style="list-style-type: none"> <li>■ Gruži kavē pilnīgu ķēdes atsiena bremzes roktura kustību.</li> <li>■ Iespējami ķēdes bremzes darbības traucējumi.</li> </ul>	<ul style="list-style-type: none"> <li>■ Iztīriet gružus no ārējā ķēdes bremzes mehānisma.</li> <li>■ Ja nepieciešams veikt labošanas darbus, sazinieties ar EGO klientu apkalpošanas nodaļu.</li> </ul>

PROBLĒMA	CĒLONIS	RISINĀJUMS
<p>Ķēdes zāģis nezāģē pareizi.</p>	<ul style="list-style-type: none"> <li>■ Nepietiekams ķēdes spriegums.</li> <li>■ Trula ķēde.</li> <li>■ Ķēde uzstādīta uz otru pusi.</li> <li>■ Nodilusi ķēde.</li> <li>■ Sausa vai pārāk izstiepta ķēde.</li> <li>■ Ķēde neatrodas sliedes rievā.</li> </ul>	<ul style="list-style-type: none"> <li>■ Atkārtoti noregulējiet ķēdes spriegojumu, kā aprakstīts nodaļā: „<b>ĶĒDES SPRIEĢOJUMA REGULĒŠANA</b>”.</li> <li>■ Uzasiniet ķēdi.</li> <li>■ Uzstādiet zāģa ķēdi, ievērojot nodaļā „<b>SLIEDES UN ĶĒDES UZSTĀDĪŠANA/ NOMAĪNA</b>” sniegtās norādes.</li> <li>■ Nomainiet ķēdi, kā aprakstīts nodaļā: „<b>SLIEDES UN ĶĒDES MONTĀŽA/MAIŅA</b>”.</li> <li>■ Pārbaudiet eļļas līmeni. Ja nepieciešams, uzpildiet tvertnē eļļu.</li> <li>■ Uzstādiet atpakaļ zāģa ķēdi, kā aprakstīts nodaļā: „<b>SLIEDES UN ĶĒDES MONTĀŽA/ MAIŅA</b>”.</li> </ul>
<p>Normālas lietošanas laikā ķēde kļūst vaļīga vai nokrīt no vadotnes sliedes.</p>	<ul style="list-style-type: none"> <li>■ Ķēde kļūst vaļīga, palielinoties ķēdes temperatūrai parastas zāģa darbības laikā.</li> <li>■ Ķēde neiedarbina piedziņas ķēžratu.</li> </ul>	<ul style="list-style-type: none"> <li>■ Noregulējiet ķēdes spriegojumu, ievērojot sadaļā „<b>ĶĒDES SPRIEĢOJUMA REGULĒŠANA</b>” sniegtās norādes</li> <li>■ Uzstādiet atpakaļ zāģa ķēdi, kā aprakstīts nodaļā: „<b>SLIEDES UN ĶĒDES MONTĀŽA/ MAIŅA</b>”.</li> </ul>

## GARANTĪJA

### EGO GARANTĪJAS POLITIKA

Lūdzu, apmeklējiet tīmekļa vietni [egopowerplus.eu](http://egopowerplus.eu), kur pieejama pilna EGO garantijas politikas noteikumu un nosacījumu versija.

LV

## ΔΙΑΒΑΣΤΕ ΟΛΕΣ ΤΙΣ ΟΔΗΓΙΕΣ!



**ΔΙΑΒΑΣΤΕ ΤΟ ΕΓΧΕΙΡΙΔΙΟ ΧΡΗΣΗΣ**

**⚠ Υπολειπόμενοι κίνδυνοι!** Άνθρωποι που φέρουν ηλεκτρονικές συσκευές όπως βηματοδότες πρέπει να συμβουλευούνται τους γιατρούς τους, πριν τη χρήση αυτού του προϊόντος. Η λειτουργία ηλεκτρολογικού εξοπλισμού κοντά σε βηματοδότη μπορεί να προκαλέσει παρεμβολές ή βλάβη στο βηματοδότη.

## ΣΥΜΒΟΛΟ ΑΣΦΑΛΕΙΑΣ

Ο σκοπός των συμβόλων ασφαλείας είναι να σας επιστήσουν την προσοχή σε ενδεχόμενους κινδύνους. Προσέξτε και κατανοήστε τα σύμβολα ασφαλείας και τις επεξηγήσεις που τα συνοδεύουν. Τα σύμβολα προειδοποίησης από μόνα τους δεν εξαλείφουν κανένα κίνδυνο. Οι οδηγίες και οι προειδοποιήσεις που παρέχουν δεν υποκαθιστούν τα κατάλληλα μέτρα πρόληψης ασυχημάτων.

**⚠ ΠΡΟΕΙΔΟΠΟΙΗΣΗ:** Βεβαιωθείτε ότι έχετε διαβάσει και κατανοήσει όλες τις οδηγίες ασφαλείας στο παρόν εγχειρίδιο χρήσης, συμπεριλαμβανομένων όλων των συμβόλων ασφαλείας, όπως «**ΚΙΝΔΥΝΟΣ**», «**ΠΡΟΕΙΔΟΠΟΙΗΣΗ**» και «**ΠΡΟΣΟΧΗ**», προτού να χρησιμοποιήσετε αυτό το ηλεκτρικό εργαλείο. Η μη τήρηση όλων των παρακάτω οδηγιών μπορεί να οδηγήσει σε ηλεκτροπληξία, πυρκαγιά και/ή σοβαρό τραυματισμό.

## ΕΠΕΞΗΓΗΣΗ ΣΥΜΒΟΛΩΝ

Αυτή η σελίδα απεικονίζει και περιγράφει τα σύμβολα ασφαλείας που μπορεί να υπάρχουν επάνω στο προϊόν. Διαβάστε, κατανοείτε και τηρείτε όλες τις οδηγίες επάνω στη μηχανή, προτού επιχειρήσετε να τη συναρμολογήσετε και να τη χρησιμοποιήσετε.

## ΣΥΜΒΟΛΑ ΑΣΦΑΛΕΙΑΣ

KEES VAN DER SPEK  
TUINMACHINES • STOLWIJK



Προειδοποίηση ασφαλείας



Διαβάστε και κατανοήστε το εγχειρίδιο χρήσης



Φοράτε προστατευτικά γυαλιά



Φοράτε προστατευτικά ακούς



Φοράτε προστασία για το κεφάλι



Φοράτε προστατευτικά γάντια



Λαμβάνετε υπόψη το οπισθολάκτισμα του αλυστοπίριου και αποφεύγετε την επαφή με την ακμή οδηγητικής μπάρας



Λάκτισμα ακμής οδηγητικής μπάρας



Χρησιμοποιείτε το αλυστοπίριο πάντα και με τα δύο χέρια



Να μην εκτίθεται στη βροχή



Πληροφορίες για την οδηγητική μπάρα



Εγγυημένη στάθμη ηχητικής ισχύος.

GR



ΑΗΗΕ



Αυτό το προϊόν συμμορφώνεται με την ισχύουσα νομοθεσία του ΗΒ.



Αυτό το προϊόν συμμορφώνεται με τις εφαρμοστές οδηγίες της ΕΚ.



Lidzstrāva

V Volt

A Ampēri

Hz Hertz

W Vati

min Λεπτά

$\eta_0$  Apgriezienu skaits bez slodzes

... /min Ανά λεπτό

## ΤΕΧΝΙΚΕΣ ΠΡΟΔΙΑΓΡΑΦΕΣ

Τάση	56 V
Μήκος οδηγητικής μπάρας	400 mm (CS1610E)
	350 mm (CS1410E)
Βήμα αλυσίδας	9,5 mm (3/8")
Ένδειξη αλυσίδας	1,1 mm
Ταχύτητα αλυσίδας	20 m/s
Τύπος αλυσίδας πριονιού	CS1610E AC1600/AC1601 (Συνιστάται) AC1400/AC1401 (Συμβατό)
	CS1410E AC1600/AC1601 (Συνιστάται) AC1400/AC1401 (Συμβατό)
Τύπος οδηγητικής μπάρας	CS1610E AG1600/AG1601 (Συνιστάται) AG1400/AG1401 (Συμβατό)
	CS1410E AG1600/AG1601 (Συνιστάται) AG1400/AG1401 (Συμβατό)
Χωρητικότητα ρεζερβουάρ λαδιού αλυσίδας	150 ml
Θερμοκρασία λειτουργίας	-15°C–40°C
Θερμοκρασία αποθήκευσης	-20°C–70°C
Καθαρό βάρος (χωρίς συστοιχία μπαταριών, θήκη αλυσίδας)	3,9 kg (CS1610E) 3,8 kg (CS1410E)
Μετρημένη στάθμη ηχητικής ισχύος $L_{WA}$	102,25 dB(A) K=2,5 dB(A)

Στάθμη ηχητικής πίεσης στο αυτί του χειριστή $L_{PA}$	91,25 dB(A) K=2,5 dB(A)	
Εγγυημένη στάθμη ηχητικής ισχύος $L_{WA}$ (κατά 2000/14/ΕΚ)	103 dB(A)	
Δόνηση α	Μπροστινή χειρολαβή	3,377 m/s <sup>2</sup> K=1,5 m/s <sup>2</sup>
	Πίσω χειρολαβή	2,823 m/s <sup>2</sup> K=1,5 m/s <sup>2</sup>

- Η δηλωθείσα συνολική τιμή κραδασμών έχει μετρηθεί σύμφωνα με πρότυπη μέθοδο ελέγχου και μπορεί να χρησιμοποιηθεί για τη σύγκριση ενός εργαλείου με κάποιο άλλο.
- Η αναφερόμενη συνολική τιμή κραδασμών μπορεί να χρησιμοποιηθεί, επίσης, για προκαταρκτική αξιολόγηση έκθεσης.

**ΣΗΜΕΙΩΣΗ:** Οι εκπομπές κραδασμών κατά τη διάρκεια της πραγματικής χρήσης του ηλεκτρικού εργαλείου μπορεί να διαφέρουν από τη δηλωμένη τιμή στην οποία χρησιμοποιείται το εργαλείο. Για την προστασία του χειριστή, πρέπει να χρησιμοποιούνται γάντια και προστασία της ακοής στις πραγματικές συνθήκες χρήσης.

## ΚΑΤΑΛΟΓΟΣ ΕΞΑΡΤΗΜΑΤΩΝ ΣΥΣΚΕΥΑΣΙΑΣ (ΕΙΚ. Α1)

### ΠΕΡΙΓΡΑΦΗ

#### ΓΝΩΡΙΣΤΕ ΤΟ ΑΛΥΣΟΠΡΙΟΝΟ ΣΑΣ (Εικ. Α1)

1. Διακόπτης-σκανδάλη μεταβλητής ταχύτητας
2. Πίσω χειρολαβή

GR



3. Κομπί απασφάλισης
4. Μπροστινή χειρολαβή
5. Λαβή φρένου λακτίσματος αλυσίδας
6. Αλυσίδα πριονιού
7. Οδηγητική μπάρα
8. Καπάκι ρεζερβουάρ λαδιού
9. Παράθυρο ελέγχου στάθμης λαδιού
10. Ηλεκτρικές επαφές
11. Κομπί αποδέσμευσης μπαταρίας
12. Κομπί ρύθμισης της τάνυσης αλυσίδας
13. Πλευρικό κάλυμμα
14. Κομπί πλευρικού καλύμματος
15. Θήκη αλυσίδας

## ΣΥΝΑΡΜΟΛΟΓΗΣΗ

### ΣΥΝΑΡΜΟΛΟΓΗΣΗ/ΑΝΤΙΚΑΤΑΣΤΑΣΗ ΤΗΣ ΜΠΑΡΑΣ ΚΑΙ ΤΗΣ ΑΛΥΣΙΔΑΣ

**▲ ΠΡΟΕΙΔΟΠΟΙΗΣΗ:** Ρυθμίστε τη λαβή φρένου λακτίσματος αλυσίδας στη θέση φρένου πριν από τη συναρμολόγηση.

1. Τοποθετήστε την κεφαλή ισχύος αλυσοπριονίου στα πλάγια με το πλαϊνό κάλυμμα να βλέπει προς τα επάνω (Εικ. Β).
2. Γυρίστε αριστερόστροφα το κομπί πλαινού καλύμματος για να αφαιρέσετε το πλαϊνό κάλυμμα και κατόπιν λασκάρτε το κομπί τάνυσης αλυσίδας όσο περισσότερο γίνεται.
3. Απλώστε τη νέα αλυσίδα σε μια θηλιά πάνω σε μια επίπεδη επιφάνεια και ισιώστε τυχόν τσακίσεις (Εικ. C).
4. Τοποθετήστε τους συνδέσμους οδηγού αλυσίδας μέσα στην εγκοπή οδηγητικής μπάρας και κάντε θηλιά στην αλυσίδα στο πίσω μέρος της οδηγητικής μπάρας (Εικ. D).
5. Κρατήστε την αλυσίδα στην θέση της στην οδηγητική μπάρα και τοποθετήστε την θηλιά γύρω από τον οδοντωτό τροχό της κεφαλής ισχύος.
6. Σύρετε την οπή οδηγητικής μπάρας πάνω από τις φλάντζες ευθυγράμμισης, ώσπου ο πείρος ρύθμισης τάνυσης να εισαχθεί στην κάτω οπή στην ουρά της μπάρας (Εικ. E1).

**ΣΗΜΕΙΩΣΗ:** Υπάρχουν μικρά βέλη κατεύθυνσης χαραγμένα στην αλυσίδα. Άλλο ένα βέλος κατεύθυνσης είναι σχηματισμένο στο περιβλήμα. Όταν κάνετε θηλιά της αλυσίδας στον οδοντωτό τροχό, εξασφαλίστε ότι η κατεύθυνση των βελών στην αλυσίδα θα αντιστοιχούν στην κατεύθυνση του βέλους στο περιβλήμα. Εάν βλέπουν σε αντίθετες κατευθύνσεις, γυρίστε ανάποδα την αλυσίδα και τη διάταξη οδηγητικής μπάρας (Εικ. E2).

7. Επανατοποθετήστε το πλαϊνό κάλυμμα και σφίξτε ελαφρά το κομπί πλαινού καλύμματος.
8. Σηκώστε την ακμή της οδηγητικής μπάρας προς τα επάνω για να ελέγξετε εάν υπάρχει χαλάρωση (Εικ. F). Αποδεσμεύστε την ακμή από την οδηγητική μπάρα και γυρίστε δεξιόστροφα το κομπί ρύθμισης της τάνυσης αλυσίδας. Επαναλάβετε αυτή τη διαδικασία, έως ότου εξαλειφθεί η χαλάρωση.
9. Σφίξτε με ασφάλεια το κομπί πλαινού καλύμματος για να εξασφαλίσετε ότι η αλυσίδα έχει ταυστεί σωστά πριν τη χρήση.

D-1	Σύνδεσμοι οδηγού αλυσίδας	E-2	Πείρος ρύθμισης τάνυσης
D-2	Εγκοπή οδηγητικής μπάρας	E-3	Υποδοχή οδηγητικής μπάρας
E-1	Φλάντζα ευθυγράμμισης	E-4	Οδοντοτροχός

**ΣΗΜΕΙΩΣΗ:** Για να επιμηκύνετε τη διάρκεια ζωής της οδηγητικής μπάρας, αντιστρέψτε τακτικά την μπάρα.

**ΣΗΜΕΙΩΣΗ:** Εάν η αλυσίδα είναι πολύ σφιχτή, δεν θα περιστρέφεται. Λασκάρτε ελαφρά το κομπί πλαινού καλύμματος και περιστρέψτε το κομπί ρύθμισης της τάνυσης αλυσίδας μια φορά αριστερόστροφα. Σηκώστε την ακμή της οδηγητικής μπάρας και συσφίξτε ξανά με ασφάλεια το κομπί πλαινού καλύμματος. Εξασφαλίστε ότι η αλυσίδα θα περιστρέφεται χωρίς να μαγκώνει.

### ΡΥΘΜΙΣΗ ΤΗΣ ΤΑΝΥΣΗΣ ΑΛΥΣΙΔΑΣ

- Σβήστε τον κινητήρα και αφαιρέστε τη συστοιχία μπαταριών προτού να ρυθμίσετε την τάνυση αλυσίδας. Εξασφαλίστε ότι το κομπί πλαινού καλύμματος έχει λασκάρει. Γυρίστε δεξιόστροφα το κομπί ρύθμισης της τάνυσης αλυσίδας για να τανύσετε την αλυσίδα. Δείτε το απόσπασμα: «ΣΥΝΑΡΜΟΛΟΓΗΣΗ/ΑΝΤΙΚΑΤΑΣΤΑΣΗ ΤΗΣ ΜΠΑΡΑΣ ΚΑΙ ΤΗΣ ΑΛΥΣΙΔΑΣ» για επιπρόσθετες πληροφορίες.
- Μια κρύα αλυσίδα τανύζεται σωστά όταν δεν υπάρχει τζόγος στην κάτω πλευρά της μπάρας οδήγησης και η αλυσίδα είναι σφιγμένη αλλά μπορεί να περιστραφεί με το χέρι χωρίς να μαγκώνει. Η αλυσίδα πρέπει να επανατανύζεται όποτε τα επίπεδα τμήματα στους συνδέσμους οδηγού δεν εδράζονται στην εγκοπή μπάρας.
- Κατά την κανονική λειτουργία κοπής, η θερμοκρασία της αλυσίδας αυξάνεται. Οι σύνδεσμοι οδήγησης μιας σωστά ταυμένης ζεστής αλυσίδας θα κρέμονται περίπου 1,3 mm έξω από την εγκοπή μπάρας (Εικ. G).

GR

**ΣΗΜΕΙΩΣΗ:** Οι νέες αλυσίδες τείνουν να τεντώνονται. Ελέγχετε την τάση αλυσίδας τακτικά και τανύζετε κατόπιν απαίτησης.

**ΣΗΜΕΙΩΣΗ:** Μια αλυσίδα που τανύζεται ενώ είναι ζεστή, μπορεί όταν κρυώσει να είναι πολύ σφιχτή. Ελέγξτε την ψυχρή τάση της αλυσίδας πριν από την επόμενη χρήση.

## ΛΕΙΤΟΥΡΓΙΑ

**⚠️ ΠΡΟΕΙΔΟΠΟΙΗΣΗ:** Η εξοικειωσή σας με αυτό το προϊόν δε θα πρέπει να σας κάνει λιγότερο προσεκτικούς. Θυμηθείτε πως ένα κλάσμα δευτερολέπτου απροσεξίας μπορεί να προκαλέσει σοβαρό τραυματισμό.

**⚠️ ΠΡΟΕΙΔΟΠΟΙΗΣΗ:** Μη χρησιμοποιείτε εξαρτήματα που δε συνιστώνται από τον κατασκευαστή αυτού του προϊόντος. Η χρήση παρελκομένων ή εξαρτημάτων που δε συνιστώνται από τον κατασκευαστή, ενέχει τον κίνδυνο σοβαρού τραυματισμού.

**⚠️ ΠΡΟΕΙΔΟΠΟΙΗΣΗ:** Για να εμποδίσετε τυχαία εκκίνηση που θα μπορούσε να προκαλέσει σοβαρό ατομικό τραυματισμό, απομακρύνετε πάντα τη συστοιχία μπαταριών από το εργαλείο, όταν συναρμολογείτε εξαρτήματα, διεξάγετε ρυθμίσεις, καθαρισμό ή σε περίπτωση μη χρήσης.

Πριν από κάθε χρήση, ελέγχετε πλήρως το προϊόν για φθαρμένα, ελλιπή ή χαλαρά εξαρτήματα, όπως, βίδες, παξιμάδια, μπουλόνια, πώματα, κτλ. Συμφίξτε με ασφάλεια όλους τους σφικτήρες και τα πώματα και μη θέσετε σε λειτουργία το προϊόν προτού να αποκατασταθούν όλα τα ελλιπή ή φθαρμένα εξαρτήματα.

## ΕΦΑΡΜΟΓΕΣ

Μπορείτε να χρησιμοποιήσετε αυτό το εργαλείο για βασικές εργασίες υλοτομίας, αποκλάδωσης, και κοπής ξύλων σε ξυλεία και δέντρα.

## ΠΛΗΡΩΣΗ ΛΙΠΑΝΤΙΚΟΥ ΣΤΗ ΜΠΑΡΑ ΚΑΙ ΤΗΝ ΑΛΥΣΙΔΑ

**⚠️ ΠΡΟΕΙΔΟΠΟΙΗΣΗ:** Μην καπνίζετε ή επιτρέπετε να πλησιάζει φωτιά ή φλόγα κοντά σε λάδια ή στην αλυσίδα. Το λάδι μπορεί να διαρρεύσει και να προκληθεί πυρκαγιά.

**ΣΗΜΕΙΩΣΗ:** Το αλυσοπρίονο δεν έχει λάδι μέσα κατά την αγορά. Είναι απαραίτητο να γεμίσετε το ρεζερβουάρ με λάδι πριν από τη χρήση. Η αλυσίδα λιπαίνεται αυτόματα με λάδι αλυσίδας κατά τη διάρκεια της λειτουργίας.

1. Τοποθετείτε το αλυσοπρίονο στα πλάγια, με το καπάκι δοχείου λαδιού να βλέπει προς τα κάτω.
2. Καθαρίστε το καπάκι του ρεζερβουάρ λαδιού και το χώρο γύρω από αυτό, ώστε να μην πέσουν ρύποι

μέσα σε αυτό.

3. Τοποθετήστε το αλυσοπρίονο με το πλάι επάνω σε μια γερή, επίπεδη επιφάνεια, έτσι ώστε το καπάκι του ρεζερβουάρ λαδιού να έχει κατεύθυνση προς τα επάνω. Ανασηκώστε την ημικυκλική πλάκα και περιστρέψτε το καπάκι του δοχείου λαδιού αριστερόστροφα για να το αφαιρέσετε (Εικ. Η).
4. Συμπληρώστε προσεκτικά το λάδι μπάρας και αλυσίδας στο ρεζερβουάρ. Γεμίστε έως τη γραμμή MAX.
5. Σκουπίστε το υπερβάλλον λάδι και επανατοποθετήστε το καπάκι.

**ΣΗΜΕΙΩΣΗ:** Ελέγχετε τακτικά τη στάθμη λαδιού και συμπληρώνετε λάδι όταν η στάθμη πέφτει κάτω από τη γραμμή της μέγιστης στάθμης. Μη χρησιμοποιείτε το αλυσοπρίονο εάν το λάδι δεν φαίνεται.

## ΠΡΟΣΑΡΤΗΣΗ/ΑΠΟΜΑΚΡΥΝΣΗ ΤΗΣ ΣΥΣΤΟΙΧΙΑΣ ΜΠΑΤΑΡΙΩΝ

### Φορτίστε πλήρως πριν από την πρώτη χρήση.

Να χρησιμοποιείται μόνο με τις συστοιχίες μπαταριών και τους φορτιστές που αναφέρονται στην Εικ. Α2.

### Για την προσάρτηση (Εικ. Ι)

Ευθυγραμμίστε τις νευρώσεις της συστοιχίας μπαταριών με τις υποδοχές τοποθέτησης και ωθήστε τη συστοιχία μπαταριών μέσα στο ηλεκτρικό εργαλείο ώσπου να ασφαλίσει στη θέση της.

### Για την απομάκρυνση (Εικ. J)

Πιέστε το κουμπί αποδέσμευσης μπαταρίας και βγάλτε έξω τη συστοιχία μπαταριών.

## ΕΝΕΡΓΟΠΟΙΗΣΗ/ΑΠΕΝΕΡΓΟΠΟΙΗΣΗ ΤΟΥ ΑΛΥΣΟΠΡΙΟΝΟΥ

**ΣΗΜΕΙΩΣΗ:** Προτού εκκινήσετε το αλυσοπρίονο, ελέγχετε τη στάθμη λαδιού, εάν είναι αιχμηρές οι οδοντώσεις και τη σωστή λειτουργία της λαβής φρένου λακτίσματος. Επίσης πρέπει να στέκεστε ισορροπημένα και σε σωστή απόσταση από το έδαφος.

### Ενεργοποίηση

1. Τραβήξτε τη λαβή φρένου λακτίσματος αλυσίδας προς την μπροστινή λαβή στη θέση λειτουργίας (Εικ. Κ)
2. Πιάστε τη μπροστινή και την πίσω λαβή σφιχτά, χρησιμοποιώντας και τα δύο χέρια.
3. Πιέστε και κρατήστε πατημένο το κουμπί ασφάλισης με τον αντίχειρα του δεξιού σας χεριού, και μετά πιέστε το διακόπτη-σκανδάλη μεταβλητής ταχύτητας με τα δάχτυλα του δεξιού σας χεριού για να εκκινήσετε το αλυσοπρίονο (Εικ. Λ).

4. Αποδεσμεύστε το κουμπί ασφάλισης και συνεχίστε να πιέζετε τη σκανδάλη για συνεχή λειτουργία.

**⚠️ ΠΡΟΕΙΔΟΠΟΙΗΣΗ:** Μην προσπαθήσετε να εκκινήσετε το πριόνι όταν η αλυσίδα βρίσκεται σε μια κοπή.

#### Απενεργοποίηση

1. Αποδεσμεύστε το διακόπτη-σκανδάλη μεταβλητής ταχύτητας για να σταματήσετε το αλυσοπρίονο.
2. Ωθήστε τη λαβή φρένου λακτίσματος αλυσίδας προς τα εμπρός στη θέση φρένου για να εμπλέξετε το φρένο αλυσίδας (Εικ. Κ).

**⚠️ ΠΡΟΕΙΔΟΠΟΙΗΣΗ:** Πάντα απομακρύνετε τη συστοιχία μπαταριών από το αλυσοπρίονο κατά τη διάρκεια διαλειμμάτων και μετά την ολοκλήρωση της εργασίας.

#### Σωστό πάσιμο των χειρολαβών (Εικ. Μ)

- Φοράτε αντιολισθητικά γάντια για μέγιστο κράτημα και προστασία.
- Με το αλυσοπρίονο σε μια σταθερή, επίπεδη επιφάνεια, κρατήστε το σφιχτά και με τα δύο χέρια.
- Πιάνετε πάντα την μπροστινή λαβή με το αριστερό χέρι και την πίσω λαβή με το δεξί χέρι.
- Τα δάχτυλα πρέπει περικλείουν τη χειρολαβή, με τον αντίχειρα τυλιγμένο κάτω από την μπροστινή χειρολαβή.

**⚠️ ΠΡΟΕΙΔΟΠΟΙΗΣΗ:** Ποτέ μη χρησιμοποιείτε μια αριστερή λαβή (διασαύρωση χειριών) ή οπιδήποτε μπορεί να θέσει το σώμα ή το βραχίονα σας εγκάρσια της γραμμής αλυσίδας (Εικ. Ν).

#### Σωστή θέση κοπής (Εικ. Ο)

- Και τα δύο πόδια πρέπει να βρίσκονται σε σταθερό έδαφος, με το βάρος ομοιόμορφα κατανεμημένο μεταξύ τους.
- Ο αριστερός βραχίονας πρέπει να είναι ίσιος, με τον αγκώνα σταθερό. Έτσι αντέχετε τις δυνάμεις που δημιουργούνται από λάκτισμα.
- Το σώμα σας πρέπει να βρίσκεται πάντα στα αριστερά της γραμμής αλυσίδας.

#### ΟΔΗΓΙΕΣ ΑΝΑΦΟΡΙΚΑ ΜΕ ΤΙΣ ΣΩΣΤΕΣ ΤΕΧΝΙΚΕΣ ΓΙΑ ΒΑΣΙΚΗ ΥΛΟΤΟΜΙΑ, ΑΠΟΚΛΑΔΩΣΗ ΚΑΙ ΕΓΚΑΡΣΙΑ ΚΟΠΗ

**⚠️ ΠΡΟΕΙΔΟΠΟΙΗΣΗ:** Βεβαιώνεστε πάντα ότι στέκεστε καλά και ότι κρατάτε το αλυσοπρίονο σφιχτά και με τα δύο χέρια, ενώ λειτουργεί το μοτέρ.

**⚠️ ΠΡΟΕΙΔΟΠΟΙΗΣΗ:** Όταν η αλυσίδα είναι σταματημένη λόγω μαγκώματος κατά την κοπή, αποδεσμεύστε το διακόπτη σκανδάλης. Απομακρύνετε την

αλυσίδα και την οδηγητική μπάρα από το ξύλο, και στη συνέχεια, επανεκκινήστε το αλυσοπρίονο.

**⚠️ ΠΡΟΕΙΔΟΠΟΙΗΣΗ:** Μην τραβάτε την αλυσίδα με το χέρι όταν είναι δεσμευμένη με σκόνη πριονίσματος. Μπορεί να προκύψει σοβαρός τραυματισμός εάν το αλυσοπρίονο εκκινήθει κατά τύχη. Πιέστε το αλυσοπρίονο προς το ξύλο, μετακινήστε το αλυσοπρίονο προς τα πίσω και εμπρός για να απομακρύνετε τα υπολείμματα. Απομακρύνετε πάντα τη μπαταρία πριν τον καθαρισμό. Φοράτε ανθεκτικά προστατευτικά γάντια όταν χειρίζεστε την αλυσίδα.

**⚠️ ΠΡΟΕΙΔΟΠΟΙΗΣΗ:** Ποτέ μην εκκινείτε το αλυσοπρίονο όταν βρίσκεται σε επαφή με το ξύλο. Αφήνετε πάντα το αλυσοπρίονο να φτάνει στην πλήρη ταχύτητα, προτού το ακουμπήσετε πάνω στο ξύλο.

#### ΚΟΠΗ ΔΕΝΤΡΟΥ

- Κατά τις λειτουργίες τεμαχισμού και κοπής από δύο ή περισσότερα άτομα ταυτόχρονα, η λειτουργία κοπής πρέπει να διαχωρίζεται από τη λειτουργία τεμαχισμού από μια απόσταση τουλάχιστον το διπλό ύψος του δέντρου που κόβεται. Τα δέντρα δεν πρέπει να κόβονται έτσι ώστε να θέτουν σε κίνδυνο οποιοδήποτε άτομο, να χτυπήσουν οποιοδήποτε αγωγό ή να προκαλέσουν ζημιές σε ιδιοκτησίες. Εάν ένα δέντρο έρθει σε επαφή με γραμμές τροφοδοσίας πρέπει να ειδοποιηθεί αμέσως η αντίστοιχη εταιρεία.
- Ο χειριστής του αλυσοπριονίου πρέπει να στέκεται στην ανωφερή πλευρά του εδάφους, γιατί το δέντρο μπορεί να κυλήσει ή να γλιστρήσει προς τα κάτω μετά την κοπή.
- Πριν ξεκινήσετε τις εργασίες κοπής πρέπει να σχεδιάσετε και να καθαρίσετε ένα διάδρομο διαφυγής σύμφωνα με τις ανάγκες. Ο διάδρομος διαφυγής πρέπει να εκτείνεται προς τα πίσω και διαγώνια από την αναμενόμενη γραμμή πτώσης, όπως φαίνεται στην Εικ. Ρ.

P-1	Κατεύθυνση κοπής
P-2	Διαδρομή υποχώρησης ασφάλειας

- Προτού ξεκινήσει η κοπή, λάβετε υπόψη την φυσική κλίση του δέντρου, την τοποθεσία των μεγαλύτερων κλαδιών και την κατεύθυνση του ανέμου, ώστε να κρίνετε προς ποια κατεύθυνση θα πέσει το δέντρο.
- Αφαιρέστε ρύπους, πέτρες, χαλαρούς φλοιούς, καρφιά, συνδετήρες και σύρματα από το δέντρο.

#### ΕΓΚΟΠΗ ΤΟΜΗΣ ΡΙΦΗΣ

Κάντε την εντομή στο 1/3 της διαμέτρου του δέντρου, κάθετα προς την κατεύθυνση πτώσης, όπως φαίνεται στην Εικ. Q.

Κάντε πρώτα την κατώτερη οριζόντια κοπή εγκοπής. Έτσι θα αποφευχθεί μάγκωμα του αλυσοπρίονου ή της οδηγητικής μπάρας όταν γίνει η δεύτερη εντομή.

Q-1	Κατεύθυνση πτώσης
Q-2	Εγκοπή
Q-3	Όπισθεν κοπή
Q-4	Μεντεσές

## Όπισθεν κοπή

- Κάντε την όπισθεν κοπή τουλάχιστον 50 mm υψηλότερα από την οριζόντια κοπή εντομής, όπως φαίνεται στην Εικ. Q. Διατηρείτε την όπισθεν κοπή τουλάχιστον παράλληλη στην οριζόντια κοπή εντομής. Κάντε την όπισθεν κοπή έτσι ώστε να απομείνει επαρκές ξύλο για να λειτουργήσει ως άρθρωση. Το ξύλο που λειτουργεί έτσι εμποδίζει το δέντρο να περιστραφεί και να πέσει στην λάθος κατεύθυνση. Μην κόψετε μέσα από αυτήν την άρθρωση.
- Καθώς η κοπή πλησιάζει κοντά στην άρθρωση, το δέντρο θα ξεκινήσει να πέφτει. Εάν υπάρχει πιθανότητα το δέντρο να μην πέσει στην επιθυμητή κατεύθυνση ή να λικνιστεί πίσω και να σφηνώσει το αλυσοπρίονο, σταματήστε την κοπή προτού ολοκληρωθεί η όπισθεν κοπή και χρησιμοποιήστε σφήνες ξύλου, πλαστικού ή αλουμινίου για να ανοίξετε την κοπή ώστε να πέσει το δέντρο κατά μήκος της επιθυμητής γραμμής πτώσης.
- Όταν το δέντρο αρχίσει να πέφτει, απομακρύνετε το αλυσοπρίονο από την κοπή, σταματήστε τον κινητήρα, αποθέστε το μηχανήμα κάτω και κατόπιν χρησιμοποιήστε τη διαδρομή υποχώρησης όπως είχατε σχεδιάσει. Να προσέχετε για κλαδιά πιο ψηλά που ενδεχομένως πέφτουν και προσέχετε που πατάτε.

GR

## Αποκλάδωση δέντρου

Η αποκλάδωση απομακρύνει τα κλαδιά από ένα πεσμένο δέντρο. Κατά την αποκλάδωση αφήνετε τα μεγαλύτερα κλαδιά χαμηλά να υποστηρίζουν τον κορμό μακριά από το έδαφος. Απομακρύνετε τα μικρά κλαδιά με μια κοπή, όπως φαίνεται στην Εικ. R. Τα κλαδιά που βρίσκονται υπό πίεση πρέπει να κόβονται από κάτω προς τα πάνω, για να αποφευχθεί το μάγκωμα της αλυσίδας του πριονιού.

## Τεμαχισμός κορμού

- Ο όρος αυτός αφορά το πρίονισμα ενός κορμού σε διάφορα μήκη. Είναι σημαντικό να πατάτε σταθερά και το βάρος σας να κατανέμεται ομοιόμορφα και στα δύο πόδια. Όταν είναι δυνατόν, ο κορμός πρέπει να ανυψώνεται και υποστηρίζεται με τη χρήση κλαδιών, κορμών ή σφηνών. Τηρείτε αυτές τις απλές οδηγίες για εύκολη κοπή.

- Όταν ο κορμός υποστηρίζεται σε όλο του το μήκος, όπως φαίνεται στην Εικ. S1, κόβεται από το επάνω μέρος (τεμαχισμός από πάνω προς τα κάτω).
- Όταν ο κορμός υποστηρίζεται στο ένα άκρο, όπως φαίνεται στην Εικ. S2, κόβετε το 1/3 της διαμέτρου από την κάτω πλευρά (τεμαχισμός από κάτω προς τα πάνω). Κατόπιν κάντε την οριστική κοπή με τεμαχισμό από πάνω προς τα κάτω για να συναντήσετε την πρώτη κοπή.
- Όταν ο κορμός υποστηρίζεται και στα δύο άκρα, όπως φαίνεται στην Εικ. S3, κόβετε το 1/3 της διαμέτρου από την άνω πλευρά (τεμαχισμός από πάνω προς τα κάτω). Κατόπιν κάντε την οριστική κοπή με τεμαχισμό από κάτω προς τα πάνω των κάτω 2/3 για να συναντήσετε την πρώτη κοπή.
- Όταν κόβετε ξύλα σε επικλινές έδαφος, να στέκεστε πάντα στην ανωφερή πλευρά του κορμού, όπως φαίνεται στην Εικ. T.
- Όταν κόβετε στη μέση, για να διατηρήσετε τον πλήρη έλεγχο, αποδεσμεύστε την πίεση κοπής κοντά στο τέλος της κοπής, χωρίς να χαλαρώσετε τη λαβή σας στις χειρολαβές του αλυσοπρίονου. Μην αφήσετε την αλυσίδα να έρθει σε επαφή με το έδαφος. Αφού ολοκληρώσετε την κοπή, περιμένετε να σταματήσει το αλυσοπρίονο προτού το μετακινήσετε. Απενεργοποιείτε πάντα τον κινητήρα προτού μετακινηθείτε από δέντρο σε δέντρο.

## ΣΥΝΤΗΡΗΣΗ

**⚠ ΠΡΟΕΙΔΟΠΟΙΗΣΗ:** Κατά τη συντήρηση του εργαλείου, χρησιμοποιείτε μόνο όμοια ανταλλακτικά. Η χρήση οποιωνδήποτε άλλων εξαρτημάτων μπορεί να προκαλέσει κίνδυνο ή υλικές ζημιές.

**⚠ ΠΡΟΕΙΔΟΠΟΙΗΣΗ:** Για την αποφυγή σοβαρού ατομικού τραυματισμού, αφαιρείτε τη συστοιχία μπαταριών από το αλυσοπρίονο προτού επιθεωρήσετε, καθαρίσετε ή διεξάγετε συντήρηση. Ένα εργαλείο που λειτουργεί με μπαταρία με εισηγμένη συστοιχία μπαταριών, είναι πάντα ενεργό και μπορεί να εκκινήσει τυχαία.

**⚠ ΠΡΟΕΙΔΟΠΟΙΗΣΗ:** Όταν καθαρίσετε το αλυσοπρίονο, ΜΗΝ το βυθίζετε σε νερό ή άλλα υγρά.

**⚠ ΠΡΟΕΙΔΟΠΟΙΗΣΗ:** Τα πλαστικά εξαρτήματα δεν πρέπει να έρθουν ποτέ σε επαφή με υγρά φρένων, βενζίνη, πετρελαϊκά προϊόντα, διεισδυτικά λάδια, κτλ. Τα χημικά μπορούν να φθείρουν, να λεπτύνουν ή να καταστρέψουν τα πλαστικά εξαρτήματα με κίνδυνο σοβαρού τραυματισμού.

## ΚΑΘΑΡΙΣΜΟΣ

- Μετά από κάθε χρήση, καθαρίζετε τα υπολείμματα από την αλυσίδα και την οδηγητική μπάρα με μια μαλακή βούρτσα. Σκουπίζετε την επιφάνεια του αλυσοπριόνου με ένα καθαρό πανί βρεγμένο με ήπια σαπουνάδα.
- Απομακρύνετε το πλαϊνό κάλυμμα και κατόπιν χρησιμοποιήστε μια μαλακιά βούρτσα για να απομακρύνετε υπολείμματα από την οδηγητική μπάρα, την αλυσίδα, τον οδοντωτό τροχό και το πλαϊνό κάλυμμα.
- Καθαρίζετε πάντα τα ροκανίδια, τη σκόνη πριονίσματος και τους ρύπους από την εγκοπή οδηγητικής μπάρας όταν αντικαθιστάτε την αλυσίδα.

## ΣΥΝΤΗΡΗΣΗ ΟΔΗΓΗΤΙΚΗΣ ΜΠΑΡΑΣ

Όταν η οδηγητική μπάρα παρουσιάσει σημάδια φθοράς, αποσυναρμολογήστε την από την κεφαλή ισχύος του αλυσοπριόνου και αντιστρέψτε την για επανατοποθέτηση (Εικ. U1). Με αυτόν τον τρόπο η φθορά θα καταμετρηθεί ομοίμορφα για μεγαλύτερη διάρκεια ζωής της μπάρας.

Η μπάρα πρέπει να καθαρίζεται κάθε ημέρα χρήσης και να ελέγχεται για φθορά και ζημιές. Σφηνώματα ή γρέζια στις ράγες μπάρας είναι φυσιολογικά σημάδια φθοράς της μπάρας. Τέτοια ίχνη πρέπει να λειαίνονται με μια λίμα μόλις εμφανιστούν. Μια μπάρα με κάποιο από τα ακόλουθα σημάδια πρέπει να αντικατασταθεί.

- Φθορά στο εσωτερικό των ραγών μπάρας που επιπρέπει στην αλυσίδα να τρέχει λοξά.
- Λυγισμένη οδηγητική μπάρα.
- Ραγισμένες ή σπασμένες ράγες.
- Ανοιγμένες ράγες.

Επιπλέον η οδηγητική μπάρα έχει έναν οδοντωτό τροχό στην άκρη (Εικ. U2). Ο οδοντωτός τροχός πρέπει να λιπαίνεται κάθε εβδομάδα με μια σύριγγα με γράσο για την επιμήκυνση της διάρκειας ζωής της μπάρας. Χρησιμοποιείτε μια σύριγγα με γράσο για την εβδομαδιαία λίπανση με λάδι αλυσίδας από την οπή λίπανσης (Εικ. U3). Γυρίστε την οδηγητική μπάρα και ελέγξτε εάν οι οπές λίπανσης και η εγκοπή αλυσίδας είναι ελεύθερες από ρύπους.

U2-1	Οδοντωτός τροχός στην ακμή οδηγητικής μπάρας
U2-2	Οπή λίπανσης

## ΜΕΤΑΦΟΡΑ ΚΑΙ ΑΠΟΘΗΚΕΥΣΗ

- Μην αποθηκεύετε ή μεταφέρετε το αλυσοπριόνο όταν λειτουργεί. Απομακρύνετε πάντα τη συστοιχία μπαταριών πριν την αποθήκευση ή τη μεταφορά.

- Τοποθετείτε πάντα τη θήκη οδηγητικής μπάρας στην οδηγητική μπάρα και την αλυσίδα προτού αποθηκεύσετε ή μεταφέρετε το αλυσοπριόνο. Να είστε προσεκτικοί και να αποφεύγετε την αιχμηρή οδόντωση της αλυσίδας.
- Καθαρίστε το αλυσοπριόνο επιμελώς πριν από την αποθήκευση. Αποθηκεύστε το αλυσοπριόνο σε εσωτερικό, στεγνό χώρο που κλειδώνει και όπου δεν πλησιάζουν παιδιά.
- Να διατηρείται μακριά από διαβρωτικές ουσίες, όπως χημικές ουσίες και αποσπαστικά άλατα κήπου.

## Προστασία του περιβάλλοντος



ΑΗΗΕ (Απόβλητα ειδών ηλεκτρικού και ηλεκτρονικού εξοπλισμού) – Μην απορρίπτετε ηλεκτρικό εξοπλισμό, παλιές μπαταρίες και φορτιστές στα οικιακά απορρίμματα! Μεταφέρετε αυτό το προϊόν σε εξουσιοδοτημένο κέντρο ανακύκλωσης και παραδώστε το για ξεχωριστή συλλογή. Τα ηλεκτρικά εργαλεία πρέπει να επιστρέφονται σε περιβαλλοντικά συμβατή μονάδα ανακύκλωσης.

## ΑΝΤΙΜΕΤΩΠΙΣΗ ΠΡΟΒΛΗΜΑΤΩΝ

**⚠️ ΠΡΟΕΙΔΟΠΟΙΗΣΗ:** Προσέχετε πάντα τα χέρια σας φορώντας ανθεκτικά γάντια όταν διεξάγετε συντήρηση στο αλυσοπρίονο. Απομακρύνετε πάντα τη συστοιχία μπαταριών κατά τη συντήρηση ή μεταφορά του αλυσοπρίονου.

ΠΡΟΒΛΗΜΑ	ΑΙΤΙΑ	ΑΝΤΙΜΕΤΩΠΙΣΗ
Ο κινητήρας δεν ενεργοποιείται.	<ul style="list-style-type: none"> <li>■ Η συστοιχία μπαταριών δεν έχει προσαρτηθεί στο αλυσοπρίονο.</li> <li>■ Δεν υπάρχει ηλεκτρική επαφή μεταξύ του πριονιού και της μπαταρίας</li> <li>■ Η συστοιχία μπαταριών έχει αδειάσει.</li> <li>■ Η συστοιχία μπαταριών ή η αλυσίδα είναι υπερβολικά ζεστά.</li> <li>■ Το φρένο αλυσίδας είναι σε κατάσταση εμπλοκής.</li> <li>■ Υπολείμματα στην εγκοπή μπάρας.</li> <li>■ Υπολείμματα στο πλαϊνό κάλυμμα.</li> </ul>	<ul style="list-style-type: none"> <li>■ Τοποθετήστε τη συστοιχία μπαταριών στο αλυσοπρίονο.</li> <li>■ Απομακρύνετε τη συστοιχία μπαταριών, ελέγξτε τις επαφές και εγκαταστήστε τη συστοιχία μπαταριών εκ νέου.</li> <li>■ Φορτίστε τη συστοιχία μπαταριών.</li> <li>■ Αφήστε να κρυώσει η συστοιχία μπαταριών ή το αλυσοπρίονο, μέχρι η θερμοκρασία πέσει κάτω από τους 67°C.</li> <li>■ Τραβήξτε τη λαβή φρένου λακτίσματος αλυσίδας προς τα πίσω, προς την μπροστινή λαβή στη θέση λειτουργίας.</li> <li>■ Πιέστε το αλυσοπρίονο προς το ξύλο, μετακινήστε το αλυσοπρίονο προς τα πίσω και εμπρός για να απομακρύνετε τα υπολείμματα.</li> <li>■ Απομακρύνετε τη συστοιχία μπαταριών, κατόπιν αφαιρέστε το πλαϊνό κάλυμμα και καθαρίστε τα υπολείμματα.</li> </ul>
Το αλυσοπρίονο σταματά να λειτουργεί κατά την εργασία.	<ul style="list-style-type: none"> <li>■ Το αλυσοπρίονο έχει υπερφορτωθεί.</li> <li>■ Η συστοιχία μπαταριών ή η αλυσίδα είναι υπερβολικά ζεστά.</li> <li>■ Η αλυσίδα έχει μαγκώσει στο ξύλο.</li> </ul>	<ul style="list-style-type: none"> <li>■ Μειώστε το φορτίο.</li> <li>■ Μειώστε το φορτίο. Αφήστε να κρυώσει η συστοιχία μπαταριών ή το αλυσοπρίονο, μέχρι η θερμοκρασία πέσει κάτω από τους 67°C.</li> <li>■ Αποδεσμεύστε το διακόπτη-σκανδάλη μεταβλητής ταχύτητας. Απομακρύνετε την αλυσίδα και την οδηγητική μπάρα από το ξύλο, και στη συνέχεια, επανεκκινήστε το αλυσοπρίονο.</li> </ul>
Ο κινητήρας λειτουργεί αλλά η αλυσίδα δεν περιστρέφεται.	<ul style="list-style-type: none"> <li>■ Η αλυσίδα δεν «πιάνει» τον οδοντοτροχό οδηγού.</li> </ul>	<ul style="list-style-type: none"> <li>■ Επανεγκαταστήστε την αλυσίδα, εξασφαλίζοντας ότι οι σύνδεσμοι αλυσίδας πάνω στην αλυσίδα εδράζονται πλήρως στον οδοντωτό τροχό.</li> </ul>
Το φρένο αλυσίδας δεν πιάνει.	<ul style="list-style-type: none"> <li>■ Υπολείμματα εμποδίζουν την πλήρη κίνηση της λαβής φρένου λακτίσματος αλυσίδας.</li> <li>■ Πιθανή δυσλειτουργία φρένου αλυσίδας</li> </ul>	<ul style="list-style-type: none"> <li>■ Καθαρίστε τα υπολείμματα από τον εξωτερικό μηχανισμό του φρένου αλυσίδας</li> <li>■ Επικοινωνήστε με την εξυπηρέτηση πελατών της EGO για επισκευή.</li> </ul>

ΠΡΟΒΛΗΜΑ	ΑΙΤΙΑ	ΑΝΤΙΜΕΤΩΠΙΣΗ
Το αλυσοπρίονο δεν κόβει σωστά.	<ul style="list-style-type: none"> <li>■ Ανεπαρκής τάνυση αλυσίδας.</li> <li>■ Στολωμένη αλυσίδα.</li> <li>■ Η αλυσίδα έχει εγκατασταθεί αντίστροφα.</li> <li>■ Φθαρμένη αλυσίδα.</li> <li>■ Στεγνή ή υπερβολική τετνωμένη αλυσίδα.</li> <li>■ Η αλυσίδα δε βρίσκεται στην εγκοπή μπάρας.</li> </ul>	<ul style="list-style-type: none"> <li>■ Επαναρυθμίστε την τάνυση αλυσίδας, ακολουθώντας το απόσπασμα: «<b>ΡΥΘΜΙΣΗ ΤΗΣ ΤΑΝΥΣΗΣ ΑΛΥΣΙΔΑΣ</b>»</li> <li>■ Τροχήστε την αλυσίδα.</li> <li>■ Επανεγκαταστήστε την αλυσίδα σύμφωνα με την ενότητα «<b>ΣΥΝΑΡΜΟΛΟΓΗΣΗ/ΑΝΤΙΚΑΤΑΣΤΑΣΗ ΤΗΣ ΜΠΑΡΑΣ ΚΑΙ ΤΗΣ ΑΛΥΣΙΔΑΣ</b>».</li> <li>■ Αντικαταστήστε την αλυσίδα, ακολουθώντας το απόσπασμα: «<b>ΣΥΝΑΡΜΟΛΟΓΗΣΗ/ΑΝΤΙΚΑΤΑΣΤΑΣΗ ΤΗΣ ΜΠΑΡΑΣ ΚΑΙ ΤΗΣ ΑΛΥΣΙΔΑΣ</b>»</li> <li>■ Ελέγξτε τη στάθμη λαδιού. Συμπληρώστε λάδι στο ρεζερβουάρ λαδιού, εάν χρειαστεί.</li> <li>■ Επανεγκαταστήστε την αλυσίδα, ακολουθώντας τις οδηγίες στο απόσπασμα: «<b>ΣΥΝΑΡΜΟΛΟΓΗΣΗ/ΑΝΤΙΚΑΤΑΣΤΑΣΗ ΤΗΣ ΜΠΑΡΑΣ ΚΑΙ ΤΗΣ ΑΛΥΣΙΔΑΣ</b>»</li> </ul>
Η αλυσίδα χαλαρώνει ή πέφτει από την οδηγητική μπάρα κατά την κανονική χρήση.	<ul style="list-style-type: none"> <li>■ Η αλυσίδα χαλαρώνει καθώς η θερμοκρασία της αλυσίδας αυξάνεται κατά την κανονική λειτουργία του αλυσοπρίονου.</li> <li>■ Η αλυσίδα δεν «πιάνει» τον οδοντοτροχό οδηγού.</li> </ul>	<ul style="list-style-type: none"> <li>■ Εντείνετε την τάνυση αλυσίδας σύμφωνα με την ενότητα «<b>ΡΥΘΜΙΣΗ ΤΗΣ ΤΑΝΥΣΗΣ ΑΛΥΣΙΔΑΣ</b>».</li> <li>■ Επανεγκαταστήστε την αλυσίδα, ακολουθώντας τις οδηγίες στο απόσπασμα: «<b>ΣΥΝΑΡΜΟΛΟΓΗΣΗ/ΑΝΤΙΚΑΤΑΣΤΑΣΗ ΤΗΣ ΜΠΑΡΑΣ ΚΑΙ ΤΗΣ ΑΛΥΣΙΔΑΣ</b>»</li> </ul>

## ΕΓΓΥΗΣΗ

### ΠΟΛΙΤΙΚΗ ΕΓΓΥΗΣΗΣ EGO

Επισκεφθείτε την ιστοσελίδα [egopowerplus.eu](http://egopowerplus.eu) για όλους τους όρους και τις προϋποθέσεις της πολιτικής εγγύησης EGO.

GR

## TÜM TALİMATLARI OKUYUN!



### KULLANIM KILAVUZUNU OKUYUN

**⚠ Artık risk!** Kalp pili gibi elektronik cihazlar kullanan kişiler bu ürünü kullanmadan önce doktorlarına danışmalıdır. Elektrikli cihazların, kalp pili yakınında çalıştırılması kalp pilinde parazite veya arızaya neden olabilir.

## GÜVENLİK SEMBOLÜ

Güvenlik sembollerinin amacı olası tehlikelere dikkatinizi çekmektir. Güvenlik sembolleri ve yanlarındaki açıklamalar özel dikkat ve anlayış göstermenizi gerektirir. Uyarı sembolleri kendi başlarına herhangi bir tehlikeyi gidermez. Sundukları talimat ve uyarılar uygun kaza önleme önlemlerinin yerine geçmez.

**⚠ UYARI:** Bu aleti kullanmadan önce **"TEHLİKE"**, **"UYARI"** ve **"DİKKAT"** gibi tüm güvenlik uyarı ve sembollerini içeren bu Kullanım Kılavuzundaki tüm güvenlik talimatlarını okuyup anladığınızdan emin olun. Aşağıdaki talimatların tamamına uyulmaması elektrik çarpması, yangın ve/veya ciddi yaralanma ile sonuçlanabilir.

## SEMBOLÜN ANLAMI

Bu sayfada, bu ürün üzerinde görülebilecek güvenlik sembolleri gösterilmekte ve açıklanmaktadır. Makineyi monte etmeye ve kullanmaya başlamadan önce, makineye ilişkin tüm talimatları okuyup anlayın ve bu talimatlara uyun.

## GÜVENLİK SEMBOLLERİ



Güvenlik Uyarısı



Kullanım Kılavuzunu Okuyun ve Anlayın



Koruyucu Gözlük Takın



Kulak Koruması Takın



Koruyucu Kask Takın



Koruyucu Eldiven Takın



Elektrikli testerenin geri tepmesine dikkat edin ve pala ucuyla temas etmektan kaçınınız



Pala ucu geri tepmesi



Elektrikli testereyi her zaman iki elinizle kullanınız



Yağmura Maruz Bırakmayın



Pala hakkında bilgiler



Garanti edilen ses gücü seviyesidir.



WEEE



Bu ürün, yürürlükteki Birleşik Krallık yasalarna uygundur.



Bu ürün, yürürlükteki AB yönetmeliklerine uygundur.



Doğru Akım

TR



V	Volt	A	Amper
Hz	Hertz	W	Watt
min	Dakika	$n_0$	Yüksüz Hız
.../min	Dakika Başına		

## TEKNİK ÖZELLİKLER

Voltaj		56 V
Pala Uzunluğu		400 mm (CS1610E) 350 mm (CS1410E)
Zincir Adımı		3/8" (9,5 mm)
Zincir Ölçüsü		1,1 mm
Zincir Hızı		20 m/s
Zincir Tipi	CS1610E	AC1600/AC1601 (Önerilen) AC1400/AC1401 (Uyumlu)
	CS1410E	AC1600/AC1601 (Önerilen) AC1400/AC1401 (Uyumlu)
Pala Tipi	CS1610E	AG1600/AG1601 (Önerilen) AG1400/AG1401 (Uyumlu)
	CS1410E	AG1600/AG1601 (Önerilen) AG1400/AG1401 (Uyumlu)
Zincir Yağı Deposu kapasitesi		150 ml
Çalışma sıcaklığı		-15°C–40°C
Depolama Sıcaklığı		-20°C–70°C
Net Ağırlık (batarya ve zincir kapağı hariç)		3,9 kg (CS1610E) 3,8 kg (CS1410E)
Ölçülen ses gücü seviyesi $L_{WA}$		102,25 dB(A) K=2,5 dB(A)
Operatörün kulağındaki ses basıncı seviyesi $L_{PA}$		91,25 dB(A) K=2,5 dB(A)
Garanti edilen ses gücü seviyesi $L_{WA}$ (2000/14/EC uyarınca)		103 dB(A)
Titreşim $a_n$	Ön Tutma Kolu	3,377 m/s <sup>2</sup> K=1,5 m/s <sup>2</sup>
	Arka Tutma Kolu	2,823 m/s <sup>2</sup> K=1,5 m/s <sup>2</sup>

- Beyan edilen toplam titreşim değeri standart bir test yöntemine göre ölçülmüştür ve bir ürünün değeri ile karşılaştırmak için kullanılabilir.
- Beyan edilen toplam titreşim değeri, maruz kalma seviyesinin ilk değerlendirmesi için de kullanılabilir.

**DİKKAT:** Elektrikli aletin fiili kullanımı sırasında oluşan titreşim emisyonu değeri aletin kullanım şekline bağlı olarak beyan edilen değerden farklı olabilir; Aletin kullanıcısı korunmak için fiili kullanım koşullarında eldiven ve kulak koruması takmalıdır.

## AMBALAJ İÇERİĞİ (ŞEK. A1)

### AÇIKLAMA

#### ELEKTRİKLİ TESTERENİZİ TANIYIN (Şek. A1)

1. Değişken Hız Tetiği Anahtarı
2. Arka Tutma Kolu
3. Kilitleme Düğmesi
4. Ön Tutma Kolu
5. Zincir Geri Tepme Fren Kolu
6. Testere Zinciri
7. Pala
8. Yağ Deposu Kapağı
9. Yağ Gözlem Penceresi
10. Elektrik Kontaktları
11. Batarya Çıkarma Düğmesi
12. Zincir Gerginliği Ayar Topuzu
13. Yan Kapak
14. Yan Kapak Düğmesi
15. Zincir Kapağı

## MONTAJ

### PALA VE ZİNCİRİ TAKMA/DEĞİŞTİRME

**⚠ UYARI:** Montajdan önce zincir geri tepme fren kolunu fren konumuna getirin.

1. Elektrikli testerenin güç başlığını, yan kapağı yukarıya bakacak şekilde yan olarak yerleştirin (Şek. B).

TR

2. Yan kapak düğmesini saat yönünün tersine çevirerek yan kapağı çıkarın ve ardından zincir gerginliği topuzunu mümkün olduğu kadar gevşetin.
3. Yeni testere zincirini halka halinde düz bir yüzey üzerine yerleştirin ve kıvrılmış yerleri düzeltin (Şek. C).
4. Zincir sürücüsü bağlantılarını pala oluşuna yerleştirin ve zinciri palanın arkasında bir halka haline getirin (Şek. D).
5. Zinciri pala üzerindeki konumunda tutun ve halkayı güç başlığındaki dişlinin etrafına yerleştirin.
6. Gerginlik ayar pimi palanın kuyruk kısmındaki alt deliğe girecek şekilde, pala yuvasını hizalama flanşlarının üzerine kaydırın (Şek. E1).

**DİKKAT:** Testere zincirinde oyulmuş küçük yön okları mevcuttur. Bir diğer yönlendirme oku da gövdede bulunmaktadır. Testere zincirini dışı üzerine sararken, zincir üzerindeki okların yönü ile gövde üzerindeki okların yönünün uyumlu olduğundan emin olun. Oklar ters yönlere bakıyorsa zincir ve pala tertibatını ters çevirin (Şek. E2).

7. Yan kapağı yerine yerleştirin ve yan kapak düğmesini hafifçe sıkın.
8. Sarkma olup olmadığını kontrol etmek için pala ucunu yukarı kaldırın (Şek. F). Palanın ucunu bırakın ve zincir gerginliği ayar topuzunu saat yönünde çevirin. Sarkma giderilinceye kadar işlemi tekrarlayın.
9. Kullanmadan önce zincirin düzgün gerilmiş olduğundan emin olmak için yan kapak düğmesini iyice sıkın.

D-1	Zincir Sürücüsü Baklaları	E-2	Gerginlik Ayar Pimi
D-2	Pala Oluğu	E-3	Pala Yuvası
E-1	Hizalama Flanşı	E-4	Zincir Dışlisi

TR

**DİKKAT:** Palanın ömrünü uzatmak için palayı ara sıra ters çevirin.

**DİKKAT:** Zincir çok gergin olduğunda dönmez. Yan kapak düğmesini yavaşça gevşetin ve zincir gerginliği ayar topuzunu saat yönünün tersine bir kez çevirin. Palanın ucunu yukarı kaldırın ve yan kapak düğmesini sağlam bir şekilde yeniden sıkın. Zincirin tutukluk yapmadan döndüğünden emin olun.

### ZİNCİR GERGINLIĞINI AYARLAMA

- Zincir gerginliğini ayarlamadan önce motoru durdurun ve bataryayı çıkarın. Yan kapak düğmesinin gevşetilmiş olduğundan emin olun. Zinciri germek için zincir gerginliği ayar topuzunu saat yönünde çevirin.

Daha fazla bilgi için: "PALA VE ZİNCİRİ TAKMA/ DEĞİŞTİRME" bölümüne bakın.

- Soğuk bir zincir, palanın altında herhangi bir gevşeklik yoksa ve zincir tam oturmuş ancak kıvrılmadan elle çevrilebiliyorsa doğru gerginlikte demektir. Sürücü bağlantıları üzerindeki lamalar pala oluşuna oturmuysa, zincir yeniden gerilmesi gerekiyor demektir.
- Normal testere çalışması sırasında, zincirin sıcaklığı artar. Doğru gerginlikteki sıcak bir zincirin sürücü bağlantıları pala oluşundan yaklaşık 1,3 mm açıkta asılı durur (Şek. G).

**DİKKAT:** Yeni zincir esnemeye meyillidir; sık sık zincir gerginliğini kontrol edin ve gerekirse gerdirin.

**DİKKAT:** Normal sıcaklıkta gerdirilen bir zincir soğuduğunda fazla gergin olabilir. Bir sonraki kullanımdan önce soğuk gerginliği kontrol edin.

### ÇALIŞTIRMA

**⚠ UYARI:** Bu ürüne karşı edindiğiniz alışkanlığın sizi dikkatsiz yapmasına izin vermeyin. Bir anlık dikkatsizliğin ciddi yaralanmalara sebep olabileceğini unutmayın.

**⚠ UYARI:** Bu ürünün üreticisi tarafından önerilmeyen herhangi bir aparatı veya aksesuarı kullanmayın. Tavsiye edilmeyen aksesuarların veya aparatların kullanımı ciddi kişisel yaralanmalara sebep olabilir.

**⚠ UYARI:** Yanlışlıkla çalışarak ciddi yaralanmalara neden olmasını önlemek için parçaları monte ederken, ayar yaparken, temizlikten önce ve ürün kullanımda değilken daima bataryayı aletten çıkarın.

Her kullanımdan önce ürünü inceleyerek hasarlı, eksik veya vida, somun, civata, kapak vb. gevşek parça olup olmadığını kontrol edin. Tüm bağlantı parçalarını ve kapakları sağlam bir şekilde sıkın ve bu ürünü eksik veya hasarlı parçaların hepsini değiştirmeden çalıştırmayın.

### KULLANIM ALANLARI

Bu ürün temel ağaç kesimi, dal kesme, budama ile kereste ve ağaç kesme işleri için kullanılabilir.

### PALA VE ZİNCİR YAĞINI DOLDURMA

**⚠ UYARI:** Yağın veya elektrikli testerenin yakınında sigara içmeyi veya herhangi bir ateş veya alev kaynağını bunların yanına getirmeyin. Yağ sıçrayabilir ve yangına neden olabilir.

**DİKKAT:** Satın alındığında elektrikli testerede yağ bulunmaz. Kullanmadan önce deponun yağ ile doldurulması gerekir. Çalışma sırasında zincir otomatik olarak zincir yağı ile yağlanır.

1. Elektrikli testereyi, yağ tankı kapağı yukarıda kalacak şekilde yan olarak yerleştirin.
2. Yağ deposu kapağı ile kapak çevresindeki alanı temizleyerek yağ deposuna herhangi bir pisliğin düşmediğinden emin olun.
3. Depo kapağı yukarı bakacak şekilde elektrikli testereyi sağlam ve düz bir yüzeye yan tarafı üstüne yerleştirin. Yarım daire plakayı kaldırın ve yağ deposu kapağını saat yönünün tersine çevirerek çıkarın (Şek. H).
4. Pala ve zincir yağını dikkatle depoya dökün. MAX Çizgisine kadar doldurun.
5. Taşan yağ varsa silin ve kapağı yerine takın.

**DİKKAT:** Yağ seviyesini sık sık kontrol edin ve yağ seviyesi minimum çizgisinin altına düştüğünde yağ doldurun. Yağ görünmüyorsa elektrikli testereyi hiçbir zaman çalıştırmayın.

### BATARYAYI TAKMA/ÇIKARMA

#### İlk kullanımdan önce tamamen şarj edin.

Sadece şek. A2'de listelenen bataryalar ve şarj cihazlarıyla kullanın.

#### Takmak için (Şek. I)

Bataryadaki tırmakları montaj yuvalarına hizalayıp bataryayı duylulacak şekilde yerine oturana kadar aletin içine kaydırın.

#### Çıkarmak için (Şek. J)

Batarya çıkarma düğmesine basın ve bataryayı çekip çıkarın.

### ELEKTRİKLİ TESTEREYİ ÇALIŞTIRMA/DURDURMA

**DİKKAT:** Elektrikli testereyi çalıştırmadan önce yağ seviyesini, testere dişlerinin keskinliğini ve geri tepme fren kolunun düzgün çalıştığını kontrol edin. Bunların yanı sıra, dengeli bir duruş ve yerden uygun bir mesafe sağlanması gerekir.

#### Çalıştırmak için

1. Zincir geri tepme fren kolunu ön kola doğru iterek çalışma konumuna getirin (Şek. K).
2. Her iki elinizle ön ve arka kolları sıkıca kavrayın.
3. Kilitleme düğmesini sağ elinizin baş parmağıyla basılı tutun ve ardından testereyi çalıştırmak için sağ elinizin parmaklarıyla değişken hız tetiğiyle sıkın (Şek. L).
4. Kilitleme düğmesini serbest bırakın ve sürekli kullanın için tetiğe basmaya devam edin.

**⚠ UYARI:** Testereyi bir kesimin içindeyken başlatmayın.

#### Durdurmak için

1. Elektrikli testereyi durdurmak için değişken hız tetiğini bırakın.
2. Zincir frenini devreye sokmak için zincir geri tepme fren kolunu ileri doğru iterek fren konumuna getirin (Şek. K).

**⚠ UYARI:** Mola verdiğinizde ve işi bitirdikten sonra daima bataryayı testereden çıkarın.

#### Tutma Kollarını Doğru Tutuş Şekli (Şek. M)

- Maksimum düzeyde tutuş ve koruma için kaymayan eldiven takın.
- Testere sağlam, düz bir yüzey üzerindeyken testereyi her iki elinizle birden sağlam şekilde tutun.
- Daima ön kolu sol elinizle ve arka kolu sağ elinizle tutun.
- Baş parmağınızı ön tutma kolunun alt kısmına getirip parmaklarınızla tutma kolunu sıkıca kavramalısınız.

**⚠ UYARI:** Asla sol elinizle (çapraz tutuş) tutmayın veya vücudunuzu veya kolunuzu zincir hattına sokacak bir şekilde durmayın (Şek. N).

#### Doğru Kesim Duruşu (Şek. O)

- Her iki ayağınız yere sağlam biçimde basmalı ve ağırlığınızı iki ayağınıza eşit olarak paylaştırmalısınız.
- Sol kolunuz düz, dirseğiniz kilitlenmiş olmalıdır. Bu, geri tepme sonucu oluşan kuvvetlere dayanmanıza yardımcı olur.
- Vücudunuz daima zincir hattının solunda olmalıdır.

### DOĞRU AĞAÇ KESİMİ, DAL KESİMİ VE ENİNE KESİM TEKNİKLERİNE İLİŞKİN TALİMATLAR

**⚠ UYARI:** Daima bastığınız yerlerin sağlam olduğundan emin olun ve motor çalışırken testereyi her iki elinizle sağlam şekilde tutun.

**⚠ UYARI:** Kesim sırasında sıkışma nedeniyle testere zinciri durursa, tetik düğmesini bırakın; testere zincirini ve palayı aşıptan çıkarın, ardından testereyi yeniden başlatın.

**⚠ UYARI:** Testere tozu nedeniyle sıkışmış durumdaki testere zincirini elinizle çekmeyin. Testere kazara çalışırsa ciddi yaralanmaya neden olabilir. Testereyi aşıpba doğru bastırın, testereyi ileri geri hareket ettirerek talaşın boşalmasını sağlayın. Cihazı temizlemeden önce daima bataryayı çıkarın. Testerenin zincirine dokunacaksanız dayanıklı koruyucu eldiven giyin.

**⚠ UYARI:** Asla testereyi aşıpba ile temas halindeyken çalıştırmayın. Testereyi aşıpba dokundurmadan önce daima testere zincirinin tam hıza ulaşmasını bekleyin.

## AĞAÇ KESİMİ

- Aynı anda iki veya daha fazla kişi tarafından ağaç kesme ve parçalama işlemleri yapılırken, ağaç kesme işlemi ile parçalama işlemi arasında en az kesilen ağacın yüksekliğinin iki katı kadar mesafe bırakılmalıdır. Kesilen ağaçlar bir insanı tehlikeye atacak, herhangi bir hizmet hattına çarpacak ya da mal hasarına neden olacak şekilde devrilmemelidir. Ağaç herhangi bir hizmet hattına temas ederse, derhal kamu hizmet kuruluşuna bilgi verilmelidir.
- Kesilen ağacın devrildikten sonra yokuş aşağı yuvarlanma veya kayma ihtimali olduğundan, testere operatörü arazinin yokuş yukarı kısmında durmalıdır.
- Kesim yapmaya başlamadan önce bir kaçış yolu planlanmalı ve gerektiği şekilde temizlenmelidir. Kaçış yolu Şek. P'de gösterildiği gibi hesaplanan düşme hattının arkasına doğru çapraz olarak uzamalıdır.

P-1	Devrilme Yönü
P-2	Güvenlik Kaçış Yolu

- Ağaç kesme işlemi başlamadan önce, ağacın düşeceği yönü belirlemek için ağacın doğal eğimini, büyük dalların konumunu ve rüzgar yönünü göz önüne alın
- Kir, taş, gevşemiş kabuk, çivi, kanca ve teller ağaçtan çıkarılmalıdır.

## Alt çentik kesimi

Şek. Q'da gösterildiği gibi devrilme yönüne dik olarak, ağaç çapının 1/3'ü kadar bir çentik açın. İlk olarak alttaki yatay çentigi açın. Bu sayede, ikinci çentik açılırken testere veya palanın sıkışması önlenmiş olur.

Q-1	Düşme yönü
Q-2	Çentik
Q-3	Devirme kesimi
Q-4	Mafsalsal

## Devirme kesimi

- Devirme kesimini, Şek. Q'da gösterildiği gibi yatay çentik kesiminden en az 50 mm daha yüksekte yapın. Devirme kesimini yatay çentik kesimine paralel olarak yapın. Devirme kesimini yaparken bir mafsalsal işlevi görecektir kadar yeterli ahşap kalmasını sağlayın. Mafsalsal, ağacın yanlış yönde dönmesini ve düşmesini önler. Mafsalsal sonuna kadar kesmeyin.
- Devrilme kesimi mafsalsal yaklaştıkça ağaç düşmeye başlamalıdır. Ağacın istenilen yöne düşmemesi veya geriye doğru sallanması ve testere zincirini sıkıştırması

ihimali varsa, devirme kesimini tamamlamadan kesimi durdurun ve ağaç, plastik veya alüminyum takozlar kullanarak kesiyi açın ve ağacı istenilen düşme hattı yönüne düşürün.

- Ağaç düşmeye başladığında, testereyi kesikten çıkarın, motoru durdurun, testereyi yere bırakın ve ardından planlanan kaçış yolunu kullanın. Yukarıdan düşebilecek dallara karşı dikkatli olun ve bastığınız yere dikkat edin.

## Ağacın budanması

Budama, devrilen bir ağacın dallarının kesilmesidir. Budama sırasında, kütüğü zeminde yukarıda tutmak için alttaki büyük dalları bırakın. Küçük dalları Şek. R'de gösterilen şekilde bir defada kesin. Testerenin sıkışmasını önlemek için gerilim altındaki dalları aşağıdan yukarıya doğru kesilmelidir.

## Kütük kesme

- Kütük kesme, bir kütüğü belirli uzunluklarda kesme işlemidir. Bastığınız yerin sağlam olduğundan emin olmanız ve ağırlığınızı her iki bacağıniza eşit olarak dağıtmanız önemlidir. Mümkünse, ağaç dalları, kütükler veya takozlar ile kütük havaya kaldırılmalı ve desteklenmelidir. Kolay kesim için temel yönergeleri izleyin.
- Kütük, Şek. S1'de gösterildiği gibi tüm uzunluğu boyunca destekleniyorsa üstten kesim yapın.
- Kütük, Şek. S2'de gösterildiği gibi tek bir uçtan destekleniyorsa çapın 1/3'ü kadar alttan kesim yapın. Ardından ilk kesikle buluşacak şekilde üstten kesim yaparak son kesiyi yapın.
- Kütük, Şek. S3'de gösterildiği gibi her iki uçtan destekleniyorsa çapın 1/3'ü kadar üstten kesim yapın. Ardından ilk kesikle buluşacak şekilde alttan 2/3'ü kadar kesim yaparak son kesiyi yapın.
- Eğimli arazide kesim yaparken, daima Şek. T'de gösterildiği gibi kütüğün yukarı kısmında durun.
- "Boydan boya kesim" yaparken, tam kontrol sağlamak için testere kollarını sıkıca kavrayarak kesimin sonuna doğru kesim basıncını serbest bırakın. Zincirin zemine temas etmesine izin vermeyin. Kesimi tamamladıktan sonra, testereyi hareket ettirmeden önce zincirin durmasını bekleyin. Bir ağaçtan diğerine geçmeden önce daima motoru durdurun.

## BAKIM

**⚠ UYARI:** Bakım yaparken sadece aynı olan yedek parçaları kullanın. Başka parçaların kullanılması tehlike oluşturabilir veya ürünün hasar görmesine neden olabilir.

**⚠ UYARI:** Ciddi kişisel yaralanmayı önlemek için kontrol, temizlik veya bakım işlemi gerçekleştirirken daima bataryayı testereden çıkarın. Batarya ile çalışan bir aletin bataryası takılıysa bu alet daima açık konumdadır ve kazara çalışabilir.

**⚠ UYARI:** Elektrikli testereyi temizlerken, su veya diğer sıvıların içine daldırmayın.

**⚠ UYARI:** Fren sıvıları, petrol, petrol bazlı ürünler, içe işleyen yağlar, vb.nin plastik parçalara temas etmesine kesinlikle izin vermeyin. Kimyasal maddeler plastik parçalara hasar verebilir, bu tür parçaları zayıflatır ve parçaları yıpratır ve bu durum ciddi yaralanmalara neden olabilir.

## TEMİZLİK

- Her kullanımdan sonra yumuşak bir fırça ile zincir ve paladaki talaşları temizleyin. Elektrikli testerenin yüzeyini, yumuşak sabun solüsyonu ile nemlendirilmiş, temiz bir bezle silin.
- Yan kapağı çıkarın ve ardından yumuşak bir fırça kullanarak paladaki, zincirdeki, dişlerdeki ve yan kapaktaki talaşı temizleyin.
- Testerenin zincirini değiştirirken daima pala oluştuktaki aşşap talaşlarını, tozu ve kirleri temizleyin.

## PALANIN BAKIMI

Pala aşınma belirtileri gösterdiğinde, elektrikli testerenin güç başlığından sökün ve yeniden takmak için ters çevirin (Şek. U1). Bu şekilde, palanın kullanım ömrünü en yükseğe çıkarmak için aşınma dağıtılır.

Pala kullanıldığı her gün temizlenmeli, aşınma ve hasara karşı kontrol edilmelidir. Pala raylarında çapaklanma görülmesi, palanın aşınma sürecinde normaldir. Bu tür bozulmalar oluşur oluşmaz bir eğe ile düzeltilmelidir. Aşağıdaki bozukluklardan herhangi biri bulunan pala değiştirilmelidir.

- Pala raylarının içinde, zincirin yanlara doğru kaymasına neden olan aşınma.
- Eğik pala.
- Çatlak veya kırık raylar.
- Ayrık raylar.

Ayrıca, palanın ucunda da bir dişli bulunmaktadır (Şek. U2). Palanın ömrünü uzatmak için, dişli bir yağ enjektörüyle haftada bir yağlanmalıdır. Bir yağ enjektörü kullanarak, yağ deliğinden zincir yağı ile haftada bir yağlayın (Şek. U3). Palayı çevirin ve yağlama delikleri ile zincir oluştuktaki kirlenme olup olmadığını kontrol edin.

U2-1	Pala Ucundaki Dişli
U2-2	Yağlama Deliği

## TAŞIMA VE DEPOLAMA

- Elektrikli testereyi çalışır durumdayken depolamayı veya taşımayı. Depolamadan veya taşımadan önce daima bataryayı çıkarın.
- Elektrikli testereyi taşımadan veya saklamadan önce daima pala ve zincirin üzerine pala kapağını takın. Zincirin keskin dişlerine karşı dikkatli olun.
- Elektrikli testereyi depolamadan önce tamamen temizleyin. Elektrikli testereyi kilitle ve/veya çocukların ulaşamayacağı, kapalı ve kuru bir yerde depolayın.
- Bahçe kimyasalları ve eritici tuzlar gibi aşındırıcı maddelerden uzak tutun.

## Çevre koruması



WEEE (Atık Elektrikli ve Elektronik Cihazlar) Elektrikli cihazları, kullanılmış aküyü ve şarj cihazını evsel atıklarla bertaraf etmeyin! Bu ürünü yetkili bir geri dönüşüm merkezine götürün ve ayrı bir şekilde toplanmasını sağlayın. Elektrikli aletler çevreyle uyumlu bir geri dönüşüm tesisine götürülmelidir.

KEES VAN DER SPEK  
TUINMACHINES \* STOLWIJK

TR

## SORUN GİDERME

**⚠ UYARI:** Testere zinciri üzerinde herhangi bir bakım işlemi gerçekleştirirken daima dayanıklı eldivenler takarak ellerinizi koruyun. Elektrikli testereyi taşıırken veya bakım/onarım yaparken daima bataryayı çıkarın.

SORUN	SEBEP	ÇÖZÜM
Motor çalışmıyor.	<ul style="list-style-type: none"><li>■ Batarya, elektrikli testereye takılı değil.</li><li>■ Testere ile batarya arasında elektrik bağlantısı yok.</li><li>■ Batarya boşalmıştır.</li><li>■ Batarya veya elektrikli testere çok sıcak.</li><li>■ Zincir freni devrede.</li><li>■ Pala oluşunda talaş artıkları var.</li><li>■ Yan kapak içerisinde talaş artıkları var.</li></ul>	<ul style="list-style-type: none"><li>■ Bataryayı testereye takın.</li><li>■ Bataryayı çıkarın, temas noktalarını kontrol edin ve bataryayı yeniden takın.</li><li>■ Bataryayı şarj edin.</li><li>■ Batarya veya testere sıcaklığının 67 °C'nin altına düşmesini bekleyin.</li><li>■ Zincir geri tepme fren kolunu ön kola doğru geri iterek çalışma konumuna getirin.</li><li>■ Testereyi aħşaba doğru bastırın, testereyi ileri geri hareket ettirerek talaşın boşalmasını sağlayın.</li><li>■ Bataryayı çıkarın, ardından yan kapağı çıkarın ve talaş artıklarını temizleyin.</li></ul>
Elektrikli testere çalışma esnasında duruyor.	<ul style="list-style-type: none"><li>■ Testereye aşırı yüklenilmiş.</li><li>■ Batarya veya elektrikli testere çok sıcak.</li><li>■ Testere zinciri aħşap içerisinde sıkışmış.</li></ul>	<ul style="list-style-type: none"><li>■ Yüğü azaltın.</li><li>■ Yüğü azaltın. Batarya veya testere sıcaklığının 67 °C'nin altına düşmesini bekleyin.</li><li>■ Değişken hız tetiğini bırakın; testere zincirini ve palayı odundan çıkarın, ardından testereyi yeniden başlatın.</li></ul>
Motor çalışıyor, ancak zincir dönmüyor.	<ul style="list-style-type: none"><li>■ Zincir, sürücü dişlisine geçmemiştir.</li></ul>	<ul style="list-style-type: none"><li>■ Zincir üzerindeki sürücü bağlantılarının tam olarak sürücü dişlisine oturduğundan emin olarak zinciri yeniden takın.</li></ul>
Zincir freni devreye girmiyor.	<ul style="list-style-type: none"><li>■ Talaş artıkları, zincir geri tepme fren kolunun tam hareketini engelliyor.</li><li>■ Muhtemel zincir freni arızası.</li></ul>	<ul style="list-style-type: none"><li>■ Dış zincir freni mekanizmasındaki talaş artıklarını temizleyin.</li><li>■ Tamir için EGO Müşteri Hizmetleri ile irtibata geçin.</li></ul>

SORUN	SEBEP	ÇÖZÜM
Elektrikli testere düzgün kesmiyor.	<ul style="list-style-type: none"> <li>■ Yetersiz zincir gerginliği.</li> <li>■ Zincir körelmiştir.</li> <li>■ Zincir geriye doğru takılmıştır.</li> <li>■ Zincir aşınmıştır.</li> <li>■ Zincir kurumuş veya aşırı gerilmiştir.</li> <li>■ Zincir pala oluğu içerisinde değildir.</li> </ul>	<ul style="list-style-type: none"> <li>■ Aşağıdaki bölüme uygun olarak zincir gerginliğini yeniden ayarlayın: <b>"ZİNCİR GERGINLIĞINI AYARLAMA"</b>.</li> <li>■ Zinciri keskinleştirin.</li> <li>■ <b>"PALA VE ZİNCİRİ TAKMA/DEĞİŞTİRME"</b> bölümüne uygun olarak testere zincirini yeniden takın.</li> <li>■ Aşağıdaki bölüme uygun olarak zinciri değiştirin: <b>"PALA VE ZİNCİRİ TAKMA/DEĞİŞTİRME"</b>.</li> <li>■ Yağ seviyesini kontrol edin. Gerekirse yağ deposunu doldurun.</li> <li>■ Aşağıdaki bölüme uygun olarak zinciri yeniden takın: <b>"PALA VE ZİNCİRİ TAKMA/DEĞİŞTİRME"</b>.</li> </ul>
Normal kullanım sırasında zincir gevşiyor veya paladan düşüyor.	<ul style="list-style-type: none"> <li>■ Normal testere çalışması sırasında zincirin sıcaklığı arttıkça zincir gevşer.</li> <li>■ Zincir, sürücü dişlisine geçmemiştir.</li> </ul>	<ul style="list-style-type: none"> <li>■ <b>"ZİNCİR GERGINLIĞINI AYARLAMA"</b> bölümüne uygun olarak zincir gerginliğini ayarlayın.</li> <li>■ Aşağıdaki bölüme uygun olarak zinciri yeniden takın: <b>"PALA VE ZİNCİRİ TAKMA/DEĞİŞTİRME"</b>.</li> </ul>

## GARANTİ

### EGO GARANTİ POLİTİKASI

EGO Garanti Politikasına ilişkin tüm hükümler ve koşullar için lütfen [egopowerplus.eu](http://egopowerplus.eu) adresindeki web sitemizi ziyaret edin.

TR

## LUGEGE KÕIKI JUHISEID!



### LUGEGE KASUTUSJUHENDIT

**⚠️ Kaasnev risk!** Inimesed, kes kasutavad elektroonilisi seadmeid, nt südamestimulaatorit, peaksid enne selle toote kasutamist konsulteerima oma arstiga. Elektriseadmete kasutamine südamestimulaatori läheduses võib põhjustada südamestimulaatori häireid või rikkeid.

## OHUTUSSÜMBOL

Ohutussümbolite eesmärk on pöörata tähelepanu võimalikele ohtudele. Ohutussümbolitele ja nende juures olevatele seletustele tuleb korralikult tähelepanu pöörata ja need endale selgeks teha. Ohutussümbolid iseenesest ei kõrvalda ohtu. Nendega kaasnevad juhendid ja hoiatused ei asenda asjakohaseid õnnetuste ennetamise meetmeid.

**⚠️ HOIATUS!** Enne käesoleva seadme kasutamist lugege kindlasti läbi ja tehke endale selgeks kõik kasutusjuhendis toodud ohutusjuhised, sh kõik ohutussümbolid nagu „OHT,” „HOIATUS,” ja „ETTEVAATUST”. Kui alpool loetletud juhiseid ei järgita, võib tagajärjeks olla elektrilööki, tulekahju ja/või tõsised isikuvigastused.

## SÜMBOLITE TÄHENDUSED

Sel lehel on kujutatud ja kirjeldatud ohutussümboliteid, mida võib käesolevalt tootelt leida. Enne seadme kokkupanemist ja kasutamist lugege, tehke omale selgeks ja järgige kõiki juhiseid.

## OHUTUSSÜMBOLID



Ohutusteade



Lugege kasutusjuhend läbi ja tehke see endale selgeks



Kandke kaitseprille



Kasutage kuulmiskaitsevahendeid



Kandke tugevat peakatet



Kandke kaitsekindaid



Pöörake tähelepanu kettsae tagasilöögile ja vältige kokkupuudet juhtlatti otsaga.



Juhtlatti tipu tagasilööki

ET



Kasutage kettsaagi alati kahe käega.



Mitte jätta vihma kätte



TEAVE JUHTLATI KOHTA.



Garanteeritud helivõimsuse tase.



WEEE



See toode vastab asjakohastele UK seadustele.



**CE** Toode vastab rakendatavatele EÜ direktiividele.

V Volti

Hz Herts

min Minutit

... /min Minutis

Alalisvool

A Amprit

W Vatti

$n_0$  Tühikäigu kiirus

## SPETSIFIKATSIOONID

Pinge	56 V	
Juhtlatti pikkus	400 mm (CS1610E)	
	350 mm (CS1410E)	
Ketisamm	3/8" (9,5 mm)	
Keti mõõdik	1.1mm	
Saeketi kiirus	20 m/s	
Saeketi tüüp	CS1610E	AC1600/AC1601 (soovitatud) AC1400/AC1401 (ühilduv)
	CS1410E	AC1600/AC1601 (soovitatud) AC1400/AC1401 (ühilduv)
Juhtlatti tüüp	CS1610E	AG1600/AG1601 (soovitatud) AG1400/AG1401 (ühilduv)
	CS1410E	AG1600/AG1601 (soovitatud) AG1400/AG1401 (ühilduv)
Keti õlimahuti maht	150ml	
Töötemperatuur	-15°C–40°C	
Hoiustamistemperatuur	-20°C–70°C	
Netomass (ilma akuploki ja keti kaitseta)	3,9 kg (CS1610E)	
	3,8 kg (CS1410E)	
Mõõdetud helivõimsuse tase $L_{WA}$	102.25 dB(A) K=1.4 dB(A)	
Helirõhk seadme operaatori kõrva juures $L_{PA}$	91.25 dB(A) K=2.5 dB(A)	
Garanteeritud helirõhk $L_{WA}$ (2000/14/EC kohaselt)	103 dB(A)	

Vibratsioon $a_n$	Eesmine käepide	3.377 m/s <sup>2</sup> K=1.5 m/s <sup>2</sup>
	Tagumine käepide	2.823 m/s <sup>2</sup> K=1.5 m/s <sup>2</sup>

- Esitatud vibratsioonitaseme näit on mõõdetud standardsete testmeetodite kohaselt ja seda võidakse kasutada erinevate tööriistade võrdlemiseks.
- Esitatud vibratsioonitaseme näitu võib kasutada ka algse kokkupuutehinnangu andmiseks.

**MÄRKUS!** Tegelikul kasutamisel tekkiv vibratsioonitaseme võib esitatust erineda: turvalisuse eesmärgil peaks seadme kasutaja tegelikes kasutustingimustes kandma kindaid ja kuulmiskaitseid.

## PAKENDI LOEND (FIG.A1)

### KIRJELDUS

#### TUNNE OMA KETTSAAGI (joon. A1)

1. Kiiruse reguleerimise päästikülüiti
2. Tagumine käepide
3. Lukustusnupp
4. Eesmine käepide
5. Keti tagasilöögiduri hoob
6. Saekett
7. Juhtlatt
8. Õlipaagi kork
9. Õlinivoo kontrollaken
10. Klemmid
11. Akuvabastusnupp
12. Keti pingereguleerimise nupp
13. Küljekate
14. Küljekatte nupp
15. Keti kaitse

ET

## KOKKUPANEK

### LATI JA KETI KOKKUPANEK/VÄLJAVAHETAMINE

**⚠ HOIATUS!** Enne seadme kokkupanekut seadke keti tagasilöögiduri hoob pidurdusasendisse.

1. Pange kettsae toitepea küllili nii, et küljekate jääb ülespoole (joon. B).
2. Küljekaane eemaldamiseks pöörake sellele olevat nuppu vastupäeva. Seejärel pöörake ketti pinges hoidev nupp nii lahti kui võimalik.
3. Seadke uus kett siledal pinnal silmuseks ja tõmmake kõik ebatasasused sirgeks (joon. C).
4. Asetage keti veolülid juhtlati soone sisse ja lükake kett juhtlati tagaosast lati peale (joon. D)
5. Hoidke ketti juhtlatil ja asetage silmus ümber löikepea ketiratta.
6. Libistage juhtlatt üle joondamisäärikute kuni pingekohandustihvt siseneb lati otsas asuvasse madalamasse auku (joon. E1).

**MÄRKUS!** Ketile on graveeritud väikesed suunavad nooled. Veel üks suunav joon on kantud korpuse peale. Sae keti ketiratta peale panemisel veenduge, et ketil olevate noolte suund ühtib korpusel oleva noole suunaga. Kui noolte suunad on vastupidised, pöörake juhtlatt koos ketiga ümber (joon. E2).

7. Paigaldage küljekaas tagasi ja keerake küljekaane nupp õrnalt kinni.
8. Tõstke juhtlati ots üles ja kontrollige keti lõtku (joon. F). Laske juhtlati ots lahti ja pöörake keti pingereguleerimise nuppu päripäeva. Korrake toimingut kuni kett on sirge.
9. Keerake küljekaane nupp tugevalt kinni, et saekett oleks enne töö alustamist korralikult pinguldatud.

D-1	Keti veolülid	E-2	Pingekohandustihvt
D-2	Juhtlati soon	E-3	Juhtlati ava
E-1	Joondusäärik	E-4	Ketiratas

**MÄRKUS!** Juhtlati tööea pikendamiseks pöörake latt aeg-ajalt teistpidi.

**MÄRKUS!** Kui kett on liiga pingul, ei käi see ringi. Vabastage veidi küljekatte nuppu ja keerake keti pingereguleerimise nuppu üks kord vastupäeva. Tõstke juhtlati ots üles ja keerake küljekatte nupp uuesti kindlalt kinni. Kontrollige, kas kett pöörleb paindumata.

### KETI PINGE REGULEERIMINE

- Enne keti pingereguleerimist seisake mootor ja eemaldage akuplokk. Veenduge, et küljekaane nupp on lahti keeratud. Pingestamiseks pöörake keti pingereguleerimise nuppu päripäeva. Lisateavet vaadake alalõigust „LATI JA KETI VÄLJAVAHETAMINE“.
- Külm kett on õigesti pingestatud, kui juhtlati all pole lõtku ja kett on tihedalt ümber lati, aga seda saab käega ilma painutamata pöörata. Kui ketilülide lamedad osad ei ole lati soones, tuleb ketti pinguldada.
- Tavalisel keti temperatuur töö käigus tõuseb. Normaalselt pingestatud sooja keti lülid on umbes 1,3 mm võrra juhtlati soonest väljas (joon. G)

**MÄRKUS!** Uued ketid venivad. Kontrollige keti pinguldatust sageli ja pinguldage vastavalt vajadusele.

**MÄRKUS!** Soojalt pinguldatud kett võib jahtudes liiga pingul olla. Enne järgmist kasutuskorda kontrollige külma keti pinguldatust.

### SEADME KASUTAMINE

**⚠ HOIATUS!** Ärge muutuge toodet tundma õppides hooletuks. Pidage meeles, et raskeid vigastusi põhjustavaks õnnetuseks piisab ka sekundi murdosa pikkusest tähelepanematusest.

**⚠ HOIATUS!** Ärge kasutage lisaseadmeid või -tarvikuid, mida selle seadme valmistaja pole soovitanud. Mittesoovituslike lisaseadmete või -tarvikute kasutamine võib põhjustada raskeid kehavigastusi.

**⚠ HOIATUS!** Raskeid vigastusi põhjustada võiva juhusliku käivitamise vältimiseks eemaldage alati akuplokk enne seadme kokkupanemist, reguleerimist, puhastamist või kui seade ei ole kasutuses. Enne iga kasutuskorda kontrollige tervet seadet, et ei esineks kahjustunud, puuduvaid või lahtisi osi, nt. kruve, mutreid, polte, korke vms. Kinnitage kõik kinnitused ja korgid ning ärge kasutage toodet, kuni kõik puuduvad või kahjustatud osad on välja vahetatud.

### KASUTUSESMÄRGID

Seda saagi võib kasutada puude langetamiseks, laasimiseks, kärpimiseks või tükeldamiseks.

### LATI JA KETI MÄÄRDEAINE LISAMINE

**⚠ HOIATUS!** Ärge suitsetage ega tooge tuleallikaid õli ega sae lähedusse. Õli võib maha valguda ja tulekahju põhjustada.

**MÄRKUS!** Ostetud saag ei ole algselt õliga täidetud. Enne esmakasutust tuleb õlipaak kindlasti täita. Ketti määratakse ketilõliga töö käigus automaatselt.

1. Pange kettsaag küllili nii, et õlipaagi kork jääb ülespoole.

2. Puhastage õlipaagi kork ja selle ümbrus, et vältida mustuse õlipaaki sattumist.
3. Pange kettsaag küllili kindlale tasasele pinnale nii, et paagi kork on suunatud ülespoole. Tõstke poolringikujulist plaati üles ja keerake õlipaagi korki selle eemaldamiseks vastupäeva (joon. H).
4. Kallake juhtlati ja keti õli ettevaatlikult paaki. Täitke kuni märgiseni MAX.
5. Pühkige ära üleliigne õli ja keerake kork tagasi.

**MÄRKUS!** Kontrollige õlitaset sageli ja kui õlitase langeb alla miinimumi, lisage õli. Ärge kunagi kasutage kettsaagi, kui õli ei ole nähtav.

### AKUPLOKI PAIGALDAMINE/EEMALDAMINE

#### Enne esmakasutamist laadige akuplokk täielikult täis.

Kasutage ainult joonisel A2 esitatud akuplokkide ja laadijatega.

#### Kinnitamine (joon. I)

Joondage aku sakid paigaldussoontega ja seejärel libistage akuplokk tööriista nii, et see kuuldava klõpsatusega kinnitub.

#### Lahti ühendamine (joon. J)

Vajutage akuvabastusnuppu ja tõmmake akuplokk välja.

### KETTSAE KÄIVITAMINE/SEISKAMINE

**MÄRKUS!** Enne kettsae käivitamist kontrollige õlitaset, saehammaste teravust ja tagasilöögiduri tööd. Lisaks tuleb töötada kindlal maapinnal ja piisaval kõrgusel maapinnast.

#### Käivitamiseks

1. Tõmmake keti tagasilöögiduri käepidet eesmise käepideme poole tööasendisse (joon. K).
2. Võtke kindlalt eesmisest ja tagumisest käepidemest kinni, kasutades mõlemat kätt.
3. Vajutage ja hoidke lukustusnuppu teise käe pöidlaga all, seejärel vajutage kiiruse reguleerimise päästikliüliti parema käe sõrmedega ja käivitage saag (joon. L).
4. Vabastage lukustusnupp ja jätke jätkamiseks vajutage endiselt ka päästikliüliti.

**⚠ HOIATUS!** Ärge üritage saagi käivitada, kui sae kett on löike sees.

#### Peatamiseks

1. Vabastage kiiruse reguleerimise päästikliüliti ja peatage kettsaag.

2. Ketipiduri aktiveerimiseks lükake keti tagasilöögiduri käepidet ettepoole pidurdusasendisse (joon. K).

**⚠ HOIATUS!** Tööpauside ajal ja pärast töö lõpetamist eemaldage sae küljest alati akuplokk.

#### Korrektne käepidemetest hoidmise viis (joon. M)

- Võimalikult tugeva haarde ja turvalisuse tagamiseks kasutage libisemiskindlast materjalist kindaid.
- Asetage saag kindlale ja tugevale tasasele pinnale ning hoidke seda kahe käega.
- Võtke alati vasaku käega eesmisest käepidemest ja parema käega tagumisest.
- Asetage sõrmed ümber käepideme nii, et põial on eesmise käepideme all.

**⚠ HOIATUS!** Ärge kunagi töötage vasakukäelise haardega (käed ristis) ega niisuguse hoiakuga, mille puhul teie keha või käsi jääb liikuva saeketi kohale (joon. N).

#### Õige tööasend (joon. O)

- Mõlemad jalad tuleb toetada tugevale pinnale ja raskus peab jalgade vahel ühtlaselt jagunema.
- Vasak käsi peab olema sirge ja küünarnukk fikseeritud. Nii suuredate tagasilöögiga tekkivate jõudude taluvust.
- Teie keha peaks alati olema ketist vasakul.

### JUHISED ÕIGE METSARAIE, LAASIMISE JA JÄRKAMISE TEHNIKA RAKENDAMISEKS

**⚠ HOIATUS!** Seiske alati kindlal maapinnal ja hoidke töötavat saagi tugevalt kahe käega.

**⚠ HOIATUS!** Kui peatate sae sest tunnete saagimise ajal kinni jäämist, vabastage päästik; eemaldage sae kett ja juhtlatt puidu küljest ning käivitage saag uuesti.

**⚠ HOIATUS!** Ärge tõmmake saepuru vahele kinni jäänud ketti käega. Juhuslikult käivitatav saag võib põhjustada raskeid õnnetusi. Mustuse eemaldamiseks suruge sae kett vastu puitu ning liigutage saagi edasi-tagasi. Enne puhastamist eemaldage alati akuplokk. Sae käitamisel kandke alati tugevaid töökindaid.

**⚠ HOIATUS!** Ärge hoidke saagi käivitamise ajal puidu vastas. Ärge puudutage puitu kettsaaga enne, kui saag on saavutanud maksimaalse töökiiruse.

#### PUU LANGETAMINE

- Kui puu järkamise ja langetamisega tegelevad korraga mitu inimest, peab langetamiskoht jääma järkamiskohast vähemalt kahekordse langetatava

puu pikkuse kaugusele. Puude langetamisel ei tohi seada ohtu inimesi või kommunaalliine ega põhjustada varalisi kahjusid. Kui puu siiski satub kontakti kommunaalliiniga, teavitage asjakohaseid asutusi viivitamatult.

- Künkal töötades peab sae kasutaja seisma puust kõrgemal, sest tõenäoliselt kukub või veereb langetatav puu künkast alla.
- Enne langetamist tuleks planeerida, millist eemaldumisteed saab vajadusel kasutada, ning vabastada see tee takistustest. Taganemistee peaks jääma otse ja diagonaalselt eeldatavast kukkumissuunast vastupidisesse suunda, nagu on näidatud joonisel P.

P-1	Puulangetussuund
P-2	Ohtu taganemistee

- Enne langetustööde alustamist võtke arvesse puu loomulikku kallet, puu suuremate okste paiknemist ning tuule suunda ja arvestage selle järgi, kuhu poole puu võiks kukkuma hakata.
- Eemaldage puult mustus, lahntine puukoore, naelad, klambrid ja traadid.

### Altlõikega sälkamine

Tehke sälk 1/3 puu diameetri ulatuses langemissuunaga risti, nagu on näidatud joonisel Q. Esmalt tehke alumine horisontaalne sälk. Nii väldite saeketi või juhtlati näpistamist teise sälgu tegemise ajal.

Q-1	Langemissuund
Q-2	Sälk
Q-3	Tagalõige langetamisel
Q-4	Hing

## ET

### Tagalõige langetamisel

- Tehke puulangetamisel tagalõige horisontaalselt sälgust vähemalt 50 mm kõrgemalt, nagu on näidatud joonisel Q. Jälgige, et tagalõige oleks eesmise horisontaalse sälguga paralleelne. Tehke tagalõige selliselt, et jääks alles piisav kogus puitu, mis toimiks hingena. Hingetükk hoiab ära puu keerdumise ning vales suunas kukkumise. Ärge lõigake hinge läbi.
- Kui jõuate langetamisloikega hinge lähedale, peaks puu kukkuma hakkama. Kui on väikene võimalus, et puu ei lange soovitud suunas või võib tagasi painduda ja sae keti kinnikiilumist põhjustada, katkestage

saagimine enne, kui langetamise tagalõige on lõpetatud ja lõpetage langetustöö puidust, plastikust või alumiiniumist kiilude abil, et suunata puu soovitud suunda.

- Kui puu hakkab langema, võtke kettsaag lõike seest ära, seisake mootor, pange saag maha ja eemalduge plaanitud rada mööda. Jälgige kukkuda võivaid oksa ja oma jalgeesist.

### Laasimine

Laasimise käigus eemaldatakse kukkunud puu oksad. Laasimisel jätkke aluses alles alumised jämedad oksad, mis hoiavad tüve maapinnast kõrgemal. Eemaldage väikesed oksad ühe lõikega, nagu on näidatud joonisel R. Kettsae kinnikiilumise vältimiseks tuleks pinge all olevaid oksa lõigata alt üles.

### Palgi järkamine

- Järkamise korral lõigatakse palk juppideks. Selle töö puhul on oluline, et teie jalgealune oleks kindel ning keharaskus oleks jalgade vahel võrdsest jaotatud. Võimalusel tuleks langenud puu ots üles tõsta ja toestada okste, palkide või kiiludega. Järgige kerge lõikamise lihtsaid juhiseid.
- Kui palk on toetatud kogupikkuses, nagu on näidatud joonisel S1, alustatakse lõikamist ladvaosast (ülalt tükeldamine).
- Kui palk on toetatud ühest otsast, nagu on näidatud joonisel S2, lõigake altpoolt 1/3 diameetri suurune tükk (alt tükeldamine). Seejärel tehke ülaltlõige kuni esimese lõikeni.
- Kui palk on toetatud mõlemast otsast, nagu on näidatud joonisel S3, lõigake ülaltpoolt 1/3 diameetri suurune tükk (ülalt tükeldamine). Seejärel tehke altlõige kuni esimese lõikeni.
- Künkal järkamisel seiske alati palgist kõrgemal, nagu on näidatud joonisel T.
- Kontrolli säilitamiseks „läbi lõikamisel“ vähendage survet lõike lõpuosas, lõvendamata sealjuures kettsae käepidemete haaret. Vältige keti kontakti maapinnaga. Pärast lõike lõpetamist ja enne edasi liikumist oodake, kuni saag seiskub. Ühe puu juurest teise juurde liikumiseks jätkke saag alati seisma.

## HOOLDUS

**⚠ HOIATUS!** Remontimisel kasutage vaid originaalvaruosi. Mis tahes muude osade kasutamine võib põhjustada ohtlikke olukordi või seadet vigastada.

**⚠ HOIATUS!** Tõsiste isikuvigastuste vältimiseks eemaldage lisatarvikute vahetamise, puhastamise ja hooldustööde teostamise ajaks alati tööriista küljest aku. Aku jõul töötav tööriist on ühendatud akupaki korral alati kasutusvalmis ja võib juhuslikult käivituda.

**⚠ HOIATUS!** Sae puhastamisel ÄRGE kastke seda vette ega ühegi teise vedeliku sisse.

**⚠ HOIATUS!** Ärge kunagi laske pidurivedelikel, bensiinil, nafta baasil toodetel, läbitungivatel õlidel jms puutuda kokku plastosadega. Kemikaalid võivad plasti vigastada, nõrgestada või hävitada, mille tulemusena võivad tekkida rasked kehavigastused.

### PUHASTAMINE

- Pärast iga kasutuskorda puhastage kett ja juhtlatt pehme harjaga. Pühkige sae pind puhta, lahja seebilahusega niisutatud lapiga puhtaks.
- Eemaldage küljekate ja puhastage juhtlatt, sae kett, ketiratas ja küljekate pehme harjaga mustusest.
- Saeketi vahetamisel eemaldage juhtlati soonest alati puidutükid, saepuru ja mustus.

### JUHTLATI HOOLDAMINE

Kui juhtlatt on kulunud, eemaldage see kettsae toitepea küljest ja pange see teistpidi tagasi (joon. U1). Nii saab kulumist jaotada ja seega lati eluiga maksimaalselt ära kasutada.

Latti tuleks igapäevaselt puhastada ning pärast puhastamist kontrollida ega see kulunud või kahjustatud pole. Lati relsside narmastumine või karestumine on normaalne kulumisprotsess. Sellised vead tuleks ilmnenisel kohe viiliga siluda. Allpool mainitud vigadega latti tuleb välja vahetada.

- Lati relsside niisugune kulumine, mille tõttu võib kett küllili minna.
- Paindunud juhtlatt.
- Mõranenud või katkised relsid.
- Laiali vajunud relsid.

Lisaks asub juhtlati tipu juures ketiratas (joon. U2). Juhtlati tööea pikendamiseks tuleb ketiratas igal nädalal õlitada. Iganädalasel õlitamisel kasutage ketiõliga täidetud õlisüstalt ja sisestage õli läbi määrdelaugu (joon. U3). Pöörake juhtlati ja veenduge, et määrdelaavad ja keti soon on puhtad ja korras.

U2-1	Juhtlati tipu juures asuv ketiratas
U2-2	Määrdelaava

### TRANSPORTIMINE JA HOIUSTAMINE

- Ärge transportige ega hoiustage töötavat kettsaagi. Hooldamise ja transportimise ajaks eemaldage alati akuplokk.
- Enne kettsae hoiustamist ja transportimist pange juhtlati ja keti peale alati juhtlati kaitse. Olge ettevaatlik ja vältige keti teravaid hambaid.
- Enne hoiustamist puhastage saag hoolikalt. Hoidke saagi sisetingimustes, kuivas, lukustatud ja lastele kättesaamatus kohas.
- Hoidke seda eemal korrodeerivatest ainetest (nt aiakemikaalid ja jääsulatussoolad).

### Keskonnakaitse



Elektri- ja elektroonikaseadmetest tekkinud jäätmete direktiiv (WEEE). Ärge visake elektriseadmeid, kasutatud akut ega laadijat olmeprügi hulka! Viige toode volitatud taaskäitleja juurde ja võimaldage selle komponendid sorteerituna kõrvaldada. Elektritööriistad viige keskkonnakaitseasutustele järgivasse jäätmekäitluskeskusesse.

## TÖRKEETSING

**⚠ HOIATUS:** Käte kaitsmiseks kandke saeketi hooldamisel alati tugevast materjalist kindaid. Ketsae hooldamise ja transportimise ajaks eemaldage alati akuplokk.

PROBLEEM	PÕHJUS	LAHENDUS
Mootor ei käivitu.	<ul style="list-style-type: none"> <li>■ Akuplokk pole saega ühendatud.</li> <li>■ Sae ja aku vahel puudub elektriline ühendus.</li> <li>■ Akuplokk on tühi.</li> <li>■ Akuplokk või kettsaag on liiga kuum.</li> <li>■ Ketipidur on aktiivne.</li> <li>■ Lati soones on mustust.</li> <li>■ Külgekattes on mustust.</li> </ul>	<ul style="list-style-type: none"> <li>■ Kinnitage akuplokk sae külge.</li> <li>■ Eemaldage aku, kontrollige ühendusi ja pange akuplokk tagasi.</li> <li>■ Laadige akuplokki.</li> <li>■ Jahutage akuplokki või kettsaagi, kuni temperatuur langeb alla 67 °C.</li> <li>■ Tõmmake keti tagasiöögiduri hooba eesmise käepideme poole tööasendisse.</li> <li>■ Mustuse eemaldamiseks suruge sae kett vastu puitu ning liigutage saagi edasi-tagasi.</li> <li>■ Eemaldage akuplokk ning seejärel küljekate ja puhastage seade mustusest.</li> </ul>
Kettsaag seiskub töö käigus.	<ul style="list-style-type: none"> <li>■ Kettsaag on ülekoormatud.</li> <li>■ Akuplokk või kettsaag on liiga kuum.</li> <li>■ Sae kett on puidu sisse kinni jäänud.</li> </ul>	<ul style="list-style-type: none"> <li>■ Vähendage koormust.</li> <li>■ Vähendage koormust. Jahutage akuplokki või kettsaagi, kuni temperatuur langeb alla 67°C.</li> <li>■ Vabastage kiiruse reguleerimise päästikülili; eemaldage saekett ja juhtlatt puidust ning käivitage kettsaag uuesti.</li> </ul>
Mootor töötab, aga kett ei käi ringi.	<ul style="list-style-type: none"> <li>■ Kett ei haaku ketirattaga.</li> </ul>	<ul style="list-style-type: none"> <li>■ Paigaldage kett uuesti, jälgides, et kõik selle veolülid on korrektselt ketirattale paigutunud.</li> </ul>
Ketipidur ei tööta.	<ul style="list-style-type: none"> <li>■ Mustus takistab ketipiduri käepideme täies ulatuses liikumist.</li> <li>■ Võimalik ketipiduri rike.</li> </ul>	<ul style="list-style-type: none"> <li>■ Eemaldage väliselt ketipidurit mustus.</li> <li>■ Küsige abi EGO hoolduskeskusest.</li> </ul>

ET

PROBLEEM	PÕHJUS	LAHENDUS
Kettsaag ei löika korralikult.	<ul style="list-style-type: none"> <li>■ Ebapiisav keti pinge.</li> <li>■ Lõtv kett.</li> <li>■ Kett on paigaldatud tagurpidi.</li> <li>■ Kulunud kett.</li> <li>■ Kuiv või liigselt pinguldatud kett.</li> <li>■ Kett pole lati hammastiku vahel.</li> </ul>	<ul style="list-style-type: none"> <li>■ Muutke keti pinguldatust vastavalt alapunktis „<b>KETI PINGE REGULEERIMINE</b>“.</li> <li>■ Teritage kett.</li> <li>■ Pange sae kett uuesti peale, järgides juhiseid jaotises „<b>JUHTLATI JA KETI KOKKUPANEK/VÄLJAVAHETAMINE</b>“.</li> <li>■ Paigaldage kett tagasi vastavalt alapunktis „<b>LATI JA KETI KOKKUPANEK/VÄLJAVAHETAMINE</b>“.</li> <li>■ Kontrollige õlitaset. Vajadusel lisage õli.</li> <li>■ Paigaldage saekett tagasi vastavalt alapunktis „<b>LATI JA KETI KOKKUPANEK/VÄLJAVAHETAMINE</b>“.</li> </ul>
Tavapärasel kasutusel tuleb kett lahti või kukub juhtlatilt ära.	<ul style="list-style-type: none"> <li>■ Tavaliselt keti temperatuur töö käigus tõuseb ja seetõttu tuleb kett lahti.</li> <li>■ Kett ei haaku ketirattaga.</li> </ul>	<ul style="list-style-type: none"> <li>■ Reguleerige keti pinget, järgides juhiseid jaotises „<b>KETI PINGE REGULEERIMINE</b>“.</li> <li>■ Paigaldage saekett tagasi vastavalt alapunktis „<b>LATI JA KETI KOKKUPANEK/VÄLJAVAHETAMINE</b>“.</li> </ul>

## GARANTII

### EGO GARANTIIPÕHIMÕTTED

Täielikud EGO garantiitingimused leiate veebilehelt [egopowerplus.eu](http://egopowerplus.eu).

KEES VAN DER SPEK  
TOOLMAGASIN + STOLWIJK

ET

## ПРОЧИТАЙТЕ ВСІ ІНСТРУКЦІЇ



ПРОЧИТАЙТЕ ПОСІБНИК З ЕКСПЛУАТАЦІЇ

**⚠ Залишковий ризик!** Люди з електронними пристроями, наприклад кардіостимуляторами, повинні проконсультуватися зі своїм лікарем (лікарями) перед використанням цього виробу. Експлуатація електрообладнання в безпосередній близькості від кардіостимулятора може спричинити перешкоди або несправність кардіостимулятора.

## СИМВОЛ БЕЗПЕКИ

Мета символів, пов'язаних із безпекою, – привернути вашу увагу до можливих небезпек. Символи безпеки та їхнє пояснення заслуговують на вашу пильну увагу та розуміння. Символи попереджень самі по собі не усувають будь-якої небезпеки. Інструкції та попередження, які вони надають, не замінюють належних заходів щодо запобігання аваріям.

**⚠ ПОПЕРЕДЖЕННЯ.** Перш ніж користуватися цим інструментом, обов'язково ознайомтеся з усіма інструкціями з безпеки, наведеними в цьому посібнику користувача, зокрема з усіма символами попереджень, такими як «**НЕБЕЗПЕКА**», «**ПОПЕРЕДЖЕННЯ**» та «**ЗАСТЕРЕЖЕННЯ**». Недотримання наведених нижче вказівок може спричинити ураження електричним струмом, пожежу та/або серйозні травми.

## ЗНАЧЕННЯ СИМВОЛУ

На цій сторінці зображено та описано символи, пов'язані з безпекою, які можуть відобразитися на цьому виробі. Перш ніж намагатися зібрати та експлуатувати його, ознайомтеся з усіма інструкціями на інструменті та дотримуйтеся їх.

## СИМВОЛИ, ЩО СТОСУЮТЬСЯ БЕЗПЕКИ



Попередження щодо безпеки



Ознайомтеся з посібником користувача



Надягайте засоби захисту очей



Надягайте засоби захисту органів слуху



Надягайте засоби захисту голови



Надягайте захисні рукавиці.



Остерігайтеся віддачі ланцюгової пили й уникайте контакту з кінцем шини.



Віддача напрямної шини



Завжди використовуйте ланцюгову пилу двома руками.



Не залишайте під дощем



Інформація про напрямну шину



Гарантований рівень звукової потужності.



WEEE



цей продукт відповідає чинному законодавству Великобританії.

UK



**CE** Цей виріб відповідає чинним директивам ЄС.

Постійний струм

V Вольт

A Амperi

Hz Герци

W Вати

min Хвилини

$n_0$  Швидкість холостого ходу

... /min На хвилину

## ТЕХНІЧНІ ХАРАКТЕРИСТИКИ

Напруга	56 В
Довжина напрямної шини	400 MM (CS1610E)
	350 MM (CS1410E)
Крок ланцюга	3/8" (9,5 мм)
Калібр ланцюга	1,1 мм
Швидкість ланцюга	20 м/с
Тип пильного ланцюга	CS1610E AC1600/AC1601 (рекомендований) AC1400/AC1401 (сумісний)
	CS1410E AC1400/AC1401 (рекомендований) AC1600/AC1601 (сумісний)
Тип напрямної шини	CS1610E AG1600/AG1601 (рекомендований) AG1400/AG1401 (сумісний)
	CS1410E AG1400/AG1401 (рекомендований) AG1600/AG1601 (сумісний)
Об'єм оливної бачка ланцюга	150 мл
Робоча температура	-15°C–40°C
Температура зберігання	-20°C–70°C
Вага нетто (без акумулятора, футляра ланцюга)	3,9 kg (CS1610E)
	3,8 kg (CS1410E)
Вимірний рівень звукової потужності $L_{WA}$	102,25 дБ(A)
	$K=1,4$ дБ(A)
Рівень звукового тиску на місці вуха оператора $L_{PA}$	91,25 дБ(A)
	$K=2,5$ дБ(A)

Гарантований рівень звукової потужності $L_{WA}$ (відповідно до стандарту 2000/14/ЄС)		103 дБ(A)
Вібрація $a_n$	Передня ручка	3,377 м/с <sup>2</sup> $K=1,5$ м/с <sup>2</sup>
	Задня ручка	2,823 м/с <sup>2</sup> $K=1,5$ м/с <sup>2</sup>

- Вказане загальне значення вібрації виміряне за стандартним методом тестування і може використовуватися для порівняння одного інструмента з іншим;
- Заявлене сумарне значення вібрації може також використовуватися для попередньої оцінки впливу.

**ПРИМІТКА.** Емісія вібрації під час фактичного використання електроінструмента може відрізнятися від заявленої величини, у якій використовується інструмент. Щоб захистити оператора, користувач повинен одягати рукавички та захисні навушники в реальних умовах використання.

## ПАКУВАЛЬНИЙ СПИСОК (РИС. A1)

### ОПИС

#### ОЗНАЙОМЛЕННЯ З ЛАНЦЮГОВОЮ ПИЛОЮ (рис. A1)

1. Пусковий перемикач зі змінною швидкістю
2. Задня ручка
3. Кнопка блокування
4. Передня ручка
5. Ручка гальма віддачі ланцюга
6. Пильний ланцюг
7. Напрямна шина
8. Кришка бачка для мастила
9. Віконце для перевірки мастила

**UK**

10. Електричні контакти
11. Кнопка звільнення батареї
12. Ручка регулювання натягу ланцюга
13. Бічна кришка
14. Ручка бічної кришки
15. Футляр ланцюга

## ЗБИРАННЯ

### УСТАНОВЛЕННЯ/ЗАМІНА ШИНИ ТА ЛАНЦЮГА

**▲ ПОПЕРЕДЖЕННЯ.** Перед збиранням установіть рукоятку гальма віддачі ланцюга в положення гальмування.

1. Покладіть приводну головку ланцюгової пили набік бічною кришкою вгору (рис. В).
2. Поверніть ручку бічної кришки проти годинникової стрілки, щоб зняти бічну кришку, а потім якомога більше ослабте ручку натягу ланцюга.
3. Розкладіть новий пильний ланцюг по колу на рівну поверхню і вирівняйте будь-які перекручування (рис. С).
4. Установіть приводні ланки ланцюга в паз напрямної шини та з'єднайте ланцюг колом ззаду напрямної шини (рис. D).
5. Тримайте ланцюг у положенні на напрямній шині та розташуйте петлю навколо зірочки приводної головки.
6. Насуньте гніздо напрямної шини на вирівнювальні фланці, доки штифт регулювання натягу не буде вставлено в нижній отвір у хвості шини (рис. E1).

**ПРИМІТКА.** Маленькі напрямні стрілки вигравірувані на пильному ланцюзі. Ще одна стрілка вигравірувана в корпусі. Надягаючи пильний ланцюг на зірочку, переконайтеся, що напрямком стрілок на пильному ланцюзі відповідає напрямку стрілки на корпусі. Якщо вони вказують у протилежних напрямках, переверніть пильний ланцюг і напрямну шину в зборі (рис. E2).

7. Замініть бічну кришку та злегка затягніть ручку бічної кришки.
8. Підніміть кінчик напрямної шини для перевірки на провисання (рис. F). Відпустіть кінчик напрямної шини і поверніть ручку регулювання натягу ланцюга за годинниковою стрілкою. Повторіть цей процес до усунення провисання.
9. Обережно затягніть ручку бічної кришки, щоб забезпечити правильне натягування пильного ланцюга перед використанням.

D-1	Ланки приводного ланцюга	E-2	Штифт регулювання натягу
-----	--------------------------	-----	--------------------------

D-2	Паз напрямної шини	E-3	Гніздо напрямної шини
E-1	Вирівнювальний фланець	E-4	Зірочка

**ПРИМІТКА.** Щоб продовжити термін служби напрямної шини, іноді перевертайте шину.

**ПРИМІТКА.** Якщо ланцюг дуже тугий, він не обертатиметься. Злегка послабте ручку бічної кришки й один раз поверніть ручку регулювання натягу ланцюга проти годинникової стрілки. Підніміть кінчик напрямної шини вгору і знову надійно затягніть ручку бічної кришки. Переконайтеся, що ланцюг буде обертатися без застрягання.

### РЕГУЛЮВАННЯ НАТЯГУ ЛАНЦЮГА

- Зупиніть мотор і вийміть акумулятор, перш ніж регулювати натяг ланцюга. Переконайтеся, що ручка бічної кришки ослаблена. Поверніть ручку регулювання натягу ланцюга за годинниковою стрілкою, щоб натягнути ланцюг. Див. розділ: «ЗБИРАННЯ/ЗАМІНА ШИНИ І ЛАНЦЮГА», щоб отримати додаткову інформацію.
- Ланцюг натягнуто правильно, якщо немає провисання на нижній напрямній шини, ланцюг сидить щільно, але його можна повернути рукою без застрягання. Ланцюг необхідно натягувати щоразу, коли плоска поверхня на приводних ланках не сидить у пазу.
- Під час нормальної роботи пили температура ланцюга буде збільшуватися. Приводні ланки правильно натягнутого теплового ланцюга провисатимуть приблизно на 1,3 мм) з паса шини (рис. G).

**ПРИМІТКА.** Нові ланцюги мають тенденцію до розтягування. Часто перевіряйте натяг ланцюга в міру необхідності.

**ПРИМІТКА.** Ланцюг, натягнутий у теплому стані, може бути занадто тугим після охолодження. Перевірте холодний натяг перед наступним використанням.

## ЕКСПЛУАТАЦІЯ

**▲ ПОПЕРЕДЖЕННЯ.** Знання виробу не має робити вас недбалим. Пам'ятайте, що півсекунди неухважності досить для серйозної травми.

**▲ ПОПЕРЕДЖЕННЯ.** Не використовуйте приладдя чи насадки, не рекомендовані виробником цього пристрою. Використання нерекomenдованого

приладдя чи насадок може призвести до серйозних травм.

**⚠ ПОПЕРЕДЖЕННЯ.** Щоб запобігти випадковому запуску, що може спричинити серйозні травми, завжди виймайте акумуляторну батарею з інструмента під час монтажу деталей, регулювання, очищення або коли він не використовується.

Перед кожним використанням перевіряйте весь виріб на предмет пошкоджень, відсутності або послаблення деталей, таких як гвинти, гайки, болти, кришки тощо. Закріпіть усі затискачі та ковпачки і не використовуйте цей прилад, доки не будуть замінені всі відсутні або пошкоджені деталі.

### ЗАСТОСУВАННЯ

Ви можете використовувати цей виріб для базового зрубання дерев, обрізання сучків, різання деревини та обробки лісоматеріалів та дерев.

### ДОДАВАННЯ МАСТИЛА ДЛЯ ШИНИ ТА ЛАНЦЮГА.

**⚠ ПОПЕРЕДЖЕННЯ.** Не паліть і не наближайте джерела вогню або полум'я до мастила чи ланцюгової пили. Мастило може розлитися і спричинити пожежу.

**ПРИМІТКА.** Ланцюгова пила не наповнена мастилом у момент покупки. Перед використанням необхідно заповнити бачок мастилом. Ланцюг автоматично змащується мастилом для ланцюга під час роботи.

1. Поставте ланцюгову пилу набік кришкою бачка для мастила вгору.
2. Очистьте кришку бачка для мастила та ділянку навколо неї, щоб бруд не потрапив у бачок.
3. Покладіть ланцюгову пилу на бік на тверду плоску поверхню так, щоб кришка бачка була звернена вгору. Підніміть напівкруглу пластину та поверніть кришку бачка для мастила проти годинникової стрілки, щоб зняти її (рис. Н).
4. Обережно наливайте мастило для шини і ланцюга. Заповніть до лінії MAX.
5. Протріть зайве мастило і встановіть на місце кришку.

**ПРИМІТКА.** Часто перевіряйте рівень мастила і доливайте, коли він опускається нижче мінімальної позначки. Ніколи не вмийте ланцюгову пилу, якщо не видно мастила.

### УСТАНОВЛЕННЯ І ВИДАЛЕННЯ АКУМУЛЯТОРА Повністю зарядіть перед першим використанням.

Використовуйте лише акумулятори та зарядні пристрої, перелічені на рис. A2.

### Присіднання (рис. I)

Вирівняйте ребра акумуляторної батареї з отворами для кріплення та засуньте акумуляторну батарею в інструмент, доки вона не зафіксується на своєму місці з клацанням.

### Від'єднання (рис. J)

Натисніть кнопку звільнення акумулятора та витягніть акумуляторну батарею.

### ЗАПУСК/ЗУПИНКА ЛАНЦЮГОВОЇ ПИЛИ

**ПРИМІТКА.** Перед запуском ланцюгової пили перевірте рівень мастила, гостроту зубців та правильну роботу ручки гальма віддачі. Крім того, необхідно тримати рівновагу та належну відстань від землі.

#### Запуск

1. Потягніть ручку гальма віддачі в напрямку передньої рукоятки в робоче положення (рис. К)
2. Міцно тримайте передню і задню ручки обома руками.
3. Натисніть і утримуйте кнопку блокування великим пальцем правої руки, потім натисніть пусковий перемикач зі змінною швидкістю пальцями правої руки, щоб запустити пилу (рис. L).
4. Відпустіть кнопку блокування та продовжуйте натискати пусковий перемикач для продовження роботи.

**⚠ ПОПЕРЕДЖЕННЯ.** Не намагайтеся запустити пилу, коли ланцюг пили в пропилі.

#### Зупинка

1. Відпустіть пусковий перемикач зі змінною швидкістю, щоб зупинити ланцюгову пилу.
2. Натисніть ручку гальма віддачі ланцюга вперед у положення гальмування, щоб задіяти гальмо ланцюга (рис. К).

**⚠ ПОПЕРЕДЖЕННЯ.** Завжди виймайте акумуляторну батарею з ланцюгової пили під час перерв у роботі та після закінчення роботи.

### Правильне тримання ручок (рис. M)

- Носіть нековзні рукавички для максимального зчеплення і захисту.
- Поклавши пилу на міцну, рівну поверхню, міцно тримайте її обома руками.
- Завжди тримайте передню ручку лівою рукою, а задню ручку – правою.
- Пальці мають охоплювати ручку, великий палець має бути під передньою рукою

**⚠ ПОПЕРЕДЖЕННЯ.** Ніколи не беріться лівою рукою за ручку (не перехресуйте руки) і не приймайте положення, при якому ваше тіло або рука перетинало б лінію ланцюга (рис. N).

### Правильна постава для різання (рис. O)

- Обидві ноги мають бути на твердій поверхні, при чому вага має бути рівномірно розподілена між ними.
- Ліва рука має бути прямою, лікоть зафіксований. Це допомагає протистояти силам, утвореним віддачею.
- Ваше тіло завжди має бути ліворуч від лінії ланцюга.

### ВКАЗІВКИ, ЩО СТОСУЮТЬСЯ НАЛЕЖНИХ ПРИЙОМІВ БАЗОВОГО ЗРУБУВАННЯ ДЕРЕВ, ОБРІЗАННЯ СУЧКІВ ТА НАСКРІЗНОГО РІЗАННЯ

**⚠ ПОПЕРЕДЖЕННЯ.** Завжди стійте на ногах упевнено і міцно тримайте ланцюгову пилу обома руками під час роботи мотора.

**⚠ ПОПЕРЕДЖЕННЯ.** Коли пильний ланцюг зупиняється через затискання під час різання, відпустіть тригерний вимикач; зніміть пильний ланцюг та напрямну шину з деревини, а потім знову запустіть ланцюгову пилу.

**⚠ ПОПЕРЕДЖЕННЯ.** Не тягніть ланцюгову пилу рукою, якщо в ній застрягла тирса. Якщо ланцюгова пила запускається випадково, це може призвести до серйозної травми. Притисніть пильний ланцюг до дерева, переміщуйте ланцюгову пилу назад і вперед, щоб скинути сміття. Завжди виймайте акумуляторну батарею перед чищенням. Під час роботи з ланцюгом використовуйте міцні захисні рукавички.

**⚠ ПОПЕРЕДЖЕННЯ.** Ніколи не запускайте ланцюгову пилу, коли вона контактує з деревиною. Завжди давайте ланцюговій пилі досягти повної швидкості, перш ніж застосовувати пилу до деревини.

### ЗРУБУВАННЯ ДЕРЕВА

- Якщо розпилювання та вирубування виконуються двома або більше особами одночасно, то операція вирубування має виконуватись окремо від операції розпилювання на відстані, що відповідає принаймні подвійній висоті дерева, що вирубується. Дерева не можна вирубувати таким способом, який може загрожувати будь-якій особі, пошкодити будь-яку комунікаційну лінію або заподіяти майнову шкоду. Якщо дерево контактує з будь-якою комунікаційною лінією, про це слід негайно повідомити комунальну компанію.

- Оператор ланцюгової пили повинен стояти на схилі вище, оскільки дерево, імовірно, скотиться або сповзе вниз після вирубування.
- Слід запланувати та звільнити шлях евакуації, як це необхідно, перш ніж розпочинати зрізання. Шлях евакуації має проходити назад і по діагоналі, позаду від очікуваної лінії падіння, як показано на рис. P.

P-1	Напрямок зрубування
P-2	Шлях безпечного відступу

- Перед початком вирубування розгляньте природний нахил дерева, розташування великих гілок і напрямком вітру, щоб визначити, яким чином дерево впаде.
- Приберіть із дерева бруд, камені, вільну кору, цвяхи, скоби та дріт.

### Виконання надрізу

Зробіть проріз на 1/3 діаметра дерева, перпендикулярно напрямку падіння, як показано на рис. Q. Спочатку зробіть вирізку нижньої горизонтальної виїмки. Це допоможе уникнути затискання ланцюга пили або напрямної штанги під час вирізання другої виїмки.

Q-1	Напрямок падіння
Q-2	Виріз
Q-3	Пропил із протилежної сторони зрубування
Q-4	Шарнір

### Пропил із протилежної сторони зрубування

- Виконайте пропил із протилежної сторони зрубування принаймні на 50 мм вище горизонтальної виїмки, як показано на рис. Q. Пропил з протилежного боку має бути паралельний горизонтальній виїмці. Зробіть пропил з протилежного боку вирубування так, щоб деревина діяла як шарнір. Він не дає дереву скручуватися та падати в неправильному напрямку. Не прорізайте шарнір.
- Коли спилування наближається до шарніра, дерево має почати падати. Якщо є імовірність, що дерево може впасти не в потрібному напрямку або може перехилитися назад і затиснути пильний ланцюг, припиніть різання до повного розрізання вирубки та використовуйте клини із дерева, пластику або алюмінію, щоб відкрити пропил і повалити дерево по потрібній лінії падіння.

- Коли дерево починає падати, припиніть ланцюгову пилу з пропилу, зупиніть мотор, покладіть ланцюгову пилу, а потім відійдіть по запланованому шляху відступу. Будьте обережні, коли падають верхні гілки, і добре стійте на ногах.

### Зрізання гілок із дерева

Ідеться про зрізання гілок із поваленого дерева. Під час зрізання гілок більші гілки мають підтримувати колоду над землею. Видаліть маленькі гілки одним зрізом, як показано на рис. R. Гілки під напругою слід зрізати низу вгору, щоб уникнути затиснення ланцюгової пили.

### Розпилювання колоди

- Розпилювання – це розрізання колоди в довжину. Важливо міцно стояти на ногах і рівномірно розподілити свою вагу на обох ногах. Коли це можливо, колода має бути піднята і спиратися на гілки, колоди або підпори. Дотримуйтесь простих вказівок для легкого розрізання.
- Коли колода спирається по всій довжині, як показано на рисунку S1, вона розрізається з верхньої частини (надпилювання).
- Коли колода спирається на одному кінці, як показано на рис. S2, проріжте 1/3 діаметра з нижньої сторони (підпилювання). Потім зробіть остаточний надріз для з'єднання з першим прорізом.
- Коли колода спирається на обидва кінці, як показано на рис. S3, проріжте 1/3 діаметра з верхньої сторони (надпилювання). Потім зробіть остаточний надріз, підпилявши решту 2/3 для з'єднання з першим прорізом.
- Під час розпилювання на схилі завжди стійте вище відносно колоди, як показано на рис. T.
- Під час «прорізання», щоб підтримувати повний контроль, відпустіть тиск різання біля кінця прорізу, не послабляючи хват ручок ланцюгової пили. Не допускайте контакту ланцюга із землею. Після завершення пиляння зачекайте, доки пильний ланцюг не зупиниться, перш ніж перемістити ланцюгову пилу. Завжди зупиняйте мотор, перш ніж переходити від одного дерева до іншого.

### ОБСЛУГОВУВАННЯ

**⚠ ПОПЕРЕДЖЕННЯ.** Використовуйте для технічного обслуговування лише ідентичні запчастини. Використання будь-яких інших частин створює небезпеку або може призвести до поломки виробу.

**⚠ ПОПЕРЕДЖЕННЯ.** Щоб уникнути серйозних травм, виймайте акумуляторну батарею з ланцюгової пили, перш ніж проводити огляд, чистити або

виконувати будь-яке технічне обслуговування. Акумуляторний інструмент із вставленим акумулятором завжди ввімкнений і може випадково запуститися.

**⚠ ПОПЕРЕДЖЕННЯ.** Під час чищення ланцюгової пили НЕ занурюйте її у воду чи інші рідини.

**⚠ ПОПЕРЕДЖЕННЯ.** Ніколи не допускайте контакту пластмасових частин із гальмівною рідиною, бензином, нафтопродуктами, проникаючими оліями і т. ін. Хімікати можуть пошкодити, ослабити або зруйнувати пластмасу, а це загрожує серйозними травмами.

### ЧИЩЕННЯ

- Після кожного використання очистьте сміття з ланцюга та напрямної шини м'якою щіткою. Протріть поверхню ланцюгової пили чистою тканиною, змоченою м'яким розчином мила.
- Зніміть бічну кришку, а потім скористайтесь м'якою щіткою, щоб видалити сміття з напрямної шини, пильного ланцюга, зірочки та бічної кришки.
- Завжди вичищайте деревну стружку, пил і бруд із паза напрямної шини під час заміни пильного ланцюга.

### ДОГЛЯД ЗА НАПРЯМНОЮ ШИНОЮ

Коли на напрямній шині з'являються ознаки зносу, зніміть її з приводної головки пили і переверніть її для повторного розбирання та збирання (рис. U1). Таким чином, знос буде розподілений, що продовжить термін служби напрямної шини.

Шину слід чистити кожен день після користування та перевіряти на предмет зносу та пошкодження. Утворення нальоту або задирок на рейках шини є нормальним процесом її зносу. Такі дефекти слід згладжувати напилком, щойно вони з'являться. Шину з будь-якими з наведених нижче дефектів слід замінити.

- Знос всередині рейок шини, що дає ланцюгу змогу лягати на бік.
- Зігнута напрямна шина
- Тріснуті або зламані рейки.
- Рейки, що розійшлися.

Крім того, напрямна шина має зірочку на кінці (рис. U2). Зірочку потрібно змащувати щотижня за допомогою масляного шприца, щоб продовжити термін служби напрямної шини. Використовуйте масляний шприц для щотижневого змащення маслом для ланцюга через змащувальний отвір (рис. U3). Поверніть напрямну шину та перевірте, чи в змащувальних отворах і пазах ланцюга немає забруднень.

UK

U2-1	Зірочка на кінці напрямної шини
U2-2	Змащувальний отвір

## ТРАНСПОРТУВАННЯ ТА ЗБЕРІГАННЯ

- Не зберігайте та не переміщуйте ланцюгову пилу, коли вона працює. Завжди виймайте акумуляторну батарею перед зберіганням або транспортуванням.
- Завжди накладайте захисну оболонку на напрямну шину та ланцюг, перш ніж зберігати або транспортувати ланцюгову пилу. Будьте обережні, щоб уникати гострих зубців ланцюга.
- Перед зберіганням слід ретельно очистити ланцюгову пилу. Зберігайте ланцюгову пилу в місці, недоступному для дітей.
- Тримайте подалі корозійні агенти, такі як садові хімікати та солі проти ожеледі.

## Захист довкілля



WEEE (відходи електричного та електронного устаткування) Не викидайте електричне обладнання, акумулятор і зарядний пристрій у побутові відходи! Віднесіть цей виріб авторизованому переробнику й надайте його для роздільного збирання. Електроінструменти необхідно повернути в підприємство, що займається екологічно безпечною переробкою.

## УСУНЕННЯ НЕСПРАВНОСТЕЙ

**⚠ ПОПЕРЕДЖЕННЯ.** Завжди захищайте руки, одягаючи міцні рукавички під час виконання будь-якого технічного обслуговування на пильних ланцюгах. Під час обслуговування або транспортування ланцюгової пили завжди виймайте акумуляторну батарею.

НЕСПРАВНІСТЬ	ПРИЧИНА	ВИРІШЕННЯ
Мотор не запускається.	<ul style="list-style-type: none"> <li>■ Акумуляторна батарея не прислана до ланцюгової пили.</li> <li>■ Немає електричного контакту між пилою та батареєю.</li> <li>■ Акумуляторна батарея розряджена.</li> <li>■ Акумулятор або ланцюгова пила занадто гарячі.</li> <li>■ Гальмо ланцюга задіяне.</li> <li>■ Сміття в пазу.</li> <li>■ Сміття в бічній кришці</li> </ul>	<ul style="list-style-type: none"> <li>■ Під'єднайте акумулятор до ланцюгової пили.</li> <li>■ Вийміть акумулятор, перевірте контакти та знову встановіть акумулятор.</li> <li>■ Зарядіть акумуляторну батарею.</li> <li>■ Дайте акумуляторній батареї або ланцюговій пилі охолонути, доки температура не опуститься нижче 67 °C.</li> <li>■ Потягніть ручку гальма віддачі назад у напрямку передньої рукоятки в робоче положення.</li> <li>■ Притисніть пильний ланцюг до дерева, переміщуйте ланцюгову пилу назад і вперед, щоб скинути сміття.</li> <li>■ Вийміть акумуляторну батарею, потім зніміть бічну кришку та приберіть сміття.</li> </ul>
Ланцюгова пила зупиняється під час роботи.	<ul style="list-style-type: none"> <li>■ Ланцюгова пила перевантажена.</li> <li>■ Акумулятор або ланцюгова пила занадто гарячі.</li> <li>■ Пильний ланцюг застряг у деревині.</li> </ul>	<ul style="list-style-type: none"> <li>■ Зменште навантаження.</li> <li>■ Зменште навантаження. Дайте акумуляторній батареї або ланцюговій пилі охолонути, доки температура не опуститься нижче 67 °C.</li> <li>■ Відпустіть пусковий перемикач зі змінною швидкістю; зніміть пильний ланцюг і напрямну шину з дерева, а потім знову запустіть ланцюгову пилу.</li> </ul>
Мотор працює, але ланцюг не обертається.	<ul style="list-style-type: none"> <li>■ Ланцюг не зачіпляє приводну зірочку.</li> </ul>	<ul style="list-style-type: none"> <li>■ Зніміть і встановіть на місце ланцюг, переконавшись, що приводні ланки ланцюга повністю розташовані на зірочці.</li> </ul>
Гальмо ланцюга не спрацьовує.	<ul style="list-style-type: none"> <li>■ Сміття заважає повному руху ручки гальма віддачі ланцюга.</li> <li>■ Можлива несправність гальма ланцюга.</li> </ul>	<ul style="list-style-type: none"> <li>■ Приберіть сміття з механізму гальма зовнішнього ланцюга.</li> <li>■ Зверніться до клієнтської служби EGO для ремонту.</li> </ul>

НЕСПРАВНІСТЬ	ПРИЧИНА	ВИРІШЕННЯ
Ланцюгова пила не ріже належним чином.	<ul style="list-style-type: none"> <li>■ Недостатній натяг ланцюга.</li> <li>■ Тупий ланцюг.</li> <li>■ Ланцюг установлено на впаки.</li> <li>■ Зношений ланцюг.</li> <li>■ Сухий або надмірно натягнутий ланцюг.</li> <li>■ Ланцюг не в пазу шини.</li> </ul>	<ul style="list-style-type: none"> <li>■ Перевірте натяг ланцюга згідно з розділом: «РЕГУЛЮВАННЯ НАТЯГУ ЛАНЦЮГА».</li> <li>■ Заточіть ланцюг.</li> <li>■ Зніміть і встановіть на місце пильний ланцюг, як описано в розділі «УСТАНОВЛЕННЯ/ЗАМІНА ШИНИ ТА ЛАНЦЮГА».</li> <li>■ Замініть ланцюг, дотримуючись вказівок у розділі: «УСТАНОВЛЕННЯ/ЗАМІНА ШИНИ ТА ЛАНЦЮГА».</li> <li>■ Перевірте рівень мастила. У разі необхідності наповніть бачок для мастила.</li> <li>■ Перевстановіть пильний ланцюг, дотримуючись вказівок у розділі: «УСТАНОВЛЕННЯ/ЗАМІНА ШИНИ ТА ЛАНЦЮГА».</li> </ul>
Ланцюг послаблюється або падає з напрямної шини під час нормального використання.	<ul style="list-style-type: none"> <li>■ Ланцюг ослабне через підвищення його температури під час нормальної роботи пили.</li> <li>■ Ланцюг не зачіпляє приводну зірочку.</li> </ul>	<ul style="list-style-type: none"> <li>■ Натягніть ланцюг, як описано в розділі «РЕГУЛЮВАННЯ НАТЯГУ ЛАНЦЮГА».</li> <li>■ Перевстановіть пильний ланцюг, дотримуючись вказівок у розділі: «УСТАНОВЛЕННЯ/ЗАМІНА ШИНИ ТА ЛАНЦЮГА».</li> </ul>

## ГАРАНТІЯ

### ПРАВИЛА ГАРАНТІЇ EGO

Відвідайте веб-сайт [egopowerplus.eu](http://egopowerplus.eu) для отримання повного тексту умов гарантійної політики EGO.edin.

UK



## ПРОЧЕТЕТЕ ВСИЧКИ ИНСТРУКЦИИ!



### ПРОЧЕТЕТЕ РЪКОВОДСТВОТО НА ОПЕРАТОРА

**⚠ Остатъчен риск!** Хора с електронни устройства, като пейсмейкър трябва да се консултират с лекуващия(те) си лекар(и) преди употреба на този продукт. Работата с електрическо оборудване в непосредствена близост до сърдечен пейсмейкър може да предизвика смущение или неизправност на пейсмейкъра.

## СИМВОЛ ЗА БЕЗОПАСНОСТ

Целта на символите за безопасност е да привличат вниманието към възможни опасности. Символите за безопасност и обясненията към тях заслужават вашето повишено внимание и осъзнаване. Символите за безопасност сами по себе си не елиминират каквато и да е опасност. Инструкциите и предупрежденията, които предоставят не са заместители за подходящите мерки за предотвратяване на инцидент.

**⚠ ПРЕДУПРЕЖДЕНИЕ:** Уверете се, че сте прочели и осъзнали всички инструкции за безопасност в това Ръководство на оператора, включително всички известяващи символи за безопасност, като "ОПАСНОСТ", "ПРЕДУПРЕЖДЕНИЕ" и "ВНИМАНИЕ" преди да използвате този инструмент. Неспазването на всички инструкции изброени долу може да доведе до електрически удар, пожар и/или сериозно нараняване.

## ЗНАЧЕНИЕ НА СИМВОЛИТЕ

Тази страница изобразява и описва символите за безопасност, които може да се появят по този продукт. Прочетете, осъзнайте и следвайте всички инструкции по машината преди предприемане на сглобяване и работа.

## СИМВОЛИ ЗА БЕЗОПАСНОСТ



Сигнал за безопасност



Прочетете и разберете ръководството на оператора



Носете защита за очите



Носете защита за слуха



Носете защита за главата



Носете защитни ръкавици



Пазете се от откат на верижния трион и избягвайте контакт с върха на шината



Откат на върха на водещата шина



Винаги използвайте верижния трион с две ръце



Не излагайте на дъжд



Информация за водещата шина



Гарантирано ниво на мощност на звука.



WEEE



Този продукт е в съответствие с приложимото законодателство на Великобритания.

BG

**CE** Този продукт е в съответствие с приложимите директиви на ЕС.

V Волт  
Hz Херца  
min Минути  
... /min В минута

**— — —** Постоянен ток

A Ампера  
W Вата  
 $n_0$  Скорост без натоварване

## СПЕЦИФИКАЦИИ

Напрежение	56 V <b>— — —</b>	
Дължина на водещата шина	400 mm (CS1610E)	
	350 mm (CS1410E)	
Звено на веригата	3/8" (9,5mm)	
Измервателен уред за веригата	1,1 mm	
Скорост на веригата	20 m/s	
Вид верига за трион	CS1610E	AC1600/AC1601 (препоръчителна) AC1400/AC1401 (съвместима)
	CS1410E	AC1400/AC1401 (препоръчителна) AC1600/AC1601 (съвместима)
Вид на водещата шина	CS1610E	AG1600/AG1601 (препоръчителна) AG1400/AG1401 (съвместима)
	CS1410E	AG1400/AG1401 (препоръчителна) AG1600/AG1601 (съвместима)
Обем на резервоара за верижно масло	150 ml	
Работна температура	-15°C–40°C	
Температура на съхранение	-20°C–70°C	
Нето тегло (без акумулаторна батерия, капак на веригата)	3,9 kg (CS1610E) 3,8 kg (CS1410E)	
Измерено ниво на сила на звука $L_{WA}$	102,25 dB(A) K=1,4 dB(A)	

Ниво на звуково налягане при ухото на оператора $L_{PA}$	91,25 dB(A) K=2,5 dB(A)	
Гарантирано ниво на сила на звука $L_{WA}$ (съгласно 2000/14/EC)	103 dB(A)	
Вибрации $a_n$	Предна ръкохватка	3,377 m/s <sup>2</sup> K=1,5 m/s <sup>2</sup>
	Задна ръкохватка	2,823 m/s <sup>2</sup> K=1,5 m/s <sup>2</sup>

- Декларираният общ размер на вибрации е измерен в съответствие със стандартния метод за тест и може да бъде използван за сравнение между два инструмента;
- Декларираният общ размер на вибрации може също така да бъде използван за предварителна оценка на влиянието.

**БЕЛЕЖКА:** Вибрационните емисии по време на действителната употреба на електрическия инструмент може да се различава от декларираната стойност. С цел да се защити оператора, потребителят трябва да носи ръкавици и антифони в действителни условия на работа.

## ОПАКОВЪЧЕН ЛИСТ (ФИГ. А1)

### ОПИСАНИЕ

#### ЗАПОЗНАЙТЕ СЕ С ВАШИЯ ВЕРИЖЕН ТРИОН (Фиг. А1)

1. Спусък превключвател за променлива скорост
2. Задна ръкохватка
3. Бутон за отключване
4. Предна ръкохватка
5. Спирачна ръкохватка за откат на веригата
6. Верига за трион

**BG**

7. Водеща шина
8. Капачка на масления резервоар
9. Прозорец за проверка на маслото
10. Електрически контакти
11. Бутон за освобождаване на батерията
12. Копче за регулиране на обтягането на веригата
13. Страничен капак
14. Копче на страничния капак
15. Капак на веригата

## МОНТАЖ

### СГЛОБЯВАНЕ/ПОДМЯНА НА ШИНАТА И ВЕРИГАТА

**▲ ПРЕДУПРЕЖДЕНИЕ:** Регулирайте ръкохватката със спирачка при откат на веригата в спирачна позиция преди монтаж.

1. Поставете захранващата глава на верижния трион на едната страна, като страничния капак сочи нагоре (фиг. В).
2. Завъртете копчето на страничния капак обратно на часовника за да извадите страничния капак и след това разхлабете копчето за обтягане на веригата, колкото е възможно повече.
3. Поставете новата верига за трион в затворен кръг върху равна повърхност и изправете всички усуквания (фиг. С).
4. Поставете задвижващите звена на веригата в жлеба на водещата шина и направете ухо на веригата в задната част на водещата шина (фиг. D).
5. Дръжте веригата на позиция във водещата шина и поставете ухото в зъбното колело на захранващата глава.
6. Плъзнете слота на водещата шина над подравняващите фланци, докато щифтът за регулиране на обтягането е вкаран в долния отвор в края на шината (фиг. E1).

**БЕЛЕЖКА:** Малки стрелки за посока са гравирани във веригата на триона. Друга стрелка за посока е отляна в корпуса. Когато поставяте веригата за триона в зъбното колело, уверете се, че посоката на стрелката на веригата на триона ще съответства с посоката на стрелката на корпуса. Ако те сочат в противоположни посоки завъртете монтажа на веригата на триона и водещата шанга (фиг. E2).

7. Подменете страничния капак и затегнете леко, копчето на страничния капак.
8. Повдигнете нагоре върха на водещата шина за да проверите за провисване (фиг. F). Освободете върха на водещата шина и завъртете копчето

за регулиране на обтягането на веригата по часовника. Повторете този процес, докато провисването е отстранено.

9. Затегнете сигурно страничния винт на капака, за да се уверите, че веригата на триона е правилно обтегната преди употреба.

D-1	Задвижващи звена за веригата	E-2	Щифт за регулиране на обтягането
D-2	Жлеб на водещата шина	E-3	Слот на водещата шина
E-1	Подравняващ фланец	E-4	Верижно зъбно колело

**БЕЛЕЖКА:** За да удължите живота на водещата шина понякога обръщайте шината.

**БЕЛЕЖКА:** Ако веригата е твърде стегната, няма да се върти. Разхлабете копчето на страничния капак леко и завъртете копчето за регулиране на обтягането на веригата обратно на часовниковата стрелка. Повдигнете върха на водещата шина и затегнете отново сигурно копчето на страничния капак. Уверете се, че веригата ще се върти без блокиране.

### РЕГУЛИРАНЕ НА ОБТЯГАНЕТО НА ВЕРИГАТА

- Спрете мотора и отстранете акумулаторната батерия, преди регулиране на обтягането на веригата. Уверете се, че копчето на страничния капак е разхлабено. Завъртете копчето за регулиране на обтягането на веригата по часовника, за да обтегнете веригата. Вижте раздел: "СГЛОБЯВАНЕ/ПОДМЯНА НА ШИНАТА И ВЕРИГАТА" за допълнителна информация.
- Студена верига е правилно обтегната, когато няма провисване от долната страна на водещата шина и веригата е плътна, но може да бъде завъртяна с ръка без блокиране. Веригата трябва да бъде обтегната отново, когато плоскостите на зъбите не стоят в жлеба на шината.
- По време на нормална работа на триона, температурата на веригата ще се повиши. Зъбите на правилно обтегната топла верига ще висят приблизително 1,3 мм извън жлеба на шината (фиг. G).

**БЕЛЕЖКА:** Новите вериги имат свойството да се разтягат, проверявайте често обтягането и обтегнете ако е необходимо.

**БЕЛЕЖКА:** Верига, която е обтегната докато е топла, може да бъде твърде стегната при охлаждане. Проверете

студеното обтягане преди следваща употреба.

## ЕКСПЛОАТАЦИЯ

**▲ ПРЕДУПРЕЖДЕНИЕ:** Не позволявайте рутината с този продукт да ви направи непредпазливи. Запомнете, че невнимание за малка част от секундата е достатъчна за да нанесе сериозно нараняване.

**▲ ПРЕДУПРЕЖДЕНИЕ:** Не използвайте други приставки или аксесоари, които не са препоръчани от производителя на този продукт. Употребата на приставки или аксесоари, които не са препоръчани, може да доведе до сериозно нараняване.

**▲ ПРЕДУПРЕЖДЕНИЕ:** За да предотвратите случайно стартиране, което би могло да причини сериозно нараняване, винаги отстранявайте акумулаторния комплект от инструмента, когато монтирате части, извършвате настройки, почиствате или когато не се използва.

Преди всяка употреба проверявайте целия продукт за повредени, липсващи или разхлабени части, като винтове, гайки, болтове, капачки и др. Затегнете сигурно всички закопчалки и капачки и не работете с този продукт, докато всички повредени или липсващи части не бъдат подменени.

## ПРИЛОЖЕНИЯ

Може да използвате този продукт за базово сечене, кастрене, резитба и рязане на дървен материал от тропи и дървета.

## НАПЪЛНЕНЕ СМАЗКА ЗА ШИНАТА И ВЕРИГАТА

**▲ ПРЕДУПРЕЖДЕНИЕ:** Не пушете или не носете огън или пламък в близост до маслото или до верижния трион. Маслото може да се разлее и да причини пожар.

**БЕЛЕЖКА:** Верижният трион не е напълнен с масло по времето на покупката. Изключително важно е да напълните резервоара с масло преди употреба. Веригата се смазва автоматично с верижно масло по време на работа.

1. Поставете верижния трион на една страна като капачката на резервоара за маслото сочи нагоре.
2. Почистете капачката на масления резервоар и зоната около него за да се уверите, че не попада мръсотия в масления резервоар.
3. Поставете верижния трион странично върху твърда, равна повърхност, така че капачката на резервоара да е насочена нагоре. Повдигнете полукръглата пластина и завъртете капачката на масления резервоар обратно на часовника за да я

премахнете. (фиг. Н).

4. Внимателно налейте верижното масло в резервоара. Напълнете до линията MAX.
5. Избършете излишното масло и поставете капачката.

**БЕЛЕЖКА:** Проверявайте често нивото на маслото и доливайте, когато нивото на маслото падне под линията за минимум. Не работете никога с верижния трион, ако маслото не се вижда.

## МОНТИРАНЕ/ИЗВАЖДАНЕ НА АКУМУЛАТОРНАТА БАТЕРИЯ

**Заредете напълно преди първата употреба.**

Използвайте само с акумулаторни батерии и зарядни устройства изброени на фиг. А2.

## За да закрепите (фиг. I)

Подравнете ребрата на акумулаторната батерия с монтажните прорези, след което плъзнете акумулаторната батерия в инструмента, докато се фиксира на място с щракване.

## За да извадите (фиг. J).

Натиснете бутона за освобождаване на батерията и издърпайте акумулаторната батерия навън.

## СТАРТИРАНЕ/СПИРАНЕ НА ВЕРИЖНИЯ ТРИОН

**БЕЛЕЖКА:** Преди стартиране на верижния трион проверете нивото на маслото, зъбите на триона за острота и правилната работа на спирачната ръкохватка за откат. Освен това са необходими балансирана позиция на краката и правилно разстояние далеч от земята.

## За да стартирате

1. Издърпайте спирачната ръкохватка за откат на веригата в посока на предната ръкохватка към работната позиция (фиг. К).
2. Хванете здраво предните и задните ръкохватки използвайки и двете ръце.
3. Натиснете и задръжте бутона за отключване с палеца на дясната си ръка, след това натиснете спусъка за променлива скорост с пръстите на дясната си ръка, за да стартирате триона (фиг. L).
4. Освободете бутона за отключване и продължете да стискате спусъка за продължителна работа.

**▲ ПРЕДУПРЕЖДЕНИЕ:** Не се опитвайте да стартирате триона, когато веригата на триона е в разрез.

## За да спрете

1. Освободете спусъка за променлива скорост, за да спрете верижния трион.

2. Бутнете спирачната ръкохватка за откат на веригата напред към позицията за спиране, за да активирате спирачката на веригата (фиг. К).

**▲ ПРЕДУПРЕЖДЕНИЕ:** Винаги изваждайте акумулаторната батерия от верижния трион по време на работни прекъсвания и след завършване на работата.

#### Правилен захват на ръкохватките (фиг. М)

- Носете неплъзгащи се ръкавици за максимален захват и защита.
- При оставен трион на твърда, равна повърхност хванете триона здраво с двете ръце.
- Винаги хващайте предната ръкохватка с лявата ръка, а задната ръкохватка с дясната ръка.
- Пръстите трябва да обхванат ръкохватката, като палецът е обвит под предната ръкохватка

**▲ ПРЕДУПРЕЖДЕНИЕ:** Никога не използвайте захват за лява ръка (кръстосани ръце) или каквато и да е поза, която ще постави вашето тяло или ръка над линията на веригата (фиг. N).

#### Правилна поза за рязане (фиг. O)

- Двата крака трябва да са на твърда земя, като теллото е равномерно разпределено между тях.
- Лявата ръка трябва да бъде права, като лакътят е заключен. Това позволява да се устои на силите генерирани при откат.
- Вашето тяло винаги трябва да бъде от ляво на линията на веригата.

### ИНСТРУКЦИИ СВЪРЗАНИ С ПРАВИЛНИТЕ ТЕХНИКИ ЗА ОСНОВНО СЕЧЕНЕ, КАСТРЕНЕ И НАПРЕЧНО РЯЗАНЕ

**▲ ПРЕДУПРЕЖДЕНИЕ:** Завжди стий  
**ПРЕДУПРЕЖДЕНИЕ:** Винаги бъдете сигурни за позицията на краката и дръжте верижния трион здраво с двете ръце, докато моторът все още се движи.

**▲ ПРЕДУПРЕЖДЕНИЕ:** Когато верижният трион е спрял поради заклещване, по време на рязане, освободете спусъка, извадете веригата на триона и водещата шина от дървото и след това стартирайте отново верижния трион.

**▲ ПРЕДУПРЕЖДЕНИЕ:** Не дърпайте веригата на триона с ръка, когато е залепнала от дървени стърготини. Може да доведе до сериозно нараняване ако верижният трион стартира инцидентно. Натиснете веригата на триона срещу дървото, преместете верижния трион напред и назад за да освободите отломките. Винаги изваждайте акумулаторната батерия

преди почистване. Носете ръкавици за тежка употреба, когато боравите с веригата на триона.

**▲ ПРЕДУПРЕЖДЕНИЕ:** Никога не стартирайте верижния трион, когато е в контакт с дървото. Винаги позволявайте верижният трион да достигне пълна скорост, преди да поставите триона върху дървото.

#### СЕЧЕНЕ НА ДЪРВО

- Когато се извършват дейности по бичене и сечене от двама или повече хора по едно и също време, операторът, които сече трябва да бъде отдалечен от операторът, който разбичва, на разстояние поне два пъти височината на дървото, което се сече. Дърветата не трябва да бъдат сечени, по начин, който застрашава някой човек, може да удари линия за комунални услуги или да причини щети по собствеността. Ако дървото направи контакт с някоя линия за комунални услуги, компанията трябва да бъде информирана незабавно.
- Операторът на триона трябва да стои от горната страна на терена, тъй като дървото е вероятно да се изтърколи или плъзне надолу по склона, след като е отсечено.
- Път за изход трябва да бъде планиран и почистен при необходимост, преди стартиране на рязането. Пътят за изход трябва да продължи назад и диагонално към задната страна на очакваната линия на падане, както е показано на фиг. P.

P-1	Посока на сеч
P-2	Път за безопасно оттегляне

- Преди започване на сечта обърнете внимание на естествения наклон на дървото, позицията на по-големите клони и посоката на вятъра, за да прецените на коя посока ще падне дървото.
- Отстранете мръсотията, камъните, разлепената кора, пироните, скобите и жиците от дървото.

#### Издълбаване на подрязване

Направете прорез на 1/3 от диаметъра на дървото, перпендикулярен на посоката на падане, както е показано на фиг. Q. Първи направете долен хоризонтален издълбавач разрез. Това ще помогне да се избегне заципване на веригата на триона или на водещата шина, когато се направи вторият прорез.

Q-1	Посока на падане
Q-2	Жлеб
Q-3	Заден сечач разрез
Q-4	Шарнир

## Заден сечащ разрез

- Направете задния сечащ разрез поне на 50 mm по-високо от хоризонталния издълбаващ разрез, както е показано на фиг. Q. Дръжте сечащия заден разрез успореден на хоризонталния издълбаващ разрез. Направете задния сечащ разрез, така че да остане достатъчно дърво, което да действа като шарнир. Шарнирната дървесина предпазва дървото от усукване и падане в грешна посока. Не режете през шарнира.
- Когато сеченето доближи до шарнира, дървото трябва да започне да пада. Ако има шанс дървото да не падне в желаната посока или ако може да се залюлее назад и да защити веригата на триона, спрете рязането преди завършването на отсичащия заден разрез и използвайте клинове от дърво, пластмаса или алуминий, за да отворите разреза и да свалите дървото по желаната траектория на падане.
- Когато дървото започне да пада, извадете верижния трион от разреза, спрете мотора, оставете верижния трион на земята и използвайте планирания път за оттегляне. Внимавайте за падащи клони отгоре и гледайте къде ходите.

## Кастрене на дърво

Кастренето е премахване на клоните от паднало дърво. Когато кастрите оставете по-големите долни клони за да поддържат трупата над земята. Премахнете малките клони с един разрез, както е показано на фиг. R. Клоните под напрежение трябва да бъдат рязани от долу нагоре, за да се избегне заципване на верижния трион.

## Разбичване на трупа

- Разбичването е рязане на трупа по дължина. Важно е да се уверите, че стойката на краката е здрава и вашето тегло е равномерно разпределено между двата крака. Когато е възможно трупата трябва да бъде повдигната и поддържана, като се използват клоните, други трупи или клинове. Следвайте обикновени посоки за лесно рязане.
- Когато трупата е поддържана по цялата си дължина, както показва фиг. S1, тя се реже от горе (разбичване от върха).
- Когато трупата е поддържана от единия край, както показва фиг. S2, изрежете 1/3 от диаметъра от долната страна (разбичване от долу). След това направете окончателния разрез от горната страна, който да срещне първия разрез.
- Когато трупата е поддържана от двата края, както показва фиг. S3, изрежете 1/3 от диаметъра от горната страна (разбичване от горе). След това

направете окончателния разрез от долните 2/3 с разбичване от долу, който да срещне първия разрез.

- Когато разбичвате под наклон, винаги стойте от високата страна на трупата, както е показано на фиг. T.
- Когато "изрязвате", за да запазите пълен контрол, освободете натиска на рязане в близост до края на разреза, без да отпускате вашия захват на ръкохватките верижния трион. Не позволявайте на веригата да влезе в контакт със земята. След завършване на разреза изчакайте веригата на триона да спре, преди да преместите верижния трион. Винаги спирайте мотора, преди да се преместите от дърво на дърво.

## ПОДДРЪЖКА

**▲ ПРЕДУПРЕЖДЕНИЕ:** Когато обслужвате, използвайте само идентични резервни части. Употребата на каквито и да е други части може да създаде опасност или да предизвика повреда на продукта.

**▲ ПРЕДУПРЕЖДЕНИЕ:** За да избегнете сериозно нараняване, извадете акумулаторната батерия от инструмента, преди проверка, почистване или извършване поддръжка. Инструментът захранван с батерия е винаги включен, когато батерията е поставена и може да стартира инцидентно.

**▲ ПРЕДУПРЕЖДЕНИЕ:** Когато почиствате верижния трион НЕ потапяйте във вода или други течности.

**▲ ПРЕДУПРЕЖДЕНИЕ:** Никога не позволявайте спирачна течност, бензин, петролни продукти, проникващи масла и т.н. да влизат в контакт с пластмасовите части. Химикалите могат да повредят, отслабят или разрушат пластмасата, което може да доведе сериозно нараняване.

## ПОЧИСТВАНЕ

- След всяка употреба почистете натрупванията от веригата и водещата шина с мека четка. Избършете повърхността на верижния трион с мека кърпа навлажнена с мек сапунен разтвор.
- Извадете капака на зъбното колело за веригата и след това използвайте мека четка за да отстраните натрупванията от водещата шина, веригата на триона, зъбното колело и страничния капак.
- Винаги почиствайте дървените стърготини, праха от рязане и мръсотията от жлеба на водещата шина, когато подмените веригата на триона.

## ПОДДРЪЖКА НА ВОДЕЩАТА ШИНА

Когато водещата шина покаже признаци на износване, демонтирайте я от захранващата глава на верижния трион и я обърнете за повторен монтаж (фиг. U1). По този начин износването ще бъде разпределено до удължаване до максимум на живота на водещата шина.

Шината трябва да бъде почиствана при всеки ден в употреба и да бъде проверявана за износване и повреди. Изтъняване или изстъргване на релсите на шината е нормален процес на износване на шината. Такива дефекти, трябва да бъдат загладени с пила веднага след като се случат. Шина с някой от следните дефекти трябва да бъде подменена.

- Износване от вътрешната страна на релсите на шината, което позволява на веригата да лежи на страни.
- Изкривена водеща шина.
- Напукани или счупени релси.
- Раздалечени релси.

В допълнение, водещата шина има зъбно колело на върха си (фиг. U2). Зъбното колело трябва да бъде ежедневно смазвано с гресьорка за да се удължи живота на водещата шина. Използвайте гресьорка за смазване всяка седмица с верижно масло в отворите за смазване (фиг. U3). Завъртете водещата шина и проверете дали отворите за смазване и жлебът на веригата са чисти от мръсотия.

U2-1	Смазване на зъбното колело във водещата шина
U2-2	Отвор за смазване

## ТРАНСПОРТИРАНЕ И СЪХРАНЕНИЕ

- Не оставяйте или транспортирайте верижния трион, когато работи. Винаги изваждайте акумулаторната батерия преди съхранение или транспортиране.
- Винаги поставяйте капака на водещата шина преди да съхранявате или транспортирате верижния трион. Бъдете внимателни за да избегнете остри зъби на веригата.
- Почистете изцяло верижния трион преди съхраняване. Съхранете верижния трион на закрито, на сухо място, което е заключено и/или недостъпно за деца.
- Пазете я от корозивни препарати като градински химикали и сол за обезледяване.

## Опазване на околната среда



WEEE (Отпадъчно електрическо и електронно оборудване) Не изхвърляйте електрическо оборудване, използвана батерия или зарядно устройство в домакинския отпадък! Отнесете продукта до упълномощена фирма за рециклиране и го предоставете за разделно събиране. Електрическите инструменти трябва да бъдат връщани в съоръжения за рециклиране съвместими с околната среда.

## ОТСТРАНЯВАНЕ НА ПРОБЛЕМИ

**⚠ ПРЕДУПРЕЖДЕНИЕ:** Винаги защитавайте ръцете си, като носите ръкавици за тежка употреба, когато извършвате поддръжка на верижния трион. Винаги изваждайте батерията, когато обслужвате или транспортирате верижния трион..

ПРОБЛЕМ	ПРИЧИНА	РЕШЕНИЕ
<p>Моторът не стартира.</p>	<ul style="list-style-type: none"> <li>■ Аккумуляторната батерия не е прикрепена към верижния трион.</li> <li>■ Няма електрически контакт между триона и батерията.</li> <li>■ Аккумуляторната батерия е изтощена.</li> <li>■ Аккумуляторната батерия или верижният трион са твърде горещи.</li> <li>■ Спирачката за веригата е активирана.</li> <li>■ Отломки в жлеба на шината.</li> <li>■ Отломки в страничния капак.</li> </ul>	<ul style="list-style-type: none"> <li>■ Закрепете аккумуляторната батерия към верижния трион.</li> <li>■ Извадете батерията, проверете контактите и поставете наново аккумуляторната батерия.</li> <li>■ Заредете аккумуляторната батерия.</li> <li>■ Позволете на аккумуляторната батерия или верижния трион да се охлади, докато температурата спадне под 67°C.</li> <li>■ Издърпайте спирачната ръкохватка за откат на веригата в посока на предната ръкохватка до работната позиция.</li> <li>■ Натиснете веригата на триона срещу дървото, преместете верижния трион напред и назад за да освободите отломките.</li> <li>■ Извадете батерията, след това извадете страничния капак и почистете отломките.</li> </ul>
<p>Верижният трион спира по време на работа.</p>	<ul style="list-style-type: none"> <li>■ Верижният трион е претоварен.</li> <li>■ Аккумуляторната батерия или верижният трион са твърде горещи.</li> <li>■ Веригата на триона е заседнала в дървото.</li> </ul>	<ul style="list-style-type: none"> <li>■ Намалете натоварването.</li> <li>■ Намалете натоварването. Позволете на аккумуляторната батерия или верижния трион да се охлади, докато температурата спадне под 67°C.</li> <li>■ Освободете спусъка за променлива скорост, извадете веригата на триона и водещата шина от дървото и рестартирайте верижния трион.</li> </ul>
<p>Моторът работи, но веригата не се върти.</p>	<ul style="list-style-type: none"> <li>■ Веригата не е зацепена във задвижващото зъбно колело.</li> </ul>	<ul style="list-style-type: none"> <li>■ Монтирайте повторно веригата, като се уверите, че задвижващите звена на веригата са напълно поставени върху верижното зъбно колело.</li> </ul>
<p>Спирачката за веригата не се активира.</p>	<ul style="list-style-type: none"> <li>■ Отпадъците пречат на пълното движение на спирачната ръкохватка за откат на веригата.</li> <li>■ Възможна неизправност на спирачката на веригата.</li> </ul>	<ul style="list-style-type: none"> <li>■ Почистете отпадъците от външния механизъм на спирачката на веригата.</li> <li>■ Свържете се с обслужване на клиенти на EGO за ремонт.</li> </ul>



ПРОБЛЕМ	ПРИЧИНА	РЕШЕНИЕ
Верижният трион не реже правилно.	<ul style="list-style-type: none"> <li>■ Недостатъчно обтягане на веригата.</li> <li>■ Изгълена верига.</li> <li>■ Веригата е монтирана назад.</li> <li>■ Износена верига.</li> <li>■ Суха или прекалено разтеглена верига.</li> <li>■ Веригата не е в жлеба на шината.</li> </ul>	<ul style="list-style-type: none"> <li>■ Настройте обтягането на веригата, като следвате раздел: „РЕГУЛИРАНЕ НА ОБТЯГАНЕТО НА ВЕРИГАТА“.</li> <li>■ Заточете веригата.</li> <li>■ Инсталирайте отново верижния трион като следвате раздела „МОНТАЖ/ЗАМЯНА НА ШИНАТА И ВЕРИГАТА“.</li> <li>■ Подменете веригата на триона, като следвате раздел: „СГЛОБЯВАНЕ/ПОДМЯНА НА ШИНАТА И ВЕРИГАТА“</li> <li>■ Проверете нивото на маслото. Напълнете контейнера за масло ако е необходимо.</li> <li>■ Монтирайте отново веригата на триона, като следвате раздел: „СГЛОБЯВАНЕ/ПОДМЯНА НА ШИНАТА И ВЕРИГАТА“</li> </ul>
Веригата се разхлабва или пада от водещата шина по време на нормална употреба.	<ul style="list-style-type: none"> <li>■ Веригата се разхлабва, тъй като по време на нормална работа на триона, температурата на веригата се повишава.</li> <li>■ Веригата не е зацепена във задвижващото зъбно колело.</li> </ul>	<ul style="list-style-type: none"> <li>■ Увеличете обтягането на веригата, следвайки раздел "РЕГУЛИРАНЕ НА ОБТЯГАНЕТО НА ВЕРИГАТА".</li> <li>■ Монтирайте отново веригата на триона, като следвате раздел: „СГЛОБЯВАНЕ/ПОДМЯНА НА ШИНАТА И ВЕРИГАТА“</li> </ul>

## ГАРАНЦИЯ

### ГАРАНЦИОННА ПОЛИТИКА EGO

Моля, посетете уебсайта [egopowerplus.eu](http://egopowerplus.eu) за пълните срокове и условия по гаранционната политика на EGO.

## PROČITAJTE UPUTE U CIJELOSTI!



PROČITAJTE PRIRUČNIK ZA RUKOVATELJE

**⚠️ Preostale opasnosti!** Osobe s elektroničkim uređajima poput srčanih elektrostimulatora prije uporabe ovog proizvoda trebaju se posavjetovati sa svojim liječnikom. Rad električne opreme u neposrednoj blizini srčanih elektrostimulatora može prouzročiti smetnju ili kvar srčanog elektrostimulatora.

## SIMBOL O SIGURNOSTI

Svrha simbola o sigurnosti je skretanje pozornosti na moguće opasnosti. Simboli o sigurnosti i njihova objašnjenja zahtijevaju vašu potpunu pozornost i razumijevanje. Simboli upozorenja ne isključuju opasnost sami po sebi. Upute i upozorenja koja pružaju nisu zamjena za propisne mjere zaštite od nezgode.

**⚠️ UPOZORENJE:** Prije korištenja ovog alata, s razumijevanjem pročitajte sve sigurnosne upute u ovom priručniku za rukovatelja, uključujući sve sigurnosne simbole kao što su „OPASNOST“, „UPOZORENJE“ i „OPREZ“. Zanemarivanje uputa navedenih u nastavku može rezultirati električnim udarom, požarom i/ili teškim tjelesnim ozljedama.

## ZNAČENJE SIMBOLA

Na ovoj stranici slikovno su prikazani i objašnjeni simboli sigurnosti koji se mogu pojaviti na ovom proizvodu. Prije sastavljanja i rukovanja, s razumijevanjem pročitajte sve upute na stroju i pridržavajte ih se.

## SIGURNOSNI SIMBOLI



Upozorenje u vezi sigurnosti



S razumijevanjem pročitajte priručnik za rukovatelje



Nosite zaštitu za oči.



Nosite zaštitu za sluh.



Nosite zaštitu za glavu.



Nosite zaštitne rukavice



Vodite računa o povratnom udarcu lančane pile i izbjegavajte kontakt s vrhom vodilice



Povratni udarac na vrhu vodilice



Lančanu pilu upotrebljavajte s dvije ruke



Ne izlažite kiši



Podaci o vodilici



Zajamčena razina snage zvuka.



OEE0



Ovaj proizvod sukladan je važećim zakonima u UK.



Ovaj proizvod je u skladu s važećim direktivama EU.



Istosmjerna struja

HR

220

BATERIJSKA LANČANA PILA — CS1610E/CS1410E

V	Volti
Hz	Herca
min	Minuta
.../min	U minuti

A	Amperi
W	W
$n_0$	Brzina bez opterećenja

## TEHNIČKI PODACI

Napon		56 V
Duljina vodilice		400 mm (CS1610E) 350 mm (CS1410E)
Korak lanca		3/8" (9,5mm)
Debljina karike lanca		1,1 mm
Brzina lanca		20 m/s
Tip lanca pile	CS1610E	AC1600/AC1601 (preporučeno) AC1400/AC1401(kompatibilno)
	CS1410E	AC1400/AC1401 (preporučeno) AC1600/AC1601(kompatibilno)
Tip vodilice	CS1610E	AG1600/AG1601 (preporučeno) AG1400/AG1401 (kompatibilno)
	CS1410E	AG1400/AG1401 (preporučeno) AG1600/AG1601 (kompatibilno)
Zapremina spremnika ulja za lanac		150 ml
Radna temperatura		-15°C–40°C
Temperatura skladištenja		-20°C–70°C
Neto težina (bez baterijskog modula, navlaka za lanac)		3,9 kg (CS1610E) 3,8 kg (CS1410E)
Izmjerena razina zvučne snage $L_{WA}$		102,25 dB(A) K=1,4 dB(A)
Razina zvučnog tlaka kod uha rukovatelja $L_{PA}$		91,25 dB(A) K=2,5 dB(A)
Zajamčena razina zvučne snage $L_{WA}$ (izmjereno u skladu s 2000/14/EZ)		103 dB(A)
Vibracija $a_n$	Prednja drška	3,377 m/s <sup>2</sup> K=1,5 m/s <sup>2</sup>
	Stražnja drška	2,823 m/s <sup>2</sup> K=1,5 m/s <sup>2</sup>

- Deklarirane ukupne vrijednosti vibracija izmjerene su u skladu sa standardnom metodom ispitivanja i mogu se koristiti za usporedbu jednog alata s drugim.
- Deklarirane ukupne vrijednosti vibracija mogu se koristiti i u preliminarnoj procjeni izloženosti.

**OPREZ:** Emisija vibracija tijekom aktualnog korištenja električnog alata može se razlikovati od deklarirane vrijednosti u kojoj se alat koristio; Radi zaštite rukovatelja korisnik treba nositi rukavice i štitnike za uši u aktualnim uvjetima korištenja.

## DOSTAVNICA (SL. A1)

### OPIS

#### UPOZNAJTE SE S LANČANOM PILOM (sl. A1)

1. Sklopka okidača s regulacijom brzine
2. Stražnja drška
3. Gumb za deblokadu
4. Prednja drška
5. Ručica kočnice lanca za povratni udar
6. Lanac pile
7. Vodilica
8. Čep spremnika ulja
9. Kontrolno okno za ulje
10. Električni kontakti
11. Gumb za oslobađanje baterije
12. Gumb za podešavanje zategnutosti lanca
13. Bočni poklopac
14. Bravica bočnog poklopca
15. Zaštitna navlaka za lanac

## SASTAVLJANJE

### POSTAVLJANJE/ZAMJENA VODILICE I LANCA

**UPOZORENJE:** Prije montaže podesite ručku kočnice povratnog udarca lanca u kočionom položaju.

1. Pogonsku glavu lančane pile stavite na njezinu bočnu

stranu tako da je bočni poklopac okrenut prema gore (sl. B).

2. Okrećite bravicu bočnog poklopa ulijevo kako biste uklonili poklopac i zatim do kraja otpustite regulator za zatezanje lanca.
3. Novi lanac pile položite kružno na ravnu površinu i ispravite eventualne pregibe (sl. C).
4. Stavite pogonske karike lanca u žlijeb vodilice i napravite omču na stražnjem dijelu vodilice (sl. D).
5. Držite lanac u položaju na vodilici i stavite petlju oko lančanika pogonske glave.
6. Navlačite utor vodilice preko prirubnica za poravnavanje sve dok zatik za podešavanje zategnutosti ne uskoči u donju rupu na stražnjem dijelu vodilice (sl. E1).

**OBAVIJEST:** U lancu pile ugravirane su male strelice za smjer. Druga strelica za smjer izlivena je na kućištu. Kada lanac pile stavljate na lančanik, vodite računa da smjer strelice na lancu pile bude u skladu sa smjerom strelice na kućištu. Ako su strelice usmjerene u suprotnom smjeru, okrenite lanac pile i sklop vodilice (sl E2).

7. Vratite bočni poklopac i lagano stegnite bravicu bočnog poklopa.
8. Dignite vrh vodilice radi provjere provjesa (Sl. F). Otpustite vrh vodilice i okrećite gumb za podešavanje zategnutosti lanca udesno. Ovaj postupak ponavljajte dok ne uklonite provjes.
9. Čvrsto stegnite bravicu bočnog poklopa kako biste prije upotrebe bili sigurni da je lanac pile propisno zategnut.

D-1	Pogonske karike lanca	E-2	Zatik za podešavanje zategnutosti
D-2	Žlijeb vodilice	E-3	Utor vodilice
E-1	Prirubnica za poravnanje	E-4	Lančanik

**OBAVIJEST:** vodilicu povremeno okrenite radi produženja njegovog životnog vijeka.

**OBAVIJEST:** ako je lanac previše zategnut, neće se okretati. Lagano otpustite bočni poklopac i okrenite jednom gumb za podešavanje zategnutosti lanca ulijevo. Podignite vrh vodilice i čvrsto zategnite bravicu bočnog poklopa. Uvjerite se da se lanac okreće bez zaustavljanja.

## PODEŠAVANJE ZATEGNUTOSTI LANCA

- Prije podešavanja zategnutosti lanca, zaustavite rad motora i izvadite baterijski modul. Pazite da bravica bočnog poklopa bude otpuštena. Za zatezanje lanca,

gumb za podešavanje zategnutosti lanca okrećite udesno. Pogledajte odjeljak: "MONTAŽA/ZAMJENA VODILICE I LANCA" radi dodatnih informacija.

- Hladan lanac ispravno je zategnut kada nema progiba na donjoj strani vodilice i kada lanac naliježe uz mogućnost ručnog okretanja bez zastoja. Lanac je potrebno ponovno zategnuti kada zaravnjene površine na pogonskim karikama ne uliježu u žlijeb vodilice.
- Temperatura lanca će se povećati za vrijeme normalnog rada pile. Pogonske karike ispravno zategnutog toplog lanca visjet će oko 1,3 mm iz žlijeba vodilice (sl. G).

**OBAVIJEST:** novi lanci imaju tendenciju rastezanja. Često provjeravajte zategnutost lanca i prema potrebi ga zategnite.

**OBAVIJEST:** lanac zategnut u toplom stanju može biti previše zategnut nakon hlađenja. Prije sljedeće uporabe povjerite zategnutost hladnog lanca.

## RAD

**⚠ UPOZORENJE:** Nemojte biti nepažljivi zato što ste upoznati s načinom rada proizvoda. Zapamtite da je samo jedan djelić sekunde nepažnje dovoljan za nastanak tjelesne ozljede.

**⚠ UPOZORENJE:** Nemojte upotrebljavati priključke ili pribor koje nije preporučio proizvođač ovog proizvoda. Uporaba priključaka ili pribora koji nije preporučen može dovesti do ozbiljnih tjelesnih ozljeda.

**⚠ UPOZORENJE:** Kako biste spriječili slučajno pokretanje koje bi moglo prouzročiti teške tjelesne ozljede, prije montiranja dijelova, podešavanja, čišćenja ili nekorištenja, uklonite baterijski modul iz alata.

Prije svake upotrebe, pregledajte da na stroju nema oštećenih, nedostajućih ili olabavljenih dijelova kao što su vijci, matice i poklopci. Čvrsto pritegnite sve elemente za pričvršćenje i kapice i ne upotrebljavajte proizvod dok se svi dijelovi koji nedostaju ili oštećeni dijelovi, ne zamijene.

## PRIMJENE

Ovaj proizvod možete upotrebljavati za osnovno obaranje stabala, orezivanje grana, obrezivanje i sječu rezane građe i drveća.

## PUNJENJE VODILICE I LANCA MAZIVOM

**⚠ UPOZORENJE:** Nemojte pušiti ili koristiti vatru ili plamen u blizini ulja ili lančane pile. Ulje može iscurjeti i izazvati požar.

**OBAVIJEST:** Lančana pila nije napunjena uljem u vrijeme kupnje. Spremnik je prije uporabe potrebno napuniti uljem. Tijekom rada, lanac se automatski podmazuje uljem za lanac.

1. Postavite lančanu pilu na bočnu stranu sa čepom spremnika ulja okrenutim prema sebi.
2. Očistite čep spremnika ulja i okolno područje kako u spremnik ulja ne bi dospjela nečistoća.
3. Položite lančanu pilu na bočnu stranu, na čvrstu i ravnu površinu tako da čep spremnika bude okrenut gore. Podignite polukružnu ploču i okrenite čep spremnika ulja lijevo kako biste ga uklonili (sl. H).
4. Pažljivo izlijte ulje za vodilicu i lanac u spremnik. Napunite do linije MAX.
5. Obrišite višak ulja i vratite čep.

**OBAVIJEST:** Često provjeravajte spremnik s uljem i napunite ga kada razina ulja padne ispod oznake za minimum. Nemojte upotrebljavati lančanu pilu ako se razina ulja ne vidi.

## POSTAVLJANJE I UKLANJANJE BATERIJSKOG MODULA

### Napunite do kraja prije prve upotrebe.

Upotrebljavajte samo s baterijskim modulima i punjačima koji su navedeni na sl. A2.

### Pričvršćivanje (Sl. I)

Utoke za ugradnju baterije centrirajte s rebrima za ugradnju i gurajte baterijski modul sve dok ne uskoči na svoje mjesto.

### Odvajanje (Sl. J)

Utišnite gumb za oslobađanje baterije i izvucite baterijski modul.

## POKRETANJE/ZAUSTAVLJANJE LANČANE PILE

**OBAVIJEST:** Prije pokretanja lančane pile provjerite razinu ulja, naoštrenost zuba pile i ispravnost rada drške kočnice povratnog udarca. Pored toga, održavajte stabilan položaj tijela i propisanu udaljenost od tla.

### Pokretanje

1. Povucite dršku kočnice povratnog udarca prema prednjoj dršci u radni položaj (Sl. K).
2. Objema rukama čvrsto primate prednji i stražnji rukohvat.
3. Palcem desne ruke pritisnite gumb za deblokadu i držite ga pritisnutim, a zatim prstima desne ruke stisnite sklopku s regulatorom brzine za pokretanje pile (Sl. L).
4. Otpustite gumb za deblokadu i nastavite stiskati okidač za kontinuirani rad.

**⚠ UPOZORENJE:** Nemojte pokretati pilu kada se lanac pile nalazi u rezu.

### Zaustavljanje

1. Otpustite sklopku s okidačem s regulacijom brzine ako

želite zaustaviti rad lančane pile.

2. Gurnite dršku kočnice povratnog udarca lanca prema naprijed u zakočeni položaj kako bi se aktivirala kočnica lanca (Sl. K).

**⚠ UPOZORENJE:** Za vrijeme prekida rada i nakon završetka rada izvadite baterijski modul iz lančane pile.

### Propisno držanje na drškama (Sl. M)

- Za maksimalni zahvat i zaštitu nosite neklizajuće rukavice.
- Pilu na čvrstoj, ravnoj površini držite čvrsto objema rukama.
- Prednji rukohvat prihvatite lijevom, a stražnji rukohvat desnom rukom.
- Prsti moraju okružiti dršku i palac mora biti podvignut ispod prednje drške.

**⚠ UPOZORENJE:** Ne koristite lijevoručni rukohvat (s križanjem ruku) ili bilo koji položaj u kojemu će tijelo ili ruka prijeći preko pravca lanca (Sl. N).

### Propisni položaj za rezanje (Sl. O)

- Oba stopala trebaju biti na čvrstom tlu uz tjelesnu masu ravnomjerno raspoređenu između njih.
- Lijeva ruka treba biti ispružena uz fiksirani lakat. Taj položaj će pomoći da se oduprete silama koje stvara povratni udar.
- Vaše tijelo uvijek mora biti s lijeve strane linije lanca.

## UPUTE KOJE SE ODOSE NA PRAVLNE TEHNIKE RUŠENJA, REZANJA GRANA I POPREČNOG REZANJA

**⚠ UPOZORENJE:** Dok je motor u radu, zauzmite stabilan položaj tijela i lančanu pilu držite čvrsto s obje ruke.

**⚠ UPOZORENJE:** Kada se lanac pile zaustavi zbog zaglavlivanja tijekom postupka rezanja, otpustite okidnu sklopku, izvadite lanac pile i vodilicu iz drveta, a zatim ponovno pokrenite lančanu pilu.

**⚠ UPOZORENJE:** Ne povlačite lančanu pilu rukom kada je zaglavljena zbog piljevine. Ako se lančana pila pokrene iznenadno, moguće su ozbiljne ozljede. Pritisnite lanac pile o drvo, pomikajte lančanu pilu natrag i naprijed kako biste uklonili naslage. Izvadite baterijski modul prije čišćenja. Nosite debele zaštitne rukavice kada rukujete s lančanom pilom.

**⚠ UPOZORENJE:** Nemojte nikad pokretati lančanu pilu kada je u kontaktu s drvom. Prije rezanja drva uvijek pričekajte da lančana pila dostigne punu brzinu.

### OBARANJE STABLA

KEES VAN  
TUINMACHINE B.V.

- Kod radova rezanja po duljini i obaranja stabla koje istovremeno obavljaju dvije osobe ili više osoba, radove obaranja stabla potrebno je razdvojiti od radova rezanja po duljini razdaljinom od najmanje dvije visine stabla koje se obara. Stabla se ne smiju obarati na način kojim će se ugroziti osobe, udariti u nadzemne vodove ili prouzročiti materijalnu štetu. Ako stabla dođu u kontakt s nadzemnim vodovima, odmah je potrebno obavijestiti odnosno poduzeće.
- Rukovatelj lančanom pilom treba stajati na uzvišenoj strani terena jer će se drvo nakon obaranja vjerojatno otkotrljati ili skliznuti nizbrdo.
- Prije početka postupka rezanja potrebno je isplanirati i prema potrebi očistiti putanju izvlačenja. Putanja izvlačenja treba se protezati natrag i dijagonalno prema stražnjem dijelu očekivanog pravca pada kako je prikazano na sl. P.

P-1	Smjer obaranja stabla
P-2	Put za sigurno izvlačenje

- Prije početka postupka obaranja stabla, za procjenu putanje pada stabla uzmite u obzir prirodnu nagutost stabla, lokaciju većih grana i smjer vjetra.
- Sa stabla uklonite prjavštinu, kamenje, odvojenu koru, čavle, spajalice i žicu.

### Podrezivanje usjeka

Urežite 1/3 promjera stabla, pod pravim kutom na smjer pada kao što je prikazano na Sl. Q. Najprije obavite niže vodoravno zarezivanje. Tako ćete lakše izbjeći priklještenje lančane pile ili vodilice pri izvođenju drugog usjeka.

Q-1	Smjer pada
Q-2	Žlijeb
Q-3	Rez obaranja
Q-4	Zglob

### Rez obaranja

- Rez obaranja napravite najmanje 50 mm iznad vodoravnog zarezivanja kako je prikazano na sl. Q. Rez obaranja održavajte paralelnim u odnosu na vodoravno zarezivanje. Rez obaranja napravite tako da ostane dovoljno drveta da djeluje kao zglob. Zglob onemogućuje zakretanje stabla i pad stabla u pogrešnom smjeru. Nemojte prerezati zglob.
- Kako se rezovi za obaranje približavaju zglobu, stablo treba početi da pada. Ako postoji mogućnost da drvo ne padne u željenom smjeru ili da se zanižiše unatrag i blokira lanac pile, obustavite radove rezanja prije završetka reza obaranja i upotrijebite klinove od drveta,

plastike ili aluminijska da otvorite rez i ispustite stablo duž željene linije pada.

- Kada stablo počne da pada, uklonite lančanu pilu iz reza, zaustavite motor, odložite lančanu pilu, a zatim upotrijebite planiranu putanju za povlačenje. Pazite na grane iznad glave koje padaju i vodite računa o uporištu.

### Odrezivanje grana stabla

Odrezivanje grana je uklanjanje grana s oborenog stabla. Prilikom odrezivanja grana ostavite veće niže grane kao pomoć za odizanje s tla. Uklanjajte manje grane jednim rezom kako je prikazano na sl. R. Napete grane potrebno je rezati odozdo prema gore kako bi se izbjegla blokada lančane pile.

### Rezanje po duljini

- Rezanje po duljini je uzdužno rezanje debla. Važno je da osigurate čvrsto uporište i da tjelesna masa bude ravnomjerno raspoređena na oba stopala. Ako je moguće, deblo treba podići i poduprijeti pomoću grana, debla ili klinova. Pridržavajte se jednostavnih smjernica za lako rezanje.
- Kada je deblo oslonjeno cijelom duljinom kao na sl. S1, ono se razrezuje s gornje strane (piljenje odozgora).
- Kada je deblo oslonjeno na jednom kraju kao na sl. S2, zarezite 1/3 promjera s donje strane (piljenje s donje strane). Zatim obavite završni rez odozdo kako biste sastavili s prvim rezom.
- Kada je deblo oslonjeno na oba kraja kao na sl. S3, zarezite 1/3 promjera s gornje strane (piljenje s gornje strane). Zatim obavite završni rez odozdo na donjoj 2/3 kako biste sastavili s prvim rezom.
- Kada obavljate rezanje po duljini na nagibu, uvijek stojite na uzvišenoj strani od debla kako je prikazano na sl. T.
- Kada "odrezujete", za održavanje kompletne kontrole rasteretite pritisak rezanja u blizini kraja reza bez popuštanja zahvata na rukohvatima lančane pile. Nemojte dopustiti da lanac dođe u kontakt s tlom. Nakon obavljenog reza, pričekajte da se lanac pile zaustavi prije premještanja lančane pile. Uvijek zaustavite motor prije premještanja s drveta na drvo.

### ODRŽAVANJE

**⚠ UPOZORENJE:** Pri servisiranju koristite samo identične zamjenske dijelove. Upotreba drugih dijelova može izazvati opasnost ili prouzročiti oštećenje proizvoda.

**⚠ UPOZORENJE:** Radi izbjegavanja ozbiljnih tjelesnih ozljeda, pri pregledu, čišćenju ili održavanju izvadite baterijski modul iz lančane pile. Alat s baterijskim modulom može se nehotično pokrenuti sam.

**⚠ UPOZORENJE:** Kada čistite lančanu pilu, NEMOJTE ju uranjati u vodu ili druge tekućine.

**⚠ UPOZORENJE:** Nemojte dopustiti da kočione tekućine, benzin, proizvodi na bazi nafte, penetrirajuća ulja i sl., dođu u doticaj s plastičnim dijelovima. Kemikalije mogu oštetiti, oslabiti ili uništiti plastiku što može rezultirati ozbiljnim tjelesnim ozljedama.

### ČIŠĆENJE

- Nakon svake uporabe, mekanom četkom očistite naslage s lanca i vodilice. Površinu lančane pile obrišite čistom krpom navlaženom u blagoj sapunici.
- Uklonite bočni poklopac, a zatim mekanom četkom očistite naslage s vodilice, lanca pile, lančanika i bočnog poklopa.
- Pri zamjeni lanca pile iz žlijeba vodilice uvijek očistite drvo iverje, prašinu od pile i nečistoću.

### ODRŽAVANJE VODILICE

Kada se na vodilici pojave znakovi istrošenosti, skinite je s pogonske glave lančane pile i okrenite je naopako za ponovno postavljanje (sl. U1). Na taj način će se istrošenost raspodijeliti i produžiti će se radni vijek vodilice.

Vodilicu je potrebno čistiti svaki dan kada se upotrebljava i provjeriti na postojanje znakova istrošenosti i oštećenja. Stvaranje bridova ili neravnina na tračnicama vodilice je normalan proces trošenja vodilice. Takvi nedostaci mogu se izravnati turpijom čim se pojave. Vodilica s bilo kojim od sljedećih nedostataka mora se odmah zamijeniti.

- Istrošenost unutar vodilica koja omogućuje klizanje lanca po bočnim stranicama.
- Savijena vodilica.
- Napuknute ili polomljene vodilice.
- Raširene vodilice.

Pored toga, vodilica na vrhu ima lančanik (sl. U2). Lančanik se mora podmazivati jednom tjedno s pomoću brizgaljke za mast je time se produžuje radni vijek vodilice. S pomoću brizgaljke za mast jednom tjedno obavite podmazivanje uljem za lanac kroz rupu za podmazivanje (sl. U3). Okrenite vodilicu i provjerite jesu li otvori za podmazivanje i žlijeb lanca zaprjani.

U2-1	Lančanik na vrhu vodilice
U2-2	Otvor za podmazivanje

### TRANSPORT I SKLADIŠTENJE

- Lančanu pilu nemojte skladištiti ili transportirati kada radi. Prije skladištenja ili transporta uvijek izvadite baterijski modul.

- Prije skladištenja ili transporta lančane pile, na vodilicu i lanac uvijek stavite zaštitnu navlaku. Budite oprezni kako biste izbjegli oštre zube lanca.
- Lančanu pilu dobro očistite prije skladištenja. Lančanu pilu pohranite na suhom mjestu koje je zaključano i nije dostupno djeci.
- Držite dalje od korozivnih sredstava kao što su vrtno kemikalije i soli za odleđivanje.

### Zaštita okoliša



OEEO (Otpadna električna i elektronička oprema) Električnu opremu, iskorištenu bateriju i punjač nemojte odlagati u otpad iz kućanstva! Ovaj proizvod odnesite u ovlašteni centar za reciklažu i time omogućite odvojeno sakupljanje. Električne alate potrebno je vratiti u ekološki prihvatljiv pogon za reciklažu.

## OTKLANJANJE SMETNJI

**⚠ UPOZORENJE:** Pri obavljanju bilo kakvih radova na održavanju lanca pile, zaštitite ruke debelim zaštitnim rukavicama. Izvadite baterijski modul prije servisiranja ili transporta lančane pile.

PROBLEM	UZROK	RJEŠENJE
Motor se ne pokreće.	<ul style="list-style-type: none"> <li>■ Baterijski modul nije pričvršćen na lančanu pilu.</li> <li>■ Nema električnog kontakta između pile i baterije.</li> <li>■ Baterijski modul je ispražnjen.</li> <li>■ Baterijski modul ili pila su prevrući.</li> <li>■ Kočnica lanca se aktivira.</li> <li>■ Naslage u žlijebu vodilice.</li> <li>■ Naslage u bočnom poklopcu.</li> </ul>	<ul style="list-style-type: none"> <li>■ Pričvrstite baterijski modul na lančanu pilu.</li> <li>■ Izvadite bateriju, provjerite kontakte i ponovno stavite baterijski modul.</li> <li>■ Napunite baterijski modul.</li> <li>■ Pričekajte da se baterijski modul ili lančana pila ohlade na temperaturu ispod 67 °C.</li> <li>■ Ručicu kočnice lanca za povratni udar povucite natrag prema prednjem rukohvatu u radni položaj.</li> <li>■ Pritisnite lanac pile o drvo, pomikite lančanu pilu natrag i naprijed kako biste uklonili naslage.</li> <li>■ Uklonite baterijski modul, zatim skinite bočni poklopac i očistite naslage.</li> </ul>
Lančana pila prestaje raditi tijekom rada.	<ul style="list-style-type: none"> <li>■ Lančana pila je preopterećena.</li> <li>■ Baterijski modul ili pila su prevrući.</li> <li>■ Lanac pile zaglavio se u drvu.</li> </ul>	<ul style="list-style-type: none"> <li>■ Smanjite opterećenje.</li> <li>■ Smanjite opterećenje. Pričekajte da se baterijski modul ili lančana pila ohlade na temperaturu ispod 67 °C.</li> <li>■ Otpustite sklopku okidača s regulatorom brzine, izvadite lanac pile i vodilicu iz drva i zatim ponovno pokrenite lančanu pilu.</li> </ul>
Motor radi, ali se lanac ne okreće.	<ul style="list-style-type: none"> <li>■ Lanac nije u zahvatu s pogonskim lančanikom.</li> </ul>	<ul style="list-style-type: none"> <li>■ Ponovno postavite lanac vodeći računa da pogonske karike na lancu potpuno naliježu na lančanik.</li> </ul>
Kočnica lanca ne ulazi u zahvat	<ul style="list-style-type: none"> <li>■ Otpad onemogućuje puni hod drške kočnice povratnog udarca lanca.</li> <li>■ Mogući kvar kočnice lanca.</li> </ul>	<ul style="list-style-type: none"> <li>■ Očistite otpad s vanjskog mehanizma kočnice lanca.</li> <li>■ Za popravak se obratite centru korisničke službe proizvođača EGO.</li> </ul>



PROBLEM	UZROK	RJEŠENJE
Lančana pila ne reže dobro.	<ul style="list-style-type: none"> <li>■ Lanac je nedovoljno zategnut.</li> <li>■ Lanac je tup.</li> <li>■ Lanac je postavljen naopako.</li> <li>■ Lanac je istrošen.</li> <li>■ Lanac je suh ili je previše rastegnut.</li> <li>■ Lanac nije u žlijebu vodilice.</li> </ul>	<ul style="list-style-type: none"> <li>■ Ponovno podesite zategnutost lanca, pogledajte sljedeći odjeljak: „<b>PODEŠAVANJE ZATEGNUTOSTI LANCA</b>“.</li> <li>■ Naoštrite rezne zube lanca.</li> <li>■ Ponovno stavite lanac pile prema uputama iz odjeljka „<b>POSTAVLJANJE/ZAMJENA VODILICE I LANCA</b>“.</li> <li>■ Zamijenite lanac, pogledajte sljedeći odjeljak: „<b>MONTAŽA/ZAMJENA VODILICE I LANCA</b>“.</li> <li>■ Provjerite razinu ulja. Prema potrebi dopunite ulje u spremnik ulja.</li> <li>■ Zamijenite lanac pile, pogledajte sljedeći odjeljak: „<b>MONTAŽA/ZAMJENA VODILICE I LANCA</b>“.</li> </ul>
Lanac će se olabaviti ili spasti s vodilice za vrijeme normalne upotrebe.	<ul style="list-style-type: none"> <li>■ Lanac će se olabaviti jer se temperatura lanca povećava tijekom normalnog rada pile.</li> <li>■ Lanac nije u zahvatu s pogonskim lančanikom.</li> </ul>	<ul style="list-style-type: none"> <li>■ Zategnite lanac prema uputama u poglavlju „<b>PODEŠAVANJE ZATEGNUTOSTI LANCA</b>“.</li> <li>■ Zamijenite lanac pile, pogledajte sljedeći odjeljak: „<b>MONTAŽA/ZAMJENA VODILICE I LANCA</b>“.</li> </ul>

## JAMSTVO

### JAMSTVENA POLITIKA PROIZVOĐAČA EGO

Cjelokupne uvjete i odredbe jamstvene politike proizvođača EGO potražite na internetskoj stranici [egopowerplus.eu](http://egopowerplus.eu).

## სრულად გაეცანით ინსტრუქციას!



გაეცანით მომხმარებლის ინსტრუქციას

**⚠ არსებული რისკი!** პიროვნებებმა ისეთი ელექტრული მოწყობილობებით, როგორცაა იმპლანტირებული დეფიბრილატორი, უნდა მიმართონ პირად ექიმს რჩევისთვის ამ პროდუქტის გამოყენებამდე. იმპლანტირებულ დეფიბრილატორთან უშუალო სიახლოვეს ელექტრული მოწყობილობის ოპერირებამ შესაძლოა დეფიბრილატორს ხელი შეუშალოს მუშაობაში ან გაათიშოს იგი.

## უსაფრთხოების წესის სიმბოლოები

უსაფრთხოების წესის სიმბოლოების მიზანია მიაქციოთ ყურადღება შესაძლო საფრთხეებს. ყურადღებით გაეცანით და შეისწავლეთ უსაფრთხოების წესის სიმბოლოები და მათი შესაბამისი განმარტებები. უსაფრთხოების წესის სიმბოლოების მინიმუმები თავისთავად არ ანეიტრალებს რაიმე საფრთხის არსებობის რისკს. მათ მიერ მოწოდებული ინსტრუქციები და გაფრთხილებები არ არიან შემთხვევის თავიდან აცილების სწორი პროცედურის შემცველები.

**⚠ გაფრთხილება:** ხელსაწყოს გამოყენებამდე დაწვრილებით გაეცანით და შეისწავლეთ ყველა უსაფრთხოების წესი მომხმარებლის ამ ინსტრუქციაში, მათ შორის ყველა უსაფრთხოების წესის სიმბოლო როგორცაა „საშიშროება“, „გაფრთხილება“ და „ყურადღება“. ქვემოთ ჩამოთვლილი ყველა ინსტრუქციის უგულვებელყოფამ შესაძლოა გამოიწვიოს ელექტრული შოკი, ხანძარი და/ან მოგაყენოთ სერიოზული პირადი ზიანი.

## სიმბოლოების მნიშვნელობა

ეს გვერდი აჩვენებს და აღწერს იმ უსაფრთხოების წესის სიმბოლოებს, რომლებიც შესაძლოა აღბეჭდილია მოცემულ პროდუქტზე. წაიკითხეთ, შეისწავლეთ და მიყევით ხელსაწყოს ყველა ინსტრუქციას მის აწყობამდე და ჩართვამდე.

## უსაფრთხოების წესის სიმბოლოები



უსაფრთხოების გაფრთხილება



წაიკითხეთ და გაეცანით მომხმარებლის ინსტრუქციას



გაიკეთეთ თვალების დამცავი



გაიკეთეთ ყურების დამცავი



გაიკეთეთ თავის დამცავი საშუალება



ჩაიცვით დამცავი ხელთათმანები



მოერიდეთ ჯაჭვური ხერხის უკუცემას და ძელის წვერთან კონტაქტს



მიმმართველი ძელის წვეტის უკუცემა



ყოველთვის გამოიყენეთ ჯაჭვური ხერხი ორი ხელით



არ მოათავსოთ ხელსაწყო წვიმის ქვეშ



ინფორმაცია მიმმართველ ძელზე



გარანტირებული ხმის სიმძლავრის დონე.

KA



WEEE



ეს პროდუქტი შეესაბამება დიდი ბრიტანეთის მოქმედ კანონმდებლობას.



ხელსაწყო შეესაბამება ევროკავშირის მიერ წამოყენებულ რეგულაციებს.



მუდმივი დენი

V ვოლტი

A ამპერი

Hz ჰერცი

W ვატი

min წუთი

$n_0$  დატვირთვალი სიჩქარე

... /min წუთში

## სპეციფიკაციები

მაბვა	56 ვოლტი
მელის სიგრძე	400 მმ (CS1610E)
	350 მმ (CS1410E)
ჯაჭვის ბიჯი	3/8" (9.5 მმ)
ჯაჭვის სისქე	1.1 მმ
ჯაჭვის სიჩქარე	20 მ/წმ
ხერხის ჯაჭვის ტიპი	CS1610E AC1600/AC1601 (რეკომენდებული) AC1400/AC1401 (თავსებადი)
	CS1410E AC1400/AC1401 (რეკომენდებული) AC1600/AC1601 (თავსებადი)
მელის ტიპი	CS1610E AG1600/AG1601 (რეკომენდებული) AG1400/AG1401 (თავსებადი)
	CS1410E AG1400/AG1401 (რეკომენდებული) AG1600/AG1601 (თავსებადი)
ჯაჭვის ზეთის საცავის მოცულობა	150 მლ
საექსპლუატაციო ტემპერატურა	-15°C–40°C
შენახვის ტემპერატურა	-20°C–70°C

სუფთა წონა (აკუმულატორისა და ჯაჭვის შალითას გარეშე)	3.9 კგ (CS1610E) 3.8 კგ (CS1410E)
გაზომილი ხმის სიმძლავრის დონე $L_{WA}$	102.25 დბ(A) K=1.4 დბ(A)
ბგერის წნევის დონე მომხმარებლის ყურზე $L_{PA}$	91.25 დბ(A) K=2.5 დბ(A)
გარანტირებული ხმის სიმძლავრის დონე $L_{WA}$ (2000/14/EC რეგულაციის მიხედვით)	103 დბ (A)
ვიბრაცია $a_h$	წინა სახელური K=1.5 მ/წმ <sup>2</sup>
	უკანა სახელური K=1.5 მ/წმ <sup>2</sup>

- მითითებული ვიბრაციის სრული მნიშვნელობა გაზომილია სტანდარტული ტესტირების მეთოდით და შესაძლოა გამოყენებულ იქნას ერთი ხელსაწყოს მეორესთან შედარებისას.
- მითითებული ვიბრაციის სრული მნიშვნელობა ასევე შესაძლოა გამოყენებულ იქნას ზემოქმედების პირველადი შეფასებისას.

**შენიშვნა:** ელექტრული ხელსაწყო ვიბრაციის ემისია გამოყენებისას შესაძლოა განსხვავდებოდეს მითითებული ოდენობისგან; მომხმარებელმა

KA



ხელსაწყოთი სარგებლობისას საჭიროა გამოიყენოს ხელთათმანები და ყურის დამცავი საშუალებები.

## შეფუთვის ჩამონათვალი (სურ. A1)

### აღწერა

**შეისწავლეთ თქვენი კაჭკური ხერხი (ნახ. A1)**

1. ჩამრთველი ტრიგერი სიჩქარის რეგულირებით
2. უკანა სახელური
3. ჩამკეტი ღილაკი
4. წინა სახელური
5. ხერხის უკუცემის მუხრუჭის სახელური
6. ხერხის ჯაჭვი
7. ხერხის ძელი
8. ზეთის საცავის ხუფი
9. ზეთის შემოწმების ფანჯარა
10. ელექტრო კონტაქტები
11. აკუმულატორის მოხსნის ღილაკი
12. ჯაჭვის დაჭიმვის მარეგულირებელი კნობი
13. გვერდითი ხუფი
14. გვერდითი ხუფის კნობი
15. ჯაჭვის შალითა

### ანცობა

**ძელის და ჯაჭვის აწყობის/გამოცვლის წესი**

**▲ გაფრთხილება:** აწტობამდე დაარეგულირეთ ჯაჭვის უკუცემის მუხრუჭის სახელური დამუხრუჭების პოზიციამში.

1. მოათავსეთ ჯაჭვური ხერხის ელექტრული თავი გვერდზე ისე რომ გვერდითა ხუფი იყოს ზედა მხარეს (ნახ. B).
2. დაატრიალეთ გვერდითი ხუფის კნობი საათის ისრის საწინააღმდეგო მიმართულებით, რათა მოხსნათ გვერდითა ხუფი და შემდეგ მოუშვით ჯაჭვის დამჭიმავი კნობი შეძლებისდაგვარად.
3. მოათავსეთ ახალი ჯაჭვის მარყუჭი ბრტყელ ზედაპირზე და გაასწორეთ ნებისმიერი გადახლართვა (ნახ. C).
4. მოათავსეთ ჯაჭვის მამომრავებელი რგოლები ძელის სიდრუემი და

დარწმუნდით რომ ჯაჭვი შემოევლება ზელს უკანა მხრიდან (ნახ. D).

5. დაიჭირეთ ჯაჭვი ძელზე ამ პოზიციამში და ჩამოგვით მარყუჭი ელექტრული თავის კბილანას.
6. შეაცურეთ ხერხის ძელის ნასვრეტში სამარე შევრილებზე, სანამ დაჭიმვის რეგულირების წვირი არ ჩაჯდება ძელის კუდში არსებულ ქვედა ხვრელში (ნახ. E1).

**შენიშვნა:** პატარა მიმართულების ისრები ამოტვიფრულია ხერხის ჯაჭვზე. სხვა მიმართულების ისარი დატანილია ბუდეზე. როდესაც კბილანაზე აცვამთ ჯაჭვის მარყუჭს დარწმუნდით რომ ჯაჭვზე არსებული მიმართულების ისრები ემთხვევა ხელსაწყოს ბუდეზე დატანილ მიმართულების მაჩვენებელს. თუ ისინი საწინააღმდეგო მიმართულებითაა, გადმოატრიალეთ ხერხის ჯაჭვი და ძელი ერთად (ნახ. E2).

7. შეცვალეთ გვერდითა ხუფი და ოდნავ დაუჭირეთ გვერდითა ხუფის კნობს.
8. აწიეთ ძელის წვერი და შეამოწმეთ ჯაჭვის მოშვება (ნახ. F). გაუშვით ხელი მიმართველი ძელის წვერს და დაატრიალეთ ჯაჭვის დამჭიმავი კნობი საათის ისრის მიმართულებით. გაიმეორეთ ეს პროცესი სანამდე ჯაჭვი აღარ არის ჩამოკიდებული.
9. დაუჭირეთ გვერდითა ხუფის კნობს მჭიდროდ, რათა დარწმუნდეთ რომ ხერხის ჯაჭვი სწორად არის დაჭიმული გამოყენებამდე.

D-1	ჯაჭვის მამომრავებელი რგოლები	E-2	დაჭიმვის რეგულირების წვირი
D-2	ძელის სიდრუე	E-3	მიმართველი ძელის ნასვრეტი
E-1	სწორების შევრილი	E-4	კბილანა

**შენიშვნა:** ძელის სიცოცხლის ხანგრძლიობის გასაზრდელად, ხანდახან მოატრიალეთ მისი დამარგების მდებარეობა.

**შენიშვნა:** თუ ჯაჭვი ძალიან მსუბუქია, იგი არ იტრიალებს. ოდნავ მოუშვით გვერდითა ხუფის კნობი და დაატრიალეთ

KA

ჯაჭვის დამჭიმის მარეგულირებელი კნობი ერთხელ საათის ისრის საწინააღმდეგო მიმართულებით, ასწიეთ მიმართული ძელის წვერი და ხელახლა მოუჭირეთ გვერდითა ხუფის კნობი. დარწმუნდით რომ ჯაჭვი

თავისუფლად ტრიალებს .

### ჯაჭვის დაჭიმვის რეგულირება

- გააჩერეთ მოტორი და მოხსენით აკუმულატორი სანამ დაიწყებთ ჯაჭვის დაჭიმვის რეგულირებას. დარწმუნდით რომ გვერდითა ხუფის კნობი მოშვებულია. დაატრიალეთ ჯაჭვის დამჭიმავი მარეგულირებელი კნობი ჯაჭვის დასაჭიმად. იხილეთ სექცია: დამატებითი ინფორმაციისთვის „ძელის“ და ჯაჭვის აწყობის/გამოცვლის წესი“.
- გრილი ჯაჭვი სწორადაა დაჭიმული თუ მოშვებული არაა ძელის ქვედა მხარეს და ძელს ჯაჭვი მჭიდროდ ეკვრის, თუმცა ამავე დროს შესაძლებელია ჯაჭვის ხელით დატრიალება. ჯაჭვის ხელახალი დაჭიმვა საჭირო ხდება როდესაც მამორავებელი რგოლების ბრტყელი ნაწილი აღარ ჯდება ძელის სიღრუეში.
- ხერხის ჩვეულებრივი მოხმარებისას, ჯაჭვის ტემპერატურა მოიმატებს. სწორად დაჭიმული ჯაჭვის გამთბარი რგოლები ძელის სიღრუედან ჩამოეკიდება დაახლოებით 1.3 მმ-ით (ნახ. G).

**შენიშვნა:** ჩვეულებრივ ახალი ჯაჭვები იწელება დროთა განმავლობაში; შეამოწმეთ ჯაჭვის დაჭიმვის ხარისხი პერიოდულად და შესაბამისად დაარეგულირეთ ხოლმე.

**შენიშვნა:** თბილი დაჭიმული ჯაჭვი შესაძლოა გახდეს ზედმეტად დაჭიმული გაგრილების შემდეგ. შეამოწმეთ დაჭიმულობა გრილი ჯაჭვის შემთხვევაში ხელსაწყოს შემდეგ გამოყენებამდე.

### ექსპლუატაცია

**▲ გაფრთხილება:** შეეცადეთ მსგავსი პროდუქტის გამოყენების გამოცდილებამ არ გამოიწვიოს თქვენი უფულისყურობა. დაიმასსოვრეთ რომ უფულისყურობამ წამის მეთედშიც კი შესაძლოა მოგიტანოთ სერიოზული ზიანი.

**▲ გაფრთხილება:** არ გამოიყენოთ სხვა ნებისმიერი ნაწილი, რომელიც არაა რეკომენდირებული ამ ხელსაწყოს

მწარმოებლის მიერ. არარეკომენდირებული ნაწილის გამოყენებამ შესაძლოა მოგაყენოთ სერიოზული ზიანი.

**▲ გაფრთხილება:** უცაბედი ჩართვის გამოსარიცხად, რომელმაც შესაძლოა გამოიწვიოს სერიოზული პერსონალური ზიანი, ყოველთვის მოხსენით აკუმულატორი ხელსაწყოს, როდესაც ხდება მისი აწყობა, რეგულირება, წმენდა ან როდესაც არ ხდება ხელსაწყოს გამოყენება.

ყოველი გამოყენების წინ შეამოწმეთ მთლიანი ხელსაწყო შესაძლო დაზიანებულ, დაკარგულ ან მოშვებულ ნაწილებზე, როგორცაა ხრახნები, ქანჩები, ჭანჭიკები, ხუფები და ა.შ. მჭიდროდ დაუჭირეთ ყველა სამაგრი და ხუფი და არ ამუშაოთ ეს ხელსაწყო, სანამ ყველა დაკარგული ან დაზიანებული ნაწილი არ შეიცვლება.

### გამოყენებები

თქვენ შეგიძლიათ ამ ხელსაწყოს გამოყენება ხის მოჭრის, გასხევის, გასხევის და ხეების და ხის მასალის გახერხვის მიზნით.

### ძელის და ჯაჭვის ზეთის ავსება.

**▲ გაფრთხილება:** ნუ მოსწევთ ან მოიტანთ ნებისმიერ ცეცხლს ან ალს ზეთის ან ჯაჭვური ხერხის სიახლოვეს. ზეთი შესაძლოა დაიქცეს და გაჩნდეს ხანძარი.

**შენიშვნა:** ჯაჭვური ხერხი არ არის ზეთით სავსე შექმნის მომენტში. აუცილებელია ავზის შევსება ზეთით ხელსაწყოს გამოყენებამდე. ჯაჭვი ავტომატურად იძიხება ზეთით მუშაობის პროცესში.

1. მოათავსეთ ჯაჭვური ხერხი გვერდზე ისე, რომ ზეთის საცავის ხუფი იყოს თქვენს მხარეს.
2. გაწმინდეთ ზეთის საცავის ხუფი და მის გარშემო არსებული არე, რათა დარწმუნდეთ რომ საცავში არ მოხვდება ქუჩკი.
3. ჯაჭვური ხერხი მოათავსეთ გვერდზე მყარ, ბრტყელ ზედაპირზე, ისე, რომ ავზის ხუფი ზემოთ იყოს მიმართული. ასწიეთ ნახევრად წრიული ფირფიტა და მოატრიალეთ ზეთის საცავის ხუფი საათის ისრის საწინააღმდეგო მიმართულებით მოსახსნელად (ნახ. H).
4. ფრთხილად ჩაასხით ძელის და ჯაჭვის ზეთი საცავში. შეავსეთ მაქსიმალურ

KA

ნიშნულამდე.

5. მოწმინდეთ ნარჩენი ზეთი და დაუჭირეთ ხუფი.

**შენიშვნა:** ხშირად შეამოწმეთ ზეთის დონე და შეავსეთ ის, როდესაც ზეთის დონე მინიმუმზე დაბა ჩამოვა. არასოდეს ჩართოთ ჯაჭვური ხერხი, თუ ზეთის დანახვა შეუძლებელია.

### აკუმულატორის ჩამაგრება/მოხსნა სრულად დატენით პირველ ჯერზე სარეგლობამდე.

გამოიყენეთ მხოლოდ ის აკუმულატორის ბლოკები და დამტენები, რომლებიც მითითებულია სურ. A2-ში.

### მისამაგრებლად (ნახ. I)

გაუსწორეთ აკუმულატორის სამაგრები მოწყობილობის ნასვრეტებს და ჩასვით აკუმულატორი ხელსაწყოში, სანამ არ გაიგონებთ დაწკაპუნებას.

### მოსახსნელად (ნახ. J)

დააჭირეთ აკუმულატორის გამშვებ ღილაკს და ამოიღეთ აკუმულატორი.

### ჯაჭვური ხერხის ჩართვა/გამორთვა

**შენიშვნა:** ჯაჭვური ხერხის ჩართვამდე შეამოწმეთ ზეთის დონე, ხერხის კბილები დაბლაგვებაზე და უკუეცმის მუხრუჭის ბერკეტი სწორად მუშაობაზე. ამასთან, იქონიეთ მყარი საყრდენი და მართებული დისტანცია მიწიდან.

### ჩასართავად

1. მოქაჩეთ ხერხის უკუეცმის მუხრუჭის სახელურს ხერხის წინა სახელურისკენ, რათა მოათავსოთ სამუშაო პოზიციაში (ნახ. K).
2. მჭიდროდ მოკიდეთ ხელი წინა და უკანა სახელურებს ორივე ხელის გამოყენებით.
3. დიდხანს დააწეით ჩამკეტ ღილაკს თქვენს მარჯვენა ხელის ცერით, შემდეგ მარჯვენა ხელის თითებით მოუჭირეთ ცვლადი სიჩქარის ჩამრთველ ბერკეტს, რათა ჩართოთ ჯაჭვური ხერხი (ნახ. L).
4. ხელი გაუშვით ჩამკეტ ღილაკს და გააგრძელეთ ტრიგერზე თითის დაჭერა მუშაობის გასაგრძელებლად.

**▲ გაფრთხილება:** არ შეეცადოდ ხერხის ჩართვას, როდესაც ჯაჭვური ხერხი დარჩენილია ჭდემი.

### გასაჩერებლად

1. ხელი აუშვით ცვლადი სიჩქარის ტრიგერის ჩამრთველს, რათა გამორთოთ ჯაჭვური ხერხი.
2. დააწეით ხერხის უკუეცმის მუხრუჭის სახელურს წინ სამუხრუჭო პოზიციაში, რათა ჩართოთ მუხრუჭი (ნახ. K).

**▲ გაფრთხილება:** ყოველთვის მოხსენით აკუმულატორი ჯაჭვურ ხერხს შესვენებისას ან სამუშაოს დამთავრებისთანავე.

### სწორად ჩაჭიდება სახელურებზე (ნახ. M)

- ჩაიცვით მოცურების საწინააღმდეგო ხელთათმანები მაქსიმალური მოჭიდებისა და უსაფრთხოებისთვის.
- მყარ, ბრტყელ ზედაპირზე მოთავსებული ხერხი დაიჭირეთ მჭიდროდ ორივე ხელით.
- ყოველთვის ჩაჭიდეთ წინა სახელურს მარცხენა ხელი და უკანა სახელურს - მარჯვენა.
- თითები უნდა შემოეჭდოს სახელურს, ცერა თითი წინა სახელურის ქვედა მხარეს

**▲ გაფრთხილება:** არასოდეს გამოიყენოთ მარცხენა-ხელის (გადანაცვლებული) დაჭერა ან ნებისმიერი სხვა პოზიცია, რომელიც მოაყოლებს თქვენს ხელს ან მკლავს ჯაჭვის ხაზის გასწვრივ (ნახ. N).

### ჭრის მართებული პოზიცია (ნახ. O)

- ორივე ფეხი უნდა იდგეს მყარად მიწაზე, წონა მათზე თანაბრად გადანაწილებული უნდა იყოს.
- მარცხენა ხელი უნდა იყოს გამართული გაშლილი იდაყვით. ეს გეხმარებათ გაუძლოთ უკუეცმის დროს წარმოქმნილ ძალებს.
- თქვენი სხეული ყოველთვის უნდა იყოს ხერხის ხაზის მარცხენა მხარეს.

### მითითებები ხის მოჭრის, გასხევის და განივი ჭრის სწორი ტექნიკის შესახებ

**▲ გაფრთხილება:** ყოველთვის დაწმინდით თქვენს მყარ საყრდენზე და დაიჭირეთ ხერხი მჭიდროდ ორივე ხელით, როცა მოტორი



მუშაობს.

**▲ გაფრთხილება:** როდესაც ხერხის ჯაჭვი ჩაიჭირება ხერხის პროცესში, ხელი გაუშვით ჩამრთველ ტრიგერს, ამოიღეთ ხერხის ჯაჭვი და ჯაჭვური ხერხი ხიდან და ხელახლა ჩართეთ იგი.

**▲ გაფრთხილება:** არ მოქაჩით ხერხის ჯაჭვი ხელით, როცა იგი გაქედლია ნახერხის გამო. ჯაჭვური ხერხის უცაბედმა ჩართვამ შესაძლოა გამოიწვიოს სერიოზული ფიზიკური ზიანი. დაადეთ ხერხის ჯაჭვი ხეს, ამოდრავთ ხერხი წინ და უკან უცხო სხეულების მოსაცილებლად. ყოველთვის მოხსენით აკუმულატორი გაწმენდამდე. ჩაიცვით დამცავი ხელთათმანები ჯაჭვური ხერხის გამოყენებისას.

**▲ გაფრთხილება:** არასოდეს ჩართოთ ჯაჭვური ხერხი, როცა ის ეხება ხეს. ყოველთვის მიეცით ჯაჭვურ ხერხს საშუალება მიაღწიოს მაქსიმალურ სიჩქარეს მისით გახერხვის დაწყებამდე.

**ხის მოჭრა**

- როდესაც ხდება ხის მოჭრის და დახერხის პროცედურა ორი ან მეტი პირის მიერ ერთდროულად, დახერხის პროცედურა ხის მოჭრის პროცედურისგან უნდა იყოს დამორებული მოსახერხი ხის სიმაღლის ორმაგი მანძილით. ხე არ უნდა მოჭრას ისეთი წესით, რომელიც საფრთხეს შეუქმნის სხვა პირს, დაეცემა გადამცემ ხაზს ან გამოიწვევს რაიმე ქონების დაზიანებას. თუ ხე შეეხება გადამცემ ხაზებს, დაუყონებლივ შეატყობინეთ მათზე პასუხისმგებელ კომპანიას.
- ჯაჭვური ხერხის ოპერატორი უნდა იდგეს მაღლობზე, რადგან ხე სავარაუდოდ დაგორდება დაბლა მოჭრის შემდეგ.
- გასაქცევი გზა უნდა დაიგეგმოს და გაიწმინდოს დაბრკოლებებისგან ხის მოჭრის დაწყებამდე. გასაქცევი გზა უნდა გაგრძელდეს ხის დაცემის მოსალოდნელი მიმართულების უკან და დიაგონალურად, როგორც ნახ. P-ზეა ნაჩვენები.

P-1	ხის წაქცევის მიმართულება
P-2	უსაფრთხო გაქცევის მიმართულება

- ხის მოჭრამდე გაითვალისწინეთ ხის ბუნებრივი დახრა, დიდი ტოტების

მდებარეობა და ქარის მიმართულება რათა განსაზღვროთ რა მიმართულებით დაეცემა ხე.

- მოაცილეთ ხეს ჭუჭყი, მოშვებული მერქანი, ლურსმნები, ჭიკარტები და სადენები.

**ქვედა ჭდის დადება**

დაადეთ ხეს მისი დიამეტრის 1/3 სიღრმის ჭდე, წაქცევის მიმართულების მართებულად, როგორც ნახ. Q-ზეა ნაჩვენები. ჯერ გააკეთეთ ქვედა ჰორიზონტალური ჭდე. ეს დაგეხმარებათ თავიდან აირიდოთ ხერხის ჯაჭვის ან მელის ჩაყოლა, როდესაც გააკეთებთ მეორე ჭდეს.

Q-1	დაცემის მიმართულება
Q-2	ჭდე
Q-3	ხის წაქცევის საპირისპირო განაკვეთი
Q-4	სახსარი

**ხის წაქცევის საპირისპირო განაკვეთი**

- გაკეთეთ ხის წაქცევის საპირისპირო განაკვეთი მინიმუმ 50 მმ-ით მაღლა, ვიდრე წინა ჰორიზონტალური ჭდე, როგორც ნახ. Q-ზეა ნაჩვენები. გააკეთეთ ხის წაქცევის საპირისპირო განაკვეთი ჰორიზონტალური ჭდის პარალელურად. ისე გააკეთეთ ხის წაქცევის საპირისპირო განაკვეთი, რომ დარჩეს საკმარისი ხე შუაში სახსრად. დარჩენილი სახსარი იკავებს ხეს, რათა იგი არ დატრიალდეს და არ წაიქცეს არასწორი მიმართულებით. არ გაჭრათ სახსრის განივად.
- როდესა ნაჭდევები სახსართან ახლოს დაედება, ხე დაიწყებს დაცემას. თუ არსებობს იმის შანსი რომ ხე არ დაეცემა სასურველი მიმართულებით ან გამოქანდება უკან და ჩაითრევს ხერხის ჯაჭვს, გააჩერეთ ხერხის პროცესი ხის წაქცევის განაკვეთის დასრულებამდე და გამოიყენეთ ხის, პლასტმასის ან ალუმინის სოლები რათა გახსნათ განაკვეთი და წაქციოთ ხე სასურველი მიმართულებით.
- როდესაც ხე დაიწყებს დაცემას, ამოიღეთ ხერხი განაკვეთიდან, გააჩერეთ მოტორი, დადეთ ხერხი და გამოეცალეთ წინასწარ დაგეგმილი გაქცევის მიმართულებით. უფრთხილდით ჩამოვადნილ ტოტებს და არ

**KA**

დაგიცდეთ ფეხი.

## ხის გასხევა

გასხევა არის დაცემული ხის ტანიდან ტოტების მოცილება. გასხევისას დატოვებული დიდი ქვედა ტოტები, რათა მიწიდან აწეული ძელი დაეყრდნოს მათ. მოაცილეთ მცირე ტოტები ერთი გახერხვით, როგორც ნახ. R-ზე ნაჩვენები. დაჭიმული ტოტები უნდა მოიხერხოს ქვევიდან ზევით, რათა თავიდან აირიდოთ ჯაჭვური ხერხის გახლართვა.

## მორის დახერხვა

- დახერხვა ნიშნავს მორის სიგრძეში ნაწილებად დაყოფას. მნიშვნელოვანია დარწმუნდეთ, რომ თქვენი საყრდენი მყარია და თქვენი წონა ორივე ფეხზე თანაბრად არის გადანაწილებული. როდესაც შესაძლებელია მორი უნდა აიწიოს და გამაგრდეს ტოტებით, სხვა მორებით ან საყრდენი სოლებით. მისდით მარტივ მითითებებს ადვილი ხერხისთვის.
- როცა მორს აქვს საყრდენი მისი მთლიანი სიგრძის გასწვრივ როგორც ნახ.S1-ზე ნაჩვენები, იგი იხერხება ზევიდან (ზედა განაკვეთი).
- როცა მორს აქვს საყრდენი ერთ ბოლოში როგორც ნახ.S2-ზე ნაჩვენები, გააკეთეთ ჭდე ქვევიდან დიამეტრის 1/3 სიღრმით (ქვედა განაკვეთი). შემდეგ დაასრულეთ გახერხვა ზედა განაკვეთით, რომელიც შეერთდება პირველ ჭდესთან.
- როცა მორს აქვს საყრდენი ორივე ბოლოში როგორც ნახ.S3-ზე ნაჩვენები, გააკეთეთ ჭდე ზევიდან დიამეტრის 1/3 სიღრმით (ზედა განაკვეთი). შემდეგ დაასრულეთ გახერხვა ქვედა განაკვეთით დიამეტრის 2/3-ზე, რომელიც შეერთდება პირველ ჭდესთან.
- როდესაც ხერხავთ დამრეცხვ, ყოველთვის იდექით მორის ფერდობის ზედა მხარეს, როგორც ნახ. T-ზე ნაჩვენები.
- როდესაც „გამჭოლად ხერხავთ“, კონტროლის შესანარჩუნებლად აუშვით ხერხის დაწოლა გაჭრის ბოლოს ხერხის სახელურებზე მოჭიდების მოდუნების გარეშე. არ მისცეთ საშუალება ჯაჭვს შეეხოს მიწას. ხერხის დასრულების შემდეგ, დაელოდეთ ხერხის ჯაჭვის გაჩერებას, სანამ გამომძრავებთ ჯაჭვურ ხერხს. ყოველთვის გააჩერეთ მოტორი ხიდან ხეზე გადასვლისას.

## მოვლა

**▲ გაფრთხილება:** ტექნიკური სერვისისას გამოიყენეთ მხოლოდ იდენტიური სათადარიგო ნაწილები. სხვა ნებისმიერი ნაწილის გამოყენებამ შესაძლოა შექმნას საფრთხე ან გამოიწვიოს ხელსაწყოს დაზიანება.

**▲ გაფრთხილება:** სერიოზული პერსონალური ზიანისგან თავის არიდების მიზნით მოხსენით აკუმულატორი ხელსაწყოს როდესაც ახდენთ მის დათვალიერებას, წმინდავთ მას ან უტარებთ რაიმე ტიპის სერვისს. აკუმულატორზე მომუშავე ხელსაწყო მიმაგრებული აკუმულატორით ყოველთვის ჩართულია და შესაძლოა უცებ ჩაირთოს.

**▲ გაფრთხილება:** როდესაც წმინდავთ ჯაჭვურ ხერხს, არ მოათავსოთ წყალში ან სხვა სითხეში.

**▲ გაფრთხილება:** არცერთ შემთხვევაში არ მისცეთ სატორმუზო სითხეს, ბენზინს, ნავთობის ბაზაზე დამზადებულ პროდუქტებს ან სხვა ძლიერი გამხსნელებს მოვიდნენ პლასტმასის ნაწილებთან კონტაქტში. ქიმიურმა ნაერთებმა შესაძლოა დააზიანოს, გაცვითოს და დაშალოს პლასტმასი, რამაც შეიძლება მოგაყენოთ სერიოზული პირადი ზიანი.

## გაწმენდა

- ყოველი გამოყენების შემდეგ მოაცილეთ ნარჩენი ჯაჭვს და ძელს რბილი ფუნჯით. გადაწმინდეთ ჯაჭვური ხერხის ზედაპირი სუფთა, ნოტიო ქსოვილით და რბილი სარეცხი საშუალებით.
- მოხსენით გვერდითა ხუფი, შემდეგ გამოიყენეთ რბილი ფუნჯი რათა მოაცილოთ ნარჩენი ძელს, ხერხის ჯაჭვს, კბილანას და გვერდითა ხუფს.
- ყოველთვის ამოწმინდეთ ნაფოტები, ნახერხი და ჭუჭყი ძელის სიღრუედაც როდესაც ცვლით ხერხის ჯაჭვს.

## ხერხის ძელის ექსპლუატაცია

როდესაც ხერხის ძელს დაეტყობა ცვეთის ნიშნები, მოხსენით ის ჯაჭვური ხერხის ელექტრულ თავს და მოაბრუნეთ ხელახალი აწყობისთვის (ნახ. U1). რის შედეგადაც ცვეთა გადანაწილდება მის სრულ არეზე და გაიზრდება მისი მუშა ციკლი.

ხერხის ძელი უნდა გაიწმინდოს ყოველ დღე



სარგებლობისას და შემოწმდეს ცვეთასა და დაზიანებაზე. ხერხის ძელის რელსზე ცალმხრივი ცვეთა და უსწორმასწორობები არის ძელის ცვეთის ნორმალური პროცესი. მსგავსი ტიპის უსწორმასწორობები უნდა გაიქლიბოს მათი გამოჩენისთანავე. ქვევით ჩამოთვლილი პრობლემების მქონე ძელი უნდა შეიცვალოს.

- ძელის რელსების შიგნით არსებული ცვეთა, რომელიც საშუალებას აძლევს ჯაჭვს მოძრუნდეს.
- გაღუნული ხერხის ძელი.
- გაბზარული ან გატეხილი რელსები.
- გაშლილი რელსები.

ასევე, ხერხის ველ ძელს გააჩნია კბილანა მის წვერთან (ნახ. U2). კბილანის შეზეთვა საჭიროა ყოველკვირეულად ზეთის შპრიცით, რათა გაზარდოთ ძელის სიცოცხლის ხანგრძლიობა. გამოიყენეთ ზეთის შპრიცი, რათა ყოველკვირეულად შეზეთოთ ჯაჭვის ზეთით შესაზეთი ნასვრეტის საშუალებით (ნახ. U3). მოატრიალეთ ძელი და დარწმუნდით რომ შესაზეთი ნასვრეტებსა და ძელის სიდრუმში არაა უცხო სხეულები.

U2-1	ძელის წვერში არსებული კბილანა
U2-2	შესაზეთი ნასვრეტი

## გარემოს დაცვა



WEEE (ელექტრული მოწყობილობების ნარჩენების მართვა). არ მოათავსოთ ელექტრული მოწყობილობა, დამტენი და აკუმულატორი / მისი ბატარეები საყოფაცხოვრებო ნაგავში! მიუტანეთ ისინი ავტორიზირებულ ნარჩენების გადამამუშავებელს და მოახდინეთ ასეთი ნარჩენის განცალკევებულად შეგროვება. ელექტრული ხელსაწყოები უნდა ჩაბარდეს ნარჩენების გადამამუშავებელ ორგანოს გარემოს დაცვის ნორმების გათვალისწინებით.

## ტრანსპორტირება და შენახვა

- არ შეინახოთ ან არ მოახდინოთ ჯაჭვური ხერხის ტრანსპორტირება ჩართულ მდგომარეობაში. ყოველთვის მოხსენით აკუმულატორი შენახვამდე ან ტრანსპორტირებამდე.
- ყოველთვის გაუკეთეთ ძელის და ჯაჭვის შალითა ხერხს მის შენახვამდე ან ტრანსპორტირებამდე გამოიჩინეთ სიფრთხილე ჯაჭვის მჭრელ რგოლებთან მიმართებაში.
- საგულდაგულოდ გაწმინდეთ ჯაჭვური ხერხი შენახვამდე. შეინახეთ ჯაჭვური ხერხი შენობაში მშრალ, დაკეტილ და/ან ბავშვებისთვის მიუწვდომელ ადგილას.
- მოაცილეთ კოროზიის გამომწვევი ნივთიერებები, როგორცაა სოფლის მეურნეობაში გამოყენებული ქიმიკატები და მოყინვის საწინააღმდეგო ტექნიკური მარილი.

KA

## გაუმართაობის დიაგნოსტიკა

**⚠ გაფრთხილება:** ყოველთვის დაიცავით თქვენი ხელები დამცავი ხელთათმანებით, როცა ხერხის ჯაჭვს უტარებთ ნებისმიერ სერვისს. ყოველთვის მოხსენით აკუმულატორი ჯაჭვურ ხერხს სერვისამდე ან ტრანსპორტირებამდე.

პრობლემა	მიზეზი	გადაჭრის გზა
მოტორი არ ირთვება.	<ul style="list-style-type: none"> <li>აკუმულატორი არ არის შეერთებული ხერხზე.</li> <li>ხერხსა და აკუმულატორს შორის არ არის ელექტრული კონტაქტი.</li> <li>აკუმულატორის ბლოკი დაცლილია.</li> <li>აკუმულატორი ან ხერხი ზედმეტად გაცხელებულია.</li> <li>ჯაჭვის მუხრუჭი ჩართულია.</li> <li>ძელის სიდრუემი უცხო სხეულებია.</li> <li>უცხო სხეულები გვერდითა ხუფში.</li> </ul>	<ul style="list-style-type: none"> <li>მიუერთეთ აკუმულატორი ჯაჭვურ ხერხს.</li> <li>მოხსენით აკუმულატორი, შეამოწმეთ კონტაქტები და კვლავ მოათავსეთ იგი უკან.</li> <li>დატენეთ აკუმულატორი.</li> <li>აცალეთ აკუმულატორს ან ჯაჭვურ ხერხს გაგრილება, სანამ ტემპერატურა 67°C-ის ქვევით არ ჩამოვა.</li> <li>მოქაჩეთ ხერხის უკუცემის მუხრუჭის სახელურს ხერხის წინა სახელურისკენ, რათა მოათავსოთ სამუშაო პოზიციაში.</li> <li>დაადეთ ხერხის ჯაჭვი ხეს, ამომრავეთ ხერხი წინ და უკან უცხო სხეულების მოსაცილებლად.</li> <li>მოხსენით აკუმულატორი, შემდეგ მოუშვით გვერდითა ხუფი და გაწმინდეთ უცხო სხეულებისგან.</li> </ul>
ჯაჭვური ხერხი ჩერდება მუშაობის პროცესში.	<ul style="list-style-type: none"> <li>ხერხი გადატვირთულია.</li> <li>აკუმულატორი ან ხერხი ზედმეტად გაცხელებულია.</li> <li>ხერხის ჯაჭვი გაჭედილია ხეში.</li> </ul>	<ul style="list-style-type: none"> <li>შეამცირეთ დატვირთვა.</li> <li>შეამცირეთ დატვირთვა. აცალეთ აკუმულატორს ან ჯაჭვურ ხერხს გაგრილება, სანამ ტემპერატურა 67°C-ის ქვევით არ ჩამოვა.</li> <li>ხელი გაუშვით ცვლადი სიჩქარის ჩამრთველ ტრიგერს; ამოიღეთ ხერხის ჯაჭვი და მიმართველი ძელი ხიდან და ხელახლა ჩართეთ ჯაჭვური ხერხი.</li> </ul>
მოტორი ირთვება, მაგრამ ჯაჭვი არ მოძრაობს.	<ul style="list-style-type: none"> <li>ჯაჭვი არ ატრიალებს მოძრავ კბილანას.</li> </ul>	<ul style="list-style-type: none"> <li>თავიდან დაამონტაჟეთ ჯაჭვი, დარწმუნდით რომ ჯაჭვის მამოძრავებელი რგოლები სრულიად მორგებულია კბილანას.</li> </ul>
ჯაჭვის მუხრუჭი არ ფუნქციონირებს.	<ul style="list-style-type: none"> <li>უცხო სხეულები უშლის ხერხის უკუცემის მუხრუჭის სახელურს სრულ გადაადგილებას.</li> <li>შესაძლოა ჯაჭვის მუხრუჭის ფუნქციონირების დარღვევა.</li> </ul>	<ul style="list-style-type: none"> <li>მოაცილეთ უცხო სხეულები ჯაჭვის მუხრუჭის მექანიზმს.</li> <li>მიმართეთ EGO-ს კლიენტთა მომსახურების ცენტრს შეკეთებისთვის.</li> </ul>

KA

პრობლემა	მიზეზი	გადაჭრის გზა
ჯაჭვური ხერხი არ ჭრის სათანადოდ.	<ul style="list-style-type: none"> <li>▪ არასაკმარისი ჯაჭვის დაჭიმულობა.</li> <li>▪ ბლაგვი ჯაჭვი.</li> <li>▪ ჯაჭვი უკულმა არის დაყენებული.</li> <li>▪ გაცვეთილი ჯაჭვი.</li> <li>▪ მშრალი ან ზედმეტად გაჭიმული ჯაჭვი.</li> <li>▪ ჯაჭვი არ არის ძელის სიდრუეში.</li> </ul>	<ul style="list-style-type: none"> <li>▪ დაარეგულირეთ ჯაჭვის დაჭიმულობა, შემდეგი სექციის მიხედვით: <b>"ჯაჭვის დაჭიმვის რეგულირება"</b>.</li> <li>▪ გალესეთ ჯაჭვი.</li> <li>▪ მოხსენით აკუმულატორი და დაამონტაჟეთ ჯაჭვი თავიდან, როგორც აღწერილია სექციაში <b>"ძელის და ჯაჭვის აწყობის/გამოცვლის წესი"</b>.</li> <li>▪ გამოცვალეთ ჯაჭვი, შემდეგი სექციის მიხედვით: <b>"ძელის და ჯაჭვის აწყობის/გამოცვლის წესი"</b>.</li> <li>▪ შეამოწმეთ ზეთის რაოდენობა. შეავსეთ ზეთის საცავი საჭიროებისდა მიხედვით.</li> <li>▪ ხელახლა დაამონტაჟეთ ჯაჭვი, შემდეგი სექციის მიხედვით: <b>"ძელის და ჯაჭვის აწყობის/გამოცვლის წესი"</b>.</li> </ul>
ჯაჭვი მოეშვა ან ვარდება მიმართველი ძლიდან სტანდარტული მოხმარებისას.	<ul style="list-style-type: none"> <li>▪ ჯაჭვი მოეშვა, როდესაც ხერხის ჩვეულებრივი მოხმარებისას ჯაჭვის ტემპერატურა მოიმატებს.</li> <li>▪ ჯაჭვი არ ატრიალებს მოძრავ კბილანას.</li> </ul>	<ul style="list-style-type: none"> <li>▪ დაჭიმეთ ხერხის ჯაჭვი, როგორც აღწერილია სექციაში <b>"ჯაჭვის დაჭიმვის რეგულირება"</b>.</li> <li>▪ ხელახლა დაამონტაჟეთ ჯაჭვი, შემდეგი სექციის მიხედვით: <b>"ძელის და ჯაჭვის აწყობის/გამოცვლის წესი"</b>.</li> </ul>

## გარანტია

### EGO-ს გარანტიის მომსახურების წესი

გთხოვთ ეწვიოთ ვებ-გვერდს [egopowerplus.eu](http://egopowerplus.eu). რათა მიიღოთ EGO-ს საგარანტო მომსახურების სრული დადგენილებები და პირობები.

KA

## PROČITAJTE SVA UPUTSTVA!



PROČITAJTE PRIRUČNIK ZA RUKOVAOCA

**⚠ Rezidualni rizik!** Osobe sa elektronskim uređajima, poput pejsmejкера, treba da konsultuju svog lekara (svoje lekare) pre upotrebe ovog proizvoda. Rukovanje električnom opremom u neposrednoj blizini srčanog pejsmejкера moglo bi da izazove smetnje ili otkazivanje pejsmejкера.

## SIGURNOSNI SIMBOL

Svrha sigurnosnih simbola je da vam skrenu pažnju na moguće opasnosti. Sigurnosni simboli i objašnjenja uz njih zaslužuju vašu pognu pažnju i shvatanje. Simboli upozorenja, sami po sebi, ne eliminišu nikakve opasnosti. Uputstva i upozorenja koja oni daju nisu zamena za odgovarajuće mere sprečavanja nezgoda.

**⚠ UPOZORENJE:** Obavezno pročitajte i shvatite sva sigurnosna uputstva u ovom Priručniku za rukovaoca, obuhvatajući i sve simbole sigurnosnih upozorenja poput „OPASNOST“, „UPOZORENJE“ i „OPREZ“ pre korišćenja ovog alata. Nepridržavanje svih dolenađenih uputstava može da dovede do strujnog udara, požara i/ili ozbiljne telesne povrede.

## ZNAČENJE SIMBOLA

Ova stranica prikazuje i opisuje sigurnosne simbole koji mogu da se pojave na ovom proizvodu. Pročitajte, shvatite i sledite sva uputstva na mašini pre no što pokušate da je sklopite i da rukujete njom.

## SIGURNOSNI SIMBOLI



Simbol upozorenja



Pročitajte i shvatite priručnik za rukovaoca



Nosite zaštitu za oči



Nosite zaštitu za uši



Nosite zaštitu za glavu



Nosite zaštitne rukavice



Čuvajte se povratnog udara motorne testere i izbegavajte kontakt sa vrhom vodilice



Povratni udarac vrha vodilice



Uvek koristite motornu testeru sa dve ruke



Ne izlažite kiši



Informacije o vodilici



Zagantovani nivo zvučne snage.



WEEE



Ovaj proizvod je u skladu sa primenjivim zakonima u UK.

SR



Ovaj proizvod je u skladu sa primenjivim Direktivama EU.



Jednosmerna struja

V Volt

A Amperi

Hz Herc

W Vat

min Minuti

$n_0$  Brzina bez opterećenja

.../min U minuti

## SPECIFIKACIJE

Napon	56 V	
Dužina vodilice	400 mm (CS1610E)	
	350 mm (CS1410E)	
Korak lanca	3/8" (9,5 mm)	
Dubina lanca	1,1 mm	
Brzina lanca	20 m/s	
Tip lanca	CS1610E	AC1600/AC1601 (preporučeno) AC1400/AC1401 (kompatibilno)
	CS1410E	AC1400/AC1401 (preporučeno) AC1600/AC1601 (kompatibilno)
Tip vodilice	CS1610E	AG1600/AG1601 (preporučeno) AG1400/AG1401 (kompatibilno)
	CS1410E	AG1400/AG1401 (preporučeno) AG1600/AG1601 (kompatibilno)
Zapremina rezervoara za ulje za lanac	150 ml	
Radna temperatura	Od -15 do 40 °C	
Temperatura skladištenja	Od -20 do 70 °C	
Neto težina (bez baterije, navlake za lanac)	3,9 kg (CS1610E)	
	3,8 kg (CS1410E)	
Izmereni nivo zvučne snage $L_{WA}$	102,25 dB(A)	
	K=1,4 dB(A)	
Nivo zvučnog pritiska na uhu rukovaoca $L_{PA}$	91,25 dB(A)	
	K=2,5 dB(A)	
Garantovan nivo jačine zvuka $L_{WA}$ (prema 2000/14/EC)	103 dB(A)	
Vibracije $a_h$	Prednja drška	3,377 m/s <sup>2</sup> K=1,5 m/s <sup>2</sup>
	Zadnja drška	2,823 m/s <sup>2</sup> K=1,5 m/s <sup>2</sup>

- Deklarisana ukupna vrednost vibracije je izmerena u skladu sa standardnim metodom testiranja i može se koristiti za upoređivanje jednog alata sa drugim;
- Deklarisana ukupna vrednost vibracije može se koristiti i u preliminarnoj proceni izlaganja.

**NAPOMENA:** Emisija vibracija tokom stvarne upotrebe električnog alata može da se razlikuje od deklarirane vrednosti u kojoj se alat koristi. Da bi se rukovalac zaštitio, korisnik bi trebalo da nosi rukavice i štitnike za uši u stvarnim uslovima korišćenja.

## POPIS PAKOVANJA (SLIKA A1)

### OPIS

#### UPOZNAJTE SVOJU MOTORNU TESTERU (slika A1)

1. Okidač varijabilne brzine
2. Zadnja drška
3. Dugme za zaključavanje
4. Prednja drška
5. Ručica kočnice lanca
6. Lanac
7. Vodilica
8. Kapica rezervoara za ulje
9. Prozor za inspekciju ulja
10. Električni kontakti
11. Dugme za otpuštanje baterije
12. Dugme za podešavanje zategnutosti lanca
13. Bočni poklopac
14. Dugme bočnog poklopca
15. Navlaka za lanac

## SASTAVLJANJE

### SKLAPANJE/ZAMENJIVANJE VODILICE I LANCA

**⚠ UPOZORENJE:** Podesite ručicu kočnice povratnog udara lanca u zakočeni položaj pre sklapanja.

1. Postavite pogonsku glavu motorne testere na bočnu

SR

stranu, sa bočnim poklopcem okrenutim nagore (slika B).

2. Okrenite dugme bočnog poklopca suprotno kazaljki na satu da biste skinuli bočni poklopac a zatim odvrnite dugme za zatezanje lanca koliko je moguće.
3. Položite novi lanac testere u petlju na ravnu površinu i izravnajte sve vijuge (slika C).
4. Stavite pogonske alke lanca u žleb na vodilici i napravite petlju od lanca na zadnjoj strani vodilice (slika D).
5. Držite lanac na njegovom mestu na vodilici i stavite petlju oko lančanika na glavi.
6. Navucite prorez vodilice na prirubnice za poravnanje dok igla za podešavanje zategnutosti ne bude umetnuta u donju rupu na repu vodilice (slika E1).

**NAPOMENA:** Strelce koje pokazuju smer su urezane na lancu. Još jedna strelca koja pokazuje smer postoji na kućištu. Kad pravite petlju lanca na lančaniku, vodite računa da smer strelca na lancu odgovara smeru strelce na kućištu. Ako su okrenute u suprotnim smerovima, okrenite sklop lanca testere i vodilice (slika E2).

1. Vratite bočni poklopac na njegovo mesto i malo zategnite dugme bočnog poklopca.
2. Podignite vrh vodilice da biste proverili da li lanac visi (slika F). Pustite vrh vodilice i okrenite dugme za podešavanje zategnutosti lanca u smeru kazaljke na satu. Ponavljajte ovaj proces dok lanac više ne visi.
3. Čvrsto zategnite dugme bočnog poklopca da biste osigurali da je lanac pravilno zategnut pre upotrebe.

D-1	Pogonske alke lanca	E-2	Igla za podešavanje zatezanja
D-2	Žleb vodilice	E-3	Prorez vodilice
E-1	Prirubnica za poravnanje	E-4	Lančanik

**NAPOMENA:** Da biste produžili radni vek vodilice, povremeno je obrnite.

**NAPOMENA:** Ako je lanac suviše zategnut, neće se okretati. Malo otpustite dugme bočnog poklopca i jednom okrenite dugme za podešavanje zategnutosti lanca suprotno kazaljki na satu. Podignite vrh vodilice i ponovo čvrsto zategnite dugme bočnog poklopca. Osigurajte da se lanac okreće bez zapinjanja.

## PODEŠAVANJE ZATEGNUTOSTI LANCA

- Zaustavite motor i izvadite bateriju pre podešavanja zategnutosti lanca. Vodite računa da dugme bočnog poklopca bude odvrnuto. Okrenite dugme za podešavanje zategnutosti lanca u smeru kazaljke

na satu da biste zategnuli lanac. Pogledajte odeljak: „SKLAPANJE/ZAMENJIVANJE VODILICE I LANCA“ radi dodatnih informacija.

- Hladan lanac je pravilno zategnut kad nema labavosti na donjem delu vodilice a lanac je tesan ali se može okrenuti rukom bez zapinjanja. Lanac se mora ponovo zategnuti kad god ravni delovi pogonskih alki ne stoje u žlebu vodilice.
- Tokom normalnog rukovanja testerom, temperatura lanca će se povećati. Pogonske alke pravilno zategnutog zagrejanog lanca će visiti približno 1,3 mm izvan žleba vodilice (slika G).

**NAPOMENA:** Novi lanci imaju tendenciju rastezanja; često proveravajte zategnutost lanca i zatežite ga po potrebi.

**NAPOMENA:** Lanac koji zatežete dok je zagrejan može da bude suviše zategnut kad se ohladi. Proverite hladnu zategnutost pre sledeće upotrebe.

## RUKOVANJE

**UPOZORENJE:** Nemojte dozvoliti da vas poznavanje ovog proizvoda učini nemarnim. Imajte na umu da je za nanošenje teških povreda dovoljan samo delić sekunde nepažnje.

**UPOZORENJE:** Ne koristite nikakve dodatke ili pribor koje nije preporučio proizvođač ovog proizvoda. Upotreba dodataka ili pribora koji nisu preporučeni može da dovede do ozbiljne telesne povrede.

**UPOZORENJE:** Da biste sprečili nehotično pokretanje koje bi moglo izazvati ozbiljne telesne povrede, uvek uklonite bateriju iz alata kada sklapate delove, podešavate, čistite ili kad ga ne koristite.

Pre svake upotrebe pregledajte celi proizvod na postojanje oštećenih, nedostajućih ili otpuštenih delova, kao što su vijci, navrtke, zavrtnji, kapice, itd. Čvrsto zategnite sve spojeve i kapice i ne rukujte ovih proizvodom dok svi nedostajući ili oštećeni delovi ne budu zamenjeni.

## PRIMENE

Ovaj proizvod možete da koristite za osnovno obaranje stabala, sečenje grana, orezivanje i sečenje drveta.

## SIPANJE MAZIVA ZA VODILICU I LANAC

**UPOZORENJE:** Nemojte pušiti ili približavati plamen ulju ili motornoj testeri. Ulje se može prosuti i izazvati požar.

**NAPOMENA:** U motornoj testeri nema ulja u vreme kupovine. Suštinski je važno napuniti rezervoar uljem pre upotrebe. Lanac se automatski podmazuje uljem tokom rada.

1. Postavite motornu testeru na bočnu stranu sa poklopcem rezervoara okrenutim nagore.
2. Očistite kapicu rezervoara za ulje i oblast oko nje da biste osigurali da nikakva prljavština ne upadne u rezervoar za ulje.
3. Postavite motornu testeru na bočnu stranu na čvrstu, ravnu površinu, tako da kapica rezervoara bude okrenuta nagore. Podignite polukružnu ploču i okrenite kapicu rezervoara za ulje suprotno kazaljki na satu da biste je skinuli (slika H).
4. Pažljivo sipajte ulje za vodilicu i lanac u rezervoar. Napunite do linije MAX.
5. Obrišite eventualni višak ulja i vratite poklopac.
5. Obrišite višak ulja i vratite čep.

**NAPOMENA:** Često proveravajte nivo ulja i dopunite kad nivo ulja padne ispod linije minimuma. Nikad ne rukujte motornom testerom ako ulje nije vidljivo.

### POSTAVLJANJE/SKIDANJE KOMPLETA BATERIJA Komplet baterija potpuno napunite pre prve upotrebe.

Koristite samo sa baterijama i punjačima navedenim na slici A2.

#### Za spajanje (slika I)

Poravnajte rebra baterije sa montažnim prorezima i gurnite bateriju u alat dok čujno ne škljocne na svoje mesto.

#### Za odvajanje (slika J)

Pritisnite dugme za otključavanje baterije i izvucite bateriju.

### POKRETANJE/ZAUSTAVLJANJE MOTORNE TESTERE

**NAPOMENA:** Pre pokretanja motorne testere, proverite nivo ulja, oštrinu zuba testere i pravilno funkcionisanje ručice kočnice povratnog udarca. Osim toga, potrebno je i uravnoteženo uporište i pravilna udaljenost od tla.

#### Za pokretanje

1. Povucite ručicu kočnice povratnog udarca lanca prema prednjoj drški, u radni položaj (slika K).
2. Čvrsto uhvatite prednju i zadnju dršku, koristeći obe ruke.
3. Palcem desne ruke pritisnite i držite dugme za zaključavanje a zatim prstima desne ruke stisnite prekidač varijabilne brzine da biste pokrenuli testeru (slika L).
4. Pustite dugme za zaključavanje i nastavite da pritisnete okidač za neprekidni rad.

**⚠ UPOZORENJE:** Ne pokušavajte da pokrenete testeru kad je lanac u rezu.

#### Za zaustavljanje

1. Pustite okidač varijabilne brzine da biste zaustavili motornu testeru.
2. Gurnite ručicu kočnice povratnog udarca lanca unapred u položaj kočenja da biste aktivirali kočnicu lanca (slika K).

**⚠ UPOZORENJE:** Uvek izvadite bateriju iz motorne testere tokom pauza u radu i posle završetka rada.

#### Pravilan hvat na drškama (slika M)

- Nosite rukavice koje se ne klizu zbog maksimalnog hvata i zaštite.
- Dok je testera na čvrstoj, ravnoj površini, uhvatite je čvrsto sa obe ruke.
- Uvek hvatajte prednju dršku levom rukom a zadnju dršku desnom rukom.
- Prsti treba da obuhvate dršku a palac da se savije ispod prednje drške

**⚠ UPOZORENJE:** Nikad ne koristite levoruki (ukršteni) hvat ili bilo koji stav koji bi postavio vaše telo ili ruku preko linije lanca (slika N).

#### Pravilan stav za sečenje (slika O)

- Oba stopala treba da budu na čvrstom tlu, sa težinom ravnomerno raspoređenom na oba stopala.
- Leva ruka treba da bude ispružena a levi lakat ukočen. To pomaže da se oduprete silama koje stvara povratni udarac.
- Vaše telo uvek treba da bude sa leve strane linije lanca.

### UPUTSTVA ZA PRAVILNU TEHNIKU OSNOVNOG OBARANJA STABALA, UKLANJANJA GRANA I POPREČNOG SEČENJA DRVETA

**⚠ UPOZORENJE:** Uvek imajte sigurno uporište i čvrsto držite motornu testeru sa obe ruke dok motor radi.

**⚠ UPOZORENJE:** Kad se lanac zaustavi zbog ukleštenja tokom sečenja, pustite okidač, izvadite lanac i vodilicu iz drveta, a zatim ponovo pokrenite motornu testeru.

**⚠ UPOZORENJE:** Ne vucite lanac rukom kad se zaglavi zbog piljevine. Može doći do ozbiljnih povreda ako se motorna testera nehatično pokrene. Pritisnite lanac na drvo i pomerajte motornu testeru unapred i unazad da biste uklonili prljavštinu. Uvek izvadite bateriju pre čišćenja. Nosite debele zaštitne rukavice kad rukujete lancem.

**⚠ UPOZORENJE:** Nikad ne pokrećite testeru kad je u kontaktu sa drvotom. Uvek pustite da motorna testera dosegne punu brzinu pre no što je prinesete drvetu.

## OBARANJE DRVETA

- Kada operacije sečenja na komade i obaranja drveta rade dve ili više osoba u isto vreme, operaciju obaranja treba odvojiti od operacije sečenja na udaljenost od najmanje dvostruke visine drveta koje se obara. Drveće ne bi trebalo obarati na način koji bi ugrozio neku osobu, udario električni vod ili izazvao oštećenje imovine. Ako drvo ipak dođe u kontakt sa električnim vodom, odmah treba obavestiti elektrodistribuciju.
- Rukovalac motornom testerom treba da stoji na višoj strani tla jer će se drvo verovatno otkrotirati ili skliznuti nizbrdo nakon što bude oboreno.
- Put za izbegavanje pada drveta treba isplanirati i po potrebi raščistiti, pre no što započne sečenje. Put za izbegavanje pada drveta treba da se pruža unazad i dijagonalno, na suprotnoj strani drveta od očekivane linije pada, kako je prikazano na slici P.

P-1	Smer obaranja
P-2	Put za povlačenje u sigurnost

- Pre no što započnete obaranje, uzmite u obzir prirodni nagib drveta, lokaciju većih grana i smer vetra da biste prosudili na koju stranu će drvo pasti.
- Uklonite zemlju, kamenje, labavu koru, eksere, staplere i žice sa drveta.

## Pravljenje donjeg ureza

Napravite urez od 1/3 prečnika drveta, upravno na smer pada, kako je prikazano na slici Q. Prvo napravite donji horizontalni rez. To će vam pomoći da izbegnete ukleštenje lanca ili vodilice kad budete pravili drugi rez.

Q-1	Smer pada
Q-2	Urez
Q-3	Zadnji urez
Q-4	Zglob

## Zadnji urez

- Napravite zadnji urez najmanje 50 mm iznad horizontalnog donjeg ureza, kako je prikazano na slici Q. Držite zadnji urez paralelnim sa horizontalnim donjim urezom. Napravite zadnji urez tako da ostane dovoljno drveta koje će se ponašati kao zglob. Zglob sprečava uvrtnje drveta i padanje u pogrešnom smeru. Ne secite kroz zglob.
- Kako se sečenje približava zglobu, drvo bi trebalo da počne da pada. Ako postoji ikakva šansa da drvo neće pasti u željenom smeru ili da će se zaljuljati unazad i pritisnuti lanac testere, prekinite sečenje pre nego

što pravljenje zadnjeg ureza bude završeno i koristite klinove od drveta, plastike ili aluminijuma za otvaranje reza i obaranje drveta u željenoj liniji pada.

- Kad drvo počne da pada, izvadite motornu testeru iz reza, zaustavite motor, spustite motornu testeru na tlo, a zatim krenite planiranim putem za povlačenje. Pazite na grane koje padaju odgore i gledajte gde stojate.

## Sečenje grana

Sečenje grana je uklanjanje grana sa oborenog drveta. Kad sečete grane, ostavite veće donje grane da podupiru stablo iznad zemlje. Uklanjajte male grane jednim rezom, kako je prikazano na slici R. Grane pod tenzijom treba seći odole nagore da bi se izbeglo zaglavljivanje motorne testere.

## Sečenje stabla na komade

- Sečenje na komade je sečenje oborenog stabla na manje komade. Važno je da vodite računa da vam uporište bude čvrsto i da vam težina bude ravnomerno raspoređena na obe noge. Kad god je to moguće, stablo treba podići i podupreti pomoću grana, panjeva ili klinova. Pratite ova jednostavna uputstva za lako sečenje.
- Kad je stablo poduprto celom dužinom, kako je prikazano na slici S1, seče se odgore.
- Kad je stablo poduprto na jednom kraju, kako je prikazano na slici S2, secite 1/3 prečnika od donje strane. Zatim napravite završni rez sečenjem odgore dok ne dođete do prvog reza.
- Kad je stablo poduprto na oba kraja, kako je prikazano na slici S3, secite 1/3 prečnika od gornje strane. Zatim napravite završni rez sečenjem odole donje 2/3 dok ne dođete do prvog reza.
- Kad sečete na nagibu, uvek stojte uzbrdo od stabla, kako je prikazano na slici T.
- Kad „prosecate“, da biste zadržali potpunu kontrolu, smanjite pritisak sečenja pred kraj reza bez opuštanja hvata na drškama motorne testere. Ne dozvolite da lanac dođe u kontakt sa tlom. Nakon završavanja reza, sačekajte da se lanac zaustavi pre no što premestite motornu testeru. Uvek zaustavite motor pre prelaska sa jednog drveta na drugo.

## ODRŽAVANJE

**⚠ UPOZORENJE:** Pri servisiranju UPOZORENJE: Tokom servisiranja, koristite samo identične rezervne delove. Upotreba bilo kakvih drugih delova može da dovede do opasnosti ili da izazove oštećenje proizvoda.

**⚠ UPOZORENJE:** Da biste izbegli ozbiljne telesne povrede, izvadite bateriju iz motorne testere pre pregledanja, čišćenja ili održavanja. Alat na baterije u koji



je stavljena baterija je uvek uključen i može nehotično da se pokrene.

**⚠ UPOZORENJE:** Kad čistite motornu testeru, NE potapajte je u vodu ili druge tečnosti.

**⚠ UPOZORENJE:** Nemojte ni u kom trenutku dozvoliti da kočiona tečnost, benzin, proizvodi na bazi benzina, penetraciono ulje itd. dođu u kontakt sa plastičnim delovima. Hemikalije mogu da oštete, oslabe ili unište plastiku, što može da dovede do ozbiljne telesne povrede.

## ČIŠĆENJE

- Nakon svake upotrebe, očistite prljavštinu sa lanca i vodilice pomoću meke četke. Obrišite površinu motorne testere čistom krpom navlaženom rastvorom blagog sapuna.
- Skinite bočni poklopac a zatim mekom četkom uklonite prljavštinu sa vodilice, lanca, lančanika i bočnog poklopca.
- Uvek očistite iverje, piljevinu i zemlju iz žleba vodilice kad zamenjujete lanac.

## ODRŽAVANJE VODILICE

Kad vodilica pokaže znake habanja, rasklopite je sa pogonske glave motorne testere i obrnite je radi ponovnog sklapanja (slika U1). Na taj način će habanje biti raspoređeno da bi se povećao radni vek vodilice.

Vodilicu treba čistiti svakog dana upotrebe i proveravati da li je pohabana i oštećena. Krivljenje ili deformisanje šina vodilice je normalan proces habanja vodilice. Takve nedostatke treba izravnati turpijom čim se pojave. Vodilicu sa bilo kojim od sledećih nedostataka treba zameniti.

- Habanje unutar šina vodilice koje omogućava lancu da leži bočno.
- Savijena vodilica.
- Napukle ili polomljene šine.
- Raširene šine.

Pored toga, vodilica ima lančanik na vrhu (slika U2). Lančanik se mora svake nedelje podmazivati špricom za mazivo da bi se produžio radni vek vodilice. Koristite špic za mazivo da biste svake nedelje uljem za lanac podmazali kroz rupicu za podmazivanje (slika U3). Okrenite vodilicu i proverite da li u rupicama za podmazivanje i žlebu lanca ima nečistoća.

U2-1	Lančanik u vrhu vodilice
U2-2	Rupica za podmazivanje

## TRANSPORTOVANJE I SKLADIŠTENJE

- Ne skladištite ili transportujte motornu testeru

dok radi. Uvek izvadite bateriju pre skladištenja ili transportovanja.

- Uvek stavite navlaku za vodilicu na vodilicu i lanac pre skladištenja ili transportovanja motorne testere. Budite oprezni da biste izbegli oštre zube lanca.
- Temeljno očistite motornu testeru pre no što je uskladištite. Skladištite motornu testeru u zatvorenom prostoru, na suvom mestu koje je zaključano i/ili nije dostupno deci.
- Držite dalje od korozivnih sredstava poput baštenskih hemikalija i soli za odmrzavanje.

## Zaštita životne sredine



WEEE (otpadna električna i elektronska oprema): ne odlažite električnu opremu, potrošene baterije i punjače u kućni otpad! Odnosite ovaj proizvod u ovlašćeni pogon za reciklažu ili ga odvojite od ostalog smeća radi zasebnog prikupljanja. Električni alati moraju se odneti u ekološki prihvatljiv pogon za reciklažu.

## REŠAVANJE PROBLEMA

**⚠ UPOZORENJE:** Uvek zaštitite ruke tako što ćete nositi debele rukavice kad radite bilo kakvo održavanje na lancu. Uvek izvadite bateriju kad servisirate ili transportujete motornu testeru.

PROBLEM	UZROK	REŠENJE
Motor se ne pokreće.	<ul style="list-style-type: none"> <li>■ Baterija nije spojena na motornu testeru.</li> <li>■ Nema električnog kontakta između testere i baterije.</li> <li>■ Baterija je prazna.</li> <li>■ Baterija ili motorna testera su prevrući.</li> <li>■ Kočnica lanca je aktivirana.</li> <li>■ Priljavština u žlebu vodilice.</li> <li>■ Priljavština u bočnom poklopcu.</li> </ul>	<ul style="list-style-type: none"> <li>■ Spojite bateriju na motornu testeru.</li> <li>■ Izvadite bateriju, proverite kontakte i ponovo instalirajte bateriju.</li> <li>■ Napunite komplet baterija.</li> <li>■ Ostavite bateriju ili motornu testeru da se hlade dok temperatura ne padne ispod 67 °C.</li> <li>■ Povucite ručicu kočnice unazad prema prednjoj drški da bi došla u radni položaj.</li> <li>■ Pritisnite lanac na drvo i pomerajte motornu testeru unapred i unazad da biste uklonili priljavštinu.</li> <li>■ Izvadite bateriju a zatim skinite bočni poklopac i očistite priljavštinu.</li> </ul>
Motorna testera prestaje da radi tokom rukovanja.	<ul style="list-style-type: none"> <li>■ Motorna testera je preopterećena.</li> <li>■ Baterija ili motorna testera su prevrući.</li> <li>■ Lanac testere je zaglavljen u drvetu.</li> </ul>	<ul style="list-style-type: none"> <li>■ Smanjite opterećenje.</li> <li>■ Smanjite opterećenje. Ostavite bateriju ili motornu testeru da se hlade dok temperatura ne padne ispod 67 °C.</li> <li>■ Pustite okidač varijabilne brzine, izvadite lanac i vodilicu testere iz drveta, a zatim ponovo pokrenite motornu testeru.</li> </ul>
Motor radi ali lanac se ne okreće.	<ul style="list-style-type: none"> <li>■ Lanac ne dodiruje pogonski lančanik.</li> </ul>	<ul style="list-style-type: none"> <li>■ Ponovo instalirajte lanac, vodeći računa da pogonske alke na lancu budu potpuno postavljene na lančanik.</li> </ul>
Kočnica lanca se ne aktivira.	<ul style="list-style-type: none"> <li>■ Priljavština sprečava potpuno kretanje ručice kočnice.</li> <li>■ Moguć kvar kočnice lanca.</li> </ul>	<ul style="list-style-type: none"> <li>■ Očistite priljavštinu sa spoljašnjeg mehanizma kočnice lanca.</li> <li>■ Obratite se EGO korisničkoj službi za popravku.</li> </ul>

PROBLEM	UZROK	REŠENJE
Motorna testera ne seče pravilno.	<ul style="list-style-type: none"> <li>■ Nedovoljna zategnutost lanca.</li> <li>■ Tup lanac.</li> <li>■ Lanac instaliran unazad.</li> <li>■ Pohaban lanac.</li> <li>■ Suv ili prekomerno rastegnut lanac.</li> <li>■ Lanac nije u žlebu vodilice.</li> </ul>	<ul style="list-style-type: none"> <li>■ Ponovo podesite zategnutost lanca, prateći odeljak: „<b>PODEŠAVANJE ZATEGNETOSTI LANCA</b>“.</li> <li>■ Naoštrite lanac.</li> <li>■ Ponovo instalirajte lanac testere, prateći odeljak „<b>SKLAPANJE/ZAMENJIVANJE VODILICE I LANCA</b>“.</li> <li>■ Zamenite lanac, prateći odeljak: „<b>SKLAPANJE/ZAMENJIVANJE VODILICE I LANCA</b>“.</li> <li>■ Proverite nivo ulja. Dopunite rezervoar za ulje ako je neophodno.</li> <li>■ Ponovo instalirajte lanac, prateći odeljak: „<b>SKLAPANJE/ZAMENJIVANJE VODILICE I LANCA</b>“.</li> </ul>
Lanac se olabavljuje ili spada sa vodilice tokom normalne upotrebe.	<ul style="list-style-type: none"> <li>■ Lanac će se olabaviti kako se temperatura lanca povećava tokom normalnog rukovanja testerom.</li> <li>■ Lanac ne dodiruje pogonski lančanik.</li> </ul>	<ul style="list-style-type: none"> <li>■ Povećajte zategnutost lanca prateći odeljak „<b>PODEŠAVANJE ZATEGNETOSTI LANCA</b>“</li> <li>■ Ponovo instalirajte lanac, prateći odeljak: „<b>SKLAPANJE/ZAMENJIVANJE VODILICE I LANCA</b>“.</li> </ul>

## GARANCIJA

### EGO POLITIKA GARANCIJE

Posetite veb-lokaciju [egopowerplus.eu](http://egopowerplus.eu) za potpune uslove i odredbe EGO politike garancije.

## PROČITAJTE UPUTSTVO U CIJELOSTI!



PROČITAJTE KORISNIČKI PRIRUČNIK

**⚠️ Preostale opasnosti!** Osobe s elektroničkim uređajima poput srčanih elektrostimulatora prije upotrebe ovog proizvoda trebaju se posavjetovati sa svojim ljekarom. Rad električne opreme u neposrednoj blizini srčanih elektrostimulatora može uzrokovati smetnju ili kvar srčanog elektrostimulatora.

## SIGURNOSNI SIMBOL

Svrha sigurnosnih simbola je skretanje pažnje na moguće opasnosti. Sigurnosni simboli i njihova objašnjenja zahtijevaju vašu potpunu pažnju i razumijevanje. Simboli upozorenja sami po sebi ne isključuju opasnost. Uputstva i upozorenja koja pružaju nisu zamjena za propisne mjere za prevenciju nesreća.

**⚠️ UPOZORENJE!** Prije upotrebe ovog alata pobrinite se da sva sigurnosna uputstva u ovom korisničkom priručniku, uključujući sve sigurnosne simbole kao što su "OPASNOST", "UPOZORENJE" i "OPREZ" pročitate s razumijevanjem. Zanemarivanje svih uputstava navedenih u nastavku može rezultirati strujnim udarom, požarom i/ili teškim tjelesnim povredama.

## ZNAČENJE SIMBOLA

Na ovoj stranici slikovno su prikazani i objašnjeni sigurnosni simboli koji se mogu pojaviti na ovom proizvodu. Prije pokušaja sastavljanja i rukovanja, s razumijevanjem pročitate sva uputstva na proizvodu i pridržavajte ih se.

## SIGURNOSNI SIMBOLI



Simbol upozorenja



S razumijevanjem pročitate korisnički priručnik.



Nosite zaštitu za oči.



Nosite zaštitu za sluh.



Nosite zaštitu za glavu.



Nosite zaštitne rukavice.



Pazite na povratni udar motorne žage i izbjegavajte kontakt s vrhom vodilice.



Povratni udar na vrhu vodilice



Motornu žagu uvijek upotrebljavajte s dvjema rukama.



Ne izlažite uređaj kiši.



Informacije o vodilici



Zagantovani nivo zvučne snage.



WEEE



Ovaj proizvod je u skladu s važećim zakonodavstvom Ujedinjenog Kraljevstva.

BS



Ovaj proizvod je u skladu s primjenjivim Direktivama EU.



Istosmjerna struja

V Volt  
 Hz Herc  
 min Minute  
 .../min U minuti

A Amper  
 W Vat  
 $n_0$  Brzina vrtnje bez opterećenja

## TEHNIČKI PODACI

Napon	56 V	
Dužina vodilice	400 mm (CS1610E)	
	350 mm (CS1410E)	
Korak lanca	3/8" (9,5mm)	
Veličina karike lanca	1,1 mm	
Brzina lanca	20 m/s	
Tip lanca žage	CS1610E	AC1600/AC1601 (preporučeno) AC1400/AC1401 (kompatibilno)
	CS1410E	AC1400/AC1401 (preporučeno) AC1600/AC1601 (kompatibilno)
Tip vodilice	CS1610E	AG1600/AG1601 (preporučeno) AG1400/AG1401 (kompatibilno)
	CS1410E	AG1400/AG1401 (preporučeno) AG1600/AG1601 (kompatibilno)
Zapremina spremnika ulja za lanac	150 ml	
Radna temperatura	-15°C–40°C	
Temperatura skladištenja	-20°C–70°C	
Neto masa (bez kompleta baterija, zaštitne navlake za lanac)	3,9 kg (CS1610E) 3,8 kg (CS1410E)	
Izmjereni nivo zvučne snage $L_{WA}$	102,25 dB(A) K=1,4 dB(A)	
Nivo zvučnog pritiska kod uha rukovaoca $L_{PA}$	91,25 dB(A) K=2,5 dB(A)	
Zagarantovani nivo zvučne snage $L_{WA}$ (u skladu s Direktivom 2000/14/EZ)	103 dB(A)	
Vibracije $a_h$	Prednji rukohvat	3,377 m/s <sup>2</sup> K=1,5 m/s <sup>2</sup>
	Stražnji rukohvat	2,823 m/s <sup>2</sup> K=1,5 m/s <sup>2</sup>

- Deklarisane ukupne vrijednosti vibracija izmjerene su u skladu sa standardnom metodom ispitivanja i mogu se primjenjivati za poređenje jednog alata s drugim.
- Deklarisane ukupne vrijednosti vibracija mogu se primjenjivati i u preliminarnoj procjeni izloženosti.

**NAPOMENA!** Emisija vibracija tokom aktualne upotrebe električnog alata može se razlikovati od deklarirane vrijednosti u kojoj se alat upotrebljavao; Korisnik radi zaštite treba nositi rukavice i štitnike za uši u aktualnim uslovima upotrebe.

## SADRŽAJ PAKOVANJA (SL. A1)

### OPIS

#### UPOZNAJTE SVOJU MOTORNU ŽAGU (sl. A1)

- Okidni prekidač za varijabilnu brzinu
- Stražnji rukohvat
- Dugme za deblokadu
- Prednji rukohvat
- Ručica kočnice lanca za povratni udar
- Lanac žage
- Vodilica
- Čep spremnika ulja
- Kontrolno okno za ulje
- Električni kontakti
- Dugme za oslobađanje baterije
- Okretno dugme za podešavanje zategnutosti lanca
- Bočni poklopac
- Okretno dugme bočnog poklopca
- Zaštitna navlaka za lanac

## SASTAVLJANJE

### POSTAVLJANJE/ZAMJENA VODILICE I LANCA

**⚠ UPOZORENJE!** Prije sastavljanja namjestite ručicu kočnice lanca za povratni udar u položaj kočenja.

- Pozicionirajte pogonsku glavu motorne žage na

**BS**

njezinu strani s bočnim poklopcem okrenutim prema gore (sl. B).

2. Okrenite okretno dugme bočnog poklopca u smjeru suprotnom smjeru kretanja kazaljki na satu da skinete bočni poklopac, a zatim koliko god je moguće otpustite okretno dugme za zatezanje lanca.
3. Položite novi lanac žage u omči na ravnu površinu i ispravite eventualne pregibe (sl. C).
4. Stavite pogonske karike lanca u žlijeb vodilice tako da se na stražnjoj strani vodilice napravi omča (sl. D).
5. Držite lanac u položaju na vodilici i stavite omču oko lančanika pogonske glave.
6. Gurnite utor vodilice preko prirubnica za poravnanje dok klin za podešavanje zategnutosti ne uđe u donji otvor na kraju vodilice (sl. E1).

**NAPOMENA!** Na lancu žage utisnute su male strelice za smjer. Druga strelica za smjer utisnuta je u kućište. Kada omču lanca žage stavljate na lančanik, vodite računa da smjer strelica na lancu žage bude u skladu sa smjerom strelice na kućištu. Ako su strelice usmjerene u suprotnom smjeru, okrenite lanac žage i sklop vodilice (sl. E2).

7. Ponovo postavite bočni poklopac i lagano pritegnite okretno dugme bočnog poklopca.
8. Za provjeru progiba podignite vrh vodilice (sl. F). Otpustite vrh vodilice i okretno dugme za podešavanje zategnutosti lanca okrenite u smjeru kretanja kazaljki na satu. Ovaj postupak ponavljajte dok ne uklonite progib.
9. Dobro pritegnite okretno dugme bočnog poklopca kako biste osigurali da lanac žage bude propisno zategnut prije upotrebe.

D-1	Pogonske karike lanca	E-2	Klin za podešavanje zategnutosti
D-2	Žlijeb vodilice	E-3	Utor vodilice
E-1	Prirubnica za poravnanje	E-4	Lančanik

**NAPOMENA!** Vodilicu povremeno okrenite radi produženja njenog radnog vijeka.

**NAPOMENA!** Ako je lanac previše zategnut, neće se okretati. Polako otpustite okretno dugme bočnog poklopca i jednom okrenite okretno dugme za podešavanje zategnutosti lanca u smjeru suprotnom smjeru kretanja kazaljki na satu. Podignite vrh vodilice i ponovo dobro pritegnite okretno dugme bočnog poklopca. Uvjerite se da se lanac okreće bez zaustavljanja.

**BS**

## PODEŠAVANJE ZATEGNUTOSTI LANCA

- Prije podešavanja zategnutosti lanca zaustavite motor

# 248

AKUMULATORSKA MOTORNA ŽAGA — CS1610E/CS1410E

i izvadite komplet baterija. Uvjerite se da je okretno dugme bočnog poklopca otpušteno. Za zatezanje lanca okrenite okretno dugme za podešavanje zategnutosti lanca u smjeru kretanja kazaljki na satu. Za više informacija pogledajte odjeljak: "POSTAVLJANJE/ ZAMJENA VODILICE I LANCA".

- Hladan lanac je ispravno zategnut kada nema progiba na donjoj strani vodilice i kada lanac naliže uz mogućnost ručnog okretanja bez zastoja. Lanac je potrebno ponovno zategnuti kada zaravnjene površine na pogonskim karikama ne uliježu u žlijeb vodilice.
- Temperatura lanca povisuje se tokom normalnog rada žage. Pogonske karike ispravno zategnutog toplog lanca visjet će oko 1,3 mm iz žlijeba vodilice (sl. G).

**NAPOMENA!** Novi lanci imaju tendenciju rastezanja. Često provjeravajte zategnutost lanca i prema potrebi ga zategnite.

**NAPOMENA!** Lanac zategnut u toplom stanju može biti previše zategnut nakon hlađenja. Prije sljedeće upotrebe povjerite zategnutost hladnog lanca.

## RAD

**⚠ UPOZORENJE!** Nemojte dozvoliti da vas poznavanje ovog proizvoda učini nepažljivim. Imajte na umu da je za nanošenje teških povreda dovoljan samo djelić sekunde nepažnje.

**⚠ UPOZORENJE!** Nemojte upotrebljavati priključke ili pribor koje nije preporučio proizvođač ovog proizvoda. Upotreba nepreporučenih priključaka ili pribora može rezultirati teškim tjelesnim povredama.

**⚠ UPOZORENJE!** Radi sprečavanja iznenadnog pokretanja koje može uzrokovati teške tjelesne povrede, uvijek izvadite komplet baterija iz alata kada postavljate dijelove, obavljate radove podešavanja, čišćenja ili kada ne upotrebljavate alat.

Prije svake upotrebe pregledajte cijeli proizvod na postojanje oštećenih, nedostajućih ili otpuštenih dijelova, kao što su vijci, matice, osovine, kapice, itd. Dobro pritegnite sve pričvrstne elemente i kapice i nemojte upotrebljavati ovaj proizvod dok ne postavite sve dijelove koji nedostaju ili zamijenite sve oštećene dijelove.

## PRIMJENE

Ovaj proizvod možete upotrebljavati za osnovno obaranje stabala, orezivanje grana, obrezivanje i sječu rezane građe i drveća.

## PUNJENJE MAZIVA ZA VODILICU I LANAC

**⚠ UPOZORENJE!** Nemojte pušiti ili upotrebljavati vatru ili plamen u blizini ulja ili motorne žage. Ulje može iscuriti i

izazvati požar.

**NAPOMENA!** Motorna žaga nije napunjena uljem u vrijeme kupovine. Prije upotrebe važno je da se spremnik napuni uljem. Tokom rada lanac se automatski podmazuje uljem za lanac.

1. Postavite motornu žagu na bočnu stranu sa čepom spremnika ulja okrenutim prema sebi.
2. Očistite čep spremnika ulja i okolno područje kako biste osigurali da u spremnik ulja ne upada nečistoća.
3. Motornu žagu položite bočno na čvrstu, ravnu površinu tako da čep spremnika ulja bude okrenut prema gore. Podignite polukružnu ploču i čep spremnika ulja okrenite u smjeru suprotnom smjeru kretanja kazaljki na satu kako biste ga uklonili (sl. H).
4. Pažljivo napunite spremnik uljem za vodilicu i lanac. Spremnik napunite do oznake maksimalnog nivoa MAX.
5. Obrišite višak ulja i ponovo stavite čep.

**NAPOMENA!** Često provjeravajte nivo ulja i dopunite ulje kada nivo ulja padne ispod oznake minimalnog nivoa. Nemojte nikada upotrebljavati motornu žagu ako ulje nije vidljivo.

#### POSTAVLJANJE/SKIDANJE KOMPLETA BATERIJA Komplet baterija potpuno napunite prije prve upotrebe.

Proizvod upotrebljavajte samo s kompletima baterija i punjačima koji su navedeni na sl. A2.

#### Postavljanje (sl. I)

Poravnajte kontakte baterija s montažnim utorima i komplet baterija gurnite u alat tako da čujno ulegne u svoje ležište.

#### Skidanje (sl. J)

Pritisnite dugme za oslobađanje baterije i izvucite komplet baterija.

#### POKRETANJE/ZAUSTAVLJANJE MOTORNE ŽAGE

**NAPOMENA!** Prije pokretanja motorne žage provjerite nivo ulja, oštrinu zuba žage i propisnu funkciju ručice kočnice za povratni udar. Osim toga potrebni su stabilno uporište i propisna udaljenost od tla.

#### Pokretanje

1. Ručicu kočnice lanca za povratni udar povucite prema prednjem rukohvatu u radni položaj (sl. K).
2. Objema rukama čvrsto prihvatite prednji i stražnji rukohvat.
3. Palcem desne ruke pritisnite dugme za deblokadu i držite ga pritisnutim, a zatim za pokretanje žage prstima desne ruke stisnite okidni prekidač za varijabilnu brzinu (sl. L).
4. Otpustite dugme za deblokadu i nastavite stiskati okidač za kontinuirani rad.

**⚠ UPOZORENJE!** Nemojte pokušavati pokretati žagu kada lanac žage ostane u drvetu.

#### Zaustavljanje

1. Za zaustavljanje motorne žage otpustite okidni prekidač za varijabilnu brzinu.
2. Gurnite ručicu kočnice lanca za povratni udar prema naprijed u položaj kočenja da aktivirate kočnicu lanca (sl. K).

**⚠ UPOZORENJE!** Komplet baterija uvijek izvadite iz motorne žage tokom pauza i nakon završetka radova.

#### Propisno držanje rukohvata (sl. M)

- Za maksimalni prihvat i zaštitu nosite neklizajuće rukavice.
- Žagu na čvrstoj, ravnoj površini držite čvrsto objema rukama.
- Prednji rukohvat uvijek prihvatite lijevom, a stražnji rukohvat desnom rukom.
- Prsti trebaju obuhvatiti rukohvat s palcem savijenim ispod prednjeg rukohvata.

**⚠ UPOZORENJE!** Nemojte nikada upotrebljavati lijevi (poprečni) prihvat niti položaj koji vaše tijelo ili ruku postavlja preko linije lanca (sl. N).

#### Propisan položaj pri rezanju (sl. O)

- Oba stopala trebaju biti na čvrstom tlu uz tjelesnu masu ravnomjerno raspoređenu između njih.
- Lijeva ruka treba biti ispružena uz fiksirani lakat. Taj položaj će pomoći da se oduprete silama koje stvara povratni udar.
- Vaše tijelo uvijek mora biti s lijeve strane linije lanca.

#### UPUTSTVA ZA PROPISNE TEHNIKE OSNOVNOG OBARANJA STABALA, OREZIVANJA GRANA I POPREČNOG REZANJA

**⚠ UPOZORENJE!** Uvijek osigurajte dobro uporište i čvrsto držite motornu žagu objema rukama dok motor radi.

**⚠ UPOZORENJE!** Kada se lanac žage zaustavi zbog zaglavljivanja tokom postupka rezanja, otpustite okidni prekidač, uklonite lanac žage i vodilicu iz drveta, a zatim ponovo pokrenite motornu žagu.

**⚠ UPOZORENJE!** Nemojte povlačiti lanac žage rukom kada je obuhvaćen piljevinom. Iznenađno pokretanje motorne žage može rezultirati teškim povredama. Za uklanjanje naslaga pritisnite lanac žage o drvo i pomičite motornu žagu prema nazad i naprijed. Prije čišćenja uvijek izvadite komplet baterija. Kada rukujete motornom žagom, uvijek nosite zaštitne rukavice za teške uslove rada.

BS

**⚠ UPOZORENJE!** Nemojte nikada pokretati motornu žagu kada je u kontaktu s drvom. Prije rezanja drveta uvijek pričekajte da motorna žaga dostigne punu brzinu.

## OBARANJE STABALA

- Kod radova rezanja po dužini i obaranja stabala koje istovremeno obavljaju dvije osobe ili više osoba, radove obaranja stabala potrebno je razdvojiti od radova rezanja po dužini razdaljinom od najmanje dvije visine stabla koje se obara. Stabla se ne smiju obarati na način kojim će se ugroziti osobe, udariti u opskrbnu mrežu ili uzrokovati materijalnu štetu. Ako stabla dođu u kontakt s opskrbnom mrežom, odmah je potrebno obavijestiti odnosno preduzeće.
- Rukovalac motornom žagom treba stajati na uzvišenoj strani terena jer će se drvo nakon obaranja vjerovatno otkotrljati ili skliznuti nizbrdo.
- Prije početka postupka rezanja stabala potrebno je isplanirati i prema potrebi očistiti put za sklanjanje od padajućeg stabla. Put za sklanjanje od padajućeg stabla treba se protezati nazad i dijagonalno prema stražnjem dijelu očekivane linije pada kako je prikazano na sl. P.

P-1	Smjer obaranja stabla
P-2	Sigma putanja za povlačenje

- Prije početka postupka obaranja stabla, za procjenu putanje pada stabla uzmite u obzir prirodnu nagutost stabla, lokaciju većih grana i smjer vjetra.
- Sa stabla uklonite prjaljštinu, kamenje, odvojenu koru, eksere, spajalice i žicu.

## Zarezivanje

Napravite urez 1/3 prečnika stabla, okomito naspram smjera pada kako je prikazano na sl. Q. Najprije obavite niže vodoravno zarezivanje. To će pomoći u izbjegavanju zaglavljivanja lanca žage ili vodilice pri pravljenju drugog ureza.

Q-1	Smjer pada
Q-2	Urez
Q-3	Rez obaranja
Q-4	Zglob

## Rez obaranja

- Rez obaranja napravite najmanje 50 mm više od vodoravnog zarezivanja kako je prikazano na sl. Q. Rez obaranja održavajte paralelnim u odnosu na vodoravno zarezivanje. Rez obaranja napravite tako da ostane dovoljno drveta da djeluje kao zglob. Zglob sprečava zakretanje stabla i pad stabla u pogrešnom smjeru.

Nemojte rezati kroz zglob.

- Kako se rezovi za obaranje približavaju zglobu, stablo treba početi da pada. Ako postoji mogućnost da drvo ne padne u željenom smjeru ili da se zanjiše unazad i blokira lanac žage, obustavite radove rezanja prije završetka reza obaranja i upotrijebite klinove od drveta, plastike ili aluminijuma da otvorite rez i ispustite stablo duž željene linije pada.
- Kada stablo počne da pada, uklonite motornu žagu iz reza, zaustavite motor, odložite motornu žagu, a zatim upotrijebite planiranu putanju za povlačenje. Pazite na grane iznad glave koje padaju i vodite računa o uporištu.

## Orezivanje grana stabla

Orezivanje grana je uklanjanje grana s oborenog stabla. Prilikom orezivanja grana ostavite veće niže grane kao pomoć za odizanje debla s tla. Male grane uklonite jednim rezom kako je prikazano na sl. R. Napete grane potrebno je rezati odozdo prema gore kako bi se izbjegla blokada motorne žage.

## Rezanje po dužini

- Rezanje po dužini je uzdužno rezanje debla. Važno je da osigurate čvrsto uporište i da tjelesna masa bude ravnomjerno raspoređena na oba stopala. Ako je moguće, deblo treba podići i poduprijeti pomoću grana, debla ili klinova. Pridržavajte se jednostavnih smjernica za jednostavno rezanje.
- Kada je deblo poduprieto cijelom dužinom kako je prikazano na sl. S1, reže se s gornje strane (odozgo).
- Kada je deblo poduprieto na jednom kraju kako je prikazano na sl. S2, režite 1/3 prečnika debla s donje strane (odozdo). Zatim obavite završni rez odozdo kako biste sastavili s prvim rezom.
- Kada je deblo poduprieto na oba kraja kako je prikazano na sl. S3, režite 1/3 prečnika debla s gornje strane (odozgo). Zatim obavite završni rez odozdo na donjoj strani 2/3 kako biste sastavili s prvim rezom.
- Kada obavljate rezanje po dužini na nagibu, uvijek stojite na uzvišenoj strani od debla kako je prikazano na sl. T.
- Kada "odrezujete", za održavanje kompletne kontrole rasteretite pritisak rezanja u blizini kraja reza bez popuštanja zahvata na rukohvatima motorne žage. Nemojte dozvoliti da lanac dođe u kontakt s tlom. Nakon obavljenog reza, pričekajte da se lanac žage zaustavi prije premještanja motorne žage. Uvijek zaustavite motor prije premještanja s drveta na drvo.

## ODRŽAVANJE

**⚠ UPOZORENJE!** Kada obavljate radove servisiranja,



upotrebljavajte samo identične zamjenske dijelove. Upotreba drugih dijelova može uzrokovati opasnost ili oštećenje proizvoda.

**⚠ UPOZORENJE!** Radi izbjegavanja teških tjelesnih povreda, izvadite komplet baterija iz motorne žage prije obavljanja radova pregleda, čišćenja ili održavanja. Alat na baterijski pogon s umetnutim kompletom baterija uvijek je uključen i može se iznenada pokrenuti.

**⚠ UPOZORENJE!** Kada čistite motornu žagu, NEMOJTE je uranjati u vodu ili druge tekućine.

**⚠ UPOZORENJE!** Nemojte nikada dozvoliti da kočione tekućine, benzin, proizvodi na bazi nafte, penetrirajuća ulja i sl., dođu u kontakt s plastičnim dijelovima. Hemikalije mogu oštetiti, oslabiti ili uništiti plastiku što može rezultirati teškim tjelesnim povredama.

### ČIŠĆENJE

- Nakon svake upotrebe mekanom četkom očistite naslage s lanca i vodilice. Površinu motorne žage obrišite čistom krpom navlaženom u blagoj sapunici.
- Skinite bočni poklopac, a zatim mekanom četkom očistite naslage s vodilice, lanca žage, lančanika i bočnog poklopca.
- Pri zamjeni lanca žage, iz žlijeba vodilice uvijek očistite drvo iverje, prašinu od žage i prljavštinu.

### ODRŽAVANJE VODILICE

Kada se na vodilici pojave znakovi istrošenosti, skinite je s pogonske glave motorne žage i okrenite je naopako za ponovno postavljanje (sl. U1). Na taj ćete način raspodijeliti trošenje radi maksimalnog radnog vijeka vodilice.

Vodilicu je potrebno čistiti svaki dan kada se upotrebljava i provjeriti na postojanje znakova istrošenosti i oštećenja. Stvaranje bridova ili neravnina na šinama vodilice je normalan proces trošenja vodilice. Takve nepravilnosti treba ublažiti turpijom čim se pojave. Vodilicu s bilo kojim od sljedećih nepravilnosti je potrebno zamijeniti.

- Istrošenost unutrašnje strane šina vodilice što omogućuje ležanje lanca sa strana.
- Savijena vodilica.
- Napuknute ili polomljene šine.
- Raširene šine.

Osim toga, vodilica na vrhu ima lančanik (sl. U2). Lančanik je potrebno sedmično podmazivati mazalicom radi produženja radnog vijeka vodilice. Za sedmično podmazivanje s uljem za lanac putem otvora za podmazivanje upotrebljavajte mazalicu (sl. U3). Okrenite vodilicu i provjerite jesu li otvori za podmazivanje i žlijeb lanca očišćeni od nečistoća.

U2-1	Lančanik na vrhu vodilice
U2-2	Otvor za podmazivanje

### TRANSPORT I SKLADIŠTENJE

- Motornu žagu nemojte skladištiti ili transportovati kada radi. Prije skladištenja ili transporta uvijek izvadite komplet baterija.
- Prije skladištenja ili transporta motorne žage, na vodilicu i lanac uvijek stavite zaštitnu navlaku. Budite oprezni da izbjegnute oštre zube lanca.
- Motornu žagu dobro očistite prije skladištenja. Motornu žagu skladištite u zatvorenim prostorima na suhom mjestu koje je zaključano i/ili nedostupno djeci.
- Pogonsku jedinicu držite podalje od korozivnih sredstava kao što su vrtna hemijska sredstva i soli za odmrzavanje.

### Zaštita životne sredine



WEEE (električna i elektronička oprema koja više nije iskoristiva) Električnu opremu, iskorištenu bateriju i punjač nemojte odlagati u kućni otpad! Ovaj proizvod odnesite u ovlaštenu centar za reciklažu i time omogućite odvojeno sakupljanje. Električne alate potrebno je vratiti u ekološki prihvatljiv pogon za reciklažu.

## OTKLANJANJE PROBLEMA

**⚠ UPOZORENJE!** Kada obavljate radove održavanja na motornoj žagi, uvijek zaštitite ruke nošenjem debelih rukavica. Prije radova servisiranja ili transporta motorne žage uvijek izvadite komplet baterija.

PROBLEM	UZROK	RJEŠENJE
Motor se ne pokreće.	<ul style="list-style-type: none"> <li>■ Komplet baterija nije pričvršćen na motornu žagu.</li> <li>■ Nema električnog kontakta između žage i baterije.</li> <li>■ Komplet baterija je ispražnjen.</li> <li>■ Komplet baterija je previše vruć ili motorna žaga je previše vruća.</li> <li>■ Kočnica lanca se aktivira.</li> <li>■ Naslage u žlijebu vodilice.</li> <li>■ Naslage u bočnom poklopcu.</li> </ul>	<ul style="list-style-type: none"> <li>■ Pričvrstite komplet baterija na motornu žagu.</li> <li>■ Izvadite bateriju, provjerite kontakte i ponovo stavite komplet baterija.</li> <li>■ Napunite komplet baterija.</li> <li>■ Pričekajte da se komplet baterija ili motorna žaga ohlade na temperaturu ispod 67 °C.</li> <li>■ Ručicu kočnice lanca za povratni udar povucite nazad prema prednjem rukohvatu u radni položaj.</li> <li>■ Za uklanjanje naslaga pritisnite lanac žage o drvo i pomikite motornu žagu prema nazad i naprijed.</li> <li>■ Izvadite komplet baterija, zatim skinite bočni poklopac i očistite naslage.</li> </ul>
Motorna žaga prestaje raditi tokom rada.	<ul style="list-style-type: none"> <li>■ Motorna žaga je preopterećena.</li> <li>■ Komplet baterija je previše vruć ili motorna žaga je previše vruća.</li> <li>■ Lanac žage zaglavio se u drvetu.</li> </ul>	<ul style="list-style-type: none"> <li>■ Smanjite opterećenje.</li> <li>■ Smanjite opterećenje. Pričekajte da se komplet baterija ili motorna žaga ohlade na temperaturu ispod 67 °C.</li> <li>■ Otpustite okidni prekidač za varijabilnu brzinu, izvadite lanac žage i vodilicu iz drveta, a zatim ponovo pokrenite motornu žagu.</li> </ul>
Motor radi, ali lanac se ne okreće.	<ul style="list-style-type: none"> <li>■ Lanac ne zahvaća pogonski lančanik.</li> </ul>	<ul style="list-style-type: none"> <li>■ Ponovo postavite lanac vodeći računa da pogonske karike na lancu potpuno naliježu na lančanik.</li> </ul>
Kočnica lanca se ne aktivira.	<ul style="list-style-type: none"> <li>■ Naslage sprečavaju puno kretanje ručice kočnice lanca za povratni udar.</li> <li>■ Mogući kvar kočnice lanca.</li> </ul>	<ul style="list-style-type: none"> <li>■ Očistite naslage s vanjskog mehanizma kočnice lanca.</li> <li>■ Za popravak se obratite centru korisničke službe proizvođača EGO.</li> </ul>

PROBLEM	UZROK	RJEŠENJE
Motorna žaga ne reže ispravno.	<ul style="list-style-type: none"> <li>■ Lanac je nedovoljno zategnut.</li> <li>■ Lanac je tup.</li> <li>■ Lanac je postavljen naopako.</li> <li>■ Lanac je istrošen.</li> <li>■ Lanac je suh ili je previše rastegnut.</li> <li>■ Lanac nije u žlijebu vodilice.</li> </ul>	<ul style="list-style-type: none"> <li>■ Ponovo podesite zategnutost lanca slijedeći uputstva iz odjeljka: "<b>PODEŠAVANJE ZATEGNUTOSTI LANCA</b>".</li> <li>■ Naoštrite lanac.</li> <li>■ Ponovo stavite lanac žage prema uputstvima iz odjeljka "<b>POSTAVLJANJE/ ZAMJENA VODILICE I LANCA</b>".</li> <li>■ Zamijenite lanac slijedeći uputstva iz odjeljka: "<b>POSTAVLJANJE/ZAMJENA VODILICE I LANCA</b>".</li> <li>■ Provjerite nivo ulja. Prema potrebi dopunite ulje u spremnik ulja.</li> <li>■ Ponovo stavite lanac žage slijedeći uputstva iz odjeljka: "<b>POSTAVLJANJE/ZAMJENA VODILICE I LANCA</b>".</li> </ul>
Lanac postaje labav ili spada s vodilice tokom normalne upotrebe.	<ul style="list-style-type: none"> <li>■ Lanac postaje labav kako se temperatura lanca povisuje tokom normalnog rada žage.</li> <li>■ Lanac ne zahvaća pogonski lančanik.</li> </ul>	<ul style="list-style-type: none"> <li>■ Lanac zategnite prema uputstvima iz poglavlja "<b>PODEŠAVANJE ZATEGNUTOSTI LANCA</b>".</li> <li>■ Ponovo stavite lanac žage slijedeći uputstva iz odjeljka: "<b>POSTAVLJANJE/ZAMJENA VODILICE I LANCA</b>".</li> </ul>

## GARANCIJA

### POLITIKA GARANCIJE PROIZVOĐAČA EGO

Za sve odredbe i uslove politike garancije proizvođača EGO posjetite internetsku stranicu [egopowerplus.eu](http://egopowerplus.eu).

**KEES VAN DER SPEK**  
TUINMACHINES ★ STOLWIJK

**KEES VAN DER SPEK**  
TUINMACHINES ★ STOLWIJK

<ul style="list-style-type: none"> <li>■ أعد ضبط شد السلسلة وفقاً للقسم: <b>"ضبط شد السلسلة"</b>.</li> <li>■ اشحذ السلسلة.</li> <li>■ أعد تركيب سلسلة المنشار وفقاً للقسم <b>"تجميع/استبدال القضيبي والسلسلة"</b>.</li> <li>■ استبدل السلسلة وفقاً للقسم: <b>"تجميع/استبدال القضيبي والسلسلة"</b>.</li> <li>■ افحص مستوى الزيت. استكمل ملء خزان الزيت عند الضرورة.</li> <li>■ أعد تركيب سلسلة المنشار وفقاً للقسم: <b>"تجميع/استبدال القضيبي والسلسلة"</b>.</li> </ul>	<ul style="list-style-type: none"> <li>■ شد السلسلة غير كافٍ.</li> <li>■ السلسلة غير حادة.</li> <li>■ تم تركيب السلسلة بشكل عكسي.</li> <li>■ السلسلة متآكلة.</li> <li>■ السلسلة جافة أو ممتددة بشكل زائد عن الحد.</li> <li>■ السلسلة ليست في تجويف القضيبي.</li> </ul>	<p>المنشار السلسلي لا يقطع بالشكل الصحيح.</p>
<ul style="list-style-type: none"> <li>■ اربط السلسلة لضبط شدها وفقاً للقسم <b>"ضبط شد السلسلة"</b>.</li> <li>■ أعد تركيب سلسلة المنشار وفقاً للقسم: <b>"تجميع/استبدال القضيبي والسلسلة"</b>.</li> </ul>	<ul style="list-style-type: none"> <li>■ أثناء التشغيل العادي للمنشار، ستنتفك السلسلة بسبب ارتفاع درجة حرارة السلسلة.</li> <li>■ السلسلة لا تقوم بتعشيق الترس المسنن للعمود.</li> </ul>	<p>السلسلة تنتفك أو تسقط عن قضيبي التوجيه أثناء الاستخدام العادي.</p>

## الضمان

سياسة ضمان EGO

تفضل بزيارة الموقع الإلكتروني [egopowerplus.eu](http://egopowerplus.eu) للتعرف على الشروط والأحكام الكاملة الخاصة بسياسة ضمان EGO.

KEES VAN DER SPEK  
TUINMACHINES \* STOLWIJK

## استكشاف الأخطاء وإصلاحها

**⚠ تحذير:** احرص دائماً على حماية يديك عن طريق ارتداء قفازات قوية عند إجراء أي أعمال صيانة على المنشار السلسلي. احرص دائماً على خلع مجموعة البطارية عند إجراء أعمال الصيانة على المنشار السلسلي أو نقله.

المشكلة	السبب	الحل
لا يمكن بدء تشغيل المحرك.	<ul style="list-style-type: none"> <li>مجموعة البطارية غير مركبة في المنشار السلسلي.</li> <li>لا يوجد اتصال كهربائي بين المنشار والبطارية.</li> <li>نقد شحن مجموعة البطارية.</li> <li>مجموعة البطارية أو المنشار السلسلي ساخنان للغاية.</li> <li>لم يتم تعشيق فرملة السلسلة.</li> <li>هناك عوالق في تجويف القضيبي.</li> <li>هناك عوالق في الغطاء الجانبي.</li> </ul>	<ul style="list-style-type: none"> <li>قم بتركيب مجموعة البطارية في المنشار السلسلي.</li> <li>اخلع البطارية، وافحص التوصيلات، ثم أعد تركيب مجموعة البطارية.</li> <li>اشحن مجموعة البطارية.</li> <li>اترك مجموعة البطارية أو المنشار السلسلي يبردان إلى أن تهبط درجة الحرارة إلى ما دون 67 درجة مئوية.</li> <li>اسحب مقبض فرملة رد الفعل الارتدادي للسلسلة للخلف ناحية المقبض الأمامي إلى أن يصل إلى وضع التشغيل.</li> <li>اضغط على سلسلة المنشار ناحية الخشب، وحرك المنشار السلسلي للخلف وللأمام لإزالة العوالق.</li> <li>اخلع مجموعة البطارية، ثم اخلع الغطاء الجانبي وأزل العوالق.</li> </ul>
المنشار السلسلي يتوقف عن العمل أثناء الاستخدام.	<ul style="list-style-type: none"> <li>هناك حمل زائد على المنشار السلسلي.</li> <li>مجموعة البطارية أو المنشار السلسلي ساخنان للغاية.</li> <li>سلسلة المنشار متعثرة في الخشب.</li> </ul>	<ul style="list-style-type: none"> <li>خفف الحمل.</li> <li>خفف الحمل. اترك مجموعة البطارية أو المنشار السلسلي يبردان إلى أن تهبط درجة الحرارة إلى ما دون 67 درجة مئوية.</li> <li>رفع إصبعك عن المفتاح الزنبركي ذي السرعات المتغيرة؛ واخلع سلسلة المنشار وقضيبي التوجيه من الخشب، ثم أعد تشغيل المنشار السلسلي.</li> </ul>
المحرك يدور، ولكن السلسلة لا تدور.	<ul style="list-style-type: none"> <li>السلسلة لا تقوم بتعشيق الترس الممسّن للعمود.</li> </ul>	<ul style="list-style-type: none"> <li>أعد تركيب السلسلة، مع التأكد من استواء وصلات نقل الحركة بالسلسلة بأكملها على الترس الممسّن.</li> </ul>
لا يتم تعشيق فرملة السلسلة.	<ul style="list-style-type: none"> <li>العوالق تمنع الحركة الكاملة لمقبض فرملة رد الفعل الارتدادي للسلسلة.</li> <li>خلل وظيفي محتمل في فرملة السلسلة.</li> </ul>	<ul style="list-style-type: none"> <li>نظف العوالق عن الآلية الخارجية لفرملة السلسلة.</li> <li>تواصل مع قسم خدمة العملاء بشركة EGO لإصلاح العيب.</li> </ul>

## النقل والتخزين

- لا تقم بتخزين أو نقل المنشار السلسلي وهو يعمل. احرص دائماً على خلع مجموعة البطارية قبل التخزين أو النقل.
- احرص دائماً على وضع غلاف قضيب التوجيه على قضيب التوجيه والسلسلة قبل تخزين المنشار السلسلي أو نقله. تعامل بحذر لتجنب الأضرار الحادة للسلسلة.
- نظف المنشار السلسلي جيداً قبل تخزينه. يكون تخزين المنشار السلسلي داخل المنزل في مكان جاف مغلق و/أو لا يمكن الوصول إليه من قبل الأطفال.
- احتفظ بالمنتج بعيداً عن المواد المسببة للتآكل مثل كيماويات الحديقة وملح إذابة الجليد.

## حماية البيئة

- نفايات المعدات الكهربائية والإلكترونية (WEEE) لا تتخلص من المعدات الكهربائية أو البطارية المستهلكة أو الشاحن في النفايات المنزلية! بل توجه بهذا المنتج إلى مركز إعادة تدوير معتمد ليكون متاحاً للفرز بشكل منفرد. يجب إعادة الآلات الكهربائية إلى مرفق إعادة تدوير صديق للبيئة.



KEES VAN DER SPEK  
TUINMACHINES \* STOLWIJK



السلسلة تلامس الأرض. بعد استكمال القطع، انتظر حتى توقف سلسلة المنشار قبل نقل المنشار السلسلي. احرص دائماً على إيقاف المحرك قبل الانتقال من شجرة إلى أخرى.

## الصيانة

**⚠ تحذير:** استخدم فقط قطع غيار أصلية عند إجراء أعمال الصيانة. لأن استخدام أي أجزاء أخرى قد ينشأ عنه خطر أو يتسبب في تعرض المنتج للتلف.

**⚠ تحذير:** لتجنب التعرض لإصابات خطيرة، اخلع مجموعة البطارية من المنشار السلسلي قبل فحصه أو تنظيفه أو إجراء أي أعمال صيانة عليه. عندما تكون البطارية مركبة في الآلة العاملة بالبطارية، فإن الآلة تكون متصلة بالتيار وقد تعمل دون قصد.

**⚠ تحذير:** عند تنظيف المنشار السلسلي، لا تعمره في الماء أو أي سوائل أخرى.

**⚠ تحذير:** لا تسمح في أي وقت من الأوقات بملامسة سوائل الفرامل أو المواد البترولية أو المنتجات القائمة على البترول أو الزيت المتغلغل أو ما شابههم للأجزاء البلاستيكية من المنشار. لأن المواد الكيميائية قد تتسبب في تلف الأجزاء البلاستيكية أو وضعفها أو تدميرها، وهو ما قد يؤدي إلى وقوع إصابات خطيرة.

## التنظيف

بعد كل استخدام، نظف العوالمق عن السلسلة وقصيب التوجيه بفرشاة ناعمة. امسح سطح المنشار السلسلي بقطعة قماش نظيفة مبللة بمحلول صابون خفيف.

اخلع الغطاء الجانبي، ثم استخدم فرشاة ناعمة لإزالة العوالمق عن قضيب التوجيه وسلسلة المنشار والترس المسنن والغطاء الجانبي.

احرص دائماً على إزالة الرقاقات الخشبية، وغيار المنشار، والأوساخ عن تجويف قضيب التوجيه أثناء استبدال سلسلة المنشار.

## صيانة قضيب التوجيه

عند ظهور علامات تآكل على قضيب التوجيه، قم بفحكه من رأس طاقة المنشار السلسلي وإعادة تجميعه بشكل عكسي (الشكل U1).

وسيؤدي ذلك إلى توزيع التآكل لتحقيق أقصى عمر للقضيب. يجب تنظيف القضيب في كل يوم استخدام وفحصه بحثاً عن أي علامات للتآكل والتلف. تأكل أو ثقّب حواجز القضيب من المظاهر الطبيعية لتآكل القضيب. مثل تلك العيوب يجب تعميمها باستخدام مبرد بمجرد ظهورها. أي قضيب به العيوب التالية يجب استبداله.

تآكل داخل حواجز القضيب تسمح بارتقاء السلسلة للمسارات الجانبية.

انتشاء قضيب التوجيه.

تشقق الحواجز أو انكسارها.

تمدد الحواجز.

بالإضافة إلى ذلك، فقضيب التوجيه به ترس مسنن عند طرفه (الشكل U2). يجب تشحيم الترس المسنن أسبوعياً بمحقة تشحيم، وذلك لتمديد عمر قضيب التوجيه. استخدم محقة التشحيم للتشحيم أسبوعياً بزيت السلسلة عن طريق فتحة التزييت (الشكل U3). أدر قضيب التوجيه، وتحقق من خلو فتحات التزييت وتجويف السلسلة من الشوائب.

U2-1	الترس المسنن في طرف قضيب التوجيه
------	----------------------------------

Q-1	اتجاه السقوط
Q-2	حزوز
Q-3	قطع السقوط للخلف
Q-4	مفصلة

## قطع السقوط للخلف

اصنع قطع السقوط للخلف بحيث يكون فوق القطع الأحدثوي الأفي بمسافة 50 سم على النحو الموضح في الشكل Q. اجعل قطع السقوط للخلف موازياً للقطع الأحدثوي الأفي. أثناء عمل القطع السقوط للخلف، اترك خشباً كافياً ليعمل كمفصلة. المفصلة الخشبية تمنع التواء الشجرة وسقوطها في الاتجاه الخاطي. لا ينبغي القطع عبر المفصلة الخشبية.

مع اقتراب قطع إسقاط الشجرة من المفصلة الخشبية، ستبدأ الشجرة في السقوط. إذا كان هناك أي احتمال بسقوط الشجرة في غير الاتجاه المرغوب أو أنها قد ترند وتتني سلسلة المنشار، قم بإيقاف القطع قبل اكتمال قطع السقوط للخلف واستخدم الأوتاد المصنوعة من الخشب أو البلاستيك أو الألمنيوم لفتح القطع وإسقاط الشجرة على طول خط السقوط المرغوب.

عندما تبدأ الشجرة في السقوط اخلع المنشار السلسلي من القطع، وأوقف المحرك، واخفض المنشار السلسلي، ثم تحرك في مسار التراجع المخطط له. حاذر من أفرع الشجر العلوية وانتبه لموضع قدميك.

## تقطيع أفرع شجرة

تقطيع الأفرع عبارة عن إزالة الأفرع الموجودة بتشجرة ساقطة. عند التقطيع، اترك الأفرع الكبيرة الموجودة في الجانب السفلي كي تعمل على دعم الزند من الوقوع على الأرض. أزل الأفرع الصغيرة مرة واحدة على النحو الموضح في الشكل R. يجب قطع الأفرع الواقعة تحت ضغط من الأسفل لأعلى، وذلك لتجنب انتشاء المنشار السلسلي.

## تقطيع زند

تقطيع الزند عبارة عن تقطيع زند إلى قطع ذات أطوال محددة. من المهم التأكد من ثبات موضع قدميك، وتوزيع وزنك بالتساوي على كلتا قدميك. إن أمكن، يجب رفع الزند ودعمه عن طريق استخدام الأفرع أو الزنود أو الأوتاد. اتبع التعليمات البسيطة التالية لتنفيذ عملية القطع بسهولة.

عندما يكون الزند مدعوماً بطوله الكامل على النحو الموضح في الشكل S1، يكون القطع من أعلى (الجانب العلوي للزند).

عندما يكون الزند مدعوماً من طرف واحد، على النحو الموضح في الشكل S2، اقطع 3/1 من قطره من أسفل (الجانب السفلي للزند). ثم استكمل القطع من أعلى إلى أن تلتقي بالقطع السفلي.

عندما يكون الزند مدعوماً من كلا الطرفين، على النحو الموضح في الشكل S3، اقطع 3/1 من قطره من أعلى (الجانب العلوي للزند). ثم استكمل القطع من أسفل بقطع التلئين المتبقين إلى أن تلتقي بالقطع العلوي.

عند تقطيع الزند وانت على منحدر، احرص دائماً على الوقوف على الجانب العلوي للزند، على النحو الموضح في الشكل T.

عند "القطع عبر الزند"، فكي تحافظ على التحكم الكامل في المنشار، حرر ضغط القطع عند الاقتراب من نهاية القطع، ولكن دون إرخاء قبضتك عن مقابض المنشار السلسلي. لا تدع

فهذا يساعد في مقاومة القوى الناشئة عن رد الفعل الارتدادي.  
 احرص دائماً على أن يكون جسمك على الجانب الأيسر لخط السلسلة.

## التعليمات المتعلقة بالتقنيات الملائمة لعمليات إسقاط الأشجار وقطع الفروع والقطع المستمر.

**تحذير:** تحقق دائماً من موضع قدميك وأمسك المنشار السلسلي بإحكام بكلتا يديك أثناء دوران المحرك.

**تحذير:** عند توقف سلسلة المنشار بسبب انحسارها أثناء القطع، ارفع إصبعك عن المقotch الزنبركي؛ وألغ سلسلة المنشار وقضيب التوجيه من الخشب، ثم أعد تشغيل المنشار السلسلي.

**تحذير:** لا تسحب سلسلة المنشار بيدك؛ وألغ سلسلة المنشار وقضيب التوجيه من الخشب، ثم أعد تشغيل المنشار السلسلي. فقد تتعرض لإصابات خطيرة إذا تم بدء تشغيل المنشار السلسلي دون قصد. اضغط على سلسلة المنشار ناحية الخشب، وحرك المنشار السلسلي للخلف وللأمام لإزالة العوائق. احرص دائماً على خلع مجموعة البطارية قبل التنظيف. احرص على ارتداء قفازات واقية قوية عند التعامل مع سلسلة المنشار.

**تحذير:** لا تقم أبداً ببدء تشغيل المنشار السلسلي أثناء ملامسته للخشب. احرص دائماً على ترك المنشار السلسلي يصل إلى سرعته الكاملة قبل وضع المنشار على الخشب.

### إسقاط شجرة

أثناء تنفيذ أعمال تقطيع الزنود وإسقاط الأشجار بواسطة شخصين أو أكثر في نفس الوقت، يجب فصل عملية إسقاط الأشجار عن عملية تقطيع الزنود بمسافة لا تقل عن ضعف ارتفاع الشجرة التي يتم إسقاطها. يجب ألا يتم إسقاط الأشجار بطريقة قد تعرض أي شخص للخطر، أو تتسبب في الإضرار بأي خطوط مرافق، أو تعرض أي ممتلكات للتلف. إذا لامست الشجرة أي خط مرافق، يجب إبلاغ شركة المرافق المعنية على الفور.

يجب على مشغل المنشار السلسلي أن يقف على الجانب المرتفع من الأرض، لأن الشجرة ستميل في الغالب إلى النجرجة أو السقوط نحو الجانب المنخفض من الأرض عند إسقاطها.

يجب تحديد مسار للهروب وتطهيره بحسب الضرورة قبل بدء عملية القطع. يجب أن يمتد مسار الهروب للخلف وبشكل مائل نحو الجانب الخلفي لخط السقوط المتوقع على النحو الموضح في الشكل P.

P-1	اتجاه القطع
P-2	مسار التراجع الآمن

قبل بدء إسقاط الشجرة، تحقق من الميل الطبيعي للشجرة، وموقع الفروع الأكبر، واتجاه الرياح لتحديد الاتجاه الذي ستقع ناحيته الشجرة.

تخلص من أي أساخ أو أحجار أو لحاء مفكوك أو مسامير أو مشابك أو أسلاك موجودة في الشجرة.

### القطع الأخدودي المحدد لاتجاه السقوط

اصنع قطعاً أخدودياً بطول 3/1 من قطر الشجرة، بحيث يكون عمودياً على اتجاه السقوط وفقاً لما هو موضح في الشكل Q. اصنع القطع الأخدودي الأفقي الأدنى أولاً. فهذا سيساعد في تجنب انحسار سلسلة المنشار أو قضيب التوجيه عند عمل القطع الأخدودي الثاني.

لا تستخدم الآلة إلا مع مجموعات البطارية والشواحن المدرجة في الشكل A2.

### لتركيب (الشكل I)

قم بمحاذاة دعائم البطارية مع فتحات التثبيت، ثم أدخل مجموعة البطارية في الآلة إلى أن تسمع صوت ثبات البطارية في مكانها.

### للخلع (الشكل J)

اضغط لأسفل على زر تحرير البطارية، واسحب مجموعة البطارية للخارج.

### بدء تشغيل/إيقاف المنشار السلسلي

**ملاحظة:** قبل بدء تشغيل المنشار السلسلي، راجع مستوى الزيت، ومدى حدة أسنان المنشار، وأن مقبض فرملة رد الفعل الارتدادي يعمل كما ينبغي. إلى جانب ذلك، لا بد من التحقق من وقوفك متزاناً ووجود مسافة ملائمة بعيداً عن الأرض.

### لبداء التشغيل

1. اسحب مقبض فرملة رد الفعل الارتدادي للسلسلة ناحية المقبض الأمامي إلى وضع التشغيل (الشكل K).
2. أمسك المقبضين، الأمامي والخلفي، بإحكام بكلتا يديك.
3. اضغط مع التثبيت على زر القفل بإبهام يديك اليمنى، ثم اعصر المفتاح الزنبركي ذي السرعة المتغيرة بأصابع يديك اليمنى لتبدأ تشغيل المنشار (الشكل L).
4. حرر زر القفل وواصل عصر المفتاح الزنبركي للتشغيل المتواصل.

**تحذير:** لا تحاول بدء تشغيل المنشار بينما سلسلة المنشار يتم استخدامها في قطع قطعة ما.

### للإيقاف

1. اترك المفتاح الزنبركي ذي السرعة المتغيرة لإيقاف تشغيل المنشار السلسلي.
2. ادفع مقبض فرملة رد الفعل الارتدادي للسلسلة للأمام إلى وضع الفرملة لتشغيل فرملة السلسلة (الشكل K).

**تحذير:** احرص دائماً على خلع مجموعة البطارية من المنشار السلسلي أثناء الاستراحة وبعد الانتهاء من العمل.

### الإسماك السليم في المقبض (الشكل M)

احرص على ارتداء قفازات مانعة للانزلاق لتحقيق أقصى قدر من الإسماك والحماية.

- بينما المنشار على سطح صلب مستو، أمسك المنشار بإحكام بكلتا يديك.
- احرص دائماً على الإسماك بالمقبض الأمامي باليد اليسرى، والمقبض الخلفي باليد اليمنى.

يجب أن تكون الأصابع محيطة بالمقبض، بحيث يكون الإبهام ملتصقاً حول المقبض الأمامي.

**تحذير:** تجنب الإسماك بالمنشار بقبضة اليد اليسرى (مع تقابل اليدين)، أو اتخاذ أي وضع جسماني قد يجعل جسمك أو ذراعك مقابلاً لخط السلسلة (الشكل N).

### وضع القطع السليم (الشكل O)

- يجب أن تكون كلتا قدميك على أرض صلبة، مع توزيع الوزن عليهما بالتساوي.
- يجب أن يكون الذراع الأيسر ممتدًا على استقامته، والكوع ثابتاً.

- مرتخية بحوالي 1.3 م خارج تجويف القضيب (الشكل G).
- ملاحظة:** تميل السلاسل الجديدة إلى التمدد؛ وعليه راجع مستوى شد السلسلة بانتظام واضبطها بحسب الحاجة.
- ملاحظة:** السلسلة المشدودة وهي دافئة، قد تصبح مشدودة بشكل زائد عندما تبرد. راجع شد السلسلة وهي باردة قبل الاستخدام التالي.

## التشغيل

- ⚠ تحذير:** لا تسمح لاعتيادك على تشغيل هذا المنتج أن يجعلك مستهتراً عند التعامل معه. ولا تنس أن الاستهتر لجزء من الثانية كافٍ للتسبب في حدوث إصابات خطيرة.
- ⚠ تحذير:** لا تستخدم أي مرفقات أو ملحقات سوى تلك الموصى بها من قبل الشركة الصانعة لهذا المنتج. لأن استخدام مرفقات أو ملحقات غير موصى بها قد يؤدي إلى وقوع إصابات شخصية خطيرة.
- ⚠ تحذير:** لمنع بدء التشغيل غير المقصود، والذي قد يؤدي إلى وقوع إصابات شخصية خطيرة، احرص دائماً على خلع مجموعة البطارية من الآلة عند تجميع الأجزاء، أو عمل التعديلات، أو التنظيف، أو عند عدم الاستخدام.
- أحِب ملِك كَاب جِتِنِمْلَا صِحْفَا مَادِخْتَسَا لِكَ لِبِقِ لَشْمِ، نَكُوْلِكْفِمْلَا وَأَقْدُوْقِمْلَا وَأَقْفَلِمْلَا. عَازِجَالِ نَعِ اِمُو قِيْطِغْأَلِو رِيْمِاسِمْلَاو لِيْمِاَوْصِلَاو قَبْلِوْلِمْلَا رِيْمِاسِمْلَا مِالِكِجِبِ قِيْطِغْأَلِو تِيْبِشْتِمْلَا رِصَانِ عِمْجِ طَبِيْرَا. جِبَاشِ عِيْمِجِ لِدَابْتَسَا دَعِبِ اَلَا جِتِنِمْلَا اَذَهْ لِيْغَشْتَبِ حِقَّتِ الْو قْفَلِمْلَا وَأَقْدُوْقِمْلَا عَازِجَالِ.

## الاستخدامات

يمكنك استخدام هذا المنتج في عمليات إسقاط الأشجار، وقطع الفروع، والتقليم، وقطع الخشب المنثور وخشب الأشجار.

## التعبئة زيت القضيب والسلسلة

**⚠ تحذير:** ينبغي عدم التخزين أو جلب أي مصدر للنفير أو الأتربة اللهب بالقرب من الزيت أو المنشار السلسلي. قد ينسكب الزيت ويتسبب في نشوب حريق.

**ملاحظة:** المنشار السلسلي لا يكون مملوئاً بالزيت وقت الشراء. من الضروري تعبئة خزان الزيت قبل الاستخدام. يتم تزييت السلسلة تلقائياً بزيت السلسلة أثناء التشغيل.

1. ضع المنشار السلسلي على جانبه بحيث يكون غطاء خزان الزيت متجهاً لأعلى.
2. نظف غطاء خزان الزيت والمنطقة المحيطة به لضمان عدم دخول أوساخ إلى داخل خزان الزيت.
3. ضع المنشار على جانبه على سطح ثابت مستو، بحيث يكون غطاء الخزان متجهاً لأعلى. ارفع اللوح نصف المستدير وأدر غطاء خزان الزيت عكس اتجاه عقارب الساعة لخلعه (الشكل H).
4. صب زيت القضيب والسلسلة برفق في الخزان. املاً حتى خط الحد الأقصى MAX.
5. امسح أي كميات زائدة من الزيت، ثم أعد تركيب الغطاء.

**ملاحظة:** افحص مستوى الزيت بانتظام، وأعد الملء عند هبوط مستوى الزيت إلى ما دون خط الحد الأدنى. لا تقم أبداً بتشغيل المنشار السلسلي إذا كان الزيت غير مرني.

## تركيب/خلع مجموعة البطارية

اشحن البطارية بالكامل قبل الاستخدام لأول مرة.

- يكون الغطاء الجانبي متجهاً لأعلى (الشكل B).
2. أدر بكرة الغطاء الجانبي عكس اتجاه عقارب الساعة لخلع الغطاء الجانبي، وبعد ذلك قم بك بكرة شد السلسلة إلى أكبر قدر ممكن.
  3. ضع سلسلة المنشار الجديدة في عروة على سطح مستو، وقم بتسوية أي انثناءات (الشكل C).
  4. ضع وصلات عمود السلسلة في تجويف قضيب التوجيه، وثبت السلسلة على الجانب الخلفي لقضيب التوجيه (الشكل D).
  5. امسك السلسلة في موضعها على قضيب التوجيه، وضع العروة حول الترس المسنن لرأس الطاقة.
  6. حرك فتحة قضيب التوجيه فوق شفاة المحاذة إلى أن يتم إدخال ابرة ضبط شد السلسلة في الفتحة السفلية الموجودة في ذيل القضيب (الشكل E1).
- ملاحظة:** هناك أسهم صغيرة ذات اتجاه محفورة في سلسلة المنشار. هناك سهم آخر ذو اتجاه مدموج في الهيكل. عند تثبيت سلسلة المنشار على الترس المسنن، احرص على أن يكون اتجاه الأسهم الموجودة على سلسلة المنشار متوافقة مع اتجاه السهم الموجود بالهيكل. إذا كانت اتجاهاتهم مختلفة، قم بقلب سلسلة المنشار وتجميعه قضيب التوجيه (الشكل E2).
7. أعد تركيب الغطاء الجانبي واربط بكرة الغطاء الجانبي قليلاً.
  8. ارفع حافة قضيب التوجيه لأعلى للتحقق من مدى الارتخاء (الشكل F). حرر طرف قضيب التوجيه وأدر بكرة شد السلسلة في اتجاه عقارب الساعة. كرر هذه العملية إلى أن يتم التخلص من أي ارتخاء.
  9. اربط بكرة الغطاء الجانبي بإحكام لضمان شد سلسلة المنشار كما ينبغي قبل الاستخدام.

D-1	وصلات نقل حركة السلسلة	E-2	إبرة ضبط الشد
D-2	تجويف قضيب التوجيه	E-3	فتحة قضيب التوجيه
E-1	شفاة المحاذة	E-4	الترس المسنن

**ملاحظة:** لتمديد حياة قضيب التوجيه، عكس القضيب من وقت لآخر.

**ملاحظة:** إذا كانت السلسلة مشدودة للغاية، فلن تدور. فك بكرة الغطاء الجانبي قليلاً وأدر بكرة ضبط شد السلسلة عكس اتجاه عقارب الساعة، وارجع طرف قضيب التوجيه لأعلى وأعد ربط بكرة الغطاء الجانبي بإحكام. تأكد من دوران السلسلة بدون عوائق.

## ضبط شد السلسلة.

- أوقف المحرك وأخلع مجموعة البطارية قبل ضبط شد السلسلة. تأكد من فك بكرة الغطاء الجانبي. أدر بكرة ضبط شد السلسلة في اتجاه عقارب الساعة لشد السلسلة. راجع القسم: "تجميع/ استبدال القضيب والسلسلة" للمزيد من المعلومات الإضافية.
- تكون السلسلة وهي باردة مشدودة كما ينبغي عند عدم وجود ارتخاء على الجانب السفلي لقضيب التوجيه، والسلسلة متماسكة، ولكن يمكن إدارتها باليد بدون معاوكة. تجب إعادة شد السلسلة في أي وقت لا تستقر فيه دوالب ووصلات نقل حركة السلسلة على تجويف القضيب.
- أثناء التشغيل العادي للمنشار، سترتفع درجة حرارة السلسلة. وصلات نقل الحركة للسلسلة الدافئة مضبوطة الشد ستكون

تيار مستمر	⎓
أمبير	A
واط	W
السرعة بدون حمل	$n_0$

هذا المنتج متوافق مع توجيهات شهادة الجودة الأوروبية (CE) المعمول بها.



V	فولت
Hz	هرتز
min	دقائق
.../min	في الدقيقة

المقبض الأمامي	3.377 م/ثانية <sup>2</sup>
المقبض الخلفي	2.823 م/ثانية <sup>2</sup>
	1.5=K م/ثانية <sup>2</sup>

- القيمة الكلية للاهتزاز الموضحة تم قياسها وفقاً لطريقة اختبار قياسية وقد تستخدم لمقارنة أداة بأخرى؛
  - كما يمكن استخدام القيمة الكلية للاهتزاز الموضحة في التقييم التمهيدي للتعرض.
- ملاحظة:** قد تختلف انبعاثات الاهتزاز أثناء الاستخدام الفعلي للألة العاملة بالطاقة عن القيمة المعلنة التي يتم استخدام الآلة فيها؛ ولحماية مشغل الآلة، ينبغي على المستخدم ارتداء قفازات وواقبات للأذن في ظروف الاستخدام الفعلية.

## قائمة المحتويات (الشكل A1) الوصف

- تعرف على المنشار السلسلي (الشكل A1)**
1. المفتح الزنبركي ذو السرعة المتغيرة
  2. المقبض الخلفي
  3. زر القفل
  4. المقبض الأمامي
  5. مقبض فرملة رد الفعل الارتدادي للسلسلة
  6. سلسلة المنشار
  7. قضيب التوجيه
  8. غطاء خزان الزيت
  9. نافذة فحص مستوى الزيت
  10. الوصلات الكهربائية
  11. زر تحرير البطارية
  12. بكرة ضبط شد السلسلة
  13. الغطاء الجانبي
  14. بكرة الغطاء الجانبي
  15. غلاف السلسلة

## التجميع

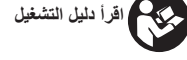
### تجميع/استبدال القضيب والسلسلة

- ⚠ تحذير:** اضبط مقبض فرملة رد الفعل الارتدادي للسلسلة على وضع الفرملة قبل التجميع.
1. ضع رأس طاقة المنشار السلسلي على جانبيه بحيث

## المواصفات

56 فولت ⎓	الجهد الكهربائي
400 مم (CS1610E)	طول قضيب التوجيه
350 مم (CS1410E)	المسافة بين أسنان السلسلة
8/3 بوصة (9.5 مم)	مقياس السلسلة
1.1 مم	سرعة السلسلة
20 م/ثانية	نوع سلسلة
CS1610E	المنشار
AC1601 / AC1600 (موصى به) AC1401 / AC1400 (متوافق)	
CS1410E	نوع قضيب
AC1401 / AC1400 (موصى به) AC1601 / AC1600 (متوافق)	
CS1610E	التوجيه
CS1410E	
AC1401 / AC1400 (موصى به) AC1601 / AC1600 (متوافق)	
150 مل	سعة خزان زيت السلسلة
15- 40 درجة مئوية	درجة حرارة التشغيل
20- 70 درجة مئوية	درجة حرارة التخزين
3.9 كجم (CS1610E) 3.8 كجم (CS1410E)	الوزن الصافي (بدون مجموعة البطارية، وغطاف السلسلة)
102.25 ديسيبل (A) 1.4=K ديسيبل (A)	مستوى قوة الصوت المُقدَّر $L_{WA}$
91.25 ديسيبل (A) 2.5=K ديسيبل (A)	مستوى ضغط الصوت عند أذن مشغل الآلة $L_{PA}$ وفقاً
103 ديسيبل (A)	مستوى قوة الصوت للمعيار $L_{WA}$ وفقاً (2000/14/EC)

## اقرأ جميع التعليمات!



**⚠ خطر زائد!** الأشخاص الذين تم تركيب أجهزة طبية إلكترونية لهم، مثل منظم ضربات القلب، يجب عليهم استشارة الطبيب قبل استخدام هذا المنتج. لأن تشغيل معدات كهربائية بالقرب من منظم ضربات القلب قد ينشأ عنه خلل أو فشل في أداء منظم ضربات القلب.

## رموز السلامة

الغرض من رموز السلامة هو جذب انتباهك إلى المخاطر المحتملة. رموز السلامة والشروح المصاحبة لها تستحق اهتمامك وفهمك الدقيق. تحذيرات كل رمز، بنفسها، لا تمنع وقوع أي خطر. التعليمات والتحذيرات التي تمنحك إياها لا تعد بديلاً عن تطبيق الإجراءات الملائمة لمنع وقوع الحوادث.

**⚠ تحذير:** احرص على قراءة وفهم جميع تعليمات السلامة في دليل التشغيل هذا، بما في ذلك جميع رموز تنبيهات السلامة، مثل «خطر»، وتحذير، وتنبيه قبل استخدام هذه الآلة. عدم اتباع جميع التعليمات الواردة أدناه قد يؤدي إلى حدوث صدمة كهربائية أو نشوب حريق أو التعرض للإصابة الشخصية، أحدها أو جميعها.

## معنى الرمز

هذه الصفحة تصف وتشرح رموز السلامة التي قد تظهر على هذا المنتج. اقرأ جميع التعليمات المذكورة على الآلة وافهمها واتبعها قبل محاولة تجميع الآلة وتشغيلها.

## رموز السلامة

اقرأ دليل التشغيل وافهمه		تنبيه سلامة	
ارتد أدوات حماية الأذنين		ارتد أدوات حماية العينين	
ارتد قفازات الحماية		ارتد أدوات حماية الرأس	
رد الفعل الارتدادي لطرف قضيب التوجيه		حاصر من رد الفعل الارتدادي للمنتار وتجنب ملامسة طرف القضيب	
لا تُعرض المنتج للمطر		احرص دائماً على استخدام المنتار السلسلي بكتنا يديك	
مستوى قوة الصوت المضمون.		المعلومات عن قضيب التوجيه	
هذا المنتج متوافق مع تشريعات المملكة المتحدة المعمول بها.		نفايات المعدات الكهربائية والإلكترونية (WEEE)	

בטיחה	פתרון הסיבה	פתרון
המסור החשמלי איננו חותך כהלכה	<ul style="list-style-type: none"> <li>■ מתח שרשרת לא מספיק.</li> <li>■ שרשרת קהה.</li> <li>■ השרשרת מותקנת הפוך.</li> <li>■ שרשרת עם סימני בלאי.</li> <li>■ שרשרת יבשה או מתוחה מעל המידה.</li> <li>■ השרשרת איננה בחריץ המוט.</li> </ul>	<ul style="list-style-type: none"> <li>■ כווננו מחדש את מתח השרשרת בהתאם לחלק; כווננו מתח השרשרת".</li> <li>■ חדדו את השרשרת.</li> <li>■ הרכיבו מחדש את שרשרת המסור, על פי סעיף „הרכבת/החלפת המוט והשרשרת".</li> <li>■ התקינו מחדש את השרשרת, כאשר את עוקבים אחר: „הרכבה/החלפה של המוט והשרשרת".</li> <li>■ בדקו את רמת השמן. מילאו שוב את מיכל השמן אם יש צורך בכך.</li> <li>■ התקינו מחדש את שרשרת המסור, כאשר את עוקבים אחר: „הרכבה/החלפה של המוט והשרשרת".</li> </ul>
השרשרת נהיית רופפת ונופלת מעל המוט המנחה במהלך שימוש רגיל.	<ul style="list-style-type: none"> <li>■ השרשרת מתרופפת כאשר טמפרטורת המסור עולה, בעת פעולה רגילה של המסור.</li> <li>■ השרשרת אינה מניעה את גלגל השיניים.</li> </ul>	<ul style="list-style-type: none"> <li>■ התאימו את מתח השרשרת, על פי סעיף „התאמת מתח השרשרת".</li> <li>■ התקינו מחדש את שרשרת המסור, כאשר את עוקבים אחר: „הרכבה/החלפה של המוט והשרשרת".</li> </ul>

## אחריות

### מדיניות האחריות של EGO

אנא בקרו באתר [egopowerplus.eu](http://egopowerplus.eu) עבור התנאים וההתניות השלמים של מדיניות האחריות של EGO.

KEES VAN DER SPER  
TUINMACHINES \* STOLWIJK

## איתור וטיפול בבעיות

**⚠ אזהרה:** הגנו תמיד על הידיים שלכם על ידי לבישת כפפות מוצקות בעת ביצוע כל פעולת תחזוקה במסור החשמלי. הסירו תמיד את מארז הסוללה בעת ביצוע תיקונים או הובלה של המסור החשמלי.

בעיה	פתרון הסיבה	פתרון
המנוע איננו מתחיל את פעולתו.	<ul style="list-style-type: none"> <li>■ מארז הסוללה איננו צמוד למסור החשמלי.</li> <li>■ לא מתבצע חיבור חשמלי בין המסור החשמלי לסוללה.</li> <li>■ קיבולת מארז הסוללה ריקה.</li> <li>■ מארז הסוללה או המסור החשמלי חמים מדי.</li> <li>■ בולם השרשרת פועל.</li> <li>■ פסולת בחריץ המוט.</li> <li>■ אשפה במכסה הצדדי.</li> </ul>	<ul style="list-style-type: none"> <li>■ הצמידו את מארז הסוללה אל המסור החשמלי.</li> <li>■ הסירו את הסוללה, בדקו את החיבורים והתקינו מחדש את מארז הסוללה.</li> <li>■ הטעינו את מארז הסוללה.</li> <li>■ אפשרו למארז הסוללה או למסור החשמלי להתקרר עד לטמפרטורה של פחות מ-67°C.</li> <li>■ משכו את ידיית הבלימה לתגובה חזקה לאחר של השרשרת לאחור אל עבר הידיית הקדמית כאשר אתם מגיעים אל עמדת הפעולה.</li> <li>■ לחצו על המסור החשמלי אל עבר העץ, הזיזו את המסור החשמלי קדימה ואחורה על מנת להיפטר מחלקי אשפה.</li> <li>■ הסירו את מארז הסוללה, לאחר מכן הסירו את המכסה הצדדי ונקו את חלקי האשפה.</li> </ul>
המסור החשמלי מפסיק את פעולתו בעת ההפעלה.	<ul style="list-style-type: none"> <li>■ ישנו עומס יתר של המסור החשמלי.</li> <li>■ מארז הסוללה או המסור החשמלי חמים מדי.</li> <li>■ המסור החשמלי קשור לעץ.</li> </ul>	<ul style="list-style-type: none"> <li>■ הורידו את העומס.</li> <li>■ הורידו את העומס. אפשרו למארז הסוללה או למסור החשמלי להתקרר עד לטמפרטורה של פחות מ-67°C.</li> <li>■ שחררו את מתג המהירות המשתנה, הסירו את המסור החשמלי ואת המוט המנחה מן העץ ולאחר מכן הפעילו מחדש את המסור החשמלי.</li> </ul>
המנוע פועל אך השרשרת איננה מסתובבת.	<ul style="list-style-type: none"> <li>■ השרשרת אינה מניעה את גלגל השיניים.</li> </ul>	<ul style="list-style-type: none"> <li>■ התקינו מחדש את השרשרת, כאשר את מוודאים שקישורי ההנעה על השרשרת ישובים על גלגל השיניים.</li> </ul>
בלם השרשרת איננו פועל.	<ul style="list-style-type: none"> <li>■ אשפה מונעת תנועה מלאה של ידיית הבלימה לתגובה חזקה לאחר של השרשרת.</li> <li>■ פעולה לא מתאימה אפשרית של בולם השרשרת.</li> </ul>	<ul style="list-style-type: none"> <li>■ נקו שאריות ממנגנון בולם השרשרת החיצוני.</li> <li>■ צרו קשר עם מחלקת שירות הלקוחות של EGO לתיקונים.</li> </ul>

## הגנה על הסביבה

WEEE (זריקה של ציוד חשמלי ואלקטרוני) - אין לזרוק ציוד חשמלי, מטעני סוללות וסוללות ביחד עם אשפה ביתית! קחו מוצרים אלו למרכז מחזור מוסמך וודאו שהם זמינים לאיסוף בנפרד. יש להחזיר כלים חשמליים אל מתקן מחזור המתאים לסביבה



המסור על מטלית נקיה אשר הוטבלה בתמיסת סבון עדינה.

■ הסירו את המכסה הצדדי ולאחר מכן השתמשו במברשת רכה על מנת להסיר שאריות מן המוט המנחה, שרשרת המסור והמכסה הצדדי.

■ נקו תמיד שאריות ענפים ועץ, נסורת ולכלוך מחריץ המוט המנחה בעת החלפת שרשרת המסור.

## תחזוקה של המוט המנחה

כאשר המוט המנחה מראה סימני בלאי, פרקו אותו מראש המתח של המסור החשמלי וסובבו אותו להרכבה מחדש (איור U1). באופן זה הבלאי יתחלק כדי למקסם את חיי המוט המנחה.

יש לנקות את המוט בכל יום שימוש ולבדוק עליו סימני בלאי או נזק. רפידה או שרפה של מסילות המוט מהווים סימני בלאי נורמליים. כאשר אלו מתרחשים חש לשייף אותם בעזרת פצירה. יש להחליף מוט בעל אחד מן הליקויים הבאים.

■ סימני בלאי בתוך מסילות המאפשר לשרשרת לעבור מעבר לצדדים.

■ מוט מנחה מעוקל.

■ מסילות סדוקות או שבורות.

■ מסילות אשר התרחבו.

בנוסף, למוט המנחה ישנו גלגל שיניים בקצהו (תמונה U2). יש לשמן את גלגל השיניים בכל שבוע עם מזרק חומר סיכה על מנת להאריך את חיי המוט המנחה. השתמשו במזרק שמן סיכה על מנת לשמן את השרשרת בכל שבוע דרך חור השימון (איור U3). הפכו את המוט המנחה ובדקו שחורי השימון והשרשרת נקיים מחלקיקי אשפה.

U2-1	גלגל שיניים בקצה המוט המנחה
U2-2	חור שימון

## הובלה ואחסון

■ אל תאחסנו או תובילו את המסור החשמלי כאשר הוא פועל. הסירו תמיד את מארז הסוללה בעת אחסון או הובלה.

■ הניחו תמיד את נדן המוט המנחה על המוט המנחה והשרשרת לפני אחסון או הובלה של המסור החשמלי. היו זהירים והימנעו ממגע עם השיניים החדות של השרשרת.

■ נקו את המסור החשמלי ביסודיות לפני אחסונו. אחסנו את המסור החשמלי בתוך הבית, במקום יבש אשר רחוק מהישג ידם של ילדים.

■ הרחיקו מחומרים הגורמים לקורוזיה כגון כימיקלים לגינה ומלחים מסירי קרח.



מדרון לאחר כריתה.

- יש לתכנן ולפנות נתיב בריחה כנדרש לפני התחלת החיתוך. על נתיב הבריחה להיות מורחב לאחר ובאלכסון מן הקו הצפוי של הנפילה כמתואר באיור P.

P-1	כיוון הכריתה
P-2	נתיב בריחה בטוח

- לפני התחלת הכריתה, קחו בחשבון את ההטיה הטבעית של העץ, המיקום של ענפים גדולים יותר וכיוון הרוח על מנת להחליט לאיזה כיוון ייפול העץ.

- הסירו אבק, אבנים, קליפות עץ שנפלו, מסמרים, מהדקים וחוטמים מן העץ.

### חתך תחתי עם קשרים

עשו את הקשר 3/1 מן הקוטר של העץ, במצב ניצב לכיוון הנפילה כמתואר באיור Q. בצעו את חתך הקשר האופקי הנמוך יותר תחילה. הדבר יעזור למנוע צביטה של שרשרת המסור או של המוט המנחה כאשר מבצעים את הקשר השני.

Q-1	כיוון הנפילה
Q-2	חריץ
Q-3	חתך כריתה אחורית
Q-4	ציר

### חתך כריתה אחורית

- בצעו את חתך הכריתה האחורית לפחות 50 מ"מ גבוה יותר מחתך הקשר האופקי הנמוך כמתואר באיור Q. שימרו על חתך הכריתה האחורית במקביל לחתך הקשר האופקי. בצעו את חתך הכריתה האחורית כך שיישאר מספיק עץ על מנת שישמש כציר. עץ הציר שומר על העץ מלהתפתל וליפול בכיוון הלא נכון. אין לחתוך דרך הציר.

- ככל שהכריתה מתקרבת אל הציר, העץ אמור להתחיל את נפילתו. אם ישנו כל סיכוי שהעץ לא ייפול בכיוון הנכון או שהוא יחזור וילפף את שרשרת המסור, עצרו את החיתוך לפני השלמת חתך הכריתה האחורית והשתמשו בטרזי עץ, פלסטיק או אלומיניום על מנת לפתוח את החתך ולהפיל את העץ לאורך קו הנפילה הרצוי.

- כאשר העץ מתחיל ליפול, הוציאו את המסור החשמלי מן החתך, הניחו אותו על הקרקע ולאחר מכן השתמשו בנתיב הבריחה המתוכנן. היו זהירים מפני ענפים נופלים והביטו על הקרקע עליה אתם דורכים.

### שיסוע של עץ

- שיסוע פירושו הסרת ענפים מעץ שנפל. בעת השיסוע השאירו ענפים נמוכים גדולים יותר על מנת לתמוך בהרמת בול העץ מן הקרקע. הסירו את הענפים הקטנים יותר בחתך אחד כמתואר באיור R. יש לחתוך ענפים

מתוחים מן החלק התחתון כלפי מעלה על מנת למנוע ליפוף של שרשרת המסור.

### חלוקה של בול עץ

- החלוקה היא חיתוך בול עץ לחלקי אורך. חשוב לוודא שהעמידה שלכם יציבה והמשקל מאוזן על שתי הרגליים. כאשר ניתן, יש להרים את בול העץ ולתמוך בו על ידי שימוש בענפים, בולי עץ אחרים או טריזים. עקבו אחר הוראות פשוטות לחיתוך קל.

- כאשר בול העץ נמתך לכל אורכו כמתואר באיור S1, יש לחתוך אותו מן החלק העליון (חלוקה עליונה).

- כאשר בול העץ נמתך מצד אחד בלבד כמתואר באיור S2, חתכו 1/3 מקוטר בול העץ מן החלק התחתון (חלוקה תחתונה). לאחר מכן בצעו חלוקה עליונה על מנת להפגיש בין החתכים.

- כאשר בול העץ נמתך משני הצדדים כמתואר באיור S3, חתכו 1/3 מקוטר בול העץ מן החלק העליון (חלוקה עליונה). לאחר מכן בצעו את החיתוך הסופי על ידי ביצוע חלוקה תחתונה של 2/3 התחתונים על מנת להפגיש בין החתכים.

- בעת ביצוע חלוקה על גבי מדרון, עמדו תמיד במעלה בול העץ, כמתואר באיור T.

- בעת „חיתוך דרך“, על מנת לשמור על שליטה מלאה, שחררו את לחץ החיתוך קרוב לסיום החתך מבלי להרגיע את האחיזה שלכם בידיות המסור החשמלי. אל תיתנו שרשרת לבוא במגע עם הקרקע. לאחר השלמת החתך, חכו ששרשרת המסור תעצור את פעולתה לפני הזזת המסור החשמלי. עצרו תמיד את המנוע כאשר אתם נעים מעץ לעץ.

### תחזוקה

- ⚠ **אזהרה:** במקרה של עבודות תיקון, השתמשו רק בחלקי חילוף זהים. שימוש בחלקי חילוף אחרים עלול

לגרום לסכנה או נזק למנוע.

- ⚠ **אזהרה:** על מנת למנוע פציעות אישיות, הסירו תמיד את מארז הסוללה מן המנוע לפני כל בדיקה, ניקיון או ביצוע כל עבודת תחזוקה. כל המנוע על ידי סוללות עם הסוללה מוחדרת הוא כלי שתמיד מוכן לפעולה והפעלה מקרית עלולה להתרחש.

- ⚠ **אזהרה:** בעת ניקיון המסור החשמלי, נא לא להטביל במים או בנזלים אחרים.

- ⚠ **אזהרה:** לעולם אל תיתנו לנוזלי בלימה, בנזין, מוצרים מבוססי בנזין, שמנים וכו', לבוא במגע עם חלקי פלסטיק. חומרים כימיים עלולים להזיק, להחליש או להרוס את הפלסטיק והדבר עלול לגרום לפציעה אישית חמורה.

### ניקיון

- לאחר כל שימוש נקו את השאריות מן השרשרת והמוט המנחה עם מברשת רכה. נגבו את שטח שרשרת

- כאשר המסור נמצא על משטח מוצק ושטוח, החזיקו את המסור בשתי הידיים.
- איחזו תמיד את הידית הקדמית עם היד השמאלית ואת הידית האחורית עם היד הימנית.
- על האצבעות להקיף את הידית, כשהאגודל מלופף סביב הידית הקדמית
- ▲ **אזהרה:** לעולם אין לאחוז באחיזה הפוכה (ימין במקום שמאל), או בכל אחיזה אחרת אשר תעמיד את היד או את חלקי הגוף שלכם מעל לשרשרת החיתוך (איור N).

### עמדת חיתוך מתאימה (איור O)

- על שתי הרגליים להיות על קרקע מוצקה, כאשר המשקל מאוזן על שתיהן.
- על הזרוע הימנית להיות ישרה, עם המרפק נעול. הדר עוזר לעמוד בפני הכוחות של התגובה החזקה לאחור.
- על הגוף שלכם להיות תמיד מן הצד השמאלי של המסור החשמלי.

### הוראות בנוגע לטכניקות המתאימות לכריתה, שיסוע וחיתוך בהצלבה

- ▲ **אזהרה:** היו תמיד בטוחים בעמידה שלכם והחזיקו את המסור החשמלי בשתי הידיים בעת פעולת המנוע.
- ▲ **אזהרה:** כאשר שרשרת המסור נעצרת כתוצאה מצביטה בעת החיתוך, שחררו את מתג ההדק; הסירו את המסור החשמלי אות המוט המנחה מן העץ ולאחר מכן הפעילו מחדש את המסור החשמלי.
- ▲ **אזהרה:** אל תמשכו את שרשרת המסור בידיים שלכם כאשר נסורת תוחמת אותה. פציעה חמורה עלולה להתרחש אם המסור החשמלי יתחיל לפעול באופן מקרי. לחצו על המסור החשמלי אל עבר העץ, הזיזו את המסור החשמלי קדימה ואחורה על מנת להיפטר מחלקי אשפה. הסירו תמיד את מארז הסוללה לפני ניקיון. לבשו כפפות כבדות בעת הטיפול בשרשרת המסור.
- ▲ **אזהרה:** לעולם אין להפעיל את המסור החשמלי כאשר הוא נמצא במגע עם העץ. הרשו תמיד לשרשרת להגיע למהירות המרבית לפני הנחת המסור על העץ.

### כריתה של עץ

- בעת ביצוע פעולות כריתה וחלוקה אשר מתבצעות על ידי שני אנשים בו זמנית, על פעולת הכריתה להיות נפרדת מפעולת ההרמה במרחק של לפחות שני אורכים של העץ אותו עומדים לכרות. אין לכרות עצים בכל דרך בה אנשים אחרים מועמדים בסכנה או נזק עלול להיגרם לחוטי חשמל או לכל רכוש אחר. אם עץ בא במגע עם קווי מתח, יש להודיע על כך מיד לחברת החשמל.
- על מפעיל המסור החשמלי לעמוד בצד העליון של כל אזור חיתוך, בגלל שבו העץ עלול להתגלגל או לגלוש במורד

**הודעה:** בדקו את מפלס השמן באופן קבוע ומלאו אותו כאשר מפלס השמן יורד אל מתחת לסימון קו המינימום. לעולם אל תפעילו את המסור החשמלי אם לא ניתן לראות את השמן.

### הצמדה/הסרה של מארז הסוללה הטעינו לגמרי לפני השימוש הראשון.

יש להשתמש רק עם מארזי הסוללה והמטענים הרשומים באיור A2.

### על מנת להצמיד (איור I)

יישרו את עורקי הסוללה עם חריצי ההרכבה והחליקו את מארז הסוללה לתוך כלי העבודה עד שהוא יכנס למקומו בקנישה.

### על מנת להסיר (איור J)

לחצו על כפתור שחרור הסוללה והסירו את מארז הסוללה.

### הפעלה/כיבוי של המסור החשמלי

**הודעה:** לפני הפעלה של המסור החשמלי, בדקו את רמת השמן, את חדות שיני השרשרת ועבודה מתאימה של ידית הבלימה לתגובה חזקה לאחור. בנוסף, יש צורך בעמידה מוצקה והמרחק מתאים מן הקרקע.

### להפעלה

1. משכו את ידית בלם התגובה החזקה לאחור של השרשרת אל עבר הידית הקדמית אל עמדת ההפעלה (איור K).
2. אחזו בחוזקה את הידיות הקדמית ואחורית, כאשר אתם משתמשים בשתי הידיים.
3. לחצו והחזיקו את כפתור הנעילה בעזרת האגודל של יד ימין ולאחר מכן לחצו על דוושת המתג האחורית בעזרת אצבעות היד הימנית שלכם על מנת להפעיל את המסור (איור L).
4. שחררו את כפתור הנעילה והמשיכו ללחוץ על המתג לפעולה ממושכת.

▲ **אזהרה:** אל תנסו להפעיל את המסר כאשר המסור החשמלי כבר נמצא בפעולת חיתוך.

### לכיבוי

1. שחררו את ההדק להמירויות מגוונות על מנת לכבות את המסור החשמלי.
2. דחפו את ידית הבלימה לתגובה חזקה לאחור של השרשרת לעמדת הבלימה על מנת להפעיל את בלם המסור (איור K).

▲ **אזהרה:** הסירו תמיד את מארז הסוללה מן המסור החשמלי בעת הפסקות ולאחר סיום העבודה.

### אחיזה נכונה של הידיות (איור M)

- לבשו כפפות לא מחליקות לאחיזה והגנה מקסימליות.

האחורי של המוט המנחה (איור D).

(איור G).

5. החזיקו את השרשרת במקומה על גבי המוט המנחה ומקמו את הלולאה מסביב לגלגל השיניים של ראש המתח.
6. החליקו את חריץ המוט המנחה מעל לגלילי היישור עד אשר פין כוונן המתח נכנס אל החור התחתון בזנב המוט (איור E1).

**הודעה:** שרשראות חדשות נוטות להימתח; בדקו את מתח השרשרת בתדירות גבוהה ומתחו בעת הצורך.

**הודעה:** שרשרת אשר נמתחה בעודה חמה עלולה להיות מתוחה מדי כאשר היא תתקרר. בדקו את המתח הקר לפני השימוש.

## הפעלה

**⚠ אזהרה:** אל תניחו לעובדה שאתם מכירים את המוצר להפוך אתכם לפחות זהירים. זכרו שחוסר זהירות של שבירי אחד של שנייה מספיק לגרום לפגיעה אישית חמורה.

**⚠ אזהרה:** אל תעשו שימוש בחיבורים או אביזרים אשר לא הומלצו על ידי יצרן מוצר זה. השימוש בחיבורים או אביזרים אשר לא הומלצו עלול לגרום לפגיעה חמורה.

**⚠ אזהרה:** על מנת למנוע הפעלה מקרית אשר עלולה להוביל לפגיעה אישית חמורה, הסירו תמיד את מארז הסוללה מן המכשיר בעת הרכבת חלקים, ביצוע התאמות, ניקיון או כאשר המכשיר אינו נמצא בשימוש.

לפני כל שימוש בדקו את כל המוצר עבור חלקים ניזוקים, משוחררים או חסרים, כגון ברגים, אומים, בריחים, מכסים וכו'. הדקו בבטחה את כל האבזמים והמכסים ואל תפעילו את המוצר עד אשר חלקים חסרים או ניזוקים תוקנו או הוחלפו.

7. החליפו את המכסה הצדדי והדקו קלות את ידית המכסה הצדדי.
8. הרימו את קצה המוט המנחה על מנת לבדוק שאין שקעים (איור F). שחררו את קצה המוט המנחה וסובבו את ידית כוונן מתיחת השרשרת בכיוון השעון. חזרו על התהליך עד אשר אין יותר שקעים.
9. הדקו את ידית המכסה הצדדי בבטחה על מנת לוודא ששרשרת המסור מתוחה כהלכה לפני השימוש.

D-1	קישורי הנעת השרשרת	E-2	פין להתאמת מתח
D-2	חריץ המוט המנחה	E-3	חריץ מוט מנחה
E-1	גליל יישור	E-4	גלגל שיניים

## יישומים

ניתן להשתמש במכשיר זה לכריתה בסיסית, שיסוע, גיזום וחיתוך של עץ ועצים.

**הודעה:** על מנת להאריך את חיי המוט המנחה, הפכו אותו מעת לעת.

## מילוי ושימון השרשרת

**⚠ אזהרה:** נא לא לעשן או לגרום לאש או להבה ליד שמן המסור החשמלי. שמן שנשפך עלול לגרום לשרפה.

**הודעה:** אם השרשרת מתוחה מדי, היא לא תסתובב. שחררו מעט את ידית כוונן מתח השרשרת פעם אחת נגד כיוון השעון. הרימו את קצה המוט המנחה כלפי מעלה והדקו מחדש ובבטחה את ידית המכסה הצדדי. וודאו שהשרשרת מסתובבת ללא ליפופים.

## כוונן מתח השרשרת

**הודעה:** בעת הרכישה המסור החשמלי אינו מלא בשמן. חשוב מאוד למלא את מיכל השמן לפני השימוש. השרשרת משומנת באופן אוטומטי עם שמן שרשרת בעת ההפעלה.

■ עצרו את המנוע והסירו את מארז הסוללה לפני כוונן מתח השרשרת. וודאו שידית המכסה הצדדי משוחררת. סובבו את ידית כוונן מתיחת השרשרת בכיוון השעון על מנת למתוח את השרשרת. ראו את החלק: הרכבה/החלפה של המוט והשרשרת למידע נוסף.

1. מקמו את המסור החשמלי על צידו כאשר מיכל השמן שלו פונה קדימה.
2. נקו את מיכל השמן ואת האזור סביבו כדי להבטיח שלא ייכנס לכלוך לתוך מיכל השמן.
3. מקמו את המסור החשמלי על הצד, על גבי משטח מוצק ושטוח כך שמיכל השמן פונה כלפי מעלה. הרימו את הלוחית בצורת חצי עיגול וסובבו את מכסה מיכל השמן נגד כיוון השעון כדי להסירו (איור H).
4. מזגו בהירות את שמן המוט והשרשרת לתוך המיכל. מלאו עד לסיומן קו המקסימום.
5. נקו כל שמן אשר נשפך והניחו מחדש את המכסה.

■ שרשרת קרה מתוחה כראוי כאשר אין שום חלק רפוי בחלק התחתון של המוט המנחה והשרשרת מהודקת, אך ניתן לסובב אותה ביד מבלי לגרום לליפוף. יש למתוח מחדש את השרשרת כאשר המשטחים על קישורי ההנעה אינם יושבים בתוך חריץ המוט.

■ בעת פעולה רגילה של המסור, טמפרטורת המסור תעלה. קישורי ההנעה של שרשרת חמה המתוחה כהלכה יהיו תלויים בערך 1.3 מ"מ מחוץ לחריץ המוט

HE

זרם ישיר	⎓	מוצר זה הנו בהתאם לתקנת ה-CE הרלוונטיות.	CE
אמפרים	A	וולט	V
וואט	W	הרץ	Hz
מהירות ללא עומס	$n_0$	דקות	min
		לדקה	.../min

**הודעה:** פליטת הרטט בעת השימוש המעשי בכלי יכולה להיות שונה מן הערך המוצהר כאשר הכלי נמצא בשימוש; על מנת להגן על המפעיל, על המשתמש ללבוש כפפות ומגני אוזניים בעת השימוש למעשה.

## רשימת אריזה (איור A1)

### תיאור

הכירו את המסור החשמלי שלכם (איור A1)

1. מתג הדק למהירויות מגוונות
2. ידית אחורית
3. כפתור נעילה
4. ידית קדמית
5. ידית הבלימה לתגובה חזקה לאחור של השרשרת
6. שרשרת מסור
7. מוט מנחה
8. מכסה מיכל שמן
9. חלון בדיקת שמן
10. חיבורים חשמליים
11. כפתור שחרור סוללה
12. ידית כוונן עבור מתח השרשרת
13. מכסה צדדי
14. דית מכסה צדדי
15. נדן שרשרת

### הרכבה

### הרכבה/החלפה של המוט

### והשרשרת

**⚠ אזהרה:** כווננו את בלם הרתע של השרשרת במצב הבלימה לפני ההרכבה.

1. הניחו את ראש המתח של המסור החשמלי על צידו כאשר המכסה הצדדי פונה כלפי מעלה (איור B).
2. סובבו את ידית המכסה הצדדי נגד כיוון השעון על מנת להסיר את המכסה הצדדי ולאחר מכן שחררו את ידית מתיחת השרשרת על כמה שניתן.
3. הניחו את שרשרת המסור החדשה בלולאה על משטח שטוח ויישרו כל עיקול (איור C).
4. הניחו את קישורי ההנעה של השרשרת אל חריץ המוט המנחה ועשו מן השרשרת לולאה בצידו

### מפרטים

56V ⎓		ילמשה חתמ	
400 מ"מ (CS1610E)		החנמ טומ רְרוּא	
350 מ"מ (CS1410E)		תרשר טבוצ	
3/8 אינץ' (9.5 מ"מ)		תרשר דמ	
1.1 מ"מ		תרשר תוריהמ	
20 מ/שנייה		CS1610E	גוס תרשר רוסמ
AC1601 / AC1600 (מומלץ) AC1401 / AC1400 (מתאים)			
AC1401 / AC1400 (מומלץ) AC1601 / AC1600 (מתאים)		CS1410E	
AG1601 / AG1600 (מומלץ) AG1401 / AG1400 (מתאים)		CS1610E	טומ גוס החנמ
AG1401 / AG1400 (מומלץ) AG1601 / AG1600 (מתאים)		CS1410E	
150 מ"ל		לש נמשה לכימ תלוביק תרשרה	
-15°C–40°C		הלעפה תרוטרפמט	
-20°C–70°C		נוסחא תרוטרפמט	
3.9 ק"ג (CS1610E) 3.8 ק"ג (CS1410E)		זראמ אלל) וטנ לקשמ (תרשרש ודנ, הללוס	
102.25 dB(A) K=1.4 dB(A)		רמת עוצמת קול נמדדת $L_{WA}$	
91.25 dB(A) K=2.5 dB(A)		רמת עוצמת קול נמדדת $L_{PA}$	
103 dB(A)		רמת עוצמת קול מובטחת $L_{WA}$ (בהתאם ל-2000/14/EC)	
3.377 מ/שנייה <sup>2</sup> K=1.5 מ/שנייה		רסט $a_h$	ידית קדמית
2.823 מ/שנייה <sup>2</sup> K=1.5 מ/שנייה			
		ידית אחורית	

■ ערך הרטט הכללי המוצהר נמדד בהתאם לשיטת בדיקה סטנדרטית וניתן להשתמש בו על מנת להשוות ציוד אחד עם ציוד אחר;

■ ניתן להשתמש בערך הרטט הכללי המוצהר בהערכה ראשונית של חשיפה.

## קראו את כל ההוראות!



**⚠ סיכון שיורי!** אנשים בעלי מכשירים חשמליים כגון קוצבי לב, צריכים להתייעץ עם הרופא(ים) המטפל(ים) בהם לפני השימוש במכשיר זה. הפעלה של ציוד חשמלי בקרבת קוצבי לב עלולה להפריע לפעולת הקוצב או אפילו להפסיק את פעולתו.

### סמל בטיחות

מטרתם של סימני הבטיחות היא למשוך את תשומת לבכם אל סכנות אפשריות. סימני הבטיחות וההסברים שלהם דורשים את תשומת הלב וההבנה המלאות שלכם. סימני הבטיחות בעצמם לא ימנעו כל סכנה. ההוראות והאזהרות אותן הם מספקים לא תחלפנה נקיטת אמצעי מניעה מתאימים בעת תאונה.

**⚠ אזהרה: וודאו שאתם קוראים ומבינים את כל ההוראות הבטיחות המופיעות במדריך זה למשתמש, כולל את כל סימני התראות הבטיחות כגון „סכנה“, „אזהרה“ ו-„זהירות“ לפני השימוש במכשיר זה. אי מילוי אחר כל ההוראות המופיעות למטה יכול לגרום להלם חשמלי, שרפה ו/או פציעות אישיות חמורות.**

### פירוש הסימן

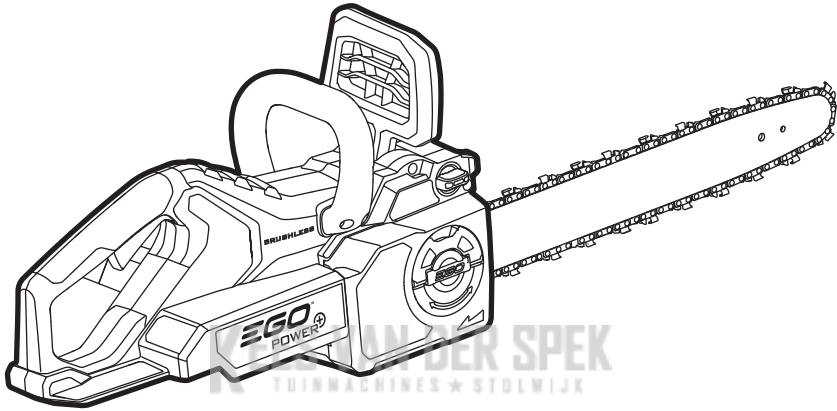
עמוד זה מציין ומתאר את סימני הבטיחות העשויים להופיע על גבי המוצר. קראו, הבינו ועקבו אחר ההוראות המופיעות על המכשיר לפני כל ניסיון להרכיב ולהשתמש בו.

### סימני בטיחות

קראו והבינו את המדריך למפעיל		התראת בטיחות	
לבשו מגני אוזניים		לבשו מגני עיניים	
לבשו כפפות מגן		לבשו מגני ראש	
תגובה חזקה לאחור של קצה המוט המנחה		היזהרו מתגובה חזקה לאחור של המסור החשמלי והימנעו ממגע עם קצה המוט	
נא לא לחשוף לגשם		השתמשו תמיד במסור החשמלי בשתי הידיים	
רמת עוצמת קול מובטחת.		פרטי המוט המנחה	
מוצר זה הוא בהתאם לחוקים הרלוונטיים בבריטניה.		WEEE	

# EGO™

POWER+ CHAIN SAW



CS1610E/CS1410E

מכסחה אלחוטית עם סוללת ליתיום-יון 56 וולט HE

منشار سلسلي لاسلكي ببطارية ليثيوم-أيون 56 فولت AR

