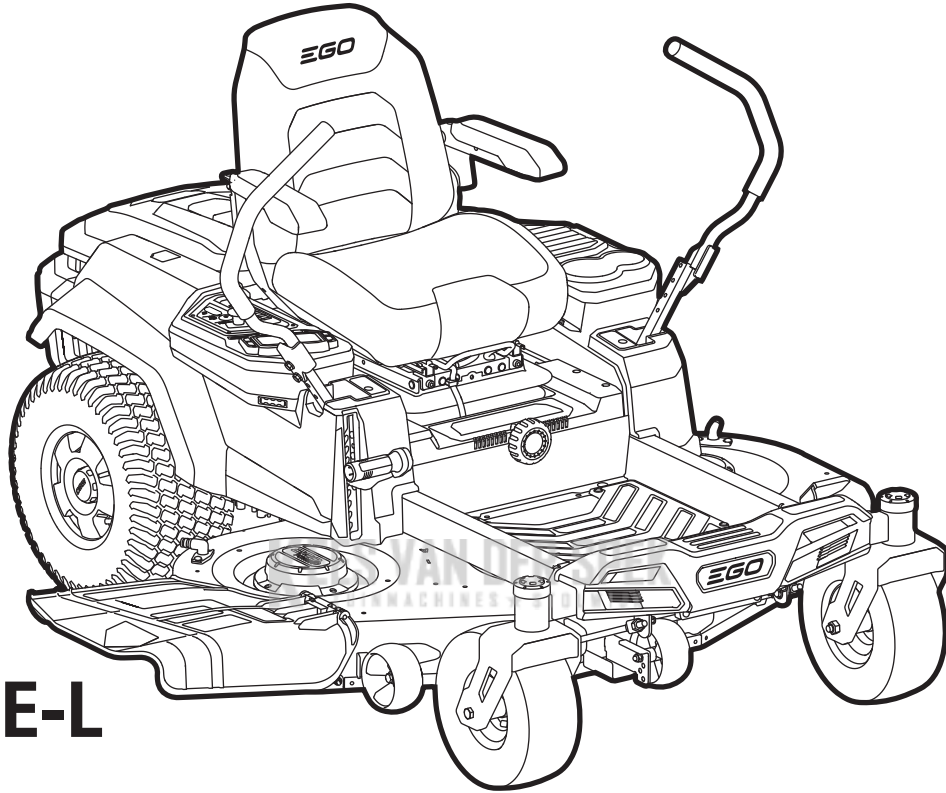


# EGO™

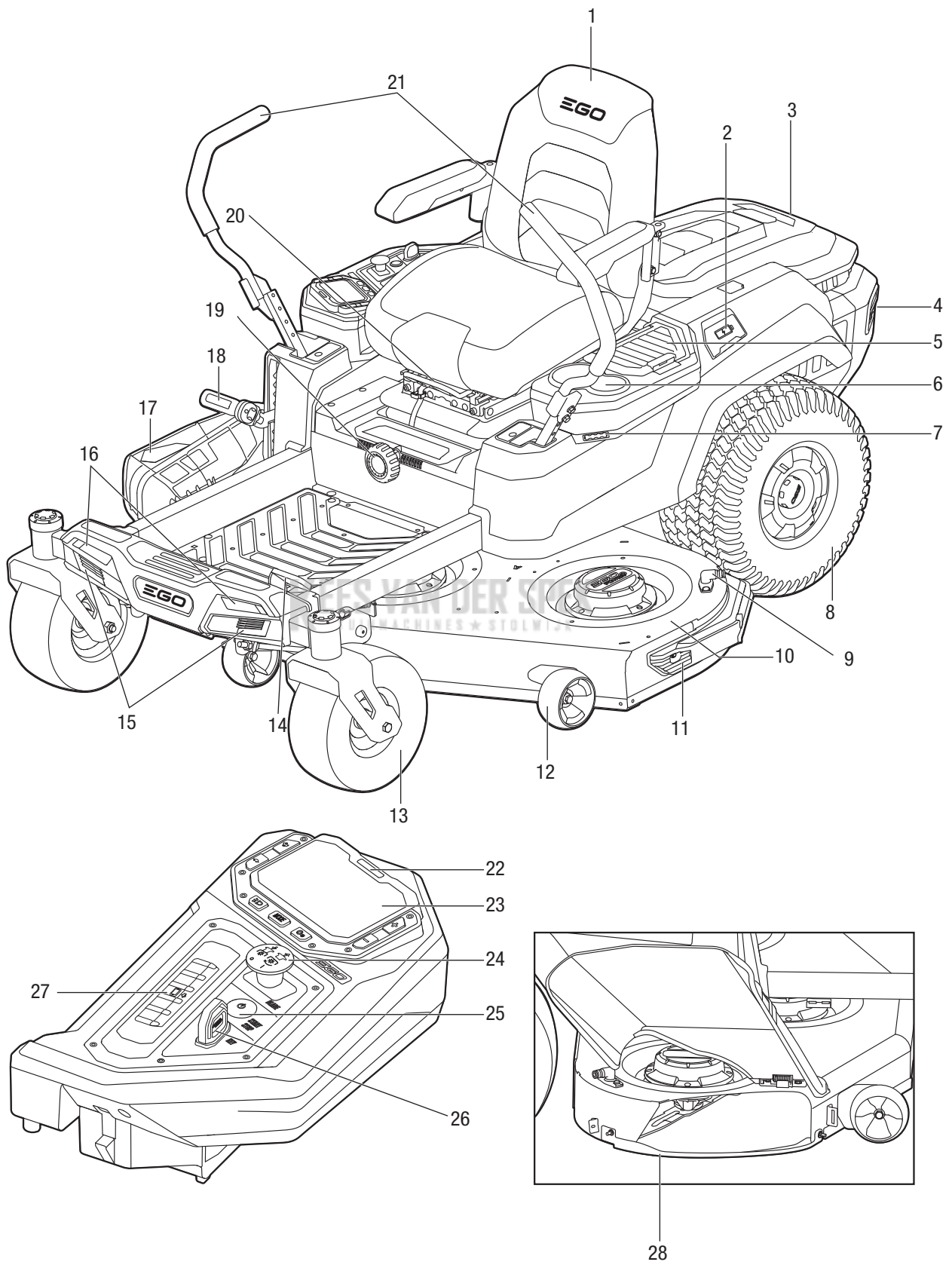
## POWER<sup>+</sup> ZERO TURN RIDE-ON MOWER

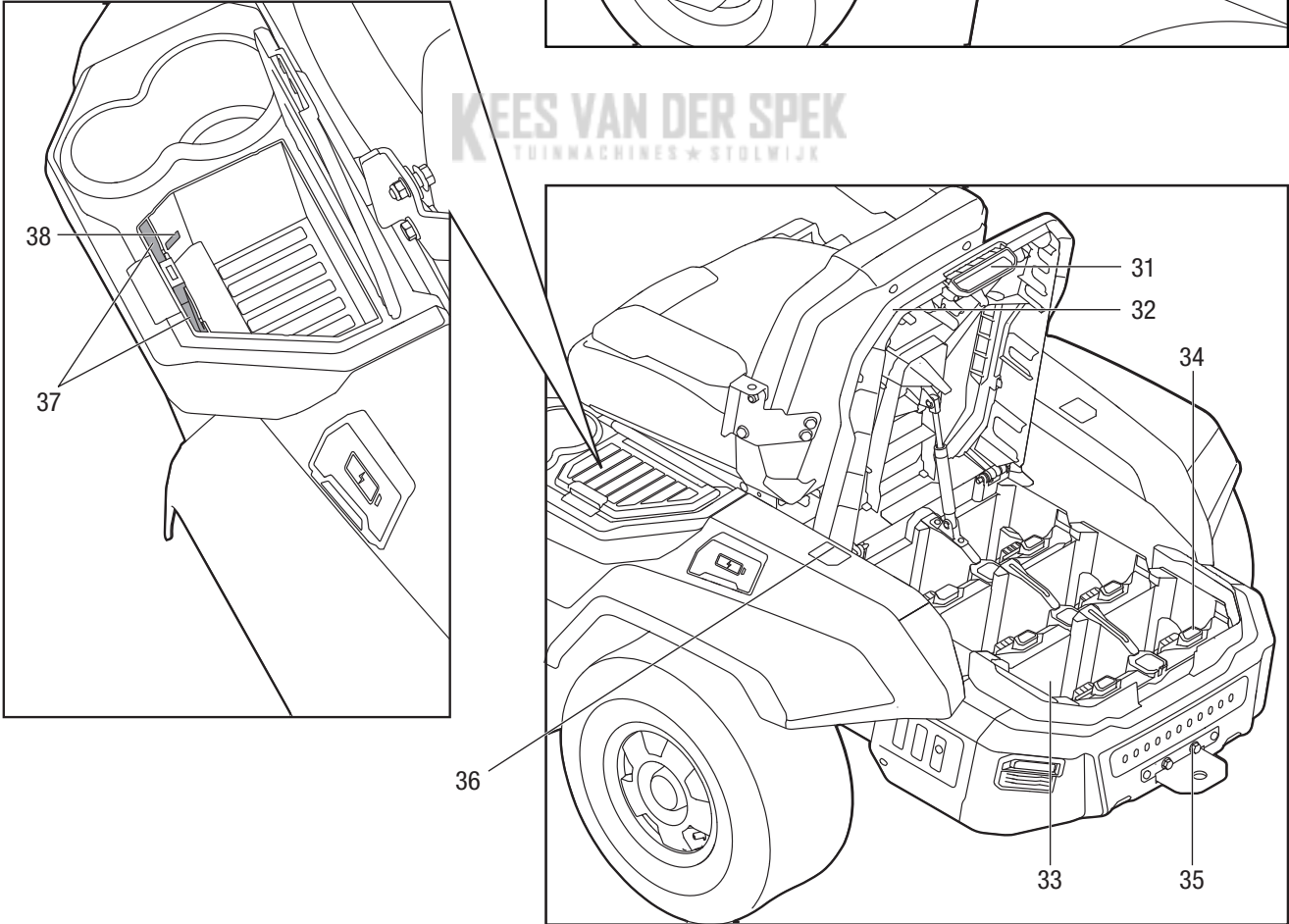
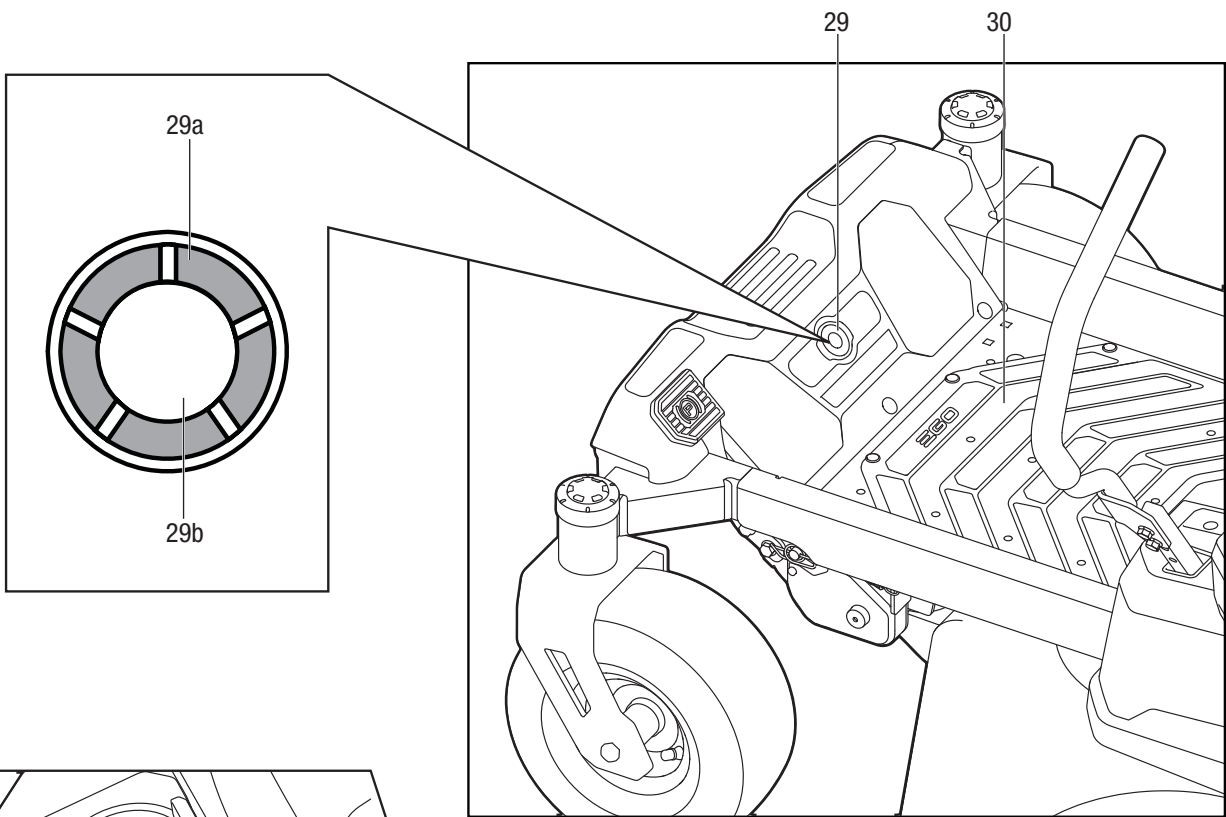


### ZT5200E-L

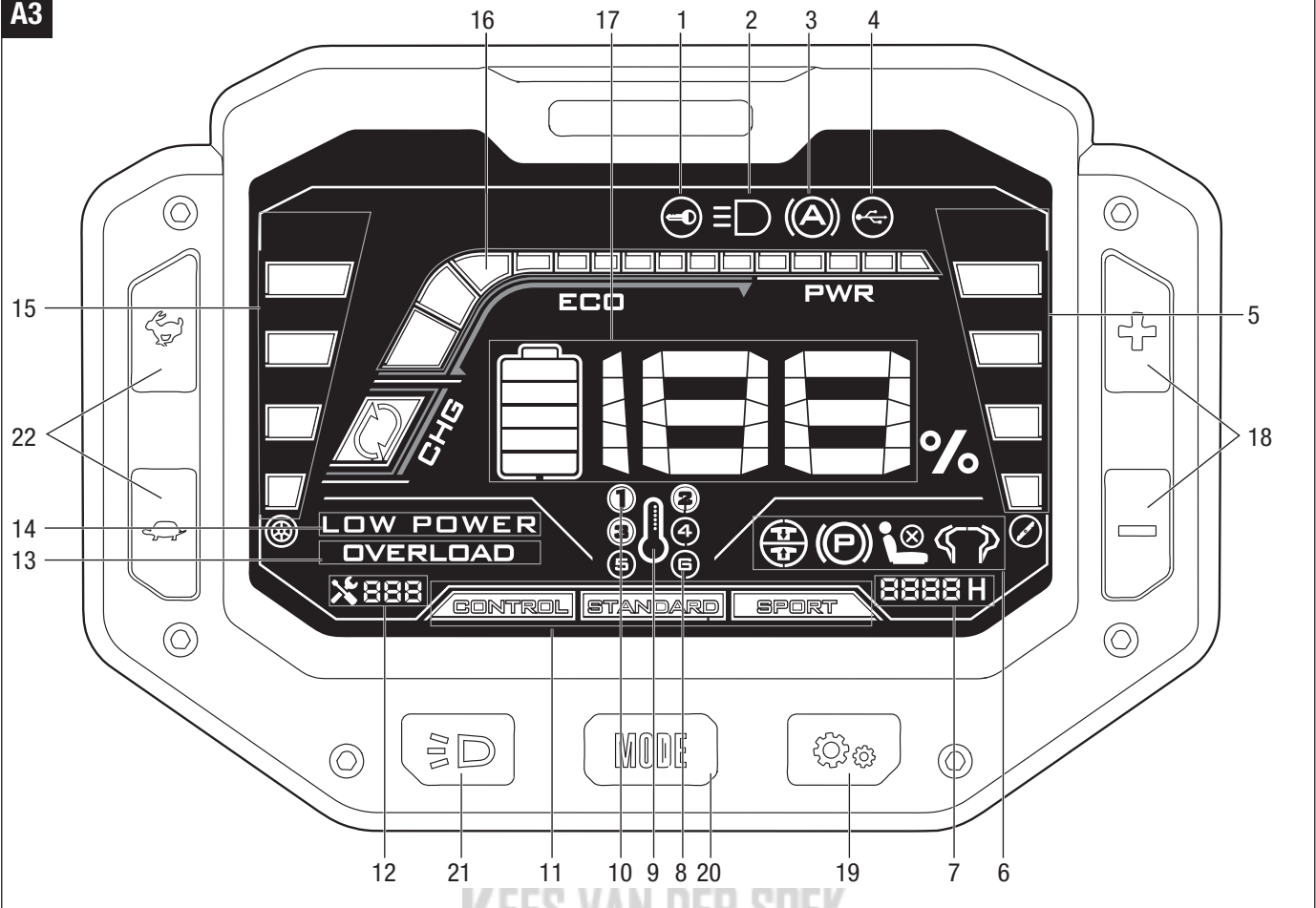
### ZERO TURN RIDE-ON MOWER

EN	Zero turn ride-on mower	22	RO	Mașină de tuns iarba fără virare	464
DE	Aufsitzrasenmäher	45	SL	Kosilnica s sedežem in možnostjo obračanja na mestu	494
FR	Tondeuse autoportée à rayon de braquage zéro	74	LT	Nulinio posūkio spindulio traktoriukas	520
ES	Tractor cortacésped de giro cero	102	LV	Nulles pagrieziena braucamais zāles pļāvējs	546
PT	Trator corta-relva zero turn	133	GR	Χλοκοπτική μηχανή τύπου ride-on zero turn	575
IT	Trattorino tagliaerba a raggio zero	162	TR	Sifir dönüşlü çim biçme traktör	608
NL	Zero-turn zitgrasmaaier	190	ET	Nullpöödraadiusega pealistutav muruniiduk	635
DK	Zero turn havetraktor	217	UK	Самохідна їздова косарка з нульовим радіусом повороту	659
SE	Spakstörd åkräsklippare	242	BG	Трактор-косачка с нулев завой	691
FI	Paikallaan kääntyvä ajettava ruohonleikkuri	267	HR	Traktorska kosilica s okretom u mjestu	726
NO	Zero turn sitteklipper	293	KA	მზებვის ნულოვანი რადიუსის მქონე ბალახის საკრეჭი ტრაქტორი	753
RU	Самоходная косилка с нулевым радиусом поворота	317	SR	Traktorska kosilica koja skreće u mestu	791
PL	Kosiarka samojezdna o zerowym promieniu skrętu	351	BS	Kosilica za vožnju s nultim okretom	817
CZ	Anerotační pojezdová sekačka na trávu	381	HE	(רדיוס סיבוב 0) TURN ZERO מנסחת דשא רכובה	895
SK	Pojazdová kosačka s nulovým polomerom otáčania	409	AR	جهازة صفرية زاوية الدوران بظهر للركوب	869
HU	Zero turn (helyben megforduló) fűnyíró traktor	436			

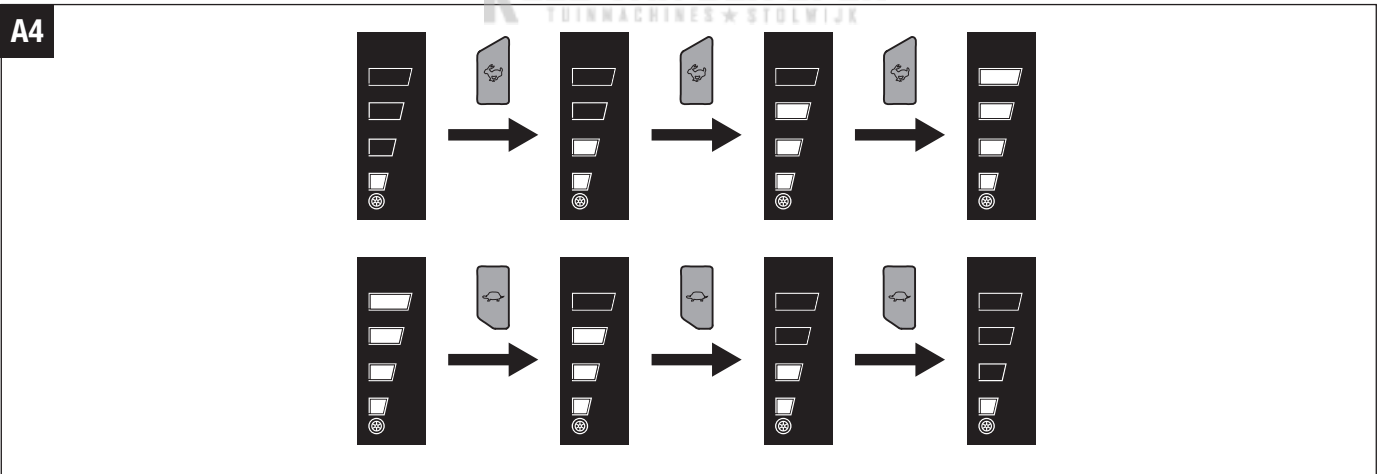




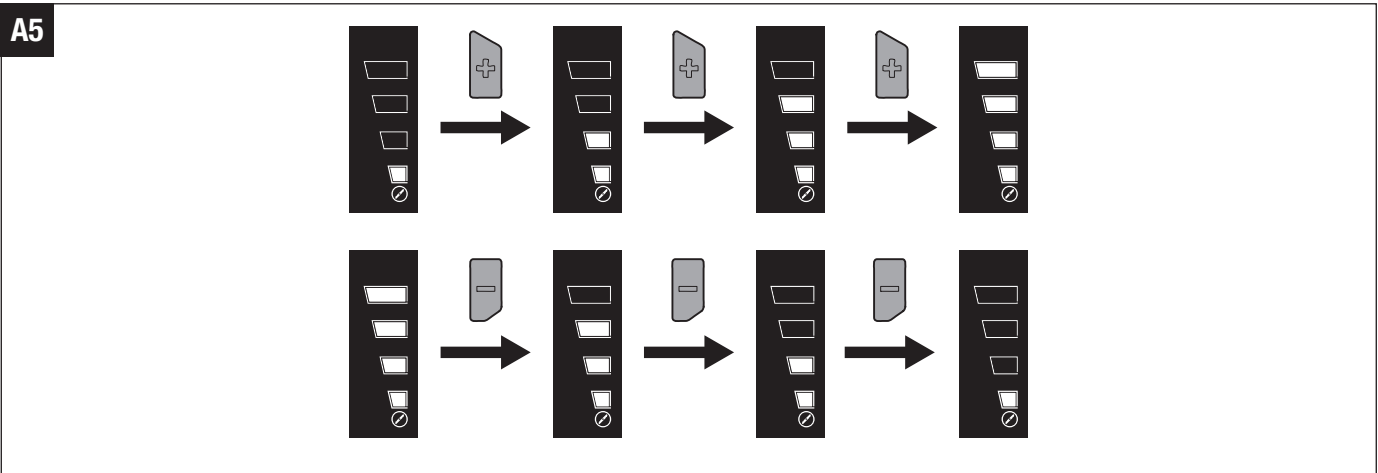
A3



A4

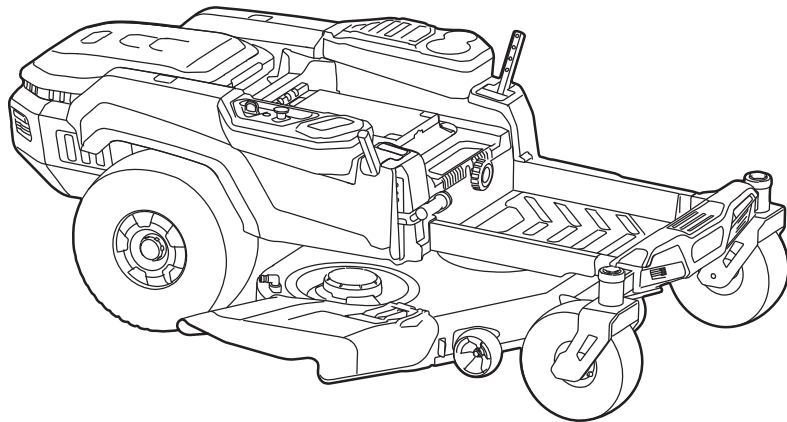


A5



**B**

B-1



**X 1**

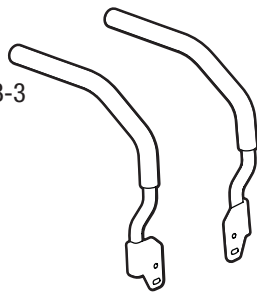
B-2



**X 1**

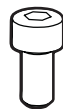
**KEES VAN DER SPEK**  
TUINMACHINES \* STOLWIJK

B-3



**X 1**

B-4



**X 6**

B-5



**X 6**

B-6



**X 2**

B-7



**X 2**

B-8



**X 1**

B-9

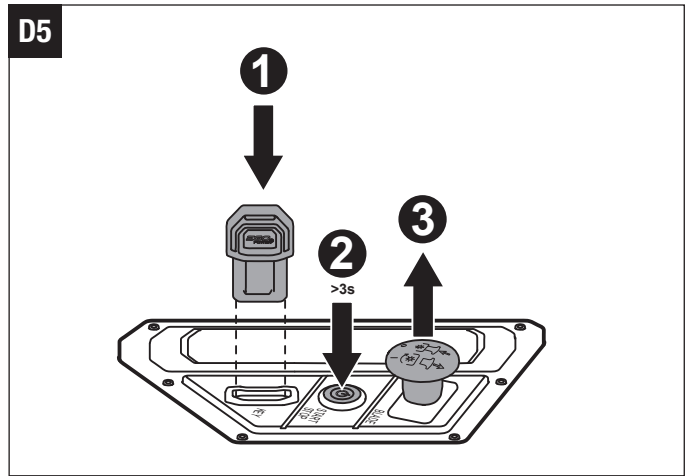
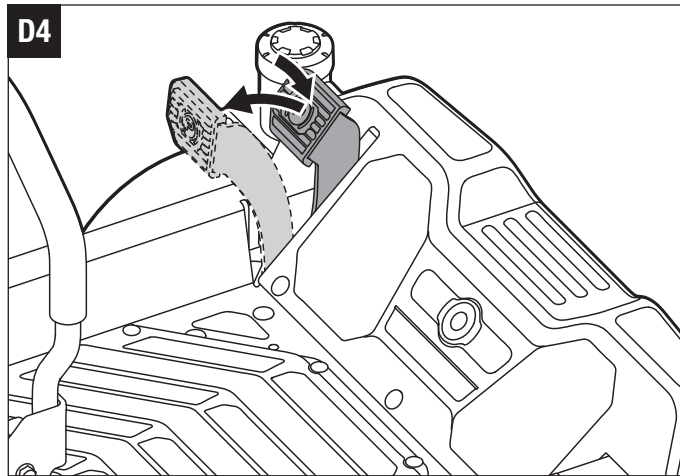
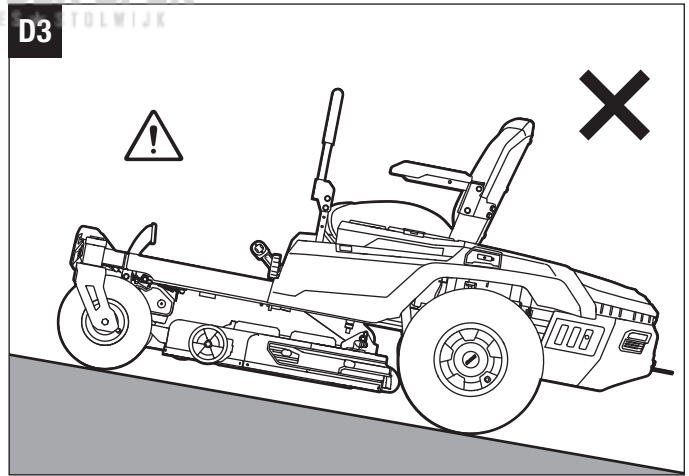
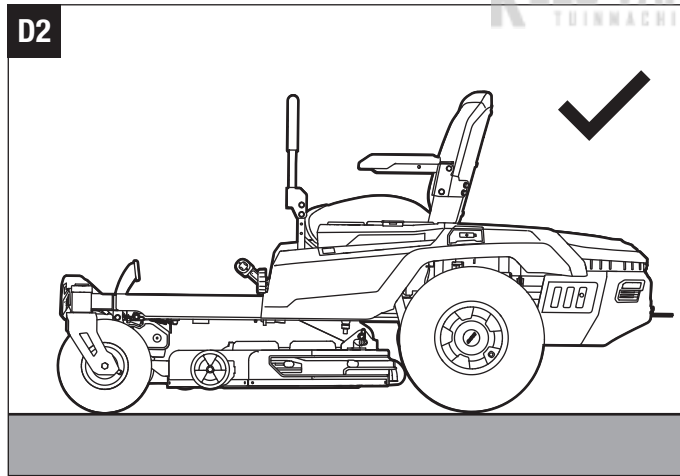
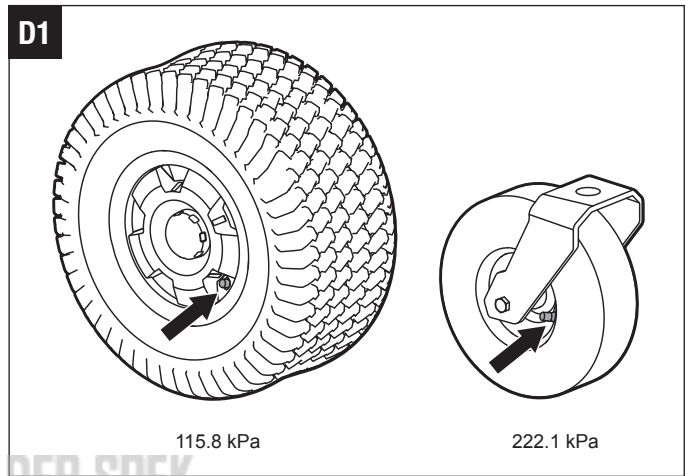
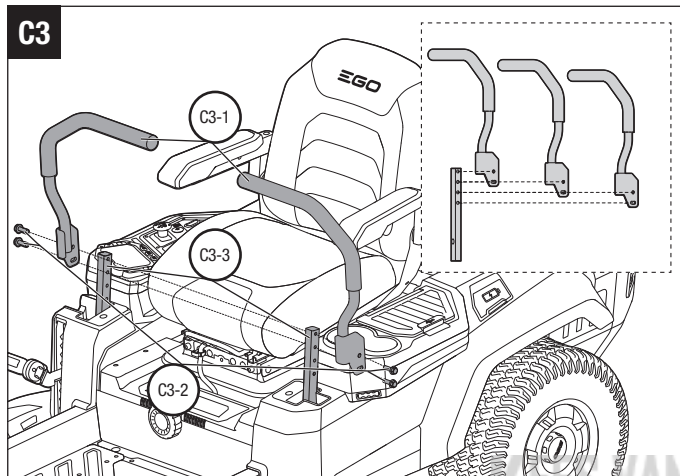
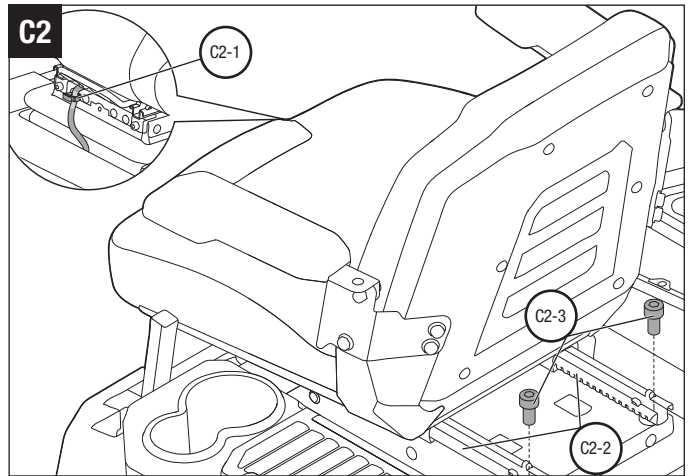
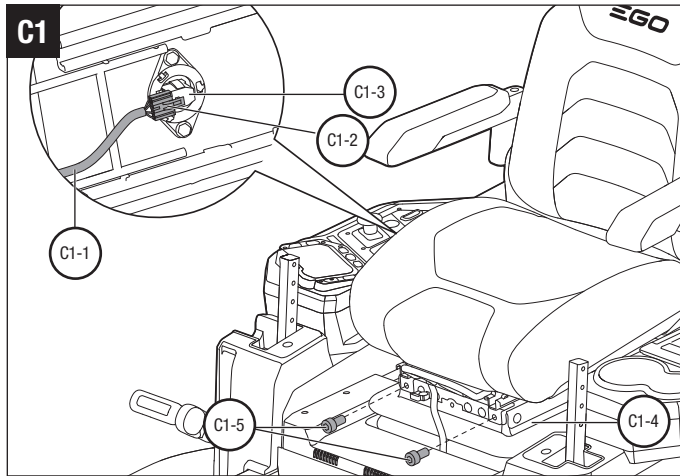


**X 2**

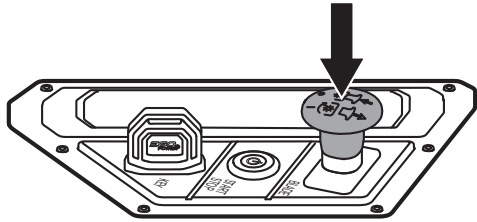
B-10



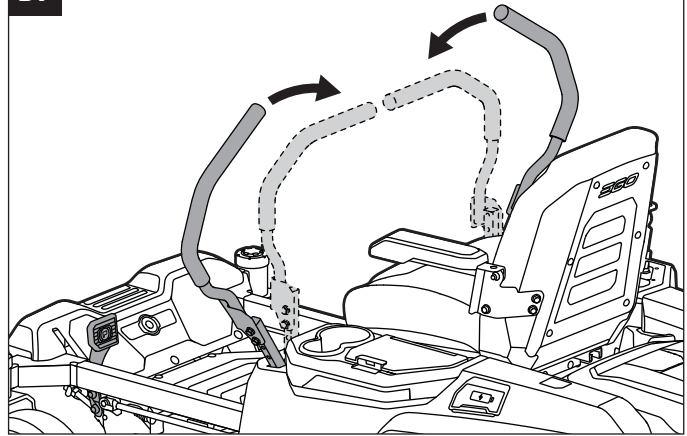
**X 1**



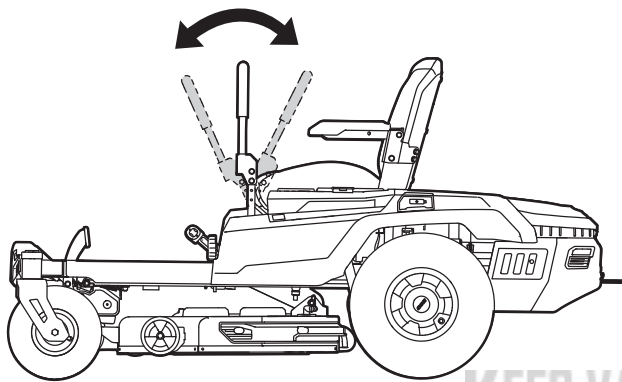
D6



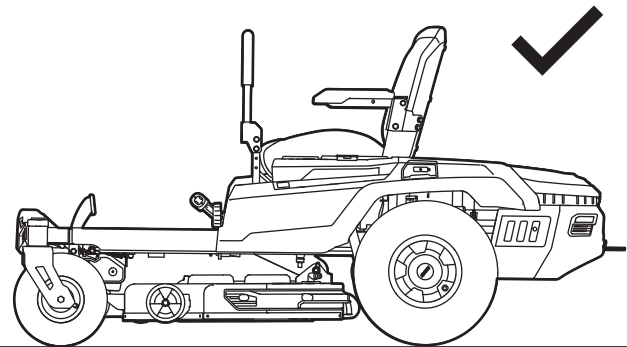
D7



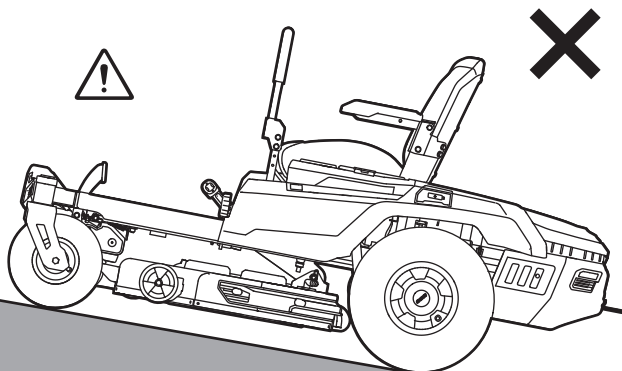
D8



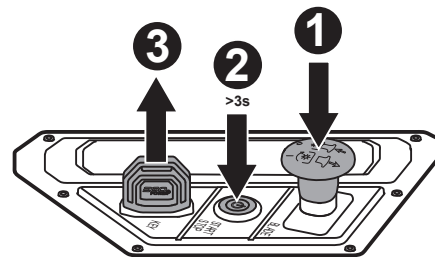
E1



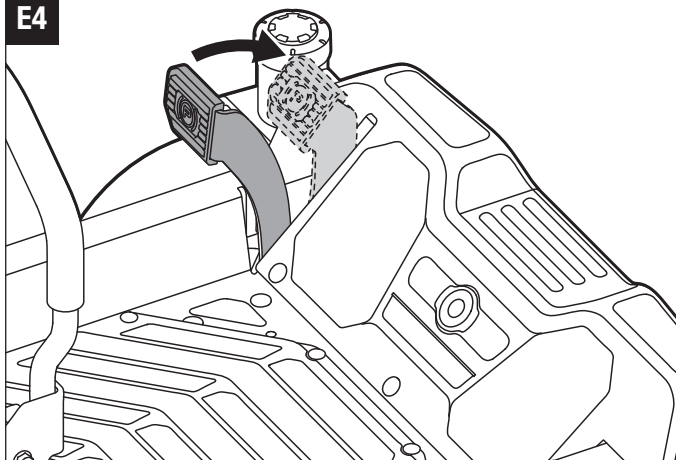
E2



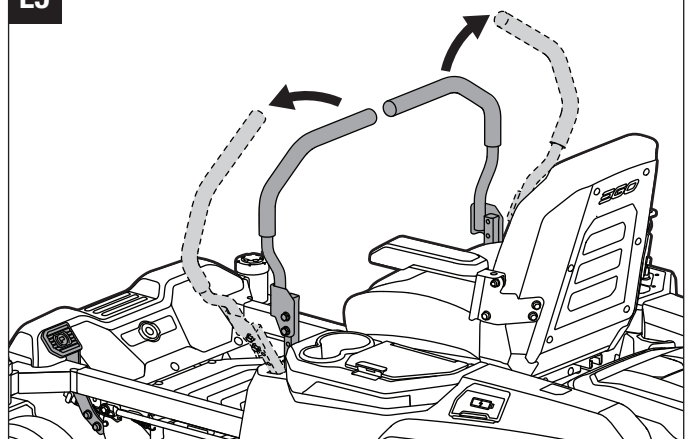
E3

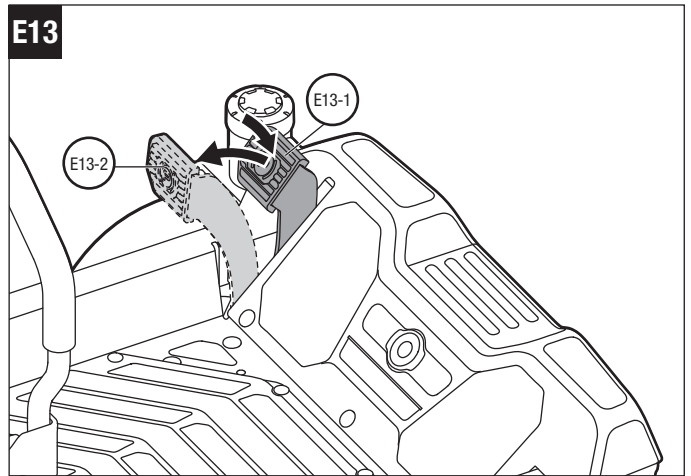
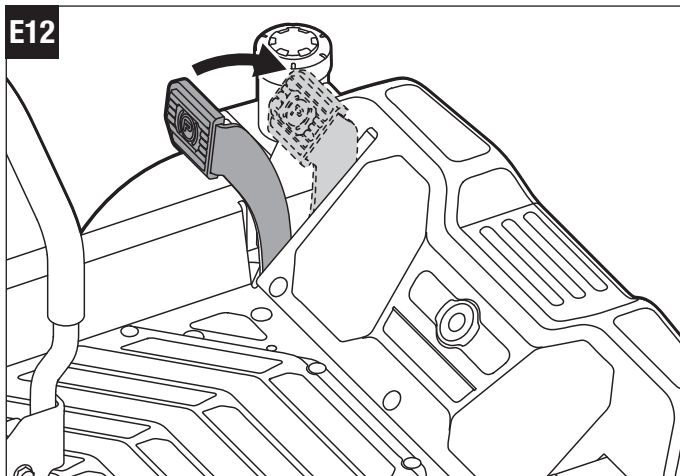
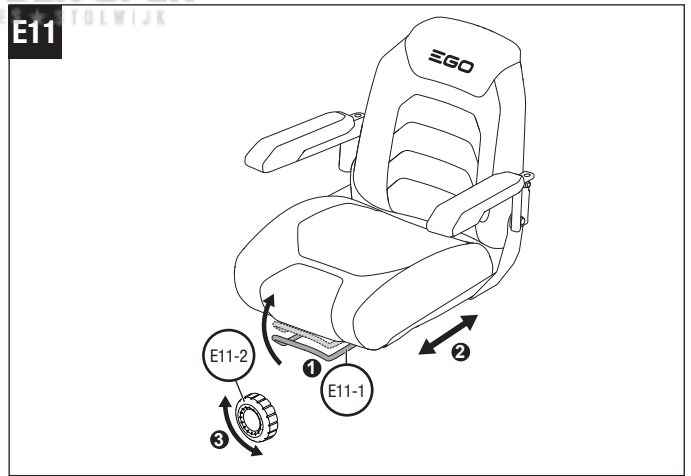
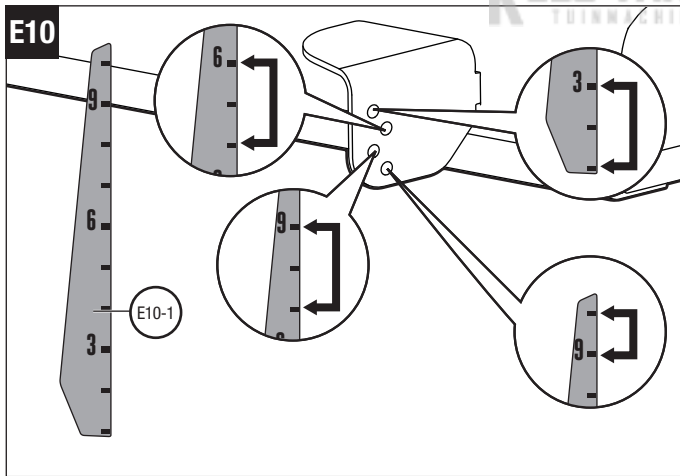
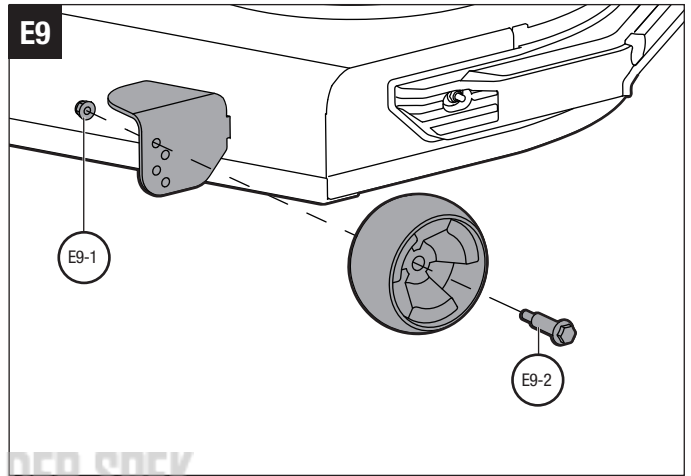
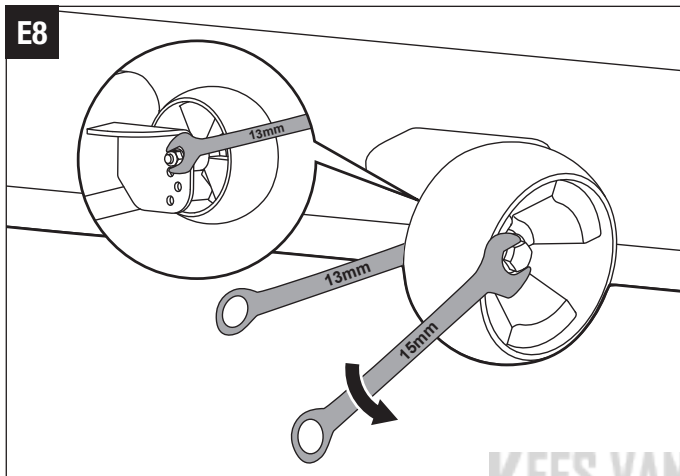
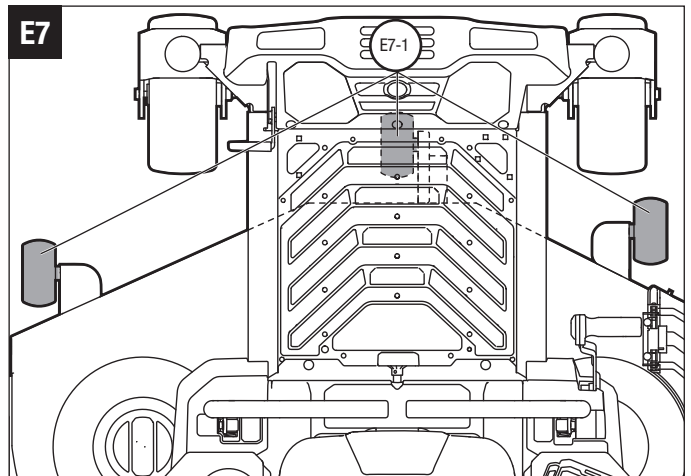
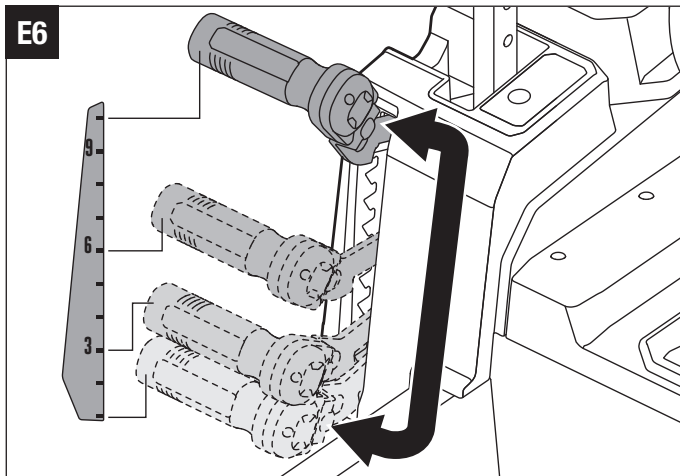


E4

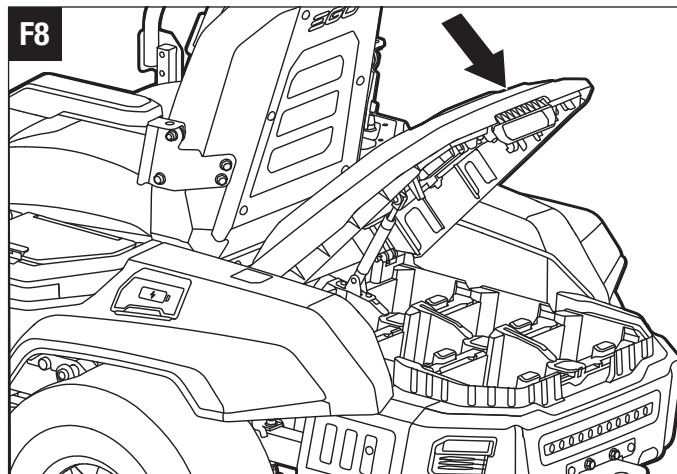
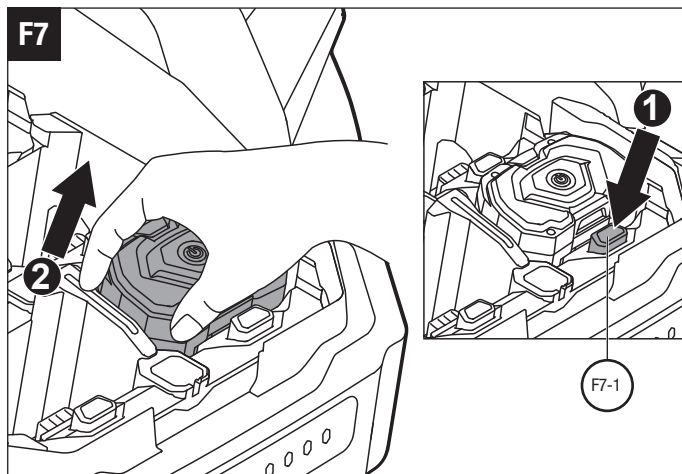
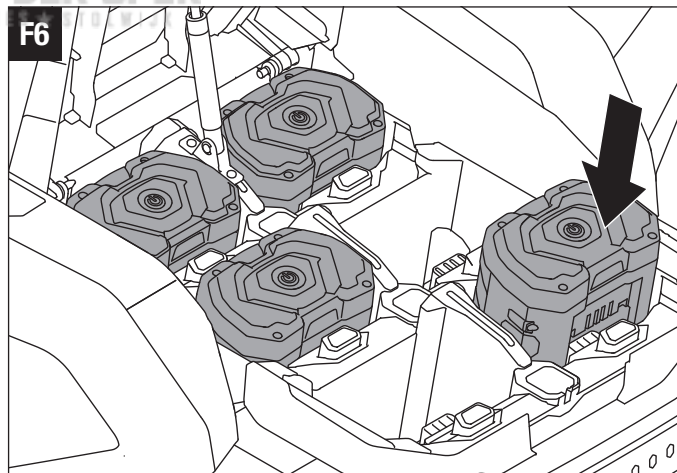
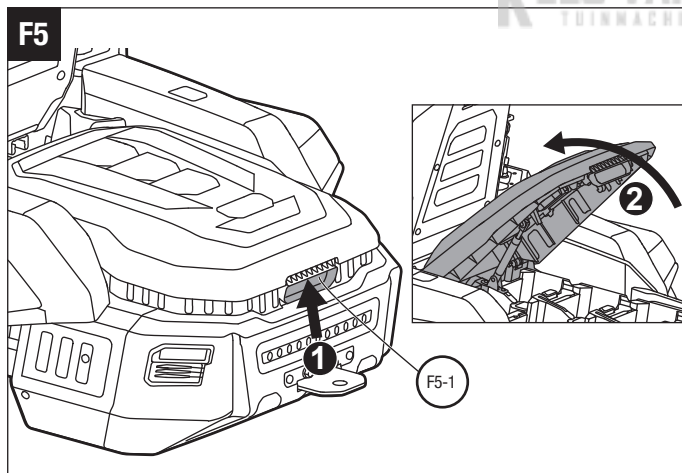
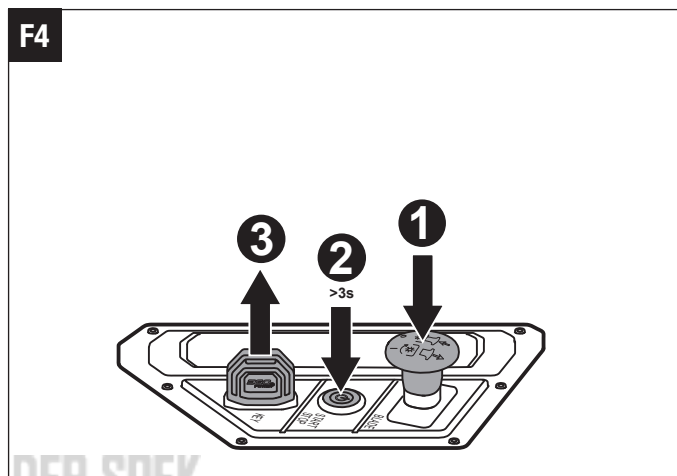
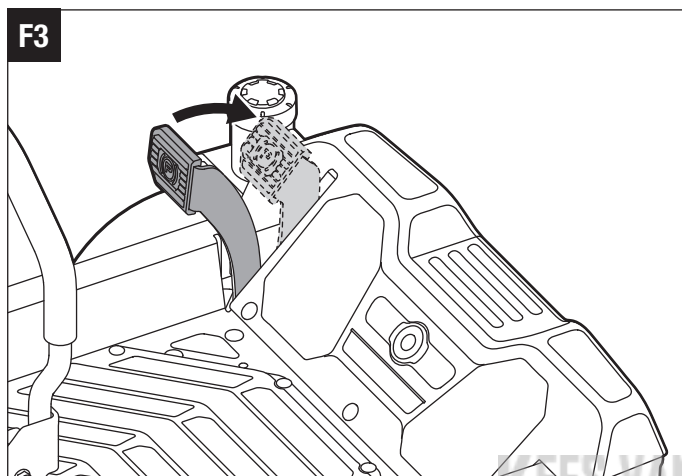
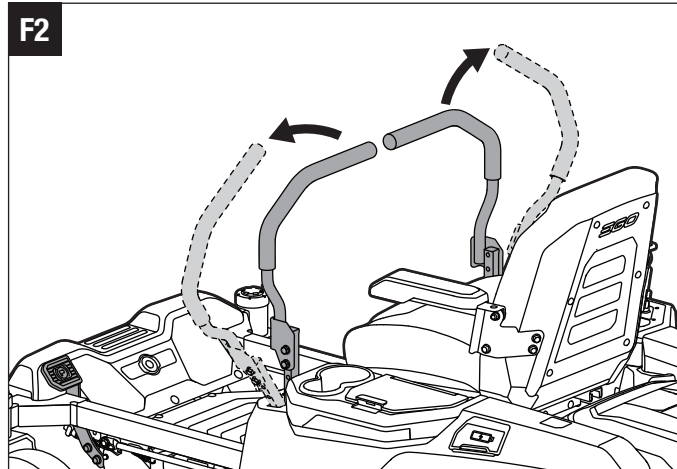
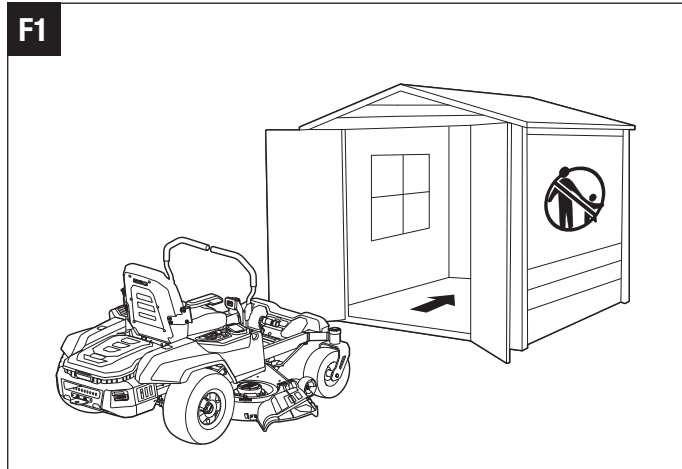


E5





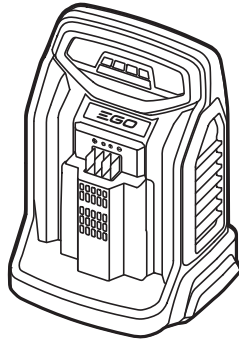
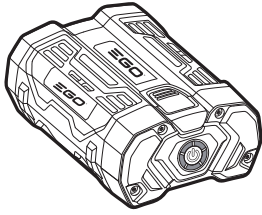




F9

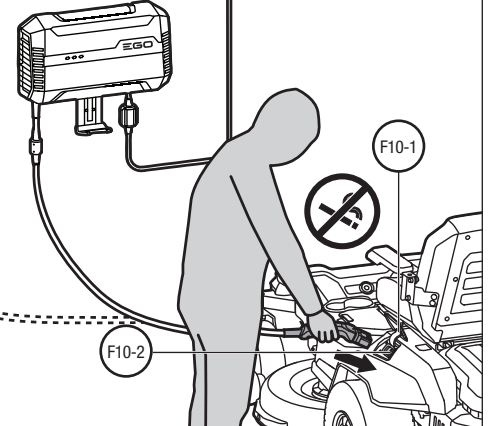
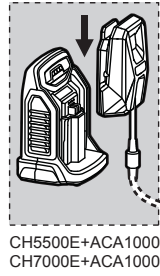
BA1400, BA1400T,  
BA2240T, BA2242T,  
BA2800, BA2800T,  
BA3360T, BA4200,  
BA4200T, BA5600T,  
BA6720T

CH5500E, CH2100E  
CH3200E, CH7000E

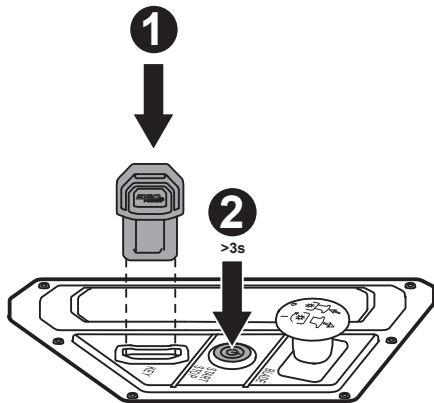


F10

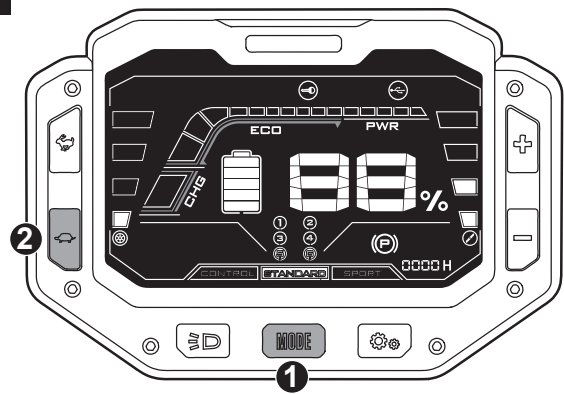
CHV1600E



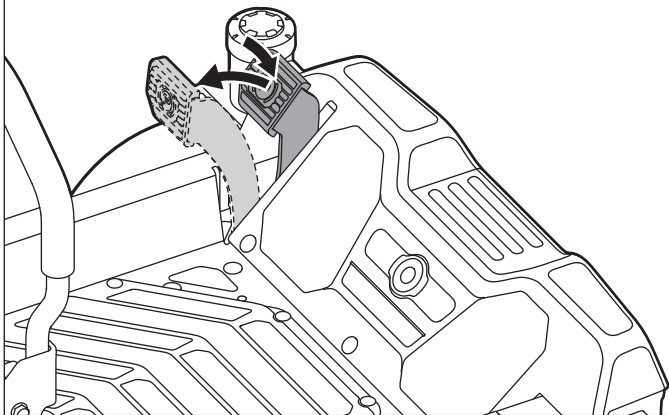
G1



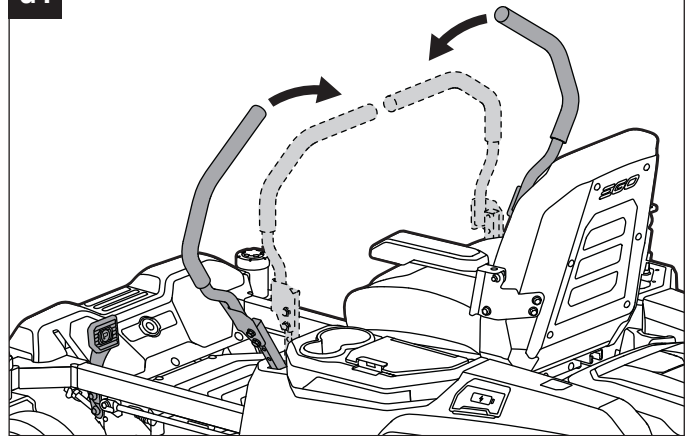
G2



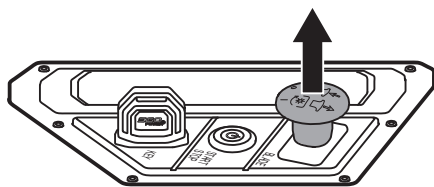
G3



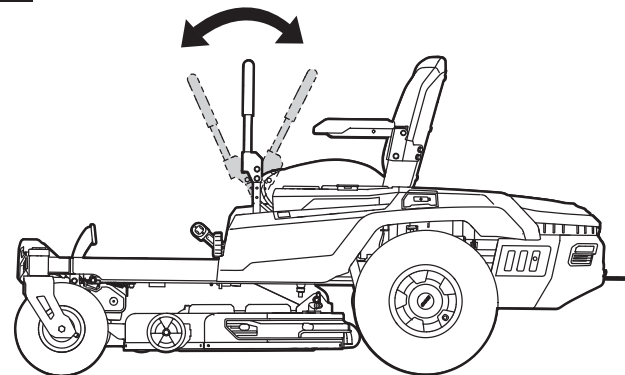
G4



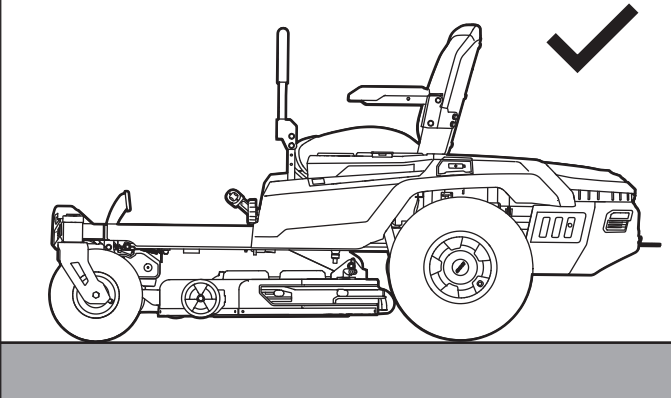
G5



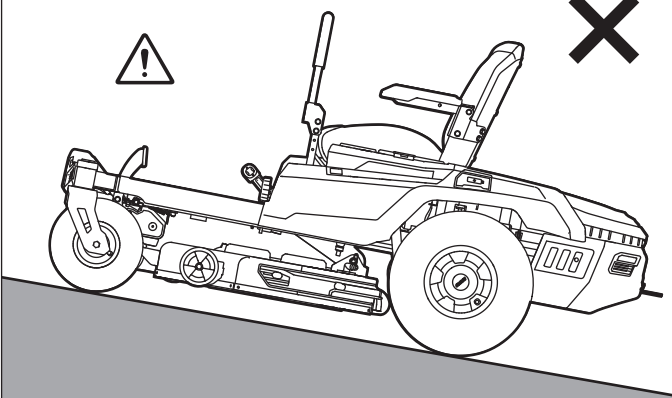
G6



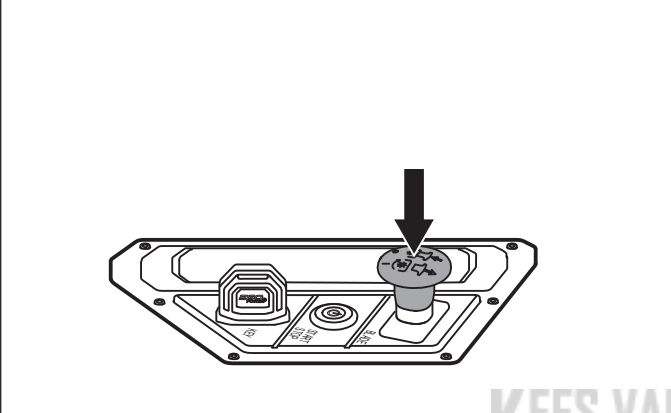
H1



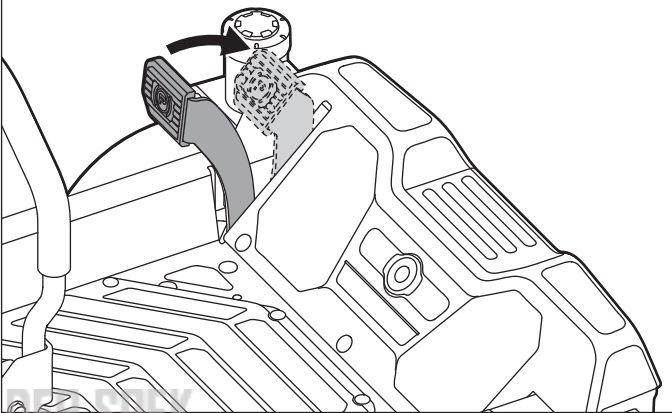
H2



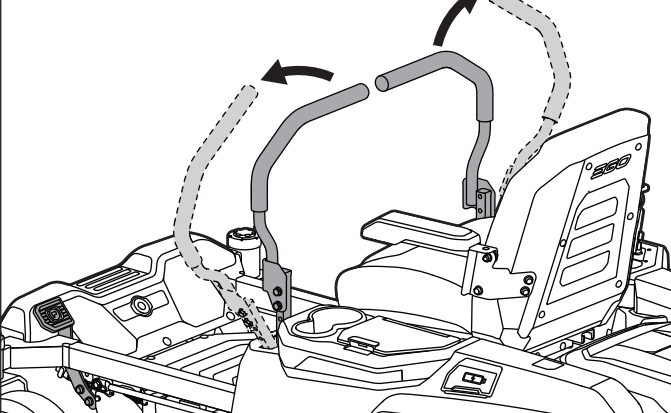
H3



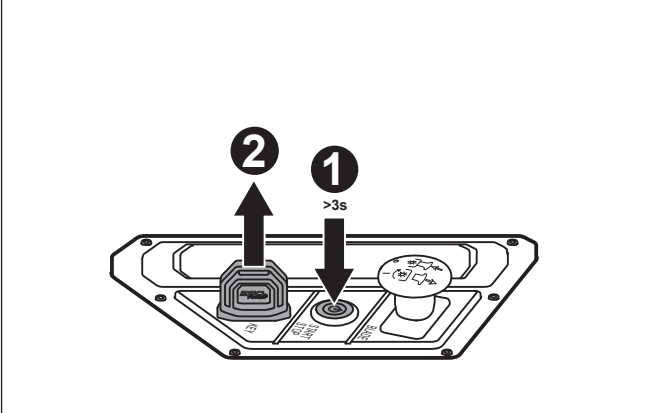
H4



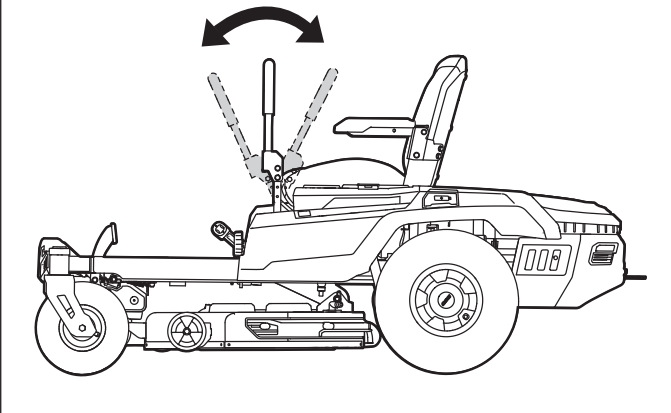
H5

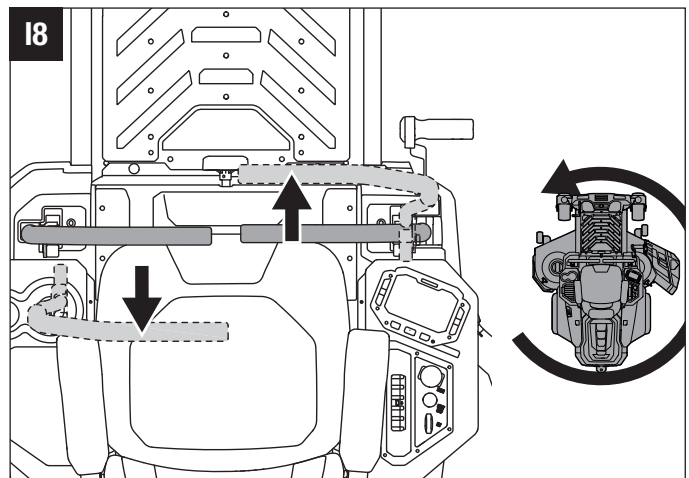
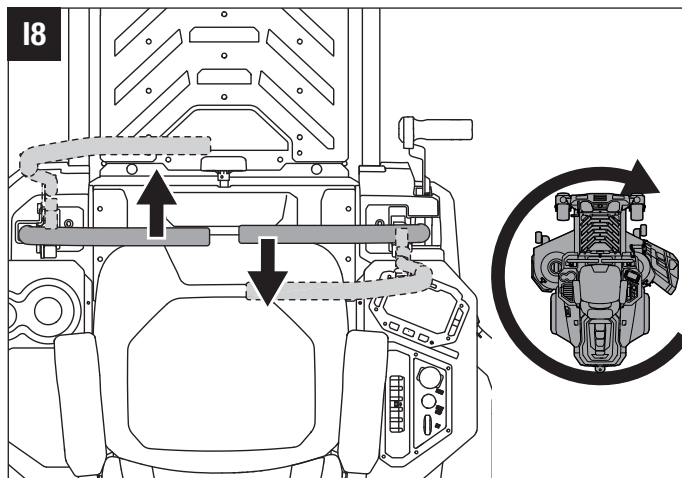
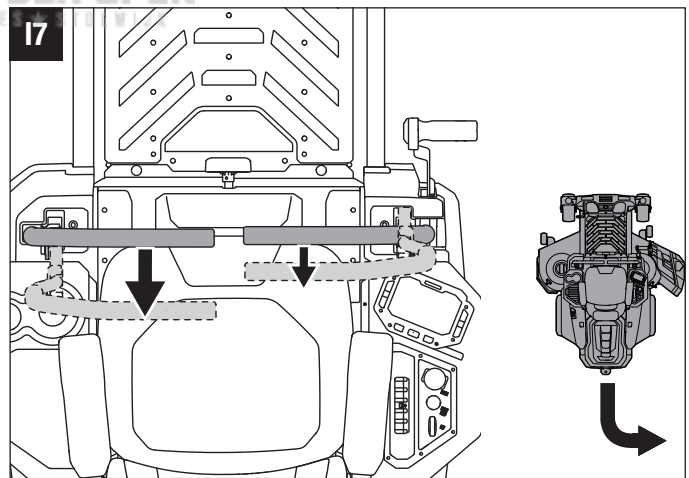
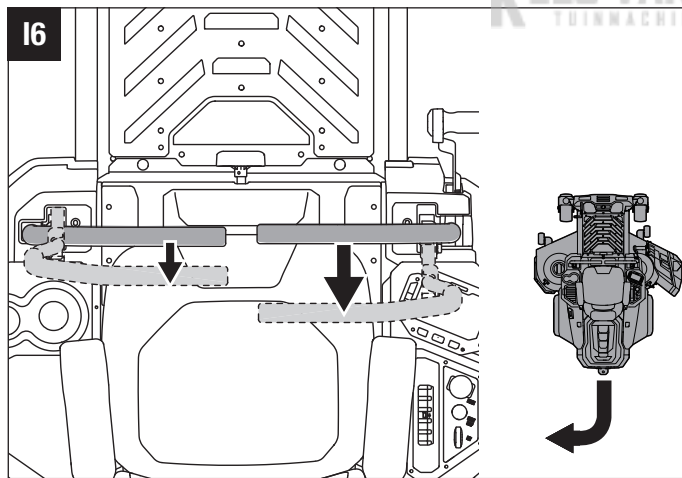
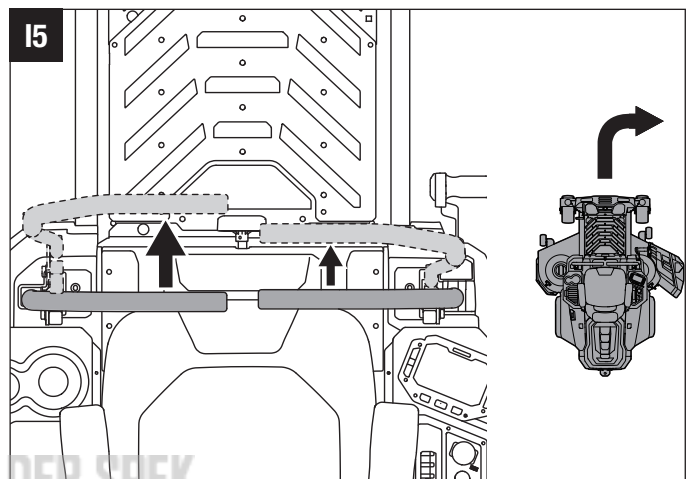
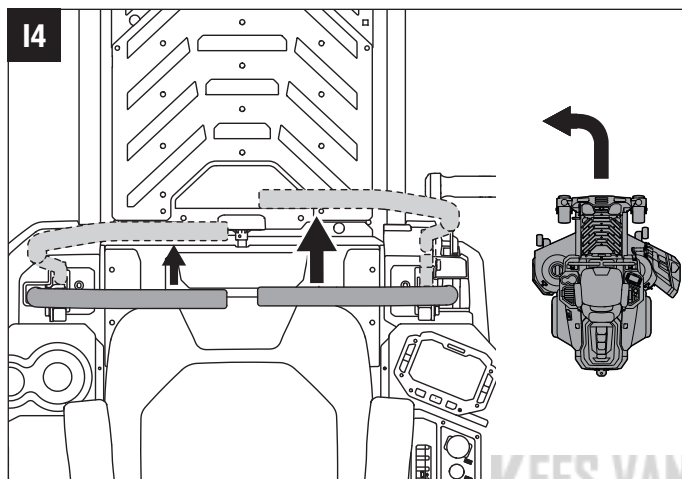
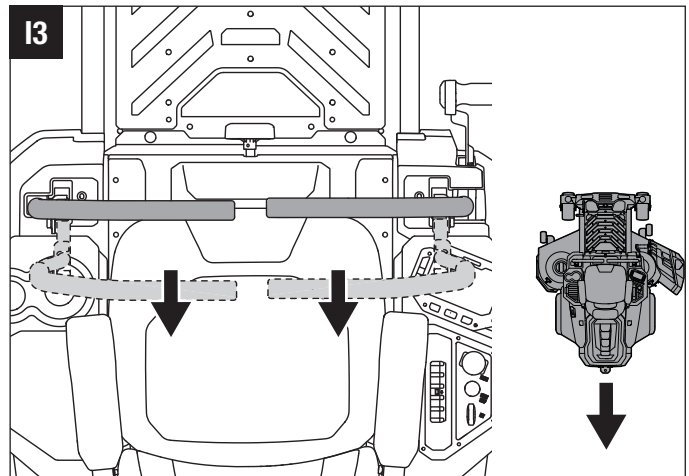
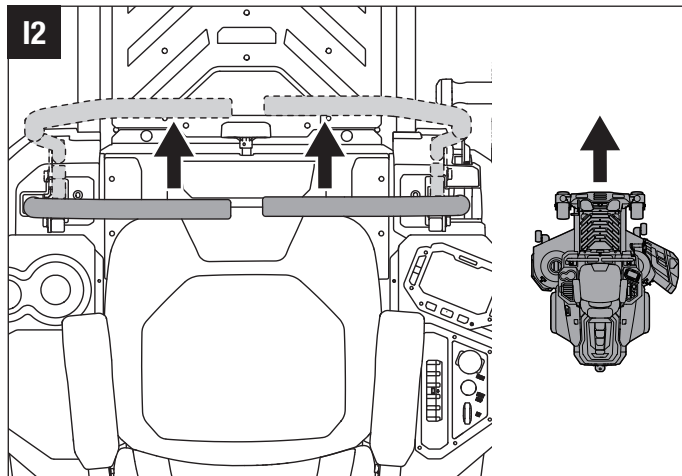


H6



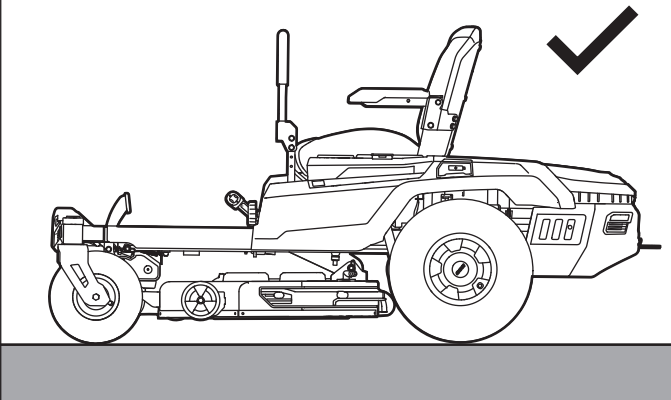
I1



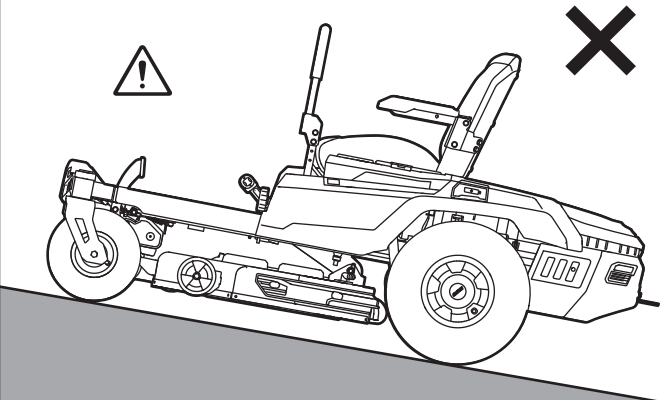


KEES VAN DER SPEK  
TUNINGCENTRUM

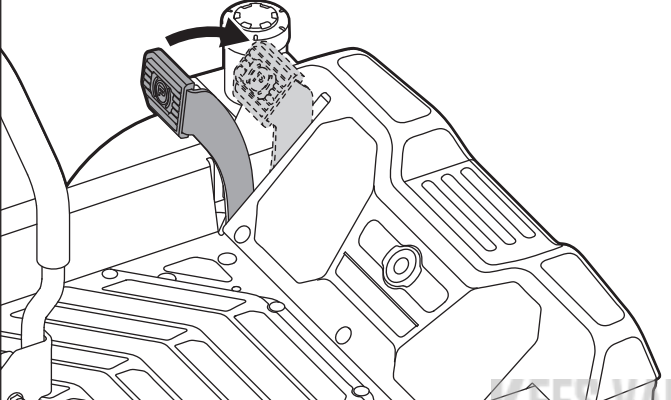
J1



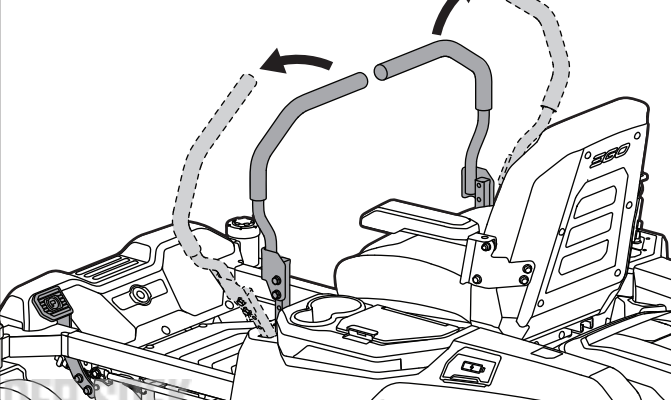
J2



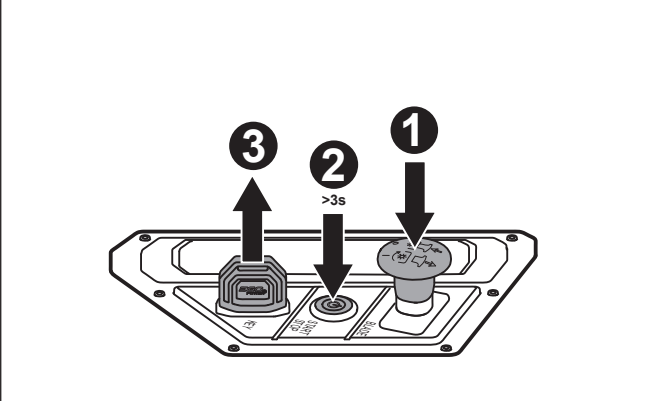
J3



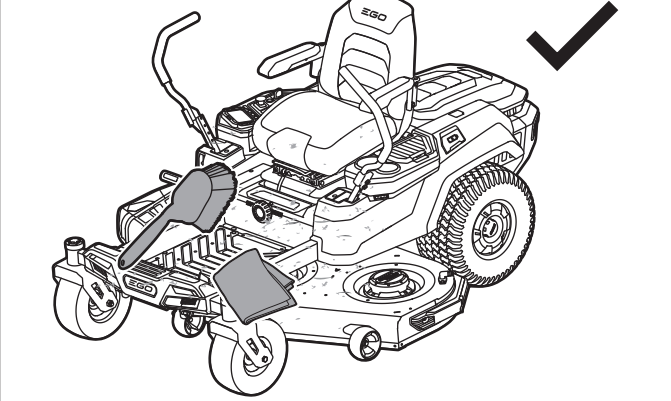
J4



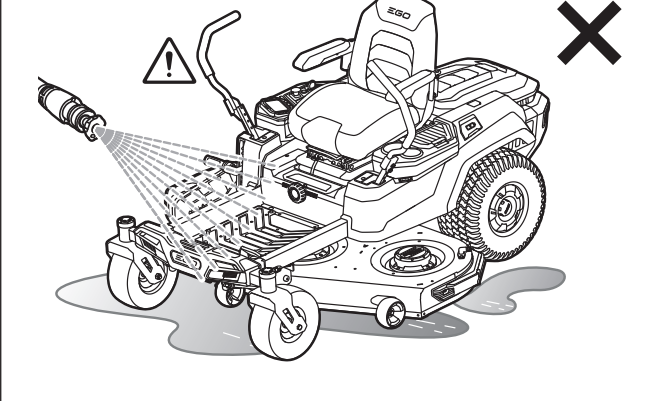
J5



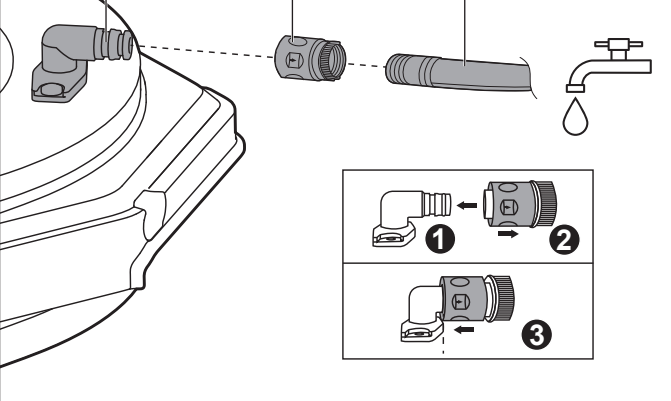
J6



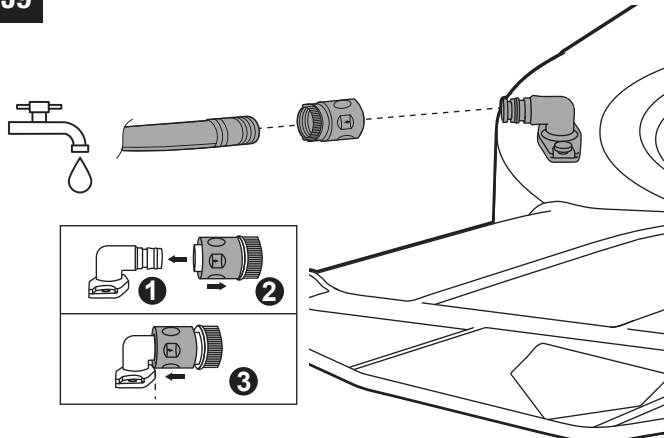
J7



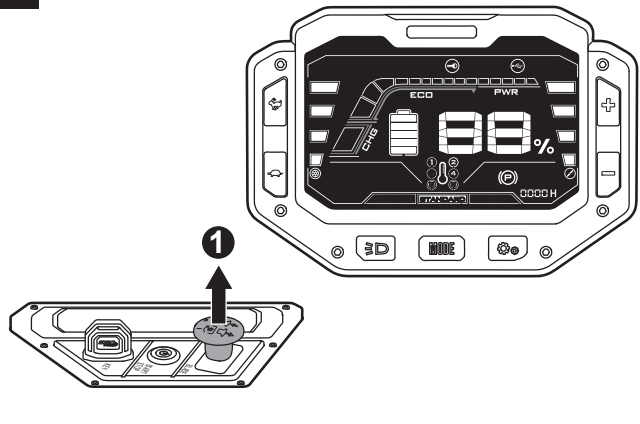
J8



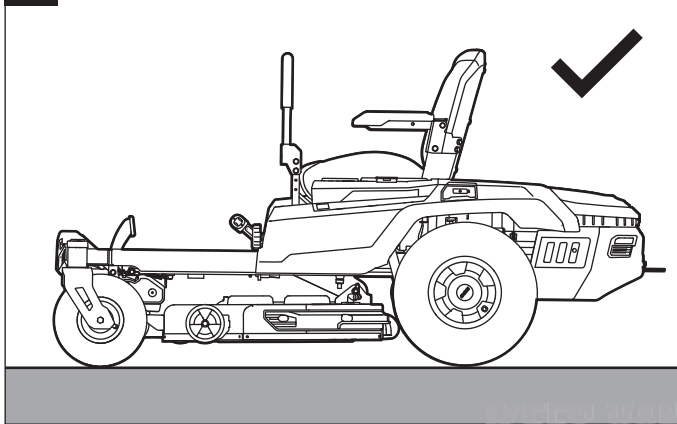
J9



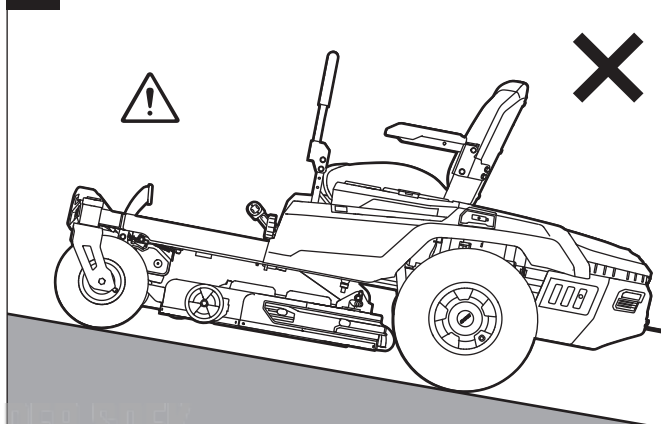
J10



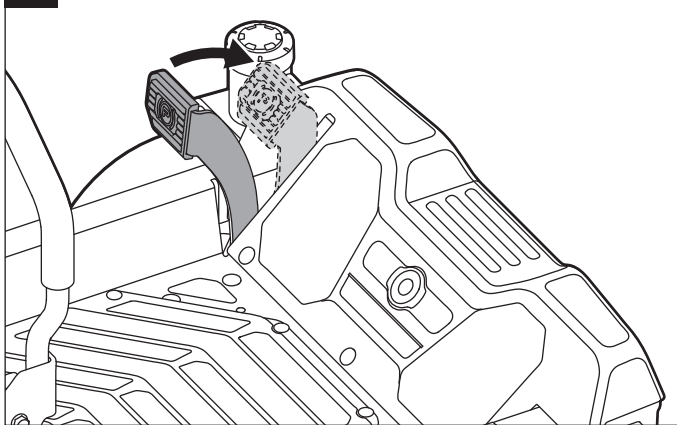
K1



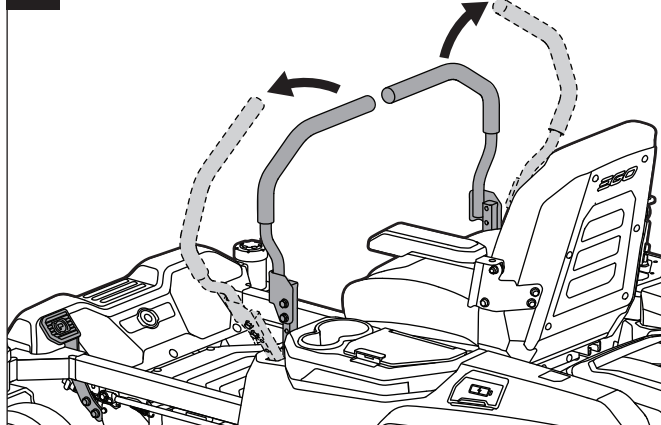
K2



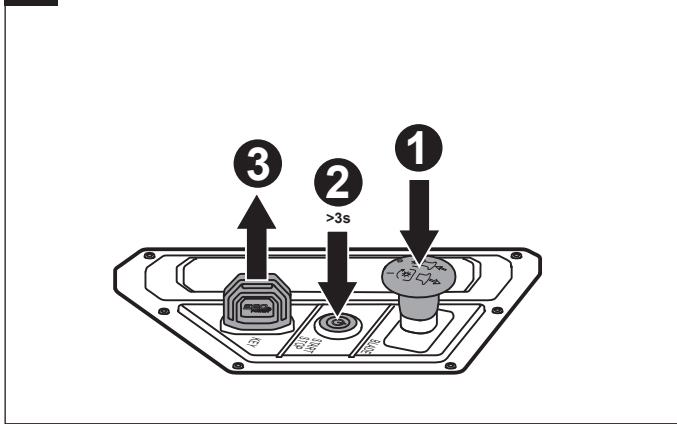
K3



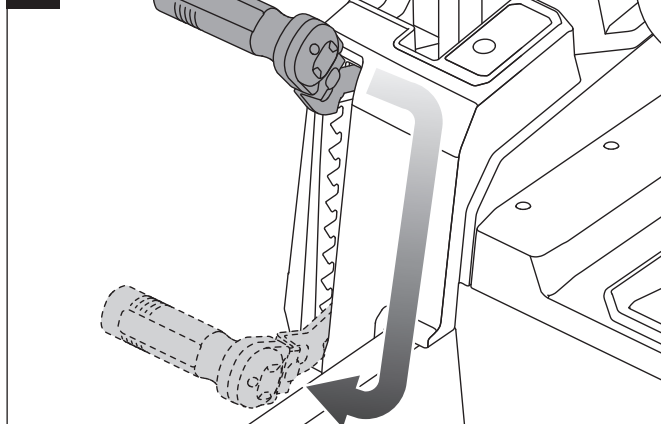
K4

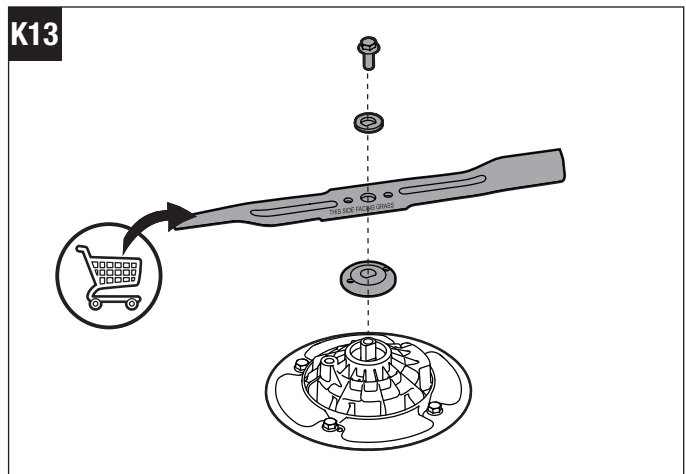
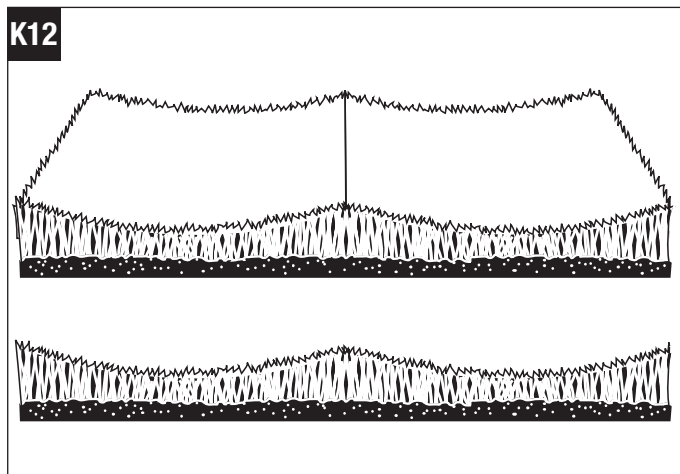
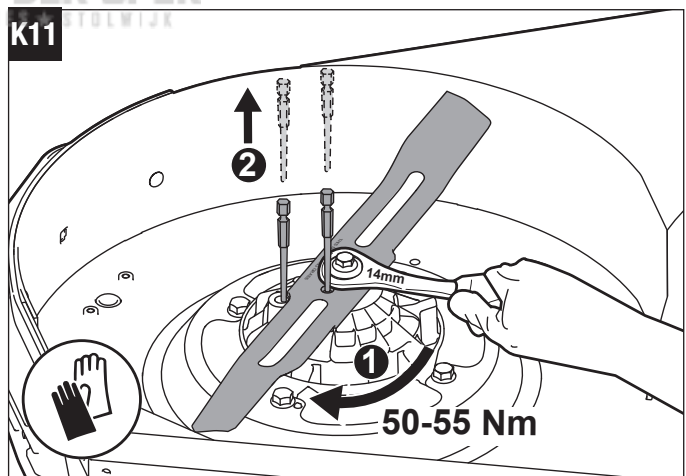
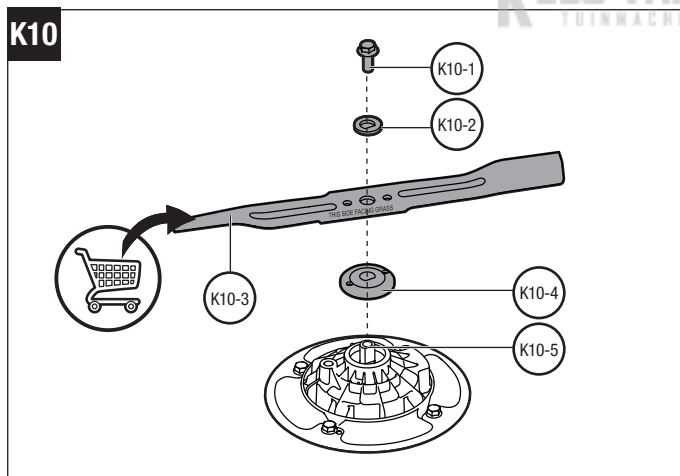
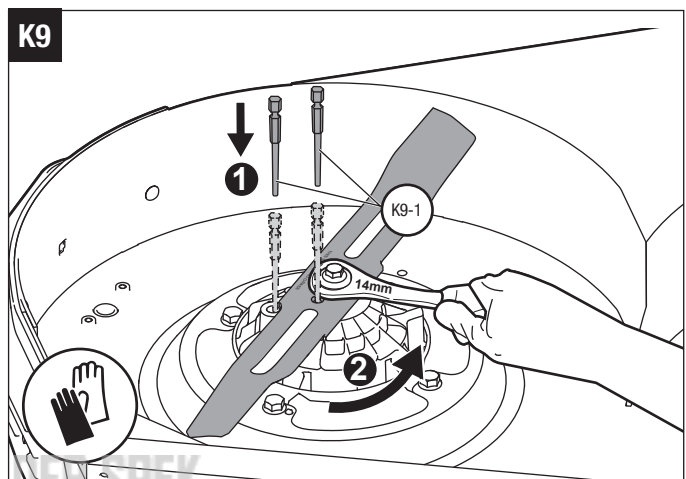
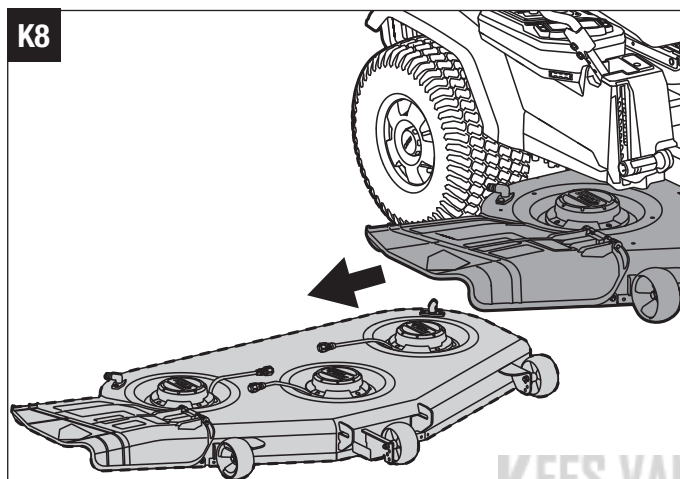
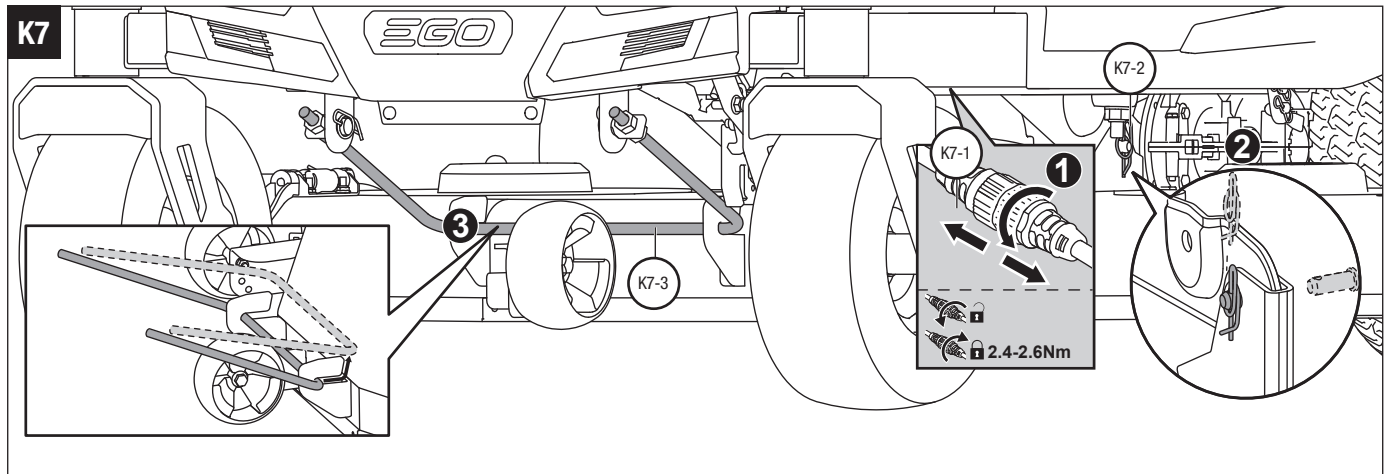


K5

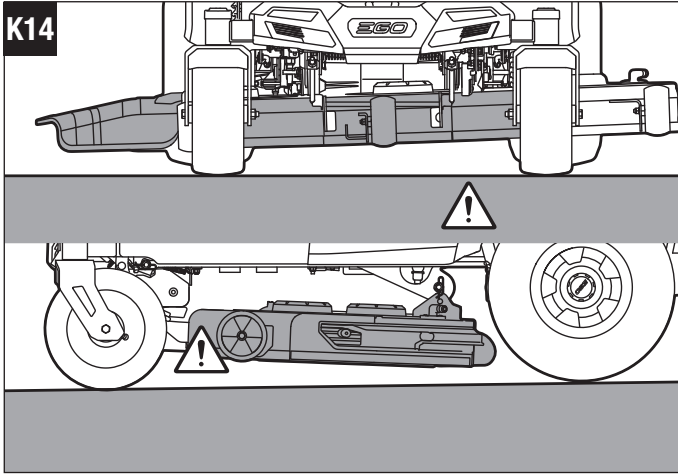


K6

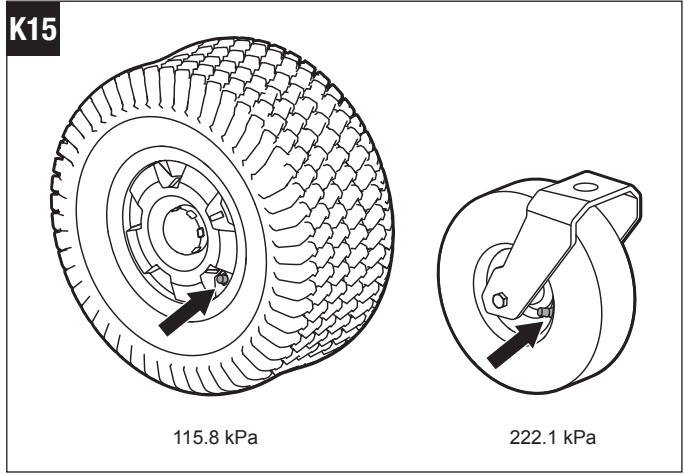




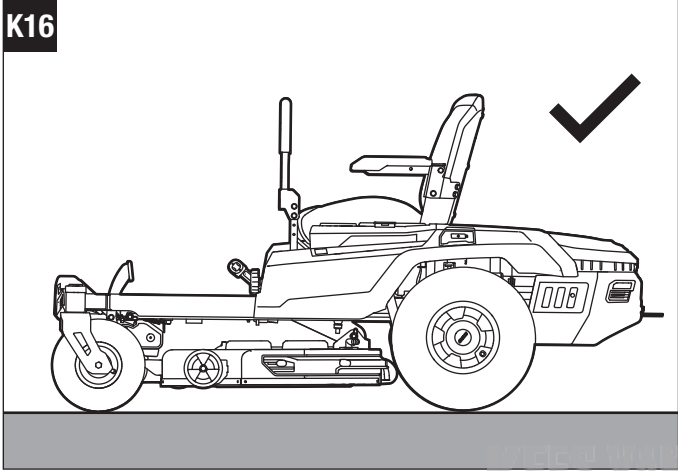
K14



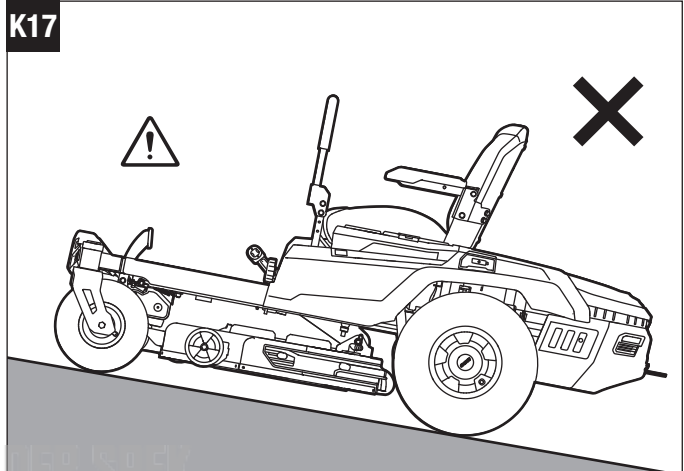
K15



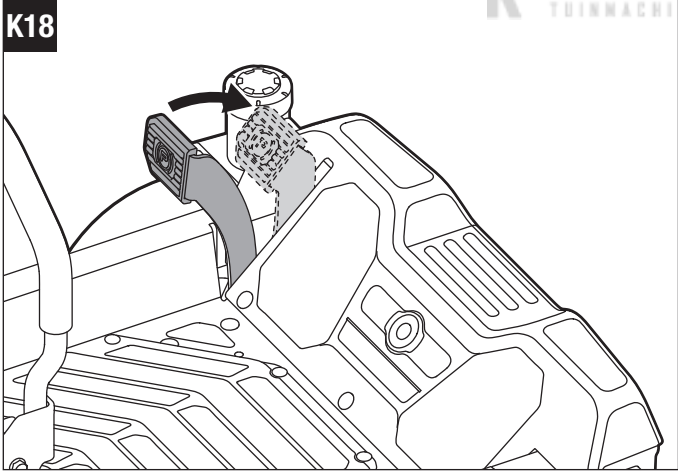
K16



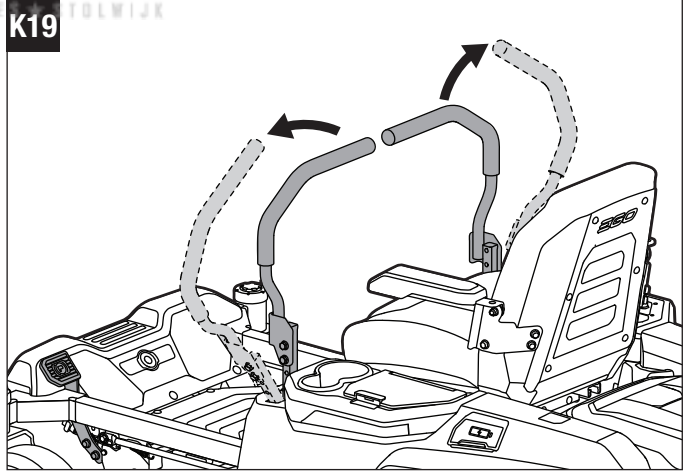
K17



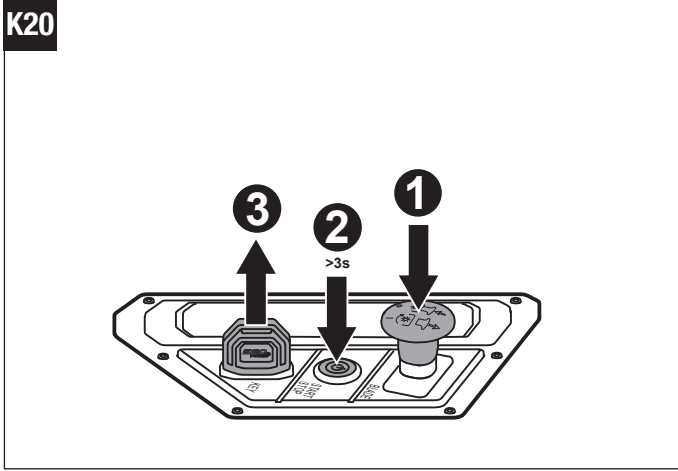
K18



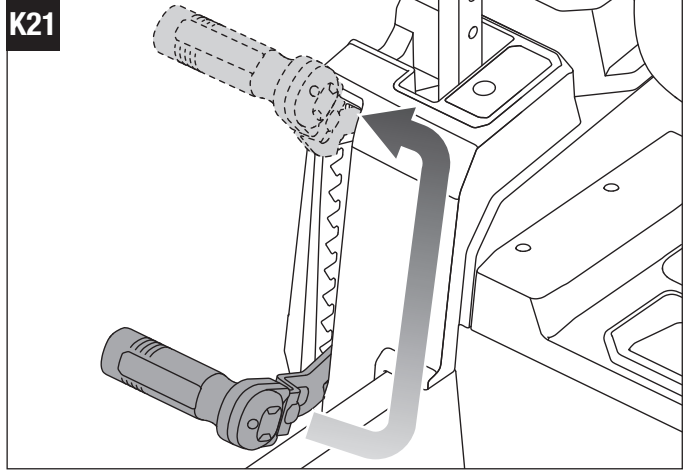
K19



K20

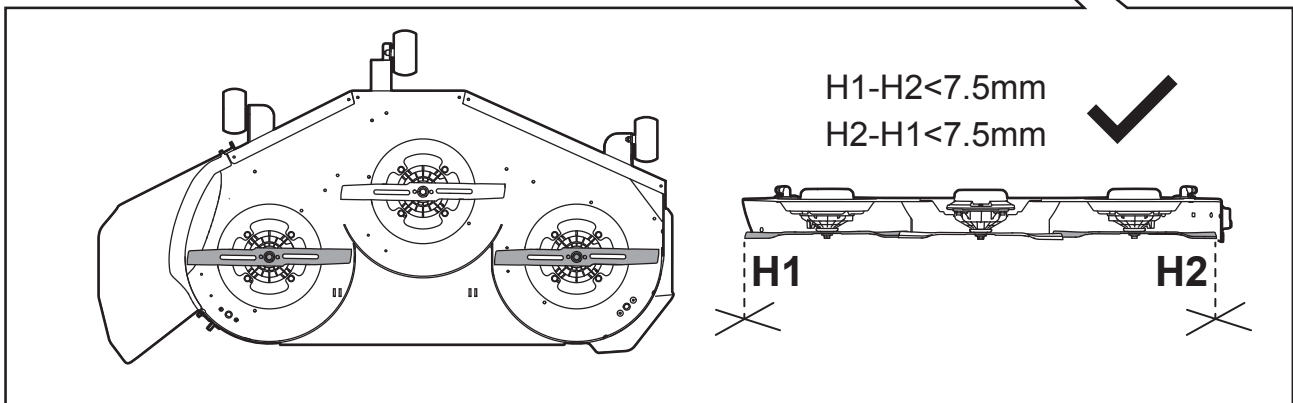
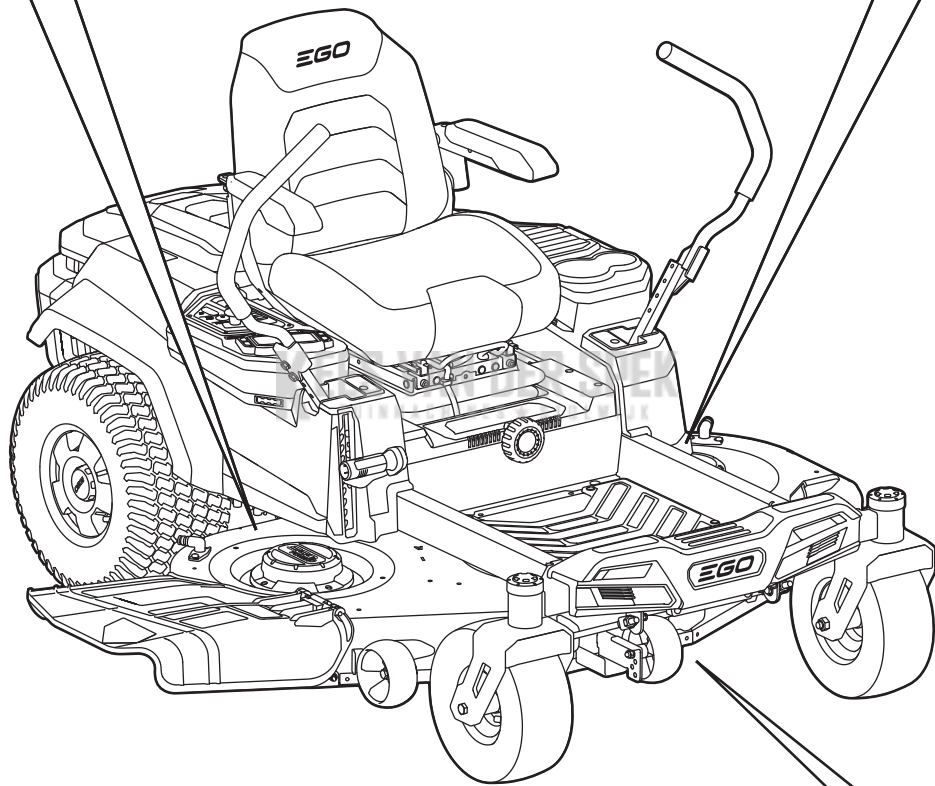
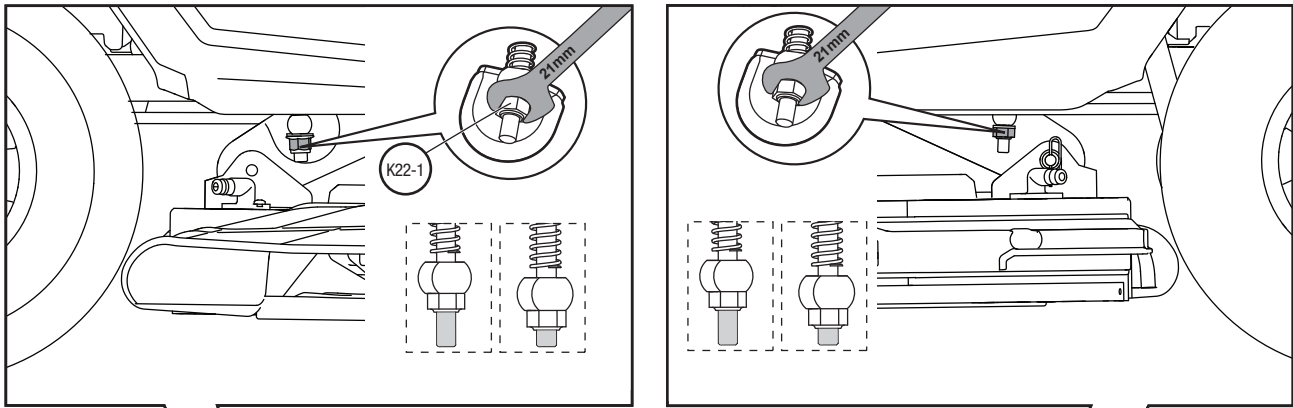


K21

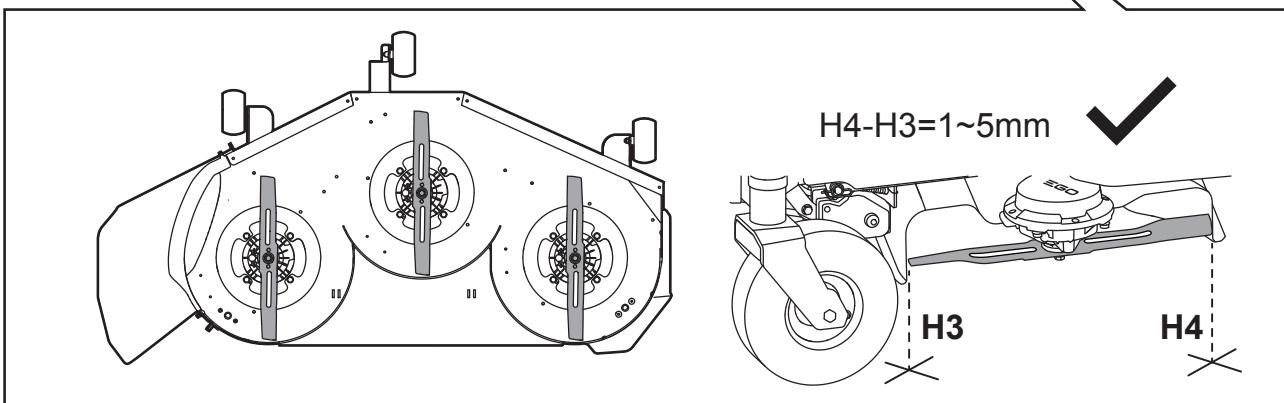
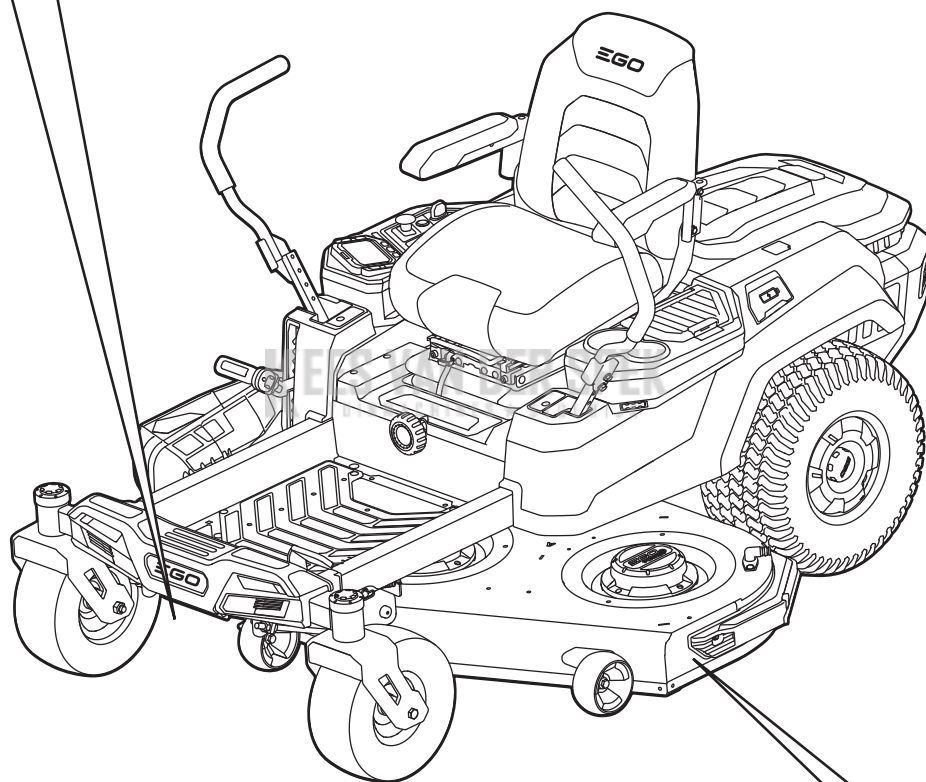
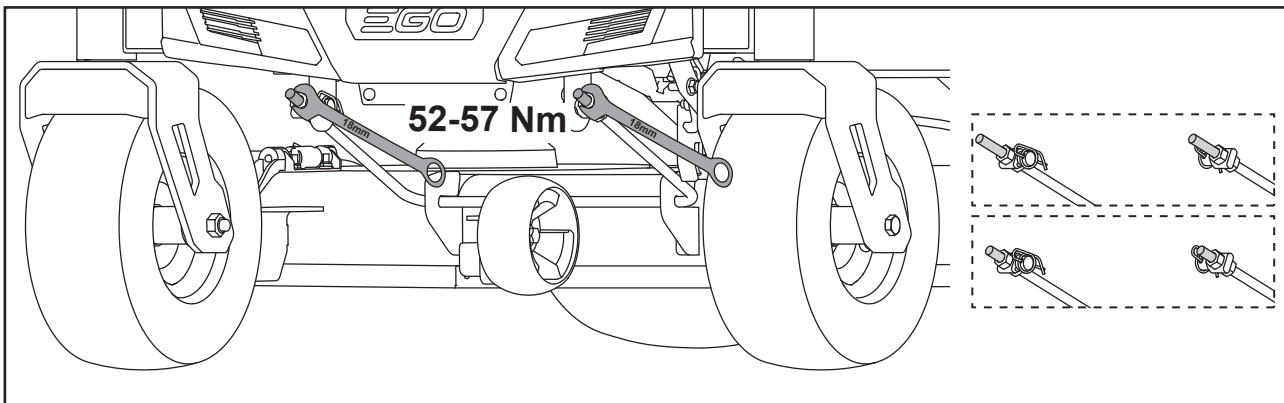


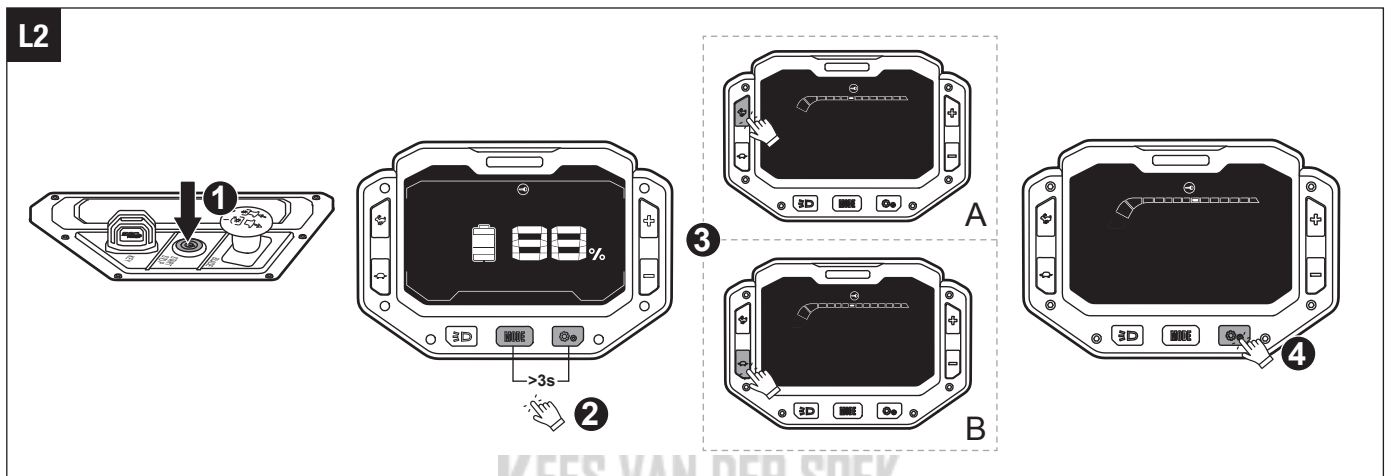
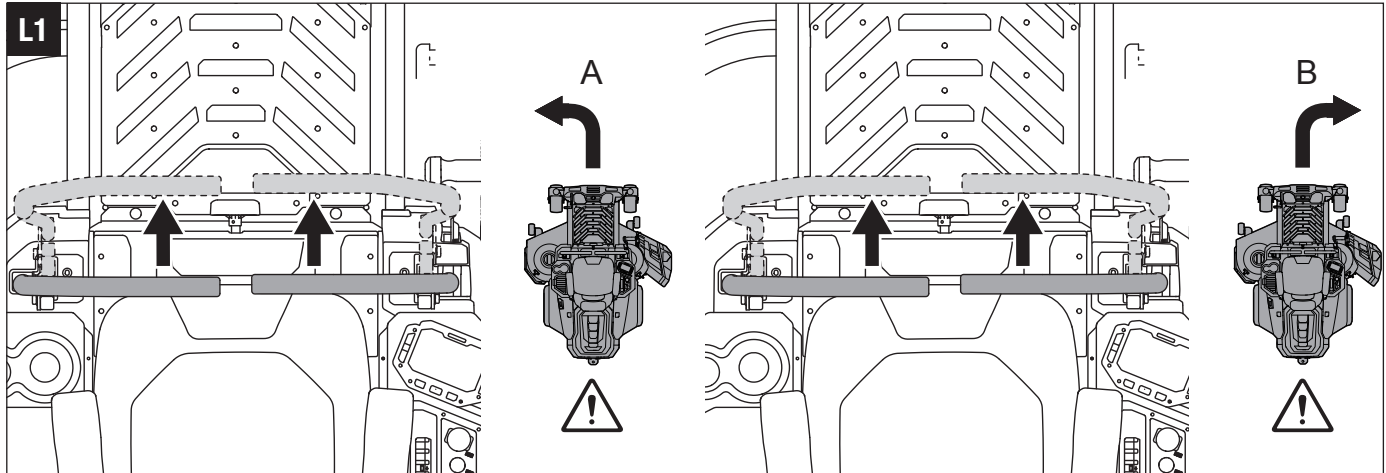


K22

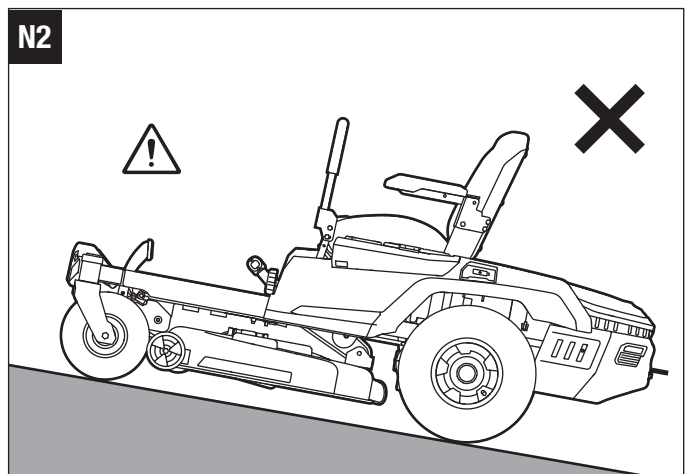
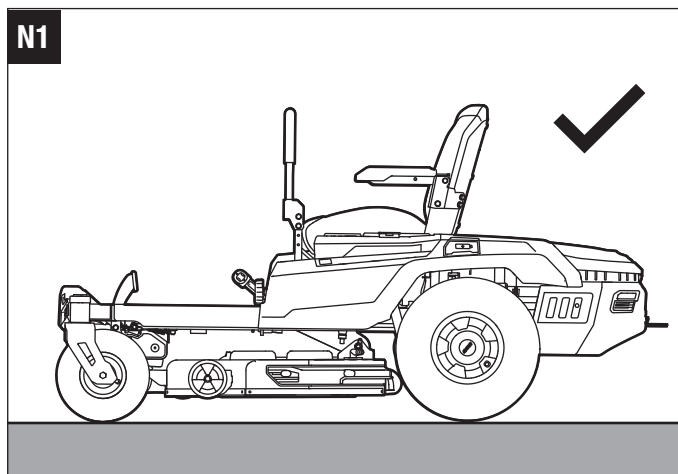
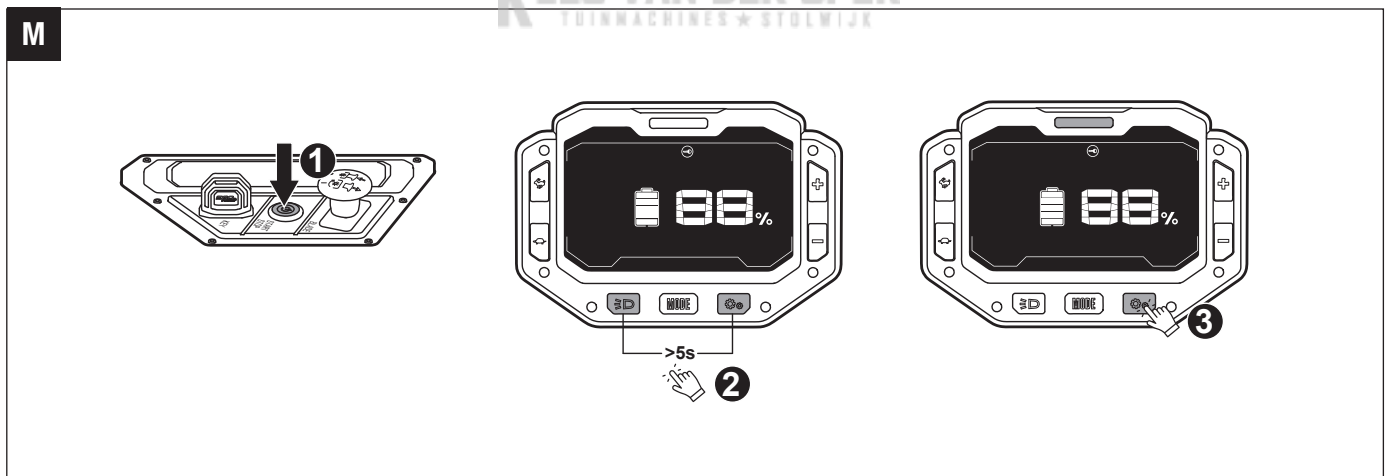


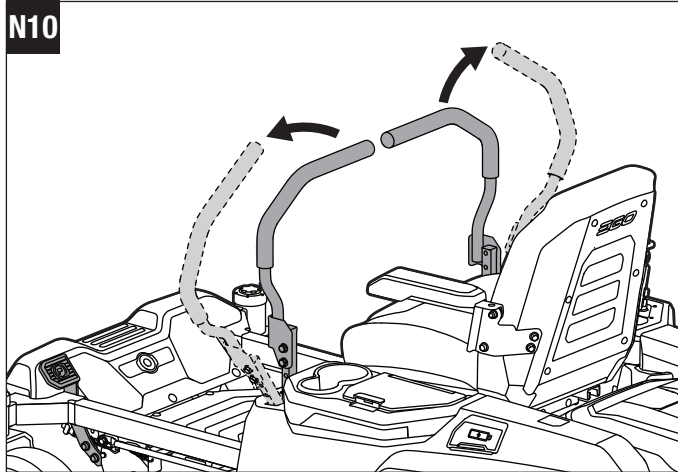
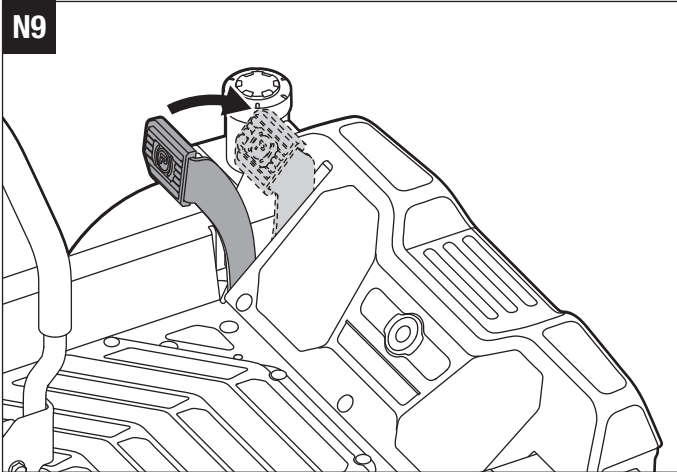
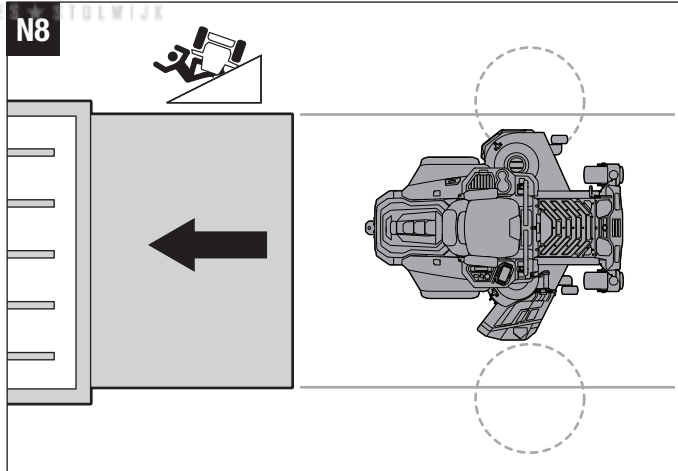
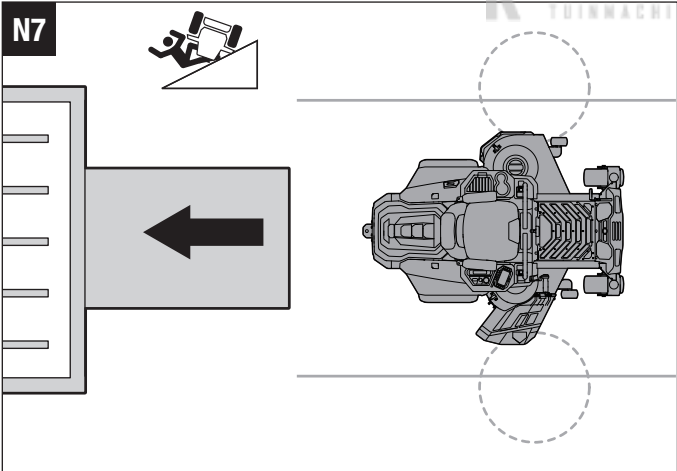
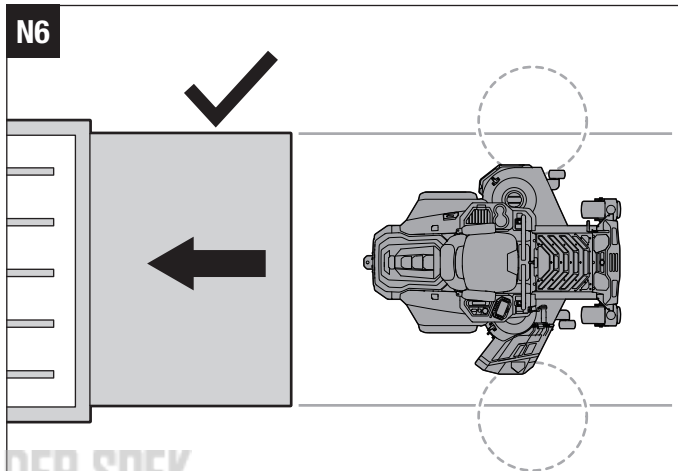
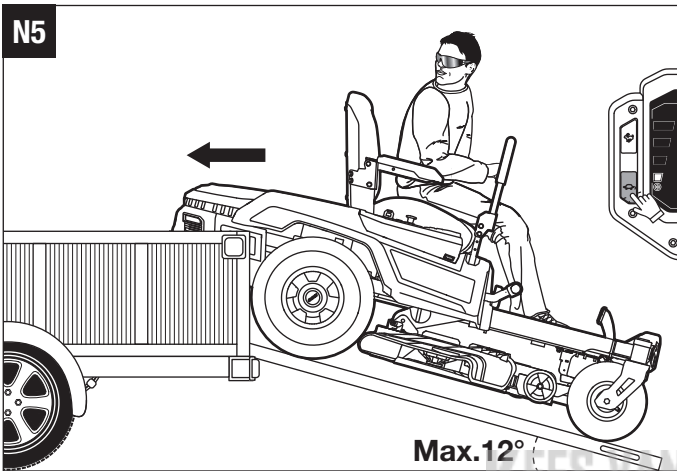
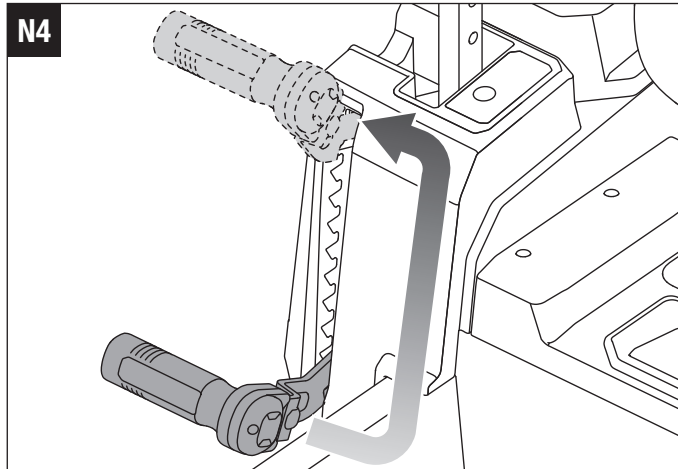
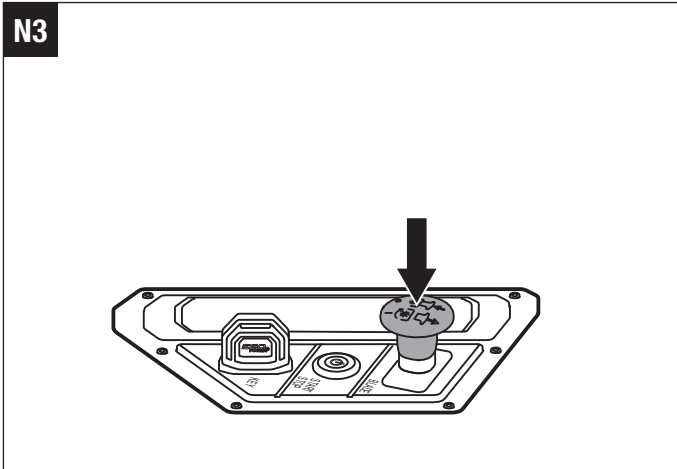
K23



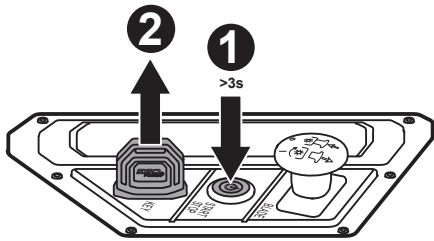


KEES VAN DER SPEK  
TOEGEBORVEN & STOLIJT

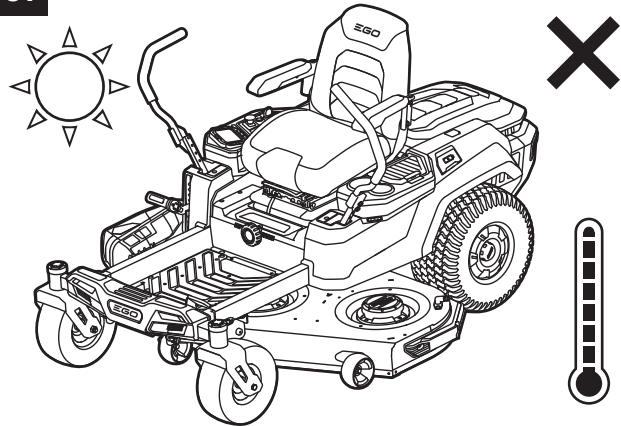




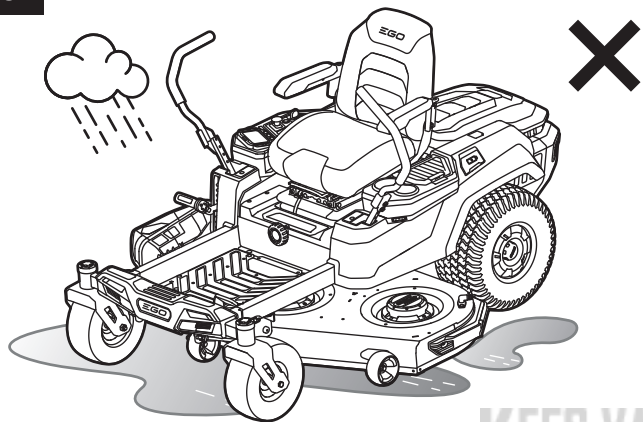
N11



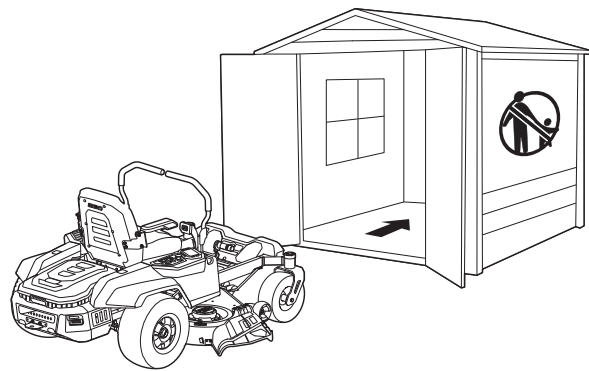
01



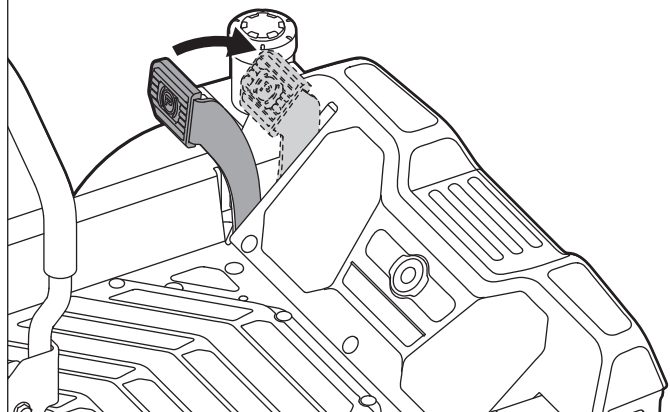
02



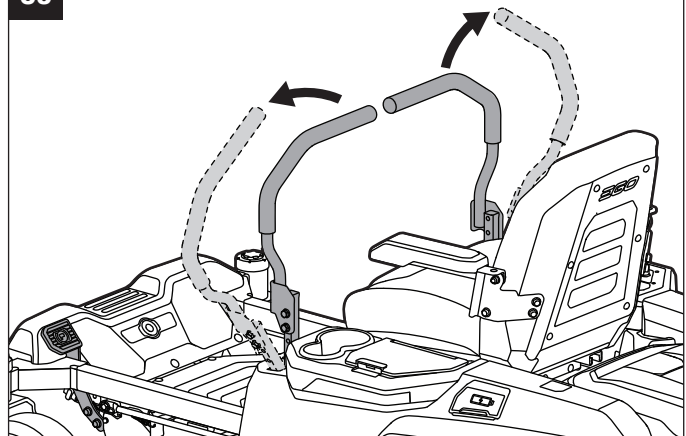
03



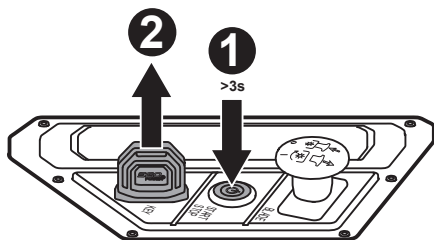
04



05



06



**EN READ ALL INSTRUCTIONS!**

**READ OPERATOR'S MANUAL**

## SAFETY SYMBOL

The purpose of safety symbols is to attract your attention to possible dangers. The safety symbols and the explanations with them deserve your careful attention and understanding. The symbol warnings do not, by themselves, eliminate any danger. The instructions and warnings they give are no substitutes for proper accident prevention measures.

**⚠ WARNING:** Be sure to read and understand all safety instructions in this Operator's Manual, including all safety alert symbols such as "**DANGER**," "**WARNING**," and "**CAUTION**" before using this tool. Failure to follow all instructions listed below may result in electric shock, fire, and/or serious personal injury.

## SYMBOL MEANING

This page depicts and describes safety symbols that may appear on this product. Read, understand, and follow all instructions on the machine before attempting to assemble and operate it.

## SAFETY SYMBOLS

KEES VAN DER SPEK  
TUINMACHINES \* STOLMILK



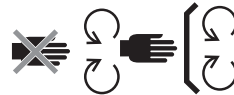
Safety Alert



Read & Understand Operator's Manual



Eye Protection



Maintain Safety Devices



DANGER – Steep slope hazard



DANGER – Keep Bystanders Away from the Blades



Never carry children



Look behind while backing



WARNING - Do not use this machine on slopes greater than 12°



DANGER – Thrown objects



WARNING – KEEP HANDS AND FEET AWAY



Guaranteed sound power level. According to the European community's Directive.



Do not step



Waste electrical products should not be disposed of with household waste. Take to an authorized recycler.



This product is in accordance with applicable EC directives



CAUTION – Do not stare at operating lamp.



Direct Current



This product is in accordance with applicable UK legislation.

kPa	Kilopascal
V	Volt
in	Inch
Nm	Newton meter
°C	Celsius
km/h	Kilometers per hour

RPM	Revolutions per minute
m	Meters
cm	Centimeters
mm	Millimeters
kg	Kilogram
IPX4	Ingress Protection Degree

## SPECIFICATIONS

Voltage		56 V
Deck Size		132 cm
Wheel Size	Front	279.4 x 126 mm
	Rear	457.2 x 223 mm
Cold Tire Pressure	Front	222.1 kPa
	Rear	115.8 kPa
Turning Radius		0
Blade Speed (RPM)		2600; 2800; 3000; 3200
Max. Driving Speed (km/h)	Forward	8.1 km/h, 9.7 km/h, 11.3 km/h, 12.8 km/h
	Reverse	up to 6.4 km/h
Charging	Charger (Optional)	CHV1600E
	Adaptor (Optional)	ACA1000
	Charging Temperature Range	5°C - 40°C
Cutting-Height Adjustment (10 position)		25 – 100 mm
Operating Temperature		0°C- 40°C
Storage Temperature		-20°C - 70°C
Weight (Without battery pack)		217 kg

Measured sound power level $L_{WA}$		95.48 dB(A) K=0.73 dB(A)
Sound pressure level at operator's ear $L_{PA}$		82.5 dB(A) K=3 dB(A)
Guaranteed sound power level $L_{WA}$ (measured according to 2000/14/EC)		100 dB(A)
Vibration $a_h$	Hand	0.69 m/s <sup>2</sup> K=1.5 m/s <sup>2</sup>
	Body	0.3 m/s <sup>2</sup> K=1.5 m/s <sup>2</sup>

- The declared vibration total value has been measured in accordance with a standard test method and may be used for comparing one tool with another;
- The declared vibration total value may also be used in a preliminary assessment of exposure.

**NOTICE:** The vibration emission during actual use of the power tool can differ from the declared value in which the tool is used; In order to protect the operator, user should wear gloves and ear protectors in the actual conditions of use.

## EN DESCRIPTION

### KNOW THE MOWER (Fig. A1 & A2)

1. Seat
2. Charging Port
3. Power Unit
4. LED Rear Light
5. Storage Compartment
6. Cup Holders
7. LED Sidelight
8. Rear Wheel (Drive Wheel)
9. Wash Port
10. Deck
11. Deck Protector
12. Anti-Scalp Wheel
13. Front Wheel
14. Parking-Brake Pedal
15. Daytime Running Lights
16. LED Headlights
17. Side-Discharge Chute
18. Deck-Height Adjustment Lever
19. Seat-Suspension Adjustment Knob
20. Seat Position Adjustment Lever
21. Lap Bars
22. Mower Status Indicator
23. LCD Screen
24. PTO Switch
25. Start/Stop Button
26. Safety Key
27. Phone Storage Slot
28. Baffle Bar
29. Mower Fuel-Gauge & Status Indicator
  - 29a Mower Fuel-Gauge Indicator
  - 29b Mower Status Indicator
30. Foot-Rest Area
31. Power-unit Cover Release Button
32. Power-unit Cover
33. Power unit with six battery compartments
34. Battery-Release Button
35. Hitch
36. Attachment Mounting Cover
37. Attachment Mounting Cover Storage

38. USB Port

### KNOW THE LCD SCREEN (Fig. A3)

Refer to the section “**MOWER STATUS REFERENCE & FAULT CODE**” for more information about the icons and indicators on the LCD screen.

1. Safety Key Icon
2. LED Lights Icon
3. Auto-Parking Icon
4. USB Icon
5. Blade Speed Indicator
6. Safety Device Status Indicator
7. Hour Meter
8. Vacant Battery Compartment Icon
9. Temperature Icon
10. Occupied Battery Compartment Icon
11. Driving Mode
12. Fault Code Indicator
13. Overload Indicator
14. Low Power Indicator
15. Driving Speed Indicator
16. Load Indicator
17. Fuel Gauge
18. Blade Speed Adjustment Button
19. Set Button
20. Driving Mode Button
21. LED Light Switch
22. Driving Speed Adjustment Button

## UNPACKING

**NOTICE:** Save the packing materials until you have carefully inspected and satisfactorily operated the product. If any parts in packing list assembled on the machine please instantly contact EGO service.

**NOTICE:** Except the tools in below packing list, all other tools mentioned in the manuals are just recommended but not provided.

### PACKING LIST (Fig. B)

B-1	Zero Turn Ride-On Mower	B-6	Safety Keys
B-2	Seat	B-7	Open-End Wrenches (13mm)



B-3	Steering Lever	B-8	Alley Key
B-4	Socket-Head Screws (2 for backup)	B-9	Wash-Port Quick Coupler
B-5	Hex Bolts (2 for backup)	B-10	Operator's Manual

### RECOMMENDED ACCESSORIES

**⚠ WARNING:** Use only identical replacement parts listed below. Use of parts that do not meet the original equipment specifications may lead to improper performance and compromised safety.

PART NAME	MODEL NUMBER
Standard Blade	AB5200
High Lift Blade	AB5201
Mulching Kit	ABP5200
Grass Bagger Kit	ABK5200-A
Rear Bumper	AMB1000
Cargo Box	AMG1000
Sun Shade	AMS1000

## ASSEMBLY

### INSTALLING THE SEAT (Fig. C1 & C2)

**⚠ WARNING:** The safety interlock system must not be disconnected or bypassed. Doing so could cause the mower to operate unexpectedly, resulting in personal injury.

**NOTICE:** For your safety, the mower may stop driving as the seat switch got disconnect during driving. In this case, please refer to the section “**TROUBLESHOOTING**” for more information.

C1-1	Cable	C1-5	Socket-Head Screws
C1-2	Plug	C2-1	Hook
C1-3	Socket	C2-2	Steel Rails
C1-4	Suspension Base	C2-3	Socket-Head Screws

### INSTALLING THE STEERING LEVERS (Fig. C3)

C3-1	Steering Levers	C3-3	Steering lever Mounting Holes
C3-2	Hex Bolts		

## OPERATION

### BEFORE USING THE MOWER

#### Checking environment

- Ensure that the work area is clear of children, bystanders, and pets.
- Clear the work area of objects that may be thrown by the mower blades.
- Check and ensure that the LED lights are in proper status:
  - The headlights, sidelights and rear lights are controlled by the LED light switch.
  - The running lights always keep on during driving.
  - When backing up, if the rear lights are turned off, they will flash to warn bystanders; if the rear lights are turned on, they will remain on.
  - All lights will switch off automatically when the mower shuts off automatically after a period without operating.

#### Checking the cold tire pressure (Fig. D1)

#### Checking the mower status and battery charge level

- Mower fuel-gauge indicator (Fig. A2 - 27a)

Each segment of the mower fuel-gauge indicator indicates 20% charge of the inserted battery packs.

**NOTICE:** The mower fuel gauge indicator and the fuel gauge on the LCD screen indicate the average capacity of the inserted battery packs.

- Mower status indicator (Fig. A1 & Fig. A2 - 27b)

If the status indicator shows green, the mower is ready for driving. If not, Please refer to the section “**MOWER STATUS REFERENCE & FAULT CODE**”

#### Testing the safety interlock system (Fig. D2 - Fig. D8)

**NOTICE:** The operator must be on the seat before test.

- Before testing (Fig. D2 – Fig. D4)
- To test the deck-blade system (Fig. D5) then slowly stand up

EN

- c. To test the driving system (Fig. D6 – Fig. D8) then slowly stand up

If the deck-blade system and/or the driving system fails to stop when the operator is off of the seat and if the cause cannot be determined after confirming the plug and socket connection of the seat is well connected, contact your EGO customer service center immediately.

### ADJUSTMENT (Fig. E1 – Fig. E13)

#### Preparation (Fig. E1 – Fig. E5)

#### Adjusting the cutting-deck height (Fig. E6)

#### Adjusting the anti-scalp wheels (Fig. E7 – Fig. E10)

E7-1	Anti-Scalp Wheel	E9-2	Lag Bolt
E9-1	Nut	E10-1	Deck Height Label

#### Adjusting the seat (Fig. E11)

Adjust the seat position to ensure you are able to make firm contact with the parking-brake pedal before operating the mower. Seat suspension adjustment could make you achieve the most comfortable experience on the seat.

E11-1	Seat Position Adjustment Lever	E11-2	Seat Suspension Adjustment Knob
-------	--------------------------------	-------	---------------------------------

#### Setting the parking brake (Fig. E12 – Fig. E13)

E13-1	Braking Position	E13-2	Released Position
-------	------------------	-------	-------------------

### CHARGING (Fig. F1 – Fig. F11)

In order to start this mower, EGO batteries totaling 15 Ah (2 X BA4200/BA4200T) or more are required. For best performance, we recommended use of EGO batteries that total 30 Ah or more.

**Use only with the recommended battery packs and chargers. (Fig. F9 & F10)**

#### Preparation for charging (Fig. F1 – Fig. F4)

#### Charging the battery pack(s) separately (Fig. F5 – Fig. F9)

F5-1	Cover Release Button	F7-1	Battery Release Button
------	----------------------	------	------------------------

- To attach the battery pack(s) (Fig. F5 – Fig. F6)
- To detach the battery pack(s) (Fig. F7 – Fig. F8)

**NOTICE:** Charge the battery pack(s) refer to the corresponding battery and charger manuals.

#### Charging the battery packs via charging port (Fig. F10)

F10-1	Dust Cap	F10-2	Charging Port
-------	----------	-------	---------------

### STARTING THE MOWER (Fig. A4 – Fig. A5 & Fig. G1 – Fig. G6)

**⚠ WARNING:** Avoid sudden starts, stops, and turns, as well as excessive speed, especially when first learning to operate the mower. The mower can spin rapidly, which may cause you to lose control and result in serious injury and/or damage.

**⚠ WARNING:** Before starting the mower, check and make sure the blades are disengaged within 5s when pushing the PTO switch downward. If the blades fail to stop, do not use the mower and contact your EGO customer service immediately.

**NOTICE:** Follow Fig. A4 & Fig. G2 to get the lowest driving speed and **STANDARD** driving mode until you are fully capable of operating the mower in all situations. The driving speed and driving mode will activate only when the mower wheels are stopped and the steering levers are open.

The mower will save and present the previous driving mode, driving speed and calibration of the steering levers when restarting it.

#### Driving-Mode

- **CONTROL:** Lower acceleration, less sensitive handling, and mild turning speed to protect the grass and for new users.
- **STANDARD:** Perfect for everyday use.
- **SPORT:** Higher acceleration, accurate handling, and sharp turning to maximize mowing efficiency and for mowing enthusiasts.

#### Driving Speed Adjustment (Fig. A4)

#### Blade Speed Adjustment (Fig. A5)

#### USB port

**NOTICE:** The USB port provides charging power of 5 Voltage DC at up a combined draw of 1.5 Amperes and is powered only when the mower is startup.

## STOPPING THE MOWER (Fig. H1 – Fig. H6)

**NOTICE:** After more than 60 minutes without operating, the mower will automatically shut off.

### Limp-home mode

When battery charge becomes low, the mower will go into Limp-Home mode:

- The mower automatically stop grass cutting;
- The beep indicator will continue to sound;
- The mower status indicator will flash red every second, the first segment of the mower fuel-gauge will flash red and both the low-power indicator and the battery graphics on the fuel gauge will flash.

The operator should:

- a) Push the PTO switch downward (Fig. H3) to disengage the blades. The beep indicator will stop sounding when the blade stops;
- b) Stop working and go to the battery charging area as soon as possible. The maximum distance the mower can travel is 1000 m.

When the battery is nearly depleted, the icon of each occupied battery compartment and low-power indicator will blink every half a second. The mower will stop working immediately. The operator should transport the mower to the battery charging area for charging.

### Manual pushing

If manual pushing is needed, be sure that the batteries are disconnected from the mower and the parking-brake pedal is release from the braking position.

## DRIVING THE MOWER (Fig. I1 – Fig. I9)

To stop, decrease or increase speed, slowly change the steering lever's distance from neutral.

**⚠ DANGER:** Stay at least two mowing widths away from any ditches, drop-offs, or water. Front wheels can rotate when the mower is stopped, even with the brake applied, and cause the mower to go over the edge or into the water and result in death or serious personal injury.

**⚠ WARNING:** Be aware of what is behind the mower before backing up. DO NOT mow in reverse unless absolutely necessary. Always look down and behind before and while backing to make sure no children, bystanders, or pets enter the mowing area. Remember that a careless fraction of a second is sufficient to inflict death or serious injury.

**⚠ WARNING:** Do not operate this machine on public roadways.

**⚠ WARNING:** If blockage happens or you strike a foreign object, stop the motors and remove the batteries. Remove grass clippings, leaves, dirt and any other accumulated debris; thoroughly inspect the mower for damage and repair the damage before restarting and operating the mower.

## MAINTENANCE

**⚠ WARNING:** Always wear eye protection with side shields. Failure to do so could result in objects being thrown into your eyes resulting in possible serious injury.

**⚠ WARNING:** Always protect your hands by wearing heavy gloves or wrapping the cutting edges with rags or other materials when performing any maintenance on the mower blade. Always remove the safety key and battery packs when servicing or transporting the mower.

Maintenance Service Interval	Maintenance Procedure
Before each use or daily	<ul style="list-style-type: none"> <li>■ Check the safety-interlock system.</li> <li>■ Visually check the tire whether it is flat.</li> <li>■ Inspect the blades if it is worn, crack or bent.</li> <li>■ Inspect the entire product for damaged, missing, or loose parts such as side-discharge chute, screws, nuts, bolts, caps, etc., ensuring that all guards are in place and working properly.</li> <li>■ Check the brake operation.</li> </ul>
After each use	<ul style="list-style-type: none"> <li>■ Clean the mower deck.</li> </ul>
Every 25 hours	<ul style="list-style-type: none"> <li>■ Check the tire pressure.</li> </ul>
Every 50 hours	<ul style="list-style-type: none"> <li>■ Check the grease condition inside the cutting blade flange.</li> </ul>
Every 100 hours	<ul style="list-style-type: none"> <li>■ Check the rear wheels, ensuring that the all lug nuts are fastened at the recommended torque.</li> </ul>
Every 200 hours	<ul style="list-style-type: none"> <li>■ Check the front wheels, ensuring that they turn freely.</li> </ul>

EN

Annually	<ul style="list-style-type: none"> <li>Check the parking brake pedal. Remove the battery from the mower and set the parking pedal at the braking position. Manually push the mower forwards to see whether the mower can be moved or not. If it moves, have it serviced by a qualified service technician.</li> </ul>
----------	---

c. Preparation for leveling (Fig. K16 – Fig. K21)

d. How to leveling

- To make side-to-side adjustment (Fig. K22)

K22-1	Jam Nut
-------	---------

- To make front-to-rear adjustment (Fig. K23)

### CALIBRATING THE MOWER TRACKING SYSTEM (Fig. L1 – Fig. L4)

**NOTICE:** The beeping indicator will sound once both when starting calibration and when the calibration is finished.

**NOTICE:** The calibration completed for one of the driving modes (“CONTROL”, “STANDARD”, “SPORT”) maybe not available for the other two modes. Calibrate the steering levers in each driving mode independently as needed.

### CLEANING THE MOWER (Fig. J1 – Fig. J10)

Preparation (Fig. J1 – Fig. J5)

Cleaning the mower housing (Fig. J6 - Fig. J7)

Using wash port to clean the mower deck (Fig. J8 - Fig. J10)

J8-1	Wash Port	J8-3	Garden Hose
J8-2	Wash-Port Quick Coupler		

**NOTICE:** When finishing cleaning, push the PTO switch downward to disengage the mower blades.

### RESETTING THE MOWER TO INITIAL FACTORY SETTING (Fig. M)

**NOTICE:** The beeping indicator will sound once both when starting resetting and when the resetting is finished.

**NOTICE:** When the resetting is successful, below settings will return to the initial factory setting:

- driving mode
- driving speed
- calibration of the steering levers

### MAINTAINING THE MOWER DECK AND THE CUTTING BLADES

Preparation (Fig. K1 – Fig. K6)

Removing the mower deck (Fig. K7 – Fig. K8)

K7-1	Motor Cable	K7-3	Suspension Linkage
K7-2	Cotter Pin		

**NOTICE:** Disconnect all motor cables and cotter pins when removing the mower deck.

### STORAGE AND TRANSPORT

#### TRANSPORTING THE MOWER (FIG. N1 – FIG. N11)

**NOTICE:**Secure the mower as needed, using straps or cables to prevent movement during transport.

Replacing the cutting blades (Fig. K9 - Fig. K11)

K9-1	Stabilizer	K10-3	Blade
K10-1	Bolt	K10-4	Flange
K10-2	Washer	K10-5	Motor Shaft

#### STORAGE (Fig. 01 – Fig. 06)

**NOTICE:** Remove the battery packs and store the batteries refer to the corresponding manuals.

Clean and check the mower before storage refer to the sections “CLEANING THE MOWER” and “RECOMMENDED MAINTENANCE SCHEDULE(S)”.

Leveling the mower deck

a. When to level (Fig. K12 – Fig. K14)

b. Before leveling

- Checking the cold tire pressure (Fig. K15)
- Check the cutting blades. Remove and replace worn, cracked, and/or bent blades as necessary.

### Protecting the environment


EN




WEEE (Waste Electrical and Electronic Equipment) Do not dispose of electrical equipment, used battery and charger into household waste! Take this product to an authorized recycler and make it available for separate collection. Electric tools must be returned to an environmentally compatible recycling facility.

**KEES VAN DER SPEK**  
TUINMACHINES ★ STOLWIJK

## EN TROUBLESHOOTING

PROBLEM	CAUSE	SOLUTION
<p>The mower fails to drive when the two steering levers are pushed forward or backward at the beginning.</p>    Steering level icon blinks	<ul style="list-style-type: none"> <li>The combined Ah of the inserted batteries does not meet the requirement.</li> </ul>	<ul style="list-style-type: none"> <li>In order to start this mower, use enough EGO batteries following the instructions in section <b>“CHARGING”</b> in this manual.</li> </ul>
	<ul style="list-style-type: none"> <li>The parking brake pedal is set in the braking position.</li> </ul>	<ul style="list-style-type: none"> <li>Fully depress the parking brake pedal to release it from the braking position.</li> </ul>
	<ul style="list-style-type: none"> <li>The steering levers are not in the open position when starting the mower.</li> </ul>	<ul style="list-style-type: none"> <li>Return the steering levers to the open position and restart the mower.</li> </ul>
	<ul style="list-style-type: none"> <li>The operator is not sitting on the seat.</li> </ul>	<ul style="list-style-type: none"> <li>Only when the operator is properly sitting on the seat, can he or she operate the mower.</li> </ul>
	<ul style="list-style-type: none"> <li>The seat switch is not connected correctly.</li> </ul>	<ul style="list-style-type: none"> <li>Remove the battery from the mower and disassemble the seat in the reverse order of the instructions in section <b>“INSTALLING THE SEAT”</b> in this manual to inspect the seat switch connection. Reassemble the seat and follow the instructions in <b>“STARTING THE MOWER”</b> to restart the mower to see if the mower can be started. If not, contact a qualified service technician for repair.</li> </ul>
	<ul style="list-style-type: none"> <li>Under extreme cold weather, the driving function may not start successfully due to the low temperature protection.</li> </ul>	<ul style="list-style-type: none"> <li>Always store the mower and battery in warm environment. Restart the mower when it is warmed up. Please do not make repeated attempts under extreme cold weather which may damage the machine.</li> </ul>

PROBLEM	CAUSE	SOLUTION
The mower stops driving.	<ul style="list-style-type: none"> <li>Steering levers require a “reset”.</li> </ul>	<ul style="list-style-type: none"> <li>Return the steering levers to the open position and restart the mower.</li> </ul>
	<ul style="list-style-type: none"> <li>The electric controlling components of the steering levers are failed.</li> </ul>	<ul style="list-style-type: none"> <li>Contact a qualified service technician for repair.</li> </ul>
	<ul style="list-style-type: none"> <li>The seat switch got disconnected during driving on a rough terrain.</li> </ul>	<ul style="list-style-type: none"> <li>Remove the battery from the mower and disassemble the seat in the reverse order of the instructions in section “<b>INSTALLING THE SEAT</b>” in this manual to inspect the seat switch connection. Reassemble the seat and follow the instructions in “<b>STARTING THE MOWER</b>” to restart the mower to see if the mower can be started. If not, contact a qualified service technician for repair.</li> </ul>
	<ul style="list-style-type: none"> <li>The parking-brake pedal is depressed to slow down the driving speed. Once the parking-brake pedal is depressed enough but not to the parking position, the mower will stop.</li> </ul>	<ul style="list-style-type: none"> <li>Follow the instructions in “<b>STARTING THE MOWER</b>” to restart the mower.</li> </ul>
The driving speed/ driving mode cannot be adjusted during driving.	<ul style="list-style-type: none"> <li>This is a feature of the mower for safe driving.</li> </ul>	<ul style="list-style-type: none"> <li>The function will activate only when the mower wheels are stopped and the steering levers are open.</li> </ul>
The mower fails to start the blades when the PTO switch is engaged.  PTO Switch icon blinks	<ul style="list-style-type: none"> <li>The combined Ah of the inserted batteries does not meet the requirement.</li> </ul>	<ul style="list-style-type: none"> <li>In order to start this mower, use enough EGO batteries following the instructions in section “<b>CHARGING</b>” in this manual.</li> </ul>
	<ul style="list-style-type: none"> <li>The PTO switch is not pushed down when the mower is stopped last time.</li> </ul>	<ul style="list-style-type: none"> <li>Push the PTO switch downward and restart the mower’s blades.</li> </ul>
	<ul style="list-style-type: none"> <li>The mower is overloaded at the moment the blades starting, resulting in motor self-protection.</li> </ul>	<ul style="list-style-type: none"> <li>Start the mower grass cutting in lower blade speed first and until the blades are getting successes rotation, do not accelerate the blade speed as needed.</li> </ul>
	<ul style="list-style-type: none"> <li>Under extreme cold weather, the blade motor may not start successfully due to the low temperature protection.</li> </ul>	<ul style="list-style-type: none"> <li>Always store the mower and battery in warm environment. Restart the mower when it is warmed up. Please do not make repeated attempts under extreme cold weather which may damage the machine.</li> </ul>
	<ul style="list-style-type: none"> <li>The blade interferes with the deformed mower deck.</li> </ul>	<ul style="list-style-type: none"> <li>Contact a qualified service technician for repair.</li> </ul>

EN	PROBLEM	CAUSE	SOLUTION
	The blades stop working during grass cutting.	<ul style="list-style-type: none"> <li>▪ The mower is overloaded.</li> </ul>	<ul style="list-style-type: none"> <li>▪ Raise the deck cutting height or slow down the driving speed to reduce the load of the mower.</li> </ul>
<ul style="list-style-type: none"> <li>▪ The mower deck is clogged with grass and debris.</li> </ul>		<ul style="list-style-type: none"> <li>▪ Clean the mower deck and make certain that the blades have freedom of movement.</li> </ul>	
<ul style="list-style-type: none"> <li>▪ The mower is overheated.</li> </ul>		<ul style="list-style-type: none"> <li>▪ Reduce the load of the mower, by raising the deck cutting height or slowing down the blade/driving speed and allow the mower to cool.</li> </ul>	
<ul style="list-style-type: none"> <li>▪ The battery pack(s) in the mower's battery compartment is overheated, resulting in combined Ah rating of all inserted batteries to not meet the requirement.</li> </ul>		<ol style="list-style-type: none"> <li>1. If the combined battery Ah rating does not meet the requirement, the mower will not work until more battery packs are inserted into the vacant battery components. Once the overheated battery returns to normal temperature, it will join in powering the mower immediately.</li> <li>2. Reduce the load of the mower by raising the deck cutting height or slowing down the mowing when resuming operation.</li> </ol>	
<ul style="list-style-type: none"> <li>▪ The mower is in Limp-Home mode.</li> </ul>		<ul style="list-style-type: none"> <li>▪ When the mower is in Limp-Home mode, the blades are automatically switched into low rotation speed without grass cutting. The operator should stop working and go to the battery charging area as soon as possible.</li> </ul>	
<ul style="list-style-type: none"> <li>▪ The mower is hit a foreign object, resulting in motor self-protection.</li> </ul>		<ul style="list-style-type: none"> <li>▪ Push the PTO switch downward and restart the mower blades.</li> </ul>	
	The beeping indicator continues sounding.	<ul style="list-style-type: none"> <li>▪ The mower is in Limp-Home mode and the blades are not turned off.</li> </ul>	<ul style="list-style-type: none"> <li>▪ Push the PTO switch down to disengage the deck blades. The beeping indicator will stop sounding when the blade stops.</li> </ul>
<ul style="list-style-type: none"> <li>▪ The mower stops driving on a slope and the operator opens the steering levers and is off the seat without setting the parking brake pedal at the braking position.</li> </ul>		<ul style="list-style-type: none"> <li>▪ Set the parking brake pedal in the braking position before leaving the mower on the slope.</li> </ul>	



PROBLEM	CAUSE	SOLUTION
The battery indicators are still on when the mower is turned off.	<ul style="list-style-type: none"> <li>When the mower is turned off on ground without removing the battery pack(s) from the mower, the battery indicators, start/stop button and set button will remain illuminated for a period.</li> </ul>	<ul style="list-style-type: none"> <li>No action is needed. The battery indicators will go off when the mower shuts off after a period. Refer to the section “<b>STOPPING THE MOWER</b>” for specific time.</li> </ul>
	<ul style="list-style-type: none"> <li>When the mower is turned off on a slope without setting the parking brake pedal at the braking position, the battery indicators will keep on until the battery charge is depleted. The beeping indicator keeps sounding at the same time.</li> </ul>	<ul style="list-style-type: none"> <li>Set the parking brake pedal in the braking position before the operator leave the tool on the slope.</li> </ul>
The LCD screen fails to be illuminated with all icons on.	<ul style="list-style-type: none"> <li>The pressing time on the start/stop button is not sufficient.</li> </ul>	<ul style="list-style-type: none"> <li>The LCD screen will only display “Fuel Gauge” when the start/stop button is pressed briefly.</li> </ul>
		<ul style="list-style-type: none"> <li>The LCD screen will turn on after the start/stop button has been pressed for sufficient time.</li> </ul>
The mower cuts unevenly, with significant height difference front to rear.	<ul style="list-style-type: none"> <li>The blades are dull.</li> </ul>	<ul style="list-style-type: none"> <li>Sharpen or replace the cutting blade as instructed in this manual.</li> </ul>
	<ul style="list-style-type: none"> <li>The blades are bent.</li> </ul>	<ul style="list-style-type: none"> <li>Replace the bent cutting blade following the instructions in section “<b>REPLACING THE CUTTING BLADES</b>”.</li> </ul>
	<ul style="list-style-type: none"> <li>The mower deck is not leveled, resulting in different cutting blade height.</li> </ul>	<ul style="list-style-type: none"> <li>Level the mower deck following the instructions in section “<b>LEVELING THE MOWER DECK</b>”.</li> </ul>
The actual grass cutting height is not aligned with the claimed height.	<ul style="list-style-type: none"> <li>The mower deck nuts are loosened on the suspension linkage</li> </ul>	<ul style="list-style-type: none"> <li>Follow the instructions in section “<b>LEVELING THE MOWER DECK</b>” to make correct front-to-rear adjustment for the mower deck and securely tighten the nuts on the suspension linkage.</li> </ul>
	<ul style="list-style-type: none"> <li>The mower deck is damaged or seriously worn.</li> </ul>	<ul style="list-style-type: none"> <li>Follow the instructions in section “<b>REMOVING THE MOWER DECK</b>” to have mower deck replacement.</li> </ul>
The mower does not mulch properly.	<ul style="list-style-type: none"> <li>Wet grass clippings are sticking to the underside of the deck.</li> </ul>	<ul style="list-style-type: none"> <li>Wait until the grass dries before mowing.</li> </ul>
	<ul style="list-style-type: none"> <li>The mower is set to cut too much grass at once.</li> </ul>	<ul style="list-style-type: none"> <li>Raise the deck cutting height.</li> </ul>

EN	PROBLEM	CAUSE	SOLUTION
	There is excessive vibration.	<ul style="list-style-type: none"> <li>▪ The cutting blades are loose.</li> <li>▪ The blades are bent.</li> <li>▪ The mower deck is not leveled.</li> <li>▪ The mower deck nuts are loosened on the suspension linkage.</li> <li>▪ The mower is set to cut too much grass at once.</li> </ul>	<ul style="list-style-type: none"> <li>▪ Tighten the blade bolt to the recommended torque.</li> <li>▪ Replace the bent cutting blade following the instructions in section “<b>REPLACING THE CUTTING BLADES</b>”.</li> <li>▪ Level the mower deck following the instructions in section “<b>LEVELING THE MOWER DECK</b>”.</li> <li>▪ Tighten the nuts on the suspension linkage.</li> <li>▪ Raise the deck cutting height.</li> </ul>
	There are grass or debris remaining on the ground after mowing.	<ul style="list-style-type: none"> <li>▪ The mower is set to cut too much grass at once when the grass is tall.</li> <li>▪ The grass is wet.</li> <li>▪ The driving speed is high.</li> <li>▪ The blade speed is low.</li> </ul>	<ul style="list-style-type: none"> <li>▪ Begin with a high cutting height and reduce it until the desired mowing result is attained. Grass over 6 inches tall should be mowed twice, at successively lower cutting heights.</li> <li>▪ Do not mow when the grass is wet until the grass dries.</li> <li>▪ Slow down the driving speed.</li> <li>▪ Increase the blade speed gradually.</li> </ul>
	Short running time of the mower with included battery.	<ul style="list-style-type: none"> <li>▪ Grass conditions and cutting-height setting will greatly affect the battery run time. The claimed run time is based on a light load condition.</li> </ul>	<ul style="list-style-type: none"> <li>▪ Raise the deck cutting height and slow down the blade speed to reduce the cutting load.</li> </ul>
	The mower is not tracking straight.	<ul style="list-style-type: none"> <li>▪ The tire pressures for the left and right rear wheels are different.</li> <li>▪ The driving speeds for the left and right rear wheels are different.</li> </ul>	<ul style="list-style-type: none"> <li>▪ Check and adjust the air pressure in both rear wheel tires, according to the recommendation in section “<b>CHECKING THE TIRE PRESSURE</b>” in this manual.</li> <li>▪ Calibrate the mower tracking system following the instructions in section “<b>CALIBRATING THE MOWER TRACKING SYSTEM</b>”.</li> </ul>
	The parking brake pedal cannot be released from the braking position or is slow to spring back.	<ul style="list-style-type: none"> <li>▪ There may be debris or dirt getting inside the parking brake pedal.</li> </ul>	<ul style="list-style-type: none"> <li>▪ Open the parking brake pedal box to thoroughly clean the box inside and close it. Reset the parking brake pedal to see whether the problem is solved. If not, contact a qualified service technician for repair.</li> </ul>
	The mower cannot be charged via charging port with the mower status indicator shining solid red.	<ul style="list-style-type: none"> <li>▪ The plug of the charger is not correctly inserted into the charging port on the mower.</li> <li>▪ There is no power in the wall outlets.</li> <li>▪ Charger malfunction.</li> <li>▪ The charger port on the mower is defective.</li> </ul>	<ul style="list-style-type: none"> <li>▪ Reconnect the charger plug to see whether the mower can be charged normally.</li> <li>▪ No action is needed. Wait until the power recovers.</li> <li>▪ Contact a qualified service technician for inspection and have charger repaired if needed.</li> <li>▪ Contact a qualified service technician for repair.</li> </ul>

PROBLEM	CAUSE	SOLUTION
The charging time via the mower charging port is too long.	<ul style="list-style-type: none"> <li>Using EGO Adapter ACA1000 for charging requires long time.</li> </ul>	<ul style="list-style-type: none"> <li>Use EGO charger CHV1600E for charging the mower directly.</li> </ul>
The battery cannot be fully charged via the mower charging port.	<ul style="list-style-type: none"> <li>Firmware bug of the riding mower or the charger/battery failure.</li> </ul>	<ul style="list-style-type: none"> <li>Unplug the charger and wait for more than several minutes, then reconnect the plug to the power supply. If it does not work, contact a qualified service technician for repair.</li> </ul>
The mower cannot be started after cleaning.	<ul style="list-style-type: none"> <li>Improper cleaning, such as water getting on the electric components, LCD screen etc.</li> </ul>	<ul style="list-style-type: none"> <li>Follow the instructions in section “<b>CLEANING THE MOWER</b>” to clean the mower correctly.</li> </ul>
It is easy for the mower to be clogged.	<ul style="list-style-type: none"> <li>The mower deck is clogged with grass and debris.</li> </ul>	<ul style="list-style-type: none"> <li>If the mower caught in rain accidentally, leave it in the air to dry or use compressed air to dry it.</li> </ul>
		<ul style="list-style-type: none"> <li>Clean the mower deck after each use, following the section “Using Wash Port to Clean Mower Deck”.</li> </ul>
The mower easily loses traction when climbing up on the slope.	<ul style="list-style-type: none"> <li>The tires of the rear wheels are worn.</li> </ul>	<ul style="list-style-type: none"> <li>Seek local service to replace the wheel tires.</li> </ul>
	<ul style="list-style-type: none"> <li>Large mowing slope.</li> </ul>	<ul style="list-style-type: none"> <li>Mowing slope should be at required degree.</li> </ul>
When the mower is stopped on a slope with the parking brake pedal pressed, the mower can slide downward the slope.	<ul style="list-style-type: none"> <li>The brake components are excessively worn due to improper operation of the mower.</li> </ul>	<ul style="list-style-type: none"> <li>Contact a qualified service technician for repair.</li> </ul>
There is no water coming from the wash port when performing deck washing.	<ul style="list-style-type: none"> <li>The wash-port quick coupler is not mounted into place on the wash port.</li> </ul>	<ul style="list-style-type: none"> <li>Re-attach the wash-port quick coupler until you hear a clear click after firmly pushing. If it does not work, contact a qualified service technician for repair.</li> </ul>
There is abnormal sound when manual pushing the mower without starting.	<ul style="list-style-type: none"> <li>The sound comes from the magnets inside the driving motor.</li> </ul>	<ul style="list-style-type: none"> <li>It is normal and no action is needed.</li> </ul>

## EN FAULT CODE & MOWER STATUS INDICATOR REFERENCE

LCD Display	Description	Fault Code on LCD	Mower Status Indicator	Beeper	Cause	Solution
	LED lights icon is displayed on the LCD screen	n/a	OFF	No	The headlights, sidelights, and rear lights are turned on by the LED light switch.	This is normal operation. No action is needed.
	USB icon is displayed on the LCD screen	n/a	OFF	No	USB icon illuminates that a USB device can work after the mower is started correctly.	This is normal operation. No action is needed.
	Fuel Gauge icon is displayed on the LCD screen	n/a	OFF	No	It indicates the average charge capacity of inserted batteries	This is normal operation. No action is needed.
	Hour Meter icon is displayed on the LCD screen	n/a	OFF	No	It shows the total driving time of mower, in hours and cannot be reset.	This is normal operation. No action is needed.
	Load indicator icon shows in the ECO range	n/a	OFF	No	It indicates the current load of the mower.	This is normal operation. No action is needed.
	The overload indicator blinks. Load indicator icon shows in the PWR range.	n/a	Flashes red	One beep	The blade motor is overloaded.	Raise the deck cutting height or slow the driving speed to reduce the load of the mower.
					The side discharge chute is clogged with grass and debris.	Clean the side discharge chute after each use.
					There is an interference between the blade and the mower deck.	Have repairs performed by a qualified service technician.

LCD Display	Description	Fault Code on LCD	Mower Status Indicator	Beeper	Cause	Solution
	Safety key icon blinks.	n/a	OFF	No	The safety key is not inserted.	Insert the safety key then press and hold the START/STOP button to turn on the mower.
					Power is not supplied to the LCD screen.	Have repairs performed by a qualified service technician.
	The icon of a certain battery compartment blinks.	n/a	OFF	No	A certain battery during discharging is over-current.	No action is needed. The mower can continue working if the combined battery Ah rating, over-current battery excluded, meets the requirement. Once the over-current battery returns to normal, it will join in powering the mower immediately and the icon will disappear.
	The icon of the empty battery compartment blinks.	n/a	OFF	No	Battery capacity is not sufficient to allow the ride on mower to work.	In order to start this mower, use sufficient EGO batteries following the instructions in section “CHARGING” in this manual.
	The temperature icon blinks.	n/a	OFF	One beep	The mower is over heated.	Reduce the load of the mower by raising the deck cutting height or slowing down the blade/driving speed. Take a break and allow the mower to cool.
					The mower is too cold	Please do not make repeated attempts which may damage the machine. Always store the mower and batteries in warm environment. Restart the mower when it is warmed up.

EN

LCD Display	Description	Fault Code on LCD	Mower Status Indicator	Beeper	Cause	Solution
	The temperature icon and the exact occupied battery compartment blink at the same time.	n/a	OFF	No	The battery pack in the corresponding numbered battery compartment is overheated.	<p>1. The mower can continue working if the combined battery Ah rating, overheated battery excluded, meets the requirement. Once the overheated battery returns to normal temperature, it will join in powering the mower immediately.</p> <p>2. If the combined battery Ah rating not sufficient, the mower will not work until more battery packs are inserted into the vacant battery compartments.</p> <p>3. Reduce the load of the mower by raising the deck cutting height or slowing down the mowing when resuming operation.</p>
	The icons of each occupied battery compartment, low power indicator, battery graphics of fuel gauge blink every 1 second at the same time on the LCD screen. The first segment of the LED fuel-gauge & status indicator blinks too.	n/a	Flashes red	Keeps beeping until the PTO switch is pushed downward.	The battery packs are low on charge and the mower is in Limp-Home mode.	<p>Stop working and return to the battery charging area.</p> <p><b>NOTICE:</b> When the mower is in Limp-Home mode, the blades are automatically switched into low rotation speed without grass cutting and meanwhile the sound indicator will keep beeping. The operator should push the PTO switch downward to disengage the deck blades. The sound indicator will stop beeping after blade stopping.</p>

LCD Display	Description	Fault Code on LCD	Mower Status Indicator	Beeper	Cause	Solution
	The icon of each occupied battery compartment and low power indicator blinks every half a second.	n/a	Flashes red	Keeps beeping	The battery parks are nearly depleted.	The mower will stop working immediately. The operator should transport the mower to the battery charging area for charging.
	The auto-parking icon blinks on the LCD.	n/a	OFF	Keeps beeping	The mower is parked on a slope and the operator leaves the mower without setting the brake pedal at the braking position, just with the steering levers in the open position.	Set the brake pedal at the braking position. The auto-parking icon will be off and the sound indicator will stop beeping.
	Brake pedal icon is displayed on the LCD.	n/a	OFF	No	The parking brake pedal is set at the braking position.	Release it before starting the mower.
	Seat sensor icon is displayed on the LCD.	n/a	OFF	No	The operator leaves the seat or seat switch is disconnected.	If with the operator seated on the seat, the icon is on, stop operating the mower immediately and check the seat connection. If the seat connection with the mower is confirmed correct, please contact a qualified service technician for repairs.
	PTO Switch icon blinks.	n/a	OFF	No	The blade motor was interrupted in operation and the PTO switch is not set to off position.	Before restarting the mower, push the PTO switch downward to disengage the deck motor. Please see <b>“TROUBLESHOOTING”</b> section in this manual for reference.

EN

LCD Display	Description	Fault Code on LCD	Mower Status Indicator	Beeper	Cause	Solution	
	Steering lever icon blinks.	n/a	OFF	No	The driving motor was interrupted in operation and the steering levers are not set to open position.	Before restart the mower, move the steering levers to the open position. Please see <b>“TROUBLESHOOTING”</b> section in this manual for reference.	
	Energy recovery icon blinks occasionally.	n/a	OFF	No	The kinetic energy generated during braking or driving downhill is converted into electricity to charge the battery packs.	This is normal operation. No action is needed.	
See <b>“Fault Code”</b>	Left driving motor fails in rotation.	PCBA controlled left driving motor fails.	413	OFF	One beep	PCBA failure	Have repairs performed by a qualified service technician.
		Plug (Triple-phase, power wire) connecting the left driving motor with the corresponding PCBA is loosened.	317	OFF	One beep	Loose connection	
		Plug (Six pins, signal wire) connecting the left driving motor with the corresponding PCBA is loosened.	301	OFF	One beep	Loose connection	
		Left driving motor fails.	317	OFF	One beep	Motor failure	



**NOTICE:** If a fault code appears on LCD screen, remove all battery packs and re-insert them a few minutes later. If this doesn't solve the problem, follow the fault code troubleshooting below.

LCD Display	Description	Fault Code on LCD	Mower Status Indicator	Beeper	Cause	Solution	
See "Fault Code"	Right driving motor fails in rotation.	PCBA controlled right driving motor fails.	313	OFF	One beep	PCBA failure	Have repairs performed by a qualified service technician.
		Plug (Triple-phase, power wire) connecting the right driving motor with the corresponding PCBA is loosened.	417	OFF	One beep	Loose connection	
		Plug (Six pins, signal wire) connecting the right driving motor with the corresponding PCBA is loosened.	401	OFF	One beep	Loose connection	
		Right driving motor fails.	417	OFF	One beep	Motor failure	
See "Fault Code"	Left blade motor fails in rotation.	PCBA controlled left blade motor fails.	607/A07	n/a	One beep	PCBA failure	Have repairs performed by a qualified service technician.
		Plug (Triple-phase, power wire) connecting the left driving motor with the corresponding PCBA is loosened.	509	n/a	One beep	Loose connection	Inspect the blade firstly. If it is loosened, tighten the bolt with recommended torque. Otherwise, have repairs performed by a qualified service technician.
		Left blade motor fails	509	n/a	One beep	Motor failure	

EN

LCD Display	Description	Fault Code on LCD	Mower Status Indicator	Beeper	Cause	Solution	
See "Fault Code"	Right blade motor fails in rotation.	PCBA controlled right blade motor fails.	507/A07	n/a	One beep	PCBA failure	Have repairs performed by a qualified service technician.
		Plug (Triple-phase, power wire) connecting the right driving motor with the corresponding PCBA is loosened.	609	n/a	One beep	Loose connection	Inspect the blade firstly. If it is loosened, tighten the bolt with recommended torque. Otherwise, have repairs performed by a qualified service technician.
		Right blade motor fails	609	n/a	One beep	Motor failure	
See "Fault Code"	Middle blade motor fails in rotation	PCBA controlled middle blade motor fails	507/607	n/a	One beep	PCBA failure	Have repairs performed by a qualified service technician.
		Plug (Triple-phase, Power wire) connecting the middle blade motor with the corresponding PCBA is loosened.	A09	n/a	One beep	Loose connection	Inspect the blade firstly. If it is loosened, tighten the bolt with recommended torque. Otherwise, have repairs performed by a qualified service technician.
		Middle blade motor fails	A09	n/a	One beep	Motor failure	
See "Fault Code"	Left steering lever fails.	Left steering lever controlling PCBA fails.	311/412	OFF	One beep	PCAB failure	Have repairs performed by a qualified service technician.
		Plug connecting the controlling PCBA, located in the steering bar, is loosened.				Loose connection	
See "Fault Code"	Right steering lever fails.	Right steering lever controlling PCBA fails.	312/411	OFF	One beep	PCAB failure	Have repairs performed by a qualified service technician.
		Plug connecting the controlling PCBA, located in the steering bar, is loosened.				Loose connection	

LCD Display	Description	Fault Code on LCD	Mower Status Indicator	Beeper	Cause	Solution	
See "Fault Code"	Parking brake fails, the tool cannot be driven.	Parking brake PCBA, which is in the front frame assembly, is broken.	309 /409	OFF	One beep	PCBA failure	Have repairs performed by a qualified service technician.
		Parking brake switch and/or wire is broken.	801	OFF	One beep	Wire/Switch failure	
OFF	Charging Prot Fault	n/a	Solid RED	n/a	The charging port is in open circuit.	Have repairs performed by a qualified service technician.	
		n/a	Solid RED	n/a	There is no power supply.	Check the wall outlet whether there is 220 V-240 V supplied or the socket is good.	
		n/a	Solid RED	n/a	The fuse is blown.	Have repairs performed by a qualified service technician.	
See "Fault Code"	Charging Prot Fault	204	n/a	One beep	The charging port is in open circuit.	Have repairs performed by a qualified service technician.	
See "Fault Code"	Battery Box Assembly not functioning	217	n/a	One beep	The power source from Battery Box assembly is broken. The LED headlights and USB will not work.	Have repairs performed by a qualified service technician.	
		310 /410	OFF	One beep	The connection between Type C wires of Battery Box assembly and other Type C wires of the mower is out of work.		
		201 /202 /203	OFF	One beep	The BMS of the Battery Box assembly is broken.		

**EN**

LCD Display	Description	Fault Code on LCD	Mower Status Indicator	Beeper	Cause	Solution
See "Fault Code"	Start/Stop Switch Fault	314 /414	OFF	One beep	Switch PCBA failure or bad wire connection for Start/Stop Switch.	Have repairs performed by a qualified service technician.
See "Fault Code"	LCD Screen Fault	315 /415	OFF	One beep	LCD assembly is broken or bad wire connection of the LCD assembly.	Have repairs performed by a qualified service technician.

## WARRANTY

### EGO WARRANTY POLICY

Please visit the website [egopowerplus.com](http://egopowerplus.com) for full terms and conditions of the EGO Warranty policy.

**KEES VAN DER SPEK**  
TUINMACHINES ★ STOLWIJK

## LESEN SIE ALLE ANWEISUNGEN!



### BEDIENUNGSANLEITUNG LESEN

## WARNSYMBOLE

Der Zweck von Warnsymbolen besteht darin, Ihre Aufmerksamkeit auf mögliche Gefahren zu lenken. Die Warnsymbole und deren Erklärungen verdienen Ihre vollste Aufmerksamkeit und Beachtung. Durch die Warnsymbole allein sind die Gefahren noch nicht ausgeschaltet. Die Anweisungen und Warnhinweise stellen keinen Ersatz für angemessene Unfallverhütungsmaßnahmen dar.

**⚠️ WARNUNG:** Vor der Benutzung des Geräts sollten Sie alle Sicherheitsanweisungen in dieser Bedienungsanleitung gelesen und verstanden haben. Das gilt auch für die Sicherheits- und Gefahrenzeichen wie „**VORSICHT**“, „**WARNUNG**“ und „**ACHTUNG**“. Die Nichtbeachtung aller aufgeführter Anweisungen kann zu Stromschlägen, Bränden und/oder schweren Verletzungen führen.

## SYMBOLBEDEUTUNG

Auf dieser Seite werden die Warnsymbole vorgestellt und beschrieben, die sich unter Umständen an dem Gerät befinden. Alle Anweisungen am Gerät lesen und befolgen, bevor das Gerät montiert und in Betrieb gesetzt wird.

## WARNSYMBOLE

	Sicherheitswarnung		Bedienungsanleitung aufmerksam lesen
	Augenschutz		Sicherheitseinrichtungen instandhalten
	GEFAHR – Steile Böschung		GEFAHR – Schaulustige von Messern fernhalten
	Nie Kinder befördern		Beim Zurücksetzen nach hinten schauen
	WARNUNG - Verwenden Sie diese Maschine nicht an Böschungen mit einer Steigung von mehr als 12 Grad.		GEFAHR - Herausgeschleuderte Gegenstände
	WARNUNG - HÄNDE UND FÜSSE FERNHALTEN		Garantierter Schalleistungspegel. Gemäß Richtlinie der Europäischen Gemeinschaft.



Nicht betreten



Elektrische Altgeräte dürfen nicht im Hausmüll entsorgt werden. Bringen Sie das Gerät zu einem Wertstoffhof bzw. zu einer amtlichen Sammelstelle.



Dieses Produkt erfüllt die einschlägigen CE-Richtlinien



VORSICHT – Nicht in die Betriebsleuchte blicken.



Gleichstrom



Dieses Produkt erfüllt die einschlägigen Vorschriften in GB.

- kPa Kilopascal
- V Volt
- in Zoll
- Nm Newtonmeter
- °C Celsius
- km/h Kilometer pro Stunde

- MIN-1 Umdrehungen pro Minute
- m Meter
- cm Zentimeter
- mm Millimeter
- kg Kilogramm
- IPX4 Schutzklasse

## TECHNISCHE DATEN

Spannung		56 V
Mähwerkgröße		132 cm
Radgröße	Vorne	279,4 x 126 mm
	Hinten	457,2 x 223 mm
Reifendruck kalt	Vorne	222,1 kPa
	Hinten	115,8 kPa
Wendekreis		0
Messergeschwindigkeit (min-1)		2600; 2800; 3000; 3200
Max. Fahrge- schwindigkeit (km/h)	Vorwärts	8,1 km/h, 9,7 km/h, 11,3 km/h, 12,8 km/h
	Rückwärts	bis zu 6,4 km/h

Kees van der Spek  
TUINMACHINES \* STOLWIJK

Aufladen	Ladegerät (optional)	CHV1600E
	Netzteil (optional)	ACA1000
	Ladetemperaturbereich	5°C - 40°C
Schnitt Höhenverstellung (10-stufig)		25 – 100 mm
Betriebstemperatur		0°C- 40°C
Lagertemperatur		-20°C - 70°C
Gewicht (ohne Akkusatz)		217 kg
Gemessener Schalleistungspegel $L_{WA}$		95,48 dB(A) K=0,73 dB(A)
Schalldruckpegel auf am Ohr des Bedieners $L_{PA}$		82,5 dB(A) K=3 dB(A)
Garantierter Schalleistungspegel $L_{WA}$ (gemäß Messung nach 2000/14/CE)		100 dB(A)

Vibration $a_h$	Hand	0,69 m/s <sup>2</sup> K=1,5 m/s <sup>2</sup>
	Karosserie	0,3 m/s <sup>2</sup> K=1,5 m/s <sup>2</sup>

- Der angegebene Vibrationsgesamtwert wurde nach einem Standard-Prüfverfahren gemessen und kann zum Vergleich mit einem anderen Werkzeug herangezogen werden.
- Der angegebene Vibrationsgesamtwert kann auch zur vorläufigen Risikobewertung herangezogen werden.

**HINWEIS:** Die beim Einsatz des Elektrowerkzeugs entstehenden Istvibrationen können von dem angegebenen Wert abweichen. Zum Schutz des Benutzers sollten Handschuhe und ein Gehörschutz während des Geräteinsatzes getragen werden.

## BESCHREIBUNG

### BESCHREIBUNG DES RASENMÄHERS (ABB. A1 UND A2)

- Sitz
- Ladeanschluss
- Antriebsaggregat
- LED-Rücklicht
- Aufbewahrungsfach
- Becherhalter
- LED-Seitenlicht
- Hinterrad (Antriebsrad)
- Schlauchanschluss
- Deck
- Deckschutzhaube
- Stützrolle
- Vorderrad
- Feststellbremspedal
- Tagfahrleuchten
- LED-Scheinwerfer
- Seitenauswurf
- Einstellhebel für Deckhöhe

- Einstellknopf für Sitzfederung
- Hebel zur Einstellung der Sitzposition
- Sicherheitsbügel
- Rasenmäherstatusanzeige
- LC-Display
- Zapfwellenschalter
- Start/Stopp-Taste
- Sicherheitsschlüssel
- Smartphone-Aufbewahrungsfach
- Ablenklech
- Kraftstoffanzeige & Statusanzeige
  - Kraftstoffanzeige
  - Rasenmäherstatusanzeige
- Fußablage
- Deckelentriegelung des Antriebsaggregats
- Deckel des Antriebsaggregats
- Antriebsaggregat mit sechs Akkufächern
- Akku-Entriegelungstaste
- Anhängekupplung
- Montageabdeckung für Anbaugeräte
- Aufbewahrung für die Anbaugeräte-Montageabdeckung
- USB-Anschluss

### BESCHREIBUNG DES LC-DISPLAYS (ABB. A3)

Weitere Informationen zu den Symbolen und Anzeigen auf dem LC-Display stehen im Kapitel „LISTE MIT STATUS- UND FEHLERCODES“.

- Symbol Sicherheitsschloss
- LED-Leuchten-Symbol
- Symbol Parkautomatik
- Symbol USB
- Messer-Geschwindigkeitsanzeige
- Statusanzeige Sicherheitseinrichtung
- Betriebsstundenzähler
- Leeres Akkufach-Symbol
- Temperatur-Symbol
- Symbol für ein besetztes Akkufach

11. Fahrmodus
12. Fehlercode-Anzeige
13. Überlast-Anzeige
14. Akkuwarnanzeige
15. Fahrgeschwindigkeitsanzeige
16. Lastanzeige
17. Kraftstoffanzeige
18. Einstelltaste Messergeschwindigkeit
19. Einstelltaste
20. Fahrmodustaste
21. LED-Beleuchtungsschalter
22. Einstelltaste für Fahrgeschwindigkeit

## AUSPACKEN

**HINWEIS:** Bewahren Sie das Verpackungsmaterial solange auf, bis Sie das Gerät sorgfältig überprüft und zufriedenstellend in Betrieb genommen haben. Sollten bestimmte Teile der Packliste am Gerät montiert sein, wenden Sie sich unverzüglich an den EGO Kundenservice.

**HINWEIS:** Mit Ausnahme der Werkzeuge in der unten aufgeführten Packliste sind alle übrigen Werkzeuge, die in der Anleitung genannt werden, lediglich Empfehlungen, jedoch werden sie nicht mitgeliefert.

### PACKLISTE (Abb. B)

B-1	Aufsitzrasenmäher	B-6	Sicherheitsschlüssel
B-2	Sitz	B-7	Maulschlüssel (13 mm)
B-3	Lenkhebel	B-8	Innensechskant-schlüssel
B-4	Innensechskantschrauben (2 als Reserve)	B-9	Schnellkupplung für Schlauchanschluss
B-5	Sechskantschrauben (2 als Reserve)	B-10	Bedienungsanleitung

### EMPFOHLENES ZUBEHÖR

**⚠️ WARNUNG:** Verwenden Sie nur die unten aufgeführten baugleichen Ersatzteile. Die Verwendung von Teilen, die nicht die originalen Gerätespezifikationen erfüllen, kann zu fehlerhafter Leistung und Beeinträchtigungen der Sicherheit führen.

BEZEICHNUNG DES TEILS	MODELLNUMMER
Standardmesser	AB5200
Messer mit höherem Hub	AB5201
Mulchkit	ABP5200
Grasfangvorrichtung	ABK5200-A
Hinterer Stoßdämpfer	AMB1000
Frachtbox	AMG1000
Sonnenschutz	AMS1000

## MONTAGE

### SITZ MONTIEREN (Abb. C1 & C2)

**⚠️ WARNUNG:** Die Sicherheitsverriegelung darf weder abgeschaltet noch überbrückt werden. Andernfalls könnte der Mäher unerwartet anlaufen und Verletzungen verursachen.

**HINWEIS:** Zu Ihrer eigenen Sicherheit hält der Mäher an, sobald sich der Sitzschalterkontakt beim Fahren öffnet. Lesen Sie in diesem Fall die Hinweise im Kapitel „STÖRUNGSBEHEBUNG“.

C1-1	Kabel	C1-5	Innensechskant-schrauben
C1-2	Stecker	C2-1	Haken
C1-3	Buchse	C2-2	Stahlschienen
C1-4	Federungs-Unterteil	C2-3	Innensechskant-schrauben



**LENKHEBEL MONTIEREN (Abb. C3)**

C3-1	Lenkhebel	C3-3	Gewindeaufnahmen für Lenkhebel
C3-2	Sechskantschrauben		

## BETRIEB

**VOR DER BENUTZUNG DES MÄHERS**
**Umgebung kontrollieren**

- Vergewissern Sie sich, dass sich im Arbeitsbereich keine Kinder, Passanten und Haustiere befinden.
- Beseitigen Sie im Arbeitsbereich alle Gegenstände, die vom Mähwerk des Geräts hochgeschleudert werden können.
- Kontrollieren Sie, ob die LED-Beleuchtung in intaktem Zustand ist:
  - Die Scheinwerfer, Seitenbeleuchtung und die Heckleuchten werden mit dem LED-Beleuchtungsschalter betätigt.
  - Beim Fahren sind die Fahrscheinwerfer immer eingeschaltet.
  - Wenn die Heckleuchten beim Zurücksetzen ausgeschaltet sind, blinken sie, um Passanten zu warnen. Wenn sie eingeschaltet sind, dauerleuchten sie.
  - Alle Lichter schalten sich automatisch aus, wenn sich der Rasenmäher nach einer gewissen Zeit ohne Betrieb automatisch ausschaltet.

**Kalten Reifendruck prüfen (Abb. D1)**
**Status und Ladestand des Rasenmähers kontrollieren**

- Kraftstoffanzeige des Rasenmähers (Abb. A2 - 27a)  
Jeder Balken auf der Kraftstoffanzeige steht für je 20 % Ladekapazität des angeschlossenen Akkupacks.

**HINWEIS:** Die Kraftstoffanzeige des Mähers und die Tankanzeige auf dem LC-Display geben die durchschnittliche Kapazität des eingesetzten Akkupacks an.

- Mähstatusanzeige (Abb. A1 & A2 - 27b)  
Wenn die Statusanzeige grün leuchtet, ist der Mäher fahrbereit. Wenn dies nicht geschieht, lesen Sie die Hinweise im Kapitel „**LISTE MIT STATUS- UND FEHLERCODES**“

**Sicherheitsverriegelung testen (Abb. D2 - Abb. D8)**

**HINWEIS:** Zum Test muss sich der Bediener auf dem Sitz befinden.

- Vor dem Test (Abb. D2 – Abb. D4)
- Zum Testen des Deckmähsystems (Abb. D5)  
langsam aufstehen
- Zum Testen des Fahrsystems (Abb. D6 – D8)  
langsam aufstehen

Wenn sich das Deckmähsystem und/oder das Fahrsystem beim Aufstehen vom Sitz nicht abschalten und sich die Ursache nicht feststellen lässt, nachdem der Steckkontakt am Sitz auf korrekte Verbindung überprüft wurde, wenden Sie sich direkt an den EGO Kundenservice.

**EINSTELLEN (Abb. E1 – Abb. E13)**
**Vorbereitung (Abb. E1 – Abb. E5)**
**Einstellen der Mähdeckhöhe (Abb. E6)**
**Einstellen der Stützrollen (Abb. E7 – Abb. E10)**

E7-1	Stützrolle	E9-2	Lange Schraube
E9-1	Mutter	E10-1	Aufkleber Deckhöhe

**Sitz einstellen (Abb. E11)**

Stellen Sie die Sitzposition ein, um für einen festen Kontakt mit der Feststellbremse zu sorgen, bevor Sie den Mäher einsetzen. Durch eine richtige Einstellung der Sitzfederung können Sie auf dem Sitz am bequemsten arbeiten.

E11-1	Hebel zur Einstellung der Sitzposition	E11-2	Einstellknopf für Sitzfederung
-------	--	-------	--------------------------------

**Feststellbremse einstellen (Abb. E12 – Abb. E13)**

E13-1	Bremsposition	E13-2	Bremse gelöst
-------	---------------	-------	---------------

## DE AUFLADEN (Abb. F1 – F11)

Zum Starten des Mähers werden EGO-Akkus mit mindestens 15 Ah insgesamt (2 x BA4200T/BA4200T) oder mehr benötigt. Zum optimalen Mähen empfehlen wir EGO-Akkus mit insgesamt 30 Ah Kapazität oder mehr.

**Verwenden Sie nur die empfohlenen Akkus und Ladegeräte. (Abb. F9 & F10)**

**Vorbereitungen für den Ladevorgang (Abb. F1 - F4)**

**Separate Aufladung des/der Akkupacks (Abb. F5 — Abb. F9)**

F5-1	Deckelentriegelung	F7-1	Akku-Entriegelungstaste
------	--------------------	------	-------------------------

- Anbringen des/der Akkus (Abb. F5 - F6)
- Abnehmen des/der Akkus (Abb. F7 - F8)

**HINWEIS:** Zum Aufladen des Akkupacks lesen Sie das jeweilige Handbuch zum Akku und Ladegerät.

**Aufladen des Akkupacks über den Ladeanschluss (Abb. F10)**

F10-1	Staubkappe	F10-2	Ladeanschluss
-------	------------	-------	---------------

**STARTEN DES RASENMÄHERS (Abb. A4 - Abb. A5 und Abb. G1 - Abb. G6)**

**⚠️ WARNUNG:** Vermeiden Sie plötzliche Starts, Stopps und Wendemanöver sowie überhöhte Geschwindigkeiten, besonders dann, wenn Sie den Umgang mit dem Mäher noch erlernen. Der Mäher kann sich rasch in Bewegung setzen, sodass Sie die Kontrolle verlieren. Dadurch besteht die Gefahr schwerer Verletzungen und/oder Sachschäden.

**⚠️ WARNUNG:** Vor dem Starten des Rasenmähers prüfen, ob die Messer innerhalb von 5 s gelöst sind, wenn der PTO-Schalter nach unten gedrückt wird. Wenn die Messer nicht anhalten, benutzen Sie den Mäher nicht und wenden Sie sich unverzüglich an den EGO-Kundenservice.

**HINWEIS:** Beachten Sie Abb. A4 und G2, um die niedrigste Fahrgeschwindigkeit und den **STANDARD** Fahrmodus einzustellen, bis Sie in allen Situationen

mit der Bedienung des Mähers vertraut sind. Die Fahrgeschwindigkeit und der Fahrmodus lassen sich nur aktivieren, wenn die Räder des Mähers stillstehen und die Lenkhebel geöffnet sind.

Der Rasenmäher speichert und zeigt den vorherigen Fahrmodus, die Fahrgeschwindigkeit und die Kalibrierung der Lenkhebel beim Neustart an.

### Fahrmodus

- **KONTROLLIERT:** Geringere Beschleunigung, weniger empfindliches Handling und sachte Wendegeschwindigkeit zur Schonung des Rasens und für Einsteiger.
- **STANDARD:** Perfekte Einstellung für den täglichen Gebrauch.
- **SPORTLICH:** Stärkere Beschleunigung, präzises Handling und scharfe Wendemanöver für maximale Effizienz beim Mähen und für Mähbegeisterte.

**Fahrgeschwindigkeit einstellen (Abb. A4)**

**Messergeschwindigkeit einstellen (Abb. A5)**

### USB-Anschluss

**HINWEIS:** Der USB-Anschluss stellt eine Ladespannung von 5 Volt DC sowie insgesamt 1,5 A Gesamtlast zur Verfügung und wird nur bei eingeschaltetem Mäher mit Spannung versorgt.

**ANHALTEN DES RASENMÄHERS (Abb. H1 – Abb. H6)**

**HINWEIS:** Nach mehr als 60 Minuten ohne Betrieb schaltet sich der Mäher automatisch ab.

### Notbetrieb

Wenn der Akku fast entladen ist, schaltet der Mäher auf Notbetrieb um:

- Das Mähen wird automatisch unterbrochen;
- Der Summer ertönt ununterbrochen;
- Die Statusanzeige des Mähers blinkt einmal pro Sekunde rot, das erste Segment der Kraftstoffanzeige am Gerät blinkt rot und die Anzeige für Energiemangel und das Akku-Symbol in der Kraftstoffanzeige blinken.

Gehen Sie folgenderweise vor:

- a) Den Zapfwellenschalter nach unten drücken (Abb H3), um die Messer auszurücken. Das akustische Signal schaltet sich aus, wenn das Messer stoppt.
- b) Stellen Sie die Arbeit ein und begeben Sie sich sobald wie möglich zum Akkuladebereich. Der Rasenmäher kann maximal 1000 m zurücklegen.

Wenn das Akkupack nahezu entladen ist, blinken die Symbole der belegten Akkufächer und die Akkuwarnanzeige alle halbe Sekunde. Der Mäher schaltet sich sofort ab. Der Bediener sollte den Mäher zum Aufladen in den Akkuladebereich bringen.

**Schieben von Hand**

Falls das Gerät von Hand angeschoben werden muss, müssen die Akkus vom Mäher getrennt und die Feststellbremse aus der Bremsposition ausgerückt sein.

**FAHREN DES RASENMÄHERS (Abb. I1 - I9)**

Bewegen Sie den Lenkhebel allmählich aus der Neutralstellung heraus, um anzuhalten, langsamer oder schneller zu fahren.

**⚠ VORSICHT:** Halten Sie mindestens zwei Mähstreifen Abstand zu Gräben, Bodenabtragungen oder Gewässer ein. Die Vorderräder können sich beim Anhalten des Mähers drehen, auch wenn die Bremse betätigt wird. Das kann dazu führen, dass der Mäher die Kante überquert oder ins Wasser fährt. Dadurch besteht schwere bis tödliche Verletzungsgefahr.

**⚠ WARNUNG:** Achten Sie vor dem Zurücksetzen darauf, was sich hinter dem Mäher befindet. Nur Rückwärtsmähen, wenn dies absolut notwendig ist. Schauen Sie vor und beim Zurücksetzen immer nach unten und nach hinten, um sich zu vergewissern, dass keine Kinder, Passanten oder Haustiere den Mähbereich betreten. Denken Sie daran, dass ein Bruchteil einer Sekunde der Unachtsamkeit zu schweren oder gar tödlichen Verletzungen führen kann.

**⚠ WARNUNG:** Das Gerät darf nicht auf öffentlichen Verkehrswegen benutzt werden.

**⚠ WARNUNG:** Wenn etwas blockiert oder Sie auf einen Fremdkörper stoßen, halten Sie den Motor an und entfernen Sie die Akkus. Beseitigen Sie Rasenverschnitt,

Blätter, Schmutz und sonstige Reste, die sich angehäuft haben. Überprüfen Sie den Mäher gründlich auf Beschädigungen und lassen Sie den Schaden reparieren, bevor Sie den Rasenmäher erneut starten und benutzen.

**WARTUNG**

**⚠ WARNUNG:** Tragen Sie immer eine Schutzbrille mit Seitenschutz. Andernfalls besteht schwere Verletzungsgefahr, wenn Gegenstände in Ihre Augen geschleudert werden.

**⚠ WARNUNG:** Schützen Sie stets Ihre Hände, indem Sie Handschuhe tragen oder die Schneidkanten mit Lumpen oder anderen Materialien umwickeln, wenn Sie Wartungsarbeiten am Mähmesser durchführen. Entfernen Sie immer den Sicherheitsschlüssel und die Akkupacks, wenn Sie den Rasenmäher instandsetzen oder transportieren.

Wartungsintervalle	Wartungsanweisungen
Vor jedem Gebrauch oder täglich	<ul style="list-style-type: none"> <li>▪ Prüfen Sie die Sicherheitsverriegelung.</li> <li>▪ Prüfen Sie, ob der Reifen platt ist.</li> <li>▪ Prüfen Sie die Messer auf Abnutzung, Risse oder Verzug.</li> <li>▪ Überprüfen Sie das gesamte Gerät auf beschädigte, fehlende oder lockere Teile, wie z. B. der Seitenauswurf, Schrauben, Muttern, Kappen usw. Alle Schutzvorrichtungen müssen montiert sein und korrekt funktionieren.</li> <li>▪ Prüfen Sie die Funktion der Bremse.</li> </ul>
Nach jedem Gebrauch	<ul style="list-style-type: none"> <li>▪ Reinigen Sie das Mähwerk.</li> </ul>
Alle 25 Stunden	<ul style="list-style-type: none"> <li>▪ Prüfen Sie den Reifendruck.</li> </ul>
Alle 50 Stunden	<ul style="list-style-type: none"> <li>▪ Kontrollieren Sie den gefetteten Zustand am Messerflansch.</li> </ul>

DE

Alle 100 Stunden	<ul style="list-style-type: none"> <li>Überprüfen Sie die Hinterräder. Alle Radmuttern müssen mit dem empfohlenen Anzugsmoment festgezogen sein.</li> </ul>
Alle 200 Stunden	<ul style="list-style-type: none"> <li>Kontrollieren Sie, ob sich die Vorderräder frei drehen können.</li> </ul>
Jährlich	<ul style="list-style-type: none"> <li>Überprüfen Sie das Feststellbremspedal. Nehmen Sie den Akku aus dem Rasenmäher und bewegen Sie das Bremspedal in Bremsposition. Schieben Sie den Rasenmäher vorwärts an, um festzustellen, ob sich der Mäher bewegen lässt oder nicht. Falls er sich bewegen lässt, lassen Sie ihn von einem ausgebildeten Kundendiensttechniker instandsetzen.</li> </ul>

## RASENMÄHER REINIGEN (Abb. J1 - J9)

Vorbereitung (Abb. J1 – J5)

Reinigen des Gehäuses (Abb. J6 - J7)

Den Schlauchanschluss zum Reinigen des Mähdecks verwenden (Abb. J8 - Abb. J9)

J8-1	Schlauchanschluss	J8-3	Gartenschlauch
J8-2	Schnellkupplung für Schlauchanschluss		

**HINWEIS:** Drücken Sie nach Abschluss der Reinigung den Zapfwellenschalter, um das Mähmesser auszurücken.

## MÄHDECK UND MÄHMESSE WARTEN

Vorbereitung (Abb. K1 – K6)

Mähdeck abmontieren (Abb. K7 – K8)

K7-1	Motorkabel	K7-3	Federungsgestänge
K7-2	Splint		

**HINWEIS:** Trennen Sie alle Motorkabel und Splinte, wenn Sie das Mähwerk entfernen.

### Messer auswechseln (Abb. K9 - K11)

K9-1	Stabilisator	K10-3	Messer
K10-1	Schraube	K10-4	Flansch
K10-2	Unterlegscheibe	K10-5	Antriebswelle

### Mähdeck nivellieren

a. Wann nivelliert werden muss (Abb. K12 – K14)

b. Vor dem Nivellieren

- Kalten Reifendruck prüfen (Abb. K15)
- Prüfen Sie die Messer. Abgenutzte, gerissene und/oder verzogene Messer müssen ggf. ausgetauscht werden.

c. Vorbereitung zum Nivellieren (Abb. K16 – K21)

d. Anweisung zum Nivellieren

- Nivellieren von einer Seite zur anderen (Abb. K22)

K22-1	Kontermutter
-------	--------------

- Nivellieren von vorn nach hinten (Abb. K23)

### MÄHERSPUR KALIBRIEREN (Abb. L1 – L4)

**HINWEIS:** Der Summer gibt einen Warnton aus, wenn die Kalibrierung gestartet und beendet wird.

**HINWEIS:** Die für einen der Fahrmodi („KONTROLLIERT“, „STANDARD“, „SPORTLICH“) abgeschlossene Kalibrierung ist möglicherweise für die anderen beiden Modi nicht verfügbar. Kalibrieren Sie den Lenkhebel in jedem Fahrmodus nach Bedarf separat.

## RASENMÄHER AUF LIEFERZUSTAND ZURÜCKSETZEN (Abb. M)

**HINWEIS:** Der Summer gibt einen Warnton aus, wenn das Zurücksetzen gestartet und beendet wird.

**HINWEIS:** Wenn das Zurücksetzen erfolgreich war, werden die folgenden Einstellungen auf die ursprünglichen Werkseinstellungen zurückgesetzt:

- Fahrmodus
- Fahrgeschwindigkeit
- Kalibrierung der Lenkhebel

## LAGERUNG UND TRANSPORT

### RASENMÄHER TRANSPORTIEREN (ABB. N1 – ABB. N11)

**HINWEIS:** Verzurren Sie den Rasenmäher nach Bedarf mit Riemen oder Gurten, um ein Wegrutschen während des Transports zu verhindern.

### LAGERUNG (Abb. 01 – 06)

**HINWEIS:** Entnehmen Sie die Akkupacks und bewahren Sie Akkus gemäß Bedienungsanleitung auf.

Reinigen und prüfen Sie den Rasenmäher vor dem Einlagern. Beachten Sie dazu die Kapitel „**REINIGEN DES RASENMÄHERS**“ und „**EMPFOHLENE WARTUNGSINTERVALLE**“.


### Schutz der Umwelt



WEEE-Altgeräteverordnung - Elektro-Altgeräte, verbrauchte Akkus und Ladegeräte dürfen nicht im Hausmüll entsorgt werden! Das Gerät muss einer offiziellen Recycling-Sammelstelle zur getrennten Entsorgung zugeführt werden. Elektrowerkzeuge müssen bei einem umweltfreundlichen Recycling-Betrieb abgegeben werden.

KES VAN DER SPEK  
INES \* STOLWIJK

## DE STÖRUNGSBEHEBUNG

PROBLEM	URSACHE	LÖSUNG
<p>Wenn die beiden Lenkhebel zu Beginn nach vorne oder hinten bewegt werden, fährt der Rasenmäher nicht an.</p>  Das Lenkhebel-Symbol blinkt	<ul style="list-style-type: none"> <li>Die Gesamtkapazität der Akkus entspricht nicht der Anforderung.</li> </ul>	<ul style="list-style-type: none"> <li>Um diesen Rasenmäher zu starten, verwenden Sie ausreichend EGO-Akkus gemäß den Anweisungen im Abschnitt „<b>AUFLADEN</b>“ in diesem Handbuch.</li> </ul>
	<ul style="list-style-type: none"> <li>Das Feststellbremspedal steht in Bremsposition.</li> </ul>	<ul style="list-style-type: none"> <li>Drücken Sie das Feststell-Bremspedal bis zum Anschlag durch, um es aus der Bremsposition auszurücken.</li> </ul>
	<ul style="list-style-type: none"> <li>Die Lenkhebel stehen beim Starten des Rasenmähers nicht in geöffneter Position.</li> </ul>	<ul style="list-style-type: none"> <li>Bewegen Sie die Lenkhebel wieder in die geöffnete Stellung und schalten Sie den Rasenmäher ein.</li> </ul>
	<ul style="list-style-type: none"> <li>Der Bediener ist nicht auf dem Sitz.</li> </ul>	<ul style="list-style-type: none"> <li>Der Bediener kann den Rasenmäher nur dann richtig bedienen, wenn er oder sie richtig im Sitz sitzt.</li> </ul>
	<ul style="list-style-type: none"> <li>Der Sitzschalter ist nicht richtig angeschlossen.</li> </ul>	<ul style="list-style-type: none"> <li>Um den Sitzschalterkontakt zu überprüfen, entfernen Sie den Akku und montieren Sie den Sitz ab, indem Sie die Anweisungen in umgekehrter Reihenfolge befolgen, die im Kapitel „<b>SITZ EINBAUEN</b>“ stehen. Montieren Sie den Sitz wieder und befolgen Sie die Anweisungen im Kapitel „<b>STARTEN DES RASENMÄHERS</b>“, um zu kontrollieren, ob er sich starten lässt. Falls nicht, veranlassen Sie eine Reparatur bei einem guten Kundendienst.</li> </ul>
	<ul style="list-style-type: none"> <li>Bei extrem kaltem Wetter lässt sich der Fahrbetrieb aufgrund des Tieftemperaturschutzes möglicherweise nicht starten</li> </ul>	<ul style="list-style-type: none"> <li>Bewahren Sie den Rasenmäher und den Akku immer in warmer Umgebung auf. Starten Sie den Rasenmäher, wenn er aufgewärmt ist. Unternehmen Sie bei extremer Kälte keine wiederholten Startversuche. Dadurch könnte das Gerät beschädigt werden.</li> </ul>

PROBLEM	URSACHE	LÖSUNG
Der Rasenmäher fährt nicht weiter.	<ul style="list-style-type: none"> <li>Die Lenkhebel müssen „zurückgesetzt“ werden.</li> </ul>	<ul style="list-style-type: none"> <li>Bewegen Sie die Lenkhebel wieder in die geöffnete Stellung und schalten Sie den Rasenmäher ein.</li> </ul>
	<ul style="list-style-type: none"> <li>Die elektrischen Steuerkomponenten der Lenkhebel sind ausgefallen.</li> </ul>	<ul style="list-style-type: none"> <li>Wenden Sie sich zur Reparatur an einen qualifizierten Kundendiensttechniker.</li> </ul>
	<ul style="list-style-type: none"> <li>Beim Fahren auf unebenem Gelände hat sich der Sitzschalter vom Kontakt gelöst.</li> </ul>	<ul style="list-style-type: none"> <li>Um den Sitzschalterkontakt zu überprüfen, entfernen Sie den Akku und montieren Sie den Sitz ab, indem Sie die Anweisungen in umgekehrter Reihenfolge befolgen, die im Kapitel „<b>SITZ EINBAUEN</b>“ stehen. Montieren Sie den Sitz wieder und befolgen Sie die Anweisungen im Kapitel „<b>STARTEN DES RASENMÄHERS</b>“, um zu kontrollieren, ob er sich starten lässt. Falls nicht, veranlassen Sie eine Reparatur bei einem guten Kundendienst.</li> </ul>
	<ul style="list-style-type: none"> <li>Das Feststellbremspedal wird gedrückt, um die Fahrgeschwindigkeit zu verlangsamen. Sobald das Feststellbremspedal ausreichend gedrückt ist, aber nicht in die Parkposition gebracht wird, stoppt der Rasenmäher.</li> </ul>	<ul style="list-style-type: none"> <li>Folgen Sie den Anweisungen unter „<b>STARTEN DES RASENMÄHERS</b>“, um den Rasenmäher neu zu starten.</li> </ul>
Die Fahrgeschwindigkeit bzw. der Fahrmodus kann während der Fahrt nicht verstellt werden.	<ul style="list-style-type: none"> <li>Diese Funktion sorgt für einen sicheren Fahrbetrieb des Rasenmähers.</li> </ul>	<ul style="list-style-type: none"> <li>Die Funktion lässt lassen sich nur aktivieren, wenn die Räder des Mähers stillstehen und die Lenkhebel geöffnet sind.</li> </ul>

DE

PROBLEM	URSACHE	LÖSUNG
<p>Die Messer des Rasenmähers laufen nicht an, wenn der Zapfwellenschalter betätigt wird.</p>  Das Zapfwellenschalter-Symbol blinkt	<ul style="list-style-type: none"> <li>Die Gesamtkapazität der Akkus entspricht nicht der Anforderung.</li> </ul>	<ul style="list-style-type: none"> <li>Um diesen Rasenmäher zu starten, verwenden Sie ausreichend EGO-Akkus gemäß den Anweisungen im Abschnitt „<b>AUFLADEN</b>“ in diesem Handbuch.</li> </ul>
	<ul style="list-style-type: none"> <li>Als der Rasenmäher beim letzten Mal stoppte, wurde der Zapfwellenschalter nicht nach unten bewegt.</li> </ul>	<ul style="list-style-type: none"> <li>Schieben Sie den Zapfwellenschalter nach unten und starten Sie die Mähmesser wieder.</li> </ul>
	<ul style="list-style-type: none"> <li>Als die Messer starteten, wurde der Rasenmäher überlastet, sodass der Überlastschutz des Motors auslöste.</li> </ul>	<ul style="list-style-type: none"> <li>Beginnen Sie zunächst mit niedriger Geschwindigkeit zu mähen. Erhöhen Sie die Schnittgeschwindigkeit erst nach Wunsch, wenn sich die Messer frei drehen.</li> </ul>
	<ul style="list-style-type: none"> <li>Bei extrem kaltem Wetter startet der Messerantrieb unter Umständen nicht aufgrund des Tieftemperaturschutzes.</li> </ul>	<ul style="list-style-type: none"> <li>Bewahren Sie den Rasenmäher und den Akku immer in warmer Umgebung auf. Starten Sie den Rasenmäher, wenn er aufgewärmt ist. Unternehmen Sie bei extremer Kälte keine wiederholten Startversuche. Dadurch könnte das Gerät beschädigt werden.</li> </ul>
	<ul style="list-style-type: none"> <li>Das Messer schlägt am verformten Mähdeck an.</li> </ul>	<ul style="list-style-type: none"> <li>Wenden Sie sich zur Reparatur an einen qualifizierten Kundendiensttechniker.</li> </ul>



PROBLEM	URSACHE	LÖSUNG
Während des Mähvorgangs halten die Messer an.	<ul style="list-style-type: none"> <li>Der Rasenmäher ist überlastet.</li> </ul>	<ul style="list-style-type: none"> <li>Stellen Sie die Schnitthöhe des Mähdecks höher ein oder verringern Sie die Fahrgeschwindigkeit, um die Belastung des Geräts zu verringern.</li> </ul>
	<ul style="list-style-type: none"> <li>Das Mähwerk ist mit Gras und Ablagerungen verstopft.</li> </ul>	<ul style="list-style-type: none"> <li>Reinigen Sie das Mähwerk und stellen Sie sicher, dass sich die Messer frei drehen können.</li> </ul>
	<ul style="list-style-type: none"> <li>Der Rasenmäher ist überhitzt.</li> </ul>	<ul style="list-style-type: none"> <li>Verringern Sie die Gerätebelastung, indem Sie die Schnitthöhe des Mähdecks erhöhen oder die Messer-/Fahrgeschwindigkeit verringern und den Rasenmäher abkühlen lassen.</li> </ul>
	<ul style="list-style-type: none"> <li>Der/die Akkupacks im Akkufach des Rasenmähers sind überhitzt. Das führt dazu, dass die Gesamtkapazität aller eingesetzten Akkus nicht die Anforderungen erfüllt.</li> </ul>	<ol style="list-style-type: none"> <li>Wenn die Gesamtkapazität der Akkus nicht die Anforderungen erfüllt, startet der Rasenmäher erst, wenn weitere Akkupacks in die leeren Akkufächer eingesetzt werden. Wenn der überhitzte Akku wieder auf normale Temperatur abgekühlt hat, wird er sofort wieder an der Spannungsversorgung des Rasenmähers beteiligt.</li> <li>Verringern Sie die Belastung des Rasenmähers, indem Sie die Schnitthöhe des Mähdecks höher stellen oder langsamer mähen, wenn Sie den Betrieb wieder fortsetzen.</li> </ol>
	<ul style="list-style-type: none"> <li>Der Rasenmäher befindet sich im Notbetrieb.</li> </ul>	<ul style="list-style-type: none"> <li>Wenn sich der Rasenmäher im Notbetrieb befindet, werden die Messer automatisch auf eine niedrige Umdrehungszahl ohne Rasenschneiden gedrosselt. Stellen Sie die Arbeit ein und fahren Sie sobald wie möglich zum Akkuladebereich.</li> </ul>
	<ul style="list-style-type: none"> <li>Der Rasenmäher wurde von einem Fremdkörper getroffen, sodass der Motorschutz ausgelöst hat.</li> </ul>	<ul style="list-style-type: none"> <li>Schieben Sie den Zapfwellenschalter nach unten und starten Sie die Mähmesser wieder.</li> </ul>

PROBLEM	URSACHE	LÖSUNG
Der Warnton wird weiter ausgegeben.	<ul style="list-style-type: none"> <li>Der Rasenmäher befindet sich im Notbetrieb und die Messer sind abgeschaltet.</li> </ul>	<ul style="list-style-type: none"> <li>Bewegen Sie den Zapfwellenschalter nach unten, um die Mähmesser auszurücken. Der Warnton schaltet sich aus, wenn die Messer anhalten.</li> </ul>
	<ul style="list-style-type: none"> <li>Der Rasenmäher hält beim Befahren einer Böschung an. Der Bediener öffnet die Lenkhebel und steht von seinem Sitz auf, ohne das Feststell-Bremspedal in Bremsposition zu bewegen.</li> </ul>	<ul style="list-style-type: none"> <li>Bringen Sie das Feststellbremspedal in Bremsposition, bevor Sie den Rasenmäher an der Böschung stehen lassen.</li> </ul>
Die Ladeanzeigen leuchten beim Ausschalten des Rasenmähers immer noch.	<ul style="list-style-type: none"> <li>Wenn der Rasenmäher auf ebenem Untergrund ausgeschaltet wird, ohne dass die Akkus entfernt werden, leuchten die Akkuleuchten, die Start/Stopp-Taste und die Einstell-Taste eine Weile weiter.</li> </ul>	<ul style="list-style-type: none"> <li>Keine Maßnahmen erforderlich. Die Akkuleuchten schalten sich aus, wenn sich der Rasenmäher nach einer gewissen Zeit abschaltet. Lesen Sie den Abschnitt „<b>ANHALTEN DES RASENMÄHERS</b>“ für eine bestimmte Zeit.</li> <li>Bringen Sie die das Feststellbremspedal in die Bremsposition, bevor Sie das Gerät an der Böschung verlassen.</li> </ul>
	<ul style="list-style-type: none"> <li>Wenn der Rasenmäher an einer Böschung ausgeschaltet wird, ohne die Feststellbremse in Bremsposition zu bewegen, leuchtet die Akkuanzeige weiter, bis die Akkus entladen sind. Der Summer gibt weiter einen Warnton aus.</li> </ul>	
Im LC-Display leuchten nicht alle Symbole auf.	<ul style="list-style-type: none"> <li>Die Start/Stopp-Taste wurde nicht lange genug gedrückt.</li> </ul>	<ul style="list-style-type: none"> <li>Im LC-Display wird bei kurzer Betätigung der Start/Stopp-Taste die Meldung „Fuel Gauge“ (Kraftstoffanzeige) angezeigt.</li> </ul>
		<ul style="list-style-type: none"> <li>Nachdem die Start/Stopp-Taste ausreichend lange gedrückt wurde, schaltet sich das LC-Display ein.</li> </ul>

PROBLEM	URSACHE	LÖSUNG
Der Rasenmäher mäht durch den beträchtlichen Höhenunterschied zwischen vorn und hinten ungleichmäßig.	<ul style="list-style-type: none"> <li>Die Messer sind stumpf.</li> </ul>	<ul style="list-style-type: none"> <li>Schleifen oder ersetzen Sie das Messer wie in diesem Handbuch erläutert.</li> </ul>
	<ul style="list-style-type: none"> <li>Die Messer sind verbogen.</li> </ul>	<ul style="list-style-type: none"> <li>Zum Austauschen eines verbogenen Messers befolgen Sie die Anweisungen im Kapitel „<b>MESSER AUSWECHSELN</b>“.</li> </ul>
	<ul style="list-style-type: none"> <li>Das Mähdeck ist nicht nivelliert, sodass die Höhe der Mähmesser unterschiedlich ist.</li> </ul>	<ul style="list-style-type: none"> <li>Zum Justieren des Mähdecks befolgen Sie die Anweisungen im Kapitel „<b>MÄHDECK NIVELLIEREN</b>“.</li> </ul>
Die tatsächliche Schnitthöhe stimmt nicht mit der angegebenen Höhe überein.	<ul style="list-style-type: none"> <li>Am Federungsgestänge haben sich die Befestigungsmuttern des Mähdecks gelöst</li> </ul>	<ul style="list-style-type: none"> <li>Um den Höhenunterschied des Mähdecks zwischen vorn und hinten korrekt einzustellen, befolgen Sie die Anweisungen im Abschnitt „<b>MÄHDECK NIVELLIEREN</b>“ und ziehen Sie die Muttern am Federungsgestänge fest.</li> </ul>
	<ul style="list-style-type: none"> <li>Das Mähdeck ist defekt oder stark verschlissen.</li> </ul>	<ul style="list-style-type: none"> <li>Zum Auswechseln des Mähdecks befolgen Sie die Anweisungen im Kapitel „<b>MÄHDECK ABMONTIEREN</b>“.</li> </ul>
Der Rasenmäher mulcht nicht richtig.	<ul style="list-style-type: none"> <li>An der Unterseite des Mähwerks haftet feuchtes Schnittgut.</li> </ul>	<ul style="list-style-type: none"> <li>Warten Sie mit dem Mähen, bis der Rasen trocken ist.</li> </ul>
	<ul style="list-style-type: none"> <li>Der Rasenmäher ist so eingestellt, dass er eine zu große Menge Gras auf einmal mäht.</li> </ul>	<ul style="list-style-type: none"> <li>Stellen Sie am Mähwerk eine größere Schnitthöhe ein.</li> </ul>

DE	PROBLEM	URSACHE	LÖSUNG
	Das Gerät vibriert extrem.	<ul style="list-style-type: none"> <li>Die Messer wackeln.</li> </ul>	<ul style="list-style-type: none"> <li>Ziehen Sie die Befestigungsschraube für das Messer mit dem empfohlenen Drehmoment fest.</li> </ul>
		<ul style="list-style-type: none"> <li>Die Messer sind verbogen.</li> </ul>	<ul style="list-style-type: none"> <li>Zum Austauschen eines verbogenen Messers befolgen Sie die Anweisungen im Kapitel „<b>MESSER AUSWECHSELN</b>“.</li> </ul>
		<ul style="list-style-type: none"> <li>Das Mähdeck ist nicht nivelliert.</li> </ul>	<ul style="list-style-type: none"> <li>Zum Justieren des Mähdecks befolgen Sie die Anweisungen im Kapitel „<b>MÄHDECK NIVELLIEREN</b>“.</li> </ul>
		<ul style="list-style-type: none"> <li>Am Federungsgestänge haben sich die Befestigungsmuttern des Mähdecks gelöst</li> </ul>	<ul style="list-style-type: none"> <li>Ziehen Sie die Muttern am Federungsgestänge fest.</li> </ul>
		<ul style="list-style-type: none"> <li>Der Rasenmäher ist so eingestellt, dass er eine zu große Menge Gras auf einmal mäht.</li> </ul>	<ul style="list-style-type: none"> <li>Stellen Sie am Mähwerk eine größere Schnitthöhe ein.</li> </ul>
Nach dem Mähen liegen noch Rasen- oder Schnittreste auf dem Boden.	<ul style="list-style-type: none"> <li>Der Rasenmäher ist so eingestellt, dass er zu viel auf einmal abmäht, wenn der Rasen hoch gewachsen ist.</li> </ul>	<ul style="list-style-type: none"> <li>Fangen Sie mit einer hohen Schnitthöhe an und verringern Sie sie, bis das gewünschte Mähergebnis erreicht ist. Ein mehr als 15 cm hoher Rasen sollte zweimal gemäht werden. Dabei muss die Schnitthöhe bei jedem Mal verringert werden.</li> </ul>	
	<ul style="list-style-type: none"> <li>Der Rasen ist nass.</li> </ul>	<ul style="list-style-type: none"> <li>Wenn der Rasen nass ist, nicht mähen, sondern warten, bis er trocken ist.</li> </ul>	
	<ul style="list-style-type: none"> <li>Die Fahrgeschwindigkeit ist hoch.</li> </ul>	<ul style="list-style-type: none"> <li>Fahren Sie langsamer.</li> </ul>	
	<ul style="list-style-type: none"> <li>Die Messergeschwindigkeit ist zu niedrig.</li> </ul>	<ul style="list-style-type: none"> <li>Erhöhen Sie die Messergeschwindigkeit allmählich.</li> </ul>	
Kurze Mähdauer bei eingesetztem Akku.	<ul style="list-style-type: none"> <li>Die Akkulaufzeit hängt überwiegend vom Zustand des Rasens und von der eingestellten Schnitthöhe ab. Die Laufzeitangaben gehen von einer leichten Mähbeanspruchung aus.</li> </ul>	<ul style="list-style-type: none"> <li>Vergrößern Sie die Schnitthöhe am Mähdeck und verringern Sie die Messergeschwindigkeit, um die Belastung beim Mähen zu drosseln.</li> </ul>	

PROBLEM	URSACHE	LÖSUNG
Der Rasenmäher bleibt nicht in der Spur.	<ul style="list-style-type: none"> <li>Die Reifendrucke der linken und rechten Hinterräder sind unterschiedlich.</li> </ul>	<ul style="list-style-type: none"> <li>Prüfen und korrigieren Sie den Luftdruck der Vorder- und Hinterräder entsprechend den Anweisungen im Kapitel „<b>LUFTDRUCK PRÜFEN</b>“.</li> </ul>
	<ul style="list-style-type: none"> <li>Die Antriebsgeschwindigkeiten der linken und rechten Hinterräder sind unterschiedlich.</li> </ul>	<ul style="list-style-type: none"> <li>Stellen Sie die Spur des Rasenmähers entsprechend den Anweisungen im Kapitel „<b>MÄHERSPUR KALIBRIEREN</b>“ ein.</li> </ul>
Das Feststellbremspedal lässt sich nicht aus der Bremsstellung lösen oder federt nur sehr langsam zurück.	<ul style="list-style-type: none"> <li>In das Feststellbremspedal ist eventuell Staub oder Schmutz eingedrungen.</li> </ul>	<ul style="list-style-type: none"> <li>Öffnen Sie das Gehäuse des Feststellbremspedals, um es von innen gründlich zu reinigen. Schließen Sie es danach. Betätigen Sie das Feststellbremspedal und lassen Sie es los, um festzustellen, ob das Problem damit beseitigt ist. Falls nicht, veranlassen Sie eine Reparatur bei einem guten Kundendienst.</li> </ul>
Wenn die Rasenmäherstatusanzeige rot leuchtet, lässt sich der Rasenmäher nicht über den Ladeanschluss aufladen.	<ul style="list-style-type: none"> <li>Der Stecker des Ladegeräts wurde nicht korrekt in den Ladeanschluss des Rasenmähers eingeführt.</li> </ul>	<ul style="list-style-type: none"> <li>Schließen Sie den Ladestecker erneut an, um festzustellen, ob sich der Rasenmäher normal aufladen lässt.</li> </ul>
	<ul style="list-style-type: none"> <li>Die Steckdose führt keinen Strom.</li> </ul>	<ul style="list-style-type: none"> <li>Keine Maßnahmen erforderlich. Warten Sie, bis wieder Strom fließt.</li> </ul>
	<ul style="list-style-type: none"> <li>Störung des Ladegeräts.</li> </ul>	<ul style="list-style-type: none"> <li>Lassen Sie das Gerät von einer ausgewiesenen Fachwerkstatt überprüfen und ggf. reparieren.</li> </ul>
	<ul style="list-style-type: none"> <li>Der Ladeanschluss am Rasenmäher ist defekt.</li> </ul>	<ul style="list-style-type: none"> <li>Wenden Sie sich zur Reparatur an einen qualifizierten Kundendiensttechniker.</li> </ul>
Die Ladedauer über den Ladeanschluss am Rasenmäher ist zu lang.	<ul style="list-style-type: none"> <li>Das Aufladen mit dem EGO Netzteil ACA1000 dauert sehr lange.</li> </ul>	<ul style="list-style-type: none"> <li>Verwenden Sie zum direkten Aufladen des Rasenmähers das EGO Ladegerät CHV1600E.</li> </ul>
Der Akku lässt sich über den Ladeanschluss des Rasenmähers nicht vollständig aufladen.	<ul style="list-style-type: none"> <li>Firmware-Fehler im Aufsitzrasenmäher oder Defekt am Ladegerät/Akku.</li> </ul>	<ul style="list-style-type: none"> <li>Trennen Sie das Ladegerät von der Steckdose, warten Sie einige Minuten und schließen Sie den Stecker wieder an die Steckdose an. Falls dies nicht hilft, veranlassen Sie eine Reparatur bei einem guten Kundendienst.</li> </ul>
Der Rasenmäher startet nach dem Reinigen nicht.	<ul style="list-style-type: none"> <li>Unsachgemäße Reinigung, z. B. Wasser, das auf elektrische Bauteile, wie z. B. das LC-Display usw. gelangt ist.</li> </ul>	<ul style="list-style-type: none"> <li>Befolgen Sie zum korrekten Reinigen des Rasenmähers die Anweisungen in Abschnitt „<b>REINIGEN DES RASENMÄHERS</b>“.</li> </ul>

DE	PROBLEM	URSACHE	LÖSUNG
	Der Rasenmäher setzt sich leicht zu.	<ul style="list-style-type: none"> <li>▪ Das Mähwerk ist mit Gras und Ablagerungen verstopft.</li> </ul>	<ul style="list-style-type: none"> <li>▪ Falls der Rasenmäher versehentlich im Regen nass geworden ist, lassen Sie ihn an der Luft trocknen oder blasen Sie ihn mit Druckluft trocken.</li> <li>▪ Reinigen Sie das Mähdeck nach jedem Gebrauch. Befolgen Sie dazu das Kapitel „Den Schlauchanschluss zum Reinigen des Mähdecks verwenden“.</li> </ul>
	Der Rasenmäher gerät beim Hochfahren einer Böschung leicht aus der Spur.	<ul style="list-style-type: none"> <li>▪ Die Reifen der Hinterräder sind abgenutzt.</li> <li>▪ Hohe Böschung zu mähen.</li> </ul>	<ul style="list-style-type: none"> <li>▪ Lassen Sie die Bereifung bei einem Kundendienst vor Ort wechseln.</li> <li>▪ Die zu mähende Böschung sollte die erforderliche Hangneigung haben.</li> </ul>
	Wenn der Rasenmäher an einer Böschung mit betätigtem Feststellbremspedal gebremst wird, kann der Rasenmäher die Böschung herunterrutschen.	<ul style="list-style-type: none"> <li>▪ Durch einen ungeeigneten Einsatz des Rasenmähers sind die Bremssteile extrem abgenutzt.</li> </ul>	<ul style="list-style-type: none"> <li>▪ Wenden Sie sich zur Reparatur an einen qualifizierten Kundendiensttechniker.</li> </ul>
	Beim Abwaschen des Mähdecks tritt aus dem Schlauchanschluss kein Wasser aus.	<ul style="list-style-type: none"> <li>▪ Die Schnellkupplung ist nicht richtig mit dem Schlauchanschluss verbunden.</li> </ul>	<ul style="list-style-type: none"> <li>▪ Schieben Sie die Schnellkupplung fest auf den Schlauchanschluss, bis sie hörbar einrastet. Falls dies nicht hilft, veranlassen Sie eine Reparatur bei einem guten Kundendienst.</li> </ul>
	Wenn der Rasenmäher ohne zu Starten von Hand geschoben wird, ist ein ungewöhnliches Geräusch zu hören.	<ul style="list-style-type: none"> <li>▪ Das Geräusch kommt von den Magneten im Antriebsmotor.</li> </ul>	<ul style="list-style-type: none"> <li>▪ Das ist normal und es muss nichts unternommen werden.</li> </ul>

## FHLERCODE UND REFERENZ DER MÄHERSTATUSANZEIGE

DE


Anzeige im LCD	Beschreibung	Fehlercode auf dem LCD	Rasenmäherstatusanzeige	Summer	Ursache	Lösung
	LED-Leuchten-Symbol erscheint im LC-Display	nicht zutreffend	AUS	Nein	Die Scheinwerfer, Seitenbeleuchtung und die Heckleuchten werden vom LED-Beleuchtungsschalter eingeschaltet.	Dies ist ein normaler Vorgang. Keine Maßnahmen erforderlich.
	USB-Symbol wird im LC-Display angezeigt	nicht zutreffend	AUS	Nein	Das USB-Symbol leuchtet, um darauf hinzuweisen, dass ein USB-Gerät nach dem korrekten Starten des Rasenmähers benutzt werden kann.	Dies ist ein normaler Vorgang. Keine Maßnahmen erforderlich.
	Kraftstoffanzeige-Symbol erscheint im LC-Display	nicht zutreffend	AUS	Nein	Gibt die durchschnittliche Ladekapazität der eingesetzten Akkus an	Dies ist ein normaler Vorgang. Keine Maßnahmen erforderlich.
	Betriebsstundenzähler-Symbol wird im LC-Display angezeigt	nicht zutreffend	AUS	Nein	Zeigt die Fahrdauer des Rasenmähers insgesamt in Stunden an; kann nicht zurückgesetzt werden.	Dies ist ein normaler Vorgang. Keine Maßnahmen erforderlich.
	Das Lastanzeige-Symbol wird im ECO-Bereich angezeigt.	nicht zutreffend	AUS	Nein	Gibt die aktuelle Last des Rasenmähers an.	Dies ist ein normaler Vorgang. Keine Maßnahmen erforderlich.

Anzeige im LCD	Beschreibung	Fehlercode auf dem LCD	Rasenmäherstatusanzeige	Summer	Ursache	Lösung
	Die Überlast-Anzeige blinkt. Das Lastanzeige-Symbol wird im PWR-Bereich angezeigt.	nicht zutreffend	Rotes Blinklicht	Ein Ton	Der Messerantrieb ist überlastet.	Stellen Sie die Schnitthöhe des Mähdecks höher ein oder verringern Sie die Fahrgeschwindigkeit, um die Belastung des Rasenmähers zu verringern.
					Der Seitenauswurf ist mit Gras und Schmutz verstopft.	Reinigen Sie den Seitenauswurf nach jedem Gebrauch.
					Zwischen dem Messer und dem Mähdeck ist eine Störung aufgetreten.	Lassen Sie Reparaturen durch einen qualifizierten Kundendiensttechniker ausführen.
	Das Symbol Sicherheitsschloss blinkt.	nicht zutreffend	AUS	Nein	Der Sicherheitsschlüssel steckt nicht.	Stecken Sie den Sicherheitsschlüssel in das Schloss und halten Sie dann die START/STOPP-Taste gedrückt, um den Rasenmäher einzuschalten.
					Das LC-Display wird nicht mit Energie versorgt.	Lassen Sie Reparaturen durch einen qualifizierten Kundendiensttechniker ausführen.
	Das Symbol eines bestimmten Akkufachs blinkt.	nicht zutreffend	AUS	Nein	Ein bestimmter Akku führt während des Entladens Überstrom.	Keine Maßnahmen erforderlich. Der Rasenmäher kann weiter eingesetzt werden, wenn die Gesamtkapazität der Akkus die Anforderung erfüllt. Davon sind die Akkus mit Überstrom ausgenommen. Sobald sich der Akku mit Überstrom wieder normalisiert, wird der Rasenmäher sofort mit Strom versorgt und das Symbol verschwindet.







Anzeige im LCD	Beschreibung	Fehlercode auf dem LCD	Rasenmäherstatusanzeige	Summer	Ursache	Lösung
	Das Symbol für das leere Akkufach blinkt.	nicht zutreffend	AUS	Nein	Die Akku-Kapazität reicht für den Betrieb des Aufsitzrasenmähers nicht aus.	Um diesen Rasenmäher zu starten, verwenden Sie genügend EGO-Akkus gemäß den Anweisungen im Abschnitt „ <b>AUFLADEN</b> “ in diesem Handbuch.
	Das Temperatur-Symbol blinkt.	nicht zutreffend	AUS	Ein Ton	Der Rasenmäher ist überhitzt.	Verringern Sie die Gerätebelastung, indem Sie die Schnitthöhe des Mähdecks erhöhen oder die Messer-/ Fahrgeschwindigkeit verringern. Machen Sie eine Pause und lassen Sie den Rasenmäher abkühlen.
					Der Mäher ist zu kalt	Bitte versuchen Sie es nicht weiter, da die Maschine sonst beschädigt werden könnte. Bewahren Sie den Rasenmäher und die Akkus immer in warmer Umgebung auf. Starten Sie den Rasenmäher, wenn er aufgewärmt ist.

DE

Anzeige im LCD	Beschreibung	Fehlercode auf dem LCD	Rasenmäherstatusanzeige	Summer	Ursache	Lösung
	Das Temperatur-Symbol und das Symbol des jeweiligen besetzten Akkufachs blinken gleichzeitig.	nicht zutreffend	AUS	Nein	Das Akkupack im jeweils nummerierten Akkufach ist überhitzt.	<p>1. Der Rasenmäher kann weiter eingesetzt werden, wenn die Gesamtkapazität der Akkus die Anforderung erfüllt. Davon sind die überhitzten Akkuzellen ausgenommen. Wenn der überhitzte Akku wieder auf normale Temperatur abgekühlt hat, wird er sofort wieder an der Spannungsversorgung des Rasenmähers beteiligt.</p> <p>2. Wenn die Gesamtkapazität der Akkus nicht ausreicht, startet der Rasenmäher erst, wenn weitere Akkupacks in die leeren Akkufächer eingesetzt werden.</p> <p>3. Verringern Sie die Belastung des Rasenmähers, indem Sie die Schnitthöhe des Mähdecks höher stellen oder langsamer mähen, wenn Sie den Betrieb wieder fortsetzen.</p>

KES VAN DER SPEK  
TUINWACHERS \* STOLWIJK

Anzeige im LCD	Beschreibung	Fehlercode auf dem LCD	Rasenmäherstatusanzeige	Summer	Ursache	Lösung
	<p>Die Symbole für jedes besetzte Akkufach, die Akkuwarnanzeige und die Kraftstoffanzeige blinken pro Sekunde einmal gleichzeitig auf dem LC-Display. Das erste Segment der Kraftstoffanzeige-LED und der Statusanzeige blinkt ebenfalls.</p>	nicht zutreffend	Rotes Blinklicht	Dauerton bis Zapfwellenschalter nach unten bewegt wird.	Die Akkupacks sind nur noch schwach geladen und der Rasenmäher ist im Notbetrieb.	<p>Stellen Sie die Arbeit ein und kehren Sie zum Akkuladebereich zurück.</p> <p><b>HINWEIS:</b> Wenn sich der Rasenmäher im Notbetrieb befindet, werden die Messer automatisch auf niedrige Umlaufgeschwindigkeit ohne Mähfunktion umgeschaltet. Gleichzeitig gibt der Summer einen Dauerton aus. Der Bediener sollte den Zapfwellenschalter nach unten bewegen, um die Mähmesser auszurücken. Nach dem Anhalten der Messer schaltet sich der Summer ab.</p>
	<p>Das Symbol für jedes besetzte Akkufach und die Akkuwarnlampe blinken alle halbe Sekunde.</p>	nicht zutreffend	Rotes Blinklicht	Ton wird weiter ausgegeben	Die Akkupacks sind fast leer.	Der Mäher schaltet sich sofort ab. Der Bediener sollte den Mäher zum Aufladen in den Akkuladebereich bringen.
	<p>Das Parkautomatik-Symbol blinkt auf dem LCD.</p>	nicht zutreffend	AUS	Ton wird weiter ausgegeben	Der Rasenmäher ist an einer Böschung abgestellt und der Bediener stellt das Bremspedal nicht auf Bremsposition um. Nur die Lenkhebel stehen in geöffneter Position.	Stellen Sie das Bremspedal auf Bremsposition. Das Parkautomatik-Symbol erlischt und das akustische Signal wird abgeschaltet.
	<p>Das Bremspedal-Symbol wird auf dem LC-Display angezeigt.</p>	nicht zutreffend	AUS	Nein	Das Feststellbremspedal steht in Bremsposition.	Lassen Sie es los, bevor Sie den Rasenmäher starten.

Anzeige im LCD	Beschreibung	Fehlercode auf dem LCD	Rasenmäherstatusanzeige	Summer	Ursache	Lösung
	Das Sitzsensor-Symbol wird auf dem LC-Display angezeigt.	nicht zutreffend	AUS	Nein	Der Bediener verlässt den Sitz oder der Sitzschalter ist unterbrochen.	Wenn Sie auf dem Sitz sitzen und das Symbol leuchtet, halten Sie den Rasenmäher sofort an und überprüfen Sie den Sitzkontakt. Wenn der Sitzkontakt des Rasenmähers intakt ist, lassen Sie das Gerät von einem qualifizierten Kundendienst reparieren.
	Das Zapfwellenschalter-Symbol blinkt	nicht zutreffend	AUS	Nein	Der Messerantrieb wurde während des Betriebs unterbrochen und der Zapfwellenschalter steht nicht auf Ausschaltposition.	Bewegen Sie den Zapfwellenschalter nach unten, um den Deckmotor vor dem erneuten Start des Rasenmähers auszurücken. Lesen Sie zum Nachschlagen die Hinweise im Kapitel „ <b>STÖRUNGSBEHEBUNG</b> “.
	Das Lenkhebel-Symbol blinkt.	nicht zutreffend	AUS	Nein	Der Fahrmotor wurde während des Betriebs unterbrochen und die Lenkhebel stehen nicht in geöffneter Position.	Bewegen Sie die Lenkhebel in die geöffnete Stellung, bevor Sie den Rasenmäher wieder starten. Lesen Sie zum Nachschlagen die Hinweise im Kapitel „ <b>STÖRUNGSBEHEBUNG</b> “.
	Das Symbol Energierückgewinnung blinkt gelegentlich.	nicht zutreffend	AUS	Nein	Die kinetische Energie, die beim Bremsen oder Fahren bergab freigesetzt wird, wird in elektrische Energie umgewandelt und zum Laden der Akkupacks genutzt.	Dies ist ein normaler Vorgang. Keine Maßnahmen erforderlich.

**HINWEIS:** Wenn auf dem LC-Display ein Fehlercode angezeigt wird, entfernen Sie alle Akkus und setzen Sie sie einige Minuten später wieder ein. Wenn das Problem dadurch nicht behoben wird, führen Sie die unten stehende Fehlercode-Fehlersuche durch.

Anzeige im LCD	Beschreibung	Fehlercode auf dem LCD	Rasenmäher-statusanzeige	Summer	Ursache	Lösung	
Siehe „Fehlercode“	Linker Antriebsmotor dreht sich nicht.	Elektronisch gesteuerter linker Antrieb funktioniert nicht.	413	AUS	Ein Ton	Störung der Steuerelektronik	Lassen Sie Reparaturen durch einen qualifizierten Kundendiensttechniker ausführen.
		Steckverbinder (Dreiphasen-Stromzuleitung) zum Verbinden des linken Antriebsmotors mit der entsprechenden Platine hat sich gelöst.	317	AUS	Ein Ton	Wackelkontakt	
		Steckverbinder (sechspolige Signalleitung) zum Verbinden des linken Antriebsmotors mit der entsprechenden Platine hat sich gelöst.	301	AUS	Ein Ton	Wackelkontakt	
		Linker Antriebsmotor funktioniert nicht.	317	AUS	Ein Ton	Motorstörung	

Anzeige im LCD	Beschreibung	Fehlercode auf dem LCD	Rasenmäher-statusanzeige	Summer	Ursache	Lösung	
Siehe „Fehlercode“	Rechter Antriebsmotor dreht sich nicht.	Elektronisch gesteuerter rechter Antrieb funktioniert nicht.	313	AUS	Ein Ton	Störung der Steuerelektronik	Lassen Sie Reparaturen durch einen qualifizierten Kundendiensttechniker ausführen.
		Steckverbinder (Dreiphasen-Stromzuleitung) zum Verbinden des rechten Antriebsmotors mit der entsprechenden Platine hat sich gelöst.	417	AUS	Ein Ton	Wackelkontakt	
		Steckverbinder (sechspolige Signalleitung) zum Verbinden des rechten Antriebsmotors mit der entsprechenden Platine hat sich gelöst.	401	AUS	Ein Ton	Wackelkontakt	
		Rechter Antriebsmotor funktioniert nicht.	417	AUS	Ein Ton	Motorstörung	
Siehe „Fehlercode“	Linker Messerantrieb dreht sich nicht.	Elektronisch gesteuerter linker Messerantrieb funktioniert nicht.	607/A07	nicht zutreffend	Ein Ton	Störung der Steuerelektronik	Lassen Sie Reparaturen durch einen qualifizierten Kundendiensttechniker ausführen.
		Steckverbinder (Dreiphasen-Stromzuleitung) zum Verbinden des linken Antriebsmotors mit der entsprechenden Platine hat sich gelöst.	509	nicht zutreffend	Ein Ton	Wackelkontakt	Überprüfen Sie zuerst das Messer. Wenn sie sich gelöst hat, ziehen Sie die Schraube mit dem empfohlenen Drehmoment an. Lassen Sie ansonsten Reparaturen durch einen qualifizierten Kundendiensttechniker ausführen.
		Linker Messerantrieb funktioniert nicht.	509	nicht zutreffend	Ein Ton	Motorstörung	

Anzeige im LCD	Beschreibung	Fehlercode auf dem LCD	Rasenmäherstatusanzeige	Summer	Ursache	Lösung	
Siehe „Fehlercode“	Rechter Messerantrieb dreht sich nicht.	Elektronisch gesteuerter rechter Messerantrieb funktioniert nicht.	507/A07	nicht zutreffend	Ein Ton	Störung der Steuerelektronik	Lassen Sie Reparaturen durch einen qualifizierten Kundendiensttechniker ausführen.
		Steckverbinder (Dreiphasen-Stromzuleitung) zum Verbinden des rechten Antriebsmotors mit der entsprechenden Platine hat sich gelöst.	609	nicht zutreffend	Ein Ton	Wackelkontakt	Überprüfen Sie zuerst das Messer. Wenn sie sich gelöst hat, ziehen Sie die Schraube mit dem empfohlenen Drehmoment an. Lassen Sie ansonsten Reparaturen durch einen qualifizierten Kundendiensttechniker ausführen.
		Rechter Messerantrieb funktioniert nicht.	609	nicht zutreffend	Ein Ton	Motorstörung	
Siehe „Fehlercode“	Mittlerer Messerantrieb dreht sich nicht.	Elektronisch gesteuerter mittlerer Messerantrieb funktioniert nicht.	507/607	nicht zutreffend	Ein Ton	Störung der Steuerelektronik	Lassen Sie Reparaturen durch einen qualifizierten Kundendiensttechniker ausführen.
		Steckverbinder (Dreiphasen-Stromzuleitung) zum Verbinden des mittleren Messerantriebs mit der entsprechenden Platine hat sich gelöst.	A09	nicht zutreffend	Ein Ton	Wackelkontakt	Überprüfen Sie zuerst das Messer. Wenn sie sich gelöst hat, ziehen Sie die Schraube mit dem empfohlenen Drehmoment an. Lassen Sie ansonsten Reparaturen durch einen qualifizierten Kundendiensttechniker ausführen.
		Mittlerer Messerantrieb funktioniert nicht.	A09	nicht zutreffend	Ein Ton	Motorstörung	
Siehe „Fehlercode“	Linker Lenkhebel funktioniert nicht	Steuerelektronik des linken Lenkhebels funktioniert nicht.	311/412	AUS	Ein Ton	Störung der Steuerelektronik	Lassen Sie Reparaturen durch einen qualifizierten Kundendiensttechniker ausführen.
		Der Steckverbinder zur Steuerelektronik in der Lenksäule hat sich gelöst.				Wackelkontakt	

**DE**

Anzeige im LCD	Beschreibung		Fehlercode auf dem LCD	Rasenmäher-statusanzeige	Summer	Ursache	Lösung
Siehe „Fehlercode“	Rechter Lenkhebel funktioniert nicht	Steuerelektronik des rechten Lenkhebels funktioniert nicht.	312/ 411	AUS	Ein Ton	Störung der Steuerelektronik	Lassen Sie Reparaturen durch einen qualifizierten Kundendiensttechniker ausführen.
		Der Steckverbinder zur Steuerelektronik in der Lenksäule hat sich gelöst.				Wackelkontakt	
Siehe „Fehlercode“	Feststellbremse defekt, das Gerät kann nicht gefahren werden.	Die Steuerelektronik der Feststellbremse in der vorderen Rahmenbaugruppe ist defekt.	309/ 409	AUS	Ein Ton	Störung der Steuerelektronik	Lassen Sie Reparaturen durch einen qualifizierten Kundendiensttechniker ausführen.
		Feststellbremsschalter und/oder Leitung ist defekt.	801	AUS	Ein Ton	Kabel-/Schalterstörung	
AUS	Ladeanschluss ist defekt.	nicht zutreffend	nicht zutreffend	ROTES Dauerlicht	nicht zutreffend	Der Stromkreis des Ladeanschlusses ist unterbrochen.	Lassen Sie Reparaturen durch einen qualifizierten Kundendiensttechniker ausführen.
		nicht zutreffend	nicht zutreffend	ROTES Dauerlicht	nicht zutreffend	Versorgungsspannung liegt nicht an.	Prüfen Sie, ob 220 – 240 V an der Steckdose anliegen bzw. ob die Steckdose intakt ist.
		nicht zutreffend	nicht zutreffend	ROTES Dauerlicht	nicht zutreffend	Die Sicherung ist durchgebrannt.	Lassen Sie Reparaturen durch einen qualifizierten Kundendiensttechniker ausführen.
Siehe „Fehlercode“	Ladeanschluss ist defekt.		204	nicht zutreffend	Ein Ton	Der Stromkreis des Ladeanschlusses ist unterbrochen.	Lassen Sie Reparaturen durch einen qualifizierten Kundendiensttechniker ausführen.



Anzeige im LCD	Beschreibung	Fehlercode auf dem LCD	Rasenmäher-statusanzeige	Summer	Ursache	Lösung
Siehe „Fehlercode“	Akkufacheinheit funktioniert nicht.	217	nicht zutreffend	Ein Ton	Die Spannungsversorgung über das Akkugehäuse ist unterbrochen. Die LED-Scheinwerfer und der USB-Ausgang funktionieren nicht.	Lassen Sie Reparaturen durch einen qualifizierten Kundendiensttechniker ausführen.
		310/ 410	AUS	Ein Ton	Der Kontakt zwischen den Typ C Leitungen des Akkufachs und anderen Typ C Leitungen des Rasenmähers ist gestört.	
		201/ 202/ 203	AUS	Ein Ton	Das BMS des Akkufachs ist defekt.	
Siehe „Fehlercode“	Start/Stop-Schalter funktioniert nicht.	314/ 414	AUS	Ein Ton	Schalterelektronik funktioniert nicht oder gestörte Verbindung zum Start/Stop-Schalter.	Lassen Sie Reparaturen durch einen qualifizierten Kundendiensttechniker ausführen.
Siehe „Fehlercode“	LC-Display-Störung	315/ 415	AUS	Ein Ton	LC-Display ist defekt oder gestörte Verbindung zum LC-Display.	Lassen Sie Reparaturen durch einen qualifizierten Kundendiensttechniker ausführen.

## GARANTIE

### EGO-GARANTIEBEDINGUNGEN

Sämtliche EGO Garantiebedingungen finden Sie auf der Website [egopowerplus.com](http://egopowerplus.com).

## LISEZ TOUTES LES INSTRUCTIONS!

FR


**LIRE LA NOTICE D'UTILISATION**

## SYMBOLE DE SECURITE

L'objectif des symboles de sécurité est d'attirer votre attention sur des dangers potentiels. Les symboles de sécurité et les explications les accompagnant doivent être lus attentivement et compris. Les symboles de mise en garde ne permettent pas par eux-mêmes d'éliminer les dangers. Les consignes et mises en garde ne se substituent pas à des mesures de prévention appropriées des accidents.

**⚠ AVERTISSEMENT** : Lisez et comprenez impérativement toutes les consignes de sécurité de ce manuel d'utilisation, y compris les symboles de mise en garde de sécurité tels que « **DANGER** », « **AVERTISSEMENT** » et « **ATTENTION** » avant d'utiliser cet outil. Le non-respect de toutes les instructions énumérées ci-dessous peut entraîner un choc électrique, un incendie et / ou des blessures graves.

## SIGNIFICATION DES SYMBOLES

Cette page décrit des symboles de sécurité pouvant être présents sur ce produit. Lisez, comprenez et respectez toutes les instructions présentes sur l'outil avant d'essayer de l'assembler et de l'utiliser.

## SYMBOLES DE SÉCURITÉ

	Alerte de sécurité		Lire et comprendre le manuel d'utilisation
	Protection oculaire		Entretien des dispositifs de sécurité
	DANGER - Risque sur une pente raide		DANGER - Tenir les passants éloignés des lames.
	Ne transportez jamais d'enfants		Regardez derrière vous en faisant marche arrière
	AVERTISSEMENT - N'utilisez pas cette machine sur des pentes supérieures à 12°		DANGER – Projection d'objets
	AVERTISSEMENT - GARDER LES MAINS ET LES PIEDS ÉLOIGNÉS		Niveau de puissance acoustique garanti. Conformément à la directive de la Communauté européenne.



Ne pas marcher



Les produits électriques usagés ne doivent pas être jetés avec les ordures ménagères. Apportez-les dans un centre de recyclage agréé.

FR



Ce produit est conforme aux directives CE applicables.



ATTENTION - Ne fixez pas l'éclairage en fonctionnement.



Courant continu



Ce produit est conforme à la législation britannique applicable.

kPa	Kilopascal
V	Volts
in	Pouce
Nm	Mètre Newton
°C	Celsius
km / h	Kilomètres par heure

Tr / min	Tours par minute
m	Mètres
cm	Centimètres
mm	Millimètres
kg	Kilogramme
IPX4	Indice de protection

## SPÉCIFICATIONS

KEES VAN DER SPEK

Tension		56 V
Taille du plateau		132 cm
Taille de roue	Avant	279,4 x 126 mm
	Arrière	457,2 x 223 mm
Pression des pneus à froid	Avant	222,1 kPa
	Arrière	115,8 kPa
Rayon de braquage		0
Vitesse de la lame (tr / min)		2600; 2800; 3000; 3200
Max. Vitesse de conduite (km / h)	Marche avant	8,1 km/h, 9,7 km/h, 11,3 km/h, 12,8 km/h
	%arche arrière	jusqu'à 6,4 km / h

Charge	Chargeur (optionnel)	CHV1600E
	Adaptateur (optionnel)	ACA1000
	Plage de température de charge	-5°C - 40°C
Réglage de la hauteur de coupe (10 positions)		25 – 100 mm
Température d'utilisation		0°C- 40°C
Température de stockage		-20°C - 70°C
Poids (sans la batterie)		217 kg
Niveau de puissance acoustique mesuré L <sub>WA</sub>		95,48 dB(A) K=0,73 dB(A)
Niveau de pression acoustique au niveau des oreilles de l'opérateur L <sub>PA</sub>		82,5 dB(A) K=3 dB(A)

Niveau de puissance acoustique garanti $L_{WA}$ (conformément à la norme 2000/14/CE)		100 dB(A)
Vibration $a_h$	Main	0,69 m/s <sup>2</sup> K=1,5 m/s <sup>2</sup>
	Corps	0,3 m/s <sup>2</sup> K=1,5 m/s <sup>2</sup>

- La valeur totale des vibrations indiquée a été mesurée selon une procédure conforme à une méthode de test standardisée et peut servir pour comparer différents outils.
- La valeur totale des vibrations déclarée peut également servir pour effectuer une évaluation préliminaire de l'exposition.

**REMARQUE :** Le niveau de vibrations lors de l'utilisation réelle de l'outil peut être différent de la valeur déclarée totale en fonction de la manière dont l'outil est utilisé ; Afin de protéger l'opérateur, l'utilisateur doit porter des gants et des protecteurs d'oreilles en conditions réelles d'utilisation.

## DESCRIPTION

### DESCRIPTION DE LA TONDEUSE (FIG. A1 & A2)

- Siège
- Port de charge
- Bloc d'alimentation
- Feux arrière LED
- Compartiment de rangement
- Porte-gobelets
- Eclairages latéraux LED
- Roue arrière (roue motrice)
- Port de lavage
- Plateau
- Protecteur du plateau
- Roue anti-scalp
- Roue avant
- Pédale de frein de stationnement

- Feux de circulation de jour
- Phares LED
- Goulotte d'éjection latérale
- Levier de réglage de la hauteur du plateau
- Bouton de réglage de la suspension du siège
- Levier de réglage de la position du siège
- Leviers de commande
- Indicateur de statut de la tondeuse
- Écran LCD
- Interrupteur de prise de force
- Bouton marche / arrêt
- Clé de sécurité
- Espace de rangement pour le téléphone
- Déflexeur
- Jauge de carburant et indicateur de statut de la tondeuse
- 29.a. Indicateur de jauge de carburant de la tondeuse
- 29.b. Indicateur de statut de la tondeuse
- Zone du repose-pieds
- Bouton d'ouverture du couvercle du bloc d'alimentation
- Couvercle du bloc d'alimentation
- Bloc d'alimentation avec six compartiments de batterie
- Bouton de déverrouillage de la batterie
- Attelage
- Couvercle de montage de l'accessoire
- Rangement du couvercle de montage de l'accessoire
- Port USB

### DESCRIPTION DE L'ÉCRAN LCD (FIG. A3)

Reportez-vous à la section « **STATUT DE LA TONDEUSE ET CODES DE DÉFAUT** » pour plus d'informations sur les icônes et les indicateurs de l'écran LCD.

- Icône de la clé de sécurité
- Icône des indicateurs LED
- Icône de stationnement automatique

4. Icône USB
5. Indicateur de vitesse de lame
6. Indicateur de statut du dispositif de sécurité
7. Compteur horaire
8. Icône de compartiment de batterie vide
9. Icône de température
10. Icône de compartiment de batterie occupé
11. Mode de conduite
12. Indicateur de code d'erreur
13. Indicateur de surcharge
14. Indicateur de batterie faible
15. Indicateur de vitesse de conduite
16. Indicateur de charge
17. Jauge de carburant
18. Bouton de réglage de la vitesse de la lame
19. Bouton de réglage
20. Bouton de mode de conduite
21. Interrupteur de lumière LED
22. Bouton de réglage de la vitesse de conduite

## DÉBALLAGE

**REMARQUE :** Ne jetez pas les éléments d'emballage tant que vous n'avez pas soigneusement inspecté l'outil et que vous ne l'avez pas utilisé de manière satisfaisante. Si des pièces de la liste d'emballage sont assemblées sur la machine, veuillez contacter immédiatement le service EGO.

**REMARQUE :** À l'exception des outils figurant dans la liste d'emballage ci-dessous, tous les autres outils mentionnés dans les manuels sont simplement recommandés mais non fournis.

### CONTENU DE L'EMBALLAGE (Schéma B)

B-1	Tondeuse autoportée à rayon de braquage zéro	B-6	Clés de sécurité
B-2	Siège	B-7	Clés à fourche (13 mm)
B-3	Levier de direction	B-8	Clé Allen

B-4	Vis à tête cylindrique (2 de rechange)	B-9	Coupleur rapide pour port de lavage
B-5	Boulons hexagonaux (2 de rechange)	B-10	Manuel d'utilisation

FR

### ACCESSOIRES RECOMMANDÉS

**⚠ AVERTISSEMENT :** Utilisez uniquement les pièces de rechange identiques énumérées ci-dessous. L'utilisation de pièces ne correspondant pas aux caractéristiques de l'équipement d'origine peut causer un fonctionnement inadéquat et compromettre la sécurité.

NOM DES PIÈCES	NUMÉRO DE MODÈLE
Lame standard	AB5200
Lame à grande levée	AB5201
Kit de paillage	ABP5200
Kit de récupération des herbes	ABK5200-A
Pare-chocs arrière	AMB1000
Caisse	AMG1000
Pare-soleil	AMS1000

## ASSEMBLAGE

### INSTALLATION DU SIÈGE (Schémas C1 & C2)

**⚠ AVERTISSEMENT :** Le système de verrouillage de sécurité ne doit pas être déconnecté ou contourné. Cela pourrait provoquer un fonctionnement inattendu de la tondeuse et entraîner des blessures corporelles.

**REMARQUE :** Pour votre sécurité, la tondeuse peut s'arrêter de rouler car l'interrupteur du siège s'est déconnecté pendant la conduite. Dans ce cas, veuillez vous reporter à la section « DÉPANNAGE » pour plus d'informations.

C1-1	Câble	C1-5	Vis à tête creuse
C1-2	Fiche	C2-1	Crochet
C1-3	Prise	C2-2	Rails en acier
C1-4	Base de suspension	C2-3	Vis à tête creuse

### INSTALLATION DES LEVIERS DE DIRECTION (Schéma C3)

C3-1	Leviers de direction	C3-3	Levier de direction Trous de montage
C3-2	Boulons hexagonaux		

## FONCTIONNEMENT

### AVANT D'UTILISER LA TONDEUSE

#### Contrôle de l'environnement

- Veillez à ce qu'il n'y ait aucune autre personne, aucun enfant, ni aucun animal dans la zone de travail.
- Dégagez la zone de travail des objets qui pourraient être projetés par les lames de la tondeuse.
- Vérifiez et assurez-vous que les indicateurs LED sont en bon état :
  - Les phares, les feux latéraux et les feux arrière sont contrôlés par l'interrupteur des feux LED.
  - Les feux de position restent toujours allumés pendant la conduite.
  - Lors d'une marche arrière, si les feux arrière sont éteints, ils clignotent pour avertir les passants ; si les feux arrière sont allumés, ils restent allumés.
  - Toutes les lumières s'éteignent automatiquement lorsque la tondeuse s'éteint automatiquement après une période d'inactivité.

#### Contrôle de la pression des pneus à froid (Schéma D1)

#### Vérification du statut de la tondeuse et du niveau de charge de la batterie.

- Indicateur de jauge de carburant de la tondeuse (Schémas A2 - 27a)  
Chaque segment de l'indicateur de la jauge de carburant de la tondeuse indique 20 % de charge des blocs de batterie insérés.

**REMARQUE :** L'indicateur de jauge de carburant de la tondeuse et la jauge de carburant sur l'écran LCD indiquent la capacité moyenne des blocs de batteries insérés.

- Indicateur de statut de la tondeuse (Schémas A1 & A2 - 27b)

Si l'indicateur de statut est vert, la tondeuse est prête à être conduite. Sinon, veuillez vous référer à la section « **STATUT DE LA TONDEUSE ET CODES DE DÉFAUT** ».

#### Test du système de verrouillage de sécurité (schémas D2 à D8).

**REMARQUE :** L'opérateur doit être sur le siège avant le test.

- Avant le test (schémas D2 à D4)
- Pour tester le système de lames du plateau (schéma D5), levez-vous lentement.
- Pour tester le système de conduite (schémas D6 à D8), levez-vous lentement.

Si le système de lames du plateau et/ou le système d'entraînement ne s'arrête pas lorsque l'opérateur n'est pas assis sur le siège et si la cause ne peut pas être déterminée après avoir vérifié que la fiche et la prise du siège sont bien connectées, contactez immédiatement votre centre de service après-vente EGO.

### RÉGLAGE (Schéma E1 - Schéma E13)

#### Préparation (Schéma E1 - Schéma E5)

#### Réglage de la hauteur du plateau de coupe (Schéma E6)

#### Réglage des roues anti-scalp (Schéma E7 - Schéma E10)

E7-1	Roue anti-scalp	E9-2	Boulon de blocage
E9-1	Écrou	E10-1	Étiquette de la hauteur du plateau

### Réglage du siège (Schéma E11)

Réglez la position du siège pour vous assurer que vous pouvez appuyer fermement sur la pédale du frein de stationnement avant d'utiliser la tondeuse. Le réglage de la suspension du siège permet d'obtenir un confort optimal sur le siège.

E11-1	Levier de réglage de la position du siège	E11-2	Bouton de réglage de la suspension du siège
-------	---	-------	---

### Réglage du frein de stationnement (Schéma E12 - Schéma E13)

E13-1	Position de freinage	E13-2	Position de relâchement
-------	----------------------	-------	-------------------------

### CHARGE (Schéma F1 - Schéma F11)

Pour démarrer cette tondeuse, des batteries EGO totalisant 15 Ah (2 X BA4200/BA4200T) ou plus sont nécessaires. Pour de meilleures performances, nous recommandons l'utilisation de batteries EGO totalisant 30 Ah ou plus.

**Utilisez exclusivement les batteries et les chargeurs recommandés. (Schémas F9 & F10)**

### Préparation de la charge (Schéma F1 - Schéma F4)

#### Chargement séparé des batterie(s) (Fig. F5 - Fig. F9)

F5-1	Bouton d'ouverture du couvercle	F7-1	Bouton de déblocage de la batterie
------	---------------------------------	------	------------------------------------

- Pour insérer les batterie(s) (Fig. F5 – Fig. F6)
- Pour retirer les batterie(s) (Fig. F7 – Fig. F8)

**REMARQUE :** Chargez le(s) bloc(s) de batteries en vous référant aux manuels des batteries et des chargeurs correspondants.

#### Charge les batteries via le port de charge (Fig. F10)

F10-1	Capuchon anti-poussière	F10-2	Port de charge
-------	-------------------------	-------	----------------

### DÉMARRAGE DE LA TONDEUSE (Fig. A4 - Fig. A5 & Fig. G1 - Fig. G6)

**⚠ AVERTISSEMENT :** Évitez les démarrages, les arrêts et les virages brusques, ainsi que la vitesse excessive, surtout lorsque vous apprenez à utiliser la tondeuse. La tondeuse peut tourner rapidement, ce qui peut vous faire perdre le contrôle et entraîner des blessures et/ou des dommages graves.

**⚠ AVERTISSEMENT :** Avant de démarrer la tondeuse, vérifiez que les lames se désengagent dans un délai de 5 secondes lorsque vous poussez l'interrupteur PTO vers le bas. Si les lames ne s'arrêtent pas, n'utilisez pas la tondeuse et contactez immédiatement votre service client EGO.

**REMARQUE :** Suivez les schémas A4 et G2 pour obtenir la vitesse de conduite la plus basse et le mode de conduite **STANDARD** jusqu'à ce que vous soyez pleinement capable d'utiliser la tondeuse dans toutes les situations. La vitesse de conduite et le mode de conduite ne seront activés que lorsque les roues de la tondeuse sont arrêtées et que les leviers de direction sont ouverts.

Lors du redémarrage, la tondeuse repasse au mode de conduite, à la vitesse de conduite et au calibrage des leviers de direction précédemment employés.

#### Modes de conduite

- **CONTRÔLE :** Accélération plus faible, maniement moins sensible et vitesse de rotation plus douce pour protéger l'herbe et pour les nouveaux utilisateurs.
- **STANDARD :** Parfait pour une utilisation quotidienne.
- **SPORT :** Accélération plus forte, maniement précis et virage serré pour maximiser l'efficacité de la tonte et pour les passionnés de tonte.

#### Réglage de la vitesse de conduite (schéma A4)

#### Réglage de la vitesse de la lame (schéma A5)

## Port USB

**REMARQUE :** Le port USB fournit une puissance de charge de 5 Volts CC à une consommation combinée maximale de 1,5 ampère et est alimenté uniquement lorsque la tondeuse est en cours de démarrage.

FR

## ARRÊT DE LA TONDEUSE (Fig. H1 - Fig. H6)

**REMARQUE :** Après plus de 60 minutes d'inactivité, la tondeuse s'arrête automatiquement.

### Mode Limp-home

Lorsque la charge de la batterie devient faible, la tondeuse passe en mode Limp-Home :

- La tondeuse arrête automatiquement de couper l'herbe ;
- Le signal sonore continue à retentir ;
- L'indicateur de statut de la tondeuse clignote en rouge toutes les secondes, le premier segment de la jauge de carburant de la tondeuse clignote en rouge et l'indicateur de faible puissance et les graphiques de la batterie sur la jauge de carburant clignotent.

L'opérateur doit :

- a) Pousser l'interrupteur de la prise de force vers le bas (schéma H3) pour désengager les lames. L'indicateur sonore cessera de retentir lorsque la lame s'arrêtera ;
- b) Arrêter de travailler et retournez dans la zone de chargement des batteries dès que possible. La tondeuse peut parcourir une distance maximale de 1000 m.

Lorsque la batterie est presque épuisée, l'icône de chaque compartiment de batterie occupé et l'indicateur de faible puissance clignotent toutes les demi-secondes. La tondeuse cesse immédiatement de fonctionner. L'opérateur doit transporter la tondeuse jusqu'à la zone de charge de la batterie pour la recharger.

### Poussée manuelle

Si une poussée manuelle est nécessaire, assurez-vous que les batteries sont déconnectées de la tondeuse et que la pédale du frein de stationnement est relâchée en position de freinage.

## CONDUITE DE LA TONDEUSE (Fig. I1 – Fig. I9)

Pour arrêter, diminuer ou augmenter la vitesse, modifiez lentement la distance du levier de direction par rapport au point mort.

**⚠ DANGER :** Restez à une distance d'au moins deux largeurs de tonte de tout fossé, pente raide ou plan d'eau. Les roues avant peuvent tourner lorsque la tondeuse est arrêtée, même si le frein est serré, et provoquer un basculement de la tondeuse vers un fossé ou dans l'eau et entraîner la mort ou des blessures graves.

**⚠ AVERTISSEMENT :** Soyez conscient de ce qui se trouve derrière la tondeuse avant de faire marche arrière. Ne tondez PAS en marche arrière, sauf en cas de nécessité absolue. Regardez toujours vers le bas et derrière vous avant et pendant que vous reculez pour vous assurer qu'aucun enfant, spectateur ou animal domestique ne pénètre dans la zone de tonte. N'oubliez pas qu'une fraction de seconde d'inattention suffit pour infliger la mort ou des blessures graves.

**⚠ AVERTISSEMENT :** N'utilisez pas cette machine sur les voies publiques.

**⚠ AVERTISSEMENT :** Si un blocage se produit ou si vous heurtez un objet étranger, arrêtez le moteur et retirez la batterie. Enlevez l'herbe coupée, les feuilles, la saleté et tout autre débris accumulé ; inspectez minutieusement la tondeuse pour détecter tout dommage et réparez les dommages avant de redémarrer et d'utiliser la tondeuse.

## ENTRETIEN

**⚠ AVERTISSEMENT :** Portez toujours une protection oculaire avec boucliers latéraux. Le non-respect de cette consigne pourrait entraîner la projection d'objets dans les yeux et provoquer des blessures graves éventuelles.

**⚠ AVERTISSEMENT :** Protégez toujours vos mains en portant des gants épais ou en enroulant les bords coupants de la lame dans des chiffons ou d'autres matériaux lors de l'entretien de la lame de la tondeuse. Retirez toujours la clé de sécurité et la batterie lorsque vous procédez à l'entretien de la tondeuse ou que vous la transportez.



Fréquence d'entretien	Procédure d'entretien
Avant chaque utilisation ou quotidiennement	<ul style="list-style-type: none"> <li>▪ Vérifiez le système de verrouillage de sécurité.</li> <li>▪ Vérifiez visuellement que le pneu n'est pas à plat.</li> <li>▪ Inspectez les lames pour voir si elles sont usées, fissurées ou pliées.</li> <li>▪ Inspectez l'ensemble du produit pour vérifier qu'il n'y a pas de pièces endommagées, manquantes ou desserrées telles que la goulotte d'éjection latérale, les vis, les écrous, les boulons, les capuchons, etc. et assurez-vous que toutes les protections sont en place et fonctionnent correctement.</li> <li>▪ Vérifiez le fonctionnement des freins.</li> </ul>
Après chaque utilisation	<ul style="list-style-type: none"> <li>▪ Nettoyez le plateau de la tondeuse.</li> </ul>
Toutes les 25 heures	<ul style="list-style-type: none"> <li>▪ Vérifiez la pression des pneus.</li> </ul>
Toutes les 50 heures	<ul style="list-style-type: none"> <li>▪ Vérifiez l'état de la graisse à l'intérieur de la bride de la lame de coupe.</li> </ul>
Toutes les 100 heures	<ul style="list-style-type: none"> <li>▪ Vérifiez les roues arrière, en vous assurant que tous les écrous de roue sont fixés au couple recommandé.</li> </ul>
Toutes les 200 heures	<ul style="list-style-type: none"> <li>▪ Contrôlez les roues avant, en vous assurant qu'elles tournent librement.</li> </ul>

Annuellement	<ul style="list-style-type: none"> <li>▪ Vérifiez la pédale du frein de stationnement. Retirez la batterie de la tondeuse et placez la pédale de stationnement en position de freinage. Poussez manuellement la tondeuse vers l'avant pour voir si elle peut être déplacée ou non. Si elle bouge, faites-la réviser par un technicien qualifié.</li> </ul>
--------------	--

## NETTOYAGE DE LA TONDEUSE (Schéma J1 - Schéma J9)

### Préparation (Schéma J1 – Schéma J5)

### Nettoyage du boîtier de la tondeuse (Schéma J6 - Schéma J7)

### Utilisation du port de lavage pour nettoyer le plateau de coupe (Fig. J8 - Fig. J9)

J8-1	Port de lavage	J8-3	Tuyau d'arrosage
J8-2	Coupleur rapide pour port de lavage		

**REMARQUE :** Une fois le nettoyage terminé, poussez l'interrupteur de la prise de force vers le bas pour désengager les lames de la tondeuse.

## ENTRETIEN DU PLATEAU DE COUPE ET DES LAMES DE COUPE

### Préparation (Schéma K1 - Schéma K6)

### Démontage du plateau de coupe (Schéma K7 - Schéma K8)

K7-1	Câble du moteur	K7-3	Biellette de suspension
K7-2	Goupille fendue		

**REMARQUE :** Débranchez tous les câbles du moteur et les goupilles fendues lors du retrait du plateau de coupe.

### Remplacement des lames de coupe (Schéma K9 - Schéma K11)

K9-1	Stabilisateur	K10-3	Lame
K10-1	Boulon	K10-4	Bride
K10-2	Rondelle	K10-5	Arbre du moteur

### Mise à niveau du plateau de coupe

- a. **Quand mettre à niveau (Schéma K12 – Schéma K14)**
- b. **Avant la mise à niveau**
  - Contrôle de la pression des pneus à froid (Schéma K15)
  - Contrôlez les lames de coupe. Retirez et remplacez les lames usées, fissurées et/ou tordues si nécessaire.
- c. **Préparation de la mise à niveau (Schéma K16 - Schéma K21)**
- d. **Comment effectuer la mise à niveau**
  - **Pour effectuer le réglage latéral (Schéma K22)**

K22-1	Contre-écrou
-------	--------------

- **Pour effectuer le réglage d'avant en arrière (Schéma K23)**

### CALIBRAGE DU SYSTÈME DE SUIVI DE LA TONDEUSE (Fig. L1 – Fig. L4)

**REMARQUE :** Le signal sonore retentira une fois à la fois au début du calibrage et lorsque le calibrage sera terminé.

**REMARQUE :** Le calibrage effectué pour l'un des modes de conduite ("CONTROL", "STANDARD", "SPORT") peut ne pas être disponible pour les deux autres modes. Calibrez les leviers de direction dans chaque mode de conduite indépendamment le cas échéant.

### RÉINITIALISATION DE LA TONDEUSE AUX RÉGLAGES D'USINE INITIAUX (Fig. M)

**REMARQUE :** Le signal sonore retentira une fois à la fois au début de la réinitialisation et lorsque la réinitialisation sera terminée.

**REMARQUE :** Lorsque la réinitialisation est réussie, les paramètres ci-dessous repassent au réglage d'usine initial :

- mode de conduite
- vitesse de conduite
- calibrage des leviers de direction

## RANGEMENT ET TRANSPORT

### TRANSPORT DE LA TONDEUSE (FIG. N1 – SCHÉMA N11)

**REMARQUE :** Fixez la tondeuse selon les besoins, à l'aide de sangles ou de câbles, pour éviter tout mouvement pendant le transport.

### ENTREPOSAGE (Schéma 01 – Schéma 06)

**REMARQUE :** Retirez les blocs de batteries et stockez les batteries en vous référant aux manuels correspondants.

Nettoyez et vérifiez la tondeuse avant de la ranger, reportez-vous aux sections « **NETTOYAGE DE LA TONDEUSE** » et « **CALENDRIER(S) D'ENTRETIEN RECOMMANDÉ(S)** ».


### Protection de l'environnement




DEEE (déchet d'équipement électrique et électronique) Ne jetez pas les équipements électriques, les batteries et les chargeurs usagés avec les ordures ménagères ! Apportez ce produit dans un centre de recyclage agréé pour qu'il fasse l'objet d'une collecte séparée. Les outils électriques doivent être amenés dans un centre de recyclage pour assurer le respect de l'environnement.

## GUIDE DE DÉPANNAGE

FR

PROBLÈME	CAUSE	SOLUTION
<p>La tondeuse ne se déplace pas lorsque les deux leviers de direction sont poussés vers l'avant ou l'arrière au début.</p>  L'icône de niveau de direction clignote	<ul style="list-style-type: none"> <li>L'ampérage combiné des batteries insérées ne répond pas aux exigences.</li> </ul>	<ul style="list-style-type: none"> <li>Pour pouvoir démarrer cette tondeuse, utilisez suffisamment de batteries EGO en suivant les instructions du paragraphe « <b>CHARGE</b> » de ce manuel.</li> </ul>
	<ul style="list-style-type: none"> <li>La pédale du frein de stationnement est placée en position de freinage.</li> </ul>	<ul style="list-style-type: none"> <li>Enfoncez complètement la pédale du frein de stationnement pour la libérer de la position de freinage.</li> </ul>
	<ul style="list-style-type: none"> <li>Les leviers de direction ne sont pas en position ouverte lors du démarrage de la tondeuse.</li> </ul>	<ul style="list-style-type: none"> <li>Remettez les leviers de direction en position ouverte et redémarrez la tondeuse.</li> </ul>
	<ul style="list-style-type: none"> <li>L'opérateur n'est pas assis sur le siège.</li> </ul>	<ul style="list-style-type: none"> <li>L'opérateur doit d'abord être correctement assis sur le siège pour utiliser la tondeuse.</li> </ul>
	<ul style="list-style-type: none"> <li>L'interrupteur du siège n'est pas connecté correctement.</li> </ul>	<ul style="list-style-type: none"> <li>Retirez la batterie de la tondeuse et démontez le siège dans l'ordre inverse des instructions de la section « <b>INSTALLATION DU SIÈGE</b> » de ce manuel pour inspecter la connexion de l'interrupteur du siège. Remontez le siège et suivez les consignes figurant dans la partie « <b>DÉMARRAGE DE LA TONDEUSE</b> » pour voir si vous arrivez à démarrer la tondeuse. Si ce n'est pas le cas, contactez un technicien qualifié pour la réparation.</li> </ul>
	<ul style="list-style-type: none"> <li>Par temps très froid, la fonction de conduite peut ne pas démarrer correctement en raison de la protection contre les basses températures.</li> </ul>	<ul style="list-style-type: none"> <li>Stockez toujours la tondeuse et la batterie dans un environnement chaud. Redémarrez la tondeuse lorsqu'elle est réchauffée. Ne faites pas de tentatives répétées par grand froid, car cela pourrait endommager la machine.</li> </ul>

PROBLÈME	CAUSE	SOLUTION
La tondeuse s'arrête de rouler.	<ul style="list-style-type: none"> <li>▪ Les leviers de direction doivent être réinitialisés.</li> </ul>	<ul style="list-style-type: none"> <li>▪ Remettez les leviers de direction en position ouverte et redémarrez la tondeuse.</li> </ul>
	<ul style="list-style-type: none"> <li>▪ Les composants de commande électrique des leviers de direction sont défectueux.</li> </ul>	<ul style="list-style-type: none"> <li>▪ Contactez un technicien qualifié pour la réparation.</li> </ul>
	<ul style="list-style-type: none"> <li>▪ L'interrupteur du siège s'est déconnecté pendant la conduite sur un terrain accidenté.</li> </ul>	<ul style="list-style-type: none"> <li>▪ Retirez la batterie de la tondeuse et démontez le siège dans l'ordre inverse des instructions de la section « <b>INSTALLATION DU SIÈGE</b> » de ce manuel pour inspecter la connexion de l'interrupteur du siège. Remontez le siège et suivez les consignes figurant dans la partie « <b>DÉMARRAGE DE LA TONDEUSE</b> » pour voir si vous arrivez à démarrer la tondeuse. Si ce n'est pas le cas, contactez un technicien qualifié pour la réparation.</li> </ul>
	<ul style="list-style-type: none"> <li>▪ La pédale du frein de stationnement est enfoncée pour ralentir la vitesse de conduite. Lorsque la pédale du frein de stationnement est suffisamment enfoncée, mais pas jusqu'à la position de stationnement, la tondeuse s'arrête.</li> </ul>	<ul style="list-style-type: none"> <li>▪ Suivez les consignes figurant dans la partie « <b>DÉMARRAGE DE LA TONDEUSE</b> » pour redémarrer la tondeuse.</li> </ul>
La vitesse de conduite/ le mode de conduite ne peuvent pas être réglés pendant la conduite.	<ul style="list-style-type: none"> <li>▪ Cette caractéristique de la tondeuse permet une conduite sûre.</li> </ul>	<ul style="list-style-type: none"> <li>▪ La fonction ne s'active que lorsque les roues de la tondeuse sont arrêtées et que les leviers de direction sont ouverts.</li> </ul>

PROBLÈME	CAUSE	SOLUTION
<p>La tondeuse ne parvient pas à faire démarrer les lames lorsque l'interrupteur de prise de force est enclenché.</p>  L'icône de l'interrupteur de prise de force clignote	<ul style="list-style-type: none"> <li>L'ampérage combiné des batteries insérées ne répond pas aux exigences.</li> </ul>	<ul style="list-style-type: none"> <li>Pour pouvoir démarrer cette tondeuse, utilisez suffisamment de batteries EGO en suivant les instructions du paragraphe « <b>CHARGE</b> » de ce manuel.</li> </ul>
	<ul style="list-style-type: none"> <li>L'interrupteur de la prise de force n'est pas poussé vers le bas lors du dernier arrêt de la tondeuse.</li> </ul>	<ul style="list-style-type: none"> <li>Poussez l'interrupteur de la prise de force vers le bas et redémarrez les lames de la tondeuse.</li> </ul>
	<ul style="list-style-type: none"> <li>La tondeuse est surchargée au moment du démarrage des lames, ce qui entraîne une autoprotection du moteur.</li> </ul>	<ul style="list-style-type: none"> <li>Commencez à tondre l'herbe à la vitesse la plus faible des lames et jusqu'à ce que les lames obtiennent des rotations réussies, n'accélérez pas la vitesse des lames si nécessaire.</li> </ul>
	<ul style="list-style-type: none"> <li>Par grand froid, le moteur des lames peut ne pas démarrer correctement en raison de la protection contre les basses températures.</li> </ul>	<ul style="list-style-type: none"> <li>Stockez toujours la tondeuse et la batterie dans un environnement chaud. Redémarrez la tondeuse lorsqu'elle est réchauffée. Ne faites pas de tentatives répétées par grand froid, car cela pourrait endommager la machine.</li> </ul>
	<ul style="list-style-type: none"> <li>La lame interfère avec le plateau de coupe déformé.</li> </ul>	<ul style="list-style-type: none"> <li>Contactez un technicien qualifié pour la réparation.</li> </ul>

PROBLÈME	CAUSE	SOLUTION
Les lames cessent de fonctionner pendant la coupe de l'herbe.	<ul style="list-style-type: none"> <li>La tondeuse est en surcharge.</li> </ul>	<ul style="list-style-type: none"> <li>Augmentez la hauteur de coupe du plateau ou ralentissez la vitesse de conduite pour réduire la charge de la tondeuse.</li> </ul>
	<ul style="list-style-type: none"> <li>Le plateau de coupe de la tondeuse est encrassé d'herbe et de débris.</li> </ul>	<ul style="list-style-type: none"> <li>Nettoyez le plateau de coupe et assurez-vous que les lames ont une liberté de mouvement.</li> </ul>
	<ul style="list-style-type: none"> <li>La tondeuse est en surchauffe.</li> </ul>	<ul style="list-style-type: none"> <li>Réduisez la charge de la tondeuse en augmentant la hauteur de coupe du plateau ou en ralentissant la vitesse de la lame/d'entraînement et laissez la tondeuse refroidir.</li> </ul>
	<ul style="list-style-type: none"> <li>Les batterie(s) dans le compartiment des batteries de la tondeuse sont en surchauffe, la capacité nominale Ah combinée de toutes les batteries insérées n'est alors pas conforme aux exigences.</li> </ul>	<ol style="list-style-type: none"> <li>Si l'intensité nominale combinée des batteries n'est pas conforme aux exigences, la tondeuse ne fonctionnera pas tant que d'autres batteries ne seront pas insérées dans les compartiments vacants. Une fois que la batterie surchauffée revient à une température normale, elle alimente immédiatement la tondeuse.</li> <li>Réduisez la charge de la tondeuse en augmentant la hauteur de coupe du plateau ou en ralentissant la tonte lors de la reprise de l'opération.</li> </ol>
	<ul style="list-style-type: none"> <li>La tondeuse est en mode Limp-Home.</li> </ul>	<ul style="list-style-type: none"> <li>Lorsque la tondeuse est en mode Limp-Home, les lames passent automatiquement en basse vitesse de rotation sans tonte d'herbe. L'opérateur doit cesser de travailler et retourner dans la zone de charge de la batterie dès que possible.</li> </ul>
	<ul style="list-style-type: none"> <li>La tondeuse a été heurtée par un objet étranger, ce qui entraîne une autoprotection du moteur.</li> </ul>	<ul style="list-style-type: none"> <li>Poussez l'interrupteur de prise de force vers le bas et redémarrez les lames de tondeuse.</li> </ul>
L'indicateur sonore continue de sonner.	<ul style="list-style-type: none"> <li>La tondeuse est en mode Limp-Home et les lames ne sont pas éteintes.</li> </ul>	<ul style="list-style-type: none"> <li>Poussez l'interrupteur de la prise de force vers le bas pour désengager les lames du plateau. Le signal sonore cesse de retentir lorsque la lame s'arrête.</li> </ul>
	<ul style="list-style-type: none"> <li>La tondeuse s'arrête de rouler sur une pente et l'opérateur ouvre les leviers de direction et se lève du siège sans mettre la pédale du frein de stationnement en position de freinage.</li> </ul>	<ul style="list-style-type: none"> <li>Placez la pédale du frein de stationnement en position de freinage avant de laisser la tondeuse sur la pente.</li> </ul>

PROBLÈME	CAUSE	SOLUTION
Les indicateurs de la batterie restent allumés lorsque la tondeuse est éteinte.	<ul style="list-style-type: none"> <li>▪ Lorsque la tondeuse est arrêtée au sol et que les batterie(s) y sont toujours insérées, les indicateurs de batterie, le bouton marche/arrêt et le bouton de réglage restent allumés pendant un certain temps.</li> </ul>	<ul style="list-style-type: none"> <li>▪ Aucune action n'est nécessaire. Les indicateurs de batterie s'éteignent lorsque la tondeuse s'arrête après un certain temps. Reportez-vous à la rubrique « <b>ARRÊT DE LA TONDEUSE</b> » pour une durée précise.</li> </ul>
	<ul style="list-style-type: none"> <li>▪ Lorsque la tondeuse est arrêtée sur une pente sans mettre la pédale du frein de stationnement en position de freinage, les indicateurs de batterie restent allumés jusqu'à ce que la charge de la batterie soit épuisée. Le signal sonore continue à sonner en même temps.</li> </ul>	<ul style="list-style-type: none"> <li>▪ Placez la pédale du frein de stationnement en position de freinage avant que l'opérateur ne laisse l'outil sur la pente.</li> </ul>
L'écran LCD ne s'allume pas avec toutes les icônes allumées.	<ul style="list-style-type: none"> <li>▪ Le temps de pression sur le bouton de démarrage/arrêt n'est pas suffisant.</li> </ul>	<ul style="list-style-type: none"> <li>▪ L'écran LCD n'affiche « Jauge de carburant » que lorsque le bouton marche/arrêt est enfoncé brièvement.</li> </ul>
		<ul style="list-style-type: none"> <li>▪ L'écran LCD s'allume après avoir appuyé suffisamment longtemps sur le bouton marche/arrêt.</li> </ul>
La tondeuse coupe de manière irrégulière, avec une différence de hauteur significative entre l'avant et l'arrière.	<ul style="list-style-type: none"> <li>▪ Les lames sont émoussées.</li> </ul>	<ul style="list-style-type: none"> <li>▪ Affûtez ou remplacez la lame de coupe comme indiqué dans ce manuel.</li> </ul>
	<ul style="list-style-type: none"> <li>▪ Les lames sont pliées.</li> </ul>	<ul style="list-style-type: none"> <li>▪ Remplacez la lame de coupe tordue en suivant les instructions de la section « <b>REPLACEMENT DES LAMES DE COUPE</b> ».</li> </ul>
	<ul style="list-style-type: none"> <li>▪ Le plateau de coupe n'est pas nivelé, ce qui entraîne une différence de hauteur des lames.</li> </ul>	<ul style="list-style-type: none"> <li>▪ Mettez le plateau de coupe à niveau en suivant les instructions de la section « <b>MISE À NIVEAU DU PLATEAU DE COUPE</b> ».</li> </ul>

PROBLÈME	CAUSE	SOLUTION
La hauteur de coupe réelle de l'herbe n'est pas alignée avec la hauteur annoncée.	<ul style="list-style-type: none"> <li>Les écrous du plateau de coupe sont desserrés sur la tringlerie de suspension</li> </ul>	<ul style="list-style-type: none"> <li>Suivez les instructions du paragraphe « <b>MISE À NIVEAU DU PLATEAU DE COUPE</b> » pour effectuer un réglage correct de l'avant vers l'arrière du plateau de coupe et serrez fermement les écrous sur la tringlerie de suspension.</li> </ul>
	<ul style="list-style-type: none"> <li>Le plateau de coupe est endommagé ou gravement usé.</li> </ul>	<ul style="list-style-type: none"> <li>Suivez les instructions de la section « <b>RETRAIT DU PLATEAU DE COUPE</b> » pour faire remplacer le plateau de la tondeuse.</li> </ul>
La tondeuse ne broie pas correctement.	<ul style="list-style-type: none"> <li>Des brins d'herbe mouillés sont collés sous le carénage.</li> </ul>	<ul style="list-style-type: none"> <li>Attendez que l'herbe sèche avant de la tondre.</li> </ul>
	<ul style="list-style-type: none"> <li>La tondeuse est réglée pour couper trop d'herbe.</li> </ul>	<ul style="list-style-type: none"> <li>Augmentez la hauteur de coupe du plateau..</li> </ul>
Il y a des vibrations excessives	<ul style="list-style-type: none"> <li>Les lames de coupe sont lâches.</li> </ul>	<ul style="list-style-type: none"> <li>Serrez le boulon de la lame au couple recommandé.</li> </ul>
	<ul style="list-style-type: none"> <li>Les lames sont pliées.</li> </ul>	<ul style="list-style-type: none"> <li>Remplacez la lame de coupe tordue en suivant les instructions de la section « <b>REPLACEMENT DES LAMES DE COUPE</b> ».</li> </ul>
	<ul style="list-style-type: none"> <li>Le plateau de coupe de la tondeuse n'est pas nivelé.</li> </ul>	<ul style="list-style-type: none"> <li>Mettez le plateau de coupe à niveau en suivant les instructions de la section « <b>MISE À NIVEAU DU PLATEAU DE COUPE</b> ».</li> </ul>
	<ul style="list-style-type: none"> <li>Les écrous du plateau de coupe sont desserrés sur la tringlerie de suspension.</li> </ul>	<ul style="list-style-type: none"> <li>Serrez les écrous de la tringlerie de suspension.</li> </ul>
	<ul style="list-style-type: none"> <li>La tondeuse est réglée pour couper trop d'herbe.</li> </ul>	<ul style="list-style-type: none"> <li>Augmentez la hauteur de coupe du plateau..</li> </ul>
Il reste de l'herbe ou des débris sur le sol après la tonte.	<ul style="list-style-type: none"> <li>La tondeuse est réglée pour couper trop d'herbe à la fois lorsque l'herbe est haute.</li> </ul>	<ul style="list-style-type: none"> <li>Commencez par une hauteur de coupe élevée et réduisez-la jusqu'à ce que le résultat de tonte souhaité soit atteint. L'herbe de plus de 6 pouces de hauteur doit être tondue deux fois, à des hauteurs de coupe de plus en plus basses.</li> </ul>
	<ul style="list-style-type: none"> <li>L'herbe est mouillée.</li> </ul>	<ul style="list-style-type: none"> <li>Ne tondez pas lorsque l'herbe est mouillée jusqu'à ce que l'herbe sèche.</li> </ul>
	<ul style="list-style-type: none"> <li>La vitesse d'avancement est élevée.</li> </ul>	<ul style="list-style-type: none"> <li>Ralentissez la vitesse de conduite.</li> </ul>
	<ul style="list-style-type: none"> <li>La vitesse de la lame est faible.</li> </ul>	<ul style="list-style-type: none"> <li>Augmentez progressivement la vitesse de la lame.</li> </ul>






PROBLÈME	CAUSE	SOLUTION
Le temps de fonctionnement de la tondeuse avec la batterie fournie est court.	<ul style="list-style-type: none"> <li>▪ L'état de l'herbe et le réglage de la hauteur de coupe affectent considérablement l'autonomie de la batterie. L'autonomie annoncée est basée sur une charge légère.</li> </ul>	<ul style="list-style-type: none"> <li>▪ Augmentez la hauteur de coupe du plateau et ralentissez la vitesse de la lame pour réduire la charge de coupe.</li> </ul>
La tondeuse ne se déplace pas en ligne droite.	<ul style="list-style-type: none"> <li>▪ Les pressions des pneus des roues arrière gauche et droite sont différentes.</li> </ul>	<ul style="list-style-type: none"> <li>▪ Vérifiez et réglez la pression d'air dans les deux pneus des roues arrière, selon les recommandations de la section « <b>CONTRÔLE DE LA PRESSION DES PNEUS</b> » de ce manuel.</li> </ul>
	<ul style="list-style-type: none"> <li>▪ Les vitesses d'avancement des roues arrière gauche et droite sont différentes.</li> </ul>	<ul style="list-style-type: none"> <li>▪ Calibrez le système de suivi de la faucheuse en suivant les instructions de la section « <b>CALIBRAGE DU SYSTÈME DE SUIVI DE LA TONDEUSE</b> ».</li> </ul>
La pédale du frein de stationnement ne peut pas être relâchée de la position de freinage ou est lente à revenir en arrière.	<ul style="list-style-type: none"> <li>▪ Des débris ou des saletés peuvent pénétrer dans la pédale du frein de stationnement.</li> </ul>	<ul style="list-style-type: none"> <li>▪ Ouvrez le boîtier de la pédale de frein de stationnement pour nettoyer soigneusement l'intérieur du boîtier et fermez-le. Réinitialisez la pédale de frein de stationnement pour voir si le problème est résolu. Si ce n'est pas le cas, contactez un technicien qualifié pour la réparation.</li> </ul>
La tondeuse ne peut pas être chargée via le port de charge alors que l'indicateur du statut de la tondeuse est rouge fixe.	<ul style="list-style-type: none"> <li>▪ La fiche du chargeur n'est pas correctement insérée dans le port de charge de la tondeuse.</li> </ul>	<ul style="list-style-type: none"> <li>▪ Rebranchez la prise du chargeur pour voir si la tondeuse peut être chargée normalement.</li> </ul>
	<ul style="list-style-type: none"> <li>▪ Il n'y a pas de courant dans les prises murales.</li> </ul>	<ul style="list-style-type: none"> <li>▪ Aucune action n'est nécessaire. Attendez que le courant revienne.</li> </ul>
	<ul style="list-style-type: none"> <li>▪ Mauvais fonctionnement du chargeur.</li> </ul>	<ul style="list-style-type: none"> <li>▪ Contactez un technicien de service qualifié pour une inspection et faites réparer le chargeur si nécessaire.</li> </ul>
	<ul style="list-style-type: none"> <li>▪ Le port de charge de la tondeuse est défectueux.</li> </ul>	<ul style="list-style-type: none"> <li>▪ Contactez un technicien qualifié pour la réparation.</li> </ul>
Le temps de charge via le port de charge de la tondeuse est trop long.	<ul style="list-style-type: none"> <li>▪ La recharge à l'aide de l'adaptateur EGO ACA1000 dure longtemps.</li> </ul>	<ul style="list-style-type: none"> <li>▪ Utilisez le chargeur EGO CHV1600E pour charger la tondeuse directement.</li> </ul>
La batterie ne peut pas être complètement chargée via le port de charge de la tondeuse.	<ul style="list-style-type: none"> <li>▪ Dysfonctionnement du micrologiciel de la tondeuse autoportée ou panne du chargeur/de la batterie.</li> </ul>	<ul style="list-style-type: none"> <li>▪ Débranchez le chargeur et attendez plus quelques minutes, puis rebranchez la fiche à l'alimentation électrique. Si cela ne fonctionne pas, contactez un technicien qualifié pour la réparation.</li> </ul>

PROBLÈME	CAUSE	SOLUTION
La tondeuse ne peut pas être démarrée après le nettoyage.	<ul style="list-style-type: none"> <li>Nettoyage inadéquat, tel que de l'eau sur les composants électriques, l'écran LCD, etc.</li> </ul>	<ul style="list-style-type: none"> <li>Suivez les consignes figurant dans la partie « <b>NETTOYAGE DE LA TONDEUSE</b> » pour nettoyer correctement la tondeuse.</li> </ul>
La tondeuse s'encrasse facilement.	<ul style="list-style-type: none"> <li>Le plateau de coupe de la tondeuse est encrassé d'herbe et de débris.</li> </ul>	<ul style="list-style-type: none"> <li>Si la tondeuse a pris la pluie accidentellement, laissez-la sécher à l'air libre ou utilisez de l'air comprimé pour la sécher.</li> </ul>
		<ul style="list-style-type: none"> <li>Nettoyez le plateau de coupe après chaque utilisation, en suivant la section « Utilisation du port de lavage pour nettoyer le plateau de coupe ».</li> </ul>
La tondeuse perd facilement de la traction lorsqu'elle monte sur une pente.	<ul style="list-style-type: none"> <li>Les pneus des roues arrière sont usés.</li> </ul>	<ul style="list-style-type: none"> <li>Cherchez un centre local d'entretien pour remplacer les pneus de roue.</li> </ul>
	<ul style="list-style-type: none"> <li>Pente de tonte importante.</li> </ul>	<ul style="list-style-type: none"> <li>La pente de tonte doit être au degré requis.</li> </ul>
Lorsque la tondeuse est arrêtée sur une pente avec la pédale de frein de stationnement enfoncée, la tondeuse peut glisser vers le bas de la pente.	<ul style="list-style-type: none"> <li>Les composants du frein sont excessivement usés en raison d'une mauvaise utilisation de la tondeuse.</li> </ul>	<ul style="list-style-type: none"> <li>Contactez un technicien qualifié pour la réparation.</li> </ul>
Il n'y a pas d'eau qui sort de l'orifice de lavage lors du lavage du plateau.	<ul style="list-style-type: none"> <li>Le raccord rapide de l'orifice de lavage n'est pas monté en place sur l'orifice de lavage.</li> </ul>	<ul style="list-style-type: none"> <li>Remettez en place le raccord rapide du port de lavage jusqu'à ce que vous entendiez un déclic clair après avoir poussé fermement. Si cela ne fonctionne pas, contactez un technicien qualifié pour la réparation.</li> </ul>
Il y a un bruit anormal lorsque vous poussez manuellement la tondeuse sans la faire démarrer.	<ul style="list-style-type: none"> <li>Le bruit provient des aimants à l'intérieur du moteur d'entraînement.</li> </ul>	<ul style="list-style-type: none"> <li>Ce phénomène est normal et aucune action n'est nécessaire.</li> </ul>

## CODE D'ERREUR ET INDICATEUR D'ÉTAT DE LA TONDEUSE





**FR**

Affichage LCD	Description	Code d'erreur sur l'écran LCD	Indicateur de statut de la tondeuse	Signal sonore	Cause	Solution
	LED s'allume ; l'icône s'affiche sur l'écran LCD	n/a	DÉSACTIVÉ	Non	Les phares, les feux latéraux et les feux arrière sont allumés par l'interrupteur de lumière LED.	Il s'agit d'un fonctionnement normal. Aucune action n'est nécessaire.
	L'icône USB s'affiche sur l'écran LCD.	n/a	DÉSACTIVÉ	Non	L'icône USB s'allume pour indiquer qu'un périphérique USB peut fonctionner après le démarrage correct de la tondeuse.	Il s'agit d'un fonctionnement normal. Aucune action n'est nécessaire.
	L'icône de jauge de carburant s'affiche sur l'écran LCD	n/a	DÉSACTIVÉ	Non	Cela indique la capacité de charge moyenne des batteries insérées	Il s'agit d'un fonctionnement normal. Aucune action n'est nécessaire.
	L'icône du compteur horaire s'affiche sur l'écran LCD	n/a	DÉSACTIVÉ	Non	Cela indique le temps de conduite total de la tondeuse, en heures, et ne peut être réinitialisée.	Il s'agit d'un fonctionnement normal. Aucune action n'est nécessaire.
	Indicateur de charge L'icône s'affiche dans la gamme ECO	n/a	DÉSACTIVÉ	Non	Cela indique la charge actuelle de la tondeuse.	Il s'agit d'un fonctionnement normal. Aucune action n'est nécessaire.
	L'indicateur de surcharge clignote. L'icône de l'indicateur de charge s'affiche dans la plage PWR.	n/a	Clignote en rouge	Un bip	Le moteur de la lame est surchargé.	Augmentez la hauteur de coupe du plateau ou ralentissez la vitesse de conduite pour réduire la charge de la tondeuse.
					La goulotte d'éjection latérale est obstruée par de l'herbe et des débris.	Nettoyez la goulotte d'éjection latérale après chaque utilisation.
					Il y a une interférence entre la lame et le carénage de la tondeuse.	Faites effectuer les réparations par un technicien qualifié.

Affichage LCD	Description	Code d'erreur sur l'écran LCD	Indicateur de statut de la tondeuse	Signal sonore	Cause	Solution
	L'icône de la clé de sécurité clignote.	n/a	DÉACTIVÉ	Non	La clé de sécurité n'est pas insérée.	Insérez la clé de sécurité puis appuyez sur le bouton MARCHE / ARRÊT et maintenez-le enfoncé pour mettre la tondeuse en marche.
					L'écran LCD n'est pas alimenté.	Faites effectuer les réparations par un technicien qualifié.
	L'icône d'un compartiment de batterie clignote.	n/a	DÉACTIVÉ	Non	Une batterie en cours de décharge est en surintensité.	Aucune action n'est nécessaire. La tondeuse peut continuer à fonctionner si la capacité nominale d'ampérage combinée de la batterie, sans surintensité, est conforme aux exigences. Une fois que la batterie en surintensité revient à la normale, elle se met immédiatement à alimenter la tondeuse et l'icône disparaît.
	L'icône du compartiment de la batterie vide clignote.	n/a	DÉACTIVÉ	Non	La capacité de la batterie n'est pas suffisante pour permettre à la tondeuse autoportée de fonctionner.	Pour démarrer cette tondeuse, utilisez suffisamment de batteries EGO en suivant les instructions du paragraphe « <b>CHARGE</b> » de ce manuel.

Affichage LCD	Description	Code d'erreur sur l'écran LCD	Indicateur de statut de la tondeuse	Signal sonore	Cause	Solution
	L'icône de température clignote.	n/a	DÉSACTIVÉ	Un bip	La tondeuse est surchauffée.	Réduisez la charge de la tondeuse en augmentant la hauteur de coupe du plateau ou en ralentissant la vitesse de la lame/d'entraînement. Faites une pause et laissez la tondeuse refroidir.
					La tondeuse est trop froide	Veillez ne pas faire de tentatives répétées qui pourraient endommager la machine. Stockez toujours la tondeuse et les batteries dans un environnement chaud. Redémarrez la tondeuse lorsqu'elle est réchauffée.
	L'icône de température et l'icône d'un compartiment de batterie occupé clignotent en même temps.	n/a	DÉSACTIVÉ	Non	Le bloc de batteries dans le compartiment numéroté correspondant est surchauffé.	1. La tondeuse peut continuer à fonctionner si capacité nominale d'ampérage combinée de la batterie, à l'exclusion de la batterie surchauffée, est conforme aux exigences. Une fois que la batterie surchauffée revient à une température normale, elle alimente immédiatement la tondeuse.
						2. Si la capacité nominale d'ampérage combinée de la batterie n'est pas suffisante, la tondeuse ne fonctionnera pas tant que d'autres batteries ne seront pas insérées dans les compartiments vacants.
						3. Réduisez la charge de la tondeuse en augmentant la hauteur de coupe du plateau ou en ralentissant la tonte lors de la reprise de l'opération.

Affichage LCD	Description	Code d'erreur sur l'écran LCD	Indicateur de statut de la tondeuse	Signal sonore	Cause	Solution
	<p>Les icônes de chaque compartiment de batterie occupé, l'indicateur de faible puissance, les graphiques de la jauge de carburant clignotent toutes les 1 seconde en même temps sur l'écran LCD. Le premier segment de la jauge de carburant LED et de l'indicateur de statut clignote également.</p>	n/a	Clignote en rouge	Continue à émettre des bips jusqu'à ce que l'interrupteur de la prise de force soit poussé vers le bas.	Les blocs de batteries sont faiblement chargés et la tondeuse est en mode Limp-Home.	<p>Arrêtez de travailler et retournez dans la zone de charge de la batterie.</p> <p><b>REMARQUE :</b> Lorsque la tondeuse est en mode Limp-Home, les lames passent automatiquement en basse vitesse de rotation sans couper l'herbe et simultanément, l'indicateur sonore continue de sonner. L'opérateur doit pousser l'interrupteur de la prise de force vers le bas pour désengager les lames du plateau de coupe. Le signal sonore cesse de bipper après l'arrêt des lames.</p>
	<p>L'icône de chaque compartiment de batterie occupé et l'indicateur de faible puissance clignotent toutes les demi-secondes.</p>	n/a	Clignote en rouge	Continue à émettre des bips	Les parcs de batteries sont presque épuisés.	La tondeuse cesse immédiatement de fonctionner. L'opérateur doit transporter la tondeuse jusqu'à la zone de charge de la batterie pour la recharger.
	<p>L'icône de stationnement automatique clignote sur l'écran LCD.</p>	n/a	DÉSACTIVÉ	Continue à émettre des bips	La tondeuse est garée sur une pente et l'opérateur quitte la tondeuse sans mettre la pédale de frein en position de freinage, juste avec les leviers de direction en position ouverte.	Placez la pédale de frein en position de freinage. L'icône de stationnement automatique s'éteint et l'indicateur sonore cesse de bipper.
	<p>L'icône de pédale de frein s'affiche sur l'écran LCD.</p>	n/a	DÉSACTIVÉ	Non	La pédale du frein de stationnement est placée en position de freinage.	Relâchez-la avant de démarrer la tondeuse.

Affichage LCD	Description	Code d'erreur sur l'écran LCD	Indicateur de statut de la tondeuse	Signal sonore	Cause	Solution
	L'icône du capteur de siège s'affiche sur l'écran LCD.	n/a	DÉSACTIVÉ	Non	L'opérateur quitte le siège ou l'interrupteur du siège est débranché.	Si, alors que l'opérateur est assis sur le siège, l'icône est allumée, arrêtez immédiatement d'utiliser la tondeuse et vérifiez la connexion du siège. Si la connexion du siège avec la tondeuse est confirmée comme étant correcte, veuillez contacter un technicien de service qualifié pour les réparations.
	L'icône de l'interrupteur de prise de force clignote.	n/a	DÉSACTIVÉ	Non	Le moteur de la lame a été interrompu en cours de fonctionnement et l'interrupteur de la prise de force n'est pas en position d'arrêt.	Avant de redémarrer la tondeuse, poussez l'interrupteur de la prise de force vers le bas pour désengager le moteur du plateau de coupe. Veuillez consulter la section « <b>GUIDE DE DÉPANNAGE</b> » de ce manuel pour référence.
	L'icône du levier de direction clignote.	n/a	DÉSACTIVÉ	Non	Le moteur d'entraînement a été interrompu en cours de fonctionnement et les leviers de direction ne sont pas placés en position ouverte.	Avant de redémarrer la tondeuse, déplacez les leviers de direction en position ouverte. Veuillez consulter la section « <b>GUIDE DE DÉPANNAGE</b> » de ce manuel pour référence.
	L'icône de récupération d'énergie clignote occasionnellement.	n/a	DÉSACTIVÉ	Non	L'énergie cinétique générée lors du freinage ou de la conduite en descente est convertie en électricité pour charger les batteries.	Il s'agit d'un fonctionnement normal. Aucune action n'est nécessaire.

**REMARQUE :** Si un code d'erreur apparaît sur l'écran LCD, retirez toutes les batteries et réinsérez-les quelques minutes plus tard. Si cela ne résout pas le problème, suivez les consignes de dépannage en fonction du code d'erreur indiqué ci-dessous.

FR

Affichage LCD	Description	Code d'erreur sur l'écran LCD	Indicateur de statut de la tondeuse	Signal sonore	Cause	Solution	
Voir « Code d'erreur »	Le moteur d'entraînement gauche ne tourne pas.	Le moteur d'entraînement gauche contrôlé par le PCBA est en panne.	413	DÉSACTIVÉ	Un bip	Défaillance du PCBA	Faites effectuer les réparations par un technicien qualifié.
		La fiche (triphasee, fil d'alimentation) reliant le moteur d'entraînement gauche au PCBA correspondant est desserrée.	317	DÉSACTIVÉ	Un bip	Connexion lâche	
		La fiche (Six broches, fil de signal) reliant le moteur d'entraînement gauche au PCBA correspondant est desserrée.	301	DÉSACTIVÉ	Un bip	Connexion lâche	
		Le moteur d'entraînement gauche est en panne.	317	DÉSACTIVÉ	Un bip	Défaillance du moteur	



Affichage LCD	Description	Code d'erreur sur l'écran LCD	Indicateur de statut de la tondeuse	Signal sonore	Cause	Solution	
Voir « Code d'erreur »	Le moteur d'entraînement droit ne tourne pas.	Le moteur d'entraînement droit contrôlé par le PCBA est en panne.	313	DÉSACTIVÉ	Un bip	Défaillance du PCBA	Faites effectuer les réparations par un technicien qualifié.
		La fiche (triphasee, fil d'alimentation) reliant le moteur d'entraînement droit au circuit imprimé correspondant est desserrée.	417	DÉSACTIVÉ	Un bip	Connexion lâche	
		La fiche (six broches, fil de signal) reliant le moteur d'entraînement droit au PCBA correspondant est desserrée.	401	DÉSACTIVÉ	Un bip	Connexion lâche	
		Le moteur d'entraînement droit est en panne.	417	DÉSACTIVÉ	Un bip	Défaillance du moteur	
Voir « Code d'erreur »	Le moteur de la lame gauche ne tourne pas.	Le moteur de la lame gauche contrôlé par le PCBA est en panne.	607/A07	n/a	Un bip	Défaillance du PCBA	Faites effectuer les réparations par un technicien qualifié.
		La fiche (triphasee, fil d'alimentation) reliant le moteur d'entraînement gauche au PCBA correspondant est desserrée.	509	n/a	Un bip	Connexion lâche	Inspectez d'abord la lame. S'il est desserré, serrez le boulon avec le couple recommandé. Sinon, faites effectuer les réparations par un technicien qualifié.
		Le moteur de la lame gauche est en panne.	509	n/a	Un bip	Défaillance du moteur	

Affichage LCD	Description	Code d'erreur sur l'écran LCD	Indicateur de statut de la tondeuse	Signal sonore	Cause	Solution	
Voir « Code d'erreur »	Le moteur de la lame droite ne tourne pas.	Le moteur de la lame droite contrôlé par le PCBA est en panne.	507/A07	n/a	Un bip	Défaillance du PCBA	Faites effectuer les réparations par un technicien qualifié.
		La fiche (triphasee, fil d'alimentation) reliant le moteur d'entraînement droit au circuit imprimé correspondant est desserrée.	609	n/a	Un bip	Connexion lâche	Inspectez d'abord la lame. S'il est desserré, serrez le boulon avec le couple recommandé. Sinon, faites effectuer les réparations par un technicien qualifié.
		Le moteur de la lame droite tombe en panne.	609	n/a	Un bip	Défaillance du moteur	
Voir « Code d'erreur »	Le moteur de la lame centrale ne tourne pas	Le moteur de la lame centrale contrôlé par le circuit imprimé est en panne	507/ 607	n/a	Un bip	Défaillance du PCBA	Faites effectuer les réparations par un technicien qualifié.
		La fiche (triphasee, fil d'alimentation) reliant le moteur de la lame centrale au circuit imprimé correspondant est desserrée.	A09	n/a	Un bip	Connexion lâche	Inspectez d'abord la lame. S'il est desserré, serrez le boulon avec le couple recommandé. Sinon, faites effectuer les réparations par un technicien qualifié.
		Défaillance du moteur de la lame centrale	A09	n/a	Un bip	Défaillance du moteur	

Affichage LCD	Description	Code d'erreur sur l'écran LCD	Indicateur de statut de la tondeuse	Signal sonore	Cause	Solution	
Voir « Code d'erreur »	Le levier de direction gauche est en panne.	Le circuit imprimé de commande du levier de direction gauche est défectueux.	311/412	DÉSACTIVÉ	Un bip	Défaillance du PCBA	Faites effectuer les réparations par un technicien qualifié.
		La fiche reliant le circuit imprimé de commande, situé dans la barre de direction, est desserrée.				Connexion lâche	
Voir « Code d'erreur »	Levier de direction droit en panne.	Le circuit imprimé de contrôle du levier de direction droit est défectueux.	312/411	DÉSACTIVÉ	Un bip	Défaillance du PCBA	Faites effectuer les réparations par un technicien qualifié.
		La fiche reliant le circuit imprimé de commande, situé dans la barre de direction, est desserrée.				Connexion lâche	
Voir « Code d'erreur »	Le frein de stationnement est défectueux, l'outil ne peut pas être conduit.	Le circuit imprimé du frein de stationnement, qui se trouve dans le châssis avant, est cassé.	309/409	DÉSACTIVÉ	Un bip	Défaillance du PCBA	Faites effectuer les réparations par un technicien qualifié.
		Le commutateur et/ou le fil du frein de stationnement est cassé.	801	DÉSACTIVÉ	Un bip	Défaillance du fil/interrupteur	

Affichage LCD	Description	Code d'erreur sur l'écran LCD	Indicateur de statut de la tondeuse	Signal sonore	Cause	Solution
DÉSACTIVÉ	Erreur du port de charge	n/a	Rouge fixe	n/a	Le port de charge est en circuit ouvert.	Faites effectuer les réparations par un technicien qualifié.
		n/a	Rouge fixe	n/a	Il n'y a pas d'alimentation électrique.	Vérifiez la prise murale pour voir si elle est alimentée en 220 V-240 V ou si elle est en bon état.
		n/a	Rouge fixe	n/a	Le fusible est grillé.	Faites effectuer les réparations par un technicien qualifié.
Voir « Code d'erreur »	Erreur du port de charge	204	n/a	Un bip	Le port de charge est en circuit ouvert.	Faites effectuer les réparations par un technicien qualifié.
Voir « Code d'erreur »	L'assemblage du boîtier de batterie ne fonctionne pas	217	n/a	Un bip	La source d'alimentation du boîtier de batterie est cassée. Les phares LED et l'USB ne fonctionnent pas.	Faites effectuer les réparations par un technicien qualifié.
		310/ 410	DÉSACTIVÉ	Un bip	La connexion entre les fils de type C du boîtier de batterie et les autres fils de type C de la tondeuse ne fonctionne pas.	
		201/ 202/ 203	DÉSACTIVÉ	Un bip	Le BMS du boîtier de batterie est cassé.	

Affichage LCD	Description	Code d'erreur sur l'écran LCD	Indicateur de statut de la tondeuse	Signal sonore	Cause	Solution
Voir « Code d'erreur »	Défaut de l'interrupteur marche/arrêt	314/ 414	DÉSACTIVÉ	Un bip	Défaillance du PCBA de l'interrupteur ou mauvaise connexion des fils de l'interrupteur de démarrage/arrêt.	Faites effectuer les réparations par un technicien qualifié.
Voir « Code d'erreur »	Défaut de l'écran LCD	315/ 415	DÉSACTIVÉ	Un bip	L'ensemble LCD est cassé ou la connexion des fils de l'ensemble LCD est mauvaise.	Faites effectuer les réparations par un technicien qualifié.

FR

## GARANTIE

### POLITIQUE DE GARANTIE EGO

KEES VAN DER SPEK  
TUINMACHINES ★ STOLWIJK

Visitez le site Web [egopowerplus.com](http://egopowerplus.com) pour consulter les conditions complètes de la politique de garantie EGO.

## ¡LEA TODAS LAS INSTRUCCIONES!



LEA EL MANUAL DEL USUARIO

ES

## SÍMBOLO DE SEGURIDAD

El propósito de los símbolos de seguridad es atraer su atención hacia posibles peligros. Los símbolos de seguridad y las explicaciones que los acompañan requieren su máxima atención y comprensión. Por sí solos, los símbolos de advertencia no eliminan los posibles peligros. Las instrucciones y advertencias que proporcionan no sustituyen a las medidas adecuadas de prevención de accidentes.

**⚠ ADVERTENCIA:** Antes de utilizar esta herramienta, asegúrese de haber leído y entendido perfectamente todas las instrucciones que aparecen en este manual del usuario, incluidos todos los símbolos de aviso sobre seguridad, como «**PELIGRO**», «**ADVERTENCIA**» y «**PRECAUCIÓN**». Si no se observan todas las instrucciones que se indican a continuación existe riesgo de incendio, electrocución y lesiones graves.

## SIGNIFICADO DE LOS SÍMBOLOS

Esta página muestra y describe los símbolos de seguridad que puede haber en este producto. Asegúrese de leer, comprender y cumplir todas las instrucciones que se indican en la máquina antes de proceder a su montaje y utilización.

## SÍMBOLOS DE SEGURIDAD

	Aviso de seguridad		Lea y comprenda el manual del usuario
	Protección ocular		Mantener los dispositivos de seguridad
	PELIGRO – Riesgo por pendiente pronunciada		PELIGRO – Mantener a otras personas alejadas de las cuchillas
	No llevar nunca niños		Mirar hacia atrás al retroceder
	ADVERTENCIA - No utilice esta máquina en pendientes superiores a 12°		PELIGRO – Objetos lanzados
	ADVERTENCIA – MANTENGA LAS MANOS Y LOS PIES ALEJADOS		Nivel de potencia acústica garantizado. Cumple la directiva de la Comunidad Europea.



No pisar



Los productos eléctricos no deben eliminarse con la basura doméstica. Lívelos a un centro de reciclaje autorizado.



Este producto está en conformidad con las directivas aplicables de la CE.



PRECAUCIÓN – No mire hacia la lámpara en funcionamiento

ES



Corriente continua



Este producto está en conformidad con la legislación aplicable del Reino Unido.

- kPa Kilopascal
- V Voltio
- in Pulgada
- Nm Newtonmetro
- °C Celsius
- km/h Kilómetros por hora

- rpm Revoluciones por minuto
- m Metros
- cm Centímetros
- mm Milímetros
- kg Kilogramo
- IPX4 Grado de protección contra la penetración

## ESPECIFICACIONES

Kees van der Spek  
TUINMACHINES \* STOLWIJK

Tensión	56 V	
Tamaño de la plataforma	132 cm	
Tamaño de las ruedas	Delante	279,4 x 126 mm
	Detrás	457,2 x 223 mm
Presión de los neumáticos en frío	Delante	222,1 kPa
	Detrás	115,8 kPa
Radio de giro	0	
Velocidad de la cuchilla (rpm)	2600; 2800; 3000; 3200	
Máx. velocidad de conducción (km/h)	Avance	8,1 km/h, 9,7 km/h, 11,3 km/h, 12,8 km/h
	Retroceso	hasta 6,4 km/h

Carga	Cargador (opcional)	CHV1600E
	Adaptador (opcional)	ACA1000
	Rango de temperatura de carga	De 5°C a 40°C
Ajuste de la altura de corte (10 posiciones)		De 25 a 100 mm
Temperatura de funcionamiento		De 0°C a 40°C
Temperatura de almacenamiento		De -20°C a 70°C
Peso (sin batería)		217 kg
Nivel de potencia acústica medido $L_{WA}$		95,48 dB(A) K=0,73 dB(A)

Nivel de presión acústica a la altura del oído del usuario $L_{PA}$		82,5 dB(A) K=3 dB(A)
Nivel de potencia acústica garantizado $L_{WA}$ (medido según 2000/14/CE)		100 dB(A)
Nivel de vibraciones $a_h$	Mano	0,69 m/s <sup>2</sup> K=1,5 m/s <sup>2</sup>
	Cuerpo	0,3 m/s <sup>2</sup> K=1,5 m/s <sup>2</sup>

- El valor de vibración total ha sido medido de acuerdo con el método de prueba estándar y se puede utilizar para comparar herramientas.
- El valor total de vibración declarado se puede usar además en una evaluación preliminar del grado de exposición.

**AVISO:** Las vibraciones generadas durante el uso real de la herramienta eléctrica pueden diferir del valor declarado en función de la manera en que se utilice. Como protección, el usuario debería utilizar guantes y protectores auditivos en condiciones reales de uso.

## DESCRIPCIÓN

### FAMILIARÍCESE CON EL CORTACÉSPED (FIG. A1 Y A2)

- Asiento
- Puerto de carga
- Unidad de potencia
- Luz trasera LED
- Compartimento de almacenamiento
- Soportes para vasos
- Luz lateral LED
- Rueda trasera (rueda motriz)
- Conexión de lavado
- Plataforma
- Protector de la plataforma
- Rueda antidesbroce
- Rueda delantera

- Pedal de freno de estacionamiento
- Luces de circulación diurna
- Faros LED
- Tolva de descarga lateral
- Palanca de ajuste de la altura de la plataforma
- Mando de ajuste de la suspensión del asiento
- Palanca de ajuste de la posición del asiento
- Barras transversales
- Indicador del estado del cortacésped
- Pantalla LCD
- Interruptor de toma de fuerza
- Botón de arranque/parada
- Llave de seguridad
- Ranura para guardar el teléfono
- Barra del deflector
- Indicador del estado y del nivel de energía del cortacésped
- a. Indicador del nivel de energía del cortacésped
- b. Indicador del estado del cortacésped
- Área de apoyo de los pies
- Botón para desbloquear la cubierta de la unidad de potencia
- Cubierta de la unidad de potencia
- Unidad de alimentación con seis compartimentos para baterías
- Botón de liberación de la batería
- Enganche
- Cubierta de montaje de accesorios
- Almacenamiento de la cubierta de montaje de accesorios
- Puerto USB

### FAMILIARÍCESE CON LA PANTALLA LCD (FIG. A3)

Consulte el apartado «REFERENCIA DEL ESTADO DEL CORTACÉSPED Y CÓDIGOS DE ERROR» para obtener más información sobre los símbolos e indicadores en la pantalla LCD.



1. Símbolo de la llave de seguridad
2. Símbolo de las luces LED
3. Símbolo de estacionamiento automático
4. Símbolo de USB
5. Indicador de la velocidad de las cuchillas
6. Indicador del estado de los dispositivos de seguridad
7. Contador de horas
8. Símbolo de compartimento de batería vacante
9. Icono de temperatura
10. Símbolo de compartimento de batería ocupado
11. Modo de desplazamiento
12. Indicador de código de error
13. Indicador de sobrecarga
14. Indicador de baja potencia
15. Indicador de la velocidad de conducción
16. Indicador de carga
17. Indicador de energía
18. Botón de ajuste de la velocidad de las cuchillas
19. Botón de ajuste
20. Botón del modo de conducción
21. Interruptor de las luces LED
22. Botón de ajuste de la velocidad de conducción

## DESEMBALAJE

**AVISO:** Guarde los materiales de embalaje hasta haber examinado detenidamente el producto y comprobado su funcionamiento correcto. Si alguna pieza de la lista de contenido está instalada en la máquina, póngase en contacto con el servicio de atención al cliente de EGO inmediatamente.

**AVISO:** Excepto las herramientas en la lista de contenido siguiente, todas las demás herramientas que se mencionan en los manuales solo están recomendadas, pero no incluidas.

### LISTA DE CONTENIDO (fig. B)

B-1	Tractor cortacésped de giro cero	B-6	Llaves de seguridad
B-2	Asiento	B-7	Llaves de extremo abierto (13 mm)
B-3	Palanca de dirección	B-8	Llave Allen
B-4	Tornillos con cabeza de hexágono interior (2 de reserva)	B-9	Acoplamiento rápido de la conexión de lavado
B-5	Tornillos de cabeza hexagonal (2 de reserva)	B-10	Manual del usuario

ES

### ACCESORIOS RECOMENDADOS

**⚠ ADVERTENCIA:** Utilice solo piezas idénticas a las originales de la lista siguiente. La utilización de recambios que no cumplan las especificaciones de los equipos originales podría provocar un funcionamiento incorrecto y reducir la seguridad de la herramienta.

NOMBRE DE LA PIEZA	N.º DE MODELO
Cuchilla estándar	AB5200
Cuchilla de elevación alta	AB5201
Kit para triturado	ABP5200
Kit de bolsa colectora de hierba	ABK5200-A
Parachoques trasero	AMB1000
Caja de carga	AMG1000
Parasol	AMS1000

## MONTAJE

### INSTALACIÓN DEL ASIENTO (Fig. C1 y C2)

**⚠ ADVERTENCIA:** El sistema de enclavamiento de seguridad no debe desconectarse ni evitarse. De lo contrario, el cortacésped se podría poner en marcha inesperadamente y provocar lesiones personales.

**AVISO:** Por su seguridad, el cortacésped podría detenerse si el interruptor del asiento se desconecta durante la conducción. En tal caso, consulte el apartado «**SOLUCIÓN DE PROBLEMAS**» para obtener más información.

C1-1	Cable	C1-5	Tornillos con cabeza de hexágono interior
C1-2	Enchufe	C2-1	Gancho
C1-3	Conexión	C2-2	Carriles de acero
C1-4	Base de suspensión	C2-3	Tornillos con cabeza de hexágono interior

### INSTALACIÓN DE LAS PALANCAS DE DIRECCIÓN (Fig. C3)

C3-1	Palancas de dirección	C3-3	Orificios de montaje de las palancas de dirección
C3-2	Tornillos hexagonales		

## FUNCIONAMIENTO

### ANTES DE USAR EL CORTACÉSPED

#### Comprobar el entorno

- Asegúrese de que en el área de trabajo no haya niños ni otras personas o animales.
- Despeje el área de trabajo retirando los objetos que podrían salir despedidos por la acción de las cuchillas del cortacésped.
- Asegúrese de que las luces LED funcionan correctamente:

- Los faros, las luces laterales y las luces traseras se controlan con el interruptor de las luces LED.
- Las luces de marcha siempre se mantienen encendidas durante la conducción.
- Al conducir marcha atrás, si las luces traseras están apagadas, parpadearán para advertir a otras personas que estén cerca; si las luces traseras están encendidas, permanecerán encendidas.
- Todas las luces se apagarán automáticamente cuando el cortacésped se apague automáticamente después de un periodo sin funcionar.

#### Comprobar la presión de los neumáticos en frío (fig. D1)

#### Comprobar el estado del cortacésped y el nivel de carga de la batería

- Indicador del nivel de energía del cortacésped (fig. A2 - 27a)  
Cada segmento del indicador del nivel de energía indica un 20 % de carga de las baterías insertadas.

**AVISO:** El indicador del nivel de energía del cortacésped en la pantalla LCD indica la capacidad media de las baterías insertadas.

- Indicador del estado del cortacésped (fig. A1 y fig. A2 - 27b)

Si el indicador de estado se enciende de color verde, el cortacésped está listo para la conducción. De lo contrario, consulte el apartado «**REFERENCIA DEL ESTADO DEL CORTACÉSPED Y CÓDIGOS DE ERROR**»

#### Comprobar la seguridad del sistema de enclavamiento (fig. D2 - fig. D8)

**AVISO:** Antes de la comprobación, el usuario debe situarse en el asiento.

- Antes de la comprobación (fig. D2 – fig. D4)
- Para comprobar el sistema de las cuchillas y la plataforma (fig. D5), levántese despacio.
- Para comprobar el sistema de conducción (fig. D6 – fig. D8), levántese despacio.

En caso de que el sistema de las cuchillas y la plataforma y/o el sistema de conducción no se detengan cuando el usuario no está en el asiento, y si no se puede determinar la causa después de confirmar que el enchufe está bien conectado a la toma del asiento, póngase en contacto inmediatamente con el centro de atención al cliente de EGO.

### AJUSTE (fig. E1 – fig. E13)

#### Preparación (fig. E1 – fig. E5)

#### Ajuste de la altura de la plataforma de corte (fig. E6)

#### Ajuste de las ruedas antidesbroce (fig. E7 – fig. E10)

E7-1	Rueda antidesbroce	E9-2	Tirafondos
E9-1	Tuerca	E10-1	Indicación de la altura de la plataforma

#### Ajuste del asiento (fig. E11)

Ajuste la posición del asiento para asegurarse de que pueda tener contacto firme con el pedal del freno de estacionamiento antes de utilizar el cortacésped. La suspensión del asiento se puede ajustar para aumentar al máximo la comodidad cuando esté sentado.

E11-1	Palanca de ajuste de la posición del asiento	E11-2	Mando de ajuste de la suspensión del asiento
-------	--	-------	--

#### Ajuste del freno de estacionamiento (fig. E12 – fig. E13)

E13-1	Posición de frenado	E13-2	Posición sin accionar el freno
-------	---------------------	-------	--------------------------------

### CARGA (fig. F1 – fig. F11)

Para poner en marcha este cortacésped, se necesitan baterías EGO con un total de 15 Ah (2 x BA4200T/BA4200T) como mínimo. Para obtener un rendimiento óptimo, recomendamos usar baterías EGO con un total de 30 Ah como mínimo.

**Utilice únicamente las baterías y cargadores recomendados (fig. F9 y F10).**

### Preparación para la carga (fig. F1 – fig. F4)

#### Carga de la(s) batería(s) por separado (fig. F5 - fig. F9)

F5-1	Botón de liberación de la tapa	F7-1	Botón de liberación de la batería
------	--------------------------------	------	-----------------------------------

- Para instalar la(s) batería(s) (fig. F5 – fig. F6)
- Para quitar la(s) batería(s) (fig. F7 – fig. F8)

**AVISO:** Para cargar la(s) batería(s), consulte los manuales correspondientes de las baterías y el cargador.

#### Cargar la batería a través del puerto de carga (fig. F10)

F10-1	Tapa de protección contra el polvo	F10-2	Puerto de carga
-------	------------------------------------	-------	-----------------

### ARRANCAR EL CORTACÉSPED

#### (fig. A4 – fig. A5 y fig. G1 – fig. G6)

**⚠ ADVERTENCIA:** Evite los arranques, paradas y giros bruscos, así como la velocidad excesiva, especialmente cuando esté aprendiendo a usar el cortacésped. El cortacésped puede girar rápidamente, lo que podría hacerle perder el control y provocar lesiones graves o daños materiales.

**⚠ ADVERTENCIA:** Antes de poner en marcha el cortacésped, asegúrese de que las cuchillas estén desactivadas en el transcurso de 5 s cuando empuje hacia abajo el interruptor PTO. Si las cuchillas no se paran, no utilice el cortacésped y póngase en contacto inmediatamente con el servicio de atención al cliente de EGO.

**AVISO:** Siga las indicaciones de la fig. A4 y la fig. G2 para ajustar la velocidad de conducción mínima y el modo de conducción **ESTÁNDAR** hasta que sea totalmente capaz de usar el cortacésped en todas las situaciones. La velocidad y el modo de conducción solo se activan cuando las ruedas del cortacésped están paradas y las palancas de dirección están abiertas.

El cortacésped guardará el modo de conducción, la velocidad de conducción y la calibración de las palancas de dirección, y los presentará cuando se reinicie.

## Modo de conducción

- **CONTROL:** baja aceleración, manejo menos sensible y velocidad de giro moderada, para proteger el césped y para usuarios nuevos.
- **ESTÁNDAR:** ideal para el uso diario.
- **DEPORTIVO:** alta aceleración, manejo preciso y giros pronunciados para maximizar la eficiencia de corte del césped y para entusiastas del cortacésped.

## Ajuste de la velocidad de conducción (fig. A4)

## Ajuste de la velocidad de las cuchillas (fig. A5)

## Puerto USB

**AVISO:** El puerto USB proporciona potencia de carga de 5 voltios CC a un consumo combinado de 1,5 amperios, y solo se acciona cuando el motor se arranca.

## PARAR EL CORTACÉSPED (fig. H1 – fig. H6)

**AVISO:** El cortacésped se apagará automáticamente si transcurren más de 60 minutos sin que se realice ninguna acción.

## Modo de conducción de emergencia

Cuando el nivel de carga de la batería es bajo, el cortacésped pasa al modo de conducción de emergencia:

- El cortacésped deja de cortar automáticamente;
- El pitido de indicación continúa sonando;
- El indicador del estado del cortacésped parpadea de color rojo con una frecuencia de un segundo, el primer segmento del indicador de energía del cortacésped parpadea de color rojo y tanto el indicador de potencia baja como los gráficos de la batería parpadean.

El usuario deberá:

- a) Empujar hacia abajo el interruptor de toma de fuerza (fig. H3) para desconectar las cuchillas. El pitido de indicación dejará de sonar cuando se paren las cuchillas;
- b) Dejar de usar el cortacésped y dirigirse lo antes posible al lugar de carga de la batería. La distancia máxima que puede recorrer el cortacésped es 1000 m.

Cuando la batería está a punto de agotarse por completo, el símbolo de cada compartimento de batería ocupado y el indicador de potencia baja parpadean una vez cada medio segundo. El cortacésped se para inmediatamente. El usuario deberá transportar el cortacésped al lugar de carga de la batería para recargarlo.

## Empuje manual

En caso de que sea necesario empujarlo manualmente, asegúrese de que las baterías estén desconectadas del cortacésped y de que el pedal del freno de estacionamiento no esté en la posición de frenado.

## CONDUCIR EL CORTACÉSPED (fig. I1 – fig. I9)

Para parar, reducir o aumentar la velocidad, cambie lentamente la distancia de la palanca de dirección del punto muerto.

**⚠ PELIGRO:** Manténgase como mínimo a dos anchuras de corte de distancia de zanjas, laderas o agua. Las ruedas delanteras pueden girar cuando el cortacésped está parado, incluso con el freno acoplado, y pueden hacer que el cortacésped caiga por el borde o al agua, provocando la muerte o lesiones graves.

**⚠ ADVERTENCIA:** Esté atento a lo que pueda haber detrás del cortacésped cuando vaya marcha atrás. NO corte el césped marcha atrás, a menos que sea absolutamente necesario. Mire siempre hacia abajo y hacia atrás cuando retroceda, para asegurarse de que no haya niños ni otras personas o animales en la zona de corte. Recuerde que cualquier distracción de una fracción de segundo es suficiente para provocar lesiones graves o mortales.

**⚠ ADVERTENCIA:** No use la máquina en vías públicas.

**⚠ ADVERTENCIA:** Si se produce un bloqueo, o en caso de golpear algún objeto extraño con la cuchilla, apague el motor y saque las baterías. Quite los recortes de hierba, hojas, suciedad y otros residuos acumulados; examine minuciosamente el cortacésped por si presentarse algún daño y efectúe las reparaciones necesarias antes de volver a ponerlo en marcha y utilizarlo.

## MANTENIMIENTO

**⚠️ ADVERTENCIA:** Utilice siempre gafas de seguridad con pantallas de protección lateral. De lo contrario, pueden salir objetos despedidos y alcanzar los ojos, pudiendo provocar lesiones graves.

**⚠️ ADVERTENCIA:** Protéjase siempre las manos utilizando guantes gruesos o envolviendo los filos cortantes en paños u otros materiales cuando realice trabajos de mantenimiento en la cuchilla del cortacésped. Saque siempre la llave de seguridad y las baterías antes de reparar o transportar el cortacésped.

Intervalo del servicio de mantenimiento	Procedimiento de mantenimiento.
Antes de cada uso o a diario	<ul style="list-style-type: none"> <li>Comprobar el sistema de enclavamiento de seguridad.</li> <li>Comprobar visualmente si los neumáticos están desinflados.</li> <li>Inspeccionar las cuchillas por si estuviesen desgastadas, agrietadas o dobladas.</li> <li>Examinar todo el producto para ver si hay piezas dañadas, extraviadas o sueltas, como la tolva de descarga lateral, tornillos, tuercas, pernos, tapones, etc., y asegurarse de que están en su lugar y funcionan correctamente.</li> <li>Comprobar el funcionamiento del freno.</li> </ul>
Después de cada uso	<ul style="list-style-type: none"> <li>Limpiar la plataforma del cortacésped.</li> </ul>
Cada 25 horas	<ul style="list-style-type: none"> <li>Comprobar la presión de los neumáticos.</li> </ul>
Cada 50 horas	<ul style="list-style-type: none"> <li>Comprobar si hay grasa dentro de la brida de la cuchilla de corte.</li> </ul>

Cada 100 horas	<ul style="list-style-type: none"> <li>Examine las ruedas traseras y compruebe que todas las tuercas de las ruedas estén apretadas con el par recomendado.</li> </ul>
Cada 200 horas	<ul style="list-style-type: none"> <li>Examinar las ruedas delanteras y comprobar que giren libremente.</li> </ul>
Anualmente	<ul style="list-style-type: none"> <li>Comprobar el pedal de freno de estacionamiento. Quitar la batería del cortacésped y ajustar la posición del pedal de freno de estacionamiento a la posición de frenado. Empuje manualmente el cortacésped hacia delante para ver si se puede mover o no. Si se mueve, llévelo a un técnico cualificado para que lo repare.</li> </ul>

ES

### LIMPIEZA DEL CORTACÉSPED (fig. J1 – fig. J9)

**Preparación (fig. J1 – fig. J5)**

**Limpieza de la carcasa del cortacésped (fig. J6 - fig. J7)**

**Uso de la conexión de lavado para limpiar la plataforma del cortacésped (fig. J8 - fig. J9)**

J8-1	Conexión de lavado	J8-3	Manguera de jardín
J8-2	Acoplamiento rápido de la conexión de lavado		

**AVISO:** Cuando termine la limpieza, empuje hacia abajo el interruptor de toma de fuerza para desconectar las cuchillas del cortacésped.

### MANTENIMIENTO DE LA PLATAFORMA DEL CORTACÉSPED Y LAS CUCHILLAS DE CORTE

**Preparación (fig. K1 – fig. K6)**

### Desmontaje de la plataforma del cortacésped (fig. K7 – fig. K8)

K7-1	Cable del motor	K7-3	Varillaje de la suspensión
K7-2	Pasador de chaveta		

**AVISO:** Desconecte todos los cables del motor y las chavetas cuando retire la plataforma del cortacésped.

### Sustitución de las cuchillas de corte (fig. K9 - fig. K11)

K9-1	Estabilizador	K10-3	Cuchilla
K10-1	Tornillo	K10-4	Brida
K10-2	Arandela	K10-5	Eje del motor

### Nivelación de la plataforma del cortacésped

- Cuándo nivelar (fig. K12 – fig. K14)**
- Antes de nivelar**
  - Comprobar la presión de los neumáticos en frío (fig. K15)
  - Compruebe las cuchillas. En caso necesario, desmonte y sustituya las cuchillas desgastadas, agrietadas o dobladas.
- Preparación para la nivelación (fig. K16 – fig. K21)**
- Cómo nivelar**
  - Hacer el ajuste de lado a lado (fig. K22)

K22-1	Contratuerca
-------	--------------

- Hacer el ajuste de delante a atrás (fig. K23)

### CALIBRACIÓN DEL SISTEMA DE SEGUIMIENTO DEL CORTACÉSPED (fig. L1 – fig. L4)

**AVISO:** El pitido de indicación debería sonar una vez cuando se inicia la calibración y cuando ha finalizado.

**AVISO:** La calibración completada para uno de los modos de conducción («CONTROL», «ESTÁNDAR», «DEPORTIVO») puede no estar disponible para los otros dos modos. Calibre las palancas de dirección en cada modo de conducción de forma independiente según sea necesario.

### RESTABLECER EL CORTACÉSPED A LOS AJUSTES DE FÁBRICA (fig. MOWER)

**AVISO:** El pitido de indicación debería sonar una vez cuando se inicia el restablecimiento y cuando ha finalizado.

**AVISO:** Si el restablecimiento se ha realizado correctamente, los ajustes siguientes volverán a la configuración inicial de fábrica:

- modo de conducción
- velocidad de conducción
- calibración de las palancas de dirección

## ALMACENAMIENTO Y TRANSPORTE

### TRANSPORTAR EL CORTACÉSPED (FIG. N1 – FIG. N11)

**AVISO:** Sujete el cortacésped como sea necesario usando correas o cables para evitar el movimiento durante el transporte.

### ALMACENAMIENTO (fig. 01 – fig. 06)

**AVISO:** Quite las baterías y guárdelas; consulte los manuales correspondientes.

Compruebe el cortacésped y límpielo antes de guardarlo. Consulte los apartados «LIMPIEZA DEL CORTACÉSPED» y «PLAZOS DE MANTENIMIENTO RECOMENDADOS».


### Protección del medio ambiente



RAEE (Residuos de Aparatos Eléctricos y Electrónicos) ¡No elimine aparatos eléctricos, baterías usadas ni cargadores de baterías junto con los desperdicios domésticos!

Lleve este producto a un punto de reciclaje autorizado y deposítelo por separado según corresponda. Las herramientas eléctricas se deben llevar a un punto de reciclaje con fin de proteger el medio ambiente.

## SOLUCIÓN DE PROBLEMAS


PROBLEMA	CAUSA	SOLUCIÓN
<p>El cortacésped no se desplaza cuando se empujan las dos palancas de dirección hacia delante o hacia atrás al principio.</p>  El símbolo de la palanca de dirección parpadea	<ul style="list-style-type: none"> <li>Los Ah combinados de las baterías insertadas no cumplen el requisito.</li> </ul>	<ul style="list-style-type: none"> <li>Para arrancar este cortacésped, utilice suficientes baterías EGO siguiendo las instrucciones al apartado «<b>CARGA</b>» de este manual.</li> </ul>
	<ul style="list-style-type: none"> <li>El pedal de freno de estacionamiento está en la posición de frenado.</li> </ul>	<ul style="list-style-type: none"> <li>Presione completamente el pedal de freno de estacionamiento para soltarlo de la posición de frenado.</li> </ul>
	<ul style="list-style-type: none"> <li>Las palancas de dirección no están en la posición abierta cuando se arranca el cortacésped.</li> </ul>	<ul style="list-style-type: none"> <li>Vuelva a poner las palancas de dirección en la posición abierta y arranque de nuevo el cortacésped.</li> </ul>
	<ul style="list-style-type: none"> <li>El usuario no está sentado en el asiento.</li> </ul>	<ul style="list-style-type: none"> <li>El usuario debe estar sentado correctamente en el asiento para poder utilizar el cortacésped.</li> </ul>
	<ul style="list-style-type: none"> <li>El interruptor del asiento no está conectado correctamente.</li> </ul>	<ul style="list-style-type: none"> <li>Quite la batería del cortacésped y desmonte el asiento en orden inverso al indicado en las instrucciones en el apartado «<b>INSTALACIÓN DEL ASIENTO</b>» de este manual, para examinar la conexión del interruptor del asiento. Vuelva a montar el asiento y siga las instrucciones del apartado «<b>ARRAN CAR EL CORTACÉSPED</b>» para volver a poner en marcha el cortacésped y ver si arranca. De lo contrario, póngase en contacto con un técnico de servicio cualificado para que lo repare.</li> </ul>
	<ul style="list-style-type: none"> <li>En situaciones de frío extremo, es posible que la función de conducción no arranque correctamente debido a la protección contra temperatura baja.</li> </ul>	<ul style="list-style-type: none"> <li>Guarde siempre el cortacésped y la batería en un entorno cálido. Vuelva a arrancar el cortacésped cuando se haya calentado. No intente arrancar repetidamente en condiciones de frío extremo, ya que se podría dañar la máquina.</li> </ul>

ES

ES

PROBLEMA	CAUSA	SOLUCIÓN
El cortacésped deja de desplazarse.	<ul style="list-style-type: none"> <li>▪ Hay que «reiniciar» las palancas de dirección.</li> </ul>	<ul style="list-style-type: none"> <li>▪ Vuelva a poner las palancas de dirección en la posición abierta y arranque de nuevo el cortacésped.</li> </ul>
	<ul style="list-style-type: none"> <li>▪ Hay un fallo en los componentes de control del sistema eléctrico de las palancas de dirección.</li> </ul>	<ul style="list-style-type: none"> <li>▪ Póngase en contacto con un técnico de servicio cualificado para que lo repare.</li> </ul>
	<ul style="list-style-type: none"> <li>▪ El interruptor del asiento se ha desconectado durante la conducción sobre un terreno abrupto.</li> </ul>	<ul style="list-style-type: none"> <li>▪ Quite la batería del cortacésped y desmonte el asiento en orden inverso al indicado en las instrucciones en el apartado «<b>INSTALACIÓN DEL ASIENTO</b>» de este manual, para examinar la conexión del interruptor del asiento. Vuelva a montar el asiento y siga las instrucciones del apartado «<b>ARRANCAR EL CORTACÉSPED</b>» para volver a poner en marcha el cortacésped y ver si arranca. De lo contrario, póngase en contacto con un técnico de servicio cualificado para que lo repare.</li> </ul>
	<ul style="list-style-type: none"> <li>▪ El pedal del freno de estacionamiento se ha presionado para reducir la velocidad de conducción. Una vez que el pedal del freno de estacionamiento esté lo suficientemente presionado, pero no en la posición de estacionamiento, el cortacésped se parará.</li> </ul>	<ul style="list-style-type: none"> <li>▪ Siga las instrucciones del apartado «<b>ARRANCAR EL CORTACÉSPED</b>» para reiniciar el cortacésped.</li> </ul>
La velocidad de conducción o el modo de conducción no se pueden ajustar durante la conducción.	<ul style="list-style-type: none"> <li>▪ Se trata de una función de conducción segura del cortacésped.</li> </ul>	<ul style="list-style-type: none"> <li>▪ La función solo se activa cuando las ruedas del cortacésped están paradas y las palancas de dirección están abiertas.</li> </ul>



PROBLEMA	CAUSA	SOLUCIÓN
<p>El cortacésped no pone en marcha las cuchillas cuando el interruptor de la TDF está conectado.</p>  El símbolo del interruptor de toma de fuerza parpadea	<ul style="list-style-type: none"> <li>Los Ah combinados de las baterías insertadas no cumplen el requisito.</li> </ul>	<ul style="list-style-type: none"> <li>Para arrancar este cortacésped, utilice suficientes baterías EGO siguiendo las instrucciones al apartado «<b>CARGA</b>» de este manual.</li> </ul>
	<ul style="list-style-type: none"> <li>El interruptor de toma de fuerza no se presionó hacia abajo la última vez que se paró el cortacésped.</li> </ul>	<ul style="list-style-type: none"> <li>Empuje hacia abajo el interruptor de toma de fuerza y vuelva a poner en marcha las cuchillas del cortacésped.</li> </ul>
	<ul style="list-style-type: none"> <li>El cortacésped está sobrecargado en el momento en que se ponen en marcha las cuchillas, provocando que se active la función de autoprotección del motor.</li> </ul>	<ul style="list-style-type: none"> <li>Empiece a cortar la hierba con el cortacésped primero a una velocidad baja de las cuchillas, y no aumente la velocidad de las cuchillas hasta que estén girando correctamente.</li> </ul>
	<ul style="list-style-type: none"> <li>En situaciones de frío extremo, es posible que el motor de las cuchillas no arranque correctamente debido a la protección contra temperatura baja.</li> </ul>	<ul style="list-style-type: none"> <li>Guarde siempre el cortacésped y la batería en un entorno cálido. Vuelva a arrancar el cortacésped cuando se haya calentado. No intente arrancar repetidamente en condiciones de frío extremo, ya que se podría dañar la máquina.</li> </ul>
	<ul style="list-style-type: none"> <li>La cuchilla interfiere con la plataforma del cortacésped deformada.</li> </ul>	<ul style="list-style-type: none"> <li>Póngase en contacto con un técnico de servicio cualificado para que lo repare.</li> </ul>

PROBLEMA	CAUSA	SOLUCIÓN
Las cuchillas se paran durante el corte de la hierba.	<ul style="list-style-type: none"> <li>El cortacésped se ha sobrecargado.</li> </ul>	<ul style="list-style-type: none"> <li>Suba la altura de corte de la plataforma o reduzca la velocidad de conducción para disminuir la carga del cortacésped.</li> </ul>
	<ul style="list-style-type: none"> <li>La plataforma del cortacésped está obstruida con restos de hierba y suciedad.</li> </ul>	<ul style="list-style-type: none"> <li>Limpie la plataforma del cortacésped y asegúrese de que las cuchillas giran libremente.</li> </ul>
	<ul style="list-style-type: none"> <li>El cortacésped se ha sobrecalentado.</li> </ul>	<ul style="list-style-type: none"> <li>Reduzca la carga del cortacésped elevando la altura de corte de la plataforma o reduciendo la velocidad de las cuchillas o la velocidad de conducción, y espere a que el cortacésped se enfríe.</li> </ul>
	<ul style="list-style-type: none"> <li>La(s) batería(s) instalada(s) en el compartimento del cortacésped se ha(n) sobrecalentado, por lo que la capacidad de Ah combinada de todas las baterías insertadas no cumple el requisito.</li> </ul>	<ol style="list-style-type: none"> <li>Si la capacidad de Ah combinada de las baterías no cumple el requisito, el cortacésped no funcionará hasta que se inserten más baterías en los compartimentos de batería que están libres. Cuando la batería sobrecalentada haya recuperado la temperatura normal, unirá su potencia inmediatamente a las demás baterías para accionar el cortacésped.</li> </ol>
		<ol style="list-style-type: none"> <li>Reduzca la carga del cortacésped elevando la altura de corte de la plataforma o reduciendo la velocidad de corte cuando reanude el funcionamiento.</li> </ol>
	<ul style="list-style-type: none"> <li>El cortacésped está en el modo de conducción de emergencia.</li> </ul>	<ul style="list-style-type: none"> <li>Cuando el cortacésped está en el modo de conducción de emergencia, las cuchillas se conmutan automáticamente a la velocidad de giro baja sin cortar hierba. El usuario deberá dejar de usar el cortacésped y dirigirse lo antes posible al lugar de carga de la batería.</li> </ul>
	<ul style="list-style-type: none"> <li>El cortacésped ha golpeado un objeto extraño, por lo que se ha activado la función de autoprotección del motor.</li> </ul>	<ul style="list-style-type: none"> <li>Empuje hacia abajo el interruptor de toma de fuerza y vuelva a poner en marcha las cuchillas del cortacésped.</li> </ul>

PROBLEMA	CAUSA	SOLUCIÓN
El pitido de indicación sigue sonando.	<ul style="list-style-type: none"> <li>El cortacésped está en el modo de conducción de emergencia y las cuchillas no están apagadas.</li> </ul>	<ul style="list-style-type: none"> <li>Empuje hacia abajo el interruptor de toma de fuerza para desconectar las cuchillas de la plataforma. El pitido de indicación dejará de sonar cuando se paren las cuchillas.</li> </ul>
	<ul style="list-style-type: none"> <li>El cortacésped se detiene en una pendiente y el usuario abre las palancas de dirección y se levanta del asiento sin poner el pedal de freno de estacionamiento en la posición de frenado.</li> </ul>	<ul style="list-style-type: none"> <li>Ponga el pedal de freno de estacionamiento en la posición de frenado antes de dejar el cortacésped en la pendiente.</li> </ul>
Los indicadores de la batería siguen encendidos cuando el cortacésped está apagado.	<ul style="list-style-type: none"> <li>Cuando el cortacésped se apaga sobre un suelo sin quitar la(s) batería(s), los indicadores de la batería, el botón de arranque/parada y el botón de ajuste permanecen encendidos durante un tiempo.</li> </ul>	<ul style="list-style-type: none"> <li>No es necesaria ninguna acción. Los indicadores de batería se apagarán cuando el cortacésped se apague después de un tiempo. Consulte el apartado «<b>PARADA DEL CORTACÉSPED</b>» para conocer el tiempo específico.</li> </ul>
	<ul style="list-style-type: none"> <li>Cuando el cortacésped se apaga en una pendiente sin poner el pedal de freno de estacionamiento en la posición de frenado, los indicadores de la batería permanecen encendidos hasta que se agota totalmente la carga de las baterías. Al mismo tiempo, suena el pitido de indicación.</li> </ul>	<ul style="list-style-type: none"> <li>Ponga el pedal de freno de estacionamiento en la posición de frenado antes de que el usuario deje la máquina en la pendiente.</li> </ul>
La pantalla LCD no se ilumina con todos los símbolos encendidos.	<ul style="list-style-type: none"> <li>El tiempo de pulsación del botón de arranque/parada no es suficiente.</li> </ul>	<ul style="list-style-type: none"> <li>En la pantalla LCD solo se muestra el «Indicador de energía» si el botón de arranque/aparada se pulsa brevemente.</li> </ul>
		<ul style="list-style-type: none"> <li>La pantalla LCD se enciende después de pulsar el botón de arranque/parada durante suficiente tiempo.</li> </ul>

ES

PROBLEMA	CAUSA	SOLUCIÓN
El cortacésped corta de forma irregular, con una diferencia de altura considerable entre la parte delantera y la trasera.	<ul style="list-style-type: none"> <li>Las cuchillas están romas.</li> </ul>	<ul style="list-style-type: none"> <li>Afile la cuchilla o sustitúyala siguiendo las instrucciones de este manual.</li> </ul>
	<ul style="list-style-type: none"> <li>Las cuchillas están dobladas.</li> </ul>	<ul style="list-style-type: none"> <li>Sustituya la cuchilla de corte doblada siguiendo las instrucciones del apartado «CAMBIAR LAS CUCHILLAS DE CORTE».</li> </ul>
	<ul style="list-style-type: none"> <li>La plataforma del cortacésped no está nivelada, lo que provoca diferentes alturas de las cuchillas de corte.</li> </ul>	<ul style="list-style-type: none"> <li>Nivele la cubierta del cortacésped siguiendo las instrucciones del apartado «NIVELACIÓN DE LA PLATAFORMA DEL CORTACÉSPED».</li> </ul>
La altura real de corte de la hierba no coincide con la altura deseada.	<ul style="list-style-type: none"> <li>Las tuercas de la plataforma del cortacésped se han aflojado en el varillaje de la suspensión.</li> </ul>	<ul style="list-style-type: none"> <li>Siga las instrucciones del apartado «NIVELACIÓN DE LA PLATAFORMA DEL CORTACÉSPED» para realizar correctamente el ajuste de delante atrás de la plataforma del cortacésped, y apriete firmemente las tuercas en el varillaje de la suspensión.</li> </ul>
	<ul style="list-style-type: none"> <li>La plataforma del cortacésped está dañada o muy desgastada.</li> </ul>	<ul style="list-style-type: none"> <li>Siga las instrucciones del apartado «DESMONTAJE DE LA PLATAFORMA DEL CORTACÉSPED» para sustituir la plataforma.</li> </ul>
El cortacésped no tritura correctamente la hierba.	<ul style="list-style-type: none"> <li>Hay recortes de hierba húmeda adheridos en la superficie inferior de la plataforma de corte.</li> </ul>	<ul style="list-style-type: none"> <li>Espere a que la hierba esté seca antes de cortar el césped.</li> </ul>
	<ul style="list-style-type: none"> <li>El cortacésped está ajustado para cortar una elevada cantidad de hierba en cada pasada.</li> </ul>	<ul style="list-style-type: none"> <li>Eleve la altura de corte de la plataforma.</li> </ul>

PROBLEMA	CAUSA	SOLUCIÓN
La herramienta vibra en exceso.	<ul style="list-style-type: none"> <li>Las cuchillas de corte están sueltas.</li> </ul>	<ul style="list-style-type: none"> <li>Apriete el tornillo de la cuchilla con el par recomendado.</li> </ul>
	<ul style="list-style-type: none"> <li>Las cuchillas están dobladas.</li> </ul>	<ul style="list-style-type: none"> <li>Sustituya la cuchilla de corte doblada siguiendo las instrucciones del apartado «<b>CAMBIAR LAS CUCHILLAS DE CORTE</b>».</li> </ul>
	<ul style="list-style-type: none"> <li>La plataforma del cortacésped no está nivelada.</li> </ul>	<ul style="list-style-type: none"> <li>Nivele la cubierta del cortacésped siguiendo las instrucciones del apartado «<b>NIVELACIÓN DE LA PLATAFORMA DEL CORTACÉSPED</b>».</li> </ul>
	<ul style="list-style-type: none"> <li>Las tuercas de la plataforma del cortacésped se han aflojado en el varillaje de la suspensión.</li> </ul>	<ul style="list-style-type: none"> <li>Apriete las tuercas del varillaje de la suspensión.</li> </ul>
	<ul style="list-style-type: none"> <li>El cortacésped está ajustado para cortar una elevada cantidad de hierba en cada pasada.</li> </ul>	<ul style="list-style-type: none"> <li>Eleve la altura de corte de la plataforma.</li> </ul>
Queda hierba o residuos en el suelo después de cortar el césped.	<ul style="list-style-type: none"> <li>El cortacésped está ajustado para cortar una elevada cantidad de hierba en cada pasada cuando la hierba es alta.</li> </ul>	<ul style="list-style-type: none"> <li>Comience con una altura de corte elevada y redúzcala hasta lograr el resultado de corte deseado en el césped. Si el césped tiene una altura mayor que 6 pulgadas deberá cortarse dos veces, reduciendo la altura de corte sucesivamente.</li> </ul>
	<ul style="list-style-type: none"> <li>La hierba está mojada.</li> </ul>	<ul style="list-style-type: none"> <li>No corte cuando la hierba esté mojada, espere a que se seque.</li> </ul>
	<ul style="list-style-type: none"> <li>La velocidad de conducción es alta.</li> </ul>	<ul style="list-style-type: none"> <li>Reduzca la velocidad de conducción.</li> </ul>
	<ul style="list-style-type: none"> <li>La velocidad de la cuchilla es baja.</li> </ul>	<ul style="list-style-type: none"> <li>Aumente gradualmente la velocidad de las cuchillas.</li> </ul>
Poco tiempo de funcionamiento del cortacésped con la batería incluida.	<ul style="list-style-type: none"> <li>Las condiciones de la hierba y el ajuste de la altura de corte pueden afectar mucho al tiempo de funcionamiento de las baterías. El tiempo de funcionamiento teórico se basa en una situación de carga ligera.</li> </ul>	<ul style="list-style-type: none"> <li>Suba la altura de corte de la plataforma y reduzca la velocidad de las cuchillas para disminuir la carga de corte.</li> </ul>






ES

PROBLEMA	CAUSA	SOLUCIÓN
El cortacésped no va en línea recta.	<ul style="list-style-type: none"> <li>Las presiones de los neumáticos izquierdo y derecho son diferentes.</li> </ul>	<ul style="list-style-type: none"> <li>Compruebe y ajuste a presión de aire en los neumáticos de las dos ruedas traseras, siguiendo la recomendación del apartado «<b>COMPROBAR LA PRESIÓN DE LOS NEUMÁTICOS</b>» de este manual.</li> </ul>
	<ul style="list-style-type: none"> <li>Las velocidades de conducción para las ruedas izquierda y derecha son diferentes.</li> </ul>	<ul style="list-style-type: none"> <li>Calibre el sistema de seguimiento del cortacésped siguiendo las instrucciones del apartado «<b>CALIBRACIÓN DEL SISTEMA DE SEGUIMIENTO DEL CORTACÉSPED</b>».</li> </ul>
El pedal de freno no se puede soltar de la posición de frenado o regresa demasiado despacio.	<ul style="list-style-type: none"> <li>Es posible que hayan penetrado residuos o suciedad en el pedal de freno de estacionamiento.</li> </ul>	<ul style="list-style-type: none"> <li>Abra la caja del pedal de freno de estacionamiento para limpiarla a fondo por dentro y ciérrela después. Restablezca el pedal de freno de estacionamiento para comprobar si se ha resuelto el problema. De lo contrario, póngase en contacto con un técnico de servicio cualificado para que lo repare.</li> </ul>
El cortacésped no se puede cargar a través del puerto de carga con el indicador de estado del cortacésped encendido permanentemente en rojo.	<ul style="list-style-type: none"> <li>El enchufe o el cargador no están insertados correctamente en el puerto de carga del cortacésped.</li> </ul>	<ul style="list-style-type: none"> <li>Vuelva a conectar el enchufe del cargador para comprobar si el cortacésped se puede cargar normalmente.</li> </ul>
	<ul style="list-style-type: none"> <li>No hay potencia en las tomas de corriente.</li> </ul>	<ul style="list-style-type: none"> <li>No es necesaria ninguna acción. Espere hasta que se restablezca la potencia.</li> </ul>
	<ul style="list-style-type: none"> <li>El cargador no funciona correctamente.</li> </ul>	<ul style="list-style-type: none"> <li>Póngase en contacto con un técnico de servicio cualificado para que lo inspeccione y repare el cargador en caso necesario.</li> </ul>
	<ul style="list-style-type: none"> <li>El puerto del cargador en el cortacésped está defectuoso.</li> </ul>	<ul style="list-style-type: none"> <li>Póngase en contacto con un técnico de servicio cualificado para que lo repare.</li> </ul>
El tiempo de carga a través del puerto de carga del cortacésped es demasiado largo.	<ul style="list-style-type: none"> <li>El uso de un adaptador EGO ACA1000 para la carga requiere mucho tiempo.</li> </ul>	<ul style="list-style-type: none"> <li>Use el cargador EGO CHV1600E para cargar directamente el cortacésped.</li> </ul>
La batería no se puede cargar completamente a través del puerto de carga del cortacésped.	<ul style="list-style-type: none"> <li>Error de firmware del tractor cortacésped o fallo del cargador o la batería.</li> </ul>	<ul style="list-style-type: none"> <li>Desenchufe el cargador, espere varios minutos y después vuelva a enchufarlo a la red eléctrica. Si no funciona, póngase en contacto con un técnico de servicio cualificado para que lo repare.</li> </ul>

PROBLEMA	CAUSA	SOLUCIÓN
El cortacésped no se puede arrancar después de la limpieza.	<ul style="list-style-type: none"> <li>▪ Limpieza incorrecta, por ejemplo, penetración de agua en los componentes eléctricos, la pantalla LCD, etc.</li> </ul>	<ul style="list-style-type: none"> <li>▪ Siga las instrucciones del apartado «<b>LIMPIEZA DEL CORTACÉSPED</b>» para limpiar el aparato correctamente.</li> </ul>
El cortacésped se obstruye fácilmente.	<ul style="list-style-type: none"> <li>▪ La plataforma del cortacésped está obstruida con restos de hierba y suciedad.</li> </ul>	<ul style="list-style-type: none"> <li>▪ Si el cortacésped se expone a la lluvia accidentalmente, deje que se seque al aire o use aire comprimido para secarlo.</li> </ul>
		<ul style="list-style-type: none"> <li>▪ Limpie la plataforma del cortacésped después de cada uso, siguiendo las instrucciones del apartado «Usar la conexión de lavado para limpiar la plataforma del cortacésped».</li> </ul>
El cortacésped pierde tracción fácilmente cuando sube por una pendiente.	<ul style="list-style-type: none"> <li>▪ Los neumáticos de las ruedas traseras están desgastados.</li> </ul>	<ul style="list-style-type: none"> <li>▪ Póngase en contacto con un centro de servicio técnico local para sustituir los neumáticos de las ruedas.</li> </ul>
	<ul style="list-style-type: none"> <li>▪ Pendiente de corte grande.</li> </ul>	<ul style="list-style-type: none"> <li>▪ La pendiente de corte debe ser del grado requerido.</li> </ul>
Cuando el cortacésped está parado en una pendiente con el pedal de freno de estacionamiento accionado, el cortacésped puede deslizarse hacia abajo por la pendiente.	<ul style="list-style-type: none"> <li>▪ Los componentes del freno están excesivamente desgastados debido a un funcionamiento incorrecto del cortacésped.</li> </ul>	<ul style="list-style-type: none"> <li>▪ Póngase en contacto con un técnico de servicio cualificado para que lo repare.</li> </ul>
No sale agua de la conexión de lavado cuando se realiza la limpieza de la plataforma.	<ul style="list-style-type: none"> <li>▪ El acoplamiento rápido de la conexión de lavado no se ha instalado en su lugar en la conexión de lavado.</li> </ul>	<ul style="list-style-type: none"> <li>▪ Vuelva a conectar el acoplamiento rápido de la conexión de lavado hasta que oiga claramente un «clic» después de empujar firmemente. Si no funciona, póngase en contacto con un técnico de servicio cualificado para que lo repare.</li> </ul>
Se produce un ruido anómalo cuando se empuja manualmente el cortacésped sin arrancarlo.	<ul style="list-style-type: none"> <li>▪ El ruido lo producen los imanes en el interior del motor de conducción.</li> </ul>	<ul style="list-style-type: none"> <li>▪ Esto es normal y no es necesaria ninguna acción.</li> </ul>

## REFERENCIA DE CÓDIGOS DE ERROR Y DEL INDICADOR DE ESTADO DEL CORTACÉSPED

**ES**

Pantalla LCD	Descripción	Código de error en la pantalla LCD	Indicador del estado del cortacésped	Pitido	Causa	Solución
	En la pantalla LCD aparece el símbolo de las luces LED	No procede	APAGADO	No	Los faros, las luces laterales y las luces traseras se encienden con el interruptor de las luces LED.	Este es el funcionamiento normal. No es necesaria ninguna acción.
	En la pantalla LCD aparece el símbolo de USB	No procede	APAGADO	No	El símbolo de USB se enciende indicando que un dispositivo USB puede funcionar después de que el cortacésped se haya arrancado correctamente.	Este es el funcionamiento normal. No es necesaria ninguna acción.
	En la pantalla LCD aparece el símbolo del indicador de energía	No procede	APAGADO	No	Indica la capacidad de carga media de las baterías instaladas.	Este es el funcionamiento normal. No es necesaria ninguna acción.
	En la pantalla LCD aparece el símbolo del contador de horas	No procede	APAGADO	No	Muestra el tiempo de conducción total del cortacésped en horas, y no se puede reiniciar.	Este es el funcionamiento normal. No es necesaria ninguna acción.
	En el rango ECO aparece el símbolo del indicador de carga	No procede	APAGADO	No	Indica la carga actual del cortacésped.	Este es el funcionamiento normal. No es necesaria ninguna acción.



Pantalla LCD	Descripción	Código de error en la pantalla LCD	Indicador del estado del cortacésped	Pitido	Causa	Solución
	El indicador de sobrecarga parpadea. En la gama PWR aparece el símbolo del indicador de carga.	No procede	Parpadea de color rojo	Un pitido	El motor de las cuchillas se ha sobrecargado.	Suba la altura de corte de la plataforma o reduzca la velocidad de conducción para disminuir la carga del cortacésped.
					La tolva de descarga lateral está obstruida con hierba y residuos.	Limpie la tolva de descarga lateral después de cada uso.
					Hay una interferencia entre la cuchilla y la cubierta plataforma de la segadora.	Solicite las reparaciones a un técnico cualificado.
	El símbolo de la llave de seguridad parpadea.	No procede	APAGADO	No	La llave de seguridad no está insertada.	Inserte la llave de seguridad y después mantenga pulsado el botón de arranque/parada para arrancar el cortacésped.
					La pantalla LCD no recibe potencia.	Solicite las reparaciones a un técnico cualificado.
	El símbolo de un determinado compartimento de la batería parpadea.	No procede	APAGADO	No	Una determinada batería tiene sobrecorriente durante la descarga.	No es necesaria ninguna acción. El cortacésped puede seguir funcionando si la capacidad de Ah de las baterías combinadas, excluyendo la batería con sobrecorriente, cumple el requisito. Una vez que la batería con sobrecorriente vuelva a la normalidad, se unirá a la alimentación del cortacésped inmediatamente y el símbolo desaparecerá.
	El símbolo de compartimento de la batería vacío parpadea.	No procede	APAGADO	No	La capacidad de la batería no es suficiente para que el tractor cortacésped pueda funcionar.	Para arrancar este cortacésped, utilice suficientes baterías EGO siguiendo las instrucciones del apartado «CARGA» de este manual.

ES

Pantalla LCD	Descripción	Código de error en la pantalla LCD	Indicador del estado del cortacésped	Pitido	Causa	Solución
	El símbolo de temperatura parpadea.	No procede	APAGADO	Un pitido	El cortacésped se ha sobrecalentado.	Reduzca la carga del cortacésped elevando la altura de corte de la plataforma o reduciendo la velocidad de las cuchillas o la velocidad de conducción. Haga una pausa y deje que el cortacésped se enfríe.
					El cortacésped está demasiado frío.	Por favor, no haga intentos repetidos que puedan dañar la máquina. Guarde siempre el cortacésped y las baterías en un entorno cálido. Vuelva a arrancar el cortacésped cuando se haya calentado.

Kees van der Spek  
TUINMACHINES ★ STOLWIJK

Pantalla LCD	Descripción	Código de error en la pantalla LCD	Indicador del estado del cortacésped	Pitido	Causa	Solución
	El símbolo de temperatura y el compartimento exacto ocupado de la batería parpadean al mismo tiempo.	No procede	APAGADO	No	La batería instalada en el compartimento con el número correspondiente se ha sobrecalentado.	<p>1. El cortacésped puede seguir funcionando si la capacidad de Ah de las baterías combinadas, excluyendo la batería sobrecalentada, cumple el requisito. Cuando la batería sobrecalentada haya recuperado la temperatura normal, unirá su potencia inmediatamente a las demás baterías para accionar el cortacésped.</p> <p>2. Si la capacidad de Ah combinada de las baterías no es suficiente, el cortacésped no funcionará hasta que se inserten más baterías en los compartimentos de batería que están libres.</p> <p>3. Reduzca la carga del cortacésped elevando la altura de corte de la plataforma o reduciendo la velocidad de corte cuando reanude el funcionamiento.</p>

Pantalla LCD	Descripción	Código de error en la pantalla LCD	Indicador del estado del cortacésped	Pitido	Causa	Solución
	<p>Los símbolos de cada compartimento ocupado de la batería, el indicador de potencia baja y los gráficos de la batería del indicador de energía parpadean simultáneamente con una frecuencia de 1 segundo en la pantalla LCD. El primer segmento del indicador de energía LED y el indicador de estado también parpadea.</p>	No procede	Parpadea de color rojo	Continúa pitando hasta que se empuja hacia abajo el interruptor de toma de fuerza.	La carga de las baterías es baja y el cortacésped está en el modo de conducción de emergencia.	<p>Deje de usar el cortacésped y regrese al lugar de carga de la batería.</p> <p><b>AVISO:</b> Cuando el cortacésped está en el modo de conducción de emergencia, las cuchillas se conmutan automáticamente a la velocidad de giro baja sin cortar hierba y, al mismo tiempo, suena continuamente el pitido de indicación. El operador debe empujar hacia abajo el interruptor de toma de fuerza para desconectar las cuchillas de la plataforma. El pitido de indicación dejará de sonar cuando se hayan parado las cuchillas.</p>
	<p>El símbolo de cada compartimento de batería ocupado y el indicador de potencia baja parpadean una vez cada medio segundo.</p>	No procede	Parpadea de color rojo	Continúa pitando	Las baterías están casi agotadas.	<p>El cortacésped se para inmediatamente. El usuario deberá transportar el cortacésped al lugar de carga de la batería para recargarlo.</p>
	<p>El símbolo de estacionamiento automático parpadea en la pantalla LCD.</p>	No procede	APAGADO	Continúa pitando	<p>El cortacésped está estacionado en una pendiente y el usuario deja el cortacésped sin poner el pedal de freno de estacionamiento en la posición de frenado, con las palancas de dirección en la posición abierta.</p>	<p>Ponga el pedal de freno en la posición de frenado. El símbolo de estacionamiento automático estará apagado y el pitido de indicación dejará de sonar.</p>
	<p>En la pantalla LCD aparece el símbolo del pedal de freno.</p>	No procede	APAGADO	No	<p>El pedal de freno de estacionamiento está en la posición de frenado.</p>	<p>Suéltelo antes de arrancar el cortacésped.</p>

Pantalla LCD	Descripción	Código de error en la pantalla LCD	Indicador del estado del cortacésped	Pitido	Causa	Solución
	En la pantalla LCD aparece el símbolo del sensor del asiento.	No procede	APAGADO	No	El usuario se levanta del asiento o el interruptor del asiento está desconectado.	Si el usuario está sentado en el asiento y el símbolo se enciende, deje de usar el cortacésped inmediatamente y compruebe la conexión del asiento. Si se confirma que la conexión del asiento con el cortacésped es correcta, póngase en contacto con un técnico de servicio cualificado para que repare la máquina.
	El símbolo del interruptor de toma de fuerza parpadea.	No procede	APAGADO	No	Se ha interrumpido el funcionamiento del motor de las cuchillas y el interruptor de toma de fuerza no está en la posición de desconexión.	Antes de arrancar el cortacésped, empuje hacia abajo el interruptor de toma de fuerza para desconectar el motor de la plataforma. Consulte el apartado « <b>SOLUCIÓN DE PROBLEMAS</b> » de este manual como referencia.
	El símbolo de la palanca de dirección parpadea.	No procede	APAGADO	No	Se ha interrumpido el funcionamiento del motor de conducción y las palancas de dirección no están en la posición abierta.	Antes de volver a arrancar el cortacésped, mueva las palancas de dirección en la posición abierta. Consulte el apartado « <b>SOLUCIÓN DE PROBLEMAS</b> » de este manual como referencia.
	El símbolo de recuperación de energía parpadea ocasionalmente.	No procede	APAGADO	No	La energía cinética generada durante el frenado o la conducción cuesta abajo se convierte en electricidad para cargar las baterías.	Este es el funcionamiento normal. No es necesaria ninguna acción.

**AVISO:** Si aparece un código de error en la pantalla LCD, quite todas las baterías y vuelva a insertarlas al cabo de unos minutos. Si con ello no resuelve el problema, siga las indicaciones de resolución de problemas para el código de error que se indican a continuación.

ES

Pantalla LCD	Descripción	Código de error en la pantalla LCD	Indicador del estado del cortacésped	Pitido	Causa	Solución	
Ver «Código de error»	El motor de conducción izquierdo no gira.	Fallo del motor de conducción izquierdo controlado por placa de circuitos.	413	APAGADO	Un pitido	Fallo de la placa de circuitos	Solicite las reparaciones a un técnico cualificado.
		El enchufe (trifásico, cable de alimentación) que conecta el motor de conducción izquierdo con la placa de circuitos correspondiente se ha soltado.	317	APAGADO	Un pitido	Se ha perdido la conexión	
		El enchufe (de seis clavijas, cable de señal) que conecta el motor de conducción izquierdo con la placa de circuitos correspondiente se ha soltado.	301	APAGADO	Un pitido	Se ha perdido la conexión	
		Fallo del motor de conducción izquierdo.	317	APAGADO	Un pitido	Fallo del motor	

Pantalla LCD	Descripción	Código de error en la pantalla LCD	Indicador del estado del cortacésped	Pitido	Causa	Solución	
Ver «Código de error»	El motor de conducción derecho no gira.	Fallo del motor de conducción derecho controlado por placa de circuitos.	313	APAGADO	Un pitido	Fallo de la placa de circuitos	Solicite las reparaciones a un técnico cualificado.
		El enchufe (trifásico, cable de alimentación) que conecta el motor de conducción derecho con la placa de circuitos correspondiente se ha soltado.	417	APAGADO	Un pitido	Se ha perdido la conexión	
		El enchufe (de seis clavijas, cable de señal) que conecta el motor de conducción derecho con la placa de circuitos correspondiente se ha soltado.	401	APAGADO	Un pitido	Se ha perdido la conexión	
		Fallo del motor de conducción derecho.	417	APAGADO	Un pitido	Fallo del motor	

**ES**

Pantalla LCD	Descripción	Código de error en la pantalla LCD	Indicador del estado del cortacésped	Pitido	Causa	Solución	
Ver «Código de error»	El motor de las cuchillas izquierdo no gira.	Fallo del motor de las cuchillas izquierdo controlado por placa de circuitos.	607/A07	No procede	Un pitido	Fallo de la placa de circuitos	Solicite las reparaciones a un técnico cualificado.
		El enchufe (trifásico, cable de alimentación) que conecta el motor de conducción izquierdo con la placa de circuitos correspondiente se ha soltado.	509	No procede	Un pitido	Se ha perdido la conexión	Inspeccione primero la cuchilla. Si se ha aflojado, apriete el tornillo con el par recomendado. De lo contrario, solicite las reparaciones a un técnico cualificado.
		Fallo del motor de las cuchillas izquierdo.	509	No procede	Un pitido	Fallo del motor	
Ver «Código de error»	El motor de las cuchillas derecho no gira.	Fallo del motor de las cuchillas derecho controlado por placa de circuitos.	507/A07	No procede	Un pitido	Fallo de la placa de circuitos	Solicite las reparaciones a un técnico cualificado.
		El enchufe (trifásico, cable de alimentación) que conecta el motor de conducción derecho con la placa de circuitos correspondiente se ha soltado.	609	No procede	Un pitido	Se ha perdido la conexión	Inspeccione primero la cuchilla. Si se ha aflojado, apriete el tornillo con el par recomendado. De lo contrario, solicite las reparaciones a un técnico cualificado.
		Fallo del motor de las cuchillas derecho.	609	No procede	Un pitido	Fallo del motor	



Pantalla LCD	Descripción	Código de error en la pantalla LCD	Indicador del estado del cortacésped	Pitido	Causa	Solución	
Ver «Código de error»	El motor de las cuchillas central no gira.	Fallo del motor de las cuchillas central controlado por placa de circuitos.	507/607	No procede	Un pitido	Fallo de la placa de circuitos	Solicite las reparaciones a un técnico cualificado.
		El enchufe (trifásico, cable de alimentación) que conecta el motor de las cuchillas central con la placa de circuitos correspondiente se ha soltado.	A09	No procede	Un pitido	Se ha perdido la conexión	Inspeccione primero la cuchilla. Si se ha aflojado, apriete el tornillo con el par recomendado. De lo contrario, solicite las reparaciones a un técnico cualificado.
		Fallo del motor de las cuchillas central.	A09	No procede	Un pitido	Fallo del motor	
Ver «Código de error»	Fallo de la palanca de dirección izquierda.	Fallo de la placa de circuitos que controla la palanca de dirección izquierda.	311/412	APAGADO	Un pitido	Fallo de la placa de circuitos	Solicite las reparaciones a un técnico cualificado.
		Se ha soltado el enchufe que conecta la placa de circuitos de control, situada en la barra de dirección.				Se ha perdido la conexión	

ES

Pantalla LCD	Descripción		Código de error en la pantalla LCD	Indicador del estado del cortacésped	Pitido	Causa	Solución
Ver «Código de error»	Fallo de la palanca de dirección derecha.	Fallo de la placa de circuitos que controla la palanca de dirección derecha.	312/ 411	APAGADO	Un pitido	Fallo de la placa de circuitos	Solicite las reparaciones a un técnico cualificado.
		Se ha soltado el enchufe que conecta la placa de circuitos de control, situada en la barra de dirección.				Se ha perdido la conexión	
Ver «Código de error»	Fallo del freno de estacionamiento, la máquina no se puede conducir.	La placa de circuitos del freno de estacionamiento, situada en el conjunto del bastidor delantero, está rota.	309/ 409	APAGADO	Un pitido	Fallo de la placa de circuitos	Solicite las reparaciones a un técnico cualificado.
		Está roto el interruptor y/o el cable del freno de estacionamiento.	801	APAGADO	Un pitido	Fallo del cable/interruptor	
APAGADO	Fallo del puerto de carga		No procede	ROJO fijo	No procede	El puerto de carga está en circuito abierto.	Solicite las reparaciones a un técnico cualificado.
			No procede	ROJO fijo	No procede	No hay alimentación eléctrica.	Compruebe si en la toma de corriente hay una alimentación de 220 V – 240 V y si el enchufe está en buen estado.
			No procede	ROJO fijo	No procede	El fusible está fundido.	Solicite las reparaciones a un técnico cualificado.

Pantalla LCD	Descripción	Código de error en la pantalla LCD	Indicador del estado del cortacésped	Pitido	Causa	Solución
Ver «Código de error»	Fallo del puerto de carga	204	No procede	Un pitido	El puerto de carga está en circuito abierto.	Solicite las reparaciones a un técnico cualificado.
Ver «Código de error»	No funciona el conjunto de la caja de baterías	217	No procede	Un pitido	La fuente de alimentación desde el conjunto de la caja de baterías está rota. Los faros LED y el USB no funcionan.	Solicite las reparaciones a un técnico cualificado.
		310/ 410	APAGADO	Un pitido	No funciona la conexión entre los cables tipo C del conjunto de la caja de baterías y otros cables tipo C del cortacésped.	
		201/ 202/ 203	APAGADO	Un pitido	El BMS del conjunto de la caja de baterías está roto.	
Ver «Código de error»	Error del interruptor de arranque/parada	314/ 414	APAGADO	Un pitido	Fallo de la placa de circuitos del interruptor o mala conexión de cable del interruptor de arranque/parada.	Solicite las reparaciones a un técnico cualificado.

**ES**

Pantalla LCD	Descripción	Código de error en la pantalla LCD	Indicador del estado del cortacésped	Pitido	Causa	Solución
Ver «Código de error»	Error de la pantalla LCD	315/ 415	APAGADO	Un pitido	Rotura del conjunto de la pantalla LCD o mala conexión de cable del conjunto de la pantalla LCD.	Solicite las reparaciones a un técnico cualificado.

## GARANTÍA

### POLÍTICA DE GARANTÍA DE EGO

Visite la página web [egopowerplus.com](http://egopowerplus.com) para conocer los términos y condiciones completos de la política de garantía de EGO.

**KEES VAN DER SPEK**  
TUINMACHINES ★ STOLWIJK

## LEIA TODAS AS INSTRUÇÕES!



**LEIA O MANUAL DO UTILIZADOR**

## SÍMBOLO DE SEGURANÇA

PT

O objetivo dos símbolos de segurança é chamar a atenção para possíveis perigos. Os símbolos de segurança e as explicações apresentadas com eles requerem a sua atenção e compreensão. Os avisos de segurança, só por si não eliminam o perigo. As instruções e avisos dados não são substitutos para medidas de prevenção adequadas a acidentes.

**AVISO:** Certifique-se de que lê e compreende todos os avisos de segurança neste manual do utilizador, incluindo todos os símbolos de alerta de segurança, como “**PERIGO**”, “**AVISO**” e “**CUIDADO**” antes de usar esta ferramenta. Não seguir todas as instruções apresentadas abaixo pode resultar em choque elétrico, incêndio e/ou ferimentos graves.

## SIGNIFICADO DOS SÍMBOLOS

Esta página retrata e descreve os símbolos de segurança que podem aparecer neste produto. Leia, compreenda e siga todas as instruções na máquina antes de tentar montar e utilizar.

## SÍMBOLOS DE SEGURANÇA

	Alerta de segurança		Leia e compreenda o manual de instruções.
	Proteção ocular		Proceda à manutenção dos dispositivos de segurança.
	PERIGO - Perigo em encostas íngremes		PERIGO - Mantenha as outras pessoas afastadas das lâminas.
	Nunca transporte crianças		Olhe para trás enquanto faz marcha-atrás.
	AVISO - Não use esta máquina em inclinações superiores a 12°.		PERIGO - Podem ser atirados objetos.
	AVISO - MANTENHA AS MÃOS E PÉS AFASTADOS		Nível de potência do som garantido. De acordo com as diretivas da União Europeia.



Não suba



Os produtos elétricos residuais não deverão ser eliminados juntamente com o lixo doméstico comum. Entregue-os num centro de reciclagem autorizado.

PT



Este produto encontra-se em conformidade com as diretivas CE aplicáveis.



CUIDADO - Não olhe diretamente para a luz de funcionamento.



Corrente direta



Este produto encontra-se em conformidade com a legislação no Reino Unido.

kPa Kilopascal

RPM Rotações por minuto

V Volts

m Metros

entrada Polegada

cm Centímetros

Nm Newton Metros

mm Milímetros

°C Celsius

kg Quilograma

km/h Quilómetros por hora

IPX4 Grau de proteção de entrada

## CARACTERÍSTICAS TÉCNICAS

Voltagem		56 V
Tamanho da plataforma		132 cm
Tamanho da roda	Frente	279,4 x 126 mm
	Parte de trás	457,2 x 223 mm
Pressão do pneu frio	Frente	222,1 kPa
	Parte de trás	115,8 kPa
Raio de viragem		0
Velocidade da lâmina (RPM)		2600; 2800; 3000; 3200
Máx. Velocidade de condução (km/h)	Avançar	8,1 km/h, 9,7 km/h, 11,3 km/h, 12,8 km/h
	Retroceder	Até 6,4 km/h

A carregar	Carregador (opcional)	CHV1600E
	Adaptador (opcional)	ACA1000
	Raio da temperatura de carregamento	5°C - 40°C
Ajuste da altura de corte (10 posições)		25 – 100 mm
Temperatura de funcionamento		0°C - 40°C
Temperatura de armazenamento		-20°C - 70°C
Peso (sem a bateria)		217 kg
Nível de potência do som medido L <sub>WA</sub>		95,48 dB(A) K=0,73 dB(A)

Nível de pressão do som na orelha do operador $L_{PA}$		82,5 dB(A) K=3 dB(A)
Nível de potência acústica garantido $L_{WA}$ (medido de acordo com 2000/14/CE)		100 dB(A)
Vibração $a_h$	Mão	0,69 m/s <sup>2</sup> K=1,5 m/s <sup>2</sup>
	Estrutura	0,3 m/s <sup>2</sup> K=1,5 m/s <sup>2</sup>

- O valor total declarado da vibração foi medido de acordo com um método de teste padrão e pode ser usado para comparar duas ferramentas.
- O valor total declarado da vibração também pode ser usado numa avaliação preliminar da exposição.

**AVISO:** A emissão de vibrações durante a utilização da ferramenta elétrica pode diferir do valor declarado em que a ferramenta é usada. De modo a proteger o utilizador, este deverá usar luvas e proteção auditiva nas condições atuais de utilização.

## DESCRIÇÃO

### CONHEÇA O SEU CORTA-RELVA (IMAGEM A1 E A2)

1. Assento
2. Porta de carregamento
3. Unidade da alimentação
4. Farol traseiro LED
5. Compartimento de arrumação
6. Suportes para copo
7. Luz lateral LED
8. Roda traseira (roda condutora)
9. Porta de lavagem
10. Plataforma
11. Protetor da plataforma
12. Roda anti-scalp
13. Roda dianteira
14. Pedal do travão de estacionamento
15. Luzes de marcha diurnas

16. Luzes LED
17. Saída de descarga lateral
18. Alavanca de ajuste da altura da plataforma
19. Manípulo de ajuste da suspensão do assento
20. Alavanca de ajuste da posição do assento
21. Barras de proteção
22. Indicador do estado do corta-relva
23. Ecrã LCD
24. Interruptor PTO
25. Botão de Iniciar/Parar
26. Chave de segurança
27. Ranhura de arrumação do telefone
28. Barra defletora
29. Manómetro do combustível do corta-relva e indicador do estado
  - 29.a. Indicador do manómetro do combustível do corta-relva
  - 29.b. Indicador do estado do corta-relva
30. Área de descanso dos pés
31. Botão de libertação da cobertura da unidade da alimentação
32. Cobertura da unidade da alimentação
33. Unidade da alimentação com seis compartimentos da bateria
34. Botão de libertação da bateria
35. Engate
36. Cobertura de montagem do acessório
37. Arrumação da cobertura de montagem do acessório
38. Porta USB

PT

### CONHEÇA O ECRÃ LCD (IMAGEM A3)

Consulte a secção “REFERÊNCIA DO ESTADO DO CORTA-RELVA E CÓDIGO DE FALHA” para obter mais informações acerca dos ícones e indicadores no ecrã LCD.

1. Ícone da chave de segurança
2. Ícone das luzes LED
3. Ícone de estacionamento automático

4. Ícone USB
5. Indicador da velocidade da lâmina
6. Indicador do estado do dispositivo de segurança
7. Contador das horas de utilização
8. Ícone do compartimento da bateria vazio
9. Ícone da Temperatura
10. Ícone do compartimento da bateria ocupado
11. Modo de condução
12. Indicador do código de erro
13. Indicador de sobrecarga
14. Indicador de energia fraca
15. Indicador da velocidade de condução
16. Indicador de carga
17. Manómetro do combustível
18. Botão de ajuste da velocidade da lâmina
19. Botão de definições
20. Botão do modo de condução
21. Interruptor da luz LED
22. Botão de ajuste da velocidade de condução

## DESEMPACOTAR

**AVISO:** Guarde o material de empacotamento até ter inspecionado cuidadosamente e ter utilizado de modo satisfatório o produto. Se houver peças na lista de peças montadas na máquina, contacte imediatamente o serviço EGO.

**AVISO:** Exceto as ferramentas na lista de peças apresentada abaixo, todas as outras ferramentas mencionadas nos manuais são recomendadas, mas não fornecidas.

### LISTA DE PEÇAS (Imagem B)

B-1	Trator corta-relva Zero Turn	B-6	Chaves de segurança
B-2	Assento	B-7	Chave de extremidade aberta (13 mm)

B-3	Alavanca de condução	B-8	Chave sextavada
B-4	Parafusos de cabeça do bocal (2 extra)	B-9	Acoplador rápido da porta de lavagem
B-5	Parafusos sextavados (2 extra)	B-10	Manual do utilizador

### ACESSÓRIOS RECOMENDADOS

**⚠ AVISO:** Use apenas peças sobresselentes idênticas listadas abaixo. A utilização de peças que não vão ao encontro das especificações do equipamento original pode dar origem a um desempenho inadequado e comprometer a segurança.

NOME DA PEÇA	NÚMERO DO MODELO
Lâmina padrão	AB5200
Lâmina de elevação alta	AB5201
Conjunto de adubar	ABP5200
Conjunto do saco de recolha da relva	ABK5200-A
Amortecedor traseiro	AMB1000
Caixa de carga	AMG1000
Guarda-sol	AMS1000

## MONTAGEM

### INSTALAR O ASSENTO (Imagem C1 e C2)

**⚠ AVISO:** O sistema de bloqueio de segurança não pode ser desligado nem anulado. Se o fizer, o trator corta-relva pode começar a funcionar inesperadamente, dando origem a ferimentos.

**AVISO:** Para sua segurança, o trator corta-relva pode parar se o interruptor do assento for desligado durante a condução. Neste caso, consulte a secção “RESOLUÇÃO DE PROBLEMAS” para obter mais informações.



C1-1	Fio	C1-5	Parafusos de cabeça do bocal
C1-2	Ficha	C2-1	Gancho
C1-3	Tomada	C2-2	Calhas de aço
C1-4	Base de suspensão	C2-3	Parafusos de cabeça do bocal

### INSTALAR AS ALAVANCAS DE CONDUÇÃO (Imagem C3)

C3-1	Alavancas de condução	C3-3	Orifícios de montagem da alavanca de condução
C3-2	Parafusos sextavados		

## FUNCIONAMENTO

### ANTES DE USAR O TRATOR CORTA-RELVA

#### Verificar o ambiente

- Certifique-se de que não se encontram presentes crianças, outras pessoas ou animais na área de trabalho.
- Limpe a área de trabalho de objetos que possam ser atirados pelas lâminas do corta-relva.
- Verifique e certifique-se de que as luzes LED funcionam corretamente:
  - Os faróis, luzes laterais e luzes traseiras são controlados pelo interruptor da luz LED.
  - As luzes de marcha permanecem ligadas durante a condução.
  - Quando fizer marcha-atrás, as luzes traseiras que estavam desligadas começam a piscar para avisar outras pessoas. Se as luzes traseiras forem ligadas, permanecem ligadas.
  - Todas as luzes são desligadas automaticamente quando o trator corta-relva se desliga automaticamente passado um período de inatividade.

#### Verificar a pressão do pneu frio (Imagem D1)

#### Verificar o estado do corta-relva e o nível de carga da bateria

- Indicador do manómetro do combustível do corta-relva (Imagem A2 - 27a)  
Cada segmento do indicador do manómetro do combustível do corta-relva indica 20% de carga das baterias inseridas.

PT

**AVISO:** O manómetro do combustível do corta-relva e o manómetro do combustível no ecrã LCD indicam a capacidade média das baterias inseridas.

- Indicador do estado do corta-relva (Imagem A1 e Imagem A2 - 27b)

Se o indicador do estado ficar verde, o corta-relva está pronto a ser conduzido. Se não for o caso, consulte a secção “REFERÊNCIA DO ESTADO DO CORTA-RELVA E CÓDIGO DE FALHA”.

#### Testar o sistema de bloqueio de segurança (Imagem D2 - Imagem D8)

**AVISO:** O operador tem de estar no assento antes do teste.

- Antes do teste (Imagem D2 - Imagem D4)
- Para testar o sistema da plataforma-lâmina (Imagem D5) e levante-se lentamente.
- Para testar o sistema de condução (Imagem D6 - Imagem D8) e levante-se lentamente.

Se o sistema plataforma-lâmina e/ou o sistema de condução não pararem quando o operador se levantar do assento, e se a causa não puder ser determinada após confirmar a correta ligação da ficha e da tomada do assento, contacte imediatamente o seu centro de apoio ao cliente EGO.

### AJUSTE (Imagem E1 - Imagem E13)

#### Preparação (Imagem E1 - Imagem E5)

#### Ajustar a altura de corte-plataforma (Imagem E6)

#### Ajustar as rodas anti-scalp (Imagem E7 - Imagem E10)

E7-1	Roda anti-scalp	E9-2	Parafuso retardador
E9-1	Porca	E10-1	Etiqueta da altura da plataforma

### Ajustar o assento (Imagem E11)

**PT** Ajuste a posição do assento para se certificar de que consegue manter um contacto firme com o pedal do travão de estacionamento antes de utilizar o trator corta-relva. O ajuste da suspensão do assento pode fazê-lo atingir a experiência mais confortável no assento.

E11-1	Alavanca de ajuste da posição do assento	E11-2	Manípulo de ajuste da suspensão do assento
-------	--	-------	--

### Configuração do travão de estacionamento (Imagem E12 - Imagem E13)

E13-1	Posição de travagem	E13-2	Posição de libertado
-------	---------------------	-------	----------------------

### CARREGAR (Imagem F1 - Imagem F11)

De modo a ligar este corta-relva, precisa de baterias da EGO com 15 Ah (2 X BA4200/BA4200T) ou mais. Para um melhor desempenho, recomendamos a utilização de baterias da EGO com um total de 30 Ah ou mais.

**Utilize apenas com as baterias e carregadores recomendados. (Imagem F9 e F10)**

### Preparação para carregamento (Imagem F1 - Imagem F4)

### Carregar separadamente as baterias (Imagem F5 – Imagem F9)

F5-1	Botão de libertação da cobertura	F7-1	Botão de libertação da bateria
------	----------------------------------	------	--------------------------------

- Fixar as baterias (Imagem F5 - Imagem F6)
- Libertar as baterias (Imagem F7 - Imagem F8)

**AVISO:** Carregue as baterias. Consulte os respetivos manuais da bateria e do carregador.

### Carregar as baterias através da porta de carregamento (Imagem F10)

F10-1	Tampa do pó	F10-2	Porta de carregamento
-------	-------------	-------	-----------------------

### LIGAR O TRATOR CORTA-RELVA (Imagem A4 - Imagem A5 e Imagem G1 - Imagem G6)

**AVISO:** Evite arranques, paragens e curvas repentinas, bem como velocidade excessiva, especialmente quando estiver a aprender a operar o corta-relva. O corta-relva pode girar rapidamente, o que pode fazer com que perca o controlo e dar origem a ferimentos sérios e/ou danos.

**AVISO:** Antes de ligar a máquina de cortar relva, verifique e certifique-se de que as lâminas ficam desativadas no espaço de 5 segundos quando pressionar o interruptor PTO para baixo. Se as lâminas não pararem, não use o corta-relva e contacte imediatamente o seu serviço de apoio ao cliente EGO.

**AVISO:** Siga a Imagem A4 e Imagem G2 para obter a velocidade de condução mais baixa e modo de condução **PADRÃO** até ser completamente capaz de operar o corta-relva em todas as situações. A velocidade de condução e modo de condução só são ativados quando as rodas do corta-relva estiverem paradas e as alavancas de condução estiverem abertas.

O corta-relva guarda e apresenta o modo de condução anterior, velocidade de condução e calibragem das alavancas de condução quando é reiniciado.

### Modo de condução

- **CONTROLO:** Aceleração mais baixa, manuseamento menos sensível e velocidade de viragem neutra para proteger a relva e para novos utilizadores.
- **PADRÃO:** Perfeito para o uso diário.
- **DESPORTIVO:** Maior aceleração, manuseamento preciso e viragem rápida para maximizar a eficiência de corte e para os entusiastas de cortar relva.

### Ajuste da velocidade de condução (Imagem A4)

### Ajuste da velocidade da lâmina (Imagem A5)

### Porta USB

**AVISO:** A porta USB fornece uma potência de carregamento de 5 volts DC de 1,5 amperes combinados, e é alimentada apenas quando o corta-relva é ligado.

### **PARAR O CORTA-RELVA (Imagem H1 - H6)**

**AVISO:** Passados mais de 60 minutos sem ser utilizado, o corta-relva desliga-se automaticamente.

#### **Modo limitado**

Quando a bateria começar a ficar sem carga, o corta-relva entra no modo limitado:

- O corta-relva pára automaticamente de cortar a relva;
- Um aviso sonoro permanece ligado;
- O indicador do estado do corta-relva pisca a vermelho a cada segundo, o primeiro segmento do manómetro do combustível do corta-relva pisca a vermelho e tanto o indicador de energia fraca como os gráficos da bateria no manómetro do combustível piscam.

O operador deverá:

- a) Pressionar o interruptor PTO para baixo (Imagem H3) para desativar as lâminas. O indicador sonoro pára de emitir sons quando a lâmina parar.
- b) Pare de trabalhar e vá para a área de carregamento da bateria o mais depressa possível. A distância máxima que o corta-relva consegue viajar é de 1000 m.

Quando a bateria estiver quase gasta, o ícone de cada compartimento da bateria e o indicador de energia fraca piscam a cada meio segundo. O corta-relva pára imediatamente de funcionar. O operador deverá transportar o corta-relva para a área de carregamento da bateria para se proceder ao carregamento.

#### **Empurrar manualmente**

Se precisar de empurrar manualmente, certifique-se de que as baterias estão desligadas do corta-relva e que o pedal do travão de estacionamento está desativado.

### **CONDUZIR O CORTA-RELVA (Imagem I1 - I9)**

Para parar, diminuir ou aumentar a velocidade, altere ligeiramente a distância da alavanca de condução para a posição de ponto-morto.

**⚠ PERIGO:** Permaneça a, pelo menos, duas larguras de corte de quaisquer valas, fossos ou água. As rodas dianteiras podem rodar quando o corta-relva estiver parado, mesmo que tenha o travão ativado, e fazer com que o corta-relva caia para um buraco ou para dentro de água, resultando em morte ou ferimentos sérios.

**⚠ AVISO:** Tenha em conta o que está atrás do corta-relva antes de fazer marcha-atrás. NÃO corte relva em marcha-atrás, exceto se for absolutamente necessário. Olhe sempre para baixo e para trás antes e durante a marcha-atrás, para se certificar de que não há crianças, outras pessoas ou animais na área de corte. Lembre-se de que uma fração de segundo de desatenção é o suficiente para sofrer um ferimento sério ou morte.

**⚠ AVISO:** Não utilize a máquina em vias públicas.

**⚠ AVISO:** Se ocorrer um bloqueio ou se bater contra um objeto estranho, pare os motores e retire a bateria. Retire restos de relva, folhas, sujidade e outros detritos acumulados, inspecione bem o corta-relva quanto a danos e repare os danos antes de reiniciar e voltar a utilizar o corta-relva.

## **MANUTENÇÃO**

**⚠ AVISO:** Use sempre proteções oculares com escudos laterais. Se não o fizer, pode apanhar com objetos nos olhos dando origem a possíveis ferimentos sérios.

**⚠ AVISO:** Proteja sempre as suas mãos usando luvas resistentes ou embrulhando as extremidades de corte com trapos ou com outros materiais quando efetuar qualquer manutenção na lâmina da máquina de cortar relva. Retire sempre a chave de segurança e a bateria quando reparar ou transportar a máquina de cortar relva.

PT

Intervalo do serviço de manutenção	Processo de manutenção
Antes de cada utilização ou diariamente	<ul style="list-style-type: none"> <li>Verifique o sistema de bloqueio de segurança.</li> <li>Inspecione visualmente se os pneus têm ar.</li> <li>Verifique se as lâminas estão gastas, rachadas ou dobradas.</li> <li>Inspecione todo o produto quanto a danos, peças em falta ou soltas, como a saída de descarga lateral, parafusos, porcas, tampas, etc., certificando-se de que todas as proteções estão no devido lugar e a funcionar corretamente.</li> <li>Verifique o funcionamento do travão.</li> </ul>
Após cada utilização	<ul style="list-style-type: none"> <li>Limpe a plataforma do trator corta-relva.</li> </ul>
A cada 25 horas	<ul style="list-style-type: none"> <li>Verifique a pressão dos pneus.</li> </ul>
A cada 50 horas	<ul style="list-style-type: none"> <li>Verifique a lubrificação no interior do rebordo da lâmina de corte.</li> </ul>
A cada 100 horas	<ul style="list-style-type: none"> <li>Verifique as rodas traseiras, certificando-se de que todas as porcas de roda estão apertadas com o binário recomendado.</li> </ul>
A cada 200 horas	<ul style="list-style-type: none"> <li>Verifique as rodas dianteiras, certificando-se de que rodam livremente.</li> </ul>

Anualmente	<ul style="list-style-type: none"> <li>Verifique o pedal do travão de estacionamento. Retire a bateria do corta-relva e coloque o pedal de estacionamento na posição de travagem. Pressione manualmente o corta-relva para a frente para ver se este se move. Se se mover, leve-o para ser reparado por um técnico de reparação qualificado.</li> </ul>
------------	---

## LIMPEZA DO CORTA-RELVA (Imagem J1 - J9)

### Preparação (Imagem J1 - Imagem J5)

### Limpeza da estrutura do corta-relva (Imagem J6 - J7)

### Usar a porta de lavagem para limpar a plataforma do trator corta-relva (Imagem J8 - Imagem J9)

J8-1	Porta de lavagem	J8-3	Mangueira de jardim
J8-2	Acoplador rápido da porta de lavagem		

**AVISO:** Quando terminar a limpeza, prima o interruptor PTO para baixo para desativar as lâminas do corta-relva.

## PROCEDER À MANUTENÇÃO DA PLATAFORMA DO CORTA-RELVA E DAS LÂMINAS DE CORTE

### Preparação (Imagem K1 - Imagem K6)

### Retirar a plataforma do corta-relva (Imagem K7 - K8)

K7-1	Cabo do motor	K7-3	Elo de suspensão
K7-2	Perno		

**AVISO:** Desligue os cabos do motor e pernos quando retirar a plataforma do corta-relva.

### Substituir as lâminas de corte (Imagem K9 - K11)

K9-1	Estabilizador	K10-3	Lâmina
K10-1	Parafuso	K10-4	Rebordo
K10-2	Anilha	K10-5	Eixo do motor

### Nivelar a plataforma do trator corta-relva

- a. Quando nivelar (Imagem K12 - Imagem K14)
- b. Antes de nivelar
  - Verificar a pressão do pneu frio (Imagem K15)
  - Verifique as lâminas de corte. Retire e substitua as lâminas gastas, rachadas e/ou dobradas conforme necessário.
- c. Preparação para nivelar (Imagem K16 - Imagem K21)
- d. Como nivelar
  - Para efetuar ajuste lado a lado (Imagem K22)

K22-1	Contraporca
-------	-------------

- Para efetuar ajuste frente-atrás (Imagem K23)

### CALIBRAR O SISTEMA DE MONITORIZAÇÃO DO CORTA-RELVA (Imagem L1 - Imagem L4)

**AVISO:** O indicador sonoro emite um som quando a calibragem for iniciada e quando a calibragem for terminada.

**AVISO:** A calibragem completa para um dos modos de condução (“CONTROLO”, “PADRÃO”, “DESPORTIVO”) pode não estar disponível para os outros dois modos. Calibre as alavancas de condução em cada modo de condução de forma independente, conforme necessário.

### REINICIAR O CORTA-RELVA COM AS PREDEFINIÇÕES DE FÁBRICA (Imagem M)

**AVISO:** O indicador sonoro emite um som quando o reiniciar for iniciado e quando o reiniciar for terminado.

**AVISO:** Quando o reiniciar for efetuado com sucesso, as definições apresentadas abaixo voltam às predefinições de fábrica:

- Modo de condução
- Velocidade de condução
- Calibragem das alavancas de condução

## ARMAZENAMENTO E TRANSPORTE

### TRANSPORTAR O TRATOR CORTA-RELVA (IMAGEM N1 - IMAGEM N11)

**AVISO:** Fixe o trator corta-relva conforme necessário, usando correias ou cabos para evitar o movimento durante o transporte.

PT

### ARMAZENAMENTO (Imagem O1 - Imagem O6)

**AVISO:** Retire as baterias e guarde-as. Consulte os respetivos manuais.

Limpe e verifique o trator corta-relva antes do armazenamento. Consulte as secções “LIMPEZA DO CORTA-RELVA” e “AGENDAS DE MANUTENÇÃO RECOMENDADAS”.


### Proteja o ambiente




REEE (Resíduos de Equipamento Elétrico e Eletrónico) Não elimine equipamento elétrico, bateria gasta nem carregador juntamente com o lixo doméstico comum! Leve este produto a um centro de reciclagem autorizado para que possa haver uma separação das peças. As ferramentas elétricas têm de ser devolvidas em instalações de reciclagem ambientalmente compatíveis.

## RESOLUÇÃO DE PROBLEMAS

PT

PROBLEMA	CAUSA	SOLUÇÃO
<p>O trator corta-relva não avança quando as duas alavancas de condução são pressionadas para a frente ou para trás no início.</p>  <p>O ícone da alavanca de condução pisca.</p>	<ul style="list-style-type: none"> <li>▪ O Ah combinado das baterias inseridas não vai ao encontro dos requisitos.</li> </ul>	<ul style="list-style-type: none"> <li>▪ Para ligar este trator corta-relva, use baterias EGO suficientes, seguindo as instruções na secção <b>“CARREGAMENTO”</b> neste manual.</li> </ul>
	<ul style="list-style-type: none"> <li>▪ O pedal do travão de estacionamento está na posição de travagem.</li> </ul>	<ul style="list-style-type: none"> <li>▪ Pressione por completo o pedal do travão de estacionamento para o libertar da posição de travagem.</li> </ul>
	<ul style="list-style-type: none"> <li>▪ As alavancas de condução não estão na posição aberta quando liga o corta-relva.</li> </ul>	<ul style="list-style-type: none"> <li>▪ Volte a colocar as alavancas de condução na posição de abertas e volte a ligar o corta-relva.</li> </ul>
	<ul style="list-style-type: none"> <li>▪ O operador não está sentado no assento.</li> </ul>	<ul style="list-style-type: none"> <li>▪ Apenas quando o operador estiver sentado corretamente no assento é que pode operar o corta-relva.</li> </ul>
	<ul style="list-style-type: none"> <li>▪ O interruptor do assento não está ligado corretamente.</li> </ul>	<ul style="list-style-type: none"> <li>▪ Retire a bateria do corta-relva e desmonte o assento pela ordem inversa às instruções na secção <b>“INSTALAR O ASSENTO”</b> neste manual, para inspecionar a ligação do interruptor do assento. Volte a montar o assento e siga as instruções em <b>“LIGAR O TRATOR CORTA-RELVA”</b> para voltar a ligar o corta-relva, para ver se este pode ser ligado. Se não for o caso, contacte um técnico de reparação qualificado para proceder à reparação.</li> </ul>
	<ul style="list-style-type: none"> <li>▪ Quando estiver muito frio, a função de condução pode não ligar com sucesso, devido à proteção contra baixa temperatura.</li> </ul>	<ul style="list-style-type: none"> <li>▪ Guarde sempre o corta-relva e a bateria num ambiente quente. Volte a ligar o corta-relva quando este aquecer. Não faça tentativas repetidas em condições de frio extremo que possam danificar a máquina.</li> </ul>

PROBLEMA	CAUSA	SOLUÇÃO
O trator corta-relva pára de avançar.	<ul style="list-style-type: none"> <li>As alavancas de condução têm de ser reiniciadas.</li> </ul>	<ul style="list-style-type: none"> <li>Volte a colocar as alavancas de condução na posição de abertas e volte a ligar o corta-relva.</li> </ul>
	<ul style="list-style-type: none"> <li>Os componentes de controlo elétrico das alavancas de condução estão a falhar.</li> </ul>	<ul style="list-style-type: none"> <li>Contacte um técnico de reparação qualificado para proceder à reparação.</li> </ul>
	<ul style="list-style-type: none"> <li>O interruptor do assento foi desligado durante a condução em terrenos difíceis.</li> </ul>	<ul style="list-style-type: none"> <li>Retire a bateria do corta-relva e desmonte o assento pela ordem inversa às instruções na secção <b>“INSTALAR O ASSENTO”</b> neste manual, para inspecionar a ligação do interruptor do assento. Volte a montar o assento e siga as instruções em <b>“LIGAR O TRATOR CORTA-RELVA”</b> para voltar a ligar o corta-relva, para ver se este pode ser ligado. Se não for o caso, contacte um técnico de reparação qualificado para proceder à reparação.</li> </ul>
	<ul style="list-style-type: none"> <li>O pedal do travão de estacionamento é pressionado para abrandar a velocidade de condução. Quando o pedal do travão de estacionamento for pressionado o suficiente, mas não até à posição de estacionamento, o corta-relva pára de se mover.</li> </ul>	<ul style="list-style-type: none"> <li>Siga as instruções na secção <b>“LIGAR O TRATOR CORTA-RELVA”</b> para reiniciar o corta-relva.</li> </ul>
A velocidade de condução/modo de condução não pode ser ajustado durante a condução.	<ul style="list-style-type: none"> <li>Esta é uma funcionalidade do trator corta-relva para uma condução segura.</li> </ul>	<ul style="list-style-type: none"> <li>A função é ativada apenas quando as rodas do corta-relva estiverem paradas e as alavancas de condução estiverem abertas.</li> </ul>

PROBLEMA	CAUSA	SOLUÇÃO
<p>O trator corta-relva não liga as lâminas quando o interruptor PTO é ativado.</p>  <p>O ícone do interruptor PTO começa a piscar.</p>	<ul style="list-style-type: none"> <li>O Ah combinado das baterias inseridas não vai ao encontro dos requisitos.</li> </ul>	<ul style="list-style-type: none"> <li>Para ligar este trator corta-relva, use baterias EGO suficientes, seguindo as instruções na secção <b>“CARREGAMENTO”</b> neste manual.</li> </ul>
	<ul style="list-style-type: none"> <li>O interruptor PTO não foi premido quando o corta-relva foi parado da última vez.</li> </ul>	<ul style="list-style-type: none"> <li>Prima o interruptor PTO para baixo e reinicie as lâminas do corta-relva.</li> </ul>
	<ul style="list-style-type: none"> <li>O corta-relva estava sobrecarregado quando as lâminas começaram a funcionar, dando origem à proteção automática do motor.</li> </ul>	<ul style="list-style-type: none"> <li>Comece a cortar a relva primeiro com a velocidade mais baixa da lâmina, e até que as lâminas rodem com sucesso, não acelere a velocidade da lâmina.</li> </ul>
	<ul style="list-style-type: none"> <li>Quando estiver muito frio, o motor da lâmina pode não ligar com sucesso, devido à proteção contra baixa temperatura.</li> </ul>	<ul style="list-style-type: none"> <li>Guarde sempre o corta-relva e a bateria num ambiente quente. Volte a ligar o corta-relva quando este aquecer. Não faça tentativas repetidas em condições de frio extremo que possam danificar a máquina.</li> </ul>
	<ul style="list-style-type: none"> <li>A lâmina interfere com a plataforma deformada do corta-relva.</li> </ul>	<ul style="list-style-type: none"> <li>Contacte um técnico de reparação qualificado para proceder à reparação.</li> </ul>



PROBLEMA	CAUSA	SOLUÇÃO
As lâminas param de funcionar durante o corte da relva.	<ul style="list-style-type: none"> <li>O corta-relva está sobrecarregado.</li> </ul>	<ul style="list-style-type: none"> <li>Aumente a altura de corte da plataforma ou abrande a velocidade de condução para reduzir a carga do corta-relva.</li> </ul>
	<ul style="list-style-type: none"> <li>A plataforma do corta-relva está obstruída com relva e detritos.</li> </ul>	<ul style="list-style-type: none"> <li>Limpe a plataforma do corta-relva e certifique-se de que as lâminas se movem livremente.</li> </ul>
	<ul style="list-style-type: none"> <li>O corta-relva sobreaqueceu.</li> </ul>	<ul style="list-style-type: none"> <li>Reduza a carga do corta-relva aumentando a altura de corte da plataforma ou diminuindo a velocidade da lâmina/condução, e permita ao corta-relva arrefecer.</li> </ul>
	<ul style="list-style-type: none"> <li>As baterias no compartimento da bateria do corta-relva sobreaqueceram, dando origem a uma classificação Ah combinada de todas as baterias inseridas que não vai ao encontro dos requisitos.</li> </ul>	<ol style="list-style-type: none"> <li>Se a classificação Ah combinada da bateria não for ao encontro dos requisitos, o corta-relva deixa de funcionar até que insira mais baterias nos compartimentos vazios da bateria. Quando a bateria sobreaquecida voltar à temperatura normal, volta a ligar o corta-relva.</li> </ol>
		<ol style="list-style-type: none"> <li>Reduza a carga do corta-relva aumentando a altura de corte da plataforma ou diminuindo a velocidade do corta-relva quando continuar o funcionamento.</li> </ol>
	<ul style="list-style-type: none"> <li>O corta-relva está no modo limitado.</li> </ul>	<ul style="list-style-type: none"> <li>Quando o corta-relva está no modo limitado, as lâminas passam automaticamente para uma velocidade de baixa rotação sem cortar a relva. O operador deverá parar de trabalhar e ir para a área de carregamento da bateria o mais depressa possível.</li> </ul>
	<ul style="list-style-type: none"> <li>O corta-relva bateu num objeto estranho, dando origem à ativação da proteção automática do motor.</li> </ul>	<ul style="list-style-type: none"> <li>Prima o interruptor PTO para baixo e reinicie as lâminas do corta-relva.</li> </ul>
O indicador sonoro continua a emitir sons.	<ul style="list-style-type: none"> <li>O corta-relva está no modo limitado e as lâminas não giram.</li> </ul>	<ul style="list-style-type: none"> <li>Prima o interruptor PTO para baixo para libertar as lâminas da plataforma. O indicador sonoro pára de emitir sons quando a lâmina parar.</li> </ul>
	<ul style="list-style-type: none"> <li>O corta-relva pára de avançar numa encosta e o operador abre as alavancas de condução e sai do assento sem colocar o pedal do travão de estacionamento na posição de travagem.</li> </ul>	<ul style="list-style-type: none"> <li>Coloque o pedal do travão de estacionamento na posição de travagem antes de deixar o corta-relva numa encosta.</li> </ul>

**PT**

PROBLEMA	CAUSA	SOLUÇÃO
Os indicadores da bateria permanecem ligados quando o trator corta-relva é desligado.	<ul style="list-style-type: none"> <li>Quando o corta-relva é desligado em piso nivelado sem retirar as baterias, os indicadores da bateria, o botão de iniciar/parar e o botão de definição permanecem ligados durante um certo espaço de tempo.</li> </ul>	<ul style="list-style-type: none"> <li>Não é necessária qualquer ação. Os indicadores da bateria desligam-se quando o corta-relva se desligar passado um certo espaço de tempo. Consulte a secção <b>"PARAR O TRATOR CORTA-RELVA"</b> para um tempo específico.</li> </ul>
	<ul style="list-style-type: none"> <li>Quando o corta-relva é desligado numa encosta sem colocar o pedal do travão de estacionamento na posição de travagem, os indicadores da bateria permanecem ligados até que a bateria fique sem energia. O indicador sonoro continua a emitir sons.</li> </ul>	<ul style="list-style-type: none"> <li>Coloque o pedal do travão de estacionamento na posição de travagem antes de deixar o corta-relva numa encosta.</li> </ul>
O ecrã LCD não acende com todos os ícones ligados.	<ul style="list-style-type: none"> <li>O tempo em que premiu o botão de iniciar/parar não é o suficiente.</li> </ul>	<ul style="list-style-type: none"> <li>O ecrã LCD apresenta apenas "Manómetro do combustível" quando o botão de iniciar/parar for premido brevemente.</li> <li>O ecrã LCD liga-se quando o botão de iniciar/parar for premido o tempo suficiente.</li> </ul>
O corta-relva corta de um modo pouco uniforme, com uma diferença de altura significativa entre a parte da frente e a parte de trás.	<ul style="list-style-type: none"> <li>As lâminas estão rombas.</li> </ul>	<ul style="list-style-type: none"> <li>Afie ou substitua a lâmina de corte conforme indicado neste manual.</li> </ul>
	<ul style="list-style-type: none"> <li>As lâminas estão dobradas.</li> </ul>	<ul style="list-style-type: none"> <li>Substitua a lâmina de corte dobrada seguindo as instruções na secção <b>"SUBSTITUIR AS LÂMINAS DE CORTE"</b>.</li> </ul>
	<ul style="list-style-type: none"> <li>A plataforma do corta-relva não está nivelada, dando origem a uma altura diferente da lâmina de corte.</li> </ul>	<ul style="list-style-type: none"> <li>Nivele a plataforma do trator corta-relva seguindo as instruções na secção <b>"NIVELAR A PLATAFORMA DO TRATOR CORTA-RELVA"</b>.</li> </ul>

PROBLEMA	CAUSA	SOLUÇÃO
A altura de corte da relva não está alinhada com a altura suposta.	<ul style="list-style-type: none"> <li>As porcas da plataforma do corta-relva estão soltas no elo de suspensão.</li> </ul>	<ul style="list-style-type: none"> <li>Siga as instruções na secção <b>“NIVELAR A PLATAFORMA DO TRATOR CORTA-RELVA”</b> para efetuar os ajustes corretos frente-trás da plataforma do corta-relva, e aperte bem as porcas no elo de suspensão.</li> </ul>
	<ul style="list-style-type: none"> <li>A plataforma do corta-relva está danificada ou seriamente gasta.</li> </ul>	<ul style="list-style-type: none"> <li>Siga as instruções na secção <b>“RETIRAR A PLATAFORMA DO CORTA-RELVA”</b> para substituir a plataforma do corta-relva.</li> </ul>
O corta-relva não aduba corretamente.	<ul style="list-style-type: none"> <li>Existe relva molhada colada na parte inferior.</li> </ul>	<ul style="list-style-type: none"> <li>Espere que a relva seque antes de cortar.</li> </ul>
	<ul style="list-style-type: none"> <li>O corta-relva foi configurado para cortar demasiada relva de uma vez.</li> </ul>	<ul style="list-style-type: none"> <li>Aumente a altura de corte da plataforma.</li> </ul>
Há vibração excessiva.	<ul style="list-style-type: none"> <li>As lâminas de corte estão soltas.</li> </ul>	<ul style="list-style-type: none"> <li>Aperte o parafuso da lâmina com o binário recomendado.</li> </ul>
	<ul style="list-style-type: none"> <li>As lâminas estão dobradas.</li> </ul>	<ul style="list-style-type: none"> <li>Substitua a lâmina de corte dobrada seguindo as instruções na secção <b>“SUBSTITUIR AS LÂMINAS DE CORTE”</b>.</li> </ul>
	<ul style="list-style-type: none"> <li>A plataforma do corta-relva não está nivelada.</li> </ul>	<ul style="list-style-type: none"> <li>Nivele a plataforma do trator corta-relva seguindo as instruções na secção <b>“NIVELAR A PLATAFORMA DO TRATOR CORTA-RELVA”</b>.</li> </ul>
	<ul style="list-style-type: none"> <li>As porcas da plataforma do corta-relva estão soltas no elo de suspensão.</li> </ul>	<ul style="list-style-type: none"> <li>Aperte as porcas no elo de suspensão.</li> </ul>
	<ul style="list-style-type: none"> <li>O corta-relva foi configurado para cortar demasiada relva de uma vez.</li> </ul>	<ul style="list-style-type: none"> <li>Aumente a altura de corte da plataforma.</li> </ul>

PROBLEMA	CAUSA	SOLUÇÃO
Há relva ou detritos que ficam no chão após o corte.	<ul style="list-style-type: none"> <li>▪ O corta-relva foi configurado para cortar demasiada relva de uma vez quando a relva está comprida.</li> </ul>	<ul style="list-style-type: none"> <li>▪ Comece por uma altura de corte elevada e vá diminuindo até obter o resultado de corte desejado. Relva com mais de 15 cm deverá ser cortada duas vezes, com alturas de corte sucessivamente menores.</li> </ul>
	<ul style="list-style-type: none"> <li>▪ A relva está molhada.</li> </ul>	<ul style="list-style-type: none"> <li>▪ Não corte quando a relva estiver molhada. Espere que ela seque.</li> </ul>
	<ul style="list-style-type: none"> <li>▪ A velocidade de condução é elevada.</li> </ul>	<ul style="list-style-type: none"> <li>▪ Abrace a velocidade de condução.</li> </ul>
	<ul style="list-style-type: none"> <li>▪ A velocidade da lâmina é baixa.</li> </ul>	<ul style="list-style-type: none"> <li>▪ Aumente gradualmente a velocidade da lâmina.</li> </ul>
Tempo de funcionamento curto com a bateria incluída.	<ul style="list-style-type: none"> <li>▪ O estado da relva e a configuração da altura de corte afetam imenso o tempo de funcionamento da bateria. O tempo de funcionamento indicado baseia-se num estado de pouca carga.</li> </ul>	<ul style="list-style-type: none"> <li>▪ Aumente a altura de corte da plataforma ou diminua a velocidade da lâmina para reduzir a carga de corte.</li> </ul>
O corta-relva não está a cortar a direito.	<ul style="list-style-type: none"> <li>▪ A pressão dos pneus traseiros esquerdo e direito é diferente.</li> </ul>	<ul style="list-style-type: none"> <li>▪ Verifique e ajuste a pressão do ar em ambos os pneus traseiros, de acordo com a recomendação na secção <b>“VERIFICAR A PRESSÃO DOS PNEUS”</b> neste manual.</li> </ul>
	<ul style="list-style-type: none"> <li>▪ As velocidades de condução dos pneus traseiros esquerdo e direito são diferentes.</li> </ul>	<ul style="list-style-type: none"> <li>▪ Efetue a calibragem do sistema de monitorização do trator corta-relva seguindo as instruções na secção <b>“CALIBRAR O SISTEMA DE MONITORIZAÇÃO DO CORTA-RELVA”</b>.</li> </ul>
O pedal do travão de estacionamento não pode ser libertado da posição de travagem, ou demora muito tempo a voltar para trás.	<ul style="list-style-type: none"> <li>▪ Poderá haver detritos ou sujidade no interior do pedal do travão de estacionamento.</li> </ul>	<ul style="list-style-type: none"> <li>▪ Abra a caixa do pedal do travão de estacionamento para limpar bem o interior, e feche-a. Reinicie o pedal do travão de estacionamento para ver se o problema foi resolvido. Se não for o caso, contacte um técnico de reparação qualificado para proceder à reparação.</li> </ul>

PROBLEMA	CAUSA	SOLUÇÃO
O corta-relva não pode ser carregado através da porta de carregamento com o indicador do estado do corta-relva aceso a vermelho.	<ul style="list-style-type: none"> <li>A ficha do carregador não foi inserida corretamente na porta de carregamento do corta-relva.</li> </ul>	<ul style="list-style-type: none"> <li>Volte a ligar a ficha do carregador para ver se o corta-relva pode ser carregado normalmente.</li> </ul>
	<ul style="list-style-type: none"> <li>As tomadas de parede não têm energia.</li> </ul>	<ul style="list-style-type: none"> <li>Não é necessária qualquer ação. Espere até que a energia volte.</li> </ul>
	<ul style="list-style-type: none"> <li>Mau funcionamento do carregador.</li> </ul>	<ul style="list-style-type: none"> <li>Contacte um técnico de reparação qualificado para proceder à inspeção, e, se necessário, peça para que o carregador seja reparado.</li> </ul>
	<ul style="list-style-type: none"> <li>A porta do carregador no corta-relva está defeituosa.</li> </ul>	<ul style="list-style-type: none"> <li>Contacte um técnico de reparação qualificado para proceder à reparação.</li> </ul>
O tempo de carregamento através da porta de carregamento do corta-relva é muito longo.	<ul style="list-style-type: none"> <li>Usar um adaptador EGO ACA1000 para carregar requer muito tempo.</li> </ul>	<ul style="list-style-type: none"> <li>Use o carregador da EGO CHV1600E para carregar diretamente o trator corta-relva.</li> </ul>
A bateria não pode ser carregada por completo através da porta de carregamento do corta-relva.	<ul style="list-style-type: none"> <li>Bug do firmware do corta-relva, ou falha no carregador/bateria.</li> </ul>	<ul style="list-style-type: none"> <li>Desligue o carregador da alimentação e espere vários minutos, depois, volte a ligar a ficha na tomada. Se não funcionar, contacte um técnico de reparação qualificado para proceder à reparação.</li> </ul>
O corta-relva não se liga após a limpeza.	<ul style="list-style-type: none"> <li>Limpeza inadequada, como entrada de água nos componentes elétricos, ecrã LCD, etc.</li> </ul>	<ul style="list-style-type: none"> <li>Siga as instruções na secção “<b>LIMPEZA DO CORTA-RELVA</b>” para limpar corretamente o corta-relva.</li> </ul>
O corta-relva fica facilmente obstruído.	<ul style="list-style-type: none"> <li>A plataforma do corta-relva está obstruída com relva e detritos.</li> </ul>	<ul style="list-style-type: none"> <li>Se o corta-relva apanhar acidentalmente uma chuvada, deixe-o a secar, ou use ar comprimido para o secar.</li> </ul>
		<ul style="list-style-type: none"> <li>Limpe a plataforma do trator corta-relva após cada utilização, seguindo as indicações na secção “Usar a porta de lavagem para limpar a plataforma do trator corta-relva”.</li> </ul>
O corta-relva perde facilmente tração quando sobe uma encosta.	<ul style="list-style-type: none"> <li>Os pneus das rodas traseiras estão gastos.</li> </ul>	<ul style="list-style-type: none"> <li>Contacte um centro de reparação local para substituir os pneus das rodas.</li> </ul>
	<ul style="list-style-type: none"> <li>Está a cortar a relva de uma encosta muito íngreme.</li> </ul>	<ul style="list-style-type: none"> <li>Encostas onde queira efetuar cortes deverão ter a inclinação exigida.</li> </ul>

<b>PROBLEMA</b>	<b>CAUSA</b>	<b>SOLUÇÃO</b>
Quando o corta-relva pára numa encosta com o pedal do travão de estacionamento pressionado, começa a deslizar pela encosta abaixo.	<ul style="list-style-type: none"><li>Os componentes do travão estão excessivamente gastos devido a um funcionamento inadequado do corta-relva.</li></ul>	<ul style="list-style-type: none"><li>Contacte um técnico de reparação qualificado para proceder à reparação.</li></ul>
Não sai água da porta de lavagem quando é efetuada a lavagem da plataforma.	<ul style="list-style-type: none"><li>O acoplador rápido da porta de lavagem não está montado na porta de lavagem.</li></ul>	<ul style="list-style-type: none"><li>Volte a fixar o acoplador rápido da porta de lavagem até ouvir um clique após pressionar firmemente. Se não funcionar, contacte um técnico de reparação qualificado para proceder à reparação.</li></ul>
Ouve-se um som estranho quando se empurra o corta-relva manualmente sem o ligar.	<ul style="list-style-type: none"><li>O som vem dos ímanes no interior do motor de condução.</li></ul>	<ul style="list-style-type: none"><li>É normal e não requer qualquer ação.</li></ul>

## CÓDIGO DE FALHA E REFERÊNCIA DO INDICADOR DO ESTADO DO CORTA-RELVA

Visor LCD	Descrição	Código de falha no LCD	Indicador do estado do corta-relva	Beeper	Causa	Solução
	O ícone das luzes LED é apresentado no ecrã LCD.	n/a	DESLIGADO	Não	Os faróis, luzes laterais e luzes traseiras são ligados pelo interruptor da luz LED.	Isto é normal. Não é necessária qualquer ação.
	O ícone USB é apresentado no ecrã LCD.	n/a	DESLIGADO	Não	O ícone USB acende, indicando que um dispositivo USB pode funcionar após o corta-relva ser ligado corretamente.	Isto é normal. Não é necessária qualquer ação.
	O ícone do manómetro do combustível é apresentado no ecrã LCD.	n/a	DESLIGADO	Não	Indica a capacidade de carga média das baterias inseridas.	Isto é normal. Não é necessária qualquer ação.
	O ícone do contador das horas de utilização é apresentado no ecrã LCD.	n/a	DESLIGADO	Não	Apresenta o tempo de condução total do corta-relva, em horas, e não pode ser reiniciado.	Isto é normal. Não é necessária qualquer ação.
	O ícone do indicador de carga aparece na gama ECO.	n/a	DESLIGADO	Não	Indica a carga atual do corta-relva.	Isto é normal. Não é necessária qualquer ação.
	O indicador de sobrecarga pisca. O ícone do indicador de carga aparece na gama PWR.	n/a	Pisca a vermelho	Um som	O motor da lâmina está sobrecarregado.	Aumente a altura de corte da plataforma ou abrande a velocidade de condução para reduzir a carga do corta-relva.
					A saída de descarga lateral está obstruída com relva e detritos.	Limpe a saída de descarga lateral após cada utilização.
					Existe uma interferência entre a lâmina e a plataforma do trator corta-relva.	As reparações deverão ser efetuadas por um técnico de reparação qualificado.

PT

Visor LCD	Descrição	Código de falha no LCD	Indicador do estado do corta-relva	Beeper	Causa	Solução
	O ícone da chave de segurança pisca.	n/a	DESLIGADO	Não	A chave de segurança não foi inserida.	Insira a chave de segurança e prima e mantenha premido o botão de iniciar/parar para ligar o trator corta-relva.
					Não é fornecida energia ao ecrã LCD.	As reparações deverão ser efetuadas por um técnico de reparação qualificado.
	O ícone de um certo compartimento da bateria pisca.	n/a	DESLIGADO	Não	Uma bateria durante a descarga teve um excesso de corrente.	Não é necessária qualquer ação. O corta-relva pode continuar a funcionar se a taxa Ah combinada da bateria, excluindo a bateria com corrente excessiva, for ao encontro dos requisitos. Quando a bateria com corrente excessiva voltar ao normal, volta a alimentar imediatamente o trator corta-relva e o ícone desaparece.
	O ícone do compartimento vazio da bateria pisca.	n/a	DESLIGADO	Não	A capacidade da bateria não é suficiente para permitir ao trator corta-relva funcionar.	Para ligar este trator corta-relva, use baterias EGO suficientes, seguindo as instruções na secção <b>"CARREGAMENTO"</b> neste manual.



Visor LCD	Descrição	Código de falha no LCD	Indicador do estado do corta-relva	Beeper	Causa	Solução
	O ícone da temperatura pisca.	n/a	DESLIGADO	Um som	O corta-relva sobreaqueceu.	Reduza a carga do corta-relva aumentando a altura de corte da plataforma ou diminuindo a velocidade da lâmina/condução. Faça pausas e permita ao corta-relva arrefecer.
					O corta-relva está muito frio.	Não faça tentativas repetidas que possam danificar a máquina. Guarde sempre o corta-relva e a bateria num ambiente quente. Volte a ligar o corta-relva quando este aquecer.
	O ícone da temperatura e o compartimento exato ocupado pela bateria piscam em simultâneo.	n/a	DESLIGADO	Não	A bateria no respetivo compartimento sobreaqueceu.	1. O corta-relva pode continuar a funcionar se a taxa Ah combinada da bateria, excluindo a bateria sobreaquecida, for ao encontro dos requisitos. Quando a bateria sobreaquecida voltar à temperatura normal, volta a ligar o corta-relva.
						2. Se a classificação Ah combinada da bateria não for a suficiente, o corta-relva deixa de funcionar até que insira mais baterias nos compartimentos vazios da bateria.
						3. Reduza a carga do corta-relva aumentando a altura de corte da plataforma ou diminuindo a velocidade do corta-relva quando continuar o funcionamento.

**PT**

Visor LCD	Descrição	Código de falha no LCD	Indicador do estado do corta-relva	Beeper	Causa	Solução
	<p>Os ícones de cada compartimento ocupado pela bateria, indicador de energia fraca, gráficos da bateria do manómetro do combustível piscam a cada segundo em simultâneo no ecrã LCD. O primeiro segmento do manómetro do combustível LED e indicador do estado também piscam.</p>	n/a	Pisca a vermelho	Continua a emitir sons até que o interruptor PTO seja pressionado para baixo.	As baterias têm pouca energia e o corta-relva está no modo limitado.	<p>Pare de trabalhar e vá para a área de carregamento da bateria.</p> <p><b>AVISO:</b> Quando o corta-relva está no modo limitado, as lâminas passam automaticamente para uma velocidade de baixa rotação sem cortar a relva. Entretanto, o indicador sonoro emite vários sons. O operador deverá pressionar o interruptor PTO para baixo para desativar as lâminas da plataforma. O indicador sonoro pára de emitir sons quando a lâmina parar.</p>
	<p>O ícone de cada compartimento ocupado pela bateria e o indicador de energia fraca piscam a cada meio segundo.</p>	n/a	Pisca a vermelho	Continua a emitir sons	As baterias estão quase gastas.	<p>O corta-relva pára imediatamente de funcionar. O operador deverá transportar o corta-relva para a área de carregamento da bateria para se proceder ao carregamento.</p>
	<p>O ícone de estacionamento automático pisca no LCD.</p>	n/a	DESLIGADO	Continua a emitir sons	O corta-relva está estacionado numa encosta e o operador deixou o corta-relva sem colocar o pedal do travão na posição de travagem, e as alavancas de condução estão na posição aberta.	<p>Coloque o pedal do travão na posição de travagem. O ícone de estacionamento automático desliga-se e o indicador sonoro pára de emitir sons.</p>
	<p>O ícone do pedal do travão é apresentado no LCD.</p>	n/a	DESLIGADO	Não	O pedal do travão de estacionamento está na posição de travagem.	<p>Liberte-o antes de ligar o corta-relva.</p>

Visor LCD	Descrição	Código de falha no LCD	Indicador do estado do corta-relva	Beeper	Causa	Solução
	O ícone do sensor do assento é apresentado no LCD.	n/a	DESLIGADO	Não	O operador deixou o assento, ou o interruptor do assento está desligado.	Se o operador estiver sentado no assento, mas o ícone estiver ligado, pare imediatamente de usar o corta-relva e verifique a ligação do assento. Se a ligação do assento ao corta-relva estiver correta, contacte um técnico de reparação qualificado para proceder à reparação.
	O ícone do interruptor PTO começa a piscar.	n/a	DESLIGADO	Não	O motor da lâmina foi interrompido durante o funcionamento, e o interruptor PTO não foi colocado na posição de desligado.	Antes de voltar a ligar o corta-relva, pressione o interruptor PTO para baixo para desativar o motor da plataforma. Consulte a secção " <b>RESOLUÇÃO DE PROBLEMAS</b> " neste manual para obter referências.
	O ícone da alavanca de condução pisca.	n/a	DESLIGADO	Não	O motor de condução foi interrompido durante o funcionamento, e as alavancas de condução não foram colocadas na posição de abertas.	Antes de voltar a ligar o corta-relva, mova as alavancas de condução para a posição de abertas. Consulte a secção " <b>RESOLUÇÃO DE PROBLEMAS</b> " neste manual para obter referências.
	O ícone de recuperação de energia pisca ocasionalmente.	n/a	DESLIGADO	Não	A energia cinética gerada durante a travagem ou condução pela encosta abaixo é convertida em eletricidade para carregar as baterias.	Isto é normal. Não é necessária qualquer ação.

**AVISO:** Se aparecer um código de falha no ecrã LCD, retire todas as baterias e volte a instalá-las passados alguns minutos. Se isto não resolver o problema, siga a resolução de problemas de códigos de falha apresentada abaixo.

Visor LCD	Descrição	Código de falha no LCD	Indicador do estado do corta-relva	Beeper	Causa	Solução
Consulte "Código de falhas"	O motor de condução esquerdo não roda.	O motor de condução esquerdo controlado por PCBA falha.	413	DESLIGADO	Um som	Falha no PCBA
		A ficha (trifásica, fio da alimentação) a ligar o motor de condução esquerdo com o respetivo PCBA está solto.	317	DESLIGADO	Um som	Ligação solta
		A ficha (de seis pinos, fio do sinal) a ligar o motor de condução esquerdo com o respetivo PCBA está solto.	301	DESLIGADO	Um som	Ligação solta
		O motor de condução esquerdo falha.	317	DESLIGADO	Um som	Falha do motor
						As reparações deverão ser efetuadas por um técnico de reparação qualificado.

Visor LCD	Descrição	Código de falha no LCD	Indicador do estado do corta-relva	Beeper	Causa	Solução	
Consulte "Código de falhas"	O motor de condução direito não roda.	O motor de condução direito controlado por PCBA falha.	313	DESLIGADO	Um som	Falha no PCBA	As reparações deverão ser efetuadas por um técnico de reparação qualificado.
		A ficha (trifásica, fio da alimentação) a ligar o motor de condução direito com o respetivo PCBA está solto.	417	DESLIGADO	Um som	Ligação solta	
		A ficha (de seis pinos, fio do sinal) a ligar o motor de condução direito com o respetivo PCBA está solto.	401	DESLIGADO	Um som	Ligação solta	
		O motor de condução direito falha.	417	DESLIGADO	Um som	Falha do motor	
Consulte "Código de falhas"	O motor da lâmina esquerda não roda.	O motor da lâmina esquerda controlado por PCBA falha.	607/A07	n/a	Um som	Falha no PCBA	As reparações deverão ser efetuadas por um técnico de reparação qualificado.
		A ficha (trifásica, fio da alimentação) a ligar o motor de condução esquerdo com o respetivo PCBA está solto.	509	n/a	Um som	Ligação solta	Inspeccione primeiro a lâmina. Se estiver solto, aperte o parafuso com o binário recomendado. Caso contrário, as reparações deverão ser efetuadas por um técnico de reparação qualificado.
		O motor da lâmina esquerda falha.	509	n/a	Um som	Falha do motor	

PT

PT

Visor LCD	Descrição	Código de falha no LCD	Indicador do estado do corta-relva	Beeper	Causa	Solução	
Consulte "Código de falhas"	O motor da lâmina direita não roda.	O motor da lâmina direita controlado por PCBA falha.	507/A07	n/a	Um som	Falha no PCBA	As reparações deverão ser efetuadas por um técnico de reparação qualificado.
		A ficha (trifásica, fio da alimentação) a ligar o motor de condução direito com o respetivo PCBA está solto.	609	n/a	Um som	Ligação solta	Inspeccione primeiro a lâmina. Se estiver solto, aperte o parafuso com o binário recomendado. Caso contrário, as reparações deverão ser efetuadas por um técnico de reparação qualificado.
		O motor da lâmina direita falha.	609	n/a	Um som	Falha do motor	
Consulte "Código de falhas"	O motor da lâmina do meio não roda.	O motor da lâmina do meio controlado por PCBA falha.	507/607	n/a	Um som	Falha no PCBA	As reparações deverão ser efetuadas por um técnico de reparação qualificado.
		A ficha (trifásica, fio da alimentação) a ligar o motor da lâmina do meio com o respetivo PCBA está solto.	A09	n/a	Um som	Ligação solta	Inspeccione primeiro a lâmina. Se estiver solto, aperte o parafuso com o binário recomendado. Caso contrário, as reparações deverão ser efetuadas por um técnico de reparação qualificado.
		O motor da lâmina do meio falha.	A09	n/a	Um som	Falha do motor	
Consulte "Código de falhas"	A alavanca de condução esquerda falha.	A alavanca de condução esquerda controlada por PCBA falha.	311/412	DESLIGADO	Um som	Falha no PCBA	As reparações deverão ser efetuadas por um técnico de reparação qualificado.
		A ficha a ligar o PCBA de controlo, na barra de condução, está solta.				Ligação solta	

Visor LCD	Descrição	Código de falha no LCD	Indicador do estado do corta-relva	Beeper	Causa	Solução	
Consulte "Código de falhas"	A alavanca de condução direita falha.	A alavanca de condução direita controlada por PCBA falha.	312/411	DESLIGADO	Um som	Falha no PCBA	As reparações deverão ser efetuadas por um técnico de reparação qualificado.
		A ficha a ligar o PCBA de controlo, na barra de condução, está solta.				Ligação solta	
Consulte "Código de falhas"	O travão de estacionamento falha. O trator não pode ser conduzido.	O PCBA do travão de estacionamento, no conjunto da estrutura dianteira, está partido.	309/409	DESLIGADO	Um som	Falha no PCBA	As reparações deverão ser efetuadas por um técnico de reparação qualificado.
		O interruptor do travão de estacionamento e/ou o fio está partido.	801	DESLIGADO	Um som	Falha no fio/interruptor	
DESLIGADO	Falha na porta de carregamento.		n/a	Permanece ligado a vermelho	n/a	A porta de carregamento está em circuito aberto.	As reparações deverão ser efetuadas por um técnico de reparação qualificado.
			n/a	Permanece ligado a vermelho	n/a	Não existe energia.	Verifique se a tomada de parede está em bom estado e fornece uma alimentação de 220V-240V.
			n/a	Permanece ligado a vermelho	n/a	O fusível fundiu-se.	As reparações deverão ser efetuadas por um técnico de reparação qualificado.
Consulte "Código de falhas"	Falha na porta de carregamento.	204	n/a	Um som	A porta de carregamento está em circuito aberto.	As reparações deverão ser efetuadas por um técnico de reparação qualificado.	

**PT**

PT

Visor LCD	Descrição	Código de falha no LCD	Indicador do estado do corta-relva	Beeper	Causa	Solução
Consulte "Código de falhas"	O conjunto da caixa da bateria não funciona.	217	n/a	Um som	A fonte de energia do conjunto da caixa da bateria está partida. Os faróis LED e USB não funcionam.	As reparações deverão ser efetuadas por um técnico de reparação qualificado.
		310/ 410	DESLIGADO	Um som	A ligação entre os fios de tipo C do conjunto da caixa da bateria e os outros fios do tipo C do corta-relva não funcionam.	
		201/ 202/ 203	DESLIGADO	Um som	O BMS do conjunto da caixa da bateria está partido.	
Consulte "Código de falhas"	Falha no interruptor de iniciar/parar.	314/ 414	DESLIGADO	Um som	Falha no PCBA do interruptor ou má ligação do fio do interruptor de iniciar/parar.	As reparações deverão ser efetuadas por um técnico de reparação qualificado.



Visor LCD	Descrição	Código de falha no LCD	Indicador do estado do corta-relva	Beeper	Causa	Solução
Consulte “Código de falhas”	Falha no ecrã LCD.	315/ 415	DESLIGADO	Um som	O conjunto do LCD está partido ou há uma má ligação do fio do conjunto do LCD.	As reparações deverão ser efetuadas por um técnico de reparação qualificado.

**PT**

## GARANTIA

### POLÍTICA DE GARANTIA EGO

Visite o website [egopowerplus.com](http://egopowerplus.com) para os termos e condições completos da política de garantia da EGO.

## LEGGERE TUTTE LE ISTRUZIONI!



**LEGGERE IL MANUALE DI ISTRUZIONI**

## SIMBOLI DI SICUREZZA

IT

Lo scopo dei simboli di sicurezza è attirare l'attenzione dell'operatore su possibili pericoli. I simboli di sicurezza e le relative spiegazioni richiedono la massima attenzione e comprensione da parte dell'operatore. Le avvertenze espresse dai simboli, da sole, non eliminano tutti i rischi. Le istruzioni e le avvertenze non sostituiscono le adeguate misure di prevenzione contro gli incidenti.

**⚠ AVVERTENZA!** Accertarsi di aver letto e compreso tutte le istruzioni di sicurezza in questo manuale, inclusi tutti i simboli di avvertenza come "**PERICOLO**", "**AVVERTENZA**" e "**ATTENZIONE**", prima di usare questa macchina. Il mancato rispetto di tutte le istruzioni elencate di seguito comporta il rischio di scossa elettrica, incendio e/o lesioni gravi.

## SIGNIFICATO DEI SIMBOLI

Questa pagina illustra e descrive i simboli di sicurezza che possono comparire sulla macchina. Leggere, comprendere e seguire tutte le istruzioni sulla macchina prima di tentare di assemblarla e utilizzarla.

## SIMBOLI DI SICUREZZA

	Avvertenza di sicurezza		Leggere e comprendere il manuale di istruzioni
	Protezione per gli occhi		Mantenere i dispositivi di sicurezza.
	PERICOLO! Terreno in pendenza.		PERICOLO! Tenere le altre persone lontane dalle lame.
	Non trasportare bambini.		Guardare indietro durante la retromarcia.
	AVVERTENZA! Non usare questa macchina su pendenze superiori a 12°.		PERICOLO! Rischio di oggetti lanciati.
	AVVERTENZA! TENERE A DISTANZA MANI E PIEDI.		Livello di potenza sonora garantito ai sensi della direttiva dell'Unione europea.



Non salire.



I prodotti elettrici non devono essere smaltiti insieme ai rifiuti domestici. Portarli presso un centro di riciclaggio autorizzato.



Questo prodotto è conforme alle direttive europee applicabili.



ATTENZIONE! Non fissare la fonte luminosa.



Corrente continua



Questo prodotto è conforme alle direttive britanniche applicabili.

IT

kPa Kilopascal

RPM Rotazioni al minuto

V Volt

m Metro

in Pollice

cm Centimetro

Nm Newton metro

mm Millimetro

°C Grado Celsius

kg Chilogrammo

km/h Chilometri all'ora

IPX4 Grado di protezione

## SPECIFICHE TECNICHE

KEES VAN DER SPEK  
TUINMACHINES \* STOLWIJK

Tensione	56 V	
Dimensioni del piatto di taglio	132 cm	
Dimensioni delle ruote	Anteriori	279,4 x 126 mm
	Posteriori	457,2 x 223 mm
Pressione degli pneumatici a freddo	Anteriori	222,1 kPa
	Posteriori	115,8 kPa
Raggio di sterzata	0	
Velocità delle lame (RPM)	2600 / 2800 / 3000 / 3200	
Velocità di marcia max (km/h)	Avanti	8,1 km/h, 9,7 km/h, 11,3 km/h, 12,8 km/h
	Retromarcia	Fino a 6,4 km/h

Ricarica	Caricabatteria (opzionale)	CHV1600E
	Adattatore (opzionale)	ACA1000
	Intervallo di temperature per la ricarica	Da 5°C a 40°C
Regolazione dell'altezza di taglio (10 posizioni)		Da 25 a 100 mm
Temperatura operativa		Da 0°C a 40°C
Temperatura di conservazione		Da -20°C a 70°C
Peso (senza gruppo batteria)		217 kg
Livello di potenza sonora misurato $L_{WA}$		95,48 dB(A) K=0,73 dB(A)
Livello di pressione sonora a livello dell'orecchio dell'operatore $L_{PA}$		82,5 dB(A) K=3 dB(A)

Livello di potenza sonora garantito $L_{WA}$ (misurato conformemente a 2000/14/EC)		100 dB(A)
Vibrazioni $a_h$	Impugnatura	0,69 m/s <sup>2</sup> K=1,5 m/s <sup>2</sup>
	Corpo	0,3 m/s <sup>2</sup> K=1,5 m/s <sup>2</sup>

**IT**

- Il valore totale di emissione delle vibrazioni dichiarato è stato misurato con un metodo di valutazione standard e può essere utilizzato per confrontare l'apparecchio con altri prodotti analoghi.
- Il valore totale di emissione delle vibrazioni dichiarato può essere utilizzato anche per una valutazione preliminare dei livelli di esposizione.

**NOTA:** il valore di emissione delle vibrazioni durante l'uso effettivo dell'utensile elettrico può variare rispetto al valore totale dichiarato in base alla modalità di utilizzo dell'utensile. Per proteggersi, l'operatore deve indossare guanti e dispositivi di protezione per le orecchie in base alle condizioni di utilizzo effettive.

## DESCRIZIONE

### COMPONENTI DEL TRATTORINO (FIG. A1 E A2)

1. Sedile
2. Presa di ricarica
3. Unità di alimentazione
4. Fanale LED posteriore
5. Scomparto porta-oggetti
6. Porta-bevande
7. Luce LED laterale
8. Ruota posteriore (ruota motrice)
9. Porta di lavaggio
10. Piatto di taglio
11. Protezione del piatto di taglio
12. Ruotino antiscalpo
13. Ruota anteriore
14. Pedale del freno di stazionamento
15. Luci di marcia diurne

16. Fanali LED
17. Scivolo di scarico laterale
18. Leva di regolazione dell'altezza del piatto di taglio
19. Manopola di regolazione della sospensione del sedile
20. Leva di regolazione della posizione del sedile
21. Leve di sterzo
22. Indicatore dello stato della macchina
23. Display LCD
24. Interruttore PTO
25. Pulsante di avvio/arresto
26. Chiave di sicurezza
27. Vano porta-telefono
28. Deflettore
29. Indicatore della carica delle batterie e dello stato della macchina
  - 29.a. Indicatore della carica delle batterie
  - 29.b. Indicatore dello stato della macchina
30. Pedana poggia-piedi
31. Pulsante di rilascio del coperchio dell'unità di alimentazione
32. Coperchio dell'unità di alimentazione
33. Unità di alimentazione con sei vani batteria
34. Pulsante di rilascio della batteria
35. Gancio di traino
36. Coperchio di fissaggio dell'accessorio
37. Vano del coperchio di fissaggio dell'accessorio
38. Presa USB

### DESCRIZIONE DEL DISPLAY (FIG. A3)

Consultare la sezione "**SIMBOLI SUL DISPLAY E CODICI ERRORE**" per maggiori informazioni sulle icone e sugli indicatori del display.

1. Icona della chiave di sicurezza
2. Icona delle luci
3. Icona di stazionamento automatico
4. Icona USB
5. Indicatore della velocità delle lame

6. Indicatori di sicurezza
7. Contaore
8. Icona vano batteria vuoto
9. Icona della temperatura
10. Icona vano batteria occupato
11. Modalità di marcia
12. Codice errore
13. Indicatore di sovraccarico
14. Indicatore di esaurimento delle batterie
15. Indicatore della velocità di marcia
16. Indicatore del carico
17. Indicatore della carica delle batterie
18. Pulsante di regolazione della velocità delle lame
19. Pulsante delle impostazioni
20. Pulsante della modalità di marcia
21. Interruttore delle luci
22. Pulsante di regolazione della velocità di marcia

## DISIMBALLAGGIO

**NOTA:** non gettare i materiali di imballaggio finché la macchina non è stata ispezionata con attenzione e collaudata. Se alcuni dei componenti elencati nella tabella "Contenuto dell'imballaggio" sono mancanti, contattare immediatamente il centro di assistenza EGO.

**NOTA:** ad eccezione degli utensili elencati nella tabella "Contenuto dell'imballaggio", tutti gli altri utensili menzionati nel manuale sono raccomandati ma non forniti.

### CONTENUTO DELL'IMBALLAGGIO (Fig. B)

B-1	Trattorino tagliaerba a raggio zero	B-6	Chiavi di sicurezza zero
B-2	Sedile	B-7	Chiavi combinate (13 mm)
B-3	Leva di sterzo	B-8	Chiave esagonale

B-4	Viti a testa incassata (2 di ricambio)	B-9	Attacco rapido della porta di lavaggio
B-5	Bulloni esagonali (2 di ricambio)	B-10	Manuale di istruzioni

### ACCESSORI RACCOMANDATI

**⚠ AVVERTENZA!** Utilizzare esclusivamente parti di ricambio identiche a quelle elencate di seguito. L'uso di parti che non soddisfano le specifiche delle parti originali possono compromettere le prestazioni e la sicurezza della macchina.

NOME COMPONENTE	NUMERO MODELLO
Lama standard	AB5200
Lama ad alto sollevamento	AB5201
Kit pacciamatura	ABP5200
Kit contenitore dell'erba	ABK5200-A
Paraurti posteriore	AMB1000
Contenitore porta-oggetti	AMG1000
Tettuccio parasole	AMS1000

## ASSEMBLAGGIO

### INSTALLAZIONE DEL SEDILE (Fig. C1 e C2)

**⚠ AVVERTENZA!** Non scollegare o manomettere il sistema di bloccaggio di sicurezza per evitare che la macchina si avvii accidentalmente, con il rischio di lesioni.

**NOTA:** per motivi di sicurezza, la macchina può arrestarsi se il cavo del sedile si scollega durante l'uso. In tal caso, fare riferimento alla sezione "**RISOLUZIONE DEI PROBLEMI**" per maggiori informazioni.

C1-1	Cavo	C1-5	Viti a testa incassata
C1-2	Spina di alimentazione	C2-1	Passacavo
C1-3	Presa	C2-2	Binari in acciaio
C1-4	Base di sospensione	C2-3	Viti a testa incassata

### INSTALLAZIONE DELLE LEVE DI STERZO (Fig. C3)

C3-1	Leve di sterzo	C3-3	Fori di fissaggio delle leve di sterzo
C3-2	Bulloni esagonali		

## UTILIZZO

### OPERAZIONI PRELIMINARI

#### Controllo dell'area di lavoro

- Assicurarsi che nell'area di lavoro non siano presenti bambini, altre persone e animali.
- Rimuovere dall'area di lavoro qualsiasi oggetto che potrebbe venire lanciato dalle lame della macchina.
- Assicurarsi che le luci LED funzionino correttamente, come descritto di seguito.
  - I fanali anteriori e posteriori e le luci laterali sono controllati dall'interruttore delle luci.
  - Le luci di marcia sono sempre accese quando l'apparecchio è in movimento.
  - Se i fanali posteriori sono spenti, durante la retromarcia lampeggeranno; se sono accesi, rimarranno accesi.
  - Tutte le luci si spegneranno automaticamente quando la macchina si spegne automaticamente dopo un certo periodo di inutilizzo.

#### Controllo della pressioni degli pneumatici a freddo (Fig. D1)

#### Controllo dello stato della macchina e della carica delle batterie

- Indicatore della carica delle batterie (Fig. A2 - 27a)  
Ciascun segmento dell'indicatore rappresenta il 20% della carica dei gruppi batteria installati.

**NOTA:** l'indicatore della carica delle batterie sulla macchina e sul display segnalano la capacità media dei gruppi batteria installati.

- Indicatore dello stato della macchina (Fig. A1 e Fig. A2 - 27b)

Se l'indicatore è verde, la macchina è pronto per l'uso. In caso contrario, consultare la sezione "**SIMBOLI SUL DISPLAY E CODICI ERRORE**".

#### Controllo del sistema di bloccaggio di sicurezza (Fig. D2 - Fig. D8)

**NOTA:** l'operatore deve essere seduto sul sedile prima di effettuare il test.

- Prima del test (Fig. D2 - Fig. D4)
- Test del sistema di bloccaggio del piatto di taglio (Fig. D5): quindi alzarsi lentamente.
- Test del sistema di bloccaggio del sistema di trasmissione (Fig. D6 - D8): quindi alzarsi lentamente.

Se il piatto di taglio e/o la macchina non si arrestano quando l'operatore si è alzato dal sedile, e non è possibile determinare la causa dopo aver verificato che il cavo del sedile è collegato correttamente, contattare immediatamente il centro di assistenza EGO.

### REGOLAZIONI (Fig. E1 - Fig. E13)

#### Preparazione (Fig. E1 - Fig. E5)

#### Regolazione dell'altezza del piatto di taglio (Fig. E6)

#### Regolazione dei ruotini antiscalpo (Fig. E7 - Fig. E10)

E7-1	Ruotino antiscalpo	E9-2	Bullone
E9-1	Dado	E10-1	Scala dell'altezza del piatto di taglio

#### Regolazione del sedile (Fig. E11)

Prima di usare la macchina, regolare la posizione del sedile per assicurarsi di avere il massimo contatto con il pedale del freno di stazionamento. È possibile regolare la sospensione del sedile per il massimo comfort durante la guida.

E11-1	Leva di regolazione della posizione del sedile	E11-2	Manopola di regolazione della sospensione del sedile
-------	--	-------	--

### Funzionamento del freno di stazionamento (Fig. E12 - Fig. E13)

E13-1	Posizione di innesto	E13-2	Posizione di disinnesto
-------	----------------------	-------	-------------------------

### RICARICA (Fig. F1 - Fig. F11)

Per il funzionamento della macchina sono necessarie batterie EGO da almeno 15 Ah in totale (2 X BA4200/BA4200T). Per le migliori prestazioni, si raccomanda di usare batterie EGO da almeno 30 Ah in totale.

**Usare esclusivamente i gruppi batteria e i caricabatteria raccomandati (Fig. F9 e F10).**

#### Preparazione alla ricarica (Fig. F1 - Fig. F4)

#### Ricarica dei gruppi batteria separatamente (Fig. F5 - Fig. F9)

F5-1	Pulsante di rilascio del coperchio	F7-1	Pulsante di rilascio della batteria
------	------------------------------------	------	-------------------------------------

- Installazione dei gruppi batteria (Fig. F5 - Fig. F6)
- Rimozione dei gruppi batteria (Fig. F7 - Fig. F8)

**NOTA:** per la ricarica dei gruppi batteria, fare riferimento ai manuali della batteria e del caricabatteria.

#### Ricarica dei gruppi batteria tramite la presa di ricarica (Fig. F10)

F10-1	Protezione antipolvere	F10-2	Presa di ricarica
-------	------------------------	-------	-------------------

### AVVIO DELLA MACCHINA

#### (Fig. A4 - Fig. A5 e Fig. G1 - Fig. G6)

**⚠ AVVERTENZA!** Evitare avvi, arresti e svolte improvvise e velocità elevate, in particolare durante i primi utilizzi della macchina. La macchina può sterzare rapidamente, causando perdita di controllo, danni e/o lesioni gravi.

**⚠ AVVERTENZA!** Prima di avviare la macchina, assicurarsi che le lame si disinnestino entro 5 secondi dopo aver premuto l'interruttore PTO. Se le lame non si arrestano, non utilizzare la macchina e contattare immediatamente il centro di assistenza EGO.

**NOTA:** impostare la velocità di marcia minima e la modalità di marcia **STANDARD** come indicato in Fig. A4 e Fig. G2 finché non si è in grado di controllare la macchina in tutte le situazioni. La velocità e la modalità di marcia possono essere regolate esclusivamente quando le ruote della macchina sono ferme e le leve di sterzo sono in posizione aperta.

La macchina memorizzerà la modalità di marcia, la velocità di marcia e la calibrazione delle leve di sterzo e le ripristinerà al successivo riavvio.

#### Modalità di marcia

- **CONTROL:** minore accelerazione, sensibilità ridotta e bassa velocità di sterzata per proteggere l'erba. Ideale per i principianti.
- **STANDARD:** ideale per l'uso quotidiano.
- **SPORT:** maggiore accelerazione, elevata sensibilità e raggio di sterzata ridotto per massimizzare l'efficienza di taglio. Per operatori esperti.

#### Regolazione della velocità di marcia (Fig. A4)

#### Regolazione della velocità delle lame (Fig. A5)

#### Presa USB

**NOTA:** la presa USB fornisce una potenza di ricarica di 5 V CC e fino a 1,5 A, ed è alimentata esclusivamente quando la macchina è accesa.

#### ARRESTO DELLA MACCHINA (Fig. H1 - Fig. H6)

**NOTA:** dopo circa 60 minuti di inattività, la macchina si spegnerà automaticamente.

#### Modalità a efficienza ridotta

Quando la carica delle batterie è bassa, la macchina entrerà in modalità a efficienza ridotta:

- la macchina interromperà automaticamente il taglio dell'erba.
- Verrà emesso un segnale acustico continuo.

- L'indicatore dello stato della macchina lampeggerà di rosso ogni secondo e il primo segmento dell'indicatore della carica delle batterie lampeggerà di rosso; inoltre, l'indicatore di esaurimento delle batterie e l'indicatore della carica delle batterie sul display lampeggeranno.

L'operatore deve:

**IT**

- a) Premere l'interruttore PTO (Fig. H3) per arrestare le lame; il segnale acustico si spegnerà all'arresto delle lame.
- b) Interrompere il lavoro e recarsi presso l'area di ricarica delle batterie il prima possibile. La distanza massima che la macchina può percorrere è 1000 metri.

Quando le batterie sono quasi scariche, le icone di ciascun vano batteria occupato e l'indicatore di esaurimento delle batterie lampeggeranno ogni mezzo secondo. La macchina si arresterà immediatamente. È necessario portare la macchina presso l'area di ricarica delle batterie.

### Spinta manuale

Se è necessario spingere la macchina manualmente, assicurarsi che i gruppi batteria siano scollegati e che il pedale del freno di stazionamento sia in posizione di disinnesto.

### GUIDA DELLA MACCHINA (Fig. I1 - Fig. I9)

Per arrestare la macchina o modificare la velocità, spostare lentamente le leve di sterzo.

**⚠ PERICOLO!** Rimanere ad almeno due larghezze di taglio da fossi, discese e specchi d'acqua. Le ruote anteriori possono ruotare quando la macchina è ferma, anche con il freno innestato, e causare la caduta della macchina in fossi e specchi d'acqua, con il rischio di lesioni gravi o mortali.

**⚠ AVVERTENZA!** Prestare particolare attenzione durante la retromarcia. **NON** tagliare l'erba in retromarcia a meno che non sia assolutamente necessario.

Guardare sempre in basso e all'indietro prima e durante la retromarcia e assicurarsi che nell'area di lavoro non siano presenti bambini, altre persone o animali domestici. Anche un solo momento di disattenzione comporta il rischio di lesioni gravi o mortali.

**⚠ AVVERTENZA!** Non utilizzare la macchina su strade pubbliche.

**⚠ AVVERTENZA!** Se viene colpito un oggetto o un ostacolo, arrestare il motore e rimuovere i gruppi batteria. Rimuovere residui di erba, foglie sporcie e altri detriti. Ispezionare accuratamente la macchina per assicurarsi che non sia danneggiata; in caso contrario, riparare il danno prima di riavviare e usare la macchina.

## MANUTENZIONE

**⚠ AVVERTENZA!** Indossare sempre occhiali di sicurezza con protezioni laterali, per evitare il rischio di oggetti proiettati verso gli occhi dell'operatore e altre lesioni gravi.

**⚠ AVVERTENZA!** Proteggere sempre le proprie mani indossando guanti robusti o avvolgendo i bordi di taglio con stracci o altri materiali durante le operazioni di manutenzione sulle lame della macchina. Rimuovere sempre la chiave di sicurezza e i gruppi batteria prima di effettuare la manutenzione o trasportare la macchina.



Intervallo di manutenzione	Procedura di manutenzione
Prima di ogni utilizzo o quotidianamente	<ul style="list-style-type: none"> <li>▪ Controllare il sistema di bloccaggio di sicurezza.</li> <li>▪ Verificare che le ruote non siano sgonfie.</li> <li>▪ Verificare che le lame non siano usurate, incrinata o piegate.</li> <li>▪ Ispezionare l'intera macchina per assicurarsi che i componenti non siano danneggiati, mancanti o allentati (scivolo di scarico laterale, viti, dadi, bulloni, ecc.) e che tutti i dispositivi di sicurezza siano installati e funzionanti.</li> <li>▪ Verificare che il freno funzioni correttamente.</li> </ul>
Dopo ogni utilizzo	<ul style="list-style-type: none"> <li>▪ Pulire il piatto di taglio.</li> </ul>
Ogni 25 ore	<ul style="list-style-type: none"> <li>▪ Controllare della pressione delle ruote.</li> </ul>
Ogni 50 ore	<ul style="list-style-type: none"> <li>▪ Verificare che la flangia delle lame sia lubrificata.</li> </ul>
Ogni 100 ore	<ul style="list-style-type: none"> <li>▪ Controllare le ruote posteriori per verificare che tutti i dadi siano fissati alla coppia di serraggio raccomandata.</li> </ul>
Ogni 200 ore	<ul style="list-style-type: none"> <li>▪ Controllare le ruote anteriori per verificare che ruotino liberamente.</li> </ul>
Annualmente	<ul style="list-style-type: none"> <li>▪ Controllare il pedale del freno di stazionamento. Rimuove i gruppi batteria dalla macchina e portare il pedale di stazionamento in posizione di innesto. Spingere manualmente la macchina per verificare che non si muova. Se si muove, farla riparare da un tecnico qualificato.</li> </ul>

## PULIZIA DELLA MACCHINA (Fig. J1 - Fig. J9)

### Preparazione (Fig. J1 - Fig. J5)

### Pulizia delle superfici esterne (Fig. J6 - Fig. J7)

### Utilizzo della porta di lavaggio per la pulizia del piatto di taglio (Fig. J8 - Fig. J9)

J8-1	Porta di lavaggio	J8-3	Tubo da giardinaggio
J8-2	Attacco rapido della porta di lavaggio		

IT

**NOTA:** al termine della pulizia, premere l'interruttore PTO per disinnestare le lame della macchina.

## MANUTENZIONE DEL PIATTO DI TAGLIO E DELLE LAME

### Preparazione (Fig. K1 - Fig. K6)

### Rimozione del piatto di taglio (Fig. K7 - Fig. K8)

K7-1	Cavo del motore	K7-3	Barra di sospensione
K7-2	Coppiglia		

**NOTA:** scollegare i cavi del motore e le coppiglie prima di rimuovere il piatto di taglio.

### Sostituzione delle lame (Fig. K9 - Fig. K11)

K9-1	Stabilizzatore	K10-3	Lama
K10-1	Bullone	K10-4	Flangia
K10-2	Rondella	K10-5	Albero motore

### Livellamento del piatto di taglio

#### a. Quando effettuare il livellamento (Fig. K12 - Fig. K14)

#### b. Prima del livellamento

- Controllare la pressione degli pneumatici a freddo (Fig. K15).
- Controllare le lame. Rimuovere e sostituire le lame usurate, incrinata e/o piegate.

#### c. Preparazione al livellamento (Fig. K16 - Fig. K21)

#### d. Procedura di livellamento

- **Regolazione laterale (Fig. K22)**

K22-1	Controdado
-------	------------

- **Regolazione longitudinale (Fig. K23)**

## CALIBRAZIONE DEL SISTEMA STERZANTE (Fig. L1 - Fig. L4)

**IT** **NOTA:** verrà emesso un segnale acustico sia all'inizio che al termine della calibrazione.

**NOTA:** la calibrazione di una delle modalità di marcia (CONTROL, STANDARD o SPORT) potrebbe non essere applicata alle altre due modalità. Potrebbe essere necessario calibrare le leva di sterzo per ciascuna modalità di marcia indipendentemente.

## RIPRISTINO DELLE IMPOSTAZIONI PREDEFINITE (Fig. M)

**NOTA:** verrà emesso un segnale acustico sia all'inizio che al termine del ripristino.

**NOTA:** al termine dell'operazione verranno ripristinate le caratteristiche indicate di seguito.

- Modalità di marcia
- Velocità di marcia
- Calibrazione delle leva di sterzo

## CONSERVAZIONE E TRASPORTO

### TRASPORTO DELLA MACCHINA (FIG. N1 - FIG. N11)

**NOTA:** se necessario, fissare la macchina con cinghie o cavi per evitare che si sposti durante il trasporto.

### CONSERVAZIONE (Fig. 01 - Fig. 06)

**NOTA:** rimuovere i gruppi batteria e conservarli come indicato nei rispettivi manuali.


Pulire e ispezionare la macchina prima di riporla, come indicato alle sezioni "**PULIZIA DELLA MACCHINA**" e "**MANUTENZIONE**".

### Protezione dell'ambiente




Direttiva RAEE (Rifiuti di apparecchi elettrici ed elettronici) Non smaltire apparecchi elettrici, caricabatteria e batterie insieme ai rifiuti domestici. Portare il prodotto presso un centro di riciclaggio autorizzato affinché venga raccolto separatamente. Gli apparecchi elettrici devono essere portati presso un centro di riciclaggio ecocompatibile.

## RISOLUZIONE DEI PROBLEMI

PROBLEMA	CAUSA	SOLUZIONE
<p>La macchina non si muove quando le due leve di sterzo vengono portate in avanti o all'indietro.</p>  <p>L'icona delle leve di sterzo lampeggia</p>	<ul style="list-style-type: none"> <li>▪ Gli Ah totali delle batterie inserite non corrispondono alle specifiche.</li> </ul>	<ul style="list-style-type: none"> <li>▪ Per il funzionamento della macchina sono necessarie le batterie EGO specificate alla sezione "<b>RICARICA</b>" di questo manuale.</li> </ul>
	<ul style="list-style-type: none"> <li>▪ Il pedale del freno di stazionamento è in posizione di innesto.</li> </ul>	<ul style="list-style-type: none"> <li>▪ Premere completamente il pedale del freno di stazionamento per portarlo in posizione di disinnesto.</li> </ul>
	<ul style="list-style-type: none"> <li>▪ Le leve di sterzo non sono in posizione aperta durante l'avvio della macchina.</li> </ul>	<ul style="list-style-type: none"> <li>▪ Portare le leve di sterzo in posizione aperta e riavviare la macchina.</li> </ul>
	<ul style="list-style-type: none"> <li>▪ L'operatore non è seduto sul sedile.</li> </ul>	<ul style="list-style-type: none"> <li>▪ La macchina può essere avviata esclusivamente quando l'operatore è seduto correttamente sul sedile.</li> </ul>
	<ul style="list-style-type: none"> <li>▪ Il cavo del sedile non è collegato correttamente.</li> </ul>	<ul style="list-style-type: none"> <li>▪ Rimuovere i gruppi batteria dalla macchina e disassemblare il sedile seguendo le istruzioni alla sezione "<b>INSTALLAZIONE DEL SEDILE</b>" in ordine inverso per controllare il collegamento del cavo del sedile. Riasssemblare il sedile e seguire le istruzioni alla sezione "<b>AVVIO DELLA MACCHINA</b>" per verificare che la macchina si avvii. In caso contrario, contattare un tecnico qualificato per la riparazione.</li> </ul>
	<ul style="list-style-type: none"> <li>▪ Se il clima è estremamente freddo, il dispositivo di protezione contro le basse temperature si attiva e impedisce l'avvio della macchina.</li> </ul>	<ul style="list-style-type: none"> <li>▪ Conservare la macchina e i gruppi batteria in un ambiente caldo. Riavviare la macchina quando si è riscaldata. Non effettuare ripetuti tentativi se il clima è estremamente freddo per evitare di danneggiare la macchina.</li> </ul>

PROBLEMA	CAUSA	SOLUZIONE
La macchina si arresta durante la marcia.	<ul style="list-style-type: none"> <li>▪ È necessario "ripristinare" le leve di sterzo.</li> </ul>	<ul style="list-style-type: none"> <li>▪ Portare le leve di sterzo in posizione aperta e riavviare la macchina.</li> </ul>
	<ul style="list-style-type: none"> <li>▪ I componenti di controllo elettronico delle leve di sterzo sono guasti.</li> </ul>	<ul style="list-style-type: none"> <li>▪ Contattare un tecnico qualificato per la riparazione.</li> </ul>
	<ul style="list-style-type: none"> <li>▪ Il cavo del sedile si è scollegato durante la guida su un terreno sconnesso.</li> </ul>	<ul style="list-style-type: none"> <li>▪ Rimuovere i gruppi batteria dalla macchina e disassemblare il sedile seguendo le istruzioni alla sezione "<b>INSTALLAZIONE DEL SEDILE</b>" in ordine inverso per controllare il collegamento del cavo del sedile. Riasssemblare il sedile e seguire le istruzioni alla sezione "<b>AVVIO DELLA MACCHINA</b>" per verificare che la macchina si avvii. In caso contrario, contattare un tecnico qualificato per la riparazione.</li> </ul>
	<ul style="list-style-type: none"> <li>▪ Il pedale del freno di stazionamento è stato premuto per rallentare la velocità di marcia. Quando il pedale del freno di stazionamento è premuto ma non è in posizione di stazionamento, la macchina si arresterà.</li> </ul>	<ul style="list-style-type: none"> <li>▪ Seguire le istruzioni alla sezione "<b>AVVIO DELLA MACCHINA</b>" per pulire correttamente la macchina.</li> </ul>
Non è possibile regolare la velocità o la modalità di marcia durante la guida.	<ul style="list-style-type: none"> <li>▪ Questa è una funzione di sicurezza della macchina che garantisce una guida sicura.</li> </ul>	<ul style="list-style-type: none"> <li>▪ La modalità di marcia può essere regolata esclusivamente quando le ruote della macchina sono ferme e le leve di sterzo sono in posizione aperta.</li> </ul>

PROBLEMA	CAUSA	SOLUZIONE
<p>Le lame della macchina non si avviano dopo aver premuto l'interruttore PTO.</p>  <p>L'icona dell'interruttore PTO lampeggia.</p>	<ul style="list-style-type: none"> <li>▪ Gli Ah totali delle batterie inserite non corrispondono alle specifiche.</li> </ul>	<ul style="list-style-type: none"> <li>▪ Per il funzionamento della macchina sono necessarie le batterie EGO specificate alla sezione <b>"RICARICA"</b> di questo manuale.</li> </ul>
	<ul style="list-style-type: none"> <li>▪ L'interruttore PTO non è stato premuto durante l'ultimo arresto della macchina.</li> </ul>	<ul style="list-style-type: none"> <li>▪ Premere l'interruttore PTO e riavviare la macchina.</li> </ul>
	<ul style="list-style-type: none"> <li>▪ Il motore è sovraccarico al momento dell'avvio delle lame; ciò attiva il dispositivo di protezione del motore.</li> </ul>	<ul style="list-style-type: none"> <li>▪ Iniziare il taglio dell'erba con una bassa velocità delle lame, quindi aumentarla gradualmente senza superare il livello necessario.</li> </ul>
	<ul style="list-style-type: none"> <li>▪ Se il clima è estremamente freddo, il dispositivo di protezione contro le basse temperature si attiva e impedisce il movimento delle lame.</li> </ul>	<ul style="list-style-type: none"> <li>▪ Conservare la macchina e i gruppi batteria in un ambiente caldo. Riavviare la macchina quando si è riscaldata. Non effettuare ripetuti tentativi se il clima è estremamente freddo per evitare di danneggiare la macchina.</li> </ul>
	<ul style="list-style-type: none"> <li>▪ Il piatto di taglio è deformato e interferisce con il movimento delle lame.</li> </ul>	<ul style="list-style-type: none"> <li>▪ Contattare un tecnico qualificato per la riparazione.</li> </ul>

PROBLEMA	CAUSA	SOLUZIONE
Le lame si arrestano durante il taglio dell'erba.	<ul style="list-style-type: none"> <li>Il motore è sovraccarico.</li> </ul>	<ul style="list-style-type: none"> <li>Aumentare l'altezza del piatto di taglio o diminuire la velocità di marcia per ridurre il carico sul motore.</li> </ul>
	<ul style="list-style-type: none"> <li>Il piatto di taglio è ostruito da erba e detriti.</li> </ul>	<ul style="list-style-type: none"> <li>Pulire il piatto di taglio e assicurarsi che le lame ruotino liberamente.</li> </ul>
	<ul style="list-style-type: none"> <li>Il motore si è surriscaldato.</li> </ul>	<ul style="list-style-type: none"> <li>Aumentare l'altezza del piatto di taglio o diminuire la velocità di marcia e delle lame per ridurre il carico sul motore, quindi attendere che la macchina si raffreddi.</li> </ul>
	<ul style="list-style-type: none"> <li>I gruppi batteria nell'unità di alimentazione si sono surriscaldati, causando il calo degli Ah totali delle batterie inserite.</li> </ul>	<ol style="list-style-type: none"> <li>Se gli Ah totali dei gruppi batteria non corrispondono alle specifiche, la macchina non si avvierà a meno che non vengano inseriti altri gruppi batteria nel vano batterie. Quando il gruppo batteria surriscaldato ritorna alla temperatura normale, alimenterà immediatamente la macchina.</li> </ol>
		<ol style="list-style-type: none"> <li>Aumentare l'altezza del piatto di taglio o diminuire la velocità di marcia e delle lame per ridurre il carico sul motore.</li> </ol>
	<ul style="list-style-type: none"> <li>La macchina è in modalità a efficienza ridotta.</li> </ul>	<ul style="list-style-type: none"> <li>Quando la macchina è in modalità a efficienza ridotta, la velocità delle lame viene ridotta automaticamente. Interrompere il lavoro e recarsi presso l'area di ricarica delle batterie il prima possibile.</li> </ul>
<ul style="list-style-type: none"> <li>La macchina ha urtato un oggetto estraneo; ciò ha attivato il dispositivo di protezione del motore.</li> </ul>	<ul style="list-style-type: none"> <li>Premere l'interruttore PTO e riavviare la macchina.</li> </ul>	
Viene emesso un segnale acustico continuo.	<ul style="list-style-type: none"> <li>La macchina è in modalità a efficienza ridotta e le lame non sono state arrestate.</li> </ul>	<ul style="list-style-type: none"> <li>Premere l'interruttore PTO per disinnestare le lame della macchina. Il segnale acustico si spegnerà all'arresto delle lame.</li> </ul>
	<ul style="list-style-type: none"> <li>La macchina si è arrestata durante la guida su un terreno in pendenza; l'operatore ha aperto le leve di sterzo e si è alzato dal sedile senza aver portato il pedale del freno di stazionamento in posizione di innesto.</li> </ul>	<ul style="list-style-type: none"> <li>Portare il pedale del freno di stazionamento in posizione di innesto prima di lasciare la macchina sul terreno in pendenza.</li> </ul>

PROBLEMA	CAUSA	SOLUZIONE
Gli indicatori delle batterie rimangono illuminati dopo lo spegnimento della macchina.	<ul style="list-style-type: none"> <li>Quando la macchina viene spenta su un terreno a livello senza rimuovere i gruppi batteria, gli indicatori delle batterie, il pulsante di avvio/arresto e il pulsante delle impostazioni rimangono illuminati per un certo periodo.</li> </ul>	<ul style="list-style-type: none"> <li>Non è necessario intervenire. Gli indicatori delle batterie si spegneranno quando la macchina si spegne dopo un certo periodo. Fare riferimento alla sezione <b>"ARRESTO DELLA MACCHINA"</b> per il tempo specifico.</li> </ul>
	<ul style="list-style-type: none"> <li>Quando la macchina viene spenta su un terreno in pendenza senza portare il pedale del freno di stazionamento in posizione di innesto, gli indicatori delle batterie rimangono illuminati finché le batterie non si scaricano. Simultaneamente, viene emesso un segnale acustico continuo.</li> </ul>	<ul style="list-style-type: none"> <li>Portare il pedale del freno di stazionamento in posizione di innesto prima di lasciare la macchina sul terreno in pendenza.</li> </ul>
Il display non si accende.	<ul style="list-style-type: none"> <li>Il pulsante di avvio/arresto non è stato premuto per un tempo sufficiente.</li> </ul>	<ul style="list-style-type: none"> <li>Se il pulsante di avvio/arresto viene premuto brevemente, sul display si illuminerà esclusivamente l'indicatore della carica delle batterie.</li> </ul>
		<ul style="list-style-type: none"> <li>Il display si accende esclusivamente tenendo premuto il pulsante di avvio/arresto per un tempo sufficiente.</li> </ul>
La macchina non taglia in modo uniforme, con una differenza significativa in senso longitudinale.	<ul style="list-style-type: none"> <li>Le lame sono smussate.</li> </ul>	<ul style="list-style-type: none"> <li>Affilare o sostituire le lame come indicato in questo manuale.</li> </ul>
	<ul style="list-style-type: none"> <li>Le lame sono piegate.</li> </ul>	<ul style="list-style-type: none"> <li>Sostituire le lame piegate come indicato alla sezione <b>"SOSTITUZIONE DELLE LAME"</b>.</li> </ul>
	<ul style="list-style-type: none"> <li>Il piatto di taglio non è a livello, causando una diversa altezza delle lame dal terreno.</li> </ul>	<ul style="list-style-type: none"> <li>Livellare il piatto di taglio come indicato alla sezione <b>"LIVELLAMENTO DEL PIATTO DI TAGLIO"</b>.</li> </ul>

PROBLEMA	CAUSA	SOLUZIONE
L'altezza di taglio effettiva non corrisponde all'altezza di taglio impostata.	<ul style="list-style-type: none"> <li>I dadi del piatto di taglio sono allentati a livello della barra di sospensione.</li> </ul>	<ul style="list-style-type: none"> <li>Seguire le istruzioni indicate alla sezione <b>"LIVELLAMENTO DEL PIATTO DI TAGLIO"</b> per allineare il piatto di taglio in senso longitudinale e serrare saldamente i dadi sulla barra di sospensione.</li> </ul>
	<ul style="list-style-type: none"> <li>Il piatto di taglio è danneggiato o molto usurato.</li> </ul>	<ul style="list-style-type: none"> <li>Seguire le istruzioni alla sezione <b>"RIMOZIONE DEL PIATTO DI TAGLIO"</b> per sostituire il piatto di taglio.</li> </ul>
La macchina non esegue una corretta pacciamatura.	<ul style="list-style-type: none"> <li>Sulla parte inferiore della macchina rimangono incollati pezzi di erba bagnata.</li> </ul>	<ul style="list-style-type: none"> <li>Attendere che l'erba si asciughi prima di tagliarla.</li> </ul>
	<ul style="list-style-type: none"> <li>La macchina è regolata per tagliare troppa erba in una sola passata.</li> </ul>	<ul style="list-style-type: none"> <li>Aumentare l'altezza del piatto di taglio.</li> </ul>
Vibrazioni eccessive.	<ul style="list-style-type: none"> <li>Le lame sono allentate.</li> </ul>	<ul style="list-style-type: none"> <li>Serrare i bulloni delle lame alla coppia di serraggio raccomandata.</li> </ul>
	<ul style="list-style-type: none"> <li>Le lame sono piegate.</li> </ul>	<ul style="list-style-type: none"> <li>Sostituire le lame piegate come indicato alla sezione <b>"SOSTITUZIONE DELLE LAME"</b>.</li> </ul>
	<ul style="list-style-type: none"> <li>Il piatto di taglio non è a livello.</li> </ul>	<ul style="list-style-type: none"> <li>Livellare il piatto di taglio come indicato alla sezione <b>"LIVELLAMENTO DEL PIATTO DI TAGLIO"</b>.</li> </ul>
	<ul style="list-style-type: none"> <li>I dadi del piatto di taglio sono allentati a livello della barra di sospensione.</li> </ul>	<ul style="list-style-type: none"> <li>Serrare i dadi sulla barra di sospensione.</li> </ul>
	<ul style="list-style-type: none"> <li>La macchina è regolata per tagliare troppa erba in una sola passata.</li> </ul>	<ul style="list-style-type: none"> <li>Aumentare l'altezza del piatto di taglio.</li> </ul>
Detriti ed erba rimangono sul terreno dopo il taglio.	<ul style="list-style-type: none"> <li>La macchina è regolata per tagliare troppa erba in una sola passata quando l'erba è alta.</li> </ul>	<ul style="list-style-type: none"> <li>Iniziare con una maggiore altezza di taglio e ridurla gradualmente fino a ottenere il risultato desiderato. L'erba alta più di 15 cm deve essere tagliata in almeno due passate, ad altezze di taglio progressivamente minori.</li> </ul>
	<ul style="list-style-type: none"> <li>L'erba è bagnata.</li> </ul>	<ul style="list-style-type: none"> <li>Non tagliare l'erba bagnata. Attendere che si asciughi.</li> </ul>
	<ul style="list-style-type: none"> <li>La velocità di marcia è elevata.</li> </ul>	<ul style="list-style-type: none"> <li>Diminuire la velocità di marcia.</li> </ul>
	<ul style="list-style-type: none"> <li>La velocità delle lame è bassa.</li> </ul>	<ul style="list-style-type: none"> <li>Aumentare gradualmente la velocità delle lame.</li> </ul>



PROBLEMA	CAUSA	SOLUZIONE
L'autonomia della macchina è bassa con le batterie inserite.	<ul style="list-style-type: none"> <li>Le condizioni dell'erba e l'altezza di taglio impostata incidono in modo significativo sull'autonomia delle batterie. L'autonomia riportata è calcolata su condizioni di basso carico.</li> </ul>	<ul style="list-style-type: none"> <li>Aumentare l'altezza del piatto di taglio e diminuire la velocità delle lame per ridurre il carico sul motore.</li> </ul>
La macchina non avanza in linea retta.	<ul style="list-style-type: none"> <li>La pressione della ruota posteriore destra è diversa da quella della ruota posteriore sinistra.</li> </ul>	<ul style="list-style-type: none"> <li>Controllare e regolare la pressione di entrambe le ruote posteriori come indicato alla sezione "<b>CONTROLLO DELLA PRESSIONI DEGLI PNEUMATICI A FREDDO</b>".</li> </ul>
	<ul style="list-style-type: none"> <li>La velocità della ruota posteriore destra è diversa da quella della ruota posteriore sinistra.</li> </ul>	<ul style="list-style-type: none"> <li>Calibrare il sistema sterzante della macchina come indicato alla sezione "<b>CALIBRAZIONE DEL SISTEMA STERZANTE</b>".</li> </ul>
Il pedale del freno di stazionamento non può essere portato o ritorna lentamente in posizione di disinnesto.	<ul style="list-style-type: none"> <li>Il pedale del freno di stazionamento è ostruito da sporcizia o detriti.</li> </ul>	<ul style="list-style-type: none"> <li>Aprire la scatola del pedale del freno di stazionamento, pulirla accuratamente e richiuderla. Ripristinare il pedale del freno di stazionamento per verificare che il problema sia stato risolto. In caso contrario, contattare un tecnico qualificato per la riparazione.</li> </ul>
La macchina non si ricarica tramite la presa di ricarica e l'indicatore dello stato della macchina è illuminato di rosso.	<ul style="list-style-type: none"> <li>La spina del caricabatteria non è inserita correttamente nella presa di ricarica della macchina.</li> </ul>	<ul style="list-style-type: none"> <li>Ricollegare il cavo di ricarica per verificare che la macchina si ricarichi correttamente.</li> </ul>
	<ul style="list-style-type: none"> <li>La presa di corrente non è alimentata.</li> </ul>	<ul style="list-style-type: none"> <li>Non è necessario intervenire. Attendere che la corrente elettrica venga ripristinata.</li> </ul>
	<ul style="list-style-type: none"> <li>Il caricabatteria non funziona correttamente.</li> </ul>	<ul style="list-style-type: none"> <li>Contattare un tecnico qualificato per l'ispezione e la riparazione.</li> </ul>
	<ul style="list-style-type: none"> <li>La presa di ricarica della macchina è difettosa.</li> </ul>	<ul style="list-style-type: none"> <li>Contattare un tecnico qualificato per la riparazione.</li> </ul>
Il tempo di ricarica tramite la presa di ricarica della macchina è troppo lungo.	<ul style="list-style-type: none"> <li>La ricarica tramite l'adattatore EGO ACA1000 richiede un tempo maggiore.</li> </ul>	<ul style="list-style-type: none"> <li>Utilizzare il caricabatteria EGO CHV1600E per ricaricare direttamente la macchina.</li> </ul>

PROBLEMA	CAUSA	SOLUZIONE
Le batterie non si ricaricano completamente tramite la presa di ricarica della macchina.	<ul style="list-style-type: none"> <li>Bug nel firmware della macchina o guasto del caricabatteria o delle batterie.</li> </ul>	<ul style="list-style-type: none"> <li>Scollegare il caricabatteria, attendere qualche minuto, quindi ricollegarlo. Se il problema persiste, contattare un tecnico qualificato.</li> </ul>
La macchina non si avvia dopo la pulizia.	<ul style="list-style-type: none"> <li>Modalità di pulizia scorretta. Ad esempio, ha causato l'infiltrazione di acqua nei componenti elettrici, nel display, ecc.</li> </ul>	<ul style="list-style-type: none"> <li>Seguire le istruzioni alla sezione "<b>PULIZIA DELLA MACCHINA</b>" per pulire correttamente la macchina.</li> </ul>
La macchina si ostruisce facilmente.	<ul style="list-style-type: none"> <li>Il piatto di taglio è ostruito da erba e detriti.</li> </ul>	<ul style="list-style-type: none"> <li>Se la macchina è stata esposta alla pioggia, asciugarla lasciandola all'aria o usando aria compressa.</li> </ul>
		<ul style="list-style-type: none"> <li>Pulire il piatto di taglio dopo ogni utilizzo come indicato alla sezione "Utilizzo della porta di lavaggio per la pulizia del piatto di taglio".</li> </ul>
La macchina perde aderenza sui terreni in salita.	<ul style="list-style-type: none"> <li>Gli pneumatici delle ruote posteriori sono usurati.</li> </ul>	<ul style="list-style-type: none"> <li>Sostituire gli pneumatici.</li> </ul>
	<ul style="list-style-type: none"> <li>La pendenza del terreno è elevata.</li> </ul>	<ul style="list-style-type: none"> <li>La macchina deve essere utilizzata esclusivamente su terreni di pendenza appropriata.</li> </ul>
Premendo il pedale del freno di stazionamento quando la macchina si trova su un terreno in pendenza, la macchina scivola in discesa.	<ul style="list-style-type: none"> <li>I componenti del freno sono eccessivamente usurati a causa di un utilizzo improprio della macchina.</li> </ul>	<ul style="list-style-type: none"> <li>Contattare un tecnico qualificato per la riparazione.</li> </ul>
Durante la pulizia del piatto di taglio, l'acqua non fuoriesce dalla porta di lavaggio.	<ul style="list-style-type: none"> <li>L'attacco rapido della porta di lavaggio non è fissato alla porta di lavaggio.</li> </ul>	<ul style="list-style-type: none"> <li>Spingere con forza l'attacco rapido della porta di lavaggio fino a udire un clic. Se il problema persiste, contattare un tecnico qualificato.</li> </ul>
Rumore anomalo durante la spinta manuale della macchina spenta.	<ul style="list-style-type: none"> <li>Il suono proviene dai magneti all'interno del motore trainante.</li> </ul>	<ul style="list-style-type: none"> <li>È un fenomeno normale e non è necessario intervenire.</li> </ul>

## SIMBOLI SUL DISPLAY E CODICI ERRORE

Display LCD	Descrizione	Codice errore sul display	Indicatore dello stato della macchina	Segnale acustico	Causa	Soluzione
	L'icona delle luci è illuminata.	n/a	Spento	No	I fanali anteriori e posteriori e le luci laterali sono stati accesi tramite l'interruttore delle luci.	È normale. Non è necessario intervenire.
	L'icona USB è illuminata.	n/a	Spento	No	Il dispositivo USB è collegato correttamente alla presa USB e verrà alimentato dopo l'accensione della macchina.	È normale. Non è necessario intervenire.
	L'indicatore della carica delle batterie è illuminato.	n/a	Spento	No	Indica la capacità di carica media delle batterie inserite.	È normale. Non è necessario intervenire.
	Il contatore è illuminato.	n/a	Spento	No	Indica il tempo di funzionamento totale della macchina in ore. Non può essere azzerato.	È normale. Non è necessario intervenire.
	L'indicatore del carico è nell'intervallo ECO.	n/a	Spento	No	Indica il carico corrente sul motore.	È normale. Non è necessario intervenire.
	L'indicatore di sovraccarico lampeggia. L'indicatore del carico è nell'intervallo PWR.	n/a	Rosso lampeggiante	Uno	Il motore delle lame è sovraccarico.	Aumentare l'altezza del piatto di taglio o diminuire la velocità di marcia per ridurre il carico sul motore.
					Lo scivolo di scarico laterale è ostruito da erba e detriti.	Pulire la macchina dopo ogni utilizzo.
					Interferenza tra la lama e il piatto di taglio.	Affidare la riparazione a un tecnico qualificato.

Display LCD	Descrizione	Codice errore sul display	Indicatore dello stato della macchina	Segnale acustico	Causa	Soluzione
	L'icona della chiave di sicurezza lampeggia.	n/a	Spento	No	La chiave di sicurezza non è inserita.	Inserire la chiave di sicurezza e tenere premuto il pulsante di avvio/arresto per avviare la macchina.
					Il display non è alimentato.	Affidare la riparazione a un tecnico qualificato.
	L'icona di un vano batteria lampeggia.	n/a	Spento	No	Sovracorrente in un gruppo batteria durante la scarica.	Non è necessario intervenire. La macchina può continuare a funzionare se gli Ah totali dei gruppi batteria, escluso il gruppo batteria con sovracorrente, corrispondono alle specifiche. Quando il gruppo batteria con sovracorrente ritorna alla corrente normale, alimenterà immediatamente la macchina e l'icona si spegnerà.
	L'icona di un vano batteria vuoto lampeggia.	n/a	Spento	No	La capacità delle batterie non è sufficiente per il funzionamento della macchina.	Per il funzionamento della macchina sono necessarie le batterie EGO specificate alla sezione " <b>RICARICA</b> " di questo manuale.

Display LCD	Descrizione	Codice errore sul display	Indicatore dello stato della macchina	Segnale acustico	Causa	Soluzione
	L'icona della temperatura lampeggia.	n/a	Spento	Uno	La macchina si è surriscaldata.	Aumentare l'altezza del piatto di taglio o diminuire la velocità di marcia e delle lame per ridurre il carico sul motore. Effettuare una pausa e lasciare che la macchina si raffreddi.
					La macchina è troppo fredda.	Non effettuare ripetuti tentativi per evitare di danneggiare la macchina. Conservare la macchina e i gruppi batteria in un ambiente caldo. Riavviare la macchina quando si è riscaldata.
	L'icona della temperatura lampeggia e l'icona di un vano batteria occupato lampeggia.	n/a	Spento	No	Il gruppo batteria nel vano corrispondente si è surriscaldata.	1. La macchina può continuare a funzionare se gli Ah totali dei gruppi batteria, escluso il gruppo batteria surriscaldata, corrispondono alle specifiche. Quando il gruppo batteria surriscaldata ritorna alla temperatura normale, alimenterà immediatamente la macchina.
						2. Se gli Ah totali dei gruppi batteria sono insufficienti, la macchina non si avvierà a meno che non vengano inseriti altri gruppi batteria nei vani vuoti.
						3. Aumentare l'altezza del piatto di taglio o diminuire la velocità di marcia e delle lame per ridurre il carico sul motore.

Display LCD	Descrizione	Codice errore sul display	Indicatore dello stato della macchina	Segnale acustico	Causa	Soluzione
	Le icone dei vani batteria occupati, l'indicatore di esaurimento delle batterie e l'indicatore della carica delle batterie lampeggiano ogni secondo sul display. Sulla macchina, il primo segmento dell'indicatore della carica delle batterie e l'indicatore dello stato della macchina lampeggiano.	n/a	Rosso lampeggiante	Continuo fino alla pressione dell'interruttore PTO.	La carica dei gruppi batteria è bassa e la macchina è in modalità a efficienza ridotta.	Interrompere il lavoro e recarsi presso l'area di ricarica delle batterie. <b>NOTA:</b> quando la macchina è in modalità a efficienza ridotta, la velocità delle lame viene ridotta automaticamente, e verrà emesso un segnale acustico continuo. Premere l'interruttore PTO per disinnestare le lame della macchina. Il segnale acustico si interromperà all'arresto delle lame.
	Le icone dei vani batteria occupati e l'indicatore di esaurimento delle batterie lampeggiano ogni mezzo secondo.	n/a	Rosso lampeggiante	Continuo	I gruppi batteria sono quasi scarichi.	La macchina si arresterà immediatamente. È necessario portare la macchina presso l'area di ricarica delle batterie.
	L'icona di stazionamento automatico lampeggia.	n/a	Spento	Continuo	La macchina è ferma su un terreno in pendenza e l'operatore non ha portato il pedale del freno in posizione di innesto, ma ha semplicemente portato le leve di sterzo in posizione aperta.	Portare il pedale del freno di stazionamento in posizione di innesto. L'icona di stazionamento automatico si spegnerà e il segnale acustico si interromperà.
	L'icona del pedale del freno è illuminata.	n/a	Spento	No	Il pedale del freno di stazionamento è in posizione di innesto.	Portarlo in posizione di disinnesto prima di avviare la macchina.

Display LCD	Descrizione	Codice errore sul display	Indicatore dello stato della macchina	Segnale acustico	Causa	Soluzione
	L'icona del sensore del sedile è illuminata.	n/a	Spento	No	L'operatore si è alzato dal sedile o il cavo del sedile è scollegato.	Se l'icona è accesa ma l'operatore è seduto sul sedile, arrestare immediatamente la macchina e controllare il collegamento del sedile. Se il cavo del sedile è collegato correttamente, contattare un tecnico qualificato per la riparazione.
	L'icona dell'interruttore PTO lampeggia.	n/a	Spento	No	Il motore delle lame è stato spento e l'interruttore PTO non è stato premuto.	Prima di riavviare la macchina, premere l'interruttore PTO per disinnestare il motore delle lame. Consultare la sezione " <b>RISOLUZIONE DEI PROBLEMI</b> " per maggiori informazioni.
	L'icona delle leve di sterzo lampeggia.	n/a	Spento	No	Il motore trainante è stato spento e l'interruttore PTO non è stato premuto.	Prima di riavviare la macchina, portare le leve di sterzo in posizione aperta. Consultare la sezione " <b>RISOLUZIONE DEI PROBLEMI</b> " per maggiori informazioni.
	L'icona con le due frecce lampeggia occasionalmente.	n/a	Spento	No	L'energia cinetica generata durante la frenata o la guida in discesa è stata convertita in elettricità per ricaricare i gruppi batteria.	È normale. Non è necessario intervenire.

**NOTA:** se sul display appare un codice errore, rimuovere tutti i gruppi batteria, attendere qualche minuto e reinserirli. Se il problema persiste, seguire le istruzioni riportate di seguito.

Display LCD	Descrizione	Codice errore sul display	Indicatore dello stato della macchina	Segnale acustico	Causa	Soluzione	
Vedi "Codice errore"	Il motore trainante sinistro non ruota.	Malfunzionamento del circuito stampato che controlla il motore trainante sinistro.	413	Spento	Uno	Malfunzionamento del circuito stampato.	Affidare la riparazione a un tecnico qualificato.
		La spina (trifase, cavo di alimentazione) che collega il motore trainante sinistro al rispettivo circuito stampato è allentata.	317	Spento	Uno	Connessione allentata.	
		La spina (sei poli, cavo di segnale) che collega il motore trainante sinistro al rispettivo circuito stampato è allentata.	301	Spento	Uno	Connessione allentata.	
		Malfunzionamento del motore trainante sinistro.	317	Spento	Uno	Malfunzionamento del motore.	



Display LCD	Descrizione	Codice errore sul display	Indicatore dello stato della macchina	Segnale acustico	Causa	Soluzione	
Vedi "Codice errore"	Il motore trainante destro non ruota.	Malfunzionamento del circuito stampato che controlla il motore trainante destro.	313	Spento	Uno	Malfunzionamento del circuito stampato.	Affidare la riparazione a un tecnico qualificato.
		La spina (trifase, cavo di alimentazione) che collega il motore trainante destro al rispettivo circuito stampato è allentata.	417	Spento	Uno	Connessione allentata.	
		La spina (sei poli, cavo di segnale) che collega il motore trainante destro al rispettivo circuito stampato è allentata.	401	Spento	Uno	Connessione allentata.	
		Malfunzionamento del motore trainante destro.	417	Spento	Uno	Malfunzionamento del motore.	

**IT**

IT

Display LCD	Descrizione		Codice errore sul display	Indicatore dello stato della macchina	Segnale acustico	Causa	Soluzione
Vedi "Codice errore"	Il motore della lama sinistra non ruota.	Malfunzionamento del circuito stampato che controlla il motore della lama sinistra.	607/A07	n/a	Uno	Malfunzionamento del circuito stampato.	Affidare la riparazione a un tecnico qualificato.
		La spina (trifase, cavo di alimentazione) che collega il motore trainante sinistro al rispettivo circuito stampato è allentata.	509	n/a	Uno	Connessione allentata.	Per prima cosa, ispezionare la lama. Se è allentata, serrare il bullone alla coppia raccomandata. In alternativa, affidare la riparazione a un tecnico qualificato.
		Malfunzionamento del motore della lama sinistra.	509	n/a	Uno	Malfunzionamento del motore.	
Vedi "Codice errore"	Il motore della lama destra non ruota.	Malfunzionamento del circuito stampato che controlla il motore della lama destra.	507/A07	n/a	Uno	Malfunzionamento del circuito stampato.	Affidare la riparazione a un tecnico qualificato.
		La spina (trifase, cavo di alimentazione) che collega il motore trainante destro al rispettivo circuito stampato è allentata.	609	n/a	Uno	Connessione allentata.	Per prima cosa, ispezionare la lama. Se è allentata, serrare il bullone alla coppia raccomandata. In alternativa, affidare la riparazione a un tecnico qualificato.
		Malfunzionamento del motore della lama destra.	609	n/a	Uno	Malfunzionamento del motore.	

Display LCD	Descrizione	Codice errore sul display	Indicatore dello stato della macchina	Segnale acustico	Causa	Soluzione	
Vedi "Codice errore"	Il motore della lama centrale non ruota.	Malfunzionamento del circuito stampato che controlla il motore della lama centrale.	507/607	n/a	Uno	Malfunzionamento del circuito stampato.	Affidare la riparazione a un tecnico qualificato.
		La spina (trifase, cavo di alimentazione) che collega il motore della lama centrale al rispettivo circuito stampato è allentata.	A09	n/a	Uno	Connessione allentata.	Per prima cosa, ispezionare la lama. Se è allentata, serrare il bullone alla coppia raccomandata. In alternativa, affidare la riparazione a un tecnico qualificato.
		Malfunzionamento del motore della lama centrale.	A09	n/a	Uno	Malfunzionamento del motore.	
Vedi "Codice errore"	Malfunzionamento della leva di sterzo sinistra.	Malfunzionamento del circuito stampato che controlla la leva di sterzo sinistra.	311/412	Spento	Uno	Malfunzionamento del circuito stampato.	Affidare la riparazione a un tecnico qualificato.
		Il cavo che collega il circuito stampato di controllo, situato nella leva di sterzo, è allentato.				Connessione allentata.	
Vedi "Codice errore"	Malfunzionamento della leva di sterzo destra.	Malfunzionamento del circuito stampato che controlla la leva di sterzo destra.	312/411	Spento	Uno	Malfunzionamento del circuito stampato.	Affidare la riparazione a un tecnico qualificato.
		Il cavo che collega il circuito stampato di controllo, situato nella leva di sterzo, è allentato.				Connessione allentata.	

Display LCD	Descrizione		Codice errore sul display	Indicatore dello stato della macchina	Segnale acustico	Causa	Soluzione
Vedi "Codice errore"	Malfunzionamento del freno di stazionamento.	Malfunzionamento del circuito stampato del freno di stazionamento, situato nella parte anteriore del telaio.	309/409	Spento	Uno	Malfunzionamento del circuito stampato.	Affidare la riparazione a un tecnico qualificato.
		L'interruttore del freno di stazionamento e/o il cavo sono danneggiati.	801	Spento	Uno	Malfunzionamento del cavo o dell'interruttore.	
Spento	Malfunzionamento della presa di ricarica.		n/a	Rosso fisso	n/a	Il circuito della presa di ricarica è aperto.	Affidare la riparazione a un tecnico qualificato.
			n/a	Rosso fisso	n/a	Alimentazione assente.	Controllare che la presa di corrente sia alimentata a 220-240 V.
			n/a	Rosso fisso	n/a	Il fusibile è saltato.	Affidare la riparazione a un tecnico qualificato.
Vedi "Codice errore"	Malfunzionamento della presa di ricarica.		204	n/a	Uno	Il circuito della presa di ricarica è aperto.	Affidare la riparazione a un tecnico qualificato.

Display LCD	Descrizione	Codice errore sul display	Indicatore dello stato della macchina	Segnale acustico	Causa	Soluzione
Vedi "Codice errore"	Malfunzionamento dell'unità di alimentazione.	217	n/a	Uno	La batteria della macchina non fornisce energia elettrica. I fanali LED e la presa USB non funzionano.	Affidare la riparazione a un tecnico qualificato.
		310/ 410	Spento	Uno	Malfunzionamento del collegamento tra i cavi di tipo C della batteria della macchina e gli altri cavi di tipo C della macchina.	
		201/ 202/ 203	Spento	Uno	Il BMS della batteria della macchina è danneggiato.	
Vedi "Codice errore"	Malfunzionamento dell'interruttore di avvio/arresto.	314/ 414	Spento	Uno	Malfunzionamento del circuito stampato dell'interruttore o del cavo di collegamento dell'interruttore di avvio/arresto.	Affidare la riparazione a un tecnico qualificato.
Vedi "Codice errore"	Malfunzionamento del display	315/ 415	Spento	Uno	Il display è danneggiato o non è collegato correttamente.	Affidare la riparazione a un tecnico qualificato.

**IT**

## GARANZIA

### CONDIZIONI DELLA GARANZIA EGO

Visitare il sito web [egopowerplus.com](http://egopowerplus.com) per consultare le condizioni complete della garanzia EGO.

## LEES ALLE INSTRUCTIES!



### LEES DE GEBRUIKSAANWIJZING

## VEILIGHEIDSSYMBOL

NL

Het doel van de veiligheidssymbolen is om u te wijzen op mogelijke gevaren. Besteed daarom voldoende aandacht hieraan en begrijp de veiligheidssymbolen en bijbehorende uitleg. De symboolwaarschuwingen op zich elimineren geen enkel gevaar. De verstrekte instructies en waarschuwingen gelden niet als vervanging voor gepaste voorzorgsmaatregelen tegen ongevallen.

**⚠ WAARSCHUWING:** Lees en begrijp alle veiligheidsinstructies die in deze gebruiksaanwijzing staan vermeld, waaronder alle veiligheidssymbolen zoals "**GEVAAR**", "**WAARSCHUWING**", en "**OPGELET**" voordat u dit gereedschap in gebruik neemt. Het negeren van onderstaande instructies kan leiden tot een elektrische schok, brand en/of ernstig persoonlijk letsel.

## BETEKENIS VAN DE SYMBOLEN

Deze pagina toont en beschrijft alle veiligheidssymbolen die zich op dit product kunnen bevinden. Lees, begrijp en volg alle instructies op de machine voordat u deze in elkaar zet en gebruikt.

## VEILIGHEIDSSYMBOLEN

	Veiligheidswaarschuwing		Lees en begrijp de gebruiksaanwijzing
	Oogbescherming		Onderhoud van veiligheidsvoorzieningen
	GEVAAR - gevaar voor steile hellingen		GEVAAR - houd omstanders uit de buurt van de messen
	Vervoer nooit kinderen met het apparaat		Kijk achterom terwijl u achteruit rijdt
	WAARSCHUWING - Gebruik dit apparaat niet op hellingen van meer dan 12°		GEVAAR - Rondvliegende voorwerpen
	WAARSCHUWING - HOUD HANDEN EN VOETEN UIT DE BUURT VAN BEWEGENDE DELEN		Gewaarborgd geluidsvermogensniveau. In overeenstemming met de richtlijnen van de Europese Unie.



Ga niet op de grasmaaier staan



Gooi elektrisch afval niet via het huishoudelijk afval weg. Breng het naar een geautoriseerd recyclingbedrijf.



Dit product is in overeenstemming met de geldende EG-richtlijnen



VOORZICHTIG – Kijk niet rechtstreeks in de verlichting



Gelijkstroom



Dit product is in overeenstemming met de toepasselijke richtlijnen van het VK.

NL

kPa	Kilopascal
V	V
in	Inch
Nm	Newtonmeter
°C	Celsius
km/u	Kilometer per uur

TPM	Toeren per minuut
m	Meter
cm	Centimeter
mm	Millimeter
kg	Kilogram
IPX4	Beschermingsgraad bij binnendringen

## SPECIFICATIES

KEES VAN DER SPEK  
TUINMACHINES \* STOLWIJK

Spanning	56V	
Afmetingen dek	132 cm	
Wielmaat	Voorkant	279,4 x 126 mm
	Achterkant	457,2 x 223 mm
Bandenspanning in koude toestand	Voorkant	222,1 kPa
	Achterkant	115,8 kPa
Draaicirkel	0	
Snelheid van het mes (TPM)	2600; 2800; 3000; 3200	
Max. Rijsnelheid (km/h)	Vooruit	8,1 km/u, 9,7 km/u, 11,3 km/u, 12,8 km/u
	Achteruit	tot 6,4 km/u

Bezig met opladen	Oplader (optioneel)	CHV1600E
	Adapter (optioneel)	ACA1000
	Oplaadtemperatuurbereik	5°C - 40°C
Aanpassing voor de maaihoogte (10 posities)		25 – 100 mm
Bedrijfstemperatuur		0°C - 40°C
Opslagtemperatuur		-20°C - 70°C
Gewicht (zonder accupack)		217 kg
Gemeten geluidsniveau $L_{WA}$		95,48 dB(A) K=0,73 dB(A)
Geluidsdruk niveau bij het oor van de gebruiker $L_{PA}$		82,5 dB(A) K=3 dB(A)
Gegarandeerd geluidsniveau $L_{WA}$ (gemeten volgens 2000/14/EG)		100 dB(A)

Trilling $a_h$	Hand	0,69 m/s <sup>2</sup> K=1,5 m/s <sup>2</sup>
	Behuizing	0,3 m/s <sup>2</sup> K=1,5 m/s <sup>2</sup>

- De opgegeven totale vibratiewaarde is gemeten volgens de standaard testmethode en kan worden gebruikt om het apparaat met een ander apparaat te vergelijken;
- De opgegeven totale vibratiewaarde kan tevens worden gebruikt in een voorafgaande beoordeling op blootstelling.

NL

**OPMERKING:** De trillingsemisatie tijdens het werkelijk gebruik van het elektrisch gereedschap kan verschillen van de opgegeven totale waarde; Om de gebruiker te beschermen dient de gebruiker tijdens het gebruik handschoenen en gehoorbescherming te dragen.

## BESCHRIJVING

### KEN DE GRASMAAIER (AFB. A1 EN A2)

- Zitting
- Laadpoort
- Voedingseenheid
- Led-achterlicht
- Opbergvak
- Bekerhouders
- Led-zijlicht
- Achterwiel (wielaandrijving)
- Waspoort
- Dek
- Dekbeschermer
- Antiscalpwiel
- Voorwiel
- Parkeerrem
- Dagrijslampen
- Led koplampen
- Zijkoker
- Hendel voor het instellen van de dekhoogte
- Stoelvering aanpassingsknop
- Hendel voor het instellen van de zittinghoogte
- Lapstangen
- Grasmaaier-statusindicator
- Lcd-scherm
- PTO-schakelaar
- Start/stop-knop
- Veiligheidsleutel
- Telefoonvak
- Baffle Bar
- Grasmaaier vermogensmeter en statusindicator
  - Grasmaaier vermogensmeter-indicator
  - Grasmaaier-statusindicator
- Voetensteungebied
- Voedingseenheidafdekking ontgrendelingsknop
- Voedingseenheidafdekking
- Voedingseenheid met zes accucompartimenten
- Accuvrijgaveknop
- Trekhaak
- Bevestigingsafdekking
- Toebehoor bevestigingsafdekking opberging
- USB-poort

### HET LCD-SCHERM (AFB. A3)

Zie het hoofdstuk "**GRASMAAIER STATUSREFERENTIE EN STORINGSCODE**" voor meer informatie over symbolen en indicatoren op het lcd-scherm.

- Veiligheidsleutelsymbool
- Verlichtingsymbool
- Automatisch parkeersymbool
- USB-symbool
- Snelheidsindicator voor de messen
- Veiligheidssysteem statusindicator
- Uurmeter
- Pictogram accuvak leeg
- Temperatuurpictogram
- Pictogram accuvak bezet
- Rijmodus



12. Foutcode indicator
13. Overbelastingindicator
14. Gering vermogen-indicator
15. Snelheidsindicator tijdens het rijden
16. Belastingindicator
17. Vermogensmeter
18. Schakelaar voor het aanpassen van de snelheid van de messen
19. Instelknop
20. Rijmodus-knop
21. Led-lichtschakelaar
22. Instelknop voor de rijsnelheid

## UITPAKKEN

**OPMERKING:** Bewaar het verpakkingsmateriaal totdat u het apparaat grondig hebt gecontroleerd en het naar tevredenheid werkt. Als er onderdelen ontbreken, neem dan alstublieft contact op met de klantenservice van EGO.

**OPMERKING:** Behalve de onderdelen in de onderstaande paklijst, zijn alle andere vermelde gereedschappen in de gebruiksaanwijzing slechts een aanbeveling en niet meegeleverd.

### PAKLIJST (afb. B)

B-1	Zero-turn zitmaaier	B-6	Veiligheidssleutels
B-2	Zitting	B-7	Steeksleutel (13 mm)
B-3	Stuurhendel	B-8	Inbussleutel
B-4	Binnenzes-kantschroeven (2 als reserve)	B-9	Waspoort snelkoppeling
B-5	Zeskantbouten (2 als reserve)	B-10	Gebruiksaanwijzing

### AANBEVOLEN ACCESSOIRES

**⚠ WAARSCHUWING:** Gebruik uitsluitend identieke reserve-onderdelen die beneden worden vermeld. Het gebruik van onderdelen die niet aan de specificaties van de originele uitrusting voldoen kunnen verkeerde prestaties leveren en de veiligheid in gevaar brengen.

NAAM VAN HET ONDERDEEL	MODELNUMMER
Standaard mes	AB5200
Hoog mes	AB5201
Mulch-set	ABP5200
Grasopvangset	ABK5200-A
Achterbumper	AMB1000
Transportbox	AMG1000
Zonnescherm	AMS1000

NL

## MONTAGE

### DE ZITTING INSTALLEREN (afb. C1 en C2)

**⚠ WAARSCHUWING:** Het veiligheidsvergrendelingsysteem mag niet worden losgekoppeld of overbrugd. Als u dit doet, kan de grasmaaier hierdoor onverwacht reageren, wat persoonlijk letsel tot gevolg heeft.

**OPMERKING:** Voor uw eigen veiligheid, stopt de grasmaaier als de schakelaar voor de zitting wordt losgekoppeld tijdens het rijden. In dit geval moet u de alinea "**PROBLEEMOPLOSSING**" bekijken voor meer informatie.

C1-1	Kabel	C1-5	Inbusschroeven
C1-2	Stekker	C2-1	Haak
C1-3	Aansluiting	C2-2	Stalen rails
C1-4	Ophanging	C2-3	Inbusschroeven

## DE STUURHENDELS INSTALLEREN (afb. C3)

C3-1	Stuurhendels	C3-3	Bevestigingsgaten voor de stuurhendel
C3-2	Zeskantbouten		

## GEBRUIK

### VOOR HET GEBRUIK VAN DE GRASMAAIER

NL

#### Controleer de omgeving

- Zorg ervoor dat zich geen kinderen, omstanders en huisdieren in het werkgebied bevinden.
- Maak het werkgebied schoon van voorwerpen die door de messen van de grasmaaier door de lucht kunnen worden geslingerd.
- Controleer en waarborg dat de led-lichten in de juiste status zijn:
  - De koplampen, zijlampen en achterlichten worden bediend door de led-lichtschakelaar.
  - De dagrijlampen blijven altijd aan tijdens het rijden.
  - Als u achteruit rijdt en als de achterlichten zijn uitgeschakeld, zullen ze knipperen om omstanders te waarschuwen; als de achterlichten zijn ingeschakeld, blijven ze aan.
  - Alle lichten gaan uit wanneer de maaier automatisch wordt uitgeschakeld na een periode zonder gebruik.

#### Controleer de bandenspanning in koude toestand (afb. D1)

#### Controleer de grasmaaierstatus en het laadniveau van de accu

- Grasmaaier vermogensmeter-indicator (afb. A2 - 27a)  
Elk segment van de vermogensmeter-indicator geeft 20% lading aan van de aangesloten accupacks.

**OPMERKING:** De vermogensmeter-indicator en de vermogensmeter op het lcd-scherm geeft de gemiddelde capaciteit van de geplaatste accupacks weer.

- Grasmaaier statusindicator (afb. A1 en afb. A2 - 27b)

Als de statusindicator groen brandt, is de grasmaaier gereed om te rijden. Als dat niet het geval is, zie hoofdstuk "GRASMAAIERSTATUS REFERENTIE EN STORINGSCODE"

#### Het veiligheidsvergrendelingsysteem testen (afb. D2 - afb. D8)

**OPMERKING:** De gebruiker moet op de zitting zitten alvorens te testen.

- Voor het testen (afb. D2 - afb. D4)
- Om het dek-messysteem (afb. D5) te testen gaat u langzaam staan
- Om het rijstelsysteem (afb. D6 - afb. D8) te testen gaat u langzaam staan

Als het dek-messysteem en/of het rijstelsysteem niet stopt als de gebruiker niet op de zitting zit en als de oorzaak niet kan worden vastgesteld na de controle of de stekker is aangesloten op de zitting, moet u onmiddellijk contact opnemen met uw EGO-klantenservice.

#### AANPASSEN (afb. E1 - afb. E13)

##### Vorbereiding (afb. E1 - afb. E5)

##### Aanpassen van de hoogte van het maaidek (afb. E6)

##### Aanpassen van de antiscalpwielen (afb. E7 - afb. E10)

E7-1	Antiscalp wiel	E9-2	Lange moer
E9-1	Moer	E10-1	Dekhoogtelabel

##### Aanpassen van de zitting (afb. E11)

Pas de zitpositie aan om te waarborgen dat u goed contact heeft met het parkeerrempedaal alvorens de grasmaaier te bedienen. Aanpassing van de vering van de zitting kan u helpen de meest comfortabele ervaring van de zitting te hebben.

E11-1	Hendel voor het instellen van de zittinghoogte	E11-2	Stoelvering aanpassingsknop
-------	--	-------	-----------------------------

##### De parkeerrem instellen (afb. E12 - afb. E13)

E13-1	Rempositie	E13-2	Ontgrendelde positie
-------	------------	-------	----------------------

## LADEN (afb. F1 - afb. F11)

Om deze grasmaaier te starten, vereisen de accu's een totale lading van 15 Ah (2x BA4200T/BA4200T) of meer. Voor de beste prestaties raden wij het gebruik van EGO-accu's aan met een totaal van 30 Ah of meer.

**Gebruik alleen met de aanbevolen accupacks en laders. (Afb. F9 en F10)**

**Vorbereiding voor het laden (afb. F1 - afb. F4)**

**De accupack(s) apart laden (afb. F5 – afb. F9)**

F5-1	Vrijgaveknop voor de afdekking	F7-1	Accu-ontgrendelingsknop
------	--------------------------------	------	-------------------------

- Het accupack/de accupacks bevestigen (afb. F5 - afb. F6)
- Het accupack/de accupacks verwijderen (afb. F7 - afb. F8)

**OPMERKING:** Laad het accupack/de accupacks in overeenstemming met de handleidingen van de betreffende accu's en laders.

**De accupacks laden via de laadpoort (afb. F10)**

F10-1	Stofafdekking	F10-2	Laadpoort
-------	---------------	-------	-----------

## DE GRASMAAIER STARTEN (afb. A4 – afb. A5 en afb. G1 – afb. G6)

**⚠ WAARSCHUWING:** Voorkom plotselinge starts/stops en bochten, maar ook buitensporige snelheid, in het bijzonder tijdens het leren van de omgang met de grasmaaier. De grasmaaier kan snel draaien, waardoor u de controle kunt verliezen wat tot ernstig letsel en/of schade kan leiden.

**⚠ WAARSCHUWING:** Voordat u de grasmaaier start, dient u te controleren of de messen worden ontkoppeld binnen 5 sec. als u de PTO-schakelaar naar beneden drukt. Als de messen niet stoppen, mag u de grasmaaier niet gebruiken en moet u direct contact opnemen met de EGO-klantenservice.

**OPMERKING:** Volg afb. A4 en afb. G2 om de geringste rijnsnelheid en de **STANDAARD** rijmodus te krijgen totdat u volledig in staat bent de grasmaaier in alle situaties

te gebruiken. De rijnsnelheid en rijmodus worden alleen geactiveerd als de wielen van de grasmaaier stilstaan en de stuurhendels van het stuur open zijn.

De grasmaaier zal de vorige rijmodus, rijnsnelheid en kalibratie van de stuurhendels opslaan en weergeven wanneer hij opnieuw wordt gestart.

### Rijmodus

- **BEDIENING:** Geringe versnelling, minder gevoelige omgang en een geringe snelheid in de bochten om het gras te beschermen en voor nieuwe gebruikers.
- **STANDAARD:** Perfect voor dagelijks gebruik.
- **SPORT:** Hogere versnelling, nauwkeurige omgang en scherpe bochten om de maai-effectiviteit te maximaliseren en voor enthousiaste gebruikers.

**Aanpassing van de rijnsnelheid (afb. A4)**

**Aanpassing van de snelheid van de messen (afb. A5)**

### USB-poort

**OPMERKING:** De USB-poort biedt een laadmogelijkheid van 5V DC met een gecombineerde afname van 1,5 ampère en staat alleen ter beschikking als de grasmaaier loopt.

## DE GRASMAAIER STOPPEN (afb. H1 – afb. H6)

**OPMERKING:** Als er meer dan 60 minuten geen activiteit plaatsvindt, gaat de grasmaaier vanzelf uit.

### Thuisbreng-modus

Als het accuniveau gering is, gaat de grasmaaier naar de thuisbreng-modus:

- De grasmaaier stopt automatisch met het maaien van gras;
- De zoemer-indicator blijft afgaan;
- De grasmaaier statusindicator knippert elke seconde rood, het eerste segment van de grasmaaier vermogensmeter knippert rood en de laagvermogenindicator en de accugrafiek op de vermogensmeter knipperen.

De gebruiker moet:

- a) de PTO-schakelaar naar beneden (afb. H3) drukken om de messen te ontkoppelen. De zoemer-indicator stopt als de messen stoppen;

- b) Stop met werken en ga zo snel mogelijk naar de acculader. De maximale afstand die de grasmaaier kan afleggen bedraagt 1000 m.

Als de accu bijna leeg is, knippert het symbool van elk gebruikt accuvak en de laagvermogenindicator elke halve seconde. De grasmaaier stopt onmiddellijk. De gebruiker moet de grasmaaier naar de acculader brengen om hem op te laden.

NL

### Handmatig duwen

Als u handmatig moet duwen, zorg er dan voor dat de accu's zijn losgekoppeld van de grasmaaier en het parkeerrem-pedaal is ontkoppeld van de rempositie.

### RIJDEN MET DE GRASMAAIER

#### (afb. I1 - afb. I9)

Om te stoppen, verhoogt of verlaagt u de snelheid en verandert u langzaam de afstand van de stuurhendel naar de neutrale positie.

**⚠ GEVAAR:** Blijf op minstens twee maaibreedtes afstand van greppels, hellingen of water. De voorwielen kunnen draaien als de grasmaaier is gestopt, zelfs als de rem is geactiveerd, en kunnen ervoor zorgen dat de grasmaaier over de rand gaat of in het water beland wat de dood of ernstig letsel tot gevolg kan hebben.

**⚠ WAARSCHUWING:** Let op wat zich achter de grasmaaier bevindt als u achteruit rijdt. Maai NIET in de achteruit tenzij dit absoluut noodzakelijk is. Kijk altijd naar beneden en achter u voordat u achteruit rijdt om ervoor te zorgen dat zich geen kinderen, omstanders of huisdieren binnen het maaibereik bevindt. Denk eraan dat een fractie van een seconde onoplettendheid ernstig letsel teweeg kan brengen.

**⚠ WAARSCHUWING:** Gebruik de maaimachine niet op de openbare weg.

**⚠ WAARSCHUWING:** Als er sprake van een blokkade is of als u een vreemd voorwerp raakt, dient u de motor te stoppen en de accu's te verwijderen. Verwijder vastzittend gras, bladeren, verontreinigingen en ander opgehoopt vuil; inspecteer de grasmaaier grondig op schade en repareer de schade alvorens de grasmaaier weer te starten en te gebruiken.

## ONDERHOUD

**⚠ WAARSCHUWING:** Draag altijd een veiligheidsbril met zijschermen. Als u dit niet doet kan het ertoe leiden dat voorwerpen in uw ogen terechtkomen wat ernstig letsel kan veroorzaken.

**⚠ WAARSCHUWING:** Bescherm altijd uw handen door handschoenen te dragen of door de snijvlakken met doeken of andere materialen in te wikkelen voordat u onderhoud aan de messen van de grasmaaier uitvoert. Verwijder altijd de veiligheidssleutel en de accupacks tijdens onderhoud aan of transport van de grasmaaier.

Onderhoudsinterval	Onderhoudsprocedure
Voor elk gebruik of dagelijks	<ul style="list-style-type: none"> <li>▪ Controleer het veiligheidsvergrendelingssysteem.</li> <li>▪ Visuele controle of de banden plat zijn.</li> <li>▪ Controleer of de messen zijn versleten, gescheurd of gebogen.</li> <li>▪ Controleer het gehele product op beschadigingen, ontbrekende of los zittende onderdelen zoals de zijkoker, schroeven, moeren, bouten, doppen etc., zorg ervoor dat alle beschermingen op hun plek zitten en correct werken.</li> <li>▪ Controleer de werking van de rem.</li> </ul>
Na elk gebruik	<ul style="list-style-type: none"> <li>▪ Reinig het maaidek.</li> </ul>
Elke 25 uur	<ul style="list-style-type: none"> <li>▪ Controleer de bandenspanning.</li> </ul>
Elke 50 uur	<ul style="list-style-type: none"> <li>▪ Controleer de smering aan de binnenkant van de flens van de messen.</li> </ul>

Elke 100 uur	<ul style="list-style-type: none"> <li>Controleer de achterwielen; zorg ervoor dat de bouten en moeren zijn aangedraaid met het aanbevolen aanhaalmoment.</li> </ul>
Elke 200 uur	<ul style="list-style-type: none"> <li>Controleer de voorwielen, zorg dat ze vrij kunnen draaien.</li> </ul>
Jaarlijks	<ul style="list-style-type: none"> <li>Controleer het parkeerrempedaal. Verwijder de accu van de grasmaaier en zet de parkeerrem in de parkeerpositie. Druk de grasmaaier met de hand naar voren om te zien of de grasmaaier beweegt of niet. Als de machine nog beweegt, moet u hem laten onderhouden door een gekwalificeerde onderhoudsmonteur.</li> </ul>

## DE GRASMAAIER SCHOONMAKEN (afb. J1 - afb. J9)

### Vorbereitung (afb. J1 - afb. J5)

### De behuizing van de grasmaaier reinigen (afb. J6 - afb. J7)

### Waspoort gebruiken om het maaidek schoon te maken (afb. J8 - afb. J9)

J8-1	Waspoort	J8-3	Tuinslang
J8-2	Waspoort snelkoppeling		

**OPMERKING:** Als u klaar bent met de reiniging, drukt u de PTO-schakelaar naar beneden om de messen te ontkoppelen.

## ONDERHOUD VAN HET MAAIDEEK EN DE MESSEN

### Vorbereitung (afb. K1 - afb. K6)

### Verwijder het maaidek (afb. K7 - afb. K8)

K7-1	Motorkabel	K7-3	Ophangingsmechanisme
K7-2	Splitpen		

**OPMERKING:** Koppel alle motorkabels en splitpennen los wanneer u de grasmaaierafdekking verwijdert.

### Vervang de snijmesses (afb. K9 - afb. K11)

K9-1	Stabilisator	K10-3	Mes
K10-1	Bout	K10-4	Flens
K10-2	Sluitring	K10-5	Motorschacht

NL

### Het maaidek nivelleren

#### a. Wanneer moet worden genivelleerd (afb. K12 - afb. K14)

#### b. Voor het nivelleren

- Controleer de bandenspanning in koude toestand (afb. K15)
- Controleer de snijmesses. Verwijder en vervang indien nodig versleten, gescheurde en/of gebogen messen.

#### c. Voorbereiding voor het nivelleren (afb. K16 - afb. K21)

#### d. Hoe te nivelleren

- Een aanpassing van zijkant naar zijkant maken (afb. K22)

K22-1	Borgmoer
-------	----------

- Een aanpassing van voor- naar achterkant maken (afb. K23)

## HET GRASMAAIER TRACKING-SYSTEEM KALIBREREN (afb. L1 - afb. L4)

**OPMERKING:** De zoemer-indicator is een keer te horen als de kalibratie wordt gestart en als de kalibratie is afgesloten.

**OPMERKING:** De voltooide kalibratie voor een van de rijmodi ("CONTROL", "STANDARD", "SPORT") is mogelijk niet beschikbaar voor de andere twee modi. Kalibreer de stuurhendels in elke rijmodus afzonderlijk indien nodig.

## DE GRASMAAIER RESETTEN NAAR DE STANDAARD INSTELLINGEN (afb. M)

**OPMERKING:** De zoemer-indicator is een keer te horen als het resetten wordt gestart en als het resetten is afgesloten.

**OPMERKING:** Als het resetten is gelukt, keren onderstaande instellingen terug naar de oorspronkelijke fabrieksinstelling:

NL

- rijmodus
- rijnsnelheid
- kalibratie van de stuurhendels

## OPSLAG EN TRANSPORT

### DE GRASMAAIER TRANSPORTEREN (AFB. N1 – AFB. N11)

**OPMERKING:** Beveilig de grasmaaier indien nodig, gebruik banden of kabels om bewegingen tijdens het transport te voorkomen.

### OPSLAG (afb. 01 - afb. 06)

**OPMERKING:** Verwijder de accupacks en berg de accu's op volgens de instructies in de betreffende handleidingen.

Reinig en controleer de grasmaaier alvorens hem op te bergen en zie hiervoor de hoofdstukken "**DE GRASMAAIER SCHOONMAKEN**" en "**AANBEVOLEN ONDERHOUDSSCHEMA('S)**".

### Het milieu beschermen




WEEE (afgedankte elektrische en elektronische apparatuur) Gooi geen elektrische apparatuur, gebruikte accu's en laders weg via het

huishoudelijk afval! Geef dit product af bij een geautoriseerd recyclingbedrijf en zorg dat het apart kan worden ingezameld. Elektrisch gereedschap moet worden afgegeven voor een milieuvriendelijke recycling.

KEES VAN DER SPEK  
TUINMACHINES \* STOLWIJK


## PROBLEEMOPLOSSING

PROBLEEM	OORZAAK	OPLOSSING
<p>De zero-turn grasmaaier rijdt niet terwijl de twee stuurhendels in het begin naar voren of naar achteren worden gedrukt.</p>  Het stuurniveausymbool knippert	<ul style="list-style-type: none"> <li>De gecombineerde Ah van de geplaatste accu's voldoet niet aan de vereiste.</li> </ul>	<ul style="list-style-type: none"> <li>Gebruik voldoende EGO-accu's om de maaier te starten volgens de instructies in het gedeelte "<b>OPLADEN</b>" in deze handleiding.</li> </ul>
	<ul style="list-style-type: none"> <li>Het parkeerrempedaal bevindt zich in de rempositie.</li> </ul>	<ul style="list-style-type: none"> <li>Druk het parkeerrempedaal volledig in om hem te ontkoppelen uit de rempositie.</li> </ul>
	<ul style="list-style-type: none"> <li>De stuurhendels bevinden zich niet in de geopende positie als de grasmaaier wordt gestart.</li> </ul>	<ul style="list-style-type: none"> <li>Breng de stuurhendels terug naar de open positie en start de grasmaaier opnieuw.</li> </ul>
	<ul style="list-style-type: none"> <li>De gebruiker zit niet op de zitting.</li> </ul>	<ul style="list-style-type: none"> <li>Alleen als de bestuurder goed op de stoel zit, kan hij of zij de grasmaaier bedienen.</li> </ul>
	<ul style="list-style-type: none"> <li>De schakelaar van de zitting is niet juist aangesloten.</li> </ul>	<ul style="list-style-type: none"> <li>Verwijder de accu uit de grasmaaier en demonteer de zitting in omgekeerde volgorde van de instructies in het hoofdstuk "<b>DE ZITTING INSTALLEREN</b>" in deze handleiding om te aansluiting van de stoelschakelaar te controleren. Monteer de zitting weer en volg de instructies in "<b>DE GRASMAAIER STARTEN</b>" om de grasmaaier opnieuw te starten en zie of de grasmaaier kan worden gestart. Als dat niet lukt, neemt u contact op met een gekwalificeerde servicemonteur voor reparatie.</li> </ul>
	<ul style="list-style-type: none"> <li>Bij extreem koud eer kan de rijfunctie eventueel niet succesvol starten als gevolg van de bescherming tegen lage temperaturen.</li> </ul>	<ul style="list-style-type: none"> <li>Berg de grasmaaier en de accu altijd op in een warme omgeving. Herstart de grasmaaier als hij is opgewarmd. Voer alstublieft geen herhaaldelijke pogingen onder extreem koude omstandigheden uit omdat deze de machine kunnen beschadigen.</li> </ul>

NL

PROBLEEM	OORZAAK	OPLOSSING
De grasmaaier stopt met rijden.	<ul style="list-style-type: none"> <li>De stuurhendels moeten worden 'gereset'.</li> </ul>	<ul style="list-style-type: none"> <li>Breng de stuurhendels terug naar de open positie en start de grasmaaier opnieuw.</li> </ul>
	<ul style="list-style-type: none"> <li>De elektronische bedieningscomponenten van de stuurhendels werken niet.</li> </ul>	<ul style="list-style-type: none"> <li>Neem contact op met een gekwalificeerde servicemonteur voor reparatie.</li> </ul>
	<ul style="list-style-type: none"> <li>De schakelaar van de zitting is niet meer aangesloten tijdens het rijden op een ruw terrein.</li> </ul>	<ul style="list-style-type: none"> <li>Verwijder de accu uit de grasmaaier en demonteer de zitting in omgekeerde volgorde van de instructies in het hoofdstuk "<b>DE ZITTING INSTALLEREN</b>" in deze handleiding om te aansluiting van de stoelschakelaar te controleren. Monteer de zitting weer en volg de instructies in "<b>DE GRASMAAIER STARTEN</b>" om de grasmaaier opnieuw te starten en zie of de grasmaaier kan worden gestart. Als dat niet lukt, neemt u contact op met een gekwalificeerde servicemonteur voor reparatie.</li> </ul>
	<ul style="list-style-type: none"> <li>Het parkeerrempeedaal wordt ingetrapt om de rijsnelheid te verlagen. Zodra het parkeerrempeedaal voldoende is ingetrapt, maar niet in de parkeerstand, stopt de grasmaaier.</li> </ul>	<ul style="list-style-type: none"> <li>Volg de instructies in "<b>DE GRASMAAIER STARTEN</b>" om de grasmaaier opnieuw te starten.</li> </ul>
De rijsnelheid/rijmodus kan tijdens het rijden niet worden aangepast.	<ul style="list-style-type: none"> <li>Dit is een kenmerk van de grasmaaier voor veilig rijden.</li> </ul>	<ul style="list-style-type: none"> <li>De functie wordt alleen geactiveerd als de wielen van de grasmaaier stilstaan en de hendels van het stuur open zijn.</li> </ul>



PROBLEEM	OORZAAK	OPLOSSING
<p>De grasmaaier start de messen niet wanneer de PTO-schakelaar is ingeschakeld.</p>  <p>Het PTO-schakelaarsymbool knippert</p>	<ul style="list-style-type: none"> <li>De gecombineerde Ah van de geplaatste accu's voldoet niet aan de vereiste.</li> </ul>	<ul style="list-style-type: none"> <li>Gebruik voldoende EGO-accu's om de maaier te starten volgens de instructies in het gedeelte <b>"OPLADEN"</b> in deze handleiding.</li> </ul>
	<ul style="list-style-type: none"> <li>De PTO-schakelaar is niet naar beneden gedrukt toen de grasmaaier de laatste keer werd gestopt.</li> </ul>	<ul style="list-style-type: none"> <li>Druk de PTO-schakelaar naar beneden en herstart de messen van de grasmaaier.</li> </ul>
	<ul style="list-style-type: none"> <li>De grasmaaier is overbelast op het moment dat de messen starten, wat erin resulteert dat de motor zichzelf beschermt.</li> </ul>	<ul style="list-style-type: none"> <li>Start de grasmaaier eerst met een lage snelheid van de messen en totdat de messen de juiste rotatie bereiken, mag u de snelheid van de messen niet in de gewenste snelheid verhogen.</li> </ul>
	<ul style="list-style-type: none"> <li>Bij extreem koud weer starten de mesmotoren mogelijk niet als gevolg van de bescherming tegen lage temperaturen.</li> </ul>	<ul style="list-style-type: none"> <li>Berg de grasmaaier en de accu altijd op in een warme omgeving. Herstart de grasmaaier als hij is opgewarmd. Voer alstublieft geen herhaaldelijke pogingen onder extreem koude omstandigheden uit omdat deze de machine kunnen beschadigen.</li> </ul>
	<ul style="list-style-type: none"> <li>Het mes raakt het vervormde maaidek</li> </ul>	<ul style="list-style-type: none"> <li>Neem contact op met een gekwalificeerde servicemonteur voor reparatie.</li> </ul>

PROBLEEM	OORZAAK	OPLOSSING
De messen stoppen tijdens het maaien van gras.	<ul style="list-style-type: none"> <li>De grasmaaier is overbelast.</li> </ul>	<ul style="list-style-type: none"> <li>Verhoog de maaihoogte van het dek of verlaag de rijsnelheid om de belasting van de grasmaaier te verlagen.</li> </ul>
	<ul style="list-style-type: none"> <li>De grasmaaier is verstopt door gras en vuil.</li> </ul>	<ul style="list-style-type: none"> <li>Reinig het maaidek en controleer of de messen vrij kunnen bewegen.</li> </ul>
	<ul style="list-style-type: none"> <li>De grasmaaier is oververhit.</li> </ul>	<ul style="list-style-type: none"> <li>Reduceer de belasting van de grasmaaier, door de maaihoogte van het dek te verhogen of verlaag de snelheid van de messen/rijsnelheid en laat de grasmaaier afkoelen.</li> </ul>
	<ul style="list-style-type: none"> <li>De/het accupack(s) in de accuvakken van de grasmaaier is/zijn oververhit, wat erin resulteert dat de gecombineerde Ah van alle aangesloten accu's te laag is.</li> </ul>	<ol style="list-style-type: none"> <li>Als het gecombineerde accuvermogen lager is dan vereist, werkt de grasmaaier niet totdat meer accupacks worden aangesloten op de lege accuvakken. Zodra de oververhitte accu de normale temperatuur bereikt, gaat hij direct weer door met het verzien van stroom voor de grasmaaier.</li> </ol>
		<ol style="list-style-type: none"> <li>Reduceer de belasting van de grasmaaier, door de maaihoogte van het dek te verhogen of langzamer te maaien om het gebruik te hervatten.</li> </ol>
	<ul style="list-style-type: none"> <li>De grasmaaier bevindt zich in de thuisbreng-modus.</li> </ul>	<ul style="list-style-type: none"> <li>Als de grasmaaier zich in de thuisbreng-modus bevindt, gaan de messen automatisch over naar de geringe rotatiesnelheid zonder gras te maaien. De gebruiker moet stoppen met werken en zo snel mogelijk naar de het acculaadstation gaan.</li> </ul>
	<ul style="list-style-type: none"> <li>De grasmaaier heeft een vreemd voorwerp geraakt, waardoor de motor is overgegaan naar de zelfbescherming.</li> </ul>	<ul style="list-style-type: none"> <li>Druk de PTO-schakelaar naar beneden en herstart de messen van de grasmaaier.</li> </ul>

PROBLEEM	OORZAAK	OPLOSSING
De zoemer-indicator blijft zoemen.	<ul style="list-style-type: none"> <li>De grasmaaier bevindt zich in de thuisbreng-modus en de messen zijn niet uitgeschakeld.</li> </ul>	<ul style="list-style-type: none"> <li>Druk de PTO-schakelaar naar beneden om de messen te ontkoppelen. De zoemer-indicator stopt als de messen stoppen.</li> </ul>
	<ul style="list-style-type: none"> <li>De grasmaaier stopt met bewegen op een helling en de gebruiker opent de stuurhendels en zit niet op de zitting zonder het parkeerrempedaal in de rempositie te drukken.</li> </ul>	<ul style="list-style-type: none"> <li>Druk het parkeerrempedaal in de rempositie alvorens de grasmaaier op een helling te parkeren.</li> </ul>
De accu-indicatoren zijn nog steeds aan terwijl de grasmaaier is uitgeschakeld.	<ul style="list-style-type: none"> <li>Wanneer de grasmaaier wordt uitgezet zonder de accu('s) uit de grasmaaier te verwijderen, blijven de accu-indicatoren, de start/stop-knop en de set-knop nog enige tijd branden.</li> </ul>	<ul style="list-style-type: none"> <li>U hoeft niets te doen. De accu-indicatoren gaan uit als de maaier na een tijdje wordt uitgeschakeld. Raadpleeg het gedeelte "<b>DE GRASMAAIER STOPPEN</b>" voor een specifieke tijd.</li> </ul>
	<ul style="list-style-type: none"> <li>Als de grasmaaier wordt uitgeschakeld op een helling zonder het parkeerrempedaal in de rempositie te zetten, blijven de accu-indicatoren branden totdat de accu leeg is. De zoemer-indicator blijft gelijktijdig zoemen.</li> </ul>	<ul style="list-style-type: none"> <li>Zet het parkeerrempedaal in de rempositie voordat de gebruiker het gereedschap op een helling laat staan.</li> </ul>
Het lcd-scherm begint niet te branden met alle symbolen aan.	<ul style="list-style-type: none"> <li>De druktijd op de start/stop-knop is niet voldoende.</li> </ul>	<ul style="list-style-type: none"> <li>Het lcd-scherm toont alleen 'vermogensmeter' als de start/stop-knop kort wordt ingedrukt.</li> </ul>
		<ul style="list-style-type: none"> <li>Het lcd-scherm gaat aan nadat de start/stop-knop enkele momenten wordt ingedrukt.</li> </ul>
De grasmaaier maait niet gelijkmatig, met duidelijke hoogteverschillen voor en achter.	<ul style="list-style-type: none"> <li>De messen zijn bot.</li> </ul>	<ul style="list-style-type: none"> <li>Slijp of vervang het snijmes zoals vermeld in deze gebruiksaanwijzing.</li> </ul>
	<ul style="list-style-type: none"> <li>De messen zijn verbogen.</li> </ul>	<ul style="list-style-type: none"> <li>Vervang het gebogen snijmes volgens de instructies in het hoofdstuk "<b>DE SNIJMESSEN VERVANGEN</b>".</li> </ul>
	<ul style="list-style-type: none"> <li>Het maaidek is niet genivelleerd, wat voor verschillend hoge snijmessen zorgt.</li> </ul>	<ul style="list-style-type: none"> <li>Nivelleer het maaidek volgens de instructies in hoofdstuk "<b>HET MAAIDEK NIVELLEREN</b>".</li> </ul>

PROBLEEM	OORZAAK	OPLOSSING
De daadwerkelijke maaihoogte is niet genivelleerd met de aanbevolen hoogte.	<ul style="list-style-type: none"> <li>De moeren van het maaidek op het ophangingsmechanisme zijn los</li> </ul>	<ul style="list-style-type: none"> <li>Volg de instructies in het hoofdstuk "<b>HET MAAIDEK NIVELLEREN</b>" om de voor- en achterkant van het maaidek juist in te stellen en maak de vier moeren op het ophangingsmechanisme goed vast (twee aan elke zijde).</li> </ul>
	<ul style="list-style-type: none"> <li>Het maaidek is beschadigd of zeer versleten.</li> </ul>	<ul style="list-style-type: none"> <li>Volg de instructies in het hoofdstuk "<b>HET MAAIDEK VERWIJDEREN</b>" om het maaidek te vervangen.</li> </ul>
De grasmaaier mulcht niet goed.	<ul style="list-style-type: none"> <li>Nat gemaaid gras blijft aan de onderkant van het dek plakken.</li> </ul>	<ul style="list-style-type: none"> <li>Wacht totdat het gras droog is voordat u het maait.</li> </ul>
	<ul style="list-style-type: none"> <li>De grasmaaier is zo ingesteld dat hij te veel gras in een keer moet maaien.</li> </ul>	<ul style="list-style-type: none"> <li>Verhoog de maaihoogte van het dek.</li> </ul>
Er is sprake van excessieve trillingen.	<ul style="list-style-type: none"> <li>De messen zitten los.</li> </ul>	<ul style="list-style-type: none"> <li>Draai de bout van het mes vast met het aanbevolen aanhaalmoment.</li> </ul>
	<ul style="list-style-type: none"> <li>De messen zijn verbogen.</li> </ul>	<ul style="list-style-type: none"> <li>Vervang het gebogen snijmes volgens de instructies in het hoofdstuk "<b>DE SNIJMESSEN VERVANGEN</b>".</li> </ul>
	<ul style="list-style-type: none"> <li>Het maaidek is niet genivelleerd.</li> </ul>	<ul style="list-style-type: none"> <li>Nivelleer het maaidek volgens de instructies in hoofdstuk "<b>HET MAAIDEK NIVELLEREN</b>".</li> </ul>
	<ul style="list-style-type: none"> <li>De moeren van het maaidek op het ophangingsmechanisme zijn los.</li> </ul>	<ul style="list-style-type: none"> <li>Draai de moeren op de ophangstang vast.</li> </ul>
	<ul style="list-style-type: none"> <li>De grasmaaier is zo ingesteld dat hij te veel gras in een keer moet maaien.</li> </ul>	<ul style="list-style-type: none"> <li>Verhoog de maaihoogte van het dek.</li> </ul>
Er blijft gras of vuil achter op de grond na het maaien.	<ul style="list-style-type: none"> <li>De grasmaaier is zo ingesteld dat hij te veel gras in een keer moet maaien als het gras te lang is.</li> </ul>	<ul style="list-style-type: none"> <li>Begin met een hoge maaihoogte en reduceer totdat het gewenste maieresultaat is bereikt. Gras van meer dan 6 inch moet in twee keer worden gemaaid, met opeenvolgend lager wordende hoogtes.</li> </ul>
	<ul style="list-style-type: none"> <li>Het gras is nat.</li> </ul>	<ul style="list-style-type: none"> <li>Maai het gras niet als het nat is, wacht totdat het droog is.</li> </ul>
	<ul style="list-style-type: none"> <li>De rijsnelheid is te hoog.</li> </ul>	<ul style="list-style-type: none"> <li>Verlaag de rijsnelheid.</li> </ul>
	<ul style="list-style-type: none"> <li>De snelheid van het mes is te laag.</li> </ul>	<ul style="list-style-type: none"> <li>Verhoog de snelheid van het mes geleidelijk.</li> </ul>

PROBLEEM	OORZAAK	OPLOSSING
Een korte gebruiksduur van de grasmaaier met inbegrepen accu.	<ul style="list-style-type: none"> <li>De grasomstandigheden en de maaihoogte-instelling heeft een grote invloed op de looptijd van de accu. De aangegeven looptijd is gebaseerd op een lichte belasting.</li> </ul>	<ul style="list-style-type: none"> <li>Verhoog de maaihoogte van het dek of verlaag de snelheid van het mes om de belasting tijdens het maaien te verminderen.</li> </ul>
De grasmaaier loopt niet recht.	<ul style="list-style-type: none"> <li>De bandenspanning voor het linker- en rechterachterwiel is verschillend.</li> </ul>	<ul style="list-style-type: none"> <li>Controleer de luchtdruk van beide achterwielen en pas ze aan, in overeenstemming met de aanbeveling in hoofdstuk "<b>DE BANDENSPANNING CONTROLEREN</b>" in deze handleiding.</li> </ul>
	<ul style="list-style-type: none"> <li>De rijsnelheden voor het linker- en rechterachterwiel is verschillend.</li> </ul>	<ul style="list-style-type: none"> <li>Kalibreer het trackingsysteem van de grasmaaier volgens de instructies in het hoofdstuk "<b>HET TRACKINGSYSTEEM VAN DE GRASMAAIER KALIBREREN</b>".</li> </ul>
Het parkeerrempedaal kan niet worden ontgrendeld uit de rempositie of springt slechts langzaam terug.	<ul style="list-style-type: none"> <li>Er is een hoop vuil of afzetting aan de binnenkant van het parkeerrempedaal.</li> </ul>	<ul style="list-style-type: none"> <li>Open de parkeerrempedaal-box door de binnenkant van de box grondig te reinigen en hem weer te sluiten. Reset het parkeerrempedaal om te zien of het probleem is opgelost. Als dat niet lukt, neemt u contact op met een gekwalificeerde servicemonteur voor reparatie.</li> </ul>
De grasmaaier kan niet worden geladen via de laadpoort terwijl de statusindicatie van de grasmaaier continu rood brandt.	<ul style="list-style-type: none"> <li>De stekker van de lader is niet juist aangesloten op de laadpoort van de grasmaaier.</li> </ul>	<ul style="list-style-type: none"> <li>Sluit de laadstekker weer aan om te zien of de grasmaaier normaal kan worden opgeladen.</li> </ul>
	<ul style="list-style-type: none"> <li>Er staat geen stroom op het stopcontact.</li> </ul>	<ul style="list-style-type: none"> <li>U hoeft niets te doen. Wacht totdat de spanning herstelt.</li> </ul>
	<ul style="list-style-type: none"> <li>Storing van de lader.</li> </ul>	<ul style="list-style-type: none"> <li>Neem contact op met een gekwalificeerde onderhoudsmonteur voor inspectie en laad de lader indien nodig repareren.</li> </ul>
	<ul style="list-style-type: none"> <li>De laadpoort van de grasmaaier is defect.</li> </ul>	<ul style="list-style-type: none"> <li>Neem contact op met een gekwalificeerde servicemonteur voor reparatie.</li> </ul>
De laadduur via de laadpoort van de grasmaaier is te lang.	<ul style="list-style-type: none"> <li>Het gebruik van de EGO-adapter ACA1000 vergt een langere tijd.</li> </ul>	<ul style="list-style-type: none"> <li>Gebruik EGO-oplader CHV1600E om de grasmaaier direct op te laden.</li> </ul>

PROBLEEM	OORZAAK	OPLOSSING
De accu kan niet volledig worden opgeladen via de laadpoort van de grasmaaier.	<ul style="list-style-type: none"> <li>Er is een storing van de firmware van de rijdende grasmaaier of een fout van de lader/accu.</li> </ul>	<ul style="list-style-type: none"> <li>Ontkoppel de lader en wacht enkele minuten, sluit de stekker vervolgens weer aan op het stopcontact. Als dat niet werkt, neemt u contact op met een gekwalificeerde servicemonteur voor reparatie.</li> </ul>
De grasmaaier kan niet worden gestart na het reinigen.	<ul style="list-style-type: none"> <li>Onjuiste reiniging, waardoor bijvoorbeeld water in de elektrische componenten, het lcd-scherm etc. komt.</li> </ul>	<ul style="list-style-type: none"> <li>Volg de instructies in het hoofdstuk "<b>DE GRASMAAIER SCHOONMAKEN</b>" om de grasmaaier op de juiste manier schoon te maken.</li> </ul>
De grasmaaier kan verstopt raken.	<ul style="list-style-type: none"> <li>De grasmaaier is verstopt door gras en vuil.</li> </ul>	<ul style="list-style-type: none"> <li>Als de grasmaaier onbedoeld in de regen terecht komt, laat u de maaier drogen of gebruikt u perslucht om hem te drogen.</li> <li>Reinig het maaidek na elk gebruik, doe dit aan de hand van het hoofdstuk "Gebruik de waspoort om het maaidek te reinigen".</li> </ul>
De grasmaaier verliest snel de tractie als hij een helling moet beklimmen.	<ul style="list-style-type: none"> <li>De banden van de achterwielen zijn versleten.</li> </ul>	<ul style="list-style-type: none"> <li>Ga naar een lokale werkplek om de banden van de wielen te vervangen.</li> </ul>
	<ul style="list-style-type: none"> <li>Grote maaihelling.</li> </ul>	<ul style="list-style-type: none"> <li>De maaihelling mag niet meer zijn dan maximaal toegelaten.</li> </ul>
Als de grasmaaier op een helling stopt met de parkeerrem gedrukt, kan de grasmaaier naar beneden glijden van de helling.	<ul style="list-style-type: none"> <li>De remcomponenten zijn uitermate versleten als gevolg van onjuist gebruik van de grasmaaier.</li> </ul>	<ul style="list-style-type: none"> <li>Neem contact op met een gekwalificeerde servicemonteur voor reparatie.</li> </ul>
Er komt geen water uit de waspoort tijdens het wassen van het dek.	<ul style="list-style-type: none"> <li>De waspoort snelkoppeling is niet op de plek van de waspoort gemonteerd.</li> </ul>	<ul style="list-style-type: none"> <li>Bevestig de waspoort snelkoppeling opnieuw totdat u een klik hoort nadat u hem er stevig op heeft gedrukt. Als dat niet werkt, neemt u contact op met een gekwalificeerde servicemonteur voor reparatie.</li> </ul>
Er is een abnormaal geluid als de grasmaaier handmatig wordt geduwd zonder te starten.	<ul style="list-style-type: none"> <li>Het geluid is afkomstig van de magneten aan de binnenkant van de aandrijfmotor.</li> </ul>	<ul style="list-style-type: none"> <li>Het is normaal en u hoeft niets te doen.</li> </ul>

## FOUTCODE EN MAAIERSTATUS INDICATOR REFERENTIE

Lcd-display	Beschrijving	Storingscode op het lcd-scherm	Grasmaaier-statusindicator	Zoemer	Oorzaak	Oplossing
	Het led-lampen symbool wordt weergegeven op het lcd-scherm	n.v.t.	UIT	Nee	De koplampen, zijlampen en achterlichten worden ingeschakeld door de led-lichtschakelaar.	Dit is normaal. U hoeft niets te doen.
	Het USB-symbool wordt weergegeven op het lcd-scherm	n.v.t.	UIT	Nee	USB-symbool brandt om aan te geven dat een USB-apparaat kan werken nadat de grasmaaier juist is gestart.	Dit is normaal. U hoeft niets te doen.
	Het vermogensmeter-symbool wordt weergegeven op het lcd-scherm	n.v.t.	UIT	Nee	Het geeft de gemiddelde laadcapaciteit aan van de geplaatste accu's	Dit is normaal. U hoeft niets te doen.
	Het uurmeter-symbool wordt weergegeven op het lcd-scherm	n.v.t.	UIT	Nee	Het geeft de totale rijtijd van de grasmaaier aan in uren en kan niet worden gereset.	Dit is normaal. U hoeft niets te doen.
	Het belastingindicator-symbool wordt weergegeven in het ECO-bereik	n.v.t.	UIT	Nee	Het geeft de huidige belasting van de grasmaaier aan.	Dit is normaal. U hoeft niets te doen.
	De overbelastingsindicator knippert. Het belastingindicator-symbool wordt weergegeven in het PWR-bereik.	n.v.t.	Knippert rood	Een keer zoemen	De mesmotor is overbelast.	Verhoog de maaihoogte van het dek of verlaag de rijsnelheid om de belasting van de grasmaaier te verlagen.
					De zijkoker van de grasmaaier is verstopt door gras en vuil.	Reinig de zijkoker na elk gebruik.
					Er is een probleem tussen het mes en het maaidek.	Laat reparaties uitvoeren door een gekwalificeerde servicetechnicus.





NL

Lcd-display	Beschrijving	Storingscode op het lcd-scherm	Grasmaaier-statusindicator	Zoemer	Oorzaak	Oplossing
	Het veiligheidssleutel symbool knippert.	n.v.t.	UIT	Nee	De veiligheidssleutel is niet geplaatst.	Plaats de veiligheidssleutel en houd de START/STOP-knop ingedrukt om de maaier in te schakelen.
					Het lcd-scherm wordt niet van stroom voorzien.	Laat reparaties uitvoeren door een gekwalificeerde servicetechnicus.
	Het pictogram van een bepaald accuvak knippert.	n.v.t.	UIT	Nee	Een bepaalde accu heeft een overstromtoestand bereikt bij het ontladen.	U hoeft niets te doen. De grasmaaier kan verder werken als de gecombineerde Ah-waarde van de accu's, uitgezonderd een overstrom-accu, het vereiste niveau bereikt. Zodra de overstrom-accu weer normaal wordt, zal deze de grasmaaier onmiddellijk van stroom voorzien en zal het pictogram verdwijnen.
	Het symbool van een leeg accuvak knippert.	n.v.t.	UIT	Nee	De accucapaciteit is niet voldoende om de grasmaaier te laten werken.	Gebruik voldoende EGO-accu's om deze maaier te starten volgens de instructies in het gedeelte " <b>OPLADEN</b> " in deze handleiding.



Lcd-display	Beschrijving	Storingscode op het lcd-scherm	Grasmaaier-statusindicator	Zoemer	Oorzaak	Oplossing
	Het temperatuurpictogram knippert.	n.v.t.	UIT	Een keer zoemen	De grasmaaier is oververhit.	Reduceer de belasting van de grasmaaier, door de maaihoogte van het dek te verhogen of verlaag de snelheid van de messen/rijsnelheid. Pauzeer en laat de grasmaaier afkoelen.
					De grasmaaier is te koud	Voer geen herhaalde pogingen uit die de machine kunnen beschadigen. Berg de grasmaaier en de accu altijd op in een warme omgeving. Herstart de grasmaaier als hij is opgewarmd.
	Het temperatuurpictogram en het betreffende accuvak knippert op hetzelfde moment.	n.v.t.	UIT	Nee	Het accupack in het overeenkomstig genummerde accuvak is oververhit.	1. De grasmaaier kan verder werken als de gecombineerde Ah-waarde van de accu's, inclusief oververhitte accu, het vereiste niveau bereikt. Zodra de oververhitte accu de normale temperatuur bereikt, gaat hij direct weer door met het verzie van stroom voor de grasmaaier.
						2. Als het gecombineerde accuvermogen onvoldoende is, werkt de grasmaaier niet totdat meer accupacks worden aangesloten op de lege accuvakken.
						3. Reduceer de belasting van de grasmaaier, door de maaihoogte van het dek te verhogen of langzamer te maaien om het gebruik te hervatten.

Lcd-display	Beschrijving	Storingscode op het lcd-scherm	Grasmaaier-statusindicator	Zoemer	Oorzaak	Oplossing
	Het symbool van elk bezet accuvak, geringe stroomindicator, accugrafieken of vermogensmeter knippert elke seconde op hetzelfde moment op het lcd-scherm. Het eerste segment van de led-vermogensmeter en statusindicator knippert eveneens.	n.v.t.	Knippert rood	Blijft zoemen totdat de PTO-schakelaar naar beneden wordt gedrukt	De accupacks hebben een gering vermogen en de grasmaaier bevindt zich in de thuisbrenng-modus.	Stop met werken en breng de accu naar de lader. <b>OPMERKING:</b> Als de grasmaaier zich in de thuisbrenng-modus bevindt, gaan de messen automatisch over naar de geringe rotatiesnelheid zonder gras te maaien en hoort u in de tussentijd de zoemer. De gebruiker moet de PTO-schakelaar naar beneden drukken om de messen te ontkoppelen. De geluidsindicator stopt met zoemen nadat het mes is gestopt.
	Het symbool van elk gebruikt accuvak en gering vermogen-indicator knippert elke halve seconde.	n.v.t.	Knippert rood	Blijft zoemen	De accupacks zijn bijna leeg.	De grasmaaier stopt onmiddellijk. De gebruiker moet de grasmaaier naar de acculader brengen om hem op te laden.
	Het automatisch parkeren-symbool knippert op het lcd-scherm.	n.v.t.	UIT	Blijft zoemen	De grasmaaier is geparkeerd op een helling en de gebruiker laat de grasmaaier achter zonder het rempedaal in de repositie te zetten, alleen met de stuurhendels in de open positie.	Zet het rempedaal in de repositie. Het automatisch parkeersymbool gaat uit en de zoemer stopt met zoemen.
	Het rempedaal-symbool wordt weergegeven op het lcd-scherm.	n.v.t.	UIT	Nee	Het parkeerrempedaal is ingesteld in de repositie.	Loslaten voordat u de grasmaaier start.

Lcd-display	Beschrijving	Storingscode op het lcd-scherm	Grasmaaier-statusindicator	Zoemer	Oorzaak	Oplossing
	Het zittingsensor-symbool wordt weergegeven op het lcd-scherm.	n.v.t.	UIT	Nee	De gebruiker staat op van de stoel of de stoelschakelaar is niet aangesloten.	Als de gebruiker op de stoel zit, het symbool aan is, stop direct met het gebruik van de grasmaaier en controleer de stoelverbinding. Als de stoelverbinding met de grasmaaier juist is, moet u contact opnemen met een gekwalificeerde servicetechnicus voor reparaties.
	Het PTO-schakelaarsymbool knippert.	n.v.t.	UIT	Nee	De mesmotor werd onderbroken en de PTO-schakelaar bevindt zich niet in de uit-positie.	Voor het herstarten van de grasmaaier, drukt u de PTO-schakelaar naar beneden om de dekmotor te ontkoppelen. Zie alstublieft het hoofdstuk " <b>PROBLEEMOPLOSSING</b> " in deze handleiding voor meer informatie.
	Het stuurhendelsymbool knippert.	n.v.t.	UIT	Nee	De aandrijfmotor werd onderbroken tijdens het gebruik en de stuurhendels bevinden zich niet in de open positie.	Voor het herstarten van de grasmaaier brengt u de stuurhendels naar de open positie. Zie alstublieft het hoofdstuk " <b>PROBLEEMOPLOSSING</b> " in deze handleiding voor meer informatie.
	Energie-terugwinningsymbool knippert af en toe.	n.v.t.	UIT	Nee	De kinetische energie die wordt opgewekt tijdens het remmen of bergaf rijden is omgezet in elektriciteit om de accupacks op te laden.	Dit is normaal. U hoeft niets te doen.

**OPMERKING:** Als er een foutcode op het lcd-scherm verschijnt, verwijder dan alle accu's en plaats ze een paar minuten later opnieuw. Als dit het probleem niet oplost, volg dan de onderstaande foutcode probleemoplossing.

Lcd-display	Beschrijving	Storingscode op het lcd-scherm	Grasmaaier-statusindicator	Zoemer	Oorzaak	Oplossing
Zie "Storingscode"	De linker aandrijfmotor werkt niet tijdens een rotatie.	PCBA gecontroleerde linker aandrijfmotor werkt niet.	413	UIT	Een keer zoemen	PCBA storing
		Stekker (driefase, stroomdraad) aansluiting op de linker aandrijfmotor met de bijbehorende PCBA is losgeraakt.	317	UIT	Een keer zoemen	Losse verbinding
		Stekker (zes pinnen, signaaldraad) aansluiting op de linker aandrijfmotor met de bijbehorende PCBA is losgeraakt.	301	UIT	Een keer zoemen	Losse verbinding
		De linker aandrijfmotor werkt niet.	317	UIT	Een keer zoemen	Motorstoring
						Laat reparaties uitvoeren door een gekwalificeerde servicetechnicus.

NL

Lcd-display	Beschrijving	Storingscode op het lcd-scherm	Grasmaaier-statusindicator	Zoemer	Oorzaak	Oplossing	
Zie "Storingscode"	De rechter aandrijfmotor werkt niet tijdens een rotatie.	PCBA gecontroleerde rechter aandrijfmotor werkt niet.	313	UIT	Een keer zoemen	PCBA storing	Laat reparaties uitvoeren door een gekwalificeerde servicetechnicus.
		Stekker (driefase, stroomdraad) aansluiting op de rechter aandrijfmotor met de bijbehorende PCBA is losgeraakt.	417	UIT	Een keer zoemen	Losse verbinding	
		Stekker (zes pinnen, signaaldraad) aansluiting op de rechter aandrijfmotor met de bijbehorende PCBA is losgeraakt.	401	UIT	Een keer zoemen	Losse verbinding	
		De rechter aandrijfmotor werkt niet.	417	UIT	Een keer zoemen	Motorstoring	
Zie "Storingscode"	De linker mesmotor werkt niet tijdens een rotatie.	PCBA gecontroleerde linker mesmotor werkt niet.	607/A07	n.v.t.	Een keer zoemen	PCBA storing	Laat reparaties uitvoeren door een gekwalificeerde servicetechnicus.
		Stekker (driefase, stroomdraad) aansluiting op de linker aandrijfmotor met de bijbehorende PCBA is losgeraakt.	509	n.v.t.	Een keer zoemen	Losse verbinding	Inspecteer eerst het mes. Als deze wordt losgedraaid, draait u de bout vast met het aanbevolen aanhaalmoment. Laat reparaties anders uitvoeren door een gekwalificeerde servicetechnicus.
		De linker mesmotor werkt niet.	509	n.v.t.	Een keer zoemen	Motorstoring	

Lcd-display	Beschrijving		Storingscode op het lcd-scherm	Grasmaaier-statusindicator	Zoemer	Oorzaak	Oplossing
Zie "Storingscode"	De rechter mesmotor werkt niet tijdens een rotatie.	PCBA gecontroleerde rechter mesmotor werkt niet.	507/A07	n.v.t.	Een keer zoemen	PCBA storing	Laat reparaties uitvoeren door een gekwalificeerde servicetechnicus.
		Stekker (driefase, stroomdraad) aansluiting op de rechter aandrijfmotor met de bijbehorende PCBA is losgeraakt.	609	n.v.t.	Een keer zoemen	Losse verbinding	Inspecteer eerst het mes. Als deze wordt losgedraaid, draait u de bout vast met het aanbevolen aanhaalmoment. Laat reparaties anders uitvoeren door een gekwalificeerde servicetechnicus.
		De rechter mesmotor werkt niet.	609	n.v.t.	Een keer zoemen	Motorstoring	Laat reparaties uitvoeren door een gekwalificeerde servicetechnicus.
Zie "Storingscode"	De midden-mesmotor werkt niet tijdens een rotatie.	PCBA gecontroleerde midden-mesmotor werkt niet.	507/ 607	n.v.t.	Een keer zoemen	PCBA storing	Laat reparaties uitvoeren door een gekwalificeerde servicetechnicus.
		Stekker (driefase, stroomdraad) aansluiting op de midden-mesmotor met de bijbehorende PCBA is losgeraakt.	A09	n.v.t.	Een keer zoemen	Losse verbinding	Inspecteer eerst het mes. Als deze wordt losgedraaid, draait u de bout vast met het aanbevolen aanhaalmoment. Laat reparaties anders uitvoeren door een gekwalificeerde servicetechnicus.
		De midden-mesmotor werkt niet.	A09	n.v.t.	Een keer zoemen	Motorstoring	Laat reparaties uitvoeren door een gekwalificeerde servicetechnicus.
Zie "Storingscode"	De linker stuurhendel werkt niet.	De linker door PCBA gecontroleerde stuurhendel werkt niet.	311/ 412	UIT	Een keer zoemen	PCAB storing	Laat reparaties uitvoeren door een gekwalificeerde servicetechnicus.
		Stekkerverbinding van de bedienende PCBA, in de stuurhendel, is los.				Losse verbinding	

Lcd-display	Beschrijving		Storingscode op het lcd-scherm	Grasmaaier-statusindicator	Zoemer	Oorzaak	Oplossing
Zie "Storingscode"	De rechter stuurhendel werkt niet.	De rechter door PCBA gecontroleerde stuurhendel werkt niet.	312/411	UIT	Een keer zoemen	PCAB storing	Laat reparaties uitvoeren door een gekwalificeerde servicetechnicus.
		Stekkerverbinding van de bedienende PCBA, in de stuurhendel, is los.				Losse verbinding	
Zie "Storingscode"	De parkeerrem werkt niet, het gereedschap kan niet worden gereden.	De parkeerrem PCBA, die zich aan de montage op het voorframe bevindt, is stuk.	309/409	UIT	Een keer zoemen	PCBA storing	Laat reparaties uitvoeren door een gekwalificeerde servicetechnicus.
		De parkeerrem-schakelaar en/of kabel is stuk.	801	UIT	Een keer zoemen	Bedrading/schakelaarstoring	
UIT	Fout in oplaadpoort		n.v.t.	Permanent ROOD	n.v.t.	De laadpoort is in open circuit.	Laat reparaties uitvoeren door een gekwalificeerde servicetechnicus.
			n.v.t.	Permanent ROOD	n.v.t.	Er is geen stroomvoorziening.	Controleer het stopcontact of het een spanning van 220 - 240V levert.
			n.v.t.	Permanent ROOD	n.v.t.	De zekering is doorgebrand.	Laat reparaties uitvoeren door een gekwalificeerde servicetechnicus.
Zie "Storingscode"	Fout in oplaadpoort		204	n.v.t.	Een keer zoemen	De laadpoort is in open circuit.	Laat reparaties uitvoeren door een gekwalificeerde servicetechnicus.

Lcd-display	Beschrijving	Storingscode op het lcd-scherm	Grasmaaier-statusindicator	Zoemer	Oorzaak	Oplossing
Zie "Storingscode"	Het accuvaksysteem werkt niet	217	n.v.t.	Een keer zoemen	De stroombron van het accuvaksysteem is stuk. De koplampen en USB zullen niet werken.	Laat reparaties uitvoeren door een gekwalificeerde servicetechnicus.
		310/ 410	UIT	Een keer zoemen	De verbinding tussen type C-bedrading van het accuvak en andere type C-bedradingen van de grasmaaier werken niet.	
		201/ 202/ 203	UIT	Een keer zoemen	De BMS van het accuvaksysteem is stuk.	
Zie "Storingscode"	Start/stop-schakelaar storing	314/ 414	UIT	Een keer zoemen	Schakelaar PCBA storing of slechte bedrading voor de start/stop-schakelaar.	Laat reparaties uitvoeren door een gekwalificeerde servicetechnicus.
Zie "Storingscode"	Lcd-scherm storing	315/ 415	UIT	Een keer zoemen	Lcd-scherm is stuk of slechte bedrading van het lcd-scherm.	Laat reparaties uitvoeren door een gekwalificeerde servicetechnicus.

## GARANTIE

### EGO-GARANTIEBELEID

Bezoek alstublieft de website [egopowerplus.com](http://egopowerplus.com) voor de volledige voorwaarden van het EGO-garantiebeleid.



## LÆS ALLE ANVISNINGER!



**LÆS BRUGSVEJLEDNINGEN**

## SIKKERHEDSSYMBOL

Formålet med sikkerheds- symboler er at tiltrække din opmærksomhed på mulige farer. Du skal være meget opmærksom på sikkerhedssymbolerne og forklaringerne til dem og lære at forstå dem. Symbolernes advarsler fjerner ikke i sig selv eventuelle farer. De anvisninger og advarsler, de giver ingen erstatninger for ordentlig forebyggelse af ulykker foranstaltninger.

**⚠ ADVARSEL:** Sørg for at læse og forstå alle sikkerhedsanvisninger i denne brugsanvisning, herunder alle sikkerhedssymboler, såsom »**FARE**«, »**ADVARSEL**« og »**FORSIGTIG**«, før du bruger dette værktøj. Hvis anvisningerne nedenfor ikke følges, kan det føre til elektrisk stød, brand og/eller alvorlig personskade.

DK

## SYMBOLERNES BETYDNING

Denne side viser og beskriver sikkerhedssymboler, der kan være på dette produkt. Læs, forstå, og følg alle anvisningerne på maskinen, før du forsøger at samle og betjene den.

## SIKKERHEDSSYMBOLER

KEES VAN DER SPEK  
TUINMACHINES \* STOLWIJK



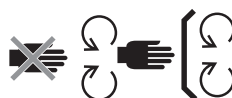
Sikkerhedsadvarsel



Læs og forstå brugsanvisningen



Øjenbeskyttelse



Vedligehold  
sikkerhedsanordninger



FARE - fare på stejle skråninger



FARE - Hold nærtstående personer  
væk fra klingerne



Børn må aldrig køre eller sidde på  
produktet



Kik bagud, når du bakker



ADVARSEL - Denne maskine må  
ikke bruges på skråninger, der  
hælder mere end 12°



FARE - Udslyngede  
fremmedlegemer



ADVARSEL - HOLD HÆNDER OG  
FØDDER VÆK



Garanteret lydniveau. I henhold til  
EU-direktiver.



Træd ikke her



Elektriske affaldsprodukter må ikke bortskaffes sammen med husholdningsaffald. Tag det til en godkendt genbrugsplads.



Dette produkt er i overensstemmelse med gældende EU-direktiver



FORSIGTIG - Undgå, at kikke ind i driftslampen.



Jævnstrøm (DC)



Dette produkt er i overensstemmelse med lovgivningen i Storbritannien.

DK

kPa	Kilopascal
V	Volt
tommer	Tomme
Nm	Newton-måler
°C	Celsius
km/t	Kilometer pr. time

O/M	Omdrejninger per minut
m	Meter
cm	Centimeter
mm	Millimeter
kg	Kg
IPX4	Grad af beskyttelse mod indtrængning

## SPECIFIKATIONER

Kees van der Spek  
TUINMACHINES \* STOLWIJK

Spænding		56 V
Dækstørrelse		132 cm
Hjulstørrelse	Forside	279,4 x 126 mm
	Bagside	457,2 x 223 mm
Koldt dæktryk	Forside	222,1 kPa
	Bagside	115,8 kPa
Drejeradius		0
Klinge-hastighed (RPM)		2600; 2800; 3000; 3200
Maks. Kørehastighed (km/t)	Fremad	8,1 km/t, 9,7 km/t, 11,3 km/t, 12,8 km/t
	Bagud	op til 6,4 km/t
Lader op	Oplader (ekstraudstyr)	CHV1600E
	Adaptor (ekstraudstyr)	ACA1000
	Opladningstemperaturområde	5°C - 40°C

Indstilling af klippehøjde (10 indstillinger)		25 – 100 mm
Driftstemperatur		0°C - 40°C
Opbevaringstemperatur		-20°C - 70°C
Vægt (uden batteri)		217 kg
Målt lydeffektniveau $L_{WA}$		95,48 dB(A) K=0,73 dB(A)
Lydtrykniveau ved brugerens øre $L_{PA}$		82,5 dB(A) K=3 dB(A)
Garanteret lydeffektniveau $L_{WA}$ (målt i henhold til 2000/14 / EF)		100 dB(A)
Vibration $a_h$	Hånd	0,69 m/s <sup>2</sup> K=1,5 m/s <sup>2</sup>
	Krop	0,3 m/s <sup>2</sup> K=1,5 m/s <sup>2</sup>

- Den samlede erklærede vibrationsværdi er målt i overensstemmelse med en standard testmetoden, og den kan bruges til at sammenligne et værktøj med et andet;
- Den samlede angivne vibrationsværdi kan også bruges ved en foreløbig vurdering af eksponeringen.

**BEMÆRK:** Vibrationsemissionen ved faktisk brug af elværktøjet kan afvige fra den angivne værdi, hvor værktøjet bruges. For at beskytte brugeren, skal brugeren bruge handsker og høreværn i de faktiske brugsforhold.

## BESKRIVELSE

### GØR DIG BEKENDT MED PLÆNEKLIPPEREN (FIG. A1 OG A2)

1. Sæde
2. Opladningsstik
3. Strømenhed
4. Baglys
5. Opbevaringsrum
6. Kopholdere
7. LED sidelys
8. Baghjul (trækjul)
9. Skyllehul
10. Dæk
11. Dækbeskytter
12. Anti-skrabe-hjul
13. Forhjul
14. Parkeringsbremsepedal
15. Kørellys til kørsel om dagen
16. Forlygter
17. Sideudstødning
18. Justeringshåndtag til dækhøjde
19. Justeringsknop til sædets affjedring
20. Håndtag til justering af sædeplaceringen
21. Lap Bars
22. Plæneklipperens statusindikator
23. LCD-skærm

24. PTO-kontakt
25. Start/stop-knap
26. Sikkerhedsnøgle
27. Plads til opbevaring af telefon
28. Håndtagsstang
29. Energimåler og statusindikator
  - 29.a. Indikator til energimåler
  - 29.b. Plæneklipperens statusindikator
30. Fodstøtteområde
31. Frigivelsesknop til dækslet til strømenheden
32. Dæksel til strømenheden
33. Strømenhed med seks batterirum
34. Knap til frigørelse af batteri
35. Træktøj
36. Dæksel til tilbehørsmontering
37. Opbevaringsrum til dækslet til tilbehørsmontering
38. USB-port

DK

### GØR DIG BEKENDT MED LCD-SKÆRMEN (FIG. A3)

I afsnittet “**KLIPPESTATUSREFERENCE & FEJLKODE**” kan du finde flere oplysninger om ikonerne og indikatorerne på LCD-skærmen.

1. Sikkerhedsnøgle-ikon
2. LED-lysiikon
3. Automatisk parkering-ikon
4. USB-ikon
5. Klingehastighed-indikator
6. Sikkerhedsenhed-statusindikator
7. Timemåler
8. Ikon, der viser at batteriet er i batterirummet
9. Temperatur ikon
10. Ikon, der viser at batteriet ikke er i batterirummet
11. Drift-ikon
12. Fejlkodeindikator
13. Overbelastning-indikator
14. Lav strøm-indikator
15. Kørehastighed-indikator

16. Belastning-indikator
17. Energimåler
18. Justeringsknap til klingehastighed
19. Indstillingsknap
20. Kørefunktion-knap
21. LED-lyskontakt
22. Kørehastighed-justeringsknap

## UDPAKNING

DK

**BEMÆRK:** Gem emballagen indtil produktet er blevet set nøje efter og du ved det virker ordentligt. Hvis nogen af delene på listen over dele i pakken sidder på maskinen, bedes du straks kontakte EGO.

**BEMÆRK:** Det er kun værktøjerne på nedenstående liste over dele i pakken, der følger med. Alle andre dele i vejledningerne er blot anbefalede dele.

### LISTE OVER DELE I PAKKEN (fig. B)

B-1	Zero Turn-havetraktor	B-6	Sikkerhedsnøgler
B-2	Sæde	B-7	Skruenøgler (13 mm)
B-3	Styrehåndtag	B-8	Unbrakonøgle
B-4	Unbrako-skruer (2 til reserve)	B-9	Lynkobling til skyllehul
B-5	Bolte (2 til reserve)	B-10	Brugervejledning

### ANBEFALET TILBEHØR

**⚠ ADVARSEL:** Brug kun originale reservedele på listen nedenfor. Hvis der bruges dele, der ikke opfylder de oprindelige deles specifikationer, kan det påvirke apparatets ydeevne og sikkerheden.

NAVN PÅ DELEN	MODELNUMMER
Standardklinge	AB5200
Klinge til høj klipning	AB5201
Tildækningssæt	ABP5200
Græsbeholdersæt	ABK5200-A

NAVN PÅ DELEN	MODELNUMMER
Kofanger bagpå	AMB1000
Lastkasse	AMG1000
Solskærm	AMS1000

## SAMLING

### MONTERING AF SÆDET (fig. C1 & C2)

**⚠ ADVARSEL:** Låsesystemet må ikke låses op eller omgås. Hvis dette gøres, kan plæneklipperen køre uventet, hvilket kan føre til personskader.

**BEMÆRK:** Af hensyn til din sikkerhed holder plæneklipperen op med at køre, hvis sædekontakten afbrydes under kørslen. I dette tilfælde bedes du se afsnittet "FEJLFINDING" for yderligere oplysninger.

C1-1	Kabel	C1-5	Unbrako-skruer
C1-2	Stik	C2-1	Krog
C1-3	Stik	C2-2	Stålskinner
C1-4	Affjedringsbund	C2-3	Unbrako-skruer

### MONTERING AF STYREHÅNDTAGENE (fig. C3)

C3-1	Styrehåndtag	C3-3	Monteringshuller til styrehåndtag
C3-2	Bolte		

## BETJENING

### INDEN PLÆNEKLIPPEREN TAGES I BRUG

#### Kontrol af miljøet

- a. Sørg for, at der ikke er nogen børn, personer eller kæledyr i området.
- b. Ryd arbejdsområdet for genstande, der kan slynges væk af klingerne.
- c. Sørg for, at LED-lysene virker og er indstillet rigtigt:
  - Forlygterne, sidelygterne og baglygter styres med LED-lyskontakten.

- Køreløset er altid tændt under kørslen.
- Når du bakker, når baglygterne er slukket, blinker de. Dette er for at advare omkringstående personer. Hvis baglygterne er tændt, forbliver de tændte.
- Alle lys slukkes automatisk, når plæneklipperen automatisk slukker efter en periode uden brug.

### Kontrol af kold dæktryk (fig. D1)

### Kontrol af plæneklipperens status og batteriets opladningsniveau

- Plæneklipperens energimåler-indikator (fig. A2 - 27a)  
Hvert del af plæneklipperens energimåler viser 20% opladning af batteripakkerne i plæneklipperne.

**BEMÆRK:** Plæneklipperens energimåler-indikator og energimåler på LCD-skærmen viser den gennemsnitlige kapacitet på batteripakkerne i plæneklipperen.

- Plæneklipperens statusindikator (fig. A1 & fig. A2 - 27b)

Hvis statusindikatoren lyser grøn, er plæneklipperen klar til at køre. Hvis ikke bedes du se afsnittet **“KLIPPESTATUSREFERENCE & FEJLkode”**

### Test af låsesystemet (fig. D2 - fig. D8)

**BEMÆRK:** Brugeren skal sidde på sædet før testen påbegyndes.

- Før testen (fig. D2 – fig. D4)
- For at teste dæk-klingesystemet (fig. D5), skal du langsomt rejse dig fra sædet
- For at teste drivsystemet (fig. D6 - fig. D8), skal du langsomt rejse dig fra sædet

Hvis dæk-klingesystemet og/eller drivsystemet ikke stopper, når brugeren har rejst sig fra sædet, og hvis årsagen ikke kan findes efter stikforbindelserne til sædet er blevet kontrolleret, bedes du kontakte dit EGO kundeservicecenter øjeblikkeligt.

### JUSTERING (fig. E1 – fig. E13)

#### Forberedelse (fig. E1 – fig. E5)

#### Justering af højden på klippedækket (fig. E6)

#### Justering af anti-skrabe-hjulene (fig. E7 – fig. E10)

E7-1	Anti-skrabe-hjul	E9-2	Bolt
E9-1	Møtrik	E10-1	Dækhøjdemærkat

#### Justering af sædet (fig. E11)

Juster først sædepositionen, så du kan bruge parkeringsbremsepedalen, inden du bruger klipperen. Det anbefales, at justere sædets affjedring, så det er behageligt at sidde på.

E11-1	Håndtag til justering af sædeplaceringen	E11-2	Justeringsknop til sædets affjedring
-------	--	-------	--------------------------------------

DK

#### Indstilling af parkeringsbremsen (fig. E12 - fig. E13)

E13-1	Bremset indstilling	E13-2	Frigivet indstilling
-------	---------------------	-------	----------------------

### OPLADNING (fig. F1 – fig. F11)

For at starte denne plæneklipper, skal du bruge EGO-batterier på i alt 15 Ah (2 X BA4200T/BA4200T) eller derover. For at opnå den bedste ydelse, anbefales det at bruge EGO-batteri på i alt 30 Ah eller derover.

#### Brug kun produktet med anbefalede batteripakker og opladere. (fig. F9 & F10)

#### Forberedelse til opladning (fig. F1 – fig. F4)

#### Separat opladning af batteripakkerne (fig. F5 – fig. F9)

F5-1	Knap til frigørelse af dækslet	F7-1	Knap til frigørelse af batteri
------	--------------------------------	------	--------------------------------

- Sådan sætte batteripakkerne i (fig. F5 – fig. F6)
- Sådan tages batteripakkerne ud (fig. F7 – fig. F8)

**BEMÆRK:** Se vejledningerne til batteripakkerne og opladerne, når batterierne skal oplades.

#### Opladning af batteripakkerne via opladningsporten (fig. F10)

F10-1	Støvhætte	F10-2	Opladningsstik
-------	-----------	-------	----------------

## SÅDAN STARTES PLÆNEKLIPPEREN (fig. A4 – fig. A5 og fig. G1 – fig. G6)

**⚠ ADVARSEL:** Undgå pludselig start, stop og sving. Kør ikke for hurtigt, især hvis du ikke er bekendt med plæneklipperen. Plæneklipperen kan dreje så skarpt, at du nemt kan miste kontrollen over den, hvilket kan føre til alvorlige personskader og/eller andre skader.

**⚠ ADVARSEL:** Før plæneklipperen startes, skal du sørge for at klingerne ikke er udkoblet inden for 5 sekunder, når PTO-knappen trykkes ned. Hvis klingerne ikke stopper, må plæneklipperen ikke bruges og du bedes straks kontakte EGO kundeservice.

**BEMÆRK:** Følg fig. A4 & fig. G2 for, at sætte plæneklipperen på den laveste kørehastighed og **STANDARD** kørefunktion, indtil du har lært at bruge plæneklipperen i alle situationer. Kørehastigheden og kørefunktionen aktiveres kun, når plæneklipperens hjul er stoppet, og styrehåndtagene er åbne.

Plæneklipperen gemmer og viser den tidligere kørefunktion, kørehastighed og kalibrering af styrehåndtagene, når den startes igen.

### Kørefunktion

- **STYRING:** Lavere acceleration, mindre følsom håndtering og mild drejehastighed, der både beskytter græsset og er god til nye brugere.
- **STANDARD:** Perfekt til hverdagsbrug.
- **SPORT:** Højere acceleration, nøjagtig håndtering og skarp drejning, der maksimerer klippe-effektiviteten og er god til erfarne brugere.

### Justering af kørehastighed (fig. A4)

### Justering af klingehastighed (fig. A5)

### USB-port

**BEMÆRK:** USB-porten oplader med 5V jævnstrøm (DC) og en sammenlagt ampere på 1,5A. Den virker kun, når plæneklipperen er startet.

## SÅDAN STOPPES PLÆNEKLIPPEREN (fig. H1 - fig. H6)

**BEMÆRK:** Plæneklipperen slukker automatisk efter 60 minutter uden brug.

### Kør hjem-funktion

Når batteriniveauet bliver lavt, går plæneklipperen på Kør hjem-funktionen:

- Plæneklipperen holder automatisk op med, at klippe græsset;
- En lydindikator bipper;
- Plæneklipperens statusindikator blinker rødt hvert sekund. Den første del af plæneklipperens energimåler blinker rødt, og både indikatoren for lavt strømniveau og batterigrafikken på energimåleren blinker.

Brugeren skal:

- a) Tryk PTO-kontakten ned (fig. H3) for, at afbryde klingerne. Lydindikatoren stopper, når klingerne stopper;
- b) Stop driften og kør til batteriopladningsområdet så hurtigt, som muligt. Plæneklipperen kan køre op til 1000 meter.

Hvis batteriet er ved at løbe tør for strøm, blinker ikonet til hver brugt batterikammer og indikatoren for lavt strøm hver halve sekund. Plæneklipperen holder straks op med at køre. Brugeren skal køre plæneklipperen til batteriopladningsområdet og sætte den til opladning.

### Manuel skubning

Hvis plæneklipperen skal skubbes manuelt, skal du sørge for, at batterierne er afbrudt og at parkeringsbremsen er frigivet.

## SÅDAN KØRER DU PÅ PLÆNEKLIPPEREN (fig. I1 - fig. I9)

For at stoppe, reducere eller øge hastigheden skal du langsomt flytte styrehåndtaget fra neutral.

**⚠ FARE:** Hold dig mindst to klippebredder væk fra grøfter, fald og vand. Forhjulene kan dreje, når klipperen er stoppet, selv når bremsen bruges. Dette kan få plæneklipperen til, at køre over en kant eller i vandet, hvilket kan være livsfarligt eller føre til alvorlige personskader.

**⚠ ADVARSEL:** Hold øje med hvad der er bag dig, når du bakker. Klip IKKE baglæns, medmindre det er absolut nødvendigt. Kik altid nedad og bagud før og når du bakker for at sikre, at ingen børn, personer eller kæledyr

er i klippeområdet. Husk på, at det kan være livsfarligt eller føre til alvorlige skader, hvis du ikke er opmærksom i blot et sekund.

**ADVARSEL:** Denne maskine må ikke bruges på offentlige veje.

**ADVARSEL:** Hvis plæneklipperen blokeres, eller du rammer et fremmedlegeme, skal du stoppe motorerne og tage batterierne ud. Fjern græsset, bladene, skidt og andet affald. Se plæneklipperen efter for skader og reparer skaden, før plæneklipperen startes og bruges igen.

## VEDLIGEHOLDELSE

**ADVARSEL:** Bær altid beskyttelsesbriller med sidebeskyttelse. Hvis disse ikke bruges, kan du få genstande slynget i øjnene, hvilket kan føre til alvorlige skader.

**ADVARSEL:** Din hænder skal altid beskyttes med kraftige handsker eller ved at pakke klingen ind i en klud eller anden materiale, hvis klingen skal repareres eller på anden måde vedligeholdes. Sikkerhedsnøglen og batteripakkerne skal altid tages ud, hvis plæneklipperen skal repareres eller transporteres et andet sted hen.

Vedligeholdelse	Vedligeholdelsesprocedure
Før hvert brug eller dagligt	<ul style="list-style-type: none"> <li>▪ Kontroller låsesystemet.</li> <li>▪ Se om dækkene er flade.</li> <li>▪ Se om klingerne er slidt, revnede eller bøjede.</li> <li>▪ Se hele produktet efter for skader, manglende eller løse dele, såsom sideudstødningen, skruer, møtrikker, bolte, hætter osv., og sørg for at alle skærme er på plads og virker ordentligt.</li> <li>▪ Se om bremsen virker.</li> </ul>
Efter hvert brug	<ul style="list-style-type: none"> <li>▪ Rengør dækket.</li> </ul>
Efter hver 25. time	<ul style="list-style-type: none"> <li>▪ Kontroller dæktrykket.</li> </ul>
Efter hver 50. time	<ul style="list-style-type: none"> <li>▪ Kontroller fedtet på indersiden af klingeflanger.</li> </ul>

Efter hver 100. time	<ul style="list-style-type: none"> <li>▪ Kontroller baghjulene, og sørg for at alle møtrikker er spændt med det anbefalede drejningsmoment.</li> </ul>
Efter hver 200. time	<ul style="list-style-type: none"> <li>▪ Kontroller forhjulene, og sørg for at de drejer ordentligt.</li> </ul>
Årligt	<ul style="list-style-type: none"> <li>▪ Kontroller parkeringsbremsepedalen. Tag batteriet ud af plæneklipperen, og slå parkeringspedalen til. Skub plæneklipperen fremad for, at se om den kan flyttes eller ej. Hvis den kan flyttes, skal den ses efter af en kvalificeret servicetekniker.</li> </ul>

DK

## RENGØRING AF PLÆNEKLIPPEREN (fig. J1 – fig. J9)

Forberedelse (fig. J1 – fig. J5)

Rengøring af plæneklipperens kabinet (fig. J6 - fig. J7)

Brug af skyllehullet til rengøring plæneklipperdækket (fig. J8 - fig. J9)

J8-1	Skyllehul	J8-3	Haveslange
J8-2	Lynkobling til skyllehul		

**BEMÆRK:** Når du er færdig med at rengøre, skal du trykke PTO-kontakten nedad for, at frigøre klingerne.

## VEDLIGEHOLDELSE AF DÆKKET OG KLINGERNE

Forberedelse (fig. K1 – fig. K6)

Fjernelse af dækket (fig. K7 – fig. K8)

K7-1	Motorkabel	K7-3	Affjedringsforbindelse
K7-2	Split		

**BEMÆRK:** Afbryd alle motorkabler og stifter, når dækket tages af.

Skift af klingerne (fig. K9 - fig. K11)

K9-1	Stabilisator	K10-3	Klinge
K10-1	Bolt	K10-4	Flange
K10-2	Spændeskive	K10-5	Motoraksel

### Nivellering af dækket

- Hvornår skal dækket nivelleres?**  
(fig. K12 – fig. K14)
- Inden nivellering**
  - Kontrol af kold dæktryk (fig. K15)
  - Kontroller klingerne. Fjern og skift nedslidte, revnede og/eller bøjede klinger efter behov.
- Forberedelse til nivellering** (fig. K16 – fig. K21)
- Sådan nivelleres dækket**
  - Sådan justeres dækket fra side til side (fig. K22)

K22-1	Møtrik
-------	--------

- Sådan justeres dækket fra forende til bagende (fig. K23)

### KALIBRERING AF PLÆNEKLIPPERENS SPORINGSSYSTEM (fig. L1 – fig. L4)

**BEMÆRK:** Lydindikatoren bipper en gang, når kalibreringen startes og når den er færdig.

**BEMÆRK:** Den udførte kalibrering af en af kørefunktionerne ("KONTROL", "STANDARD", "SPORT") kan muligvis ikke bruges på de to andre funktioner. Kalibrer styrehåndtagene på alle kørefunktionerne efter behov.

### NULSTILLING AF PLÆNEKLIPPEREN TIL FABRIKSINDSTILLINGERNE (fig. M)

**BEMÆRK:** Lydindikatoren bipper en gang, når nulstillingen startes og når den er færdig.

**BEMÆRK:** Når nulstillingen udføres, går nedenstående indstillinger tilbage til de oprindelige fabriksindstillinger:

- Kørefunktion
- kørehastighed
- kalibrering af styrehåndtagene

## OPBEVARING OG TRANSPORT

### TRANSPORTERING AF PLÆNEKLIPPEREN (FIG. N1 – FIG. N11)

**BEMÆRK:** Spænd plæneklipperen fast efter behov med stropper eller kabler, så den ikke flytter sig under transport.

### OPBEVARING (fig. O1 – fig. O6)

**BEMÆRK:** Tag batteripakkerne ud og se, hvordan de skal opbevares i deres vejledninger.

Rengør og kontroller plæneklipperen inden opbevaring og se vejledningerne i "SÅDAN RENGØRES PLÆNEKLIPPEREN" og "ANBEFALEDE VEDLIGEHOLDELSESPLANER".

### Beskyttelse af miljøet




WEEE (Waste Electrical and Electronic Equipment) Elektrisk udstyr, batterioplader og batterier må ikke smides ud sammen med almindelig husholdningsaffald! Tag dette produkt til en autoriseret genbrugsplads, og sørg for at det sendes til genbrug. Elektriske værktøjer skal returneres til et miljøkompatibelt genvindingsanlæg.

DK




## FEJLFINDING

PROBLEM	ÅRSAG	LØSNING
<p>Plæneklipperen kører ikke, når de to styrehåndtag trykkes frem eller tilbage i begyndelsen.</p>  Ikonet til styringsniveauet blinker	<ul style="list-style-type: none"> <li>Den samlede Ah-værdi på batterierne, der er sat i, er ikke nok.</li> </ul>	<ul style="list-style-type: none"> <li>For at starte denne plæneklipper, skal du bruge nok EGO batterier ved, at følge instruktionerne i afsnittet <b>"OPLADNING"</b> i denne vejledning.</li> </ul>
	<ul style="list-style-type: none"> <li>Parkeringspedalen er slået til.</li> </ul>	<ul style="list-style-type: none"> <li>Træd parkeringspedalen helt ned for, at frigøre den.</li> </ul>
	<ul style="list-style-type: none"> <li>Styrehåndtagene er ikke på den åbne indstilling, når plæneklipperen startes.</li> </ul>	<ul style="list-style-type: none"> <li>Sæt styrehåndtagene tilbage i den åbne indstilling, og start plæneklipperen igen.</li> </ul>
	<ul style="list-style-type: none"> <li>Brugeren sidder ikke på sædet.</li> </ul>	<ul style="list-style-type: none"> <li>Plæneklipperen kan kun køre, når brugeren sidder rigtigt på sædet.</li> </ul>
	<ul style="list-style-type: none"> <li>Sædekontakten er ikke ordentligt tilsluttet.</li> </ul>	<ul style="list-style-type: none"> <li>Tag batteriet ud af plæneklipperen, og adskill sædet i omvendt rækkefølge af instruktionerne i afsnittet <b>"MONTERING AF SÆDET"</b> i denne vejledning for, at undersøge sædets kontaktforbindelsen. Sæt sædet på igen, og følg instruktionerne i afsnittet <b>"SÅDAN STARTES PLÆNEKLIPPEREN"</b> for at starte plæneklipperen igen for at se, om plæneklipperen kan startes. Hvis ikke, bedes du kontakte en kvalificeret servicetekniker for reparation.</li> </ul>
	<ul style="list-style-type: none"> <li>I meget koldt vejr starter kørefunktionen muligvis ikke på grund af beskyttelsesfunktionen mod lave temperaturer.</li> </ul>	<ul style="list-style-type: none"> <li>Plæneklipperen og batteriet skal altid opbevares i varme omgivelser. Start plæneklipperen igen, når den har varmet op. Undlad at gøre gentagne forsøg i meget koldt vejr, da dette kan beskadige maskinen.</li> </ul>

DK

DK

PROBLEM	ÅRSAG	LØSNING
Plæneklipperen holder op med at køre.	<ul style="list-style-type: none"> <li>▪ Styrehåndtagene skal nulstilles.</li> </ul>	<ul style="list-style-type: none"> <li>▪ Sæt styrehåndtagene tilbage i den åbne indstilling, og start plæneklipperen igen.</li> </ul>
	<ul style="list-style-type: none"> <li>▪ De elektriske styrekomponenter i styrehåndtagene virker ikke.</li> </ul>	<ul style="list-style-type: none"> <li>▪ Kontakt en kvalificeret servicetekniker for reparation.</li> </ul>
	<ul style="list-style-type: none"> <li>▪ Sædekontakten blev afbrudt under kørsel i ujævnt terræn.</li> </ul>	<ul style="list-style-type: none"> <li>▪ Tag batteriet ud af plæneklipperen, og adskill sædet i omvendt rækkefølge af instruktionerne i afsnittet "<b>MONTERING AF SÆDET</b>" i denne vejledning for, at undersøge sædets kontaktforbindelsen. Sæt sædet på igen, og følg instruktionerne i afsnittet "<b>SÅDAN STARTES PLÆNEKLIPPEREN</b>" for at starte plæneklipperen igen for at se, om plæneklipperen kan startes. Hvis ikke, bedes du kontakte en kvalificeret servicetekniker for reparation.</li> </ul>
	<ul style="list-style-type: none"> <li>▪ Parkeringsbremsepedalen skal trædes ned for at sænke kørehastigheden. Når parkeringsbremsepedalen trædes nok ned, men ikke til parkeringspositionen, stopper plæneklipperen.</li> </ul>	<ul style="list-style-type: none"> <li>▪ Følg instruktionerne i "<b>SÅDAN STARTES PLÆNEKLIPPEREN</b>" for at starte plæneklipperen igen.</li> </ul>
Kørehastigheden/kørefunktionen kan ikke justeres under kørsel.	<ul style="list-style-type: none"> <li>▪ Dette er en funktion, der gør plæneklipperen sikker at bruge.</li> </ul>	<ul style="list-style-type: none"> <li>▪ Funktionen kan kun slås til, når plæneklipperens hjul er stoppet, og styrehåndtagene er åbne.</li> </ul>

PROBLEM	ÅRSAG	LØSNING
<p>Plæneklipperen starter ikke klingerne, når PTO-kontakten slås til.</p>  Ikonet til PTO-kontakten blinker	<ul style="list-style-type: none"> <li>Den samlede Ah-værdi på batterierne, der er sat i, er ikke nok.</li> </ul>	<ul style="list-style-type: none"> <li>For at starte denne plæneklipper, skal du bruge nok EGO batterier ved, at følge instruktionerne i afsnittet "<b>OPLADNING</b>" i denne vejledning.</li> </ul>
	<ul style="list-style-type: none"> <li>PTO-kontakten blev ikke trykket ned sidste gang plæneklipperen blev stoppet.</li> </ul>	<ul style="list-style-type: none"> <li>Tryk PTO-kontakten nedad, og start plæneklipperens klinger igen.</li> </ul>
	<ul style="list-style-type: none"> <li>Plæneklipperen er overbelastet når klingerne starter, hvilket gør at motorens beskyttelsesfunktion slås til.</li> </ul>	<ul style="list-style-type: none"> <li>Start før plæneklipperen på en lavere klinge-hastighed, og indtil klingerne drejer rundt. Accelerer ikke klingernes hastighed.</li> </ul>
	<ul style="list-style-type: none"> <li>I meget koldt vejr starter klingemotoren muligvis ikke på grund af beskyttelsesfunktionen mod lave temperaturer.</li> </ul>	<ul style="list-style-type: none"> <li>Plæneklipperen og batteriet skal altid opbevares i varme omgivelser. Start plæneklipperen igen, når den har varmet op. Undlad at gøre gentagne forsøg i meget koldt vejr, da dette kan beskadige maskinen.</li> </ul>
	<ul style="list-style-type: none"> <li>Klingen rammer et deformeret dæk.</li> </ul>	<ul style="list-style-type: none"> <li>Kontakt en kvalificeret servicetekniker for reparation.</li> </ul>

DK

PROBLEM	ÅRSAG	LØSNING
Klingerne holder op med at virke, når græsset klippes.	<ul style="list-style-type: none"> <li>Plæneklipperen er overbelastet.</li> </ul>	<ul style="list-style-type: none"> <li>Hæv dækkets klippehøjde, eller sænk kørehastigheden, så plæneklipperen ikke belastes så meget.</li> </ul>
	<ul style="list-style-type: none"> <li>Dækket er tilstoppet med græs og snavs.</li> </ul>	<ul style="list-style-type: none"> <li>Rengør dækket, og sørg for at klingerne kan dreje rundt uden modstand.</li> </ul>
	<ul style="list-style-type: none"> <li>Plæneklipperen er overophedet.</li> </ul>	<ul style="list-style-type: none"> <li>Reducer plæneklipperens belastning ved at hæve klippehøjden på dækket, eller sænk klinge- eller kørehastigheden og lad plæneklipperen køle af.</li> </ul>
	<ul style="list-style-type: none"> <li>Batteripakkerne i plæneklipperens batterikammer er overophedet, hvilket gør at alle de indsatte batteriers samlede Ah-værdi ikke møder kravene.</li> </ul>	<ol style="list-style-type: none"> <li>Hvis batteripakkernes samlede Ah-værdi ikke møder kravene, virker plæneklipperen ikke, før der sættes flere batteripakker i de ledige batterikammer. Når det overophedede batteri er tilbage på sin normale temperatur, går det straks i gang med at tænde plæneklipperen.</li> </ol>
		<ol style="list-style-type: none"> <li>Reducer plæneklipperens belastning ved at hæve klippehøjden på dækket eller bremse plæneklipperen, når arbejdet genoptages.</li> </ol>
	<ul style="list-style-type: none"> <li>Plæneklipperen er på Kør hjem-funktionen.</li> </ul>	<ul style="list-style-type: none"> <li>Når plæneklipperen er på Kør hjem-funktionen, begynder klingerne automatisk at køre langsomt uden at klippe græsset. Brugeren skal stoppe arbejdet og køre til batteriopladningsområdet så hurtigt, som muligt.</li> </ul>
<ul style="list-style-type: none"> <li>Plæneklipperen bliver ramt af et fremmedlegeme, hvilket gør at motorens beskyttelsesfunktion udløses.</li> </ul>	<ul style="list-style-type: none"> <li>Tryk PTO-kontakten nedad, og start plæneklipperens klinger igen.</li> </ul>	
Lydindikatoren bliver ved med, at bippe.	<ul style="list-style-type: none"> <li>Plæneklipperen er på Kør hjem-funktionen, og klingerne slås ikke fra.</li> </ul>	<ul style="list-style-type: none"> <li>Tryk PTO-kontakten ned for, at afbryde klingerne. Lydindikatoren stopper, når klingerne stopper.</li> </ul>
	<ul style="list-style-type: none"> <li>Plæneklipperen holder op med at køre på en skråning, og føreren åbner styrehåndtagene uden at sidde på sædet, og uden at sætte bremsepedalen til.</li> </ul>	<ul style="list-style-type: none"> <li>Slå parkeringspedalen til, før du forlader plæneklipperen på en skråning.</li> </ul>

PROBLEM	ÅRSAG	LØSNING
Batteri-indikatorerne lyser stadig, selv når plæneklipperen er slukket.	<ul style="list-style-type: none"> <li>Hvis plæneklipperen stoppes og batteripakkerne ikke tages ud af plæneklipperen, lyser batteri-indikatorerne, start/stop-knappen og indstillingsknappen i en periode.</li> </ul>	<ul style="list-style-type: none"> <li>Du skal ikke gøre noget. Batteriindikatorerne slukker, når plæneklipperen slukker efter en periode. Se afsnittet "<b>SÅDAN STOPPES PLÆNEKLIPPEREN</b>" i en bestemt tid.</li> </ul>
	<ul style="list-style-type: none"> <li>Hvis plæneklipperen slukkes på en skråning og parkeringspedalen ikke slås til, forsætter batteriindikatorerne med at lyse, indtil batterierne er afladet. Lydindikatoren bliver ved med at bippe på samme tid.</li> </ul>	<ul style="list-style-type: none"> <li>Brugeren skal slå parkeringspedalen til, før brugeren forlader værktøjet på en skråning.</li> </ul>
LCD-skærmen lyser ikke med alle ikonerne tændt.	<ul style="list-style-type: none"> <li>Start/stop-knappen holdes ikke nede i lang tid nok.</li> </ul>	<ul style="list-style-type: none"> <li>LCD-skærmen viser kun "Energimåler", når der trykkes på start/stop-knappen.</li> </ul>
		<ul style="list-style-type: none"> <li>LCD-skærmen tænder, når start/stop-knappen holdes nede i lang tid nok.</li> </ul>
Plæneklipperen klipper ujævnt, men stor højdeforskel på for- og bagenden.	<ul style="list-style-type: none"> <li>Klangerne er sløve.</li> </ul>	<ul style="list-style-type: none"> <li>Slib eller skift klingens som beskrevet i denne vejledning.</li> </ul>
	<ul style="list-style-type: none"> <li>Klangerne er bøjede.</li> </ul>	<ul style="list-style-type: none"> <li>Udskift den bøjede klinge, som beskrevet i afsnittet "<b>SKIFT AF KLINGERNE</b>".</li> </ul>
	<ul style="list-style-type: none"> <li>Dækket er ikke plan, så klippehøjden er ujævn.</li> </ul>	<ul style="list-style-type: none"> <li>Niveller dækket ved, at følge instruktionerne i afsnittet "<b>NIVELLERING AF DÆKKET</b>".</li> </ul>
Klippehøjden passer ikke med den indstillede klippehøjde.	<ul style="list-style-type: none"> <li>Møtrikkerne på dækket har løsnet sig på affjedringsforbindelsen</li> </ul>	<ul style="list-style-type: none"> <li>Følg instruktionerne i afsnittet "<b>NIVELLERING AF MOTORDÆKKET</b>" for, at justere dækkets forende til bagende og spænd de fire møtrikker på affjedringsforbindelsen.</li> </ul>
	<ul style="list-style-type: none"> <li>Dækket er beskadiget eller meget nedslidt.</li> </ul>	<ul style="list-style-type: none"> <li>Følg instruktionerne i afsnittet "<b>FJERNELSEE AF DÆKKET</b>" for, at skifte dækket.</li> </ul>

PROBLEM	ÅRSAG	LØSNING
Plæneklipperen klipper ikke græsset ordentligt.	<ul style="list-style-type: none"> <li>▪ En samling af vådt græs sidder fast på undersiden af dækket.</li> </ul>	<ul style="list-style-type: none"> <li>▪ Vent med at slå græsset indtil det er tørt.</li> </ul>
	<ul style="list-style-type: none"> <li>▪ Plæneklipperen er indstillet til at klippe for meget græs på én gang.</li> </ul>	<ul style="list-style-type: none"> <li>▪ Hæv dækkets klippehøjde.</li> </ul>
Plæneklipper vibrerer meget.	<ul style="list-style-type: none"> <li>▪ Klingerne sidder løse.</li> </ul>	<ul style="list-style-type: none"> <li>▪ Spænd klingebolten til det anbefalede drejningsmoment.</li> </ul>
	<ul style="list-style-type: none"> <li>▪ Klingerne er bøjede.</li> </ul>	<ul style="list-style-type: none"> <li>▪ Udskift den bøjede klinge, som beskrevet i afsnittet <b>"SKIFT AF KLINGERNE"</b>.</li> </ul>
	<ul style="list-style-type: none"> <li>▪ Dækket er ikke plant.</li> </ul>	<ul style="list-style-type: none"> <li>▪ Niveller dækket ved, at følge instruktionerne i afsnittet <b>"NIVELLERING AF DÆKKET"</b>.</li> </ul>
	<ul style="list-style-type: none"> <li>▪ Møtrikkerne på dækket har løsnet sig på affjedringsforbindelsen.</li> </ul>	<ul style="list-style-type: none"> <li>▪ Spænd møtrikkerne på ophænget.</li> </ul>
	<ul style="list-style-type: none"> <li>▪ Plæneklipperen er indstillet til at klippe for meget græs på én gang.</li> </ul>	<ul style="list-style-type: none"> <li>▪ Hæv dækkets klippehøjde.</li> </ul>
Der er græs eller skidt, der bliver på græsset efter det er blevet klippet.	<ul style="list-style-type: none"> <li>▪ Plæneklipperen er indstillet til at klippe for meget græs på én gang på højt græs.</li> </ul>	<ul style="list-style-type: none"> <li>▪ Start med en høj klippehøjde, og sænk den løbende, indtil det ønskede klipperesultat er nået. Græs over 6 tommer højt skal slås to gange med lavere klippehøjde hver gang.</li> </ul>
	<ul style="list-style-type: none"> <li>▪ Græsset er vådt.</li> </ul>	<ul style="list-style-type: none"> <li>▪ Græsset må ikke klippes når det er vådt. Vent indtil det er tørt.</li> </ul>
	<ul style="list-style-type: none"> <li>▪ Du kører for hurtigt med plæneklipperen.</li> </ul>	<ul style="list-style-type: none"> <li>▪ Sænk kørehastigheden.</li> </ul>
	<ul style="list-style-type: none"> <li>▪ Klingehastigheden er lav.</li> </ul>	<ul style="list-style-type: none"> <li>▪ Forøg klingehastigheden gradvist.</li> </ul>
Plæneklipperens køretid er kort med batterierne i.	<ul style="list-style-type: none"> <li>▪ Græsforholdene og plæneklipperens højdeindstilling påvirker i høj grad batteriets driftstid. Den anslåede driftstid er baseret på en let belastning.</li> </ul>	<ul style="list-style-type: none"> <li>▪ Hæv klippehøjden, og sænk klingehastigheden, så plæneklipperen belastes mindre.</li> </ul>

PROBLEM	ÅRSAG	LØSNING
Plæneklipperen sporer ikke lige.	<ul style="list-style-type: none"> <li>Dæktrykket i venstre og højre baghjul er ikke ens.</li> </ul>	<ul style="list-style-type: none"> <li>Kontroller og juster dæktrykket på begge baghjul i henhold til anbefalingen i afsnittet "<b>SÅDAN KONTROLLERES DÆKTRYKKET</b>" i denne vejledning.</li> </ul>
	<ul style="list-style-type: none"> <li>Kørehastighederne på venstre og højre baghjul er ikke ens.</li> </ul>	<ul style="list-style-type: none"> <li>Kalibrer græsslåmaskinens sporingssystem ved at følge instruktionerne i afsnittet "<b>KALIBRERING AF PLÆNEKLIPPERENS SPORINGSSYSTEM</b>".</li> </ul>
Parkeringsbremsepedalen kan ikke frigives eller den springer langsom tilbage.	<ul style="list-style-type: none"> <li>Der kan komme skidt og snavs ind i parkeringspedalen.</li> </ul>	<ul style="list-style-type: none"> <li>Åbn boksen til parkeringspedalen, rengør den grundigt og luk den. Nulstil parkeringspedalen for at se, om dette løser problemet. Hvis ikke, bedes du kontakte en kvalificeret servicetekniker for reparation.</li> </ul>
Plæneklipperen kan ikke oplades via opladningsstikket, mens plæneklipperens statusindikator lyser rødt.	<ul style="list-style-type: none"> <li>Opladerens stik er ikke sat ordentligt i laderen på plæneklipperen.</li> </ul>	<ul style="list-style-type: none"> <li>Tilslut opladerstikket igen for at se, om plæneklipperen kan oplades normalt.</li> </ul>
	<ul style="list-style-type: none"> <li>Der er ingen strøm i stikkontakterne.</li> </ul>	<ul style="list-style-type: none"> <li>Du skal ikke gøre noget. Vent, indtil strømmen kommer tilbage.</li> </ul>
	<ul style="list-style-type: none"> <li>Opladeren virker ikke.</li> </ul>	<ul style="list-style-type: none"> <li>Få en kvalificeret servicetekniker til at undersøge opladeren, og skift den hvis nødvendigt.</li> </ul>
	<ul style="list-style-type: none"> <li>Opladerstikket på plæneklipperen er defekt.</li> </ul>	<ul style="list-style-type: none"> <li>Kontakt en kvalificeret servicetekniker for reparation.</li> </ul>
Det tager for lang tid, at oplade plæneklipperen via opladningsstikket.	<ul style="list-style-type: none"> <li>Opladningen tager lang tid, når en EGO-adapter ACA1000 bruges.</li> </ul>	<ul style="list-style-type: none"> <li>Brug EGO-opladeren CHV1600E til at oplade plæneklipperen.</li> </ul>
Batteriet kan ikke lades helt op via plæneklipperens opladningsport.	<ul style="list-style-type: none"> <li>Firmwarefejl på plæneklipper eller fejl i opladeren/batteriet.</li> </ul>	<ul style="list-style-type: none"> <li>Træk opladerens stik ud af stikkontakten, vent i et par minutter og sæt det i igen. Hvis dette ikke virker, bedes du kontakte en kvalificeret servicetekniker for reparation.</li> </ul>
Plæneklipperen kan ikke startes efter rengøring.	<ul style="list-style-type: none"> <li>Forkert rengøring, såsom vand, der kommer på de elektriske komponenter, LCD-skærm osv.</li> </ul>	<ul style="list-style-type: none"> <li>Følg instruktionerne i afsnittet "<b>RENGØRING AF PLÆNEKLIPPEREN</b>" for, at rengøre plæneklipperen ordentligt.</li> </ul>

**DK**

PROBLEM	ÅRSAG	LØSNING
Plæneklipperen tilstoppes meget nemt.	<ul style="list-style-type: none"> <li>Dækket er tilstoppet med græs og snavs.</li> </ul>	<ul style="list-style-type: none"> <li>Hvis plæneklipperen ved et uheld har stået i regnen, skal du lade stå og lufttørre, eller tør den med trykluft.</li> <li>Rengør dækket efter hver brug i henhold til instruktionerne i afsnittet "Brug af skyllehullet til at rengøre dækket".</li> </ul>
Plæneklipperen mister let sin trækraft, når den kører op ad skråninger.	<ul style="list-style-type: none"> <li>Dækkene på baghjulene er slidt ned.</li> </ul>	<ul style="list-style-type: none"> <li>Skift dækkene hos et lokalt servicecenter.</li> </ul>
	<ul style="list-style-type: none"> <li>Plæneklipperen klipper på en stejl skråning.</li> </ul>	<ul style="list-style-type: none"> <li>Området, der klippes, må ikke hælde mere end den angivne mængde.</li> </ul>
Når plæneklipperen er stoppet på en skråning med parkeringspedalen slået til, kan den stadig glide nedad skråningen.	<ul style="list-style-type: none"> <li>Bremsedelene er for slidte på grund af forkert brug af plæneklipperen.</li> </ul>	<ul style="list-style-type: none"> <li>Kontakt en kvalificeret servicetekniker for reparation.</li> </ul>
Der kommer ikke noget vand fra skyllehullet, når dækket skal vaskes.	<ul style="list-style-type: none"> <li>Lynkoblingen til skyllehullet er ikke sat i skyllehullet.</li> </ul>	<ul style="list-style-type: none"> <li>Tryk lynkoblingen i skyllehullet igen, indtil du hører et klik. Hvis dette ikke virker, bedes du kontakte en kvalificeret servicetekniker for reparation.</li> </ul>
Plæneklipperen lyder unormal, når den skubbes manuelt, uden at starte den.	<ul style="list-style-type: none"> <li>Lyden kommer fra magneterne i drivmotoren.</li> </ul>	<ul style="list-style-type: none"> <li>Dette er normalt og du skal ikke gøre noget.</li> </ul>

## REFERENCER TIL FEJLKODER OG KLIPPESTATUSINDIKATOREN

LCD-skærm	Beskrivelse	Fejlkode på LCD-skærmen	Plæneklipperens statusindikator	Bipper	Årsag	Løsning
	LED-lysikonet vises på LCD-skærmen	Ikke relevant	LYSER IKKE	Nej	Forlygterne, sidelygterne og baglygter tændes på LED-lyskontakten.	Dette er normalt. Du skal ikke gøre noget.
	USB-ikonet vises på LCD-skærmen	Ikke relevant	LYSER IKKE	Nej	Hvis USB-ikonet lyser, betyder det at en USB-enhed kan bruges, når plæneklipperen er startet korrekt.	Dette er normalt. Du skal ikke gøre noget.



LCD-skærm	Beskrivelse	Fejlkode på LCD-skærmen	Plæneklipperens statusindikator	Bipper	Årsag	Løsning
	Energimålerikonet vises på LCD-skærmen	Ikke relevant	LYSER IKKE	Nej	Den angiver den gennemsnitlige opladningskapacitet på batterierne, der er sat i.	Dette er normalt. Du skal ikke gøre noget.
	Timemåler-ikonet vises på LCD-skærmen	Ikke relevant	LYSER IKKE	Nej	Den viser plæneklipperens samlede køretid i timer. Den kan ikke nulstilles.	Dette er normalt. Du skal ikke gøre noget.
	Belastningsindikator-ikonet vises i ECO-rækkevidden	Ikke relevant	LYSER IKKE	Nej	Den viser plæneklipperens aktuelle belastning.	Dette er normalt. Du skal ikke gøre noget.
 <b>OVERLOAD</b>	Overbelastning-indikatoren blinker. Belastningsindikator-ikonet vises i PWR-rækkevidden.	Ikke relevant	Blinker rød	En biplyd	Klingemotoren er overbelastet.	Hæv dækkets klippehøjde, eller sænk kørehastigheden, så plæneklipperen ikke belastes så meget.
					Sideudstødningen er tilstoppet med græs og affald.	Rengør altid sideudstødningen efter brug.
					Noget er stilstopet mellem klingens og plæneklipperdækket.	Få den repareret af en kvalificeret servicetekniker.
	Sikkerhedsnøgle-ikonet blinker.	Ikke relevant	LYSER IKKE	Nej	Sikkerhedsnøglen er ikke sat i.	Sæt sikkerhedsnøglen i, og hold START/STOP-knappen nede for, at tænde plæneklipperen.
					LCD-skærmen strømforsynes ikke.	Få den repareret af en kvalificeret servicetekniker.

**DK**

LCD-skærm	Beskrivelse	Fejlkode på LCD-skærmen	Plæneklipperens statusindikator	Bipper	Årsag	Løsning
	Ikonet for et bestemt batterirum blinker.	Ikke relevant	LYSER IKKE	Nej	Et af batterierne er overophedet.	Du skal ikke gøre noget. Plæneklipperen kan fortsætte med at køre, hvis batteriernes samlede Ah-værdi, herunder overstrømmen, er lig med eller over den påkrævede mængde. Når det overophedede batteri får en normal temperatur igen, strømforsyner det igen plæneklipperen, og ikonet forsvinder.
	Ikonet til et tomt batterikammer blinker.	Ikke relevant	LYSER IKKE	Nej	Der er ikke nok batteri til at havetraktoren kan køre.	For at starte denne plæneklipper, skal du sørge for, at bruge nok EGO-batterier ved, at følge instruktionerne i afsnittet " <b>OPLADNING</b> " i denne vejledning.
	Temperaturikonet blinker.	Ikke relevant	LYSER IKKE	En biplyd	<p>Plæneklipperen er overophedet.</p> <p>Plæneklipperen er for kold</p>	<p>Reducer plæneklipperens belastning ved at hæve klippehøjden på dækket, eller sænk klinge- eller kørehastigheden. Tag en pause og lad plæneklipperen køle af.</p> <p>Undgå, at gøre dette gentagne gange, da dette kan beskadige maskinen. Plæneklipperen og batterierne skal altid opbevares i varme omgivelser. Start plæneklipperen igen, når den har varmet op.</p>

LCD-skærm	Beskrivelse	Fejlkode på LCD-skærmen	Plæneklipperens statusindikator	Bipper	Årsag	Løsning
	Temperatur-ikonet og batterikammerne, der er i brug, blinker på samme tid.	Ikke relevant	LYSER IKKE	Nej	Batteripakken i det angivne batterikammer er overophedet.	1. Plæneklipperen kan fortsætte med at køre, hvis batteriernes samlede Ah-værdi, herunder det overophedede batteri, er lig med eller over den påkrævede mængde. Når det overophedede batteri er tilbage på sin normale temperatur, går det straks i gang med at tænde plæneklipperen.
						2. Hvis batteripakkernes samlede Ah-værdi er under den påkrævede mængde, virker plæneklipperen ikke, før der sættes flere batteripakker i de ledige batterikamre.
						3. Reducer plæneklipperens belastning ved at hæve klippehøjden på dækket eller bremse plæneklipperen, når arbejdet genoptages.

**DK**

Kees van der Spek  
TUINMACHINES • STOLWIJK

DK

LCD-skærm	Beskrivelse	Fejlkode på LCD-skærmen	Plæneklipperens statusindikator	Bipper	Årsag	Løsning
	Ikonerne for hvert brugt batterikammer, indikatoren for lavt strømniveau, batterigrafikken på energimåleren blinker alle én gang i sekundet på LCD-skærmen. Den første del af LED-energimåler og statusindikatoren blinker også.	Ikke relevant	Blinker rød	Bliver ved med at bippe indtil PTO-kontakten trykkes ned.	Batteriniveaue er lavt og plæneklipperen er på Kør hjem-funktionen.	Stop driften og kørsel til batteriopladningsområdet. <b>BEMÆRK:</b> Når plæneklipperen er på Kør hjem-funktionen, begynder klingerne automatisk at køre langsomt uden at klippe græsset, og en lydindikator bipper. Brugeren skal trykke PTO-kontakten ned for, at afbryde klingerne. Lydindikatoren holder op med at bippe, når klingerne er stoppet.
	Ikonet til hver brugt batterikammer og indikatoren for lavt strøm blinker hver halve sekund.	Ikke relevant	Blinker rød	Bliver ved med at bippe	Batteripakkerne er næsten brugt op.	Plæneklipperen holder straks op med at køre. Brugeren skal køre plæneklipperen til batteriopladningsområdet og sætte den til opladning.
	Automatisk parkering-ikonet blinker på LCD-skærmen.	Ikke relevant	LYSER IKKE	Bliver ved med at bippe	Plæneklipperen er parkeret på en skråning, og brugeren stiger af plæneklipperen uden at sætte bremsepedalen til, og med styrehåndtagene i den åbne indstilling.	Slå bremsepedalen til. Ikonet for automatisk parkering slukker, og lydindikatoren holder op med at bippe.
	Bremsepedal-ikonet vises på LCD-skærmen.	Ikke relevant	LYSER IKKE	Nej	Parkeringspedalen er slået til.	Frigiv den før plæneklipperen startes.

LCD-skærm	Beskrivelse	Fejlkode på LCD-skærmen	Plæneklipperens statusindikator	Bipper	Årsag	Løsning
	Sædesensor-ikonet vises på LCD-skærmen.	Ikke relevant	LYSER IKKE	Nej	Brugeren har forladt sædet eller sædekontakten er blevet afbrudt.	Hvis brugeren sidder på sædet og ikonet lyser, skal du straks stoppe plæneklipperen og kontrollere sædetilslutningen. Hvis sædeforbindelsen med plæneklipperen virker, skal du kontakte en kvalificeret servicetekniker for reparation.
	Ikonet til PTO-kontakten blinker.	Ikke relevant	LYSER IKKE	Nej	Klingemotoren er blevet afbrudt og PTO-kontakten er ikke slået fra.	Inden plæneklipperen startes, skal du trykke PTO-kontakten ned for, at frigøre dækmotoren. Se afsnittet " <b>FEJLFINDING</b> " i denne vejledning.
	Ikonet til styrehåndtaget blinker.	Ikke relevant	LYSER IKKE	Nej	Køremotoren blev afbrudt under drift, og styrehåndtagene står ikke på den åbne indstilling.	Sæt styrehåndtagene i den åbne indstilling, før plæneklipperen startes igen. Se afsnittet " <b>FEJLFINDING</b> " i denne vejledning.
	Ikonet til energigendannelse blinker af og til.	Ikke relevant	LYSER IKKE	Nej	Den kinetiske energi, der genereres under bremsning eller nedkørsel, omdannes til elektricitet til at oplade batterierne.	Dette er normalt. Du skal ikke gøre noget.

**DK**

**BEMÆRK:** Hvis en fejlkode vises på LCD-skærmen, skal du tage alle batteripakkerne, vent et par minutter og sæt dem i igen. Hvis dette ikke løser problemet, skal du følge fejlkoden nedenfor.

LCD-skærm	Beskrivelse	Fejlkode på LCD-skærmen	Plæneklipperens statusindikator	Bipper	Årsag	Løsning	
DK Se afsnittet "Fejlkode"	Venstre drivmotor drejer ikke.	Den PCBA-styrede venstre drivmotor virker ikke.	413	LYSER IKKE	En biplyd	PCBA-fejl	Få den repareret af en kvalificeret servicetekniker.
		Stikket (trefaset, strømkabel), der forbinder den venstre drivmotor med den tilhørende PCBA, har løsnet sig.	317	LYSER IKKE	En biplyd	Løs forbindelse	
		Stikket (seks stikben, signalkabel), der forbinder den venstre drivmotor med den tilhørende PCBA, har løsnet sig.	301	LYSER IKKE	En biplyd	Løs forbindelse	
		Venstre drivmotor virker ikke.	317	LYSER IKKE	En biplyd	Motorfejl	
DK Se afsnittet "Fejlkode"	Højre drivmotor drejer ikke.	Den PCBA-styrede højre drivmotor virker ikke.	313	LYSER IKKE	En biplyd	PCBA-fejl	Få den repareret af en kvalificeret servicetekniker.
		Stikket (trefaset, strømkabel), der forbinder den højre drivmotor med den tilhørende PCBA, har løsnet sig.	417	LYSER IKKE	En biplyd	Løs forbindelse	
		Stikket (seks stikben, signalkabel), der forbinder den højre drivmotor med den tilhørende PCBA, har løsnet sig.	401	LYSER IKKE	En biplyd	Løs forbindelse	
		Højre drivmotor virker ikke.	417	LYSER IKKE	En biplyd	Motorfejl	

LCD-skærm	Beskrivelse	Fejlkode på LCD-skærmen	Plæneklipperens statusindikator	Bipper	Årsag	Løsning	
Se afsnittet "Fejlkode"	Venstre klingemotor drejer ikke.	Den PCBA-styrede venstre klingemotor virker ikke.	607/A07	Ikke relevant	En biplyd	PCBA-fejl	Få den repareret af en kvalificeret servicetekniker.
		Stikket (trefaset, strømkabel), der forbinder den venstre drivmotor med den tilhørende PCBA, har løsnet sig.	509	Ikke relevant	En biplyd	Løs forbindelse	Undersøg først klingens. Hvis den har løsnet sig, skal du stramme bolten med det anbefalede moment. Eller få reparationerne gjort af en kvalificeret servicetekniker.
		Venstre klingemotor virker ikke.	509	Ikke relevant	En biplyd	Motorfejl	Undersøg først klingens. Hvis den har løsnet sig, skal du stramme bolten med det anbefalede moment. Eller få reparationerne gjort af en kvalificeret servicetekniker.
Se afsnittet "Fejlkode"	Højre klingemotor drejer ikke.	Den PCBA-styrede højre klingemotor virker ikke.	507/A07	Ikke relevant	En biplyd	PCBA-fejl	Få den repareret af en kvalificeret servicetekniker.
		Stikket (trefaset, strømkabel), der forbinder den højre drivmotor med den tilhørende PCBA, har løsnet sig.	609	Ikke relevant	En biplyd	Løs forbindelse	Undersøg først klingens. Hvis den har løsnet sig, skal du stramme bolten med det anbefalede moment. Eller få reparationerne gjort af en kvalificeret servicetekniker.
		Højre klingemotor virker ikke.	609	Ikke relevant	En biplyd	Motorfejl	Undersøg først klingens. Hvis den har løsnet sig, skal du stramme bolten med det anbefalede moment. Eller få reparationerne gjort af en kvalificeret servicetekniker.
Se afsnittet "Fejlkode"	Den mellemste klingemotor drejer ikke.	Den PCBA-styrede midterste klingemotor virker ikke.	507/ 607	Ikke relevant	En biplyd	PCBA-fejl	Få den repareret af en kvalificeret servicetekniker.
		Stikket (trefaset, strømkabel), der forbinder den midterste drivmotor med den tilhørende PCBA, har løsnet sig.	A09	Ikke relevant	En biplyd	Løs forbindelse	Undersøg først klingens. Hvis den har løsnet sig, skal du stramme bolten med det anbefalede moment. Eller få reparationerne gjort af en kvalificeret servicetekniker.
		Den midterste klingemotor virker ikke.	A09	Ikke relevant	En biplyd	Motorfejl	Undersøg først klingens. Hvis den har løsnet sig, skal du stramme bolten med det anbefalede moment. Eller få reparationerne gjort af en kvalificeret servicetekniker.

**DK**

**DK**

LCD-skærm	Beskrivelse		Fejlkode på LCD-skærmen	Plæneklipperens statusindikator	Bipper	Årsag	Løsning
Se afsnittet "Fejlkode"	Venstre styrehåndtag virker ikke.	Venstre styrehåndtag, der styrer PCBA, virker ikke.	311/412	LYSER IKKE	En biplyd	PCAB-fejl	Få den repareret af en kvalificeret servicetekniker.
		Stikket, der forbinder PCBA, på styrestangen, har løsnet sig.				Løs forbindelse	
Se afsnittet "Fejlkode"	Højre styrehåndtag virker ikke.	Højre styrehåndtag, der styrer PCBA, virker ikke.	312/411	LYSER IKKE	En biplyd	PCAB-fejl	Få den repareret af en kvalificeret servicetekniker.
		Stikket, der forbinder PCBA, på styrestangen, har løsnet sig.				Løs forbindelse	
Se afsnittet "Fejlkode"	Parkeringsbremsen virker ikke, og værktøjet kan ikke køre.	Parkeringsbremsens PCBA, der er i frontrammen, er gået i stykker.	309/409	LYSER IKKE	En biplyd	PCBA-fejl	Få den repareret af en kvalificeret servicetekniker.
		Parkeringsbremsekontakten og/eller ledning er gået til stykker.	801	LYSER IKKE	En biplyd	Kabel/kontakt-fejl	
LYSER IKKE	Opladningsstikket virker ikke		Ikke relevant	Lyser rød	Ikke relevant	Opladestikket er i et åbent kredsløb.	Få den repareret af en kvalificeret servicetekniker.
			Ikke relevant	Lyser rød	Ikke relevant	Der er ingen strømforsyning.	Kontroller stikkontakten, og se om den forsyner 220-240 V, og om stikket virker.
			Ikke relevant	Lyser rød	Ikke relevant	Sikringen er sprunget.	Få den repareret af en kvalificeret servicetekniker.
Se afsnittet "Fejlkode"	Opladningsstikket virker ikke		204	Ikke relevant	En biplyd	Opladestikket er i et åbent kredsløb.	Få den repareret af en kvalificeret servicetekniker.



LCD-skærm	Beskrivelse	Fejlkode på LCD-skærmen	Plæneklipperens statusindikator	Bipper	Årsag	Løsning
Se afsnittet "Fejlkode"	Batterikassen virker ikke	217	Ikke relevant	En biplyd	Strømkilden fra batterikassen er gået i stykker. LED-forlygterne og USB virker ikke.	Få den repareret af en kvalificeret servicetekniker.
		310/ 410	LYSER IKKE	En biplyd	Forbindelsen mellem Type C-ledninger i batterikassen og andre Type C-ledninger på plæneklipperen virker ikke.	
		201/ 202/ 203	LYSER IKKE	En biplyd	BMS'en til batterikassen er gået i stykker.	
Se afsnittet "Fejlkode"	Start/stop kontaktfejl	314/ 414	LYSER IKKE	En biplyd	PCBA-kontakten virker ikke, eller der er en dårlig ledningsforbindelse til start/stop-kontakten.	Få den repareret af en kvalificeret servicetekniker.
Se afsnittet "Fejlkode"	LCD-skærmfejl	315/ 415	LYSER IKKE	En biplyd	LCD-enheden er gået i stykker, eller der er en dårlig ledningsforbindelse til LCD-enheden.	Få den repareret af en kvalificeret servicetekniker.

**DK**

## GARANTI

### EGO GARANTI POLITIK

Besøg venligst hjemmesiden [egopowerplus.com](http://egopowerplus.com) for fuldstændige vilkår og betingelser for EGO's garantipolitik.

## LÄS IGENOM ALLA INSTRUKTIONER!



**LÄS IGENOM BRUKSANVISNINGEN**

## SÄKERHETSSYMBOL

Syftet med säkerhetssymboler är att uppmärksamma eventuella faror. Säkerhetssymbolerna och förklaringarna av dessa kräver din fullständiga uppmärksamhet och förståelse. Symbolvarningarna i sig eliminerar inte några faror. Instruktionerna och varningarna som ges är inte något substitut för korrekta åtgärder för förhindrande av olyckor.

SE

**⚠ VARNING:** Var noga med att läsa igenom och förstå alla säkerhetsinstruktioner i denna bruksanvisning, inklusive alla varningssymboler såsom **“FARA”**, **“VARNING”** och **“FÖRSIKTIGHET”** innan detta verktyg används. Underlåtenhet att läsa alla instruktioner som listas nedan kan resultera i elektrisk stöt, brand och/eller allvarlig personskada.

## SYMBOLBETYDELSE

Denna sida framställer och beskriver säkerhetssymboler som kan visas på denna produkt. Läs igenom, förstå och följ alla instruktioner på maskinen innan försök görs att montera och hantera den.

## SÄKERHETSSYMBOLER

KEES VAN DER SPEK  
TUINMACHINES \* STOLWIJK



Säkerhetslarm



Ögonskydd



FARA – Risk med brant sluttning



Transportera aldrig barn



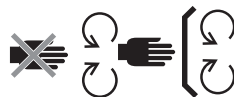
VARNING - Använd inte denna maskin på sluttningar som är större än 12°



VARNING - HÅLL UN DAN HÄNDER OCH FÖTTER



Läs igenom och förstå bruksanvisningen



Underhålla säkerhetsenheter



FARA – Håll åskådare undan från bladen



Titta bakåt när du backar



FARA - Ivägslungade objekt



Garanterad ljudeffektnivå. I enlighet med EU-direktivet.



Kliv inte



Förbrukade elektriska produkter får inte kastas i hushållssoporna. Lämna in dem till en auktoriserad återvinningsstation.



Denna produkt är i enlighet med tillämplig EG-direktiv.



WARNING - Stirra inte in i påslagen lampa.



Likström



Denna produkt uppfyller tillämpliga lagar i Storbritannien.

kPa

Kilopascal

RPM

Varv per minut

V

Volt

m

Meter

in

Tum

cm

Centimeter

Nm

Newtonmeter

mm

Millimeter

°C

Celsius

kg

Kilogram

km/h

Kilometer per timme

IPX4

Ingång skyddsgrad

SE

## SPECIFIKATIONER

Spänning	56 V		Laddare (tillval)	CHV1600E	
Däckstorlek	132 cm			Laddar	
Hjulstorlek	Front	279,4 x 126 mm			Adapter (tillval)
	Bak	457,2 x 223 mm		Temperaturområde laddning	5°C - 40°C
Kallt däcktryck	Front	222,1 kPa			
	Bak	115,8 kPa		Driftstemperatur	0°C - 40°C
Svängradie	0		Förvaringstemperatur		
Bladhastighet (RPM)	2600; 2800; 3000; 3200			Vikt (utan batteripaket)	217 kg
Max. Körhastighet (km/h)	Framåt	8,1 km/h, 9,7 km/h, 11,3 km/h, 12,8 km/h			
	Bakåt	upp till 6,4 km/h		Ljudtrycksnivå vid operatörens öra $L_{PA}$	82,5 dB(A) K=3 dB(A)

Garanterad ljudtrycksnivå $L_{WA}$ (uppmätt enligt 2000/14/EG)		100 dB(A)
Vibration $a_h$	Hand	0,69 $m/s^2$ K=1,5 $m/s^2$
	Stomme	0,3 $m/s^2$ K=1,5 $m/s^2$

- Det deklarerade totala vibrationsvärdet har uppmätts i enlighet med en standardtestmetod och kan användas för att jämföra ett verktyg med ett annat.
- Det deklarerade totala vibrationsvärdet kan också användas i en preliminär utvärdering av exponeringen.

**UPPMÄRKSAMMA:** Vibrationsutstrålningen under verklig användning av elverktyg kan skilja sig från det deklarerade värdet i vilken verktyget används. För att skydda användaren skall skyddshandskar och hörselskydd användas under faktiska användningsförhållandet.

## BESKRIVNING

### LÄR KÄNNA GRÄSKLIPPAREN (BILD A1 OCH A2)

1. Säte
2. Laddningsuttag
3. Kraftenhet
4. LED bakljus
5. Förvaringsfack
6. Kopphållare
7. LED sidobelysning
8. Bakre hjul (drivhjul)
9. Tvättuttag
10. Däck
11. Däckskydd
12. Antiskalp-hjul
13. Framhjul
14. Parkeringsbromspedal

15. Körlampor
16. LED-strålkastare
17. Sidoutkastarrör
18. Inställningsspak däckhöjd
19. Inställningsratt sätesupphängning
20. Inställningsspak sätesposition
21. Lap Bars
22. Statusindikator gräsklippare
23. LCD-skärm
24. PTO-omkopplare
25. Start-/Stoppknapp
26. Säkerhetsnyckel
27. Telefonförvaringsplats
28. Avskärningsstång
29. Bränslemätare och statusindikator gräsklippare
  - 29.a. Bränslemätarindikator gräsklippare
  - 29.b. Statusindikator gräsklippare
30. Fotstödsområde
31. Låsknapp lock till strömenhet
32. Lock strömenhet
33. Kraftenhet med sex batterifack
34. Låsknapp för batteriet
35. Hake
36. Tillsats monteringslock
37. Tillsats förvaring monteringslock
38. USB-uttag

### LÄR KÄNNA LCD-SKÄRMEN (BILD A3)

Se sektionen **“STATUSREFERENS OCH FELKODER FÖR GRÄSKLIPPARE”** för ytterligare information ikonerna och indikatorerna på LCD-skärmen.

1. Ikon säkerhetsnyckel
2. Ikon LED-lampa
3. Ikon automatisk parkering
4. USB-ikon
5. Indikatorer bladhastighet
6. Statusindikator säkerhetsenhet
7. Timmätare

8. Ikon för ledigt batterifack
9. Temperaturikon
10. Ikon upptaget batterifack
11. Körläge
12. Indikator felkod
13. Indikator överbelastning
14. Lågeffektindikator
15. Indikationer körhastighet
16. Belastningsindikator
17. Bränslemätare
18. Inställningsknapp bladhastighet
19. Inställningsknapp
20. Knapp körläge
21. Omkopplare LED-lampa
22. Inställningsknapp körhastighet

## UPPACKNING

**UPPMÄRKSAMMA:** Spara förpackningsmaterialet tills du noggrant har inspekterat och tillfredsställande använt produkten. Om någon del i förpackningslistan är monterad på maskinen kontakta omedelbart EGO-service.

**UPPMÄRKSAMMA:** Förutom verktygen i nedanstående förpackningslista är alla andra verktyg som nämns i manualerna bara rekommendationer och medföljer inte.

### FÖRPACKNINGSLISTA (bild B)

B-1	Spakstyrd åkgräsklippare	B-6	Säkerhetsnycklar
B-2	Säte	B-7	Öppna skruvnycklar (13 mm)
B-3	Styrspak	B-8	Insexnyckel
B-4	Insexskruvar (2 för backup)	B-9	Snabbkoppling tvättuttag
B-5	Sexkantsbultar (2 för backup)	B-10	Bruksanvisning

## REKOMMENDERADE TILLBEHÖR

**⚠ VARNING:** Använd endast identiska utbytesdelar som listas nedan. Användning av delat som inte uppfyller originaldelarnas specifikationer kan leda till felaktig prestanda och riskera säkerheten.

ARTIKELNAMN	MODELLNUMMER
Standardblad	AB5200
Hög Lyftblad	AB5201
Mulchingtillsats	ABP5200
Gräsuppsamlingssats	ABK5200-A
Bakre stötfångaren	AMB1000
Lastbox	AMG1000
Solskydd	AMS1000

SE

## MONTERING

### INSTALLERA SÄTET (Bild C1 och C2)

**⚠ VARNING:** Säkerhetsspärrsystemet får inte fränkopplas eller förbikopplas. Om så görs kan det orsaka att gräsklipparen arbetar oväntat och resultera i personskador.

**UPPMÄRKSAMMA:** För din säkerhet kan gräsklipparen stanna om sätets omkopplare fränkopplas under körningen. I detta fall se sektionen "FELSÖKNING" för ytterligare information.

C1-1	Kabel:	C1-5	Insexskruvar
C1-2	Kontakt	C2-1	Krok
C1-3	Uttag	C2-2	Stålskenor
C1-4	Upphångningsbas	C2-3	Insexskruvar

### INSTALLERA STYRSPAKARNA (Bild C3)

C3-1	Styrspakar	C3-3	Monteringshål styrspak
C3-2	Sexkantsbultar		

## DRIFT

### INNAN GRÄSKLIPPAREN ANVÄNDS

#### Kontrollera omgivningen

- Se till att inga barn, åskådare eller husdjur är inom arbetsområdet.
- Rensa området från föremål som kan kastas iväg av gräsklipparens blad.
- Kontrollera och se till att LED-lamporna har korrekt status.
  - Strålkastarna, sidolamporna och bakljusen kontrolleras med LED-lampomkopplaren.
  - Körlamporna lyser alltid under körning.
  - Vid backning, om bakljusen är avstängda kommer de att blinka för att varna åskådare, om bakljusen är påslagna kommer de att förbli på.
  - Alla lampor släcks automatiskt när gräsklipparen stängs av automatiskt efter en period utan aktivitet.

SE

#### Kontrollerar de kalla däckens tryck (bild D1)

#### Kontrollerar gräsklipparens status och batteriets laddningsnivå.

- Gräsklippare bränslemätarindikator (bild A2 - 27a)  
Varje segment av gräsklipparens bränslemätarindikator indikerar 20 % laddning på isatta batteripaketet.

#### UPPMÄRKSAMMA: Gräsklipparens

bränslemätarindikator och bränslemätaren på LCD-skärmen indikerar genomsnittlig kapacitet hor de isatta batteripaketet.

- Gräsklipparens statusindikator (bild A1 och bild A2 - 27b)

Om statusindikatorn visar grön är gräsklipparen redo att köras. Om inte, se sektionen "STATUSREFERENS OCH FELKODER FÖR GRÄSKLIPPARE"

#### Testar säkerhetspärrsystemet (bild D2 - bild D8)

**UPPMÄRKSAMMA:** Operatören måste sitta på sätet innan test.

- Innan test (bild D2 – bild D4)

- För att testa däckbladssystemet (bild D5) ställ dig långsamt upp
- För att testa körsystemet (bild D6 - bild D8) ställ dig långsamt upp

Om däckbladssystemet och/eller körsystemet inte stoppar när operatören reser från sätet och om orsaken inte kan fastställas efter att det bekräftats att kontakten och uttagsanslutningen för sätet är ordentligt anslutet kontaktar du EGO kundtjänst omedelbart.

### JUSTERING (bild E1 – bild E13)

#### Förberedelse (bild E1 – bild E5)

#### Inställning av klipphöjden (bild E6)

#### Inställning av antiskalp-hjulen (bild E7 – bild E10)

E7-1	Antiskalp-hjul	E9-2	Lockskruv
E9-1	Mutter	E10-1	Etikett däckhöjd

#### Inställning av sätet (bild E11)

Justera sätets position så att du får bra kontakt med parkeringsbromspedalen innan gräsklipparen används. Sätets upphängningsinställning gör att du kan hitta den mest bekväma upplevelsen i sätet.

E11-1	Inställningsspak sätetsposition	E11-2	Inställningsratt sätetsupphängning
-------	---------------------------------	-------	------------------------------------

#### Ställa in parkeringsbromsen (bild E12 – bild E13)

E13-1	Bromsposition	E13-2	Frisläppt position
-------	---------------	-------	--------------------

### LADDNING (bild F1 – bild F11)

För att starta denna gräsklippare krävs EGO-batterier på totalt 15 Ah (2 X BA4200T/BA4200T) eller mer. För bästa prestanda rekommenderar vi användning av EGO-batterier på totalt 30 Ah eller mer.

#### Använd endast med de rekommenderade batteripaketet och laddarna. (bild F9 och F10)

#### Förberedelser för laddning (bild F1 – bild F4)

#### Ladda batteripaketet/batterierna separat (bild F5 – F9)

F5-1	Låsknapp för hölje	F7-1	Låsknapp för batteri
------	--------------------	------	----------------------

- Montera batteripaketet (bild F5 – F6)

- Ta bort batteripaket (bild F7 – F8)

**NOTERA:** För att ladda batteriet se motsvarande manual för batteriet och laddaren.

#### Ladda batteripaket via laddningsuttag (bild F10)

F10-1	Dammlock	F10-2	Laddningsuttag
-------	----------	-------	----------------

### STARTA GRÄSKLIPPAREN (bild A4 – A5 och G1 – G6)

**⚠ VARNING:** Undvik plötsliga starter, stopp och svängningar samt överdriven hastighet, särskilt under första inläringen av hanteringen av gräsklipparen. Gräsklipparen kan accelerera iväg snabbt vilket kan göra att du tappar kontrollen vilket kan resultera i allvarliga personskador och/eller egendomsskador.

**⚠ VARNING:** Innan gräsklipparen startas, kontrollera att knivarna är urkopplade inom 5 s när PTO-omkopplaren trycks ned. Om bladen inte stoppar, använd inte gräsklipparen och kontakta EGO kundtjänst omedelbart.

**UPPMÄRKSAMMA:** Följ bild A4 och bild G2 för att få den lägsta körhastigheten och **STANDARD** körläge tills du är fullt kapabel att hantera gräsklipparen i alla situationer. Körhastigheten och körläget kommer endast att aktiveras när gräsklipparens hjul stoppats och styrspaken är öppen.

Gräsklipparen sparar och presenterar tidigare körläge, körhastighet och kalibrering av styrspakarna när den startas om.

#### Körläge

- **KONTROLL:** Lägre acceleration, mindre känslig hantering och försiktig svängningshastighet för att skydda gräset och för nya användare.
- **STANDARD:** Perfekt för daglig användning.
- **SPORT:** Högre acceleration, korrekt hantering och skarpa svängar för att maximera klippeffektiviteten och för gräsklipparentusiaster.

#### Inställning körhastighet (bild A4)

#### Inställning bladhastighet (bild A5)

#### USB-uttag

**UPPMÄRKSAMMA:** USB-uttaget ger laddningsström på 5 Volt DC på upp till en kombinerad spänning på 1,5 ampere och strömförsörjs endast när gräsklipparen startar.

### STOPPA GRÄSKLIPPAREN (Bild H1 – H6)

**UPPMÄRKSAMMA:** Efter mer än 60 minuters inaktivitet kommer gräsklipparen att stängas av automatiskt.

#### Linka-hemläge

När batteriladdningen blir låg kommer gräsklipparen att gå in i Linka-hemläget:

- Gräsklipparen stoppar automatiskt gräsklippningen;
- Ljudindikatorn kommer att fortsätta att ljuda;
- Gräsklipparens statusindikator kommer att blinka röd varje sekund, det första segmentet på gräsklipparens bränslemätare kommer att blinka röd och både indikatorn för låg energi och batterigrafiken på bränslemätaren kommer att blinka.

Operatören skall:

- a) Skjuta PTO-omkopplaren nedåt (bild H3) för att avaktivera bladen. Ljudindikatorn slutar att ljuda när bladen stoppas;
- b) Sluta arbeta och kör till batteriladdningsområdet snarast. Det maximala avståndet som gräsklipparen kan köra är 1000 m.

När batteriet är nästan helt tomt kommer ikonen för varje upptaget batterifack och indikatorn för låg energi kommer att blinka varje halv sekund. Gräsklipparen slutar att arbeta omedelbart. Operatören skall transportera gräsklipparen till batteriladdningsområdet för laddning.

#### Manuell påskjutning

Om manuell påskjutning behövs, se till att batterierna är bortkopplade från gräsklipparen och att parkeringsbromspedalen är lossad från bromspositionen.

## KÖRA GRÄSKLIPPAREN (bild I1 – I9)

För att stoppa, öka eller sänka hastigheten, ändra långsamt styrspakarnas avstånd från neutral.

**⚠ FARA:** Håll dig minst två klippbredder från diken, branter eller vatten. De främre hjulen kan rotera när gräsklipparen är stoppad, även med bromsen aktiverad och orsaka att gräsklipparen kör över kanten eller ned i vattnet och resultera i dödsfall eller allvarliga personskador.

**⚠ VARNING:** Var uppmärksam på vad som finns bakom gräsklipparen innan du backar. Klipp INTE backande om det inte är absolut nödvändigt. Titta alltid ned och bakom innan och under backningen för att vara säker på att inga barn, åskådare eller djur kommer in i klippområdet. Kom ihåg att oaktsamhet under en bråkdel av en sekund är tillräcklig för att orsaka dödsfall eller allvarliga skador.

**⚠ VARNING:** Kör inte med denna maskin på allmän väg.

**⚠ VARNING:** Om en blockering uppstår eller du kör på ett främmande föremål, stoppa motorn och ta bort batterierna. Ta bort gräsklipp, löv, smuts och annan ackumulerat skräp, inspektera gräsklipparen noga om där finns skador och reparera skadorna innan gräsklipparen startas och används.

## UNDERHÅLL

**⚠ VARNING:** Använd alltid ögonskydd med sidoskärmar. Om inte så görs kan det resultera i att föremål kastas in i ögonen och andra möjliga allvarliga skador.

**⚠ VARNING:** Skydda alltid händer genom att använda kraftiga handskar eller linda in klippkanterna med trasor eller annat material när underhålls görs av kniven.

Ta alltid bort säkerhetsnyckeln och batteripaketet vid service eller transport av gräsklipparen.

Intervall underhållsservice	Underhållsproceduren
Innan varje användning eller dagligen	<ul style="list-style-type: none"> <li>▪ Kontrollera säkerhetsspärrsystemet.</li> <li>▪ Kontrollera visuellt däcken om de är platta.</li> <li>▪ Inspektera bladen om de är slitna, spräckta eller böjda.</li> <li>▪ Inspektera hela produkten om där finns skador, saknade eller lösa delar såsom sidoutkastaren, skruvar, muttrar, bultar, höljen etc., se till att alla skydd finns på plats och fungerar korrekt.</li> <li>▪ Kontrollera bromsens funktion.</li> </ul>
Efter varje användning	<ul style="list-style-type: none"> <li>▪ Rensa gräsklippardäcket.</li> </ul>
Var 25:e timma	<ul style="list-style-type: none"> <li>▪ Kontrollera däcktrycket.</li> </ul>
Var 50:e timma	<ul style="list-style-type: none"> <li>▪ Kontrollera smörjningen inuti klippbladens fläns.</li> </ul>
Var 100:e timma	<ul style="list-style-type: none"> <li>▪ Kontrollera det bakre hjulen, se till att de fyra hjulmuttrarna är fastsatta med det rekommenderade vridmomentet.</li> </ul>
Var 200:e timma	<ul style="list-style-type: none"> <li>▪ Kontrollera de främre hjulen, se till att de rör sig fritt.</li> </ul>



Årligen	<ul style="list-style-type: none"> <li>Kontrollera parkeringsbromspedalen Ta bort batteriet från gräsklipparen och placera bromspedalen i bromsläget. Skjut manuellt gräsklipparen framåt för att se om gräsklipparen kan förflyttas eller ej. Om den rör sig, lämna den på service hos en kvalificerad servicetekniker.</li> </ul>
---------	---

## RENGÖRA GRÄSKLIPPAREN (bild J1 – bild J9)

### Förberedelse (bild J1 – bild J5)

### Rengöra gräsklipparens hölje (bild J6 - bild J7)

### Använd tvättporten för att rengöra gräsklippardäcket (bild J8 - J9)

J8-1	Tvättuttag	J8-3	Trädgårdsslang
J8-2	Snabbkoppling tvättuttag		

**UPPMÄRKSAMMA:** När rengöringen är klar, skjut PTO-omkopplaren nedåt för att avaktivera gräsklipparens blad.

## UNDERHÅLLA GRÄSKLIPPARDÄCKET OCH KLIPPBLADEN

### Förberedelse (bild K1 – bild K6)

### Ta bort gräsklippardäcket (bild K7 – bild K8)

K7-1	Motorkabel	K7-3	Upphängningslänk
K7-2	Saxsprint		

**UPPMÄRKSAMMA:** Koppla bort alla motorkablar och kuggstift när du tar bort gräsklippardäcket.

### Byta ut klippbladen (bild K9 - bild K11)

K9-1	Stabilisator	K10-3	Kniv
K10-1	Bult	K10-4	Fläns
K10-2	Bricka	K10-5	Motoraxel

### Nivellera gräsklippardäcket

#### a. Vid nivellering (bild K12 – bild K14)

#### b. Innan nivellering

- Kontrollera de kalla däckens tryck (bild K15)
- Kontrollera klippbladen. Ta bort och byt slitna, spräckta och/eller böjda blad vid behov.

#### c. Förberedelse för nivellering (bild K16 – bild K21)

#### d. Hur man nivellerar

- Göra sida-till-sida inställning (bild K22)

K22-1	Låsmutter
-------	-----------

- Göra en front-till-bak inställning (bild K23)

## KALIBRERA GRÄSKLIPPARENS SPÅRNINGSSYSTEM (bild L1 – L4)

**UPPMÄRKSAMMA:** Ljudindikatorn kommer att ljuda en gång både när kalibreringen startar och när kalibreringen är avslutad.

**UPPMÄRKSAMMA:** Den slutförda kalibreringen för ett av körlägena ("KONTROLL", "STANDARD", "SPORT") kanske inte är tillgänglig för de två andra lägena. Kalibrera styrspakarna i varje körläge oberoende efter behov.

## ÅTERSTÄLLA GRÄSKLIPPAREN TILL URSPRUNGLIGA FABRIKSINSTÄLLNINGEN (BILD M)

**UPPMÄRKSAMMA:** Ljudindikatorn kommer att ljuda en gång både när återställningen startar och när återställningen är avslutad.

**UPPMÄRKSAMMA:** När återställningen lyckas återgår nedanstående inställningar till fabriksinställningen:

- körläge
- körhastighet
- kalibrering av styrspakarna

## FÖRVARING OCH TRANSPORT

### TRANSPORTERA GRÄSKLIPPAREN

SE

## (BILD N1 – BILD N11)

**UPPMÄRKSAMMA:** Sätt fast gräsklipparen såsom behövs, använd remmar eller kablar för att förhindra rörelser under transporten.

## FÖRVARING (bild 01 – bild 06)

**UPPMÄRKSAMMA:** Ta bort batteripaketet och förvara batterierna i enlighet med deras respektive manual.

Rengör och kontrollera gräsklipparen innan förvaring, se sektionerna “**RENGÖRA GRÄSKLIPPAREN**” och “**REKOMMENDERADE UNDERHÅLLSSCHEMAN**”.

### SE Skydda miljön




WEEE (Waste Electrical and Electronic Equipment) Kasta inte elektrisk utrustning, använt batteri och laddare i hushållssoporna!

Ta denna produkt till en auktoriserad återvinnare och gör den tillgänglig för separat insamling. Elektriska verktyg måste returneras till en miljöanpassad återvinningsanläggning.


**KEES VAN DER SPEK**  
TUINMACHINES ★ STOLWIJK

## FELSÖKNING

PROBLEM	ORSAK	LÖSNING
<p>Gräsklipparen går inte att köra när de två styrspakarna skjuts framåt eller bakåt i början.</p>  Ikonen för styrspaken blinkar	<ul style="list-style-type: none"> <li>De insatta batteriernas sammanlagda Ah-värde uppfyller inte kravet.</li> </ul>	<ul style="list-style-type: none"> <li>För att starta gräsklipparen måste du använda tillräckligt många EGO-batterier enligt anvisningarna i avsnittet "<b>LADDNING</b>" i denna handbok.</li> </ul>
	<ul style="list-style-type: none"> <li>Parkeringsbromspedalen är inställd i bromspositionen.</li> </ul>	<ul style="list-style-type: none"> <li>Tryck helt ned parkeringsbromspedalen för att lossa den från bromspositionen.</li> </ul>
	<ul style="list-style-type: none"> <li>Styrspakarna är inte i öppet läge när gräsklipparen startar.</li> </ul>	<ul style="list-style-type: none"> <li>Återför styrspakarna till den öppna positionen för att starta om gräsklipparen.</li> </ul>
	<ul style="list-style-type: none"> <li>Operatören sitter inte på sätet.</li> </ul>	<ul style="list-style-type: none"> <li>Endast när operatören sitter ordentligt på sätet kan han eller hon manövrera gräsklipparen.</li> </ul>
	<ul style="list-style-type: none"> <li>Sätet är inte korrekt anslutet.</li> </ul>	<ul style="list-style-type: none"> <li>Ta bort batteriet från gräsklipparen och demontera sätet i motsatt ordning mot instruktionerna i sektionen "<b>INSTELLA SÄTET</b>" i denna manual för att inspektera sätets omkopplarslutning. Montera tillbaka sätet och följ instruktionerna i "<b>STARTA GRÄSKLIPPAREN</b>" för att starta om gräsklipparen för att se om gräsklipparen kan startas. Om inte, kontakta en kvalificerad servicetekniker för reparation.</li> </ul>
	<ul style="list-style-type: none"> <li>Under extrem kallt väder kan inte drivfunktionen startas på grund av skydd mot låga temperaturer.</li> </ul>	<ul style="list-style-type: none"> <li>Förvara alltid gräsklipparen och batteriet i en varm miljö. Starta om gräsklipparen när den värmts upp. Gör inte upprepade försök under extremt kallt väder vilket kan skada maskinen.</li> </ul>

SE

PROBLEM	ORSAK	LÖSNING
Gräsklipparen slutar köra.	<ul style="list-style-type: none"> <li>▪ Styrspakarna kräver en "återställning".</li> </ul>	<ul style="list-style-type: none"> <li>▪ Återför styrspakarna till den öppna positionen för att starta om gräsklipparen.</li> </ul>
	<ul style="list-style-type: none"> <li>▪ De elektriska kontrollkomponenterna på styrspakarna fallerar.</li> </ul>	<ul style="list-style-type: none"> <li>▪ Kontakta en kvalificerad servicetekniker för reparation.</li> </ul>
	<ul style="list-style-type: none"> <li>▪ Sättesomkopplaren fränkopplar under körningen i en tuff terräng.</li> </ul>	<ul style="list-style-type: none"> <li>▪ Ta bort batteriet från gräsklipparen och demontera sätet i motsatt ordning mot instruktionerna i sektionen "<b>INSTELLA SÄTET</b>" i denna manual för att inspektera sätets omkopplarslutning. Montera tillbaka sätet och följ instruktionerna i "<b>STARTA GRÄSKLIPPAREN</b>" för att starta om gräsklipparen för att se om gräsklipparen kan startas. Om inte, kontakta en kvalificerad servicetekniker för reparation.</li> </ul>
	<ul style="list-style-type: none"> <li>▪ Parkeringsbromsen trycks ned för att sänka körhastigheten. När parkeringsbromsen är tillräckligt nedtryckt men inte till parkeringsläget, stannar gräsklipparen.</li> </ul>	<ul style="list-style-type: none"> <li>▪ Följ instruktionerna i "<b>STARTA GRÄSKLIPPAREN</b>" för att starta om gräsklipparen.</li> </ul>
Körhastigheten/körläget kan inte ändras under körningen.	<ul style="list-style-type: none"> <li>▪ Detta är en funktion hos gräsklipparen för säker körning.</li> </ul>	<ul style="list-style-type: none"> <li>▪ Funktionen kommer endast att aktiveras när gräsklipparens hjul stoppats och styrspakarna är öppna.</li> </ul>

PROBLEM	ORSAK	LÖSNING
<p>Klipparen startar inte knivarna när PTO-omkopplaren är inkopplad.</p>  PTO-omkopplarens ikon blinkar	<ul style="list-style-type: none"> <li>De insatta batteriernas sammanlagda Ah-värde uppfyller inte kravet.</li> </ul>	<ul style="list-style-type: none"> <li>För att starta gräsklipparen måste du använda tillräckligt många EGO-batterier enligt anvisningarna i avsnittet "<b>LADDNING</b>" i denna handbok.</li> </ul>
	<ul style="list-style-type: none"> <li>PTO-omkopplaren är inte skjuten ned när gräsklipparen stoppades senast.</li> </ul>	<ul style="list-style-type: none"> <li>Skjut PTO-omkopplaren nedåt och starta om gräsklipparens blad.</li> </ul>
	<ul style="list-style-type: none"> <li>Gräsklipparen är överbelastad när bladen startat vilket resulterar i självskydd av motorn.</li> </ul>	<ul style="list-style-type: none"> <li>Starta gräsklipparens klippning först med låg hastighet och tills bladen når korrekt rotation, öka inte bladens acceleration när så behövs.</li> </ul>
	<ul style="list-style-type: none"> <li>Under extremt kallt väder kan inte bladmotorn startas på grund av skydd mot låga temperaturer.</li> </ul>	<ul style="list-style-type: none"> <li>Förvara alltid gräsklipparen och batteriet i en varm miljö. Starta om gräsklipparen när den värmts upp. Gör inte upprepade försök under extremt kallt väder vilket kan skada maskinen.</li> </ul>
	<ul style="list-style-type: none"> <li>Bladet kommer i kontakt med det deformerade gräsklippardäcket.</li> </ul>	<ul style="list-style-type: none"> <li>Kontakta en kvalificerad servicetekniker för reparation.</li> </ul>

PROBLEM	ORSAK	LÖSNING
Bladen slutar att arbeta under gräsklippningen.	<ul style="list-style-type: none"> <li>▪ Gräsklipparen är överbelastad.</li> </ul>	<ul style="list-style-type: none"> <li>▪ Hög däckets klipphöjd eller sänk körhastigheten för att minska belastningen på gräsklipparen.</li> </ul>
	<ul style="list-style-type: none"> <li>▪ Gräsklippardäcket är igensatt med gräs och skräp.</li> </ul>	<ul style="list-style-type: none"> <li>▪ Rengör gräsklippardäcket och se till att bladen kan röra sig fritt.</li> </ul>
	<ul style="list-style-type: none"> <li>▪ Gräsklipparen är överhettad.</li> </ul>	<ul style="list-style-type: none"> <li>▪ Minska belastningen på gräsklipparen genom att höja däckets klipphöjd eller sänka hastigheten hos bladet/körningen och låta gräsklipparen svalna.</li> </ul>
	<ul style="list-style-type: none"> <li>▪ Batteripaketen i gräsklipparens batterifack är överhettade vilket resulterar i den kombinerade Ah-värderingen för alla isatta batterier inte uppfyller kraven.</li> </ul>	<ol style="list-style-type: none"> <li>1. Om det kombinerade batteriets Ah märkning inte uppfyller kraven kommer inte gräsklipparen att arbeta innan fler batteripaket satts i de tomma batterifacken. När det överhettade batteriet återgår till normal temperatur kommer det omedelbart att ansluta för att strömförsörja gräsklipparen.</li> <li>2. Minska belastningen på gräsklipparen genom att höja däckets klipphöjd eller sakta ned klippningen när arbetet återupptas.</li> </ol>
	<ul style="list-style-type: none"> <li>▪ Gräsklipparen är i Linka-hemläge.</li> </ul>	<ul style="list-style-type: none"> <li>▪ När gräsklipparen är i Linka-hemläget kommer bladen automatiskt att växla till låg rotationshastighet utan att klippa gräs. Operatören skall sluta arbeta och kör till batteriladdningsområdet så snart som möjligt.</li> </ul>
	<ul style="list-style-type: none"> <li>▪ Gräsklipparen har träffat ett främmande föremål vilket resulterar i självskydd av motorn.</li> </ul>	<ul style="list-style-type: none"> <li>▪ Skjut PTO-omkopplaren nedåt och starta om gräsklipparbladen.</li> </ul>
Ljudindikatorn fortsätter att ljuda.	<ul style="list-style-type: none"> <li>▪ Gräsklipparen är i Linka-hemläge och bladen är inte avstängda.</li> </ul>	<ul style="list-style-type: none"> <li>▪ Skjut PTO-omkopplaren nedåt för att avaktivera däckbladen. Ljudindikatorn slutar att ljuda när bladen stoppas.</li> </ul>
	<ul style="list-style-type: none"> <li>▪ Gräsklipparen slutar att köra i en sluttning och operatören öppnar styrspakarna och kliver ur sätet utan att ställa in parkeringsbromsspaken i bromsläget.</li> </ul>	<ul style="list-style-type: none"> <li>▪ Ställ in parkeringsbromspedalen i bromsläget innan gräsklipparen lämnas i en sluttning.</li> </ul>

PROBLEM	ORSAK	LÖSNING
Batteriindikatorn är fortfarande på när gräsklipparen stängs av.	<ul style="list-style-type: none"> <li>När gräsklipparen är avstängd på plan mark utan att batteripaketet tagits bort från gräsklipparen kommer batteriindikatorerna, start/stop-knappen och inställningsknappen att lysa under en period.</li> </ul>	<ul style="list-style-type: none"> <li>Ingen handling krävs. Batteriindikatorerna släcks när klipparen stängs av efter en viss tid. Se sektionen <b>“STOPPA ELEKTRISK SPAKSTYRD GRÄSKLIPPARE”</b> för specifik tid.</li> </ul>
	<ul style="list-style-type: none"> <li>När gräsklipparen stängs av i en sluttning utan att parkeringsbromspedalen ställts in i bromspositionen kommer batteriindikatorerna att lysa till batteriladdningen är slut. Ljudindikatorn kommer att ljuda samtidigt.</li> </ul>	<ul style="list-style-type: none"> <li>Ställ in parkeringsbromspedalen i bromsläget innan operatören lämnar verktyget i en sluttning.</li> </ul>
LCD-skärmen kan inte lysa med alla ikonerna påslagna.	<ul style="list-style-type: none"> <li>Trycktiden på start/stop-knappen är inte tillräcklig.</li> </ul>	<ul style="list-style-type: none"> <li>LCD-skärmen kommer endast att visa “Bränslemätare” vid kort tryckning på när start/stopknappen.</li> </ul>
		<ul style="list-style-type: none"> <li>LCD-skärmen kommer att slås på när start/stopknappen tryckts in tillräckligt länge.</li> </ul>
Gräsklipparen klipper ojämnt med signifikant höjdskillnad framifrån och bak.	<ul style="list-style-type: none"> <li>Bladen är slöa.</li> </ul>	<ul style="list-style-type: none"> <li>Slipa eller byt klippbladen såsom instrueras i denna manual.</li> </ul>
	<ul style="list-style-type: none"> <li>Bladen är böjda.</li> </ul>	<ul style="list-style-type: none"> <li>Byt böjda klippblad enligt instruktionerna i sektionen <b>“BYTA KLIPPBLADEN”</b>.</li> </ul>
	<ul style="list-style-type: none"> <li>Gräsklippardäcket är inte nivellerad vilket resulterar i olika höjd på klippbladen.</li> </ul>	<ul style="list-style-type: none"> <li>Nivellera gräsklippardäcket enligt instruktionerna i sektionen <b>“NIVELLERA GRÄSKLIPPARDÄCKET”</b>.</li> </ul>
Den verkliga gräsklippningshöjden är inte i linje med begärd höjd.	<ul style="list-style-type: none"> <li>Gräsklippardäckets muttrar är lösa på upphängningslänken.</li> </ul>	<ul style="list-style-type: none"> <li>Följ instruktionerna i sektionen <b>“NIVELLERA GRÄSKLIPPARDÄCKET”</b> för att göra korrekt justering av front-till-bak av gräsklippardäcket och dra åt de fyra muttrarna på upphängningslänkarna.</li> </ul>
	<ul style="list-style-type: none"> <li>Gräsklippardäcket är skadat eller allvarligt slitet.</li> </ul>	<ul style="list-style-type: none"> <li>Följ instruktionerna i sektionen <b>“TA BORT GRÄSKLIPPARDÄCKET”</b> för att byta gräsklippardäcket.</li> </ul>

PROBLEM	ORSAK	LÖSNING
Gräsklipparen finfördelar inte ordentligt.	<ul style="list-style-type: none"> <li>Vått gräsklipp har fastnat på undersidan av däckets.</li> </ul>	<ul style="list-style-type: none"> <li>Vänta tills gräset torkar innan klippning.</li> </ul>
	<ul style="list-style-type: none"> <li>Gräsklipparen är inställd att klippa för mycket gräs i taget.</li> </ul>	<ul style="list-style-type: none"> <li>Höj däckets klipphöjd.</li> </ul>
SE Det förekommer kraftiga vibrationer.	<ul style="list-style-type: none"> <li>Klippbladen är lösa.</li> </ul>	<ul style="list-style-type: none"> <li>Dra åt knivbulten enligt rekommenderade vridmomentet.</li> </ul>
	<ul style="list-style-type: none"> <li>Bladen är böjda.</li> </ul>	<ul style="list-style-type: none"> <li>Byt böjda klippblad enligt instruktionerna i sektionen "<b>BYTA KLIPPBLADEN</b>".</li> </ul>
	<ul style="list-style-type: none"> <li>Gräsklippardäcket är inte i nivå.</li> </ul>	<ul style="list-style-type: none"> <li>Nivellera gräsklippardäcket enligt instruktionerna i sektionen "<b>NIVELLERA GRÄSKLIPPARDÄCKET</b>".</li> </ul>
	<ul style="list-style-type: none"> <li>Gräsklippardäckets muttrar är lösa på upphängningslänken.</li> </ul>	<ul style="list-style-type: none"> <li>Dra åt muttrarna på fjädringslänken.</li> </ul>
Det finns gräs eller skräp kvar på marken efter klippningen.	<ul style="list-style-type: none"> <li>Gräsklipparen är inställd att klippa för mycket gräs i taget när gräset är högt.</li> </ul>	<ul style="list-style-type: none"> <li>Börja med en hög klipphöjd och sänk den tills önskat klippresultat uppnås. Gräs högre än 15 cm skall klippas två gånger med successivt sänkt klipphöjd.</li> </ul>
	<ul style="list-style-type: none"> <li>Gräset är vått.</li> </ul>	<ul style="list-style-type: none"> <li>Klipp inte gräset när det är vått utan vänta tills det torkat.</li> </ul>
	<ul style="list-style-type: none"> <li>Körhastigheten är för hög.</li> </ul>	<ul style="list-style-type: none"> <li>Sänk körhastigheten.</li> </ul>
	<ul style="list-style-type: none"> <li>Bladhastigheten är låg.</li> </ul>	<ul style="list-style-type: none"> <li>Öka bladhastigheten gradvis.</li> </ul>
Kort körtid för gräsklipparen med inkluderat batteri.	<ul style="list-style-type: none"> <li>Gräsförhållandet och inställningen av klipphöjden påverkar mycket batteriets körtid. Den angivna körtiden baseras på en lätt belastning.</li> </ul>	<ul style="list-style-type: none"> <li>Höj däckets klipphöjd och sänk bladhastigheten för att minska klippbelastningen.</li> </ul>
Gräsklipparen spårar inte rakt.	<ul style="list-style-type: none"> <li>Däcktrycket för det vänstra och höga bakre hjulen är olika.</li> </ul>	<ul style="list-style-type: none"> <li>Kontrollera och justera lufttrycket på båda bakre hjulens däck enligt rekommendationen i sektionen "<b>KONTROLLERA DÄCKTRYCKET</b>" i denna manual.</li> </ul>
	<ul style="list-style-type: none"> <li>Körhastigheten för det vänstra och högra bakre hjulen är olika.</li> </ul>	<ul style="list-style-type: none"> <li>Kalibrera gräsklipparens spårningssystem enligt instruktionerna i sektionen "<b>KALIBRERA GRÄSKLIPPARNES SPÅRNINGSSYSTEM</b>".</li> </ul>



PROBLEM	ORSAK	LÖSNING
Parkeringsbromspedalen kan inte lossas från bromspositionen eller fjädrar långsamt tillbaka.	<ul style="list-style-type: none"> <li>▪ Det kan finnas skräp eller smuts som kommit in i parkeringsbromspedalen.</li> </ul>	<ul style="list-style-type: none"> <li>▪ Öppna parkeringsbromsens pedalbox för att noggrant rengöra boxen på insidan och stäng den. Återställ parkeringsbromspedalen för att se om problemet är löst. Om inte, kontakta en kvalificerad servicetekniker för reparation.</li> </ul>
Gräsklipparen kan inte laddas via laddningsuttaget med gräsklipparens statusindikator lysande fast röd.	<ul style="list-style-type: none"> <li>▪ Kontakten till laddaren är inte korrekt isatt i laddningsuttaget på gräsklipparen.</li> </ul>	<ul style="list-style-type: none"> <li>▪ Återanslut laddningskontakten för att se om gräsklipparen kan laddas normalt.</li> </ul>
	<ul style="list-style-type: none"> <li>▪ Det finns ingen ström i vägguttaget.</li> </ul>	<ul style="list-style-type: none"> <li>▪ Ingen handling krävs. Vänta tills effekten återställts.</li> </ul>
	<ul style="list-style-type: none"> <li>▪ Funktionsfel hos laddaren.</li> </ul>	<ul style="list-style-type: none"> <li>▪ Kontakta en kvalificerad servicetekniker för inspektion och reparera laddaren om så behövs.</li> </ul>
	<ul style="list-style-type: none"> <li>▪ Laddningsuttaget på gräsklipparen är defekt.</li> </ul>	<ul style="list-style-type: none"> <li>▪ Kontakta en kvalificerad servicetekniker för reparation.</li> </ul>
Laddningstiden via gräsklipparens laddningsuttag är alltför lång.	<ul style="list-style-type: none"> <li>▪ Användning av EGO-adaptör ACA1000 för laddning kräver lång tid.</li> </ul>	<ul style="list-style-type: none"> <li>▪ Använd EGO -laddaren CHV1600E för att ladda gräsklipparen direkt.</li> </ul>
Batteriet kan inte laddas fullt via gräsklipparen laddningsuttag.	<ul style="list-style-type: none"> <li>▪ Bugg i det fasta programmet på åkgräsklipparen eller fel hos laddaren/batteriet.</li> </ul>	<ul style="list-style-type: none"> <li>▪ Koppla ur laddaren och vänta flera minuter, återanslut sedan kontakten till strömförsörjningen. Om det inte fungerar, kontakta en kvalificerad servicetekniker för reparation.</li> </ul>
Gräsklipparen kan inte startas efter rengöringen.	<ul style="list-style-type: none"> <li>▪ Felaktig rengöring så att vatten kommit in i de elektriska komponenterna, LCD-skärmen etc.</li> </ul>	<ul style="list-style-type: none"> <li>▪ Följ instruktionerna i sektionen "<b>RENGÖRA GRÄSKLIPPAREN</b>" för att rengöra gräsklipparen korrekt.</li> </ul>
Gräsklipparen kan lätt bli igensatt.	<ul style="list-style-type: none"> <li>▪ Gräsklippardäcket är igensatt med gräs och skräp.</li> </ul>	<ul style="list-style-type: none"> <li>▪ Om gräsklipparen oavsiktligt lämnats ute i regnet, lämna den ute iför att torka eller använd tryckluft för att torka den.</li> </ul>
		<ul style="list-style-type: none"> <li>▪ Rengör gräsklippardäcket efter varje användning, följ sektionen "Använda tvättuttaget för att rengöra gräsklippardäcket".</li> </ul>
Gräsklipparen förlorar lätt riktningen vid klättring i sluttningar.	<ul style="list-style-type: none"> <li>▪ Däcken på de bakre hjulen är slitna.</li> </ul>	<ul style="list-style-type: none"> <li>▪ Sök efter lokal service för att byta hjulens däck.</li> </ul>
	<ul style="list-style-type: none"> <li>▪ Klippning i brant sluttning.</li> </ul>	<ul style="list-style-type: none"> <li>▪ Klippningen ska ske i den grad som krävs.</li> </ul>

**SE**

PROBLEM	ORSAK	LÖSNING
När gräsklipparen stoppas i en slutning med parkeringsbromspedalen nedtryckt kan gräsklipparen glida bakåt i slutningen.	<ul style="list-style-type: none"> <li>Bromskomponenterna är mycket slitna på grund av felaktig hantering av gräsklipparen.</li> </ul>	<ul style="list-style-type: none"> <li>Kontakta en kvalificerad servicetekniker för reparation.</li> </ul>
Det kommer inget vatten i tvättuttaget när däcktvätt utförs.	<ul style="list-style-type: none"> <li>Tvättuttagets snabbkoppling är inte monterad på plats på tvättuttaget.</li> </ul>	<ul style="list-style-type: none"> <li>Sätt tillbaka tvättuttagets snabbkoppling tills du hör ett klick efter en fast nedtryckning. Om det inte fungerar, kontakta en kvalificerad servicetekniker för reparation.</li> </ul>
Det finns ett onormalt ljud när gräsklipparen skjuts manuellt utan att vara startad.	<ul style="list-style-type: none"> <li>Ljudet kommer från magneterna inuti drivmotorn.</li> </ul>	<ul style="list-style-type: none"> <li>Det är normalt och ingen åtgärd krävs.</li> </ul>

## FELKOD OCH GRÄSKLIPPARENS STATUSINDIKATORREFERENS





LCD-display	Beskrivning	Felkod på LCD-skärm	Statusindikator gräsklippare	Ljudenhet	Orsak	Lösning
	LED-lampikonen visas på LCD-skärmen	inte tillämpligt	AV	Nej	Strålkastarna, sidolamporna och bakljusen är påslagna av LED-lampomkopplaren.	Det är normal funktion. Ingen handling krävs.
	USB-ikonen visas på LCD-skärmen	inte tillämpligt	AV	Nej	USB-ikonen upplyser om att en USB-enhet kan arbeta efter att gräsklipparen har startats korrekt.	Det är normal funktion. Ingen handling krävs.
	Ikonen för bränslemätning visas på LCD-skärmen	inte tillämpligt	AV	Nej	Den indikera genomsnittliga laddningskapacitet för isatta batterier.	Det är normal funktion. Ingen handling krävs.
	Ikonen för timmätning visas på LCD-skärmen	inte tillämpligt	AV	Nej	Den visar den totala körtiden för gräsklipparen, i timmar och kan inte återställas.	Det är normal funktion. Ingen handling krävs.

LCD-display	Beskrivning	Felkod på LCD-skärm	Statusindikator gräsklippare	Ljudenhet	Orsak	Lösning
	Indikatorikonen för belastning visas i ECO-området	inte tillämpligt	AV	Nej	Den indikerar nuvarande belastning hos gräsklipparen	Det är normal funktion. Ingen handling krävs.
	Indikatorn för överbelastning blinkar. Indikatorikonen för belastning visas i PWR-området	inte tillämpligt	Blinkar röd	Ett pip	Bladmotorn är överbelastad.	Höj däckets klipphöjd eller sänk körhastigheten för att minska belastningen på gräsklipparen.
					Sidoutkastet är igensatt med gräs och skräp.	Rengör sidoutkastaren efter varje användning.
					Det finns ett hinder mellan bladet och klippaggregatet.	Överlåt reparationer till en behörig servicetekniker.
	Ikonen för säkerhetsnyckel blinkar.	inte tillämpligt	AV	Nej	Säkerhetsnyckeln är inte isatt.	Sätt in säkerhetsnyckeln och tryck sedan på START/STOP-knappen och håll den intryckt för att slå på gräsklipparen.
					Ström levereras inte till LCD-skärmen.	Överlåt reparationer till en behörig servicetekniker.
	Ikonen för ett visst batterifack blinkar.	inte tillämpligt	AV	Nej	Ett visst batteri under urladdning är överström.	Ingen handling krävs. Gräsklipparen kan fortsätta att arbeta om det kombinerade batteri AH märkningen, exkluderat överströmägetbatteri, uppfyller kraven. När överströmsbatteriet återgår till det normala kommer det omedelbart att driva gräsklipparen och ikonen försvinner.
	Ikonen för tomt batterifack blinkar.	inte tillämpligt	AV	Nej	Batterikapaciteten är inte tillräckligt för att åkgräsklipparen kan arbeta.	För att starta gräsklipparen måste du använda tillräckliga EGO-batterier enligt anvisningarna i avsnittet "LADDNING" i denna handbok.

**SE**

LCD-display	Beskrivning	Felkod på LCD-skärm	Statusindikator gräsklippare	Ljudenhet	Orsak	Lösning
	Temperaturikonen blinkar.	inte tillämpligt	AV	Ett pip	Gräsklipparen är överhettad.	Minska belastningen på gräsklipparen genom att höja däckets klipphöjd eller sänka hastigheten hos bladet/körningen. Ta en paus och låt gräsklipparen svalna.
					Gräsklipparen är för kall	Vänligen gör inte upprepade försök som kan skada maskinen. Förvara alltid gräsklipparen och batterierna i en varm miljö. Starta om gräsklipparen när den värmts upp.
	Temperaturikonen och upptagna batterifacket blinkar samtidigt.	inte tillämpligt	AV	Nej	Batteripaketet i motsvarande numrerat batterifack är överhettat.	1. Gräsklipparen kan fortsätta att arbeta om det kombinerade batteri AH märkningen, exkluderat överhettat batteri, uppfyller kraven. När det överhettade batteriet återgår till normal temperatur kommer det omedelbart att ansluta för att strömförsörja gräsklipparen.
						2. Om det kombinerade batteriets Ah-märkning inte är tillräckligt kommer inte gräsklipparen att arbeta innan fler batteripaket satts i det tomma batterifacket.
						3. Minska belastningen på gräsklipparen genom att höja däckets klipphöjd eller sakta ned klippningen när arbetet återupptas.

LCD-display	Beskrivning	Felkod på LCD-skärm	Statusindikator gräsklippare	Ljudenhet	Orsak	Lösning
	<p>Ikonerna för varje upptagna batterifack, indikatorn låg energi, batterigrafik hos bränslemätaren blinkar varje sekund samtidigt på LCD-skärmen. Det första segmentet hos LED bränslemätaren och statusindikatorn blinkar också.</p>	inte tillämpligt	Blinkar röd	Fortsätter att ljuda tills PTO-omkopplaren trycks ned.	Batteripaketen har låg laddning och gräsklipparen är i Linka-hemläge.	<p>Sluta arbeta och kör till batteriladdningsområdet.</p> <p><b>UPPMÄRKSAMMA:</b> När gräsklipparen är i Linka-hemläget kommer bladen automatiskt att växla till låg rotationshastighet utan att klippa gräs och under tiden kommer ljudindikatorn att fortsätta ljuda.. Operatören skall skjuta PTO-omkopplaren nedåt för att avaktivera däckbladen. Ljudindikatorn kommer att sluta ljuda efter att bladet stoppat.</p>
	<p>Ikonen för varje upptaget batterifack och indikator för låg energi blinkar varje halv sekund.</p>	inte tillämpligt	Blinkar röd	Fortsätter att ljuda	Batteripaketet är nästa helt tomt.	<p>Gräsklipparen slutar att arbeta omedelbart. Operatören skall transportera gräsklipparen till batteriladdningsområdet för laddning.</p>
	<p>Ikonen för automatisk parkering blinkar på LCD-skärmen.</p>	inte tillämpligt	AV	Fortsätter att ljuda	Gräsklipparen är parkerad i en sluttning och operatören har lämnat gräsklipparen utan att aktivera bromspedalen till bromsposition, bara med styrspakarna i den öppna positionen.	<p>Ställ in bromspedalen i bromspositionen. Ikonen för automatisk parkering kommer att slockna och ljudindikatorn slutar att ljuda.</p>
	<p>Ikonen för bromspedalen visas på LCD-skärmen</p>	inte tillämpligt	AV	Nej	Parkeringsbromspedalen är inställd i bromspositionen.	<p>Släpp den innan gräsklipparen startas.</p>

LCD-display	Beskrivning	Felkod på LCD-skärm	Statusindikator gräsklippare	Ljudenhet	Orsak	Lösning
	Ikonen för sätesensorn visas på LCD-skärmen	inte tillämpligt	AV	Nej	Operatören lämnar sätet eller sätesomkopplaren är fränkopplad.	Om operatören sitter i sätet lyser ikonen, sluta att använda gräsklipparen omedelbart och kontrollera sätets anslutning. Om sätesanslutningen med gräsklipparen är bekräftad korrekt, kontakta en kvalificerad servicetekniker för reparation.
	PTO-omkopplarens ikon blinkar.	inte tillämpligt	AV	Nej	Bladmotorn avbröts under arbetet och PTO-omkopplaren är inte inställd i avstängd position.	Innan gräsklipparen startas om, skjut PTO-omkopplaren nedåt för att avaktivera däckmotorn. Se sektionen "FELSÖKNING" i denna manual för referens.
	Ikonen för styrspaken blinkar.	inte tillämpligt	AV	Nej	Drivmotorn avbröts under arbetet och styrspakarna är inte inställda i öppen position.	Innan gräsklipparen startas om, flytta styrspakarna till den öppna positionen. Se sektionen "FELSÖKNING" i denna manual för referens.
	Ikonen för energiåtervinning blinkar då och då.	inte tillämpligt	AV	Nej	Den kinetiska energin som genereras under bromsningen eller vid körning utför konverteras till elektricitet för att ladda batteripaketet.	Det är normal funktion. Ingen handling krävs.

**UPPMÄRKSAMMA:** Om en felkod visas på LCD-skärmen, ta bort alla batteripaket och sätt i dem igen några minuter senare. Om detta inte löser problemet, följ felkods felsökningen nedan.

LCD-display	Beskrivning	Felkod på LCD-skärm	Statusindikator gräsklippare	Ljudenhet	Orsak	Lösning	
Se "Felkod"	Vänster drivmotor roterar inte.	PCBA kontrollerade vänstra motorn fallerar.	413	AV	Ett pip	PCBA-fel	Överlåt reparationer till en behörig servicetekniker.
		Kontakten (trefas, strömsladd) för anslutning till vänster drivmotorn med motsvarande PCBA har lossnat.	317	AV	Ett pip	Lös anslutning	
		Kontakt (sex stift. signalledning) för anslutning till vänstra drivmotorn med motsvarande PCBA har lossnat.	301	AV	Ett pip	Lös anslutning	
		Vänster drivmotor fallerar.	317	AV	Ett pip	Motorfel	
Se "Felkod"	Höger drivmotor roterar inte.	PCBA kontrollerade högra motorn fallerar.	313	AV	Ett pip	PCBA-fel	Överlåt reparationer till en behörig servicetekniker.
		Kontakten (trefas, strömsladd) för anslutning till höger drivmotorn med motsvarande PCBA har lossnat.	417	AV	Ett pip	Lös anslutning	
		Kontakt (sex stift. signalledning) för anslutning till högra drivmotorn med motsvarande PCBA har lossnat.	401	AV	Ett pip	Lös anslutning	
		Höger drivmotor fallerar.	417	AV	Ett pip	Motorfel	

SE

LCD-display	Beskrivning	Felkod på LCD-skärm	Statusindikator gräsklippare	Ljudenhet	Orsak	Lösning	
Se "Felkod"	Vänster bladmotor roterar inte.	PCBA kontrollerade vänstra bladmotorn fallerar.	607/A07	inte tillämpligt	Ett pip	PCBA-fel	Överlåt reparationer till en behörig servicetekniker.
		Kontakten (trefas, strömsladd) för anslutning till vänster drivmotorn med motsvarande PCBA har lossnat.	509	inte tillämpligt	Ett pip	Lös anslutning	Inspektera bladen först. Om den är lös, dra åt skruven med rekommenderat vridmoment. I annat fall låt en kvalificerad servicetekniker utföra reparationer.
		Vänster bladmotor fallerar	509	inte tillämpligt	Ett pip	Motorfel	Överlåt reparationer till en behörig servicetekniker.
Se "Felkod"	Höger bladmotor roterar inte.	PCBA kontrollerade höger bladmotorn fallerar.	507/A07	inte tillämpligt	Ett pip	PCBA-fel	Överlåt reparationer till en behörig servicetekniker.
		Kontakten (trefas, strömsladd) för anslutning till höger drivmotorn med motsvarande PCBA har lossnat.	609	inte tillämpligt	Ett pip	Lös anslutning	Inspektera bladen först. Om den är lös, dra åt skruven med rekommenderat vridmoment. I annat fall låt en kvalificerad servicetekniker utföra reparationer.
		Höger bladmotor fallerar	609	inte tillämpligt	Ett pip	Motorfel	Överlåt reparationer till en behörig servicetekniker.
Se "Felkod"	Mellersta bladmotorn roterar inte.	PCBA-styrd mellersta bladmotor fallerar	507/607	inte tillämpligt	Ett pip	PCBA-fel	Överlåt reparationer till en behörig servicetekniker.
		Kontakten (trefas, strömsladd) för anslutning till mellersta drivmotorn med motsvarande PCBA har lossnat.	A09	inte tillämpligt	Ett pip	Lös anslutning	Inspektera bladen först. Om den är lös, dra åt skruven med rekommenderat vridmoment. I annat fall låt en kvalificerad servicetekniker utföra reparationer.
		Mellersta bladmotorn fallerar	A09	inte tillämpligt	Ett pip	Motorfel	Överlåt reparationer till en behörig servicetekniker.



LCD-display	Beskrivning		Felkod på LCD-skärm	Statusindikator gräsklippare	Ljudenhet	Orsak	Lösning
Se "Felkod"	Vänster styrspak fallerar.	Vänster styrspak som kontrollerar PCBA fallerar.	311/ 412	AV	Ett pip	PCAB-fel	Överlåt reparationer till en behörig servicetekniker.
		Kontakten som ansluter kontroll-PCBA, placerad i styrstången har lossnat.				Lös anslutning	
Se "Felkod"	Höger styrspak fallerar.	Höger styrspak som kontrollerar PCBA fallerar.	312/ 411	AV	Ett pip	PCAB-fel	Överlåt reparationer till en behörig servicetekniker.
		Kontakten som ansluter kontroll-PCBA, placerad i styrstången har lossnat.				Lös anslutning	
Se "Felkod"	Parkeringsbromsen fallerar, verktyget kan inte drivas.	Parkeringsbromsen PCBA, som finns i främre ramenheten är trasig.	309/ 409	AV	Ett pip	PCBA-fel	Överlåt reparationer till en behörig servicetekniker.
		Omkopplaren för parkeringsbromsen är trasig.	801	AV	Ett pip	Kabel/ omkopplarfel	
AV	Laddningsportfel		inte tillämpligt	Fast RÖD	inte tillämpligt	Laddningsuttaget är i öppen krets.	Överlåt reparationer till en behörig servicetekniker.
			inte tillämpligt	Fast RÖD	inte tillämpligt	Det finns ingen strömförsörjning	Kontrollera vägguttaget om där finns 220V-240V strömförsörjning och om uttaget är bra.
			inte tillämpligt	Fast RÖD	inte tillämpligt	Säkringen har utlösts.	Överlåt reparationer till en behörig servicetekniker.

**SE**

LCD-display	Beskrivning	Felkod på LCD-skärm	Statusindikator gräsklippare	Ljudenhet	Orsak	Lösning
Se "Felkod"	Laddningsportfel	204	inte tillämpligt	Ett pip	Laddningsuttaget är i öppen krets.	Överlåt reparationer till en behörig servicetekniker.
Se "Felkod"	Batteriboxenheten fungerar inte	217	inte tillämpligt	Ett pip	Strömkällan från batteriboxenheten är trasig. LED-strålkastarna och USB fungerar inte.	Överlåt reparationer till en behörig servicetekniker.
		310/ 410	AV	Ett pip	Anslutningen mellan typ C kablar till batteriboxenheten och andra typ C kablar hos gräsklipparen arbetar inte.	
		201/ 202/ 203	AV	Ett pip	BMS hos batteriboxenheten är trasig.	
Se "Felkod"	Fel på start/stoppomkopplaren	314/ 414	AV	Ett pip	Fel hos omkopplarens PCBA eller dålig kabelanslutning för Start/stoppomkopplaren.	Överlåt reparationer till en behörig servicetekniker.
Se "Felkod"	Fel på LCD-skärm	315/ 415	AV	Ett pip	LCD-enheten är trasig eller dålig kabelanslutning för LCD-enheten.	Överlåt reparationer till en behörig servicetekniker.

SE

KEES VAN DER SPEK  
TUINMACHINES \* STOLW JK

## GARANTI

### EGO GARANTIPOLICY

Besök webbsidan [egopowerplus.com](http://egopowerplus.com) för fullständiga villkor för EGO garantipolicy.

## LUE KAIKKI OHJEET!



LUE KÄYTTÖOPAS

## TURVALLISUUSSYMBOLI

Turvallisuussymbolien tarkoituksena on kiinnittää huomiota mahdollisiin vaaroihin. Turvallisuussymbolit ja niiden selitykset on syytä lukea tarkkaan ja ymmärtää perusteellisesti. Varoitussymbolit eivät yksin poista vaaran mahdollisuutta. Niiden antamat ohjeet ja varoitukset eivät korvaa kunnollisia onnettomuuksien ehkäisytimenpiteitä.

**VAROITUS:** Lue ja ymmärrä tämän käyttöoppaan kaikki turvallisuusohjeet, mukaan lukien turvallisuusvaroitussymbolit, kuten ”**VAARA**”, ”**VAROITUS**” ja ”**HUOMIO**” ennen laitteen käyttämistä. Alla olevien ohjeiden noudattamatta jättäminen saattaa aiheuttaa sähköiskun, tulipalon ja/tai vakavan henkilövahingon.

FI

## SYMBOLIEN MERKITYKSET

Tällä sivulla kuvataan ja esitellään turvallisuussymbolit, jotka saattavat esiintyä tässä tuotteessa. Lue, ymmärrä ja noudata kaikkia laitteen ohjeita ennen kuin yrität koota sen tai käyttää sitä.

## TURVALLISUUSSYMBOLIT

	Turvallisuushälytys		Lue ja ymmärrä käyttöopas
	Käytä suojalaseja		Säilytä turvallisuusohjeet
	VAARA – jyrkkä rinne		VAARA – pidä sivulliset etäällä teristä
	Älä koskaan kuljeta lapsia		Katso taaksepäin peruuttaessasi
	VAROITUS – Älä käytä tätä konetta yli 12° rinteissä		VAARA – sinkoutuvia kohteita
	VAROITUS – PIDÄ KÄTESI JA JALKASI ETÄÄLLÄ		Taattu äänitehotaso. Melupäästöt ympäristöön Euroopan yhteisön direktiivin mukaiset.



Älä astu



Vanhoja sähkölaitteita ei saa hävittää kotitalousjätteen mukana. Vie laite valtuutettuun kierrätyslaitokseen.



Tämä tuote vastaa sovellettavia EU-direktiivejä



HUOMIO – Älä tuijota käyttövaloa.



Tasavirta



Tämä tuote vastaa sovellettavaa UK-lainsäädäntöä.

kPa

Kilopascal

RPM

Kierrosta minuutissa

V

Voltti

m

Metri

in

Tuuma

cm

Senttimetri

Nm

Newtonmetri

mm

Millimetri

°C

Celsius

kg

Kilogramma

km/t

Kilometriä per tunti

IPX4

Kotelointiluokka

FI

## TEKNISET TIEDOT

Jännite		56 V	Laturi (lisävaruste)	CHV1600E
Kannen koko		132 cm	Verkkolaite (lisävaruste)	ACA1000
Pyörän koko	Etu	279,4 x 126 mm	Latauslämpötila-alue	5 – 40°C
	Taka	457.2 x 223 mm	Leikkuukorkeuden säätö (10 asentoa)	25 – 100 mm
Kylmä rengaspaine	Etu	222,1 kPa	Käyttölämpötila	0 – 40°C
	Taka	115,8 kPa	Varastointilämpötila	-20–70°C
Kääntösäde		0	Paino (ilman akkua)	217 kg
Terän nopeus (RPM)		2600; 2800; 3000; 3200	Mitattu äänitehotaso $L_{WA}$	95,48 dB(A) K=0,73 dB(A)
Maks. ajonopeus (km/t)	Eteenpäin	8,1 km/h, 9,7 km/h, 11,3 km/h, 12,8 km/h.	Äänenpainetaso käyttäjän korvaan $L_{PA}$	82,5 dB(A) K=3 dB(A)
	Taaksepäin	enintään 6,4 km/h	Taattu äänentehotaso $L_{WA}$ (mitattu 2000/14/EY mukaisesti)	100 dB (A)

Tärinä a <sub>h</sub>	Käsi	0,69 m/s <sup>2</sup> K=1,5 m/s <sup>2</sup>
	Runko	0,3 m/s <sup>2</sup> K=1,5 m/s <sup>2</sup>

- Ilmoitettu tärinän kokonaispäästöarvo on mitattu standarditestauserämenetelmän mukaisesti, ja sen avulla voidaan vertailla työkaluja keskenään;
- Ilmoitettua tärinän kokonaispäästöarvoa voidaan käyttää myös altistumisen alustavaan arviointiin.

**HUOMAUTUS:** Työkalun käytön aikana mitattu todellinen tärinäpäästöarvo voi poiketa ilmoitetusta kokonaispäästöarvosta työkalun käyttötavasta johtuen; käyttäjän suojaamiseksi tulee käyttää käsineitä ja kuulosuojaimia varsinaisissa käyttöolosuhteissa.

## KUVAUS

### TUNNE RUOHONLEIKKURISI (KUVAT A1 JA A2)

- Istuin
- Latausliitäntä
- Tehonlähde
- LED-takavallo
- Säilytyslokero
- Mukipidikkeet
- LED-sivuvalllo
- Takapyörä (ajopyörä)
- Pesuportti
- Leikkuulaite
- Kannen suoju
- Kannatinpyörä
- Etupyörä
- Pysäköintijarrupoljin
- Päiväajovalot
- LED-etuvalot
- Sivupoistokouru
- Leikkuulaitteen korkeuden säätövipu
- Istuimen jousituksen säätönuppi
- Istuimen asennon säätövipu

- Lantiotangot
- Ruohonleikkurin tilan merkkivalo
- LCD-näyttö
- PTO-kytkin
- Käynnistys-/pysäytyspainike
- Turva-avain
- Puhelimen säilytyspaikka
- Kääntötanko
- Ruohonleikkurin akkutehomittarin ja tilan merkkivalo
  - Ruohonleikkurin akkutehomittarin merkkivalo
  - Ruohonleikkurin tilan merkkivalo
- Jalkataso
- Tehonlähteen kannen vapautuspainike
- Tehonlähteen kansi
- Tehonlähde kuudella akkulokerolla
- Akun vapautuspainike
- Vetokoukku
- Lisävarusteen asennuskansi
- Lisävarusteen asennuskannen säilytystila
- USB-portti

### TUNNE LCD-NÄYTTÖ (KUVA A3)

Katso lisätietoa LCD-näytön kuvakkeista ja merkkivaloista osiosta ”**RUOHONLEIKKURIN TILA JA VIKAKOODIT**”.

- Turva-avainkuvake
- LED-valojen kuvake
- Automaattisen pysäköinnin kuvake
- USB-kuvake
- Terien nopeuden merkkivalo
- Turvalaitteen tilan merkkivalo
- Käyttötuntimittari
- Tyhjän akkulokeron kuvake
- Lämpötilakuvake
- Varatun akkulokeron kuvake
- Ajotila

12. Vikakoodimerkkivalo
13. Ylikuormituksen merkkivalo
14. Alhaisen varauksen merkkivalo
15. Ajonopeuden merkkivalo
16. Kuormituksen merkkivalo
17. Akkutehomittari
18. Terän nopeuden säätöpainike
19. Asetuspainike
20. Ajotilapainike
21. LED-valokytkin
22. Ajonopeuden säätöpainike

**FI**

## PAKKAUKSEN PURKAMINEN

**HUOMAUTUS:** Älä hävitä pakkausmateriaalia ennen kuin olet tarkastanut tuotteen huolellisesti ja käyttänyt sitä tyydyttävästi. Jos pakkausluettelossa mainittuja osia puuttuu, ota välittömästi yhteys EGO-huoltoon.

**HUOMAUTUS:** Lukuun ottamatta alla olevassa pakkausluettelossa olevia työkaluja, kaikki muut oppaissa mainitut työkalut ovat vain suosituksia eivätkä ne sisälly pakkaukseen.

### PAKKAUSLUETTELO (kuva B)

B-1	Paikallaan kääntyvä ajettava ruohonleikkuri	B-6	Turva-avaimet
B-2	Istuin	B-7	Leuka-avaimet (13 mm)
B-3	Ohjaussauva	B-8	Kuusioavain
B-4	Kolokantaruuvit (2 varalle)	B-9	Pesuportin pikaliitin
B-5	Kuusiopultit (2 varalle)	B-10	Käyttöopas

## PAKKAUKSESTA PURKAMINEN (kuvat B2–B4)

### SUOSITELLUT LISÄVARUSTEET

**VAROITUS:** Käytä vaihto-osina vain identtisiä varaosia. Sellaisten osien käyttö, jotka eivät vastaa alkuperäisiä laitemäärytyksiä, saattaa aiheuttaa vääränlaisen toiminnan ja heikentää turvallisuutta.

OSAN NIMI	MALLIN NUMERO
Vakioterä	AB5200
High Lift -terä	AB5201
Silppurisarja	ABP5200
Ruohopussisarja	ABK5200-A
Takapushuri	AMB1000
Tavaralaatikko	AMG1000
Aurinkosuoja	AMS1000

## KOKOAMINEN

### ISTUIMEN ASENTAMINEN (kuvat C1 ja C2)

**VAROITUS:** Turvalukitusjärjestelmää ei saa irrottaa tai ohittaa. Muutoin ruohonleikkuri saattaa toimia odottamattomalla tavalla ja aiheuttaa henkilövahingon.

**HUOMAUTUS:** Ruohonleikkuri saattaa turvallisuuden takia lopettaa ajamisen, jos istuinkytkin irrotetaan ajon aikana. Katso tästä lisätietoa osiosta "VIANMÄÄRITYS".

C1-1	Johto	C1-5	Kolokantaruuvit
C1-2	Pistoke	C2-1	Koukku
C1-3	Liitäntä	C2-2	Teräskiskot
C1-4	Jousialusta	C2-3	Kolokantaruuvit

### OHJAUSSAUVOJEN ASENTAMINEN (kuva C3)

C3-1	Ohjaussauvat	C3-3	Ohjaussauvojen asennusreiät
C3-2	Kuusiopultit		

## KÄYTTÖ

### ENNEN RUOHONLEIKKURIN KÄYTTÄMISTÄ

#### Ympäristön tarkastaminen

- Varmista, ettei työskentelyalueella ole lapsia, sivullisia tai lemmikkieläimiä.
- Tyhjennä alue kohteista, jotka voivat sinkoutua ruohonleikkurin teristä.
- Tarkista ja varmista, että LED-valot ovat kunnossa:
  - LED-valokytkin ohjaa ajovaloja, sivuvaloja ja takavalvoja.
  - Pidä ajovalot päällä aina ajamisen aikana.
  - Jos takavalot ovat sammutettuina peruutettaessa, ne vilkkuvat sivullisten varoittamiseksi. Jos takavalot ovat päällä peruutettaessa, ne jäävät päälle.
  - Kaikki valot sammuvat automaattisesti, kun ruohonleikkuri sammuu automaattisesti silloin, kun se on ollut tietyn ajan käyttämättä.

#### Kylmien renkaiden paineen tarkastaminen (kuva D1)

#### Ruohonleikkurin tila ja akun varaustason tarkastaminen

- Ruohonleikkurin akkutehomittarin merkkivalo (kuvat A2 - 27a)  
Jokainen ruohonleikkurin akkutehomittarin merkkivalosegmentti merkitsee akun 20 %:n varausta.

**HUOMAUTUS:** Ruohonleikkurin akkutehomittarin merkkivalo ja LCD-näytön akkutehomittari ilmaisevat asennettujen akkujen keskimääräisen kapasiteetin.

- Ruohonleikkurin tilan merkkivalo (kuvat A1 ja A2 - 27b)

Jos tilan merkkivalo on vihreä, ruohonleikkuri on valmis ajettavaksi. Jos näin ei ole, katso osiota ”RUOHONLEIKKURIN TILA JA VIKAKOODIT”

#### Turvalukitusjärjestelmän testaaminen (kuva D2–D8)

**HUOMAUTUS:** Ajajan täytyy istua istuimella ennen testin suorittamista.

- Ennen testausta (kuvat D2–D4)

- Leikkuulaitejärjestelmän testaaminen (kuva D5), nouse sitten hitaasti ylös.
- Ajojärjestelmän testaaminen (kuvat D6–D8), nouse sitten hitaasti ylös.

Jos leikkuulaitejärjestelmä ja/tai ajojärjestelmä ei pysähdy, kun käyttäjä nousee istuimelta ylös, tarkista, että istuimen pistokeliitäntä on kunnolla yhdistetty. Jos syytä ei pystytä määrittämään, ota yhteys EGO-asiakaspalveluun välittömästi.

### SÄÄTÄMINEN (kuvat E1–E13)

#### Valmistelu (kuvat E1–E5)

#### Leikkuukorkeuden säätäminen (kuva E6)

#### Kannatinpyörien säätäminen (kuvat E7–E10)

E7-1	Kannatinpyörä	E9-2	Kansiruuvi
E9-1	Mutteri	E10-1	Leikkuulaitteen korkeuden säätölevy

#### Istuimen säätäminen (kuva E11)

Säädä istuimen asento ennen ruohonleikkurin käyttöä, jotta varmistat hyvän kosketuksen seisontajarrupolkimeen. Istuimen jousituksen säätäminen auttaa saamaan mahdollisimman mukavan istumiskokemuksen.

E11-1	Istuimen asennon säätövipu	E11-2	Istuimen jousituksen säätönappi
-------	----------------------------	-------	---------------------------------

#### Seisontajarrun asettaminen (kuvat E12–E13)

E13-1	Jarrutusasento	E13-2	Vapautettu asento
-------	----------------	-------	-------------------

### LATAAMINEN (kuvat F1–F11)

Ruohonleikkuri vaatii käynnistyäkseen vähintään 15 Ah:n EGO-akut (2 X BA4200T/BA4200T) Parhaan suorituskyvyn saamiseksi suositellaan EGO-akkuja, joiden yhteiskapasiteetti on vähintään 30 Ah.

**Käytä vain suositeltujen akkujen ja latureiden kanssa. (Kuvat F9 ja F10)**

## Latauksen valmistelu (kuvat F1–F4)

### Akkujen lataaminen erikseen (kuvat F5–F9).

F5-1	Leikkuulaitteen vapautuspainike	F7-1	Akun vapautuspainike
------	---------------------------------	------	----------------------

- Akkujen asettaminen (kuvat F5–F6)
- Akkujen poistaminen (kuvat F7–F8)

**HUOMAUTUS:** lataa akut akkujen ja latureiden käyttöoppaiden ohjeiden mukaisesti.

### Akkujen lataaminen latausliitännän kautta (kuva F10)

FI

F10-1	Pölysuojus	F10-2	Latausliitäntä
-------	------------	-------	----------------

## RUOHONLEIKKURIN KÄYNNISTYS (kuvat A4–A5 ja G1–G6)

**VAROITUS:** Vältä äkillisiä käynnistyksiä, pysäytyksiä ja kääntymisiä sekä liian kovaa nopeutta etenkin silloin, kun opettelet vasta käyttämään ruohonleikkuria. Ruohonleikkuri voi kääntyä nopeasti, mikä voi aiheuttaa hallinnan menetyksen ja johtaa vakavaan henkilövahinkoon ja/tai vaurioon.

**VAROITUS:** Ennen ruohonleikkurin käynnistämistä tarkista ja varmista, että terät kytkeytyvät pois päältä 5 sekunnin kuluessa, kun painat PTO-kytkintä alaspäin. Jos terät eivät pysähdy, älä käytä ruohonleikkuria. Ota välittömästi yhteyttä EGO-asiakaspalveluun.

**HUOMAUTUS:** Noudata kuvia A4 ja G2 käyttäaksesi hitainta ajonopeutta ja **VAKIO**-ajotilaa siihen saakka, kunnes osaat käyttää ruohonleikkuria täydellisesti kaikissa tilanteissa. Ajonopeus ja ajotila aktivoituvat vasta, kun ruohonleikkurin pyörät on pysäytetty ja ohjaussauvat ovat avoinna.

Kun ruohonleikkuri käynnistetään uudelleen, se tallentaa ja esittää edellisen ajotilan, ajonopeuden ja ohjausvipujen kalibroinnin.

### Ajotila

- **HALLITTU:** Pienempi kiihtyvyys, vähemmän herkkä käsittely ja pieni kääntymisnopeus suojaavat ruohoa, aloitteleville käyttäjille.
- **VAKIO:** Sopii päivittäiseen käyttöön.

- **TEHOKAS:** Suurempi kiihtyvyys, tarkka käsittely ja jyrkkä kääntyminen maksimoivat leikkuutehokkuuden, innokkaille leikkaajille.

### Ajonopeuden säätö (kuva A4)

### Terän nopeuden säätö (kuva A5)

### USB-portti

**HUOMAUTUS:** USB-portti tuottaa 5 voltin DC-lataustehon yhteensä 1,5 ampeeria ja se saa virtaa vain ruohonleikkurin käynnistyksen yhteydessä.

## RUOHONLEIKKURIN PYSÄYTTÄMINEN (kuvat H1–H6)

**HUOMAUTUS:** Ruohonleikkuri sammuu automaattisesti, jos mitään toimintaa ei ole 60 minuuttiin.

### Hätäkäyttötila

Kun akun varaus on vähäinen, ruohonleikkuri siirtyy hätäkäyttötilaan:

- Ruohonleikkuri pysäyttää ruohon leikkaamisen automaattisesti;
- Merkkiääni-ilmaisoin jatkaa toimimista;
- Ruohonleikkurin tilan merkkivalo vilkkuu punaisena sekunnin välein, ruohonleikkurin akkutehomittarin ensimmäinen segmentti vilkkuu punaisena ja alhaisen varauksen merkkivalo ja akkutehomittarin akkugrafiikka vilkkuvat.

Käyttäjän pitää:

- a) Painaa PTO-kytkin alas (kuva H3) terien kytkemiseksi pois päältä. Merkkiääni-ilmaisoin lopettaa toiminnan, kun terä pysähtyy;
- b) Lopeta työskentely ja siirry akun latausalueelle mahdollisimman pian. Enimmäismatka, jonka ruohonleikkuri voi liikkua on 1000 metriä.

Kun akku on lähes tyhjä, jokainen akun varausilmaisinkuvake ja alhaisen varauksen merkkivalo vilkkuvat puolen sekunnin välein. Ruohonleikkuri lopettaa toiminnan välittömästi. Käyttäjän täytyy kuljettaa ruohonleikkuri akun latausalueelle latausta varten.

### Käsin työntäminen

Jos ruohonleikkuri vaatii käsin työntämistä, varmista, että akut on irrotettu ja seisontajarrupoljin vapautettu jarrutusasennosta.



## RUOHONLEIKKURIN AJAMINEN (kuvat I1–9)

Pysäytät, vähennät tai lisäät nopeutta muuttamalla hitaasti ohjaussauvan etäisyyttä vapaa-asennosta.

**VAARA:** Pysy vähintään kahden leikkuuleveyden päässä ojista, pudotuksista tai vesistä. Etupyörät voivat pyöriä, kun ruohonleikkuri pysäytetään, vaikka jarru olisi painettuna, ja se voi aiheuttaa ruohonleikkurin kulkemisen reunan yli tai putoamisen veteen, mikä johtaa kuolemaan tai vakavaan henkilövahinkoon.

**VAROITUS:** Ole varovainen ja tarkista ennen peruuttamista, mitä ruohonleikkurin takana on. ÄLÄ leikkaa peruuttamalla, ellei se ole ehdottoman tarpeellista. Katso aina alas ja taakse ennen peruuttamista ja peruuttamisen aikana, jotta varmistat ettei leikkuualueella ole lapsia, sivullisia tai lemmikkieläimiä. Muista, että sekunnin sadasosankin huolimattomuus voi aiheuttaa kuoleman tai vakavan loukkaantumisen.

**VAROITUS:** Älä aja koneella yleisillä teillä.

**VAROITUS:** Jos tulee tukos tai leikkuri osuu vieraaseen esineeseen, sammuta moottorit ja poista akut. Poista ruohot, lehdet, lika ja muut roskakertymät. Tarkista ruohonleikkuri huolellisesti vaurioiden varalta ja korjaa vauriot ennen ruohonleikkurin uudelleen käynnistämistä tai käyttämistä.

## HUOLTAMINEN

**VAROITUS:** Käytä aina sellaisia suojalaseja, joissa on sivusuojat. Tämän ohjeen noudattamatta jättäminen saattaa aiheuttaa esineiden sinkoutumisen silmiin ja mahdollisen vakavan henkilövahingon.

**VAROITUS:** Suojaa aina kätesi paksuilla käsineillä tai käärimällä leikkauspinnat riepuihin tai muihin materiaaleihin silloin, kun teet kunnossapitotoimia ruohonleikkurin terälle. Poista aina turva-avain ja akut, kun huollat tai kuljetat ruohonleikkuria.

Kunnossapitovälit	Huoltotoimenpide
Ennen jokaista käyttökertaa tai päivittäin	<ul style="list-style-type: none"> <li>Tarkista turvalukitusjärjestelmä.</li> <li>Tarkista silmämääräisesti, ettei rengas ole tyhjä.</li> <li>Tarkista terät kulumisen, murtumien tai taipumien varalta.</li> <li>Tarkista koko laite vahingoittuneiden, puuttuvien tai löystyneiden osien varalta, kuten sivupoistokouru, ruuvit, mutterit, pultit, kannet ym., ja varmista, että kaikki suojukset ovat paikoillaan ja toimivat kunnolla.</li> <li>Tarkista jarrun toiminta.</li> </ul>
Jokaisen käyttökerran jälkeen	<ul style="list-style-type: none"> <li>Puhdista ruohonleikkurin leikkuulaite.</li> </ul>
25 tunnin välein	<ul style="list-style-type: none"> <li>Tarkista rengaspaine.</li> </ul>
50 tunnin välein	<ul style="list-style-type: none"> <li>Tarkista rasvatilanne leikkuuterän laipan sisältä.</li> </ul>
100 tunnin välein	<ul style="list-style-type: none"> <li>Tarkista takapyörät. Varmista, että kaikki pyöränmutterit on kiristetty suositeltuun momenttiin.</li> </ul>
200 tunnin välein	<ul style="list-style-type: none"> <li>Tarkista etupyörät. Varmista, että ne kääntyvät vapaasti.</li> </ul>
Vuosittain	<ul style="list-style-type: none"> <li>Tarkista seisontajarrupoljin. Poista akku ruohonleikkurista ja aseta seisontajarrupoljin jarrutusasentoon. Työnnä ruohonleikkuria käsin eteenpäin ja tarkista, liikkuuko ruohonleikkuri. Jos se liikkuu, vie se pätevälle huoltoteknikolle huollettavaksi.</li> </ul>

## RUOHONLEIKKURIN PUHDISTUS (kuvat J1–J9)

Valmistelu (kuvat J1–J5)

Ruohonleikkurin kotelon puhdistaminen (kuvat J6–J7)

Ruohonleikkurin kannen puhdistaminen pesuporttia käyttäen (kuvat J8–J9).

J8-1	Pesuportti	J8-3	Puutarhaletku
J8-2	Pesuportin pikaliitin		

**HUOMAUTUS:** Kun lopetat puhdistamisen, paina PTO-kytkin alas ruohonleikkurin terien vapauttamiseksi.

**F1**

## RUOHONLEIKKURIN LEIKKUULAITTEEN JA LEIKKUUTERIEEN KUNNOSSAPITO

Valmistelu (kuvat K1–K6)

Ruohonleikkurin leikkuulaitteen poistaminen (kuvat K7–K8)

K7-1	Moottorikaapeli	K7-3	Jousikannatus
K7-2	Saksisokka		

**HUOMAUTUS:** Irrota kaikki moottorikaapelit ja saksisokat, kun poistat ruohonleikkurin leikkuulaitteen.

Leikkuuterien vaihtaminen (kuvat K9–K11)

K9-1	Vakaustaite	K10-3	Terä
K10-1	Pultti	K10-4	Laippa
K10-2	Aluslevy	K10-5	Moottorin kara

Ruohonleikkurin leikkuulaitteen tasapainotus

a. Milloin tasapainotus tehdään (kuvat K12–K14)

b. Ennen tasapainotusta

- Kylmien renkaiden paineen tarkastaminen (kuva K15)
- Tarkista leikkuuterät. Poista ja vaihda kuluneet, murtuneet ja/tai taipuneet terät tarvittaessa.

c. Tasapainotuksen valmistelu (kuvat K16–K21)

d. Tasapainotuksen suorittaminen

- Sivusuuntaisen säädön tekeminen (kuva K22)

K22-1	Jumiutunut mutteri
-------	--------------------

- Etu-takasäädön tekeminen (kuva K23)

## RUOHONLEIKKURIN SEURANTAJÄRJESTELMÄN KALIBROINTI (kuvat L1–L4)

**HUOMAUTUS:** Merkkiääni-ilmaisimien antama yhden merkkiäänin, kun kalibrointi alkaa ja kun kalibrointi päättyy.

**HUOMAUTUS:** Jollekin ajotilalle ("HALLITTU", "VAKIO", "TEHOKAS") suoritettu kalibrointi ei ehkä ole käytettävissä kahdessa muussa ajotilassa. Kalibroi ohjausviput kussakin ajotilassa erikseen tarpeen mukaan.

## RUOHONLEIKKURIN TEHDASASETUSTEN PALAUTTAMINEN (kuva M)

**HUOMAUTUS:** Merkkiääni-ilmaisimien antama yhden merkkiäänin, kun palauttaminen alkaa ja kun palauttaminen päättyy.

**HUOMAUTUS:** Kun nollaus onnistuu, alla olevat asetukset palautuvat alkuperäisiin tehdasasetuksiin:

- ajotila
- ajonopeus
- ohjausvipujen kalibrointi

## VARASTOINTI JA KULJETUS

### RUOHONLEIKKURIN KULJETTAMINEN (KUVA N1– N11)

**HUOMAUTUS:** Kiinnitä ruohonleikkuri kuljetuksen ajaksi tarpeen mukaan hihnoilla tai vaijereilla, jotta se ei pääse liikkumaan.

### VARASTOINTI (kuvat O1–O6)

**HUOMAUTUS:** poista akut ja säilytä akut niiden käyttöohjeiden mukaisesti.

Puhdista ja tarkista ruohonleikkuri ennen varastointia osioiden "RUOHONLEIKKURIN PUHDISTAMINEN" ja "SUOSITELTU KUNNOSSAPITOAIKATAULU".

### Ympäristönsuojelu




WEEE (Sähkö- ja elektroniikkalaiteromu) Älä hävitä sähkölaitteita, akkulaturia tai akkua/ ladattavia paristoja kotitalousjätteen seassa!



Vie tämä tuote hyväksytyyn kierrätyspaikkaan tai anna se erilliseen keräilyyn. Sähkötyökalut tulee palauttaa asianmukaiseen ympäristöystävälliseen kierrätyslaitokseen.

## VIANMÄÄRITYS

ONGELMA	SYY	RATKAISU
<p>Ruohonleikkuri ei liiku, jos kaksi ohjaussauvaa työnnetään eteenpäin tai taaksepäin alussa.</p>  Ohjausvipukuvake vilkkuu.	<ul style="list-style-type: none"> <li>Asetettujen akkujen yhteinen Ah ei täytä vaatimusta.</li> </ul>	<ul style="list-style-type: none"> <li>Käynnistäaksesi tämän ruohonleikkurin, käytä tarpeeksi EGO-akkuja tämän käyttöoppaan kohdassa ”<b>LATAAMINEN</b>” annettujen ohjeiden mukaisesti.</li> </ul>
	<ul style="list-style-type: none"> <li>Seisontajarrupoljin on jarrutusasennossa.</li> </ul>	<ul style="list-style-type: none"> <li>Paina seisontajarrupoljin täysin pohjaan vapauttaaksesi jarrutusasennon.</li> </ul>
	<ul style="list-style-type: none"> <li>Ohjaussauvat eivät ole avoimessa asennossa, kun ruohonleikkuri käynnistetään.</li> </ul>	<ul style="list-style-type: none"> <li>Palauta ohjaussauvat avoimeen asentoon ja käynnistä ruohonleikkuri uudelleen.</li> </ul>
	<ul style="list-style-type: none"> <li>Käyttäjä ei istu istuimessa.</li> </ul>	<ul style="list-style-type: none"> <li>Ruohonleikkuria voi käyttää vain silloin, kun käyttäjä istuu kunnolla istuimessa.</li> </ul>
	<ul style="list-style-type: none"> <li>Istuinkytkintä ei ole yhdistetty oikein.</li> </ul>	<ul style="list-style-type: none"> <li>Poista akku ruohonleikkurista ja pura istuin päinvastaisessa järjestyksessä kuin mikä on tämän käyttöoppaan kohdassa ”<b>ISTUIMEN ASENTAMINEN</b>” ja tarkista istuinkytkimen liitännät. Kokoa istuin uudelleen ja käynnistä ruohonleikkuri noudattamalla kohdan ”<b>RUOHONLEIKKURIN KÄYNNISTÄMINEN</b>” ohjeita nähdäksesi käynnistyykö ruohonleikkuri. Jos se ei ole, ota yhteyttä pätevään huoltoasentajaan.</li> </ul>
	<ul style="list-style-type: none"> <li>Erittäin kylmässä säässä ajotoiminto ei ehkä käynnisty alhaisen lämpötilan suojan takia.</li> </ul>	<ul style="list-style-type: none"> <li>Varastoi ruohonleikkuri ja akku aina lämpimässä tilassa. Käynnistä ruohonleikkuri uudelleen, kun se on lämmennyt. Älä yritä toistuvasti äärimmäisen kylmällä säällä, se voi vaurioittaa konetta.</li> </ul>

FI

ONGELMA	SYY	RATKAISU
Ruohonleikkuri pysäyttää ajon.	<ul style="list-style-type: none"> <li>Ohjaussauvat täytyy "nollata".</li> </ul>	<ul style="list-style-type: none"> <li>Palauta ohjaussauvat avoimeen asentoon ja käynnistä ruohonleikkuri uudelleen.</li> </ul>
	<ul style="list-style-type: none"> <li>Ohjaussauvojen sähköiset hallintakomponentit eivät toimi.</li> </ul>	<ul style="list-style-type: none"> <li>Korjausasioissa ota yhteyttä pätevään huoltoasentajaan.</li> </ul>
	<ul style="list-style-type: none"> <li>Istuinkytkin vapautui ajettaessa epätasaisessa maastossa.</li> </ul>	<ul style="list-style-type: none"> <li>Poista akku ruohonleikkurista ja pura istuin päinvastaisessa järjestyksessä kuin mikä on tämän käyttöoppaan kohdassa "<b>ISTUIMEN ASENTAMINEN</b>" ja tarkista istuinkytkimen liitäntä. Kokoa istuin uudelleen ja käynnistä ruohonleikkuri noudattamalla kohdan "<b>RUOHONLEIKKURIN KÄYNNISTÄMINEN</b>" ohjeita nähdäksesi käynnistyykö ruohonleikkuri. Jos se ei ole, ota yhteyttä pätevään huoltoasentajaan.</li> </ul>
	<ul style="list-style-type: none"> <li>Seisontajarrupoljinta painetaan ajonopeuden hidastamiseksi. Kun seisontajarrupoljinta painetaan tarpeeksi, mutta ei pysäköintiasentoon, ruohonleikkuri pysähtyy.</li> </ul>	<ul style="list-style-type: none"> <li>Noudata kohdassa "<b>RUOHONLEIKKURIN KÄYNNISTYS</b>" annettuja ohjeita käynnistääkseen ruohonleikkurin uudelleen.</li> </ul>
Ajonopeutta/ajotilaa ei voi säätää ajamisen aikana.	<ul style="list-style-type: none"> <li>Tämä on ruohonleikkurin ominaisuus turvallista ajoa varten.</li> </ul>	<ul style="list-style-type: none"> <li>Toiminto aktivoituu vasta, kun ruohonleikkurin pyörät on pysäytetty ja ohjaussauvat ovat avoinna.</li> </ul>

ONGELMA	SYY	RATKAISU
<p>Ruohonleikkuri ei käynnistä teriä, kun PTO-kytkintä painetaan.</p> <p> PTO-kytkinkuvake vilkkuu</p>	<ul style="list-style-type: none"> <li>Asetettujen akkujen yhteinen Ah ei täytä vaatimusta.</li> </ul>	<ul style="list-style-type: none"> <li>Käynnistääksesi tämän ruohonleikkurin, käytä tarpeeksi EGO-akkuja tämän käyttöoppaan kohdassa <b>"LATAAMINEN"</b> annettujen ohjeiden mukaisesti.</li> </ul>
	<ul style="list-style-type: none"> <li>PTO-kytkintä ei painettu alas, kun ruohonleikkuri pysäytettiin edellisen kerran.</li> </ul>	<ul style="list-style-type: none"> <li>Paina PTO-kytkin alas ja käynnistä ruohonleikkurin terät uudelleen.</li> </ul>
	<ul style="list-style-type: none"> <li>Ruohonleikkuri oli ylikuormitettu terien käynnistämisen aikana, mikä johtaa moottorin suojaukseen.</li> </ul>	<ul style="list-style-type: none"> <li>Käynnistä ruohonleikkuu leikkurilla ensin alhaisella terän nopeudella, kunnes terät pyörivät. Älä kiihdytä terän nopeutta kuin tarvittaessa.</li> </ul>
	<ul style="list-style-type: none"> <li>Erittäin kylmässä säässä terämoottori ei ehkä käynnisty alhaisen lämpötilan suojan takia.</li> </ul>	<ul style="list-style-type: none"> <li>Varastoi ruohonleikkuri ja akku aina lämpimässä tilassa. Käynnistä ruohonleikkuri uudelleen, kun se on lämmennyt. Älä yritä toistuvasti äärimmäisen kylmällä säällä, se voi vaurioittaa konetta.</li> </ul>
	<ul style="list-style-type: none"> <li>Ruohonleikkurin vääntynyt leikkuulaite häiritsee terää.</li> </ul>	<ul style="list-style-type: none"> <li>Korjausasioissa ota yhteyttä pätevään huoltoasentajaan.</li> </ul>

FI

ONGELMA	SYY	RATKAISU
Terät lakkaavat toimimasta ruohonleikkuun aikana.	<ul style="list-style-type: none"> <li>Ruohonleikkuri on ylikuormittunut</li> </ul>	<ul style="list-style-type: none"> <li>Nosta leikkuulaitteen leikkuukorkeutta tai hidasta ajonopeutta, jotta saat vähennettyä ruohonleikkurin kuormitusta.</li> </ul>
	<ul style="list-style-type: none"> <li>Ruohonleikkurin kansi on täynnä ruohoa ja irtoainesta.</li> </ul>	<ul style="list-style-type: none"> <li>Puhdista ruohonleikkurin leikkuulaite, ja varmista, että terät liikkuvat vapaasti.</li> </ul>
	<ul style="list-style-type: none"> <li>Ruohonleikkuri on ylikuumentunut.</li> </ul>	<ul style="list-style-type: none"> <li>Vähennä ruohonleikkurin kuormitusta nostamalla leikkuulaitteen leikkuukorkeutta tai hidastamalla terien nopeutta / ajonopeutta ja antamalla ruohonleikkurin jäähtyä.</li> </ul>
	<ul style="list-style-type: none"> <li>Ruohonleikkurin akkulokerossa olevat akut ovat ylikuumentuneet, mikä johtaa siihen, että kaikkien asetettujen akkujen yhteinen Ah ei täytä vaatimusta.</li> </ul>	<ol style="list-style-type: none"> <li>Jos akkujen yhteinen Ah-arvo ei täytä vaatimusta, ruohonleikkuri ei toimi ennen kuin akkuja on asetettu lisää tyhjiin akkupaikkoihin. Kun ylikuumentunut akku on jälleen normaalissa lämpötilassa, se alkaa antamaan virtaa ruohonleikkurille välittömästi.</li> </ol>
		<ol style="list-style-type: none"> <li>Vähennä ruohonleikkurin kuormitusta nostamalla leikkuulaitteen leikkuukorkeutta tai hidastamalla ruohonleikkuunopeutta, kun jatkat työskentelyä.</li> </ol>
	<ul style="list-style-type: none"> <li>Ruohonleikkuri on hätäkäyttötilassa.</li> </ul>	<ul style="list-style-type: none"> <li>Kun ruohonleikkuri on hätäkäyttötilassa, terät kytkeytyvät automaattisesti hitaaseen pyörimisnopeuteen eivätkä leikkaa ruohoa. Käyttäjän on lopetettava työskentely ja siirryttävä akun latausalueelle mahdollisimman pian.</li> </ul>
	<ul style="list-style-type: none"> <li>Ruohonleikkuri on osunut vieraaseen esineeseen ja moottorin suojaus on lauennut.</li> </ul>	<ul style="list-style-type: none"> <li>Paina PTO-kytkin alas ja käynnistä leikkuuterät uudelleen.</li> </ul>
Merkkiääni-ilmaisimien jatkaa toimimista.	<ul style="list-style-type: none"> <li>Ruohonleikkuri on hätäkäyttötilassa eikä teriä ole kytketty pois päältä.</li> </ul>	<ul style="list-style-type: none"> <li>Paina PTO-kytkin alas leikkuulaitteen terien kytkemiseksi pois päältä. Merkkiääni-ilmaisimien lopettaa toiminnan, kun terä pysähtyy.</li> </ul>
	<ul style="list-style-type: none"> <li>Ruohonleikkuri pysähtyy rinteessä ja käyttäjä avaa ohjaussauvat ja nousee istuimelta asettamatta seisontajarrupoljinta jarrutusasentoon.</li> </ul>	<ul style="list-style-type: none"> <li>Aseta seisontajarrupoljin jarrutusasentoon ennen kuin poistut ruohonleikkurista rinteessä.</li> </ul>

ONGELMA	SYY	RATKAISU
Akun merkkivalot palavat, kun ruohonleikkuri on kytketty pois päältä.	<ul style="list-style-type: none"> <li>▪ Kun ruohonleikkuri kytketään pois päältä tasaisella maalla poistamatta akkuja, akkujen merkkivalot, käynnistys-/pysäytyspainike ja asetuspainike jäävät palamaan tietyksi ajaksi.</li> </ul>	<ul style="list-style-type: none"> <li>▪ Mitään toimenpiteitä ei tarvita. Akun merkkivalot sammuvat, kun ruohonleikkuri sammuu tietyn ajan kuluttua. Katso tiettyä aikaa koskevat tiedot kohdasta <b>"RUOHONLEIKKURIN PYSÄYTTÄMINEN"</b>.</li> </ul>
	<ul style="list-style-type: none"> <li>▪ Kun ruohonleikkuri kytketään pois päältä rinteessä asettamatta seisontajarrupoljinta jarrutusasettoon, akun merkkivalot palavat, kunnes akun varaus on tyhjä. Merkkiääni kuuluu samanaikaisesti.</li> </ul>	<ul style="list-style-type: none"> <li>▪ Aseta seisontajarrupoljin jarrutusasettoon ennen kuin jätät työkalun rinteessä.</li> </ul>
LCD-näyttö ei syty kaikkien kuvakkeiden kanssa.	<ul style="list-style-type: none"> <li>▪ Käynnistys-/pysäytyspainikkeen painamisaika ei riitä.</li> </ul>	<ul style="list-style-type: none"> <li>▪ LCD-näytössä näkyy "Akkutehomittari" vain, kun käynnistys-/pysäytyspainiketta painetaan lyhyesti.</li> <li>▪ LCD-näyttö kytkeytyy päälle, kun käynnistys-/pysäytyspainiketta pidetään painettuna riittävä aika.</li> </ul>
Ruohonleikkuri leikkaa epätasaisesti, merkittävä korkeusero edessä ja takana.	<ul style="list-style-type: none"> <li>▪ Terät ovat tylsät.</li> </ul>	<ul style="list-style-type: none"> <li>▪ Teroita tai vaihda leikkuuterä tämän käyttöoppaan ohjeiden mukaisesti.</li> </ul>
	<ul style="list-style-type: none"> <li>▪ Terät ovat taipuneet.</li> </ul>	<ul style="list-style-type: none"> <li>▪ Vaihda taipunut leikkuuterä osion <b>"LEIKKUUTERIEN VAIHTAMINEN"</b> ohjeiden mukaan.</li> </ul>
	<ul style="list-style-type: none"> <li>▪ Ruohonleikkurin leikkuulaite ei ole tasapainossa, mikä johtaa leikkuuterien korkeuseroihin.</li> </ul>	<ul style="list-style-type: none"> <li>▪ Tasapainota ruohonleikkurin leikkuulaite osion <b>"RUOHONLEIKKURIN LEIKKUULAITTEEN TASAPAINOTUS"</b> ohjeiden mukaan.</li> </ul>
Todellinen ruohon leikkuukorkeus ei täsmää halutun korkeuden kanssa.	<ul style="list-style-type: none"> <li>▪ Leikkuulaitteen jousikannatuksen kansimutterit ovat löysällä</li> </ul>	<ul style="list-style-type: none"> <li>▪ Tee leikkuulaitteen etu-takasäätö noudattaen kohdan <b>"RUOHONLEIKKURIN KANNEN TASAPAINOTUS"</b> ohjeita ja kiristä jousikannatuksen mutterit.</li> </ul>
	<ul style="list-style-type: none"> <li>▪ Ruohonleikkurin leikkuulaite on vaurioitunut tai erittäin kulunut.</li> </ul>	<ul style="list-style-type: none"> <li>▪ Vaihda ruohonleikkurin leikkuulaite noudattaen osion <b>"RUOHONLEIKKURIN LEIKKUULAITTEEN POISTAMINEN"</b> ohjeita.</li> </ul>



ONGELMA	SYY	RATKAISU
Ruohonleikkuri ei silppua kunnolla.	<ul style="list-style-type: none"> <li>Märät ruohopalat juuttuvat kannen alapuolelle.</li> </ul>	<ul style="list-style-type: none"> <li>Odota, että ruoho kuivuu, ennen kuin jatkat leikkaamista.</li> </ul>
	<ul style="list-style-type: none"> <li>Ruohonleikkuri on asetettu leikkaamaan liikaa ruohoa kerralla.</li> </ul>	<ul style="list-style-type: none"> <li>Nosta leikkuulaitteen leikkuukorkeutta.</li> </ul>
Liiallista tärinää.	<ul style="list-style-type: none"> <li>Leikkuuterät ovat löysällä.</li> </ul>	<ul style="list-style-type: none"> <li>Kiristä terän pultti suositeltuun momenttiin.</li> </ul>
	<ul style="list-style-type: none"> <li>Terät ovat taipuneet.</li> </ul>	<ul style="list-style-type: none"> <li>Vaihda taipunut leikkuuterä osion ”<b>LEIKKUUTERIEN VAIHTAMINEN</b>” ohjeiden mukaan.</li> </ul>
	<ul style="list-style-type: none"> <li>Ruohonleikkurin leikkuulaite ei ole tasapainossa.</li> </ul>	<ul style="list-style-type: none"> <li>Tasapainota ruohonleikkurin leikkuulaite osion ”<b>RUOHONLEIKKURIN LEIKKUULAITTEEN TASAPAINOTUS</b>” ohjeiden mukaan.</li> </ul>
	<ul style="list-style-type: none"> <li>Leikkuulaitteen jousikannatuksen kansimutterit ovat löysällä.</li> </ul>	<ul style="list-style-type: none"> <li>Kiristä jousikannatuksen mutterit.</li> </ul>
	<ul style="list-style-type: none"> <li>Ruohonleikkuri on asetettu leikkaamaan liikaa ruohoa kerralla.</li> </ul>	<ul style="list-style-type: none"> <li>Nosta leikkuulaitteen leikkuukorkeutta.</li> </ul>
Maahan jää ruohoa tai roskia leikkaamisen jälkeen.	<ul style="list-style-type: none"> <li>Ruohonleikkuri on asetettu leikkaamaan liikaa ruohoa kerralla, kun ruoho on pitkä.</li> </ul>	<ul style="list-style-type: none"> <li>Aloita korkeimmalla leikkuukorkeudella ja vähennä korkeutta, kunnes haluttu leikkuutuloks saavutetaan. Yli kuuden tuuman korkuinen ruoho on ajettava kaksi kertaa peräkkäin pienemmillä leikkuukorkeuksilla.</li> </ul>
	<ul style="list-style-type: none"> <li>Ruoho on märkää.</li> </ul>	<ul style="list-style-type: none"> <li>Älä leikkaa märkää ruohoa. Odota ruohon kuivumista.</li> </ul>
	<ul style="list-style-type: none"> <li>Ajonopeus on korkea.</li> </ul>	<ul style="list-style-type: none"> <li>Hidasta ajonopeutta.</li> </ul>
	<ul style="list-style-type: none"> <li>Terän nopeus on hidas.</li> </ul>	<ul style="list-style-type: none"> <li>Nosta terän nopeutta asteittain.</li> </ul>
Ruohonleikkurin akun kesto on lyhyt.	<ul style="list-style-type: none"> <li>Ruohon kunto ja leikkuukorkeuden asetus vaikuttavat akun keston merkittävästi. Annettu akun kesto aika perustuu kevyesti kuormittaviin olosuhteisiin.</li> </ul>	<ul style="list-style-type: none"> <li>Nosta leikkuulaitteen leikkuukorkeutta ja hidasta terän nopeutta, jotta saat vähennettyä leikkurin kuormitusta.</li> </ul>

ONGELMA	SYY	RATKAISU
Ruohonleikkuri ei liiku suoraan.	<ul style="list-style-type: none"> <li>Vasemman ja oikean takarenkaan rengaspaineet ovat erilaiset.</li> </ul>	<ul style="list-style-type: none"> <li>Tarkista ja säädä kummankin takarenkaan ilmanpaine tämän käyttöoppaan osion ”<b>RENGASPAINEN TARKISTAMINEN</b>” ohjeiden mukaan.</li> </ul>
	<ul style="list-style-type: none"> <li>Vasemman ja oikean takarenkaan ajonopeudet ovat erilaiset.</li> </ul>	<ul style="list-style-type: none"> <li>Kalibroi ruohonleikkurin hallintajärjestelmä osion ”<b>RUOHONLEIKKURIN HALLINTAJÄRJESTELMÄN KALIBROINTI</b>” ohjeiden mukaan.</li> </ul>
Seisontajarrupoljin ei vapaudu jarrutusasennosta tai vapautuu hitaasti.	<ul style="list-style-type: none"> <li>Seisontajarrupolkimen sisällä saattaa olla roskia tai likaa.</li> </ul>	<ul style="list-style-type: none"> <li>Avaa seisontajarrupolkimen kotelo ja puhdista kotelo huolellisesti sisäpuolelta, sulje kotelo. Palauta seisontajarrupoljin, jotta näet onko ongelma ratkennut. Jos se ei ole, ota yhteyttä pätevään huoltoasentajaan.</li> </ul>
Ruohonleikkuria ei voi ladata latausliitännän kautta, ruohonleikkurin tilan merkkivalo palaa punaisena.	<ul style="list-style-type: none"> <li>Laturin pistoke ei ole kunnolla kiinni ruohonleikkurin latausliitännässä.</li> </ul>	<ul style="list-style-type: none"> <li>Yhdistä laturin pistoke uudelleen ja tarkista latautuuko ruohonleikkuri normaalisti.</li> </ul>
	<ul style="list-style-type: none"> <li>Seinäpistorasiassa ei ole virtaa.</li> </ul>	<ul style="list-style-type: none"> <li>Mitään toimenpiteitä ei tarvita. Odota, kunnes virta palautuu.</li> </ul>
	<ul style="list-style-type: none"> <li>Laturissa on toimintahäiriö.</li> </ul>	<ul style="list-style-type: none"> <li>Anna pätevän huoltoasentajan tarkistaa laturi ja korjata se tarvittaessa.</li> </ul>
	<ul style="list-style-type: none"> <li>Ruohonleikkurin latausliitäntä on viallinen.</li> </ul>	<ul style="list-style-type: none"> <li>Korjausasioissa ota yhteyttä pätevään huoltoasentajaan.</li> </ul>
Latausaika ruohonleikkurin latausliitännän kautta on liian pitkä.	<ul style="list-style-type: none"> <li>Lataaminen kestää pitkään käytettäessä EGO-verkkolaitetta ACA1000.</li> </ul>	<ul style="list-style-type: none"> <li>Käytä EGO-laturia CHV1600E ruohonleikkurin lataamiseksi suoraan.</li> </ul>
Akku ei lataudu täyteen ruohonleikkurin latausliitännän kautta.	<ul style="list-style-type: none"> <li>Ajettavan ruohonleikkurin laiteohjelmistovirhe tai laturin/akun toimintahäiriö.</li> </ul>	<ul style="list-style-type: none"> <li>Irrota laturi ja odota muutamia minuutteja, liitä pistoke sitten uudelleen sähköverkkoon. Jos se ei toimi, ota yhteyttä pätevään huoltoasentajaan.</li> </ul>
Ruohonleikkuri ei käynnisty puhdistamisen jälkeen.	<ul style="list-style-type: none"> <li>Virheellinen puhdistaminen, vettä on esimerkiksi päässyt sähköisiin osiin, LCD-näyttöön jne.</li> </ul>	<ul style="list-style-type: none"> <li>Puhdista ruohonleikkuri oikein osion ”<b>RUOHONLEIKKURIN PUHDISTAMINEN</b>” ohjeiden mukaan.</li> </ul>

ONGELMA	SYY	RATKAISU
Ruohonleikkuri menee helposti tukkoon.	<ul style="list-style-type: none"> <li>Ruohonleikkurin kansi on täynnä ruohoa ja irtoainesta.</li> </ul>	<ul style="list-style-type: none"> <li>Jos ruohonleikkuri on jäänyt vahingossa sateeseen, anna sen kuivua itsestään tai käytä sen kuivaamiseen paineilmaa.</li> <li>Puhdista ruohonleikkurin leikkuulaite jokaisen käyttökerran jälkeen noudattaen osion ”Pesuportin käyttäminen ruohonleikkurin leikkuulaitteen puhdistamiseen” ohjeita.</li> </ul>
Ruohonleikkuri menettää helposti vedon ajettaessa rinnettä ylöspäin.	<ul style="list-style-type: none"> <li>Takapyörien renkaat ovat kuluneet.</li> <li>Liian jyrkkä leikattava rinne.</li> </ul>	<ul style="list-style-type: none"> <li>Vaihdeta pyörän renkaat paikallisessa huoltoliikkeessä.</li> <li>Ajettavan rinteiden jyrkkyyden pitäisi olla vaatimuksen mukainen.</li> </ul>
Kun ruohonleikkuri pysäytetään rinteeseen seisontajarrupoljin painettuna, ruohonleikkuri voi liukua rinnettä alaspäin.	<ul style="list-style-type: none"> <li>Jarruosat ovat liian kuluneet ruohonleikkurin virheellisen käytön takia.</li> </ul>	<ul style="list-style-type: none"> <li>Korjausasioissa ota yhteyttä pätevään huoltoasentajaan.</li> </ul>
Pesuportista ei tule vettä leikkuulaitteen pesemisen aikana.	<ul style="list-style-type: none"> <li>Pesuportin pikaliitintä ei ole kiinnitetty paikoilleen pesuportiin.</li> </ul>	<ul style="list-style-type: none"> <li>Kiinnitä pesuportin pikaliitin takaisin painamalla, kunnes kuulet selkeän napsahduksen. Jos se ei toimi, ota yhteyttä pätevään huoltoasentajaan.</li> </ul>
Kuuluu epänormaali ääni, kun ruohonleikkuria työnnetään käsin ilman käynnistämistä.	<ul style="list-style-type: none"> <li>Ääni kuuluu ajomoottorin sisällä olevista magneeteista.</li> </ul>	<ul style="list-style-type: none"> <li>Tämä on normaalia, toimenpiteitä ei tarvita.</li> </ul>

## VIKAKOODIN JA RUOHONLEIKKURIN TILAN MERKKIVALO

LCD-näyttö	Kuvaus	Vikakoodi LCD-näytössä	Ruohonleikkurin tilan merkkivalo	Merkkiääni	Syy	Ratkaisu
	LED-valokuvake näkyy LCD-näytössä	Ei ole	Ei pala	Ei	LED-valokytkin kytkee ajovalot, sivuvalot ja takavalot.	Tämä on normaalia toimintaa. Mitään toimenpiteitä ei tarvita.
	USB-kuvake näkyy LCD-näytössä	Ei ole	Ei pala	Ei	USB-kuvake ilmaisee, että USB-laite toimii ruohonleikkurin käynnistämisen jälkeen.	Tämä on normaalia toimintaa. Mitään toimenpiteitä ei tarvita.
	Akkutehomittarikuvake näkyy LCD-näytössä	Ei ole	Ei pala	Ei	Ilmaisee asetettujen akkujen keskimääräisen varauskapasiteetin.	Tämä on normaalia toimintaa. Mitään toimenpiteitä ei tarvita.
	Käyttötuntimittarikuvake näkyy LCD-näytössä	Ei ole	Ei pala	Ei	Näyttää ruohonleikkurin kokonaiskäyttötunnit, ei voi nollata.	Tämä on normaalia toimintaa. Mitään toimenpiteitä ei tarvita.
	Kuormituksen merkkivalokuvake on ECO-alueella	Ei ole	Ei pala	Ei	Ilmaisee ruohonleikkurin nykyisen kuormituksen.	Tämä on normaalia toimintaa. Mitään toimenpiteitä ei tarvita.
	Ylikuormituksen merkkivalo vilkkuu. Kuormituksen merkkivalokuvake on PWR-alueella.	Ei ole	Vilkkuu punaisena	Yksi merkkiääni	Terämoottori on ylikuormittunut.	Nosta leikkuulaitteen leikkuukorkeutta tai hidasta ajonopeutta, jolloin saat vähennettyä ruohonleikkurin kuormitusta.
					Sivupoistokouru on täynnä ruohoa ja roskaa.	Puhdista sivupoistokouru jokaisen käyttökerran jälkeen.
					Terän ja ruohonleikkurin kannen välillä on häiriö.	Jätä korjaukset pätevän huoltoasentajan tehtäväksi.

LCD-näyttö	Kuvaus	Vikakoodi LCD-näytössä	Ruohonleikkurin tilan merkkivalo	Merkkiääni	Syy	Ratkaisu
	Turva-avainkuvake vilkkuu.	Ei ole	Ei pala	Ei	Turva-avainta ei ole asetettu.	Aseta turva-avain ja käynnistä leikkuri pitämällä KÄYNNISTYS/PYSÄYTYS-painiketta painettuna.
					LCD-näyttöön ei tule virtaa.	Jätä korjaukset pätevän huoltoasentajan tehtäväksi.
	Tietyn akkulokeron kuvake vilkkuu.	Ei ole	Ei pala	Ei	Tietyissä akussa on ylivirta purkautumisen aikana.	Mitään toimenpiteitä ei tarvita. Ruohonleikkuri jatkaa toimintaa, jos akkujen yhteinen Ah-arvo, ylivirta-akku pois lukien, täyttää vaatimuksen. Kun ylivirta-akku palautuu normaaliksi, se kytkeytyy välittömästi ruohonleikkurin virransyöttöön ja kuvake katoaa.
	Tyhjän akkulokeron kuvake vilkkuu.	Ei ole	Ei pala	Ei	Akun kapasiteetti ei riitä ajettavan ruohonleikkurin käyttämiseen.	Käynnistäaksesi tämän ruohonleikkurin, käytä riittävästi EGO-akkuja tämän käyttöoppaan kohdassa "LATAAMINEN" annettujen ohjeiden mukaisesti.
	Lämpötilakuvake vilkkuu.	Ei ole	Ei pala	Yksi merkkiääni	Leikkuri on ylikuumentunut	Vähennä ruohonleikkurin kuormitusta nostamalla leikkuulaitteen leikkuukorkeutta tai hidastamalla terien nopeutta / ajonopeutta. Pidä tauko ja anna ruohonleikkurin jäähtyä.
					Ruohonleikkuri on liian kylmä	Älä yritä toistuvasti, sillä se voi vahingoittaa konetta. Varastoi ruohonleikkuri ja akut aina lämpimässä tilassa. Käynnistä ruohonleikkuri uudelleen, kun se on lämmennyt.

LCD-näyttö	Kuvaus	Vikakoodi LCD-näytössä	Ruohonleikkurin tilan merkkivalo	Merkkiääni	Syy	Ratkaisu
	<p>Lämpötilakuvake ja tarkka varattu akkulokero vilkkuvat samanaikaisesti.</p>	Ei ole	Ei pala	Ei	<p>Vastaavalla numerolla varustetun akkuosaston akku on ylikuumentunut.</p>	<p>1. Ruohonleikkuri jatkaa toimintaa, jos akkujen yhteinen Ah-arvo, ylikuumentunut akku pois lukien, täyttää vaatimuksen. Kun ylikuumentunut akku on jälleen normaalissa lämpötilassa, se alkaa antamaan virtaa ruohonleikkurille välittömästi.</p> <p>2. Jos akkujen yhteinen Ah-arvo ei ole riittävä, ruohonleikkuri ei toimi ennen kuin akkuja on asetettu lisää tyhjiin akkulokeroihin.</p> <p>3. Vähennä ruohonleikkurin kuormitusta nostamalla leikkuulaitteen leikkuukorkeutta tai hidastamalla ruohonleikkuunopeutta, kun jatkat työskentelyä.</p>
	<p>Jokaisen varatun akkulokeron kuvake, alhaisen varauksen ilmaisin, akkutehomittarin grafiikka vilkkuvat yhden sekunnin välein samanaikaisesti LCD-näytössä. LED-tehomittarin ensimmäinen segmentti ja tilan merkkivalo vilkkuvat myös.</p>	Ei ole	Vilkkuu punaisena	Merkkiääni kuuluu, kunnes PTO-kytkin on painettu alas.	<p>Akkujen varaus on vähissä ja ruohonleikkuri on hätäkäyttötilassa.</p>	<p>Lopeta työskentely ja siirry akun latausalueelle.</p> <p><b>HUOMAUTUS:</b> Kun ruohonleikkuri on hätäkäyttötilassa, terät kytkeytyvät automaattisesti hitaaseen pyörimisnopeuteen eivätkä leikkaa ruohoa ja samalla kuuluu merkkiääniä. Käyttäjän pitää painaa PTO-kytkin alas leikkuulaitteen terien kytkemiseksi pois päältä. Merkkiääni lakkaa kuulumasta, kun terä pysähtyy.</p>

LCD-näyttö	Kuvaus	Vikakoodi LCD-näytössä	Ruohonleikkurin tilan merkkivalo	Merkkiäni	Syy	Ratkaisu
	Jokainen akun varausilmaisinkuvake ja alhaisen varauksen merkkivalo vilkkuvat puolen sekunnin välein.	Ei ole	Vilkkuu punaisena	Jatkaa kuulumista	Akut ovat lähes tyhjä.	Ruohonleikkuri lopettaa toiminnan välittömästi. Käyttäjän täytyy kuljettaa ruohonleikkuri akun latausalueelle latausta varten.
	Automaattisen pysäköinnin kuvake vilkkuu LCD-näytössä.	Ei ole	Ei pala	Jatkaa kuulumista	Ruohonleikkuri on pysäköity rinteeseen ja käyttäjä jättää ruohonleikkurin asettamatta seisontajarrua jarrutusasettoon ohjaussauvojen ollessa avoimessa asennossa.	Aseta jarrupoljin jarrutusasettoon. Automaattisen pysäköinnin kuvake sammuu ja merkkiäni lakkaa kuulumasta.
	Jarrupolkimen kuvake näkyy LCD-näytössä.	Ei ole	Ei pala	Ei	Seisontajarrupoljin on asetettu jarrutusasettoon.	Vapauta ennen ruohonleikkurin käynnistämistä.
	Istuinanturin kuvake näkyy LCD-näytössä.	Ei ole	Ei pala	Ei	Käyttäjä nousee pois istuimelta tai istuinkytkin on pois päältä.	Jos kuvake palaa käyttäjän istuessa istuimessa, lopeta ruohonleikkurin käyttö välittömästi ja tarkista istuimen liitäntä. Jos istuimen liitäntä ruohonleikkuriin on oikein, ota yhteyttä pätevään huoltoasentajaan korjausta varten.
	PTO-kytkinkuvake vilkkuu.	Ei ole	Ei pala	Ei	Terämoottoria häirittiin käytön aikana ja PTO-kytkintä ei ole asetettu pois päältä -asettoon.	Paina ennen ruohonleikkurin käynnistämistä uudelleen PTO-kytkin alas leikkuulaitteen terämoottorin kytkemiseksi pois päältä. Katso lisätieto tämän käyttöoppaan osiosta "VIANMÄÄRITYS".

LCD-näyttö	Kuvaus	Vikakoodi LCD-näytössä	Ruohonleikkurin tilan merkkivalo	Merkkiääni	Syy	Ratkaisu
	Ohjaussauvakuvake vilkkuu.	Ei ole	Ei pala	Ei	Ajomootoria häirittiin käytön aikana ja ohjaussauvoja ei ole asetettu avoimeen asentoon.	Palauta ohjaussauvat avoimeen asentoon ennen ruohonleikkurin uudelleen käynnistämistä. Katso lisätietoa tämän käyttöoppaan osiosta <b>"VIANMÄÄRITYS"</b> .
	Energian talteenottokuvake vilkkuu ajoittain.	Ei ole	Ei pala	Ei	Jarrituksen tai alamäkeen ajamisen aikana syntyvä liike-energia muunnetaan sähköksi akkujen lataamista varten.	Tämä on normaalia toimintaa. Mitään toimenpiteitä ei tarvita.

FI

**HUOMAUTUS:** Jos LCD-näytössä näkyy vikakoodi, poista kaikki akut ja aseta ne takaisin muutaman minuutin kuluttua. Jos tämä ei ratkaise ongelmaa, noudata alla olevaa vikakoodien vianetsintää.

LCD-näyttö	Kuvaus	Vikakoodi LCD-näytössä	Ruohonleikkurin tilan merkkivalo	Merkkiääni	Syy	Ratkaisu
Katso <b>"Vikakoodi"</b>	Vasen ajomoottori ei pyöri.	PCBA-ohjattu vasen ajomoottori ei toimi.	413	Ei pala	Yksi merkkiääni	PCBA-vika
		Pistoke (kolmivaihe, virtajohto), joka liittää vasemman ajomoottorin vastaavaan PCBA:han, on irronnut.	317	Ei pala	Yksi merkkiääni	Löysä liitântä
		Pistoke (kuusinapainen, signaalijohto), joka liittää vasemman ajomoottorin vastaavaan PCBA:han, on irronnut.	301	Ei pala	Yksi merkkiääni	Löysä liitântä
		Vasen ajomoottori ei toimi.	317	Ei pala	Yksi merkkiääni	Moottorivika
						Jätä korjaukset pätevän huoltoasentajan tehtäväksi.



LCD-näyttö	Kuvaus	Vikakoodi LCD-näytössä	Ruohonleikkurin tilan merkkivalo	Merkkiääni	Syy	Ratkaisu	
Katso "Vikakoodi"	Oikea ajomoottori ei pyöri.	PCBA-ohjattu oikea ajomoottori ei toimi.	313	Ei pala	Yksi merkkiääni	PCBA-vika	Jätä korjaukset pätevän huoltoasentajan tehtäväksi.
		Pistoke (kolmivaihe, virtajohto), joka liittää oikean ajomoottorin vastaavaan PCBA:han, on irronnut.	417	Ei pala	Yksi merkkiääni	Löysä liitântä	
		Pistoke (kuusinapainen, signaalijohto), joka liittää oikean ajomoottorin vastaavaan PCBA:han, on irronnut.	401	Ei pala	Yksi merkkiääni	Löysä liitântä	
		Oikea ajomoottori ei toimi.	417	Ei pala	Yksi merkkiääni	Moottorivika	
Katso "Vikakoodi"	Vasen terämoottori ei pyöri.	PCBA-ohjattu vasen terämoottori ei toimi.	607/A07	Ei ole	Yksi merkkiääni	PCBA-vika	Jätä korjaukset pätevän huoltoasentajan tehtäväksi.
		Pistoke (kolmivaihe, virtajohto), joka liittää vasemman ajomoottorin vastaavaan PCBA:han, on irronnut.	509	Ei ole	Yksi merkkiääni	Löysä liitântä	Tarkasta ensin terä. Jos se on löysällä, kiristä pultti suositeltuun vääntömomenttiin. Muussa tapauksessa jätä korjaukset pätevän huoltoasentajan tehtäväksi.
		Vasen terämoottori ei toimi.	509	Ei ole	Yksi merkkiääni	Moottorivika	

LCD-näyttö	Kuvaus		Vikakoodi LCD-näytössä	Ruohonleikkurin tilan merkkivalo	Merkkiääni	Syy	Ratkaisu
Katso "Vikakoodi"	Oikea terämoottori ei pyöri.	PCBA-ohjattu oikea terämoottori ei toimi.	507/A07	Ei ole	Yksi merkkiääni	PCBA-vika	Jätä korjaukset pätevän huoltoasentajan tehtäväksi.
		Pistoke (kolmivaihe, virtajohto), joka liittyy oikean ajomoottorin vastaavaan PCBA:han, on irronnut.	609	Ei ole	Yksi merkkiääni	Löysä liitäntä	Tarkasta ensin terä. Jos se on löysällä, kiristä pultti suositeltuun vääntömomenttiin. Muussa tapauksessa jätä korjaukset pätevän huoltoasentajan tehtäväksi.
		Oikea terämoottori ei toimi.	609	Ei ole	Yksi merkkiääni	Moottorivika	
Katso "Vikakoodi"	Keskimmäinen terämoottori ei pyöri.	PCBA-ohjattu keskimmäinen terämoottori ei toimi	507/607	Ei ole	Yksi merkkiääni	PCBA-vika	Jätä korjaukset pätevän huoltoasentajan tehtäväksi.
		Pistoke (kolmivaihe, virtajohto), joka liittyy keskimmäisen terämoottorin vastaavaan PCBA:han, on irronnut.	A09	Ei ole	Yksi merkkiääni	Löysä liitäntä	Tarkasta ensin terä. Jos se on löysällä, kiristä pultti suositeltuun vääntömomenttiin. Muussa tapauksessa jätä korjaukset pätevän huoltoasentajan tehtäväksi.
		Keskimmäinen terämoottori ei toimi	A09	Ei ole	Yksi merkkiääni	Moottorivika	
Katso "Vikakoodi"	Vasen ohjaussauva ei toimi	PCBA:ta ohjaava vasen ohjaussauva ei toimi.	311/412	Ei pala	Yksi merkkiääni	PCAB-vika	Jätä korjaukset pätevän huoltoasentajan tehtäväksi.
		Ohjaavan PCBA:n ohjaussauvassa sijaitseva pistoke on irronnut.				Löysä liitäntä	

LCD-näyttö	Kuvaus	Vikakoodi LCD-näytössä	Ruohonleikkurin tilan merkkivalo	Merkkiääni	Syy	Ratkaisu	
Katso "Vikakoodi"	Oikea ohjaussauva ei toimi	PCBA:ta ohjaava oikea ohjaussauva ei toimi.	312/411	Ei pala	Yksi merkkiääni	PCAB-vika	Jätä korjaukset pätevän huoltoasentajan tehtäväksi.
		Ohjaavan PCBA:n ohjaussauvassa sijaitseva pistoke on irronnut.				Löysä liitäntä	
Katso "Vikakoodi"	Seisontajarru ei toimi, työkalua ei voi käyttää.	Eturungossa oleva seisontajarrun PCBA on rikki.	309/409	Ei pala	Yksi merkkiääni	PCBA-vika	Jätä korjaukset pätevän huoltoasentajan tehtäväksi.
		Seisontajarrun kytkin ja/tai johto on viallinen.	801	Ei pala	Yksi merkkiääni	Johto-/kytkinvika	
Ei pala	Latausportin vika	Ei ole	Ei ole	Palaa punaisena	Ei ole	Latausportti on avoimessa piirissä.	Jätä korjaukset pätevän huoltoasentajan tehtäväksi.
		Ei ole	Ei ole	Palaa punaisena	Ei ole	Ei virransyöttöä.	Tarkista seinäpistorasia, onko jännite 220–240 V ja pistorasia kunnossa.
		Ei ole	Ei ole	Palaa punaisena	Ei ole	Sulake on palanut.	Jätä korjaukset pätevän huoltoasentajan tehtäväksi.
Katso "Vikakoodi"	Latausportin vika	204	Ei ole	Yksi merkkiääni	Latausportti on avoimessa piirissä.	Jätä korjaukset pätevän huoltoasentajan tehtäväksi.	

LCD-näyttö	Kuvaus	Vikakoodi LCD-näytössä	Ruohonleikkurin tilan merkkivalo	Merkkiääni	Syy	Ratkaisu
Katso "Vikakoodi"	Akkulokero ei toimi.	217	Ei ole	Yksi merkkiääni	Akkulokeron virtalähde on rikki. LED-ajovalot ja USB eivät toimi.	Jätä korjaukset pätevän huoltoasentajan tehtäväksi.
		310/ 410	Ei pala	Yksi merkkiääni	Akkulokeron Type-C-johtojen yhteys ruohonleikkurin muihin Type-C-johtoihin ei toimi.	
		201/ 202/ 203	Ei pala	Yksi merkkiääni	Akkulokeron BMS on rikki.	
Katso "Vikakoodi"	Käynnistys-/pysäytyskytkin ei toimi	314/ 414	Ei pala	Yksi merkkiääni	Kytkimen PCBA-vika tai käynnistys-/pysäytyskytkimen huono johdinliitäntä.	Jätä korjaukset pätevän huoltoasentajan tehtäväksi.
Katso "Vikakoodi"	LCD-näyttö ei toimi	315/ 415	Ei pala	Yksi merkkiääni	LCD-kokoonpano on rikki tai LCD-kokoonpanon huono johdinliitäntä.	Jätä korjaukset pätevän huoltoasentajan tehtäväksi.

## TAKUU

### EGON TAKUUEHDOT

Verkkosivustolta [egopowerplus.com](http://egopowerplus.com) löydät EGO:n takuukäytännön täydelliset ehdot.

## LES ALLE INSTRUKSJONER!



**LES BRUKERMANUALEN**

## SIKKERHETSSYMBOL

Hensikten med sikkerhetssymboler er å tiltrekke deg oppmerksomheten mot mulige farer. Sikkerhetssymbolene og forklaringene med dem fortjener nøye oppmerksomhet og forståelse. Symbolvarslene eliminerer ikke i seg selv noen fare. Instruksjonene og advarslene de gir, erstatter ikke riktige tiltak for å forhindre ulykker.

**⚠ ADVARSEL:** Sørg for å lese og forstå alle sikkerhetsinstruksjonene i denne brukerhåndboken, inkludert alle sikkerhetsvarselsymboler som "**FARE**", "**ADVARSEL**" og "**FORSIKTIG**" før du bruker dette verktøyet. Hvis du ikke følger alle instruksjonene nedenfor, kan det føre til elektrisk støt, brann og/eller alvorlig personskade.

## SYMBOLBETYDELSE

NO

Denne siden viser og beskriver sikkerhetssymboler som kan vises på dette produktet. Les, forstå og følg alle instruksjonene på maskinen før du prøver å montere og bruke den.

## SIKKERHETSSYMBOLER

	Sikkerhetsvarsel		Les og forstå brukerhåndboken
	Øyebeskyttelse		Opprettholde sikkerhetsinnretninger
	FARE - Fare for bratt skråning		FARE - Hold tilskuere borte fra bladene
	Aldri bær barn		Se bak deg mens du rygger
	ADVARSEL - Ikke bruk denne maskinen i skråninger som er større enn 12°		FARE - Objekter som kastes
	ADVARSEL - HOLD HENDER OG FØTTER BORTE		Garantert lydeffektnivå. I henhold til det europeiske samfunnets direktiv.



Ikke gå



Dette produktet er i samsvar med gjeldende EF -direktiver



Likestrøm

kPa

Kilopascal

V

Volt

i

Tommer

Nm

Newton meter

°C

Celsius

km/t

Kilometer i timen



Elektriske avfallsprodukter skal ikke kastes sammen med husholdningsavfall. Send til en autorisert gjenvinner.



FORSIKTIG – Ikke stirr på driftslampen.



Dette produktet er i samsvar med gjeldende britisk lovgivning.

RPM

Omdreininger per minutt

m

Meter

cm

Centimeter

mm

Millimeter

kg

Kilogram

IPX4

Ingress beskyttelsesgrad

NO

## SPESIFIKASJONER

Spenning		56 V	Lader (valgfritt)	CHV1600E
Dekkstørrelse		132 cm	Adapter (valgfritt)	ACA1000
Hjulstørrelse	Front	279,4 x 126 mm	Ladetempe- raturområde	5°C - 40°C
	Bak	457,2 x 223 mm	Justering av klippehøyde (10 posisjoner)	25 - 100 mm
Kaldt dekktrykk	Front	222,1 kPa	Driftstemperatur	0°C- 40°C
	Bak	115,8 kPa	Lagertemperatur	-20°C - 70°C
Svingradius		0	Vekt (Uten batteripakke)	217 kg
Bladhastighet (RPM)		2600; 2800; 3000; 3200	Målt lydeffektnivå $L_{WA}$	95,48 dB(A) K=0,73 dB(A)
Maks. Kjørehastighet (km/t)	Framover	8,1 km/t, 9,7 km/t, 11,3 km/t, 12,8 km/t	Lydtrykknivå ved brukerens øre $L_{PA}$	82,5 dB(A) K=3 dB(A)
	Reverser	opptil 6,4 km/t	Garantert lydeffektnivå $L_{WA}$ (målt i henhold til 2000/14/EF)	100 dB(A)

Vibrasjon $a_h$	Hånd	0,69 m/s <sup>2</sup> K=1,5 m/s <sup>2</sup>
	Kropp	0,3 m/s <sup>2</sup> K=1,5 m/s <sup>2</sup>

- Den deklarete totale vibrasjonsverdien er målt i samsvar med en standard testmetode og kan brukes til å sammenligne ett verktøy med et annet;
- Den deklarete totale vibrasjonsverdien kan også brukes i en foreløpig vurdering av eksponering.

**MERKNAD:** Vibrasjonsutslippet under faktisk bruk av elektroverktøyet kan avvike fra den deklarete verdien som verktøyet brukes i; For å beskytte brukeren, bør brukeren bruke hansker og hørselsvern under de faktiske bruksforholdene.

## BESKRIVELSE

### KJENN KLIPPEREN (FIG. A1 OG A2)

1. Sete
2. Ladeport
3. Kraftenhet
4. LED baklys
5. Oppbevaringsrom
6. Koppoldere
7. LED sidelys
8. Bakhjul (drivhjul)
9. Vaskeport
10. Dekk
11. Dekkbeskytter
12. Anti-skalp hjul
13. Forhjul
14. Parkerings-bremsepedal
15. Kjørelys på dagtid
16. LED -frontlykter
17. Sideutløpsrenne
18. Justeringsspak for dekkhøyde
19. Justeringsknapp for setefjæring
20. Spak for justering av seteposisjon

21. Lap Bars
22. Statusindikator for klipperen
23. LCD skjerm
24. Kraftuttaksbryter
25. Start/stopp-knapp
26. Sikkerhetsnøkkel
27. Telefonlagringsplass
28. Baffle Bar
29. Klipper drivstoffmåler og statusindikator
  - 29.a. Klipper drivstoff-måler indikator
  - 29.b. Statusindikator for klipperen
30. Fot-hvileområde
31. Utløserknapp for kraftenhetsdeksel
32. Kraftenhetsdeksel
33. Strømenhet med seks batterirom
34. Batteriutløserknapp
35. Hitch
36. Vedlegg Monteringsdeksel
37. Vedlegg Monteringsdeksel Oppbevaring
38. USB-port

### KJENN LCD-SKJERMEN (FIG. A3)

Se avsnittet “**KLIPPESTATUSREFERANSE OG FEILKODE**” for mer informasjon om ikonene og indikatorene på LCD -skjermen.

1. Sikkerhetsnøkkelikon
2. LED -lysikon
3. Autoparkeringsikon
4. USB -ikon
5. Bladehastighetsindikator
6. Sikkerhetsstatusindikator
7. Timemeter
8. Ikon for ledig batterirom
9. Temperaturikon
10. Ikon for opptatt batterirom
11. Kjøremodus
12. Feilkodeindikator
13. Overbelastningsindikator

NO

14. Lavstrømsindikator
15. Kjørehastighetsindikator
16. Lastindikator
17. Drivstoffmåler
18. Knapp for justering av bladhastighet
19. Sett -knapp
20. Kjøremodus -knapp
21. LED lysbryter
22. Knapp for justering av kjørehastighet

## UTPAKKING

**MERKNAD:** Lagre emballasjen til du har inspisert produktet på en tilfredsstillende måte. Hvis noen deler på pakkelisten er montert på maskinen, må du umiddelbart kontakte EGO -service.

**MERKNAD:** Bortsett fra verktøyene under pakkelisten, er alle andre verktøy som er nevnt i manualene bare anbefalt, men ikke gitt.

### PAKNINGSLISTE (Fig. B)

B-1	Zero Turn Ride-On klipper	B-6	Sikkerhetsnøkler
B-2	Sete	B-7	Skiftenøkler (13 mm)
B-3	Styrespak	B-8	Umbrakonøkkel
B-4	Sokkelskruer (2 for sikkerhetskopiering)	B-9	Vask-port hurtigkobling
B-5	Utvendig sekskanthode (2 for sikkerhetskopiering)	B-10	Brukerhåndbok

### ANBEFALT TILBEHØR

**ADVARSEL:** Bruk kun identiske reservedeler som er oppført nedenfor. Bruk av deler som ikke oppfyller de originale utstyrsspesifikasjonene kan føre til feil ytelse og svekket sikkerhet.

DELNAVN	MODELLNUMMER
Standard blad	AB5200
Høyløftblad	AB5201
Mulching-sett	ABP5200
Grass Bagger Kit	ABK5200-A
Bakre støtfanger	AMB1000
Lasteboks	AMG1000
Solskjerm	AMS1000

## MONTERING

### INSTALLERE SETE (Fig. C1 og C2)

**ADVARSEL:** Sikkerhetslåsesystemet må ikke kobles fra eller omgås. Hvis du gjør det, kan klipperen operere uventet og føre til personskade.

**MERKNAD:** For din egen sikkerhet kan klipperen slutte å kjøre ettersom setebryteren ble koblet fra under kjøring. I dette tilfellet, se delen "FEILSØKING" for mer informasjon.

C1-1	Kabel	C1-5	Sokkelskruer
C1-2	Støpsel	C2-1	Krok
C1-3	Stikkontakt	C2-2	Stålskinner
C1-4	Opphengsbasis	C2-3	Sokkelskruer

### INSTALLERE STYRESPAKENE (Fig. C3)

C3-1	Rattstang	C3-3	Styrespak monteringshull
C3-2	Utvendig sekskanthode		

## OPERASJON

### FØR DU BRUKER GRESSKLIPPEREN

#### Kontrollerer miljøet

- a. Sørg for at arbeidsområdet er fritt for barn, tilskuere og kjæledyr.



- b. Fjern arbeidsområdet for gjenstander som kan bli kastet av klipperen.
- c. Kontroller og kontroller at LED -lampene er i riktig status:
  - Hovedlysene, sidelysene og baklysene styres av LED-lysbryteren.
  - Kjørelysene lyser alltid under kjøring.
  - Når du rygger, hvis baklysene er slått av, blinker de for å advare tilskuere; hvis baklysene er slått på, forblir de på.
  - Alle lys vil slå seg av automatisk når klipperen slår seg av automatisk etter en periode uten drift.

### Kontroll av kaldt dekktrykk (Fig. D1)

#### Kontroller klippestatus og batterinivå

- a. Drivstoffmålerindikator for slåmaskin (Fig. A2 - 27a)  
Hvert segment av gressklipperens drivstoffindikator indikerer 20% lading av de innsatte batteriene.

**MERKNAD:** Drivstoffmålerindikatoren for klipperen og drivstoffmåleren på LCD -skjermen indikerer gjennomsnittlig kapasitet på de innsatte batteriene.

- b. Statusindikator for klipperen (Fig. A1 og Fig. A2 - 27b )

Hvis statusindikatoren viser grønt, er klipperen klar til å kjøre. Hvis ikke, vennligst se avsnittet "SLÅSTATUSREFERANSE OG FEILKODE"

#### Testing av sikkerhetslåsesystemet (Fig. D2 - Fig. D8)

**MERKNAD:** Føreren må være på setet før testen.

- a. Før testing (Fig. D2 - Fig. D4)
- b. For å teste dekkbladssystemet (fig. D5), reis deg deretter sakte opp
- c. For å teste drivsystemet (Fig. D6 - Fig. D8), reis deg deretter sakte opp

Hvis dekkbladssystemet og/eller drivsystemet ikke stopper når føreren er utenfor setet, og hvis årsaken ikke kan fastslås etter at du har bekreftet at pluggen og stikkontakten på setet er godt tilkoblet, må du kontakte EGOs kundeservicesenter umiddelbart.

### JUSTERING (Fig. E1 - Fig. E13)

#### Forberedelse (Fig. E1 - Fig. E5)

#### Justere klippeaggregatets høyde (fig. E6)

#### Justering av anti-skalphjulene (Fig. E7 – Fig. E10)

E7-1	Anti-skalp hjul	E9-2	Lagbolt
E9-1	Mutter	E10-1	Etikett for dekkhøyde

#### Justering av setet (Fig. E11)

Juster seteposisjonen for å sikre at du kan komme i fast kontakt med parkeringsbremsepedalen før du bruker klipperen. Setejustering kan få deg til å oppnå den mest komfortable opplevelsen på setet.

E11-1	Spak for justering av seteposisjon	E11-2	Justeringsknapp for setefjæring
-------	------------------------------------	-------	---------------------------------

#### Stille inn parkeringsbremsen (Fig. E12 - Fig. E13)

E13-1	Bremseposisjon	E13-2	Utgitt posisjon
-------	----------------	-------	-----------------

#### LADING (Fig. F1 - Fig. F11)

For å starte denne klipperen kreves EGO-batterier på totalt 15 Ah (2 X BA4200/BA4200T) eller mer. For best ytelse anbefaler vi bruk av EGO-batterier på totalt 30 Ah eller mer.

#### Bruk kun med anbefalte batteripakker og ladere. (Fig. F9 og F10)

#### Forberedelse for lading (Fig. F1 – Fig. F4)

#### Lading av batteripakken(e) separat (Fig. F5 – Fig. F9)

F5-1	Utløserknapp for deksel	F7-1	Batteriutløserknapp
------	-------------------------	------	---------------------

- For å feste batteripakken(e) (Fig. F5 – Fig. F6)
- For å koble fra batteripakken(e) (Fig. F7 – Fig. F8)

**MERKNAD:** Lad opp batteripakken(e) se de tilsvarende batteri- og ladermanualene.

#### Lading av batteripakkene via ladeporten (Fig. F10)

F10-1	Støvhette	F10-2	Ladeport
-------	-----------	-------	----------

### STARTE KLIPPEREN

#### (Fig. A4 – Fig. A5 & Fig. G1 – Fig. G6)

**⚠ ADVARSEL:** Unngå plutselige oppstarter, stopper og svinger, samt for høy hastighet, spesielt når du først lærer å bruke gressklipperen. Gressklipperen kan snurre

NO

raskt, noe som kan føre til at du mister kontrollen og kan føre til alvorlig personskade og/eller skade.

**⚠ ADVARSEL:** Før du starter klipperen, kontroller og sørg for at knivene er frigjort innen 5 sekunder når du skyver krafttuttaket nedover. Hvis knivene ikke stopper, må du ikke bruke klipperen og kontakte din EGO kundeservice umiddelbart.

**MERKNAD:** Følg Fig. A4 og Fig. G2 for å få den laveste kjørehastigheten og **STANDARD** -kjøremodus til du er fullt i stand til å bruke klipperen i alle situasjoner. Kjørehastigheten og kjøremodus aktiveres bare når klippehjulene er stoppet og styrehendlene er åpne.

Klipperen vil lagre og presentere forrige kjøremodus, kjørehastighet og kalibrering av styrespakene når den startes på nytt.

NO

### Kjøremodus

- **KONTROLL:** Lavere akselerasjon, mindre sensitiv håndtering og mild svinghastighet for å beskytte gresset og for nye brukere.
- **STANDARD:** Perfekt til daglig bruk.
- **SPORT:** Høyere akselerasjon, nøyaktig håndtering og skarp svinging for å maksimere klippeeffektiviteten og for klippeentusiaster.

### Justering av kjørehastighet (fig. A4)

### Justering av knivhastighet (fig. A5)

### USB-port

**MERKNAD:** USB -porten gir en ladeeffekt på 5 Volt DC ved en kombinert effekt på 1,5 ampere og drives bare når klipperen starter.

### STANSE KLIPPEREN (Fig. H1 – Fig. H6)

**MERKNAD:** Etter mer enn 60 minutter uten drift, vil klipperen automatisk slå seg av.

### Limp-home-modus

Når batteriladningen blir lav, går klipperen over i limp-home-modus:

- Gressklipperen stopper automatisk gressklipping;
- Pipindikatoren fortsetter å lyde;

- Klipperens statusindikator blinker rødt hvert sekund, det første segmentet av gressklipperens drivstoffmåler blinker rødt, og både laveffektindikatoren og batterigrafikken på drivstoffmåleren blinker.

Operatøren bør:

- a) Skyv krafttuttaksbryteren nedover (fig. H3) for å koble ut bladene. Pipeindikatoren slutter å høres når bladet stopper;
- b) Slutt å jobbe og gå til batteriladeområdet så snart som mulig. Den maksimale avstanden klipperen kan kjøre er 1000 m.

Når batteriet er nesten utladet, blinker ikonet for hver opptatte batterirom og indikator for lite strøm hvert halve sekund. Slåmaskinen slutter å fungere umiddelbart. Operatøren bør transportere klipperen til batteriets ladeområde for lading.

### Manuell skyving

Hvis det er nødvendig å skyve manuelt, må du kontrollere at batteriene er koblet fra klipperen og at parkeringsbremsespedalen slippes fra bremsestillingen.

### KJØRING AV KLIPPEREN (Fig. I1 – Fig. I9)

For å stoppe, redusere eller øke hastigheten, endre sakte rattets avstand fra nøytral.

**⚠ FARE:** Hold deg minst to klippebredder unna eventuelle grøfter, fall eller vann. Forhjulene kan rotere når klipperen er stoppet, selv om bremsen er trukket på, og føre til at klipperen går over kanten eller i vannet og kan føre til død eller alvorlig personskade.

**⚠ ADVARSEL:** Vær oppmerksom på hva som ligger bak klipperen før du rygger. IKKE klipp i revers hvis det ikke er absolutt nødvendig. Se alltid ned og bak før og mens du rygger for å sikre at ingen barn, tilskuere eller kjæledyr kommer inn i klippeområdet. Husk at en uforsiktig brøkdell av et sekund er tilstrekkelig til å påføre død eller alvorlig skade.

**⚠ ADVARSEL:** Ikke bruk denne maskinen på offentlige veier.

**⚠ ADVARSEL:** Hvis det oppstår blokkering eller du rammer et fremmedlegeme, må du stoppe motorene og fjerne batteriene. Fjern gressklipp, blader, smuss og annet oppsamlet rusk; inspiser gressklipperen grundig for skader og reparer den før du starter og bruker klipperen på nytt.

## VEDLIKEHOLD

**⚠ ADVARSEL:** Bruk alltid vernebriller med sidebeskyttelse. Hvis du ikke gjør det, kan det føre til at ting blir kastet i øynene dine og kan føre til alvorlig personskade.

**⚠ ADVARSEL:** Beskytt alltid hendene dine ved å bruke tunge hansker eller pakke skjærekantene med filler eller annet materiale når du utfører vedlikehold på klipperen. Fjern alltid sikkerhetsnøkkelen og batteripakkene når du utfører service eller transporterer klipperen.

Vedlikeholdstjenesteintervall	Vedlikeholdsprosedyre
Før hver bruk eller daglig	<ul style="list-style-type: none"> <li>▪ Kontroller sikkerhetslåsesystemet.</li> <li>▪ Sjekk dekket visuelt om det er flatt.</li> <li>▪ Inspiser bladene hvis de er slitte, sprekker eller bøyd.</li> <li>▪ Inspiser hele produktet for skadede, manglende eller løse deler som sideutløpsrenne, skruer, muttere, bolter, hetter osv., og sørg for at alle beskyttelser er på plass og fungerer som de skal.</li> <li>▪ Kontroller bremsefunksjonen.</li> </ul>
Etter hver bruk	<ul style="list-style-type: none"> <li>▪ Rengjør klippeenheten.</li> </ul>
Hver 25. time	<ul style="list-style-type: none"> <li>▪ Kontroller dekktrykket.</li> </ul>
Hver 50. time	<ul style="list-style-type: none"> <li>▪ Kontroller fett-tilstanden inne i skjærebladflensen.</li> </ul>

Hver 100. time	<ul style="list-style-type: none"> <li>▪ Kontroller bakhjulene, og sørg for at alle låsemuttere er festet med anbefalt dreiemoment.</li> </ul>
Hver 200. time	<ul style="list-style-type: none"> <li>▪ Kontroller forhjulene og sørg for at de svinger fritt.</li> </ul>
Årlig	<ul style="list-style-type: none"> <li>▪ Kontroller parkeringsbremsepedalen. Fjern batteriet fra klipperen og sett parkeringspedalen i bremsestilling. Skyv klipperen manuelt for å se om klipperen kan flyttes eller ikke. Hvis den beveger seg, må den repareres av en kvalifisert servicetekniker.</li> </ul>

NO

## RENGJØRING AV KLIPPEREN (Fig. J1 - Fig. J9)

### Forberedelse (Fig. J1 - Fig. J5)

### Rengjøring av gressklipperhuset (Fig. J6 - Fig. J7)

Bruke vaskeporten til å rengjøre klippeaggregatet (fig. J8 - fig. J9)

J8-1	Vaskeport	J8-3	Hageslange
J8-2	Vask-port hurtigkobling		

**MERKNAD:** Når du er ferdig med rengjøringen, skyver du kraftoverføringsbryteren nedover for å koble klipperen.

## VEDLIKEHOLD AV KLIPPEENHETEN OG KLIPPEKNIVENE

### Klargjøring (Fig. K1 - Fig. K6)

### Fjerne klippeenheten (Fig. K7 - Fig. K8)

K7-1	Motorkabel	K7-3	Suspensjonskobling
K7-2	Splint		

**MERKNAD:** Koble fra alle motorkabler og splinter når du tar ut klippeenheten.

### Skifte av knivbladene (Fig. K9 - Fig. K11)

K9-1	Stabilisator	K10-3	Blad
K10-1	Bolt	K10-4	Flens
K10-2	Vasker	K10-5	Motoraksel

### Utjevning av klippeenheten

- Når skal den justeres (Fig. K12 - Fig. K14)
- Før utjevning
  - Kontroll av kaldt dekktrykk (Fig. K15)
  - Kontroller skjærebladene. Fjern og bytt ut slitte, sprukne og/eller bøyde kniver etter behov.
- Forberedelse til utjevning (Fig. K16 - Fig. K21)
- Hvordan utjevne
  - For å gjøre side-til-side-justering (fig. K22)

NO

K22-1	Jam mutter
-------	------------

- For å gjøre justering foran til bak (fig. K23)

### KALIBRERING AV KLIPPERENS

#### SPORINGSSYSTEM (Fig. L1 – Fig. L4)

**MERKNAD:** Pipeindikatoren vil høres én gang både når du starter kalibreringen og når kalibreringen er ferdig.

**MERKNAD:** Kalibreringen som er fullført for en av kjøremodusene ("KONTROLL", "STANDARD", "SPORT") er kanskje ikke tilgjengelig for de to andre modusene. Kalibrer styrespakene i hver kjøremodus uavhengig etter behov.

### TILBAKESTILLE KLIPPEREN TIL GRUNNINNSTILLINGER (Fig. M)

**MERKNAD:** Pip-indikatoren vil høres én gang både når du starter tilbakestillingen og når tilbakestillingen er fullført.

**MERKNAD:** Når tilbakestillingen er vellykket, vil innstillingene nedenfor gå tilbake til de opprinnelige fabrikkinnstillingene:

- kjøremodus
- kjørehastighet
- kalibrering av styrespakene

## LAGRING OG TRANSPORT

### TRANSPORT AV KLIPPEREN (FIG. N1 - FIG. N11)

**MERKNAD:** Fest klipperen etter behov ved hjelp av stropper eller kabler for å forhindre bevegelse under transport.

### LAGRING (Fig. O1 - Fig. O6)

**MERKNAD:** Ta ut batteriene og lagre batteriene, se de tilhørende håndbøkene.

Rengjør og kontroller klipperen før lagring, se avsnittene "RENGJØRING AV KLIPPEREN" og "ANBEFALT VEDLIKEHOLDSPLAN(ER)".

### Beskytter miljøet




WEEE (elektrisk og elektronisk avfall)

Ikke kast elektrisk utstyr, brukt batteri og lader i husholdningsavfallet! Ta med dette

produktet til autorisert gjenvinning, og gjør det tilgjengelig for separat innsamling.


Elektriske verktøy må returneres til et egnet resirkuleringsanlegg.

## FEILSØKING

PROBLEM	ÅRSAK	LØSNING
<p>Klipperen klarer ikke å kjøre når de to styrespakene skyves forover eller bakover i begynnelsen.</p>  Styrenivåikonet blinker	<ul style="list-style-type: none"> <li>Den kombinerte Ah av de innsatte batteriene oppfyller ikke kravet.</li> </ul>	<ul style="list-style-type: none"> <li>For å starte denne klipperen, bruk nok EGO-batterier ved å følge instruksjonene i avsnittet "<b>LADE</b>" i denne håndboken.</li> </ul>
	<ul style="list-style-type: none"> <li>Parkeringsbremsepedalen er satt i bremsestilling.</li> </ul>	<ul style="list-style-type: none"> <li>Trykk parkeringsbremsepedalen helt ned for å frigjøre den fra bremseposisjon.</li> </ul>
	<ul style="list-style-type: none"> <li>Styrespakene er ikke i åpen stilling når klipperen startes.</li> </ul>	<ul style="list-style-type: none"> <li>Sett styrespakene tilbake til åpen stilling og start klipperen på nytt.</li> </ul>
	<ul style="list-style-type: none"> <li>Operatøren sitter ikke på setet.</li> </ul>	<ul style="list-style-type: none"> <li>Bare når operatøren sitter riktig på setet, kan han eller hun betjene klipperen.</li> </ul>
	<ul style="list-style-type: none"> <li>Setebryteren er ikke riktig tilkoblet.</li> </ul>	<ul style="list-style-type: none"> <li>Ta batteriet ut av klipperen og demonter setet i omvendt rekkefølge av instruksjonene i avsnittet "<b>INSTALLERE SETET</b>" i denne håndboken for å inspisere setebryterforbindelsen. Sett sammen setet igjen og følg instruksjonene i "<b>STARTE KLIPPEREN</b>" for å starte klipperen på nytt for å se om klipperen kan startes. Hvis ikke, kontakt en kvalifisert servicetekniker for reparasjon.</li> </ul>
	<ul style="list-style-type: none"> <li>Under ekstremt kaldt vær kan det hende at kjørefunksjonen ikke starter vellykket på grunn av den lave temperaturbeskyttelsen.</li> </ul>	<ul style="list-style-type: none"> <li>Oppbevar alltid klipperen og batteriet i varme omgivelser. Start klipperen på nytt når den er varm. Ikke gjør gjentatte forsøk under ekstremt kaldt vær som kan skade maskinen.</li> </ul>

NO

PROBLEM	ÅRSAK	LØSNING
Klipperen slutter å kjøre.	<ul style="list-style-type: none"> <li>▪ Styrespakene krever en "reset".</li> </ul>	<ul style="list-style-type: none"> <li>▪ Sett styrespakene tilbake til åpen stilling og start klipperen på nytt.</li> </ul>
	<ul style="list-style-type: none"> <li>▪ De elektriske kontrollkomponentene i styrespakene mislykkes.</li> </ul>	<ul style="list-style-type: none"> <li>▪ Kontakt en kvalifisert servicetekniker for reparasjon.</li> </ul>
	<ul style="list-style-type: none"> <li>▪ Setebryteren ble koblet fra under kjøring i ulendt terreng.</li> </ul>	<ul style="list-style-type: none"> <li>▪ Ta batteriet ut av klipperen og demonter setet i omvendt rekkefølge av instruksjonene i avsnittet <b>"INSTALLERE SETET"</b> i denne håndboken for å inspisere setebryterforbindelsen. Sett sammen setet igjen og følg instruksjonene i <b>"STARTE KLIPPEREN"</b> for å starte klipperen på nytt for å se om klipperen kan startes. Hvis ikke, kontakt en kvalifisert servicetekniker for reparasjon.</li> </ul>
	<ul style="list-style-type: none"> <li>▪ Parkeringsbremsen trykkes ned for å redusere kjørehastigheten. Når parkeringsbremsepedalen er trykket nok inn, men ikke til parkeringsposisjon, vil klipperen stoppe.</li> </ul>	<ul style="list-style-type: none"> <li>▪ Følg instruksjonene i <b>"STARTE KLIPPEREN"</b> for å starte klipperen på nytt.</li> </ul>
Kjørehastigheten/ kjøremodusen kan ikke justeres under kjøring.	<ul style="list-style-type: none"> <li>▪ Dette er en funksjon ved klipperen for sikker kjøring.</li> </ul>	<ul style="list-style-type: none"> <li>▪ Funksjonen aktiveres bare når klippehjulene er stoppet og styrehendlene er åpne.</li> </ul>

PROBLEM	ÅRSAK	LØSNING
<p>Klipperen klarer ikke å starte knivene når kraftuttaksbryteren er aktivert.</p>  Kraftuttaksbryterikonet blinker	<ul style="list-style-type: none"> <li>Den kombinerte Ah av de innsatte batteriene oppfyller ikke kravet.</li> </ul>	<ul style="list-style-type: none"> <li>For å starte denne klipperen, bruk nok EGO-batterier ved å følge instruksjonene i avsnittet "<b>LADE</b>" i denne håndboken.</li> </ul>
	<ul style="list-style-type: none"> <li>Kraftuttaksbryteren trykkes ikke ned når klipperen ble stoppet sist.</li> </ul>	<ul style="list-style-type: none"> <li>Skyv kraftuttaksbryteren nedover og start klipperen på nytt.</li> </ul>
	<ul style="list-style-type: none"> <li>Klipperen er overbelastet i det øyeblikket knivene starter, noe som resulterer i selvbeskyttelse av motoren.</li> </ul>	<ul style="list-style-type: none"> <li>Start gressklipperen med lavere klippehastighet først, og til bladene får suksessrotasjon, ikke akselerer bladhastigheten etter behov.</li> </ul>
	<ul style="list-style-type: none"> <li>Under ekstremt kaldt vær kan det hende at bladmotoren ikke starter vellykket på grunn av den lave temperaturbeskyttelsen.</li> </ul>	<ul style="list-style-type: none"> <li>Oppbevar alltid klipperen og batteriet i varme omgivelser. Start klipperen på nytt når den er varm. Ikke gjør gjentatte forsøk under ekstremt kaldt vær som kan skade maskinen.</li> </ul>
	<ul style="list-style-type: none"> <li>Bladet forstyrrer det deformerte klippeaggregatet.</li> </ul>	<ul style="list-style-type: none"> <li>Kontakt en kvalifisert servicetekniker for reparasjon.</li> </ul>

**NO**

PROBLEM	ÅRSAK	LØSNING
<b>NO</b> Bladene slutter å fungere under gressklipping.	<ul style="list-style-type: none"> <li>Klipperen er overbelastet.</li> </ul>	<ul style="list-style-type: none"> <li>Øk klippeenhetens klippehøyde eller senk kjørehastigheten for å redusere klipperen.</li> </ul>
	<ul style="list-style-type: none"> <li>Klippeenheten er tett med gress og rusk.</li> </ul>	<ul style="list-style-type: none"> <li>Rengjør klippeenheten og sørg for at bladene har bevegelsesfrihet.</li> </ul>
	<ul style="list-style-type: none"> <li>Klipperen er overopphetet.</li> </ul>	<ul style="list-style-type: none"> <li>Reduser klipperen, ved å øke klippehøyden på klippeenheten eller senke bladet/kjørehastigheten og la gressklipperen kjøle seg ned.</li> </ul>
	<ul style="list-style-type: none"> <li>Batteripakken(e) i klipperens batterirom er overopphetet, noe som resulterer i at kombinert Ah-klassifisering av alle innsatte batterier ikke oppfyller kravet.</li> </ul>	<ol style="list-style-type: none"> <li>Hvis den kombinerte batteri Ah-klassifiseringen ikke oppfyller kravet, vil ikke klipperen fungere før flere batteripakker er satt inn i de ledige batterikomponentene. Når det overopphetede batteriet går tilbake til normal temperatur, vil det slå på slåmaskinen umiddelbart.</li> </ol>
		<ol style="list-style-type: none"> <li>Reduser klipperens belastning ved å heve klippehøyden på dekket eller bremse klippingen når du fortsetter driften.</li> </ol>
	<ul style="list-style-type: none"> <li>Gressklipperen er i limp-home-modus.</li> </ul>	<ul style="list-style-type: none"> <li>Når gressklipperen er i limp-home-modus, byttes bladene automatisk til lav rotasjonshastighet uten gressklipping. Operatøren bør slutte å jobbe og gå til ladeområdet for batteriet så snart som mulig.</li> </ul>
	<ul style="list-style-type: none"> <li>Klipperen har truffet et fremmedlegeme, noe som resulterer i selvbeskyttelse av motoren.</li> </ul>	<ul style="list-style-type: none"> <li>Skyv kraftuttaksbryteren nedover og start klipperen på nytt.</li> </ul>
Signalindikatoren fortsetter å lyde.	<ul style="list-style-type: none"> <li>Gressklipperen er i limp-home-modus og knivene er ikke slått av.</li> </ul>	<ul style="list-style-type: none"> <li>Trykk kraftoverføringsbryteren ned for å koble ut dekkbladene. Signalindikatoren slutter å høres når bladet stopper.</li> </ul>
	<ul style="list-style-type: none"> <li>Gressklipperen slutter å kjøre i en skråning, og føreren åpner rattet og er av setet uten å sette parkeringsbremsepedalen i bremsestilling.</li> </ul>	<ul style="list-style-type: none"> <li>Sett parkeringsbremsepedalen i bremsestilling før du lar klipperen stå på skråningen.</li> </ul>



PROBLEM	ÅRSAK	LØSNING
Batteriindikatorene er fortsatt på når klipperen slås av.	<ul style="list-style-type: none"> <li>Når klipperen er slått av på bakken uten å fjerne batteripakken(e) fra klipperen, vil batteriindikatorene, start/stopp-knappen og innstillingsknappen forbli opplyst i en periode.</li> </ul>	<ul style="list-style-type: none"> <li>Ingen handling er nødvendig. Batteriindikatorene slukker når klipperen slår seg av etter en periode. Se avsnittet "<b>STANSE KLIPPEREN</b>" for et bestemt tidspunkt.</li> </ul>
	<ul style="list-style-type: none"> <li>Når klipperen slås av i en skråning uten å sette parkeringsbremsepedalen i bremsestilling, vil batteriindikatorene fortsette til batteriladningen er utladet. Signalindikatoren fortsetter å lyde samtidig.</li> </ul>	<ul style="list-style-type: none"> <li>Sett parkeringsbremsepedalen i bremsestilling før føreren forlater verktøyet i skråningen.</li> </ul>
LCD -skjermen lyser ikke med alle ikoner på.	<ul style="list-style-type: none"> <li>Trykketiden på start/stopp-knappen er ikke tilstrekkelig.</li> </ul>	<ul style="list-style-type: none"> <li>LCD -skjermen viser bare "drivstoffmåler" når start/stopp -knappen trykkes kort.</li> <li>LCD skjermen vil slå seg på etter at start/stopp-knappen har blitt trykket lenge nok.</li> </ul>
Klipperen klipper ujevnt, med betydelig høydeforskjell foran til bak.	<ul style="list-style-type: none"> <li>Bladene er sløve.</li> </ul>	<ul style="list-style-type: none"> <li>Slip eller bytt skjærebladet som beskrevet i denne håndboken.</li> </ul>
	<ul style="list-style-type: none"> <li>Bladene er bøyd.</li> </ul>	<ul style="list-style-type: none"> <li>Bytt det bøyde skjærebladet etter instruksjonene i avsnittet "<b>SKIFTE KUTTEBLADENE</b>".</li> </ul>
	<ul style="list-style-type: none"> <li>Klippeenheten er ikke jevn, noe som resulterer i forskjellig klippehøyde.</li> </ul>	<ul style="list-style-type: none"> <li>Rett opp klipperen ved å følge instruksjonene i avsnittet "<b>NIVÅJUSTERING AV KLIPPEREN</b>".</li> </ul>
Den faktiske gressklippehøyden er ikke på linje med den påståtte høyden.	<ul style="list-style-type: none"> <li>Klippeenhetens muttere er løsnet på fjæringsleddet</li> </ul>	<ul style="list-style-type: none"> <li>Følg instruksjonene i avsnittet "<b>UTJEVNING AV KLIPPERDEKKET</b>" for å foreta korrekt front-til-bak-justering på klippeenheten og stram mutterne på opphengsleddet.</li> </ul>
	<ul style="list-style-type: none"> <li>Klippeenheten er skadet eller alvorlig slitt.</li> </ul>	<ul style="list-style-type: none"> <li>Følg instruksjonene i avsnittet "<b>FJERNE KLIPPERENHETEN</b>" for å bytte klippeenhet.</li> </ul>
Slåmaskinen klipper ikke ordentlig.	<ul style="list-style-type: none"> <li>Våt gressklipp fester seg til undersiden av dekket.</li> </ul>	<ul style="list-style-type: none"> <li>Vent til gresset tørker før du klipper.</li> </ul>
	<ul style="list-style-type: none"> <li>Klipperen klipper for mye gress samtidig.</li> </ul>	<ul style="list-style-type: none"> <li>Løft klippehøyden.</li> </ul>

**NO**

PROBLEM	ÅRSAK	LØSNING
Det er overdreven vibrasjon.	▪ Skjærebladene er løse.	▪ Stram til knivbolten til anbefalt tiltrekkingsmoment.
	▪ Bladene er bøyd.	▪ Bytt det bøyd skjærebladet etter instruksjonene i avsnittet <b>“SKIFTE KUTTEBLADENE”</b> .
	▪ Klippeenheten står ikke på jevnt underlag.	▪ Rett opp klipperen ved å følge instruksjonene i avsnittet <b>“NIVÅJUSTERING AV KLIPPEREN”</b> .
	▪ Klippeenhetens muttere er løsnet på fjæringsleddet.	▪ Stram mutterne på opphengsleddet.
	▪ Klipperen klipper for mye gress samtidig.	▪ Løft klippehøyden.
<b>NO</b> Det er gress eller rusk igjen på bakken etter klipping.	▪ Klipperen skal klippe for mye gress samtidig når gresset er høyt.	▪ Begynn med høy klippehøyde og reduser den til ønsket klipperesultat er oppnådd. Gress over 6 tommer høyt bør klippes to ganger, med lavere klippehøyder etter hverandre.
	▪ Gresset er vått.	▪ Ikke klipp når gresset er vått før gresset tørker.
	▪ Kjørehastigheten er høy.	▪ Senk kjørehastigheten.
	▪ Bladhastigheten er lav.	▪ Øk bladhastigheten gradvis.
Kort driftstid for klipperen med det inkluderte batteriet.	▪ Gressforhold og klippehøydeinnstilling vil i stor grad påvirke batteriets driftstid. Den påståtte kjøretiden er basert på en lett belastningstilstand.	▪ Øk klippehøyden og reduser bladhastigheten for å redusere klippelasten.
Gressklipperen kjører ikke rett.	▪ Dekktrykket for venstre og høyre bakhjul er forskjellig.	▪ Kontroller og juster lufttrykket i begge bakhjulsdekkene, i henhold til anbefalingen i avsnittet <b>“KONTROLLER DEKKTRYKKET”</b> i denne håndboken.
	▪ Kjørehastighetene til venstre og høyre bakhjul er forskjellige.	▪ Kalibrer gressklipperens sporingssystem ved å følge instruksjonene i avsnittet <b>“KALIBRERING AV KLIPPERSPORINGSSYSTEMET”</b> .
Parkeringsbremsepedalen kan ikke slippes fra bremsestillingen eller hopper sakte tilbake.	▪ Det kan komme rusk eller smuss inn i parkeringsbremsepedalen.	▪ Åpne parkeringsbremsepedalboksen for å rengjøre boksen grundig og lukke den. Tilbakestill parkeringsbremsepedalen for å se om problemet er løst. Hvis ikke, kontakt en kvalifisert servicetekniker for reparasjon.

PROBLEM	ÅRSAK	LØSNING
Gressklipperen kan ikke lades via ladeporten med statusindikatoren for klipperen lyser rødt.	<ul style="list-style-type: none"> <li>▪ Pluggen til laderen er ikke satt riktig inn i ladeporten på klipperen.</li> </ul>	<ul style="list-style-type: none"> <li>▪ Koble til ladestøpselet igjen for å se om klipperen kan lades normalt.</li> </ul>
	<ul style="list-style-type: none"> <li>▪ Det er ingen strøm i stikkontaktene.</li> </ul>	<ul style="list-style-type: none"> <li>▪ Ingen handling er nødvendig. Vent til strømmen gjenopprettes.</li> </ul>
	<ul style="list-style-type: none"> <li>▪ Laderfeil.</li> </ul>	<ul style="list-style-type: none"> <li>▪ Kontakt en kvalifisert servicetekniker for inspeksjon og få laderen reparert om nødvendig.</li> </ul>
	<ul style="list-style-type: none"> <li>▪ Laderporten på klipperen er defekt.</li> </ul>	<ul style="list-style-type: none"> <li>▪ Kontakt en kvalifisert servicetekniker for reparasjon.</li> </ul>
Ladetiden via ladeporten for klipperen er for lang.	<ul style="list-style-type: none"> <li>▪ Bruk av EGO Adapter ACA1000 for lading krever lang tid.</li> </ul>	<ul style="list-style-type: none"> <li>▪ Bruk EGO-lader CHV1600E for å lade klipperen direkte.</li> </ul>
Batteriet kan ikke lades fullstendig via ladeporten for klipperen.	<ul style="list-style-type: none"> <li>▪ Firmware-feil på klipperen eller feil på laderen/batteriet.</li> </ul>	<ul style="list-style-type: none"> <li>▪ Koble fra laderen og vent i mer enn flere minutter, og koble deretter støpselet til strømforsyningen igjen. Hvis det ikke fungerer, må du kontakte en kvalifisert servicetekniker for reparasjon.</li> </ul>
Gressklipperen kan ikke startes etter rengjøring.	<ul style="list-style-type: none"> <li>▪ Feil rengjøring, for eksempel vann som kommer på de elektriske komponentene, LCD -skjerm etc.</li> </ul>	<ul style="list-style-type: none"> <li>▪ Følg instruksjonene i avsnittet "<b>RENGJØRING AV KLIPPEREN</b>" for å rengjøre klipperen på riktig måte.</li> </ul>
Gressklipperen blir lett tett.	<ul style="list-style-type: none"> <li>▪ Klippeenheten er tett med gress og rusk.</li> </ul>	<ul style="list-style-type: none"> <li>▪ Hvis gressklipperen kommer i regn ved et uhell, la den stå i luften for å tørke eller bruk trykkluft for å tørke den.</li> </ul>
		<ul style="list-style-type: none"> <li>▪ Rengjør klippeenheten etter hver bruk, og følg avsnittet "Bruke vaskeport til rengjøring av klippeenheten".</li> </ul>
Gressklipperen mister lett trekkraft når den klatrer opp i skråningen.	<ul style="list-style-type: none"> <li>▪ Dekkene på bakhjulene er slitte.</li> </ul>	<ul style="list-style-type: none"> <li>▪ Søk lokal service for å bytte hjuldekk.</li> </ul>
	<ul style="list-style-type: none"> <li>▪ Stor klippeskråning.</li> </ul>	<ul style="list-style-type: none"> <li>▪ Klippehellingen skal være i ønsket grad.</li> </ul>
Når klipperen stoppes i en skråning med parkeringsbremsepedalen trykket ned, kan klipperen gli nedover skråningen.	<ul style="list-style-type: none"> <li>▪ Bremskomponentene er for slitne på grunn av feil bruk av klipperen.</li> </ul>	<ul style="list-style-type: none"> <li>▪ Kontakt en kvalifisert servicetekniker for reparasjon.</li> </ul>

PROBLEM	ÅRSAK	LØSNING
Det kommer ikke vann fra vaskeåpningen når du vasker dekket.	<ul style="list-style-type: none"> <li>Vaskeporten sin hurtigkobler er ikke montert på plass på vaskeporten.</li> </ul>	<ul style="list-style-type: none"> <li>Fest hurtigkoblingen til vaskeporten igjen til du hører et tydelig klikk etter å ha trykket ordentlig. Hvis det ikke fungerer, må du kontakte en kvalifisert servicetekniker for reparasjon.</li> </ul>
Det er en unormal lyd når du skyver klipperen manuelt uten å starte den.	<ul style="list-style-type: none"> <li>Lyden kommer fra magneter inne i drivmotoren.</li> </ul>	<ul style="list-style-type: none"> <li>Det er normalt og ingen handling er nødvendig.</li> </ul>

## FEILKODE OG KLIPPER STATUSINDIKATORREFERANSE

**NO**

LCD-skjerm	Beskrivelse	Feilkode på LCD	Statusindikator for klipperen	Piper	Årsaken	Løsning
	LED -lys ikonet vises på LCD -skjermen	n/a	AV	Nei	Frontlyktene, sidelysene og baklysene slås på med LED -lysbryteren.	Dette er normal drift. Ingen handling er nødvendig.
	USB -ikonet vises på LCD -skjermen	n/a	AV	Nei	USB -ikon lyser at en USB -enhet kan fungere etter at klipperen er startet riktig.	Dette er normal drift. Ingen handling er nødvendig.
	Drivstoffmålerikonet vises på LCD -skjermen	n/a	AV	Nei	Den angir gjennomsnittlig ladekapasitet for innsatte batterier	Dette er normal drift. Ingen handling er nødvendig.
	Timetellerikonet vises på LCD -skjermen	n/a	AV	Nei	Den viser den totale kjøretiden til klipperen, i timer og kan ikke tilbakestilles.	Dette er normal drift. Ingen handling er nødvendig.
	Lastindikatorikonet vises i ECO -området	n/a	AV	Nei	Den angir den nåværende lasten til klipperen.	Dette er normal drift. Ingen handling er nødvendig.
	Overbelastningsindikatoren blinker. Lastindikatorikonet vises i PWR -området.	n/a	Blinker rødt	Ett pip	Bladmotoren er overbelastet.	Løft klippehøyden eller senk kjørehastigheten for å redusere klipperen.
					Sideutløpsrennen er tilstoppet med gress og rusk.	Rengjør sideutløpsrennen etter hver bruk.
					Det er interferens mellom kniven og klippeaggregatet.	Få reparasjoner utført av en kvalifisert servicetekniker.

LCD-skjerm	Beskrivelse	Feilkode på LCD	Statusindikator for klipperen	Piper	Årsaken	Løsning
	Sikkerhetsnøkkelikonet blinker.	n/a	AV	Nei	Sikkerhetsnøkkelen er ikke satt inn.	Sett inn sikkerhetsnøkkelen og trykk og hold START/STOPP-knappen for å slå på klipperen.
					LCD-skjermen får ikke strøm.	Få reparasjoner utført av en kvalifisert servicetekniker.
	Ikonet for et bestemt batterirom blinker.	n/a	AV	Nei	Et visst batteri under utlading er overstrøm.	Ingen handling er nødvendig. Klipperen kan fortsette å fungere hvis den kombinerte Ah-klassifiseringen for batteriet, ekskludert overopphetet batteri, oppfyller kravet. Så snart overstrømsbatteriet går tilbake til det normale, vil det bli med på å drive klipperen umiddelbart og ikonet forsvinner.
	Ikonet for det tomme batterirommet blinker.	n/a	AV	Nei	Batterikapasiteten er ikke tilstrekkelig til å la gressklipperen fungere.	For å starte denne klipperen, bruk tilstrekkelig med EGO-batterier ved å følge instruksjonene i avsnittet " <b>LADE</b> " i denne håndboken.
	Temperaturikonet blinker.	n/a	AV	Ett pip	Klipperen er overopphetet.	Reduser belastningen på klipperen ved å heve klippehøyden på dekket eller redusere bladet/kjørehastigheten. Ta en pause og la klipperen avkjøles.
					Klipperen er for kald	Vennligst ikke gjør gjentatte forsøk som kan skade maskinen. Oppbevar alltid klipperen og batteriene i varme omgivelser. Start klipperen på nytt når den er varm.

**NO**

LCD-skjerm	Beskrivelse	Feilkode på LCD	Statusindikator for klipperen	Piper	Årsaken	Løsning
	Temperaturikonet og det nøyaktige oppsatte batterirommet blinker samtidig.	n/a	AV	Nei	Batteripakken i det tilsvarende nummererte batterirommet er overopphetet.	<ol style="list-style-type: none"> <li>1. Klipperen kan fortsette å fungere hvis den kombinerte batteri Ah-klassifiseringen, ekskludert overopphetet batteri, oppfyller kravet. Når det overopphetede batteriet går tilbake til normal temperatur, vil det slå på slåmaskinen umiddelbart.</li> <li>2. Hvis den kombinerte Ah-klassifiseringen for batteriet ikke er tilstrekkelig, vil ikke klipperen fungere før flere batteripakker er satt inn i de ledige batterirommene.</li> <li>3. Reduser klipperens belastning ved å heve klippehøyden på dekket eller bremse klippingen når du fortsetter driften.</li> </ol>
	Ikonene for hvert opptatte batterirom, lav effektindikator, batterigrafikk på drivstoffmåler blinker hvert 1. sekund samtidig på LCD-skjermen. Det første segmentet av LED-drivstoffmåleren og statusindikatoren blinker også.	n/a	Blinker rødt	Piper til kraftuttaksbryteren skyves nedover.	Batteripakken er lavt ladet, og klipperen er i limp-home-modus.	Slutt å jobbe og gå tilbake til batteriladningsområdet. <b>MERKNAD:</b> Når gressklipperen er i limp-home-modus, skiftes bladene automatisk til lav rotasjonshastighet uten gressklipping, og i mellomtiden fortsetter lydindikatoren å pippe. Operatøren bør skyve kraftuttaksbryteren nedover for å koble ut dekkbladene. Lydindikatoren slutter å pipe etter at bladet har stoppet.

LCD-skjerm	Beskrivelse	Feilkode på LCD	Statusindikator for klipperen	Piper	Årsaken	Løsning
	Ikonet for hvert opptatt batterirom og indikatoren for lav strøm blinker hvert halve sekund.	n/a	Blinker rødt	Fortsetter å pipe	Batteriparkene er nesten oppbrukt.	Slåmaskinen slutter å fungere umiddelbart. Operatøren bør transportere klipperen til batteriets ladeområde for lading.
	Ikonet for automatisk parkering blinker på LCD-skjermen.	n/a	AV	Fortsetter å pipe	Gressklipperen står parkert i en skråning, og føreren forlater klipperen uten å sette bremsepedalen i bremsestilling, bare med rattet i åpen stilling.	Sett bremsepedalen i bremsestilling. Autoparkeringsikonet vil være av og lydindikatoren slutter å pipe.
	Ikonet for bremsepedal vises på LCD-skjermen.	n/a	AV	Nei	Parkeringsbremsepedalen er satt i bremsestilling.	Slipp den før du starter klipperen.
	Setesensorikonet vises på LCD-skjermen.	n/a	AV	Nei	Operatøren forlater setet eller setebryteren er frakoblet.	Hvis ikonet er på med føreren sittende på setet, må du slutte å bruke klipperen umiddelbart og kontrollere setetilkoblingen. Hvis det er bekreftet at setetilkoblingen til klipperen er korrekt, må du kontakte en kvalifisert servicetekniker for reparasjoner.
	Kraftuttaksbryterikonet blinker.	n/a	AV	Nei	Bladmotoren ble avbrutt under drift og kraftuttaksbryteren er ikke satt til av-stilling.	Før du starter klipperen på nytt, skyv kraftoverføringsbryteren nedover for å koble ut dekkmotoren. Se delen "FEILSØKING" i denne håndboken for referanse.
	Rattstangikonet blinker.	n/a	AV	Nei	Drivmotoren ble avbrutt i drift og styrehendlene er ikke satt til åpen posisjon.	Før du starter klipperen, må du flytte styrehendlene til åpen stilling. Se delen "FEILSØKING" i denne håndboken for referanse.

**NO**

LCD-skjerm	Beskrivelse	Feilkode på LCD	Statusindikator for klipperen	Piper	Årsaken	Løsning
	Ikonet for energigjenvinning blinker av og til.	n/a	AV	Nei	Den kinetiske energien som genereres under bremsing eller kjøring i nedoverbakke omdannes til elektrisitet for å lade batteriene.	Dette er normal drift. Ingen handling er nødvendig.

**MERKNAD:** Hvis en feilkode vises på LCD-skjermen, fjern alle batteripakker og sett dem inn igjen noen minutter senere. Hvis dette ikke løser problemet, følg feilkoden for feilsøking nedenfor.

**NO**

LCD-skjerm	Beskrivelse	Feilkode på LCD	Statusindikator for klipperen	Piper	Årsaken	Løsning	
Se "Feilkode"	Venstre drivmotor svikter i rotasjon.	PCBA -kontrollert venstre drivmotor svikter.	413	AV	Ett pip	PCBA -feil	Få reparasjoner utført av en kvalifisert servicetekniker.
		Plugg (trefase, strømledning) som forbinder venstre drivmotor med tilhørende PCBA er løst.	317	AV	Ett pip	Løs forbindelse	
		Plugg (seks pinner, signalkabel) som forbinder den venstre drivmotoren med den tilhørende PCBA er løst.	301	AV	Ett pip	Løs forbindelse	
		Venstre drivmotor svikter.	317	AV	Ett pip	Motorsvikt	



LCD-skjerm	Beskrivelse	Feilkode på LCD	Statusindikator for klipperen	Piper	Årsaken	Løsning	
Se "Feilkode"	Høyre drivmotor svikter i rotasjon.	PCBA -kontrollert høyre drivmotor mislykkes.	313	AV	Ett pip	PCBA -feil	Få reparasjoner utført av en kvalifisert servicetekniker.
		Plugg (trefase, strømledning) som kobler den riktige drivmotoren med den tilhørende PCBA er løst.	417	AV	Ett pip	Løs forbindelse	
		Plugg (seks pinner, signalkabel) som kobler den høyre drivmotoren med den tilhørende PCBA er løst.	401	AV	Ett pip	Løs forbindelse	
		Høyrekjørende motor mislykkes.	417	AV	Ett pip	Motorsvikt	
Se "Feilkode"	Venstre bladmotor svikter i rotasjon.	PCBA -kontrollert venstre bladmotor svikter.	607/A07	n/a	Ett pip	PCBA -feil	Få reparasjoner utført av en kvalifisert servicetekniker.
		Plugg (trefase, strømledning) som forbinder venstre drivmotor med tilhørende PCBA er løst.	509	n/a	Ett pip	Løs forbindelse	Inspiser bladet først. Hvis den er løsnet, stram boltene med anbefalt tiltrekkingmoment. Ellers må reparasjonen utføres av en kvalifisert servicetekniker.
		Venstre bladmotor svikter	509	n/a	Ett pip	Motorsvikt	

**NO**

LCD-skjerm	Beskrivelse	Feilkode på LCD	Statusindikator for klipperen	Piper	Årsaken	Løsning	
Se "Feilkode"	Høyre bladmotor svikter i rotasjon.	PCBA -kontrollert høyre bladmotor svikter.	507/A07	n/a	Ett pip	PCBA -feil	Få reparasjoner utført av en kvalifisert servicetekniker.
		Plugg (trefase, strømledning) som kobler den riktige drivmotoren med den tilhørende PCBA er løst.	609	n/a	Ett pip	Løs forbindelse	Inspiser bladet først. Hvis den er løsnet, stram bolten med anbefalt tiltrekkingsmoment. Ellers må reparasjonen utføres av en kvalifisert servicetekniker.
		Høyre bladmotor svikter	609	n/a	Ett pip	Motorsvikt	
Se "Feilkode"	Mellombladmotor svikter i rotasjon	PCBA-kontrollert mellombladmotor svikter	507/607	n/a	Ett pip	PCBA -feil	Få reparasjoner utført av en kvalifisert servicetekniker.
		Støpsel (trippelfase, strømledning) som forbinder mellombladmotoren med tilsvarende PCBA løsnes.	A09	n/a	Ett pip	Løs forbindelse	Inspiser bladet først. Hvis den er løsnet, stram bolten med anbefalt tiltrekkingsmoment. Ellers må reparasjonen utføres av en kvalifisert servicetekniker.
		Mellombladsmotor svikter	A09	n/a	Ett pip	Motorsvikt	
Se "Feilkode"	Venstre styrehendel svikter.	Venstre styrehåndtak som kontrollerer PCBA mislykkes.	311/412	AV	Ett pip	PCAB -feil	Få reparasjoner utført av en kvalifisert servicetekniker.
		Plugg som kobler den styrende PCBA, som ligger i rattet, er løst.				Løs forbindelse	
Se "Feilkode"	Høyre styrehendel svikter.	Høyre ratt som styrer PCBA mislykkes.	312/411	AV	Ett pip	PCAB -feil	Få reparasjoner utført av en kvalifisert servicetekniker.
		Plugg som kobler den styrende PCBA, som ligger i rattet, er løst.				Løs forbindelse	

LCD-skjerm	Beskrivelse	Feilkode på LCD	Statusindikator for klipperen	Piper	Årsaken	Løsning	
Se "Feilkode"	Parkeringsbremsen svikter, verktøyet kan ikke kjøres.	Parkeringsbrems PCBA, som er i frontrammen, er ødelagt.	309/409	AV	Ett pip	PCBA -feil	Få reparasjoner utført av en kvalifisert servicetekniker.
		Parkeringsbremsebryter og/eller ledning er ødelagt.	801	AV	Ett pip	Tråd/bryterfeil	
AV	Ladeportfeil	n/a	Solid rødt	n/a	Ladeporten er i åpen krets.	Få reparasjoner utført av en kvalifisert servicetekniker.	
		n/a	Solid rødt	n/a	Det er ingen strømforsyning.	Sjekk vegguttaket om det følger med 220 V-240 V eller om stikkkontakten er god.	
		n/a	Solid rødt	n/a	Sikringen er sprengt.	Få reparasjoner utført av en kvalifisert servicetekniker.	
Se "Feilkode"	Ladeportfeil	204	n/a	Ett pip	Ladeporten er i åpen krets.	Få reparasjoner utført av en kvalifisert servicetekniker.	
Se "Feilkode"	Batteriboksenheten fungerer ikke	217	n/a	Ett pip	Strømkilden fra batteriboksenheten er ødelagt. LED -frontlyktene og USB fungerer ikke.	Få reparasjoner utført av en kvalifisert servicetekniker.	
		310/410	AV	Ett pip	Tilkoblingen mellom Type C -ledninger i batteriboksenheten og andre Type C -ledninger på klipperen er ute av arbeid.		
		201/202/203	AV	Ett pip	BMS for batteriboksenheten er ødelagt.		

**NO**

LCD-skjerm	Beskrivelse	Feilkode på LCD	Statusindikator for klipperen	Piper	Årsaken	Løsning
Se "Feilkode"	Start/stopp bryterfeil	314/ 414	AV	Ett pip	Bryter PCBA-feil eller dårlig ledningstilkobling for Start/Stop-bryter.	Få reparasjoner utført av en kvalifisert servicetekniker.
Se "Feilkode"	LCD -skjermfeil	315/ 415	AV	Ett pip	LCD -enheten er ødelagt eller dårlig ledningstilkobling til LCD -enheten.	Få reparasjoner utført av en kvalifisert servicetekniker.

## GARANTI

NO

### EGO GARANTIPOLITIKK

Besøk nettsiden [egopowerplus.com](http://egopowerplus.com) for å se fullstendige vilkår og betingelser for EGO-garantireglene.

**KEES VAN DER SPEK**  
TUINMACHINES ★ STOLWIJK

# ПРОЧИТАЙТЕ ВСЕ ИНСТРУКЦИИ!



**ПРОЧИТАЙТЕ РУКОВОДСТВО ПОЛЬЗОВАТЕЛЯ**

## СИМВОЛЫ БЕЗОПАСНОСТИ

Символы безопасности предназначены для привлечения внимания к возможным рискам. Символы безопасности, а также пояснения к ним, требуют особого внимания и понимания. Предупреждения по технике безопасности сами по себе не устраняют опасность. Инструкции и предупреждения не заменяют соответствующие меры по предотвращению несчастных случаев.

**⚠ ПРЕДУПРЕЖДЕНИЕ.** Перед использованием устройства внимательно прочитайте все инструкции в данном руководстве пользователя и ознакомьтесь с предупреждающими символами безопасности, такими как **ОПАСНОСТЬ**, **ПРЕДУПРЕЖДЕНИЕ** и **ВНИМАНИЕ**. Несоблюдение всех приведенных ниже инструкций может привести к поражению электрическим током, возникновению пожара и (или) получению серьезных травм.

RU

## УСЛОВНЫЕ ОБОЗНАЧЕНИЯ

Далее приведено изображение и описание символов безопасности, которые могут присутствовать на данном устройстве. Перед сборкой или использованием внимательно прочитайте все инструкции, приведенные на устройстве, и соблюдайте их.

## СИМВОЛЫ БЕЗОПАСНОСТИ



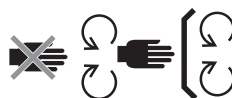
Предупреждение об опасности



Внимательно прочитайте руководство пользователя.



Защита глаз



Выполняйте обслуживание защитных устройств.



**ОПАСНО!** Риск при нахождении на крутом склоне.



**ОПАСНО!** Держите посторонних подальше от режущих элементов.



Никогда не перевозите детей на устройстве.



Смотрите назад при движении задним ходом.



**ПРЕДУПРЕЖДЕНИЕ.** Не используйте устройство на склонах с уклоном более 12°.



**ОПАСНО!** Отбрасываемые предметы.



ПРЕДУПРЕЖДЕНИЕ. ДЕРЖИТЕ  
НОГИ И РУКИ НА РАССТОЯНИИ.



Гарантированный уровень  
звуковой мощности.  
Соответствует Европейской  
директиве.



Не становитесь на устройство.



Неисправные электрические  
устройства нельзя выбрасывать  
вместе с бытовым мусором.  
Сдавайте их в авторизованные  
пункты сбора и утилизации.



Соответствует основным  
требованиям стандартов  
безопасности Европейских  
директив.



ВНИМАНИЕ. Не смотрите  
непосредственно на включенную  
лампу.

RU



Постоянный ток



Данное изделие соответствует  
действующему законодательству  
Великобритании.

кПа

Килопаскаль

об/мин

Оборотов в минуту

В

Вольт

м

Метры

"

Дюйм

см

Сантиметры

Нм

Ньютон-метр

мм

Миллиметры

°C

Градус Цельсия

кг

Килограммы

км/ч

Километров в час

IPX4

Класс защиты

KEES VAN DER SPEK  
TUINMACHINES \* STOLLEN \* NL

## ТЕХНИЧЕСКИЕ ХАРАКТЕРИСТИКИ

Напряжение	56 В	
Размер платформы	132 см	
Размер колеса	Спереди	279,4 x 126 мм
	Сзади	457,2 x 223 мм
Давление в холодных шинах	Спереди	222,1 кПа
	Сзади	115,8 кПа
Радиус поворота	0	

Скорость вращения режущего элемента (об/мин)	2600; 2800; 3000; 3200	
Макс. скорость хода (км/ч)	Вперед	8,1 км/ч, 9,7 км/ч, 11,3 км/ч, 12,8 км/ч
	Назад	До 6,4 км/ч

Зарядка	Зарядное устройство (дополнительно)	CHV1600E
	Адаптер (дополнительно)	ACA1000
	Диапазон температуры зарядки	От 5 до 40°C
Регулировка высоты скашивания (10 положений)		25–100 мм
Рабочая температура		От 0 до 40°C
Температура хранения		От –20 до 70°C
Масса (без аккумулятора)		217 кг
Измеренный уровень звуковой мощности $L_{WA}$		95,48 дБ (А) K=0,73 дБ (А)
Уровень звукового давления на уши оператора, $L_{PA}$		82,5 дБ (А) K=3 дБ (А)
Гарантированный уровень звуковой мощности $L_{WA}$ (измерен в соответствии с 2000/14/ЕС)		100 дБ (А)
Вибрация $a_h$	Рука	0,69 м/с <sup>2</sup> K=1,5 м/с <sup>2</sup>
	Туловище	0,3 м/с <sup>2</sup> K=1,5 м/с <sup>2</sup>

- Указанное общее значение вибрации было определено с помощью стандартного теста и может быть использовано для сравнения разных инструментов.
- Указанное общее значение вибрации также может использоваться для предварительной оценки уровня воздействия.

**ПРИМЕЧАНИЕ.** Реальное вибрационное воздействие электроинструмента может отличаться от указанного в зависимости от способа использования. В целях безопасности оператор должен надевать перчатки

и средства защиты органов слуха во время использования устройства.

## ОПИСАНИЕ

### ЧАСТИ КОСИЛКИ (РИС. А1 И А2)

1. Сиденье
2. Порт для зарядки
3. Приводной блок
4. Задний светодиодный фонарь
5. Отсек для хранения
6. Подстаканники
7. Боковой светодиодный фонарь
8. Заднее колесо (ведущее)
9. Промывочный порт
10. Платформа
11. Защита платформы
12. Противооткатное колесо
13. Переднее колесо
14. Педаль стояночного тормоза
15. Дневные ходовые огни
16. Светодиодные фары
17. Боковой разгрузочный желоб
18. Рычаг регулировки высоты платформы
19. Ручка регулировки подвески сиденья
20. Рычаг регулировки положения сиденья
21. Рычаги управления
22. Индикатор состояния косилки
23. ЖК-дисплей
24. Переключатель отбора мощности
25. Кнопка запуска/остановки
26. Ключ безопасности
27. Отсек для хранения телефона
28. Дефлектор
29. Индикатор заряда и состояния косилки
  - 29.a. Индикатор заряда косилки
  - 29.b. Индикатор состояния косилки
30. Опора для ноги

RU

31. Кнопка фиксации крышки приводного блока
32. Крышка приводного блока
33. Приводной блок с шестью аккумуляторными отсеками
34. Кнопка фиксации аккумулятора
35. Сцепное устройство
36. Крышка крепления навесного оборудования
37. Отсек для крышки крепления навесного оборудования
38. USB-порт

### ЖК-ДИСПЛЕЙ (РИС. А3)

Более подробную информацию о символах и индикаторах на ЖК-дисплее см. в разделе **СВЕДЕНИЯ О СОСТОЯНИИ КОСИЛКИ И КОДАХ НЕИСПРАВНОСТЕЙ**.

RU

1. Символ ключа безопасности
2. Символ светодиодного освещения
3. Символ автоматической парковки
4. Символ USB
5. Индикатор скорости работы режущего элемента
6. Индикатор состояния защитного устройства
7. Счетчик моточасов
8. Символ свободного аккумуляторного отсека
9. Символ температуры
10. Символ занятого аккумуляторного отсека
11. Режим движения
12. Индикатор кода неисправности
13. Индикатор перегрузки
14. Индикатор низкого уровня питания
15. Индикатор скорости хода
16. Индикатор нагрузки
17. Указатель уровня заряда
18. Кнопка регулировки скорости режущего элемента
19. Кнопка настройки
20. Кнопка режима движения

21. Переключатель светодиодного освещения
22. Кнопка регулировка скорости движения

## РАСПАКОВКА

**ПРИМЕЧАНИЕ.** Сохраните упаковочные материалы до тех пор, пока не проверите изделие и не убедитесь в его исправной работе. Если какие-либо части из списка комплекта поставки установлены на устройство, немедленно обратитесь в сервисный центр EGO.

**ПРИМЕЧАНИЕ.** За исключением инструментов, указанных в приведенном ниже списке комплекта поставки, все остальные инструменты, упомянутые в руководствах, только рекомендуются к использованию, но не прилагаются.

### КОМПЛЕКТ ПОСТАВКИ (Рис. В)

В-1	Самоходная косилка с нулевым радиусом поворота	В-6	Ключи безопасности
В-2	Сиденье	В-7	Рожковые гаечные ключи (13 мм)
В-3	Рычаг управления	В-8	Шестигранный ключ
В-4	Винты с углублением под ключ (2 запасных)	В-9	Быстроразъемное соединение для промывочного порта
В-5	Шестигранные болты (2 запасных)	В-10	Руководство по эксплуатации

### РЕКОМЕНДУЕМЫЕ ПРИНАДЛЕЖНОСТИ

**⚠ ПРЕДУПРЕЖДЕНИЕ.** Используйте только идентичные запасные части, приведенные в списке ниже. Использование деталей с другими характеристиками может привести к снижению эффективности работы и безопасности устройства.



НАЗВАНИЕ ДЕТАЛИ	НОМЕР МОДЕЛИ
Стандартный режущий элемент	AB5200
Высокоподъемный режущий элемент	AB5201
Набор для мульчирования	ABP5200
Комплект травосборника	ABK5200-A
Задний бампер	AMB1000
Грузовой ящик	AMG1000
Солнцезащитный козырек	AMS1000

## СБОРКА

### УСТАНОВКА СИДЕНЬЯ (Рис. С1 и С2)

**⚠ ПРЕДУПРЕЖДЕНИЕ.** Запрещается отключать или обходить систему защитной блокировки. Это может привести к неожиданному поведению косилки при работе и стать причиной травмы.

**ПРИМЕЧАНИЕ.** В целях безопасности косилка может остановиться, если выключатель сиденья отсоединился во время движения. В этом случае для получения дополнительной информации ознакомьтесь с разделом **УСТРАНЕНИЕ НЕПОЛАДОК**.

C1-1	Кабель	C1-5	Винты с углублением под ключ
C1-2	Вилка	C2-1	Крюк
C1-3	Разъем	C2-2	Стальные направляющие
C1-4	Основание подвески	C2-3	Винты с углублением под ключ

### УСТАНОВКА РЫЧАГОВ УПРАВЛЕНИЯ (РИС. С3)

C3-1	Рычаги управления	C3-3	Монтажные отверстия рычага управления
C3-2	Шестигранные болты		

## ЭКСПЛУАТАЦИЯ

### ПЕРЕД ИСПОЛЬЗОВАНИЕМ КОСИЛКИ

#### Проверка рабочей зоны

- Убедитесь, что в рабочей зоне нет детей, посторонних лиц и домашних животных.
- Очистите рабочую зону от предметов, которые могут быть отброшены режущими элементами косилки.
- Убедитесь, что светодиодные индикаторы находятся в надлежащем состоянии.
  - Управление фарами, боковыми и задними светодиодами осуществляется с помощью переключателя светодиодного освещения.
  - Ходовые огни всегда светятся во время движения.
  - Если при движении задним ходом задние светодиодные фонари выключены, они начнут мигать, чтобы предупредить окружающих. Если задние светодиоды включены, они останутся включенными.
  - Вся световые приборы выключаются, когда косилка автоматически отключается после определенного периода бездействия.

RU

#### Проверка давления в холодных шинах (Рис. D1)

#### Проверка состояния косилки и уровня заряда аккумулятора

- Индикатор заряда косилки (Рис. А2 — 27а)  
Каждый сегмент индикатора уровня заряда косилки соответствует 20% заряда установленных аккумуляторных батарей.

**ПРИМЕЧАНИЕ.** Индикатор уровня заряда косилки и индикатор заряда на ЖК-дисплее показывают среднюю емкость установленных аккумуляторных батарей.

- b. Индикатор состояния косилки (Рис. A1 и A2 — 27b)

Если индикатор состояния светится зеленым, косилка готова к работе. Если нет, ознакомьтесь с разделом «СВЕДЕНИЯ О СОСТОЯНИИ КОСИЛКИ И КОДАХ НЕИСПРАВНОСТЕЙ».

### Проверка системы защитной блокировки (Рис. D2–D8)

**ПРИМЕЧАНИЕ.** Перед проверкой оператор должен занять сиденье.

- a. Перед проверкой (Рис. D2–D4)
- b. Выполните для проверки системы режущих элементов платформы (Рис. D5), затем медленно встаньте.
- c. Выполните для проверки системы управления (Рис. D6–D8), затем медленно встаньте.

Если система режущих элементов платформы и (или) система управления не останавливаются, когда оператор встает с сиденья, и если причину невозможно определить после проверки надежности подключения штекера к разъему сиденья, немедленно обратитесь в центр поддержки клиентов EGO.

### РЕГУЛИРОВКА (Рис. E1–E13)

#### Подготовка (Рис. E1–E5)

#### Регулировка высоты скашивающей платформы (Рис. E6)

#### Регулировка противооткатных колес (Рис. E7–E10)

E7-1	Противооткатное колесо	E9-2	Закладной болт
E9-1	Гайка	E10-1	Маркировка высоты платформы

#### Регулировка сиденья (Рис. E11)

Перед началом работы с косилкой отрегулируйте положение сиденья таким образом, чтобы обеспечить

надежный контакт с педалью стояночного тормоза. Регулировка подвески сиденья позволяет достичь максимального комфорта при посадке.

E11-1	Рычаг регулировки положения сиденья	E11-2	Ручка регулировки подвески сиденья
-------	-------------------------------------	-------	------------------------------------

#### Настройка стояночного тормоза (Рис. E12–E13)

E13-1	Положение торможения	E13-2	Положение разблокировки
-------	----------------------	-------	-------------------------

### ЗАРЯДКА (Рис. F1–F11)

Для эксплуатации косилки необходимы аккумуляторы EGO общей емкостью 15 Ач (2 x BA4200/BA4200T) или более. Для максимальной эффективности рекомендуется использовать аккумуляторы EGO емкостью не менее 30 Ач.

**Используйте только с рекомендованными аккумуляторами и зарядными устройствами (Рис. F9 и F10)**

#### Подготовка к зарядке (Рис. F1–F4)

#### Зарядка аккумуляторных блоков отдельно (Рис. F5–F9)

F5-1	Кнопка фиксации крышки	F7-1	Кнопка извлечения аккумулятора
------	------------------------	------	--------------------------------

- Установка аккумуляторов (Рис. F5–F6)
- Извлечение аккумуляторов (Рис. F7–F8)

**ПРИМЕЧАНИЕ.** Заряжайте аккумуляторы согласно соответствующим руководствам по эксплуатации аккумуляторов и зарядных устройств.

#### Зарядка аккумуляторов через зарядный порт (Рис. F10)

F10-1	Пылезащитный колпачок	F10-2	Порт для зарядки
-------	-----------------------	-------	------------------

## ЗАПУСК КОСИЛКИ

(Рис. А4–А5 и Рис. G1–G6)

**⚠ ПРЕДУПРЕЖДЕНИЕ.** Избегайте резких запусков, остановок и поворотов, а также чрезмерной скорости, особенно при обучении работе с косилкой. Косилка может быстро вращаться, что может привести к потере контроля и серьезным травмам и (или) повреждениям.

**⚠ ПРЕДУПРЕЖДЕНИЕ.** Перед запуском косилки убедитесь, что режущие элементы отключаются в течение 5 секунд при перемещении переключателя отбора мощности вниз. Если режущие элементы не останавливаются, не используйте косилку и немедленно обратитесь в сервисный центр EGO.

**ПРИМЕЧАНИЕ.** Следуйте инструкциям на Рис. А4 и G2, чтобы настроить наименьшую скорость движения и **СТАНДАРТНЫЙ** режим движения на время обучения управлению косилкой в любых ситуациях. Скорость хода и режим движения активируются только при остановленных колесах косилки и открытых рычагах управления.

Косилка сохраняет режим движения, скорость и положение рычагов управления и восстанавливает эти параметры при перезапуске.

### Режим движения

- **КОНТРОЛЬ.** Более низкое ускорение, менее чувствительное управление и небольшая скорость поворота для защиты травы. Подходит для неопытных пользователей.
- **СТАНДАРТ.** Идеально подходит для повседневного использования.
- **СПОРТ.** Более высокое ускорение, точное управление и повышенная маневренность для максимальной эффективности скашивания. Подходит для опытных пользователей.

**Регулировка скорости хода (Рис. А4)**

**Регулировка скорости режущего элемента (Рис. А5)**

**USB-порт**

**ПРИМЕЧАНИЕ.** Порт USB обеспечивает зарядную мощность 5 В постоянного тока при суммарном потреблении до 1,5 А, и на него подается питание только при запуске косилки.

## ОСТАНОВКА КОСИЛКИ (Рис. Н1–Н6)

**ПРИМЕЧАНИЕ.** После 60 минут бездействия косилка автоматически отключается.

### Аварийный режим

Когда заряд аккумулятора становится низким, косилка переходит в аварийный режим:

- косилка автоматически прекращает скашивание травы;
- звуковой сигнал будет звучать непрерывно;
- индикатор состояния косилки будет мигать красным каждую секунду, первый сегмент указателя уровня заряда косилки будет мигать красным, а индикатор низкого уровня питания и символ батареи на указателе уровня заряда будут мигать.

В этом случае выполните следующее.

- а) Переместите переключатель отбора мощности вниз (Рис. Н3), чтобы отключить режущие элементы. Звуковой сигнал перестанет звучать, когда режущие элементы остановятся.
- б) Прекратите работу и как можно скорее отправляйтесь к месту зарядки аккумулятора. Максимальное расстояние, которое может преодолеть косилка, составляет 1000 м.

Когда аккумулятор почти разряжен, символ каждого занятого аккумуляторного отсека и индикатор низкого уровня питания будут мигать каждые полсекунды. Косилка немедленно прекратит работу. Оператор должен транспортировать косилку к месту зарядки аккумулятора.

### Перемещение вручную

Если необходимо толкать устройство вручную, убедитесь, что аккумуляторы отсоединены от косилки, а педаль стояночного тормоза отпущена из положения торможения.

## ВОЖДЕНИЕ КОСИЛКИ (Рис. I1–I9)

Чтобы остановиться, снизить или увеличить скорость, медленно переместите рычаг рулевого управления из нейтрального положения.

**▲ ОПАСНО!** Держитесь на расстоянии не менее двукратной ширины скашивания от любых канав, обрывов или воды. Когда косилка остановлена, передние колеса могут вращаться даже при включенном тормозе, что может привести к переворачиванию косилки или ее падению в воду, что станет причиной смерти или серьезных травм.

**▲ ПРЕДУПРЕЖДЕНИЕ.** Перед началом движения задним ходом обратите внимание на то, что находится позади косилки. НЕ косите задним ходом без крайней необходимости. Всегда смотрите вниз и назад перед движением задним ходом, а также во время него, чтобы убедиться, что в зоне скашивания нет детей, посторонних лиц или домашних животных. Помните, что потеря бдительности даже на долю секунды может привести к смерти или получению серьезной травмы.

**▲ ПРЕДУПРЕЖДЕНИЕ.** Не используйте данное устройство на дорогах общего пользования.

**▲ ПРЕДУПРЕЖДЕНИЕ.** При засорении или столкновении с посторонним предметом остановите двигатель и извлеките аккумуляторы. Удалите обрезки травы, листья, грязь и любой другой скопившийся мусор. Перед повторным запуском и эксплуатацией осмотрите косилку на наличие повреждений и при необходимости отремонтируйте.

## ОБСЛУЖИВАНИЕ

**▲ ПРЕДУПРЕЖДЕНИЕ.** Всегда надевайте защитные очки с боковыми щитками. В противном случае выбрасываемые предметы попадут в глаза, что может привести к получению серьезной травмы.

**▲ ПРЕДУПРЕЖДЕНИЕ.** При выполнении любых работ по обслуживанию режущих элементов

всегда надевайте прочные перчатки либо обматывайте режущий элемент ветошью или другим материалом. Перед проведением обслуживания или транспортировкой устройства обязательно извлекайте ключ безопасности и аккумуляторы.

Интервалы технического обслуживания	Процедура обслуживания
Перед каждым использованием или ежедневно	<ul style="list-style-type: none"> <li>Проверьте систему защитной блокировки.</li> <li>Визуально проверьте, не спущены ли шины.</li> <li>Проверьте режущие элементы на предмет износа, трещин и изгибов.</li> <li>Полностью проверьте устройство на наличие поврежденных, отсутствующих или плохо закрепленных частей, таких как боковой разгрузочный желоб, винты, гайки, болты, крышки и т. д., и убедитесь, что все защитные приспособления находятся на месте и работают надлежащим образом.</li> <li>Проверьте работу тормозов.</li> </ul>
После каждого использования	<ul style="list-style-type: none"> <li>Очистите платформу косилки.</li> </ul>
Каждые 25 часов	<ul style="list-style-type: none"> <li>Проверьте давление в шинах.</li> </ul>
Каждые 50 часов	<ul style="list-style-type: none"> <li>Проверьте состояние смазки внутри фланца режущего элемента.</li> </ul>
Каждые 100 часов	<ul style="list-style-type: none"> <li>Проверьте задние колеса и убедитесь, что все гайки затянуты с рекомендуемым крутящим моментом.</li> </ul>

RU

Каждые 200 часов	<ul style="list-style-type: none"> <li>Проверьте передние колеса и убедитесь, что они свободно вращаются.</li> </ul>
Ежегодно	<ul style="list-style-type: none"> <li>Проверьте педаль стояночного тормоза. Отсоедините аккумулятор от косилки и установите педаль стояночного тормоза в положение торможения. Вручную толкните косилку вперед, чтобы проверить, можно ли ее сдвинуть с места. Если устройство сдвинулось, немедленно обратитесь для ремонта к квалифицированному специалисту.</li> </ul>

## ОЧИСТКА КОСИЛКИ (Рис. J1–J9)

Подготовка (Рис. J1–J5)

Очистка корпуса косилки (Рис. J6–J7)

Использование промывочного порта для очистки платформы косилки (Рис. J8–J9)

J8-1	Промывочный порт	J8-3	Садовый шланг
J8-2	Быстроразъемное соединение для промывочного порта		

**ПРИМЕЧАНИЕ.** После окончания очистки переместите переключатель отбора мощности вниз, чтобы отключить режущие элементы косилки.

## ОБСЛУЖИВАНИЕ ПЛАТФОРМЫ КОСИЛКИ И РЕЖУЩИХ ЭЛЕМЕНТОВ

Подготовка (Рис. K1–K6)

Снятие платформы косилки (Рис. K7–K8)

K7-1	Кабель двигателя	K7-3	Сцепное устройство подвески
K7-2	Шплинт		

**ПРИМЕЧАНИЕ.** При снятии платформы косилки отсоедините все кабели двигателя и шплинты.

### Замена режущих элементов (Рис. K9–K11)

K9-1	Стабилизатор	K10-3	Режущий элемент
K10-1	Болт	K10-4	Фланец
K10-2	Шайба	K10-5	Вал двигателя

### Выравнивание платформы косилки

**a. Когда необходимо выравнивание (Рис. K12–K14)**

**b. Перед выравниванием**

- Проверьте давление в холодных шинах (Рис. K15).

- Проверьте режущие элементы. При необходимости снимите и замените изношенные, треснувшие и (или) погнутые режущие элементы.

**c. Подготовка к выравниванию (Рис. K16–K21)**

**d. Порядок выравнивания**

- Выполнение боковой регулировки (Рис. K22)**

K22-1	Стопорная гайка
-------	-----------------

- Выполнение передне-задней регулировки (Рис. K23)**

## КАЛИБРОВКА СИСТЕМЫ МОНИТОРИНГА КОСИЛКИ (Рис. L1–L4)

**ПРИМЕЧАНИЕ.** Звуковой сигнал прозвучит один раз при начале калибровки и при ее завершении.

**ПРИМЕЧАНИЕ.** Калибровка, выполненная для одного из режимов движения («КОНТРОЛЬ», «СТАНДАРТ», «СПОРТ»), может быть недоступна для двух других режимов. При необходимости откалибруйте рычаги управления для каждого режима движения отдельно.

RU

## СБРОС КОСИЛКИ ДО ПЕРВОНАЧАЛЬНЫХ ЗАВОДСКИХ НАСТРОЕК (Рис. М)

**ПРИМЕЧАНИЕ.** Звуковой сигнал прозвучит один раз при начале сброса настроек и при его завершении.

**ПРИМЕЧАНИЕ.** После успешного сброса нижеуказанные настройки вернуться к первоначальным заводским значениям:

- режим движения;
- скорость движения;
- калибровка рычагов управления.

## ХРАНЕНИЕ И ТРАНСПОРТИРОВКА

### RU ТРАНСПОРТИРОВКА КОСИЛКИ (РИС. N1– N11)

**ПРИМЕЧАНИЕ.** При необходимости закрепите косилку с помощью ремней или тросов, чтобы предотвратить ее перемещение во время транспортировки.

### ХРАНЕНИЕ (Рис. O1–O6)

**ПРИМЕЧАНИЕ.** Извлеките аккумуляторы и уберите их на хранение согласно инструкциям в соответствующих руководствах.

Очистите и проверьте косилку перед уборкой на хранение в соответствии с разделами **ОЧИСТКА КОСИЛКИ** и **РЕКОМЕНДУЕМОЕ РАСПИСАНИЕ ОБСЛУЖИВАНИЯ**.

### Защита окружающей среды




Утилизация отходов электрического и электронного оборудования (WEEE).

Не выбрасывайте электроприборы, зарядные устройства и аккумуляторные батареи вместе с бытовыми отходами!

Отправьте данное изделие на переработку в специализированное предприятие или сдайте его для отдельного сбора. Электроинструменты должны быть возвращены на перерабатывающее предприятие, не наносящее ущерба окружающей среде.


## УСТРАНЕНИЕ НЕПОЛАДОК

ПРОБЛЕМА	ПРИЧИНА	РЕШЕНИЕ
<p>Косилка не едет, когда два рычага управления перемещаются вперед или назад в самом начале.</p>  Мигает символ рычага управления.	<ul style="list-style-type: none"> <li>Суммарная емкость установленных аккумуляторов не соответствует требованиям.</li> </ul>	<ul style="list-style-type: none"> <li>Чтобы запустить эту косилку, используйте достаточное количество аккумуляторов EGO в соответствии с инструкциями в разделе <b>ЗАРЯДКА</b> настоящего руководства.</li> </ul>
	<ul style="list-style-type: none"> <li>Педаль стояночного тормоза установлена в положение торможения.</li> </ul>	<ul style="list-style-type: none"> <li>Полностью отпустите педаль стояночного тормоза, чтобы вывести ее из положения торможения.</li> </ul>
	<ul style="list-style-type: none"> <li>При запуске косилки рычаги управления не находятся в открытом положении.</li> </ul>	<ul style="list-style-type: none"> <li>Верните рычаги управления в открытое положение и снова запустите косилку.</li> </ul>
	<ul style="list-style-type: none"> <li>Оператор не сидит на сиденье.</li> </ul>	<ul style="list-style-type: none"> <li>Оператор может управлять косилкой только при правильном размещении на сиденье.</li> </ul>
	<ul style="list-style-type: none"> <li>Переключатель сиденья подключен неправильно.</li> </ul>	<ul style="list-style-type: none"> <li>Извлеките аккумулятор из косилки и снимите сиденье согласно обратному порядку установки в соответствии с инструкциями в разделе <b>УСТАНОВКА СИДЕНЬЯ</b> данного руководства, чтобы проверить подключение переключателя сиденья. Установите сиденье на место и следуйте инструкциям в разделе <b>ЗАПУСК КОСИЛКИ</b>. Проверьте, можно ли теперь запустить косилку. Если нет, обратитесь для ремонта к квалифицированному специалисту.</li> </ul>
	<ul style="list-style-type: none"> <li>При экстремально холодной погоде функция движения может не запуститься из-за срабатывания защиты от низкой температуры.</li> </ul>	<ul style="list-style-type: none"> <li>Всегда храните косилку и аккумулятор в теплом месте. Перезапустите косилку, когда она прогреется. Не делайте повторных попыток в условиях сильного холода, который может повредить устройство.</li> </ul>

RU

ПРОБЛЕМА	ПРИЧИНА	РЕШЕНИЕ
Косилка остановилась во время движения.	<ul style="list-style-type: none"> <li>Рычаги управления требуют «сброса».</li> </ul>	<ul style="list-style-type: none"> <li>Верните рычаги управления в открытое положение и снова запустите косилку.</li> </ul>
	<ul style="list-style-type: none"> <li>Вышли из строя электрические компоненты рычагов управления.</li> </ul>	<ul style="list-style-type: none"> <li>Обратитесь для ремонта к квалифицированному специалисту.</li> </ul>
	<ul style="list-style-type: none"> <li>Переключатель сиденья отсоединился во время движения по пересеченной местности.</li> </ul>	<ul style="list-style-type: none"> <li>Извлеките аккумулятор из косилки и снимите сиденье согласно обратному порядку установки в соответствии с инструкциями в разделе <b>УСТАНОВКА СИДЕНЬЯ</b> данного руководства, чтобы проверить подключение переключателя сиденья. Установите сиденье на место и следуйте инструкциям в разделе <b>ЗАПУСК КОСИЛКИ</b>. Проверьте, можно ли теперь запустить косилку. Если нет, обратитесь для ремонта к квалифицированному специалисту.</li> </ul>
	<ul style="list-style-type: none"> <li>Педаль стояночного тормоза была нажата для снижения скорости движения. Как только педаль стояночного тормоза будет нажата достаточно, но не до положения парковки, косилка остановится.</li> </ul>	<ul style="list-style-type: none"> <li>Следуйте инструкциям в разделе <b>ЗАПУСК КОСИЛКИ</b>, чтобы перезапустить косилку.</li> </ul>
Скорость хода и режим движения нельзя регулировать во время движения.	<ul style="list-style-type: none"> <li>Эта функция предназначена для обеспечения безопасности при эксплуатации косилки.</li> </ul>	<ul style="list-style-type: none"> <li>Функция активируется только при остановленных колесах косилки и открытых рычагах управления.</li> </ul>



ПРОБЛЕМА	ПРИЧИНА	РЕШЕНИЕ
<p>Косилка не запускает режущие элементы при включенном переключателе отбора мощности.</p>  <p>Мигает символ переключателя отбора мощности.</p>	<ul style="list-style-type: none"> <li>Суммарная емкость установленных аккумуляторов не соответствует требованиям.</li> </ul>	<ul style="list-style-type: none"> <li>Чтобы запустить эту косилку, используйте достаточное количество аккумуляторов EGO в соответствии с инструкциями в разделе <b>ЗАРЯДКА</b> настоящего руководства.</li> </ul>
	<ul style="list-style-type: none"> <li>Переключатель отбора мощности не был нажат при последней остановке косилки.</li> </ul>	<ul style="list-style-type: none"> <li>Переместите переключатель отбора мощности вниз и снова запустите режущие элементы косилки.</li> </ul>
	<ul style="list-style-type: none"> <li>В момент запуска режущих элементов косилка была перегружена, в результате чего сработала защита двигателя.</li> </ul>	<ul style="list-style-type: none"> <li>Начинайте скашивать траву сначала на более низкой скорости вращения режущих элементов и до тех пор, пока режущие элементы не начнут вращаться нормально, не увеличивайте скорость вращения режущих элементов без необходимости.</li> </ul>
	<ul style="list-style-type: none"> <li>При экстремально холодной погоде двигатель режущих элементов может не запуститься из-за срабатывания защиты от низкой температуры.</li> </ul>	<ul style="list-style-type: none"> <li>Всегда храните косилку и аккумулятор в теплом месте. Перезапустите косилку, когда она прогреется. Не делайте повторных попыток в условиях сильного холода, который может повредить устройство.</li> </ul>
	<ul style="list-style-type: none"> <li>Режущие элементы цепляются за деформированную платформу косилки.</li> </ul>	<ul style="list-style-type: none"> <li>Обратитесь для ремонта к квалифицированному специалисту.</li> </ul>

Режущие элементы перестали работать во время скашивания травы.

ПРОБЛЕМА	ПРИЧИНА	РЕШЕНИЕ
Режущие элементы перестали работать во время скашивания травы.	<ul style="list-style-type: none"> <li>Косилка перегружена.</li> </ul>	<ul style="list-style-type: none"> <li>Увеличьте высоту скашивания платформы или уменьшите скорость хода, чтобы снизить нагрузку на косилку.</li> </ul>
	<ul style="list-style-type: none"> <li>Платформа косилки забита травой и мусором.</li> </ul>	<ul style="list-style-type: none"> <li>Очистите платформу косилки и убедитесь, что режущие элементы свободно перемещаются.</li> </ul>
	<ul style="list-style-type: none"> <li>Косилка перегрелась.</li> </ul>	<ul style="list-style-type: none"> <li>Уменьшите нагрузку на косилку, увеличив высоту скашивания платформы или замедлив скорость вращения режущих элементов / хода, и дайте косилке остыть.</li> </ul>
	<ul style="list-style-type: none"> <li>Аккумуляторы в аккумуляторном отсеке косилки перегрелись, в результате чего суммарная емкость всех установленных аккумуляторов стала ниже требуемой.</li> </ul>	<ol style="list-style-type: none"> <li>Если суммарная емкость используемых аккумуляторов меньше требуемой, косилка не будет работать до тех пор, пока в свободные аккумуляторные отсеки не будут установлены дополнительные аккумуляторы. Как только перегретый аккумулятор остынет до нормальной температуры, он сразу же будет использован для питания косилки.</li> </ol>
		<ol style="list-style-type: none"> <li>При возобновлении работы уменьшите нагрузку на косилку, увеличив высоту скашивания платформы или замедлив скорость хода.</li> </ol>
	<ul style="list-style-type: none"> <li>Косилка находится в аварийном режиме.</li> </ul>	<ul style="list-style-type: none"> <li>Когда косилка находится в аварийном режиме, режущие элементы автоматически переключаются на низкую скорость вращения без скашивания травы. Оператор должен прекратить работу и как можно скорее отправиться к месту зарядки аккумулятора.</li> </ul>
	<ul style="list-style-type: none"> <li>Косилка столкнулась с посторонним предметом, в результате чего сработала защита двигателя.</li> </ul>	<ul style="list-style-type: none"> <li>Переместите переключатель отбора мощности вниз и снова запустите режущие элементы косилки.</li> </ul>

ПРОБЛЕМА	ПРИЧИНА	РЕШЕНИЕ
Звуковой сигнал звучит непрерывно.	<ul style="list-style-type: none"> <li>Косилка находится в аварийном режиме, а режущие элементы не выключаются.</li> </ul>	<ul style="list-style-type: none"> <li>Переместите переключатель отбора мощности вниз, чтобы отключить режущие элементы платформы. Звуковой сигнал перестанет звучать, когда режущие элементы остановятся.</li> </ul>
	<ul style="list-style-type: none"> <li>Косилка прекратила движение по склону, а оператор открыл рычаги управления и встал с сиденья, не установив педаль стояночного тормоза в положение торможения.</li> </ul>	<ul style="list-style-type: none"> <li>Перед тем как оставить косилку на склоне, установите педаль стояночного тормоза в положение торможения.</li> </ul>
Индикаторы заряда аккумулятора светятся, когда косилка выключена.	<ul style="list-style-type: none"> <li>Если косилка выключается на ровной поверхности без извлечения из нее аккумуляторов, индикаторы заряда аккумулятора, кнопка запуска/остановки и кнопка настройки будут светиться в течение определенного времени.</li> </ul>	<ul style="list-style-type: none"> <li>Никаких действий не требуется. Когда косилка выключится через некоторое время, индикаторы заряда батареи перестанут светиться. Конкретное время указано в разделе <b>ОСТАНОВКА КОСИЛКИ</b>.</li> </ul>
	<ul style="list-style-type: none"> <li>Если косилка выключается на склоне без установки педали стояночного тормоза в положение торможения, индикаторы заряда аккумулятора будут светиться до тех пор, пока заряд аккумуляторов не иссякнет. В то же время звуковой сигнал будет продолжать звучать.</li> </ul>	<ul style="list-style-type: none"> <li>Перед тем как оставить косилку на склоне, установите педаль стояночного тормоза в положение торможения.</li> </ul>
ЖК-дисплей не подсвечивается при включении всех символов.	<ul style="list-style-type: none"> <li>Время нажатия на кнопку запуска/остановки было недостаточным.</li> </ul>	<ul style="list-style-type: none"> <li>При коротком нажатии кнопки запуска/остановки на ЖК-дисплее будет отображаться только указатель уровня заряда.</li> </ul>
		<ul style="list-style-type: none"> <li>ЖК-дисплей включится после нажатия кнопки запуска/остановки и ее удержания в течение достаточного времени.</li> </ul>

ПРОБЛЕМА	ПРИЧИНА	РЕШЕНИЕ
Косилка стрижет неравномерно, со значительным перепадом высоты спереди и сзади.	<ul style="list-style-type: none"> <li>▪ Режущие элементы затупились.</li> </ul>	<ul style="list-style-type: none"> <li>▪ Заточите или замените режущий элемент в соответствии с инструкциями, приведенными в данном руководстве.</li> </ul>
	<ul style="list-style-type: none"> <li>▪ Режущие элементы изогнуты.</li> </ul>	<ul style="list-style-type: none"> <li>▪ Замените погнутый режущий элемент, следуя инструкциям в разделе <b>ЗАМЕНА РЕЖУЩИХ ЭЛЕМЕНТОВ</b>.</li> </ul>
	<ul style="list-style-type: none"> <li>▪ Платформа косилки не выровнена, что является причиной разной высоты режущих элементов.</li> </ul>	<ul style="list-style-type: none"> <li>▪ Выровняйте платформу косилки, следуя инструкциям в разделе <b>ВЫРАВНИВАНИЕ ПЛАТФОРМЫ КОСИЛКИ</b>.</li> </ul>
<b>RU</b> Фактическая высота скашивания травы не соответствует заявленной.	<ul style="list-style-type: none"> <li>▪ Крепление гаек платформы косилки на сцепном устройстве подвески ослабло.</li> </ul>	<ul style="list-style-type: none"> <li>▪ Следуя инструкциям в разделе <b>ВЫРАВНИВАНИЕ ПЛАТФОРМЫ КОСИЛКИ</b>, выполните правильную регулировку платформы косилки спереди и сзади и надежно затяните гайки на сцепном устройстве подвески.</li> </ul>
	<ul style="list-style-type: none"> <li>▪ Платформа косилки повреждена или серьезно изношена.</li> </ul>	<ul style="list-style-type: none"> <li>▪ Следуйте инструкциям в разделе <b>СНЯТИЕ ПЛАТФОРМЫ КОСИЛКИ</b> для замены платформы косилки.</li> </ul>
Косилка не делает мульчу должным образом.	<ul style="list-style-type: none"> <li>▪ На внутреннюю поверхность платформы налипла срезанная трава.</li> </ul>	<ul style="list-style-type: none"> <li>▪ Перед скашиванием дождитесь высыхания травы.</li> </ul>
	<ul style="list-style-type: none"> <li>▪ Косилка отрегулирована так, что срезает слишком много травы за один заход.</li> </ul>	<ul style="list-style-type: none"> <li>▪ Увеличьте высоту скашивания платформы.</li> </ul>

ПРОБЛЕМА	ПРИЧИНА	РЕШЕНИЕ
Устройство сильно вибрирует.	<ul style="list-style-type: none"> <li>▪ Режущие элементы плохо закреплены.</li> </ul>	<ul style="list-style-type: none"> <li>▪ Затяните болт режущего элемента с рекомендуемым моментом затяжки.</li> </ul>
	<ul style="list-style-type: none"> <li>▪ Режущие элементы изогнуты.</li> </ul>	<ul style="list-style-type: none"> <li>▪ Замените погнутый режущий элемент, следуя инструкциям в разделе <b>ЗАМЕНА РЕЖУЩИХ ЭЛЕМЕНТОВ</b>.</li> </ul>
	<ul style="list-style-type: none"> <li>▪ Платформа косилки не выровнена.</li> </ul>	<ul style="list-style-type: none"> <li>▪ Выровняйте платформу косилки, следуя инструкциям в разделе <b>ВЫРАВНИВАНИЕ ПЛАТФОРМЫ КОСИЛКИ</b>.</li> </ul>
	<ul style="list-style-type: none"> <li>▪ Крепление гаек платформы косилки на сцепном устройстве подвески ослабло.</li> </ul>	<ul style="list-style-type: none"> <li>▪ Затяните гайки на сцепном устройстве подвески.</li> </ul>
	<ul style="list-style-type: none"> <li>▪ Косилка отрегулирована так, что срезает слишком много травы за один заход.</li> </ul>	<ul style="list-style-type: none"> <li>▪ Увеличьте высоту скашивания платформы.</li> </ul>
После скашивания на земле остается трава или мусор.	<ul style="list-style-type: none"> <li>▪ Косилка отрегулирована так, что срезает слишком много травы за один заход, когда трава высокая.</li> </ul>	<ul style="list-style-type: none"> <li>▪ Начните с большой высоты скашивания и уменьшайте ее до тех пор, пока не будет достигнут желаемый результат скашивания. Траву высотой более 15 см следует скашивать в два захода, постепенно снижая высоту скашивания.</li> </ul>
	<ul style="list-style-type: none"> <li>▪ Трава мокрая.</li> </ul>	<ul style="list-style-type: none"> <li>▪ Не косите мокрую траву, пока она не высохнет.</li> </ul>
	<ul style="list-style-type: none"> <li>▪ Высокая скорость хода.</li> </ul>	<ul style="list-style-type: none"> <li>▪ Уменьшите скорость хода.</li> </ul>
	<ul style="list-style-type: none"> <li>▪ Скорость вращения режущего элемента слишком низкая.</li> </ul>	<ul style="list-style-type: none"> <li>▪ Постепенно увеличивайте скорость режущего элемента.</li> </ul>
Малое время работы косилки от аккумулятора.	<ul style="list-style-type: none"> <li>▪ Состояние травы и установленная высота скашивания значительно влияют на время работы аккумулятора. Заявленное время работы основано на условиях небольшой нагрузки.</li> </ul>	<ul style="list-style-type: none"> <li>▪ Увеличьте высоту скашивания платформы и уменьшите скорость режущего элемента, чтобы снизить нагрузку.</li> </ul>

ПРОБЛЕМА	ПРИЧИНА	РЕШЕНИЕ
Косилка не движется по прямой.	<ul style="list-style-type: none"> <li>Давление в шинах левого и правого задних колес различается.</li> </ul>	<ul style="list-style-type: none"> <li>Проверьте и отрегулируйте давление воздуха в шинах задних колес в соответствии с рекомендациями в разделе <b>ПРОВЕРКА ДАВЛЕНИЯ В ШИНАХ</b> данного руководства.</li> </ul>
	<ul style="list-style-type: none"> <li>Скорость хода для левого и правого задних колес различается.</li> </ul>	<ul style="list-style-type: none"> <li>Откалибруйте систему мониторинга косилки, следуя инструкциям в разделе <b>КАЛИБРОВКА СИСТЕМЫ МОНИТОРИНГА КОСИЛКИ</b>.</li> </ul>
Педаль стояночного тормоза не отпускается из положения торможения или слишком медленно возвращается в исходное положение.	<ul style="list-style-type: none"> <li>Возможно, внутрь педали стояночного тормоза попал мусор или грязь.</li> </ul>	<ul style="list-style-type: none"> <li>Откройте отсек педали стояночного тормоза, чтобы тщательно очистить его изнутри, а затем закройте. Верните педаль стояночного тормоза в исходное положение и проверьте, устранена ли проблема. Если нет, обратитесь для ремонта к квалифицированному специалисту.</li> </ul>
Косилку нельзя зарядить через зарядный порт, когда индикатор состояния косилки постоянно светится красным.	<ul style="list-style-type: none"> <li>Штекер зарядного устройства неправильно вставлен в порт зарядки на косилке.</li> </ul>	<ul style="list-style-type: none"> <li>Снова подсоедините штекер зарядного устройства и проверьте, может ли косилка нормально заряжаться.</li> </ul>
	<ul style="list-style-type: none"> <li>В розетке электросети нет питания.</li> </ul>	<ul style="list-style-type: none"> <li>Никаких действий не требуется. Подождите, пока питание не восстановится.</li> </ul>
	<ul style="list-style-type: none"> <li>Неисправность зарядного устройства.</li> </ul>	<ul style="list-style-type: none"> <li>Обратитесь к квалифицированному специалисту для проверки и при необходимости ремонта зарядного устройства.</li> </ul>
	<ul style="list-style-type: none"> <li>Зарядный разъем на косилке неисправен.</li> </ul>	<ul style="list-style-type: none"> <li>Обратитесь для ремонта к квалифицированному специалисту.</li> </ul>
Слишком большое время зарядки косилки через порт для зарядки.	<ul style="list-style-type: none"> <li>Зарядка с помощью адаптера EGO ACA1000 требует длительного времени.</li> </ul>	<ul style="list-style-type: none"> <li>Используйте зарядное устройство EGO CHV1600E для непосредственной зарядки косилки.</li> </ul>
Аккумулятор не удается полностью зарядить через порт для зарядки косилки.	<ul style="list-style-type: none"> <li>Ошибка прошивки самоходной косилки либо неисправность зарядного устройства или аккумулятора.</li> </ul>	<ul style="list-style-type: none"> <li>Отключите зарядное устройство от электросети и подождите несколько минут, а затем снова подключите вилку зарядного устройства к источнику питания. Если оно не работает, обратитесь для ремонта к квалифицированному специалисту.</li> </ul>

ПРОБЛЕМА	ПРИЧИНА	РЕШЕНИЕ
Косилка не запускается после очистки.	<ul style="list-style-type: none"> <li>Неправильная очистка, например попадание воды на электрические компоненты, ЖК-дисплей и т. д.</li> </ul>	<ul style="list-style-type: none"> <li>Для правильной очистки косилки следуйте инструкциям в разделе <b>ОЧИСТКА КОСИЛКИ</b>.</li> </ul>
Косилка легко засоряется.	<ul style="list-style-type: none"> <li>Платформа косилки забита травой и мусором.</li> </ul>	<ul style="list-style-type: none"> <li>Если косилка случайно попала под дождь, дайте ей высохнуть на воздухе или используйте сжатый воздух для сушки.</li> </ul>
		<ul style="list-style-type: none"> <li>Очищайте платформу косилки после каждого использования, следуя инструкциям в разделе «Использование промывочного порта для очистки платформы косилки».</li> </ul>
Косилка быстро теряет тягу при подъеме по склону.	<ul style="list-style-type: none"> <li>Шины задних колес изношены.</li> </ul>	<ul style="list-style-type: none"> <li>Обратитесь в местный сервис для замены шин.</li> </ul>
	<ul style="list-style-type: none"> <li>Большой уклон для скашивания.</li> </ul>	<ul style="list-style-type: none"> <li>Уклон при скашивании не должен превышать определенного количества градусов.</li> </ul>
Когда косилка останавливается на склоне с нажатой педалью стояночного тормоза, она может соскальзывать вниз по склону.	<ul style="list-style-type: none"> <li>Компоненты тормоза чрезмерно изношены из-за неправильной эксплуатации косилки.</li> </ul>	<ul style="list-style-type: none"> <li>Обратитесь для ремонта к квалифицированному специалисту.</li> </ul>
При мытье платформы вода из промывочного отверстия не поступает.	<ul style="list-style-type: none"> <li>Быстроразъемное соединение для промывочного порта не установлено.</li> </ul>	<ul style="list-style-type: none"> <li>Подсоедините быстроразъемное соединение промывочного порта, сильно прижав его до четкого щелчка. Если оно не работает, обратитесь для ремонта к квалифицированному специалисту.</li> </ul>
При ручном толкании косилки без запуска раздается ненормальный звук.	<ul style="list-style-type: none"> <li>Звук исходит от магнитов внутри двигателя.</li> </ul>	<ul style="list-style-type: none"> <li>Никаких действий не требуется, это нормально.</li> </ul>

## СВЕДЕНИЯ О СОСТОЯНИИ КОСИЛКИ И КОДАХ НЕИСПРАВНОСТЕЙ

ЖК-дисплей	Описание	Код неисправности на ЖК-дисплее	Индикатор состояния косилки	Звуковой сигнал	Причина	Решение
	Символ светодиодной подсветки отображается на ЖК-дисплее.	–	ВЫКЛ.	Нет	Фары, боковые и задние светодиоды включаются с помощью переключателя светодиодной подсветки.	Это нормально. Никаких действий не требуется.
	Символ USB отображается на ЖК-дисплее.	–	ВЫКЛ.	Нет	Светящийся символ USB означает, что USB-устройство может работать после правильного запуска косилки.	Это нормально. Никаких действий не требуется.
	Символ уровня заряда отображается на ЖК-дисплее.	–	ВЫКЛ.	Нет	Показывает среднюю емкость заряда установленных аккумуляторов.	Это нормально. Никаких действий не требуется.
	Символ счетчика моточасов отображается на ЖК-дисплее.	–	ВЫКЛ.	Нет	Показывает общее время работы косилки в часах и не может быть сброшен.	Это нормально. Никаких действий не требуется.
	Символ индикатора нагрузки отображается в диапазоне ECO.	–	ВЫКЛ.	Нет	Показывает текущую нагрузку на косилку.	Это нормально. Никаких действий не требуется.

RU



ЖК-дисплей	Описание	Код неисправности на ЖК-дисплее	Индикатор состояния косилки	Звуковой сигнал	Причина	Решение
	<p>Индикатор перегрузки мигает. Символ индикатора нагрузки отображается в диапазоне PWR.</p>	-	Мигает красным	Один звуковой сигнал	Двигатель режущих элементов перегружен.	Увеличьте высоту скашивания платформы или уменьшите скорость хода, чтобы снизить нагрузку на косилку.
					Боковой разгрузочный желоб забит травой и мусором.	Очищайте боковой разгрузочный желоб после каждого использования.
					Препятствие между режущим элементом и платформой.	Ремонт должен выполнять квалифицированный специалист.
	<p>Символ ключа безопасности мигает.</p>	-	ВЫКЛ.	Нет	Ключ безопасности не установлен.	Вставьте ключ безопасности, затем нажмите и удерживайте кнопку запуска/остановки, чтобы включить косилку.
					Питание не подается на ЖК-дисплей.	Ремонт должен выполнять квалифицированный специалист.
	<p>Символ определенного аккумуляторного отсека мигает.</p>	-	ВЫКЛ.	Нет	<p>Определенный аккумулятор во время разрядки имеет перегрузку по току.</p>	<p>Никаких действий не требуется. Косилка может продолжить работу, если суммарная емкость используемых аккумуляторов, исключая имеющий перегрузку, соответствует требованиям. Как только аккумулятор с перегрузкой вернется в нормальное состояние, он сразу же будет использован для питания косилки.</p>

RU

ЖК-дисплей	Описание	Код неисправности на ЖК-дисплее	Индикатор состояния косилки	Звуковой сигнал	Причина	Решение
	Символ пустого аккумуляторного отсека мигает.	–	ВЫКЛ.	Нет	Емкости аккумулятора недостаточно для работы косилки.	Чтобы запустить эту косилку, используйте достаточное количество аккумуляторов EGO в соответствии с инструкциями в разделе <b>ЗАРЯДКА</b> настоящего руководства.
	Символ температуры мигает.	–	ВЫКЛ.	Один звуковой сигнал	Косилка перегрелась.	Уменьшите нагрузку на косилку, увеличив высоту скашивания платформы или замедлив скорость режущих элементов / хода. Сделайте перерыв и дайте косилке остыть.
					Косилка слишком холодная.	Не делайте повторных попыток, которые могут повредить устройство. Всегда храните косилку и аккумуляторы в теплом месте. Перезапустите косилку, когда она прогреется.

RU



ЖК-дисплей	Описание	Код неисправности на ЖК-дисплее	Индикатор состояния косилки	Звуковой сигнал	Причина	Решение
	<p>Одновременно мигают символы температуры и конкретного занятого аккумуляторного отсека.</p>	-	ВЫКЛ.	Нет	Аккумулятор в соответствующем аккумуляторном отсеке перегрелся.	<p>1. Косилка может продолжить работу, если суммарная емкость используемых аккумуляторов, исключая перегретый, соответствует требованиям. Как только перегретый аккумулятор остынет до нормальной температуры, он сразу же будет использован для питания косилки.</p>
						<p>2. Если суммарная емкость используемых аккумуляторов недостаточна, косилка не будет работать до тех пор, пока в свободные аккумуляторные отсеки не будут установлены дополнительные аккумуляторы.</p>
						<p>3. При возобновлении работы уменьшите нагрузку на косилку, увеличив высоту скашивания платформы или замедлив скорость хода.</p>

RU

ЖК-дисплей	Описание	Код неисправности на ЖК-дисплее	Индикатор состояния косилки	Звуковой сигнал	Причина	Решение
	<p>На ЖК-дисплее каждую 1 секунду одновременно мигают символы каждого занятого аккумуляторного отсека, индикатора низкого уровня питания и батареи на указателе уровня заряда. Также мигает первый сегмент светодиодного индикатора уровня заряда и состояния.</p>	—	Мигает красным	Продолжает издавать звуковой сигнал, пока переключатель отбора мощности не будет перемещен вниз.	Аккумуляторы разряжены, косилка находится в аварийном режиме.	<p>Прекратите работу и вернитесь к месту зарядки аккумулятора.</p> <p><b>ПРИМЕЧАНИЕ.</b> Когда косилка находится в аварийном режиме, режущие элементы автоматически переключаются на низкую скорость вращения без скашивания травы, а звуковой сигнал звучит непрерывно. Оператор должен переместить переключатель отбора мощности вниз, чтобы отключить режущие элементы платформы. Звуковой сигнал перестанет звучать, когда режущие элементы остановятся.</p>
	<p>Символ каждого занятого аккумуляторного отсека и индикатор низкого уровня питания мигают каждые полсекунды.</p>	—	Мигает красным	Продолжает издавать звуковой сигнал.	Аккумуляторы разряжены почти полностью.	<p>Косилка немедленно прекратит работу. Оператор должен транспортировать косилку к месту зарядки аккумулятора.</p>

ЖК-дисплей	Описание	Код неисправности на ЖК-дисплее	Индикатор состояния косилки	Звуковой сигнал	Причина	Решение
	На ЖК-дисплее мигает символ автоматической парковки.	–	ВЫКЛ.	Продолжает издавать звуковой сигнал.	Косилка припаркована на склоне, и оператор покинул сиденье, не установив педаль тормоза в положение торможения, но оставив рычаги управления в открытом положении.	Установите педаль тормоза в положение торможения. Символ автоматической парковки перестанет светиться, а звуковой сигнал перестанет звучать.
	Символ педали тормоза отображается на ЖК-дисплее.	–	ВЫКЛ.	Нет	Педаль стояночного тормоза установлена в положение торможения.	Отпустите педаль перед запуском косилки.
	Символ датчика сиденья отображается на ЖК-дисплее.	–	ВЫКЛ.	Нет	Оператор покинул сиденье, или переключатель сиденья отсоединен.	Если символ светится при сидящем на сиденье операторе, немедленно прекратите использование косилки и проверьте соединение сиденья. Если сиденье правильно подключено к косилке, обратитесь к квалифицированному специалисту для ремонта.
	Символ переключателя отбора мощности мигает.	–	ВЫКЛ.	Нет	Двигатель режущих элементов был остановлен во время работы, а переключатель отбора мощности не был установлен в выключенное положение.	Перед повторным запуском косилки переместите переключатель отбора мощности вниз, чтобы отключить двигатель платформы. Для получения дополнительной информации см. раздел <b>УСТРАНЕНИЕ НЕПОЛАДК</b> данного руководства.

RU

ЖК-дисплей	Описание	Код неисправности на ЖК-дисплее	Индикатор состояния косилки	Звуковой сигнал	Причина	Решение
	Символ рычага управления мигает.	–	ВЫКЛ.	Нет	Приводной двигатель был остановлен во время работы, а рычаги управления не были установлены в открытое положение.	Перед повторным запуском косилки переведите рычаги управления в открытое положение. Для получения дополнительной информации см. раздел <b>УСТРАНЕНИЕ НЕПОЛАДОК</b> данного руководства.
	Символ восстановления энергии периодически мигает.	–	ВЫКЛ.	Нет	Кинетическая энергия, возникающая при торможении или движении под уклон, преобразуется в электричество для зарядки аккумуляторных батарей.	Это нормально. Никаких действий не требуется.

RU

**ПРИМЕЧАНИЕ.** Если на ЖК-дисплее появляется код неисправности, извлеките все аккумуляторы и снова вставьте их через несколько минут. Если это не решит проблему, следуйте приведенным ниже инструкциям по устранению неполадок с кодом неисправности.

ЖК-дисплей	Описание		Код неисправности на ЖК-дисплее	Индикатор состояния косилки	Звуковой сигнал	Причина	Решение
См. Код неисправности.	Левый приводной двигатель не вращается.	Отказ левого приводного двигателя с управлением от блока печатных плат.	413	ВЫКЛ.	Один звуковой сигнал	Неисправность блока печатных плат	Ремонт должен выполнять квалифицированный специалист.
		Ослабло соединение штекера (трехфазного, с проводом питания), соединяющего левый приводной двигатель с соответствующим блоком печатных плат.	317	ВЫКЛ.	Один звуковой сигнал	Плохое соединение	
		Ослабло соединение штекера (шестиконтактного, с сигнальным проводом), соединяющего левый приводной двигатель с соответствующим блоком печатных плат.	301	ВЫКЛ.	Один звуковой сигнал	Плохое соединение	
		Отказ левого приводного двигателя.	317	ВЫКЛ.	Один звуковой сигнал	Неисправность двигателя	

RU

RU

ЖК-дисплей	Описание		Код неисправности на ЖК-дисплее	Индикатор состояния косилки	Звуковой сигнал	Причина	Решение
См. Код неисправности.	Правый приводной двигатель не вращается.	Отказ правого приводного двигателя с управлением от блока печатных плат.	313	ВЫКЛ.	Один звуковой сигнал	Неисправность блока печатных плат	Ремонт должен выполнять квалифицированный специалист.
		Ослабло соединение штекера (трехфазного, с проводом питания), соединяющего правый приводной двигатель с соответствующим блоком печатных плат.	417	ВЫКЛ.	Один звуковой сигнал	Плохое соединение	
		Ослабло соединение штекера (шестиконтактного, с сигнальным проводом), соединяющего правый приводной двигатель с соответствующим блоком печатных плат.	401	ВЫКЛ.	Один звуковой сигнал	Плохое соединение	
		Отказ правого приводного двигателя.	417	ВЫКЛ.	Один звуковой сигнал	Неисправность двигателя	



ЖК-дисплей	Описание		Код неисправности на ЖК-дисплее	Индикатор состояния косилки	Звуковой сигнал	Причина	Решение
См. Код неисправности.	Левый двигатель режущих элементов не вращается.	Отказ левого двигателя режущих элементов с управлением от блока печатных плат.	607/A07	–	Один звуковой сигнал	Неисправность блока печатных плат	Ремонт должен выполнять квалифицированный специалист.
		Ослабло соединение штекера (трехфазного, с проводом питания), соединяющего левый приводной двигатель с соответствующим блоком печатных плат.	509	–	Один звуковой сигнал	Плохое соединение	Сначала осмотрите режущий элемент. Если он ослаблен, затяните болт с рекомендуемым моментом затяжки. В противном случае ремонт должен выполнять квалифицированный специалист.
		Отказ левого двигателя режущих элементов.	509	–	Один звуковой сигнал	Неисправность двигателя	

ЖК-дисплей	Описание		Код неисправности на ЖК-дисплее	Индикатор состояния косилки	Звуковой сигнал	Причина	Решение
См. Код неисправности.	Правый двигатель режущих элементов не вращается.	Отказ правого двигателя режущих элементов с управлением от блока печатных плат.	507/A07	–	Один звуковой сигнал	Неисправность блока печатных плат	Ремонт должен выполнять квалифицированный специалист.
		Ослабло соединение штекера (трехфазного, с проводом питания), соединяющего правый приводной двигатель с соответствующим блоком печатных плат.	609	–	Один звуковой сигнал	Плохое соединение	Сначала осмотрите режущий элемент. Если он ослаблен, затяните болт с рекомендуемым моментом затяжки. В противном случае ремонт должен выполнять квалифицированный специалист.
		Отказ правого двигателя режущих элементов.	609	–	Один звуковой сигнал	Неисправность двигателя	

ЖК-дисплей	Описание		Код неисправности на ЖК-дисплее	Индикатор состояния косилки	Звуковой сигнал	Причина	Решение
См. Код неисправности.	Средний двигатель режущих элементов не вращается.	Отказ среднего двигателя режущих элементов с управлением от блока печатных плат.	507/ 607	–	Один звуковой сигнал	Неисправность блока печатных плат	Ремонт должен выполнять квалифицированный специалист.
		Ослабло соединение штекера (трехфазного, с проводом питания), соединяющего средний приводной двигатель с соответствующим блоком печатных плат.	A09	–	Один звуковой сигнал	Плохое соединение	Сначала осмотрите режущий элемент. Если он ослаблен, затяните болт с рекомендуемым моментом затяжки. В противном случае ремонт должен выполнять квалифицированный специалист.
		Отказ среднего двигателя режущих элементов.	A09	–	Один звуковой сигнал	Неисправность двигателя	
См. Код неисправности.	Отказ левого рычага управления.	Отказ левого рычага управления с управлением от блока печатных плат.	311/ 412	ВЫКЛ.	Один звуковой сигнал	Неисправность блока печатных плат	Ремонт должен выполнять квалифицированный специалист.
		Ослабло соединение штекера, соединяющего управляющий блок печатных плат, расположенный в рулевой рейке.				Плохое соединение	

ЖК-дисплей	Описание		Код неисправности на ЖК-дисплее	Индикатор состояния косилки	Звуковой сигнал	Причина	Решение
См. Код неисправности.	Отказ правого рычага управления.	Отказ правого рычага управления с управлением от блока печатных плат.	312/ 411	ВЫКЛ.	Один звуковой сигнал	Неисправность блока печатных плат	Ремонт должен выполнять квалифицированный специалист.
		Ослабло соединение штекера, соединяющего управляющий блок печатных плат, расположенный в рулевой рейке.				Плохое соединение	
См. Код неисправности.	Неисправен стояночный тормоз, устройство невозможно привести в движение.	Поврежден блок печатных плат стояночного тормоза, который находится в узле передней рамы.	309/ 409	ВЫКЛ.	Один звуковой сигнал	Неисправность блока печатных плат	Ремонт должен выполнять квалифицированный специалист.
		Переключатель стояночного тормоза и (или) провод неисправны.	801	ВЫКЛ.	Один звуковой сигнал	Неисправность провода/выключателя	
ВЫКЛ.	Неисправность порта для зарядки.		–	Светится КРАСНЫМ	–	Порт зарядки находится в разомкнутой цепи.	Ремонт должен выполнять квалифицированный специалист.
			–	Светится КРАСНЫМ	–	Нет питания.	Проверьте, исправна ли розетка и подается ли в нее напряжение 220–240 В.
			–	Светится КРАСНЫМ	–	Предохранитель перегорел.	Ремонт должен выполнять квалифицированный специалист.

ЖК-дисплей	Описание	Код неисправности на ЖК-дисплее	Индикатор состояния косилки	Звуковой сигнал	Причина	Решение
См. Код неисправности.	Неисправность порта для зарядки.	204	–	Один звуковой сигнал	Порт зарядки находится в разомкнутой цепи.	Ремонт должен выполнять квалифицированный специалист.
См. Код неисправности.	Неисправность блока аккумуляторного отсека.	217	–	Один звуковой сигнал	Источник питания от аккумуляторного отсека поврежден. Светодиодные фары и порт USB не будут работать.	Ремонт должен выполнять квалифицированный специалист.
		310/ 410	ВЫКЛ.	Один звуковой сигнал	Соединение между проводами Type C аккумуляторного отсека и другими проводами Type C косилки не работает.	
		201/ 202/ 203	ВЫКЛ.	Один звуковой сигнал	Система управления питанием аккумуляторного отсека повреждена.	

**RU**

ЖК-дисплей	Описание	Код неисправности на ЖК-дисплее	Индикатор состояния косилки	Звуковой сигнал	Причина	Решение
См. Код неисправности.	Неисправность выключателя запуска/остановки.	314/ 414	ВЫКЛ.	Один звуковой сигнал	Неисправность переключателя блока печатных плат или плохое соединение проводов выключателя запуска/остановки.	Ремонт должен выполнять квалифицированный специалист.
См. Код неисправности.	Неисправность ЖК-дисплея.	315/ 415	ВЫКЛ.	Один звуковой сигнал	Узел ЖК-дисплея поврежден или плохое соединение проводов ЖК-дисплея.	Ремонт должен выполнять квалифицированный специалист.

RU

## ГАРАНТИЯ

### ГАРАНТИЙНАЯ ПОЛИТИКА EGO

Посетите веб-сайт [egopowerplus.com](http://egopowerplus.com), чтобы ознакомиться со всеми условиями и сроками гарантийной политики EGO.

## PRZECZYTAJ WSZYSTKIE INSTRUKCJE!



PRZECZYTAJ INSTRUKCJĘ OPERATORA

## SYMBOL BEZPIECZEŃSTWA

Celem symboli bezpieczeństwa jest zwrócenie uwagi użytkownika na możliwe zagrożenia. Symbole bezpieczeństwa i objaśnienia do nich zasługują na to, aby je uważnie przestudiować i zrozumieć. Symbole bezpieczeństwa nie eliminują same z siebie jakichkolwiek zagrożeń. Podawane w nich instrukcje i ostrzeżenia nie zastępują odpowiednich środków zapobiegania wypadkom.

**▲ OSTRZEŻENIE:** Przed użyciem narzędzia należy koniecznie przeczytać ze zrozumieniem wszystkie instrukcje dotyczące bezpieczeństwa podane w podręczniku użytkownika, łącznie z wszystkimi symbolami ostrzegawczymi takimi jak „NIEBEZPIECZEŃSTWO”, „OSTRZEŻENIE” i „OSTROŻNIE”. Niestosowanie się do wszystkich podanych niżej instrukcji może doprowadzić do porażenia prądem, pożaru i/lub poważnych urazów ciała.

## ZNACZENIE SYMBOLI

PL

Na tej stronie pokazano i opisano symbole bezpieczeństwa, które mogą występować na produkcie. Przed podjęciem próby złożenia i użycia urządzenia należy przeczytać i zrozumieć wszystkie instrukcje dotyczące narzędzia oraz zastosować się do nich.

## SYMBOLE BEZPIECZEŃSTWA



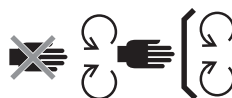
Ostrzeżenie dotyczące bezpieczeństwa



Przeczytaj ze zrozumieniem instrukcję użytkownika



Okulary ochronne



Konserwacja urządzeń ochronnych



NIEBEZPIECZEŃSTWO – zagrożenie strome zbocze



ZAGROŻENIE – Osoby postronne należy trzymać z daleka od ostrzy



Nigdy nie woź dzieci



Patrz do tyłu w trakcie cofania



OSTRZEŻENIE – Nie używaj maszyny na pochyłościach nachylonych pod kątem większym niż 12°



ZAGROŻENIE – Przedmioty wyrzucane w powietrze



OSTRZEŻENIE – RĘCE I STOPY  
TRZYMAJ Z DALEKA



Gwarantowany poziom mocy akustycznej. Zgodnie z dyrektywą Wspólnoty Europejskiej.



Nie wchodzić



Zużytych wyrobów elektrycznych nie należy wyrzucać razem ze zwykłymi odpadami domowymi. Należy je oddać do autoryzowanego punktu recyklingu.



Ten produkt jest zgodny z obowiązującymi dyrektywami WE



OSTROŻNIE – Nie należy wpatrywać się we włączoną lampę.



Prąd stały



Produkt jest zgodny z dyrektywami obowiązującymi w Wielkiej Brytanii.

PL

kPa	Kilopaskal
V	Wolt
in	Cal
Nm	Niutonometr
°C	Celsjusz
km/h	Kilometry na godzinę

obr./min	Obroty na minutę
m	Metry
cm	Centymetry
mm	Milimetry
kg	Kilogram
IPX4	Stopień ochrony przed penetracją

KEES VAN DER SPEK  
TUINMACHINES \* STOLWIJK

## SPECYFIKACJA

Napięcie	56 V	
Wymiary pomostu	132 cm	
Rozmiar koła	Przód	279,4 × 126 mm
	Tył	457,2 × 223 mm
Ciśnienie zimnej opony	Przód	222,1 kPa
	Tył	115,8 kPa
Promień skrętu	0	
Prędkość ostrza (obr./min)	2600; 2800; 3000; 3200	

Maks. Prędkość jazdy (km/h)	Do przodu	8,1 km/h, 9,7 km/h, 11,3 km/h, 12,8 km/h
	Do tyłu	do 6,4 km/h
Ładowanie	Ładowarka (opcjonalnie)	CHV1600E
	Zasilacz (opcjonalnie)	ACA1000
	Zakres temperatury ładowania	5°C - 40°C



Regulacja wysokości koszenia (10 pozycji)	25 – 100 mm	
Temperatura pracy	0°C- 40°C	
Temperatura przechowywania	-20°C - 70°C	
Ciężar (bez akumulatora)	217 kg	
Zmierzony poziom mocy akustycznej $L_{WA}$	95,48 dB(A) K=0,73 dB(A)	
Poziom ciśnienia akustycznego na wysokości ucha operatora $L_{PA}$	82,5 dB(A) K=3 dB(A)	
Gwarantowany poziom mocy akustycznej $L_{WA}$ (zmierzony zgodnie z dyrektywą 2000/14/WE)	100 dB(A)	
Drgania $a_h$	Ręka	0,69 m/s <sup>2</sup> K=1,5 m/s <sup>2</sup>
	Ciało	0,3 m/s <sup>2</sup> K=1,5 m/s <sup>2</sup>

- Deklarowana całkowita wartość drgań została zmierzona zgodnie ze standardowymi metodami testowania i może służyć do porównywania różnych narzędzi.
- Deklarowana całkowita wartość drgań może również służyć do wstępnej oceny narażenia na drgań.

**UWAGA:** Emisja drgań podczas rzeczywistego stosowania elektronarzędzia może różnić się od deklarowanej wartości, w której narzędzie jest używane. Aby się zabezpieczyć, w rzeczywistych warunkach użytkownika użytkownik powinien nosić rękawice i nauszники ochronne.

## OPIS

### ZAPOZNANIE Z KOSIARKĄ (RYS. A1 I A2)

- Fotel
- Port ładowania
- Jednostka zasilająca
- Tylne światło LED
- Schówek
- Uchwyty na kubki
- Światło boczne LED
- Koło tylne (koło napędowe)
- Port do mycia
- Pomost
- Oslona pomostu
- Koło zapobiegające zdzieraniu darni (anti-scalp)
- Koło przednie
- Pedał hamulca postojowego
- Światła dzienne robocze
- Reflektory LE
- Boczna rynna wyrzutowa
- Dźwignia regulacji wysokości pomostu
- Pokrętło regulacji amortyzacji fotela
- Dźwignia regulacji położenia fotela
- Rogi
- Kontrolka stanu kosiarki
- Ekran LCD
- Przełącznik WOM
- Przycisk włączanie/wyłączenie
- Kluczyk zabezpieczający
- Schówek na telefon
- Przegroda
- Kontrolka paliwomierza i stanu kosiarki
  - Kontrolka paliwomierza kosiarki
  - Kontrolka stanu kosiarki
- Podnózek
- Przycisk zwalniania pokrywy jednostki zasilającej
- Pokrywa jednostki zasilającej
- Jednostka zasilająca z sześcioma komorami akumulatora
- Przycisk odblokowujący akumulator
- Zaczep
- Przykrywka montująca końcówki
- Przechowywanie przykrywki montującej końcówki
- Port USB

## ZAPOZNANIE Z EKRANEM LCD (RYS. A3)

Aby uzyskać więcej informacji o ikonach i oznaczeniach na wyświetlaczu LCD, należy zapoznać się z częścią „SYGNALIZACJA STANU KOSIARKI I KODY BŁĘDÓW”.

1. Ikona kluczyka zabezpieczającego
2. Ikona podświetlenia LED
3. Ikona automatycznego parkowania
4. Ikona USB
5. Kontrolka prędkości ostrza
6. Kontrolka stanu urządzenia zabezpieczającego
7. Licznik godzinowy
8. Ikona pustej komory akumulatora
9. Ikona temperatury
10. Ikona zajętej komory akumulatora
11. Tryb jazdy
12. Wskaźnik kodu błędu
13. Kontrolka przeładowania
14. Wskaźnik niskiego poziomu zasilania
15. Kontrolka prędkości jazdy
16. Kontrolka obciążenia
17. Paliwomierz
18. Przycisk regulacji prędkości ostrza
19. Przycisk ustawiania
20. Przycisk trybu jazdy
21. Przełącznik lampki LED
22. Przycisk regulacji prędkości jazdy

## ROZPAKOWANIE

**UWAGA:** Przed dokładnym skontrolowaniem i poprawnym użyciem urządzenia nie należy wyrzucać opakowania. W przypadku awarii jakiegokolwiek części z listy części zainstalowanej na urządzeniu należy skontaktować się z punktem serwisowym EGO.

**UWAGA:** Za wyjątkiem narzędzi z poniższej listy części wszystkie pozostałe narzędzia wymienione w instrukcji są zalecane ale nie załączone.

## LISTA ELEMENTÓW W OPAKOWANIU (Rys. B)

B-1	Kosiarka-tractorek o zerowym promieniu skrętu	B-6	Kluczyki zabezpieczający
B-2	Fotel	B-7	Klucze maszynowe płaskie (13 mm)
B-3	Dźwignia sterowania	B-8	Klucz imbusowy
B-4	Wkręty z łbem o sześciokątnym gnieździe (2 zapasowe)	B-9	Szybkozłącze portu do mycia
B-5	Śruby sześciokątne (2 zapasowe)	B-10	Instrukcja obsługi

## ZALECANE AKCESORIA

**⚠ OSTRZEŻENIE:** Należy używać wyłącznie części zamiennych podanych poniżej. Stosowanie części, które nie spełniają oryginalnych specyfikacji sprzętu może spowodować niewłaściwe działanie i narazić na niebezpieczeństwo.

NAZWA CZĘŚCI	NUMER MODELU
Standardowe ostrze	AB5200
Ostrze profilowane	AB5201
Zestaw do mulczowania	ABP5200
Zestaw pojemnika na trawę	ABK5200-A
Zderzak tylny	AMB1000
Skrzynia ładunkowa	AMG1000
Oslona przeciwsłoneczna	AMS1000

# MONTAŻ

## INSTALACJA FOTEŁA (Rys. C1 i C2)

**▲ OSTRZEŻENIE:** System blokady bezpieczeństwa nie może być odłączony ani pominięty. W przeciwnym razie kosiarka nie będzie działać poprawnie i może spowodować urazy użytkownika.

**UWAGA:** Dla bezpieczeństwa użytkownika kosiarka może zatrzymać jazdę, gdy przełącznik fotela rozłączy się podczas jazdy. W takim przypadku należy zapoznać się z działem „ROZWIĄZYWANIE PROBLEMÓW”, by uzyskać więcej informacji.

C1-1	Kabel	C1-5	Wkręty z łbem o sześciokątnym gnieździe
C1-2	Wtyczka	C2-1	Zaczep
C1-3	Gniazdo wtykowe	C2-2	Szyny stalowe
C1-4	Podstawa podwieszenia	C2-3	Wkręty z łbem o sześciokątnym gnieździe

## INSTALACJA DŹWIGNI STEROWANIA (Rys. C3)

C3-1	Dźwignie sterowania	C3-3	Otwory montażowe dźwigni sterowania
C3-2	Śruby z łbem sześciokątnym		

# UŻYTKOWANIE

## PRZED UŻYCIEM KOSIARKI

### Kontrola środowiska

- Upewnić się, że na terenie pracy nie ma dzieci, osób postronnych oraz zwierząt.
- Usuń z obszaru roboczego przedmioty, które mogą być wyrzucone przez ostrza kosiarki.
- Sprawdź oświetlenie LED i upewnij się, że jest w dobrym stanie:
  - Reflektor, światła pozycyjne i światła tylne są kontrolowane przełącznikiem oświetlenia LED.

- Światła pozycyjne zawsze są włączone podczas jazdy.
- Przy cofaniu jeśli tylne światła są wyłączone, zaczną one migać, by ostrzec przechodniów; jeśli tylne światła są włączone, będą świecić się nadal.
- Gdy po pewnym czasie niewykonywania żadnej pracy kosiarka wyłączy się automatycznie, wszystkie kontrolki automatycznie zgasną.

### Kontrola ciśnienia zimnych opon (Rys. D1)

### Kontrola stanu kosiarki i poziomu ładowania akumulatora

- Kontrolka paliwomierza kosiarki (Rys. A2 - 27a)  
Każdy segment kontrolki paliwomierza kosiarki oznacza 20% ładowania włożonych akumulatorów.

**UWAGA:** Kontrolka paliwomierza kosiarki oraz paliwomierz na wyświetlaczu LCD oznacza średnią pojemność włożonych akumulatorów.

- Kontrolka stanu kosiarki (Rys. A1 i Rys. A2 - 27b)  
Jeśli kontrolka stanu świeci na zielono, kosiarka jest gotowa do jazdy. W przeciwnym razie należy zapoznać się z częścią „SYGNALIZACJA STANU KOSIARKI I KODY BŁĘDÓW”

### Test systemu blokady bezpieczeństwa (Rys. D2 - Rys. D8)

**UWAGA:** Operator musi zawsze siedzieć na fotelu przed testem.

- Przed testem (Rys. D2 – Rys. D4)
- Przetestować system pomostu z ostrzami (Rys. D5), a następnie powoli wstać
- Przetestować układ napędowy (Rys. D6 – Rys. D8) a następnie powoli wstać

Jeśli system pomostu z ostrzami i/lub układ napędowy nie zatrzymują się, gdy operator podnosi się z fotela i jeśli nie znaleziono przyczyny po upewnieniu się, że wtyczka i gniazdo są poprawnie połączone, należy natychmiast skontaktować się z punktem serwisowym EGO.

## REGULACJA (Rys. E1 – Rys. E13)

### Przygotowanie (Rys. E1 – Rys. E5)

### Regulacja wysokości pomostu do koszenia (Rys. E6)

### Regulacja kół zapobiegających zdarciu darni (Rys. E7 - Rys. E10)

E7-1	Koło zapobiegające zdzieraniu darni (anti-scalp)	E9-2	Śruba z niepełnym gwintem
E9-1	Nakrętka	E10-1	Etykieta wysokości pomostu

### Regulacja fotela (Rys. E11)

Ustawić pozycję fotela, by zapewnić poprawny kontakt z pedalem hamulca postojowego przed obsługą kosiarki. Regulacja podwozia fotela umożliwia wygodne siedzenie podczas jazdy.

E11-1	Dźwignia regulacji położenia fotela	E11-2	Pokrętło regulacji podwozia fotela
-------	-------------------------------------	-------	------------------------------------

### Ustawianie hamulca postojowego (Rys. E12 - Rys. E13)

E13-1	Pozycja hamowania	E13-2	Zwolniona pozycja
-------	-------------------	-------	-------------------

### ŁADOWANIE (Rys. F1 - Rys. F11)

Do uruchomienia kosiarki potrzebne są akumulatory EGO o łącznej pojemności 15 Ah (2 X BA4200/BA4200T) lub większej. Aby uzyskać najlepsze wyniki, zalecamy używanie akumulatorów EGO o łącznej pojemności 30Ah lub więcej.

Do urządzenia należy używać wyłącznie zalecanych ładowarek i akumulatorów. (Rys. F9 i F10)

### Przygotowanie do ładowania (Rys. F1 - Rys. F4)

#### Oddzielne ładowanie akumulatorów (Rys. F5 – Rys. F9)

F5-1	Przycisk odblokowujący przykrywkę	F7-1	Przycisk odblokowujący akumulator
------	-----------------------------------	------	-----------------------------------

- Wkładanie akumulatora/-ów (Rys. F5 – Rys. F6)
- Wyjmowanie akumulatora/-ów (Rys. F7 – Rys. F8)

**UWAGA:** Aby naładować akumulatory, należy

zapoznać się z odpowiednimi instrukcjami dotyczącymi akumulatorów i ładowarek.

### Ładowanie akumulatorów przez port ładowania (rys. F10)

F10-1	Oslona przeciwpyłowa	F10-2	Port ładowania
-------	----------------------	-------	----------------

### WŁĄCZANIE KOSIARKI (Rys. A4 – Rys. A5 i Rys. G1 – Rys. G6)

**⚠ OSTRZEŻENIE:** Należy unikać gwałtownego uruchamiania lub zatrzymywania, gwałtownych skrętów, oraz nadmiernej prędkości, zwłaszcza, gdy kosiarka jest używana po raz pierwszy. Kosiarka może prędko się obracać, co może spowodować utratę kontroli przez operatora i spowodować poważne urazy i/lub uszkodzenia.

**⚠ OSTRZEŻENIE:** Przed włączeniem kosiarki, po wciśnięciu przełącznika PTO należy w ciągu 5 sekund upewnić się, że ostrza są odsprężlone. Jeśli ostrza się nie zatrzymują, kosiarki nie wolno używać; należy się wtedy natychmiast skontaktować z punktem serwisowym EGO.

**UWAGA:** Postępuj zgodnie z Rys. A4 i Rys. G2, by uzyskać najmniejszą prędkość jazdy i **STANDARDOWY** tryb jazdy do momentu, gdy będziesz mógł/mogła w pełni obsługiwać kosiarkę we wszystkich sytuacjach. Prędkość jazdy i tryb jazdy włączają się tylko wtedy, gdy koła kosiarki zatrzymają się a dźwignie sterowania są otworzone.

Kosiarka zapisuje ostatni tryb jazdy, prędkość jazdy i kalibrację manetek sterujących; po ponownym uruchomieniu zostają one przywrócone.

### Tryb jazdy

- **KONTROLA:** Małe przyspieszenie, mniej delikatne manipulowanie i łagodna prędkość skrętu, by chronić trawę i dla nowych użytkowników.
- **STANDARD:** Idealne do stosowanie na co dzień.
- **SPORT:** Większe przyspieszenie, dokładne manipulowanie i ostre skręty, by zwiększyć skuteczność koszenia i dla entuzjastów koszenia.

### Regulacja prędkości jazdy (Rys. A4)

## Regulacja prędkości ostrza (Rys. A5)

### Port USB

**UWAGA:** Port USB umożliwia ładowanie prądem 5 V DC i dopuszcza pobór prądu do 1,5 A. Port jest zasilany tylko wtedy, gdy kosiarka jest włączona.

## ZATRZYMYWANIE KOSIARKI (Rys. H1 – Rys. H6)

**UWAGA:** Po ponad 60 minutach braku działania, kosiarka wyłączy się automatycznie.

### Tryb awaryjny

Gdy poziom akumulatora jest niski, kosiarka przechodzi w tryb awaryjny:

- Kosiarka automatycznie przestaje kosić trawę;
- Kontrolka sygnału dźwiękowego kontynuuje wydawanie sygnałów;
- Kontrolka stanu kosiarki będzie migać na czerwono co sekundę, pierwszy segment paliwomierza kosiarki zacznie migać na czerwono i kontrolka niskiego zasilania oraz grafiki akumulatora na paliwomierzu zaczną migać.

Użytkownik powinien:

- a) Popchnij przełącznik WOM w dół (Rys. H3), aby wyłączyć ostrza. Kontrolka sygnału dźwiękowego przestanie wydawać sygnały, gdy ostrza zatrzymają się;
- b) Zaprzestań pracę i przejdź do obszaru ładowania akumulatora jak najszybciej. Maksymalna odległość, jaką kosiarka może przejechać wynosi 1000 m.

Gdy akumulator jest bliski rozładowania, ikona każdej zajętej komory akumulatora i kontrolka niskiego zasilania będą migać co pół sekundy. Kosiarka przestanie natychmiast działać. Operator powinien przemieścić kosiarkę do obszaru ładowania akumulatora w celu ładowania.

### Ręczne pchanie

Jeśli potrzebne jest ręczne pchanie, upewnij się, że akumulator jest odłączony od kosiarki i że pedał hamulca postojowego jest zwolniony z pozycji postojowej.

## JAZDA KOSIARKĄ (Rys. I1 – Rys. I9)

Aby zatrzymać, zmniejszyć lub zwiększyć prędkość, powoli zmień odległość dźwigni sterowania z neutralnego.

**⚠ NIEBEZPIECZEŃSTWO:** Wymagana odległość od nasypów, kanałów lub zbiorników wodnych, którą należy utrzymywać wynosi co najmniej dwie szerokości koszenia. Przednie koła mogą obracać się, gdy kosiarka jest zatrzymana, nawet jeśli hamulec jest zaciągnięty, i spowodować przesunięcie kosiarki do krawędzi lub do wody oraz spowodować śmierć lub poważne urazy osób.

**⚠ OSTRZEŻENIE:** Zanim ruszy się kosiarką w tył, należy zawsze sprawdzić co znajduje się z tyłu. O ile nie jest to absolutnie konieczne, Nie należy kosić podczas jazdy wstecz. Zawsze spójrz w kół i do tyłu przed cofaniem i podczas cofania, by upewnić się, że na obszarze koszenia nie ma dzieci, osób postronnych ani zwierząt domowych. Należy pamiętać, że do spowodowania śmierci lub poważnych obrażeń wystarczy zaledwie chwila nieuwagi.

**⚠ OSTRZEŻENIE:** Maszyny nie należy używać na drogach publicznych.

**⚠ OSTRZEŻENIE:** W przypadku uderzenia w jakiś przedmiot lub jeśli kosiarka się zablokuje, należy zatrzymać silniki i wyjąć akumulatory. Wyjmij przycinaną trawę, liście, brud i inne zebrane odpady; dokładnie sprawdź, czy kosiarka nie jest uszkodzona i napraw uszkodzenia przed ponownym uruchomieniem i obsługa kosiarki.

## KONSERWACJA

**⚠ OSTRZEŻENIE:** Należy zawsze nosić okulary ochronne z osłonami bocznymi. Nieprzestrzeganie tego zalecenia może doprowadzić do poważnych obrażeń oczu odłamkiem lub skrawkiem materiału wyrzuconym przez narzędzie.

**⚠ OSTRZEŻENIE:** Podczas czynności konserwacyjnych przy ostrzu kosiarki należy zawsze chronić ręce przez noszenie solidnych rękawic lub owinięcie krawędzi ostrza szmatami lub innymi materiałami. Na czas wykonywania czynności serwisowych oraz transportowania kosiarki należy zawsze wyjmować kluczyk zabezpieczający i akumulator.

Harmonogram działań serwisowych	Procedura konserwacji
Przed każdym użyciem lub codziennie	<ul style="list-style-type: none"> <li>▪ Sprawdź system blokady bezpieczeństwa.</li> <li>▪ Wzrokowo sprawdź, czy opony są płaskie.</li> <li>▪ Skontroluj, czy ostrza nie są zużyte, pęknięte lub wygięte.</li> <li>▪ Przed każdym użyciem należy skontrolować cały produkt pod kątem uszkodzonych, brakujących lub obluzowanych części takich jak boczny wylot, śruby, wkręty, nakrętki, nasadki itp. i sprawdzić, czy wszystkie osłony są zainstalowane i działają poprawnie.</li> <li>▪ Sprawdź działanie hamulców.</li> </ul>
Po każdym użyciu	<ul style="list-style-type: none"> <li>▪ Wyczyścić pomost kosiarki.</li> </ul>
Co 25 godzin	<ul style="list-style-type: none"> <li>▪ Sprawdź ciśnienie opon.</li> </ul>
Co 50 godzin	<ul style="list-style-type: none"> <li>▪ Sprawdź stan smarowania wewnątrz kołnierza ostrza tnącego.</li> </ul>
Co 100 godzin	<ul style="list-style-type: none"> <li>▪ Sprawdzić tylne koła, aby upewnić się, że wszystkie nakrętki mocujące są dokręcone zalecanym momentem.</li> </ul>
Co 200 godzin	<ul style="list-style-type: none"> <li>▪ Sprawdź, czy przednie koła obracają się swobodnie.</li> </ul>

Rocznie	<ul style="list-style-type: none"> <li>▪ Sprawdź pedał hamulca postojowego. Wyjmij akumulator z kosiarki i ustaw hamulec postojowy w pozycji hamowania. Ręcznie popchnij kosiarkę do przodu, by zobaczyć, czy może być przesunięta czy nie. Jeśli rusza się, odnieść do serwisowania przez wykwalifikowanego technika serwisu.</li> </ul>
---------	---

## CZYSZCZENIE KOSIARKI (Rys. J1 – Rys. J9)

### Przygotowanie (Rys. J1 – Rys. J5)

### Czyszczenie obudowy kosiarki (Rys. J6 – Rys. J7)

### Używanie portu do mycia do czyszczenia pomostu kosiarki (Rys. J8 – Rys. J9)

J8-1	Port do mycia	J8-3	Wąż ogrodowy
J8-2	Szybkozłącze portu do mycia		

**UWAGA:** Po zakończeniu czyszczenia popchnij przełącznik WOM w dół, by wyłączyć ostrza kosiarki.

## KONSERWACJA POMOSTU KOSIARKI I OSTRZY TNĄCYCH

### Przygotowanie (Rys. K1 – Rys. K6)

### Demontaż pomostu kosiarki (Rys. K7 – Rys. K8)

K7-1	Kabel silnika	K7-3	Wyciek z podwozia
K7-2	Zawlecзка		

**UWAGA:** Przed wyjęciem pomostu kosiarki należy odłączyć wszystkie kable silnika i wyjąć zawleczkę.

### Wymiana ostrzy tnących (Rys. K9 - Rys. K11)

K9-1	Stabilizator	K10-3	Ostrze
K10-1	Śruba	K10-4	Kołnierz
K10-2	Podkładka	K10-5	Wałek silnika

### Poziomowanie pomostu kosiarki

- a. Moment poziomowania (Rys. K12 - Rys. K14)
- b. Przed wyrównaniem
  - Kontrola ciśnienia zimnych opon (Rys. K15)
  - Sprawdzić ostrza tnące. Wymij i wymień zużyte, pęknięte i/lub wygięte ostrza, jeśli jest to konieczne.
- c. Przygotowania do poziomowania (Rys. K16 - Rys. K21)
- d. Poziomowanie
  - Wykonanie regulacji z boku na bok (Rys. K22)

K22-1	Przeciwnakrętka
-------	-----------------

- Wykonanie regulacji z przodu do tyłu (Rys. K23)

### KALIBRACJA SYSTEMU ŚLEDZENIA KOSIARKI (Rys. L1 – Rys. L4)

**UWAGA:** Kontrolka sygnału dźwiękowego wyda jeden sygnał zarówno przy rozpoczęciu kalibracji jak i na jej zakończenie.

**UWAGA:** Kalibracja przeprowadzona dla jednego z trybów jazdy („CONTROL”, „STANDARD”, „SPORT”) może nie być dostępna dla pozostałych dwóch trybów. W razie potrzeby należy skalibrować dźwignie sterownicze niezależnie w każdym trybie jazdy.

### RESETOWANIE KOSIARKI DO POCZĄTKOWYCH USTAWIEŃ FABRYCZNYCH (Rys. M)

**UWAGA:** Kontrolka sygnału dźwiękowego wyda jeden sygnał zarówno przy rozpoczęciu resetowania jak i na jego zakończenie.

**UWAGA:** Jeśli resetowanie powiedzie się, poniższe ustawienia powrócą do początkowych ustawień fabrycznych:

- tryb jazdy
- prędkość jazdy
- kalibracja manetek sterujących

## PRZECHOWYWANIE I TRANSPORT

### TRANSPORT KOSIARKI (RYS. N1 – RYS. N11)

**UWAGA:** Na czas transportu, aby uniknąć jej przemieszczania, kosiarkę należy zamocować pasami lub kablami, odpowiednio do potrzeb.

### PRZECHOWYWANIE (Rys. O1 - Rys. O6)

**UWAGA:** Wymij akumulatory i przechowuj je zgodnie z zaleceniami w instrukcjach obsługi.

Wyczyść i skontroluj kosiarkę przed przechowaniem zgodnie z działem „CZYSZCZENIE KOSIARKI” i „ZALECANY HARMONOGRAM KONSERWACJI”.


### Ochrona środowiska



WEEE (Zużyty sprzęt elektryczny i elektroniczny) Urządzeń elektrycznych, zużytych akumulatorów i ładowarki nie należy wyrzucać do zwykłych zmieszanych śmieci domowych! Produkt należy oddać do zbiórki selektywnej w autoryzowanym punkcie recyklingu. Elektronarzędzia należy oddawać do przyjaznego dla środowiska zakładu recyklingu.


PL

## ROZWIĄZYWANIE PROBLEMÓW

PROBLEM	PRZYCZYNA	ROZWIĄZANIE
<p>PL Kosiarka nie jedzie, gdy na początku dwie dźwignie sterujące zostaną popchnięte do przodu lub do tyłu.</p>  <small>Ikona poziomu sterowania miga</small>	<ul style="list-style-type: none"> <li>Łączna pojemność włożonych akumulatorów jest mniejsza niż wymagana.</li> </ul>	<ul style="list-style-type: none"> <li>Aby włączyć kosiarkę, należy użyć wystarczającej ilości akumulatorów EGO, zgodnie z zaleceniami podanymi w części „ŁADOWANIE” w niniejszej instrukcji.</li> </ul>
	<ul style="list-style-type: none"> <li>Pedał hamowania postojowego jest ustawiony w pozycji hamowania.</li> </ul>	<ul style="list-style-type: none"> <li>Całkowicie obniżyć pedał hamowania, by zwolnić go z pozycji hamowania.</li> </ul>
	<ul style="list-style-type: none"> <li>Dźwignie sterowania nie znajdują się w pozycji otwartej podczas uruchamiania kosiarki.</li> </ul>	<ul style="list-style-type: none"> <li>Przesunąć dźwignie sterowania z powrotem do pozycji otwartej i uruchomić ponownie kosiarkę.</li> </ul>
	<ul style="list-style-type: none"> <li>Operator nie siedzi na fotelu.</li> </ul>	<ul style="list-style-type: none"> <li>Operator może obsługiwać kosiarkę tylko wtedy, gdy prawidłowo siedzi na fotelu.</li> </ul>
	<ul style="list-style-type: none"> <li>Przełącznik fotela nie jest poprawnie podłączony.</li> </ul>	<ul style="list-style-type: none"> <li>Aby sprawdzić połączenie przełącznika fotela, należy wyjąć akumulator z kosiarki i zdjąć fotel w kolejności odwrotnej do instrukcji podanych w części „INSTALACJA FOTEŁA” w instrukcji obsługi. Aby włączyć kosiarkę i sprawdzić, czy da się ją uruchomić, należy zamontować fotel i postępować zgodnie z instrukcjami podanymi w części „WŁĄCZANIE KOSIARKI”. W przeciwnym razie prosimy skontaktować się z wykwalifikowanym technikiem serwisu w celu naprawy.</li> </ul>
	<ul style="list-style-type: none"> <li>Przy bardzo niskich temperaturach funkcja jazdy może nie włączać się poprawnie ze względu na zabezpieczenie przed niskimi temperaturami.</li> </ul>	<ul style="list-style-type: none"> <li>Kosiarkę i akumulator należy zawsze przechowywać w ciepłym miejscu. Ponownie uruchomić kosiarkę, gdy będzie rozgrzana. Nie należy powtarzać prób w bardzo niskich temperaturach, gdyż może to doprowadzić do uszkodzenia urządzenia.</li> </ul>



PROBLEM	PRZYCZYNA	ROZWIĄZANIE
Kosiarka przestaje jechać.	<ul style="list-style-type: none"> <li>Dźwignie sterowania wymagają „zresetowania”.</li> </ul>	<ul style="list-style-type: none"> <li>Przesunąć dźwignie sterowania z powrotem do pozycji otwartej i uruchomić ponownie kosiarkę.</li> </ul>
	<ul style="list-style-type: none"> <li>Elektryczne elementy sterowania dźwigni sterowania nie działają poprawnie.</li> </ul>	<ul style="list-style-type: none"> <li>Skontaktować się z wykwalifikowanym technikiem serwisu w celu naprawy.</li> </ul>
	<ul style="list-style-type: none"> <li>Przełącznik fotela rozłącza się podczas jazdy na twardym terenie.</li> </ul>	<ul style="list-style-type: none"> <li>Aby sprawdzić połączenie przełącznika fotela, należy wyjąć akumulator z kosiarki i zdjąć fotel w kolejności odwrotnej do instrukcji podanych w części „<b>INSTALACJA FOTEŁA</b>” w instrukcji obsługi. Aby włączyć kosiarkę i sprawdzić, czy da się ją uruchomić, należy zamontować fotel i postępować zgodnie z instrukcjami podanymi w części „<b>WŁĄCZANIE KOSIARKI</b>”. W przeciwnym razie prosimy skontaktować się z wykwalifikowanym technikiem serwisu w celu naprawy.</li> </ul>
	<ul style="list-style-type: none"> <li>Pedał hamulca postojowego jest wciśnięty, aby zmniejszyć prędkość jazdy. Gdy pedał hamulca postojowego zostanie wystarczająco głęboko wciśnięty, ale nie do pozycji parkowania, kosiarka zatrzyma się.</li> </ul>	<ul style="list-style-type: none"> <li>Aby ponownie uruchomić kosiarkę, postępować zgodnie z instrukcjami podanymi w części „<b>WŁĄCZANIE KOSIARKI</b>”.</li> </ul>
Nie można ustawić prędkości jazdy/trybu jazdy podczas jazdy.	<ul style="list-style-type: none"> <li>Jest to cecha kosiarki zapewniająca bezpieczną jazdę.</li> </ul>	<ul style="list-style-type: none"> <li>Funkcja włączy się tylko wtedy, gdy koła kosiarki zatrzymają się a dźwignie sterowania będą otwarte.</li> </ul>

PROBLEM	PRZYCZYNA	ROZWIĄZANIE
<p>Kosiarka nie włącza pracy ostrzy, gdy włączony jest przełącznik WOM.</p>  Ikona przełącznika WOM miga	<ul style="list-style-type: none"> <li>Łączna pojemność włożonych akumulatorów jest mniejsza niż wymagana.</li> </ul>	<ul style="list-style-type: none"> <li>Aby włączyć kosiarkę, należy użyć wystarczającej ilości akumulatorów EGO, zgodnie z zaleceniami podanymi w części „ŁADOWANIE” w niniejszej instrukcji.</li> </ul>
	<ul style="list-style-type: none"> <li>Przełącznik WOM nie jest popchnięty w dół, gdy kosiarka jest zatrzymana ostatni raz.</li> </ul>	<ul style="list-style-type: none"> <li>Wcisnąć przełącznik WOM w dół i włączyć ostrza kosiarki.</li> </ul>
	<ul style="list-style-type: none"> <li>Kosiarka jest przeciążona przy uruchamianiu ostrzy co powoduje automatyczne zabezpieczenie silnika.</li> </ul>	<ul style="list-style-type: none"> <li>Najpierw włączyć koszenie trawy z małą prędkością ostrzy; nie przyspieszać dopóki ostrza nie osiągną poprawnych obrotów.</li> </ul>
	<ul style="list-style-type: none"> <li>Przy bardzo niskich temperaturach silnik ostrza może nie włączać się poprawnie ze względu na zabezpieczenie przed niskimi temperaturami.</li> </ul>	<ul style="list-style-type: none"> <li>Kosiarkę i akumulator należy zawsze przechowywać w ciepłym miejscu. Ponownie uruchomić kosiarkę, gdy będzie rozgrzana. Nie należy powtarzać prób w bardzo niskich temperaturach, gdyż może to doprowadzić do uszkodzenia urządzenia.</li> </ul>
	<ul style="list-style-type: none"> <li>Ostrze haczy o odkształcony pomost kosiarki.</li> </ul>	<ul style="list-style-type: none"> <li>Skontaktować się z wykwalifikowanym technikiem serwisu w celu naprawy.</li> </ul>

PROBLEM	PRZYCZYNA	ROZWIĄZANIE
Ostrza zatrzymują się podczas cięcia trawy.	<ul style="list-style-type: none"> <li>▪ Kosiarka jest przeciążona.</li> </ul>	<ul style="list-style-type: none"> <li>▪ Zwiększyć wysokość ustawienia pomostu kosiarki lub zmniejszyć prędkość jazdy, aby zmniejszyć obciążenie kosiarki.</li> </ul>
	<ul style="list-style-type: none"> <li>▪ Pomost kosiarki jest zapchany trawą i zanieczyszczeniami.</li> </ul>	<ul style="list-style-type: none"> <li>▪ Wyczyścić pomost kosiarki i upewnić się, że ostrza mogą się swobodnie obracać.</li> </ul>
	<ul style="list-style-type: none"> <li>▪ Kosiarka jest przegrzana.</li> </ul>	<ul style="list-style-type: none"> <li>▪ Zmniejszyć obciążenie kosiarki przez zwiększenie wysokości ustawienia pomostu kosiarki lub zmniejszenie prędkości ostrza/jazdy i odczekać, aż kosiarka ostygnie.</li> </ul>
	<ul style="list-style-type: none"> <li>▪ Akumulatory w komorze akumulatorów kosiarki są przegrzane, co powoduje, że łączna pojemność wszystkich włożonych akumulatorów jest mniejsza niż wymagana.</li> </ul>	<ol style="list-style-type: none"> <li>1. Jeśli łączna pojemność akumulatorów będzie mniejsza niż wymagana, kosiarka nie będzie działać dopóki do wolnych komór akumulatorów nie zostaną włożone dodatkowe akumulatory. Gdy rozgrzany akumulator powróci do normalnej temperatury, będzie zasilał natychmiast kosiarkę.</li> </ol>
		<ol style="list-style-type: none"> <li>2. Zmniejszyć obciążenie kosiarki przez zwiększenie wysokości ustawienia pomostu kosiarki lub zmniejszenie prędkości koszenia po wznowieniu pracy.</li> </ol>
	<ul style="list-style-type: none"> <li>▪ Kosiarka jest w trybie awaryjnym.</li> </ul>	<ul style="list-style-type: none"> <li>▪ Gdy kosiarka jest w trybie awaryjnym, ostrza są automatycznie przełączone do wolnej prędkości obrotów bez cięcia trawy. Operator powinien zaprzestać pracy i przejść do obszaru ładowania akumulatora jak najszybciej.</li> </ul>
<ul style="list-style-type: none"> <li>▪ Kosiarka uderzyła w twardy przedmiot co powoduje automatyczne zabezpieczenie silnika.</li> </ul>	<ul style="list-style-type: none"> <li>▪ Wcisnąć przełącznik WOM w dół i włączyć ostrza kosiarki.</li> </ul>	

PROBLEM	PRZYCZYNA	ROZWIĄZANIE
Kontrolka sygnału dźwiękowego kontynuuje wydawanie sygnałów.	<ul style="list-style-type: none"> <li>Kosiarka jest w trybie awaryjnym i ostrza nie są wyłączone.</li> </ul>	<ul style="list-style-type: none"> <li>Popchnąć przełącznik WOM w dół, aby odłączyć ostrza pomostu. Kontrolka sygnału dźwiękowego przestanie wydawać sygnały, gdy ostrza zatrzymają się.</li> </ul>
	<ul style="list-style-type: none"> <li>Silnik przestaje jechać na stoku a operator otwiera dźwignie sterowania i schodzi z fotela nie ustawiając pedału hamowania postojowego w pozycję hamowania.</li> </ul>	<ul style="list-style-type: none"> <li>Przed pozostawieniem kosiarki na pochyłości pedału hamulca postojowego należy ustawić w pozycji hamowania.</li> </ul>
Kontrolki akumulatora są wciąż włączone, gdy kosiarka jest wyłączona.	<ul style="list-style-type: none"> <li>Gdy kosiarka zostanie wyłączona bez wyjmowania akumulatora, kontrolki akumulatora, przycisk włączania/wyłączania i przycisk ustawiania pozostaną przez pewien czas podświetlone.</li> </ul>	<ul style="list-style-type: none"> <li>Nie jest potrzebne żadne działanie. Gdy po pewnym czasie kosiarka wyłączy się, wskaźniki akumulatora zgasną. Dokładny czas podany jest w części „ZATRZYMYWANIE KOSIARKI”.</li> </ul>
	<ul style="list-style-type: none"> <li>Gdy kosiarka jest wyłączona na stoku bez ustawienia pedału hamulcowego w pozycji hamowania, kontrolki akumulatora będą włączone aż do całkowitego rozładowania akumulatora. Jednocześnie kontrolka będzie wydawała sygnał dźwiękowy.</li> </ul>	<ul style="list-style-type: none"> <li>Przed pozostawieniem narzędzia na pochyłości należy ustawić pedał hamulca postojowego w pozycji hamowania.</li> </ul>
Ekran LCF nie zaświeca się, gdy wszystkie ikony są włączone.	<ul style="list-style-type: none"> <li>Czas wciśnięcia przycisku start/stop jest niewystarczający.</li> </ul>	<ul style="list-style-type: none"> <li>Ekran LCD będzie wyświetlać „Paliwomierz”, gdy przycisk start/stop jest krótko wciśnięty.</li> </ul>
		<ul style="list-style-type: none"> <li>Ekran LCD włączy się po wciśnięciu i odpowiednio długim przytrzymaniu przycisku start/stop.</li> </ul>

PROBLEM	PRZYCZYNA	ROZWIĄZANIE
Kosiarka kosi nierówno, ze znaczącą różnicą wysokości od przodu do tyłu.	▪ Ostrza są tępe.	▪ Naostrzyć lub wymienić ostrza tnące, zgodnie z instrukcjami.
	▪ Ostrza są wygięte.	▪ Wymienić wygięte ostrze tnące zgodnie z instrukcjami podanymi w części „ <b>WYMIANA OSTRZY TNĄCYCH</b> ”.
	▪ Pomost kosiarki nie jest wypoziomowany, co powoduje nierówną wysokość koszenia.	▪ Wykonać poziomowanie pomostu kosiarki zgodnie z instrukcjami podanymi w części „ <b>POZIOMOWANIE POMOSTU KOSIARKI</b> ”.
Aktualna wysokość cięcia trawy nie jest wyrównana z żądaną wysokością.	▪ Nakrętki pomostu kosiarki są poluzowane na elementach prowadzących zawieszenia	▪ Aby wykonać poprawną regulację przód/tył pomostu kosiarki i przykręcić nakrętki na elementach prowadzących zawieszenia, należy postępować zgodnie z instrukcjami podanymi w części „ <b>POZIOMOWANIE POMOSTU KOSIARKI</b> ”.
	▪ Pomost kosiarki jest uszkodzony lub bardzo zużyty.	▪ Aby wymienić pomost, należy postępować zgodnie z instrukcjami podanymi w części „ <b>WYJMOWANIE POMOSTU KOSIARKI</b> ”.
Kosiarka niewłaściwie mulczyje.	▪ Skoszona mokra trawa przykleja się pod pomostem.	▪ Przed koszeniem odczekać, aż wyschnie trawa.
	▪ Kosiarka jest ustawiona na koszenie zbyt dużej ilości trawy za jednym razem.	▪ Ustawić wyższą wysokość koszenia.
Nadmierne drgania.	▪ Ostrza tnące są poluzowane.	▪ Śrubę ostrza należy dokręcić zalecanym momentem.
	▪ Ostrza są wygięte.	▪ Wymienić wygięte ostrze tnące zgodnie z instrukcjami podanymi w części „ <b>WYMIANA OSTRZY TNĄCYCH</b> ”.
	▪ Pomost kosiarki nie jest wypoziomowany.	▪ Wykonać poziomowanie pomostu kosiarki zgodnie z instrukcjami podanymi w części „ <b>POZIOMOWANIE POMOSTU KOSIARKI</b> ”.
	▪ Nakrętki pomostu kosiarki są poluzowane na elementach prowadzących zawieszenia.	▪ Dokręcić nakrętki na elementach prowadzących zawieszenia.
	▪ Kosiarka jest ustawiona na koszenie zbyt dużej ilości trawy za jednym razem.	▪ Ustawić wyższą wysokość koszenia.

PROBLEM	PRZYCZYNA	ROZWIĄZANIE
Na podłożu pozostaje trawa lub resztki po wykoszeniu.	<ul style="list-style-type: none"> <li>▪ Kosiarka jest ustawiona na koszenie zbyt dużej ilości trawy za jednym razem, gdy trawa jest wysoka.</li> </ul>	<ul style="list-style-type: none"> <li>▪ Rozpocząć z dużą wysokością koszenia, po czym zmniejszać ją, aż do uzyskania żądanych efektów koszenia. W przypadku trawy o wysokości 6 cali, należy kosić dwa razy, zmniejszając wysokość cięcia.</li> </ul>
	<ul style="list-style-type: none"> <li>▪ Trawa jest mokra.</li> </ul>	<ul style="list-style-type: none"> <li>▪ Nie kosić, gdy trawa jest mokra, odczekać, aż trawa wyschnie.</li> </ul>
	<ul style="list-style-type: none"> <li>▪ Prędkość jazdy jest zbyt duża.</li> </ul>	<ul style="list-style-type: none"> <li>▪ Zmniejsz prędkość jazdy.</li> </ul>
	<ul style="list-style-type: none"> <li>▪ Prędkość ostrza jest niska.</li> </ul>	<ul style="list-style-type: none"> <li>▪ Zwiększ stopniowo prędkość ostrzy.</li> </ul>
Skróć czas działania kosiarki z akumulatorem.	<ul style="list-style-type: none"> <li>▪ Stan trawy i ustawienia wysokości cięcia wpłyną na czas działania akumulatora. Zadeklarowany czas działania opiera się na warunkach lekkiego obciążenia.</li> </ul>	<ul style="list-style-type: none"> <li>▪ Zwiększyć wysokość ustawienia pomostu kosiarki lub zmniejszyć prędkość ostrza, aby zmniejszyć obciążenie.</li> </ul>
Kosiarka nie jedzie prosto.	<ul style="list-style-type: none"> <li>▪ Ciśnienie opon w lewym i prawym kole nie jest jednakowe.</li> </ul>	<ul style="list-style-type: none"> <li>▪ Sprawdź i ustaw ciśnienie powietrza w obu tylnych oponach koła, zgodnie z zaleceniem w dziale „<b>KONTROLA CIŚNIENIA OPON</b>” w instrukcji.</li> </ul>
	<ul style="list-style-type: none"> <li>▪ Prędkości jazdy dla lewego i prawego kole nie są jednakowe.</li> </ul>	<ul style="list-style-type: none"> <li>▪ Kalibruj system śledzenia kosiarki zgodnie instrukcjami w dziale „<b>KALIBRACJA SYSTEMU ŚLEDZENIA KOSIARKI</b>”.</li> </ul>
Nie można zwolnić pedału hamowania postojowego z pozycji hamowania lub jest zbyt wolny, by powrócić do pozycji.	<ul style="list-style-type: none"> <li>▪ Wewnątrz pedału hamowania mogą znajdować się odpady lub brud.</li> </ul>	<ul style="list-style-type: none"> <li>▪ Otwórz obudowę pedału hamowania, by wyczyścić dokładnie obudowę wewnątrz i zamknij ją. Zresetuj pedał hamowania, by zobaczyć, czy problem został rozwiązany. W przeciwnym razie prosimy skontaktować się z wykwalifikowanym technikiem serwisu w celu naprawy.</li> </ul>
Kosiarki nie można naładować za pomocą portu ładowania, gdy kontrolka stanu kosiarki świeci na czerwono.	<ul style="list-style-type: none"> <li>▪ Wtyczka ładowarki nie jest poprawnie włożona do portu ładowania na kosiarce.</li> </ul>	<ul style="list-style-type: none"> <li>▪ Podłącz wtyczkę ładowania, by sprawdzić, czy kosiarkę można naładować normalnie.</li> </ul>
	<ul style="list-style-type: none"> <li>▪ W gniazdkach ściennych nie ma prądu.</li> </ul>	<ul style="list-style-type: none"> <li>▪ Nie jest potrzebne żadne działanie. Oczekaj, aż zasilanie powróci.</li> </ul>
	<ul style="list-style-type: none"> <li>▪ Niepoprawne działanie ładowarki.</li> </ul>	<ul style="list-style-type: none"> <li>▪ Skontaktuj się z wykwalifikowanym technikiem, w celu kontroli i naprawy ładowarki, jeśli jest to konieczne.</li> </ul>
	<ul style="list-style-type: none"> <li>▪ Port ładowarki na kosiarce jest uszkodzony.</li> </ul>	<ul style="list-style-type: none"> <li>▪ Skontaktować się z wykwalifikowanym technikiem serwisu w celu naprawy.</li> </ul>

PROBLEM	PRZYCZYNA	ROZWIĄZANIE
Czas ładowania za pomocą portu ładowania jest zbyt długi.	<ul style="list-style-type: none"> <li>Używanie zasilacza EGO ACA1000 do ładowania wymaga długiego czasu.</li> </ul>	<ul style="list-style-type: none"> <li>Do bezpośredniego ładowania kosiarki użyj ładowarki EGO CHV1600E.</li> </ul>
Akumulatora nie można całkowicie naładować za pomocą portu ładowania.	<ul style="list-style-type: none"> <li>Problem firmware kosiarki lub awaria ładowarki/akumulatora.</li> </ul>	<ul style="list-style-type: none"> <li>Odłączyć ładowarkę i odczekać co najmniej kilka minut, następnie ponownie podłączyć wtyczkę do zasilania. Jeśli to nie zadziała, prosimy skontaktować się z wykwalifikowanym technikiem serwisu w celu naprawy.</li> </ul>
Kosiarki nie można uruchomić po czyszczeniu.	<ul style="list-style-type: none"> <li>Niepoprawne czyszczenie, np. woda dostała się do elektrycznych elementów, ekran LCD, itp.</li> </ul>	<ul style="list-style-type: none"> <li>Aby poprawnie wyczyścić kosiarkę, należy postępować zgodnie z instrukcjami podanymi w części „<b>CZYSZCZENIE POMOSTU KOSIARKI</b>”.</li> </ul>
Kosiarka łatwo się zatyka.	<ul style="list-style-type: none"> <li>Pomost kosiarki jest zapchany trawą i zanieczyszczeniami.</li> </ul>	<ul style="list-style-type: none"> <li>Jeśli kosiarka przez przypadek zmoknie na deszczu, należy zostawić ją na powietrzu, aby wyschła lub użyć sprężonego powietrza, aby ją wysuszyć.</li> <li>Wyczyścić pomost kosiarki po każdym użyciu, zgodnie z instrukcjami podanymi w części „Używanie portu myjącego do czyszczenia podwozia kosiarki”.</li> </ul>
Kosiarka łatwo traci przyczepność, gdy wspina się po skarpie.	<ul style="list-style-type: none"> <li>Opony tylnych kół są zużyte.</li> <li>Szeroki stok koszenia.</li> </ul>	<ul style="list-style-type: none"> <li>Aby wymienić opony kół, skontaktuj się z lokalnym punktem serwisowym.</li> <li>Pochyłość, która będzie koszona, powinna mieć wymagane nachylenie.</li> </ul>
Gdy kosiarka jest zatrzymana na skarpie z włączonym pedałem hamowania, kosiarka może ześlizgnąć się w dół skarpy.	<ul style="list-style-type: none"> <li>Elementy hamulca są zbyt zużyte na skutek niepoprawnego działania kosiarki.</li> </ul>	<ul style="list-style-type: none"> <li>Skontaktować się z wykwalifikowanym technikiem serwisu w celu naprawy.</li> </ul>
Podczas czyszczenia pomostu w porcie myjącym nie ma wody.	<ul style="list-style-type: none"> <li>Szybkozłączka portu myjącego nie jest zamontowana na porcie mycia.</li> </ul>	<ul style="list-style-type: none"> <li>Ponownie zamocuj szybkozłączkę portu myjącego, aż usłyszysz kliknięcie. Jeśli to nie zadziała, prosimy skontaktować się z wykwalifikowanym technikiem serwisu w celu naprawy.</li> </ul>
Podczas ręcznego pchania kosiarki bez uruchomienia słychać dziwny sygnał.	<ul style="list-style-type: none"> <li>Z magnesów w silniku jazdy wydobywa się dźwięk.</li> </ul>	<ul style="list-style-type: none"> <li>Jest to normalne i nie wymaga żadnych działań.</li> </ul>

## KOD BŁĘDU I KONTROLKA STANU KOSIARKI

Wyświetlacz LCD	Opis	Kod błędu na LCD	Kontrolka stanu kosiarki	Biper	Przyczyna	Rozwiązanie
	Ikona świateł LED jest wyświetlona na ekranie LCD	n.d.	NIE ŚWIECI	Nie	Reflektor , światła pozycyjne i światła tylne są włączone przełącznikiem oświetlenia LED.	Jest to normalne działanie. Nie jest potrzebne żadne działanie.
	Ikona USB jest wyświetlona na ekranie LCD	n.d.	NIE ŚWIECI	Nie	Ikona USB włącza się, gdy urządzenie USB może działać po poprawnym uruchomieniu kosiarki.	Jest to normalne działanie. Nie jest potrzebne żadne działanie.
	Ikona paliwomierza jest wyświetlona na ekranie LCD	n.d.	NIE ŚWIECI	Nie	Przedstawia średnią pojemność ładowania włożonych akumulatorów.	Jest to normalne działanie. Nie jest potrzebne żadne działanie.
	Ikona licznika godzin jest wyświetlona na ekranie LCD	n.d.	NIE ŚWIECI	Nie	Przedstawia całkowity czas jazdy kosiarki, w godzinach i nie może być zresetowany.	Jest to normalne działanie. Nie jest potrzebne żadne działanie.
	Ikona kontrolki przeładowania jest wyświetlona w zakresie ECO.	n.d.	NIE ŚWIECI	Nie	Przedstawia bieżące obciążenie kosiarki.	Jest to normalne działanie. Nie jest potrzebne żadne działanie.
	Kontrolka przeładowania miga. Ikona kontrolki przeładowania jest wyświetlona w zakresie PWR.	n.d.	Miga na czerwono	Jeden sygnał dźwiękowy	Silnik ostrza jest przeciążony.	Zwiększyć wysokość ustawienia pomostu kosiarki lub zmniejszyć prędkość jazdy, aby zmniejszyć obciążenie kosiarki.
					Wylot boczny jest zapchany trawą i zanieczyszczeniami.	Po każdym użyciu należy wyczyścić wylot boczny.
					Ostrze zahacza o podest kosiarki.	Naprawy powinny być wykonane przez wykwalifikowanego technika serwisu.

PL



Wyświetlacz LCD	Opis	Kod błędu na LCD	Kontrolka stanu kosiarki	Biper	Przyczyna	Rozwiązanie
	Ikona kluczyka zabezpieczającego miga.	n.d.	NIE ŚWIECI	Nie	Klucz zabezpieczający nie jest włożony.	Aby włączyć kosiarkę, należy włożyć kluczyk zabezpieczający, a następnie wcisnąć i przytrzymać przycisk START/STOP.
					Ekran LCD nie jest zasilany.	Naprawy powinny być wykonane przez wykwalifikowanego technika serwisu.
	Miga ikona danej komory akumulatora.	n.d.	NIE ŚWIECI	Nie	Podczas rozładowywania jakiś akumulator jest przeciążony.	Nie jest potrzebne żadne działanie. Jeśli łączna pojemność akumulatorów, z wyłączeniem przeciążonego akumulatora, będzie wystarczająca, kosiarka może pracować dalej. Gdy akumulator nadprądowy wróci do normy, natychmiast włączy się do zasilania kosiarki, a ikona zniknie.
	Ikona pustej komory akumulatora miga.	n.d.	NIE ŚWIECI	Nie	Pojemność akumulatora nie jest wystarczająca, by kosiarka jechała.	Aby włączyć kosiarkę, należy użyć wystarczającej liczby akumulatorów EGO, zgodnie z zaleceniami podanymi w części „ŁADOWANIE” w niniejszej instrukcji.

PL

Wyświetlacz LCD	Opis	Kod błędu na LCD	Kontrolka stanu kosiarki	Biper	Przyczyna	Rozwiązanie
	Ikona temperatury miga.	n.d.	NIE ŚWIECI	Jeden sygnał dźwiękowy	Kosiarka jest przegrzana.	Zmniejszyć obciążenie kosiarki przez zwiększenie wysokości ustawienia pomostu kosiarki lub zmniejszenie prędkości ostrza/jazdy. Odczekaj, aż kosiarka ostygnie.
					Kosiarka jest zbyt zimna	Nie należy ponawiać prób, gdyż może to doprowadzić do uszkodzenia urządzenia. Kosiarkę i akumulatory należy zawsze przechowywać w ciepłym miejscu. Ponownie uruchomić kosiarkę, gdy będzie rozgrzana.

PL

Kees van der Spek  
TUINMACHINES ★ STOLWIJK

Wyświetlacz LCD	Opis	Kod błędu na LCD	Kontrolka stanu kosiarki	Biper	Przyczyna	Rozwiązanie
	<p>Wzrost temperatury i komory zajmowane przez akumulator migają jednocześnie.</p>	n.d.	NIE ŚWIECI	Nie	<p>Akumulator w odpowiednim schowku akumulatora jest przegrzany.</p>	<p>1. Jeśli łączna pojemność akumulatorów, z wyłączeniem przegrzanego akumulatora, będzie wystarczająca, kosiarka może pracować dalej. Gdy rozgrzany akumulator powróci do normalnej temperatury, będzie zasiliał natychmiast kosiarkę.</p> <p>2. Jeśli łączna pojemność akumulatorów będzie za mała, kosiarka nie będzie działać dopóki do wolnych komór akumulatorów nie zostaną włożone dodatkowe akumulatory.</p> <p>3. Zmniejszyć obciążenie kosiarki przez zwiększenie wysokości ustawienia pomostu kosiarki lub zmniejszenie prędkości koszenia po wznowieniu pracy.</p>

PL

KEES VAN DER SPEK  
TUINMACHINES \* STOLWIJK

Wyświetlacz LCD	Opis	Kod błędu na LCD	Kontrolka stanu kosiarki	Biper	Przyczyna	Rozwiązanie
	Ikony każdego zajmowanego przez akumulator schowka, kontrolki niskiego zasilania, grafika akumulatora paliwomierza migają co jedną sekundę jednocześnie na ekranie LCD. Pierwszy segment paliwomierza LED i kontrolki stanu migają również.	n.d.	Miga na czerwono	Kontynuuje wydawanie sygnałów dźwiękowych do chwili, gdy przełącznik WOM jest popchnięty w dół.	Poziom akumulatora jest niski przy ładowaniu i kosiarka jest w trybie awaryjnym.	Zaprześć pracę i przejdź do obszaru ładowania akumulatora. <b>UWAGA:</b> Gdy kosiarka jest w trybie awaryjnym, ostrza są automatycznie przełączone do wolnej prędkości obrotów bez cięcia trawy, kontrolka sygnału dźwiękowego będzie wciąż wydawać sygnały dźwiękowe. Operator powinien popchnąć przełącznik WOM w dół, aby wyłączyć ostrza pomostu. Kontrolka sygnału dźwiękowego przestanie wydawać sygnały dźwiękowe po zatrzymaniu ostrzy.
	Ikona każdego zajmowanego przez akumulator schowka oraz kontrolka niskiego zasilania migają co pół sekundy.	n.d.	Miga na czerwono	Kontynuuje wydawanie sygnałów dźwiękowych	Akumulator jest prawie rozładowany.	Kosiarka przestanie natychmiast działać. Operator powinien przemieścić kosiarkę do obszaru ładowania akumulatora w celu ładowania.
	Ikona automatycznego parkowania migają na LCD.	n.d.	NIE ŚWIECI	Kontynuuje wydawanie sygnałów dźwiękowych	Kosiarka jest zaparkowana na stoku i operator opuszcza kosiarkę nie ustawiając pedału hamowania w pozycji hamowania ale zostawiając dźwignie sterowania w pozycji otwartej.	Ustaw pedał hamowania w pozycję hamowania. Ikona automatycznego parkowania wyłączy się a kontrolka sygnału dźwiękowego będzie wciąż wydawać sygnały dźwiękowe.

Wyświetlacz LCD	Opis	Kod błędu na LCD	Kontrolka stanu kosiarki	Biper	Przyczyna	Rozwiązanie
	Ikona pedału hamowania jest wyświetlona na LCD.	n.d.	NIE ŚWIECI	Nie	Pedał hamowania postojowego jest ustawiony w pozycji hamowania.	Zwolnić przed włączeniem kosiarki.
	Ikona czujnika fotela jest wyświetlona na LCD.	n.d.	NIE ŚWIECI	Nie	Operator wstaje z fotela lub przełącznik fotela jest odłączony.	Jeśli operator siedzi w fotelu, ikona będzie włączona, przestań natychmiast obsługiwać kosiarkę i sprawdź połączenie fotela. Jeśli połączenie fotela w kosiarce jest poprawne, skontaktuj się z wykwalifikowanym technikiem, w celu naprawy.
	Ikona przełącznika WOM miga.	n.d.	NIE ŚWIECI	Nie	Silnik ostrza przerywa działanie a przełącznik WOM nie jest ustawiony w pozycji off.	Przed poprawnym uruchomieniem kosiarki, należy popchnąć przełącznik WOM w dół, aby wyłączyć silnik pomostu. Prosimy zapoznać się z częścią „ROZWIĄZYWANIE PROBLEMÓW” w niniejszej instrukcji.
	Ikona dźwigni sterowania miga.	n.d.	NIE ŚWIECI	Nie	Silnik jazdy jest przerywa działanie a dźwignie sterowania nie są ustawione w pozycji otwartej.	Przed ponownym uruchomieniem kosiarki, przesun dźwignie sterowania do pozycji otwartym. Prosimy zapoznać się z częścią „ROZWIĄZYWANIE PROBLEMÓW” w niniejszej instrukcji.

Wyświetlacz LCD	Opis	Kod błędu na LCD	Kontrolka stanu kosiarki	Biper	Przyczyna	Rozwiązanie
	Ikona wznowienia energii miga od czasu do czasu.	n.d.	NIE ŚWIECI	Nie	Energia kinetyczna wytwarzana podczas hamowania lub jazdy w dół jest przekształcona w energię elektryczną, by ładować akumulator.	Jest to normalne działanie. Nie jest potrzebne żadne działanie.

**UWAGA:** Jeśli na ekranie LCD pojawi się kod błędu, należy wyjąć wszystkie akumulatory i włożyć je z powrotem po kilku minutach. Jeśli nie rozwiąże to problemu, należy postępować zgodnie z procedurą rozwiązywania problemów na podstawie kodów błędów.

PL

Wyświetlacz LCD	Opis	Kod błędu na LCD	Kontrolka stanu kosiarki	Biper	Przyczyna	Rozwiązanie	
Zobacz „Kod błędu”	Lewy silnik jazdy nie działa przy obrotach.	Awaria PCBA lewego kontrolowanego silnika jazdy.	413	NIE ŚWIECI	Jeden sygnał dźwiękowy	Awaria PCBA	Naprawy powinny być wykonane przez wykwalifikowanego technika serwisu.
		Wtyczka (trójfazowa, przewód zasilający) podłączona do lewego silnika z PCBA jest poluzowana.	317	NIE ŚWIECI	Jeden sygnał dźwiękowy	Utracone połączenie	
		Wtyczka (z sześcioma sworzniami, przewód sygnałowy) podłączona do lewego silnika z PCBA jest poluzowana.	301	NIE ŚWIECI	Jeden sygnał dźwiękowy	Utracone połączenie	
		Lewy silnik jazdy nie działa.	317	NIE ŚWIECI	Jeden sygnał dźwiękowy	Awaria silnika	

Wyświetlacz LCD	Opis	Kod błędu na LCD	Kontrolka stanu kosiarki	Biper	Przyczyna	Rozwiązanie	
Zobacz „Kod błędu”	Prawy silnik jazdy nie działa przy obrotach.	Awaria PCBA prawego kontrolowanego silnika jazdy.	313	NIE ŚWIECI	Jeden sygnał dźwiękowy	Awaria PCBA	Naprawy powinny być wykonane przez wykwalifikowanego technika serwisu.
		Wtyczka (trójfazowa, przewód zasilający) podłączona do prawego silnika z PCBA jest poluzowana.	417	NIE ŚWIECI	Jeden sygnał dźwiękowy	Utracone połączenie	
		Wtyczka (z sześcioma sworzniami, przewód sygnałowy) podłączona do prawego silnika z PCBA jest poluzowana.	401	NIE ŚWIECI	Jeden sygnał dźwiękowy	Utracone połączenie	
		Prawy silnik jazdy nie działa.	417	NIE ŚWIECI	Jeden sygnał dźwiękowy	Awaria silnika	

**PL**

Wyświetlacz LCD	Opis		Kod błędu na LCD	Kontrolka stanu kosiarki	Biper	Przyczyna	Rozwiązanie
Zobacz „Kod błędu”	Lewy silnik ostrza nie działa przy obrotach.	Awaria PCBA lewego kontrolowanego silnika ostrza.	607/A07	n.d.	Jeden sygnał dźwiękowy	Awaria PCBA	Naprawy powinny być wykonane przez wykwalifikowanego technika serwisu.
		Wtyczka (trójfazowa, przewód zasilający) podłączona do lewego silnika z PCBA jest poluzowana.	509	n.d.	Jeden sygnał dźwiękowy	Utracone połączenie	Najpierw skontrolować ostrza. Jeśli śruba jest poluzowana, należy ją dokręcić zalecanym momentem. W przeciwnym razie odnieść do wykwalifikowanego technika serwisu w celu naprawy.
		Lewy silnik ostrza nie działa	509	n.d.	Jeden sygnał dźwiękowy	Awaria silnika	
Zobacz „Kod błędu”	Prawy silnik ostrza nie działa przy obrotach.	Awaria PCBA prawego kontrolowanego silnika ostrza.	507/A07	n.d.	Jeden sygnał dźwiękowy	Awaria PCBA	Naprawy powinny być wykonane przez wykwalifikowanego technika serwisu.
		Wtyczka (trójfazowa, przewód zasilający) podłączona do prawego silnika z PCBA jest poluzowana.	609	n.d.	Jeden sygnał dźwiękowy	Utracone połączenie	Najpierw skontrolować ostrza. Jeśli śruba jest poluzowana, należy ją dokręcić zalecanym momentem. W przeciwnym razie odnieść do wykwalifikowanego technika serwisu w celu naprawy.
		Prawy silnik ostrza nie działa	609	n.d.	Jeden sygnał dźwiękowy	Awaria silnika	



Wyświetlacz LCD	Opis		Kod błędu na LCD	Kontrolka stanu kosiarki	Biper	Przyczyna	Rozwiązanie
Zobacz „Kod błędu”	Nie działa silnik środkowego ostrza	Awaria silnika środkowego ostrza sterowanego przez PCBA	507/607	n.d.	Jeden sygnał dźwiękowy	Awaria PCBA	Naprawy powinny być wykonane przez wykwalifikowanego technika serwisu.
		Wtyczka (trójfazowa, przewód zasilający) podłączona do lewego silnika z PCBA jest poluzowana.	A09	n.d.	Jeden sygnał dźwiękowy	Utracone połączenie	Najpierw skontrolować ostrza. Jeśli śruba jest poluzowana, należy ją dokręcić zalecanym momentem. W przeciwnym razie odnieść do wykwalifikowanego technika serwisu w celu naprawy.
		Awaria silnika ostrza środkowego	A09	n.d.	Jeden sygnał dźwiękowy	Awaria silnika	
Zobacz „Kod błędu”	Lewa dźwignia sterowania nie działa.	Awaria lewej dźwigni sterowania kontrolowanego PCBA.	311/412	NIE ŚWIECI	Jeden sygnał dźwiękowy	Awaria PCAB	Naprawy powinny być wykonane przez wykwalifikowanego technika serwisu.
		Wtyczka łącząca poprawnie kontrolowany PCBA, umieszczony w pasku sterowania, jest poluzowana.				Utracone połączenie	

**PL**

Wyświetlacz LCD	Opis		Kod błędu na LCD	Kontrolka stanu kosiarki	Biper	Przyczyna	Rozwiązanie
Zobacz „Kod błędu”	Prawa dźwignia sterowania nie działa.	Awaria prawej dźwigni sterowania kontrolowanego PCBA.	312/ 411	NIE ŚWIECI	Jeden sygnał dźwiękowy	Awaria PCAB	Naprawy powinny być wykonane przez wykwalifikowanego technika serwisu.
		Wtyczka łącząca poprawnie kontrolowany PCBA, umieszczony w pasku sterowania, jest poluzowana.				Utracone połączenie	
Zobacz „Kod błędu”	Pedał hamulcowy nie działa, narzędzia nie można obsługiwać.	Hamulec PCBA, znajdujący się w przedniej ramie, jest uszkodzony.	309/ 409	NIE ŚWIECI	Jeden sygnał dźwiękowy	Awaria PCBA	Naprawy powinny być wykonane przez wykwalifikowanego technika serwisu.
		Przełącznik hamulca postojowego i/ lub przewód są popsute.	801	NIE ŚWIECI	Jeden sygnał dźwiękowy	Awaria przewodu/ przełącznika	
NIE ŚWIECI	Błąd portu ładowania		n.d.	Świeci na czerwono stałym światłem	n.d.	Port ładowania jest w otwartym obwodzie.	Naprawy powinny być wykonane przez wykwalifikowanego technika serwisu.
			n.d.	Świeci na czerwono stałym światłem	n.d.	Brak zasilania.	Sprawdź, czy napięcie w gniazdku ściennym wynosi 220-240 V lub czy gniazdko jest w dobrym stanie.
			n.d.	Świeci na czerwono stałym światłem	n.d.	Przepalony bezpiecznik.	Naprawy powinny być wykonane przez wykwalifikowanego technika serwisu.

PL

Wyświetlacz LCD	Opis	Kod błędu na LCD	Kontrolka stanu kosiarki	Biper	Przyczyna	Rozwiązanie
Zobacz „Kod błędu”	Błąd portu ładowania	204	n.d.	Jeden sygnał dźwiękowy	Port ładowania jest w otwartym obwodzie.	Naprawy powinny być wykonane przez wykwalifikowanego technika serwisu.
Zobacz „Kod błędu”	Skrzynka akumulatorowa nie działa.	217	n.d.	Jeden sygnał dźwiękowy	Źródło zasilania ze skrzynki akumulatora jest uszkodzone. Reflektory LED oraz USB nie działają.	Naprawy powinny być wykonane przez wykwalifikowanego technika serwisu.
		310/ 410	NIE ŚWIECI	Jeden sygnał dźwiękowy	Połączenie między przewodami typu C skrzynki akumulatora i innymi przewodami typu C kosiarki nie działa.	
		201/ 202/ 203	NIE ŚWIECI	Jeden sygnał dźwiękowy	BMS skrzynki akumulatora jest uszkodzone.	
Zobacz „Kod błędu”	Awaria przełącznika start/stop	314/ 414	NIE ŚWIECI	Jeden sygnał dźwiękowy	Awaria przełącznika PCBA lub niepoprawne połączenie przewodu dla przełącznika start/stop.	Naprawy powinny być wykonane przez wykwalifikowanego technika serwisu.

**PL**

Wyświetlacz LCD	Opis	Kod błędu na LCD	Kontrolka stanu kosiarki	Biper	Przyczyna	Rozwiązanie
Zobacz „Kod błędu”	Awaria ekranu LCD	315/ 415	NIE ŚWIECI	Jeden sygnał dźwiękowy	Komplet LCD jest uszkodzony lub niepoprawne połączenie przewodu kompletu LCD.	Naprawy powinny być wykonane przez wykwalifikowanego technika serwisu.

## GWARANCJA

### POLITYKA GWARANCYJNA EGO

W celu zapoznania się z wszystkimi warunkami polityki gwarancyjnej EGO prosimy odwiedzić stronę [egopowerplus.com](http://egopowerplus.com).

PL

**KEES VAN DER SPEK**  
TUINMACHINES ★ STOLWIJK

# PŘEČTĚTE SI VŠECHNY POKYNY!



PŘEČTĚTE SI NÁVOD K OBSLUZE

## BEZPEČNOSTNÍ SYMBOL

Účelem bezpečnostních symbolů je upoutat vaši pozornost k případným nebezpečím. Bezpečnostní symboly a jejich vysvětlení vyžadují vaši zvýšenou pozornost a porozumění. Výstražné symboly samy o sobě nevylučují žádné nebezpečí. Pokyny a varování nejsou náhradou vhodných opatření pro prevenci úrazů.

**VAROVÁNÍ:** Před použitím tohoto nářadí si přečtěte a seznamte se se všemi bezpečnostními pokyny uvedenými v tomto návodu k obsluze včetně veškerých výstražných symbolů jako např. „**NEBEZPEČÍ**“, „**VAROVÁNÍ**“ a „**UPOZORNĚNÍ**“. Nedodržení níže uvedených pokynů může mít za následek úraz elektrickým proudem, požár a/ nebo vážná zranění osob.

## VÝZNAM SYMBOLŮ

Na této stránce jsou zobrazeny a popsány bezpečnostní symboly, které se mohou na výrobku objevit. Před montáží a provozem si přečtěte, seznamte se a dodržujte veškeré pokyny související s nářadím.

CZ

## BEZPEČNOSTNÍ SYMBOLY

	Bezpečnostní upozornění		Je nutné si přečíst návod k obsluze a porozumět pokynům v něm uvedeným
	Ochrana očí		Provádějte údržbu bezpečnostních zařízení
	NEBEZPEČÍ – Nebezpečí prudkého svahu		NEBEZPEČNÍ – Udržujte ostatní osoby v bezpečné vzdálenosti
	Nikdy nevozte děti		Při couvání se dívejte za sebe
	VAROVÁNÍ - Nepoužívejte tento stroj na svazích se sklonem větším než 12 °.		NEBEZPEČÍ – Odmrštěné předměty
	UPOZORNĚNÍ – UDRŽUJTE NOHY A RUCE V BEZPEČNÉ VZDÁLENOSTI.		Garantovaná hladina akustického výkonu. Podle směrnice Evropské unie.



Zákaz vstupu



Odpadní elektrické výrobky se nesmí likvidovat s domovním odpadem. Odevzdejte je do autorizovaného recyklačního střediska.



Tento výrobek je v souladu s platnými směrnici ES



UPOZORNĚNÍ - Nedívejte se upřeně do provozního světla.



Stejnoseměrný proud



Tento výrobek je v souladu s platnými předpisy ve Spojeném království.

kPa Kilopascal

Ot/min Otáčky za minutu

V Volt

m Metry

palce Palec

cm Centimetry

Nm Newtonmetr

mm Milimetry

°C Celsius

kg Kilogram

km/h Kilometry za hodinu

IPX4 Stupeň ochrany před vniknutím

CZ

## TECHNICKÉ ÚDAJE

KES VAN DER SPEK  
TUINMACHINES + STOLIJEN

Napětí	56 V	
Velikost šasi	132 cm	
Velikost kola	Přední strana	279,4 x 126 mm
	Zadní panel	457,2 x 223 mm
Tlak v pneumatikách za studena	Přední strana	222,1 kPa
	Zadní panel	115,8 kPa
Poloměr otáčení	0	
Rychlost čepelí (ot/min)	2600; 2800; 3000; 3200	
Max. Rychlost pojezdu (km/h)	Dopředu	8,1 km/h, 9,7 km/h, 11,3 km/h, 12,8 km/h
	Couvání	až do 6,4 km/h

Nabíjení	Nabíječka (volitelná)	CHV1600E
	Adaptér (volitelný)	ACA1000
	Rozsah teploty nabíjení	5°C – 40°C
Nastavení výšky sekání (10 poloh)		25 – 100 mm
Provozní teplota		0°C – 40°C
Skladovací teplota		– 20°C – 70°C
Hmotnost (bez akumulátoru)		217 kg
Měřená hladina akustického výkonu $L_{WA}$		95,48 dB(A) K=0,73 dB(A)
Hladina akustického tlaku na sluch obsluhy $L_{PA}$		82,5 dB(A) K=3 dB(A)
Zaručená úroveň akustického výkonu $L_{WA}$ (měřeno podle směrnice 2000/14/ES)		100 dB(A)

Vibrace $a_h$	Ruka	0,69 $m/s^2$ K=1,5 $m/s^2$
	Tělo	0,3 $m/s^2$ K=1,5 $m/s^2$

- Celková deklarovaná hodnota vibrací byla naměřena podle standardní zkušební metody a lze ji použít ke srovnání s jiným nářadím;
- Celkovou deklarovanou hodnotu vibrací lze použít také k předběžnému stanovení expozičních limitů.

**POZNÁMKA:** Emise vibrací při konkrétním použití elektrického nářadí se mohou lišit od deklarované hodnoty, při které se nářadí používá; z důvodu ochrany provozovatele by měl uživatel ve skutečných pracovních podmínkách nosit rukavice a chrániče sluchu.

## POPIS

### POZNEJTE SEKAČKU (OBR. A1 A A2)

1. Sedačka
2. Nabíjecí port
3. Napájecí jednotka
4. Zadní LED světlo
5. Úložný prostor
6. Držáky na šálek
7. LED boční světlo
8. Zadní kolo (hnací kolo)
9. Mycí otvor
10. Šasi
11. Chránič šasi
12. Protiskalповací kolečko
13. Přední kolo
14. Pedál parkovací brzdy
15. Světla pro denní svícení
16. LED světlo
17. Boční výstupní žlab
18. Páka pro nastavení výšky šasi
19. Knoflík pro nastavení odpružení sedadla
20. Páka pro nastavení polohy sedadla
21. Klínové tyče

22. Kontrolka stavu sekačky
23. LCD obrazovka
24. Spínač pomocného pohonu
25. Tlačítko Start/Stop
26. Bezpečnostní klíč
27. Úložný prostor na telefon
28. Přepážka
29. Ukazatel nabití baterie a stavu sekačky
  - 29.a. Ukazatel nabití baterie sekačky
  - 29.b. Kontrolka stavu sekačky
30. Oblast opěrky pro nohy
31. Tlačítko pro uvolnění krytu napájecí jednotky
32. Kryt napájecí jednotky
33. Napájecí jednotka se šesti přihrádkami pro akumulátory
34. Tlačítko pro uvolnění akumulátoru
35. Závěs
36. Montážní kryt nástavce
37. Uložení montážního krytu nástavce
38. USB port

CZ

### POZNEJTE LCD OBRAZOVKU (OBR. A3)

Další informace o symbolech a kontrolkách na LCD displeji naleznete v části „**REFERENCE STAVU SEKAČKY A KÓD PORUCHY**“.

1. Symbol pro bezpečnostní klíč
2. Symbol LED světel
3. Symbol automatického parkování
4. Symbol USB
5. Ukazatel rychlosti čepelí
6. Ukazatel stavu bezpečnostního zařízení
7. Počítadlo hodin
8. Symbol volného prostoru pro akumulátor
9. Symbol teploty
10. Symbol obsazeného prostoru pro akumulátor
11. Režim jízdy
12. Ukazatel chybového kódu
13. Kontrolka přetížení

14. Kontrolka nízkého stavu napájení
15. Kontrolka rychlosti pojezdu
16. Kontrolka zatížení
17. Ukazatel stavu baterie
18. Tlačítko pro nastavení rychlosti čepelí
19. Tlačítko nastavení
20. Tlačítko režimu jízdy
21. Spínač světla LED
22. Tlačítko pro nastavení rychlosti jízdy

## VYBALENÍ

**POZNÁMKA:** Obalový materiál nevyhazujte, dokud výrobek pečlivě neprohlédnete a nebudete si jisti jeho uspokojivým provozem. Pokud jsou na stroji namontovány díly uvedené v obsahu balení, neprodleně se obraťte na servis EGO.

CZ

**POZNÁMKA:** Kromě nástrojů uvedených v níže uvedeném obsahu balení jsou všechny ostatní nástroje uvedené v příručkách pouze doporučené, avšak nejsou součástí dodávky.

### OBSAH BALENÍ (obr. B)

B-1	Pojezdová sekačka s nulovým poloměrem otáčení	B-6	Bezpečnostní klíče
B-2	Sedačka	B-7	Vidlicové klíče (13 mm)
B-3	Řídicí páka	B-8	Imbusový klíč
B-4	Šrouby s nástrčnou hlavou (2 jako záloha)	B-9	Rychlospojka mycího otvoru
B-5	Šestihranné šrouby (2 pro zálohu)	B-10	Návod k obsluze

### DOPORUČENÉ PŘÍSLUŠENSTVÍ

**VAROVÁNÍ:** Používejte pouze níže uvedené originální náhradní díly. Použití dílů, které nesplňují specifikace originálního vybavení, může vést k nekvalitnímu výkonu a narušení bezpečnosti.

NÁZEV DÍLU	ČÍSLO MODELU
Standardní čepel	AB5200
Vysokozdvížná čepel	AB5201
Mulčovací sada	ABP5200
Sada na sběr trávy	ABK5200-A
Zadní nárazník	AMB1000
Nákladní skříň	AMG1000
Sluneční clona	AMS1000

## MONTÁŽ

### INSTALACE SEDADLA (obr. C1 & C2)

**VAROVÁNÍ:** Bezpečnostní blokovací systém nelze odpojit ani obejít. V opačném případě by mohlo dojít k neočekávanému spuštění sekačky a následnému zranění osob.

**POZNÁMKA:** Z důvodu bezpečnosti se může stát, že se sekačka zastaví, jelikož se během jízdy odpojí spínač sedadla. V takovém případě naleznete další informace v části „ODSTRAŇOVÁNÍ ZÁVAD“.

C1-1	Kabel	C1-5	Šrouby s nástrčnou hlavou
C1-2	Zástrčka	C2-1	Háček
C1-3	Zdířka	C2-2	Ocelové kolejničky
C1-4	Základna pro zavěšení	C2-3	Šrouby s nástrčnou hlavou



## MONTÁŽ ŘÍDICÍCH PÁK (OBR. C3)

C3-1	Řídicí páky	C3-3	Montážní otvory řídicí páky
C3-2	Šrouby s šestihrannou hlavou		

## OBSLUHA

### PŘED POUŽITÍM SEKAČKY

#### Kontrola prostředí

- Zajistěte, aby se v pracovním prostoru nenacházely děti, kolemjdoucí a domácí zvířata.
- Z pracovního prostoru odstraňte předměty, které by čepele sekačky mohly vymrštít.
- Zkontrolujte a ujistěte se, že jsou světla LED ve správném stavu:
  - Světlomety, boční světla a zadní světla se ovládají pomocí spínače LED světel.
  - Světla během jízdy vždy svítí.
  - Pokud jsou zadní světla vypnutá, při couvání blikají z důvodu varování osob v okolí; pokud jsou zadní světla zapnutá, zůstávají zapnutá.
  - Všechna světla se automaticky vypnou, když se sekačka po určité době bez provozu automaticky vypne.

#### Kontrola tlaku v pneumatikách za studena (obr. D1)

#### Kontrola stavu sekačky a úrovně nabití akumulátoru

- Ukazatel stavu baterie sekačky (obr. A2–27a)  
Každý segment ukazatele stavu akumulátoru sekačky indikuje 20 % nabití vložených akumulátorů.

**POZNÁMKA:** Ukazatel stavu akumulátoru sekačky a ukazatel stavu akumulátor na displeji LCD ukazují průměrnou kapacitu vložených akumulátorů.

- Kontrolka stavu sekačky (obr. A1 & A2–27b)  
Pokud kontrolka stavu svítí zeleně, je sekačka připravena k použití. V opačném případě najdete další informace v části „**ZOBRAZENÍ STAVU SEKAČKY A KÓD ZÁVADY**“.

### Zkouška bezpečnostního blokovacího systému (obr. D2–D8)

**POZNÁMKA:** Obsluha musí být před zkouškou na sedadle.

- Před provedením zkoušky (obr. D2–D4)
- Chcete-li vyzkoušet čepelový systém šasi (obr. D5), pomalu se postavte.
- Chcete-li vyzkoušet systém řízení jízdy (obr. D6–D8), pomalu se postavte.

Pokud se čepelový systém šasi a/nebo systém řízení jízdy nezastaví, jakmile je obsluha mimo sedadlo a pokud nelze určit příčinu ani po ověření, že je zástrčka a zásuvka sedadla řádně připojena, neprodleně se obraťte na zákaznické servisní středisko EGO.

### NASTAVENÍ (obr. E1–E13)

#### Příprava (obr. E1–E5)

#### Nastavení výšky žacího ústrojí (obr. E6)

#### Nastavení protiskalповacích koleček (obr. E7–E10)

E7-1	Protiskalповací kolečko	E9-2	Zpoždovací šroub
E9-1	Malice	E10-1	Označení výšky šasi

#### Nastavení sedadla (obr. E11)

Před zahájením práce se sekačkou upravte polohu sedadla tak, abyste se mohli pevně dotknout pedálu parkovací brzdy. Nastavení odpružení sedadla by vám mělo umožnit dosáhnout co nejpohodlnějšího posedu na sedadle.

E11-1	Páka pro nastavení polohy sedadla	E11-2	Knoflík pro nastavení odpružení sedadla
-------	-----------------------------------	-------	---

#### Nastavení parkovací brzdy (obr. E12–E13)

E13-1	Zabrzdná poloha	E13-2	Uvolněná poloha
-------	-----------------	-------	-----------------

### NABÍJENÍ (obr. F1–F11)

Ke spuštění této sekačky jsou zapotřebí akumulátory EGO o celkové kapacitě 15 Ah (2 X BA4200T/BA4200T) nebo vyšší. Pro dosažení nejlepšího výkonu doporučujeme používat akumulátory EGO s celkovou kapacitou 30 Ah nebo vyšší.

Používejte pouze doporučené akumulátory a nabíječky. (Obr. F9 & F10)

Příprava pro nabíjení (obr. F1–F4)

Samostatné nabíjení akumulátorů (obr. F5 - obr. F9)

F5-1	Tlačítko pojistky krytu	F7-1	Tlačítko pro uvolnění akumulátoru
------	-------------------------	------	-----------------------------------

- Připojení akumulátoru (akumulátorů) (obr. F5–F6)
- Odpojení akumulátoru (akumulátorů) (obr. F7 - obr. F8)

**POZNÁMKA:** Pro nabíjení akumulátoru (akumulátorů) viz příslušné příručky k akumulátoru a nabíječce.

Nabíjení akumulátorů přes nabíjecí port (obr. F10)

F10-1	Prachová krytka	F10-2	Nabíjecí port
-------	-----------------	-------	---------------

## SPUŠTĚNÍ SEKAČKY

(obr. A4 - obr. A5 a obr. G1 - obr. G6)

**VAROVÁNÍ:** Vyvarujte se náhlých rozjezdů, zastavení a otáčení, jakož i nadměrné rychlosti, zejména pokud se se sekačkou učíte pracovat poprvé. Sekačka se může rychle roztočit, což může způsobit ztrátu kontroly a vážné zranění a/nebo škody.

**VAROVÁNÍ:** Před spuštěním sekačky zkontrolujte a ujistěte se, že jsou nože odpojené do 5 s, když stlačíte spínač PTO směrem dolů. Pokud se čepele nezastaví, sekačku nepoužívejte a okamžitě kontaktujte zákaznický servis EGO.

**POZNÁMKA:** Postupujte podle obr. A4 a obr. G2, abyste dosáhli nejnižší rychlosti jízdy a režimu jízdy **STANDARD**, dokud nebudete plně schopni ovládat sekačku za všech okolností. Rychlost jízdy a jízdní režim se aktivují pouze tehdy, pokud jsou kola sekačky zastavena a páky řízení jsou otevřené.

Sekačka uloží a při opětovném spuštění zobrazí předchozí režim jízdy, rychlost jízdy a kalibraci řídicích pák.

## Režim jízdy

- **REGULACE:** Nižší zrychlení, méně citlivé ovládání a mírná rychlost otáčení pro ochranu trávy a pro nové uživatele.
- **STANDARDNÍ:** Perfektní pro každodenní používání.
- **SPORTOVNÍ:** Vyšší zrychlení, přesné ovládání a ostré otáčení pro maximální efektivitu sečení a pro nadšence do sečení.

Nastavení rychlosti jízdy (obr. A4)

Nastavení rychlosti čepelí (obr. A5)

## USB port

**POZNÁMKA:** Port USB zajišťuje nabíjecí napětí 5 V DC při kombinovaném odběru až 1,5 A a je napájen pouze při spuštění sekačky.

## ZASTAVENÍ SEKAČKY (obr. H1 - obr. H6)

**POZNÁMKA:** Sekačka se automaticky vypne, jakmile nebude v provozu déle než 60 minut.

## Režim nízkého stavu baterie

V případě vybitého akumulátoru se sekačka přepne do režimu nízkého stavu akumulátorů:

- Sekačka automaticky přestane sekat trávu;
- Sekačka bude pípat;
- Kontrolka stavu sekačky bude každou sekundu blikat červeně, první segment stavu akumulátoru sekačky bude blikat červeně a bude blikat kontrolka nízkého stavu akumulátoru i grafika akumulátor na ukazateli stavu akumulátoru.

Obsluha by měla:

- a) Stisknout spínač pomocného pohonu směrem dolů (obr. H3), čímž se čepele zastaví. Jakmile se čepele zastaví, sekačka přestane pípat;
- b) Přestat pracovat a co nejdříve přejet do prostoru pro nabíjení akumulátoru. Maximální vzdálenost, kterou může sekačka ujet, je 1000 m.

Pokud je akumulátor téměř vybitý, bliká dvakrát za sekundu symbol každého obsazeného prostoru pro akumulátor a kontrolka nízkého stavu akumulátoru. Sekačka okamžitě přestane pracovat. Obsluha by měla sekačku převést do prostoru pro nabíjení akumulátoru, kde se nabije.

### Manuální tlačení

Pokud je nutné sekačku manuálně odtlačit, ujistěte se, že jsou baterie odpojeny od sekačky a pedál parkovací brzdy je uvolněn z brzdné polohy.

### ŘÍZENÍ SEKAČKY (obr. I1 – obr. I9)

Chcete-li zastavit, snížit nebo zvýšit rychlost, pomalu měňte vzdálenost páky řízení od neutrálu.

**⚠ NEBEZPEČÍ:** Nepřibližujte se k příkopům, srázům nebo vodě na vzdálenost alespoň dvou šířek sečení. Přední kola se mohou při zastavení sekačky i se zataženou brzdou otáčet a způsobit přejetí sekačky přes okraj nebo do vody s následkem smrti nebo vážného zranění osob.

**⚠ VAROVÁNÍ:** Před couváním se ujistěte, co se nachází v prostoru za sekačkou. Pokud to není nezbytně nutné, při couvání NESEČTE. Před couváním a při couvání se vždy dívejte dolů a dozadu a ujistěte se, že do prostoru sečení nevstupují děti, kolemjdoucí nebo domácí zvířata. Nezapomínejte, že stačí chvíle nepozornosti a může se stát vážný úraz či může dojít k úmrtí.

**⚠ VAROVÁNÍ:** Neprovozujte tento stroj na veřejných komunikacích.

**⚠ VAROVÁNÍ:** Pokud dojde k zablokování nebo k nárazu na cizí předmět, zastavte motory a vyjměte baterie. Odstraňte posekanou trávu, listí, nečistoty a další nahromaděné nečistoty; před opětovným spuštěním a provozem sekačky důkladně zkontrolujte, zda není poškozena, a poškození opravte.

## ÚDRŽBA

**⚠ VAROVÁNÍ:** Vždy používejte ochranu očí s bočními kryty. Pokud tak neučiníte, může dojít k vymrštění předmětu do očí, což může mít za následek vážné zranění.

**⚠ VAROVÁNÍ:** Při údržbě čepelí sekačky vždy chraňte ruce s pomocí pevných rukavic nebo zabalením břitů čepelí do hadru nebo jiného materiálu. Při servisu nebo přepravě sekačky vždy vyjměte bezpečnostní klíč a akumulátory.

Interval údržby	Postup údržby
Před každým použitím nebo denně	<ul style="list-style-type: none"> <li>Zkontrolujte bezpečnostní blokovací systém.</li> <li>Vizuálně zkontrolujte, zda nedošlo k prasknutí pneumatiky.</li> <li>Zkontrolujte čepele, zda nejsou opotřebené, prasklé nebo ohnuté.</li> <li>Zkontrolujte celý výrobek, zda na něm nejsou poškozené, chybějící nebo uvolněné díly, jako je boční vyhazovací žlab, šrouby, matice, krytky atd. a ujistěte se, že jsou všechny kryty na svém místě a správně fungují.</li> <li>Zkontrolujte funkci brzdy.</li> </ul>
Po každém použití	<ul style="list-style-type: none"> <li>Vyčistěte šasi sekačky.</li> </ul>
Každých 25 hodin	<ul style="list-style-type: none"> <li>Zkontrolujte tlak v pneumatikách.</li> </ul>
Každých 50 hodin	<ul style="list-style-type: none"> <li>Zkontrolujte stav maziva uvnitř příruby žací čepele.</li> </ul>
Každých 100 hodin	<ul style="list-style-type: none"> <li>Zkontrolujte zadní kola a ujistěte se, že jsou všechny matice upevněny doporučeným utahovacím momentem.</li> </ul>
Každých 200 hodin	<ul style="list-style-type: none"> <li>Zkontrolujte přední kola a ujistěte se, že se volně otáčejí.</li> </ul>
Ročně	<ul style="list-style-type: none"> <li>Zkontrolujte pedál parkovací brzdy. Vyjměte akumulátor ze sekačky a nastavte parkovací pedál do brzdné polohy. Ručně zatlačte sekačku směrem vpřed a zjistěte, zda lze sekačkou pohybovat či nikoli. Pokud se pohybuje, nechte ji opravit kvalifikovaným servisním technikem.</li> </ul>

CZ

## ČIŠTĚNÍ SEKAČKY (obr. J1–J9)

Příprava (obr. J1–J5)

Čištění krytu sekačky (obr. J6–J7)

Čištění šasi sekačky pomocí mycího otvoru (obr. J8 - obr. J9)

J8-1	Mycí otvor	J8-3	Zahradní hadice
J8-2	Rychlospojka mycího otvoru		

**POZNÁMKA:** Po skončení čištění stiskněte spínač pomocného pohonu směrem dolů, čímž odpojíte žací čepel.

## ÚDRŽBA ŠASI SEKAČKY A ŽACÍCH ČEPELÍ

Příprava (obr. K1–K6)

Demontáž šasi sekačky (obr. K7–K8)

**CZ**

K7-1	Kabel motoru	K7-3	Vazba odpružení
K7-2	Závlačka		

**POZNÁMKA:** Při demontáži žacího ústrojí odpojte všechny kabely motoru a závlačky.

Výměna žacích čepelí (obr. K9–K11)

K9-1	Stabilizátor	K10-3	Pilová lišta
K10-1	Čep	K10-4	Příruba
K10-2	Podložka	K10-5	Hřídel motoru

Vyrovnaní šasi sekačky

- Kdy je třeba provést vyrovnaní (obr. K12–K14)
- Před vyrovnaním
  - Kontrola tlaku v pneumatikách za studena (obr. K15)
  - Zkontrolujte žací čepel. V případě potřeby sejměte a vyměňte opotřebené, prasklé a/nebo ohnuté čepel.
- Příprava na vyrovnaní (obr. K16–K 21)
- Jak provést vyrovnaní
  - Nastavení do stran (obr. K22)

K22-1	Zápustná matice
-------	-----------------

- Nastavení zepředu dozadu (obr. K23)

## KALIBRACE SYSTÉMU SLEDOVÁNÍ SEČENÍ (obr. L1 – obr. L4)

**POZNÁMKA:** Při zahájení kalibrace i po jejím dokončení vydá sekačka jeden zvukový signál (pípnutí).

**POZNÁMKA:** Kalibrace použita pro jeden z jízdních režimů („CONTROL“, „STANDARD“, „SPORT“) nemusí být k dispozici pro ostatní dva režimy. Podle potřeby kalibrujte páky řízení v každém jízdním režimu samostatně.

## RESETOVÁNÍ SEKAČKY DO TOVÁRNÍHO NASTAVENÍ (obr. M)

**POZNÁMKA:** Při spuštění resetování i po jeho dokončení vydá sekačka jeden zvukový signál (pípnutí).

**POZNÁMKA:** Po úspěšném resetování se níže uvedená nastavení vrátí do původního továrního nastavení:

- režim jízdy
- rychlost jízdy
- kalibrace pák řízení

## SKLADOVÁNÍ A PŘEPRAVA

### PŘEPRAVA SEKAČKY (OBR. N1 - OBR. N11)

**POZNÁMKA:** Sekačku podle potřeby zajistěte pomocí popruhů nebo lan s cílem zamezit pohybu během přepravy.

### SKLADOVÁNÍ (obr. O1–O6)

**POZNÁMKA:** Vyjměte akumulátory a uložte je podle příslušných příruček.

Před uskladněním sekačku vyčistěte a zkontrolujte, viz části „ČIŠTĚNÍ SEKAČKY“ a „DOPORUČENÝ(É) PLÁN(Y) ÚDRŽBY“.

### Ochrana životního prostředí




OEEZ (Odpadních elektrická a elektronická zařízení) Elektrické zařízení, použité akumulátory a nabíječku nevyhazujte do domovního odpadu! Tento výrobek předejte autorizované recyklační společnosti ke tříděnému sběru. Elektrické nářadí musí být vráceno do zařízení pro ekologickou recyklaci.

CZ


**KEES VAN DER SPEK**  
TUINMACHINES ★ STOLWIJK

## ODSTRAŇOVÁNÍ ZÁVAD

PROBLÉM	PŘÍČINA	ŘEŠENÍ
<p>Sekačka se nerozjede, když na začátku zatlačíte obě řídicí páky dopředu nebo dozadu.</p>  <p>Bliká symbol úrovně řízení</p>	<ul style="list-style-type: none"> <li>Kombinovaný počet Ah vložených akumulátorů nesplňuje požadavek.</li> </ul>	<ul style="list-style-type: none"> <li>Pro nastartování této sekačky použijte dostatečné množství akumulátorů EGO podle pokynů uvedených v části „<b>NABÍJENÍ</b>“ v této příručce.</li> </ul>
	<ul style="list-style-type: none"> <li>Pedál parkovací brzdy je nastaven do brzdné polohy.</li> </ul>	<ul style="list-style-type: none"> <li>Úplně sešlápněte pedál parkovací brzdy a uvolněte jej z brzdné polohy.</li> </ul>
	<ul style="list-style-type: none"> <li>Řídicí páky nejsou při spuštění sekačky v otevřené poloze.</li> </ul>	<ul style="list-style-type: none"> <li>Vraťte řídicí páky do otevřené polohy a sekačku znovu spusťte.</li> </ul>
	<ul style="list-style-type: none"> <li>Obsluha nesedí na sedadle.</li> </ul>	<ul style="list-style-type: none"> <li>Sekačku lze ovládat, pouze pokud obsluha řádně sedí na sedadle.</li> </ul>
	<ul style="list-style-type: none"> <li>Spínač sedadla není správně zapojen.</li> </ul>	<ul style="list-style-type: none"> <li>Vyjměte akumulátor ze sekačky a demontujte sedadlo v opačném pořadí, než je uvedeno v části „<b>MONTÁŽ SEDADLA</b>“ v této příručce a zkontrolujte připojení spínače sedadla. Znovu sestavte sedadlo a podle pokynů v části „<b>SPUŠTĚNÍ SEKAČKY</b>“ znovu spusťte sekačku a zjistěte, zda lze sekačku spustit. V opačném případě se obraťte na kvalifikovaného servisního technika, který provede opravu.</li> </ul>
	<ul style="list-style-type: none"> <li>Za extrémně chladného počasí nemusí dojít k úspěšnému spuštění funkce pohonu z důvodu ochrany proti nízké teplotě.</li> </ul>	<ul style="list-style-type: none"> <li>Sekačku a akumulátor vždy skladujte v teplém prostředí. Po zahřátí sekačku znovu spusťte. Neprovádějte opakované pokusy za extrémně chladného počasí, které by mohlo sekačku poškodit.</li> </ul>

CZ

PROBLÉM	PŘÍČINA	ŘEŠENÍ
Sekačka přestane jezdit.	<ul style="list-style-type: none"> <li>Řídicí páky vyžadují „reset“.</li> </ul>	<ul style="list-style-type: none"> <li>Vraťte řídicí páky do otevřené polohy a sekačku znovu spustíte.</li> </ul>
	<ul style="list-style-type: none"> <li>Došlo k selhání elektrických ovládacích součástí řídicích pák.</li> </ul>	<ul style="list-style-type: none"> <li>Obráťte se na kvalifikovaného servisního technika, který provede opravu.</li> </ul>
	<ul style="list-style-type: none"> <li>Spínač sedadla se při jízdě v nerovném terénu odpojil.</li> </ul>	<ul style="list-style-type: none"> <li>Vyjměte akumulátor ze sekačky a demontujte sedadlo v opačném pořadí, než je uvedeno v části „<b>MONTÁŽ SEDADLA</b>“ v této příručce a zkontrolujte připojení spínače sedadla. Znovu sestavte sedadlo a podle pokynů v části „<b>SPUŠTĚNÍ SEKAČKY</b>“ znovu spustíte sekačku a zjistíte, zda lze sekačku spustit. V opačném případě se obraťte na kvalifikovaného servisního technika, který provede opravu.</li> </ul>
	<ul style="list-style-type: none"> <li>Sešlápnutím pedálu parkovací brzdy se sníží rychlost jízdy. Jakmile je pedál parkovací brzdy dostatečně sešlápnutý, ale ne do parkovací polohy, sekačka se zastaví.</li> </ul>	<ul style="list-style-type: none"> <li>Pro opětovné spuštění sekačky postupujte podle pokynů v části „<b>SPUŠTĚNÍ SEKAČKY</b>“.</li> </ul>
Rychlost jízdy / režim jízdy nelze během jízdy nastavit.	<ul style="list-style-type: none"> <li>Jedná se o funkci sekačky pro bezpečnou jízdu.</li> </ul>	<ul style="list-style-type: none"> <li>Funkce se aktivuje pouze tehdy, pokud jsou kola sekačky zastavena a páky řízení jsou otevřené.</li> </ul>

PROBLÉM	PŘÍČINA	ŘEŠENÍ
<p>Sekačka nespustí čepel, když je zapnutý spínač pomocného pohonu.</p>  <p>Bliká symbol spínače pomocného pohonu</p>	<ul style="list-style-type: none"> <li>Kombinovaný počet Ah vložených akumulátorů nespĺňuje požadavek.</li> </ul>	<ul style="list-style-type: none"> <li>Pro nastartování této sekačky použijte dostatečné množství akumulátorů EGO podle pokynů uvedených v části „<b>NABÍJENÍ</b>“ v této příručce.</li> </ul>
	<ul style="list-style-type: none"> <li>Spínač pomocného pohonu není při posledním zastavení sekačky stisknutý.</li> </ul>	<ul style="list-style-type: none"> <li>Stiskněte spínač pomocného pohonu směrem dolů a znovu spusťte čepel sekačky.</li> </ul>
	<ul style="list-style-type: none"> <li>Sekačka je v okamžiku spuštění čepelí přetížená, což má za následek samočinné spuštění ochrany motoru.</li> </ul>	<ul style="list-style-type: none"> <li>Nejprve spusťte sekání trávy při nižších rychlosti čepelí a dokud se čepel nezačnou úspěšně otáčet, nezvyšujte otáčky čepelí podle potřeby.</li> </ul>
	<ul style="list-style-type: none"> <li>Za extrémně chladného počasí nemusí dojít k úspěšnému spuštění motoru čepelí v důsledku ochrany proti nízké teplotě.</li> </ul>	<ul style="list-style-type: none"> <li>Sekačku a akumulátor vždy skladujte v teplém prostředí. Po zahřátí sekačku znovu spusťte. Neprovádějte opakované pokusy za extrémně chladného počasí, které by mohlo sekačku poškodit.</li> </ul>
	<ul style="list-style-type: none"> <li>Čepel zasahuje do deformovaného šasi sekačky.</li> </ul>	<ul style="list-style-type: none"> <li>Obraťte se na kvalifikovaného servisního technika, který provede opravu.</li> </ul>



PROBLÉM	PŘÍČINA	ŘEŠENÍ
Během sekání trávy přestanou čepele pracovat.	<ul style="list-style-type: none"> <li>Sekačka je přetížena.</li> </ul>	<ul style="list-style-type: none"> <li>Zvyšte výšku sečení nebo snižte rychlost jízdy, čímž snížíte zatížení sekačky.</li> </ul>
	<ul style="list-style-type: none"> <li>Šasi sekačky je zanesené trávou a nečistotami.</li> </ul>	<ul style="list-style-type: none"> <li>Vyčistěte šasi sekačky a zkontrolujte, zda se mohou čepele volně pohybovat.</li> </ul>
	<ul style="list-style-type: none"> <li>Sekačka je přehřátá.</li> </ul>	<ul style="list-style-type: none"> <li>Snižte zatížení sekačky zvýšením výšky sečení nebo snížením rychlosti čepelí / pohonu a nechte sekačku vychladnout.</li> </ul>
	<ul style="list-style-type: none"> <li>Akumulátory v prostoru pro akumulátory sekačky jsou přehřáté, což má za následek, že kombinovaná hodnota Ah všech vložených akumulátorů nesplňuje požadavek.</li> </ul>	<ol style="list-style-type: none"> <li>Pokud kombinovaná kapacita akumulátorů nesplňuje požadavek, sekačka nebude fungovat, dokud do volných přihrádek pro akumulátory nevložíte další akumulátory. Jakmile se přehřátý akumulátor vrátí na normální teplotu, neprodleně se připojí k napájení sekačky.</li> </ol>
		<ol style="list-style-type: none"> <li>Při opětovném spuštění provozu snižte zatížení sekačky zvýšením výšky sečení nebo snížením rychlosti sečení.</li> </ol>
	<ul style="list-style-type: none"> <li>Sekačka je v režimu nízkého stavu baterie.</li> </ul>	<ul style="list-style-type: none"> <li>Pokud je sekačka v režimu nízkého stavu baterie, čepele se automaticky přepnou do nízkých otáček a přestanou sekat. Obsluha by měla přestat pracovat a co nejdříve přejet do prostoru pro nabíjení akumulátoru.</li> </ul>
<ul style="list-style-type: none"> <li>Sekačku zasáhl cizí předmět, což má za následek samočinné spuštění ochrany motoru.</li> </ul>	<ul style="list-style-type: none"> <li>Stiskněte spínač pomocného pohonu směrem dolů a znovu spusťte čepele sekačky.</li> </ul>	
Sekačka stále vydává zvukový signál (pípání)	<ul style="list-style-type: none"> <li>Sekačka je v režimu nízkého stavu baterie a nedošlo k vypnutí čepelí.</li> </ul>	<ul style="list-style-type: none"> <li>Stiskněte spínač pomocného pohonu směrem dolů, čímž se čepele zastaví. Jakmile se lišty zastaví, sekačka přestane pípat.</li> </ul>
	<ul style="list-style-type: none"> <li>Sekačka se zastaví při jízdě na svahu a obsluha otevře řídicí páky a je mimo sedadlo, aniž by nastavila pedál parkovací brzdy do brzděné polohy.</li> </ul>	<ul style="list-style-type: none"> <li>Před opuštěním sekačky na svahu nastavte pedál parkovací brzdy do brzděné polohy.</li> </ul>

PROBLÉM	PŘÍČINA	ŘEŠENÍ
Indikátory akumulátoru svítí i po vypnutí sekačky.	<ul style="list-style-type: none"> <li>Pokud sekačku vypnete na zemi, aniž byste ze sekačky vyndali akumulátory, kontrolky akumulátoru, tlačítko start/stop a tlačítko nastavení zůstanou po určitou dobu rozsvícené.</li> </ul>	<ul style="list-style-type: none"> <li>Není zapotřebí žádného úkonu. Když se sekačka po určité době vypne, kontrolky akumulátoru zhasnou. Konkrétní čas najdete v části „<b>ZASTAVENÍ SEKAČKY</b>“.</li> </ul>
	<ul style="list-style-type: none"> <li>Pokud sekačku vypnete na svahu, aniž byste nastavili pedál parkovací brzdy do brzdné polohy, kontrolky akumulátoru budou svítit až do vybití akumulátoru. Zároveň bude sekačka vydávat zvukový signál (pípání)</li> </ul>	<ul style="list-style-type: none"> <li>Než obsluha opustí sekačku na svahu, nastavte pedál parkovací brzdy do brzdné polohy.</li> </ul>
LCD displej se nerozsvítí, třebaže jsou všechny symboly zapnuté.	<ul style="list-style-type: none"> <li>Doba stisknutí tlačítka start/stop není dostatečná.</li> </ul>	<ul style="list-style-type: none"> <li>Po krátkém stisknutí tlačítka start/stop se na LCD displeji zobrazí pouze „Stav baterie“.</li> </ul>
		<ul style="list-style-type: none"> <li>Displej LCD se zapne po stisknutí tlačítka start/stop na dostatečně dlouhou dobu.</li> </ul>
Sekačka seká nerovnoměrně, s výrazným výškovým rozdílem vpředu a vzadu.	<ul style="list-style-type: none"> <li>Čepele jsou tupé.</li> </ul>	<ul style="list-style-type: none"> <li>Žací čepele nabruste nebo vyměňte podle pokynů v této příručce.</li> </ul>
	<ul style="list-style-type: none"> <li>Čepele jsou ohnuté.</li> </ul>	<ul style="list-style-type: none"> <li>Ohnuté žací čepele vyměňte podle pokynů v části „<b>VÝMĚNA ŽACÍCH ČEPELÍ</b>“.</li> </ul>
	<ul style="list-style-type: none"> <li>Šasi sekačky není vyrovnané, což má za následek rozdílnou výšku žací čepele.</li> </ul>	<ul style="list-style-type: none"> <li>Vyrovnejte šasi sekačky podle pokynů v části „<b>VYROVNÁNÍ ŠASI SEKAČKY</b>“.</li> </ul>
Skutečná výška sečení trávy není v souladu s požadovanou výškou.	<ul style="list-style-type: none"> <li>Matice šasi sekačky na závěsu jsou uvolněné.</li> </ul>	<ul style="list-style-type: none"> <li>Podle pokynů v části „<b>VYROVNÁNÍ ŠASI SEKAČKY</b>“ proveďte správné nastavení šasi sekačky zepředu dozadu a pevně utáhněte matice na závěsu.</li> </ul>
	<ul style="list-style-type: none"> <li>Šasi sekačky je poškozené nebo značně opotřebované.</li> </ul>	<ul style="list-style-type: none"> <li>Při výměně šasi sekačky postupujte podle pokynů v části „<b>DEMONTÁŽ ŠASI SEKAČKY</b>“.</li> </ul>
Sekačka špatně mulčuje.	<ul style="list-style-type: none"> <li>Na spodní straně šasi se usazuje posekaná tráva.</li> </ul>	<ul style="list-style-type: none"> <li>Počkejte, až tráva před sekáním uschne.</li> </ul>
	<ul style="list-style-type: none"> <li>Sekačka je nastavená tak, aby sekala příliš velké množství trávy najednou.</li> </ul>	<ul style="list-style-type: none"> <li>Zvyšte výšku sečení.</li> </ul>

PROBLÉM	PŘÍČINA	ŘEŠENÍ
Sekačka vydává nadměrné vibrace.	<ul style="list-style-type: none"> <li>▪ Žací čepele jsou je uvolněné.</li> </ul>	<ul style="list-style-type: none"> <li>▪ Utáhněte šroub čepele na doporučený utahovací moment.</li> </ul>
	<ul style="list-style-type: none"> <li>▪ Čepele jsou ohnuté.</li> </ul>	<ul style="list-style-type: none"> <li>▪ Ohnuté žací čepele vyměňte podle pokynů v části „<b>VÝMĚNA ŽACÍCH ČEPELÍ</b>“.</li> </ul>
	<ul style="list-style-type: none"> <li>▪ Šasi sekačky není vyrovnané.</li> </ul>	<ul style="list-style-type: none"> <li>▪ Vyrovnajte šasi sekačky podle pokynů v části „<b>VYROVNÁNÍ ŠASI SEKAČKY</b>“.</li> </ul>
	<ul style="list-style-type: none"> <li>▪ Matice šasi sekačky na závěsu jsou uvolněné.</li> </ul>	<ul style="list-style-type: none"> <li>▪ Utáhněte matice na závěsu.</li> </ul>
	<ul style="list-style-type: none"> <li>▪ Sekačka je nastavená tak, aby sekala příliš velké množství trávy najednou.</li> </ul>	<ul style="list-style-type: none"> <li>▪ Zvyšte výšku sečení.</li> </ul>
Na zemi zůstává po sečení tráva nebo zbytky trávy.	<ul style="list-style-type: none"> <li>▪ Sekačka je nastavená tak, aby sekala příliš velké množství trávy v případě, že je tráva vysoká.</li> </ul>	<ul style="list-style-type: none"> <li>▪ Začněte s vysokou výškou sečení a snižujte ji, dokud nedosáhnete požadovaného výsledku sečení. Trávu vyšší než 6 palců je třeba sekat dvakrát s postupně nižší výškou sečení.</li> </ul>
	<ul style="list-style-type: none"> <li>▪ Tráva je mokrá.</li> </ul>	<ul style="list-style-type: none"> <li>▪ Nesekejte mokrou trávu, počkejte, až uschne.</li> </ul>
	<ul style="list-style-type: none"> <li>▪ Rychlost jízdy je vysoká.</li> </ul>	<ul style="list-style-type: none"> <li>▪ Snižte rychlost jízdy.</li> </ul>
	<ul style="list-style-type: none"> <li>▪ Rychlost čepelí je nízká.</li> </ul>	<ul style="list-style-type: none"> <li>▪ Otáčky čepelí zvyšujte postupně.</li> </ul>
Doba chodu sekačky s dodaným akumulátorem je krátká.	<ul style="list-style-type: none"> <li>▪ Stav trávy a nastavení výšky sečení výrazně ovlivňují dobu provozu akumulátoru. Udávaná doba provozu je založena na nízkém zatížení.</li> </ul>	<ul style="list-style-type: none"> <li>▪ Zvyšte výšku sečení a snižte rychlost čepelí, čímž snížíte zatížení při sečení.</li> </ul>
Sekačka neseče rovně.	<ul style="list-style-type: none"> <li>▪ Tlak v pneumatikách levého a pravého zadního kola se liší.</li> </ul>	<ul style="list-style-type: none"> <li>▪ Zkontrolujte a upravte tlak vzduchu v obou pneumatikách zadních kol podle doporučení v části „<b>KONTROLA TLAKU V PNEUMATIKÁCH</b>“ v této příručce.</li> </ul>
	<ul style="list-style-type: none"> <li>▪ Rychlosti jízdy levého a pravého zadního kola se liší.</li> </ul>	<ul style="list-style-type: none"> <li>▪ Proveďte kalibraci systém sledování sečení podle pokynů v části „<b>KALIBRACE SYSTÉMU SLEDOVÁNÍ SEČENÍ</b>“.</li> </ul>
Pedál parkovací brzdy nelze uvolnit z brzděné polohy nebo se vrací zpět pomalu.	<ul style="list-style-type: none"> <li>▪ Do pedálu parkovací brzdy se mohly dostat nečistoty.</li> </ul>	<ul style="list-style-type: none"> <li>▪ Otevřete schránku pedálu parkovací brzdy, důkladně ji vyčistěte a opět zavřete. Znovu sešlápněte pedál parkovací brzdy a zjistěte, zda je problém vyřešen. V opačném případě se obraťte na kvalifikovaného servisního technika, který provede opravu.</li> </ul>




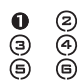
PROBLÉM	PŘÍČINA	ŘEŠENÍ
Sekačku nelze nabíjet přes nabíjecí port, přičemž indikátor stavu sekačky svítí trvale červeně.	<ul style="list-style-type: none"> <li>Zástrčka nabíječky není správně zasunuta do nabíjecího portu sekačky.</li> </ul>	<ul style="list-style-type: none"> <li>Znovu připojte zástrčku nabíječky a zkontrolujte, zda lze sekačku normálně nabíjet.</li> </ul>
	<ul style="list-style-type: none"> <li>Zásuvky nejsou pod napětím.</li> </ul>	<ul style="list-style-type: none"> <li>Není zapotřebí žádného úkonu. Počkejte na obnovení napájení.</li> </ul>
	<ul style="list-style-type: none"> <li>Došlo k poruše nabíječky.</li> </ul>	<ul style="list-style-type: none"> <li>Obraťte se na kvalifikovaného servisního technika, který provede kontrolu a v případě potřeby nechá nabíječku opravit.</li> </ul>
	<ul style="list-style-type: none"> <li>Port nabíječky na sekačce je vadný.</li> </ul>	<ul style="list-style-type: none"> <li>Obraťte se na kvalifikovaného servisního technika, který provede opravu.</li> </ul>
Doba nabíjení přes nabíjecí port sekačky je příliš dlouhá.	<ul style="list-style-type: none"> <li>Použití adaptéru EGO ACA1000 k nabíjení vyžaduje dlouhou dobu.</li> </ul>	<ul style="list-style-type: none"> <li>Pro přímé nabíjení sekačky použijte nabíječku EGO CHV1600E.</li> </ul>
Akumulátor nelze přes nabíjecí port sekačky plně nabít.	<ul style="list-style-type: none"> <li>Chyba firmwaru sekačky nebo porucha nabíječky/akumulátoru.</li> </ul>	<ul style="list-style-type: none"> <li>Odpojte nabíječku, vyčkejte alespoň několik minut a znovu připojte zástrčku ke zdroji napájení. Pokud ani tento postup nefunguje, obraťte se na kvalifikovaného servisního technika, který provede opravu.</li> </ul>
Sekačku nelze po vyčištění spustit.	<ul style="list-style-type: none"> <li>Nesprávné čištění, např. do elektrických součástí, obrazovky LCD apod. se dostala voda.</li> </ul>	<ul style="list-style-type: none"> <li>Pro správné čištění sekačky postupujte podle pokynů v části „ČIŠTĚNÍ SEKAČKY“.</li> </ul>
Sekačka se snadno ucpává.	<ul style="list-style-type: none"> <li>Šasi sekačky je zanesené trávou a nečistotami.</li> </ul>	<ul style="list-style-type: none"> <li>Pokud sekačku náhodou zasáhne déšť, nechte ji na vzduchu vyschnout nebo ji vysušte stlačeným vzduchem.</li> </ul>
		<ul style="list-style-type: none"> <li>Po každém použití vyčistěte šasi sekačky podle pokynů v části „Čištění šasi sekačky pomocí mycího otvoru“.</li> </ul>
Sekačka snadno ztrácí trakci při stoupání do svahu.	<ul style="list-style-type: none"> <li>Pneumatiky zadních kol jsou opotřebované.</li> </ul>	<ul style="list-style-type: none"> <li>Obraťte se na místní servis a vyměňte pneumatiky kol.</li> </ul>
	<ul style="list-style-type: none"> <li>Velký svah pro sečení.</li> </ul>	<ul style="list-style-type: none"> <li>Sklon sečení by měl být v požadovaném stupni.</li> </ul>

PROBLÉM	PŘÍČINA	ŘEŠENÍ
Při zastavení sekačky na svahu se sešlápnutým pedálem parkovací brzdy, může sklouznout po svahu dolů.	<ul style="list-style-type: none"> <li>Součásti brzdy jsou nadměrně opotřebené v důsledku nesprávného provozu sekačky.</li> </ul>	<ul style="list-style-type: none"> <li>Obratťe se na kvalifikovaného servisního technika, který provede opravu.</li> </ul>
Při mytí šasi nevytéká z mycího otvoru žádná voda.	<ul style="list-style-type: none"> <li>Na mycím otvoru není namontována rychlospojka.</li> </ul>	<ul style="list-style-type: none"> <li>Znovu nasadte rychlospojku mycího otvoru, dokud po silném zatlačení neuslyšíte jasné cvaknutí. Pokud ani tento postup nefunguje, obraťte se na kvalifikovaného servisního technika, který provede opravu.</li> </ul>
Při ručním tlačení sekačky bez nastartování se ozývá neobvyklý zvuk.	<ul style="list-style-type: none"> <li>Zvuk vychází z magnetů uvnitř hnacího motoru.</li> </ul>	<ul style="list-style-type: none"> <li>Jde o normální jev a není třeba podnikat žádné kroky.</li> </ul>

## ODKAZ NA CHYBOVÝ KÓD A INDIKÁTOR STAVU SEKAČKY

**CZ**

LCD displej	Popis	Kód poruchy na LCD displeji	Kontrolka stavu sekačky	Zvukový signál	Příčina	Řešení
	Na displeji LCD se zobrazí symbol LED světel.	Nevztahuje se.	NESVÍTÍ	Ne	Světlomety, boční světla a zadní světla se spouští pomocí spínače LED světel.	Jedná se o normální provoz. Není zapotřebí žádného úkonu.
	Na displeji LCD se zobrazí symbol USB.	Nevztahuje se.	NESVÍTÍ	Ne	Symbol USB svítí, což znamená, že zařízení USB může pracovat po správném spuštění sekačky.	Jedná se o normální provoz. Není zapotřebí žádného úkonu.
	Na displeji LCD se zobrazí symbol stavu baterie.	Nevztahuje se.	NESVÍTÍ	Ne	Udává průměrnou kapacitu nabití vložených baterií.	Jedná se o normální provoz. Není zapotřebí žádného úkonu.

LCD displej	Popis	Kód poruchy na LCD displeji	Kontrolka stavu sekačky	Zvukový signál	Příčina	Řešení
8888 H	Na displeji LCD se zobrazí symbol počítadla hodin.	Nevztahuje se.	NESVÍTÍ	Ne	Udává celkovou dobu jízdy sekačky v hodinách a nelze jej vynulovat.	Jedná se o normální provoz. Není zapotřebí žádného úkonu.
	Symbol kontrolky zatížení se zobrazuje v rozsahu ECO.	Nevztahuje se.	NESVÍTÍ	Ne	Udává aktuální zatížení sekačky.	Jedná se o normální provoz. Není zapotřebí žádného úkonu.
	Kontrolka přetížení bliká. Symbol kontrolky zatížení se zobrazuje v rozsahu PWR.	Nevztahuje se.	Bliká červeně	Jedno pípnutí	Motor čepelí je přetížený.	Zvyšte výšku sečení nebo snižte rychlost jízdy, čímž snižíte zatížení sekačky.
					Boční výsypný žlab je ucpaný trávou a nečistotami.	Po každém použití vyčistěte boční výsypný žlab.
					Mezi čepelí a šasi sekačky dochází k přesahu.	Opravy svěřte kvalifikovanému servisnímu technikovi.
	Symbol pro bezpečnostní klíč bliká.	Nevztahuje se.	NESVÍTÍ	Ne	Není vložený bezpečnostní klíč.	Vložte bezpečnostní klíč, poté stiskněte a podržte tlačítko START/STOP a sekačku zapněte.
					LCD obrazovka není napájena.	Opravy svěřte kvalifikovanému servisnímu technikovi.
	Symbol určité přihrádky na akumulátor bliká.	Nevztahuje se.	NESVÍTÍ	Ne	Určitý akumulátor je při vybíjení nadproudový.	Není zapotřebí žádného úkonu. Sekačka může pokračovat v činnosti, pokud kombinovaná kapacita baterie v Ah, s výjimkou baterie s nadměrným proudem, splňuje tento požadavek. Jakmile se nadměrný proud akumulátoru vrátí do normálního stavu, okamžitě se připojí k napájení sekačky a symbol zmizí.

LCD displej	Popis	Kód poruchy na LCD displeji	Kontrolka stavu sekačky	Zvukový signál	Příčina	Řešení
	Symbol prázdné přihrádky na akumulátoru bliká.	Nevztahuje se.	NESVÍTÍ	Ne	Kapacita akumulátoru není dostatečná, aby mohla sekačka s vozem pracovat.	Pro nastartování této sekačky použijte dostatečné množství akumulátorů EGO podle pokynů uvedených v části „NABÍJENÍ“ v této příručce.
	Symbol teploty bliká.	Nevztahuje se.	NESVÍTÍ	Jedno pípnutí	<p>Sekačka je přehřátá.</p> <p>Sekačka je příliš studená</p>	<p>Snižte zatížení sekačky zvýšením výšky sečení nebo snížením rychlosti čepelí / pohonu. Udělejte přestávku a nechte sekačku vychladnout.</p> <p>Neprovádějte opakované pokusy, které by mohly stroj poškodit. Sekačku a akumulátory vždy skladujte v teplém prostředí. Po zahřátí sekačku znovu spusťte.</p>
	Symbol přehřátí a přesného obsazení prostoru pro akumulátor blikají současně.	Nevztahuje se.	NESVÍTÍ	Ne	Akumulátor v příslušné očíslované přihrádce na akumulátor je přehřátý.	<p>1. Sekačka může pokračovat v práci, pokud kombinovaná kapacita baterie Ah, s výjimkou přehřáté baterie, splňuje požadavek. Jakmile se přehřátý akumulátor vrátí na normální teplotu, neprodleně se připojí k napájení sekačky.</p> <p>2. Pokud kombinovaná kapacita akumulátorů není dostatečná, sekačka nebude fungovat, dokud do volných přihrádek nevložíte další akumulátory.</p> <p>3. Při opětovném spuštění provozu snižte zatížení sekačky zvýšením výšky sečení nebo snížením rychlosti sečení.</p>

LCD displej	Popis	Kód poruchy na LCD displeji	Kontrolka stavu sekačky	Zvukový signál	Příčina	Řešení
	Symboly jednotlivých obsazených přihrádek na akumulátoru, kontrolky nízkého stavu napájení a graficko symbolu stavu akumulátoru blikají na displeji LCD každou 1 sekundu současně. Bliká také první segment LED ukazatele stavu baterie a sekačky.	Nevztahuje se.	Bliká červeně	Pípá, dokud nedojde ke stisknutí spínače pomocného pohonu směrem dolů.	Akumulátory jsou vybité a sekačka je v režimu nízkého stavu akumulátoru.	Přestaňte pracovat a vraťte se do prostoru pro nabíjení akumulátoru. <b>POZNÁMKA:</b> Pokud je sekačka v režimu nízkého stavu baterie, čepele se automaticky přepnou do nízkých otáček a přestanou sekat. Mezitím bude sekačka vydávat zvukový signál (pípání). Obsluha by měla stisknout spínač pomocného pohonu směrem dolů, čímž se čepele zastaví. Jakmile se čepele zastaví, sekačka přestane vydávat zvukový signál (pípání).
	Dvakrát za sekundu bliká symbol obsazeného prostoru pro akumulátor a kontrolka nízkého stavu napájení.	Nevztahuje se.	Bliká červeně	Pípá neustále	Akumulátory jsou téměř vybité.	Sekačka okamžitě přestane pracovat. Obsluha by měla sekačku převést do prostoru pro nabíjení akumulátoru, kde se nabije.
	Na LCD displeji bliká symbol automatického parkování.	Nevztahuje se.	NESVÍTÍ	Pípá neustále	Sekačka je zaparkována na svahu a obsluha opustí sekačku bez nastavení brzdového pedálu do brzdné polohy, pouze s pákami řízení v otevřené poloze.	Nastavte brzdový pedál do brzdné polohy. Symbol automatického parkování se vypne a sekačka přestane vydávat zvukový signál (pípání).



LCD displej	Popis	Kód poruchy na LCD displeji	Kontrolka stavu sekačky	Zvukový signál	Příčina	Řešení
	Na displeji LCD se zobrazí symbol pedálu brzdy.	Nevztahuje se.	NESVÍTÍ	Ne	Pedál parkovací brzdy je nastaven do brzděné polohy.	Před spuštěním sekačky jej uvolněte.
	Na displeji LCD se zobrazí symbol senzoru sedadla.	Nevztahuje se.	NESVÍTÍ	Ne	Obsluha opustí sedadlo nebo se odpojí spínač sedadla.	Pokud symbol svítí, i když je obsluha na sedadle, okamžitě sekačku zastavte a zkontrolujte připojení sedadla. Pokud se potvrdí, že spojení sedadla se sekačkou je v pořádku, obraťte se na kvalifikovaného servisního technika, který provede opravu.
	Bliká symbol spínače pomocného pohonu.	Nevztahuje se.	NESVÍTÍ	Ne	Došlo k přerušení chodu motoru čepelí za provozu a přepínač pomocného pohonu není nastaven do polohy vypnuto.	Před opětovným spuštěním sekačky stiskněte spínač pomocného pohonu směrem dolů, čímž odpojíte motor čepelí. Viz část „ODSTRAŇOVÁNÍ ZÁVAD“ v této příručce.
	Bliká symbol úrovně řízení.	Nevztahuje se.	NESVÍTÍ	Ne	Došlo k přerušení chodu hnacího motoru za provozu a řídicí páky nejsou nastaveny do otevřené polohy.	Před opětovným spuštěním sekačky přesuňte řídicí páky do otevřené polohy. Viz část „ODSTRAŇOVÁNÍ ZÁVAD“ v této příručce.
	Symbol obnovy napájení občas bliká.	Nevztahuje se.	NESVÍTÍ	Ne	Kinetická energie, která vzniká při brzdění nebo jízdě z kopce, se přeměňuje na elektřinu a nabíjí akumulátory.	Jedná se o normální provoz. Není zapotřebí žádného úkonu.

**POZNÁMKA:** Pokud se na displeji LCD zobrazí chybový kód, vyjměte všechny akumulátory a po několika minutách je znovu vložte. Pokud to problém nevyřeší, postupujte podle níže uvedeného postupu pro odstranění chybového kódu.

LCD displej	Popis	Kód poruchy na LCD displeji	Kontrolka stavu sekačky	Zvukový signál	Příčina	Řešení	
CZ Viz „Kód poruchy“.	Levý hnací motor se neotáčí.	Došlo k selhání levého hnacího motoru řízeného deskou PCBA.	413	NESVÍTÍ	Jedno pípnutí	Porucha bloku PCBA	Opravy svěžte kvalifikovanému servisnímu technikovi.
		Došlo k uvolnění zástrčky (třífázové, napájecí vodič) spojující levý hnací motor s příslušnou deskou PCBA.	317	NESVÍTÍ	Jedno pípnutí	Uvolněné spojení	
		Došlo k uvolnění zástrčky (šestikolíkové, signální vodič) spojující levý hnací motor s příslušnou deskou PCBA.	301	NESVÍTÍ	Jedno pípnutí	Uvolněné spojení	
		Levý hnací motor přestal fungovat.	317	NESVÍTÍ	Jedno pípnutí	Porucha motoru	

LCD displej	Popis	Kód poruchy na LCD displeji	Kontrolka stavu sekačky	Zvukový signál	Příčina	Řešení	
Viz „Kód poruchy“.	Pravý hnací motor se neotáčí.	Došlo k selhání pravého hnacího motoru řízeného deskou PCBA.	313	NESVÍTÍ	Jedno pípnutí	Porucha bloku PCBA	Opravy svěžte kvalifikovanému servisnímu technikovi.
		Došlo k uvolnění zástrčky (třífázové, napájecí vodič) spojující pravý hnací motor s příslušnou deskou PCBA.	417	NESVÍTÍ	Jedno pípnutí	Uvolněné spojení	
		Došlo k uvolnění zástrčky (šestikolíkové, signální vodič) spojující pravý hnací motor s příslušnou deskou PCBA.	401	NESVÍTÍ	Jedno pípnutí	Uvolněné spojení	
		Pravý hnací motor přestal fungovat.	417	NESVÍTÍ	Jedno pípnutí	Porucha motoru	

**CZ**

LCD displej	Popis	Kód poruchy na LCD displeji	Kontrolka stavu sekačky	Zvukový signál	Příčina	Řešení	
Viz „Kód poruchy“.	Levý motor čepel se neotáčí.	Došlo k selhání levého motoru čepel řízeného deskou PCBA.	607/A07	Nevztahuje se.	Jedno pípnutí	Porucha bloku PCBA	Opravy světle kvalifikovanému servisnímu technikovi.
		Došlo k uvolnění zástrčky (třífázové, napájecí vodič) spojující levý hnací motor s příslušnou deskou PCBA.	509	Nevztahuje se.	Jedno pípnutí	Uvolněné spojení	Nejprve zkontrolujte čepel. Pokud je uvolněný, utáhněte šroub doporučeným utahovacím momentem. V opačném případě světle opravy kvalifikovanému servisnímu technikovi.
		Levý motor čepel nefunguje.	509	Nevztahuje se.	Jedno pípnutí	Porucha motoru	Opravy světle kvalifikovanému servisnímu technikovi.
Viz „Kód poruchy“.	Pravý motor čepel se neotáčí.	Došlo k selhání pravého motoru čepel řízeného deskou PCBA.	507/A07	Nevztahuje se.	Jedno pípnutí	Porucha bloku PCBA	Opravy světle kvalifikovanému servisnímu technikovi.
		Došlo k uvolnění zástrčky (třífázové, napájecí vodič) spojující pravý hnací motor s příslušnou deskou PCBA.	609	Nevztahuje se.	Jedno pípnutí	Uvolněné spojení	Nejprve zkontrolujte čepel. Pokud je uvolněný, utáhněte šroub doporučeným utahovacím momentem. V opačném případě světle opravy kvalifikovanému servisnímu technikovi.
		Pravý motor čepel nefunguje	609	Nevztahuje se.	Jedno pípnutí	Porucha motoru	Opravy světle kvalifikovanému servisnímu technikovi.

LCD displej	Popis	Kód poruchy na LCD displeji	Kontrolka stavu sekačky	Zvukový signál	Příčina	Řešení	
Viz „Kód poruchy“.	Střední motor čepole se neotáčí.	Došlo k selhání středního motoru čepole řízeného deskou PCBA.	507/607	Nevztahuje se.	Jedno pípnutí	Porucha bloku PCBA	Opravy svěřte kvalifikovanému servisnímu technikovi.
		Došlo k uvolnění zástrčky (třífázové, napájecí vodič) spojující střední motor čepole s příslušnou deskou PCBA.	A09	Nevztahuje se.	Jedno pípnutí	Uvolněné spojení	Nejprve zkontrolujte čepole. Pokud je uvolněný, utáhněte šroub doporučeným utahovacím momentem. V opačném případě svěřte opravy kvalifikovanému servisnímu technikovi.
		Selhání středního motoru čepole	A09	Nevztahuje se.	Jedno pípnutí	Porucha motoru	Opravy svěřte kvalifikovanému servisnímu technikovi.
Viz „Kód poruchy“.	Došlo k selhání levé řídicí páky.	Došlo k selhání levé řídicí páky, která ovládá desku PCBA.	311/412	NESVÍTÍ	Jedno pípnutí	Selhání bloku PCAB	Opravy svěřte kvalifikovanému servisnímu technikovi.
		Došlo k uvolnění zástrčky připojující řídicí desku PCBA, která je umístěna v řídicí tyči.				Uvolněné spojení	

**CZ**

LCD displej	Popis		Kód poruchy na LCD displeji	Kontrolka stavu sekačky	Zvukový signál	Příčina	Řešení
Viz „Kód poruchy“.	Došlo k selhání pravé řídicí páky.	Došlo k selhání levé pravé páky, která ovládá desku PCBA.	312/411	NESVÍTÍ	Jedno pípnutí	Selhání bloku PCAB	Opravy svěžte kvalifikovanému servisnímu technikovi.
		Došlo k uvolnění zástrčky připojovací řídicí desku PCBA, která je umístěna v řídicí tyči.				Uvolněné spojení	
Viz „Kód poruchy“.	Došlo k selhání parkovací brzy, se sekačkou nelze jezdit.	Došlo k poškození bloku PCBA parkovací brzdy, který se nachází v sestavě předního rámu.	309/409	NESVÍTÍ	Jedno pípnutí	Porucha bloku PCBA	Opravy svěžte kvalifikovanému servisnímu technikovi.
		Došlo k přerušení spínače a/ nebo vodiče parkovací brzdy.	801	NESVÍTÍ	Jedno pípnutí	Porucha vodiče / spínače	
NESVÍTÍ	Porucha nabíjecího portu		Nevztahuje se.	Svíí ČERVENĚ	Nevztahuje se.	Nabíjecí port je v rozpojeném obvodu.	Opravy svěžte kvalifikovanému servisnímu technikovi.
			Nevztahuje se.	Svíí ČERVENĚ	Nevztahuje se.	Sekačka není napájena.	Zkontrolujte, zda je do zásuvky přivedeno 220–240 V a zda je zásuvka v pořádku.
			Nevztahuje se.	Svíí ČERVENĚ	Nevztahuje se.	Došlo ke spálení pojistky.	Opravy svěžte kvalifikovanému servisnímu technikovi.

CZ

LCD displej	Popis	Kód poruchy na LCD displeji	Kontrolka stavu sekačky	Zvukový signál	Příčina	Řešení
Viz „Kód poruchy“.	Porucha nabíjecího portu	204	Nevztahuje se.	Jedno pípnutí	Nabíjecí port je v rozpojeném obvodu.	Opravy svěřte kvalifikovanému servisnímu technikovi.
Viz „Kód poruchy“.	Nefunguje sestava akumulátorového boxu.	217	Nevztahuje se.	Jedno pípnutí	Došlo k poškození zdroje napájení ze sestavy akumulátorů. Světlomety LED a USB nefungují.	Opravy svěřte kvalifikovanému servisnímu technikovi.
		310/ 410	NESVÍTÍ	Jedno pípnutí	Nefunguje spojení mezi vodiči typu C sestavy akumulátoru a ostatními vodiči typu C sekačky.	
		201/ 202/ 203	NESVÍTÍ	Jedno pípnutí	Došlo k poškození systému BMS sestavy akumulátoru.	
Viz „Kód poruchy“.	Porucha spínače start/stop	314/ 414	NESVÍTÍ	Jedno pípnutí	Došlo k poruše spínače PCBA nebo špatnému zapojení vodičů pro spínač start/stop.	Opravy svěřte kvalifikovanému servisnímu technikovi.

**CZ**

LCD displej	Popis	Kód poruchy na LCD displeji	Kontrolka stavu sekačky	Zvukový signál	Příčina	Řešení
Viz „Kód poruchy“.	Porucha LCD obrazovky	315/ 415	NESVÍTÍ	Jedno pípnutí	Došlo k poškození sestavy LCD displeje nebo je špatně připojen vodič sestavy LCD displeje.	Opravy svěřte kvalifikovanému servisnímu technikovi.

## ZÁRUKA

### ZÁRUKA SPOLEČNOSTI EGO

Úplné záruční podmínky společnosti EGO naleznete na webové stránce [egopowerplus.com](http://egopowerplus.com).

CZ

**KEES VAN DER SPEK**  
TUINMACHINES ★ STOLWIJK



# PREČÍTAJTE SI VŠETKY POKYNY!



PREČÍTAJTE SI NÁVOD NA OBSLUHU.

## BEZPEČNOSTNÝ SYMBOL

Účelom bezpečnostných symbolov je upozorniť na možné nebezpečenstvá. Venujte príslušnú pozornosť a pochopte bezpečnostné symboly a ich vysvetlenia. Varovné symboly, samy o sebe, nedokážu eliminovať nebezpečenstvo. Pokyny a varovania, ktoré obsahujú, nie sú náhradou za vhodné opatrenia na prevenciu úrazov.

**VAROVANIE:** Pred použitím tohto nástroja si prečítajte a pochopte všetky bezpečnostné pokyny v tomto návode na obsluhu, vrátane všetkých bezpečnostných výstražných symbolov, ako sú „**NEBEZPEČENSTVO**“, „**VAROVANIE**“ a „**UPOZORNENIE**“. Nedodržanie nižšie uvedených pokynov môže mať za následok úraz elektrickým prúdom, požiar a/alebo vážne zranenie.

## VÝZNAM SYMBOLU

Táto strana zobrazuje a popisuje bezpečnostné symboly, ktoré sa objavujú na tomto výrobku. Pred pokusom o zostavenie a prevádzkovanie si prečítajte, pochopte a dodržiavajte všetky pokyny na stroji.

## BEZPEČNOSTNÉ SYMBOLY

SK



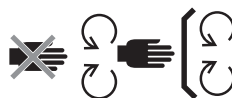
Bezpečnostné upozornenie



Prečítajte si a pochopte návod na obsluhu



Ochrana očí



Údržba bezpečnostných zariadení



NEBEZPEČENSTVO -  
Nebezpečenstvo prudkého svahu



NEBEZPEČENSTVO - Držte  
okolostojace osoby mimo dosahu  
čepelí



Nikdy nenoste deti



Pri cúvaní sa pozerajte za seba



VAROVANIE - Nepoužívajte tento  
stroj na svahoch so sklonom väčším  
ako 12 °



NEBEZPEČENSTVO - Vymrštené  
predmety



VAROVANIE - DRŽTE RUKY  
A NOHY V BEZPEČNEJ  
VZDIALENOSTI



Garantovaná hladina akustického  
výkonu. Emisie hluku do prostredia  
podľa smernice Európskeho  
spoločenstva.



Nevstupujte



Odpadové elektrické výrobky sa nesmú likvidovať spolu s domovým odpadom. Odovzdajte do autorizovaného recyklačného strediska.



Tento výrobok je v súlade s platnými smernicami ES



UPOZORNENIE – Nepozerajte sa do prevádzkovej lampy.



Jednosmerný prúd



Tento výrobok je v súlade s platnou legislatívou Spojeného kráľovstva.

kPa	Kilopascal
V	Volt
v	Palec
Nm	Newton meter
°C	Celcius
km/h	Kilometre za hodinu

OT./MIN.	Otáčky za minútu
m	Metre
cm	Centimetre
mm	Milimetre
kg	Kilogram
IPX4	Stupeň ochrany pred vniknutím

SK

## TECHNICKÉ ÚDAJE

KES VAN DER SPEK  
TUINMACHINES \* STOLWIJK

Napätie	56 V	
Veľkosť kosacej jednotky	132 cm	
Veľkosť kolesa	Predná časť	279,4 x 126 mm
	Zadná časť	457,2 x 223 mm
Tlak v studených pneumatikách	Predná časť	222,1 kPa
	Zadná časť	115,8 kPa
Polomer otáčania	0	
Rýchlosť čepele (ot/min)	2600; 2800; 3000; 3200	
Max. Rýchlosť jazdy (km/h)	Vpred	8,1 km/h, 9,7 km/h, 11,3 km/h, 12,8 km/h
	Cúvanie	až 6,4 km/h

Nabíjanie	Nabíjačka (voliteľná)	CHV1600E
	Adaptér (voliteľný)	ACA1000
	Rozsah teplôt nabíjania	5°C – 40°C
Nastavenie výšky kosenia (10 polôh)	25 – 100 mm	
Prevádzková teplota	0°C – 40°C	
Skladovacia teplota	- 20°C – 70°C	
Hmotnosť (bez akumulátora)	217 kg	
Nameraná hladina akustického výkonu L <sub>WA</sub>	95,48 dB(A) K=0,73 dB(A)	
Hladina akustického tlaku na L <sub>PA</sub> do ucha operátora	82,5 dB(A) K=3 dB(A)	

Garantovaná hladina akustického výkonu $L_{WA}$ (merané podľa 2000/14/ES)		100 dB(A)
Vibrácie $a_h$	Rukoväť	0,69 $m/s^2$ K=1,5 $m/s^2$
	Telo	0,3 $m/s^2$ K=1,5 $m/s^2$

- Deklarovaná celková hodnota vibrácií bola meraná v súlade so štandardnou skúšobnou metódou a môže sa použiť na vzájomné porovnanie jednotlivých náradí;
- Uvádzaná celková hodnota vibrácie sa môže použiť aj na predbežný odhad expozície.

**POZNÁMKA:** Emisia vibrácií pri skutočnom používaní náradia sa môže odlišovať od deklarovanej hodnoty, pri akej sa nástroj používa; za účelom ochrany obsluhy má používateľ v skutočných podmienkach použitia nosiť rukavice a ochranu sluchu.

## POPIS

### SPOZNAJTE KOSAČKU (OBR. A1 A A2)

1. Sedadlo
2. Nabíjací port
3. Napájacia jednotka
4. LED zadné svetlo
5. Úložný priestor
6. Držiaky pohárov
7. LED bočné svetlo
8. Zadné koleso (hnacie koleso)
9. Umývací port
10. Paluba
11. Chránič kosacej jednotky
12. Koliesko proti oskalpovaniu
13. Predné koleso
14. Pedál parkovacej brzdy
15. Svetlá na denné svietenie
16. LED svetlomety

17. Bočný vyhadzovací žľab
18. Páka pre nastavenie výšky kosacej jednotky
19. Gombík nastavenia odpruženia sedadla
20. Páka na nastavenie polohy sedadla
21. Brušné Tyče
22. Indikátor stavu kosačky
23. LCD obrazovka
24. Prepínač pomocného pohonu
25. Tlačidlo štart/stop
26. Bezpečnostný kľúč
27. Úložný priestor na telefón
28. Priečka
29. Ukazovateľ paliva a indikátor stavu kosačky
  - 29.a. Ukazovateľ paliva v kosačke
  - 29.b. Indikátor stavu kosačky
30. Priestor opierky na nohy
31. Tlačidlo na uvoľnenie krytu napájacej jednotky
32. Kryt pohonnej jednotky
33. Napájacia jednotka so šiestimi priehradkami na akumulátory
34. Tlačidlo uvoľnenia akumulátora
35. Záves
36. Kryt upevnenia prídavného zariadenia
37. Úložný kryt upevnenia prídavného zariadenia
38. USB port

### SPOZNAJTE LCD OBRAZOVKU (OBR. A3)

Ďalšie informácie o ikonách a indikátoroch na obrazovke LCD nájdete v časti „REFERENCIA STAVU KOSAČKY A CHYBOVÝ KÓD“.

1. Ikona bezpečnostného kľúča
2. Ikona LED svetiel
3. Ikona automatického parkovania
4. Ikona USB
5. Indikátor rýchlosti čepele
6. Indikátor stavu bezpečnostného zariadenia
7. Hodiny
8. Ikona prázdnej priehradky na akumulátor

SK

9. Ikona teploty
10. Ikona obsadenej priehradky na akumulátor
11. Režim jazdy
12. Indikátor chybového kódu
13. Indikátor preťaženia
14. Indikátor nízkeho nabitia
15. Indikátor rýchlosti jazdy
16. Indikátor zaťaženia
17. Palivomer
18. Tlačidlo nastavenia rýchlosti čepele
19. Nastavovacie tlačidlo
20. Tlačidlo režimu jazdy
21. Spínač svetiel LED
22. Tlačidlo nastavenia rýchlosti jazdy

## ROZBALENIE

**POZNÁMKA:** Obalový materiál si uschovajte, kým výrobok dôkladne neprekontrolujete a nebudete ho bezpečne ovládať. Ak nie sú na stroji namontované akékoľvek diely zo zoznamu balenia, okamžite kontaktujte servis EGO.

**POZNÁMKA:** Okrem nástrojov uvedených v zozname nižšie sú všetky ostatné odporúčané nástroje uvedené v príručkách, ale nie sú k dispozícii.

### ZOZNAM BALENIA (obr. B)

B-1	Pojazdová kosačka s nulovým polomerom otáčania	B-6	Bezpečnostné kľúče
B-2	Sedadlo	B-7	Vidlicové kľúče (13 mm)
B-3	Riadiaca páka	B-8	Imbusový kľúč
B-4	Skrutky s vnútorným šesťhranom (2 náhradné)	B-9	Rýchlospojka umývacieho portu

B-5	Šesťhranné skrutky (2 náhradné)	B-10	Návod na obsluhu
-----	---------------------------------	------	------------------

### ODPORÚČANÉ PRÍSLUŠENSTVO

**VAROVANIE:** Používajte iba identické náhradné diely uvedené nižšie. Používanie dielov, ktoré nespĺňajú pôvodné technické údaje zariadenia, môže mať za následok nedostatočný výkon a ohrozenie bezpečnosti.

NÁZOV DIELU	ČÍSLO MODELU
Štandardná čepeľ	AB5200
Čepeľ s vysokým zdvihom	AB5201
Súprava na mulčovanie	ABP5200
Sada na zber trávy	ABK5200-A
Zadný nárazník	AMB1000
Nákladná skrinka	AMG1000
Sľečná clona	AMS1000

## MONTÁŽ

### INŠTALÁCIA SEDADLA (obr. C1 a C2)

**VAROVANIE:** Bezpečnostný blokovací systém sa nesmie odpojiť ani obísť. V opačnom prípade môže kosačka nepredvídateľne fungovať, čo môže viesť k zraneniu osôb.

**POZNÁMKA:** Kvôli vašej bezpečnosti môže kosačka zastaviť jazdu, pretože sa počas jazdy odpojil spínač sedadla. V takom prípade nájdete ďalšie informácie v časti „RIEŠENIE PROBLÉMOV“.

C1-1	Kábel	C1-5	Skrutky so zápustnou hlavou
C1-2	Zástrčka	C2-1	Háčik
C1-3	Objímka	C2-2	Oceľové koľajnice
C1-4	Závesná základňa	C2-3	Skrutky so zápustnou hlavou

## INŠTALÁCIA RIADIACICH PÁK (obr. C3)

C3-1	Riadiace páky	C3-3	Riadiaca páka Montážne otvory
C3-2	Šesťhranné skrutky		

# OBSLUHA

## PRED POUŽITÍM KOSAČKY

### Kontrola prostredia

- Zaistite, aby bol pracovný priestor mimo detí, okoloidúcich a domácich zvierat.
- Vyčistite pracovný priestor od predmetov, ktoré môžu byť vymrštené čepelou kosačky.
- Skontrolujte a zaistite, aby boli LED svetlá v správnom stave:
  - Svetlomety, obrysové svetlá a zadné svetlá sa ovládajú vypínačom LED svetiel.
  - Počas jazdy vždy svietia svetlá.
  - Ak sú zadné svetlá vypnuté pri cúvaní, budú blikať, aby varovali okoloidúcich; ak sú zapnuté zadné svetlá, zostanú zapnuté.
  - Všetky svetlá sa automaticky vypnú, keď sa kosačka automaticky vypne po určitej dobe nečinnosti.

### Kontrola tlaku v studených pneumatikách (obr. D1)

### Kontrola stavu kosačky a úrovne nabitia batérie

- Indikátor palivomera kosačky (obr. A2 - 27a)  
Každý segment palivomera kosačky ukazuje 20% nabitie vložených akumulátorov.

**POZNÁMKA:** Indikátor palivomera kosačky a palivomer na LCD obrazovke indikujú priemernú kapacitu vložených akumulátorov.

- Indikátor stavu kosačky (obr. A1 a obr. A2 - 27b)  
Ak sa indikátor stavu rozsvieti na zeleno, kosačka je pripravená na jazdu. Ak nie, pozrite si časť „REFERENČNÝ A CHYBOVÝ KÓD STAVU KOSAČKY“

### Testovanie systému bezpečnostného blokovania (obr. D2 - obr. D8)

**POZNÁMKA:** Pred skúškou musí byť používateľ na sedadle.

- Pred testovaním (obr. D2 - obr. D4)
- Otestovanie systému kosacej jednotky (obr. D5), potom pomaly vstaňte
- Otestovanie systému pohonu (obr. D6-obr. D8), potom pomaly vstaňte

Ak sa kosacia jednotka a/alebo pohonný systém nezastavia, keď je používateľ mimo sedadla, a ak nie je možné určiť príčinu po potvrdení správneho pripojenia zástrčky a zásuvky sedadla, obráťte sa ihneď na zákaznicke stredisko EGO.

## NASTAVENIE (obr. E1 - obr. E13)

### Príprava (obr. E1 - obr. E5)

### Nastavenie výšky kosacej jednotky (obr. E6)

### Nastavenie koliesok proti oskalpovaniu (E7-obr. E10)

E7-1	Koliesko proti oskalpovaniu	E9-2	Kotevná skrutka
E9-1	Matica	E10-1	Štítok výšky kosacej jednotky

SK

### Nastavenie sedadla (obr. E11)

Upravte polohu sedadla tak, aby ste sa pred použitím kosačky mohli pevne dotýkať pedála parkovacej brzdy. Vďaka nastaveniu odpruženia sedadla môžete na sedadle dosiahnuť najpohodlnejší zážitok.

E11-1	Páka na nastavenie polohy sedadla	E11-2	Gombík nastavenia odpruženia sedadla
-------	-----------------------------------	-------	--------------------------------------

### Nastavenie parkovacej brzdy (obr. E12 - obr. E13)

E13-1	Zabrzdená poloha	E13-2	Odbrzdená pozícia
-------	------------------	-------	-------------------

## NABÍJANIE (obr. F1 - obr. F11)

Na spustenie tejto kosačky sú potrebné akumulátory EGO s celkovou kapacitou 15 Ah (2 X BA4200/BA4200T) alebo viac. Pre najlepší výkon odporúčame používať akumulátory EGO s celkovou kapacitou 30 Ah alebo viac.

Používajte iba s odporúčanými akumulátormi a nabíjačkami. (obr. F9 a F10)

Príprava na nabíjanie (obr. F1 - obr. F4)

Samostatné nabíjanie akumulátorov (obr. F5 – obr. F9)

F5-1	Tlačidlo uvoľnenia krytu	F7-1	Tlačidlo uvoľnenia akumulátora
------	--------------------------	------	--------------------------------

- Na pripojenie akumulátora(ov) (obr. F5 – obr. F6)
- Odpojenie akumulátora (ov) (obr. F7 – obr. F8)

**POZNÁMKA:** Nabite akumulátory podľa príslušných návodov k akumulátorom a nabíjačke.

Nabíjanie batérii cez nabíjací port (obr. F10)

F10-1	Prachový uzáver	F10-2	Nabíjací port
-------	-----------------	-------	---------------

## SPUSTENIE KOSAČKY

(obr. A4 – obr. A5 a obr. G1 – obr. G6)

**VAROVANIE:** Vyhňte sa náhlym štartom, zastaveniam a zatáčkam, ako aj nadmernej rýchlosti, najmä keď sa prvýkrát učíte ovládať kosačku. Kosačka sa môže rýchlo otáčať, čo môže spôsobiť, že stratíte kontrolu a spôsobíte vážne zranenie alebo škodu.

**VAROVANIE:** Pred spustením kosačky skontrolujte a uistite sa, že nože sú vypnuté do 5 s, keď stlačíte spínač PTO smerom nadol. Ak sa čepele nezastavia, kosačku nepoužívajte a ihneď kontaktujte zákaznicky servis EGO.

**POZNÁMKA:** Podľa obr. A4 a obr. G2 dosiahnete najnižšiu rýchlosť jazdy a **ŠTANDARDNÝ** režim jazdy, až pokiaľ nebudete schopní kosačku ovládať vo všetkých situáciách. Pojazdová rýchlosť a jazdný režim sa aktivujú iba vtedy, ak sú kolesá kosačky zastavené a riadiace páky v otvorenej polohe.

Kosačka si pri opätovnom spustení uloží a predloží predchádzajúci režim jazdy, rýchlosť jazdy a kalibráciu riadiacich pák.

### Jazdný režim

- **RIADENIE:** Nižšia akcelerácia, menej citlivé ovládanie a mierna rýchlosť otáčania na ochranu trávy a pre nových používateľov.
- **ŠTANDARD:** Ideálne pre každodenné použitie.

- **ŠPORT:** Vyššia akcelerácia, presná ovládateľnosť a ostré zatáčanie pre maximalizáciu účinnosti kosenia a pre nadšencov kosenia.

Nastavenie rýchlosti jazdy (obr. A4)

Nastavenie rýchlosti čepele (obr. A5)

### USB port

**POZNÁMKA:** USB port poskytuje nabíjací výkon 5 voltov DC pri kombinovanom odbere 1,5 ampéra a je napájaný iba vtedy, keď sa kosačka zapína.

## ZASTAVENIE KOSAČKY (obr. H1 – obr. H6)

**POZNÁMKA:** Po viac ako 60 minútach nečinnosti sa kosačka automaticky vypne.

### Režim núdzového chodu

Keď je batéria takmer vybitá, kosačka prejde do režimu núdzového chodu:

- Kosačka automaticky zastaví kosenie trávy;
- Zaznie pípanie;
- Indikátor stavu kosačky bude každú sekundu blikať načerveno, prvý segment palivomera kosačky bude blikať načerveno a začne blikať indikátor nízkeho výkonu a obrázok akumulátora na palivomere.

Používateľ by mal:

- Zatlačením prepínača pomocného pohonu nadol (obr. H3) uvoľniť čepele. Keď sa čepele zastavia, pípanie sa vypne;
- Prestaňte pracovať a choďte čo najskôr do oblasti pre nabíjanie akumulátorov. Maximálna vzdialenosť, ktorú môže kosačka prejsť, je 1000 m.

Keď je akumulátor takmer vybitý, ikona každého obsadeného priestoru pre akumulátor a indikátor nízkeho výkonu začnú blikať každú pol sekundu. Kosačka okamžite prestane pracovať. Používateľ by mal kosačku prepraviť do oblasti pre nabíjanie akumulátorov.

### Manuálne tlačenie

Ak je potrebné ručné zatlačenie, uistite sa, že sú batérie odpojené od kosačky a pedál parkovacej brzdy je uvoľnený zo zabrzdenej polohy.

## RIADENIE KOSAČKY (obr. I1 – obr. I9)

Ak chcete zastaviť, znížiť alebo zvýšiť rýchlosť, pomaly meňte vzdialenosť riadiacej páky z neutrálu.

**⚠ NEBEZPEČENSTVO:** Držte sa najmenej dve šírky kosenia od všetkých priekop, spádov alebo vody. Predné kolesá sa môžu otáčať, keď je kosačka zastavená, dokonca aj so zabrzdenu brzdou, a spôsobí, že kosačka prejde cez okraj alebo do vody a spôsobí smrť alebo vážne zranenie osôb.

**⚠ VAROVANIE:** Pred cúvaním si uvedomte, čo je za kosačkou. NEKOSTE smerom dozadu, pokiaľ to nie je nevyhnutné. Pred a počas cúvania sa vždy pozerajte dole a zozadu, aby ste sa presvedčili, že do oblasti kosenia nevstupujú žiadne deti, okoloidúce alebo domáce zvieratá. Nezabudnite, že aj nepatrný zlomok sekundy stačí na to, aby spôsobil smrť alebo vážne zranenie.

**⚠ VAROVANIE:** Nepoužívajte tento stroj na verejných komunikáciách.

**⚠ VAROVANIE:** Ak dôjde k zablokovaniu alebo narazíte na cudzí predmet, zastavte motory a vyberte akumulátory. Odstráňte pokosenú trávu, lístie, nečistoty a všetky ďalšie nahromadené odpady; pred opätovným spustením a používaním kosačky dôkladne skontrolujte, či nie je poškodená, a poškodenie opravte.

## ÚDRŽBA

**⚠ VAROVANIE:** Vždy používajte ochranné okuliare s bočnými štítmami. V opačnom prípade môže dôjsť k vymršteniu predmetov do očí a následnému vážnemu zraneniu.

**⚠ VAROVANIE:** Pri vykonávaní údržby čepele kosačky vždy používajte pevné rukavice alebo zabalte rezné hrany do handier alebo iných materiálov, aby ste si chránili ruky. Pri údržbe alebo preprave kosačky vždy vyberte bezpečnostný kľúč a akumulátory.

Interval údržby	Postup údržby
Pred každým použitím alebo denne	<ul style="list-style-type: none"> <li>Skontrolujte bezpečnostný blokovací systém.</li> <li>Vizuálne skontrolujte, či nie je pneumatika prázdna.</li> <li>Skontrolujte čepele, či nie sú opotrebované, prasknuté alebo ohnuté.</li> <li>Skontrolujte celý výrobok, či nemá poškodené, chýbajúce alebo uvoľnené časti, napríklad žľab s bočným vypúšťaním, skrutky, matice, krytky atď., uistite sa, že sú všetky kryty na svojom mieste a správne fungujú.</li> <li>Skontrolujte činnosť brzdy.</li> </ul>
Po každom použití	<ul style="list-style-type: none"> <li>Vyčistite kosaciu jednotku</li> </ul>
Každých 25 hodín	<ul style="list-style-type: none"> <li>Skontrolujte tlak v pneumatikách.</li> </ul>
Každých 50 hodín	<ul style="list-style-type: none"> <li>Skontrolujte stav mazadla vo vnútri čepeľovej príruby .</li> </ul>
Každých 100 hodín	<ul style="list-style-type: none"> <li>Skontrolujte zadné kolesá a uistite sa, že všetky matice skrutiek sú utiahnuté odporúčaným krútiacim momentom.</li> </ul>
Každých 200 hodín	<ul style="list-style-type: none"> <li>Skontrolujte predné kolesá a zistite či sa voľne otáčajú.</li> </ul>
Ročne	<ul style="list-style-type: none"> <li>Skontrolujte pedál parkovacej brzdy. Vyberte akumulátor z kosačky a nastavte parkovací pedál do zabrzdenej polohy. Ručne zatlačte kosačku dopredu, aby ste zistili, či sa s kosačkou dá pohybovať alebo nie. Ak sa pohybuje, nechajte ju opraviť kvalifikovaným servisným technikom.</li> </ul>

SK

## ČISTENIE SEKAČKY (obr. J1 - obr. J9)

Príprava (obr. J1 - obr. J5)

Čistenie krytu kosačky (obr. J6 - obr. J7)

Použitie umývacieho portu na čistenie skeletu kosačky (obr. J8 - obr. J9)

J8-1	Umývací port	J8-3	Záhradná hadica
J8-2	Rýchlospojka umývacieho portu		

**POZNÁMKA:** Na konci čistenia zatlačte prepínač pomocného pohonu nadol, aby ste odpojili čepele kosačky.

## ÚDRŽBA KOSAČKY A ŽACÍCH ČEPELÍ

Príprava (obr. K1 - obr. K6)

Demontáž kosacej jednotky (obr. K7 - obr. K8)

K7-1	Motorový kábel	K7-3	Rameno zavesenia
K7-2	Závlačka		

**POZNÁMKA:** Pri demontáži žacieho ústrojenstva odpojte všetky káble motora a závlačky.

Výmena čepelí (obr. K9 - obr. K11)

K9-1	Stabilizátor	K10-3	Píllový list
K10-1	Skrutka	K10-4	Príruba
K10-2	Podložka	K10-5	Hriadeľ motora

Vyrovnávanie kosacej jednotky

- Kedy vyrovnáť (obr. K12 - obr. K14)**
- Pred vyrovnaním**
  - Kontrola tlaku v studených pneumatikách (obr. K15)
  - Skontrolujte čepele. Podľa potreby vyberte a vymeňte opotrebované, popraskané a/alebo ohnuté čepele.
- Príprava na vyrovnávanie (obr. K16 - obr. K21)**
- Ako vyrovnáť**
  - Nastavenie zo strany na stranu (obr. K22)

K22-1	Poistná matica
-------	----------------

- Nastavenie spredu dozadu (obr. K23)

## KALIBRÁCIA SYSTÉMU SLEDOVANIA KOSAČKY (obr. L1 – obr. L4)

**POZNÁMKA:** Pípanie zaznie raz pri spustení kalibrácie a raz po dokončení kalibrácie.

**POZNÁMKA:** Kalibrácia dokončená pre jeden z jazdných režimov („CONTROL“, „STANDARD“, „SPORT“) nemusí byť dostupná pre ostatné dva režimy. Podľa potreby nezávisle kalibrujte riadiace páky v každom režime jazdy.

## RESETOVANIE KOSAČKY DO PÔVODNÉHO VÝROBNÉHO NASTAVENIA (obr. M)

**POZNÁMKA:** Pípanie zaznie raz pri spustení resetovania a raz po dokončení resetovania.

**POZNÁMKA:** Po úspešnom resetovaní sa nižšie uvedené nastavenia vrátia na pôvodné výrobné nastavenie:

- režim jazdy
- rýchlosť jazdy
- kalibrácia riadiacich pák

## SKLADOVANIE A PREPRAVA

PREPRAVA KOSAČKY (OBR. N1 - OBR. N11)

**POZNÁMKA:** Zabezpečte kosačku podľa potreby pomocou popruhov alebo lán, aby sa zabránilo pohybu počas prepravy.

SKLADOVANIE (obr. O1 - obr. O6)

**POZNÁMKA:** Vyberte akumulátory a uložte ich podľa príslušných návodov.

Pred uskladnením kosačku vyčistite a skontrolujte. Pozrite si časti „ČISTENIE KOSAČKY“ a „ODPORUČENÉ PLÁNY ÚDRŽBY“.




### Ochrana životného prostredia




WEEE (Odpad z elektrických a elektronických zariadení) Nevyhadzujte elektrické zariadenia, nabíjačku a použité akumulátory do domového odpadu! Tento výrobok odneste na autorizované recyklačné miesto a poskytnite ho na separovaný zber. Elektrické náradie sa musí odovzdať do príslušného zariadenia na ekologicky šetrnú recykláciu.

## ODSTRAŇOVANIE PORÚCH

PROBLÉM	PRÍČINA	RIEŠENIE
<p>Kosačka nefunguje, keď sú dve riadiace páky na začiatku posunuté dopredu alebo dozadu.</p> <p><b>SK</b>  Ikona úrovne riadenia blika</p>	<ul style="list-style-type: none"> <li>Kombinované Ah vložených akumulátorov nespĺňajú požiadavku.</li> </ul>	<ul style="list-style-type: none"> <li>Na spustenie tejto kosačky použite dostatočné množstvo akumulátorov EGO podľa pokynov v časti „<b>NABÍJANIE</b>“ v tomto návode.</li> </ul>
	<ul style="list-style-type: none"> <li>Pedál parkovacej brzdy je nastavený do zabrzdenej polohy.</li> </ul>	<ul style="list-style-type: none"> <li>Úplne zošliapnite pedál parkovacej brzdy, aby ste ho uvoľnili zo zabrzdenej polohy.</li> </ul>
	<ul style="list-style-type: none"> <li>Riadiace páky nie sú pri štartovaní kosačky v otvorenej polohe.</li> </ul>	<ul style="list-style-type: none"> <li>Vráťte riadiace páky do otvorenej polohy a reštartujte kosačku.</li> </ul>
	<ul style="list-style-type: none"> <li>Operátor nesedí na sedadle.</li> </ul>	<ul style="list-style-type: none"> <li>Kosačku môže obsluhovať len vtedy, keď operátor správne sedí na sedadle.</li> </ul>
	<ul style="list-style-type: none"> <li>Spínač sedadla nie je správne zapojený.</li> </ul>	<ul style="list-style-type: none"> <li>Vyberte akumulátor z kosačky a demontujte sedadlo v opačnom poradí ako v pokynoch v časti „<b>INŠTALÁCIA SEDAČKY</b>“ v tejto príručke, aby ste skontrolovali zapojenie spínača sedadla. Opätovne namontujte sedadlo a podľa pokynov v časti „<b>ŠTARTOVANIE KOSAČKY</b>“ reštartujte kosačku, aby ste zistili, či je možné kosačku naštartovať. Ak nie, požiadajte kvalifikovaného servisného technika o opravu.</li> </ul>
	<ul style="list-style-type: none"> <li>V extrémne chladnom počasí sa funkcia jazdy nemusí úspešne spustiť z dôvodu ochrany pred nízkymi teplotami.</li> </ul>	<ul style="list-style-type: none"> <li>Kosačku a akumulátor vždy skladujte v teplom prostredí. Keď je kosačka zahriata, reštartujte ju. Nerobte opakované pokusy v extrémne chladnom počasí, ktoré môžu poškodiť stroj.</li> </ul>

PROBLÉM	PRÍČINA	RIEŠENIE
Kosačka prestane jazdiť.	<ul style="list-style-type: none"> <li>Riadiace páky vyžadujú „reset“.</li> </ul>	<ul style="list-style-type: none"> <li>Vráťte riadiace páky do otvorenej polohy a reštartujte kosačku.</li> </ul>
	<ul style="list-style-type: none"> <li>Zlyhali elektrické ovládacie prvky riadiacich pák.</li> </ul>	<ul style="list-style-type: none"> <li>Požiadajte kvalifikovaného servisného technika o opravu.</li> </ul>
	<ul style="list-style-type: none"> <li>Počas jazdy v nerovnom teréne bol spínač sedadla odpojený.</li> </ul>	<ul style="list-style-type: none"> <li>Vyberte akumulátor z kosačky a demontujte sedadlo v opačnom poradí ako v pokynoch v časti „INŠTALÁCIA SEDAČKY“ v tejto príručke, aby ste skontrolovali zapojenie spínača sedadla. Opätovne namontujte sedadlo a podľa pokynov v časti „ŠTARTOVANIE KOSAČKY“ reštartujte kosačku, aby ste zistili, či je možné kosačku naštartovať. Ak nie, požiadajte kvalifikovaného servisného technika o opravu.</li> </ul>
	<ul style="list-style-type: none"> <li>Na zníženie rýchlosti jazdy sa stlačí pedál parkovacej brzdy. Akonáhle je pedál parkovacej brzdy stlačený dostatočne, ale nie do parkovacej polohy, kosačka sa zastaví.</li> </ul>	<ul style="list-style-type: none"> <li>Pri reštartovaní kosačky postupujte podľa pokynov v časti „ŠTARTOVANIE KOSAČKY“.</li> </ul>
Rýchlosť/režim jazdy nie je možné nastaviť počas jazdy.	<ul style="list-style-type: none"> <li>Toto je vlastnosť kosačky pre bezpečnú jazdu.</li> </ul>	<ul style="list-style-type: none"> <li>Funkcia sa aktivuje iba vtedy, ak sú kolesá kosačky zastavené a riadiace páky otvorené.</li> </ul>

PROBLÉM	PRÍČINA	RIEŠENIE
<p>Kosačka nedokáže spustiť čepele, keď je zapnutý prepínač pomocného pohonu.</p>  <p>Ikona prepínača pomocného pohonu bliká</p>	<ul style="list-style-type: none"> <li>Kombinované Ah vložených akumulátorov nespĺňajú požiadavku.</li> </ul>	<ul style="list-style-type: none"> <li>Na spustenie tejto kosačky použite dostatočné množstvo akumulátorov EGO podľa pokynov v časti „NABÍJANIE“ v tomto návode.</li> </ul>
	<ul style="list-style-type: none"> <li>Pri poslednom zastavení kosačky nebol prepínač pomocného pohonu stlačený.</li> </ul>	<ul style="list-style-type: none"> <li>Zatlačte prepínač pomocného pohonu nadol a reštartujte čepele kosačky.</li> </ul>
	<ul style="list-style-type: none"> <li>Kosačka je v okamihu naštartovania čepelí preťažená, čo má za následok vlastnú ochranu motora.</li> </ul>	<ul style="list-style-type: none"> <li>Začnite kosenie trávy najskôr pri nižších otáčkach čepelí a pokiaľ sa čepele dostatočne rýchlo neotáča, nezvyšujte jej rýchlosť.</li> </ul>
	<ul style="list-style-type: none"> <li>V extrémne chladnom počasí sa motor čepelí nemusí úspešne spustiť z dôvodu ochrany pred nízkymi teplotami.</li> </ul>	<ul style="list-style-type: none"> <li>Kosačku a akumulátor vždy skladujte v teplom prostredí. Keď je kosačka zahriata, reštartujte ju. Nerobte opakované pokusy v extrémne chladnom počasí, ktoré môžu poškodiť stroj.</li> </ul>
	<ul style="list-style-type: none"> <li>Čepele zasahujú do zdeformovanej kosacej jednotky.</li> </ul>	<ul style="list-style-type: none"> <li>Požiadajte kvalifikovaného servisného technika o opravu.</li> </ul>

SK

PROBLÉM	PRÍČINA	RIEŠENIE
Pri kosení trávy čepele prestanú fungovať.	<ul style="list-style-type: none"> <li>▪ Kosačka je preťažená.</li> </ul>	<ul style="list-style-type: none"> <li>▪ Zvýšte výšku kosacej jednotky alebo spomaľte rýchlosť jazdy, aby ste znížili zaťaženie kosačky.</li> </ul>
	<ul style="list-style-type: none"> <li>▪ Spodná časť kosacej jednotky je upchatá trávou a nečistotami.</li> </ul>	<ul style="list-style-type: none"> <li>▪ Vyčistite kosaciu jednotku a zaistite, aby mali čepele voľný pohyb.</li> </ul>
	<ul style="list-style-type: none"> <li>▪ Kosačka je prehriata.</li> </ul>	<ul style="list-style-type: none"> <li>▪ Znížte zaťaženie kosačky zvýšením výšky kosacej jednotky alebo spomalením rýchlosti čepelí a nechajte kosačku vychladnúť.</li> </ul>
	<ul style="list-style-type: none"> <li>▪ Akumulátory v priestore pre akumulátory kosačky sa prehrievajú, čo má za následok, že kombinovaná kapacita Ah všetkých vložených akumulátory nespĺňa požiadavku.</li> </ul>	<ol style="list-style-type: none"> <li>1. Ak kombinovaná hodnota Ah akumulátorov nespĺňa požiadavku, kosačka nebude fungovať, kým sa do voľných slotov na akumulátory nevloží viac akumulátorov. Hneď ako sa prehriaty akumulátor vráti na normálnu teplotu, okamžite sa zapojí do napájania kosačky.</li> </ol>
		<ol style="list-style-type: none"> <li>2. Pri obnovení prevádzky znížte zaťaženie kosačky zvýšením výšky kosacej jednotky alebo spomalením kosenia.</li> </ol>
	<ul style="list-style-type: none"> <li>▪ Kosačka je v režime núdzového chodu.</li> </ul>	<ul style="list-style-type: none"> <li>▪ Keď je kosačka v režime núdzového chodu, čepele sa automaticky prepnú na nízke otáčky bez kosenia trávy. Používateľ by mal čo najskôr prestať pracovať a zájsť do oblasti pre nabíjanie akumulátorov.</li> </ul>
	<ul style="list-style-type: none"> <li>▪ Kosačka zasiahne cudzí predmet, čo spôsobí vlastnú ochranu motora.</li> </ul>	<ul style="list-style-type: none"> <li>▪ Zatlačte prepínač pomocného pohonu nadol a reštartujte čepele kosačky.</li> </ul>
Pípanie naďalej znie.	<ul style="list-style-type: none"> <li>▪ Kosačka je v režime núdzového chodu a čepele nie sú vypnuté.</li> </ul>	<ul style="list-style-type: none"> <li>▪ Zatlačením prepínača pomocného pohonu nadol odpojíte čepele kosacej jednotky. Keď sa čepeľ zastaví, pípanie sa vypne.</li> </ul>
	<ul style="list-style-type: none"> <li>▪ Kosačka zastaví jazdu na svahu a operátor posunie riadiace páky a je mimo sedadla bez toho, aby pedál parkovacej brzdy nastavil do zabrzdenej polohy.</li> </ul>	<ul style="list-style-type: none"> <li>▪ Pred opustením kosačky na svahu nastavte pedál parkovacej brzdy do zabrzdenej polohy.</li> </ul>

PROBLÉM	PRÍČINA	RIEŠENIE
Keď je kosačka vypnutá, indikátory batérie stále svietia.	<ul style="list-style-type: none"> <li>Keď je kosačka vypnutá na zemi bez vybratia akumulátorov z kosačky, indikátory akumulátorov, tlačidlo štart/stop a tlačidlo nastavenia zostanú určitý čas rozsvietené.</li> </ul>	<ul style="list-style-type: none"> <li>Nie je potrebná žiadna akcia. Keď sa kosačka po určitom čase vypne, indikátory akumulátorov zhasnú. Konkrétny čas nájdete v časti „<b>ZASTAVENIE KOSAČKY</b>“.</li> </ul>
	<ul style="list-style-type: none"> <li>Keď je kosačka vypnutá na svahu bez toho, aby ste pedál parkovacej brzdy nastavili do polohy brzdenia, indikátory batérie budú svietiť, kým sa batéria úplne nevybije. Zároveň bude počuteľné pípanie.</li> </ul>	<ul style="list-style-type: none"> <li>Predtým, ako používateľ nechá náradie na svahu, nastavte pedál parkovacej brzdy do zabrzdenej polohy.</li> </ul>
LCD obrazovka sa nerozsvieti so zapnutými všetkými ikonami.	<ul style="list-style-type: none"> <li>Doba stlačenia tlačidla štart/stop nie je dostatočná.</li> </ul>	<ul style="list-style-type: none"> <li>Na LCD obrazovke sa zobrazí „Palivomer“ iba vtedy, ak krátko stlačíte tlačidlo štart/stop.</li> <li>LCD obrazovka sa zapne po stlačení tlačidla štart/stop na dostatočne dlhý čas.</li> </ul>
Kosačka kosí nerovnomerne, s výrazným výškovým rozdielom spredu dozadu.	<ul style="list-style-type: none"> <li>Čepele sú tupé.</li> </ul>	<ul style="list-style-type: none"> <li>Nabrúste alebo vymeňte čepel' podľa pokynov v tomto návode.</li> </ul>
	<ul style="list-style-type: none"> <li>Čepele sú ohnuté.</li> </ul>	<ul style="list-style-type: none"> <li>Zohnutú rezáciu čepel' vymeňte podľa pokynov v časti „<b>VÝMENA REZNÝCH ČEPELÍ</b>“.</li> </ul>
	<ul style="list-style-type: none"> <li>Žacie ústrojenstvo nie je vyrovnané, čo má za následok rozdielnu výšku žacej čepele.</li> </ul>	<ul style="list-style-type: none"> <li>Vyrovnajete kosaciu jednotku podľa pokynov v časti „<b>VYROVnanIE KOSACEJ JEDNOTKY</b>“.</li> </ul>
Skutočná výška kosenia trávy nie je v súlade s požadovanou výškou.	<ul style="list-style-type: none"> <li>Matice žacieho ústrojenstva sú uvoľnené na ramene zavesenia</li> </ul>	<ul style="list-style-type: none"> <li>Postupujte podľa pokynov v časti „<b>VYROVnanIE SPODNEJ ČASTI KOSAČKY</b>“, aby ste správne nastavili prednú a zadnú časť spodnej časti kosačky a pevne utiahnite matice na ramene zavesenia.</li> </ul>
	<ul style="list-style-type: none"> <li>Žacie ústrojenstvo je poškodené alebo vážne opotrebované.</li> </ul>	<ul style="list-style-type: none"> <li>Pri výmene kosacej jednotky postupujte podľa pokynov v časti „<b>DEMONTÁŽ KOSACEJ JEDNOTKY</b>“.</li> </ul>

PROBLÉM	PRÍČINA	RIEŠENIE
Kosačka nemulčuje správne.	<ul style="list-style-type: none"> <li>Mokrý odrezky trávy sú prilepené na spodnej časti žacieho ústrojenstva.</li> </ul>	<ul style="list-style-type: none"> <li>Pred kosením nechajte trávu vyschnúť.</li> </ul>
	<ul style="list-style-type: none"> <li>Kosačka je nastavená na kosenie príliš veľkého množstva trávy naraz.</li> </ul>	<ul style="list-style-type: none"> <li>Zvýšte výšku kosenia.</li> </ul>
Sú prítomné nadmerné vibrácie.	<ul style="list-style-type: none"> <li>Žacie čepele sú uvoľnené.</li> </ul>	<ul style="list-style-type: none"> <li>Utiahnite skrutku čepele odporúčaným krútiacim momentom.</li> </ul>
	<ul style="list-style-type: none"> <li>Čepele sú ohnuté.</li> </ul>	<ul style="list-style-type: none"> <li>Zohnutú rezáciu čepeľ vymeňte podľa pokynov v časti „<b>VÝMENA REŽNÝCH ČEPELÍ</b>“.</li> </ul>
	<ul style="list-style-type: none"> <li>Žacie ústrojenstvo nie je vyrovnané.</li> </ul>	<ul style="list-style-type: none"> <li>Vyrovajte kosaciu jednotku podľa pokynov v časti „<b>VYROVNANIE KOSACEJ JEDNOTKY</b>“.</li> </ul>
	<ul style="list-style-type: none"> <li>Matice kosacej jednotky sú uvoľnené na ramene zavesenia.</li> </ul>	<ul style="list-style-type: none"> <li>Utiahnite matice na ramene zavesenia.</li> </ul>
	<ul style="list-style-type: none"> <li>Kosačka je nastavená na kosenie príliš veľkého množstva trávy naraz.</li> </ul>	<ul style="list-style-type: none"> <li>Zvýšte výšku kosenia.</li> </ul>
Po kosení zostáva na zemi tráva alebo odpad.	<ul style="list-style-type: none"> <li>Kosačka je nastavená na kosenie príliš veľkého množstva trávy naraz, keď je tráva vysoká.</li> </ul>	<ul style="list-style-type: none"> <li>Začnite s vysokou výškou kosenia a znižujte ju, kým nedosiahnete požadovaný výsledok kosenia. Trávu vysokú viac ako 6 palcov (15 cm) by ste mali kosiť dvakrát, postupne pri nižších výškach kosenia.</li> </ul>
	<ul style="list-style-type: none"> <li>Tráva je mokrá.</li> </ul>	<ul style="list-style-type: none"> <li>Nekoste, ak je tráva mokrá. Počkajte, kým tráva nevyschne.</li> </ul>
	<ul style="list-style-type: none"> <li>Rýchlosť jazdy je vysoká.</li> </ul>	<ul style="list-style-type: none"> <li>Spomaľte rýchlosť jazdy.</li> </ul>
	<ul style="list-style-type: none"> <li>Rýchlosť čepele je nízka.</li> </ul>	<ul style="list-style-type: none"> <li>Postupne zvyšujte rýchlosť čepele.</li> </ul>
Krátka doba chodu kosačky s dodaným akumulátorom.	<ul style="list-style-type: none"> <li>Podmienky trávy a nastavenie výšky kosenia výrazne ovplyvnia životnosť akumulátora. Uvádzaný čas chodu vychádza z podmienok mierneho zaťaženia.</li> </ul>	<ul style="list-style-type: none"> <li>Zvýšte výšku kosenia kosačky a spomaľte rýchlosť čepele, aby ste znížili zaťaženie pri kosení.</li> </ul>

**SK**

PROBLÉM	PRÍČINA	RIEŠENIE
Kosačka nejazdí priamo.	<ul style="list-style-type: none"> <li>Tlak v pneumatikách pre ľavé a pravé zadné koleso je odlišný.</li> </ul>	<ul style="list-style-type: none"> <li>Skontrolujte a upravte tlak vzduchu v oboch pneumatikách zadných kolies podľa odporúčania v časti „<b>KONTROLA TLAKU PNEUMATÍK</b>“ v tejto príručke.</li> </ul>
	<ul style="list-style-type: none"> <li>Rýchlosti jazdy pre ľavé a pravé zadné koleso sú odlišné.</li> </ul>	<ul style="list-style-type: none"> <li>Kalibrujte systém sledovania kosačky podľa pokynov v časti „<b>KALIBRÁCIA SYSTÉMU DRŽANIA JAZDNEJ STOPY KOSAČKY</b>“.</li> </ul>
Pedál parkovacej brzdy nie je možné uvoľniť zo zabrzdenej polohy alebo sa pomaly pohybuje späť.	<ul style="list-style-type: none"> <li>Do pedála parkovacej brzdy sa môžu dostať nečistoty.</li> </ul>	<ul style="list-style-type: none"> <li>Otvorte skriňu pedála parkovacej brzdy, aby ste dôkladne vyčistili schránku vo vnútri a potom ju zatvorte. Resetujte pedál parkovacej brzdy, aby ste zistili, či sa problém vyriešil. Ak nie, požiadajte kvalifikovaného servisného technika o opravu.</li> </ul>
Kosačku nemožno nabíjať cez nabíjací port, keď indikátor stavu kosačky svieti na červeno.	<ul style="list-style-type: none"> <li>Zástrčka nabíjačky nie je správne zasunutá do nabíjacieho portu na kosačke.</li> </ul>	<ul style="list-style-type: none"> <li>Znovu zapojte nabíjačku, aby ste zistili, či je možné kosačku normálne nabíjať.</li> </ul>
	<ul style="list-style-type: none"> <li>V sieťových zásuvkách nie je napájanie.</li> </ul>	<ul style="list-style-type: none"> <li>Nie je potrebná žiadna akcia. Počkajte, kým sa napájanie neobnoví.</li> </ul>
	<ul style="list-style-type: none"> <li>Porucha nabíjačky.</li> </ul>	<ul style="list-style-type: none"> <li>Požiadajte kvalifikovaného servisného technika o kontrolu a v prípade potreby nechajte nabíjačku opraviť.</li> </ul>
	<ul style="list-style-type: none"> <li>Port nabíjačky na kosačke je poškodený.</li> </ul>	<ul style="list-style-type: none"> <li>Požiadajte kvalifikovaného servisného technika o opravu.</li> </ul>
Doba nabíjania cez nabíjací port kosačky je príliš dlhá.	<ul style="list-style-type: none"> <li>Použitie EGO adaptéra ACA1000 na nabíjanie vyžaduje dlhý čas.</li> </ul>	<ul style="list-style-type: none"> <li>Na priame nabíjanie kosačky použite EGO nabíjačku CHV1600E.</li> </ul>
Akumulátor nie je možné úplne nabiť prostredníctvom nabíjacieho portu kosačky.	<ul style="list-style-type: none"> <li>Chyba firmvéru kosačky alebo porucha nabíjačky/akumulátora.</li> </ul>	<ul style="list-style-type: none"> <li>Odpojte nabíjačku a počkajte viac ako niekoľko minút, potom znova zapojte zástrčku do zásuvky. Ak to nefunguje, požiadajte kvalifikovaného servisného technika o opravu.</li> </ul>
Po vyčistení kosačku nemožno spustiť.	<ul style="list-style-type: none"> <li>Nesprávne čistenie, napríklad vniknutie vody do elektrických komponentov, obrazovky LCD atď.</li> </ul>	<ul style="list-style-type: none"> <li>Ak chcete kosačku správne vyčistiť, postupujte podľa pokynov v časti „<b>ČISTENIE KOSAČKY</b>“.</li> </ul>



PROBLÉM	PRÍČINA	RIEŠENIE
Je ľahké upchať kosačku.	<ul style="list-style-type: none"> <li>Spodná časť kosacej jednotky je upchatá trávou a nečistotami.</li> </ul>	<ul style="list-style-type: none"> <li>Ak na kosačku náhodou zaprší, nechajte ju vysušiť na vzduchu alebo ju osušte stlačeným vzduchom.</li> <li>Po každom použití kosaciu jednotku vyčistite podľa časti „Použitie umývacieho portu na čistenie kosacej jednotky“.</li> </ul>
Pri stúpaní na svah kosačka ľahko stráca trakciu.	<ul style="list-style-type: none"> <li>Pneumatiky zadných kolies sú opotrebované.</li> </ul>	<ul style="list-style-type: none"> <li>Pri výmene pneumatík vyhľadajte miestny servis.</li> </ul>
	<ul style="list-style-type: none"> <li>Veľký sklon kosenia.</li> </ul>	<ul style="list-style-type: none"> <li>Sklon kosenia by mal byť požadovanom stupni.</li> </ul>
Keď sa kosačka zastaví na svahu so stlačeným pedálom parkovacej brzdy, kosačka sa môže zo svahu sklznúť dole.	<ul style="list-style-type: none"> <li>Brzdové komponenty sú nadmerne opotrebované v dôsledku nesprávnej činnosti kosačky.</li> </ul>	<ul style="list-style-type: none"> <li>Požiadajte kvalifikovaného servisného technika o opravu.</li> </ul>
Pri umývaní kosacej jednotky nevychádza voda z umývacieho portu.	<ul style="list-style-type: none"> <li>Rýchlospojka umývacieho portu nie je namontovaná na umývacom porte.</li> </ul>	<ul style="list-style-type: none"> <li>Znovu pripevnite rýchlospojku umývacieho portu, kým nebudete po silnom zatlačení počuť cvaknutie. Ak to nefunguje, požiadajte kvalifikovaného servisného technika o opravu.</li> </ul>
Pri ručnom potlačení kosačky bez naštartovania zaznie abnormálny zvuk.	<ul style="list-style-type: none"> <li>Zvuk pochádza z magnetov vo vnútri hnacieho motora.</li> </ul>	<ul style="list-style-type: none"> <li>Je to normálne a nie sú potrebné žiadne opatrenia.</li> </ul>

## PORUČHOVÝ KÓD A ODKAZ NA INDIKÁTOR STAVU KOSAČKY

LCD obrazovka	Popis	Chybový kód na LCD	Indikátor stavu kosačky	Bzučiak	Príčina	Riešenie
	Na LCD obrazovke sa zobrazí ikona LED svetiel	n/a	NESVIETI	Nie	Svetlomety, obrysové svetlá a zadné svetlá sa zapínajú spínačom LED svetiel.	Toto je normálna prevádzka. Nie je potrebná žiadna akcia.
	Na LCD obrazovke sa zobrazí ikona USB	n/a	NESVIETI	Nie	Ikona USB sa rozsvieti v prípade, že zariadenie USB môže fungovať, ak je kosačka správne spustená.	Toto je normálna prevádzka. Nie je potrebná žiadna akcia.
	Na LCD obrazovke sa zobrazí ikona palivomeru	n/a	NESVIETI	Nie	Udáva priemernú nabíjaciu kapacitu vložených akumulátorov	Toto je normálna prevádzka. Nie je potrebná žiadna akcia.
	Na LCD obrazovke sa zobrazí ikona hodín	n/a	NESVIETI	Nie	Ukazuje celkový čas jazdy kosačky v hodinách a nedá sa resetovať.	Toto je normálna prevádzka. Nie je potrebná žiadna akcia.
	Ikona indikátora zaťaženia sa zobrazuje v rozsahu ECO	n/a	NESVIETI	Nie	Udáva aktuálne zaťaženie kosačky.	Toto je normálna prevádzka. Nie je potrebná žiadna akcia.
	Indikátor preťaženia bliká. Ikona indikátora zaťaženia sa zobrazuje v rozsahu PWR.	n/a	Bliká na červeno	Jedno pípnutie	Motor čepele je preťažený.	Znížte zaťaženie kosačky zvýšením výšky kosenia alebo znížením rýchlosti jazdy.
					Bočný vyhadzovací žlab je upchatý trávou a nečistotami.	Po každom použití vyčistite bočný vyhadzovací žlab.
					Medzi čepeľou a kosačkou dochádza k interferencii.	Opravy nechajte vykonať kvalifikovaným servisným technikom.

SK

LCD obrazovka	Popis	Chybový kód na LCD	Indikátor stavu kosačky	Bzučiak	Príčina	Riešenie
	Ikona bezpečnostného kľúča bliká.	n/a	NESVIETI	Nie	Bezpečnostný kľúč nie je zasunutý.	Vložte bezpečnostný kľúč a potom stlačte a podržte tlačidlo START/STOP, aby ste zapli kosačku.
					LCD obrazovka nie je napájaná.	Opravy nechajte vykonať kvalifikovaným servisným technikom.
	Ikona určitého priestoru pre akumulátory bliká.	n/a	NESVIETI	Nie	Určitý akumulátor počas vybíjania je nadprúdový.	Nie je potrebná žiadna akcia. Kosačka môže pokračovať v práci, ak je kombinovaná kapacita akumulátora Ah (okrem nadprúdového akumulátora) spĺňa požiadavku. Keď sa nadprúdový akumulátor vráti do normálu, okamžite sa pripojí k napájaniu kosačky a ikona zmizne.
	Ikona prázdneho priestoru pre akumulátor bliká.	n/a	NESVIETI	Nie	Kapacita akumulátora nepostačuje na to, aby mohla pojazdová kosačka fungovať.	Na naštartovanie tejto kosačky použite dostatočné množstvo akumulátorov EGO podľa pokynov v časti „NABÍJANIE“ v tomto návode.
	Ikona teploty bliká.	n/a	NESVIETI	Jedno pípnutie	Kosačka je prehriata.	Znížte zaťaženie kosačky zvýšením výšky kosenia alebo spomalením rýchlosti čepeli. Urobte si prestávku a nechajte kosačku vychladnúť.
					Kosačka je príliš studená	Nevykonávajte opakované pokusy, ktoré by mohli poškodiť stroj. Kosačku a akumulátory vždy skladujte v teplom prostredí. Keď je kosačka zahriata, reštartujte ju.

LCD obrazovka	Popis	Chybový kód na LCD	Indikátor stavu kosačky	Bzučiak	Príčina	Riešenie
	Súčasne bliká ikona teploty a presne obsadená prihradka na akumulátory.	n/a	NESVIETI	Nie	Akumulátor v príslušnom očíslovanom priečinku na akumulátory je prehriaty.	<p>1. Kosačka môže pokračovať v práci, ak kombinovaná kapacita akumulátorov Ah, s výnimkou prehriateho akumulátora, spĺňa požiadavku. Hneď ako sa prehriaty akumulátor vráti na normálnu teplotu, okamžite sa zapojí do napájania kosačky.</p> <p>2. Ak kombinovaná kapacita akumulátorov Ah nespĺňa požiadavku, kosačka nebude fungovať, kým do prázdneho priestoru pre akumulátory nevložíte viac akumulátorov.</p> <p>3. Pri obnovení prevádzky znížte zaťaženie kosačky zvýšením výšky kosacej jednotky alebo spomalením kosenia.</p>
	Ikony každého obsadeného priestoru pre akumulátor, indikátor nízkeho výkonu, obrázky akumulátora palivomeru blikajú na LCD obrazovke každú 1 sekundu súčasne. Prvý segment LED palivomeru a stavová kontrolka tiež blikajú.	n/a	Bliká na červeno	Pípanie pokračuje, kým nie je prepínač pomocného pohonu stlačený nadol.	Akumulátory sú takmer vybité a kosačka je v režime núdzového chodu.	<p>Prestaňte pracovať a vráťte sa do oblasti pre nabíjanie akumulátorov.</p> <p><b>POZNÁMKA:</b> Keď je kosačka v režime núdzového chodu, čepele sa automaticky prepnú na nízke otáčky bez kosenia trávy a medzitým bude znieť pípanie. Používateľ by mal stlačením prepínača pomocného pohonu nadol uvoľniť čepele kosacej jednotky. Pípanie sa vypne po zastavení čepele.</p>

SK

KEES VAN DER SPEK  
TUINMACHINES \* STOLWIJK

LCD obrazovka	Popis	Chybový kód na LCD	Indikátor stavu kosačky	Bzučiak	Príčina	Riešenie
	Ikona každého obsadeného priestoru pre akumulátor a indikátor nízkeho výkonu blikajú každú pol sekundu.	n/a	Bliká na červeno	Pípanie pokračuje	Akumulátory sú takmer vybité	Kosačka okamžite prestane pracovať. Používateľ by mal kosačku prepraviť do oblasti pre nabíjanie akumulátorov.
	Na LCD obrazovke bliká ikona automatického parkovania.	n/a	NESVIETI	Pípanie pokračuje	Kosačka je zaparkovaná na svahu a obsluha opúšťa kosačku bez toho, aby nastavila brzdový pedál do zabrzdenej polohy a s riadiacimi pákami v otvorenej polohe.	Nastavte brzdový pedál do zabrzdenej polohy. Ikona automatického parkovania zhasne a pípanie sa vypne.
	Na LCD obrazovke sa zobrazí ikona brzdového pedála.	n/a	NESVIETI	Nie	Pedál parkovacej brzdy je nastavený do zabrzdenej polohy.	Pred štartovaním kosačky ju uvoľnite.
	Na LCD obrazovke sa zobrazí ikona senzora sedadla.	n/a	NESVIETI	Nie	Operátor opustí sedadlo alebo je spínač sedadla odpojený.	Ak je používateľ sediaci na sedadle, ikona svieti, okamžite prestaňte kosačku používať a skontrolujte pripojenie sedadla. Ak je spojenie sedadla s kosačkou potvrdené správne, požiadajte kvalifikovaného servisného technika o opravu.
	Ikona prepínača pomocného pohonu bliká.	n/a	NESVIETI	Nie	Motor čepele bol prerušený a prepínač pomocného pohonu nie je nastavený do vypnutej polohy.	Pred opätovným spustením kosačky zatlačte prepínač pomocného pohonu nadol, aby sa odpojil motor kosacej jednotky. Referenčné informácie nájdete v časti „ <b>RIEŠENIE PROBLÉMOV</b> “ v tejto príručke.

**SK**

LCD obrazovka	Popis	Chybový kód na LCD	Indikátor stavu kosačky	Bzučiak	Príčina	Riešenie
	Ikona riadiacej páky bliká.	n/a	NESVIETI	Nie	Hnací motor bol zastavený a riadiace páky nie sú nastavené do otvorenej polohy.	Pred opätovným spustením kosačky presuňte riadiace páky do otvorenej polohy. Referenčné informácie nájdete v časti „ <b>RIEŠENIE PROBLÉMOV</b> “ v tejto príručke.
	Ikona obnovy energie občas bliká.	n/a	NESVIETI	Nie	Kinetická energia generovaná pri brzdení alebo jazde z kopca sa premieňa na elektrickú energiu na nabíjanie akumulátorov.	Toto je normálna prevádzka. Nie je potrebná žiadna akcia.

**POZNÁMKA:** Ak sa na obrazovke LCD zobrazí chybový kód, vyberte všetky akumulátory a o niekoľko minút ich znova vložte. Ak sa tým problém nevyrieši, postupujte podľa nižšie uvedeného riešenia problémov s chybovým kódom.

SK

LCD obrazovka	Popis	Chybový kód na LCD	Indikátor stavu kosačky	Bzučiak	Príčina	Riešenie	
Pozrite si „ <b>Chybový kód</b> “	Ľavý hnací motor zlyhá pri otáčaní.	Ľavý hnací motor ovládaný PCBA zlyhá.	413	NESVIETI	Jedno pípnutie	Porucha PCBA	Opravy nechajte vykonať kvalifikovaným servisným technikom.
		Zástrčka (trojfázová, napájací vodič) spájajúca ľavý hnací motor s príslušnou PCBA je uvoľnená.	317	NESVIETI	Jedno pípnutie	Uvoľnené spojenie	
		Zástrčka (šesť kolíkov, signálny vodič) spájajúca ľavý hnací motor s príslušnou doskou PCBA je uvoľnená.	301	NESVIETI	Jedno pípnutie	Uvoľnené spojenie	
		Motor ľavého pohonu zlyhá.	317	NESVIETI	Jedno pípnutie	Porucha motora	

LCD obrazovka	Popis	Chybový kód na LCD	Indikátor stavu kosačky	Bzučiak	Príčina	Riešenie	
Pozrite si „Chybový kód“	Pravý hnací motor zlyhá pri otáčaní.	Porucha pravého hnacieho motora ovládaného PCBA.	313	NESVIETI	Jedno pípnutie	Porucha PCBA	Opravy nechajte vykonať kvalifikovaným servisným technikom.
		Zástrčka (trojfázová, napájací vodič) spájajúca pravý hnací motor s príslušnou doskou PCBA je uvoľnená.	417	NESVIETI	Jedno pípnutie	Uvoľnené spojenie	
		Zástrčka (šesť kolíkov, signálny vodič) spájajúca pravý hnací motor s príslušnou doskou PCBA je uvoľnená.	401	NESVIETI	Jedno pípnutie	Uvoľnené spojenie	
		Pravý motor zlyhal.	417	NESVIETI	Jedno pípnutie	Porucha motora	
Pozrite si „Chybový kód“	Motor ľavej čepele zlyhal pri otáčaní.	Porucha motora ľavej čepele riadeného PCBA.	607/A07	n/a	Jedno pípnutie	Porucha PCBA	Opravy nechajte vykonať kvalifikovaným servisným technikom.
		Zástrčka (trojfázová, napájací vodič) spájajúca ľavý hnací motor s príslušnou PCBA je uvoľnená.	509	n/a	Jedno pípnutie	Uvoľnené spojenie	Najprv skontrolujte čepeľ. Ak sa uvoľní, utiahnite skrutku odporúčaným krútiacim momentom. V opačnom prípade nechajte opravu vykonať kvalifikovaným servisným technikom.
		Motor ľavej čepele zlyhal	509	n/a	Jedno pípnutie	Porucha motora	

LCD obrazovka	Popis	Chybový kód na LCD	Indikátor stavu kosačky	Bzučiak	Príčina	Riešenie	
Pozrite si „Chybový kód“	Motor pravej čepele zlyhal pri otáčaní.	Porucha motora pravej čepele ovládaného PCBA.	507/A07	n/a	Jedno pípnutie	Porucha PCBA	Opravy nechajte vykonať kvalifikovaným servisným technikom.
		Zástrčka (trojfázová, napájací vodič) spájajúca pravý hnací motor s príslušnou doskou PCBA je uvoľnená.	609	n/a	Jedno pípnutie	Uvoľnené spojenie	Najprv skontrolujte čepeľ. Ak sa uvoľní, utiahnite skrutku odporúčaným krútiacim momentom. V opačnom prípade nechajte opravu vykonať kvalifikovaným servisným technikom.
		Motor pravej čepele zlyhal	609	n/a	Jedno pípnutie	Porucha motora	Opravy nechajte vykonať kvalifikovaným servisným technikom.
Pozrite si „Chybový kód“	Motor strednej čepele zlyhá pri otáčaní	Motor strednej čepele riadený PCBA zlyhá	507/ 607	n/a	Jedno pípnutie	Porucha PCBA	Opravy nechajte vykonať kvalifikovaným servisným technikom.
		Zástrčka (trojfázový, napájací kábel) spájajúca motor strednej čepele s príslušnou PCBA je uvoľnená.	A09	n/a	Jedno pípnutie	Uvoľnené spojenie	Najprv skontrolujte čepeľ. Ak sa uvoľní, utiahnite skrutku odporúčaným krútiacim momentom. V opačnom prípade nechajte opravu vykonať kvalifikovaným servisným technikom.
		Motor strednej čepele zlyhá	A09	n/a	Jedno pípnutie	Porucha motora	Opravy nechajte vykonať kvalifikovaným servisným technikom.
Pozrite si „Chybový kód“	Ľavá riadiaca páka zlyhala.	Riadiaca páka ovládajúca PCBA zlyhala.	311/ 412	NESVIETI	Jedno pípnutie	Porucha PCAB	Opravy nechajte vykonať kvalifikovaným servisným technikom.
		Zástrčka spájajúca riadiacu dosku PCBA umiestnenú na riadidlách je uvoľnená.				Uvoľnené spojenie	

**SK**



LCD obrazovka	Popis	Chybový kód na LCD	Indikátor stavu kosačky	Bzučiak	Príčina	Riešenie	
Pozrite si „Chybový kód“	Pravá riadiaca páka zlyhala.	Pravá riadiaca páka riadenia ovládajúca PCBA zlyhala.	312/411	NESVIETI	Jedno pípnutie	Porucha PCAB	Opravy nechajte vykonať kvalifikovaným servisným technikom.
		Zástrčka spájajúca riadiacu dosku PCBA umiestnenú na riadidlách je uvoľnená.				Uvoľnené spojenie	
Pozrite si „Chybový kód“	Parkovacia brzda zlyhala, s nástrojom sa nedá pracovať.	Parkovacia brzda PCBA, ktorá je v zostave predného rámu, je pokazená.	309/409	NESVIETI	Jedno pípnutie	Porucha PCBA	Opravy nechajte vykonať kvalifikovaným servisným technikom.
		Spínač parkovacej brzdy a/alebo kábel je poškodený.	801	NESVIETI	Jedno pípnutie	Porucha kábla/spínača	
NESVIETI	Porucha nabijacieho portu	n/a	n/a	svietiaci ČERVENÁ	n/a	Nabijací port je v otvorenom obvode.	Opravy nechajte vykonať kvalifikovaným servisným technikom.
		n/a	n/a	svietiaci ČERVENÁ	n/a	Neexistuje žiadne napájanie.	Skontrolujte sieťovú zásuvku, či je napájané napätie 220 V-240 V alebo či je zásuvka v poriadku.
		n/a	n/a	svietiaci ČERVENÁ	n/a	Poistka je spálená.	Opravy nechajte vykonať kvalifikovaným servisným technikom.
Pozrite si „Chybový kód“	Porucha nabijacieho portu	204	n/a	Jedno pípnutie	Nabijací port je v otvorenom obvode.	Opravy nechajte vykonať kvalifikovaným servisným technikom.	

**SK**

LCD obrazovka	Popis	Chybový kód na LCD	Indikátor stavu kosačky	Bzučiak	Príčina	Riešenie
Pozrite si „Chybový kód“	Zostava akumulátorovej skrinky nefunguje	217	n/a	Jedno pípnutie	Zdroj energie zo zostavy akumulátorovej skrinky je poškodený. LED svetlomety a USB nebudú fungovať.	Opravy nechajte vykonať kvalifikovaným servisným technikom.
		310/ 410	NESVIETI	Jedno pípnutie	Spojenie medzi káblami typu C zostavy akumulátorovej skrinky a inými káblami typu C kosačky nefunguje.	
		201/ 202/ 203	NESVIETI	Jedno pípnutie	BMS zostavy akumulátorovej skrinky je poškodený.	
Pozrite si „Chybový kód“	Porucha spínača štart/stop	314/ 414	NESVIETI	Jedno pípnutie	Prepínač PCBA zlyhal alebo je zlé pripojenie vodiča pre spínač Štart/ Stop.	Opravy nechajte vykonať kvalifikovaným servisným technikom.

SK

LCD obrazovka	Popis	Chybový kód na LCD	Indikátor stavu kosačky	Bzučiak	Príčina	Riešenie
Pozrite si „Chybový kód“	Porucha LCD obrazovky	315/ 415	NESVIETI	Jedno pípnutie	Zostava LCD je poškodená alebo je nesprávne pripojená zostava LCD.	Opravy nechajte vykonať kvalifikovaným servisným technikom.

## ZÁRUKA

### ZÁRUČNÁ POLITIKA EGO

Navštívte webové stránky [egopowerplus.com](http://egopowerplus.com) pre úplné podmienky záručnej politiky spoločnosti EGO.

# OLVASSA EL AZ ÖSSZES UTASÍTÁST!



OLVASSA EL A HASZNÁLATI ÚTMUTATÓT

## BIZTONSÁGI SZIMBÓLUM

A biztonsági szimbólumok célja, hogy felhívják a figyelmet az esetleges veszélyekre. Nagyon figyeljen a biztonság szimbólumokra és magyarázatokra, ill. ezek megértésére. A szimbólumok figyelmeztetési önmagukban nem hártják el a veszélyeket. Az utasítások és figyelmeztetések nem helyettesítik a megfelelő balesetmegelőző intézkedéseket

**▲ FIGYELMEZTETÉS:** A szerszám használata előtt feltétlenül olvassa el és értse meg a jelen kezelési útmutatóban található valamennyi biztonsági utasítást, valamint a „VESZÉLY”, „FIGYELMEZTETÉS”, és „FIGYELEM” biztonsági figyelmeztető szimbólumokat is. Az alább felsorolt utasítások be nem tartása áramütést, tűzveszélyt és/vagy súlyos személyi sérülést idézhet elő.

## SZIMBÓLUM JELENTÉSE

Ezen az oldalon olyan biztonsági szimbólumok láthatók és olvashatók, amelyek megjelenhetnek a terméken. Az összeszerelés vagy működtetés előtt olvassa el, értse meg és tartsa be a gép minden utasítását.

## BIZTONSÁGI SZIMBÓLUMOK

HU



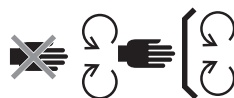
Biztonsági figyelmeztetés



Olvassa el és értelmezze a használati útmutatót



Szemvédő



Tartsa karban a biztonsági eszközöket



VESZÉLY – Meredek lejtő veszélye



VESZÉLY – Tartsa távol a nézelődőket a pengéktől



Soha ne vigyen gyerekeket



Figyeljen maga mögé, amikor hátrafelé lép



FIGYELMEZTETÉS - Ne használja a gépet 12°-osnál meredekebb lejtőn.



VESZÉLY - Repülő tárgyak



FIGYELMEZTETÉS - A KEZÉT ÉS LÁBÁT TARTSA TÁVOL



Garantált hangteljesítményszint. Az Európai Közösség irányelve szerint.



Ne lépjen rá



Az elhasznált elektromos termékek nem helyezhetők a háztartási hulladékok közé. Vigye hivatalos újrahasznosító telephelyre.



A termék megfelel az érvényes EK irányelveknek



FIGYELEM - Ne nézzen a bekapcsolt lámpába



Egyenáram



Ez a termék megfelel az Egyesült Királyság hatályos jogszabályainak.

kPa kilopascal  
V Volt  
in inch  
Nm Newton méter  
°C Celsius  
km/h Kilométer / óra

RPM Fordulat / perc  
m méter  
cm centiméter  
mm milliméter  
kg kilogramm  
IPX4 Külső behatásokkal szembeni védelem

## JELLEMZŐK

KEES VAN DER SPEK  
TUINMACHINES \* STOLWIJK

HU

Feszültség	56 V	
Burkolat mérete	132 cm	
Kerék méret	Első	279,4 x 126 mm
	Hátsó	457,2 x 223 mm
Hideg abroncsnyomás	Első	222,1 kPa
	Hátsó	115,8 kPa
Fordulókör	0	
Kés sebesség (RPM)	2600; 2800; 3000; 3200	
Max. Haladási sebesség (km/h)	Előre	8,1 km/h, 9,7 km/h, 11,3 km/h, 12,8 km/h
	Hátra	max. 6,4 km/h

Töltés	Töltő (opcionális)	CHV1600E
	Adapter (opcionális)	ACA1000
	Töltési hőmérséklet tartomány	5°C - 40°C
Vágásmagasság beállítás (10 pozíció)		25 – 100 mm
Működési hőmérséklet		0°C- 40°C
Tárolási hőmérséklet		-20°C – 70°C
Súly (akkumulátoregység nélkül)		217 kg
Mért hangteljesítményszint $L_{WA}$		95,48 dB(A) K=0,73 dB(A)
Hangnyomás szintje a kezelő fülénél $L_{PA}$		82,5 dB(A) K=3 dB(A)

Garantált hangteljesítményszint $L_{WA}$ (a 2000/14/EK szerint mérve)		100 dB(A)
Vibráció $a_h$	Kéz	0,69 m/s <sup>2</sup> K=1,5 m/s <sup>2</sup>
	Test	0,3 m/s <sup>2</sup> K=1,5 m/s <sup>2</sup>

- A névleges rezgési összérték mérése standard bevizsgálási módszerrel történt, és használatával a szerszámok egymással összehasonlíthatók.
- A névleges rezgési összérték a kockázat előzetes felméréséhez is felhasználható.

**MEGJEGYZÉS:** A rezgés-kibocsátás az elektromos szerszám aktuális használata közben eltérhet attól a névleges értéktől, amellyel a szerszámot használják: a kezelő védelme érdekében a használatnak kesztyűt és hallásvédőt kell használnia működtetés közben.

## LEÍRÁS

HU

### ISMERJE MEG A FŰNYÍRÓT (A1 ÉS A2 ÁBRA)

1. Ülés
2. Töltő csatlakozó
3. Hajtómű
4. LED hátsó lámpa
5. Tárolórekesz
6. Kupaktartók
7. LED oldallámpák
8. Hátsó kerék (hajtó kerék)
9. Mosó csatlakozó
10. Burkolat
11. Burkolatvédő
12. Támasztó kerék
13. Elülső kerék
14. Rögzítőfék pedál
15. Nappali menetfény
16. LED fényszórók
17. Oldalsó fűgyűjtő rekesz
18. Burkolatmagasság-beállító kar

19. Ülészelfüggesztés-beállító fogantyú
20. Ülőmagasság-beállító kar
21. Rudak
22. Fűnyíró állapotjelző
23. LCD kijelző
24. PTO kapcsoló
25. Start/stop gomb
26. Biztonsági kulcs
27. Telefontartó
28. Terelőlemez rúd
29. Fűnyíró üzemanyagmérő és állapotjelző
  - 29.a. Fűnyíró üzemanyagmérő jelző
  - 29.b. Fűnyíró állapotjelző
30. Lábtartó rész
31. Hajtóműburkolat-kioldó gomb
32. Hajtóműburkolat
33. Hajtómű hat akkumulátortartó rekesz
34. Akkumulátor kioldógomb
35. Vonó
36. Tartozékszerelő burkolat
37. Tartozékszerelő burkolat tároló
38. USB port

### ISMERJE MEG AZ LCD KIJELZŐT (A3 ÁBRA)

Olvassa el a „FŰNYÍRÓ ÁLLAPOT REFERENCIA- ÉS HIBAKÓD” részt az LCD kijelzőn megjelenő ikonokkal és jelzésekkel kapcsolatos további információkért.

1. Biztonsági kulcs ikon
2. LED világítás ikon
3. Automatikus parkolás ikon
4. USB ikon
5. Készenléti jelző
6. Biztonsági eszköz állapotjelző
7. Üzemóra számláló
8. Üres akkumulátortartó rekesz ikon
9. Hőmérséklet ikon
10. Foglalt akkumulátortartó rekesz ikon
11. Vezetési mód

12. Hibakód jelző
13. Túlterhelés jelző
14. Alacsony töltöttségjelző
15. Haladási sebesség jelző
16. Terhelés jelző
17. Üzemanyagmérő
18. Kés sebesség beállító gomb
19. Beállító gomb
20. Vezetési mód gomb
21. LED világításkapcsoló
22. Haladási sebesség beállító gomb

## KICSOMAGOLÁS

**MEGJEGYZÉS:** Ne dobja el a csomagolóanyagot addig, amíg gondosan meg nem vizsgálta a készüléket és a működésével nem volt elégedett. Ha a csomag tartalmának listáján felsorolt bármely alkatrész a gépre van szerelve, kérjük, azonnal forduljon az EGO szervizhez.

**MEGJEGYZÉS:** Az alábbi listán szereplő eszközökön kívül a kézikönyvben említett minden egyéb eszköz csupán ajánlott, de nem képezi a csomag tartalmát.

### A CSOMAG TARTALMA (B ábra)

B-1	Zero Turn (helyben megforduló) fűnyíró traktor	B-6	Biztonsági kulcsok
B-2	Ülés	B-7	Villáskulcsok (13 mm)
B-3	Kormánykar	B-8	Imbuszkulcs
B-4	Imbuszfejű csavarok (2 tartalék)	B-9	Mosó gyorscsatlakozó
B-5	Hatlapfejű csavarok (2 tartalék)	B-10	Használati útmutató

### JAVASOLT TARTOZÉKOK

**▲ FIGYELMEZTETÉS:** Csak az alább felsorolt pótalkatrészekkel azonos alkatrészeket használjon. Az olyan alkatrészeket használata, amelyek nem felelnek meg az eredeti felszerelés műszaki adatainak, nem megfelelő teljesítményt eredményeznek, és befolyásolják a biztonságot.

ALKATRÉSZ NEVE	MODELLSZÁM
Standard kés	AB5200
Magasra emelt kés	AB5201
Mulcsozó készlet	ABP5200
Fűgyűjtő készlet	ABK5200-A
Hátsó ütköző	AMB1000
Rakodódoboz	AMG1000
Napellenző	AMS1000

## ÖSSZESZERELÉS

### AZ ÜLÉS FELSZERELÉSE (C1 és C2 ábra)

**▲ FIGYELMEZTETÉS:** A biztonsági reteszelőrendszert tilos leválasztani vagy megkerülni. Ez a fűnyíró váratlan működését okozhatja, ami személyes sérüléshez vezethet.

**MEGJEGYZÉS:** Az Ön biztonsága érdekében előfordulhat, hogy a fűnyíró leáll, ha az üléskapcsolót vezetés közben leválasztják. Ebben az esetben további információkért olvassa el a „HIBAEHÁRÍTÁS” című részt.

C1-1	Kábel	C1-5	Imbuszfejű csavarok
C1-2	Dugó	C2-1	Kampó
C1-3	Aljzat	C2-2	Acélsínek
C1-4	Felfüggesztési alap	C2-3	Imbuszfejű csavarok

## A KORMÁNYKAROK FELSZERELÉSE (C3 ábra)

C3-1	Kormánykarok	C3-3	Kormánykar szerelési nyílások
C3-2	Hatlapfejű csavarok		

# HASZNÁLAT

## A FŰNYÍRÓ HASZNÁLATA ELŐTT

### A környezet ellenőrzése

- Ügyeljen arra, hogy a munkaterületen ne legyenek gyermekek, nézelődők és állatok.
- Tisztítsa meg a munkaterületet azoktól a tárgytól, amelyeket a fűnyíró kései elszórhatnak.
- Ellenőrizze, és bizonyosodjon meg róla, hogy a LED lámpák megfelelő állapotban vannak:
  - A fényszórókat, illetve oldalsó és hátsó lámpákat a LED világításkapcsoló vezérli.
  - A menettény vezetés közben mindig világít.
  - Ha a hátsó lámpák nem égnek, akkor tolatáskor villogni kezdenek, figyelmeztetve a közelben tartózkodó személyeket; ha a hátsó világítás fel van kapcsolva, akkor pedig továbbra is világítani fog.
  - Mindegyik lámpa automatikusan kialszik, amikor a fűnyíró automatikusan kikapcsol az üzemelés nélküli időszak után.

### A hideg abroncsnyomás ellenőrzése (D1 ábra)

### A fűnyíró állapotának és az akkumulátor töltöttségi szintjének ellenőrzése

- Fűnyíró üzemanyagmérő jelző (A2 ábra - 27a)  
A fűnyíró üzemanyagmérő jelző minden része 20% töltöttséget jelez a beillesztett akkumulátoregységekre.

**MEGJEGYZÉS:** A fűnyíró üzemanyagmérő jelző és az üzemanyagmérő a beillesztett akkumulátoregységek átlagos kapacitását jeleníti meg az LCD kijelzőn.

- Fűnyíró állapotjelző (A1 és A2 ábra - 27b)  
Ha az állapotjelző zölden világít, akkor a fűnyíró vezetésre készen áll. Ha nem, kérjük, olvassa el a

„FŰNYÍRÓ ÁLLAPOT REFERENCIA- ÉS HIBAKÓD” című részt

### A biztonsági reteszrendszer ellenőrzése (D2 - D8 ábra)

**MEGJEGYZÉS:** A tesztelés előtt a kezelőnek helyet kell foglalnia az ülésen.

- Az ellenőrzés előtt (D2 - D4 ábra)
- A burkolat-kés rendszer teszteléséhez (D5 ábra), majd lassan álljon fel
- A vezetőrendszer ellenőrzéséhez (D6 - D8 ábra), majd lassan álljon fel

Ha a burkolat-kés rendszer és/vagy a vezetőrendszer nem áll le, amikor a kezelő leszáll az ülésről, és ha ennek az okát nem találják azután, hogy ellenőrzik az ülés csatlakozója és aljzata közötti csatlakozást, akkor haladéktalanul forduljon az EGO ügyfélszolgálatához.

### BEÁLLÍTÁS (E1 - E13 ábra)

#### Előkészítés (E1 - E5 ábra)

#### A vágási burkolatmagasság beállítása (E6 ábra)

#### A támasztó kerekek beállítása (E7 - E10 ábra)

E7-1	Támasztó kerék	E9-2	Rögzítő csavar
E9-1	Anyá	E10-1	Burkolatmagasság címke

#### Az ülés beállítása (E11 ábra)

A fűnyíró használata előtt állítsa be az ülés magasságot úgy, hogy határozottan le tudja nyomni a fékpedált. Az ülés felfüggesztésének beállításával érheti el a legkényelmesebb üléspozíciót.

E11-1	Ülés magasság-beállító kar	E11-2	Ülésfelfüggesztés-beállító fogantyú
-------	----------------------------	-------	-------------------------------------

#### A rögzítőfék beállítása (E12 - E13 ábra)

E13-1	Fékezési pozíció	E13-2	Kioldott pozíció
-------	------------------	-------	------------------

### TÖLTÉS (F1 - F11 ábra)

A fűnyíró beindításához összesen legalább 15 Ah (2 X BA4200T/BA4200T) teljesítményű EGO akkumulátorokra van szükség. A legjobb teljesítmény eléréséhez



javasoljuk összesen legalább 30 Ah teljesítményű EGO akkumulátorok használatát.

**Kizárólag az ajánlott akkumulátoregységeket és töltőket használja. (F9 és F10 ábra)**

**A töltés előkészítése (F1 - F4 ábra)**

**Az akkumulátoregység(ek) külön töltése (F5 - F9 ábra)**

F5-1	Burkolat kioldógomb	F7-1	Akkumulátor kioldógomb
------	---------------------	------	------------------------

- Az akkumulátoregység(ek) berakása (F5 - F6 ábra)
- Az akkumulátoregység(ek) kivétele (F7 - F8 ábra)

**MEGJEGYZÉS:** Töltse fel az akkumulátoregysége(ke)t az adott akkumulátor és töltő kézikönyvei alapján.

**Az akkumulátoregységek töltése a töltőcsatlakozón keresztül (F10 ábra)**

F10-1	Porvédő kupak	F10-2	Töltő csatlakozó
-------	---------------	-------	------------------

**A FŰNYÍRÓ ELINDÍTÁSA (A4 - A5 ábra és G1 - G6 ábra)**

**▲ FIGYELMEZTETÉS:** Kerülje a hirtelen indulásokat, leállításokat és fordulatokat, valamint a túlzott sebességet, különösen, amíg ismerkedik a fűnyíró kezelésével. A fűnyíró gyorsan meg tud fordulni, ami miatt elveszítheti az irányítást felette, és súlyos sérülés szenvedhet és/vagy károsodást okozhat.

**▲ FIGYELMEZTETÉS:** A fűnyíró elindítása előtt ellenőrizze és győződjön meg róla, hogy a kések ki vannak-e engedve, amikor a PTO kapcsolót lefelé nyomja. Ha a kések nem állnak le, akkor ne használja a fűnyírót, és haladéktalanul forduljon az EGO ügyfélszolgálatához.

**MEGJEGYZÉS:** A legalacsonyabb sebesség és a **STANDARD** vezetési mód eléréséhez kövesse az A4 és G2 ábrát, amíg teljesen meg nem ismeri a fűnyíró kezelését minden helyzetben. A vezetési sebesség és a vezetési mód csak akkor aktiválódik, amikor a fűnyíró kerekei leálltak, és a kormánykarok nyitva vannak.

A fűnyíró az újraindításakor elmenti és megjeleníti az előző vezetési módot, a haladási sebességet és a kormánykerék kalibrálását.

**Vezetési mód**

- **VEZÉRLÉS:** Kisebb gyorsítás, kevésbé érzékeny kezelés és finom fordulási sebesség a fű és az új felhasználó védelme érdekében.
- **STANDARD:** Tökéletes minden napi használatra.
- **SPORT:** Nagyobb gyorsítás, pontos kezelés és éles fordulatok a fűnyírási hatékonyság maximalizálása érdekében, a fűnyírási szerelmeseinek.

**A haladási sebesség beállítása (A4 ábra)**

**A kés sebesség beállítása (A5 ábra)**

**USB port**

**MEGJEGYZÉS:** Az USB port 5 VDC töltési teljesítményt biztosít, 1,5 A-rel, és csak a fűnyíró indításakor kapcsol be.

**A FŰNYÍRÓ LEÁLLÍTÁSA (H1 - H6 ábra)**

**MEGJEGYZÉS:** A fűnyíró automatikusan leáll, ha több mint 60 percig nem működtetik.

**Szükségfutas mód**

Amikor az akkumulátor töltöttsége alacsony, a fűnyíró visszatér szükségfutas módba:

- A fűnyíró automatikusan abbahagyja a fűnyírást;
- A hangjelző továbbra is hangot ad;
- A fűnyíró állapotjelzője másodpercenként pirosan villog, a fűnyíró üzemanyagmérőjének első szegmense pirosan villog, és az alacsony töltöttségjelző és az akkumulátor grafikája is villog

A kezelőnek a következőket kell tennie:

- Nyomja le a PTO kapcsolót (H3 ábra) a kések kioldásához. A hangjelző elnémul, amikor a kés leáll;
- Hagyja abba a munkát, és a lehető leghamarabb menjen az akkumulátortöltő területre. A fűnyíró maximum 1000 m távolságot képes megtenni.

Amikor az akkumulátor már majdnem lemerül, akkor mindegyik foglalt akkumulátortartó rekesz ikonja, és az alacsony töltöttségjelző is fél másodpercenként villog. A fűnyíró működése azonnal leáll. A kezelőnek az akkumulátortöltő területre kell vinnie a fűnyírót a feltöltéshez.

### Manuális tolás

Ha manuálisan kell tolni, akkor ügyeljen rá, hogy az akkumulátorok le legyenek választva a fűnyíróról, és a parkoló fékpedál ki legyen oldva a fékezés pozícióból.

### A FŰNYÍRÓ VEZETÉSE (I1 - I9 ábra)

A megálláshoz, illetve a sebesség csökkentéséhez vagy növeléséhez lassan változtassa a kormánykar távolságát a semleges kiinduló állásról.

**⚠ VESZÉLY:** Maradjon legalább két fűnyírási sáv szélességre minden ároktól, szakadéktól és víztől. Az első kerekek a fűnyíró leállásakor is foroghatnak, még akkor is, ha használják a féket, így a fűnyíró a vízbe hajthat, halált vagy súlyos személyi sérülést okozva.

**⚠ FIGYELMEZTETÉS:** Tolatáskor figyeljen hátra. Hátrafelé haladva NE nyírjon fűvet, kivéve ha ez feltétlenül szükséges. Mindig nézzen le és hátra tolatás előtt és közben, hogy biztosan nem érkeztek-e gyerekek, felnőttek vagy állatok a fűnyírási területre. Emlékezzen arra, hogy a másodperc töredéke alatt történő óvatlanság súlyos sérülést vagy halált okozhat.

HU

**⚠ FIGYELMEZTETÉS:** Ezt a gépet ne használja közutakon.

**⚠ FIGYELMEZTETÉS:** Ha akadályba ütközik, vagy idegen tárgyba akad, állítsa le a motort, és vegye ki az akkumulátorokat. Távolítsa el a fűmaradványokat, leveleket, koszt és egyéb felhalmozódott törmeléket, nézze át alaposan, hogy nem károsodott-e a fűnyíró, és javítsa ki a sérülést, mielőtt újraindítaná és tovább használná a fűnyírót.

## KARBANTARTÁS

**⚠ FIGYELMEZTETÉS:** Mindig viseljen oldalsó védőlemezzel ellátott védőszemüveget. Amennyiben ezt elmulasztja, tárgyak repülhetnek a szemébe, súlyos sérülést okozva.

**⚠ FIGYELMEZTETÉS:** Mindig védje a kezét nagy teherbírású kesztyűvel vagy úgy, hogy a vágóeleket betekeri rongyokba vagy más anyagokba, amikor karbantartást végez a fűnyíró pengéjén. Mindig vegye ki a biztonsági kulcsot és az akkumulátoregységeket a fűnyíró szervizelése vagy szállítása közben.

Karbantartási szerviz intervallum	Karbantartási eljárás
Minden használat előtt vagy naponta	<ul style="list-style-type: none"> <li>Ellenőrizze a biztonsági reteszelőrendszert.</li> <li>Szemrevételezéssel ellenőrizze, hogy nem lapos-e a gumibroncs.</li> <li>Vizsgálja meg, hogy a kések nem kopottak, repedtek vagy hajlottak-e.</li> <li>Ellenőrizze az egész terméket a sérült, hiányzó vagy meglazult alkatrészek, például az oldalsó fűgyűjtő rekesz, csavarok, anyák, sapkák stb. szempontjából, és győződjön meg arról, hogy minden védőelem a helyén van és megfelelően működik-e.</li> <li>Ellenőrizze a fék működését.</li> </ul>
Minden használat után	<ul style="list-style-type: none"> <li>Tisztítsa meg a fűnyíró burkolatát.</li> </ul>
25 óránként	<ul style="list-style-type: none"> <li>Ellenőrizze az abroncsnyomást.</li> </ul>
50 óránként	<ul style="list-style-type: none"> <li>Ellenőrizze a vágókések peremén belüli zsírzást.</li> </ul>
100 óránként	<ul style="list-style-type: none"> <li>Ellenőrizze a hátsó kereket, és bizonyosodjon meg róla, hogy az összes rögzítőcsavar a megfelelő nyomatékkal van meghúzva.</li> </ul>
200 óránként	<ul style="list-style-type: none"> <li>Ellenőrizze az első kerekeket, és bizonyosodjon meg róla, hogy szabadon forognak.</li> </ul>

Évente	<ul style="list-style-type: none"> <li>Ellenőrizze a parkoló fékpedált. Távolítsa el az akkumulátort a fűnyíróból, és állítsa a parkoló fékpedált fékezési pozícióba. Tolja előre kézzel a fűnyírót, és nézze meg, hogy lehet-e mozgatni. Ha elmozdul, javíttassa meg szakképzett szerviztechnikussal.</li> </ul>
--------	---

## A FŰNYÍRÓ TISZTÍTÁSA (J1 - J9 ábra)

### Előkészítés (J1 - J5 ábra)

### A fűnyíróház tisztítása (J6 - J7 ábra)

### A mosó csatlakozó használata a fűnyíró burkolatának tisztításához (J8 -J9 ábra)

J8-1	Mosó csatlakozó	J8-3	Kerti tömlő
J8-2	Mosó gyorscsatlakozó		

**MEGJEGYZÉS:** A tisztítás befejeztével nyomja le a PTO kapcsolót a fűnyíró késeinek kioldásához.

## A FŰNYÍRÓBURKOLAT ÉS A VÁGÓKÉESK KARBANTARTÁSA

### Előkészítés (K1 - K6 ábra)

### A fűnyíró burkolatának eltávolítása (K7 - K8 ábra)

K7-1	Motor kábel	K7-3	Felfüggesztésrudazat
K7-2	Biztosító szeg		

**MEGJEGYZÉS:** Húzza ki az összes motorkábelt és a biztosító szeget, amikor eltávolítja a fűnyíró burkolatát.

### A vágókések cseréje (K9 - K11 ábra)

K9-1	Stabilizátor	K10-3	Penge
K10-1	Csavar	K10-4	Karima
K10-2	Alátét	K10-5	Motortengely

## A fűnyíró burkolatának szintezése

### a. Mikor szükséges a szintezés? (K12 - K14 ábra)

### b. Szintezés előtt

- A hideg abroncsnyomás ellenőrzése (K15 ábra)
- A vágókések ellenőrzése. Vegye ki és cserélje le az elhasználódott, repedt és/vagy meghajlott késeket, ha szükséges.

### c. A szintezés előkészítése (K16 - K21 ábra)

### d. Hogyan végezzük a szintezést?

- Az oldalirányú beállítás elvégzése (K22 ábra)

K22-1	Lapos anya
-------	------------

- Az előre-hátra irányuló beállítás elvégzése (K23 ábra)

## A FŰNYÍRÓ NYOMKÖVETÉSI RENDSZERÉNEK KALIBRÁLÁSA (L1 - L4 ábra)

**MEGJEGYZÉS:** A hangjelző a kalibrálás elkezdésekor és befejezésekor is jelez.

**MEGJEGYZÉS:** Előfordulhat, hogy a vezetési módok ("CONTROL", "STANDARD", "SPORT") egyikéhez elvégzett kalibrálás a másik két módnál nem érhető el. Kalibrálja a kormánykarokat az egyes vezetési módokban szükség szerint, egymástól függetlenül.

## A FŰNYÍRÓ VISSZAÁLLÍTÁSA EREDETI GYÁRI BEÁLLÍTÁSOKRA (M ábra)

**MEGJEGYZÉS:** A hangjelző a visszaállítás elkezdésekor és befejezésekor is jelez.

**MEGJEGYZÉS:** Ha a visszaállítás sikeres, az alábbi beállítások visszaállnak az eredeti gyári beállításokra:

- vezetési mód
- haladási sebesség
- a kormánykarok kalibrálása

## TÁROLÁS ÉS SZÁLLÍTÁS

### A FŰNYÍRÓ SZÁLLÍTÁSA ( N1 - N11 ÁBRA)

**MEGJEGYZÉS:** Rögzítse a fűnyírót a megfelelő módon, hevederek vagy kábelek segítségével, hogy ne mozoghasson szállítás közben.

### TÁROLÁS (O1 - O6 ábra)

**MEGJEGYZÉS:** Vegye le az akkumulátoregységeket, és tárolja akkumulátorokat a vonatkozó kézikönyvben előírt módon.

Tisztítsa és ellenőrizze le a fűnyírót tárolás előtt, olvassa el a „**FŰNYÍRÓ TISZTÍTÁSA**” és a „**KARBANTARTÁS JAVASOLT ÜTEMEZÉSE(I)**” című részt.


### Környezetvédelem



WEEE (Elektromos és elektronikus berendezések hulladékai) Ne dobja az elektromos felszerelést, az elhasznált akkumulátort és a töltőt a háztartási hulladékok közé! Vigye hivatalos újrahasznosító telephelyre, és tegye hozzáférhetővé a szelektív gyűjtéshez. Az elektromos eszközöket megfelelő környezetbarát újrahasznosító üzembe kell vinni.

**HU**


## HIBAEELHÁRÍTÁS

PROBLÉMA	OK	MEGOLDÁS
<p>A fűnyíró nem mozdul, amikor a két kormánykart előre vagy hátra tolják az induláskor.</p>  <p>A kormányszint ikon villog</p>	<ul style="list-style-type: none"> <li>A behelyezett akkumulátorok kombinált Ah értéke nem felel meg a követelménynek.</li> </ul>	<ul style="list-style-type: none"> <li>A fűnyíró elindításához használjon elegendő EGO akkumulátort a kézikönyv „TÖLTÉS” című részében található utasításokat követve.</li> </ul>
	<ul style="list-style-type: none"> <li>A parkoló fékpedál fékezési pozícióba van állítva.</li> </ul>	<ul style="list-style-type: none"> <li>Nyomja le teljesen a parkoló fékpedált, hogy kioldja a fékezési pozícióból.</li> </ul>
	<ul style="list-style-type: none"> <li>A kormánykarok nincsenek nyitott pozícióban a fűnyíró elindításakor.</li> </ul>	<ul style="list-style-type: none"> <li>Állítsa vissza a kormánykarokat nyitott pozícióba, majd indítsa újra a fűnyírót.</li> </ul>
	<ul style="list-style-type: none"> <li>A kezelő nem ül az ülésen.</li> </ul>	<ul style="list-style-type: none"> <li>A fűnyírót csak akkor szabad működtetni, ha a kezelő megfelelően ül az ülésen.</li> </ul>
	<ul style="list-style-type: none"> <li>Az üléskapcsoló nincs megfelelően csatlakoztatva.</li> </ul>	<ul style="list-style-type: none"> <li>Vegye ki az akkumulátort a fűnyíróból, majd szerelje szét az ülést a kézikönyv „ÜLÉS BESZERELÉSE” című részében leírtakhoz képest fordított sorrendben, hogy megvizsgálhassa az üléskapcsoló csatlakozását. Szerelje vissza az ülést, és kövesse az „A FŰNYÍRÓ ELINDÍTÁSA” című részben leírt utasításokat a fűnyíró újraindításához, hogy ellenőrizhesse, el lehet-e indítani a fűnyírót. Ha nem, a javításhoz forduljon szakképzett szerviztechnikushoz.</li> </ul>
	<ul style="list-style-type: none"> <li>Rendkívül hideg időjárás esetén előfordulhat, hogy a vezetési funkció nem indul el sikeresen az alacsony hőmérsékleti védelem miatt.</li> </ul>	<ul style="list-style-type: none"> <li>Mindig tartsa a fűnyírót és az akkumulátort meleg környezetben. Akkor indítsa újra a fűnyírót, ha felmelegedett. Kérjük, ne próbálkozzon többször nagyon hideg időjárás esetén, ami károsíthatja a gépet.</li> </ul>

HU

PROBLÉMA	OK	MEGOLDÁS
A fűnyíró haladás közben leáll	<ul style="list-style-type: none"> <li>A kormánykarokat „vissza kell állítani”.</li> </ul>	<ul style="list-style-type: none"> <li>Állítsa vissza a kormánykarokat nyitott pozícióba, majd indítsa újra a fűnyírót.</li> </ul>
	<ul style="list-style-type: none"> <li>A kormánykarok elektromos vezérlőelemei hibásak.</li> </ul>	<ul style="list-style-type: none"> <li>A javításhoz forduljon szakképzett szerviztechnikushoz.</li> </ul>
	<ul style="list-style-type: none"> <li>Az üléskapcsoló vezetés közben leválk, amikor nehéz talajon halad.</li> </ul>	<ul style="list-style-type: none"> <li>Vegye ki az akkumulátort a fűnyíróból, majd szerelje szét az ülést a kézikönyv „<b>ÜLÉS BESZERELÉSE</b>” című részében leírtakhoz képest fordított sorrendben, hogy megvizsgálhassa az üléskapcsoló csatlakozását. Szerelje vissza az ülést, és kövesse az „<b>A FŰNYÍRÓ ELINDÍTÁSA</b>” című részben leírt utasításokat a fűnyíró újraindításához, hogy ellenőrizhesse, el lehet-e indítani a fűnyírót. Ha nem, a javításhoz forduljon szakképzett szerviztechnikushoz.</li> </ul>
	<ul style="list-style-type: none"> <li>A haladási sebesség csökkentésére a rögzítőfék pedált nyomta le. Amint a rögzítőfék pedálját eléggé lenyomja, de nem parkolási helyzetbe, a fűnyíró megáll.</li> </ul>	<ul style="list-style-type: none"> <li>A fűnyíró újraindításához kövesse a "<b>A FŰNYÍRÓ ELINDÍTÁSA</b>" című fejezetben leírtakat.</li> </ul>
A haladási sebességet/vezetési módot nem lehet beállítani haladás közben.	<ul style="list-style-type: none"> <li>Ez a funkció a fűnyíró biztonságos haladását szolgálja.</li> </ul>	<ul style="list-style-type: none"> <li>A funkció csak akkor aktiválódik, amikor a fűnyíró kerekei leálltak, és a kormánykarok nyitva vannak.</li> </ul>

HU

PROBLÉMA	OK	MEGOLDÁS
<p>A fűnyíró nem indítja el a pengéket a PTO kapcsoló bekapcsolásakor.</p>  <p>A PTO kapcsoló ikon villog</p>	<ul style="list-style-type: none"> <li>A behelyezett akkumulátorok kombinált Ah értéke nem felel meg a követelménynek.</li> </ul>	<ul style="list-style-type: none"> <li>A fűnyíró elindításához használjon elegendő EGO akkumulátort a kézikönyv „TÖLTÉS” című részében található utasításokat követve.</li> </ul>
	<ul style="list-style-type: none"> <li>A PTO kapcsoló nem lett lenyomva, amikor a fűnyírót legutóbb leállították.</li> </ul>	<ul style="list-style-type: none"> <li>Nyomja le a PTO kapcsolót, majd indítsa újra a fűnyíró késeit.</li> </ul>
	<ul style="list-style-type: none"> <li>A fűnyíró túlterhelt, amikor a kések elindulnak, ezért a motor védi magát.</li> </ul>	<ul style="list-style-type: none"> <li>Indítsa be a fűnyírót, először az alsó késsebességgel, amíg a kések forogni nem kezdenek, ne gyorsítsa a kés sebességét.</li> </ul>
	<ul style="list-style-type: none"> <li>Rendkívül hideg időjárás esetén előfordulhat, hogy a kés motorja nem indul el sikeresen az alacsony hőmérsékleti védelem miatt.</li> </ul>	<ul style="list-style-type: none"> <li>Mindig tartsa a fűnyírót és az akkumulátort meleg környezetben. Akkor indítsa újra a fűnyírót, ha felmelegedett. Kérjük, ne próbálkozzon többször nagyon hideg időjárás esetén, ami károsíthatja a gépet.</li> </ul>
	<ul style="list-style-type: none"> <li>A kések elakadnak a fűnyíró eldeformálódott burkolatában.</li> </ul>	<ul style="list-style-type: none"> <li>A javításhoz forduljon szakképzett szerviztechnikushoz.</li> </ul>

PROBLÉMA	OK	MEGOLDÁS
A kések működése fűnyírás közben leáll.	<ul style="list-style-type: none"> <li>A fűnyíró túlterhelt.</li> </ul>	<ul style="list-style-type: none"> <li>Emeljen a burkolat vágásmagasságán, vagy lassítson a menetsebességen a fűnyíró terhelésének csökkentéséhez.</li> </ul>
	<ul style="list-style-type: none"> <li>A fűnyíró eltömődött fűvel vagy hulladékkal.</li> </ul>	<ul style="list-style-type: none"> <li>Tisztítsa meg a fűnyíró burkolatát, és ellenőrizze, hogy a kések szabadon tudjanak mozogni.</li> </ul>
	<ul style="list-style-type: none"> <li>A fűnyíró túlmelegedett.</li> </ul>	<ul style="list-style-type: none"> <li>Csökkentse a fűnyíró terhelését úgy, hogy emeli a burkolat vágásmagasságát, vagy lassít a késen/ menetsebességen, és hagyja visszahűlni a fűnyírót.</li> </ul>
	<ul style="list-style-type: none"> <li>Az akkumulátoregység(ek) túlmelegedett (túlmelegedtek) a fűnyíró akkumulátortartó rekeszében, ezért a beillesztett akkumulátorok kombinált Ah értéke nem felel meg a követelményeknek.</li> </ul>	<ol style="list-style-type: none"> <li>Ha az akkumulátorok kombinált Ah értéke nem felel meg a követelményeknek, akkor a fűnyíró nem fog működni, amíg még több akkumulátoregységet nem illesztnek be az akkumulátorok szabad tartórekeszeibe. Amikor a túlmelegedett akkumulátor visszatér normál hőmérsékletűre, akkor azonnal elkezd táplálni a fűnyírót.</li> <li>Csökkentse a fűnyíró terhelését úgy, hogy emeli a burkolat vágásmagasságát, vagy lassít a fűnyírás sebességén, amikor újra elkezd működtetni.</li> </ol>
	<ul style="list-style-type: none"> <li>A fűnyíró szükségfutás módban van.</li> </ul>	<ul style="list-style-type: none"> <li>Amikor a fűnyíró szükségfutás módban van, a kések automatikusan alacsony forgási sebességre állnak, és nem nyírják a fűvet. A kezelőnek abba kell hagynia a munkát, és a lehető leghamarabb az akkumulátortöltő területre kell mennie.</li> </ul>
	<ul style="list-style-type: none"> <li>A fűnyíró idegen tárgynak ütközött, ezért beindult a motor önvédelmi mechanizmusa.</li> </ul>	<ul style="list-style-type: none"> <li>Nyomja le a PTO kapcsolót, majd indítsa újra a fűnyíró késeit.</li> </ul>
A hangjelző továbbra is jelez.	<ul style="list-style-type: none"> <li>A fűnyíró szükségfutás módban van, és a kések nem álltak le.</li> </ul>	<ul style="list-style-type: none"> <li>Nyomja le a PTO kapcsolót a fűnyíró késeinek kioldásához. A hangjelzés elnémul, amikor a kés leáll.</li> </ul>
	<ul style="list-style-type: none"> <li>A fűnyíró a lejtőn leáll, a kezelő kinyitja a kormánykarokat, és leszállt az ülésről anélkül, hogy fékezési pozícióba állította volna a parkoló fékpedált.</li> </ul>	<ul style="list-style-type: none"> <li>Állítsa a parkoló fékpedált fékezési pozícióba, mielőtt a lejtőn hagyná a fűnyírót.</li> </ul>



PROBLÉMA	OK	MEGOLDÁS
Az akkumulátor jelzőfénye a fűnyíró kikapcsolása után is világít.	<ul style="list-style-type: none"> <li>Ha a fűnyírót a sík talajon állítják le az akkumulátoregység(ek) kivétele nélkül, akkor az akkumulátor jelzőfénye, a start/stop gomb és e beállító gomb még egy ideig világít.</li> </ul>	<ul style="list-style-type: none"> <li>Művelet nem szükséges. Az akkumulátor jelzőfénye kialszanak, amikor a fűnyíró egy idő után kikapcsol. Lásd <b>“A FŰNYÍRÓ INDÍTÁSA/LEÁLLÍTÁSA”</b> részt a konkrét időszakok meghatározásához.</li> </ul>
	<ul style="list-style-type: none"> <li>Ha a fűnyírót lejtős talajon állítják le úgy, hogy a parkoló fékpedált nem állítják fékezési pozícióba, akkor az akkumulátor jelzőfénye tovább világítanak, amíg az akkumulátor le nem merül. A hangjelző ugyanakkor hangjelzést ad.</li> </ul>	<ul style="list-style-type: none"> <li>A parkoló fékpedált fékezési pozícióba kell állítani, mielőtt a kezelő a lejtőn hagyná az eszközt.</li> </ul>
Az LCD kijelző nem világít, amikor mindegyik ikon működésben van.	<ul style="list-style-type: none"> <li>A start/stop gomb nyomva tartási ideje nem elegendő.</li> </ul>	<ul style="list-style-type: none"> <li>Az LCD kijelző csak az „Üzemanyagmérőt” jeleníti meg, amikor a start/stop gombot röviden megnyomják.</li> <li>Az LCD kijelző csak akkor kapcsol be, ha a start/stop gombot elég ideig nyomva tartják.</li> </ul>
A fűnyíró egyenetlenül vág, jelentős eltérésekkel az első és a hátsó rész között.	<ul style="list-style-type: none"> <li>A kések tompák.</li> </ul>	<ul style="list-style-type: none"> <li>Élezze meg, vagy cserélje a vágókéseket a kézikönyvben leírt módon.</li> </ul>
	<ul style="list-style-type: none"> <li>A kések elgörbültek.</li> </ul>	<ul style="list-style-type: none"> <li>Cserélje le a meghajlott vágókést a <b>„VÁGÓKÉSEK CSERÉJE”</b> című részben leírtak szerint.</li> </ul>
	<ul style="list-style-type: none"> <li>A fűnyíró burkolata nincs szintezve, ezért a vágókések magassága eltérő.</li> </ul>	<ul style="list-style-type: none"> <li>Végezze el a fűnyíró burkolatának szintezését a <b>„FŰNYÍRÓ BURKOLATÁNAK SZINTEZÉSE”</b> című részben leírtak szerint.</li> </ul>
A tényleges vágási magasság nem egyezik a kért magassággal.	<ul style="list-style-type: none"> <li>A fűnyíró burkolatának anyacsavarjai meglazultak a felfüggesztésrudazatnál</li> </ul>	<ul style="list-style-type: none"> <li>Kövesse a <b>„FŰNYÍRÓ BURKOLATÁNAK SZINTEZÉSE”</b> című részben leírt utasításokat a fűnyíró burkolatának előlről hátra való beállításának helyes elvégzéséhez, majd szorítsa meg az anyákat a felfüggesztés rudazatán.</li> </ul>
	<ul style="list-style-type: none"> <li>A fűnyíró burkolata sérült, vagy nagyon elkopott.</li> </ul>	<ul style="list-style-type: none"> <li>Kövesse a <b>„FŰNYÍRÓ BURKOLATÁNAK ELTÁVOLÍTÁSA”</b> című részben leírt utasításokat a fűnyíró burkolatának visszahelyezéséhez.</li> </ul>

PROBLÉMA	OK	MEGOLDÁS
A fűnyíró nem megfelelően aprít.	<ul style="list-style-type: none"> <li>Nedves lenyírt fű ragadt a burkolat aljára.</li> </ul>	<ul style="list-style-type: none"> <li>Fűnyírás előtt várjon, amíg a fű megszárad.</li> </ul>
	<ul style="list-style-type: none"> <li>A fűnyíró úgy van beállítva, hogy egyszerre túl sok fűvet nyírjon.</li> </ul>	<ul style="list-style-type: none"> <li>Emeljen a burkolat vágásmagasságán.</li> </ul>
Túlzott vibráció.	<ul style="list-style-type: none"> <li>A vágókésej lazák.</li> </ul>	<ul style="list-style-type: none"> <li>Húzza meg a kés csavarját az ajánlott nyomatékkal.</li> </ul>
	<ul style="list-style-type: none"> <li>A kések elgörbültek.</li> </ul>	<ul style="list-style-type: none"> <li>Cserélje le a meghajlott vágókést a „<b>VÁGÓKÉSEK CSERÉJE</b>” című részben leírtak szerint.</li> </ul>
	<ul style="list-style-type: none"> <li>A fűnyíró burkolata nincs szintezve.</li> </ul>	<ul style="list-style-type: none"> <li>Végezze el a fűnyíró burkolatának szintezését a „<b>FŰNYÍRÓ BURKOLATÁNAK SZINTEZÉSE</b>” című részben leírtak szerint.</li> </ul>
	<ul style="list-style-type: none"> <li>A fűnyíró burkolatának anyacsavarjai meglazultak a felfüggesztésrudazatnál.</li> </ul>	<ul style="list-style-type: none"> <li>Húzza meg az anyákat a felfüggesztés rudazatán.</li> </ul>
	<ul style="list-style-type: none"> <li>A fűnyíró úgy van beállítva, hogy egyszerre túl sok fűvet nyírjon.</li> </ul>	<ul style="list-style-type: none"> <li>Emeljen a burkolat vágásmagasságán.</li> </ul>
Fűnyírás előtt fűmaradvány vagy törmelék van a földön.	<ul style="list-style-type: none"> <li>A fűnyíró úgy van beállítva, hogy egyszerre túl sok fűvet nyírjon, miközben a fű magas.</li> </ul>	<ul style="list-style-type: none"> <li>Kezdje magas vágásmagassággal, majd csökkentse addig, amíg eléri a kívánt fűnyírési eredményt. A 6 hüvelyknél magasabb fűvet kétszer kell vágni, egyre alacsonyabb vágásmagasságokkal.</li> </ul>
	<ul style="list-style-type: none"> <li>A fű nedves.</li> </ul>	<ul style="list-style-type: none"> <li>Ne vágja le a fűvet, ha nedves, amíg meg nem szárad.</li> </ul>
	<ul style="list-style-type: none"> <li>A haladási sebesség túl magas.</li> </ul>	<ul style="list-style-type: none"> <li>Lassítson a menetsebességen.</li> </ul>
	<ul style="list-style-type: none"> <li>A kés sebessége alacsony.</li> </ul>	<ul style="list-style-type: none"> <li>Fokozatosan növelje a kés sebességét.</li> </ul>
Rövid futási idő a mellékelt akkumulátorral.	<ul style="list-style-type: none"> <li>A fű állapota és a vágás magassága nagyban befolyásolja az akkumulátor üzemidejét. Az elismert üzemidő enyhe terhelés mellett került meghatározásra.</li> </ul>	<ul style="list-style-type: none"> <li>Emeljen a burkolat vágásmagasságán, és lassítson a kés sebességén a vágási terhelés csökkentéséhez.</li> </ul>

PROBLÉMA	OK	MEGOLDÁS
A fűnyíró nem egyenesen követi a nyomvonalat.	<ul style="list-style-type: none"> <li>Az abroncsnyomás eltérő a bal és a jobb hátsó keréknél.</li> </ul>	<ul style="list-style-type: none"> <li>Ellenőrizze és állítsa be a légnyomást mindkét hátsó kerékabroncsban, a „<b>ABRONCSNYOMÁS ELLENŐRZÉSE</b>” című részben leírt ajánlásoknak megfelelően.</li> </ul>
	<ul style="list-style-type: none"> <li>A menetsebesség eltérő a bal és a jobb hátsó keréknél.</li> </ul>	<ul style="list-style-type: none"> <li>Végezze el a fűnyíró nyomkövetési rendszerének kalibrálását a „<b>FŰNYÍRÓ NYOMKÖVETÉSI RENDSZERÉNEK KALIBRÁLÁSA</b>” című részben leírtak szerint.</li> </ul>
A parkoló fékpedált nem lehet kioldani fékezési pozícióból, vagy lassan ugrik vissza.	<ul style="list-style-type: none"> <li>Előfordulhat, hogy törmelék vagy kosz került a parkoló fékpedál belsejébe.</li> </ul>	<ul style="list-style-type: none"> <li>Nyissa fel a parkoló fékpedál dobozát, és tisztítsa meg alaposan a doboz belsejét, majd zárja le. Állítsa vissza a parkoló fékpedált, hogy ellenőrizhesse, megoldódott-e a probléma. Ha nem, a javításhoz forduljon szakképzett szerviztechnikushoz.</li> </ul>
A fűnyírót nem lehet tölteni a töltő csatlakozón keresztül, amikor a fűnyíró állapotjelzője állandó pirosan világít.	<ul style="list-style-type: none"> <li>A töltő csatlakozója nem megfelelően van beillesztve a fűnyíró töltő csatlakozójába.</li> </ul>	<ul style="list-style-type: none"> <li>Csatlakoztassa újra a töltő csatlakozóját, hogy ellenőrizhesse, megfelelően lehet-e tölteni a fűnyírót.</li> </ul>
	<ul style="list-style-type: none"> <li>Nincs áram a fali kimenetben.</li> </ul>	<ul style="list-style-type: none"> <li>Művelet nem szükséges. Várjon, amíg a teljesítmény helyreáll.</li> </ul>
	<ul style="list-style-type: none"> <li>A töltő hibásan működik.</li> </ul>	<ul style="list-style-type: none"> <li>Forduljon szakképzett szerviztechnikushoz a vizsgálat elvégzéséhez, és javíttassa meg a töltőt, ha szükséges.</li> </ul>
	<ul style="list-style-type: none"> <li>A töltő port a fűnyírón megsérült.</li> </ul>	<ul style="list-style-type: none"> <li>A javításhoz forduljon szakképzett szerviztechnikushoz.</li> </ul>
A töltési idő a fűnyíró töltő csatlakozóján keresztül túl hosszú.	<ul style="list-style-type: none"> <li>Az ACA1000 EGO adapterrel való töltés sok időt vesz igénybe.</li> </ul>	<ul style="list-style-type: none"> <li>Használja a CHV1600E EGO töltőt a fűnyíró közvetlen töltéséhez.</li> </ul>
Az akkumulátort nem lehet teljesen feltölteni a fűnyíró porton keresztül.	<ul style="list-style-type: none"> <li>Firmware hiba merült fel a haladó fűnyírónál, vagy a töltő/akkumulátor meghibásodott.</li> </ul>	<ul style="list-style-type: none"> <li>Húzza ki a töltőt, és várjon még pár percet, majd csatlakoztassa újra a csatlakozódugót a hálózati aljzathoz. Ha nem működik, a javításhoz forduljon szakképzett szerviztechnikushoz.</li> </ul>
A fűnyírót nem lehet elindítani tisztítás után.	<ul style="list-style-type: none"> <li>Nem megfelelő tisztítás, például víz került az elektromos komponensekbe, az LCD kijelzőre stb.</li> </ul>	<ul style="list-style-type: none"> <li>Kövesse a „<b>FŰNYÍRÓ TISZTÍTÁSA</b>” részben leírt utasításokat a fűnyíró helyes tisztításához.</li> </ul>

PROBLÉMA	OK	MEGOLDÁS
A fűnyíró könnyen eltömődik.	<ul style="list-style-type: none"> <li>A fűnyíró eltömődött fűvel vagy hulladékkal.</li> </ul>	<ul style="list-style-type: none"> <li>Ha a fűnyíró véletlenül eső éri, hagyja a levegőn száradni, vagy szárítsa sűrített levegővel.</li> <li>Tisztítsa meg a fűnyíró burkolatát minden használat után, „A mosó csatlakozó használata a fűnyíró burkolatának tisztításához” részben leírtaknak megfelelően.</li> </ul>
A fűnyíró irányíthatósága könnyen elveszik, amikor felfelé halad a lejtőn.	<ul style="list-style-type: none"> <li>A hátsó kerekeken az abroncsok elkoptak.</li> <li>Nagy fűnyírási lejtő.</li> </ul>	<ul style="list-style-type: none"> <li>A kerékabroncsok cseréjéhez kérje a helyi szerviz segítségét.</li> <li>A fűnyírási lejtésnek az előírt fokon kell lennie.</li> </ul>
Amikor a fűnyíró lejtős talajon állítják meg a parkoló fékpedál lenyomásával, a fűnyíró lecsúszik a lejtőn.	<ul style="list-style-type: none"> <li>A fék komponensei túlságosan kopottak a fűnyíró nem megfelelő működtetése miatt.</li> </ul>	<ul style="list-style-type: none"> <li>A javításhoz forduljon szakképzett szerviztechnikushoz.</li> </ul>
Nem jön víz a mosó csatlakozóból a burkolat mosásakor.	<ul style="list-style-type: none"> <li>A mosó gyorscsatlakozó nincs a helyén a mosó csatlakozónál.</li> </ul>	<ul style="list-style-type: none"> <li>Csatlakoztassa vissza a mosó gyorscsatlakozót, amíg kattanó hangot nem hall, miután határozott mozdulattal beillesztette. Ha nem működik, a javításhoz forduljon szakképzett szerviztechnikushoz.</li> </ul>
Rendellenes zaj hallatszik, amikor manuálisan, beindítás nélkül tolják a fűnyíró.	<ul style="list-style-type: none"> <li>A hang a hajtómotor belsejében lévő mágnesekből jön.</li> </ul>	<ul style="list-style-type: none"> <li>Nem kell tennie semmit, ez normál jelenség.</li> </ul>

HU

## HIBAKÓD ÉS FŰNYÍRÓ ÁLLAPOT REFERENCIA

LCD kijelző	Leírás	Hibakód az LCD-n	Fűnyíró állapotjelző	Hangjelző	Ok	Megoldás
	A LED lámpa ikon látszik az LCD kijelzőn	n/a	KI	Nem	A fényszórókat, illetve oldalsó és hátsó lámpákat a LED világításkapcsoló kapcsolja fel.	Ez a normál működés. Művelet nem szükséges.
	Az USB ikon látszik az LCD kijelzőn	n/a	KI	Nem	A világító USB ikon azt jelzi, hogy az USB eszköz működésre képes a fűnyíró helyes indítása után.	Ez a normál működés. Művelet nem szükséges.
	Az üzemanyagmérő ikon látszik az LCD kijelzőn	n/a	KI	Nem	A behelyezett akkumulátorok átlagos töltési kapacitását jelzi	Ez a normál működés. Művelet nem szükséges.
	Az üzemóra számláló ikon látszik az LCD kijelzőn	n/a	KI	Nem	A fűnyíró teljes menetidejét jeleníti meg órában kifejezve, és nem lehet visszaállítani.	Ez a normál működés. Művelet nem szükséges.
	A terhelésjelző ikon az ECO tartományban jelenik meg	n/a	KI	Nem	A fűnyíró aktuális terhelését jelzi.	Ez a normál működés. Művelet nem szükséges.
	A túlterhelés jelző villog. A terhelésjelző ikon az PWR tartományban jelenik meg.	n/a	Pirosan villog	Egy hangjelzés	A késmotor túlterhelt.	Emeljen a burkolat vágásmagasságán, vagy csökkentse a menetsebességet a fűnyíró terhelésének csökkentéséhez.
					Az oldalsó fűgyűjtő rekesz eltömődött fűvel és törmelékkel.	Minden használat után tisztítsa meg az oldalsó fűgyűjtő rekeszt.
					A penge és a fűnyíróburkolat között interferencia van.	A javítást szakképzett szerviztechnikus végezze el.

**HU**

LCD kijelző	Leírás	Hibakód az LCD-n	Fűnyíró állapotjelző	Hangjelző	Ok	Megoldás
	A biztonsági kulcs ikon villog.	n/a	KI	Nem	A biztonsági kulcs nincs berakva.	Helyezze be a biztonsági kulcsot, majd nyomja meg és tartsa lenyomva a START/STOP gombot a fűnyíró bekapcsolásához.
					Az LCD kijelző nem kap tápellátást.	A javítást szakképzett szerviztechnikus végezze el.
	Egy adott akkumulátortartó rekesz ikonja villog.	n/a	KI	Nem	Egy bizonyos akkumulátor kisütés közben túláramot kap.	Művelet nem szükséges. A fűnyíró akkor tud tovább működni, ha a kombinált akkumulátor Ah-értéke - az akkumulátor túláram kivételével - megfelel a követelménynek. Amint a túlárammal érintett akkumulátor visszatér a normál állapotba, azonnal csatlakozik a fűnyíró áramellátásához, és az ikon eltűnik.
	Az üres akkumulátortartó ikon villog.	n/a	KI	Nem	Az akkumulátor kapacitása nem elegendő ahhoz, hogy dolgozni lehessen a fűnyírón.	A fűnyíró elindításához használjon elegendő EGO akkumulátort a kézikönyv „TÖLTÉS” című részében található utasításokat követve.

LCD kijelző	Leírás	Hibakód az LCD-n	Fűnyíró állapotjelző	Hangjelző	Ok	Megoldás
	A hőmérséklet ikon villog.	n/a	KI	Egy hangjelzés	A fűnyíró túlmelegedett.	Csökkentse a fűnyíró terhelését úgy, hogy emeli a burkolat vágásmagasságát, vagy lassít a késen/ menetsebességen. Tartson szünetet, és hagyja visszahűlni a fűnyírót.
					A fűnyíró túl hideg	Kérjük, ne próbálkozzon többször, mert ez károsíthatja a gépet. A fűnyírót és az akkumulátort mindig meleg környezetben tárolja. Akkor indítsa újra a fűnyírót, ha felmelegedett.
	A hőmérséklet ikon és a foglalt akkumulátortartó rekesz ikonja egyszerre villog.	n/a	KI	Nem	Az adott számmal ellátott akkumulátortartó rekesz akkumulátoregysége túlmelegedett.	1. A fűnyíró akkor tud tovább működni, ha a kombinált akkumulátor Ah értéke – a túlmelegedett akkumulátort kivéve – megfelel a követelménynek. Amikor a túlmelegedett akkumulátor visszatér normál hőmérsékletűre, akkor azonnal elkezd táplálni a fűnyírót.
						2. Ha az akkumulátorok kombinált Ah értéke nem elegendő, akkor a fűnyíró nem fog működni, amíg még több akkumulátoregységet nem illesztnek be az akkumulátorok szabad tartórekeszeibe.
						3. Csökkentse a fűnyíró terhelését úgy, hogy emeli a burkolat vágásmagasságát, vagy lassít a fűnyírás sebességén, amikor újra elkezd működtetni.

Kees van der Spek  
TUINMACHINES \* STOLWIJK

HU

LCD kijelző	Leírás	Hibakód az LCD-n	Fűnyíró állapotjelző	Hangjelző	Ok	Megoldás
	A minden akkumulátortartó rekesz foglalt ikonja, az alacsony töltöttségjelző, és az üzemanyagmérő akkumulátor grafikája 1 másodpercenként villog egyszerre az LCD kijelzőn. Az első szegmens világít a LED-es üzemanyagmérőnél és az állapotjelzőnél is.	n/a	Pirosan villog	Addig ad hangjelzést, amíg a PTO kapcsolót le nem nyomják.	Az akkumulátoregységek töltöttségi szintje alacsony, a fűnyíró szükségfutas módban van.	Hagyja abba a munkát, és menjen az akkumulátortöltő területre. <b>MEGJEGYZÉS:</b> Amikor a fűnyíró szükségfutas módban van, a kések automatikusan alacsony forgási sebességre állnak, nem nyírják a fűvet, és a hangjelző folyamatosan hangjelzést ad. A kezelőnek le kell nyomnia a PTO kapcsolót a fűnyíró késeinek kioldásához. A hangjelzés elnémul, miután a kés leáll.
	A minden akkumulátortartó rekesz foglalt ikon és az alacsony töltöttségjelző fél másodpercenként villog.	n/a	Pirosan villog	Folyamatosan hangjelzést ad	Az akkumulátoregységek majdnem lemerültek.	A fűnyíró működése azonnal leáll. A kezelőnek az akkumulátortöltő területre kell vinnie a fűnyírót a feltöltéshez.
	Az automatikus parkolás ikon villog az LCD kijelzőn.	n/a	KI	Folyamatosan hangjelzést ad	A fűnyírót lejtős talajon állították le, és a kezelő úgy hagyja ott, hogy nem állítja a fékpedált fékezési pozícióba, csak a kormánykarokat hagyja nyitott pozícióban.	Állítsa a fékpedál fékezési pozícióba. Az automatikus parkolás ikon kialszik, és a hangjelzés elnémul.
	A fékpedál ikon látható az LCD kijelzőn.	n/a	KI	Nem	A parkoló fékpedál fékezési pozícióba van állítva.	A fűnyíró elindítása előtt oldja ki.

HU



LCD kijelző	Leírás	Hibakód az LCD-n	Fűnyíró állapotjelző	Hangjelző	Ok	Megoldás
	Az ülés érzékelő ikon látható az LCD kijelzőn.	n/a	KI	Nem	A kezelő leszáll az ülésről, vagy az üléskapcsolót leválasztották.	Ha az ülésen elhelyezkedő kezelő mellett világít az ikon, azonnal függessze fel a fűnyíró használatát, és ellenőrizze az ülés csatlakozását. Ha az ülés és a fűnyíró közötti csatlakozás megfelelő, kérjük, a javításhoz forduljon szakképzett szerviztechnikushoz.
	A PTO kapcsoló ikon villog.	n/a	KI	Nem	A késmotor működését megszakították, és a PTO kapcsoló nincs kikapcsolva.	A fűnyíró újraindítása előtt nyomja le a PTO kapcsolót a fűnyíró késeinek kioldásához. Kérjük, olvassa el a kézikönyv „HIBAELHÁRÍTÁS” című részét.
	A kormánykar ikon villog.	n/a	KI	Nem	A hajtómotor működését megszakították, és a kormánykarok nincsenek nyitott pozícióban.	A fűnyíró újraindítása előtt állítsa a kormánykarokat nyitott pozícióba. Kérjük, olvassa el a kézikönyv „HIBAELHÁRÍTÁS” című részét.
	Az energia helyreállítás ikon időszakosan villog.	n/a	KI	Nem	A lejtőn való fékezés vagy vezetés során létrejövő kinetikus energia elektromossággá válik, és tölti az akkumulátoregységeket.	Ez a normál működés. Művelet nem szükséges.

**MEGJEGYZÉS:** Ha hibakód jelenik meg az LCD kijelzőn, távolítsa el az összes akkumulátort, és helyezze be őket néhány perccel később. Ha ez nem oldja meg a problémát, kövesse az alábbi hibaelhárítási eljárást.

LCD kijelző	Leírás	Hibakód az LCD-n	Fűnyíró állapotjelző	Hangjelző	Ok	Megoldás	
Lásd „Hibakód”	A bal oldali hajtómotor nem forog megfelelően.	A nyomtatott áramkör által vezérelt bal oldali hajtómotor nem működik.	413	KI	Egy hangjelzés	Nyomtatott áramkör hiba	A javítást szakképzett szerviztechnikus végezze el.
		A bal oldali hajtómotor és a hozzá tartozó nyomtatott áramkör közötti csatlakozó (három fázis, tápkábel) meglazult.	317	KI	Egy hangjelzés	Laza csatlakozás	
		A bal oldali hajtómotor és a hozzá tartozó nyomtatott áramkör közötti csatlakozó (hat tű, jeladó kábel) meglazult.	301	KI	Egy hangjelzés	Laza csatlakozás	
		A bal oldali hajtómotor nem működik.	317	KI	Egy hangjelzés	Motorhiba	

HU

LCD kijelző	Leírás	Hibakód az LCD-n	Fűnyíró állapotjelző	Hangjelző	Ok	Megoldás	
Lásd „Hibakód”	A jobb oldali hajtómotor nem forog megfelelően.	A nyomtatott áramkör által vezérelt jobb oldali hajtómotor nem működik.	313	KI	Egy hangjelzés	Nyomtatott áramkör hiba	A javítást szakképzett szerviztechnikus végezze el.
		A jobb oldali hajtómotor és a hozzá tartozó nyomtatott áramkör közötti csatlakozó (három fázis, tápkábel) meglazult.	417	KI	Egy hangjelzés	Laza csatlakozás	
		A jobb oldali hajtómotor és a hozzá tartozó nyomtatott áramkör közötti csatlakozó (hat tű, jeladó kábel) meglazult.	401	KI	Egy hangjelzés	Laza csatlakozás	
		A jobb oldali hajtómotor nem működik.	417	KI	Egy hangjelzés	Motorhiba	

LCD kijelző	Leírás	Hibakód az LCD-n	Fűnyíró állapotjelző	Hangjelző	Ok	Megoldás	
Lásd „Hibakód”	A bal oldali késmotor nem forog megfelelően.	A nyomtatott áramkör által vezérelt bal oldali késmotor nem működik.	607/A07	n/a	Egy hangjelzés	Nyomtatott áramkör hiba	A javítást szakképzett szerviztechnikus végezze el.
		A bal oldali hajtómotor és a hozzá tartozó nyomtatott áramkör közötti csatlakozó (három fázis, tápkábel) meglazult.	509	n/a	Egy hangjelzés	Laza csatlakozás	Először a kést ellenőrizze. Ha a csavar meglazul, húzza meg az ajánlott nyomatékkal. Ellenkező esetben végeztesse el a javítást szakképzett szerviztechnikussal.
		A bal oldali késmotor nem működik	509	n/a	Egy hangjelzés	Motorhiba	A javítást szakképzett szerviztechnikussal.
Lásd „Hibakód”	A jobb oldali késmotor nem forog megfelelően.	A nyomtatott áramkör által vezérelt jobb oldali késmotor nem működik.	507/A07	n/a	Egy hangjelzés	Nyomtatott áramkör hiba	A javítást szakképzett szerviztechnikus végezze el.
		A jobb oldali hajtómotor és a hozzá tartozó nyomtatott áramkör közötti csatlakozó (három fázis, tápkábel) meglazult.	609	n/a	Egy hangjelzés	Laza csatlakozás	Először a kést ellenőrizze. Ha a csavar meglazul, húzza meg az ajánlott nyomatékkal. Ellenkező esetben végeztesse el a javítást szakképzett szerviztechnikussal.
		A jobb oldali késmotor nem működik	609	n/a	Egy hangjelzés	Motorhiba	A javítást szakképzett szerviztechnikussal.

HU

LCD kijelző	Leírás	Hibakód az LCD-n	Fűnyíró állapotjelző	Hangjelző	Ok	Megoldás	
Lásd „Hibakód”	A középső késmotor nem forog megfelelően.	A nyomtatott áramkör által vezérelt középső késmotor nem működik.	507/ 607	n/a	Egy hangjelzés	Nyomtatott áramkör hiba	A javítást szakképzett szerviztechnikus végezze el.
		A középső késmotor és a hozzá tartozó nyomtatott áramkör közötti csatlakozó (három fázis, tápkábel) meglazult.	A09	n/a	Egy hangjelzés	Laza csatlakozás	Először a kést ellenőrizze. Ha a csavar meglazul, húzza meg az ajánlott nyomatékkal. Ellenkező esetben végeztesse el a javítást szakképzett szerviztechnikussal.
		A középső késmotor nem működik	A09	n/a	Egy hangjelzés	Motorhiba	
Lásd „Hibakód”	A bal oldali kormánykart nem működik.	A bal oldali kormánykart vezérlő nyomtatott áramkör nem működik.	311/ 412	KI	Egy hangjelzés	Nyomtatott áramkör hiba	A javítást szakképzett szerviztechnikus végezze el.
		A kormányrúdon lévő, vezérlő nyomtatott áramkört összekötő csatlakozó meglazult.				Laza csatlakozás	
Lásd „Hibakód”	A jobb oldali kormánykart nem működik.	A jobb oldali kormánykart vezérlő nyomtatott áramkör nem működik.	312/ 411	KI	Egy hangjelzés	Nyomtatott áramkör hiba	A javítást szakképzett szerviztechnikus végezze el.
		A kormányrúdon lévő, vezérlő nyomtatott áramkört összekötő csatlakozó meglazult.				Laza csatlakozás	

LCD kijelző	Leírás	Hibakód az LCD-n	Fűnyíró állapotjelző	Hangjelző	Ok	Megoldás	
Lásd „Hibakód”	A parkolófék nem működik, az eszközt nem lehet vezetni.	A parkolófék első keretes egységén lévő nyomtatott áramkör hibás.	309/409	KI	Egy hangjelzés	Nyomtatott áramkör hiba	A javítást szakképzett szerviztechnikus végezze el.
		A parkolófék kapcsolója és/vagy kábele hibás.	801	KI	Egy hangjelzés	Vezeték/kapcsoló hiba	
KI	Töltési port hiba	n/a	Folyamatos PIROS	n/a	A töltőcsatlakozó nyitott áramkörön van.	A javítást szakképzett szerviztechnikus végezze el.	
		n/a	Folyamatos PIROS	n/a	Nincs áramellátás.	Ellenőrizze a fali aljzatot, hogy van-e 220V-240V tápfeszültség, vagy az aljzat jó-e.	
		n/a	Folyamatos PIROS	n/a	A biztosíték kiégett.	A javítást szakképzett szerviztechnikus végezze el.	
Lásd „Hibakód”	Töltési port hiba	204	n/a	Egy hangjelzés	A töltőcsatlakozó nyitott áramkörön van.	A javítást szakképzett szerviztechnikus végezze el.	

LCD kijelző	Leírás	Hibakód az LCD-n	Fűnyíró állapotjelző	Hangjelző	Ok	Megoldás
Lásd „Hibakód”	Az akkumulátordoboz egység nem működik	217	n/a	Egy hangjelzés	Az akkumulátordoboz egységéből érkező tápforrás hibás. A LED fényszórók és az USB nem működik.	A javítást szakképzett szerviztechnikus végezze el.
		310/ 410	KI	Egy hangjelzés	Az akkumulátordoboz egységének C típusú kábelei és a fűnyíró egyéb C típusú kábelei nem csatlakoznak egymáshoz.	
		201/ 202/ 203	KI	Egy hangjelzés	Az akkumulátordoboz egységének BMS-e hibás.	
Lásd „Hibakód”	Start/stop kapcsoló hiba	314/ 414	KI	Egy hangjelzés	A kapcsoló nyomtatott áramköre hibás, vagy a start/stop kapcsoló kábelcsatlakozása rossz.	A javítást szakképzett szerviztechnikus végezze el.
Lásd „Hibakód”	LCD kijelző hiba	315/ 415	KI	Egy hangjelzés	Az LCD egysége hibás, vagy az LCD egység kábelcsatlakozása rossz.	A javítást szakképzett szerviztechnikus végezze el.

## GARANCIA

### EGO GARANCIÁLIS FELTÉTELEK

Kérjük, látogasson el az [egopowerplus.com](http://egopowerplus.com) oldalra, ahol megtalálja a részletes EGO garanciális feltételeket.

# CITIȚI TOATE INSTRUCȚIUNILE!



CITIȚI MANUALUL DE INSTRUCȚIUNI

## SIMBOLUL DE SECURITATE

Scopul simbolurilor privind siguranța este să vă atragă atenția asupra pericolelor posibile. Simbolurile privind siguranța și explicațiile furnizate cu acestea merită atenția și înțelegerea dumneavoastră. Avertizările simbolurilor nu elimină, prin ele însele, niciun pericol. Instrucțiunile și avertizările pe care le oferă acestea nu pot înlocui măsurile adecvate de prevenire a accidentelor.

**⚠️ AVERTISMENT:** Asigurați-vă că ați citit și înțelegiți toate instrucțiunile privind siguranța din acest Manual de utilizare, inclusiv toate simbolurile de alertă privind siguranța precum **“PERICOL”**, **“AVERTIZARE”** și **“ATENȚIE”** înainte de a utiliza această sculă. Nerespectarea tuturor instrucțiunilor enumerate mai jos poate duce la electrocutare, incendiu și/sau vătămări corporale grave.

## SEMNIFICAȚIA SIMBOLURILOR

Această pagină descrie simbolurile de siguranță ce pot apărea pe acest produs. Citiți, înțelegiți și respectați toate instrucțiunile de pe mașină înainte de a o asambla și de a o utiliza.

## SIMBOLURI PRIVIND SIGURANȚA

RO



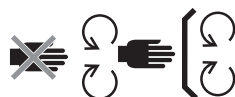
Alertă privind siguranța



Citiți și înțelegiți manualul de instrucțiuni



Protecție pentru ochi



Mentțineți dispozitivele de siguranță



PERICOL - Pericol de pantă abruptă



PERICOL - Țineți spectatorii departe de lame



Nu transportați niciodată copii



Uitați-vă în spate în timp ce întoarceți cu spatele



AVERTISMENT - Nu utilizați această mașină pe pante mai mari de 12°.



PERICOL - Obiecte aruncate



AVERTISMENT - ȚINEȚI MÂINILE ȘI PICIOARELE DEPARTE



Nivel de putere acustică garantat. Conform Directivei comunitare europene.





Nu pășiți



Acest produs este în conformitate cu directivele europene aplicabile



Curent continuu

kPa Kilopascal

V Volt

in Inch

Nm Newton metru

°C Celsius

km/h Kilometri pe oră



Deșeurile produselor electrice nu trebuie să fie eliminate împreună cu deșeurile menajere. Predați-le unui punct de reciclare autorizat.



ATENȚIE - Nu priviți direct în lampă în timp ce funcționează.



Acest produs este în conformitate cu legislația aplicabilă din Marea Britanie.

RPM

Rotații pe minut

m

Metri

cm

Centimetri

mm

Milimetri

kg

Kilograme

IPX4

Grad de protecție împotriva factorilor externi

## SPECIFICAȚII

KEES VAN DER SPEK  
TUINMACHINES \* STOLWIJK

Tensiune	56 V	
Dimensiuni carcasă	132 cm	
Mărimea roții	Frontal	279,4 x 126 mm
	Spate	457,2 x 223 mm
Presiunea anvelopelor reci	Frontal	222.1 kPa
	Spate	115,8 kPa
Raza de întoarcere	0	
Viteza lamei (RPM)	2600; 2800; 3000; 3200	
Max. Viteza de deplasare (km/h)	Înainte	8,1 km/h, 9,7 km/h, 11,3 km/h, 12,8 km/h
	Înapoi	până la 6,4 km/h

Încărcare	Încărcător (opțional)	CHV1600E
	Adaptor (opțional)	ACA1000
	Interval de temperatură încărcare	5°C - 40°C
Reglare înălțime de tăiere (10 poziții)		25 – 100 mm
Temperatură de funcționare		0°C - 40°C
Temperatură de depozitare		-20°C - 70°C
Greutate (fără set de acumulatori)		217 kg
Nivel de putere sonoră măsurată $L_{WA}$		95,48 dB(A) K=0,73 dB(A)
Nivel de presiune sonoră la urechea operatorului $L_{PA}$		82,5 dB(A) K=3 dB(A)

RO

Nivel de putere sonoră garantat $L_{WA}$ (măsurat în conformitate cu 2000/14/CE)		100 dB(A)
Vibrații $a_h$	Mână	0,69 m/s <sup>2</sup> K=1,5 m/s <sup>2</sup>
	Corp	0,3 m/s <sup>2</sup> K=1,5 m/s <sup>2</sup>

- Valoarea totală declarată a vibrațiilor a fost măsurată în conformitate cu o metodă standard de testare și poate fi utilizată pentru compararea sculelor între ele;
- Valoarea totală declarată poate fi utilizată în evaluarea preliminară a expunerii.

**OBSERVAȚIE:** Vibrațiile emise în timpul utilizării efective a sculei electrice pot diferi față de valoarea celor declarate pentru scula utilizată; Pentru protejarea operatorului, utilizatorul trebuie să poarte mănuși și protecții auditive în timpul utilizării efective a produsului.

## DESCRIEREA

### CUNOAȘTEȚI COSITOAREA (FIG. A1 ȘI A2)

RO

- Scaun
- Port de încărcare
- Unitate de putere
- Lumina din spate cu LED-uri
- Compartimentul de depozitare
- Suporturi pentru pahar
- Lumina laterală cu LED
- Roată spate (roată motrice)
- Port de spălare
- Platformă
- Protector de punte
- Roată anti-scalpare iarbă
- Roată frontală
- Pedală frână parcare
- Lumini de funcționare de zi
- Faruri cu LED
- Jgheab de descărcare laterală

- Manetă de reglare a înălțimii punții
- Buton de reglare a suspensiilor scaunului
- Manetă de reglare a înălțimii șezutului
- Bare de poală
- Indicator de stare a cositoarei
- Ecran LCD
- Comutator PTO
- Butonul Start/Stop
- Cheie de siguranță
- Slot de depozitare a telefonului
- Bara defletoar
- Indicator de măsurare a combustibilului și stare a mașinii de tuns
- Indicator de măsurare a combustibilului din mașina de tuns
- Indicator de stare a cositoarei
- Zona de odihnă a picioarelor
- Butonul de eliberare a capacului unității de alimentare
- Capacul unității de alimentare
- Unitate de alimentare cu șase compartimente pentru baterii
- Buton de detașare a acumulatorului
- Cârlig
- Capacul de montare a atașamentului
- Depozitarea capacului de montare a atașamentului
- Port USB

### CUNOAȘTEȚI ECRANUL LCD (FIG. A3)

Consultați secțiunea „STAREA DE REFERINȚĂ ȘI COD DE DEFEȚIUNE A MAȘINII DE TUNS IARBA” pentru mai multe informații despre pictograme și indicatorii de pe ecranul LCD.

- Pictograma cheii de siguranță
- Pictogramă Lumini LED
- Pictogramă parcare automată
- Pictogramă USB
- Indicator de viteză a lamei
- Indicator de stare a dispozitivului de siguranță

7. Contor de ore
8. Pictograma compartimentului de baterie liber
9. Pictograma Temperatură
10. Pictograma compartimentului de baterie ocupat
11. Modul conducere
12. Indicator de cod de defecțiune
13. Indicator de suprasarcină
14. Indicator de putere redusă
15. Indicator de viteză de conducere
16. Indicator de încărcare
17. Indicator de combustibil
18. Butonul de reglare a vitezei lamei
19. Butonul Setare
20. Buton Mod de conducere
21. Comutator de lumină cu LED
22. Buton de reglare a vitezei de conducere

## DESPACHETAREA

**OBSERVAȚIE:** Păstrați materialele de ambalare până când ați inspectat cu atenție și ați utilizat produsul în mod satisfăcător. Dacă există piese din lista de ambalare asamblate pe aparat, vă rugăm să contactați instantaneu serviciul EGO.

**OBSERVAȚIE:** Cu excepția instrumentelor din lista de ambalare de mai jos, toate celelalte instrumente menționate în manuale sunt doar recomandate, dar nu sunt furnizate.

### LISTA COMPONENTELOR (Fig. B)

B-1	Mașină de tuns iarba fără virare	B-6	Chei de siguranță
B-2	Scaun	B-7	Chei deschise (13mm)
B-3	Manetă de direcție	B-8	Imbus
B-4	Șuruburi cu cap imbus(2 pentru rezervă)	B-9	Cuplaj rapid cu port de spălare

B-5	Șuruburi hexagonale (2 pentru rezervă)	B-10	Manual de utilizare
-----	--	------	---------------------

### ACCESORII RECOMANDATE

**⚠ AVERTISMENT:** Utilizați numai piese de schimb identice enumerate mai jos. Utilizarea pieselor care nu întrunesc specificațiile echipamentului original pot duce la funcționarea inadecvată și la compromiterea siguranței.

DENUMIREA PIESELOR	NUMĂR MODEL
Lama standard	AB5200
Lamă cu ridicare mare	AB5201
Kit de mulcire	ABP5200
Sac colector de iarbă	ABK5200-A
Bara de protecție spate	AMB1000
Cutia de încărcare	AMG1000
Umbrela de soare	AMS1000

## ASAMBLARE

RO

### INSTALAREA SCAUNULUI (Fig. C1 & C2)

**⚠ AVERTISMENT:** Sistemul de blocare a siguranței nu trebuie deconectat sau ocolit. Dacă faceți acest lucru, mașina de tuns iarba poate funcționa în mod neașteptat, provocând vătămări corporale.

**OBSERVAȚIE:** Pentru siguranța dvs., mașina de tuns iarba poate opri conducerea, deoarece întrerupătorul scaunului s-a deconectat în timpul conducerii. În acest caz, vă rugăm să consultați secțiunea „DEPANARE” pentru mai multe informații.

C1-1	Cablu	C1-5	Șuruburi cu cap imbus
C1-2	Fișă	C2-1	Cârlig
C1-3	Racord	C2-2	Șine de oțel
C1-4	Baza de suspensie	C2-3	Șuruburi cu cap imbus

## INSTALAREA MANETEI DE DIRECȚIE (Fig. C3)

C3-1	Maneta de direcție	C3-3	Găuri de montare a manete de direcție
C3-2	Șuruburi hexagonale		

## FUNCȚIONARE

### ÎNAINTE SĂ UTILIZAȚI MAȘINA DE COSIT

#### Verificarea mediului

- Asigurați-vă că zona de lucru este liberă de copii, spectatori și animale de companie.
- Eliberați zona de lucru de obiectelor care pot fi aruncate de lamele de tuns.
- Verificați și asigurați-vă că luminile LED sunt în stare corectă:
  - Farurile, luminile laterale și luminile din spate sunt controlate de comutatorul cu LED.
  - Luminile de funcționare sunt întotdeauna aprinse în timpul conducerii.
  - Când dați cu spatele, dacă luminile din spate sunt stinse, acestea vor clipi pentru a avertiza spectatorii; dacă luminile din spate sunt aprinse, acestea vor rămâne aprinse.
  - Toate luminile se vor stinge automat atunci când mașina de tuns iarba se oprește automat după o perioadă fără a funcționa.

#### Verificați presiunii pneurilor la rece (Fig. D1)

#### Verificarea stării cositoarei și a nivelului de încărcare a bateriei

- Indicator de măsurare a combustibilului cositoarei (Fig. A2-27a)  
Fiecare segment al indicatorului de măsurare a combustibilului pentru cositoare indică o încărcare de 20% a pachetelor de baterii introduse.

**OBSERVAȚIE:** Indicatorul de măsurare a combustibilului mașinii de tuns și indicatorul de combustibil de pe ecranul LCD indică capacitatea medie a pachetelor de baterii introduse.

- Indicatorul de stare de pe mașina de tuns iarba (Fig. A1 & Fig. A2 - 27b)

Dacă indicatorul de stare este verde, mașina de tuns iarba este pregătită pentru a conduce. În caz contrar, vă rugăm să consultați secțiunea „**STAREA DE REFERINȚĂ ȘI COD DE DEFECȚIUNE A MAȘINII DE TUNS IARBA**”

#### Testarea sistemului de blocare a siguranței (Fig. D2 - Fig. D8)

**OBSERVAȚIE:** Operatorul trebuie să fie pe scaun înainte de test.

- Înainte de testare (Fig. D2 - Fig. D4)
- Pentru a testa sistemul de lame-punte (Fig. D5), apoi ridicați-vă încet
- Pentru a testa sistemul de conducere (Fig. D6 - Fig. D8), apoi ridicați-vă încet

Dacă sistemul de lamă de punte și/sau sistemul de conducere nu se oprește atunci când operatorul nu este pe scaun și dacă cauza nu poate fi determinată după ce ați confirmat că, conexiunea scaunului și priza scaunului sunt bine conectate, contactați centrul de service clienți EGO imediat.

## AJUSTĂRI (Fig. E1 - Fig. E13)

### Pregătire (Fig. E1 - Fig. E5)

### Reglarea înălțimii de tăiere (Fig. E6)

### Reglarea roților anti-scalpare (Fig. E7 - Fig. E10)

E7-1	Roată anti-scalpare iarba	E9-2	Șurub lung
E9-1	Piuliță	E10-1	Etichetă înălțime punte

### Reglarea scaunului (Fig. E11)

Reglați poziția scaunului pentru a vă asigura că puteți atinge ferm pedala de frână parcare înainte de a folosi mașina de tuns iarba. Reglarea suspensiei scaunului vă poate face să realizați cea mai confortabilă experiență pe scaun.

E11-1	Manetă de reglare a înălțimii șezutului	E11-2	Buton de reglare a suspensiei scaunului
-------	---	-------	---

### Reglarea frânei parcare (Fig. E12 - Fig. E13)

E13-1	Poziția de frânare	E13-2	Poziția eliberată
-------	--------------------	-------	-------------------

### ÎNCĂRCAREA (Fig. F1 - Fig. F11)

Pentru a porni această mașină de tuns iarba, sunt necesare baterii EGO cu valoare totală de 15 Ah (2 X BA4200/BA4200T) sau mai mult. Pentru cele mai bune performanțe, vă recomandăm utilizarea bateriilor EGO care totalizează 30 Ah sau mai mult.

**A se utiliza numai cu bateriile și încărcătoarele recomandate. (Fig. F9 & F10)**

#### Pregătirea pentru încărcare (Fig. F1 - Fig. F4)

#### Încărcarea separată a pachetului (pachetelor) de baterii (Fig. F5 - Fig. F9)

F5-1	Butonul de eliberare a capacului	F7-1	Buton de eliberare a acumulatorului
------	----------------------------------	------	-------------------------------------

- Pentru a atașa acumulatorul:(Fig. F5 – Fig. F6)
- Pentru a detașa acumulatorul(Fig. F7 – Fig. F8)

**OBSERVAȚIE:** Încărcați acumulatorul (acumulatorii) consultați manualele corespunzătoare ale bateriei și încărcătorului.

#### Încărcarea pachetelor de baterii prin portul de încărcare (Fig. F10)

F10-1	Apărătoare de praf	F10-2	Port de încărcare
-------	--------------------	-------	-------------------

### PORNIREA COSITOAREI

#### (Fig. A4 – Fig. A5 & Fig. G1 – Fig. G6)

**⚠ AVERTISMENT:** Evitați pornirile, opririle și întoarcerile bruște, precum și viteza excesivă, mai ales atunci când învățați să folosiți mașina de tuns iarba. Cositoarea se poate roti rapid, ceea ce poate determina pierderea controlului și poate duce la vătămări grave și/sau daune.

**⚠ AVERTISMENT:** Înainte de a porni mașina de tuns iarba, verificați și asigurați-vă că lamele sunt decuplate în decurs de 5 secunde atunci când apăsați întrerupătorul prizei de putere PTO în jos. Dacă lamele nu se opresc, nu utilizați cositoarea și contactați imediat serviciul clienți EGO.

**OBSERVAȚIE:** Urmați figurile A4 și fig. G2 pentru a obține cea mai mică viteză de rulare și modul de conducere **STANDARD** până când sunteți pe deplin capabil să acționați mașina de tuns iarba în toate situațiile. Viteza de rulare și modul de conducere se vor activa numai atunci când roțile cositoarei sunt oprite și maneta de direcție sunt deschise.

Mașina de tuns iarba va salva și va prezenta modul de conducere, viteza de deplasare și calibrarea manetelor de direcție anterioare la repornirea acesteia.

#### Modul de conducere

- **CONTROLUL:** Accelerație mai mică, manevrare mai puțin sensibilă și viteză ușoară de virare pentru a proteja iarba și pe noii utilizatori.
- **STANDARD:** Perfect pentru utilizarea de zi cu zi.
- **SPORT:** Accelerație mai mare, manevrabilitate precisă și întoarcere bruscă pentru a maximiza eficiența cosirii și pentru pasionații de cosire

#### Reglarea vitezei de conducere (Fig. A4)

#### Reglarea vitezei lamei (fig. A5)

#### Port USB

**OBSERVAȚIE:** Portul USB asigură o putere de încărcare de 5 Volt DC la un consum combinat de 1,5 Amperi și este alimentat numai când mașina de tuns iarba este pornită.

### OPRIREA MAȘINII DE TUNS IARBA (Fig. H1 – Fig. H6)

**OBSERVAȚIE:** După mai mult de 60 minute fără a funcționa, cositoarea se va opri automat.

#### Modul Limp-Home

Când încărcarea bateriei scade, mașina de tuns iarba va intra în modul Limp-Home:

- Cositoarea oprește automat tăierea ierbii;
- Indicatorul sonor va continua să sune;
- Indicatorul de stare a cositoarei va clipi roșu în fiecare secundă, primul segment al indicatorului de combustibil al cositoarei va clipi roșu și atât indicatorul de putere redusă, cât și pictograma bateriei de pe indicatorul de combustibil vor clipi.

Operatorul ar trebui:

- Să apese comutatorul PTO în jos (Fig. H3) pentru a decupla lamele. Indicatorul de semnal sonor nu va mai suna atunci când lama se oprește;
- Nu mai lucrați și mergeți la zona de încărcare a bateriei cât mai curând posibil. Distanța maximă pe care o poate parcurge mașina de tuns iarba este de 1000 m.

Când bateria este aproape epuizată, pictograma fiecărui compartiment ocupat al bateriei și indicatorul de consum redus vor clipi la fiecare jumătate de secundă. Cositoarea nu va mai funcționa imediat. Operatorul ar trebui să transporte mașina de tuns iarba în zona de încărcare a bateriei pentru încărcare.

### Împingere manuală

Dacă este necesară împingerea manuală, asigurați-vă că bateriile sunt deconectate de la cositoare și că pedala frână parcare este eliberată din poziția de frânare.

### CONDUCEREA COSITOAREI (Fig. I1 - Fig. I9)

Pentru a opri, micșora sau mări viteza, schimbați încet distanța manetei de direcție de la neutru.

**⚠ PERICOL:** Stai cel puțin două lățimi de cosit departe de orice șanțuri, pante, sau apă. Roțile din față se pot roti atunci când mașina de tuns iarba este oprită, chiar și cu frâna acționată, și poate provoca, ca mașina de tuns iarba să pornească peste margine sau în apă și poate duce la moarte sau vătămări corporale grave.

**⚠ AVERTISMENT:** Fiți conștienți de ceea ce se află în spatele cositoarei înainte de a da cu spatele. NU cosiți în sens invers, dacă nu este absolut necesar. Priviți întotdeauna în jos și în spate înainte și în timp ce dați înapoi pentru a vă asigura că niciun copil, persoane din apropiere sau animale de companie nu intră în zona de cosit. Amintiți-vă că o fracțiune de secundă de neglijență este suficientă pentru provoca moartea sau rănirea gravă.

**⚠ AVERTISMENT:** Nu folosiți această mașină pe drumurile publice.

**⚠ AVERTISMENT:** Dacă se întâmplă blocarea sau se lovești un obiect străin, opriți motoarele și scoateți bateriile. Îndepărtați tăieturile de iarba, frunzele, murdăria și orice alte resturi acumulate; inspectați cu atenție

mașina de tuns iarba și reparați daunele înainte de a reporni și de a folosi mașina de tuns iarba.

## ÎNȚREȚINEREA

**⚠ AVERTISMENT:** Purtați întotdeauna ochelari de protecție cu apărători laterale. Nerespectarea acestei instrucțiuni ar putea avea ca rezultat proiectarea în ochi a obiectelor și alte posibile vătămări grave.

**⚠ AVERTISMENT:** Protejați-vă întotdeauna mâinile purtând mănuși rezistente sau înfășurând marginile tăioase cu cârpe sau alte materiale când efectuați orice operație de întreținere asupra lamei de tăiere. Scoateți întotdeauna cheia de siguranță și setul de acumulatori când efectuați operații de întreținere sau transportați mașina de tuns iarba.

Intervalele de întreținere service	Procedura de întreținere
Înainte de fiecare utilizare sau zilnic	<ul style="list-style-type: none"> <li>Verificați sistemul de siguranță</li> <li>Verificați vizual anvelopa dacă are pana.</li> <li>Inspectați lamele dacă sunt uzate, fisurate sau îndoite</li> <li>Inspectați întregul produs pentru a găsi piese deteriorate, lipsă sau slăbite, cum ar fi jghebul de descărcare laterală, șuruburi, piulițe, șuruburi, capace etc., asigurându-vă că toate dispozitivele de protecție sunt la locul lor și funcționează corect.</li> <li>Verificați funcționarea frânei</li> </ul>
După fiecare utilizare	<ul style="list-style-type: none"> <li>Curățați puntea cositoarei.</li> </ul>
La fiecare 25 or	<ul style="list-style-type: none"> <li>Verificați presiunea anvelopelo .</li> </ul>
La fiecare 50 or	<ul style="list-style-type: none"> <li>Verificați starea ungeri din interiorul flanșei lamei de tăiere</li> </ul>

RO

La fiecare 100 or	<ul style="list-style-type: none"> <li>Verificați roțile din spate, asigurându-vă că cele toate piulițe sunt fixate la cuplul recomandat.</li> </ul>
La fiecare 200 or	<ul style="list-style-type: none"> <li>Verificați roțile din față, asigurându-vă că acestea se rotesc liber.</li> </ul>
Anual	<ul style="list-style-type: none"> <li>Verificați pedala frână parcare. Scoateți bateria din mașină de tuns și puneți pedala de parcare în poziția de frânare. Împingeți manual mașina de tuns iarba înainte pentru a vedea dacă mașina de tuns iarba poate fi mutată sau nu. În cazul în care se deplasează, întrețineți-o de un tehnician de service calificat</li> </ul>

## CURĂȚAREA MAȘINII DE TUNS IARBA (Fig. J1 – Fig. J9)

Pregătire (Fig. J1 - Fig. J5)

Curățarea carcasei cositoarei (Fig. J6 - Fig. J7)

Utilizarea orificiului de spălare pentru curățarea platformei de tuns iarba (Fig. J8 - Fig. J9)

J8-1	Port de spălare	J8-3	Furtun de grădină
J8-2	Cuplaj rapid cu port de spălare		

**OBSERVAȚIE:** La terminarea curățării, împingeți comutatorul PTO în jos pentru a decupla lamele cositoarei.

## ÎNTREȚINEREA PUNȚII COSITOAREI ȘI A LAMELOR DE TĂIERE

Pregătire (Fig. K1 - Fig. K6)

Demontarea punții mașinii de tuns (Fig. K7 - Fig. K8)

K7-1	Cablu motor	K7-3	Legături suspensii
K7-2	Cui spintecat		

**OBSERVAȚIE:** Deconectați toate cablurile motorului și cunile spintecate atunci când scoateți puntea mașinii de tuns iarba.

Înlocuirea lamelor de tăiere (Fig. K9 - Fig. K11)

K9-1	Stabilizator	K10-3	Lamă
K10-1	Bolț	K10-4	Flanșă
K10-2	Șaibă	K10-5	Ax motor

Nivelarea punții mașinii de tuns iarba

a. Când se nivelează (Fig. K12 - Fig. K14)

b. Înainte de nivelare

- Verificați presiunea în pneuri la rece (Fig. K15)
- Verificați lamele de tăiere. Scoateți și înlocuiți lamele uzate, crăpate și/sau îndoite, după cum este necesar.

c. Pregătirea pentru nivelare (Fig. K16 - Fig. K21)

d. Cum se nivelează

- Pentru a face reglarea laterală (Fig. K22)

K22-1	Blocare piuliță
-------	-----------------

- Pentru a efectua reglarea față-spate (Fig. K23)

## CALIBRAREA SISTEMULUI DE URMĂRIRE A COSITOAREI (Fig. L1 - Fig. L4)

**OBSERVAȚIE:** Indicatorul de semnal sonor va suna o dată atât la începerea calibrării, cât și la terminarea calibrării.

**OBSERVAȚIE:** Calibrarea finalizată pentru unul dintre modurile de conducere ("CONTROL", "STANDARD", "SPORT") poate să nu fie disponibilă pentru celelalte două moduri. Calibrați manetele de direcție în fiecare mod de conducere independent, după cum este necesar.

## RESETAREA COSITOAREI LA REGLAREA ÎNIȚIALĂ DIN FABRICĂ (Fig. M)

**OBSERVAȚIE:** Indicatorul de semnal sonor va suna o dată atât la începerea resetării, cât și la finalizarea resetării.

**OBSERVAȚIE:** Atunci când resetarea este reușită, setările de mai jos vor reveni la setările inițiale din fabrică:

- modul de conducere

- viteza de deplasare
- calibrarea manetelor de direcție

## DEPOZITARE ȘI TRANSPORT

### TRANSPORTUL MAȘINII DE TUNS IARBA (FIG. N1 – FIG. N11)

**OBSERVAȚIE:** Asigurați mașina de tuns iarbă după cum este necesar, folosind curele sau cabluri pentru a preveni mișcarea în timpul transportului.

### DEPOZITARE (Fig. O1 - Fig. O6)

**OBSERVAȚIE:** Scoateți pachetele de baterii și depozitați bateriile, consultați manualele corespunzătoare.

Curățați și verificați mașina de tuns iarbă înainte de depozitare, consultați secțiunile „**CURĂȚAREA MAȘINII DE TUNS IARBA**” și „**PROGRAMUL (E) DE ÎNTREȚINERE RECOMANDAT**”.

### Protejarea mediului înconjurător




DEEE (Deșeuri de echipamente electrice și electronice) - Nu eliminați echipamentul electric, acumulatorul epuizat și încărcătorul de acumulator împreună cu deșeurile menajere! Predați acest produs unui punct de reciclare autorizat și puneți-l la dispoziția colectării separate. Sculele electrice trebuie returnate unui centru de reciclare ecologic.

RO

KES VAN DER SPEK  
MACHINES \* STOLWIJK




## DEPANAREA

PROBLEMĂ	CAUZĂ	SOLUȚIE
<p>Mașina de tuns iarba nu funcționează atunci când cele două manete de direcție sunt împinse înainte sau înapoi la început.</p>  <p>Pictograma manetei de direcție clipește</p>	<ul style="list-style-type: none"> <li>Ah combinat al bateriilor introduse nu îndeplinește cerințele.</li> </ul>	<ul style="list-style-type: none"> <li>Pentru a porni această mașină de tuns iarba, utilizați destule baterii EGO urmând instrucțiunile din secțiunea „<b>ÎNCĂRCARE</b>” din acest manual.</li> </ul>
	<ul style="list-style-type: none"> <li>Pedala de frână de parcare este setată în poziția de frânare.</li> </ul>	<ul style="list-style-type: none"> <li>Apăsați complet pedala frână parcare pentru a o elibera din poziția de frânare.</li> </ul>
	<ul style="list-style-type: none"> <li>Manetele de direcție nu sunt în poziția deschisă la pornirea cositoarei.</li> </ul>	<ul style="list-style-type: none"> <li>Puneți manetele de direcție în poziția deschisă și reporniți cositoarea.</li> </ul>
	<ul style="list-style-type: none"> <li>Operatorul nu stă pe scaun.</li> </ul>	<ul style="list-style-type: none"> <li>Numai atunci când operatorul este așezat în mod corespunzător pe scaun, poate folosi mașina de tuns iarba.</li> </ul>
	<ul style="list-style-type: none"> <li>Comutatorul scaunului nu este conectat corect.</li> </ul>	<ul style="list-style-type: none"> <li>Scoateți bateria din cositoare și dezamblați scaunul în ordinea inversă a instrucțiunilor din secțiunea „<b>INSTALAREA SCAUNULUI</b>” din acest manual pentru a inspecta conexiunea comutatorului scaunului. Reasamblați scaunul și urmați instrucțiunile din „<b>PORNIREA MAȘINII DE TUNS IARBA</b>” pentru a reporni cositoarea pentru a vedea dacă cositoarea poate fi pornită. Dacă nu, contactați un tehnician de service calificat pentru reparații</li> </ul>
	<ul style="list-style-type: none"> <li>Pe vreme extremă rece, este posibil ca funcția de conducere să nu pornească cu succes din cauza protecției la temperatură scăzută.</li> </ul>	<ul style="list-style-type: none"> <li>Depozitați întotdeauna cositoarea și bateria într-un mediu cald. Reporniți cositoarea când este încălzită. Vă rugăm să nu faceți încercări repetate pe timp extrem de rece, care ar putea deteriora mașina.</li> </ul>

RO

PROBLEMĂ	CAUZĂ	SOLUȚIE
Mașina de tuns iarbă se oprește din mers	<ul style="list-style-type: none"> <li>Manetele de direcție necesită o „resetare”.</li> </ul>	<ul style="list-style-type: none"> <li>Puneți manetele de direcție în poziția deschisă și reporniți cositoarea.</li> </ul>
	<ul style="list-style-type: none"> <li>Componentele electrice de comandă ale manetelor de direcție sunt defectate.</li> </ul>	<ul style="list-style-type: none"> <li>Contactați un tehnician de service calificat pentru reparații.</li> </ul>
	<ul style="list-style-type: none"> <li>Comutatorul scaunului a fost deconectat în timpul conducerii pe un teren accidentat.</li> </ul>	<ul style="list-style-type: none"> <li>Scoateți bateria din cositoare și dezamblați scaunul în ordinea inversă a instrucțiunilor din secțiunea „<b>INSTALAREA SCAUNULUI</b>” din acest manual pentru a inspecta conexiunea comutatorului scaunului. Reasamblați scaunul și urmați instrucțiunile din „<b>PORNIREA MAȘINII DE TUNS IARBA</b>” pentru a reporni cositoarea pentru a vedea dacă cositoarea poate fi pornită. Dacă nu, contactați un tehnician de service calificat pentru reparații</li> </ul>
	<ul style="list-style-type: none"> <li>Pedala frânei de parcare este apăsată pentru a reduce viteza de deplasare. Odată ce pedala frânei de parcare este apăsată suficient, dar nu până la poziția de parcare, mașina de tuns iarba se va opri.</li> </ul>	<ul style="list-style-type: none"> <li>Urmați instrucțiunile de la "<b>PORNIREA COSITOAREI</b>" pentru a reporni mașina de tuns iarba.</li> </ul>
Viteza de conducere cu/modul de conducere nu pot fi reglate în timpul mersului.	<ul style="list-style-type: none"> <li>Aceasta este o caracteristică a mașinii de tuns iarba pentru o conducere sigură.</li> </ul>	<ul style="list-style-type: none"> <li>Funcția se va activa numai atunci când roțile cositoarei sunt oprite și manetele de direcție sunt deschise.</li> </ul>

RO

PROBLEMĂ	CAUZĂ	SOLUȚIE
<p>Mașina de tuns iarba, nu pornește lamele atunci când comutatorul prizei de putere (PTO) este cuplat.</p>  <p>Pictograma PTO Switch clipește</p>	<ul style="list-style-type: none"> <li>Ah combinat al bateriilor introduse nu îndeplinește cerințele.</li> </ul>	<ul style="list-style-type: none"> <li>Pentru a porni această mașină de tuns iarba, utilizați destule baterii EGO urmând instrucțiunile din secțiunea „<b>ÎNCĂRCARE</b>” din acest manual.</li> </ul>
	<ul style="list-style-type: none"> <li>Comutatorul PTO nu este apăsat în jos când mașina de tuns iarba a fost oprită ultima dată.</li> </ul>	<ul style="list-style-type: none"> <li>Apăsați comutatorul PTO în jos și reporniți lamele cositoarei.</li> </ul>
	<ul style="list-style-type: none"> <li>Cositoarea este supraîncărcată în momentul pornirii lamelor, rezultând o auto-protecție a motorului.</li> </ul>	<ul style="list-style-type: none"> <li>Porniți cositoarea în viteză mai mică a lamei la început și până când lamele obțin o rotație reușită, nu accelerați viteza lamei, după cum este necesar.</li> </ul>
	<ul style="list-style-type: none"> <li>Pe vreme extremă rece, este posibil ca motorul lamei să nu pornească cu succes din cauza protecției la temperatură scăzută.</li> </ul>	<ul style="list-style-type: none"> <li>Depozitați întotdeauna cositoarea și bateria într-un mediu cald. Reporniți cositoarea când este încălzită. Vă rugăm să nu faceți încercări repetate pe timp extrem de rece, care ar putea deteriora mașina.</li> </ul>
	<ul style="list-style-type: none"> <li>Lama interferează cu puntea de tuns deformată.</li> </ul>	<ul style="list-style-type: none"> <li>Contactați un tehnician de service calificat pentru reparații.</li> </ul>

PROBLEMĂ	CAUZĂ	SOLUȚIE
Lamele nu mai funcționează în timpul tăierii ierbii.	<ul style="list-style-type: none"> <li>Mașina de tuns iarbă este supraîncărcată.</li> </ul>	<ul style="list-style-type: none"> <li>Ridicați înălțimea de tăiere a punții sau încetiniți viteza de deplasare pentru a reduce sarcina cositoarei.</li> </ul>
	<ul style="list-style-type: none"> <li>Mașina de tuns iarbă este înfundată cu iarbă și resturi.</li> </ul>	<ul style="list-style-type: none"> <li>Curățați puntea cositoarei și asigurați-vă că lamele au libertate de mișcare.</li> </ul>
	<ul style="list-style-type: none"> <li>Mașina de tuns iarbă este supra-încălzită.</li> </ul>	<ul style="list-style-type: none"> <li>Reduceți sarcina cositoarei, ridicând înălțimea de tăiere a punții sau reducând viteza lamei/ de deplasare și lăsați mașina de tuns să se răcească.</li> </ul>
	<ul style="list-style-type: none"> <li>Acumulatorul (bateriile) din compartimentul pentru baterii al mașinii de tuns iarbă este supraîncălzit, rezultând o evaluare combinată Ah a tuturor bateriilor introduse ca ne-îndeplinind cerința.</li> </ul>	<ol style="list-style-type: none"> <li>Dacă valoarea Ah a bateriilor combinată nu îndeplinește cerințele, mașina de tuns iarbă nu va funcționa până când nu vor fi introduse mai mulți acumulatori în componentele bateriei libere. Odată ce bateria supra-încălzită revine la temperatura normală, aceasta se va alătura imediat la puterea cositoarei.</li> </ol>
		<ol style="list-style-type: none"> <li>Reduceți sarcina cositoarei ridicând înălțimea de tăiere a punții sau încetinind cosirea la reluarea operației.</li> </ol>
	<ul style="list-style-type: none"> <li>Cositoarea este în modul Limp-Home.</li> </ul>	<ul style="list-style-type: none"> <li>Când mașina de tuns iarbă este în modul Limp-Home, lamele sunt comutate automat în viteză de rotație redusă, fără tăiere iarbă. Operatorul ar trebui oprească munca și să meargă în zona de încărcare a bateriei cât mai curând posibil.</li> </ul>
	<ul style="list-style-type: none"> <li>Mașina de tuns iarbă a lovit un obiect străin, rezultând în auto-protecția motorului.</li> </ul>	<ul style="list-style-type: none"> <li>Apăsați comutatorul PTO în jos și reporniți lamele de tuns.</li> </ul>
Indicatorul de semnal sonor continuă să sune.	<ul style="list-style-type: none"> <li>Cositoarea este în modul Limp-Home și lamele nu sunt oprite.</li> </ul>	<ul style="list-style-type: none"> <li>Apăsați comutatorul PTO în jos pentru a decupla lamele punții. Indicatorul de semnal sonor nu va mai suna atunci când lama se oprește.</li> </ul>
	<ul style="list-style-type: none"> <li>Cositoarea încetează să meargă pe o pantă, iar operatorul deschide manetele de direcție și se dă jos de pe scaun fără a pune pedala de frână de parcare în poziția de frânare.</li> </ul>	<ul style="list-style-type: none"> <li>Puneți pedala frână parcare în poziția de frânare înainte de a lăsa cositoarea în pantă.</li> </ul>

PROBLEMĂ	CAUZĂ	SOLUȚIE
Indicatoarele bateriei sunt încă aprinse când mașina de tuns iarba este oprită.	<ul style="list-style-type: none"> <li>Când mașina de tuns iarba este oprită, fără a scoate acumulatorul (bateriile) de la mașină de tuns, indicatoarele bateriei, butonul start/stop și butonul de setare vor rămâne aprinse pentru o perioadă.</li> </ul>	<ul style="list-style-type: none"> <li>Nu este necesară nicio acțiune. Indicatoarele bateriei se vor stinge când mașina de tuns iarba se oprește după o perioadă. Consultați secțiunea <b>"OPRIREA MAȘINII DE TUNS IARBA"</b> pentru o anumită perioadă de timp.</li> </ul>
	<ul style="list-style-type: none"> <li>Când mașina de tuns iarba este oprită pe o pantă fără a seta pedala de frână de parcare în poziția de frânare, indicatoarele bateriei vor rămâne aprinse până când încărcarea bateriei se va epuiza. Indicatorul de semnal sonor continuă să sune în același timp.</li> </ul>	<ul style="list-style-type: none"> <li>Puneți pedala frână de parcare în poziția de frânare înainte ca operatorul să lase scula pe pantă.</li> </ul>
Ecranul LCD nu poate fi iluminat cu toate pictogramele activate.	<ul style="list-style-type: none"> <li>Timpul de apăsare pe a butonului de pornire/oprire nu este suficient</li> </ul>	<ul style="list-style-type: none"> <li>Ecranul LCD va afișa „Fuel Gauge” numai atunci când butonul de pornire/oprire este apăsat scurt.</li> </ul>
		<ul style="list-style-type: none"> <li>Ecranul LCD se va aprinde după ce butonul de pornire/oprire a fost apăsat suficient timp</li> </ul>
Cositoarea taie inegal, cu diferențe semnificative de înălțime față-spate.	<ul style="list-style-type: none"> <li>Lamele sunt tocite.</li> </ul>	<ul style="list-style-type: none"> <li>Ascuțiți sau înlocuiți lama de tăiere conform instrucțiunilor din acest manual.</li> </ul>
	<ul style="list-style-type: none"> <li>Lamele sunt îndoite.</li> </ul>	<ul style="list-style-type: none"> <li>Înlocuiți lama de tăiere îndoită urmând instrucțiunile din secțiunea <b>„ÎNLOCUIREA LAMEI DE TĂIERE”</b>.</li> </ul>
	<ul style="list-style-type: none"> <li>Puntea cositoarei nu este nivelată, rezultând înălțimi diferite a lamei de tăiere.</li> </ul>	<ul style="list-style-type: none"> <li>Nivelați puntea de tuns iarba urmând instrucțiunile din secțiunea <b>„NIVELAREA PUNȚII MAȘINII DE TUNS IARBA”</b>.</li> </ul>
Înălțimea efectivă de tăiere a ierbii nu este aliniată cu înălțimea revendicată.	<ul style="list-style-type: none"> <li>Piulițele punții cositoarei sunt slăbite pe legătura cu suspensiile.</li> </ul>	<ul style="list-style-type: none"> <li>Urmați instrucțiunile din secțiunea <b>„NIVELAREA PUNȚII MAȘINII DE TUNS IARBA”</b> pentru a face o reglare corectă față-spate pentru puntea cositoarei și strângeți sigur piulițele de legătura pentru suspensie.</li> </ul>
	<ul style="list-style-type: none"> <li>Puntea cositoarei este deteriorată sau uzată grav.</li> </ul>	<ul style="list-style-type: none"> <li>Urmați instrucțiunile din secțiunea <b>„DEMONTAREA PUNȚII MAȘINII DE TUNS IARBA”</b> pentru a înlocui puntea cositoarei.</li> </ul>

PROBLEMĂ	CAUZĂ	SOLUȚIE
Cositoarea nu mărunțește corect.	<ul style="list-style-type: none"> <li>Resturile de iarbă tăiată udă se lipesc de dedesubtul carcasei.</li> </ul>	<ul style="list-style-type: none"> <li>Așteptați să se usuce iarba înainte de a tunde.</li> </ul>
	<ul style="list-style-type: none"> <li>Mașina de tuns iarbă este setată să taie prea multă iarbă odată.</li> </ul>	<ul style="list-style-type: none"> <li>Ridicați înălțimea de tăiere a punții.</li> </ul>
Există vibrații excesive.	<ul style="list-style-type: none"> <li>Reascuțiți lamele de tăiere.</li> </ul>	<ul style="list-style-type: none"> <li>Strângeți șurubul lamei la cuplul recomandat.</li> </ul>
	<ul style="list-style-type: none"> <li>Lamele sunt îndoite.</li> </ul>	<ul style="list-style-type: none"> <li>Înlocuiți lama de tăiere îndoită urmând instrucțiunile din secțiunea „<b>ÎNLOCUIREA LAMEI DE TĂIERE</b>”.</li> </ul>
	<ul style="list-style-type: none"> <li>Puntea cositoare nu este nivelată.</li> </ul>	<ul style="list-style-type: none"> <li>Nivelați puntea de tuns iarba urmând instrucțiunile din secțiunea „<b>NIVELAREA PUNȚII MAȘINII DE TUNS IARBA</b>”.</li> </ul>
	<ul style="list-style-type: none"> <li>Piulițele punții cositoare sunt slăbite la legătura suspensiei.</li> </ul>	<ul style="list-style-type: none"> <li>Strângeți piulițele de pe legătura de suspensie.</li> </ul>
	<ul style="list-style-type: none"> <li>Mașina de tuns iarbă este setată să taie prea multă iarbă odată.</li> </ul>	<ul style="list-style-type: none"> <li>Ridicați înălțimea de tăiere a punții.</li> </ul>
Există iarbă sau resturi pe pământ după tuns.	<ul style="list-style-type: none"> <li>Cositoarea este setată să taie prea multă iarbă odată când iarba este înaltă.</li> </ul>	<ul style="list-style-type: none"> <li>Începeți cu o înălțime ridicată de tăiere și reduceți-o până când se obține rezultatul dorit la cosit. Iarba de peste 6 cm înălțime ar trebui tunsă de două ori, la înălțimi de tăiere succesive.</li> </ul>
	<ul style="list-style-type: none"> <li>Iarba este udă.</li> </ul>	<ul style="list-style-type: none"> <li>Nu cosiți când iarba este umedă până când iarba nu se usucă.</li> </ul>
	<ul style="list-style-type: none"> <li>Viteza de conducere este mare.</li> </ul>	<ul style="list-style-type: none"> <li>Reduceți viteza de conducere.</li> </ul>
	<ul style="list-style-type: none"> <li>Viteza lamei este redusă.</li> </ul>	<ul style="list-style-type: none"> <li>Măriți viteza lamei treptat.</li> </ul>
<p>Timp scurt de funcționare a cositoarei cu bateria inclusă.</p>	<ul style="list-style-type: none"> <li>Condiția ierbii și setarea înălțimii de tăiere vor afecta foarte mult durata de funcționare a bateriei. Timpul de funcționare revendicat se bazează pe o condiție de încărcare ușoară.</li> </ul>	<ul style="list-style-type: none"> <li>Ridicați înălțimea de tăiere a punții și încetiniți viteza lamei pentru a reduce sarcina de tăiere.</li> </ul>

RO

PROBLEMĂ	CAUZĂ	SOLUȚIE
Cositoarea nu merge drept.	<ul style="list-style-type: none"> <li>Presiunile anvelopelor pentru roțile din spate stânga și dreapta sunt diferite.</li> </ul>	<ul style="list-style-type: none"> <li>Verificați și reglați presiunea aerului la ambele roți din spate, conform recomandărilor din secțiunea „<b>VERIFICAREA PRESIUNII ANVELOPELOR</b>” din acest manual.</li> </ul>
	<ul style="list-style-type: none"> <li>Vitezele de rulare pentru roțile din spate stânga și dreapta sunt diferite.</li> </ul>	<ul style="list-style-type: none"> <li>Calibrați sistemul de urmărire a cositorului urmând instrucțiunile din secțiunea „<b>CALIBRAREA SISTEMULUI DE URMĂRIRE A COSITOAREI</b>”.</li> </ul>
Pedala frână parcare nu poate fi eliberată din poziția de frânare sau se încetinește la revenire.	<ul style="list-style-type: none"> <li>În interiorul pedalei frânei parcare pot apărea resturi sau murdărie.</li> </ul>	<ul style="list-style-type: none"> <li>Deschideți cutia pedalei frână parcare pentru a curăța bine cutia din interior și închideți-o. Resetați pedala de frână de parcare pentru a vedea dacă problema este rezolvată. Dacă nu, contactați un tehnician de service calificat pentru reparații</li> </ul>
Mașina de tuns iarba nu poate fi încărcată prin portul de încărcare, cu indicatorul de stare al mașinii care strălucește roșu continuu.	<ul style="list-style-type: none"> <li>Ștecherul încărcătorului nu este introdus corect în portul de încărcare al mașinii de tuns.</li> </ul>	<ul style="list-style-type: none"> <li>Reconectați mufa încărcătorului pentru a vedea dacă mașina de tuns iarba poate fi încărcată normal</li> </ul>
	<ul style="list-style-type: none"> <li>Nu există curent în prizele de perete.</li> </ul>	<ul style="list-style-type: none"> <li>Nu este necesară nicio acțiune. Așteptați până când puterea se recuperează.</li> </ul>
	<ul style="list-style-type: none"> <li>Defecțiunea încărcătorului.</li> </ul>	<ul style="list-style-type: none"> <li>Contactați un tehnician de service calificat pentru inspecția și reparația încărcătorului dacă este necesar.</li> </ul>
	<ul style="list-style-type: none"> <li>Portul încărcătorului de pe cositoare este defect.</li> </ul>	<ul style="list-style-type: none"> <li>Contactați un tehnician de service calificat pentru reparații.</li> </ul>
Timpul de încărcare prin portul de încărcare a cositoarei este prea lung.	<ul style="list-style-type: none"> <li>Utilizarea adaptorului EGO ACA1000 pentru încărcare necesită mult timp.</li> </ul>	<ul style="list-style-type: none"> <li>Utilizați încărcătorul EGO CHV1600E pentru a încărca direct mașina de tuns iarba.</li> </ul>
Bateria nu poate fi încărcată complet prin portul de încărcare a cositoarei.	<ul style="list-style-type: none"> <li>Eroare de firmware la cositoarei sau defectarea încărcătorului/bateriei.</li> </ul>	<ul style="list-style-type: none"> <li>Deconectați încărcătorul și așteptați mai mult de câteva minute, apoi reconectați ștecherul la sursa de alimentare. Dacă nu funcționează, contactați un tehnician calificat pentru reparații</li> </ul>
Cositoarea nu poate fi pornită după curățare.	<ul style="list-style-type: none"> <li>Curățare necorespunzătoare, cum ar fi pătrunderea apei pe componentele electrice, ecranul LCD etc.</li> </ul>	<ul style="list-style-type: none"> <li>Urmați instrucțiunile din secțiunea „<b>CURĂȚAREA MAȘINII DE TUNS IARBA</b>” pentru a curăța corect mașina de tuns iarba.</li> </ul>

PROBLEMĂ	CAUZĂ	SOLUȚIE
Cositoarea se înfundă ușor.	<ul style="list-style-type: none"> <li>Mașina de tuns iarbă este înfundată cu iarbă și resturi.</li> </ul>	<ul style="list-style-type: none"> <li>Dacă mașina de tuns iarbă este prinsă accidental în ploaie, lăsați-o timp să se usuce sau folosiți aer comprimat pentru a o usca.</li> <li>Curățați puntea de tuns după fiecare utilizare, urmând secțiunea „Utilizarea portului de spălare pentru a curăța puntea de tuns”.</li> </ul>
Cositoarea își pierde ușor tracțiunea când urcă pe pantă.	<ul style="list-style-type: none"> <li>Anvelopele roților din spate sunt uzate.</li> </ul>	<ul style="list-style-type: none"> <li>Căutați un service local pentru înlocuirea anvelopelor roților.</li> </ul>
	<ul style="list-style-type: none"> <li>Panta mare de cosit.</li> </ul>	<ul style="list-style-type: none"> <li>Panta de cosit ar trebui să fie la gradul necesar.</li> </ul>
Când mașina de tuns iarbă este oprită pe o pantă cu pedala frână apăsată, mașina de tuns iarbă poate aluneca în jos pe panta.	<ul style="list-style-type: none"> <li>Componentele frânei sunt uzate excesiv din cauza funcționării necorespunzătoare a cositoarei.</li> </ul>	<ul style="list-style-type: none"> <li>Contactați un tehnician de service calificat pentru reparații.</li> </ul>
Nu iese apă din orificiul de spălare la spălarea punții.	<ul style="list-style-type: none"> <li>Cuplajul rapid cu orificiu de spălare nu este montat în poziție pe orificiul de spălare</li> </ul>	<ul style="list-style-type: none"> <li>Atașați din nou cuplajul rapid al orificiului de spălare până când auziți un clic clar după apăsarea fermă. Dacă nu funcționează, contactați un tehnician calificat pentru reparații.</li> </ul>
Există un sunet anormal la împingerea manuală a cositoarei fără pornire.	<ul style="list-style-type: none"> <li>Sunetul provine de la magnetii din interiorul motorului de acționare.</li> </ul>	<ul style="list-style-type: none"> <li>Este normal și nu este necesară nicio acțiune.</li> </ul>



## CODUL DE DEFECTIUNE ȘI INDICATORUL DE REFERINȚĂ AL STĂRII COSITOAREI

Ecran LCD	Descriere	Cod de defecțiune pe ecranul LCD	Indicator de stare a cositoarei	Emite sunet de avertizare (bip)	Cauză	Soluție
	Pictograma cu LED-uri se afișează pe ecranul LCD	nu se aplică	OPRIT	Nu	Farurile, luminile laterale și luminile din spate sunt aprinse de comutatorul cu LED-uri.	Aceasta este o funcționare normală. Nu este necesară nicio acțiune.
	Pictograma USB este afișată pe ecranul LCD	nu se aplică	OPRIT	Nu	Pictograma USB luminează indicând faptul că un dispozitiv USB poate funcționa după pornirea corectă a mașinii de tuns.	Aceasta este o funcționare normală. Nu este necesară nicio acțiune.
	Pictograma indicatorului de combustibil este afișată pe ecranul LCD	nu se aplică	OPRIT	Nu	Indică capacitatea medie de încărcare a bateriilor introduse	Aceasta este o funcționare normală. Nu este necesară nicio acțiune.
	Pictograma contorului de ore este afișată pe ecranul LCD	nu se aplică	OPRIT	Nu	Afișează timpul total de conducere al cositoarei, în ore și nu poate fi resetat	Aceasta este o funcționare normală. Nu este necesară nicio acțiune.
	Pictograma indicator de încărcare apare în zona ECO	nu se aplică	OPRIT	Nu	Indică sarcina curentă a cositoarei.	Aceasta este o funcționare normală. Nu este necesară nicio acțiune.

**RO**

Ecran LCD	Descriere	Cod de defecțiune pe ecranul LCD	Indicator de stare a cositoarei	Emite sunet de avertizare (bip)	Cauză	Soluție
	Indicatorul de suprasarcină clipește. Pictograma indicatorului de încărcare apare în zona PWR.	nu se aplică	Clipește roșu	Un bip	Motorul lamei este suprasolicitat.	Ridicați înălțimea de tăiere a punții sau reduceți viteza de deplasare pentru a reduce sarcina cositoarei.
					Jgheabul de descărcare laterală este înfundată cu iarbă și resturi.	Curățați jgheabul de descărcare laterală după fiecare utilizare
					Există o interferență între lamă și platforma mașinii de tuns iarba.	Solicitați reparații de către un tehnician de service calificat
	Pictograma cheii de siguranță clipește.	nu se aplică	OPRIT	Nu	Cheia de siguranță nu este introdusă.	Introduceți cheia de siguranță, apoi apăsați și mențineți apăsat butonul START/STOP pentru a porni mașina de tuns iarba.
					Alimentarea nu este furnizată pe ecranul LCD.	Solicitați reparații de către un tehnician de service calificat
	Pictograma unui anume compartiment al bateriei clipește.	nu se aplică	OPRIT	Nu	O anumită baterie în timpul descărcării este supracurent.	Nu este necesară nicio acțiune. Mașina de tuns iarba poate continua să funcționeze dacă valoarea nominală a bateriei combinate Ah, excluzând bateria de supracurent, îndeplinește cerințele. Odată ce bateria supracurent revine la normal, aceasta se va alătura imediat la puterea cositoarei.

RO

Ecran LCD	Descriere	Cod de defecțiune pe ecranul LCD	Indicator de stare a cositoarei	Emite sunet de avertizare (bip)	Cauză	Soluție
	Pictograma compartimentului gol al bateriei clipește.	nu se aplică	OPRIT	Nu	Capacitatea bateriei nu este suficientă pentru a permite mersul pe mașină de tuns iarba.	Pentru a porni această mașină de tuns iarba, utilizați suficiente baterii EGO urmând instrucțiunile din secțiunea „ <b>ÎNCĂRCARE</b> ” din acest manual.
	Pictograma de temperatură clipește.	nu se aplică	OPRIT	Un bip	Mașina de tuns iarba este supra-încălzită.	Reduceți sarcina pe cositoare, ridicând înălțimea de tăiere a punții sau reducând viteza lamei/ de deplasare. Faceți o pauză și lăsați cositoarea să se răcească.
					Mașina de tuns iarba este prea rece	Vă rugăm să nu faceți încercări repetate, care ar putea deteriora mașina. Depozitați întotdeauna cositoarea și bateria într-un mediu cald. Reporniți cositoarea când este încălzită.

Ecran LCD	Descriere	Cod de defecțiune pe ecranul LCD	Indicator de stare a cositoarei	Emite sunet de avertizare (bip)	Cauză	Soluție
	<p>Pictograma de temperatură și a exact compartimentul bateriei ocupate clipește în același timp.</p>	nu se aplică	OPRIT	Nu	<p>Acumulatorul din compartimentul numerotat corespunzător este supra-încălzit.</p>	<p>1. Mașina de tuns iarba poate continua să funcționeze dacă valoarea nominală a bateriei combinată Ah, excluzând bateria supra-încălzită, îndeplinește cerințele. Odată ce bateria supra-încălzită revine la temperatura normală, aceasta se va alătura imediat la puterea cositoarei.</p> <p>2. Dacă valoarea Ah a bateriilor combinată nu este suficientă, mașina de tuns iarba nu va funcționa până când nu vor fi introduși mai mulți acumulatori în compartimentele bateriei libere.</p> <p>3. Reduceți sarcina cositoarei ridicând înălțimea de tăiere a punții sau încetinind cosirea la reluarea operației.</p>

RO

Ecran LCD	Descriere	Cod de defecțiune pe ecranul LCD	Indicator de stare a cositoarei	Emite sunet de avertizare (bip)	Cauză	Soluție
	<p>Pictogramele fiecărui compartiment ocupate pentru baterii, indicatorul de putere mică, pictograma indicatorului de baterie pentru combustibil clipește la fiecare 1 secundă, în același timp, pe ecranul LCD. Primul segment al indicatorului LED pentru indicatorul de combustibil și de stare clipește și el.</p>	nu se aplică	Clipește roșu	Continuă să semnalizeze până când comutatorul PTO este împins în jos.	Pachetele de baterii sunt descărcate, iar cositoarea este în modul Limp-Home.	<p>Nu mai lucrați și mergeți la zona de încărcare a bateriei.</p> <p><b>OBSERVAȚIE:</b> Când mașina de tuns iarba este în modul Limp-Home, lamele sunt comutate automat în viteză de rotație redusă, fără tăiere iarba și între timp, indicatorul sonor va continua să emită sunete de avertizare (bip). Operatorul ar trebui să apese comutatorul PTO în jos pentru a decupla lamele punții. Indicatorul de sunet nu va mai emite sunete după oprirea lamei.</p>
	<p>Pictograma fiecărui compartiment ocupat al bateriei și indicatorul de consum redus clipește la fiecare jumătate de secundă.</p>	nu se aplică	Clipește roșu	Continuă să semnalizeze	Acumulatorul este aproape epuizat.	<p>Cositoarea nu va mai funcționa imediat. Operatorul ar trebui să transporte mașina de tuns iarba în zona de încărcare a bateriei pentru încărcare.</p>
	<p>Pictograma parcare automată clipește pe ecranul LCD.</p>	nu se aplică	OPRIT	Continuă să semnalizeze	<p>Cositoarea este parcată pe o pantă și operatorul părăsește cositoarea fără a acționa pedala de frână în poziția de frânare, doar cu manetele de direcție în poziția deschisă.</p>	<p>Puneți pedala de frână în poziția de frânare. Pictograma de parcare automată va fi dezactivată, iar indicatorul sonor nu va mai emite semnale (bipuri).</p>

**RO**

Ecran LCD	Descriere	Cod de defecțiune pe ecranul LCD	Indicator de stare a cositoarei	Emite sunet de avertizare (bip)	Cauză	Soluție
	Pictograma pedalei de frână este afișată pe ecranul LCD.	nu se aplică	OPRIT	Nu	Pedala de frână de parcare este setată la poziția de frânare.	Eliberați-l înainte de a porni mașina de tuns iarba.
	Pictograma senzorului scaunului este afișată pe ecranul LCD.	nu se aplică	OPRIT	Nu	Operatorul părăsește scaunul sau comutatorul scaunului este deconectat.	Dacă, cu operatorul așezat pe scaun, pictograma este activată, opriți imediat funcționarea mașinii de tuns iarba și verificați conexiunea scaunului. Dacă conexiunea scaunului cu mașina de tuns iarba este confirmată corectă, vă rugăm să contactați un tehnician de service calificat pentru reparații.
	Pictograma comutator PTO clipește.	nu se aplică	OPRIT	Nu	Motorul lamei a fost întrerupt în funcționare și comutatorul PTO nu este setat în poziția oprit.	Înainte de a reporni mașina de tuns iarba, împingeți comutatorul PTO în jos pentru a decupla motorul punții. Vă rugăm să consultați secțiunea „DEPANARE” din acest manual pentru referință.
	Pictograma manetei de direcție clipește.	nu se aplică	OPRIT	Nu	Motorul de acționare a fost întrerupt în funcțiune și manetele de direcție nu sunt setate în poziția deschisă.	Înainte de a reporni mașina de tuns iarba, puneți manetele de direcție în poziția deschisă. Vă rugăm să consultați secțiunea „DEPANARE” din acest manual pentru referință.
	Pictograma de recuperare a energiei clipește ocazional.	nu se aplică	OPRIT	Nu	Energia cinetică generată în timpul frânării sau conducerii în jos este convertită în energie electrică pentru a încărca acumulatorii.	Aceasta este o funcționare normală. Nu este necesară nicio acțiune.

**OBSERVAȚIE:** Dacă pe ecranul LCD apare un cod de eroare, scoateți toate bateriile și reintroduceți-le câteva minute mai târziu. Dacă acest lucru nu rezolvă problema, urmați procedura de depanare a codului de defecțiune de mai jos.

Ecran LCD	Descriere	Cod de defecțiune pe ecranul LCD	Indicator de stare a cositoarei	Emiter sunet de avertizare (bip)	Cauză	Soluție
Consultați „COD DE DEFEȚIUNE”	Motorul din stânga nu funcționează în rotație.	PCBA care controlează motorul conducere stânga nu funcționează.	413	OPRIT	Un bip	PCBA defectă
		Fișa (trifazat, cablu de alimentare) care conectează motorul de conducere din stânga cu PCBA corespunzător este slăbită.	317	OPRIT	Un bip	Conexiune slăbită
		Fișa (șase pini, fir de semnal) care conectează motorul de conducere din stânga cu PCBA corespunzător este slăbită.	301	OPRIT	Un bip	Conexiune slăbită
		Motorul de conducere din stânga nu funcționează.	317	OPRIT	Un bip	Motor defect
						Solicitați reparații de către un tehnician de service calificat

RO

Ecran LCD	Descriere	Cod de defecțiune pe ecranul LCD	Indicator de stare a cositoarei	Emite sunet de avertizare (bip)	Cauză	Soluție	
Consultați „COD DE DEFECȚIUNE”	Motorul de acționare dreapta nu funcționează în rotație.	PCBA care controlează motorul conducere dreapta nu funcționează.	313	OPRIT	Un bip	PCBA defectă	
		Fișa (trifazat, cablu de alimentare) care conectează motorul de acționare dreapta cu PCBA corespunzător este slăbită.	417	OPRIT	Un bip	Conexiune slăbită	Solicitați reparații de către un tehnician de service calificat
		Fișa (șase pini, fir de semnal) care conectează motorul de acționare dreapta cu PCBA corespunzător este slăbită.	401	OPRIT	Un bip	Conexiune slăbită	
		Motorul de conducere din dreapta nu funcționează.	417	OPRIT	Un bip	Motor defect	

RO



Ecran LCD	Descriere	Cod de defecțiune pe ecranul LCD	Indicator de stare a cositoarei	Emite sunet de avertizare (bip)	Cauză	Soluție	
Consultați "COD DE DEFECȚIUNE"	Motorul lamei stângi eșuează în rotație.	PCBA care controlează motorul lamei stânga nu funcționează.	607/A07	nu se aplică	Un bip	PCBA defectă	Solicitați reparații de către un tehnician de service calificat
		Fișa (trifazat, cablu de alimentare) care conectează motorul de conducere din stânga cu PCBA corespunzător este slăbită.	509	nu se aplică	Un bip	Conexiune slăbită	Verificați mai întâi lama. Dacă este slăbit, strângeți șurubul cu cuplul recomandat. Altfel lăsați să fie reparată de un tehnician de service calificat
		Motorul lamei stângi nu funcționează	509	nu se aplică	Un bip	Motor defect	
Consultați "COD DE DEFECȚIUNE"	Motorul cu lamei drepte eșuează în rotație.	PCBA care controlează motorul lamei dreapta nu funcționează.	507/A07	nu se aplică	Un bip	PCBA defectă	Solicitați reparații de către un tehnician de service calificat
		Fișa (trifazat, cablu de alimentare) care conectează motorul de acționare dreapta cu PCBA corespunzător este slăbită.	609	nu se aplică	Un bip	Conexiune slăbită	Verificați mai întâi lama. Dacă este slăbit, strângeți șurubul cu cuplul recomandat. Altfel lăsați să fie reparată de un tehnician de service calificat
		Motor lamei dreapta nu funcționează.	609	nu se aplică	Un bip	Motor defect	

**RO**

Ecran LCD	Descriere	Cod de defecțiune pe ecranul LCD	Indicator de stare a cositoarei	Emite sunet de avertizare (bip)	Cauză	Soluție	
Consultați „COD DE DEFECȚIUNE”	Motorul cu lamei din mijloc eșuează în rotație.	Motorul lamei centrale controlat de PCBA nu funcționează	507/ 607	nu se aplică	Un bip	PCBA defectă	Solicitați reparații de către un tehnician de service calificat
		Fișa (trifazat, cablu de alimentare) care conectează motorul lamei din mijloc cu PCBA corespunzător este slăbită.	A09	nu se aplică	Un bip	Conexiune slăbită	Verificați mai întâi lama. Dacă este slăbit, strângeți șurubul cu cuplul recomandat. Altfel lăsați să fie reparată de un tehnician de service calificat
		Motorul lamei din mijloc nu funcționează	A09	nu se aplică	Un bip	Motor defect	
Consultați „COD DE DEFECȚIUNE”	Maneta de direcție stângă nu funcționează.	PCBA care controlează maneta de direcție stângă nu funcționează.	311/ 412	OPRIT	Un bip	PCBA defectă	Solicitați reparații de către un tehnician de service calificat
		Ștecherul care conectează PCBA de comandă, situat în bara de direcție, este slăbit.				Conexiune slăbită	

**RO**

Ecran LCD	Descriere	Cod de defecțiune pe ecranul LCD	Indicator de stare a cositoarei	Emite sunet de avertizare (bip)	Cauză	Soluție	
Consultați „COD DE DEFECȚIUNE”	Maneta de direcție dreapta nu funcționează.	PCBA care controlează maneta de direcție dreapta nu funcționează.	312/ 411	OPRIT	Un bip	PCBA defectă	Solicitați reparații de către un tehnician de service calificat
		Ștecherul care conectează PCBA de comandă, situat în bara de direcție, este slăbit.				Conexiune slăbită	
Consultați „COD DE DEFECȚIUNE”	Frâna de parcare nu funcționează, scula nu poate fi acționată.	PCBA al frânei de parcare, care se află în ansamblul cadrului frontal, este ruptă.	309/ 409	OPRIT	Un bip	PCBA defectă	Solicitați reparații de către un tehnician de service calificat
		Întreprupătorul și/sau firul de frână de parcare sunt rupte.	801	OPRIT	Un bip	Defecțiune fire/comutato	
OPRIT	Defecțiune la portul de încărcare	nu se aplică	nu se aplică	ROȘU continuu	nu se aplică	Portul de încărcare este în circuit deschis.	Solicitați reparații de către un tehnician de service calificat
		nu se aplică	nu se aplică	ROȘU continuu	nu se aplică	Fără alimentare electrică.	Verificați priza de perete dacă este furnizat 220 V-240 V sau dacă priza este bună.
		nu se aplică	nu se aplică	ROȘU continuu	nu se aplică	Siguranța este sărită/arsă.	Solicitați reparații de către un tehnician de service calificat

**RO**

Ecran LCD	Descriere	Cod de defecțiune pe ecranul LCD	Indicator de stare a cositoarei	Emite sunet de avertizare (bip)	Cauză	Soluție
Consultați „COD DE DEFECTIUNE”	Defecțiune la portul de încărcare	204	nu se aplică	Un bip	Portul de încărcare este în circuit deschis.	Solicitați reparații de către un tehnician de service calificat
Consultați „COD DE DEFECTIUNE”	Ansamblul cutiei bateriei nu funcționează	217	nu se aplică	Un bip	Sursa de alimentare din ansamblul pachetului de baterie este întreruptă. Farurile LED și USB nu vor funcționa.	Solicitați reparații de către un tehnician de service calificat
		310/ 410	OPRIT	Un bip	Conexiunea dintre firele de tip C ale ansamblului pachetului de baterii și alte fire de tip C ale cositoarei nu mai funcționează.	
		201/ 202/ 203	OPRIT	Un bip	BMS-ul ansamblului bateriei este rupt.	
Consultați „COD DE DEFECTIUNE”	Start/ Stop Eroare de comutare	314/ 414	OPRIT	Un bip	Defecțiunea comutatorului PCBA sau conexiunea de cablu defectă pentru comutatorul Start/Stop.	Solicitați reparații de către un tehnician de service calificat

Ecran LCD	Descriere	Cod de defecțiune pe ecranul LCD	Indicator de stare a cositoarei	Emite sunet de avertizare (bip)	Cauză	Soluție
Consultați „COD DE DEFECTIUNE”	Eroare ecran LCD	315/ 415	OPRIT	Un bip	Ansamblul LCD este întrerupt sau conexiunea de cablu defectă a ansamblului LCD.	Solicitați reparații de către un tehnician de service calificat

## GARANȚIE

### POLITICA PRIVIND GARANȚIA EGO

Vă rugăm să consultați site-ul [egopowerplus.com](http://egopowerplus.com) pentru termenii și condițiile complete ale politicii privind garanția EGO.

**KEES VAN DER SPEK**  
TUINMACHINES ★ STOLWIJK

RO

## PREBERITE VSA NAVODILA!



PREBERITE PRIROČNIK Z NAVODILI ZA UPORABO.

## VARNOSTNI SIMBOL

Namen varnostnih simbolov je, da vas opozorijo na morebitne nevarnosti. Bodite pozorni na varnostne simbole in njihova pojasnila ter jih poskušajte razumeti. Opozorilni simboli sami ne odpravljajo nobene nevarnosti. Navodila in opozorila niso nadomestilo za ustrezne ukrepe za preprečevanje nesreč.

**▲ OPOZORILO:** Pred uporabo tega orodja preberite in razumite vsa varnostna navodila v tem priročniku, vključno z vsemi varnostnimi opozorilnimi simboli, kot so »NEVARNOST«, »OPOZORILO« in »POZOR«. Zaradi neupoštevanja spodaj navedenih navodil lahko pride do električnega udara, požara in/ali resnih telesnih poškodb.

## POMEN SIMBOLA

Na tej strani so prikazani in opisani varnostni simboli, ki se lahko pojavijo na tem izdelku. Preberite in osvojite navodila na napravi ter jih upoštevajte, preden se lotite sestavljanja in upravljanja stroja.

## VARNOSTNI SIMBOLI



Varnostno opozorilo



Zaščita za oči



NEVARNOST – nevarnost zaradi strmega pobočja



Nikoli ne vozite otrok na kosilnici.



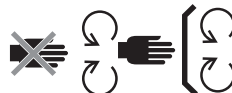
OPOZORILO - Ne uporabljajte naprave na pobočjih, strmejših od 12°



OPOZORILO – Z DLANMI IN STOPALI SE NE PRIBLIŽUJTE KOSILNICI



Uporabniški priročnik morate prebrati in razumeti.



Varnostne naprave morate vzdrževati.



NEVARNOST – opazovalci ne smejo stati v bližini rezil.



Pri vzratni vožnji pogledajte nazaj.



NEVARNOST – izvrženi predmeti



Zagotovljena raven zvočne moči  
V skladu z direktivo Evropske skupnosti.



Ne stopajte



Odpadnih električnih izdelkov ne odlagajte med gospodinjne odpadke. Onesite jih v pooblaščen obrat za recikiranje.



Ta izdelek je skladen z veljavnimi direktivami ES.



POZOR – Ne zrite v sijalko za prikaz delovanja.



Enosmerni tok



Ta izdelek je skladen z veljavno zakonodajo VB.

kPa	Kilopascal
V	Volt
in	Palec
nm	Newton meter
°C	Celzij
km/h	Kilometri na uro

VRT./MIN.	Število vrtljajev na minuto
m	Metri
cm	centimetri
mm	milimetri
kg	Kilogram
IPX4	Stopnja zaščite pred vdorom

## TEHNIČNI PODATKI

Napetost		56 V
Velikost pokrova		132 cm
Velikost kolesa	Spredaj	279,4 x 126 mm
	Zadaj	457,2 x 223 mm
Tlak pri hladni pnevmatiki	Spredaj	222,1 kPa
	Zadaj	115,8 kPa
Obračalni krog		0
Hitrost rezila (vrt./min)		2600; 2800; 3000; 3200
Najv. Hitrost vožnje (km/h)	Naprej	8,1 km/h, 9,7 km/h, 11,3 km/h, 12,8 km/h
	Vzratno	do 6,4 km/h
Polnjenje	Polnilnik (izbirno)	CHV1600E
	Adapter (izbirno)	ACA1000
	Temperaturni razpon polnjenja	od 5°C do 40°C

Prilagajanje višine košnje (10 položajev)	25–100 mm	
Obratovalna temperatura	od 0°C do 40°C	
Temperatura za shranjevanje	od -20°C do 70°C	
Teža (brez akumulatorja)	217 kg	
Izmerjena raven zvočne moči $L_{WA}$	95,48 dB(A) K=0,73 dB(A)	
Raven zvočnega tlaka pri ušesu upravljalca $L_{PA}$	82,5 dB(A) K=3 dB(A)	
Zagotovljena raven zvočnega tlaka $L_{WA}$ (izmerjena v skladu z Direktivo 2000/14/ES)	100 dB(A)	
Vibration $a_h$	Ročno	0,69 m/s <sup>2</sup> K=1,5 m/s <sup>2</sup>
	Telo	0,3 m/s <sup>2</sup> K=1,5 m/s <sup>2</sup>

SL

- Nazivna skupna vrednost tresljajev je bila izmerjena v skladu s standardno preskusno metodo in jo je mogoče uporabiti za primerjavo enega orodja z drugim.
- Nazivno skupno vrednost tresljajev je mogoče uporabiti tudi za predhodno oceno izpostavljenosti.

**OPOMBA:** oddajanje tresljajev med dejansko uporabo električnega orodja se lahko razlikuje od nazivne vrednosti, v kateri se uporablja orodje. Upravljaivec se lahko zaščiti tako, da uporablja rokavice in naušnike, primerne dejanskim pogojem uporabe.

## OPIS

### SPOZNAJTE KOSILNICO (SL. A1 IN A2)

1. Sedež
2. Polnilna vrata
3. Napajalna enota
4. Zadnja luč LED
5. Prostor za shranjevanje
6. Držala za pijačo
7. LED stranska luč
8. Zadnja kolesa (pogonska kolesa)
9. Vodni priklop
10. Pokrov
11. Zaščita za pokrov
12. Kolo, ki ne zadane ob tla
13. Sprednje kolo
14. Stopalka parkirne zavore
15. Dnevne luči
16. Žarometi LED
17. Stranski deflektor za izme
18. Vzvod za prilagajanje višine pokrova
19. Gumb za prilagoditev vzmetenja sedeža
20. Vzvod za prilagajanje položaja sedeža
21. Lap palice
22. Indikator stanja kosilnice
23. Zaslون LCD
24. Stikalo PTO

25. Gumb za zagon/zaustavitev
26. Varnostni ključ
27. Reža za shranjevanje telefona
28. Pregradna palica
29. Indikator stanja in merilnika goriva kosilnice
  - 29.a. Indikator merilnika goriva kosilnice
  - 29.b. Indikator stanja kosilnice
30. Predel z nožno oporo
31. Gumb za sprostitvev pokrova napajalne enote
32. Pokrov napajalne enote
33. Napajalna enota s šestimi predeli za akumulatorje
34. Gumb za sprostitvev akumulatorja
35. Vlečna kljuka
36. Pokrov nameščenega priključka
37. Shranjevanje pokrova nameščenega priključka
38. Vrata USB

### SPOZNAJTE LCD ZASLON (SL. A3)

Za več informacij o ikonah in indikatorjih na zaslonu LCD si oglejte razdelek „**SKLIC STANJA KOSILNICE IN KODA NAPAKE**“.

1. Ikona varnostnega ključa
2. Ikona LED-luči
3. Ikona samodejnega parkiranja
4. Ikona USB
5. Indikator hitrosti rezila
6. Indikator stanja varnostne naprave
7. Števec ur
8. Ikona praznega prostora za akumulatorje
9. Ikona temperature
10. Ikona zasedenega prostora za akumulatorje
11. Način vožnje
12. Indikator kode napake
13. Indikator preobremenitve
14. Indikator nizke porabe
15. Indikator hitrosti vožnje
16. Indikator obremenitve
17. Merilnik stanja goriva

SL



18. Gumb za nastavitev hitrosti rezila
19. Gumb za nastavitev
20. Gumb za način vožnje
21. Stikalo za LED-lučko
22. Gumb za nastavitev hitrosti vožnje

## ODSTRANJEVANJE EMBALAŽE

**OPOMBA:** Shranite embalažni material, dokler izdelka temeljito ne pregledate in ga ne začnete uporabljati zadovoljivo. Če manjka katerikoli del s seznama delov stroja, se takoj obrnite na servisno službo EGO.

**OPOMBA:** Razen orodja, ki je navedeno v spodnji vsebini paketa, so vsa druga orodja, ki so omenjena v priročnikih, le priporočena, niso pa priložena.

### VSEBINA PAKETA (sl. B)

B-1	Kosilnica s sedežem in možnostjo obračanja na mestu	B-6	Varnostni ključ
B-2	Sedež	B-7	Odprti ključ (13 mm)
B-3	Krmilni vzvod	B-8	Šestkotni ključ
B-4	Vijaki z udrto glavo (2 za rezervo)	B-9	Hitra spojka za vodni priklop
B-5	Šestkotni vijak (2 za rezervo)	B-10	Priročnik za uporabo

### PRIPOROČENI DODATKI

**▲ OPOZORILO:** Uporabite samo identične nadomestne dele, ki so navedeni spodaj. Uporaba delov, ki ne izpolnjujejo zahtev originalne opreme, lahko vodi k neprimernemu delovanju in ogroženi varnosti.

IME DELA	ŠTEVILKA MODELA
Standardno rezilo	AB5200
Rezilo High Lift	AB5201
Komplet za mulčenje	ABP5200
Komplet vreče za travo	ABK5200-A
Zadnji odbijač	AMB1000
Tovorna škatla	AMG1000
Senčnik	AMS1000

## SESTAVLJANJE

### NAMEŠČANJE SEDEŽA (sl. C1 in C2)

**▲ OPOZORILO:** Varnostnega zaklepnega sistema ni dovoljeno odklopiti ali zaobiti. Posledično lahko začne kosilnica nepričakovano delovati, kar lahko povzroči telesno poškodbo.

**OPOMBA:** Zaradi vaše varnosti lahko kosilnica preneha delovati, če se med vožnjo sedež odklopi. V tem primeru si za več informacij oglejte razdelek „ODPRAVLJANJE TEŽAV“.

C1-1	Kabel	C1-5	Vijaki z udrto glavo
C1-2	Vtikač	C2-1	Kavelj
C1-3	Vtičnica	C2-2	Jeklene tirnice
C1-4	Vzmetno podnožje	C2-3	Vijaki z udrto glavo

### NAMEŠČANJE KRMILNIH VZVODOV (sl. C3)

C3-1	Krmilni vzvodi	C3-3	Odprtine za namestitev krmilne ročice
C3-2	Šestrobi vijaki		

SL

# UPRAVLJANJE

## PRED PORABO KOSILNICE

### Preverjanje okolja

- Prepričajte se, da v delovnem območju ni otrok, opazovalcev ali hišnih ljubljencev.
- Iz delovnega območja odstranite vse predmete, ki bi jih lahko rezila kosilnice razmetala naokoli.
- Preverite stanje luči LED in se prepričajte, da so ustrezne:
  - žarometi, stranske luči in zadnje luči se upravljajo prek stikala za LED-luči.
  - Dnevne luči morajo biti med vožnjo vedno vklopljene.
  - Če so med vzvratno vožnjo zadnje luči izklopljene, bodo utripale, da bodo s tem opozorile opazovalce; če so vklopljene, bodo ostale vklopljene.
  - Vse luči se bodo samodejno izklopile, ko se kosilnica samodejno izklopi po obdobju brez delovanja.

### Preverjanje tlaka pri hladnih pnevmatikah (sl. D1)

### Preverjanje stanja kosilnice in nivoja napolnjenosti akumulatorja

SL

- Indikator merilnika goriva kosilnice (sl. A2 do 27a)  
Vsak segment indikatorja merilnika goriva kosilnice označuje 20 % napolnjenosti vstavljenega akumulatorskega sklopa.

**OPOMBA:** Indikator merilnika goriva kosilnice in merilna goriva na zaslonu LCD označujeta povprečno zmogljivost vstavljenih akumulatorskih sklopov.

- Indikator stanja kosilnice (sl. A1 in sl. A2 do 27b)  
Če je indikator stanja obarvan zeleno, je kosilnica pripravljena za vožnjo. Če temu ni tako, si oglejte razdelek „**SKLIC STANJA KOSILNICE IN KODA NAPAKE**“

### Preizkušanje varnostnega zaklepnega sistema (sl. D2 do D8)

**OPOMBA:** Pred preizkusom mora voznik sedeti na sedežu.

- Pred preizkušanjem (sl. D2 do D4)

- Če želite preizkusiti sistem pokrova in rezila (sl. D5), potem počasi vstanite.
- Če želite preizkusiti sistem vožnje (sl. D6 do D8), potem počasi vstanite.

Če se sistem pokrova in rezila in/ali sistem vožnje ne zaustavi, ko se voznik vstane s sedeža in če ne morete določiti vzroka, potem ko ste potrdili, da sta vtikač in vtičnica sedeža dobro priključena, se takoj obrnite na servisni center za stranke EGO.

## NASTAVITEV (sl. E1 do E13)

### Priprava (sl. E1 do E5)

### Prilagajanje višine pokrova za košnjo (sl. E6)

### Prilagajanje koles, ki ne zadenejo ob tla (sl. E7 do E10)

E7-1	Kolo, ki ne zadane ob tla	E9-2	Zatični vijak
E9-1	Matica	E10-1	Oznaka višine pokrova

### Nastavitev sedeža (sl. E11)

Prilagodite položaj sedeža in se tako prepričajte, da se lahko zanesljivo dotaknete stopalke parkirne zavore, preden začnete uporabljati kosilnico. S prilagoditvijo vzmetenja sedeža si lahko zagotovite najbolj udobno izkušnjo.

E11-1	Vzvod za prilagajanje položaja sedeža	E11-2	Gumb za prilagoditev vzmetenja sedeža
-------	---------------------------------------	-------	---------------------------------------

### Nastavitev parkirne zavore (sl. E12 do E13)

E13-1	Zavorni položaj	E13-2	Sproščen položaj
-------	-----------------	-------	------------------

## POLNJENJE (sl. F1 do F11)

Za zagon te kosilnice morate uporabiti akumulator EGO s skupno močjo 15 Ah (2 X BA4200T/BA4200T) ali več. Za najboljše delovanje priporočamo uporabo akumulatorja EGO s skupno močjo 30 Ah ali več.

### Uporabljajte samo priporočene akumulatorske sklope in polnilnike. (sl. F9 in F10)

### Priprava na polnjenje (sl. F1 do F4)

### Ločeno polnjenje akumulatorskih sklopov (sl. F5 – sl. F9)

F5-1	Gumb za sprostitvev pokrova	F7-1	Gumb za sprostitvev akumulatorja
------	-----------------------------	------	----------------------------------

- Namestitvev akumulatorskih sklopov (sl. F5 do F6)
- Odstranitev akumulatorskih sklopov (sl. F7 do F8)

**OPOMBA:** Napolnite akumulatorske sklope v skladu z ustreznimi priročniki za akumulator in polnilnik.

### Polnjenje akumulatorskih sklopov prek polnilnih vrat (sl. F10)

F10-1	Protiprašni pokrovček	F10-2	Polnilna vrata
-------	-----------------------	-------	----------------

### ZAGON KOSILNICE (sl. A4 do A5 in sl. G1 do G6)

**⚠ OPOZORILO:** Izogibajte se nenadnim zagonom, zaustavitvam in zavojem ter velikemu pospeševanju hitrosti, še posebej ko se prvič učite upravljati kosilnico. Kosilnica se lahko hitro zavrti, zaradi česar lahko izgubite nadzor in povzroči resne telesne poškodbe in/ali škodo.

**⚠ OPOZORILO:** Preden kosilnico zaženete, preverite rezila in se prepričajte, da se deaktivirajo v 5 sekundah, če stikalo priključne gredi potisnete navzdol. Če se rezila ne nehajo vrteti, kosilnice ne smete uporabiti in se takoj obrnite na servisno službo za stranke podjetja EGO.

**OPOMBA:** Upoštevajte slike A4 in G2, da nastavite najnižjo hitrost vožnje in **STANDARDNI** način vožnje, dokler ne boste popolnoma sposobni upravljati kosilnice v vseh situacijah. Hitrost vožnje in vozni način je mogoče aktivirati le, ko so kolesa kosilnice zaustavljena, krmilni vzvodi pa so odprti.

Kosilnica bo shranila prejšnji način vožnje, hitrost vožnje in kalibracijo volan in jih prikazala ob ponovnem zagonu.

#### Vozni način

- **CONTROL:** manj pospeševanja; manj občutljivo krmiljenje in manjša hitrost v zavojih za zaščito trave in za nove uporabnike.

- **STANDARD:** popolno za vsakodnevno uporabo.
- **SPORT:** večje pospeševanje, natančno krmiljenje in ostri zavoji za največjo učinkovitost košnje in za navdušence nad košnjo.

#### Prilagoditev hitrosti vožnje (sl. A4)

#### Prilagoditev hitrosti rezila (sl. A5)

#### Vrata USB

**OPOMBA:** Vrata USB zagotavljajo moč polnjenja s 5 V enosmernega toka pri kombinirani vleki 1,5 A in se napajajo le takrat, ko je kosilnica vklopljena.

### ZAUSTAVITEV KOSILNICE (sl. H1 – sl. H6)

**OPOMBA:** Če kosilnice 60 minute ne boste uporabljali, se bo samodejno izklopila.

#### Način Limp-home

Ko se napoljenost akumulatorja zmanjša, bo kosilnica preklopila v način Limp-Home:

- kosilnica samodejno preneha kositi travo;
- zvočni indikator se bo še naprej oglašal;
- indikator stanja kosilnice bo vsako sekundo utripnil rdeče, prvi segment merilnika goriva kosilnice bo utripal rdeče, indikator nizke napoljenosti in grafika akumulatorja na merilniku goriva bosta utripala.

Voznik mora:

- a) pritisniti stikalo PTO navzdol (sl. H3), da iztakne rezila. Zvočni indikator bo prenehal piskati, ko se bodo rezila zaustavila;
- b) prenehajte delati in se čim prej vrnite v območje za polnjenje akumulatorja. Največja razdalja, ki jo lahko opravi kosilnica, znaša 1000 m.

Ko je akumulator skoraj prazen, bosta ikona vsakega zasedenega predelka akumulatorja in indikator nizkega stanja energije utripnila vsake pol sekunde. Kosilnica bo v trenutku prenehala delovati. Voznik mora odpeljati kosilnico v območje za polnjenje akumulatorja, da se napolni.

#### Ročno potiskanje

Če morate kosilnico potisniti ročno, se prepričajte, da je akumulator odklopljen s kosilnice in stopalka parkirne zavore ni več v položaju za zaviranje.

## VOŽNJA KOSILNICE (sl. 11 - sl. 19)

Za zaustavitev, zmanjšanje ali povečanje hitrosti počasi spremenite razdaljo krmilne ročice iz nevtralnega položaja.

**⚠ NEVARNOST:** Ostanite vsaj za dve širini košnje od vseh jarkov, prepadov ali vode. Sprednji kolesi se lahko vrtita, ko je kosilnica zaustavljena, tudi če je aktivirana zavora, kar pomeni, da se lahko kosilnica premakne čez rob ali v vodo ter tako povzroči smrt ali resne telesne poškodbe.

**⚠ OPOZORILO:** Preden zapeljete vzvratno, preverite, kaj je za kosilnico. NE kosite vzvratno, razen če je to nujno potrebno. Med vzvratno vožnjo vedno pogledujte navzdol in za vami ter se tako prepričajte, da v območju košnje ni nobenih otrok, opazovalcev ali živali. Upoštevajte, da je samo delček sekunde nepazljivosti dovolj, da pride do smrti ali hude telesne poškodbe.

**⚠ OPOZORILO:** Stroja ne vozite po javnih cestah.

**⚠ OPOZORILO:** Če pride do blokade ali zadenete ob neznani predmet, ustavite motorje in odstranite akumulator. Odstranite odrezke trave, listje, umazanijo in vse druge nakopičene ostanke; temeljito pregledajte, ali je kosilnica poškodovana ter popravite poškodbe, preden znova zaženete in uporabite kosilnico.

SL

## VZDRŽEVANJE

**⚠ OPOZORILO:** Vedno nosite zaščito za oči, ki ima varovanje tudi s strani. Če tega ne storite, vam lahko v oči priletijo predmeti, kar lahko povzroči hude poškodbe.

**⚠ OPOZORILO:** Pri izvajanju vzdrževanja na rezilu kosilnice dlani vedno zaščitite z robustnimi rokavicami ali robove rezila ovijte s krpami ali drugim materialom. Pri servisiranju ali transportu kosilnice vedno odstranite varnostni ključ in akumulatorski sklop.

Servisni interval vzdrževanja	Postopek vzdrževanja
Pred vsako uporabo ali vsak dan	<ul style="list-style-type: none"> <li>Preverite varnostni zaklepni sistem.</li> <li>Vizualno preverite, ali je pnevmatika morda prazna.</li> <li>Preverite, ali so rezila morda obrabljena, počena ali ukrivljena.</li> <li>Celoten izdelek pregledajte za poškodovane, manjkajoče ali zrahljanje dele, kot so stranski deflektor za izmet, vijaki, matice, sorniki, pokrovi itd., ter se prepričajte, da so vse zaščite nameščene in ustrezno delujejo.</li> <li>Preverite delovanje zavor.</li> </ul>
Po vsaki uporabi	<ul style="list-style-type: none"> <li>Očistite pokrov kosilnice.</li> </ul>
Vsakih 25 ur	<ul style="list-style-type: none"> <li>Preverite tlak v pnevmatikah.</li> </ul>
Vsakih 50 ur	<ul style="list-style-type: none"> <li>Preverite stanje maziva v prirobnici rezila.</li> </ul>
Vsakih 100 ur	<ul style="list-style-type: none"> <li>Preverite zadnji kolesi in se prepričajte, da so vse kolesne matice zategnjene s priporočenim navorom.</li> </ul>
Vsakih 200 ur	<ul style="list-style-type: none"> <li>Preverite sprednji kolesi in se prepričajte, da se prosto vrtita.</li> </ul>
Letno	<ul style="list-style-type: none"> <li>Preverite stopalko parkirne zavore. Odstranite akumulator iz kosilnice in nastavite stopalko parkirne zavore na položaj za zaviranje. Ročno pritisnite kosilnico naprej, da preverite, ali se lahko kosilnica premakne ali ne. Če se premakne, naj jo usposobljen serviser popravi.</li> </ul>

## ČIŠČENJE KOSILNICE (sl. J1 do J9)

Priprava (sl. J1 do J5)

Čiščenje ohišja kosilnice (sl. J6 do J7)

Uporaba vodnega priklopa za čiščenje pokrova kosilnice (sl. J8 do sl. J9)

J8-1	Vodni priklon	J8-3	Vrtna cev
J8-2	Hitra spojka za vodni priklon		

**OPAZITI:** Po končanem čiščenju pritisnite stikalo PTO navzdol, da iztaknete rezila kosilnice.

## VZDRŽEVANJE POKROVA KOSILNICE IN REZIL

Priprava (sl. K1 do K6)

Odstranjevanje pokrova kosilnice (sl. K7 do K8)

K7-1	Kabel motorja	K7-3	Spoj vzmetenja
K7-2	Razcepka		

**OPOMBA:** Pri odstranitvi pokrova kosilnice odklopite vse kable motorja in razcepke.

Zamenjava rezil (sl. K9 do K11)

K9-1	Stabilizator	K10-3	Rezilo
K10-1	Sornik	K10-4	Prirobnica
K10-2	Podložka	K10-5	Gred motorja

Izravnavo pokrova kosilnice

a. Kdaj izravnati (sl. K12 do K14)

b. Pred izravnavo

- Preverjanje tlaka pri hladni pnevmatiki (sl. K15)
- Preverite rezila. Obrabljena, počena in/ali ukrivljena rezila po potrebi odstranite in zamenjajte.

c. Priprava na izravnavo (sl. K16 do K21)

d. Način izravnave

- Prilagajanje od ene do druge strani (sl. K22)

K22-1	Protimatica
-------	-------------

- Prilagajanje od spredaj nazaj (sl. K23)

## UMERJANJE SISTEMA ZA SLEDENJE KOSILNICE (sl. L1 – L4)

**OPOMBA:** Indikator piskanja se bo sprostil dvakrat: enkrat ob začetku umerjanja in po končanem umerjanju.

**OPOMBA:** Umerjanje, opravljeno za enega od načinov vožnje (»CONTROL«, »STANDARD«, »SPORT«), morda ni na voljo za druga dva načina. Po potrebi umerite volan v vsakem načinu vožnje posebej.

## PONASTAVITEV KOSILNICE NA ZAČETNE TOVARNIŠKE NASTAVITVE (sl. M)

**OPOMBA:** Indikator piskanja se bo sprostil dvakrat: enkrat ob začetku ponastavitve in po končani ponastavitvi.

**OPOMBA:** Ko je ponastavitev uspešna, se bodo spodnje nastavitve vrnila na začetno tovarniško nastavitve:

- način vožnje
- hitrost vožnje
- kalibracija krmilnih vzvodov

## SKLADIŠČENJE IN PREVOZ

SL

### PREVAŽANJE KOSILNICE (SL. N1 DO N11)

**OPOMBA:** Kosilnico ustrezno pritrdite s trakovi ali kabli, da se ne bo med prevozom premikala.

### SHRANJEVANJE (SI. O1 do O6)

**OPOMBA:** Odstranite akumulatorske sklope in shranite akumulatorje. Oglejte si ustrezne priročnike.

Pred shranjevanjem očistite in preverite kosilnico. Oglejte si razdelka „ČIŠČENJE KOSILNICE“ in „PRIPOROČENI NAČRTI VZDRŽEVANJA“.

## Varovanje okolja




Odpadna električna in elektronska oprema: električne opreme, rabljenega akumulatorja in polnilnika ne odvrzite med gospodinjske odpadke. Izdelek odnesite v pooblaščen obrat za recikliranje in ga zavržite ločeno. Električna orodja je treba odnesti na obrat za recikliranje in ga reciklirati na okolju prijazen način.

**KEES VAN DER SPEK**  
TUINMACHINES ★ STOLWIJK

SL


## ODPRAVLJANJE TEŽAV

TEŽAVA	VZROK	REŠITEV
<p>Kosilnica se ne premakne, ko pritisnete na začetku dva krmilna vzvoda naprej ali nazaj.</p>  <p>Ikona krmilnega vzvoda utripa.</p>	<ul style="list-style-type: none"> <li>Kombinirana zmogljivost Ah vstavljenega akumulatorja ne izpolnjuje zahteve.</li> </ul>	<ul style="list-style-type: none"> <li>Za zagon te kosilnice morate uporabiti dovolj akumulatorjev EGO po navodilih v poglavju „<b>POLNJENJE</b>“ v tem priročniku.</li> </ul>
	<ul style="list-style-type: none"> <li>Stopalka parkirne zavore je v položaju za zaviranje.</li> </ul>	<ul style="list-style-type: none"> <li>Do konca pritisnite stopalko parkirne zavore, da jo sprostite iz položaja za zaviranje.</li> </ul>
	<ul style="list-style-type: none"> <li>Ob zagonu kosilnice krmilni vzvodi niso v odprtem položaju.</li> </ul>	<ul style="list-style-type: none"> <li>Krmilne vzvode vrnite v odprt položaj in znova zaženite kosilnico.</li> </ul>
	<ul style="list-style-type: none"> <li>Voznik ne sedi na sedežu.</li> </ul>	<ul style="list-style-type: none"> <li>Voznik lahko pravilno upravlja kosilnico samo takrat, ko pravilno sedi na svojem sedežu.</li> </ul>
	<ul style="list-style-type: none"> <li>Stikalo sedeža ni pravilno priključeno.</li> </ul>	<ul style="list-style-type: none"> <li>Odstranite akumulator iz kosilnice in razstavite sedež v obratnem vrstnem redu navodil v poglavju „<b>NAMEŠČANJE SEDEŽA</b>“ v tem priročniku, da preverite priključitev stikala sedeža. Znova sestavite sedeže in upoštevajte navodila v razdelku „<b>ZAGON KOSILNICE</b>“, da znova zaženete kosilnico in preverite, ali jo je mogoče zagnati. Če se kosilnica ne zažene, se obrnite na kvalificiranega serviserja</li> </ul>
	<ul style="list-style-type: none"> <li>V izjemno hladnem vremenu se vozna funkcija morda ne bo zagnala uspešno zaradi nizke temperaturne zaščite.</li> </ul>	<ul style="list-style-type: none"> <li>Kosilnico in akumulator vedno shranjujte v toplem prostoru. Ko se kosilnica segreje, jo znova zaženite. V izjemno hladnem vremenu ne poskušajte kosilnice zagnati večkrat zapored, saj jo lahko tako poškodujete.</li> </ul>

SL

TEŽAVA	VZROK	REŠITEV
Kosilnica se ustavi.	<ul style="list-style-type: none"> <li>▪ Krmilne vzvode je treba „ponastaviti“.</li> </ul>	<ul style="list-style-type: none"> <li>▪ Krmilne vzvode vrnite v odprt položaj in znova zaženite kosilnico.</li> </ul>
	<ul style="list-style-type: none"> <li>▪ Električne komponente za upravljanje krmilnih vzvodov so okvarjene.</li> </ul>	<ul style="list-style-type: none"> <li>▪ Za popravilo se obrnite na strokovno usposobljenega serviserja.</li> </ul>
	<ul style="list-style-type: none"> <li>▪ Stikalo sedeža se je med vožnjo po grobem terenu odklopilo.</li> </ul>	<ul style="list-style-type: none"> <li>▪ Odstranite akumulator iz kosilnice in razstavite sedež v obratnem vrstnem redu navodil v poglavju „<b>NAMEŠČANJE SEDEŽA</b>“ v tem priročniku, da preverite priključitev stikala sedeža. Znova sestavite sedeže in upoštevajte navodila v razdelku „<b>ZAGON KOSILNICE</b>“, da znova zaženete kosilnico in preverite, ali jo je mogoče zagnati. Če se kosilnica ne zažene, se obrnite na kvalificiranega serviserja</li> </ul>
	<ul style="list-style-type: none"> <li>▪ Pedal za parkirno zavoro je pritisnjen, da upočasni hitrost vožnje. Ko je pedal za parkirno zavoro dovolj pritisnjen, vendar ne na parkirni položaj, se bo kosilnica ustavila.</li> </ul>	<ul style="list-style-type: none"> <li>▪ Za ponovni zagon kosilnice sledite navodilom v razdelku »<b>ZAGON KOSILNICE</b>«.</li> </ul>
<b>SL</b> Hitrosti vožnje/voznega načina ni mogoče prilagoditi med vožnjo.	<ul style="list-style-type: none"> <li>▪ To je značilnost kosilnice, ki omogoča varno vožnjo.</li> </ul>	<ul style="list-style-type: none"> <li>▪ Funkcija se bo aktivirala le, ko so kolesa kosilnice zaustavljena, krmilni vzvodi pa so odprti.</li> </ul>



TEŽAVA	VZROK	REŠITEV
<p>Ob vklopu stikala PTO kosilnica ne zažene rezil.</p>  Ikona stikala PTO utripa.	<ul style="list-style-type: none"> <li>Kombinirana zmogljivost Ah vstavljenega akumulatorja ne izpolnjuje zahteve.</li> </ul>	<ul style="list-style-type: none"> <li>Za zagon te kosilnice morate uporabiti dovolj akumulatorjev EGO po navodilih v poglavju „<b>POLNJENJE</b>“ v tem priročniku.</li> </ul>
	<ul style="list-style-type: none"> <li>Stikalo PTO ni bilo pritisnjeno, ko ste nazadnje ustavili kosilnico.</li> </ul>	<ul style="list-style-type: none"> <li>Pritisnite stikalo PTO navzdol in znova zaženite rezila kosilnice.</li> </ul>
	<ul style="list-style-type: none"> <li>Ob zagonu rezil je kosilnica preobremenjena, kar povzroči samozaščito motorja.</li> </ul>	<ul style="list-style-type: none"> <li>Najprej začnite kositi travo z nizko hitrostjo rezila in ne povečujte hitrosti rezila, dokler se ne začnejo rezila ustrezno vrteti.</li> </ul>
	<ul style="list-style-type: none"> <li>V izjemno hladnem vremenu se motor rezil morda ne bo zagnal uspešno zaradi nizke temperature zaščite.</li> </ul>	<ul style="list-style-type: none"> <li>Kosilnico in akumulator vedno shranjujte v toplem prostoru. Ko se kosilnica segreje, jo znova zaženite. V izjemno hladnem vremenu ne poskušajte kosilnice zagnati večkrat zapored, saj jo lahko tako poškodujete.</li> </ul>
	<ul style="list-style-type: none"> <li>Rezilo vpliva na deformiran pokrov kosilnice.</li> </ul>	<ul style="list-style-type: none"> <li>Za popravilo se obrnite na strokovno usposobljenega serviserja.</li> </ul>

TEŽAVA	VZROK	REŠITEV
Med košnjo trave rezila prenehajo delovati.	<ul style="list-style-type: none"> <li>Kosilnica je preobremenjena.</li> </ul>	<ul style="list-style-type: none"> <li>Dvignite višino košnje ali upočasnite vožnjo, da zmanjšate obremenitev kosilnice.</li> </ul>
	<ul style="list-style-type: none"> <li>Pokrov kosilnice je zamašen s travo in delci.</li> </ul>	<ul style="list-style-type: none"> <li>Očistite pokrov kosilnice in se prepričajte, da se lahko rezila prosto premikajo.</li> </ul>
	<ul style="list-style-type: none"> <li>Kosilnica je pregreta.</li> </ul>	<ul style="list-style-type: none"> <li>Zmanjšajte obremenitev kosilnice, tako da dvignete višino košnje ali upočasnite vrtenje rezil/hitrost vožnje ter omogočite kosilnici, da se ohladi.</li> </ul>
	<ul style="list-style-type: none"> <li>Akumulatorski sklopi v predelu za akumulatorje v kosilnici so pregreti, kar povzroči, da kombinirana zmogljivost Ah vseh vstavljenih akumulatorjev ni v skladu z zahtevo.</li> </ul>	<ol style="list-style-type: none"> <li>Če je kombinirana zmogljivost akumulatorjev ni v skladu z zahtevo, kosilnica ne bo delovala, dokler ne boste v prazne predele za akumulatorje vstavili še več akumulatorskih sklopov. Ko bo pregret akumulator znova deloval z normalno temperaturo, se bo takoj pridružil napajanju kosilnice.</li> <li>Zmanjšajte obremenitev kosilnice, tako da dvignete višino košnje ali upočasnite košnjo pri nadaljnjem delu.</li> </ol>
	<ul style="list-style-type: none"> <li>Kosilnica je v načinu Limp-Home.</li> </ul>	<ul style="list-style-type: none"> <li>Ko je kosilnica v načinu Limp-Home, rezila samodejno preklopijo v nizko hitrost vrtenja brez košnje trave. Voznik bi moral prenehati delati in se čim prej vrniti v območje za polnjenje akumulatorja.</li> </ul>
	<ul style="list-style-type: none"> <li>Kosilnica je zadela ob tujek, kar je sprožilo samozaščito motorja.</li> </ul>	<ul style="list-style-type: none"> <li>Pritisnite stikalo PTO navzdol in znova zaženite rezila kosilnice.</li> </ul>
Indikator utripanja se še naprej oglašča.	<ul style="list-style-type: none"> <li>Kosilnica je v načinu Limp-Home in rezila niso izklopljena.</li> </ul>	<ul style="list-style-type: none"> <li>Pritisnite stikalo PTO navzdol, da iztakne rezila iz pokrova. Zvočni indikator bo prenehal piskati, ko se bo rezilo zaustavilo.</li> </ul>
	<ul style="list-style-type: none"> <li>Kosilnica se ne pobočju zaustavi, voznik odpre krmilne vzvode in vstane s sedeža, ne da bi nastavil stopalko parkirne zavore v položaj za zaviranje.</li> </ul>	<ul style="list-style-type: none"> <li>Preden pustite kosilnico na pobočju, nastavite stopalko parkirne zavore v položaj za zaviranje.</li> </ul>

TEŽAVA	VZROK	REŠITEV
Indikatorji akumulatorja so še vedno vklopljeni, ko je kosilnica izklopljena.	<ul style="list-style-type: none"> <li>Če izklopite kosilnico na tleh, ne da bi odstranili akumulatorske sklope iz kosilnice, bodo indikatorji akumulatorja, gumb za zagon/ustavitev in gumb za nastavitev svetili še nekaj časa.</li> </ul>	<ul style="list-style-type: none"> <li>Dejanje ni potrebno. Indikatorji akumulatorja se bodo po določenem času izklopili, ko se bo kosilnica ugasnila. Za točen čas glejte razdelek „<b>ZAUSTAVITEV KOSILNICE</b>“.</li> </ul>
	<ul style="list-style-type: none"> <li>Če izklopite kosilnico na pobočju, ne da bi nastavili stopalko parkirne zavore v položaj za parkiranje, bodo indikatorji akumulatorja svetili, dokler je bo akumulator izpraznjen. Hkrati se bo ves čas sproščal tudi zvočni indikator.</li> </ul>	<ul style="list-style-type: none"> <li>Preden pustite napravo na pobočju, preklopite stopalko parkirne zavore v položaj za zaviranje.</li> </ul>
Zaslon LCD ni osvetljen z vsemi ikonami.	<ul style="list-style-type: none"> <li>Gumba za zagon/zaustavitev niste pritiskali dovolj dolgo.</li> </ul>	<ul style="list-style-type: none"> <li>Na zaslonu LCD bo prikazan „merilnik goriva“ le, če boste gumb za zagon/zaustavitev pritisnili na hitro.</li> <li>Zaslon LCD se bo vklopil, če boste gumb za zagon/zaustavitev pritisnili dovolj dolgo.</li> </ul>
Kosilnica reže neenakomerno, tako da je razlika v višini spredaj in zadaj zelo opazna.	<ul style="list-style-type: none"> <li>Rezila so topa.</li> </ul>	<ul style="list-style-type: none"> <li>Nabrusite ali zamenjajte rezila v skladu z navodili.</li> </ul>
	<ul style="list-style-type: none"> <li>Rezila so zvita.</li> </ul>	<ul style="list-style-type: none"> <li>Zvita rezila zamenjajte v skladu z navodili v razdelku „<b>ZAMENJAVA REZIL</b>“.</li> </ul>
	<ul style="list-style-type: none"> <li>Pokrov kosilnice ni izravnani, zato je trava porezana na različni višini.</li> </ul>	<ul style="list-style-type: none"> <li>Pokrov kosilnice izravnajte v skladu z navodili v razdelku „<b>IZRAVNAVA POKROVA KOSILNICE</b>“.</li> </ul>
Dejanska višina rezanja ni usklajena z nastavljenimi višini.	<ul style="list-style-type: none"> <li>Matice pokrova kosilnice na spoju vzmetenja so zrahljane.</li> </ul>	<ul style="list-style-type: none"> <li>Upoštevajte navodila v razdelku „<b>IZRAVNAVA POKROVA KOSILNICE</b>“, da ustrezno prilagodite pokrov kosilnice od spredaj nazaj, ter trdno privijte matice na spoju vzmetenja.</li> </ul>
	<ul style="list-style-type: none"> <li>Pokrov kosilnice je poškodovan ali hudo obrabljen.</li> </ul>	<ul style="list-style-type: none"> <li>Za zamenjavo pokrova kosilnice upoštevajte navodila v razdelku „<b>ODSTRANITEV POKROVA KOSILNICE</b>“.</li> </ul>

TEŽAVA	VZROK	REŠITEV
Kosilnica ne mulči pravilno.	<ul style="list-style-type: none"> <li>▪ Drobcji mokre trave so se nalepili na spodnjo stran pokrova.</li> </ul>	<ul style="list-style-type: none"> <li>▪ Pred košenjem počakajte, da se trava posuši.</li> </ul>
	<ul style="list-style-type: none"> <li>▪ Kosilnica je nastavljena tako, da kosi preveč trave naenkrat.</li> </ul>	<ul style="list-style-type: none"> <li>▪ Dvignite višino košnje.</li> </ul>
Prihaja do pretiranih vibracij.	<ul style="list-style-type: none"> <li>▪ Rezila so zrahljana.</li> </ul>	<ul style="list-style-type: none"> <li>▪ Zategnite sornik rezila s priporočenim navorom.</li> </ul>
	<ul style="list-style-type: none"> <li>▪ Rezila so zvita.</li> </ul>	<ul style="list-style-type: none"> <li>▪ Zvita rezila zamenjajte v skladu z navodili v razdelku „<b>ZAMENJAVA REZIL</b>“.</li> </ul>
	<ul style="list-style-type: none"> <li>▪ Pokrov kosilnice ni izravnán.</li> </ul>	<ul style="list-style-type: none"> <li>▪ Pokrov kosilnice izravnajte v skladu z navodili v razdelku „<b>IZRAVNAVA POKROVA KOSILNICE</b>“.</li> </ul>
	<ul style="list-style-type: none"> <li>▪ Matice pokrova kosilnice na spoju vzmetenja so zrahljane.</li> </ul>	<ul style="list-style-type: none"> <li>▪ Zategnite matice na spoju vzmetenja.</li> </ul>
Po košnji ostanejo na tleh trava ali ostanki.	<ul style="list-style-type: none"> <li>▪ Kosilnica je nastavljena tako, da kosi preveč trave naenkrat, ko je trava visoka.</li> </ul>	<ul style="list-style-type: none"> <li>▪ Začnite na visoki višini košnje in jo postopoma nižajte, dokler ne dosežete zelenega rezultata košnje. Travo, ki je višja od 6 cm, morate kositi dvakrat, pri čemer nastavite vedno nižjo višino.</li> </ul>
	<ul style="list-style-type: none"> <li>▪ Trava je mokra.</li> </ul>	<ul style="list-style-type: none"> <li>▪ Če je trava mokra, je ne kosite, dokler se ne posuši.</li> </ul>
	<ul style="list-style-type: none"> <li>▪ Visoka hitrost vožnje.</li> </ul>	<ul style="list-style-type: none"> <li>▪ Upočasnite hitrost vožnje.</li> </ul>
	<ul style="list-style-type: none"> <li>▪ Počasna hitrost rezila.</li> </ul>	<ul style="list-style-type: none"> <li>▪ Hitrost rezil povečujte postopoma.</li> </ul>
Kratek čas delovanja akumulatorja s priloženim akumulatorjem.	<ul style="list-style-type: none"> <li>▪ Stanje trave in nastavitve višine košnje bosta močno vplivali na čas delovanja akumulatorja. Navedeni čas delovanja temelji na pogojih lahko obremenitve.</li> </ul>	<ul style="list-style-type: none"> <li>▪ Dvignite višino košnje in upočasnite hitrost rezila, da zmanjšate obremenitev kosilnice.</li> </ul>
Kosilnica ne sledi v ravni liniji.	<ul style="list-style-type: none"> <li>▪ Tlak v pnevmatikah za levo in desno zadnjo pnevmatiko je različen.</li> </ul>	<ul style="list-style-type: none"> <li>▪ Preverite in prilagodite zračni tlak v obeh zadnjih kolesih v skladu s priporočili v razdelku „<b>PREVERJANJE TLAKA V PNEVATIKAH</b>“ v tem priročniku.</li> </ul>
	<ul style="list-style-type: none"> <li>▪ Hitrost vožnje za levo in desno zadnjo pnevmatiko je različna.</li> </ul>	<ul style="list-style-type: none"> <li>▪ Umerite sistem sledenja kosilnice v skladu z navodili v razdelku „<b>UMERJANJE SISTEMA SLEDENJA KOSILNICE</b>“.</li> </ul>

TEŽAVA	VZROK	REŠITEV
Stopalke parkirne zavore ni mogoče sprostiti iz zavornega položaja ali pa skoči nazaj prepočasi.	<ul style="list-style-type: none"> <li>V stopalko parkirne zavore so morda zašli ostanki ali umazanija.</li> </ul>	<ul style="list-style-type: none"> <li>Odprite ohišje stopalke parkirne zavore, temeljito očistite notranjost in ga zaprite. Ponastavite stopalko parkirne zavore in preverite, ali ste odpravili težavo. Če se kosilnica ne zažene, se obrnite na kvalificiranega serviserja</li> </ul>
Kosilnice ni mogoče polniti prek polnilnega vhoda, ko indikator stanja kosilnice sveti neprekinjeno rdeče.	<ul style="list-style-type: none"> <li>Vtič polnilnika ni pravilno priključen na polnilna vrata na kosilnici.</li> </ul>	<ul style="list-style-type: none"> <li>Znova priključite vtič polnilnika in preverite, ali lahko polnilnik normalno polnite.</li> </ul>
	<ul style="list-style-type: none"> <li>V stenski vtičnici ni električnega toka.</li> </ul>	<ul style="list-style-type: none"> <li>Dejanje ni potrebno. Počakajte, da se napajanje obnovi.</li> </ul>
	<ul style="list-style-type: none"> <li>Polnilnik je okvarjen.</li> </ul>	<ul style="list-style-type: none"> <li>Obrnite se na kvalificiranega serviserja, ki bo preveril polnilnik in ga po potrebi popravil.</li> </ul>
	<ul style="list-style-type: none"> <li>Polnilna vrata na kosilnici so okvarjena.</li> </ul>	<ul style="list-style-type: none"> <li>Za popravilo se obrnite na strokovno usposobljenega serviserja.</li> </ul>
Čas polnjenja prek polnilnih vrat kosilnice je predolg.	<ul style="list-style-type: none"> <li>Pri uporabi adapterja EGO ACA1000 traja polnjenje dolgo časa.</li> </ul>	<ul style="list-style-type: none"> <li>Uporabite EGO polnilnik CHV1600E za neposredno polnjenje kosilnice.</li> </ul>
Akumulatorja ni mogoče popolnoma napolniti prek polnilnih vrat kosilnice.	<ul style="list-style-type: none"> <li>Napaka vdelane programske opreme kosilnice s sedežem ali napaka polnilnika/akumulatorja.</li> </ul>	<ul style="list-style-type: none"> <li>Odklopite polnilnik in počakajte nekaj minut, nato pa vtič znova priključite v vir napajanja. Če težave ne morete odpraviti, se obrnite na kvalificiranega serviserja.</li> </ul>
Po čiščenju kosilnice ni mogoče zagnati.	<ul style="list-style-type: none"> <li>Nepravilno čiščenje, pri katerem je na primer voda zalila električne komponente, zaslon LCD itd.</li> </ul>	<ul style="list-style-type: none"> <li>Za pravilno čiščenje kosilnice upoštevajte navodila v razdelku „<b>ČIŠČENJE KOSILNICE</b>“.</li> </ul>
Kosilnica se hitro zamaši.	<ul style="list-style-type: none"> <li>Pokrov kosilnice je zamašen s travo in delci.</li> </ul>	<ul style="list-style-type: none"> <li>Če ste kosilnico po nesreči pustili na dežju, počakajte, da se posuši na zraku, ali pa jo posušite s stisnjenim zrakom.</li> </ul>
		<ul style="list-style-type: none"> <li>Po vsaki uporabi očistite pokrov kosilnice po navodilih v razdelku „Uporaba vodnega priklopa za čiščenje pokrova kosilnice“.</li> </ul>
Kosilnica takoj izgubi oprijem pri vožnji po hribu navzgor.	<ul style="list-style-type: none"> <li>Pnevmatike zadnjih koles so obrabljene.</li> </ul>	<ul style="list-style-type: none"> <li>Za zamenjavo kolesnih pnevmatik se obrnite na lokalni servis.</li> </ul>
	<ul style="list-style-type: none"> <li>Strmo pobočje za košnjo.</li> </ul>	<ul style="list-style-type: none"> <li>Pobočje, ki ga boste kosili, mora imeti potreben naklon.</li> </ul>

TEŽAVA	VZROK	REŠITEV
Ko se kosilnica zaustavi na pobočju, stopalka zavornega pedala pa je pritisnjena, lahko kosilnica zdrsne navzdol po pobočju.	<ul style="list-style-type: none"><li>▪ Komponente zavore so prekomerno obrabljene zaradi nepravilnega delovanja kosilnice.</li></ul>	<ul style="list-style-type: none"><li>▪ Za popravilo se obrnite na strokovno usposobljenega serviserja.</li></ul>
Med čiščenje pokrova iz vodnega priklopa ne izteka nič vode.	<ul style="list-style-type: none"><li>▪ Hitra spojka za vodni priklop ni nameščena na mestu za vodni priklop.</li></ul>	<ul style="list-style-type: none"><li>▪ Znova namestite hitro spojko za vodni priklop, dokler po močnem potisku ne zaslišite jasnega klika. Če težave ne morete odpraviti, se obrnite na kvalificiranega serviserja</li></ul>
Pri ročnem potiskanju kosilnice brez zagona se sliši nenavaden zvok.	<ul style="list-style-type: none"><li>▪ Hrup povzročajo magneti v pogonskem motorju.</li></ul>	<ul style="list-style-type: none"><li>▪ To je običajno in nobeno dejanje ni potrebno.</li></ul>

## KODA NAPAKE IN REFERENCA INDIKATORJA STANJA KOSILNICE

Zaslon LCD	Opis	Koda napake na zaslonu LCD	Indikator stanja kosilnice	Pozivnik	Vzrok	Rešitev
	Na zaslonu LCD je prikazana ikona LED-luči.	N/V	NE SVETI	Ne	Žarometi, stranske luči in zadnje luči se vklopijo prek stikala za LED-luči.	To je običajno delovanje. Dejanje ni potrebno.
	Na zaslonu je prikazana ikona USB.	N/V	NE SVETI	Ne	Ikona USB sveti, da lahko naprava USB deluje, potem ko je bila kosilnica pravilno zagnana.	To je običajno delovanje. Dejanje ni potrebno.
	Na zaslonu LCD je prikazana ikona merilnika goriva.	N/V	NE SVETI	Ne	Označuje povprečno zmogljivost polnjenja vstavljenih akumulatorjev.	To je običajno delovanje. Dejanje ni potrebno.
	Na zaslonu LCD je prikazana ikona merilnika časa.	N/V	NE SVETI	Ne	Prikazuje skupni čas vožnje kosilnice v urah in ga ni mogoče ponastaviti.	To je običajno delovanje. Dejanje ni potrebno.
	V razponu ECO se prikaže ikona indikatorja obremenitve.	N/V	NE SVETI	Ne	Označuje trenutno obremenitev kosilnice.	To je običajno delovanje. Dejanje ni potrebno.
	Indikator preobremenitve utripa. V razponu PWR se prikaže ikona indikatorja obremenitve.	N/V	Utripa rdeče	En pisk	Motor rezila je preobremenjen.	Dvignite višino košnje ali upočasnite vožnjo, da zmanjšate obremenitev kosilnice.
					Stranski deflektor za izmet je zamašen s travo in ostanki.	Očistite stranski deflektor za izmet po vsaki uporabi.
					Med rezilom in kosilnico prihaja do motenj.	Popravila naj izvede kvalificiran serviser.

**SL**



Zaslon LCD	Opis	Koda napake na zaslonu LCD	Indikator stanja kosilnice	Pozivnik	Vzrok	Rešitev
	Ikona varnostnega ključa utripa.	N/V	NE SVETI	Ne	Varnostni ključ ni vstavljen.	Vstavite varnostno tipko, nato pritisnite in pridržite gumb START/STOP, da vklopite kosilnico.
					Zaslon LCD se ne napaja.	Popravila naj izvede kvalificiran serviser.
	Ikona določenega predela za akumulatorje utripa.	N/V	NE SVETI	Ne	Določen predel za akumulatorje je med praznjenjem prenapet.	Dejanje ni potrebno. Kosilnica bo še naprej delovala, če bo zmogljivost kombiniranega akumulatorja brez akumulatorja s presežnim tokom v skladu z zahtevo. Ko se prenapetosten akumulator povrne v normalno stanje, se takoj vključi v napajanje kosilnice in ikona izgine.
	Ikona za predelek praznega akumulatorja utripa.	N/V	NE SVETI	Ne	Zmogljivost akumulatorja ni zadostna, da bi lahko sedeli na kosilnici in z njo kosili.	Za zagon te kosilnice uporabite dovolj akumulatorjev EGO po navodilih v razdelku „POLNJENJE“ v tem priročniku.
	Ikona temperature utripa.	N/V	NE SVETI	En pisk	Kosilnica je pregreta.	Zmanjšajte obremenitev kosilnice, tako da dvignete višino košnje ali upočasnite vrtenje rezil/hitrost. Naredite odmor in počakajte, da se kosilnica ohladi.
					Kosilnica je prehladna.	Ne poskušajte večkrat, saj lahko poškodujete stroj. Kosilnico in akumulatorje vedno shranjujte v toplem prostoru. Ko se kosilnica segreje, jo znova zaženite.



Zaslon LCD	Opis	Koda napake na zaslonu LCD	Indikator stanja kosilnice	Pozivnik	Vzrok	Rešitev
	Ikona temperature in ikona določenega predelka zasedenega akumulatorja utripata hkrati.	N/V	NE SVETI	Ne	Akumulatorski sklop v ustrezno oštevilčenem predelku za akumulator je pregret.	<p>1. Kosilnica bo še naprej delovala, če bo zmogljivost kombiniranega akumulatorja brez pregretega akumulatorja v skladu z zahtevo. Ko bo pregret akumulator znova deloval z normalno temperaturo, se bo takoj pridružil napajanju kosilnice.</p> <p>2. Če kombinirana zmogljivost akumulatorja ni zadostna, kosilnica ne bo delovala, dokler ne boste v prazne predele za akumulatorje vstavili še več akumulatorskih sklopov.</p> <p>3. Zmanjšajte obremenitev kosilnice, tako da dvignete višino košnje ali upočasnite košnjo pri nadaljnjem delu.</p>
	Ikone posameznega zasedenega predelka akumulatorja, indikator za nizko napajanje, grafika akumulatorja merilnika goriva utripnejo na zaslonu LCD vsako sekundo hkrati. Prvi segment indikatorja stanja in merilnika goriva na zaslonu LCD prav tako utripa.	N/V	Utripa rdeče	Piska, dokler ne pritisnete stikala PTO navzdol.	Akumulatorski sklopi niso dovolj napolnjeni in kosilnica je v načinu Limp-Home.	<p>Prenehajte delati in se vrnite v območje za polnjenje akumulatorja.</p> <p><b>OPOMBA:</b> Ko je kosilnica v načinu Limp-Home, rezila samodejno preklopijo v nizko hitrost vrtenja brez košnje trave, medtem ko bo zvočni indikator še naprej utripal. Voznik mora pritisniti stikalo PTO navzdol, da sprostí rezila iz pokrova. Po zaustavitvi rezil bo zvočni indikator prenehal piskati.</p>

**SL**

Zaslon LCD	Opis	Koda napake na zaslonu LCD	Indikator stanja kosilnice	Pozivnik	Vzrok	Rešitev
	Ikona vsakega zasedenega predelka akumulatorja in indikator nizkega stanja energije utripne vsake pol sekunde.	N/V	Utripa rdeče	Neprekinjeno piska	Akumulatorski sklopi so skoraj prazni.	Kosilnica bo v trenutku prenehala delovati. Voznik mora odpeljati kosilnico v območje za polnjenje akumulatorja, da se napolni.
	Na zaslonu LCD utripa ikona samodejnega parkiranja.	N/V	NE SVETI	Neprekinjeno piska	Kosilnica je parkirana na pobočju in voznik je zapustil kosilnico, ne da bi preklopil stopalko parkirne zavore v položaj za zaviranje, ampak je pustil krmilne vzvode samo v odprtem položaju.	Zavorno stopalko nastavite v položaj za zaviranje. Ikona samodejnega parkiranja se bo izklopila, zvočni indikator pa bo prenehal piskati.
<b>SL</b> 	Na zaslonu LCD je prikazana ikona zavorne stopalke.	N/V	NE SVETI	Ne	Stopalka parkirne zavore je nastavljena na položaj za zaviranje.	Pred zagonom kosilnice ga sprostite.
	Na zaslonu LCD je prikazana ikona senzorja sedeža.	N/V	NE SVETI	Ne	Voznik je pustil sedež ali stikalo sedeža v odklopljen.	Če je ikona vklopljena, ko voznik sedi na sedežu, takoj prenehajte upravljati kosilnico in preverite priključek sedeža. Če ste zagotovili, da je sedež ustrezno priključen, se za popravilo obrnite na kvalificiranega serviserja
	Ikona stikala PTO utripa.	N/V	NE SVETI	Ne	Delovanje motorja rezila je bilo prekinjeno in stikalo PTO ni nastavljeno na položaj za izklop.	Pred ponovnim zagonom kosilnice pritisnite stikalo PTO navzdol, da sprostite motor s pokrova. Za sklice si oglejte razdelek "ODPRAVLJANJE TEŽAV" v tem priročniku.

Zaslon LCD	Opis	Koda napake na zaslonu LCD	Indikator stanja kosilnice	Pozivnik	Vzrok	Rešitev
	Ikona krmilnega vzvoda utripa.	N/V	NE SVETI	Ne	Delovanje pogonskega motorja je bilo prekinjeno in krmilni vzvodi niso nastavljeni na odprti položaj.	Pred ponovnim zagonom kosilnice premaknite krmilne vzvode v odprt položaj. Za sklice si oglejte razdelek "ODPRAVLJANJE TEŽAV" v tem priročniku.
	Ikona obnavljanja energije občasno utripne.	N/V	NE SVETI	Ne	Kinetična energija, ki se ustvari med zaviranjem ali vožnjo po hribu navzdol, se pretvori neposredno v elektriko, ki napolni akumulatorske sklope.	To je običajno delovanje. Dejanje ni potrebno.

KEES VAN DER SPEK  
TUINMACHINES \* STOLWIJK

**OPOMBA:** Če se na LCD zaslonu prikaže koda napake, odstranite vse akumulatorske sklope in jih znova vstavite nekaj minut kasneje. Če to ne reši težave, sledite kodi napake za odpravljanje težav, ki se nahaja spodaj.

Zaslon LCD	Opis	Koda napake na zaslonu LCD	Indikator stanja kosilnice	Pozivnik	Vzrok	Rešitev	
Glejte „Koda napake“	Levi pogonski motor se ne vrti.	Levi pogonski motor, ki se upravlja prek PCBA, ne deluje.	413	NE SVETI	En pisk	Napaka PCBA	Popravila naj izvede kvalificiran servise .
		Vtikač (trifazni, napajalni kabel), ki povezuje levi pogonski motor z ustreznim PCBA, je razrahljan.	317	NE SVETI	En pisk	Zrahljan priključek	
		Vtikač (šest pinov, signalni kabel), ki povezuje levi pogonski motor z ustreznim PCBA, je razrahljan.	301	NE SVETI	En pisk	Zrahljan priključek	
		Levi pogonski motor ne deluje.	317	NE SVETI	En pisk	Napaka motorja	
Glejte „Koda napake“	Desni pogonski motor se ne vrti.	Desni pogonski motor, ki se upravlja prek PCBA, ne deluje.	313	NE SVETI	En pisk	Napaka PCBA	Popravila naj izvede kvalificiran servise .
		Vtikač (trifazni, napajalni kabel), ki povezuje desni pogonski motor z ustreznim PCBA, je razrahljan.	417	NE SVETI	En pisk	Zrahljan priključek	
		Vtikač (šest pinov, signalni kabel), ki povezuje desni pogonski motor z ustreznim PCBA, je razrahljan.	401	NE SVETI	En pisk	Zrahljan priključek	
		Desni pogonski motor ne deluje.	417	NE SVETI	En pisk	Napaka motorja	

SL

Zaslon LCD	Opis	Koda napake na zaslonu LCD	Indikator stanja kosilnice	Pozivnik	Vzrok	Rešitev	
Glejte „Koda napake“	Levi motor rezila se ne vrti.	Levi motor rezila, ki se upravlja prek PCBA, ne deluje.	607/A07	N/V	En pisk	Napaka PCBA	Popravila naj izvede kvalificiran servise .
		Vtikač (trifazni, napajalni kabel), ki povezuje levi pogonski motor z ustreznim PCBA, je razrahljan.	509	N/V	En pisk	Zrahljan priključek	Najprej preglejte rezilo. Če je zrahljan, privijte vijak s priporočenim navorom. Sicer naj popravila izvede kvalificiran servise .
		Levi motor rezila ne deluje.	509	N/V	En pisk	Napaka motorja	
Glejte „Koda napake“	Desni motor rezila se ne vrti.	Desni motor rezila, ki se upravlja prek PCBA, ne deluje.	507/A07	N/V	En pisk	Napaka PCBA	Popravila naj izvede kvalificiran servise .
		Vtikač (trifazni, napajalni kabel), ki povezuje desni pogonski motor z ustreznim PCBA, je razrahljan.	609	N/V	En pisk	Zrahljan priključek	Najprej preglejte rezilo. Če je zrahljan, privijte vijak s priporočenim navorom. Sicer naj popravila izvede kvalificiran serviser.
		Desni motor rezila ne deluje.	609	N/V	En pisk	Napaka motorja	
Glejte „Koda napake“	Sredinski motor rezila se ne vrti.	Sredinski motor rezila, ki se upravlja prek PCBA, ne deluje.	507/607	N/V	En pisk	Napaka PCBA	Popravila naj izvede kvalificiran servise .
		Vtikač (trifazni, napajalni kabel), ki povezuje sredinski pogonski motor z ustreznim PCBA, je razrahljan.	A09	N/V	En pisk	Zrahljan priključek	Najprej preglejte rezilo. Če je zrahljan, privijte vijak s priporočenim navorom. Sicer naj popravila izvede kvalificiran serviser.
		Sredinski motor rezila ne deluje	A09	N/V	En pisk	Napaka motorja	

Zaslon LCD	Opis		Koda napake na zaslonu LCD	Indikator stanja kosilnice	Pozivnik	Vzrok	Rešitev
Glejte „Koda napake“	Levi krmilni vzvod ne deluje.	Levi krmilni vzvod, ki se upravlja prek PCBA, ne deluje.	311/412	NE SVETI	En pisk	Napaka PCAB	Popravila naj izvede kvalificiran servise .
		Vtikač, ki povezuje nadzorno vezje PCBA, nameščeno v krmilni palici, je razrahljan.				Zrahljan priključek	
Glejte „Koda napake“	Desni krmilni vzvod ne deluje.	Desni krmilni vzvod, ki se upravlja prek PCBA, ne deluje.	312/411	NE SVETI	En pisk	Napaka PCAB	Popravila naj izvede kvalificiran servise .
		Vtikač, ki povezuje nadzorno vezje PCBA, nameščeno v krmilni palici, je razrahljan.				Zrahljan priključek	
Glejte „Koda napake“	Parkirna zavora na deluje. Kosilnice ni mogoče voziti.	PCBA parkirne zavore, ki je v sklopu sprednjega ogrodja, je poškodovano.	309/409	NE SVETI	En pisk	Napaka PCBA	Popravila naj izvede kvalificiran servise .
		Stikalo parkirne zavore in/ali žica sta poškodovana.	801	NE SVETI	En pisk	Napaka kabla/stikala	
NE SVETI	Napaka polnilne odprtine		N/V	Sveti rdeče	N/V	Polnilna vrata imajo odprt tokokrog.	Popravila naj izvede kvalificiran servise .
			N/V	Sveti rdeče	N/V	Ni napajanja.	Preverite, ali je napajanje na stenski vtičnici med 220 V in 240 V oziroma, ali je vtičnica v ustreznem stanju.
			N/V	Sveti rdeče	N/V	Varovalka je pregorela.	Popravila naj izvede kvalificiran servise .

SL

Zaslon LCD	Opis	Koda napake na zaslonu LCD	Indikator stanja kosilnice	Pozivnik	Vzrok	Rešitev
Glejte „Koda napake“	Napaka polnilne odprtine	204	N/V	En pisk	Polnilna vrata imajo odprt tokokrog.	Popravila naj izvede kvalificiran servise .
Glejte „Koda napake“	Akumulatorski sklop ne deluje.	217	N/V	En pisk	Vir napajanja iz akumulatorskega sklopa je prekinjen. LED-žarometi in USB ne bodo delovali.	Popravila naj izvede kvalificiran servise .
		310/ 410	NE SVETI	En pisk	Povezava med kabli tipa C akumulatorskega sklopa in drugimi kabli tipa C kosilnice ne deluje.	
		201/ 202/ 203	NE SVETI	En pisk	BMS akumulatorskega sklopa je okvarjen.	
Glejte „Koda napake“	Napaka stikala za zagon/ zaustavitev	314/ 414	NE SVETI	En pisk	Napaka stikala PCBA ali slaba kabelska povezava stikala za zagon/ zaustavitev.	Popravila naj izvede kvalificiran servise .
Glejte „Koda napake“	Napaka zaslona LCD	315/ 415	NE SVETI	En pisk	Sklop LCD je poškodovan ali pa ima sklop zaslona LCD slabo kabelsko povezavo.	Popravila naj izvede kvalificiran servise .

**SL**

## GARANCIJA

### GARANCIJSKA POLITIKA DRUŽBE EGO

Za popolne pogoje garancijske politike družbe EGO obiščite spletno mesto [egopowerplus.com](http://egopowerplus.com).

# PERSKAITYKITE VISAS INSTRUKCIJAS!



SKAITYTI NAUDOJIMO INSTRUKCIJĄ

## SAUGOS SIMBOLIAI

Saugos simbolių paskirtis – atkreipti dėmesį į galimus pavojus. Gerai susipažinkite su saugos simboliais bei jų paaiškinimais ir juos išdėmėkite. Simbolių išpėjimai patys savaime negali apsaugoti nuo pavojų. Jais žymimi nurodymai ir išpėjimai neatstoja tinkamų nelaimingų atsitikimų prevencijos priemonių.

**⚠️ ĮSPĖJIMAS:** Prieš pradėdami naudoti šį įrenginį, perskaitykite visus šioje naudojimo instrukcijoje pateiktus saugos nurodymus, taip pat susipažinkite su visais saugos išpėjamaisiais simboliais, tokiais kaip „**PAVOJUS**“, „**ĮSPĖJIMAS**“ ir „**DĖMESIO**“, ir įsitikinkite, ar juos supratote. Nesilaikant visų toliau išdėstytų nurodymų galima patirti elektros smūgį, sukelti gaisrą ir (ar) sunkiai susižaloti.

## SIMBOLIŲ REIKŠMĖ

Šiame puslapyje pavaizduoti ir aprašyti saugos simboliai, kurie gali būti nurodyti ant šio gaminio. Prieš bandydami surinkti ir naudoti įrankį, perskaitykite visus ant jo pateiktus nurodymus, įsitikinkite, ar juos supratote, ir jais vadovaukitės.

KES VAN DER SPEK  
TUINMACHINES \* STOLWIJK

## SAUGOS SIMBOLIAI



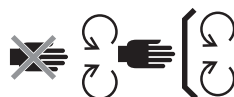
Įspėjimas dėl saugos



Perskaityti ir suprasti naudojimo instrukciją



Užsidėti apsauginius akinius



Prižiūrėti apsauginius įtaisus



PAVOJUS – stataus šlaito pavojus



PAVOJUS – neleisti pašalinių asmenų prie peilių



Niekada nevežti vaikų



Žiūrėti atgal važiuojant atbuline eiga



ĮSPĖJIMAS – nenaudoti šio įrenginio statėsiuose nei 12° šlaituose



PAVOJUS – išsviestos šiukšlės



ĮSPĖJIMAS – NEKIŠTI RANKŲ IR KOJŲ



Garantuojamas garso galios lygis. Pagal Europos Bendrijos direktyvą.

LT





Nelipti



Netinkamus naudoti elektrinius įrankius draudžiama išmesti kartu su buitėmis atliekomis. Pristatyti įgaliotam perdirbėjui.



Šis gaminys atitinka jam taikomas EB direktyvas



DĖMESIO – įdėmiai nežiūrėkite į šviečiantį žibintą.



Nuolatinė srovė



Šis gaminys atitinka taikomas JK direktyvas.

kPa

Kilopaskaliai

RPM

Sūčiai per minutę

V

Voltai

m

Metrai

in

Coliai

cm

Centimetrai

Nm

Niutonmetrai

mm

Milimetrai

°C

Celsijaus laipsniai

kg

Kilogramai

km/h

Kilometrai per valandą

IPX4

Apsaugos klasė

## TECHNINIAI DUOMENYS

Kees van der Spek

Įtampa	56 V	
Pjovimo platformos dydis	132 cm	
Ratų dydis	Priekis	279,4 x 126 mm
	Galas	457,2 x 223 mm
Slėgis šaltose padangose	Priekis	222,1 kPa
	Galas	115,8 kPa
Posūkio spindulys	0	
Peilių sukimosi greitis (sūk./min.)	2600; 2800; 3000; 3200	
Maks. važiavimo greitis (km/val.)	Į priekį	8,1 km/val.; 9,7 km/val.; 11,3 km/val.; 12,8 km/val.
	Atgal	iki 6,4 km/val.

Įkrovimas	Įkroviklis (pasirinktis)	CHV1600E
	Adapteris (pasirinktis)	ACA1000
	Įkrovimo temperatūra	5–40°C
Pjovimo aukščio reguliavimas (10 padėtis)		25–100 mm
Darbinė temperatūra		0–40°C
Laikymo temperatūra		–20–70°C
Svoris (be sudėtinės baterijos)		217 kg
Išmatuotas garso galios lygis $L_{WA}$		95,48 dB(A) K=0,73 dB(A)
Garso slėgio lygis ties operatoriaus ausimi $L_{PA}$		82,5 dB(A) K=3 dB(A)
Garantuojamas garso galios lygis $L_{WA}$ (išmatuotas pagal 2000/14/EB)		100 dB(A)

LT

Vibracija $a_h$	Rankų	0,69 m/s <sup>2</sup> K=1,5 m/s <sup>2</sup>
	Kūno	0,3 m/s <sup>2</sup> K=1,5 m/s <sup>2</sup>

- Nurodyta bendroji vibracijos vertė išmatuota taikant standartinį bandymo metodą, todėl pagal ją galima palyginti skirtingus įrankius.
- Nurodytą bendrąją vibracijos vertę taip pat galima naudoti pirminiam poveikio vertinimui.

**PASTABA:** Naudojant įrenginį realiomis sąlygomis, skleidžiamos vibracijos stiprumo vertė gali skirtis nuo nurodytos. Kad apsisaugotų dirbdamas realiomis sąlygomis, naudotojas turi mūvēti pirštines ir naudoti klausos apsaugos priemones.

## APRAŠYMAS

### TRAKTORIUKO DALYS (A1 IR A2 PAV.)

1. Sėdynė
2. Įkrovimo jungtis
3. Maitinimo blokas
4. LED galinis žibintas
5. Dėtuė
6. Puodelių laikikliai
7. LED šoninis žibintas
8. Galinis ratas (varantysis ratas)
9. Plovimo jungtis
10. Pjovimo platforma
11. Pjovimo platformos apsauga
12. Apsaugos nuo skutimo ratukas
13. Priekinis ratas
14. Stovėjimo stabdžio pedalas
15. Dienos žibintai
16. LED priekiniai žibintai
17. Šoninis išmetimo kanalas
18. Pjovimo platformos aukščio reguliavimo svirtis
19. Sėdynės pakabos reguliavimo rankenėlė
20. Sėdynės padėties reguliavimo svirtis
21. Vairavimo svirtys
22. Traktoriuko būsenos indikatorius
23. LCD ekranas
24. PTO jungiklis

25. Paleidimo ir sustabdymo mygtukas
26. Saugos raktelis
27. Telefono dėtuė
28. Droselis
29. Traktoriuko įkrovos ir būsenos indikatoriai
  - 29.a. Traktoriuko įkrovos indikatorius
  - 29.b. Traktoriuko būsenos indikatorius
30. Atrama kojoms
31. Maitinimo bloko dangčio atkabimo mygtukas
32. Maitinimo bloko dangtis
33. Maitinimo blokas su šešiais baterijų skyriais
34. Baterijos atjungimo mygtukas
35. Vilkimo jungtis
36. Padargų tvirtinimo dangtelis
37. Padargų tvirtinimo dangtelio dėtuė
38. USB lizdas

### LCD EKRANO DALYS (A3 PAV.)

Daugiau informacijos apie piktogramas ir indikatorius LCD ekrane rasite skyriuje „GEDIMŲ KODAI IR TRAKTORIUKO BŪSENOS INDIKATORIUS“.

1. Saugos raktelio piktograma
2. LED žibintų piktograma
3. Automatinio statymo piktograma
4. USB piktograma
5. Peilių sukimosi greičio indikatorius
6. Apsauginio įtaiso būsenos indikatorius
7. Valandų skaitiklis
8. Tuščio baterijos skyriaus piktograma
9. Temperatūros piktograma
10. Užimto baterijos skyriaus piktograma
11. Važiavimo režimas
12. Gedimo kodo indikatorius
13. Perkrovos indikatorius
14. Mažos galios indikatorius
15. Važiavimo greičio indikatorius
16. Apkrovos indikatorius
17. Įkrovos indikatorius
18. Peilių sukimosi greičio reguliavimo mygtukas
19. Nustatymo mygtukas
20. Važiavimo režimo mygtukas
21. LED žibintų jungiklis
22. Važiavimo greičio reguliavimo mygtukai

## IŠPAKAVIMAS

**PASTABA:** Neišmeskite pakuotės medžiagų, kol atidžiai nepatikrinote ir neišbandėte gaminio. Jeigu kokių nors dalių iš pakuotės turinio sąrašo trūksta, nedelsdami kreipkitės į EGO klientų aptarnavimo centrą.

**PASTABA:** Išskyrus toliau pakuotės turinio sąrašė išvardintus įrankius, jokių kitokių instrukcijose minimų įrankių nėra, nes jie tik rekomenduojami.

### PAKUOTĖS TURINIO SĄRAŠAS (B PAV.)

B-1	Nulinio posūkio spindulio traktoriukas	B-6	Saugos rakteliai
B-2	Sėdynė	B-7	Veržliarakčiai (13 mm)
B-3	Vairavimo svirtis	B-8	Šešiakampis raktas
B-4	Varžtai su lizdais galvutėse (2 atsarginiai)	B-9	Plovimo jungties greitojo sujungimo mova
B-5	Varžtai su šešiakampėmis galvutėmis (2 atsarginiai)	B-10	Naudojimo instrukcija

### REKOMENDUOJAMI PRIEDAI

**⚠ ĮSPĖJIMAS:** Naudokite tik toliau išvardintas identiškas atsargines dalis. Naudojant dalis, kurios neatitinka originalios įrangos specifikacijų, traktoriukas gali netinkamai veikti ir kelti pavojų.

DALIES PAVADINIMAS	MODELIO NUMERIS
Standartinis peilis	AB5200
Aukštai pakeliamas peilis	AB5201
Mulčiavimo rinkinys	ABP5200
Žolės rinktuvo komplektas	ABK5200-A
Galinis buferis	AMB1000
Krovinių dėžė	AMG1000

Tentas	AMS1000
--------	---------

## SURINKIMAS

### SĖDYNĖS TVIRTINIMAS (C1 ir C2 pav.)

**⚠ ĮSPĖJIMAS:** Draudžiama atjungti ar apeiti apsauginę blokavimo sistemą. Priešingu atveju traktoriukas gali veikti nenusėjamai ir galite susižaloti.

**PASTABA:** Dėl jūsų saugumo įrengtas apsauginis sėdynės jungiklis važiavimo metu gali suveikti ir traktoriukas sustos. Tokiu atveju daugiau informacijos prašome ieškoti skyriuje „TRIKČIŲ ŠALINIMAS“.

C1-1	Kabelis	C1-5	Varžtai su lizdais galvutėse
C1-2	Kištukas	C2-1	Kabliukas
C1-3	Lizdas	C2-2	Plieniniai bėgeliai
C1-4	Pakabos pagrindas	C2-3	Varžtai su lizdais galvutėse

### VAIRAVIMO SVIRČIŲ TVIRTINIMAS (C3 PAV.)

C3-1	Vairavimo svirtys	C3-3	Vairavimo svirčių tvirtinimo skylės
C3-2	Varžtai su šešiakampėmis galvutėmis		

LT

## NAUDOJIMAS

### PRIEŠ TRAKTORIUKO NAUDOJIMĄ

#### Aplinkos tikrinimas

- Darbo zonoje neturi būti vaikų, pašalinių asmenų ir naminių gyvūnų.
- Išvalykite darbo zoną nuo šiukšlių, kurias gali išsviesti traktoriuko peiliai.
- Patikrinkite, ar tinkamai veikia LED žibintai:
  - Priekiniai, šoniniai ir galiniai žibintai valdomi LED žibintų jungikliu.

- Dienos žibintai važiavimo metu visada šviečia.
- Važiuojant atbuline eiga: jei galiniai žibintai išjungti, jie mirksi įspėdami šalia esančius asmenis; jei galiniai žibintai įjungti, jie ir toliau dega.
- Visi žibintai automatiškai išsijungs, kai po tam tikro laiko automatiškai išsijungs nedirbantis traktoriukas.

### Oro slėgio šaltose padangose tikrinimas (D1 pav.)

### Traktoriuko būsenos ir baterijos įkrovos tikrinimas

- Traktoriuko įkrovos indikatorius (A2 pav., 27a)  
Kiekvienas įkrovos indikatoriaus segmentas atitinka 20 % įstatytų sudėtinių baterijų įkrovos.

**PASTABA:** Traktoriuko įkrovos indikatorius ir indikatorius LCD ekrane rodo vidutinę įstatytų sudėtinių baterijų įkrovos vertę.

- Traktoriuko būsenos indikatorius (A1 ir A2 pav., 27b)  
Jeigu būsenos indikatorius žalias, tai reiškia, kad traktoriukas pasiruošęs važiuoti. Priešingu atveju prašome skaityti skyrių „**GEDIMŲ KODAI IR TRAKTORIUKO BŪSENOS INDIKATORIUS**“

### Apsauginės blokavimo sistemos išbandymas (D2–D8 pav.)

**PASTABA:** Prieš pradėdant bandymą vairuotojas turi atsisėsti ant sėdynės.

- Prieš bandymą (D2–D4 pav.)
- Išbandykite pjovimo platformos peilių sistemą (D5 pav.), po to iš lėto atsistokite.
- Išbandykite vairavimo sistemą (D6–D8 pav.), po to iš lėto atsistokite.

Jeigu vairuotojui pakilus nuo sėdynės pjovimo platformos peilių ir (ar) vairavimo sistemos neišsijungia, ir jei negalima nustatyti priežasties (patikrinus kištuko ir lizdo jungties patikimumą), nedelsdami kreipkitės į savo EGO klientų aptarnavimo centrą.

### REGULIAVIMAS (E1–E13 pav.)

#### Pasiruošimas (E1–E5 pav.)

#### Pjovimo platformos aukščio reguliavimas (E6 pav.)

#### Apsaugos nuo skutimo ratukų reguliavimas (E7–E10 pav.)

E7-1	Apsaugos nuo skutimo ratukas	E9-2	Varžtas su kampuota galvute
E9-1	Veržlė	E10-1	Pjovimo platformos aukščio etiketė

#### Sėdynės reguliavimas (E11 pav.)

Prieš pradėdami važiuoti traktoriuku pastumkite sėdynę taip, kad koja galėtumėte tvirtai nuspausti stovėjimo stabdžio pedalą. Sėdynės pakabą susireguliuokite taip, kad būtų patogus sėdėti.

E11-1	Sėdynės padėties reguliavimo svirtis	E11-2	Sėdynės pakabos reguliavimo rankenėlė
-------	--------------------------------------	-------	---------------------------------------

#### Stovėjimo stabdžio nustatymas (E12–E13 pav.)

E13-1	Stabdymo padėtis	E13-2	Stabdžio atjungimo padėtis
-------	------------------	-------	----------------------------

### ĮKROVIMAS (F1–F11 pav.)

Šiam traktoriukui paleisti reikia 15 Ah (2 X BA4200T / BA4200T) arba didesnės bendros talpos EGO baterijų. Kad traktoriukas geriau veiktų, rekomenduojame naudoti ne mažesnės kaip 30 Ah talpos EGO baterijų komplektą.

**Naudokite tik rekomenduojamas sudėtines baterijas ir įkroviklius (F9 ir F10 pav.).**

#### Pasiruošimas įkrauti (F1–F4 pav.)

#### Sudėtinės baterijos (-u) įkrovimas atskirai (F5–F9 pav.)

F5-1	Dangčio atkabinimo mygtukas	F7-1	Baterijos atjungimo mygtukas
------	-----------------------------	------	------------------------------

- Sudėtinės baterijos (-u) įstatymas (F5–F6 pav.)
- Sudėtinės baterijos (-u) atjungimas (F7–F8 pav.)

**PASTABA:** Sudėtinę bateriją (-as) įkraukite pagal atitinkamos baterijos ir įkroviklio instrukcijas.

#### Sudėtinių baterijų įkrovimas per įkrovimo jungtį (F10 pav.)

F10-1	Apsaugos nuo dulkių dangtelis	F10-2	Įkrovimo jungtis
-------	-------------------------------	-------	------------------

LT

## TRAKTORIUKO PALEIDIMAS (A4–A5 pav. ir G1–G6 pav.)

**⚠️ ĮSPĖJIMAS:** Venkite staigių pajudėjimų iš vietos, stabdymų, posūkių ir didelio greičio, ypač mokydami valdyti traktoriuką pirmą kartą. Traktoriukas gali greitai sukty aplink, ir tuomet galite jo nesuvaldyti ir sunkiai susižaloti ar sugadinti turą.

**⚠️ ĮSPĖJIMAS:** Prieš paleisdami vejpajovę, patikrinkite ir įsitinkite, kad peiliai yra atjungti 5 sek., kai paspaudžiate darbo veleno jungiklį žemyn. Jeigu peiliai nesustoja, nedelsdami kreipkitės į savo EGO klientų aptarnavimo centrą.

**PASTABA:** Rinkitės mažiausią važiavimo greitį (žr. A4 ir G2 pav.) ir **STANDARD** važiavimo režimą, kol išmoksitė traktoriuką valdyti visose situacijose. Važiavimo greitį ir režimą galite nustatyti tik sustabdę traktoriuką ir atlenkę į šalis vairavimo svirtis.

Paleidžiant traktoriuką iš naujo, jis naudoja ankstesnio važiavimo režimo, važiavimo greičio ir vairo svirčių kalibravimo nuostatas.

### Važiavimo režimas

- **CONTROL:** Lėtesnis greitėjimas, mažiau jautrus valdymas ir nedidelis sukimosi greitis, kad nepatyrę vairuotojai nesugadintų vejos.
- **STANDARD:** Puikiai tinka naudoti kasdien.
- **SPORT:** Staigesnis greitėjimas, tikslus valdymas ir staigus sukimasis, siekiant maksimaliai padidinti pjovimo efektyvumą – skirtas vejos pjovimo entuziastams.

### Važiavimo greičio reguliavimas (A4 pav.)

### Peilių sukimosi greičio reguliavimas (A5 pav.)

### USB lizdas

**PASTABA:** USB lizdas tiekia 5 V / 1,5 A nuolatinės srovės įkrovimo įtampą tik tuomet, kai traktoriukas paleistas.

## TRAKTORIUKO SUSTABDYMAS (H1–H6 pav.)

**PASTABA:** Jei traktoriukas stovi ilgiau nei 60 minučių, jis automatiškai išsijungia.

### Avarinis grįžimo režimas

Kai baterijos įkrova sumažėja iki minimumo, traktoriukas

persijungia į avarinį grįžimo režimą:

- Traktoriukas automatiškai nustoja pjauti žolę;
- Nuolat skamba garsinis signalas;
- Kas sekundę mirksi raudonas traktoriuko būsenos indikatorius, mirksi raudonas pirmasis įkrovos indikatorius segmentas ir mažos galios indikatorius bei baterijos segmentai įkrovos indikatoriuje.

Vairuotojas privalo:

- a) Nuspausti žemyn PTO jungiklį (H3 pav.) ir taip atjungti peilius; peiliams sustojus nustoja skambėti garsinis signalas;
- b) Nutraukti darbą ir kuo skubiau grįžti į sudėtinės baterijos įkrovimo vietą. Šiuo atveju traktoriukas dar gali nuvažiuoti iki 1000 m.

Kai baterija beveik išsikrauna, baterijos segmentų piktogramos ir mažos galios indikatorius pradeda mirksėti kas pusę sekundės. Traktoriukas iš karto sustoja. Vairuotojas turi jį nugabenti į baterijos įkrovimo vietą.

### Stūmimas rankiniu būdu

Jei traktoriuką reikia stumti, atjunkite nuo jo baterijas ir atleiskite iš stabdymo padėties stovėjimo stabdžio pedalą.

## VAŽIAVIMAS TRAKTORIUKU (I1–I9 pav.)

Norint traktoriuką sustabdyti ar pakeisti važiavimo greitį, reikia atsargiai keisti vairavimo svirčių padėčių neutralios padėties atžvilgiu.

**⚠️ PAVOJUS:** Nepriartėkite arčiau kaip per du pjovimo plotius prie griovių, šlaitų ar vandens. Netgi nuspaudus stabdžio pedalą ir sustabdžius traktoriuką, priekiniai jo ratai gali dar sukty, ir tuomet jis gali nuvirsti nuo šlaito ar įvažiuoti į vandenį, o vairuotojas gali sunkiai ar net mirtinai susižaloti.

**⚠️ ĮSPĖJIMAS:** Pasižiūrėkite atgal prieš pradėdami judėti traktoriuku atbuline eiga. NEPJAUKITE vejos judėdami atbuline eiga, nebent tai absoliučiai būtina. Visada pasižiūrėkite žemyn ir atgal prieš pradėdami judėti traktoriuku atbuline eiga ir judėjimo metu, kad neužkliudytumėte pjovimo zonoje atsidūrusių vaikų, pašalinių asmenų ar naminių gyvūnų. Atminkite, kad net akimirksniui atitraukę dėmesį galite sunkiai ar net mirtinai susižaloti ar sužaloti kitus.

**⚠️ ĮSPĖJIMAS:** Nevažinėkite šiuo traktoriuku bendrojo naudojimo keliais.

LT

**⚠ ĮSPĖJIMAS:** Jei pjovimo platforma užsikemša ar atsitrenkiate į kokią nors kliūtį, išjunkite variklius ir ištraukite baterijas. Išvalykite žolės nuopjovas, lapus, purvą ir kitas prikibusias šiukšles; traktoriuką atidžiai patikrinkite, ar nesugadintas, ir pašalinkite visus gedimus prieš vėl jį paleisdami.

## TECHNINĖ PRIEŽIŪRA

**⚠ ĮSPĖJIMAS:** Visada užsidėkite apsauginius akinius su šonine apsauga. Nesilaikant šio nurodymo į akis gali pataikyti išsviestos šiukšlės arba galite kitaip sunkiai susižaloti.

**⚠ ĮSPĖJIMAS:** Vykdydami traktoriuko peilių techninės priežiūros darbus, visada apsaugokite rankas, užsimaudami tvirtas pirštines arba apvyniodami peilio ašmenis skudurais ar kitomis medžiagomis. Visada ištraukite saugos raktelį ir išimkite sudėtines baterijas, prieš vykdydami traktoriuko techninės priežiūros darbus arba prieš jį gabendami.

Kas 50 valandų	<ul style="list-style-type: none"> <li>Patikrinti tepalą peilių jungės viduje.</li> </ul>
Kas 100 valandų	<ul style="list-style-type: none"> <li>Patikrinti galinius ratus, ar visos ratų veržlės priveržtos rekomenduojama priveržimo jėga.</li> </ul>
Kas 200 valandų	<ul style="list-style-type: none"> <li>Patikrinti priekinius ratus, ar laisvai sukasi.</li> </ul>
Kartą į metus	<ul style="list-style-type: none"> <li>Patikrinti stovėjimo stabdžio pedalą. Išimti iš traktoriuko baterijas ir nustatyti pedalą į stabdymo padėtį. Pastumti rankomis traktoriuką į priekį ir patikrinti, ar galima jį pajudinti iš vietos. Jeigu jis juda, kreipkitės į kvalifikuotą techninės priežiūros specialistą, kad sutvarkytų gedimą.</li> </ul>

Techninės priežiūros intervalai	Techninės priežiūros procedūros
Kiekvieną kartą prieš naudojimą arba kasdien	<ul style="list-style-type: none"> <li>Patikrinti apsauginę blokavimo sistemą.</li> <li>Apžiūrėti padangas, ar netrūksta oro.</li> <li>Patikrinti, ar nesudilę, neįtrūkę ir nesulenkti peiliai.</li> <li>Patikrinti visą traktoriuką, ar nėra sugadintų, trūkstančių ar atsipalaidavusių dalių: šoninį išmetimo kanalą, sraigtus, varžtus, veržles ir pan.; visos apsaugos turi būti savo vietose ir tinkamai veikti.</li> <li>Patikrinti stabdžio funkciją.</li> </ul>
Kiekvieną kartą po naudojimo	<ul style="list-style-type: none"> <li>Nuvalyti traktoriuko pjovimo platformą.</li> </ul>
Kas 25 valandas	<ul style="list-style-type: none"> <li>Patikrinti oro slėgį padangose.</li> </ul>

### TRAKTORIUKO VALYMAS (J1–J9 pav.)

Pasiruošimas (J1–J5 pav.)

Traktoriuko kėbulo valymas (J6–J7 pav.)

Plovimo jungties naudojimas traktoriuko platformai valyti (J8–J9 pav.)

J8-1	Plovimo jungtis	J8-3	Sodo žarna
J8-2	Plovimo jungties greitojo sujungimo mova		

**PASTABA:** Baigę valyti nuspauskite PTO jungiklį žemyn, atjungdami traktoriuko peilius.

### TRAKTORIUKO PJOVIMO PLATFORMOS IR PEILIŲ PRIEŽIŪRA

Pasiruošimas (K1–K6 pav.)

Pjovimo platformos nuėmimas (K7–K8 pav.)

K7-1	Variklio kabelis	K7-3	Pakabos traukė
K7-2	Vielokaištis		

**PASTABA:** Nuimdami pjovimo agregatą atjunkite visus variklio kabelius ir vielokaiščius.

#### Peilių keitimas (K9–K11 pav.)

K9-1	Stabilizatorius	K10-3	Peilis
K10-1	Varžtas	K10-4	Jungė
K10-2	Poveržlė	K10-5	Variklio velenas

#### Pjovimo platformos išlyginimas horizontaliai

- Kada reikia išlyginti (K12–K14 pav.)
- Prieš išlyginant
  - Oro slėgio šaltose padangose tikrinimas (K15 pav.)
  - Patikrinkite peilius. Nuimkite ir pakeiskite sudilusius, įtrūkusius ir (ar) sulenktus peilius, jei reikia.
- Paruošimas išlyginimui (K16–K21 pav.)
- Kaip išlyginti horizontaliai
  - Reguliavimas pagal šonus (K22 pav.)

K22-1	Fiksavimo veržlė
-------	------------------

- Reguliavimas pagal priekį ir galą (K23 pav.)

#### TRAKTORIUKO JUDĖJIMO SISTEMOS KALIBRAVIMAS (L1–L4 pav.)

**PASTABA:** Garsinis signalas suskamba ir pradeda kalibravimo procedūrą, ir ją užbaigus.

**PASTABA:** Vienam iš važiavimo režimų („CONTROL“, „STANDARD“, „SPORT“) atliktas kalibravimas gali netikti kitiems dviems režimams. Jei reikia, vairavimo svirtis kalibruokite atskirai kiekviename režime.

#### TRAKTORIUKO GAMYKLINIŲ NUOSTATŲ ATSTATA (M pav.)

**PASTABA:** Garsinis signalas suskamba ir pradeda atstatos procedūrą, ir ją užbaigus.

**PASTABA:** Sėkmingai užbaigus atstatą, šioms nuostatoms gražinamos pradinės gamykinės vertės:

- važiavimo režimui;
- važiavimo greičiui;
- vairavimo svirčių kalibravimui.

## LAIKYMAS IR GABENIMAS

### TRAKTORIUKO GABENIMAS (N1–N11 N11)

**PASTABA:** Traktoriuką tinkamai pritvirtinkite diržais ar trosais, kad jis nejudėtų gabenimo metu.

### LAIKYMAS (O1–O6 pav.)

**PASTABA:** Išimkite sudėtines baterijas ir laikykite pagal nurodymus atitinkamose instrukcijose.


Prieš pastatydami traktoriuką į laikymo vietą, nuvalykite jį ir patikrinkite pagal nurodymus skyriuose „TRAKTORIUKO VALYMAS“ ir „REKOMENDUOJAMAS TECHNINĖS PRIEŽIŪROS GRAFIKAS (-AI)“

### Aplinkos apsauga



WEEE (elektrinės ir elektroninės įrangos atliekos). Neišmeskite elektros įrangos, panaudotų baterijų ir įkroviklio kartu su buitinėmis atliekomis! Šias atliekas reikia pristatyti į jų surinkimo vietą ar įgalotam perdirbėjui. Elektrinius įrankius reikia gražinti į tokių atliekų perdirbimo įmonę.


## TRIKČIŲ ŠALINIMAS

PROBLEMA	PRIEŽASTIS	SPRENDIMAS
<p>Nulinio posūkio spindulio traktoriukas nepajuda iš vietos, abi vairavimo svirtis pastūmus į priekį ar patraukus atgal.</p>  Mirksi vairavimo svirtių piktograma	<ul style="list-style-type: none"> <li>Bendra prijungtų sudėtinių baterijų talpa Ah neatitinka reikalavimų.</li> </ul>	<ul style="list-style-type: none"> <li>Norėdami paleisti šį traktoriuką, naudokite pakankamą EGO baterijų kiekį pagal instrukcijas, pateiktas šio vadovo skyriuje „<b>ĮKROVIMAS</b>“.</li> </ul>
	<ul style="list-style-type: none"> <li>Stovėjimo stabdžio pedalas nustatytas į stabdymo padėtį.</li> </ul>	<ul style="list-style-type: none"> <li>Iki galo nuspauskite stovėjimo stabdžio pedalą, kad atjungtumėte jį iš stabdymo padėties.</li> </ul>
	<ul style="list-style-type: none"> <li>Paleidžiant traktoriuką vairavimo svirtys neatlenktos į šalis.</li> </ul>	<ul style="list-style-type: none"> <li>Gražinkite vairavimo svirtis į atvėrimo padėtį ir vėl pabandykite paleisti traktoriuką.</li> </ul>
	<ul style="list-style-type: none"> <li>Vairuotojas neatsisėdęs ant sėdynės.</li> </ul>	<ul style="list-style-type: none"> <li>Traktoriuką galima valdyti tik tuomet, kai operatorius tinkamai sėdi ant sėdynės.</li> </ul>
	<ul style="list-style-type: none"> <li>Netinkamai prijungtas sėdynės jungiklis.</li> </ul>	<ul style="list-style-type: none"> <li>Išimkite iš traktoriuko bateriją ir nuimkite sėdynę priešinga tvarka, nei nurodyta skyriuje „<b>SĖDYNĖS TVIRTINIMAS</b>“, kad patikrintumėte sėdynės jungiklio prijungimą. Vėl uždėkite sėdynę ir pabandykite dar kartą paleisti traktoriuką pagal nurodymus skyriuje „<b>TRAKTORIUKO PALEIDIMAS</b>“. Jei nepavyksta, dėl remonto kreipkitės į kvalifikuotą techninės priežiūros specialistą.</li> </ul>
	<ul style="list-style-type: none"> <li>Ypač žemoje temperatūroje traktoriukas gali nepajudėti iš vietos dėl įsijungusios apsaugos nuo žemos temperatūros.</li> </ul>	<ul style="list-style-type: none"> <li>Traktoriuką ir baterijas visada laikykite šiltoje aplinkoje. Traktoriukui sušilus vėl bandykite jį paleisti. Nebandykite paleisti iššalusio įrenginio, nes galite jį sugadinti.</li> </ul>

LT



PROBLEMA	PRIEŽASTIS	SPRENDIMAS
Traktoriukas nustoja važiuoti.	<ul style="list-style-type: none"> <li>Reikia atlikti vairavimo svirčių „atstatą“.</li> </ul>	<ul style="list-style-type: none"> <li>Grąžinkite vairavimo svirtis į atvėrimo padėtį ir vėl pabandykite paleisti traktoriuką.</li> </ul>
	<ul style="list-style-type: none"> <li>Sugedo elektroniniai vairavimo svirčių valdymo komponentai.</li> </ul>	<ul style="list-style-type: none"> <li>Dėl remonto kreipkitės į kvalifikuotą techninės priežiūros specialistą.</li> </ul>
	<ul style="list-style-type: none"> <li>Važiuojant nelygia vietove atsijungė sėdynės jungiklis.</li> </ul>	<ul style="list-style-type: none"> <li>Išimkite iš traktoriuko bateriją ir nuimkite sėdynę priešinga tvarka, nei nurodyta skyriuje „<b>SĖDYNĖS TVIRTINIMAS</b>“, kad patikrintumėte sėdynės jungiklio prijungimą. Vėl uždėkite sėdynę ir pabandykite dar kartą paleisti traktoriuką pagal nurodymus skyriuje „<b>TRAKTORIUKO PALEIDIMAS</b>“. Jei nepavyksta, dėl remonto kreipkitės į kvalifikuotą techninės priežiūros specialistą.</li> </ul>
Važiavimo metu negalima reguliuoti važiavimo greičio ir keisti važiavimo režimo.	<ul style="list-style-type: none"> <li>Nuspaustas stovėjimo stabdžio pedalas, kad sumažėtų važiavimo greitis. Kai stovėjimo stabdžio pedalas nuspaustas pakankamai, tačiau ne į stovėjimo padėtį, traktoriukas sustoja.</li> </ul>	<ul style="list-style-type: none"> <li>Paleiskite traktoriuką pagal nurodymus skyriuje „<b>TRAKTORIUKO PALEIDIMAS</b>“.</li> </ul>
	<ul style="list-style-type: none"> <li>Tai traktoriuko saugos funkcija, kad būtų saugu važiuoti.</li> </ul>	<ul style="list-style-type: none"> <li>Funkcija veikia tik sustabdžius traktoriuką ir atvėrus vairavimo svirtis.</li> </ul>

PROBLEMA	PRIEŽASTIS	SPRENDIMAS
<p>Ijungus PTO jungiklį traktoriuko peiliai nepradedą sukintis.</p>  <p>Mirksi PTO jungiklio piktogramą.</p>	<ul style="list-style-type: none"> <li>Bendra prijungtų sudėtinių baterijų talpa Ah neatitinka reikalavimų.</li> </ul>	<ul style="list-style-type: none"> <li>Norėdami paleisti šį traktoriuką, naudokite pakankamą EGO baterijų kiekį pagal instrukcijas, pateiktas šio vadovo skyriuje „<b>ĮKROVIMAS</b>“.</li> </ul>
	<ul style="list-style-type: none"> <li>Paskutinį kartą sustabdžius traktoriuką, jo PTO jungiklis nenuspaustas žemyn.</li> </ul>	<ul style="list-style-type: none"> <li>Nuspauskite PTO jungiklį žemyn ir vėl paleiskite traktoriuko peilius.</li> </ul>
	<ul style="list-style-type: none"> <li>Peilių paleidimo metu juos veikia per didelė apkrova, todėl įsijungia variklio apsauga.</li> </ul>	<ul style="list-style-type: none"> <li>Pradžioje traktoriuko peilius paleiskite mažesniu greičiu, kol jie įsisuks, ir nedidinkite greičio, jei nereikia.</li> </ul>
	<ul style="list-style-type: none"> <li>Ypač žemoje temperatūroje peilių variklis gali neįsijungti dėl apsaugos nuo žemos temperatūros.</li> </ul>	<ul style="list-style-type: none"> <li>Traktoriuką ir baterijas visada laikykite šiltoje aplinkoje. Traktoriukui sušilus vėl bandykite jį paleisti. Nebandykite paleisti išalusio įrenginio, nes galite jį sugadinti.</li> </ul>
	<ul style="list-style-type: none"> <li>Peilis siekia deformuotą pjovimo platformą.</li> </ul>	<ul style="list-style-type: none"> <li>Dėl remonto kreipkitės į kvalifikuotą techninės priežiūros specialistą.</li> </ul>

PROBLEMA	PRIEŽASTIS	SPRENDIMAS
Pjaunant žolę peiliai sustoja.	<ul style="list-style-type: none"> <li>Per didelė traktoriuko apkrova.</li> </ul>	<ul style="list-style-type: none"> <li>Padidinkite žolės pjovimo aukštį arba sumažinkite važiavimo greitį, kad sumažėtų traktoriuko variklių apkrova.</li> </ul>
	<ul style="list-style-type: none"> <li>Traktoriuko pjovimo platformą užkimšo žolė ir šiukšlės.</li> </ul>	<ul style="list-style-type: none"> <li>Nuvalykite traktoriuko pjovimo platformą ir patikrinkite, ar peilis gali laisvai sukstis.</li> </ul>
	<ul style="list-style-type: none"> <li>Traktoriukas perkaito.</li> </ul>	<ul style="list-style-type: none"> <li>Sumažinkite traktoriuko apkrovą, padidindami pjovimo aukštį arba sumažindami peilių sukimosi ar važiavimo greitį ir leisdami traktoriukui atvėsti.</li> </ul>
	<ul style="list-style-type: none"> <li>Sudėtinė baterija (-os) traktoriuko baterijų skyriuje perkaito, todėl bendra prijungtų baterijų talpa nukrito ir neatitinka reikalavimų.</li> </ul>	<ol style="list-style-type: none"> <li>Jei bendra prijungtų baterijų talpa neatitinka reikalavimų, traktoriukas nedirbs, kol į tuščias baterijų skyriaus vietas neįstatysite daugiau sudėtinių baterijų. Kai perkaitusi baterija atvėsta iki įprastos temperatūros, ji iš karto prisijungia prie traktoriuko galios didinimo.</li> </ol>
		<ol style="list-style-type: none"> <li>Sumažinkite traktoriuko apkrovą padidindami žolės pjovimo aukštį arba sulėtindami pjovimą, o po to vėl atnaujinkite darbą.</li> </ol>
	<ul style="list-style-type: none"> <li>Traktoriukas yra avariniame grįžimo režime.</li> </ul>	<ul style="list-style-type: none"> <li>Kai traktoriukas persijungia į avarinį grįžimo režimą, automatiškai sumažinamas peilių sukimosi greitis ir išjungiamas žolės pjovimas. Vairuotojas turi nutraukti darbą ir kuo skubiau grįžti į baterijų įkrovimo vietą.</li> </ul>
<ul style="list-style-type: none"> <li>Traktoriukas atsitrenkė į kliūtį ir suveikė variklio apsauga.</li> </ul>	<ul style="list-style-type: none"> <li>Nuspauskite PTO jungiklį, o po to vėl paleiskite traktoriuko peilius.</li> </ul>	
Neišsijungia garsinis signalas.	<ul style="list-style-type: none"> <li>Traktoriukas yra avariniame grįžimo režime, tačiau peiliai nenustojo sukstis.</li> </ul>	<ul style="list-style-type: none"> <li>Nuspauskite PTO jungiklį, taip atjungdami pjovimo platformos peilius. Garsinis signalas išsijungs sustojus peiliams.</li> </ul>
	<ul style="list-style-type: none"> <li>Traktoriukas sustoja šlaite, o vairuotojas atlenkia į šonus vairavimo svirtis ir pakyla nuo sėdynės, nenuspaudęs stovėjimo stabdžio į stabdymo padėtį.</li> </ul>	<ul style="list-style-type: none"> <li>Prieš išlipdami iš ant šlaito sustojusio traktoriuko, nustatykite stabdžio pedalą į stabdymo padėtį.</li> </ul>

PROBLEMA	PRIEŽASTIS	SPRENDIMAS
Išjungus traktoriuką baterijos įkrovos indikatoriai lieka degti.	<ul style="list-style-type: none"> <li>Kai traktoriukas išjungiamas ant lygaus paviršiaus, o sudėtinė baterija (-os) iš jo neišimama, baterijų indikatoriai, paleidimo ir sustabdymo mygtukas ir nustatymo mygtukas tam tikrą laiką dar šviečia.</li> </ul>	<ul style="list-style-type: none"> <li>Nieko nereikia daryti. Praėjus šiam laikotarpiui išsijungia traktoriukas, o po to – ir baterijų indikatoriai. Dėl šio laikotarpio trukmės žiūrėkite skyriuje „<b>TRAKTORIUKO SUSTABDYMAS</b>“.</li> </ul>
	<ul style="list-style-type: none"> <li>Kai traktoriukas išjungiamas ant šlaito nenuspaudus stovėjimo stabdžio į stabdymo padėtį, baterijų indikatoriai lieka degti, kol baterija išsikrauna. Tuo metu visą laiką skamba garsinis signalas.</li> </ul>	<ul style="list-style-type: none"> <li>Prieš išlipdami iš ant šlaito sustojusio traktoriuko, nustatykite stabdžio pedalą į stabdymo padėtį.</li> </ul>
Neįsijungia visos LCD ekrano piktogramos.	<ul style="list-style-type: none"> <li>Nepakankamai ilgai laikomas nuspauštas paleidimo ir sustabdymo mygtukas.</li> </ul>	<ul style="list-style-type: none"> <li>Spustelėjus paleidimo ir sustabdymo mygtuką LCD ekrane atsiranda tik baterijos įkrovos rodmuo.</li> <li>LCD ekranas įsijungia, pakankamą laiką palaikius nuspauštą paleidimo ir sustabdymo mygtuką.</li> </ul>
<b>LT</b> Traktoriukas pjauna nelygiai ir ženkliai skiriasi žolės aukštis priekyje ir gale.	<ul style="list-style-type: none"> <li>Peiliai atšipę.</li> </ul>	<ul style="list-style-type: none"> <li>Peilius pagaląskite arba pakeiskite, kaip nurodyta šioje instrukcijoje.</li> </ul>
	<ul style="list-style-type: none"> <li>Peiliai sulinkę.</li> </ul>	<ul style="list-style-type: none"> <li>Sulenktą peilį pakeiskite vadovaudamiesi skyriuje „<b>PEILIŲ KEITIMAS</b>“ pateiktais nurodymais.</li> </ul>
	<ul style="list-style-type: none"> <li>Pjovimo platforma neišlyginta horizontaliai, todėl peiliai yra skirtingame aukštyje.</li> </ul>	<ul style="list-style-type: none"> <li>Išlyginkite horizontaliai pjovimo platformą vadovaudamiesi skyriuje „<b>PJOVIMO PLATFORMOS IŠLYGINIMAS HORIZONTALIAI</b>“ pateiktais nurodymais.</li> </ul>
Nupjautos žolės aukštis neatitinka nustatyto pjovimo aukščio.	<ul style="list-style-type: none"> <li>Atsisukę pjovimo platformos pakabos traukės veržlės.</li> </ul>	<ul style="list-style-type: none"> <li>Pagal instrukcijas skyriuje „<b>PJOVIMO PLATFORMOS IŠLYGINIMAS HORIZONTALIAI</b>“ sureguliuokite pjovimo platformą pagal priekį ir galą ir tvirtai priveržkite pakabos traukės veržles.</li> </ul>
	<ul style="list-style-type: none"> <li>Pjovimo platforma pažeista arba gerokai sudilusi.</li> </ul>	<ul style="list-style-type: none"> <li>Pagal instrukcijas skyriuje „<b>PJOVIMO PLATFORMOS NUĖMIMAS</b>“ pakeiskite pjovimo platformą.</li> </ul>

PROBLEMA	PRIEŽASTIS	SPRENDIMAS
Traktoriukas netinkamai mulčiuoja.	▪ Nupjauta šlapia žolė prikimba pjovimo platformos apačioje.	▪ Prieš pjaudami veją, palaukite, kol žolė išdžius.
	▪ Traktoriukas nustatytas iš karto pjauti per daug žolės.	▪ Pakelkite pjovimo platformą į didesnę aukštį.
Pernelyg didelė vibracija.	▪ Peiliai atsipalaidavę.	▪ Priveržkite peilio varžtą rekomenduojama priveržimo jėga.
	▪ Peiliai sulinkę.	▪ Sulenktą peilį pakeiskite vadovaudamiesi skyriuje „ <b>PEILIŲ KEITIMAS</b> “ pateiktais nurodymais.
	▪ Pjovimo platforma neišlyginta horizontaliai.	▪ Išlyginkite horizontaliai pjovimo platformą vadovaudamiesi skyriuje „ <b>PJOVIMO PLATFORMOS IŠLYGINIMAS HORIZONTALIAI</b> “ pateiktais nurodymais.
	▪ Atsisukę pjovimo platformos pakabos traukės veržlės.	▪ Priveržkite pakabos traukės veržles.
	▪ Traktoriukas nustatytas iš karto pjauti per daug žolės.	▪ Pakelkite pjovimo platformą į didesnę aukštį.
Po pjovimo ant vejų lieka žolė ar šiukšlės.	▪ Traktoriukas nustatytas iš karto pjauti per daug žolės, kai ji aukšta.	▪ Veją pradėkite pjauti nustatę didesnę aukštį, kurį po to mažinkite, kol pasieksite pageidaujamą pjovimo rezultatą. Aukštesnę nei 15 cm žolę reikia pjauti per du kartus, palaipsniui mažinant pjovimo aukštį.
	▪ Žolė šlapia.	▪ Palaukite, kol šlapia žolė išdžius, ir tik tada pjaukite.
	▪ Per didelis važiavimo greitis.	▪ Sumažinkite važiavimo greitį.
	▪ Per mažas peilių sukimosi greitis.	▪ Palaipsniui padidinkite peilių sukimosi greitį.
Su įkrauta baterija traktoriukas dirba per trumpai.	▪ Baterijos veikimo trukmė labai priklauso nuo žolės būklės ir pjovimo aukščio nustatymo. Nurodytas darbo laikas yra lengvos apkrovos sąlygomis.	▪ Padidinkite pjovimo aukštį ir sumažinkite peilių sukimosi greitį, kad sumažėtų pjovimo apkrova.
Traktoriukas nevažiuoja tiesiai.	▪ Skiriasi kairiosios ir dešinėsios pusės galinių ratų oro slėgis padangose.	▪ Patikrinkite ir sureguliuokite oro slėgį abiejose galinių ratų padangose pagal rekomendacijas šios instrukcijos skyriuje „ <b>ORO SLĖGIO PADANGOSE TIKRINIMAS</b> “.
	▪ Skiriasi kairiosios ir dešinėsios pusės galinių ratų sukimosi greitis.	▪ Sukalibruokite traktoriuko judėjimo sistemą pagal instrukcijas skyriuje „ <b>TRAKTORIUKO JUDĖJIMO SISTEMOS KALIBRAVIMAS</b> “.

PROBLEMA	PRIEŽASTIS	SPRENDIMAS
Stovėjimo stabdžio negalima atleisti iš stabdymo padėties arba jis per lėtai grįžta į pradinę padėtį.	<ul style="list-style-type: none"> <li>Į stovėjimo stabdžio pedalo vidų galėjo patekti šiukšlių ar purvo.</li> </ul>	<ul style="list-style-type: none"> <li>Atidarykite stovėjimo stabdžio pedalo dėžutę, kruopščiai išvalykite jos vidų ir vėl uždarykite. Išbandykite stovėjimo stabdžio pedalo veikimą ir patikrinkite, ar problema išspręsta. Jei nepavyksta, dėl remonto kreipkitės į kvalifikuotą techninės priežiūros specialistą.</li> </ul>
Traktoriuko negalima įkrauti prijungus per įkrovimo jungtį, nors būsenos indikatorius šviečia raudonai.	<ul style="list-style-type: none"> <li>Įkroviklio kištukas netinkamai įstatytas į traktoriaus įkrovimo jungtį.</li> </ul>	<ul style="list-style-type: none"> <li>Iš naujo prijunkite įkroviklio kištuką ir patikrinkite, ar vyksta įkrovimas.</li> </ul>
	<ul style="list-style-type: none"> <li>Sieniniame elektros lizde nėra įtampos.</li> </ul>	<ul style="list-style-type: none"> <li>Nieko nereikia daryti. Palaukite, kol atsiras maitinimo įtampa.</li> </ul>
	<ul style="list-style-type: none"> <li>Sugedęs įkroviklis.</li> </ul>	<ul style="list-style-type: none"> <li>Kreipkitės į kvalifikuotą techninės priežiūros specialistą, kad patikrintų įkroviklį ir suremontuotų, jei reikia.</li> </ul>
	<ul style="list-style-type: none"> <li>Sugedusi traktoriaus įkrovimo jungtis.</li> </ul>	<ul style="list-style-type: none"> <li>Dėl remonto kreipkitės į kvalifikuotą techninės priežiūros specialistą.</li> </ul>
Įkrovimas per įkrovimo jungtį trunka pernelyg ilgai.	<ul style="list-style-type: none"> <li>Naudojant EGO adapterį ACA1000 įkrovimas trunka ilgai.</li> </ul>	<ul style="list-style-type: none"> <li>Traktoriukui tiesiogiai įkrauti naudokite EGO įkroviklį CHV1600E.</li> </ul>
Baterijos negalima iki galo įkrauti per traktoriuko įkrovimo jungtį.	<ul style="list-style-type: none"> <li>Traktoriuko aparatinės programinės įrangos klaida arba įkroviklio ar baterijos gedimas.</li> </ul>	<ul style="list-style-type: none"> <li>Atjunkite įkroviklį ir palaukite kelias minutes, po to vėl prijunkite prie maitinimo įtampos. Jeigu tai nepadeda, dėl remonto kreipkitės į kvalifikuotą techninės priežiūros specialistą.</li> </ul>
Po valymo traktoriuko neįmanoma paleisti.	<ul style="list-style-type: none"> <li>Netinkamas valymas, pavyzdžiui, vanduo pateko į elektrinius komponentus, ant LCD ekrano ir pan.</li> </ul>	<ul style="list-style-type: none"> <li>Valydami laikykitės skyriuje „<b>TRAKTORIUKO VALYMAS</b>“ pateiktų nurodymų.</li> </ul>
Traktoriuko pjovimo platforma greitai užsikemša.	<ul style="list-style-type: none"> <li>Traktoriuko pjovimo platformą užkimšo žolė ir šiukšlės.</li> </ul>	<ul style="list-style-type: none"> <li>Jeigu traktoriukas atsitiktinai pateko į lietu, pastatykite jį išdžiūti lauke arba išdžiovinkite pūsdami suslėgtąjį orą.</li> </ul>
		<ul style="list-style-type: none"> <li>Kiekvieną kartą po naudojimo išplaukite traktoriuko pjovimo platformą pagal nurodymus skyriuje „Plovimo jungties naudojimas pjovimo platformai plauti“.</li> </ul>
Važiuodamas įkalnėn traktoriukas pradeda slysti.	<ul style="list-style-type: none"> <li>Nudilę traktoriuko galinių ratų padangos.</li> </ul>	<ul style="list-style-type: none"> <li>Pakeiskite ratų padangas artimiausiose remonto dirbtuvėse.</li> </ul>
	<ul style="list-style-type: none"> <li>Per status šlaitas.</li> </ul>	<ul style="list-style-type: none"> <li>Žolę pjauti galima ne statesniame nei nurodyta šlaite.</li> </ul>

PROBLEMA	PRIEŽASTIS	SPRENDIMAS
Traktoriukui sustojus ant šlaito ir nuspaudus stovėjimo stabdžio pedalą, jis vis tiek slysta žemyn.	<ul style="list-style-type: none"> <li>Netinkamai naudojant traktoriuką susidėvėjo stabdžių komponentai.</li> </ul>	<ul style="list-style-type: none"> <li>Dėl remonto kreipkitės į kvalifikuotą techninės priežiūros specialistą.</li> </ul>
Plaunant pjovimo platformą iš plovimo jungties neteka vanduo.	<ul style="list-style-type: none"> <li>Plovimo jungties greitojo sujungimo mova netinkamai prijungta prie plovimo jungties.</li> </ul>	<ul style="list-style-type: none"> <li>Iš naujo prijunkite plovimo jungties greitojo sujungimo movą taip, kad stipriai prispaudę išgirstumėte spragtelėjimą. Jeigu tai nepadeda, dėl remonto kreipkitės į kvalifikuotą techninės priežiūros specialistą.</li> </ul>
Stumiant rankomis traktoriuką girdimas neįprastas garsas.	<ul style="list-style-type: none"> <li>Garsą skleidžia traktoriuko variklio magnetai.</li> </ul>	<ul style="list-style-type: none"> <li>Tai normalu ir nereikia imtis jokių veiksmų.</li> </ul>

## GEDIMŲ KODAI IR TRAKTORIUKO BŪSENOS INDIKATORIUS

LCD ekranas	Aprašymas	Gedimo kodas LCD ekrane	Traktoriuko būsenos indikatorius	Garsinis signalas	Priežastis	Sprendimas
	LCD ekrane rodoma LED žibintų piktograma.	Nėra	Nedega	Nėra	LED žibintų jungikliu įjungti priekiniai, šoniniai ir galiniai žibintai.	Tai normalu. Nieko nereikia daryti.
	LCD ekrane rodoma USB piktograma.	Nėra	Nedega	Nėra	Užsidegusi USB piktograma reiškia, kad tinkamai paleidus traktoriuką galima prijungti USB prietaisą.	Tai normalu. Nieko nereikia daryti.
	LCD ekrane rodoma baterijos įkrovos piktograma.	Nėra	Nedega	Nėra	Rodomą vidutinę įstatytų sudėtinių baterijų įkrovos vertę.	Tai normalu. Nieko nereikia daryti.
	LCD ekrane rodoma valandų skaitiklio piktograma.	Nėra	Nedega	Nėra	Rodo bendrą traktoriuko važiavimo laiką valandomis, kurio negalima atstatyti.	Tai normalu. Nieko nereikia daryti.

LT

LCD ekranas	Aprašymas	Gedimo kodas LCD ekrane	Traktoriuko būsenos indikatorius	Garsinis signalas	Priežastis	Sprendimas
	ECO diapazone rodoma apkrovos indikatoriaus piktograma.	Nėra	Nedega	Nėra	Rodo einamąją traktoriuko apkrovą.	Tai normalu. Nieko nereikia daryti.
	Mirksi perkrovos indikatorius. PWR diapazone rodoma apkrovos indikatoriaus piktograma.	Nėra	Mirksi raudonas	Vienas pyptelėjimas	Peilių variklio perkrova.	Padidinkite pjovimo aukštį arba sumažinkite važiavimo greitį, kad sumažėtų traktoriuko apkrova.
					Šoninį išmetimo kanalą užkimšo žolė ir šiukšlės.	Po kiekvieno naudojimo išvalykite šoninį išmetimo kanalą.
					Peilis kliūna už traktoriuko platformos.	Dėl remonto kreipkitės į kvalifikuotą techninės priežiūros specialistą.
	Mirksi saugos raktelio piktograma.	Nėra	Nedega	Nėra	Saugos raktelis neįkištas į lizdą.	Įstatykite saugos raktą ir tuomet paspauskite ir palaikykite nuspaudę START/STOP mygtuką, kad paleistumėte traktoriuką.
					Nėra LCD ekrano maitinimo įtampos.	Dėl remonto kreipkitės į kvalifikuotą techninės priežiūros specialistą.
	Mirksi atitinkamo baterijos skyriaus piktograma.	Nėra	Nedega	Nėra	Konkrečioje baterijoje išsikrovimo metu susidarė viršsrovės.	Nieko nereikia daryti. Traktoriukas gali tęsti darbą, jei bendra įstatytų baterijų talpa Ah, atmetus bateriją su viršsroviu, atitinka reikalavimus. Kai tik baterija su viršsroviu grįš į normalią būseną, ji iš karto prisijungs prie traktoriuko maitinimo ir piktograma išnyks.
	Mirksi tuščio baterijų skyriaus piktograma.	Nėra	Nedega	Nėra	Baterijos įkrovos nepakanka traktoriukui dirbti.	Kad paleistumėte šį traktoriuką, panaudokite pakankamą EGO baterijų kiekį pagal nurodymus šio vadovo skyriuje „ <b>ĮKROVIMAS</b> “.

LT



LCD ekranas	Aprašymas	Gedimo kodas LCD ekrane	Traktoriuko būsenos indikatorius	Garsinis signalas	Priežastis	Sprendimas
	Mirksi temperatūros piktograma.	Nėra	Nedega	Vienas pyptelėjimas	Traktoriukas perkaito.	Sumažinkite traktoriuko apkrovą, padidindami pjovimo aukštį arba sumažindami peilio sukimosi ar važiavimo greitį. Padarykite pertrauką ir leiskite traktoriukui atvėsti.
					Traktoriukas pernelyg išalęs.	Nebandykite pakartotinai, nes įrenginį galite sugadinti. Traktoriuką ir baterijas visada laikykite šiltoje aplinkoje. Traktoriukui sušilus vėl bandykite jį paleisti.
	Vienu metu mirksi temperatūros piktograma ir tiksliai užimto baterijų skyriaus vieta.	Nėra	Nedega	Nėra	Perkaito sudėtinė baterija atitinkamo numerio baterijų skyriuje.	1. Traktoriukas gali tęsti darbą, jei bendra įstatytų baterijų talpa Ah, atmetus perkaitusią bateriją, atitinka reikalavimus. Kai perkaitusi baterija atvėsta iki įprastos temperatūros, ji iš karto prisijungia prie traktoriuko galios didinimo.
						2. Jei bendra įstatytų baterijų talpa nėra pakankama, traktoriukas nedirbs, kol į tuščias vietas baterijų skyriuje neįstatysite daugiau sudėtinių baterijų.
						3. Sumažinkite traktoriuko apkrovą padidindami žolės pjovimo aukštį arba sulėtindami pjovimą, o po to vėl atnaujinkite darbą.

LCD ekranas	Aprašymas	Gedimo kodas LCD ekrane	Traktoriuko būsenos indikatorius	Garsinis signalas	Priežastis	Sprendimas
	<p>Vienu metu LCD ekrane kas 1 sekundę mirksi kiekvieno užimto baterijų skyriaus piktogramos, žemos galios indikatorius ir baterijos segmentai įkrovos indikatoriuje. Taip pat mirksi pirmasis LED įkrovos indikatorius ir būsenos indikatorius.</p>	Nėra	Mirksi raudonas	Nuolat pypsi, kol nuspaužiamas PTO jungiklis	Maža sudėtinių baterijų įkrova ir traktoriukas yra avariniame grįžimo režime.	<p>Nutraukite darbą ir grįžkite į baterijų įkrovimo vietą.</p> <p><b>PASTABA:</b> Kai traktoriukas persijungia į avarinį grįžimo režimą, automatiškai sumažinamas peilių sukimosi greitis ir išjungiamas žolės pjovimas; tuo pat metu nuolat skamba garsinis signalas. Vairuotojas turi nuspaušti PTO jungiklį ir atjungti pjovimo platformos peilius. Sustojus peiliams garsinis signalas nustos pypsėti.</p>
	<p>Kas 0,5 sekundės mirksi kiekvieno užimto baterijų skyriaus piktogramos ir žemos galios indikatorius.</p>	Nėra	Mirksi raudonas	Nuolat pypsi	Sudėtinės baterijos beveik išsikrovė.	Traktoriukas iš karto sustoja. Vairuotojas turi jį nugabenti į baterijos įkrovimo vietą.
	<p>LCD ekrane mirksi automatinio statymo piktograma.</p>	Nėra	Nedega	Nuolat pypsi	Traktoriukas pastatytas ant šlaito ir vairuotojas iš jo išlipo nenustatęs stabdžio pedalo į stabdymo padėtį – jis tik į šalis atlenkė vairavimo svirtis.	Nustatykite stabdžių pedalą į stabdymo padėtį. Automatinio statymo piktograma ir garsinis signalas išsijungs.
	<p>LCD ekrane rodoma stabdžio pedalo piktograma.</p>	Nėra	Nedega	Nėra	Stovėjimo stabdžio pedalas nustatytas į stabdymo padėtį.	Atleiskite stabdį prieš paleisdami traktoriuką.

LT

LCD ekranas	Aprašymas	Gedimo kodas LCD ekrane	Traktoriuko būsenos indikatorius	Garsinis signalas	Priežastis	Sprendimas
	LCD ekrane rodoma sėdynės jutiklio piktograma.	Nėra	Nedega	Nėra	Vairuotojas pakilo nuo sėdynės arba atjungtas sėdynės jungiklis.	Jeigu vairuotojas sėdi sėdynėje, o piktograma dega, iš karto nutraukite darbą ir patikrinkite sėdynės jungtį. Jeigu sėdynė tinkamai prijungta prie traktoriuko, dėl remonto kreipkitės į kvalifikuotą techninės priežiūros specialistą.
	Mirksi PTO jungiklio piktograma.	Nėra	Nedega	Nėra	Išjungtas veikęs peilių variklis, tačiau neišjungtas PTO jungiklis.	Prieš vėl paleisdami traktoriuką, nuspauskite PTO jungiklį ir atjunkite pjovimo platformos variklį. Daugiau informacijos rasite šios instrukcijos skyriuje „ <b>TRIKČIŲ ŠALINIMAS</b> “.
	Mirksi vairavimo svirčių piktograma.	Nėra	Nedega	Nėra	Išjungtas veikęs varantysis variklis, tačiau neatlenktos į šalis vairavimo svirtys.	Prieš vėl paleisdami traktoriuką, atlenkite vairavimo svirtis į atvėrimo padėtį. Daugiau informacijos rasite šios instrukcijos skyriuje „ <b>TRIKČIŲ ŠALINIMAS</b> “.
	Retkarčiais mirksi energijos regeneracijos piktograma.	Nėra	Nedega	Nėra	Stabdymo ar važiavimo nuokalnėn metu sukuriama kinetinė energija paverčiama elektros energija, kuri naudojama sudėtinėms baterijoms įkrauti.	Tai normalu. Nieko nereikia daryti.

**PASTABA:** Jei LCD ekrane pasirodo gedimo kodas, išimkite visas sudėtines baterijas ir vėl jas įdėkite po kelių minučių. Jei tai problemos neišsprendžia, vadovaukitės toliau pateiktu gedimo kodo trikties šalinimo procedūra.

LCD ekranas	Aprašymas		Gedimo kodas LCD ekrane	Traktoriuko būsenos indikatorius	Garsinis signalas	Priežastis	Sprendimas
Žr. „Gedimo kodą“	Nesisuka kairysis varantysis variklis.	Sugedo spausdintinė plokštė, valdanti kairįjį varantįjį variklį.	413	Nedega	Vienas pyptelėjimas	Spausdintinės plokštės gedimas.	Dėl remonto kreipkitės į kvalifikuotą techninės priežiūros specialistą.
		Atsipalaidavo trifazio maitinimo laido kištukas, jungiantis kairįjį varantįjį variklį su atitinkama spausdintine plokšte.	317	Nedega	Vienas pyptelėjimas	Atsipalaidavusi jungtis.	
		Atsipalaidavo šešių kontaktų signalinis laido kištukas, jungiantis kairįjį varantįjį variklį su atitinkama spausdintine plokšte.	301	Nedega	Vienas pyptelėjimas	Atsipalaidavusi jungtis.	
		Sugedo kairysis varantysis variklis.	317	Nedega	Vienas pyptelėjimas	Variklio gedimas.	

LT

LCD ekranas	Aprašymas		Gedimo kodas LCD ekrane	Traktoriuko būsenos indikatorius	Garsinis signalas	Priežastis	Sprendimas
Žr. „Gedimo kodą“	Nesisuka dešinysis varantysis variklis.	Sugedo spausdintinė plokštė, valdanti dešinįjį varantįjį variklį.	313	Nedega	Vienas pyptelėjimas	Spausdintinės plokštės gedimas.	Dėl remonto kreipkitės į kvalifikuotą techninės priežiūros specialistą.
		Atsivalaidavo trifazio maitinimo laido kištukas, jungiantis dešinįjį varantįjį variklį su atitinkama spausdintine plokšte.	417	Nedega	Vienas pyptelėjimas	Atsivalaidavusi jungtis.	
		Atsivalaidavo šešių kontaktų signalinis laido kištukas, jungiantis dešinįjį varantįjį variklį su atitinkama spausdintine plokšte.	401	Nedega	Vienas pyptelėjimas	Atsivalaidavusi jungtis.	
		Sugedo dešinysis varantysis variklis.	417	Nedega	Vienas pyptelėjimas	Variklio gedimas.	
Žr. „Gedimo kodą“	Nesisuka kairiojo peilio variklis.	Sugedo spausdintinė plokštė, valdanti kairiojo peilio variklį.	607/A07	Nėra	Vienas pyptelėjimas	Spausdintinės plokštės gedimas.	Dėl remonto kreipkitės į kvalifikuotą techninės priežiūros specialistą.
		Atsivalaidavo trifazio maitinimo laido kištukas, jungiantis kairįjį varantįjį variklį su atitinkama spausdintine plokšte.	509	Nėra	Vienas pyptelėjimas	Atsivalaidavusi jungtis.	Pradžioje patikrinkite peilį. Jei varžtas atsivalaiduoja, priveržkite rekomenduojama priveržimo jėga. Priešingu atveju dėl remonto kreipkitės į kvalifikuotą techninės priežiūros specialistą.
		Sugedo kairiojo peilio variklis.	509	Nėra	Vienas pyptelėjimas	Variklio gedimas.	

**LT**

LCD ekranas	Aprašymas		Gedimo kodas LCD ekrane	Traktoriuko būsenos indikatorius	Garsinis signalas	Priežastis	Sprendimas
Žr. „Gedimo kodą“	Nesisuka dešiniojo peilio variklis.	Sugedo spausdintinė plokštė, valdanti dešiniojo peilio variklį.	507/A07	Nėra	Vienas pyptelėjimas	Spausdintinės plokštės gedimas.	Dėl remonto kreipkitės į kvalifikuotą techninės priežiūros specialistą.
		Atsivalaidavo trifazio maitinimo laido kištukas, jungiantis dešinią varantį variklį su atitinkama spausdintine plokšte.	609	Nėra	Vienas pyptelėjimas	Atsivalaidavusi jungtis.	Pradžioje patikrinkite peilį. Jei varžtas atsivalaiduoja, priveržkite rekomenduojama priveržimo jėga. Priešingu atveju dėl remonto kreipkitės į kvalifikuotą techninės priežiūros specialistą.
		Sugedo dešiniojo peilio variklis.	609	Nėra	Vienas pyptelėjimas	Variklio gedimas.	Dėl remonto kreipkitės į kvalifikuotą techninės priežiūros specialistą.
Žr. „Gedimo kodą“	Nesisuka viduriniojo peilio variklis.	Sugedo spausdintinės plokštės valdomas viduriniojo peilio variklis.	507/607	Nėra	Vienas pyptelėjimas	Spausdintinės plokštės gedimas.	Dėl remonto kreipkitės į kvalifikuotą techninės priežiūros specialistą.
		Atsivalaidavo trifazio maitinimo laido kištukas, jungiantis viduriniojo peilio variklį su atitinkama spausdintine plokšte.	A09	Nėra	Vienas pyptelėjimas	Atsivalaidavusi jungtis.	Pradžioje patikrinkite peilį. Jei varžtas atsivalaiduoja, priveržkite rekomenduojama priveržimo jėga. Priešingu atveju dėl remonto kreipkitės į kvalifikuotą techninės priežiūros specialistą.
		Sugedo viduriniojo peilio variklis.	A09	Nėra	Vienas pyptelėjimas	Variklio gedimas.	Dėl remonto kreipkitės į kvalifikuotą techninės priežiūros specialistą.

LT

LCD ekranas	Aprašymas		Gedimo kodas LCD ekrane	Traktoriuko būsenos indikatorius	Garsinis signalas	Priežastis	Sprendimas
Žr. „Gedimo kodą“	Sugedo kairioji vairavimo svirtis.	Sugedo spausdintinė plokštė, valdanti kairiąją vairavimo svirtį.	311/ 412	Nedega	Vienas pyptelėjimas	Spausdintinės plokštės gedimas.	Dėl remonto kreipkitės į kvalifikuotą techninės priežiūros specialistą.
		Atsikalaidavo kištukas vairavimo svirtyje, jungiantis su valdančia spausdintine plokšte.				Atsikalaidavusi jungtis.	
Žr. „Gedimo kodą“	Sugedo dešinioji vairavimo svirtis.	Sugedo dešiniąją vairavimo svirtį valdanti spausdintinė plokštė.	312/ 411	Nedega	Vienas pyptelėjimas	Spausdintinės plokštės gedimas.	Dėl remonto kreipkitės į kvalifikuotą techninės priežiūros specialistą.
		Atsikalaidavo kištukas vairavimo svirtyje, jungiantis su valdančia spausdintine plokšte.				Atsikalaidavusi jungtis.	
Žr. „Gedimo kodą“	Sugedo stovėjimo stabdys ir traktoriukas negali pajudėti.	Sugedo stovėjimo stabdžio spausdintinė plokštė priekiniame rėme.	309/ 409	Nedega	Vienas pyptelėjimas	Spausdintinės plokštės gedimas.	Dėl remonto kreipkitės į kvalifikuotą techninės priežiūros specialistą.
		Sugedo stovėjimo stabdžio jungiklis ir (ar) pažeistas laidas.	801	Nedega	Vienas pyptelėjimas	Laido / jungiklio gedimas	

**LT**

LCD ekranas	Aprašymas	Gedimo kodas LCD ekrane	Traktoriuko būsenos indikatorius	Garsinis signalas	Priežastis	Sprendimas
Nedega	Įkrovimo prievado gedimas	Nėra	Dega raudonas	Nėra	Atvira įkrovimo jungties grandinė.	Dėl remonto kreipkitės į kvalifikuotą techninės priežiūros specialistą.
		Nėra	Dega raudonas	Nėra	Nėra maitinimo įtampos.	Patikrinkite sieninį elektros lizdą, ar yra 220–240 V maitinimo įtampa ir ar lizdas geras.
		Nėra	Dega raudonas	Nėra	Perdegęs saugiklis.	Dėl remonto kreipkitės į kvalifikuotą techninės priežiūros specialistą.
Žr. „Gedimo kodą“	Įkrovimo prievado gedimas	204	Nėra	Vienas pyptelėjimas	Atvira įkrovimo jungties grandinė.	Dėl remonto kreipkitės į kvalifikuotą techninės priežiūros specialistą.
Žr. „Gedimo kodą“	Neveikia baterijų dėžutės blokas.	217	Nėra	Vienas pyptelėjimas	Nėra maitinimo iš baterijų dėžutės bloko. Neveiks LED žibintai ir USB lizdas.	Dėl remonto kreipkitės į kvalifikuotą techninės priežiūros specialistą.
		310/ 410	Nedega	Vienas pyptelėjimas	Nėra jungties tarp baterijų dėžutės bloko „C“ tipo laidų ir kitų traktoriuko „C“ tipo laidų.	
		201/ 202/ 203	Nedega	Vienas pyptelėjimas	Sugedusi baterijų dėžutės bloko baterijų valdymo sistema.	

LT



LCD ekranas	Aprašymas	Gedimo kodas LCD ekrane	Traktoriuko būsenos indikatorius	Garsinis signalas	Priežastis	Sprendimas
Žr. „Gedimo kodą“	Sugedo paleidimo ir sustabdymo mygtukas.	314/ 414	Nedega	Vienas pyptelėjimas	Jungiklio spausdintinės plokštės gedimas arba netinkamai prijungtas paleidimo ir sustabdymo mygtukas.	Dėl remonto kreipkitės į kvalifikuotą techninės priežiūros specialistą.
Žr. „Gedimo kodą“	Sugedo LCD ekranas.	315/ 415	Nedega	Vienas pyptelėjimas	Sugedęs arba netinkamai prijungtas LCD blokas.	Dėl remonto kreipkitės į kvalifikuotą techninės priežiūros specialistą.

## GARANTIJA

### EGO GARANTIJOS TAISYKLĖS

KEES VAN DER SPEK  
TUINMACHINES \* STOLWIJK

Jei norite sužinoti visas „EGO“ garantinės politikos sąlygas, apsilankykite interneto svetainėje [egopowerplus.com](http://egopowerplus.com).

LT

## IZLASIET VISUS NORĀDĪJUMUS!



IZLASIET EKSPLOATĀCIJAS ROKASGRĀMATU

## DROŠĪBAS APZĪMĒJUMS

Drošības apzīmējumi ir paredzēti, lai pievērstu jūsu uzmanību iespējamiem apdraudējumiem. Pievērsiet uzmanību drošības apzīmējumiem un to skaidrojumiem, un izprotiet tos. Brīdinājumu apzīmējumi paši par sevi nenovērš apdraudējumu. Tajos ietvertie norādījumi un brīdinājumi neaizstāj atbilstošu negadījumu novēršanas pasākumu īstenošanu.

**▲ BRĪDINĀJUMS!** Pirms šī instrumenta lietošanas izlasiet un izprotiet visus šajā lietotāja rokasgrāmatā iekļautos drošības norādījumus, tostarp visus drošības brīdinājuma apzīmējumus, piemēram, „**BĪSTAMI!**”, „**BRĪDINĀJUMS!**” un „**UZMANĪBU!**”. Visu turpmāk uzskaitīto norādījumu neievērošana var izraisīt elektriskās strāvas triecienu, aizdegšanos un/vai smagus miesas bojājumus.

## SIMBOLA NOZĪME

Šajā lapaspusē ir parādīti un aprakstīti drošības apzīmējumi, kas var būt norādīti uz šī izstrādājuma. Pirms iekārtas montāžas un lietošanas izlasiet, izprotiet un ievērojiet visus uz iekārtas sniegtos norādījumus.

## DROŠĪBAS SIMBOLI



Drošības brīdinājums

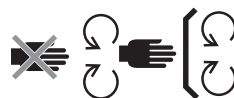


Izlasiet un izprotiet lietotāja rokasgrāmatu

LV



Acu aizsarglīdzekļi



Veiciet drošības ierīcēm apkopi



**BĪSTAMI!** Pastāv draudi, ko rada stāvas nogāzes



**BĪSTAMI!** Neļaujiet nepiederošām personām tuvu asmeņiem



Nekad nepārvadājiet bērnus



Braucot atpakaļgaitā, skatieties atpakaļ



**BRĪDINĀJUMS!** Neizmantojiet šo mašīnu stāvās vietās, kurās slīpums ir lielāks par 12°



**BĪSTAMI!** Var tikt izsviesti priekšmeti



BRĪDINĀJUMS! TURIET ROKAS UN KĀJAS DROŠĀ ATTĀLUMĀ



Garantētais skaņas intensitātes līmenis. Saskaņā ar Eiropas Kopienas direktīvu.



Nekāpiet virsū



Elektrisko izstrādājumu atkritumus nedrīkst izmest kopā ar sadzīves atkritumiem. Nogādāt uz pilnvarotu pārstrādes punktu.



Šis izstrādājums atbilst piemērojamām EK direktīvām



Uzmanību! Neskatīties tieši darba lampā.



Līdzstrāva



Šis izstrādājums atbilst piemērojamiem Apvienotās Karalistes tiesību aktiem.

kPa

Kilopaskāli

RPM

Apgriezieni minūtē

V

Volti

m

Mērītāji

colla

Colla

cm

Centimetri

Nm

Ņūtonmetri

mm

Millimetri

°C

Celsijs

kg

Kilograms

km/h

Kilometri stundā

IPX4

Aizsardzības klase

KEES VAN DER SPEK  
TUINMACHINES \* STORE

## SPECIFIKĀCIJAS

Spriegums	56 V	
Pļaušanas bloka izmērs	132 cm	
Aizmugurējā riteņa izmērs	Priekšā	279,4 x 126 mm
	Aizmugurē	457,2 x 223 mm
Spiediens aukstās riepās	Priekšā	222,1 kPa
	Aizmugurē	115,8 kPa
Pagriezienu rādītājs	0	
Asmens griešanās ātrums (RPM)	2600; 2800; 3000; 3200	

Maks. braukšanas ātrums (km/h)	Uz priekšu	8,1 km/h, 9,7 km/h, 11,3 km/h, 12,8 km/h
	Atpakaļgaitā	līdz 6,4 km/h
Notiek uzlāde	Lādētājs (pēc izvēles)	CHV1600E
	Adapteris (pēc izvēles)	ACA1000
	Uzlādes temperatūras diapazons	5°C līdz 40°C
Griešanas augstuma regulēšana (10 pozīcijas)	25 līdz 100 mm	

LV

Darba temperatūra	0°C līdz 40°C	
Uzglabāšanas temperatūra	-20°C līdz 70°C	
Svars (bez akumulatoru bloka)	217 kg	
Izmērītais skaņas intensitātes līmenis $L_{WA}$	95,48 dB(A) K=0,73 dB(A)	
Skaņas spiediena līmenis pie lietotāja auss $L_{PA}$	82,5 dB(A) K=3 dB(A)	
Garantētais skaņas intensitātes līmenis $L_{WA}$ (mērīts saskaņā ar 2000/14/EK)	100 dB(A)	
Vibrācija $a_h$	Roka	0,69 m/s <sup>2</sup> K=1,5 m/s <sup>2</sup>
	Ķermenis	0,3 m/s <sup>2</sup> K=1,5 m/s <sup>2</sup>

- Norādītā vibrāciju kopējā vērtība ir izmērīta saskaņā ar standarta pārbaudes metodi un var tikt izmantota, lai salīdzinātu vairākus instrumentus.
- Deklarēto vibrāciju emisijas vērtību var arī lietot iepriekšējai vibrāciju iedarbības novērtēšanai.

**PIEZĪME!** Vibrāciju emisijas faktiskajā elektroinstrumenta darbināšanas laikā var atšķirties no norādītās vērtības. Lai pasargātu operatoru, lietotājam jāvalkā cimdi un dzirdes aizsarglīdzekļi atbilstoši faktiskajiem darba apstākļiem.

LV

## APRAKSTS

### PĀRZINIET SAVU ZĀLES PĻĀVĒJU (A1 UN A2 ATT.)

1. Sēdeklis
2. Uzlādes pieslēgvietā
3. Barošanas bloks
4. LED aizmugurējā gaisma
5. Uzglabāšanas nodalījums
6. Krūžu turētāji
7. LED sānu apgaismojums
8. Aizmugurējais ritenis (piedziņas ritenis)
9. Mazgāšanas ports

10. Pļaušanas bloks
11. Pļaušanas bloka aizsargs
12. Aizsargritenis
13. Priekšējais ritenis
14. Stāvbremzes pedālis
15. Braukšanas gaismas dienas laikā
16. LED priekšējie lukturi
17. Sānu izlādes tekne
18. Pļaušanas bloka augstuma regulēšanas svira
19. Sēdekļa balstiekārtas regulēšanas poga
20. Sēdekļa pozīcijas regulēšanas svira
21. Drošības stieņi
22. Zāles pļāvēja statusa indikators
23. LCD ekrāns
24. PTO slēdzis
25. Poga „Start/Stop” (Palaist/Apturēt)
26. Drošības atslēga
27. Tālruņa glabāšanas slots
28. Pāseguma josla
29. Pļāvēja degvielas mērītājs un statusa indikators
  - 29.a. Pļāvēja degvielas mērītāja indikators
  - 29.b. Zāles pļāvēja statusa indikators
30. Pēdu novietošanas zona
31. Barošanas bloka vāciņa atbrīvošanas poga
32. Barošanas bloka vāciņš
33. Barošanas bloks ar sešiem akumulatoru nodalījumiem
34. Akumulatora atbrīvošanas poga
35. Sakabe
36. Pierīces stiprinājuma pārsegs
37. Pierīces stiprinājuma pārsega uzglabāšanas nodalījums
38. USB ports

### PĀRZINIET LCD EKRĀNU (A3 ATT.)

Sīkāku informāciju par LCD ekrāna ikonām un indikatoriem skatiet sadaļā „PĻĀVĒJA STATUSS UN KĻŪDU KODI”.

1. Drošības atslēgas ikona
2. LED apgaismojuma ikona
3. Automātiskās plāvēja novietošanas ikona
4. USB ikona
5. Asmens griešanās ātruma indikators
6. Drošības ierīces statusa indikators
7. Stundu skaitītājs
8. Brīvā akumulatora nodalījuma ikona
9. Temperatūras ikona
10. Aizņemta akumulatora nodalījuma ikona
11. Braukšanas režīms
12. Kļūdu kodu indikators
13. Pārslodzes indikators
14. Mazas jaudas indikators
15. Braukšanas ātruma indikators
16. Slodzes indikators
17. Degvielas mērītājs
18. Asmens griešanās ātruma regulēšanas poga
19. Iestatījumu poga
20. Braukšanas režīma poga
21. LED apgaismojuma slēdzis
22. Braukšanas ātruma regulēšanas poga

## IZPAKOŠANA

**PIEZĪME!** Neizmetiet iepakojuma materiālu, kamēr neesat rūpīgi pārbaudījis, vai produkts darbojas apmierinoši. Ja iepakojuma sarakstā kāda no esošajām daļām plāvējam jau ir uzstādīta, lūdzu, nekavējoties sazinieties ar EGO servisa daļu.

**PIEZĪME!** Visi instrumenti, izņemot iepakojuma sarakstā norādītos, ir tikai ieteiktie instrumenti, un tādēļ tie nav iekļauti komplektācijā.

### IEPAKOJUMA SATURA SARAKSTS (B att.)

B-1	Nulles pagrieziena braucamais zāles plāvējs	B-6	Drošības atslēgas
-----	---	-----	-------------------

B-2	Sēdeklis	B-7	Uzgiežņatslēgas ar atvērtiem galiem (13 mm)
B-3	Stūres svira	B-8	Seškanšu atslēga
B-4	Ligzdu skrūves (2 rezerves)	B-9	Mazgāšanas porta ātrais savienotājs
B-5	Sešstūra galvas skrūves (2 rezerves)	B-10	Lietotāja rokasgrāmata

### IETEICAMIE PIEDERUMI

**⚠ BRĪDINĀJUMS!** Izmantojiet tikai identiskas, sarakstā norādītās rezerves daļas. Oriģinālā aprīkojuma specifikācijām neatbilstošu daļu izmantošana var radīt nepareizu plāujmašīnas darbību un apdraudēt jūsu drošību.

DAĻAS NOSAUKUMS	MODEĻA NUMURS
Standarta asmens	AB5200
Augstas celbspējas asmens	AB5201
Mulčēšanas komplekts	ABP5200
Zāles savācēja komplekts	ABK5200-A
Aizmugurējais bamperis	AMB1000
Kravas kaste	AMG1000
Saulesargs	AMS1000

LV

## MONTĀŽA

### SĒDEKĻA UZSTĀDĪŠANA (C1 un C2 att.)

**⚠ BRĪDINĀJUMS!** Drošības bloķēšanas sistēmu nav atļauts atvienot vai apiet. Pretējā gadījumā zāles plāvējs var negaidīti ieslēgties, izraisot miesas bojājumus.

**PIEZĪME!** Jūsu drošībai zāles plāvējs ir aprīkots ar braukšanas apturēšanas drošības funkciju gadījumiem, kad braukšanas laikā pēkšņi atvienojas sēdekļa slēdzis. Ja tas tā noticis, lūdzu, izlasiet sadaļu „**PROBLĒMU MEKLĒŠANA UN NOVĒRŠANA**”.

C1-1	Kabelis	C1-5	Ligzdu skrūves
C1-2	Spraudnis	C2-1	Āķis
C1-3	Kontakligzda	C2-2	Tērauda sliedes
C1-4	Balstiekārtas pamatne	C2-3	Ligzdu skrūves

### STŪRES SVIRU UZSTĀDĪŠANA (C3 ATT.)

C3-1	Stūres sviras	C3-3	Stūres sviru uzstādīšanas caurumi
C3-2	Sešstūra galvas skrūves		

## EKSPLUATĀCIJA

### PIRMS PĻĀVĒJA LIETOŠANAS

#### Apkārtējās vides apskatīšana

- Pārlicinieties, vai darba zonā neatrodas bērni, citi klātesošie un mājdzīvnieki.
- Attīriet darba zonu no jebkādiem priekšmetiem, kurus pļāvēja asmeņi var atsviest.
- Pārbaudiet un pārlicinieties, vai LED apgaismojumam ir pareizs statuss:
  - Priekšējos, sānu un aizmugurējos lukturus regulē ar LED apgaismojuma slēdzi.
  - Braukšanas laikā gaismām vienmēr ir jādeg.
  - Ja, braucot atpakaļgaitā, aizmugurējie lukturi būs izslēgti, tie sāks mirgot, lai brīdinātu apkārtējos; ja aizmugurējie lukturi būs ieslēgti, tie paliks ieslēgti.
  - Ja pļāvējs automātiski izslēdzas pēc noteikta bezdarbības laika periods, izslēdzas arī visas gaismas.

#### Spiediena pārbaude aukstās riepās (D1 att.)

#### Pļāvēja statusa un akumulatora uzlādes līmeņa pārbaude

- Pļāvēja degvielas mērītāja indikators (A2 – 27a att.)

Katrs pļāvēja degvielas mērītāja indikatora segments rāda 20 % uzlādētajiem akumulatoru blokiem.

**PIEZĪME!** Pļāvēja degvielas līmeņa indikators un degvielas mērītājs LCD ekrānā rāda ievietoto akumulatoru bloku vidējo kapacitāti.

- Pļāvēja statusa indikators (A1 att. un A2 – 27b att.)

Ja statusa indikators deg zaļā krāsā, tad tas nozīmē, ka pļāvējs ir gatavs braukšanai. Ja nē, lūdzu, skatiet sadaļu „PĻĀVĒJA STATUSS UN KĻŪDU KODI”

#### Drošības bloķēšanas sistēmas pārbaude (D2 – D8 att.)

**PIEZĪME!** Operatoram, uzsākot pārbaudi, ir jāatrodas sēdekļī.

- Pirms pārbaudes (D2 – D4 att.)
- Lai pārbaudītu pļaušanas bloka asmeņu sistēmu (D5 att.), lēnām piecelieties
- Lai pārbaudītu braukšanas sistēmu (D6 – D8 att.), lēnām piecelieties

Ja pļaušanas bloka asmeņu sistēma un/vai piedziņas sistēma neapstājas, operatoram atrodies sēdekļī, un ja cēloni nevar noteikt pēc tam, kad ir apstiprināts, ka sēdekļa kontaktdakša ir kārtīgi iesprausta kontakligzdā, nekavējoties sazinieties ar savu EGO klientu apkalpošanas centru.

### REGULĒŠANA (E1 – E13 att.)

#### Sagatavošana (E1 – E5 att.)

#### Pļaušanas bloka augstuma regulēšana (E6 att.)

#### Aizsargriteņu noregulēšana (E7 – E10 att.)

E7-1	Aizsargritenis	E9-2	Nobīdes bultskrūve
E9-1	Uzgrieznis	E10-1	Pļaušanas bloka augstuma atzīmes etiķete

#### Sēdekļa regulēšana (E11 attēls)

Noregulējiet sēdekļa stāvokli pirms pļaujmašīnas iedarbināšanas, lai pārlicinātos, ka varat stingri nospiegt stāvbremzes pedāli. Sēdekļa balstiekārtas regulēšana nodrošinās visērtāko sēdekļa stāvokli.

E11-1	Sēdekļa pozīcijas regulēšanas svira	E11-2	Sēdekļa balstiekārtas regulēšanas poga
-------	-------------------------------------	-------	--

### Stāvbremzes iestatīšana (E12 – E13 att.)

E13-1	Nospiestu bremžu stāvoklis	E13-2	Atlaistu bremžu stāvoklis
-------	----------------------------	-------	---------------------------

### UZLĀDĒŠANA (F1 – F11 att.)

Lai iedarbinātu šo plāvēju, nepieciešami EGO akumulatori, kuru kopējā jauda ir 15 Ah (2 X BA4200T/BA4200T) vai vairāk. Lai plāvējs darbotos ar vislabāko veikspēju, iesakām izmantot EGO akumulatorus, kuru kopējā jauda ir 30 Ah vai vairāk.

**Izmantojiet tikai kopā ar ieteikto akumulatoru blokiem un lādētājiem. (F9 un F10 att.)**

**Sagatavošanās uzlādēšanai (F1 – F4 att.)**

**Akumulatora(-u) uzlāde atsevišķi (F5 - F9 att.)**

F5-1	Pārsega atbrīvošanas poga	F7-1	Akumulatora atbrīvošanas poga
------	---------------------------	------	-------------------------------

- Akumulatoru bloka(-u) pievienošana (F5 – F6 att.)
- Akumulatoru bloka(-u) atvienošana (F7 – F8 att.)

**PIEZĪME!** Uzlādējiet akumulatoru bloku(-us), izlasiet atbilstošā akumulatora un lādētāja rokasgrāmatas.

**Akumulatoru bloku uzlāde caur uzlādes pieslēgvietu (F10 att.)**

F10-1	Putekļu aizsargvāciņš	F10-2	Uzlādes pieslēgvietā
-------	-----------------------	-------	----------------------

### PLĀVĒJA IEDARBINĀŠANA (A4 - A5 att. un G1. - G6. att.)

**⚠ BRĪDINĀJUMS!** Izvairieties no pēkšņas plāvēja iedarbināšanas, apturēšanas un straujiem pagriezieniem, un nebrauciet ar pārāk lielu ātrumu, it īpaši, ja mēcāties darbināt plāvēju pirmo reizi. Zāles plāvējs var ātri pagriezties, kā rezultātā jūs varat zaudēt vadību un gūt nopietnas traumas un/vai plāvēja bojājumus.

**⚠ BRĪDINĀJUMS!** Pirms zāles plāvēja iedarbināšanas pārbaudiet un pārlicinieties, vai asmeņi 5 sekunžu laikā tiek nobloķēti, nospiežot jūgvārpstas slēdzi uz leju. Ja asmeņi neapstājas, neizmantojiet plāvēju un nekavējoties sazinieties ar EGO klientu servisu.

**PIEZĪME!** Apskatiet A4 un G2 att., lai pārslēgtu zemāko braukšanas ātrumu un **STANDARTA** braukšanas režīmu, kamēr jūs pilnībā nebūsit apguvis plāvēja izmantošanas iemaņas jebkurā situācijā. Braukšanas ātrums un braukšanas režīms tiks aktivizēts tikai tad, ja plāvēja riteņi būs apturēti un stūres sviras būs atvērtas.

Plāvējs nākamajā iedarbināšanas reizē saglabās un parādīs iepriekšējo braukšanas režīmu, braukšanas ātrumu un stūres sviru kalibrēšanu.

### Braukšanas režīms

- **KONTROLES REŽĪMS:** Zemāks paātrinājums, mazāk jutīga vadāmība un neliels pagrieziena ātrums, lai pasargātu zāli un jaunus lietotājus.
- **STANDARTA REŽĪMS:** Lieliski piemērots ikdienas lietošanai.
- **SPORTA REŽĪMS:** Lielāks paātrinājums, precīza vadāmība un straujš pagrieziens, lai palielinātu plaušanas efektivitāti, paredzēts plaušanas entuziastiem.

### Braukšanas ātruma regulēšana (A4 att.)

### Asmeņu griešanās ātruma regulēšana (A5 att.)

### USB ports

**PIEZĪME!** USB ports nodrošina 5 voltu līdzstrāvas uzlādes jaudu kopā ar 1,5 ampēriem, un aktivizējas tikai tad, kad tiek iedarbināts plāvējs.

### PLĀVĒJA APTURĒŠANA (H1 - H6 att.)

**PIEZĪME!** Zāles plāvējs automātiski izslēgsies pēc vairāk nekā 60 minūšu ilgas neaktivitātes.

### Ārkārtas darbības režīms

Kad akumulatora uzlādes līmenis kļūst zems, plāvējs pāriet ārkārtas darbības režīmā:

- plāvējs automātiski pārtrauc zāles plaušanu;
- pīkstienu skaņas indikators turpina skanēt;

- plāvēja statusa indikators ik sekundi iemirgojas sarkanā krāsā, plāvēja degvielas mērītāja pirmais segments iemirgojas sarkanā krāsā, un mirgo gan zemas strāvas indikators, gan akumulatora grafiskais apzīmējums uz degvielas mērītāja.

Operatoram ir jārikojas šādi:

- a) jānospiež jūgvārpstas slēdzis uz leju (H3 att.), lai atvienotu asmeņus. Kad asmens būs apstājies, parstās skanēt pīkstienu indikators;
- b) jāpārtrauc darbs un pēc iespējas ātrāk jānododas uz akumulatora uzlādes zonu. Maksimālais attālums, ko plāvējs var nobraukt, ir 1000 m.

Kad akumulators būs gandrīz izlādējies, ik pēc pussekundes iemirgosies katra aizņemtā akumulatora nodalījuma ikona un zemas strāvas indikators. Plāvējs nekavējoties parstās darboties. Operatoram jāpārvieta plāvējs uz akumulatora uzlādes zonu, lai to uzlādētu.

### Manuāla stumšana

Ja ir nepieciešama manuāla stumšana, vispirms atvienojiet plāvēja akumulatorus un atlaidiet stāvbremzes pedāli no bremsēšanas stāvokļa.

### BRAUKŠANAS AR PLĀVĒJU (I1 - I9 att.)

Lai apturētu plāvēju, samazinātu vai palielinātu braukšanas ātrumu, lēnām izņemiet stūres sviras pozīciju no neitrālās pozīcijas.

**⚠ BĪSTAMI!** Ieturiet distanci vismaz divu plaušanas platumu attālumā no grāvjiem, nomalēm vai ūdens. Priekšējie riteņi var turpināt griezties arī tad, kad plāvējs ir apturēts, un ar ieslēgtu bremzi, kā rezultātā plāvējs var pārrīpot pāri malai vai iebraukt ūdenī, radot nāves vai smagu miesas bojājumu bīstamību.

**⚠ BRĪDINĀJUMS!** Pirms braukšanas atpakaļgaitā apskatieties, kas atrodas aiz plāvēja. NEPLĀUJIET pretējā virzienā, ja vien tas nav absolūti nepieciešams. Pirms braukšanas atpakaļgaitā vai tās laikā, vienmēr vispirms paskatieties uz leju un pēc tam atpakaļ, lai pārlicinātos, ka plaušanas zonā nav ienākuši bērni, citi klātesošie vai mājdzīvnieki. Neaizmirstiet, ka pat mirklis neuzmanības var izraisīt nāves iestāšanos vai nopietnu traumu.

**⚠ BRĪDINĀJUMS!** Neizmantojiet šo plaujmašīnu uz koplietošanas ceļiem.

**⚠ BRĪDINĀJUMS!** Ja plāvējā radies aizsprostojums vai jūs ar to atsitāties pret kādu svešķermeni, vispirms apturiet motoru un izņemiet akumulatorus. Iztīriet zāles atgriezumus, lapas, netīrumus un citus sakrājušos gružus; pirms vēlreiz iedarbināt plāvēju un uzsākat ar to braukt rūpīgi pārbaudiet, vai plāvējam nav radušies bojājumi, un, ja nepieciešams, veiciet remontdarbus.

## APKOPE

**⚠ BRĪDINĀJUMS!** Vienmēr valkājiet aizsargbrilles ar sānu aizsargiem. Pretējā gadījumā acīs var trāpīt svešķermeņi un radīt smagas traumas.

**⚠ BRĪDINĀJUMS!** Vienmēr sargājiet rokas, valkājot izturīgus cimdus vai aptinot asmens griezējmalas ar lupatiņu vai citu materiālu, ja zāles plāvēja asmenim veiksiet apkopes darbus. Vienmēr izņemiet drošības atslēgu un akumulatoru blokus, ja zāles plāvēju pārvedīsiet uz citu vietu vai veiksiet apkopi.

Apkopes un servisa intervāls	Apkopes procedūra
Pirms katras lietošanas reizes vai reizi dienā	<ul style="list-style-type: none"> <li>▪ Drošības bloķēšanas sistēmas pārbaude.</li> <li>▪ Vizuāli pārbaudiet, vai riepas nav tukšas.</li> <li>▪ Pārbaudiet asmeņus, vai tie nav nolietojušies, ieplaisājuši vai saliekušies.</li> <li>▪ Pārbaudiet visu plāvēju, vai tam nav kādu bojātu, trūkstošu vai atskrūvējušos daļu, piemēram, sānu izlādes tekne, skrūves, uzgriežņi, bultskrūves, vāciņi utt., un pārlicinieties, vai visi aizsargi atrodas savās vietās un darbojas pareizi.</li> <li>▪ Pārbaudiet bremžu darbību.</li> </ul>
Pēc katras lietošanas reizes	<ul style="list-style-type: none"> <li>▪ Iztīriet plaušanas bloku.</li> </ul>



Ik pēc 25 darba stundām	<ul style="list-style-type: none"> <li>Pārbaudiet spiedienu riepās.</li> </ul>
Ik pēc 50 darba stundām	<ul style="list-style-type: none"> <li>Pārbaudiet smērvielas stāvokli griezējasmens atlokā.</li> </ul>
Ik pēc 100 darba stundām	<ul style="list-style-type: none"> <li>Pārbaudiet aizmugurējos riteņus un pārlicinieties, vai visi uzgriežņi ir pieskrūvēti ar ieteicamo griezes momentu.</li> </ul>
Ik pēc 200 darba stundām	<ul style="list-style-type: none"> <li>Pārbaudiet priekšējos riteņus un pārlicinieties, vai tie brīvi griežas.</li> </ul>
Reizi gadā	<ul style="list-style-type: none"> <li>Pārbaudiet stāvbremzes pedāli. Izņemiet akumulatoru no zāles plāvēja un novietojiet stāvbremzes pedāli bremzēšanas stāvoklī. Pastumiet plāvēju uz priekšu manuāli, lai redzētu, vai to var pārvietot. Ja tas pārvietojas, nogādājiet to pie kvalificēta servisa speciālista</li> </ul>

## PLĀVĒJA TĪRĪŠANA (J1 – J9 att.)

Sagatavošana (J1 – J5 att.)

Plāvēja korpusa tīrīšana (J6 – J7 att.)

Mazgāšanas pieslēgvietas izmantošana zāles plāvēja bloka tīrīšanai (J8 - J9 att.)

J8-1	Mazgāšanas ports	J8-3	Dārza šļūtene
J8-2	Mazgāšanas porta ātrais savienotājs		

**PIEZĪME!** Tīrīšanas beigās nospiediet jūgvārpstas slēdzi uz leju, lai atvienotu plāvēja asmeņus.

## PLĀUŠANAS BLOKA UN GRIEZĒJASMEŅU APKOPE

Sagatavošana (K1 – K6 att.)

Plāušanas bloka noņemšana (K7 – K8 att.)

K7-1	Motora kabelis	K7-3	Balstiekārtas savienojums
K7-2	Šķelttapa		

**PIEZĪME!** Pirms plāušanas bloka noņemšanas atvienojiet visus motora kabelus un šķelttapa.

**Griezējasmēņu nomaiņa (K9 – K11 att.)**

K9-1	Stabilizators	K10-3	Asmens
K10-1	Bultskrūve	K10-4	Atloks
K10-2	Paplāksne	K10-5	Motora vārpsta

**Plāušanas bloka izlīdzināšana**

a. Kad izlīdzināt (K12 – K14 att.)

b. Pirms izlīdzināšanas

- Spiediena pārbaude aukstās riepās (K15 att.)
- Pārbaudiet griezējasmēņus. Ja nepieciešams, noņemiet un nomainiet nodilušos, saplaisājušos un/ vai saliektos asmeņus.

c. Sagatavošanās izlīdzināšanai (K16 – K21 att.)

d. Kā izlīdzināt

- Regulēšana no vienas puses uz otru (K22 att.)

K22-1	Bloķēšanas uzgrieznis
-------	-----------------------

- Regulēšana no priekšas uz aizmuguri (K23 att.)

## PLĀVĒJA IZSEKOŠANAS SISTĒMAS KALIBRĒŠANA (L1 - L4 att.)

**PIEZĪME!** Sākot kalibrēšanu, kā arī pēc tās pabeigšanas, vienreiz atskanēs pīkstēšanas indikators.

**PIEZĪME!** Kalibrēšana, kas pabeigta vienam no braukšanas režīmiem ("KONTROLE", "STANDARTS", "SPORTS"), iespējams, nav pieejama pārējiem diviem režīmiem. Pēc vajadzības kalibrējiet stūres sviras katrā braukšanas režīmā.

## ZĀLES PLĀVĒJA ATĪESTATĪŠANA SĀKOTNĒJĀ RŪPNĪCAS IESTATĪJUMĀ (M att.)

**PIEZĪME!** Uzsākot atiestatīšanu, kā arī pēc tās pabeigšanas, vienreiz atskanēs pīkstēšanas indikators.

**PIEZĪME!** Pēc veiksmīgi pabeigtas atiestatīšanas tālāk norādītie iestatījumi tiks atjaunoti uz sākotnējiem rūpnīcas iestatījumiem:

- braukšanas režīms
- braukšanas ātrums
- stūres sviru kalibrēšana

## UZGLABĀŠANA UN TRANSPORTĒŠANA

### ZĀLES PĻĀVĒJA TRANSPORTĒŠANA (N1 – N11 ATT.)

**PIEZĪME!** Lai novērstu pārvietošanas transportēšanas laikā, nostipriniet pļāvēju pēc vajadzības, izmantojot siksnas vai kabeļus.

### UZGLABĀŠANA (O1 – O6 att.)

**PIEZĪME!** Izņemiet akumulatoru blokus un uzglabājiet tos, ievērojot atbilstošajās rokasgrāmatās sniegto informāciju.

Pirms uzglabāšanas iztīriet un pārbaudiet pļāvēju, izlasiet sadaļas „PĻĀVĒJA TĪRĪŠANA” un „IETEICAMĀIS APKOPES GRAFIKS(-I)”.


### Apkārtējās vides aizsardzība




Direktīva par elektrisko un elektronisko iekārtu atkritumiem (EEIA) Neutilizējiet elektrisko aprīkojumu, izlietoto akumulatoru un lādētāju sadzīves atkritumos. Nogādājiet šo produktu uz pilnvarotu pārstrādes punktu un sagatavojiet atkritumu šķirošanai. Elektriskos instrumentus jānogādā videi nekaitīgā pārstrādes rūpnīcā.

LV

## PROBLĒMU MEKLĒŠANA UN NOVĒRŠANA

PROBLĒMA	CĒLONIS	RISINĀJUMS
<p>Plāvējs nebrauc, ja sākumā abas stūres sviras tiek pabīdītas uz priekšu vai atpakaļ.</p>  <p>Mirgo stūres sviras ikona</p>	<ul style="list-style-type: none"> <li>Kopējā ievietoto akumulatoru Ah vērtība neatbilst prasībām.</li> </ul>	<ul style="list-style-type: none"> <li>Lai iedarbinātu šo zāles plāvēju, izmantojiet pietiekami daudz EGO akumulatoru, ievērojot norādījumus, kas sniegti šīs rokasgrāmatas sadaļā „UZLĀDE”.</li> </ul>
	<ul style="list-style-type: none"> <li>Stāvbremzes pedālis ir ieslēgts bremsēšanas stāvoklī.</li> </ul>	<ul style="list-style-type: none"> <li>Nospiediet stāvbremzes pedāli līdz galam, lai to atbrīvotu no bremsēšanas stāvokļa.</li> </ul>
	<ul style="list-style-type: none"> <li>Strādājot ar plāvēju, stūres sviras nav atvērtā stāvoklī.</li> </ul>	<ul style="list-style-type: none"> <li>Atgrieziet stūres sviras atvērtā stāvoklī un vēlreiz iedarbiniet plāvēju.</li> </ul>
	<ul style="list-style-type: none"> <li>Operators neatrodas uz sēdekļa.</li> </ul>	<ul style="list-style-type: none"> <li>Plāvēju var iedarbināt tikai tad, kad operators ir pareizi apsēdies uz sēdekļa.</li> </ul>
	<ul style="list-style-type: none"> <li>Sēdekļa slēdzis nav pareizi pievienots.</li> </ul>	<ul style="list-style-type: none"> <li>Lai pārbaudītu sēdekļa slēdža savienojumu, izņemiet akumulatoru no plāvēja un izjauciet sēdekli apgrieztā secībā, kā tas norādīts šīs rokasgrāmatas sadaļā „SĒDEKĻA UZSTĀDĪŠANA”. Uzstādiet sēdekli atpakaļ un izpildiet norādījumus “PLĀVĒJA IEDARBINĀŠANA”, lai pārbaudītu, vai plāvēju var iedarbināt. Ja plāvēju nevar iedarbināt, sazinieties ar kvalificētu servisa tehniķi, kas veiks remontdarbus</li> </ul>
	<ul style="list-style-type: none"> <li>Īpaši aukstā laikā braukšanas funkcija var nedarboties pietiekami labi zemās temperatūras aizsardzības dēļ.</li> </ul>	<ul style="list-style-type: none"> <li>Vienmēr uzglabājiet plāvēju un akumulatoru siltā vidē. Kad plāvējs ir uzsilis, vēlreiz iedarbiniet. Nemēģiniet to atkārtot aukstā laikā, jo tas var sabojāt plāvēju.</li> </ul>

PROBLĒMA	CĒLONIS	RISINĀJUMS
Pļāvējs pārstāj braukt.	<ul style="list-style-type: none"> <li>Stūres sviras ir nepieciešams „atiestatīt”.</li> </ul>	<ul style="list-style-type: none"> <li>Atgrieziet stūres sviras atvērtā stāvoklī un vēlreiz iedarbiniet pļāvēju.</li> </ul>
	<ul style="list-style-type: none"> <li>Stūres sviras elektriskās vadības komponenti ir bojāti.</li> </ul>	<ul style="list-style-type: none"> <li>Sazinieties ar kvalificētu servisa tehniķi, kas veiks remontdarbus.</li> </ul>
	<ul style="list-style-type: none"> <li>Braucot pa nelīdzenu reljefu, atvienojās sēdekļa slēdzis.</li> </ul>	<ul style="list-style-type: none"> <li>Lai pārbaudītu sēdekļa slēdža savienojumu, izņemiet akumulatoru no pļāvēja un izjauciet sēdekli apgrieztā secībā, kā tas norādīts šīs rokasgrāmatas sadaļā „<b>SĒDEKĻA UZSTĀDĪŠANA</b>”. Uzstādiet sēdekli atpakaļ un izpildiet norādījumus „<b>PĻĀVĒJA IEDARBINĀŠANA</b>”, lai pārbaudītu, vai pļāvēju var iedarbināt. Ja pļāvēju nevar iedarbināt, sazinieties ar kvalificētu servisa tehniķi, kas veiks remontdarbus</li> </ul>
	<ul style="list-style-type: none"> <li>Nospiests stāvbremzes pedālis braukšanas ātruma samazināšanas nolūkā. Kad stāvbremzes pedālis ir nospiests, bet ne stāvēšanas pozīcijā, zāles pļāvējs apstājas.</li> </ul>	<ul style="list-style-type: none"> <li>Izpildiet sadaļā „<b>PĻĀVĒJA IEDARBINĀŠANA</b>” sniegtos norādījumus, lai vēlreiz iedarbinātu pļāvēju.</li> </ul>
Braukšanas laikā nevar noregulēt braukšanas ātrumu/braukšanas režīmu.	<ul style="list-style-type: none"> <li>Šī ir pļāvēja iezīme drošai braukšanai.</li> </ul>	<ul style="list-style-type: none"> <li>Funkcija tiks aktivizēta tikai tad, ja pļāvēja riteņi būs apturēti un stūres sviras būs atvērtas.</li> </ul>

PROBLĒMA	CĒLONIS	RISINĀJUMS
<p>Plāvējs nespēj aktivizēt asmeņus pēc jūgvārpstas slēdža ieslēgšanas.</p>  <p>Mirgo jūgvārpstas slēdža ikona</p>	<ul style="list-style-type: none"> <li>Kopējā ievietoto akumulatoru Ah vērtība neatbilst prasībām.</li> </ul>	<ul style="list-style-type: none"> <li>Lai iedarbinātu šo zāles plāvēju, izmantojiet pietiekami daudz EGO akumulatoru, ievērojot norādījumus, kas sniegti šīs rokasgrāmatas sadaļā „UZLĀDE”.</li> </ul>
	<ul style="list-style-type: none"> <li>Kad plāvējs pēdējo reizi tika apturēts, jūgvārpstas slēdzis netika nospiests.</li> </ul>	<ul style="list-style-type: none"> <li>Nospiediet jūgvārpstas slēdzi un vēlreiz ieslēdziet plāvēja asmeņus.</li> </ul>
	<ul style="list-style-type: none"> <li>Plāvējs tiek pārslogots brīdī, kad ieslēdzas asmeņi, kā rezultātā aktivizējas motora paš aizsardzība.</li> </ul>	<ul style="list-style-type: none"> <li>Vispirms sāciet plaut zāli ar zemāku asmens apgriezīenu skaitu un, tiklīdz asmeņi sāk pietiekami labi griezties, paātriniet ātrumu pēc nepieciešamības.</li> </ul>
	<ul style="list-style-type: none"> <li>Īpaši aukstā laikā asmens motors var nedarboties pietiekami labi zemās temperatūras aizsardzības dēļ.</li> </ul>	<ul style="list-style-type: none"> <li>Vienmēr uzglabājiet plāvēju un akumulatoru siltā vidē. Kad plāvējs ir uzsilis, vēlreiz iedarbiniet. Nemēģiniet to atkārtot aukstā laikā, jo tas var sabojāt plāvēju.</li> </ul>
	<ul style="list-style-type: none"> <li>Asmens saskaras ar deformēto plāušanas bloku.</li> </ul>	<ul style="list-style-type: none"> <li>Sazinieties ar kvalificētu servisa tehniķi, kas veiks remontdarbus.</li> </ul>

PROBLĒMA	CĒLONIS	RISINĀJUMS
Zāles pļaušanas laikā pārstāj darboties asmeņi.	<ul style="list-style-type: none"> <li>Zāles pļāvēja pārslodze.</li> </ul>	<ul style="list-style-type: none"> <li>Lai samazinātu pļāvēja slodzi, paceliet bloka pļaušanas augstumu vai samaziniet braukšanas ātrumu.</li> </ul>
	<ul style="list-style-type: none"> <li>Pļaušanas bloks ir aizsērējis ar zāli un gružiem.</li> </ul>	<ul style="list-style-type: none"> <li>Notīriet pļāvēju un pārliecinieties, vai asmeņi var brīvi kustēties.</li> </ul>
	<ul style="list-style-type: none"> <li>Pārkarsis zāles pļāvējs.</li> </ul>	<ul style="list-style-type: none"> <li>Samaziniet pļāvējam slodzi, paaugstinot bloka pļaušanas augstumu vai palēninot asmeņu/ braukšanas ātrumu, un ļaujiet pļāvējam atdzist.</li> </ul>
	<ul style="list-style-type: none"> <li>Zāles pļāvēja akumulatoru nodalījumā esošais akumulators(-i) ir pārkarsis(-uši), kā rezultātā visu ievietoto akumulatoru Ah jauda neatbilst prasībām.</li> </ul>	<ol style="list-style-type: none"> <li>Ja kopējā akumulatoru Ah jauda neatbilst prasībām, zāles pļāvējs nedarbosies, kamēr brīvajos akumulatoru nodalījumos nebūs ievietots vairāk akumulatoru. Tiklīdz pārkarsušais akumulators atgriezīsies normālā temperatūrā, tas nekavējoties sāks pļāvēja uzlādi.</li> </ol>
		<ol style="list-style-type: none"> <li>Samaziniet pļāvējam slodzi, paaugstinot bloka pļaušanas augstumu vai palēninot pļaušanas ātrumu, atsākot darbu.</li> </ol>
	<ul style="list-style-type: none"> <li>Pļāvējs pārgājis ārkārtas darbības režīmā</li> </ul>	<ul style="list-style-type: none"> <li>Kad pļāvējs ir pārgājis ārkārtas darbības režīmā, asmeņi tiek automātiski pārslēgti zemā rotācijas ātrumā bez zāles pļaušanas funkcijas. Operatoram ir jāpārtrauc darbs un pēc iespējas ātrāk jādodas uz akumulatora uzlādes zonu.</li> </ul>
<ul style="list-style-type: none"> <li>Pļāvējs ir ietriesies svešķermenī, kā rezultātā aktivizējusies motora pašaizsardzības funkcija.</li> </ul>	<ul style="list-style-type: none"> <li>Nospiediet jūgvārpstas slēdzi un vēlreiz ieslēdziet pļāvēja asmeņus.</li> </ul>	
Pīkstēšanas indikators turpina pīkstēt.	<ul style="list-style-type: none"> <li>Pļāvējs pārgājis ārkārtas darbības režīmā, un asmeņi nav izslēgti.</li> </ul>	<ul style="list-style-type: none"> <li>Nospiediet jūgvārpstas slēdzi, lai atvienotu bloka asmeņus. Kad asmens būs apstājies, pārstās skanēt pīkstieni indikators.</li> </ul>
	<ul style="list-style-type: none"> <li>Pļāvējs pārtraucis braukt pa nogāzi, operators atvēris stūres sviras un ir izkāpis no sēdekļa, nospiežot stāvbremzes pedāli bremzēšanas stāvoklī.</li> </ul>	<ul style="list-style-type: none"> <li>Pirms atstājat pļāvēju slīpumā, ieslēdziet stāvbremzes pedāli bremzēšanas stāvoklī.</li> </ul>

PROBLĒMA	CĒLONIS	RISINĀJUMS
Izslēgta pļāvēja laikā joprojām deg akumulatora indikatori.	<ul style="list-style-type: none"> <li>Ja pļāvējs tiek izslēgts, atrodoties uz līdzenas zemes, un no pļāvēja netiek izņemti akumulatori, akumulatora indikatori, iedarbināšanas/ apturēšanas poga un iestatījumu poga kādu laiku paliks izgaismota.</li> </ul>	<ul style="list-style-type: none"> <li>Nekas cits nav jādara. Kad zāles pļāvējs pēc noteikta laika būs izslēdzies, nodzisis akumulatora indikatori. Informāciju par konkrēto laiku skatīt sadaļā „<b>PĻĀVĒJA APTURĒŠANA</b>”.</li> </ul>
	<ul style="list-style-type: none"> <li>Ja zāles pļāvējs tiek izslēgts slīpumā, neieslēdzot stāvbremzes pedāli bremsēšanas stāvoklī, akumulatora indikatori degs tik ilgi, kamēr nebūs izlādējies akumulators. Pīkstēšanas indikators turpina atskanēt vienlaikus.</li> </ul>	<ul style="list-style-type: none"> <li>Pirms operators atstāj pļāvēju slīpumā, jāieslēdz stāvbremzes pedālis bremsēšanas stāvoklī.</li> </ul>
LCD ekrāns neizgaismojas ar ieslēgtām ikonām.	<ul style="list-style-type: none"> <li>Iedarbināšanas/apturēšanas pogas nospiešanas laiks nav pietiekams.</li> </ul>	<ul style="list-style-type: none"> <li>LCD ekrānā „Degvielas mērītājs” būs redzams tikai tad, ja īslaicīgi tiks nospiesta poga „Start/Stop” (Palaist/Apturēt).</li> </ul>
		<ul style="list-style-type: none"> <li>LCD ekrāns ieslēgsies pēc pogas „Start/Stop” (Iedarbināt/Apturēt) nospiešanas un pieturēšanas pietiekami ilgu laiku.</li> </ul>
Pļāvējs pļauj nevienmērīgi, ir ievērojama augstuma starpība priekšā un aizmugurē.	<ul style="list-style-type: none"> <li>Asmeņi kļuvuši neasi.</li> </ul>	<ul style="list-style-type: none"> <li>Uzasiniet vai nomainiet griezējasmēni atbilstoši norādēm šajā rokasgrāmatā.</li> </ul>
	<ul style="list-style-type: none"> <li>Asmeņi ir saliekti.</li> </ul>	<ul style="list-style-type: none"> <li>Nomainiet saliekto griešanas asmeni, ievērojot norādījumus sadaļā „<b>GRIEZĒJASMEŅU NOMAIŅA</b>”.</li> </ul>
	<ul style="list-style-type: none"> <li>Pļaušanas bloks nav izlīdzināts, kā rezultātā atšķiras pļaušanas asmeņu augstums.</li> </ul>	<ul style="list-style-type: none"> <li>Izlīdziniet pļaušanas bloku, ievērojot norādījumus sadaļā „<b>PĻAUŠANAS BLOKA IZLĪDZINĀŠANA</b>”.</li> </ul>
Faktiskais zāles pļaušanas augstums nav saskaņots ar norādīto augstumu.	<ul style="list-style-type: none"> <li>Pļaušanas bloka uzgriežņi ir atskrūvējušies uz balstiekārtas savienojuma</li> </ul>	<ul style="list-style-type: none"> <li>Izpildiet norādījumus sadaļā „<b>PĻAUŠANAS BLOKA IZLĪDZINĀŠANA</b>”, lai pareizi noregulētu pļaušanas bloku no priekšpusē uz aizmuguri, un pēc tam stingri pievelciet visus balstiekārtas savienojuma uzgriežņus.</li> </ul>
	<ul style="list-style-type: none"> <li>Pļaušanas bloks ir bojāts vai stipri nolietojies.</li> </ul>	<ul style="list-style-type: none"> <li>Lai nomainītu pļaušanas bloku, izpildiet norādījumus sadaļā „<b>PĻAUŠANAS BLOKA NOŅEMŠANA</b>”.</li> </ul>

PROBLĒMA	CĒLONIS	RISINĀJUMS
Zāles pļāvējs nemulčē pareizi.	<ul style="list-style-type: none"> <li>Slapjā, nopļautā zāle līp klāt zem pļaušanas bloka.</li> </ul>	<ul style="list-style-type: none"> <li>Pagaidiet, kamēr nožūst zāle, un tikai tad sāciet pļaut.</li> </ul>
	<ul style="list-style-type: none"> <li>Pļāvējs ir iestatīts tā, lai tas ar vienu piegājieni nopļautu daudz zāles.</li> </ul>	<ul style="list-style-type: none"> <li>Paceliet bloka pļaušanas augstumu.</li> </ul>
Pārāk liela vibrācija.	<ul style="list-style-type: none"> <li>Atskrūvējušies griezējasmehānismi.</li> </ul>	<ul style="list-style-type: none"> <li>Pēc tam pievelciet asmens bultskrūvi līdz ieteiktajam griezes momentam.</li> </ul>
	<ul style="list-style-type: none"> <li>Asmeņi ir saliekti.</li> </ul>	<ul style="list-style-type: none"> <li>Nomainiet saliekto griešanas asmeni, ievērojot norādījumus sadaļā „<b>GRIEZĒJASMEŅU NOMAIŅA</b>”.</li> </ul>
	<ul style="list-style-type: none"> <li>Pļaušanas bloks nav izlīdzināts</li> </ul>	<ul style="list-style-type: none"> <li>Izlīdziniet pļaušanas bloku, ievērojot norādījumus sadaļā „<b>PĻAUŠANAS BLOKA IZLĪDZINĀŠANA</b>”.</li> </ul>
	<ul style="list-style-type: none"> <li>Pļaušanas bloka uzgriežņi ir atskrūvējušies uz balstiekārtas savienojuma.</li> </ul>	<ul style="list-style-type: none"> <li>Pievelciet balstiekārtas savienojuma uzgriežņus.</li> </ul>
	<ul style="list-style-type: none"> <li>Pļāvējs ir iestatīts tā, lai tas ar vienu piegājieni nopļautu daudz zāles.</li> </ul>	<ul style="list-style-type: none"> <li>Paceliet bloka pļaušanas augstumu.</li> </ul>
<p>Pēc pļaušanas uz zemes paliek zāle vai gruži.</p>	<ul style="list-style-type: none"> <li>Pļāvējs ir iestatīts tā, lai tas ar vienu piegājieni nopļautu daudz zāles, kad zāle ir gara.</li> </ul>	<ul style="list-style-type: none"> <li>Sāciet ar lielu pļaušanas augstumu un pēc tam samaziniet to, līdz tiek sasniegts vēlams pļaušanas rezultāts. Zāle, kas garāka par 6 collām, jāpļauj divas reizes, secīgi samazinot pļaušanas augstumu.</li> </ul>
	<ul style="list-style-type: none"> <li>Zāle ir slapja.</li> </ul>	<ul style="list-style-type: none"> <li>Nepļaujiet mitru zāli, pagaidiet, kamēr zāle nožūst.</li> </ul>
	<ul style="list-style-type: none"> <li>Liels braukšanas ātrums.</li> </ul>	<ul style="list-style-type: none"> <li>Palēniniet braukšanas ātrumu.</li> </ul>
	<ul style="list-style-type: none"> <li>Zems asmens ātrums.</li> </ul>	<ul style="list-style-type: none"> <li>Pakāpeniski palieliniet asmens griešanās ātrumu.</li> </ul>
Īss pļāvēja darbības laiks ar komplektā iekļauto akumulatoru.	<ul style="list-style-type: none"> <li>Zāles apstākļi un pļaušanas augstuma iestatījums lielā mērā ietekmēs akumulatora darbības laiku. Norādītā darbības laika pamatā ir maza slodze.</li> </ul>	<ul style="list-style-type: none"> <li>Lai samazinātu pļaušanas slodzi, paaugstiniet bloka pļaušanas augstumu un samaziniet asmens griešanās ātrumu.</li> </ul>



PROBLĒMA	CĒLONIS	RISINĀJUMS
Plāvējs nebrauc taisni.	<ul style="list-style-type: none"> <li>Atšķirīgs riepu spiediens kreisajam un labajam aizmugurējam ritenim.</li> </ul>	<ul style="list-style-type: none"> <li>Pārbaudiet un noregulējiet gaisa spiedienu abās aizmugurējo riteņu riepās saskaņā ar ieteikumiem šīs rokasgrāmatas sadaļā „<b>RIEPU SPIEDIENA PĀRBAUDE</b>”.</li> </ul>
	<ul style="list-style-type: none"> <li>Atšķirīgs braukšanas ātrums kreisajam un labajam aizmugurējam ritenim.</li> </ul>	<ul style="list-style-type: none"> <li>Kalibrējiet plāvēja izsekošanas sistēmu, ievērojot norādījumus sadaļā „<b>PLĀVĒJA IZSEKOŠANAS SISTĒMAS KALIBRĒŠANA</b>”.</li> </ul>
Stāvbremzes pedāli nevar atlaist no bremzēšanas stāvokļa vai tas lēnām atlec atpakaļ.	<ul style="list-style-type: none"> <li>Iespējams, stāvbremzes pedālī iekļuvuši gruži vai netīrumi.</li> </ul>	<ul style="list-style-type: none"> <li>Atveriet stāvbremzes pedāļa kārbu, lai rūpīgi iztīrītu kārbu no iekšpuses, un aizveriet to. Vēlreiz ieslēdziet stāvbremzes pedāli, lai redzētu, vai problēma ir atrisināta. Ja plāvēju nevar iedarbināt, sazinieties ar kvalificētu servisa tehniķi, kas veiks remontdarbus.</li> </ul>
Zāles plāvēju nevar uzlādēt, izmantojot uzlādes portu, un plāvēja statusa indikators mirgo sarkanā krāsā.	<ul style="list-style-type: none"> <li>Lādētāja kontaktdakša nav pareizi ievietota plāvēja uzlādes pieslēgvietā.</li> </ul>	<ul style="list-style-type: none"> <li>Vēlreiz iespraudiet lādētāja kontaktdakšu, lai redzētu, vai plāvēju var uzlādēt kā parasti.</li> </ul>
	<ul style="list-style-type: none"> <li>Sienas kontaktligzdās nav strāvas.</li> </ul>	<ul style="list-style-type: none"> <li>Nekas cits nav jādara. Pagaidiet, līdz atjaunojas elektrība.</li> </ul>
	<ul style="list-style-type: none"> <li>Lādētāja darbības traucējumi.</li> </ul>	<ul style="list-style-type: none"> <li>Sazinieties ar kvalificētu servisa tehniķi, lai veiktu pārbaudi un, ja nepieciešams, salabotu lādētāju.</li> </ul>
	<ul style="list-style-type: none"> <li>Bojāta plāvēja uzlādes pieslēgvietā.</li> </ul>	<ul style="list-style-type: none"> <li>Sazinieties ar kvalificētu servisa tehniķi, kas veiks remontdarbus.</li> </ul>
Uzlādes laiks, izmantojot plāvēja uzlādes portu, ir pārāk ilgs.	<ul style="list-style-type: none"> <li>Uzlādei ar EGO adapteri ACA1000 pāriet ilgs laiks.</li> </ul>	<ul style="list-style-type: none"> <li>Plāvēja uzlādei izmantojiet EGO lādētāju CHV1600E.</li> </ul>
Akumulatoru nevar pilnībā uzlādēt, izmantojot plāvēja uzlādes portu.	<ul style="list-style-type: none"> <li>Plāvēja programmaparatūras kļūda vai lādētāja/akumulatora kļūme.</li> </ul>	<ul style="list-style-type: none"> <li>Atvienojiet lādētāju no ligzdas un pagaidiet vairākas minūtes, pēc tam atkal pievienojiet kontaktdakšu strāvas padevei. Ja tas nelīdz, sazinieties ar kvalificētu servisa tehniķi, kas veiks remontdarbus.</li> </ul>
Pēc tīrīšanas plāvēju nevar iedarbināt.	<ul style="list-style-type: none"> <li>Nepareizi veikta tīrīšana, piemēram, elektriskajos komponentos, LCD ekrānā utt. ir iekļuvis ūdens.</li> </ul>	<ul style="list-style-type: none"> <li>Izpildiet sadaļā „<b>PLĀVĒJA TĪRĪŠANA</b>” sniegtos norādījumus, lai pareizi notīrītu plāvēju.</li> </ul>

PROBLĒMA	CĒLONIS	RISINĀJUMS
Pļāvējs var viegli aizsērēt.	<ul style="list-style-type: none"> <li>Pļaušanas bloks ir aizsērējis ar zāli un gružiem.</li> </ul>	<ul style="list-style-type: none"> <li>Ja zāles pļāvējs nejauši nokļūst lietū, atstājiet to iekštelpās nožūt vai izžāvējiet ar saspiesto gaisu.</li> <li>Pēc katras lietošanas reizes notīriet pļaušanas bloku, ievērojot sadaļā „Mazgāšanas porta izmantošana pļaušanas bloka tīrīšanai” sniegtos norādījumus.</li> </ul>
Pļāvējs viegli zaudē saķeri, braucot augšup slīpumā.	<ul style="list-style-type: none"> <li>Nolietojušās aizmugurējo riteņu riepas.</li> <li>Liels pļaušanas slīpums.</li> </ul>	<ul style="list-style-type: none"> <li>Lai nomainītu riteņu riepas, dodieties uz vietējo servisu.</li> <li>Pļaušanas slīpumam jābūt vajadzīgajā leņķī.</li> </ul>
Ja zāles pļāvēju aptur slīpumā, nospiežot stāvbremzes pedāli, pļāvējs var sākt slīdēt lejup.	<ul style="list-style-type: none"> <li>Nepareizi ekspluatēta pļāvēja dēļ pārāk stipri nodilušas bremžu detaļas.</li> </ul>	<ul style="list-style-type: none"> <li>Sazinieties ar kvalificētu servisa tehniķi, kas veiks remontdarbus.</li> </ul>
Pļaušanas bloka mazgāšanas laikā no mazgāšanas porta netek ūdens.	<ul style="list-style-type: none"> <li>Mazgāšanas portā nav uzstādīts mazgāšanas porta ātrais savienotājs.</li> </ul>	<ul style="list-style-type: none"> <li>Vēlreiz piestipriniet mazgāšanas porta ātro savienotāju, stingri piespiežot, līdz ir dzirdama klikšķa skaņa. Ja tas nelīdz, sazinieties ar kvalificētu servisa tehniķi, kas veiks remontdarbus.</li> </ul>
Stumjot pļāvēju manuāli bez iedarbināšanas, rodas neparasta skaņa.	<ul style="list-style-type: none"> <li>No magnētiem nāk skaņa, kas atrodas piedziņas motora iekšpusē.</li> </ul>	<ul style="list-style-type: none"> <li>Tas ir normāli, un nekādas darbības nav jāveic.</li> </ul>

## KĻŪDAS KODS UN PĻĀVĒJA STATUSA INDIKATORA ĀTSAUCE

LCD displejs	Apraksts	Kļūdas kods LCD ekrānā	Zāles pļāvēja statusa indikators	Pikstien signāls	Cēlonis	Risinājums
	LCD ekrānā redzama LED apgaismojuma ikona	N/A	OFF (IZSLĒGTS)	Nav	Ar LED apgaismojuma slēdži ieslēgti priekšējie, sānu un aizmugurējie lukturi.	Šī ir normāla darbība. Nekas cits nav jā dara.
	LCD ekrānā redzama USB ikona	N/A	OFF (IZSLĒGTS)	Nav	Iedegas USB ikona, norādot, ka USB ierīce var darboties pēc pareizas pļāvēja palaišanas.	Šī ir normāla darbība. Nekas cits nav jā dara.
	LCD ekrānā redzama degvielas mērītāja ikona	N/A	OFF (IZSLĒGTS)	Nav	Parāda ievietoto akumulatoru vidējo uzlādes jaudu	Šī ir normāla darbība. Nekas cits nav jā dara.
	LCD ekrānā redzama stundu skaitītāja ikona	N/A	OFF (IZSLĒGTS)	Nav	Parāda pļāvēja kopējo braukšanas laiku stundās, un to nevar atiestatīt.	Šī ir normāla darbība. Nekas cits nav jā dara.
	ECO diapazonā redzama slodzes indikatora ikona	N/A	OFF (IZSLĒGTS)	Nav	Parāda pļāvēja pašreizējo slodzi.	Šī ir normāla darbība. Nekas cits nav jā dara.

**LV**

LCD displejs	Apraksts	Kļūdas kods LCD ekrānā	Zāles plāvēja statusa indikators	Pīkstien signāls	Cēlonis	Risinājums
	Mirgo pārslodzes indikators. PWR diapazonā redzama slodzes indikatora ikona.	N/A	Mirgo sarkanā gaisma	Viens pīkstiena signāls	Asmens motora pārslodze.	Lai samazinātu plāvēja slodzi, paceliet bloka plaušanas augstumu vai samaziniet braukšanas ātrumu.
					Sānu izlādes tekne ir aizsērējis ar zāli un gružiem.	Iztīriet sānu izlādes tekni pēc katras lietošanas reizes.
					Starp asmeni un plāvēja korpusu radušies darbības traucējumi.	Nogādājiet to pie kvalificēta servisa speciālista, kas veiks remontdarbus.
	Mirgo drošības atslēgas ikona.	N/A	OFF (IZSLĒGTS)	Nav	Nav ievietota drošības atslēga.	Lai ieslēgtu zāles plāvēju, ievietojiet drošības atslēgu, pēc tam nospiediet un pieturiet pogu „START/STOP” (Iedarbināt/Apturēt).
					LCD ekrānam nepienāk strāva.	Nogādājiet to pie kvalificēta servisa speciālista, kas veiks remontdarbus.
	Mirgo noteikta akumulatora nodalījuma ikona.	N/A	OFF (IZSLĒGTS)	Nav	Izlādes laikā konkrētajam akumulatoram ir radusies pārstrāva.	Nekas cits nav jādara. Zāles plāvējs var turpināt darbu, ja kopējā akumulatoru Ah jauda, izņemot akumulatoru ar strāvas pārslodzi, atbilst prasībām. Tiklīdz pārkaršušais akumulators atgriezīsies normālā temperatūrā, tas nekavējoties sāks plāvēja uzlādi un nodzīsīs ikona.
	Mirgo tukša akumulatora nodalījuma ikona.	N/A	OFF (IZSLĒGTS)	Nav	Akumulatora jauda nav pietiekama, lai plāvējs varētu darboties.	Lai iedarbinātu šo zāles plāvēju, izmantojiet pietiekami daudz EGO akumulatoru, ievērojot norādījumus, kas sniegti šīs rokasgrāmatas sadaļā „UZLĀDE”.

**LV**

LCD displejs	Apraksts	Kļūdas kods LCD ekrānā	Zāles pļāvēja statusa indikators	Pikstienu signāls	Cēlonis	Risinājums
	Mirgo temperatūras ikona.	N/A	OFF (IZSLĒGTS)	Viens pikstiena signāls	Pārkarsis zāles pļāvējs.	Samaziniet pļāvējam slodzi, paaugstinot bloka pļaušanas augstumu vai palēninot asmeņu/braukšanas ātrumu. Ieturiet paūzi un ļaujiet pļāvējam atdzist.
					Pļaujmašīna ir pārāk auksta	Nemēģiniet to atkārtot, jo tas var sabojāt pļāvēju. Vienmēr uzglabājiet pļāvēju un akumulatorus siltā vidē. Kad pļāvējs ir uzsilis, vēlreiz iedarbiniet.
	Temperatūras ikona mirgo reizē ar attiecīgo akumulatora nodalījumu.	N/A	OFF (IZSLĒGTS)	Nav	Atbilstošajā numurētajā akumulatoru nodalījumā pārkarsis akumulatoru bloks.	<p>1. Zāles pļāvējs var turpināt darbu, ja kopējā akumulatoru Ah jauda, izņemot pārkarsētu akumulatoru, atbilst prasībām. Tiklīdz pārkarsušais akumulators atgriezīsies normālā temperatūrā, tas nekavējoties sāks pļāvēja uzlādi.</p>
						<p>2. Ja kopējā akumulatoru Ah jauda nav pietiekama, zāles pļāvējs nedarbosies, kamēr brīvajos akumulatoru nodalījumos nebūs ievietots vairāk akumulatoru.</p>
						<p>3. Samaziniet pļāvējam slodzi, paaugstinot bloka pļaušanas augstumu vai palēninot pļaušanas ātrumu, atsākot darbu.</p>

LCD displejs	Apraksts	Kļūdas kods LCD ekrānā	Zāles pļāvēja statusa indikators	Pīkstien signāls	Cēlonis	Risinājums
	<p>LCD ekrānā ik pēc 1 sekundes mirgo katra attiecīgā akumulatora nodalījuma ikonas, zema enerģijas patēriņa indikators un degvielas mērītāja akumulatora grafiskais apzīmējums. Mirgo arī LED degvielas mērītāja un statusa indikatora pirmais segments.</p>	N/A	Mirgo sarkanā gaisma	Turpina pīkstēt, līdz netiek nospiests jūgvārpstas slēdzis.	Izlādējušies akumulatoru bloki, un pļāvējs ir pārgājis ārkārtas darbības režīmā.	<p>Jāpārtrauc darbs un pēc iespējas ātrāk jādodas uz akumulatora uzlādes zonu.</p> <p><b>PIEZĪME!</b> Kad pļāvējs ir pārgājis ārkārtas darbības režīmā, asmeņi tiek automātiski pārslēgti zemā rotācijas ātrumā bez zāles pļaušanas funkcijas, un tikmēr turpinās pīkstēt skaņas indikators. Operatoram ir jānospiež jūgvārpstas slēdzis, lai atvienotu pļaušanas bloka asmeņus. Kad asmens būs apstājies, pārstās skanēt indikators.</p>
	<p>Ik pēc pussekundes mirgo katra attiecīgā akumulatora nodalījuma ikona un zema enerģijas patēriņa indikators.</p>	N/A	Mirgo sarkanā gaisma	Turpina pīkstēt	Gandrīz izlādējušies akumulatoru bloki.	<p>Pļāvējs nekavējoties pārstās darboties. Operatoram jāpārvieta pļāvējs uz akumulatora uzlādes zonu, lai to uzlādētu.</p>

LV

LCD displejs	Apraksts	Kļūdas kods LCD ekrānā	Zāles pļāvēja statusa indikators	Pikstienu signāls	Cēlonis	Risinājums
	LCD ekrānā mirgo automātiskās pļāvēja novietošanas ikona.	N/A	OFF (IZSLĒGTS)	Turpina pīkstēt	Zāles pļāvējs novietots slīpumā, un operators devies projām, nospiežot bremžu pedāli bremzēšanas stāvoklī; ieslēgtas tikai stūrēšanas sviras atvērtā stāvoklī.	Ieslēdziet stāvbremzes pedāli bremzēšanas stāvoklī. Nodzišīs automātiskās pļāvēja novietošanas ikona, un skaņas indikators pārstās pīkstēt.
	LCD ekrānā redzama bremžu pedāļa ikona.	N/A	OFF (IZSLĒGTS)	Nav	Stāvbremzes pedālis ieslēgts bremzēšanas stāvoklī.	Atlaidiet to pirms pļāvēja iedarbināšanas.
	LCD ekrānā redzama sēdekļa sensora ikona.	N/A	OFF (IZSLĒGTS)	Nav	Operatori piecēlies no sēdekļa, vai atvienots sēdekļa slēdzis.	Ja ikona deg brīdī, kad operators ir apsēdies uz sēdekļa, nekavējoties apturiet pļāvēju un pārbaudiet sēdekļa savienojumu. Ja pareizs sēdekļa savienojums ar pļāvēju ir apstiprināts, lūdzu, sazinieties ar kvalificētu servisa tehniķi, kas veiks remontdarbus.
	Mirgo jūgvārpstas slēdža ikona.	N/A	OFF (IZSLĒGTS)	Nav	Traucēta asmens motora darbība, un jūgvārpstas slēdzis nav iestatīts izslēgtā stāvoklī.	Operatoram pirms pļāvēja iedarbināšanas ir jānospiež jūgvārpstas slēdzis, lai izslēgtu pļaušanas bloka motoru. Lūdzu, izlasiet šīs rokasgrāmatas sadaļu <b>„PROBLĒMU MEKLĒŠANA UN NOVĒRŠANA”</b> .

LCD displejs	Apraksts	Kļūdas kods LCD ekrānā	Zāles pļāvēja statusa indikators	Pikstienu signāls	Cēlonis	Risinājums
	Mirgo stūres sviras ikona.	N/A	OFF (IZSLĒGTS)	Nav	Traucēta piedziņas motora darbība, un stūrēšanas sviras nav iestatītas atvērtā stāvoklī.	Pirms pļāvēja ieslēgšanas stūres sviras ir jāpārvieto atvērtā stāvoklī. Lūdzu, izlasiet šīs rokasgrāmatas sadaļu „ <b>PROBLĒMU MEKLĒŠANA UN NOVĒRŠANA</b> ”.
	Laiku pa laikam mirgo enerģijas atgūšanas ikona.	N/A	OFF (IZSLĒGTS)	Nav	Kinētiskā enerģija, kas rodas, bremzējot vai braucot lejup, pārveidojusies elektriskajā enerģijā, lai uzlādētu akumulatorus.	Šī ir normāla darbība. Nekas cits nav jādara.

Kees van der Spek  
TUINMACHINES \* STOLWIJK



**PIEZĪME!** Ja LCD ekrānā parādās kļūdas kods, izņemiet visus akumulatoru blokus un pēc dažām minūtēm ievietojiet atpakaļ. Ja tas neatrisina problēmu, veiciet tālāk norādītās kļūdas koda problēmu novēršanas darbības.

LCD displejs	Apraksts	Kļūdas kods LCD ekrānā	Zāles plāvēja statusa indikators	Pīkstien signāls	Cēlonis	Risinājums	
Skatīt „Kļūdas kods”	Negriežas kreisās puses piedziņas motors.	Negriežas PCBA vadības kreisās puses piedziņas motors.	413	OFF (IZSLĒGTS)	Viens pīkstiena signāls	PCBA kļūme	Nogādājiet to pie kvalificēta servisa speciālista, kas veiks remontdarbus.
		Nav līdz galam iesprausta kontaktdakša (trīsfāzu, strāvas vads), kas savieno kreisās puses piedziņas motoru ar atbilstošo PCBA.	317	OFF (IZSLĒGTS)	Viens pīkstiena signāls	Atskrūvējusies savienojumvieta	
		Nav līdz galam iesprausta kontaktdakša (sešu tapu, signāla vads), kas savieno kreisās puses piedziņas motoru ar atbilstošo PCBA.	301	OFF (IZSLĒGTS)	Viens pīkstiena signāls	Atskrūvējusies savienojumvieta	
		Negriežas kreisās puses piedziņas motors.	317	OFF (IZSLĒGTS)	Viens pīkstiena signāls	Motora kļūme	

LV

LCD displejs	Apraksts		Kļūdas kods LCD ekrānā	Zāles plāvēja statusa indikators	Pikstienu signāls	Cēlonis	Risinājums
Skatīt „Kļūdas kods”	Negriežas labās puses piedziņas motors.	Negriežas PCBA vadības labās puses piedziņas motors.	313	OFF (IZSLĒGTS)	Viens pīkstiena signāls	PCBA kļūme	Nogādājiet to pie kvalificēta servisa speciālista, kas veiks remontdarbus.
		Nav līdz galam iesprausta kontaktdakša (trīsfāzu, strāvas vads), kas savieno labās puses piedziņas motoru ar atbilstošo PCBA.	417	OFF (IZSLĒGTS)	Viens pīkstiena signāls	Atskrūvējusies savienojumvieta	
		Nav līdz galam iesprausta kontaktdakša (sešu tapu, signāla vads), kas savieno labās puses piedziņas motoru ar atbilstošo PCBA.	401	OFF (IZSLĒGTS)	Viens pīkstiena signāls	Atskrūvējusies savienojumvieta	
		Negriežas labās puses piedziņas motors.	417	OFF (IZSLĒGTS)	Viens pīkstiena signāls	Motora kļūme	

**LV**

LCD displejs	Apraksts		Kļūdas kods LCD ekrānā	Zāles plāvēja statusa indikators	Pīkstienu signāls	Cēlonis	Risinājums
Skatīt „Kļūdas kods”	Negriežas kreisās puses asmens motors.	Negriežas PCBA vadības kreisās puses asmens motors.	607/A07	N/A	Viens pīkstiena signāls	PCBA kļūme	Nogādājiet to pie kvalificēta servisa speciālista, kas veiks remontdarbus.
		Nav līdz galam iesprausta kontaktdakša (trīsfāzu, strāvas vads), kas savieno kreisās puses piedziņas motoru ar atbilstošo PCBA.	509	N/A	Viens pīkstiena signāls	Atskrūvējusies savienojumvieta	Vispirms pārbaudiet asmeni. Ja ir atskrūvējusies, pievelciet bultskrūvi ar ieteicamo griezes momentu. Vai arī nogādājiet to pie kvalificēta servisa speciālista, kas veiks remontdarbus.
		Negriežas kreisās puses asmens motors	509	N/A	Viens pīkstiena signāls	Motora kļūme	
Skatīt „Kļūdas kods”	Negriežas labās puses asmens motors.	Negriežas PCBA vadības labās puses asmens motors.	507/A07	N/A	Viens pīkstiena signāls	PCBA kļūme	Nogādājiet to pie kvalificēta servisa speciālista, kas veiks remontdarbus.
		Nav līdz galam iesprausta kontaktdakša (trīsfāzu, strāvas vads), kas savieno labās puses piedziņas motoru ar atbilstošo PCBA.	609	N/A	Viens pīkstiena signāls	Atskrūvējusies savienojumvieta	Vispirms pārbaudiet asmeni. Ja ir atskrūvējusies, pievelciet bultskrūvi ar ieteicamo griezes momentu. Vai arī nogādājiet to pie kvalificēta servisa speciālista, kas veiks remontdarbus.
		Negriežas labās puses asmens motors	609	N/A	Viens pīkstiena signāls	Motora kļūme	

LCD displejs	Apraksts		Kļūdas kods LCD ekrānā	Zāles plāvēja statusa indikators	Pikstienu signāls	Cēlonis	Risinājums
Skatīt „Kļūdas kods”	Negriežas vidējā asmens motors	Negriežas PCBA vadības vidējā asmens motors	507/ 607	N/A	Viens pikstienu signāls	PCBA kļūme	Nogādājiet to pie kvalificēta servisa speciālista, kas veiks remontdarbus.
		Nav līdz galam iesprausta kontaktdakša (trīsfāzu, strāvas vads), kas savieno vidējā asmens motoru ar atbilstošo PCBA.	A09	N/A	Viens pikstienu signāls	Atskrūvējusies savienojumvieta	Vispirms pārbaudiet asmeni. Ja ir atskrūvējies, pievelciet bultskrūvi ar ieteicamo griezes momentu. Vai arī nogādājiet to pie kvalificēta servisa speciālista, kas veiks remontdarbus.
		Negriežas vidējā asmens motors	A09	N/A	Viens pikstienu signāls	Motora kļūme	
Skatīt „Kļūdas kods”	Nedarbojas kreisās puses stūres svira.	Nedarbojas kreisās puses stūres svira, kas vada PCBA.	311/ 412	OFF (IZSLĒGTS)	Viens pikstienu signāls	PCAB kļūme	Nogādājiet to pie kvalificēta servisa speciālista, kas veiks remontdarbus.
		Atvienojusies kontaktdakša, ar kuru izveido savienojumu ar vadības PCBA, kas atrodas stūres stienī.				Atskrūvējusies savienojumvieta	
Skatīt „Kļūdas kods”	Nedarbojas labās puses stūres svira.	Nedarbojas labās puses stūres svira, kas vada PCBA.	312/ 411	OFF (IZSLĒGTS)	Viens pikstienu signāls	PCAB kļūme	Nogādājiet to pie kvalificēta servisa speciālista, kas veiks remontdarbus.
		Atvienojusies kontaktdakša, ar kuru izveido savienojumu ar vadības PCBA, kas atrodas stūres stienī.				Atskrūvējusies savienojumvieta	

LCD displejs	Apraksts		Kļūdas kods LCD ekrānā	Zāles plāvēja statusa indikators	Pīkstien signāls	Cēlonis	Risinājums
Skatīt „Kļūdas kods”	Nedarbojas stāvbremze, plāvēju nevar vadīt.	Salūzusi stāvbremze PCBA, kas atrodas priekšējā rāmī.	309/409	OFF (IZSLĒGTS)	Viens pīkstiena signāls	PCBA kļūme	Nogādājiet to pie kvalificēta servisa speciālista, kas veiks remontdarbus.
		Salūzusi stāvbremzes slēdzis un/vai vads.	801	OFF (IZSLĒGTS)	Viens pīkstiena signāls	Vada/slēdža kļūme	
OFF (IZSLĒGTS)	Uzlādes porta kļūme		N/A	Deg nepārtraukta SARKANĀ gaisma	N/A	Uzlādes pieslēgvietā atvērtā ķēdē.	Nogādājiet to pie kvalificēta servisa speciālista, kas veiks remontdarbus.
			N/A	Deg nepārtraukta SARKANĀ gaisma	N/A	Nav strāvas padeves.	Pārbaudiet sienas kontaktligzdu, vai tajā pienāk 220V – 240V, un vai tā vispār darbojas.
			N/A	Deg nepārtraukta SARKANĀ gaisma	N/A	Izdedzis drošinātājs.	Nogādājiet to pie kvalificēta servisa speciālista, kas veiks remontdarbus.
Skatīt „Kļūdas kods”	Uzlādes porta kļūme		204	N/A	Viens pīkstiena signāls	Uzlādes pieslēgvietā atvērtā ķēdē.	Nogādājiet to pie kvalificēta servisa speciālista, kas veiks remontdarbus.

**LV**

LCD displejs	Apraksts	Kļūdas kods LCD ekrānā	Zāles plāvēja statusa indikators	Pikstienu signāls	Cēlonis	Risinājums
Skatīt „Kļūdas kods”	Nedarbojas akumulatoru bloks	217	N/A	Viens pikstienu signāls	Akumulatoru kārbā bojāts barošanas avots. Nedarbojas LED priekšējie lukturi un USB.	Nogādājiet to pie kvalificēta servisa speciālista, kas veiks remontdarbus.
		310/ 410	OFF (IZSLĒGTS)	Viens pikstienu signāls	Nav savienojuma starp akumulatora kārbas C tipa vadiem un citiem plāvēja C tipa vadiem.	
		201/ 202/ 203	OFF (IZSLĒGTS)	Viens pikstienu signāls	Akumulatoru kārbā bojāts BMS.	
Skatīt „Kļūdas kods”	„Start/Stop” (Palaist/Apturēt) slēdža kļūme	314/ 414	OFF (IZSLĒGTS)	Viens pikstienu signāls	Slēdža PCBA kļūme vai vājš vadu savienojums ar „Start/Stop” (Palaist/Apturēt) slēdzi.	Nogādājiet to pie kvalificēta servisa speciālista, kas veiks remontdarbus.
Skatīt „Kļūdas kods”	LCD ekrāna kļūme	315/ 415	OFF (IZSLĒGTS)	Viens pikstienu signāls	Salūzis LCD bloks vai vājš savienojums ar LCD bloku.	Nogādājiet to pie kvalificēta servisa speciālista, kas veiks remontdarbus.

**LV**

## GARANTIJA

### EGO GARANTIJAS POLITIKA

Lūdzu, apmeklējiet tīmekļa vietni [egopowerplus.com](http://egopowerplus.com), kur pieejama pilna EGO garantijas politikas noteikumu un nosacījumu versija.

## ΔΙΑΒΑΣΤΕ ΟΛΕΣ ΤΙΣ ΟΔΗΓΙΕΣ!



ΔΙΑΒΑΣΤΕ ΤΟ ΕΓΧΕΙΡΙΔΙΟ ΧΡΗΣΗΣ

## ΣΥΜΒΟΛΟ ΑΣΦΑΛΕΙΑΣ

Ο σκοπός των συμβόλων ασφαλείας είναι να σας επιστήσουν την προσοχή σε ενδεχόμενους κινδύνους. Λαμβάνετε υπόψη και εξοικειωθείτε με τα σύμβολα ασφαλείας και τις επεξηγήσεις που τα συνοδεύουν. Τα σύμβολα προειδοποίησης από μόνα τους δεν εξαλείφουν κανέναν κίνδυνο. Οι οδηγίες και οι προειδοποιήσεις που παρέχουν δεν υποκαθιστούν τα ενδεδειγμένα μέτρα πρόληψης ατυχημάτων.

**▲ ΠΡΟΕΙΔΟΠΟΙΗΣΗ:** Βεβαιωθείτε ότι έχετε διαβάσει και κατανοήσει όλες τις οδηγίες ασφαλείας στο παρόν εγχειρίδιο χρήσης, συμπεριλαμβανομένων όλων των συμβόλων ασφαλείας, όπως «**ΚΙΝΔΥΝΟΣ**», «**ΠΡΟΕΙΔΟΠΟΙΗΣΗ**» και «**ΠΡΟΣΟΧΗ**», προτού χρησιμοποιήσετε αυτό το ηλεκτρικό εργαλείο. Ήμη τήρηση όλων των παρακάτω οδηγιών μπορεί να οδηγήσει σε ηλεκτροπληξία, πυρκαγιά και/ή σοβαρό τραυματισμό.

## ΕΠΕΞΗΓΗΣΗ ΣΥΜΒΟΛΩΝ

Αυτή η σελίδα απεικονίζει και περιγράφει τα σύμβολα ασφαλείας που ενδέχεται να εμφανιστούν επάνω στο προϊόν. Διαβάστε, κατανοείτε και τηρείτε όλες τις οδηγίες στη μηχανή, προτού επιχειρήσετε να τη συναρμολογήσετε και να τη χρησιμοποιήσετε.

## ΣΥΜΒΟΛΑ ΑΣΦΑΛΕΙΑΣ



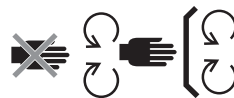
Προειδοποίηση ασφαλείας



Διαβάστε και εξοικειωθείτε με το εγχειρίδιο χρήσης



Προστασία των ματιών



Συντηρείτε τις διατάξεις ασφαλείας



ΚΙΝΔΥΝΟΣ – Κίνδυνος απότομης πλαγιάς



ΚΙΝΔΥΝΟΣ – Διατηρείτε τους παρευρισκόμενους μακριά από τις λεπίδες



Ποτέ μην μεταφέρετε παιδιά



Κοιτάτε πίσω όταν κάνετε όπισθεν



ΠΡΟΨΕΙΔΟΠΟΙΗΣΗ – Μην χρησιμοποιείτε αυτήν τη μηχανή σε πλαγιές με κλίση μεγαλύτερη από 12°



ΚΙΝΔΥΝΟΣ – Έκτόξευση αντικειμένων

GR



ΠΡΟΪΔΟΠΟΙΗΣΗ – ΔΙΑΤΗΡΕΙΤΕ  
ΤΑ ΧΕΡΙΑ ΚΑΙ ΤΑ ΠΟΔΙΑ ΜΑΚΡΙΑ



Έγγυημένη στάθμη ακουστικής ισχύος. Σύμφωνα με την οδηγία της Ευρωπαϊκής Κοινότητας.



Μην στέκεστε εδώ



Τα απόβλητα ειδών ηλεκτρικού και ηλεκτρονικού εξοπλισμού δεν πρέπει να απορρίπτονται στα οικιακά απορρίμματα. Πρέπει να παραδίδονται σε εξουσιοδοτημένη μονάδα ανακύκλωσης.



Αυτό το προϊόν συμμορφώνεται με τις ισχύουσες οδηγίες της ΕΚ



ΠΡΟΣΟΧΗ – Μην κοιτάτε επίμονα τη λυχνία λειτουργίας.



Συνεχές ρεύμα



Αυτό το προϊόν συμμορφώνεται με την ισχύουσα νομοθεσία του ΗΒ.

KEES VAN DER SPEK  
TUINMACHINES \* STOLWIJK

kPa	Κιλοπασκάλ
V	Βολτ
in	Ίντσα
Nm	Νιουτόμετρο
°C	Βαθμοί Κελσίου
km/h	Χιλιόμετρα ανά ώρα

RPM	Στροφές ανά λεπτό
m	Μέτρα
cm	Έκατοστά
mm	Χιλιοστά
kg	Κιλό
IPX4	Βαθμός προστασίας από εισχώρηση

GR

## ΤΕΧΝΙΚΕΣ ΠΡΟΔΙΑΓΡΑΦΕΣ

Τάση	56 V	
Μέγεθος πλαισίου κοπής	132 cm	
Μέγεθος τροχού	Μπροστά	279,4 x 126 mm
	Πίσω	457,2 x 223 mm
Πίεση ελαστικών εν ψυχρώ	Μπροστά	222,1 kPa
	Πίσω	115,8 kPa

Ακτίνα στροφής	0	
Ταχύτητα λεπίδας (RPM)	2600, 2800, 3000, 3200	
Μέγ. ταχύτητα οδήγησης (km/h)	Έμπροσθοπορεία	8,1 km/h, 9,7 km/h, 11,3 km/h, 12,8 km/h
	Όπισθεν	έως και 6,4 km/h



Φόρτιση	Φορτιστής (προαιρετικά)	CHV1600E
	Προσαρμογέας (προαιρετικά)	ACA1000
	Έυρος θερμοκρασίας φόρτισης	5°C - 40°C
Ρύθμιση ύψους κοπής (10 θέσεις)		25 – 100 mm
Θερμοκρασία λειτουργίας		0°C- 40°C
Θερμοκρασία αποθήκευσης		-20°C - 70°C
Βάρος (χωρίς συστοιχία μπαταριών)		217 kg
Μετρούμενη στάθμη ακουστικής ισχύος $L_{WA}$		95,48 dB(A) K=0,73 dB(A)
Στάθμη ηχητικής πίεσης στα αφτιά του χειριστή $L_{PA}$		82,5 dB(A) K=3 dB(A)
Έγγυημένη στάθμη ακουστικής ισχύος $L_{WA}$ (μέτρηση κατά 2000/14/ΕΚ)		100 dB(A)
Κραδασμοί $a_h$	Χέρι	0,69 m/s <sup>2</sup> K=1,5 m/s <sup>2</sup>
	Σώμα	0,3 m/s <sup>2</sup> K=1,5 m/s <sup>2</sup>

- Ήδηλωθείσα συνολική τιμή κραδασμών έχει μετρηθεί σύμφωνα με πρότυπη μέθοδο δοκιμής και μπορεί να χρησιμοποιηθεί για τη σύγκριση ενός εργαλείου με κάποιο άλλο.
- Ήδηλωθείσα συνολική τιμή κραδασμών μπορεί να χρησιμοποιηθεί, επίσης, σε προκαταρκτική αξιολόγηση έκθεσης.

**ΣΗΜΕΙΩΣΗ:** Η μετάδοσης της δόνησης κατά τη διάρκεια της πραγματικής χρήσης του ηλεκτρικού εργαλείου μπορεί να διαφέρει από τη δηλωθείσα τιμή στην οποία χρησιμοποιείται το εργαλείο. Για την προστασία του χειριστή, πρέπει να χρησιμοποιούνται γάντια και ωτοασπίδες υπό πραγματικές συνθήκες χρήσης.

## ΠΕΡΙΓΡΑΦΗ

### ΕΞΟΙΚΕΙΩΣΗ ΜΕ ΤΟ ΧΛΟΟΚΟΠΤΙΚΟ (ΕΙΚ. A1 & A2)

1. Κάθισμα
2. Θύρα φόρτισης
3. Μονάδα ηλεκτρικής τροφοδοσίας
4. Πίσω φώτα LED
5. Αποθηκευτικός χώρος
6. Ποτηροθήκες
7. Πλευρικά φώτα LED
8. Πίσω τροχός (κινητήριος τροχός)
9. Θύρα πλύσης
10. Πλαίσιο κοπής
11. Προστατευτικό πλαισίου κοπής
12. Τροχός με προστατευτικό λεπίδας
13. Μπροστινός τροχός
14. Πεντάλ φρένου στάθμευσης
15. Φώτα λειτουργίας ημέρας
16. Προβολείς LED
17. Χοάνη πλευρικής εξαγωγής
18. Μοχλός ρύθμισης ύψους πλαισίου κοπής
19. Κουμπί ρύθμισης ανάρτησης καθίσματος
20. Μοχλός ρύθμισης θέσης καθίσματος
21. Μπάρες ασφαλείας
22. Ένδειξη κατάστασης χλοοκοπτικού
23. Οθόνη LCD
24. Διακόπτης PTO
25. Κουμπί ενεργοποίησης/απενεργοποίησης
26. Κλειδί ασφαλείας
27. Θήκη τηλεφώνου
28. Έκτροπέας
29. Ένδειξη δείκτη στάθμης καυσίμου & κατάστασης χλοοκοπτικού
  - 29.a. Ένδειξη δείκτη στάθμης καυσίμου χλοοκοπτικού
  - 29.b. Ένδειξη κατάστασης χλοοκοπτικού

GR

30. Χώρος στήριξης των ποδιών
31. Κουμπί αποδέσμευσης καλύμματος μονάδας ηλεκτρικής τροφοδοσίας
32. Κάλυμμα μονάδας ηλεκτρικής τροφοδοσίας
33. Μονάδα ηλεκτρικής τροφοδοσίας με έξι θήκες μπαταριών
34. Κουμπί αποδέσμευσης μπαταριών
35. Κοτσαδόρος
36. Κάλυμμα στήριξης προσαρτήματος
37. Αποθήκευση καλύμματος στήριξης προσαρτήματος
38. Θύρα USB

### ΕΞΟΙΚΕΙΩΣΗ ΜΕ ΤΗΝ ΟΘΟΝΗ LCD (ΕΙΚ. Α3)

Ανατρέξτε στην ενότητα «ΑΝΑΦΟΡΑ ΚΑΤΑΣΤΑΣΗΣ ΚΑΙ ΚΩΔΙΚΟΙ ΒΛΑΒΗΣ ΧΛΟΟΚΟΠΤΙΚΟΥ» για περισσότερες πληροφορίες σχετικά με τα εικονίδια και τις ενδείξεις στην οθόνη LCD.

1. Έικονίδιο κλειδιού ασφαλείας
2. Έικονίδιο φώτων LED
3. Έικονίδιο αυτόματης στάθμευσης
4. Έικονίδιο USB
5. Ένδειξη ταχύτητας λεπίδας
6. Ένδειξη κατάστασης διατάξεων ασφαλείας
7. Μετρητής ωρών
8. Έικονίδιο άδειας θήκης μπαταριών
9. Έικονίδιο θερμοκρασίας
10. Έικονίδιο κατειλημμένης θήκης μπαταριών
11. Λειτουργία οδήγησης
12. Ένδειξη κωδικού βλάβης
13. Ένδειξη υπερφόρτωσης
14. Ένδειξη χαμηλής ισχύος
15. Ένδειξη ταχύτητας οδήγησης
16. Δείκτης φορτίου
17. Δείκτης στάθμης καυσίμου
18. Κουμπί ρύθμισης ταχύτητας λεπίδας
19. Κουμπί ρύθμισης
20. Κουμπί λειτουργίας οδήγησης

21. Διακόπτης φώτων LED
22. Κουμπί ρύθμισης ταχύτητας οδήγησης

## ΑΠΟΣΥΣΚΕΥΑΣΙΑ

**ΣΗΜΕΙΩΣΗ:** Φυλάξτε τα υλικά συσκευασίας ώσπου να επιθεωρήσετε προσεκτικά το προϊόν και να βεβαιωθείτε ότι λειτουργεί ικανοποιητικά. Εάν κάποια εξαρτήματα που αναφέρονται στον κατάλογο εξαρτημάτων είναι ήδη συναρμολογημένα στο μηχάνημα, επικοινωνήστε αμέσως με το σέρβις της EGO.

**ΣΗΜΕΙΩΣΗ:** Εκτός από τα εργαλεία που περιλαμβάνονται στον παρακάτω κατάλογο εξαρτημάτων, όλα τα υπόλοιπα εργαλεία που αναφέρονται στα εγχειρίδια, απλά συνιστώνται, δεν παρέχονται.

### ΚΑΤΑΛΟΓΟΣ ΕΞΑΡΤΗΜΑΤΩΝ (ΕΙΚ. Β)

B-1	Χλοοκοπτικό τρακτέρ επιτόπιας περιστροφής	B-6	Κλειδιά ασφαλείας
B-2	Κάθισμα	B-7	Ανοικτά κλειδιά (13 mm)
B-3	Μοχλός χειρισμού	B-8	Κλειδί Άλεν
B-4	Βίδες Άλεν (2 εφεδρικές)	B-9	Ταχυσύνδεσμος θύρας πλύσης
B-5	Έξαγωνα μπουλόνια (2 εφεδρικά)	B-10	Έγχειρίδιο χρήσης

### ΣΥΝΙΣΤΩΜΕΝΑ ΠΑΡΕΛΚΟΜΕΝΑ

**⚠ ΠΡΟΕΙΔΟΠΟΙΗΣΗ:** Χρησιμοποιείτε μόνο ανταλλακτικά όμοια με εκείνα που αναφέρονται παρακάτω. Η χρήση ανταλλακτικών που δεν ανταποκρίνονται στις αρχικές τεχνικές προδιαγραφές του εξοπλισμού μπορεί να οδηγήσει σε μειωμένη απόδοση και να θέσει σε κίνδυνο την ασφάλεια.

GR

ΟΝΟΜΑ ΕΞΑΡΤΗΜΑΤΟΣ	ΑΡΙΘΜΟΣ ΜΟΝΤΕΛΟΥ
Τυπική λεπίδα	AB5200
Λεπίδα υψηλής ανύψωσης	AB5201
Κιτ κάλυψης εδάφους	ABP5200
Κιτ σακιάσματος γρασιδιού	ABK5200-A
Πίσω προφυλακτήρας	AMB1000
Κιβώτιο μεταφοράς	AMG1000
Σκίαστρο	AMS1000

## ΣΥΝΑΡΜΟΛΟΓΗΣΗ

### ΤΟΠΟΘΕΤΗΣΗ ΚΑΘΙΣΜΑΤΟΣ (Εικ. C1 & C2)

**▲ ΠΡΟΕΙΔΟΠΟΙΗΣΗ:** Το προστατευτικό σύστημα αλληλασφάλισης δεν πρέπει να αποσυνδέεται ή να παρακάμπτεται. Κάτι τέτοιο μπορεί να προκαλέσει απρόσμενη λειτουργία του χλοοκοπτικού με αποτέλεσμα τραυματισμό.

**ΣΗΜΕΙΩΣΗ:** Για τη δική σας ασφάλεια, το χλοοκοπτικό μπορεί να ακινητοποιηθεί εάν ο διακόπτης καθίσματος αποσυνδεθεί κατά τη διάρκεια της οδήγησης. Σε αυτή την περίπτωση ανατρέξτε στην ενότητα «**ΑΝΤΙΜΕΤΩΠΙΣΗ ΠΡΟΒΛΗΜΑΤΩΝ**» για περισσότερες πληροφορίες.

C1-1	Καλώδιο	C1-5	Βίδες Άλεν
C1-2	Φις	C2-1	Άγκιστρο
C1-3	Πρίζα	C2-2	Χαλύβδινες ράγες
C1-4	Βάση ανάρτησης	C2-3	Βίδες Άλεν

### ΤΟΠΟΘΕΤΗΣΗ ΜΟΧΛΩΝ ΧΕΙΡΙΣΜΟΥ (ΕΙΚ. C3)

C3-1	Μοχλοί χειρισμού	C3-3	Οπές τοποθέτησης μοχλού χειρισμού
C3-2	Έξαγωνα μπουλόνια		

## ΛΕΙΤΟΥΡΓΙΑ

### ΠΡΟΤΟΥ ΧΡΗΣΙΜΟΠΟΙΗΣΕΤΕ ΤΟ ΧΛΟΟΚΟΠΤΙΚΟ

#### Έλεγχος περιβάλλοντος

- Βεβαιωθείτε ότι στο χώρο εργασίας δεν υπάρχουν παιδιά, παρευρισκόμενοι και κατοικίδια.
- Καθαρίζετε το χώρο εργασίας από αντικείμενα που μπορεί να εκσφενδονιστούν από τις λεπίδες του χλοοκοπτικού.
- Έλέγξτε και εξασφαλίστε ότι όλα τα φώτα LED είναι στη σωστή κατάσταση:
  - Οι προβολείς, τα πλευρικά φώτα και τα πίσω φώτα ελέγχονται από το διακόπτη φώτων LED.
  - Τα φώτα λειτουργίας παραμένουν πάντα αναμμένα κατά την οδήγηση.
  - Όταν κάνετε όπισθεν, εάν τα πίσω φώτα είναι σβηστά θα αναβοσβήσουν για να προειδοποιήσουν τυχόν παρευρισκόμενους. Εάν τα πίσω φώτα είναι αναμμένα, θα παραμείνουν αναμμένα.
  - Όλα τα φώτα σβήνουν αυτόματα, μόλις το χλοοκοπτικό απενεργοποιηθεί αυτόματα μετά από ένα χρονικό διάστημα χωρίς λειτουργία.

#### Έλεγχος πίεσης ελαστικών εν ψυχρώ (Εικ. D1)

#### Έλεγχος κατάστασης χλοοκοπτικού και επιπέδου φόρτισης μπαταρίας

- Ένδειξη δείκτη στάθμης καυσίμου χλοοκοπτικού (Εικ. A2 - 27a)  
Κάθε τμήμα του δείκτη στάθμης καυσίμου του χλοοκοπτικού αντιστοιχεί σε 20% φόρτιση των τοποθετημένων συστοιχιών μπαταριών.

**ΣΗΜΕΙΩΣΗ:** Ο δείκτης στάθμης καυσίμου του χλοοκοπτικού και ο δείκτης στάθμης καυσίμου στην οθόνη LCD δείχνουν τη μέση απόδοση των τοποθετημένων συστοιχιών μπαταριών.

- Ένδειξη κατάστασης χλοοκοπτικού (Εικ. A1 & Εικ. A2 - 27b)

Εάν η ένδειξη κατάστασης είναι πράσινη, το χλοοκοπτικό είναι έτοιμο για οδήγηση. Στην αντίθετη περίπτωση, ανατρέξτε στην ενότητα «**ΑΝΑΦΟΡΑ ΚΑΤΑΣΤΑΣΗΣ ΚΑΙ ΚΩΔΙΚΟΙ ΒΛΑΒΗΣ ΧΛΟΟΚΟΠΤΙΚΟΥ**»

## Δοκιμή προστατευτικού συστήματος αλληλασφάλισης (Εικ. D2 - Εικ. D8)

**ΣΗΜΕΙΩΣΗ:** Ο χειριστής πρέπει να βρίσκεται στο κάθισμα πριν τη δοκιμή.

- Πριν τη δοκιμή (Εικ. D2 - Έικ. D4)
- Δοκιμάσετε το σύστημα λεπίδας του πλαισίου κοπής (Εικ. D5) και, στη συνέχεια, σηκωθείτε αργά
- Δοκιμάσετε το σύστημα κίνησης (Εικ. D6 - Έικ. D8) και, στη συνέχεια, σηκωθείτε αργά

Έάν το σύστημα λεπίδας του πλαισίου κοπής ή/και το σύστημα κίνησης δεν σταματήσει μόλις ο χειριστής σηκωθεί από κάθισμα και εάν η αιτία δεν μπορεί να προσδιοριστεί αφότου επιβεβαιωθεί η καλή σύνδεση του φιν και της πρίζας του καθίσματος, επικοινωνήστε αμέσως με το κέντρο εξυπηρέτησης πελατών της EGO.

## ΡΥΘΜΙΣΗ (Εικ. E1 - Εικ. E13)

**Προετοιμασία (Εικ. E1 - Εικ. E5)**

**Ρύθμιση ύψους του πλαισίου κοπής (Εικ. E6)**

**Ρύθμιση τροχών με προστατευτικό λεπίδας (Εικ. E7 - Εικ. E10)**

E7-1	Τροχός με προστατευτικό λεπίδας	E9-2	Ξυλόβιδα
E9-1	Παξιμάδι	E10-1	Έτικετα ύψους πλαισίου κοπής

GR

**Ρύθμιση καθίσματος (Εικ. E11)**

Ρυθμίστε τη θέση του καθίσματος για να διασφαλίσετε ότι έχετε καλή επαφή με το πεντάλ φρένου στάθμευσης προτού να θέσετε σε λειτουργία το χλοοκοπτικό. Με τη ρύθμιση ανάρτησης καθίσματος μπορείτε να επιτύχετε ανετότερη θέση στο κάθισμα.

E11-1	Μοχλός ρύθμισης θέσης καθίσματος	E11-2	Κουμπί ρύθμισης ανάρτησης καθίσματος
-------	----------------------------------	-------	--------------------------------------

**Ρύθμιση φρένου στάθμευσης (Εικ. E12 - Εικ. E13)**

E13-1	Θέση πέδησης	E13-2	Θέση αποδέσμευσης
-------	--------------	-------	-------------------

## ΦΟΡΤΙΣΗ (Εικ. F1 - Εικ. F11)

Για τη θέση του χλοοκοπτικού σε λειτουργία απαιτούνται μπαταρίες EGO συνολικής απόδοσης τουλάχιστον 15 Ah (2 X BA4200/BA4200T). Για καλύτερη απόδοση, συνιστούμε τη χρήση μπαταριών EGO συνολικής απόδοσης τουλάχιστον 30 Ah.

**Χρησιμοποιείτε μόνο τις συστοιχίες μπαταριών και τους φορτιστές που συνιστώνται. (Εικ. F9 & F10)**

**Προετοιμασία φόρτισης (Εικ. F1 - Εικ. F4)**

**Φόρτιση της/των συστοιχίας/συστοιχιών μπαταριών ξεχωριστά (Εικ. F5 - Εικ. F9)**

F5-1	Κουμπί αποδέσμευσης καλύμματος	F7-1	Κουμπί αποδέσμευσης μπαταριών
------	--------------------------------	------	-------------------------------

- Προσάρτηση της/των συστοιχίας/συστοιχιών μπαταριών (Έικ. F5 - Έικ. F6)
- Αφαίρεση της/των συστοιχίας/συστοιχιών μπαταριών (Έικ. F7 - Έικ. F8)

**ΣΗΜΕΙΩΣΗ:** Για τη φόρτιση της/των συστοιχίας/συστοιχιών μπαταριών ανατρέξτε στα αντίστοιχα εγχειρίδια μπαταριών και φορτιστή.

**Φόρτιση των συστοιχιών μπαταριών μέσω θύρας φόρτισης (Εικ. F10)**

F10-1	Πώμα σκόνης	F10-2	Θύρα φόρτισης
-------	-------------	-------	---------------

## ΘΕΣΗ ΤΟΥ ΧΛΟΟΚΟΠΤΙΚΟΥ ΣΕ ΛΕΙΤΟΥΡΓΙΑ (Εικ. A4 - Εικ. A5 & Εικ. G1 - Εικ. G6)

**⚠ ΠΡΟΕΙΔΟΠΟΙΗΣΗ:** Αποφεύγετε την απότομη εκκίνηση, το απότομο σταμάτημα και τις απότομες στροφές, καθώς και την υπερβολική ταχύτητα, ειδικά στην αρχή που μαθαίνετε να χειρίζεστε το χλοοκοπτικό. Το χλοοκοπτικό μπορεί να στροβιλιστεί υπερβολικά γρήγορα, κάνοντάς σας να χάσετε τον έλεγχο με αποτέλεσμα σοβαρό τραυματισμό ή/και ζημιά.

**⚠ ΠΡΟΕΙΔΟΠΟΙΗΣΗ:** Προτού θέσετε σε λειτουργία το χλοοκοπτικό, ελέγχετε και βεβαιώνετε ότι οι λεπίδες αποδεσμεύονται εντός 5 δευτερολέπτων αφού ωθήσετε το διακόπτη ΡΤΟ προς τα κάτω. Εάν οι λεπίδες δεν σταματούν, μην χρησιμοποιείτε το χλοοκοπτικό και επικοινωνήστε αμέσως με το τμήμα εξυπηρέτησης πελατών της EGO.

**ΣΗΜΕΙΩΣΗ:** Ακολουθήστε την Έικ. Α4 & την Έικ. G2 για την ελάχιστη ταχύτητα οδήγησης και τη **STANDARD** λειτουργία οδήγησης, ώσπου να είστε πλήρως ικανοί να χειρίζεστε το χλοοκοπτικό σε κάθε περίπτωση. Η ταχύτητα οδήγησης και η λειτουργία οδήγησης ενεργοποιούνται μόνο όταν οι τροχοί του χλοοκοπτικού είναι ακινητοποιημένοι και οι μοχλοί χειρισμού ανοιχτοί.

Το χλοοκοπτικό θα αποθηκεύσει και θα εμφανίσει την προηγούμενη λειτουργία οδήγησης, ταχύτητα οδήγησης και βαθμονόμηση των μοχλών χειρισμού κατά την επανεκκίνησή του.

#### Λειτουργία οδήγησης

- **CONTROL:** Μικρότερη επιτάχυνση, λιγότερο ευαίσθητος χειρισμός και ήπια ταχύτητα περιστροφής για την προστασία του γρασιδιού και νέους χρήστες.
- **STANDARD:** Τέλεια για καθημερινή χρήση.
- **SPORT:** Μεγαλύτερη επιτάχυνση, ακριβής χειρισμός και απότομες στροφές για τη μεγιστοποίηση της απόδοσης κοπής και ενθουσιώδεις χρήστες χλοοκοπτικών.

#### Ρύθμιση ταχύτητας οδήγησης (Έικ. Α4)

#### Ρύθμιση ταχύτητας λεπίδας (Έικ. Α5)

#### Θύρα USB

**ΣΗΜΕΙΩΣΗ:** Η θύρα USB παρέχει ισχύ φόρτισης 5 βολτ DC με συνδυασμένη χρήση 1,5 αμπέρ και ενεργοποιείται μόνο όταν το χλοοκοπτικό εκκινείται.

#### ΑΠΕΝΕΡΓΟΠΟΙΗΣΗ ΤΟΥ ΧΛΟΟΚΟΠΤΙΚΟΥ (Έικ. Η1 – Έικ. Η6)

**ΣΗΜΕΙΩΣΗ:** Εάν παρέλθουν πάνω από 60 λεπτά χωρίς λειτουργία, το χλοοκοπτικό απενεργοποιείται αυτόματα.

#### Λειτουργία έκτακτης ανάγκης

Εάν η φόρτιση μπαταρίας γίνει χαμηλή, το χλοοκοπτικό μεταβαίνει στη λειτουργία έκτακτης ανάγκης:

- Το χλοοκοπτικό σταματάει αυτόματα να κόβει γρασίδι.
- Ήχητική ένδειξη θα συνεχίσει να ηχεί.
- Ή ένδειξη κατάστασης του χλοοκοπτικού θα αναβοσβήνει κόκκινη ανά δευτερόλεπτο, ενώ το πρώτο τμήμα του δείκτη στάθμης καυσίμου του χλοοκοπτικού θα αναβοσβήνει κόκκινο και η ένδειξη χαμηλής ισχύος και τα γραφικά μπαταρίας στο δείκτη στάθμης καυσίμου θα αναβοσβήνουν.

Ο χειριστής πρέπει:

- α) Να ωθήσει το διακόπτη ΡΤΟ (Έικ. Ή3) προς τα κάτω για να αποδεσμευτούν οι λεπίδες. Ήχητική ένδειξη θα σταματήσει να ηχεί μόλις ακινητοποιηθεί η λεπίδα.
- β) Σταματήστε την εργασία και μεταβείτε το συντομότερο δυνατό στο χώρο φόρτισης μπαταρίας. Ή μέγιστη απόσταση που μπορεί να διανύσει το χλοοκοπτικό είναι 1000 m.

Όταν η μπαταρία σχεδόν εξαντληθεί, το εικονίδιο κάθε κατελημμένης θήκης μπαταριών και η ένδειξη χαμηλής ισχύος θα αναβοσβήνουν ανά μισό δευτερόλεπτο. Το χλοοκοπτικό θα σταματήσει αμέσως τη λειτουργία. Ο χειριστής πρέπει να μεταφέρει το χλοοκοπτικό στο χώρο φόρτισης μπαταρίας για τη φόρτιση.

#### Χειροκίνητη ώθηση

Εάν απαιτείται χειροκίνητη ώθηση, βεβαιωθείτε ότι οι μπαταρίες έχουν αποσυνδεθεί από το χλοοκοπτικό και το πεντάλ φρένου στάθμευσης έχει αποδεσμευτεί από τη θέση πέδησης.

#### ΟΔΗΓΗΣΗ ΤΟΥ ΧΛΟΟΚΟΠΤΙΚΟΥ (Έικ. Ι1 - Έικ. Ι9)

Για να σταματήσετε, να μειώσετε ή να αυξήσετε την ταχύτητα, αλλάζετε αργά την απόσταση του μοχλού χειρισμού από τη νεκρά.

**⚠ ΚΙΝΔΥΝΟΣ:** Παραμένετε τουλάχιστον δύο πλάτη κοπής μακριά από χαντάκια, απότομες κεκλιμένες επιφάνειες ή νερό. Οι μπροστινοί τροχοί ενδέχεται να περιστραφούν όταν το χλοοκοπτικό είναι ακινητοποιημένο, ακόμα και με πατημένο το φρένο,

ωθώντας το χλοοκοπτικό προς τα άκρα ή το νερό, με αποτέλεσμα θάνατο ή σοβαρό τραυματισμό.

**⚠ ΠΡΟΕΙΔΟΠΟΙΗΣΗ:** Προτού κάνετε όπισθεν, ελέγχετε τι υπάρχει πίσω από το χλοοκοπτικό. ΜΗΝ κόβετε με την όπισθεν παρά μόνο εάν είναι απολύτως απαραίτητο. Κοιτάτε πάντα κάτω και πίσω πριν και κατά τη διάρκεια της όπισθεν, προκειμένου να διασφαλίζετε ότι δεν εισέρχονται παιδιά, παρευρισκόμενοι ή κατοικίδια στο χώρο κοπής. Να θυμάστε ότι ένα κλάσμα δευτερολέπτου απροσεξίας αρκεί για να προκαλέσει θάνατο ή σοβαρό τραυματισμό.

**⚠ ΠΡΟΕΙΔΟΠΟΙΗΣΗ:** Μην χρησιμοποιείτε τη μηχανή σε δημόσιους δρόμους.

**⚠ ΠΡΟΕΙΔΟΠΟΙΗΣΗ:** Σε περίπτωση εμπλοκής ή εάν χτυπήσετε ξένο αντικείμενο, σβήστε τους κινητήρες και βγάλτε τις μπαταρίες. Απομακρύνετε κομμένο γρασίδι, φύλλα, ρύπους και άλλα συσσωρευμένα υπολείμματα. Έπιθεωρήστε σχολαστικά το χλοοκοπτικό για ζημιές και επισκευάστε τη ζημιά προτού επανεκκινήσετε και χρησιμοποιήσετε το χλοοκοπτικό.

## ΣΥΝΤΗΡΗΣΗ

**⚠ ΠΡΟΕΙΔΟΠΟΙΗΣΗ:** Φοράτε πάντα προστασία των ματιών με πλαϊνά προστατευτικά. Στην αντίθετη περίπτωση, ενδέχεται να εκτοξευτούν αντικείμενα στα μάτια σας με συνέπεια ενδεχόμενο σοβαρό τραυματισμό.

**⚠ ΠΡΟΕΙΔΟΠΟΙΗΣΗ:** Προστατεύετε πάντα τα χέρια σας, φορώντας γάντια βαριάς χρήσης ή τυλίγοντας τις αιχμηρές κόψεις με πανιά ή άλλα υλικά όταν διεξάγετε εργασίες συντήρησης στη λεπίδα του χλοοκοπτικού. Αφαιρείτε πάντα το κλειδί ασφαλείας και τις συστοιχίες μπαταριών πριν από τη συντήρηση ή μεταφορά του χλοοκοπτικού.

GR

Διάστημα εργασιών συντήρησης	Διαδικασία συντήρησης
Πριν από κάθε χρήση ή καθημερινά	<ul style="list-style-type: none"> <li>Έλέγξτε το προστατευτικό σύστημα αλληλασφάλισης.</li> <li>Έλέγξτε οπτικά εάν έχει ξεφουσκώσει το ελαστικό.</li> <li>Έλέγξτε εάν οι λεπίδες έχουν φθαρεί, ραγίσει ή στραβώσει.</li> <li>Έπιθεωρήστε ολόκληρο το προϊόν για χαλασμένα, ελλιπή ή χαλαρά μέρη, όπως είναι η χοάνη πλευρικής εξαγωγής, οι βίδες, τα παξιμάδια, τα μπουλόνια, τα πώματα, κτλ., διασφαλίζοντας ότι όλες οι καλύπτρες βρίσκονται στη θέση τους και λειτουργούν απρόσκοπτα.</li> <li>Έλέγξτε τη λειτουργία φρένων.</li> </ul>
Μετά από κάθε χρήση	<ul style="list-style-type: none"> <li>Καθαρίστε τη πλαίσιο κοπής του χλοοκοπτικού.</li> </ul>
Ανά 25 ώρες	<ul style="list-style-type: none"> <li>Έλέγξτε την πίεση ελαστικών.</li> </ul>
Ανά 50 ώρες	<ul style="list-style-type: none"> <li>Έλέγξτε την κατάσταση του γράσου στη φλάντζα της λεπίδας κοπής.</li> </ul>
Ανά 100 ώρες	<ul style="list-style-type: none"> <li>Έλέγξτε τους πίσω τροχούς, διασφαλίζοντας ότι όλα τα παξιμάδια τροχών είναι συσφιγμένα με την προτεινόμενη ροπή σύσφιξης.</li> </ul>
Ανά 200 ώρες	<ul style="list-style-type: none"> <li>Έλέγξτε τους μπροστινούς τροχούς διασφαλίζοντας ότι περιστρέφονται απρόσκοπτα.</li> </ul>

Έτήσια	<ul style="list-style-type: none"> <li>Έλέγξτε το πεντάλ φρένου στάθμευσης. Αφαιρέστε την μπαταρία από το χλοοκοπτικό και θέστε το πεντάλ στάθμευσης στη θέση πέδησης. Ωθήστε χειροκίνητα το χλοοκοπτικό προς τα εμπρός, για να διαπιστώσετε εάν μπορεί να μετακινηθεί ή όχι. Εάν μετακινείται, απαιτείται συντήρηση από εξειδικευμένο τεχνικό σέρβις.</li> </ul>
--------	---

## ΚΑΘΑΡΙΣΜΟΣ ΤΟΥ ΧΛΟΟΚΟΠΤΙΚΟΥ (Εικ. J1 - Εικ. J9)

Προετοιμασία (Εικ. J1 - Εικ. J5)

Καθαρισμός πλαισίου του χλοοκοπτικού  
(Εικ. J6 - Εικ. J7)

Χρήση θύρας πλύσης για τον καθαρισμό του πλαισίου κοπής του χλοοκοπτικού  
(Εικ. J8 - Εικ. J9)

J8-1	Θύρα πλύσης	J8-3	Λάστιχο κήπου
J8-2	Ταχυσύνδεσμος θύρας πλύσης		

**ΣΗΜΕΙΩΣΗ:** Αφού ολοκληρώσετε τον καθαρισμό, ωθήστε το διακόπτη ΡΤΟ προς τα κάτω για να αποδεσμεύσετε τις λεπίδες χλοοκοπτικού.

## ΣΥΝΤΗΡΗΣΗ ΤΟΥ ΠΛΑΙΣΙΟΥ ΚΟΠΗΣ ΤΟΥ ΧΛΟΟΚΟΠΤΙΚΟΥ ΚΑΙ ΤΩΝ ΛΕΠΙΔΩΝ ΚΟΠΗΣ

Προετοιμασία (Εικ. K1 - Εικ. K6)

Αφαίρεση του πλαισίου κοπής του χλοοκοπτικού  
(Εικ. K7 - Εικ. K8)

K7-1	Καλώδιο κινητήρα	K7-3	Σύνδεσμος ανάρτησης
K7-2	Ασφαλιστική περόνη		

**ΣΗΜΕΙΩΣΗ:** Αποσυνδέστε όλα τα καλώδια του κινητήρα και τις ασφαλιστικές περόνες κατά την αφαίρεση του πλαισίου κοπής του χλοοκοπτικού.

## Αντικατάσταση των λεπίδων κοπής (Εικ. K9 - Εικ. K11)

K9-1	Σταθεροποιητής	K10-3	Λεπίδα
K10-1	Μπουλόνι	K10-4	Φλάντζα
K10-2	Ροδέλα	K10-5	Άξονας κινητήρα

## Αλφάδιασμα πλαισίου κοπής του χλοοκοπτικού

a. Πότε απαιτείται αλφάδιασμα  
(Εικ. K12 - Εικ. K14)

b. Πριν το αλφάδιασμα

- Έλεγχος πίεσης ελαστικών εν ψυχρώ (Εικ. K15)
- Έλεγχος των λεπίδων κοπής. Απομακρύνετε και αντικαθιστάτε φθαρμένες, ραγισμένες και/ή λυγισμένες λεπίδες, εάν είναι απαραίτητο.

c. Προετοιμασία αλφαδιάσματος  
(Εικ. K16 - Εικ. K21)

d. Τρόπος αλφαδιάσματος

- Ρύθμιση από άκρη σε άκρη (Εικ. K22)

K22-1	Αντιπερικόχλιο
-------	----------------

- Ρύθμιση από εμπρός προς τα πίσω (Εικ. K23)

## ΒΑΘΜΟΝΟΜΗΣΗ ΤΟΥ ΣΥΣΤΗΜΑΤΟΣ ΠΑΡΑΚΟΛΟΥΘΗΣΗΣ ΤΟΥ ΧΛΟΟΚΟΠΤΙΚΟΥ (Εικ. L1 - Εικ. L4)

**ΣΗΜΕΙΩΣΗ:** Ήχητική ένδειξη θα ηχήσει μια φορά κατά την εκκίνηση της βαθμονόμησης και άλλη μία μόλις αυτή ολοκληρωθεί.

**ΣΗΜΕΙΩΣΗ:** Ή βαθμονόμηση που έχει ολοκληρωθεί για έναν από τους τρόπους οδήγησης («CONTROL», «STANDARD», «SPORT») ενδέχεται να μην είναι διαθέσιμη στους άλλους δύο τρόπους λειτουργίας. Βαθμονομήστε τους μοχλούς χειρισμού σε κάθε λειτουργία οδήγησης μεμονωμένα, ανάλογα με τις ανάγκες.

## ΕΠΑΝΑΦΟΡΑ ΤΟΥ ΧΛΟΟΚΟΠΤΙΚΟΥ ΣΤΗΝ ΑΡΧΙΚΗ ΕΡΓΟΣΤΑΣΙΑΚΗ ΡΥΘΜΙΣΗ (Εικ. M)

**ΣΗΜΕΙΩΣΗ:** Ήχητική ένδειξη θα ηχήσει μια φορά κατά την εκκίνηση της επαναφοράς και άλλη μία μόλις αυτή ολοκληρωθεί.

**ΣΗΜΕΙΩΣΗ:** Έφρόσον η επαναφορά είναι επιτυχής, οι παρακάτω ρυθμίσεις θα επιστρέψουν στην αρχική εργοστασιακή ρύθμιση:

- λειτουργία οδήγησης
- ταχύτητα οδήγησης
- βαθμονόμηση των μοχλών χειρισμού

## ΑΠΟΘΗΚΕΥΣΗ ΚΑΙ ΜΕΤΑΦΟΡΑ

### ΜΕΤΑΦΟΡΑ ΤΟΥ ΧΛΟΟΚΟΠΤΙΚΟΥ (ΕΙΚ. Ν1 – ΕΙΚ. Ν11)

**ΣΗΜΕΙΩΣΗ:** Ασφαλίστε το χλοοκοπτικό, εφόσον απαιτηθεί, χρησιμοποιώντας ιμάντες ή καλώδια, προκειμένου να αποτραπεί η κίνηση κατά τη μεταφορά.

### ΑΠΟΘΗΚΕΥΣΗ (Εικ. Ο1 – Εικ. Ο6)

**ΣΗΜΕΙΩΣΗ:** Απομακρύνετε τις συστοιχίες μπαταριών και ανατρέξτε στα αντίστοιχα εγχειρίδια για την αποθήκευσή τους.

Καθαρίζετε και ελέγχετε το χλοοκοπτικό πριν την αποθήκευση, βλ. ενότητες «**ΚΑΘΑΡΙΣΜΟΣ ΤΟΥ ΧΛΟΟΚΟΠΤΙΚΟΥ**» και «**ΠΡΟΤΕΙΝΟΜΕΝΑ ΠΡΟΓΡΑΜΜΑΤΑ ΣΥΝΤΗΡΗΣΗΣ**».

### Προστασία του περιβάλλοντος





GR

ΑΉΉΕ(Απόβλητα ειδών ηλεκτρικού και ηλεκτρονικού εξοπλισμού) – Μην απορρίπτετε ηλεκτρικό εξοπλισμό, παλιές μπαταρίες και φορτιστές στα οικιακά απορρίμματα! Μεταφέρετε αυτό το προϊόν σε εξουσιοδοτημένο κέντρο ανακύκλωσης και διαθέστε το για ξεχωριστή συλλογή. Τα ηλεκτρικά εργαλεία πρέπει να επιστρέφονται σε περιβαλλοντικά συμβατή μονάδα ανακύκλωσης.




## ΑΝΤΙΜΕΤΩΠΙΣΗ ΠΡΟΒΛΗΜΑΤΩΝ

ΠΡΟΒΛΗΜΑ	ΑΙΤΙΑ	ΑΝΤΙΜΕΤΩΠΙΣΗ
<p>Το χλοοκοπτικό δεν κινείται όταν οι δύο μοχλοί χειρισμού ωθούνται προς τα εμπρός ή πίσω στην αρχή.</p>  <p>Το εικονίδιο του μοχλού χειρισμού αναβοσβήνει</p>	<ul style="list-style-type: none"> <li>Ο συνδυασμός Ah των τοποθετημένων μπαταριών δεν ανταποκρίνεται στις προδιαγραφές.</li> </ul>	<ul style="list-style-type: none"> <li>Για τη θέση του χλοοκοπτικού σε λειτουργία, χρησιμοποιήστε αρκετές μπαταρίες EGO σύμφωνα με τις οδηγίες της ενότητας «ΦΟΡΤΙΣΗ» του παρόντος εγχειριδίου.</li> </ul>
	<ul style="list-style-type: none"> <li>Το πεντάλ φρένου στάθμευσης είναι ρυθμισμένο στη θέση πέδησης.</li> </ul>	<ul style="list-style-type: none"> <li>Πατήστε το πεντάλ φρένου στάθμευσης μέχρι τέρμα για να το αποδεσμεύσετε από τη θέση πέδησης.</li> </ul>
	<ul style="list-style-type: none"> <li>Ο μοχλοί χειρισμού δεν βρίσκονται στην ανοιχτή θέση κατά την εκκίνηση του χλοοκοπτικού.</li> </ul>	<ul style="list-style-type: none"> <li>Έπιστρέψτε τους μοχλούς χειρισμού στην ανοιχτή θέση και επανεκκινήστε το χλοοκοπτικό.</li> </ul>
	<ul style="list-style-type: none"> <li>Ο χειριστής δεν κάθεται στο κάθισμα.</li> </ul>	<ul style="list-style-type: none"> <li>Μόνο εφόσον ο χειριστής κάθεται σωστά στο κάθισμα μπορεί να χειριστεί το χλοοκοπτικό.</li> </ul>
	 <ul style="list-style-type: none"> <li>Ο διακόπτης καθίσματος δεν έχει συνδεθεί σωστά.</li> </ul>	<ul style="list-style-type: none"> <li>Αφαιρέστε την μπαταρία από το χλοοκοπτικό και αποσυναρμολογήστε το κάθισμα με την αντίστροφη σειρά από εκείνη που αναφέρεται στην ενότητα «ΤΟΠΟΘΕΤΗΣΗ ΚΑΘΙΣΜΑΤΟΣ» του παρόντος εγχειριδίου για να επιθεωρήσετε τη σύνδεση διακόπτη καθίσματος. Έπανάσυναρμολογήστε το κάθισμα και ακολουθήστε τις οδηγίες της ενότητας «ΘΕΣΗ ΤΟΥ ΧΛΟΟΚΟΠΤΙΚΟΥ ΣΕ ΛΕΙΤΟΥΡΓΙΑ» για να επανεκκινήσετε το χλοοκοπτικό και να δείτε εάν μπορεί να τεθεί σε λειτουργία. Στην αντίθετη περίπτωση, επικοινωνήστε με εξειδικευμένο τεχνικό σέρβις για επισκευή.</li> </ul>
	<ul style="list-style-type: none"> <li>Υπό ακραία ψυχρές καιρικές συνθήκες η λειτουργία οδήγησης μπορεί να μην ενεργοποιηθεί λόγω της προστασίας από χαμηλές θερμοκρασίες.</li> </ul>	<ul style="list-style-type: none"> <li>Αποθηκεύετε πάντα το χλοοκοπτικό και την μπαταρία σε θερμό περιβάλλον. Έπανεκκινήστε το χλοοκοπτικό μόλις ζεσταθεί. Μην κάνετε επαναλαμβανόμενες απόπειρες υπό ακραία ψυχρές καιρικές συνθήκες διότι έτσι μπορεί να προκληθεί ζημιά στη μηχανή.</li> </ul>

ΠΡΟΒΛΗΜΑ	ΑΙΤΙΑ	ΑΝΤΙΜΕΤΩΠΙΣΗ
<p>Το χλοοκοπτικό ακινητοποιείται.</p>	<ul style="list-style-type: none"> <li>Ο μοχλοί χειρισμού απαιτούν «επαναφορά».</li> </ul>	<ul style="list-style-type: none"> <li>Έπιστρέψτε τους μοχλούς χειρισμού στην ανοιχτή θέση και επανεκκινήστε το χλοοκοπτικό.</li> </ul>
	<ul style="list-style-type: none"> <li>Τα ηλεκτρονικά στοιχεία ελέγχου των μοχλών χειρισμού δεν λειτουργούν.</li> </ul>	<ul style="list-style-type: none"> <li>Έπικοινωνήστε με εξειδικευμένο τεχνικό σέρβις για επισκευή.</li> </ul>
	<ul style="list-style-type: none"> <li>Ο διακόπτης καθίσματος έχει αποσυνδεθεί κατά την οδήγηση σε ανώμαλο έδαφος.</li> </ul>	<ul style="list-style-type: none"> <li>Αφαιρέστε την μπαταρία από το χλοοκοπτικό και αποσυναρμολογήστε το κάθισμα με την αντίστροφη σειρά από εκείνη που αναφέρεται στην ενότητα «<b>ΤΟΠΟΘΕΤΗΣΗ ΚΑΘΙΣΜΑΤΟΣ</b>» του παρόντος εγχειριδίου για να επιθεωρήσετε τη σύνδεση διακόπτη καθίσματος. Έπασυναρμολογήστε το κάθισμα και ακολουθήστε τις οδηγίες της ενότητας «<b>ΘΕΣΗ ΤΟΥ ΧΛΟΟΚΟΠΤΙΚΟΥ ΣΕ ΛΕΙΤΟΥΡΓΙΑ</b>» για να επανεκκινήσετε το χλοοκοπτικό και να δείτε εάν μπορεί να τεθεί σε λειτουργία. Στην αντίθετη περίπτωση, επικοινωνήστε με εξειδικευμένο τεχνικό σέρβις για επισκευή.</li> </ul>
	<ul style="list-style-type: none"> <li>Το πεντάλ φρένου στάθμευσης πατιέται για να επιβραδύνει την ταχύτητα οδήγησης. Εάν πατηθεί το πεντάλ φρένου στάθμευσης αρκετά, ωστόσο όχι μέχρι τη θέση στάθμευσης, το χλοοκοπτικό θα ακινητοποιηθεί.</li> </ul>	<ul style="list-style-type: none"> <li>Ακολουθήστε τις οδηγίες της ενότητας «<b>ΘΕΣΗ ΤΟΥ ΧΛΟΟΚΟΠΤΙΚΟΥ ΣΕ ΛΕΙΤΟΥΡΓΙΑ</b>» για να επανεκκινήσετε το χλοοκοπτικό.</li> </ul>
<p>Έπιταχύτητα οδήγησης / λειτουργία οδήγησης δεν επιδέχεται ρύθμιση κατά τη διάρκεια της οδήγησης.</p>	<ul style="list-style-type: none"> <li>Πρόκειται για ένα χαρακτηριστικό του χλοοκοπτικού για ασφαλή οδήγηση.</li> </ul>	<ul style="list-style-type: none"> <li>Η λειτουργία θα ενεργοποιηθεί μόνο όταν οι τροχοί του χλοοκοπτικού είναι ακινητοποιημένοι και οι μοχλοί χειρισμού ανοιχτοί.</li> </ul>

GR

ΠΡΟΒΛΗΜΑ	ΑΙΤΙΑ	ΑΝΤΙΜΕΤΩΠΙΣΗ
<p>Το χλοοκοπτικό δεν κινεί τις λεπίδες όταν είναι ενεργοποιημένος ο διακόπτης ΡΤΟ.</p>  Το εικονίδιο του διακόπτη ΡΤΟ αναβοσβήνει	<ul style="list-style-type: none"> <li>Ο συνδυασμός Ah των τοποθετημένων μπαταριών δεν ανταποκρίνεται στις προδιαγραφές.</li> </ul>	<ul style="list-style-type: none"> <li>Για τη θέση του χλοοκοπτικού σε λειτουργία, χρησιμοποιήστε αρκετές μπαταρίες EGO σύμφωνα με τις οδηγίες της ενότητας «ΦΟΡΤΙΣΗ» του παρόντος εγχειριδίου.</li> </ul>
	<ul style="list-style-type: none"> <li>Ο διακόπτης ΡΤΟ δεν ωθήθηκε προς τα κάτω κατά το τελευταίο σταμάτημα του χλοοκοπτικού.</li> </ul>	<ul style="list-style-type: none"> <li>Πιέστε το διακόπτη ΡΤΟ προς τα κάτω και επανεκκινήστε τις λεπίδες του χλοοκοπτικού.</li> </ul>
	<ul style="list-style-type: none"> <li>Το χλοοκοπτικό υπερφορτώθηκε κατά την εκκίνηση των λεπίδων, με αποτέλεσμα την ενεργοποίηση της αυτοπροστασίας κινητήρα.</li> </ul>	<ul style="list-style-type: none"> <li>Έκκινήστε την κοπή γρασιδιού με το χλοοκοπτικό πρώτα σε χαμηλή ταχύτητα λεπίδων, ώσπου οι λεπίδες να επιτύχουν την επιθυμητή περιστροφή – μην αυξάνετε την ταχύτητά τους.</li> </ul>
	<ul style="list-style-type: none"> <li>Υπό ακραία ψυχρές καιρικές συνθήκες ο κινητήρας λεπίδων μπορεί να μην ενεργοποιηθεί λόγω της προστασίας από χαμηλές θερμοκρασίες.</li> </ul>	<ul style="list-style-type: none"> <li>Αποθηκεύετε πάντα το χλοοκοπτικό και την μπαταρία σε θερμό περιβάλλον. Έπανεκκινήστε το χλοοκοπτικό μόλις ζεσταθεί. Μην κάνετε επαναλαμβανόμενες απόπειρες υπό ακραία ψυχρές καιρικές συνθήκες διότι έτσι μπορεί να προκληθεί ζημιά στη μηχανή.</li> </ul>
	<ul style="list-style-type: none"> <li>Η λεπίδα παρεμβαίνει στο παραμορφωμένο πλαίσιο κοπής του χλοοκοπτικού.</li> </ul>	<ul style="list-style-type: none"> <li>Έπικοινωνήστε με εξειδικευμένο τεχνικό σέρβις για επισκευή.</li> </ul>

ΠΡΟΒΛΗΜΑ	ΑΙΤΙΑ	ΑΝΤΙΜΕΤΩΠΙΣΗ
Οι λεπίδες σταματούν να λειτουργούν κατά τη διάρκεια της κοπής γρασιδιού.	<ul style="list-style-type: none"> <li>Το χλοοκοπτικό έχει υπερφορτωθεί.</li> </ul>	<ul style="list-style-type: none"> <li>Αυξήστε το ύψος κοπής του πλαισίου κοπής ή μειώστε την ταχύτητα οδήγησης για να μειώσετε το φορτίο του χλοοκοπτικού.</li> </ul>
	<ul style="list-style-type: none"> <li>Το πλαίσιο κοπής του χλοοκοπτικού έχει φράξει με γρασίδι και υπολείμματα.</li> </ul>	<ul style="list-style-type: none"> <li>Καθαρίστε το πλαίσιο κοπής του χλοοκοπτικού και βεβαιωθείτε ότι οι λεπίδες κινούνται ελεύθερα.</li> </ul>
	<ul style="list-style-type: none"> <li>Το χλοοκοπτικό έχει υπερθερμανθεί.</li> </ul>	<ul style="list-style-type: none"> <li>Μειώστε το φορτίο του χλοοκοπτικού, αυξάνοντας το ύψος κοπής του πλαισίου κοπής ή μειώνοντας την ταχύτητα της λεπίδας / την ταχύτητα οδήγησης και αφήστε το χλοοκοπτικό να κρυώσει.</li> </ul>
	<ul style="list-style-type: none"> <li>Ή/Οι συστοιχία/ες μπαταριών στη θήκη μπαταριών του χλοοκοπτικού έχει/έχουν υπερθερμανθεί, με αποτέλεσμα η συνδυαζόμενη τιμή Ah όλων των τοποθετημένων μπαταριών να μην ανταποκρίνεται στις προδιαγραφές.</li> </ul>	<ol style="list-style-type: none"> <li>Εάν η συνδυαζόμενη τιμή μπαταρίας Ah δεν ανταποκρίνεται στις προδιαγραφές, το χλοοκοπτικό δεν θα λειτουργήσει εάν δεν τοποθετηθούν περισσότερες συστοιχίες μπαταριών στις άδειες θήκες μπαταριών. Μόλις η υπερθερμασμένη μπαταρία επιστρέψει σε φυσιολογική θερμοκρασία, θα συμμετάσχει αμέσως στην παροχή ισχύος στο χλοοκοπτικό.</li> <li>Μειώστε το φορτίο του χλοοκοπτικού, αυξάνοντας το ύψος κοπής του πλαισίου κοπής ή μειώνοντας την ταχύτητα κοπής κατά τη συνέχιση λειτουργίας.</li> </ol>
	<ul style="list-style-type: none"> <li>Το χλοοκοπτικό χτύπησε ξένο αντικείμενο, με αποτέλεσμα την ενεργοποίηση της αυτοπροστασίας κινητήρα.</li> </ul>	<ul style="list-style-type: none"> <li>Πιέστε το διακόπτη PTO προς τα κάτω και επανεκκινήστε τις λεπίδες του χλοοκοπτικού.</li> </ul>

GR

ΠΡΟΒΛΗΜΑ	ΑΙΤΙΑ	ΑΝΤΙΜΕΤΩΠΙΣΗ
Ήχητική ένδειξη εξακολουθεί να ηχεί.	<ul style="list-style-type: none"> <li>Το χλοοκοπτικό βρίσκεται σε λειτουργία έκτακτης ανάγκης και οι λεπίδες δεν απενεργοποιούνται.</li> </ul>	<ul style="list-style-type: none"> <li>Πιέστε το διακόπτη ΡΤΟ προς τα κάτω για να αποδεσμευτούν οι λεπίδες του πλαισίου κοπής. Ήχητική ένδειξη θα σταματήσει να ηχεί μόλις ακινητοποιηθεί η λεπίδα.</li> </ul>
	<ul style="list-style-type: none"> <li>Το χλοοκοπτικό ακινητοποιείται σε πλαγιά και ο χειριστής ανοίγει τους μοχλούς χειρισμού και δεν βρίσκεται στο κάθισμα, χωρίς να έχει θέσει το πεντάλ φρένου στάθμευσης στη θέση πέδησης.</li> </ul>	<ul style="list-style-type: none"> <li>Ρυθμίστε το πεντάλ φρένου στάθμευσης στη θέση πέδησης προτού να αφήσετε το χλοοκοπτικό στην πλαγιά.</li> </ul>
Οι ενδείξεις μπαταρίας εξακολουθούν να είναι αναμμένες όταν το χλοοκοπτικό είναι απενεργοποιημένο.	<ul style="list-style-type: none"> <li>Εάν το χλοοκοπτικό απενεργοποιηθεί σε επίπεδο έδαφος, χωρίς την αφαίρεση της/των συστοιχίας/ συστοιχιών μπαταριών από το χλοοκοπτικό, οι ενδείξεις μπαταρίας, το κουμπί ενεργοποίησης/ απενεργοποίησης και το κουμπί ρύθμισης θα παραμείνουν αναμμένα για ένα χρονικό διάστημα.</li> </ul>	<ul style="list-style-type: none"> <li>Δεν απαιτείται καμία ενέργεια. Οι ενδείξεις μπαταρίας θα σβήσουν, μόλις το χλοοκοπτικό απενεργοποιηθεί μετά από ένα χρονικό διάστημα. Ανατρέξτε στην ενότητα «<b>ΑΠΕΝΕΡΓΟΠΟΙΗΣΗ ΤΟΥ ΧΛΟΟΚΟΠΤΙΚΟΥ</b>» για το συγκεκριμένο χρόνο.</li> </ul>
	<ul style="list-style-type: none"> <li>Όταν το χλοοκοπτικό απενεργοποιηθεί σε πλαγιά χωρίς να ρυθμιστεί το πεντάλ φρένου στάθμευσης στη θέση πέδησης, οι ενδείξεις μπαταρίας θα παραμείνουν ενεργές μέχρι να αδειάσει η μπαταρία. Ήχητική ένδειξη συνεχίζει να ηχεί ταυτόχρονα.</li> </ul>	<ul style="list-style-type: none"> <li>Ρυθμίστε το πεντάλ φρένου στάθμευσης στη θέση πέδησης, προτού ο χειριστής να αφήσει το ηλεκτρικό εργαλείο στην πλαγιά.</li> </ul>
Ήοθόνη LCD δεν ανάβει με όλα τα εικονίδια.	<ul style="list-style-type: none"> <li>Ο χρόνος πίεσης του κουμπιού ενεργοποίησης/ απενεργοποίησης δεν επαρκεί.</li> </ul>	<ul style="list-style-type: none"> <li>Ήοθόνη LCD θα προβάλλει μόνο την ένδειξη «Δείκτης στάθμης καυσίμου» εάν πατηθεί στιγμιαία το κουμπί ενεργοποίησης/ απενεργοποίησης.</li> </ul>
		<ul style="list-style-type: none"> <li>Ήοθόνη LCD ανάβει μόλις πατηθεί το κουμπί ενεργοποίησης/ απενεργοποίησης για επαρκή χρόνο.</li> </ul>

ΠΡΟΒΛΗΜΑ	ΑΙΤΙΑ	ΑΝΤΙΜΕΤΩΠΙΣΗ
Το χλοοκοπτικό κόβει ανομοιόμορφα με σημαντική διαφορά ύψους μπροστά και πίσω.	<ul style="list-style-type: none"> <li>Οι λεπίδες είναι στομωμένες.</li> </ul>	<ul style="list-style-type: none"> <li>Τροχήστε ή αντικαταστήστε τη λεπίδα κοπής σύμφωνα με το παρόν εγχειρίδιο.</li> </ul>
	<ul style="list-style-type: none"> <li>Οι λεπίδες είναι λυγισμένες.</li> </ul>	<ul style="list-style-type: none"> <li>Αντικαταστήστε τη λυγισμένη λεπίδα κοπής σύμφωνα με τις οδηγίες στην ενότητα «<b>ΑΝΤΙΚΑΤΑΣΤΑΣΗ ΤΩΝ ΛΕΠΙΔΩΝ ΚΟΠΗΣ</b>».</li> </ul>
	<ul style="list-style-type: none"> <li>Το πλαίσιο κοπής του χλοοκοπτικού δεν είναι επιπεδωμένο, με αποτέλεσμα διαφορετικά ύψη των λεπίδων κοπής.</li> </ul>	<ul style="list-style-type: none"> <li>Αλφαδιάστε το πλαίσιο κοπής του χλοοκοπτικού σύμφωνα με τις οδηγίες στην ενότητα «<b>ΑΛΦΑΔΙΑΣΜΑ ΠΛΑΙΣΙΟΥ ΚΟΠΗΣ ΤΟΥ ΧΛΟΟΚΟΠΤΙΚΟΥ</b>».</li> </ul>
Το πραγματικό ύψος κοπής γρασιδιού δεν είναι το ζητούμενο.	<ul style="list-style-type: none"> <li>Τα παξιμάδια του πλαισίου κοπής του χλοοκοπτικού έχουν λασκάρει στο σύνδεσμο ανάρτησης</li> </ul>	<ul style="list-style-type: none"> <li>Ακολουθήστε τις οδηγίες στην ενότητα «<b>ΑΛΦΑΔΙΑΣΜΑ ΠΛΑΙΣΙΟΥ ΚΟΠΗΣ ΤΟΥ ΧΛΟΟΚΟΠΤΙΚΟΥ</b>» για να πραγματοποιήσετε σωστή ρύθμιση του πλαισίου κοπής του χλοοκοπτικού από εμπρός προς τα πίσω και να συσφίξετε καλά τα παξιμάδια στο σύνδεσμο ανάρτησης.</li> </ul>
	<ul style="list-style-type: none"> <li>Το πλαίσιο κοπής του χλοοκοπτικού έχει υποστεί ζημιά ή σοβαρή φθορά.</li> </ul>	<ul style="list-style-type: none"> <li>Ακολουθήστε τις οδηγίες στην ενότητα «<b>ΑΦΑΙΡΕΣΗ ΤΟΥ ΠΛΑΙΣΙΟΥ ΚΟΠΗΣ ΤΟΥ ΧΛΟΟΚΟΠΤΙΚΟΥ</b>» για την αντικατάσταση του πλαισίου κοπής του χλοοκοπτικού.</li> </ul>
Το χλοοκοπτικό δεν πραγματοποιεί σωστή κάλυψη εδάφους.	<ul style="list-style-type: none"> <li>Υγρό κομμένο γρασίδι κολλάει στο κάτω μέρος του πλαισίου κοπής.</li> </ul>	<ul style="list-style-type: none"> <li>Περιμένετε να στεγνώσει το γρασίδι προτού το κόψετε.</li> </ul>
	<ul style="list-style-type: none"> <li>Το χλοοκοπτικό έχει ρυθμιστεί να κόβει υπερβολικά πολύ γρασίδι μονομιάς.</li> </ul>	<ul style="list-style-type: none"> <li>Αυξήστε το ύψος κοπής του πλαισίου κοπής.</li> </ul>

ΠΡΟΒΛΗΜΑ	ΑΙΤΙΑ	ΑΝΤΙΜΕΤΩΠΙΣΗ
Παρατηρούνται υπερβολικοί κραδασμοί.	<ul style="list-style-type: none"> <li>Οι λεπίδες κοπής είναι χαλαρές.</li> </ul>	<ul style="list-style-type: none"> <li>Συσφίξτε το μπουλόνι λεπίδας με την προτεινόμενη ροπή σύσφιξης.</li> </ul>
	<ul style="list-style-type: none"> <li>Οι λεπίδες είναι λυγισμένες.</li> </ul>	<ul style="list-style-type: none"> <li>Αντικαταστήστε τη λυγισμένη λεπίδα κοπής σύμφωνα με τις οδηγίες στην ενότητα «<b>ΑΝΤΙΚΑΤΑΣΤΑΣΗ ΤΩΝ ΛΕΠΙΔΩΝ ΚΟΠΗΣ</b>».</li> </ul>
	<ul style="list-style-type: none"> <li>Το πλαίσιο κοπής του χλοοκοπτικού δεν είναι επιπεδωμένο.</li> </ul>	<ul style="list-style-type: none"> <li>Αλφαδιάστε το πλαίσιο κοπής του χλοοκοπτικού σύμφωνα με τις οδηγίες στην ενότητα «<b>ΑΛΦΑΔΙΑΣΜΑ ΠΛΑΙΣΙΟΥ ΚΟΠΗΣ ΤΟΥ ΧΛΟΟΚΟΠΤΙΚΟΥ</b>».</li> </ul>
	<ul style="list-style-type: none"> <li>Τα παξιμάδια του πλαισίου κοπής του χλοοκοπτικού έχουν λασκάρει στο σύνδεσμο ανάρτησης.</li> </ul>	<ul style="list-style-type: none"> <li>Σφίξτε τα παξιμάδια στο σύνδεσμο ανάρτησης.</li> </ul>
	<ul style="list-style-type: none"> <li>Το χλοοκοπτικό έχει ρυθμιστεί να κόβει υπερβολικά πολύ γρασίδι μονομιάς.</li> </ul>	<ul style="list-style-type: none"> <li>Αυξήστε το ύψος κοπής του πλαισίου κοπής.</li> </ul>
Απομένουν γρασίδια ή υπολείμματα στο έδαφος μετά την κοπή.	<ul style="list-style-type: none"> <li>Το χλοοκοπτικό έχει ρυθμιστεί να κόβει υπερβολικά πολύ γρασίδι μονομιάς όταν το γρασίδι είναι ψηλό.</li> </ul>	<ul style="list-style-type: none"> <li>Ξεκινήστε με μεγάλο ύψος κοπής και μειώστε το ώσπου να επιτευχθεί το επιθυμητό αποτέλεσμα κοπής. Γρασίδι με ύψος πάνω από 152 mm (6 ίντσες) πρέπει να κόβεται δύο φορές, με διαδοχικά χαμηλότερα ύψη κοπής.</li> </ul>
	<ul style="list-style-type: none"> <li>Το γρασίδι είναι υγρό.</li> </ul>	<ul style="list-style-type: none"> <li>Μην κόβετε το γρασίδι όταν είναι υγρό – περιμένετε να στεγνώσει.</li> </ul>
	<ul style="list-style-type: none"> <li>Η ταχύτητα οδήγησης είναι υψηλή.</li> </ul>	<ul style="list-style-type: none"> <li>Μειώστε την ταχύτητα οδήγησης.</li> </ul>
	<ul style="list-style-type: none"> <li>Η ταχύτητα λεπίδας είναι χαμηλή.</li> </ul>	<ul style="list-style-type: none"> <li>Αυξήστε σταδιακά την ταχύτητα λεπίδων.</li> </ul>
Σύντομος χρόνος λειτουργίας του χλοοκοπτικού με την μπαταρία που περιλαμβάνεται.	<ul style="list-style-type: none"> <li>Η κατάσταση του γρασιδιού και η ρύθμιση του ύψους κοπής επηρεάζουν σημαντικά το χρόνο λειτουργίας της μπαταρίας. Ο δηλωθείς χρόνος λειτουργίας βασίζεται σε συνθήκες ελαφριού φορτίου.</li> </ul>	<ul style="list-style-type: none"> <li>Αυξήστε το ύψος κοπής του πλαισίου κοπής και μειώστε την ταχύτητα λεπίδων για να μειώσετε το φορτίο κοπής.</li> </ul>

ΠΡΟΒΛΗΜΑ	ΑΙΤΙΑ	ΑΝΤΙΜΕΤΩΠΙΣΗ
Το χλοοκοπτικό δεν ακολουθεί ίσια διαδρομή.	<ul style="list-style-type: none"> <li>Οι πιέσεις ελαστικών στον αριστερό και δεξιό πίσω τροχό είναι διαφορετικές.</li> </ul>	<ul style="list-style-type: none"> <li>Έλέγχετε και ρυθμίζετε την πίεση αέρα και στα δύο ελαστικά των πίσω τροχών, σύμφωνα με τη σύσταση στην ενότητα «<b>ΕΛΕΓΧΟΣ ΤΗΣ ΠΙΕΣΗΣ ΕΛΑΣΤΙΚΩΝ</b>», στο παρόν εγχειρίδιο.</li> </ul>
	<ul style="list-style-type: none"> <li>Οι ταχύτητες οδήγησης στον αριστερό και δεξιό πίσω τροχό είναι διαφορετικές.</li> </ul>	<ul style="list-style-type: none"> <li>Βαθμονομήστε το σύστημα παρακολούθησης του χλοοκοπτικού σύμφωνα με τις οδηγίες στην ενότητα «<b>ΒΑΘΜΟΝΟΜΗΣΗ ΤΟΥ ΣΥΣΤΗΜΑΤΟΣ ΠΑΡΑΚΟΛΟΥΘΗΣΗΣ ΤΟΥ ΧΛΟΟΚΟΠΤΙΚΟΥΣ</b>».</li> </ul>
Το πεντάλ φρένου στάθμευσης δεν αποδεσμεύεται από τη θέση πέδησης ή επανέρχεται.	<ul style="list-style-type: none"> <li>Ένδεχεται να υπάρχουν υπολείμματα ή ρύποι στο πεντάλ φρένου στάθμευσης.</li> </ul>	<ul style="list-style-type: none"> <li>Ανοίξτε το κουτί του πεντάλ φρένου στάθμευσης για να το καθαρίσετε σχολαστικά από μέσα και μετά κλείστε το. Έπαναφέρετε το πεντάλ φρένου στάθμευσης για να ελέγξετε εάν το πρόβλημα έχει αποκατασταθεί. Στην αντίθετη περίπτωση, επικοινωνήστε με εξειδικευμένο τεχνικό σέρβις για επισκευή.</li> </ul>
Το χλοοκοπτικό δεν μπορεί να φορτιστεί μέσω της θύρας φόρτισης, εάν η ένδειξη κατάστασης του χλοοκοπτικού είναι σταθερά αναμμένη κόκκινη.	<ul style="list-style-type: none"> <li>Το φις του φορτιστή δεν έχει συνδεθεί σωστά στη θύρα φόρτισης του χλοοκοπτικού.</li> </ul>	<ul style="list-style-type: none"> <li>Έπανασυνδέστε το φις του φορτιστή για να δείτε εάν το χλοοκοπτικό φορτίζεται φυσιολογικά.</li> </ul>
	<ul style="list-style-type: none"> <li>Δεν υπάρχει ρεύμα στις επίτοιχες πρίζες.</li> </ul>	<ul style="list-style-type: none"> <li>Δεν απαιτείται καμία ενέργεια. Περιμένετε ώσπου να ανακτηθεί η ισχύς.</li> </ul>
	<ul style="list-style-type: none"> <li>Δυσλειτουργία φορτιστή.</li> </ul>	<ul style="list-style-type: none"> <li>Επικοινωνήστε με εξειδικευμένο τεχνικό σέρβις για επιθεώρηση και παραδώστε το φορτιστή για επισκευή, εφόσον απαιτηθεί.</li> </ul>
	<ul style="list-style-type: none"> <li>Η θύρα φόρτισης στο χλοοκοπτικό είναι ελαττωματική.</li> </ul>	<ul style="list-style-type: none"> <li>Επικοινωνήστε με εξειδικευμένο τεχνικό σέρβις για επισκευή.</li> </ul>
Ο χρόνος φόρτισης μέσω της θύρας φόρτισης του χλοοκοπτικού είναι υπερβολικά μεγάλος.	<ul style="list-style-type: none"> <li>Η χρήση του προσαρμογέα ACA1000 της EGO για τη φόρτιση απαιτεί πολύ χρόνο.</li> </ul>	<ul style="list-style-type: none"> <li>Χρησιμοποιείτε το φορτιστή CHV1600E της EGO για την απευθείας φόρτιση του χλοοκοπτικού.</li> </ul>



ΠΡΟΒΛΗΜΑ	ΑΙΤΙΑ	ΑΝΤΙΜΕΤΩΠΙΣΗ
Η μπαταρία δεν φορτίζει πλήρως μέσω της θύρας φόρτισης του χλοοκοπτικού.	<ul style="list-style-type: none"> <li>Σφάλμα υλικολογισμικού του χλοοκοπτικού τρακτέρ ή βλάβη φορτιστή/μπαταρίας.</li> </ul>	<ul style="list-style-type: none"> <li>Αποσυνδέστε το φορτιστή και περιμένετε τουλάχιστον μερικά λεπτά και, στη συνέχεια, επανασυνδέστε το φως στην παροχή ρεύματος. Στην αντίθετη περίπτωση, επικοινωνήστε με εξειδικευμένο τεχνικό σέρβις για επισκευή.</li> </ul>
Το χλοοκοπτικό δεν ενεργοποιείται μετά τον καθαρισμό.	<ul style="list-style-type: none"> <li>Ακατάλληλος καθαρισμός, όπως διείσδυση νερού στα ηλεκτρικά στοιχεία, στην οθόνη LCD, κτλ.</li> </ul>	<ul style="list-style-type: none"> <li>Ακολουθήστε τις οδηγίες της ενότητας «<b>ΚΑΘΑΡΙΣΜΟΣ ΤΟΥ ΧΛΟΟΚΟΠΤΙΚΟΥ</b>», για το σωστό καθαρισμό του χλοοκοπτικού.</li> </ul>
Το χλοοκοπτικό μπλοκάρει εύκολα.	<ul style="list-style-type: none"> <li>Το πλαίσιο κοπής του χλοοκοπτικού έχει φράξει με γρασίδι και υπολείμματα.</li> </ul>	<ul style="list-style-type: none"> <li>Εάν το χλοοκοπτικό εκτεθεί τυχαία σε βροχή, αφήστε το να στεγνώσει στον αέρα ή χρησιμοποιήστε πεπιεσμένο αέρα για να το στεγνώσετε.</li> <li>Καθαρίζετε το πλαίσιο κοπής του χλοοκοπτικού μετά από κάθε χρήση ακολουθώντας τις οδηγίες στην ενότητα «Χρήση θύρας πλύσης για τον καθαρισμό του πλαισίου κοπής του χλοοκοπτικού».</li> </ul>
Το χλοοκοπτικό χάνει εύκολα την πρόσφυση κατά την αναρρίχηση σε πλαγιά.	<ul style="list-style-type: none"> <li>Τα ελαστικά των πίσω τροχών έχουν φθαρεί.</li> <li>Μεγάλη πλαγιά προς κοπή.</li> </ul>	<ul style="list-style-type: none"> <li>Αναζητήστε τοπικό αντιπρόσωπο σέρβις για την αντικατάσταση των ελαστικών των τροχών.</li> <li>Η πλαγιά όπου γίνεται η κοπή πρέπει να έχει την απαιτούμενη κλίση.</li> </ul>
Όταν το χλοοκοπτικό ακινητοποιηθεί σε πλαγιά με πατημένο το πεντάλ φρένου στάθμευσης μπορεί να κατακυλήσει στην πλαγιά.	<ul style="list-style-type: none"> <li>Τα στοιχεία φρένων έχουν φθαρεί υπερβολικά λόγω ακατάλληλης χρήσης του χλοοκοπτικού.</li> </ul>	<ul style="list-style-type: none"> <li>Επικοινωνήστε με εξειδικευμένο τεχνικό σέρβις για επισκευή.</li> </ul>
Δεν βγαίνει νερό από τη θύρα πλύσης κατά την πλύση του πλαισίου κοπής.	<ul style="list-style-type: none"> <li>Ο ταχυσύνδεσμος θύρας πλύσης δεν έχει τοποθετηθεί στη θύρα πλύσης.</li> </ul>	<ul style="list-style-type: none"> <li>Τοποθετήστε εκ νέου τον ταχυσύνδεσμο θύρας πλύσης, ώσπου να ακούσετε καθαρά το «κλικ» μετά τη γερή ώθηση. Στην αντίθετη περίπτωση, επικοινωνήστε με εξειδικευμένο τεχνικό σέρβις για επισκευή.</li> </ul>

ΠΡΟΒΛΗΜΑ	ΑΙΤΙΑ	ΑΝΤΙΜΕΤΩΠΙΣΗ
Ακούγονται αφύσικοι θόρυβοι κατά τη χειροκίνητη ώθηση του χλοοκοπτικού χωρίς εκκίνηση.	<ul style="list-style-type: none"> <li>Ο ήχος προέρχεται από τους μαγνήτες του κινητήρα.</li> </ul>	<ul style="list-style-type: none"> <li>Αυτό είναι φυσιολογικό και δεν απαιτείται καμία ενέργεια.</li> </ul>

## ΑΝΑΦΟΡΑ ΕΝΔΕΙΞΗΣ ΚΑΤΑΣΤΑΣΗΣ ΚΑΙ ΚΩΔΙΚΟΙ ΒΛΑΒΗΣ ΧΛΟΟΚΟΠΤΙΚΟΥ

Οθόνη LCD	Περιγραφή	Κωδικός βλάβης στην οθόνη LCD	Ένδειξη κατάστασης χλοοκοπτικού	Βομβητής	Αιτία	Αντιμετώπιση
	Το εικονίδιο φώτων LED προβάλλεται στην οθόνη LCD	Δ/Υ	ΑΠ'ΕΝ'ΕΡΓΟΠΟΙΗΜ'ΕΝΗ	Όχι	Οι προβολείς, τα πλευρικά φώτα και τα πίσω φώτα ενεργοποιούνται από το διακόπτη φώτων LED.	Πρόκειται για φυσιολογική λειτουργία. Δεν απαιτείται καμία ενέργεια.
	Το εικονίδιο USB προβάλλεται στην οθόνη LCD	Δ/Υ	ΑΠ'ΕΝ'ΕΡΓΟΠΟΙΗΜ'ΕΝΗ	Όχι	Το εικονίδιο USB ανάβει και δείχνει ότι μια συσκευή USB μπορεί να λειτουργήσει αφότου εκκινήθει σωστά το χλοοκοπτικό.	Πρόκειται για φυσιολογική λειτουργία. Δεν απαιτείται καμία ενέργεια.
	Το εικονίδιο του δείκτη στάθμης καυσίμου προβάλλεται στην οθόνη LCD	Δ/Υ	ΑΠ'ΕΝ'ΕΡΓΟΠΟΙΗΜ'ΕΝΗ	Όχι	Έπισημαίνει την μέση ικανότητα φόρτισης των τοποθετημένων μπαταριών	Πρόκειται για φυσιολογική λειτουργία. Δεν απαιτείται καμία ενέργεια.
	Το εικονίδιο του μετρητή ωρών προβάλλεται στην οθόνη LCD	Δ/Υ	ΑΠ'ΕΝ'ΕΡΓΟΠΟΙΗΜ'ΕΝΗ	Όχι	Δείχνει το συνολικό χρόνο οδήγησης του χλοοκοπτικού σε ώρες και δεν επιδέχεται μηδενισμό.	Πρόκειται για φυσιολογική λειτουργία. Δεν απαιτείται καμία ενέργεια.

GR

Οθόνη LCD	Περιγραφή	Κωδικός βλάβης στην οθόνη LCD	Ένδειξη κατάστασης χλοοκοπτικού	Βομβητής	Αιτία	Αντιμετώπιση
	Το εικονίδιο του δείκτη φορτίου προβάλλεται στο εύρος ECO	Δ/Υ	ΑΠ'ΕΝΕΡΓΟΠΟΙ'ΗΜΕΝ'Η	Όχι	Υποδεικνύει το τρέχον φορτίο του χλοοκοπτικού.	Πρόκειται για φυσιολογική λειτουργία. Δεν απαιτείται καμία ενέργεια.
	Ένδειξη υπερφόρτωσης αναβοσβήνει. Το εικονίδιο του δείκτη φορτίου προβάλλεται στο εύρος PWR.	Δ/Υ	Αναβοσβήνει κόκκινη	Ένα μπιπ	Ο κινητήρας λεπίδων έχει υπερφορτωθεί.	Αυξήστε το ύψος κοπής του πλαισίου κοπής ή μειώστε την ταχύτητα οδήγησης για να μειώσετε το φορτίο του χλοοκοπτικού.
					Ήχοάνη πλευρικής εξαγωγής του χλοοκοπτικού έχει φράξει με γρασίδι και υπολείμματα.	Καθαρίζετε τη χοάνη πλευρικής εξαγωγής μετά από κάθε χρήση.
					Υπάρχει κάποια παρεμβολή μεταξύ της λεπίδας και του πλαισίου κοπής του χλοοκοπτικού.	Αναθέστε την επισκευή σε εξειδικευμένο τεχνικό σέρβις.
	Το εικονίδιο του κλειδιού ασφαλείας αναβοσβήνει.	Δ/Υ	ΑΠ'ΕΝΕΡΓΟΠΟΙ'ΗΜΕΝ'Η	Όχι	Το κλειδί ασφαλείας δεν έχει εισαχθεί.	Εισαγάγετε το κλειδί ασφαλείας και, στη συνέχεια, πατήστε και διατηρήστε πατημένο το κουμπί ΕΝΕΡΓΟΠΟΙ'ΗΣ'ΗΣ/ ΑΠ'ΕΝΕΡΓΟΠΟΙ'ΗΣ'ΗΣ να ενεργοποιήσετε το χλοοκοπτικό.
					Δεν υπάρχει παροχή ρεύματος προς την οθόνη LCD.	Αναθέστε την επισκευή σε εξειδικευμένο τεχνικό σέρβις.

**GR**

Οθόνη LCD	Περιγραφή	Κωδικός βλάβης στην οθόνη LCD	Ένδειξη κατάστασης χλοοκοπτικού	Βομβητής	Αιτία	Αντιμετώπιση
	Το εικονίδιο μιας συγκεκριμένης θήκης μπαταριών αναβοσβήνει.	Δ/Υ	ΑΠΕΝΕΡΓΟΠΟΙΗΜΕΝΗ	Όχι	Κάποια συγκεκριμένη μπαταρία παρουσιάζει υπερένταση ρεύματος κατά την εκφόρτιση.	Δεν απαιτείται καμία ενέργεια. Το χλοοκοπτικό μπορεί να συνεχίσει να λειτουργεί εάν η συνδυαζόμενη τιμή μπαταρίας Ah, εκτός της μπαταρίας που παρουσιάζει υπερένταση ρεύματος, ανταποκρίνεται στις προδιαγραφές. Μόλις η μπαταρία που παρουσιάζει υπερένταση ρεύματος επιστρέψει στο φυσιολογικό, θα συνεισφέρει στην τροφοδοσία του χλοοκοπτικού και το εικονίδιο θα εξαφανιστεί.
	Το εικονίδιο της άδειας θήκης μπαταριών αναβοσβήνει.	Δ/Υ	ΑΠΕΝΕΡΓΟΠΟΙΗΜΕΝΗ	Όχι	Η φόρτιση μπαταρίας δεν επαρκεί για εργασία με το χλοοκοπτικό τρακτέρ.	Για τη θέση του χλοοκοπτικού σε λειτουργία, χρησιμοποιήστε αρκετές μπαταρίες EGO σύμφωνα με τις οδηγίες της ενότητας «ΦΟΡΤΙΣΗ» του παρόντος εγχειριδίου.

GR

Οθόνη LCD	Περιγραφή	Κωδικός βλάβης στην οθόνη LCD	Ένδειξη κατάστασης χλοοκοπτικού	Βομβητής	Αιτία	Αντιμετώπιση
	Το εικονίδιο της θερμοκρασίας αναβοσβήνει.	Δ/Υ	ΑΠ'ΕΝ'ΕΡΓΟΠΟΙΗΜΕΝΗ	Ένα μπιπ	Το χλοοκοπτικό έχει υπερθερμανθεί.	Μειώστε το φορτίο του χλοοκοπτικού αυξάνοντας το ύψος κοπής του πλαισίου κοπής ή μειώνοντας την ταχύτητα της λεπίδας / την ταχύτητα οδήγησης. Κάντε ένα διάλειμμα και αφήστε το χλοοκοπτικό να κρυώσει.
					Το χλοοκοπτικό είναι υπερβολικά ψυχρό	Μην κάνετε επαναλαμβανόμενες απόπειρες, διότι έτσι μπορεί να προκληθεί ζημιά στη μηχανή. Αποθηκεύετε πάντα το χλοοκοπτικό και τις μπαταρίες σε θερμό περιβάλλον. Έπανεκκινήστε το χλοοκοπτικό μόλις ζεσταθεί.

Οθόνη LCD	Περιγραφή	Κωδικός βλάβης στην οθόνη LCD	Ένδειξη κατάστασης χλοοκοπτικού	Βομβητής	Αιτία	Αντιμετώπιση
	<p>Το εικονίδιο θερμοκρασίας και η συγκεκριμένη κατελημμένη θήκη μπαταριών αναβοσβήνουν ταυτόχρονα.</p>	Δ/Υ	ΑΠΕΝΕΡΓΟΠΟΙΗΜΕΝΗ	Όχι	<p>Ήσυστοιχία μπαταριών στην αντίστοιχη αριθμημένη θήκη μπαταριών έχει υπερθερμανθεί.</p>	<p>1. Το χλοοκοπτικό μπορεί να συνεχίσει να λειτουργεί εάν η συνδυαζόμενη τιμή μπαταρίας Ah, εκτός της υπερθερμασμένης μπαταρίας, ανταποκρίνεται στις προδιαγραφές. Μόλις η υπερθερμασμένη μπαταρία επιστρέψει σε φυσιολογική θερμοκρασία, θα συμμετάσχει αμέσως στην παροχή ισχύος στο χλοοκοπτικό.</p> <p>2. Εάν η συνδυαζόμενη τιμή μπαταρίας Ah είναι δεν επαρκεί, το χλοοκοπτικό δεν θα λειτουργήσει εάν δεν τοποθετηθούν περισσότερες συστοιχίες μπαταριών στις άδειες θήκες μπαταριών.</p> <p>3. Μειώστε το φορτίο του χλοοκοπτικού, αυξάνοντας το ύψος κοπής του πλαισίου κοπής ή μειώνοντας την ταχύτητα κοπής κατά τη συνέχιση λειτουργίας.</p>

GR

Οθόνη LCD	Περιγραφή	Κωδικός βλάβης στην οθόνη LCD	Ένδειξη κατάστασης χλοοκοπτικού	Βομβητής	Αιτία	Αντιμετώπιση
	<p>Τα εικονίδια κάθε κατελιημμένης θήκης μπαταριών, η ένδειξη χαμηλής ισχύος, τα γραφικά μπαταρίας του δείκτη στάθμης καυσίμου αναβοσβήνουν ταυτόχρονα ανά 1 δευτερόλεπτο στην οθόνη LCD. Το πρώτο τμήμα της ένδειξης LED του δείκτη στάθμης καυσίμου και της ένδειξης κατάστασης αναβοσβήνει επίσης.</p>	Δ/Υ	Αναβοσβήνει κόκκινη	Συνεχίζει να ηχεί ώσπου να πατηθεί ο διακόπτης PTO προς τα κάτω.	Οι συστοιχίες μπαταριών έχουν χαμηλή φόρτιση και το χλοοκοπτικό βρίσκεται σε λειτουργία έκτακτης ανάγκης.	Σταματήστε την εργασία και επιστρέψτε στο χώρο φόρτισης μπαταρίας. Σ'ΗΜ'ΕΩΣ'Η Όταν το χλοοκοπτικό βρίσκεται στη λειτουργία έκτακτης ανάγκης, οι λεπίδες μεταβαίνουν αυτόματα στη χαμηλή ταχύτητα περιστροφής χωρίς να κόβεται γρασίδι, ενώ η ηχητική ένδειξη θα συνεχίσει να ηχεί. Ο χειριστής πρέπει να ωθήσει το διακόπτη PTO προς τα κάτω για να αποδεσμευτούν οι λεπίδες του πλαισίου κοπής. Η ηχητική ένδειξη θα σταματήσει να ηχεί μόλις ακινητοποιηθούν οι λεπίδες.
	<p>Το εικονίδιο κάθε κατελιημμένης θήκης μπαταριών και η ένδειξη χαμηλής ισχύος αναβοσβήνουν ανά μισό δευτερόλεπτο.</p>	Δ/Υ	Αναβοσβήνει κόκκινη	Συνεχίζει να ηχεί	Οι συστοιχίες μπαταριών έχουν σχεδόν αδειάσει.	Το χλοοκοπτικό θα σταματήσει αμέσως τη λειτουργία. Ο χειριστής πρέπει να μεταφέρει το χλοοκοπτικό στο χώρο φόρτισης μπαταρίας για τη φόρτιση.

**GR**

Οθόνη LCD	Περιγραφή	Κωδικός βλάβης στην οθόνη LCD	Ένδειξη κατάστασης χλοοκοπτικού	Βομβητής	Αιτία	Αντιμετώπιση
	Το εικονίδιο της αυτόματης στάθμευσης αναβοσβήνει στην οθόνη LCD.	Δ/Υ	ΑΠΕΝΕΡΓΟΠΟΙΗΜΕΝΗ	Συνεχίζει να ηχεί	Το χλοοκοπτικό βρίσκεται σταθμευμένο σε πλαγιά και ο χειριστής απομακρύνεται από το χλοοκοπτικό χωρίς να θέσει το πεντάλ φρένου στάθμευσης στη θέση πέδησης, αφήνοντας απλά τους μοχλούς χειρισμού σε ανοικτή θέση.	Ρυθμίστε το πεντάλ φρένου στη θέση πέδησης. Το εικονίδιο αυτόματης στάθμευσης θα είναι ανενεργό και η ηχητική ένδειξη θα σταματήσει να ηχεί.
	Το εικονίδιο του πεντάλ φρένου προβάλλεται στην οθόνη LCD.	Δ/Υ	ΑΠΕΝΕΡΓΟΠΟΙΗΜΕΝΗ	Όχι	Το πεντάλ φρένου στάθμευσης είναι ρυθμισμένο στη θέση πέδησης.	Πριν από την ενεργοποίηση του χλοοκοπτικού, αποδεσμεύστε.
	Το εικονίδιο του αισθητήρα καθίσματος προβάλλεται στην οθόνη LCD.	Δ/Υ	ΑΠΕΝΕΡΓΟΠΟΙΗΜΕΝΗ	Όχι	Ο χειριστής απομακρύνεται από το κάθισμα ή ο διακόπτης καθίσματος έχει αποσυνδεθεί.	Έάν το εικονίδιο είναι αναμμένο όταν χειριστής κάθεται στο κάθισμα, σταματήστε αμέσως τη λειτουργία του χλοοκοπτικού και ελέγξτε τη σύνδεση καθίσματος. Έάν η σύνδεση καθίσματος και χλοοκοπτικού είναι σωστή, επικοινωνήστε με εξειδικευμένο τεχνικό σέρβις για επίσκευή.

GR



Οθόνη LCD	Περιγραφή	Κωδικός βλάβης στην οθόνη LCD	Ένδειξη κατάστασης χλοοκοπτικού	Βομβητής	Αιτία	Αντιμετώπιση
	Το εικονίδιο του διακόπτη ΡΤΟ αναβοσβήνει.	Δ/Υ	ΑΠΕΝΕΡΓΟΠΟΙΗΜΕΝΗ	Όχι	Διακόπηκε η λειτουργία του κινητήρα λεπίδων και ο διακόπτης ΡΤΟ δεν έχει ρυθμιστεί στη θέση απενεργοποίησης.	Προτού επανεκκινήσετε το χλοοκοπτικό, πιέστε το διακόπτη ΡΤΟ προς τα κάτω για να αποδεσμεύσετε τον κινητήρα πλαισίου κοπής. Βλ. ενότητα «ΑΝΤΙΜΕΤΩΠΙΣΗ ΠΡΟΒΛΗΜΑΤΩΝ» στο παρόν εγχειρίδιο.
	Το εικονίδιο του μοχλού χειρισμού αναβοσβήνει.	Δ/Υ	ΑΠΕΝΕΡΓΟΠΟΙΗΜΕΝΗ	Όχι	Διακόπηκε η λειτουργία του κινητήρα και οι μοχλοί χειρισμού δεν έχουν ρυθμιστεί στην ανοιχτή θέση.	Πριν την επανεκκίνηση του χλοοκοπτικού, ρυθμίζετε τους μοχλούς χειρισμού στην ανοιχτή θέση. Βλ. ενότητα «ΑΝΤΙΜΕΤΩΠΙΣΗ ΠΡΟΒΛΗΜΑΤΩΝ» στο παρόν εγχειρίδιο.
	Το εικονίδιο ανάκτησης ενέργειας αναβοσβήνει περιστασιακά.	Δ/Υ	ΑΠΕΝΕΡΓΟΠΟΙΗΜΕΝΗ	Όχι	Η κινητική ενέργεια που δημιουργείται κατά τη διάρκεια της πέδησης ή της καθοδικής οδήγησης μετατρέπεται σε ηλεκτρική για τη φόρτιση των συστοιχιών μπαταριών.	Πρόκειται για φυσιολογική λειτουργία. Δεν απαιτείται καμία ενέργεια.

**ΣΗΜΕΙΩΣΗ:** Εάν εμφανιστεί ένας κωδικός βλάβης στην οθόνη LCD, αφαιρέστε όλες τις συστοιχίες μπαταριών και, στη συνέχεια, επανατοποθετήστε τις εκ νέου μερικά λεπτά αργότερα. Εάν με αυτόν τον τρόπο δεν επιλυθεί το πρόβλημα, συμβουλευτείτε την παρακάτω αντιμετώπιση προβλημάτων ανάλογα με τον κωδικό βλάβης.

Οθόνη LCD	Περιγραφή	Κωδικός βλάβης στην οθόνη LCD	Ένδειξη κατάστασης χλοοκοπτικού	Βομβητής	Αιτία	Αντιμετώπιση	
Ανατρέξτε στην ενότητα «Κωδικοί βλάβης»	Ο αριστερός κινητήρας δεν περιστρέφεται.	Ο αριστερός κινητήρας με έλεγχο PCBA παρουσιάζει βλάβη.	413	ΑΠ'ΕΝΕΡΓΟΠΟΙΗ-Μ'ΕΝ'Η	Ένα μπιπ	Βλάβη PCBA	Αναθέστε την επισκευή σε εξειδικευμένο τεχνικό σέρβις.
		Το φως (τριφασικό καλώδιο ισχύος) που συνδέει τον αριστερό κινητήρα με το αντίστοιχο PCBA έχει χαλαρώσει.	317	ΑΠ'ΕΝΕΡΓΟΠΟΙΗ-Μ'ΕΝ'Η	Ένα μπιπ	Χαλαρή σύνδεση	
		Το φως (έξι ακίδων καλώδιο σήματος) που συνδέει τον αριστερό κινητήρα με το αντίστοιχο PCBA έχει χαλαρώσει.	301	ΑΠ'ΕΝΕΡΓΟΠΟΙΗ-Μ'ΕΝ'Η	Ένα μπιπ	Χαλαρή σύνδεση	
		Ο αριστερός κινητήρας δεν λειτουργεί.	317	ΑΠ'ΕΝΕΡΓΟΠΟΙΗ-Μ'ΕΝ'Η	Ένα μπιπ	Βλάβη κινητήρα	

GR

Οθόνη LCD	Περιγραφή	Κωδικός βλάβης στην οθόνη LCD	Ένδειξη κατάστασης χλοοκοπτικού	Βομβητής	Αιτία	Αντιμετώπιση	
Ανατρέξτε στην ενότητα «Κωδικοί βλάβης»	Ο δεξιός κινητήρας δεν περιστρέφεται.	Ο δεξιός κινητήρας με έλεγχο PCBA παρουσιάζει βλάβη.	313	ΑΠ'ΕΝΕΡΓΟΠΟΙΗΜΕΝΗ	Ένα μπιπ	Βλάβη PCBA	Αναθέστε την επισκευή σε εξειδικευμένο τεχνικό σέρβις.
		Το φις (τριφασικό καλώδιο ισχύος) που συνδέει το δεξιό κινητήρα με το αντίστοιχο PCBA έχει χαλαρώσει.	417	ΑΠ'ΕΝΕΡΓΟΠΟΙΗΜΕΝΗ	Ένα μπιπ	Χαλαρή σύνδεση	
		Το φις (έξι ακίδων καλώδιο σήματος) που συνδέει το δεξιό κινητήρα με το αντίστοιχο PCBA έχει χαλαρώσει.	401	ΑΠ'ΕΝΕΡΓΟΠΟΙΗΜΕΝΗ	Ένα μπιπ	Χαλαρή σύνδεση	
		Ο δεξιός κινητήρας δεν λειτουργεί.	417	ΑΠ'ΕΝΕΡΓΟΠΟΙΗΜΕΝΗ	Ένα μπιπ	Βλάβη κινητήρα	
Ανατρέξτε στην ενότητα «Κωδικοί βλάβης»	Ο αριστερός κινητήρας λεπίδων δεν περιστρέφεται.	Ο αριστερός κινητήρας λεπίδων με έλεγχο PCBA παρουσιάζει βλάβη.	607/A07	Δ/Υ	Ένα μπιπ	Βλάβη PCBA	Αναθέστε την επισκευή σε εξειδικευμένο τεχνικό σέρβις.
		Το φις (τριφασικό καλώδιο ισχύος) που συνδέει τον αριστερό κινητήρα με το αντίστοιχο PCBA έχει χαλαρώσει.	509	Δ/Υ	Ένα μπιπ	Χαλαρή σύνδεση	Έπιθεωρήστε πρώτα τη λεπίδα. Εάν έχει χαλαρώσει, συσφίξτε το μπουλόνι με τη συνιστώμενη ροπή. Στην αντίθετη περίπτωση, αναθέστε την επισκευή σε εξειδικευμένο τεχνικό σέρβις.
		Ο αριστερός κινητήρας λεπίδων παρουσιάζει βλάβη	509	Δ/Υ	Ένα μπιπ	Βλάβη κινητήρα	

Οθόνη LCD	Περιγραφή	Κωδικός βλάβης στην οθόνη LCD	Ένδειξη κατάστασης χλοοκοπτικού	Βομβητής	Αιτία	Αντιμετώπιση	
Ανατρέξτε στην ενότητα «Κωδικοί βλάβης»	Ο δεξιός κινητήρας λεπίδων δεν περιστρέφεται.	Ο δεξιός κινητήρας λεπίδων με έλεγχο PCBA παρουσιάζει βλάβη.	507/A07	Δ/Υ	Ένα μπιπ	Βλάβη PCBA	Αναθέστε την επισκευή σε εξειδικευμένο τεχνικό σέρβις.
		Το φις (τριφασικό καλώδιο ισχύος) που συνδέει το δεξιό κινητήρα με το αντίστοιχο PCBA έχει χαλαρώσει.	609	Δ/Υ	Ένα μπιπ	Χαλαρή σύνδεση	Έπιθεωρήστε πρώτα τη λεπίδα. Εάν έχει χαλαρώσει, συσφίξτε το μπουλόνι με τη συνιστώμενη ροπή. Στην αντίθετη περίπτωση, αναθέστε την επισκευή σε εξειδικευμένο τεχνικό σέρβις.
		Ο δεξιός κινητήρας λεπίδων παρουσιάζει βλάβη	609	Δ/Υ	Ένα μπιπ	Βλάβη κινητήρα	Αναθέστε την επισκευή σε εξειδικευμένο τεχνικό σέρβις.
Ανατρέξτε στην ενότητα «Κωδικοί βλάβης»	Ο μεσαίος κινητήρας λεπίδων δεν περιστρέφεται	Ο μεσαίος κινητήρας λεπίδων με έλεγχο PCBA παρουσιάζει βλάβη	507/607	Δ/Υ	Ένα μπιπ	Βλάβη PCBA	Αναθέστε την επισκευή σε εξειδικευμένο τεχνικό σέρβις.
		Το φις (τριφασικό καλώδιο ισχύος) που συνδέει το μεσαίο κινητήρα λεπίδων με το αντίστοιχο PCBA έχει χαλαρώσει.	A09	Δ/Υ	Ένα μπιπ	Χαλαρή σύνδεση	Έπιθεωρήστε πρώτα τη λεπίδα. Εάν έχει χαλαρώσει, συσφίξτε το μπουλόνι με τη συνιστώμενη ροπή. Στην αντίθετη περίπτωση, αναθέστε την επισκευή σε εξειδικευμένο τεχνικό σέρβις.
		Ο μεσαίος κινητήρας λεπίδων παρουσιάζει βλάβη	A09	Δ/Υ	Ένα μπιπ	Βλάβη κινητήρα	Αναθέστε την επισκευή σε εξειδικευμένο τεχνικό σέρβις.
Ανατρέξτε στην ενότητα «Κωδικοί βλάβης»	Ο αριστερός μοχλός χειρισμού παρουσιάζει βλάβη.	Το PCBA που ελέγχει τον αριστερό μοχλός χειρισμού παρουσιάζει βλάβη.	311/412	ΑΠ'ΕΝΕΡΓΟΠΟΙΗ-Μ'ΕΝ'Η	Ένα μπιπ	Βλάβη PCAB	Αναθέστε την επισκευή σε εξειδικευμένο τεχνικό σέρβις.
		Το φις που συνδέει το PCBA ελέγχου στο μοχλό χειρισμού έχει λασκάρει.				Χαλαρή σύνδεση	

Οθόνη LCD	Περιγραφή	Κωδικός βλάβης στην οθόνη LCD	Ένδειξη κατάστασης χλοοκοπτικού	Βομβητής	Αιτία	Αντιμετώπιση	
Ανατρέξτε στην ενότητα «Κωδικοί βλάβης»	Ο δεξιός μοχλός χειρισμού παρουσιάζει βλάβη.	Το PCBA που ελέγχει το δεξιό μοχλό χειρισμού παρουσιάζει βλάβη.	312/411	ΑΠ'ΕΝ'ΕΡΓΟΠΟΙΗ-Μ'ΕΝ'Η	Ένα μπιπ	Βλάβη PCAB	Αναθέστε την επισκευή σε εξειδικευμένο τεχνικό σέρβις.
		Το φινι που συνδέει το PCBA ελέγχου στο μοχλό χειρισμού έχει λασκάρει.				Χαλαρή σύνδεση	
Ανατρέξτε στην ενότητα «Κωδικοί βλάβης»	Το φρένο στάθμευσης παρουσιάζει βλάβη, το ηλεκτρικό εργαλείο δεν επιδέχεται οδήγηση.	Το PCBA του φρένου στάθμευσης στο συγκρότημα μπροστινού πλαισίου παρουσιάζει βλάβη.	309/409	ΑΠ'ΕΝ'ΕΡΓΟΠΟΙΗ-Μ'ΕΝ'Η	Ένα μπιπ	Βλάβη PCBA	Αναθέστε την επισκευή σε εξειδικευμένο τεχνικό σέρβις.
		Ο διακόπτης φρένου στάθμευσης και/ή το καλώδιο παρουσιάζει βλάβη.	801	ΑΠ'ΕΝ'ΕΡΓΟΠΟΙΗ-Μ'ΕΝ'Η	Ένα μπιπ	Βλάβη καλωδίου/ διακόπτη	
ΑΠ'ΕΝ'ΕΡΓΟΠΟΙΗ-Μ'ΕΝ'Η	Σφάλμα θύρας φόρτισης		Δ/Υ	Ανάβει σταθερά ΚΟΚΚΙΝ'Η	Δ/Υ	Ήθюра φόρτισης βρίσκεται σε ανοιχτό κύκλωμα.	Αναθέστε την επισκευή σε εξειδικευμένο τεχνικό σέρβις.
			Δ/Υ	Ανάβει σταθερά ΚΟΚΚΙΝ'Η	Δ/Υ	Δεν υπάρχει παροχή ρεύματος.	Έλέγξτε εάν η επίτοιχη πρίζα παρέχει τροφοδοσία 220 V-240 V και λειτουργεί απρόσκοπτα.
			Δ/Υ	Ανάβει σταθερά ΚΟΚΚΙΝ'Η	Δ/Υ	Κάηκε η ασφάλεια.	Αναθέστε την επισκευή σε εξειδικευμένο τεχνικό σέρβις.

Οθόνη LCD	Περιγραφή	Κωδικός βλάβης στην οθόνη LCD	Ένδειξη κατάστασης χλοοκοπτικού	Βομβητής	Αιτία	Αντιμετώπιση
Ανατρέξτε στην ενότητα «Κωδικός βλάβης»	Σφάλμα θύρας φόρτισης	204	Δ/Υ	Ένα μπιπ	Η θύρα φόρτισης βρίσκεται σε ανοιχτό κύκλωμα.	Αναθέστε την επισκευή σε εξειδικευμένο τεχνικό σέρβις.
Ανατρέξτε στην ενότητα «Κωδικός βλάβης»	Το συγκρότημα κιβωτίου συσσωρευτών δεν λειτουργεί	217	Δ/Υ	Ένα μπιπ	Η πηγή ισχύος από το συγκρότημα κιβωτίου συσσωρευτών παρουσιάζει βλάβη. Οι προβολείς LED και το USB δεν λειτουργούν.	Αναθέστε την επισκευή σε εξειδικευμένο τεχνικό σέρβις.
		310/ 410	ΑΠΕΝΕΡΓΟΠΟΙΗ- ΜΕΝΗ	Ένα μπιπ	Ήσυνδεση μεταξύ των καλωδίων τύπου C του συγκροτήματος κιβωτίου συσσωρευτών και άλλων καλωδίων τύπου C του χλοοκοπτικού δεν λειτουργεί.	
		201/ 202/ 203	ΑΠΕΝΕΡΓΟΠΟΙΗ- ΜΕΝΗ	Ένα μπιπ	Το BMS του συγκροτήματος κιβωτίου συσσωρευτών παρουσιάζει βλάβη.	

GR

Οθόνη LCD	Περιγραφή	Κωδικός βλάβης στην οθόνη LCD	Ένδειξη κατάστασης χλοοκοπτικού	Βομβητής	Αιτία	Αντιμετώπιση
Ανατρέξτε στην ενότητα «Κωδικοί βλάβης»	Σφάλμα διακόπτη ενεργοποίησης/ απενεργοποίησης	314/ 414	ΑΠ'ΕΝ'ΕΡΓΟΠΟΙΗ- Μ'ΕΝ'Η	Ένα μπιπ	Βλάβη διακόπτη PCBA ή κακή σύνδεση καλωδίων στο διακόπτη ενεργοποίησης/ απενεργοποίησης.	Αναθέστε την επισκευή σε εξειδικευμένο τεχνικό σέρβις.
Ανατρέξτε στην ενότητα «Κωδικοί βλάβης»	Σφάλμα οθόνης LCD	315/ 415	ΑΠ'ΕΝ'ΕΡΓΟΠΟΙΗ- Μ'ΕΝ'Η	Ένα μπιπ	Το συγκρότημα LCD παρουσιάζει βλάβη ή κακή σύνδεση καλωδίων του συγκροτήματος LCD.	Αναθέστε την επισκευή σε εξειδικευμένο τεχνικό σέρβις.

K E E S V A N D E R S P E K  
T U I N W A C H I N E S \* S T O L W I J K

## ΕΓΓΥΗΣΗ

### ΠΟΛΙΤΙΚΗ ΕΓΓΥΗΣΗΣ EGO

Έπισκεφθείτε την ιστοσελίδα [egopowerplus.com](http://egopowerplus.com) για όλους τους όρους και τις προϋποθέσεις της πολιτικής εγγύησης EGO.

GR

# TÜM TALİMATLARI OKUYUN!



KULLANIM KILAVUZUNU OKUYUN

## GÜVENLİK SEMBOLÜ

Güvenlik sembollerinin amacı olası tehlikelere dikkatinizi çekmektir. Güvenlik sembolleri ve yanlarındaki açıklamalar özel dikkat ve anlayış göstermenizi gerektirir. Uyarı sembolleri kendi başlarına herhangi bir tehlikeyi gidermez. Sembollerde belirtilen talimatlar ve uyarılar uygun kaza önleme tedbirlerinin yerine geçmez.

**⚠ UYARI:** Bu aleti kullanmadan önce “TEHLİKE”, “UYARI” ve “DİKKAT” gibi tüm güvenlik uyarı ve sembollerini içeren bu Kullanım Kılavuzundaki tüm güvenlik talimatlarını okuyup anladığınızdan emin olun. Aşağıdaki talimatların tamamına uyulmaması elektrik çarpması, yangın ve/veya ciddi yaralanma ile sonuçlanabilir.

## SEMBOLÜN ANLAMI

Bu sayfada, bu ürün üzerinde görülebilecek güvenlik sembolleri gösterilmekte ve açıklanmaktadır. Makineyi monte etmeye ve kullanmaya başlamadan önce makineye ilişkin tüm talimatları okuyup anlayın ve bu talimatlara uyun.

## GÜVENLİK SEMBOLLERİ



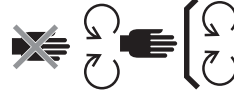
Güvenlik Uyarısı



Kullanım Kılavuzunu Okuyun ve Anlayın



Göz Koruması



Emniyet Tertibatının Bakımını Yapın



TEHLİKE – Dik eğim tehlikesi



TEHLİKE – Çevredeki Kişileri Bıçakların Uzağında Tutun

TR



Asla çocukları taşımayın



Geri geri giderken arkanıza bakın



UYARI - Bu makineyi 12°'den daha fazla eğime sahip olan yerlerde kullanmayın



TEHLİKE – Fırlayan nesnelere



UYARI – ELLERİ VE AYAKLARI UZAKTA TUTUN



Garanti edilen ses gücü seviyesidir. Avrupa topluluğunun Direktifine göre.





Basmayın



Atık elektrikli ürünler, evsel atıklar ile birlikte bertaraf edilmemelidir. Yetkili bir geri dönüşüm merkezine teslim edilmelidir.



Bu ürün, yürürlükteki AB yönetmeliklerine uygundur



DİKKAT – Çalışan lambaya bakmayın.



Doğru Akım



Bu ürün, yürürlükteki Birleşik Krallık yasalarına uygundur.

kPa

Kilopascal

RPM

Dakikada devir sayısı

V

Volt

m

Metre

inç

İnç

cm

Santimetre

Nm

Newton metre

mm

Milimetre

°C

Santigrat

kg

Kilogram

km/sa.

kilometre/saat

IPX4

Hava Girişi Koruma Derecesi

## TEKNİK ÖZELLİKLER

Voltaj	56 V	
Bıçme Haznesi Boyutu	132 cm	
Tekerlek Boyutu	Ön	279,4 x 126 mm
	Arka	457,2 x 223 mm
Soğuk Lastik Basıncı	Ön	222,1 kPa
	Arka	115.8 kPa
Dönüş Yarıçapı	0	
Bıçak Hızı (RPM)	2600; 2800; 3000; 3200	
Maks. Sürüş Hızı (km/sa.)	İleri	8,1 km/sa., 9,7 km/sa., 11,3 km/sa., 12,8 km/sa.
	Geri	azami 6,4 km/sa.

Şarj oluyor	Şarj Cihazı (İsteğe Bağlı)	CHV1600E
	Adaptör (İsteğe Bağlı)	ACA1000
	Şarj Etme Sıcaklığı Aralığı	5°C - 40°C
Kesim Yüksekliği Ayarı (10 konum)	25 – 100 mm	
Çalışma Sıcaklığı	0°C- 40°C	
Depolama Sıcaklığı	-20°C - 70°C	
Ağırlık (Batarya hariç)	217 kg	
Ölçülen ses gücü düzeyi L <sub>WA</sub>	95,48 dB(A) K=0,73 dB(A)	
Operatörün kulağına gelen ses basıncı seviyesi L <sub>PA</sub>	82,5 dB(A) K=3 dB(A)	

TR

Garanti edilen ses gücü seviyesi $L_{WA}$ (2000/14/EC uyarınca ölçülen)		100 dB(A)
Titreşim $a_h$	EI	0,69 m/sn <sup>2</sup> K=1,5 m/sn <sup>2</sup>
	Vücut	0,3 m/sn <sup>2</sup> K=1,5 m/sn <sup>2</sup>

- Beyan edilen toplam titreşim değeri, standart test yöntemine uygun olarak ölçülmüştür ve bir aleti diğer bir alet ile karşılaştırmak için kullanılabilir.
- Beyan edilen toplam titreşim değeri, maruz kalma seviyesinin ilk değerlendirmesi için de kullanılabilir.

**DİKKAT:** Elektrikli aletin fiili kullanımı sırasında oluşan titreşim emisyonu değeri aletin kullanım şekline bağlı olarak beyan edilen değerden farklı olabilir. Operatör korunmak için fiili kullanım koşullarında eldiven ve kulak koruması takmalıdır.

## AÇIKLAMA

### ÇİM BİÇME TRAKTÖRÜNÜ TANIYIN (ŞEK. A1 VE A2)

1. Koltuk
2. Şarj Bağlantı Noktası
3. Güç Ünitesi
4. LED Arka Işık
5. Saklama Bölmesi
6. Bardak Tutucular
7. LED Yan Lambalar
8. Arka Tekerlek (Çekiş Tekerleği)
9. Yıkama Ağızı
10. Küreme Haznesi
11. Bıçme Haznesi Koruyucu
12. Kazıma Önleyici Tekerlek
13. Ön Tekerlek
14. Park Freni Pedalı
15. Gündüz Lambaları
16. LED Farlar
17. Yan Boşaltma Oluğu

18. Bıçme Haznesi Yüksekliği Ayar Kolu
19. Koltuk Süspansiyonu Ayar Düğmesi
20. Koltuk Konumu Ayarlama Kolu
21. Kucak Çubukları
22. Çim Bıçme Traktörü Durum Göstergesi
23. LCD Ekran
24. PTO Anahtarı
25. Çalıştır/Durdur Düğmesi
26. Emniyet Anahtarı
27. Telefon Saklama Yuvası
28. Tampon Çubuğu
29. Çim Bıçme Traktörü Enerji Seviyesi ve Durum Göstergesi
- 29.a. Çim Bıçme Traktörü Enerji Seviyesi Göstergesi
- 29.b. Çim Bıçme Traktörü Durum Göstergesi
30. Ayak Koyma Yeri
31. Güç Ünitesi Kapağı Açma Düğmesi
32. Güç Ünitesi Kapağı
33. Altı Batarya Bölmeli Güç Ünitesi
34. Batarya Çıkarma Düğmesi
35. Çeki Demiri
36. Aparat Montaj Kapağı
37. Aparat Montaj Kapağı Saklama Yeri
38. USB Bağlantı Noktası

### LCD EKRANI TANIYIN (ŞEK. A3)

LCD Ekrandaki simgeler ve göstergeler hakkında daha fazla bilgi edinmek için "ÇİM BİÇME TRAKTÖRÜ DURUM REFERANSI VE ARIZA KODU" bölümüne bakın.

1. Emniyet Anahtarı Simgesi
2. LED Lamba Simgesi
3. Otomatik Park Simgesi
4. USB Simgesi
5. Bıçak Hızı Göstergesi
6. Emniyet Tertibatı Durum Göstergesi
7. Saat Ölçer

8. Boş Batarya Bölmesi Simgesi
9. Sıcaklık Simgesi
10. Dolu Batarya Bölmesi Simgesi
11. Sürüş Modu
12. Arıza Kodu Göstergesi
13. Aşırı Yük Göstergesi
14. Düşük Güç Göstergesi
15. Sürüş Hızı Göstergesi
16. Yük Göstergesi
17. Enerji Seviyesi Göstergesi
18. Bıçak Hızı Ayarlama Düğmesi
19. Ayar Düğmesi
20. Sürüş Modu Düğmesi
21. LED Lamba Anahtarı
22. Sürüş Hızı Ayarlama Düğmesi

## AMBALAJIN AÇILMASI

**DİKKAT:** Ürünü dikkatlice inceleyip yeterince iyi olduğunu göreceğ şekilde kullanana kadar ambalaj malzemelerini saklayın. Ambalaj listesindeki herhangi bir parça makineye monte edilmişse lütfen hemen EGO servisini arayın.

**DİKKAT:** Aşağıdaki ambalaj listesinde bulunan aletler dışında kılavuzlarda belirtilen tüm diğer aletler sadece önerilmekte olup ürünle birlikte verilmemektedir.

### AMBALAJ LİSTESİ (Şek. B1)

B1-1	Sıfır Dönüştü Çim Biçme Traktörü	B1-6	Emniyet Anahtarları
B1-2	Koltuk	B1-7	Açık Uçlu Anahtarlar (13 mm)
B1-3	Direksiyon Kolu	B1-8	Alyan Anahtarı
B1-4	Soket Başlı Vidalar (2 tane yedek)	B1-9	Yıkama Ağzı Hızlı Bağlantı Parçası
B1-5	Altıgen Cıvatalar (2 tane yedek)	B1-10	Kullanım Kılavuzu

### AMBALAJIN AÇILMASI (Şek. B2 – Şek. B4)

#### ÖNERİLEN AKSESUARLAR

**⚠ UYARI:** Sadece aşağıda listelenen orijinal yedek parçaları kullanın. Orijinal ekipman özelliklerini karşılamayan parçaların kullanılması, ürünün hatalı ve tehlikeli bir şekilde çalışmasına neden olabilir.

PARÇA ADI	MODEL NUMARASI
Standart Bıçak	AB5200
Yüksek Bıçak	AB5201
Malçlama Kiti	ABP5200
Çim Torbası Kiti	ABK5200-A
Arka Tampon	AMB1000
Kargo Kutusu	AMG1000
Güneşlik	AMS1000

## MONTAJ

### KOLTUĞUN TAKILMASI (Şek. C1 ve C2)

**⚠ UYARI:** Güvenlik kilidi sisteminin bağlantısı kesilmemeli veya sistem devre dışı bırakılmamalıdır. Aksi halde çim biçme traktörü beklenmedik şekilde çalışabilir ve yaralanmalara neden olabilir.

**DİKKAT:** Güvenliğiniz için sürüş sırasında koltuk anahtarının bağlantısı kesilirse çim biçme traktörü durabilir. Bu durumda daha fazla bilgi için “**SORUN GİDERME**” bölümüne bakın.

C1-1	Kablo	C1-5	Soket Başlı Vidalar
C1-2	Fiş	C2-1	Kanca
C1-3	Soket	C2-2	Çelik Raylar
C1-4	Süspansiyon Tabanı	C2-3	Soket Başlı Vidalar

## DİREKSİYON KOLLARININ TAKILMASI (Şek. C3)

C3-1	Direksiyon Kolları	C3-3	Direksiyon Kolu Montaj Delikleri
C3-2	Altıgen Cıvatalar		

## ÇALIŞTIRMA

### ÇİM BİÇME TRAKTÖRÜNÜ KULLANMADAN ÖNCE

#### Çevre kontrolü

- Çalışma alanında çocukların, başka insanların ve evcil hayvanların olmadığından emin olun.
- Çalışma alanını çim biçme bıçakları tarafından fırlatılabilecek nesnelere temizleyin.
- LED lambaları kontrol edin ve uygun durumda olduklarından emin olun:
  - Farlar, yan lambalar ve arka lambalar LED lamba anahtarı ile kontrol edilir.
  - Sürüş sırasında sürüş lambaları her zaman açık olur.
  - Geri giderken arka lambalar kapalıysa etraftaki insanları uyarmak için yanar; arka lambalar açıksa açık kalmaya devam eder.
  - Çim biçme traktörü çalışmadan geçen bir sürenin ardından otomatik olarak kapandığında tüm ışıklar otomatik olarak söner.

#### Soğuk hava basıncının kontrol edilmesi (Şek. D1)

### TR Çim biçme traktörünün durumunun ve batarya şarj seviyesinin kontrol edilmesi

- Çim biçme traktörü enerji seviyesi göstergesi (Şek. A2 - 27a)  
Çim biçme traktörü enerji seviyesi göstergesindeki her bölme, takılı bataryanın %20'lik şarjını gösterir.

**DİKKAT:** Çim biçme traktörü enerji seviyesi göstergesi ve LCD ekrandaki enerji seviyesi, takılı bataryanın ortalama kapasitesini gösterir.

- Çim biçme traktörü durum göstergesi (Şek. A1 ve Şek. A2 - 27b)

Durum göstergesi yeşilse çim biçme traktörü kullanıma hazırdır. Değilse lütfen "ÇİM BİÇME TRAKTÖRÜ

"DURUM REFERANSI VE ARIZA KODU" bölümüne bakın

### Güvenlik kilidi sisteminin test edilmesi (Şek. D2 - Şek. D8)

**DİKKAT:** Testten önce operatör koltuğa oturmalıdır.

- Testten önce (Şek. D2 – Şek. D4)
- Biçme haznesi bıçak sistemini test etmek için (Şek. D5) yavaşça kalkın
- Sürüş sistemini test etmek için (Şek. D6 – Şek. D8) yavaşça kalkın

Operatör koltuktan kalktığı anda biçme haznesi bıçak sistemi ve/veya sürüş sistemi durmuyorsa ve koltuğun fiş ve soket bağlantısının düzgün olduğu kontrol edildikten sonra sorunun nedeni belirlenemiyorsa hemen EGO müşteri hizmetleri merkezi ile iletişime geçin.

### AYARLAMA (Şek. E1 – Şek. E13)

#### Hazırlık (Şek. E1 – Şek. E5)

#### Biçme haznesi yüksekliğinin ayarlanması (Şek. E6)

#### Kazıma önleyici tekerleklerin ayarlanması

#### (Şek. E7 – Şek. E10)

E7-1	Kazıma Önleyici Tekerlek	E9-2	Somunlu Cıvata
E9-1	Somun	E10-1	Biçme Haznesi Yüksekliği Etiket

#### Koltuğu ayarlanması (Şek. E11)

Çim biçme traktörünü çalıştırmadan önce koltuğu, park freni pedalına sağlam bir şekilde basabileceğiniz konuma ayarlayın. Koltuk süspansiyonu ayarı, koltukta en rahat deneyimi elde edeceğiniz şekilde oturmanızı sağlayabilir.

E11-1	Koltuk Konumu Ayarlama Kolu	E11-2	Koltuk Süspansiyonu Ayar Düğmesi
-------	-----------------------------	-------	----------------------------------

#### Park frenini ayarlama (Şek. E12 – Şek. E13)

E13-1	Frene Basılı Konum	E13-2	Fren Bırakılmış Konum
-------	--------------------	-------	-----------------------

## ŞARJ ETME (Şek. F1 – Şek. F11)

Bu çim biçme traktörünü çalıştırmak için toplam 15 Ah (2 X BA4200/BA4200T) veya daha fazla güce sahip EGO bataryaları gereklidir. En iyi performansı elde etmek için toplam 30 Ah veya üzeri güce sahip EGO bataryalarının kullanılmasını öneririz.

**Sadece önerilen bataryaları ve şarj cihazlarını kullanın. (Şek. F9 ve F10)**

**Şarj hazırlığı (Şek. F1 – Şek. F4)**

**Bataryaların ayrı ayrı şarj edilmesi (Şek. F5 – Şek. F9)**

F5-1	Kapak Açma Düğmesi	F7-1	Batarya Çıkarma Düğmesi
------	--------------------	------	-------------------------

- Bataryaları takmak için (Şek. F5 – Şek. F6)
- Bataryaları çıkarmak için (Şek. F7 – Şek. F8)

**DİKKAT:** Bataryaları şarj ederken ilgili batarya ve şarj cihazı kılavuzlarına bakın.

**Bataryaların şarj bağlantı noktası üzerinden şarj edilmesi (Şek. F10)**

F10-1	Toz Kapağı	F10-2	Şarj Bağlantı Noktası
-------	------------	-------	-----------------------

## ÇİM BİÇME TRAKTÖRÜNÜ ÇALIŞTIRMA (Şek. A4 – Şek. A5 ve Şek. G1 – Şek. G6)

**⚠ UYARI:** Özellikle çim biçme traktörünü ilk kez kullanmayı öğrenirken ani çalıştırma, durdurma ve dönüşlerin yanı sıra aşırı hız yapmaktan kaçının. Çim biçme traktörü hızlı bir şekilde dönebilir, bu da kontrolü kaybetmenize ve ciddi yaralanmalara ve/veya hasara neden olabilir.

**⚠ UYARI:** Biçme makinesini çalıştırmadan önce PTO anahtarını aşağı itinince bıçakların 5 sn. içinde devre dışı kaldığından emin olun. Bıçaklar durmuyorsa çim biçme traktörünü kullanmayın ve hemen EGO müşteri hizmetlerinizle iletişime geçin.

**DİKKAT:** Çim biçme traktörünü her durumda kullanabilecek tam kapasiteye sahip olana kadar en düşük sürüş hızı ve **STANDART** sürüş modu için Şek. A4 ve Şek. G2'ye uyun. Sürüş hızı ve sürüş modu

sadece çim biçme traktörünün tekerlekleri durduğunda ve direksiyon kolları açık olduğunda etkinleşir.

Çim biçme traktörü, yeniden başlatıldığında önceki sürüş modunu, sürüş hızını ve direksiyon kollarının kalibrasyonunu kaydeder ve bu ayarları getirir.

### Sürüş Modu

- **KONTROL:** Çimlerin korunması ve yeni kullanıcılar için düşük hızlanma, düşük tutma hassasiyeti ve yavaş dönüş hızı.
- **STANDART:** Günlük kullanım için mükemmel.
- **SPOR:** Çim biçme verimliliğini maksimize etmek ve çim biçme meraklıları için yüksek hızlanma, hassas tutma ve keskin dönüş.

**Sürüş Hızını Ayarlama (Şek. A4)**

**Bıçak Hızını Ayarlama (Şek. A5)**

**USB bağlantı noktası**

**DİKKAT:** USB bağlantı noktası, 1,5 Amperlik toplam çekişte 5 Volt DC şarj gücü sağlar ve sadece çim biçme traktörü çalışırken güç sağlar.

## ÇİM BİÇME TRAKTÖRÜNÜ DURDURMA (Şek. H1 – Şek. H6)

**DİKKAT:** Çalışma yapılmadan geçen 60 dakikadan sonra çim biçme traktörü otomatik olarak durur.

### Koruma modu

Batarya şarjı azaldığında çim biçme traktörü Koruma moduna geçer:

- Çim biçme traktörü otomatik olarak çim biçmeyi durdurur;
- Bip sesi göstergesi ses çıkarmaya devam eder;
- Çim biçme traktörü durum göstergesi her saniye kırmızı yanar, enerji seviyesinin ilk bölmesi kırmızı yanar ve enerji seviyesindeki düşük güç göstergesi ve batarya grafiği yana .

Operatörün yapması gerekenler:

- a) Bıçakları devre dışı bırakmak için PTO anahtarını aşağı doğru itin (Şek. H3). Bıçaklar durduğunda bip sesi göstergesi ses çıkarmayı durdurur;

- b) Çalışmayı durdurun ve en kısa sürede batarya şarj alanına gidin. Çim biçme traktörünün gidebileceği maksimum mesafe 1000 m'dir.

Batarya boşalmaya yakınken her kullanılan batarya bölmesi simgesi ve düşük güç göstergesi her yarım saniyede bir yanıp söner. Çim biçme traktörü hemen çalışmayı durdurur. Operatörün çim biçme traktörünü şarj için batarya şarj alanına götürmesi gerekir.

### Manuel itme

Manuel itme gerekirse bataryaların çim biçme traktörü ile bağlantısının kesildiğinden ve park freni pedalının park konumunda olmadığından emin olun.

## ÇİM BİÇME TRAKTÖRÜNÜ SÜRME (Şek. 11 – Şek. 19)

Durmak, hızı azaltmak veya hızı artırmak için direksiyon kolunun mesafesini nötr konuma göre yavaşça değiştirin.

**▲ TEHLİKE:** Tüm hendeklerin, dik inişlerin veya su bulunan yerlerin en az iki biçme genişliği uzağında kalın. Çim biçme traktörü durduğunda frene basılsa bile ön tekerlekler dönebilir ve traktörün eşik üzerinden geçmesine veya suya girmesine neden olabilir ve bu da ölüm ya da ciddi yaralanma ile sonuçlanabilir.

**▲ UYARI:** Geri geri gitmeden önce çim biçme traktörünün arkasında ne olduğuna dikkat edin. Mutlaka gerekli olmadıkça geri geri çim BİÇMEYİN. Geri geri gitmeden önce ve geri geri giderken çim biçme alanında çocukların, başka insanların veya evcil hayvanların olmadığından emin olmak için daima aşağıya ve arkanıza bakın. Bir anlık dikkatsizliğin ölüme veya ciddi yaralanmalara sebep olabileceğini unutmayın.

**▲ UYARI:** Bu makineyi halka açık yollarda kullanmayın.

**▲ UYARI:** Bir tıkanıklık olursa veya yabancı bir cisme çarparsanız motoru durdurun ve bataryaları sökün. Çim kırıntılarını, yaprakları, kiri ve tüm diğer birikintileri temizleyin, çim biçme traktöründe hasar olup olmadığını iyice kontrol edin ve traktörü yeniden çalıştırıp kullanmadan önce hasarı onarın.

## BAKIM

**▲ UYARI:** Daima yan siperleri olan göz koruması kullanın. Aksi halde gözlerinize nesnelere fırlayabilir ve ciddi yaralanmalar oluşabilir.

**▲ UYARI:** Bıçak bakımı sırasında dayanıklı eldivenler takarak ve/veya bıçağın keskin kenarlarına üstü�ü ve diğer malzemeleri sararak ellerinizi koruyun. Çim biçme traktörünü taşıırken veya bakım/onarım yaparken daima emniyet anahtarını ve bataryayı çıkarın.

Bakım Aralığı	Bakım Prosedürü
Her kullanımdan önce veya günlük	<ul style="list-style-type: none"><li>Güvenlik kilidi sistemini kontrol edin.</li><li>Tekerleklerin patlak olup olmadığını gözle kontrol edin.</li><li>Bıçaklarda aşınma, çatlama veya bükülme olup olmadığını kontrol edin.</li><li>Ürünün tamamını inceleyerek yan boşaltma oluğu, vidalar, somunlar, civatalar, kapaklar gibi parçalarda hasar, eksiklik veya gevşeklik olup olmadığını kontrol edin ve tüm emniyet tertibatının yerinde ve düzgün çalışır durumda olduğundan emin olun.</li><li>Frenin çalışmasını kontrol edin.</li></ul>
Her kullanımdan sonra	<ul style="list-style-type: none"><li>Bıçme haznesini temizleyin.</li></ul>
25 saatte bir	<ul style="list-style-type: none"><li>Lastik basıncını kontrol edin.</li></ul>
50 saatte bir	<ul style="list-style-type: none"><li>Kesme bıçağı flanşının içindeki gres yağı durumunu kontrol edin.</li></ul>
100 saatte bir	<ul style="list-style-type: none"><li>Arka tekerlekleri kontrol edin ve tüm somunlu civataların önerilen tork değerinde sıkıldığından emin olun.</li></ul>
200 saatte bir	<ul style="list-style-type: none"><li>Ön tekerlekleri kontrol edin ve serbestçe döndüklerinden emin olun.</li></ul>

Yıllık	<ul style="list-style-type: none"> <li>Park freni pedalını kontrol edin. Bataryayı çim biçme traktöründen çıkarın ve park pedalını park konumuna getirin. Çim biçme traktörünün hareket edip etmediğini görmek için traktörü manuel olarak ileri itin. Hareket ediyorsa uzman bir servis teknisyenine bakımını yaptırın.</li> </ul>
--------	---

## ÇİM BİÇME TRAKTÖRÜNÜN TEMİZLENMESİ (Şek. J1 – Şek. J9)

Hazırlık (Şek. J1 – Şek. J5)

Çim biçme traktörünün gövdesinin temizlenmesi (Şek. J6 - Şek. J7)

Biçme haznesini temizlemek için yıkama ağzının kullanılması (Şek. J8 - Şek. J9)

J8-1	Yıkama Ağız	J8-3	Bahçe Hortumu
J8-2	Yıkama Ağız Hızlı Bağlantı Parçası		

**DİKKAT:** Temizliği bitirdikten sonra PTO anahtarını aşağı doğru iterek çim biçme traktörü bıçaklarını devre dışı bırakın.

## BİÇME HAZNESİNİN VE KESME BİÇAKLARININ BAKIMI

Hazırlık (Şek. K1 – Şek. K6)

Biçme haznesinin çıkarılması (Şek. K7 – Şek. K8)

K7-1	Motor Kablosu	K7-3	Süspansiyon Bağlantısı
K7-2	Çatal Pim		

**DİKKAT:** Biçme haznesini çıkarırken tüm motor kablolarını ve çatal pimleri ayırın.

Kesme bıçaklarının değiştirilmesi (Şek. K9 - Şek. K11)

K9-1	Stabilizör	K10-3	Testere
K10-1	Cıvata	K10-4	Flanş

K10-2	Rondela	K10-5	Motor Mili
-------	---------	-------	------------

## Biçme haznesini hizalama

a. Ne zaman hizalanmalı (Şek. K12 – Şek. K14)

b. Hizalamadan önce

- Soğuk hava basıncını kontrol edin (Şek. K15)
- Kesme bıçaklarını kontrol edin. Gerekirse aşınmış, çatlamış ve/veya bükülmüş bıçakları çıkarın ve değiştirin.

c. Hizalama hazırlığı (Şek. K16 – Şek. K21)

d. Hizalama yöntemi

- Yan yana hizalama yapmak için (Şek. K22)

K22-1	Kontra Somun
-------	--------------

- Ön arka hizalama yapmak için (Şek. K23)

## ÇİM BİÇME TRAKTÖRÜ İZLEME SİSTEMİNİN KALİBRASYONU (Şek. L1 – Şek. L4)

**DİKKAT:** Bip sesi göstergesi, hem kalibrasyon başladığında hem de kalibrasyon bittiğinde bir kez ses çıkarır.

**DİKKAT:** Sürüş modlarından biri ("KONTROL", "STANDART", "SPOR") için tamamlanan kalibrasyon, diğer iki mod için mevcut olmayabilir. Gerekliğinde her sürüş modunda direksiyon kollarını bağımsız olarak kalibre edin.

## ÇİM BİÇME TRAKTÖRÜNÜN İLK FABRİKA AYARLARINA SIFIRLANMASI (Şek. M)

**DİKKAT:** Bip sesi göstergesi, hem sıfırlama başladığında hem de sıfırlama bittiğinde bir kez ses çıkarır.

**DİKKAT:** Sıfırlama başarılı olduğunda, aşağıdaki ayarlar ilk fabrika ayarlarına döner:

- sürüş modu
- sürüş hızı
- direksiyon kollarının kalibrasyonu

## DEPOLAMA VE TAŞIMA

### ÇİM BİÇME TRAKTÖRÜNÜ TAŞIMA ( N1 – ŞEK. N11)

**DİKKAT:** Taşıma sırasında hareket etmesini önlemek için kayışlar ve kablolar kullanarak çim biçme traktörünü gerektiği gibi sabitleyin.

### DEPOLAMA (Şek. 01 – Şek. 06)

**DİKKAT:** Bataryaları çıkarın ve ilgili kılavuzdaki talimatlara göre depolayın.

Çim biçme traktörünü depolamadan önce “**ÇİM BİÇME TRAKTÖRÜNÜN TEMİZLENMESİ**” ve “**ÖNERİLEN BAKIM PROGRAMLARI**” bölümlerindeki talimatlara göre traktörün temizliğini ve kontrollerini yapın.

#### Çevre koruması



WEEE (Atık Elektrikli ve Elektronik Cihazlar)  
Elektrikli cihazları, kullanılmış bataryayı ve şarj cihazını evsel atıklarla bertaraf etmeyin!




Bu ürünü yetkili bir geri dönüşüm merkezine götürün ve ayrı bir şekilde toplanmasını sağlayın. Elektrikli aletler çevreyle uyumlu bir geri dönüşüm tesisine götürülmelidir.


WES VAN DER SPEK  
MACHINES \* STOLWIJK



## SORUN GİDERME

SORUN	NEDENİ	ÇÖZÜM
<p>İlk çalıştırmadan sonra çim biçme traktörünün iki direksiyon kolu ileri veya geri itildiğinde traktör gitmiyor.</p>  <p>Direksiyon kolu simgesi yanıp sönüyor.</p>	<ul style="list-style-type: none"> <li>Takılan bataryaların toplam Ah değeri gereksinimi karşılamıyor.</li> </ul>	<ul style="list-style-type: none"> <li>Bu çim biçme traktörünü çalıştırmak için bu kılavuzdaki "<b>ŞARJ ETME</b>" bölümünde yer alan talimatlara uygun olarak yeterli sayıda EGO bataryası kullanın.</li> </ul>
	<ul style="list-style-type: none"> <li>Park freni pedalı, frenleme konumuna getirilmiştir.</li> </ul>	<ul style="list-style-type: none"> <li>Frenleme konumundan çıkarmak için park freni pedalına tamamen basın.</li> </ul>
	<ul style="list-style-type: none"> <li>Çim biçme traktörü çalıştırılırken direksiyon kolları açık konumda değildir.</li> </ul>	<ul style="list-style-type: none"> <li>Direksiyon kollarını açık konuma geri getirin ve çim biçme traktörünü yeniden başlatın.</li> </ul>
	<ul style="list-style-type: none"> <li>Operatör koltukta oturmuyordur.</li> </ul>	<ul style="list-style-type: none"> <li>Operatör sadece koltuğa düzgün bir şekilde oturduğunda çim biçme traktörünü çalıştırabilir.</li> </ul>
	<ul style="list-style-type: none"> <li>Koltuk anahtarı doğru bir şekilde bağlanmamıştır.</li> </ul>	<ul style="list-style-type: none"> <li>Bataryayı çim biçme traktöründen çıkarın, bu kılavuzun "<b>KOLTUĞUN TAKILMASI</b>" bölümündeki talimatları ters sırada uygulayarak koltuğu sökün ve koltuk anahtarı bağlantısını kontrol edin. "<b>ÇİM BİÇME TRAKTÖRÜNÜ ÇALIŞTIRMA</b>" bölümündeki talimatları uygulayarak koltuğu yeniden takın ve çim biçme traktörünün çalışıp çalışmadığını görmek için traktörü yeniden başlatın. Sorun çözülmediyse onarım için yetkili bir servis teknisyeni ile iletişime geçin.</li> </ul>
	<ul style="list-style-type: none"> <li>Aşırı soğuk havalarda, düşük sıcaklık koruması nedeniyle sürüş işlevi başarıyla çalıştırılmayabilir.</li> </ul>	<ul style="list-style-type: none"> <li>Çim biçme traktörünü ve bataryayı daima sıcak bir ortamda depolayın. Çim biçme traktörünü ısındığında yeniden başlatın. Aşırı soğuk havalarda lütfen çok fazla çalıştırma denemesi yapmayın aksi halde makine hasar görebilir.</li> </ul>

SORUN	NEDENİ	ÇÖZÜM
Çim biçme traktörü sürüşü durduruyor.	<ul style="list-style-type: none"><li>Direksiyon kollarının "sıfırlanması" gerekmektedir.</li></ul>	<ul style="list-style-type: none"><li>Direksiyon kollarını açık konuma geri getirin ve çim biçme traktörünü yeniden başlatın.</li></ul>
	<ul style="list-style-type: none"><li>Direksiyon kollarının elektrikli kontrol parçalarında arıza olmuştur.</li></ul>	<ul style="list-style-type: none"><li>Onarım için yetkili bir servis teknisyeni ile iletişime geçin.</li></ul>
	<ul style="list-style-type: none"><li>Engebeli bir arazide sürüş yaparken koltuk anahtarının bağlantısı kesilmiştir.</li></ul>	<ul style="list-style-type: none"><li>Bataryayı çim biçme traktöründen çıkarın, bu kılavuzun "<b>KOLTUĞUN TAKILMASI</b>" bölümündeki talimatları ters sırada uygulayarak koltuğu sökün ve koltuk anahtarı bağlantısını kontrol edin. "<b>ÇİM BİÇME TRAKTÖRÜNÜ ÇALIŞTIRMA</b>" bölümündeki talimatları uygulayarak koltuğu yeniden takın ve çim biçme traktörünün çalışıp çalışmadığını görmek için traktörü yeniden başlatın. Sorun çözülmediyse onarım için yetkili bir servis teknisyeni ile iletişime geçin.</li></ul>
	<ul style="list-style-type: none"><li>Sürüş hızını yavaşlatmak için park freni pedalına basılmıştır. Park freni pedalına yeterince basılmış ancak park konumuna getirilmemiştir, çim biçme traktörü durur.</li></ul>	<ul style="list-style-type: none"><li>Çim biçme traktörünü yeniden çalıştırmak için "<b>ÇİM BİÇME TRAKTÖRÜNÜ ÇALIŞTIRMA</b>" bölümündeki talimatları uygulayın.</li></ul>
Sürüş hızı/sürüş modu, sürüş sırasında ayarlanamıyor.	<ul style="list-style-type: none"><li>Bu, güvenli sürüş için çim biçme traktörünün bir özelliğidir.</li></ul>	<ul style="list-style-type: none"><li>Bu işlev sadece çim biçme traktörünün tekerlekleri durduğunda ve direksiyon kolları açık olduğunda etkinleşir.</li></ul>

SORUN	NEDENİ	ÇÖZÜM
<p>Çim biçme traktörü, PTO anahtarı devredeyken bıçakları çalıştıramıyor.</p>  <p>PTO Anahtarı simgesi yanıp sönüyor.</p>	<ul style="list-style-type: none"> <li>Takılan bataryaların toplam Ah değeri gereksinimi karşılamıyor.</li> </ul>	<ul style="list-style-type: none"> <li>Bu çim biçme traktörünü çalıştırmak için bu kılavuzdaki "<b>ŞARJ ETME</b>" bölümünde yer alan talimatlara uygun olarak yeterli sayıda EGO bataryası kullanın.</li> </ul>
	<ul style="list-style-type: none"> <li>Çim biçme traktörü en son durdurulduğunda PTO anahtarı aşağı itilmemiştir.</li> </ul>	<ul style="list-style-type: none"> <li>PTO anahtarını aşağı doğru itin ve biçme bıçaklarını yeniden çalıştırın.</li> </ul>
	<ul style="list-style-type: none"> <li>Bıçaklar çalıştırılmaya başladığında çim biçme traktörü aşırı yüklenmiştir ve bu da motorun kendini korumasına neden olmuştur.</li> </ul>	<ul style="list-style-type: none"> <li>Çim biçme traktörünü önce düşük bıçak hızında çalıştırarak çimleri biçin ve bıçaklar başarılı bir şekilde dönene kadar bıçak hızını artırmayın.</li> </ul>
	<ul style="list-style-type: none"> <li>Aşırı soğuk havalarda, düşük sıcaklık koruması nedeniyle bıçak motoru başarıyla çalıştırılmayabilir.</li> </ul>	<ul style="list-style-type: none"> <li>Çim biçme traktörünü ve bataryayı daima sıcak bir ortamda depolayın. Çim biçme traktörünü ısındığında yeniden başlatın. Aşırı soğuk havalarda lütfen çok fazla çalıştırma denemesi yapmayın aksi halde makine hasar görebilir.</li> </ul>
	<ul style="list-style-type: none"> <li>Bıçaklar, deforme olmuş biçme haznesine takılıyordur.</li> </ul>	<ul style="list-style-type: none"> <li>Onarım için yetkili bir servis teknisyeni ile iletişime geçin.</li> </ul>

SORUN	NEDENİ	ÇÖZÜM
Çim biçme sırasında bıçakların çalışması duruyor.	▪ Çim biçme traktörü aşırı yüklenmiştir.	▪ Çim biçme traktörünün yükünü azaltmak için biçme haznesi kesim yüksekliğini artırın veya sürüş hızını azaltın.
	▪ Biçme haznesi çim ve birikintiler nedeniyle tıkanmıştır.	▪ Biçme haznesini temizleyin ve bıçakların serbestçe hareket ettiğinden emin olun.
	▪ Çim biçme traktörü aşırı ısınmıştır.	▪ Biçme haznesi kesim yüksekliğini artırarak veya bıçak/ sürüş hızını yavaşlatarak çim biçme traktörünün yükünü azaltın ve çim biçme traktörünün soğumasını bekleyin.
	▪ Çim biçme traktörünün batarya bölümündeki bataryalar aşırı ısınmıştır ve bunun sonucunda tüm takılı bataryaların toplam Ah değeri gereksinimi karşılamamıştır.	1. Toplam batarya Ah değeri gereksinimi karşılamıyorsa boş batarya bileşenlerine daha fazla batarya takılana kadar çim biçme traktörü çalışmaz. Aşırı ısınan batarya normal sıcaklığına döndüğünde hemen çim biçme traktörüne güç sağlayamaya katılacaktır.
		2. Çalışmaya devam ederken biçme haznesi kesim yüksekliğini artırarak veya çim biçme traktörünü yavaşlatarak çim biçme traktörünün yükünü azaltın.
	▪ Çim biçme traktörü koruma modundadır.	▪ Çim biçme traktörü Koruma modundayken bıçaklar, çim biçmeden otomatik olarak düşük dönüş hızına geçer. Operatörün çalışmayı durdurması ve en kısa sürede batarya şarj alanına gitmesi gerekir.
	▪ Çim biçme traktörü yabancı bir nesneye çarpmıştır ve bu da motorun kendini korumasına neden olmuştur.	▪ PTO anahtarını aşağı doğru itin ve bıçakları yeniden çalıştırın.

SORUN	NEDENİ	ÇÖZÜM
Bip sesi göstergesi sürekli ses çıkarıyor.	<ul style="list-style-type: none"> <li>Çim biçme traktörü Koruma modundadır ve bıçaklar açılmamıştır.</li> </ul>	<ul style="list-style-type: none"> <li>Bıçme haznesi bıçaklarını devre dışı bırakmak için PTO anahtarını aşağı doğru itin. Bıçaklar durduğunda bip sesi göstergesi ses çıkarmayı durdurur.</li> </ul>
	<ul style="list-style-type: none"> <li>Çim biçme traktörü eğimli bir yerde sürüşü durdurmuş ve operatör direksiyon kollarını açıp park freni pedalını frenleme konumuna getirmeden koltuktan kalkmıştır.</li> </ul>	<ul style="list-style-type: none"> <li>Çim biçme traktörünü eğimli bir yerde bırakmadan önce park freni pedalını frenleme konumuna getirin.</li> </ul>
Batarya göstergeleri, çim biçme traktörü kapatıldığında açık kalmaya devam ediyor.	<ul style="list-style-type: none"> <li>Çim biçme traktörü bataryalar çıkarılmadan zemin üzerinde kapatıldığında batarya göstergeleri, çalıştır/durdur düğmesi ve ayar düğmesi bir süre yanık kalır.</li> </ul>	<ul style="list-style-type: none"> <li>Herhangi bir işleme gerek yoktur. Çim biçme traktörü kapandıktan bir süre sonra batarya göstergeleri söner. Belirli bir süre "<b>ÇİM BİÇME TRAKTÖRÜNÜ DURDURMA</b>" bölümüne bakın.</li> </ul>
	<ul style="list-style-type: none"> <li>Çim biçme traktörü park freni pedalı frenleme konumuna getirilmeden eğimli bir yerde kapatıldığında batarya göstergeleri batarya boşalana kadar yanmaya devam eder. Bip sesi göstergesi de aynı zamanda ses çıkarmaya devam eder.</li> </ul>	<ul style="list-style-type: none"> <li>Operatör çim biçme traktörünü eğimli bir yerde bırakmadan önce park freni pedalını frenleme konumuna getirmelidir.</li> </ul>
Tüm simgeler açıkken LCD ekranının ışıkları yanmıyor.	<ul style="list-style-type: none"> <li>Çalıştır/Durdur düğmesine basma süresi yeterli değildir.</li> </ul>	<ul style="list-style-type: none"> <li>Çalıştır/Durdur düğmesine kısa süre basıldığında LCD ekranda sadece "Enerji Seviyesi Göstergesi" gösterilir.</li> </ul>
		<ul style="list-style-type: none"> <li>Çalıştır/Durdur düğmesine yeterli bir süre boyunca basıldığında LCD ekran açılır.</li> </ul>

SORUN	NEDENİ	ÇÖZÜM
Çim biçme traktörü, önden arkaya doğru önemli ölçüde yükseklik farklı olacak şekilde eşit olmayan kesim yapıyor.	▪ Bıçaklar körelmiştir.	▪ Kesme bıçağını bu kılavuzdaki talimatlara göre keskin hale getirin veya değiştirin.
	▪ Bıçaklar bükülmüştür.	▪ Bükülmüş kesme bıçağını “ <b>KESME BIÇAKLARININ DEĞİŞTİRİLMESİ</b> ” bölümündeki talimatları uygulayarak değiştirin.
	▪ Biçme haznesi hizalanmamıştır, bu da farklı kesme bıçağı yüksekliğine neden olmuştur.	▪ Biçme haznesini “ <b>BIÇME HAZNESİNİ HIZALAMA</b> ” bölümündeki talimatları uygulayarak hizalayın.
Fiili olarak gerçekleşen çim kesme yüksekliği belirtilen yükseklikle aynı hizada değil.	▪ Süspansiyon bağlantısındaki biçme haznesi somunları gevşemiştir	▪ Biçme haznesinin önden arkaya doğru hizalamasını düzeltmek için “ <b>BIÇME HAZNESİNİ HIZALAMA</b> ” bölümündeki talimatları uygulayın ve süspansiyon bağlantısındaki somunları sağlam bir şekilde sıkın.
	▪ Biçme haznesi hasar görmüştür veya ciddi biçimde aşınmıştır.	▪ Biçme haznesini değiştirmek için “ <b>BIÇME HAZNESİNİ ÇIKARMA</b> ” bölümündeki talimatları uygulayın.
Çim biçme traktörü düzgün malçlama yapmıyor.	▪ Islak çim kırıntıları biçme haznesinin altına yapışmıştır.	▪ Çim biçmeye başlamadan önce çimlerin kurumasını bekleyin.
	▪ Çim biçme traktörü, bir defada çok fazla çim kesecek şekilde ayarlanmıştır.	▪ Biçme haznesi kesim yüksekliğini artırın.
Aşırı titreşim var.	▪ Kesme bıçakları çok gevşektir.	▪ Bıçak civatasını önerilen tork değerine sıkın.
	▪ Bıçaklar bükülmüştür.	▪ Bükülmüş kesme bıçağını “ <b>KESME BIÇAKLARININ DEĞİŞTİRİLMESİ</b> ” bölümündeki talimatları uygulayarak değiştirin.
	▪ Biçme haznesi hizalanmamıştır.	▪ Biçme haznesini “ <b>BIÇME HAZNESİNİ HIZALAMA</b> ” bölümündeki talimatları uygulayarak hizalayın.
	▪ Süspansiyon bağlantısındaki biçme haznesi somunları gevşemiştir.	▪ Süspansiyon bağlantısı üzerindeki somunları sıkın.
	▪ Çim biçme traktörü, bir defada çok fazla çim kesecek şekilde ayarlanmıştır.	▪ Biçme haznesi kesim yüksekliğini artırın.

SORUN	NEDENİ	ÇÖZÜM
Çim biçtikten sonra zeminde çim veya birikintiler kalıyor.	<ul style="list-style-type: none"> <li>Çim biçme traktörü, çimler uzunken bir defada çok fazla çim kesecek şekilde ayarlanmıştır.</li> </ul>	<ul style="list-style-type: none"> <li>Yüksek bir kesim uzunluğu ile başlayın ve istenilen biçme uzunluğunu elde edene kadar uzunluğu azaltın. 6 inçten daha uzun çimler, arka arkaya daha kısa kesim uzunluklarında iki kez biçilmelidir.</li> </ul>
	<ul style="list-style-type: none"> <li>Çimler ıslaktır.</li> </ul>	<ul style="list-style-type: none"> <li>Çimler ıslakken kuruyana kadar biçmeyin.</li> </ul>
	<ul style="list-style-type: none"> <li>Sürüş hızı çok yüksektir.</li> </ul>	<ul style="list-style-type: none"> <li>Sürüş hızını düşürün.</li> </ul>
	<ul style="list-style-type: none"> <li>Bıçak hızı çok düşüktür.</li> </ul>	<ul style="list-style-type: none"> <li>Bıçak hızını kademeli olarak artırın.</li> </ul>
Dahili batarya ile birlikte çim biçme traktörünün çalışma süresi çok kısa sürüyor.	<ul style="list-style-type: none"> <li>Çim koşulları ve kesme yüksekliği ayarı bataryanın çalışma süresini büyük ölçüde etkiler. Belirtilen çalışma süresi hafif yük koşullarına dayanmaktadır.</li> </ul>	<ul style="list-style-type: none"> <li>Kesme yükünü azaltmak için biçme haznesi kesim yüksekliğini artırın ve sürüş hızını azaltın.</li> </ul>
Çim biçme traktörü yolu düzgün izlemiyor.	<ul style="list-style-type: none"> <li>Sağ ve sol arka tekerleklerin lastik basınçları farklıdır.</li> </ul>	<ul style="list-style-type: none"> <li>Her iki arka tekerleğin hava basıncını bu kılavuzdaki "<b>LASTİK BASINCININ KONTROL EDİLMESİ</b>" bölümündeki önerilere uygun olarak kontrol edin ve ayarlayın.</li> </ul>
	<ul style="list-style-type: none"> <li>Sağ ve sol arka tekerleklerin sürüş hızları farklıdır.</li> </ul>	<ul style="list-style-type: none"> <li>Çim biçme traktörü izleme sistemini "<b>ÇİM BİÇME TRAKTÖRÜ İZLEME SİSTEMİNİN KALİBRASYONU</b>" bölümündeki talimatları uygulayarak kalibre edin.</li> </ul>
Park freni pedalı park konumundan serbest bırakılmıyor veya pedal yavaş geri geliyor.	<ul style="list-style-type: none"> <li>Park freni pedalının içine birikinti veya kir girmiş olabilir.</li> </ul>	<ul style="list-style-type: none"> <li>Park freni pedal kutusunu açarak kutunun içini iyice temizleyin ve kutuyu kapatın. Sorunun çözülüp çözülmediğini görmek için park freni pedalını sıfırlayın. Sorun çözülmediyse onarım için yetkili bir servis teknisyeni ile iletişime geçin.</li> </ul>
Çim biçme traktörü durum göstergesi sabit kırmızı yanarken şarj bağlantı noktası üzerinden şarj edilemiyor.	<ul style="list-style-type: none"> <li>Şarj cihazının fişi, çim biçme traktöründeki şarj bağlantı noktasına doğru takılmamıştır.</li> </ul>	<ul style="list-style-type: none"> <li>Çim biçme traktörünün normal şekilde şarj olup olmadığını görmek için şarj fişini yeniden takın</li> </ul>
	<ul style="list-style-type: none"> <li>Elektrik prizinde elektrik yoktur.</li> </ul>	<ul style="list-style-type: none"> <li>Herhangi bir işleme gerek yoktur. Güç geri gelene kadar bekleyin.</li> </ul>
	<ul style="list-style-type: none"> <li>Şarj cihazı arızalıdır.</li> </ul>	<ul style="list-style-type: none"> <li>İnceleme için yetkili bir servis teknisyeni ile iletişime geçin ve gerekirse şarj cihazının onarılmasını sağlayın.</li> </ul>
	<ul style="list-style-type: none"> <li>Çim biçme traktöründeki şarj cihazı bağlantı noktası arızalıdır.</li> </ul>	<ul style="list-style-type: none"> <li>Onarım için yetkili bir servis teknisyeni ile iletişime geçin.</li> </ul>

SORUN	NEDENİ	ÇÖZÜM
Çim biçme traktörü şarj bağlantı noktası üzerinden şarj etme süresi çok uzun sürüyor.	<ul style="list-style-type: none"> <li>Şarj için ACA1000 EGO Adaptörünü kullanmak daha uzun süre gerektirir.</li> </ul>	<ul style="list-style-type: none"> <li>Çim biçme traktörünü doğrudan şarj etmek için EGO CHV1600E şarj cihazını kullanın.</li> </ul>
Batarya, çim biçme traktörü şarj bağlantı noktası üzerinden tamamen şarj edilemiyor.	<ul style="list-style-type: none"> <li>Çim biçme traktöründe cihaz yazılımı hatası vardır veya şarj cihazı/batarya arızalıdır.</li> </ul>	<ul style="list-style-type: none"> <li>Şarj cihazının fişini çekip birkaç dakikadan uzun süre bekleyin ve ardından fişi prize tekrar takın. Sorun çözülmezse onarım için yetkili bir servis teknisyeni ile iletişime geçin.</li> </ul>
Çim biçme traktörü temizlikten sonra çalıştıramıyor.	<ul style="list-style-type: none"> <li>Elektrikli parçalara, LCD ekrana su girmesi gibi uygun olmayan şekilde temizlik yapılmıştır.</li> </ul>	<ul style="list-style-type: none"> <li>Çim biçme traktörünü doğru bir şekilde temizlemek için "<b>ÇİM BİÇME TRAKTÖRÜNÜN TEMİZLENMESİ</b>" bölümündeki talimatları uygulayın.</li> </ul>
Çim biçme traktörü çok kolay tıkanıyor.	<ul style="list-style-type: none"> <li>Biçme haznesi çim ve birikintiler nedeniyle tıkanmıştır.</li> </ul>	<ul style="list-style-type: none"> <li>Çim biçme traktörü yanlışlıkla yağmura yakalanırsa açık havada kurumaya bırakın veya kurutmak için basınçlı hava kullanın.</li> <li>"Biçme Haznesini Temizlemek için Yıkama Ağızını Kullanma" bölümüne uygun olarak her kullanımdan sonra biçme haznesini temizleyin.</li> </ul>
Çim biçme traktörü yokuş yukarı çıkarken çekim gücünü kolayca kaybediyor.	<ul style="list-style-type: none"> <li>Arka tekerleklerin lastikleri aşınmıştır.</li> <li>Biçme eğimi geniştir.</li> </ul>	<ul style="list-style-type: none"> <li>Tekerlek lastiklerini değiştirmek için yerel servise başvurun.</li> <li>Biçme eğimi istenilen derecede olmalıdır.</li> </ul>
Çim biçme traktörü park freni pedalına basılı olarak eğimli bir yerde durduğunda traktör yokuş aşağı kayabiliyor.	<ul style="list-style-type: none"> <li>Çim biçme traktörünün hatalı kullanımı nedeniyle fren parçaları aşırı biçimde aşınmıştır.</li> </ul>	<ul style="list-style-type: none"> <li>Onarım için yetkili bir servis teknisyeni ile iletişime geçin.</li> </ul>
Biçme haznesini yıkarken yıkama ağzından su gelmiyor.	<ul style="list-style-type: none"> <li>Yıkama ağzı hızlı bağlantı parçası, yıkama ağzına takılmamıştır.</li> </ul>	<ul style="list-style-type: none"> <li>Yıkama ağzı hızlı bağlantı parçasını yeniden takın ve net bir tık sesi duyana kadar sıkıca itin. Sorun çözülmezse onarım için yetkili bir servis teknisyeni ile iletişime geçin.</li> </ul>



SORUN	NEDENİ	ÇÖZÜM
Çim biçme traktörünü çalıştırmadan manuel olarak itinince anormal bir ses çıkıyor.	<ul style="list-style-type: none"> <li>Tahrik motorunun içindeki mıknatıslardan ses geliyordur.</li> </ul>	<ul style="list-style-type: none"> <li>Bu durum normaldir ve herhangi bir işleme gerek yoktur.</li> </ul>

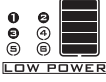
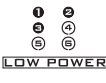


## ARIZA KODU VE ÇİM BİÇME TRAKTÖRÜ DURUM GÖSTERGESİ REFERANSI

LCD Ekran	Açıklama	LCD'deki Arıza Kodu	Çim Biçme Traktörü Durum Göstergesi	Bip sesi	Nedeni	Çözüm
	LCD ekranda LED lambalar simgesi gösterilir.	Yok	KAPALI	Hayır	Farlar, yan lambalar ve arka lambalar LED lamba anahtarı ile açılmıştır.	Bu durum normaldir. Herhangi bir işleme gerek yoktur.
	LCD ekranda USB simgesi gösterilir.	Yok	KAPALI	Hayır	USB simgesi, çim biçme traktörü doğru şekilde çalıştırdıktan sonra bir USB cihazının çalıştırılabileceğini gösterir.	Bu durum normaldir. Herhangi bir işleme gerek yoktur.
	LCD ekranda Enerji Seviyesi Simgesi gösterilir.	Yok	KAPALI	Hayır	Takılı bataryalar için ortalama şarj kapasitesini gösterir.	Bu durum normaldir. Herhangi bir işleme gerek yoktur.
	LCD ekranda Saat Ölçer simgesi gösterilir.	Yok	KAPALI	Hayır	Çim biçme traktörünün toplam sürüş süresini saat cinsinden gösterir ve sıfırlanamaz.	Bu durum normaldir. Herhangi bir işleme gerek yoktur.
	ECO aralığında yük göstergesi simgesi gösterilir.	Yok	KAPALI	Hayır	Çim biçme traktörünün mevcut yükünü gösterir.	Bu durum normaldir. Herhangi bir işleme gerek yoktur.

TR

LCD Ekran	Açıklama	LCD'deki Arıza Kodu	Çim Biçme Traktörü Durum Göstergesi	Bip sesi	Nedeni	Çözüm
	<p>Aşırı yük göstergesi yanıp söner. PWR aralığında yük göstergesi simgesi gösterilir.</p>	Yok	Kırmızı yanar	Tek bip	Bıçak motoruna aşırı yüklenilmiştir.	Çim biçme traktörünün yükünü azaltmak için biçme haznesinin kesim yüksekliğini artırın veya sürüş hızını azaltın.
					Yan boşaltma oluğu çim ve döküntülerle tıkanmıştır.	Her kullanımdan sonra yan boşaltma oluğunu temizleyin.
					Bıçak ve biçme haznesi arasında bir parazit vardır.	Yetkili bir servis teknisyeni tarafından onarılmasını sağlayın.
	<p>Emniyet anahtarı simgesi yanıp söner.</p>	Yok	KAPALI	Hayır	Emniyet anahtarı takılı değildir.	Çim biçme traktörünü çalıştırmak için emniyet anahtarını takın ve ardından ÇALIŞTIR/DURDUR düğmesini basılı tutun.
					LCD ekrana güç gelmiyordur.	Yetkili bir servis teknisyeni tarafından onarılmasını sağlayın.
	<p>Belirli bir batarya bölümünün simgesi yanıp söner.</p>	Yok	KAPALI	Hayır	Aşırı akım nedeniyle belirli bir batarya boşalıyordur.	Herhangi bir işleme gerek yoktur. Aşırı akımlı batarya dışındaki bataryaların toplam Ah gücü gereksinimi karşılırsa çim biçme traktörü çalışmaya devam edebilir. Aşırı akımlı batarya normale döndüğünde hemen çim biçme traktörüne güç sağlar ve simge kaybolur.
					Boş batarya bölümü simgesi yanıp söner.	Çim biçme traktörünün çalışması için batarya kapasitesi yeterli değildir.

LCD Ekran	Açıklama	LCD'deki Arıza Kodu	Çim Biçme Traktörü Durum Göstergesi	Bip sesi	Nedeni	Çözüm
	Sıcaklık simgesi yanıp söner.	Yok	KAPALI	Tek bip	Çim biçme traktörü aşırı ısınmıştır.	Biçme haznesi kesim yüksekliğini artırarak veya bıçak/sürüş hızını yavaşlatarak çim traktörünün yükünü azaltın. Biraz ara verin ve çim biçme traktörünün soğumasını bekleyin.
					Çim biçme traktörü çok soğuk	Lütfen makineye hasar verebilecek tekrarlı denemeler yapmayın. Çim biçme traktörünü ve bataryaları daima ılık bir ortamda depolayın. Çim biçme traktörünü ısındığında yeniden başlatın.
	Sıcaklık simgesi ve tam kullanılan batarya bölmesi simgesi aynı anda yanıp söner.	Yok	KAPALI	Hayır	İlgili numaralı batarya bölümündeki batarya aşırı ısınmıştır.	1. Aşırı ısınan batarya dışında bataryaların toplam Ah gücü gereksinimi karşılarsa çim biçme traktörü çalışmaya devam edebilir. Aşırı ısınan batarya normal sıcaklığına döndüğünde hemen çim biçme traktörüne güç sağlayamaya katılacaktır.
						2. Toplam batarya Ah değeri yeterli değilse boş batarya bölmelerine daha fazla batarya takılana kadar çim biçme traktörü çalışmaz.
						3. Çalışmaya devam ederken biçme haznesi kesim yüksekliğini artırarak veya çim biçme traktörünü yavaşlatarak çim biçme traktörünün yükünü azaltın.

LCD Ekran	Açıklama	LCD'deki Arıza Kodu	Çim Biçme Traktörü Durum Göstergesi	Bip sesi	Nedeni	Çözüm
	LCD ekranda her kullanılan batarya bölümü simgeleri, düşük güç göstergesi, enerji seviyesinin batarya grafiği her 1 saniyede aynı anda yanıp söner. LED enerji seviyesinin ilk bölümü ve durum göstergesi de yanıp söner.	Yok	Kırmızı yanar	PTO anahtarını aşağı doğru itene kadar bip sesi çıkarmaya devam eder.	Bataryaların şarjı azdır ve çim biçme traktörü Koruma modundadır.	Çalışmayı durdurun ve batarya şarj alanına geri dönün. <b>DİKKAT:</b> Çim biçme traktörü Koruma modundayken bıçaklar, çim biçmeden otomatik olarak düşük dönüş hızına geçer ve bu sırada ses göstergesi bip sesi çıkarmaya devam eder. Operatör, biçme haznesi bıçaklarını devre dışı bırakmak için PTO anahtarını aşağı doğru itmelidir. Ses göstergesi, bıçak durduktan sonra ses çıkarmayı durdurur.
	Her kullanılan batarya bölümü simgesi ve düşük güç göstergesi her yarım saniyede bir yanıp söner.	Yok	Kırmızı yanar	Bip sesi çıkarmaya devam eder	Bataryalar bitmek üzeredir.	Çim biçme traktörü hemen çalışmayı durdurur. Operatörün çim biçme traktörünü şarj için batarya şarj alanına götürmesi gerekir.
	LCD ekranda otomatik park simgesi yanıp söner.	Yok	KAPALI	Bip sesi çıkarmaya devam eder	Çim biçme traktörü eğimli bir yere park edilmiştir ve operatör traktörü fren pedalını frenleme konumuna getirmeden direksiyon kolları açık konumda bırakmıştır.	Fren pedalını frenleme konumuna getirin. Otomatik park simgesi söner ve ses göstergesi ses çalmayı durdurur.
	LCD ekranda fren pedalı simgesi gösterilir.	Yok	KAPALI	Hayır	Park freni pedalı frenleme konumuna getirilmiştir.	Çim biçme traktörünü çalıştırmadan önce freni bırakın.

LCD Ekran	Açıklama	LCD'deki Arıza Kodu	Çim Biçme Traktörü Durum Göstergesi	Bip sesi	Nedeni	Çözüm
	LCD ekranda koltuk sensörü simgesi gösterilir.	Yok	KAPALI	Hayır	Operatör koltuktan kalkmıştır veya koltuk anahtarı bağlantısı kesilmiştir.	Operatör koltukta otururken simge yanıyor ise çim biçme traktörünü kullanmayı hemen bırakın ve koltuk bağlantısını kontrol edin. Çim biçme traktörünün koltuk bağlantısı doğruysa lütfen onarım için yetkili bir servis teknisyeni ile iletişime geçin.
	PTO Anahtarı simgesi yanıp söner.	Yok	KAPALI	Hayır	Bıçak motorunun çalışması kesilmiştir ve PTO anahtarı kapalı konuma getirilmemiştir.	Çim biçme traktörünü yeniden çalıştırmadan önce PTO anahtarını aşağı doğru iterek biçme haznesi motorunu devre dışı bırakın. Referans için bu kılavuzun "SORUN GİDERME" bölümüne bakabilirsiniz.
	Direksiyon kolu simgesi yanıp söner.	Yok	KAPALI	Hayır	Tahrik motorunun çalışması kesilmiştir ve direksiyon kolları açık konuma getirilmemiştir.	Çim biçme traktörünü yeniden çalıştırmadan önce direksiyon kollarını açık konuma getirin. Referans için bu kılavuzun "SORUN GİDERME" bölümüne bakabilirsiniz.
	Enerjinin geri gelmesi simgesi ara sıra yanıp söner.	Yok	KAPALI	Hayır	Frenleme veya aşağı yönlü sürüş sırasında oluşan kinetik enerji bataryaları şarj etmek için elektrik enerjisine dönüştürülmüştür.	Bu durum normaldir. Herhangi bir işleme gerek yoktur.

**DİKKAT:** LCD ekranda bir arıza kodu görünürse tüm bataryaları çıkarın ve birkaç dakika sonra tekrar takın. Bu işlem sorunu çözmezse aşağıdaki hata kodu sorun giderme adımlarını izleyin.

LCD Ekran	Açıklama	LCD'deki Arıza Kodu	Çim Biçme Traktörü Durum Göstergesi	Bip sesi	Nedeni	Çözüm	
Bkz. "Arıza Kodu"	Sol tahrik motoru dönemez.	PCBA kontrollü sol tahrik motoru arızalıdır.	413	KAPALI	Tek bip	PCBA arızası	Yetkili bir servis teknisyeni tarafından onarılmasını sağlayın.
		Sol tahrik motorunu ilgili PCBA'ya bağlayan fiş (üç fazlı, güç kablosu) gevşemiştir.	317	KAPALI	Tek bip	Gevşek bağlantı	
		Sol tahrik motorunu ilgili PCBA'ya bağlayan fiş (altı pimli, sinyal kablosu) gevşemiştir.	301	KAPALI	Tek bip	Gevşek bağlantı	
		Sol tahrik motoru arızalıdır.	317	KAPALI	Tek bip	Motor arızası	
Bkz. "Arıza Kodu"	Sağ tahrik motoru dönemez.	PCBA kontrollü sağ tahrik motoru arızalıdır.	313	KAPALI	Tek bip	PCBA arızası	Yetkili bir servis teknisyeni tarafından onarılmasını sağlayın.
		Sağ tahrik motorunu ilgili PCBA'ya bağlayan fiş (üç fazlı, güç kablosu) gevşemiştir.	417	KAPALI	Tek bip	Gevşek bağlantı	
		Sağ tahrik motorunu ilgili PCBA'ya bağlayan fiş (altı pimli, sinyal kablosu) gevşemiştir.	401	KAPALI	Tek bip	Gevşek bağlantı	
		Sağ tahrik motoru arızalıdır.	417	KAPALI	Tek bip	Motor arızası	

TR

LCD Ekran	Açıklama	LCD'deki Arıza Kodu	Çim Biçme Traktörü Durum Göstergesi	Bip sesi	Nedeni	Çözüm	
Bkz. "Arıza Kodu"	Sol bıçak motoru dönemez.	PCBA kontrollü sol bıçak motoru arızalıdır.	607/A07	Yok	Tek bip	PCBA arızası	Yetkili bir servis teknisyeni tarafından onarılmasını sağlayın.
		Sol tahrik motorunu ilgili PCBA'ya bağlayan fiş (üç fazlı, güç kablosu) gevşemiştir.	509	Yok	Tek bip	Gevşek bağlantı	Önce bıçağı kontrol edin. Cıvata gevşemişse önerilen torkla sıkın. Ya da yetkili bir servis teknisyeni tarafından onarılmasını sağlayın.
		Sol bıçak motoru arızalıdır.	509	Yok	Tek bip	Motor arızası	
Bkz. "Arıza Kodu"	Sağ bıçak motoru dönemez.	PCBA kontrollü sağ bıçak motoru arızalıdır.	507/A07	Yok	Tek bip	PCBA arızası	Yetkili bir servis teknisyeni tarafından onarılmasını sağlayın.
		Sağ tahrik motorunu ilgili PCBA'ya bağlayan fiş (üç fazlı, güç kablosu) gevşemiştir.	609	Yok	Tek bip	Gevşek bağlantı	Önce bıçağı kontrol edin. Cıvata gevşemişse önerilen torkla sıkın. Ya da yetkili bir servis teknisyeni tarafından onarılmasını sağlayın.
		Sağ bıçak motoru arızalıdır.	609	Yok	Tek bip	Motor arızası	
Bkz. "Arıza Kodu"	Orta bıçak motoru dönemez.	PCBA kontrollü orta bıçak motoru arızalıdır	507/607	Yok	Tek bip	PCBA arızası	Yetkili bir servis teknisyeni tarafından onarılmasını sağlayın.
		Orta bıçak motorunu ilgili PCBA'ya bağlayan fiş (üç fazlı, Güç kablosu) gevşemiştir.	A09	Yok	Tek bip	Gevşek bağlantı	Önce bıçağı kontrol edin. Cıvata gevşemişse önerilen torkla sıkın. Ya da yetkili bir servis teknisyeni tarafından onarılmasını sağlayın.
		Orta bıçak motoru arızalıdır	A09	Yok	Tek bip	Motor arızası	

LCD Ekran	Açıklama	LCD'deki Arıza Kodu	Çim Bıçme Traktörü Durum Göstergesi	Bip sesi	Nedeni	Çözüm	
Bkz. "Arıza Kodu"	Sol direksiyon kolu arızalıdır.	PCBA'yı kontrol eden sol direksiyon kolu arızalıdır.	311/412	KAPALI	Tek bip	PCAB arızası	Yetkili bir servis teknisyeni tarafından onarılmasını sağlayın.
		Direksiyon çubuğunda bulunan kontrol PCBA'sını bağlayan fiş gevşektir.				Gevşek bağlantı	
Bkz. "Arıza Kodu"	Sağ direksiyon kolu arızalıdır.	PCBA'yı kontrol eden sağ direksiyon kolu arızalıdır.	312/411	KAPALI	Tek bip	PCAB arızası	Yetkili bir servis teknisyeni tarafından onarılmasını sağlayın.
		Direksiyon çubuğunda bulunan kontrol PCBA'sını bağlayan fiş gevşektir.				Gevşek bağlantı	
Bkz. "Arıza Kodu"	Park freni arızalıdır, alet sürülemez.	Ön şase aksamındaki PCBA park freni arızalıdır.	309/409	KAPALI	Tek bip	PCBA arızası	Yetkili bir servis teknisyeni tarafından onarılmasını sağlayın.
		Park freni anahtarı ve/veya kablosu arızalıdır.	801	KAPALI	Tek bip	Kablo/Anahtar arızası	
KAPALI	Şarj Bağlantı Noktası Arızası		Yok	Sabit Kırmızı	Yok	Şarj bağlantı noktası açık devrededir.	Yetkili bir servis teknisyeni tarafından onarılmasını sağlayın.
			Yok	Sabit Kırmızı	Yok	Güç kaynağı yoktur.	Prizde 220 V - 240 V olup olmadığını veya soketin iyi durumda olup olmadığını kontrol edin.
			Yok	Sabit Kırmızı	Yok	Sigorta atmıştır.	Yetkili bir servis teknisyeni tarafından onarılmasını sağlayın.



LCD Ekran	Açıklama	LCD'deki Arıza Kodu	Çim Biçme Traktörü Durum Göstergesi	Bip sesi	Nedeni	Çözüm
Bkz. "Arıza Kodu"	Şarj Bağlantı Noktası Arızası	204	Yok	Tek bip	Şarj bağlantı noktası açık devrededir.	Yetkili bir servis teknisyeni tarafından onarılmasını sağlayın.
Bkz. "Arıza Kodu"	Batarya Kutusu Tertibatı çalışmıyor	217	Yok	Tek bip	Batarya Kutusu tertibatından sağlanan güç kaynağı arızalıdır. LED farlar ve USB çalışmaz.	Yetkili bir servis teknisyeni tarafından onarılmasını sağlayın.
		310/ 410	KAPALI	Tek bip	Batarya Kutusu tertibatının Type C kabloları ile çim biçme traktörünün diğer Type C kabloları arasındaki bağlantı bozuktur.	
		201/ 202/ 203	KAPALI	Tek bip	Batarya Kutusu tertibatının BMS'si bozuktur.	
Bkz. "Arıza Kodu"	Çalıştır/Durdur Düğmesi Arızası	314/ 414	KAPALI	Tek bip	PCBA anahtarı arızası vardır veya Çalıştır/Durdur Düğmesinin kablo bağlantısı bozuktur.	Yetkili bir servis teknisyeni tarafından onarılmasını sağlayın.

LCD Ekran	Açıklama	LCD'deki Arıza Kodu	Çim Biçme Traktörü Durum Göstergesi	Bip sesi	Nedeni	Çözüm
Bkz. "Arıza Kodu"	LCD Ekran Arızası	315/ 415	KAPALI	Tek bip	LCD tertibatı veya LCD tertibatının kablo bağlantısı bozuktur.	Yetkili bir servis teknisyeni tarafından onarılmasını sağlayın.

## GARANTİ

### EGO GARANTİ POLİTİKASI

EGO Garanti Politikasına ilişkin tüm hükümler ve koşullar için lütfen [egopowerplus.com](http://egopowerplus.com) adresindeki web sitemizi ziyaret edin.

**KEES VAN DER SPEK**  
TUINMACHINES \* STOLWIJK

# LUGEGE LÄBI KÕIK JUHISED!



LUGEGE KASUTUSJUHENDIT

## OHUTUSSÜMBOL

Ohutussümbolite eesmärk on pöörata tähelepanu võimalikele ohtudele. Ohutussümbolitele ja nende juures olevatele seletustele tuleb korralikult tähelepanu pöörata ja need endale selgeks teha. Ohutussümbolid iseenesest ei kõrvalda ohtu. Nendega kaasnevad juhendid ja hoiatused ei asenda asjakohaseid õnnetuste ennetamise meetmeid.

**⚠ HOIATUS:** Enne käesoleva seadme kasutamist lugege kindlasti läbi ja tehke endale selgeks kõik kasutusjuhendis toodud ohutusjuhised, sh kõik ohutussümbolid nagu „OHT,” „HOIATUS,” ja „ETTEVAATUST”. Kui allpool loetletud juhiseid ei järgita, võib tagajärjeks olla elektrilöök, tulekahju ja/või tõsised isikuvigastused.

## SÜMBOLITE TÄHENDUSED

Sel lehel on kujutatud ja kirjeldatud ohutussümboleid, mida võib käesolevalt tootelt leida. Enne seadme kokkupanemist ja kasutamist lugege, tehke omale selgeks ja järgige kõiki juhiseid.

## OHUTUSSÜMBOLID

	Ohutusteade		Lugege kasutusjuhend läbi ja tehke see endale selgeks
	Silmade kaitse		Ohutusseadiste hooldamine
	OHT – järsu kallaku oht		OHT – hoidke kõrvalised isikud löiketeradest eemal
	Ärge kunagi sõidutage niidukil lapsi		Vaadake tagurdamisel enda taha
	HOIATUS – Ärge kasutage seda masinat kallakutel, mis on suuremad kui 12°		OHT – viskuvad esemed
	HOIATUS – HOIDKE KÄED JA JALAD EEMAL		Garanteeritud helivõimsuse tase. Vastavuses Euroopa Ühenduse direktiiviga.

ET



Ärge peale astuge



Toode vastab kohaldatavatele EÜ direktiividele.



Alisvool

kPa Kilopaskal

V volti

tolli Toll

Nm Njuutonmeeter

°C Celsius

km/h Kilomeetrit tunnis



Elektriseadmete jäätmeid ei tohi visata olmejäätmete hulka. Viige volitatud taaskäitleja juurde.



TÄHELEPANU - Ärge vaadake töötava valgusti suunas.



Toode vastab kohaldatavatele Ühendkuningriigi õigusaktidele.

p/min Pööret minutis

m Meetrid

cm Sentimeetrid

mm Millimeetrit

kg Kilogramm

IPX4 Kaitseklass

## SPETSIFIKATSIOONID

Pinge	56 V		Lõikekõrguse reguleerimine (10 asendit)	25–100 mm	
Aluse suurus	132 cm		Töötemperatuur	0°C– 40°C	
Ratta suurus	Eesmine	279,4 x 126 mm	Hoiustamistemperatuur	-20°C–70°C	
	Tagumine	457,2 x 223 mm	Kaal (ilma akuplokita)	217 kg	
Külma rehvi rõhk	Eesmine	222,1 kPa	Möödetud helivõimsuse tase $L_{WA}$	95,48 dB(A) K=0,73 dB(A)	
	Tagumine	115,8 kPa	Helirõhutase seadme operaatori kõrva juures $L_{PA}$	82,5 dB(A) K=3 dB(A)	
Pöörderaadius	0		Garanteeritud helivõimsuse tase $L_{WA}$ (möödetud vastavalt direktiivile 2000/14/EÜ)	100 dB(A)	
Terakiirus (p/min)	2600; 2800; 3000; 3200		Vibratsioon $a_h$	Käsi	0,69 m/s <sup>2</sup> K=1,5 m/s <sup>2</sup>
Max Sõidukiirus (km/h)	Edasi	8,1 km/h, 9,7 km/h, 11,3 km/h, 12,8 km/h		Keha	0,3 m/s <sup>2</sup> K=1,5 m/s <sup>2</sup>
		Tagurdamine	kuni 6,4 km/h		
Laadimine	Laadija (valikuline)	CHV1600E			
	Adapter (valikuline)	ACA1000			
	Laadimistemperatuuri vahemik	-5°C–40°C			

- Esitatud vibratsioonitaseme näit on möödetud standardsete testmeetodite kohaselt ja seda võib kasutada erinevate tööriistade võrdlemiseks.
- Esitatud vibratsioonitaseme näitu võib kasutada ka algse kokkupuutehinnangu andmiseks.

**MÄRKUS:** Tegelikul kasutamisel tekkiv vibratsioonitase võib esitatust erineda; turvalisuse eesmärgil peaks seadme kasutaja tegelikes kasutustingimustes kandma kindaid ja kuulmiskaitsmeid.

## KIRJELDUS

### TUNNE NIIDUKIT (JONIS A1 JA A2)

1. Iste
2. Laadimisport
3. Toiteplokk
4. LED-tagatuled
5. Hoiuruum
6. Tassihoidjad
7. LED-küljetuled
8. Tagaratas (veoratas)
9. Pesuava
10. Sõidulaud
11. Niiduki aluse kaitse
12. Tugiratas
13. Esiratas
14. Seisupiduri pedaal
15. Sõidutuled
16. LED-esituled
17. Külgmise väljutusrenn
18. Teki kõrguse reguleerimishoob
19. Istme vedrustuse reguleerimishoob
20. Istekõrguse reguleerimishoob
21. Ringipulgad
22. Niiduki oleku märgutuli
23. LCD-ekraan
24. Jõusiirdevõlli lüliti
25. Sisse-väljalülitusnupp
26. Turvavõti
27. Telefoni mälupeesa
28. Tõkesti kang
29. Niiduki kütusenäidiku ja oleku märgutuli
  - 29.a. Niiduki kütusenäidiku märgutuli
  - 29.b. Niiduki oleku märgutuli
30. Jalatugi
31. Toiteploki kaane vabastusnupp
32. Toiteploki kate
33. Kuue akupesaga toiteplokk
34. Akuvabastusnupp
35. Haakesead
36. Lisaseadme paigalduskate
37. Lisaseadme paigalduskatte hoiustamine
38. USB-port

### TUNNE LCD-EKRAANI (JONIS A3)

Lisateavet LCD-ekraanil olevate ikoonide ja märgutulede kohta leiate jaotisest „NIIDUKI OLEKU VIIDE JA RIKKEKOOD“.

1. Turvavõtme ikoon
2. LED-tulete ikoon
3. Auto-Parking ikoon
4. USB ikoon
5. Terakiiruse märgutuli
6. Ohutusseadise oleku märgutuli
7. Tunniarvesti
8. Vaba akupesaka kate
9. Temperatuuri ikoon
10. Hõivatud akupesaka kate
11. Sõidurežiim
12. Veakoodi märgutuli
13. Ülekoormuse märgutuli
14. Madala energiataseme märgutuli
15. Sõidukiiruse märgutuli
16. Koormuse märgutuli
17. Kütusemõõdik
18. Terakiiruse reguleerimisnupp
19. Seadistamisnupp
20. Sõidurežiimi nupp

ET

21. LED-tule lüliti
22. Sõidukiiruse reguleerimisnupp

## LAHTIPAKKIMINE

**MÄRKUS:** Ärge visake pakkematerjali ära enne, kui olete tööriista tähelepanelikult üle kontrollinud ja seda rahuldavate tulemustega kasutanud. Kui mõni pakendiloendis olev osa on puudu, võtke kohe ühendust EGO teenindusega.

**MÄRKUS:** Välja arvatud allpool pakendiloendis olevad tööriistad, on kõik muud juhendis mainitud tööriistad lihtsalt soovitatavad, kuid neid ei tarnita koos seadmega.

### PAKENDILOEND (joonis B)

B-1	Nullpöördradiusega sisselülitav niiduk	B-6	Turvavõtmed
B-2	Iste	B-7	Harkvõtmed (13 mm)
B-3	Juhthoob	B-8	Kuuskantvõti
B-4	Pesapeakruvid (2 tagavaraks)	B-9	Pesuava kiirühendus
B-5	Kuuskantpoldid (2 tagavaraks)	B-10	Kasutusjuhend

### SOOVITATUD TARVIKUD

**⚠ HOIATUS:** Hooldusel ja remontimisel kasutage vaid allpool loetletutega identseid varuosi. Algele tootespetsifikatsioonile mittevastavate varuosade kasutamine võib põhjustada häireid seadme töös ja puudujääke ohutuses.

ET

OSA NIMI	MUDELI NUMBER
Standardtera	AB5200
Kõrge tõstega tera	AB5201
Multšimiskomplekt	ABP5200
Murukoguri kott	ABK5200-A
Tagumine pörkeraud	AMB1000

Lasti kast	AMG1000
Päikesevari	AMS1000

## KOKKUPANEK

### ISTME PAIGALDAMINE (joonised C1 ja C2)

**⚠ HOIATUS:** Turvablokeerimissüsteemi ei tohi lahti ühendada ega sellest mööda minna. See võib niiduki ootamatult käivita, põhjustades kehavigastusi.

**MÄRKUS:** Teie ohutuse tagamiseks võib niiduk seisma jääda, kuna istme lüliti on sõidu ajal lahti tulnud. Sel juhul vaadake lisateavet jaotisest „TÕRKEOTSING“.

C1-1	Kaabel	C1-5	Pesapeakruvid
C1-2	Pistik	C2-1	Konks
C1-3	Pesa	C2-2	Terasreksid
C1-4	Vedrustuse alus	C2-3	Pesapeakruvid

### JUHTHOOBADE PAIGALDAMINE (joonis C3)

C3-1	Juhthoovad	C3-3	Juhthoova kinnitusavad
C3-2	Kuuskantpoldid		

## SEADME KASUTAMINE

### ENNE NIIDUKI KASUTAMIST

#### Kontrollimise keskkond

- a. Tagage, et tööalas poleks lapsi, kõrvalisi isikuid ega lemmikloomi.
- b. Puhastage tööala esemetest, mida niiduki terad võivad üles visata.
- c. Kontrollige ja veenduge, et LED-tuled oleksid õiges olekus:
  - Esilaternalid, külj- ja tagatulesid juhitakse LED-valguslüliti abil.
  - Sõitmise ajal põlevad alati tuled.
  - Tagurdamise ajal, kui tagatuled on välja lülitatud, vilguvad need kõrvaliste isikute hoiatamiseks; kui tagatuled sisse lülitada, jäävad need põlema.

- Kõik tuled kustuvad automaatselt, kui niiduk lülitub automaatselt välja pärast teatud aja mittetöötamise möödumist.

### Külma rehvirõhu kontrollimine (joonis D1)

#### Niiduki oleku ja aku laetuse taseme kontrollimine

- Niiduki kütusenäidiku näidik (joonised A2–27a)

Niiduki kütusenäidiku märgutule iga segment näitab sisestatud akuplokkide 20% täituvust.

**MÄRKUS:** Niiduki kütusenäidiku märgutuli ja kütusenäidik LCD-ekraanil näitavad sisestatud akuplokkide keskmist mahtuvust.

- Niiduki oleku märgutuli (joonised A1 ja A2–27b)

Kui oleku märgutuli on roheline, on niiduk sõiduks valmis. Kui ei, siis vaadake jaotist „**NIIDUKI OLEKU VIIDE JA VEAKOOD**“

#### Turvablokeeringsüsteemi katsetamine (joonised D2–D8)

**MÄRKUS:** Kasutaja peab enne katsetamist istmele istuma.

- Enne katsetamist (joonised D2–D4)
- Niiduki aluse terade süsteemi (joonis D5) katsetamiseks tõuske aeglaselt püsti
- Sõidusüsteemi katsetamiseks (joonised D6–D8) tõuske aeglaselt püsti

Kui aluse terade süsteem ja/või juhtimissüsteem ei peatu, kui juht istmelt lahkub ja kui pärast istme pistiku- ja pistikupesaaühenduse kontrollimist ei ole põhjust võimalik kindlaks teha, võtke kohe ühendust EGO klienditeeninduskeskusega.

### REGULEERIMINE (joonised E1–E13)

#### Ettevalmistus (joonised E1–E5)

#### Lõikamisaluse kõrguse reguleerimine (joonis E6)

#### Tugirataste reguleerimine (joonised E7– E10)

E7-1	Tugiratas	E9-2	Puidupolt
E9-1	Mutter	E10-1	Niiduki aluse kõrguse silt

#### Istme reguleerimine (joonis E11)

Reguleerige istme asendit selliselt, et ulatuksite enne niiduki kasutamist kindlalt seisupiduri pedaalini. Istme vedrustuse reguleerimine võimaldab teil istmel kõige mugavama asendi võtta.

E11-1	Istekõrguse reguleerimishoob	E11-2	Istme vedrustuse reguleerimishoob
-------	------------------------------	-------	-----------------------------------

#### Seisupiduri seadistamine (joonised E12–E13)

E13-1	Pidurdusasend	E13-2	Vabastatud asend
-------	---------------	-------	------------------

### LAADIMINE (joonised F1–F11)

Selle niiduki käivitamiseks on vaja EGO akusid kogumahtuvusega vähemalt 15 Ah (2 X BA4200/BA4200T) või rohkem. Parima jõudluse tagamiseks soovitage kasutada EGO akusid, mille kogumahtuvus on vähemalt 30 Ah või rohkem.

#### Kasutage ainult soovitatud akuplokke ja laadijaid: (joonised F9 ja F10)

#### Laadimise ettevalmistus (joonised F1–F4)

#### Akuploki (-plokkide) laadimine eraldi (joonis F5 – joonis F9)

F5-1	Katte vabastamise nupp	F7-1	Akuvabastusnupp
------	------------------------	------	-----------------

- Akuploki (-plokkide) paigaldamine (joonised F5–F6)
- Akuploki (-plokkide) eemaldamine (joonised F7–F8)

**MÄRKUS:** Akuploki (-plokkide) laadimiseks tutvuge vastavate akude ja laadijate kasutusjuhendeid.

#### Akuplokkide laadimine laadimisporti kaudu (joonis F10)

F10-1	Tolmukate	F10-2	Laadimisport
-------	-----------	-------	--------------

### MURUNIIDUKI KÄIVITAMINE

#### (joonised A4–A5 ja joonised G1–G6)

**⚠ HOIATUS:** Vältige äkilisi käivitusi, peatusi ja pöördeid, samuti liigset kiirust, eriti kui te alles õpite niidukit kasutama. Niiduk võib kiiresti pöörlema hakata, mille

tõttu võib kontroll niiduki üle kaduda ning kasutaja saada raskeid vigastusi ja/või kahju.

**⚠ HOIATUS:** Enne niiduki käivitamist kontrollige terasid ja veenduge, et need on 5s jooksul PTO-lüliti vajutamisel lahtiühendatud. Kui terad ei peatu, ärge niidukit kasutage ja võtke kohe ühendust EGO klienditeenindusega.

**MÄRKUS:** Järgige jooniseid A4 ja G2, et tagada väiksem sõidukiirus ja **STANDARDNE** sõidurežiim, kuni olete täielikult võimeline niidukit igas olukorras juhtima. Sõidukiirus ja sõidurežiim aktiveeruvad alles siis, kui niiduki rattad on peatunud ja juhthoovad avatud.

Niiduk salvestab ja taaskäivitamisel esitab eelmise sõidurežiimi, sõidukiiruse ja roolihoobade kalibreerimise.

### Sõidurežiim

- **JUHTIMINE:** Väiksem kiirendus, vähem tundlik käsitsemine ja mõõdukas pööramiseks muru kaitsmiseks ja uutele kasutajatele jaoks.
- **STANDARDNE:** Sobib ideaalselt igapäevaseks kasutamiseks.
- **SPORTIMINE:** Suurem kiirendus, täpne käsitsemine ja järsk pööre, et maksimeerida niitmise tõhusust ja niitmise entusiastide jaoks.

### Sõidukiiruse reguleerimine (joonis A4)

### Terakiiruse reguleerimine (joonis A5)

### USB-port

**MÄRKUS:** USB-port tagab 5-voldise alalisvoolu laadimisvõimsuse kuni 1,5-amprisel kombineeritud voolutugevusel ja saab toidet ainult niiduki käivitamisel.

## ET NIIDUKI KÄIVITAMINE/PEATAMINE (joonised H1 - H6)

**MÄRKUS:** Pärast enam kui 60-minutilist töötamist lülitub niiduk automaatselt välja.

### Avariirežiim

Kui aku hakkab tühjaks saama, siis läheb niiduk avariirežiimi:

- Niiduk peatab automaatselt muru niitmise;
- Piiksumise märgutuli jätkab piiksumist;

- Niiduki oleku märgutuli vilgub punaselt iga sekundi tagant, niiduki kütusenäidiku esimene segment vilgub punaselt ja nii vähese energia märgutuli kui ka akugraafika kütusenäidikul vilguvad

Kasutaja peaks:

- a) Terade väljalülitamiseks vajutage jõusiirdevõlli lüliti alla (joonis H3). Tera seiskamisel lakkab piiksumise märgutuli piiksumast;
- b) Lõpetage töö ja suunduge aku laadimispiirkonda niipea kui võimalik. Maksimaalne vahemaa, mida niiduk suudab läbida on 1000 m.

Kui aku on peaaegu tühi, vilgub iga hõivatud akupesaja vähese energia märgutuli iga poole sekundi tagant. Niiduk lakkab kohe töötamast. Kasutaja peaks niiduki laadimiseks aku laadimispiirkonda transportima.

### Käsitsi lükkamine

Kui niidukit on vaja käsitsi lükata, veenduge et akud oleksid niidukist lahti ühendatud ja seisupiduri pedaal on pidurdusasendist vabastatud.

### NIIDUKIGA SÕITMINE (joonised I1–I9)

Kiiruse peatamiseks, vähendamiseks või suurendamiseks vahetage aeglaselt juhthoova kaugust neutraalist.

**⚠ OHT!** Hoidke vähemalt kahe niitmislaiuse ulatust kraavidest, langustest või veest. Esirattad võivad niiduki peatamisel pöörlema hakata ka siis, kui on pidurit vajutatud, ja põhjustada niiduki üle serva või vette kukkumise, mille tagajärg võib olla surm või tõsised kehavigastused.

**⚠ HOIATUS:** Enne tagurdamist tehke kindlaks, mis on niiduki taga. ÄRGE niitke tagurpidikäiguga, kui see pole just hädavajalik. Vaadake enne tagurdamist alati alla ja enda taha veendumaks, et niitmisalal ei oleks lapsi, kõrvalisi isikuid ega lemmikloomi. Pidage meeles, et surma ja raskeid vigastusi põhjustavaks õnnetuseks piisab ka sekundi murdosa pikkusest tähelepanematusesest.

**⚠ HOIATUS:** Ärge kasutage seadet avalikel maanteedel.

**⚠ HOIATUS:** Kui niiduk takerdub või sõidab otsa võõrkehale, peatage mootorid ja eemaldage akud.



Eemaldage niidetud muru, lehed, muld ja muu kogunenud praht; kontrollige niidukit põhjalikult kahjustuste suhtes ja parandage kahjustused enne niiduki taaskäivitamist ja kasutamist.

## HOOLDUS

**⚠ HOIATUS:** Kandke alati küljekaitsega turvaprilile. Vastasel korral võib teile midagi silma paiskuda ja võite saada raskeid vigastusi.

**⚠ HOIATUS:** Kaitske alati oma käsi, kasutades niiduki terade hooldamisel tugevaid töökindaid või kattes teravad ääred rätikute või muu kattega. Niiduki hooldamise ja transportimise ajaks eemaldage alati turvavõti ja akuplokid.

Hooldusvälp	Hooldustööd
Enne iga kasutust või iga päev	<ul style="list-style-type: none"> <li>▪ Kontrollige turvablokeerimissüsteemi.</li> <li>▪ Kontrollige visuaalselt, kas rehvi on tühi.</li> <li>▪ Kontrollige, kas terad on kulunud, purunenud või paindunud.</li> <li>▪ Enne iga kasutuskorda kontrollige tervet seadet, et ei esineks kahjustunud, puuduvaid või lahtisi osi, nt külgmehhanismid, väljutusrenn, kruvid, mutrid, poldid, korgid vms.</li> <li>▪ Kontrollige piduri tööd.</li> </ul>
Pärast iga kasutuskorda	<ul style="list-style-type: none"> <li>▪ Puhastage niiduki alus.</li> </ul>
Iga 25 tunni tagant	<ul style="list-style-type: none"> <li>▪ Kontrollige rehvirõhku.</li> </ul>
Iga 50 tunni tagant	<ul style="list-style-type: none"> <li>▪ Kontrollige löiketera ääriku sees oleva määrdeaine seisundit.</li> </ul>
Iga 100 tunni tagant	<ul style="list-style-type: none"> <li>▪ Kontrollige tagarattaid ja veenduge, et kõik mutrid oleksid kinnitatud soovitatud pöördemomendiga.</li> </ul>

Iga 200 tunni tagant	<ul style="list-style-type: none"> <li>▪ Kontrollige esirattaid ja veenduge, et need vabalt pöörleksid.</li> </ul>
Igal aastal	<ul style="list-style-type: none"> <li>▪ Kontrollige seisupiduri pedaali. Eemaldage niidukilt aku ja seadke seisupiduri pedaal pidurdusasendisse. Lükake niidukit käsitsi ettepoole, et näha, kas seda saab liigutada või mitte. Kui see liigub, laske kvalifitseeritud hooldustehnikul niidukit hooldada.</li> </ul>

### NIIDUKI PUHASTAMINE (joonised J1–J9)

Ettevalmistus (joonised J1–J5)

Niiduki korpuse puhastamine (joonised J6–J7)

Pesemispesa kasutamine niiduki puhastamiseks (joonis J8 – J9)

J8-1	Pesuava	J8-3	Aiavoolik
J8-2	Pesuava kiirühendus		

**MÄRKUS:** Puhastamise lõpetamisel lükake jõusirdevõlli lüliti alla, et niiduki terad välja lülitada.

### NIIDUKI ALUSE JA LÖIKETERADE HOOLDUS

Ettevalmistus (joonised K1–K6)

Niiduki aluse eemaldamine (joonised K7–K8)

K7-1	Mootori kaabel	K7-3	Vedrustushoovastik
K7-2	Varrasnõel		

**MÄRKUS:** Niiduki eemaldamisel ühendage lahti kõik mootorikaablid ja splindid.

Löiketerade vahetamine (joonised K9–K11)

K9-1	Stabilisaator	K10-3	Tera
K10-1	Polt	K10-4	Äärik
K10-2	Seib	K10-5	Mootorivõll

ET

### Niiduki aluse loodimine.

- a. Millal loodida (joonised K12–K14)
- b. Enne loodimist
  - Külma rehvirõhu kontrollimine (joonis K15)
  - Kontrollige lõiketerasid. Vajadusel eemaldage ja asendage kulunud, purunenud ja/või paindunud terad.
- c. Loodimise ettevalmistus (joonised K16–K21)
- d. Kuidas loodida
  - Küljelt küljele reguleerimine (joonis K22)

K22-1

Kontramutter

- Eest taha reguleerimine (joonis K23)

### NIIDUKI JÄLGIMISSÜSTEEMI KALIBREERIMINE (joonised L1–L4)

**MÄRKUS:** Piiksumise märgutuli piiksub üks kord nii kalibreerimise alustamisel kui ka kalibreerimise lõpetamisel.

**MÄRKUS:** Ühe sõidurežiimi ("CONTROL", "STANDARD", "SPORT") jaoks lõpetatud kalibreerimine ei pruugi kahe ülejäänud režiimi jaoks saadaval olla. Vajadusel kalibreerige roolihoovad igas sõidurežiimis eraldi.

### NIIDUKI LÄHTESTAMINE TEHASE ALGSEADISTUSTELE (joonis M)

**MÄRKUS:** Piiksumise märgutuli piiksub üks kord nii lähtestamise alustamisel kui ka lähtestamise lõpetamisel.

**MÄRKUS:** Kui lähtestamine on edukas, naasevad järgmised seaded algsetele tehaseseadetele:

- sõidurežiim
- sõidukiirus
- roolihoobade kalibreerimine

## LADUSTAMINE JA TRANSPORT

### NIIDUKI TRANSPORTIMINE (JOONIS N1– N11)

**MÄRKUS:** Kinnitage niiduk vastavalt vajadusele, kasutades rihmasid või kaableid, et vältida selle transpordi ajal liikuma hakkamist.

### HOIUSTAMINE (joonised O1–O6)

**MÄRKUS:** Uurige akuplokkide eemaldamise ja akude hoiustamise kohta vastavatest juhenditest.

Puhastage ja kontrollige niidukit enne selle hoiustamist vastavalt jaotisele „NIIDUKI PUHASTAMINE“ ja „SOOVITATUD HOOLDUSKAVA(D)“.


### Keskkonnakaitse




Elektri- ja elektroonikaseadmetest tekkinud jäätmete direktiiv (WEEE).

Ärge visake elektriseadmeid, kasutatud akut ega laadijat olmeprügi hulka! Viige toode volitatud taaskäitleja juurde ja võimaldage selle komponendid sorteerituna kõrvaldada. Elektritööriistad tuleb viia keskkonnakaitsenõudeid järgivasse jäätmekäitluskeskusesse.

## TÕRKEOTSING

PROBLEEM	PÕHJUS	LAHENDUS
<p>Nullpöörderaadiusega elektriline niiduk ei sõida, kui sõitu alustades kahte juhthooba edasi või tagasi lükatakse.</p>  <p>Juhthoova ikoon vilgub</p>	<ul style="list-style-type: none"> <li>Sisestatud patareide kombineeritud Ah ei vasta nõudele.</li> </ul>	<ul style="list-style-type: none"> <li>Selle niiduki käivitamiseks kasutage piisavalt EGO akusid, järgides selle juhendi jaotises „<b>LAADIMINE</b>“ toodud juhiseid.</li> </ul>
	<ul style="list-style-type: none"> <li>Seisupiduri pedaal on seatud pidurdusasendisse.</li> </ul>	<ul style="list-style-type: none"> <li>Vajutage seisupiduri pedaal täielikult alla, et see pidurdusasendist vabastada.</li> </ul>
	<ul style="list-style-type: none"> <li>Juhthoovad ei ole niiduki käivitamisel avatud asendis.</li> </ul>	<ul style="list-style-type: none"> <li>Pöörake roolihoovad avatud asendisse ja taaskäivitage niiduk.</li> </ul>
	<ul style="list-style-type: none"> <li>Kasutaja ei istu istmel.</li> </ul>	<ul style="list-style-type: none"> <li>Niidukit saab juhtida ainult siis, kui kasutaja istub istmel õigesti.</li> </ul>
	<ul style="list-style-type: none"> <li>Istme lüliti pole õigesti ühendatud.</li> </ul>	<ul style="list-style-type: none"> <li>Eemaldage niidukilt aku ja demonteerige iste selle kasutusjuhendi jaotise „<b>ISTME PAIGALDAMINE</b>“ juhistega vastupidises järjekorras, et kontrollida istme lüliti ühendust. Pange iste uuesti kokku ja järgige niiduki taaskäivitamise juhiseid jaotises „<b>NIIDUKI KÄIVITAMINE</b>“, et näha, kas niidukit saab käivitada. Kui seda ei juhtu, võtke remondiks ühendust kvalifitseeritud hooldustehnikuga</li> </ul>
	<ul style="list-style-type: none"> <li>Äärmiselt külma ilmaga ei tarvitse sõidufunktsioon madala temperatuuri kaitse tõttu käivituda.</li> </ul>	<ul style="list-style-type: none"> <li>Hoidke niidukit ja akut alati soojas keskkonnas. Taaskäivitage niiduk, kui see on soojenenud. Ärge tehke korduvaid käivitamiskatseid äärmiselt külma ilmaga, mis võib niidukit kahjustada.</li> </ul>

PROBLEEM	PÕHJUS	LAHENDUS
Niiduk lõpetab sõidu.	<ul style="list-style-type: none"> <li>Juhthoovad vajavad n-ö lähtestamist.</li> </ul>	<ul style="list-style-type: none"> <li>Pöörake roolihoovad avatud asendisse ja taaskäivitage niiduk.</li> </ul>
	<ul style="list-style-type: none"> <li>Juhthoobade elektrilised juhtkomponendid ei tööta.</li> </ul>	<ul style="list-style-type: none"> <li>Võtke remondiks ühendust kvalifitseeritud hooldustehnikuga.</li> </ul>
	<ul style="list-style-type: none"> <li>Istme lüliti on ebatasasel maastikul sõites lahti tulnud.</li> </ul>	<ul style="list-style-type: none"> <li>Eemaldage niidukilt aku ja demonteerige iste selle kasutusjuhendi jaotise „<b>ISTME PAIGALDAMINE</b>“ juhistega vastupidises järjekorras, et kontrollida istme lüliti ühendust. Pange iste uuesti kokku ja järgige niiduki taaskäivitamise juhiseid jaotises „<b>NIIDUKI KÄIVITAMINE</b>“, et näha, kas niidukit saab käivitada. Kui seda ei juhtu, võtke remondiks ühendust kvalifitseeritud hooldustehnikuga.</li> </ul>
	<ul style="list-style-type: none"> <li>Sõidukiiruse vähendamiseks vajutatakse seisupiduri pedaal alla. Kui seisupiduri pedaal on piisavalt alla vajutatud, aga mitte parkimisasendis, siis niiduk peatub.</li> </ul>	<ul style="list-style-type: none"> <li>Niiduki õigeks puhastamiseks järgige juhiseid jaotises „<b>NIIDUKI KÄIVITAMINE</b>“.</li> </ul>
Sõidukiirust / sõidurežiimi ei saa sõidu ajal reguleerida.	<ul style="list-style-type: none"> <li>See on niiduki funktsioon ohutuks sõiduks.</li> </ul>	<ul style="list-style-type: none"> <li>Funktsioon aktiveeritakse ainult siis, kui niiduki rattad on peatunud ja juhthoovad avatud.</li> </ul>

PROBLEEM	PÕHJUS	LAHENDUS
<p>Nullpööreraadiusega elektriline niiduk ei käivita terasid, kui jõusirdevõlli lüliti on sisse lülitatud.</p>  <p>Jõusirdevõlli lüliti ikoon vilgub</p>	<ul style="list-style-type: none"> <li>Sisestatud patareide kombineeritud Ah ei vasta nõudele.</li> </ul>	<ul style="list-style-type: none"> <li>Selle niiduki käivitamiseks kasutage piisavalt EGO akusid, järgides selle juhendi jaotises „LAADIMINE“ toodud juhiseid.</li> </ul>
	<ul style="list-style-type: none"> <li>Jõusirdevõlli lüliti ei vajutatud alla, kui niiduk eelmine kord peatati.</li> </ul>	<ul style="list-style-type: none"> <li>Lükake jõusirdevõlli lüliti alla ja käivitage niiduki terad uuesti.</li> </ul>
	<ul style="list-style-type: none"> <li>Niiduk on terade käivitamisel ülekoormatud, mis põhjustab mootori enesekaitse.</li> </ul>	<ul style="list-style-type: none"> <li>Alustage niidukiga muru niitmist kõigepealt madalama löikekiirusega ja kuni terade pöörlema hakkamisele lisage kiirust vastavalt vajadusele.</li> </ul>
	<ul style="list-style-type: none"> <li>Äärmiselt külma ilmaga ei tarvitse tera mootori käivitamine madala temperatuuri kaitse tõttu õnnestuda.</li> </ul>	<ul style="list-style-type: none"> <li>Hoidke niidukit ja akut alati soojas keskkonnas. Taaskäivitage niiduk, kui see on soojenenud. Ärge tehke korduvaid käivitamiskatseid äärmiselt külma ilmaga, mis võib niidukit kahjustada.</li> </ul>
	<ul style="list-style-type: none"> <li>Tera takistab deformeerunud niidukit.</li> </ul>	<ul style="list-style-type: none"> <li>Võtke remondiks ühendust kvalifitseeritud hooldustehnikuga.</li> </ul>

PROBLEEM	PÕHJUS	LAHENDUS
Terad lakkavad muru niitmise ajal töötamast.	<ul style="list-style-type: none"> <li>Niiduk on ülekoormatud.</li> </ul>	<ul style="list-style-type: none"> <li>Niiduki koormuse vähendamiseks suurendage aluse löikekõrgust ja vähendage terakiirust.</li> </ul>
	<ul style="list-style-type: none"> <li>Muruniiduki alla on kogunenud liiga palju muru ja prahti.</li> </ul>	<ul style="list-style-type: none"> <li>Puhastage niiduki alus ja veenduge, et terad saaksid vabalt liikuda.</li> </ul>
	<ul style="list-style-type: none"> <li>Niiduk on ülekuumenenud</li> </ul>	<ul style="list-style-type: none"> <li>Vähendage niiduki koormust, tõstes niiduki aluse löikekõrgust või aeglustades tera- / sõidukiirust ja laske niidukil maha jahtuda.</li> </ul>
	<ul style="list-style-type: none"> <li>Niiduki akupesas olev(ad) akuplokk (-plokid) on ülekuumenenud, mille tulemusel kõigi sisestatud akude Ah ei vasta nõudele.</li> </ul>	<ol style="list-style-type: none"> <li>Kui kombineeritud aku Ah ei vasta nõudele, ei tööta niiduk enne, kui tühjadesse akupesadesse lisatakse veel akuplokke. Kui ülekuumenenud aku saavutab normaalse temperatuuri, lülitab see niiduki kohe sisse.</li> </ol>
		<ol style="list-style-type: none"> <li>Vähendage niiduki koormust, tõstes niiduki aluse löikekõrgust või aeglustades niitmiskiirust, kui tööd jätkate.</li> </ol>
	<ul style="list-style-type: none"> <li>Niiduk on avariirežiimis.</li> </ul>	<ul style="list-style-type: none"> <li>Kui niiduk on avariirežiimis, lülitatakse terad automaatselt madalale pöörlemiskiirusele ilma muru niitmiseta. Kasutaja peaks töö lõpetama ja suunduma aku laadimispiirkonda niipea kui võimalik.</li> </ul>
<ul style="list-style-type: none"> <li>Niiduk sõidab otsa võõrkehale, mis põhjustab mootori enesekaitse.</li> </ul>	<ul style="list-style-type: none"> <li>Lükake jõusiirdevõlli lüliti alla ja käivitage niiduki terad uuesti.</li> </ul>	
<b>ET</b> Piiksumise märgutuli jätkab piiksumist.	<ul style="list-style-type: none"> <li>Niiduk on avariirežiimis ja terad pole välja lülitatud.</li> </ul>	<ul style="list-style-type: none"> <li>Aluse terade väljalülitamiseks vajutage jõusiirdevõlli lüliti alla. Tera seiskamisel lakkab piiksumise märgutuli piiksumast.</li> </ul>
	<ul style="list-style-type: none"> <li>Niiduk peatub kallakul ja kasutaja avab juhthoovad ning ei istu istmel ilma seisupiduri pedaali pidurdusasendisse seadmata.</li> </ul>	<ul style="list-style-type: none"> <li>Enne niiduki kallakule jätmist seadke seisupiduri pedaal pidurdusasendisse.</li> </ul>

PROBLEEM	PÕHJUS	LAHENDUS
Aku märgutuled põlevad ka niiduki väljalülitamisel.	<ul style="list-style-type: none"> <li>Kui niiduk lülitatakse välja ilma akuplokki (-plokke) niiduki küljest eemaldamata, jäävad aku indikaatorid, start/stopp-nupp ja seadistusnupp teatud perioodiks valgustatuks</li> </ul>	<ul style="list-style-type: none"> <li>Midagi pole vaja ette võtta. Aku indikaatorid kustuvad, kui niiduk mõne aja pärast välja lülitub. Vaadake kindlat aega jaotisest „<b>NIIDUKI PEATAMINE</b>“.</li> </ul>
	<ul style="list-style-type: none"> <li>Kui niiduk lülitatakse kallakul välja ilma seisupiduri pedaali pidurdusasendisse seadmata, jäävad aku märgutuled põlema seni, kuni aku on tühjenenud. Piiksumise märgutuli jätkab samal ajal piiksumist.</li> </ul>	<ul style="list-style-type: none"> <li>Enne seda, kui kasutaja lahkub ja jätab niiduki kallakule, peab ta seisupiduri pedaali pidurdusasendisse seadma.</li> </ul>
LCD-ekraan ei valgustu, kui kõik ikoonid sees on.	<ul style="list-style-type: none"> <li>Start/stopp-nupu vajutamise aeg ei ole piisav.</li> </ul>	<ul style="list-style-type: none"> <li>LCD-ekraanil kuvatakse „Kütusenäidik“ ainult siis, kui sisse-väljalülitusnupu korraks vajutada.</li> <li>LCD-ekraan lülitub sisse pärast seda, kui start/stopp-nupu on piisava aja jooksul vajutatud.</li> </ul>
Niiduk löikab ebaühtlaselt, ees ja taga on märkimisväärne kõrguste erinevus.	<ul style="list-style-type: none"> <li>Terad on nürid</li> </ul>	<ul style="list-style-type: none"> <li>Teritage või vahetage lõiketera vastavalt selle kasutusjuhendi juhiste.</li> </ul>
	<ul style="list-style-type: none"> <li>Terad on paindunud.</li> </ul>	<ul style="list-style-type: none"> <li>Vahetage paindunud lõiketera välja, järgides juhiseid jaotisest „<b>LÕIKETERADE VAHETAMINE</b>“.</li> </ul>
	<ul style="list-style-type: none"> <li>Niiduki alus ei ole looditud, mille tagajärjel lõiketera kõrgus erineb.</li> </ul>	<ul style="list-style-type: none"> <li>Loodige niiduki alus, järgides juhiseid peatükis „<b>NIIDUKI ALUSE LOODIMINE</b>“.</li> </ul>
Muru tegelik niitmiskõrgus ei vasta väidetavale kõrgusele.	<ul style="list-style-type: none"> <li>Niiduki aluse mutrid on vedrustushoovastikul lahti tulnud</li> </ul>	<ul style="list-style-type: none"> <li>Järgige juhiseid jaotisest „<b>NIIDUKI LOODIMINE</b>“, et niidukit õigesti eest-taha reguleerida ja pingutage kindlalt kinni vedrustushoovastiku mutrid.</li> </ul>
	<ul style="list-style-type: none"> <li>Niiduki korpus on kahjustatud või väga kulunud.</li> </ul>	<ul style="list-style-type: none"> <li>Järgige juhiseid jaotisest „<b>NIIDUKI ALUSE EEMALDAMINE</b>“.</li> </ul>
Niiduk ei multši korralikult.	<ul style="list-style-type: none"> <li>Märja muru tükid jäävad muruniiduki aluse külge kinni.</li> </ul>	<ul style="list-style-type: none"> <li>Enne niitmist oodake, et muru kuivaks.</li> </ul>
	<ul style="list-style-type: none"> <li>Niiduk on seadistatud nii, et korraga lõigatakse liiga palju muru.</li> </ul>	<ul style="list-style-type: none"> <li>Suurendage aluse lõikekõrgust.</li> </ul>

PROBLEEM	PÕHJUS	LAHENDUS
Esineb liigset vibratsiooni.	<ul style="list-style-type: none"> <li>Lõiketerad on lahti tulnud.</li> </ul>	<ul style="list-style-type: none"> <li>Pingutage terapolti soovitusliku pöördemomendini.</li> </ul>
	<ul style="list-style-type: none"> <li>Terad on paindunud.</li> </ul>	<ul style="list-style-type: none"> <li>Vahetage paindunud lõiketera välja, järgides juhiseid jaotises „<b>LÕIKETERADE VAHETAMINE</b>“.</li> </ul>
	<ul style="list-style-type: none"> <li>Niiduki alus ei ole looditud.</li> </ul>	<ul style="list-style-type: none"> <li>Loodige niiduki alus, järgides juhiseid peatükis „<b>NIIDUKI ALUSE LOODIMINE</b>“.</li> </ul>
	<ul style="list-style-type: none"> <li>Niiduki aluse mutrid on vedrustushoovastikul lahti tulnud.</li> </ul>	<ul style="list-style-type: none"> <li>Pingutage vedrustuse ühenduskoha mutreid.</li> </ul>
	<ul style="list-style-type: none"> <li>Niiduk on seadistatud nii, et korraka lõigatakse liiga palju muru.</li> </ul>	<ul style="list-style-type: none"> <li>Suurendage aluse lõikekõrgust.</li> </ul>
Pärast niitmist on maapinnale jäänud niidetud muru või prahti.	<ul style="list-style-type: none"> <li>Niiduk on seadistatud selliselt, et pika muru puhul lõigatakse korraka liiga palju muru.</li> </ul>	<ul style="list-style-type: none"> <li>Alustage suure lõikekõrgusega ja vähendage seda, kuni saavutate soovitud niitmistulemuse. Üle 6 tolli kõrgust muru tuleks niita kaks korda järjest madalamate lõikekõrgustega.</li> </ul>
	<ul style="list-style-type: none"> <li>Muru on märg.</li> </ul>	<ul style="list-style-type: none"> <li>Ärge niitke, kui muru on märg; laske rohul kuivada.</li> </ul>
	<ul style="list-style-type: none"> <li>Sõidukiirus on suur.</li> </ul>	<ul style="list-style-type: none"> <li>Vähendage sõidukiirust.</li> </ul>
	<ul style="list-style-type: none"> <li>Terakiirus</li> </ul>	<ul style="list-style-type: none"> <li>Suurendage tera kiirust järk-järgult.</li> </ul>
Niiduk töötab kompleksis oleva akuga lühikest aega.	<ul style="list-style-type: none"> <li>Muru seisukord ja lõikekõrguse seadistus mõjutavad oluliselt aku tööaega. Väidetav tööaeg lähtub kergest koormusest.</li> </ul>	<ul style="list-style-type: none"> <li>Lõikekoormuse vähendamiseks suurendage aluse lõikekõrgust ja vähendage terakiirust.</li> </ul>
Niiduk ei sõida otse.	<ul style="list-style-type: none"> <li>Vasaku ja parema tagaratta rehvirõhk erinevad.</li> </ul>	<ul style="list-style-type: none"> <li>Kontrollige ja reguleerige mõlema tagaratta õhurõhku vastavalt selle kasutusjuhendi jaotises „<b>REHVI RÕHU KONTROLLIMINE</b>“ esitatud soovitustele.</li> </ul>
	<ul style="list-style-type: none"> <li>Vasaku ja parema tagaratta sõidukiirus on erinev.</li> </ul>	<ul style="list-style-type: none"> <li>Kalibreerige niiduki jälgimissüsteem, järgides juhiseid jaotises „<b>NIIDUKI JÄRGISÜSTEEMI KALIBREERIMINE</b>“.</li> </ul>

ET



PROBLEEM	PÕHJUS	LAHENDUS
Seisupiduri pedaali ei saa pidurdusasendist vabastada või see vabaneb aeglaselt.	<ul style="list-style-type: none"> <li>Seisupiduri pedaali sisse võib sattuda prahti või mulda.</li> </ul>	<ul style="list-style-type: none"> <li>Avage seisupiduri pedaalikast, et see põhjalikult seest puhastada ja seejärel sulgege see. Lähtestage seisupiduri pedaal, et näha, kas probleem on lahendatud. Kui seda ei juhtu, võtke remondiks ühendust kvalifitseeritud hooldustehnikuga.</li> </ul>
Niidukit ei saa laadida laadimisporti kaudu, kui niiduki oleku märgutuli põleb pidevalt punaselt.	<ul style="list-style-type: none"> <li>Laadija pistik pole niiduki laadimisporti õigesti sisestatud.</li> </ul>	<ul style="list-style-type: none"> <li>Ühendage laadija pistik uuesti, et näha, kas niidukit saab normaalselt laadida.</li> </ul>
	<ul style="list-style-type: none"> <li>Seinakontaktides pole voolu.</li> </ul>	<ul style="list-style-type: none"> <li>Midagi pole vaja ette võtta. Oodake, kuni toide taastub.</li> </ul>
	<ul style="list-style-type: none"> <li>Laadija talitlushäire.</li> </ul>	<ul style="list-style-type: none"> <li>Võtke kontrollimiseks ühendust kvalifitseeritud hooldustehnikuga ja laske laadijat vajadusel remontida.</li> </ul>
	<ul style="list-style-type: none"> <li>Niiduki laadimisport on defektne.</li> </ul>	<ul style="list-style-type: none"> <li>Võtke remondiks ühendust kvalifitseeritud hooldustehnikuga.</li> </ul>
Laadimisaeg niiduki laadimisporti kaudu on liiga pikk.	<ul style="list-style-type: none"> <li>EGO adapteriga ACA1000 laadimine kestab pikka aega.</li> </ul>	<ul style="list-style-type: none"> <li>Kasutage niiduki otselaadimiseks EGO laadijat CHV1600E.</li> </ul>
Akut ei saa niiduki laadimisporti kaudu täielikult laadida.	<ul style="list-style-type: none"> <li>Niiduki püsivara viga või laadija/aku rike.</li> </ul>	<ul style="list-style-type: none"> <li>Ühendage laadija vooluvõrgust lahti, oodake mitu minutit ja seejärel ühendage pistik uuesti vooluvõrku. Kui see ei toimi, võtke remondiks ühendust kvalifitseeritud hooldustehnikuga</li> </ul>
Niidukit ei saa pärast puhastamist käivitada.	<ul style="list-style-type: none"> <li>Vale puhastamine, näiteks vesi elektrikomponentidel, LCD-ekraanil jms.</li> </ul>	<ul style="list-style-type: none"> <li>Niiduki õigeks puhastamiseks järgige juhiseid jaotises „<b>NIIDUKI PUHASTAMINE</b>“.</li> </ul>
Niiduk võib lihtsalt takerduda.	<ul style="list-style-type: none"> <li>Muruniiduki alla on kogunenud liiga palju muru ja prahti.</li> </ul>	<ul style="list-style-type: none"> <li>Kui niiduk jääb kogemata vihma kätte, jätke see õhu kätte kuivama või kasutage selle kuivatamiseks suruõhku.</li> </ul>
		<ul style="list-style-type: none"> <li>Puhastage niidukit pärast iga kasutuskorda, järgides jaotist „Pesuava kasutamine niiduki aluse puhastamiseks“.</li> </ul>
Kallakul ülespoole liikudes kaotab niiduk kergesti veojõudu.	<ul style="list-style-type: none"> <li>Tagarataste rehvid on kulunud.</li> </ul>	<ul style="list-style-type: none"> <li>Rattarehvide vahetamiseks minge kohaliku teenindusse.</li> </ul>
	<ul style="list-style-type: none"> <li>Suur niitmisknurk.</li> </ul>	<ul style="list-style-type: none"> <li>Niitmiskalle peaks olema vajaliku kraadiga.</li> </ul>

**ET**

PROBLEEM	PÕHJUS	LAHENDUS
Kui niiduk peatatakse kallakul seisupiduri pedaalile vajutamiselega, võib niiduk kallakust alla veereda.	<ul style="list-style-type: none"> <li>Piduri osad on niiduki vale kasutamise tõttu väga kulunud.</li> </ul>	<ul style="list-style-type: none"> <li>Võtke remondiks ühendust kvalifitseeritud hooldustehnikuga.</li> </ul>
Niiduki aluse pesemisel ei tule pesuavast vett.	<ul style="list-style-type: none"> <li>Pesuava kiirühendus ei ole pesuavale paigaldatud.</li> </ul>	<ul style="list-style-type: none"> <li>Paigaldage pesuava kiirühendus tagasi, kuni tugeval surumisel kuulete selget klõpsatust. Kui see ei toimi, võtke remondiks ühendust kvalifitseeritud hooldustehnikuga</li> </ul>
Niiduki käsitsi lükkamisel ilma käivitamiseta kostub ebatavaline heli.	<ul style="list-style-type: none"> <li>Ajamimootori sees olevatest magnetitest tuleb heli.</li> </ul>	<ul style="list-style-type: none"> <li>See on normaalne ja midagi pole vaja ette võtta.</li> </ul>

## VEAKOODI JA NIIDUKI OLEKU MÄRGUTULI

LCD-ekraan	Kirjeldus	Veakood LCD-ekraanil	Niiduki oleku märgutuli	Piipar	Põhjus	Lahendus
	LED-tulede ikoon kuvatakse LCD-ekraanil	Ei kehti	VÄLJAS	Ei	Esilaternad, külj- ja tagatuled lülitatakse sisse LED-valguslülitil abil.	See on normaalne töötamine. Midagi pole vaja ette võtta.
	LCD-ekraanil kuvatakse USB-ikoon	Ei kehti	VÄLJAS	Ei	USB-ikoon süttib, et USB-seade saaks pärast niiduki õiget käivitamist töötada.	See on normaalne töötamine. Midagi pole vaja ette võtta.
	Kütusenäidiku ikoon kuvatakse LCD-ekraanil	Ei kehti	VÄLJAS	Ei	See näitab sisestatud akude keskmist laadimismahtuvust	See on normaalne töötamine. Midagi pole vaja ette võtta.
	Tunniarvesti ikoon kuvatakse LCD-ekraanil	Ei kehti	VÄLJAS	Ei	See näitab niiduki kogu sõiduaega tundides ja seda ei saa lähtestada.	See on normaalne töötamine. Midagi pole vaja ette võtta.
	Koormuse märgutule ikoon kuvatakse ökovahemikus (ECO).	Ei kehti	VÄLJAS	Ei	See näitab niiduki jooksvat koormust.	See on normaalne töötamine. Midagi pole vaja ette võtta.

ET

LCD-ekraan	Kirjeldus	Veakood LCD-ekraanil	Niiduki oleku märgutuli	Piipar	Põhjus	Lahendus
	Ülekoormuse märgutuli vilgub. Koormuse märgutule ikoon kuvatakse toitevahemikus (PWR).	Ei kehti	Vilgub punaselt	Üks piiks	Teramootor on ülekoormatud.	Niiduki koormuse vähendamiseks suurendage aluse löikekõrgust ja vähendage terakiirust.
					Külgmine väljalasketoru on ummistunud rohu ja prügiga.	Puhastage külgmist väljalasketoru pärast iga kasutamist.
					Tera ja niidukorpuse vahel on häireid.	Laske remont teostada kvalifitseeritud hooldustehnikul.
	Turvavõtme ikoon vilgub.	Ei kehti	VÄLJAS	Ei	Turvavõtit pole sisestatud.	Sisestage turvaklahv, seejärel vajutage ja hoidke all START/STOPP-nuppu, et niiduk sisse lülitada.
					LCD-ekraanile ei saa voolu.	Laske remont teostada kvalifitseeritud hooldustehnikul.
	Teatud akupesa ikoon vilgub.	Ei kehti	VÄLJAS	Ei	Teatud aku tühjenemise ajal on ülevoolu.	Midagi pole vaja ette võtta. Niiduk võib tööd jätkata, kui kombineeritud aku, välja arvatud ülevooluaku Ah mahtuvus vastab nõudele. Kui liigvooluaku aku saavutab normaalse temperatuuri, lülitab see niiduki kohe sisse.
	Tühja akupesa ikoon vilgub.	Ei kehti	VÄLJAS	Ei	Aku maht ei ole piisav, et niidukil saaks sõita.	Selle niiduki käivitamiseks kasutage piisavalt EGO akusid, järgides selle juhendi jaotises „LAADIMINE“ toodud juhiseid.

**ET**

LCD-ekraan	Kirjeldus	Veakood LCD-ekraanil	Niiduki oleku märgutuli	Piipar	Põhjus	Lahendus
	Temperatuuriikoon vilgub.	Ei kehti	VÄLJAS	Üks piiks	Niiduk on ülekuumenenud.	Vähendage niiduki koormust, tõstes niiduki aluse lõikekõrgust või vähendades tera- / sõidukiirust. Tehke paus ja laske niidukil maha jahtuda.
					Niiduk on liiga külm	Ärge tehke korduvaid katseid, mis võivad masinat kahjustada. Hoidke niidukit ja akusid alati soojas keskkonnas. Taaskäivitage niiduk, kui see on soojenenud.
	Ülekuumenemise ikoon ja hõivatud akupesad vilguvad korraga.	Ei kehti	VÄLJAS	Ei	Vastavas nummerdatud akupesas olev aku on ülekuumenenud.	1. Niiduk võib tööd jätkata, kui kombineeritud aku, välja arvatud ülekuumenenud aku Ah mahtuvus vastab nõudele. Kui ülekuumenenud aku saavutab normaalse temperatuuri, lülitab see niiduki kohe sisse.
						2. Kui kombineeritud aku mahtuvus ei ole piisav, ei tööta niiduk enne, kui tühjadesse akupesadesse lisatakse täiendavaid akuplokke.
						3. Vähendage niiduki koormust, tõstes niiduki aluse lõikekõrgust või aeglustades niitmiskiirust, kui tööd jätkate.

KEES VAN DER SPEK  
TUINMACHINES \* STOLWJK

ET

LCD-ekraan	Kirjeldus	Veakood LCD-ekraanil	Niiduki oleku märgutuli	Piipar	Põhjus	Lahendus
	Iga hõivatud akupesa ikoonid, vähese energia märgutuli, kütusenäidiku akugraafika vilguvad LCD-ekraanil iga 1 sekundi tagant. Ka LED-kütusenäidiku ja oleku märgutule esimene segment vilgub.	Ei kehti	Vilgub punaselt	Piiksub edasi, kuni jõusirdevõlli lüliti alla lükatakse.	Aku on tühjenemas ja niiduk on avariirežiimis.	Lõpetage töö ja pöörduge tagasi aku laadimispiirkonda. <b>MÄRKUS:</b> Kui niiduk on avariirežiimis, lülitatakse terad automaatselt madalale pöörlemiskiirusele ilma muru niitmiseta, mille ajal heli märgutuli piiksub. Kasutaja peab aluse terade vabastamiseks vajutama jõusirdevõlli lüliti alla. Pärast tera seiskamist lõpetab heli märgutuli piiksumise.
	Iga hõivatud akupesa ja vähese energia märgutule ikoon vilgub iga poole sekundi tagant.	Ei kehti	Vilgub punaselt	Piiksub edasi	Akuplokid on peaaegu tühjad.	Niiduk lakkab kohe töötamast. Kasutaja peaks niiduki laadimiseks aku laadimispiirkonda transportima.
	LCD-ekraanil vilgub automaatse parkimise ikoon.	Ei kehti	VÄLJAS	Piiksub edasi	Niiduk on pargitud kallakule ja kasutaja lahkub niidukist piduripedaali pidurdusasendisse seadmata, jättes lihtsalt juhthoovad avatud asendisse.	Seadke piduri pedaal pidurdusasendisse. Automaatse parkimise ikoon kustub ja heli märgutuli lõpetab piiksumise.
	LCD-ekraanil kuvatakse piduri pedaalil ikoon.	Ei kehti	VÄLJAS	Ei	Seisupiduri pedaal on seatud pidurdusasendisse.	Vabastage see enne niiduki käivitamist

**ET**

LCD-ekraan	Kirjeldus	Veakood LCD-ekraanil	Niiduki oleku märgutuli	Piipar	Põhjus	Lahendus
	Istme anduri ikoon kuvatakse LCD-ekraanil.	Ei kehti	VÄLJAS	Ei	Kasutaja on istmelt lahkunud või istme lüliti on lahti ühendatud.	Kui juht istub istmel ja ikoon põleb, lõpetage niiduki kasutamine kohe ja kontrollige istme ühendust. Kui kontrollimisel selgub, et istme ühendus niidukiga on õige, võtke remondiks ühendust kvalifitseeritud hooldustehnikuga.
	Jõusiirdevõlli lüliti ikoon vilgub.	Ei kehti	VÄLJAS	Ei	Tera mootori töö katkes kasutamise ajal ja jõusiirdevõlli lüliti ei ole väljalülitatud asendis.	Enne niiduki taaskäivitamist lükake niiduki aluse mootori väljalülitamiseks jõusiirdevõlli lüliti alla. Uurige selle kasutusjuhendi jaotist „TÖRKEOTSING“.
	Juhthoova ikoon vilgub.	Ei kehti	VÄLJAS	Ei	Ajamimootor katkestas töö ja juhthoobasid ei ole avatud asendisse seatud.	Enne niiduki taaskäivitamist viige juhthoovad avatud asendisse. Uurige selle kasutusjuhendi jaotist „TÖRKEOTSING“.
	Energia taaskasutamise ikoon vilgub aeg-ajalt.	Ei kehti	VÄLJAS	Ei	Pidurdamisel või allamäge sõites tekkiv kineetiline energia muundatakse akude laadimiseks elektrienergiaks.	See on normaalne töötamine. Midagi pole vaja ette võtta.

ET

**MÄRKUS:** Kui LCD-ekraanile ilmub veakood, eemaldage kõik akud ja sisestage need mõne minuti pärast uuesti. Kui see probleemi ei lahenda, järgige allolevat veakoodi tõrkeotsingut.

LCD-ekraan	Kirjeldus	Veakood LCD-ekraanil	Niiduki oleku märgutuli	Piipar	Põhjus	Lahendus	
Vaadake jaotist „Veakood“	Vasak ajamimootor ei pöörle.	Trükkplaatkoostu juhitud vasak ajamimootor ei tööta.	413	VÄLJAS	Üks piiks	PCBA rike	Laske remont teostada kvalifitseeritud hooldustehnikul.
		Vasakut ajamimootorit vastava trükkplaatkoostuga ühendav pistik (kolmefaasiline, toitejuhe) on lahti.	317	VÄLJAS	Üks piiks	Lahtine ühendus	
		Vasakut ajamimootorit vastava trükkplaatkoostuga ühendav pistik (kuus tihvti, signaaljuhe) on lahti.	301	VÄLJAS	Üks piiks	Lahtine ühendus	
		Vasak sõidumootor ei tööta.	317	VÄLJAS	Üks piiks	Mootori rike	
Vaadake jaotist „Veakood“	Parem ajamimootor ei pöörle.	Trükkplaatkoost juhitud parem ajamimootor ei tööta.	313	VÄLJAS	Üks piiks	PCBA rike	Laske remont teostada kvalifitseeritud hooldustehnikul.
		Paremat ajamimootorit vastava trükkplaatkoostuga ühendav pistik (kolmefaasiline, toitejuhe) on lahti.	417	VÄLJAS	Üks piiks	Lahtine ühendus	
		Paremat ajamimootorit vastava trükkplaatkoostuga ühendav pistik (kuus tihvti, signaaljuhe) on lahti.	401	VÄLJAS	Üks piiks	Lahtine ühendus	
		Parem ajamimootor ei tööta.	417	VÄLJAS	Üks piiks	Mootori rike	

ET

LCD-ekraan	Kirjeldus	Veakood LCD-ekraanil	Niiduki oleku märgutuli	Piipar	Põhjus	Lahendus	
Vaadake jaotist „Veakood“	Vasaku tera mootori ei pöörle.	Trükkplaatkoostu juhitud vasaku tera mootor ei tööta.	607/A07	Ei kehti	Üks piiks	PCBA rike	Laske remont teostada kvalifitseeritud hooldustehnikul.
		Vasakut ajamimootorit vastava trükkplaatkoostuga ühendav pistik (kolmefaasiline, toitejuhe) on lahti.	509	Ei kehti	Üks piiks	Lahtine ühendus	Kontrollige kõigepealt tera. Kui see on lahti, pingutage polt soovitatava pöördemomendiga.
		Vasaku tera mootori rike	509	Ei kehti	Üks piiks	Mootori rike	Muul juhul laske remont teostada kvalifitseeritud hooldustehnikul.
Vaadake jaotist „Veakood“	Parema tera mootori ei pöörle.	Trükkplaatkoostu juhitud parema tera mootor ei tööta.	507/A07	Ei kehti	Üks piiks	PCBA rike	Laske remont teostada kvalifitseeritud hooldustehnikul.
		Paremat ajamimootorit vastava trükkplaatkoostuga ühendav pistik (kolmefaasiline, toitejuhe) on lahti.	609	Ei kehti	Üks piiks	Lahtine ühendus	Kontrollige kõigepealt tera. Kui see on lahti, pingutage polt soovitatava pöördemomendiga.
		Parema tera mootor ei tööta	609	Ei kehti	Üks piiks	Mootori rike	Muul juhul laske remont teostada kvalifitseeritud hooldustehnikul.
Vaadake jaotist „Veakood“	Keskmise tera mootori ei pöörle.	PCBA juhitud parema tera mootor ei tööta.	507/607	Ei kehti	Üks piiks	PCBA rike	Laske remont teostada kvalifitseeritud hooldustehnikul.
		Vasakut ajamimootorit vastava PCBA ühendav pistik (kolmefaasiline, toitejuhe) on lahti.	A09	Ei kehti	Üks piiks	Lahtine ühendus	Kontrollige kõigepealt tera. Kui see on lahti, pingutage polt soovitatava pöördemomendiga.
		Keskmise tera mootor ei tööta	A09	Ei kehti	Üks piiks	Mootori rike	Muul juhul laske remont teostada kvalifitseeritud hooldustehnikul.

**ET**



LCD-ekraan	Kirjeldus		Veakood LCD-ekraanil	Niiduki oleku märgutuli	Piipar	Põhjus	Lahendus
Vaadake jaotist „Veakood“	Vasak juhthoob ei tööta.	Vasakut juhthooba kontrolliv trükkplaatkoost ei tööta.	311/412	VÄLJAS	Üks piiks	PCAB rike	Laske remont teostada kvalifitseeritud hooldustehnikul.
		Trükkplaatkoostuga juhtiv pistik juhtraual on lahti.				Lahtine ühendus	
Vaadake jaotist „Veakood“	Parem roolihoob ei tööta.	Paremat juhthooba trükkplaatkoostu juhtiv ei tööta.	312/411	VÄLJAS	Üks piiks	PCAB rike	Laske remont teostada kvalifitseeritud hooldustehnikul.
		Trükkplaatkoostuga juhtiv pistik juhtraual on lahti.				Lahtine ühendus	
Vaadake jaotist „Veakood“	Seisupidur ei tööta, nii tööriiste ei ole saa kasutada.	Seisupiduri trükkplaatkoost, mis asub esiraami koostus, on katki.	309/409	VÄLJAS	Üks piiks	PCBA rike	Laske remont teostada kvalifitseeritud hooldustehnikul.
		Seisupiduri lüliti ja/või juhe on katki.	801	VÄLJAS	Üks piiks	Juhtme / lüliti rike	
VÄLJAS	Laadimispori viga		Ei kehti	Pidev PUNANE	Ei kehti	Laadimisport on avatud vooluringis.	Laske remont teostada kvalifitseeritud hooldustehnikul.
			Ei kehti	Pidev PUNANE	Ei kehti	Elektritoide puudub.	Kontrollige seinakontakti, et toitepinge on 220–240 V ja et pistikupesaga oleks korras.
			Ei kehti	Pidev PUNANE	Ei kehti	Kaitse on läbi põlenud.	Laske remont teostada kvalifitseeritud hooldustehnikul.
Vaadake jaotist „Veakood“	Laadimispori viga		204	Ei kehti	Üks piiks	Laadimisport on avatud vooluringis.	Laske remont teostada kvalifitseeritud hooldustehnikul.

**ET**

LCD-ekraan	Kirjeldus	Veakood LCD-ekraanil	Niiduki oleku märgutuli	Piipar	Põhjus	Lahendus
Vaadake jaotist „Veakood“	Akuanuma koost ei tööta.	217	Ei kehti	Üks piiks	Akukasti toiteallikas on rikkis. LED-esilaternad ja USB ei tööta.	Laske remont teostada kvalifitseeritud hooldustehnikul.
		310/ 410	VÄLJAS	Üks piiks	Ühendus akukasti C-tüüpi juhtmete ja niiduki muude C-tüüpi juhtmete vahel ei toimi.	
		201/ 202/ 203	VÄLJAS	Üks piiks	Akukasti koostu akuhaldussüsteem on riski.	
Vaadake jaotist „Veakood“	Sisse-väljalülituslülitite viga	314/ 414	VÄLJAS	Üks piiks	Lülitage trükkplaatkoostu tõrke või halva juhtmeühenduse korral sisse-väljalülituslülitile.	Laske remont teostada kvalifitseeritud hooldustehnikul.
Vaadake jaotist „Veakood“	LCD-ekraani viga	315/ 415	VÄLJAS	Üks piiks	LCD koost on katki või LCD koostu juhtmeühendus on halb.	Laske remont teostada kvalifitseeritud hooldustehnikul.

## GARANTII

### EGO GARANTIIPÕHIMÕTTED

**ET** Täielikud EGO garantiitingimused leiate veebilehelt [egopowerplus.com](http://egopowerplus.com).

# ПРОЧИТАЙТЕ ВСІ ІНСТРУКЦІЇ!



ПРОЧИТАЙТЕ ПОСІБНИК З ЕКСПЛУАТАЦІЇ

## СИМВОЛ БЕЗПЕКИ

Мета символів, пов'язаних із безпекою, – привернути вашу увагу до можливих небезпек. Символи безпеки та їхнє пояснення заслуговують на вашу пильну увагу та розуміння. Символи попереджень самі по собі не усувають будь-якої небезпеки. Інструкції та попередження, які вони надають, не замінюють належних заходів щодо запобігання аваріям.

**▲ ПОПЕРЕДЖЕННЯ.** Перш ніж користуватися цим інструментом, обов'язково ознайомтеся з усіма інструкціями з безпеки, наведеними в цьому посібнику користувача, зокрема з усіма символами попереджень, такими як «НЕБЕЗПЕКА», «ПОПЕРЕДЖЕННЯ» та «ЗАСТЕРЕЖЕННЯ». Недотримання наведених нижче вказівок може спричинити ураження електричним струмом, пожежу та/або серйозні травми.

## ЗНАЧЕННЯ СИМВОЛУ

На цій сторінці зображено та описано символи, пов'язані з безпекою, які можуть відображатись на цьому виробі. Перш ніж намагатися зібрати та експлуатувати його, ознайомтеся з усіма інструкціями на інструменті та дотримуйтесь їх.

## СИМВОЛИ, ЩО СТОСУЮТЬСЯ БЕЗПЕКИ

	Попередження щодо безпеки		Ознайомтеся з посібником користувача
	Засоби захисту очей		Догляд за пристроями безпеки
	НЕБЕЗПЕКА – небезпека крутого схилу		НЕБЕЗПЕКА – не підпускайте сторонніх до лез
	Ніколи не перевозьте дітей		Озирайтеся, рухаючись назад
	ПОПЕРЕДЖЕННЯ. Не використовуйте цю машину на схилах більше 12°		НЕБЕЗПЕКА – відкидання предметів
	ПОПЕРЕДЖЕННЯ – ТРИМАЙТЕ РУКИ ТА НОГИ ПОДАЛІ		Гарантований рівень звукової потужності. Згідно з директивою Європейського співтовариства.

UK



Не ставайте



Відходи електричних виробів не слід викидати разом із побутовим сміттям. Зверніться до авторизованого пункту переробки.



Цей виріб відповідає чинним директивам ЄС.



**ЗАСТЕРЕЖЕННЯ.** Не дивіться на лампу, що працює.



Постійний струм



Цей виріб відповідає чинному законодавству Великобританії.

кПа Кілопаскаль

Об./хв Обертів на хвилину

V Вольти

м Метри

" Дюйм

см Сантиметри

Н·м Ньютон-метр

мм Міліметри

°C Градус Цельсія

кг Кілограми

км/год Кілометри на годину

IPX4 Ступінь захисту від пилу та вологи

## ТЕХНІЧНІ ХАРАКТЕРИСТИКИ

Напруга		56 В
Розмір деки		132 см
Розмір колеса	Переднє	279,4 x 126 мм
	Заднє	457,2 x 223 мм
Тиск у холодній шині	Переднє	222,1 кПа
	Заднє	115,8 кПа
Радіус повороту		0
Швидкість леза (об./хв)		2600; 2800; 3000; 3200
Макс. Швидкість руху (км/год)	Вперед	8,1 км/год, 9,7 км/год, 11,3 км/год, 12,8 км/год
	Назад	до 6,4 км/год

**UK**

Зарядження	Зарядний пристрій (опціонально)	CHV1600E
	Адаптер (опціонально)	ACA1000
	Діапазон температур зарядження	5°C–40°C
Регулювання висоти різання (10 положень)		25–100 мм
Робоча температура		0°C–40°C
Температура зберігання		-20°C ... +70°C
Вага (без акумулятора)		217 кг
Вимірний рівень звукової потужності L <sub>WA</sub>		95,48 дБ(А) K=0,73 дБ(А)

Рівень звукового тиску вуха оператора $L_{PA}$		82,5 дБ(А) K=3 дБ(А)
Гарантований рівень звукової потужності $L_{WA}$ (відповідно до стандарту 2000/14/ЕС)		100 дБ(А)
Вібрація $a_h$	Рука	0,69 м/с <sup>2</sup> K=1,5 м/с <sup>2</sup>
	Тіло	0,3 м/с <sup>2</sup> K=1,5 м/с <sup>2</sup>

- Вказане загальне значення вібрації виміряне за стандартним методом тестування і може використовуватися для порівняння одного інструмента з іншим;
- Заявлене сумарне значення вібрації може також використовуватись для попередньої оцінки впливу.

**ПРИМІТКА.** Емісія вібрації під час фактичного використання електроінструмента може відрізнятися від заявленої величини, у якій використовується інструмент. Щоб захистити оператора, користувач повинен одягати рукавички та захисні навушники в реальних умовах використання.

## ОПИС

### ОЗНАЙОМЛЕННЯ З КОСАРКОЮ (РИС. А1 І А2)

1. Сидіння
2. Порт для заряджання
3. Блока живлення
4. Світлодіодний задній ліхтар
5. Відсік для зберігання
6. Підстаканники
7. Світлодіодний бічний ліхтар
8. Заднє колесо (приводне колесо)
9. Промивний отвір
10. Дека
11. Протектор деки

12. Колесо проти скальпування
13. Переднє колесо
14. Педаль гальма стоянки
15. Денні ходові вогні
16. Світлодіодні фари
17. Бічний випускний жолоб
18. Важіль регулювання висоти деки
19. Ручка регулювання підвіски сидіння
20. Важіль регулювання положення сидіння
21. Важелі керування
22. Індикатор стану косарки
23. РК-екран
24. Перемикач валу відбору потужності
25. Кнопка «Пуск/Стоп»
26. Запобіжний ключ
27. Ніша для зберігання телефону
28. Перегородка
29. Індикатор рівня палива та стану косарки
  - 29.a. Індикатор рівня палива косарки
  - 29.b. Індикатор стану косарки
30. Зона упору для ніг
31. Кнопка відкриття кришки блока живлення
32. Кришка блока живлення
33. Блок живлення з шістьма батарейними відсіками
34. Кнопка звільнення батареї
35. Зчіпка
36. Кришка кріплення навісного обладнання
37. Зберігання кришки кріплення навісного обладнання
38. USB-порт

### ОЗНАЙОМЛЕННЯ З РК-ЕКРАНОМ І КНОПКАМИ (РИС. А3)

Див. розділ «КОДИ СТАНІВ І НЕСПРАВНОСТЕЙ КОСАРКИ» для отримання додаткової інформації про значки та індикатори на РК-екрані.

1. Значок запобіжного ключа

2. Значок світлодіодного освітлення
3. Значок автоматичного паркування
4. Значок USB
5. Індикатор швидкості лез
6. Індикатор стану захисного пристрою
7. Лічильник годин
8. Значок вільного батарейного відсіку
9. Значок температури
10. Значок зайнятого батарейного відсіку
11. Режим руху
12. Індикатор коду несправності
13. Індикатор перевантаження
14. Індикатор низької потужності
15. Індикатор швидкості ходу
16. Індикатор навантаження
17. Показчик рівня палива
18. Кнопка регулювання швидкості лез
19. Кнопка встановлення
20. Кнопка режиму руху
21. Перемикач світлодіодного ліхтаря
22. Кнопка регулювання швидкості руху

## РОЗПАКУВАННЯ

**ПРИМІТКА.** Зберігайте пакувальні матеріали, доки ви уважно не оглянете виріб і не почнете його нормально експлуатувати. Якщо будь-які деталі з пакувального листа встановлені на машині, негайно зв'яжіться із сервісною службою EGO.

**UK**

**ПРИМІТКА.** За винятком інструментів із нижченаведеного пакувального списку, усі інші інструменти, згадані в посібнику, рекомендуються, але не надаються в комплекті.

### ПАКУВАЛЬНИЙ СПИСОК (рис. В)

B-1	Самохідна їздова косарка з нульовим радіусом повороту	B-6	Запобіжні ключі
B-2	Сидіння	B-7	Ріжкові ключі (13 мм)
B-3	Важіль кермування	B-8	Шестигранні ключі
B-4	Гвинти з головкою під торцевий ключ (2 запасних)	B-9	Пристрій для швидкої зміни навісного обладнання з отвором для промивання
B-5	Болти із шестигранною головкою (2 запасних)	B-10	Посібник користувача

### РЕКОМЕНДОВАНІ АКСЕСУАРИ

**⚠ ПОПЕРЕДЖЕННЯ.** Використовуйте лише ідентичні запчастини, перелічені нижче. Використання деталей, що не відповідають характеристикам оригінального обладнання, може призвести до неналежної роботи та поставити під загрозу безпеку.

НАЗВА ДЕТАЛІ	НОМЕР МОДЕЛІ
Стандартне лезо	AB5200
Лезо з високим підйомом	AB5201
Комплект для мульчування	ABP5200
Комплект укладальника трави	ABK5200-A
Задній бампер	AMB1000
Багажник	AMG1000
Навіс від сонця	AMS1000

## ЗБИРАННЯ

### УСТАНОВЛЕННЯ СИДІННЯ (рис. С1 і С2)

**▲ ПОПЕРЕДЖЕННЯ.** Систему захисного блокування не можна вимикати або обходити. Це може спричинити несподівану роботу газонокосарки, що може призвести до травм.

**ПРИМІТКА.** Задля вашої безпеки косарка може припинити рух через те, що вимикач сидіння від'єднався під час руху. У такому разі див. розділ «УСУНЕННЯ НЕСПРАВНОСТЕЙ» для отримання додаткової інформації.

С1-1	Кабель	С1-5	Гвинти з головкою під торцевий ключ
С1-2	Штекер	С2-1	Гачок
С1-3	Гніздо	С2-2	Сталеві рейки
С1-4	Підвісна основа	С2-3	Гвинти з головкою під торцевий ключ

### УСТАНОВЛЕННЯ ВАЖЕЛІВ КЕРМУВАННЯ (рис. С3)

С3-1	Важелі кермування	С3-3	Отвори для кріплення важелів кермування
С3-2	Шестигранні болти		

## ЕКСПЛУАТАЦІЯ

### ПЕРЕД ВИКОРИСТАННЯМ КОСАРКИ

#### Перевірка середовища

- Переконайтеся, що в робочій зоні немає дітей, сторонніх і домашніх тварин.
- Очистьте робочу зону від предметів, які можуть бути відкинуті лезами косарки.
- Перевірте й переконайтеся, що світлодіодне освітлення перебуває в належному стані:
  - Керування фарами, габаритними вогнями та задніми ліхтарями здійснюється за допомогою перемикача світлодіодного освітлення.

- Під час руху ходові вогні завжди горять.
- Під час руху заднім ходом, якщо задні ліхтарі вимкнені, вони блиматимуть, щоб попередити оточуючих; якщо задні ліхтарі ввімкнені, вони залишаться ввімкненими.
- Усі вогні автоматично вимикаються, коли газонокосарка автоматично вимикається після періоду бездіяльності.

#### Перевірка тиску в холодних шинах (рис. D1)

#### Перевірка стану косарки та рівня заряду акумулятора

- Індикатор рівня палива косарки (рис. А2 – 27а)  
Кожен сегмент індикатора рівня палива косарки показує 20% заряду вставлених акумуляторних батарей.

**ПРИМІТКА.** Індикатор рівня палива на косарці та показчик рівня палива на РК-екрані показують середню ємність вставлених акумуляторних батарей.

- Індикатор стану на косарці (рис. А1 і рис. А2 – 27b)

Якщо індикатор стану світиться зеленим, косарка готова до роботи. Якщо ні, див. розділ «КОДИ СТАНУ ТА НЕСПРАВНОСТЕЙ КОСАРКИ».

#### Перевірка системи захисного блокування (рис. D2 – D8)

**ПРИМІТКА.** Перед перевіркою оператор повинен сісти на сидіння.

- Перед перевіркою (рис. D2 – D4)
- Щоб перевірити систему «дека-лезо» (рис. D5), повільно встаньте.
- Щоб перевірити самохідну систему (рис. D6 – D8), повільно встаньте.

Якщо система «дека-лезо» та/або самохідна система не зупиняється, коли оператор перебуває поза сидінням, і якщо причина не може бути визначена після перевірки правильності підключення штекера та гнізда сидіння, зверніться в центр обслуговування клієнтів EGO негайно.

UK

## РЕГУЛЮВАННЯ (рис. E1 – E13)

Підготовка (рис. E1 – E5)

Регулювання висоти ріжучої деки (рис. E6)

Регулювання коліщаток для захисту від скальпування (рис. E7 – E10)

E7-1	Колесо проти скальпування	E9-2	Болт із квадратною головкою
E9-1	Гайка	E10-1	Етикетка висоти деки

Регулювання сидіння (рис. E11)

Відрегулюйте положення сидіння, щоб забезпечити надійний контакт із педаллю гальма стоянки перед роботою з косаркою. Регулювання підвіски сидіння може зробити сидіння максимально комфортним.

E11-1	Важіль регулювання положення сидіння	E11-2	Ручка регулювання підвіски сидіння
-------	--------------------------------------	-------	------------------------------------

Установлення стоянкового гальма (рис. E12 – E13)

E13-1	Положення гальмування	E13-2	Відпущене положення
-------	-----------------------	-------	---------------------

## ЗАРЯДЖАННЯ (рис. F1 – F11)

Для запуску цієї косарки потрібні акумулятори EGO на 15 А·год (2 X BA4200T/BA4200T) або більше. Для кращої роботи ми рекомендуємо використовувати акумулятори EGO загальною ємністю 30 А·год або більше.

**УК**

Використовуйте лише рекомендовані акумулятори та зарядні пристрої.

(Рис. F9 і F10)

Підготовка до заряджання (рис. F1 – F4)

Окреме заряджання акумуляторної батареї (рис. F5 – F9)

F5-1	Кнопка відкриття кришки	F7-1	Кнопка звільнення батареї
------	-------------------------	------	---------------------------

- Прикріплення акумулятора(-ів) (рис. F5 – F6)
- Зняття акумулятора(-ів) (рис. F7 – F8)

**ПРИМІТКА.** Заряджайте акумулятор(и) згідно з відповідними інструкціями акумуляторної батареї та зарядного пристрою.

Заряджання акумуляторних батарей через зарядний порт (рис. F10)

F10-1	Пилозахисний ковпачок	F10-2	Порт для заряджання
-------	-----------------------	-------	---------------------

## ЗАПУСК КОСАРКИ (рис. A4 – A5 і G1 – G6)

**⚠ ПОПЕРЕДЖЕННЯ.** Уникайте різких пусків, зупинок і поворотів, а також надмірної швидкості, особливо під час початкового навчання роботи з косаркою. Косарка може швидко обертатися, що може призвести до втрати керування та серйозних травм і/або шкоди.

**⚠ ПОПЕРЕДЖЕННЯ.** Перед запуском газонокосарки перевірте та переконайтеся, що ножі від'єднані протягом 5 с, коли натискаєте перемикач вала відбору потужності вниз. Якщо леза не зупиняються, не використовуйте газонокосарку і негайно зверніться в службу підтримки клієнтів EGO.

**ПРИМІТКА.** Дотримуйтесь рис. A4 і рис. G2, щоб отримати найнижчу швидкість руху і **СТАНДАРТНИЙ** режим руху, доки ви не зможете повністю керувати косаркою в будь-яких ситуаціях. Швидкість руху і режим руху активуються тільки тоді, коли колеса косарки зупинені і важелі керування відкриті.

Газонокосарка відновить збережений попередній режим руху, швидкість руху та калібрування важелів керування після перезапуску.

### Самохідний режим

- **КОНТРОЛЬ.** Нижче прискорення, менш чутливе керування і помірні швидкості повороту для захисту трави та для нових користувачів.
- **СТАНДАРТ.** Ідеально підходить для повсякденного використання.



- **СПОРТ.** Більше прискорення, точне керування та круті повороти для максимальної ефективності косіння та для ентузіастів косіння.

#### Регулювання швидкості руху (рис. А4)

#### Регулювання швидкості лез (рис. А5)

#### USB-порт

**ПРИМІТКА.** Порт USB забезпечує заряджання 5 В постійного струму при сумарному споживанні 1,5 А і отримує живлення, тільки газонокосарка запущена.

#### ЗУПИНКА КОСАРКИ (рис. Н1 – Н6)

**ПРИМІТКА.** Після більше ніж 60 хвилин бездіяльності косарка автоматично вимкнеться.

#### Аварійний режим

Коли заряд акумулятора стає низьким, газонокосарка переходить в аварійний режим:

- Косарка автоматично зупиняє стрижку трави;
- Звуковий індикатор продовжуватиме видавати звукові сигнали;
- Індикатор стану газонокосарки блиматиме червоним кожну секунду, перший сегмент покажчика рівня палива косарки блиматиме червоним кольором, а індикатор низького заряду та індикатор заряду батареї на покажчику рівня палива блиматимуть.

Оператор повинен:

- а) Натиснути перемикач вала відбору потужності вниз (рис. Н3), щоб відключити леза. Звуковий індикатор перестане видавати звукові сигнали, коли лезо зупиниться;
- б) Припинить роботу і якомога швидше вирушайте в зону заряджання акумулятора. Максимальна відстань, яку може проїхати косарка, становить 1000 м.

Коли акумулятор майже розряджений, значок кожного зайнятого акумуляторного відсіку та індикатор низького заряду блиматимуть кожні півсекунди. Косарка негайно перестане працювати. Оператор повинен доставити газонокосарку в зону заряджання акумулятора, щоб зарядити її.

#### Штовхання вручну

Якщо потрібне штовхання вручну, переконайтеся, що акумуляторні батареї відключені від газонокосарки і педаль гальма стоянки відпущена з положення гальмування.

#### КЕРУВАННЯ КОСАРКОЮ (рис. І1 – І9)

Щоб зупинити, зменшити або збільшити швидкість, повільно змініть відстань важеля керування від нейтрального.

**⚠ НЕБЕЗПЕКА.** Тримайтеся на відстані принаймні подвійної ширини скошування від канав, обривів або води. Передні колеса можуть обертатися, коли косарка зупинена, навіть із задіяним гальмом, що може привести до вильоту косарки за край або у воду та спричинити смерть або серйозні травми.

**⚠ ПОПЕРЕДЖЕННЯ.** Перш ніж рухатися заднім ходом, стежте за тим, що за косаркою. НЕ косіть у зворотному напрямку без крайньої необхідності. Завжди дивіться вниз і назад перед тим, як їхати заднім ходом, щоб переконатися, що в зону косіння не входять діти, сторонні люди або домашні тварини. Пам'ятайте, що півсекунди неувважності досить для смерті або серйозної травми.

**⚠ ПОПЕРЕДЖЕННЯ.** Не використовуйте цю машину на дорогах загального користування.

**⚠ ПОПЕРЕДЖЕННЯ.** У разі блокування або удару об сторонній предмет зупиніть двигуни та вийміть усі батареї. Видаліть скошену траву, листя, бруд і будь-яке інше сміття, що скупчилося; ретельно огляньте косарку на предмет пошкоджень і усуньте пошкодження перед повторним запуском і експлуатацією косарки.

## ОБСЛУГОВУВАННЯ

**⚠ ПОПЕРЕДЖЕННЯ.** Завжди носіть засоби захисту органів зору із закисними щитками Недотримання цього правила може призвести до потрапляння предметів в очі та стати причиною серйозних травм.

**⚠ ПОПЕРЕДЖЕННЯ.** Завжди захищайте руки, одягнувши товсті рукавички або обгорнувши ріжучі кромки ганчірками чи іншими матеріалами під час виконання будь-якого технічного обслуговування леза косарки. Під час обслуговування або транспортування косарки завжди виймайте запобіжний ключ та акумуляторну батарею.

Інтервал технічного обслуговування	Порядок обслуговування
Перед кожним використанням або щодня	<ul style="list-style-type: none"> <li>Перевірте систему захисного блокування.</li> <li>Візуально перевірте шину, чи не спущена вона.</li> <li>Огляньте леза на предмет зносу, тріщин або погнутості.</li> <li>Огляньте весь виріб на предмет пошкоджень, відсутніх або незакріплених деталей, таких як жолоб для бічного розвантаження, гвинти, гайки, болти, кришки тощо. Переконавшись, що всі щитки розміщені на своїх місцях і працюють належним чином.</li> <li>Перевірте роботу гальма.</li> </ul>
Після кожного використання	<ul style="list-style-type: none"> <li>Очистьте деку косарки.</li> </ul>
Кожні 25 годин	<ul style="list-style-type: none"> <li>Перевірити тиск у шинах.</li> </ul>
Кожні 50 годин	<ul style="list-style-type: none"> <li>Перевірте стан мастила всередині фланця ріжучого леза.</li> </ul>
Кожні 100 годин	<ul style="list-style-type: none"> <li>Перевірте задні колеса, переконавшись, що всі затискні гайки затягнуто з рекомендованим крутним моментом.</li> </ul>

Кожні 200 годин	<ul style="list-style-type: none"> <li>Перевірте передні колеса та переконайтеся, що вони вільно обертаються.</li> </ul>
Щорічно	<ul style="list-style-type: none"> <li>Перевірте педаль гальма стоянки. Зніміть акумулятор із косарки та встановіть педаль гальма стоянки в положення гальмування. Вручну штовхайте косарку вперед, щоб перевірити, чи можна її переміщати. Якщо вона переміщається, зверніться до кваліфікованого фахівця з обслуговування.</li> </ul>

## ЧИЩЕННЯ КОСАРКИ (рис. J1 – J9)

### Підготовка (рис. J1 – J5)

### Очищення корпусу косарки (рис. J6 – J7)

### Використання промивного порту для очищення деки косарки (рис. J8 – J9)

J8-1	Промивний отвір	J8-3	Садовий шланг
J8-2	Пристрій для швидкої зміни навісного обладнання з отвором для промивання		

**ПРИМІТКА.** Після закінчення очищення натисніть перемикач вала відбору потужності вниз, щоб вивільнити леза косарки.

## ТЕХНІЧНЕ ОБСЛУГОВУВАННЯ КОСАРКИ ТА ЛЕЗ

### Підготовка (рис. K1 – K6)

### Зняття деки косарки (рис. K7 – K8)

K7-1	Кабель двигуна	K7-3	Привод підвіски
K7-2	Шплінт		

**ПРИМІТКА.** Від'єднайте всі кабелі мотора та шплінти під час зняття деки косарки.

### Заміна ріжучих лез (рис. K9 – K11)

K9-1	Стабілізатор	K10-3	Лезо
K10-1	Болт	K10-4	Фланець
K10-2	Шайба	K10-5	Вал мотора

### Вирівнювання деки косарки

- a. Коли вирівнювати (рис. K12 – K14)**
- b. Перед вирівнюванням**
  - Перевірка тиску в холодних шинах (рис. K15)
  - Перевірте ріжучі леза. За необхідності зніміть і замініть зношені, тріснуті та/або погнуті леза.
- c. Підготовка до вирівнювання (рис. K16 – K21)**
- d. Як вирівняти**
  - Для поперечного регулювання (рис. K22)

K22-1	Контргайка
-------	------------

- Для регулювання положення спереду назад (рис. K23)

### КАЛІБРУВАННЯ СИСТЕМА СТЕЖЕННЯ КОСАРКИ (рис. L1 – L4)

**ПРИМІТКА.** Звуковий сигнал пролунає один раз як під час запуску калібрування, так і після його завершення.

**ПРИМІТКА.** Калібрування, виконане для одного з режимів руху («КОНТРОЛЬ», «СТАНДАРТ», «СПОРТ») може бути недоступним для двох інших режимів. За потреби відкалібруйте важелі кермування в кожному режимі руху.

### СКИДАННЯ КОСАРКИ ДО ПОЧАТКОВИХ ЗАВОДСЬКИХ НАЛАШТУВАНЬ (рис. M)

**ПРИМІТКА.** Звуковий сигнал пролунає один раз як під час запуску скидання, так і після його завершення.

**ПРИМІТКА.** Після успішного скидання наведені нижче параметри повернуться до початкових заводських налаштувань:

- самохідний режим

- швидкість руху
- калібрування кермових важелів

## ЗБЕРІГАННЯ ТА ТРАНСПОРТУВАННЯ

### ТРАНСПОРТУВАННЯ КОСАРКИ (РИС. N1 – РИС. N11)

**ПРИМІТКА.** За необхідності закріпіть косарку ремнями або тросами, щоб запобігти її переміщенню під час транспортування.

### ЗБЕРІГАННЯ (рис. O1 – O6)

**ПРИМІТКА.** Зніміть акумуляторні батареї та зберігайте акумулятори згідно з відповідними інструкціями.


Очистьте та перевірте косарку перед зберіганням. Див. розділи «ОЧИЩЕННЯ КОСАРКИ» та «РЕКОМЕНДОВАНИЙ ГРАФІК(И) ТЕХНІЧНОГО ОБСЛУГОВУВАННЯ».

### Захист довкілля




WEEE (відходи електричного та електронного устаткування) Не викидайте електричне обладнання, акумулятор і зарядний пристрій у побутові відходи! Віднесіть цей виріб авторизованому переробнику й надайте його для роздільного збирання. Електроінструменти необхідно повернути в підприємство, що займається екологічно безпечною переробкою.

## УСУНЕННЯ НЕСПРАВНОСТЕЙ

НЕСПРАВНІСТЬ	ПРИЧИНА	ВИРІШЕННЯ
<p>Косарка не може рухатися, коли два важелі керування спочатку переміщені вперед або назад.</p>  <p>Значок важеля керування блимає</p>	<ul style="list-style-type: none"> <li>Сумарна ємність усталених батарей не відповідає вимогам.</li> </ul>	<ul style="list-style-type: none"> <li>Для того щоб запустити цю косарку, використовуйте достатньо акумуляторів EGO згідно з вказівками в розділі «<b>ЗАРЯДЖАННЯ</b>» в цій інструкції.</li> </ul>
	<ul style="list-style-type: none"> <li>Педаль гальма стоянки встановлена в положення гальмування.</li> </ul>	<ul style="list-style-type: none"> <li>Повністю натисніть педаль гальма стоянки, щоб вивести її з положення гальмування.</li> </ul>
	<ul style="list-style-type: none"> <li>Важелі керування не перебувають у відкритому положенні під час запуску косарки.</li> </ul>	<ul style="list-style-type: none"> <li>Поверніть важелі керування у відкрите положення та перезапустіть косарку.</li> </ul>
	<ul style="list-style-type: none"> <li>Оператор не сидить на сидінні.</li> </ul>	<ul style="list-style-type: none"> <li>Тільки коли оператор правильно сидить на сидінні, він/вона може керувати косаркою.</li> </ul>
	<ul style="list-style-type: none"> <li>Перемикач сидіння неправильно підключений.</li> </ul>	<ul style="list-style-type: none"> <li>Зніміть акумулятор із косарки та розберіть сидіння в порядку, зворотному вказівкам у розділі «<b>УСТАНОВЛЕННЯ СИДІННЯ</b>» цього посібника, щоб перевірити з'єднання перемикача сидіння. Зберіть сидіння та виконайте кроки з розділу «<b>ЗАПУСК КОСАРКИ</b>», щоб перезапустити газонокосарку та перевірити, чи газонокосарка запускається. Якщо ні, зверніться до кваліфікованого спеціаліста з обслуговування.</li> </ul>
	<ul style="list-style-type: none"> <li>У дуже холодну погоду самохідна функція може не запуститися через захист від низьких температур.</li> </ul>	<ul style="list-style-type: none"> <li>Завжди зберігайте косарку та акумулятор у теплому місці. Перезапустіть газонокосарку, коли вона прогріється. Не робіть повторних спроб у дуже холодну погоду, оскільки це може призвести до пошкодження машини.</li> </ul>

UK

НЕСПРАВНІСТЬ	ПРИЧИНА	ВИРІШЕННЯ
Косарка більше не їде.	<ul style="list-style-type: none"> <li>Важелі керування потребують «скидання».</li> </ul>	<ul style="list-style-type: none"> <li>Поверніть важелі керування у відкрите положення та перезапустіть косарку.</li> </ul>
	<ul style="list-style-type: none"> <li>Електричні елементи керування важелів керування вийшли з ладу.</li> </ul>	<ul style="list-style-type: none"> <li>Зверніться до кваліфікованого фахівця з обслуговування для ремонту.</li> </ul>
	<ul style="list-style-type: none"> <li>Вимикач сидіння від'єднався під час руху по пересіченій місцевості.</li> </ul>	<ul style="list-style-type: none"> <li>Зніміть акумулятор із косарки та розберіть сидіння в порядку, зворотному вказівкам у розділі «УСТАНОВЛЕННЯ СИДІННЯ» цього посібника, щоб перевірити з'єднання перемикача сидіння. Зберіть сидіння та виконайте кроки з розділу «ЗАПУСК КОСАРКИ», щоб перезапустити газонокосарку та перевірити, чи газонокосарка запускається. Якщо ні, зверніться до кваліфікованого спеціаліста з обслуговування.</li> </ul>
	<ul style="list-style-type: none"> <li>Педаля гальма стоянки натискається для зниження швидкості руху. Щойно педаль гальма стоянки буде натиснута достатньо, але не до положення стоянки, газонокосарка зупиниться.</li> </ul>	<ul style="list-style-type: none"> <li>Щоб перезапустити газонокосарку, дотримуйтесь інструкцій у розділі «ЗАПУСК КОСАРКИ».</li> </ul>
Швидкість руху/ самохідний режим не можна регулювати під час руху.	<ul style="list-style-type: none"> <li>Це функція косарки для безпечного руху.</li> </ul>	<ul style="list-style-type: none"> <li>Функція активується тільки тоді, коли колеса косарки зупинені, а важелі керування відкриті.</li> </ul>

НЕСПРАВНІСТЬ	ПРИЧИНА	ВИРІШЕННЯ
<p>Косарка не запускає ножі, коли вал відбору потужності ввімкнено.</p>  <p>Значок перемикача вала відбору потужності блимає</p>	<ul style="list-style-type: none"> <li>Сумарна ємність усталених батарей не відповідає вимогам.</li> </ul>	<ul style="list-style-type: none"> <li>Для того щоб запустити цю косарку, використовуйте достатньо акумуляторів EGO згідно з вказівками в розділі «<b>ЗАРЯДЖАННЯ</b>» в цій інструкції.</li> </ul>
	<ul style="list-style-type: none"> <li>Перемикач вала відбору потужності не опустився під час останньої зупинки газонокосарки.</li> </ul>	<ul style="list-style-type: none"> <li>Переведіть перемикач вала відбору потужності вниз і перезапустіть леза косарки.</li> </ul>
	<ul style="list-style-type: none"> <li>У момент запуску ножів косарка перевантажена, що призводить до самозахисту двигуна.</li> </ul>	<ul style="list-style-type: none"> <li>Почніть різання трави газонокосаркою спочатку на нижчій швидкості лез і, доки леза не почнуть успішно обертатися, не збільшуйте швидкість лез до необхідної.</li> </ul>
	<ul style="list-style-type: none"> <li>У дуже холодну погоду мотор лез може не запуститися через захист від низьких температур.</li> </ul>	<ul style="list-style-type: none"> <li>Завжди зберігайте косарку та акумулятор у теплому місці. Перезапустіть газонокосарку, коли вона прогріється. Не робіть повторних спроб у дуже холодну погоду, оскільки це може призвести до пошкодження машини.</li> </ul>
	<ul style="list-style-type: none"> <li>Лезо зачіпає деформовану деку косарки.</li> </ul>	<ul style="list-style-type: none"> <li>Зверніться до кваліфікованого фахівця з обслуговування для ремонту.</li> </ul>

НЕСПРАВНІСТЬ	ПРИЧИНА	ВИРІШЕННЯ
Ножі перестають працювати під час косіння трави.	<ul style="list-style-type: none"> <li>Косарка перевантажена.</li> </ul>	<ul style="list-style-type: none"> <li>Збільште висоту різання деки або зменште швидкість руху, щоб знизити навантаження на косарку.</li> </ul>
	<ul style="list-style-type: none"> <li>Дека косарки забита травою та сміттям.</li> </ul>	<ul style="list-style-type: none"> <li>Очистьте деку косарки та переконайтеся, що леза мають свободу руху.</li> </ul>
	<ul style="list-style-type: none"> <li>Косарка перегрілася.</li> </ul>	<ul style="list-style-type: none"> <li>Зменште навантаження на косарку, збільшивши висоту різання деки або знизивши швидкість лез/руху і дайте косарці охолонути.</li> </ul>
	<ul style="list-style-type: none"> <li>Акумуляторна батарея(-і) в акумуляторному відсіку газонокосарки перегрівається, у результаті чого сумарна ємність усіх вставлених акумуляторів не відповідає вимогам.</li> </ul>	<ol style="list-style-type: none"> <li>Якщо сумарна ємність акумуляторів не відповідає вимогам, газонокосарка не працюватиме, доки у вільні акумуляторні відсіки не буде вставлено більше акумуляторних батарей. Щойно перегріта батарея повернеться до нормальної температури, вона негайно ввімкне живлення газонокосарки.</li> <li>Зменште навантаження на косарку, збільшивши висоту стриження деки або знизивши швидкість косіння під час поновлення роботи.</li> </ol>
	<ul style="list-style-type: none"> <li>Косарка перебуває в аварійному режимі.</li> </ul>	<ul style="list-style-type: none"> <li>Коли косарка перебуває в аварійному режимі, ножі автоматично перемикаються на низьку швидкість обертання та не ріжуть траву. Оператор повинен припинити роботу і якомога швидше вирушити в зону заряджання акумулятора.</li> </ul>
	<ul style="list-style-type: none"> <li>Косарка стикається зі стороннім предметом, що призводить до самозахисту двигуна.</li> </ul>	<ul style="list-style-type: none"> <li>Переведіть перемикач вала відбору потужності вниз і перезапустіть леза косарки.</li> </ul>

НЕСПРАВНІСТЬ	ПРИЧИНА	ВИРІШЕННЯ
Звуковий сигнал продовжує лунати.	<ul style="list-style-type: none"> <li>Косарка перебуває в аварійному режимі, і леза не вимкнені.</li> </ul>	<ul style="list-style-type: none"> <li>Натисніть перемикач вала відбору потужності вниз, щоб від'єднати ножі деки. Звуковий індикатор перестане видавати звукові сигнали, коли лезо зупиниться;</li> </ul>
	<ul style="list-style-type: none"> <li>Косарка припиняє рух по схилу, оператор відкриває важелі кермування і підводиться із сидіння, не встановивши педаль гальма стоянки в положення гальмування.</li> </ul>	<ul style="list-style-type: none"> <li>Перш ніж залишити косарку на схилі, установіть педаль гальма стоянки в положення гальмування.</li> </ul>
Індикатори заряду акумулятора продовжують горіти, коли газонокосарка вимкнена.	<ul style="list-style-type: none"> <li>Якщо вимкнути газонокосарку на землі без зняття акумуляторної батареї з косарки, індикатори заряду акумулятора, кнопка «Пуск/Стоп» і кнопка встановлення горітимуть протягом певного часу.</li> </ul>	<ul style="list-style-type: none"> <li>Жодних дій не потрібно. Індикатори акумулятора згаснуть, коли косарка вимкнеться через деякий час. Період часу вказано в розділі «<b>ЗУПИНКА ЕЛЕКТРИЧНОЇ КОСАРКИ З НУЛЬОВИМ РАДІУСОМ ПОВОРОТУ</b>».</li> </ul>
	<ul style="list-style-type: none"> <li>Коли газонокосарка вимикається на схилі без установлення педалі гальма стоянки в положення гальмування, індикатори заряду акумулятора горітимуть, доки не розрядиться акумулятор. Звуковий індикатор продовжує при цьому подавати звукові сигнали.</li> </ul>	<ul style="list-style-type: none"> <li>Установіть педаль гальма стоянки в положення гальмування, перш ніж оператор залишить інструмент на схилі.</li> </ul>
РК-екран не світиться, коли всі значки ввімкнено.	<ul style="list-style-type: none"> <li>Час натискання на кнопку «Пуск/Стоп» недостатній.</li> </ul>	<ul style="list-style-type: none"> <li>На РК-екрані відображається «Показчик рівня палива» тільки під час короткого натискання кнопки «Пуск/Стоп».</li> <li>РК-екран увімкнеться після натискання й утримання кнопки «Пуск/Стоп» протягом достатнього часу.</li> </ul>








НЕСПРАВНІСТЬ	ПРИЧИНА	ВИРІШЕННЯ
Косарка ріже нерівномірно, зі значною різницею по висоті спереду і ззаду.	▪ Леза затупились.	▪ Заточіть або замініть ріжуче лезо, як зазначено в цій інструкції.
	▪ Леза погнуті.	▪ Замініть погнуте ріжуче лезо, дотримуючись вказівок у розділі « <b>ЗАМІНА РІЖУЧИХ ЛЕЗ</b> ».
	▪ Дека косарки не вирівняна, що призводить до різної висоти ріжучого леза.	▪ Вирівняйте деку косарки, дотримуючись вказівок у розділі « <b>ВИРІВНЮВАННЯ ДЕКИ КОСАРКИ</b> ».
Фактична висота скошування трави не відповідає заявленій висоті.	▪ Ослаблені гайки деки косарки на приводі підвіски.	▪ Дотримуйтеся інструкцій у розділі « <b>ВИРІВНЮВАННЯ ДЕКИ КОСАРКИ</b> », щоб виконати правильне регулювання деки косарки спереду назад, і надійно затягніть чотири гайки на приводі підвіски.
	▪ Дека косарки пошкоджена або серйозно зношена.	▪ Дотримуйтеся вказівок у розділі « <b>ЗНЯТТЯ ДЕКИ КОСАРКИ</b> », щоб замінити деку косарки.
Косарка не мульчує правильно.	▪ Обрізки мокрої трави приклеюються до нижньої поверхні деки.	▪ Зачекайте, доки трава не висохне, перед косінням.
	▪ Косарка встановлена для зрізання занадто великої кількості трави за раз.	▪ Підніміть деку, щоб установити вищу висоту зрізання.
Надмірна вібрація.	▪ Ріжучі леза ослабли.	▪ Затягніть болт леза з рекомендованим моментом.
	▪ Леза погнуті.	▪ Замініть погнуте ріжуче лезо, дотримуючись вказівок у розділі « <b>ЗАМІНА РІЖУЧИХ ЛЕЗ</b> ».
	▪ Дека косарки не вирівняна.	▪ Вирівняйте деку косарки, дотримуючись вказівок у розділі « <b>ВИРІВНЮВАННЯ ДЕКИ КОСАРКИ</b> ».
	▪ Ослаблені гайки деки косарки на приводі підвіски.	▪ Затягніть гайки на приводі підвіски.
	▪ Косарка встановлена для зрізання занадто великої кількості трави за раз.	▪ Підніміть деку, щоб установити вищу висоту зрізання.

НЕСПРАВНІСТЬ	ПРИЧИНА	ВИРІШЕННЯ
Після стрижки на землі залишилася трава або сміття.	<ul style="list-style-type: none"> <li>Косарка встановлена для зрізання занадто великої кількості трави за раз, якщо трава висока.</li> </ul>	<ul style="list-style-type: none"> <li>Почніть із великої висоти різання та зменшуйте її, доки не отримаєте бажаний результат косіння. Траву висотою більше 6 дюймів (15 см) слід косити двічі, послідовно зменшуючи висоту різання.</li> </ul>
	<ul style="list-style-type: none"> <li>Трава мокра.</li> </ul>	<ul style="list-style-type: none"> <li>Не косіть вологу траву, доки вона не висохне.</li> </ul>
	<ul style="list-style-type: none"> <li>Швидкість руху висока.</li> </ul>	<ul style="list-style-type: none"> <li>Зменште швидкість руху.</li> </ul>
	<ul style="list-style-type: none"> <li>Швидкість лез низька.</li> </ul>	<ul style="list-style-type: none"> <li>Поступово збільшуйте швидкість лез.</li> </ul>
Короткий час роботи косарки від комплектного акумулятора.	<ul style="list-style-type: none"> <li>Стан трави і настройка висоти різання сильно впливають на час роботи від акумулятора. Заявлений час роботи розрахований в умовах невеликого навантаження.</li> </ul>	<ul style="list-style-type: none"> <li>Підніміть висоту різання деки і зменште швидкість лез, щоб зменшити навантаження під час різання.</li> </ul>
Газонокосарка їде не по прямій.	<ul style="list-style-type: none"> <li>Тиск у шинах лівого і правого задніх коліс різний.</li> </ul>	<ul style="list-style-type: none"> <li>Перевірте та відрегулюйте тиск повітря в шинах обох задніх коліс відповідно до рекомендацій у розділі «ПЕРЕВІРКА ТИСКУ В ШИНАХ» цього посібника.</li> </ul>
	<ul style="list-style-type: none"> <li>Швидкість руху лівого і правого задніх коліс різна.</li> </ul>	<ul style="list-style-type: none"> <li>Відкалібруйте самохідну систему косарки, дотримуючись вказівок у розділі «КАЛІБРУВАННЯ САМОХІДНОЇ СИСТЕМИ КОСАРКИ».</li> </ul>
Педаль гальма стоянки не може бути відпущена з положення гальмування або повільно повертається у вихідне положення.	<ul style="list-style-type: none"> <li>Усередину педалі гальма стоянки може потрапити сміття або бруд.</li> </ul>	<ul style="list-style-type: none"> <li>Відкрийте коробку педалі гальма стоянки, щоб ретельно очистити коробку всередині, і закрийте її. Скиньте педаль гальма стоянки, щоб побачити, чи вирішена проблема. Якщо ні, зверніться до кваліфікованого спеціаліста з обслуговування.</li> </ul>

НЕСПРАВНІСТЬ	ПРИЧИНА	ВИРІШЕННЯ
Косарка не може заряджатися через зарядний порт, коли індикатор стану косарки постійно горить червоним.	▪ Штекер зарядного пристрою неправильно вставлений у зарядний порт газонокосарки.	▪ Знову підключіть вилку зарядного пристрою, щоб перевірити, чи газонокосарка заряджається у звичайному режимі.
	▪ У розетках немає електрики.	▪ Жодних дій не потрібно. Зачекайте, доки подача живлення не відновиться.
	▪ Несправність зарядного пристрою.	▪ Зверніться до кваліфікованого фахівця з обслуговування для перевірки та за необхідності відремонтуйте зарядний пристрій.
	▪ Зарядний порт на газонокосарці несправний.	▪ Зверніться до кваліфікованого фахівця з обслуговування для ремонту.
Заряджання через зарядний порт газонокосарки займає забагато часу.	▪ Заряджання за допомогою адаптера EGO ACA1000 займає багато часу.	▪ Використовуйте зарядний пристрій EGO CHV1600E для безпосереднього заряджання косарки.
Акумулятор не може бути повністю заряджений через зарядний порт газонокосарки.	▪ Помилка прошивки самохідної газонокосарки або збій зарядного пристрою/акумулятора.	▪ Від'єднайте зарядний пристрій і почекайте більше ніж кілька хвилин, потім знову підключіть вилку до джерела живлення. Якщо це не спрацює, зверніться до кваліфікованого спеціаліста з обслуговування.
Косарка не запускається після очищення.	▪ Неправильна очищення, наприклад, потрапляння води на електричні компоненти, РК-екран тощо.	▪ Дотримуйтеся вказівок у розділі « <b>ОЧИЩЕННЯ КОСАРКИ</b> », щоб правильно очистити газонокосарку.
Газонокосарка легко забивається.	▪ Дека косарки забита травою та сміттям.	▪ Якщо газонокосарка випадково потрапила під дощ, дайте їй висохнути на відкритому повітрі або висушіть її стисненим повітрям.
		▪ Очищайте деку косарки після кожного використання, дотримуючись вказівок у розділі «Використання промивного отвору для очищення деки косарки».
Косарка легко втрачає тягу під час підйому по схилу.	▪ Зношені шини задніх коліс.	▪ Зверніться до місцевого сервісного центру для заміни колісних шин.
	▪ Великий ухил скошування.	▪ Нахил скошування має бути під відповідним кутом.

НЕСПРАВНІСТЬ	ПРИЧИНА	ВИРІШЕННЯ
Коли косарка зупиняється на схилі з натиснутою педаллю гальма стоянки, косарка може ковзати вниз по схилу.	<ul style="list-style-type: none"><li>▪ Компоненти гальма надмірно зношені через неправильну експлуатацію косарки.</li></ul>	<ul style="list-style-type: none"><li>▪ Зверніться до кваліфікованого фахівця з обслуговування для ремонту.</li></ul>
Під час миття деки з промивного отвору не надходить вода.	<ul style="list-style-type: none"><li>▪ Швидкороз'ємне з'єднання промивного отвору не встановлюється на місце на промивний отвір.</li></ul>	<ul style="list-style-type: none"><li>▪ Знову прикріпіть швидкороз'ємне з'єднання промивного отвору, доки не почуєте чітке клацання після сильного натискання. Якщо це не спрацює, зверніться до кваліфікованого спеціаліста з обслуговування.</li></ul>
Якщо штовхати косарку вручну, не запускаючи її, чути ненормальний звук.	<ul style="list-style-type: none"><li>▪ Магніти всередині приводного двигуна видають звуки.</li></ul>	<ul style="list-style-type: none"><li>▪ Це нормально, нічого не потрібно робити.</li></ul>

## КОД НЕСПРАВНОСТІ ТА ІНДИКАТОР СТАНУ НА КОСАРЦІ

РК-екран	Опис	Код несправності на РК-дисплеї	Індикатор стану косарки	Звуковий сигнал	Причина	Вирішення
	Значок світлодіодного освітлення відображається на РК-екрані	н/з	ВИМКНЕНИЙ	Ні	Вмикання фар, габаритних вогнів і задніх ліхтарів здійснюється за допомогою перемикача світлодіодного освітлення.	Це нормальна робота. Жодних дій не потрібно.
	Значок USB відображається на РК-екрані	н/з	ВИМКНЕНИЙ	Ні	Значок USB показує, що пристрій USB може працювати після правильного запуску газонокосарки.	Це нормальна робота. Жодних дій не потрібно.
	Значок покажчика рівня палива відображається на РК-екрані.	н/з	ВИМКНЕНИЙ	Ні	Показує середню ємність заряду вставлених акумуляторів.	Це нормальна робота. Жодних дій не потрібно.
	Значок лічильника годин відображається на РК-екрані.	н/з	ВИМКНЕНИЙ	Ні	Показує загальний час руху косарки в годинах і не може бути скинутий.	Це нормальна робота. Жодних дій не потрібно.
	Значок індикатора навантаження відображається в діапазоні ECO	н/з	ВИМКНЕНИЙ	Ні	Показує поточне навантаження косарки.	Це нормальна робота. Жодних дій не потрібно.

**UK**

РК-екран	Опис	Код несправності на РК-дисплеї	Індикатор стану косарки	Звуковий сигнал	Причина	Вирішення
	<p>Індикатор перевантаження блимає. Значок індикатора навантаження відображається в діапазоні PWR.</p>	н/з	Блимає червоним	Один звуковий сигнал	Мотор лез перевантажено.	Збільште висоту різання деки або зменште швидкість руху, щоб знизити навантаження на косарку.
					Бічний випускний жолоб забивається травою і сміттям.	Очищайте боковий випускний жолоб після кожного використання.
					Є перешкода між лезом і декою косарки.	Доручить ремонт кваліфікованому фахівцю з технічного обслуговування.
	<p>Значок запобіжного ключа блимає.</p>	н/з	ВИМКНЕНИЙ	Ні	Запобіжний ключ не вставлено.	Вставте ключ безпеки, потім натисніть і утримуйте кнопку «ПУСК/СТОП», щоб увімкнути газонокосарку.
					На РК-екран не подається живлення.	Доручить ремонт кваліфікованому фахівцю з технічного обслуговування.
	<p>Значок певного батарейного відсіку блимає.</p>	н/з	ВИМКНЕНИЙ	Ні	<p>Певний акумулятор під час розрядження перевантаження по струму.</p>	<p>Жодних дій не потрібно. Газонокосарка може продовжувати працювати, якщо сумарна ємність акумуляторів, виключаючи перевантажену акумуляторну батарею, відповідає вимогам. Щойно перевантажена по струму батарея повернеться в нормальний стан, вона негайно підключиться до живлення газонокосарки, і значок зникне.</p>

UK

РК-екран	Опис	Код несправності на РК-дисплеї	Індикатор стану косарки	Звуковий сигнал	Причина	Вирішення
	Значок порожнього батарейного відсіку блимає.	н/з	ВИМКНЕНИЙ	Ні	Ємності акумулятора недостатньо для роботи газонокосарки.	Для того щоб запустити цю косарку, використовуйте достатньо акумуляторів EGO згідно з вказівками в розділі «ЗАРЯДЖАННЯ» в цій інструкції.
	Значок температури блимає.	н/з	ВИМКНЕНИЙ	Один звуковий сигнал	Косарка перегрілася.	Зменште навантаження на косарку, збільшивши висоту різання деки або знизивши швидкість лез/руху. Зробіть перерву і дайте косарці охолонути.
					Косарка занадто холодна	Не робіть повторних спроб, оскільки це може призвести до пошкодження машини. Завжди зберігайте косарку та акумулятори в теплому місці. Перезапустіть газонокосарку, коли вона прогріється.

РК-екран	Опис	Код несправності на РК-дисплеї	Індикатор стану косарки	Звуковий сигнал	Причина	Вирішення
	Значок температури і зайнятого батарейного відсіку блимають одночасно.	н/з	ВИМКНЕНИЙ	Ні	Акумуляторна батарея в батарейному відсіку з відповідним номером перегрілася.	<p>1. Газонокосарка може продовжувати працювати, якщо сумарна ємність акумуляторів, виключаючи перегріту акумуляторну батарею, відповідає вимогам. Щойно перегріта батарея повернеться до нормальної температури, вона негайно ввімкне живлення газонокосарки.</p> <p>2. Якщо сумарна ємність акумуляторів недостатня, газонокосарка не працюватиме, доки у вільні акумуляторні відсіки не буде вставлено більше акумуляторних батарей.</p> <p>3. Зменште навантаження на косарку, збільшивши висоту стриження деки або знизивши швидкість косіння під час поновлення роботи.</p>



UK



РК-екран	Опис	Код несправності на РК-дисплеї	Індикатор стану косарки	Звуковий сигнал	Причина	Вирішення
	<p>Значки кожного зайнятого акумуляторного відсіку, індикатор низького заряду, індикатор рівня заряду батареї на індикаторі рівня палива блимають одночасно на РК-екрані щосекунди. Також блимає перший сегмент світлодіодного індикатора рівня палива і стану.</p>	н/з	Блимає червоним	Подає звуковий сигнал, доки перемикач вала відбору потужності не буде натиснуто вниз.	Акумулятори розряджені, і газонокосарка перебуває в аварійному режимі.	<p>Припиніть роботу та поверніться в зону заряджання акумулятора.</p> <p><b>ПРИМІТКА.</b> Коли косарка перебуває в аварійному режимі, ножі автоматично перемикаються на низьку швидкість обертання без різання трави, і при цьому звуковий індикатор продовжуватиме видавати звуковий сигнал. Оператор повинен натиснути перемикач вала відбору потужності вниз, щоб від'єднати леза деки. Звуковий індикатор перестане подавати звуковий сигнал після зупинки леза.</p>
	<p>Значок кожного зайнятого акумуляторного відсіку та індикатор низького заряду блимає кожні півсекунди.</p>	н/з	Блимає червоним	Продовжує видавати звуковий сигнал	Акумулятори майже розряджені.	Косарка негайно перестане працювати. Оператор повинен доставити газонокосарку в зону заряджання акумулятора, щоб зарядити її.

РК-екран	Опис	Код несправності на РК-дисплеї	Індикатор стану косарки	Звуковий сигнал	Причина	Вирішення
	На РК-екрані блимає значок автоматичного паркування.	н/з	ВИМКНЕНИЙ	Продовжує видавати звуковий сигнал	Косарка припаркована на схилі, і оператор залишає косарку, не натискаючи педаль гальма в положення гальмування, тільки важелі керування перебувають у відкритому положенні.	Установіть педаль гальма в положення гальмування. Значок автоматичного паркування згасне, а звуковий індикатор перестане подавати звукові сигнали.
	Значок педалі гальма відображається на РК-дисплеї.	н/з	ВИМКНЕНИЙ	Ні	Педаль гальма стоянки встановлена в положення гальмування.	Відпустіть її перед запуском косарки.
	Значок датчика сидіння відображається на РК-дисплеї.	н/з	ВИМКНЕНИЙ	Ні	Оператор залишає сидіння, або перемикач сидіння від'єднаний.	Якщо оператор сидить на сидінні, значок горить, негайно припиніть роботу з косаркою та перевірте з'єднання сидіння. Якщо підтверджено, що з'єднання сидіння з косаркою правильне, зверніться до кваліфікованого фахівця з технічного обслуговування.
	Значок перемикача вала відбору потужності блимає.	н/з	ВИМКНЕНИЙ	Ні	Робота мотора лез була перервана, і перемикач вала відбору потужності не встановлено в положення «вимкнено».	Перед повторним запуском косарки натисніть перемикач вала відбору потужності вниз, щоб відключити двигун деки. Для довідки див. розділ «УСУНЕННЯ НЕСПРАВНОСТЕЙ» цього посібника.

UK

РК-екран	Опис	Код несправності на РК-дисплеї	Індикатор стану косарки	Звуковий сигнал	Причина	Вирішення
	Значок важеля керування блимає.	н/з	ВИМКНЕНИЙ	Ні	Робота приводного двигуна була перервана, а важелі керування не встановлено у відкрите положення.	Перед повторним запуском косарки переведіть важелі керування у відкрите положення. Для довідки див. розділ «УСУНЕННЯ НЕСПРАВНОСТЕЙ» цього посібника.
	Значок відновлення енергії іноді блимає.	н/з	ВИМКНЕНИЙ	Ні	Кінетична енергія, що генерується під час гальмування або руху під ухил, перетворюється в електрику для заряджання акумуляторних батарей.	Це нормальна робота. Жодних дій не потрібно.

K E E S V A N D E R S P E E K  
TUINMACHINES ★ STOLWIJK

**ПРИМІТКА.** Якщо на РК-екрані з'являється код несправності, вийміть усі акумуляторні батареї та знову вставте їх через кілька хвилин. Якщо це не вирішить проблему, виконайте наведені нижче інструкції з усунення несправностей для відповідного коду несправності.

РК-екран	Опис	Код несправності на РК-дисплеї	Індикатор стану косарки	Звуковий сигнал	Причина	Вирішення	
Див. «Коди несправностей»	Лівий приводний мотор виходить із ладу під час обертання.	Несправний лівий приводний двигун, керований РСВА.	413	ВИМКНЕНИЙ	Один звуковий сигнал	Збій РСВА	Доручіть ремонт кваліфікованому фахівцю з технічного обслуговування.
		Штекер (трифазний, силовий провід), що з'єднує лівий приводний двигун із відповідною друкованою платою, ослаблений.	317	ВИМКНЕНИЙ	Один звуковий сигнал	Слабке з'єднання	
		Ослаблений штекер (шість контактів, сигнальний провід), що з'єднує лівий приводний двигун із відповідною друкованою платою.	301	ВИМКНЕНИЙ	Один звуковий сигнал	Слабке з'єднання	
		Лівий приводний мотор несправний.	317	ВИМКНЕНИЙ	Один звуковий сигнал	Поломка двигуна	

РК-екран	Опис		Код несправності на РК-дисплеї	Індикатор стану косарки	Звуковий сигнал	Причина	Вирішення
Див. «Коди несправностей»	Правий приводний мотор виходить із ладу під час обертання.	Несправний правий приводний двигун, керований РСВА.	313	ВИМКНЕНИЙ	Один звуковий сигнал	Збій РСВА	Доручіть ремонт кваліфікованому фахівцю з технічного обслуговування.
		Штекер (трифазний, силовий провід), що з'єднує правий приводний двигун із відповідною друкованою платою, ослаблений.	417	ВИМКНЕНИЙ	Один звуковий сигнал	Слабке з'єднання	
		Ослаблений штекер (шість контактів, сигнальний провід), що з'єднує правий приводний двигун із відповідною друкованою платою.	401	ВИМКНЕНИЙ	Один звуковий сигнал	Слабке з'єднання	
		Правий приводний мотор несправний.	417	ВИМКНЕНИЙ	Один звуковий сигнал	Поломка двигуна	

РК-екран	Опис		Код несправності на РК-дисплеї	Індикатор стану косарки	Звуковий сигнал	Причина	Вирішення
Див. «Коди несправностей»	Лівий мотор лез виходить із ладу під час обертання.	Несправний лівий мотор лез, керований РСВА.	607/A07	н/з	Один звуковий сигнал	Збій РСВА	Доручіть ремонт кваліфікованому фахівцю з технічного обслуговування.
		Штекер (трифазний, силовий провід), що з'єднує лівий приводний двигун із відповідною друкованою платою, ослаблений.	509	н/з	Один звуковий сигнал	Слабке з'єднання	Спочатку огляньте лезо. Якщо він ослаблений, затягніть болт із рекомендованим моментом затягування. В іншому разі зверніться до кваліфікованого фахівця з технічного обслуговування.
		Лівий мотор лез виходить із ладу	509	н/з	Один звуковий сигнал	Поломка двигуна	Доручіть ремонт кваліфікованому фахівцю з технічного обслуговування.
Див. «Коди несправностей»	Правий мотор лез виходить із ладу під час обертання.	Несправний правий мотор лез, керований РСВА.	507/A07	н/з	Один звуковий сигнал	Збій РСВА	Доручіть ремонт кваліфікованому фахівцю з технічного обслуговування.
		Штекер (трифазний, силовий провід), що з'єднує правий приводний двигун із відповідною друкованою платою, ослаблений.	609	н/з	Один звуковий сигнал	Слабке з'єднання	Спочатку огляньте лезо. Якщо він ослаблений, затягніть болт із рекомендованим моментом затягування. В іншому разі зверніться до кваліфікованого фахівця з технічного обслуговування.
		Правий мотор лез виходить із ладу	609	н/з	Один звуковий сигнал	Поломка двигуна	Доручіть ремонт кваліфікованому фахівцю з технічного обслуговування.

РК-екран	Опис		Код несправності на РК-дисплеї	Індикатор стану косарки	Звуковий сигнал	Причина	Вирішення
Див. «Коди несправностей»	Середній мотор лез виходить із ладу під час обертання	Несправний середній мотор лез, керований РСВА	507/ 607	н/з	Один звуковий сигнал	Збій РСВА	Доручить ремонт кваліфікованому фахівцю з технічного обслуговування.
		Штекер (трифазний, силовий провід), що з'єднує середній мотор лез із відповідною друкованою платою, ослаблений.	A09	н/з	Один звуковий сигнал	Слабке з'єднання	Спочатку огляньте лезо. Якщо він ослаблений, затягніть болт із рекомендованим моментом затягування. В іншому разі зверніться до кваліфікованого фахівця з технічного обслуговування.
		Середній мотор лез виходить із ладу	A09	н/з	Один звуковий сигнал	Поломка двигуна	зверніться до кваліфікованого фахівця з технічного обслуговування.
Див. «Коди несправностей»	Лівий важіль керування виходить із ладу.	Лівий важіль керування, який керує РСВА, виходить із ладу.	311/ 412	ВИМКНЕНИЙ	Один звуковий сигнал	Збій РСВА	Доручить ремонт кваліфікованому фахівцю з технічного обслуговування.
		Ослаблений штекер, який з'єднує керуючу РСВА, розташовану в кермовій колонці.				Слабке з'єднання	
Див. «Коди несправностей»	Правий важіль керування виходить із ладу.	Правий важіль керування, який керує РСВА, виходить із ладу.	312/ 411	ВИМКНЕНИЙ	Один звуковий сигнал	Збій РСВА	Доручить ремонт кваліфікованому фахівцю з технічного обслуговування.
		Ослаблений штекер, який з'єднує керуючу РСВА, розташовану в кермовій колонці.				Слабке з'єднання	

**UK**

РК-екран	Опис		Код несправності на РК-дисплеї	Індикатор стану косарки	Звуковий сигнал	Причина	Вирішення
Див. «Коди несправностей»	Гальмо стоянки виходить із ладу, машина не може їздити.	РСВА стоянкового гальма, яка розташована в передній частині рами, зламана.	309/409	ВИМКНЕНИЙ	Один звуковий сигнал	Збій РСВА	Доручить ремонт кваліфікованому фахівцю з технічного обслуговування.
		Вимикач і/або провід гальма стоянки зламаний/обірваний.	801	ВИМКНЕНИЙ	Один звуковий сигнал	Несправність проводу/перемикача	
ВИМКНЕНИЙ	Несправність зарядного порту		н/з	Світиться ЧЕРВОНИМ	н/з	Зарядний порт перебуває в розімкнутому колі.	Доручить ремонт кваліфікованому фахівцю з технічного обслуговування.
			н/з	Світиться ЧЕРВОНИМ	н/з	Немає живлення.	Перевірте розетку, чи є в ній напруга 220–240 В і чи розетка справна.
			н/з	Світиться ЧЕРВОНИМ	н/з	Перегорів запобіжник.	Доручить ремонт кваліфікованому фахівцю з технічного обслуговування.
Див. «Коди несправностей»	Несправність зарядного порту		204	н/з	Один звуковий сигнал	Зарядний порт перебуває в розімкнутому колі.	Доручить ремонт кваліфікованому фахівцю з технічного обслуговування.

UK



РК-екран	Опис	Код несправності на РК-дисплеї	Індикатор стану косарки	Звуковий сигнал	Причина	Вирішення
Див. «Коди несправностей»	Блок батарейного відсіку не працює	217	н/з	Один звуковий сигнал	Зламаний блок живлення від акумуляторного відсіку. Світлодіодні фари та USB не працюватимуть.	Доручить ремонт кваліфікованому фахівцю з технічного обслуговування.
		310/ 410	ВИМКНЕНИЙ	Один звуковий сигнал	Не працює з'єднання між проводами Type C блока акумуляторного відсіку та іншими проводами Type C газнокосарки.	
		201/ 202/ 203	ВИМКНЕНИЙ	Один звуковий сигнал	BMS блока акумуляторного відсіку зламана.	
Див. «Коди несправностей»	Несправність перемикача «Пуск/Стоп»	314/ 414	ВИМКНЕНИЙ	Один звуковий сигнал	Несправність РСВА перемикача або погане з'єднання перемикача «Пуск/Стоп».	Доручить ремонт кваліфікованому фахівцю з технічного обслуговування.

**UK**

РК-екран	Опис	Код несправності на РК-дисплеї	Індикатор стану косарки	Звуковий сигнал	Причина	Вирішення
Див. «Коди несправностей»	Несправність РК-екрана	315/ 415	ВИМКНЕНИЙ	Один звуковий сигнал	Збірка РК-дисплея зламана або погане з'єднання проводів збірки РК-дисплея.	Доручіть ремонт кваліфікованому фахівцю з технічного обслуговування.

## ГАРАНТІЯ

### ПРАВИЛА ГАРАНТІЇ EGO

Відвідайте веб-сайт [egopowerplus.com](http://egopowerplus.com) для отримання повного тексту умов гарантійної політики EGO.

**KEES VAN DER SPEK**  
TUINMACHINES ★ STOLWIJK

# ПРОЧЕТЕТЕ ВСИЧКИ ИНСТРУКЦИИ!



ПРОЧЕТЕТЕ РЪКОВОДСТВОТО НА ОПЕРАТОРА

## СИМВОЛ ЗА БЕЗОПАСНОСТ

Целта на символите за безопасност е да привличат вниманието към възможни опасности. Символите за безопасност и обясненията към тях заслужават вашето повишено внимание и осъзнаване. Символите за безопасност сами по себе си не елиминират каквато и да е опасност. Инструкциите и предупрежденията, които предоставят не са заместители за подходящите мерки за предотвратяване на инцидент.

**▲ ПРЕДУПРЕЖДЕНИЕ:** Уверете се, че сте прочели и осъзнали всички инструкции за безопасност в това Ръководство на оператора, включително всички известяващи символи за безопасност, като **“ОПАСНОСТ”**, **“ПРЕДУПРЕЖДЕНИЕ”** и **“ВНИМАНИЕ”** преди да използвате този инструмент. Неспазването на всички инструкции изброени долу може да доведе до електрически удар, пожар и/или сериозно нараняване.

## ЗНАЧЕНИЕ НА СИМВОЛИТЕ

Тази страница изобразява и описва символите за безопасност, които може да се появят по този продукт. Прочетете, осъзнайте и следвайте всички инструкции по машината преди предприемане на сглобяване и работа.

## СИМВОЛИ ЗА БЕЗОПАСНОСТ

	Сигнал за безопасност		Прочетете и разберете ръководството на оператора
	Защита за очите		Поддържайте устройствата за безопасност
	ОПАСНОСТ - заплаха от стръмен наклон		ОПАСНОСТ - дръжте околните хора надалеч от ножовете
	Никога не превозвайте деца		Гледайте назад при заден ход
	ПРЕДУПРЕЖДЕНИЕ - Не използвайте тази машина върху наклони, по-големи от 12°		ОПАСНОСТ - изхвърлени предмети
	ПРЕДУПРЕЖДЕНИЕ - ДРЪЖТЕ РЪЦЕТЕ И КРАКАТА СИ ДАЛЕЧ		Гарантирано ниво на мощност на звука. Съгласно директивата на Европейската общност.

BG



Не стъпвайте



Отпадъчните електрически продукти не трябва да бъдат изхвърляни заедно с домакинския отпадък. Отнесете го до упълномощено място за рециклиране.



Този продукт е в съответствие с приложимите директиви на ЕС



ВНИМАНИЕ - Не гледайте работната лампа.



Постоянен ток



Този продукт е в съответствие с приложимото законодателство на Великобритания.

kPa

Килопаскал

ОБ/МИН

Обороти в минута

V

Волт

m

Метри

инч

Инч

cm

Сантиметри

Nm

Нютон метър

mm

Милиметри

°C

Целзий

kg

Килограм

км/ч

Километра в час

IPX4

Степен на защита от навлизане на вода

KEES VAN DER SPEK  
TUINMACHINES \* STOLWIJK

## СПЕЦИФИКАЦИИ

Напрежение	56 V	
Размер на платформата	132 cm	
Размер на колелата	Предни	279,4 x 126 mm
	Задни	457,2 x 223 mm
Налягане при студени гуми	Предни	222,1 kPa
	Задни	115,8 kPa
Радиус на завиване	0	
Скорост на ножа (ОБ/МИН)	2600; 2800; 3000; 3200	

BG

Макс. Скорост на движение (км/ч)	Напред	8.1 км/ч, 9.7 км/ч, 11.3 км/ч, 12.8 км/ч
	Назад	до 6,4 км/ч
Зареждане	Зарядно устройство (опционално)	CHV1600E
	Адаптер (опционален)	ACA1000
	Диапазон на температурата на зареждане	5°C - 40°C
Регулиране височината на рязане (10 позиции)	25 – 100 mm	

Работна температура	0°C- 40°C	
Температура на съхранение	-20°C - 70°C	
Тегло (без акумулаторна батерия)	217 кг	
Измерено ниво на сила на звука $L_{WA}$	95,48 dB(A) K=0,73 dB(A)	
Ниво на звуково налягане при ухото на оператора $L_{PA}$	82,5 dB(A) K=3 dB(A)	
Гарантирано ниво на сила на звука $L_{WA}$ (измерено съгласно 2000/14/EC)	100 dB(A)	
Вибрации $a_h$	Ръка	0,69 м/сек <sup>2</sup> K=1,5 м/сек <sup>2</sup>
	Тяло	0,3 м/сек <sup>2</sup> K=1,5 м/сек <sup>2</sup>

- Декларираният общ размер на вибрации е измерен в съответствие със стандартния метод за тест и може да бъде използван за сравнение между два инструмента;
- Декларираният общ размер на вибрации може също така да бъде използван за предварителна оценка на влиянието.

**БЕЛЕЖКА:** Вибрационните емисии по време на действителната употреба на електрическия инструмент може да се различава от декларираната стойност. С цел да се защити оператора, потребителят трябва да носи ръкавици и антифони в действителни условия на работа.

## ОПИСАНИЕ

### ЗАПОЗНАЙТЕ СЕ С КОСАЧКАТА (ФИГ. А1 И А2)

1. Седалка
2. Порт за зареждане
3. Силов агрегат
4. LED задна светлина
5. Отделение за съхранение
6. Държачи на чаши
7. LED странични светлини
8. Задно колело (задвижващо колело)
9. Отвор за измиване
10. Платформа
11. Протектор на платформата
12. Анти-скалп колело
13. Предно колело
14. Педал на спирачката за паркиране
15. Дневни светлини
16. LED фарове
17. Страничен отвеждащ улей
18. Лост за регулиране височината на платформата
19. Бутон за регулиране на окачването на седалката
20. Лост за регулиране на позицията на седалката
21. Индикаторни ленти за пробег
22. Индикатор на статуса на косачката
23. LCD екран
24. Превключвател на вала за отвеждане на мощност
25. Старт/стоп бутон
26. Ключ за безопасност
27. Кутия за съхранение на телефон
28. Буферна греда
29. Индикатор за горивото на косачката и индикатор на статуса
  - 29.a. Индикатор за горивото на косачката
  - 29.b. Индикатор на статуса на косачката
30. Зона за поставяне на краката
31. Бутон за освобождаване на капака на задвижването
32. Капак на задвижването
33. Захранващ блок с шест отделения за батерии
34. Бутон за освобождаване на батерията
35. Теглич
36. Капак за монтиране на приставка

37. Отделение за капака за монтиране на приставка
38. USB порт

## ЗАПОЗНАВАНЕ С LCD ЕКРАНА (ФИГ. А3)

Вижте раздела “СТАТУС НА КОСАЧКАТА РЕФЕРЕНТНИ КОДОВЕ И КОДОВЕ ЗА НЕИЗПРАВНОСТ” за повече информация относно иконите и индикаторите на LCD екрана.

1. Икона на ключа за безопасност
2. Икона на LED светлините
3. Икона на автоматичното паркиране
4. Икона на USB
5. Индикатор на скоростта на ножа
6. Индикатор на статуса на предпазното устройство
7. Часомер
8. Икона за празно отделение за батерия
9. Икона за температура
10. Икона за заето отделение за батерия
11. Режим на движение
12. Индикатор за код за грешка
13. Индикатор за претоварване
14. Индикатор за ниска мощност
15. Индикатор на скоростта на движение
16. Индикатор на натоварването
17. Измервателен уред за горивото
18. Бутон за регулиране на скоростта на ножа
19. Бутон за настройка
20. Бутон за режим на движение
21. Превключвател на LED светлината
22. Бутон за регулиране на скоростта на движение

BG

## РАЗОПАКОВАНЕ

**БЕЛЕЖКА:** Запазете опаковъчните материали, докато не сте инспектирали внимателно и не работите задоволително с продукта. Ако някои части в опаковъчния лист са сглобени към машината, моля незабавно се свържете със сервиз на EGO.

**БЕЛЕЖКА:** С изключение на инструментите в опаковъчния лист, всички други инструменти посочени в ръководството са само препоръчителни, но не са предоставени.

## ОПАКОВЪЧЕН ЛИСТ (ФИГ. В)

В-1	Трактор-косачка с нулев завой	В-6	Ключове за безопасност
В-2	Седалка	В-7	Гаечни ключове с отворен край (13 mm)
В-3	Лост на кормилното управление	В-8	Ключ за вътрешен шестостен
В-4	Винтове с глава за ключ (2 за поддръжка)	В-9	Бърз съединител на отвора за измиване
В-5	Болтове с шестостенна глава (2 за поддръжка)	В-10	Ръководство на оператора

## ПРЕПОРЪЧИТЕЛНИ АКСЕСОАРИ

**⚠ ПРЕДУПРЕЖДЕНИЕ:** Използвайте само идентични резервни части посочени по-долу. Употребата на части, които не съответстват със спецификациите на стандартното оборудване, могат да доведат до неправилна работа и компрометирана безопасност.

ИМЕ НА ЧАСТ	НОМЕР НА МОДЕЛ
Стандартен нож	AB5200
Нож с високо повдигане	AB5201
Комплект за мулчиране	ABP5200
Торба за трева комплект	ABK5200-A
Задна броня	AMB1000
Товарна кутия	AMG1000
Сенник	AMS1000

## МОНТАЖ

### ИНСТАЛИРАНЕ НА СЕДАЛКАТА (Фиг. С1 и С2)

**⚠ ПРЕДУПРЕЖДЕНИЕ:** Системата за предпазно блокиране не трябва да бъде изключвана или шунтирана. Ако направите това, косачката може да се задейства неочаквано и да причини нараняване на хора.

**БЕЛЕЖКА:** За Вашата безопасност косачката може да спре да се движи, когато превключвателят на седалката се изключи по време на движение. В този случай вижте раздел **“ОТСТРАНЯВАНЕ НА ПРОБЛЕМИ”** за повече информация.

C1-1	Кабел	C1-5	Винтове с глава за ключ
C1-2	Щепсел	C2-1	Кука
C1-3	Контакт	C2-2	Стоманени релси
C1-4	Основа за окачване	C2-3	Винтове с глава за ключ

### ИНСТАЛИРАНЕ НА ЛОСТОВЕТЕ НА КОРМИЛНОТО УПРАВЛЕНИЕ (ФИГ. С3)

C3-1	Лостове на кормилното управление	C3-3	Монтажни отвори на лоста на кормилното управление
C3-2	Болтове с шестостенна глава		

## ЕКСПЛОАТАЦИЯ

### ПРЕДИ ДА ИЗПОЛЗВАТЕ КОСАЧКАТА

#### Проверка на околната сред

- Освободете работната зона от деца, околни хора или домашни любимци.
- Изчистете работната зона от предмети, които могат да бъдат изхвърлени от ножовете на косачката.
- Проверете и се уверете, че LED светлините са в правилен статус:
  - Фаровете, страничните светлини и задните светлини се управляват от превключвателя на LED светлините.
  - Работните светлини винаги продължават да светят по време на движение.
  - При движение назад, ако задните светлини са изключени, те ще премигнат, за да предупредят околните хора; ако задните светлини са включени, те ще останат включени.
  - Всички светлини ще се изключат автоматично, когато косачката се изключи автоматично след определен период без работа.

#### Проверка на налягането при студени думи (Фиг. D1)

#### Проверка на статуса на косачката и нивото на зареждане на батерията

- Индикатор за горивото на косачката (Фиг. A2 - 27a)  
Всеки сегмент на индикатора на горивото на косачката указва 20% зареждане на поставените акумулаторни батерии.

**БЕЛЕЖКА:** Индикаторът на горивото на косачката и индикаторът на горивото на LCD екрана показват средния капацитет на поставените акумулаторни батерии.

- Индикатор на статуса на косачката (Фиг. A1 и Фиг. A2 - 27b)

Ако индикаторът на статуса показва зелено, косачката е готова за движение. Ако не, моля вижте раздела “СТАТУС НА КОСАЧКАТА, РЕФЕРЕНТНИ КОДОВЕ И КОДОВЕ НА ГРЕШКИ”

### Тестване на системата за предпазна блокировка (Фиг. D2 - Фиг. D8)

**БЕЛЕЖКА:** Операторът трябва да бъде на седалката преди теста.

- Преди тестване (Фиг. D2 – Фиг. D4)
- За да тествате системата платформа-нож (Фиг. D5), след това бавно станете
- За да тествате системата за задвижване (Фиг. D6 - Фиг. D8), след това бавно станете

Ако системата платформа-нож и/или системата за задвижване не спрат, когато операторът е станал от седалката и ако причината не може да бъде определена след уверяване, че щепселът и контактът а седалката са добре свързани, свържете се със своя потребителски сервизен център на EGO незабавно.

### РЕГУЛИРАНЕ (Фиг. E1 – Фиг. E13)

#### Подготовка (Фиг. E1 – Фиг. E5)

#### Регулиране на височината рязане-платформа (Фиг. E6)

#### Регулиране на анти-скалп колелата (Фиг. E7 – Фиг. E10)

E7-1	Анти-скалп колело	E9-2	Фиксиращ болт
E9-1	Гайка	E10-1	Стикер за височината на платформата

**BG**

#### Регулиране на седалката (Фиг. E11)

Регулирайте позицията на седалката, за да се уверите, че сте в състояние да извършите пълен контакт с педала на спирачката за паркиране, преди да работите с косачката. Регулирането на окачването на седалката може да ви помогне да постигнете най-удобно разполагане върху седалката.

E11-1	Лост за регулиране на позицията на седалката	E11-2	Бутон за регулиране на окачването на седалката
-------	--	-------	--

#### Настройка на спирачката за паркиране (Фиг. E12 – Фиг. E13)

E13-1	Спирачна позиция	E13-2	Освободена позиция
-------	------------------	-------	--------------------

### ЗАРЕЖДАНЕ (Фиг. F1 – Фиг. F11)

За да стартирате тази косачка, са необходими батерии EGO от общо 15 Ah (2 X BA4200T/BA4200T) или повече. За най-добра ефективност ние препоръчваме употребата на батерии EGO от общо 30 Ah или повече.

**Използвайте единствено препоръчаните акумулаторни батерии и зарядни устройства. (Фиг. F9 и F10)**

#### Подготовка за зареждане (Фиг. F1 – Фиг. F4)

#### Отделно зареждане на батерията(ите) (Фиг. F5 – Фиг. F9)

F5-1	Бутон за освобождаване на капака	F7-1	Бутон за освобождаване на батерията
------	----------------------------------	------	-------------------------------------

- За прикрепване на акумулаторната(ите) батерия(и) (Фиг. F5 - Фиг. F6)
- За снемане на акумулаторната(ите) батерия(и) (Фиг. F7 - Фиг. F8)

**БЕЛЕЖКА:** Заредете акумулаторната(ите) батерия(и) като направите справка с съответните ръководства на батерията и зарядното устройство.

#### Зареждане на акумулаторните батерии през порт за зареждане (Фиг. F10)

F10-1	Капачка против прах	F10-2	Порт за зареждане
-------	---------------------	-------	-------------------



## ПУСКАНЕ НА КОСАЧКАТА

(Фиг. А4 – Фиг. А5 и Фиг. G1 – Фиг. G6)

**⚠ ПРЕДУПРЕЖДЕНИЕ:** Избягвайте внезапни стартирания, спирания и завои, както и прекомерна скорост, особено когато се учите да управлявате косачката. Косачката може да се завърти бързо, които може да причини загуба на управление и да доведе до сериозно нараняване и/или повреда.

**⚠ ПРЕДУПРЕЖДЕНИЕ:** Преди да стартирате косачката, проверете и се уверете, че ножовете са изключени в рамките на 5 сек., когато натиснете превключвателя на вала за отвеждане на мощност надолу. Ако ножовете не спрат, не използвайте косачката и се свържете със своя потребителски сервиз на EGO незабавно.

**БЕЛЕЖКА:** Следвайте Фиг. А4 и Фиг. G2 за да постигнете най-ниската скорост на движение и **СТАНДАРТЕН** режим на движение, докато не сте напълно способни да управлявате косачката във всички ситуации. Скоростта на движение и режимът на движение се активират само, когато колелата на косачката са спрени и кормилните лостове са отворени.

Косачката ще запази и представи предишния режим на шофиране, скоростта на шофиране и калибрирането на кормилните лостове при рестартиране.

### Режим на движение

- **CONTROL (КОНТРОЛЕН):** Ниско ускоряване по-малко чувствително боравене и ниска скорост при завои за защита на тревата и за нови потребители.
- **STANDARD (СТАНДАРТЕН):** Перфектен за всекидневна употреба.
- **SPORT (СПОРТЕН):** По-високо ускоряване, акуратно боравене и остро завиване за увеличаване на ефективността на косачката и ентусиазма при косене.

**Регулиране на скоростта на движение (Фиг. А4)**

**Регулиране на скоростта на ножа (Фиг. А5)**

### USB порт

**БЕЛЕЖКА:** USB портът осигурява зарядна мощност от 5 V постоянен ток при комбиниран ток от 1,5 A и работи само, когато косачката е стартирана.

## СПИРАНЕ НА КОСАЧКАТА

(Фиг. Н1 – Фиг. Н6)

**БЕЛЕЖКА:** След повече от 60 минути без работа косачката ще се изключи автоматично.

### Режим на аварийно прибиране

Когато зарядът на батерията стане нисък, косачката ще влезе в режим на аварийно прибиране:

- Косачката автоматично ще спре да коси трева;
- Звуковият индикатор ще продължи да звучи;
- Индикаторът за статуса на косачката ще мига в червено всяка секунда, първият сегмент на индикатора за гориво на косачката ще мига в червено, а двата индикатора за ниско захранване и графиката на батерията на индикатора за гориво ще мигат.

Операторът трябва:

- а) Да натисне превключвателя на вала за отвеждане на мощност надолу (Фиг. Н3), за да изключи ножовете. Звуковият индикатор ще спре да звучи, когато ножовете спрат;
- б) Спрете работа и отидете в зоната за зареждане на батерията възможно най-скоро. Максималното разстояние, което косачката може да измине, е 1000 м.

Когато батерията е почти изтощена, иконата на всяко заето отделение за батерия и индикаторът за ниска мощност ще мигат на всяка половин секунда. Косачката ще спре работа незабавно. Операторът трябва да транспортира косачката до зоната за зареждане на батерията за зареждане.

### Ръчно бутане

Ако е необходимо ръчно бутане, уверете се, че батериите са разкачени от косачката и педалът на спиращката за паркиране е освободен от позицията за паркиране.

## УПРАВЛЕНИЕ НА КОСАЧКАТА (Фиг. 11 – Фиг. 19)

За да спрете, намалите или увеличете скоростта, бавно променете разстоянието на лоста на кормилното управление от неутрално.

**▲ ОПАСНОСТ:** Бъдете поне на две ширини на косачката далеч от канали, откоси или вода. Предните колела могат да се завъртят, когато косачката спре, даже със задействана спирачка и да причинят косачката да премине ръба или да попадне във вода и да доведе до смърт или сериозно нараняване на хора.

**▲ ПРЕДУПРЕЖДЕНИЕ:** Проверете какво има зад косачката, преди да потеглите назад. НЕ косете в обратна посока, освен ако не е абсолютно необходимо. Винаги гледайте надолу и назад преди и по време на движение на заден ход, за да сте сигурни, че в зоната на косене няма деца, околни хора или домашни любимци. Запомнете, че невнимание за малка част от секундата е достатъчно, за да причини смърт или сериозно нараняване.

**▲ ПРЕДУПРЕЖДЕНИЕ:** Не управлявайте тази машина по обществени пътища.

**▲ ПРЕДУПРЕЖДЕНИЕ:** Ако възникне блокиране или ударите чужд предмет, спете двигателите и отстранете батериите. Отстранете изрезките от трева, листа, замърсявания и всички други насъбрали се отлагания; цялостно инспектирайте косачката за повреда и ремонтирайте повредата, преди да стартирате отново и управлявате косачката.

## ПОДДРЪЖКА

**BG ▲ ПРЕДУПРЕЖДЕНИЕ:** Винаги носете защита за очите със странични предпазни екрани. Ако не го направите може да доведе до изхвърляне на предмети към очите ви водещо до сериозни наранявания.

**▲ ПРЕДУПРЕЖДЕНИЕ:** Винаги защитете ръцете си, чрез носене на тежки ръкавици или чрез обвиване на острите ръбове с парцали или други материали, когато извършвате поддръжка на ножа на косачката. Винаги изваждайте ключа за безопасност и акумулаторните батерии, когато обслужвате или транспортирате косачката.

Интервал за сервизна поддръжка	Процедура за поддръжка
Преди всяка употреба или ежедневно	<ul style="list-style-type: none"> <li>Проверка на системата за предпазна блокировка.</li> <li>Визуално проверете гумата дали е спаднала.</li> <li>Инспектирайте ножовете дали са износени, пукнати или огънати.</li> <li>Инспектирайте целия продукт за повредени, липсващи или разхлабени части, като улей за странично изпражнение, винтове, гайки, болтове, капачки и др., като се уверите, че всички предпазители са на място и работят правилно.</li> <li>Проверете работата на спирачката.</li> </ul>
След всяка употреба	<ul style="list-style-type: none"> <li>Почистете платформата на косачката.</li> </ul>
На всеки 25 часа	<ul style="list-style-type: none"> <li>Проверете налягането на гумите.</li> </ul>
На всеки 50 часа	<ul style="list-style-type: none"> <li>Проверете състоянието на гресиране във фланеца на режещия нож.</li> </ul>
На всеки 100 часа	<ul style="list-style-type: none"> <li>Проверете задните колела като се уверите, че всички фиксиращи гайки са затегнати до препоръчителния момент на затягане.</li> </ul>

На всеки 200 часа	<ul style="list-style-type: none"> <li>Проверете предните колела, като се уверите, че те се въртят свободно.</li> </ul>
Ежегодно	<ul style="list-style-type: none"> <li>Проверете педала на спирачката за паркиране. Отстранете батерията на косачката и поставете педала за паркиране в позиция за спиране. Ръчно бутайте косачката напред, за да видите дали косачката може да се движи, или не. Ако тя се движи, осигурете нейното обслужване от квалифициран сервизен техник.</li> </ul>

## ПОЧИСТВАНЕ НА КОСАЧКАТА (Фиг. J1 - Фиг. J9)

Подготовка (Фиг. J1 - Фиг. J5)

Почистване на корпуса на косачката  
(Фиг. J6 - Фиг. J7)

Използване на отвора за измиване за почистване на платформата на косачката (Фиг. J8 - Фиг. J9)

J8-1	Отвор за измиване	J8-3	Градински маркуч
J8-2	Бърз съединител на отвора за измиване		

**ЗАБЕЛЕЖКА:** Когато завършите почистването, натиснете превключвателя на вала за отвеждане на мощност надолу, за да изключите ножовете на косачката.

## ПОДДРЪЖКА НА ПЛАТФОРМАТА НА КОСАЧКАТА И РЕЖЕЩИТЕ НОЖОВЕ

Подготовка (Фиг. K1 - Фиг. K6)

Отстраняване на платформата на косачката  
(Фиг. K7 – Фиг. K8)

K7-1	Кабел на двигателя	K7-3	Лостове на окачването
K7-2	Шплинт		

**БЕЛЕЖКА:** Разкачете всички кабели на двигателя и извадете шплинтовете, когато отстранявате платформата на косачката.

**Замяна на режещите ножове (Фиг. K9 - Фиг. K11)**

K9-1	Стабилизатор	K10-3	Нож
K10-1	Болт	K10-4	Фланец
K10-2	Шайба	K10-5	Вал на мотора

**Нивелиране на платформата на косачката**

**a. Кога да се нивелира (Фиг. K12 – Фиг. K14)**

**b. Преди нивелиране**

- Проверка на налягането при студени думи (Фиг. K15)
- Проверете режещите ножове. Снемете и заменете износени, напукани и/или огънати ножове, ако е необходимо.

**c. Подготовка за нивелиране (Фиг. K16 – Фиг. K21)**

**d. Как се нивелира**

- За да извършите регулировка на страна към страна (Фиг. K22)

K22-1	Контрагайка
-------	-------------

- За да извършите регулировка на предната страна към задната (Фиг. K23)

## КАЛИБРИРАНЕ НА СИСТЕМАТА ЗА СЛЕДЕНЕ НА КОСАЧКАТА (Фиг. L1 – Фиг. L4)

**БЕЛЕЖКА:** Звуковият индикатор ще прозвучи веднъж както при стартиране, така и при завършване на калибрирането.

**БЕЛЕЖКА:** Завършеното калибриране за един от режимите на движение („КОНТРОЛ“, „СТАНДАРТ“, „СПОРТ“) може да не е налично за другите два режима. Калибрирайте лостовете за управление във всеки режим на шофиране независимо, ако е необходимо.

## ВРЪЩАНЕ НА КОСАЧКАТА КЪМ ПЪРВОНАЧАЛНАТА ЗАВОДСКА НАСТРОЙКА (Фиг. М)

**БЕЛЕЖКА:** Звуковият индикатор ще прозвучи веднъж както при стартиране, така и при завършване на връщането към заводската настройка.

**БЕЛЕЖКА:** Когато нулирането е успешно, настройките по-долу ще се върнат към първоначалните фабрични настройки:

- режим на движение
- скорост на шофиране
- калибриране на кормилните лостове

## СЪХРАНЕНИЕ И ТРАНСПОРТ

KEES VAN DER SPEK  
TUINMACHINES \* STOLWIJK

### ТРАНСПОРТИРАНЕ НА КОСАЧКАТА (ФИГ. N1 – ФИГ. N11)

**БЕЛЕЖКА:** Закрепете косачката според необходимостта, като използвате колани или въжета, за да предотвратите движение по време на транспортиране.

### СЪХРАНЕНИЕ (Фиг. O1 – Фиг. O6)

**БЕЛЕЖКА:** Отстранете акумулаторните батерии и съхранете батериите съгласно съответните ръководства.

**BG**


Почистете и проверете косачката преди съхранение като направите справка с разделите „ПОЧИСТВАНЕ НА КОСАЧКАТА“ и „ПРЕПОРЪЧИТЕЛНИ ГРАФИЦИ ЗА ПОДДРЪЖКА“.

### Опазване на околната среда




WEEE (Отпадъчно електрическо и електронно оборудване) Не изхвърляйте електрическо оборудване, използвана батерия или зарядно устройство в домакинския отпадък! Отнесете продукта до упълномощена фирма за рециклиране и го предоставете за разделно събиране. Електрическите инструменти трябва да бъдат връщани в съоръжения за рециклиране съвместими с околната среда.

## ОТСТРАНЯВАНЕ НА ПРОБЛЕМИ

ПРОБЛЕМ	ПРИЧИНА	РЕШЕНИЕ
<p>Косачката с нулев завой не се движи, когато двата лоста на кормилното управление са натиснати напред или назад в началото.</p>  <p>Иконата на нивото на кормилното управление мига</p>	<ul style="list-style-type: none"> <li>Комбинираната стойност на Ah на поставените акумулаторни батерии не отговаря на изискването.</li> </ul>	<ul style="list-style-type: none"> <li>За да стартирате тази косачка, използвайте достатъчно акумулаторни батерии EGO, като следвайте инструкциите в раздел <b>"ЗАРЕЖДАНЕ"</b> в това ръководство.</li> </ul>
	<ul style="list-style-type: none"> <li>Педалът на спирачката за паркиране е поставен в спирачна позиция.</li> </ul>	<ul style="list-style-type: none"> <li>Натиснете докрай педала на спирачката за паркиране, за да я освободите от спирачната позиция.</li> </ul>
	<ul style="list-style-type: none"> <li>Лостовите на кормилното управление не са в отворена позиция, когато се стартира косачката.</li> </ul>	<ul style="list-style-type: none"> <li>Върнете лостовите на кормилното управление до отворена позиция и рестартирайте косачката.</li> </ul>
	<ul style="list-style-type: none"> <li>Операторът не е седнал на седалката.</li> </ul>	<ul style="list-style-type: none"> <li>Само когато операторът е седнал правилно на седалката, той или тя може да работи с косачката.</li> </ul>
	<ul style="list-style-type: none"> <li>Превключвателят на седалката не е свързан правилно.</li> </ul>	<ul style="list-style-type: none"> <li>Отстранете батерията от косачката и разглобете седалката в обратен ред на инструкциите в раздела <b>"ИНСТАЛИРАНЕ НА СЕДАЛКАТА"</b> в това ръководство, за да инспектирате съединението на превключвателя на седалката. Сглобете отново седалката и следвайте инструкциите в <b>"СТАРТИРАНЕ НА КОСАЧКАТА"</b>, за да рестартирате косачката, за да видите дали косачката може да бъде стартирана. Ако не, свържете се с квалифициран сервизен техник за ремонт.</li> </ul>
	<ul style="list-style-type: none"> <li>При много студено време функцията движение може да не стартира успешно поради защитата срещу ниска температура.</li> </ul>	<ul style="list-style-type: none"> <li>Винаги съхранявайте косачката и батерията в топла среда. Рестартирайте косачката, когато тя е затоплена. Моля, не правете многократни опити при много студено време, което може да повреди машината.</li> </ul>

BG

ПРОБЛЕМ	ПРИЧИНА	РЕШЕНИЕ
Косачката спира да се движи.	<ul style="list-style-type: none"> <li>Лостовите на кормилното управление се нуждаят от „нулиране“.</li> </ul>	<ul style="list-style-type: none"> <li>Върнете лостовите на кормилното управление до отворена позиция и рестартирайте косачката.</li> </ul>
	<ul style="list-style-type: none"> <li>Електрическите компоненти за управление на лостовите на кормилното управление са неизправни.</li> </ul>	<ul style="list-style-type: none"> <li>Свържете се с квалифициран сервизен техник за ремонт.</li> </ul>
	<ul style="list-style-type: none"> <li>Превключвателят на седалката се е изключил при движение върху неравен терен.</li> </ul>	<ul style="list-style-type: none"> <li>Отстранете батерията от косачката и разглобете седалката в обратен ред на инструкциите в раздела „<b>ИНСТАЛИРАНЕ НА СЕДАЛКАТА</b>“ в това ръководство, за да инспектирате съединението на превключвателя на седалката. Сглобете отново седалката и следвайте инструкциите в „<b>СТАРТИРАНЕ НА КОСАЧКАТА</b>“, за да рестартирате косачката, за да видите дали косачката може да бъде стартирана. Ако не, свържете се с квалифициран сервизен техник за ремонт.</li> </ul>
	<ul style="list-style-type: none"> <li>Педалът на спирачката за паркиране се натиска, за да се намали скоростта на движение. След като педалът на спирачката за паркиране бъде натиснат достатъчно, но не до позиция за паркиране, косачката ще спре.</li> </ul>	<ul style="list-style-type: none"> <li>Следвайте инструкциите в „<b>СТАРТИРАНЕ НА КОСАЧКАТА</b>“, за да рестартирате косачката.</li> </ul>
Скоростта на движение/режимът на движение не могат да бъдат регулирани по време на движение.	<ul style="list-style-type: none"> <li>Това е функция на косачката за безопасно движение.</li> </ul>	<ul style="list-style-type: none"> <li>Функцията се активира само, когато колелата на косачката са спрени и кормилните лостове са отворени.</li> </ul>

ПРОБЛЕМ	ПРИЧИНА	РЕШЕНИЕ
<p>Косачката не успява да стартира ножовете, когато превключвателят на ВОМ е включен.</p>  <p>Иконата на превключвателя на вала за отвеждане на мощност мига</p>	<ul style="list-style-type: none"> <li>Комбинираната стойност на Ah на поставените акумулаторни батерии не отговаря на изискването.</li> </ul>	<ul style="list-style-type: none"> <li>За да стартирате тази косачка, използвайте достатъчно акумулаторни батерии EGO, като следвате инструкциите в раздел "ЗАРЕЖДАНЕ" в това ръководство.</li> </ul>
	<ul style="list-style-type: none"> <li>Превключвателят на вала за отвеждане на мощност не е натиснат, когато косачката е спряна за последен път.</li> </ul>	<ul style="list-style-type: none"> <li>Натиснете превключвателя на вала за отвеждане на мощност надолу и рестартирайте ножовете на косачката.</li> </ul>
	<ul style="list-style-type: none"> <li>Косачката е претоварена в момента на стартиране на ножовете, което води до сработване на защитата на мотора.</li> </ul>	<ul style="list-style-type: none"> <li>Стартирайте косенето на трева с косачката с по-ниска скорост на ножовете отначало и докато ножовете не се завъртят успешно, не ускорявайте ножовете според необходимостта.</li> </ul>
	<ul style="list-style-type: none"> <li>При много студено време моторът на ножа може да не стартира успешно поради защитата срещу ниска температура.</li> </ul>	<ul style="list-style-type: none"> <li>Винаги съхранявайте косачката и батерията в топла среда. Рестартирайте косачката, когато тя е затоплена. Моля, не правете многократни опити при много студено време, което може да повреди машината.</li> </ul>
	<ul style="list-style-type: none"> <li>Ножът взаимодейства с деформираната платформа на косачката.</li> </ul>	<ul style="list-style-type: none"> <li>Свържете се с квалифициран сервизен техник за ремонт.</li> </ul>

ПРОБЛЕМ	ПРИЧИНА	РЕШЕНИЕ
<p>Ножове спират работа по време на косене на трева.</p>	<ul style="list-style-type: none"> <li>Косачката е претоварена.</li> </ul>	<ul style="list-style-type: none"> <li>Увеличете височината на рязане на платформата или забавете скоростта на движение, за да намалите натоварването на косачката.</li> </ul>
	<ul style="list-style-type: none"> <li>Платформата на косачката е запушена с трева и отпадъци.</li> </ul>	<ul style="list-style-type: none"> <li>Почистете платформата на косачката и се уверете, че ножовете се движат свободно.</li> </ul>
	<ul style="list-style-type: none"> <li>Косачката е прегряла.</li> </ul>	<ul style="list-style-type: none"> <li>Намалете натоварването на косачката чрез увеличаване на височината на косене на платформата или понижаване на скоростта на ножовете/движението и позволяване на косачката да се охлади.</li> </ul>
	<ul style="list-style-type: none"> <li>Батерията(ите) в отделението за батерии на косачката са прегрели, което води до комбинирани Ah на всички поставени батерии, които не отговарят на изискванията.</li> </ul>	<ol style="list-style-type: none"> <li>Ако комбинирани Ah на батериите не отговарят на изискванията, косачката няма да работи, докато не бъдат поставени повече акумулаторни батерии в празните места за батерии. Когато прегрялата батерия се върне към нормална температура, тя ще се включи незабавно към захранването на косачката.</li> </ol>
	<ul style="list-style-type: none"> <li>Косачката е в режим на аварийно прибиране.</li> </ul>	<ol style="list-style-type: none"> <li>Намалете натоварването на косачката чрез увеличаване на височината на косене на платформата или забавяне на косенето при възобновяване на работата.</li> </ol>
	<ul style="list-style-type: none"> <li>Косачката е ударила чужд предмет което е довело до сработване на защитата на мотора.</li> </ul>	<ul style="list-style-type: none"> <li>Когато косачката е в режим на аварийно прибиране, ножовете автоматично се превключват на по-ниска скорост на въртене без косене на трева. Операторът трябва да спре работа и да отиде в зоната за зареждане на батерията възможно най-скоро.</li> </ul>
		<ul style="list-style-type: none"> <li>Натиснете превключвателя на вала за отвеждане на мощност надолу и рестартирайте ножовете на косачката.</li> </ul>




ПРОБЛЕМ	ПРИЧИНА	РЕШЕНИЕ
Звуковият индикатор продължава да звучи.	<ul style="list-style-type: none"> <li>Косачката е в режим на аварийно прибиране и ножовете не са изключени.</li> </ul>	<ul style="list-style-type: none"> <li>Натиснете превключвателя на вала за отвеждане на мощност надолу, за да се изключат ножовете на платформата. Звуковият индикатор ще спре да звучи, когато ножовете спрат.</li> </ul>
	<ul style="list-style-type: none"> <li>Косачката спира движение върху наклон и операторът отваря лостовете на кормилното управление и става от седалката без да настрои педала на спирачката за паркиране в спирачна позиция.</li> </ul>	<ul style="list-style-type: none"> <li>Поставете педала на спирачката за паркиране в спирачна позиция, преди да напуснете косачката върху склона.</li> </ul>
Индикаторите на батериите още са включени, когато косачката е изключена.	<ul style="list-style-type: none"> <li>Когато косачката е изключена на терена без отстраняване на акумулаторната(ите) батерия(и) от косачката, индикаторите на батерията, бутонът старт/стоп и бутонът за настройка ще останат да светят за определено време.</li> </ul>	<ul style="list-style-type: none"> <li>Не е необходимо действие. Индикаторите за батерията ще угаснат, когато косачката се изключи след определен период от време. Вижте раздел "СПИРАНЕ НА КОСАЧКАТА" за конкретното време.</li> </ul>
	<ul style="list-style-type: none"> <li>Когато косачката е изключена върху склон без поставяне на педала на спирачката за паркиране в спирачна позиция, индикаторите на батерията ще продължават да светят, докато зарядът на батерията се изтощи. Звуковият индикатор ще продължи да звучи през същото време.</li> </ul>	<ul style="list-style-type: none"> <li>Поставете педала на спирачката за паркиране в спирачна позиция, преди операторът да напуснете инструмента върху склона.</li> </ul>
LCD екран не е осветен с всички включени икони.	<ul style="list-style-type: none"> <li>Времето на натискане на бутон за пускане/спиране не е достатъчно.</li> </ul>	<ul style="list-style-type: none"> <li>LCD екранът ще покаже само "Fuel Gauge" (Измервателен уред за горивото), когато старт/стоп бутонът бъде натиснат за кратко.</li> </ul>
		<ul style="list-style-type: none"> <li>LCD екранът ще се включи след като старт/стоп бутонът бъде натиснат за достатъчно време.</li> </ul>

ПРОБЛЕМ	ПРИЧИНА	РЕШЕНИЕ
Косачката коси неравномерно, със значителна разлика във височината отпред и отзад.	<ul style="list-style-type: none"> <li>Ножовете са тъпи.</li> </ul>	<ul style="list-style-type: none"> <li>Заточете или заменете режещия нож съгласно инструкциите в това ръководство.</li> </ul>
	<ul style="list-style-type: none"> <li>Ножовете са огънати.</li> </ul>	<ul style="list-style-type: none"> <li>Заменете огънатия режещ нож съгласно инструкциите в раздела „ЗАМЯНА НА РЕЖЕЩИ НОЖОВЕ“.</li> </ul>
	<ul style="list-style-type: none"> <li>Платформата на косачката не е нивелирана, което води до различна височина на косене от ножа.</li> </ul>	<ul style="list-style-type: none"> <li>Нивелирайте платформата на косачката като следвайте инструкциите в раздела „НИВЕЛИРАНЕ НА ПЛАТФОРМАТА НА КОСАЧКАТА“.</li> </ul>
Действителната височина на косене на тревата не е равна на желаната височина.	<ul style="list-style-type: none"> <li>Гайките на платформата на косачката са разхлабени от лостовете на окачването.</li> </ul>	<ul style="list-style-type: none"> <li>Следвайте инструкциите в раздела „НИВЕЛИРАНЕ НА ПЛАТФОРМАТА НА КОСАЧКАТА“, за да направите правилната настройка и предната към задната част за платформата на косачката и затегнете сигурно гайките на лостовете на окачването.</li> </ul>
	<ul style="list-style-type: none"> <li>Платформата на косачката е повредена или сериозно износена.</li> </ul>	<ul style="list-style-type: none"> <li>Следвайте инструкциите в раздела „ОТСТРАНЯВАНЕ НА ПЛАТФОРМАТА НА КОСАЧКАТА“, за да отстраните платформата на косачката.</li> </ul>
Косачката не тори правилно.	<ul style="list-style-type: none"> <li>Отрязъци мокра трева са залепнали за долната част на платформата.</li> </ul>	<ul style="list-style-type: none"> <li>Изчакайте докато тревата се изсуши преди косене.</li> </ul>
	<ul style="list-style-type: none"> <li>Косачката е настроена да реже твърде много трева наведнъж.</li> </ul>	<ul style="list-style-type: none"> <li>Увеличете височината на косене на платформата.</li> </ul>

ПРОБЛЕМ	ПРИЧИНА	РЕШЕНИЕ
Има прекалено силни вибрации.	<ul style="list-style-type: none"> <li>Режещите ножове са разхлабени.</li> </ul>	<ul style="list-style-type: none"> <li>Затегнете болта на ножа до препоръчителния въртящ момент на затягане.</li> </ul>
	<ul style="list-style-type: none"> <li>Ножовете са огънати.</li> </ul>	<ul style="list-style-type: none"> <li>Заменете огънатия режещ нож съгласно инструкциите в раздела „<b>ЗАМЯНА НА РЕЖЕЩИ НОЖОВЕ</b>“.</li> </ul>
	<ul style="list-style-type: none"> <li>Платформата на косачката не е нивелирана.</li> </ul>	<ul style="list-style-type: none"> <li>Нивелирайте платформата на косачката като следвате инструкциите в раздела „<b>НИВЕЛИРАНЕ НА ПЛАТФОРМАТА НА КОСАЧКАТА</b>“.</li> </ul>
	<ul style="list-style-type: none"> <li>Гайките на платформата на косачката са разхлабени от лостовете на окачването.</li> </ul>	<ul style="list-style-type: none"> <li>Затегнете гайките на лостовете на окачването.</li> </ul>
	<ul style="list-style-type: none"> <li>Косачката е настроена да реже твърде много трева наведнъж.</li> </ul>	<ul style="list-style-type: none"> <li>Увеличете височината на косене на платформата.</li> </ul>
Има трева или остатъци останали на земята след косене.	<ul style="list-style-type: none"> <li>Косачката е настроена да коси твърде много трева наведнъж, когато тревата е висока.</li> </ul>	<ul style="list-style-type: none"> <li>Започнете с висока височина на косете и я намалете до постигане на желанния резултат от косенето. Трева над 6 инча висока трябва да бъде косена на два пъти с последователно намаляване на височината на косене.</li> </ul>
	<ul style="list-style-type: none"> <li>Тревата е мокра.</li> </ul>	<ul style="list-style-type: none"> <li>Не косете когато тревата е мокра, докато тревата не изсъхне.</li> </ul>
	<ul style="list-style-type: none"> <li>Скоростта на движение е висока.</li> </ul>	<ul style="list-style-type: none"> <li>Забавете скоростта на движение.</li> </ul>
	<ul style="list-style-type: none"> <li>Скоростта на ножа е ниска.</li> </ul>	<ul style="list-style-type: none"> <li>Увеличавайте скоростта на ножа постепенно.</li> </ul>
Късо време на работа на косачката с включена батерия.	<ul style="list-style-type: none"> <li>Състоянието на тревата и настройката на височината на косене силно влияят върху времето на работа на батерията. Посоченото време на работа се базира върху състояние на леко натоварване.</li> </ul>	<ul style="list-style-type: none"> <li>Увеличете височината на рязане на платформата или забавете скоростта на ножа, за да намалите натоварването при косене.</li> </ul>

ПРОБЛЕМ	ПРИЧИНА	РЕШЕНИЕ
Косачката не се движи напред.	<ul style="list-style-type: none"> <li>Налягането в гумите за лявото и дясното задно колело е различно.</li> </ul>	<ul style="list-style-type: none"> <li>Проверете и регулирайте налягането на въздуха в двете задни гуми съгласно препоръката в раздел „<b>ПРОВЕРКА НА НАЛЯГАНЕТО НА ГУМИТЕ</b>“ в това ръководство.</li> </ul>
	<ul style="list-style-type: none"> <li>Скоростта на движение за лявото и дясното задно колело е различна.</li> </ul>	<ul style="list-style-type: none"> <li>Калибрирайте системата за следене на косачката като следвате инструкциите в раздел „<b>КАЛИБРИРАНЕ НА СИСТЕМАТА ЗА СЛЕДЕНЕ НА КОСАЧКАТА</b>“.</li> </ul>
Педалът на спирачката за паркиране не може да бъде освободен от спирачната позиция или се връща бавно от пружината.	<ul style="list-style-type: none"> <li>Може да има отлагания или замърсявания попаднали в педала на спирачката за паркиране.</li> </ul>	<ul style="list-style-type: none"> <li>Отворете кутията на педала на спирачката за паркиране за цялостно почистване на кутията отвътре и я затворете. Нулирайте педала на спирачката за паркиране, за да видите дали проблемът е разрешен. Ако не, свържете се с квалифициран сервизен техник за ремонт.</li> </ul>
Косачката не може да бъде заредена през порта за зареждане с индикатор на статуса на косачката светещ постоянно в червено.	<ul style="list-style-type: none"> <li>Щепселът на зарядното устройство не е правилно вмъкнат в порта за зареждане на косачката.</li> </ul>	<ul style="list-style-type: none"> <li>Свържете отново щепсела на зарядното устройство, за да видите дали косачката може да се зареди нормално.</li> </ul>
	<ul style="list-style-type: none"> <li>Няма захранване в стенните контакти.</li> </ul>	<ul style="list-style-type: none"> <li>Не е необходимо действие. Изчакайте до възстановяване на захранването.</li> </ul>
	<ul style="list-style-type: none"> <li>Неизправно зарядно устройство.</li> </ul>	<ul style="list-style-type: none"> <li>Свържете се с квалифициран сервизен техник за инспекция и ремонт на зарядното устройство, ако е необходимо.</li> </ul>
	<ul style="list-style-type: none"> <li>Портът на зарядното устройство на косачката е дефектен.</li> </ul>	<ul style="list-style-type: none"> <li>Свържете се с квалифициран сервизен техник за ремонт.</li> </ul>
Времето на зареждане през порта за зареждане на косачката е твърде дълго.	<ul style="list-style-type: none"> <li>Употребата на адаптер EGO ACA1000 за зареждане изисква продължително време.</li> </ul>	<ul style="list-style-type: none"> <li>Използвайте зарядно устройство EGO CHV1600E за директно зареждане на косачката.</li> </ul>
Батерията не може да бъде напълно заредена през порта за зареждане на косачката.	<ul style="list-style-type: none"> <li>Бъг във фърмуера на трактор-косачката или неизправност на зарядното устройство/батерията.</li> </ul>	<ul style="list-style-type: none"> <li>Изключете от контакта зарядното устройство и изчакайте повече от няколко минути, след това включете повторно щепсела към електрозахранването. Ако не работи, свържете се с квалифициран сервизен техник за ремонт.</li> </ul>

ПРОБЛЕМ	ПРИЧИНА	РЕШЕНИЕ
Косачката не може да бъде стартирана след почистване.	<ul style="list-style-type: none"> <li>Неправилно почистване като попадане на вода върху електрически компоненти, LCD екрана и др.</li> </ul>	<ul style="list-style-type: none"> <li>Следвайте инструкциите в раздел „<b>ПОЧИСТВАНЕ НА КОСАЧКАТА</b>“, за да почистите косачката правилно.</li> </ul>
Косачката се задръства лесно.	<ul style="list-style-type: none"> <li>Платформата на косачката е запушена с трева и отпадъци.</li> </ul>	<ul style="list-style-type: none"> <li>Ако случайно вали дъжд върху косачката, оставете я на въздух да изсъхне или използвайте сгъстен въздух, за да я изсушите.</li> </ul>
		<ul style="list-style-type: none"> <li>Почиствайте платформата на косачката след всяка употреба като следвате раздел „Употреба на отвора за измиване на почистване на платформата на косачката“.</li> </ul>
Косачката лесно губи сцепление, когато се изкачва нагоре по склон.	<ul style="list-style-type: none"> <li>Гумите на задните колела са износени.</li> </ul>	<ul style="list-style-type: none"> <li>Потърсете местен сервиз за замяна на гумите на колелата.</li> </ul>
	<ul style="list-style-type: none"> <li>Голям наклон при косене.</li> </ul>	<ul style="list-style-type: none"> <li>Наклонът на косене трябва да е с необходимата степен.</li> </ul>
Когато косачката спре върху склон с натиснат педал на спирачката за паркиране, косачката може да се плъзне надолу по склона.	 <ul style="list-style-type: none"> <li>Спирачните компоненти са изключително износени поради неправилна работа на косачката.</li> </ul>	<ul style="list-style-type: none"> <li>Свържете се с квалифициран сервизен техник за ремонт.</li> </ul>
Не излиза вода от отвора за измиване, когато се извършва измиване на платформата.	<ul style="list-style-type: none"> <li>Бързият съединител на отвора за измиване не е монтиран на място към отвора за измиване.</li> </ul>	<ul style="list-style-type: none"> <li>Свържете отново бързия съединител на порта за измиване, докато чуete ясно щракване след силно натискане. Ако не работи, свържете се с квалифициран сервизен техник за ремонт.</li> </ul>
Има необичаен шум, когато се извършва ръчно бутане на косачката без стартиране.	<ul style="list-style-type: none"> <li>Звукът идва от магнитите в задвижващия мотор.</li> </ul>	<ul style="list-style-type: none"> <li>Това е нормално и не е необходимо никакво действие.</li> </ul>

## КОД ЗА ГРЕШКА И ИНДИКАТОР ЗА СЪСТОЯНИЕ НА КОСАЧКАТА

LCD дисплей	Описание	Код за грешка на LCD	Индикатор на статуса на косачката	Звуков сигналатор	Причина	Решение
	Иконата на LED светлините се показва на LCD екрана	Неприложимо	ИЗКЛ	Не	Фаровете, страничните светлини и задните светлини са включени от превключвателя на LED светлините.	Това е нормална операция. Не е необходимо действие.
	Иконата на USB се показва на LCD екрана	Неприложимо	ИЗКЛ	Не	Иконата на USB свети, че USB устройството може да работи след като косачката е стартирана правилно.	Това е нормална операция. Не е необходимо действие.
	Иконата на измервателния уред за горивото се показва на LCD екрана	Неприложимо	ИЗКЛ	Не	Тя показва средния капацитет на зареждане и поставените батерии	Това е нормална операция. Не е необходимо действие.
	Иконата на часомера се показва на LCD екрана	Неприложимо	ИЗКЛ	Не	Той показва общото време на движение на косачката в часове и не може да бъде нулирана.	Това е нормална операция. Не е необходимо действие.
	Иконата на индикатора на натоварването се показва в диапазона ECO	Неприложимо	ИЗКЛ	Не	Той показва текущото натоварване на косачката.	Това е нормална операция. Не е необходимо действие.

LCD дисплей	Описание	Код за грешка на LCD	Индикатор на статуса на косачката	Звуков сигнализатор	Причина	Решение
	<p>Индикаторът за претоварване мига. Иконата на индикатора на натоварването се показва в диапазона PWR.</p>	Неприложимо	Мига в червено	Един звуков сигнал	Моторът на ножовете е претоварен.	Увеличете височината на рязане на платформата или забавете скоростта на движение, за да намалите натоварването на косачката.
					Страничният отвеждащ улей е запушен с трева и отломки.	Почиствайте страничния отвеждащ улей след всяка употреба.
					Има взаимни смущения между ножа и платформата на косачката.	Възложете изпълнението на ремонтите на квалифициран сервизен техник.
	<p>Иконата на ключа за безопасност мига.</p>	Неприложимо	ИЗКЛ	Не	Ключът за безопасност не е поставен.	Поставете ключа за безопасност, след което натиснете и задръжте СТАРТ/СТОП бутона, за да включите косачката.
					Не е подадено захранване към LCD екрана.	Възложете изпълнението на ремонтите на квалифициран сервизен техник.

LCD дисплей	Описание	Код за грешка на LCD	Индикатор на статуса на косачката	Звуков сигналатор	Причина	Решение
	Иконата на определено отделение за батерии мига.	Неприложимо	ИЗКЛ	Не	Определена батерия по време на разреждане е със свръхток.	Не е необходимо действие. Косачката може да продължи да работи, ако комбинираната стойност на Ah, при изключена батерия със свръхток, отговаря на изискванията. След като батерията със свръхток се върне към нормалното, тя ще се включи незабавно в захранването на косачката и иконата ще изчезне.
	Иконата на празното отделение за батерии мига.	Неприложимо	ИЗКЛ	Не	Капацитетът на батерията е недостатъчен, за да позволи шофиране на косачката за работа.	За да стартирате тази косачка, използвайте достатъчно батерии EGO, като следвайте инструкциите в раздел <b>"ЗАРЕЖДАНЕ"</b> в това ръководство.



LCD дисплей	Описание	Код за грешка на LCD	Индикатор на статуса на косачката	Звуков сигнализатор	Причина	Решение
	Иконата за температура мига.	Неприложимо	ИЗКЛ	Един звуков сигнал	Косачката е прегоряла.	Намалете натоварването на косачката чрез увеличаване на височината на косене на платформата или забавяне на скоростта на ножовете/движението. Направете почивка и оставете косачката да се охлади.
					Косачката е твърде студена	Моля, не правете повторни опити, които могат да повредят машината. Винаги съхранявайте косачката и батерията в топла среда. Рестартирайте косачката, когато тя е затоплена.

LCD дисплей	Описание	Код за грешка на LCD	Индикатор на статуса на косачката	Звуков сигналатор	Причина	Решение
	Иконата за температура и точно заетото отделение за батериите мигат едновременно.	Неприложимо	ИЗКЛ	Не	<p>Акумулаторната батерия в съответното номерирано отделение за батерия е прегряла.</p>	<p>1. Косачката може да продължи да работи, ако комбинираната стойност на Ah, при изключена прегряла батерия отговаря на изискванията. Когато прегрялата батерия се върне към нормална температура, тя ще се включи незабавно към захранването на косачката.</p> <p>2. Ако комбинираните Ah на батериите не са достатъчни, косачката няма да работи, докато не бъдат поставени повече акумулаторни батерии в празните отделения за батерии.</p> <p>3. Намалете натоварването на косачката чрез увеличаване на височината на косене на платформата или забавяне на косенето при възобновяване на работата.</p>

BG

LCD дисплей	Описание	Код за грешка на LCD	Индикатор на статуса на косачката	Звук сигналатор	Причина	Решение
	<p>Иконите на всяко заето отделение за батерия, индикаторът за ниска мощност, графиките на батериите на измервателния уред за горивото мигат на всяка 1 секунда едновременно на LCD екрана. Първият сегмент на LED индикатора за горивото и статуса мига също.</p>	Неприложимо	Мига в червено	Продължава да звучи, докато превключвателят на вала за отвеждане на мощност е натиснат.	Акумулаторните батерии са с нисък заряд и косачката е в режим на аварийно прибиране.	<p>Спрете работа и се върнете в зоната за зареждане на батерията.</p> <p><b>БЕЛЕЖКА:</b> Когато косачката е в режим на аварийно прибиране, ножовете автоматично се превключват на по-ниска скорост на въртене без косене на трева и междувременно звуковият индикатор продължава да звучи. Операторът трябва да натисне превключвателя на вала за отвеждане на мощност надолу, за да се изключат ножовете на платформата. Звуковият индикатор ще спре да звучи след като ножовете спрат.</p>
	<p>Иконата на всяко заето отделение за батерия и индикаторът за ниска мощност мигат на всяка половин секунда.</p>	Неприложимо	Мига в червено	Продължава да звучи	Акумулаторните батерии са почти изтощени.	<p>Косачката ще спре работа незабавно. Операторът трябва да транспортира косачката до зоната за зареждане на батерията за зареждане.</p>

LCD дисплей	Описание	Код за грешка на LCD	Индикатор на статуса на косачката	Звуков сигналатор	Причина	Решение
	Иконата на автоматичното паркиране мига на LCD екрана.	Неприложимо	ИЗКЛ	Продължава да звучи	Косачката е паркирана върху склон и операторът напуска косачката без да постави педала на спирачката в спирачна позиция, само с лостове за кормилно управление в отворена позиция.	Поставете спирачния педал в спирачната позиция. Иконата на автоматичното паркиране ще се изключи и звуковият индикатор ще спре да звучи
	Иконата на спирачния педал се показва на LCD екрана.	Неприложимо	ИЗКЛ	Не	Педалът на спирачката за паркиране е поставен в спирачна позиция.	Освободете я преди стартиране на косачката.
	Иконата на сензора на седалката се показва на LCD екрана.	Неприложимо	ИЗКЛ	Не	Операторът напуска седалката или превключвателят на седалката е прекъснат.	Ако с оператор седнал на седалката иконата е включена, спрете работа с косачката незабавно и проверете съединението на седалката. Ако се потвърди, че съединението на седалката с косачката е правилно, моля, свържете се с квалифициран сервизен техник за ремонт.

LCD дисплей	Описание	Код за грешка на LCD	Индикатор на статуса на косачката	Звуков сигналатор	Причина	Решение
	Иконата на превключвателя на вала за отвеждане на мощност мига.	Неприложимо	ИЗКЛ	Не	Моторът на ножа е прекъснат по време на работа и превключвателя на вала за отвеждане на мощност не е поставен в изключена позиция.	Преди рестартиране на косачката натиснете превключвателя на вала за отвеждане на мощност надолу, за да изключите мотора на платформата. Моля, вижте раздела <b>„ОТСТРАНЯВАНЕ НА ПРОБЛЕМИ“</b> в това ръководство за справка.
	Иконата на лоста на кормилното управление мига.	Неприложимо	ИЗКЛ	Не	Моторът на задвижването е прекъснат по време на работа и лостовете за кормилното управление не са поставени в отворена позиция.	Преди да рестартирате косачката преместете лостовете на кормилното управление до отворена позиция. Моля, вижте раздела <b>„ОТСТРАНЯВАНЕ НА ПРОБЛЕМИ“</b> в това ръководство за справка.
	Иконата за възстановяване на енергията мига понякога.	Неприложимо	ИЗКЛ	Не	Кинетичната енергия генерирана по време на спиране или движение надолу по склон се преобразува в електричество за зареждане на акумулаторните батерии.	Това е нормална операция. Не е необходимо действие.

**БЕЛЕЖКА:** Ако на LCD екрана се появи код за грешка, извадете всички батерии и ги поставете отново няколко минути по-късно. Ако това не реши проблема, следвайте отстраняването на неизправности с кода на грешка по-долу.

LCD дисплей	Описание	Код за грешка на LCD	Индикатор на статуса на косачката	Звуков сигнализатор	Причина	Решение	
Вижте "Код за грешка"	Левият задвижващ мотор не се върти.	Неизправност на управлявания от печатна платка ляв задвижващ мотор.	413	ИЗКЛ	Един звуков сигнал	Неизправност на печатната платка	Възложете изпълнението на ремонтите на квалифициран сервизен техник.
		Щепселът (трифазен, захранващ проводник) свързващ левия задвижващ мотор със съответната печатна платка е разхлабен.	317	ИЗКЛ	Един звуков сигнал	Разхлабено съединение	
		Щепселът (шестпинов, сигнален проводник) свързващ левия задвижващ мотор със съответната печатна платка е разхлабен.	301	ИЗКЛ	Един звуков сигнал	Разхлабено съединение	
		Левият задвижващ мотор е неизправен..	317	ИЗКЛ	Един звуков сигнал	Неизправност на мотора	

LCD дисплей	Описание		Код за грешка на LCD	Индикатор на статуса на косачката	Звуков сигнализатор	Причина	Решение
Вижте "Код за грешка"	Десният задвижващ мотор не се върти.	Неизправност на управлявания от печатна платка десен задвижващ мотор.	313	ИЗКЛ	Един звуков сигнал	Неизправност на печатната платка	Възложете изпълнението на ремонтите на квалифициран сервизен техник.
		Щепселът (трифазен, захранващ проводник) свързващ десния задвижващ мотор със съответната печатна платка е разхлабен.	417	ИЗКЛ	Един звуков сигнал	Разхлабено съединение	
		Щепселът (шестпинов, сигнален проводник) свързващ десния задвижващ мотор със съответната печатна платка е разхлабен.	401	ИЗКЛ	Един звуков сигнал	Разхлабено съединение	
		Десният задвижващ мотор е неизправен..	417	ИЗКЛ	Един звуков сигнал	Неизправност на мотора	

LCD дисплей	Описание		Код за грешка на LCD	Индикатор на статуса на косачката	Звуков сигнализатор	Причина	Решение
Вижте "Код за грешка"	Левият мотор за ножовете не се върти.	Неизправност на управлявания от печатна платка ляв мотор за ножовете.	607/A07	Неприложимо	Един звуков сигнал	Неизправност на печатната платка	Възложете изпълнението на ремонтите на квалифициран сервизен техник.
		Щепселът (трифазен, захранващ проводник) свързващ левия задвижващ мотор със съответната печатна платка е разхлабен.	509	Неприложимо	Един звуков сигнал	Разхлабено съединение	Инспектирайте първо ножа. Ако е разхлабен, затегнете болта с препоръчания въртящ момент. В противен случай осигурете ремонт от квалифициран сервизен техник.
		Левият мотор за ножовете е неизправен	509	Неприложимо	Един звуков сигнал	Неизправност на мотора	Инспектирайте първо ножа. Ако е разхлабен, затегнете болта с препоръчания въртящ момент. В противен случай осигурете ремонт от квалифициран сервизен техник.
Вижте "Код за грешка"	Десният мотор за ножовете не се върти.	Неизправност на управлявания от печатна платка десен мотор за ножовете.	507/A07	Неприложимо	Един звуков сигнал	Неизправност на печатната платка	Възложете изпълнението на ремонтите на квалифициран сервизен техник.
		Щепселът (трифазен, захранващ проводник) свързващ десния задвижващ мотор със съответната печатна платка е разхлабен.	609	Неприложимо	Един звуков сигнал	Разхлабено съединение	Инспектирайте първо ножа. Ако е разхлабен, затегнете болта с препоръчания въртящ момент. В противен случай осигурете ремонт от квалифициран сервизен техник.
		Десният мотор за ножовете е неизправен	609	Неприложимо	Един звуков сигнал	Неизправност на мотора	Инспектирайте първо ножа. Ако е разхлабен, затегнете болта с препоръчания въртящ момент. В противен случай осигурете ремонт от квалифициран сервизен техник.



LCD дисплей	Описание		Код за грешка на LCD	Индикатор на статуса на косачката	Звуков сигнализатор	Причина	Решение
Вижте "Код за грешка"	Средният мотор за ножовете не се върти.	Управляваният от РСВА двигател за средния нож е повреден	507/ 607	Неприложимо	Един звуков сигнал	Неизправност на печатната платка	Възложете изпълнението на ремонтите на квалифициран сервизен техник.
		Щепселът (трифазен, захранващ проводник) свързващ средния задвижващ мотор със съответната печатна платка е разхлабен.	A09	Неприложимо	Един звуков сигнал	Разхлабено съединение	Инспектирайте първо ножа. Ако е разхлабен, затегнете болта с препоръчания въртящ момент. В противен случай осигурете ремонт от квалифициран сервизен техник.
		Средният мотор за ножовете е неизправен	A09	Неприложимо	Един звуков сигнал	Неизправност на мотора	Инспектирайте първо ножа. Ако е разхлабен, затегнете болта с препоръчания въртящ момент. В противен случай осигурете ремонт от квалифициран сервизен техник.
Вижте "Код за грешка"	Левият лост на кормилното управление е неизправен.	Неизправност на печатната платка управляваща левия лост на кормилното управление.	311/ 412	ИЗКЛ	Един звуков сигнал	Неизправност на печатната платка	Възложете изпълнението на ремонтите на квалифициран сервизен техник.
		Щепселът свързващ управляващата печатна платка, намиращ се на кормилния лост, е разхлабен.				Разхлабено съединение	

LCD дисплей	Описание		Код за грешка на LCD	Индикатор на статуса на косачката	Звуков сигнализатор	Причина	Решение
Вижте "Код за грешка"	Десният лост на кормилното управление е неизправен.	Неизправност на печатната платка управляваща десния лост на кормилното управление.	312/ 411	ИЗКЛ	Един звуков сигнал	Неизправност на печатната платка	Възложете изпълнението на ремонтите на квалифициран сервизен техник.
		Щепселът свързващ управляващата печатна платка, намиращ се на кормилния лост, е разхлабен.				Разхлабено съединение	
Вижте "Код за грешка"	Спирачката за паркиране е неизправна, инструментът не може да се движи.	Печатната платка за спиращата за паркиране, която е във възела на предната рама, е счупена.	309/ 409	ИЗКЛ	Един звуков сигнал	Неизправност на печатната платка	Възложете изпълнението на ремонтите на квалифициран сервизен техник.
		Превключвателят и/или проводникът на спиращата за паркиране са повредени.	801	ИЗКЛ	Един звуков сигнал	Неизправност на проводника/ превключвателя	

LCD дисплей	Описание	Код за грешка на LCD	Индикатор на статуса на косачката	Звуков сигнализатор	Причина	Решение
ИЗКЛ	Неизправност на порта за зареждане	Неприложимо	Постоянно в ЧЕРВЕНО	Неприложимо	Портът за зареждане е с отворена верига.	Възложете изпълнението на ремонтите на квалифициран сервизен техник.
		Неприложимо	Постоянно в ЧЕРВЕНО	Неприложимо	Няма електрозахранване.	Проверете стенния контакт дали е за 220 V - 240 V или дали контактът е добър.
		Неприложимо	Постоянно в ЧЕРВЕНО	Неприложимо	Предпазителят е изгорял.	Възложете изпълнението на ремонтите на квалифициран сервизен техник.
Вижте "Код за грешка"	Неизправност на порта за зареждане	204	Неприложимо	Един звуков сигнал	Портът за зареждане е с отворена верига.	Възложете изпълнението на ремонтите на квалифициран сервизен техник.

LCD дисплей	Описание	Код за грешка на LCD	Индикатор на статуса на косачката	Звуков сигнализатор	Причина	Решение
Вижте "Код за грешка"	Възелът на кутията за батериите не функционира	217	Неприложимо	Един звуков сигнал	Източникът на електрозахранване от кутията за батериите е прекъснат. LED фаровете и USB не работят.	Възложете изпълнението на ремонтите на квалифициран сервизен техник.
		310/ 410	ИЗКЛ	Един звуков сигнал	Връзката между проводници тип С на кутията за батериите и други проводници тип С на косачката не работи.	
		201/ 202/ 203	ИЗКЛ	Един звуков сигнал	BMS на кутията за батериите е неизправен.	
Вижте "Код за грешка"	Старт/стоп превключвателят е неизправен	314/ 414	ИЗКЛ	Един звуков сигнал	Неизправност на превключвателя на печатната платка или лошо свързан проводник за старт/стоп превключвателя.	Възложете изпълнението на ремонтите на квалифициран сервизен техник.

LCD дисплей	Описание	Код за грешка на LCD	Индикатор на статуса на косачката	Звуков сигнализатор	Причина	Решение
Вижте "Код за грешка"	LCD екранът е неизправен	315/ 415	ИЗКЛ	Един звуков сигнал	Възелът на LCD е неизправен или лошо свързан проводник на възела на LCD.	Възложете изпълнението на ремонтите на квалифициран сервизен техник.

## ГАРАНЦИЯ

### ГАРАНЦИОННА ПОЛИТИКА EGO

Моля, посетете уебсайта [egopowerplus.com](http://egopowerplus.com) за пълните срокове и условия по гаранционната политика на EGO.

**KEES VAN DER SPEK**  
TUINMACHINES ★ STOLWIJK

BG

# PROČITAJTE UPUTE U CIJELOSTI!



PROČITAJTE KORISNIČKI PRIRUČNIK.

## SIMBOL O SIGURNOSTI

Svrha simbola o sigurnosti je skretanje pozornosti na moguće opasnosti. Simboli o sigurnosti i njihova objašnjenja zahtijevaju vašu potpunu pozornost i razumijevanje. Simboli upozorenja ne isključuju opasnost sami po sebi. Upute i upozorenja koja pružaju nisu zamjena za propisne mjere za prevenciju nesreća.

**▲ UPOZORENJE:** Prije korištenja ovog alata, s razumijevanjem pročitajte sve sigurnosne upute u ovom priručniku za rukovatelja, uključujući sve sigurnosne simbole kao što su „OPASNOST“, „UPOZORENJE“ i „OPREZ“. Zanemarivanje uputa navedenih u nastavku može rezultirati električnim udarom, požarom i/ili teškim tjelesnim ozljedama.

## ZNAČENJE SIMBOLA

Na ovoj stranici slikovno su prikazani i objašnjeni simboli sigurnosti koji se mogu pojaviti na ovom proizvodu. Prije sastavljanja i rukovanja, s razumijevanjem pročitajte sve upute na stroju i pridržavajte ih se.

## SIGURNOSNI SIMBOLI



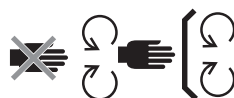
Upozorenje u vezi sigurnosti



S razumijevanjem pročitajte priručnik za rukovatelje



Zaštita za oči



Održavanje sigurnosnih uređaja



OPASNOST – opasnost od strmih kosina



OPASNOST – promatrači moraju biti podalje od noževa



Nikad ne vozite djecu



Kad idete unatrag, gledajte iza sebe

HR



UPOZORENJE - nemojte upotrebljavati ovaj stroj na kosinama većim od 12°



OPASNOST – odbačeni predmeti



UPOZORENJE – DRŽITE PODALJE OD RUKU I STOPALA



Zajamčena razina snage zvuka. U skladu je s direktivom Europske zajednice.



Ne stajati ovdje



Otpadni električni proizvodi ne smiju se odlagati s otpadom iz kućanstva. Onesite ih u ovlaštenu centar za recikliranje.



Ovaj proizvod je u skladu s važećim direktivama EU



OPREZ – nemojte gledati u radnu lampu.



Istosmjerna struja



Ovaj proizvod je u skladu s važećim zakonodavstvom UK.

kPa

Kilopaskal

O/MIN

Brzina vrtnje

V

Volt

m

Metara

in

Inč

cm

centimetri

nm

Newtonmetar

mm

milimetri

°C

Celzij

kg

kilogram

km/h

Kilometara na sat

IPX4

Stupanj zaštite od prodora vode

## TEHNIČKI PODACI

KEES VAN DER SPEK

Napon		56 V
Veličina trupa		132 cm
Veličina kotača	Sprijeda	279,4 x 126 mm
	Straga	457,2 x 223 mm
Tlak u hladnim gumama	Sprijeda	222,1 kPa
	Straga	115,8 kPa
Radijus zaokretanja		0
Brzina noža (o/min)		2600; 2800; 3000; 3200
Maks. Brzina vožnje (km/h)	Naprijed	8.1 km/h, 9.7 km/h, 11.3 km/h, 12.8 km/h
	Unatrag	do 6,4 km/h
Punjenje	Punjač (dodatni pribor)	CHV1600E
	Adapter (dodatni pribor)	ACA1000
	Raspon temperatura punjenja	5°C – 40°C

Podešavanje visine otkosa (10 položaja)		25 – 100 mm
Radna temperatura		0°C – 40°C
Temperatura skladištenja		-20°C – 70°C
Masa (bez baterijskog modula)		217 kg
Izmjerena razina zvučne snage $L_{WA}$		95,48 dB(A) K=0,73 dB(A)
Razina zvučnog tlaka na uho rukovatelja $L_{PA}$		82,5 dB(A) K=3 dB(A)
Zajamčena razina zvučne snage $L_{WA}$ (izmjereno u skladu s 2000/14/EZ)		100 dB(A)
Vibracija $a_h$	Ruka	0,69 m/s <sup>2</sup> K=1,5 m/s <sup>2</sup>
	Tijelo	0,3 m/s <sup>2</sup> K=1,5 m/s <sup>2</sup>

HR

- Deklarirane ukupne vrijednosti vibracija izmjerene su u skladu sa standardnom metodom ispitivanja i mogu se koristiti za usporedbu jednog alata s drugim.

- Deklarirane ukupne vrijednosti vibracija mogu se koristiti i u preliminarnoj procjeni izloženosti.

**OBAVIJEST:** Emisija vibracija tijekom aktualnog korištenja električnog alata može se razlikovati od deklarirane vrijednosti u kojoj se alat koristio; Radi zaštite rukovatelja korisnik treba nositi rukavice i štitive za uši u aktualnim uvjetima korištenja.

## OPIS

### UPOZNAJTE KOSILICU (SL. A1 I A2)

1. Sjedalo
2. Priključak za punjenje
3. Jedinica snage
4. LED stražnje svjetlo
5. Odjeljak za odlaganje
6. Držac za čaše
7. LED Bočni
8. Stražnji kotač (pogonski kotač)
9. Priključak za pranje
10. Trup
11. Štitnik trupa
12. Kotači za ograničenje visine otkosa
13. Prednji kotač
14. Papučica parkirne kočnice
15. Dnevna svjetla
16. Prednja LED svjetla
17. Bočni izlazni kanal
18. Ručica za podešavanje visine trupa
19. Gumb za podešavanje ogibljenja sjedala
20. Ručica za podešavanje položaja sjedala
21. Šipke za krilo
22. Indikator stanja kosilice
23. LCD zaslon
24. PTO sklopka
25. Tipka Start/Stop
26. Sigurnosni ključ
27. Kutija za čuvanje telefona

28. Pregradna šipka
29. Indikator stanja i mjerač goriva kosilice
  - 29.a. Indikator mjerača goriva kosilice
  - 29.b. Indikator stanja kosilice
30. Područje s osloncem za stopala
31. Gumb za oslobađanje poklopca pogonske jedinice
32. Poklopac pogonske jedinice
33. Pogonska jedinica sa šest odjeljaka za baterije
34. Gumb za oslobađanje baterije
35. Kuka
36. Poklopac za montažu priključka
37. Kutija poklopca za montažu priključka
38. USB priključak

### UPOZNAJTE LCD ZASLON (SL. A3)

Više informacija o ikonama i indikatorima na LCD zaslonu potražite u odjeljku „**STATUSNE REFERENCE I ŠIFRE KVAROVA KOSILICE**“.

1. Ikona sigurnosnog ključa
2. Ikona LED svjetla
3. Ikona automatskog parkiranja
4. Ikona USB-a
5. Indikator brzine noža
6. Indikator stanja sigurnosnog uređaja
7. Brojilo sati rada
8. Ikona praznog pretinca za baterije
9. Ikona temperature
10. Ikona popunjenog pretinca za baterije
11. Način rada vožnje
12. Indikator koda pogreške
13. Indikator preopterećenja
14. Indikator slabog napajanja
15. Indikator brzine vožnje
16. Indikator opterećenja
17. Mjerač goriva
18. Gumb za podešavanje brzine noža
19. Gumb za postavljanje
20. Gumb za način vožnje



21. Sklopka LED svjetla
22. Gumb za podešavanje brzine vožnje

## RASPAKIRAVANJE

**OBAVIJEST:** Nemojte odbaciti ambalažni materijal dok pažljivo ne pregledate alat i uspješno ne pokrenete proizvod. Ako vam nedostaje bilo koji sastavni dio stroja s otpremnice, odmah se obratite EGO servisnom centru.

**OBAVIJEST:** Osim alata iz dolje navedene otpremnice, svi drugi alati navedeni u priručnicima dio su preporučene opreme, ali nisu dio paketa.

### OTPREMNICA (sl. B)

B-1	Traktorska kosilica s okretom u mjestu	B-6	Sigurnosni ključevi
B-2	Sjedalo	B-7	Otvoreni ključevi (13 mm)
B-3	Poluga upravljača	B-8	Imbus ključ
B-4	Vijci s nasadnom glavom (2 rezervna)	B-9	Spojnicica priključka za pranje
B-5	Imbus vijci (2 rezervna)	B-10	Priručnik za rukovatelje

### PREPORUČENA DODATNA OPREMA

**UPOZORENJE:** Koristite samo identične zamjenske dijelove navedene u nastavku. Korištenje dijelova koji nisu u skladu sa specifikacijama za izvornu opremu može rezultirati nepravilnim radom i smanjenom sigurnošću.

NAZIV DIJELA	BROJ MODELA
Standardni nož	AB5200
Visoko izdignuti nož	AB5201
Komplet za malčiranje	ABP5200
Komplet s vrećom za travu	ABK5200-A
Stražnji odbojnik	AMB1000
Teretna kutija	AMG1000
Zaštita od sunca	AMS1000

## SASTAVLJANJE

### UGRADNJA SJEDALA (sl. C1 i C2)

**UPOZORENJE:** Sigurnosni sustav blokade ne smije se isključivati niti zaobilaziti. Time biste mogli uzrokovati neočekivan rad kosilice, što može dovesti do ozljeda.

**OBAVIJEST:** Zbog vaše sigurnosti, kosilica u slučaju prekida sklopke sjedala može prestati s radom. U tom slučaju više informacija potražite u odjeljku „RJEŠAVANJE PROBLEM“.

C1-1	Kabel	C1-5	Vijci s nasadnom glavom
C1-2	Utikač	C2-1	Kuka
C1-3	Podnožje	C2-2	Čelične vodilice
C1-4	Baza ovjesa	C2-3	Vijci s nasadnom glavom

### UGRADNJA RUČICA ZA UPRAVLJANJE (SL. C3)

C3-1	Ručice za upravljanje	C3-3	Otvori za montažu ručice za upravljanje
C3-2	Imbus vijci		

## RAD

### PRIJE UPOTREBE KOSILICE

#### Provjera okruženja

- a. Uvjerite se da u radnom području nema djece, promatrača i kućnih ljubimaca.
- b. Radno područje očistite od predmeta koje razbacuju noževi kosilice.
- c. Provjerite i uvjerite se kako su LED svjetla u pravilnom stanju:
  - Radnim, bočnim i stražnjim svjetlima upravlja sklopka LED svjetla.
  - Radna svjetla u vožnji su uvijek uključena.
  - Pri kretanju unatrag, ako su stražnja svjetla isključena, treptat će zbog upozorenja promatračima; ako su stražnja svjetla uključena, nastavit će svijetliti.

- Sva svjetla će se automatski isključiti kada se kosilica automatski isključi nakon razdoblja bez rada.

### Provjera tlaka u hladnom gumama (sl. D1)

### Provjera stanja kosilice i razina napunjenosti baterije

- Indikator mjerača goriva kosilice (sl. A2 – 27a)  
Svaki segment indikatora mjerača goriva kosilice označava 20 % napunjenosti umetnutih baterijskih modula.

**OBAVIJEST:** Indikator mjerača goriva kosilice i mjerač goriva na LCD zaslonu označavaju prosječan kapacitet umetnutih baterijskih modula.

- Indikator stanja kosilice (sl. A1 i sl. A2 – 27b)  
Ako indikator stanja svijetli zeleno, kosilica je spremna za vožnju. Ako ne, provjerite odjeljak „**STATUSNE REFERENCE I ŠIFRE KVAROVA KOSILICE**“

### Ispitivanje sigurnosnog sustava blokade (sl. D2 – sl. D8)

**OBAVIJEST:** Rukovatelj prije ispitivanja mora biti na sjedalu.

- Prije ispitivanja (sl. D2 – sl. D4)
- Za ispitivanje sustava trupa–noža (sl. D5); zatim polagano ustanite
- Za ispitivanje sustava vožnje (sl. D6 – sl. D8); zatim polagano ustanite

Ako se sustav trupa–noža i/ili sustav vožnje ne zaustave nakon što se rukovatelj ustane sa sjedala i ako se uzrok ne može utvrditi niti nakon potvrde kako je spoj utikača i utičnice sjedala pravilan, odmah se obratite u servisni centar tvrtke EGO.

### PODEŠAVANJE (sl. E1 – sl. E13)

#### Priprema (sl. E1 – sl. E5)

#### Podešavanje visine otkosa (sl. E6)

HR

#### Podešavanje kotača za ograničenje visine otkosa (sl. E7 – sl. E10)

E7-1	Kotači za ograničenje visine otkosa	E9-2	Sigurnosni vijak
------	-------------------------------------	------	------------------

E9-1	Matica	E10-1	Oznaka visine otkosa
------	--------	-------	----------------------

#### Podešavanje sjedala (sl. E11)

Podesite položaj sjedala kako biste osigurali čvrst kontakt s papučicom parkirne kočnice prije rukovanja kosilicom. Podešavanjem ogibljenja sjedala možete postići najudobniji osjećaj na sjedalu.

E11-1	Ručica za podešavanje položaja sjedala	E11-2	Gumb za podešavanje ogibljenja sjedala
-------	--	-------	--

#### Postavljanje parkirne kočnice (sl. E12 – sl. E13)

E13-1	Položaj kočenja	E13-2	Otpušteni položaj
-------	-----------------	-------	-------------------

### PUNJENJE (sl. F1 – sl. F11)

Kako biste mogli pokrenuti kosilicu, morate imati EGO baterije ukupnog kapaciteta 15 Ah (2 x BA4200T/BA4200T) ili većeg. Za najbolji učinak preporučujemo upotrebu EGO baterija ukupnog kapaciteta 30 Ah ili većeg.

#### Upotrebljavajte isključivo preporučene baterijske module i punjače. (sl. F9 i F10)

#### Priprema za punjenje (sl. F1 – sl. F4)

#### Zasebno punjenje baterijskih modula (sl. F5 – sl. F9)

F5-1	Gumb za otpuštanje poklopca	F7-1	Gumb za oslobađanje baterije
------	-----------------------------	------	------------------------------

- Postavljanje baterijskih modula (sl. F5 – sl. F6)
- Odvajanje baterijskih modula (sl. F7 – sl. F8)

**OBAVIJEST:** Upute za punjenje baterijskih modula potražite u pripadajućim priručnicima za baterije i punjače.

#### Punjenje baterijskih modula putem priključka za punjenje (sl. F10)

F10-1	Kapa protiv prašine	F10-2	Priključak za punjenje
-------	---------------------	-------	------------------------

## POKRETANJE KOSILICE

(sl. A4 - Sl. A5 i sl. G1 - sl. G6)

**⚠ UPOZORENJE:** Izbjegavajte naglo pokretanje, zaustavljanje i okretanje, kao i prekomjernu brzinu, naročito dok se tek privikavate na rukovanje kosilicom. Kosilica se može okretati brzo, zbog čega biste mogli izgubiti kontrolu i/ili prouzročiti teške ozljede i/ili oštećenja.

**⚠ UPOZORENJE:** Prije pokretanja kosilice, provjerite noževe i pazite da budu deaktivirani unutar 5 sekundi kada pritisćete PTO sklopku prema dolje. Ako se noževi ne zaustavljaju, nemojte upotrebljavati kosilicu i odmah se obratite u servisni centar tvrtke EGO.

**OBAVIJEST:** Slijedite upute sa sl. A4 i sl. G2 te koristite najnižu brzinu vožnje i način vožnje **STANDARD** dok u potpunosti ne ovladate rukovanjem kosilicom u svim situacijama. Brzina vožnje i način vožnje aktivirat će se samo ako su kotači kosilice zaustavljeni, a ručice za upravljanje otvorene.

Kosilica će spremiti i prikazati prethodni način vožnje, brzinu vožnje i kalibraciju ručica upravljača prilikom ponovnog pokretanja.

### Način vožnje

- **CONTROL:** Manje ubrzanje, manje osjetljivo rukovanje i mala brzina okretanja za zaštitu trave i za nove korisnike.
- **STANDARD:** Savršeno za svakodnevnu upotrebu.
- **SPORT:** Veće ubrzanje, precizno rukovanje i oštri okreti, za maksimalnu učinkovitost košnje i iskusne rukovatelje.

### Podešavanje brzine vožnje (sl. A4)

### Podešavanje brzine noža (sl. A5)

### USB priključak

**OBAVIJEST:** USB priključak pruža snagu punjenja od 5 V DC pri kombiniranom povlačenju struje do 1,5 A, a funkcionira jedino kad je kosilica uključena.

## ZAUSTAVLJANJE KOSILICE (Sl. H1 - Sl. H6)

**OBAVIJEST:** Nakon 60 minuta neaktivnosti, kosilica će se automatski isključiti.

### Način rada Limp Home

Prije nego što se baterija posve isprazni, kosilica će prijeći u način rada Limp Home:

- Kosilica će automatski prestati kositi travu;
- Oglašavat će se zvučni signal;
- Indikator stanja kosilice treptat će crveno svake sekunde; prvi segment mjerača goriva kosilice treptat će crveno, a treptat će i indikator slabog napajanja te grafički prikaz baterije za mjerač goriva

Rukovatelj treba učiniti sljedeće:

- a) Pritisnuti PTO sklopku prema dolje (sl. H3) kako bi odvojio noževe. Zvučni signal prestat će se oglašavati nakon što se nož zaustavi;
- b) Prestanite s radom i što prije prijedite na mjesto za punjenje baterije. Maksimalna udaljenost koju kosilica može prijeći je 1000 m.

Prije nego što se baterija posve isprazni, ikona svakog zauzetog pretinca za bateriju i indikator slabog napajanja zatreperit će svakih pola sekunde. Kosilica će odmah prestati s radom. Rukovatelj treba premjestiti kosilicu na mjesto za punjenje baterije.

### Ručno guranje

Ako se pokaže potreba za ručnim guranjem, odvojite bateriju od kosilice i otpustite papučicu parkirne kočnice iz položaja kočenja.

## VOŽNJA KOSILICE (Sl. I1 - Sl. I9)

Kako biste stali, smanjili ili povećali brzinu, lagano promijenite udaljenost ručice za upravljanje iz neutralnog položaja.

**⚠ OPASNOST!** Držite se barem dvije širine otkosa dalje od jama, strmina i vode. Prednji kotači mogu se okretati ako je kosilica zaustavljena, čak i ako je kočnica aktivirana, zbog čega kosilica može prijeći preko ruba ili pasti u vodu, uzrokujući smrt ili teške ozljede.

**⚠ UPOZORENJE:** Prije vožnje unatrag provjerite što se nalazi iza vas. **NEMOJTE** kositi unatrag ako to stvarno nije potrebno. Prije i tijekom vožnje unatrag uvijek gledajte dolje i iza sebe kako biste se uvjerali da iza vas nema djece, promatrača ili kućnih ljubimaca. Zapamtite da je samo jedan djelić sekunde nepažnje dovoljan za pogibiju ili ozljede.

**⚠ UPOZORENJE:** Ne koristite ovaj stroj na javnim cestama.

**⚠ UPOZORENJE:** U slučaju blokade ili ako udarite strani predmet, zaustavite motore i izvadite baterije. Uklonite ostatke trave, lišće, prljavštinu i ostale nakupljene nečistoće; dobro pregledajte da na kosilici nema oštećenja i otklonite oštećenja prije ponovnog pokretanja i upotrebe kosilice.

## ODRŽAVANJE

**⚠ UPOZORENJE:** Uvijek nosite zaštitu za oči s bočnim štitnicima. Nepostupanje u skladu s tim može rezultirati odbacivanjem predmeta u oči i drugim mogućim teškim ozljedama.

**⚠ UPOZORENJE:** Pri obavljanju radova održavanja na nožu kosilice zaštitite ruke rukavicama ili omotajte noževe krpama ili drugim materijalima. Izvadite sigurnosni ključ i baterijski modul prije servisa ili transporta kosilice.

Interval servisnog održavanja	Postupak za održavanje
Prije svake upotrebe ili svakodnevno	<ul style="list-style-type: none"> <li>▪ Provjerite sigurnosni sustav blokade.</li> <li>▪ Vizualno provjerite je li guma prazna.</li> <li>▪ Provjerite jesu li noževe istrošeni, oštećeni ili svinuti.</li> <li>▪ Pregledajte čitav proizvod i uvjerite se kako nema dijelova koji su oštećeni, nedostaju ili su olabavljeni, što uključuje sklop bočnog nastavka, vijke, matice, kapice itd. te provjerite jesu li svi štitnici na mjestu i ispravno rade.</li> <li>▪ Provjerite rad kočnica.</li> </ul>
Nakon svake upotrebe	<ul style="list-style-type: none"> <li>▪ Očistite trup kosilice.</li> </ul>
Svakih 25 sati	<ul style="list-style-type: none"> <li>▪ Provjerite tlak u gumama.</li> </ul>

Svakih 50 sati	<ul style="list-style-type: none"> <li>▪ Provjerite stanje podmazanosti unutar prirubnice reznog noža.</li> </ul>
Svakih 100 sati	<ul style="list-style-type: none"> <li>▪ Provjerite stražnje kotače i uvjerite se da su vijci zategnuti preporučenim momentom.</li> </ul>
Svakih 200 sati	<ul style="list-style-type: none"> <li>▪ Provjerite prednje kotače i uvjerite se kako se slobodno okreću.</li> </ul>
Godišnje	<ul style="list-style-type: none"> <li>▪ Provjerite papučicu parkirne kočnice. Odvojite bateriju od kosilice i postavite papučicu parkirne kočnice u položaj za kočenje. Ručno gurnite kosilicu prema naprijed i provjerite možete li ju pomicati. Ako se pomiče, neka ju servisira ovlašteni servisni tehničar.</li> </ul>

### ČIŠĆENJE KOSILICE (sl. J1 – sl. J9)

Priprema (sl. J1 – sl. J5)

Čišćenje kućišta kosilice (sl. J6 – sl. J7)

Čišćenje trupa kosilice pomoću priključka za pranje (sl. J8 - sl. J9)

J8-1	Priključak za pranje	J8-3	Vrtno crijevo
J8-2	Spojnica priključka za pranje		

**OBVIJEST:** Po dovršetku čišćenja, pritisnite PTO sklopku prema dolje kako biste odvojili noževe kosilice.

### ODRŽAVANJE TRUPA KOSILICE I NOŽEVA

Priprema (sl. K1 – sl. K6)

Uklanjanje trupa kosilice (sl. K7 – sl. K8)

K7-1	Kabel motora	K7-3	Spona ovjesa
K7-2	Rascjepka		

**OBVIJEST:** Odvojite sve kabele motora i mehaničke osigurače prilikom uklanjanja platforme kosilice.

### Zamjena noževa (sl. K9 – sl. K11)

K9-1	Stabilizator	K10-3	Nož
K10-1	Vijak	K10-4	Prirubnica
K10-2	Podloška	K10-5	Vratilo motora

### Niveliranje trupa kosilice

- a. Kada nivelirati (sl. K12 – sl. K14)
- b. Prije niveliranja
  - Provjera tlaka u hladnom gumama (sl. K15)
  - Provjerite noževe. Prema potrebi uklonite i zamijenite istrošene, oštećene i/ili savijene noževe.
- c. Priprema za niveliranje (sl. K16 – sl. K21)
- d. Način niveliranja
  - Bočno podešavanje (sl. K22)

K22-1	Sigurnosna matica
-------	-------------------

- Podešavanje naprijed–natrag (sl. K23)

### KALIBRIRANJE SUSTAVA PRAĆENJA KOSILICE (sl. L1 – sl. L4)

**OBAVIJEST:** Zvučni signal oglasit će se jednom nakon početka kalibracije i jednom po njezinom dovršetku.

**OBAVIJEST:** Kalibracija dovršena za jedan od načina vožnje ("CONTROL", "STANDARD", "SPORT") možda neće biti dostupna za druga dva načina rada. Kalibrirajte ručice upravljača neovisno u svakom načinu vožnje, prema potrebi.

### PONOVNO POSTAVLJANJE KOSILICE NA POČETNE TVORNIČKE POSTAVKE (sl. M)

**OBAVIJEST:** Zvučni signal oglasit će se jednom nakon početka ponovnog postavljanja i jednom po njegovom dovršetku.

**OBAVIJEST:** Kada je resetiranje uspješno, ispod postavki vratit će se na početnu tvorničku postavku:

- način vožnje
- brzina vožnje
- kalibracija upravljačkih ručica

## POHRANA I TRANSPORT

### TRANSPORT KOSILICE (SL. N1 – SL. N11)

**NAPOMENA!** Prema potrebi osigurajte kosilicu trakama ili kabelima kako biste onemogućili njezino pomicanje tijekom transporta.

### POHRANA (sl. O1 – sl. O6)

**OBAVIJEST:** Upute za uklanjanje baterijskih modula i pohranu baterija potražite u pripadajućim priručnicima.


Upute za čišćenje i provjeru kosilice prije pohrane potražite u odjeljcima „ČIŠĆENJE KOSILICE“ i „PREPORUČENI RASPOREDI ODRŽAVANJA“.

### Zaštita okoliša




OEEO (Otpadna električna i elektronička oprema) Električnu opremu, iskorištenu bateriju i punjač nemojte odlagati u otpad iz kućanstva! Ovaj proizvod odnesite u ovlašteni centar za reciklažu i time omogućite odvojeno sakupljanje. Električne alate potrebno je vratiti u ekološki prihvatljiv pogon za reciklažu.

## OTKLANJANJE SMETNJI

PROBLEM	UZROK	RJEŠENJE
<p>Kosilica se ne pokreće nakon što na početku dvije ručice za upravljanje gurnete naprijed ili unatrag.</p>  <p>Zatreptat će ikona za razinu upravljanja</p>	<ul style="list-style-type: none"> <li>▪ Kombinirani kapacitet u Ah umetnutih baterija ne ispunjava zahtjev.</li> </ul>	<ul style="list-style-type: none"> <li>▪ Kako biste pokrenuli kosilicu, upotrijebite dovoljan broj EGO baterija prema uputama u odjeljku "PUNJENJE" u ovom priručniku.</li> </ul>
	<ul style="list-style-type: none"> <li>▪ Papučica parkirne kočnice postavljena je u položaj kočenja.</li> </ul>	<ul style="list-style-type: none"> <li>▪ Pritisnite papučicu parkirne kočnice do kraja i otpustite je iz položaja kočenja.</li> </ul>
	<ul style="list-style-type: none"> <li>▪ Pri pokretanju kosilice, ručice za upravljanje nisu u otvorenom položaju.</li> </ul>	<ul style="list-style-type: none"> <li>▪ Vratite ručice za upravljanje u otvoreni položaj i ponovno pokrenite kosilicu.</li> </ul>
	<ul style="list-style-type: none"> <li>▪ Rukovatelj ne sjedi na sjedalu.</li> </ul>	<ul style="list-style-type: none"> <li>▪ Tek kada rukovatelj pravilno sjedi na sjedalu, može upravljati kosilicom.</li> </ul>
	<ul style="list-style-type: none"> <li>▪ Sklopka sjedala nije pravilno spojena.</li> </ul>	<ul style="list-style-type: none"> <li>▪ Odvojite bateriju od kosilice i rastavite sjedalo obrnutim redoslijedom od uputa iz odjeljka „UGRADNJA SJEDALA“ iz ovog priručnika te pregledajte priključak sklopke sjedala. Ponovno sastavite sjedalo i slijedite upute iz odjeljka „POKRETANJE KOSILICE“ kako biste ponovno pokrenuli kosilicu i provjerili može li se pokrenuti. Ako ne, obratite se ovlaštenom servisnom tehničaru i zatražite njezin popravak.</li> </ul>
	<ul style="list-style-type: none"> <li>▪ U slučaju iznimno hladnog vremena, funkcija vožnje možda se neće uspješno pokrenuti zbog zaštite od niskih temperatura.</li> </ul>	<ul style="list-style-type: none"> <li>▪ Kosilicu i bateriju obavezno čuvajte u toplom okruženju. Ponovno pokrenite kosilicu nakon što se zagrije. Ako je jako hladno, nemojte je uzastopno pokušavati pokrenuti, jer to može dovesti do oštećenja stroja.</li> </ul>

PROBLEM	UZROK	RJEŠENJE
Kosilica prestaje voziti.	<ul style="list-style-type: none"> <li>▪ Ručice za upravljanje zahtijevaju „ponovno pokretanje“.</li> </ul>	<ul style="list-style-type: none"> <li>▪ Vratite ručice za upravljanje u otvoreni položaj i ponovno pokrenite kosilicu.</li> </ul>
	<ul style="list-style-type: none"> <li>▪ Električne komponente upravljanja ručicama za upravljanje su neispravne.</li> </ul>	<ul style="list-style-type: none"> <li>▪ Obratite se kvalificiranom servisnom tehničaru radi popravka.</li> </ul>
	<ul style="list-style-type: none"> <li>▪ Sklopka sjedala odvojila se uslijed vožnje po nepristupačnom terenu.</li> </ul>	<ul style="list-style-type: none"> <li>▪ Odvojite bateriju od kosilice i rastavite sjedalo obrnutim redoslijedom od uputa iz odjeljka „UGRADNJA SJEDALA“ iz ovog priručnika te pregledajte priključak sklopke sjedala. Ponovno sastavite sjedalo i slijedite upute iz odjeljka „POKRETANJE KOSILICE“ kako biste ponovno pokrenuli kosilicu i provjerili može li se pokrenuti. Ako ne, obratite se ovlaštenom servisnom tehničaru i zatražite njezin popravak.</li> </ul>
	<ul style="list-style-type: none"> <li>▪ Papučica parkirne kočnice je utisnuta kako bi se smanjila brzina vožnje. Nakon što je papučica parkirne kočnice dovoljno duboko utisnuta, ali ne i do položaja za parkiranje, kosilica će se zaustaviti.</li> </ul>	<ul style="list-style-type: none"> <li>▪ Slijedite upute u "POKRETANJE KOSILICE" za ponovno pokretanje.</li> </ul>
Brzina vožnje / način vožnje ne može se podesiti u vožnji.	<ul style="list-style-type: none"> <li>▪ Ovo je značajka kosilice za sigurnu vožnju.</li> </ul>	<ul style="list-style-type: none"> <li>▪ Funkcija će se aktivirati samo ako su kotači kosilice zaustavljeni, a ručice za upravljanje otvorene.</li> </ul>

PROBLEM	UZROK	RJEŠENJE
<p>Kosilica ne pokreće noževe kada je uključen prekidač PTO.</p>  Trepće ikona PTO sklopke	<ul style="list-style-type: none"> <li>▪ Kombinirani kapacitet u Ah umetnutih baterija ne ispunjava zahtjev.</li> </ul>	<ul style="list-style-type: none"> <li>▪ Kako biste pokrenuli kosilicu, upotrijebite dovoljan broj EGO baterija prema uputama u odjeljku "PUNJENJE" u ovom priručniku.</li> </ul>
	<ul style="list-style-type: none"> <li>▪ PTO sklopka nije pritisnuta prema dolje nakon zadnjeg zaustavljanja kosilice.</li> </ul>	<ul style="list-style-type: none"> <li>▪ Gurnite PTO sklopku prema dolje i ponovno pokrenite noževe kosilice.</li> </ul>
	<ul style="list-style-type: none"> <li>▪ Kosilica je u trenutku pokretanja noževa preopterećena, što rezultira aktivacijom zaštite motora.</li> </ul>	<ul style="list-style-type: none"> <li>▪ Košnju trave kosilicom najprije pokrenite s manjom brzinom noža i nemojte je ubrzavati prije nego što se noževi uspješno ne zavrte.</li> </ul>
	<ul style="list-style-type: none"> <li>▪ U slučaju iznimno hladnog vremena, motor noža možda se neće uspješno pokrenuti zbog zaštite od niskih temperatura.</li> </ul>	<ul style="list-style-type: none"> <li>▪ Kosilicu i bateriju obavezno čuvajte u toplom okruženju. Ponovno pokrenite kosilicu nakon što se zagrije. Ako je jako hladno, nemojte je uzastopno pokušavati pokrenuti, jer to može dovesti do oštećenja stroja.</li> </ul>
	<ul style="list-style-type: none"> <li>▪ Nož dolazi u doticaj s izobličanim trupom kosilice.</li> </ul>	<ul style="list-style-type: none"> <li>▪ Obratite se kvalificiranom servisnom tehničaru radi popravka.</li> </ul>



PROBLEM	UZROK	RJEŠENJE
Noževi se zaustavljaju tijekom košenja trave.	<ul style="list-style-type: none"> <li>▪ Kosilica je preopterećena.</li> </ul>	<ul style="list-style-type: none"> <li>▪ Podignite visinu košnje na trupu ili usporite brzinu vožnje kako biste smanjili opterećenje kosilice.</li> </ul>
	<ul style="list-style-type: none"> <li>▪ Trup kosilice je začepljen travom i ostalim nečistoćama.</li> </ul>	<ul style="list-style-type: none"> <li>▪ Očistite trup kosilice i osigurajte dovoljno mjesta za pomicanje noževa.</li> </ul>
	<ul style="list-style-type: none"> <li>▪ Kosilica se pregrijava.</li> </ul>	<ul style="list-style-type: none"> <li>▪ Smanjite opterećenje na kosilicu podizanjem visine košnje na trupu ili usporavanjem brzine noža/vožnje te omogućite hlađenje kosilice.</li> </ul>
	<ul style="list-style-type: none"> <li>▪ Baterijski moduli u baterijskom pretincu kosilice se pregrijavaju, zbog čega kombinirani kapacitet svih umetnutih baterija u Ah ne ispunjava zahtjev.</li> </ul>	<ol style="list-style-type: none"> <li>1. Ako je kombinirani kapacitet baterija ne ispunjava zahtjev, kosilica neće raditi sve dok u prazna mjesta za baterije ne umetnete još baterijskih modula. Nakon što se pregrijava baterija vrati na normalnu temperaturu, odmah će se pridružiti punjenju kosilice.</li> <li>2. Smanjite opterećenje na kosilicu podizanjem visine košnje na trupu ili usporavanjem košnje pri nastavku rada.</li> </ol>
	<ul style="list-style-type: none"> <li>▪ Kosilica je u načinu rada Limp Home.</li> </ul>	<ul style="list-style-type: none"> <li>▪ Kad je kosilica u načinu rada Limp Home, noževi automatski prelaze u način rada za sporo okretanje u kojemu ne kose travu. Rukovatelj treba prestati s radom i što prije prijeći na mjesto za punjenje baterije.</li> </ul>
	<ul style="list-style-type: none"> <li>▪ Kosilicu je udario strani predmet, zbog čega se aktivirala zaštita motora.</li> </ul>	<ul style="list-style-type: none"> <li>▪ Gurnite PTO sklopku prema dolje i ponovno pokrenite noževe kosilice.</li> </ul>
Zvučni signal se nastavlja oglašavati.	<ul style="list-style-type: none"> <li>▪ Kosilica je u načinu rada Limp Home, a noževi nisu isključeni.</li> </ul>	<ul style="list-style-type: none"> <li>▪ Gurnite PTO sklopku prema dolje kako biste odvojili noževe trupa. Zvučni signal prestat će se oglašavati nakon što se nož zaustavi.</li> </ul>
	<ul style="list-style-type: none"> <li>▪ Kosilica prestaje s radom na nagibu, a rukovatelj otvara ručice za upravljanje i ne sjedi na sjedalu, pri čemu papučica parkirne kočnice nije u položaju za kočenje.</li> </ul>	<ul style="list-style-type: none"> <li>▪ Prije nego što kosilicu ostavite na nagibu, papučicu parkirne kočnice postavite u položaj kočenja.</li> </ul>

PROBLEM	UZROK	RJEŠENJE
Dok je kosilica isključena, indikatori baterije i dalje svijetle.	<ul style="list-style-type: none"> <li>U slučaju isključivanja kosilice na tlu bez prethodnog odvajanja baterijskih modula od kosilice, indikatori baterije, gumb za pokretanje/zaustavljanje i gumb za postavljanje nastavit će svijetliti neko vrijeme.</li> </ul>	<ul style="list-style-type: none"> <li>Ne morate učiniti ništa. Indikatori baterije će se ugasi kada se kosilica isključi nakon nekog vremena. Konkretno vrijeme potražite u odjeljku "ZAUSTAVLJANJE RADA KOSILICE".</li> </ul>
	<ul style="list-style-type: none"> <li>U slučaju isključivanja kosilice na nagibu, pri čemu papučica parkirne kočnice nije u položaju za kočenje, indikatori baterije nastavit će svijetliti sve dok se baterija ne isprazni. Istovremeno će se nastaviti oglašavati zvučni signal.</li> </ul>	<ul style="list-style-type: none"> <li>Prije nego što rukovatelj alat ostavi na nagibu, papučicu parkirne kočnice treba postaviti u položaj kočenja.</li> </ul>
LCD zaslon ne svijetli, a sve su ikone uključene.	<ul style="list-style-type: none"> <li>Vrijeme pritiska na tipku start/stop nije dovoljno.</li> </ul>	<ul style="list-style-type: none"> <li>Na LCD zaslonu mjerac goriva prikazat će se tek nakon kratkog pritiska na tipku Start/Stop.</li> </ul>
		<ul style="list-style-type: none"> <li>LCD zaslon će se uključiti nakon pritiska tipke Start/Stop koji traje dovoljno dugo.</li> </ul>
Kosilica kosi neravnomjerno, uz značajnu razliku u visini između prednje i stražnje strane.	<ul style="list-style-type: none"> <li>Noževi su tupi.</li> </ul>	<ul style="list-style-type: none"> <li>Rezni nož naoštrite ili zamijenite u skladu s uputama iz ovog priručnika.</li> </ul>
	<ul style="list-style-type: none"> <li>Noževi su savijeni.</li> </ul>	<ul style="list-style-type: none"> <li>Savijeni nož zamijenite u skladu s uputama iz odjeljka „ZAMJENA NOŽEVA“.</li> </ul>
	<ul style="list-style-type: none"> <li>Trup kosilice nije u ravni, zbog čega dolazi do različitih visina otkosa.</li> </ul>	<ul style="list-style-type: none"> <li>Trup kosilice spustite u skladu s uputama iz odjeljka „NIVELIRANJE TRUPA KOSILICE“.</li> </ul>
Stvarna visina košnje nije u skladu s predviđenom.	<ul style="list-style-type: none"> <li>Vijci trupa kosilice su otpušteni na sponi ovjesa</li> </ul>	<ul style="list-style-type: none"> <li>Slijedite upute iz odjeljka „NIVELIRANJE TRUPA KOSILICE“ kako biste ga podesili prema naprijed–natrag i čvrsto zategnili matice na polužju ovjesa.</li> </ul>
	<ul style="list-style-type: none"> <li>Trup kosilice je oštećen ili jako istrošen.</li> </ul>	<ul style="list-style-type: none"> <li>Slijedite upute iz odjeljka „UKLANJANJE TRUPA KOSILICE“ kako biste zamijenili trup kosilice.</li> </ul>

PROBLEM	UZROK	RJEŠENJE
Kosilica ne malčira kako treba.	<ul style="list-style-type: none"> <li>Mokri komadići trave zalijepljeni su za podnožje trupa.</li> </ul>	<ul style="list-style-type: none"> <li>Pričekajte da se trava osuši, zatim nastavite s košnjom.</li> </ul>
	<ul style="list-style-type: none"> <li>Kosilica je postavljena za košnju prevelike količine trave odjednom.</li> </ul>	<ul style="list-style-type: none"> <li>Podignite visinu košnje na trupu.</li> </ul>
Javljaju se prekomjerne vibracije.	<ul style="list-style-type: none"> <li>Rezni noževi su olabavljeni.</li> </ul>	<ul style="list-style-type: none"> <li>Zategnite vijak noža preporučenim momentom.</li> </ul>
	<ul style="list-style-type: none"> <li>Noževi su savijeni.</li> </ul>	<ul style="list-style-type: none"> <li>Savijeni nož zamijenite u skladu s uputama iz odjeljka „ZAMJENA NOŽEVA“.</li> </ul>
	<ul style="list-style-type: none"> <li>Trup kosilice nije u ravnini.</li> </ul>	<ul style="list-style-type: none"> <li>Trup kosilice spustite u skladu s uputama iz odjeljka „NIVELIRANJE TRUPA KOSILICE“.</li> </ul>
	<ul style="list-style-type: none"> <li>Vijci trupa kosilice su otpušteni na sponi ovjesa.</li> </ul>	<ul style="list-style-type: none"> <li>Zategnite matice na polužju ovjesa.</li> </ul>
	<ul style="list-style-type: none"> <li>Kosilica je postavljena za košnju prevelike količine trave odjednom.</li> </ul>	<ul style="list-style-type: none"> <li>Podignite visinu košnje na trupu.</li> </ul>
Na tlu nakon košnje ostaje trava ili otpad.	<ul style="list-style-type: none"> <li>Kosilica je postavljena za košnju prevelike količine visoke trave odjednom.</li> </ul>	<ul style="list-style-type: none"> <li>Započnite s većom visinom košnje i smanjite je dok ne postignete željeni rezultat. Travu višu od 15 cm treba pokositi dvaput, drugi put s manjom visinom košnje.</li> </ul>
	<ul style="list-style-type: none"> <li>Trava je mokra.</li> </ul>	<ul style="list-style-type: none"> <li>Travu nemojte kositi ako je mokra; pričekajte da se osuši.</li> </ul>
	<ul style="list-style-type: none"> <li>Brzina vožnje je visoka.</li> </ul>	<ul style="list-style-type: none"> <li>Smanjite brzinu vožnje.</li> </ul>
	<ul style="list-style-type: none"> <li>Brzina noža je niska.</li> </ul>	<ul style="list-style-type: none"> <li>Postupno povećavajte brzinu vrtnje noža.</li> </ul>
Kosilica na bateriju radi kratko.	<ul style="list-style-type: none"> <li>Stanje trave i postavka visine otkosa značajno utječu na trajanje baterije. Predviđeno vrijeme rada temelji se na malim opterećenjima.</li> </ul>	<ul style="list-style-type: none"> <li>Podignite visinu košnje na trupu i usporite brzinu noža kako biste smanjili opterećenje košnje.</li> </ul>
Kosilica se ne kreće ravno.	<ul style="list-style-type: none"> <li>Tlakovi u gumama lijevog i desnog stražnjeg kotača se razlikuju.</li> </ul>	<ul style="list-style-type: none"> <li>Provjerite i podesite tlak zraka u obje gume stražnjih kotača, u skladu s preporukama iz odjeljka „PROVJERA TLAKA U GUMAMA“ u ovom priručniku.</li> </ul>
	<ul style="list-style-type: none"> <li>Brzina okretanja lijevog i desnog stražnjeg kotača se razlike.</li> </ul>	<ul style="list-style-type: none"> <li>Kalibrirajte sustav praćenja kosilice u skladu s uputama iz odjeljka „KALIBRIRANJE SUSTAVA PRAĆENJA KOSILICE“.</li> </ul>

PROBLEM	UZROK	RJEŠENJE
Papučica parkirne kočnice ne može se otpustiti iz položaja kočnja ili se sporo vraća.	<ul style="list-style-type: none"> <li>Ispod papučice parkirne kočnice možda je dospio otpad ili prljavština.</li> </ul>	<ul style="list-style-type: none"> <li>Otvorite kutiju papučice parkirne kočnice, temeljito je očistite iznutra i ponovno je zatvorite. Ponovno postavite papučicu parkirne kočnice kako biste vidjeli je li problem riješen. Ako ne, obratite se ovlaštenom servisnom tehničaru i zatražite njezin popravak.</li> </ul>
Kosilica se ne puni putem priključka za punjenje, a indikator stanja kosilice svijetli crveno.	<ul style="list-style-type: none"> <li>Utikač punjača nije pravilno umetnut u priključak za punjenje kosilice.</li> </ul>	<ul style="list-style-type: none"> <li>Ponovno spojite utikač punjača kako biste vidjeli može li se kosilica normalno puniti.</li> </ul>
	<ul style="list-style-type: none"> <li>U zidnim utičnicama nema struje.</li> </ul>	<ul style="list-style-type: none"> <li>Ne morate učiniti ništa. Pričekajte oporavak napajanja.</li> </ul>
	<ul style="list-style-type: none"> <li>Neispravnost punjača.</li> </ul>	<ul style="list-style-type: none"> <li>Obratite se ovlaštenom servisnom tehničaru zbog pregleda i popravka punjača, ako se pokaže potreba za tim.</li> </ul>
	<ul style="list-style-type: none"> <li>Priključak za punjenje kosilice je neispravan.</li> </ul>	<ul style="list-style-type: none"> <li>Obratite se kvalificiranom servisnom tehničaru radi popravka.</li> </ul>
Vrijeme punjenja putem priključka za punjenje kosilice je predugo.	<ul style="list-style-type: none"> <li>Punjenje EGO adapterom ACA1000 zahtijeva puno vremena.</li> </ul>	<ul style="list-style-type: none"> <li>Upotrijebite EGO punjač CHV1600E za izravno punjenje kosilice.</li> </ul>
Priključak za punjenje kosilice ne uspijeva napuniti bateriju do kraja.	<ul style="list-style-type: none"> <li>Pogreška u programskim datotekama kosilice ili kvar punjača/baterije.</li> </ul>	<ul style="list-style-type: none"> <li>Odspojite punjač i pričekajte više od nekoliko minuta, a zatim ponovno utaknite utikač u električnu utičnicu. Ako to ne uspije, obratite se ovlaštenom servisnom tehničaru i zatražite njezin popravak.</li> </ul>
Kosilica se ne može pokrenuti nakon čišćenja.	<ul style="list-style-type: none"> <li>Nepropisno čišćenje, uključujući ulazak vode u električne komponente, LCD zaslon itd.</li> </ul>	<ul style="list-style-type: none"> <li>Za pravilno čišćenje kosilice slijedite upute iz odjeljka „ČIŠĆENJE KOSILICE“.</li> </ul>
Lako dolazi do začepjenja kosilice.	<ul style="list-style-type: none"> <li>Trup kosilice je začepljen travom i ostalim nečistoćama.</li> </ul>	<ul style="list-style-type: none"> <li>Ako kosilica slučajno ostane na kiši, ostavite je na otvorenom da se osuši ili je ispušite komprimiranim zrakom.</li> </ul>
		<ul style="list-style-type: none"> <li>Nakon svake upotrebe kosilicu očistite u skladu s uputama iz odjeljka „Čišćenje trupa kosilice pomoću priključka za pranje“.</li> </ul>
Kosilica lako gubi vuču pri penjanju uzbrdo.	<ul style="list-style-type: none"> <li>Gume stražnjih kotača su istrošene.</li> </ul>	<ul style="list-style-type: none"> <li>Zatražite pomoć lokalnog servisa za zamjenu kotača.</li> </ul>
	<ul style="list-style-type: none"> <li>Velik nagib za košnju.</li> </ul>	<ul style="list-style-type: none"> <li>Nagib za košnju treba jednak propisanom.</li> </ul>

PROBLEM	UZROK	RJEŠENJE
Nakon zaustavljanja kosilice na nagibu, iako je pritisnuta parkirne kočnice, kosilica klizi niz nagib.	<ul style="list-style-type: none"> <li>Komponente kočnica iznimno su istrošene zbog nepravilnog rada kosilice.</li> </ul>	<ul style="list-style-type: none"> <li>Obratite se kvalificiranom servisnom tehničaru radi popravka.</li> </ul>
Iz priključka za pranje tijekom postupka pranja trupa ne izlazi voda.	<ul style="list-style-type: none"> <li>Spojnica priključka za pranje nije postavljena na priključak za pranje.</li> </ul>	<ul style="list-style-type: none"> <li>Ponovno spojite spojnicu priključka za pranje sve dok nakon čvrstog pritiska ne začujete jasan klik. Ako to ne uspije, obratite se ovlaštenom servisnom tehničaru i zatražite njezin popravak.</li> </ul>
Čuje se neuobičajen zvuk pri ručnom guranju kosilice koja nije pokrenuta.	<ul style="list-style-type: none"> <li>Iz magneta u pogonskom motoru dopire zvuk.</li> </ul>	<ul style="list-style-type: none"> <li>Nije potrebno poduzimati ništa; to je normalno.</li> </ul>

## REFERENTI MATERIJAL INDIKATORA KODA GREŠKE I STANJA KOSILICE

LCD zaslon	Opis	Šifra kvara na LCD-u	Indikator stanja kosilice	Zvučni signal	Uzrok	Rješenje
	Na LCD zaslonu prikazat će se ikona LED svjetla	nedostupno	ISKLUČENO	Ne	Radna, bočna i stražnja svjetla uključuje sklopka LED svjetla.	To je normalan rad. Ne morate učiniti ništa.
	Na LCD zaslonu prikazat će se ikona USB-a	nedostupno	ISKLUČENO	Ne	Ikona USB-a svijetli, označavajući kako USB uređaj može raditi nakon pravilnog pokretanja kosilice.	To je normalan rad. Ne morate učiniti ništa.
	Na LCD zaslonu prikazat će se ikona mjerača goriva	nedostupno	ISKLUČENO	Ne	Označava prosječan kapacitet napunjenosti umetnutih baterija	To je normalan rad. Ne morate učiniti ništa.
	Na LCD zaslonu prikazat će se ikona mjerača sati	nedostupno	ISKLUČENO	Ne	Prikazuje ukupno vrijeme vožnje kosilice u satima i ne može se ponovno postaviti.	To je normalan rad. Ne morate učiniti ništa.

LCD zaslon	Opis	Šifra kvara na LCD-u	Indikator stanja kosilice	Zvučni signal	Uzrok	Rješenje
	Na ECO rasponu prikazat će se ikona indikatora opterećenja.	nedostupno	ISKLJUČENO	Ne	Označava trenutno opterećenje kosilice.	To je normalan rad. Ne morate učiniti ništa.
	Indikator preopterećenja će treptati. Na PWR rasponu prikazat će se ikona indikatora opterećenja.	nedostupno	Treperi crveno	Jedan signal	Motor noža je preopterećen. Bočni ispusni žlijeb začepjen je travom i otpadom. Postoji smetnja između noža i trupa kosilice.	Podignite visinu košnje na trupu ili usporite brzinu vožnje kako biste smanjili opterećenje kosilice. Očistite bočni ispusni žlijeb nakon svake uporabe. Popravke treba izvršiti ovlašteni servisni tehničar.
	Zatreptat će ikona sigurnosnog ključa.	nedostupno	ISKLJUČENO	Ne	Sigurnosni ključ nije umetnut. Do LCD zaslona ne dolazi napajanje.	Utaknite sigurnosni ključ i zatim pritisnite i držite tipku START/STOP kako biste uključili kosilicu. Popravke treba izvršiti ovlašteni servisni tehničar.
	Ikona određenog odjeljka za baterije trepće.	nedostupno	ISKLJUČENO	Ne	Prekoračenje struje za određenu bateriju tijekom pražnjenja.	Ne morate učiniti ništa. Kosilica može nastaviti s radom ako kombinirani kapacitet baterija u Ah, ne računajući bateriju s previsokom strujom, ispunjava zahtjev. Nakon što se baterija s previsokom strujom vrati u normalu, odmah će se pridružiti napajanju kosilice i ikona će nestati.

LCD zaslon	Opis	Šifra kvara na LCD-u	Indikator stanja kosilice	Zvučni signal	Uzrok	Rješenje
	Zatreperit će ikona praznog pretinca za bateriju.	nedostupno	ISKLJUČENO	Ne	Kapacitet baterije nije dovoljan za rad traktorske kosilice.	Kako biste pokrenuli kosilicu, upotrijebite dovoljan broj EGO baterija prema uputama u odjeljku "PUNJENJE" u ovom priručniku.
	Ikona temperature trepće.	nedostupno	ISKLJUČENO	Jedan signal	Kosilica se pregrijava.	Smanjite opterećenje na kosilicu podizanjem visine košnje na trupu ili usporavanjem brzine noža/vožnje. Odmorite i pričekajte da se kosilica ohladi.
					Kosilica je prehladna	Nemojte ponavljati pokušaje koji mogu oštetiti stroj. Kosilicu i bateriju čuvajte u toplom okruženju. Ponovno pokrenite kosilicu nakon što se zagrije.

LCD zaslon	Opis	Šifra kvara na LCD-u	Indikator stanja kosilice	Zvučni signal	Uzrok	Rješenje
	Istovremeno trepće ikona temperature i konkretnog popunjenog baterijskog pretinca.	nedostupno	ISKLJUČENO	Ne	Baterijski modul u pripadajućem numeriranom pretincu za bateriju se pregrijava.	<p>1. Kosilica može nastaviti s radom ako kombinirani kapacitet baterija u Ah, ne računajući pregrijanu bateriju, ispunjava zahtjev. Nakon što se pregrijana baterija vrati na normalnu temperaturu, odmah će se pridružiti punjenju kosilice.</p> <p>2. Ako kombinirani kapacitet u Ah nije dovoljan, kosilica neće raditi sve dok u prazna mjesta za baterije ne stavite još baterijskih modula.</p> <p>3. Smanjite opterećenje na kosilicu podizanjem visine košnje na trupu ili usporavanjem košnje pri nastavku rada.</p>

KEES VAN DER SPEK  
TUINMACHINES \* STOLWIJK



LCD zaslon	Opis	Šifra kvara na LCD-u	Indikator stanja kosilice	Zvučni signal	Uzrok	Rješenje
	<p>Na LCD zaslonu istovremeno, svake 1 sekunde trepere ikone konkretnog zauzetog pretinca za bateriju, indikator slabog napajanja i grafički prikaz baterije za mjerac goriva. Treperi i prvi segment LED indikatora stanja i mjerac goriva.</p>	nedostupno	Treperi crveno	Signal se neće zaustaviti dok ne pritisnete PTO sklopku.	Baterijski moduli su gotovo prazni i kosilica je u načinu rada Limp Home.	<p>Prestanite s radom i vratite se na mjesto za punjenje baterije.</p> <p><b>OBAVIJEST:</b> Kad je kosilica u načinu rada Limp Home, noževi automatski prelaze u način rada za sporo okretanje u kojemu ne kose travu, a zvučni signal se pritom nastavlja oglašavati. Rukovatelj treba pritisnuti PTO sklopku prema dolje kako bi odvojio noževe trupa. Zvučni signal prestat će se oglašavati nakon što se nož zaustavi.</p>
	<p>Ikona konkretnog zauzetog pretinca za bateriju i indikator slabog napajanja trepere svake pola sekunde.</p>	nedostupno	Treperi crveno	Signal se stalno ponavlja	Baterijski moduli su gotovo prazni.	<p>Kosilica će odmah prestati s radom. Rukovatelj treba premjestiti kosilicu na mjesto za punjenje baterije.</p>
	<p>Na LCD-u treperi ikona automatskog parkiranja.</p>	nedostupno	ISKLUČENO	Signal se stalno ponavlja	<p>Kosilica je parkirana na nagibu, a rukovatelj je ostavio kosilicu bez da je postavio papučicu kočnice u položaj kočenja, već samo s ručicama za upravljanje u otvorenom položaju.</p>	<p>Papučicu kočnice stavite u položaj kočenja. Ikona automatskog parkiranja će se isključiti, a zvučni signal prestat će se oglašavati.</p>

LCD zaslon	Opis	Šifra kvara na LCD-u	Indikator stanja kosilice	Zvučni signal	Uzrok	Rješenje
	Na LCD-u se prikazuje ikona papučice kočnice.	nedostupno	ISKLJUČENO	Ne	Papučica parkirne kočnice postavljena je u položaj kočenja.	Otpustite je prije pokretanja kosilice.
	Na LCD-u se prikazuje ikona senzora sjedala.	nedostupno	ISKLJUČENO	Ne	Rukovatelj ostavlja sjedalo ili sklopku sjedala odvojene.	Ako ikona svijetli dok rukovatelj sjedi na sjedalu, odmah prekinite rad kosilice i provjerite priključak sjedala. Ako je priključak sjedala na kosilicu ispravan, obratite se ovlaštenom servisnom tehničaru i zatražite njezin popravak.
	Trepće ikona PTO sklopke.	nedostupno	ISKLJUČENO	Ne	Prekinut je rad motora noža, a PTO sklopka nije postavljena u isključeni položaj.	Prije ponovnog pokretanja kosilice pritisnite PTO sklopku prema dolje kako biste odvojili motor trupa. Provjerite odjeljak <b>„RJEŠAVANJE PROBLEMA“</b> u priručniku zbog referenci.
	Zatreptat će ikona ručice za upravljanje.	nedostupno	ISKLJUČENO	Ne	Prekinut je rad pogonskog motora, a ručice za upravljanje nisu postavljene u otvoreni položaj.	Prije ponovnog pokretanja kosilice, ručice za upravljanje premjestite u otvoreni položaj. Provjerite odjeljak <b>„RJEŠAVANJE PROBLEMA“</b> u priručniku zbog referenci.

LCD zaslon	Opis	Šifra kvara na LCD-u	Indikator stanja kosilice	Zvučni signal	Uzrok	Rješenje
	S vremena na vrijeme će zatreptati ikona za oporavak energije.	nedostupno	ISKLJUČENO	Ne	Kinetička energija generirana tijekom kočenja ili vožnje nizbrdo pretvorena je u struju za punjenje baterijskih modula.	To je normalan rad. Ne morate učiniti ništa.

**OBAVIJEST:** Ako se na LCD zaslonu pojavi kôd greške, uklonite sve baterijske module i ponovno ih umetnite nakon nekoliko minuta. Ako se time ne riješi problem, slijedite rješavanje problema prema kodu greške u nastavku.

LCD zaslon	Opis	Šifra kvara na LCD-u	Indikator stanja kosilice	Zvučni signal	Uzrok	Rješenje
Pogledajte „Šifre kvarova“	Lijevi pogonski motor se ne okreće.	PCBA upravljani lijevi pogonski motor ne radi.	413	ISKLJUČENO	Jedan signal	Kvar PCBA-a
		Utikač (trofazni, naponski kabel) koji povezuje lijevi pogonski motor s pripadajućim PCBA-om je olabavio.	317	ISKLJUČENO	Jedan signal	Otpušten spoj
		Utikač (šest izvoda, signalni kabel) koji povezuje lijevi pogonski motor s pripadajućim PCBA-om je olabavio.	301	ISKLJUČENO	Jedan signal	Otpušten spoj
		Lijevi pogonski motor ne radi.	317	ISKLJUČENO	Jedan signal	Kvar motora

LCD zaslon	Opis		Šifra kvara na LCD-u	Indikator stanja kosilice	Zvučni signal	Uzrok	Rješenje
Pogledajte „Šifre kvarova“	Desni pogonski motor se ne okreće.	PCBA upravljani desni pogonski motor ne radi.	313	ISKLJUČENO	Jedan signal	Kvar PCBA-a	Popravke treba izvršiti ovlašteni servisni tehničar.
		Utikač (trofazni, naponski kabel) koji povezuje desni pogonski motor s pripadajućim PCBA-om je olabavio.	417	ISKLJUČENO	Jedan signal	Otpušten spoj	
		Utikač (šest izvoda, signalni kabel) koji povezuje desni pogonski motor s pripadajućim PCBA-om je olabavio.	401	ISKLJUČENO	Jedan signal	Otpušten spoj	
		Desni pogonski motor ne radi.	417	ISKLJUČENO	Jedan signal	Kvar motora	
Pogledajte „Šifre kvarova“	Lijevi motor noža se ne okreće.	PCBA upravljani lijevi motor noža ne radi.	607/A07	nedostupno	Jedan signal	Kvar PCBA-a	Popravke treba izvršiti ovlašteni servisni tehničar.
		Utikač (trofazni, naponski kabel) koji povezuje lijevi pogonski motor s pripadajućim PCBA-om je olabavio.	509	nedostupno	Jedan signal	Otpušten spoj	Prvo pregledajte nož. Ako je olabavljen, zategnite vijak preporučenim momentom. U suprotnom, popravke treba izvršiti ovlašteni servisni tehničar.
		Lijevi motor noža ne radi	509	nedostupno	Jedan signal	Kvar motora	

LCD zaslon	Opis		Šifra kvara na LCD-u	Indikator stanja kosilice	Zvučni signal	Uzrok	Rješenje
Pogledajte „Šifre kvarova“	Desni motor noža se ne okreće.	PCBA upravljani desni motor noža ne radi.	507/A07	nedostupno	Jedan signal	Kvar PCBA-a	Popravke treba izvršiti ovlašteni servisni tehničar.
		Utikač (trofazni, naponski kabel) koji povezuje desni pogonski motor s pripadajućim PCBA-om je olabavio.	609	nedostupno	Jedan signal	Otpušten spoj	Prvo pregledajte nož. Ako je olabavljen, zategnite vijak preporučenim momentom. U suprotnom, popravke treba izvršiti ovlašteni servisni tehničar.
		Desni motor noža ne radi.	609	nedostupno	Jedan signal	Kvar motora	Popravke treba izvršiti ovlašteni servisni tehničar.
Pogledajte „Šifre kvarova“	Srednji motor noža se ne okreće.	PCBA upravljani srednji motor noža ne radi.	507/607	nedostupno	Jedan signal	Kvar PCBA-a	Popravke treba izvršiti ovlašteni servisni tehničar.
		Utikač (trofazni, kabel za napajanje) koji povezuje srednji pogonski motor s pripadajućim PCBA-om je olabavio.	A09	nedostupno	Jedan signal	Otpušten spoj	Prvo pregledajte nož. Ako je olabavljen, zategnite vijak preporučenim momentom. U suprotnom, popravke treba izvršiti ovlašteni servisni tehničar.
		Srednji motor noža ne radi.	A09	nedostupno	Jedan signal	Kvar motora	Popravke treba izvršiti ovlašteni servisni tehničar.
Pogledajte „Šifre kvarova“	Lijeva ručica za upravljanje ne radi.	Lijeva ručica za upravljanje koja upravlja PCBA-om ne radi.	311/412	ISKLJUČENO	Jedan signal	Kvar PCAB-a	Popravke treba izvršiti ovlašteni servisni tehničar.
		Utikač koji povezuje kontrolni PCBA koji se nalazi u šipki za upravljanje je olabavio.				Otpušten spoj	

LCD zaslon	Opis		Šifra kvara na LCD-u	Indikator stanja kosilice	Zvučni signal	Uzrok	Rješenje	
Pogledajte „Šifre kvarova“	Desna ručica za upravljanje ne radi.	Desna ručica za upravljanje koja upravlja PCBA-om ne radi.	312/411	ISKLUČENO	Jedan signal	Kvar PCAB-a	Popravke treba izvršiti ovlašteni servisni tehničar.	
		Utikač koji povezuje kontrolni PCBA koji se nalazi u šipki za upravljanje je olabavio.				Otpušten spoj		
Pogledajte „Šifre kvarova“	Parkirna kočnica ne radi; alat se ne može voziti.	PCBA parkirne kočnice, u sklopu prednjeg okvira, neispravan je.	309/409	ISKLUČENO	Jedan signal	Kvar PCBA-a	Popravke treba izvršiti ovlašteni servisni tehničar.	
		Sklopka i/ili kabel parkirne kočnice je neispravan.	801	ISKLUČENO	Jedan signal	Pogreška kabela/sklopke		
ISKLUČENO	Greška priključka za punjenje	Kees van der Spek Tuinwacht		nedostupno	Stalno svijetli CRVENO	nedostupno	Priključak za punjenje nije u otvorenom krugu.	Popravke treba izvršiti ovlašteni servisni tehničar.
		nedostupno	Stalno svijetli CRVENO	nedostupno	Nema napajanja.	Provjerite zidnu utičnicu kako biste se uvjerali daje li napon 220 – 240 V i je li utičnica ispravna.		
		nedostupno	Stalno svijetli CRVENO	nedostupno	Osigurač je pregorio.	Popravke treba izvršiti ovlašteni servisni tehničar.		
Pogledajte „Šifre kvarova“	Greška priključka za punjenje		204	nedostupno	Jedan signal	Priključak za punjenje nije u otvorenom krugu.	Popravke treba izvršiti ovlašteni servisni tehničar.	

LCD zaslon	Opis	Šifra kvara na LCD-u	Indikator stanja kosilice	Zvučni signal	Uzrok	Rješenje
Pogledajte „Šifre kvarova“	Sklop kućišta baterije ne funkcionira	217	nedostupno	Jedan signal	Izvor napajanja sklopa kućišta baterije je oštećen. Prednja LED svjetla i USB ne rade.	Popravke treba izvršiti ovlašteni servisni tehničar.
		310/ 410	ISKLJUČENO	Jedan signal	Veza između Type C kabela iz sklopa kućišta baterije i drugih Type C kabela kosilice ne radi.	
		201/ 202/ 203	ISKLJUČENO	Jedan signal	BMS sklopa kućišta baterije je oštećen.	
Pogledajte „Šifre kvarova“	Greška sklopke Start/Stop	314/ 414	ISKLJUČENO	Jedan signal	Kvar PCBA-a sklopke ili neispravna kabela veza sa sklopkom Start/Stop.	Popravke treba izvršiti ovlašteni servisni tehničar.

LCD zaslon	Opis	Šifra kvara na LCD-u	Indikator stanja kosilice	Zvučni signal	Uzrok	Rješenje
Pogledajte „Šifre kvarova“	Greška LCD zaslona	315/ 415	ISKLUČENO	Jedan signal	Sklop LCD-a je oštećen ili je kablaska veza sa sklopom LCD-a neispravna.	Popravke treba izvršiti ovlašteni servisni tehničar.

## JAMSTVO

### PRAVILA U VEZI JAMSTVA PROIZVOĐAČA EGO

Cjelokupne uvjete i odredbe jamstvene politike proizvođača EGO potražite na internetskoj stranici [egopowerplus.com](http://egopowerplus.com).

**KEES VAN DER SPEK**  
TUINMACHINES ★ STOLWIJK



# წაიკითხეთ ყველა ინსტრუქცია!



გაეცანით მომხმარებლის ინსტრუქციას

## უსაფრთხოების სიმბოლოები

უსაფრთხოების სიმბოლოების მიზანია ყურადღების გამახვილება შესაძლო საფრთხეებზე. ყურადღებით გაეცანით უსაფრთხოების სიმბოლოებს და მათ შესაბამის განმარტებებს. საშიშროების აღმნიშვნელი სიმბოლოები თავისთავად არ ანეიტრალებს რაიმე საფრთხის არსებობის რისკს. მათ მიერ მოწოდებული მითითებები და გაფრთხილებები არ არიან შემთხვევის თავიდან აცილების სწორი პროცედურის შემცველები.

**▲ გაფრთხილება:** მოწყობილობის გამოყენებამდე ყურადღებით აღნიშნულ სახელმძღვანელოში მოცემულ უსაფრთხოების წესებს, მათ შორის ყველა უსაფრთხოების სიმბოლოს, როგორცაა „საშიშროება“, „გაფრთხილება“ და „ყურადღება“. ქვემოთ ჩამოთვლილი მითითებების შეუსრულებლობამ შეიძლება გამოიწვიოს დენის დარტყმა, ცეცხლის გაჩენა და / ან სერიოზული სხეულის დაზიანება.

## სიმბოლოების მნიშვნელობა

აღნიშნულ გვერდზე მოცემულია და განმარტებულია ის უსაფრთხოების სიმბოლოები, რომლებიც დაიტანება პროდუქტის ეტიკეტზე. გაეცანით და მიყევით მოწყობილობის ინსტრუქციას მის აწყობამდე და ჩართვამდე.

## უსაფრთხოების სიმბოლოები

- |  |   |  |  |
|--|---|--|--|
|  | განგაშის სიგნალი  |  | წაიკითხეთ და გაეცანით მომხმარებლის სახელმძღვანელოს.  |
|  | თვალეების დაცვა   |  | დამცავი მექანიზმის ტექნიკური მომსახურება             |
|  | საშიშროება- ციცაბო ფერდობი  |  | საშიშროება- მოარიდეთ სხვა პირები მჭრელ კომპონენტებს. |
|  | არ დასვათ ბავშვები  |  | გაიხედეთ უკან უკუსვლით მოძრაობისას.                  |
|  | ყურადღება- არ გამოიყენოთ ეს მანქანა ფერდობებზე, სადაც ხარდა 12° -ზე მეტია |  | საშიშროება- გამოტყორცნილი საგნები                    |

KA



გაფრთხილება-მოარიდეთ ხელები და ფეხები მჭრელ ნაწილებს.



გარანტირებული ხმის სიმძლავრის დონე. ევროკავშირის რეგულაციების შესაბამისად.



სამუშაო ტერიტორიაზე არ დაიშვებიან სხვა პირები.



პროდუქტის ნარჩენები არ გადაყაროთ საყოფაცხოვრებო ნარჩენებთან ერთად. წაიღეთ შესაბამის გადამამუშავებელ საწარმოში.



აღნიშნული პროდუქტი აკმაყოფილებს ევროსაბჭოს დირექტივების მოთხოვნებს.



ფრთხილად – არ უყუროთ ლამფას, როცა მუშაობს.



მუდმივი დენი



აღნიშნული პროდუქტი აკმაყოფილებს გაერთიანებული სამეფოს კანონმდებლობით დადგენილ მოთხოვნებს.

KEES VAN DER SPEK  
TUINMACHINES \* STOLWIJK

კპა	კილოპასკალი
ვ	ვოლტი
დუიმი	დიუმი
ნმ	ნიუტონ მეტრი
°C	ცელსიუსი
კმ/სთ	კილომეტრი საათში

ბრ/წთ	ბრუნი წუთში
მ	მეტრი
სმ	სანტიმეტრი
მმ	მილიმეტრი
კგ	კილოგრამი
IPX4	წყლის შეღწევისგან დაცვა

## ტექნიკური სპეციფიკაციები

ძაბვა	56 ვოლტი	
ქვედა ნაწილის ზომა	132 სმ	
ბორბლის ზომა	წინა	279.4 x 126 მმ
	უკანა	457.2 x 223 მმ
ცივი საბურავის წნევა	წინა	222.1 კპა
	უკანა	115.8 კპა

მოხვევის რადიუსი	0	
მჭრელი პირის ბრუნვის სიჩქარე(ბრუნი წუთში)	2600; 2800; 3000; 3200	
მაქს. მოძრაობის სიჩქარე (კმ/სთ)	წინსვლა	8.1 კმ/სთ, 9.7 კმ/სთ, 11.3 კმ/სთ, 12.8 კმ/სთ
	უკუსვლა	6,4 კმ/სთ -მდე

KA

# 754

მოხვევის ნულოვანი რადიუსის მქონე ბალახის საკრეჭი ტრაქტორი — ZT5200E-L

დამუხტვა	დამტენი (არასავალდებულო)	CHV1600E
	გადამყვანი (არასავალდებულო)	ACA1000
	ჰაერის მუხტის ტემპერატურა	-5°C–40°C
ჭრის სიმაღლის რეგულირება (10 პოზიცია)		25- 100 მმ
საექსპლუატაციო ტემპერატურა		-0°C–40°C
შენახვის ტემპერატურა		-20°C–70°C
წონა (აკუმულატორების ბლოკის გარეშე)		217 კგ
გაზომილი ხმის სიმძლავრის დონე $L_{WA}$		95,48 დბ(A) K=0,73 დბ(A)
ხმოვანი წნევის დონე მომხმარებლის ყურზე $L_{PA}$		82,5 დბ(A) K=3 დბ(A)
გარანტირებული ხმის სიმძლავრის დონე $L_{WA}$ (გაზომილი 2000/14/EC რეგულაციის მიხედვით)		100 დბ(A)
ვიბრაცია $a_h$	ხელი	0,69 მ/წმ <sup>2</sup> K=1,5 მ/წმ <sup>2</sup>
	სხეული	0,3 მ/წმ <sup>2</sup> K=1,5 მ/წმ <sup>2</sup>

- მითითებული ვიბრაციის სრული სიდიდე გაზომილია სტანდარტული ტესტირების მეთოდის გამოყენებით და შესაძლოა გამოყენებულ იქნას ერთი მოწყობილობის მეორესთან შედარებისას;
- მითითებული ვიბრაციის სრული სიდიდე ასევე შესაძლოა გამოყენებულ იქნას ზემოქმედების წინასწარი შეფასებისას.

**შენიშვნა:** ელექტრო ხელსაწყოს ფაქტობრივი გამოყენებისას ვიბრაციის ემისია შესაძლოა განსხვავდებოდეს

მითითებული სიდიდისგან; მომხმარებელმა მოწყობილობით სარგებლობისას საჭიროა გამოიყენოს ხელთათმანები და სმენის დამცავი საშუალებები.

## აღწერა

### იგნობდეთ თქვენს ბალახის საკრეჭ მანქანას (სურ. A1 და A2)

1. სავარძელი
2. დატენვის პორტი
3. კვების ბლოკი
4. LED უკანა ფარები
5. საცავის ნაკვეთური
6. ჭიქის დამჭერები
7. LED გვერდითი განათება
8. უკანა თვალი (წამყვანი თვალი)
9. რეცხვის პორტი
10. ქვედა ნაწილი
11. ქვედა ნაწილის დამცავი
12. სკალპირების საწინააღმდეგო მოწყობილობა
13. წინა ბორბალი
14. სადგომი მუხრუჭის პედალი
15. დღისით სვლის განათება
16. LED წინა ფარები
17. გვერდითი დაცლის ღარი
18. ჭრის სიმაღლის მარეგულირებელი
19. დასაჯდომი ადგილის რეგულირების ღილაკი
20. სავარძლის სიმაღლის მარეგულირებელი
21. მუხლთან დამჭერები
22. ბალახის საკრეჭი მანქანის სტატუსის ინდიკატორი
23. LCD ეკრანი
24. სიმძლავრის ასართმევი ლილვი
25. ჩართვა -გამორთვის ღილაკი
26. უსაფრთხოების გასაღები

KA

27. ტელეფონის შესანახი ბუდე
28. გადამღობი
29. ბალახის საკრეჭი მანქანის საწვავის დონის მაჩვენებელი და სტატუსის ინდიკატორი
  - 29.a. ბალახის საკრეჭი მანქანის საწვავის დონის მაჩვენებელი
  - 29.b. ბალახის საკრეჭი მანქანის სტატუსის ინდიკატორი
30. პედალი
31. კვების ბლოკის ხუფის მოხსნის ღილაკი
32. კვების ბლოკის ხუფი
33. დენის წყარო ექვსი ბატარეის სექციით
34. აკუმულატორის გამშვები ღილაკი
35. გადასაბმელი მოწყობილობა
36. შეერთების სქემა
37. შეერთების სქემის დაცვა
38. USB პორტი

### იცოდეთ LCD ეკრანი (სურ. A3)

LCD ეკრანზე გამოტანილი ხატულებისა და ინდიკატორების შესახებ დამატებითი ინფორმაციისთვის იხილეთ პუნქტი - „ბალახის საჭრელი მანქანის სტატუსის ინდიკატორი და დაზიანების კოდი“.

1. უსაფრთხოების გასაღების პიქტოგრამა
2. LED განათების პიქტოგრამა
3. ავტომატური პარკირების პიქტოგრამა
4. USB პიქტოგრამა
5. მჭრელი პირების ბრუნვის სიჩქარის მაჩვენებელი
6. დამცავი მექანიზმის სტატუსის ინდიკატორი
7. ამპერსაათის მრიცხველი
8. ცარიელი აკუმულატორის ნაკვეთურის ხატულა
9. ტემპერატურის ხატულა
10. დაკავებული აკუმულატორის ნაკვეთურის ხატულა

11. მართვის რეჟიმი
12. შეცდომის კოდის ინდიკატორი
13. გადატვირთვის ინდიკატორი
14. დაბალი სიმძლავრის ინდიკატორი
15. მოძრაობის სიჩქარის ინდიკატორი
16. დატვირთვის მაჩვენებელი
17. საწვავის დონის მაჩვენებელი
18. მჭრელი პირების მოძრაობის სიჩქარის რეგულირების ღილაკი
19. ღილაკი
20. მართვის რეჟიმის ღილაკი
21. LED განათების ჩამრთველი
22. მოძრაობის სიჩქარის რეგულირების ღილაკი

## შეფუთვიდან ამოღება

**შენიშვნა:** შეინახეთ შესაფუთი მასალა პროდუქტის ყურადღრებით შემოწმებამდე და გამოყენებამდე. იმ შემთხვევაში, თუ შეფუთვის ფურცელში მითითებული რომელიმე ნაწილი დამონტაჟებულია მოწყობილობაზე, დაუყოვნებლივ დაუკავშირდით EGO სამსახურს.

**შენიშვნა:** ქვემოთ მოცემულ შეფუთვის ფურცელში მითითებული ინსტრუმენტების გარდა, სახელმძღვანელოში ყველა სხვა ინსტრუმენტი უბრალოდ რეკომენდაციის სახითაა აღნიშნული, მაგრამ არ არის გათვალისწინებული.

### შეფუთვის ფურცელი (სურ. B)

B-1	მოხვევის ნულოვანი რადიუსის მქონე ბალახის საჭრელი მანქანა	B-6	უსაფრთხოების გასაღები
B-2	სავარძელი	B-7	ორმხრივი ღიახახიანი ქანჩის გასაღები (13მმ)

B-3	საჭის ბერკეტი	B-8	ექვსწახნაგა შლიცის გასაღები
B-4	ექვსწახნაგათავიანი ხრახნები (2 სათადარიგო)	B-9	რეცხვის პორტის სწრაფი კონექტორი
B-5	ექვსწახნაგა ჭანჭიკები (2 სათადარიგო)	B-10	მომხმარებლის სახელმძღვანელო

### რეკომენდებული აქსესუარები

**▲ გაფრთხილება:** გამოიყენეთ მხოლოდ ქვემოთ მითითებული იდენტური სათადარიგო ნაწილები. ისეთი ნაწილების გამოყენებამ, რომლებიც არ აკმაყოფილებს ორიგინალური ნაწილების სპეციფიკაციებს, შესაძლოა გამოიწვიოს მოწყობილობის არასათანადო მუშაობა და უსაფრთხოების ნორმების დარღვევა.

ნაწილის დასახელება	მოდელის ნომერი
სტანდარტული მჭრელი პირი	AB5200
მაღალი მჭრელი პირი	AB5201
მულჩირების კომპლექტი	ABP5200
ბალახის შესაგროვებელი კონტეინერი	ABK5200-A
უკანა ბამპერი	AMB1000
სატვირთო სექცია	AMG1000
მზისგან საჩრდილობელი	AMS1000

## ნაკრები

### სავარძლის დამონტაჟება (სურ. C1 და C2)

**▲ გაფრთხილება:** დამცავი ბლოკირების სისტემა არ უნდა იყოს გამორთული. წინააღმდეგ შემთხვევაში, ბალახის საკრეჭი მანქანა შეიძლება მოულოდნელად ჩაირთოს, რამაც შეიძლება გამოიწვიოს სხეულის დაზიანება.

**შენიშვნა:** თქვენი უსაფრთხოებისათვის, საკრეჭი მანქანა გაჩერდება, თუ მართვისას სავარძლის ჩამრთველი გაითიშა. აღნიშნულ შემთხვევაში, დამატებითი ინფორმაციისთვის იხილეთ პუნქტი „შეცდომებისა და დეფექტების აღმოჩენა და გამოსწორება“.

C1-1	სადენი	C1-5	ექვსწახნაგათავიანი ხრახნები
C1-2	შტეკერი	C2-1	კაუჭი
C1-3	როზეტი	C2-2	ფოლადის ძელები
C1-4	დაკიდების სისტემა	C2-3	ექვსწახნაგათავიანი ხრახნები

### საჭის ბერკეტების მონტაჟი (სურ. C3)

C3-1	საჭის ბერკეტები	C3-3	საჭის ბერკეტის სამონტაჟო ხვრელები
C3-2	ექვსწახნაგა ჭანჭიკები		

## ექსპლუატაცია

ბალახის საკრეჭი მანქანის გამოყენებამდე გარემოს შემოწმება

- მოარიდეთ სამუშაო ადგილს ბავშვები, სხვა პირები და შინაური ცხოველები.
- გაასუფთავეთ სამუშაო ადგილი იმ საგნებისგან, რომლებიც შეიძლება აისხლიტოს ბალახის საკრეჭი მანქანის პირებმა.

KA

**c. შეამოწმეთ LED ნათურები, თუ რამდენად გამართულად მუშაობს:**

- წინა, გვერდითი და უკანა ფარები კონტროლდება LED განათების ჩამრთველით.
- მართვის დროს სვლის ნათურები ყოველთვის ჩართული უნდა იყოს.
- უკუსვლით მოძრაობისას, უკანა ფარები, თუ გამორთულია, ჩართეთ გაფრთხილების მიზნით; თუ უკანა ფარები ჩართულია, არ გამორთოთ.
- გარკვეული პერიოდი უმოქმედობის შემდეგ ბალახის საკრეჭის ავტომატურად გამორთვის შემთხვევაში ყველა განათება ავტომატურად გამორთვება.

**ცივი საბურავის წნევის შემოწმება (სურ. D1)**

**ბალახის საკრეჭი მანქანის სტატუსისა და აკუმულატორის დამუხტვის ხარისხის შემოწმება**

- a. ბალახის საკრეჭი მანქანის საწვავის დონის მაჩვენებელი (სურ. A2 - 27 ა)**  
 ბალახის საკრეჭი მანქანის საწვავის დონის მაჩვენებლის თითოეული სეგმენტი მიუთითებს აკუმულატორის ბლოკის 20% დატენვაზე.

**შენიშვნა:** ბალახის საკრეჭი მანქანის საწვავის დონის მაჩვენებელი და LCD ეკრანზე გამოტანილი საწვავის დონის ინდიკატორი აჩვენებს აკუმულატორის ბლოკის საშუალო სიმძლავრეს.

- b. ბალახის საკრეჭი მანქანის სტატუსის ინდიკატორი (ნახ. A1 და ნახ. A2 - 27b)**  
 თუ სტატუსის ინდიკატორი მწვანეა, ბალახის საკრეჭი მანქანა მზად არის მუშაობისთვის. თუ არა, იხილეთ პუნქტი " ბალახის საკრეჭი მანქანის სტატუსის ინდიკატორი და დაზიანების კოდი "

**დამცავი ბლოკირების სისტემის ტესტირება (სურ. D2 - სურ. D8)**

**შენიშვნა:** ტესტირების დაწყებამდე მძღოლი უნდა იჯდეს.

- a. ტესტირების დაწყებამდე (სურ. D2 - სურ. D4)**
- b. შეამოწმეთ მჭრელი პირები (სურ. D5), შემდეგ ნელა ადექით.**
- c. შეამოწმეთ მართვის სისტემა (სურ. D6 - სურ. D8), შემდეგ ნელა ადექით.**

იმ შემთხვევაში, თუ მძღოლის ადგომის დროს მჭრელი პირები და/ან მართვის სისტემა არ გამოირთო, აგრეთვე თუ მიზეზი ვერ დადგინდა სავარძლის შტეკერისა და როზეტის შეერთების შემოწმების შემდეგ, დაუყოვნებლივ დაუკავშირდით EGO-ს კლიენტთა მომსახურების განყოფილებას.

**რეგულირება (სურ. E1 - სურ. E13)**

**მომზადება (სურ. E1 - სურ. E5)**

**კრეჭვის სიმაღლის რეგულირება (სურ. E6)**

**სკალპირების საწინააღმდეგო მოწყობილობის რეგულირება (სურ. E7-სურ. E10)**

E7-1	სკალპირების საწინააღმდეგო მოწყობილობა	E9-2	ყრუ ჭანჭიკი
E9-1	ქანჩი	E10-1	ქვედა ნაწილის სიმაღლის მონიშვნა

**მძღოლის სავარძლის რეგულირება (სურ. E11)**

მუშაობის დაწყებამდე დაარეგულირეთ სავარძელი ისე, რომ კარგად სწვდებოდეთ ბალახის საკრეჭი მანქანის სადგომი მუხრუჭის პედალს. სავარძლის რეგულირება უზრუნველყოფს მძღოლის ადგილის კომფორტულ მოწყობას.

E11-1	სავარძლის სიმაღლის მარეგულირებელი	E11-2	დასაჯდომი ადგილის რეგულირების ღილაკი
-------	-----------------------------------	-------	--------------------------------------

**KA**

**სადგომი მუხრუჭის რეგულირება  
(სურ. E12 - სურ. E13)**

E13-1	სამუხრუჭე პოზიცია	E13-2	თავისუფალი პოზიცია
-------	-------------------	-------	--------------------

**დატენვა (სურ. F1 - სურ. F11)**

ამ ბალახის საკრეჭის მანქანის ჩასართავად საჭიროა 15 ა/სთ (2 X BA4200/BA4200T) ან მეტი სიმძლავრის EGO აკუმულატორები. საუკეთესო შედეგებისთვის, რეკომენდებულია 30 ან მეტი ა/სთ EGO აკუმულატორების გამოყენება.

**გამოიყენეთ მხოლოდ რეკომენდებული აკუმულატორების ბლოკები და დამტენები: (სურ. F9 და F10)**

**დატენვისთვის მზადება (სურ. F1 - სურ. F4)**

**დატენვით აკუმულატორების ბლოკ(ებ)ი ცალ-ცალკე (სურ. F5 – სურ. F9)**

F5-1	ხუფის მოხსნის დილაკი	F7-1	აკუმულატორის მოხსნის დილაკი
------	----------------------	------	-----------------------------

- აკუმულატორების ბლოკ(ებ)ის ჩადგმა (სურ. F5 - სურ. F6)
- აკუმულატორების ბლოკ(ებ)ის მოხსნა (სურ. F7 - სურ. F8)

**შენიშვნა:** აკუმულატორების ბლოკების დატენვასთან დაკავშირებით გაეცანით შესაბამისი აკუმულატორისა და დამტენის ინსტრუქციებს.

**აკუმულატორების ბლოკების დატენვა შესაძლებელია დატენვის პორტის საშუალებით (სურ. F10)**

F10-1	მტვერდამცავი	F10-2	დატენვის პორტი
-------	--------------	-------	----------------

**ბალახის საკრეჭი მანქანის ჩართვა (სურ. A4 - სურ. A5 და სურ. G1 - სურ. G6)**

**⚠ გაფრთხილება:** მოერიდეთ მკვეთრ მოძრაობებს, გაჩერებას და მოხვევებს, აგრეთვე გადაჭარბებულ სიჩქარეს, განსაკუთრებით მაშინ, თუ პირველად მართავთ ბალახის საკრეჭ მანქანას. ბალახის საკრეჭ მანქანას შეუძლია სწრაფად მობრუნება, რამაც შეიძლება დაგაკარგვინოთ კონტროლი და გამოიწვიოს სხეულის სერიოზული დაზიანება და / ან ზარალი.

**⚠ გაფრთხილება:** სათიბის ამუშავებამდე, შეამოწმეთ და დარწმუნდით, რომ ბასრი პირები გათიშულია ბოლო 5 წმ-ს განმავლობაში PTO გადამრთველის ქვევით დაწვეის დროს. თუ პირების მოძრაობა არ გაჩერდა, არ გამოიყენოთ ბალახის საკრეჭი მანქანა და დაუყოვნებლივ დაუკავშირდით EGO-ს კლიენტთა მომსახურების განყოფილებას.

**შენიშვნა:** მოძრაობის ყველაზე დაბალ სიჩქარესთან და **სტანდარტული** მართვის რეჟიმთან დაკავშირებით იხილეთ სურ. A4 და სურ. G2, სანამ სრულყოფილად არ შეძლებთ ბალახის საკრეჭი მანქანის მართვას ყველა სიტუაციაში. მოძრაობის სიჩქარე და მართვის რეჟიმი გააქტიურდება მხოლოდ მაშინ, როცა ბალახის საკრეჭი მანქანის ბორბლები გაჩერებულია და საჭის ბერკეტები ღია მდგომარეობაშია.

ბალახის საკრეჭი მანქანა დაიმახსოვრებს და გაჩვენებთ წინა მართვის რეჟიმს, მართვის სიჩქარეს და საჭის ბერკეტების დაკალიბრებას მისი გადატვირთვის დროს.

**მართვის რეჟიმი**

- კონტროლი:** ახალი მომხმარებლებისთვის და ბალახის დაცვის მიზნით რეკომენდებულია დაბალი სიჩქარე, ნაკლები მანევრულობა და ზომიერი მოხვევის სიჩქარე.
- სტანდარტული:** იდეალურია ყოველდღიური გამოყენებისთვის.
- სპორტული:** მოყვარულთათვის და

KA

მაქსიმალური ეფექტურობის მისაღწევად ნებადართულია მაღალი სიჩქარე, ზუსტი მანევრულობა და მკვეთრი მოხვევა.

**მოდრაობის სიჩქარის რეგულირება (სურ. A4)**

**მჭრელი პირების მოძრაობის სიჩქარის რეგულირება (სურ. A5)**

**USB პორტი**

**შენიშვნა:** USB პორტი უზრუნველყოფს 5 VDC დატენვის სიმძლავრეს საერთო 1.5 ამპერამდე და იტენება მხოლოდ მაშინ, როდესაც საკრეჭი მანქანა ჩართულია.

**ბალახის საკრეჭი მანქანის შეჩერება (სურ H1 – სურ. H6)**

**შენიშვნა:** 60 წუთზე მეტი ხნით გაჩერების შემთხვევაში, ბალახის საკრეჭი მანქანა ავტომატურად გამოირთვება.

**ავარიული რეჟიმი**

დაცლილი აკუმულატორის შემთხვევაში, ბალახის საკრეჭი მანქანა გადადის ავარიული რეჟიმში: a

- ბალახის საკრეჭი მანქანა ავტომატურად წყვეტს ბალახის მოჭრას;
- ირთვება ხმოვანი სიგნალი;
- ბალახის საკრეჭი მანქანის სტატუსის ინდიკატორი წითლად ანათებს ყოველ წამს, ბალახის საკრეჭი მანქანის საწვავის დონის მაჩვენებლის პირველი სეგმენტი წითლად ანათებს, ხოლო დაბალი სიმძლავრის მაჩვენებელი და აკუმულატორის გრაფიკები საწვავის დონის მაჩვენებელზე ციმციმებს.

მძლოლმა უნდა:

- a) დააჭიროს PTO გადამრთველს ქვემოთ (სურ. H3), რათა გათიშოს პირები. ხმოვანი სიგნალი გამოირთვება, როდესაც გაჩერდება მჭრელი პირები;
- b) შეწყვიტოს მუშაობა და დაუყოვნებლივ გადავიდეს აკუმულატორების დატენვის ზონაში. ბალახის საკრეჭ მანქანას შეუძლია დაფაროს მაქს. 1000 მ.

თითქმის დაცლილი აკუმულატორის შემთხვევაში, თითოეული სააკუმულატორო ნაკვეთურის პიქტოგრამა და დაბალი სიმძლავრის მაჩვენებელი ყოველ ნახევარ წამში ციმციმებს. ბალახის საკრეჭი მანქანა გაჩერდება. მძლოლმა ბალახის საკრეჭი მანქანა დასატენად უნდა გადაიყვანოს აკუმულატორის დატენვის ზონაში.

**ხელით მიწოლა**

ხელით მიწოლის აუცილებლობის შემთხვევაში, გათიშეთ ბალახის საკრეჭი მანქანის აკუმულატორები და სადგომი მუხრუჭის პედალი გამორთეთ სამუხრუჭე პოზიციიდან.

**ბალახის საკრეჭი მანქანის ტარება (სურ. I1 - სურ. I9)**

გასაჩერებლად, სიჩქარის შესამცირებლად ან გასაზრდელად, ნელა გადართეთ საჭის ბერკეტი ნეიტრალური გადაცემიდან.

**⚠ საშიშროება:** არ მიუახლოვდეთ თხრილებს, ციცაბო დაღმართებს ან წყალს სულ მცირე თიბვის ორი სიგანის მანძილზე. წინა ბორბლები ბრუნავს, როცა ბალახის საკრეჭი მანქანა გაჩერებულია, მუხრუჭის გამოყენების შემთხვევაშიც კი, ამიტომ მანქანა შეიძლება გადავიდეს კიდევ ან ჩაგორდეს წყალში და გამოიწვიოს სიკვდილი ან სხეულის სერიოზული დაზიანება.

**⚠ გაფრთხილება:** უკუსვლით მოძრაობის დაწყებამდე გაიხედეთ ბალახის საკრეჭი მანქანის უკან. ნუ მოჭრით ბალახს საპირისპრო მიმართულებით, გადაუდებელი აუცილებლობის გარეშე. ყოველთვის იყურეთ ქვევით და უკან, უკუსვლით მოძრაობის დროს და მის დაწყებამდე, რათა დარწმუნდეთ, რომ ბავშვები, სხვა პირები ან შინაური ცხოველები არ იმყოფებიან სამუშაო ტერიტორიაზე. დაიმახსოვრეთ რომ წამიერმა უყურადღებობამაც კი შესაძლოა გამოიწვიოს სიკვდილი ან სხეულის სერიოზული დაზიანება.



**▲ გაფრთხილება:** არ გამოიყენოთ აღნიშნული მანქანა გზის სავალ ნაწილზე.

**▲ გაფრთხილება:** ბლოკირების ან უცხო საგანთან დაჯახების შემდეგ გამორთეთ ძრავა და მოხსენით აკუმულატორები. მოაშორეთ მოჭრილი ბალახები, ფოთლები, მიწა და ნებისმიერი სხვა დაგროვილი ნარჩენები; ბალახის საკრეჭი მანქანის ყოველი გამოყენების წინ ყურადღებით შეამოწმეთ, ხომ არ დაზიანდა მანქანა, შეაკეთეთ დაზიანება.

## ტექნიკური მომსახურება

**▲ გაფრთხილება:** ყოველთვის გაიკეთეთ სათვალე გვერდითი დამცავი ფარებით. წინააღმდეგ შემთხვევაში, თვალში შეიძლება მოგხვდეთ სხვადასხვა საგანი, რამაც შეიძლება გამოიწვიოს სერიოზული დაზიანება.

**▲ გაფრთხილება:** ბალახის საკრეჭი მანქანის მჭრელი პირების ტექნიკური მომსახურებისას ყოველთვის გაიკეთეთ მძიმე პირობებში მუშაობისთვის განკუთვნილი ხელთათმანები ან შეფუთეთ მჭრელი პირები ნაჭრებით ან სხვა მასალით. ამოიღეთ უსაფრთხოების გასაღები და აკუმულატორების ბლოკი ბალახის საკრეჭი მანქანის შეკეთებისას ან ტრანსპორტირებისას.

ინტერვალი ტექნიკურ მომსახურებებს შორის	ტექნიკური მომსახურების პროცედურა
ყოველი გამოყენების წინ ან ყოველდღიურად	<ul style="list-style-type: none"> <li>შეამოწმეთ დამცავი ბლოკირების სისტემა.</li> <li>ვიზუალურად შეამოწმეთ საბურავი, ხომ არ არის დაშვებული.</li> <li>შეამოწმეთ მჭრელი პირები, ხომ არ არის გაცვეთილი, გაბზარული ან გაღუნული.</li> <li>შეამოწმეთ მთლიანი მოწყობილობა, ხომ არ არის დაზიანებული, დაკარგული ან მოშვებული მისი ნაწილები, როგორცაა გვერდითი დაცლის ღარი, ხრახნები, ქანჩები, ჭანჭიკები, ხუფები და ა.შ. დარწმუნდით, რომ ყველა დამცავი მოწყობილობა ადგილზეა და გამართულად მუშაობას.</li> <li>შეამოწმეთ მუხრუჭები.</li> </ul>
ყოველი გამოყენების შემდეგ	<ul style="list-style-type: none"> <li>გაასუფთავეთ ბალახის საკრეჭი მანქანის ქვედა ნაწილი.</li> </ul>
ყოველ 25 საათში	<ul style="list-style-type: none"> <li>შეამოწმეთ საბურავის წნევა.</li> </ul>
ყოველ 50 საათში	<ul style="list-style-type: none"> <li>შეამოწმეთ საპოხი მასალის მდგომარეობა მჭრელი პირის კიდეებზე.</li> </ul>
ყოველ 100 საათში	<ul style="list-style-type: none"> <li>შეამოწმეთ უკანა ბორბლები, დარწმუნდით, რომ ბორბლის ქანჩები სათანადოდ არის მოჭერილი, რეკომენდებული მაბრუნე მომენტით.</li> </ul>
ყოველ 200 საათში	<ul style="list-style-type: none"> <li>შეამოწმეთ წინა ბორბლები, ხომ თავისუფლად ტრიალებენ.</li> </ul>

KA

ყოველწლიურად	<ul style="list-style-type: none"> <li>შემოწმეთ სადგომი მუხრუჭის პედალი. ამოიღეთ აკუმულატორი ბალახის საკრეჭი მანქანიდან და სადგომი მუხრუჭის პედალი გადართეთ სამუხრუჭე რეჟიმში. ხელით მიაწექით ბალახის საკრეჭ მანქანას, ხომ არ მოძრაობს. თუ მოძრაობს, საჭიროა კვალიფიციური სპეციალისტის მომსახურება.</li> </ul>
--------------	--

### ბალახის საკრეჭი მანქანის გაწმენდა (სურ. J1 - სურ. J9)

მომზადება (სურ. J1 - სურ. J5)

ბალახის საკრეჭი მანქანის კორპუსის გაწმენდა (სურ. J6 - სურ. J7)

გამოიყენეთ რეცხვის პორტი ბალახის საკრეჭი მანქანის ბაქანის გასაწმენდად (სურ. J8 - სურ. J9).

J8-1	რეცხვის პორტი	J8-3	სარწყავი შლანგი
J8-2	რეცხვის პორტის სწრაფი კონექტორი		

**შენიშვნა:** გაწმენდის დასრულებისას, ბალახის საკრეჭი მანქანის მჭრელი პირების გათიშვის მიზნით გადაწიეთ PTO გადამრთველი ქვემოთ.

### ბალახის საკრეჭი მანქანის ქვედა ნაწილისა და მჭრელი პირების ტექნიკური მომსახურება

მომზადება (სურ. K1 - სურ. K6)

ბალახის საკრეჭი მანქანის ბაქანის მოხსნა (სურ. K7 - სურ. K8)

K7-1	ძრავის კაბელი	K7-3	საკიდრის ბერკეტი
K7-2	ჭილიბყურა		

**შენიშვნა:** ბალახის საკრეჭი მანქანის ქვედა ნაწილის მოხსნისას გათიშეთ ძრავის ყველა კაბელი და ჭილიბყურა.

### მჭრელი პირების შეცვლა (სურ. K9 - სურ. K11)

K9-1	სტაბილიზატორი	K10-3	მჭრელი პირი
K10-1	ქანჭიკი	K10-4	კიდე
K10-2	საყელური	K10-5	ღერძი

ბალახის საკრეჭი მანქანის ქვედა ნაწილის გასწორება.

a. გასწორება (სურ. K12 - სურ. K14)

b. გასწორებამდე

- ცივი საბურავის წნევის შემოწმება (სურ. K15).

- მჭრელი პირების შემოწმება. მოხსენით და შეცვალეთ გაცვეთილი, გაბზარული და / ან გაღუნული პირები საჭიროების შესაბამისად.

c. მომზადება გასწორებისთვის (სურ. K16 - სურ. K21)

d. როგორ გავასწოროთ

- გვერდითი ნაწილების რეგულირება (სურ. K22)

K22-1	კონტრქანჩი
-------	------------

- წინა-უკანა ნაწილის რეგულირება (სურ. K23)

### ბალახის საკრეჭი მანქანის ბილიკის სისტემის დაკალიბრება (სურ. L1 - სურ. L4)

**შენიშვნა:** ხმოვანი სიგნალი ჩაერთვება როგორც დაკალიბრების დაწყებისას, ასევე დაკალიბრების დასრულების შემდეგ.

**შენიშვნა:** დაკალიბრება, რომელიც დასრულდა მართვის ერთ-ერთი

**KA**

რეჟიმისთვის ("CONTROL", "STANDARD", "SPORT") შესაძლოა არ იყოს ხელმისაწვდომი დანარჩენი ორი რეჟიმისთვის. დაკალიბრეთ საჭის ბერკეტები თითოეულ მართვის რეჟიმის შემთხვევაში, საჭიროების მიხედვით.

### ბალახის საკრეჭი მანქანის საწყის ქარხნულ პარამეტრებზე დაბრუნება (სურ. M)

**შენიშვნა:** ხმოვანი სიგნალი ჩაირთვება როგორც გადატვირთვის დაწყებისას, ასევე გადატვირთვის დასრულების შემდეგ.

**შენიშვნა:** როდესაც გადატვირთვა წარმატებულია, ქვემოთ მოცემული პარამეტრები ბრუნდება საწყის ქარხნულ პარამეტრებზე:

- მართვის რეჟიმი
- მოძრაობის სიჩქარე
- საჭის ბერკეტების კალიბრაცია

### გარემოს დაცვა



WEEE (ელექტრული მოწყობილობების ნარჩენების მართვა). არ მოათავსოთ ელექტრული მოწყობილობა, დამტენი და აკუმულატორი საყოფაცხოვრებო ნაგავში! მიუტანეთ ისინი ავტორიზირებულ ნარჩენების გადამამუშავებელს და მოახდინეთ ასეთი ნარჩენის განცალკევებულად შეგროვება. ელექტრო ხელსაწყოები უნდა ჩაბარდეს ნარჩენების გადამამუშავებელ ობიექტს.

## შენახვა და ტრანსპორტირება

KEES VAN DER SPEK  
TUINMACHINES \* STOLWIJK

### ბალახის საკრეჭი მანქანა

#### ტრანსპორტირება (სურ. N1 – სურ. N11)

**შენიშვნა:** დააფიქსირეთ ბალახის საკრეჭი მანქანა საჭიროებისამებრ ღვედებით ან ტროსებით, რათა შეზღუდოთ მისი მოძრაობა ტრანსპორტირების დროს.

#### შენახვა (სურ. O1 - სურ. O6)

**შენიშვნა:** აკუმულატორების ბლოკების მოხსნასა და შენახვასთან დაკავშირებით გაეცანით შესაბამის ინსტრუქციებს.

შენახვის წინ გაასუფთავეთ და შეამოწმეთ ბალახის საკრეჭი მანქანა, იხილეთ „ბალახის საკრეჭი მანქანის გაწმენდა“ და „რეკომენდებული ტექნიკური მომსახურების განრიგ(ებ)ი“.

KA

## დეფექტების აღმოჩენა და გამოსწორება

პრობლემა	მიზეზი	გადაჭრის გზა
<p>ბალახის საკრეჭი მანქანა არ ამუშავდა, როცა საჭის ორი ბერკეტი გადაწეულია წინ ან უკან.</p>  <p>საჭის ბერკეტის ხატულა ციმციმებს.</p>	<ul style="list-style-type: none"> <li>ჩამონტაჟებული აკუმულატორების კომბინირებული ა/სთ არ აკმაყოფილებს მოთხოვნას.</li> </ul>	<ul style="list-style-type: none"> <li>ბალახის საკრეჭის ასამუშავებლად გამოიყენეთ საკმარისი EGO აკუმულატორები ამ სახელმძღვანელოში "დატენვის" განყოფილებაში მოცემული ინსტრუქციის შესაბამისად.</li> </ul>
	<ul style="list-style-type: none"> <li>სადგომი მუხრუჭის პედალი სამუხრუჭე პოზიციაშია.</li> </ul>	<ul style="list-style-type: none"> <li>სამუხრუჭე პოზიციიდან გამოსართავად კარგად დააჭირეთ სადგომი მუხრუჭის პედალს.</li> </ul>
	<ul style="list-style-type: none"> <li>საჭის ბერკეტი არ არის ღია მდგომარეობაში ბალახის საკრეჭი მანქანის ამუშავებისას.</li> </ul>	<ul style="list-style-type: none"> <li>დააბრუნეთ საჭის ბერკეტები ღია მდგომარეობაში და გადატვირთეთ ბალახის საკრეჭი მანქანა.</li> </ul>
	<ul style="list-style-type: none"> <li>მძლოლი არ ზის სავარძელზე.</li> </ul>	<ul style="list-style-type: none"> <li>ბალახის საკრეჭი მანქანის მართვა შესაძლებელია მხოლოდ იმ შემთხვევაში, თუ მძლოლი სწორად ზის სავარძელზე.</li> </ul>
	<ul style="list-style-type: none"> <li>სავარძლის ჩამრთველი არ არის სწორად დაკავშირებული.</li> </ul>	<ul style="list-style-type: none"> <li>ამოიღეთ აკუმულატორი ბალახის საკრეჭი მანქანიდან და დაშალეთ სავარძელი აღნიშნული სახელმძღვანელოს პუნქტით - „სავარძლის მონტაჟი“ - გათვალისწინებული მითითებების შებრუნებული წესით, რათა შეამოწმოთ სავარძლის ჩამრთველის კავშირი. ხელახლა ააწყვეთ სავარძელი და მიჰყევით პუნქტით - „ბალახის საკრეჭი მანქანის ამუშავება“ - გათვალისწინებულ მითითებებს, გადატვირთეთ ბალახის საკრეჭი მანქანა, შეამოწმეთ, თუ ამუშავდა. თუ არ ამუშავდა, დაუკავშირდით კვალიფიციურ სპეციალისტს.</li> </ul>
	<ul style="list-style-type: none"> <li>ძალიან ცივ ამინდში მართვის ფუნქცია შეიძლება შეფერხდეს დაბალი ტემპერატურის გამო.</li> </ul>	<ul style="list-style-type: none"> <li>ბალახის საკრეჭი მანქანა და აკუმულატორი შეინახეთ თბილ გარემოში. გახურების შემთხვევაში, გადატვირთეთ ბალახის საკრეჭი მანქანა. ძალიან ცივ ამინდში ჩართვის რამდენიმე მცდელობისას მანქანა შეიძლება დაზიანდეს.</li> </ul>

KA

პრობლემა	მიზეზი	გადაჭრის გზა
ბალახის საკრეჭი მანქანა წყვეტს მოძრაობას.	<ul style="list-style-type: none"> <li>საჭის ბერკეტები მოითხოვს "გადატვირთვას".</li> </ul>	<ul style="list-style-type: none"> <li>დააბრუნეთ საჭის ბერკეტები ღია მდგომარეობაში და გადატვირთეთ ბალახის საკრეჭი მანქანა.</li> </ul>
	<ul style="list-style-type: none"> <li>საჭის ბერკეტების ელექტრო მართვის კომპონენტები დეფექტურია.</li> </ul>	<ul style="list-style-type: none"> <li>შესაკვთებლად დაუკავშირდით კვალიფიციურ სპეციალისტს.</li> </ul>
	<ul style="list-style-type: none"> <li>სავარძლის ჩამრთველი გამოირთო რთულ რელიეფზე მართვის დროს.</li> </ul>	<ul style="list-style-type: none"> <li>ამოიღეთ აკუმულატორი ბალახის საკრეჭი მანქანიდან და დაშალეთ სავარძელი აღნიშნული სახელმძღვანელოს პუნქტით - „<b>სავარძლის მონტაჟი</b>“ - გათვალისწინებული მითითებების შებრუნებული წესით, რათა შეამოწმოთ სავარძლის ჩამრთველის კავშირი. ხელახლა ააწყვეთ სავარძელი და მიჰყევით პუნქტით - „<b>ბალახის საკრეჭი მანქანის ამუშავება</b>“ - გათვალისწინებულ მითითებებს, გადატვირთეთ ბალახის საკრეჭი მანქანა, შეამოწმეთ, თუ ამუშავდა. თუ არ ამუშავდა, დაუკავშირდით კვალიფიციურ სპეციალისტს.</li> </ul>
	<ul style="list-style-type: none"> <li>პარკირების სამუხრუჭე პედლები დაჭერილ მდგომარეობაშია მართვის სიჩქარის შესანელებლად. მას შემდეგ, რაც პარკირების სამუხრუჭე პედლები საკმარისად დაჭერილი იქნება, მაგრამ არა პარკირების პოზიციაზე, ბალახის საკრეჭი მანქანა ჩერდება.</li> </ul>	<ul style="list-style-type: none"> <li>მიყევით პუნქტით - „<b>ბალახის საკრეჭი მანქანის ამუშავება</b>“ - გათვალისწინებულ მითითებებს ბალახის საკრეჭის თავიდან ჩასართავად.</li> </ul>

KA

პრობლემა	მიზეზი	გადაჭრის გზა
მართვის დროს მოძრაობის სიჩქარის / მართვის რეჟიმის რეგულირება შეუძლებელია.	<ul style="list-style-type: none"> <li>აღნიშნული წარმოადგენს ბალახის საკრეჭი მანქანის ტექნიკურ მახასიათებელს უსაფრთხო მართვის უზრუნველსაყოფად.</li> </ul>	<ul style="list-style-type: none"> <li>ფუნქცია გააქტიურდება მხოლოდ მაშინ, როცა ბალახის საკრეჭი მანქანის ბორბლები გაჩერებულია და საჭის ბერკეტები ღია მდგომარეობაშია.</li> </ul>
<p>ბალახის საკრეჭი მანქანის პირები არ მუშაობს, როცა PTO გადამრთველი ჩართულია.</p>  <p>PTO გადამრთველის პიქტოგრამა ციმციმებს.</p>	<ul style="list-style-type: none"> <li>ჩამონტაჟებული აკუმულატორების კომბინირებული ა/სთ არ აკმაყოფილებს მოთხოვნას.</li> </ul>	<ul style="list-style-type: none"> <li>ბალახის საკრეჭის ასამუშავებლად გამოიყენეთ საკმარისი EGO აკუმულატორები ამ სახელმძღვანელოში "დატენვის" განყოფილებაში მოცემული ინსტრუქციის შესაბამისად.</li> </ul>
	<ul style="list-style-type: none"> <li>PTO გადამრთველი არ არის ქვემოთ გადაწეული, როდესაც ბალახის საკრეჭი მანქანა გაჩერებულია.</li> </ul>	<ul style="list-style-type: none"> <li>დააჭირეთ PTO გადამრთველს ქვემოთ და გადატვირთეთ ბალახის საკრეჭი მანქანის მჭრელი პირები.</li> </ul>
	<ul style="list-style-type: none"> <li>ბალახის საკრეჭი მანქანა გადატვირთულია მჭრელი პირების მოძრაობის დაწყებისას, რაც იწვევს ძრავის თავდაცვის გააქტიურებას.</li> </ul>	<ul style="list-style-type: none"> <li>ბალახის ჭრა დაიწყეთ უფრო დაბალი სიჩქარით და სანამ მჭრელი პირები არ დაიწყებენ ბრუნვას, ნუ მოუმატებთ პირების მოძრაობის სიჩქარეს.</li> </ul>
	<ul style="list-style-type: none"> <li>ძალიან ცივ ამინდში, მჭრელი პირების ძრავის ფუნქცია შეიძლება შეფერხდეს დაბალი ტემპერატურის გამო.</li> </ul>	<ul style="list-style-type: none"> <li>ბალახის საკრეჭი მანქანა და აკუმულატორი შეინახეთ თბილ გარემოში. გახურების შემთხვევაში, გადატვირთეთ ბალახის საკრეჭი მანქანა. ძალიან ცივ ამინდში ჩართვის რამდენიმე მცდელობისას მანქანა შეიძლება დაზიანდეს.</li> </ul>
	<ul style="list-style-type: none"> <li>მჭრელი პირი ედება დეფორმირებულ ქვედა ნაწილს.</li> </ul>	<ul style="list-style-type: none"> <li>შესაკუთებლად დაუკავშირდით კვალიფიციურ სპეციალისტს.</li> </ul>

KA

პრობლემა	მიზეზი	გადაჭრის გზა
მჭრელი პირები გაჩერდა ბალახის მოჭრისას.	<ul style="list-style-type: none"> <li>ბალახის საკრეჭი მანქანა გადატვირთულია.</li> </ul>	<ul style="list-style-type: none"> <li>ბალახის საკრეჭი მანქანის დატვირთვის შემცირების მიზნით, გაზარდეთ ჭრის სიმაღლე ან შეამცირეთ მართვის სიჩქარე.</li> </ul>
	<ul style="list-style-type: none"> <li>ბალახის საკრეჭი მანქანის ქვედა ნაწილი გაჭედებულია ბალახითა და ნარჩენებით.</li> </ul>	<ul style="list-style-type: none"> <li>გაწმინდეთ ბალახის საკრეჭი მანქანის ქვედა ნაწილი და შეამოწმეთ, ხომ თავისუფლად მოძრაობენ მჭრელი პირები.</li> </ul>
	<ul style="list-style-type: none"> <li>ბალახის საკრეჭი მანქანა გადახურებულია.</li> </ul>	<ul style="list-style-type: none"> <li>შეამცირეთ ბალახის საკრეჭი მანქანის დატვირთვა ჭრის სიმაღლის გაზრდით ან პირების მოძრაობის/ მართვის სიჩქარის შემცირებით და აცალეთ, რომ გაგრილდეს.</li> </ul>
	<ul style="list-style-type: none"> <li>ბალახის საკრეჭი მანქანის სააკუმულატორო ნაკვეთურში აკუმულატორების ბლოკ(ებ)ი გადახურებულია, რის შედეგადაც ყველა ჩამონტაჟებული აკუმულატორის საერთო ა/სთ არ აკმაყოფილებს მოთხოვნებს.</li> </ul>	<ol style="list-style-type: none"> <li>თუ აკუმულატორის საერთო ა/სთ სიმძლავრე არ აკმაყოფილებს მოთხოვნებს, ბალახის საკრეჭი მანქანა არ იმუშავებს მანამ, სანამ მეტი აკუმულატორების ბლოკი არ დაემატება აკუმულატორის ცარიელ ნაკვეთურში. როგორც კი გადახურებული აკუმულატორი დაუბრუნდება ნორმალურ ტემპერატურას, მაშინვე აღდგება ბალახის საკრეჭი მანქანის ელექტრომომარაგება.</li> </ol>
		<ol style="list-style-type: none"> <li>მუშაობის განახლებისას, შეამცირეთ საკრეჭი მანქანის დატვირთვა ჭრის სიმაღლის გაზრდით ან თიბვის შენელებით.</li> </ol>
	<ul style="list-style-type: none"> <li>ბალახის საკრეჭი მანქანა ავარიულ რეჟიმშია.</li> </ul>	<ul style="list-style-type: none"> <li>ბალახის საკრეჭი მანქანის ავარიულ რეჟიმში ყოფნის დროს, მჭრელი პირები ავტომატურად გადადის ბრუნვის დაბალ სიჩქარეზე ბალახის მოჭრის გარეშე. მძღოლმა უნდა შეწყვიტოს მუშაობა და დაუყონებლივ გადავიდეს აკუმულატორის დატენვის ზონაში.</li> </ul>
	<ul style="list-style-type: none"> <li>ბალახის საკრეჭი მანქანა დაეჯახა უცხო საგანს, რის შედეგადაც ჩაირთო ძრავის დაცვა.</li> </ul>	<ul style="list-style-type: none"> <li>დააჭირეთ PTO გადამრთველს ქვემოთ და გადატვირთეთ ბალახის საკრეჭი მანქანის პირები.</li> </ul>

KA

პრობლემა	მიზეზი	გადაჭრის გზა
ხმოვანი სიგნალი კვლავ ჩართულია.	<ul style="list-style-type: none"> <li>ბალახის საკრეჭი მანქანა ავარიულ რეჟიმშია და მჭრელი პირები გამორთულია.</li> </ul>	<ul style="list-style-type: none"> <li>დააჭირეთ PTO გადამრთველს ქვემოთ მჭრელი პირების გასათიშად. ხმოვანი სიგნალი გამოირთვება, როცა მჭრელი პირები გაჩერდება;</li> </ul>
	<ul style="list-style-type: none"> <li>ბალახის საკრეჭი მანქანა გაჩერდა ფერდობზე, საჭის ბერკეტები ღია მდგომარეობაშია და მძღოლი არ ზის, ხოლო სადგომი მუხრუჭის პედალი არ არის სამუხრუჭე პოზიციაში.</li> </ul>	<ul style="list-style-type: none"> <li>ბალახის საკრეჭი მანქანის ფერდობზე დატოვებამდე, სადგომი მუხრუჭის პედალი გადართეთ სამუხრუჭე მდგომარეობაში.</li> </ul>



პრობლემა	მიზეზი	გადაჭრის გზა
<p>აკუმულატორის დამუხტულობის ინდიკატორი კვლავ ანთია, როცა ბალახის საკრეჭი მანქანა გამორთულია.</p>	<ul style="list-style-type: none"> <li>აკუმულატორების ბლოკ(ებ)ის ამოღების გარეშე ბალახის საკრეჭი მანქანის გამორთვის შემთხვევაში აკუმულატორის ინდიკატორები, ჩართვა/გამორთვის ღილაკი და რეგულირების ღილაკი დარჩება განათებული გარკვეული პერიოდის განმავლობაში.</li> </ul>	<ul style="list-style-type: none"> <li>არანაირი ჩარევა არ არის საჭირო. აკუმულატორის დამუხტულობის ინდიკატორები გამოირთვება ბალახის საკრეჭის გამორთვიდან გარკვეული პერიოდის შემდეგ. კონკრეტული დროისთვის იხილეთ ნაწილი <b>“ბალახის საკრეჭის გაჩერება”</b></li> </ul>
	<ul style="list-style-type: none"> <li>ფერდობზე, სადგომი მუხრუჭის პედალის სამუხრუჭე პოზიციაში გადაყვანის გარეშე, ბალახის საკრეჭი მანქანის გამორთვის შემთხვევაში აკუმულატორის დამუხტულობის ინდიკატორია ანთია აკუმულატორის დაცლამდე. ხმოვანი სიგნალის ჩართულია.</li> </ul>	<ul style="list-style-type: none"> <li>მოწყობილობის ფერდობზე დატოვებამდე, სადგომი მუხრუჭის პედალი ჩართეთ სამუხრუჭე მდგომარეობაში.</li> </ul>
<p>LCD ეკრანი არ ნათდება.</p>	<ul style="list-style-type: none"> <li>ჩართვა/გამორთვის ღილაკზე დაჭერის დრო არ არის საკმარისი.</li> </ul>	<ul style="list-style-type: none"> <li>LCD ეკრანზე „საწვავის დონის მაჩვენებელი“ გამოჩნდება მხოლოდ ჩართვა - გამორთვის ღილაკზე დაჭერისას.</li> <li>თხევადკრისტალური ეკრანი ჩაირთვება ჩართვა/გამორთვის ღილაკზე საკმარისი დროის განმავლობაში დაჭერის შემთხვევაში.</li> </ul>

KA

პრობლემა	მიზეზი	გადაჭრის გზა
ბალახის საკრეჭი მანქანა ჭრის არათანაბრად, მნიშვნელოვანი განსხვავებაა სიმაღლის თვალსაზრისით.	<ul style="list-style-type: none"> <li>მჭრელი პირები დაბლაგვებულა.</li> </ul>	<ul style="list-style-type: none"> <li>გაღესეთ ან შეცვალეთ მჭრელი პირები, როგორც ეს მითითებულია წინამდებარე სახელმძღვანელოში.</li> </ul>
	<ul style="list-style-type: none"> <li>მჭრელი პირები გაღუნულია.</li> </ul>	<ul style="list-style-type: none"> <li>შეცვალეთ გაღუნული მჭრელი პირები, პუნქტით- „<b>მჭრელი პირების შეცვლა</b>“ -გათვალისწინებული მითითებების შესაბამისად.</li> </ul>
	<ul style="list-style-type: none"> <li>ბალახის საკრეჭი მანქანის ქვედა ნაწილი არ არის სწორი, რის შედეგადაც პირები სხვადასხვა სიმაღლეზე ჭრის ბალახს.</li> </ul>	<ul style="list-style-type: none"> <li>გაასწორეთ ბალახის საკრეჭი მანქანის ბაქანი პუნქტის - „<b>ბალახის საკრეჭი მანქანის ბაქანის გასწორება</b>“ - მითითებების შესაბამისად.</li> </ul>
ბალახის ჭრის რეალური სიმაღლე არ შეესაბამება მოთხოვნილ სიმაღლეს.	<ul style="list-style-type: none"> <li>ბალახის საკრეჭი მანქანის ქვედა ნაწილის ქანჩები მოშვებულია საკიდრის ბერკეტზე.</li> </ul>	<ul style="list-style-type: none"> <li>მიჰყევით პუნქტით - „<b>ბალახის საკრეჭი მანქანის ბაქნის გასწორება</b>“ -გათვალისწინებულ მითითებებს, რათა უზრუნველყოთ წინა-უკანა ნაწილის რეგულირება და საკიდრის ბერკეტზე ქანჩების საიმედოდ მოჭერა.</li> </ul>
	<ul style="list-style-type: none"> <li>ბალახის საკრეჭი მანქანის ქვედა ნაწილი დაზიანებული ან სერიოზულად გაცვეთილია.</li> </ul>	<ul style="list-style-type: none"> <li>ბალახის საკრეჭი მანქანის ქვედა ნაწილის შესაცვლელად, მიჰყევით პუნქტით- „<b>ბალახის საკრეჭი მანქანის ქვედა ნაწილის მოხსნა</b>“ -გათვალისწინებულ მითითებებს.</li> </ul>
ბალახის საკრეჭი მანქანა სწორად არ აკეთებს მულჩირებას.	<ul style="list-style-type: none"> <li>სველი ბალახის ნარჩენები მიწეპებულია ქვედა ნაწილზე უკანა მხრიდან.</li> </ul>	<ul style="list-style-type: none"> <li>დაელოდეთ სანამ ბალახი გამრება მოთიბვამდე.</li> </ul>
	<ul style="list-style-type: none"> <li>ბალახის საკრეჭი მანქანა მომართულია, მოჭრას ერთბაშად ძალიან ბევრი ბალახი.</li> </ul>	<ul style="list-style-type: none"> <li>გაზარდეთ ჭრის სიმაღლე.</li> </ul>

KA

პრობლემა	მიზეზი	გადაჭრის გზა
აქვს გადაჭარბებული ვიბრაცია.	<ul style="list-style-type: none"> <li>მჭრელი პირები მოშვებულია.</li> </ul>	<ul style="list-style-type: none"> <li>მოუჭირეთ მჭრელი პირის ჭანჭიკს რეკომენდებული მაბრუნე მომენტით.</li> </ul>
	<ul style="list-style-type: none"> <li>მჭრელი პირები გალუნულია.</li> </ul>	<ul style="list-style-type: none"> <li>შეცვალეთ გალუნული მჭრელი პირები, პუნქტით- „მჭრელი პირების შეცვლა“ -გათვალისწინებული მითითებების შესაბამისად.</li> </ul>
	<ul style="list-style-type: none"> <li>ბალახის საკრეჭი მანქანის ქვედა ნაწილი არ არის სწორი.</li> </ul>	<ul style="list-style-type: none"> <li>გაასწორეთ ბალახის საკრეჭი მანქანის ბაქანი პუნქტის - „ბალახის საკრეჭი მანქანის ბაქანის გასწორება“ - მითითებების შესაბამისად.</li> </ul>
	<ul style="list-style-type: none"> <li>ბალახის საკრეჭი მანქანის ქვედა ნაწილის ქანჩები მოშვებულია საკიდრის ბერკეტზე.</li> </ul>	<ul style="list-style-type: none"> <li>მოუჭირეთ ქანჩებს საკიდარის ბერკეტზე.</li> </ul>
	<ul style="list-style-type: none"> <li>ბალახის საკრეჭი მანქანა მომართულია, მოჭრას ერთბაშად ძალიან ბევრი ბალახი.</li> </ul>	<ul style="list-style-type: none"> <li>გაზარდეთ ჭრის სიმაღლე.</li> </ul>
მოთიბვის შემდეგ მიწაზე რჩება ბალახი ან ნარჩენები.	<ul style="list-style-type: none"> <li>ბალახის საკრეჭი მანქანა მომართულია, მოჭრას ერთბაშად ძალიან ბევრი ბალახი, როდესაც ბალახი მაღალია.</li> </ul>	<ul style="list-style-type: none"> <li>დაიწყეთ მაღალ სიმაღლეზე ჭრით და შეამცირეთ, სანამ სასურველ შედეგს არ მიიღებთ. 6 დუიმზე მეტი სიმაღლის ბალახი ორჯერ უნდა მოიჭრას, თანმიმდევრულად დაბალ სიმაღლეზე.</li> </ul>
	<ul style="list-style-type: none"> <li>ბალახი სველია.</li> </ul>	<ul style="list-style-type: none"> <li>სველი ბალახი არ მოჭრათ.</li> </ul>
	<ul style="list-style-type: none"> <li>მართვის სიჩქარე მაღალია.</li> </ul>	<ul style="list-style-type: none"> <li>შეამცირეთ მოძრაობის სიჩქარე.</li> </ul>
	<ul style="list-style-type: none"> <li>მჭრელი პირის მოძრაობის სიჩქარე დაბალია.</li> </ul>	<ul style="list-style-type: none"> <li>თანდათან გაზარდეთ მჭრელი პირების მოძრაობის სიჩქარე.</li> </ul>

KA

პრობლემა	მიზეზი	გადაჭრის გზა
ბალახის საკრეჭი მანქანის მუშაობის ხანგრძლივობა შემცირებულია.	<ul style="list-style-type: none"> <li>ბალახის მდგომარეობა და ჭრის სიმაღლის რეგულირება მნიშვნელოვნად იმოქმედებს აკუმულატორის ექსპლუატაციის ვადაზე. მითითებული ვადა განისაზღვრება მსუბუქი დატვირთვის მდგომარეობიდან გამომდინარე.</li> </ul>	<ul style="list-style-type: none"> <li>ჭრის დატვირთვის შემცირების მიზნით, გაზარდეთ ჭრის სიმაღლე ან შეანელეთ მჭრელი პირების მოძრაობის სიჩქარე.</li> </ul>
ბალახის საკრეჭი მანქანა არ მოძრაობს სწორ ხაზზე.	<ul style="list-style-type: none"> <li>მარცხენა და მარჯვენა უკანა ბორბლების საბურავის წნევა განსხვავებულია.</li> </ul>	<ul style="list-style-type: none"> <li>შეამოწმეთ და დაარეგულირეთ ჰაერის წნევა ორივე უკანა ბორბლის საბურავებში, აღნიშნული სახელმძღვანელოს პუნქტით - „საბურავის წნევის შემოწმება“ - გათვალისწინებული რეკომენდაციის შესაბამისად.</li> </ul>
	<ul style="list-style-type: none"> <li>მარცხენა და მარჯვენა უკანა ბორბლების მოძრაობის სიჩქარე განსხვავებულია.</li> </ul>	<ul style="list-style-type: none"> <li>უზრუნველყავით ბალახის საკრეჭი მანქანის თვალთვალის სისტემის დაკალიბრება პუნქტის - „ბალახის საკრეჭი მანქანის თვალთვალის სისტემის დაკალიბრება“ - შესაბამისად.</li> </ul>
სადგომი მუხრუჭის პედალი არ ირთვება სამუხრუჭე პოზიციიდან ან საწყის მდგომარეობაში ნელა ბრუნდება.	<ul style="list-style-type: none"> <li>სადგომი მუხრუჭის პედალში შეიძლება მოხვდეს მიწა და ნარჩენები.</li> </ul>	<ul style="list-style-type: none"> <li>გახსენით სადგომი მუხრუჭის პედალის ყუთი და კარგად გაწმინდეთ ყუთი შიგნიდან და დახურეთ. ხელახლა დააჭირეთ სადგომი მუხრუჭის პედალს და შეამოწმეთ, თუ მოგვარდა პრობლემა. თუ არ ამუშავდა, დაუკავშირდით კვალიფიციურ სპეციალისტს.</li> </ul>

KA

პრობლემა	მიზეზი	გადაჭრის გზა
ბალახის საკრეჭი მანქანა არ იტენება დატენვის პორტის საშუალებით და ბალახის საკრეჭი მანქანის სტატუსის ინდიკატორი წითლად ანათებს.	<ul style="list-style-type: none"> <li>დამტენის შტეკერი სწორად არ არის შეერთებული ბალახის საკრეჭი მანქანის დატენვის პორტში.</li> </ul>	<ul style="list-style-type: none"> <li>ხელახლა შეაერთეთ დამტენი და შეამოწმეთ, თუ იტენება ბალახის საკრეჭი მანქანა.</li> </ul>
	<ul style="list-style-type: none"> <li>კედლის როზეტებში არ გადის დენი.</li> </ul>	<ul style="list-style-type: none"> <li>არანაირი ჩარევა არ არის საჭირო. დაელოდეთ ენერჯის რეკუპერაციას.</li> </ul>
	<ul style="list-style-type: none"> <li>დამტენის გაუმართაობა.</li> </ul>	<ul style="list-style-type: none"> <li>შესამოწმებლად დაუკავშირდით კვალიფიციურ სპეციალისტს და, საჭიროების შემთხვევაში, შეაკეთეთ დამტენი.</li> </ul>
	<ul style="list-style-type: none"> <li>ბალახის საკრეჭი მანქანაზე დატენვის პორტი დეფექტურია.</li> </ul>	<ul style="list-style-type: none"> <li>შესაკეთებლად დაუკავშირდით კვალიფიციურ სპეციალისტს.</li> </ul>
დატენვის პორტის საშუალებით დატენვას ძალიან დიდი დრო სჭირდება.	<ul style="list-style-type: none"> <li>EGO ACA 1000 ადაპტერის გამოყენებით დატენვას დიდი დრო სჭირდება.</li> </ul>	<ul style="list-style-type: none"> <li>ბალახის საკრეჭი მანქანის დასატენად პირდაპირ გამოიყენეთ EGO-ს დამტენი CHV1600E.</li> </ul>
აკუმულატორი სრულად არ იტენება ბალახის საკრეჭი მანქანის დატენვის პორტის საშუალებით.	<ul style="list-style-type: none"> <li>ბალახის საკრეჭი მანქანის პროგრამული შეცდომა ან დამტენის/აკუმულატორის გაუმართაობა.</li> </ul>	<ul style="list-style-type: none"> <li>გამორთეთ დამტენი ქსელიდან და დაელოდეთ რამდენიმე წუთი, მერე ისევ შეაერთეთ დენის წყაროსთან. თუ არ მუშაობს, შესაკეთებლად დაუკავშირდით კვალიფიციურ სპეციალისტს.</li> </ul>
ბალახის საკრეჭი მანქანა არ ამუშავდა გაწმენდის შემდეგ.	<ul style="list-style-type: none"> <li>არასათანადო გაწმენდა, მაგ. წყლის მოხვედრა ელექტრო კომპონენტებზე, LCD ეკრანზე და ა.შ.</li> </ul>	<ul style="list-style-type: none"> <li>ბალახის საკრეჭი მანქანის სწორად გასაწმენდად, გაეცანით პუნქტით - „ბალახის საკრეჭი მანქანის გაწმენდა“- გათვალისწინებულ მითითებებს.</li> </ul>

KA

პრობლემა	მიზეზი	გადაჭრის გზა
ბალახის საკრეჭი მანქანა ადვილად იჭედება.	<ul style="list-style-type: none"> <li>ბალახის საკრეჭი მანქანის ქვედა ნაწილი გაჭედებულია ბალახითა და ნარჩენებით.</li> </ul>	<ul style="list-style-type: none"> <li>ბალახის საკრეჭის წვიმაში მოხვედრის შემთხვევაში, გაშრობის მიზნით გააჩერეთ ჰაერზე ან გასაშრობად გამოიყენეთ შეკუმშული ჰაერი.</li> <li>ყოველი გამოყენების შემდეგ გაწმინდეთ ბალახის საკრეჭი მანქანის ქვედა ნაწილი, პუნქტის - „ბალახის საკრეჭი მანქანის ბაქანის გაწმენდა რეცხვის პორტის გამოყენებით“ - მითითებების შესაბამისად.</li> </ul>
ბალახის საკრეჭი მანქანა ფერდობზე ასვლისას ადვილად კარგავს წევას.	<ul style="list-style-type: none"> <li>უკანა ბორბლების საბურავები გაცვეთილია.</li> </ul>	<ul style="list-style-type: none"> <li>საბურავების შესაცვლელად დაუკავშირდით ადგილობრივ სამსახურს.</li> </ul>
	<ul style="list-style-type: none"> <li>დიდი ფერდობი.</li> </ul>	<ul style="list-style-type: none"> <li>ბალახის საკრეჭი ფერდობი უნდა იყოს საჭირო დახრილობის.</li> </ul>
როცა ბალახის საკრეჭი მანქანა გაჩერებულია ფერდობზე და ჩართულია სადგომი მუხრუჭის პედალი, ბალახის საკრეჭი მანქანას შეუძლია დაგორდეს ფერდობზე.	<ul style="list-style-type: none"> <li>სამუხრუჭე ელემენტები მეტისმეტად გაცვეთილია ბალახის საკრეჭი მანქანის არასწორი ექსპლუატაციის გამო.</li> </ul>	<ul style="list-style-type: none"> <li>შესაკეთებლად დაუკავშირდით კვალიფიციურ სპეციალისტს.</li> </ul>
ქვედა ნაწილის გარეცხვისას რეცხვის პორტიდან წყალი არ მოდის.	<ul style="list-style-type: none"> <li>რეცხვის პორტის მაერთებელი მოწყობილობა არ არის დამონტაჟებული რეცხვის პორტზე.</li> </ul>	<ul style="list-style-type: none"> <li>ხელახლა მიამაგრეთ რეცხვის პორტის მაერთებელი მოწყობილობა, დაჭერის შემდეგ გაიგონებთ დაწკაპუნების ხმას. თუ არ მუშაობს, შესაკეთებლად დაუკავშირდით კვალიფიციურ სპეციალისტს.</li> </ul>
დაქოქვის გარეშე, ხელით მიწოლის შემთხვევაში უცნაური ხმა ისმის.	<ul style="list-style-type: none"> <li>ხმას გამოსცემს ელექტროძრავის მაგნიტები.</li> </ul>	<ul style="list-style-type: none"> <li>ეს ნორმალურია და არანაირი ჩარევა არ არის საჭირო.</li> </ul>

KA

## გაუმართაობის კოდი და ბალახის საკრეჭი მანქანის სტატუსის ინდიკატორის ცნობარი

LCD კვრანი	აღწერა	დაზიანების კოდი LCD-ზე	ბალახის საკრეჭი მანქანის სტატუსის ინდიკატორი	სასიგნალო მოწყობილობა	გამომწვევი მიზეზი	პრობლემის გადაჭრის გზა
	LED განათების პიქტოგრამა გამოტანილია LCD კვრანზე.	არ მიესადაგება	გათიშულია	არა	წინა, გვერდითი და უკანა ფარები ჩართულია LED განათების ჩამრთველით.	ეს ჩვეულებრივი ოპერაციაა. არანაირი ჩარევა არ არის საჭირო.
	USB პიქტოგრამა გამოტანილია LCD კვრანზე.	არ მიესადაგება	გათიშულია	არა	USB პიქტოგრამის ციმციმი მიუთითებს იმაზე, რომ USB მოწყობილობა მუშაობს ბალახის საკრეჭი მანქანის სწორად ამუშავების შემთხვევაში.	ეს ჩვეულებრივი ოპერაციაა. არანაირი ჩარევა არ არის საჭირო.
	საწვავის დონის მაჩვენებელი გამოტანილია LCD კვრანზე.	არ მიესადაგება	გათიშულია	არა	აღნიშნული მიუთითებს ჩამონტაჟებული აკუმულატორების საშუალო დონის დამუხტულობაზე.	ეს ჩვეულებრივი ოპერაციაა. არანაირი ჩარევა არ არის საჭირო.
	ამპერსაათის მრიცხველის პიქტოგრამა გამოტანილია LCD კვრანზე.	არ მიესადაგება	გათიშულია	არა	აღნიშნული მიუთითებს ბალახის საკრეჭი მანქანის მთლიანი მუშაობის ხანგრძლივობაზე, საათებში, ხოლო მისი გადატვირთვა შეუძლებელია.	ეს ჩვეულებრივი ოპერაციაა. არანაირი ჩარევა არ არის საჭირო.

KA


LCD ეკრანი	აღწერა	დაზიანების კოდი LCD-ზე	ბალახის საკრეჭი მანქანის სტატუსის ინდიკატორი	სასიგნალო მოწყობილობა	გამომწვევი მიზეზი	პრობლემის გადაჭრის გზა
	დატვირთვის პიქტოგრამა მოცემულია ECO დიაპაზონში.	არ მიესადაგება	გათიშულია	არა	აღნიშნული მიუთითებს ბალახის საკრეჭი მანქანის არსებულ დატვირთვაზე.	ეს ჩვეულებრივი ოპერაციაა. არანაირი ჩარევა არ არის საჭირო.
	გადატვირთვის ინდიკატორი ციმციმებს. დატვირთვის პიქტოგრამა მოცემულია PWR დიაპაზონში.	არ მიესადაგება	ციმციმებს წითლად	ერთი ხმოვანი სიგნალი	მჭრელი პირების ძრავა გადატვირთულია.	ბალახის საკრეჭი მანქანის დატვირთვის შემცირების მიზნით, გაზარდეთ ჭრის სიმაღლე ან შეამცირეთ მოძრაობის სიჩქარე.
					ბალახის საკრეჭი მანქანის სადინარი გაჭედილია ბალახითა და ნარჩენებით.	გასაუფთავეთ გვერდითი დასაცვლი ჩანთა ყოველი გამოყენების შემდეგ.
					გარკვეულ გადაკვეთას აქვს ადგილი მჭრელ პირსა და ბალახის საკრეჭ მანქანის ბაქანს შორის.	დაუკავშირდით კვალიფიციური სპეციალისტს.
	უსაფრთხოების გასაღების პიქტოგრამა ციმციმებს.	არ მიესადაგება	გათიშულია	არა	უსაფრთხოების გასაღები არ არის მოთავსებული.	ბალახის საკრეჭი მანქანის ასამუშავებლად მოათავსეთ უსაფრთხოების გასაღები, შემდეგ დააჭირეთ ჩართვა/გამორთვის ღილაკს.
					ელექტროენერგია არ მიეწოდება LCD ეკრანს.	დაუკავშირდით კვალიფიციური სპეციალისტს.

KA



LCD კვრანი	აღწერა	დაზიანების კოდი LCD-ზე	ბალახის საკრეჭი მანქანის სტატუსის ინდიკატორი	სასიგნალო მოწყობილობა	გამომწვევი მიზეზი	პრობლემის გადაჭრის გზა
<p>❶ ❷ ❸ ❹ ❺</p>	აკუმულატორის კონკრეტული ნაკვეთურის ხატულა ციმციმებს.	არ მიესადაგება	გათიშულია	არა	განმუხტვის დროს კონკრეტული აკუმულატორი ზედმეტად დატებილია.	არანაირი ჩარევა არ არის საჭირო. ბალახის საკრეჭი მანქანა გააგრძელებს მუშაობას, თუ აკუმულატორის საერთო ა/სთ, ჭარბი დენის აკუმულატორის გარეშე, აკმაყოფილებს მოთხოვნებს. როგორც კი გადახურებული აკუმულატორი დაუბრუნდება ნორმალურ ტემპერატურას, მაშინვე აღდგება ბალახის საკრეჭი მანქანის ელექტრომომარაგება და ხატულაც გაქრება.
<p>❶ ❷ ❸ ❹ ❺</p>	ცარიელი სააკუმულატორო ნაკვეთურის პიქტოგრამა ციმციმებს.	არ მიესადაგება	გათიშულია	არა	აკუმულატორის ტევადობა არასაკმარისია ბალახის საკრეჭი მანქანის მუშაობისთვის.	ამ ბალახის სააკრეჭის ასამუშავებლად გამოიყენეთ საკმარისი EGO აკუმულატორები ამ სახელმძღვანელოს "დატენვის" ნაწილის ინსტრუქციის შესაბამისად.

KA

LCD ეკრანი	აღწერა	დაზიანების კოდი LCD-ზე	ბალახის საკრეჭი მანქანის სტატუსის ინდიკატორი	სასიგნალო მოწყობილობა	გამომწვევი მიზეზი	პრობლემის გადაჭრის გზა
	<p>ტემპერატურის ხატულა ციმციმებს.</p>	<p>არ მიესადაგება</p>	<p>გათიშულია</p>	<p>ერთი ხმოვანი სიგნალი</p>	<p>ბალახის საკრეჭი მანქანა გადახურებულია.</p>	<p>შემცირეთ ბალახის საკრეჭი მანქანის დატვირთვა ჭრის სიმაღლის გაზრდით ან პირების მოძრაობის/ მართვის სიჩქარის შემცირებით. შეისვენეთ და აცალეთ, რომ გაგრილდეს.</p>
					<p>ბალახის საკრეჭი მანქანა გადაციებულია.</p>	<p>ნუ გააკეთებთ რამდენიმე მცდელობას, რამაც შეიძლება მანქანა დააზიანოს. ბალახის საკრეჭი მანქანა და აკუმულატორი ყოველთვის შეინახეთ თბილ გარემოში. გახურების შემთხვევაში, გადატვირთეთ ბალახის საკრეჭი მანქანა.</p>

KA

LCD კვრანი	აღწერა	დაზიანების კოდი LCD-ზე	ბალახის საკრეჭი მანქანის სტატუსის ინდიკატორი	სასიგნალო მოწყობილობა	გამომწვევი მიზეზი	პრობლემის გადაჭრის გზა
	<p>ტემპერატურის ხატულა და შევსებული აკუმულატორის ნაკვეთური ერთდროულად ციმციმებს.</p>	<p>არ მიესადაგება</p>	<p>ბალახის საკრეჭი მანქანის სტატუსის ინდიკატორი</p>	<p>სასიგნალო მოწყობილობა</p>	<p>შესაბამის დანომრილ სააკუმულატორო ნაკვეთურში აკუმულატორი გადახურებულია.</p>	<p>1. ბალახის საკრეჭი მანქანა გააგრძელებს მუშაობას, თუ აკუმულატორის საერთო ა/სთ, გადახურებული აკუმულატორის გარეშე, აკმაყოფილებს მოთხოვნებს. როგორც კი გადახურებული აკუმულატორი დაუბრუნდება ნორმალურ ტემპერატურას, მაშინვე აღდგება ბალახის საკრეჭი მანქანის ელექტრომომარაგება.</p>
						<p>2. იმ შემთხვევაში, თუ საერთო ა/სთ არ არის საკმარისი, ბალახის საკრეჭი მანქანა არ იმუშავებს მანამ, სანამ მეტი აკუმულატორების ბლოკი არ დაემატება აკუმულატორის ცარიელ ნაკვეთურში.</p>
						<p>3. მუშაობის განახლებისას, შეამცირეთ საკრეჭი მანქანის დატვირთვა ჭრის სიმაღლის გაზრდით ან თიბვის შენელებით.</p>

KA

LCD ეკრანი	აღწერა	დაზიანების კოდი LCD-ზე	ბალახის საკრეჭი მანქანის სტატუსის ინდიკატორი	სასიგნალო მოწყობილობა	გამომწვევი მიზეზი	პრობლემის გადაჭრის გზა
	<p>თითოეული შევსებული სააკუმულატორო ნაკვეთურის, დაბალი სიმძლავრის ინდიკატორის, საწვავის დონის პიქტოგრამები ყოველ 1 წამში ერთდროულად ანათებს LCD ეკრანზე. LED საწვავის დონის მაჩვენებლისა და სტატუსის ინდიკატორის პირველი ნაწილიც ციმციმებს.</p>	არ მიესადაგება	ციმციმებს წითლად	გამოსცემს ხმოვან სიგნალს, PTO გადამრთველის ქვევით გადაწვეამდე.	აკუმულატორი დაცლილია და ბალახის საკრეჭი მანქანა ავარიულ რეჟიმშია.	<p>შეწყვიტეთ მუშაობა და დაბრუნდით აკუმულატორის დატენვის ზონაში.</p> <p><b>შენიშვნა:</b> ბალახის საკრეჭი მანქანის ავარიულ რეჟიმში ყოფნის დროს, მჭრელი პირები ავტომატურად გადადის ბრუნვის დაბალ სიჩქარეზე ბალახის მოჭრის გარეშე და ამავდროულად ხმოვანი სიგნალი გამოსცემს ხმას. მძღოლმა PTO გადამრთველი უნდა გადაწიოს ქვემოთ მჭრელი პირების გასათიშად. ხმოვანი სიგნალი გამოირთვება, როცა მჭრელი პირები გაჩერდება;</p>
	<p>თითოეული შევსებული სააკუმულატორო ნაკვეთურისა და დაბალი სიმძლავრის მაჩვენებლები ანათებს ყოველ ნახევარ წამში.</p>	არ მიესადაგება	ციმციმებს წითლად	გამოსცემს ხმოვან სიგნალს.	აკუმულატორი თითქმის დაცლილია.	<p>ბალახის საკრეჭი მანქანა გაჩერდება. მძღოლმა ბალახის საკრეჭი მანქანა დასატენად უნდა გადაიყვანოს აკუმულატორის დატენვის ზონაში.</p>

KA

LCD ეკრანი	აღწერა	დაზიანების კოდი LCD-ზე	ბალახის საკრეჭი მანქანის სტატუსის ინდიკატორი	სასიგნალო მოწყობილობა	გამომწვევი მიზეზი	პრობლემის გადაჭრის გზა
	ავტომატური პარკირების პიქტოგრამა ციმციმებს LCD ეკრანზე.	არ მიესადაგება	გათიშულია	გამოსცემს ხმოვან სიგნალს.	ბალახის საკრეჭი მანქანა გაჩერებულია ფერდობზე და მძღოლმა მიატოვა ბალახის საკრეჭი მანქანა ისე, რომ მუხრუჭის პედალი არ გადართო სამუხრუჭე პოზიციაში, მხოლოდ საჭის ბერკეტები გადართო ღია პოზიციაში.	გადაიყვანეთ მუხრუჭის პედალი სამუხრუჭე პოზიციაში. ავტომატური პარკირების პიქტოგრამა გამოირთვება და ხმოვანი სიგნალი შეწყდება.
	მუხრუჭის პედალის პიქტოგრამა გამოტანილია LCD ეკრანზე.	არ მიესადაგება	გათიშულია	არა	სადგომი მუხრუჭის პედალი სამუხრუჭე პოზიციაშია.	ბალახის საკრეჭი მანქანის ამუშავებამდე გამორთეთ სამუხრუჭე პოზიციიდან.
	სავარძლის სენსორის პიქტოგრამა გამოტანილია LCD ეკრანზე.	არ მიესადაგება	გათიშულია	არა	მძღოლი ადგა სავარძლიდან ან სავარძლის გადამრთველი გათიშულია.	იმ შემთხვევაში, თუ მძღოლი ზის და პიქტოგრამა მაინც ციმციმებს, დაუყოვნებლივ შეწყვიტეთ მუშაობა და შეამოწმეთ სავარძლის კავშირი. თუ სავარძლის კავშირი გამართულია, შესაკეთებლად დაუკავშირდით კვალიფიციურ სპეციალისტს.

KA

LCD ეკრანი	აღწერა	დაზიანების კოდი LCD-ზე	ბალახის საკრეჭი მანქანის სტატუსის ინდიკატორი	სასიგნალო მოწყობილობა	გამომწვევი მიზეზი	პრობლემის გადაჭრის გზა
	PTO პიქტოგრამა ციმციმებს.	არ მიესადაგება	გათიშულია	არა	მჭრელი პირების ძრავა გაჩერდა მუშაობისას და PTO გადამრთველი არ არის გამორთულ მდგომარეობაში.	მუშაობის ხელახლა დაწყებამდე, PTO გადამრთველი გადაწიეთ ქვემოთ ძრავის გასათიშად. იხილეთ პუნქტი <b>„შეცდომებისა და დეფექტების აღმოჩენა და გამოსწორება“</b> .
	საჭის ბერკეტის პიქტოგრამა ციმციმებს.	არ მიესადაგება	გათიშულია	არა	წვეის ძრავა გაჩერდა მუშაობისას და საჭის ბერკეტები არ არის ღია მდგომარეობაში.	ბალახის საკრეჭი მანქანის ამუშავებამდე, საჭის ბერკეტები გადაიყვანეთ ღია მდგომარეობაში. იხილეთ პუნქტი <b>„შეცდომებისა და დეფექტების აღმოჩენა და გამოსწორება“</b> .
	ენერჯის რეკუპერაციის პიქტოგრამა პერიოდულად ციმციმებს.	არ მიესადაგება	გათიშულია	არა	დადმართზე მოძრაობისას ან დამუხრუჭებისას წარმოქმნილი კინეტიკური ენერჯია გარდაიქმნება ელექტროენერჯიად, რითაც იტენება აკუმულატორი.	ეს ჩვეულებრივი ოპერაციაა. არანაირი ჩარევა არ არის საჭირო.

KA

**შენიშვნა:** თუ ხარვეზის კოდი გამოჩნდება LCD ეკრანზე, ამოიღეთ აკუმულატორის ყველა ბლოკი და ხელახლა ჩადეთ ისინი რამდენიმე წუთის შემდეგ. თუ ეს პრობლემას არ მოაგვარებს, იხილეთ ქვემოთ მოცემულ ხარვეზის კოდის განმარტება.

LCD ეკრანი	აღწერა	დაზიანების კოდი LCD-ზე	ბალახის საკრეჭი მანქანის სტატუსის ინდიკატორი	სასიგნალო მოწყობილობა	გამომწვევი მიზეზი	პრობლემის გადაჭრის გზა	
იხილეთ „დაზიანების კოდი“	მარცხენა წვეის ძრავა არ ბრუნავს.	PCBA კონტროლირებადი მარცხენა წვეის ძრავა მწყობრიდანაა გამოსული.	413	გათიშულია	ერთი ხმოვანი სიგნალი	PCBA გაუმართაობა	დაუკავშირდით კვალიფიციური სპეციალისტს.
		შესაბამის PCBA-სთან მარცხენა წვეის ძრავის მართებელი (სამფაზიანი, დენის მავთული) არ არის დაკავშირებული.	317	გათიშულია	ერთი ხმოვანი სიგნალი	სუსტი კავშირი	
		შესაბამის PCBA-სთან მარცხენა წვეის ძრავის მართებელი (6-წვერიანი, სასიგნალო სადენი) არ არის დაკავშირებული.	301	გათიშულია	ერთი ხმოვანი სიგნალი	სუსტი კავშირი	
		მარცხენა წვეის ძრავა მწყობრიდანაა გამოსული.	317	გათიშულია	ერთი ხმოვანი სიგნალი	ძრავის გაუმართაობა	

KA

LCD ეკრანი	აღწერა	დაზიანების კოდი LCD- ზე	ბალახის საკრეჭი მანქანის სტატუსის ინდიკატორი	სასიგნალო მოწყობილობა	გამომწვევი მიზეზი	პრობლემის გადაჭრის გზა	
იხილეთ „დაზიანების კოდი“	მარჯვენა წვევის ძრავა არ ბრუნავს.	PCBA კონტროლირებადი მარჯვენა წვევის ძრავა მწყობრიდანაა გამოსული.	313	გათიშულია	ერთი ხმოვანი სიგნალი	PCBA გაუმართაობა	დაუკავშირდით კვალიფიციური სპეციალისტს.
		შესაბამის PCBA- სთან მარჯვენა წვევის ძრავის მერთებელი (სამფაზიანი, დენის მავთული) არ არის დაკავშირებული.	417	გათიშულია	ერთი ხმოვანი სიგნალი	სუსტი კავშირი	
		შესაბამის PCBA- სთან მარჯვენა წვევის ძრავის მერთებელი (6-წვერიანი ,სასიგნალო სადენი) არ არის დაკავშირებული.	401	გათიშულია	ერთი ხმოვანი სიგნალი	სუსტი კავშირი	
		მარჯვენა წვევის ძრავა მწყობრიდანაა გამოსული.	417	გათიშულია	ერთი ხმოვანი სიგნალი	ძრავის გაუმართაობა	

KA



LCD ეკრანი	აღწერა	დაზიანების კოდი LCD-ზე	ბალახის საკრეჭი მანქანის სტატუსის ინდიკატორი	სასიგნალო მოწყობილობა	გამომწვევი მიზეზი	პრობლემის გადაჭრის გზა	
იხილეთ „დაზიანების კოდი“	მარცხენა მჭრელი პირის ძრავა არ ბრუნავს.	PCBA კონტროლირებადი მარცხენა მჭრელი პირის ძრავა მწყობრიდანაა გამოსული.	607/A07	არ მიესადაგება	ერთი ხმოვანი სიგნალი	PCBA გაუმართაობა	დაუკავშირდით კვალიფიციური სპეციალისტს.
		შესაბამის PCBA-სთან მარცხენა წევის ძრავის მართვადი (სამფაზიანი, დენის მავთული) არ არის დაკავშირებული.	509	არ მიესადაგება	ერთი ხმოვანი სიგნალი	სუსტი კავშირი	პირველ რიგში, შემოწმეთ მჭრელი პირები. თუ იგი მოშვებულია, მოუჭირეთ ჭანჭიკს რეკომენდებული მარბუნ მომენტით. სხვა შემთხვევაში, დაუკავშირდით კვალიფიციური ტექნიკურ სპეციალისტს.
		მარცხენა მჭრელი პირის ძრავა მწყობრიდანაა გამოსული.	509	არ მიესადაგება	ერთი ხმოვანი სიგნალი	ძრავის გაუმართაობა	რეკომენდებული მარბუნ მომენტით. სხვა შემთხვევაში, დაუკავშირდით კვალიფიციური ტექნიკურ სპეციალისტს.

KA

LCD ეკრანი	აღწერა	დაზიანების კოდი LCD-ზე	ბალახის საკრეჭი მანქანის სტატუსის ინდიკატორი	სასიგნალო მოწყობილობა	გამომწვევი მიზეზი	პრობლემის გადაჭრის გზა	
იხილეთ „დაზიანების კოდი“	მარჯვენა მჭრელი პირის ძრავა არ ბრუნავს.	PCBA კონტროლირებადი მარჯვენა მჭრელი პირის ძრავა მწყობრიდანაა გამოსული.	507/A07	არ მიესადაგება	ერთი ხმოვანი სიგნალი	PCBA გაუმართაობა	დაუკავშირდით კვალიფიციური სპეციალისტს.
		შესაბამის PCBA-სთან მარჯვენა წევის ძრავის მართვადი (სამფაზიანი, დენის მავთული) არ არის დაკავშირებული.	609	არ მიესადაგება	ერთი ხმოვანი სიგნალი	სუსტი კავშირი	პირველ რიგში, შეამოწმეთ მჭრელი პირები. თუ იგი მოშვებულია, მოუჭირეთ ჭანჭიკს რეკომენდებული მარბრუნის მომენტით.
		მარჯვენა მჭრელი პირის ძრავა მწყობრიდანაა გამოსული.	609	არ მიესადაგება	ერთი ხმოვანი სიგნალი	ძრავის გაუმართაობა	სხვა შემთხვევაში, დაუკავშირდით კვალიფიციური ტექნიკურ სპეციალისტს.

KA

LCD ეკრანი	აღწერა	დაზიანების კოდი LCD- ზე	ბალახის საკრეჭი მანქანის სტატუსის ინდიკატორი	სასიგნალო მოწყობილობა	გამომწვევი მიზეზი	პრობლემის გადაჭრის გზა	
იხილეთ „დაზიანების კოდი“	შუა მჭრელი პირის ძრავა არ ბრუნავს.	PCBA კონტროლირებადი შუა მჭრელი პირის ძრავა მწყობრიდანაა გამოსული	507/ 607	არ მიესადაგება	ერთი ხმოვანი სიგნალი	PCBA გაუმართაობა	დაუკავშირდით კვალიფიციური სპეციალისტს.
		შტეფსელი (სამფაზიანი, დენის მავთული), რომელიც აკავშირებს შუა მჭრელი პირის ძრავას შესაბამის PCBA-სთან, მოშვებულია.	A09	არ მიესადაგება	ერთი ხმოვანი სიგნალი	სუსტი კავშირი	პირველ რიგში, შემოწმეთ მჭრელი პირები. თუ იგი მოშვებულია, მოუჭირეთ ჭანჭიკს რეკომენდებული მაბრუნე მომენტით. სხვა შემთხვევაში, დაუკავშირდით კვალიფიციური ტექნიკურ სპეციალისტს.
		შუა მჭრელი პირის ძრავა მწყობრიდანაა გამოსული	A09	არ მიესადაგება	ერთი ხმოვანი სიგნალი	ძრავის გაუმართაობა	დაუკავშირდით კვალიფიციური სპეციალისტს.
იხილეთ „დაზიანების კოდი“	მარცხენა საჭის ბერკეტი არ მუშაობს.	მარცხენა საჭის ბერკეტი, რომელიც აკონტროლებს PCBA-ს, მწყობრიდანაა გამოსული.	311/ 412	გათიშულია	ერთი ხმოვანი სიგნალი	PCAB გაუმართაობა	დაუკავშირდით კვალიფიციური სპეციალისტს.
		საჭის ლილვში მოთავსებულ PCBA- თან მაერთებელი არ არის დაკავშირებული.				სუსტი კავშირი	

KA

LCD ეკრანი	აღწერა	დაზიანების კოდი LCD- ზე	ბალახის საკრეჭი მანქანის სტატუსის ინდიკატორი	სასიგნალო მოწყობილობა	გამომწვევი მიზეზი	პრობლემის გადაჭრის გზა	
იხილეთ „დაზიანების კოდი“	მარჯვენა საჭის ბერკეტი არ მუშაობს.	მარჯვენა საჭის ბერკეტი, რომელიც აკონტროლებს PCBA-ს, მწყობრიდანაა გამოსული.	312/ 411	გათიშულია	ერთი ხმოვანი სიგნალი	PCAB გაუმართაობა	დაუკავშირდით კვალიფიციური სპეციალისტს.
		საჭის ლილვში მოთავსებულ PCBA- თან მართებული არ არის დაკავშირებული.				სუსტი კავშირი	
იხილეთ „დაზიანების კოდი“	სადგომი მუხრუჭი არ მუშაობს, მოწყობილობის მართვა შეუძლებელია.	სადგომი მუხრუჭი PCBA, რომელიც მდებარეობს კორპუსის წინა ნაწილში, დაზიანებულია.	309/ 409	გათიშულია	ერთი ხმოვანი სიგნალი	PCBA გაუმართაობა	დაუკავშირდით კვალიფიციური სპეციალისტს.
		სადგომი მუხრუჭის გადამრთველი და/ან სადენი დაზიანებულია.	801	გათიშულია	ერთი ხმოვანი სიგნალი	სადენის/ ჩამრთველის გაუმართაობა	

KA

LCD კერანი	აღწერა	დაზიანების კოდი LCD-ზე	ბალახის საკრეჭი მანქანის სტატუსის ინდიკატორი	სასიგნალო მოწყობილობა	გამომწვევი მიზეზი	პრობლემის გადაჭრის გზა
გათიშულია	დატენვის პორტი არ მუშაობს	არ მიესადაგება	მუქი წითელი	არ მიესადაგება	დატენვის პორტი ღია წრედშია ჩართული.	დაუკავშირდით კვალიფიციური სპეციალისტს.
		არ მიესადაგება	მუქი წითელი	არ მიესადაგება	ელექტროენერჯის მიწოდება არ ხდება.	შემოწმეთ შტეფსელის როზეტი, რამდენად მიეწოდება 220V-240V და რამდენად გამართულ მდგომარეობაშია.
		არ მიესადაგება	მუქი წითელი	არ მიესადაგება	დნობადი მცველი გადაიწვა.	დაუკავშირდით კვალიფიციური სპეციალისტს.
იხილეთ „დაზიანების კოდი“	დატენვის პორტი არ მუშაობს	204	არ მიესადაგება	ერთი ხმოვანი სიგნალი	დატენვის პორტი ღია წრედშია ჩართული.	დაუკავშირდით კვალიფიციური სპეციალისტს.

KA

LCD ეკრანი	აღწერა	დაზიანების კოდი LCD-ზე	ბალახის საკრეჭი მანქანის სტატუსის ინდიკატორი	სასიგნალო მოწყობილობა	გამომწვევი მიზეზი	პრობლემის გადაჭრის გზა
იხილეთ „დაზიანების კოდი“	აკუმულატორის ყუთი არ მუშაობს.	217	არ მიესადაგება	ერთი ხმოვანი სიგნალი	აკუმულატორის ყუთიდან ელექტრომომარაგება ვერ ხერხდება. LED ფარები და USB არ იმუშავებს.	დაუკავშირდით კვალიფიციური სპეციალისტს.
		310/ 410	გათიშულია	ერთი ხმოვანი სიგნალი	აკუმულატორის ყუთის C ტიპის სადენებსა და ბალახის საკრეჭი მანქანის სხვა C ტიპის სადენებს შორის კავშირი არ მუშაობს.	
		201/ 202/ 203	გათიშულია	ერთი ხმოვანი სიგნალი	აკუმულატორის ყუთის BMS დაზიანებულია	
იხილეთ „დაზიანების კოდი“	ჩართვა- გამორთვის დილაკი დაზიანებულია.	314/ 414	გათიშულია	ერთი ხმოვანი სიგნალი	PCBA-ს გაუმართაობა ან ჩართვა- გამორთვის გადამრთველის ცუდი კავშირი.	დაუკავშირდით კვალიფიციური სპეციალისტს.
იხილეთ „დაზიანების კოდი“	LCD ეკრანი დაზიანებულია.	315/ 415	გათიშულია	ერთი ხმოვანი სიგნალი	LCD დაზიანებულია ან ცუდი კავშირია.	დაუკავშირდით კვალიფიციური სპეციალისტს.

## გარანტია

### KA EGO-ს საგარანტიო პოლიტიკა

გთხოვთ ეწვიოთ ვებ-გვერდს [egopowerplus.com](http://egopowerplus.com), და გაეცნოთ EGO-ს საგარანტიო მომსახურების სრულ წესებს და პირობებს.

# PROČITAJTE SVA UPUTSTVA!



PROČITAJTE PRIRUČNIK ZA RUKOVAOCA

## SIGURNOSNI SIMBOL

Svrha sigurnosnih simbola je da vam skrenu pažnju na moguće opasnosti. Sigurnosni simboli i objašnjenja uz njih zaslužuju vašu pomnu pažnju i shvatanje. Simboli upozorenja, sami po sebi, ne eliminišu nikakve opasnosti. Uputstva i upozorenja koja oni daju nisu zamena za odgovarajuće mere sprečavanja nezgoda.

**⚠ UPOZORENJE:** Obavezno pročitajte i shvatite sva sigurnosna uputstva u ovom Priručniku za rukovaoca, obuhvatajući i sve simbole sigurnosnih upozorenja poput „**OPASNOST**“, „**UPOZORENJE**“ i „**OPREZ**“ pre korišćenja ovog alata. Nepridržavanje svih dole navedenih uputstava može da dovede do strujnog udara, požara i/ili ozbiljne telesne povrede.

## ZNAČENJE SIMBOLA

Ova stranica prikazuje i opisuje sigurnosne simbole koji mogu da se pojave na ovom proizvodu. Pročitajte, shvatite i sledite sva uputstva na mašini pre no što pokušate da je sklopite i da rukujete njom.

## SIGURNOSNI SIMBOLI

	Sigurnosno upozorenje		Pročitajte i shvatite priručnik za rukovaoca
	Zaštita za oči		Održavajte bezbednosne uređaje
	OPASNOST – Opasnost na oštrom nagibu		OPASNOST – Držite prolaznike dalje od sečiva
	Nikada nemojte voziti decu		Gledajte iza sebe dok idete unazad
	UPOZORENJE - Ne koristite ovu mašinu na nagibima većim od 12°		OPASNOST – Izbačeni predmeti
	UPOZORENJE – DRŽITE ŠAKE I STOPALA DALJE		Garantovani nivo zvučne snage. Prema Direktivi Evropske zajednice.

SR



Ne gaziti



Otpadni električni proizvodi ne smeju da se odlažu sa otpadom iz domaćinstva. Odnosite ih u ovlašćeni centar za reciklažu.



Ovaj proizvod je u skladu sa primenjivim direktivama EC



OPREZ - Nemojte gledati u uključenu lampu.



Jednosmerna struja



Ovaj proizvod je u skladu sa primenjivim zakonima UK.

kPa

Kilopaskal

O/min

Obrtaji u minutu

V

Volt

m

Metri

in

Inč

cm

Centimetri

Nm

Njutn metar

mm

Milimetri

°C

Celzijus

kg

Kilogram

km/h

Kilometara na sat

IPX4

Stepen zaštite od prodora

## SPECIFIKACIJE

KEES VAN DER SPEK  
TUINMACHINES \* STOLWIJK

Napon	56 V	
Veličina platforme	132 cm	
Veličina točkova	Prednje	279,4 x 126 mm
	Zadnje	457,2 x 223 mm
Pritisak hladne gume	Prednje	222,1 kPa
	Zadnje	115,8 kPa
Poluprečnik skretanja	0	
Brzina sečiva (o/min)	2600; 2800; 3000; 3200	
Maks. Brzina vožnje (km/h)	Napred	8,1 km/h, 9,7 km/h, 11,3 km/h, 12,8 km/h
	Nazad	do 6,4 km/h

SR

Punjenje	Punjač (opcionalan)	CHV1600E
	Adapter (opcionalan)	ACA1000
	Opseg temperature punjenja	Od 5 do 40°C
Podešavanje visine košenja (10 pozicija)		25-100 mm
Radna temperatura		Od 0 do 40°C
Temperatura skladištenja		Od -20 do +70°C
Težina (bez baterije)		217 kg
Izmereni nivo zvučne snage L <sub>WA</sub>		95,48 dB(A) K=0,73 dB(A)



Nivo zvučnog pritiska kod uha rukovaoca $L_{PA}$		82,5 dB(A) K=3 dB(A)
Garantovani nivo zvučne snage $L_{WA}$ (izmereno u skladu sa Direktivom 2000/14/EC)		100 dB(A)
Vibracije $a_h$	Šaka	0,69 m/s <sup>2</sup> K=1,5 m/s <sup>2</sup>
	Telo	0,3 m/s <sup>2</sup> K=1,5 m/s <sup>2</sup>

- Deklarisana ukupna vrednost vibracije je izmerena u skladu sa standardnim metodom testiranja i može se koristiti za upoređivanje jednog alata sa drugim;
- Deklarisana ukupna vrednost vibracije može se koristiti i u preliminarnoj proceni izlaganja.

**NAPOMENA:** Emisija vibracija tokom stvarne upotrebe električnog alata može da se razlikuje od deklarirane vrednosti u kojoj se alat koristi. Da bi se rukovalec zaštitio, korisnik bi trebalo da nosi rukavice i štittnike za uši u stvarnim uslovima korišćenja.

## OPIS

### UPOZNAJTE SVOJU KOSILICU (SLIKA A1 I A2)

1. Sedište
2. Port za punjenje
3. Pogonska jedinica
4. LED zadnje svetlo
5. Odeljak za skladištenje
6. Držači šolja
7. LED bočno svetlo
8. Zadnji točak (pogonski točak)
9. Port za pranje
10. Platforma
11. Štitnik platforme
12. Točak protiv skalpiranja
13. Prednji točak
14. Pedala parkirne kočnice

15. Dnevna svetla
16. LED prednja svetla
17. Bočni izlazni otvor
18. Poluga za podešavanje visine platforme
19. Okruglo dugme za podešavanje vešanja sedišta
20. Poluga za podešavanje položaja sedišta
21. Šipke
22. Indikator statusa kosilice
23. LCD ekran
24. PTO prekidač
25. Start/stop dugme
26. Sigurnosni ključ
27. Prorez za skladištenje telefona
28. Pregrada
29. Pokazivač goriva i indikator statusa kosilice
  - 29.a. Indikator pokazivača goriva kosilice
  - 29.b. Indikator statusa kosilice
30. Prostor za oslanjanje nogu
31. Dugme za oslobađanje poklopca pogonske jedinice
32. Poklopac pogonske jedinice
33. Pogonska jedinica sa šest odeljaka za baterije
34. Dugme za otpuštanje baterije
35. Priključak za prikolicu
36. Poklopac za montiranje priključka
37. Skladište poklopca za montiranje priključka
38. USB port

### UPOZNAJTE LCD EKTRAN (SLIKA A3)

Pogledajte odeljak „**KODOVI STATUSA KOSILICE ZA REFERENCE I GREŠKE**“ za više informacija o ikonicama i indikatorima na LCD ekranu.

1. Ikonica za sigurnosni ključ
2. Ikonica za LED svetla
3. Ikonica za automatsko parkiranje
4. Ikonica za USB
5. Indikator brzine sečiva
6. Indikator statusa bezbednosnog uređaja

7. Brojač sati
8. Ikonica praznog odeljka za bateriju
9. Ikonica temperature
10. Ikonica zauzetog odeljka za bateriju
11. Režim vožnje
12. Indikator za kodove kvarova
13. Indikator preopterećenja
14. Indikator za slabu bateriju
15. Indikator za brzinu vožnje
16. Indikator za opterećenje
17. Pokazivač goriva
18. Dugme za podešavanje brzine sečiva
19. Dugme za postavke
20. Dugme za režim vožnje
21. Prekidač za LED svetla
22. Dugme za podešavanja brzine vožnje

## PREPORUČENI DODACI

**⚠ UPOZORENJE:** Upotrebljavajte samo identične rezervne delove navedene ispod. Upotreba delova koji ne ispunjavaju specifikacije originalne opreme može da dovede do nepravilnog rada i kompromitovane bezbednosti.

NAZIV DELA	BROJ MODELA
Standardno sečivo	AB5200
Sečivo za visoko izbacivanje	AB5201
Komplet za malčiranje	ABP5200
Komplet vreća za travu	ABK5200-A
Zadnji branik	AMB1000
Prtljažnik	AMG1000
Suncobran	AMS1000

## RASPAKIVANJE

**NAPOMENA:** Sačuvajte ambalažu dok ne budete pažljivo pregledali proizvod i rukovali njime na zadovoljavajući način. Ako su bilo koji delovi sa popisa pakovanja sklopljeni na mašini, odmah se obratite EGO servisu.

**NAPOMENA:** Osim alata na donjem popisu pakovanja, svi drugi alati pomenuti u priručnicima su samo preporučeni ali nisu priloženi.

### POPIS PAKOVANJA (slika B)

B-1	Traktorska kosilica koja skreće u mestu	B-6	Sigurnosni ključevi
B-2	Sedište	B-7	Francuski ključevi (13 mm)
B-3	Poluga za upravljanje	B-8	Inbus ključ
B-4	Inbus vijci (2 za rezervu)	B-9	Brza spojnica za port za pranje
B-5	Šestougaoni vijci (2 za rezervu)	B-10	Priručnik za rukovaoca

## SASTAVLJANJE

### INSTALIRANJE SEDIŠTA (slika C1 i C2)

**⚠ UPOZORENJE:** Sigurnosni sistem međusobnog zaključavanja se ne sme odvajati niti zaobilaziti. To može uzrokovati da kosilica funkcioniše nepredvidivo, rezultujući telesnim povredama.

**NAPOMENA:** Radi vaše bezbednosti, kosilica može stopirati vožnju kad se prekidač sedišta odvoji tokom vožnje. U ovom slučaju, pogledajte odeljak „**REŠAVANJE PROBLEMA**“ za više informacija.

C1-1	Kabl	C1-5	Inbus vijci
C1-2	Utikač	C2-1	Kukica
C1-3	Utičnica	C2-2	Čelične šine
C1-4	Osnova vešanja	C2-3	Inbus vijci

### POSTAVLJANJE POLUGA ZA UPRAVLJANJE (slika C3)

C3-1	Poluge za upravljanje	C3-3	Rupe za montiranje poluge za upravljanje
C3-2	Šestougaoni vijci		

## RUKOVANJE

### PRE UPOTREBE KOSILICE

#### Provera okoline

- Osigurajte da na mestu rada nema dece, prolaznika i kućnih ljubimaca.
- Očistite mesto rada od predmeta koji mogu biti izbačeni sečivom kosilice.
- Proverite i osigurajte da su LED svetla u ispravnom stanju:
  - Prednja, bočna i zadnja svetla se kontrolišu prekidačem LED svetla.
  - Dnevna svetla uvek rade tokom vožnje.
  - Kada idete unazad, ako su zadnja svetla isključena ona će bljeskati da bi upozorila prolaznike; ako su zadnja svetla uključena ona će ostati uključena.
  - Sva svetla će se automatski isključiti kad se kosilica automatski isključi nakon određenog vremena bez rukovanja.

#### Provera pritiska hladne gume (slika D1)

#### Provera statusa kosilice i nivoa napunjenosti baterije

- Indikator pokazivača goriva kosilice (slika A2 – 27a)  
Svaki segment indikatora pokazivača goriva kosilice prikazuje 20% napunjenosti umetnutih baterija.

**NAPOMENA:** Indikator pokazivača goriva kosilice i pokazivač goriva na LCD ekranu prikazuju prosečni kapacitet umetnutih baterija.

- Indikator statusa kosilice (slika A1 i slika A2 – 27b)  
Ako indikator statusa prikazuje zeleno, kosilica je spremna za vožnju. Ako ne, pogledajte odeljak „**KODOVI STATUSA KOSILICE ZA REFERENCE I GREŠKE**“

### Testiranje sigurnosnog sistema međusobnog zaključavanja (slika D2-D8)

**NAPOMENA:** Rukovalac mora biti na sedištu pre testa.

- Pre testiranja (slika D2-D4)
- Da biste testirali sistem platforme i sečiva (slika D5), potom polako ustanite
- Da biste testirali sistem vožnje (slika D6-D8), potom polako ustanite

Ako sistem platforme i sečiva i/ili sistem vožnje neće da se stopira kad rukovalac ustane sa sedišta i ako se razlog ne može utvrditi nakon potvrđivanja da su utikač i utičnica sedišta dobro povezani, odmah se obratite centru EGO korisničke službe.

### PODEŠAVANJE (slika E1-E13)

#### Priprema (slika E1-E5)

#### Podešavanje visine platforme (slika E6)

#### Podešavanje točkova protiv skalpiranja (slika E7-E10)

E7-1	Točak protiv skalpiranja	E9-2	Zavrtanj
E9-1	Navrtka	E10-1	Oznaka visine platforme

#### Podešavanje sedišta (slika E11)

Podesite poziciju sedišta da biste osigurali da možete da ostvarite čvrst kontakt sa pedalom parkirne kočnice pre rukovanja kosilicom. Podešavanje vešanja sedišta će vam omogućiti udobniji rad.

E11-1	Poluga za podešavanje položaja sedišta	E11-2	Okruglo dugme za podešavanje vešanja sedišta
-------	--	-------	--

#### Postavljanje parkirne kočnice (slika E12-E13)

E13-1	Položaj za kočenje	E13-2	Otpušteni položaj
-------	--------------------	-------	-------------------

### PUNJENJE (slika F1-F11)

Da biste startovali ovu kosilicu, neophodne su EGO baterije sa ukupno 15 Ah (2 X BA4200/BA4200T) ili više. Za najbolje performanse preporučujemo upotrebu EGO baterija sa ukupno 30 Ah ili više.

Koristite samo sa preporučenim baterijama i punjačima. (Slika F9 i F10)

Priprema za punjenje (slika F1-F4)

Punjenje baterija zasebno (slika F5-F9)

F5-1	Dugme za otpuštanje poklopca	F7-1	Dugme za oslobađanje baterije
------	------------------------------	------	-------------------------------

- Za spajanje baterija (slika F5-F6)
- Za odvajanje baterija (slika F7-F8)

**NAPOMENA:** Za punjenje baterija pogledajte odgovarajuće priručnike baterije i punjača.

Punjenje baterija preko porta za punjenje (slika F10)

F10-1	Poklopac protiv prašine	F10-2	Port za punjenje
-------	-------------------------	-------	------------------

## STARTOVANJE KOSILICE (slika A4-A5 i G1-G6)

**⚠ UPOZORENJE:** Izbegavate naglo startovanje, stopiranje i skretanje, kao i prekomernu brzinu, naročito kad prvi put učite da rukujete kosilicom. Kosilica može da se brzo zavrti, što može izazvati da izgubite kontrolu i dovesti do ozbiljne povrede i/ili štete.

**⚠ UPOZORENJE:** Pre pokretanja kosilice, proverite i osigurajte da noževi ne budu angažovani u roku od 5 sekundi kad pritisnete PTO prekidač nadole. Ako se sečiva ne stopiraju, ne koristite kosilicu i odmah se obratite EGO korisničkoj službi.

**NAPOMENA:** Pratite sliku A4 i G2 da biste dobili najmanju brzinu vožnje i **STANDARDNI** režim vožnje dok ne budete bili potpuno sposobni za rukovanje kosilicom u svim situacijama. Brzina vožnje i režim vožnje će se aktivirati samo kad su točkovi kosilice stopirani a poluge za upravljanje otvorene.

Kosilica će sačuvati i ponuditi prethodni režim vožnje, brzinu vožnje i kalibraciju poluga za upravljanje kad je restartujete.

SR

**Režim vožnje**

- **KONTROLNI:** Manje ubrzanje, manje osetljivo rukovanje i mala brzina skretanja radi zaštite trave i

za nove korisnike.

- **STANDARDNI:** Savršen za svakodnevnu upotrebu.
- **SPORTSKI:** Veće ubrzanje, precizno rukovanje i oštro skretanje radi povećavanja efikasnosti košenja i za entuzijaste košenja.

**Podešavanje brzine vožnje (slika A4)**

**Podešavanje brzine sečiva (slika A5)**

**USB port**

**NAPOMENA:** USB port omogućava punjenje snage 5 volti jednosmerne struje pri ukupno 1,5 ampera i funkcioniše samo kad je kosilica startovana.

## STOPIRANJE KOSILICE (slika H1-H6)

**NAPOMENA:** Posle više od 60 minuta neaktivnosti, kosilica će se automatski isključiti.

**Režim odlaska kući**

Kad je napunjenost baterije pri kraju, kosilica će ući u režim odlaska kući:

- Kosilica automatski stopira košenje trave;
- Zvučni indikator će nastaviti da se oglašava;
- Indikator statusa kosilice će bljeskati crveno svake sekunde, prvi segment pokazivača goriva kosilice će bljeskati crveno i indikator za slabu bateriju i grafika baterije na pokazivaču goriva će bljeskati.

Rukovalac treba da:

- Pritisne PTO prekidač nadole (slika H3) da bi deaktivirao sečiva. Zvučni indikator će prestati da se oglašava kad se sečivo stopira;
- Stopira rad i ode na mesto punjenja baterije što pre. Maksimalna udaljenost koju kosilica može da pređe je 1000 m.

Kad je baterija skoro ispražnjena, ikonica svakog zauzetog odeljka za bateriju i indikator slabe baterije će treperiti svakih pola sekunde. Kosilica će momentalno stopirati rad. Rukovalac treba da transportuje kosilicu do mesta za punjenje baterije radi punjenja.

**Ručno guranje**

Ako je potrebno ručno guranje, osigurajte da baterije budu odvojene od kosilice i da pedala parkirne kočnice bude otpuštena iz položaja košenja.

## VOŽENJE KOSILICE (slika I1-I9)

Za stopiranje, smanjivanje ili povećavanje brzine, polako menjajte udaljenost poluga za upravljanje od neutralnog položaja.

**⚠ OPASNOST:** Budite udaljeni najmanje dve širine otkosa od bilo kakvih jaraka, litica ili vode. Prednji točkovi mogu da se okreću kad je kosilica stopirana, čak i sa aktiviranom kočnicom, i da izazovu da kosilica padne preko ivice ili u vodu te da rezultuju smrću ili ozbiljnom telesnom povredom.

**⚠ UPOZORENJE:** Budite svesni onoga što je iza kosilice pre kretanja unazad. NEMOJTE kositi unazad osim ako nije apsolutno neophodno. Uvek gledajte dole i nazad pre i tokom kretanja unazad da biste osigurali da deca, prolaznici ili kućni ljubimci ne uđu u oblast košenja. Imajte na umu da je za izazivanje smrti ili teških povreda dovoljan samo delić sekunde nepažnje.

**⚠ UPOZORENJE:** Ne rukujte ovom mašinom na javnim putevima.

**⚠ UPOZORENJE:** Ako dođe do blokade ili udarite strani predmet, stopirajte motore i izvadite baterije. Uklonite pokošenu travu, lišće, zemlju i svu drugu nagomilanu prljavštinu; temeljno pregledajte da li na kosilici ima oštećenja i popravite ih pre restartovanja kosilice i rukovanja njom.

## ODRŽAVANJE

**⚠ UPOZORENJE:** Uvek nosite zaštitne naočare sa bočnim štitnicima. Nepostupanje u skladu sa tim može da rezultira odbacivanjem predmeta u oči koji rezultuju mogućim teškim povredama.

**⚠ UPOZORENJE:** Uvek zaštitite ruke tako što ćete nositi debele rukavice ili umotati oštre ivice krpama ili drugim materijalom kad radite bilo kakvo održavanje na sečivu kosilice. Uvek izvadite sigurnosni ključ i baterije kad servisirate ili transportujete kosilicu.

Interval servisnog održavanja	Procedura održavanja
Pre svake upotrebe ili jednom na dan	<ul style="list-style-type: none"> <li>▪ Proverite sigurnosni sistem međusobnog zaključavanja.</li> <li>▪ Vizuelno proverite da li su gume prazne.</li> <li>▪ Pregledajte da li su sečiva pohabana, napukla ili savijena.</li> <li>▪ Pregledajte ceo proizvod da biste videli da li ima oštećenih, nedostajućih ili labavih delova poput bočnog izlaznog otvora, vijaka, navrtnja, zavrtnja, kapica itd., osiguravajući da svi štitnici budu na svom mestu i da pravilno funkcionišu.</li> <li>▪ Proverite funkcionisanje kočnice.</li> </ul>
Posle svake upotrebe	<ul style="list-style-type: none"> <li>▪ Očistite platformu.</li> </ul>
Svakih 25 sati	<ul style="list-style-type: none"> <li>▪ Proverite pritisak guma.</li> </ul>
Svakih 50 sati	<ul style="list-style-type: none"> <li>▪ Proverite stanje maziva unutar prirubnice sečiva.</li> </ul>
Svakih 100 sati	<ul style="list-style-type: none"> <li>▪ Proverite zadnje točkove, osiguravajući da sve matice budu zategnute na preporučeni obrtni moment.</li> </ul>
Svakih 200 sati	<ul style="list-style-type: none"> <li>▪ Proverite prednje točkove, osiguravajući da se slobodno okreću.</li> </ul>

Jednom godišnje	<ul style="list-style-type: none"> <li>Proverite pedalu parkirne kočnice. Izvadite bateriju iz kosilice i postavite parkirnu pedalu u položaj kočenja. Ručno gurnite kosilicu unapred da biste videli da li se kosilica može kretati ili ne. Ako se kreće, odnesite je na servis kod kvalifikovanog servisnog tehničara.</li> </ul>
-----------------	---

## ČIŠĆENJE KOSILICE (slika J1-J9)

Priprema (slika J1-J5)

Čišćenje kućišta kosilice (slika J6-J7)

Korišćenje porta za pranje za čišćenje platforme (slika J8-J9)

J8-1	Port za pranje	J8-3	Baštensko crevo
J8-2	Brza spojnica za port za pranje		

**NAPOMENA:** Kad završite sa čišćenjem, pritisnite PTO prekidač nadole da biste otpustili sečiva kosilice.

## ODRŽAVANJE PLATFORME I SEČIVA

Priprema (slika K1-K6)

Uklanjanje platforme (slika K7-K8)

K7-1	Kabl motora	K7-3	Spona vešanja
K7-2	Osigurač		

**NAPOMENA:** Odvojite sve kablove motora i osigurače kad uklanjate platformu.

Zamena sečiva (slika K9-K11)

K9-1	Stabilizator	K10-3	Sečivo
K10-1	Zavrtanj	K10-4	Prirubnica
K10-2	Podloška	K10-5	Vratilo motora

SR

## Nivelisanje platforme

- Kada nivelisati (slika K12-K14)**
- Pre nivelisanja
  - Provera pritiska hladne gume (slika K15)
  - Provera sečiva. Uklonite i zamenite pohabana, napukla i/ili iskrivljena sečiva po potrebi.
- Priprema za nivelisanje (slika K16-K21)**
- Kako nivelisati**
  - Za bočno podešavanje (slika K22)**

K22-1	Kontranavrtka
-------	---------------

- Za podešavanje napred-nazad (slika K23)**

## KALIBRISANJE SISTEMA ZA PRAĆENJE KOSILICE (slika L1-L4)

**NAPOMENA:** Zvučni indikator će se jednom oglasiti i kad kalibracija startuje i kad se kalibracija završi.

**NAPOMENA:** Kalibracija urađena za jedan od režima vožnje (kontrolni, standardni, sportski) možda neće biti dostupna za druga dva režima. Kalibrišite poluge za upravljanje nezavisno u svakom režimu vožnje po potrebi.

## RESETOVANJE KOSILICE NA POČETNE FABRIČKE POSTAVKE (slika M)

**NAPOMENA:** Zvučni indikator će se jednom oglasiti i kad resetovanje startuje i kad se resetovanje završi.

**NAPOMENA:** Kad je resetovanje uspešno, donje postavke će se vratiti na početne fabričke postavke:

- režim vožnje
- brzina vožnje
- kalibracija poluga za upravljanje

## SKLADIŠTENJE I TRANSPORT

### TRANSPORTOVANJE KOSILICE (SLIKA N1- N11)

**NAPOMENA:** Pričvrstite kosilicu prema potrebi, pomoću kaiša ili kablova, da biste sprečili pomeranje tokom transporta.

## SKLADIŠTENJE (slika O1-O6)

**NAPOMENA:** Izvadite baterije i skladištite ih u skladu sa odgovarajućim priručnicima.

Očistite i proverite kosilicu pre skladištenja u skladu sa odeljcima „**ČIŠĆENJE KOSILICE**“ i „**PREPORUČENI RASPORED ODRŽAVANJA**“.

### Zaštita životne sredine




WEEE (otpadna električna i elektronska oprema): ne odlažite električnu opremu, potrošene baterije i punjače u kućni otpad!



Odnosite ovaj proizvod u ovlašćeni pogon za reciklažu ili ga odvojite od ostalog smeća radi zasebnog prikupljanja. Električni alati moraju se odneti u ekološki prihvatljiv pogon za reciklažu.


KEES VAN DER SPEK  
TUINMACHINES ★ STOLWIJK

## REŠAVANJE PROBLEMA

PROBLEM	UZROK	REŠENJE
<p>Kosilica neće da vozi kad se dve poluge za upravljanje gurnu unapred ili unazad na početku.</p>  Ikonica za nivo upravljanja treperi	<ul style="list-style-type: none"> <li>Ukupni Ah umetnutih baterija ne ispunjava zahtev.</li> </ul>	<ul style="list-style-type: none"> <li>Da biste startovali ovu kosilicu, koristite dovoljno EGO baterija prateći uputstvo u odeljku „<b>PUNJENJE</b>“ u ovom priručniku.</li> </ul>
	<ul style="list-style-type: none"> <li>Pedala parkirne kočnice je postavljena u položaj kočenja.</li> </ul>	<ul style="list-style-type: none"> <li>Pritisnite pedalu parkirne kočnice do kraja da biste je otpustili iz položaja kočenja.</li> </ul>
	<ul style="list-style-type: none"> <li>Poluge za upravljanje nisu u otvorenom položaju prilikom startovanja kosilice.</li> </ul>	<ul style="list-style-type: none"> <li>Vratite poluge za upravljanje u otvoreni položaj i restartujte kosilicu.</li> </ul>
	<ul style="list-style-type: none"> <li>Rukovalac ne sedi na sedištu.</li> </ul>	<ul style="list-style-type: none"> <li>Rukovalac može rukovati kosilicom isključivo kad pravilno sedi na sedištu.</li> </ul>
	<ul style="list-style-type: none"> <li>Prekidač sedišta nije pravilno spojen.</li> </ul>	<ul style="list-style-type: none"> <li>Izvadite bateriju iz kosilice i rasklopite sedište prateći obrnutim redosledom uputstva u odeljku „<b>INSTALIRANJE SEDIŠTA</b>“ u ovom priručniku da biste pregledali spoj prekidača sedišta. Ponovo sklopite sedište i pratite uputstva u odeljku „<b>STARTOVANJE KOSILICE</b>“ da biste restartovali kosilicu i videli da li se kosilica može startovati. Ako ne, obratite se kvalifikovanom servisnom tehničaru radi popravke.</li> </ul>
	<ul style="list-style-type: none"> <li>Po ekstremno hladnom vremenu, funkcija vožnje možda neće uspešno startovati zbog zaštite od niske temperature.</li> </ul>	<ul style="list-style-type: none"> <li>Uvek čuvajte kosilicu i bateriju u toplom okruženju. Restartujte kosilicu kad se bude ugrijala. Nemojte pokušavati više puta u ekstremno hladnom vremenu jer to može oštetiti mašinu.</li> </ul>



PROBLEM	UZROK	REŠENJE
Kosilica prestaje da vozi.	<ul style="list-style-type: none"> <li>▪ Poluge za upravljanje zahtevaju „resetovanje“.</li> </ul>	<ul style="list-style-type: none"> <li>▪ Vratite poluge za upravljanje u otvoreni položaj i restartujte kosilicu.</li> </ul>
	<ul style="list-style-type: none"> <li>▪ Električne kontrolne komponente poluga za upravljanje su se pokvarile.</li> </ul>	<ul style="list-style-type: none"> <li>▪ Obratite se kvalifikovanom servisnom tehničaru radi popravke.</li> </ul>
	<ul style="list-style-type: none"> <li>▪ Prekidač sedišta se odvojio tokom vožnje na neravnom terenu.</li> </ul>	<ul style="list-style-type: none"> <li>▪ Izvadite bateriju iz kosilice i rasklopite sedište prateći obrnutim redosledom uputstva u odeljku „<b>INSTALIRANJE SEDIŠTA</b>“ u ovom priručniku da biste pregledali spoj prekidača sedišta. Ponovo sklopite sedište i pratite uputstva u odeljku „<b>STARTOVANJE KOSILICE</b>“ da biste restartovali kosilicu i videli da li se kosilica može startovati. Ako ne, obratite se kvalifikovanom servisnom tehničaru radi popravke.</li> </ul>
	<ul style="list-style-type: none"> <li>▪ Pedala parkirne kočnice je pritisnuta da bi se smanjila brzina vožnje. Kad je pedala parkirne kočnice pritisnuta dovoljno ali ne u parkirni položaj, kosilica će se stopirati.</li> </ul>	<ul style="list-style-type: none"> <li>▪ Pratite uputstva u odeljku „<b>STARTOVANJE KOSILICE</b>“ da biste restartovali kosilicu.</li> </ul>
Brzina vožnje/režim vožnje ne mogu da se podese tokom vožnje.	<ul style="list-style-type: none"> <li>▪ To je funkcija kosilice radi bezbedne vožnje.</li> </ul>	<ul style="list-style-type: none"> <li>▪ Funkcija će se aktivirati samo kad su točkovi kosilice stopirani a poluge za upravljanje otvorene.</li> </ul>

PROBLEM	UZROK	REŠENJE
<p>Kosilica neće da startuje sečiva kad se angažuje PTO prekidač.</p>  Ikonica PTO prekidača treperi	<ul style="list-style-type: none"> <li>Ukupni Ah umetnutih baterija ne ispunjava zahtev.</li> </ul>	<ul style="list-style-type: none"> <li>Da biste startovali ovu kosilicu, koristite dovoljno EGO baterija prateći uputstvo u odeljku „PUNJENJE“ u ovom priručniku.</li> </ul>
	<ul style="list-style-type: none"> <li>PTO prekidač nije pritisnut nadole kad je kosilica poslednji put stopirana.</li> </ul>	<ul style="list-style-type: none"> <li>Pritisnite PTO prekidač nadole i restartujte sečiva kosilice.</li> </ul>
	<ul style="list-style-type: none"> <li>Kosilica je preopterećena u trenutku startovanja sečiva, rezultujući u samozaštiti motora.</li> </ul>	<ul style="list-style-type: none"> <li>Startujte košenje trave prvo na manjoj brzini sečiva i, dok god sečiva ne ostvare uspešnu rotaciju, ne povećavajte brzinu sečiva po potrebi.</li> </ul>
	<ul style="list-style-type: none"> <li>Po ekstremno hladnom vremenu, motor sečiva možda neće uspešno startovati zbog zaštite od niske temperature.</li> </ul>	<ul style="list-style-type: none"> <li>Uvek čuvajte kosilicu i bateriju u toplom okruženju. Restartujte kosilicu kad se bude ugrejala. Nemojte pokušavati više puta u ekstremno hladnom vremenu jer to može oštetiti mašinu.</li> </ul>
	<ul style="list-style-type: none"> <li>Sečivo ometa deformisana platforma.</li> </ul>	<ul style="list-style-type: none"> <li>Obratite se kvalifikovanom servisnom tehničaru radi popravke.</li> </ul>

PROBLEM	UZROK	REŠENJE
Sečiva stopiraju rad tokom košenja trave.	<ul style="list-style-type: none"> <li>▪ Kosilica je preopterećena.</li> </ul>	<ul style="list-style-type: none"> <li>▪ Povećajte visinu košenja platforme ili smanjite brzinu vožnje da biste smanjili opterećenje na kosilicu.</li> </ul>
	<ul style="list-style-type: none"> <li>▪ Platforma kosilice je zapušena travom i prljavštinom.</li> </ul>	<ul style="list-style-type: none"> <li>▪ Očistite platformu i uverite se da sečiva mogu slobodno da se kreću.</li> </ul>
	<ul style="list-style-type: none"> <li>▪ Kosilica je pregrejana.</li> </ul>	<ul style="list-style-type: none"> <li>▪ Smanjite opterećenje kosilice tako što ćete povećati visinu platforme ili smanjiti brzinu sečiva/vožnje i ostaviti kosilicu da se ohladi.</li> </ul>
	<ul style="list-style-type: none"> <li>▪ Baterije u odeljcima za baterije na kosilici su pregrejane, a rezultat je da ukupni Ah zbir svih umetnutih baterija ne ispunjava zahtev.</li> </ul>	<ol style="list-style-type: none"> <li>1. Ako ukupni Ah baterija ne ispunjava zahtev, kosilica neće raditi dok se još baterija ne umetne u prazne komponente za baterije. Kad se pregrejana baterija vrati na normalnu temperaturu, odmah će se uključiti u napajanje kosilice.</li> </ol>
		<ol style="list-style-type: none"> <li>2. Smanjite opterećenje kosilice tako što ćete povećati visinu platforme ili usporiti košenje kad nastavite sa radom.</li> </ol>
	<ul style="list-style-type: none"> <li>▪ Kosilica je u režimu odlaska kući.</li> </ul>	<ul style="list-style-type: none"> <li>▪ Kad je kosilica u režimu odlaska kući, sečiva se automatski prebacuju u malu brzinu rotacije bez košenja trave. Rukovalac treba da stopira rad i ode na mesto punjenja baterije što pre.</li> </ul>
<ul style="list-style-type: none"> <li>▪ Kosilica je udarila strani predmet, rezultujući u samozaštiti motora.</li> </ul>	<ul style="list-style-type: none"> <li>▪ Pritisnite PTO prekidač nadole i restartujte sečiva kosilice.</li> </ul>	
Zvučni indikator nastavlja da se oglašava.	<ul style="list-style-type: none"> <li>▪ Kosilica je u režimu odlaska kući a sečiva nisu isključena.</li> </ul>	<ul style="list-style-type: none"> <li>▪ Pritisne PTO prekidač dole da biste deaktivirali sečiva platforme. Zvučni indikator će prestati da se oglašava kad se sečivo stopira.</li> </ul>
	<ul style="list-style-type: none"> <li>▪ Kosilica stopira vožnju na nagibu a rukovalac otvara poluge za upravljanje i ustaje sa sedišta bez postavljanja pedale parkirne kočnice u položaj kočenja.</li> </ul>	<ul style="list-style-type: none"> <li>▪ Postavite pedalu parkirne kočnice u položaj kočenja pre no što ostavite kosilicu na nagibu.</li> </ul>

PROBLEM	UZROK	REŠENJE
Indikatori baterija su i dalje uključeni kada je kosilica isključena.	<ul style="list-style-type: none"> <li>Kad je kosilica isključena na tlu bez vađenja baterija iz kosilice, indikatori baterija, dugme start/stop i dugme za postavke će ostati osvetljeni tokom određenog vremena.</li> </ul>	<ul style="list-style-type: none"> <li>Nije potrebna nikakva radnja. Indikatori baterija će se isključiti kad se kosilica isključi posle nekog vremena. Pogledajte odeljak „<b>STOPIRANJE KOSILICE</b>“ za konkretno vreme.</li> </ul>
	<ul style="list-style-type: none"> <li>Kad je kosilica isključena na nagibu bez postavljanja pedale parkirne kočnice u položaj kočenja, indikatori baterija će nastaviti da svetle dok se baterije ne isprazne. Zvučni indikator istovremeno nastavlja da se oglašava.</li> </ul>	<ul style="list-style-type: none"> <li>Postavite pedalu parkirne kočnice u položaj kočenja pre no što ostavite alat na nagibu.</li> </ul>
LCD ekran neće da se osvetli sa svim ikonicama uključenim.	<ul style="list-style-type: none"> <li>Vreme pritiskanja start/stop dugmeta nije dovoljno.</li> </ul>	<ul style="list-style-type: none"> <li>LCD ekran će prikazati samo pokazivač goriva kad se start/stop dugme pritisne na kratko.</li> <li>LCD ekran će se uključiti nakon što je start/stop dugme pritisnuto dovoljno dugo.</li> </ul>
Kosilica kosi neravnomerno, sa značajnom razlikom u visini napred-nazad.	<ul style="list-style-type: none"> <li>Sečiva su tupa.</li> </ul>	<ul style="list-style-type: none"> <li>Naoštrite ili zamenite sečivo prema uputstvima u ovom priručniku.</li> </ul>
	<ul style="list-style-type: none"> <li>Sečiva su iskrivljena.</li> </ul>	<ul style="list-style-type: none"> <li>Zamenite iskrivljeno sečivo prateći uputstva u odeljku „<b>ZAMENA SEČIVA</b>“.</li> </ul>
	<ul style="list-style-type: none"> <li>Platforma nije nivelisana, što dovodi do različite visine sečiva.</li> </ul>	<ul style="list-style-type: none"> <li>Nivelišite platformu prateći uputstva u odeljku „<b>NIVELISANJE PLATFORME</b>“.</li> </ul>
Stvarna visina košenja trave nije u skladu sa podešenom visinom.	<ul style="list-style-type: none"> <li>Navrtke platforme su labave na sponi vešanja</li> </ul>	<ul style="list-style-type: none"> <li>Pratite uputstva u odeljku „<b>NIVELISANJE PLATFORME</b>“ da biste pravilno podesili platformu napred-nazad i čvrsto zategnite navrtke na sponi vešanja.</li> </ul>
	<ul style="list-style-type: none"> <li>Platforma je oštećena ili ozbiljno pohabana.</li> </ul>	<ul style="list-style-type: none"> <li>Pratite uputstva u odeljku „<b>UKLANJANJE PLATFORME</b>“ da biste zamenili platformu.</li> </ul>
Kosilica ne malčira pravilno.	<ul style="list-style-type: none"> <li>Mokra pokošena trava se lepi za donju stranu platforme.</li> </ul>	<ul style="list-style-type: none"> <li>Sačekajte da se trava osuši pre košenja.</li> </ul>
	<ul style="list-style-type: none"> <li>Kosilica je postavljena da kosi suviše trave odjednom.</li> </ul>	<ul style="list-style-type: none"> <li>Povećajte visinu košenja platforme.</li> </ul>

PROBLEM	UZROK	REŠENJE
Dolazi do prekomernih vibracija.	▪ Sečiva su labava.	▪ Zategnite zavrtnaj sečiva na preporučeni obrtni moment.
	▪ Sečiva su iskrivljena.	▪ Zamenite iskrivljeno sečivo prateći uputstva u odeljku „ZAMENA SEČIVA“.
	▪ Platforma nije nivelisana.	▪ Nivelišite platformu prateći uputstva u odeljku „NIVELISANJE PLATFORME“.
	▪ Navrtke platforme su labave na sponi vešanja.	▪ Zategnite matice na sponi vešanja.
	▪ Kosilica je postavljena da kosi suviše trave odjednom.	▪ Povećajte visinu košenja platforme.
Trava ili materijal ostaju na zemlji posle košenja.	▪ Kosilica je postavljena da kosi suviše trave odjednom kad je trava visoka.	▪ Započnite sa velikom visinom košenja i smanjite je dok ne ostvarite željeni rezultat košenja. Trava viša od 15 cm treba se kositi dvaput, prvo na većoj pa onda na manjoj visini košenja.
	▪ Trava je vlažna.	▪ Nemojte kositi kad je trava mokra, sve dok se ne osuši.
	▪ Brzina vožnje je visoka.	▪ Smanjite brzinu vožnje.
	▪ Brzina sečiva je niska.	▪ Postepeno povećavajte brzinu sečiva.
Kratko vreme rada kosilice sa priloženom baterijom.	▪ Uslovi trave i postavka visine košenja će mnogo uticati na vreme rada baterije. Navedeno vreme rada je zasnovano na uslovima lakog opterećenja.	▪ Povećajte visinu košenja platforme i smanjite brzinu sečiva da biste smanjili opterećenje košenja.
Praćenje kosilice nije ravno.	▪ Pritisak u gumama levog i desnog zadnjeg točka je različit.	▪ Proverite i podesite pritisak vazduha u obe gume zadnjih točkova, prema preporukama u odeljku „PROVERA PRITISKA GUMA“ u ovom priručniku.
	▪ Brzina vožnje levog i desnog zadnjeg točka je različita.	▪ Kalibrišite sistem za praćenje kosilice prateći uputstva u odeljku „KALIBRISANJE SISTEMA ZA PRAĆENJE KOSILICE“.
Pedala parkirne kočnice ne može da se otpusti iz položaja kočenja ili se sporo vraća nazad.	▪ Možda je prljavština ili zemlja ušla u pedalu parkirne kočnice.	▪ Otvorite kutiju pedale parkirne kočnice da biste temeljno očistili unutrašnjost kutije i potom je zatvorite. Ponovo postavite pedalu parkirne kočnice da biste videli da li je problem rešen. Ako ne, obratite se kvalifikovanom servisnom tehničaru radi popravke

PROBLEM	UZROK	REŠENJE
Kosilica se ne može puniti preko porta za punjenje a indikator statusa kosilice svetli neprekidno crveno.	<ul style="list-style-type: none"> <li>▪ Utikač punjača nije pravilno umetnut u port za punjenje na kosilici.</li> </ul>	<ul style="list-style-type: none"> <li>▪ Ponovo spojite utikač punjača da biste videli da li kosilica može normalno da se puni.</li> </ul>
	<ul style="list-style-type: none"> <li>▪ Nema struje u zidnoj utičnici.</li> </ul>	<ul style="list-style-type: none"> <li>▪ Nije potrebna nikakva radnja. Sačekajte da dođe struja.</li> </ul>
	<ul style="list-style-type: none"> <li>▪ Kvar punjača.</li> </ul>	<ul style="list-style-type: none"> <li>▪ Obratite se kvalifikovanom servisnom tehničaru radi pregleda i popravke punjača ako bude potrebna.</li> </ul>
	<ul style="list-style-type: none"> <li>▪ Port za punjenje na kosilici je defektan.</li> </ul>	<ul style="list-style-type: none"> <li>▪ Obratite se kvalifikovanom servisnom tehničaru radi popravke.</li> </ul>
Vreme punjenja preko porta za punjenje kosilice je predugačko.	<ul style="list-style-type: none"> <li>▪ Korišćenje EGO adaptera ACA1000 za punjenje zahteva mnogo vremena.</li> </ul>	<ul style="list-style-type: none"> <li>▪ Koristite EGO punjač CHV1600E za direktno punjenje kosilice.</li> </ul>
Baterija se ne može napuniti do kraja preko porta za punjenje kosilice.	<ul style="list-style-type: none"> <li>▪ Kvar u firmveru traktorske kosilice ili kvar punjača/ baterije.</li> </ul>	<ul style="list-style-type: none"> <li>▪ Isključite punjač iz utičnice i pričekajte duže od nekoliko minuta, a zatim ponovo spojite utikač na izvor napajanja. Ako to ne uspe, obratite se kvalifikovanom servisnom tehničaru radi popravke.</li> </ul>
Kosilica se ne može startovati nakon čišćenja.	<ul style="list-style-type: none"> <li>▪ Nepravilno čišćenje, poput dospevanja vode na električne komponente, LCD ekran itd.</li> </ul>	<ul style="list-style-type: none"> <li>▪ Pratite uputstva u odeljku „ČIŠĆENJE KOSILICE“ da biste pravilno očistili kosilicu.</li> </ul>
Kosilica se lako zapuši.	<ul style="list-style-type: none"> <li>▪ Platforma kosilice je zapušena travom i prljavštinom.</li> </ul>	<ul style="list-style-type: none"> <li>▪ Ako je kosilicu slučajno uhvatila kiša, ostavite je na vazduhu da se suši ili koristite komprimovani vazduh da biste je osušili.</li> </ul>
		<ul style="list-style-type: none"> <li>▪ Očistite platformu posle svake upotrebe, prateći odeljak „Korišćenje porta za pranje za čišćenje platforme“.</li> </ul>
Kosilica lako gubi trakciju kad se penje uz nagib.	<ul style="list-style-type: none"> <li>▪ Gume na zadnjim točkovima su izlizane.</li> </ul>	<ul style="list-style-type: none"> <li>▪ Potražite lokalni servis koji će zameniti gume na točkovima.</li> </ul>
	<ul style="list-style-type: none"> <li>▪ Oštar nagib košenja.</li> </ul>	<ul style="list-style-type: none"> <li>▪ Nagib košenja treba da bude pod potrebnim uglom.</li> </ul>
Kad je kosilica stopirana na nagibu sa pritisnutom pedalom parkirne kočnice, kosilica može da klizi niz nagib.	<ul style="list-style-type: none"> <li>▪ Komponente kočnice su prekomerno pohabane zbog nepravilnog rukovanja kosilicom.</li> </ul>	<ul style="list-style-type: none"> <li>▪ Obratite se kvalifikovanom servisnom tehničaru radi popravke.</li> </ul>

PROBLEM	UZROK	REŠENJE
Voda ne izlazi iz porta za pranje kad se radi pranje platforme.	<ul style="list-style-type: none"> <li>Brza spojnica za port za pranje nije montirana na svoje mesto na portu za pranje.</li> </ul>	<ul style="list-style-type: none"> <li>Ponovo pričvrstite brzu spojnicu porta za pranje dok ne čujete jasno škljocanje nakon čvrstog guranja. Ako to ne uspe, obratite se kvalifikovanom servisnom tehničaru radi popravke.</li> </ul>
Čuje se abnormalan zvuk tokom ručnog guranja kosilice bez startovanja.	<ul style="list-style-type: none"> <li>Zvuk dolazi iz magneta unutar pogonskog motora.</li> </ul>	<ul style="list-style-type: none"> <li>To je normalno i nije potrebna nikakva radnja.</li> </ul>

## REFERENCE ZA KODOVE GREŠKE I INDIKATORE STATUSA KOSILICE

LCD ekran	Opis	Kod greške na LCD-u	Indikator statusa kosilice	Zvučni signal	Uzrok	Rešenje
	Ikonica za LED svetla je prikazana na LCD ekranu	Nije primenjivo	ISKLJUČENO	Ne	Prednja, bočna i zadnja svetla se uključuju prekidačem LED svetla.	To je normalno funkcionisanje. Nije potrebna nikakva radnja.
	Ikonica za USB je prikazana na LCD ekranu	Nije primenjivo	ISKLJUČENO	Ne	USB ikonica svetli da USB uređaj može da radi nakon što je kosilica pravilno startovana.	To je normalno funkcionisanje. Nije potrebna nikakva radnja.
	Ikonica za pokazivač goriva je prikazana na LCD ekranu	Nije primenjivo	ISKLJUČENO	Ne	Označava prosečan kapacitet punjenja umetnutih baterija	To je normalno funkcionisanje. Nije potrebna nikakva radnja.
	Ikonica za brojač sati je prikazana na LCD ekranu	Nije primenjivo	ISKLJUČENO	Ne	Prikazuje ukupno vreme vožnje kosilice, u satima, i ne može se resetovati.	To je normalno funkcionisanje. Nije potrebna nikakva radnja.

LCD ekran	Opis	Kod greške na LCD-u	Indikator statusa kosilice	Zvučni signal	Uzrok	Rešenje
	Ikonica za indikator opterećenja je prikazana u ECO opsegu	Nije primenjivo	ISKLJUČENO	Ne	Pokazuje trenutno opterećenje kosilice.	To je normalno funkcionisanje. Nije potrebna nikakva radnja.
	Indikator preopterećenja treperi. Ikonica za indikator opterećenja je prikazana u PWR opsegu.	Nije primenjivo	Bljeska crveno	Jedan zvuk	Motor sečiva je preopterećen.	Povećajte visinu košenja platforme ili smanjite brzinu vožnje da biste smanjili opterećenje na kosilicu.
					Bočni izlazni otvor je začepljen travom i prljavštinom.	Očistite bočni izlazni otvor posle svake upotrebe.
					Postoje smetnje između sečiva i platforme.	Popravke obavite kod kvalifikovanog servisnog tehničara.
	Ikonica za sigurnosni ključ treperi.	Nije primenjivo	ISKLJUČENO	Ne	Sigurnosni ključ nije umetnut.	Umetnite sigurnosni ključ a zatim pritisnite i držite START/ STOP dugme da biste uključili kosilicu.
					LCD ekran ne dobija struju.	Popravke obavite kod kvalifikovanog servisnog tehničara.
	Ikonica za određeni odeljak baterije treperi.	Nije primenjivo	ISKLJUČENO	Ne	Određena baterija daje prekomernu struju tokom pražnjenja.	Nije potrebna nikakva radnja. Kosilica može nastaviti da radi ako ukupni Ah baterija, izuzimajući bateriju sa prekomernom strujom, ispunjava zahtev. Kad se baterija sa prekomernom strujom vrati na normalu, odmah će se uključiti u napajanje kosilice i ikonica će nestati.
	Ikonica za prazan odeljak baterije treperi.	Nije primenjivo	ISKLJUČENO	Ne	Kapacitet baterija nije dovoljan da omogući rad traktorske kosilice.	Da biste startovali ovu kosilicu, koristite dovoljno EGO baterija prateći uputstvo u odeljku „PUNJENJE“ u ovom priručniku.



LCD ekran	Opis	Kod greške na LCD-u	Indikator statusa kosilice	Zvučni signal	Uzrok	Rešenje
	Ikonica temperature treperi.	Nije primenjivo	ISKLUČENO	Jedan zvuk	Kosilica je pregrejana.	Smanjite opterećenje kosilice tako što ćete povećati visinu platforme ili smanjiti brzinu sečiva/vožnje. Napravite pauzu i omogućite kosilici da se ohladi.
					Kosilica je previše hladna	Nemojte pokušavati više puta jer to može oštetiti mašinu. Uvek čuvajte kosilicu i baterije u toplom okruženju. Restartujte kosilicu kad se bude ugrejala.
	Ikonica za temperaturu i tačan zauzet odeljak baterije trepere istovremeno.	Nije primenjivo	ISKLUČENO	Ne	Baterija u odeljku za bateriju pod odgovarajućim brojem je pregrejana.	1. Kosilica može nastaviti da radi ako ukupni Ah baterija, izuzimajući pregrejanu bateriju, ispunjava zahtev. Kad se pregrejana baterija vrati na normalnu temperaturu, odmah će se uključiti u napajanje kosilice.
						2. Ako ukupni Ah baterija nije dovoljan, kosilica neće raditi dok se još baterija ne umetne u prazne odeljke za baterije.
						3. Smanjite opterećenje kosilice tako što ćete povećati visinu platforme ili usporiti košenje kad nastavite sa radom.

LCD ekran	Opis	Kod greške na LCD-u	Indikator statusa kosilice	Zvučni signal	Uzrok	Rešenje
	Ikonice svih zauzetih odeljaka baterija, indikator slabog napajanja, grafika baterija na pokazivaču goriva istovremeno trepere svake 1 sekunde na LCD ekranu. Prvi segment LED pokazivača goriva i indikator statusa takođe trepere.	Nije primenjivo	Bljeska crveno	Nastavlja da se oglašava dok PTO prekidač ne bude pritisnut nadole.	Baterije su slabo napunjene i kosilica je u režimu odlaska kući.	Stopirajte rad i vratite se na mesto punjenja baterije. <b>NAPOMENA:</b> Kad je kosilica u režimu odlaska kući, sečiva se automatski prebacuju u malu brzinu rotacije bez košenja trave a u međuvremenu će zvučni indikator nastaviti da se oglašava. Rukovalac treba da pritisne PTO prekidač nadole da bi deaktivirao sečiva platforme. Zvučni indikator će prestati da se oglašava nakon stopiranja sečiva.
	Ikonica svakog zauzetog odeljka za bateriju i indikator slabog napajanja trepere svakih pola sekunde.	Nije primenjivo	Bljeska crveno	Nastavlja da se oglašava	Baterije su skoro ispražnjene.	Kosilica će momentalno stopirati rad. Rukovalac treba da transportuje kosilicu do mesta za punjenje baterije radi punjenja.
	Ikonica automatskog parkiranja treperi na LCD-u.	Nije primenjivo	ISKLJUČENO	Nastavlja da se oglašava	Kosilica je parkirana na nagibu a rukovalac je napustio kosilicu bez postavljanja pedale kočnice u položaj kočenja, samo sa polugama za upravljanje u otvorenom položaju.	Postavite pedalu kočnice u položaj kočenja. Ikonica automatskog parkiranja će se isključiti a zvučni indikator će prestati da se oglašava.
	Ikonica pedale kočnice je prikazana na LCD-u.	Nije primenjivo	ISKLJUČENO	Ne	Pedala parkirne kočnice je postavljena u položaj kočenja.	Otpustite je pre startovanja kosilice.

LCD ekran	Opis	Kod greške na LCD-u	Indikator statusa kosilice	Zvučni signal	Uzrok	Rešenje
	Ikonica senzora sedišta je prikazana na LCD-u.	Nije primenjivo	ISKLJUČENO	Ne	Rukovalac je napustio sedište ili je prekidač sedišta odvojen.	Ako je ikonica uključena dok sedite na sedištu, odmah stopirajte rad sa kosilicom i proverite vezu sedišta. Ako potvrdite da je veza sedišta sa kosilicom pravilna, obratite se kvalifikovanom servisnom tehničaru radi popravke.
	Ikonica PTO prekidača treperi.	Nije primenjivo	ISKLJUČENO	Ne	Rad motora sečiva je prekinut a PTO prekidač nije postavljen u isključen položaj.	Pre restartovanja kosilice, pritisnite PTO prekidač nadole da biste otpustili motor platforme. Pogledajte odeljak „ <b>REŠAVANJE PROBLEMA</b> “ u ovom priručniku radi reference.
	Ikonica poluge upravljanja treperi.	Nije primenjivo	ISKLJUČENO	Ne	Rad motora za vožnju je prekinut a poluge za upravljanje nisu postavljene u otvoren položaj.	Pre restartovanja kosilice, pomerite poluge za upravljanje u otvoreni položaj. Pogledajte odeljak „ <b>REŠAVANJE PROBLEMA</b> “ u ovom priručniku radi reference.
	Ikonica oporavka energije povremeno treperi.	Nije primenjivo	ISKLJUČENO	Ne	Kinetička energija generisana tokom kočenja ili vožnje nizbrdo se pretvara u elektricitet za punjenje baterija.	To je normalno funkcionisanje. Nije potrebna nikakva radnja.

**NAPOMENA:** Ako se kod greške pojavi na LCD ekranu, izvadite sve baterije i ponovo ih umetnite nekoliko minuta kasnije. Ako to ne reši problem, pratite rešavanje problema kodova greške ispod.

LCD ekran	Opis	Kod greške na LCD-u	Indikator statusa kosilice	Zvučni signal	Uzrok	Rešenje
Pogledajte „Kod greške“	Levi motor za vožnju ne uspeva da se rotira.	PCBA kontrolisani levi motor za vožnju otkazuje.	413	ISKLJUČENO	Jedan zvuk	Otkazivanje PCBA
		Utikač (trofazni, strujna žica) koji spaja levi motor za vožnju sa odgovarajućim PCBA je labav.	317	ISKLJUČENO	Jedan zvuk	Labava veza
		Utikač (šest pinova, signalna žica) koji spaja levi motor za vožnju sa odgovarajućim PCBA je labav.	301	ISKLJUČENO	Jedan zvuk	Labava veza
		Levi motor za vožnju otkazuje.	317	ISKLJUČENO	Jedan zvuk	Otkazivanje motora
						Popravke obavite kod kvalifikovanog servisnog tehničara.

LCD ekran	Opis	Kod greške na LCD-u	Indikator statusa kosilice	Zvučni signal	Uzrok	Rešenje	
Pogledajte „Kod greške“	Desni motor za vožnju ne uspeva da se rotira.	PCBA kontrolisani desni motor za vožnju otkazuje.	313	ISKLJUČENO	Jedan zvuk	Otkazivanje PCBA	Popravke obavite kod kvalifikovanog servisnog tehničara.
		Utikač (trofazni, strujna žica) koji spaja desni motor za vožnju sa odgovarajućim PCBA je labav.	417	ISKLJUČENO	Jedan zvuk	Labava veza	
		Utikač (šest pinova, signalna žica) koji spaja desni motor za vožnju sa odgovarajućim PCBA je labav.	401	ISKLJUČENO	Jedan zvuk	Labava veza	
		Desni motor za vožnju otkazuje.	417	ISKLJUČENO	Jedan zvuk	Otkazivanje motora	
Pogledajte „Kod greške“	Levi motor sečiva ne uspeva da se rotira.	PCBA kontrolisani levi motor sečiva otkazuje.	607/A07	Nije primenjivo	Jedan zvuk	Otkazivanje PCBA	Popravke obavite kod kvalifikovanog servisnog tehničara.
		Utikač (trofazni, strujna žica) koji spaja levi motor za vožnju sa odgovarajućim PCBA je labav.	509	Nije primenjivo	Jedan zvuk	Labava veza	Prvo pregledajte sečivo. Ako se zavrtnj olabavi, zategnite ga na preporučeni obrtni moment.
		Levi motor sečiva otkazuje.	509	Nije primenjivo	Jedan zvuk	Otkazivanje motora	U suprotnom, obavite popravke kod kvalifikovanog servisnog tehničara.

LCD ekran	Opis		Kod greške na LCD-u	Indikator statusa kosilice	Zvučni signal	Uzrok	Rešenje
Pogledajte „Kod greške“	Desni motor sečiva ne uspeva da se rotira.	PCBA kontrolisani desni motor sečiva otkazuje.	507/A07	Nije primenjivo	Jedan zvuk	Otkazivanje PCBA	Popravke obavite kod kvalifikovanog servisnog tehničara.
		Utikač (trofazni, strujna žica) koji spaja desni motor za vožnju sa odgovarajućim PCBA je labav.	609	Nije primenjivo	Jedan zvuk	Labava veza	Prvo pregledajte sečivo. Ako se zavrtanj olabavi, zategnite ga na preporučeni obrtni moment. U suprotnom, obavite popravke kod kvalifikovanog servisnog tehničara.
		Desni motor sečiva otkazuje	609	Nije primenjivo	Jedan zvuk	Otkazivanje motora	
Pogledajte „Kod greške“	Srednji motor sečiva ne uspeva da se rotira	PCBA kontrolisani srednji motor sečiva otkazuje	507/ 607	Nije primenjivo	Jedan zvuk	Otkazivanje PCBA	Popravke obavite kod kvalifikovanog servisnog tehničara.
		Utikač (trofazni, strujna žica) koji spaja srednji motor sečiva sa odgovarajućim PCBA je labav.	A09	Nije primenjivo	Jedan zvuk	Labava veza	Prvo pregledajte sečivo. Ako se zavrtanj olabavi, zategnite ga na preporučeni obrtni moment. U suprotnom, obavite popravke kod kvalifikovanog servisnog tehničara.
		Srednji motor sečiva otkazuje	A09	Nije primenjivo	Jedan zvuk	Otkazivanje motora	
Pogledajte „Kod greške“	Leva poluga za upravljanje otkazuje.	PCBA koji kontroliše levu polugu za upravljanje otkazuje.	311/ 412	ISKLJUČENO	Jedan zvuk	Otkazivanje PCAB	Popravke obavite kod kvalifikovanog servisnog tehničara.
		Utikač koji povezuje kontrolni PCBA, smešten u šipki za upravljanje, je labav.				Labava veza	

LCD ekran	Opis		Kod greške na LCD-u	Indikator statusa kosilice	Zvučni signal	Uzrok	Rešenje
Pogledajte „Kod greške“	Desna poluga za upravljanje otkazuje.	PCBA koji kontroliše desnu polugu za upravljanje otkazuje.	312/ 411	ISKLUČENO	Jedan zvuk	Otkazivanje PCAB	Popravke obavite kod kvalifikovanog servisnog tehničara.
		Utikač koji povezuje kontrolni PCBA, smešten u šipki za upravljanje, je labav.				Labava veza	
Pogledajte „Kod greške“	Parkirna kočnica otkazuje, alat se ne može voziti.	PCBA parkirne kočnice, koji je u sklopu prednjeg okvira, je pokvaren.	309/ 409	ISKLUČENO	Jedan zvuk	Otkazivanje PCBA	Popravke obavite kod kvalifikovanog servisnog tehničara.
		Prekidač i/ili žica parkirne kočnice su pokvareni.	801	ISKLUČENO	Jedan zvuk	Otkazivanje žice/ prekidača	
ISKLUČENO	Greška porta za punjenje		Nije primenjivo	Neprekidno CRVENO	Nije primenjivo	Port za punjenje je u otvorenom strujnom kolu.	Popravke obavite kod kvalifikovanog servisnog tehničara.
			Nije primenjivo	Neprekidno CRVENO	Nije primenjivo	Nema napajanja.	Proverite da li zidna utičnica ima napajanje 220-240 V i da li je ispravna.
			Nije primenjivo	Neprekidno CRVENO	Nije primenjivo	Osigurač je pregoreo.	Popravke obavite kod kvalifikovanog servisnog tehničara.
Pogledajte „Kod greške“	Greška porta za punjenje		204	Nije primenjivo	Jedan zvuk	Port za punjenje je u otvorenom strujnom kolu.	Popravke obavite kod kvalifikovanog servisnog tehničara.

LCD ekran	Opis	Kod greške na LCD-u	Indikator statusa kosilice	Zvučni signal	Uzrok	Rešenje
Pogledajte „Kod greške“	Sklop kutije baterije ne funkcioniše	217	Nije primenjivo	Jedan zvuk	Izvor napajanja iz sklopa kutije baterije je pokvaren. LED prednja svetla i USB neće raditi.	Popravke obavite kod kvalifikovanog servisnog tehničara.
		310/ 410	ISKLJUČENO	Jedan zvuk	Veza između žica tipa C u sklopu kutije baterije i drugih žica tipa C na kosilici ne funkcioniše.	
		201/ 202/ 203	ISKLJUČENO	Jedan zvuk	BMS u sklopu kutije baterije je pokvaren.	
Pogledajte „Kod greške“	Greška start/stop prekidača	314/ 414	ISKLJUČENO	Jedan zvuk	Otkazivanje PCBA prekidača ili loša žična veza za start/stop prekidač.	Popravke obavite kod kvalifikovanog servisnog tehničara.
Pogledajte „Kod greške“	Greška LCD ekrana	315/ 415	ISKLJUČENO	Jedan zvuk	LCD sklop je pokvaren ili je žična veza LCD sklopa loša.	Popravke obavite kod kvalifikovanog servisnog tehničara.

## SR GARANCIJA

### EGO POLITIKA GARANCIJE

Posetite veb-lokaciju [egopowerplus.com](http://egopowerplus.com) za potpune uslove i odredbe EGO politike garancije.



# PROČITAJTE UPUTSTVO U CIJELOSTI!



PROČITAJTE KORISNIČKI PRIRUČNIK.

## SIGURNOSNI SIMBOL

Svrha sigurnosnih simbola je skretanje pažnje na moguće opasnosti. Sigurnosni simboli i njihova objašnjenja zahtijevaju vašu potpunu pažnju i razumijevanje. Simboli upozorenja sami po sebi ne isključuju opasnost. Uputstva i upozorenja koja pružaju nisu zamjena za propisne mjere za prevenciju nesreća.

**⚠ UPOZORENJE!** Prije upotrebe ovog alata pobrinite se da sva sigurnosna uputstva u ovom korisničkom priručniku, uključujući sve sigurnosne simbole kao što su “**OPASNOST**”, “**UPOZORENJE**” i “**OPREZ**” pročitate s razumijevanjem. Zanemarivanje svih uputstava navedenih u nastavku može rezultirati strujnim udarom, požarom i/ili teškim tjelesnim povredama.

## ZNAČENJE SIMBOLA

Na ovoj stranici slikovno su prikazani i objašnjeni sigurnosni simboli koji se mogu pojaviti na ovom proizvodu. Prije pokušaja sastavljanja i rukovanja, s razumijevanjem pročitate sva uputstva na proizvodu i pridržavajte ih se.

## SIGURNOSNI SIMBOLI



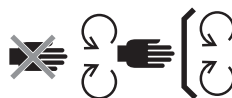
Simbol upozorenja



S razumijevanjem pročitate korisnički priručnik.



Zaštita za oči



Održavajte sigurnosne uređaje.



OPASNOST – Opasnost od strmih nagiba!



OPASNOST – Prisutne osobe držite podalje od noževa.



Nemojte nikada prevoziti djecu.



Uvijek gledajte iza sebe tokom vožnje unazad.



UPOZORENJE – Ovu mašinu nemojte upotrebljavati na nagibima većim od 12°.



OPASNOST – Odbačeni predmeti!



UPOZORENJE – Držite podalje šake i stopala.



Zagarantovani nivo zvučne snage. U skladu s Direktivom Evropske unije.

BS



Nemojte upotrebljavati kosilicu kao stepenicu.



Otpadni električni proizvodi ne smiju se odlagati s otpadom iz domaćinstva. Odnosite ih u ovlaštenu centar za reciklažu.



Ovaj proizvod je u skladu s primjenjivim Direktivama EU.



OPREZ – Nemojte zuriti u radnu lampu.



Istosmjerna struja



Ovaj proizvod je u skladu s važećim zakonodavstvom Velike Britanije.

kPa	Kilopaskal
V	Volt
in	Inč
Nm	Njutnmetar
°C	Celzijus
km/h	Kilometri po satu

o/min	Okretaji u minuti
m	Metri
cm	Centimetri
mm	Milimetri
kg	Kilogram
IPX4	Stepen zaštite od prodiranja

## TEHNIČKI PODACI

KEES VAN DER SPEK  
TUINMACHINE & STOLWIJZ

Napon		56 V
Veličina trupa		132 cm
Veličina točka	Prednja strana	279,4 x 126 mm
	Stražnja strana	457,2 x 223 mm
Pritisak u hladnim gumama	Prednja strana	222,1 kPa
	Stražnja strana	115,8 kPa
Radijus okretanja		0
Brzina noža (o/min)		2600; 2800; 3000; 3200
Maks. Maks. brzina vožnje (km/h)	Naprijed	8,1 km/h, 9,7 km/h, 11,3 km/h, 12,8 km/h
	Unazad	do 6,4 km/h

Punjenje	Punjač (opcija)	CHV1600E
	Adapter (opcija)	ACA1000
	Raspon temperature punjenja	5°C - 40°C
Podešavanje visine košnje (10 položaja)		25 - 100 mm
Radna temperatura		0°C - 40°C
Temperatura skladištenja		-20°C - 70°C
Masa (bez kompleta baterija)		217 kg
Izmjereni nivo zvučne snage $L_{WA}$		95,48 dB(A) K=0,73 dB(A)
Nivo zvučnog pritiska kod uha rukovaoca $L_{PA}$		82,5 dB(A) K=3 dB(A)
Zagarantovani nivo zvučne snage $L_{WA}$ (izmjereno u skladu s Direktivom 2000/14/EZ)		100 dB(A)

BS

# 818

KOSILICA ZA VOŽNJU S NULTIM OKRETOM - ZT5200E-L

Vibracije $a_h$	Šaka	0,69 m/s <sup>2</sup> K=1,5 m/s <sup>2</sup>
	Tijelo	0,3 m/s <sup>2</sup> K=1,5 m/s <sup>2</sup>

- Deklarisane ukupne vrijednosti vibracija izmjerene su u skladu sa standardnom metodom ispitivanja i mogu se primjenjivati za poređenje jednog alata s drugim.
- Deklarisane ukupne vrijednosti vibracija mogu se primjenjivati i u preliminarnoj procjeni izloženosti.

**NAPOMENA!** Emisija vibracija tokom aktuelne upotrebe električnog alata može se razlikovati od deklarisanе vrijednosti u kojoj se alat upotrebljavao; Korisnik radi zaštite treba nositi rukavice i štitnike za uši u aktuelnim uslovima upotrebe.

## OPIS

### UPOZNAJTE KOSILICU (SL. A1 I SL. A2)

1. Sjedište
2. Priključak za punjenje
3. Jedinica napajanja
4. LED stražnje svjetlo
5. Pretinac za odlaganje
6. Držač za čaše
7. LED bočno svjetlo
8. Stražnji točak (pogonski točak)
9. Priključak za pranje
10. Ploča
11. Štitnik ploče
12. Anti-scalp točak
13. Prednji točak
14. Papučica parkirne kočnice
15. Dnevna radna svjetla
16. Prednja LED svjetla
17. Bočni izlazni otvor
18. Ručica za podešavanje visine ploče
19. Okretno dugme za podešavanje amortizacije sjedišta
20. Ručica za podešavanje položaja sjedišta

21. Poprečne prečke
22. Indikator stanja kosilice
23. LCD ekran
24. PTO prekidač
25. Dugme za pokretanje/zaustavljanje
26. Sigurnosni ključ
27. Utor za odlaganje telefona
28. Pregradna šipka
29. Mjerač goriva i indikator stanja kosilice
  - 29.a. Indikator mjerača goriva kosilice
  - 29.b. Indikator stanja kosilice
30. Područje za spuštanje stopala
31. Dugme za otpuštanje poklopca jedinice napajanja
32. Poklopac jedinice napajanja
33. Pogonska jedinica sa šest pretinaca za baterije
34. Dugme za oslobađanje baterije
35. Kuka za vuču
36. Poklopac za montažu priključka
37. Prostor za skladištenje poklopca za montažu priključka
38. USB priključak

### UPOZNAJTE LCD EKRAN (SL. A3)

Više informacija o ikonama i indikatorima na LCD zaslonu potražite u odjeljku "REFERENCE O STANJU KOSILICE I KODOVI GREŠKI".

1. Ikona sigurnosnog ključa
2. Ikona LED svjetala
3. Ikona funkcije automatskog parkiranja
4. Ikona USB priključka
5. Indikator brzine noža
6. Indikator statusa sigurnosnog uređaja
7. Brojač sati
8. Ikona praznog pretinca za baterije
9. Ikona temperature
10. Ikona zauzetog pretinca za baterije
11. Režim vožnje
12. Indikator koda greške

13. Indikator preopterećenja
14. Indikator niskog nivoa napunjenosti
15. Indikator brzine vožnje
16. Indikator opterećenja
17. Mjerač goriva
18. Dugme za podešavanje brzine noža
19. Dugme za podešavanje
20. Dugme za režim vožnje
21. Prekidač za LED svjetla
22. Dugme za podešavanje brzine vožnje

## OTPAKIVANJE

**NAPOMENA!** Ambalažu čuvajte dok pažljivo ne pregledate proizvod i ne budete zadovoljni radom proizvoda. Ako su na mašini postavljeni dijelovi iz sadržaja pakovanja, odmah se obratite EGO servisnoj službi.

**NAPOMENA!** Osim alata iz sadržaja pakovanja u nastavku, svi drugi alati navedeni u priručnicima samo su preporučeni i nisu uključeni u sadržaj isporuke.

### SADRŽAJ PAKOVANJA (sl. B)

B-1	Kosilica za vožnju s nultim okretom	B-6	Sigurnosni ključevi
B-2	Sjedište	B-7	Viljuškasti i okasti ključevi (13 mm)
B-3	Upravljačka ručica	B-8	Inbus ključ
B-4	Inbus vijci (2 rezervna)	B-9	Brza spojnica priključka za pranje
B-5	Šesterostrane osovinice (2 rezervne)	B-10	Korisnički priručnik

### PREPORUČENI PRIBOR

**⚠ UPOZORENJE!** Upotrebljavajte samo identične zamjenske dijelove navedene u nastavku. Upotreba dijelova koji ne ispunjavaju zahtjeve specifikacija originalne opreme može rezultirati nepropisnim radnim učinkom i nedovoljnom sigurnošću.

NAZIV DIJELA	BROJ MODELA
Standardni nož	AB5200
Nož za visoko podizanje	AB5201
Komplet za malčiranje	ABP5200
Komplet sakupljača trave	ABK5200-A
Stražnji branik	AMB1000
Sanduk za teret	AMG1000
Zaštita od sunca	AMS1000

## SASTAVLJANJE

### POSTAVLJANJE SJEDIŠTA (sl. C1 i C2)

**⚠ UPOZORENJE!** Sigurnosni sistem zaključavanja ne smije se odspojiti niti zaobići. Ako to učinite, kosilica bi mogla početi neočekivano raditi, što može rezultirati tjelesnim povredama.

**NAPOMENA!** Radi vaše sigurnosti, moguće je da se vožnja kosilice zaustavi jer se prekidač sjedišta odspojio tokom vožnje. U tom slučaju, više informacija potražite u odjeljku "OTKLANJANJE PROBLEMA".

C1-1	Kabel	C1-5	Inbus vijci
C1-2	Utikač	C2-1	Kuka
C1-3	Utičnica	C2-2	Čelične vodilice
C1-4	Postolje za amortizaciju	C2-3	Inbus vijci

## POSTAVLJANJE UPRAVLJAČKIH RUČICA (sl. C3)

C3-1	Upravljačke ručice	C3-3	Rupe za montažu upravljačke ručice
C3-2	Šesterostrane osovinice		

# RAD

## PRIJE UPOTREBE KOSILICE

### Provjera okruženja

- Pobrinite se da iz radnog područja udaljite djecu, prisutne osobe i kućne ljubimce.
- Radno područje očistite od predmeta koje bi noževi kosilice mogli odbaciti.
- Provjerite i uvjerite se da je stanje LED svjetla propisno:
  - Prednjim svjetlima, bočnim svjetlima i stražnjim svjetlima upravlja se pomoću prekidača za LED svjetla.
  - Radna svjetla uvijek držite uključena tokom vožnje.
  - Ako su stražnja svjetla isključena tokom vožnje unazad, treperit će da upozore prisutne osobe; ako su stražnja svjetla uključena, ostat će uključena.
  - Sva svjetla automatski će se isključiti kada se kosilica automatski isključi nakon određenog vremena neaktivnosti.

### Provjera pritiska u hladnim gumama (sl. D1)

### Provjera stanja kosilice i nivoa napunjenosti baterije

- Indikator mjerača goriva kosilice (sl. A2 - 27a)  
Svaki segment indikatora mjerača goriva kosilice prikazuje 20% nivoa napunjenosti ugrađenih kompleta baterija.

**NAPOMENA!** Indikator mjerača goriva kosilice i mjerač goriva na LCD ekranu prikazuju prosječan kapacitet ugrađenih kompleta baterija.

- Indikator stanja kosilice (sl. A1 i sl. A2 - 27b)  
Ako indikator stanja svijetli zeleno, kosilica je spremna za vožnju. Ako to nije slučaj, pogledajte odjeljak

## “REFERENCE O STANJU KOSILICE I KODOVI GREŠKI”

### Testiranje sigurnosnog sistema zaključavanja (sl. D2 - sl. D8)

**NAPOMENA!** Prije testiranja rukovalac mora biti na sjedištu.

- Prije testiranja (sl. D2 - sl. D4)
- Za testiranje sistema ploče i noža (sl. D5) polako ustanite.
- Za testiranje sistema vožnje (sl. D6 - sl. D8) polako ustanite.

Ako se sistem ploče i noža i/ili sistem vožnje ne zaustave kada rukovalac ustane sa sjedišta i ako se uzrok ne može utvrditi nakon što se uvjerite da je utikač sjedišta pravilno priključen u utičnicu, odmah se obratite EGO servisnom centru za korisnike.

## PODEŠAVANJE (sl. E1 - sl. E13)

### Priprema (sl. E1 - sl. E5)

### Podešavanje visine rezne ploče (sl. E6)

### Podešavanje anti-scalp točkova (sl. E7 - sl. E10)

E7-1	Anti-scalp točak	E9-2	Sidrena osovinica
E9-1	Matica	E10-1	Oznaka visine ploče

### Podešavanje sjedišta (sl. E11)

Prije rada s kosilicom podesite položaj sjedišta tako da imate siguran kontakt s papučicom parkirne kočnice. Podešavanjem amortizacije sjedišta možete postići najviši nivo udobnosti na sjedištu.

E11-1	Ručica za podešavanje položaja sjedišta	E11-2	Okretno dugme za podešavanje amortizacije sjedišta
-------	---	-------	--

### Podešavanje parkirne kočnice (sl. E12 - sl. E13)

E13-1	Položaj kočenja	E13-2	Položaj otpuštanja
-------	-----------------	-------	--------------------

## PUNJENJE (sl. F1 - sl. F11)

Za pokretanje ove kosilice potrebne su EGO baterije ukupnog kapaciteta od 15 Ah (2 X BA4200/BA4200T) ili više. Za najbolji radni učinak, preporučujemo upotrebu EGO baterija ukupnog kapaciteta od 30 Ah ili više.

**Upotrebljavajte samo preporučene komplete baterija i punjače. (sl. F9 i F10)**

**Priprema za punjenje (sl. F1 - sl. F4)**

**Zasebno punjenje kompleta baterija (sl. F5 - sl. F9)**

F5-1	Dugme za otpuštanje poklopca	F7-1	Dugme za oslobađanje baterije
------	------------------------------	------	-------------------------------

- Postavljanje kompleta baterija (sl. F5 - sl. F6)
- Skidanje kompleta baterija (sl. F7 - sl. F8)

**NAPOMENA!** Komplete baterija punite u skladu s odgovarajućim priručnicima za bateriju i punjač.

**Punjenje kompleta baterija putem priključka za punjenje (sl. F10)**

F10-1	Kapica za zaštitu od prašine	F10-2	Priključak za punjenje
-------	------------------------------	-------	------------------------

## POKRETANJE KOSILICE

(sl. A4 - sl. A5 i sl. G1 - sl. G6)

**⚠ UPOZORENJE!** Izbjegavajte nagla pokretanja, zaustavljanja, skretanja i prekomjernu brzinu, a posebno kada prvi put učite da rukujete kosilicom. Kosilica se može brzo zavrtjeti, što može uzrokovati gubitak kontrole i teške povrede i/ili oštećenja.

**⚠ UPOZORENJE!** Prije pokretanja kosilice provjerite i uvjerite se da su noževi deaktivirani u roku od 5 s kada pritisnete PTO prekidač. Ako se noževi ne zaustave, nemojte upotrebljavati kosilicu i odmah se obratite EGO korisničkoj službi.

**NAPOMENA!** Za postavljanje najniže brzine vožnje i **STANDARDNOG** režima vožnje postupite prema sl. A4 i sl. G2 tako da možete potpuno upravljati kosilicom u svim situacijama. Brzina vožnje i režim vožnje aktiviraju se samo kada su točkovi kosilice zaustavljeni i kada su upravljačke ručice otvorene.

Kosilica će spremiti i prikazati prethodni režim vožnje, brzinu vožnje i kalibraciju upravljačkih ručica kada se ponovno pokrene.

### Režim vožnje

- **KONTROLNI:** Manje ubrzanje, manje osjetljivo rukovanje i niža brzina okretanja za zaštitu travnjaka i za nove korisnike.
- **STANDARDNI:** Savršen za svakodnevnu upotrebu.
- **SPORTSKI:** Veće ubrzanje, precizno rukovanje i oštro okretanje za maksimalnu učinkovitost košnje i za ljubitelje košnje.

**Podešavanje brzine vožnje (sl. A4)**

**Podešavanje brzine noža (sl. A5)**

### USB priključak

**NAPOMENA!** USB priključak omogućuje punjenje istosmjernom strujom od 5 V uz kombinovanu potrošnju energije do 1,5 ampera i napaja se samo kada je kosilica pokrenuta.

## ZAUSTAVLJANJE KOSILICE (sl. H1 - sl. H6)

**NAPOMENA!** Kosilica se automatski isključuje ako nema aktivnosti duže od 60 minuta.

### Režim rada bez košnje

Kada nivo napunjenosti baterije postane nizak, kosilica prelazi u režim rada bez košnje:

- Kosilica će automatski prestati kositi travu;
- Indikator zvučnog signala nastavit će se oglašavati;
- Indikator stanja kosilice će treperiti crveno svake sekunde, prvi segment mjerača goriva kosilice će treperiti crveno, a indikator niskog nivoa napunjenosti baterije i grafički prikaz baterije na mjeraču goriva će treperiti.

Rukovalac bi trebao uraditi sljedeće:

- Pritisnite PTO prekidač (sl. H3) prema dolje da deaktivirate noževe. Indikator zvučnog signala više se ne oglašava kada se nož zaustavi;
- Što je moguće prije prestanite raditi i idite u područje za punjenje baterije. Maksimalna udaljenost koju kosilica može preći je 1000 m.

Kada je baterija skoro prazna, ikona za svaki zauzeti pretnac za bateriju i indikator niskog nivoa napunjenosti baterije trepere svakih pola sekunde. Kosilica će odmah prestati raditi. Rukovalac kosilicu treba transportovati do područja za punjenje baterije radi punjenja.

### Ručno guranje

Ako je potrebno ručno guranje, uvjerite se da su baterije odspojene od kosilice i da je papučica parkirne kočnice otpuštena iz položaja kočenja.

### VOŽNJA KOSILICE (sl. 11 - sl. 19)

Za zaustavljanje, smanjenje ili povećanje brzine polako promijenite udaljenost između upravljačke ručice i neutralnog položaja.

**⚠ OPASNOST!** Održavajte minimalnu udaljenost od dvije širine košnje od jaraka, kosina ili vode. Kada se kosilica zaustavi, čak i s aktiviranom kočnicom, prednji točkovi se mogu okretati i uzrokovati pad kosilice preko ruba ili u vodu, što može rezultirati smrću i teškim tjelesnim povredama.

**⚠ UPOZORENJE!** Prije vožnje unazad, pazite na predmete koji se nalaze iza kosilice. NEMOJTE kositi unazad, osim ako je to apsolutno neophodno. Prije i za vrijeme vožnje unazad uvijek gledajte dolje i iza sebe da budete sigurni da u području košnje nema djece, prisutnih osoba ili kućnih ljubimaca. Imajte na umu da je za smrtni ishod ili nanošenje teških povreda dovoljan samo djelić sekunde nepažnje.

**⚠ UPOZORENJE!** Ovu mašinu nemojte upotrebljavati na javnim cestama.

**⚠ UPOZORENJE!** Ako dođe do začepjenja ili ako udarite o strani predmet, zaustavite motore i izvadite baterije. Uklonite komadiće trave, lišće, prljavštinu i ostale nakupljene naslage; dobro pregledajte je li kosilica oštećena i popravite oštećenje prije ponovnog pokretanja kosilice i rukovanja kosilicom.

## ODRŽAVANJE

**⚠ UPOZORENJE!** Uvijek nosite zaštitne naočale s bočnim štitnicima. Nepostupanje u skladu s tim može rezultirati odbacivanjem predmeta u oči i drugim mogućim teškim povredama.

**⚠ UPOZORENJE!** Pri obavljanju radova održavanja na nožu kosilice uvijek zaštitite ruke nošenjem čvrstih rukavica ili umotajte noževe krpama ili drugim materijalom. Za radove servisiranja ili transport kosilice uvijek izvucite sigurnosni ključ i izvadite kompletne baterije.

Interval radova održavanja	Postupak održavanja
Prije svake upotrebe ili svaki dan	<ul style="list-style-type: none"> <li>Provjerite sigurnosni sistem zaključavanja.</li> <li>Vizuelno provjerite je li guma ispuhana.</li> <li>Pregledajte jesu li noževi istrošeni, napuknuti ili savijeni.</li> <li>Pregledajte cijeli proizvod na postojanje oštećenih, nedostajućih ili otpuštenih dijelova, kao što su bočni izlazni otvor, vijci, matice, osovinice, kapice, itd. i uvjerite se da su svi štitnici na svom mjestu i da propisno rade.</li> <li>Provjerite rad kočnice.</li> </ul>
Nakon svake upotrebe	<ul style="list-style-type: none"> <li>Očistite trup kosilice.</li> </ul>
Svakih 25 sati	<ul style="list-style-type: none"> <li>Provjerite pritisak u gumama.</li> </ul>
Svakih 50 sati	<ul style="list-style-type: none"> <li>Provjerite stanje masti u prirubnici reznog noža.</li> </ul>
Svakih 100 sati	<ul style="list-style-type: none"> <li>Provjerite stražnje točkove i provjerite jesu li sve matice točka pritegnute preporučenim momentom pritezanja.</li> </ul>
Svakih 200 sati	<ul style="list-style-type: none"> <li>Provjerite prednje točkove i provjerite da li se slobodno okreću.</li> </ul>

BS

Godišnje	<ul style="list-style-type: none"> <li>Provjerite papučicu parkirne kočnice. Izvadite bateriju iz kosilice i postavite papučicu parkirne kočnice u položaj kočenja. Ručno gurnite kosilicu naprijed kako biste vidjeli može li se pomicati ili ne. Ako se kosilica pomakne, servisiranje prepustite kvalifikovanom servisnom tehničaru.</li> </ul>
----------	--

## ČIŠĆENJE KOSILICE (sl. J1 - sl. J9)

Priprema (sl. J1 - sl. J5)

Čišćenje kućišta kosilice (sl. J6 - sl. J7)

Upotreba priključka za pranje za čišćenje trupa kosilice (sl. J8 - sl. J9)

J8-1	Priključak za pranje	J8-3	Vrtno crijevo
J8-2	Brza spojnica priključka za pranje		

**NAPOMENA!** Nakon čišćenja pritisnite PTO prekidač prema dolje da deaktivirate noževe kosilice.

## ODRŽAVANJE TRUPA KOSILICE I REZNIH NOŽEVA

Priprema (sl. K1 - sl. K6)

Uklanjanje trupa kosilice (sl. K7 - sl. K8)

K7-1	Kabel motora	K7-3	Spojni element sistema amortizacije
K7-2	Rascjepka		

**NAPOMENA!** Prilikom uklanjanja trupa kosilice odspojite kablove motora i uklonite rascjepke.

Zamjena reznih noževa (sl. K9 - sl. K11)

K9-1	Stabilizator	K10-3	Nož
K10-1	Osovinica	K10-4	Prirubnica
K10-2	Podloška	K10-5	Osovina motora

## Nivelisanje trupa kosilice

- Kada je nivelisanje potrebno (sl. K12 - sl. K14)**
- Prije nivelisanja**
  - Provjerite pritisak u hladnim gumama (sl. K15).
  - Provjerite rezne noževe. Uklonite istrošene, napuknute i/ili savijene noževe i po potrebi ih zamijenite.
- Priprema za nivelisanje (sl. K16 - sl. K21)**
- Postupak nivelisanja**
  - Bočno podešavanje (sl. K22)**

K22-1	Niskoprofilna matic
-------	---------------------

- Podešavanje s prednje strane prema stražnjoj strani (sl. K23)**

## KALIBRACIJA SISTEMA PRAĆENJA KOSILICE (sl. L1 - sl. L4)

**NAPOMENA!** Indikator zvučnog signala oglašava se jednom pri pokretanju kalibracije i jednom po završetku kalibracije.

**NAPOMENA!** Kalibracija obavljena za jedan od režima vožnje ("KONTROLNI", "STANDARDNI", "SPORTSKI") možda neće biti dostupna za druga dva režima. Kalibrirajte upravljačke ručice u svakom režimu vožnje nezavisno prema potrebi.

## VRAĆANJE KOSILICE NA TVORNIČKE POSTAVKE (sl. M)

**NAPOMENA!** Indikator zvučnog signala oglašava se jednom pri pokretanju postupka vraćanja na tvorničke postavke i jednom po završetku postupka vraćanja na tvorničke postavke.

**NAPOMENA!** Kada je vraćanje na tvorničke postavke uspješno, postavke navedene u nastavku vratit će se na početne tvorničke postavke:

- režim vožnje
- brzina vožnje
- kalibracija upravljačkih ručica



# SKLADIŠTENJE I TRANSPORT

## TRANSPORT KOSILICE (SL. N1 - SL. N11)

**NAPOMENA!** Ako je potrebno, kosilicu učvrstite trakama ili užadima da spriječite pomicanje tokom transporta.

## SKLADIŠTENJE (sl. O1 - sl. O6)

**NAPOMENA!** Izvadite kompletne baterije i skladištite baterije u skladu s odgovarajućim priručnicima.

Prije skladištenja kosilicu čistite i pregledajte, pogledajte odjeljke "ČIŠĆENJE KOSILICE" i "PREPORUČENI RASPORED ODRŽAVANJA".


### Zaštita životne sredine




WEEE (električna i elektronička oprema koja više nije iskoristiva) Električnu opremu, iskorištenu bateriju i punjač nemojte odlagati u kućni otpad! Ovaj proizvod odnesite u ovlaštenu centar za reciklažu i time omogućite odvojeno sakupljanje. Električne alate potrebno je vratiti u ekološki prihvatljiv pogon za reciklažu.

DE WERK VAN DER SPEK  
TUINMACHINES \* STOLWIJK

## OTKLANJANJE PROBLEMA

PROBLEM	UZROK	RJEŠENJE
<p>Kosilicu nije moguće voziti kada se na početku dvije upravljačke ručice gurnu prema naprijed ili natrag.</p>  <p>Ikona upravljačke ručice treperi.</p>	<ul style="list-style-type: none"> <li>Ukupna vrijednost Ah ugrađenih baterija ne ispunjava zahtjev.</li> </ul>	<ul style="list-style-type: none"> <li>Za pokretanje kosilice upotrebljavajte dovoljno EGO baterija prema uputama u odjeljku <b>"PUNJENJE"</b> ovog priručnika.</li> </ul>
	<ul style="list-style-type: none"> <li>Papučica parkirne kočnice je postavljena u položaj kočenja.</li> </ul>	<ul style="list-style-type: none"> <li>Potpuno pritisnite papučicu parkirne kočnice da je oslobodite iz položaja kočenja.</li> </ul>
	<ul style="list-style-type: none"> <li>Upravljačke ručice nisu u otvorenom položaju pri pokretanju kosilice.</li> </ul>	<ul style="list-style-type: none"> <li>Vratite upravljačke ručice u otvoreni položaj i ponovo pokrenite kosilicu.</li> </ul>
	<ul style="list-style-type: none"> <li>Rukovalac ne sjedi na sjedištu.</li> </ul>	<ul style="list-style-type: none"> <li>Rukovalac može upravljati kosilicom samo ako pravilno sjedi na sjedištu.</li> </ul>
	<ul style="list-style-type: none"> <li>Prekidač sjedišta nije pravilno spojen.</li> </ul>	<ul style="list-style-type: none"> <li>Izvadite bateriju iz kosilice i demontirajte sjedište redoslijedom obrnutim od redoslijeda iz uputa u odjeljku <b>"POSTAVLJANJE SJEDIŠTA"</b> u ovom priručniku da pregledate spoj prekidača sjedišta. Ponovo postavite sjedište i pratite upute iz odjeljka <b>"POKRETANJE KOSILICE"</b> da ponovo pokrenete kosilicu i vidite može li se pokrenuti. Ako to nije slučaj, obratite se kvalifikovanom servisnom tehničaru radi popravka.</li> </ul>
	<ul style="list-style-type: none"> <li>U vrlo hladnim vremenskim uslovima funkcija vožnje možda se neće uspješno pokrenuti zbog zaštite od niske temperature.</li> </ul>	<ul style="list-style-type: none"> <li>Kosilicu i bateriju uvijek skladištite u toplom okruženju. Kosilicu ponovo pokrenite kada se zagrije. Izbjegavajte ponavljane pokušaje u vrlo hladnim vremenskim uslovima jer time možete oštetiti mašinu.</li> </ul>

PROBLEM	UZROK	RJEŠENJE
Kosilica se zaustavlja.	<ul style="list-style-type: none"> <li>▪ Upravljačke ručice je potrebno "resetovati".</li> </ul>	<ul style="list-style-type: none"> <li>▪ Vratite upravljačke ručice u otvoreni položaj i ponovo pokrenite kosilicu.</li> </ul>
	<ul style="list-style-type: none"> <li>▪ Električne upravljačke komponente upravljačkih ručica su neispravne.</li> </ul>	<ul style="list-style-type: none"> <li>▪ Obratite se kvalifikovanom servisnom tehničaru radi popravka.</li> </ul>
	<ul style="list-style-type: none"> <li>▪ Prekidač sjedišta se odspojio tokom vožnje po neravnom terenu.</li> </ul>	<ul style="list-style-type: none"> <li>▪ Izvadite bateriju iz kosilice i demontirajte sjedište redosljedom obrnutim od redosljeda iz uputa u odjeljku "<b>POSTAVLJANJE SJEDIŠTA</b>" u ovom priručniku da pregledate spoj prekidača sjedišta. Ponovo postavite sjedište i pratite upute iz odjeljka "<b>POKRETANJE KOSILICE</b>" da ponovo pokrenete kosilicu i vidite može li se pokrenuti. Ako to nije slučaj, obratite se kvalifikovanom servisnom tehničaru radi popravka.</li> </ul>
	<ul style="list-style-type: none"> <li>▪ Papučica parkirne kočnice pritišće se kako bi se smanjila brzina vožnje. Kada je papučica parkirne kočnice dovoljno pritisnuta, ali nije u položaju parkiranja, kosilica će se zaustaviti.</li> </ul>	<ul style="list-style-type: none"> <li>▪ Za ponovno pokretanje kosilice pratite upute u odjeljku "<b>POKRETANJE KOSILICE</b>".</li> </ul>
Brzinu vožnje/režim vožnje nije moguće podesiti tokom vožnje.	<ul style="list-style-type: none"> <li>▪ Ovo je funkcija kosilice za sigurnu vožnju.</li> </ul>	<ul style="list-style-type: none"> <li>▪ Funkcija se aktivira se samo kada su točkovi kosilice zaustavljeni i kada su upravljačke ručice otvorene.</li> </ul>

PROBLEM	UZROK	RJEŠENJE
<p>Kosilica ne pokreće noževe kada se aktivira PTO prekidač.</p>  Ikona PTO prekidača treperi.	<ul style="list-style-type: none"> <li>Ukupna vrijednost Ah ugrađenih baterija ne ispunjava zahtjev.</li> </ul>	<ul style="list-style-type: none"> <li>Za pokretanje kosilice upotrebljavajte dovoljno EGO baterija prema uputama u odjeljku "<b>PUNJENJE</b>" ovog priručnika.</li> </ul>
	<ul style="list-style-type: none"> <li>PTO prekidač nije pritisnut prema dolje pri zadnjem zaustavljanju kosilice.</li> </ul>	<ul style="list-style-type: none"> <li>Pritisnite PTO prekidač prema dolje i ponovo pokrenite noževe kosilice.</li> </ul>
	<ul style="list-style-type: none"> <li>Kosilica je preopterećena pri pokretanju noževa, što je rezultiralo aktivacijom funkcije samozaštite motora.</li> </ul>	<ul style="list-style-type: none"> <li>Kosilicu najprije pokrenite s nižom brzinom noža sve dok se noževi ne počnu uspješno okretati. Nemojte povećavati brzinu noža prema potrebi.</li> </ul>
	<ul style="list-style-type: none"> <li>U vrlo hladnim vremenskim uslovima motor noža možda se neće uspješno pokrenuti zbog zaštite od niske temperature.</li> </ul>	<ul style="list-style-type: none"> <li>Kosilicu i bateriju uvijek skladištite u toplom okruženju. Kosilicu ponovo pokrenite kada se zagrije. Izbjegavajte ponavljane pokušaje u vrlo hladnim vremenskim uslovima jer time možete oštetiti mašinu.</li> </ul>
	<ul style="list-style-type: none"> <li>Nož udara o deformisani trup kosilice.</li> </ul>	<ul style="list-style-type: none"> <li>Obratite se kvalifikovanom servisnom tehničaru radi popravka.</li> </ul>

PROBLEM	UZROK	RJEŠENJE
Noževi prestaju raditi tokom košnje trave.	<ul style="list-style-type: none"> <li>▪ Kosilica je preopterećena.</li> </ul>	<ul style="list-style-type: none"> <li>▪ Povećajte visinu košnje trupa kosilice ili smanjite brzinu vožnje da smanjite opterećenje kosilice.</li> </ul>
	<ul style="list-style-type: none"> <li>▪ Trup kosilice je začepljen travom i naslagama.</li> </ul>	<ul style="list-style-type: none"> <li>▪ Očistite trup kosilice i vodite računa da se noževi mogu slobodno kretati.</li> </ul>
	<ul style="list-style-type: none"> <li>▪ Kosilica se pregrijava.</li> </ul>	<ul style="list-style-type: none"> <li>▪ Smanjite opterećenje kosilice povećanjem visine košnje trupa kosilice ili usporavanjem brzine noža/vožnje i pričekajte da se kosilica ohladi.</li> </ul>
	<ul style="list-style-type: none"> <li>▪ Kompleti baterija u pretincu za baterije kosilice su pregrijani, tako da ukupna vrijednost Ah svih ugrađenih baterija ne ispunjava zahtjev.</li> </ul>	<ol style="list-style-type: none"> <li>1. Ako ukupna vrijednost Ah baterije ne ispunjava vrijednost, kosilica neće raditi sve dok se dodatni kompleti baterija ne umetnu u prazne pretince za baterije. Čim se pregrijana baterija vrati na normalnu temperaturu, odmah će napajati kosilicu.</li> <li>2. Smanjite opterećenje kosilice povećanjem visine košnje trupa kosilice ili usporavanjem postupka košnje kada nastavljate s radom.</li> </ol>
	<ul style="list-style-type: none"> <li>▪ Kosilica je u režimu rada bez košnje.</li> </ul>	<ul style="list-style-type: none"> <li>▪ Kada je kosilica u režimu rada bez košnje, noževi se automatski prebacuju na malu brzinu okretanja bez košenja trave. Rukovalac bi trebao što je moguće prije da prestane raditi i da ode u područje za punjenje baterije.</li> </ul>
	<ul style="list-style-type: none"> <li>▪ Kosilica je udarila o strani predmet, što je rezultiralo aktivacijom funkcije samozaštite motora.</li> </ul>	<ul style="list-style-type: none"> <li>▪ Pritisnite PTO prekidač prema dolje i ponovo pokrenite noževu kosilice.</li> </ul>
Indikator zvučnog signala nastavlja se oglašavati.	<ul style="list-style-type: none"> <li>▪ Kosilica je u režimu rada bez košnje, a noževi nisu isključeni.</li> </ul>	<ul style="list-style-type: none"> <li>▪ Pritisnite PTO prekidač prema dolje da deaktivirate noževu trupa kosilice. Indikator zvučnog signala više se ne oglašava kada se nož zaustavi.</li> </ul>
	<ul style="list-style-type: none"> <li>▪ Kosilica se zaustavlja na nagibu, a rukovalac otvara upravljačke ručice i napušta sjedište bez postavljanja papučice parkirne kočnice u položaj kočenja.</li> </ul>	<ul style="list-style-type: none"> <li>▪ Prije nego što kosilicu ostavite na nagibu, postavite papučicu parkirne kočnice u položaj kočenja.</li> </ul>

PROBLEM	UZROK	RJEŠENJE
Indikatori baterije ostaju uključeni nakon isključivanja kosilice.	<ul style="list-style-type: none"> <li>Ako se kosilica isključi na ravnom tlu, a da se iz nje ne izvade kompleti baterija, indikatori baterije, dugme za pokretanje/zaustavljanje i dugme za podešavanje će svijetliti određeno vrijeme.</li> </ul>	<ul style="list-style-type: none"> <li>Radnja nije potrebna. Indikatori baterije isključuju se kada se kosilica isključi nakon određenog vremena. Informacije o određenom vremenu potražite u odjeljku <b>"ZAUSTAVLJANJE KOSILICE"</b>.</li> </ul>
	<ul style="list-style-type: none"> <li>Ako se kosilica isključi na nagibu bez postavljanja papučice parkirne kočnice u položaj kočenja, indikatori baterije će svijetliti dok se baterija ne isprazni. Indikator zvučnog signala istovremeno se nastavlja oglašavati.</li> </ul>	<ul style="list-style-type: none"> <li>Prije nego što alat ostavite na nagibu, postavite papučicu parkirne kočnice u položaj kočenja.</li> </ul>
LCD ekran ne svijetli sa svim uključenim ikonama.	<ul style="list-style-type: none"> <li>Vrijeme pritiska na dugme za pokretanje/zaustavljanje nije dovoljno.</li> </ul>	<ul style="list-style-type: none"> <li>Na LCD ekranu prikazuje se "Mjerač goriva" samo kada se kratko pritisne dugme za pokretanje/zaustavljanje.</li> <li>LCD ekran se uključuje kada se dugme za pokretanje/zaustavljanje pritisne dovoljno dugo.</li> </ul>
Kosilica kosi neravnomjerno, sa značajnom razlikom u visini s prednje strane prema stražnjoj strani.	<ul style="list-style-type: none"> <li>Noževi su tupi.</li> </ul>	<ul style="list-style-type: none"> <li>Rezni nož naoštrite ili zamijenite kako je navedeno u ovom priručniku.</li> </ul>
	<ul style="list-style-type: none"> <li>Noževi su savijeni.</li> </ul>	<ul style="list-style-type: none"> <li>Savijeni rezni nož zamijenite prema uputama u odjeljku <b>"ZAMJENA REZNIH NOŽEVA"</b>.</li> </ul>
	<ul style="list-style-type: none"> <li>Trup kosilice nije nivelisan, što rezultira različitim visinama reznih noževa.</li> </ul>	<ul style="list-style-type: none"> <li>Trup kosilice izbalansirajte prema uputama u odjeljku <b>"NIVELISANJE TRUPA KOSILICE"</b>.</li> </ul>
Stvarna visina košnje trave ne odgovara navedenoj visini.	<ul style="list-style-type: none"> <li>Matice trupa kosilice na spojnom elementu sistema amortizacije su otpuštene.</li> </ul>	<ul style="list-style-type: none"> <li>Za pravilno podešavanje prednje strane prema stražnjoj strani za trup kosilice i dobro pritezanje matica na spojnom elementu sistema amortizacije pratite upute u odjeljku <b>"NIVELISANJE TRUPA KOSILICE"</b>.</li> </ul>
	<ul style="list-style-type: none"> <li>Trup kosilice je oštećen ili veoma istrošen.</li> </ul>	<ul style="list-style-type: none"> <li>Za zamjenu trupa kosilice pratite upute u odjeljku <b>"UKLANJANJE TRUPA KOSILICE"</b>.</li> </ul>

PROBLEM	UZROK	RJEŠENJE
Kosilica ne malčira pravilno.	<ul style="list-style-type: none"> <li>Mokri komadići trave lijepe se za donju stranu trupa.</li> </ul>	<ul style="list-style-type: none"> <li>Prije košnje pričekajte da se trava posuši.</li> </ul>
	<ul style="list-style-type: none"> <li>Kosilica je postavljena za košnju prevelike količine trave odjednom.</li> </ul>	<ul style="list-style-type: none"> <li>Povećajte visinu košnje trupa kosilice.</li> </ul>
Pojavljaju se prevelike vibracije.	<ul style="list-style-type: none"> <li>Rezni noževi su otpušteni.</li> </ul>	<ul style="list-style-type: none"> <li>Pritegnite osovinicu noža preporučenim momentom pritezanja.</li> </ul>
	<ul style="list-style-type: none"> <li>Noževi su savijeni.</li> </ul>	<ul style="list-style-type: none"> <li>Savijeni rezni nož zamijenite prema uputama u odjeljku "ZAMJENA REZNIH NOŽEVA".</li> </ul>
	<ul style="list-style-type: none"> <li>Trup kosilice nije iznivelisan.</li> </ul>	<ul style="list-style-type: none"> <li>Trup kosilice izbalansirajte prema uputama u odjeljku "NIVELISANJE TRUPA KOSILICE".</li> </ul>
	<ul style="list-style-type: none"> <li>Matice trupa kosilice na spojnom elementu sistema amortizacije su otpuštene.</li> </ul>	<ul style="list-style-type: none"> <li>Pritegnite matice na spojnom elementu sistema amortizacije.</li> </ul>
	<ul style="list-style-type: none"> <li>Kosilica je postavljena za košnju prevelike količine trave odjednom.</li> </ul>	<ul style="list-style-type: none"> <li>Povećajte visinu košnje trupa kosilice.</li> </ul>
Nakon košnje na tlu ima trave ili naslaga.	<ul style="list-style-type: none"> <li>Kosilica je postavljena za košnju prevelike količine trave odjednom kad je trava visoka.</li> </ul>	<ul style="list-style-type: none"> <li>Počnite s velikom visinom košnje i smanjujte je dok se ne postigne željeni rezultat košnje. Travu visoku više od 6 inča potrebno je kositi dva puta, s uzastopno nižim visinama košnje.</li> </ul>
	<ul style="list-style-type: none"> <li>Trava je mokra.</li> </ul>	<ul style="list-style-type: none"> <li>Nemojte kositi kada je trava mokra dok se ne posuši.</li> </ul>
	<ul style="list-style-type: none"> <li>Brzina vožnje je visoka.</li> </ul>	<ul style="list-style-type: none"> <li>Smanjite brzinu vožnje.</li> </ul>
	<ul style="list-style-type: none"> <li>Brzina noža je niska.</li> </ul>	<ul style="list-style-type: none"> <li>Postepeno povećavajte brzinu noža.</li> </ul>
Kratko vrijeme rada kosilice s isporučenom baterijom.	<ul style="list-style-type: none"> <li>Stanje trave i postavka visine košnje imaju veliki uticaj na vrijeme rada baterije. Navedeno vrijeme rada zasniva se na malom opterećenju.</li> </ul>	<ul style="list-style-type: none"> <li>Povećajte visinu košnje trupa kosilice i smanjite brzinu noža da smanjite opterećenje pri košnji.</li> </ul>

PROBLEM	UZROK	RJEŠENJE
Kosilica se ne kreće ravno.	<ul style="list-style-type: none"> <li>Pritisak u gumama za lijevi i desni stražnji točak je različit.</li> </ul>	<ul style="list-style-type: none"> <li>Provjerite pritisak zraka u gumama stražnjih točkova i podesite ga prema preporuci u odjeljku "<b>PROVJERA PRITISKA U GUMAMA</b>" u ovom priručniku.</li> </ul>
	<ul style="list-style-type: none"> <li>Brzina vožnje za lijevi i desni stražnji točak je različita.</li> </ul>	<ul style="list-style-type: none"> <li>Obavite kalibraciju sistema navođenja kosilice prema uputama u odjeljku "<b>KALIBRACIJA SISTEMA NAVOĐENJA KOSILICE</b>".</li> </ul>
Papučica parkirne kočnice ne može se otpustiti iz položaja kočenja ili se sporo vraća.	<ul style="list-style-type: none"> <li>U papučicu parkirne kočnice možda su dospjele naslage ili prljavština.</li> </ul>	<ul style="list-style-type: none"> <li>Otvorite kućište papučice parkirne kočnice da ga dobro očistite, a zatim ga ponovo zatvorite. Ponovo postavite papučicu parkirne kočnice da vidite je li problem riješen. Ako to nije slučaj, obratite se kvalifikovanom servisnom tehničaru radi popravka</li> </ul>
Kosilica se ne može puniti pomoću priključka za punjenje kada indikator stanja kosilice svijetli crveno.	<ul style="list-style-type: none"> <li>Utikač punjača nije pravilno umetnut u priključak za punjenje na kosilici.</li> </ul>	<ul style="list-style-type: none"> <li>Ponovo spojite utikač punjača da vidite može li se kosilica normalno puniti.</li> </ul>
	<ul style="list-style-type: none"> <li>U zidnim utičnicama nema struje.</li> </ul>	<ul style="list-style-type: none"> <li>Radnja nije potrebna. Pričekajte da se napajanje povraća.</li> </ul>
	<ul style="list-style-type: none"> <li>Punjač je neispravan.</li> </ul>	<ul style="list-style-type: none"> <li>Obratite se kvalifikovanom servisnom tehničaru radi pregleda i po potrebi popravite punjač.</li> </ul>
	<ul style="list-style-type: none"> <li>Priključak za punjenje na kosilici je neispravan.</li> </ul>	<ul style="list-style-type: none"> <li>Obratite se kvalifikovanom servisnom tehničaru radi popravka.</li> </ul>
Vrijeme punjenja putem priključka za punjenje kosilice je predugo.	<ul style="list-style-type: none"> <li>Punjenje s EGO adapterom ACA1000 traje predugo.</li> </ul>	<ul style="list-style-type: none"> <li>Za direktno punjenje kosilice upotrebljavajte EGO punjač CHV1600E.</li> </ul>
Baterija se ne može potpuno napuniti putem priključka za punjenje kosilice.	<ul style="list-style-type: none"> <li>Greška firmvera kosilice za vožnju ili kvar punjača/baterije.</li> </ul>	<ul style="list-style-type: none"> <li>Isključite punjač iz strujnog napajanja i pričekajte duže od nekoliko minuta, a zatim ponovo utaknite utikač u strujnu utičnicu. Ako to ne uspije, obratite se kvalifikovanom servisnom tehničaru radi popravka</li> </ul>
Kosilicu nije moguće pokrenuti nakon čišćenja.	<ul style="list-style-type: none"> <li>Nepropisno čišćenje, poput vode prolivene po električnim komponentama, LCD ekranu, itd.</li> </ul>	<ul style="list-style-type: none"> <li>Za pravilno čišćenje kosilice pratite upute u odjeljku "<b>ČIŠĆENJE KOSILICE</b>".</li> </ul>
Kosilica se može lako začepiti.	<ul style="list-style-type: none"> <li>Trup kosilice je začepjen travom i naslagama.</li> </ul>	<ul style="list-style-type: none"> <li>Ako kosilica slučajno pokisne, pričekajte da se osuši na zraku ili je osušite komprimiranim zrakom.</li> </ul>
		<ul style="list-style-type: none"> <li>Trup kosilice očistite nakon svake upotrebe kako je opisano u odjeljku "Upotreba priključka za pranje za čišćenje trupa kosilice".</li> </ul>



PROBLEM	UZROK	RJEŠENJE
Kosilica lako gubi vuču pri vožnji uz nagib.	▪ Gume na stražnjim točkovima su istrošene.	▪ Za zamjenu guma točka obratite se lokalnoj servisnoj službi.
	▪ Veliki nagib za košnju.	▪ Nagib košenja treba biti pod određenim stepenom.
Ako se zaustavi na nagibu s pritisnutom papučicom parkirne kočnice, kosilica može skliznuti niz nagib.	▪ Komponente kočnice su previše istrošene zbog nepravilnog rukovanja kosilicom.	▪ Obratite se kvalifikovanom servisnom tehničaru radi popravka.
Prilikom pranja trupa kosilice voda ne izlazi iz priključka za pranje.	▪ Brza spojnica priključka za pranje nije postavljena na priključak za pranje.	▪ Ponovo pričvrstite brzu spojnicu priključka za pranje tako da osjetite jasno klikanje nakon jakog pritiska. Ako to ne uspije, obratite se kvalifikovanom servisnom tehničaru radi popravka.
Kada se kosilica ručno gura bez pokretanja, čuje se neuobičajeni zvuk.	▪ Zvuk dolazi od magneta u pogonskom motoru.	▪ To je uobičajena pojava i nije potrebna nikakva radnja.

Kees van der Spek  
TUINMACHINES \* STOLWIJK



## REFERENCE INDIKATORA KODOVA GREŠKI I STANJA KOSILICE

LCD zaslon	Opis	Kod greške na LCD ekranu	Indikator stanja kosilice	Zujalica	Uzrok	Rješenje
	Na LCD ekranu prikazuje se ikona LED svjetala.	Nije primjenjivo.	ISKLJUČENO	Ne	Prednja svjetla, bočna svjetla i stražnja svjetla uključuju se pomoću prekidača za LED svjetla.	Ovo je uobičajeni rad. Radnja nije potrebna.
	Na LCD ekranu prikazuje se ikona USB priključka.	Nije primjenjivo.	ISKLJUČENO	Ne	Ikona USB priključka svijetli i ukazuje da USB uređaj može raditi nakon pravilnog pokretanja kosilice.	Ovo je uobičajeni rad. Radnja nije potrebna.
	Na LCD ekranu prikazuje se ikona mjerača goriva.	Nije primjenjivo.	ISKLJUČENO	Ne	Prikazuje prosječni kapacitet punjenja ugrađenih baterija.	Ovo je uobičajeni rad. Radnja nije potrebna.
	Na LCD ekranu prikazuje se ikona brojača sati.	Nije primjenjivo.	ISKLJUČENO	Ne	Prikazuje ukupno vrijeme vožnje kosilice u satima i ne može se resetovati.	Ovo je uobičajeni rad. Radnja nije potrebna.
	U ECO području prikazuje se ikona indikatora opterećenja.	Nije primjenjivo.	ISKLJUČENO	Ne	Prikazuje trenutno opterećenje kosilice.	Ovo je uobičajeni rad. Radnja nije potrebna.
	Indikator preopterećenja treperi. U PWR području prikazuje se ikona indikatora opterećenja.	Nije primjenjivo.	Treperi crveno.	Jedan zvučni signal	Motor noža je preopterećen.	Povećajte visinu košnje trupa kosilice ili smanjite brzinu vožnje da smanjite opterećenje kosilice.
					Bočni izlazni otvor je začepljen travom i naslagama.	Očistite bočni izlazni otvor nakon svake upotrebe.
					Postoji smetnja između noža i trupa kosilice.	Popravke prepustite kvalifikovanom servisnom tehničaru.

LCD zaslon	Opis	Kod greške na LCD ekranu	Indikator stanja kosilice	Zujalica	Uzrok	Rješenje
	Ikona sigurnosnog ključa treperi.	Nije primjenjivo.	ISKLJUČENO	Ne	Sigurnosni ključ nije umetnut.	Umetnite sigurnosni ključ, a zatim pritisnite dugme za POKRETANJE/ ZAUSTAVLJANJE i držite ga pritisnutim da uključite kosilicu.
					LCD ekran se ne napaja.	Popravke prepustite kvalifikovanom servisnom tehničaru.
	Ikona određenog pretinca za baterije treperi.	Nije primjenjivo.	ISKLJUČENO	Ne	Određena baterija radi pod prekomjernom strujom tokom pražnjenja.	Radnja nije potrebna. Kosilica može nastaviti raditi ako ukupna vrijednost Ah baterije, isključujući strujno preopterećenu bateriju, ispunjava zahtjev. Čim se pregrijana baterija vrati u normalno stanje, odmah će nastaviti napajati kosilicu i ikona će nestati.
	Ikona praznog pretinca za baterije treperi.	Nije primjenjivo.	ISKLJUČENO	Ne	Kapacitet baterije nije dovoljan da se omogući rad s vožnjom na kosilici.	Za pokretanje kosilice upotrebljavajte dovoljno EGO baterija prema uputama u odjeljku "PUNJENJE" ovog priručnika.
	Ikona temperature treperi.	Nije primjenjivo.	ISKLJUČENO	Jedan zvučni signal	Kosilica se pregrijava.	Smanjite opterećenje kosilice povećanjem visine košnje trupa kosilice ili usporavanjem brzine noža/vožnje. Napravite pauzu i pričekajte da se kosilica ohladi.
					Kosilica je previše hladna.	Izbjegavajte ponavljane pokušaje jer time možete oštetiti mašinu. Kosilicu i baterije uvijek skladištite u toplom okruženju. Kosilicu ponovo pokrenite kada se zagrije.

LCD zaslon	Opis	Kod greške na LCD ekranu	Indikator stanja kosilice	Zujalica	Uzrok	Rješenje
	Ikona temperature i tačno zauzeti pretinac za bateriju istovremeno trepere.	Nije primjenjivo.	ISKLJUČENO	Ne	Komplet baterija u pretincu za baterije s odgovarajućim brojem se pregrijava.	<p>1. Kosilica može nastaviti raditi ako ukupna vrijednost Ah baterije, isključujući pregrišanu bateriju, ispunjava zahtjev. Čim se pregrišana baterija vrati na normalnu temperaturu, odmah će napajati kosilicu.</p> <p>2. Ako ukupna vrijednost Ah baterije nije dovoljna, kosilica neće raditi sve dok se dodatni kompleti baterija ne umetnu u prazne pretince za baterije.</p> <p>3. Smanjite opterećenje kosilice povećanjem visine košnje trupa kosilice ili usporavanjem postupka košnje kada nastavljate s radom.</p>
	Ikone za svaki zauzeti pretinac za baterije, indikator niskog nivoa napunjenosti, grafički prikaz baterije i mjerač goriva istovremeno trepere na LCD ekranu svake sekunde. Trepere i prvi segment LED indikatora mjerača goriva i indikator stanja.	Nije primjenjivo.	Treperi crveno.	Zvučni signal oglašava se do pritiska na PTO prekidač.	Nivo napunjenosti kompleta baterija je nizak i kosilica je u režimu rada bez košnje.	<p>Prestanite raditi i vratite se u područje za punjenje baterije.</p> <p><b>NAPOMENA!</b> Kada je kosilica u režimu rada bez košnje, noževi se automatski prebacuju na malu brzinu okretanja bez košenja trave, a u međuvremenu će se nastaviti oglašavati zvučni indikator. Rukovalac treba pritisnuti PTO prekidač prema dolje da deaktivira noževe trupa kosilice. Zvučni indikator prestaje se oglašavati nakon zaustavljanja noža.</p>

LCD zaslon	Opis	Kod greške na LCD ekranu	Indikator stanja kosilice	Zujalica	Uzrok	Rješenje
	Ikona za svaki zauzeti pretnac za bateriju i indikator niskog nivoa napunjenosti trepere svakih pola sekunde.	Nije primjenjivo.	Treperi crveno.	Zvučni signal i dalje se oglašava.	Kompleti baterija su se skoro ispraznili.	Kosilica će odmah prestati raditi. Rukovalac kosilicu treba transportovati do područja za punjenje baterije radi punjenja.
	Na LCD ekranu treperi ikona funkcije automatskog parkiranja.	Nije primjenjivo.	ISKLJUČENO	Zvučni signal i dalje se oglašava.	Kosilica je parkirana na nagibu, a rukovalac napušta kosilicu bez postavljanja papučice kočnice u položaj kočenja, već samo s upravljačkim ručicama u otvorenom položaju.	Postavite papučicu kočnice u položaj kočenja. Ikona funkcije automatskog parkiranja će se isključiti, a zvučni indikator će se prestati oglašavati.
	Na LCD ekranu prikazuje se ikona papučice kočnice.	Nije primjenjivo.	ISKLJUČENO	Ne	Papučica parkirne kočnice je postavljena u položaj kočenja.	Otpustite ga prije pokretanja kosilice.
	Na LCD ekranu prikazuje se ikona senzora sjedišta.	Nije primjenjivo.	ISKLJUČENO	Ne	Rukovalac napušta sjedište ili je prekidač sjedala odspojen.	Ako se ikona uključi kada rukovalac sjedi na sjedištu, odmah obustavite rad s kosilicom i provjerite priključak sjedišta. Ako je priključak sjedišta s kosilicom potvrđen kao ispravan, obratite se kvalifikovanom servisnom tehničaru radi popravka.
	Ikona PTO prekidača treperi.	Nije primjenjivo.	ISKLJUČENO	Ne	Došlo je do prekida rada motora noža, a PTO prekidač nije postavljen u položaj isključivanja.	Prije ponovnog pokretanja kosilice, pritisnite PTO prekidač prema dolje da deaktivirate motor trupa kosilice. Više informacija potražite u odjeljku "OTKLANJANJE PROBLEMA" u ovom priručniku.

LCD zaslon	Opis	Kod greške na LCD ekranu	Indikator stanja kosilice	Zujalica	Uzrok	Rješenje
	Ikona upravljačke ručice treperi.	Nije primjenjivo.	ISKLJUČENO	Ne	Došlo je do prekida rada pogonskog motora, a upravljačke ručice nisu postavljene u otvoreni položaj.	Prije ponovnog pokretanja kosilice pomaknite upravljačke ručice u otvoreni položaj. Više informacija potražite u odjeljku <b>"OTKLANJANJE PROBLEMA"</b> u ovom priručniku.
	Ikona za obnovu energije povremeno treperi.	Nije primjenjivo.	ISKLJUČENO	Ne	Kinetička energija proizvedena pri kočenju ili vožnji nizbrdo pretvara se u električnu energiju za punjenje kompleta baterija.	Ovo je uobičajeni rad. Radnja nije potrebna.

**NAPOMENA!** Ako se na LCD ekranu prikaže kod greške, izvadite sve kompletne baterije i ponovno ih umetnite nekoliko minuta kasnije. Ako se time ne riješi problem, pratite upute za rješavanje problema s kodovima greške u nastavku.

LCD zaslon	Opis	Kod greške na LCD ekranu	Indikator stanja kosilice	Zujalica	Uzrok	Rješenje	
Pogledajte odjeljak "Kod kvara".	Lijevi pogonski motor se ne okreće.	Lijevi pogonski motor s PCBA upravljanjem ne radi.	413	ISKLJUČENO	Jedan zvučni signal	Kvar PCBA	Popravke prepustite kvalifikovanom servisnom tehničaru.
		Utikač (trofazni, strujni kabel) koji spaja lijevi pogonski motor s odgovarajućom PCBA-om je otpušten.	317	ISKLJUČENO	Jedan zvučni signal	Otpušteni priključak	
		Utikač (šestopinski, signalni kabel) koji spaja lijevi pogonski motor s odgovarajućom PCBA-om je otpušten.	301	ISKLJUČENO	Jedan zvučni signal	Otpušteni priključak	
		Lijevi pogonski motor ne radi.	317	ISKLJUČENO	Jedan zvučni signal	Kvar motora	

LCD zaslon	Opis	Kod greške na LCD ekranu	Indikator stanja kosilice	Zujalica	Uzrok	Rješenje	
Pogledajte odjeljak "Kod kvara".	Desni pogonski motor se ne okreće.	Desni pogonski motor s PCBA upravljanjem ne radi.	313	ISKLJUČENO	Jedan zvučni signal	Kvar PCBA	Popravke prepustite kvalifikovanom servisnom tehničaru.
		Utikač (trofazni, strujni kabel) koji spaja desni pogonski motor s odgovarajućom PCBA-om je otpušten.	417	ISKLJUČENO	Jedan zvučni signal	Otpušteni priključak	
		Utikač (šestopinski, signalni kabel) koji spaja desni pogonski motor s odgovarajućom PCBA-om je otpušten.	401	ISKLJUČENO	Jedan zvučni signal	Otpušteni priključak	
		Desni pogonski motor ne radi.	417	ISKLJUČENO	Jedan zvučni signal	Kvar motora	
Pogledajte odjeljak "Kod kvara".	Motor lijevog noža se ne okreće.	Motor lijevog noža s PCBA upravljanjem ne radi.	607/A07	Nije primjenjivo.	Jedan zvučni signal	Kvar PCBA	Popravke prepustite kvalifikovanom servisnom tehničaru.
		Utikač (trofazni, strujni kabel) koji spaja lijevi pogonski motor s odgovarajućom PCBA-om je otpušten.	509	Nije primjenjivo.	Jedan zvučni signal	Otpušteni priključak	Najprije pregledajte nož. U slučaju otpuštanja pritegnite osovinicu preporučenim momentom pritezanja. U suprotnom, popravke prepustite kvalifikovanom servisnom tehničaru.
		Motor lijevog noža ne radi.	509	Nije primjenjivo.	Jedan zvučni signal	Kvar motora	



LCD zaslon	Opis	Kod greške na LCD ekranu	Indikator stanja kosilice	Zujalica	Uzrok	Rješenje	
Pogledajte odjeljak "Kod kvara".	Motor desnog noža se ne okreće.	Motor desnog noža s PCBA upravljanjem ne radi.	507/A07	Nije primjenjivo.	Jedan zvučni signal	Kvar PCBA	Popravke prepustite kvalifikovanom servisnom tehničaru.
		Utikač (trofazni, strujni kabel) koji spaja desni pogonski motor s odgovarajućom PCBA-om je otpušten.	609	Nije primjenjivo.	Jedan zvučni signal	Otpušteni priključak	Najprije pregledajte nož. U slučaju otpuštanja pritegnite osovinicu preporučenim momentom pritezanja. U suprotnom, popravke prepustite kvalifikovanom servisnom tehničaru.
		Motor desnog noža ne radi.	609	Nije primjenjivo.	Jedan zvučni signal	Kvar motora	Popravke prepustite kvalifikovanom servisnom tehničaru.
Pogledajte odjeljak "Kod kvara".	Motor srednjeg noža se ne okreće.	Motor srednjeg noža s PCBA upravljanjem ne radi.	507/607	Nije primjenjivo.	Jedan zvučni signal	Kvar PCBA	Popravke prepustite kvalifikovanom servisnom tehničaru.
		Utikač (trofazni, strujni kabel) koji spaja motor srednjeg noža s odgovarajućom PCBA-om je otpušten.	A09	Nije primjenjivo.	Jedan zvučni signal	Otpušteni priključak	Najprije pregledajte nož. U slučaju otpuštanja pritegnite osovinicu preporučenim momentom pritezanja. U suprotnom, popravke prepustite kvalifikovanom servisnom tehničaru.
		Motor srednjeg noža ne radi.	A09	Nije primjenjivo.	Jedan zvučni signal	Kvar motora	Popravke prepustite kvalifikovanom servisnom tehničaru.
Pogledajte odjeljak "Kod kvara".	Lijeva upravljačka ručica ne radi.	Lijeva upravljačka ručica s PCBA upravljanjem ne radi.	311/412	ISKLUČENO	Jedan zvučni signal	Kvar PCBA	Popravke prepustite kvalifikovanom servisnom tehničaru.
		Utikač koji spaja PCBA upravljanje na upravljaču je otpušten.				Otpušteni priključak	

LCD zaslon	Opis		Kod greške na LCD ekranu	Indikator stanja kosilice	Zujalica	Uzrok	Rješenje
Pogledajte odjeljak "Kod kvara".	Desna upravljačka ručica ne radi.	Desna upravljačka ručica s PCBA upravljanjem ne radi.	312/411	ISKLJUČENO	Jedan zvučni signal	Kvar PCBA	Popravke prepustite kvalifikovanom servisnom tehničaru.
		Utikač koji spaja PCBA upravljanje na upravljaču je otpušten.				Otpušteni priključak	
Pogledajte odjeljak "Kod kvara".	Parkirna kočnica ne radi, alat se ne može pogoniti.	PCBA parkirne kočnice koji se nalazi u sklopu prednjeg okvira je u kvaru.	309/409	ISKLJUČENO	Jedan zvučni signal	Kvar PCBA	Popravke prepustite kvalifikovanom servisnom tehničaru.
		Prekidač i/ili kabel parkirne kočnice je u kvaru.	801	ISKLJUČENO	Jedan zvučni signal	Kvar kabela/prekidača	
ISKLJUČENO	Kvar priključka za punjenje		Nije primjenjivo.	Svijetli CRVENO	Nije primjenjivo.	Priključak za punjenje je u otvorenom krugu.	Popravke prepustite kvalifikovanom servisnom tehničaru.
			Nije primjenjivo.	Svijetli CRVENO	Nije primjenjivo.	Nema strujnog napajanja.	Provjerite je li napajanje zidne utičnice od 220 V - 240 V ili je li utičnica u dobrom stanju.
			Nije primjenjivo.	Svijetli CRVENO	Nije primjenjivo.	Osigurač je pregorio.	Popravke prepustite kvalifikovanom servisnom tehničaru.
Pogledajte odjeljak "Kod kvara".	Kvar priključka za punjenje		204	Nije primjenjivo.	Jedan zvučni signal	Priključak za punjenje je u otvorenom krugu.	Popravke prepustite kvalifikovanom servisnom tehničaru.

LCD zaslon	Opis	Kod greške na LCD ekranu	Indikator stanja kosilice	Zujalica	Uzrok	Rješenje
Pogledajte odjeljak "Kod kvara".	Sklop pretinca za baterije ne radi.	217	Nije primjenjivo.	Jedan zvučni signal	Izvor napajanja iz sklopa pretinca za baterije je u kvaru. LED prednja svjetla i USB ne rade.	Popravke prepustite kvalifikovanom servisnom tehničaru.
		310/ 410	ISKLUČENO	Jedan zvučni signal	Spoj između kabela tipa C sklopa pretinca za baterije i ostalih kabela tipa C kosilice je neispravan.	
		201/ 202/ 203	ISKLUČENO	Jedan zvučni signal	BMS sklopa pretinca za baterije je u kvaru.	
Pogledajte odjeljak "Kod kvara".	Kvar prekidača za pokretanje/ zaustavljanje	314/ 414	ISKLUČENO	Jedan zvučni signal	Kvar prekidača PCBA ili loš kablovski spoj za prekidač za pokretanje/ zaustavljanje.	Popravke prepustite kvalifikovanom servisnom tehničaru.
Pogledajte odjeljak "Kod kvara".	Kvar LCD ekrana	315/ 415	ISKLUČENO	Jedan zvučni signal	Kvar sklopa LCD-a ili loš kablovski spoj sklopa LCD-a.	Popravke prepustite kvalifikovanom servisnom tehničaru.

## GARANCIJA

### POLITIKA GARANCIJE PROIZVOĐAČA EGO

Za sve odredbe i uslove politike garancije proizvođača EGO posjetite internetsku stranicu [egopowerplus.com](http://egopowerplus.com).

الحل	السبب	جهاز التنبيه الصوتي	مؤشر حالة الجزارة	كود العطل على شاشة LCD	الوصف	شاشة عرض LCD
يجب إصلاحها من قبل فني صيانة مؤهل.	مصدر الطاقة من تجميعية صندوق البطارية معطوب. لن تعمل الكشافات الأمامية LED ومنفذ USB.	تنبيه صوتي واحد	غير متاح	217	تجميعية صندوق البطارية لا تعمل	انظر "كود الأعطال"
	الاتصال بين كابلات Type C بتجميعية صندوق البطارية وكابلات Type C الأخرى بالجزارة لا يعمل.	تنبيه صوتي واحد	متوقف	/310 410		
	نظام إدارة البطارية (BMS) الخاص بتجميعية صندوق البطارية معطوب.	تنبيه صوتي واحد	متوقف	/201 /202 302		
يجب إصلاحها من قبل فني صيانة مؤهل.	خلل في لوحة الدائرة الكهربائية (PCBA) للمفتاح أو اتصال سلبي سيء لمفتاح التشغيل/الإيقاف.	تنبيه صوتي واحد	متوقف	/314 414	عطل في مفتاح التشغيل/الإيقاف	انظر "كود الأعطال"
يجب إصلاحها من قبل فني صيانة مؤهل.	تجميعية شاشة LCD معطوبة أو هناك اتصال سلبي سيء في تجميعية شاشة LCD.	تنبيه صوتي واحد	متوقف	/315 415	عطل في شاشة LCD	انظر "كود الأعطال"

## الضمان

### سياسة ضمان EGO

تفضل بزيارة الموقع الإلكتروني [egopowerplus.com](http://egopowerplus.com) للتعرف على الشروط والأحكام الكاملة الخاصة بسياسة ضمان EGO.

شاشة عرض LCD	الوصف	كود العطل على شاشة LCD	مؤشر حالة الجرازة	جهاز التنبيه الصوتي	السبب	الحل	
انظر "كود الأعطال"	ذراع التوجيه الأيمن يفشل في العمل.	/312 411	متوقف	تنبيه صوتي واحد	خلل في لوحة الدائرة الكهربائية (PCBA)	يجب إصلاحها من قبل فني صيانة مؤهل.	
					لوحة الدائرة الكهربائية (PCBA) المتحكممة في ذراع التوجيه الأيمن تفشل في العمل.		وصلة مفكوكة
انظر "كود الأعطال"	فرملة الوقوف لا تعمل، ولا يمكن قيادة الآلة.	/309 409	متوقف	تنبيه صوتي واحد	خلل في لوحة الدائرة الكهربائية (PCBA)	يجب إصلاحها من قبل فني صيانة مؤهل.	
					لوحة الدائرة الكهربائية (PCBA) الخاصة بفرملة الوقوف، والموجودة في تجميعية الهيكل الأمامي، تالفة.		خلل في الكابل/المفتاح
متوقف	عطل في منفذ الشحن	غير متاح	أحمر ثابت	غير متاح	منفذ الشحن موجود في دائرة مفتوحة.	يجب إصلاحها من قبل فني صيانة مؤهل.	
					لا يوجد اتصال بالتيار.		تحقق مما إذا كان مقبس الحائط به تيار 220-240 فولت أو أن المقبس في حالة جيدة.
					المصهر محترق.		يجب إصلاحها من قبل فني صيانة مؤهل.
انظر "كود الأعطال"	عطل في منفذ الشحن	204	غير متاح	تنبيه صوتي واحد	منفذ الشحن موجود في دائرة مفتوحة.	يجب إصلاحها من قبل فني صيانة مؤهل.	

شاشة عرض LCD	الوصف	كود العطل على شاشة LCD	مؤشر حالة الجزاة	جهاز التنبيه الصوتي	السبب	الحل
انظر "كود الأعطال"	محرك الشفرة الأوسط لا يمكنه الدوران	A09	غير متاح	تنبيه صوتي واحد	خلل في لوحة الدائرة الكهربائية (PCBA)	يجب إصلاحها من قبل فني صيانة مؤهل.
					القابس (ثلاثي المراحل، كابل طاقة) الموصل لمحرك الشفرة الأوسط مع لوحة الدائرة الكهربائية (PCBA) المعنية مفكوك.	افحص الشفرة أولاً. إذا كانت مفكوك، اربط المسامير بالعزم الموصى به. وإلا، يجب الإصلاح من قبل فني صيانة مؤهل.
انظر "كود الأعطال"	ذراع التوجيه الأيسر يفشل في العمل.	/311 412	متوقف	تنبيه صوتي واحد	خلل في المحرك	يجب إصلاحها من قبل فني صيانة مؤهل.
					خلل في محرك الشفرة الأوسط	وصلة مفكوك
انظر "كود الأعطال"	ذراع التوجيه الأيسر تفشل في العمل.	/311 412	متوقف	تنبيه صوتي واحد	خلل في لوحة الدائرة الكهربائية (PCBA)	يجب إصلاحها من قبل فني صيانة مؤهل.
					القابس الموصل للوحة الدائرة الكهربائية (PCBA) المتحركة، الموجودة في قضيب التوجيه، مفكوك.	وصلة مفكوك

شاشة عرض LCD	الوصف	كود العطل على شاشة LCD	مؤشر حالة الجزازة	جهاز التنبيه الصوتي	السبب	الحل
انظر "كود الأعطال"	محرك الشفرة الأيسر لا يقدر على الدوران.	607/A07	غير متاح	تنبيه صوتي واحد	خلل في لوحة الدائرة الكهربائية (PCBA)	يجب إصلاحها من قبل فني صيانة مؤهل.
		509	غير متاح	تنبيه صوتي واحد	وصلة مفكوكة	افحص الشفرة أولاً. إذا كانت مفكوكة، اربط المسامير بالعزم الموصى به. وإلا، يجب الإصلاح من قبل فني صيانة مؤهل.
انظر "كود الأعطال"	محرك الشفرة الأيمن لا يقدر على الدوران.	509	غير متاح	تنبيه صوتي واحد	خلل في المحرك	افحص الشفرة أولاً. إذا كانت مفكوكة، اربط المسامير بالعزم الموصى به. وإلا، يجب الإصلاح من قبل فني صيانة مؤهل.
		609	غير متاح	تنبيه صوتي واحد	وصلة مفكوكة	افحص الشفرة أولاً. إذا كانت مفكوكة، اربط المسامير بالعزم الموصى به. وإلا، يجب الإصلاح من قبل فني صيانة مؤهل.
انظر "كود الأعطال"	محرك الشفرة الأيمن لا يقدر على الدوران.	507/A07	غير متاح	تنبيه صوتي واحد	خلل في لوحة الدائرة الكهربائية (PCBA)	يجب إصلاحها من قبل فني صيانة مؤهل.
		609	غير متاح	تنبيه صوتي واحد	خلل في المحرك	افحص الشفرة أولاً. إذا كانت مفكوكة، اربط المسامير بالعزم الموصى به. وإلا، يجب الإصلاح من قبل فني صيانة مؤهل.

الحل	السبب	جهاز التنبيه الصوتي	مؤشر حالة الجزارة	كود العطل على شاشة LCD	الوصف	شاشة عرض LCD
يجب إصلاحها من قبل فني صيانة مؤهل.	خلل في لوحة الدائرة الكهربائية (PCBA)	تنبيه صوتي واحد	متوقف	313	هناك خلل في محرك الحركة الأيمن الخاضع للتحكم من قبل لوحة الدائرة الكهربائية (PCBA).	انظر "كود الأعطال"
	وصلة مفكوكة	تنبيه صوتي واحد	متوقف	417	القابس (ثلاثي المراحل، كابل طاقة) الموصل لمحرك الحركة الأيمن مع لوحة الدائرة الكهربائية (PCBA) المعنية مفكوك.	
	وصلة مفكوكة	تنبيه صوتي واحد	متوقف	401	القابس (سداسي المراحل، كابل إشارة) الموصل لمحرك الحركة الأيمن مع لوحة الدائرة الكهربائية (PCBA) المعنية مفكوك.	
	خلل في المحرك	تنبيه صوتي واحد	متوقف	417	محرك الحركة الأيمن يفشل في العمل.	



شاشة عرض LCD	الوصف	كود العطل على شاشة LCD	مؤشر حالة الجزازة	جهاز التنبيه الصوتي	السبب	الحل
انظر "كود الأعطال"	محرك الحركة الأيسر لا يقدر على الدوران.	413	متوقف	تنبيه صوتي واحد	خلل في لوحة الدائرة الكهربائية (PCBA)	هناك خلل في محرك الحركة الأيسر الخاضع للتحكم من قبل لوحة الدائرة الكهربائية (PCBA).
		317	متوقف	تنبيه صوتي واحد	وصلة مفكوكة	القابس (ثلاثي المراحل، كابل طاقة) الموصل لمحرك الحركة الأيسر مع لوحة الدائرة الكهربائية (PCBA) المعنية مفكوك.
		301	متوقف	تنبيه صوتي واحد	وصلة مفكوكة	القابس (سداسي المراحل، كابل إشارة) الموصل لمحرك الحركة الأيسر مع لوحة الدائرة الكهربائية (PCBA) المعنية مفكوك.
		317	متوقف	تنبيه صوتي واحد	خلل في المحرك	محرك الحركة الأيسر يفشل في العمل.
يجب إصلاحها من قبل فني صيانة مؤهل.						

شاشة عرض LCD	الوصف	كود العطل على شاشة LCD	مؤشر حالة الجزازة	جهاز التنبيه الصوتي	السبب	الحل
	تومض أيقونة مفتاح تعشيق طاقة المحرك (PTO).	غير متاح	متوقف	لا	حدث اعتراض لتشغيل محرك الشفرة ولم يتم ضبط مفتاح تعشيق طاقة المحرك (PTO) على وضع الإيقاف.	قبل إعادة تشغيل الجزازة، اضغط على مفتاح تعشيق طاقة المحرك لأسفل لإلغاء تعشيق محرك أرضية الجزازة. يُرجى مراجعة قسم "استكشاف الأعطال وإصلاحها" من هذا الدليل للتعرف على المعلومات.
	تومض أيقونة ذراع التوجيه.	غير متاح	متوقف	لا	حدث اعتراض لتشغيل محرك الحركة ولم يتم ضبط أذرع التوجيه على وضع الفتح.	قبل إعادة تشغيل الجزازة، حرك أذرع التوجيه إلى وضع الفتح. يُرجى مراجعة قسم "استكشاف الأعطال وإصلاحها" من هذا الدليل للتعرف على المعلومات.
	تومض أيقونة استعادة الطاقة من حين لآخر.	غير متاح	متوقف	لا	يتم تحويل الطاقة الحركية المتولدة أثناء القرملة أو القيادة على المنحدر إلى كهرباء لشحن مجموعات البطارية.	هذا من إجراءات التشغيل العادية. لست في حاجة لاتخاذ أي إجراءات.

**تنبيه:** إذا ظهر كود خلل على شاشة DCL، فقم بإزالة جميع مجموعات البطاريات وإعادة إدخالها بعد بضع دقائق. إذا لم يؤدي ذلك إلى حل المشكلة، فاتبع دليل أكواد الأعطال أدناه.

شاشة عرض LCD	الوصف	كود العطل على شاشة LCD	مؤشر حالة الجارزة	جهاز التنبيه الصوتي	السبب	الحل
	تومض أيقونات كل حبيرة بطارية مشغولة، ومؤشر انخفاض الطاقة، والشكل البياني للبطارية في مقياس الوقود كل ثانية في نفس الوقت على شاشة LCD. يومض القسم الأول من مقياس الوقود LED ومؤشر الحالة أيضاً.	غير متاح	يومض باللون الأحمر	تنبيه صوتي متواصل إلى أن يتم الضغط على مفتاح تعشيق طاقة المحرك (PTO) لأسفل.	الشحن منخفض في مجموعات البطارية والجارزة في وضع التشغيل الطارئ.	توقف عن العمل وعد إلى مكان لشحن البطارية. <b>تنبيه:</b> عندما تكون الجارزة في وضع التشغيل الطارئ، يتم نقل الشفرات تلقائياً إلى وضع سرعة الدوران المنخفضة بدون جز العشب، وفي هذه الأثناء سيستمر مؤشر التنبيه الصوتي في إطلاق التنبيه. يجب على مشغل الآلة أن يدفع مفتاح تعشيق طاقة المحرك لأسفل لإلغاء تعشيق شفرات أرضية الجارزة. سيتوقف مؤشر التنبيه الصوتي عن إطلاق التنبيه بعد إيقاف الشفرات.
	تومض أيقونة كل حبيرة بطارية مشغولة ومؤشر انخفاض الطاقة كل نصف ثانية.	غير متاح	يومض باللون الأحمر	تنبيه صوتي متواصل	نقد شحن مجموعات البطارية تقريباً.	ستتوقف الجارزة عن العمل على الفور. يجب على مشغل الآلة نقل الجارزة إلى مكان شحن البطارية لشحنها.
	تومض أيقونة الوقوف التلقائي على شاشة LCD.	غير متاح	متوقف	تنبيه صوتي متواصل	تم إيقاف الجارزة على منحدر، ومشغل الآلة غادر الجارزة بدون ضبط دواسرة الفرملة على وضع الفرملة، بل فقط قام بترك أذرع التوجيه في الوضع المفتوح.	اضبط دواسرة الفرملة على وضع الفرملة. ستنتفي أيقونة الوقوف التلقائي ويتوقف مؤشر التنبيه الصوتي عن إطلاق التنبيه.
	يتم عرض أيقونة دواسرة الفرملة على شاشة LCD.	غير متاح	متوقف	لا	دواسرة فرملة الوقوف مضبوطة على وضع الفرملة.	حررها قبل بدء تشغيل الجارزة.
	يتم عرض أيقونة مستشعر المقعد على شاشة LCD.	غير متاح	متوقف	لا	مشغل الآلة غادر المقعد أو تم فصل مفتاح المقعد.	إذا كان مشغل الآلة جالساً على المقعد والأيقونة مضاءة، أوقف الجارزة عن التشغيل على الفور وافحص وصلة المقعد. إذا تأكدت أن وصلة المقعد بالجارزة صحيحة، يُرجى التواصل مع فني صيانة متخصص لإصلاحها.

شاشة عرض LCD	الوصف	كود العطل على شاشة LCD	مؤشر حالة الجزازة	جهاز التنبيه الصوتي	السبب	الحل
	أيقونة درجة الحرارة تومض.	غير متاح	متوقف	تنبيه صوتي واحد	الجزازة ساخنة بشكل زائد.	قلل الحمل على الجزازة عن طريق رفع ارتفاع جز أرضية الجزازة أو إبطاء سرعة الشفرة/الحركة. نل قسطاً من الراحة واترك الجزازة تبرد.
					الجزازة باردة للغاية	يُرجى عدم تكرار المحاولات، فذلك قد يتسبب في تلف الآلة. احرص دائماً على تخزين الجزازة والبطاريات في بيئة دافئة. أعد تشغيل الجزازة بعد أن تدفأ.
	أيقونة درجة الحرارة وحجيرة البطارية المشغولة بالفعل تومضان في نفس الوقت.	غير متاح	متوقف	لا	مجموعة البطارية في حجيرة البطارية ذات الرقم المعني ساخنة بشكل زائد.	1. يمكن للجزازة أن تواصل العمل إذا كان إجمالي التيار (أمبير-ساعة) للبطاريات، باستثناء البطارية الساخنة بشكل زائد عن الحد، متوافق مع المتطلبات. ما أن تعود درجة حرارة البطارية الساخنة بشكل زائد إلى درجة الحرارة الطبيعية، ستعود للمساهمة في توفير الطاقة للجزازة على الفور.
					مجموعة البطارية في حجيرة البطارية ذات الرقم المعني ساخنة بشكل زائد.	2. إذا كان إجمالي التيار (أمبير-ساعة) للبطاريات المركبة غير كافٍ، لن تعمل الجزازة إلا بعد تركيب مجموعات بطارية في حجيرات البطارية الفارغة.
						3. قلل الحمل على الجزازة عن طريق رفع ارتفاع جز أرضية الجزازة أو إبطاء الجز عند متابعة التشغيل.

شاشة عرض LCD	الوصف	كود العطل على شاشة LCD	مؤشر حالة الجازاة	جهاز التنبيه الصوتي	السبب	الحل
	مؤشر الحمل الزائد يومض. أيقونة مؤشر الحمل تعرض أنها في نطاق الطاقة "PWR".				هناك حمل زائد على محرك الشفرة.	ارفع ارتفاع جز أرضية الجازاة أو قلل سرعة الحركة للحد من الحمل على الجازاة.
	OVERLOAD 	غير متاح	يومض باللون الأحمر	تنبيه صوتي واحد	هناك عشب وعوالق تعيق أنبوب التفريغ الجانبي.	قم بتنظيف أنبوب التفريغ الجانبي بعد كل استخدام.
					يوجد تداخل بين الشفرة وأرضية الجازاة.	يجب إصلاحها من قبل فني صيانة مؤهل.
	أيقونة مفتاح الأمان تومض. 	غير متاح	متوقف	لا	مفتاح الأمان غير مُدخل.	أدخل مفتاح الأمان، ثم اضغط مع التثبيت على زر التشغيل/الإيقاف لتشغيل الجازاة.
					الطاقة لا تصل إلى شاشة LCD.	يجب إصلاحها من قبل فني صيانة مؤهل.
	أيقونة حجيرة بطارية معينة تومض. 	غير متاح	متوقف	لا	هناك تيار زائد في بطارية معينة أثناء التفريغ.	لست في حاجة لاتخاذ أي إجراءات. يمكن للجازاة أن تواصل العمل إذا كان إجمالي التيار (أمبير-ساعة) للبطارية، باستثناء البطارية ذات التيار الزائد عن الحد، متوافق مع المتطلبات. بمجرد عودة البطارية ذات التيار الزائد إلى الوضع الطبيعي، ستشارك تلك البطارية في تشغيل الجازاة على الفور وستخفي الأيقونة.
	أيقونة حجيرة البطارية الفارغة تومض. 	غير متاح	متوقف	لا	سعة البطارية غير كافية للسماح بالركوب على الجازاة للعمل.	لبدء تشغيل هذه الجازاة، استخدم بطاريات EGO كافية باتباع الإرشادات الواردة في قسم "الشحن" من هذا الدليل.

المشكلة	السبب	الحل
لا يخرج أي ماء من منفذ الغسل عند تنفيذ عملية غسل أرضية الجازاة.	<ul style="list-style-type: none"> <li>قارنة التوصيل السريع لمنفذ الغسل غير مركبة في مكانها بمنفذ الغسل.</li> </ul>	<ul style="list-style-type: none"> <li>أعد تركيب قارنة التوصيل السريع لمنفذ الغسل إلى أن تسمع صوت نقرة بعد الضغط بقوة. إن لم يتم حل المشكلة، يُرجى التواصل مع فني صيانة متخصص لإصلاحه.</li> </ul>
هناك صوت غير طبيعي يصدر عند دفع الجازاة يدوياً بدون بدء تشغيلها.	<ul style="list-style-type: none"> <li>الصوت صادر عن المغناطيس الموجود داخل محرك الدفع.</li> </ul>	<ul style="list-style-type: none"> <li>هذا طبيعي ولست في حاجة لاتخاذ أي إجراءات.</li> </ul>

## الأرقام المرجعية لمؤشر كود الخلل ومؤشر حالة الجازاة

شاشة عرض LCD	الوصف	كود العطل على شاشة LCD	مؤشر حالة الجازاة	جهاز التنبيه الصوتي	السبب	الحل
	تم عرض أيقونة كشافات LED على شاشة LCD	غير متاح	متوقف	لا	يتم تشغيل الكشافات الأمامية، والكشافات الجانبية، والكشافات الخلفية من خلال مفتاح كشافات LED.	هذا من إجراءات التشغيل العادية. لست في حاجة لاتخاذ أي إجراءات.
	تم عرض أيقونة USB على شاشة LCD	غير متاح	متوقف	لا	تضيء أيقونة USB في إشارة إلى أن جهاز USB يمكنه العمل بعد بدء تشغيل الجازاة بشكل صحيح.	هذا من إجراءات التشغيل العادية. لست في حاجة لاتخاذ أي إجراءات.
	تم عرض أيقونة مقياس الوقود على شاشة LCD	غير متاح	متوقف	لا	يشير إلى متوسط سعة الشحن الخاصة بالبطاريات المركبة	هذا من إجراءات التشغيل العادية. لست في حاجة لاتخاذ أي إجراءات.
	تم عرض أيقونة عداد ساعات العمل على شاشة LCD	غير متاح	متوقف	لا	يعرض إجمالي وقت قيادة الجازاة بالساعات، ولا يمكن إعادة تعيينه.	هذا من إجراءات التشغيل العادية. لست في حاجة لاتخاذ أي إجراءات.
	أيقونة مؤشر الحمل تعرض أنها في النطاق الاقتصادي "ECO"	غير متاح	متوقف	لا	يشير إلى حمل تيار الجازاة.	هذا من إجراءات التشغيل العادية. لست في حاجة لاتخاذ أي إجراءات.

المشكلة	السبب	الحل
لا يمكن شحن الجرازة باستخدام منفذ الشحن مع إضاءة مؤشر حالة الجرازة باللون الأحمر الثابت.	<ul style="list-style-type: none"> <li>لم يتم تركيب قابس الشاحن بشكل صحيح في منفذ الشحن الموجود في الجرازة.</li> </ul>	<ul style="list-style-type: none"> <li>أعد توصيل قابس الشاحن لترى ما إذا كان بمقدورك شحن الجرازة بشكل طبيعي.</li> </ul>
	<ul style="list-style-type: none"> <li>لا توجد طاقة في مقابس الحائط.</li> </ul>	<ul style="list-style-type: none"> <li>لست في حاجة لاتخاذ أي إجراءات. انتظر حتى استعادة الطاقة.</li> </ul>
	<ul style="list-style-type: none"> <li>هناك عطل في الشاحن.</li> </ul>	<ul style="list-style-type: none"> <li>تواصل مع فني صيانة معتمد لإجراء عملية الفحص وإصلاح الشاحن عند اللزوم.</li> </ul>
	<ul style="list-style-type: none"> <li>منفذ الشاحن في الجرازة معطوب.</li> </ul>	<ul style="list-style-type: none"> <li>يُرجى التواصل مع فني صيانة متخصص للإصلاح.</li> </ul>
وقت الشحن عبر منفذ شحن الجرازة طويل للغاية.	<ul style="list-style-type: none"> <li>استخدم مهايئ EGO للشاحن ACA1000 في عملية الشحن يطيل فترة الشحن.</li> </ul>	<ul style="list-style-type: none"> <li>استخدم شاحن EGO من الطراز CHV1600E في شحن الجرازة مباشرة.</li> </ul>
لا يمكن شحن البطارية بالكامل من خلال منفذ شحن الجرازة.	<ul style="list-style-type: none"> <li>هناك خطأ في البرنامج الثابت للجرازة أو هناك عطل في الشاحن/البطارية.</li> </ul>	<ul style="list-style-type: none"> <li>افصل الشاحن عن مصدر الطاقة وانتظر لأكثر من عدة دقائق، ثم أعد توصيل القابس في مصدر الطاقة. إن لم يتم حل المشكلة، يُرجى التواصل مع فني صيانة متخصص لإصلاحه.</li> </ul>
لا يمكن بدء تشغيل الجرازة بعد تنظيفها.	<ul style="list-style-type: none"> <li>التنظيف غير الملائم، مثل دخول الماء إلى المكونات الكهربائية أو شاشة LCD أو ما شابه.</li> </ul>	<ul style="list-style-type: none"> <li>اتبع التعليمات الواردة في القسم "تنظيف الجرازة" لتنظيف الجرازة بشكل صحيح.</li> </ul>
من السهل حدوث انسداد في الجرازة.	<ul style="list-style-type: none"> <li>هناك عشب وحوالق تعيق حركة أرضية الجرازة.</li> </ul>	<ul style="list-style-type: none"> <li>إذا ظلت الجرازة تحت المطر دون قصد، اتركها تجف في الهواء أو استخدم الهواء المضغوط في تجفيفها.</li> </ul>
الجرازة تفقد قدرتها على الجر أثناء صعود منحدر.	<ul style="list-style-type: none"> <li>إطارات العجلات الخلفية متهاكلة.</li> <li>منحدر جز شاقق.</li> </ul>	<ul style="list-style-type: none"> <li>نظف أرضية الجرازة بعد كل استخدام، واتبع التعليمات الواردة في القسم "استخدام منفذ الغسل في تنظيف أرضية الجرازة".</li> </ul>
		<ul style="list-style-type: none"> <li>توجه إلى مركز الصيانة المحلي لاستبدال إطارات العجلات.</li> </ul>
عند إيقاف الجرازة على منحدر والضغط على دواسة فرملة الوقوف، تنزلق الجرازة لأسفل على المنحدر.	<ul style="list-style-type: none"> <li>مكونات الفرملة متهاكلة بشكل زائد بسبب التشغيل غير الملائم للجرازة.</li> </ul>	<ul style="list-style-type: none"> <li>يُرجى التواصل مع فني صيانة متخصص للإصلاح.</li> </ul>

المشكلة	السبب	الحل
هناك اهتزازات زائدة.	▪ شفرات الجز مفكوكة.	▪ اربط مسمار الشفرة بالعزم الموصى به.
	▪ الشفرات منثنية.	▪ استبدل شفرة الجز المثنية وفقاً للتعليمات الواردة في القسم "استبدال شفرات الجز".
	▪ لم يتم ضبط مستوى أرضية الجزارة.	▪ اضبط مستوى أرضية الجزارة وفقاً للتعليمات الواردة في القسم "ضبط مستوى أرضية الجزارة".
	▪ صواميل أرضية الجزارة مفكوكة في وصلة نظام التعليق.	▪ اربط الصواميل على وصلة نظام التعليق.
	▪ تم ضبط الجزارة لجزء كمية زائدة من العشب مرة واحدة.	▪ ارفع ارتفاع الجز لأرضية الجزارة.
هناك عشب أو عوالق متبقية على الأرض بعد الجز.	▪ تم ضبط الجزارة لجزء كمية زائدة من العشب مرة واحدة عندما يكون العشب طويلاً.	▪ ابدأ بارتفاع الجز العالي وقله إلى أن تصل إلى نتيجة الجز المرغوبة. يجب جز العشب الذي يزيد طوله عن 6 بوصات مرتين على ارتفاعات جز متناقصة تدريجياً.
	▪ العشب رطب.	▪ لا تقم بجز العشب وهو مبلل إلا بعد جفافه.
	▪ سرعة الحركة عالية.	▪ اخفض سرعة الحركة.
وقت تشغيل الجزارة صار قصيراً مع البطارية المركبة.	▪ سرعة الشفرة منخفضة.	▪ قم بزيادة سرعة الشفرة تدريجياً.
	▪ حالات العشب وضبط ارتفاع الجز سيؤثرون بشكل كبير على مدة تشغيل البطارية. تم احتساب مدة التشغيل المذكورة وفقاً لحالة تحميل خفيفة.	▪ ارفع ارتفاع جز أرضية الجزارة وخفض سرعة الشفرة للحد من حمل الجز.
الجزارة لا تتحرك في خط مستقيم.	▪ ضغط الإطارات للعجلات الخلفية اليسرى واليمنى مختلف.	▪ راجع ضغط الهواء واضبطه في إطارات العجلات الخلفية وفقاً للتوصيات الواردة في القسم "مراجعة ضغط الإطارات" من هذا الدليل.
	▪ سرعات الحركة للعجلات الخلفية اليسرى واليمنى مختلفة.	▪ قم بمعايرة نظام تتبع الجزارة وفقاً للتعليمات الواردة في القسم "معايرة نظام تتبع الجزارة".
لا يمكن تحرير دواسة فرملة الوقوف من وضع الفرملة أو أنها ترتد للخلف ببطء.	▪ قد تكون هناك عوالق أو أتربة داخل دواسة فرملة الوقوف.	▪ افتح صندوق دواسة فرملة الوقوف لتنظيفه من الداخل جيداً، ثم أغلقه. أعد تعيين دواسة فرملة الوقوف لترى ما إذا كانت المشكلة قد تم حلها أم لا. إن لم يمكن تشغيلها، يُرجى التواصل مع فني صيانة متخصص لإصلاحها.



المشكلة	السبب	الحل
تظل مؤشرات البطارية مشغلة حتى بعد إيقاف تشغيل الجارزة.	<ul style="list-style-type: none"> <li>عند إيقاف تشغيل الجارزة على أرضية بدون إزالة مجموعات البطارية من الجارزة، ستظل مؤشرات البطارية وزر التشغيل/الإيقاف وزر الضبط مضاءة لبعض الوقت.</li> </ul>	<ul style="list-style-type: none"> <li>لست في حاجة لاتخاذ أي إجراءات. تنطفئ مؤشرات البطارية عندما تتوقف الجارزة عن العمل بعد فترة من الوقت. راجع قسم "إيقاف تشغيل الجارزة" للتعرف على الوقت المحدد.</li> </ul>
	<ul style="list-style-type: none"> <li>عند إيقاف تشغيل الجارزة على منحدر بدون ضبط دواسة فرملة الوقوف على وضع الفرملة، ستظل مؤشرات البطارية مضاءة إلى أن استهلاك شحن البطارية. يستمر مؤشر التنبيه الصوتي في إطلاق التنبيه في نفس الوقت.</li> </ul>	<ul style="list-style-type: none"> <li>اضبط دواسة فرملة الوقوف على وضع الفرملة قبل أن يقوم مشغل الآلة بتركها على المنحدر.</li> </ul>
تتوقف شاشة LCD عن الإضاءة مع ظهور جميع الأيقونات.	<ul style="list-style-type: none"> <li>وقت الضغط على زر التشغيل/الإيقاف غير كافٍ.</li> </ul>	<ul style="list-style-type: none"> <li>ستقوم شاشة LCD بعرض "مقياس الوقود" فقط عند الضغط على زر التشغيل/الإيقاف لوهلة قصيرة.</li> <li>ستعمل شاشة LCD بعد الضغط على زر التشغيل/الإيقاف لوقت كافٍ.</li> </ul>
الجارزة تجز العشب بشكل غير متساوٍ، مع فارق ارتفاع واضح بين الأمام والخلف.	<ul style="list-style-type: none"> <li>الشفرات غير حادة.</li> </ul>	<ul style="list-style-type: none"> <li>اشحن شفرة الجز أو استبدلها على النحو الموضح في هذا الدليل.</li> </ul>
	<ul style="list-style-type: none"> <li>الشفرات منثنية.</li> </ul>	<ul style="list-style-type: none"> <li>استبدل شفرة الجز المثنية وفقاً للتعليمات الواردة في القسم "استبدال شفرات الجز".</li> </ul>
	<ul style="list-style-type: none"> <li>لم يتم ضبط مستوى أرضية الجارزة، وهو ما أدى إلى اختلاف ارتفاع شفرة الجز.</li> </ul>	<ul style="list-style-type: none"> <li>اضبط مستوى أرضية الجارزة وفقاً للتعليمات الواردة في القسم "ضبط مستوى أرضية الجارزة".</li> </ul>
الارتفاع الفعلي لجز العشب غير متوافق مع الارتفاع المطلوب.	<ul style="list-style-type: none"> <li>صواميل أرضية الجارزة مفكوكة في وصلة نظام التعليق</li> </ul>	<ul style="list-style-type: none"> <li>اتباع التعليمات الواردة في قسم "ضبط مستوى أرضية الجارزة" لتنفيذ عملية الضبط من الأمام للخلف لأرضية الجارزة بشكل صحيح، وارتبط الصواميل في وصلة نظام التعليق بإحكام.</li> </ul>
	<ul style="list-style-type: none"> <li>أرضية الجارزة تالفة أو متهالكة بشكل خطير.</li> </ul>	<ul style="list-style-type: none"> <li>اتباع التعليمات في القسم "إزالة أرضية الجارزة" لاستبدال أرضية الجارزة.</li> </ul>
لا تقوم الجارزة بتوزيع العشب المجزوز على الأرض بشكلٍ صحيح.	<ul style="list-style-type: none"> <li>هناك قصاصات عشب رطب عالقة على الجانب السفلي لأرضية الجارزة.</li> </ul>	<ul style="list-style-type: none"> <li>انتظر حتى جفاف الحشائش قبل جزها.</li> </ul>
	<ul style="list-style-type: none"> <li>تم ضبط الجارزة لجز كمية زائدة من العشب مرة واحدة.</li> </ul>	<ul style="list-style-type: none"> <li>ارفع ارتفاع الجز لأرضية الجارزة.</li> </ul>

المشكلة	السبب	الحل
	<ul style="list-style-type: none"> <li>هناك حمل زائد على الجزازة.</li> </ul>	<ul style="list-style-type: none"> <li>ارفع ارتفاع جز أرضية الجزازة أو اخفض سرعة الحركة للحد من التحميل على الجزازة.</li> </ul>
	<ul style="list-style-type: none"> <li>هناك عشب وعوالق تعيق حركة أرضية الجزازة.</li> </ul>	<ul style="list-style-type: none"> <li>نظف أرضية الجزازة، وتأكد من أن الشفرات تتحرك بحرية.</li> </ul>
	<ul style="list-style-type: none"> <li>الجزازة ساخنة بشكل زائد.</li> </ul>	<ul style="list-style-type: none"> <li>قلل الحمل على الجزازة عن طريق رفع ارتفاع جز أرضية الجزازة أو خفض سرعة الشفرة/الحركة وترك الجزازة تبرد.</li> </ul>
	<ul style="list-style-type: none"> <li>هناك حرارة زائدة في مجموعات البطارية الموجودة في حجيرة البطارية بالجزازة، وهو ما يؤدي إلى عدم توافق التيار (أمبير في الساعة) للبطاريات المركبة مع المتطلبات.</li> </ul>	<p>1. إذا كان إجمالي التيار (أمبير-ساعة) للبطاريات المركبة غير متوافق مع المتطلبات، لن تعمل الجزازة إلا بعد تركيب مجموعات بطارية في حجيرات البطارية الفارغة. ما أن تعود درجة حرارة البطارية الساخنة بشكل زائد إلى درجة الحرارة الطبيعية، ستعود للمساهمة في توفير الطاقة للجزازة على الفور.</p>
		<p>2. قلل الحمل على الجزازة عن طريق رفع ارتفاع جز أرضية الجزازة أو إبطاء الجز عند متابعة التشغيل.</p>
	<ul style="list-style-type: none"> <li>الجزازة في وضع التشغيل الطارئ.</li> </ul>	<ul style="list-style-type: none"> <li>عندما تكون الجزازة في وضع التشغيل الطارئ، يتم نقل الشفرات تلقائياً إلى وضع سرعة الدوران المنخفضة بدون جز العشب. يجب على مشغل الآلة التوقف عن العمل والذهاب إلى مكان لشحن البطارية في أقرب وقت ممكن.</li> </ul>
	<ul style="list-style-type: none"> <li>ارتطمت الجزازة بجسم غريب، وهو ما أدى إلى تفعيل وظيفة الحماية الذاتية للمحرك.</li> </ul>	<ul style="list-style-type: none"> <li>اضغط على مفتاح تعشيق طاقة المحرك (PTO) لأسفل وأعد تشغيل شفرات الجزازة.</li> </ul>
	<ul style="list-style-type: none"> <li>الجزازة في وضع التشغيل الطارئ، ولم يتم إيقاف تشغيل الشفرات.</li> </ul>	<ul style="list-style-type: none"> <li>اضغط على مفتاح تعشيق طاقة المحرك (PTO) لأسفل لإلغاء تعشيق شفرات أرضية الجزازة. سيتوقف مؤشر التنبيه الصوتي عن إطلاق التنبيه عند توقف الشفرات.</li> </ul>
يستمر مؤشر التنبيه الصوتي في إطلاق التنبيه.	<ul style="list-style-type: none"> <li>تتوقف الجزازة عن الحركة على المنحدر ويقوم مشغل الآلة بفتح أذرع التوجيه وينزل عن المقعد بدون ضبط دواسرة فرملة الوقوف على وضع الفرملة.</li> </ul>	<ul style="list-style-type: none"> <li>اضبط دواسرة فرملة الوقوف على وضع الفرملة قبل ترك الجزازة على المنحدر.</li> </ul>

المشكلة	السبب	الحل
<p>الجزازة غير قادرة على تشغيل الشفرات بعد تعشيق مفتاح تعشيق طاقة المحرك (PTO).</p>  <p>أيقونة مفتاح تعشيق طاقة المحرك (PTO) تومض</p>	<ul style="list-style-type: none"> <li>إجمالي التيار (أمبير-ساعة) للبطاريات المركبة غير متوافق مع المتطلبات.</li> </ul>	<ul style="list-style-type: none"> <li>لبدء تشغيل هذه الجزازة، استخدم ما يكفي من بطاريات EGO باتباع الإرشادات الواردة في قسم "الشحن" من هذا الدليل.</li> </ul>
	<ul style="list-style-type: none"> <li>لم يتم الضغط على مفتاح تعشيق طاقة المحرك (PTO) لأسفل أثناء توقف الجزازة في آخر مرة.</li> </ul>	<ul style="list-style-type: none"> <li>اضغط على مفتاح تعشيق طاقة المحرك (PTO) لأسفل وأعد تشغيل شفرات الجزازة.</li> </ul>
	<ul style="list-style-type: none"> <li>هناك حمل زائد على الجزازة عند بدء تشغيل الشفرات، وهو ما يؤدي إلى تفعيل خاصية الحماية الذاتية للمحرك.</li> </ul>	<ul style="list-style-type: none"> <li>ابدأ جز العشب بالجزازة بسرعة منخفضة للشفرة وانتظر حتى وصول الشفرات لسرعة دوران ناجحة، ولا تقم بزيادة تسارع الشفرة إلا بحسب الحاجة.</li> </ul>
	<ul style="list-style-type: none"> <li>في ظروف الطقس القاسية، قد لا يمكن بدء تشغيل محرك الشفرة بنجاح بسبب وظيفة الحماية ضد درجة الحرارة المنخفضة.</li> </ul>	<ul style="list-style-type: none"> <li>احرص دائماً على تخزين الجزازة والبطارية في بيئة دافئة. أعد تشغيل الجزازة بعد أن تدفأ. يُرجى عدم تكرار المحاولات في ظل ظروف الطقس القاسية، فذلك قد يتسبب في تلف الآلة.</li> </ul>
	<ul style="list-style-type: none"> <li>هناك تداخل بين الشفرة وأرضية الجزازة المشوهة.</li> </ul>	<ul style="list-style-type: none"> <li>يُرجى التواصل مع فني صيانة متخصص للإصلاح.</li> </ul>

المشكلة	السبب	الحل
تتوقف الجازاة عن الحركة.	<ul style="list-style-type: none"> <li>أذرع التوجيه بحاجة "لإعادة التعيين".</li> </ul>	<ul style="list-style-type: none"> <li>أعد أذرع التوجيه إلى وضع الفتح، ثم أعد تشغيل الجازاة.</li> </ul>
	<ul style="list-style-type: none"> <li>مكونات التحكم الكهربائي لأذرع التوجيه بها خلل.</li> </ul>	<ul style="list-style-type: none"> <li>يُرجى التواصل مع فني صيانة متخصص للإصلاح.</li> </ul>
	<ul style="list-style-type: none"> <li>تم فصل مفتاح المقعد أثناء القيادة على أرض وعرة.</li> </ul>	<ul style="list-style-type: none"> <li>اخلع البطارية من الجازاة وفكك المقعد باتباع الترتيب العكسي للتعليمات الواردة في القسم "تركيب المقعد" في هذا الدليل لفحص وصلة مفتاح المقعد. أعد تجميع المقعد واتبع التعليمات الواردة في القسم "بدء تشغيل الجازاة" لإعادة تشغيل الجازاة لترى ما إذا كان بالإمكان بدء تشغيلها. إن لم يمكن تشغيلها، يُرجى التواصل مع فني صيانة متخصص لإصلاحها.</li> </ul>
	<ul style="list-style-type: none"> <li>تم الضغط لأسفل على دواسة فرملة الوقوف لإبطاء سرعة الحركة. بمجرد الضغط على دواسة فرامل الإيقاف بشكل كافٍ ولكن ليس إلى وضع الإيقاف، ستتوقف الجازاة عن الحركة.</li> </ul>	<ul style="list-style-type: none"> <li>اتبع التعليمات الواردة في قسم "بدء تشغيل الجازاة" لإعادة تشغيل الجازاة.</li> </ul>
	<ul style="list-style-type: none"> <li>هذه خاصية في الجازاة للقيادة بشكل آمن.</li> </ul>	<ul style="list-style-type: none"> <li>لن يتم تفعيل الوظيفة إلا بعد توقف عجلات الجازاة وفتح أذرع التوجيه.</li> </ul>

## استكشاف الأعطال وإصلاحها

المشكلة	السبب	الحل
<p>لا يمكن للجزازة أن تتحرك بعد دفع ذراعي التوجيه للأمام أو للخلف في البداية.</p>  <p>أيقونة مستوى التوجيه نومض</p>	<ul style="list-style-type: none"> <li>إجمالي التيار (أمبير-ساعة) للبطاريات المركبة غير متوافق مع المتطلبات.</li> </ul>	<ul style="list-style-type: none"> <li>لبدء تشغيل هذه الجزازة، استخدم ما يكفي من بطاريات EGO باتباع الإرشادات الواردة في قسم "الشحن" من هذا الدليل.</li> </ul>
	<ul style="list-style-type: none"> <li>دواسة فرملة الوقوف مضبوطة على وضع الفرملة.</li> </ul>	<ul style="list-style-type: none"> <li>اضغط حتى النهاية على دواسة فرملة الوقوف لتحريرها من وضع الفرملة.</li> </ul>
	<ul style="list-style-type: none"> <li>أذرع التوجيه ليست في الوضع المفتوح عند بدء تشغيل الجزازة.</li> </ul>	<ul style="list-style-type: none"> <li>أعد أذرع التوجيه إلى وضع الفتح، ثم أعد تشغيل الجزازة.</li> </ul>
	<ul style="list-style-type: none"> <li>مشغل الآلة غير جالس على المقعد.</li> </ul>	<ul style="list-style-type: none"> <li>لا يمكن تشغيل الجزازة إلا بعد جلوس مشغل الآلة كما ينبغي على المقعد.</li> </ul>
	<ul style="list-style-type: none"> <li>مفتاح المقعد غير موصل بشكل صحيح.</li> </ul>	<ul style="list-style-type: none"> <li>اخلع البطارية من الجزازة وفكك المقعد باتباع الترتيب العكسي للتعليمات الواردة في القسم "تركيب المقعد" في هذا الدليل لفحص وصلة مفتاح المقعد. أعد تجميع المقعد واتبع التعليمات الواردة في القسم "بدء تشغيل الجزازة" لإعادة تشغيل الجزازة لترى ما إذا كان بالإمكان بدء تشغيلها. إن لم يمكن تشغيلها، يُرجى التواصل مع فني صيانة متخصص لإصلاحها.</li> </ul>
<ul style="list-style-type: none"> <li>في ظروف الطقس القاسية، قد لا يمكن بدء تشغيل وظيفة القيادة بنجاح بسبب وظيفة الحماية ضد درجة الحرارة المنخفضة.</li> </ul>	<ul style="list-style-type: none"> <li>احرص دائماً على تخزين الجزازة والبطارية في بيئة دافئة. أعد تشغيل الجزازة بعد أن تدفأ. يُرجى عدم تكرار المحاولات في ظل ظروف الطقس القاسية، فذلك قد يتسبب في تلف الآلة.</li> </ul>	

## إعادة تعيين الجازاة إلى أوضاع ضبط المصنع الأولية (الشكل M)

**تنبيه:** سيقوم مؤشر التنبيه الصوتي بإطلاق الصوت مرة واحدة عند بدء إعادة التعيين وعند اكتمالها.

**تنبيه:** عند نجاح إعادة الضبط، ستعود الإعدادات أدناه إلى أوضاع ضبط المصنع الأولية:

- وضع القيادة
- سرعة الحركة
- معايرة أذرع التوجيه

## التخزين والنقل

### نقل الجازاة (الشكل N1 - الشكل N11)

**تنبيه:** عند اللزوم، قم بتثبيت الجازاة باستخدام الأشرطة أو الكابلات لمنعها من الحركة أثناء النقل.

### التخزين (الشكل O1 - الشكل O6)

**تنبيه:** اخلع مجموعات البطارية وخرنها وفقاً للتعليمات الواردة في الدلائل ذات الصلة.

نظف الجازاة وافحصها قبل تخزينها وفقاً للتعليمات الواردة في الأقسام "تنظيف الجازاة" و"جداول الصيانة الموصى بها".

### حماية البيئة

نفايات المعدات الكهربائية والإلكترونية (WEEE) لا تتخلص من المعدات الكهربائية أو البطارية المستهلكة أو الشاحن في النفايات المنزلية! بل توجه بهذا المنتج إلى مركز إعادة تدوير معتمد ليكون متاحاً للفرز بشكل منفرد. يجب إعادة الآلات الكهربائية إلى مرفق إعادة تدوير صديق للبيئة.



J8-1	منفذ الغسل	J8-3	خرطوم الحديقة
J8-2	قارئة التوصيل السريع لمنفذ الغسل		

**تنبيه:** عند الانتهاء من التنظيف، ادفع مفتاح تشغيل طاقة المحرك لأسفل لإلغاء تشغيل شفرات الجزارة.

### صيانة أرضية الجزارة وشفرات الجز

**التحضير (الشكل K1 - الشكل K6)**

**خلع أرضية الجزارة (الشكل K7 - الشكل K8)**

K7-1	كابل المحرك	K7-3	وصلة نظام التعليق
K7-2	تيلة مشققة		

**تنبيه:** افصل جميع كابلات المحرك ودبابيس القاطع عند إزالة أرضية الجزارة.

**استبدال شفرات الجز (الشكل K9 - الشكل K11)**

K9-1	قضيب الموازنة	K10-3	شفرة
K10-1	مسار ملولب	K10-4	شفة
K10-2	وردة	K10-5	عمود المحرك

**ضبط مستوى أرضية الجزارة**

**a. أثناء ضبط المستوى (الشكل K12 - الشكل K14)**

**b. قبل ضبط المستوى**

- مراجعة ضغط الإطار وهو بارد (الشكل K15)
- افحص شفرات الجز. اخلع الشفرات المتهاكلة أو المشققة أو المنتنية، واستبدالها عند اللزوم.

**c. التحضير لضبط المستوى (الشكل K16 - الشكل K21)**

**d. كيفية ضبط المستوى**

**لتنفيذ الضبط من جانب إلى آخر (الشكل K22)**

K22-1	صامولة زنق
-------	------------

**لتنفيذ الضبط من الأمام إلى الخلف (الشكل K23)**

**معايرة نظام تتبع الجزارة (الشكل L1 - الشكل L4)**

**تنبيه:** سيقوم مؤشر التنبيه الصوتي بإطلاق الصوت مرة واحدة عند بدء المعايرة وعند اكتمالها.

**تنبيه:** قد لا تكون المعايرة المكتملة لأحد أوضاع القيادة

"CONTROL" (التحكم)، "STANDARD" (قياسي)،

"SPORT" (رياضي) متاحة للوضعين الآخرين. قم بمعايرة

أذرع التوجيه في كل وضع قيادة بشكل مستقل، بحسب الحاجة.

جدول الصيانة والخدمة	إجراءات الصيانة
قبل كل استخدام أو يومياً	<ul style="list-style-type: none"> <li>افحص نظام قفل الأمان.</li> <li>تحقق بنظرك مما إذا كان الإطار فارغاً.</li> <li>تحقق مما إذا كانت الشفرات متهاكلة أو مشققة أو منتنية.</li> <li>افحص المنتج بأكمله بحثاً عن الأجزاء التالفة أو المفقودة أو المفكوكة، مثل أنبوب التفريغ الجانبي أو المسامير أو الصواميل أو البراغي أو الأغطية أو ما شابههم، مع التأكد من تركيب جميع الواقيات في مكانها وعملها كما ينبغي.</li> <li>افحص أداء الفرملة.</li> </ul>
بعد كل استخدام	<ul style="list-style-type: none"> <li>نظف أرضية الجزارة.</li> </ul>
كل 25 ساعة	<ul style="list-style-type: none"> <li>افحص ضغط هواء الإطارات.</li> </ul>
كل 50 ساعة	<ul style="list-style-type: none"> <li>افحص حالة الشحم الموجود داخل شفة شفرة الجز.</li> </ul>
كل 100 ساعة	<ul style="list-style-type: none"> <li>افحص العجلات الخلفية، مع التأكد من ربط جميع صواميل العجلة بالعزم الموصى به.</li> </ul>
كل 200 ساعة	<ul style="list-style-type: none"> <li>افحص العجلات الأمامية، مع التأكد من دورانها بحرية.</li> </ul>
سنوياً	<ul style="list-style-type: none"> <li>افحص دواسة فرملة الوقوف.</li> <li>اخلع البطارية من الجزارة، واضبط دواسة فرملة الوقوف على وضع الفرملة. ادفع الجزارة للأمام باليد لتتري ما إذا كانت الجزارة تتحرك أم لا. فإذا كانت تتحرك، يجب فحصها من قبل فني صيانة مؤهل.</li> </ul>

**تنظيف الجزارة (الشكل J1 - الشكل J9)**

**التحضير (الشكل J1 - الشكل J5)**

**تنظيف هيكل الجزارة (الشكل J6 - الشكل J7)**

**استخدام منفذ الغسل في تنظيف أرضية الجزارة**

**(الشكل J8 - الشكل J9)**

إذا احتجت إلى دفع الآلة يدويًا، احرص على فصل البطاريات من الجرافة وتحرير دواسة فرملة الوقوف من وضع الفرملة.

## قيادة الجرافة (الشكل 11 – الشكل 19)

للإيقاف أو خفض السرعة أو زيادتها، انقل ذراع التوجيه ببطء من الوضع المحايد.

**⚠️ خطر:** ابق على مسافة لا تقل عن ضعف عرض الجرافة عن أي خنادق أو منحدرات أو مياه. يمكن للعجلات الأمامية أن تدور عند توقف الجرافة، حتى بعد الضغط على الفرملة، مما قد يتسبب في تجاوز الجرافة لحافة أو السقوط في الماء، وهو ما قد يتسبب في التعرض للوفاة أو الإصابة الشخصية الخطيرة.

**⚠️ تحذير:** كن حذرًا مما هو موجود خلف الجرافة أثناء الرجوع للخلف. لا تقم بالجر بشكل عكسي إلا في حالات الضرورة القصوى. احرص دائمًا على النظر لأسفل وخلفك قبل الرجوع للخلف وأثناءه للتأكد من عدم دخول أطفال أو مرافقين أو حيوانات أليفة إلى منطقة الجرافة. ولا تنس أن الاستهتار لجزء من الثانية كافٍ للتسبب في حدوث الوفاة أو الإصابات الخطيرة.

**⚠️ تحذير:** لا تقم بتشغيل هذه الآلة على الطرق العامة.

**⚠️ تحذير:** إذا حدث انسداد أو ارتطمت بجسم غريب، قم بإيقاف المحرك وإخلاء البطاريات. تخلص من قصاصات العشب وأوراق الشجر والأوساخ وأي عوالم أخرى متراكمة؛ وافحص الجرافة بعناية بحثًا عن أي علامات للتلف وأصلحه قبل إعادة تشغيل الجرافة.

## الصيانة

**⚠️ تحذير:** ارتد بشكل دائم أدوات حماية العينين المزودة بواقبات على الجانبين. قد ينجم عن عدم الامتثال لذلك دخول أشياء في عينيك، وهو ما قد يؤدي إلى وقوع إصابات خطيرة.

**⚠️ تحذير:** احرص دائمًا على حماية يديك عن طريق ارتداء قفازات قوية أو تغليف الحواف القاطعة بقطعة قماش أو مواد أخرى ملائمة عند إجراء أي أعمال صيانة على شفرة الجرافة. احرص دائمًا على خلع مفتاح الأمان ومجموعات البطارية عند إجراء أعمال الصيانة على الجرافة أو نقلها.

## وضع القيادة

التحكم: تسارع أقل، واستجابة أقل حساسية، وسرعة دوران معتدلة لحماية العشب، وهذا الوضع مناسب للمستخدمين الجدد.

**STANDARD (القياسي):** مثالي للاستخدام اليومي.

**SPORT (الرياضي):** تسارع أعلى، واستجابة دقيقة، ودوران حاد لزيادة فعالية الجرافة، وهذا الوضع مناسب لمحترفي الجرافة.

ضبط سرعة الحركة (الشكل A4)

ضبط سرعة الشفرة (الشكل A5)

## منفذ USB

تنبيه: يقدم منفذ USB طاقة شحن بقدرة 5 فولت تيار مستمر عند توصيل أجهزة استهلاك يصل استهلاكها مجتمعة إلى 1.5 أمبير، ولن يعمل المنفذ إلا بعد بدء تشغيل الجرافة.

## إيقاف تشغيل الجرافة (الشكل H1 – الشكل H6)

تنبيه: بعد مرور أكثر من 60 دقائق دون تشغيل، سيتم إطفاء الجرافة تلقائيًا.

## وضع التشغيل الطارئ

عندما يصبح شحن البطارية منخفضًا، ستدخل الجرافة في وضع التشغيل الطارئ:

- ستتوقف الجرافة تلقائيًا عن جز العشب؛
- سيستمر المؤشر الصوتي في إطلاق التنبيه؛
- سيومض مؤشر حالة الجرافة باللون الأحمر كل ثانية، كما سيومض القسم الأول من مقياس الوقود الخاص بالجرافعة باللون الأحمر، وسيومض كلاً من مؤشر انخفاض الطاقة والشكل البياني للبطارية في مقياس الوقود.

يجب على مشغل الآلة:

- الضغط على مفتاح تعشيق طاقة المحرك لأسفل (الشكل H3) لإلغاء تعشيق الشفرات. سيتوقف مؤشر التنبيه الصوتي عن إطلاق التنبيه عند توقف الشفرات؛
- توقف عن العمل واذهب إلى مكان لشحن البطارية في أقرب وقت ممكن. أقصى مسافة يمكن للجرافعة قطعها 1000 متر.

عند اقتراب نفاذ شحن البطارية، ستومض أيقونة كل حجرة من حجيرات البطارية المشغولة ومؤشر انخفاض الطاقة كل نصف ثانية. ستتوقف الجرافة عن العمل على الفور. يجب على مشغل الآلة نقل الجرافة إلى مكان شحن البطارية لشحنها.

## الدفع اليدوي



### ضبط فرملة الوقوف (الشكل E12 – الشكل E13)

E13-1	وضع الفرملة	E13-2	وضع تحرير الفرملة
-------	-------------	-------	-------------------

### الشحن (الشكل F1 – الشكل F11)

لبدء تشغيل هذه الجزارة، يجب تركيب بطاريات EGO بإجمالي 15 أمبير في الساعة (2 × بطارية BA4200T/BA4200) أو أكثر. لتحقيق أفضل أداء، نوصي باستخدام بطاريات EGO بإجمالي 30 أمبير في الساعة أو أكثر.  
لا تستخدم أي مجموعات بطارية أو شواحن غير تلك الموصى بها.  
(الشكل F9 و F10)

### التحضير للشحن (الشكل F1 – الشكل F4)

شحن مجموعات البطارية بشكل منفصل  
(الشكل F5 – الشكل F9)

F5-1	زر تحرير الغطاء	F7-1	زر تحرير البطارية
------	-----------------	------	-------------------

- لتركيب مجموعات البطارية (الشكل F5 – الشكل F6)
- لخلع مجموعات البطارية (الشكل F7 – الشكل F8)

**تنبيه:** اشحن مجموعات البطارية وفقاً لدلائل البطارية والشاحن المعنية.

شحن مجموعات البطارية من خلال منفذ الشحن (الشكل F10)

F10-1	غطاء الأتربة	F10-2	منفذ الشحن
-------	--------------	-------	------------

### بدء تشغيل الجزارة (الشكل A4 – الشكل A5 والشكل G1 – الشكل G6)

**⚠ تحذير:** تجنب عمليات بدء التشغيل والتوقف والدوران بشكل مفاجئ، وكذا السرعة الزائدة، خاصة عند تعلم تشغيل الجزارة للمرة الأولى. يمكن للجزارة أن تدور حول نفسها بسرعة، وهو ما قد يتسبب في فقد السيطرة والتعرض لإصابات خطيرة و/أو حدوث تلف.

**⚠ تحذير:** قبل بدء تشغيل الجزارة، افحص الشفرات وتأكد من إلغاء تشبيقتها خلال ٥ ثوان عند الضغط على مفتاح تشبيق طاقة المحرك (PTO) لأسفل. إذا لم تتوقف الشفرات، لا تستخدم الجزارة واتصل بمركز خدمة عملاء EGO على الفور.

**تنبيه:** اتبع الشكل A4 والشكل G2 للوصول إلى أقل سرعة للحركة والانتقال إلى وضع القيادة STANDARD (القياسي) إلى أن تصبح ماهراً في تشغيل الجزارة في جميع الحالات. لن يتم تفعيل سرعة الحركة ووضع القيادة إلا بعد توقف عجلات الجزارة وفتح أذرع التوجيه.

ستحفظ الجزارة الضبط السابق لوضع القيادة وسرعة الحركة ومعايرة أذرع التوجيه وتطبيقه عند إعادة تشغيلها.

### مراجعة ضغط الإطار وهو بارد (الشكل D1)

### فحص حالة الجزارة ومستوى شحن البطارية

a. مؤشر مقياس الوقود في الجزارة (الشكل A2 - 27a) كل قسم من أقسام مؤشر مقياس الوقود الخاص بالجزارة يشير إلى 20% من شحن مجموعات البطارية المركبة.  
**تنبيه:** يشير مؤشر مقياس الوقود الخاص بالجزارة ومقياس الوقود الموجود على شاشة LCD إلى متوسط سعة شحن مجموعات البطارية المركبة.

b. مؤشر حالة الجزارة (الشكل A1 والشكل A2 - 27b) إذا أضاء مؤشر الحالة باللون الأخضر، فهذا معناه أن الجزارة جاهزة للحركة. أما إذا لم يضيء باللون الأخضر، يُرجى مراجعة قسم «مرجع حالة الجزارة وكود الأعطال»

### اختبار نظام قفل الأمان (الشكل D2 - الشكل D8)

**تنبيه:** يجب أن يكون مشغل الآلة جالساً على المقعد قبل الاختبار.

- قبل الاختبار (الشكل D2 – الشكل D4)
- لاختبار نظام شفرة أرضية الجزارة (الشكل D5)، ثم قف ببطء
- لاختبار نظام الحركة (الشكل D6 – الشكل D8)، ثم قف ببطء

إذا لم يتم نظام شفرة أرضية الجزارة و/أو نظام الحركة بالتوقف عند نزول مشغل الآلة عن المقعد، وإذا لم يمكن تحديد السبب بعد التأكد من توصيل قابس المقعد ومقبسه كما ينبغي، فاتصل بمركز خدمة عملاء EGO على الفور.

### الضبط (الشكل E1 – الشكل E13)

#### التحضير (الشكل E1 – الشكل E5)

#### ضبط ارتفاع أرضية الجز (الشكل E6)

#### ضبط عجلات منع الاحتكاك بالأرض (الشكل E7 – الشكل E10)

E7-1	عجلة منع الاحتكاك بالأرض	E9-2	مسمار ملولب
E9-1	صامولة	E10-1	ملصق ارتفاع أرضية الجزارة

#### ضبط المقعد (الشكل E11)

اضبط موضع المقعد للتأكد من قدرتك على الوصول بشكل فعال لدواسة فرملة الوقوف قبل تشغيل الجزارة. قد يؤدي ضبط نظام تعليق المقعد إلى تحقيق أفضل تجربة استخدام مريحة للمقعد.

E11-1	رافعة تعديل موضع المقعد	E11-2	بكرة ضبط نظام تعليق المقعد
-------	-------------------------	-------	----------------------------

## فك التغليف

## التجميع

### تركيب المقعد (الشكل C1 و C2)

**⚠ تحذير:** لا يجب بأي حال من الأحوال فصل نظام قفل الأمان أو تجاوزه. لأن فعل ذلك قد يؤدي إلى تشغيل الجزازة بشكل غير متوقع، وهو ما قد يتسبب في وقوع إصابات شخصية.

**تنبيه:** لسلامتك، قد تتوقف الجزازة عن الحركة بسبب فصل مفتاح المقعد أثناء الحركة. في هذه الحالة، يُرجى مراجعة قسم "استكشاف الأعطال وإصلاحها" للتعرف على المزيد من المعلومات.

C1-1	كابل	C1-5	مسامير برأس الأنكيه
C1-2	قابس	C2-1	خطاف
C1-3	مقبس	C2-2	قضبان من الصلب
C1-4	قاعدة نظام التعليق	C2-3	مسامير برأس الأنكيه

### تركيب أذرع التوجيه (الشكل C3)

C3-1	أذرع التوجيه	C3-3	فتحات تثبيت ذراع التوجيه
C3-2	براغي سداسية الرأس		

## التشغيل

### قبل استخدام الجزازة

#### فحص بيئة العمل

- تأكد من خلو منطقة العمل من الأطفال والمرافقين والحيوانات الأليفة.
- تخلص من أي أشياء قد تتطاير بفعل شفرات الجزازة من منطقة العمل.
- افحص كشافات LED وتأكد من عملها كما ينبغي:
  - يتم التحكم في الكشافات الأمامية، والكشافات الجانبية، والكشافات الخلفية من خلال مفتاح كشافات LED.
  - تظل كشافات الحركة مضاءة بشكل دائم أثناء القيادة.
  - عند الرجوع للخلف، إذا كانت الكشافات الخلفية مطفأة، فحينها ستومض من أجل تحذير المرافقين؛ أما إذا كانت الكشافات الخلفية مضاءة، فإنها ستظل مشغلة.
  - سيتم إيقاف تشغيل جميع المصابيح تلقائيًا عند توقف الجزازة عن التشغيل تلقائيًا بعد مرور فترة بدون تشغيل.

**تنبيه:** احتفظ بمكونات التغليف حتى الانتهاء من فحص المنتج بعناية والتأكد من تشغيله كما ينبغي. إذا وجدت أن أي جزء من الأجزاء المدرجة في قائمة المحتويات قد تم تجميعه بالفعل في الآلة، يجب عليك التواصل على الفور مع خدمة عملاء EGO.

**تنبيه:** باستثناء الأدوات المدرجة في قائمة المحتويات أدناه، فإن جميع الأدوات الأخرى المذكورة في الدلائل موصى بها فقط وغير مرفقة مع المنتج.

### قائمة المحتويات (الشكل B)

B-1	جزازة صفيرية زاوية الدوران بظهر للركوب	B-6	مفاتيح الأمان
B-2	المقعد	B-7	مفاتيح بلدي (مفتوح الطرف) (13 مم)
B-3	ذراع التوجيه	B-8	مفتاح ربط سداسي (الأنكيه)
B-4	مسامير برأس الأنكيه (2 احتياطيًا)	B-9	قارئة التوصيل السريع لمنفذ الغسل
B-5	براغي سداسية الرأس (2 احتياطيًا)	B-10	دليل التشغيل

### الملحقات الموصى بها

**⚠ تحذير:** استخدم فقط قطع الغيار الأصلية المدرجة أدناه. لأن استخدام قطع غيار لا تتوافق مع مواصفات المعدات الأصلية قد يؤدي إلى الأداء غير السليم والتأثير بالسلب على الأمان.

اسم القطعة	رقم الطراز
الشفرة العادية	AB5200
الشفرة ذات الارتفاع العالي	AB5201
مجموعة توزيع العشب المجزوز على الأرض	ABP5200
طقم حقيبة العشب	ABK5200-A
المصد الخلفي	AMB1000
صندوق النقل	AMG1000
مظلة الشمس	AMS1000

**تنبيه:** قد تختلف انبعاثات الاهتزاز أثناء الاستخدام الفعلي للألة العاملة بالطاقة عن القيمة المعلنة التي يتم استخدام الآلة فيها؛ ولحماية مشغل الآلة، ينبغي على المستخدم ارتداء قفازات وواقيات للأذن في ظروف الاستخدام الفعلية.

## الوصف

### تعرف على الجزازة (الشكل A1 و A2)

1. المقعد
2. منفذ الشحن
3. وحدة الطاقة
4. الضوء الخلفي LED
5. صندوق التخزين
6. حوامل الأكواب
7. الضوء الجانبي LED
8. العجلة الخلفية (عجلة الحركة)
9. منفذ الغسل
10. أرضية الجزازة
11. واقية أرضية الجزازة
12. عجلة منع الاحتكاك بالأرض
13. العجلة الأمامية
14. دواسة فرملة الوقوف
15. أضواء القيادة النهارية
16. كشافات أمامية LED
17. أنبوب التفريغ الجانبي
18. ذراع ضبط ارتفاع أرضية الجزازة
19. بكرة ضبط نظام تعليق المقعد
20. رافعة تعديل موضع المقعد
21. قضبان تثبيت الجسم
22. مؤشر حالة الجزازة
23. شاشة LCD
24. مفتاح تشغيل طاقة المحرك
25. زر البدء/الإيقاف
26. مفتاح الأمان
27. فتحة تخزين الهاتف
28. قضيب توزيع العشب
29. مؤشر مقياس وقود الجزازة وحالتها
30. مؤشر مقياس وقود الجزازة

31. مؤشر حالة الجزازة
32. مسند القدم
33. زر تحرير غطاء وحدة الطاقة
34. غطاء وحدة الطاقة
35. وحدة الطاقة مع 6 حجيرات للبطارية
36. زر تحرير البطارية
37. وصلة الجر
38. غطاء تثبيت الملحق
39. موضع تخزين غطاء تثبيت الملحق
40. منفذ USB

### التعرف على شاشة LCD (الشكل A3)

راجع القسم "مرجع حالة الجزازة وكود الأعطال" للتعرف على المزيد من المعلومات الخاصة بالأيقونات والمؤشرات الموجودة على شاشة LCD.

1. أيقونة مفتاح الأمان
2. أيقونة كشافات LED
3. أيقونة الوقوف التلقائي
4. أيقونة USB
5. مؤشر سرعة الشفرة
6. مؤشر حالة جهاز الأمان
7. عداد ساعات العمل
8. أيقونة حجيرة البطارية الشاغرة
9. أيقونة درجة الحرارة
10. أيقونة حجيرة البطارية المشغولة
11. وضع القيادة
12. مؤشر كود الخلل
13. مؤشر الحمل الزائد
14. مؤشر انخفاض الطاقة
15. مؤشر سرعة الحركة
16. مؤشر الحمل
17. مقياس الوقود
18. زر ضبط سرعة الشفرة
19. زر الضبط
20. زر وضع الحركة
21. مفتاح كشافات LED
22. زر ضبط سرعة الحركة

لا يجب التخلص من الأجهزة الكهربائية المستهلكة في النفايات المنزلية. توجه بالجهاز إلى مركز إعادة تدوير معتمد.



تنبيه – لا تحملق في لمبة التشغيل



هذا المنتج متوافق مع تشريعات المملكة المتحدة المعمول بها.



لفة في الدقيقة

RPM

أمتار

m

سنتيمترات

cm

مليمترات

mm

كيلوجرام

kg

درجة حماية الدخول

IPX4

لا تضع قدمك فوق هذا المكان



هذا المنتج متوافق مع توجيهات شهادة الجودة الأوروبية (EC) المعمول بها



تيار مستمر



كيلو باسكال

kPa

فولت

V

بوصة

in

نيوتن متر

Nm

درجة مئوية

°C

كيلومتر في الساعة

km/h

## المواصفات

25 - 100 مم	ضبط ارتفاع الحز (10 أوضاع)	56 فولت	الجهد الكهربائي
0 - 40 درجة مئوية	درجة حرارة التشغيل	132 سم	حجم أرضية الآلة
20- 70 درجة مئوية	درجة حرارة التخزين	126 × 279.4 مم	حجم العجلة
217 كجم	الوزن (بدون وحدة البطارية)	223 × 457.2 مم	
95,48 ديسيبل (A) 0,73=K ديسيبل (A)	مستوى قوة الصوت المُقدَّر L <sub>WA</sub>	222.1 كيلو باسكال	ضغط الإطار وهو بارد
82,5 ديسيبل (A) 3=K ديسيبل (A)	مستوى ضغط الصوت عند أذن المشغل L <sub>PA</sub>	115.8 كيلو باسكال	
		0	نصف قطر الدوران
		2600; 2800; 3000; 3200	سرعة الشفرة (لفة في الدقيقة)
		8.1 كم/ساعة, 9.7 كم/ساعة, 11.3 كم/ساعة, 12.8 كم/ساعة	الحد الأقصى لسرعة القيادة (كم/ساعة)
		حتى 6.4 كم/ساعة	
		CHV1600E	الشاحن (اختياري)
		ACA1000	المهايئ (اختياري)
		5 - 40 درجة مئوية	مدى درجة حرارة الشحن

- القيمة الكلية للاهتزاز الموضحة تم قياسها وفقاً لطريقة اختبار قياسية وقد تستخدم لمقارنة أداة بأخرى؛
- كما يمكن استخدام القيمة الكلية للاهتزاز الموضحة في التقييم التمهيدي للتعرض.

## اقرأ جميع التعليمات!

اقرأ دليل التشغيل



## رموز السلامة

الغرض من رموز السلامة هو جذب انتباهك إلى المخاطر المحتملة. رموز السلامة والشروح المصاحبة لها تستحق اهتمامك وفهمك الدقيق. تحذيرات كل رمز، بنفسها، لا تمنع وقوع أي خطر. التعليمات والتحذيرات التي تمنحك إياها لا تعد بديلاً عن تطبيق الإجراءات الملائمة لمنع وقوع الحوادث.

**⚠ تحذير:** احرص على قراءة وفهم جميع تعليمات السلامة في دليل التشغيل هذا، بما في ذلك جميع رموز تنبيهات السلامة، مثل "خطر"، وتحذير، وتنبيه قبل استخدام هذه الآلة. عدم اتباع جميع التعليمات الواردة أدناه قد يؤدي إلى حدوث صدمة كهربائية أو نشوب حريق أو التعرض للإصابة الشخصية، أحدها أو جميعها.

## معنى الرمز

هذه الصفحة تصف وتشرح رموز السلامة التي قد تظهر على هذا المنتج. اقرأ جميع التعليمات المذكورة على الآلة وافهمها واتبعها قبل محاولة تجميع الآلة وتشغيلها.

## رموز السلامة

اقرأ دليل التشغيل وافهمه		تنبيه سلامة	
حافظ على أجهزة الأمان		أدوات حماية العينين	
خطر – أبق المرافقين بعيداً عن نطاق عمل الشفرات		خطر – خطر منحدر شاهق	
انظر للخلف أثناء الرجوع للخلف		لا تحمل الأطفال مطلقاً	
خطر – أشياء متطايرة		تحذير - لا تستخدم هذا الجهاز على منحدرات يزيد ميلها عن 12 درجة	
مستوى قوة الصوت المضمون. وفقاً لتوجيه الاتحاد الأوروبي.		تحذير – أبق يديك وقدميك بعيداً	

מסך LCD	תיאור	קוד תקלה במסך LCD-ה	אינדיקטור סטטוס עבור המכסה	צפצוף	סיבה	פתרון
ראו "קוד תקלה"	תקלה במסך LCD	315 / 415	כבוי	צפצוף יחיד	מכלול ה-LCD שבור או חיבור חוט חשמל תקול במכלול ה-LCD.	בצעו תיקונים על ידי טכנאי שירות מוסמך.

## תורחא

### מדיניות האחריות של EGO

אנא בקרו באתר [egopowerplus.com](http://egopowerplus.com) עבור התנאים וההתניות השלמים של מדיניות האחריות של EGO.

KEES VAN DER SPEK  
TUINMACHINES \* STOLWIJK

מסך LCD	תיאור	קוד תקלה במסך LCD-ה	אינדיקטור סטטוס עבור המכסחה	צפצוף	סיבה	פתרון
ראו „קוד תקלה”	תקלה ביציאת הטעינה	204	לא רלוונטי	צפצוף יחיד	יציאת הטעינה היא במעגל פתוח.	בצעו תיקונים על ידי טכנאי שירות מוסמך.
ראו „קוד תקלה”	מכלול תיבת הסוללה אינו מתפקד	217	לא רלוונטי	צפצוף יחיד	מקור המתח ממכלול תיבת הסוללה שבור. פנסי הLED הקדמיים וה-USB לא יפעלו.	בצעו תיקונים על ידי טכנאי שירות מוסמך.
		/310 410	כבוי	צפצוף יחיד	החיבור בין חוטי חשמל של Type C מכלול מארז הסוללה וחוטי החשמל של Type C המכסחה אינם פועלים.	
		/201 /202 203	כבוי	צפצוף יחיד	ה-BMS של מכלול תיבת הסוללה שבור.	
ראו „קוד תקלה”	תקלה במתג ההפעלה/כיבוי	/314 414	כבוי	צפצוף יחיד	תקלה במתג PCBA או חיבור חוט חשמל תקול במתג ההפעלה/כיבוי.	בצעו תיקונים על ידי טכנאי שירות מוסמך.

מסך LCD	תיאור	קוד תקלה במסך LCD-ה	אינדיקטור סטטוס עבור המכסה	צפצוף	סיבה	פתרון
ראו "קוד תקלה"	כשל בידית ההיגוי השמאלית.	/311 412	כבוי	צפצוף יחיד	תקלת PCBA	בצעו תיקונים על ידי טכנאי שירות מוסמך.
					חיבור חלש	
ראו "קוד תקלה"	כשל בידית ההיגוי הימנית.	/312 411	כבוי	צפצוף יחיד	תקלת PCBA	בצעו תיקונים על ידי טכנאי שירות מוסמך.
					חיבור חלש	
ראו "קוד תקלה"	כשל בבלם החניה, לא ניתן להסיע את הכלי.	/309 409	כבוי	צפצוף יחיד	תקלת PCBA	בצעו תיקונים על ידי טכנאי שירות מוסמך.
					מתג בלם החניה ו/או החיווט שבור.	
כבוי	תקלה ביציאת הטעינה	לא רלוונטי	אור אדום יציב	לא רלוונטי	יציאת הטעינה היא במעגל פתוח.	בצעו תיקונים על ידי טכנאי שירות מוסמך.
				לא רלוונטי	אין אספקת חשמל.	בדקו את שקע החשמל בקיר כדי לוודא שאספקת החשמל היא של 240V-220V ושהשקע תקין.
				לא רלוונטי	קצר בנתיך.	בצעו תיקונים על ידי טכנאי שירות מוסמך.

HE



מסך LCD	תיאור	קוד תקלה במסך LCD-ה	אינדיקטור סטטוס עבור המכסה	צפצוף	סיבה	פתרון
ראו „קוד תקלה”	כשל בסיבוב במנוע הלהב הימני.	507/A07	לא רלוונטי	צפצוף יחיד	תקלת PCBA	בצעו תיקונים על ידי טכנאי שירות מוסמך.
		609	לא רלוונטי	צפצוף יחיד	חיבור חלש	בדקו תחילה את הלהב. אם הוא משוחרר, הדק את הבריח עם מומנט מומלץ. אחרת, בצעו תיקונים בעזרת טכנאי המוסמך לכך.
ראו „קוד תקלה”	כשל במנוע הלהב הימני.	507/607	לא רלוונטי	צפצוף יחיד	תקלת PCBA	בצעו תיקונים על ידי טכנאי שירות מוסמך.
		A09	לא רלוונטי	צפצוף יחיד	חיבור חלש	בדקו תחילה את הלהב. אם הוא משוחרר, הדק את הבריח עם מומנט מומלץ. אחרת, בצעו תיקונים בעזרת טכנאי המוסמך לכך.
ראו „קוד תקלה”	כשל במנוע הלהב האמצעי	A09	לא רלוונטי	צפצוף יחיד	חיבור חלש	בדקו תחילה את הלהב. אם הוא משוחרר, הדק את הבריח עם מומנט מומלץ. אחרת, בצעו תיקונים בעזרת טכנאי המוסמך לכך.
		A09	לא רלוונטי	צפצוף יחיד	תקלת מנוע	בצעו תיקונים על ידי טכנאי שירות מוסמך.

מסך LCD	תיאור	קוד תקלה במסך LCD-ה	אינדיקטור סטטוס עבור המכסה	צפצוף	סיבה	פתרון
ראו „קוד תקלה”	כשל בסיבוב במנוע הנהיגה הימני.	313	כבוי	צפצוף יחיד	תקלת PCBA	בצעו תיקונים על ידי טכנאי שירות מוסמך.
		417	כבוי	צפצוף יחיד	חיבור חלש	
		401	כבוי	צפצוף יחיד	חיבור חלש	
		417	כבוי	צפצוף יחיד	תקלת מנוע	
ראו „קוד תקלה”	כשל בסיבוב הלהב השמאלי.	/607 A07	לא רלוונטי	צפצוף יחיד	תקלת PCBA	בצעו תיקונים על ידי טכנאי שירות מוסמך.
		509	לא רלוונטי	צפצוף יחיד	חיבור חלש	בדקו תחילה את הלהב. אם הוא משוחרר, הדק את הבריא עם מומנט מומלץ. אחרת, בצעו תיקונים בעזרת טכנאי המוסמך לכך.
		509	לא רלוונטי	צפצוף יחיד	תקלת מנוע	

HE

מסך LCD	תיאור	קוד תקלה במסך ה-LCD	אינדיקטור סטטוס עבור המכסחה	צפצוף	סיבה	פתרון
	סמל שחזור החשמל מהבהב מידי פעם.	לא רלוונטי	כבוי	לא	הכוח הקינטי המופעל במהלך הבלימה או הנהיגה במורד מומר לחשמל כדי לטעון את מארזי הסוללה.	זו היא פעולה תקינה. לא נדרשת פעולה.

**הודעה:** אם מופיע קוד תקלה על מסך ה-LCD, הסר את כל ערכות הסוללות והכנס אותן מחדש כעבור מספר דקות. אם זה לא פותר את הבעיה, עקוב אחר פתרון הבעיות בקוד התקלה שלהלן.

מסך LCD	תיאור	קוד תקלה במסך ה-LCD	אינדיקטור סטטוס עבור המכסחה	צפצוף	סיבה	פתרון	
ראו „קוד תקלה”	כשל בסיבוב במנוע הנהיגה השמאלי.	413	כבוי	צפצוף יחיד	תקלת PCBA	כשל במנוע הנהיגה השמאלי הנשלט על ידי PCBA.	
		317	כבוי	צפצוף יחיד	חיבור חלש		תקע (מצב משולש, חוט חשמל) המתחבר למנוע הנהיגה השמאלי עם ה-PCBA המתאים, משוחרר.
		301	כבוי	צפצוף יחיד	חיבור חלש		תקע (שש פינים, חוט יחיד) המתחבר למנוע הנהיגה השמאלי עם ה-PCBA המתאים, משוחרר.
		317	כבוי	צפצוף יחיד	תקלת מנוע		כשל במנוע הנהיגה השמאלי.
						בצעו תיקונים על ידי טכנאי שירות מוסמך.	

HE

מסך LCD	תיאור	קוד תקלה במסך ה-LCD	אינדיקטור סטטוס עבור המכסה	צפצוף	סיבה	פתרון
	הסמל של כל תא סוללה מאוכלס ואינדיקטור הסוללה החלשה מהבהבים מידי חצי שניה.	לא רלוונטי	מהבהב באדום	ממשיך לצפצף	קיבולת מארזי הסוללה כמעט ריקה.	המכסה תפסיק לעבוד מיד. המפעיל צריך להעביר את המכסה לאזור טעינת הסוללה לצורך טעינתה.
	סמל החניה האוטומטית מהבהב על מסך ה-LCD.	לא רלוונטי	כבוי	ממשיך לצפצף	המכסה חונה על מדרון והמפעיל עוזב את המכסה מבלי להגדיר את דוושת בלם החניה למצב הבלימה, רק עם ידידות ההיגוי במצב פתוח.	הגדירו את דוושת החניה למצב חניה. סמל החניה האוטומטית יהיה כבוי ואינדיקטור השמע יפסיק לצפצף.
	סמל דוושת הבלם מוצג על מסך ה-LCD	לא רלוונטי	כבוי	לא	דוושת בלם החניה מוגדרת למצב חניה.	שחררו אותו לפני ההפעלה של המכסה.
	סמל חיישן המושב מוצג על מסך ה-LCD	לא רלוונטי	כבוי	לא	המפעיל עוזב את המושב או שמתג המושב מנותק.	אם כאשר המפעיל יושב על המושב, הסמל מופעל, הפסיקו להפעיל את המכסה מיד ובדקו את חיבור המושב. אם נבדק שחיבור המושב עם המכסה תקין, פנו לטכנאי שירות מוסמך לביצוע תיקונים.
	סמל מתג ה-PTO מהבהב.	לא רלוונטי	כבוי	לא	מנוע הלהב הופסק בהפעלה ומתג ה-PTO אינו מוגדר במצב כבוי.	לפני הפעלת המכסה, לחצו על מתג ה-PTO כלפי מטה כדי לנתק את מנוע המשטח. עיינו בסעיף „ <b>איתור וטיפול בבעיות</b> ” במדריך זה לצורך הפניה.
	סמל ידיית ההיגוי מהבהב.	לא רלוונטי	כבוי	לא	מנוע הנהיגה הופסק בהפעלה וידידות ההיגוי אינן מוגדרות למצב כבוי.	לפני אתחול המכסה, העבירו את ידידות ההיגוי למצב הפתוח. עיינו בסעיף „ <b>איתור וטיפול בבעיות</b> ” במדריך זה לצורך הפניה.

מסך LCD	תיאור	קוד תקלה במסך LCD-ה	אינדיקטור סטטוס עבור המכסחה	צפצוף	סיבה	פתרון
	<p>סמל התחממות היתר ותא הסוללה המלא הספציפי מהבהבים בו זמנית.</p>	לא רלוונטי	כבוי	לא	ישנו חימום יתר במארז הסוללה הממוספר המתאים.	<p>1. המכסחה אינה יכולה להמשיך לפעול אם דירוג ה-Ah הכולל של הסוללה, לא כולל הסוללה שהתחממה מדי, עומד בדרישה. לאחר שהסוללה שהתחממה יתר על המידה חוזרת לטמפרטורה רגילה, היא תצטרף מיד להפעלת המכסחה.</p>
						<p>2. אם דירוג ה-Ah המשולב איננו מספיק, המכסחה לא תפעל עד להכנסת מארזי סוללה נוספים לתוך תאי הסוללה הריקים.</p>
						<p>3. הפחיתו את העומס על המכסחה, על ידי הרמת גובה החיתוך של המשטח או האטת הכיסוח כאשר אתם מפעילים אותה מחדש.</p>
	<p>הסמלים של כל תא סוללה מאוכלס, אינדיקטור סוללה חלשה, גרפיקת הסוללה של מד הדלק מהבהבים מדי שניה 1, בו זמנית, על מסך ה-LCD. המקטע הראשון של לד מד הדלק ואינדיקטור המצב מהבהב גם כן.</p>	לא רלוונטי	מהבהב באדום	ממשיך לצפצף עד שמתג ה-PTO נלחץ מטה.	<p>רמת טעינת מארזי הסוללה חלשה והמכסחה נמצאת במצב „צליעה הביתה“.</p>	<p>הפסיקו לעבוד וחזרו אל אזור טעינת הסוללה.</p> <p><b>הודעה:</b> כאשר המכסחה נמצאת במצב „צליעה הביתה“, הלהבים מועברים אוטומטית למהירות סיבוב נמוכה ללא חיתוך דשא ובינתיים אינדיקטורי השמע ימשיכו לצפצף. על המפעיל ללחוץ על מתג ה-PTO כלפי מטה כדי לנתק את להבי המשטח. אינדיקטור הצפצוף ישתתק לאחר שהלהב יעצור.</p>

KEES VAN DER SPEK  
TUINMACHINES \* STOLWIJK

HE

מסך LCD	תיאור	קוד תקלה במסך LCD-ה	אינדיקטור סטטוס עבור המכסחה	צפצוף	סיבה	פתרון
	הסמל של תא סוללה מסוים מהבהב.	לא רלוונטי	כבוי	לא	סוללה מסוימת במהלך הפריקה נמצאת בחריגת זרם.	לא נדרשת פעולה. המכסחה אינה יכולה להמשיך לפעול אם דירוג ה-Ah הכולל של הסוללה, לא כולל הסוללה בעלת זרם יתר, עומד בדרישה. ברגע שהסוללה עם זרם-העל תחזור לקדמותה, היא תצטרף להפעלת המכסחה באופן מיידי והסמל ייעלם.
	הסמל של תא הסוללה הריק מהבהב.	לא רלוונטי	כבוי	לא	קיבולת הסוללה אינה מספקת כדי לאפשר את פעולת הנהיגה על המכסחה.	על מנת להפעיל מכסחה זו, השתמש במספר סוללות EGO מספיק בהתאם להוראות בסעיף "טעינה" במדריך זה.
	סמל הטמפרטורה מהבהב.	לא רלוונטי	כבוי	צפצוף יחיד	ישנו חימום יתר במכסחה.	הפחיתו את העומס על המכסחה, על ידי הרמת גובה החיתוך של המשטח או האטו את מהירות הלהב/ הנסיעה. קחו הפסקה ואפשרו למכסחה להתקרר.
		לא רלוונטי	כבוי	צפצוף יחיד	המכסחה קרה מדי	אל תעשו נסיונות חוזרים שעשויים לפגוע במכונה. אחסנו תמיד את המכסחה והסוללות בסביבה חמימה. הפעילו מחדש את מכסחת הדשא כאשר היא התחממה.

מסך LCD	תיאור	קוד תקלה במסך ה-LCD	אינדיקטור סטטוס עבור המכסחה	צפצוף	סיבה	פתרון
	סמל מד הדלק מוצג על מסך ה-LCD	לא רלוונטי	כבוי	לא	הוא מציין את קיבולת הטעינה הממוצעת של הסוללות המוכנסות.	זו היא פעולה תקינה. לא נדרשת פעולה.
8888 H	סמל מד השעות מוצג על מסך ה-LCD	לא רלוונטי	כבוי	לא	הוא מציג את זמן הנהיגה הכולל של המכסחה, בשעות, ולא ניתן לאפס אותו.	זו היא פעולה תקינה. לא נדרשת פעולה.
	סמל אינדיקטור העומס מוצג בטווח ה-ECO	לא רלוונטי	כבוי	לא	הוא מציין את העומס הנוכחי של המכסחה.	זו היא פעולה תקינה. לא נדרשת פעולה.
	אינדיקטור עומס היתר מהבהב. סמל אינדיקטור העומס מוצג בטווח ה-PWR.	לא רלוונטי	מהבהב באדום	צפצוף יחיד	ישנו עומס יתר על מנוע הלהב.	הגדילו את גובה החיתוך של המשטח או האטו את מהירות הנסיעה כדי להפחית את העומס של המכסחה.
					צינור הפליטה הצדדי סתום בעשב ובפסולת.	נקו את צינור הפליטה הצדדי לאחר כל שימוש.
					יש הפרעה בין הלהב למשטח המכסחה.	בצעו תיקונים על ידי טכנאי שירות מוסמך.
	סמל מפתח הבטיחות מהבהב.	לא רלוונטי	כבוי	לא	מפתח הבטיחות אינו מוכנס.	הכנס את מקש הבטיחות ואז לחץ והחזק את לחצן ההפעלה/כיבוי כדי להפעיל את המכסחה.
					החשמל אינו מצורף למסך ה-LCD.	בצעו תיקונים על ידי טכנאי שירות מוסמך.

בעיה	סיבה	פתרון
המכסחה מאבדת בקלות את כוח המשיכה כאשר היא מטפסת על מדרון.	<ul style="list-style-type: none"> <li>הצמיגים של הגלגלים האחוריים בלויים.</li> </ul>	<ul style="list-style-type: none"> <li>פנו לשירות המקומי כדי להחליף את צמיגי הגלגלים.</li> </ul>
	<ul style="list-style-type: none"> <li>מדרון כיסוח רחב.</li> </ul>	<ul style="list-style-type: none"> <li>מדרון הכיסוח אמור להיות בזווית הנדרשת.</li> </ul>
כאשר המכסחה עוצרת על מדרון כשדוושת בלם החניה לחוצה, המכסחה יכולה להתגלגל מטה במדרון.	<ul style="list-style-type: none"> <li>רכיבי הבלימה בלויים בצורה משמעותית עקב הפעלה לא נאותה של המכסחה.</li> </ul>	<ul style="list-style-type: none"> <li>פנו לטכנאי שירות מוסמך לתיקון.</li> </ul>
המים לא יוצאים מיציאת השטיפה כאשר מבצעים שטיפה של המשטח.	<ul style="list-style-type: none"> <li>המצמד המהיר של יציאת השטיפה אינו מורכב במקומו על יציאת השטיפה.</li> </ul>	<ul style="list-style-type: none"> <li>חברו מחדש את המצמד המהיר של יציאת השטיפה עד לשמיעת קליק ברור לאחר דחיפה חזקה. אם הוא אינו פועל, פנו לטכנאי שירות מוסמך לצורך תיקון.</li> </ul>
צליל חריג נשמע כאשר דוחפים את המכסחה ידנית מבלי להתניע אותה.	<ul style="list-style-type: none"> <li>הצליל מגיע מהמגנטים בתוך מנוע הנסיעה.</li> </ul>	<ul style="list-style-type: none"> <li>זהו מצב נורמלי, לא נדרשת פעולה.</li> </ul>

## החסכמה בצמ נוחמ לש הינפהו הלקת דוק

מסך LCD	תיאור	קוד תקלה במסך LCD-ה	אינדיקטור סטטוס עבור המכסחה	צפצוף	סיבה	פתרון
	סמל פנסי הלד מוצג על מסך LCD-ה	לא רלוונטי	כבוי	לא	הפנסים הקדמיים, פנסי הצד והפנסים האחוריים מופעלים על ידי מתג פנסי הלד.	זו היא פעולה תקינה. לא נדרשת פעולה.
	סמל ה-USB מוצג על מסך LCD-ה	לא רלוונטי	כבוי	לא	סמל ה-USB מאיר ומציין שהתקן ה-USB יכול לפעול לאחר שהמכסחה מופעלת כראוי.	זו היא פעולה תקינה. לא נדרשת פעולה.

HE



בעיה	סיבה	פתרון
המכסחה אינה עוקבת כראוי.	<ul style="list-style-type: none"> <li>לחצי הצמיג עבור הגלגל האחורי הימני והשמאלי שונים.</li> </ul>	<ul style="list-style-type: none"> <li>בדקו וכווננו את לחץ האוויר בשני צמיגי הגלגלים האחוריים, על פי ההמלצות בסעיף „בדיקת לחץ הצמיג” במדריך זה.</li> </ul>
	<ul style="list-style-type: none"> <li>מהירויות הנסיעה עבור הגלגל האחורי הימני והשמאלי שונים.</li> </ul>	<ul style="list-style-type: none"> <li>כיול מערכת המעקב של המכסחה בהתאם להוראות בסעיף „כיול מערכת המעקב של המכסחה”.</li> </ul>
לא ניתן לשחרר את דוושת בלם החניה ממצב החניה או שהוא חוזר חזרה למקומו באיטיות.	<ul style="list-style-type: none"> <li>ייתכן שיש פסולת או לכלוך הנכנסים לדוושת בלם החניה.</li> </ul>	<ul style="list-style-type: none"> <li>פתחו את תיבת דוושת בלם החניה כדי לנקות ביסודיות את התיבה מבפנים וסגרו אותה. אפסו את דוושת בלם החניה כדי לראות האם הבעיה נפתרה. אם לא, פנו לטכנאי שירות מוסמך לצורך תיקון.</li> </ul>
לא ניתן לטעון את המכסחה באמצעות יציאת הטעינה כשאינדיקטור סטטוס המכסחה זוהר באדום יציב.	<ul style="list-style-type: none"> <li>התקע של המטען אינו מוכנס כראוי לתוך יציאת הטעינה במכסחה.</li> </ul>	<ul style="list-style-type: none"> <li>חברו מחדש את תקע המטען כדי לראות אם ניתן להטעין את המכונה כרגיל.</li> </ul>
	<ul style="list-style-type: none"> <li>אין חשמל בשקע החשמל בקיר.</li> </ul>	<ul style="list-style-type: none"> <li>לא נדרשת פעולה. המתינו עד שהחשמל יחזור.</li> </ul>
	<ul style="list-style-type: none"> <li>תקלה במטען.</li> </ul>	<ul style="list-style-type: none"> <li>פנו לטכנאי שירות מוסמך לצורך בדיקה ותיקון המטען לפי הצורך.</li> </ul>
	<ul style="list-style-type: none"> <li>יציאת המטען במכסחה פגומה.</li> </ul>	<ul style="list-style-type: none"> <li>פנו לטכנאי שירות מוסמך לתיקון.</li> </ul>
זמן הטעינה באמצעות יציאת הטעינה של המכסחה ארוך מידי.	<ul style="list-style-type: none"> <li>שימוש במתאם EGO ACA1000 לצורך טעינה דורש זמן רב.</li> </ul>	<ul style="list-style-type: none"> <li>השתמשו במטען EGO CHV1600E לטעינה ישירה של המכסחה.</li> </ul>
לא ניתן לטעון את הסוללה במלואה באמצעות יציאת הטעינה של המכסחה.	<ul style="list-style-type: none"> <li>באג קושחה במכסחה הרכובה או תקלה במטען/ בסוללה.</li> </ul>	<ul style="list-style-type: none"> <li>הוצא את המטען ממקור המתח והמתן כמה דקות ואז חבר מחדש את התקע אל מקור המתח. אם הוא אינו פועל, פנו לטכנאי שירות מוסמך לצורך תיקון.</li> </ul>
לא ניתן להפעיל את המכסחה לאחר הניקוי.	<ul style="list-style-type: none"> <li>ניקוי לא תקין, כגון מים הנכנסים לרכיבי החשמל, למסך ה-LCD וכד’.</li> </ul>	<ul style="list-style-type: none"> <li>בצעו את ההוראות בסעיף „ניקוי המכסחה” כדי לנקות את המכסחה כראוי.</li> </ul>
המכסחה נחסמת בקלות.	<ul style="list-style-type: none"> <li>ישנה הצטברות של דשא ואשפה על משטח המכסחה.</li> </ul>	<ul style="list-style-type: none"> <li>אם המכסחה נחשפה לגשם בטעות, אפשרו לה להתייבש באוויר הפתוח או השתמשו באוויר דחוס כדי לייבש אותה.</li> </ul>
		<ul style="list-style-type: none"> <li>נקו את משטח המכסחה לאחר כל שימוש, לפי הסעיף „שימוש ביציאת השטיפה כדי לשטוף את משטח המכסחה”.</li> </ul>

בעיה	סיבה	פתרון
המכסחה איננה מבצעת מלצ'ינג באופן ראוי.	<ul style="list-style-type: none"> <li>ישנה הצטברות של חתיכות דשא רטוב בחלק התחתון של המשטח.</li> </ul>	<ul style="list-style-type: none"> <li>חכו עד אשר הדשא מתייבש לפני הכיסוח.</li> </ul>
	<ul style="list-style-type: none"> <li>המכסחה הוגדרה לחתוך כמות גדולה מדי של דשא בבת אחת.</li> </ul>	<ul style="list-style-type: none"> <li>הגביהו את גובה חיתוך המשטח.</li> </ul>
ישנו יתר רטט.	<ul style="list-style-type: none"> <li>להבי החיתוך משוחררים.</li> </ul>	<ul style="list-style-type: none"> <li>הדק את בורג הלהב לגובה המומנט המומלץ.</li> </ul>
	<ul style="list-style-type: none"> <li>הלהבים מעוקמים.</li> </ul>	<ul style="list-style-type: none"> <li>החליפו את הלהב החיתוך לפי ההוראות בסעיף „החלפת הלהבי החיתוך”.</li> </ul>
	<ul style="list-style-type: none"> <li>משטח המכסחה אינו מאוזן.</li> </ul>	<ul style="list-style-type: none"> <li>אזנו את משטח המכסחה לפי ההוראות בסעיף „איזון משטח המכסחה”.</li> </ul>
	<ul style="list-style-type: none"> <li>בריחי משטח המכסחה משוחררים בקישור ההשעיה.</li> </ul>	<ul style="list-style-type: none"> <li>הדק את האומים על גבי חיבור ההשעיה.</li> </ul>
	<ul style="list-style-type: none"> <li>המכסחה הוגדרה לחתוך כמות גדולה מדי של דשא בבת אחת.</li> </ul>	<ul style="list-style-type: none"> <li>הגביהו את גובה חיתוך המשטח.</li> </ul>
קיימות שאריות של דשא או פסולת על הקרקע לאחר הכיסוח.	<ul style="list-style-type: none"> <li>המכסחה הוגדרה לחתוך כמות גדולה מדי של דשא בבת אחת, כאשר הדשא גבוה.</li> </ul>	<ul style="list-style-type: none"> <li>התחילו בגובה חיתוך גבוה והפחיתו אותו עד להשגת תוצאות הכיסוח הרצויות. יש לכסח פעמיים דשא הגבוה מ-15 ס"מ, בגבהי חיתוך נמוכים יותר ויותר.</li> </ul>
	<ul style="list-style-type: none"> <li>הדשא רטוב.</li> </ul>	<ul style="list-style-type: none"> <li>אל תכסחו כאשר הדשא רטוב עד שהוא יתייבש.</li> </ul>
	<ul style="list-style-type: none"> <li>מהירות הנסיעה גבוהה.</li> <li>מהירות הלהב נמוכה.</li> </ul>	<ul style="list-style-type: none"> <li>הקטינו את מהירות הנסיעה.</li> <li>הגבירו את מהירות הלהב באופן הדרגתי.</li> </ul>
זמן הפעלה קצר של המכסחה עם הסוללה המצורפת.	<ul style="list-style-type: none"> <li>תנאי הדשא והגדרות גובה החיתוך ישפיעו בצורה משמעותית על זמן הפעלה של הסוללה. זמן הפעלה המוצהר מבוסס על מצב עומס קל.</li> </ul>	<ul style="list-style-type: none"> <li>הגדילו את גובה החיתוך של המשטח והאטו את מהירות הלהב כדי להפחית את עומס החיתוך.</li> </ul>


בעיה	סיבה	פתרון
אינדיקטורי הסוללה עדיין פועלים כאשר המכסחה כבויה.	<ul style="list-style-type: none"> <li>כאשר המכסחה כבויה על קרקע ישרה ללא הסרת מארז(י) הסוללה מהמכסחה, מחווני הסוללה, לחצן ההפעלה/כיבוי ולחצן ההגדרה יישארו מוארים לתקופה מסוימת.</li> </ul>	<ul style="list-style-type: none"> <li>לא נדרשת פעולה. מחווני הסוללה יכובו כאשר המכסחה תכובה לאחר תקופה מסוימת. עיינו בסעיף „<b>כיבוי המכסחה החשמלית</b>” לזמן ספציפי.</li> </ul>
	<ul style="list-style-type: none"> <li>כאשר המכסחה כבויה על מדרון ללא הגדרת דוושת בלם החניה במצב הבלימה, אינדיקטורי הסוללה יישארו פועלים עד שמטען הסוללה יתרוקן. אינדיקטור הצפצוף ממשיך לצפצף באותו זמן.</li> </ul>	<ul style="list-style-type: none"> <li>העבירו את דוושת בלם החניה למצב חניה, לפני שהמפעיל עוזב את הכלי על מדרון.</li> </ul>
מסך ה-LCD אינו מואר כשכל הסמלים פועלים.	<ul style="list-style-type: none"> <li>זמן הלחיצה על כפתור ההתחלה/עצירה אינו מספיק.</li> </ul>	<ul style="list-style-type: none"> <li>מסך ה-LCD יציג „מד דלק” בלבד כאשר לחצן ההפעלה/כיבוי לחוץ בקצרה.</li> </ul>
		<ul style="list-style-type: none"> <li>מסך ה-LCD יפעל לאחר שלחצן ההפעלה/כיבוי נלחץ למספיק זמן.</li> </ul>
המכסחה חותך בצורה לא שווה, עם שינויי גובה שונים מקדימה לאחור.	<ul style="list-style-type: none"> <li>הלהבים קהים.</li> </ul>	<ul style="list-style-type: none"> <li>השחילו או החליפו את להב החיתוך לפי ההוראות במדריך.</li> </ul>
	<ul style="list-style-type: none"> <li>הלהבים מעוקמים.</li> </ul>	<ul style="list-style-type: none"> <li>החליפו את להב החיתוך לפי ההוראות בסעיף „<b>החלפת להבי החיתוך</b>”.</li> </ul>
	<ul style="list-style-type: none"> <li>משטח המכסחה אינו מיושר, מה שגורם לגובה להב חיתוך שונה.</li> </ul>	<ul style="list-style-type: none"> <li>אזנו את משטח המכסחה לפי ההוראות בסעיף „<b>איזון משטח המכסחה</b>”.</li> </ul>
גובה חיתוך הדשא בפועל אינו מותאם לגובה המוצהר.	<ul style="list-style-type: none"> <li>בריחי משטח המכסחה משוחררים בקישור ההשעיה.</li> </ul>	<ul style="list-style-type: none"> <li>בצע את ההוראות בסעיף „<b>איזון משטח המכסחה</b>” כדי לבצע כוונן אחורי קדמי נאות עבור משטח המכסחה והדק בבטחה את האומים על גבי חיבור ההשעיה.</li> </ul>
	<ul style="list-style-type: none"> <li>משטח המכסחה פגום או בלוי באופן חמור.</li> </ul>	<ul style="list-style-type: none"> <li>בצעו את ההוראות בסעיף „<b>הסרת משטח המכסחה</b>” להחלפת משטח המכסחה.</li> </ul>

בעיה	סיבה	פתרון	
	<ul style="list-style-type: none"> <li>ישנו עומס יתר במכסחה.</li> </ul>	<ul style="list-style-type: none"> <li>הגדילו את גובה החיתוך של המשטח או האטו את מהירות הנסיעה כדי להפחית את העומס של המכסחה.</li> </ul>	
	<ul style="list-style-type: none"> <li>ישנה הצטברות של דשא ואשפה על משטח המכסחה.</li> </ul>	<ul style="list-style-type: none"> <li>נקו את משטח המכסחה, וודאו שללהבים ישנו חופש תזוזה.</li> </ul>	
	<ul style="list-style-type: none"> <li>ישנו חימום יתר במכסחה.</li> </ul>	<ul style="list-style-type: none"> <li>הפחיתו את העומס על המכסחה, על ידי הרמת גובה החיתוך של המשטח או האטו את מהירות הלהב/הנסיעה ואפשרו למכסחה להתקרר.</li> </ul>	
	<ul style="list-style-type: none"> <li>ישנו חימום יתר במארז (י) הסוללה בתא סוללת המכסחה הגורם לדירוג Ah משולב של כל הסוללות המוכנסות אשר איננו עומד בדרישה.</li> </ul>	<p>1. אם דירוג ה-Ah המשולב איננו עומד בדרישה, המכסחה לא תפעל עד להכנסת מארזי סוללה נוספים לתוך רכיבי הסוללה הריקים. לאחר שהסוללה שהתחממה יתר על המידה חוזרת לטמפרטורה רגילה, היא תצטרף מיד להפעלת המכסחה.</p> <p>2. הפחיתו את העומס על המכסחה, על ידי הרמת גובה החיתוך של המשטח או האטו הכיסוח כאשר אתם מפעילים אותה מחדש.</p>	
	<ul style="list-style-type: none"> <li>המכסחה נמצאת במצב „צליעה הביתה”.</li> </ul>	<ul style="list-style-type: none"> <li>כאשר המכסחה נמצאת במצב „צליעה הביתה”, הלהבים מועברים אוטומטית למהירות סיבוב נמוכה ללא חיתוך דשא. על המפעיל להפסיק לעבוד ולעבור אל אזור טעינת הסוללה בהקדם האפשרי.</li> </ul>	
<ul style="list-style-type: none"> <li>המכסחה פגעה בחפץ זר, הגורם להגנה עצמית של המנוע.</li> </ul>	<ul style="list-style-type: none"> <li>המכסחה נמצאת במצב „צליעה הביתה” והלהבים אינם כבויים.</li> </ul>	<ul style="list-style-type: none"> <li>לחצו על מתג ה-PTO כלפי מטה והפעילו מחדש את להבי המכסחה.</li> </ul>	
		<ul style="list-style-type: none"> <li>המכסחה נמצאת במצב „צליעה הביתה” והלהבים אינם כבויים.</li> </ul>	<ul style="list-style-type: none"> <li>לחצו על מתג ה-PTO כלפי מטה כדי לנתק את להבי המשטח. אינדיקטור הצפצוף ישתק כאשר הלהב יעצור.</li> </ul>
		<ul style="list-style-type: none"> <li>המכסחה מפסיקה לנסוע על מדרון והמפעיל פותח את ידיות ההיגוי ואינו יושב על המושב מבלי להגדיר את דוושת בלם החניה במצב הבלימה.</li> </ul>	<ul style="list-style-type: none"> <li>העבירו את דוושת בלם החניה למצב חניה, לפני עזיבת המכסחה על מדרון.</li> </ul>
<ul style="list-style-type: none"> <li>אינדיקטור הצפצוף ממשיך להישמע.</li> </ul>			

בעיה	סיבה	פתרון
<p>המכסחה אינה מפעילה את הלהבים כאשר מתג ה-PTO מופעל.</p>  <p>סמל מתג ה-PTO מהבהב</p>	<ul style="list-style-type: none"> <li>ה-Ah המשולב של הסוללות המוכנסות איננו עומד בדרישה.</li> </ul>	<ul style="list-style-type: none"> <li>כדי להפעיל מכסחה זו, השתמש במספיק סוללות EGO בהתאם להוראות בסעיף "טעינה" במדריך זה.</li> </ul>
	<ul style="list-style-type: none"> <li>מתג ה-PTO אינו לחוץ למטה כאשר המכסחה עצרה בפעם האחרונה.</li> </ul>	<ul style="list-style-type: none"> <li>לחצו על מתג ה-PTO כלפי מטה והפעילו מחדש את להבי המכסחה.</li> </ul>
	<ul style="list-style-type: none"> <li>עומס יתר במכסחה ברגע שהלהבים מופעלים מה שגורם להגנה עצמית של המנוע.</li> </ul>	<ul style="list-style-type: none"> <li>הפעילו את חיתוך הדשא של המכסחה במהירות להב נמוכה תחילה ועד שהלהבים מגיעים לסיבובים מוצלחים אל תאיצו את מהירות הלהב בהתאם לצורך.</li> </ul>
	<ul style="list-style-type: none"> <li>בתנאי מזג אוויר קרים באופן קיצוני, ייתכן שמנוע הלהב לא יפעל בהצלחה עקב הגנת הטמפרטורה הנמוכה.</li> </ul>	<ul style="list-style-type: none"> <li>אחסנו תמיד את המכסחה והסוללה בסביבה חמימה. הפעילו מחדש את מכסחת הדשא כאשר היא התחממה. אל תעשו נסיונות חוזרים בתנאי מזג אוויר קרים חריגים מה שעשוי לפגוע במכונה.</li> </ul>
	<ul style="list-style-type: none"> <li>הלהב מפריע למשטח המכסחה המעוות.</li> </ul>	<ul style="list-style-type: none"> <li>פנו לטכנאי שירות מוסמך לתיקון.</li> </ul>

פתרון	סיבה	בעיה
<ul style="list-style-type: none"> <li>החזירו את ידיות ההיגוי למצב הפתוח והפעילו מחדש את המכסחה.</li> </ul>	<ul style="list-style-type: none"> <li>ידיות היגוי דורשות „איפוס”.</li> </ul>	<p>המכסחה מפסיקה לנסוע.</p>
<ul style="list-style-type: none"> <li>פנו לטכנאי שירות מוסמך לתיקון.</li> </ul>	<ul style="list-style-type: none"> <li>רכיבי הבקרה החשמליים של ידיות ההיגוי תקולים.</li> </ul>	
<ul style="list-style-type: none"> <li>הוצא את הסוללה מהמכסחה ונתק את המושב בסדר הפוך מההוראות בסעיף „התקנת המושב” במדריך זה כדי לבדוק את חיבור מתג המושב. חבר מחדש את המושב ובצע את ההוראות ב”הפעלת המכסחה” כדי להפעיל מחדש את המכסחה ולראות אם ניתן להפעיל את המכסחה. אם לא, פנו לטכנאי שירות מוסמך לצורך תיקון.</li> </ul>	<ul style="list-style-type: none"> <li>מתג ההיגוי התנתק במהלך הנהיגה בשטח קשה.</li> </ul>	
<ul style="list-style-type: none"> <li>בצעו את ההוראות ב”הפעלת המכסחה” כדי להפעיל מחדש את המכסחה.</li> </ul>	<ul style="list-style-type: none"> <li>דושת בלם החניה לחוצה כדי להאט את מהירות הנהיגה. ברגע שדושת בלם החניה לחוצה מספיק אך לא נמצאת במצב חניה, המכסחה תעצור.</li> </ul>	
<ul style="list-style-type: none"> <li>הפונקציה תפעל רק כאשר גלגלי המכסחה נעצרו וידיות ההיגוי פתוחות.</li> </ul>	<ul style="list-style-type: none"> <li>זוהי תכונה של המכסחת לנהיגה בטוחה.</li> </ul>	

## תועבב לופיטו רותיא

בעיה	סיבה	פתרון
<p>המכסחה אינה מצליחה לנסוע כאשר שתי ידיות ההיגוי נדחפות קדימה או אחורה בתחילה.</p>  <p>סמל ידית ההיגוי מהבהב</p>	<ul style="list-style-type: none"> <li>ה-Ah המשולב של הסוללות המוכנסות איננו עומד בדרישה.</li> </ul>	<ul style="list-style-type: none"> <li>כדי להפעיל מכסחה זו, השתמש במספיק סוללות EGO בהתאם להוראות בסעיף "טעינה" במדריך זה.</li> </ul>
	<ul style="list-style-type: none"> <li>דוושת בלם החניה מוגדרת למצב חניה.</li> </ul>	<ul style="list-style-type: none"> <li>לחצו לחלוטין את דוושת בלם החניה כדי לשחרר אותה ממצב הבלימה.</li> </ul>
	<ul style="list-style-type: none"> <li>ידיות ההיגוי אינן במצב פתוח בעת הפעלת המכסחה.</li> </ul>	<ul style="list-style-type: none"> <li>החזירו את ידיות ההיגוי למצב הפתוח והפעילו מחדש את המכסחה.</li> </ul>
	<ul style="list-style-type: none"> <li>המפעיל אינו יושב על המושב.</li> </ul>	<ul style="list-style-type: none"> <li>רק כאשר המפעיל יושב כראוי על המושב, הוא יכול להפעיל את המכסחה.</li> </ul>
	<ul style="list-style-type: none"> <li>מתג המושב אינו מחובר כראוי.</li> </ul>	<ul style="list-style-type: none"> <li>הוצא את הסוללה מהמכסחה ונתק את המושב בסדר הפוך מההוראות בסעיף „התקנת המושב” במדריך זה כדי לבדוק את חיבור מתג המושב. חבר מחדש את המושב ובצע את ההוראות ב”הפעלת המכסחה” כדי להפעיל מחדש את המכסחה ולראות אם ניתן להפעיל את המכסחה. אם לא, פנו לטכנאי שירות מוסמך לצורך תיקון.</li> </ul>
	<ul style="list-style-type: none"> <li>בתנאי מזג אוויר קרים באופן קיצוני, ייתכן שפונקציית הנהיגה לא תפעל בהצלחה עקב הגנת הטמפרטורה הנמוכה.</li> </ul>	<ul style="list-style-type: none"> <li>אחסנו תמיד את המכסחה והסוללה בסביבה חמימה. הפעילו מחדש את מכסחת הדשא כאשר היא התחממה. אל תעשו נסיונות חוזרים בתנאי מזג אוויר קרים חריגים מה שעשוי לפגוע במכונה.</li> </ul>

**הודעה:** אינדיקטור הצפצוף יושמע פעם אחת בתחילת הכיול ופעם אחת בסיום הכיול.

**הודעה:** ייתכן שהכיול שהושלם עבור אחד ממצבי הנהיגה ("שליטה", "תקן", "SPORT") לא יהיה זמין עבור שני המצבים האחרים. יש לכייל את ידיות ההיגוי בכל מצב נהיגה באופן עצמאי לפי הצורך.

## איפוס המכסחה להגדרות המפעל (איור M)

**הודעה:** אינדיקטור הצפצוף יושמע פעם אחת בתחילת האיפוס ופעם אחת בסיום האיפוס.

**הודעה:** כאשר האיפוס יצליח, ההגדרות הבאות יחזרו להגדרת היצרן הראשונית:

- מצב נהיגה
- מהירות נסיעה
- כיול ידיות ההיגוי

## הרבעה נוסחא

### העברת המכסחה (איור N1 - איור N11)

**הודעה:** אבטחו את המכסחה לפי הצורך, באמצעו רצועות או כבלים כדי למנוע תזוזה זמן ההעברה.

KEES VAN DER SPEK  
TUINMACHINES \* STOLWIJK

### אחסון (איור 01 - איור 06)

**הודעה:** הסירו את מארזי הסוללה, ואחסנו את הסוללות, עיינו במדריכים המתאימים.

נקו ובדקו את המכסחה לפני האחסון, עיינו בסעיפים „ביקוי המכסחה” ו”לוח/ות זמנים מומלץ/ים לתחזוקה”.

### הגנה על הסביבה



WEEE (זריקה של ציוד חשמלי ואלקטרוני) - אין לזרוק ציוד חשמלי, מטעני סוללות וסוללות ביחד עם אשפה ביתית! קחו מוצרים אלו למרכז מחזור מוסמך וודאו שהם זמינים לאיסוף בנפרד. יש להחזיר כלים חשמליים אל מתקן מחזור המתאים לסביבה.



### ניקיון המכסחה (איור J1 - איור J9)

הכנה (איור J1 - איור J5)

ניקוי מעטפת המכסחה (איור J6 - איור J7)

שימוש בפתח הכביסה לניקוי משטח המכסחה  
(איור J8 - איור J9)

J8-1	יציאת השטיפה	J8-3	צינור גינה
J8-2	מצמד מהיר של יציאת השטיפה		

**הודעה:** עם סיום הניקוי לחצו על מתג ה-PTO כלפי מטה כדי לנתק את להבי המכסחה.

### תחזוקת משטח המכסחה ולהבי החיתוך

הכנה (איור K1 - איור K6)

הסרת משטח המכסחה (איור K7 - איור K8)

K7-1	כבל המנוע	K7-3	חיבור ההשעיה
K7-2	פין פציל		

**הודעה:** נתקו את כבלי המנוע ואת סיכות הפיצול בעת הסרת משטח המכסחה.

### החלפת להבי החיתוך (איור K9 - איור K11)

K9-1	מייצב	K10-3	להב
K10-1	בריח	K10-4	גליל
K10-2	דסקית	K10-5	מוט מנוע

### איזון משטח המכסחה

a. מתי יש לאזן (איור K12 - איור K14)

b. לפני האיזון

- בדיקת הלחץ בגלגל הקר (איור K15)
- בדקו את להבי החיתוך. הסירו והחליפו להבים בלויים, סדוקים ו/או עקומים לפי הצורך.

c. הכנה לאיזון (איור K16 - איור K21)

d. כיצד לאזן

- כיוונון מצד לצד (איור K22)

K22-1	אום לחיצה
-------	-----------

- כיוונון מקדימה לאחור (איור K23)

כיוון מערכת המעקב של המכסחה

(איור L1 - איור L4)

מרווחי הזמן לביצוע שירותי תחזוקה	הליך התחזוקה
לפני כל שימוש או מידי יום	<ul style="list-style-type: none"> <li>בדוק את מערכת מנעולי הבטיחות המשולבים.</li> <li>בדוק ויזואלית את הצמיג כדי לראות האם הוא שטוח.</li> <li>בדוק את הלהבים האם הם בלויים, סדוקים או מעוקמים.</li> <li>בדקו את כל המוצר לאיתור חלקים ניזוקים, משוחררים או חסרים, כגון צינור הפליטה הצדדי, ברגים, אומים, בריחים, מכסים וכו' וודאו שכל המגנים נמצאים במקומם ופועלים כראוי.</li> <li>בדקו את פעולת הבלם.</li> </ul>
לאחר כל שימוש	<ul style="list-style-type: none"> <li>נקו את משטח המכסחה.</li> </ul>
כל 25 שעות	<ul style="list-style-type: none"> <li>בדקו את לחץ הצמיג.</li> </ul>
כל 50 שעות	<ul style="list-style-type: none"> <li>בדקו את מצב הגריז בתוך אוגן להב החיתוך.</li> </ul>
כל 100 שעות	<ul style="list-style-type: none"> <li>בדוק את הגלגלים האחוריים, וודאו שכל בריחי הזיזים מהודקים במומנט המומלץ.</li> </ul>
כל 200 שעות	<ul style="list-style-type: none"> <li>בדקו את הגלגלים הקדמיים וודאו שה מסתובבים בחופשיות.</li> </ul>
מידי שנה	<ul style="list-style-type: none"> <li>בדקו את דושת בלם חניה. הוציאו את הסוללה מהמכסחה והגדירו את בלם החניה למצב החניה. דחפו ידנית את המכסחה קדימה כדי לראות האם ניתן להזיז את המכסחה או שלא.</li> <li>אם היא זזה, הביאו אותה לטיפול אצל טכנאי שירות מוסמך.</li> </ul>

להעביר את המכסחה לאזור טעינת הסוללה לצורך טעינתה.

#### דחיפה ידנית

אם נדרשת דחיפה ידנית, הקפידו לוודא שהסוללות מנותקות מהמכסחה ודוושית בלם החניה משוחררת ממצב הבלימה.

#### הסעת המכסחה (איור 11 - איור 19)

כדי לעצור, הקטינו או הגבירו את המהירות, שנו באיטיות את מרחק ידית ההיגוי ממצב סרק.

**⚠ סכנה:** שמור על מרחק של רוחב כיסוח כפול, לכל הפחות, משוחות, שוליים או מים. הגלגלים הקדמיים יכולים להסתובב כאשר המכסחה עצרה, אפילו כאשר הבלם מופעל, ולגרום למכסחה לעבור את הקצה או להיכנס למים ולגרום למוות או לפציעה חמורה.

**⚠ אזהרה:** בדקו מה יש מאחורי המכסחה לפני נסיעה לאחור. אל תכסחו את הדשא לכיוון ההפוך אלא אם הדבר חיוני בהחלט. הסתכלו תמיד למטה ואחורה לפני ובמהלך נסיעה לאחור כדי לוודא שילדים, עוברי אורח או חיות מחמד לא ייכנסו לאזור הכיסוח. זכרו שחוסר זהירות של שבריר שניה אחד מספיק כדי לגרום לפציעה או למוות.

**⚠ אזהרה:** אל תפעילו מכשיר זה בכבישים ציבוריים.

**⚠ אזהרה:** אם מתרחשת חסימה או שאתם פוגעים בחפץ זר, עצרו את המנועים והוציאו את הסוללות. הוציאו את גזם הדשא, העלים, הלכלוך וכל פסולת אחרת שהצטברה, בדקו בעיון את המכסחה לאיתור נזק ותקנו את הנזק לפני הפעלה מחודשת ותפעול של המכסחה.

### הקוזחת

**⚠ אזהרה:** ענדו תמיד משקפי בטיחות עם הגנה צדדית. אם לא תעשו זאת עצמים עלולים להיזרק אל תוך העיניים שלכם ועלולה להיגרם פציעה חמורה.

**⚠ אזהרה:** הגנו תמיד על הידיים שלכם על ידי לבישת כפפות מוצקות או עטיפה של הקצוות החותכים בעזרת מטליות או חומרים אחרים בעת ביצוע כל פעולת תחזוקה בלהב המכסחה. הסירו תמיד את מארזי הסוללה בעת ביצוע תיקונים או הובלה של המכסחה.

בעת הפעלתה מחדש המכסחה תשמור ותציג את מצב הנהיגה, מהירות הנהיגה והכיוול של ידיות ההיגוי מהשימוש הקודם.

#### מצב נהיגה

- **בקרה:** האצה נמוכה יותר, טיפול רגיש מופחת ומהירות סיבוב קלה להגנה על הדשא ועבור משתמשים חדשים.
- **סטנדרטי:** מושלם לשימוש יומיומי.
- **ספורט:** האצה גבוהה יותר, טיפול מדויק, וסיבוב חד למיטוב יעילות הכיסוח ולחובבי הכיסוח.

**כוונון מהירות נסיעה (איור A4)**

**כוונון מהירות הלהב (איור A5)**

#### יציאת USB

**הודעה:** יציאת ה-USB מספקת הספק טעינה של 5 וולט DC עד למשיכה כוללת של 1.5 אמפרים והיא מופעלת רק כאשר המכסחה מותנעת.

#### כיוונון של המכסחה (איור H1 - איור H6)

**הודעה:** לאחר יותר מ-60 דקות ללא הפעלה, המכסחה תכבה אוטומטית.

#### מצב „צליעה הביתה”

כאשר טעינת הסוללה יורדת, המכסחה תיכנס למצב „צליעה הביתה”:

- המכסחה תפסיק את החיתוך באופן אוטומטי.
- אינדיקטור הצפצוף ימשיך להישמע.
- אינדיקטור סטטוס המכסחה יהבהב באדום מידי שניה, המקטע הראשון של מד הדלק של המכסחה יהבהב באדום ואינדיקטור הסוללה החלשה וגרפיקת הסוללה על מד הדלק יהבהבו.

על המפעיל:

- ללחוץ על מתג ה-PTO כלפי מטה (איור H3) כדי לנתק את הלהבים. אינדיקטור הצפצוף ישתק כאשר הלהב יעצור.
  - להפסיק לעבוד ולעבור אל אזור טעינת הסוללה בהקדם האפשרי. המרחק המירבי שהמכסחה יכולה לנסוע הוא 1000 מטר.
- כאשר הסוללה כמעט ריקה, הסמל של כל תא סוללה מאוכלס ואינדיקטור הסוללה החלשה יהבהבו מידי חצי שניה. המכסחה תפסיק לעבוד מיד. המפעיל צריך

### טעינה (איור F1 - איור F11)

על מנת להפעיל את המכסחה, נדרשות סוללות EGO של 15AH בסה"כ (BA4200T/BA4200T X 2) או יותר. לביצועים מיטביים, אנו ממליצים להשתמש בסוללות EGO של 30AH סה"כ, או יותר.

השתמשו רק במארזי הסוללה ובמטענים המומלצים. (איור F9 ו-F10)

הכנה לטעינה (איור F1 - איור F4)

טעינת מארזי הסוללה בנפרד (איור F5 - איור F9)

כפתור שחרור הסוללה	F7-1	כפתור שחרור מכסה	F5-1
--------------------	------	------------------	------

- על מנת לחבר את מארזי הסוללה (איור F5 - איור F6)
- על מנת לנתק את מארזי הסוללה (איור F7 - איור F8)

**הודעה:** הטעינו את מארזי הסוללה, עיינו במדריכים המתאימים לסוללה ולמטען.

טעינת מארזי הסוללה באמצעות יציאת הטעינה (איור F10)

יציאת טעינה	F10-2	מכסה אבק	F10-1
-------------	-------	----------	-------

### הפעלת המכסחה

(איור A4 – איור A5 ואיור G1 – איור G6)

**⚠ אזהרה:** הימנעו מהפעלות, עצירות וסיבובים פתאומיים, כמו גם ממהירויות חריגות, בייחוד כאשר מתחילים ללמוד להפעיל את המכסחה. המכסחה יכולה להסתובב סביב עצמה במהירות, מה שעלול לגרום לכם לאבד שליטה ולגרום לפציעה חמורה ו/או לנזק.

**⚠ אזהרה:** לפני הפעלת המכסחה, בדוק וודא שהלהבים אינם פועלים למשך 5 שניות בעת דחיפת מתג ה-PTO כלפי מטה. אם הלהבים אינם נעצרים, אין להשתמש במכסחה ויש לפנות מיד לשירות הלקוחות של EGO.

**הודעה:** בצעו את המתואר באיור A4 ו-G2 כדי להשיג את מהירות הנסיעה הנמוכה ביותר ואת מצב הנהיגה הסטנדרטי עד שתהיו מסוגלים לגמרי להפעיל את המכסחה בכל מצב. מהירות הנסיעה ומצב הנהיגה יפעלו רק כאשר גלגלי המכסחה נעצרו וידיית ההיגוי פתוחות.

**הודעה:** אינדיקטור מד הדלק של המכסחה ומד דלק על מסך ה-LCD מציינים את הקיבולת הממוצעת של מארזי הסוללה שהוכנסו.

b. אינדיקטור הסטטוס של המכסחה (איור A1 ואיור A2 - 27b)

אם אינדיקטור הסטטוס נראה ירוק המכסחה מוכנה לנהיגה. אם לא, עיין בקטע „קוד תקלה והפניה בסטטוס המכסחה”

**בדיקת מערכת מנעולי הבטיחות המשולבים (איור D2 - איור D8)**

**הודעה:** המפעיל חייב להיות על המושב לפני הבדיקה.

- לפני הבדיקה (איור D2 - איור D4)
- לבדיקת מערכת להב המשטח (איור D5) לאחר מכן עמדו באיטיות
- לבדיקת מערכת הנהיגה (איור D6 - איור D8) לאחר מכן עמדו באיטיות

אם מערכת להב המשטח ו/או מערכת הנהיגה אינה עוצרת כאשר המפעיל אינו על המושב ואם לא ניתן לקבוע את הסיבה לכך לאחר אישור שחיבור התקע והשקע של המושב מחוברים היטב, יש לפנות מיד אל מרכז שירות הלקוחות EGO.

**כיוון (איור E1 - איור E13)**

הכנה (איור E1 - איור E5)

כיוון גובה משטח החיתוך (איור E6)

כיוון הגלגלים למניעת הגיזום (איור E7 - איור E10)

E7-1	גלגל למניעת גיזום	E9-2	בריח ההשהיה
E9-1	אום	E10-1	תווית גובה המשטח

**כיוון המושב (איור E11)**

התאימו את מצב המושב כדי להבטיח שאתם יכולים לקיים מגע יציב עם דוושת בלם החניה לפני הפעלת המכסחה. כיוון השעיית המושב יכולה לעזור לך להשיג את החוויה הנוחה ביותר על המושב.

E11-1	ידיית כיוון מצב המושב	E11-2	ידיית כיוון השעיית המושב
-------	-----------------------	-------	--------------------------

**הגדרת בלם החניה (איור E12 - איור E13)**

E13-1	מצב בלימה	E13-2	מצב שחרור
-------	-----------	-------	-----------

HE

**הודעה:** למען בטיחותך, המכסחה עשויה להפסיק לנסוע מכיוון שמתג המושב התנתק במהלך הנסיעה. במקרה זה עיין בסעיף „**איתור וטיפול בבעיו**” למידע נוסף.

C1-1	כבל	C1-5	ברגי ראש-שקע
C1-2	תקע	C2-1	
C1-3	שקע	C2-2	מסילות פלדה
C1-4	בסיס השעיה	C2-3	ברגי ראש-שקע

### התקנת ידיית ההיגוי (איור C3).

C3-1	יוגיה תוידי	C3-3	תידיל הבכרה ירוח יוגיה
C3-2	השושמ יגרב		

## הלעפה

### לפני השימוש במכסחה

#### בדיקת הסביבה

- וודאו שאזור העבודה פנוי מילדים, עוברי אורח ובעלי חיים.
- פנו את אזור העבודה מפריטים שעשויים להיות מושלכים על ידי להבי המכסחה.
- בדקו וודאו שפנסי הליד נמצאים במצב המתאים:
  - הפנסים הקדמיים, פנסי הצד והפנסים האחוריים נשלטים על ידי מתג פנסי הליד.
  - פנסי הפעולה נשארים דולקים תמיד במהלך נסיעה.
  - כאשר נוסעים לאחור, אם הפנסים האחוריים כבויים, הם יבהבו כדי להזהיר עוברי אורח, אם הפנסים האחוריים דולקים, הם יישארו דולקים.
  - כל האורות יכובו באופן אוטומטי כאשר המכסחה נכבית באופן אוטומטי לאחר תקופה ללא הפעלה.

### בדיקת הלחץ בגלגל הקר (איור D1)

#### בדיקת מצב המכסחה ורמת טעינת הסוללה

- אינדיקטור מד דלק עבור המכסחה (איור A2 - 27a) כל מקטע באינדיקטור מד הדלק של המכסחה מציין 20% טעינה של מארזי הסוללה שהוכנסו.

### רשימת אריזה (איור B)

1-B	מכסחת דשא רכובה ZERO TURN (רדיוס סיבוב 0)	B-6	מפתחות בטיחות
2-B	מושב	B-7	מפתחות קצה פתוח (31 מ"מ)
3-B	ידיית היגוי	B-8	מפתח אלן
4-B	ברגי ראש-שקע (2 לגיבוי)	B-9	מצמד מהיר של יציאת השטיפה
5-B	ברגי ראש משושה (2 לגיבוי)	B-10	מדריך למפעיל

### אביזרים מומלצים

**⚠ אזהרה:** השתמשו רק בחלקי חילוף זהים המפורטים להלן. שימוש של חלקים אשר לא מתאימים למפרטים של הציוד המקורי עלולים להוביל לביצועים לא מתאימים ולפגוע בבטיחות הציוד.

קלח מש	םגד רפסמ
יטרדנטס בהל	AB5200
ההובג המרה בהל	AB5201
שק קקפ	ABP5200
אשד פוסיא תכרע	ABK5200-A
ירוחא שוגפ	AMB1000
ועטמ תבית	AMG1000
שמש וגמ	AMS1000

## הבכרה

### התקנת המושב (איור C1 ו-C2)

**⚠ אזהרה:** אין לנתק או לעקוף את מערכת המנעולים המשולבים. פעולה זו יכולה לגרום למכסחה לפעול בפתאומיות, מה שיכול לגרום לפציעה גופנית.

**הודעה:** פליטת הרטט בעת השימוש המעשי בכלי יכולה להיות שונה מן הערך המוצהר כאשר הכלי נמצא בשימוש; על מנת להגן על המפעיל, על המשתמש ללבוש כפפות ומגני אוזניים בעת השימוש למעשה.

## רואית

### הכר את המכסחה (איור A1 ו-A2)

1. מושב
2. יציאת טעינה
3. יחידת כח
4. פנס לד אחורי
5. תא אחסון
6. מחזיקי כוסות
7. פנס לד צדדי
8. גלגל אחורי (גלגל נסיעה)
9. יציאת השטיפה
10. משטח
11. מגן משטח
12. גלגל למניעת גיזום
13. גלגל קדמי
14. דושת בלם חניה
15. פנסי פעולה ליום
16. פנסי לד קדמיים
17. צינור פליטה צדדית
18. דושת כיוון גובה משטח
19. ידית כווןן השעיית מושב
20. ידית כיווןן מצב המושב
21. מוטות מותן
22. אינדיקטור סטטוס עבור המכסחה
23. מסך LCD
24. מתג PTO
25. לחצן הפעלה/כיבוי
26. מפתח בטיחות
27. חריץ לאחסון טלפון
28. מוט סיכול
29. אינדיקטור סטטוס ומד דלק עבור המכסחה
  - 29.a. מחוון מד דלק של המכסחה
  - 29.b. אינדיקטור סטטוס עבור המכסחה
30. אזור משען לרגל
31. לחצן שחרור מכסה יחידת הכח
32. מכסה יחידת כח
33. יחידת כוח עם שישה תאי סוללה
34. כפתור שחרור סוללה

35. לולאה
36. מכסה הרכבת אביזר מצורף
37. אחסון מכסה הרכבת אביזר מצורף
38. יציאת USB

### הכירו את מסך ה-LCD (איור A3)

עיין בסעיף „קוד תקלה והפניה למצב המכסחה” למידע נוסף על הסמלים והמחוונים במסך ה-LCD.

1. סמל מפתח בטיחות
2. סמל פנסי לד
3. סמל חניה אוטומטית
4. סמל USB
5. אינדיקטור להב
6. אינדיקטור סטטוס התקן אבטחה
7. מונה שעות
8. סמל תא סוללה פנוי
9. סמל טמפרטורה
10. סמל תא סוללה מלא
11. מצב נהיגה
12. מחוון קוד תקלה
13. אינדיקטור עומס יתר
14. אינדיקטור מתח נמוך
15. אינדיקטור מהירות נסיעה
16. אינדיקטור עומס
17. מד דלק
18. לחצן כווןן מהירות להב
19. לחצן הגדרה
20. לחצן מצב נהיגה
21. מתג פנס לד
22. לחצן כווןן מהירות נסיעה

## הזירה נמ האצוה

**הודעה:** שמור את חומרי האריזה עד שתבדוק ותפעיל בהצלחה את המוצר. אם חלקים כלשהם ברשימת האריזה מורכבים על המכונה פנה מיד אל השירות של EGO.

**הודעה:** מלבד הכלים המפורטים ברשימת האריזה להלן, כל שאר הכלים המפורטים במדריכים הם מומלצים בלבד אך אינם מצורפים לאריזה.

אין לזרוק מוצרים חשמליים עם האשפה הביתית. יש להביא את המכשיר למרכז מחזור מוסמך.



זהירות - אין להביט ישירות על נורת ההפעלה.



מוצר זה תואם לחוקים הרלוונטיים בבריטניה.



סיבובים לדקה

סל"ד

מטרים

מטר

סנטימטרים

ס"מ

מילימטרים

מ"מ

קילוגרם

ק"ג

רמת הגנת כניסה

IPX4

אין לדרוך



מוצר זה תואם לתקנות ה-EC הרלוונטיות



זרם ישיר



קילו-פסקל

kPa

וולט

V

אינץ'

אינץ'

ניוטון-מטר

ננומטר

צלזיוס

°C

ק"מ לשעה

קמ"ש

## מיטרפמ

25 – 100 מ"מ	כיוון גובה חיתוך (10 מצבים)
0°C - 40°C	טמפרטורת הפעלה
-20°C - 70°C	טמפרטורת אחסון
217 ק"ג	משקל (ללא מארז סוללה)
95,48 dB(A) K=0,73 dB(A)	רמת עוצמת קול נמדדת L <sub>WA</sub>
82,5 dB(A) K=3 dB(A)	רמת לחץ קול ב אוזן המפעיל L <sub>PA</sub>
100 dB(A)	רמת עוצמת קול מובטחת L <sub>WA</sub> (נמדד בהתאם ל- 2000/14/EC)
0,69 מ'²/שנייה² xx=1,5	רטט a <sub>n</sub>
0,3 מ'²/שנייה² xx=1,5	

- ערך הרטט הכללי המוצהר נמדד בהתאם לשיטת בדיקה סטנדרטית וניתן להשתמש בו על מנת להשוות ציוד אחד עם ציוד אחר;
- ניתן להשתמש בערך הרטט הכללי המוצהר בהערכה ראשונית של חשיפה.

56V	וולט
132 ס"מ	גודל משטח
126 x 279.4 מ"מ	גודל גלגל
223 x 457.2 מ"מ	
222.1 kPa	לחץ גלגל קר
115.8 kPa	
0	רדיוס סיבוב
2600; 2800; 3000; 3200	מהירות להב (סל"ד)
8.1 קמ"ש, 9.7 קמ"ש, 11.3 קמ"ש, 12.8 קמ"ש	מקסימום מהירות נסיעה (קמ"ש)
עד 6.4 קמ"ש	
CHV1600E	מטען (אופציונלי)
ACA1000	מתאם (אופציונלי)
5°C-40°C	טווח טמפרטורת טעינה

HE

# !תוארוהה לכ תא וארק אנא

קראו את מדריך ההוראות



## תוחיטב למס

מטרתם של סימני הבטיחות היא למשוך את תשומת לבכם אל סכנות אפשריות. סמלי הבטיחות וההסברים שלהם דורשים את תשומת הלב וההבנה המלאות שלך. סימני הבטיחות בעצמם לא ימנעו כל סכנה. ההוראות והאזהרות אותן הם מספקים לא תחלפנה נקיטת אמצעי מניעה מתאימים בעת תאונה.

**⚠ אזהרה:** ודאו שאתם קוראים ומבינים את כל הוראות הבטיחות המופיעות במדריך זה למשתמש, כולל את כל סימני התראות הבטיחות כגון „סכנה“, „אזהרה“ ו-„זהירות“ לפני השימוש במכשיר זה. אי מילוי אחר כל ההוראות המופיעות למטה יכול לגרום להלם חשמלי, שרפה ו/או פציעות אישיות חמורות.

## נמיסה שוריפ

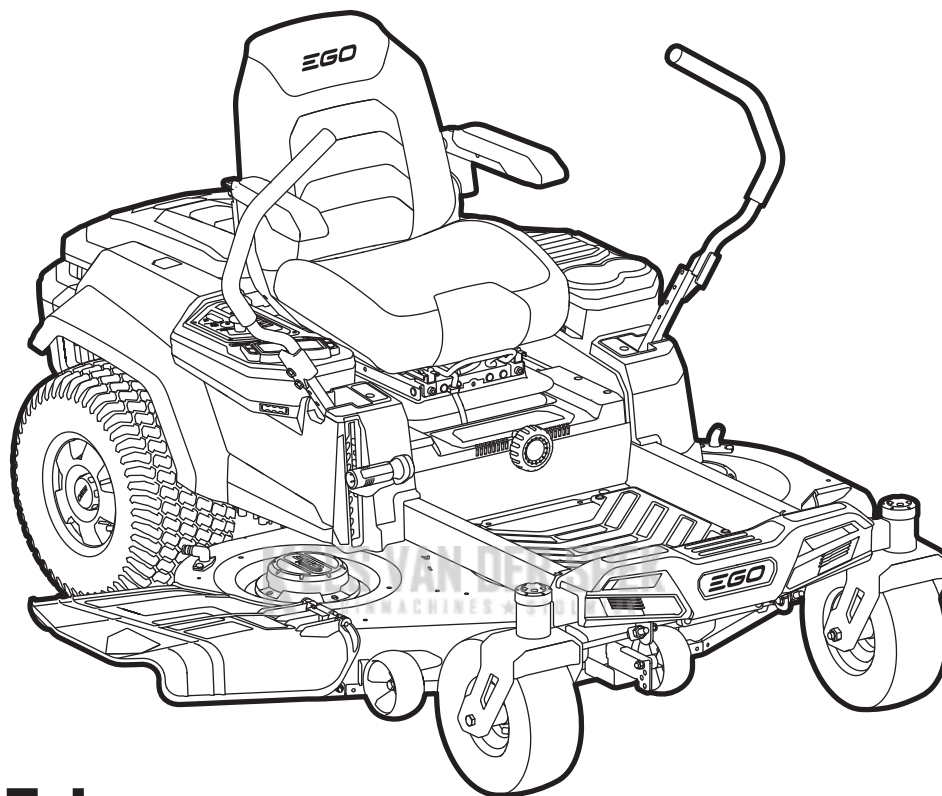
עמוד זה מציין ומתאר את סימני הבטיחות העשויים להופיע על גבי המוצר. קראו, הבינו ועקבו אחר ההוראות המופיעות על המכשיר לפני כל ניסיון להרכיב ולהשתמש בו.

## תוחיטב ילמס

קראו והבינו את המדריך למפעיל		התראת בטיחות	
שמרו על התקני הבטיחות		מגני עיניים	
סכנה - הרחיקו עוברי אורח מהלהבים		סכנה - סכנת מדרון תלול	
הסתכלו אחורה כאשר אתם נוסעים לאחור.		לעולם אין להרכיב ילדים	
סכנה - חפצים מושלכים		אזהרה - אין להשתמש במכשיר זה במדרונות עם זווית גדולה מ-12°	
רמת עוצמת קול מובטחת. בהתאם לתקנת האיחוד האירופי.		אזהרה - הרחיקו ידיים ורגליים	

# EGO™

POWER<sup>+</sup> ZERO TURN RIDE-ON MOWER



**ZT5200E-L**

מכסחת דשא רכובה TURN ZERO (רדיוס סיבוב 0) HE

جزارة صفرية زاوية الدوران بظهر للركوب AR

