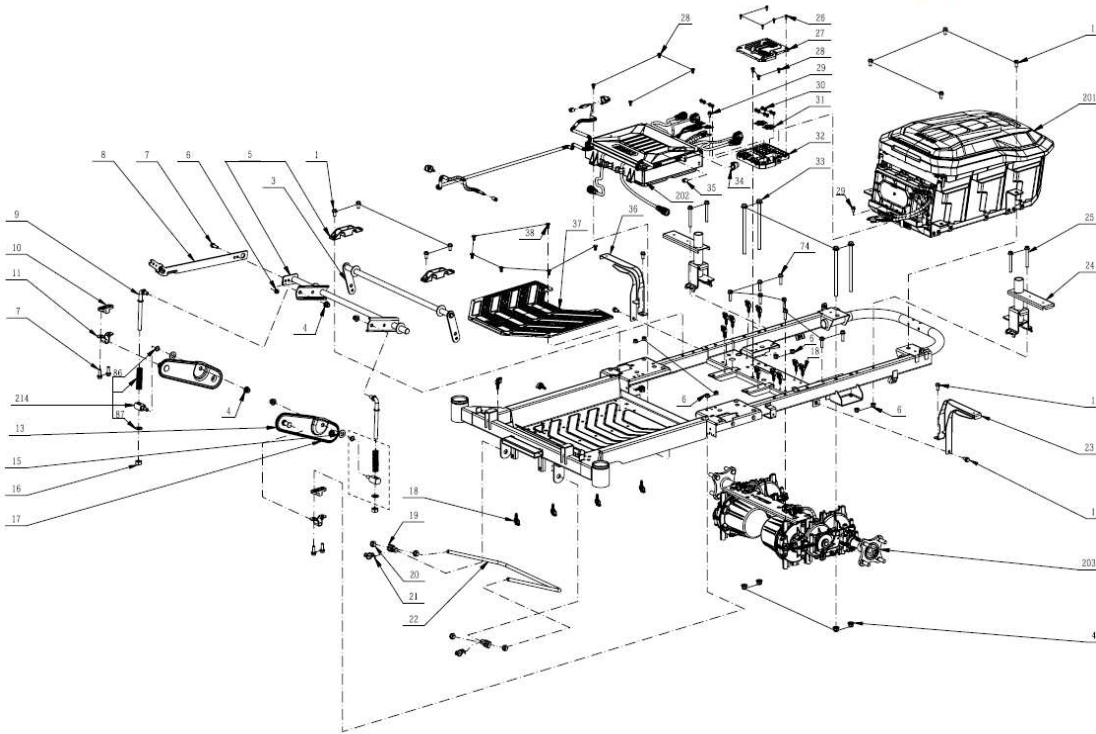


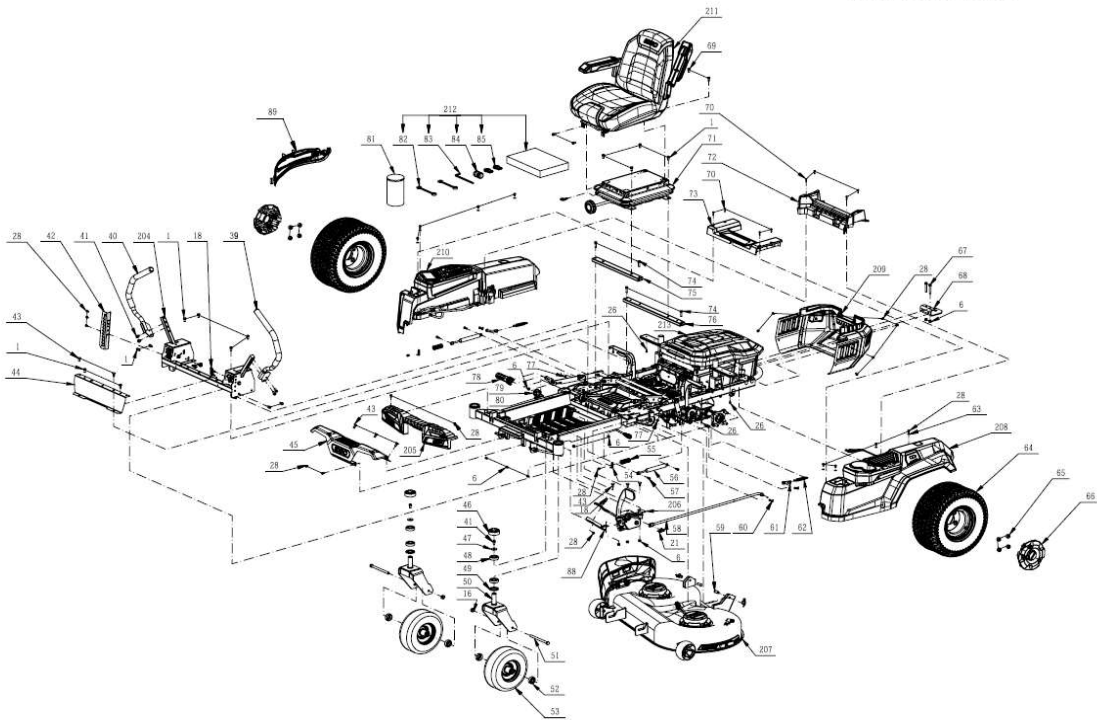


Product Description: Zero Turn Riding Mower
Model Number: ZT4200E-L
Body Number: 1000031001_S
Version: A
Issue Date: 2021/11/01



KEES VAN DER SPEK
TUINMACHINES * STOLWIJK

Product Description: Zero Turn Riding Mower
Model Number: ZT4200E-L
Body Number: 1000031001_S
Version: A
Issue Date: 2021/11/25



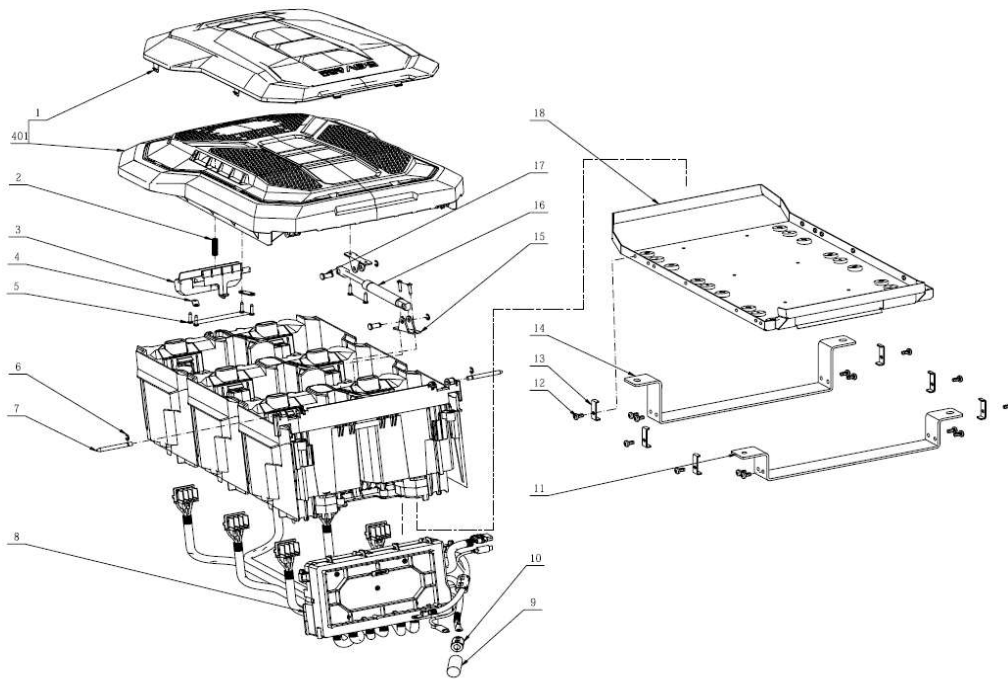
Repair Parts_Zero Turn Riding Mower_ZT4200E-L

Index No.	Art. No.	Description	QTY in machine	Weight (g)	Size LxWxH (mm)	MPQ	Repairable or Not?	Standard Repair Time
1	5640360001	Hexagon Flange Head Thread Forming Screw	26	22	18x18x38	10	Y	0
3	2827067001	Rocker Assembly	1	1940	596x129x35	1	Y	40
4	5630267001	Nut	8	13	20x20x13.5	10	Y	0
5	2824132001	Lift Shaft Assembly	1	2300	650x145x50	1	Y	90
6	5630371001	Prevailing Torque Type Hexagon Lock Nut with Flange	18	8,8	16x16x10.4	10	Y	0
7	5640354001	Flange Bolt-Large Series	5	17	17.5x17.5x33	10	Y	0
8	3707330001	Handle Lever	1	530	477x82.5x33	1	Y	30
9	2827130001	Connecting Rod Assembly	2	164	160x20x47	1	Y	35
10	3521236001	Support Base	2	77,4	23x60x20	10	Y	35
11	3707307001	Pressure Plate	2	19,9	24x62x30	1	Y	30
13	2827074001	Right Lift Arm Assembly	1	823	312x85x40	1	Y	35
15	5650740001	Plain Washer	2	8,6	28x28x2.5	10	Y	0
16	5630070003	Nut	4	10	23x20x12	10	Y	0
17	2827075001	Left Lift Arm Assembly	1	823	312x85x40	1	Y	35
18	3131157001	Wire Holder	24	15	24x8x41	10	Y	1
19	3553471001	Connecting Rod Spindle	2	60,9	44x3x16	10	Y	18
20	5630022004	Hexagon Nut	4	16	18x18x10.5	10	Y	3
21	5670561001	Split Pin	5	10	23x54x8	10	Y	1
22	3707327001	Hanger Rod	1	620	350x280x10	1	Y	5
23	3707365001	Left Supporting Plate	1	516,3	237x203x34	1	Y	20
24	2827182001	Support Assembly	2	2260	237x96x208	1	Y	20
25	5640363001	Flange Bolt-Large Series	4	20	18x18x78	10	Y	0
26	5620377003	Hexagon Socket Screw	9	2	8x8x17	10	Y	0
27	3131053001	Fuse PCB Box	1	75,1	150x115x11	1	Y	5
28	5610388001	Hexalobular Socket Thread Forming Screw	32	4,4	12x12x17	10	Y	0
29	5640373001	Hex Serrated Flange Screw	2	7,6	14x14x18	10	Y	25
30	5620618001	Screw with Washer	12	2,6	10x10x10	10	Y	0
31	4970355001	Fuse	4	6,7	41x12x7	10	Y	10
32	2827461001	Base Assembly	1	1300	168x151x25	1	Y	30
33	5640355001	Flange Bolt-Large Series	4	127	22x22x189	1	Y	0
34	3131055001	Wire Holder	3	7,5	32x22x29	10	Y	0
35	3580076001	Rubber Sleeve	3	2,5	14x10x16	10	Y	0
36	3707366001	Right Supporting Plate	1	516,3	237x203x34	1	Y	20
37	3131403001	Base Foot	1	457	443x415x5	1	Y	1
38	3131528001	Hook	6	5,3	15x14x16	10	Y	1
39	2827261001	Left Handle Set	1	1600	340x393x62	1	Y	2
40	2827272001	Right Handle Set	1	1600	340x393x62	1	Y	2
41	5640222001	Hexagon Flange Bolt	6	15	18x18x24	10	Y	0
42	3707328001	Depth Stop Plate	1	458,3	52x31x245	1	Y	30
43	5640358001	Small Round Head Low Square Neck Bolt	8	13	17x23x17	10	Y	0
44	3707339001	Baffle	1	474,1	484x74x109	1	Y	3
45	2827464002	Footrest Pedal Assembly	1	4800	646x206x162	1	Y	3
46	3130955001	Upper Dust Cover	2	13,5	65x65x25	1	Y	1
47	5650739001	Larger Washer	2	17,9	32x32x3	10	Y	1
48	5700402001	Deep Groove Ball Bearing	4	185	52x52x15	1	Y	5
49	5690493001	Seal Ring	2	6,8	52x52x5	10	Y	5
50	2827052001	Front Wheel Bracket Assembly	2	5400	160x143x158	1	Y	3
51	5640356001	Hexagon Head Bolt	2	157	20x167x18	1	Y	0
52	3130956001	Bearing Cover	4	5	44x44x15	1	Y	1
53	2827184002	Front Wheel Set	2	8000	280x280x127	1	Y	1
54	3707333001	Fixing Board	2	6,7	17x32x13	10	Y	25
55	3660808001	Compression Spring	2	22,4	25x25x60	1	Y	1
56	2827147001	Damper	2	229,5	22x22x242	1	Y	25
57	5640350001	Hexagon Head Bolt	4	8,7	11x9x25	10	Y	20
58	2827083001	Connecting Rod Assembly	1	772	46x21x861	1	Y	30
59	5670553001	Pin Shaft	2	30,5	16x16x34	10	Y	3
60	5670563001	R Pin	3	2,3	37x16x2	10	Y	1
61	2827086001	Rear Connecting Rod Set	2	50	29x20x77	10	Y	10

62	3660793001	Tension Spring	2	50,8	16.5x16.5x106.5	10	Y	5
63	5650016007	Plain Washer	8	5	12x12x1	10	Y	0
64	2827185002	Rear Wheel Set	2	6810	449x449x210	1	Y	5
65	5630372001	Conical Nut	8	28,8	20x24x15	10	Y	0
66	3131306001	Rear Hubcap	2	207	195x197x66	1	Y	1
67	5640353001	Flange Bolt-Large Series	2	25	18x18x48	10	Y	0
68	3707449001	Hitch	1	411,9	99x106x31	1	Y	2
69	5620021004	Hexagon Socket Screw	4	11,5	13x13x24	10	Y	0
70	5620453003	Tapping Screw	8	10	8x8x22	10	Y	0
71	2827209001	Shock Absorber	1	9000	340x555x122	1	Y	20
72	3130957001	Rear Cover	1	347	468x194x122	1	Y	1
73	3130950001	Lid Case	1	100	468x208x49	1	Y	1
74	5640361001	Hexagon Flange Head Thread Forming Screw	12	22	38x16x16	10	Y	0
75	3707397001	Base	1	1063	437x39x19	1	Y	20
76	3707398001	Beam Bottom Support	1	1314	540x40x19	1	Y	20
77	5630244004	Nut	2	5	13x13x6.7	10	Y	0
78	3403156001	Adjusting Handle	1	90	120x55x50	1	Y	1
79	3131251001	Handle Cover	1	10	16x55x50	1	Y	1
80	5610010003	Tapping Screw	2	2,4	4x16	10	Y	1
81	5970136002	Grease	1	60	30x30x50	1	Y	0
82	5680137001	Combination Wrench	2	30	170x8x27	10	Y	0
83	5680145001	Hexagon Socket Screw Key	1	30	36x175x34	1	Y	0
84	2823689001	Quick Connect Coupling	1	30	34x34x52	1	Y	1
85	2827673001	Key Assembly	2	50	12x35x54	10	Y	1
86	5690532001	Seal Ring	35	2	18x18x2.5	10	Y	1
87	5650909001	Plain Washer	1	1	12x12x2.5	10	Y	1
88	3708360001	Bracket	1	85	150x65x40	1	Y	3
89	2827562002	Mulch Plug Assembly	1	370	380x126x126	1	Y	1
201	2831223001	BMS Electric Assembly	1	11270	432x586x312	1	Y	40
202	2831222001	Control Electric Assembly	1	5300	335x316x84	1	Y	100
203	2827266001	Drive Train Assembly	1	24700	326x187x902	1	Y	120
204	2827267002	Control Assembly	1	6582,5	177x666x356.5	1	Y	40
205	2827044001	Front Frame Assembly	1	3290	639x164x137	1	Y	6
206	2827245002	Parking Assembly	1	1760	144x210x290	1	Y	10
207	2827360002	Deck Unit	1	27000	1305x792x172	1	Y	5
208	2827406002	Left Cover Assembly	1	3610	343x1031x312	1	Y	30
209	2827270002	Rear Guard Assembly	1	3290	564x366x277	1	Y	5
210	2827431002	Right Cover Assembly	1	3650	326x1031x345	1	Y	40
211	2827269001	Damping Seat Assembly	1	14600	596x596x540	1	Y	5
212	2521079001	Accessory Box	1	500	318x220x46	1	Y	1
214	2824471001	Lift Shaft Assembly	1	80	80x13x13	1	Y	35



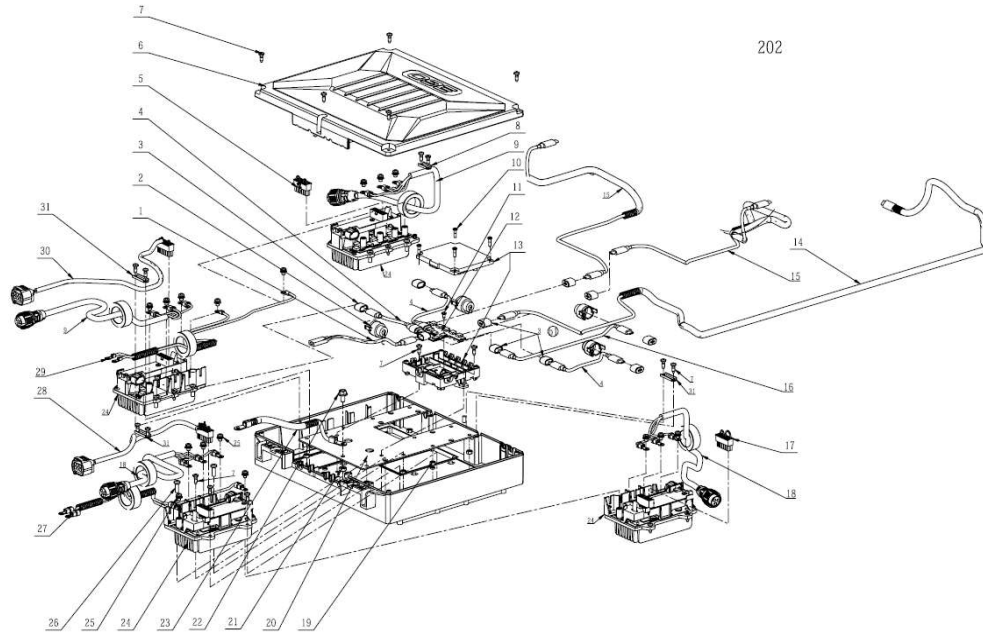
Product Description: Zero Turn Riding Mower
 Model Number: ZT4200E-L
 Body Number: 1000031001_S
 Version: A
 Issue Date: 2021/11/25



201-1	3130889001	Rear Transparent Guard	1	577	382x499x88	1	Y	5
201-2	3660705002	Compression Spring	1	3,4	9.4x9.4x33.4	10	Y	5
201-3	3130964001	Latch	1	57	65.5x69x120	1	Y	5
201-4	3706580001	Clamp	2	3,6	10x20x2	10	Y	5
201-5	5620157006	Hexagon Socket Screw	8	1,95	4.2x4.2x19	10	Y	0
201-6	5660305001	E Ring	4	0,3	10x11.7x0.7	10	Y	5
201-7	3553477001	Spindle	2	19,5	7x7x68	10	Y	10
201-8	2830882001	BMS Electric Assembly	1	1770	310x154x60	1	Y	20
201-9	4920520002	Shrinkable Tube	2	5	11x20x36	1	Y	1
201-10	3680239001	Magnet Ring	2	20	11x20x36	1	Y	0
201-11	3707336001	Bottom Support	1	657,3	40x433x60	1	Y	35
201-12	5610388001	Hexalobular Socket Thread Forming Screw	14	4,4	12x12x17	10	Y	0
201-13	3707351001	Hook	6	9,8	10x13x39.8	10	Y	35
201-14	3707335001	Bottom Support	1	736,8	40x433x92.6	1	Y	35
201-15	3707349001	Support Base	2	37,7	15.5x68x28.5	1	Y	5
201-16	3660805001	Gas Spring	1	186	20x20x225	1	Y	5
201-17	5670559001	Pin Shaft	2	9	12x12x20.5	10	Y	5
201-18	3707334001	Big Base Plate	1	2600	563x331x62.5	1	Y	10
201-401	2827772001	Battery Box Cover Assembly	1	1570	450x559x119	1	Y	10



Product Description: Zero Turn Riding Mower
 Model Number: ZT4200E-L
 Body Number: 1000031001_S
 Version: A
 Issue Date: 2021/11/01



202

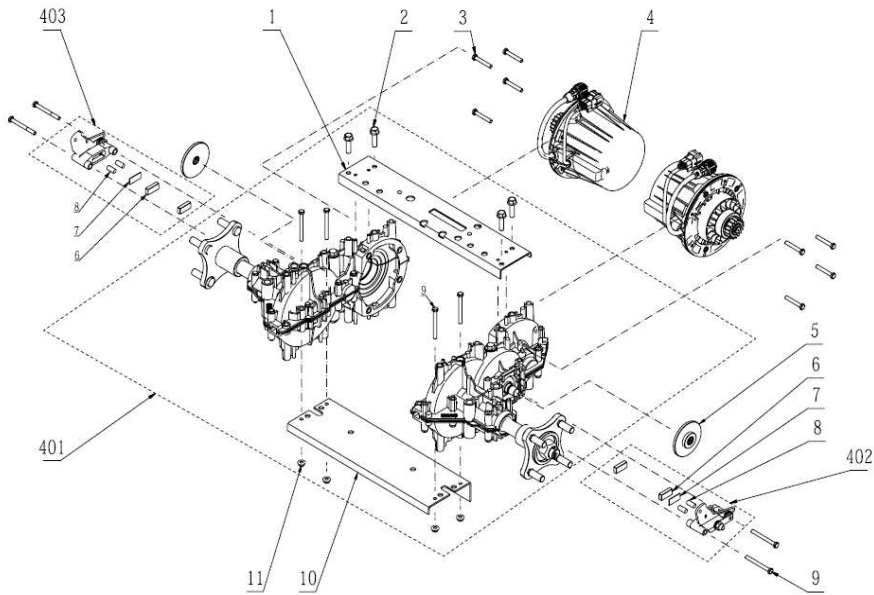
Page 4 of 13

202-1	4860791001	Type-C Male-female Wire	1	18	15x15x150	1	Y	30
202-2	3131055001	Wire Holder	4	7,5	32x22x29	10	Y	30
202-3	3580076001	Rubber Sleeve	4	2,5	14x10x16	10	Y	30
202-4	4860792004	Type-C Male-male Wire	3	18	15x15x100	1	Y	30
202-5	4860785001	Motor Wiring Harness	1	5	30x30x15	10	Y	25
202-6	3131036001	Close Cover	1	375,4	334x278x41	1	Y	6
202-7	5620377003	Hexagon Socket Screw	27	2	8x8x17	10	Y	0
202-8	3700367001	Cord Anchorage	1	3	26x10.8x4	1	Y	0
202-9	4861056001	Motor Wire Harness	2	90	30x30x150	1	Y	30
202-10	5610305002	Tapping Screw	4	5	6x6x15	10	Y	0
202-11	5610021001	Tapping Screw	1	1	8x8x11	10	Y	0
202-12	4891968001	Connecting PCBA	1	13,6	80x50x10	1	Y	30
202-13	3900369002	PCB Box	1	75	130x114x33	1	Y	30
202-14	4860797001	Type-C Male-male Wire	1	30	15x15x200	1	Y	30
202-15	4860797002	Type-C Male-male Wire	2	30	15x15x200	1	Y	70
202-16	4860792003	Type-C Male-male Wire	1	18	15x15x100	10	Y	30
202-17	4860786001	Motor Wiring Harness	1	5	30x30x15	10	Y	25
202-18	4861056002	Motor Wire Harness	2	90	30x30x150	1	Y	30
202-19	5630006003	Prevailing Torque Hexagon Nut	8	1,5	8x9x5	10	Y	0
202-20	3707400001	Base Plate	1	158,7	161x232x2	10	Y	45
202-21	5630015001	Prevailing Torque Hexagon Nut	1	2	5x10x11	10	Y	0
202-22	5640373001	Hex Serrated Flange Screw	1	7,6	14x14x18	10	Y	25
202-23	4860768001	Host Power Wire Harness	1	60	15x15x300	1	Y	30
202-24	2831221001	Control Electric Assembly	4	6	15x15x300	1	Y	30
202-25	5620618001	Screw with Washer	16	2,6	10x10x10	10	Y	0
202-26	5620051009	Screw	8	4	M5x16	10	Y	0
202-27	4860793001	Host Power Wire Harness	1	40	20x20x100	1	Y	30
202-28	4860788001	Wire Harness	1	40	30x30x200	1	Y	30
202-29	4860793002	Host Power Wire Harness	1	40	20x20x100	1	Y	30
202-30	4860789001	Wire Harness	1	40	30x30x200	1	Y	30
202-31	3707407001	Cord Anchorage	3	4,1	34x10x4	10	Y	0



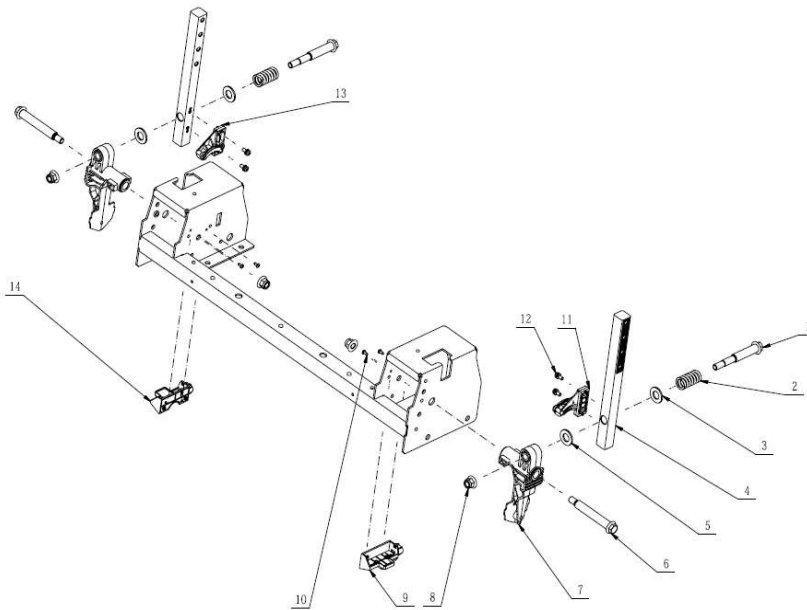
Product Description: Zero Turn Riding Mower
 Model Number: ZT4200E-L
 Body Number: 1000031001_S
 Version: A
 Issue Date: 2021/11/01

203



Page 7 of 13

203-1	3707424001	Connecting Plate	1	789,7	416×80×20	1	Y	120
203-2	5640361001	Hexagon Flange Head Thread Forming Screw	4	22	38×16×16	10	Y	0
203-3	5640247002	Hexagon Head Bolt	8	11	12×12×44	10	Y	0
203-4	2730318001	DC Motor	2	3600	157×157×175	1	Y	30
203-5	3553570001	Brake Disc	2	160,8	68×68×11	1	Y	20
203-6	3521235001	Friction Block	4	4,7	28×12×7	10	Y	20
203-7	3707277001	Scaleboard	2	2,8	28.5×12.5×1	10	Y	20
203-8	5670552001	Parallel Pin	4	6,8	7.9×7.9×18.5	10	Y	20
203-9	5640009003	Hexagon Head Bolt	8	16	64×12×10	10	Y	0
203-10	3707423001	Connecting Plate	1	1337,1	363×110×42	1	Y	20
203-11	5630244004	Nut	4	5	13×13×6.7	10	Y	0
203-401	2827439002	Gear Case Assembly	1	16900	903×327×194	1	Y	120
203-402	2827528002	Right Bracket Assembly	1	180	91×56×70	1	Y	20
203-403	2827525002	Left Bracket Assembly	1	180	91×56×70	1	Y	20

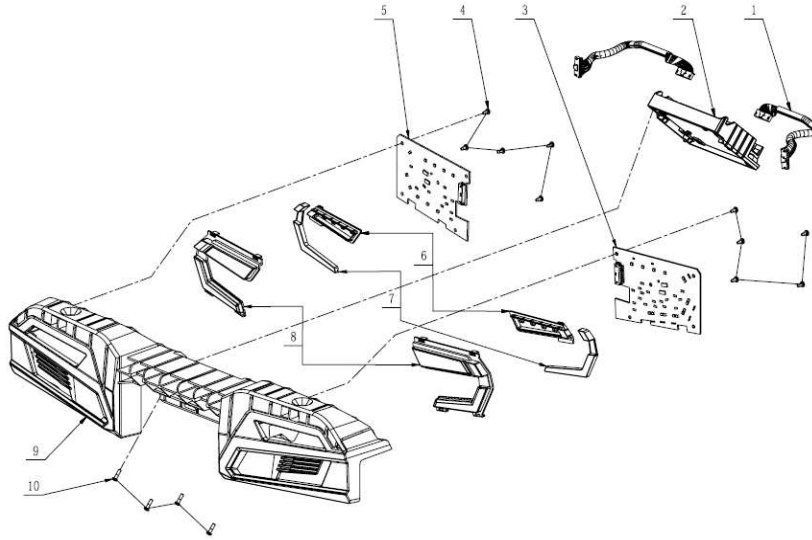


204-1	5640351001	Hexagon Flange Head Screw with Shoulder	2	110,5	23×23×110	1	Y	50
204-2	3660807001	Compression Spring	2	30,5	22×22×41	10	Y	50
204-3	5650740001	Plain Washer	2	8,6	28×28×2,5	10	Y	50
204-4	3707358001	Joystick	2	924,5	22×22×265	1	Y	50
204-5	5650741001	Plain Washer	2	1,5	28×28×2,5	10	Y	50
204-6	5640349001	Shoulder Bolt	2	125	23×23×110	1	Y	50
204-7	2827703001	Rotating Lever	2	216,5	160×79×42	1	Y	50
204-8	5630267001	Nut	4	13	20×20×13,5	10	Y	50
204-9	2827260001	Left Hall PCB Box	1	31	82×30×41	1	Y	25
204-10	5610021001	Tapping Screw	4	1	8×8×11	10	Y	0
204-11	2827705002	Magnetic Holder Assembly	1	20	66×51×25	1	Y	52
204-12	5620352002	Screw with Washer	4	3,25	9×9×16	10	Y	0
204-13	2827704002	Magnetic Holder Assembly	1	20	66×51×25	1	Y	52
204-14	2827259001	Right Hall PCB Box	1	31	82×30×41	1	Y	25



Product Description: Zero Turn Riding Mower
 Model Number: ZT4200E-L
 Body Number: 1000031001_S
 Version: A
 Issue Date: 2021/11/01

205



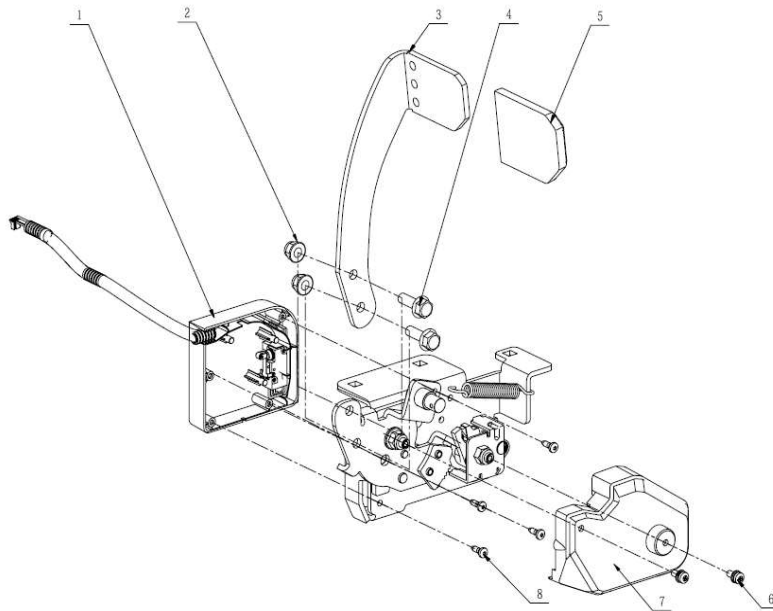
Page 7 of 13

205-1	4860770001	Lamp Wire Harness	2	30	20x8x200	1	Y	10
205-2	2827291002	Control Box Assembly	1	300	129x106x33	1	Y	10
205-3	4891966002	LED PCBA	1	70	155x115x4	10	Y	10
205-4	5610021001	Tapping Screw	10	1	8x8x11	10	Y	0
205-5	4891967002	LED PCBA	1	70	155x115x4	10	Y	10
205-6	3900346002	Transparent Cap Assembly	1	18,4	106x29x34	1	Y	10
205-7	3900344002	Transparent Guard Assembly	1	8	86x26x74	1	Y	10
205-8	3900345002	Transparent Guard Assembly	1	53,6	133x54x97	1	Y	10
205-9	3130877001	Front Frame	1	638	139x164x137	1	Y	10
205-10	5610305002	Tapping Screw	4	5	6x6x15	10	Y	0



Product Description: Zero Turn Riding Mower
 Model Number: ZT4200E-L
 Body Number: 1000031001_S
 Version: A
 Issue Date: 2021/11/01

206



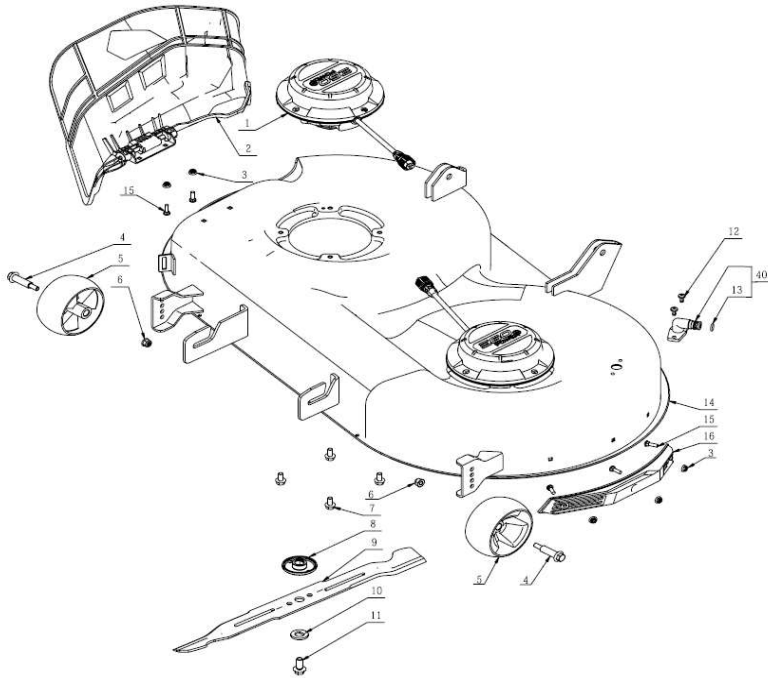
Page 8 of 13

206-1	2827480002	Switch Box Assembly	1	62	320×88×20	1	Y	15
206-2	5630371001	Prevailing Torque Type Hexagon Lock Nut with Flange	2	8,8	16×16×10.4	10	Y	0
206-3	3707284001	Pedal	1	414,5	217.5×93×80	1	Y	8
206-4	5640354001	Flange Bolt-Large Series	2	17	17.5×17.5×33	10	Y	0
206-5	3580060001	Rubber Sleeve	1	44,5	79×62.5×13	1	Y	2
206-6	5620352002	Screw with Washer	2	3,25	9×9×16	10	Y	0
206-7	3130932001	Seal Packing Case	1	48	132×91.5×39.7	1	Y	1
206-8	5620377003	Hexagon Socket Screw	4	2	8×8×17	10	Y	0



Product Description: Zero Turn Riding Mower
 Model Number: ZT4200E-L
 Body Number: 1000031001_S
 Version: A
 Issue Date: 2021/11/01

207

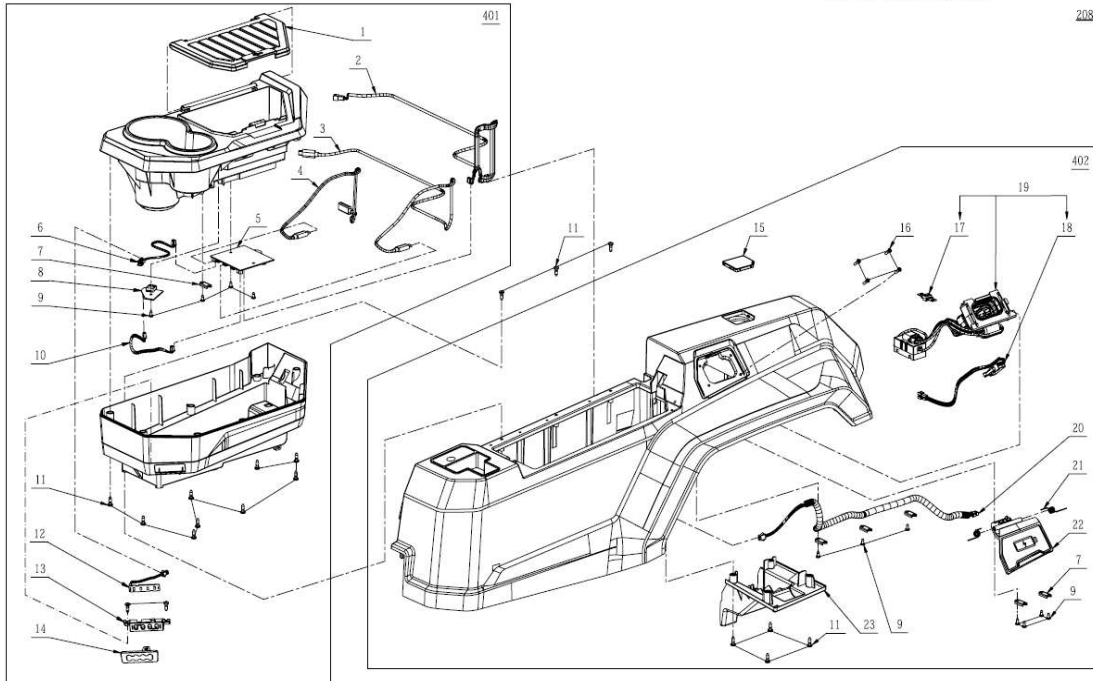


Page 9 of 13

207-1	2730319001	DC Motor	2	3000	93×93×125	1	Y	20
207-2	2823670002	Chute Deflector Assembly	1	874,8	567×345×155	1	Y	10
207-3	5630244004	Nut	5	5	13×13×6.7	10	Y	0
207-4	5640352001	Hexagon Flange Bolt	2	62,8	11×11×92	10	Y	1
207-5	3131072001	Roller Wheel	2	220	122×122×69	1	Y	3
207-6	5630371001	Prevailing Torque Type Hexagon Lock Nut with Flange	2	8,8	16×16×10.4	10	Y	1
207-7	5640222001	Hexagon Flange Bolt	8	15	18×18×24	10	Y	0
207-8	3580113001	Flange	2	111	30×30×15.5	10	Y	15
207-9	3707399001	Blade	2	705,5	536×50×19	1	Y	15
207-10	5650510001	Washer	2	14	16.7×30×4	10	Y	15
207-11	5640226001	Flange Bolt	2	26	10×10×25	10	Y	15
207-12	5610388001	Hexalobular Socket Thread Forming Screw	2	4,4	12×12×17	10	Y	0
207-13	5690141001	O Ring	1	0,5	16×16×2.5	10	Y	1
207-14	2827070001	Deck Unit	1	18546	1115×735×171	1	Y	30
207-15	5640357001	Semicircular Head Square Neck Bolt	5	6,3	6×6×22	10	Y	0
207-16	3131048001	Baffle Strip	1	115	297×75×33	1	Y	6
207-401	2823718002	Outlet Nozzle Assembly	1	26	64×54.5×35.8	1	Y	6



Product Description: Zero Turn Riding Mower
 Model Number: ZT4200E-L
 Body Number: 1000031001_S
 Version: A
 Issue Date: 2021/11/01



208

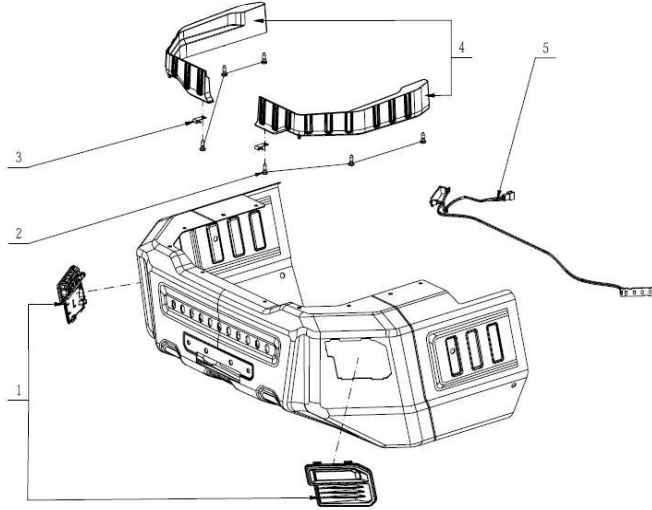
Page 10 of 13

208-1	3403155001	Storage Box Overturn	1	95	152x212x13	1	Y	1
208-2	4860775001	Wiring Harness	1	22	600x8x8	1	Y	25
208-3	4860792001	Type-C Male-male Wire	1	18	15x15x100	10	Y	25
208-4	4860791003	Type-C Male-female Wire	1	18	15x15x150	1	Y	25
208-5	4891973002	USB PCBA	1	20	81x83x20	1	Y	25
208-6	4860773001	Wiring Harness	1	5,1	8x5x200	10	Y	25
208-7	3700367001	Cord Anchorage	6	3	26x10,8x4	1	Y	0
208-8	4891964001	USB PCBA	1	6,5	51x44x10	10	Y	25
208-9	5610021001	Tapping Screw	11	1	8x8x11	10	Y	0
208-10	4860774001	USB Cable	1	3	8x5x100	10	Y	25
208-11	5620377003	Hexagon Socket Screw	18	2	8x8x17	10	Y	0
208-12	2830790001	LED Electric Assembly	1	18,5	150x13x5	10	Y	10
208-13	3131122001	LED Holder	1	4,7	79x19x19	1	Y	10
208-14	3131076001	LED Cover	1	4,9	65x20x15	1	Y	10
208-15	3131104001	Left Cover Plate	1	4,2	50,2x40,2x6	10	Y	1
208-16	5610305002	Tapping Screw	4	5	6x6x15	10	Y	0
208-17	4970354001	Fuse	1	2	42x12x8	10	Y	5
208-18	4870766001	Switch Assembly	1	20	10x17x250	1	Y	35
208-19	4860796001	Charging Harness Assembly	1	94,2	94x67x300	1	Y	35
208-20	4860771001	Wiring Harness	1	25	10x10x120	1	Y	35
208-21	3660810001	Torsion Spring	2	4	15x9x45	10	Y	45
208-22	3131010001	Charging Port Cover	1	48,7	102x47x115	1	Y	45
208-23	3131007001	Lower Housing	1	82	168x132x110	1	Y	35
208-401	2827407002	Storage Box Assembly	1	1200	216x401x149	1	Y	5
208-402	2827462002	Left Cover Set	1	2500	352x1027x360	1	Y	30



Product Description: Zero Turn Riding Mower
 Model Number: ZT4200E-L
 Body Number: 1000031001_S
 Version: A

209



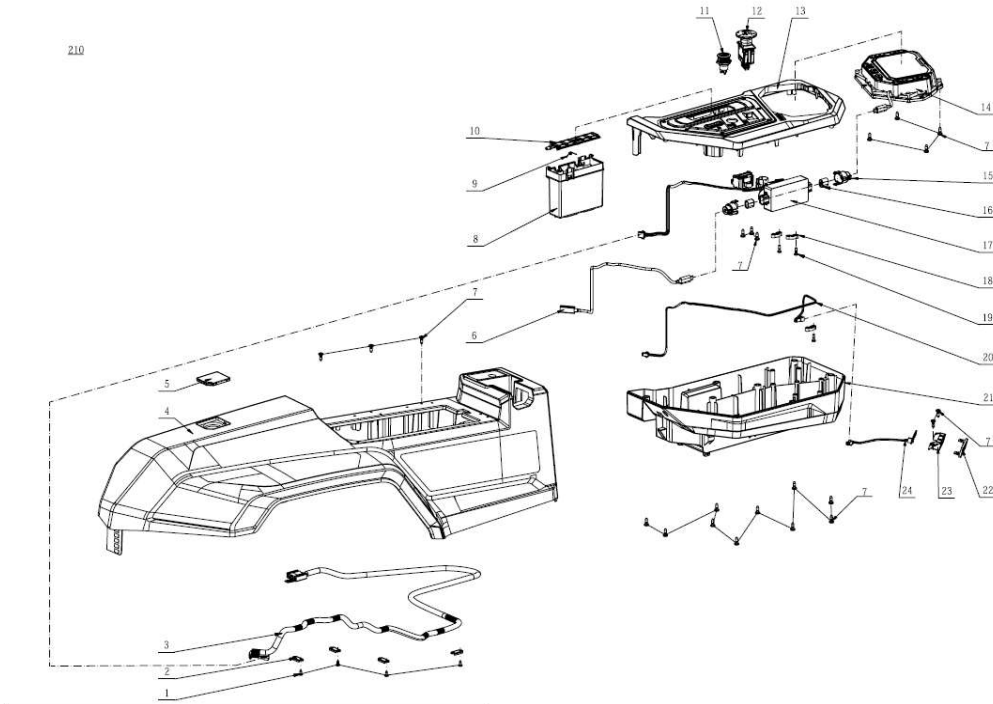
Page 11 of 13

209-1	2827628001	L R Indicator Cover Set	1	28,5	1110x80x30	1	Y	5
209-2	5620377003	Hexagon Socket Screw	6	2	8x8x17	10	Y	0
209-3	3707406001	Wire Holder	2	1,7	8x20x5	10	Y	0
209-4	3900385001	Guard Assembly	1	164,5	180x250x50	1	Y	6
209-5	2830770001	LED Electric Assembly	1	20,5	500x13x5	1	Y	6



Product Description: Zero Turn Riding Mower
 Model Number: ZT4200E-L
 Body Number: 1000031001_S
 Version: A

210



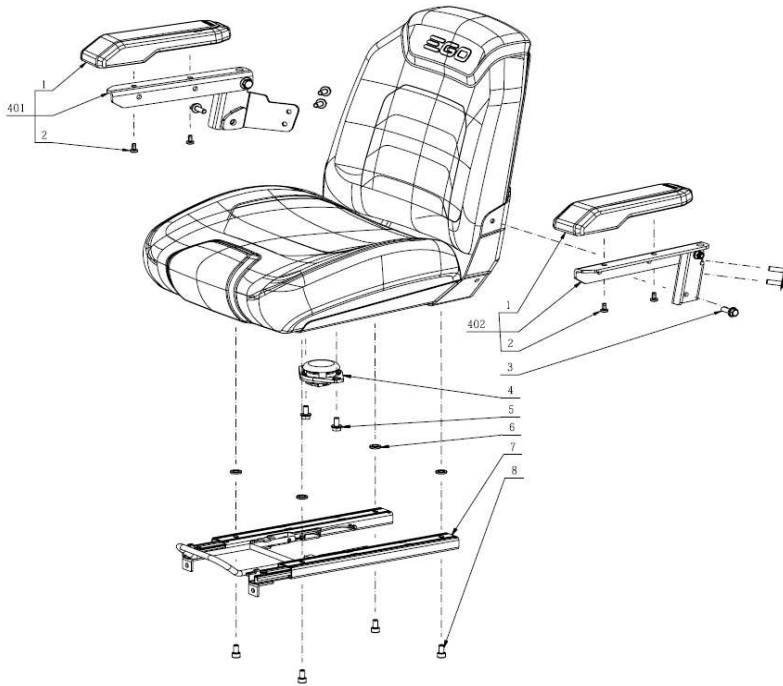
Page 12 of 13

210-1	5610021001	Tapping Screw	4	1	8x8x11	10	Y	0
210-2	3700367001	Cord Anchorage	4	3	26x10.8x4	1	Y	0
210-3	4860777001	Wiring Harness	1	783,4	30x15x1400	1	Y	45
210-4	3130904001	Right Cover	1	1860	326x1031x322	1	Y	50
210-5	3131105001	Right Cover Plate	1	5	41x50x9	10	Y	1
210-6	4860791002	Type-C Male-female Wire	1	18	15x15x150	10	Y	30
210-7	5620377003	Hexagon Socket Screw	22	2	8x8x17	10	Y	0
210-8	3131078001	Phone Box	1	71,2	46x106x107	1	Y	15
210-9	3660812001	Torsion Spring	1	0,3	8x8x17	10	Y	15
210-10	3322835001	Phone Box Cover	1	11,8	34x116x19	1	Y	15
210-11	4870764001	Push Switch	1	31	28x26x40	1	Y	30
210-12	4870762001	Push Switch	1	40	49x38x77	1	Y	30
210-13	3130995001	Control Panel	1	242	216x401x80	1	Y	30
210-14	2827438001	LCD Assembly	1	407,5	50x200x150	1	Y	30
210-15	3131055001	Wire Holder	2	7,5	32x22x29	10	Y	0
210-16	3580076001	Rubber Sleeve	2	2,5	14x10x16	10	Y	0
210-17	2830779001	Switch Electric Assembly	1	166	60x120x50	1	Y	30
210-18	3122798001	Cord Anchorage	3	1,14	23x8x7	1	Y	0
210-19	5610305002	Tapping Screw	3	5	6x6x15	10	Y	0
210-20	4860782001	Wiring Harness	1	18	10x10x610	1	Y	30
210-21	3130996001	Control Box Base	1	612,3	216x401x120	1	Y	20
210-22	3131076001	LED Cover	1	4,9	65x20x15	1	Y	20
210-23	3131077001	LED Holder	1	4,7	80x80x20	1	Y	20
210-24	2830790001	LED Electric Assembly	1	18,5	150x13x5	10	Y	20



Product Description: Zero Turn Riding Mower
 Model Number: ZT4200E-L
 Body Number: 1000031001_S
 Version: A

211



Page 13 of 13

211-1	3402283001	Armrest	2	290	255×78×47	1	Y	2
211-2	5610388001	Hexalobular Socket Thread Forming Screw	4	4,4	12×12×17	10	Y	2
211-3	5640354001	Flange Bolt-Large Series	6	17	17.5×17.5×33	10	Y	0
211-4	4870579001	Switch Assembly	1	62	106×70×44	1	Y	12
211-5	5640222001	Hexagon Flange Bolt	2	15	18×18×24	10	Y	12
211-6	3550110002	Washer	4	5	20×20×3	10	Y	14
211-7	2827473001	Guide Rail Assembly	1	2200	444×230×73	1	Y	14
211-8	5620021004	Hexagon Socket Screw	4	11,5	13×13×24	10	Y	14
211-401	2827759001	Right Armrest Assembly	1	1450	352×116×134	1	Y	2
211-402	2827760001	Left Armrest Assembly	1	1450	352×116×134	1	Y	2