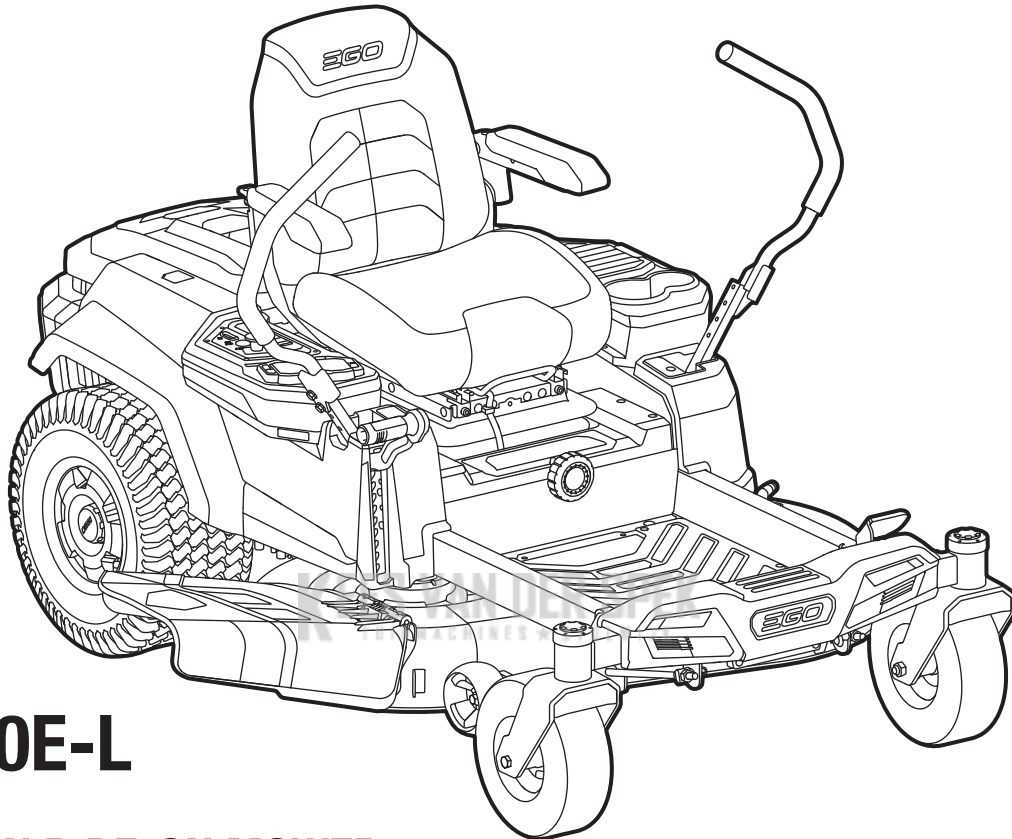


EGO™

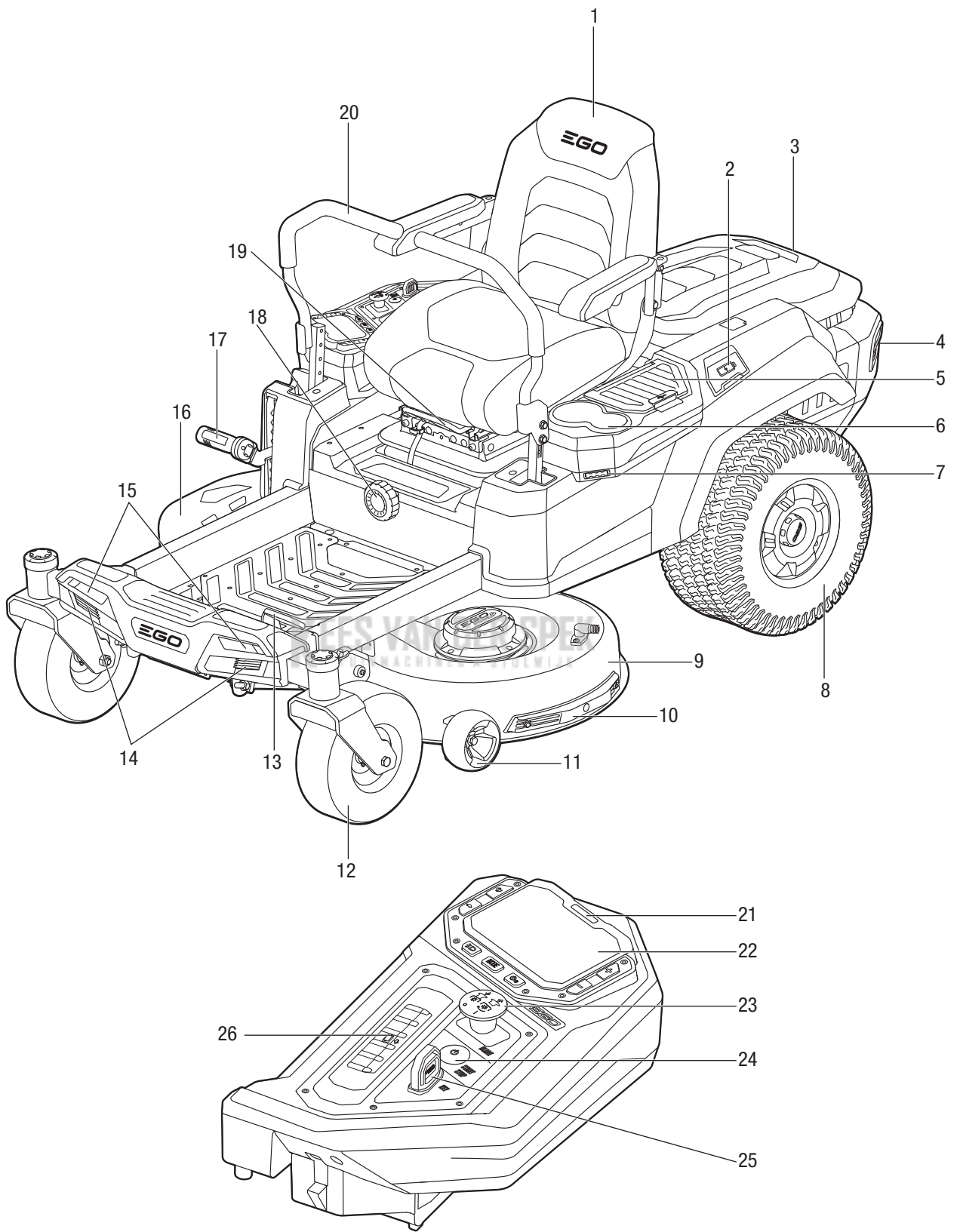
POWER⁺ ZERO TURN RIDE-ON MOWER

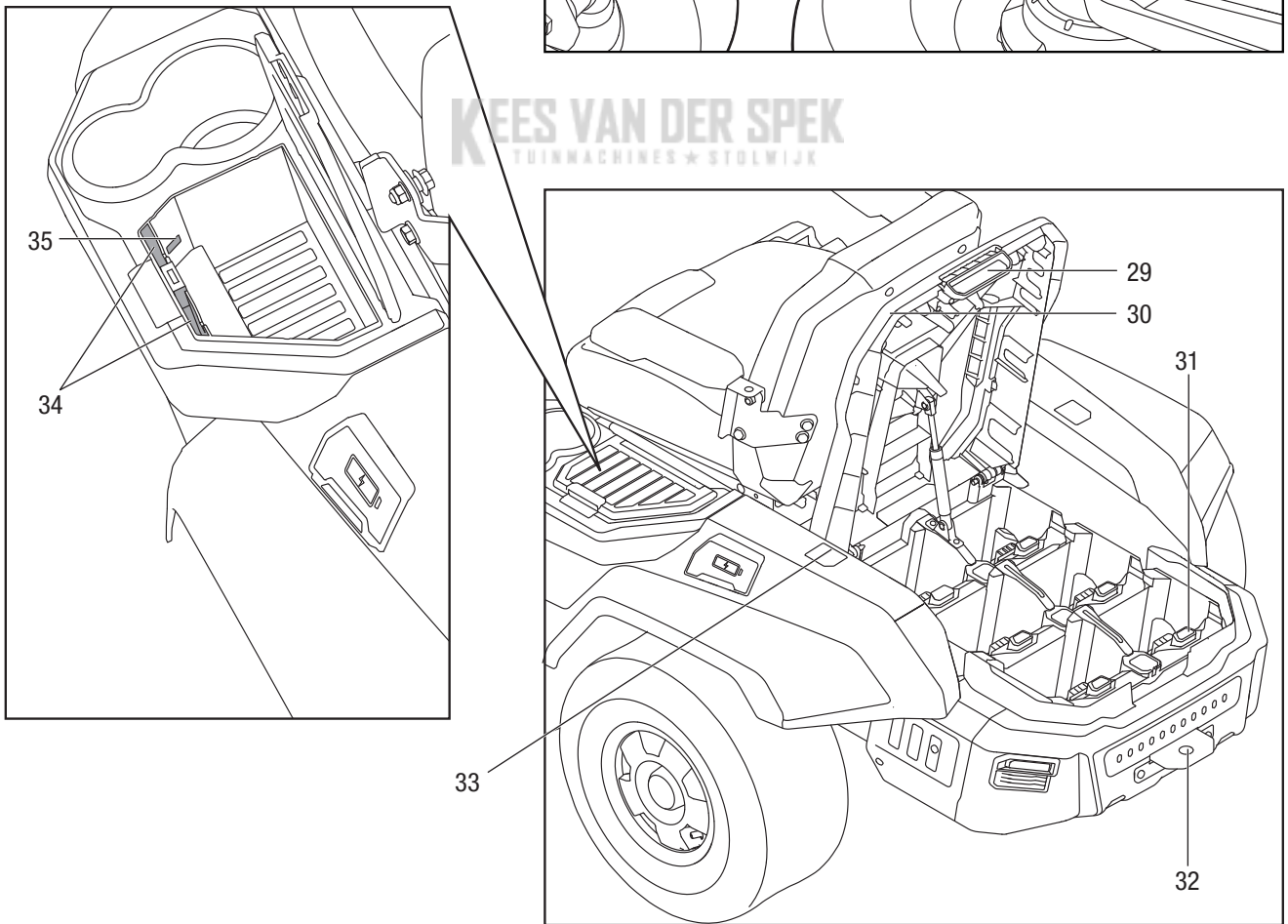
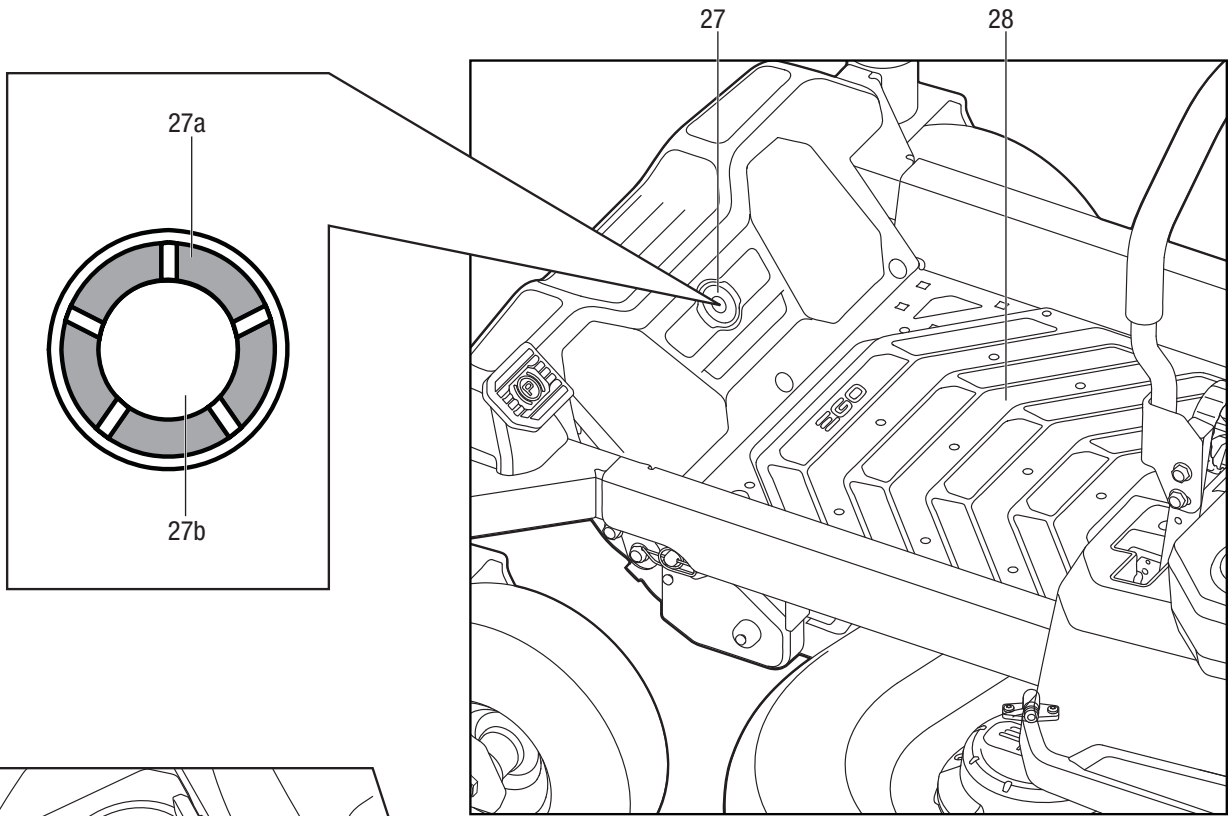


ZT4200E-L

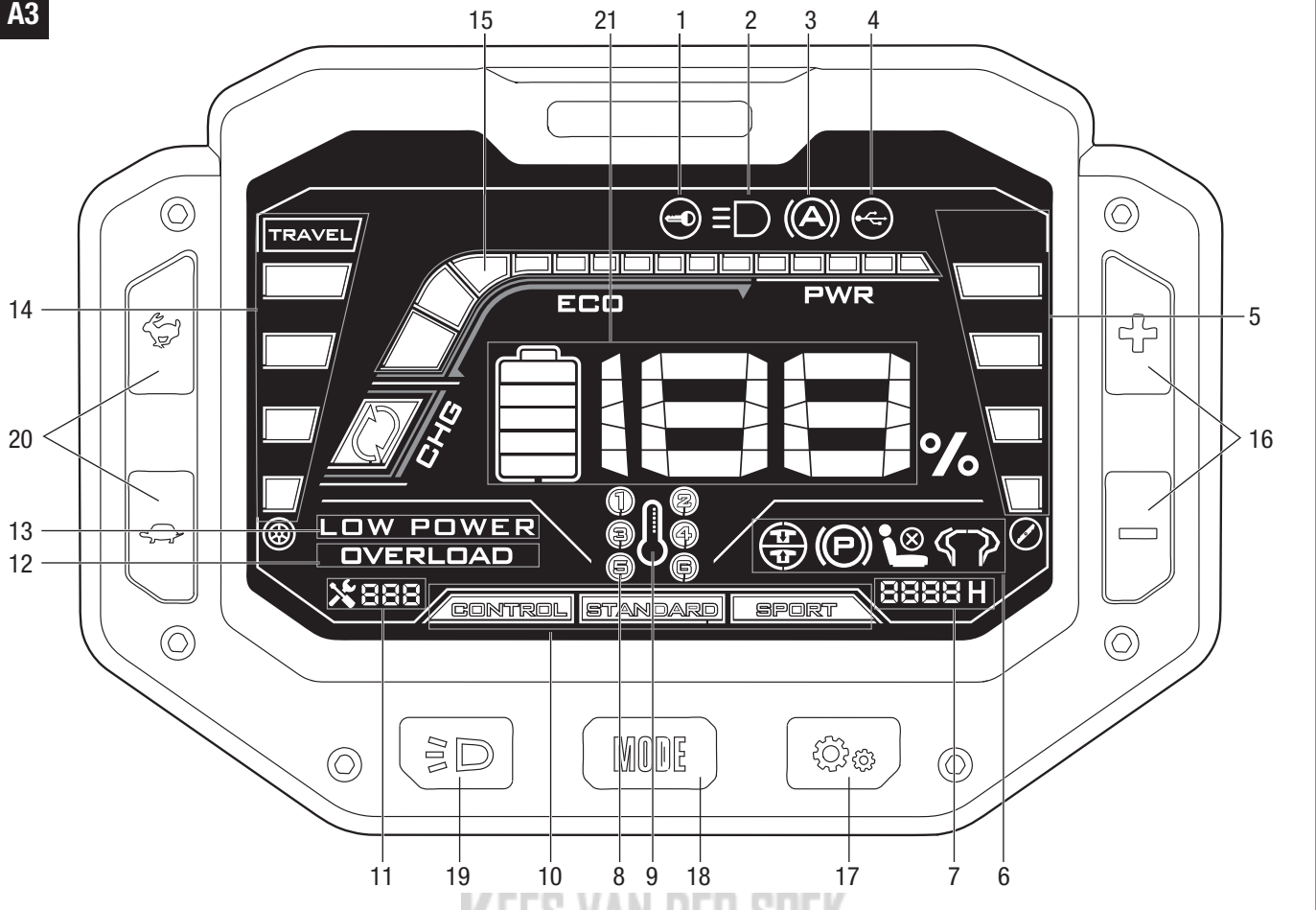
ZERO TURN RIDE-ON MOWER

EN	Zero turn ride-on mower	24	RO	Mașină de tuns iarba fără virare	407
DE	Aufsitzrasenmäher	45	SL	Kosilnica s sedežem in možnostjo obračanja na mestu	430
FR	Tondeuse autoportée à rayon de braquage zéro	67	LT	Nulinio posūkio spindulio traktoriukas	452
ES	Tractor cortacésped de giro cero	94	LV	Nulles pagrieziens braucamais zāles pļāvējs	473
PT	Trator corta-relva zero turn	121	GR	Χλοκοπτική μηχανή τυπου ride-on zero turn	494
IT	Trattorino tagliaerba a raggio zero	148	TR	Sifir dönüşlü çim biçme traktörü	520
NL	Zero-turn zitgrasmaaier	175	ET	Nullpöördraadiusega pealistutav muruniiduk	540
DK	Zero turn havetraktor	200	UK	Самохідна їздова косарка з нульовим радіусом повороту	561
SE	Spakstyrd åkgräsklippare	226	BG	Трактор-косачка с нулев завой	585
FI	Paikallaan kääntyvä ajettava ruohonleikkuri	250	HR	Traktorska kosilica s okretom u mjestu	613
NO	Zero turn sitteklipper	274	KA	მობილური ნულოვანი რადიუსის მქონე ბალახის საკრეჭი ტრაქტორი	634
RU	Самоходная косилка с нулевым радиусом поворота	296	SR	Traktorska kosilica koja skreće u mestu	660
PL	Kosiarka samojezdna o zerowym promieniu skrętu	322	BS	Kosilica za vožnju s nultim okretom	682
CZ	Anerotační pojezdová sekačka na trávu	345	HE	מסחת דשא רכובה (רדיוס סיבוב 0) TURN ZERO	704
SK	Pojazdová kosačka s nulovým polomerom otáčania	366	AR	جهازة صفرية زاوية الدوران بظهر للركوب	725
HU	Zero turn (helyben megforduló) fűnyíró traktor	386			



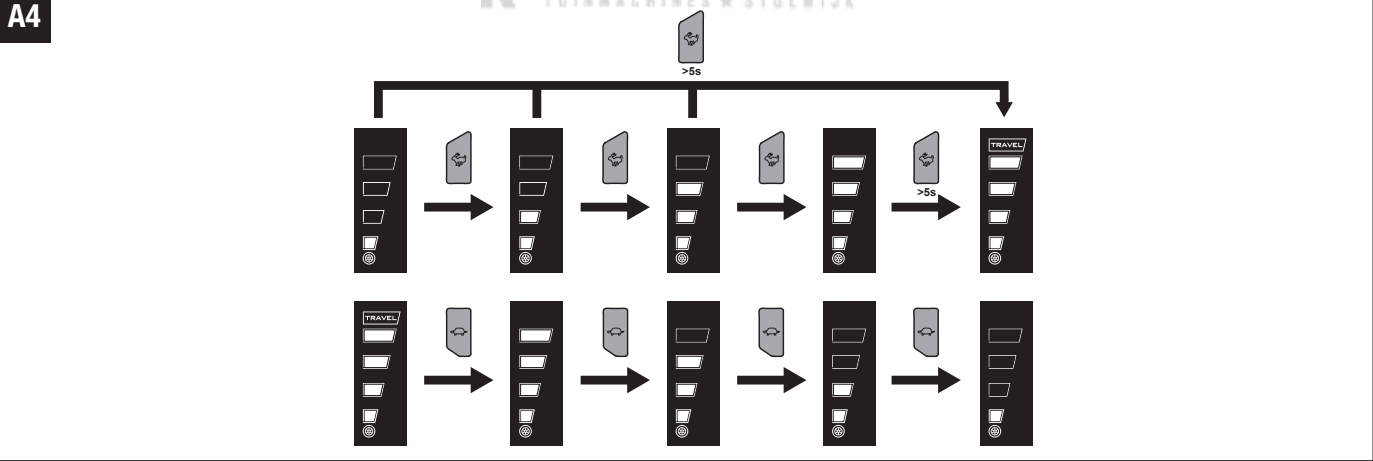


A3

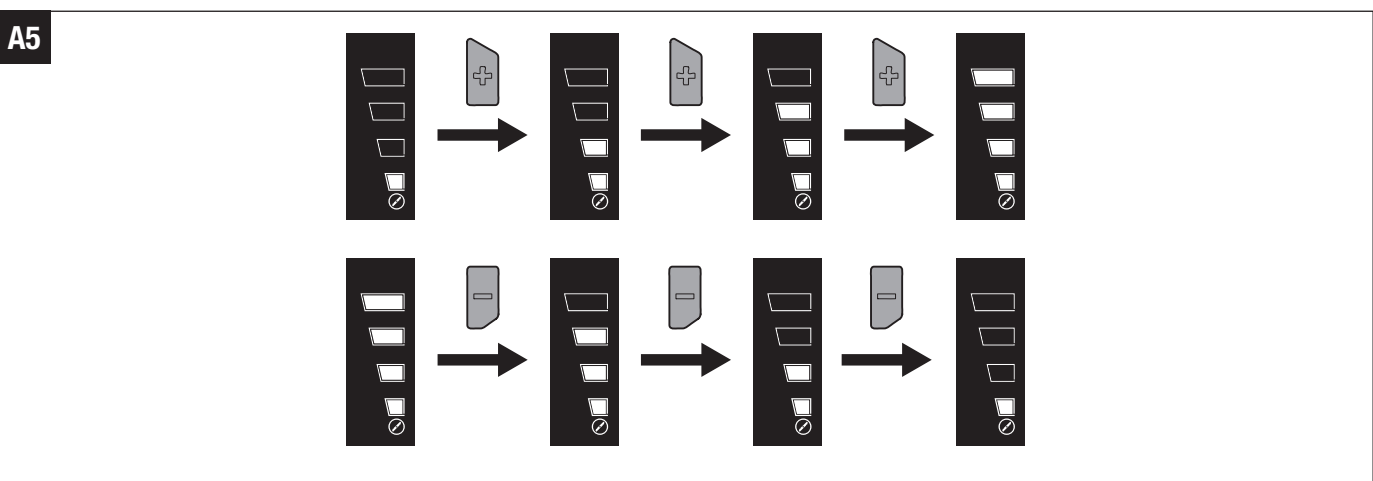


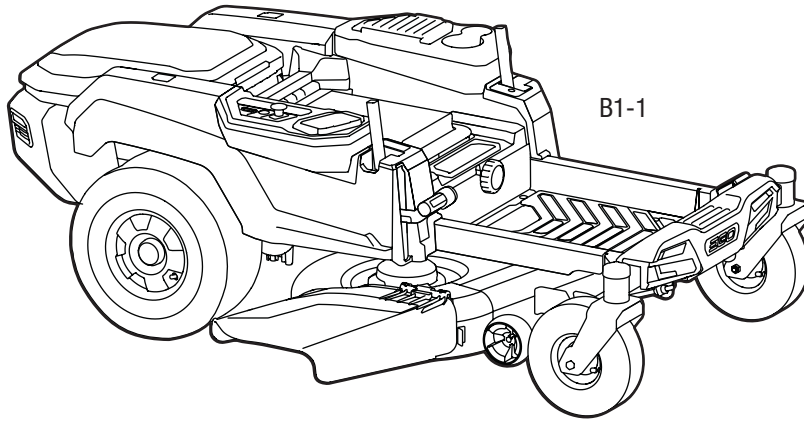
KEES VAN DER SPEK
TUINMACHINES • STOLWIJK

A4



A5

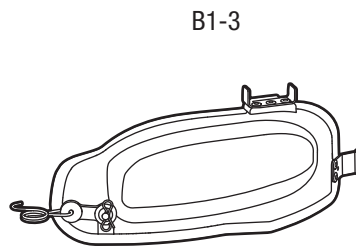




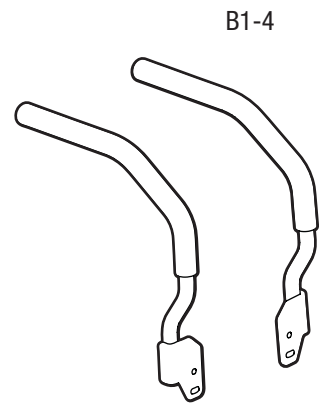
X 1



X 1



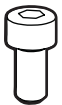
X 1



X 1

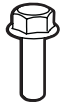
KEES VAN DER SPEK
TUINMACHINES • STOLWIJK

B1-5



X 6

B1-6



X 6

B1-7



X 2

B1-8



X 2

B1-9



X 1

B1-10



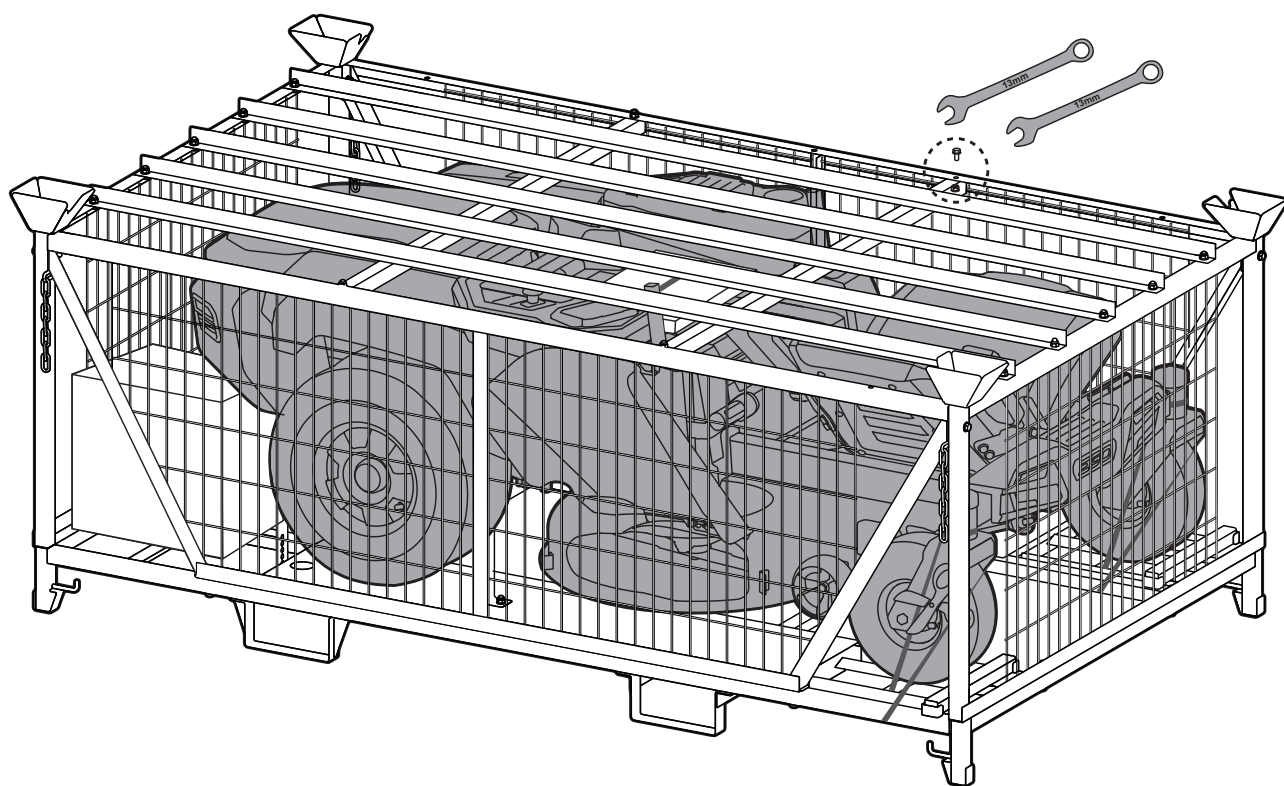
X 1

B1-11



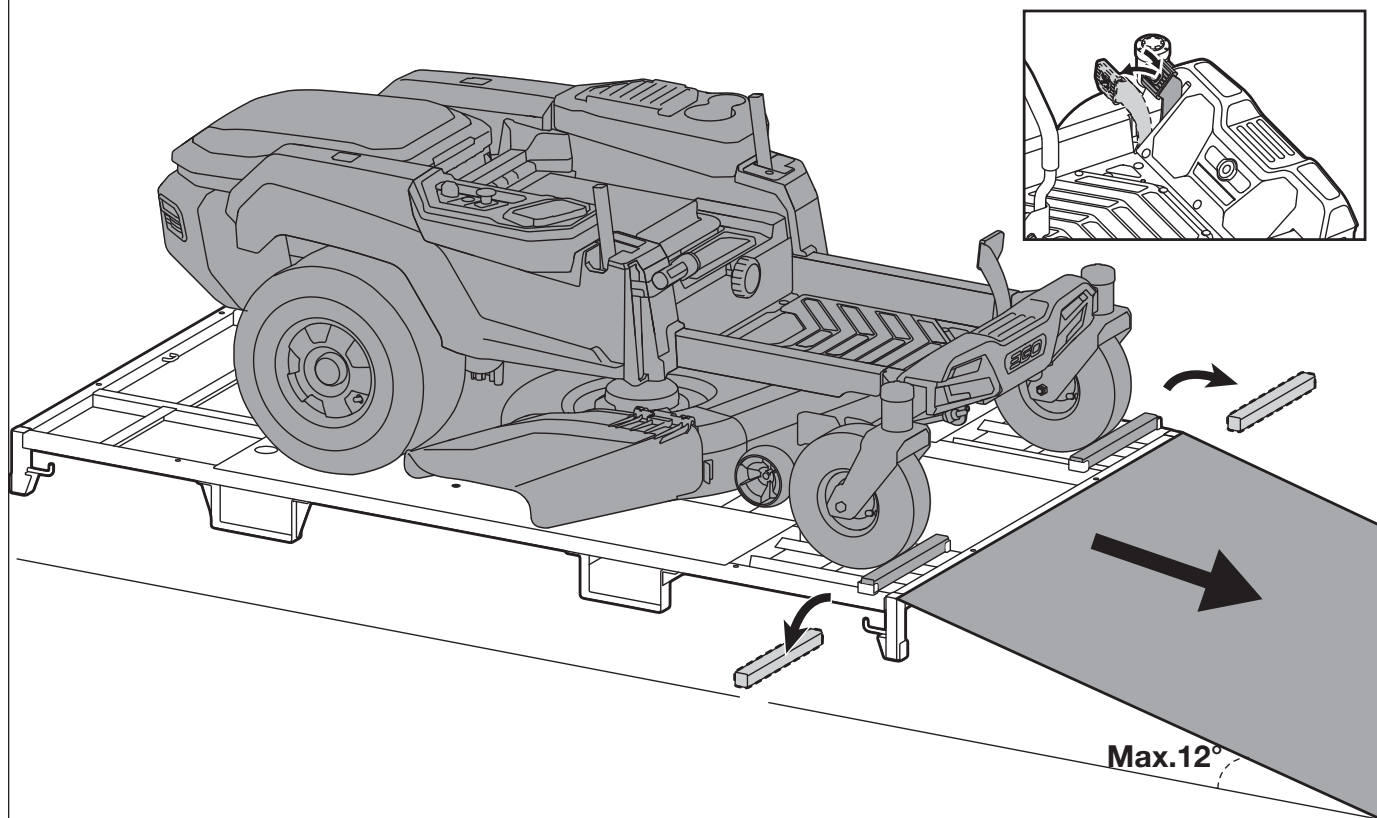
X 1

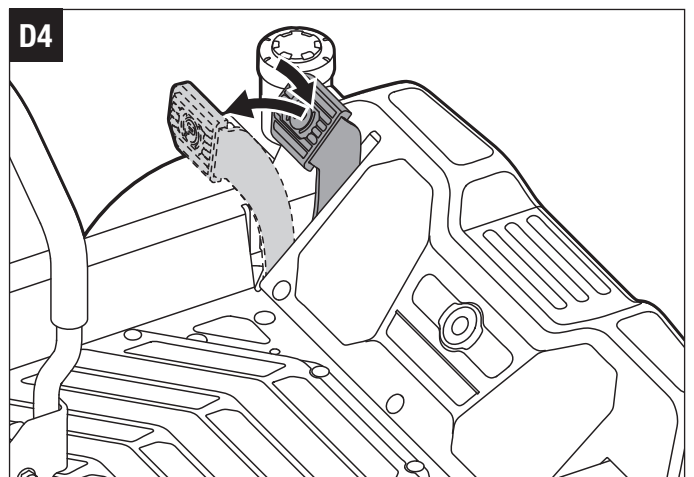
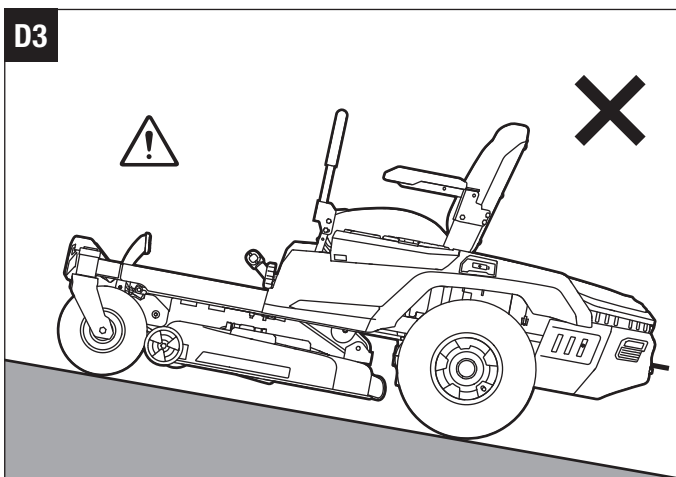
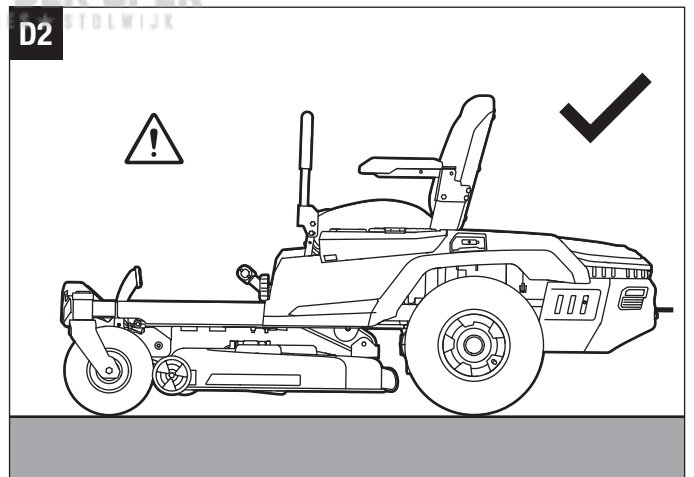
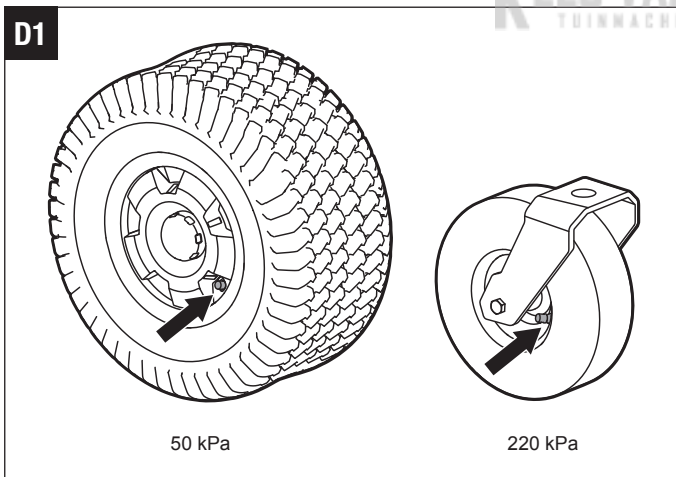
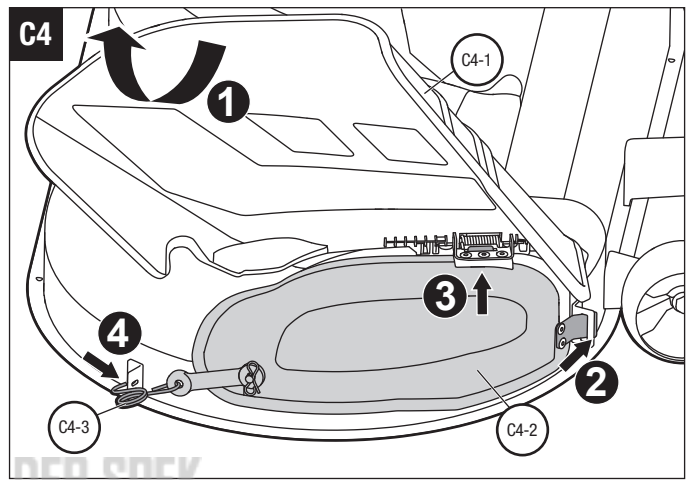
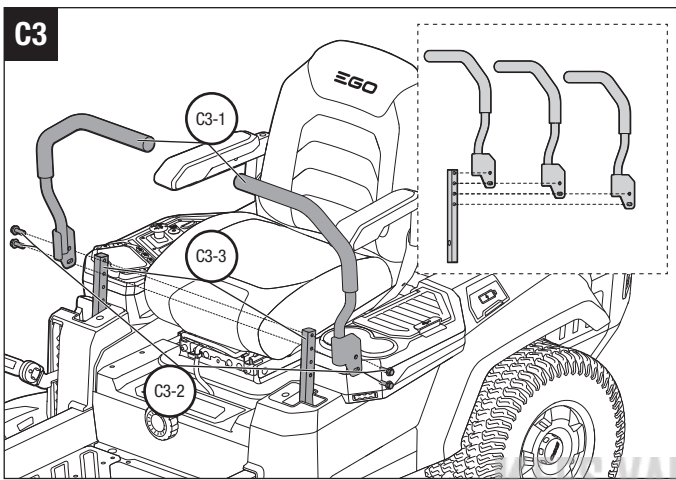
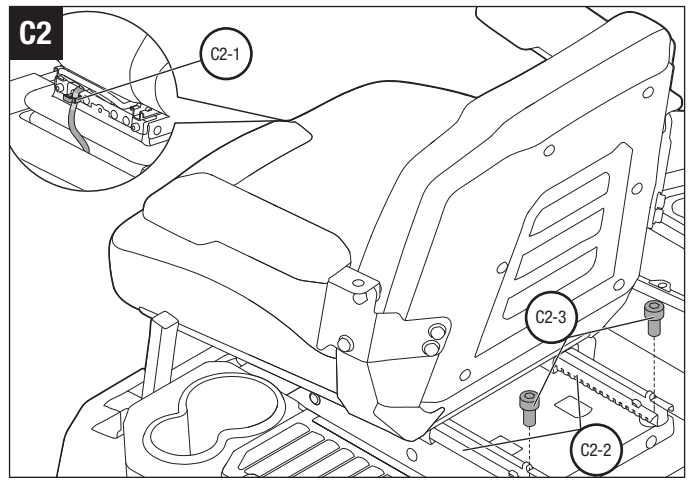
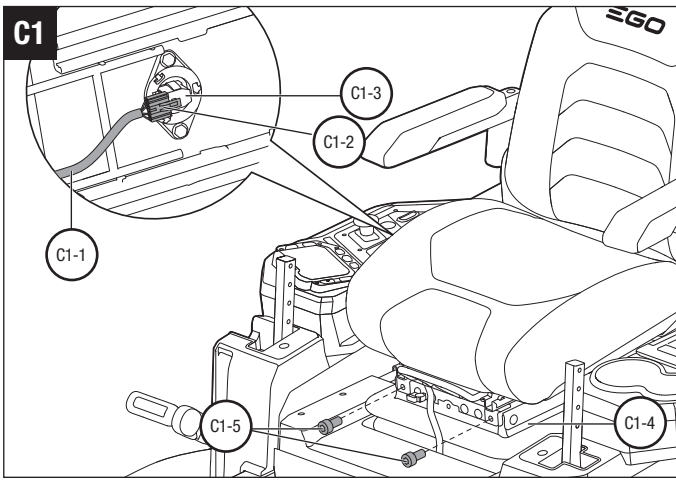
B2



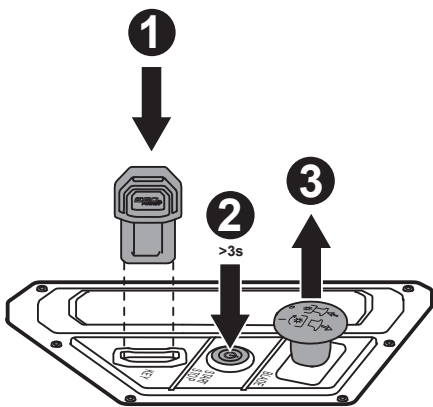
KEES VAN DER SPEK
TUINMACHINES • STOLWIJK

B3

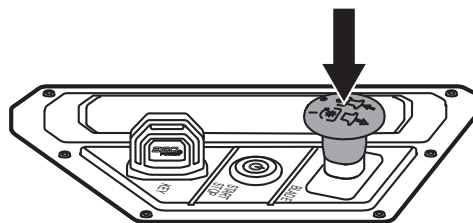




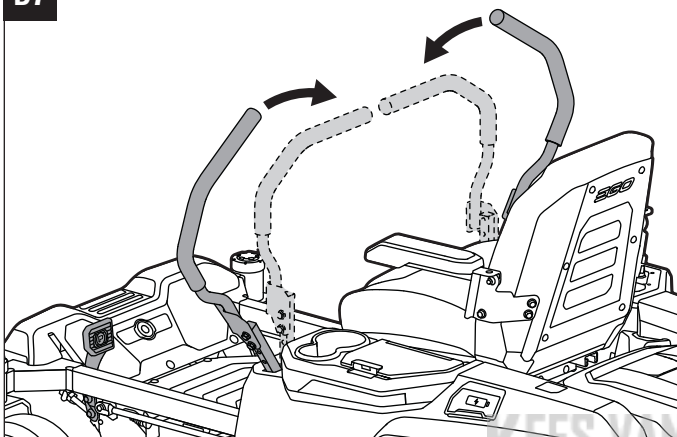
D5



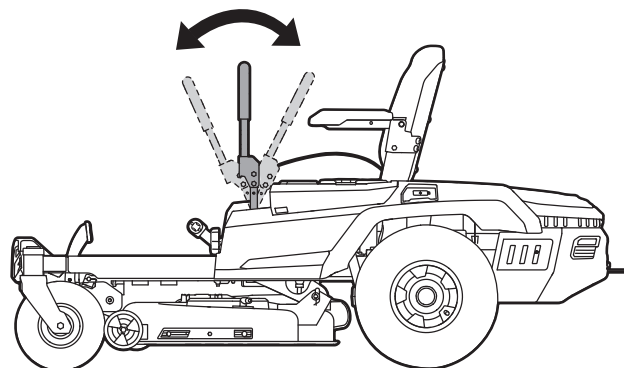
D6



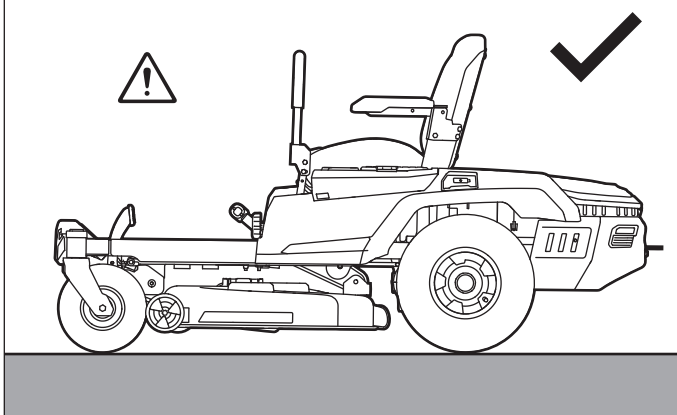
D7



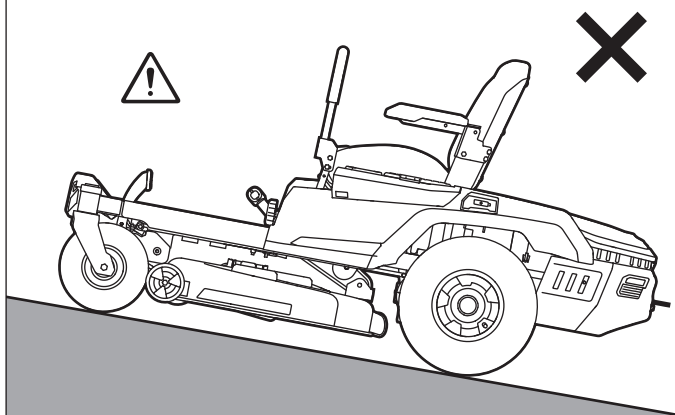
D8



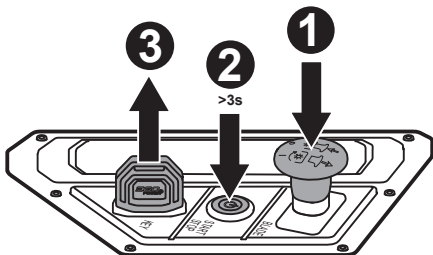
E1



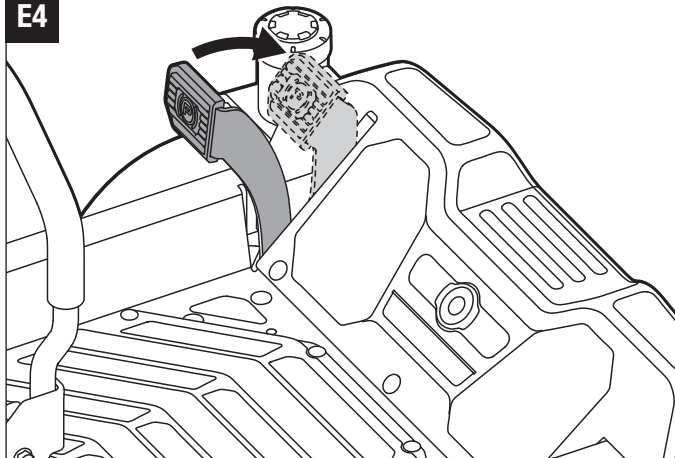
E2

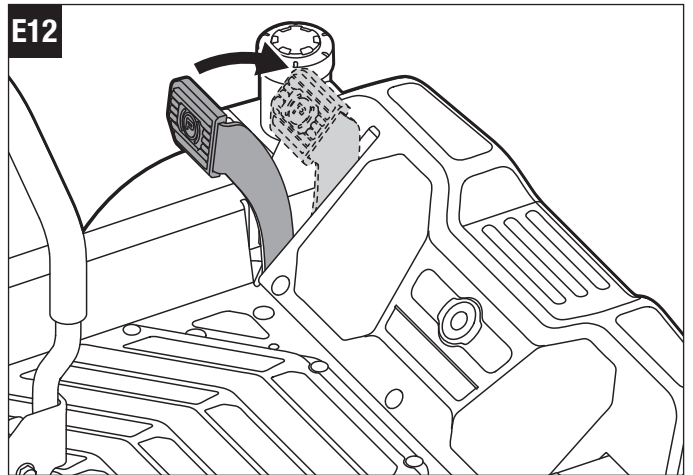
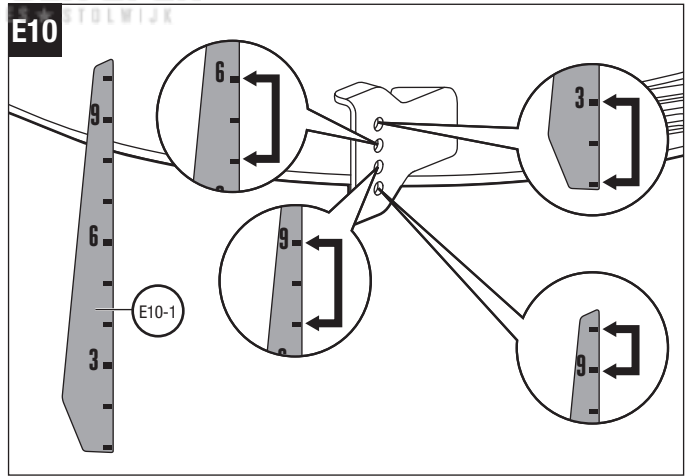
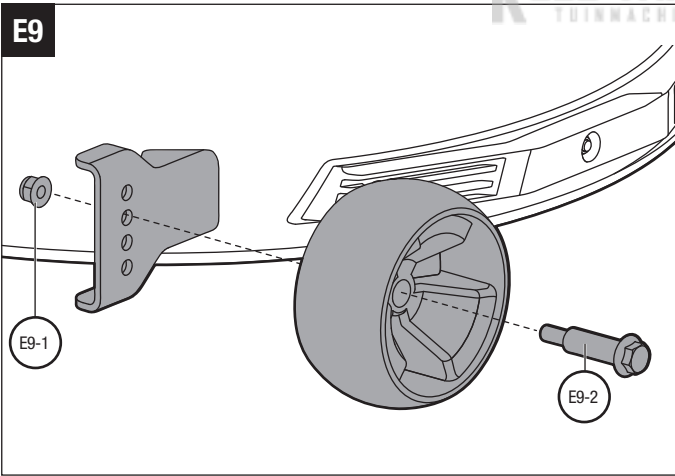
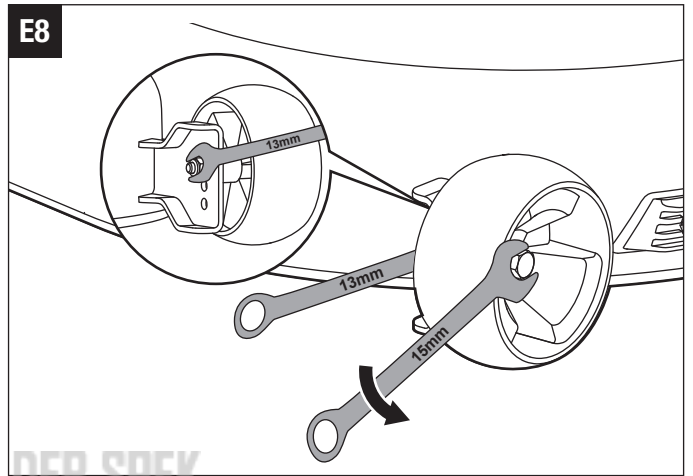
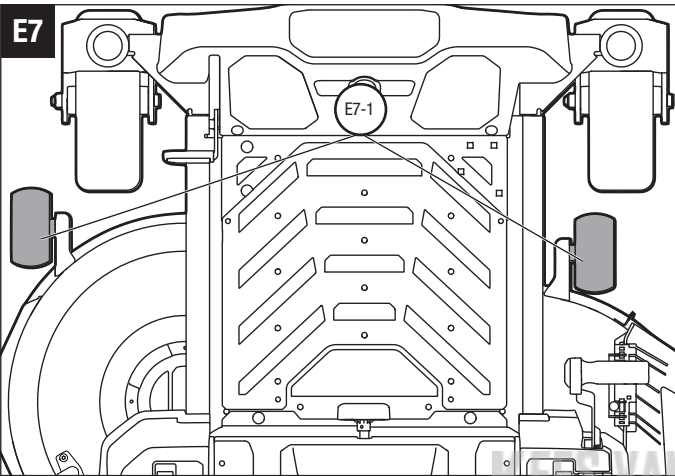
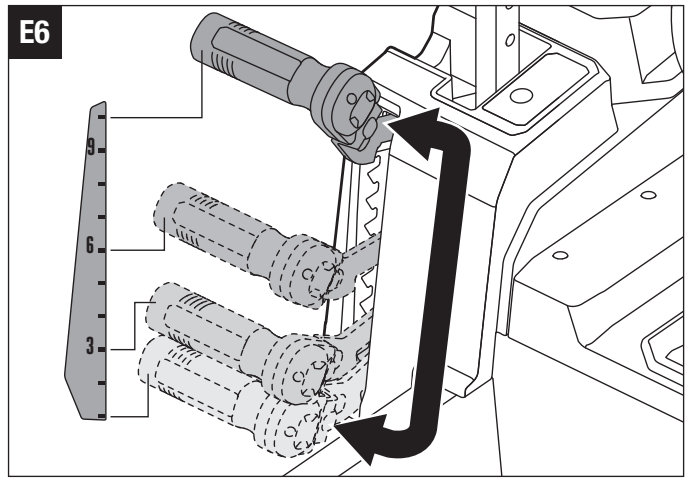
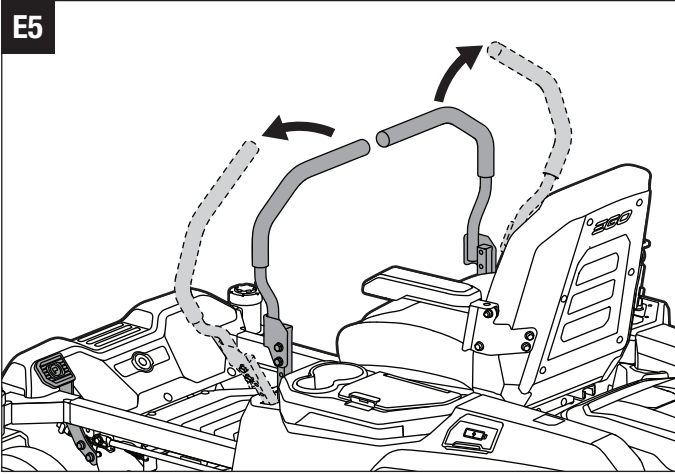


E3

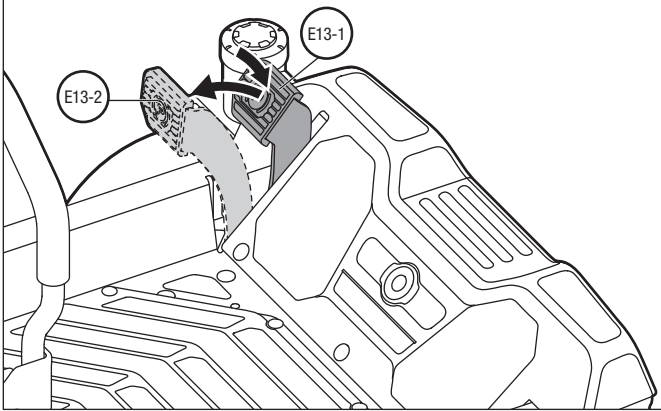


E4

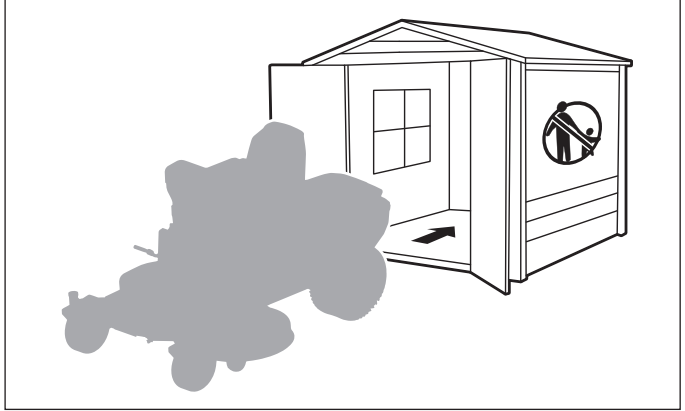




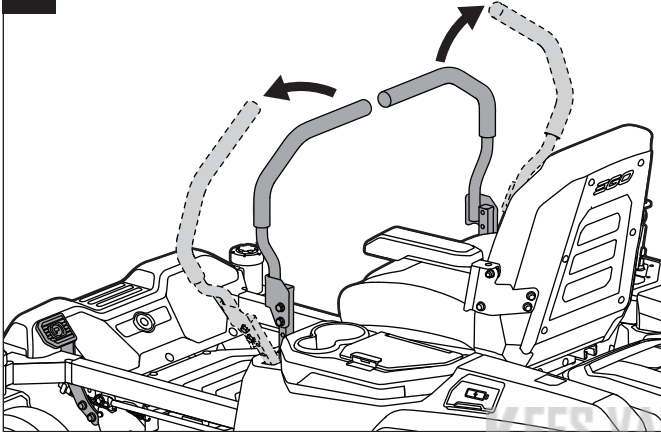
E13



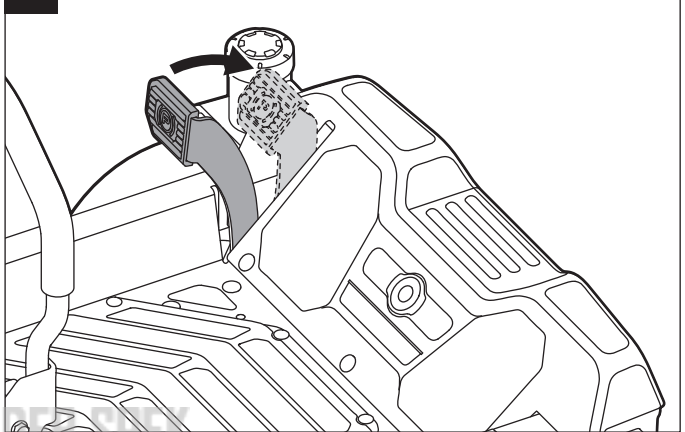
F1



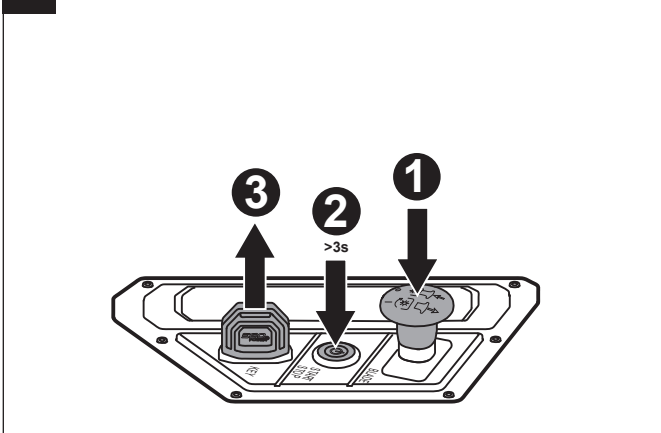
F2



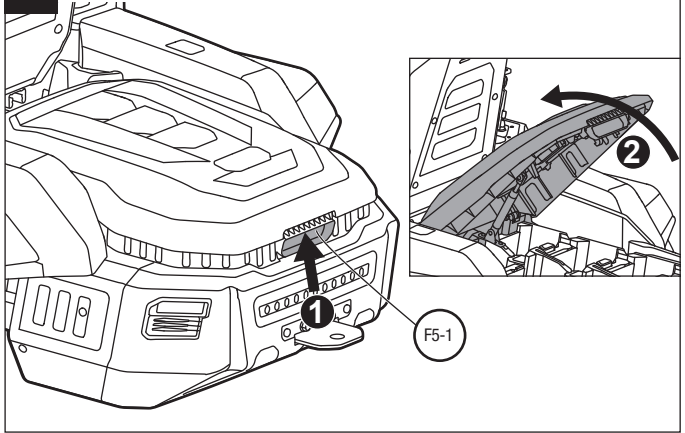
F3



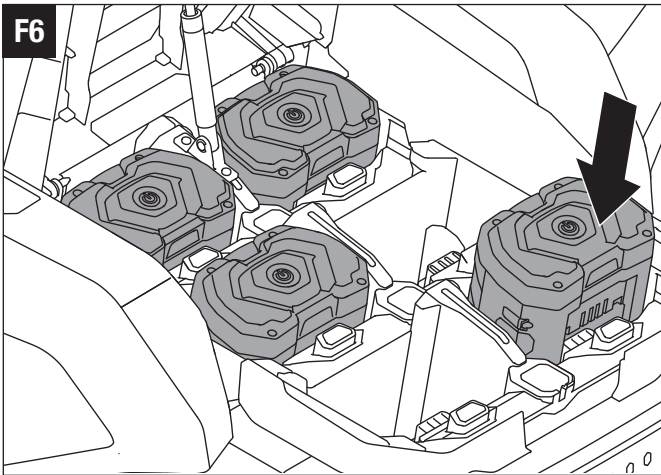
F4



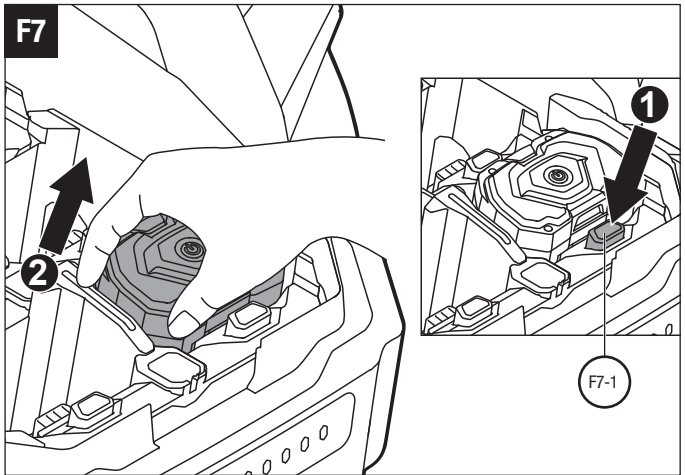
F5



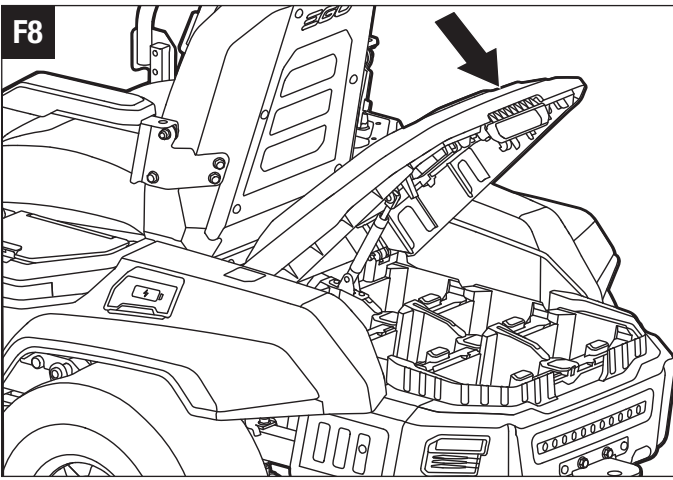
F6



F7



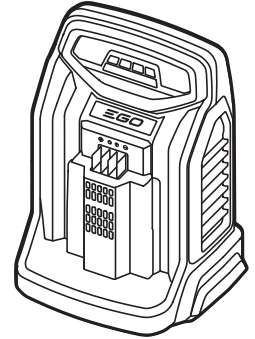
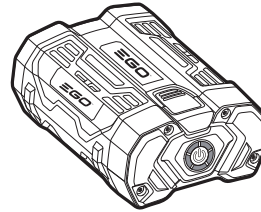
F8



F9

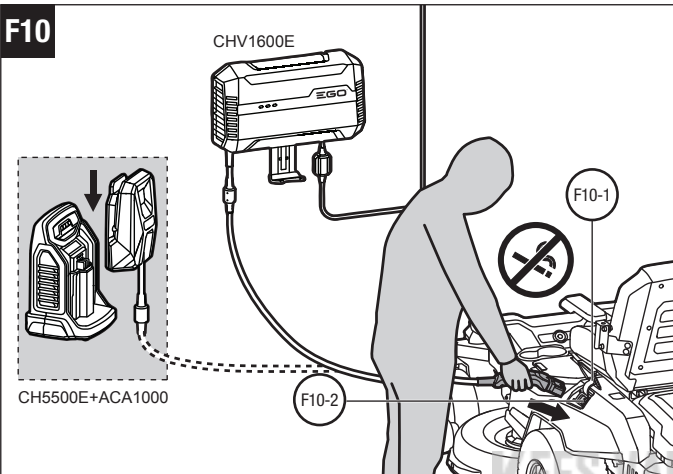
BA1400, BA2800,
BA4200, BA1400T,
BA2240T, BA2242T,
BA2800T, BA4200T,
BA5600T, BA6720T

CH5500E,
CH2100E



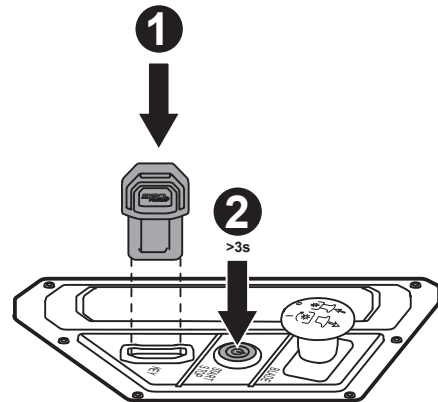
F10

CHV1600E

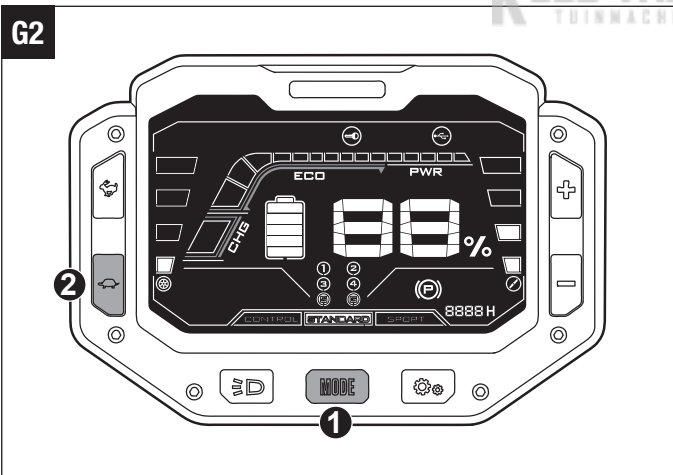


CH5500E+ACA1000

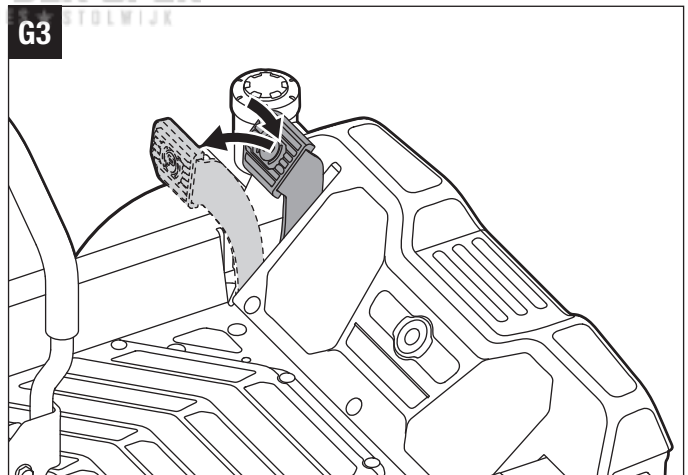
G1



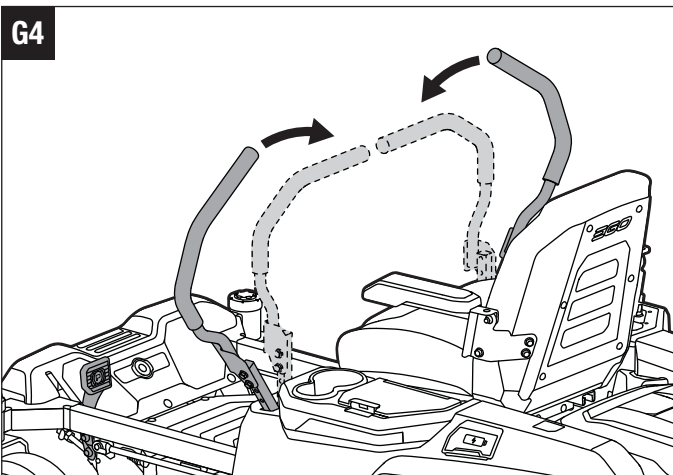
G2



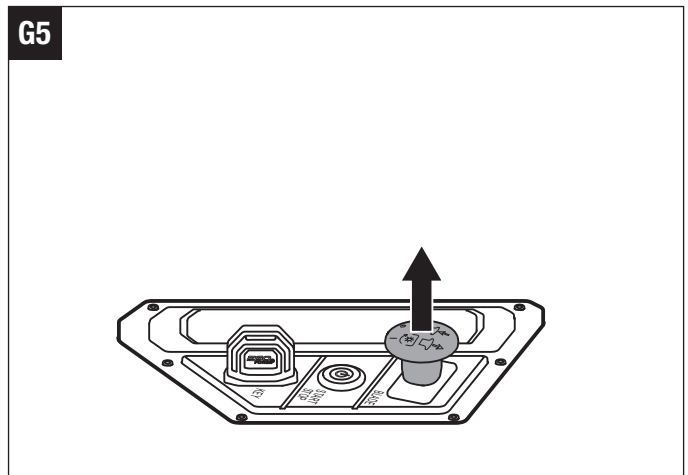
G3



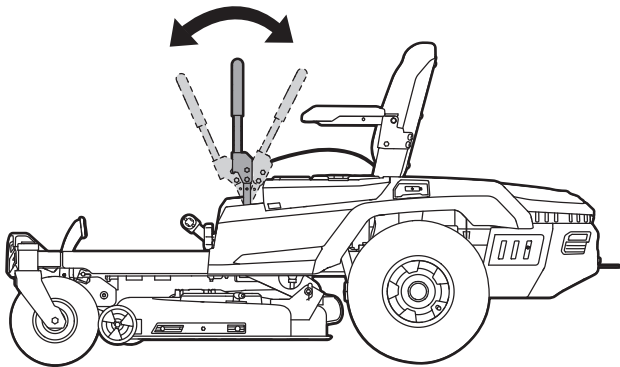
G4



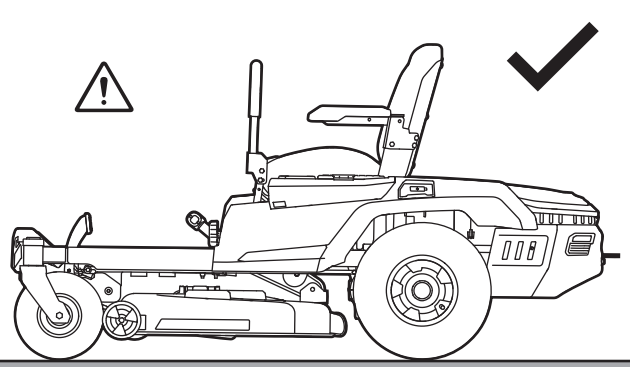
G5



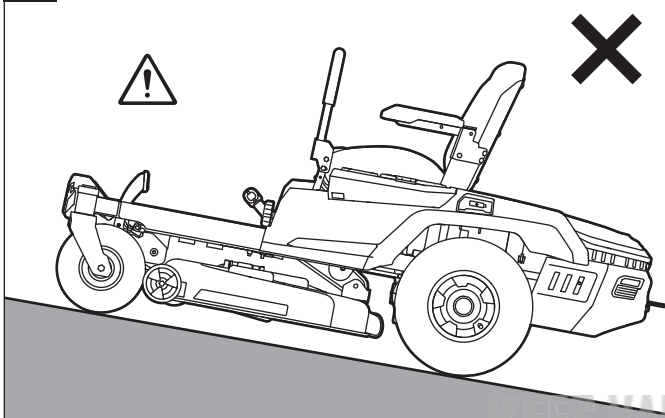
G6



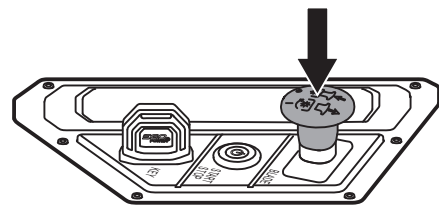
H1



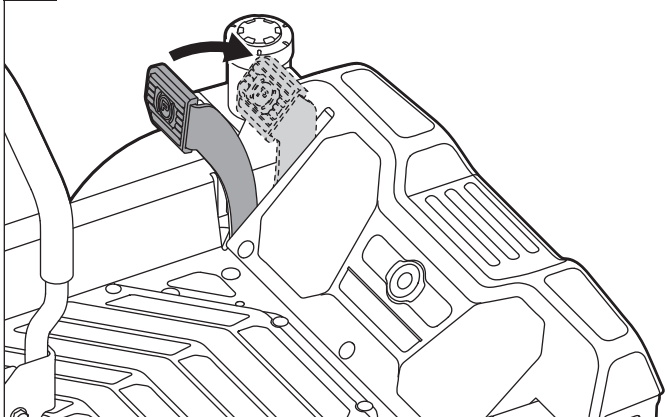
H2



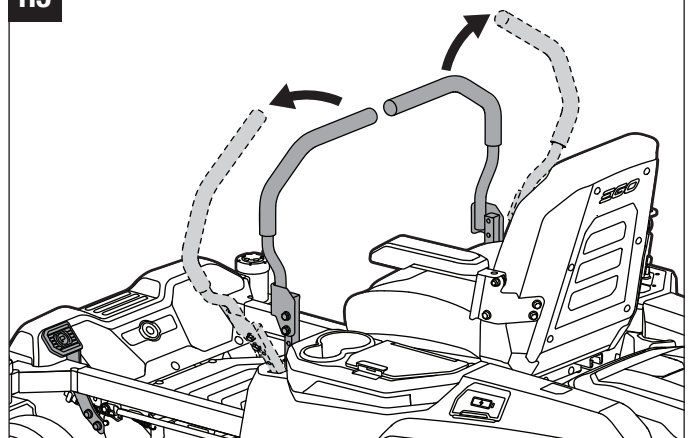
H3



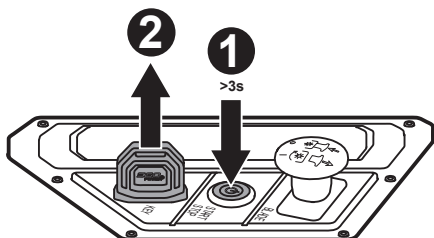
H4



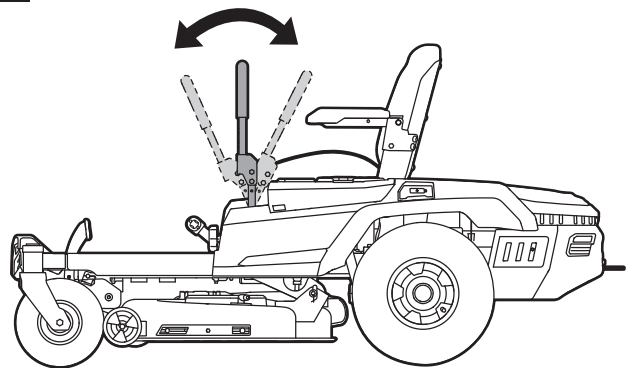
H5

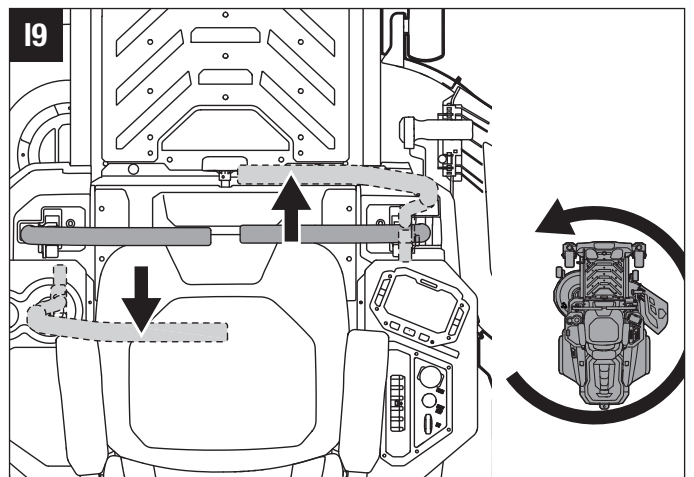
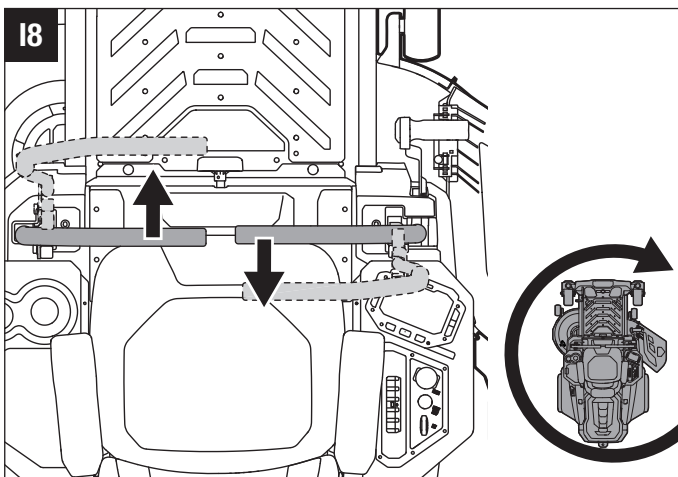
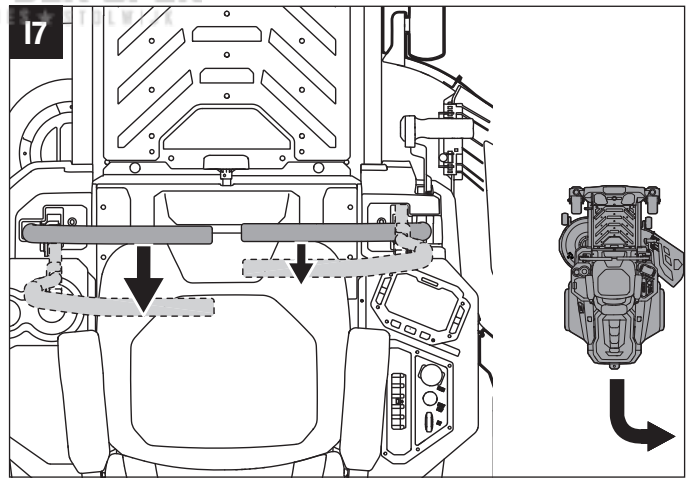
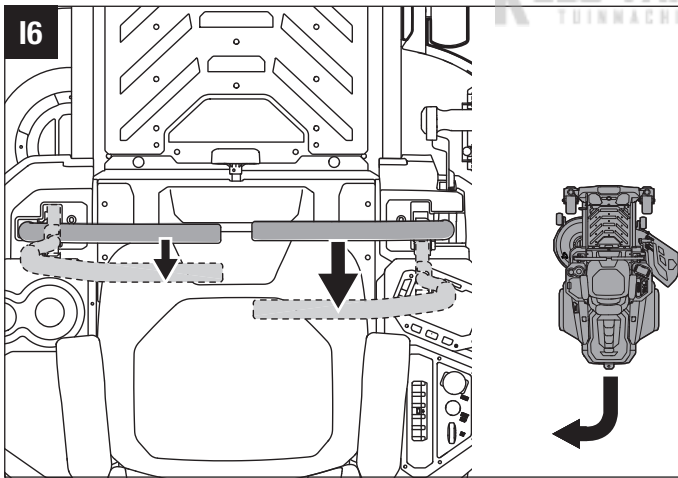
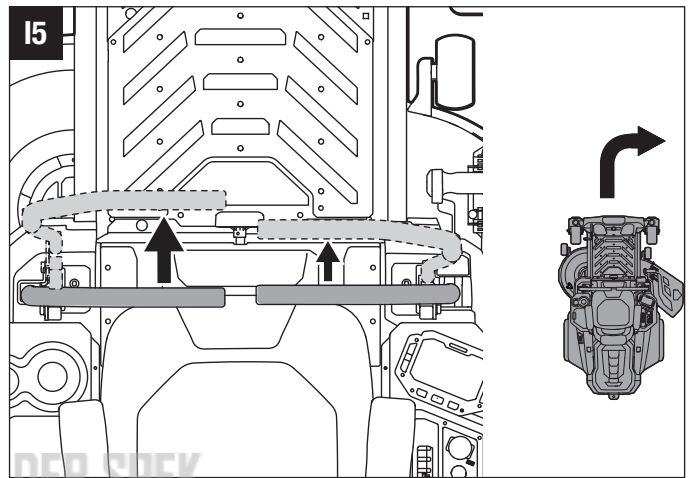
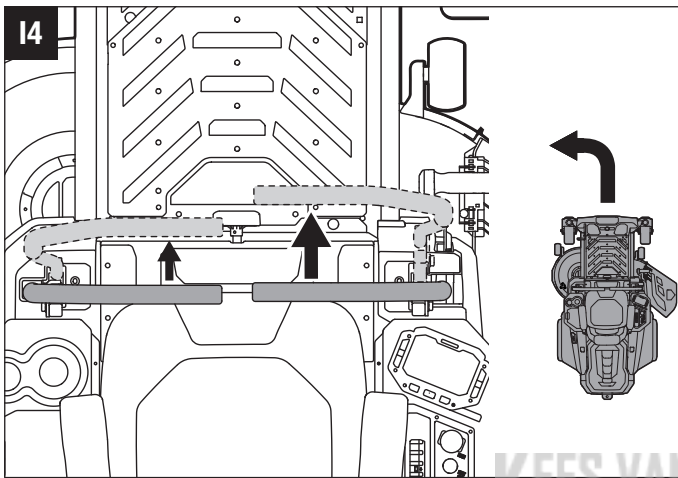
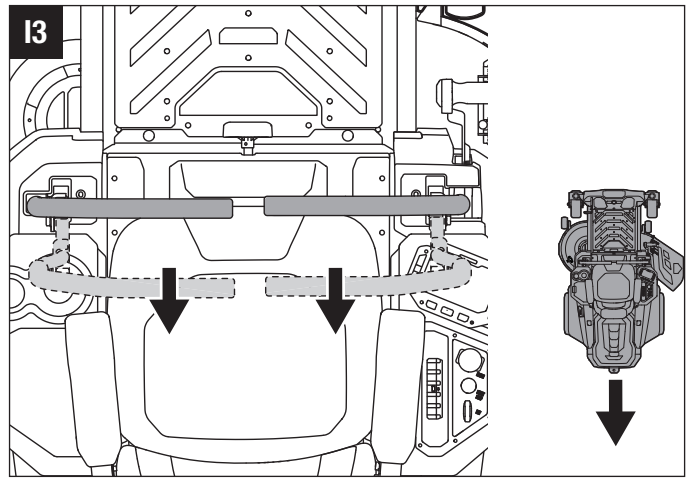
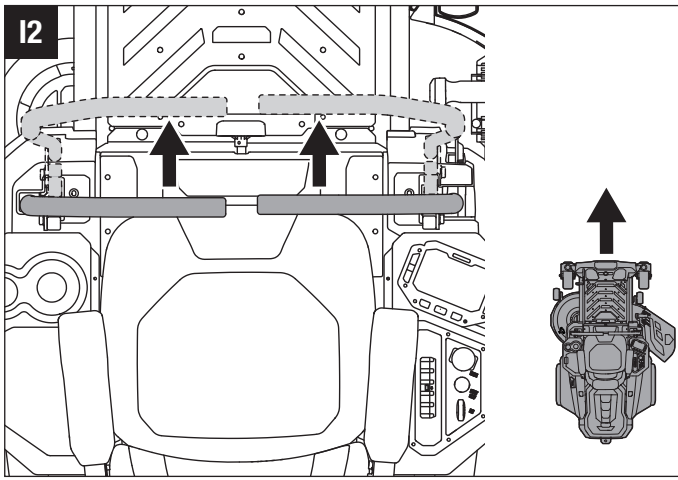


H6

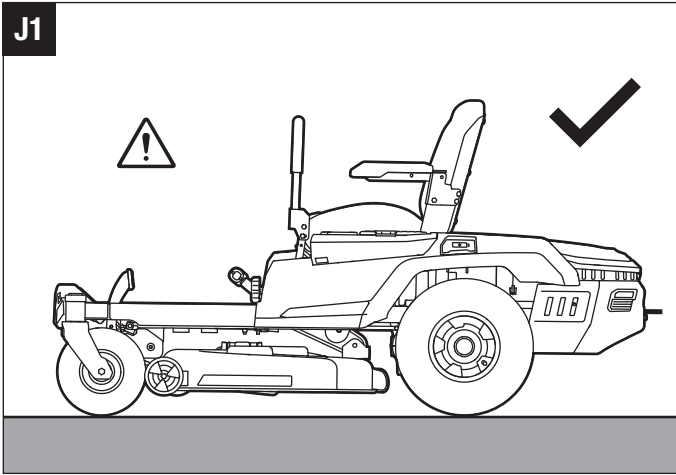


I1

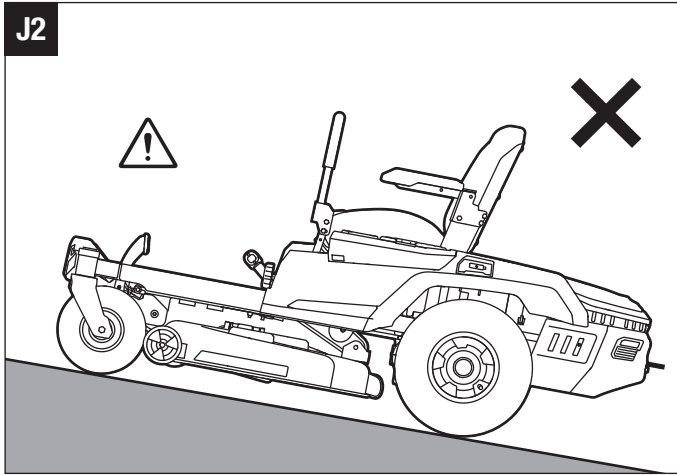




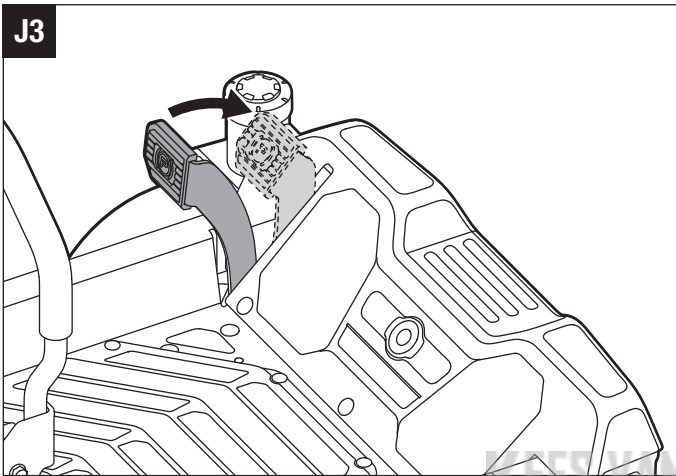
J1



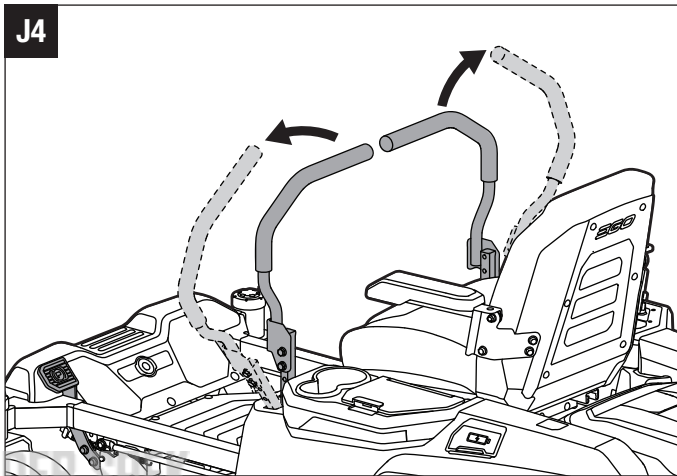
J2



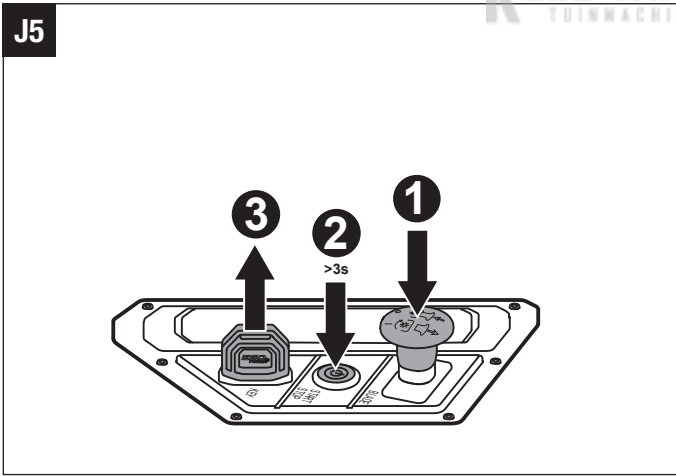
J3



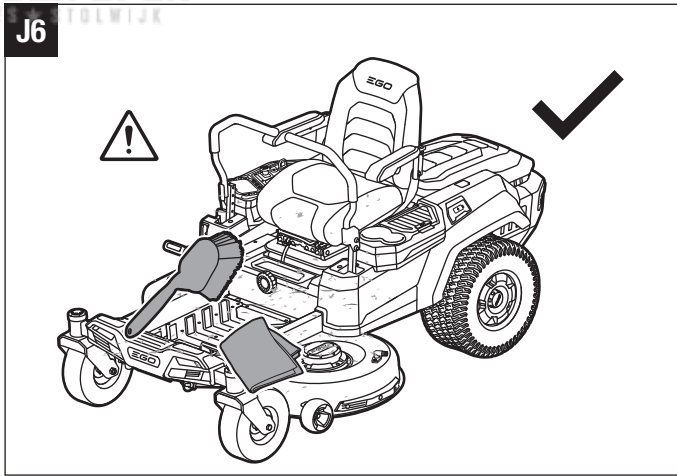
J4



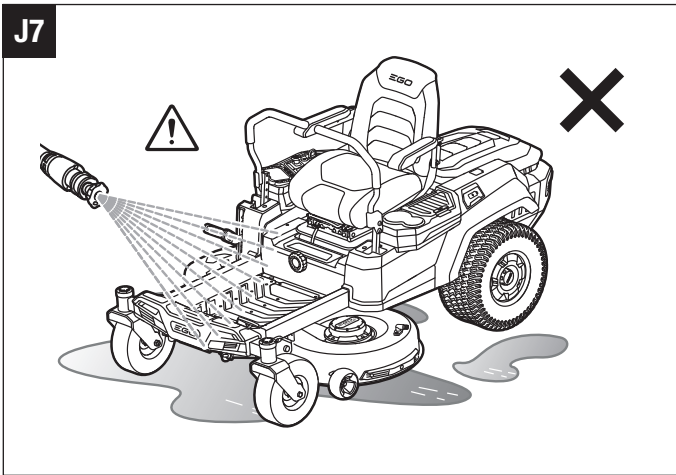
J5



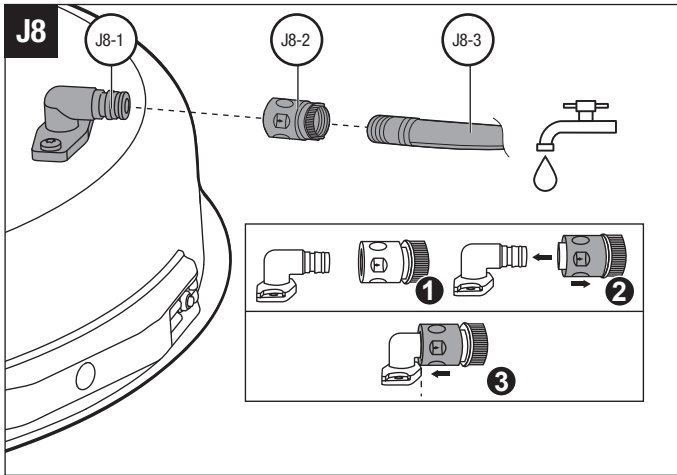
J6



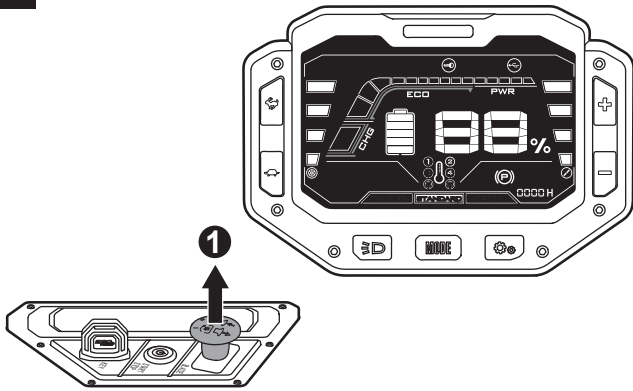
J7



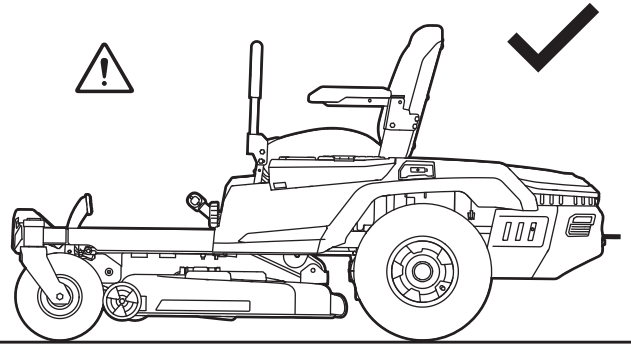
J8



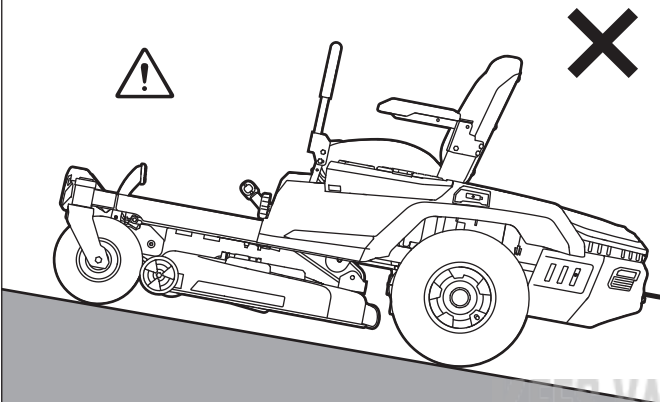
J9



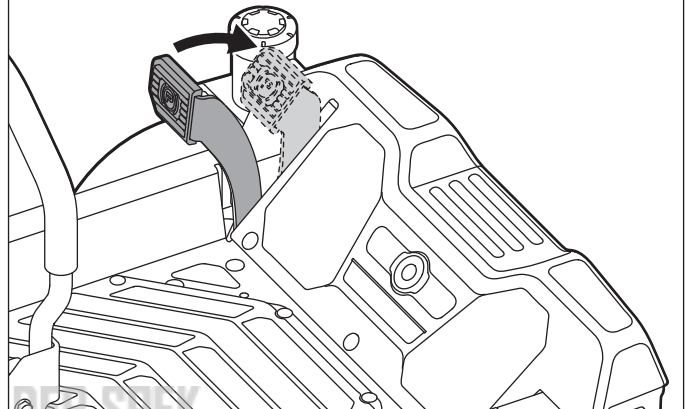
K1



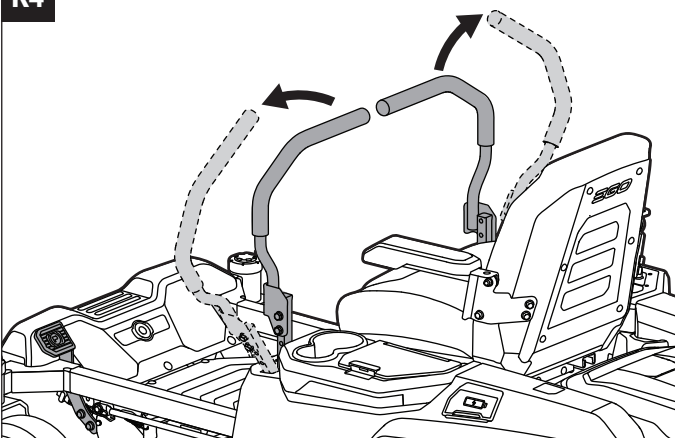
K2



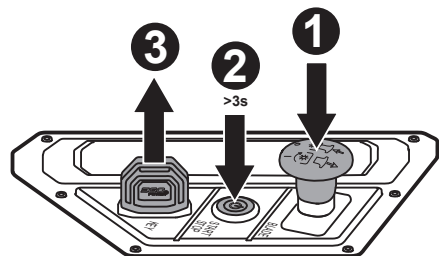
K3



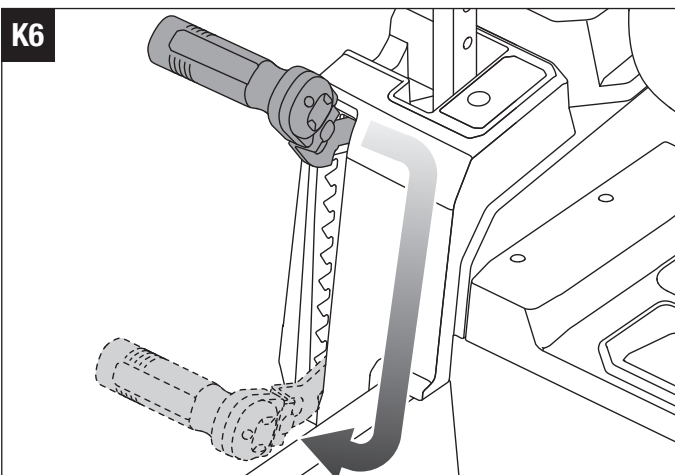
K4

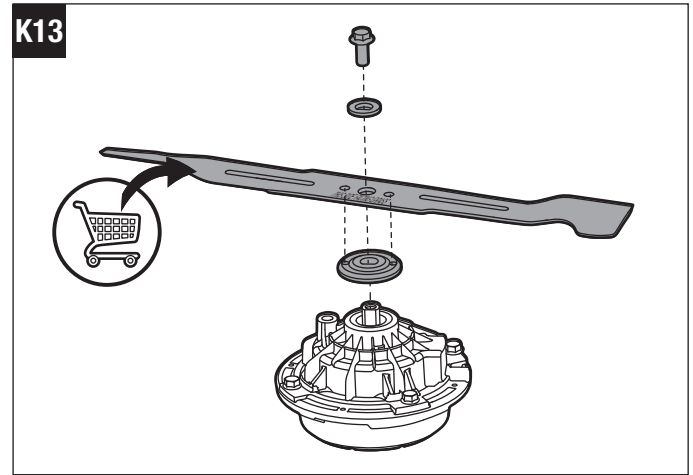
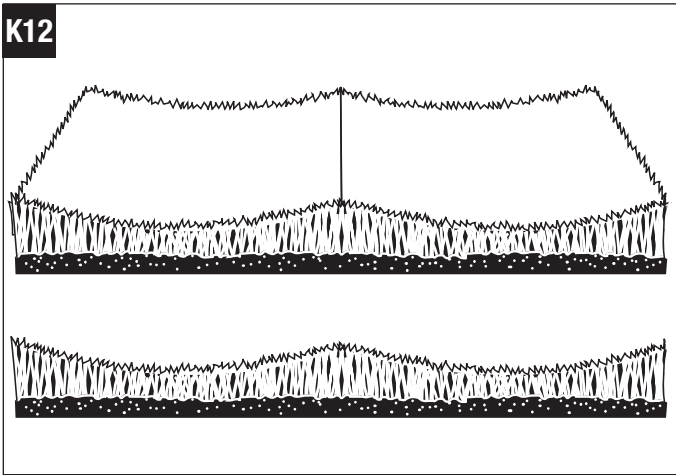
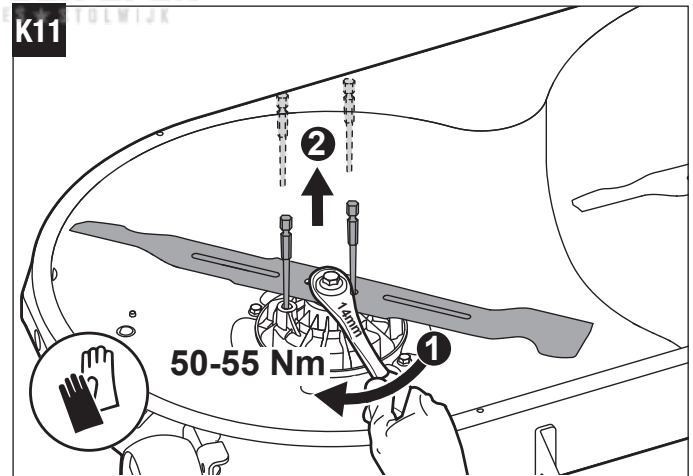
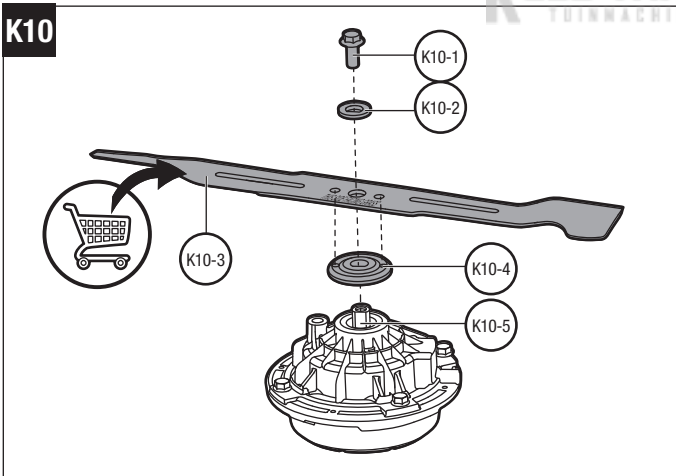
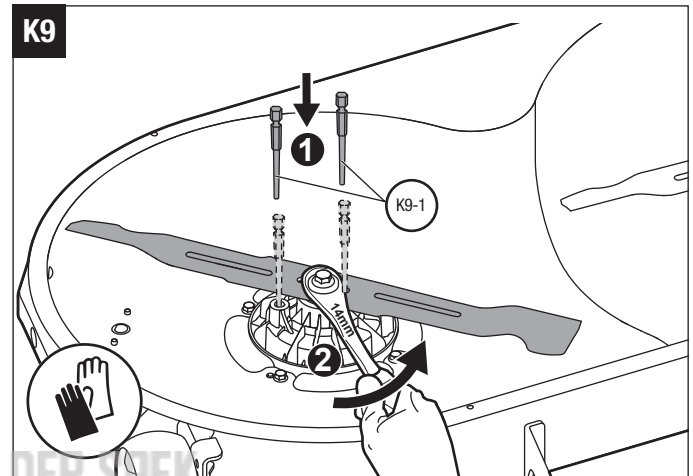
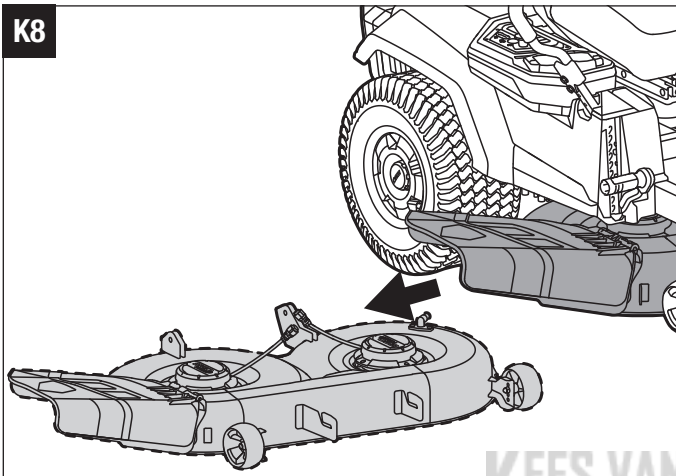
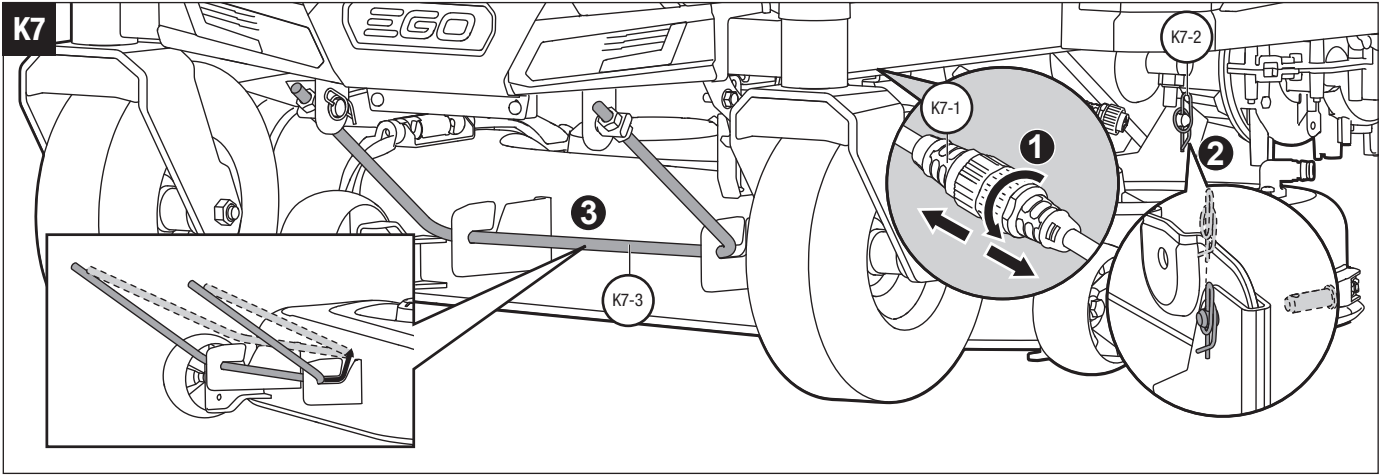


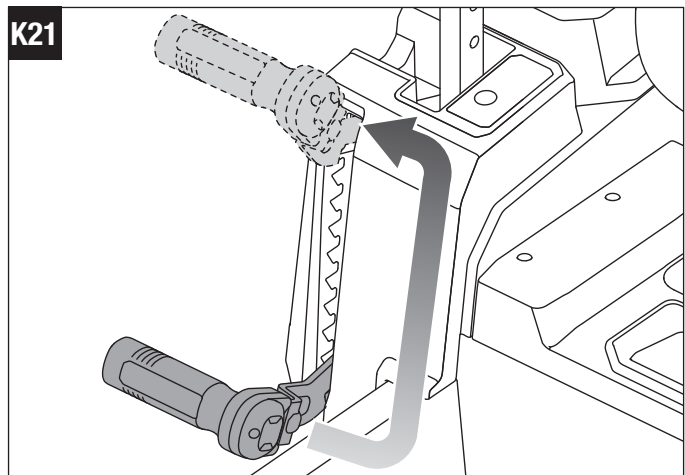
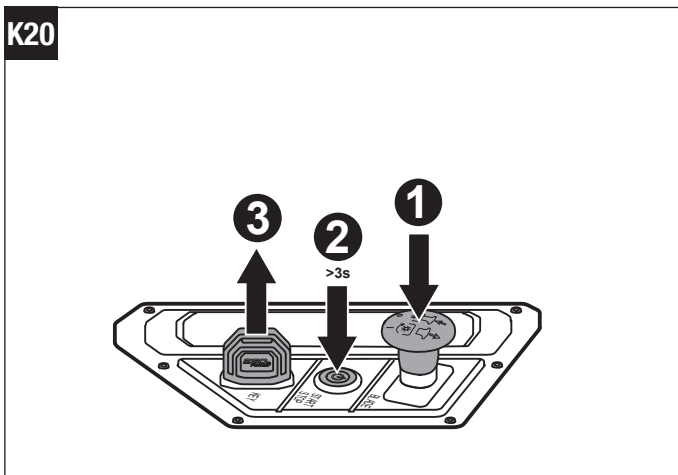
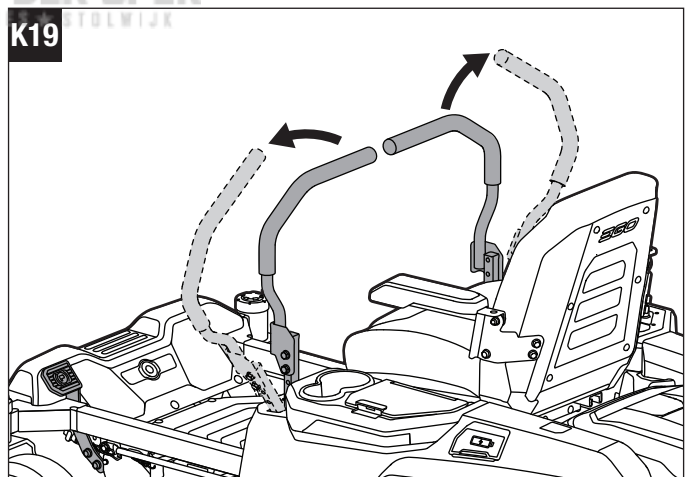
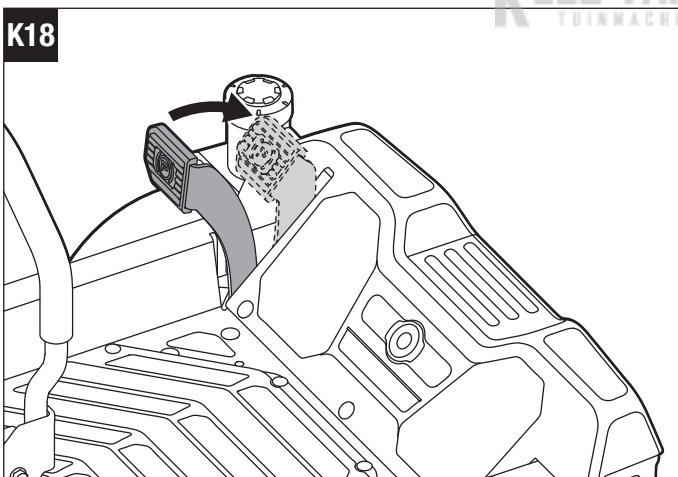
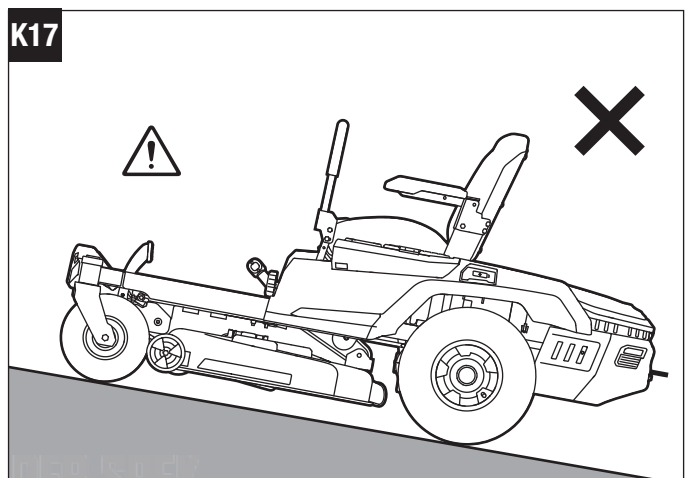
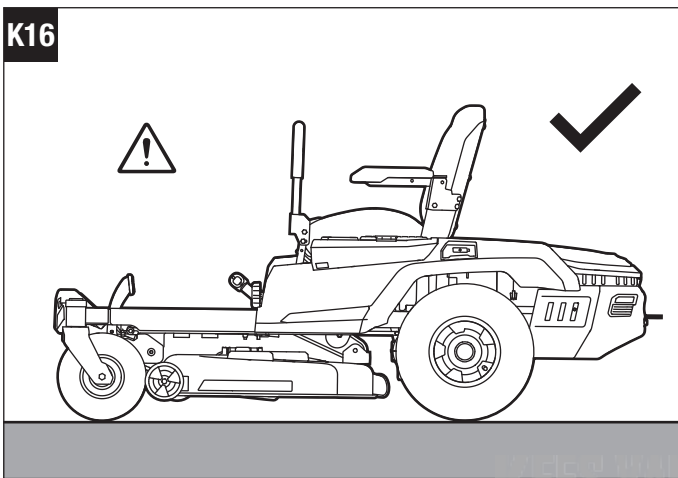
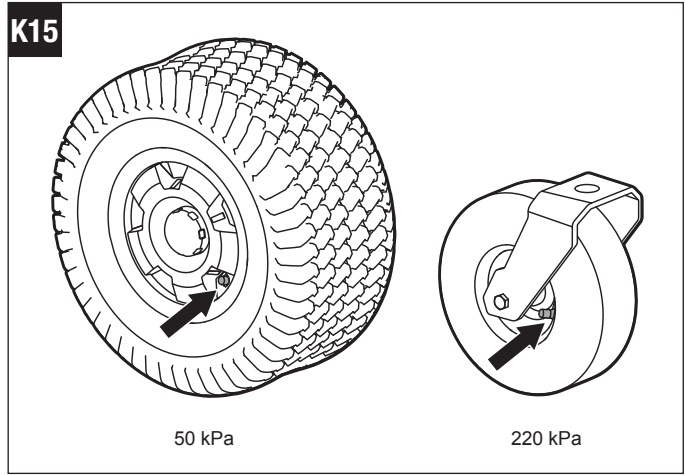
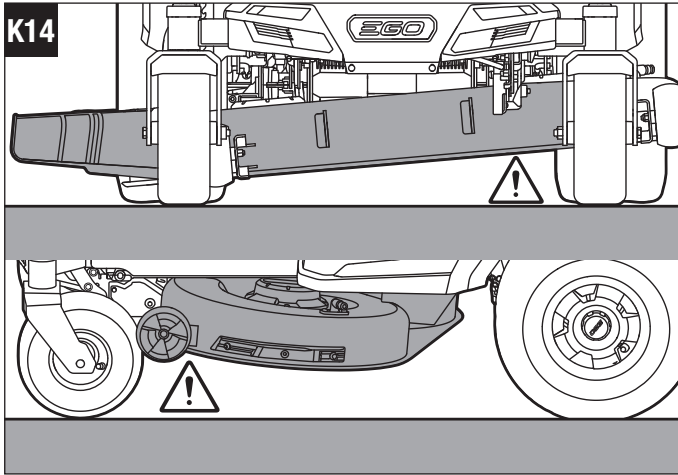
K5

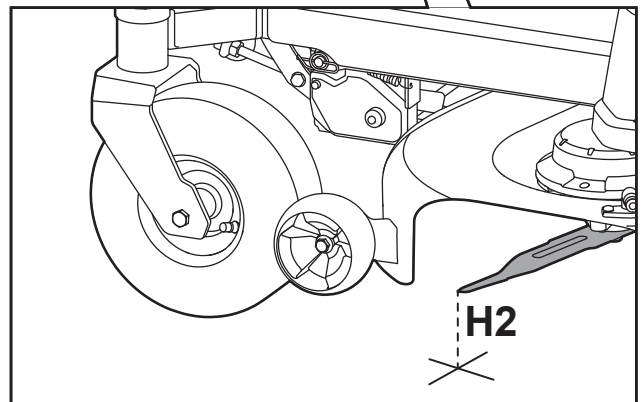
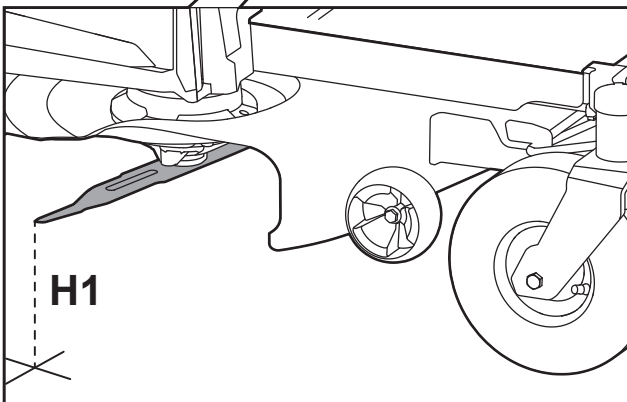
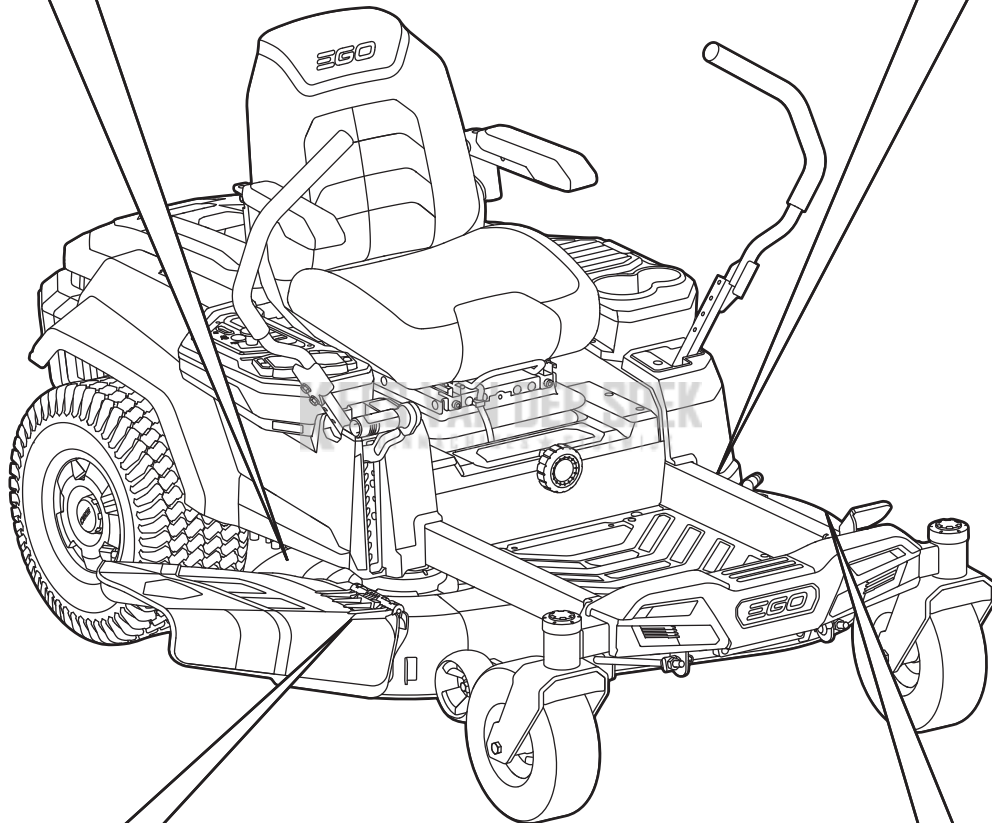
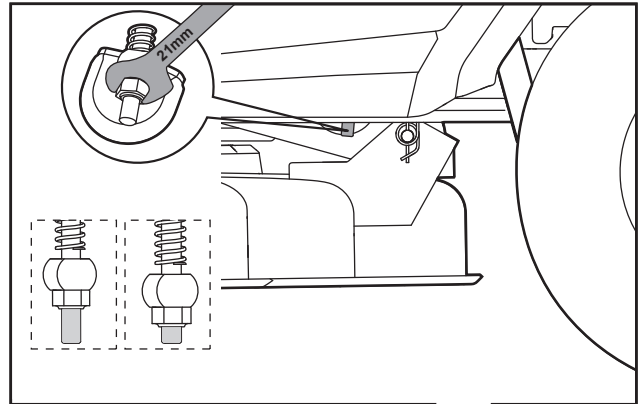
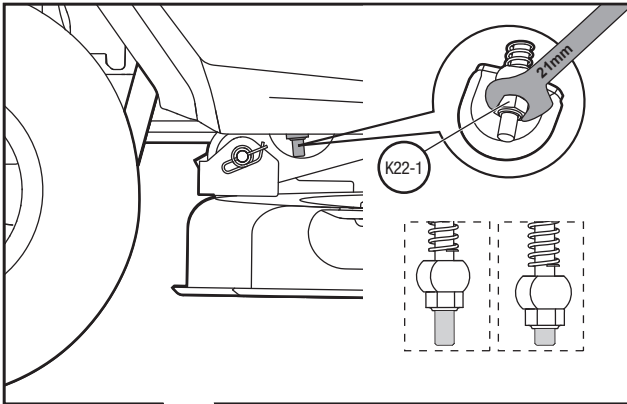


K6

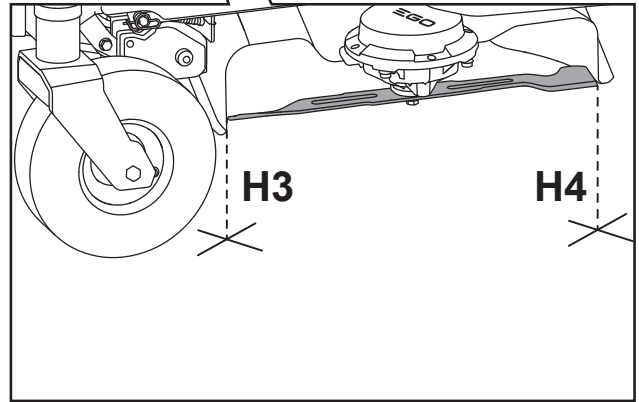
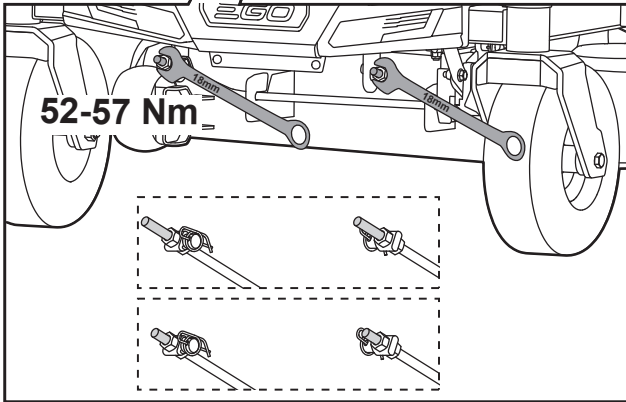
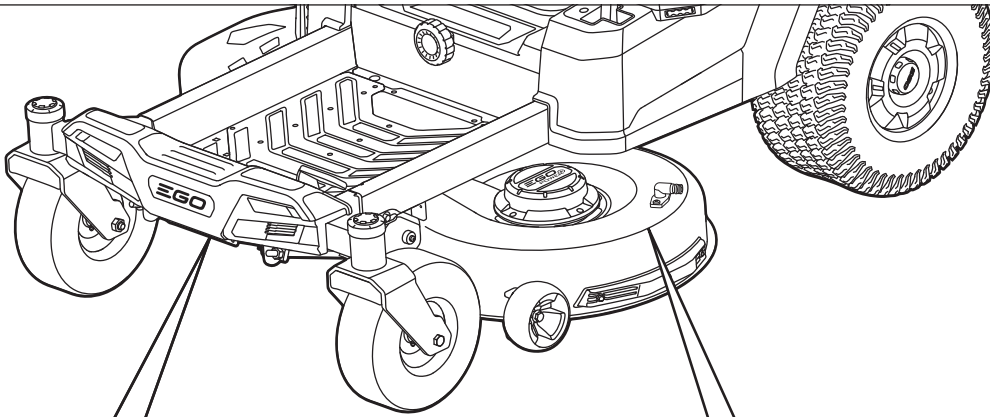




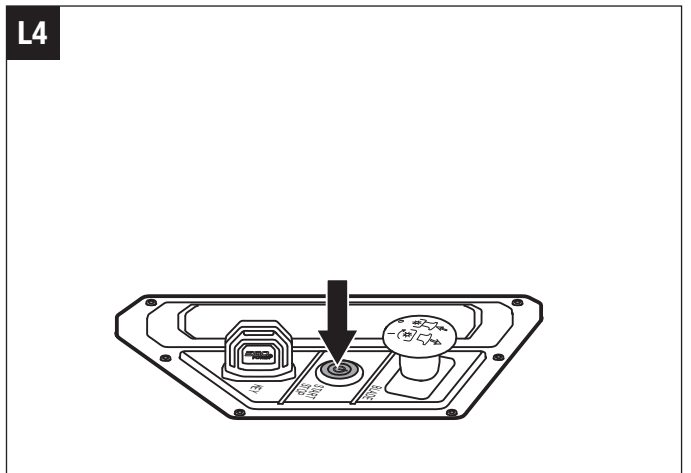
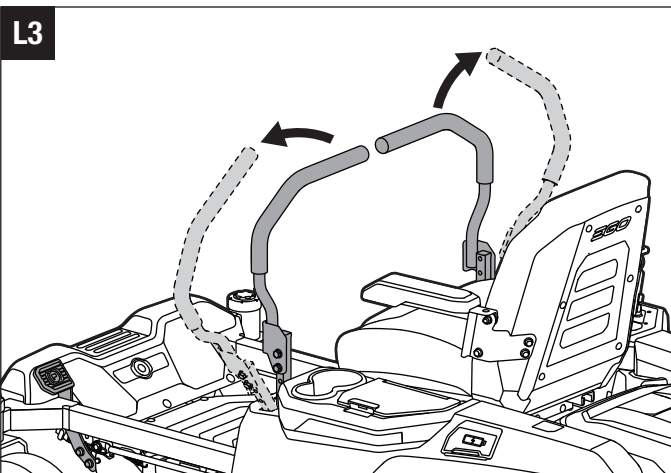
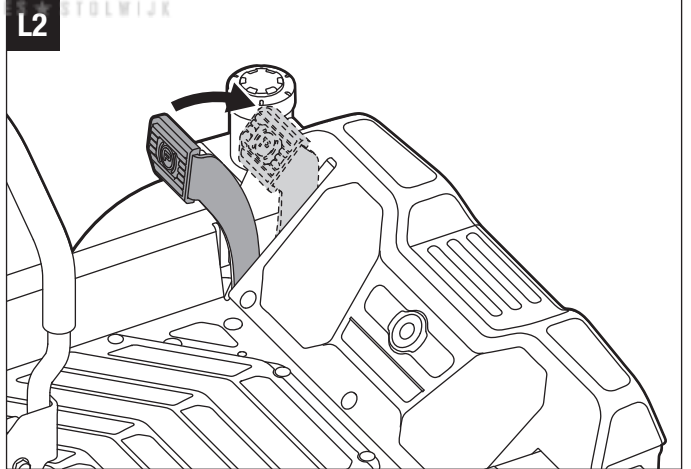
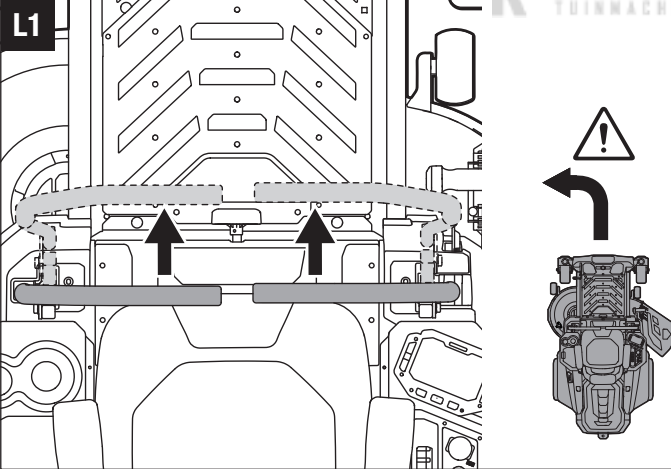




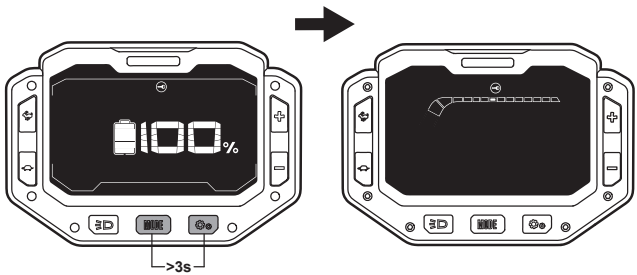
K23



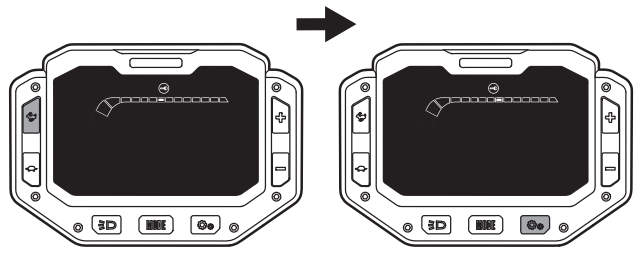
KEES VAN DER SPEK
TUINMACHINEN STOLWIJK



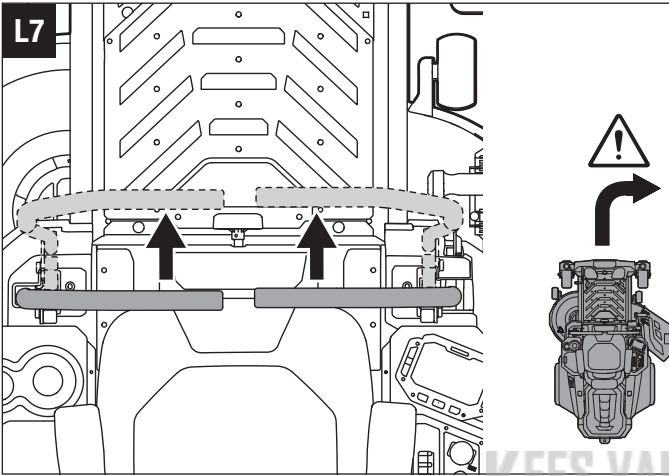
L5



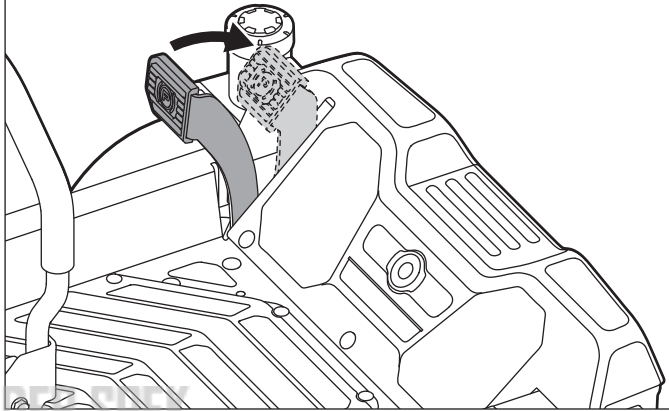
L6



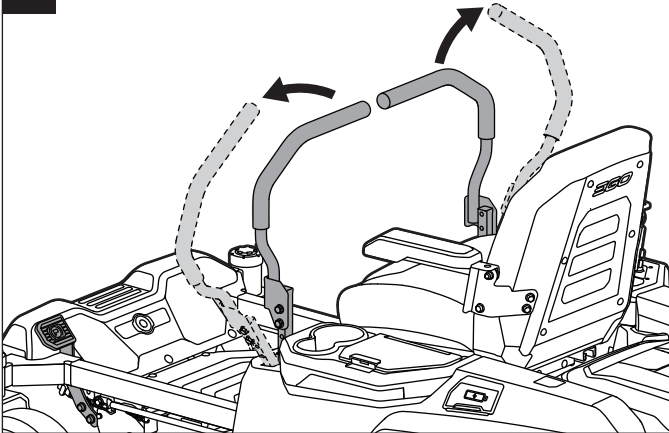
L7



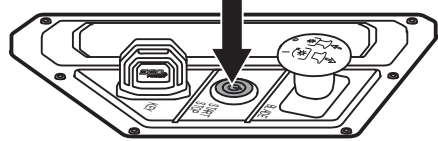
L8



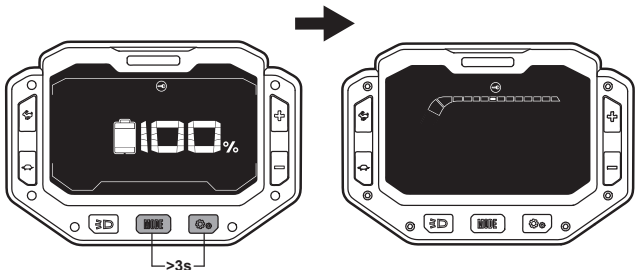
L9



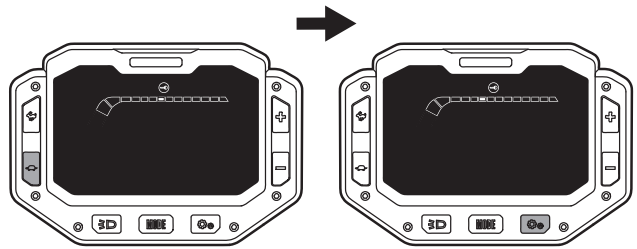
L10



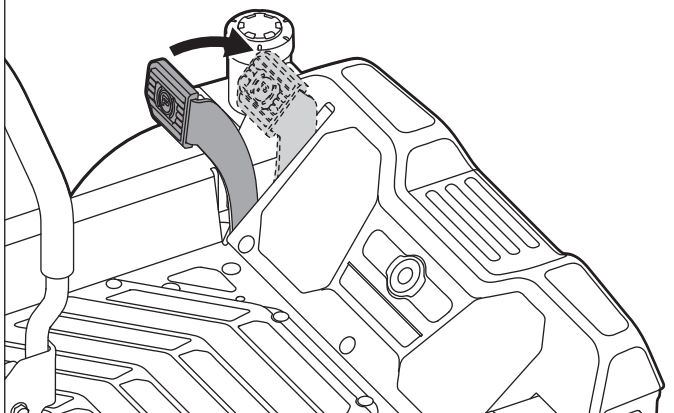
L11



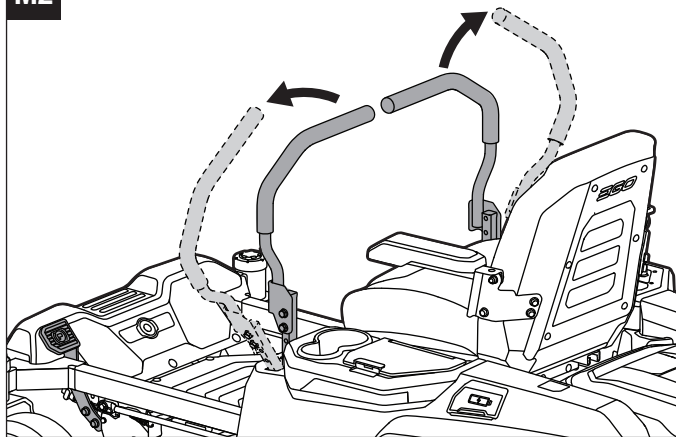
L12



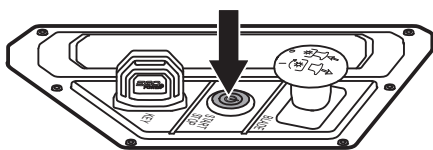
M1



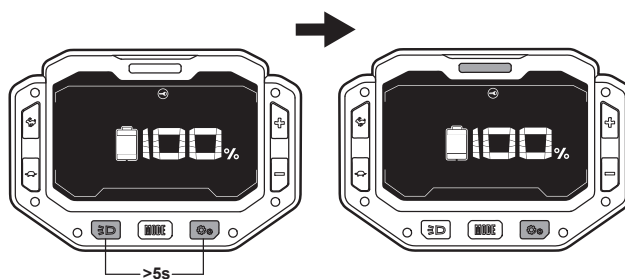
M2



M3

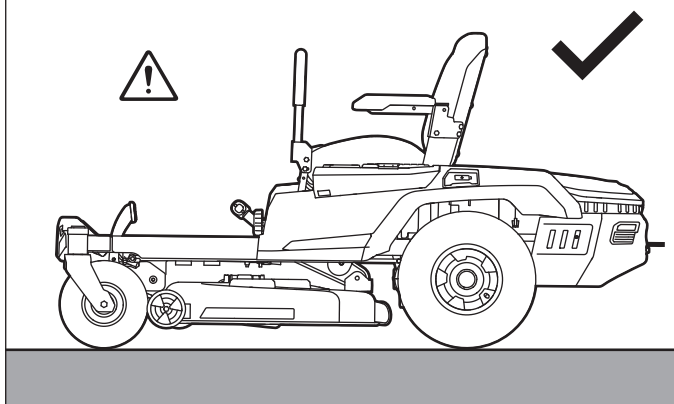


M4

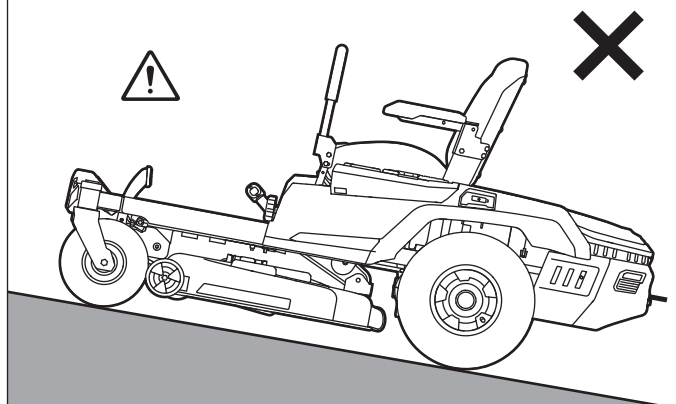


KEES VAN DER SPEK
TUINWAGEN
STOLWIJK

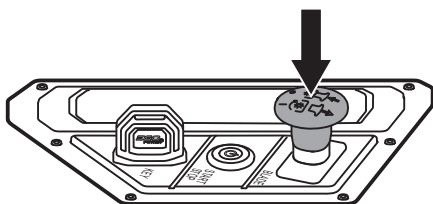
N1



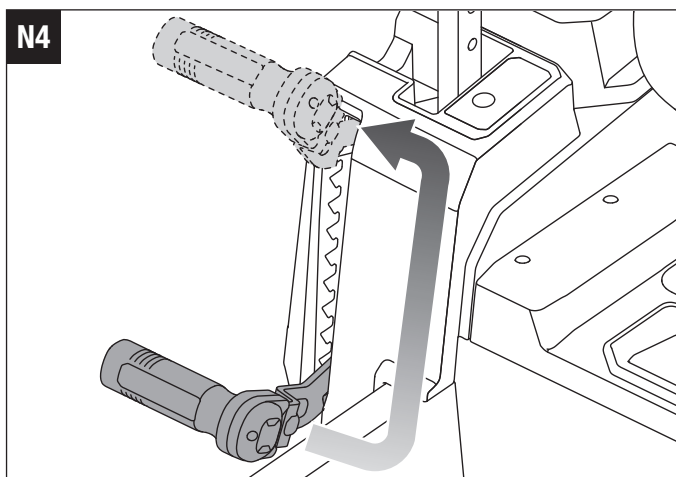
N2

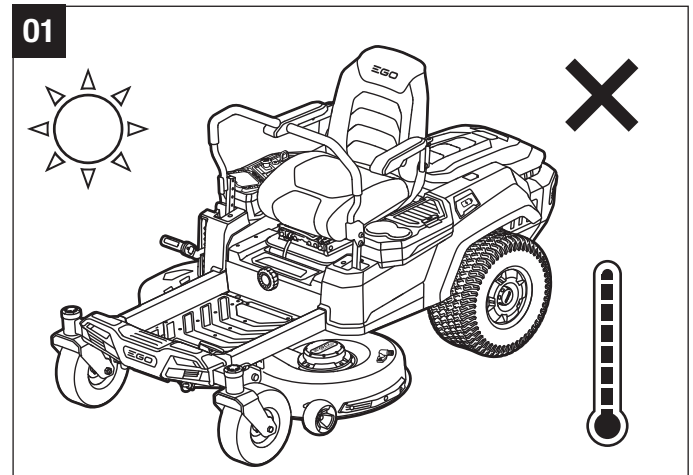
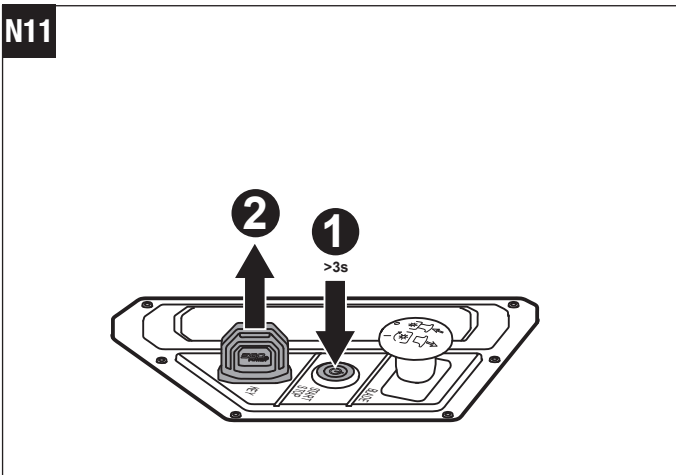
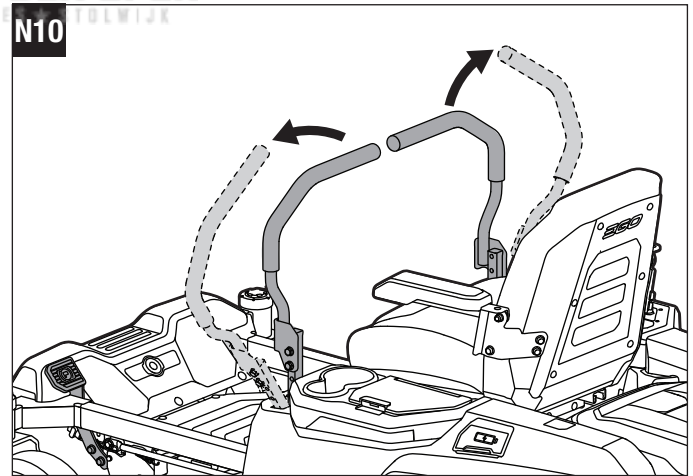
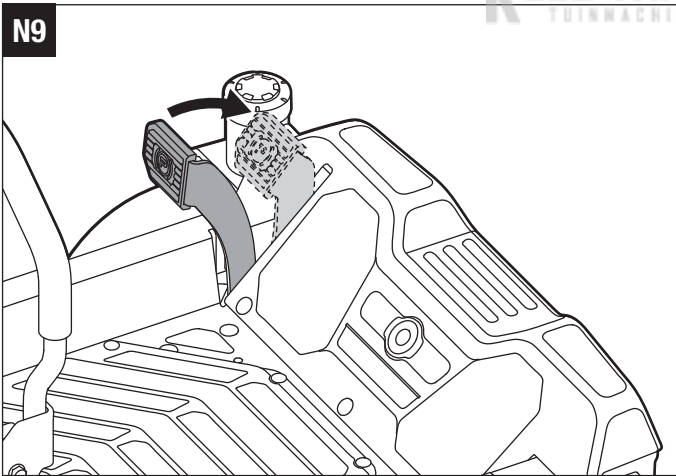
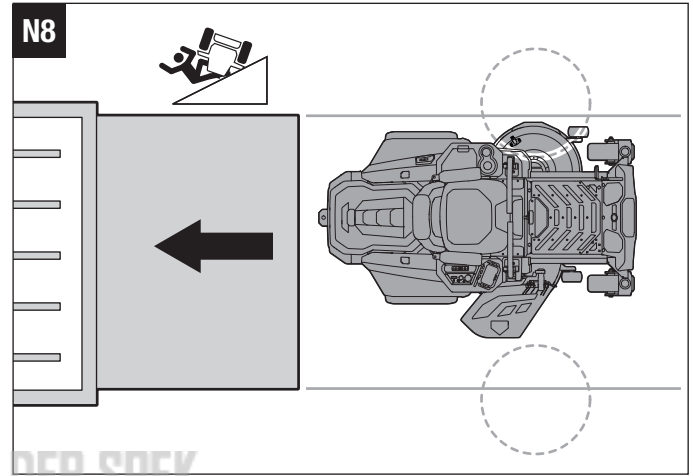
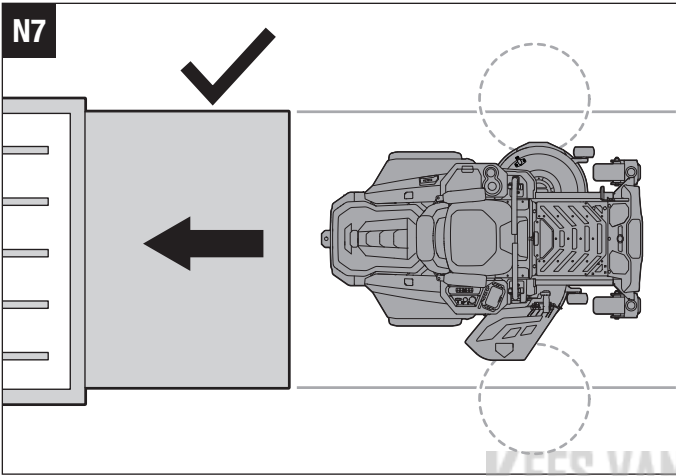
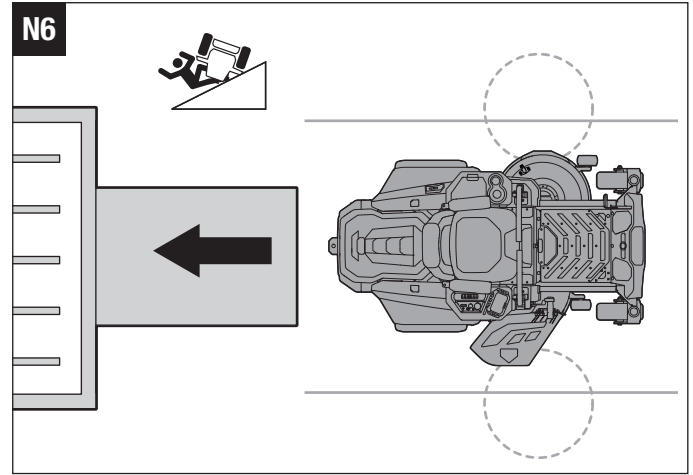
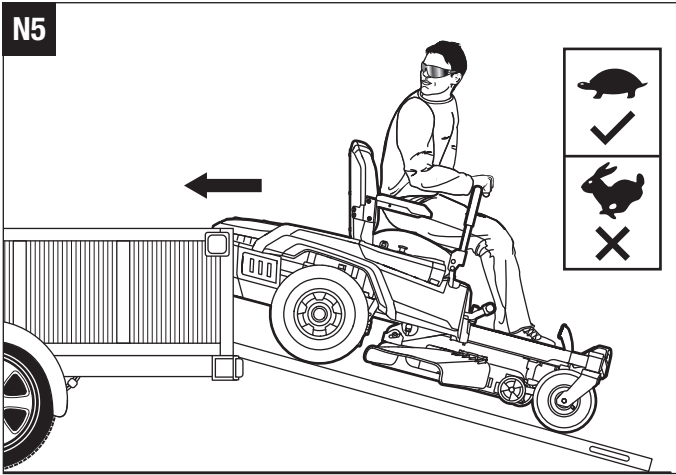


N3

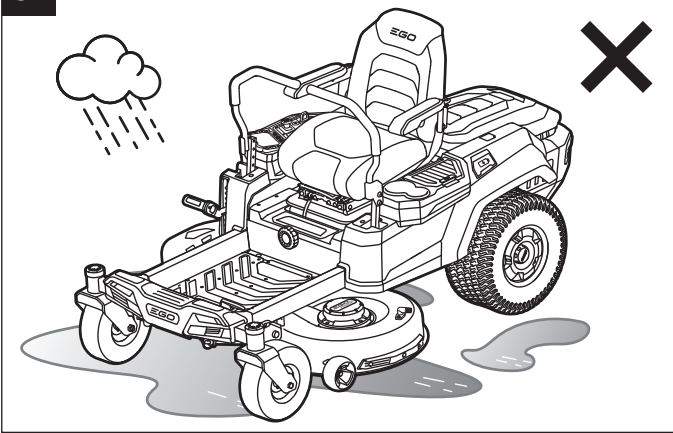


N4

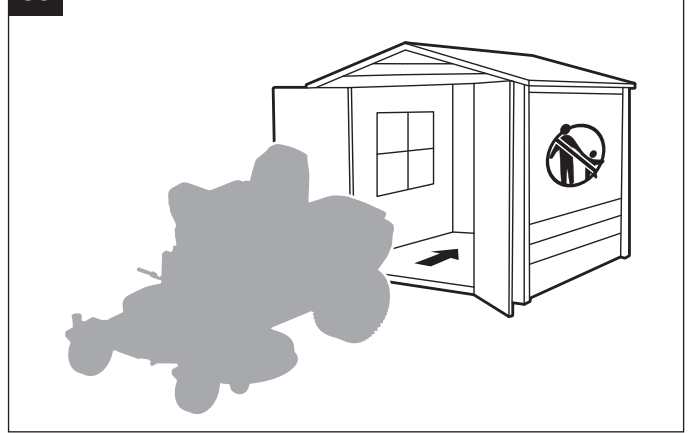




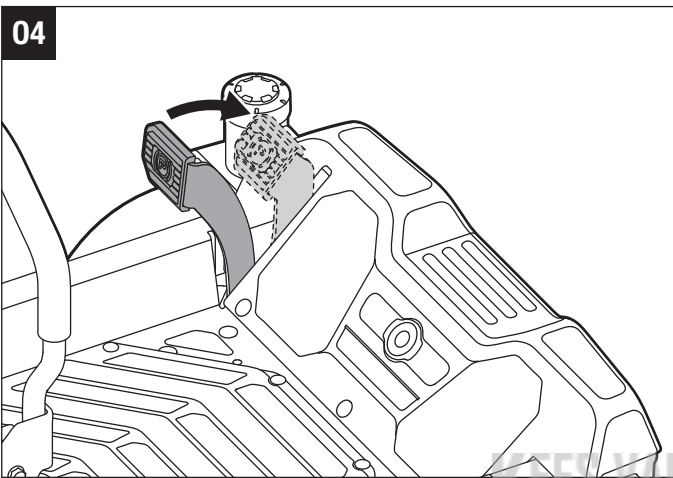
02



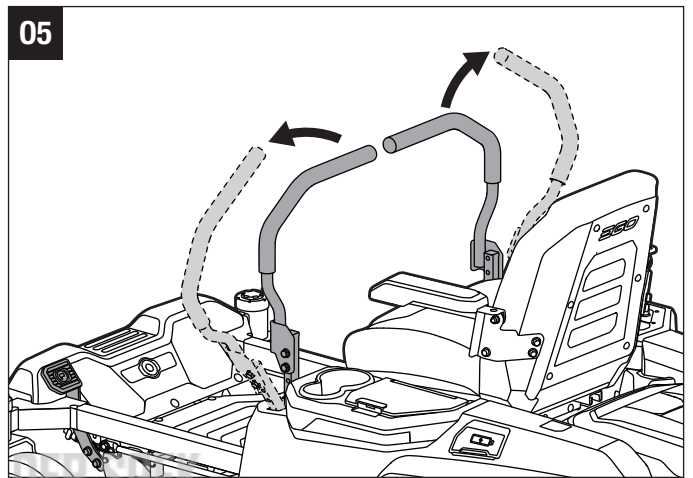
03



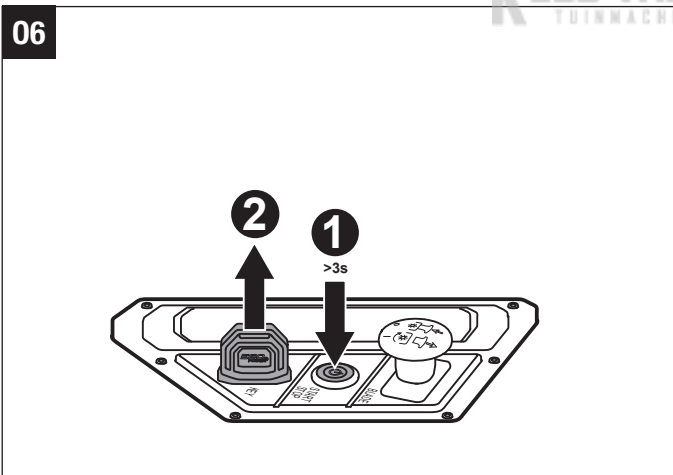
04



05



06



KEES VAN DER SPEK
TUINMACHINES • STOLWIJK

EN READ ALL INSTRUCTIONS!

READ OPERATOR'S MANUAL

⚠ Residual risk! People with electronic devices, such as pacemakers, should consult their physician(s) before using this product. Operation of electrical equipment in close proximity to a heart pacemaker could cause interference or failure of the pacemaker.

SAFETY SYMBOL

The purpose of safety symbols is to attract your attention to possible dangers. The safety symbols and the explanations with them deserve your careful attention and understanding. The symbol warnings do not, by themselves, eliminate any danger. The instructions and warnings they give are no substitutes for proper accident prevention measures.

⚠ WARNING: Be sure to read and understand all safety instructions in this Operator's Manual, including all safety alert symbols such as **"DANGER," "WARNING,"** and **"CAUTION"** before using this tool. Failure to follow all instructions listed below may result in electric shock, fire, and/or serious personal injury.

SYMBOL MEANING

This page depicts and describes safety symbols that may appear on this product. Read, understand, and follow all instructions on the machine before attempting to assemble and operate it.

SAFETY SYMBOLS

	Safety Alert		Read & Understand Operator's Manual
	Eye Protection		Maintain Safety Devices
	DANGER – Steep slope hazard		DANGER – Keep Bystanders Away from the Blades
	Never carry children		Look behind while backing
	WARNING - Do not use this machine on slopes greater than 12°		DANGER – Thrown objects
	WARNING – KEEP HANDS AND FEET AWAY		Guaranteed sound power level. According to the European community's Directive.



Do not step



This product is in accordance with applicable EC directives



Direct Current

kPa

Kilopascal

V

Volt

in

Inch

Nm

Newton meter

°C

Celsius

km/h

Kilometers per hour



Waste electrical products should not be disposed of with household waste. Take to an authorized recycler.



CAUTION – Do not stare at operating lamp.



This product is in accordance with applicable UK legislation.

RPM

Revolutions per minute

m

Meters

cm

Centimeters

mm

Millimeters

kg

Kilogram

IPX4

Ingress Protection Degree

SPECIFICATIONS

Voltage		56 V
Deck Size		107 cm
Wheel Size	Front	11 x 4 in (279.4 mm)
	Rear	18 x 8.5 in (457.2 mm)
Cold Tire Pressure	Front	220 kPa
	Rear	50 kPa
Turning Radius		0
Blade Speed (RPM)		2400, 2600, 2800, 3000
Max. Driving Speed (km/h)	Forward	4.8 km/h, 8 km/h, 9.6 km/h, 11.2 km/h (12.8 km/h in Travel Model)
	Reverse	up to 5.6 km/h
Charging	Charger (Optional)	CHV1600E
	Adaptor (Optional)	ACA1000
	Charging Temperature Range	5°C - 40°C
Cutting-Height Adjustment (10 position)		25 – 100 mm
Operating Temperature		0°C- 40°C
Storage Temperature		-20°C - 70°C
Weight (Without battery pack)		186 kg

Measured sound power level L_{WA}		96.44 dB(A) K=0.68 dB(A)
Sound pressure level at operator's ear L_{PA}		84.3 dB(A) K=3.0 dB(A)
Guaranteed sound power level L_{WA} (measured according to 2000/14/EC)		100 dB(A)
Vibration a_h	Hand	1.221 m/s ² K=1.5 m/s ²
	Body	0.568 m/s ² K=1.5 m/s ²

- The declared vibration total value has been measured in accordance with a standard test method and may be used for comparing one tool with another;
- The declared vibration total value may also be used in a preliminary assessment of exposure.

NOTICE: The vibration emission during actual use of the power tool can differ from the declared value in which the tool is used; In order to protect the operator, user should wear gloves and ear protectors in the actual conditions of use.

EN DESCRIPTION

KNOW THE ELECTRIC ZERO TURN MOWER (Fig. A1&A2)

1. Seat
2. Charging Port
3. Battery Compartment
4. LED Rear Lights
5. Storage Box
6. Cup Holders
7. LED Sidelights
8. Rear Wheel (Drive Wheel)
9. Deck
10. Deck Protector
11. Anti-Scalp Wheel
12. Front Wheel
13. Parking Brake Pedal
14. Running Lights
15. LED Headlights
16. Side Discharge Chute
17. Deck-Height Adjustment Lever
18. Seat-Suspension Adjustment Knob
19. Seat Forward-Back Adjustment Lever
20. Steering Lever
21. Mower Status Indicator
22. LCD Screen
23. PTO Switch
24. Start/Stop Button
25. Safety Key
26. Phone Storage Box
27. Mower Fuel-Gauge & Status Indicator
- 27a. Mower Fuel-Gauge Indicator
- 27b. Mower Status Indicator
28. Foot-Rest Area
29. Power Unit Cover Release Button
30. Power Unit Cover
31. Battery-Release Button
32. Hitch
33. Attachment Mounting Cover
34. Attachment Mounting Cover Storage
35. USB Port

KNOW THE LCD SCREEN & BUTTONS (Fig. A3)

Refer to the section “**MOWER STATUS REFERENCE & FAULT CODE**” for more information about the icons and indicators on the LCD screen.

1. Safety Key Icon
2. LED Lights Icon
3. Auto-Parking Icon
4. USB Icon
5. Blade Speed Indicator
6. Safety Device Status Indicator
7. Hour Meter
8. Battery Icon
9. Over-Heat Icon
10. Driving Mode
11. Error Code Indicator
12. Overload Indicator
13. Low-Power Indicator
14. Driving Speed Indicator
15. Load Indicator
16. Blade Speed Adjustment Button
17. Set Button
18. Driving Mode Button
19. LED Light Switch
20. Driving Speed Adjustment Button
21. Fuel Gauge

UNPACKING

NOTICE: Save the packing materials until you have carefully inspected and satisfactorily operated the product. If any parts in packing list assembled on the machine please instantly contact EGO service.

NOTICE: Except the tools in below packing list, all other tools mentioned in the manuals are just recommended but not provided.

PACKING LIST (Fig. B1)

B1-1	Electric Zero Turn Mower	B1-7	Safety Keys
B1-2	Seat	B1-8	Open-End Wrenches (13mm)
B1-3	Mulching Plug	B1-9	Alley Key
B1-4	Steering Lever	B1-10	Wash-Port Quick Coupler

B1-5	Socket-Head Screws (2 for backup)	B1-11	Operator's Manual
B1-6	Hex Bolts (2 for backup)		

UNPACKING (Fig. B2 – Fig. B3)

RECOMMENDED ACCESSORIES

⚠ WARNING: Use only identical replacement parts listed below. Use of parts that do not meet the original equipment specifications may lead to improper performance and compromised safety.

PART NAME	MODEL NUMBER
Standard Blade	AB4200
High Lift Blade	AB4201
Mulching Plug	AMP4200
Grass Bagger Kit	ABK4200-A

ASSEMBLY

INSTALLING THE SEAT (Fig. C1 & C2)

⚠ WARNING: The safety interlock system must not be disconnected or bypassed. Doing so could cause the mower to operate unexpectedly, resulting in personal injury.

NOTICE: For your safety, the mower may stop driving as the seat switch got disconnect during driving. In this case, please refer to the section “**TROUBLESHOOTING**” for more information.

C1-1	Cable	C1-5	Socket-Head Screws
C1-2	Plug	C2-1	Hook
C1-3	Socket	C2-2	Steel Rails
C1-4	Suspension Base	C2-3	Socket-Head Screws

INSTALLING THE STEERING LEVERS (Fig. C3)

C3-1	Steering Levers	C3-3	Steering lever Mounting Holes
C3-2	Hex Bolts		

ATTACHING THE MULCHING PLUG (Fig. C4)

C4-1	Side Discharge Chute	C4-3	Movable Spring
C4-2	Mulching Plug		

OPERATION

BEFORE USING THE MOWER

Checking environment

- Ensure that the work area is clear of children, bystanders, and pets.
- Clear the work area of objects that may be thrown by the mower blades.
- Check and ensure that the LED lights are in proper status:
 - The headlights, sidelights and rear lights are controlled by the LED light switch.
 - The running lights always keep on during driving.
 - When backing up, if the rear lights are turned off, they will flash to warn bystanders; if the rear lights are turned on, they will remain on.
 - All lights will switch off automatically after more than 3 minutes without operating

Checking the cold tire pressure (Fig. D1)

Checking the mower status and battery charge level

- Mower fuel-gauge indicator (Fig. A2 - 27a)

Each segment of the mower fuel-gauge indicator indicates 20% charge of the inserted battery packs.

NOTICE: The mower fuel gauge indicator and the fuel gauge on the LCD screen indicate the average capacity of the inserted battery packs.

- Mower status indicator (Fig. A1 & Fig. A2 - 27b)

If the status indicator shows green, the mower is ready for driving. If not, Please refer to the section “**MOWER STATUS REFERENCE & FAULT CODE**”

Testing the safety interlock system (Fig. D2 - Fig. D8)

NOTICE: The operator must be on the seat before test.

- Before testing (Fig. D2 – Fig. D4)
- To test the deck-blade system (Fig. D5) then slowly stand up

- c. To test the driving system (Fig. D6 – Fig. D8) then slowly stand up

If the deck-blade system and/or the driving system fails to stop when the operator is off of the seat and if the cause cannot be determined after confirming the plug and socket connection of the seat is well connected, contact your EGO customer service center immediately.

ADJUSTMENT (Fig. E1 – Fig. E13)

Preparation (Fig. E1 – Fig. E5)

Adjusting the cutting-deck height (Fig. E6)

Adjusting the anti-scalp wheels (Fig. E7 – Fig. E10)

E7-1	Anti-Scalp Wheel	E9-2	Lag Bolt
E9-1	Nut	E10-1	Deck Height Label

Adjusting the seat (Fig. E11)

Adjust the seat position to ensure you are able to make firm contact with the parking-brake pedal before operating the mower. Seat suspension adjustment could make you achieve the most comfortable experience on the seat.

E11-1	Seat Forward-Back Adjustment Lever	E11-2	Seat Suspension Adjustment Knob
-------	------------------------------------	-------	---------------------------------

Setting the parking brake (Fig. E12 – Fig. E13)

E13-1	Braking Position	E13-2	Released Position
-------	------------------	-------	-------------------

CHARGING (Fig. F1 – Fig. F11)

In order to start this mower, EGO batteries totaling 15 Ah (2 X BA4200/BA4200T) or more are required. For best performance, we recommended use of EGO batteries that total 30 Ah or more.

Use only with the recommended battery packs and chargers. (Fig. F9 & F10)

Preparation for charging (Fig. F1 – Fig. F4)

Charging the battery pack(s) separately (Fig. F5 – Fig. F9)

F5-1	Cover Release Button	F7-1	Battery Release Button
------	----------------------	------	------------------------

- To attach the battery pack(s) (Fig. F5 – Fig. F6)

- To detach the battery pack(s) (Fig. F7 – Fig. F8)

NOTICE: Charge the battery pack(s) refer to the corresponding battery and charger manuals.

Charging the battery packs via charging port (Fig. F10)

F10-1	Dust Cap	F10-2	Charging Port
-------	----------	-------	---------------

STARTING THE ELECTRIC ZERO TURN MOWER (Fig. A4 – Fig. A5 & Fig. G1 – Fig. G6)

▲ WARNING: Avoid sudden starts, stops, and turns, as well as excessive speed, especially when first learning to operate the mower. The mower can spin rapidly, which may cause you to lose control and result in serious injury and/or damage.

▲ WARNING: Before starting the mower, check and make sure the blades are disengaged when pushing the PTO switch downward. If the blades fail to stop, do not use the mower and contact your EGO customer service immediately.

NOTICE: Follow Fig. A4 & Fig. G2 to get the lowest driving speed and **STANDARD** driving mode until you are fully capable of operating the mower in all situations. The driving speed and driving mode will activate only when the mower wheels are stopped and the steering levers are open.

The mower will save and present the previous setting when restarting it.

Driving-Mode

- **CONTROL:** Lower acceleration, less sensitive handling, and mild turning speed to protect the grass and for new users.
- **STANDARD:** Perfect for everyday use.
- **SPORT:** Higher acceleration, accurate handling, and sharp turning to maximize mowing efficiency and for mowing enthusiasts.

Driving Speed Adjustment (Fig. A4)

Blade Speed Adjustment (Fig. A5)

NOTICE: When in “TRAVEL” mode, press the “”, the driving speed will return to the previous mode.

USB port

NOTICE: The USB port provides charging power of 5 Voltage DC at up a combined draw of 1.5 Amperes and is powered only when the mower is startup.

STOPPING THE ELECTRIC ZERO TURN MOWER (Fig. H1 – Fig. H6)

NOTICE: After more than 60 minutes without operating, the mower will automatically shut off.

Limp-home mode

When battery charge becomes low, the mower will go into Limp-Home mode:

- The mower automatically stop grass cutting;
- The beep indicator will continue to sound;
- The mower status indicator will flash red every second, the first segment of the mower fuel-gauge will flash red and both the low-power indicator and the battery graphics on the fuel gauge will flash.

The operator should:

- a) Push the PTO switch downward (Fig. H3) to disengage the blades. The beep indicator will stop sounding when the blade stops;
- b) Stop working and go to the battery charging area as soon as possible. The maximum distance the mower can travel is 1000 m.

When the battery is nearly depleted, the icon of each occupied battery compartment and low-power indicator will blink every half a second. The mower will stop working immediately. The operator should transport the mower to the battery charging area for charging.

Manual pushing

If manual pushing is needed, be sure that the batteries are disconnected from the mower and the parking-brake pedal is release from the braking position.

DRIVING THE ELECTRIC ZERO TURN MOWER (Fig. I1 – Fig. I9)

To stop, decrease or increase speed, slowly change the steering lever's distance from neutral.

⚠ DANGER: Stay at least two mowing widths (2.14 m) away from any ditches, drop-offs, or water. Front wheels can rotate when the mower is stopped, even with the brake applied, and cause the mower to go over the edge or into the water and result in death or serious personal injury.

⚠ WARNING: Be aware of what is behind the mower before backing up. **DO NOT** mow in reverse unless absolutely necessary. Always look down and behind before and while backing to make sure no children, bystanders, or pets enter the mowing area. Remember that a careless fraction of a second is sufficient to inflict death or serious injury.

⚠ WARNING: Do not operate this machine on public roadways.

⚠ WARNING: If blockage happens or you strike a foreign object, stop the motors and remove the batteries. Remove grass clippings, leaves, dirt and any other accumulated debris; thoroughly inspect the mower for damage and repair the damage before restarting and operating the mower.

MAINTENANCE

⚠ WARNING: Always wear eye protection with side shields. Failure to do so could result in objects being thrown into your eyes resulting in possible serious injury.

⚠ WARNING: Always protect your hands by wearing heavy gloves or wrapping the cutting edges with rags or other materials when performing any maintenance on the mower blade. Always remove the safety key and battery packs when servicing or transporting the mower.

Maintenance Service Interval	Maintenance Procedure
Before each use or daily	<ul style="list-style-type: none"> ■ Check the safety-interlock system. ■ Visually check the tire whether it is flat. ■ Inspect the blades if it is worn, crack or bent. ■ Inspect the entire product for damaged, missing, or loose parts such as side-discharge chute, screws, nuts, bolts, caps, etc., ensuring that all guards are in place and working properly. ■ Check the brake operation.
After each use	<ul style="list-style-type: none"> ■ Clean the mower deck.
Every 25 hours	<ul style="list-style-type: none"> ■ Check the tire pressure.
Every 50 hours	<ul style="list-style-type: none"> ■ Check the grease condition inside the cutting blade flange.
Every 100 hours	<ul style="list-style-type: none"> ■ Check the rear wheels, ensuring that the 4 lug nuts are fastened at the recommended torque.
Every 200 hours	<ul style="list-style-type: none"> ■ Check the front wheels, ensuring that they turn freely.

Annually	<ul style="list-style-type: none"> Check the parking brake pedal. Remove the battery from the mower and set the parking pedal at the braking position. Manually push the mower forwards to see whether the mower can be moved or not. If it moves, have it serviced by a qualified service technician.
----------	---

CLEANING THE MOWER (Fig. J1 – Fig. J9)

Preparation (Fig. J1 – Fig. J5)

Cleaning the mower housing (Fig. J6 - Fig. J7)

Using wash port to clean the mower deck (Fig. J8 - Fig. J9)

J8-1	Wash Port	J8-3	Garden Hose
J8-2	Wash-Port Quick Coupler		

NOTICE: When finishing cleaning, push the PTO switch downward to disengage the mower blades.

MAINTAINING THE MOWER DECK AND THE CUTTING BLADES

Preparation (Fig. K1 – Fig. K6)

Removing the mower deck (Fig. K7 – Fig. K8)

K7-1	Motor Cable	K7-3	Suspension Linkage
K7-2	Cotter Pin		

NOTICE: Disconnect the motor cables and cotter pins on both sides when removing the mower deck.

Replacing the cutting blades (Fig. K9 - Fig. K11)

K9-1	Stabilizer	K10-3	Blade
K10-1	Bolt	K10-4	Flange
K10-2	Washer	K10-5	Motor Shaft

Leveling the mower deck

- a. When to level (Fig. K12 – Fig. K14)
- b. Before leveling
 - Checking the cold tire pressure (Fig. K15)
 - Check the cutting blades. Remove and replace worn, cracked, and/or bent blades as necessary.
- c. Preparation for leveling (Fig. K16 – Fig. K21)
- d. How to leveling

- To make side-to-side adjustment (Fig. K22)

The difference between the distances H1&H2 measured from the bottom edge of each blade to the ground should be within 5 mm.

K22-1	Jam Nut
-------	---------

- To make front-to-rear adjustment (Fig. K23)

The front tip H3 of the blade should be from 2 mm to 10mm lower than the rear tip H4.

CALIBRATING THE MOWER TRACKING SYSTEM (Fig. L1 – Fig. L6 & Fig. L7 – Fig. L12)

NOTICE: The beeping indicator will sound once both when starting calibration and when the calibration is finished.

RESETTING THE MOWER TO INITIAL FACTORY SETTING (Fig. M1 – Fig. M4)

NOTICE: The beeping indicator will sound once both when starting resetting and when the resetting is finished.

STORAGE & TRANSPORT

TRANSPORTING THE MOWER (FIG. N1 – FIG. N11)

NOTICE: Secure the mower as needed, using straps or cables to prevent movement during transport. When loading or unloading the mower, do not exceed the maximum recommended operation angel of 12° between ramp and the ground.

STORAGE (Fig. O1 – Fig. O6)

NOTICE: Remove the battery packs and store the batteries refer to the corresponding manuals.


Clean and check the mower before storage refer to the sections “**CLEANING THE MOWER**” and “**RECOMMENDED MAINTENANCE SCHEDULE(S)**”.


Protecting the environment



WEEE (Waste Electrical and Electronic Equipment) Do not dispose of electrical equipment, used battery and charger into household waste! Take this product to an authorized recycler and make it available for separate collection. Electric tools must be returned to an environmentally compatible recycling facility.

TROUBLESHOOTING

PROBLEM	CAUSE	SOLUTION
<p>The electric zero turn mower fails to drive when the two steering levers are pushed forward or backward at the beginning.</p>  <p>Steering level icon blinks</p>	<ul style="list-style-type: none"> The combined Ah of the inserted batteries is less than 15 Ah. 	<ul style="list-style-type: none"> In order to start this mower, EGO batteries totaling 15 Ah (2 X BA4200/BA4200T) or more are required. For best performance, we recommend use of batteries that total 30 Ah or more.
	<ul style="list-style-type: none"> The parking brake pedal is set in the braking position. 	<ul style="list-style-type: none"> Fully depress the parking brake pedal to release it from the braking position.
	<ul style="list-style-type: none"> The steering levers are not in the open position when starting the mower. 	<ul style="list-style-type: none"> Return the steering levers to the open position and restart the mower.
	<ul style="list-style-type: none"> The operator is not sitting on the seat. 	<ul style="list-style-type: none"> Only when the operator correctly sits on the seat, can he operate the mower.
	<ul style="list-style-type: none"> The seat switch is not connected correctly. 	<ul style="list-style-type: none"> Remove the battery from the mower and disassemble the seat in the reverse order of the instructions in section “INSTALLING THE SEAT” in this manual to inspect the seat switch connection. Reassemble the seat and follow the instructions in “STARTING THE ELECTRIC ZERO TURN MOWER” to restart the mower to see if the mower can be started. If not, contact a qualified service technician for repair.
	<ul style="list-style-type: none"> Under extreme cold weather, the driving function may not start successfully due to the low temperature protection. 	<ul style="list-style-type: none"> Always store the mower and battery in warm environment. Restart the mower when it is warmed up. Please do not make repeated attempts under extreme cold weather which may damage the machine. Recommended operating temperature is 0°C-40°C.
<p>The electric zero turn mower stops driving.</p>	<ul style="list-style-type: none"> Steering levers require a “reset”. 	<ul style="list-style-type: none"> Return the steering levers to the open position and restart the mower.
	<ul style="list-style-type: none"> The electric controlling components of the steering levers are failed. 	<ul style="list-style-type: none"> Contact a qualified service technician for repair.
	<ul style="list-style-type: none"> The seat switch got disconnected during driving on a rough terrain. 	<ul style="list-style-type: none"> Remove the battery from the mower and disassemble the seat in the reverse order of the instructions in section “INSTALLING THE SEAT” in this manual to inspect the seat switch connection. Reassemble the seat and follow the instructions in “STARTING THE ELECTRIC ZERO TURN MOWER” to restart the mower to see if the mower can be started. If not, contact a qualified service technician for repair.

PROBLEM	CAUSE	SOLUTION
The driving speed/ driving mode cannot be adjusted during driving.	<ul style="list-style-type: none"> ▪ This is a feature of the electric zero turn mower for safe driving. 	<ul style="list-style-type: none"> ▪ The function will activate only when the mower wheels are stopped and the steering levers are open.
The electric zero turn mower fails to start the blades when the PTO switch is engaged.  PTO Switch icon blinks	<ul style="list-style-type: none"> ▪ The combined Ah of the inserted batteries is less than 15 Ah. 	<ul style="list-style-type: none"> ▪ In order to start this mower, EGO batteries totaling 15 Ah (2 X BA4200/BA4200T) or more are required. For best performance, we recommend use of batteries that total 30 Ah or more.
	<ul style="list-style-type: none"> ▪ The PTO switch is not pushed down when the mower is stopped last time. 	<ul style="list-style-type: none"> ▪ Push the PTO switch downward and restart the mower's blades.
	<ul style="list-style-type: none"> ▪ The mower is overloaded at the moment the blades starting, resulting in motor self-protection. 	<ul style="list-style-type: none"> ▪ Start the mower grass cutting in lower blade speed first and until the blades are getting successes rotation, do not accelerate the blade speed as needed.
	<ul style="list-style-type: none"> ▪ Under extreme cold weather, the blade motor may not start successfully due to the low temperature protection. 	<ul style="list-style-type: none"> ▪ Always store the mower and battery in warm environment. Restart the mower when it is warmed up. Please do not make repeated attempts under extreme cold weather which may damage the machine. Recommended operating temperature is 0°C-40°C.
	<ul style="list-style-type: none"> ▪ The blade interferes with the deformed mower deck. 	<ul style="list-style-type: none"> ▪ Contact a qualified service technician for repair.

PROBLEM	CAUSE	SOLUTION
The blades stop working during grass cutting.	<ul style="list-style-type: none"> The mower is overloaded. 	<ul style="list-style-type: none"> Raise the deck cutting height or slow down the driving speed to reduce the load of the mower.
	<ul style="list-style-type: none"> The mower deck is clogged with grass and debris. 	<ul style="list-style-type: none"> Clean the mower deck and make certain that the blades have freedom of movement.
	<ul style="list-style-type: none"> The mower is overheated. 	<ul style="list-style-type: none"> Reduce the load of the mower, by raising the deck cutting height or slowing down the blade/driving speed and allow the mower to cool.
	<ul style="list-style-type: none"> The battery pack(s) in the mower's battery compartment is overheated, resulting in combined Ah rating of all inserted batteries to be below 15 Ah. 	<ol style="list-style-type: none"> If the combined battery Ah rating is less than 15 Ah, the mower will not work until more battery packs are inserted into the vacant battery components. Once the overheated battery returns to normal temperature, it will join in powering the mower immediately.
		<ol style="list-style-type: none"> Reduce the load of the mower by raising the deck cutting height or slowing down the mowing when resuming operation.
	<ul style="list-style-type: none"> The mower is in Limp-Home mode. 	<ul style="list-style-type: none"> When the mower is in Limp-Home mode, the blades are automatically switched into low rotation speed without grass cutting. The operator should stop working and go to the battery charging area as soon as possible.
<ul style="list-style-type: none"> The mower is hit a foreign object, resulting in motor self-protection. 	<ul style="list-style-type: none"> Push the PTO switch downward and restart the mower blades. 	
The beeping indicator continues sounding.	<ul style="list-style-type: none"> The mower is in Limp-Home mode and the blades are not turned off. 	<ul style="list-style-type: none"> Push the PTO switch down to disengage the deck blades. The beeping indicator will stop sounding when the blade stops.
	<ul style="list-style-type: none"> The mower stops driving on a slope and the operator opens the steering levers and is off the seat without setting the parking brake pedal at the braking position. 	<ul style="list-style-type: none"> Set the parking brake pedal in the braking position before leaving the mower on the slope.

PROBLEM	CAUSE	SOLUTION
The battery indicators are still on when the mower is turned off.	<ul style="list-style-type: none"> When the mower is turned off on level ground without removing the battery pack(s) from the mower, the battery indicators will remain illuminated for 3 minutes. 	<ul style="list-style-type: none"> No action is needed. The battery indicators will go off after a period.
	<ul style="list-style-type: none"> When the mower is turned off on a slope without setting the parking brake pedal at the braking position, the battery indicators will keep on until the battery charge is depleted. The beeping indicator keeps sounding at the same time. 	<ul style="list-style-type: none"> Set the parking brake pedal in the braking position before the operator leave the tool on the slope.
The LCD screen fails to be illuminated with all icons on.	<ul style="list-style-type: none"> The pressing time on the start/stop button is less than 3 seconds. 	<ul style="list-style-type: none"> The LCD screen will only display “Fuel Gauge” when the start/stop button is pressed briefly.
		<ul style="list-style-type: none"> The LCD screen will turn on after the start/stop button has been pressed for 3 seconds.
The mower cuts unevenly, with significant height difference front to rear.	<ul style="list-style-type: none"> The blades are dull. 	<ul style="list-style-type: none"> Sharpen or replace the cutting blade as instructed in this manual.
	<ul style="list-style-type: none"> The blades are bent. 	<ul style="list-style-type: none"> Replace the bent cutting blade following the instructions in section “REPLACING THE CUTTING BLADES”.
	<ul style="list-style-type: none"> The mower deck is not leveled, resulting in different cutting blade height. 	<ul style="list-style-type: none"> Level the mower deck following the instructions in section “LEVELING THE MOWER DECK”.
The actual grass cutting height is not aligned with the claimed height.	<ul style="list-style-type: none"> The mower deck nuts are loosened on the suspension linkage 	<ul style="list-style-type: none"> Follow the instructions in section “LEVELING THE MOWER DECK” to make correct front-to-rear adjustment for the mower deck and securely tighten the four nuts on the suspension linkage (two for each side).
	<ul style="list-style-type: none"> The mower deck is damaged or seriously worn. 	<ul style="list-style-type: none"> Follow the instructions in section “REMOVING THE MOWER DECK” to have mower deck replacement.
The mower does not mulch properly.	<ul style="list-style-type: none"> Wet grass clippings are sticking to the underside of the deck. 	<ul style="list-style-type: none"> Wait until the grass dries before mowing.
	<ul style="list-style-type: none"> The mower is set to cut too much grass at once. 	<ul style="list-style-type: none"> Raise the deck cutting height.

PROBLEM	CAUSE	SOLUTION
There is excessive vibration.	<ul style="list-style-type: none"> The cutting blades are loose. 	<ul style="list-style-type: none"> Tighten the blade bolt to the recommended torque 50-55 Nm.
	<ul style="list-style-type: none"> The blades are bent. 	<ul style="list-style-type: none"> Replace the bent cutting blade following the instructions in section “REPLACING THE CUTTING BLADES”.
	<ul style="list-style-type: none"> The mower deck is not leveled. 	<ul style="list-style-type: none"> Level the mower deck following the instructions in section “LEVELING THE MOWER DECK”.
	<ul style="list-style-type: none"> The mower deck nuts are loosened on the suspension linkage. 	<ul style="list-style-type: none"> Use a 18 mm open-end wrench (not supplied) to tighten the four nuts on the suspension linkage (two for each side).
	<ul style="list-style-type: none"> The mower is set to cut too much grass at one. 	<ul style="list-style-type: none"> Raise the deck cutting height.
There are grass or debris remaining on the ground after mowing.	<ul style="list-style-type: none"> The mower is set to cut too much grass at once when the grass is tall. 	<ul style="list-style-type: none"> Begin with a high cutting height and reduce it until the desired mowing result is attained. Grass over 6 inches tall should be mowed twice, at successively lower cutting heights.
	<ul style="list-style-type: none"> The grass is wet. 	<ul style="list-style-type: none"> Do not mow when the grass is wet until the grass dries.
	<ul style="list-style-type: none"> The driving speed is high. 	<ul style="list-style-type: none"> Slow down the driving speed.
	<ul style="list-style-type: none"> The blade speed is low. 	<ul style="list-style-type: none"> Increase the blade speed gradually.
Short running time of the mower with included battery.	<ul style="list-style-type: none"> Grass conditions and cutting-height setting will greatly affect the battery run time. The claimed run time is based on a light load condition. 	<ul style="list-style-type: none"> Raise the deck cutting height and slow down the blade speed to reduce the cutting load.
The mower is not tracking straight.	<ul style="list-style-type: none"> The tire pressures for the left and right rear wheels are different. 	<ul style="list-style-type: none"> Check and adjust the air pressure in both rear wheel tires, according to the recommendation in section “CHECKING THE TIRE PRESSURE” in this manual.
	<ul style="list-style-type: none"> The driving speeds for the left and right rear wheels are different. 	<ul style="list-style-type: none"> Calibrate the mower tracking system following the instructions in section “CALIBRATING THE MOWER TRACKING SYSTEM”.
The parking brake pedal cannot be released from the braking position or is slow to spring back.	<ul style="list-style-type: none"> There may be debris or dirt getting inside the parking brake pedal. 	<ul style="list-style-type: none"> Open the parking brake pedal box to thoroughly clean the box inside and close it. Reset the parking brake pedal to see whether the problem is solved. If not, contact a qualified service technician for repair.

PROBLEM	CAUSE	SOLUTION
The mower cannot be charged via charging port with the mower status indicator shining solid red.	<ul style="list-style-type: none"> ▪ The plug of the charger is not correctly inserted into the charging port on the mower. 	<ul style="list-style-type: none"> ▪ Reconnect the charger plug to see whether the mower can be charged normally.
	<ul style="list-style-type: none"> ▪ There is no power in the wall outlets. 	<ul style="list-style-type: none"> ▪ No action is needed. Wait until the power recovers.
	<ul style="list-style-type: none"> ▪ Charger malfunction. 	<ul style="list-style-type: none"> ▪ Contact a qualified service technician for inspection and have charger repaired if needed.
	<ul style="list-style-type: none"> ▪ The charger port on the mower is defective. 	<ul style="list-style-type: none"> ▪ Contact a qualified service technician for repair.
The charging time via the mower charging port is too long.	<ul style="list-style-type: none"> ▪ Using EGO Adapter ACA1000 for charging requires long time. 	<ul style="list-style-type: none"> ▪ Use EGO charger CHV1600E for charging the electric zero turn mower directly.
The battery cannot be fully charged via the mower charging port.	<ul style="list-style-type: none"> ▪ Firmware bug of the riding mower or the charger/battery failure. 	<ul style="list-style-type: none"> ▪ Unplug the charger and wait for more than 1 min, then reconnect the plug to the power supply. If it does not work, contact a qualified service technician for repair.
The mower cannot be started after cleaning.	<ul style="list-style-type: none"> ▪ Improper cleaning, such as water getting on the electric components, LCD screen etc. 	<ul style="list-style-type: none"> ▪ Follow the instructions in section “CLEANING THE MOWER” to clean the mower correctly.
It is easy for the mower to be clogged.	<ul style="list-style-type: none"> ▪ The mower deck is clogged with grass and debris. 	<ul style="list-style-type: none"> ▪ If the mower caught in rain accidentally, leave it for over 12 hours to dry or use compressed air to dry it.
		<ul style="list-style-type: none"> ▪ Clean the mower deck after each use, following the section “Using Wash Port to Clean Mower Deck”.
The mower easily loses traction when climbing up on the slope.	<ul style="list-style-type: none"> ▪ The tires of the rear wheels are worn. 	<ul style="list-style-type: none"> ▪ Seek local service to replace the wheel tires.
	<ul style="list-style-type: none"> ▪ Large mowing slope. 	<ul style="list-style-type: none"> ▪ Mowing slope should be less than 12 degrees.
When the mower is stopped on a slope with the parking brake pedal pressed, the mower can slide downward the slope.	<ul style="list-style-type: none"> ▪ The brake components are excessively worn due to improper operation of the mower. 	<ul style="list-style-type: none"> ▪ Contact a qualified service technician for repair.
There is no water coming from the wash port when performing deck washing.	<ul style="list-style-type: none"> ▪ The wash-port quick coupler is not mounted into place on the wash port. 	<ul style="list-style-type: none"> ▪ Re-attach the wash-port quick coupler until you hear a clear click after firmly pushing. If it does not work, contact a qualified service technician for repair.
There is abnormal sound when manual pushing the mower without starting.	<ul style="list-style-type: none"> ▪ The sound comes from the magnets inside the driving motor. 	<ul style="list-style-type: none"> ▪ It is normal and no action is needed.

MOWER STATUS REFERENCE & FAULT CODE

LCD Display	Description	Fault Code on LCD	Mower Status Indicator	Beeper	Cause	Solution
	LED lights Icon is displayed on the LCD screen	n/a	OFF	No	The headlights, sidelights, and rear lights are turned on by the LED light switch.	This is normal operation. No action is needed.
	USB Icon is displayed on the LCD screen	n/a	OFF	No	USB icon illuminates that a USB device can work after the mower is started correctly.	This is normal operation. No action is needed.
	Fuel Gauge Icon is displayed on the LCD screen	n/a	OFF	No	It indicates the average charge capacity of inserted batteries	This is normal operation. No action is needed.
	Hour Meter Icon is displayed on the LCD screen	n/a	OFF	No	It shows the total driving time of mower, in hours and cannot be reset.	This is normal operation. No action is needed.
	Load indicator Icon shows in the ECO range	n/a	OFF	No	It indicates the current load of the mower.	This is normal operation. No action is needed.
	The overload indicator blinks. Load indicator icon shows in the PWR range.	n/a	Flashes red	One beep	The blade motor is overloaded.	Raise the deck cutting height or slow the driving speed to reduce the load of the mower.
	Safety key icon blinks.	n/a	OFF	No	The safety key is not inserted.	Insert the safety key then press and hold the START/STOP button for more than 3 seconds to turn on the mower.
					Power is not supplied to the LCD screen.	Have repairs performed by a qualified service technician.

LCD Display	Description	Fault Code on LCD	Mower Status Indicator	Beeper	Cause	Solution
	The icon of the empty battery compartment blinks.	n/a	OFF	No	Battery capacity is not sufficient to allow the ride on mower to work.	In order to start this mower, EGO batteries totaling 15 Ah (2 X BA4200/BA4200T) or more are required. For best performance, we recommend use of EGO batteries that total 30 Ah or more.
	The icon of the thermometer blinks.	n/a	Flashes red	One beep	The mower is over heated.	Reduce the load of the mower by raising the deck cutting height or slowing down the blade/driving speed. Take a break and allow the mower to cool.
	The over-heat icon and the exact occupied battery compartment blink at the same time.	n/a	n/a	No	The battery pack in the corresponding numbered battery compartment is overheated.	<p>1. The mower can continue working if the combined battery Ah rating, overheated battery excluded, is equal to or more than 15 Ah. Once the overheated battery returns to normal temperature, it will join in powering the mower immediately.</p> <p>2. If the combined battery Ah rating is less than 15 Ah, the mower will not work until more battery packs are inserted into the vacant battery compartments.</p> <p>3. Reduce the load of the mower by raising the deck cutting height or slowing down the mowing when resuming operation.</p>

LCD Display	Description	Fault Code on LCD	Mower Status Indicator	Beeper	Cause	Solution
	The icons of each occupied battery compartment, low power indicator, battery graphics of fuel gauge blink every 1 second at the same time on the LCD screen. The first segment of the LED fuel-gauge & status indicator blinks too.	n/a	Flashes red	Keeps beeping until the PTO switch is pushed downward.	The battery packs are low on charge and the mower is in Limp-Home mode.	Stop working and return to the battery charging area. NOTICE: When the mower is in Limp-Home mode, the blades are automatically switched into low rotation speed without grass cutting and meanwhile the sound indicator will keep beeping. The operator should push the PTO switch downward to disengage the deck blades. The sound indicator will stop beeping after blade stopping.
	The icon of each occupied battery compartment and low power indicator blinks every half a second.	n/a	OFF	No	The battery packs are nearly depleted.	The mower will stop working immediately. The operator should transport the mower to the battery charging area for charging.
	The auto-parking icon blinks on the LCD.	n/a	OFF	Keeps beeping	The mower is parked on a slope and the operator leaves the mower without setting the brake pedal at the braking position, just with the steering levers in the open position.	Set the brake pedal at the braking position. The auto-parking icon will be off and the sound indicator will stop beeping.
	Brake pedal icon is displayed on the LCD.	n/a	OFF	No	The parking brake pedal is set at the braking position.	Release it before starting the mower.

LCD Display	Description	Fault Code on LCD	Mower Status Indicator	Beeper	Cause	Solution
	Seat sensor icon is displayed on the LCD.	n/a	OFF	No	The operator leaves the seat or seat switch is disconnected.	If with the operator seated on the seat, the icon is on, stop operating the mower immediately and check the seat connection. If the seat connection with the mower is confirmed correct, please contact a qualified service technician for repairs.
	PTO Switch icon blinks.	n/a	OFF	No	The blade motor was interrupted in operation and the PTO switch is not set to off position.	Before restarting the mower, push the PTO switch downward to disengage the deck motor. Please see “TROUBLESHOOTING” section in this manual for reference.
	Steering lever icon blinks.	n/a	OFF	No	The driving motor was interrupted in operation and the steering levers are not set to open position.	Before restart the mower, move the steering levers to the open position. Please see “TROUBLESHOOTING” section in this manual for reference.
	Energy recovery icon blinks occasionally.	n/a	OFF	No	The kinetic energy generated during braking or driving downhill is converted into electricity to charge the battery packs.	This is normal operation. No action is needed.

LCD Display	Description		Fault Code on LCD	Mower Status Indicator	Beeper	Cause	Solution
See "Fault Code"	Left driving motor fails in rotation.	PCBA controlled left driving motor fails.	413	OFF	One beep	PCBA failure	Have repairs performed by a qualified service technician.
		Plug (Triple-phase, power wire) connecting the left driving motor with the corresponding PCBA is loosened.	317	OFF	One beep	Loose connection	
		Plug (Six pins, signal wire) connecting the left driving motor with the corresponding PCBA is loosened.	301	OFF	One beep	Loose connection	
		Left driving motor fails.	317	OFF	One beep	Motor failure	
See "Fault Code"	Right driving motor fails in rotation.	PCBA controlled right driving motor fails.	313	OFF	One beep	PCBA failure	Have repairs performed by a qualified service technician.
		Plug (Triple-phase, power wire) connecting the right driving motor with the corresponding PCBA is loosened.	417	OFF	One beep	Loose connection	
		Plug (Six pins, signal wire) connecting the right driving motor with the corresponding PCBA is loosened.	401	OFF	One beep	Loose connection	
		Right driving motor fails.	417	OFF	One beep	Motor failure	

LCD Display	Description	Fault Code on LCD	Mower Status Indicator	Beeper	Cause	Solution	
See "Fault Code"	Left blade motor fails in rotation.	PCBA controlled left blade motor fails.	607	n/a	One beep	PCBA failure	Have repairs performed by a qualified service technician.
		Plug (Triple-phase, power wire) connecting the left driving motor with the corresponding PCBA is loosened.	509	n/a	One beep	Loose connection	Inspect the blade firstly. If it is loosened, use a 14 mm torque wrench to tighten the bolt clockwise. The recommend for the blade bolt is 50-55 Nm. Otherwise, have repairs performed by a qualified service technician.
		Left blade motor fails	509	n/a	One beep	Motor failure	Have repairs performed by a qualified service technician.
See "Fault Code"	Right blade motor fails in rotation.	PCBA controlled right blade motor fails.	507	n/a	One beep	PCBA failure	Have repairs performed by a qualified service technician.
		Plug (Triple-phase, power wire) connecting the right driving motor with the corresponding PCBA is loosened.	609	n/a	One beep	Loose connection	Inspect the blade firstly. If it is loosened, use a 14 mm torque wrench to tighten the bolt clockwise. The recommend for the blade bolt is 50-55 Nm. Otherwise, have repairs performed by a qualified service technician.
		Right blade motor fails	609	n/a	One beep	Motor failure	Have repairs performed by a qualified service technician.
See "Fault Code"	Left steering lever fails.	Left steering lever controlling PCBA fails.	311 /412	OFF	One beep	PCAB failure	Have repairs performed by a qualified service technician.
		Plug connecting the controlling PCBA, located in the steering bar, is loosened.				Loose connection	
See "Fault Code"	Right steering lever fails.	Right steering lever controlling PCBA fails.	312 /411	OFF	One beep	PCAB failure	Have repairs performed by a qualified service technician.
		Plug connecting the controlling PCBA, located in the steering bar, is loosened.				Loose connection	

LCD Display	Description		Fault Code on LCD	Mower Status Indicator	Beeper	Cause	Solution
See "Fault Code"	Parking brake fails, the tool cannot be driven.	Parking brake PCBA, which is in the front frame assembly, is broken.	309 /409	OFF	One beep	PCBA failure	Have repairs performed by a qualified service technician.
		Parking brake switch and/or wire is broken.	801	OFF	One beep	Wire/Switch failure	
OFF	Charging Prot Fault		n/a	Solid RED	n/a	The charging port is in open circuit.	Have repairs performed by a qualified service technician.
			n/a	Solid RED	n/a	There is no power supply.	Check the wall outlet whether there is 220 V-240 V supplied or the socket is good.
			n/a	Solid RED	n/a	The fuse is blown.	Have repairs performed by a qualified service technician.
See "Fault Code"	Charging Prot Fault		204	n/a	One beep	The charging port is in open circuit.	
See "Fault Code"	Battery Box Assembly not functioning		217	n/a	One beep	The power source from Battery Box assembly is broken. The LED headlights and USB will not work.	Have repairs performed by a qualified service technician.
			310 /410	OFF	One beep	The connection between Type C wires of Battery Box assembly and other Type C wires of the mower is out of work.	
			201 /202 /203	OFF	One beep	The BMS of the Battery Box assembly is broken.	

LCD Display	Description	Fault Code on LCD	Mower Status Indicator	Beeper	Cause	Solution
See “Fault Code”	Start/Stop Switch Fault	314 /414	OFF	One beep	Switch PCBA failure or bad wire connection for Start/Stop Switch.	Have repairs performed by a qualified service technician.
See “Fault Code”	LCD Screen Fault	315 /415	OFF	One beep	LCD assembly is broken or bad wire connection of the LCD assembly.	Have repairs performed by a qualified service technician.

WARRANTY

EGO WARRANTY POLICY

Please visit the website egopowerplus.com for full terms and conditions of the EGO Warranty policy.

KEES VAN DER SPEK
TUINMACHINES ★ STOLWIJK

LESEN SIE ALLE ANWEISUNGEN!



LESEN SIE DIE BETRIEBSANLEITUNG

⚠ Restrisiko! Menschen mit elektronischen Geräten, wie z.B. Herzschrittmachern, sollten ihren Arzt konsultieren, bevor sie dieses Gerät verwenden. Der Betrieb von Elektrogeräten in unmittelbarer Nähe zu Herzschrittmachern kann zu Einstörungen und zum Versagen des Schrittmachers führen.

WARNSYMBOLLE

Der Zweck von Warnsymbolen besteht darin, Ihre Aufmerksamkeit auf mögliche Gefahren zu lenken. Die Warnsymbole und deren Erklärungen verdienen Ihre vollste Aufmerksamkeit und Beachtung. Durch die Warnsymbole allein sind die Gefahren noch nicht ausgeschaltet. Die Anweisungen und Warnhinweise stellen keinen Ersatz für angemessene Unfallverhütungsmaßnahmen dar.

⚠ WARNUNG: Vor der Benutzung des Geräts sollten Sie alle Sicherheitsanweisungen in dieser Bedienungsanleitung gelesen und verstanden haben. Das gilt auch für die Sicherheits- und Gefahrenzeichen wie „VORSICHT“, „WARNUNG“ und „ACHTUNG“. Die Nichtbeachtung aller aufgeführter Anweisungen kann zu Stromschlägen, Bränden und/oder schweren Verletzungen führen.

SYMBOLBEDEUTUNG

Auf dieser Seite werden die Warnsymbole vorgestellt und beschrieben, die sich unter Umständen an dem Gerät befinden. Alle Anweisungen am Gerät lesen und befolgen, bevor das Gerät montiert und in Betrieb gesetzt wird.

WARNSYMBOLLE

	Sicherheitswarnung		Bedienungsanleitung aufmerksam lesen
	Augenschutz		Sicherheitseinrichtungen instandhalten
	GEFAHR – Steile Böschung		GEFAHR – Schaulustige von Messern fernhalten
	Nie Kinder befördern		Beim Zurücksetzen nach hinten schauen
	WARNUNG - Verwenden Sie dieses Gerät nicht an Hängen mit einer Steigung von mehr als 12°.		GEFAHR - Herausgeschleuderte Gegenstände
	WARNUNG - HÄNDE UND FÜSSE FERNHALTEN		Garantierter Schallleistungspegel. Gemäß Richtlinie der Europäischen Gemeinschaft.



Nicht betreten



Dieses Produkt erfüllt die einschlägigen CE-Richtlinien



Gleichstrom

kPa

Kilopascal

V

Volt

in

Zoll

Nm

Newtonmeter

°C

Celsius

km/h

Kilometer pro Stunde



Elektrische Altgeräte dürfen nicht im Hausmüll entsorgt werden. Bringen Sie das Gerät zu einem Wertstoffhof bzw. zu einer amtlichen Sammelstelle.



VORSICHT - Nicht in die Betriebslampe blicken.



Dieses Produkt erfüllt die einschlägigen Vorschriften in GB.

MIN-1

Umdrehungen pro Minute

m

Meter

cm

Zentimeter

mm

Millimeter

kg

Kilogramm

IPX4

Schutzklasse

TECHNISCHE DATEN

Spannung		56 V	Gewicht (ohne Akkusatz)	186 kg	
Mähwerkgröße		107 cm	Gemessener Schalleistungspegel L_{WA}	96,44 dB(A) K=0,68 dB(A)	
Radgröße	Vorne	279,4 mm	Schalldruckpegel am Ohr des Bedieners L_{PA}	84,3 dB(A) K=3,0 dB(A)	
	Hinten	457,2 mm	Garantierter Schalleistungspegel L_{WA} (gemessen nach 2000/14/EC)	100 dB(A)	
Reifendruck kalt	Vorne	220 kPa	Vibration a_h	Hand	1,221 m/s ² K=1,5 m/s ²
	Hinten	50 kPa		Körper	0,568 m/s ² K=1,5 m/s ²
Wendekreis		0			
Messergeschwindigkeit (min-1)		2400, 2600, 2800, 3000			
Max. Fahrgeschwindigkeit (km/h)	Vorwärts	4,8 km/h, 8 km/h, 9,6 km/h, 11,2 km/h (12,8 km/h beim Fahrmodell)			
	Rückwärts	bis 5,6 km/h			
Aufladen	Ladegerät (optional)	CHV1600E			
	Netzteil (optional)	ACA1000			
	Ladetemperaturbereich	5°C - 40°C			
Schnitthöhenverstellung (10-stufig)		25 – 100 mm			
Betriebstemperatur		0°C- 40°C			
Lagertemperatur		-20°C - 70°C			

- Der angegebene Vibrationsgesamtwert wurde nach einem Standard-Prüfverfahren gemessen und kann zum Vergleich mit einem anderen Werkzeug herangezogen werden.
- Der angegebene Vibrationsgesamtwert kann auch zur vorläufigen Risikobewertung herangezogen werden.

HINWEIS: Die beim Einsatz des Elektrowerkzeugs entstehenden Istvibrationen können von dem angegebenen Wert abweichen. Zum Schutz des Benutzers sollten Handschuhe und ein Gehörschutz während des Geräteeinsatzes getragen werden.

BESCHREIBUNG

LIEFERUMFANG (Abb. A1 & A2)

1. Sitz
2. Ladeanschluss
3. Akkufach
4. LED-Heckleuchten
5. Ablagefach
6. Becherhalter
7. LED-Seitenbeleuchtung
8. Hinterrad (Antriebsrad)
9. Deck
10. Deckschutzhaube
11. Stützrolle
12. Vorderrad
13. Feststell-Bremspedal
14. Fahrscheinwerfer
15. LED-Spots
16. Seitenauswurf
17. Einstellhebel für Deckhöhe
18. Einstellknopf für Sitzfederung
19. Sitzverstellhebel vor/zurück
20. Lenkhebel
21. Mähstatusanzeige
22. LCD-Display
23. Zapfwellenschalter
24. Start/Stop-Taste
25. Sicherheitsschlüssel
26. Smartphone-Aufbewahrungsfach
27. Kraftstoffanzeige & Statusanzeige
- 27a. Kraftstoffanzeige

- 27b. Statusanzeige
28. Fußablage
29. Deckelentriegelung des Antriebsaggregats
30. Deckel des Antriebsaggregats
31. Akku-Entriegelungstaste
32. Anhängenkupplung
33. Montageabdeckung für Anbaugeräte
34. Aufbewahrung für die Anbaugeräte-Montageabdeckung
35. USB-Anschluss

LCD-DISPLAY & TASTEN (Abb. A3)

Weitere Informationen zu den Piktogrammen und Anzeigen auf dem LCD-Display stehen im Kapitel „LISTE MIT STATUS- UND FEHLERCODES“.

1. Symbol Sicherheitsschloss
2. Symbol LED-Beleuchtung
3. Symbol Parkautomatik
4. Symbol USB
5. Messer-Geschwindigkeitsanzeige
6. Statusanzeige Sicherheitseinrichtung
7. Betriebsstundenzähler
8. Akkusymbol
9. Symbol Überhitzung
10. Fahrmodus
11. Fehlercode-Anzeige
12. Überlast-Anzeige
13. Akkuwarnanzeige
14. Fahrgeschwindigkeitsanzeige
15. Lastanzeige
16. Einstelltaste Messergeschwindigkeit
17. Einstelltaste
18. Fahrmodustaste
19. LED-Beleuchtungsschalter
20. Einstelltaste für Fahrgeschwindigkeit
21. Kraftstoffanzeige

AUSPACKEN

HINWEIS: Bewahren Sie das Verpackungsmaterial solange auf, bis Sie das Gerät sorgfältig überprüft und zufriedenstellend in Betrieb genommen haben. Sollten bestimmte Teile der Packliste am Gerät montiert sein, wenden Sie sich unverzüglich an den EGO Kundenservice.

HINWEIS: Mit Ausnahme der Werkzeuge in der unten aufgeführten Packliste sind alle übrigen Werkzeuge, die in der Anleitung genannt werden, lediglich Empfehlungen, jedoch werden sie nicht mitgeliefert.

PACKLISTE (Abb. B1)

B1-1	Elektro-Rasenmäher	B1-7	Sicherheitsschlüssel
B1-2	Sitz	B1-8	Maulschlüssel (13 mm)
B1-3	Mulchstecker	B1-9	Innensechskantschlüssel
B1-4	Lenkhebel	B1-10	Schnellkupplung für Schlauchanschluss
B1-5	Innensechskantschrauben (2 als Reserve)	B1-11	Bedienungsanleitung
B1-6	Sechskantschrauben (2 als Reserve)		

AUSPACKEN (Abb. B2 – Abb. B3)

EMPFOHLENES ZUBEHÖR

⚠️ WARNUNG: Verwenden Sie nur die unten aufgeführten baugleichen Ersatzteile. Die Verwendung von Teilen, die nicht die originalen Gerätespezifikationen erfüllen, kann zu fehlerhafter Leistung und Beeinträchtigungen der Sicherheit führen.

BEZEICHNUNG DES TEILS	MODELLNUMMER
Standardmesser	AB4200
Messer mit höherem Hub	AB4201
Mulchstecker	AMP4200
Grasfangvorrichtung	ABK4200-A

MONTAGE

SITZ MONTIEREN (Abb. C1 & C2)

⚠️ WARNUNG: Die Sicherheitsverriegelung darf weder abgeschaltet noch überbrückt werden. Andernfalls könnte der Mäher unerwartet anlaufen und Verletzungen verursachen.

HINWEIS: Zu Ihrer eigenen Sicherheit hält der Mäher an, sobald sich der Sitzschalterkontakt beim Fahren öffnet. Lesen Sie in diesem Fall die Hinweise im Kapitel „STÖRUNGSBEHEBUNG“.

C1-1	Kabel	C1-5	Innensechskantschrauben
C1-2	Stecker	C2-1	Haken
C1-3	Buchse	C2-2	Stahlschienen
C1-4	Federungs-Unterteil	C2-3	Innensechskantschrauben

LENKHEBEL MONTIEREN (Abb. C3)

C3-1	Lenkhebel	C3-3	Gewindeaufnahmen für Lenkhebel
C3-2	Sechskantschrauben		

MULCHSTECKER ANSCHLIESSEN (Abb. C4)

C4-1	Seitenauswurf	C4-3	Verstellfeder
C4-2	Mulchstecker		

BETRIEB

VOR DER BENUTZUNG DES MÄHERS

Umgebung kontrollieren

- Vergewissern Sie sich, dass sich im Arbeitsbereich keine Kinder, Passanten und Haustiere befinden.
- Beseitigen Sie im Arbeitsbereich alle Gegenstände, die vom Mähwerk des Geräts hochgeschleudert werden können.
- Kontrollieren Sie, ob die LED-Beleuchtung in intaktem Zustand ist:
 - Die Scheinwerfer, Seitenbeleuchtung und die Heckleuchten werden mit dem LED-Beleuchtungsschalter betätigt.
 - Beim Fahren sind die Fahrscheinwerfer immer eingeschaltet.
 - Wenn die Heckleuchten beim Zurücksetzen ausgeschaltet sind, blinken sie, um Passanten zu warnen. Wenn sie eingeschaltet sind, dauerleuchten sie.
 - Ist das Fahrzeug über 3 Minuten lang nicht in Betrieb, werden alle Leuchten automatisch abgeschaltet

Kalten Reifendruck prüfen (Abb. D1)

Status und Ladestand des Rasenmähers kontrollieren

- a. Kraftstoffanzeige des Rasenmähers (Abb. A2 - 27a)

Jeder Balken auf der Kraftstoffanzeige steht für je 20% Ladekapazität des angeschlossenen Akkupacks.

HINWEIS: Die Kraftstoffanzeige des Mähers und die Tankanzeige auf dem LCD-Display geben die durchschnittliche Kapazität des eingesetzten Akkupacks an.

- b. Mähstatusanzeige (Abb. A1 & A2 - 27b)

Wenn die Statusanzeige grün leuchtet, ist der Mäher fahrbereit. Wenn dies nicht geschieht, lesen Sie die Hinweise im Kapitel „LISTE MIT STATUS- UND FEHLERCODES“

Sicherheitsverriegelung testen (Abb. D2 - Abb. D8)

HINWEIS: Zum Test muss sich der Bediener auf dem Sitz befinden.

- Vor dem Test (Abb. D2 – Abb. D4)
- Zum Testen des Deckmähsystems (Abb. D5) langsam aufstehen
- Zum Testen des Fahrsystems (Abb. D6 – D8) langsam aufstehen

Wenn sich das Deckmähsystem und/oder das Fahrsystem beim Aufstehen vom Sitz nicht abschalten und sich die Ursache nicht feststellen lässt, nachdem der Steckkontakt am Sitz auf korrekte Verbindung überprüft wurde, wenden Sie sich direkt an den EGO Kundenservice.

EINSTELLEN (Abb. E1 – Abb. E13)

Vorbereitung (Abb. E1 – Abb. E5)

Einstellen der Mähdeckhöhe (Abb. E6)

Einstellen der Stützrollen (Abb. E7 – Abb. E10)

E7-1	Stützrolle	E9-2	Lange Schraube
E9-1	Mutter	E10-1	Aufkleber Deckhöhe

Sitz einstellen (Abb. E11)

Stellen Sie die Sitzposition ein, um für einen festen Kontakt mit der Feststellbremse zu sorgen, bevor Sie den Mäher einsetzen. Durch eine richtige Einstellung der Sitzfederung können Sie auf dem Sitz am bequemsten arbeiten.

E11-1	Sitzverstellhebel vor/zurück	E11-2	Einstellknopf für Sitzfederung
-------	------------------------------	-------	--------------------------------

Feststellbremse einstellen (Abb. E12 – Abb. E13)

E13-1	Bremsposition	E13-2	Bremse gelöst
-------	---------------	-------	---------------

AUFLADEN (Abb. F1 – F11)

Zum Starten des Mähers werden EGO-Akkus mit mindestens 15 Ah insgesamt (2 x BA4200/BA4200T) oder mehr erforderlich. Zum optimalen Mähen empfehlen wir EGO-Akkus mit insgesamt 30 Ah Kapazität oder mehr.

Verwenden Sie nur die empfohlenen Akkus und Ladegeräte. (Abb. F9 & F10)

Vorbereitungen für den Ladevorgang (Abb. F1 - F4)

Separates Aufladen der Akkus (Abb. F5 – F9)

F5-1	Deckelentriegelung	F7-1	Akku-Entriegelungstaste
------	--------------------	------	-------------------------

- Anbringen des/der Akkus (Abb. F5 - F6)
- Abnehmen des/der Akkus (Abb. F7 - F8)

HINWEIS: Zum Aufladen des Akkupacks lesen Sie das jeweilige Handbuch zum Akku und Ladegerät.

Aufladen des Akkupacks über den Ladeanschluss (Abb. F10)

F10-1	Staubkappe	F10-2	Ladeanschluss
-------	------------	-------	---------------

ELEKTRO-RASENMÄHER STARTEN (Abb. A4 – A5 & Abb. G1 – G6)

⚠️ WARNUNG: Vermeiden Sie plötzliche Starts, Stopps und Wendemanöver sowie überhöhte Geschwindigkeiten, besonders dann, wenn Sie den Umgang mit dem Mäher noch erlernen. Der Mäher kann sich rasch in Bewegung setzen, sodass Sie die Kontrolle verlieren. Dadurch besteht die Gefahr schwerer Verletzungen und/oder Sachschäden.

⚠️ WARNUNG: Stellen Sie vor dem Starten des Mähers sicher, dass die Messer ausgerückt sind, wenn der Zapfwellenschalter nach unten bewegt wird. Wenn die Messer nicht anhalten, benutzen Sie den Mäher nicht und wenden Sie sich unverzüglich an den EGO-Kundenservice.

HINWEIS: Beachten Sie Abb. A4 & G2, um die niedrigste Fahrgeschwindigkeit und den **STANDARD** Fahrmodus einzustellen, bis Sie sich in allen Situationen mit der Bedienung des Mähers auskennen. Die Fahrgeschwindigkeit und der Fahrmodus lassen sich nur aktivieren, wenn die Räder des Mähers stillstehen und die Lenkhebel geöffnet sind.

Bei erneutem Einschalten des Mähers bleibt die vorherige Einstellung erhalten und wird wieder angezeigt.

Fahrmodus

- **KONTROLLIERT:** Geringere Beschleunigung, weniger empfindliches Handling und sachte Wendegeschwindigkeit zur Schonung des Rasens und für Einsteiger.
- **STANDARD:** Perfekte Einstellung für den täglichen Gebrauch.
- **SPORTLICH:** Stärkere Beschleunigung, präzises Handling und scharfe Wendemanöver für maximale Effizienz beim Mähen und für Mähbegeisterte.

Fahrgeschwindigkeit einstellen (Abb. A4)

Messergeschwindigkeit einstellen (Abb. A5)

HINWEIS: Wird im „TRAVEL“-Modus die Taste „“ gedrückt, wird die Fahrgeschwindigkeit in den vorherigen Modus geschaltet.

USB-Anschluss

HINWEIS: Der USB-Anschluss stellt eine Ladespannung von 5 Volt DC sowie insgesamt 1,5 A Gesamtlast zur Verfügung und wird nur bei eingeschaltetem Mäher mit Spannung versorgt.

ELEKTRO-RASENMÄHER ANHALTEN (Abb. H1 – H6)

HINWEIS: Wenn der Mäher länger als 60 Minuten im Leerlauf eingeschaltet bleibt, schaltet er sich automatisch ab.

Notbetrieb

Wenn der Akku fast entladen ist, schaltet der Mäher auf Notbetrieb um:

- Das Mähen wird automatisch unterbrochen;
- Der Summer ertönt ununterbrochen;
- Die Statusanzeige des Mähers blinkt einmal pro Sekunde rot, das erste Segment der Kraftstoffanzeige am Gerät blinkt rot und die Anzeige für Energiemangel und das Akku-Piktogramm in der Kraftstoffanzeige blinken.

Der Bediener sollte folgendes unternehmen:

- a) Den Zapfwellenschalter nach unten drücken (Abb H3), um die Messer auszurücken. Der Warnton schaltet sich aus, wenn die Messer anhalten;
- b) Stellen Sie die Arbeit ein und begeben Sie sich sobald wie möglich zum Akkuladebereich. Der Mäher kann maximal 1000 m zurücklegen.

Wenn das Akkupack nahezu entladen ist, blinken die Piktogramme der belegten Akkufächer und die Akkuwarnanzeige alle halbe Sekunde. Der Mäher schaltet sich sofort ab. Der Bediener sollte den Mäher zum Aufladen in den Akkuladebereich bringen.

Schieben von Hand

Falls das Gerät von Hand angeschoben werden muss, müssen die Akkus vom Mäher getrennt und die Feststellbremse aus der Bremsposition ausgerückt sein.

ELEKTRO-RASENMÄHER FAHREN (Abb. I1 – I9)

Bewegen Sie den Lenkhebel allmählich aus der Neutralstellung heraus, um anzuhalten, langsamer oder schneller zu fahren.

⚠ VORSICHT: Halten Sie mindestens zwei Mähstreifen (2,14 m) Abstand zu Gräben, Bodenabtragungen oder Gewässer ein. Die Vorderräder können sich beim Anhalten des Mähers drehen, auch wenn die Bremse betätigt wird. Das kann dazu führen, dass der Mäher die Kante überquert oder ins Wasser fährt. Dadurch besteht schwere bis tödliche Verletzungsgefahr.

⚠ WARNUNG: Achten Sie vor dem Zurücksetzen darauf, was sich hinter dem Mäher befindet. Nur Rückwärtsmähen, wenn dies absolut notwendig ist. Schauen Sie vor und beim Zurücksetzen immer nach unten und nach hinten, um sich zu vergewissern, dass keine Kinder, Passanten oder Haustiere den Mähbereich betreten. Denken Sie daran, dass ein Bruchteil einer Sekunde der Unachtsamkeit zu schweren oder gar tödlichen Verletzungen führen kann.

⚠ WARNUNG: Das Gerät darf nicht auf öffentlichen Verkehrswegen benutzt werden.

⚠ WARNUNG: Wenn etwas blockiert oder Sie auf einen Fremdkörper stoßen, halten Sie den Motor an und entfernen Sie die Akkus. Beseitigen Sie Rasenverschnitt, Blätter, Schmutz und sonstige Reste, die sich angehäuft haben. Überprüfen Sie den Mäher gründlich auf Beschädigungen und lassen Sie den Schaden reparieren, bevor Sie den Rasenmäher erneut starten und benutzen.

WARTUNG

⚠️ WARNUNG: Tragen Sie immer eine Schutzbrille mit Seitenschutz. Andernfalls besteht schwere Verletzungsgefahr, wenn Gegenstände in Ihre Augen geschleudert werden.

⚠️ WARNUNG: Schützen Sie stets Ihre Hände, indem Sie Handschuhe tragen oder die Schneidkanten mit Lumpen oder anderen Materialien umwickeln, wenn Sie Wartungsarbeiten am Mähmesser durchführen. Entfernen Sie immer den Sicherheitsschlüssel und die Akkupacks, wenn Sie den Rasenmäher instandsetzen oder transportieren.

Wartungsintervalle	Wartungsanweisungen
Vor jedem Gebrauch oder täglich	<ul style="list-style-type: none"> ■ Prüfen Sie die Sicherheitsverriegelung. ■ Prüfen Sie, ob der Reifen platt ist. ■ Prüfen Sie die Messer auf Abnutzung, Risse oder Verzug. ■ Überprüfen Sie das gesamte Gerät auf beschädigte, fehlende oder lockere Teile, wie z. B. der Seitenauswurf, Schrauben, Muttern, Kappen usw. Alle Schutzvorrichtungen müssen montiert sein und korrekt funktionieren. ■ Prüfen Sie die Funktion der Bremse.
Nach jedem Gebrauch	<ul style="list-style-type: none"> ■ Reinigen Sie das Mähwerk.
Alle 25 Stunden	<ul style="list-style-type: none"> ■ Prüfen Sie den Reifendruck.
Alle 50 Stunden	<ul style="list-style-type: none"> ■ Kontrollieren Sie den gefetteten Zustand am Messerflansch.
Alle 100 Stunden	<ul style="list-style-type: none"> ■ Überprüfen Sie die Hinterräder. Die 4 Radmutter müssen mit dem empfohlenen Anzugsmoment festgezogen sein.
Alle 200 Stunden	<ul style="list-style-type: none"> ■ Kontrollieren Sie, ob sich die Vorderräder frei drehen können.

Jährlich	<ul style="list-style-type: none"> ■ Überprüfen Sie das Feststell-Bremspedal. Nehmen Sie den Akku aus dem Rasenmäher und bewegen Sie das Bremspedal in Bremsposition. Schieben Sie den Rasenmäher vorwärts an, um festzustellen, ob sich der Mäher bewegen lässt oder nicht. Falls er sich bewegen lässt, lassen Sie ihn von einem ausgebildeten Kundendiensttechniker instandsetzen.
----------	--

RASENMÄHER REINIGEN (Abb. J1 - J9)

Vorbereitung (Abb. J1 – J5)

Reinigen des Gehäuses (Abb. J6 - J7)

Den Schlauchanschluss zum Reinigen des Mähdecks verwenden (Abb. J8 - J9)

J8-1	Schlauchanschluss	J8-3	Gartenschlauch
J8-2	Schnellkupplung für Schlauchanschluss		

HINWEIS: Drücken Sie nach Abschluss der Reinigung den Zapfwellenschalter, um das Mähmesser auszurücken.

MÄHDECK UND MÄHMESSE WARTEN

Vorbereitung (Abb. K1 – K6)

Mähdeck abmontieren (Abb. K7 – K8)

K7-1	Motorkabel	K7-3	Federungsgestänge
K7-2	Splint		

HINWEIS: Zum Abmontieren des Mähdecks ziehen Sie die Motorkabel und Splinte auf beiden Seiten ab.

Messer auswechseln (Abb. K9 - K11)

K9-1	Stabilisator	K10-3	Messer
K10-1	Schraube	K10-4	Flansch
K10-2	Unterlegscheibe	K10-5	Antriebswelle

Mähdeck nivellieren

a. Wann nivelliert werden muss (Abb. K12 – K14)

b. Vor dem Nivellieren

- Kalten Reifendruck prüfen (Abb. K15)
- Prüfen Sie die Messer. Abgenutzte, gerissene und/oder verzogene Messer müssen ggf. ausgetauscht werden.

c. Vorbereitung zum Nivellieren (Abb. K16 – K21)

d. Anweisung zum Nivellieren

- **Nivellieren von einer Seite zur anderen (Abb. K22)**

Der Unterschied zwischen den Abständen H1 & H2 sollte, gemessen von der Unterkante jedes Messers zum Boden, nicht größer als 5 mm sein.

K22-1 Kontermutter

- **Nivellieren von vorn nach hinten (Abb. K23)**

Die vordere Spitze des Messers H3 sollte 2 bis 10 mm tiefer liegen als die hintere Spitze H4.

MÄHERSPUR KALIBRIEREN (Abb. L1 – L6 & Abb. L7 – L12)

HINWEIS: Der Summer gibt einen Warnton aus, wenn die Kalibrierung gestartet und beendet wird.

RASENMÄHER AUF LIEFERZUSTAND ZURÜCKSETZEN (Abb. M1 – M4)

HINWEIS: Der gibt einen Warnton aus, wenn das Zurücksetzen gestartet und beendet wird.

LAGERUG & TRANSPORT

RASENMÄHER TRANSPORTIEREN (ABB. N1 – ABB. N11)

HINWEIS: Verzurren Sie den Rasenmäher nach Bedarf mit Riemen oder Gurten, um ein Wegrutschen während des Transports zu verhindern. Beim Auf- oder Abladen des Rasenmähers darf der maximal empfohlene Arbeitswinkel von 12 Grad zwischen Rampe und Boden nicht überschritten werden.

LAGERUNG (Abb. 01 – 06)

HINWEIS: Entnehmen Sie die Akkupacks und bewahren Sie Akkus gemäß Bedienungsanleitung auf.


Reinigen und prüfen Sie den Rasenmäher vor dem Einlagern. Beachten Sie dazu die Kapitel „**REINIGEN DES RASENMÄHERS**“ und „**EMPFOHLENE WARTUNGSINTERVALLE**“.


Schutz der Umwelt



WEEE-Altgeräteverordnung - Elektro-Altgeräte, verbrauchte Akkus und Ladegeräte dürfen nicht im Hausmüll entsorgt werden! Das Gerät muss einer offiziellen Recycling-Sammelstelle zur getrennten Entsorgung zugeführt werden. Elektrowerkzeuge müssen bei einem umweltfreundlichen Recycling-Betrieb abgegeben werden.

STÖRUNGSBEHEBUNG

PROBLEM	URSACHE	LÖSUNG
<p>Wenn die beiden Lenkhebel zu Beginn nach vorne oder hinten bewegt werden, fährt der Rasenmäher nicht an.</p>  <p>Das Piktogramm Lenkhebel blinkt</p>	<ul style="list-style-type: none"> Die Gesamtkapazität der eingesetzten Akkus beträgt weniger als 15 Ah. 	<ul style="list-style-type: none"> Zum Starten des Mähers werden EGO-Akkus mit mindestens 15 Ah insgesamt (2 x BA4200/BA4200T) oder mehr benötigt. Am besten funktioniert das Gerät, wenn Akkus mit insgesamt 30 Ah oder mehr eingesetzt werden.
	<ul style="list-style-type: none"> Das Feststell-Bremspedal steht in Bremsposition. 	<ul style="list-style-type: none"> Drücken Sie das Feststell-Bremspedal bis zum Anschlag durch, um es aus der Bremsposition auszurücken.
	<ul style="list-style-type: none"> Die Lenkhebel stehen beim Starten des Rasenmähers nicht in geöffneter Position. 	<ul style="list-style-type: none"> Bewegen Sie die Lenkhebel wieder in die geöffnete Stellung und schalten Sie den Rasenmäher ein.
	<ul style="list-style-type: none"> Der Bediener ist nicht auf dem Sitz. 	<ul style="list-style-type: none"> Der Bediener kann den Rasenmäher nur dann richtig bedienen, wenn er richtig im Sitz sitzt.
	<ul style="list-style-type: none"> Der Sitzschalter ist nicht richtig angeschlossen. 	<ul style="list-style-type: none"> Um den Sitzschalterkontakt zu überprüfen, entfernen Sie den Akku und montieren Sie den Sitz ab, indem Sie die Anweisungen in umgekehrter Reihenfolge befolgen, die im Kapitel „SITZ EINBAUEN“ stehen. Montieren Sie den Sitz wieder und befolgen Sie die Anweisungen im Kapitel „ELEKTRO-RASENMÄHER STARTEN“, um zu kontrollieren, ob er sich starten lässt. Falls nicht, veranlassen Sie eine Reparatur bei einem guten Kundendienst.
	<ul style="list-style-type: none"> Bei extrem kaltem Wetter lässt sich der Fahrbetrieb aufgrund des Tieftemperaturschutzes möglicherweise nicht starten 	<ul style="list-style-type: none"> Bewahren Sie den Rasenmäher und den Akku immer in warmer Umgebung auf. Starten Sie den Rasenmäher, wenn er aufgewärmt ist. Unternehmen Sie bei extremer Kälte keine wiederholten Startversuche. Dadurch könnte das Gerät beschädigt werden. Die empfohlene Betriebstemperatur beträgt 0 - 40°C.
<p>Der Elektro-Rasenmäher hält an.</p>	<ul style="list-style-type: none"> Die Lenkhebel müssen „zurückgesetzt“ werden. 	<ul style="list-style-type: none"> Bewegen Sie die Lenkhebel wieder in die geöffnete Stellung und schalten Sie den Rasenmäher ein.
	<ul style="list-style-type: none"> Die elektrischen Steuerkomponenten der Lenkhebel sind ausgefallen. 	<ul style="list-style-type: none"> Wenden Sie sich zu Reparatur an einen qualifizierten Kundendiensttechniker.
	<ul style="list-style-type: none"> Beim Fahren auf unebenem Gelände hat sich der Sitzschalter vom Kontakt gelöst. 	<ul style="list-style-type: none"> Um den Sitzschalterkontakt zu überprüfen, entfernen Sie den Akku und montieren Sie den Sitz ab, indem Sie die Anweisungen in umgekehrter Reihenfolge befolgen, die im Kapitel „SITZ EINBAUEN“ stehen. Montieren Sie den Sitz wieder und befolgen Sie die Anweisungen im Kapitel „ELEKTRO-RASENMÄHER STARTEN“, um zu kontrollieren, ob er sich starten lässt. Falls nicht, veranlassen Sie eine Reparatur bei einem guten Kundendienst.

PROBLEM	URSACHE	LÖSUNG
Die Fahrgeschwindigkeit bzw. der Fahrmodus kann während der Fahrt nicht verstellt werden.	<ul style="list-style-type: none"> ▪ Diese Funktion sorgt für einen sicheren Fahrbetrieb des Rasenmähers. 	<ul style="list-style-type: none"> ▪ Die Funktion lässt sich nur aktivieren, wenn die Räder des Mähers stillstehen und die Lenkhebel geöffnet sind.
Die Messer des Elektro-Rasenmähers laufen nicht an, wenn der Zapfwellenschalter betätigt wird.  Das Piktogramm Zapfwellenschalter blinkt	<ul style="list-style-type: none"> ▪ Die Gesamtkapazität der eingesetzten Akkus beträgt weniger als 15 Ah. 	<ul style="list-style-type: none"> ▪ Zum Starten des Mähers werden EGO-Akkus mit mindestens 15 Ah insgesamt (2 x BA4200/BA4200T) oder mehr benötigt. Am besten funktioniert das Gerät, wenn Akkus mit insgesamt 30 Ah oder mehr eingesetzt werden.
	<ul style="list-style-type: none"> ▪ Als der Rasenmäher beim letzten Mal stoppte, wurde der Zapfwellenschalter nicht nach unten bewegt. 	<ul style="list-style-type: none"> ▪ Schieben Sie den Zapfwellenschalter nach unten und starten Sie die Mähmesser wieder.
	<ul style="list-style-type: none"> ▪ Als die Messer starteten, wurde der Rasenmäher überlastet, sodass der Überlastschutz des Motors auslöste. 	<ul style="list-style-type: none"> ▪ Beginnen Sie zunächst mit niedriger Geschwindigkeit zu mähen. Erhöhen Sie die Schnittgeschwindigkeit erst nach Wunsch, wenn sich die Messer frei drehen.
	<ul style="list-style-type: none"> ▪ Bei extrem kaltem Wetter startet der Messermotor unter Umständen nicht aufgrund des Tieftemperaturschutzes. 	<ul style="list-style-type: none"> ▪ Bewahren Sie den Rasenmäher und den Akku immer in warmer Umgebung auf. Starten Sie den Rasenmäher, wenn er aufgewärmt ist. Unternehmen Sie bei extremer Kälte keine wiederholten Startversuche. Dadurch könnte das Gerät beschädigt werden. Die empfohlene Betriebstemperatur beträgt 0 - 40°C.
	<ul style="list-style-type: none"> ▪ Das Messer schlägt am verformten Mähdeck an. 	<ul style="list-style-type: none"> ▪ Wenden Sie sich zu Reparatur an einen qualifizierten Kundendiensttechniker.

PROBLEM	URSACHE	LÖSUNG
Während des Mähvorgangs halten die Messer an.	<ul style="list-style-type: none"> Der Rasenmäher ist überlastet. 	<ul style="list-style-type: none"> Stellen Sie die Schnitthöhe des Mähdecks höher ein oder verringern Sie die Fahrgeschwindigkeit, um die Belastung des Geräts zu verringern.
	<ul style="list-style-type: none"> Das Mähwerk wird durch Rasen und Ablagerungen blockiert. 	<ul style="list-style-type: none"> Reinigen Sie das Mähwerk und stellen Sie sicher, dass sich die Messer frei drehen können.
	<ul style="list-style-type: none"> Der Rasenmäher ist überhitzt. 	<ul style="list-style-type: none"> Verringern Sie die Gerätebelastung, indem Sie die Schnitthöhe des Mähdecks erhöhen oder die Messer-/Fahrgeschwindigkeit verringern und den Rasenmäher abkühlen lassen.
	<ul style="list-style-type: none"> Der / die Akkupacks im Akkufach des Rasenmähers sind überhitzt. Das führt dazu, dass die kombinierte Kapazität aller eingesetzter Akkus unter 15 Ah liegt. 	<ol style="list-style-type: none"> Wenn die Gesamtkapazität der Akkus unter 15 Ah liegt, startet der Rasenmäher erst, wenn weitere Akkupacks in die freien Akkufächer eingesetzt werden. Wenn der überhitzte Akku wieder auf normale Temperatur abgekühlt hat, wird er sofort wieder an der Spannungsversorgung des Rasenmähers beteiligt.
		<ol style="list-style-type: none"> Verringern Sie die Belastung des Rasenmähers, indem Sie die Schnitthöhe des Mähdecks höher stellen oder langsamer mähen, wenn Sie den Betrieb wieder fortsetzen.
	<ul style="list-style-type: none"> Der Rasenmäher befindet sich im Notbetrieb. 	<ul style="list-style-type: none"> Wenn sich der Rasenmäher im Notbetrieb befindet, werden die Messer automatisch auf eine niedrige Umdrehungszahl ohne Rasenschneiden gedrosselt. Der Bediener sollte die Arbeit einstellen und sobald wie möglich den Akkuladebereich aufsuchen.
<ul style="list-style-type: none"> Der Rasenmäher hat einen Fremdgegenstand angestoßen, sodass der Motorschutz ausgelöst hat. 	<ul style="list-style-type: none"> Schieben Sie den Zapfwellenschalter nach unten und starten Sie die Mähmesser wieder. 	
Der Warnton wird weiter ausgegeben.	<ul style="list-style-type: none"> Der Rasenmäher befindet sich im Notbetrieb und die Messer sind abgeschaltet. 	<ul style="list-style-type: none"> Bewegen Sie den Zapfwellenschalter nach unten, um die Mähmesser auszurücken. Der Warnton schaltet sich aus, wenn die Messer anhalten.
	<ul style="list-style-type: none"> Der Rasenmäher hält beim Befahren einer Böschung an. Der Bediener öffnet die Lenkhebel und steht von seinem Sitz auf, ohne das Feststell-Bremspedal in Bremsposition zu bewegen. 	<ul style="list-style-type: none"> Bringen Sie das Feststell-Bremspedal in Bremsposition, bevor Sie den Rasenmäher an der Böschung verlassen.

PROBLEM	URSACHE	LÖSUNG
Die Ladeanzeigen leuchten beim Ausschalten des Rasenmähers immer noch.	<ul style="list-style-type: none"> ▪ Wenn der Rasenmäher auf ebenem Untergrund ausgeschaltet wird ohne die Akkus zu entfernen, leuchtet die Akkuanzeige 3 Minuten lang weiter. 	<ul style="list-style-type: none"> ▪ Keine Maßnahmen erforderlich. Nach einer Weile gehen die Akkulampen aus.
	<ul style="list-style-type: none"> ▪ Wenn der Rasenmäher an einer Böschung ausgeschaltet wird, ohne die Feststellbremse in Bremsposition zu bewegen, leuchtet die Akkuanzeige weiter, bis die Akkus entladen sind. Der Summer gibt weiter einen Warnton aus. 	<ul style="list-style-type: none"> ▪ Bringen Sie die das Feststell-Bremspedal in die Bremsposition, bevor Sie das Gerät an der Böschung verlassen.
Im LCD-Display leuchten nicht alle Piktogramme auf.	<ul style="list-style-type: none"> ▪ Die Start/Stopp-Taste wurde weniger als 3 Sekunden gedrückt. 	<ul style="list-style-type: none"> ▪ Im LCD-Display wird bei kurzer Betätigung der Start/Stopp-Taste die Meldung „Fuel Gauge“ (Kraftstoffanzeige) angezeigt.
		<ul style="list-style-type: none"> ▪ Nach dem Drücken der Start/Stopp-Taste leuchtet das LCD-Display 3 Sekunden lang auf.
Der Rasenmäher mäht durch den beträchtlichen Höhenunterschied zwischen vorn und hinten ungleichmäßig.	<ul style="list-style-type: none"> ▪ Die Messer sind stumpf. 	<ul style="list-style-type: none"> ▪ Schleifen oder ersetzen Sie das Messer wie in diesem Handbuch erläutert.
	<ul style="list-style-type: none"> ▪ Die Messer sind verbogen. 	<ul style="list-style-type: none"> ▪ Zum Austauschen eines verbogenen Messers befolgen Sie die Anweisungen im Kapitel „MESSER AUSWECHSELN“.
	<ul style="list-style-type: none"> ▪ Das Mähdeck ist nicht nivelliert, sodass die Höhe der Mähmesser unterschiedlich ist. 	<ul style="list-style-type: none"> ▪ Zum Justieren des Mähdecks befolgen Sie die Anweisungen im Kapitel „MÄHDECK NIVELLIEREN“.
Die tatsächliche Schnitthöhe stimmt nicht mit der angegebenen Höhe überein.	<ul style="list-style-type: none"> ▪ Am Federungsgestänge haben sich die Befestigungsmuttern des Mähdecks gelöst 	<ul style="list-style-type: none"> ▪ Um den Höhenunterschied des Mähdecks zwischen vorn und hinten korrekt einzustellen, befolgen Sie die Anweisungen im Kapitel „MÄHDECK NIVELLIEREN“ und ziehen Sie die vier Muttern am Federungsgestänge fest (zwei pro Seite).
	<ul style="list-style-type: none"> ▪ Das Mähdeck ist defekt oder stark verschlissen. 	<ul style="list-style-type: none"> ▪ Zum Auswechseln des Mähdecks befolgen Sie die Anweisungen im Kapitel „MÄHDECK ABMONTIEREN“.
Der Rasenmäher mulcht nicht richtig.	<ul style="list-style-type: none"> ▪ An der Unterseite des Mähwerks haftet feuchtes Schnittgut. 	<ul style="list-style-type: none"> ▪ Warten Sie mit dem Mähen, bis der Rasen trocken ist.
	<ul style="list-style-type: none"> ▪ Der Rasenmäher ist so eingestellt, dass er eine zu große Menge Gras auf einmal mäht. 	<ul style="list-style-type: none"> ▪ Stellen Sie am Mähwerk eine größere Schnitthöhe ein.

PROBLEM	URSACHE	LÖSUNG
Das Gerät vibriert extrem.	<ul style="list-style-type: none"> Die Messer wackeln. 	<ul style="list-style-type: none"> Ziehen Sie die Befestigungsschraube für das Messer mit dem empfohlenen Drehmoment von 50 - 55 Nm fest.
	<ul style="list-style-type: none"> Die Messer sind verbogen. 	<ul style="list-style-type: none"> Zum Austauschen eines verbogenen Messers befolgen Sie die Anweisungen im Kapitel „MESSER AUSWECHSELN“.
	<ul style="list-style-type: none"> Das Mähdeck ist nicht nivelliert. 	<ul style="list-style-type: none"> Zum Justieren des Mähdecks befolgen Sie die Anweisungen im Kapitel „MÄHDECK NIVELLIEREN“.
	<ul style="list-style-type: none"> Die Befestigungsmuttern des Mähdecks haben sich am Federungsgestänge gelöst. 	<ul style="list-style-type: none"> Ziehen Sie die vier Muttern am Federungsgestänge (zwei pro Seite) mit einem 18 mm Maulschlüssel (nicht mitgeliefert) fest.
	<ul style="list-style-type: none"> Der Rasenmäher ist so eingestellt, dass er zu viel Rasen abmäht. 	<ul style="list-style-type: none"> Stellen Sie am Mähwerk eine größere Schnitthöhe ein.
Nach dem Mähen liegen noch Rasen- oder Schnittreste auf dem Boden.	<ul style="list-style-type: none"> Der Rasenmäher ist so eingestellt, dass er zu viel auf einmal abmäht, wenn der Rasen hoch gewachsen ist. 	<ul style="list-style-type: none"> Fangen Sie mit einer hohen Schnitthöhe an und verringern Sie sie, bis das gewünschte Mähergebnis erreicht ist. Ein mehr als 15 cm hoher Rasen sollte zweimal gemäht werden. Dabei muss die Schnitthöhe bei jedem Mal verringert werden.
	<ul style="list-style-type: none"> Der Rasen ist nass. 	<ul style="list-style-type: none"> Wenn der Rasen nass ist, nicht mähen, sondern warten, bis er trocken ist.
	<ul style="list-style-type: none"> Die Fahrgeschwindigkeit ist hoch. 	<ul style="list-style-type: none"> Fahren Sie langsamer.
	<ul style="list-style-type: none"> Die Messergeschwindigkeit ist zu niedrig. 	<ul style="list-style-type: none"> Erhöhen Sie die Messergeschwindigkeit allmählich.
Kurze Mähdauer bei eingesetztem Akku.	<ul style="list-style-type: none"> Die Akkulaufzeit hängt überwiegend vom Zustand des Rasens und von der eingestellten Schnitthöhe ab. Die Laufzeitangaben gehen von einer leichten Mähbeanspruchung aus. 	<ul style="list-style-type: none"> Vergrößern Sie die Schnitthöhe am Mähdeck und verringern Sie die Messergeschwindigkeit, um die Belastung beim Mähen zu drosseln.
Der Rasenmäher bleibt nicht in der Spur.	<ul style="list-style-type: none"> Die Reifendrucke der linken und rechten Hinterräder sind unterschiedlich. 	<ul style="list-style-type: none"> Prüfen und korrigieren Sie den Luftdruck der Vorder- und Hinterräder entsprechend den Anweisungen im Kapitel „LUFTDRUCK PRÜFEN“.
	<ul style="list-style-type: none"> Die Antriebsgeschwindigkeiten der linken und rechten Hinterräder sind unterschiedlich. 	<ul style="list-style-type: none"> Stellen Sie die Spur des Rasenmähers entsprechend den Anweisungen im Kapitel „MÄHERSPUR KALIBRIEREN“ ein.

PROBLEM	URSACHE	LÖSUNG
Das Feststell-Bremspedal lässt sich nicht aus der Bremsstellung lösen oder federt nur sehr langsam zurück.	<ul style="list-style-type: none"> In das Feststell-Bremspedal ist eventuell Staub oder Schmutz eingedrungen. 	<ul style="list-style-type: none"> Öffnen Sie das Gehäuse des Feststell-Bremspedals, um es von innen gründlich zu reinigen. Schließen Sie es danach. Betätigen Sie das Feststell-Bremspedal und lassen Sie es los, um festzustellen, ob das Problem damit beseitigt ist. Falls nicht, veranlassen Sie eine Reparatur bei einem guten Kundendienst.
Wenn die Mähstatusanzeige rot leuchtet, lässt sich der Rasenmäher nicht über den Ladeanschluss aufladen.	<ul style="list-style-type: none"> Der Stecker des Ladegeräts wurde nicht korrekt in den Ladeanschluss des Rasenmähers eingeführt. 	<ul style="list-style-type: none"> Schließen Sie den Ladestecker erneut an, um festzustellen, ob sich der Rasenmäher normal aufladen lässt.
	<ul style="list-style-type: none"> Die Steckdose führt keinen Strom. 	<ul style="list-style-type: none"> Keine Maßnahmen erforderlich. Warten Sie, bis wieder Strom fließt.
	<ul style="list-style-type: none"> Störung des Ladegeräts. 	<ul style="list-style-type: none"> Lassen Sie das Gerät von einer ausgewiesenen Fachwerkstatt überprüfen und ggf. reparieren.
	<ul style="list-style-type: none"> Der Ladeanschluss am Rasenmäher ist defekt. 	<ul style="list-style-type: none"> Wenden Sie sich zur Reparatur an einen qualifizierten Kundendiensttechniker.
Die Ladedauer über den Ladeanschluss am Rasenmäher ist zu lang.	<ul style="list-style-type: none"> Das Aufladen mit dem EGO Netzteil ACA1000 dauert sehr lange. 	<ul style="list-style-type: none"> Verwenden Sie zum direkten Aufladen des Rasenmähers das EGO Ladegerät CHV1600E.
Der Akku lässt sich über den Ladeanschluss des Rasenmähers nicht vollständig aufladen.	<ul style="list-style-type: none"> Firmware-Fehler im Aufsitzrasenmäher oder Defekt am Ladegerät/Akku. 	<ul style="list-style-type: none"> Trennen Sie das Ladegerät von der Steckdose, warten Sie 1 Minute lang und schließen Sie den Stecker wieder an die Steckdose an. Falls dies nicht hilft, veranlassen Sie eine Reparatur bei einem guten Kundendienst.
Der Rasenmäher startet nach dem Reinigen nicht.	<ul style="list-style-type: none"> Unsachgemäße Reinigung, z. B. Wasser, das auf elektrische Bauteile, wie z. B. das LCD-Display etc. gelangt ist. 	<ul style="list-style-type: none"> Befolgen Sie zum korrekten Reinigen des Rasenmähers die Anweisungen im Kapitel „REINIGEN DES RASENMÄHERS“.
Der Rasenmäher setzt sich leicht zu.	<ul style="list-style-type: none"> Das Mähwerk wird durch Rasen und Ablagerungen blockiert. 	<ul style="list-style-type: none"> Falls der Rasenmäher versehentlich nassgeregnet wurde, lassen Sie ihn 12 Stunden lang trocknen oder blasen Sie ihn mit Druckluft trocken.
		<ul style="list-style-type: none"> Reinigen Sie das Mähdeck nach jedem Gebrauch. Befolgen Sie dazu das Kapitel „Den Schlauchanschluss zum Reinigen des Mähdecks verwenden“.
Der Rasenmäher gerät beim Hochfahren einer Böschung leicht aus der Spur.	<ul style="list-style-type: none"> Die Reifen der Hinterräder sind abgenutzt. 	<ul style="list-style-type: none"> Lassen Sie die Bereifung bei einem Kundendienst vor Ort wechseln.
	<ul style="list-style-type: none"> Hohe Böschung zu mähen. 	<ul style="list-style-type: none"> Die zu mähende Böschung sollte weniger als 12 Grad Gefälle haben.

PROBLEM	URSACHE	LÖSUNG
Wenn der Rasenmäher an einer Böschung mit betätigtem Feststell-Bremspedal gebremst wird, kann der Rasenmäher die Böschung herunterrutschen.	<ul style="list-style-type: none"> ▪ Durch einen ungeeigneten Einsatz des Rasenmähers sind die Bremsteile extrem abgenutzt. 	<ul style="list-style-type: none"> ▪ Wenden Sie sich zur Reparatur an einen qualifizierten Kundendiensttechniker.
Beim Abwaschen des Mähdecks tritt aus dem Schlauchanschluss kein Wasser aus.	<ul style="list-style-type: none"> ▪ Die Schnellkupplung ist nicht richtig mit dem Schlauchanschluss verbunden. 	<ul style="list-style-type: none"> ▪ Schieben Sie die Schnellkupplung fest auf den Schlauchanschluss, bis sie hörbar einrastet. Falls dies nicht hilft, veranlassen Sie eine Reparatur bei einem guten Kundendienst.
Wenn der Rasenmäher ohne zu Starten von Hand geschoben wird, ist ein ungewöhnliches Geräusch zu hören.	<ul style="list-style-type: none"> ▪ Das Geräusch kommt von den Magneten im Antriebsmotor. 	<ul style="list-style-type: none"> ▪ Das ist normal und es muss nichts unternommen werden.

LISTE MIT STATUS- UND FEHLERCODES

DE

Anzeige im LCD	Beschreibung	Fehlercode im LCD	Mähstatusanzeige	Summer	Ursache	Lösung
	LED-Beleuchtungssymbol erscheint im LCD-Display	nicht zutreffend	AUS	Nein	Die Scheinwerfer, Seitenbeleuchtung und die Heckleuchten werden vom LED-Beleuchtungsschalter eingeschaltet.	Dies ist ein normaler Vorgang. Keine Maßnahmen erforderlich.
	USB-Piktogramm wird im LCD-Display angezeigt	nicht zutreffend	AUS	Nein	Das Symbol USB leuchtet, um darauf hinzuweisen, dass ein USB-Gerät nach dem korrekten Starten des Rasenmähers benutzt werden kann.	Dies ist ein normaler Vorgang. Keine Maßnahmen erforderlich.
	Piktogramm für Kraftstoffanzeige erscheint im LCD-Display	nicht zutreffend	AUS	Nein	Gibt die durchschnittliche Ladekapazität der eingesetzten Akkus an	Dies ist ein normaler Vorgang. Keine Maßnahmen erforderlich.
	Piktogramm für Betriebsstundenzähler wird im LCD-Display angezeigt	nicht zutreffend	AUS	Nein	Zeigt die Fahrdauer des Rasenmähers insgesamt in Stunden an; kann nicht zurückgesetzt werden.	Dies ist ein normaler Vorgang. Keine Maßnahmen erforderlich.
	Piktogramm für Lastanzeige erscheint im Bereich ECO	nicht zutreffend	AUS	Nein	Gibt die aktuelle Last des Rasenmähers an.	Dies ist ein normaler Vorgang. Keine Maßnahmen erforderlich.
	Die Überlast-Anzeige blinkt. Piktogramm für Lastanzeige erscheint im Bereich PWR	nicht zutreffend	Rotes Blinklicht	Ein Ton	Der Messermotor ist überlastet.	Stellen Sie die Schnitthöhe des Mähdecks höher ein oder verringern Sie die Fahrgeschwindigkeit, um die Belastung des Rasenmähers zu verringern.
	Das Symbol Sicherheitsschloss blinkt.	nicht zutreffend	AUS	Nein	Der Sicherheitsschlüssel steckt nicht.	Stecken Sie den Sicherheitsschlüssel in das Schloss und halten Sie die Start/ Stopp-Taste länger als 3 Sekunden lang gedrückt, um den Rasenmäher einzuschalten.
					Das LCD-Display wird nicht mit Energie versorgt.	Lassen Sie Reparaturen durch einen qualifizierten Kundendiensttechniker ausführen.

Anzeige im LCD	Beschreibung	Fehlercode im LCD	Mähstausanzeige	Summer	Ursache	Lösung
	Das Piktogramm für das leere Akkufach blinkt.	nicht zutreffend	AUS	Nein	Die Akku-Kapazität reicht für den Betrieb des Aufsitzrasenmähers nicht aus.	Zum Starten des Mähers werden EGO-Akkus mit mindestens 15 Ah insgesamt (2 x BA4200/BA4200T) oder mehr benötigt. Zum optimalen Mähen empfehlen wir EGO-Akkus mit insgesamt 30 Ah Kapazität oder mehr.
	Das Piktogramm für das Thermometer blinkt.	nicht zutreffend	Rotes Blinklicht	Ein Ton	Der Rasenmäher ist überhitzt.	Verringern Sie die Gerätebelastung, indem Sie die Schnitthöhe des Mähdecks erhöhen oder die Messer-/ Fahrgeschwindigkeit verringern. Machen Sie eine Pause und lassen Sie den Rasenmäher abkühlen.
	Das Überhitzungssymbol und die Anzeige für ein voll besetztes Akkufach blinken gleichzeitig.	nicht zutreffend	nicht zutreffend	Nein	Das Akkupack im jeweils nummerierten Akkufach ist überhitzt.	<p>1. Der Rasenmäher kann weiter eingesetzt werden, wenn die gesamte Akkukapazität mindestens 15 Ah beträgt. Davon sind die überhitzten Akkuzellen ausgenommen. Wenn der überhitzte Akku wieder auf normale Temperatur abgekühlt hat, wird er sofort wieder an der Spannungsversorgung des Rasenmähers beteiligt.</p> <p>2. Wenn die Gesamtkapazität der Akkus unter 15 Ah liegt, startet der Rasenmäher erst, wenn weitere Akkupacks in die freien Akkufächer eingesetzt werden.</p> <p>3. Verringern Sie die Belastung des Rasenmähers, indem Sie die Schnitthöhe des Mähdecks höher stellen oder langsamer mähen, wenn Sie den Betrieb wieder fortsetzen.</p>

KEES VAN DER SPEK
TUINMACHINES • STOLWIJK

Anzeige im LCD	Beschreibung	Fehlercode im LCD	Mähstatusanzeige	Summer	Ursache	Lösung
	Die Symbole für die besetzten Akkufächer, die Akkuwarnanzeige und die Akkubalken der Kraftstoffanzeige blinken pro Sekunde 1 Mal gleichzeitig im LCD-Display. Das erste Segment der Kraftstoffanzeige-LED und der Statusanzeige blinkt ebenfalls.	nicht zutreffend	Rotes Blinklicht	Dauerton bis Zapfwellenschalter nach unten bewegt wird.	Die Akkupacks sind nur noch schwach geladen und der Rasenmäher ist im Notbetrieb.	Stellen Sie die Arbeit ein und kehren Sie zum Akkuladebereich zurück. HINWEIS: Wenn sich der Rasenmäher im Notbetrieb befindet, werden die Messer automatisch auf niedrige Umlaufgeschwindigkeit ohne Mähfunktion umgeschaltet. Gleichzeitig gibt der Summer einen Dauerton aus. Der Bediener sollte den Zapfwellenschalter nach unten bewegen, um die Mähmesser auszurücken. Nach dem Anhalten der Messer schaltet sich der Summer ab.
	Das Symbol für jedes besetzte Akkufach und die Akkuwarnlampe blinken alle halbe Sekunde.	nicht zutreffend	AUS	Nein	Die Akkupacks sind fast leer.	Der Mäher schaltet sich sofort ab. Der Bediener sollte den Mäher zum Aufladen in den Akkuladebereich bringen.
	Das Parkautomatik-Symbol blinkt im LCD-Display.	nicht zutreffend	AUS	Ton wird weiter ausgegeben	Der Rasenmäher ist an einer Böschung abgestellt und der Bediener stellt das Bremspedal nicht auf Bremsposition um. Nur die Lenkhebel stehen in geöffneter Position.	Stellen Sie das Bremspedal auf Bremsposition. Das Symbol Parkautomatik erlischt und der Summer wird abgeschaltet.
	Das Bremspedal-Piktogramm wird im LCD-Display angezeigt.	nicht zutreffend	AUS	Nein	Das Feststell-Bremspedal steht in Bremsposition.	Lassen Sie es los, bevor Sie den Rasenmäher starten.
	Das Sitzsensor-Piktogramm wird im LCD-Display angezeigt.	nicht zutreffend	AUS	Nein	Der Bediener verlässt den Sitz oder der Sitzschalter ist unterbrochen.	Wenn der Bediener auf dem Sitz sitzt und das Symbol leuchtet, halten Sie den Rasenmäher sofort an und überprüfen Sie den Sitzkontakt. Wenn der Sitzkontakt des Rasenmähers intakt ist, lassen Sie das Gerät von einem qualifizierten Kundendienst reparieren.

Anzeige im LCD	Beschreibung	Fehlercode im LCD	Mähstatusanzeige	Summer	Ursache	Lösung	
	Das Piktogramm Zapfwellenschalter blinkt.	nicht zutreffend	AUS	Nein	Der Messermotor wurde während des Betriebs unterbrochen und der Zapfwellenschalter steht nicht auf Ausschaltposition.	Bewegen Sie den Zapfwellenschalter nach unten, um den Deckmotor vor dem erneuten Start des Rasenmähers auszurücken. Lesen Sie zum Nachschlagen die Hinweise im Kapitel „ STÖRUNGS-BEHEBUNG “.	
	Das Piktogramm Lenkhebel blinkt	nicht zutreffend	AUS	Nein	Der Fahrmotor wurde während des Betriebs unterbrochen und die Lenkhebel stehen nicht in geöffneter Position.	Bewegen Sie die Lenkhebel in die geöffnete Stellung, bevor Sie den Rasenmäher wieder starten. Lesen Sie zum Nachschlagen die Hinweise im Kapitel „ STÖRUNGS-BEHEBUNG “.	
	Das Symbol Energierückgewinnung blinkt gelegentlich.	nicht zutreffend	AUS	Nein	Die kinetische Energie, die beim Bremsen oder Fahren bergab freigesetzt wird, wird in elektrische Energie umgewandelt und zum Laden der Akkupacks genutzt.	Dies ist ein normaler Vorgang. Keine Maßnahmen erforderlich.	
Siehe „Fehlercode“	Linker Antriebsmotor dreht sich nicht.	Elektronisch gesteuerter linker Antrieb gestört.	413	AUS	Ein Ton	Steuerelektronik gestört	Lassen Sie Reparaturen durch einen qualifizierten Kundendiensttechniker ausführen.
		Steckverbinder (Dreiphasen-Stromzuleitung) zum Verbinden des linken Antriebsmotors mit der entsprechenden Platine hat sich gelöst.	317	AUS	Ein Ton	Wackelkontakt	
		Steckverbinder (sechspolige Signalleitung) zum Verbinden des linken Antriebsmotors mit der entsprechenden Platine hat sich gelöst.	301	AUS	Ein Ton	Wackelkontakt	
		Linker Antriebsmotor gestört.	317	AUS	Ein Ton	Motorstörung	

Anzeige im LCD	Beschreibung	Fehlercode im LCD	Mähstatusanzeige	Summer	Ursache	Lösung	
Siehe „Fehlercode“	Rechter Antriebsmotor dreht sich nicht.	Elektronisch gesteuerter rechter Antrieb gestört.	313	AUS	Ein Ton	Steuerelektronik gestört	Lassen Sie Reparaturen durch einen qualifizierten Kundendiensttechniker ausführen.
		Steckverbinder (Dreiphasen-Stromzuleitung) zum Verbinden des rechten Antriebsmotors mit der entsprechenden Platine hat sich gelöst.	417	AUS	Ein Ton	Wackelkontakt	
		Steckverbinder (sechspolige Signalleitung) zum Verbinden des rechten Antriebsmotors mit der entsprechenden Platine hat sich gelöst.	401	AUS	Ein Ton	Wackelkontakt	
		Rechter Antriebsmotor gestört.	417	AUS	Ein Ton	Motorstörung	
Siehe „Fehlercode“	Linker Messerantrieb dreht sich nicht.	Elektronisch gesteuerter linker Antrieb gestört.	607	nicht zutreffend	Ein Ton	Steuerelektronik gestört	Lassen Sie Reparaturen durch einen qualifizierten Kundendiensttechniker ausführen.
		Steckverbinder (Dreiphasen-Stromzuleitung) zum Verbinden des linken Antriebsmotors mit der entsprechenden Platine hat sich gelöst.	509	nicht zutreffend	Ein Ton	Wackelkontakt	Überprüfen Sie zuerst das Messer. Wenn es sich gelöst hat, ziehen Sie die Schraube im Uhrzeigersinn mit einem 14-mm-Drehmomentschlüssel fest. Das empfohlene Drehmoment für die Messerschraube liegt bei 50 bis 55 Nm. Lassen Sie ansonsten Reparaturen durch einen qualifizierten Kundendiensttechniker ausführen.
		Linker Messerantrieb gestört	509	nicht zutreffend	Ein Ton	Motorstörung	

Anzeige im LCD	Beschreibung	Fehlercode im LCD	Mähstatusanzeige	Summer	Ursache	Lösung	
Siehe „Fehlercode“	Rechter Messerantrieb dreht sich nicht.	Elektronisch gesteuerter rechter Antrieb gestört.	507	nicht zutreffend	Ein Ton	Steuerelektronik gestört	Lassen Sie Reparaturen durch einen qualifizierten Kundendiensttechniker ausführen.
		Steckverbinder (Dreiphasen-Stromzuleitung) zum Verbinden des rechten Antriebsmotors mit der entsprechenden Platine hat sich gelöst.	609	nicht zutreffend	Ein Ton	Wackelkontakt	Überprüfen Sie zuerst das Messer. Wenn es sich gelöst hat, ziehen Sie die Schraube im Uhrzeigersinn mit einem 14-mm-Drehmomentschlüssel fest. Das empfohlene Drehmoment für die Messerschraube liegt bei 50 bis 55 Nm. Lassen Sie ansonsten Reparaturen durch einen qualifizierten Kundendiensttechniker ausführen.
		Rechter Messerantrieb gestört	609	nicht zutreffend	Ein Ton	Motorstörung	
Siehe „Fehlercode“	Linker Lenkhebel gestört.	Steuerelektronik des linken Lenkhebels gestört.	311 /412	AUS	Ein Ton	Störung der Steuerelektronik	Lassen Sie Reparaturen durch einen qualifizierten Kundendiensttechniker ausführen.
		Der Steckverbinder zur Steuerelektronik in der Lenksäule hat sich gelöst.				Wackelkontakt	
Siehe „Fehlercode“	Rechter Lenkhebel gestört.	Steuerelektronik des rechten Lenkhebels gestört.	312 /411	AUS	Ein Ton	Störung der Steuerelektronik	Lassen Sie Reparaturen durch einen qualifizierten Kundendiensttechniker ausführen.
		Der Steckverbinder zur Steuerelektronik in der Lenksäule hat sich gelöst.				Wackelkontakt	
Siehe „Fehlercode“	Feststellbremse defekt, das Gerät kann nicht gefahren werden.	Die Steuerelektronik der Feststellbremse in der vorderen Rahmenbaugruppe ist defekt.	309 /409	AUS	Ein Ton	Steuerelektronik gestört	Lassen Sie Reparaturen durch einen qualifizierten Kundendiensttechniker ausführen.
		Feststell-Bremsschalter und/oder Leitung ist defekt.	801	AUS	Ein Ton	Kabel-/Schalterstörung	
AUS	Störung am Ladeanschluss	nicht zutreffend	nicht zutreffend	ROTES Dauerlicht	nicht zutreffend	Der Stromkreis des Ladeanschlusses ist unterbrochen.	Lassen Sie Reparaturen durch einen qualifizierten Kundendiensttechniker ausführen.
		nicht zutreffend	nicht zutreffend	ROTES Dauerlicht	nicht zutreffend	Versorgungsspannung liegt nicht an.	Prüfen Sie, ob 220 - 240 V an der Steckdose anliegen bzw. ob die Steckdose intakt ist.
		nicht zutreffend	nicht zutreffend	ROTES Dauerlicht	nicht zutreffend	Die Sicherung ist durchgebrannt.	Lassen Sie Reparaturen durch einen qualifizierten Kundendiensttechniker ausführen.

Anzeige im LCD	Beschreibung	Fehlercode im LCD	Mähstatusanzeige	Summer	Ursache	Lösung
Siehe „Fehlercode“	Störung am Ladeanschluss	204	nicht zutreffend	Ein Ton	Der Stromkreis des Ladeanschlusses ist unterbrochen.	
Siehe „Fehlercode“	Akkufach-Baugruppe funktioniert nicht	217	nicht zutreffend	Ein Ton	Die Spannungsversorgung über das Akkugehäuse ist unterbrochen. Die LED-Scheinwerfer und der USB-Ausgang funktionieren nicht.	Lassen Sie Reparaturen durch einen qualifizierten Kundendiensttechniker ausführen.
		310 /410	AUS	Ein Ton	Der Kontakt zwischen den Typ C Leitungen des Akkufachs und anderen Typ C Leitungen des Rasenmähers ist gestört.	
		201 /202 /203	AUS	Ein Ton	Das BMS des Akkufachs ist defekt.	
Siehe „Fehlercode“	Start/Stop-Schalter Störung	314 /414	AUS	Ein Ton	Schalterelektronik gestört oder gestörte Verbindung zum Start/Stop-Schalter.	Lassen Sie Reparaturen durch einen qualifizierten Kundendiensttechniker ausführen.
Siehe „Fehlercode“	LCD-Display Störung	315 /415	AUS	Ein Ton	LCD-Display ist defekt oder gestörte Verbindung zum LCD-Display.	Have repairs performed by a qualified service technician.

GARANTIE

EGO-GARANTIEBEDINGUNGEN

Sämtliche EGO Garantiebedingungen finden Sie auf der Website egopowerplus.com.

LISEZ TOUTES LES INSTRUCTIONS !



LISEZ LE MANUEL D'UTILISATION

FR

⚠ Risques résiduels ! Les personnes portant des appareils électroniques, par exemple des stimulateurs cardiaques, doivent consulter leur(s) médecin(s) avant d'utiliser ce produit. L'utilisation d'un équipement électrique près d'un stimulateur cardiaque peut provoquer des interférences ou la panne du stimulateur cardiaque.

SYMBOLE DE SECURITE

L'objectif des symboles de sécurité est d'attirer votre attention sur des dangers potentiels. Les symboles de sécurité et les explications les accompagnant doivent être lus attentivement et compris. Les symboles de mise en garde ne permettent pas par eux-mêmes d'éliminer les dangers. Les consignes et mises en garde ne se substituent pas à des mesures de prévention appropriées des accidents.

AVERTISSEMENT : Lisez et comprenez impérativement toutes les consignes de sécurité de ce manuel d'utilisation, y compris les symboles de mise en garde de sécurité tels que « **DANGER** », « **AVERTISSEMENT** » et « **ATTENTION** » avant d'utiliser cet outil. Le non-respect de toutes les instructions énumérées ci-dessous peut entraîner un choc électrique, un incendie et / ou des blessures graves.

SIGNIFICATION DES SYMBOLES

Cette page décrit des symboles de sécurité pouvant être présents sur ce produit. Lisez, comprenez et respectez toutes les instructions présentes sur l'outil avant d'essayer de l'assembler et de l'utiliser.

SYMBOLES DE SÉCURITÉ



Alerte de sécurité



Protection oculaire



DANGER - Risque sur une pente raide



Ne transportez jamais d'enfants



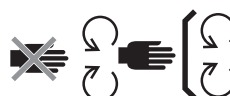
ATTENTION - N'utilisez pas cette machine sur des pentes d'un angle supérieur à 12°.



AVERTISSEMENT - GARDER LES MAINS ET LES PIEDS ÉLOIGNÉS



Lire et comprendre le manuel d'utilisation



Entretien des dispositifs de sécurité



DANGER - Tenir les passants éloignés des lames.



Regardez derrière vous en faisant marche arrière



DANGER – Projection d'objets



Niveau de puissance acoustique garanti. Conformément à la directive de la Communauté européenne.



Ne pas marcher



Les produits électriques usagés ne doivent pas être jetés avec les ordures ménagères. Apportez-les dans un centre de recyclage agréé.



Ce produit est conforme aux directives CE applicables.



VORSICHT - Nicht in die Betriebslampe blicken.



Courant continu



Ce produit est conforme à la législation britannique applicable.

kPa	Kilopascal
V	Volts
in	Pouce
Nm	Mètre Newton
°C	Celsius
km/h	Kilomètres par heure

Tr / min	Tours par minute
m	Mètres
cm	Centimètres
mm	Millimètres
kg	Kilogramme
IPX4	Indice de protection

SPÉCIFICATIONS

Tension		56 V
Taille du plateau		107 cm
Taille de roue	Avant	11 x 4 po (279,4 mm)
	Arrière	18 x 8,5 po (457,2 mm)
Pression des pneus à froid	Avant	220 kPa
	Arrière	50 kPa
Rayon de braquage		0
Vitesse de la lame (tr / min)		2400, 2600, 2800, 3000
Max. Vitesse de conduite (km / h)	Marche avant	4,8 km/h, 8 km/h, 9,6 km/h, 11,2 km/h (12,8 km/h en mode voyage)
	%arce arrière	jusqu'à 5,6 km / h
Charge	Chargeur (optionnel)	CHV1600E
	Adaptateur (optionnel)	ACA1000
	Plage de température de charge	5°C - 40°C
Réglage de la hauteur de coupe (10 positions)		25 – 100 mm
Température d'utilisation		0°C- 40°C

Température de stockage		-20°C - 70°C
Poids (sans la batterie)		186 kg
Niveau de puissance acoustique mesuré L _{WA}		96,44 dB(A) K=0,68 dB(A)
Niveau de pression acoustique au niveau des oreilles de l'opérateur L _{PA}		84,3 dB(A) K=3,0 dB(A)
Niveau de puissance acoustique garanti L _{WA} (mesuré selon 2000/14/EC)		100 dB(A)
Vibration a _h	Main	1,221 m/s ² K=1,5 m/s ²
	Corps	0,568 m/s ² K=1,5 m/s ²

- La valeur totale des vibrations indiquée a été mesurée selon une procédure conforme à une méthode de test standardisée et peut servir pour comparer différents outils.
- La valeur totale des vibrations déclarée peut également servir pour effectuer une évaluation préliminaire de l'exposition.

REMARQUE : Le niveau de vibrations lors de l'utilisation réelle de l'outil peut être différent de la valeur déclarée totale en fonction de la manière dont l'outil est utilisé ; Afin de protéger l'opérateur, l'utilisateur doit porter des gants et des protecteurs d'oreilles en conditions réelles d'utilisation.

DESCRIPTION

CONNAÎTRE LA TONDEUSE ÉLECTRIQUE À RAYON DE BRAQUAGE ZÉRO (Schémas A1 & A2)

1. Siège
2. Port de charge
3. Compartiment de la batterie
4. Feux arrière à DEL
5. Boîte de rangement
6. Porte-gobelets
7. Eclairages latéraux LED
8. Roue arrière (roue motrice)
9. Plateau
10. Protecteur du plateau
11. Roue anti-scalp
12. Roue avant
13. Pédale de frein de stationnement
14. Feux de circulation
15. Phares LED
16. Goulotte d'éjection latérale
17. Levier de réglage de la hauteur du plateau
18. Bouton de réglage de la suspension du siège
19. Levier de réglage du siège avant-arrière
20. Levier de direction
21. Indicateur de statut de la tondeuse
22. Écran LCD
23. Interrupteur de prise de force
24. Bouton marche / arrêt
25. Clé de sécurité
26. Boîte de rangement du téléphone
27. Jauge de carburant et indicateur de statut de la tondeuse
- 27a. Indicateur de jauge de carburant de la tondeuse
- 27b. Indicateur de statut de la tondeuse
28. Zone du repose-pieds
29. Bouton d'ouverture du couvercle du bloc d'alimentation
30. Couvercle du bloc d'alimentation

31. Bouton de déverrouillage de la batterie
32. Attelage
33. Couvercle de montage de l'accessoire
34. Rangement du couvercle de montage de l'accessoire
35. Port USB

FR

CONNAÎTRE L'ÉCRAN LCD ET LES BOUTONS (Schéma A3)

Reportez-vous à la section « **STATUT DE LA TONDEUSE ET CODES DE DÉFAUT** » pour plus d'informations sur les icônes et les indicateurs de l'écran LCD.

1. Icône de la clé de sécurité
2. Icône des indicateurs LED
3. Icône de stationnement automatique
4. Icône USB
5. Indicateur de vitesse de lame
6. Indicateur de statut du dispositif de sécurité
7. Compteur horaire
8. Icône de batterie
9. Icône de surchauffe
10. Mode de conduite
11. Indicateur de code d'erreur
12. Indicateur de surcharge
13. Indicateur de faible puissance
14. Indicateur de vitesse de conduite
15. Indicateur de charge
16. Bouton de réglage de la vitesse de la lame
17. Bouton de réglage
18. Bouton de mode de conduite
19. Interrupteur de lumière LED
20. Bouton de réglage de la vitesse de conduite
21. Jauge de carburant

KEES VAN DER SPEK
TUINMACHINES

DÉBALLAGE

FR

REMARQUE : Ne jetez pas les éléments d'emballage tant que vous n'avez pas soigneusement inspecté l'outil et que vous ne l'avez pas utilisé de manière satisfaisante. Si des pièces de la liste d'emballage sont assemblées sur la machine, veuillez contacter immédiatement le service EGO.

REMARQUE : À l'exception des outils figurant dans la liste d'emballage ci-dessous, tous les autres outils mentionnés dans les manuels sont simplement recommandés mais non fournis.

CONTENU DE L'EMBALLAGE (Schéma B1)

B1-1	Tondeuse électrique à rayon de braquage zéro		Clés de sécurité
B1-2	Siège	B1-8	Clés à fourche (13 mm)
B1-3	Bouchon de broyage	B1-9	Clé Allen
B1-4	Levier de direction	B1-10	Coupleur rapide pour port de lavage
B1-5	Vis à tête cylindrique (2 de rechange)	B1-11	Manuel d'utilisation
B1-6	Boulons hexagonaux (2 de rechange)		

DÉBALLAGE (Schéma B2 - Schéma B3)

ACCESSOIRES RECOMMANDÉS

⚠ AVERTISSEMENT : Utilisez uniquement les pièces de rechange identiques énumérées ci-dessous. L'utilisation de pièces ne correspondant pas aux caractéristiques de l'équipement d'origine peut causer un fonctionnement inadéquat et compromettre la sécurité.

NOM DES PIÈCES	MODEL NUMBER
Lame standard	AB4200
Lame à grande levée	AB4201
Bouchon de broyage	AMP4200
Kit de récupération des herbes	ABK4200-A

ASSEMBLAGE

INSTALLATION DU SIÈGE (Schémas C1 & C2)

⚠ AVERTISSEMENT : Le système de verrouillage de sécurité ne doit pas être déconnecté ou contourné. Cela pourrait provoquer un fonctionnement inattendu de la tondeuse et entraîner des blessures corporelles.

REMARQUE : Pour votre sécurité, la tondeuse peut s'arrêter de rouler car l'interrupteur du siège s'est déconnecté pendant la conduite. Dans ce cas, veuillez vous reporter à la section « DÉPANNAGE » pour plus d'informations.

C1-1	Câble	C1-5	Vis à tête creuse
C1-2	Fiche	C2-1	Crochet
C1-3	Prise	C2-2	Rails en acier
C1-4	Base de suspension	C2-3	Vis à tête creuse

INSTALLATION DES LEVIERS DE DIRECTION (Schéma C3)

C3-1	Leviers de direction	C3-3	Levier de direction Trous de montage
C3-2	Boulons hexagonaux		

FIXATION DU BOUCHON DE PAILLAGE (Schéma C4)

C4-1	Goulotte d'éjection latérale	C4-3	Ressort amovible
C4-2	Bouchon de broyage		

FONCTIONNEMENT

AVANT D'UTILISER LA TONDEUSE

Contrôle de l'environnement

- Veillez à ce qu'il n'y ait aucune autre personne, aucun enfant, ni aucun animal dans la zone de travail.
- Dégagez la zone de travail des objets qui pourraient être projetés par les lames de la tondeuse.
- Vérifiez et assurez-vous que les indicateurs LED sont en bon état :

- Les phares, les feux latéraux et les feux arrière sont contrôlés par l'interrupteur des feux LED.
- Les feux de position restent toujours allumés pendant la conduite.
- Lors d'une marche arrière, si les feux arrière sont éteints, ils clignotent pour avertir les passants ; si les feux arrière sont allumés, ils restent allumés.
- Tous les feux s'éteignent automatiquement après plus de 3 minutes sans fonctionnement.

Contrôle de la pression des pneus à froid (Schéma D1)

Vérification du statut de la tondeuse et du niveau de charge de la batterie.

- Indicateur de jauge de carburant de la tondeuse (Schémas A2 - 27a)

Chaque segment de l'indicateur de la jauge de carburant de la tondeuse indique 20% de charge des blocs de batterie insérés.

REMARQUE : L'indicateur de jauge de carburant de la tondeuse et la jauge de carburant sur l'écran LCD indiquent la capacité moyenne des blocs de batteries insérés.

- Indicateur de statut de la tondeuse (Schémas A1 & A2 - 27b)

Si l'indicateur de statut est vert, la tondeuse est prête à être conduite. Sinon, veuillez vous référer à la section «**STATUT DE LA TONDEUSE ET CODES DE DÉFAUT**».

Test du système de verrouillage de sécurité (schémas D2 à D8).

REMARQUE : L'opérateur doit être sur le siège avant le test.

- Avant le test (schémas D2 à D4)
- Pour tester le système de lames du plateau (schéma D5), levez-vous lentement.
- Pour tester le système de conduite (schémas D6 à D8), levez-vous lentement.

Si le système de lames du plateau et/ou le système d'entraînement ne s'arrête pas lorsque l'opérateur n'est pas assis sur le siège et si la cause ne peut pas être déterminée après avoir vérifié que la fiche et la prise du siège sont bien connectées, contactez immédiatement votre centre de service après-vente EGO.

RÉGLAGE (Schéma E1 - Schéma E13)

Préparation (Schéma E1 - Schéma E5)

Réglage de la hauteur du plateau de coupe (Schéma E6)

Réglage des roues anti-scalp (Schéma E7 - Schéma E10)

E7-1	Roue anti-scalp	E9-2	Boulon de blocage
E9-1	Écrou	E10-1	Étiquette de la hauteur du plateau

Réglage du siège (Schéma E11)

Régalez la position du siège pour vous assurer que vous pouvez appuyer fermement sur la pédale du frein de stationnement avant d'utiliser la tondeuse. Le réglage de la suspension du siège permet d'obtenir un confort optimal sur le siège.

E11-1	Levier de réglage du siège avant-arrière	E11-2	Bouton de réglage de la suspension du siège
-------	--	-------	---

Réglage du frein de stationnement (Schéma E12 - Schéma E13)

E13-1	Position de freinage	E13-2	Position de relâchement
-------	----------------------	-------	-------------------------

CHARGE (Schéma F1 - Schéma F11)

Pour faire démarrer cette tondeuse, des batteries EGO totalisant 15 Ah (2 X BA4200/BA4200T) ou plus sont nécessaires. Pour de meilleures performances, nous recommandons l'utilisation de batteries EGO totalisant 30 Ah ou plus.

Utilisez exclusivement les batteries et les chargeurs recommandés. (Schémas F9 & F10)

Préparation de la charge (Schéma F1 - Schéma F4)

Charge le(s) bloc(s) de batterie séparément (Schéma F5 – Schéma F9)

F5-1	Bouton d'ouverture du couvercle	F7-1	Bouton d'ouverture de la batterie
------	---------------------------------	------	-----------------------------------

- Pour fixer le(s) bloc(s) de batteries (Schéma F5 - Schéma F6)
- Pour détacher le(s) bloc(s) de piles (Schéma F7 - Schéma F8)

REMARQUE : Chargez le(s) bloc(s) de batteries en vous référant aux manuels des batteries et des chargeurs correspondants.

Charging the battery packs via charging port (Fig. F10)

FR

F10-1	Capuchon anti-poussière	F10-2	Port de charge
-------	-------------------------	-------	----------------

DÉMARRAGE DE LA TONDEUSE ÉLECTRIQUE À RAYON DE BRAQUAGE ZÉRO (Schéma A4 – Schéma A5 & Schéma G1 – Schéma G6)

⚠ AVERTISSEMENT : Évitez les démarrages, les arrêts et les virages brusques, ainsi que la vitesse excessive, surtout lorsque vous apprenez à utiliser la tondeuse. La tondeuse peut tourner rapidement, ce qui peut vous faire perdre le contrôle et entraîner des blessures et/ou des dommages graves.

⚠ AVERTISSEMENT : Avant de démarrer la tondeuse, vérifiez et assurez-vous que les lames sont désengagées lorsque vous poussez l'interrupteur de prise de force vers le bas. Si les lames ne s'arrêtent pas, n'utilisez pas la tondeuse et contactez immédiatement votre service client EGO.

REMARQUE : Suivez les schémas A4 et G2 pour obtenir la vitesse de conduite la plus basse et le mode de conduite **STANDARD** jusqu'à ce que vous soyez pleinement capable d'utiliser la tondeuse dans toutes les situations. La vitesse de conduite et le mode de conduite ne seront activés que lorsque les roues de la tondeuse sont arrêtées et que les leviers de direction sont ouverts.


La tondeuse enregistre et présente le réglage précédent lorsqu'elle redémarre.

Modes de conduite

- **CONTRÔLE :** Accélération plus faible, maniement moins sensible et vitesse de rotation plus douce pour protéger l'herbe et pour les nouveaux utilisateurs.
- **STANDARD :** Parfait pour une utilisation quotidienne.
- **SPORT :** Accélération plus forte, maniement précis et virage serré pour maximiser l'efficacité de la tonte et pour les passionnés de tonte.

Réglage de la vitesse de conduite (schéma A4)

Réglage de la vitesse de la lame (schéma A5)

- **REMARQUE :** Lorsque vous êtes en mode « TRAVEL » (CONDUITE), appuyez sur la touche «  » et la vitesse de conduite reviendra au mode précédent.

Port USB

REMARQUE : Le port USB fournit une puissance de charge de 5 Volts CC à une consommation combinée maximale de 1,5 ampère et est alimenté uniquement lorsque la tondeuse est en cours de démarrage.

ARRÊT DE LA TONDEUSE ÉLECTRIQUE À RAYON DE BRAQUAGE ZÉRO (Schéma H1 – Schéma H6)

REMARQUE : Après plus de 60 minutes sans fonctionnement, la tondeuse s'arrête automatiquement.

Mode Limp-home

Lorsque la charge de la batterie devient faible, la tondeuse passe en mode Limp-Home :

- La tondeuse arrête automatiquement de couper l'herbe ;
- Le signal sonore continue à retentir ;
- L'indicateur de statut de la tondeuse clignote en rouge toutes les secondes, le premier segment de la jauge de carburant de la tondeuse clignote en rouge et l'indicateur de faible puissance et les graphiques de la batterie sur la jauge de carburant clignent.

L'opérateur doit

- a) Pousser l'interrupteur de la prise de force vers le bas (schéma H3) pour désengager les lames. L'indicateur sonore cessera de retentir lorsque la lame s'arrêtera ;
- b) Arrêter de travailler et retournez dans la zone de chargement des batteries dès que possible. La distance maximale que la tondeuse peut parcourir est de 1000 m.

Lorsque la batterie est presque épuisée, l'icône de chaque compartiment de batterie occupé et l'indicateur de faible puissance clignent toutes les demi-secondes. La tondeuse cesse immédiatement de fonctionner. L'opérateur doit transporter la tondeuse jusqu'à la zone de charge de la batterie pour la recharger.

Poussée manuelle

Si une poussée manuelle est nécessaire, assurez-vous que les batteries sont déconnectées de la tondeuse et que la pédale du frein de stationnement est relâchée en position de freinage.

CONDUITE DE LA TONDEUSE ÉLECTRIQUE À RAYON DE BRAQUAGE ZÉRO (Schéma I1 – Schéma I9)

Pour arrêter, diminuer ou augmenter la vitesse, modifiez lentement la distance du levier de direction par rapport au point mort.

⚠ DANGER : Restez à une distance d'au moins deux largeurs de tonte (2,14 m) de tout fossé, chute ou eau. Les roues avant peuvent tourner lorsque la tondeuse est arrêtée, même si le frein est serré, et provoquer un basculement de la tondeuse vers un fossé ou dans l'eau et entraîner la mort ou des blessures graves.

⚠ AVERTISSEMENT : Soyez conscient de ce qui se trouve derrière la tondeuse avant de faire marche arrière. Ne tondez PAS en marche arrière, sauf en cas de nécessité absolue. Regardez toujours vers le bas et derrière vous avant et pendant que vous reculez pour vous assurer qu'aucun enfant, spectateur ou animal domestique ne pénètre dans la zone de tonte. N'oubliez pas qu'une fraction de seconde d'inattention suffit pour infliger la mort ou des blessures graves.

⚠ AVERTISSEMENT : N'utilisez pas cette machine sur les voies publiques.

AVERTISSEMENT : Si un blocage se produit ou si vous heurtez un objet étranger, arrêtez le moteur et retirez la batterie. Enlevez l'herbe coupée, les feuilles, la saleté et tout autre débris accumulé ; inspectez minutieusement la tondeuse pour détecter tout dommage et réparez les dommages avant de redémarrer et d'utiliser la tondeuse.

ENTRETIEN

⚠ AVERTISSEMENT : Portez toujours une protection oculaire avec boucliers latéraux. Le non-respect de cette consigne pourrait entraîner la projection d'objets dans les yeux et provoquer des blessures graves éventuelles.

⚠ AVERTISSEMENT : Protégez toujours vos mains en portant des gants épais ou en enroulant les bords coupants de la lame dans des chiffons ou d'autres matériaux lors de l'entretien de la lame de la tondeuse. Retirez toujours la clé de sécurité et la batterie lorsque vous procédez à l'entretien de la tondeuse ou que vous la transportez.

Fréquence d'entretien	Procédure d'entretien
Avant chaque utilisation ou quotidiennement	<ul style="list-style-type: none"> ■ Vérifiez le système de verrouillage de sécurité. ■ Vérifiez visuellement que le pneu n'est pas à plat. ■ Inspectez les lames pour voir si elles sont usées, fissurées ou pliées. ■ Inspectez l'ensemble du produit pour vérifier qu'il n'y a pas de pièces endommagées, manquantes ou desserrées telles que la goulotte d'éjection latérale, les vis, les écrous, les boulons, les capuchons, etc. et assurez-vous que toutes les protections sont en place et fonctionnent correctement. ■ Vérifiez le fonctionnement des freins.
Après chaque utilisation	<ul style="list-style-type: none"> ■ Nettoyez le plateau de la tondeuse.
Toutes les 25 heures	<ul style="list-style-type: none"> ■ Vérifiez la pression des pneus.
Toutes les 50 heures	<ul style="list-style-type: none"> ■ Vérifiez l'état de la graisse à l'intérieur de la bride de la lame de coupe.
Toutes les 100 heures	<ul style="list-style-type: none"> ■ Vérifiez les roues arrière, en vous assurant que les 4 écrous de roue sont fixés au couple recommandé.
Toutes les 200 heures	<ul style="list-style-type: none"> ■ Contrôlez les roues avant, en vous assurant qu'elles tournent librement.
Annuellement	<ul style="list-style-type: none"> ■ Vérifiez la pédale du frein de stationnement. Retirez la batterie de la tondeuse et placez la pédale de stationnement en position de freinage. Poussez manuellement la tondeuse vers l'avant pour voir si elle peut être déplacée ou non. Si elle bouge, faites-la réviser par un technicien qualifié.

FR

NETTOYAGE DE LA TONDEUSE (Schéma J1 - Schéma J9)

Préparation (Schéma J1 – Schéma J5)

FR

Nettoyage du boîtier de la tondeuse
(Schéma J6 - Schéma J7)

Utilisation du port de lavage pour nettoyer le plateau
de coupe de la tondeuse (Schéma J8 - Schéma J9)

J8-1	Port de lavage	J8-3	Tuyau d'arrosage
J8-2	Coupleur rapide pour port de lavage		

REMARQUE : Une fois le nettoyage terminé, poussez l'interrupteur de la prise de force vers le bas pour désengager les lames de la tondeuse.

ENTRETIEN DU PLATEAU DE COUPE ET DES LAMES DE COUPE

Préparation (Schéma K1 - Schéma K6)

Démontage du plateau de coupe
(Schéma K7 - Schéma K8)

K7-1	Câble du moteur	K7-3	Biellette de suspension
K7-2	Goupille fendue		

REMARQUE : Débranchez les câbles du moteur et les goupilles fendues des deux côtés lors du retrait du plateau de coupe.

Remplacement des lames de coupe
(Schéma K9 - Schéma K11)

K9-1	Stabilisateur	K10-3	Lame
K10-1	Boulon	K10-4	Bride
K10-2	Rondelle	K10-5	Arbre du moteur

Mise à niveau du plateau de coupe

a. Quand mettre à niveau
(Schéma K12 – Schéma K14)

b. Avant la mise à niveau

- Contrôle de la pression des pneus à froid (Schéma K15)
- Contrôlez les lames de coupe. Retirez et remplacez les lames usées, fissurées et/ou tordues si nécessaire.

c. Préparation de la mise à niveau
(Schéma K16 - Schéma K21)

d. Comment effectuer la mise à niveau

- Pour effectuer le réglage latéral (Schéma K22)

La différence entre les distances H1 & H2 mesurées entre le bord inférieur de chaque lame et le sol doit être inférieure à 5 mm.

K22-1	Contre-écrou
-------	--------------

- Pour effectuer le réglage latéral (Schéma K22)

La différence entre les distances H1 & H2 mesurées entre le bord inférieur de chaque lame et le sol doit être inférieure à 5 mm.

- Pour effectuer le réglage d'avant en arrière (Schéma K23)

La pointe avant H3 de la lame doit être de 2 mm à 10 mm plus basse que la pointe arrière H4.

CALIBRAGE DU SYSTÈME DE SUIVI DE LA TONDEUSE (Schéma L1 – Schéma L6 & Schéma L7 – Schéma L12)

REMARQUE : Le signal sonore retentira une fois à la fois au début du calibrage et lorsque le calibrage sera terminé.

RÉINITIALISATION DE LA TONDEUSE AUX RÉGLAGES D'USINE INITIAUX (Schéma M1 - Schéma M4)

REMARQUE : Le signal sonore retentira une fois à la fois au début de la réinitialisation et lorsque la réinitialisation sera terminée.

RANGEMENT ET TRANSPORT

TRANSPORT DE LA TONDEUSE (SCHÉMA N1 – SCHÉMA N11)

FR

REMARQUE : Fixez la tondeuse selon les besoins, à l'aide de sangles ou de câbles, pour éviter tout mouvement pendant le transport. Lors du chargement ou du déchargement de cette machine, n'utilisez pas plus que l'angle de fonctionnement maximum recommandé de 12 degrés.

ENTREPOSAGE (Schéma 01 – Schéma 06)

REMARQUE : Retirez les blocs de batteries et stockez les batteries en vous référant aux manuels correspondants.

Nettoyez et vérifiez la tondeuse avant de la ranger, reportez-vous aux sections « **NETTOYAGE DE LA TONDEUSE** » et « **CALENDRIER(S) D'ENTRETIEN RECOMMANDÉ(S)** ».

Protection de l'environnement




DEEE (déchet d'équipement électrique et électronique) Ne jetez pas les équipements électriques, les batteries et les chargeurs usagés avec les ordures ménagères ! Apportez ce produit dans un centre de recyclage agréé pour qu'il fasse l'objet d'une collecte séparée. Les outils électriques doivent être amenés dans un centre de recyclage pour assurer le respect de l'environnement.

WATER VAN DER SPEK
MACHINES * STOLWIJK

GUIDE DE DÉPANNAGE

FR

PROBLÈME	CAUSE	SOLUTION
<p>La tondeuse électrique à rayon de braquage zéro ne se déplace pas lorsque les deux leviers de direction sont poussés vers l'avant ou l'arrière au début.</p>  <p>L'icône de niveau de direction clignote</p>	<ul style="list-style-type: none"> ▪ L'intensité combinée des batteries insérées est inférieure à 15 Ah. 	<ul style="list-style-type: none"> ▪ Pour démarrer cette tondeuse, des batteries EGO totalisant 15 Ah (2 X BA4200/BA4200T) ou plus sont nécessaires. Pour des performances optimales, nous recommandons l'utilisation de batteries totalisant 30 Ah ou plus.
	<ul style="list-style-type: none"> ▪ La pédale du frein de stationnement est placée en position de freinage. 	<ul style="list-style-type: none"> ▪ Enfoncez complètement la pédale du frein de stationnement pour la libérer de la position de freinage.
	<ul style="list-style-type: none"> ▪ Les leviers de direction ne sont pas en position ouverte lors du démarrage de la tondeuse. 	<ul style="list-style-type: none"> ▪ Remettez les leviers de direction en position ouverte et redémarrez la tondeuse.
	<ul style="list-style-type: none"> ▪ L'opérateur n'est pas assis sur le siège. 	<ul style="list-style-type: none"> ▪ Ce n'est que lorsque l'opérateur est correctement assis sur le siège qu'il peut utiliser la tondeuse.
	<ul style="list-style-type: none"> ▪ L'interrupteur du siège n'est pas connecté correctement. 	<ul style="list-style-type: none"> ▪ Retirez la batterie de la tondeuse et démontez le siège dans l'ordre inverse des instructions de la section « INSTALLATION DU SIÈGE » de ce manuel pour inspecter la connexion de l'interrupteur du siège. Remontez le siège et suivez les instructions dans « DÉMARRAGE DE LA TONDEUSE ÉLECTRIQUE À RAYON DE BRAQUAGE ZÉRO » pour redémarrer la tondeuse et voir si la tondeuse peut être démarrée. Si ce n'est pas le cas, contactez un technicien qualifié pour la réparation.
	<ul style="list-style-type: none"> ▪ Par temps très froid, la fonction de conduite peut ne pas démarrer correctement en raison de la protection contre les basses températures. 	<ul style="list-style-type: none"> ▪ Stockez toujours la tondeuse et la batterie dans un environnement chaud. Redémarrez la tondeuse lorsqu'elle est réchauffée. Ne faites pas de tentatives répétées par grand froid, car cela pourrait endommager la machine. La température de fonctionnement recommandée est de 0°C-40°C.

PROBLÈME	CAUSE	SOLUTION
La tondeuse électrique à rayon de braquage zéro s'arrête de rouler.	<ul style="list-style-type: none"> Les leviers de direction doivent être réinitialisés. 	<ul style="list-style-type: none"> Remettez les leviers de direction en position ouverte et redémarrez la tondeuse.
	<ul style="list-style-type: none"> Les composants de commande électrique des leviers de direction sont défectueux. 	<ul style="list-style-type: none"> Contactez un technicien qualifié pour la réparation.
	<ul style="list-style-type: none"> L'interrupteur du siège s'est déconnecté pendant la conduite sur un terrain accidenté. 	<ul style="list-style-type: none"> Retirez la batterie de la tondeuse et démontez le siège dans l'ordre inverse des instructions de la section « INSTALLATION DU SIÈGE » de ce manuel pour inspecter la connexion de l'interrupteur du siège. Remontez le siège et suivez les instructions dans « DÉMARRAGE DE LA TONDEUSE ÉLECTRIQUE À RAYON DE BRAQUAGE ZÉRO » pour redémarrer la tondeuse et voir si la tondeuse peut être démarrée. Si ce n'est pas le cas, contactez un technicien qualifié pour la réparation.
La vitesse de conduite/le mode de conduite ne peuvent pas être réglés pendant la conduite.	<ul style="list-style-type: none"> Il s'agit d'une caractéristique de la tondeuse électrique à rayon de braquage zéro pour une conduite sûre. 	<ul style="list-style-type: none"> La fonction ne s'active que lorsque les roues de la tondeuse sont arrêtées et que les leviers de direction sont ouverts.
La tondeuse électrique à rayon de braquage zéro ne parvient pas à faire démarrer les lames lorsque l'interrupteur de la prise de force est enclenché.	<ul style="list-style-type: none"> L'intensité combinée des batteries insérées est inférieure à 15 Ah. 	<ul style="list-style-type: none"> Pour démarrer cette tondeuse, des batteries EGO totalisant 15 Ah (2 X BA4200/BA4200T) ou plus sont nécessaires. Pour des performances optimales, nous recommandons l'utilisation de batteries totalisant 30 Ah ou plus.
	<ul style="list-style-type: none"> L'interrupteur de la prise de force n'est pas poussé vers le bas lors du dernier arrêt de la tondeuse. 	<ul style="list-style-type: none"> Poussez l'interrupteur de la prise de force vers le bas et redémarrez les lames de la tondeuse.
	<ul style="list-style-type: none"> La tondeuse est surchargée au moment du démarrage des lames, ce qui entraîne une autoprotection du moteur. 	<ul style="list-style-type: none"> Commencez à tondre l'herbe à la vitesse la plus faible des lames et jusqu'à ce que les lames obtiennent des rotations réussies, n'accélérez pas la vitesse des lames si nécessaire.
	<ul style="list-style-type: none"> Par grand froid, le moteur des lames peut ne pas démarrer correctement en raison de la protection contre les basses températures. 	<ul style="list-style-type: none"> Stockez toujours la tondeuse et la batterie dans un environnement chaud. Redémarrez la tondeuse lorsqu'elle est réchauffée. Ne faites pas de tentatives répétées par grand froid, car cela pourrait endommager la machine. La température de fonctionnement recommandée est de 0°C-40°C.
	<ul style="list-style-type: none"> La lame interfère avec le plateau de coupe déformé. 	<ul style="list-style-type: none"> Contactez un technicien qualifié pour la réparation.



L'icône de l'interrupteur de prise de force clignote

PROBLÈME	CAUSE	SOLUTION
Les lames cessent de fonctionner pendant la coupe de l'herbe.	<ul style="list-style-type: none"> La tondeuse est en surcharge. 	<ul style="list-style-type: none"> Augmentez la hauteur de coupe du plateau ou ralentissez la vitesse de conduite pour réduire la charge de la tondeuse.
	<ul style="list-style-type: none"> Le carénage de la tondeuse est encrassé d'herbe et de débris. 	<ul style="list-style-type: none"> Nettoyez le plateau de coupe et assurez-vous que les lames ont une liberté de mouvement.
	<ul style="list-style-type: none"> La tondeuse est en surchauffe. 	<ul style="list-style-type: none"> Réduisez la charge de la tondeuse en augmentant la hauteur de coupe du plateau ou en ralentissant la vitesse de la lame/d'entraînement et laissez la tondeuse refroidir.
	<ul style="list-style-type: none"> Le(s) bloc(s) de batteries dans le compartiment des batteries de la tondeuse est (sont) surchauffé(s), ce qui fait que l'indice Ah combiné de toutes les batteries insérées est inférieur à 15 Ah. 	<ol style="list-style-type: none"> Si la valeur nominale Ah de la batterie combinée est inférieure à 15 Ah, la tondeuse ne fonctionnera pas tant que d'autres blocs-batteries ne seront pas insérés dans les composants de batterie vacants. Une fois que la batterie surchauffée revient à une température normale, elle alimente immédiatement la tondeuse.
		<ol style="list-style-type: none"> Réduisez la charge de la tondeuse en augmentant la hauteur de coupe du plateau ou en ralentissant la tonte lors de la reprise de l'opération.
	<ul style="list-style-type: none"> La tondeuse est en mode Limp-Home. 	<ul style="list-style-type: none"> Lorsque la tondeuse est en mode Limp-Home, les lames passent automatiquement en basse vitesse de rotation sans tonte d'herbe. L'opérateur doit cesser de travailler et retourner dans la zone de charge de la batterie dès que possible.
<ul style="list-style-type: none"> La tondeuse a été heurtée par un objet étranger, ce qui entraîne une autoprotection du moteur. 	<ul style="list-style-type: none"> Poussez l'interrupteur de prise de force vers le bas et redémarrez les lames de tondeuse. 	
L'indicateur sonore continue de sonner.	<ul style="list-style-type: none"> La tondeuse est en mode Limp-Home et les lames ne sont pas éteintes. 	<ul style="list-style-type: none"> Poussez l'interrupteur de la prise de force vers le bas pour désengager les lames du plateau. Le signal sonore cesse de retentir lorsque la lame s'arrête.
	<ul style="list-style-type: none"> La tondeuse s'arrête de rouler sur une pente et l'opérateur ouvre les leviers de direction et se lève du siège sans mettre la pédale du frein de stationnement en position de freinage. 	<ul style="list-style-type: none"> Placez la pédale du frein de stationnement en position de freinage avant de laisser la tondeuse sur la pente.

PROBLÈME	CAUSE	SOLUTION
Les indicateurs de la batterie restent allumés lorsque la tondeuse est éteinte.	<ul style="list-style-type: none"> ▪ Lorsque la tondeuse est arrêtée sur un terrain plat sans retirer le(s) bloc(s) de batteries de la tondeuse, les indicateurs de batterie restent allumés pendant 3 minutes. 	<ul style="list-style-type: none"> ▪ Aucune action n'est nécessaire. Les indicateurs de batterie s'éteignent après un certain temps.
	<ul style="list-style-type: none"> ▪ Lorsque la tondeuse est arrêtée sur une pente sans mettre la pédale du frein de stationnement en position de freinage, les indicateurs de batterie restent allumés jusqu'à ce que la charge de la batterie soit épuisée. Le signal sonore continue à sonner en même temps. 	<ul style="list-style-type: none"> ▪ Placez la pédale du frein de stationnement en position de freinage avant que l'opérateur ne laisse l'outil sur la pente.
L'écran LCD ne s'allume pas avec toutes les icônes allumées.	<ul style="list-style-type: none"> ▪ Le temps de pression sur le bouton marche / arrêt est inférieur à 3 secondes. 	<ul style="list-style-type: none"> ▪ L'écran LCD n'affiche « Jauge de carburant » que lorsque le bouton marche/arrêt est enfoncé brièvement.
		<ul style="list-style-type: none"> ▪ L'écran LCD s'allume lorsque vous appuyez sur le bouton marche/arrêt pendant 3 secondes.
La tondeuse coupe de manière irrégulière, avec une différence de hauteur significative entre l'avant et l'arrière.	<ul style="list-style-type: none"> ▪ Les lames sont émoussées. 	<ul style="list-style-type: none"> ▪ Affûtez ou remplacez la lame de coupe comme indiqué dans ce manuel.
	<ul style="list-style-type: none"> ▪ Les lames sont pliées. 	<ul style="list-style-type: none"> ▪ Remplacez la lame de coupe tordue en suivant les instructions de la section « REPLACEMENT DES LAMES DE COUPE ».
	<ul style="list-style-type: none"> ▪ Le plateau de coupe n'est pas nivelé, ce qui entraîne une différence de hauteur des lames. 	<ul style="list-style-type: none"> ▪ Mettez le plateau de coupe à niveau en suivant les instructions de la section « MISE À NIVEAU DU PLATEAU DE COUPE ».
La hauteur de coupe réelle de l'herbe n'est pas alignée avec la hauteur annoncée.	<ul style="list-style-type: none"> ▪ Les écrous du plateau de coupe sont desserrés sur la tringlerie de suspension. 	<ul style="list-style-type: none"> ▪ Suivez les instructions de la section « MISE À NIVEAU DU PLATEAU DE COUPE » pour effectuer un réglage correct de l'avant vers l'arrière du plateau de coupe et serrez fermement les quatre écrous sur la tringlerie de suspension (deux de chaque côté).
	<ul style="list-style-type: none"> ▪ Le plateau de coupe est endommagé ou gravement usé. 	<ul style="list-style-type: none"> ▪ Suivez les instructions de la section « RETRAIT DU PLATEAU DE COUPE » pour faire remplacer le plateau de la tondeuse.
La tondeuse ne broie pas correctement.	<ul style="list-style-type: none"> ▪ Des brins d'herbe mouillés sont collés sous le carénage. 	<ul style="list-style-type: none"> ▪ Attendez que l'herbe sèche avant de la tondre.
	<ul style="list-style-type: none"> ▪ La tondeuse est réglée pour couper trop d'herbe. 	<ul style="list-style-type: none"> ▪ Augmentez la hauteur de coupe du plateau..

PROBLÈME	CAUSE	SOLUTION
Il y a des vibrations excessives	<ul style="list-style-type: none"> Les lames de coupe sont lâches. 	<ul style="list-style-type: none"> Serrez le boulon de lame au couple recommandé de 50-55 Nm.
	<ul style="list-style-type: none"> Les lames sont pliées. 	<ul style="list-style-type: none"> Remplacez la lame de coupe tordue en suivant les instructions de la section « REPLACEMENT DES LAMES DE COUPE ».
	<ul style="list-style-type: none"> Le plateau de coupe de la tondeuse n'est pas nivelé. 	<ul style="list-style-type: none"> Mettez le plateau de coupe à niveau en suivant les instructions de la section « MISE À NIVEAU DU PLATEAU DE COUPE ».
	<ul style="list-style-type: none"> Les écrous du plateau de coupe sont desserrés sur la tringlerie de suspension. 	<ul style="list-style-type: none"> Utilisez une clé plate de 18 mm (non fournie) pour serrer les quatre écrous sur la tringlerie de suspension (deux de chaque côté).
	<ul style="list-style-type: none"> La tondeuse est réglée pour couper trop d'herbe en une seule fois. 	<ul style="list-style-type: none"> Augmentez la hauteur de coupe du plateau..
Il reste de l'herbe ou des débris sur le sol après la tonte.	<ul style="list-style-type: none"> La tondeuse est réglée pour couper trop d'herbe à la fois lorsque l'herbe est haute. 	<ul style="list-style-type: none"> Commencez par une hauteur de coupe élevée et réduisez-la jusqu'à ce que le résultat de tonte souhaité soit atteint. L'herbe de plus de 6 pouces de hauteur doit être tondue deux fois, à des hauteurs de coupe de plus en plus basses.
	<ul style="list-style-type: none"> L'herbe est mouillée. 	<ul style="list-style-type: none"> Ne tondez pas lorsque l'herbe est mouillée jusqu'à ce que l'herbe sèche.
	<ul style="list-style-type: none"> La vitesse d'avancement est élevée. 	<ul style="list-style-type: none"> Ralentissez la vitesse de conduite.
	<ul style="list-style-type: none"> La vitesse de la lame est faible. 	<ul style="list-style-type: none"> Augmentez progressivement la vitesse de la lame.
Le temps de fonctionnement de la tondeuse avec la batterie fournie est court.	<ul style="list-style-type: none"> L'état de l'herbe et le réglage de la hauteur de coupe affectent considérablement l'autonomie de la batterie. L'autonomie annoncée est basée sur une charge légère. 	<ul style="list-style-type: none"> Augmentez la hauteur de coupe du plateau et ralentissez la vitesse de la lame pour réduire la charge de coupe.
La tondeuse ne se déplace pas en ligne droite.	<ul style="list-style-type: none"> Les pressions des pneus des roues arrière gauche et droite sont différentes. 	<ul style="list-style-type: none"> Vérifiez et réglez la pression d'air dans les deux pneus des roues arrière, selon les recommandations de la section « CONTRÔLE DE LA PRESSION DES PNEUS » de ce manuel.
	<ul style="list-style-type: none"> Les vitesses d'avancement des roues arrière gauche et droite sont différentes. 	<ul style="list-style-type: none"> Calibrez le système de suivi de la faucheuse en suivant les instructions de la section « CALIBRAGE DU SYSTÈME DE SUIVI DE LA TONDEUSE ».
La pédale du frein de stationnement ne peut pas être relâchée de la position de freinage ou est lente à revenir en arrière.	<ul style="list-style-type: none"> Des débris ou des saletés peuvent pénétrer dans la pédale du frein de stationnement. 	<ul style="list-style-type: none"> Ouvrez le boîtier de la pédale de frein de stationnement pour nettoyer soigneusement l'intérieur du boîtier et fermez-le. Réinitialisez la pédale de frein de stationnement pour voir si le problème est résolu. Si ce n'est pas le cas, contactez un technicien qualifié pour la réparation.


PROBLÈME	CAUSE	SOLUTION
La tondeuse ne peut pas être chargée via le port de charge alors que l'indicateur du statut de la tondeuse est rouge fixe.	<ul style="list-style-type: none"> La fiche du chargeur n'est pas correctement insérée dans le port de charge de la tondeuse. 	<ul style="list-style-type: none"> Rebranchez la prise du chargeur pour voir si la tondeuse peut être chargée normalement.
	<ul style="list-style-type: none"> Il n'y a pas de courant dans les prises murales. 	<ul style="list-style-type: none"> Aucune action n'est nécessaire. Attendez que le courant revienne.
	<ul style="list-style-type: none"> Mauvais fonctionnement du chargeur. 	<ul style="list-style-type: none"> Contactez un technicien de service qualifié pour une inspection et faites réparer le chargeur si nécessaire.
	<ul style="list-style-type: none"> Le port de charge de la tondeuse est défectueux. 	<ul style="list-style-type: none"> Contactez un technicien qualifié pour la réparation.
Le temps de charge via le port de charge de la tondeuse est trop long.	<ul style="list-style-type: none"> L'utilisation de l'adaptateur EGO ACA1000 pour le chargement nécessite une longue durée. 	<ul style="list-style-type: none"> Utilisez le chargeur EGO CHV1600E pour charger directement la tondeuse électrique à rayon de braquage zéro.
La batterie ne peut pas être complètement chargée via le port de charge de la tondeuse.	<ul style="list-style-type: none"> Dysfonctionnement du micrologiciel de la tondeuse autoportée ou panne du chargeur/de la batterie. 	<ul style="list-style-type: none"> Débranchez le chargeur et attendez plus d'1 minute, puis rebranchez la prise à l'alimentation. Si cela ne fonctionne pas, contactez un technicien qualifié pour la réparation.
La tondeuse ne peut pas être démarrée après le nettoyage.	<ul style="list-style-type: none"> Nettoyage inadéquat, tel que de l'eau sur les composants électriques, l'écran LCD, etc. 	<ul style="list-style-type: none"> Suivez les instructions de la section « NETTOYAGE DE LA TONDEUSE » pour nettoyer correctement la tondeuse.
La tondeuse s'encrasse facilement.	<ul style="list-style-type: none"> Le plateau de coupe de la tondeuse est encrassé d'herbe et de débris. 	<ul style="list-style-type: none"> Si la tondeuse a pris la pluie accidentellement, laissez-la sécher pendant plus de 12 heures ou utilisez de l'air comprimé pour la sécher.
		<ul style="list-style-type: none"> Nettoyez le plateau de coupe après chaque utilisation, en suivant la section « Utilisation du port de lavage pour nettoyer le plateau de coupe ».
La tondeuse perd facilement de la traction lorsqu'elle monte sur une pente.	<ul style="list-style-type: none"> Les pneus des roues arrière sont usés. 	<ul style="list-style-type: none"> Cherchez un centre local d'entretien pour remplacer les pneus de roue.
	<ul style="list-style-type: none"> Pente de tonte importante. 	<ul style="list-style-type: none"> La pente de tonte doit être inférieure à 12 degrés.
Lorsque la tondeuse est arrêtée sur une pente avec la pédale de frein de stationnement enfoncée, la tondeuse peut glisser vers le bas de la pente.	<ul style="list-style-type: none"> Les composants du frein sont excessivement usés en raison d'une mauvaise utilisation de la tondeuse. 	<ul style="list-style-type: none"> Contactez un technicien qualifié pour la réparation.
Il n'y a pas d'eau qui sort de l'orifice de lavage lors du lavage du plateau.	<ul style="list-style-type: none"> Le raccord rapide de l'orifice de lavage n'est pas monté en place sur l'orifice de lavage. 	<ul style="list-style-type: none"> Remettez en place le raccord rapide du port de lavage jusqu'à ce que vous entendiez un déclic clair après avoir poussé fermement. Si cela ne fonctionne pas, contactez un technicien qualifié pour la réparation.

PROBLÈME	CAUSE	SOLUTION
Il y a un bruit anormal lorsque vous poussez manuellement la tondeuse sans la faire démarrer.	<ul style="list-style-type: none">▪ Le bruit provient des aimants à l'intérieur du moteur d'entraînement.	<ul style="list-style-type: none">▪ Ce phénomène est normal et aucune action n'est nécessaire.

STATUT DE LA TONDEUSE ET CODES DE DÉFAUT



Affichage LCD	Description	Code d'erreur sur l'écran LCD	Indicateur de statut de la tondeuse	Signal sonore	Cause	Solution
	LED s'allume ; l'icône s'affiche sur l'écran LCD	n/a	DÉS-ACTIVÉ	Non	Les phares, les feux latéraux et les feux arrière sont allumés par l'interrupteur de lumière LED.	Il s'agit d'un fonctionnement normal. Aucune action n'est nécessaire.
	L'icône USB s'affiche sur l'écran LCD.	n/a	DÉS-ACTIVÉ	Non	L'icône USB s'allume pour indiquer qu'un périphérique USB peut fonctionner après le démarrage correct de la tondeuse.	Il s'agit d'un fonctionnement normal. Aucune action n'est nécessaire.
	L'icône de jauge de carburant s'affiche sur l'écran LCD	n/a	DÉS-ACTIVÉ	Non	Cela indique la capacité de charge moyenne des batteries insérées	Il s'agit d'un fonctionnement normal. Aucune action n'est nécessaire.
	L'icône du compteur horaire s'affiche sur l'écran LCD	n/a	DÉS-ACTIVÉ	Non	Cela indique le temps de conduite total de la tondeuse, en heures, et ne peut être réinitialisée.	Il s'agit d'un fonctionnement normal. Aucune action n'est nécessaire.
	Indicateur de charge L'icône s'affiche dans la gamme ECO	n/a	DÉS-ACTIVÉ	Non	Cela indique la charge actuelle de la tondeuse.	Il s'agit d'un fonctionnement normal. Aucune action n'est nécessaire.
	L'indicateur de surcharge clignote.	n/a	Clignote en rouge	Un bip	Le moteur de la lame est surchargé.	Augmentez la hauteur de coupe du plateau ou ralentissez la vitesse de conduite pour réduire la charge de la tondeuse.

Affichage LCD	Description	Code d'erreur sur l'écran LCD	Indicateur de statut de la tondeuse	Signal sonore	Cause	Solution
	L'icône de l'indicateur de charge s'affiche dans la plage PWR.	n/a	DÉ-S- ACTIVÉ	Non	La clé de sécurité n'est pas insérée.	Insérez la clé de sécurité puis appuyez sur le bouton MARCHE / ARRÊT pendant plus de 3 secondes pour mettre la tondeuse en marche.
					L'écran LCD n'est pas alimenté.	Faites effectuer les réparations par un technicien qualifié.
	L'icône du compartiment de la batterie vide clignote.	n/a	DÉ-S- ACTIVÉ	Non	La capacité de la batterie n'est pas suffisante pour permettre à la tondeuse autoportée de fonctionner.	Pour démarrer cette tondeuse, des batteries EGO totalisant 15 Ah (2 X BA4200/BA4200T) ou plus sont nécessaires. Pour des performances optimales, nous recommandons l'utilisation de batteries EGO totalisant 30 Ah ou plus.
	L'icône du thermomètre clignote.	n/a	Clignote en rouge	Un bip	La tondeuse est surchauffée.	Réduisez la charge de la tondeuse en augmentant la hauteur de coupe du plateau ou en ralentissant la vitesse de la lame/d'entraînement. Faites une pause et laissez la tondeuse refroidir.

Affich- age LCD	Description	Code d'err- eur sur l'- écran LCD	Indicat- eur de statut de la ton- deuse	Signal sonore	Cause	Solution
	L'icône de surchauffe et du compartiment de la batterie plein clignotent en même temps.	n/a	n/a	Non	Le bloc de batteries dans le compartiment numéroté correspondant est surchauffé.	<ol style="list-style-type: none"> 1. La tondeuse peut continuer à fonctionner si l'indice d'ampérage combiné de la batterie, à l'exclusion de la batterie surchauffée, est égal ou supérieur à 15 Ah. Une fois que la batterie surchauffée revient à une température normale, elle alimente immédiatement la tondeuse. 2. Si la capacité nominale de la batterie combinée est inférieure à 15 Ah, la tondeuse ne fonctionnera pas tant que d'autres blocs de batterie ne seront pas insérés dans les compartiments de batterie vacants. 3. Réduisez la charge de la tondeuse en augmentant la hauteur de coupe du plateau ou en ralentissant la tonte lors de la reprise de l'opération.

Affichage LCD	Description	Code d'erreur sur l'écran LCD	Indicateur de statut de la tondeuse	Signal sonore	Cause	Solution
	<p>Les icônes de chaque compartiment de batterie occupé, l'indicateur de faible puissance, les graphiques de la batterie de la jauge de carburant clignotent toutes les 1 seconde en même temps sur l'écran LCD. Le premier segment de la jauge de carburant LED et de l'indicateur de statut clignote également.</p>	n/a	Clignote en rouge	Continue à émettre des bips jusqu'à ce que l'interrupteur de la prise de force soit poussé vers le bas.	Les blocs de batteries sont faiblement chargés et la tondeuse est en mode Limp-Home.	<p>Arrêtez de travailler et retournez dans la zone de charge de la batterie.</p> <p>REMARQUE : Lorsque la tondeuse est en mode Limp-Home, les lames passent automatiquement en basse vitesse de rotation sans couper l'herbe et simultanément, l'indicateur sonore continue de sonner. L'opérateur doit pousser l'interrupteur de la prise de force vers le bas pour désengager les lames du plateau de coupe. Le signal sonore cesse de biper après l'arrêt des lames.</p>
	<p>L'icône de chaque compartiment de batterie occupé et l'indicateur de faible puissance clignotent toutes les demi-secondes.</p>	n/a	DÉS-ACTIVÉ	Non	Les parcs de batteries sont presque épuisés.	<p>La tondeuse cesse immédiatement de fonctionner. L'opérateur doit transporter la tondeuse jusqu'à la zone de charge de la batterie pour la recharger.</p>

Affichage LCD	Description	Code d'erreur sur l'écran LCD	Indicateur de statut de la tondeuse	Signal sonore	Cause	Solution
	L'icône de stationnement automatique clignote sur l'écran LCD.	n/a	DÉS-ACTIVÉ	Continue à émettre des bips	La tondeuse est garée sur une pente et l'opérateur quitte la tondeuse sans mettre la pédale de frein en position de freinage, juste avec les leviers de direction en position ouverte.	Placez la pédale de frein en position de freinage. L'icône de stationnement automatique s'éteint et l'indicateur sonore cesse de biper.
	L'icône de pédale de frein s'affiche sur l'écran LCD.	n/a	DÉS-ACTIVÉ	Non	La pédale du frein de stationnement est placée en position de freinage.	Relâchez-la avant de démarrer la tondeuse.
	L'icône du capteur de siège s'affiche sur l'écran LCD.	n/a	DÉS-ACTIVÉ	Non	L'opérateur quitte le siège ou l'interrupteur du siège est débranché.	Si, alors que l'opérateur est assis sur le siège, l'icône est allumée, arrêtez immédiatement d'utiliser la tondeuse et vérifiez la connexion du siège. Si la connexion du siège avec la tondeuse est confirmée comme étant correcte, veuillez contacter un technicien de service qualifié pour les réparations.
	L'icône de l'interrupteur de prise de force clignote.	n/a	DÉS-ACTIVÉ	Non	Le moteur de la lame a été interrompu en cours de fonctionnement et l'interrupteur de la prise de force n'est pas en position d'arrêt.	Avant de redémarrer la tondeuse, poussez l'interrupteur de la prise de force vers le bas pour désengager le moteur du plateau de coupe. Veuillez consulter la section « GUIDE DE DÉPANNAGE » de ce manuel pour référence.

Affichage LCD	Description	Code d'erreur sur l'écran LCD	Indicateur de statut de la tondeuse	Signal sonore	Cause	Solution	
	L'icône du levier de direction clignote.	n/a	DÉS-ACTIVÉ	Non	Le moteur d'entraînement a été interrompu en cours de fonctionnement et les leviers de direction ne sont pas placés en position ouverte.	Avant de redémarrer la tondeuse, déplacez les leviers de direction en position ouverte. Veuillez consulter la section « GUIDE DE DÉPANNAGE » de ce manuel pour référence.	
	L'icône de récupération d'énergie clignote occasionnellement.	n/a	DÉS-ACTIVÉ	Non	L'énergie cinétique générée lors du freinage ou de la conduite en descente est convertie en électricité pour charger les batteries.	Il s'agit d'un fonctionnement normal. Aucune action n'est nécessaire.	
Voir « Code d'erreur »	Le moteur d'entraînement gauche ne tourne pas.	Le moteur d'entraînement gauche contrôlé par le PCBA est en panne.	413	DÉS-ACTIVÉ	Un bip	Défaillance du PCBA	Faites effectuer les réparations par un technicien qualifié.
		La fiche (triphasee, fil d'alimentation) reliant le moteur d'entraînement gauche au PCBA correspondant est desserrée.	317	DÉS-ACTIVÉ	Un bip	Connexion lâche	
		La fiche (Six broches, fil de signal) reliant le moteur d'entraînement gauche au PCBA correspondant est desserrée.	301	DÉS-ACTIVÉ	Un bip	Connexion lâche	
		Le moteur d'entraînement gauche est en panne.	317	DÉS-ACTIVÉ	Un bip	Défaillance du moteur	

Affichage LCD	Description	Code d'erreur sur l'écran LCD	Indicateur de statut de la tondeuse	Signal sonore	Cause	Solution	
Voir « Code d'erreur »	Le moteur d'entraînement droit ne tourne pas.	Le moteur d'entraînement droit contrôlé par le PCBA est en panne.	313	DÉS-ACTIVÉ	Un bip	Défaillance du PCBA	Faites effectuer les réparations par un technicien qualifié.
		La fiche (triphasee, fil d'alimentation) reliant le moteur d'entraînement droit au circuit imprimé correspondant est desserrée.	417	DÉS-ACTIVÉ	Un bip	Connexion lâche	
		La fiche (six broches, fil de signal) reliant le moteur d'entraînement droit au PCBA correspondant est desserrée.	401	DÉS-ACTIVÉ	Un bip	Connexion lâche	
		Le moteur d'entraînement droit est en panne.	417	DÉS-ACTIVÉ	Un bip	Défaillance du moteur	

Affichage LCD	Description	Code d'erreur sur l'écran LCD	Indicateur de statut de la tondeuse	Signal sonore	Cause	Solution	
Voir « Code d'erreur »	Le moteur de la lame gauche ne tourne pas.	Le moteur de la lame gauche contrôlé par le PCBA est en panne.	607	n/a	Un bip	Défaillance du PCBA	Faites effectuer les réparations par un technicien qualifié.
		La fiche (triphasee, fil d'alimentation) reliant le moteur d'entraînement gauche au PCBA correspondant est desserrée.	509	n/a	Un bip	Connexion lâche	Inspectez d'abord la lame. Si elle est desserrée, utilisez une clé dynamométrique de 14 mm pour serrer le boulon dans le sens des aiguilles d'une montre. Le couple recommandé pour le boulon de la lame est de 50 à 55 Nm. Sinon, faites effectuer les réparations par un technicien qualifié.
		Le moteur de la lame gauche est en panne.	509	n/a	Un bip	Défaillance du moteur	Le couple recommandé pour le boulon de la lame est de 50 à 55 Nm. Sinon, faites effectuer les réparations par un technicien qualifié.
Voir « Code d'erreur »	Le moteur de la lame droite ne tourne pas..	Le moteur de la lame droite contrôlé par le PCBA est en panne.	507	n/a	Un bip	Défaillance du PCBA	Faites effectuer les réparations par un technicien qualifié.
		La fiche (triphasee, fil d'alimentation) reliant le moteur d'entraînement droit au circuit imprimé correspondant est desserrée.	609	n/a	Un bip	Connexion lâche	Inspectez d'abord la lame. Si elle est desserrée, utilisez une clé dynamométrique de 14 mm pour serrer le boulon dans le sens des aiguilles d'une montre. Le couple recommandé pour le boulon de la lame est de 50 à 55 Nm. Sinon, faites effectuer les réparations par un technicien qualifié.
		Le moteur de la lame droite tombe en panne.	609	n/a	Un bip	Défaillance du moteur	Le couple recommandé pour le boulon de la lame est de 50 à 55 Nm. Sinon, faites effectuer les réparations par un technicien qualifié.

Affichage LCD	Description	Code d'erreur sur l'écran LCD	Indicateur de statut de la tondeuse	Signal sonore	Cause	Solution	
Voir « Code d'erreur »	Le levier de direction gauche est en panne.	Le circuit imprimé de commande du levier de direction gauche est défectueux.	311 /412	DÉS-ACTIVÉ	Un bip	Défaillance du PCBA	Faites effectuer les réparations par un technicien qualifié.
		La fiche reliant le circuit imprimé de commande, situé dans la barre de direction, est desserrée.				Connexion lâche	
Voir « Code d'erreur »	Levier de direction droit en panne.	Le circuit imprimé de contrôle du levier de direction droit est défectueux.	312 /411	DÉS-ACTIVÉ	Un bip	Défaillance du PCBA	Faites effectuer les réparations par un technicien qualifié.
		La fiche reliant le circuit imprimé de commande, situé dans la barre de direction, est desserrée.				Connexion lâche	
Voir « Code d'erreur »	Le frein de stationnement est défectueux, l'outil ne peut pas être conduit.	Le circuit imprimé du frein de stationnement, qui se trouve dans le châssis avant, est cassé.	309 /409	DÉS-ACTIVÉ	Un bip	Défaillance du PCBA	Faites effectuer les réparations par un technicien qualifié.
		Le commutateur et/ou le fil du frein de stationnement est cassé.	801	DÉS-ACTIVÉ	Un bip	Défaillance du fil/interrupteur	

Affichage LCD	Description	Code d'erreur sur l'écran LCD	Indicateur de statut de la tondeuse	Signal sonore	Cause	Solution
DÉSACTIVÉ	Défaut de protection de charge	n/a	Rouge fixe	n/a	Le port de charge est en circuit ouvert.	Faites effectuer les réparations par un technicien qualifié.
		n/a	Rouge fixe	n/a	Il n'y a pas d'alimentation électrique.	Vérifiez la prise murale pour voir si elle est alimentée en 220 V-240 V ou si la prise est adaptée.
		n/a	Rouge fixe	n/a	Le fusible est grillé.	Faites effectuer les réparations par un technicien qualifié.
Voir « Code d'erreur »	Défaut de protection de charge	204	n/a	Un bip	Le port de charge est en circuit ouvert.	
Voir « Code d'erreur »	L'assemblage du boîtier de batterie ne fonctionne pas	217	n/a	Un bip	La source d'alimentation du boîtier de batterie est cassée. Les phares LED et l'USB ne fonctionnent pas.	Faites effectuer les réparations par un technicien qualifié.
		310 /410	DÉSACTIVÉ	Un bip	La connexion entre les fils de type C du boîtier de batterie et les autres fils de type C de la tondeuse ne fonctionne pas.	
		201 /202 /203	DÉSACTIVÉ	Un bip	Le BMS du boîtier de batterie est cassé.	
Voir « Code d'erreur »	Défaut de l'interrupteur marche/arrêt	314 /414	DÉSACTIVÉ	Un bip	Défaillance du PCBA de l'interrupteur ou mauvaise connexion des fils de l'interrupteur de démarrage/arrêt.	Faites effectuer les réparations par un technicien qualifié.

Affichage LCD	Description	Code d'erreur sur l'écran LCD	Indicateur de statut de la tondeuse	Signal sonore	Cause	Solution
Voir « Code d'erreur »	Défaut de l'écran LCD	315 /415	DÉS-ACTIVÉ	Un bip	L'ensemble LCD est cassé ou la connexion des fils de l'ensemble LCD est mauvaise.	Faites effectuer les réparations par un technicien qualifié.

GARANTIE

POLITIQUE DE GARANTIE EGO

Visitez le site Web egopowerplus.com pour consulter les conditions complètes de la politique de garantie EGO.

KEES VAN DER SPEK
TUINMACHINES ★ STOLWIJK

¡LEA TODAS LAS INSTRUCCIONES!



LEA EL MANUAL DEL USUARIO

ES

⚠ ¡Riesgo residual! Las personas con implantes electrónicos, como marcapasos, deberán consultar a su médico antes de utilizar este producto. La utilización de equipos eléctricos en las proximidades inmediatas de un marcapasos podría causar en este interferencias o averías.

SÍMBOLO DE SEGURIDAD

El propósito de los símbolos de seguridad es atraer su atención hacia posibles peligros. Los símbolos de seguridad y las explicaciones que los acompañan requieren su máxima atención y comprensión. Por sí solos, los símbolos de advertencia no eliminan los posibles peligros. Las instrucciones y advertencias que proporcionan no sustituyen a las medidas adecuadas de prevención de accidentes.

⚠ ADVERTENCIA: Antes de utilizar esta herramienta, asegúrese de haber leído y entendido perfectamente todas las instrucciones que aparecen en este manual del usuario, incluidos todos los símbolos de aviso sobre seguridad, como «**PELIGRO**», «**ADVERTENCIA**» y «**PRECAUCIÓN**». Si no se observan todas las instrucciones que se indican a continuación existe riesgo de incendio, electrocución y lesiones graves.

SIGNIFICADO DE LOS SÍMBOLOS

Esta página muestra y describe los símbolos de seguridad que puede haber en este producto. Asegúrese de leer, comprender y cumplir todas las instrucciones que se indican en la máquina antes de proceder a su montaje y utilización.

SÍMBOLOS DE SEGURIDAD



Aviso de seguridad



Protección ocular



PELIGRO – Riesgo por pendiente pronunciada



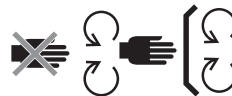
No llevar nunca niños



ADVERTENCIA - No use esta máquina en pendientes con una inclinación mayor que 12°.



Lea y comprenda el manual del usuario



Mantener los dispositivos de seguridad



PELIGRO – Mantener a otras personas alejadas de las cuchillas



Mirar hacia atrás al retroceder



PELIGRO – Objetos lanzados



ADVERTENCIA – MANTENGA LAS MANOS Y LOS PIES ALEJADOS



Nivel de potencia acústica garantizado. Cumple la directiva de la Comunidad Europea.



No pisar



Los productos eléctricos no deben eliminarse con la basura doméstica. Lívelos a un centro de reciclaje autorizado.



Este producto está en conformidad con las directivas aplicables de la CE.



PRECAUCIÓN: no mire hacia la lámpara en funcionamiento.



Corriente continua



Este producto está en conformidad con la legislación aplicable del Reino Unido.

kPa	Kilopascal
V	Voltio
in	Pulgada
Nm	Newtonmetro
°C	Celsius
km/h	Kilómetros por hora

RPM	Revoluciones por minuto
m	Metros
cm	Centímetros
mm	Milímetros
kg	Kilogramo
IPX4	Grado de protección contra la penetración

KEES VAN DER SPEK
TUINMACHINES ★ STROOK

ESPECIFICACIONES

Tensión		56 V
Tamaño de la plataforma		107 cm
Tamaño de las ruedas	Delante	11 x 4 pulgadas (279,4 mm)
	Detrás	18 x 8,5 pulgadas (457,2 mm)
Presión de los neumáticos en frío	Delante	220 kPa
	Detrás	50 kPa
Radio de giro		0
Velocidad de la cuchilla (RPM)		2400, 2600, 2800, 3000
Máx. velocidad de conducción (km/h)	Avance	4,8 km/h, 8 km/h, 9,6 km/h, 11,2 km/h (12,8 km/h en el modo de Viaje)
	Retroceso	Hasta 5,6 km/h

Carga	Cargador (opcional)	CHV1600E
	Adaptador (opcional)	ACA1000
	Rango de temperatura de carga	De 5°C a 40°C
Ajuste de la altura de corte (10 posiciones)		De 25 a 100 mm
Temperatura de funcionamiento		De 0°C a 40°C
Temperatura de almacenamiento		De -20°C a 70°C
Peso (sin batería)		186 kg
Nivel de potencia acústica medido L_{WA}		96,44 dB(A) K=0,68 dB(A)
Nivel de presión acústica medido a la altura del oído del usuario L_{PA}		84,3 dB(A) K=3,0 dB(A)

Nivel de potencia acústica garantizado L_{WA} (medido conforme a los requisitos de la Directiva 2000/14/CE)		100 dB(A)
Nivel de vibraciones a_h	Mano	1,221 m/s ² K=1,5 m/s ²
	Cuerpo	0,568 m/s ² K=1,5 m/s ²

- El valor de vibración total ha sido medido de acuerdo con el método de prueba estándar y se puede utilizar para comparar herramientas.
- El valor total de vibración declarado se puede usar además en una evaluación preliminar del grado de exposición.

AVISO: Las vibraciones generadas durante el uso real de la herramienta eléctrica pueden diferir del valor declarado en función de la manera en que se utilice. Como protección, el usuario debería utilizar guantes y protectores auditivos en condiciones reales de uso.

DESCRIPCIÓN

FAMILIARÍCESE CON EL CORTACÉSPED ELÉCTRICO DE GIRO CERO

(Fig. A1 y A2)

1. Asiento
2. Puerto de carga
3. Compartimento de la batería
4. Luces LED traseras
5. Compartimento de almacenamiento
6. Soportes para vasos
7. Luces LED laterales
8. Rueda trasera (rueda motriz)
9. Plataforma
10. Protector de la plataforma
11. Rueda antidesbroce
12. Rueda delantera
13. Pedal de freno de estacionamiento
14. Luces de marcha
15. Faros LED
16. Tolva de descarga lateral
17. Palanca de ajuste de la altura de la plataforma
18. Mando de ajuste de la suspensión del asiento

19. Palanca de ajuste de la posición del asiento hacia delante y hacia atrás
20. Palanca de dirección
21. Indicador del estado del cortacésped
22. Pantalla LCD
23. Interruptor de toma de fuerza
24. Botón de arranque/parada
25. Llave de seguridad
26. Compartimento de almacenamiento del teléfono
27. Indicador del estado y del nivel de energía del cortacésped
- 27a. Indicador del nivel de energía del cortacésped
- 27b. Indicador del estado del cortacésped
28. Área de apoyo de los pies
29. Botón para desbloquear la cubierta de la unidad de potencia
30. Cubierta de la unidad de potencia
31. Botón de liberación de la batería
32. Enganche
33. Cubierta de montaje de accesorios
34. Almacenamiento de la cubierta de montaje de accesorios
35. Puerto USB

FAMILIARÍCESE CON LA PANTALLA LCD Y LOS BOTONES (Fig. A3)

Consulte el apartado «REFERENCIA DEL ESTADO DEL CORTACÉSPED Y CÓDIGOS DE ERROR» para obtener más información sobre los símbolos e indicadores en la pantalla LCD.

1. Símbolo de la llave de seguridad
2. Símbolo de las luces LED
3. Símbolo de estacionamiento automático
4. Símbolo de USB
5. Indicador de la velocidad de las cuchillas
6. Indicador del estado de los dispositivos de seguridad
7. Contador de horas
8. Símbolo de la batería
9. Símbolo de sobrecalentamiento

10. Modo de desplazamiento
11. Indicador de código de error
12. Indicador de sobrecarga
13. Indicador de potencia baja
14. Indicador de la velocidad de conducción
15. Indicador de carga
16. Botón de ajuste de la velocidad de las cuchillas
17. Botón de ajuste
18. Botón del modo de conducción
19. Interruptor de las luces LED
20. Botón de ajuste de la velocidad de conducción
21. Indicador de energía

DESEMBALAJE

AVISO: Guarde los materiales de embalaje hasta haber examinado detenidamente el producto y comprobado su funcionamiento correcto. Si alguna pieza de la lista de contenido está instalada en la máquina, póngase en contacto con el servicio de atención al cliente de EGO inmediatamente.

AVISO: Excepto las herramientas en la lista de contenido siguiente, todas las demás herramientas que se mencionan en los manuales solo están recomendadas, pero no incluidas.

LISTA DE CONTENIDO (fig. B1)

B1-1	Cortacésped eléctrico de giro cero	B1-7	Llaves de seguridad cero
B1-2	Asiento	B1-8	Llaves de extremo abierto (13 mm)
B1-3	Accesorio de trituración	B1-9	Llave Allen
B1-4	Palanca de dirección	B1-10	Acoplamiento rápido de la conexión de lavado
B1-5	Tornillos con cabeza de hexágono interior (2 de reserva)	B1-11	Manual del usuario
B1-6	Tornillos de cabeza hexagonal (2 de reserva)		

DESEMBALAJE (fig. B2 – fig. B3)

ACCESORIOS RECOMENDADOS

⚠ ADVERTENCIA: Utilice solo piezas idénticas a las originales de la lista siguiente. La utilización de recambios que no cumplan las especificaciones de los equipos originales podría provocar un funcionamiento incorrecto y reducir la seguridad de la herramienta.

NOMBRE DE LA PIEZA	N.º DE MODELO
Cuchilla estándar	AB4200
Cuchilla de elevación alta	AB4201
Adaptador para triturado	AMP4200
Kit de bolsa colectora de hierba	ABK4200-A

MONTAJE

INSTALACIÓN DEL ASIENTO (Fig. C1 y C2)

⚠ ADVERTENCIA: El sistema de enclavamiento de seguridad no debe desconectarse ni evitarse. De lo contrario, el cortacésped se podría poner en marcha inesperadamente y provocar lesiones personales.

AVISO: Por su seguridad, el cortacésped podría detenerse si el interruptor del asiento se desconecta durante la conducción. En tal caso, consulte el apartado «**SOLUCIÓN DE PROBLEMAS**» para obtener más información.

C1-1	Cable	C1-5	Tornillos con cabeza de hexágono interior
C1-2	Enchufe	C2-1	Gancho
C1-3	Conexión	C2-2	Carriles de acero
C1-4	Base de suspensión	C2-3	Tornillos con cabeza de hexágono interior

INSTALACIÓN DE LAS PALANCAS DE DIRECCIÓN (Fig. C3)

C3-1	Palancas de dirección	C3-3	Orificios de montaje de las palancas de dirección
------	-----------------------	------	---

C3-2	Tornillos hexagonales		
------	-----------------------	--	--

INSTALACIÓN DEL ADAPTADOR PARA TRITURADO (Fig. C4)

ES

C4-1	Tolva de descarga lateral	C4-3	Resorte móvil
C4-2	Adaptador para triturado		

FUNCIONAMIENTO

ANTES DE USAR EL CORTACÉSPED

Comprobar el entorno

- Asegúrese de que en el área de trabajo no haya niños ni otras personas o animales.
- Despeje el área de trabajo retirando los objetos que podrían salir despedidos por la acción de las cuchillas del cortacésped.
- Asegúrese de que las luces LED funcionan correctamente:
 - Los faros, las luces laterales y las luces traseras se controlan con el interruptor de las luces LED.
 - Las luces de marcha siempre se mantienen encendidas durante la conducción.
 - Al conducir marcha atrás, si las luces traseras están apagadas, parpadearán para advertir a otras personas que estén cerca; si las luces traseras están encendidas, permanecerán encendidas.
 - Todas las luces se apagarán automáticamente si transcurren más de 3 minutos sin que se realice ninguna acción.

Comprobar la presión de los neumáticos en frío (fig. D1)

Comprobar el estado del cortacésped y el nivel de carga de la batería

- Indicador del nivel de energía del cortacésped (fig. A2 - 27a)

Cada segmento del indicador del nivel de energía indica un 20% de carga de las baterías insertadas.

AVISO: El indicador del nivel de energía del cortacésped en la pantalla LCD indica la capacidad media de las baterías insertadas.

- Indicador del estado del cortacésped (fig. A1 y fig. A2 - 27b)

Si el indicador de estado se enciende de color verde, el cortacésped está listo para la conducción. De lo contrario, consulte el apartado «REFERENCIA DEL ESTADO DEL CORTACÉSPED Y CÓDIGOS DE ERROR»

Comprobar la seguridad del sistema de enclavamiento (fig. D2 - fig. D8)

AVISO: Antes de la comprobación, el usuario debe situarse en el asiento.

- Antes de la comprobación (fig. D2 – fig. D4)
- Para comprobar el sistema de las cuchillas y la plataforma (fig. D5), levántese despacio.
- Para comprobar el sistema de conducción (fig. D6 – fig. D8), levántese despacio.

En caso de que el sistema de las cuchillas y la plataforma y/o el sistema de conducción no se detengan cuando el usuario no está en el asiento, y si no se puede determinar la causa después de confirmar que el enchufe está bien conectado a la toma del asiento, póngase en contacto inmediatamente con el centro de atención al cliente de EGO.

AJUSTE (fig. E1 – fig. E13)

Preparación (fig. E1 – fig. E5)

Ajuste de la altura de la plataforma de corte (fig. E6)

Ajuste de las ruedas antidesbroce (fig. E7 – fig. E10)

E7-1	Rueda antidesbroce	E9-2	Tirafondos
E9-1	Tuerca	E10-1	Indicación de la altura de la plataforma

Ajuste del asiento (fig. E11)

Ajuste la posición del asiento para asegurarse de que pueda tener contacto firme con el pedal del freno de estacionamiento antes de utilizar el cortacésped. La suspensión del asiento se puede ajustar para aumentar al máximo la comodidad cuando esté sentado.

E11-1	Palanca de ajuste de la posición del asiento hacia delante y hacia atrás	E11-2	Mando de ajuste de la suspensión del asiento
-------	--	-------	--

Ajuste del freno de estacionamiento (fig. E12 – fig. E13)

E13-1	Posición de frenado	E13-2	Posición sin accionar el freno
-------	---------------------	-------	--------------------------------

CARGA (fig. F1 – fig. F11)

Para poner en marcha este cortacésped, se necesitan baterías EGO con un total de 15 Ah (2 x BA4200/BA4200T) como mínimo. Para obtener un rendimiento óptimo, recomendamos usar baterías EGO con un total de 30 Ah como mínimo.

Utilice únicamente las baterías y cargadores recomendados (fig. F9 y F10).

Preparación para la carga (fig. F1 – fig. F4)

**Cargar la(s) batería(s) por separado
(fig. F5 – fig. F9)**

F5-1	Botón de liberación de la tapa	F7-1	Botón de liberación de la batería
------	--------------------------------	------	-----------------------------------

- Para instalar la(s) batería(s) (fig. F5 – fig. F6)
- Para quitar la(s) batería(s) (fig. F7 – fig. F8)

AVISO: Para cargar la(s) batería(s), consulte los manuales correspondientes de las baterías y el cargador.

**Cargar la batería a través del puerto de carga
(Fig. F10)**

F10-1	Tapa de protección contra el polvo	F10-2	Puerto de carga
-------	------------------------------------	-------	-----------------

ARRANQUE DEL CORTACÉSPED ELÉCTRICO DE GIRO CERO (Fig. A4 – Fig. A5 y Fig. G1 – Fig. G6)

⚠ ADVERTENCIA: Evite los arranques, paradas y giros bruscos, así como la velocidad excesiva, especialmente cuando esté aprendiendo a usar el cortacésped. El cortacésped puede girar rápidamente, lo que podría hacerle perder el control y provocar lesiones graves o daños materiales.

⚠ ADVERTENCIA: Antes de poner en marcha el cortacésped, compruebe que las cuchillas se desconecten cuando se empuja hacia abajo el interruptor de toma de fuerza. Si las cuchillas no se paran, no utilice el cortacésped y póngase en contacto inmediatamente con el servicio de atención al cliente de EGO.

AVISO: Siga las indicaciones de la fig. A4 y la fig. G2 para ajustar la velocidad de conducción mínima y el modo de conducción **ESTÁNDAR** hasta que sea totalmente capaz de usar el cortacésped en todas las situaciones. La velocidad y el modo de conducción solo se activan cuando las ruedas del cortacésped están paradas y las palancas de dirección están abiertas.

El cortacésped guardará el ajuste anterior y lo presentará cuando vuelva a arrancarse.

Modo de conducción

- **CONTROL:** baja aceleración, manejo menos sensible y velocidad de giro moderada, para proteger el césped y para usuarios nuevos.
- **ESTÁNDAR:** ideal para el uso diario.
- **DEPORTIVO:** alta aceleración, manejo preciso y giros pronunciados para maximizar la eficiencia de corte del césped y para entusiastas del cortacésped.

Ajuste de la velocidad de conducción (fig. A4)

Ajuste de la velocidad de las cuchillas (fig. A5)

AVISO: Cuando esté en el modo de “VIAJE”, pulse “”. La velocidad de conducción regresará al modo anterior.

Puerto USB

AVISO: El puerto USB proporciona potencia de carga de 5 voltios CC a un consumo combinado de 1,5 amperios, y solo se acciona cuando el motor se arranca.

PARADA DEL CORTACÉSPED ELÉCTRICO DE GIRO CERO (Fig. H1 – Fig. H6)

AVISO: El cortacésped se apagará automáticamente si transcurren más de 60 minutos sin que se realice ninguna acción.

Modo de conducción de emergencia

Cuando el nivel de carga de la batería es bajo, el cortacésped pasa al modo de conducción de emergencia:

- El cortacésped deja de cortar automáticamente;
- El pitido de indicación continúa sonando;
- El indicador del estado del cortacésped parpadea de color rojo con una frecuencia de un segundo, el primer segmento del indicador de energía del cortacésped parpadea de color rojo y tanto el indicador de potencia baja como los gráficos de la batería parpadean.

El usuario deberá:

- a) Empujar hacia abajo el interruptor de toma de fuerza (fig. H3) para desconectar las cuchillas. El pitido de indicación dejará de sonar cuando se paren las cuchillas;
- b) Dejar de usar el cortacésped y dirigirse lo antes posible al lugar de carga de la batería. La distancia máxima que puede recorrer el cortacésped es 1000 m.

Cuando la batería está a punto de agotarse por completo, el símbolo de cada compartimento de batería ocupado y el indicador de potencia baja parpadean una vez cada medio segundo. El cortacésped se para inmediatamente. El usuario deberá transportar el cortacésped al lugar de carga de la batería para recargarlo.

Empuje manual

- En caso de que sea necesario empujarlo manualmente, asegúrese de que las baterías estén desconectadas del cortacésped y de que el pedal del freno de estacionamiento no esté en la posición de frenado.

CONDUCCIÓN DEL CORTACÉSPED ELÉCTRICO DE GIRO CERO (Fig. I1 – Fig. I9)

Para parar, reducir o aumentar la velocidad, cambie lentamente la distancia de la palanca de dirección del punto muerto.

⚠ PELIGRO: Manténgase como mínimo a dos anchuras de corte (2,14 m) de distancia de zanjas, laderas o agua. Las ruedas delanteras pueden girar cuando el cortacésped está parado, incluso con el freno acoplado, y pueden hacer que el cortacésped caiga por el borde o al agua, provocando la muerte o lesiones graves.

⚠ ADVERTENCIA: Esté atento a lo que pueda haber detrás del cortacésped cuando vaya marcha atrás. NO corte el césped marcha atrás, a menos que sea absolutamente necesario. Mire siempre hacia abajo y hacia atrás cuando retroceda, para asegurarse de que no haya niños ni otras personas o animales en la zona de corte. Recuerde que cualquier distracción de una fracción de segundo es suficiente para provocar lesiones graves o mortales.

⚠ ADVERTENCIA: No use la máquina en vías públicas.

⚠ ADVERTENCIA: Si se produce un bloqueo, o en caso de golpear algún objeto extraño con la cuchilla, apague el motor y saque las baterías. Quite los recortes de hierba, hojas, suciedad y otros residuos acumulados; examine minuciosamente el cortacésped por si presentarse algún daño y efectúe las reparaciones necesarias antes de volver a ponerlo en marcha y utilizarlo.

MANTENIMIENTO

⚠ ADVERTENCIA: Utilice siempre gafas de seguridad con pantallas de protección lateral. De lo contrario, pueden salir objetos despedidos y alcanzar los ojos, pudiendo provocar lesiones graves.

⚠ ADVERTENCIA: Protéjase siempre las manos utilizando guantes gruesos o envolviendo los filos cortantes en paños u otros materiales cuando realice trabajos de mantenimiento en la cuchilla del cortacésped. Saque siempre la llave de seguridad y las baterías antes de reparar o transportar el cortacésped.

Intervalo del servicio de mantenimiento	Procedimiento de mantenimiento.
Antes de cada uso o a diario	<ul style="list-style-type: none"> ▪ Comprobar el sistema de enclavamiento de seguridad. ▪ Comprobar visualmente si los neumáticos están desinflados. ▪ Inspeccionar las cuchillas por si estuviesen desgastadas, agrietadas o dobladas. ▪ Examinar todo el producto para ver si hay piezas dañadas, extraviadas o sueltas, como la tolva de descarga lateral, tornillos, tuercas, pernos, tapones, etc., y asegurarse de que están en su lugar y funcionan correctamente. ▪ Comprobar el funcionamiento del freno.
Después de cada uso	<ul style="list-style-type: none"> ▪ Limpiar la plataforma del cortacésped.
Cada 25 horas	<ul style="list-style-type: none"> ▪ Comprobar la presión de los neumáticos.

Cada 50 horas	<ul style="list-style-type: none"> Comprobar si hay grasa dentro de la brida de la cuchilla de corte.
Cada 100 horas	<ul style="list-style-type: none"> Examinar las ruedas traseras y comprobar que las 4 tuercas de las ruedas estén apretadas con el par recomendado.
Cada 200 horas	<ul style="list-style-type: none"> Examinar las ruedas delanteras y comprobar que giren libremente.
Anualmente	<ul style="list-style-type: none"> Comprobar el pedal de freno de estacionamiento. Quitar la batería del cortacésped y ajustar la posición del pedal de freno de estacionamiento a la posición de frenado. Empujar manualmente el cortacésped hacia delante para ver si se puede mover o no. Si se mueve, llévelo a un técnico cualificado para que lo repare.

LIMPIEZA DEL CORTACÉSPED (fig. J1 – fig. J9)

Preparación (fig. J1 – fig. J5)

Limpeza de la carcasa del cortacésped (fig. J6 - fig. J7)

Uso de la conexión de lavado para limpiar la plataforma del cortacésped

(fig. J8 - fig. J9)

J8-1	Conexión de lavado	J8-3	Manguera de jardín
J8-2	Acoplamiento rápido de la conexión de lavado		

AVISO: Cuando termine la limpieza, empuje hacia abajo el interruptor de toma de fuerza para desconectar las cuchillas del cortacésped.

MANTENIMIENTO DE LA PLATAFORMA DEL CORTACÉSPED Y LAS CUCHILLAS DE CORTE

Preparación (fig. K1 – fig. K6)

Desmontaje de la plataforma del cortacésped (fig. K7 – fig. K8)

K7-1	Cable del motor	K7-3	Varillaje de la suspensión
K7-2	Pasador de chaveta		

AVISO: Desconecte los cables del motor y los pasadores de chaveta a ambos lados cuando quite la plataforma del cortacésped.

Sustitución de las cuchillas de corte (fig. K9 - fig. K11)

K9-1	Estabilizador	K10-3	Cuchilla
K10-1	Tornillo	K10-4	Brida
K10-2	Arandela	K10-5	Eje del motor

Nivelación de la plataforma del cortacésped

a. Cuándo nivelar (fig. K12 – fig. K14)

b. Antes de nivelar

- Comprobar la presión de los neumáticos en frío (fig. K15)
- Compruebe las cuchillas. En caso necesario, desmonte y sustituya las cuchillas desgastadas, agrietadas o dobladas.

c. Preparación para la nivelación (fig. K16 – fig. K21)

d. Cómo nivelar

- Hacer el ajuste de lado a lado (fig. K22)

La diferencia entre las distancias H1 y H2 medidas desde el borde inferior de cada cuchilla hasta el suelo deberían ser menores o iguales que 5 mm.

K22-1	Contratuerca
-------	--------------

- Hacer el ajuste de delante a atrás (fig. K23)

La punta delantera H3 debería estar 2 mm a 10 mm más baja que la punta delantera H4.

CALIBRACIÓN DEL SISTEMA DE SEGUIMIENTO DEL CORTACÉSPED

(fig. L1 – fig. L6 y fig. L7 – fig. L12)

AVISO: El pitido de indicación debería sonar una vez cuando se inicia la calibración y cuando ha finalizado.

RESTABLECER EL CORTACÉSPED A LOS AJUSTES DE FÁBRICA (fig. M1 – fig. M4)

AVISO: El pitido de indicación debería sonar una vez cuando se inicia el restablecimiento y cuando ha finalizado.

ALMACENAMIENTO Y TRANSPORTE

TRANSPORTAR EL CORTACÉSPED (FIG. N1 – FIG. N11)

ES **AVISO:** Sujete el cortacésped como sea necesario usando correas o cables para evitar el movimiento durante el transporte. Cuando cargue o descargue el cortacésped, no exceda el ángulo de funcionamiento máximo recomendado de 12 grados entre la rampa y el suelo.

ALMACENAMIENTO (fig. 01 – fig. 06)

AVISO: Quite las baterías y guárdelas; consulte los manuales correspondientes.

Compruebe el cortacésped y límpielo antes de guardarlo. Consulte los apartados «**LIMPIEZA DEL CORTACÉSPED**» y «**PLAZOS DE MANTENIMIENTO RECOMENDADOS**».

Protección del medio ambiente




RAEE (Residuos de Aparatos Eléctricos y Electrónicos) ¡No elimine aparatos eléctricos, baterías usadas ni cargadores de baterías junto con los desperdicios domésticos! Lleve este producto a un punto de reciclaje autorizado y dépositelo por separado según corresponda. Las herramientas eléctricas se deben llevar a un punto de reciclaje con fin de proteger el medio ambiente.

DE VAN DER SPEK
TUINMACHINES ★ STOLWIJK

SOLUCIÓN DE PROBLEMAS

ES

PROBLEMA	CAUSA	SOLUCIÓN
<p>El cortacésped eléctrico de giro cero no se desplaza cuando se empujan las dos palancas de dirección hacia delante o hacia atrás al principio.</p>  <p>El símbolo de la palanca de dirección parpadea</p>	<ul style="list-style-type: none"> La cantidad de Ah de las baterías combinadas es menor que 15 Ah. 	<ul style="list-style-type: none"> Para poner en marcha este cortacésped, se necesitan baterías EGO con un total de 15 Ah (2 x BA4200/BA4200T) como mínimo. Para obtener un rendimiento óptimo, recomendamos usar baterías con un total de 30 Ah como mínimo.
	<ul style="list-style-type: none"> El pedal de freno de estacionamiento está en la posición de frenado. 	<ul style="list-style-type: none"> Presione completamente el pedal de freno de estacionamiento para soltarlo de la posición de frenado.
	<ul style="list-style-type: none"> Las palancas de dirección no están en la posición abierta cuando se arranca el cortacésped. 	<ul style="list-style-type: none"> Vuelva a poner las palancas de dirección en la posición abierta y arranque de nuevo el cortacésped.
	<ul style="list-style-type: none"> El usuario no está sentado en el asiento. 	<ul style="list-style-type: none"> El usuario debe estar sentado correctamente en el asiento para poder utilizar el cortacésped.
	<ul style="list-style-type: none"> El interruptor del asiento no está conectado correctamente. 	<ul style="list-style-type: none"> Quite la batería del cortacésped y desmonte el asiento en orden inverso al indicado en las instrucciones en el apartado «INSTALACIÓN DEL ASIENTO» de este manual, para examinar la conexión del interruptor del asiento. Vuelva a montar el asiento y siga las instrucciones del apartado «ARRANQUE DEL CORTACÉSPED ELÉCTRICO DE GIRO CERO» para volver a poner en marcha el cortacésped y ver si arranca. De lo contrario, póngase en contacto con un técnico de servicio cualificado para que lo repare.
	<ul style="list-style-type: none"> En situaciones de frío extremo, es posible que la función de conducción no arranque correctamente debido a la protección contra temperatura baja. 	<ul style="list-style-type: none"> Guarde siempre el cortacésped y la batería en un entorno cálido. Vuelva a arrancar el cortacésped cuando se haya calentado. No intente arrancar repetidamente en condiciones de frío extremo, ya que se podría dañar la máquina. La temperatura de funcionamiento recomendada es de 0°C a 40°C.

PROBLEMA	CAUSA	SOLUCIÓN
El cortacésped eléctrico de giro cero se detiene.	<ul style="list-style-type: none"> ▪ Hay que «reiniciar» las palancas de dirección. 	<ul style="list-style-type: none"> ▪ Vuelva a poner las palancas de dirección en la posición abierta y arranque de nuevo el cortacésped.
	<ul style="list-style-type: none"> ▪ Hay un fallo en los componentes de control del sistema eléctrico de las palancas de dirección. 	<ul style="list-style-type: none"> ▪ Póngase en contacto con un técnico de servicio cualificado para que lo repare.
	<ul style="list-style-type: none"> ▪ El interruptor del asiento se ha desconectado durante la conducción sobre un terreno abrupto. 	<ul style="list-style-type: none"> ▪ Quite la batería del cortacésped y desmonte el asiento en orden inverso al indicado en las instrucciones en el apartado «INSTALACIÓN DEL ASIENTO» de este manual, para examinar la conexión del interruptor del asiento. Vuelva a montar el asiento y siga las instrucciones del apartado «ARRANQUE DEL CORTACÉSPED ELÉCTRICO DE GIRO CERO» para volver a poner en marcha el cortacésped y ver si arranca. De lo contrario, póngase en contacto con un técnico de servicio cualificado para que lo repare.
La velocidad de conducción o el modo de conducción no se pueden ajustar durante la conducción.	<ul style="list-style-type: none"> ▪ Se trata de una función de conducción segura del cortacésped eléctrico de giro cero. 	<ul style="list-style-type: none"> ▪ La función solo se activa cuando las ruedas del cortacésped están paradas y las palancas de dirección están abiertas.
El cortacésped eléctrico de giro cero no pone en marcha las cuchillas cuando el interruptor de toma de fuerza está conectado.	<ul style="list-style-type: none"> ▪ La capacidad de Ah de las baterías combinadas es menor que 15 Ah. 	<ul style="list-style-type: none"> ▪ Para poner en marcha este cortacésped, se necesitan baterías EGO con un total de 15 Ah (2 x BA4200/BA4200T) como mínimo. Para obtener un rendimiento óptimo, recomendamos usar baterías con un total de 30 Ah como mínimo.
	<ul style="list-style-type: none"> ▪ El interruptor de toma de fuerza no se presionó hacia abajo la última vez que se paró el cortacésped. 	<ul style="list-style-type: none"> ▪ Empuje hacia abajo del interruptor de toma de fuerza y vuelva a poner en marcha las cuchillas del cortacésped.
	<ul style="list-style-type: none"> ▪ El cortacésped está sobrecargado en el momento en que se ponen en marcha las cuchillas, provocando que se active la función de autoprotección del motor. 	<ul style="list-style-type: none"> ▪ Empiece a cortar la hierba con el cortacésped primero a una velocidad baja de las cuchillas, y no aumente la velocidad de las cuchillas hasta que estén girando correctamente.
	<ul style="list-style-type: none"> ▪ En situaciones de frío extremo, es posible que el motor de las cuchillas no arranque correctamente debido a la protección contra temperatura baja. 	<ul style="list-style-type: none"> ▪ Guarde siempre el cortacésped y la batería en un entorno cálido. Vuelva a arrancar el cortacésped cuando se haya calentado. No intente arrancar repetidamente en condiciones de frío extremo, ya que se podría dañar la máquina. La temperatura de funcionamiento recomendada es de 0°C a 40°C.
	<ul style="list-style-type: none"> ▪ La cuchilla interfiere con la plataforma del cortacésped deformada. 	<ul style="list-style-type: none"> ▪ Póngase en contacto con un técnico de servicio cualificado para que lo repare.



El símbolo del interruptor de toma de fuerza parpadea

PROBLEMA	CAUSA	SOLUCIÓN
Las cuchillas se paran durante el corte de la hierba.	<ul style="list-style-type: none"> El cortacésped se ha sobrecargado. 	<ul style="list-style-type: none"> Suba la altura de corte de la plataforma o reduzca la velocidad de conducción para disminuir la carga del cortacésped.
	<ul style="list-style-type: none"> La plataforma del cortacésped está obstruida con restos de hierba y suciedad. 	<ul style="list-style-type: none"> Limpie la plataforma del cortacésped y asegúrese de que las cuchillas giran libremente.
	<ul style="list-style-type: none"> El cortacésped se ha sobrecalentado. 	<ul style="list-style-type: none"> Reduzca la carga del cortacésped elevando la altura de corte de la plataforma o reduciendo la velocidad de las cuchillas o la velocidad de conducción, y espere a que el cortacésped se enfríe.
	<ul style="list-style-type: none"> La(s) batería(s) instalada(s) en el compartimento del cortacésped se ha(n) sobrecalentado, por lo que la capacidad de Ah combinada de todas las baterías insertadas es menor que 15 Ah. 	<ol style="list-style-type: none"> Si la capacidad de Ah combinada de las baterías es menor que 15 Ah, el cortacésped no funcionará hasta que se inserten más baterías en los compartimentos de batería que están libres. Cuando la batería sobrecalentada haya recuperado la temperatura normal, unirá su potencia inmediatamente a las demás baterías para accionar el cortacésped.
		<ol style="list-style-type: none"> Reduzca la carga del cortacésped elevando la altura de corte de la plataforma o reduciendo la velocidad de corte cuando reanude el funcionamiento.
	<ul style="list-style-type: none"> El cortacésped está en el modo de conducción de emergencia. 	<ul style="list-style-type: none"> Cuando el cortacésped está en el modo de conducción de emergencia, las cuchillas se conmutan automáticamente a la velocidad de giro baja sin cortar hierba. El usuario deberá dejar de usar el cortacésped y dirigirse lo antes posible al lugar de carga de la batería.
	<ul style="list-style-type: none"> El cortacésped ha golpeado un objeto extraño, por lo que se ha activado la función de autoprotección del motor. 	<ul style="list-style-type: none"> Empuje hacia abajo del interruptor de toma de fuerza y vuelva a poner en marcha las cuchillas del cortacésped.
El pitido de indicación sigue sonando.	<ul style="list-style-type: none"> El cortacésped está en el modo de conducción de emergencia y las cuchillas no están apagadas. 	<ul style="list-style-type: none"> Empuje hacia abajo el interruptor de toma de fuerza para desconectar las cuchillas de la plataforma. El pitido de indicación dejará de sonar cuando se paren las cuchillas.
	<ul style="list-style-type: none"> El cortacésped se detiene en una pendiente y el usuario abre las palancas de dirección y se levanta del asiento sin poner el pedal de freno de estacionamiento en la posición de frenado. 	<ul style="list-style-type: none"> Ponga el pedal de freno de estacionamiento en la posición de frenado antes de dejar el cortacésped en la pendiente.

PROBLEMA	CAUSA	SOLUCIÓN
Los indicadores de la batería siguen encendidos cuando el cortacésped está apagado.	<ul style="list-style-type: none"> ▪ Cuando el cortacésped se apaga sobre un suelo plano sin quitar la(s) batería(s), los indicadores de la batería permanecen encendidos durante 3 minutos. 	<ul style="list-style-type: none"> ▪ No es necesaria ninguna acción. Los indicadores de la batería se apagarán al cabo de un rato.
	<ul style="list-style-type: none"> ▪ Cuando el cortacésped se apaga en una pendiente sin poner el pedal de freno de estacionamiento en la posición de frenado, los indicadores de la batería permanecen encendidos hasta que se agota totalmente la carga de las baterías. Al mismo tiempo, suena el pitido de indicación. 	<ul style="list-style-type: none"> ▪ Ponga el pedal de freno de estacionamiento en la posición de frenado antes de que el usuario deje la máquina en la pendiente.
La pantalla LCD no se ilumina con todos los símbolos encendidos.	<ul style="list-style-type: none"> ▪ El botón de arranque/parada se ha pulsado durante menos de 3 segundos. 	<ul style="list-style-type: none"> ▪ En la pantalla LCD solo se muestra el «Indicador de energía» si el botón de arranque/aparada se pulsa brevemente.
		<ul style="list-style-type: none"> ▪ La pantalla LCD se enciende después de pulsar el botón de arranque/parada durante 3 segundos.
El cortacésped corta de forma irregular, con una diferencia de altura considerable entre la parte delantera y la trasera.	<ul style="list-style-type: none"> ▪ Las cuchillas están romas. 	<ul style="list-style-type: none"> ▪ Afíle la cuchilla o sustitúyala siguiendo las instrucciones de este manual.
	<ul style="list-style-type: none"> ▪ Las cuchillas están dobladas. 	<ul style="list-style-type: none"> ▪ Sustituya la cuchilla de corte doblada siguiendo las instrucciones del apartado «CAMBIAR LAS CUCHILLAS DE CORTE».
	<ul style="list-style-type: none"> ▪ La plataforma del cortacésped no está nivelada, lo que provoca diferentes alturas de las cuchillas de corte. 	<ul style="list-style-type: none"> ▪ Nivele la cubierta del cortacésped siguiendo las instrucciones del apartado «NIVELACIÓN DE LA PLATAFORMA DEL CORTACÉSPED».
La altura real de corte de la hierba no coincide con la altura deseada.	<ul style="list-style-type: none"> ▪ Las tuercas de la plataforma del cortacésped se han aflojado en el varillaje de la suspensión. 	<ul style="list-style-type: none"> ▪ Siga las instrucciones del apartado «NIVELACIÓN DE LA PLATAFORMA DEL CORTACÉSPED» para realizar correctamente el ajuste de delante atrás de la plataforma del cortacésped, y apriete firmemente las cuatro tuercas en el varillaje de la suspensión (dos a cada lado).
	<ul style="list-style-type: none"> ▪ La plataforma del cortacésped está dañada o muy desgastada. 	<ul style="list-style-type: none"> ▪ Siga las instrucciones del apartado «DESMONTAJE DE LA PLATAFORMA DEL CORTACÉSPED» para sustituir la plataforma.

PROBLEMA	CAUSA	SOLUCIÓN
El cortacésped no tritura correctamente la hierba.	<ul style="list-style-type: none"> ▪ Hay recortes de hierba húmeda adheridos en la superficie inferior de la plataforma de corte. 	<ul style="list-style-type: none"> ▪ Espere a que la hierba esté seca antes de cortar el césped.
	<ul style="list-style-type: none"> ▪ El cortacésped está ajustado para cortar una elevada cantidad de hierba en cada pasada. 	<ul style="list-style-type: none"> ▪ Eleve la altura de corte de la plataforma.
La herramienta vibra en exceso.	<ul style="list-style-type: none"> ▪ Las cuchillas de corte están sueltas. 	<ul style="list-style-type: none"> ▪ Apriete el tornillo de la cuchilla con el par recomendado de 50-55 Nm.
	<ul style="list-style-type: none"> ▪ Las cuchillas están dobladas. 	<ul style="list-style-type: none"> ▪ Sustituya la cuchilla de corte doblada siguiendo las instrucciones del apartado «CAMBIAR LAS CUCHILLAS DE CORTE».
	<ul style="list-style-type: none"> ▪ La plataforma del cortacésped no está nivelada. 	<ul style="list-style-type: none"> ▪ Nivele la cubierta del cortacésped siguiendo las instrucciones del apartado «NIVELACIÓN DE LA PLATAFORMA DEL CORTACÉSPED».
	<ul style="list-style-type: none"> ▪ Las tuercas de la plataforma del cortacésped se han aflojado en el varillaje de la suspensión. 	<ul style="list-style-type: none"> ▪ Use una llave de tuercas de 18 mm de extremo abierto (no incluida) para apretar las cuatro tuercas del varillaje de la suspensión (dos a cada lado).
	<ul style="list-style-type: none"> ▪ El cortacésped está ajustado para cortar demasiada hierba en cada pasada. 	<ul style="list-style-type: none"> ▪ Eleve la altura de corte de la plataforma.
Queda hierba o residuos en el suelo después de cortar el césped.	<ul style="list-style-type: none"> ▪ El cortacésped está ajustado para cortar una elevada cantidad de hierba en cada pasada cuando la hierba es alta. 	<ul style="list-style-type: none"> ▪ Comience con una altura de corte elevada y redúzcala hasta lograr el resultado de corte deseado en el césped. Si el césped tiene una altura mayor que 6 pulgadas deberá cortarse dos veces, reduciendo la altura de corte sucesivamente.
	<ul style="list-style-type: none"> ▪ La hierba está mojada. 	<ul style="list-style-type: none"> ▪ No corte cuando la hierba esté mojada, espere a que se seque.
	<ul style="list-style-type: none"> ▪ La velocidad de conducción es alta. 	<ul style="list-style-type: none"> ▪ Reduzca la velocidad de conducción.
	<ul style="list-style-type: none"> ▪ La velocidad de la cuchilla es baja. 	<ul style="list-style-type: none"> ▪ Aumente gradualmente la velocidad de las cuchillas.
Poco tiempo de funcionamiento del cortacésped con la batería incluida.	<ul style="list-style-type: none"> ▪ Las condiciones de la hierba y el ajuste de la altura de corte pueden afectar mucho al tiempo de funcionamiento de las baterías. El tiempo de funcionamiento teórico se basa en una situación de carga ligera. 	<ul style="list-style-type: none"> ▪ Suba la altura de corte de la plataforma y reduzca la velocidad de las cuchillas para disminuir la carga de corte.

PROBLEMA	CAUSA	SOLUCIÓN
El cortacésped no va en línea recta.	<ul style="list-style-type: none"> Las presiones de los neumáticos izquierdo y derecho son diferentes. 	<ul style="list-style-type: none"> Compruebe y ajuste a presión de aire en los neumáticos de las dos ruedas traseras, siguiendo la recomendación del apartado «COMPROBAR LA PRESIÓN DE LOS NEUMÁTICOS» de este manual.
	<ul style="list-style-type: none"> Las velocidades de conducción para las ruedas izquierda y derecha son diferentes. 	<ul style="list-style-type: none"> Calibre el sistema de seguimiento del cortacésped siguiendo las instrucciones del apartado «CALIBRACIÓN DEL SISTEMA DE SEGUIMIENTO DEL CORTACÉSPED».
El pedal de freno no se puede soltar de la posición de frenado o regresa demasiado despacio.	<ul style="list-style-type: none"> Es posible que hayan penetrado residuos o suciedad en el pedal de freno de estacionamiento. 	<ul style="list-style-type: none"> Abra la caja del pedal de freno de estacionamiento para limpiarla a fondo por dentro y ciérrela después. Restablezca el pedal de freno de estacionamiento para comprobar si se ha resuelto el problema. De lo contrario, póngase en contacto con un técnico de servicio cualificado para que lo repare.
El cortacésped no se puede cargar a través del puerto de carga con el indicador de estado del cortacésped encendido permanentemente en rojo.	<ul style="list-style-type: none"> El enchufe o el cargador no están insertados correctamente en el puerto de carga del cortacésped. 	<ul style="list-style-type: none"> Vuelva a conectar el enchufe del cargador para comprobar si el cortacésped se puede cargar normalmente.
	<ul style="list-style-type: none"> No hay potencia en las tomas de corriente. 	<ul style="list-style-type: none"> No es necesaria ninguna acción. Espere hasta que se restablezca la potencia.
	<ul style="list-style-type: none"> El cargador no funciona correctamente. 	<ul style="list-style-type: none"> Póngase en contacto con un técnico de servicio cualificado para que lo inspeccione y repare el cargador en caso necesario.
	<ul style="list-style-type: none"> El puerto del cargador en el cortacésped está defectuoso. 	<ul style="list-style-type: none"> Póngase en contacto con un técnico de servicio cualificado para que lo repare.
El tiempo de carga a través del puerto de carga del cortacésped es demasiado largo.	<ul style="list-style-type: none"> El uso de un adaptador EGO ACA1000 para la carga requiere mucho tiempo. 	<ul style="list-style-type: none"> Use el cargador EGO CHV1600E para cargar directamente el cortacésped eléctrico de giro cero.
La batería no se puede cargar completamente a través del puerto de carga del cortacésped.	<ul style="list-style-type: none"> Error de firmware del tractor cortacésped o fallo del cargador o la batería. 	<ul style="list-style-type: none"> Desenchufe el cargador, espere más de 1 minuto y después vuelva a enchufarlo a la red eléctrica. Si no funciona, póngase en contacto con un técnico de servicio cualificado para que lo repare.
El cortacésped no se puede arrancar después de la limpieza.	<ul style="list-style-type: none"> Limpieza incorrecta, por ejemplo, penetración de agua en los componentes eléctricos, la pantalla LCD, etc. 	<ul style="list-style-type: none"> Siga las instrucciones del apartado «LIMPIEZA DEL CORTACÉSPED» para limpiar el aparato correctamente.
El cortacésped se obstruye fácilmente.	<ul style="list-style-type: none"> La plataforma del cortacésped está obstruida con restos de hierba y suciedad. 	<ul style="list-style-type: none"> Si el cortacésped se expone a la lluvia accidentalmente, deje que se seque durante más de 12 horas o use aire comprimido para secarlo.
		<ul style="list-style-type: none"> Limpie la plataforma del cortacésped después de cada uso, siguiendo las instrucciones del apartado «Usar la conexión de lavado para limpiar la plataforma del cortacésped».

PROBLEMA	CAUSA	SOLUCIÓN
El cortacésped pierde tracción fácilmente cuando sube por una pendiente.	<ul style="list-style-type: none"> Los neumáticos de las ruedas traseras están desgastados. 	<ul style="list-style-type: none"> Póngase en contacto con un centro de servicio técnico local para sustituir los neumáticos de las ruedas.
	<ul style="list-style-type: none"> Pendiente de corte grande. 	<ul style="list-style-type: none"> La pendiente de corte debería ser menor que 12 grados.
Cuando el cortacésped está parado en una pendiente con el pedal de freno de estacionamiento accionado, el cortacésped puede deslizarse hacia abajo por la pendiente.	<ul style="list-style-type: none"> Los componentes del freno están excesivamente desgastados debido a un funcionamiento incorrecto del cortacésped. 	<ul style="list-style-type: none"> Póngase en contacto con un técnico de servicio cualificado para que lo repare.
No sale agua de la conexión de lavado cuando se realiza la limpieza de la plataforma.	<ul style="list-style-type: none"> El acoplamiento rápido de la conexión de lavado no se ha instalado en su lugar en la conexión de lavado. 	<ul style="list-style-type: none"> Vuelva a conectar el acoplamiento rápido de la conexión de lavado hasta que oiga claramente un «clic» después de empujar firmemente. Si no funciona, póngase en contacto con un técnico de servicio cualificado para que lo repare.
Se produce un ruido anómalo cuando se empuja manualmente el cortacésped sin arrancarlo.	<ul style="list-style-type: none"> El ruido lo producen los imanes en el interior del motor de conducción. 	<ul style="list-style-type: none"> Esto es normal y no es necesaria ninguna acción.

REFERENCIA DEL ESTADO DEL CORTACÉSPED Y CÓDIGOS DE ERROR

ES

Pantalla LCD	Descripción	Código de error en la pantalla LCD	Indicador del estado del cortacésped	Bee-per	Causa	Solución
	En la pantalla LCD aparece el símbolo de las luces LED	No procede	APAGADO	No	Los faros, las luces laterales y las luces traseras se encienden con el interruptor de las luces LED.	Este es el funcionamiento normal. No es necesaria ninguna acción.
	En la pantalla LCD aparece el símbolo de USB	No procede	APAGADO	No	El símbolo de USB se enciende indicando que un dispositivo USB puede funcionar después de que el cortacésped se haya arrancado correctamente.	Este es el funcionamiento normal. No es necesaria ninguna acción.
	En la pantalla LCD aparece el símbolo del indicador de energía	No procede	APAGADO	No	Indica la capacidad de carga media de las baterías instaladas.	Este es el funcionamiento normal. No es necesaria ninguna acción.
	En la pantalla LCD aparece el símbolo del contador de horas	No procede	APAGADO	No	Muestra el tiempo de conducción total del cortacésped en horas, y no se puede reiniciar.	Este es el funcionamiento normal. No es necesaria ninguna acción.
	En el rango ECO aparece el símbolo del indicador de carga	No procede	APAGADO	No	Indica la carga actual del cortacésped.	Este es el funcionamiento normal. No es necesaria ninguna acción.
	El indicador de sobrecarga parpadea.	No procede	Parpadea de color rojo	Un pitido	El motor de las cuchillas se ha sobrecargado.	Suba la altura de corte de la plataforma o reduzca la velocidad de conducción para disminuir la carga del cortacésped.

Pantalla LCD	Descripción	Código de error en la pantalla LCD	Indicador del estado del cortacésped	Bee-per	Causa	Solución
	En la gama PWR aparece el símbolo del indicador de carga.	No procede	APAGADO	No	La llave de seguridad no está insertada.	Inserte la llave de seguridad y después mantenga pulsado el botón de arranque/parada durante más de 3 segundos para arrancar el cortacésped.
					La pantalla LCD no recibe potencia.	Solicite las reparaciones a un técnico cualificado.
	El símbolo de compartimento de la batería vacío parpadea.	No procede	APAGADO	No	La capacidad de la batería no es suficiente para que el tractor cortacésped pueda funcionar.	Para poner en marcha este cortacésped, se necesitan baterías EGO con un total de 15 Ah (2 x BA4200/BA4200T) como mínimo. Para obtener un rendimiento óptimo, recomendamos usar baterías EGO con un total de 30 Ah como mínimo.
	El símbolo del termómetro parpadea.	No procede	Parpadea de color rojo	Un pitido	El cortacésped se ha sobrecalentado.	Reduzca la carga del cortacésped elevando la altura de corte de la plataforma o reduciendo la velocidad de las cuchillas o la velocidad de conducción. Haga una pausa y deje que el cortacésped se enfríe.

Pantalla LCD	Descripción	Código de error en la pantalla LCD	Indicador del estado del cortacésped	Bee-per	Causa	Solución
	<p>El símbolo de sobrecalentamiento y el compartimento exacto ocupado de la batería parpadean al mismo tiempo.</p>	No procede	No procede	No	<p>La batería instalada en el compartimento con el número correspondiente se ha sobrecalentado.</p>	<p>1. El cortacésped puede seguir funcionando si la capacidad de Ah de las baterías combinadas, excluyendo la batería sobrecalentada, es igual o mayor que 15 Ah. Cuando la batería sobrecalentada haya recuperado la temperatura normal, unirá su potencia inmediatamente a las demás baterías para accionar el cortacésped.</p> <p>2. Si la capacidad de Ah combinada de las baterías es menor que 15 Ah, el cortacésped no funcionará hasta que se inserten más baterías en los compartimentos de batería que están libres.</p> <p>3. Reduzca la carga del cortacésped elevando la altura de corte de la plataforma o reduciendo la velocidad de corte cuando reanude el funcionamiento.</p>

Pantalla LCD	Descripción	Código de error en la pantalla LCD	Indicador del estado del cortacésped	Bee-per	Causa	Solución
	<p>Los símbolos de cada compartimento ocupado de la batería, el indicador de potencia baja y los gráficos de la batería del indicador de energía parpadean simultáneamente con una frecuencia de 1 segundo en la pantalla LCD. El primer segmento del indicador de energía LED y el indicador de estado también parpadea.</p>	No procede	Parpadea de color rojo	Continúa pitando hasta que se empuja hacia abajo el interruptor de toma de fuerza.	La carga de las baterías es baja y el cortacésped está en el modo de conducción de emergencia.	<p>Deje de usar el cortacésped y regrese al lugar de carga de la batería.</p> <p>AVISO: Cuando el cortacésped está en el modo de conducción de emergencia, las cuchillas se conmutan automáticamente a la velocidad de giro baja sin cortar hierba y, al mismo tiempo, suena continuamente el pitido de indicación. El operador debe empujar hacia abajo el interruptor de toma de fuerza para desconectar las cuchillas de la plataforma. El pitido de indicación dejará de sonar cuando se hayan parado las cuchillas.</p>
	<p>El símbolo de cada compartimento de batería ocupado y el indicador de potencia baja parpadean una vez cada medio segundo.</p>	No procede	APAGADO	No	Las baterías están casi agotadas.	<p>El cortacésped se para inmediatamente. El usuario deberá transportar el cortacésped al lugar de carga de la batería para recargarlo.</p>

Pantalla LCD	Descripción	Código de error en la pantalla LCD	Indicador del estado del cortacésped	Bee-per	Causa	Solución
	El símbolo de estacionamiento automático parpadea en la pantalla LCD.	No procede	APAGADO	Continúa pitando	El cortacésped está estacionado en una pendiente y el usuario deja el cortacésped sin poner el pedal de freno de estacionamiento en la posición de frenado, con las palancas de dirección en la posición abierta.	Ponga el pedal de freno en la posición de frenado. El símbolo de estacionamiento automático estará apagado y el pitido de indicación dejará de sonar.
	En la pantalla LCD aparece el símbolo del pedal de freno.	No procede	APAGADO	No	El pedal de freno de estacionamiento está en la posición de frenado.	Suéltelo antes de arrancar el cortacésped.
	En la pantalla LCD aparece el símbolo del sensor del asiento.	No procede	APAGADO	No	El usuario se levanta del asiento o el interruptor del asiento está desconectado.	Si el usuario está sentado en el asiento y el símbolo se enciende, deje de usar el cortacésped inmediatamente y compruebe la conexión del asiento. Si se confirma que la conexión del asiento con el cortacésped es correcta, póngase en contacto con un técnico de servicio cualificado para que repare la máquina.

Pantalla LCD	Descripción	Código de error en la pantalla LCD	Indicador del estado del cortacésped	Bee-per	Causa	Solución
	El símbolo del interruptor de toma de fuerza parpadea.	No procede	APAGADO	No	Se ha interrumpido el funcionamiento del motor de las cuchillas y el interruptor de toma de fuerza no está en la posición de desconexión.	Antes de arrancar el cortacésped, empuje hacia abajo el interruptor de toma de fuerza para desconectar el motor de la plataforma. Consulte el apartado « SOLUCIÓN DE PROBLEMAS » de este manual como referencia.
	El símbolo de la palanca de dirección parpadea.	No procede	APAGADO	No	Se ha interrumpido el funcionamiento del motor de conducción y las palancas de dirección no están en la posición abierta.	Antes de arrancar el cortacésped, empuje hacia abajo el interruptor de toma de fuerza para desconectar el motor de la plataforma. Consulte el apartado « SOLUCIÓN DE PROBLEMAS » de este manual como referencia.
	El símbolo de recuperación de energía parpadea ocasionalmente.	No procede	APAGADO	No	La energía cinética generada durante el frenado o la conducción cuesta abajo se convierte en electricidad para cargar las baterías.	Este es el funcionamiento normal. No es necesaria ninguna acción.

Pantalla LCD	Descripción		Código de error en la pantalla LCD	Indicador del estado del cortacésped	Bee-per	Causa	Solución
Ver «Código de error»	El motor de conducción izquierdo no gira.	Fallo del motor de conducción izquierdo controlado por placa de circuitos.	413	APAGADO	Un pitido	Fallo de la placa de circuitos	Solicite las reparaciones a un técnico cualificado.
		El enchufe (trifásico, cable de alimentación) que conecta el motor de conducción izquierdo con la placa de circuitos correspondiente se ha soltado.	317	APAGADO	Un pitido	Se ha perdido la conexión	
		El enchufe (de seis clavijas, cable de señal) que conecta el motor de conducción izquierdo con la placa de circuitos correspondiente se ha soltado.	301	APAGADO	Un pitido	Se ha perdido la conexión	
		Fallo del motor de conducción izquierdo.	317	APAGADO	Un pitido	Fallo del motor	

Pantalla LCD	Descripción		Código de error en la pantalla LCD	Indicador del estado del cortacésped	Bee-per	Causa	Solución
Ver «Código de error»	Right driving motor fails in rotation.	PCBA controlled right driving motor fails.	313	APAGADO	Un pitido	Fallo de la placa de circuitos	Solicite las reparaciones a un técnico cualificado.
		Plug (Triple-phase, power wire) connecting the right driving motor with the corresponding PCBA is loosened.	417	APAGADO	Un pitido	Se ha perdido la conexión	
		Plug (Six pins, signal wire) connecting the right driving motor with the corresponding PCBA is loosened.	401	APAGADO	Un pitido	Se ha perdido la conexión	
		Right driving motor fails.	417	APAGADO	Un pitido	Fallo del motor	
Ver «Código de error»	Left blade motor fails in rotation.	PCBA controlled left blade motor fails.	607	No procede	Un pitido	Fallo de la placa de circuitos	Solicite las reparaciones a un técnico cualificado.
		Plug (Triple-phase, power wire) connecting the left driving motor with the corresponding PCBA is loosened.	509	No procede	Un pitido	Se ha perdido la conexión	Inspeccione primero la cuchilla. Si se ha aflojado, use una llave dinamométrica de 14 mm para apretar el tornillo en sentido horario. El par de apriete recomendado para el tornillo de la cuchilla es 50-55 Nm. De lo contrario, solicite las reparaciones a un técnico cualificado.
		Left blade motor fails	509	No procede	Un pitido	Fallo del motor	

Pantalla LCD	Descripción		Código de error en la pantalla LCD	Indicador del estado del cortacésped	Bee-per	Causa	Solución
Ver «Código de error»	Right blade motor fails in rotation.	PCBA controlled right blade motor fails.	507	No procede	Un pitido	Fallo de la placa de circuitos	Solicite las reparaciones a un técnico cualificado.
		Plug (Triple-phase, power wire) connecting the right driving motor with the corresponding PCBA is loosened.	609	No procede	Un pitido	Se ha perdido la conexión	Inspeccione primero la cuchilla. Si se ha aflojado, use una llave dinamométrica de 14 mm para apretar el tornillo en sentido horario. El par de apriete recomendado para el tornillo de la cuchilla es 50-55 Nm. De lo contrario, solicite las reparaciones a un técnico cualificado.
		Right blade motor fails	609	No procede	Un pitido	Fallo del motor	
Ver «Código de error»	Left steering lever fails.	Left steering lever controlling PCBA fails.	311 /412	APAGADO	Un pitido	Fallo de la placa de circuitos	Solicite las reparaciones a un técnico cualificado
		Plug connecting the controlling PCBA, located in the steering bar, is loosened.				Se ha perdido la conexión	
Ver «Código de error»	Right steering lever fails.	Right steering lever controlling PCBA fails.	312 /411	APAGADO	Un pitido	Fallo de la placa de circuitos	Solicite las reparaciones a un técnico cualificado
		Plug connecting the controlling PCBA, located in the steering bar, is loosened.				Se ha perdido la conexión	
Ver «Código de error»	Parking brake fails, the tool cannot be driven.	Parking brake PCBA, which is in the front frame assembly, is broken.	309 /409	APAGADO	Un pitido	Fallo de la placa de circuitos	Solicite las reparaciones a un técnico cualificado
		Parking brake switch and/or wire is broken.	801	APAGADO	Un pitido	Fallo del cable/interruptor	

Pantalla LCD	Descripción	Código de error en la pantalla LCD	Indicador del estado del cortacésped	Bee-per	Causa	Solución
APAGADO	Charging Prot Fault	No procede	Pitido	No procede	El puerto de carga está en circuito abierto.	Solicite las reparaciones a un técnico cualificado
		No procede	Pitido	No procede	No hay alimentación eléctrica.	Compruebe si en la toma de corriente hay una alimentación de 220 V - 240 V y si el enchufe está en buen estado.
		No procede	Pitido	No procede	El fusible está fundido.	Have repairs performed by a qualified service technician.
Ver «Código de error»	Charging Prot Fault	204	No procede	Un pitido	El puerto de carga está en circuito abierto.	Solicite las reparaciones a un técnico cualificado.
Ver «Código de error»	Battery Box Assembly not functioning	217	No procede	Un pitido	La fuente de alimentación desde el conjunto de la caja de baterías está rota. Los faros LED y el USB no funcionan.	Solicite las reparaciones a un técnico cualificado.
		310 /410	APAGADO	Un pitido	No funciona la conexión entre los cables tipo C del conjunto de la caja de baterías y otros cables tipo C del cortacésped.	
		201 /202 /203	APAGADO	Un pitido	El BMS del conjunto de la caja de baterías está roto.	

Pantalla LCD	Descripción	Código de error en la pantalla LCD	Indicador del estado del cortacésped	Bee-per	Causa	Solución
Ver «Código de error»	Start/Stop Switch Fault	314 /414	APAGADO	Un pitido	Fallo de la placa de circuitos del interruptor o mala conexión de cable del interruptor de arranque/parada.	Solicite las reparaciones a un técnico cualificado.
Ver «Código de error»	LCD Screen Fault	315 /415	APAGADO	Un pitido	Rotura del conjunto de la pantalla LCD o mala conexión de cable del conjunto de la pantalla LCD.	Solicite las reparaciones a un técnico cualificado.

GARANTÍA

POLÍTICA DE GARANTÍA DE EGO

KEES VAN DER SPEK
TUINMACHINES ★ STOLWIJK

Visite la página web egopowerplus.com para conocer los términos y condiciones completos de la política de garantía de EGO.

LEIA TODAS AS INSTRUÇÕES!



LEIA O MANUAL DE INSTRUÇÕES

⚠ Riscos residuais! As pessoas com dispositivos eletrônicos, como pacemakers, deverão consultar o seu médico antes de utilizarem este produto. A utilização de equipamento elétrico perto de um pacemaker pode causar interferências ou falhas no pacemaker.

PT

SÍMBOLO DE SEGURANÇA

O objetivo dos símbolos de segurança é chamar a atenção para possíveis perigos. Os símbolos de segurança e as explicações apresentadas com eles requerem a sua atenção e compreensão. Os avisos de segurança, só por eles, não eliminam o perigo. As instruções e avisos dados não são substitutos para medidas de prevenção adequadas a acidentes.

⚠ AVISO: Certifique-se de que lê e compreende todos os avisos de segurança neste manual do utilizador, incluindo todos os símbolos de alerta de segurança, como “**PERIGO**”, “**AVISO**” e “**CUIDADO**” antes de usar esta ferramenta. Não seguir todas as instruções apresentadas abaixo pode resultar em choque elétrico, incêndio e/ou ferimentos graves.

SIGNIFICADO DOS SÍMBOLOS

Esta página retrata e descreve os símbolos de segurança que podem aparecer neste produto. Leia, compreenda e siga todas as instruções na máquina antes de tentar montar e utilizar.

SÍMBOLOS DE SEGURANÇA



Alerta de segurança



Proteção ocular



PERIGO - Perigo em encostas íngremes



Nunca transporte crianças



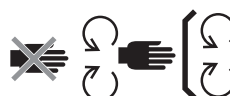
Aviso - Não use esta máquina em encostas com uma inclinação superior a 12°.



AVISO - MANTENHA AS MÃOS E PÉS AFASTADOS



Leia e compreenda o manual de instruções.



Proceda à manutenção dos dispositivos de segurança.



PERIGO - Mantenha as outras pessoas afastadas das lâminas.



Olhe para trás enquanto faz marcha-atrás.



PERIGO - Podem ser atirados objetos.



Nível de potência do som garantido. De acordo com as diretivas da União Europeia.



Não suba



Este produto encontra-se em conformidade com as diretivas CE aplicáveis.



Corrente direta

kPa

Kilopascal

V

Volts

in

Polegada

Nm

Newton Metros

°C

Celsius

km/h

Quilómetros por hora



Os produtos elétricos residuais não deverão ser eliminados juntamente com o lixo doméstico comum. Entregue-os num centro de reciclagem autorizado.



CUIDADO - Não olhe para a luz ligada.



Este produto encontra-se em conformidade com a legislação no Reino Unido.

RPM

Rotações por minuto

m

Metros

cm

Centímetros

mm

Milímetros

kg

Quilograma

IPX4

Grau de proteção de entrada

CARACTERÍSTICAS TÉCNICAS

Voltagem		56 V
Tamanho da plataforma		107 cm
Tamanho da roda	Dianteira	11 x 4 in (279,4 mm)
	Traseira	18 x 8.5 in (457,2 mm)
Pressão do pneu frio	Dianteira	220 kPa
	Traseira	50 kPa
Raio de viragem		0
Velocidade da lâmina (RPM)		2400, 2600, 2800, 3000
Máx. Velocidade de condução (km/h)	Avançar	4,8 km/h, 8 km/h, 9,6 km/h, 11,2 km/h (12,8 km/h no modo de Viagem)
	Retroceder	Até 5,6 km/h
Carregar	Carregador (opcional)	CHV1600E
	Adaptador (opcional)	ACA1000
	Raio da temperatura de carregamento	5°C - 40°C
Ajuste da altura de corte (10 posições)		25 - 100 mm

Temperatura de funcionamento		0°C - 40°C
Temperatura de armazenamento		-20°C - 70°C
Peso (sem a bateria)		186 kg
Nível de potência do som medido L_{WA}		96,44 dB(A) K=0,68 dB(A)
Nível da pressão do som no ouvido do operador L_{WA}		84,3 dB(A) K=3,0 dB(A)
Nível de potência do som garantido L_{WA} (medido de acordo com a 2000/14/CE)		100 dB(A)
Vibração a_h	Mão	1,221 m/s ² K=1,5 m/s ²
	Corpo	0,568 m/s ² K=1,5 m/s ²

- O valor total declarado da vibração foi medido de acordo com um método de teste padrão e pode ser usado para comparar duas ferramentas.
- O valor total declarado da vibração também pode ser usado numa avaliação preliminar da exposição.

AVISO: A emissão de vibrações durante a utilização da ferramenta elétrica pode diferir do valor declarado em que a ferramenta é usada. De modo a proteger o utilizador, este deverá usar luvas e proteção auditiva nas condições atuais de utilização.

DESCRIÇÃO

CONHEÇA O TRATOR CORTA-RELVA ZERO TURN (Imagem A1 e A2)

1. Assento
2. Porta de carregamento
3. Compartimento da bateria
4. Faróis traseiros LED
5. Caixa de arrumação
6. Suportes para copo
7. Luzes laterais LED
8. Roda traseira (roda condutora)
9. Plataforma
10. Protetor da plataforma
11. Roda anti-scalp
12. Roda dianteira
13. Pedal do travão de estacionamento
14. Luzes de marcha
15. Luzes LED
16. Saída lateral de descarga
17. Alavanca de ajuste da altura da plataforma
18. Manípulo de ajuste da suspensão do assento
19. Alavanca de ajuste de avanço-retrocesso do assento
20. Alavanca de condução
21. Indicador do estado do corta-relva
22. Ecrã LCD
23. Interruptor PTO
24. Botão de Iniciar/Parar
25. Chave de segurança
26. Caixa de arrumação do telefone
27. Manómetro do combustível do corta-relva e indicador do estado
- 27a. Indicador do manómetro do combustível do corta-relva
- 27b. Indicador do estado do corta-relva
28. Área de descanso dos pés
29. Botão de libertação da cobertura da unidade da alimentação
30. Cobertura da unidade da alimentação
31. Botão de libertação da bateria
32. Engate
33. Cobertura de montagem do acessório
34. Arrumação da cobertura de montagem do acessório
35. Porta USB

CONHEÇA O ECRÃ LCD E OS BOTÕES (Imagem A3)

Consulte a secção “REFERÊNCIA DO ESTADO DO CORTA-RELVA E CÓDIGO DE FALHA” para obter mais informações acerca dos ícones e indicadores no ecrã LCD.

1. Ícone da chave de segurança
2. Ícone das luzes LED
3. Ícone de estacionamento automático
4. Ícone USB
5. Indicador da velocidade da lâmina
6. Indicador do estado do dispositivo de segurança
7. Contador das horas de utilização
8. Ícone da bateria
9. Ícone de sobreaquecimento
10. Modo de condução
11. Indicador do código de erro
12. Indicador de sobrecarga
13. Indicador de energia fraca
14. Indicador da velocidade de condução
15. Indicador de carga
16. Botão de ajuste da velocidade da lâmina
17. Botão de definições
18. Botão do modo de condução
19. Interruptor da luz LED
20. Botão de ajuste da velocidade de condução
21. Manómetro do combustível

DESEMPACOTAR

AVISO: Guarde o material de empacotamento até ter inspecionado cuidadosamente e ter utilizado de modo satisfatório o produto. Se houver peças na lista de peças montadas na máquina, contacte imediatamente o serviço EGO.

AVISO: Exceto as ferramentas na lista de peças apresentada abaixo, todas as outras ferramentas mencionadas nos manuais são recomendadas, mas não fornecidas.

LISTA DE PEÇAS (Imagem B1)

B1-1	Trator corta-relva elétrico Zero Turn	B1-7	Chaves de segurança
B1-2	Assento	B1-8	Chave de extremidade aberta (13 mm)
B1-3	Tampa de adubar	B1-9	Chave sextavada
B1-4	Alavanca de condução	B1-10	Acoplador rápido da porta de lavagem
B1-5	Parafusos de cabeça do bocal (2 extra)	B1-11	Manual do utilizador
B1-6	Parafusos sextavados (2 extra)		

DESEMPACOTAR (Imagem B2 e B3)
ACESSÓRIOS RECOMENDADOS

⚠ AVISO: Use apenas peças sobresselentes idênticas listadas abaixo. A utilização de peças que não vão ao encontro das especificações do equipamento original pode dar origem a um desempenho inadequado e comprometer a segurança.

NOME DA PEÇA	NÚMERO DO MODELO
Lâmina padrão	AB4200
Lâmina de elevação alta	AB4201
Tampa de adubar	AMP4200
Conjunto do saco de recolha da relva	ABK4200-A

MONTAGEM

INSTALAR O ASSENTO (Imagem C1 e C2)

⚠ AVISO: O sistema de bloqueio de segurança não pode ser desligado nem anulado. Se o fizer, o trator corta-relva pode começar a funcionar inesperadamente, dando origem a ferimentos.

AVISO: Para sua segurança, o trator corta-relva pode parar se o interruptor do assento for desligado durante a condução. Neste caso, consulte a secção “**RESOLUÇÃO DE PROBLEMAS**” para obter mais informações.

C1-1	Fio	C1-5	Parafusos de cabeça do bocal
C1-2	Ficha	C2-1	Gancho
C1-3	Tomada	C2-2	Calhas de aço
C1-4	Base de suspensão	C2-3	Parafusos de cabeça do bocal

INSTALAR AS ALAVANCAS DE CONDUÇÃO (Imagem C3)

C3-1	Alavancas de condução	C3-3	Orifícios de montagem da alavanca de condução
C3-2	Parafusos sextavados		

FIXAR A TAMPA DE ADUBAR (Imagem C4)

C4-1	Saída lateral de descarga	C4-3	Mola móvel
C4-2	Tampa de adubar		

FUNCIONAMENTO

ANTES DE USAR O TRATOR CORTA-RELVA
Verificar o ambiente

- Certifique-se de que não se encontram presentes crianças, outras pessoas ou animais na área de trabalho.
- Limpe a área de trabalho de objetos que possam ser atirados pelas lâminas do corta-relva.
- Verifique e certifique-se de que as luzes LED funcionam corretamente:
 - Os faróis, luzes laterais e luzes traseiras são controlados pelo interruptor da luz LED.
 - As luzes de marcha permanecem ligadas durante a condução.
 - Quando fizer marcha-atrás, as luzes traseiras que estavam desligadas começam a piscar para avisar outras pessoas. Se as luzes traseiras forem ligadas, permanecem ligadas.
 - Todas as luzes se desligam automaticamente passados mais de 3 minutos sem qualquer operação.

Verificar a pressão do pneu frio (Imagem D1)

Verificar o estado do corta-relva e o nível de carga da bateria

- Indicador do manómetro do combustível do corta-relva (Imagem A2 - 27a)

Cada segmento do indicador do manómetro do combustível do corta-relva indica 20% de carga das baterias inseridas.

AVISO: O manómetro do combustível do corta-relva e o manómetro do combustível no ecrã LCD indicam a capacidade média das baterias inseridas.

- Indicador do estado do corta-relva (Imagem A1 e Imagem A2 - 27b)

Se o indicador do estado ficar verde, o corta-relva está pronto a ser conduzido. Se não for o caso, consulte a secção “REFERÊNCIA DO ESTADO DO CORTA-RELVA E CÓDIGO DE FALHA”.

Testar o sistema de bloqueio de segurança (Imagem D2 - Imagem D8)

AVISO: O operador tem de estar no assento antes do teste.

- Antes do teste (Imagem D2 - Imagem D4)
- Para testar o sistema da plataforma-lâmina (Imagem D5) e levante-se lentamente.
- Para testar o sistema de condução (Imagem D6 - Imagem D8) e levante-se lentamente.

Se o sistema plataforma-lâmina e/ou o sistema de condução não pararem quando o operador se levantar do assento, e se a causa não puder ser determinada após confirmar a correta ligação da ficha e da tomada do assento, contacte imediatamente o seu centro de apoio ao cliente EGO.

AJUSTE (Imagem E1 - Imagem E13)

Preparação (Imagem E1 - Imagem E5)

Ajustar a altura de corte-plataforma (Imagem E6)

Ajustar as rodas anti-scalp (Imagem E7 - Imagem E10)

E7-1	Roda anti-scalp	E9-2	Parafuso retardador
E9-1	Porca	E10-1	Etiqueta da altura da plataforma

Ajustar o assento (Imagem E11)

Ajuste a posição do assento para se certificar de que consegue manter um contacto firme com o pedal do travão de estacionamento antes de utilizar o trator corta-relva. O ajuste da suspensão do assento pode fazê-lo atingir a experiência mais confortável no assento.

E11-1	Alavanca de ajuste de avanço-retrocesso do assento	E11-2	Manípulo de ajuste da suspensão do assento
-------	--	-------	--

Configuração do travão de estacionamento (Imagem E12 - Imagem E13)

E13-1	Posição de travagem	E13-2	Posição de libertado
-------	---------------------	-------	----------------------

CARREGAR (Imagem F1 - Imagem F11)

De modo a ligar este corta-relva, precisa de baterias da EGO com 15 Ah (2 X BA4200/BA4200T) ou mais. Para um melhor desempenho, recomendamos a utilização de baterias da EGO com um total de 30 Ah ou mais.

Utilize apenas com as baterias e carregadores recomendados. (Imagem F9 e F10)

Preparação para carregamento (Imagem F1 - Imagem F4)

Carregar separadamente as baterias (Imagem F5 - Imagem F9)

F5-1	Botão de libertação da cobertura	F7-1	Botão de libertação da bateria
------	----------------------------------	------	--------------------------------

- Fixar as baterias (Imagem F5 - Imagem F6)
- Libertar as baterias (Imagem F7 - Imagem F8)

AVISO: Carregue as baterias. Consulte os respetivos manuais da bateria e do carregador.

Carregar as baterias através da porta de carregamento (Imagem F10)

F10-1	Tampa do pó	F10-2	Porta de carregamento
-------	-------------	-------	-----------------------

LIGAR O TRATOR CORTA-RELVA ZERO TURN (Imagem A4 - Imagem A5 e Imagem G1 - Imagem G6)

⚠ AVISO: Evite arranques, paragens e curvas repentinas, bem como velocidade excessiva, especialmente quando estiver a aprender a operar o corta-relva. O corta-relva pode girar rapidamente, o que pode fazer com que perca o controlo e dar origem a ferimentos sérios e/ou danos.

PT

⚠ AVISO: Antes de ligar o corta-relva, verifique e certifique-se de que as lâminas estão desengatadas quando pressionar o interruptor PTO para baixo. Se as lâminas não pararem, não use o corta-relva e contacte imediatamente o seu serviço de apoio ao cliente EGO.

AVISO: Siga a Imagem A4 e Imagem G2 para obter a velocidade de condução mais baixa e modo de condução **PADRÃO** até ser completamente capaz de operar o corta-relva em todas as situações. A velocidade de condução e modo de condução só são ativados quando as rodas do corta-relva estiverem paradas e as alavancas de condução estiverem abertas.


O corta-relva guarda e apresenta a configuração anterior quando for reiniciado.

Modo de condução

- **CONTROLO:** Aceleração mais baixa, manuseamento menos sensível e velocidade de viragem neutra para proteger a relva e para novos utilizadores.
- **PADRÃO:** Perfeito para o uso diário.
- **DESPORTIVO:** Maior aceleração, manuseamento preciso e viragem rápida para maximizar a eficiência de corte e para os entusiastas de cortar relva.

Ajuste da velocidade de condução (Imagem A4)

Ajuste da velocidade da lâmina (Imagem A5)

AVISO: No modo de viagem”, prima “”. A velocidade de condução volta ao modo anterior.

Porta USB

AVISO: A porta USB fornece uma potência de carregamento de 5 volts DC de 1,5 amperes combinados, e é alimentada apenas quando o corta-relva é ligado.

PARAR O TRATOR CORTA-RELVA ZERO TURN (Imagem H1 - Imagem H6)

AVISO: Passados mais de 60 minutos sem ser utilizado, o corta-relva desliga-se automaticamente.

Modo limitado

Quando a bateria começar a ficar sem carga, o corta-relva entra no modo limitado:

- O corta-relva pára automaticamente de cortar a relva;
- Um aviso sonoro permanece ligado;
- O indicador do estado do corta-relva pisca a vermelho a cada segundo, o primeiro segmento do manómetro do combustível do corta-relva pisca a vermelho e tanto o indicador de energia fraca como os gráficos da bateria no manómetro do combustível piscam.

O operador deverá:

- a) Pressionar o interruptor PTO para baixo (Imagem H3) para desativar as lâminas. O indicador sonoro pára de emitir sons quando a lâmina parar;
- b) Pare de trabalhar e vá para a área de carregamento da bateria o mais depressa possível. A distância máxima que o corta-relva consegue viajar é de 1000 m.

Quando a bateria estiver quase gasta, o ícone de cada compartimento da bateria e o indicador de energia fraca piscam a cada meio segundo. O corta-relva pára imediatamente de funcionar. O operador deverá transportar o corta-relva para a área de carregamento da bateria para se proceder ao carregamento.

Empurrar manualmente

Se precisar de empurrar manualmente, certifique-se de que as baterias estão desligadas do corta-relva e que o pedal do travão de estacionamento está desativado.

CONDUZIR O TRATOR CORTA-RELVA ZERO TURN (Imagem I1 - Imagem I9)

Para parar, diminuir ou aumentar a velocidade, altere ligeiramente a distância da alavanca de condução para a posição de ponto-morto.

⚠ PERIGO: Permaneça a, pelo menos, 2,14 m de quaisquer valas, fossos ou água. As rodas dianteiras podem rodar quando o corta-relva estiver parado, mesmo que tenha o travão ativado, e fazer com que o corta-relva caia para um buraco ou para dentro de água, resultando em morte ou ferimentos sérios.

⚠ AVISO: Tenha em conta o que está atrás do corta-relva antes de fazer marcha-atrás. NÃO corte relva em marcha-atrás, exceto se for absolutamente necessário. Olhe sempre para baixo e para trás antes e durante a marcha-atrás, para se certificar de que não há crianças, outras pessoas ou animais na área de corte. Lembre-se de que uma fração de segundo de desatenção é o suficiente para sofrer um ferimento sério ou morte.

⚠ AVISO: Não utilize a máquina em vias públicas.

⚠ AVISO: Se ocorrer um bloqueio ou se bater contra um objeto estranho, pare os motores e retire a bateria. Retire restos de relva, folhas, sujidade e outros detritos acumulados, inspecione bem o corta-relva quanto a danos e repare os danos antes de reiniciar e voltar a utilizar o corta-relva.

MANUTENÇÃO

⚠ AVISO: Use sempre proteções oculares com escudos laterais. Se não o fizer, pode apanhar com objetos nos olhos dando origem a possíveis ferimentos sérios.

⚠ AVISO: Proteja sempre as suas mãos usando luvas resistentes ou embrulhando as extremidades de corte com trapos ou com outros materiais quando efetuar qualquer manutenção na lâmina do corta-relva. Retire sempre a chave de segurança e a bateria quando reparar ou transportar o corta-relva.

Intervalo do serviço de manutenção	Processo de manutenção
Antes de cada utilização ou diariamente	<ul style="list-style-type: none"> ■ Verifique o sistema de bloqueio de segurança. ■ Inspeccione visualmente se os pneus têm ar. ■ Verifique se as lâminas estão gastas, rachadas ou dobradas. ■ Inspeccione todo o produto quanto a danos, peças em falta ou soltas, como a saída de descarga lateral, parafusos, porcas, tampas, etc., certificando-se de que todas as proteções estão no devido lugar e a funcionar corretamente. ■ Verifique o funcionamento do travão.
Após cada utilização	<ul style="list-style-type: none"> ■ Limpe a plataforma do trator corta-relva.
A cada 25 horas	<ul style="list-style-type: none"> ■ Verifique a pressão dos pneus.
A cada 50 horas	<ul style="list-style-type: none"> ■ Verifique a lubrificação no interior do rebordo da lâmina de corte.

A cada 100 horas	<ul style="list-style-type: none"> ■ Verifique as rodas traseiras, certificando-se de que as 4 porcas de roda estão apertadas com o binário recomendado.
A cada 200 horas	<ul style="list-style-type: none"> ■ Verifique as rodas dianteiras, certificando-se de que rodam livremente.
Anualmente	<ul style="list-style-type: none"> ■ Verifique o pedal do travão de estacionamento. Retire a bateria do corta-relva e coloque o pedal de estacionamento na posição de travagem. Pressione manualmente o corta-relva para a frente para ver se este se move. Se se mover, leve-o para ser reparado por um técnico de reparação qualificado.

PT

LIMPEZA DO CORTA-RELVA (Imagem J1 - J9)

Preparação (Imagem J1 - Imagem J5)

Limpeza da estrutura do corta-relva (Imagem J6 - J7)

Usar a porta de lavagem para limpar a plataforma do trator corta-relva (Imagem J8 - J9)

J8-1	Porta de lavagem	J8-3	Mangueira de jardim
J8-2	Acoplador rápido da porta de lavagem		

AVISO: Quando terminar a limpeza, prima o interruptor PTO para baixo para desativar as lâminas do corta-relva.

PROCEDER À MANUTENÇÃO DA PLATAFORMA DO CORTA-RELVA E DAS LÂMINAS DE CORTE

Preparação (Imagem K1 - Imagem K6)

Retirar a plataforma do corta-relva (Imagem K7 - K8)

K7-1	Cabo do motor	K7-3	Elo de suspensão
K7-2	Perno		

AVISO: Desligue os cabos do motor e pernos em ambos os lados quando retirar a plataforma do corta-relva.

Substituir as lâminas de corte (Imagem K9 - K11)

K9-1	Estabilizador	K10-3	Lâmina
K10-1	Parafuso	K10-4	Rebordo
K10-2	Anilha	K10-5	Eixo do motor

Nivelar a plataforma do trator corta-relva

a. Quando nivelar (Imagem K12 - Imagem K14)

b. Antes de nivelar

- Verificar a pressão do pneu frio (Imagem K15)
- Verifique as lâminas de corte. Retire e substitua as lâminas gastas, rachadas e/ou dobradas conforme necessário.

c. Preparação para nivelar (Imagem K16 - Imagem K21)

d. Como nivelar

- Para efetuar ajuste lado a lado (Imagem K22)

A diferença entre as distâncias H1 e H2 medidas a partir da extremidade inferior de cada lâmina até ao chão deverá ser de menos de 5 mm.

K22-1	Contraporca
-------	-------------

- Para efetuar ajuste frente-atrás (Imagem K23)

A ponta dianteira H3 da lâmina deverá ficar de 2 mm a 10 mm abaixo da ponta traseira H4.

CALIBRAR O SISTEMA DE MONITORIZAÇÃO DO CORTA-RELVA (Imagem L1 - Imagem L6 e Imagem L7 - Imagem L12)

AVISO: O indicador sonoro emite um som quando a calibragem for iniciada e quando a calibragem for terminada.

REINICIAR O CORTA-RELVA COM AS PREDEFINIÇÕES DE FÁBRICA (Imagem M1 - Imagem M4)

AVISO: O indicador sonoro emite um som quando o reiniciar for iniciado e quando o reiniciar for terminado.

ARMAZENAMENTO E TRANSPORTE

TRANSPORTAR O TRATOR CORTA-RELVA (IMAGEM N1 - IMAGEM N11)

AVISO: Fixe o trator corta-relva conforme necessário, usando correias ou cabos para evitar o movimento durante o transporte. Quando carregar ou descarregar o trator corta-relva, não exceda o ângulo máximo de funcionamento recomendado de 12° entre a rampa e o chão.

ARMAZENAMENTO (Imagem O1 - Imagem O6)

AVISO: Retire as baterias e guarde-as. Consulte os respetivos manuais.


Limpe e verifique o trator corta-relva antes do armazenamento. Consulte as secções “LIMPEZA DO CORTA-RELVA” e “AGENDAS DE MANUTENÇÃO RECOMENDADAS”.


Proteja o ambiente



REEE (Resíduos de Equipamento Elétrico e Eletrónico) Não elimine equipamento elétrico, bateria gasta nem carregador juntamente com o lixo doméstico comum! Leve este produto a um centro de reciclagem autorizado para que possa haver uma separação das peças. As ferramentas elétricas têm de ser devolvidas em instalações de reciclagem ambientalmente compatíveis.

RESOLUÇÃO DE PROBLEMAS

PROBLEMA	CAUSA	SOLUÇÃO
<p>O trator corta-relva elétrico Zero Turn não avança quando as duas alavancas de condução são pressionadas para a frente ou para trás no início.</p>  <p>O icone da alavanca de condução pisca.</p>	<ul style="list-style-type: none"> O Ah combinado das baterias inseridas é inferior a 15 Ah. 	<ul style="list-style-type: none"> De modo a ligar este corta-relva, precisa de baterias da EGO com 15 Ah (2 X BA4200/BA4200T) ou mais. Para um melhor desempenho, recomendamos a utilização de baterias com um total de 30 Ah ou mais.
	<ul style="list-style-type: none"> O pedal do travão de estacionamento está na posição de travagem. 	<ul style="list-style-type: none"> Pressione por completo o pedal do travão de estacionamento para o libertar da posição de travagem.
	<ul style="list-style-type: none"> As alavancas de condução não estão na posição aberta quando liga o corta-relva. 	<ul style="list-style-type: none"> Volte a colocar as alavancas de condução na posição de abertas e volte a ligar o corta-relva.
	<ul style="list-style-type: none"> O operador não está sentado no assento. 	<ul style="list-style-type: none"> Apenas quando o operador estiver sentado corretamente no assento é que pode operar o corta-relva.
	<ul style="list-style-type: none"> O interruptor do assento não está ligado corretamente. 	<ul style="list-style-type: none"> Retire a bateria do corta-relva e desmonte o assento pela ordem inversa às instruções na secção “INSTALAR O ASSENTO” neste manual, para inspecionar a ligação do interruptor do assento. Volte a montar o assento e siga as instruções em “LIGAR O TRATOR CORTA-RELVA ZERO TURN” para voltar a ligar o corta-relva, para ver se este pode ser ligado. Se não for o caso, contacte um técnico de reparação qualificado para proceder à reparação.
	<ul style="list-style-type: none"> Quando estiver muito frio, a função de condução pode não ligar com sucesso, devido à proteção contra baixa temperatura. 	<ul style="list-style-type: none"> Guarde sempre o corta-relva e a bateria num ambiente quente. Volte a ligar o corta-relva quando este aquecer. Não faça tentativas repetidas em condições de frio extremo que possam danificar a máquina. Recomendamos que a temperatura de funcionamento se encontre entre os 0°C e os 40°C.
<p>O trator corta-relva elétrico Zero Turn pára de avançar.</p>	<ul style="list-style-type: none"> As alavancas de condução têm de ser reiniciadas. 	<ul style="list-style-type: none"> Volte a colocar as alavancas de condução na posição de abertas e volte a ligar o corta-relva.
	<ul style="list-style-type: none"> Os componentes de controlo elétrico das alavancas de condução estão a falhar. 	<ul style="list-style-type: none"> Contacte um técnico de reparação qualificado para proceder à reparação.
	<ul style="list-style-type: none"> O interruptor do assento foi desligado durante a condução em terrenos difíceis. 	<ul style="list-style-type: none"> Retire a bateria do corta-relva e desmonte o assento pela ordem inversa às instruções na secção “INSTALAR O ASSENTO” neste manual, para inspecionar a ligação do interruptor do assento. Volte a montar o assento e siga as instruções em “LIGAR O TRATOR CORTA-RELVA ZERO TURN” para voltar a ligar o corta-relva, para ver se este pode ser ligado. Se não for o caso, contacte um técnico de reparação qualificado para proceder à reparação.

PROBLEMA	CAUSA	SOLUÇÃO
A velocidade de condução/modo de condução não pode ser ajustado durante a condução.	<ul style="list-style-type: none"> Esta é uma funcionalidade do trator corta-relva elétrico Zero Turn para uma condução segura. 	<ul style="list-style-type: none"> A função é ativada apenas quando as rodas do corta-relva estiverem paradas e as alavancas de condução estiverem abertas.
O trator corta-relva elétrico Zero Turn não liga as lâminas quando o interruptor PTO é ativado.  O ícone do interruptor PTO começa a piscar.	<ul style="list-style-type: none"> O Ah combinado das baterias inseridas é inferior a 15 Ah. 	<ul style="list-style-type: none"> De modo a ligar este corta-relva, precisa de baterias da EGO com 15 Ah (2 X BA4200/BA4200T) ou mais. Para um melhor desempenho, recomendamos a utilização de baterias com um total de 30 Ah ou mais.
	<ul style="list-style-type: none"> O interruptor PTO não foi premido quando o corta-relva foi parado da última vez. 	<ul style="list-style-type: none"> Prima o interruptor PTO para baixo e reinicie as lâminas do corta-relva.
	<ul style="list-style-type: none"> O corta-relva estava sobrecarregado quando as lâminas começaram a funcionar, dando origem à proteção automática do motor. 	<ul style="list-style-type: none"> Comece a cortar a relva primeiro com a velocidade mais baixa da lâmina, e até que as lâminas rodem com sucesso, não acelere a velocidade da lâmina.
	<ul style="list-style-type: none"> Quando estiver muito frio, o motor da lâmina pode não ligar com sucesso, devido à proteção contra baixa temperatura. 	<ul style="list-style-type: none"> Guarde sempre o corta-relva e a bateria num ambiente quente. Volte a ligar o corta-relva quando este aquecer. Não faça tentativas repetidas em condições de frio extremo que possam danificar a máquina. Recomendamos que a temperatura de funcionamento se encontre entre os 0°C e os 40°C.
	<ul style="list-style-type: none"> A lâmina interfere com a plataforma deformada do corta-relva. 	<ul style="list-style-type: none"> Contacte um técnico de reparação qualificado para proceder à reparação.

PROBLEMA	CAUSA	SOLUÇÃO
As lâminas param de funcionar durante o corte da relva.	<ul style="list-style-type: none"> O corta-relva está sobrecarregado. 	<ul style="list-style-type: none"> Aumente a altura de corte da plataforma ou abra a velocidade de condução para reduzir a carga do corta-relva.
	<ul style="list-style-type: none"> A plataforma do corta-relva está obstruída com relva e detritos. 	<ul style="list-style-type: none"> Limpe a plataforma do corta-relva e certifique-se de que as lâminas se movem livremente.
	<ul style="list-style-type: none"> O corta-relva sobreaqueceu. 	<ul style="list-style-type: none"> Reduza a carga do corta-relva aumentando a altura de corte da plataforma ou diminuindo a velocidade da lâmina/condução, e permita ao corta-relva arrefecer.
	<ul style="list-style-type: none"> As baterias no compartimento da bateria do corta-relva sobreaqueceram, dando origem a uma classificação Ah combinada de todas as baterias inseridas abaixo de 15 Ah. 	<ol style="list-style-type: none"> Se a classificação Ah combinada da bateria for inferior a 15 Ah, o corta-relva deixa de funcionar até que insira mais baterias nos compartimentos vazios da bateria. Quando a bateria sobreaquecida voltar à temperatura normal, volta a ligar o corta-relva.
		<ol style="list-style-type: none"> Reduza a carga do corta-relva aumentando a altura de corte da plataforma ou diminuindo a velocidade do corta-relva quando continuar o funcionamento.
	<ul style="list-style-type: none"> O corta-relva está no modo limitado. 	<ul style="list-style-type: none"> Quando o corta-relva está no modo limitado, as lâminas passam automaticamente para uma velocidade de baixa rotação sem cortar a relva. O operador deverá parar de trabalhar e ir para a área de carregamento da bateria o mais depressa possível.
<ul style="list-style-type: none"> O corta-relva bateu num objeto estranho, dando origem à ativação da proteção automática do motor. 	<ul style="list-style-type: none"> Prima o interruptor PTO para baixo e reinicie as lâminas do corta-relva. 	
O indicador sonoro continua a emitir sons.	<ul style="list-style-type: none"> O corta-relva está no modo limitado e as lâminas não giram. 	<ul style="list-style-type: none"> Prima o interruptor PTO para baixo para libertar as lâminas da plataforma. O indicador sonoro pára de emitir sons quando a lâmina parar.
	<ul style="list-style-type: none"> O corta-relva pára de avançar numa encosta e o operador abre as alavancas de condução e sai do assento sem colocar o pedal do travão de estacionamento na posição de travagem. 	<ul style="list-style-type: none"> Coloque o pedal do travão de estacionamento na posição de travagem antes de deixar o corta-relva numa encosta.

PROBLEMA	CAUSA	SOLUÇÃO
Os indicadores da bateria permanecem ligados quando o trator corta-relva é desligado.	<ul style="list-style-type: none"> Quando o corta-relva é desligado em piso nivelado sem retirar as baterias, os indicadores da bateria permanecem ligados durante 3 minutos. 	<ul style="list-style-type: none"> Não é necessária qualquer ação. Os indicadores da bateria desligam-se passado algum tempo.
	<ul style="list-style-type: none"> Quando o corta-relva é desligado numa encosta sem colocar o pedal do travão de estacionamento na posição de travagem, os indicadores da bateria permanecem ligados até que a bateria fique sem energia. O indicador sonoro continua a emitir sons. 	<ul style="list-style-type: none"> Coloque o pedal do travão de estacionamento na posição de travagem antes de deixar o corta-relva numa encosta.
O ecrã LCD não acende com todos os ícones ligados.	<ul style="list-style-type: none"> O tempo em que premiu o botão de iniciar/parar é inferior a 3 segundos. 	<ul style="list-style-type: none"> O ecrã LCD apresenta apenas “Manómetro do combustível” quando o botão de iniciar/parar for premido brevemente. O ecrã LCD liga-se quando o botão de iniciar/parar for premido durante 3 segundos.
O corta-relva corta de um modo pouco uniforme, com uma diferença de altura significativa entre a parte da frente e a parte de trás.	<ul style="list-style-type: none"> As lâminas estão rombas. 	<ul style="list-style-type: none"> Afie ou substitua a lâmina de corte conforme indicado neste manual.
	<ul style="list-style-type: none"> As lâminas estão dobradas. 	<ul style="list-style-type: none"> Substitua a lâmina de corte dobrada seguindo as instruções na secção “SUBSTITUIR AS LÂMINAS DE CORTE”.
	<ul style="list-style-type: none"> A plataforma do corta-relva não está nivelada, dando origem a uma altura diferente da lâmina de corte. 	<ul style="list-style-type: none"> Nivele a plataforma do trator corta-relva seguindo as instruções na secção “NIVELAR A PLATAFORMA DO TRATOR CORTA-RELVA”.
A altura de corte da relva não está alinhada com a altura suposta.	<ul style="list-style-type: none"> As porcas da plataforma do corta-relva estão soltas no elo de suspensão. 	<ul style="list-style-type: none"> Siga as instruções na secção “NIVELAR A PLATAFORMA DO TRATOR CORTA-RELVA” para efetuar os ajustes corretos frente-trás da plataforma do corta-relva, e aperte bem as quatro porcas no elo de suspensão (dois de cada lado).
	<ul style="list-style-type: none"> A plataforma do corta-relva está danificada ou seriamente gasta. 	<ul style="list-style-type: none"> Siga as instruções na secção “RETIRAR A PLATAFORMA DO CORTA-RELVA” para substituir a plataforma do corta-relva.
O corta-relva não aduba corretamente.	<ul style="list-style-type: none"> Existe relva molhada colada na parte inferior. 	<ul style="list-style-type: none"> Espere que a relva seque antes de cortar.
	<ul style="list-style-type: none"> O corta-relva foi configurado para cortar demasiada relva de uma vez. 	<ul style="list-style-type: none"> Aumente a altura de corte da plataforma.

PROBLEMA	CAUSA	SOLUÇÃO
Há vibração excessiva.	<ul style="list-style-type: none"> As lâminas de corte estão soltas. 	<ul style="list-style-type: none"> Aperte o parafuso da lâmina com o binário recomendado de 50-55 Nm.
	<ul style="list-style-type: none"> As lâminas estão dobradas. 	<ul style="list-style-type: none"> Substitua a lâmina de corte dobrada seguindo as instruções na seção “SUBSTITUIR AS LÂMINAS DE CORTÉ”.
	<ul style="list-style-type: none"> A plataforma do corta-relva não está nivelada. 	<ul style="list-style-type: none"> Nivele a plataforma do trator corta-relva seguindo as instruções na seção “NIVELAR A PLATAFORMA DO TRATOR CORTA-RELVA”.
	<ul style="list-style-type: none"> As porcas da plataforma do corta-relva estão soltas no elo de suspensão. 	<ul style="list-style-type: none"> Use uma chave de extremidade aberta de 18 mm (não fornecida) para apertar as quatro porcas no elo de suspensão (duas para cada lado).
	<ul style="list-style-type: none"> O corta-relva foi configurado para cortar demasiada relva de uma vez. 	<ul style="list-style-type: none"> Aumente a altura de corte da plataforma.
Há relva ou detritos que ficam no chão após o corte.	<ul style="list-style-type: none"> O corta-relva foi configurado para cortar demasiada relva de uma vez quando a relva está comprida. 	<ul style="list-style-type: none"> Comece por uma altura de corte elevada e vá diminuindo até obter o resultado de corte desejado. Relva com mais de 15 cm deverá ser cortada duas vezes, com alturas de corte sucessivamente menores.
	<ul style="list-style-type: none"> A relva está molhada. 	<ul style="list-style-type: none"> Não corte quando a relva estiver molhada. Espere que ela seque.
	<ul style="list-style-type: none"> A velocidade de condução é elevada. 	<ul style="list-style-type: none"> Abrande a velocidade de condução.
	<ul style="list-style-type: none"> A velocidade da lâmina é baixa. 	<ul style="list-style-type: none"> Aumente gradualmente a velocidade da lâmina.
Tempo de funcionamento curto com a bateria incluída.	<ul style="list-style-type: none"> O estado da relva e a configuração da altura de corte afetam imenso o tempo de funcionamento da bateria. O tempo de funcionamento indicado baseia-se num estado de pouca carga. 	<ul style="list-style-type: none"> Aumente a altura de corte da plataforma ou diminua a velocidade da lâmina para reduzir a carga de corte.
O corta-relva não está a cortar a direito.	<ul style="list-style-type: none"> A pressão dos pneus traseiros esquerdo e direito é diferente. 	<ul style="list-style-type: none"> Verifique e ajuste a pressão do ar em ambos os pneus traseiros, de acordo com a recomendação na secção “VERIFICAR A PRESSÃO DOS PNEUS” neste manual.
	<ul style="list-style-type: none"> As velocidades de condução dos pneus traseiros esquerdo e direito são diferentes. 	<ul style="list-style-type: none"> Efetue a calibragem do sistema de monitorização do trator corta-relva seguindo as instruções na seção “CALIBRAR O SISTEMA DE MONITORIZAÇÃO DO CORTA-RELVA”.

PROBLEMA	CAUSA	SOLUÇÃO
O pedal do travão de estacionamento não pode ser libertado da posição de travagem, ou demora muito tempo a voltar para trás.	<ul style="list-style-type: none"> Poderá haver detritos ou sujidade no interior do pedal do travão de estacionamento. 	<ul style="list-style-type: none"> Abra a caixa do pedal do travão de estacionamento para limpar bem o interior, e feche-a. Reinicie o pedal do travão de estacionamento para ver se o problema foi resolvido. Se não for o caso, contacte um técnico de reparação qualificado para proceder à reparação.
O corta-relva não pode ser carregado através da porta de carregamento do corta-relva com o indicador do estado do corta-relva aceso a vermelho.	<ul style="list-style-type: none"> A ficha do carregador não foi inserida corretamente na porta de carregamento do corta-relva. 	<ul style="list-style-type: none"> Volte a ligar a ficha do carregador para ver se o corta-relva pode ser carregado normalmente.
	<ul style="list-style-type: none"> As tomadas de parede não têm energia. 	<ul style="list-style-type: none"> Não é necessária qualquer ação. Espere até que a energia volte.
	<ul style="list-style-type: none"> Mau funcionamento do carregador. 	<ul style="list-style-type: none"> Contacte um técnico de reparação qualificado para proceder à inspeção, e, se necessário, peça para que o carregador seja reparado.
	<ul style="list-style-type: none"> A porta do carregador no corta-relva está defeituosa. 	<ul style="list-style-type: none"> Contacte um técnico de reparação qualificado para proceder à reparação.
O tempo de carregamento através da porta de carregamento do corta-relva é muito longo.	<ul style="list-style-type: none"> Usar um adaptador EGO ACA1000 para carregar requer muito tempo. 	<ul style="list-style-type: none"> Use o carregador da EGO CHV1600E para carregar diretamente o trator corta-relva elétrico Zero Turn.
A bateria não pode ser carregada por completo através da porta de carregamento do corta-relva.	<ul style="list-style-type: none"> Bug do firmware do corta-relva, ou falha no carregador/bateria. 	<ul style="list-style-type: none"> Desligue o carregador da alimentação e espere mais de 1 minuto, depois, volte a ligar a ficha na tomada. Se não funcionar, contacte um técnico de reparação qualificado para proceder à reparação.
O corta-relva não se liga após a limpeza.	<ul style="list-style-type: none"> Limpeza inadequada, como entrada de água nos componentes elétricos, ecrã LCD, etc. 	<ul style="list-style-type: none"> Siga as instruções na secção “LIMPEZA DO CORTA-RELVA” para limpar corretamente o corta-relva.
O corta-relva fica facilmente obstruído.	<ul style="list-style-type: none"> A plataforma do corta-relva está obstruída com relva e detritos. 	<ul style="list-style-type: none"> Se o corta-relva apanhar acidentalmente uma chuvada, deixe-o a secar durante mais de 12 horas, ou use ar comprimido para o secar.
		<ul style="list-style-type: none"> Limpe a plataforma do trator corta-relva após cada utilização, seguindo as indicações na secção “Usar a porta de lavagem para limpar a plataforma do trator corta-relva”.
O corta-relva perde facilmente tração quando sobe uma encosta.	<ul style="list-style-type: none"> Os pneus das rodas traseiras estão gastos. 	<ul style="list-style-type: none"> Contacte um centro de reparação local para substituir os pneus das rodas.
	<ul style="list-style-type: none"> Está a cortar a relva de uma encosta muito íngreme. 	<ul style="list-style-type: none"> Encostas onde queira efetuar cortes deverão ter menos de 12 graus de inclinação.


PROBLEMA	CAUSA	SOLUÇÃO
Quando o corta-relva pára numa encosta com o pedal do travão de estacionamento pressionado, começa a deslizar pela encosta abaixo.	<ul style="list-style-type: none"> Os componentes do travão estão excessivamente gastos devido a um funcionamento inadequado do corta-relva. 	<ul style="list-style-type: none"> Contacte um técnico de reparação qualificado para proceder à reparação.
Não sai água da porta de lavagem quando é efetuada a lavagem da plataforma.	<ul style="list-style-type: none"> O acoplador rápido da porta de lavagem não está montado na porta de lavagem. 	<ul style="list-style-type: none"> Volte a fixar o acoplador rápido da porta de lavagem até ouvir um clique após pressionar firmemente. Se não funcionar, contacte um técnico de reparação qualificado para proceder à reparação.
Ouve-se um som estranho quando se empurra o corta-relva manualmente sem o ligar.	<ul style="list-style-type: none"> O som vem dos ímanes no interior do motor de condução. 	<ul style="list-style-type: none"> É normal e não requer qualquer ação.

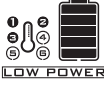
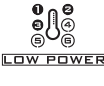
REFERÊNCIA DO ESTADO DO CORTA-RELVA E CÓDIGO DE FALHAS

PT

Ecrã LCD	Descrição	Código de falha no LCD	Indicador do estado do corta-relva	Beeper	Causa	Solução
	O ícone das luzes LED é apresentado no ecrã LCD.	n/a	DESLI-GADO	Não	Os faróis, luzes laterais e luzes traseiras são controlados pelo interruptor da luz LED.	Isto é normal. Não é necessária qualquer ação.
	O ícone USB é apresentado no ecrã LCD.	n/a	DESLI-GADO	Não	O ícone USB acende, indicando que um dispositivo USB pode funcionar após o corta-relva ser ligado corretamente.	Isto é normal. Não é necessária qualquer ação.
	O ícone do manómetro do combustível é apresentado no ecrã LCD.	n/a	DESLI-GADO	Não	Indica a capacidade de carga média das baterias inseridas.	Isto é normal. Não é necessária qualquer ação.
	O ícone do contador das horas de utilização é apresentado no ecrã LCD.	n/a	DESLI-GADO	Não	Apresenta o tempo de condução total do corta-relva, em horas, e não pode ser reiniciado.	Isto é normal. Não é necessária qualquer ação.
	O ícone do indicador de carga aparece na gama ECO.	n/a	DESLI-GADO	Não	Indica a carga atual do corta-relva.	Isto é normal. Não é necessária qualquer ação.
	O indicador de sobrecarga pisca. O ícone do indicador de carga aparece na gama PWR.	n/a	Pisca a vermelho	Um som	O motor da lâmina está sobrecarregado.	Aumente a altura de corte da plataforma ou abrande a velocidade de condução para reduzir a carga do corta-relva.

Ecrã LCD	Descrição	Código de falha no LCD	Indicador do estado do corta-relva	Beeper	Causa	Solução
	O ícone da chave de segurança pisca.	n/a	DESLIGADO	Não	A chave de segurança não foi inserida.	Insira a chave de segurança e prima e mantenha premido o botão de iniciar/parar durante mais de 3 segundos para ligar o trator corta-relva.
					Não é fornecida energia ao ecrã LCD.	As reparações deverão ser efetuadas por um técnico de reparação qualificado.
	O ícone do compartimento vazio da bateria pisca.	n/a	DESLIGADO	Não	A capacidade da bateria não é suficiente para permitir ao trator corta-relva funcionar.	De modo a ligar este corta-relva, precisa de baterias da EGO com 15 Ah (2 X BA4200/BA4200T) ou mais. Para um melhor desempenho, recomendamos a utilização de baterias da EGO com um total de 30 Ah ou mais.
	O ícone do termómetro pisca.	n/a	Pisca a vermelho	Um som	O corta-relva sobreaqueceu.	Reduza a carga do corta-relva aumentando a altura de corte da plataforma ou diminuindo a velocidade da lâmina/condução. Faça pausas e permita ao corta-relva arrefecer.

Ecrã LCD	Descrição	Código de falha no LCD	Indicador do estado do corta-relva	Beeper	Causa	Solução
	O ícone de sobreaquecimento e o compartimento exato ocupado pela bateria piscam em simultâneo.	n/a	n/a	Não	A bateria no respetivo compartimento sobreaqueceu.	<ol style="list-style-type: none"> 1. O corta-relva pode funcionar continuamente se a taxa Ah combinada da bateria, excluindo a bateria sobreaquecida, for igual ou superior a 15 Ah. Quando a bateria sobreaquecida voltar à temperatura normal, volta a ligar o corta-relva. 2. Se a classificação Ah combinada da bateria for inferior a 15 Ah, o corta-relva deixa de funcionar até que insira mais baterias nos compartimentos vazios da bateria. 3. Reduza a carga do corta-relva aumentando a altura de corte da plataforma ou diminuindo a velocidade do corta-relva quando continuar o funcionamento.

Ecrã LCD	Descrição	Código de falha no LCD	Indicador do estado do corta-relva	Beeper	Causa	Solução
	<p>Os ícones de cada compartimento ocupado pela bateria, indicador de energia fraca, gráficos da bateria do manómetro do combustível piscam a cada segundo em simultâneo no ecrã LCD. O primeiro segmento do manómetro do combustível LED e indicador do estado também piscam.</p>	n/a	Pisca a vermelho	Continua a emitir sons até que o interruptor PTO seja pressionado para baixo.	As baterias têm pouca energia e o corta-relva está no modo limitado.	<p>Pare de trabalhar e vá para a área de carregamento da bateria.</p> <p>OBSERVAÇÃO: Quando o corta-relva está no modo limitado, as lâminas passam automaticamente para uma velocidade de baixa rotação sem cortar a relva. Entretanto, o indicador sonoro emite vários sons. O operador deverá pressionar o interruptor PTO para baixo para desativar as lâminas da plataforma. O indicador sonoro pára de emitir sons quando a lâmina parar.</p>
	<p>O ícone de cada compartimento ocupado pela bateria e o indicador de energia fraca piscam a cada meio segundo.</p>	n/a	DESLIGADO	Não	As baterias estão quase gastas.	<p>O corta-relva pára imediatamente de funcionar. O operador deverá transportar o corta-relva para a área de carregamento da bateria para se proceder ao carregamento.</p>

Ecrã LCD	Descrição	Código de falha no LCD	Indicador do estado do corta-relva	Beeper	Causa	Solução
	O ícone de estacionamento automático pisca no LCD.	n/a	DESLI-GADO	Continua a emitir sons	O corta-relva está estacionado numa encosta e o operador deixou o corta-relva sem colocar o pedal do travão na posição de travagem, e as alavancas de condução estão na posição aberta.	Coloque o pedal do travão na posição de travagem. O ícone de estacionamento automático desliga-se e o indicador sonoro pára de emitir sons.
	O ícone do pedal do travão é apresentado no LCD.	n/a	DESLI-GADO	Não	O pedal do travão de estacionamento está na posição de travagem.	Liberte-o antes de ligar o corta-relva.
	O ícone do sensor do assento é apresentado no LCD.	n/a	DESLI-GADO	Não	O operador deixou o assento, ou o interruptor do assento está desligado.	Se o operador estiver sentado no assento, mas o ícone estiver ligado, pare imediatamente de usar o corta-relva e verifique a ligação do assento. Se a ligação do assento ao corta-relva estiver correta, contacte um técnico de reparação qualificado para proceder à reparação.

Ecrã LCD	Descrição	Código de falha no LCD	Indicador do estado do corta-relva	Beeper	Causa	Solução
	O ícone do interruptor PTO começa a piscar.	n/a	DESLI-GADO	Não	O motor da lâmina foi interrompido durante o funcionamento, e o interruptor PTO não foi colocado na posição de desligado.	Antes de voltar a ligar o corta-relva, pressione o interruptor PTO para baixo para desativar o motor da plataforma. Consulte a secção “RESOLUÇÃO DE PROBLEMAS” neste manual para obter referências.
	O ícone da alavanca de condução pisca.	n/a	DESLI-GADO	Não	O motor de condução foi interrompido durante o funcionamento, e as alavancas de condução não foram colocadas na posição de abertas.	Antes de voltar a ligar o corta-relva, mova as alavancas de condução para a posição de abertas. Consulte a secção “RESOLUÇÃO DE PROBLEMAS” neste manual para obter referências.
	O ícone de recuperação de energia pisca ocasionalmente.	n/a	DESLI-GADO	Não	A energia cinética gerada durante a travagem ou condução pela encosta abaixo é convertida em eletricidade para carregar as baterias.	Isto é normal. Não é necessária qualquer ação.

PT

Ecrã LCD	Descrição	Código de falha no LCD	Indicador do estado do corta-relva	Beeper	Causa	Solução	
Consulte “Código de falhas”	O motor de condução esquerdo não roda.	O motor de condução esquerdo controlado por PCBA falha.	413	DESLI-GADO	Um som	Falha no PCBA	As reparações deverão ser efetuadas por um técnico de reparação qualificado.
		A ficha (trifásica, fio da alimentação) a ligar o motor de condução esquerdo com o respetivo PCBA está solto.	317	DESLI-GADO	Um som	Ligação solta	
		A ficha (de seis pinos, fio do sinal) a ligar o motor de condução esquerdo com o respetivo PCBA está solto.	301	DESLI-GADO	Um som	Ligação solta	
		O motor de condução esquerdo falha.	317	DESLI-GADO	Um som	Falha do motor	

Ecrã LCD	Descrição		Código de falha no LCD	Indicador do estado do corta-relva	Beeper	Causa	Solução
Consulte “Código de falhas”	O motor de condução direito não roda.	O motor de condução direito controlado por PCBA falha.	313	DESLI-GADO	Um som	Falha no PCBA	As reparações deverão ser efetuadas por um técnico de reparação qualificado.
		A ficha (trifásica, fio da alimentação) a ligar o motor de condução direito com o respetivo PCBA está solto.	417	DESLI-GADO	Um som	Ligação solta	
		A ficha (de seis pinos, fio do sinal) a ligar o motor de condução direito com o respetivo PCBA está solto.	401	DESLI-GADO	Um som	Ligação solta	
		O motor de condução direito falha.	417	DESLI-GADO	Um som	Falha do motor	

PT

PT

Ecrã LCD	Descrição	Código de falha no LCD	Indicador do estado do corta-relva	Beeper	Causa	Solução	
Consulte “Código de falhas”	O motor da lâmina esquerda não roda.	O motor da lâmina esquerda controlado por PCBA falha.	607	n/a	Um som	Falha no PCBA	As reparações deverão ser efetuadas por um técnico de reparação qualificado.
		A ficha (trifásica, fio da alimentação) a ligar o motor de condução esquerdo com o respetivo PCBA está solto.	509	n/a	Um som	Ligação solta	Inspeccione primeiro a lâmina. Se estiver desapertada, use uma chave dinamométrica de 14 mm para apertar o parafuso no sentido dos ponteiros do relógio. O binário recomendado para o parafuso da lâmina é de 50-55 Nm. Caso contrário, as reparações deverão ser efetuadas por um técnico de reparação qualificado.
		O motor da lâmina esquerda falha.	509	n/a	Um som	Falha do motor	

Ecrã LCD	Descrição	Código de falha no LCD	Indicador do estado do corta-relva	Beeper	Causa	Solução	
Consulte “Código de falhas”	O motor da lâmina direita não roda.	O motor da lâmina direita controlado por PCBA falha.	507	n/a	Um som	Falha no PCBA	As reparações deverão ser efetuadas por um técnico de reparação qualificado.
		A ficha (trifásica, fio da alimentação) a ligar o motor de condução direito com o respetivo PCBA está solto.	609	n/a	Um som	Ligação solta	Inspeccione primeiro a lâmina. Se estiver desapertada, use uma chave dinamométrica de 14 mm para apertar o parafuso no sentido dos ponteiros do relógio. O binário recomendado para o parafuso da lâmina é de 50-55 Nm. Caso contrário, as reparações deverão ser efetuadas por um técnico de reparação qualificado.
		O motor da lâmina direita falha.	609	n/a	Um som	Falha do motor	
Consulte “Código de falhas”	A alavanca de condução esquerda falha.	A alavanca de condução esquerda controlada por PCBA falha.	311 /412	DESLIGADO	Um som	Falha no PCBA	As reparações deverão ser efetuadas por um técnico de reparação qualificado.
		A ficha a ligar o PCBA de controlo, na barra de condução, está solta.				Ligação solta	

PT

Ecrã LCD	Descrição	Código de falha no LCD	Indicador do estado do corta-relva	Beeper	Causa	Solução	
Consulte “Código de falhas”	A alavanca de condução direita falha.	A alavanca de condução direita controlada por PCBA falha.	312 /411	DESLI-GADO	Um som	Falha no PCBA	As reparações deverão ser efetuadas por um técnico de reparação qualificado.
		A ficha a ligar o PCBA de controlo, na barra de condução, está solta.				Ligação solta	
Consulte “Código de falhas”	O travão de estacionamento falha. O trator não pode ser conduzido.	O PCBA do travão de estacionamento, no conjunto da estrutura dianteira, está partido.	309 /409	DESLI-GADO	Um som	Falha no PCBA	As reparações deverão ser efetuadas por um técnico de reparação qualificado.
		O interruptor do travão de estacionamento e/ou o fio está partido.	801	DESLI-GADO	Um som	Falha no fio/ interruptor	
DESLI-GADO	Falha na porta de carregamento.		n/a	Permanece ligado a vermelho	n/a	A porta de carregamento está em circuito aberto.	As reparações deverão ser efetuadas por um técnico de reparação qualificado.
			n/a	Permanece ligado a vermelho	n/a	Não existe energia.	Verifique se a tomada de parede está em bom estado e fornece uma alimentação de 220 V-240 V.
			n/a	Permanece ligado a vermelho	n/a	O fusível fundiu-se.	As reparações deverão ser efetuadas por um técnico de reparação qualificado.

Ecrã LCD	Descrição	Código de falha no LCD	Indicador do estado do corta-relva	Beeper	Causa	Solução
Consulte “Código de falhas”	Falha na porta de carregamento.	204	n/a	Um som	A porta de carregamento está em circuito aberto.	
Consulte “Código de falhas”	O conjunto da caixa da bateria não funciona.	217	n/a	Um som	A fonte de energia do conjunto da caixa da bateria está partida. Os faróis LED e USB não funcionam.	As reparações deverão ser efetuadas por um técnico de reparação qualificado.
		310 /410	DESLI-GADO	Um som	A ligação entre os fios de tipo C do conjunto da caixa da bateria e os outros fios do tipo C do corta-relva não funcionam.	
		201 /202 /203	DESLI-GADO	Um som	O BMS do conjunto da caixa da bateria está partido.	
Consulte “Código de falhas”	Falha no interruptor de iniciar/parar.	314 /414	DESLI-GADO	Um som	Falha no PCBA do interruptor ou má ligação do fio do interruptor de iniciar/parar.	As reparações deverão ser efetuadas por um técnico de reparação qualificado.
Consulte “Código de falhas”	Falha no ecrã LCD.	315 /415	DESLI-GADO	Um som	O conjunto do LCD está partido ou há uma má ligação do fio do conjunto do LCD.	As reparações deverão ser efetuadas por um técnico de reparação qualificado.

GARANTIA

POLÍTICA DE GARANTIA EGO

Visite o website egopowerplus.com para os termos e condições completos da política de garantia da EGO.

LEGGERE TUTTE LE ISTRUZIONI!



LEGGERE IL MANUALE DI ISTRUZIONI

⚠️ Rischi residui! Le persone portatrici di dispositivi elettronici, ad esempio pacemaker, devono consultare il proprio medico prima di usare questo prodotto. L'uso di apparecchi elettrici in prossimità di pacemaker cardiaci comporta il rischio di interferenze o malfunzionamento del pacemaker.

IT

SIMBOLI DI SICUREZZA

Lo scopo dei simboli di sicurezza è attirare l'attenzione dell'operatore su possibili pericoli. I simboli di sicurezza e le relative spiegazioni richiedono la massima attenzione e comprensione da parte dell'operatore. Le avvertenze espresse dai simboli, da sole, non eliminano tutti i rischi. Le istruzioni e le avvertenze non sostituiscono le adeguate misure di prevenzione contro gli incidenti.

⚠️ AVVERTENZA! Accertarsi di aver letto e compreso tutte le istruzioni di sicurezza in questo manuale, inclusi tutti i simboli di avvertenza come "PERICOLO", "AVVERTENZA" e "ATTENZIONE", prima di usare questo apparecchio. Il mancato rispetto di tutte le istruzioni elencate di seguito comporta il rischio di scossa elettrica, incendio e/o lesioni gravi.

SIGNIFICATO DEI SIMBOLI

Questa pagina illustra e descrive i simboli di sicurezza che possono comparire sul prodotto. Leggere, comprendere e seguire tutte le istruzioni sull'apparecchio prima di tentare di assemblarlo e utilizzarlo.

SIMBOLI DI SICUREZZA

	Avvertenza di sicurezza		Leggere e comprendere il manuale di istruzioni
	Protezione per gli occhi		Mantenere i dispositivi di sicurezza
	PERICOLO! Terreno in pendenza		PERICOLO! Tenere le altre persone lontane dalle lame
	Non trasportare bambini		Guardare indietro durante la retromarcia
	AVVERTENZA! NON UTILIZZARE QUESTO APPARECCHIO SU PENDENZE SUPERIORI A 12°.		PERICOLO! Oggetti lanciati
	AVVERTENZA! TENERE A DISTANZA MANI E PIEDI		Livello di potenza sonora garantito ai sensi della direttiva dell'Unione europea.



Non salire



Questo prodotto è conforme alle direttive europee applicabili.



Corrente continua

kPa

Kilopascal

V

Volt

in

Pollice

Nm

Newton metro

°C

Grado Celsius

km/h

Chilometri all'ora



I prodotti elettrici non devono essere smaltiti insieme ai rifiuti domestici. Portarli presso un centro di riciclaggio autorizzato.



ATTENZIONE! Non fissare la fonte luminosa.



Questo prodotto è conforme alle direttive britanniche applicabili.

RPM

Rotazioni al minuto

m

Metro

cm

Centimetro

mm

Millimetro

kg

Chilogrammo

IPX4

Grado di protezione

IT

SPECIFICHE TECNICHE

Tensione	56 V	
Dimensioni dell'unità tagliaerba	107 cm	
Dimensioni ruota	Anteriore	11 x 4 in (279,4 mm)
	Posteriore	18 x 8.5 in (457,2 mm)
Pressione dello pneumatico a freddo	Anteriore	220 kPa
	Posteriore	50 kPa
Raggio di sterzata	0	
Velocità delle lame (RPM)	2400, 2600, 2800, 3000	
Velocità di marcia max (km/h)	Avanti	4,8 km/h, 8 km/h, 9,6 km/h, 11,2 km/h (12,8 km/h in modalità Travel)
	Retromarcia	Fino a 5,6 km/h
Ricarica	Caricabatteria (opzionale)	CHV1600E
	Adattatore (opzionale)	ACA1000
	Intervallo di temperature per la ricarica	Da 5°C a 40°C
Regolazione dell'altezza di taglio (10 posizioni)	25 – 100 mm	
Temperatura operativa	Da 0°C a 40°C	

Temperatura di conservazione	Da -20°C a 70°C	
Peso (senza gruppo batteria)	186 kg	
Livello di potenza sonora misurato L_{WA}	96,44 dB(A) K=0,68 dB(A)	
Livello di pressione sonora a livello dell'orecchio dell'operatore L_{WA}	84,3 dB(A) K=3,0 dB(A)	
Livello di potenza sonora garantito L_{WA} (misurazione conforme a 2000/14/EC)	100 dB(A)	
Vibrazioni a_h	Impugnatura	1,221 m/s ² K=1,5 m/s ²
	Corpo	0,568 m/s ² K=1,5 m/s ²

- Il valore totale di emissione delle vibrazioni dichiarato è stato misurato con un metodo di valutazione standard e può essere utilizzato per confrontare l'apparecchio con altri prodotti analoghi.
- Il valore totale di emissione delle vibrazioni dichiarato può essere utilizzato anche per una valutazione preliminare dei livelli di esposizione.

NOTA: il valore di emissione delle vibrazioni durante l'uso effettivo dell'utensile elettrico può variare rispetto al valore totale dichiarato in base alla modalità di utilizzo dell'utensile. Per proteggersi, l'operatore deve indossare guanti e dispositivi di protezione per le orecchie in base alle condizioni di utilizzo effettive.

DESCRIZIONE

IT

COMPONENTI DEL TRATTORINO TAGLIAERBA A RAGGIO ZERO (Fig. A1 e A2)

1. Sedile
2. Presa di ricarica
3. Vano batterie
4. Fanali LED posteriori
5. Vano porta-oggetti
6. Porta-bevande
7. Luci LED laterali
8. Ruota posteriore (ruota motrice)
9. Unità tagliaerba
10. Protezione dell'unità tagliaerba
11. Ruotino antiscampo
12. Ruota anteriore
13. Pedale del freno di stazionamento
14. Luci di marcia
15. Fanali LED
16. Scivolo di scarico laterale
17. Leva di regolazione dell'altezza dell'unità tagliaerba
18. Manopola di regolazione della sospensione del sedile
19. Leva di regolazione longitudinale del sedile
20. Leva di sterzo
21. Indicatore dello stato del tosaerba
22. Display LCD
23. Interruttore PTO
24. Pulsante di avvio/arresto
25. Chiave di sicurezza
26. Vano porta-telefono
27. Indicatore della carica delle batterie e dello stato del tosaerba
- 27a. Indicatore della carica delle batterie
- 27b. Indicatore dello stato del tosaerba
28. Pedana poggia-piedi
29. Pulsante di rilascio del coperchio del vano batterie
30. Coperchio del vano batterie

31. Pulsante di rilascio della batteria
32. Gancio di traino
33. Coperchio di fissaggio dell'accessorio
34. Vano del coperchio di fissaggio dell'accessorio
35. Presa USB

DESCRIZIONE DEL DISPLAY E DEI PULSANTI (Fig. A3)

Consultare la sezione “**SIMBOLI SUL DISPLAY E CODICI ERRORE**” per maggiori informazioni sulle icone e sugli indicatori del display.

1. Icona della chiave di sicurezza
2. Icona delle luci
3. Icona di stazionamento automatico
4. Icona USB
5. Indicatore della velocità delle lame
6. Indicatori di sicurezza
7. Contatore
8. Icona del numero della batteria
9. Icona di surriscaldamento
10. Modalità di marcia
11. Codice errore
12. Indicatore di sovraccarico
13. Indicatore di esaurimento delle batterie
14. Indicatore della velocità di marcia
15. Indicatore del carico
16. Pulsante di regolazione della velocità delle lame
17. Pulsante delle impostazioni
18. Pulsante della modalità di marcia
19. Interruttore delle luci
20. Pulsante di regolazione della velocità di marcia
21. Indicatore della carica delle batterie

DISIMBALLAGGIO

NOTA: non gettare i materiali di imballaggio finché l'apparecchio non è stato ispezionato con attenzione e collaudato. Se alcuni dei componenti elencati nella tabella “Contenuto dell'imballaggio” sono mancanti, contattare immediatamente il centro di assistenza EGO.

NOTA: ad eccezione degli utensili elencati nella tabella “Contenuto dell'imballaggio”, tutti gli altri utensili menzionati nel manuale sono raccomandati ma non forniti.

CONTENUTO DELL'IMBALLAGGIO (Fig. B1)

B1-1	Trattorino tagliaerba elettrico a raggio zero	B1-7	Chiavi di sicurezza
B1-2	Sedile	B1-8	Chiavi combinate (13 mm)
B1-3	Accessorio per pacciamatura	B1-9	Chiave esagonale
B1-4	Leva di sterzo	B1-10	Attacco rapido della porta di lavaggio
B1-5	Viti a testa incassata (2 di ricambio)	B1-11	Manuale di istruzioni
B1-6	Bulloni esagonali (2 di ricambio)		

DISIMBALLAGGIO (Fig. B2 e B3)

ACCESSORI RACCOMANDATI

⚠ AVVERTENZA! Utilizzare esclusivamente parti di ricambio identiche a quelle elencate di seguito. L'uso di parti che non soddisfano le specifiche delle parti originali possono compromettere le prestazioni e la sicurezza del tosaerba.

NOME COMPONENTE	NUMERO MODELLO
Lama standard	AB4200
Lama ad alto sollevamento	AB4201
Accessorio per pacciamatura	AMP4200
Kit contenitore dell'erba	ABK4200-A

ASSEMBLAGGIO

INSTALLAZIONE DEL SEDILE (Fig. C1 e C2)

⚠ AVVERTENZA! Non scollegare o manomettere il sistema di bloccaggio di sicurezza per evitare che il tosaerba si avvii accidentalmente, con il rischio di lesioni.

NOTA: per motivi di sicurezza, il tosaerba può arrestarsi se il cavo del sedile si scollega durante l'uso. In tal caso, fare riferimento alla sezione **"RISOLUZIONE DEI PROBLEMI"** per maggiori informazioni.

C1-1	Cavo	C1-5	Viti a testa incassata
C1-2	Spina	C2-1	Passacavo
C1-3	Presa	C2-2	Binari in acciaio
C1-4	Base di sospensione	C2-3	Viti a testa incassata

INSTALLAZIONE DELLE LEVE DI STERZO (Fig. C3)

C3-1	Leve di sterzo	C3-3	Fori di fissaggio delle leve di sterzo
C3-2	Bulloni esagonali		

FISSAGGIO DELL'ACCESSORIO PER PACCIAMATURA (Fig. C4)

C4-1	Scivolo di scarico laterale	C4-3	Molla mobile
C4-2	Accessorio per pacciamatura		

UTILIZZO

OPERAZIONI PRELIMINARI

Controllo dell'area di lavoro

- Assicurarsi che nell'area di lavoro non siano presenti bambini, altre persone e animali.
- Rimuovere dall'area di lavoro qualsiasi oggetto che potrebbe venire lanciato dalle lame dell'apparecchio.
- Assicurarsi che le luci LED funzionino correttamente, come descritto di seguito.
 - I fanali anteriori e posteriori e le luci laterali sono controllati dall'interruttore delle luci.
 - Le luci di marcia sono sempre accese quando l'apparecchio è in movimento.
 - Se i fanali posteriori sono spenti, durante la retromarcia lampeggeranno; se sono accesi, rimarranno accesi.
 - Tutte le luci si spegneranno automaticamente dopo 3 minuti di inutilizzo del tosaerba.

Controllo della pressioni degli pneumatici a freddo (Fig. D1)

Controllo dello stato del tosaerba e della carica delle batterie

- a. Indicatore della carica delle batterie (Fig. A2 - 27a)
- Ciascun segmento dell'indicatore rappresenta il 20% della carica dei gruppi batteria installati.

NOTA: l'indicatore della carica delle batterie sul tosaerba e sul display segnalano la capacità media dei gruppi batteria installati.

- b. Indicatore dello stato del tosaerba (Fig. A1 e Fig. A2 - 27b)

Se l'indicatore è verde, il tosaerba è pronto per l'uso. In caso contrario, consultare la sezione "**SIMBOLI SUL DISPLAY E CODICI ERRORE**".

Controllo del sistema di bloccaggio di sicurezza (Fig. D2 - Fig. D8)

NOTA: l'operatore deve essere seduto sul sedile prima di effettuare il test.

- Prima del test (Fig. D2 - Fig. D4)
- Test del sistema di bloccaggio dell'unità tagliaerba (Fig. D5): quindi alzarsi lentamente.
- Test del sistema di bloccaggio del sistema di trasmissione (Fig. D6 - D8): quindi alzarsi lentamente.

Se l'unità tagliaerba e/o il tosaerba non si arrestano quando l'operatore si è alzato dal sedile, e non è possibile determinare la causa dopo aver verificato che il cavo del sedile è collegato correttamente, contattare immediatamente il centro di assistenza EGO.

REGOLAZIONI (Fig. E1 - Fig. E13)

Preparazione (Fig. E1 - Fig. E5)

Regolazione dell'altezza dell'unità tagliaerba (Fig. E6)

Regolazione dei ruotini antiscalpo (Fig. E7 - Fig. E10)

E7-1	Ruotino antiscalpo	E9-2	Bullone
E9-1	Dado	E10-1	Scala dell'altezza dell'unità tagliaerba

Regolazione del sedile (Fig. E11)

Prima di usare il tosaerba, regolare la posizione del sedile per assicurarsi di avere il massimo contatto con il

pedale del freno di stazionamento. È possibile regolare la sospensione del sedile per il massimo comfort durante la guida.

E11-1	Leva di regolazione longitudinale del sedile	E11-2	Manopola di regolazione della sospensione del sedile
-------	--	-------	--

Funzionamento del freno di stazionamento (Fig. E12 - Fig. E13)

E13-1	Posizione di innesto	E13-2	Posizione di disinnesto
-------	----------------------	-------	-------------------------

RICARICA (Fig. F1 - Fig. F11)

Per il funzionamento del tosaerba sono necessarie batterie EGO da 15 Ah in totale (almeno 2 X BA4200/BA4200T). Per le migliori prestazioni, si raccomanda di usare batterie EGO da 30 Ah in totale.

Usare esclusivamente i gruppi batteria e i caricabatteria raccomandati (Fig. F9 e F10).

Preparazione alla ricarica (Fig. F1 - Fig. F4)

Ricarica dei gruppi batteria separatamente (Fig. F5 - Fig. F9)

F5-1	Pulsante di rilascio del coperchio	F7-1	Pulsante di rilascio della batteria
------	------------------------------------	------	-------------------------------------

- Installazione dei gruppi batteria (Fig. F5 - Fig. F6)
- Rimozione dei gruppi batteria (Fig. F7 - Fig. F8)

NOTA: per la ricarica dei gruppi batteria, fare riferimento ai manuali della batteria e del caricabatteria.

Ricarica dei gruppi batteria tramite la presa di ricarica (Fig. F10)

F10-1	Protezione antipolvere	F10-2	Presa di ricarica
-------	------------------------	-------	-------------------

AVVIO DEL TRATTORINO TAGLIAERBA A RAGGIO ZERO (Fig. A4 - Fig. A5 e Fig. G1 - Fig. G6)

AVVERTENZA! Evitare avvi, arresti e svolte improvvise e velocità elevate, in particolare durante i primi utilizzi del tosaerba. Il tosaerba può sterzare rapidamente, causando la perdita di controllo dell'apparecchio, danni e/o lesioni gravi.

⚠ AVVERTENZA! Prima di avviare il tosaerba, assicurarsi che le lame si disinnestino dopo aver premuto l'interruttore PTO. Se le lame non si arrestano, non utilizzare il tosaerba e contattare immediatamente il centro di assistenza EGO.

NOTA: impostare la velocità di marcia minima e la modalità di marcia **STANDARD** come indicato in Fig. A4 e Fig. G2 finché non si è in grado di controllare il tosaerba in tutte le situazioni. La velocità e la modalità di marcia possono essere regolate esclusivamente quando le ruote del tosaerba sono ferme e le leve di sterzo sono in posizione aperta.

Il tosaerba memorizza le impostazioni per non dover effettuare nuovamente le regolazioni al riavvio successivo.

Modalità di marcia

- **CONTROL:** minore accelerazione, sensibilità ridotta e bassa velocità di sterzata per proteggere l'erba. Ideale per i principianti.
- **STANDARD:** ideale per l'uso quotidiano.
- **SPORT:** maggiore accelerazione, elevata sensibilità e raggio di sterzata ridotto per massimizzare l'efficienza di taglio. Per operatori esperti.

Regolazione della velocità di marcia (Fig. A4)

Regolazione della velocità delle lame (Fig. A5)

NOTA: In modalità TRAVEL, premere il pulsante “” per riportare la velocità di marcia al livello precedente.

Presenza USB

NOTA: la presa USB fornisce una potenza di ricarica di 5 V CC e fino a 1,5 A, ed è alimentata esclusivamente quando il tosaerba è acceso.

ARRESTO DEL TRATTORINO TAGLIAERBA A RAGGIO ZERO (Fig. H1 - Fig. H6)

NOTA: dopo circa 60 minuti di inattività, il tosaerba si spegnerà automaticamente.

Modalità a efficienza ridotta

Quando la carica delle batterie è bassa, il tosaerba entrerà in modalità a efficienza ridotta:

- Il tosaerba interromperà automaticamente il taglio dell'erba.
- Verrà emesso un segnale acustico continuo.
- L'indicatore dello stato del tosaerba lampeggerà di rosso ogni secondo e il primo segmento

dell'indicatore della carica delle batterie lampeggerà di rosso; inoltre, l'indicatore di esaurimento delle batterie e l'indicatore della carica delle batterie sul display lampeggeranno.

L'operatore deve:

- a) Premere l'interruttore PTO (Fig. H3) per arrestare le lame; il segnale acustico si spegnerà all'arresto delle lame.
- b) Interrompere il lavoro e recarsi presso l'area di ricarica delle batterie il prima possibile. La distanza massima che il tosaerba può percorrere è 1000 metri.

Quando le batterie sono quasi scariche, le icone del numero della batteria e l'indicatore di esaurimento delle batterie lampeggeranno ogni mezzo secondo. Il tosaerba si arresterà immediatamente. È necessario portare il tosaerba presso l'area di ricarica delle batterie.

Spinta manuale

Se è necessario spingere il tosaerba manualmente, assicurarsi che i gruppi batteria siano scollegati e che il pedale del freno di stazionamento sia in posizione di disinnesto.

GUIDA DEL TRATTORINO TAGLIAERBA A RAGGIO ZERO (Fig. I1 - Fig. I9)

Per arrestare il tosaerba o modificare la velocità, spostare lentamente le leve di sterzo.

⚠ PERICOLO! Rimanere ad almeno due larghezze di taglio (2,14 m) da fossi, discese e specchi d'acqua. Le ruote anteriori possono ruotare quando il tosaerba è fermo, anche con il freno innestato, e causare la caduta del tosaerba in fossi e specchi d'acqua, con il rischio di lesioni gravi o mortali.

⚠ AVVERTENZA! Prestare particolare attenzione durante la retromarcia. NON tagliare l'erba in retromarcia a meno che non sia assolutamente necessario. Guardare sempre in basso e all'indietro prima e durante la retromarcia e assicurarsi che nell'area di lavoro non siano presenti bambini, altre persone o animali domestici. Anche un solo momento di disattenzione comporta il rischio di lesioni gravi o mortali.

⚠ AVVERTENZA! Non utilizzare l'apparecchio su strade pubbliche.

⚠ AVVERTENZA! Se viene colpito un oggetto o un ostacolo, arrestare il motore e rimuovere i gruppi batteria. Rimuovere residui di erba, foglie sporcie e altri detriti. Ispezionare accuratamente il tosaerba per assicurarsi che non sia danneggiato; in caso contrario, riparare il danno prima di riavviare e usare il tosaerba.

IT MANUTENZIONE

⚠ AVVERTENZA! Indossare sempre occhiali di sicurezza con protezioni laterali. per evitare il rischio di oggetti proiettati verso gli occhi dell'operatore e altre lesioni gravi.

⚠ AVVERTENZA! Proteggere sempre le proprie mani indossando guanti robusti o avvolgendo i bordi di taglio con stracci o altri materiali durante le operazioni di manutenzione sulle lame del tosaerba. Rimuovere sempre la chiave di sicurezza e i gruppi batteria prima di effettuare la manutenzione o trasportare il tosaerba.

Intervallo di manutenzione	Procedura di manutenzione
Prima di ogni utilizzo o quotidianamente	<ul style="list-style-type: none"> Controllare il sistema di bloccaggio di sicurezza. Verificare che le ruote non siano sgonfie. Verificare che le lame non siano usurate, incrinare o piegate. Ispezionare l'intero prodotto per assicurarsi che i componenti non siano danneggiati, mancanti o allentati (scivolo di scarico laterale, viti, dadi, bulloni, ecc.) e che tutti i dispositivi di sicurezza siano installati e funzionanti. Verificare che il freno funzioni correttamente.
Dopo ogni utilizzo	<ul style="list-style-type: none"> Pulire l'unità tagliaerba.
Ogni 25 ore	<ul style="list-style-type: none"> Controllare della pressione delle ruote.
Ogni 50 ore	<ul style="list-style-type: none"> Verificare che la flangia delle lame sia lubrificata.
Ogni 100 ore	<ul style="list-style-type: none"> Controllare le ruote posteriori per verificare che i 4 dadi siano fissati alla coppia di serraggio raccomandata.

Ogni 200 ore	<ul style="list-style-type: none"> Controllare le ruote anteriori per verificare che ruotino liberamente.
Annualmente	<ul style="list-style-type: none"> Controllare il pedale del freno di stazionamento. Rimuove i gruppi batteria dal tosaerba e portare il pedale di stazionamento in posizione di innesto. Spingere manualmente il tosaerba per verificare che non si muova. Se si muove, farlo riparare da un tecnico qualificato.

PULIZIA DEL TOSAERBA (Fig. J1 - Fig. J9)

Preparazione (Fig. J1 - Fig. J5)

Pulizia delle superfici esterne (Fig. J6 - Fig. J7)

Utilizzo della porta di lavaggio per la pulizia dell'unità tagliaerba (Fig. J8 - Fig. J9)

J8-1	Porta di lavaggio	J8-3	Tubo da giardinaggio
J8-2	Attacco rapido della porta di lavaggio		

NOTA: al termine della pulizia, premere l'interruttore PTO per disinnestare le lame del tosaerba.

MANUTENZIONE DELL'UNITÀ TAGLIAERBA E DELLE LAME

Preparazione (Fig. K1 - Fig. K6)

Rimozione dell'unità tagliaerba (Fig. K7 - Fig. K8)

K7-1	Cavo del motore	K7-3	Barra di sospensione
K7-2	Coppiglia		

NOTA: scollegare i cavi del motore e le coppiglie da entrambi i lati prima di rimuovere l'unità tagliaerba.

Sostituzione delle lame (Fig. K9 - Fig. K11)

K9-1	Stabilizzatore	K10-3	Lama
K10-1	Bullone	K10-4	Flangia
K10-2	Rondella	K10-5	Albero motore

Livellamento dell'unità tagliaerba

a. Quando effettuare il livellamento (Fig. K12 - Fig. K14)

b. Prima del livellamento

- Controllare la pressione degli pneumatici a freddo (Fig. K15).
- Controllare le lame. Rimuovere e sostituire le lame usurate, incrinata e/o piegate.
- c. Preparazione al livellamento (Fig. K16 - Fig. K21)**
- d. Procedura di livellamento**
 - **Regolazione laterale (Fig. K22)**

La differenza tra le distanze H1 e H2, misurate dal bordo inferiore di ciascuna lama al terreno, deve essere inferiore a 5 mm.

K22-1	Controdado
-------	------------

- **Regolazione longitudinale (Fig. K23)**

La punta anteriore H3 della lama deve essere più bassa della punta posteriore H4 di 2-10 mm.

CALIBRAZIONE DEL SISTEMA STERZANTE (Fig. L1 - Fig. L6 e Fig. L7 - Fig. L12)

NOTA: verrà emesso un segnale acustico sia all'inizio che al termine della calibrazione.

RIPRISTINO DELLE IMPOSTAZIONI PREDEFINITE (Fig. M1 - Fig. M4)

NOTA: verrà emesso un segnale acustico sia all'inizio che al termine del ripristino.

CONSERVAZIONE E TRASPORTO

TRASPORTO DEL TOSAERBA (Fig. N1 - Fig. N11)

NOTA: se necessario, fissare il tosaerba con cinghie o cavi per evitare che si sposti durante il trasporto. Durante il caricamento e lo scaricamento del tosaerba, non superare l'inclinazione raccomandata di 12° tra la rampa e il terreno.

CONSERVAZIONE (Fig. 01 - Fig. 06)

NOTA: rimuovere i gruppi batteria e conservarli come indicato nei rispettivi manuali.

Pulire e ispezionare il tosaerba prima di riportarlo, come indicato alle sezioni "PULIZIA DEL TOSAERBA" e "MANUTENZIONE".


Protezione dell'ambiente



Direttiva RAEE (Rifiuti di apparecchi elettrici ed elettronici) Non smaltire apparecchi elettrici, caricabatteria e batterie insieme ai rifiuti domestici. Portare il prodotto presso un centro di riciclaggio autorizzato affinché venga raccolto separatamente. Gli apparecchi elettrici devono essere portati presso un centro di riciclaggio ecocompatibile.

RISOLUZIONE DEI PROBLEMI

IT

PROBLEMA	CAUSA	SOLUZIONE
<p>Il tosaerba non si muove quando le due leve di sterzo vengono portate in avanti o all'indietro.</p>  <p>L'icona delle leve di sterzo lampeggia</p>	<ul style="list-style-type: none"> ▪ Gli Ah totali delle batterie inserite sono inferiori a 15 Ah. 	<ul style="list-style-type: none"> ▪ Per il funzionamento del tosaerba sono necessarie batterie EGO da 15 Ah in totale (almeno 2 X BA4200/BA4200T). Per le migliori prestazioni, si raccomanda di usare batterie EGO da 30 Ah in totale.
	<ul style="list-style-type: none"> ▪ Il pedale del freno di stazionamento è in posizione di innesto. 	<ul style="list-style-type: none"> ▪ Premere completamente il pedale del freno di stazionamento per portarlo in posizione di disinnesto.
	<ul style="list-style-type: none"> ▪ Le leve di sterzo non sono in posizione aperta durante l'avvio del tosaerba. 	<ul style="list-style-type: none"> ▪ Portare le leve di sterzo in posizione aperta e riavviare il tosaerba.
	<ul style="list-style-type: none"> ▪ L'operatore non è seduto sul sedile. 	<ul style="list-style-type: none"> ▪ Il tosaerba può essere avviato esclusivamente quando l'operatore è seduto correttamente sul sedile.
	<ul style="list-style-type: none"> ▪ Il cavo del sedile non è collegato correttamente. 	<ul style="list-style-type: none"> ▪ Rimuovere i gruppi batteria dal tosaerba e disassemblare il sedile seguendo le istruzioni alla sezione "INSTALLAZIONE DEL SEDILE" in ordine inverso per controllare il collegamento del cavo del sedile. Riasssemblare il sedile e seguire le istruzioni alla sezione "AVVIO DEL TRATTORINO TAGLIAERBA A RAGGIO ZERO" per verificare che il tosaerba si avvii. In caso contrario, contattare un tecnico qualificato per la riparazione.
	<ul style="list-style-type: none"> ▪ Se il clima è estremamente freddo, il dispositivo di protezione contro le basse temperature si attiva e impedisce l'avvio del tosaerba. 	<ul style="list-style-type: none"> ▪ Conservare il tosaerba e i gruppi batteria in un ambiente caldo. Riavviare il tosaerba quando si è riscaldato. Non effettuare ripetuti tentativi se il clima è estremamente freddo per evitare di danneggiare il tosaerba. La temperatura di funzionamento raccomandata è compresa tra 0°C e 40°C.
<p>Il tosaerba si arresta improvvisamente.</p>	<ul style="list-style-type: none"> ▪ È necessario "ripristinare" le leve di sterzo. 	<ul style="list-style-type: none"> ▪ Portare le leve di sterzo in posizione aperta e riavviare il tosaerba.
	<ul style="list-style-type: none"> ▪ I componenti di controllo elettronico delle leve di sterzo sono guasti. 	<ul style="list-style-type: none"> ▪ Contattare un tecnico qualificato per la riparazione.
	<ul style="list-style-type: none"> ▪ Il cavo del sedile si è scollegato durante la guida su un terreno sconnesso. 	<ul style="list-style-type: none"> ▪ Rimuovere i gruppi batteria dal tosaerba e disassemblare il sedile seguendo le istruzioni alla sezione "INSTALLAZIONE DEL SEDILE" in ordine inverso per controllare il collegamento del cavo del sedile. Riasssemblare il sedile e seguire le istruzioni alla sezione "AVVIO DEL TRATTORINO TAGLIAERBA A RAGGIO ZERO" per verificare che il tosaerba si avvii. In caso contrario, contattare un tecnico qualificato per la riparazione.

PROBLEMA	CAUSA	SOLUZIONE
Non è possibile regolare la velocità o la modalità di marcia durante la guida.	<ul style="list-style-type: none"> Questa è una funzione di sicurezza del tosaerba che garantisce una guida sicura. 	<ul style="list-style-type: none"> La velocità e la modalità di marcia possono essere regolate esclusivamente quando le ruote del tosaerba sono ferme e le leve di sterzo sono in posizione aperta.
Le lame del tosaerba non si avviano dopo aver premuto l'interruttore PTO.  L'icona dell'interruttore PTO lampeggia	<ul style="list-style-type: none"> Gli Ah totali delle batterie inserite sono inferiori a 15 Ah. 	<ul style="list-style-type: none"> Per il funzionamento del tosaerba sono necessarie batterie EGO da 15 Ah in totale (almeno 2 X BA4200/BA4200T). Per le migliori prestazioni, si raccomanda di usare batterie EGO da 30 Ah in totale.
	<ul style="list-style-type: none"> L'interruttore PTO non è stato premuto durante l'ultimo arresto del tosaerba. 	<ul style="list-style-type: none"> Premere l'interruttore PTO e riavviare il tosaerba.
	<ul style="list-style-type: none"> Il motore è sovraccarico al momento dell'avvio delle lame; ciò attiva il dispositivo di protezione del motore. 	<ul style="list-style-type: none"> Iniziare il taglio dell'erba con una bassa velocità delle lame, quindi aumentarla gradualmente senza superare il livello necessario.
	<ul style="list-style-type: none"> Se il clima è estremamente freddo, il dispositivo di protezione contro le basse temperature si attiva e impedisce il movimento delle lame. 	<ul style="list-style-type: none"> Conservare il tosaerba e i gruppi batteria in un ambiente caldo. Riavviare il tosaerba quando si è riscaldato. Non effettuare ripetuti tentativi se il clima è estremamente freddo per evitare di danneggiare il tosaerba. La temperatura di funzionamento raccomandata è compresa tra 0°C e 40°C.
	<ul style="list-style-type: none"> L'unità tagliaerba è deformata e interferisce con il movimento delle lame. 	<ul style="list-style-type: none"> Contattare un tecnico qualificato per la riparazione.

IT

PROBLEMA	CAUSA	SOLUZIONE
Le lame si arrestano durante il taglio dell'erba.	<ul style="list-style-type: none"> Il motore è sovraccarico. 	<ul style="list-style-type: none"> Aumentare l'altezza dell'unità tagliaerba o diminuire la velocità di marcia per ridurre il carico sul motore.
	<ul style="list-style-type: none"> L'unità tagliaerba è ostruita da erba e detriti. 	<ul style="list-style-type: none"> Pulire l'unità tagliaerba e assicurarsi che le lame ruotino liberamente.
	<ul style="list-style-type: none"> Il motore si è surriscaldato. 	<ul style="list-style-type: none"> Aumentare l'altezza dell'unità tagliaerba o diminuire la velocità di marcia e delle lame per ridurre il carico sul motore, quindi attendere che il tosaerba si raffreddi.
	<ul style="list-style-type: none"> I gruppi batteria nel vano batterie si sono surriscaldati, causando il calo degli Ah totali delle batterie inserite al di sotto dei 15 Ah. 	<ol style="list-style-type: none"> Se gli Ah totali dei gruppi batteria sono inferiori a 15 Ah, il tosaerba non si avvierà a meno che non vengano inseriti altri gruppi batteria nel vano batterie. Quando il gruppo batteria surriscaldato ritorna alla temperatura normale, alimenterà immediatamente il tosaerba.
		<ol style="list-style-type: none"> Aumentare l'altezza dell'unità tagliaerba o diminuire la velocità di marcia e delle lame per ridurre il carico sul motore.
	<ul style="list-style-type: none"> Il tosaerba è in modalità a efficienza ridotta. 	<ul style="list-style-type: none"> Quando il tosaerba è in modalità a efficienza ridotta, la velocità delle lame viene ridotta automaticamente. Interrompere il lavoro e recarsi presso l'area di ricarica delle batterie il prima possibile.
<ul style="list-style-type: none"> Il tosaerba ha urtato un oggetto estraneo; ciò ha attivato il dispositivo di protezione del motore. 	<ul style="list-style-type: none"> Premere l'interruttore PTO e riavviare il tosaerba. 	
Viene emesso un segnale acustico continuo.	<ul style="list-style-type: none"> Il tosaerba è in modalità a efficienza ridotta e le lame non sono state arrestate. 	<ul style="list-style-type: none"> Premere l'interruttore PTO per disinnestare le lame del tosaerba. Il segnale acustico si spegnerà all'arresto delle lame.
	<ul style="list-style-type: none"> Il tosaerba si è arrestato durante la guida su un terreno in pendenza; l'operatore ha aperto le leve di sterzo e si è alzato dal sedile senza aver portato il pedale del freno di stazionamento in posizione di innesto. 	<ul style="list-style-type: none"> Portare il pedale del freno di stazionamento in posizione di innesto prima di lasciare il tosaerba sul terreno in pendenza.

PROBLEMA	CAUSA	SOLUZIONE
Gli indicatori delle batterie rimangono illuminati dopo lo spegnimento del tosaerba.	<ul style="list-style-type: none"> Quando il tosaerba viene spento su un terreno a livello senza rimuovere i gruppi batteria, gli indicatori delle batterie rimangono illuminati per 3 minuti. 	<ul style="list-style-type: none"> Non è necessario intervenire. Gli indicatori delle batterie si spegneranno dopo tale intervallo.
	<ul style="list-style-type: none"> Quando il tosaerba viene spento su un terreno in pendenza senza portare il pedale del freno di stazionamento in posizione di innesto, gli indicatori delle batterie rimangono illuminati finché le batterie non si scaricano. Simultaneamente, viene emesso un segnale acustico continuo. 	<ul style="list-style-type: none"> Portare il pedale del freno di stazionamento in posizione di innesto prima di lasciare il tosaerba sul terreno in pendenza.
Il display non si accende.	<ul style="list-style-type: none"> Il pulsante di avvio/arresto non è stato premuto per almeno 3 secondi. 	<ul style="list-style-type: none"> Se il pulsante di avvio/arresto viene premuto brevemente, sul display si illuminerà esclusivamente l'indicatore della carica delle batterie.
		<ul style="list-style-type: none"> Il display si accende esclusivamente tenendo premuto il pulsante di avvio/arresto per 3 secondi.
Il tosaerba non taglia in modo uniforme, con una differenza significativa in senso longitudinale.	<ul style="list-style-type: none"> Le lame sono smussate. 	<ul style="list-style-type: none"> Affilare o sostituire le lame come indicato in questo manuale.
	<ul style="list-style-type: none"> Le lame sono piegate. 	<ul style="list-style-type: none"> Sostituire le lame piegate come indicato alla sezione "SOSTITUZIONE DELLE LAME".
	<ul style="list-style-type: none"> L'unità tagliaerba non è a livello, causando una diversa altezza delle lame dal terreno. 	<ul style="list-style-type: none"> Livellare l'unità tagliaerba come indicato alla sezione "LIVELLAMENTO DELL'UNITÀ TAGLIAERBA".
L'altezza di taglio effettiva non corrisponde all'altezza di taglio impostata.	<ul style="list-style-type: none"> I dadi dell'unità tagliaerba sono allentati a livello della barra di sospensione. 	<ul style="list-style-type: none"> Seguire le istruzioni indicate alla sezione "LIVELLAMENTO DELL'UNITÀ TAGLIAERBA" per allineare l'unità tagliaerba in senso longitudinale e serrare saldamente i quattro dadi sulla barra di sospensione (due per lato).
	<ul style="list-style-type: none"> L'unità tagliaerba è danneggiata o molto usurata. 	<ul style="list-style-type: none"> Seguire le istruzioni alla sezione "RIMOZIONE DELL'UNITÀ TAGLIAERBA" per sostituire l'unità tagliaerba.

PROBLEMA	CAUSA	SOLUZIONE
Il tosaerba non esegue una corretta pacciamatura.	<ul style="list-style-type: none"> ▪ Sulla parte inferiore del tosaerba rimangono incollati pezzi di erba bagnata. 	<ul style="list-style-type: none"> ▪ Attendere che l'erba si asciughi prima di tagliarla.
	<ul style="list-style-type: none"> ▪ Il tosaerba è regolato per tagliare troppa erba in una sola passata. 	<ul style="list-style-type: none"> ▪ Aumentare l'altezza dell'unità tagliaerba.
Vibrazioni eccessive.	<ul style="list-style-type: none"> ▪ Le lame sono allentate. 	<ul style="list-style-type: none"> ▪ Serrare i bulloni delle lame alla coppia di serraggio raccomandata (50-55 Nm).
	<ul style="list-style-type: none"> ▪ Le lame sono piegate. 	<ul style="list-style-type: none"> ▪ Sostituire le lame piegate come indicato alla sezione "SOSTITUZIONE DELLE LAME".
	<ul style="list-style-type: none"> ▪ L'unità tagliaerba non è a livello. 	<ul style="list-style-type: none"> ▪ Livellare l'unità tagliaerba come indicato alla sezione "LIVELLAMENTO DELL'UNITÀ TAGLIAERBA".
	<ul style="list-style-type: none"> ▪ I dadi dell'unità tagliaerba sono allentati a livello della barra di sospensione. 	<ul style="list-style-type: none"> ▪ Utilizzare una chiave a forchetta da 18 mm (non fornita) per serrare i quattro dadi della barra di sospensione (due per lato).
	<ul style="list-style-type: none"> ▪ Il tosaerba è regolato per tagliare troppa erba in una sola passata. 	<ul style="list-style-type: none"> ▪ Aumentare l'altezza dell'unità tagliaerba.
Detriti ed erba rimangono sul terreno dopo il taglio.	<ul style="list-style-type: none"> ▪ Il tosaerba è regolato per tagliare troppa erba in una sola passata quando l'erba è alta. 	<ul style="list-style-type: none"> ▪ Iniziare con una maggiore altezza di taglio e ridurla gradualmente fino a ottenere il risultato desiderato. L'erba alta più di 15 cm deve essere tagliata in almeno due passate, ad altezze di taglio progressivamente minori.
	<ul style="list-style-type: none"> ▪ L'erba è bagnata. 	<ul style="list-style-type: none"> ▪ Non tagliare l'erba bagnata. Attendere che si asciughi.
	<ul style="list-style-type: none"> ▪ La velocità di marcia è elevata. 	<ul style="list-style-type: none"> ▪ Diminuire la velocità di marcia.
	<ul style="list-style-type: none"> ▪ La velocità delle lame è bassa. 	<ul style="list-style-type: none"> ▪ Aumentare gradualmente la velocità delle lame.
L'autonomia del tosaerba è bassa con le batterie inserite.	<ul style="list-style-type: none"> ▪ Le condizioni dell'erba e l'altezza di taglio impostata incidono in modo significativo sull'autonomia delle batterie. L'autonomia riportata è calcolata su condizioni di basso carico. 	<ul style="list-style-type: none"> ▪ Aumentare l'altezza dell'unità tagliaerba e diminuire la velocità delle lame per ridurre il carico sul motore.

PROBLEMA	CAUSA	SOLUZIONE
Il tosaerba non avanza in linea retta.	<ul style="list-style-type: none"> La pressione della ruota posteriore destra è diversa da quella della ruota posteriore sinistra. 	<ul style="list-style-type: none"> Controllare e regolare la pressione di entrambe le ruote posteriori come indicato alla sezione "CONTROLLO DELLA PRESSIONI DEGLI PNEUMATICI A FREDDO".
	<ul style="list-style-type: none"> La velocità della ruota posteriore destra è diversa da quella della ruota posteriore sinistra. 	<ul style="list-style-type: none"> Calibrare il sistema sterzante del tosaerba come indicato alla sezione "CALIBRAZIONE DEL SISTEMA STERZANTE".
Il pedale del freno di stazionamento non può essere portato o ritorna lentamente in posizione di disinnesto.	<ul style="list-style-type: none"> Il pedale del freno di stazionamento è ostruito da sporcizia o detriti. 	<ul style="list-style-type: none"> Aprire la scatola del pedale del freno di stazionamento, pulirla accuratamente e richiuderla. Ripristinare il pedale del freno di stazionamento per verificare che il problema sia stato risolto. In caso contrario, contattare un tecnico qualificato per la riparazione.
Il tosaerba non si ricarica tramite la presa di ricarica e l'indicatore dello stato del tosaerba è illuminato di rosso.	<ul style="list-style-type: none"> La spina del caricabatteria non è inserita correttamente nella presa di ricarica del tosaerba. 	<ul style="list-style-type: none"> Ricollegare il cavo di ricarica per verificare che il tosaerba si ricarichi correttamente.
	<ul style="list-style-type: none"> La presa di corrente non è alimentata. 	<ul style="list-style-type: none"> Non è necessario intervenire. Attendere che la corrente elettrica venga ripristinata.
	<ul style="list-style-type: none"> Il caricabatteria non funziona correttamente. 	<ul style="list-style-type: none"> Contattare un tecnico qualificato per l'ispezione e la riparazione.
	<ul style="list-style-type: none"> La presa di ricarica del tagliaerba è difettosa. 	<ul style="list-style-type: none"> Contattare un tecnico qualificato per la riparazione.
Il tempo di ricarica tramite la presa di ricarica del tosaerba è troppo lungo.	<ul style="list-style-type: none"> La ricarica tramite l'adattatore EGO ACA1000 richiede un tempo maggiore. 	<ul style="list-style-type: none"> Utilizzare il caricabatteria EGO CHV1600E per ricaricare direttamente il tosaerba.
Le batterie non si ricaricano completamente tramite la presa di ricarica del tosaerba.	<ul style="list-style-type: none"> Bug nel firmware del tosaerba o guasto del caricabatteria o delle batterie. 	<ul style="list-style-type: none"> Scollegare il caricabatteria, attendere almeno 1 minuto, quindi ricollegarlo. Se il problema persiste, contattare un tecnico qualificato.
Il tosaerba non si avvia dopo la pulizia.	<ul style="list-style-type: none"> Modalità di pulizia scorretta. Ad esempio, ha causato l'infiltrazione di acqua nei componenti elettrici, nel display, ecc. 	<ul style="list-style-type: none"> Seguire le istruzioni alla sezione "PULIZIA DEL TOSAERBA" per pulire correttamente il tosaerba.

PROBLEMA	CAUSA	SOLUZIONE
Il tosaerba si ostruisce facilmente.	<ul style="list-style-type: none"> Il tosaerba è ostruito da erba e detriti. 	<ul style="list-style-type: none"> Se il tosaerba è stato esposto alla pioggia, lasciarlo all'aria per almeno 12 ore o asciugarlo con aria compressa. Pulire l'unità tagliaerba dopo ogni utilizzo come indicato alla sezione "Utilizzo della porta di lavaggio per la pulizia dell'unità tagliaerba".
Premendo il pedale del freno di stazionamento quando il tosaerba si trova su un terreno in pendenza, il tosaerba scivola in discesa.	<ul style="list-style-type: none"> Gli pneumatici delle ruote posteriori sono usurati. 	<ul style="list-style-type: none"> Sostituire gli pneumatici.
	<ul style="list-style-type: none"> La pendenza del terreno è elevata. 	<ul style="list-style-type: none"> Non usare il tosaerba su terreni di pendenza superiore a 12 gradi.
Rumore anomalo durante la spinta manuale del tosaerba spento.	<ul style="list-style-type: none"> I componenti del freno sono eccessivamente usurati a causa di un utilizzo improprio del tosaerba. 	<ul style="list-style-type: none"> Contattare un tecnico qualificato per la riparazione.
Não sai água da porta de lavagem quando é efetuado a lavagem da plataforma.	<ul style="list-style-type: none"> L'attacco rapido della porta di lavaggio non è fissato alla porta di lavaggio. 	<ul style="list-style-type: none"> Spingere con forza l'attacco rapido della porta di lavaggio fino a udire un clic. Se il problema persiste, contattare un tecnico qualificato.
Ouve-se um som estranho quando se empurra o corta-relva manualmente sem o ligar.	<ul style="list-style-type: none"> Il suono proviene dai magneti all'interno del motore trainante. 	<ul style="list-style-type: none"> È un fenomeno normale e non è necessario intervenire.

SIMBOLI SUL DISPLAY E CODICI ERRORE




Display LCD	Descrizione	Codice errore sul display	Indicatore dello stato del tosaerba	Beeper	Causa	Soluzione
	L'icona delle luci è illuminata.	n/a	SPENTO	No	I fanali anteriori e posteriori e le luci laterali sono stati accesi tramite l'interruttore delle luci.	È normale. Non è necessario intervenire.
	L'icona USB è illuminata.	n/a	SPENTO	No	Il dispositivo USB è collegato correttamente alla presa USB e verrà alimentato dopo l'accensione del tosaerba.	È normale. Non è necessario intervenire.
	L'indicatore della carica delle batterie è illuminato.	n/a	SPENTO	No	Indica la capacità di carica media delle batterie inserite.	È normale. Non è necessario intervenire.
	Il contatore è illuminato.	n/a	SPENTO	No	Indica il tempo di funzionamento totale del tosaerba in ore. Non può essere azzerato.	È normale. Non è necessario intervenire.
	L'indicatore del carico è nell'intervallo ECO.	n/a	SPENTO	No	Indica il carico corrente sul motore.	È normale. Non è necessario intervenire.
	L'indicatore di sovraccarico lampeggia. L'indicatore del carico è nell'intervallo PWR.	n/a	Rosso lampeggiante	Uno	Il motore delle lame è sovraccarico.	Aumentare l'altezza dell'unità tagliaerba o diminuire la velocità di marcia per ridurre il carico sul motore.

Display LCD	Descrizione	Codice errore sul display	Indicatore dello stato del tosaerba	Beeper	Causa	Soluzione
	L'icona della chiave di sicurezza lampeggia.	n/a	SPENTO	No	La chiave di sicurezza non è inserita.	Inserire la chiave di sicurezza e tenere premuto il pulsante di avvio/arresto per almeno 3 secondi per avviare il tosaerba.
					Il display non è alimentato.	Affidare la riparazione a un tecnico qualificato.
	L'icona del numero della batteria lampeggia.	n/a	SPENTO	No	La capacità delle batterie non è sufficiente per il funzionamento del tosaerba.	Per il funzionamento del tosaerba sono necessarie batterie EGO da 15 Ah in totale (almeno 2 X BA4200/BA4200T). Per le migliori prestazioni, si raccomanda di usare batterie EGO da 30 Ah in totale.
	L'icona di surriscaldamento lampeggia.	n/a	Rosso lampeggiante	Uno	Il tosaerba è surriscaldato.	Aumentare l'altezza dell'unità tagliaerba o diminuire la velocità di marcia e delle lame per ridurre il carico sul motore. Effettuare una pausa e lasciare che il tosaerba si raffreddi.

Display LCD	Descrizione	Codice errore sul display	Indicatore dello stato del tosaerba	Beeper	Causa	Soluzione
	L'icona di surriscaldamento lampeggia.	n/a	n/a	No	Il gruppo batteria corrispondente è surriscaldato.	<p>1. Il tosaerba può continuare a funzionare se gli Ah totali dei gruppi batteria, escluso il gruppo batteria surriscaldato, sono almeno pari a 15 Ah. Quando il gruppo batteria surriscaldato ritorna alla temperatura normale, alimenterà immediatamente il tosaerba.</p> <p>2. Se gli Ah totali dei gruppi batteria sono inferiori a 15 Ah, il tosaerba non si avvierà a meno che non vengano inseriti altri gruppi batteria nel vano batterie.</p> <p>3. Aumentare l'altezza dell'unità tagliaerba o diminuire la velocità di marcia e delle lame per ridurre il carico sul motore.</p>

Display LCD	Descrizione	Codice errore sul display	Indicatore dello stato del tosaerba	Beeper	Causa	Soluzione
	<p>Le icone del numero della batteria, l'indicatore di esaurimento delle batterie e l'indicatore della carica delle batterie lampeggiano ogni secondo sul display. Sul tosaerba, il primo segmento dell'indicatore della carica delle batterie e l'indicatore dello stato del tosaerba lampeggiano.</p>	n/a	Rosso lampeggiante	Continuo fino alla pressione dell'interruttore PTO.	La carica dei gruppi batteria è bassa e il tosaerba è in modalità a efficienza ridotta.	<p>Interrompere il lavoro e recarsi presso l'area di ricarica delle batterie.</p> <p>NOTA: quando il tosaerba è in modalità a efficienza ridotta, la velocità delle lame viene ridotta automaticamente, e verrà emesso un segnale acustico continuo. Premere l'interruttore PTO per disinnestare le lame del tosaerba. Il segnale acustico si interromperà all'arresto delle lame.</p>
	<p>Le icone del numero della batteria e l'indicatore di esaurimento delle batterie lampeggiano ogni mezzo secondo.</p>	n/a	SPENTO	No	I gruppi batteria sono quasi scarichi.	<p>Il tosaerba si arresterà immediatamente. È necessario portare il tosaerba presso l'area di ricarica delle batterie.</p>

Display LCD	Descrizione	Codice errore sul display	Indicatore dello stato del tosaerba	Beeper	Causa	Soluzione
	L'icona di stazionamento automatico lampeggia.	n/a	SPENTO	Continuo	Il tosaerba è fermo su un terreno in pendenza e l'operatore non ha portato il pedale del freno in posizione di innesto, ma ha semplicemente portato le leve di sterzo in posizione aperta.	Portare il pedale del freno di stazionamento in posizione di innesto. L'icona di stazionamento automatico si spegnerà e il segnale acustico si interromperà.
	L'icona del pedale del freno è illuminata.	n/a	SPENTO	No	Il pedale del freno di stazionamento è in posizione di innesto.	Portarlo in posizione di disinnesto prima di avviare il tosaerba.
	L'icona del sensore del sedile è illuminata.	n/a	SPENTO	No	L'operatore si è alzato dal sedile o il cavo del sedile è scollegato.	Se l'icona è accesa ma l'operatore è seduto sul sedile, arrestare immediatamente il tosaerba e controllare il collegamento del sedile. Se il cavo del sedile è collegato correttamente, contattare un tecnico qualificato per la riparazione.

Display LCD	Descrizione	Codice errore sul display	Indicatore dello stato del tosaerba	Beeper	Causa	Soluzione
	L'icona dell'interruttore PTO lampeggia.	n/a	SPENTO	No	Il motore delle lame è stato spento e l'interruttore PTO non è stato premuto.	Prima di riavviare il tosaerba, premere l'interruttore PTO per disinnestare il motore delle lame. Consultare la sezione “RISOLUZIONE DEI PROBLEMI” per maggiori informazioni.
	L'icona delle leve di sterzo lampeggia.	n/a	SPENTO	No	Il motore trainante è stato spento e l'interruttore PTO non è stato premuto.	Prima di riavviare il tosaerba, portare le leve di sterzo in posizione aperta. Consultare la sezione “RISOLUZIONE DEI PROBLEMI” per maggiori informazioni.
	L'icona con le due frecce lampeggia occasionalmente.	n/a	SPENTO	No	L'energia cinetica generata durante la frenata o la guida in discesa è stata convertita in elettricità per ricaricare i gruppi batteria.	È normale. Non è necessario intervenire.

Display LCD	Descrizione		Codice errore sul display	Indicatore dello stato del tosaerba	Beeper	Causa	Soluzione
Vedi "Codice errore"	Il motore trainante sinistro non ruota.	Malfunzionamento del circuito stampato che controlla il motore trainante sinistro.	413	SPENTO	Uno	Malfunzionamento del circuito stampato.	Affidare la riparazione a un tecnico qualificato.
		La spina (trifase, cavo di alimentazione) che collega il motore trainante sinistro al rispettivo circuito stampato è allentata.	317	SPENTO	Uno	Connessione allentata.	
		La spina (sei poli, cavo di segnale) che collega il motore trainante sinistro al rispettivo circuito stampato è allentata.	301	SPENTO	Uno	Connessione allentata.	
		Malfunzionamento del motore trainante sinistro.	317	SPENTO	Uno	Malfunzionamento del motore.	

Display LCD	Descrizione		Codice errore sul display	Indicatore dello stato del tosaerba	Beeper	Causa	Soluzione
Vedi "Codice errore"	Il motore trainante destro non ruota.	Malfunzionamento del circuito stampato che controlla il motore trainante destro.	313	SPENTO	Uno	Malfunzionamento del circuito stampato.	Affidare la riparazione a un tecnico qualificato.
		La spina (trifase, cavo di alimentazione) che collega il motore trainante destro al rispettivo circuito stampato è allentata.	417	SPENTO	Uno	Connessione allentata.	
		La spina (sei poli, cavo di segnale) che collega il motore trainante destro al rispettivo circuito stampato è allentata.	401	SPENTO	Uno	Connessione allentata.	
		Malfunzionamento del motore trainante destro.	417	SPENTO	Uno	Malfunzionamento del motore.	

Display LCD	Descrizione		Codice errore sul display	Indicatore dello stato del tosaerba	Beeper	Causa	Soluzione
Vedi "Codice errore"	Il motore della lama sinistra non ruota.	Malfunzionamento del circuito stampato che controlla il motore della lama sinistra.	607	n/a	Uno	Malfunzionamento del circuito stampato.	Affidare la riparazione a un tecnico qualificato.
		La spina (trifase, cavo di alimentazione) che collega il motore trainante sinistro al rispettivo circuito stampato è allentata.	509	n/a	Uno	Connessione allentata.	Per prima cosa, ispezionare la lama. Se è allentata, serrare il bullone in senso orario con una chiave dinamometrica da 14 mm.
		Malfunzionamento del motore della lama sinistra.	509	n/a	Uno	Malfunzionamento del motore.	La coppia di serraggio raccomandata per il bullone della lama è 50-55 Nm. In alternativa, affidare la riparazione a un tecnico qualificato.

Display LCD	Descrizione		Codice errore sul display	Indicatore dello stato del tosaerba	Beeper	Causa	Soluzione
Vedi "Codice errore"	Il motore della lama destra non ruota.	Malfunzionamento del circuito stampato che controlla il motore della lama destra.	507	n/a	Uno	Malfunzionamento del circuito stampato.	Affidare la riparazione a un tecnico qualificato.
		La spina (trifase, cavo di alimentazione) che collega il motore trainante destro al rispettivo circuito stampato è allentata.	609	n/a	Uno	Connessione allentata.	Per prima cosa, ispezionare la lama. Se è allentata, serrare il bullone in senso orario con una chiave dinamometrica da 14 mm.
		Malfunzionamento del motore della lama destra.	609	n/a	Uno	Malfunzionamento del motore.	La coppia di serraggio raccomandata per il bullone della lama è 50-55 Nm. In alternativa, affidare la riparazione a un tecnico qualificato.
Vedi "Codice errore"	Malfunzionamento della leva di sterzo sinistra.	Malfunzionamento del circuito stampato che controlla la leva di sterzo sinistra.	311 /412	SPENTO	Uno	Malfunzionamento del circuito stampato.	Affidare la riparazione a un tecnico qualificato.
		Il cavo che collega il circuito stampato di controllo, situato nella leva di sterzo, è allentato.				Connessione allentata.	

Display LCD	Descrizione		Codice errore sul display	Indicatore dello stato del tosaerba	Beeper	Causa	Soluzione
Vedi "Codice errore"	Malfunzionamento della leva di sterzo destra.	Malfunzionamento del circuito stampato che controlla la leva di sterzo destra.	312 /411	SPENTO	Uno	Malfunzionamento del circuito stampato.	Affidare la riparazione a un tecnico qualificato.
		Il cavo che collega il circuito stampato di controllo, situato nella leva di sterzo, è allentato.				Connessione allentata.	
Vedi "Codice errore"	Malfunzionamento del freno di stazionamento.	Malfunzionamento del circuito stampato del freno di stazionamento, situato nella parte anteriore del telaio.	309 /409	SPENTO	Uno	Malfunzionamento del circuito stampato.	Affidare la riparazione a un tecnico qualificato.
		L'interruttore del freno di stazionamento e/o il cavo sono danneggiati.	801	SPENTO	Uno	Malfunzionamento del cavo o dell'interruttore.	
SPENTO	Malfunzionamento della presa di ricarica		n/a	Rosso fisso	n/a	Il circuito della presa di ricarica è aperto.	Affidare la riparazione a un tecnico qualificato.
			n/a	Rosso fisso	n/a	Alimentazione assente.	Controllare che la presa di corrente sia alimentata a 220-240 V.
			n/a	Rosso fisso	n/a	Il fusibile è saltato.	Affidare la riparazione a un tecnico qualificato.
Vedi "Codice errore"	Malfunzionamento della presa di ricarica		204	n/a	Uno	Il circuito della presa di ricarica è aperto.	

Display LCD	Descrizione	Codice errore sul display	Indicatore dello stato del tosaerba	Beeper	Causa	Soluzione
Vedi "Codice errore"	Malfunzionamento della batteria del tosaerba.	217	n/a	Uno	La batteria del tosaerba non fornisce energia elettrica. I fanali LED e la presa USB non funzionano.	Affidare la riparazione a un tecnico qualificato.
		310 /410	SPENTO	Uno	Malfunzionamento del collegamento tra i cavi di tipo C della batteria del tosaerba e gli altri cavi di tipo C del tosaerba.	
		201 /202 /203	SPENTO	Uno	Il BMS della batteria del tosaerba è danneggiato.	
Vedi "Codice errore"	Malfunzionamento dell'interruttore di avvio/arresto.	314 /414	SPENTO	Uno	Malfunzionamento del circuito stampato dell'interruttore o del cavo di collegamento dell'interruttore di avvio/arresto.	Affidare la riparazione a un tecnico qualificato.
Vedi "Codice errore"	Malfunzionamento del display	315 /415	SPENTO	Uno	Il display è danneggiato o non è collegato correttamente.	Affidare la riparazione a un tecnico qualificato.

GARANZIA

CONDIZIONI DELLA GARANZIA EGO

Visitare il sito web egopowerplus.com per consultare le condizioni complete della garanzia EGO.

LEES ALLE INSTRUCTIES!



LEES DE GEBRUIKSAANWIJZING

⚠ Restrisico! Personen met elektronische apparaten zoals pacemakers, moeten eerst hun arts(en) raadplegen voordat ze dit product gebruiken. De werking van een elektrisch apparaat in de nabijheid van een pacemaker kan een storing of defect van de pacemaker veroorzaken.

VEILIGHEIDSSYMBOL

NL

Het doel van de veiligheidssymbolen is om u te wijzen op mogelijke gevaren. Besteed daarom voldoende aandacht hieraan en begrijp de veiligheidssymbolen en bijbehorende uitleg. De symboolwaarschuwingen op zich elimineren geen enkel gevaar. De verstrekte instructies en waarschuwingen gelden niet als vervanging voor gepaste voorzorgsmaatregelen tegen ongevallen.

⚠ WAARSCHUWING: Lees en begrijp alle veiligheidsinstructies die in deze gebruiksaanwijzing staan vermeld, waaronder alle veiligheidssymbolen zoals **“GEVAAR,”** **“WAARSCHUWING,”** en **“OPGELET”** voordat u dit gereedschap in gebruik neemt. Het negeren van onderstaande instructies kan leiden tot een elektrische schok, brand en/of ernstig persoonlijk letsel.

BETEKENIS VAN DE SYMBOLEN

Deze pagina toont en beschrijft alle veiligheidssymbolen die zich op dit product kunnen bevinden. Lees, begrijp en volg alle instructies op de machine voordat u deze in elkaar zet en gebruikt.

VEILIGHEIDSSYMBOLEN

	Veiligheidswaarschuwing		Lees & begrijp de gebruiksaanwijzing
	Oogbescherming		Onderhoud van veiligheidsvoorzieningen
	GEVAAR - gevaar voor steile hellingen		GEVAAR - houd omstanders uit de buurt van de messen
	Draag nooit kinderen		Kijk achterom terwijl u achteruit rijdt
	WAARSCHUWING - Gebruik deze machine niet op hellingen van meer dan 12°.		GEVAAR - Rondvliegende voorwerpen
	WAARSCHUWING - HOUD HANDEN EN VOETEN UIT DE BUURT		Gewaarborgd geluidsvermogensniveau. In overeenstemming met de richtlijnen van de Europese Unie.



Niet erop staan



Dit product is in overeenstemming met de geldende EG-richtlijnen



Gelijkstroom

kPa

Kilopascal

V

Volt

in

Inch

Nm

Newtonmeter

°C

Celsius

km/u

Kilometer per uur



Gooi elektrisch afval niet via het huishoudelijk afval weg. Breng het naar een geautoriseerd recyclingbedrijf.



WAARSCHUWING - Kijk niet in de lamp die is ingeschakeld.



Dit product is in overeenstemming met de toepasselijke richtlijnen van het VK.

TPM

Toeren per minuut

m

Meter

cm

Centimeter

mm

Millimeter

kg

Kilogram

IPX4

Beschermingsgraad bij binnendringen

NL

SPECIFICATIES

Spanning		56 V
Afmetingen afdekking		107 cm
Wielmaat	Voorkant	11 x 4 in (279,4 mm)
	Achterkant	18 x 8.5 in (457,2 mm)
Banden-spanning in koude toestand	Voorkant	220 kPa
	Achterkant	50 kPa
Draairadius		0
Snelheid van het mes (TPM)		2400, 2600, 2800, 3000
Max. Rijsnelheid (km/h)	Vooruit	4,8 km/h, 8 km/h, 9,6 km/h, 11,2 km/h (12,8 km/h in de reismodus)
	Achteruit	tot 5,6 km/h
Bezig met opladen	Oplader (optioneel)	CHV1600E
	Adapter (optioneel)	ACA1000
	Oplad-temperatuur-bereik	5°C - 40°C
Aanpassing voor de maaihoogte (10 posities)		25 – 100 mm
Bedrijfstemperatuur		0°C- 40°C
Opslagtemperatuur		-20°C - 70°C

Gewicht (zonder accupack)		186 kg
Gemeten geluidsvermogensniveau L_{WA}		96,44 dB(A) K=0,68 dB(A)
Geluidsdrukniveau bij het oor van de bediener L_{PA}		84,3 dB(A) K=3,0 dB(A)
Gewaarborgd geluidsvermogensniveau L_{WA} (gemeten conform 2000/14/EC)		100 dB(A)
Trilling a_h	Hand	1,221 m/s ² K=1,5 m/s ²
	Lichaam	0,568 m/s ² K=1,5 m/s ²

- De opgegeven totale vibratiewaarde is gemeten volgens de standaard testmethode en kan worden gebruikt om het apparaat met een ander apparaat te vergelijken;
- De opgegeven totale vibratiewaarde kan tevens worden gebruikt in een voorafgaande beoordeling op blootstelling.

OPMERKING: De trillingsemisatie tijdens het werkelijk gebruik van het elektrisch gereedschap kan verschillen van de opgegeven totale waarde; Om de bediener te beschermen dient de gebruiker tijdens het gebruik handschoenen en gehoorbescherming te dragen.

BESCHRIJVING

KEN DE ELEKTRISCHE ZERO-TURN GRASMAAIER (Afb. A1 & A2)

1. Zitting
2. Laadpoort
3. Accuvak
4. Led-achterlichten
5. Opslagbox
6. Bekerhouders
7. Led zijlampen
8. Achterwiel (wielaandrijving)
9. Dek
10. Dekbeschermer
11. Antiscalp-wiel
12. Voorwiel
13. Parkeerrempeedaal
14. Dagrijlampen
15. Led koplampen
16. Zijkoker
17. Hendel voor het instellen van de dekhoogte
18. Stoelvering aanpassingsknop
19. Stoel vooruit-achteruit aanpassingshendel
20. Stuurhendel
21. Grasmaaier-statusindicator
22. LCD-scherm
23. PTO-schakelaar
24. Start/stop knop
25. Veiligheidssleutel
26. Telefoon opslagbox
27. Grasmaaier benzinemeter & statusindicator
- 27a. Grasmaaier benzinemeter indicator
- 27b. Grasmaaier statusindicator
28. Voetensteungebied
29. Voedingseenheidafdekking ontgrendelingsknop
30. Voedingseenheidafdekking
31. Accuvrijgaveknop
32. Trekhaak
33. Toebehoor bevestigingsafdekking
34. Toebehoor bevestigingsafdekking opberging
35. USB poort

KEN HET LCD-SCHERM & KNOPPEN (afb. A3)

Zie het hoofdstuk “GRASMAAIER STATUSREFERENTIE & STORINGSCODE” voor meer informatie over symbolen en indicatoren op het LCD-scherm.

1. Veiligheidssleutel symbool
2. Led-lampen symbool
3. Automatisch parkeersymbool
4. USB-symbool
5. Snelheidsindicator voor de messen
6. Veiligheidssysteem statusindicator
7. Uurmeter
8. Accusymbool
9. Oververhittingssymbool
10. Rijmodus
11. Foutcode indicator
12. Overbelasting indicator
13. Gering vermogen-indicator
14. Snelheidsindicator tijdens het rijden
15. Belastingindicator
16. Schakelaar voor het aanpassen van de snelheid van de messen
17. Instelknop
18. Rijmodus-knop
19. Led-lichtschakelaar
20. Aanpasknop voor de rijsnelheid
21. Benzinemeter

NL

UITPAKKEN

OPMERKING: Bewaar het verpakkingsmateriaal totdat u het apparaat grondig heeft gecontroleerd en het naar tevredenheid werkt. Als er onderdelen van de paklijst op de machine zijn gemonteerd, neemt u alstublieft contact op met de klantenservice van EGO.

OPMERKING: Behalve de onderdelen in de onderstaande paklijst, zijn alle andere vermelde gereedschappen in de gebruiksaanwijzing slechts een aanbeveling en niet meegeleverd.

PAKLIJST (afb. B1)

B1-1	Elektrische zero-turn grasmaaier	B1-7	Veiligheidssleutels
B1-2	Zitting	B1-8	Steeksleutel (13 mm)

B1-3	Mulch-stekker	B1-9	Inbussleuel
B1-4	Stuurhendel	B1-10	Waspoort snelkoppeling
B1-5	Binnen-zeskant-schroeven (2 als reserve)	B1-11	Gebruiksaanwijzing
B1-6	Zeskantbouten (2 als reserve)		

NL

UITPAKKEN (afb. B2 - afb. B3)

AANBEVOLEN ACCESSOIRES

⚠ WAARSCHUWING: Gebruik uitsluitend identieke reserve-onderdelen die beneden worden vermeld. Het gebruik van onderdelen die niet aan de specificaties van de originele uitrusting voldoen kunnen verkeerde prestaties leveren en de veiligheid in gevaar brengen.

NAAM VAN HET ONDERDEEL	MODELNUMMER
Standaard mes	AB4200
Hoog optilbaar mes	AB4201
Mulch-stekker	AMP4200
Grasopvangset	ABK4200-A

MONTAGE

DE ZITTING INSTALLEREN (afb. C1 & C2)

⚠ WAARSCHUWING: Het veiligheid-sverg-rendeling-systeem mag niet worden losgekoppeld of overbrugd. Als u dit doet, kan de grasmaaier hierdoor onverwacht reageren, wat persoonlijk letsel tot gevolg heeft.

OPMERKING: Voor uw eigen veiligheid, stopt de grasmaaier als de schakelaar voor de zitting wordt losgekoppeld tijdens het rijden. In dit geval moet u de alinea “PROBLEEMOPLOSSING” bekijken voor meer informatie.

C1-1	Kabel	C1-5	Inbusschroeven
C1-2	Stekker	C2-1	Haak
C1-3	Aansluiting	C2-2	Stalen rails
C1-4	Ophanging	C2-3	Inbusschroeven

DE STUURHENDELS INSTALLEREN (afb. C3)

C3-1	Stuurhendels	C3-3	Bevestigingsgaten voor de stuurhendel
C3-2	Zeskantbouten		

BEVESTIGEN VAN DE MULCH-STEKKER (afb. C4)

C4-1	Zijkoker	C4-3	Beweegbare veer
C4-2	Mulch-stekker		

GEBRUIK

VOOR HET GEBRUIK VAN DE GRASMAAIER

Controleer de omgeving

- Zorg ervoor dat zich geen kinderen, omstanders en huisdieren in het werkgebied bevinden.
- Maak het werkgebied schoon van voorwerpen die door de messen van de grasmaaier door de lucht worden geslingerd.
- Controleer en waarborg dat de led-lichten in de juiste status zijn:
 - De koplampen, zijlampen en achterlichten worden bediend door de led-lichtschakelaar.
 - De dagrijlampen blijven altijd aan tijdens het rijden.
 - Als u achteruit rijdt en als de achterlampen zijn uitgeschakeld, zullen ze knipperen om omstanders te waarschuwen; als de achterlampen zijn ingeschakeld, blijven ze aan.
 - Alle lampen worden automatisch uitgeschakeld na meer dan 3 minuten inactiviteit

Controleer de bandenspanning in koude toestand (afb. D1)

Controleer de grasmaaierstatus en het laadniveau van de accu

- Grasmaaier benzinemeter indicator (afb. A2 - 27a)

Elk segment van de grasmaaier benzinemeter indicator geeft 20% lading aan van de aangesloten accupacks.

OPMERKING: De grasmaaier benzinemeter indicator en de benzinemeter op het LCD-scherm geeft de gemiddelde capaciteit van de geplaatste accupacks weer.

- Grasmaaier statusindicator (afb. A1 & afb. A2 - 27b)

Als de statusindicator groen brandt, is de grasmaaiër gereed om te rijden. Als dat niet het geval is, zie hoofdstuk “GRASMAAIËRSTATUS REFERENTIE & STORINGS-CODE”

Het veiligheidsvergrendelings-systeem testen (afb. D2 - afb. D8)

OPMERKING: De bediener moet op de zitting zitten alvorens te testen.

- Voor het testen (afb. D2 - afb. D4)
- Om het dekmes systeem (afb. D5) te testen gaat u langzaam staan
- Om het rijstelsysteem (afb. D6 - afb. D8) te testen gaat u langzaam staan

Als het dekmes systeem en/of het rijstelsysteem niet stopt als de bediener niet op de zitting zit en als de oorzaak niet kan worden vastgesteld na de controle of de stekker is aangesloten op de zitting, moet u onmiddellijk contact opnemen met uw EG-klantenservice.

AANPASSEN (afb. E1 - afb. E13)

Vorbereiding (afb. E1 - afb. E5)

Aanpassen van de hoogte van het maaidek (afb. E6)

Aanpassen van de antiscalp-wieltjes (afb. E7 - afb. E10)

E7-1	Antiscalp-wiel	E9-2	Lange moer
E9-1	Moer	E10-1	Dekhoogte label

Aanpassen van de zitting (afb. E11)

Pas de zitpositie aan om te waarborgen dat u goed contact heeft met het parkeerrempeedaal alvorens de grasmaaiër te bedienen. Aanpassing van de vering van de zitting kan u helpen de meest comfortabele ervaring van de zitting te hebben.

E11-1	Stoel vooruit-achteruit aanpassing-shendel	E11-2	Stoelvering aanpassingsknop
-------	--	-------	-----------------------------

De parkeerrem instellen (afb. E12 - afb. E13)

E13-1	Rempositie	E13-2	Ontgrendelde positie
-------	------------	-------	----------------------

LADEN (afb. F1 - afb. F11)

- Om deze grasmaaiër te starten, vereisen de accu's een totale lading van 15 Ah (2x BA4200/BA4200T) of meer. Voor de beste prestaties raden wij het gebruik van EGO-accu's aan met een totaal van 30 Ah of meer.

Gebruik alleen met de aanbevolen accupacks en laders. (Afb. F9 & F10)

Vorbereiding voor het laden (afb. F1 - afb. F4)

De accupack(s) apart laden (afb. F5 - afb. F9)

F5-1	Vrijgaveknop voor de afdekking	F7-1	Accu-ontgrendelingsknop
------	--------------------------------	------	-------------------------

- Het accupack/de accupacks bevestigen (afb. F5 - afb. F6)
- Het accupack/de accupacks verwijderen (afb. F7 - afb. F8)

OPMERKING: Laad het accupack/de accupacks in overeenstemming met de handleidingen van de betreffende accu's en laders.

De accupacks laden via de laadpoort (afb. F10)

F10-1	Stofafdekking	F10-2	Laadpoort
-------	---------------	-------	-----------

DE ELEKTRISCHE ZERO-TURN GRASMAAIËR STARTEN (afb. A4 - afb. A5 & afb. G1 - afb. G6)

⚠ WAARSCHUWING: Voorkom plotselinge starts/stops, en draaiingen, maar ook buitensporige snelheid, in het bijzonder tijdens het leren van de omgang met de grasmaaiër. De grasmaaiër kan snel draaien, waardoor u de controle kunt verliezen wat tot ernstig letsel en/of schade kan leiden.

⚠ WAARSCHUWING: Alvorens de grasmaaiër te starten, moet u de messen controleren en er zeker van zijn dat ze niet draaien als u de PTO-schakelaar naar beneden drukt. Als de messen niet stoppen, mag u de grasmaaiër niet gebruiken en moet u direct contact opnemen met de EGO-klantenservice.

OPMERKING: Volg afb. A4 & afb. G2 om de geringste rijnsnelheid en de **STANDAARD** rijmodus te krijgen totdat u volledig in staat bent de grasmaaiër in alle situaties te gebruiken. De rijnsnelheid en rijmodus worden alleen geactiveerd als de wielen van de grasmaaiër stilstaan en de hendels van het stuur open zijn.

De grasmaaier slaat de huidige instelling op en geeft deze weer bij de volgende herstart.

Rijmodus

- **BEDIENING:** Geringe versnelling, minder gevoelige omgang en een geringe snelheid in de bochten om het gras te beschermen en voor nieuwe gebruikers.
- **STANDAARD:** Perfect voor dagelijks gebruik.
- **SPORT:** Hogere versnelling, nauwkeurige omgang en scherpe bochten om de maai-effectiviteit te maximaliseren en voor enthousiaste gebruikers.

NL

Aanpassing van de rijsnelheid (afb. A4)

Aanpassing van de snelheid van de messen (afb. A5)

OPMERKING: Druk in de 'TRAVEL' (reis)-modus op "👉", waarna de rijsnelheid weer teruggaat naar de vorige modus.

USB poort

OPMERKING: De USB-poort biedt een laadmogelijkheid van 5 Volt DC met een gecombineerde afname van 1,5 ampère en staat alleen ter beschikking als de grasmaaier loopt.

DE ELEKTRISCHE ZERO-TURN GRASMAAIER STOPPEN (afb. H1 - afb. H6)

OPMERKING: Als er meer dan 60 minuten geen activiteit plaatsvindt, gaat de grasmaaier vanzelf uit.

Thuisbreng-modus

Als het accuniveau gering is, gaat de grasmaaier naar de thuisbreng-modus:

- De grasmaaier stopt automatisch met het maaien van gras;
- De zoemer-indicator blijft afgaan;
- De grasmaaier statusindicator knippert elke seconde rood, het eerste segment van de grasmaaier benzinemeter knippert rood en beide indicatoren voor gering accuvermogen en de accugrafiek op de benzinemeter knipperen.

De bediener moet:

- a) de PTO-schakelaar naar beneden (afb. H3) drukken om de messen los te koppelen. De zoemer-indicator stopt als de messen stoppen;
- b) Stop met werken en ga zo snel mogelijk naar de acculader. De maximale afstand die de grasmaaier kan afleggen bedraagt 1000 m.

Als de accu bijna leeg is, knippert het symbool van elk gebruikt accuvak en gering vermogen-indicator elke halve seconde. De grasmaaier stopt onmiddellijk met werken. De bediener moet de grasmaaier naar de acculader brengen om hem op te laden.

Handmatig duwen

Als u handmatig moet duwen, zorg er dan voor dat de accu's zijn losgekoppeld van de grasmaaier en het parkeerrem-pedaal is ontkoppeld van de rempositie.

DE ELEKTRISCHE ZERO-TURN GRASMAAIER RIJDEN (afb. I1 - afb. I9)

Om te stoppen, verhoogt of verlaagt u de snelheid en verandert u langzaam de afstand van de stuurhendel naar de neutrale positie.

⚠ GEVAAR: Blijf op minstens twee maaibreedtes (2,14 m) afstand van greppels, hellingen of water. De voorwielen kunnen draaien als de grasmaaier is gestopt, zelfs als de rem is geactiveerd, en kunnen ervoor zorgen dat de grasmaaier over de rand gaat of in het water beland wat de dood of ernstig letsel tot gevolg kan hebben.

⚠ WAARSCHUWING: Let op wat zich achter de grasmaaier bevindt als u achteruit rijdt. Maai NIET in de achteruit tenzij dit absoluut noodzakelijk is. Kijk altijd naar beneden en achter u voordat u achteruit rijdt om ervoor te zorgen dat zich geen kinderen, omstanders of huisdieren binnen het maaibereik bevindt. Denk eraan dat een fractie van een seconde onoplettendheid ernstig letsel teweeg kan brengen.

⚠ WAARSCHUWING: Gebruik de machine niet op de openbare weg.

⚠ WAARSCHUWING: Als er sprake van een blokkade is of als u een vreemd voorwerp raakt, dient u de motor te stoppen en de accu's te verwijderen. Verwijder vastzittend gras, bladeren, verontreinigingen en ander opgehoopt vuil; inspecteer de grasmaaier grondig op schade en repareer de schade alvorens de grasmaaier weer te starten en te gebruiken.

ONDERHOUD

⚠ WAARSCHUWING: Draag altijd een veiligheidsbril met zijschermen. Als u dit niet doet kan het ertoe leiden dat voorwerpen in uw ogen terechtkomen wat ernstig letsel kan veroorzaken.

⚠ WAARSCHUWING: Bescherm altijd uw handen door handschoenen te dragen of door de snijvlakken met doeken of andere materialen in te wikkelen voordat u onderhoud aan de messen van de grasmaaier uitvoert. Verwijder altijd de veiligheidssleutel en de accupacks tijdens onderhoud aan of transport van de grasmaaier.

Onder-houd-sinterval	Onderhoudsprocedure
Voor elk gebruik of dagelijks	<ul style="list-style-type: none"> ■ Controleer het veiligheidsvergrend-eling-systeem. ■ Visuele controle of de banden plat zijn. ■ Controleer of de messen zijn versleten, gescheurd of gebogen. ■ Controleer het gehele product op beschadigingen, ontbrekende of los zittende onderdelen zoals de zijkoker, schroeven, moeren, bouten, doppen etc., zorg ervoor dat alle beschermingen op hun plek zitten en correct werken. ■ Controleer de werking van de rem.
Na elk gebruik	<ul style="list-style-type: none"> ■ De grasmaaierafdekking reinigen.
Elke 25 uur	<ul style="list-style-type: none"> ■ Controleer de bandendruk.
Elke 50 uur	<ul style="list-style-type: none"> ■ Controleer de smering aan de binnenkant van de flens van de messen.
Elke 100 uur	<ul style="list-style-type: none"> ■ Controleer de achterwielen; zorg ervoor dat de 4 slotbouten zijn aangehaald met het aanbevolen koppel.
Elke 200 uur	<ul style="list-style-type: none"> ■ Controleer de voorwielen, zorg dat ze vrij kunnen draaien.
Jaarlijks	<ul style="list-style-type: none"> ■ Controleer het parkeerrempedaal. Verwijder de accu van de grasmaaier en zet de parkeerrem in de parkeerpositie. Druk de grasmaaier met de hand naar voren om te zien of de grasmaaier beweegt of niet. Als hij nog beweegt, moet u hem laten onderhouden door een gekwalificeerde onderhoudsmonteur.

DE GRASMAAIER SCHOONMAKEN (afb. J1 - afb. J9)

Vorbereiding (afb. J1 - afb. J5)

De behuizing van de grasmaaier reinigen (afb. J6 - afb. J7)

Gebruik de waspoort om de grasmaaierafdekking te reinigen (afb. J8 - afb. J9)

J8-1	Waspoort	J8-3	Tuinslang
J8-2	Waspoort snelkoppeling		

NL

OPMERKING: Als u klaar bent met de reiniging, drukt u de PTO-schakelaar naar beneden om de messen van de grasmaaier te ontkoppelen.

ONDERHOUD VAN DE GRASMAAIERAFDEKKING EN DE MESSEN

Vorbereiding (afb. K1 - afb. K6)

Verwijder de grasmaaierafdekking (afb. K7 - afb. K8)

K7-1	Motorkabel	K7-3	Ophangingsmechanisme
K7-2	Splitpen		

OPMERKING: Koppel de motorkabels los en maak de splitpennen aan beide zijden van de grasmaaierafdekking los.

Vervang de snijmessen (afb. K9 - afb. K11)

K9-1	Stabilisator	K10-3	Mes
K10-1	Bout	K10-4	Flens
K10-2	Sluistring	K10-5	Motorschacht

De grasmaaierafdekking nivelleren

a. Wanneer moet worden genivelleerd (afb. K12 - afb. K14)

b. Voor het nivelleren

- Controleer de bandenspanning in koude toestand (afb. K15)
- Controleer de snijmessen. Verwijder en vervang indien nodig versleten, gescheurde en/of gebogen messen.

c. Vorbereiding voor het nivelleren (afb. K16 - afb. K21)

d. Hoe te nivelleren

- **Een aanpassing van zijkant naar zijkant maken (afb. K22)**

Het verschil tussen de afstanden H1 & H2 gemeten vanaf de onderste rand van elk mes naar de grond moet binnen 5 mm liggen.

K22-1 Borgmoer

- **Een aanpassing van voor- naar achterkant maken (afb. K23)**

De voorste punt H3 van het mes moet van 2 mm tot 10 mm lager zijn dan de achterste punt H4.

NL

HET GRASMAAIER TRACKING-SYSTEEM KALIBREREN (afb. L1 - afb. L6 & afb. L7 - afb. L12)

OPMERKING: De zoemer-indicator is een keer te horen als de kalibratie wordt gestart en als de kalibratie is afgesloten.

DE GRASMAAIER RESETTEN NAAR DE STANDAARD INSTELLINGEN (afb. M1 - afb. M4)

OPMERKING: De zoemer-indicator is een keer te horen als het resetten wordt gestart en als het resetten is afgesloten.

Kees van der Spek
TUINMACHINES ★ STOLWIJK

OPSLAG & TRANSPORT

DE GRASMAAIER TRANSPORTEREN (AFB. N1 – AFB. N11)

OPMERKING: Beveilig de grasmaaier indien nodig, gebruik banden of kabels om bewegingen tijdens het transport te voorkomen. Tijdens het laden of lossen van de grasmaaier mag u de maximum aanbevolen gebruikshoek van 12° tussen helling en bodem niet overschrijden.

OPSLAG (afb. 01 - afb. 06)

OPMERKING: Verwijder de accupacks en berg de accu's op volgens de instructies in de betreffende handleidingen.


Reinig en controleer de grasmaaier alvorens hem op te bergen en zie hiervoor de hoofdstukken "DE GRASMAAIER SCHOONMAKEN" en "AANBEVOLEN ONDERHOUDSSHEMA(S)".

Het milieu beschermen



WEEE (afgedankte elektrische en elektronische apparatuur) Gooi geen elektrische apparatuur, gebruikte batterijen en laders weg via het huishoudelijk afval! Geef dit product af bij een geautoriseerd recyclingbedrijf en zorg dat het apart kan worden ingezameld. Elektrisch gereedschap moet worden afgegeven voor een milieuvriendelijke recycling.

PROBLEEMOPLOSSING

PROBLEEM	OORZAAK	OPLOSSING
<p>De elektrische zero-turn grasmaaier rijdt niet terwijl de twee stuurhendels in het begin naar voren of naar achteren worden gedrukt.</p>  <p>Het stuurniveausymbool knippert</p>	<ul style="list-style-type: none"> De gecombineerde Ah van de aangesloten accu's is minder dan 15 Ah. 	<ul style="list-style-type: none"> Om deze grasmaaier te starten, vereisen de accu's een totale lading van 15 Ah (2x BA4200/BA4200T) of meer. Voor de beste prestaties raden wij het gebruik van accu's met een totaal van 30 Ah of meer aan.
	<ul style="list-style-type: none"> Het parkeerrempeedaal bevindt zich in de rempositie. 	<ul style="list-style-type: none"> Druk het parkeerrempeedaal volledig in om hem te ontkoppelen uit de rempositie.
	<ul style="list-style-type: none"> De stuurhendels bevinden zich niet in de geopende positie als de grasmaaier wordt gestart. 	<ul style="list-style-type: none"> Breng de stuurhendels terug naar de open positie en start de grasmaaier opnieuw.
	<ul style="list-style-type: none"> De bediener zit niet op de zitting. 	<ul style="list-style-type: none"> Alleen als de bediener juist op de zitting zit, kan hij de grasmaaier bedienen.
	<ul style="list-style-type: none"> De schakelaar van de zitting is niet juist aangesloten. 	<ul style="list-style-type: none"> Verwijder de accu uit de grasmaaier en demonteer de zitting in omgekeerde volgorde van de instructies in het hoofdstuk "DE ZITTING INSTALLEREN" in deze handleiding om te aansluiting van de stoelschakelaar te controleren. Monteer de zitting weer en volg de instructies in "START DE ELEKRISCHE ZERO-TURN GRASMAAIER" om de grasmaaier opnieuw te starten en zie of de grasmaaier kan worden gestart. Als dat niet lukt, neemt u contact op met een gekwalificeerde servicemonteur voor reparatie.
	<ul style="list-style-type: none"> Bij extreem koud eer kan de rijfunctie eventueel niet succesvol starten als gevolg van de bescherming tegen lage temperaturen. 	<ul style="list-style-type: none"> Berg de grasmaaier en de accu altijd op in een warme omgeving. Herstart de grasmaaier als hij is opgewarmd. Voer alstublieft geen herhaaldelijke pogingen onder extreem koude omstandigheden uit omdat deze de machine kunnen beschadigen. Aanbevolen bedrijfstemperatuur is 0°C - 40°C.

NL

PROBLEEM	OORZAAK	OPLOSSING
De elektrische zero-turn grasmaaier stopt met rijden.	<ul style="list-style-type: none"> De stuurhendels moeten worden 'gereset'. 	<ul style="list-style-type: none"> Breng de stuurhendels terug naar de open positie en start de grasmaaier opnieuw.
	<ul style="list-style-type: none"> De elektronische bedieningscomponenten van de stuurhendels werken niet. 	<ul style="list-style-type: none"> Neem contact op met een gekwalificeerde servicemonteur voor reparatie.
	<ul style="list-style-type: none"> De schakelaar van de zitting is niet meer aangesloten tijdens het rijden op een ruw terrein. 	<ul style="list-style-type: none"> Verwijder de accu uit de grasmaaier en demonteer de zitting in omgekeerde volgorde van de instructies in het hoofdstuk “DE ZITTING INSTALLEREN” in deze handleiding om te aansluiting van de stoelschakelaar te controleren. Monteer de zitting weer en volg de instructies in “START DE ELEKTRISCHE ZERO-TURN GRASMAAIER” om de grasmaaier opnieuw te starten en zie of de grasmaaier kan worden gestart. Als dat niet lukt, neemt u contact op met een gekwalificeerde servicemonteur voor reparatie.
De rijnsnelheid/rijmodus kan tijdens het rijden niet worden aangepast.	<ul style="list-style-type: none"> Dit is een eigenschap van de elektrische zero-turn grasmaaier om veilig te rijden. 	<ul style="list-style-type: none"> De functie wordt alleen geactiveerd als de wielen van de grasmaaier stilstaan en de hendels van het stuur open zijn.
De elektrische zero-turn grasmaaier start de messen niet als de PTO-schakelaar wordt gedrukt.	<ul style="list-style-type: none"> De gecombineerde Ah van de aangesloten accu's is minder dan 15 Ah. 	<ul style="list-style-type: none"> Om deze grasmaaier te starten, vereisen de accu's een totale lading van 15 Ah (2x BA4200/BA4200T) of meer. Voor de beste prestaties raden wij het gebruik van accu's met een totaal van 30 Ah of meer aan.
	<ul style="list-style-type: none"> De PTO-schakelaar is niet naar beneden gedrukt toen de grasmaaier de laatste keer werd gestopt. 	<ul style="list-style-type: none"> Druk de PTO-schakelaar naar beneden en herstart de messen van de grasmaaier.
	<ul style="list-style-type: none"> De grasmaaier is overbelast op het moment dat de messen starten, wat erin resulteert dat de motor zichzelf beschermt. 	<ul style="list-style-type: none"> Start de grasmaaier eerst met een lage snelheid van de messen en totdat de messen de juiste rotatie bereiken, mag u de snelheid van de messen niet in de gewenste snelheid verhogen.
	<ul style="list-style-type: none"> Bij extreem koud eer kan de motor van de messen eventueel niet succesvol starten als gevolg van de bescherming tegen lage temperaturen. 	<ul style="list-style-type: none"> Berg de grasmaaier en de accu altijd op in een warme omgeving. Herstart de grasmaaier als hij is opgewarmd. Voer alstublieft geen herhaaldelijke pogingen onder extreem koude omstandigheden uit omdat deze de machine kunnen beschadigen. Aanbevolen bedrijfstemperatuur is 0°C - 40°C.
	<ul style="list-style-type: none"> Het mes raakt de vervormde grasmaaierafdekking. 	<ul style="list-style-type: none"> Neem contact op met een gekwalificeerde servicemonteur voor reparatie.



Het PTO-schakelaar symbool knippert

PROBLEEM	OORZAAK	OPLOSSING
De messen stoppen tijdens het maaien van gras.	<ul style="list-style-type: none"> De grasmaaier is overbelast. 	<ul style="list-style-type: none"> Verhoog de maaihoogte van de afdekking of verlaag de rijsnelheid om de belasting van de grasmaaier te verlagen.
	<ul style="list-style-type: none"> De afdekking van de grasmaaier is verstopt door gras en vuil. 	<ul style="list-style-type: none"> Reinig de grasafdekking en controleer of de messen vrij kunnen bewegen.
	<ul style="list-style-type: none"> De grasmaaier is oververhit. 	<ul style="list-style-type: none"> Reduceer de belasting van de grasmaaier, door de maaihoogte van de afdekking te verhogen of verlaag de snelheid van de messen/rijsnelheid en laat de grasmaaier afkoelen.
	<ul style="list-style-type: none"> Het accupack/de accupacks in de accuvakken van de grasmaaier is/zijn oververhit, wat erin resulteert dat de gecombineerde Ah van alle aangesloten accu's lager is dan 15 Ah. 	<ol style="list-style-type: none"> Als het gecombineerde accuvermogen lager is dan 15 Ah, werkt de grasmaaier niet totdat meer accupacks worden aangesloten op de lege accuvakken. Zodra de oververhitte accu de normale temperatuur bereikt, gaat hij direct weer door met het voorzien van stroom voor de grasmaaier.
		<ol style="list-style-type: none"> Reduceer de belasting van de grasmaaier, door de maaihoogte van de afdekking te verhogen of langzamer te maaien om het gebruik te hervatten.
	<ul style="list-style-type: none"> De grasmaaier bevindt zich in de thuisbreng-modus. 	<ul style="list-style-type: none"> Als de grasmaaier zich in de thuisbreng-modus bevindt, gaan de messen automatisch over naar de geringe rotatiesnelheid zonder gras te maaien. De bediener moet stoppen met werken en zo snel mogelijk naar de het acculaadstation gaan.
<ul style="list-style-type: none"> De grasmaaier heeft een vreemd voorwerp geraakt, waardoor de motor is overgegaan naar de zelfbescherming. 	<ul style="list-style-type: none"> Druk de PTO-schakelaar naar beneden en herstart de messen van de grasmaaier. 	
De zoemer-indicator blijft zoemen.	<ul style="list-style-type: none"> De grasmaaier bevindt zich in de thuisbreng-modus en de messen zijn niet uitgeschakeld. 	<ul style="list-style-type: none"> Druk de PTO-schakelaar naar beneden om de messen los te koppelen. De zoemer-indicator stopt als de messen stoppen.
	<ul style="list-style-type: none"> De grasmaaier stopt met bewegen op een helling en de bediener opent de stuurhendels en zit niet op de zitting zonder het parkeerrempedaal in de rempositie te drukken. 	<ul style="list-style-type: none"> Druk het parkeerrempedaal in de rempositie alvorens de grasmaaier op een helling te parkeren.







PROBLEEM	OORZAAK	OPLOSSING
De accu-indicatoren zijn nog steeds aan terwijl de grasmaaier is uitgeschakeld.	<ul style="list-style-type: none"> Als de grasmaaier is uitgeschakeld op een vlakke ondergrond zonder het accupack/de accupacks uit de grasmaaier te halen, blijven de accu-indicatoren nog 3 minuten branden. 	<ul style="list-style-type: none"> U hoeft niets te doen. De accu-indicatoren gaan na een bepaalde tijd uit.
	<ul style="list-style-type: none"> Als de grasmaaier wordt uitgeschakeld op een helling zonder het parkeerrempedaal in de rempositie te zetten, blijven de accu-indicatoren branden totdat de accu leeg is. De zoemer-indicator blijft gelijktijdig zoemen. 	<ul style="list-style-type: none"> Zet het parkeerrempedaal in de rempositie voordat de bediener het gereedschap op een helling laat staan.
Het LCD-scherm begint niet te branden met alle symbolen aan.	<ul style="list-style-type: none"> Er wordt minder dan 3 seconden lang op de start/stop knop gedrukt. 	<ul style="list-style-type: none"> Het LCD-scherm toont alleen 'benzinemeter' als de start/stop knop kort wordt ingedrukt. Het LCD-scherm gaat aan nadat de start/stop knop gedurende 3 seconden werd ingedrukt.
De grasmaaier maait niet gelijkmatig, met duidelijke hoogteverschillen voor en achter.	<ul style="list-style-type: none"> De messen zijn bot. 	<ul style="list-style-type: none"> Slijp of vervang het snijmes zoals vermeld in deze gebruiksaanwijzing.
	<ul style="list-style-type: none"> De messen zijn verbogen. 	<ul style="list-style-type: none"> Vervang het gebogen snijmes volgens de instructies in het hoofdstuk "DE SNIJMESSEN VERVANGEN".
	<ul style="list-style-type: none"> De grasmaaierafdekking is niet genivelleerd, wat voor verschillend hoge snijmessen zorgt. 	<ul style="list-style-type: none"> Nivelleer de grasmaaierafdekking volgens de instructies in hoofdstuk "DE GRASMAAIERAFDEKKING NIVELLEREN".
De daadwerkelijke grasmaaihoogte is niet genivelleerd met de aanbevolen hoogte.	<ul style="list-style-type: none"> De moeren van de grasmaaierafdekking op het ophangingsmechanisme zijn los 	<ul style="list-style-type: none"> Volg de instructies in het hoofdstuk "DE GRASMAAIERAFDEKKING NIVELLEREN" om de voor- en achterkant van de grasmaaierafdekking juist in te stellen en maak de vier moeren op het ophangingsmechanisme goed vast (twee aan elke zijde).
	<ul style="list-style-type: none"> De grasmaaierafdekking is beschadigd of zeer versleten. 	<ul style="list-style-type: none"> Volg de instructies in het hoofdstuk "DE GRASMAAIERAFDEKKING VERWIJDEREN" om de grasmaaierafdekking te vervangen.
De grasmaaier mulcht niet goed.	<ul style="list-style-type: none"> Nat gemaaid gras blijft aan de onderkant van de afdekking plakken. 	<ul style="list-style-type: none"> Wacht totdat het gras droog is voordat u het maait.
	<ul style="list-style-type: none"> De grasmaaier is zo ingesteld dat hij te veel gras in een keer moet maaien. 	<ul style="list-style-type: none"> Beweeg de afdekking omhoog naar de maaihoogte.

PROBLEEM	OORZAAK	OPLOSSING
Er is sprake van excessieve trillingen.	<ul style="list-style-type: none"> De snijmessen zijn los. 	<ul style="list-style-type: none"> Maak de bout van het mes vast met het aanbevolen moment van 50-55 Nm.
	<ul style="list-style-type: none"> De messen zijn verbogen. 	<ul style="list-style-type: none"> Vervang het gebogen snijmes volgens de instructies in het hoofdstuk "DE SNIJMESSEN VERVANGEN".
	<ul style="list-style-type: none"> De grasmaaierafdekking is niet genivelleerd. 	<ul style="list-style-type: none"> Nivelleer de grasmaaierafdekking volgens de instructies in hoofdstuk "DE GRASMAAIERAFDEKKING NIVELLEREN".
	<ul style="list-style-type: none"> De moeren van de grasmaaierafdekking op het ophangingsmechanisme zijn los. 	<ul style="list-style-type: none"> Gebruik een 18 mm steeksleutel (niet inbegrepen) om de vier moeren op het ophangingsmechanisme vast te draaien (twee aan elke zijde).
	<ul style="list-style-type: none"> De grasmaaiër is zo ingesteld dat hij te veel gras in een keer moet maaien. 	<ul style="list-style-type: none"> Beweeg de afdekking omhoog naar de maaihoogte.
Er blijft gras of vuil achter op de grond na het maaien.	<ul style="list-style-type: none"> De grasmaaiër is zo ingesteld dat hij te veel gras in een keer moet maaien als het gras te lang is. 	<ul style="list-style-type: none"> Begin met een hoge maaihoogte en reduceer totdat het gewenste maairesultaat is bereikt. Gras van meer dan 6 inch moet in twee keer worden gemaaid, met opeenvolgend lager wordende hoogtes.
	<ul style="list-style-type: none"> Het gras is nat. 	<ul style="list-style-type: none"> Maai het gras niet als het nat is, wacht totdat het droog is.
	<ul style="list-style-type: none"> De rijsnelheid is te hoog. 	<ul style="list-style-type: none"> Verlaag de rijsnelheid.
	<ul style="list-style-type: none"> De snelheid van het mes is te laag. 	<ul style="list-style-type: none"> Verhoog de snelheid van het mes geleidelijk.
Een korte gebruiksduur van de grasmaaiër met inbegrepen accu.	<ul style="list-style-type: none"> De grasomstandigheden en de maaihoogte-instelling heeft een grote invloed op de looptijd van de accu. De aangegeven looptijd is gebaseerd op een lichte belasting. 	<ul style="list-style-type: none"> Verhoog de maaihoogte van de afdekking of verlaag de snelheid van het mes om de belasting tijdens het maaien te verminderen.
De grasmaaiër loopt niet recht.	<ul style="list-style-type: none"> De bandendruk voor het linker- en rechterachterwiel is verschillend. 	<ul style="list-style-type: none"> Controleer de luchtdruk van beide achterwielen en pas ze aan, in overeenstemming met de aanbeveling in hoofdstuk "DE BANDENSPANNING CONTROLEREN" in deze handleiding.
	<ul style="list-style-type: none"> De rijsnelheden voor het linker- en rechterachterwiel is verschillend. 	<ul style="list-style-type: none"> Kalibreer het trackingsysteem van de grasmaaiër volgens de instructies in het hoofdstuk "HET TRACKINGSYSTEEM VAN DE GRASMAAIER KALIBREREN".
Het parkeerrempedaal kan niet worden ontgrendeld uit de repositie of springt slechts langzaam terug.	<ul style="list-style-type: none"> Er is een hoop vuil of afzetting aan de binnenkant van het parkeerrempedaal. 	<ul style="list-style-type: none"> Open de parkeerrempedaal-box door de binnenkant van de box grondig te reinigen en hem weer te sluiten. Reset het parkeerrempedaal om te zien of het probleem is opgelost. Als dat niet lukt, neemt u contact op met een gekwalificeerde servicemonteur voor reparatie.

PROBLEEM	OORZAAK	OPLOSSING
De grasmaaier kan niet worden geladen via de laadpoort terwijl de statusindicatie van de grasmaaier continu rood brandt.	<ul style="list-style-type: none"> De stekker van de lader is niet juist aangesloten op de laadpoort van de grasmaaier. 	<ul style="list-style-type: none"> Sluit de laadstekker weer aan om te zien of de grasmaaier normaal kan worden opgeladen.
	<ul style="list-style-type: none"> Er staat geen stroom op het stopcontact. 	<ul style="list-style-type: none"> U hoeft niets te doen. Wacht totdat de spanning herstelt.
	<ul style="list-style-type: none"> Storing van de lader. 	<ul style="list-style-type: none"> Neem contact op met een gekwalificeerde onderhoudsmonteur voor inspectie en laad de lader indien nodig repareren.
	<ul style="list-style-type: none"> De laadpoort van de grasmaaier is defect. 	<ul style="list-style-type: none"> Neem contact op met een gekwalificeerde servicemonteur voor reparatie.
De laadduur via de laadpoort van de grasmaaier is te lang.	<ul style="list-style-type: none"> Het gebruik van de EGO-adapter ACA1000 vergt een langere tijd. 	<ul style="list-style-type: none"> Gebruik de EGO lader CHV1600E voor het direct laden van de elektrische zero-turn grasmaaier.
De accu kan niet volledig worden opgeladen via de laadpoort van de grasmaaier.	<ul style="list-style-type: none"> Er is een storing van de firmware van de rijdende grasmaaier of een fout van de lader/accu. 	<ul style="list-style-type: none"> Ontkoppel de lader en wacht minstens 1 minuut, sluit de stekker vervolgens weer aan op het stopcontact. Als dat niet werkt, neemt u contact op met een gekwalificeerde servicemonteur voor reparatie.
De grasmaaier kan niet worden gestart na het reinigen.	<ul style="list-style-type: none"> Onjuiste reiniging, waardoor bijvoorbeeld water in de elektrische componenten, het LCD-scherm etc. komt. 	<ul style="list-style-type: none"> Volg de instructies in het hoofdstuk "DE GRASMAAIER SCHOONMAKEN" om de grasmaaier op de juiste manier schoon te maken.
De grasmaaier kan verstopt raken.	<ul style="list-style-type: none"> De afdekking van de grasmaaier is verstopt door gras en vuil. 	<ul style="list-style-type: none"> Als de grasmaaier onbedoeld in de regen terecht komt, laat u hem 12 uur lang in een droge omgeving of gebruik perslucht om hem te drogen.
		<ul style="list-style-type: none"> Reinig de grasmaaierafdekking na elk gebruik, doe dit aan de hand van het hoofdstuk "Gebruik de waspoort om de grasmaaierafdekking te reinigen".
De grasmaaier verliest snel de tractie als hij een helling moet beklimmen.	<ul style="list-style-type: none"> De banden van de achterwielen zijn versleten. 	<ul style="list-style-type: none"> Ga naar een lokale werkplek om de banden van de wielen te vervangen.
	<ul style="list-style-type: none"> Grote maaihelling. 	<ul style="list-style-type: none"> De helling die u maait moet minder dan 12 graden bedragen.
Als de grasmaaier op een helling stopt met de parkeerrem gedrukt, kan de grasmaaier naar beneden glijden van de helling.	<ul style="list-style-type: none"> De remcomponenten zijn uitermate versleten als gevolg van onjuist gebruik van de grasmaaier. 	<ul style="list-style-type: none"> Neem contact op met een gekwalificeerde servicemonteur voor reparatie.

PROBLEEM	OORZAAK	OPLOSSING
Er komt geen water uit de waspoort tijdens het wassen van de afdekking.	<ul style="list-style-type: none">De waspoort snelkoppeling is niet op de plek van de waspoort gemonteerd.	<ul style="list-style-type: none">Bevestig de waspoort snelkoppeling opnieuw totdat u een klik hoort nadat u hem er stevig op heeft gedrukt. Als dat niet werkt, neemt u contact op met een gekwalificeerde servicemonteur voor reparatie.
Er is een abnormaal geluid als de grasmaaiër handmatig wordt geduwd zonder te starten.	<ul style="list-style-type: none">Het geluid is afkomstig van de magneten aan de binnenkant van de aandrijfmotor.	<ul style="list-style-type: none">Het is normaal en u hoeft niets te doen.

GRASMAAIER STATUSREFERENTIE & STORINGSCODE

LCD-display	Beschrijving	Storing- score op het LCD	Gras- maaier- statu- sindi- cator	Zoemer	Oorzaak	Oplossing
	Het led-lampen symbool wordt weergegeven op het LCD-scherm	n.v.t.	UIT	Nee	De koplampen, zijlampen en achterlichten worden ingeschakeld door de led-lichtschakelaar.	Dit is een normaal proces. U hoeft niets te doen.
	Het USB-symbool wordt weergegeven op het LCD-scherm	n.v.t.	UIT	Nee	USB-symbool brandt om aan te geven dat een USB-apparaat kan werken nadat de grasmaaier juist is gestart.	Dit is een normaal proces. U hoeft niets te doen.
	Het benzinemeter-symbool wordt weergegeven op het LCD-scherm	n.v.t.	UIT	Nee	Het geeft de gemiddelde laadcapaciteit aan van de geplaatste accu's	Dit is een normaal proces. U hoeft niets te doen.
	Het uurmeter-symbool wordt weergegeven op het LCD-scherm	n.v.t.	UIT	Nee	Het geeft de totale rijtijd van de grasmaaier aan in uren en kan niet worden gereset.	Dit is een normaal proces. U hoeft niets te doen.
	Het belastingindicator-symbool wordt weergegeven in het ECO-bereik	n.v.t.	UIT	Nee	Het geeft de huidige belasting van de grasmaaier aan.	Dit is een normaal proces. U hoeft niets te doen.
	Het belastingindicator-symbool wordt weergegeven in het PWR-bereik. Het belastingindicator-symbool wordt weergegeven in het PWR-bereik.	n.v.t.	Knippert rood	Een keer zoemen	De mesmotor is overbelast.	Verhoog de maaihoogte van de afdekking of verlaag de rijnsnelheid om de belasting van de grasmaaier te verlagen.

NL

LCD-display	Beschrijving	Storing-scode op het LCD	Grasmaaier-status-indicator	Zoemer	Oorzaak	Oplossing
	Het veiligheidssleutel symbool knippert.	n.v.t.	UIT	Nee	De veiligheids-sleutel is niet geplaatst.	Plaats de veiligheidssleutel en druk vervolgens minstens 3 seconden lang op de START/STOP knop om de grasmaaier te starten.
					Het LCD-scherm wordt niet van stroom voorzien.	Laat reparaties uitvoeren door een gekwalificeerde servicetechnicus.
	Het symbool van de thermometer knippert.	n.v.t.	UIT	Nee	De accucapaciteit is niet voldoende om de grasmaaier te laten werken.	Om deze grasmaaier te starten, vereisen de accu's een totale lading van 15 Ah (2x BA4200/BA4200T) of meer. Voor de beste prestaties raden wij het gebruik van EGO-accu's aan met een totaal van 30 Ah of meer.
	The icon of the thermometer blinks.	n.v.t.	Knippert rood	Een keer zoemen	De grasmaaier is oververhit.	Reduceer de belasting van de grasmaaier, door de maaihoogte van de afdekking te verhogen of verlaag de snelheid van de messen/rijsnelheid. Pauzeer en laat de grasmaaier afkoelen.

LCD-display	Beschrijving	Storing-score op het LCD	Grasmaaier-statusindicator	Zoemer	Oorzaak	Oplossing
	Het oververhittingssymbool en het betreffende accuvak knippert op hetzelfde moment.	n.v.t.	n.v.t.	Nee	Het accupack in het overeenkomstig genummerde accuvak is oververhit.	<ol style="list-style-type: none"> De grasmaaier kan verder werken als de gecombineerde Ah-waarde van de accu's, inclusief oververhitte accu, gelijk is aan of hoger is dan 15 Ah. Zodra de oververhitte accu de normale temperatuur bereikt, gaat hij direct weer door met het verzieen van stroom voor de grasmaaier. Als het gecombineerde accuvermogen lager is dan 15 Ah, werkt de grasmaaier niet totdat meer accupacks worden aangesloten op de lege accuvakken. Reduceer de belasting van de grasmaaier, door de maaihoogte van de afdekking te verhogen of langzamer te maaien om het gebruik te hervatten.

LCD-display	Beschrijving	Storing-scode op het LCD	Grasmaaier-statusindicator	Zoemer	Oorzaak	Oplossing
	<p>Het symbool van elk bezet accuvak, geringe stroomindicator, accugrafieken of benzinemeter knippert elke seconde op hetzelfde moment op het LCD-scherm. Het eerste segment van de LED-benzinemeter & statusindicator knippert eveneens.</p>	n.v.t.	Knippert rood	Blijft zoemen totdat de PTO-schakelaar naar beneden wordt gedrukt	De accupacks hebben een gering vermogen en de grasmaaier bevindt zich in de thuisbrengmodus.	<p>Stop met werken en breng de accu naar de lader.</p> <p>OPMERKING: Als de grasmaaier zich in de thuisbrengmodus bevindt, gaan de messen automatisch over naar de geringe rotatiesnelheid zonder gras te maaien en hoort u in de tussentijd de zoemer. De bediener moet de PTO-schakelaar naar beneden drukken om de messen los te koppelen. De geluidsindicator stopt met zoemen nadat het mes is gestopt.</p>
	<p>Het symbool van elk gebruikt accuvak en gering vermogen-indicator knippert elke halve seconde.</p>	n.v.t.	UIT	Nee	De accupacks zijn bijna leeg.	De grasmaaier stopt onmiddellijk met werken. De bediener moet de grasmaaier naar de acculader brengen om hem op te laden.
	<p>Het automatisch parkeren-symbool knippert op het LCD.</p>	n.v.t.	UIT	Blijft zoemen	De grasmaaier is geparkeerd op een helling en de bediener laat de grasmaaier achter zonder het rempedaal in de rempositie te zetten, alleen met de stuurhendels in de open positie.	Zet het rempedaal in de rempositie. Het automatisch parkeersymbool gaat uit en de zoemer stopt met zoemen.
	<p>Het rempedaal-symbool wordt weergegeven op het LCD.</p>	n.v.t.	UIT	Nee	Het parkeerrempedaal is ingesteld in de rempositie.	Loslaten voordat u de grasmaaier start.

LCD-display	Beschrijving	Storing-score op het LCD	Grasmaaier-statusindicator	Zoemer	Oorzaak	Oplossing
	Het zittingsensor-symbool wordt weergegeven op het LCD.	n.v.t.	UIT	Nee	De bediener staat op van de stoel of de stoelschakelaar is niet aangesloten.	Als de bediener op de stoel zit, het symbool aan is, stop direct met het gebruik van de grasmaaier en controleer de stoelverbinding. Als de stoelverbinding met de grasmaaier juist is, moet u contact opnemen met een gekwalificeerde servicetechnicus voor reparaties.
	Het PTO-schakelaar symbool knippert.	n.v.t.	UIT	Nee	De mesmotor werd onderbroken en de PTO-schakelaar bevindt zich niet in de uitpositie.	Voor het herstarten van de grasmaaier, drukt u de PTO-schakelaar naar beneden om de motorafdekking te ontkoppelen. Zie alstublieft het hoofdstuk "PROBLEEM-OPLOSSING" in deze handleiding voor meer informatie.
	Het stuurhendelsymbool knippert.	n.v.t.	UIT	Nee	De aandrijfmotor werd onderbroken tijdens het gebruik en de stuurhendels bevinden zich niet in de open positie.	Voor het herstarten van de grasmaaier brengt u de stuurhendels naar de open positie. Zie alstublieft het hoofdstuk "PROBLEEM-OPLOSSING" in deze handleiding voor meer informatie.

LCD-display	Beschrijving	Storing-scode op het LCD	Grasmaaier-status-indicator	Zoemer	Oorzaak	Oplossing	
	Energie-terugwinningsymbool knippert af en toe.	n.v.t.	UIT	Nee	De kinetische energie die wordt opgewekt tijdens het remmen of bergaf rijden is omgezet in elektriciteit om de accupacks op te laden.	Dit is een normaal proces. U hoeft niets te doen.	
Zie "Storing-scode"	De linker aandrijfmotor werkt niet tijdens een rotatie.	PCBA gecontroleerde linker aandrijfmotor werkt niet.	413	UIT	Een keer zoemen	PCBA storing	Laat reparaties uitvoeren door een gekwalificeerde servicetechnicus.
		Stekker (driefase, stroomdraad) aansluiting op de linker aandrijfmotor met de bijbehorende PCBA is losgeraakt.	317	UIT	Een keer zoemen	Losse verbinding	
		Stekker (zes pinnen, signaaldraad) aansluiting op de linker aandrijfmotor met de bijbehorende PCBA is losgeraakt.	301	UIT	Een keer zoemen	Losse verbinding	
		De linker aandrijfmotor werkt niet.	317	UIT	Een keer zoemen	Motorstoring	

LCD-display	Beschrijving		Storing-score op het LCD	Grasmaaier-statusindicator	Zoemer	Oorzaak	Oplossing
Zie "Storing-score"	De rechter aandrijfmotor werkt niet tijdens een rotatie	PCBA gecontroleerde rechter aandrijfmotor werkt niet.	313	UIT	Een keer zoemen	PCBA storing	Laat reparaties uitvoeren door een gekwalificeerde servicetechnicus.
		Stekker (driefase, stroomdraad) aansluiting op de rechter aandrijfmotor met de bijbehorende PCBA is losgeraakt.	417	UIT	Een keer zoemen	Losse verbinding	
		Stekker (zes pinnen, signaaldraad) aansluiting op de rechter aandrijfmotor met de bijbehorende PCBA is losgeraakt.	401	UIT	Een keer zoemen	Losse verbinding	
		De rechter aandrijfmotor werkt niet.	417	UIT	Een keer zoemen	Motorstoring	
Zie "Storing-score"	De linker mesmotor werkt niet tijdens een rotatie.	PCBA gecontroleerde linker mesmotor werkt niet.	607	n.v.t.	Een keer zoemen	PCBA storing	Laat reparaties uitvoeren door een gekwalificeerde servicetechnicus.
		Stekker (driefase, stroomdraad) aansluiting op de linker aandrijfmotor met de bijbehorende PCBA is losgeraakt.	509	n.v.t.	Een keer zoemen	Losse verbinding	Inspecteer eerst het mes. Als het los zit, gebruikt u een 14 mm momentsleutel om de bout met de klok mee vast te draaien. Het aanbevolen moment voor de bout van het mes is 50-55 Nm. Laat reparaties anders uitvoeren door een gekwalificeerde servicetechnicus.
		De linker mesmotor werkt niet.	509	n.v.t.	Een keer zoemen	Motorstoring	Laat reparaties uitvoeren door een gekwalificeerde servicetechnicus.

LCD-display	Beschrijving		Storing-score op het LCD	Grasmaaier-statusindicator	Zoemer	Oorzaak	Oplossing
Zie "Storing-score"	De rechter mesmotor werkt niet tijdens een rotatie.	PCBA gecontroleerde rechter mesmotor werkt niet..	507	n.v.t.	Een keer zoemen	PCBA storing	Laat reparaties uitvoeren door een gekwalificeerde servicetechnicus.
		Stekker (driefase, stroomdraad) aansluiting op de rechter aandrijfmotor met de bijbehorende PCBA is losgeraakt.	609	n.v.t.	Een keer zoemen	Losse verbinding	Inspecteer eerst het mes. Als hij los zit, gebruikt u een 14 mm momentsleutel om de bout met de klok mee vast te draaien. Het aanbevolen moment voor de bout van het mes is 50-55 Nm. Laat reparaties anders uitvoeren door een gekwalificeerde servicetechnicus.
		De rechter mesmotor werkt niet.	609	n.v.t.	Een keer zoemen	Motorstoring	Laat reparaties anders uitvoeren door een gekwalificeerde servicetechnicus.
Zie "Storing-score"	De linker stuurhendel werkt niet.	De linker door PCBA gecontroleerde stuurhendel werkt niet.	311 /412	UIT	Een keer zoemen	PCAB storing	Laat reparaties uitvoeren door een gekwalificeerde servicetechnicus.
		Stek-kerverbinding van de bedien-ende PCBA, in de stuurstang, is los.				Losse verbinding	
Zie "Storing-score"	De rechter stuurhendel werkt niet.	De rechter door PCBA gecontroleerde stuurhendel werkt niet.	312 /411	UIT	Een keer zoemen	PCAB storing	Laat reparaties uitvoeren door een gekwalificeerde servicetechnicus.
		Stek-kerverbinding van de bedienende PCBA, in de stuurstang, is los.				Losse verbinding	

LCD-display	Beschrijving		Storing-score op het LCD	Grasmaaier-statusindicator	Zoemer	Oorzaak	Oplossing
Zie "Storing-score"	De parkeerrem werkt niet, het gereedschap kan niet worden gereden.	De parkeerrem PCBA, die zich aan de montage op het voorframe bevindt, is stuk.	309 /409	UIT	Een keer zoemen	PCBA storing	Laat reparaties uitvoeren door een gekwalificeerde servicetechnicus.
		De parkeerrem-schakelaar en/of kabel is stuk.	801	UIT	Een keer zoemen	Bedrading/schakelaarstoring	
UIT	Laadpoort storing		n.v.t.	Permanent ROOD	n.v.t.	De laadpoort is in open circuit.	Laat reparaties uitvoeren door een gekwalificeerde servicetechnicus.
			n.v.t.	Permanent ROOD	n.v.t.	Er is geen stroomvoorziening.	Controleer het stopcontact of het een spanning van 220 - 240 V levert.
			n.v.t.	Permanent ROOD	n.v.t.	De zekering is doorgebrand.	Laat reparaties uitvoeren door een gekwalificeerde servicetechnicus.
Zie "Storing-score"	Laadpoort storing		204	n.v.t.	Een keer zoemen	De laadpoort is in open circuit.	

LCD-display	Beschrijving	Storing-score op het LCD	Grasmaaier-statusindicator	Zoemer	Oorzaak	Oplossing
Zie “Storing-score”	Accubox montage werkt niet	217	n.v.t.	Een keer zoemen	De stroombron van de accubox montage is stuk. De LED-koplampen en USB zullen niet werken.	Laat reparaties uitvoeren door een gekwalificeerde servicetechnicus.
		310 /410	UIT	Een keer zoemen	De verbinding tussen type C bedrading van de accubox montage en andere type C bedradingen van de grasmaaier werken niet.	
		201 /202 /203	UIT	Een keer zoemen	De BMS van de accubox montage is stuk.	
Zie “Storing-score”	Start/stop schakelaar storing	314 /414	UIT	Een keer zoemen	Schakelaar PCBA storing of slechte bedrading voor de start/stop schakelaar.	Laat reparaties uitvoeren door een gekwalificeerde servicetechnicus.
Zie “Storing-score”	LCD-scherm storing	315 /415	UIT	Een keer zoemen	LCD-montage is stuk of slechte bedrading van de LCD-montage.	Laat reparaties uitvoeren door een gekwalificeerde servicetechnicus.

NL

GARANTIE

EGO GARANTIEBELEID

Bezoek alstublieft de website egopowerplus.com voor de volledige voorwaarden van het EGO garantiebeleid.

LÆS ALLE ANVISNINGER!



LÆS BRUGERVEJLEDNINGEN

⚠ Resterende risiko! Folk med elektroniske enheder, såsom pacemakere, skal spørge deres læge til råds, før de bruger dette produkt. Betjening af elektrisk udstyr i umiddelbar nærhed af en pacemaker, kan forårsage forstyrrelser eller svigt af pacemakeren.

SIKKERHEDSSYMBOL

DK

Formålet med sikkerheds- symboler er at tiltrække din opmærksomhed på mulige farer. Du skal være meget opmærksom på sikkerhedssymbolerne og forklaringerne til dem og lære at forstå dem. Symbolernes advarsler fjerner ikke i sig selv eventuelle farer. De anvisninger og advarsler, de giver ingen erstatninger for ordentlig forebyggelse af ulykker foranstaltninger.

⚠ ADVARSEL: Sørg for at læse og forstå alle sikkerhedsanvisninger i denne brugsanvisning, herunder alle sikkerhedssymboler, såsom **“FARE”**, **“ADVARSEL”** og **“FORSIGTIG”**, før du bruger dette værktøj. Hvis anvisningerne nedenfor ikke følges, kan det føre til elektrisk stød, brand og/eller alvorlig personskade.

SYMBOLERNES BETYDNING

Denne side viser og beskriver sikkerhedssymboler, der kan være på dette produkt. Læs, forstå, og følg alle anvisningerne på maskinen, før du forsøger at samle og betjene den.

SIKKERHEDSSYMBOLER



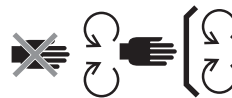
Sikkerhedsadvarsel



Læs og forstå brugsanvisningen



Øjenbeskyttelse



Vedligehold sikkerhedsanordninger



FARE - fare på stejle skråninger



FARE - Hold nærtstående personer væk fra klingerne



Børn må aldrig køre eller sidde på produktet



Kik bagud, når du bakker



ADVARSEL - Denne maskine må ikke bruges på skråninger over 12°.



FARE - Udslyngede fremmedlegemer



ADVARSEL - HOLD HÆNDER OG FØDDER VÆK



Garanteret lydniveau. I henhold til EU-direktiver.



Træd ikke her



Dette produkt er i overensstemmelse med gældende EU-direktiver



Jævnstrøm (DC)

kPa

Kilopascal

V

Volt

tommer

Tomme

Nm

Newton-måler

°C

Celsius

km/t

Kilometer pr. time



Elektriske affaldsprodukter må ikke bortskaffes sammen med husholdningsaffald. Tag det til en godkendt genbrugsplads.



FORSIGTIG - Undgå, at stirre ind i lyset på produktet.



Dette produkt er i overensstemmelse med lovgivningen i Storbritannien.

O/M

Omdrejninger per minut

m

Meter

cm

Centimeter

mm

Millimeter

kg

Kg

IPX4

Grad af beskyttelse mod indtrængning

DK

SPECIFIKATIONER

Spænding		56 V
Dækstørrelse		107 cm
Hjulstørrelse	Forside	11 x 4 tommer (279,4 mm)
	Bagside	18 x 8,5 tommer (457,2 mm)
Koldt dæktryk	Forside	220 kPa
	Bagside	50 kPa
Drejeradius		0
Klinge-hastighed (RPM)		2400, 2600, 2800, 3000
Maks. Kørehastighed (km/t)	Fremad	4,8 km/t, 8 km/t, 9,6 km/t, 11,2 km/t (12,8 km/t på vandringsfunktion)
	Bagud	op til 5,6 km/t
Lader op	Oplader (ekstra-udstyr)	CHV1600E
	Adaptor (ekstra-udstyr)	ACA1000
	Opladningstemperatur-sområde	5°C - 40°C
Indstilling af klippehøjde (10 indstillinger)		25 – 100 mm

Driftstemperatur		0°C- 40°C
Opbevaringstemperatur		-20°C - 70°C
Vægt (uden batteri)		186 kg
Lydtryk ved brugerens øre L_{PA}		96,44 dB(A) K=0,68 dB(A)
Målt lydeffektniveau L_{WA}		84,3 dB(A) K=3,0 dB(A)
Garanteret lydeffekt L_{WA} (målt i henhold til 2000/14/EF)		100 dB(A)
Vibration a_h	Hånd	1,221 m/s ² K=1,5 m/s ²
	Krop	0,568 m/s ² K=1,5 m/s ²

- Den samlede erklærede vibrationsværdi er målt i overensstemmelse med en standard testmetode, og den kan bruges til at sammenligne et værktøj med et andet;
- Den samlede angivne vibrationsværdi kan også bruges ved en foreløbig vurdering af eksponeringen.

BEMÆRK: Vibrationsemissionen ved faktisk brug af elværktøjet kan afvige fra den angivne værdi, hvor værktøjet bruges. For at beskytte brugeren, skal brugeren bruge handsker og høreværn i de faktiske brugsforhold.

BESKRIVELSE

KEND DIN ELEKTRISKE ZERO TURN HAVETRAKTOR (Fig. A1 & A2)

1. Sæde
2. Opladningsstik
3. Batterirum
4. Baglys
5. Opbevaringskasse
6. Kopholdere
7. Sidelys
8. Baghjul (trækhjul)
9. Dæk
10. Dækbeskytter
11. Anti-skrabe-hjul
12. Forhjul
13. Parkeringsbremsepedal
14. Kørelys
15. Forlygter
16. Sideudstødning
17. Justeringshåndtag til dækhøjde
18. Justeringsknop til sædets affjedring
19. Justeringshåndtag til at rykke sæde frem/tilbage
20. Styrehåndtag
21. Plæneklipperens statusindikator
22. LCD-skærm
23. PTO-kontakt
24. Start/stop-knap
25. Sikkerhedsnøgle
26. Opbevaringskasse til telefon
27. Energimåler og statusindikator
- 27a. Indikator til energimåler
- 27b. Plæneklipperens statusindikator
28. Fodstøtteområde
29. Frigivelsesknop til dækslet til strømenheden
30. Dæksel til strømenheden
31. Knap til frigørelse af batteri
32. Træktøj
33. Dæksel til tilbehørsmontering
34. Opbevaringsrum til dækslet til tilbehørsmontering
35. USB-port

DK

KEND LED-SKÆRMEN OG KNAPPERNE (fig. A3)

I afsnittet “KLIPPESTATUSREFERENCE & FEJLKODE” kan du finde flere oplysninger om ikonerne og indikatorerne på LCD-skærmen.

1. Sikkerhedsnøgle-ikon
2. LED-lysiikon
3. Automatisk parkering-ikon
4. USB-ikon
5. Klingehastighed-indikator
6. Sikkerhedsenhed-statusindikator
7. Timemåler
8. Batteri-ikon
9. Overophedning-ikon
10. Drift-ikon
11. Fejlkode-indikator
12. Overbelastning-indikator
13. Lav strøm-indikator
14. Kørehastighed-indikator
15. Belastning-indikator
16. Justeringsknop til klingehastighed
17. Indstillingsknop
18. Kørefunktion-knap
19. LED-lyskontakt
20. Kørehastighed-justeringsknop
21. Energimåler

UDPAKNING

BEMÆRK: Gem emballagen indtil produktet er blevet set nøje efter og du ved det virker ordentligt. Hvis nogen af delene på listen over dele i pakken sidder på maskinen, bedes du straks kontakte EGO.

BEMÆRK: Det er kun værktøjerne på nedenstående liste over dele i pakken, der følger med. Alle andre dele i vejledningerne er blot anbefalede dele.

LISTE OVER DELE I PAKKEN (fig. B1))

B1-1	Elektrisk zero turn plæneklipper	B1-7	Sikkerhedsnøgler
B1-2	Sæde	B1-8	Skruenøgler (13 mm)
B1-3	Tildækningsindsats	B1-9	Unbrakonøgle

B1-4	Styrehåndtag	B1-10	Lynkobling til skyllehul
B1-5	Unbrako-skruer (2 til reserve)	B1-11	Brugervejledning
B1-6	Bolte (2 til reserve)		

UDPAKNING (fig. B2 – fig. B3)

ANBEFALET TILBEHØR

⚠ ADVARSEL: Brug kun originale reservedele på listen nedenfor. Hvis der bruges dele, der ikke opfylder de oprindelige deles specifikationer, kan det påvirke apparatets ydeevne og sikkerheden.

NAVN PÅ DELEN	MODELNUMMER
Standardklinge	AB4200
Klinge til høj klipning	AB4201
Tildækningsindsats	AMP4200
Græsbeholdersæt	ABK4200-A

SAMLING

MONTERING AF SÆDET (fig. C1 & C2)

⚠ ADVARSEL: Låsesystemet må ikke låses op eller omgås. Hvis dette gøres, kan plæneklipperen køre uventet, hvilket kan føre til personskader.

BEMÆRK: Af hensyn til din sikkerhed holder plæneklipperen op med at køre, hvis sædekontakten afbrydes under kørslen. I dette tilfælde bedes du se afsnittet **“FEJLFINDING”** for yderligere oplysninger.

C1-1	Kabel	C1-5	Unbrako-skruer
C1-2	Stik	C2-1	Krog
C1-3	Stik	C2-2	Stålskinner
C1-4	Affjedringsbund	C2-3	Unbrako-skruer

MONTERING AF STYREHÅNDTAGENE (fig. C3)

C3-1	Styrehåndtag	C3-3	Monteringshuller til styrehåndtag
C3-2	Bolte		

MONTERING AF TILDÆKNINGSINDSATSEN (fig. C4)

C4-1	Sideudstødning	C4-3	Flytbar fjedr
C4-2	Tildækningsindsats		

BETJENING

INDEN PLÆNEKLIPPEREN TAGES I BRUG

Kontrol af miljøet

- Sørg for, at der ikke er nogen børn, personer eller kæledyr i området.
- Ryd arbejdsområdet for genstande, der kan slynges væk af klingerne.
- Sørg for, at LED-lysene virker og er indstillet rigtigt:
 - Forlygterne, sidelygterne og baglygter styres med LED-lyskontakten.
 - Køreløset er altid tændt under kørslen.
 - Når du bakker, når baglygterne er slukket, blinker de. Dette er for at advare omkringstående personer. Hvis baglygterne er tændt, forbliver de tændte.
 - Alle lygterne slukker automatisk efter 3 minutter uden drift

Kontrol af kold dæktryk (fig. D1)

Kontrol af plæneklipperens status og batteriets opladningsniveau

- Plæneklipperens energimåler-indikator (fig. A2 - 27a)

Hvert del af plæneklipperens energimåler viser 20% opladning af batteripakkerne i plæneklipperne.

BEMÆRK: Plæneklipperens energimåler-indikator og energimåler på LCD-skærmen viser den gennemsnitlige kapacitet på batteripakkerne i plæneklipperen.

- Plæneklipperens statusindikator (fig. A1 & fig. A2 - 27b)

Hvis statusindikatoren lyser grøn, er plæneklipperen klar til at køre. Hvis ikke bedes du se afsnittet **“KLIPPESTATUSREFERENCE & FEJLKODE”**

Test af låsesystemet (fig. D2 - fig. D8)

BEMÆRK: Brugeren skal sidde på sædet før testen påbegyndes.

- Før testen (fig. D2 – fig. D4)

- b. For at teste dæk-klingesystemet (fig. D5), skal du langsomt rejse dig fra sædet
- c. For at teste drivsystemet (fig. D6 - fig. D8), skal du langsomt rejse dig fra sædet

Hvis dæk-klingesystemet og/eller drivsystemet ikke stopper, når brugeren har rejst sig fra sædet, og hvis årsagen ikke kan findes efter stikforbindelserne til sædet er blevet kontrolleret, bedes du kontakte dit EGO kundeservicecenter øjeblikkeligt.

JUSTERING (fig. E1 – fig. E13)

Forberedelse (fig. E1 – fig. E5)

Justering af højden på klippedækket (fig. E6)

Justering af anti-skrabe-hjulene (fig. E7 – fig. E10)

E7-1	Antiscalp-wiel	E9-2	Lange moer
E9-1	Moer	E10-1	Dekhoogte label

Aanpassen van de zitting (afb. E11)

Pas de zitpositie aan om te waarborgen dat u goed contact heeft met het parkeerrempedaal alvorens de grasmaaier te bedienen. Aanpassing van de vering van de zitting kan u helpen de meest comfortabele ervaring van de zitting te hebben.

E11-1	Stoel vooruit-achteruit aanpassingshendel	E11-2	Stoelvering aanpassingsknop
-------	---	-------	-----------------------------

De parkeerrem instellen (afb. E12 - afb. E13)

E13-1	Rempositie	E13-2	Ontgrendelde positie
-------	------------	-------	----------------------

LADEN (afb. F1 - afb. F11)

Om deze grasmaaier te starten, vereisen de accu's een totale lading van 15 Ah (2x BA4200/BA4200T) of meer. Voor de beste prestaties raden wij het gebruik van EGO-accu's aan met een totaal van 30 Ah of meer.

Gebruik alleen met de aanbevolen accupacks en laders. (Afb. F9 & F10)

Vorbereitung voor het laden (afb. F1 - afb. F4)

De accupack(s) apart laden (afb. F5 - afb. F9)

F5-1	Vrijgave-knop voor de afdek-king	F7-1	Accu-ontgrendelingsknop
------	----------------------------------	------	-------------------------

- Het accupack/de accupacks bevestigen (afb. F5 - afb. F6)
- Het accupack/de accupacks verwijderen (afb. F7 - afb. F8)

OPMERKING: Laad het accupack/de accupacks in overeenstemming met de handleidingen van de betreffende accu's en laders.

De accupacks laden via de laadpoort (afb. F10)

F10-1	Stofafdekking	F10-2	Laadpoort
-------	---------------	-------	-----------

DE ELEKTRISCHE ZERO-TURN GRASMAAIER STARTEN (afb. A4 - afb. A5 & afb. G1 - afb. G6)

⚠ WAARSCHUWING: Voorkom plotselinge starts/stops, en draaiingen, maar ook buitensporige snelheid, in het bijzonder tijdens het leren van de omgang met de grasmaaier. De grasmaaier kan snel draaien, waardoor u de controle kunt verliezen wat tot ernstig letsel en/of schade kan leiden.

⚠ WAARSCHUWING: Alvorens de grasmaaier te starten, moet u de messen controleren en er zeker van zijn dat ze niet draaien als u de PTO-schakelaar naar beneden drukt. Als de messen niet stoppen, mag u de grasmaaier niet gebruiken en moet u direct contact opnemen met de EGO-klantenservice.

OPMERKING: Volg afb. A4 & afb. G2 om de geringste rijnsnelheid en de **STANDAARD** rijmodus te krijgen totdat u volledig in staat bent de grasmaaier in alle situaties te gebruiken. De rijnsnelheid en rijmodus worden alleen geactiveerd als de wielen van de grasmaaier stilstaan en de hendels van het stuur open zijn.

De grasmaaier slaat de huidige instelling op en geeft deze weer bij de volgende herstart.

Rijmodus

- **BEDIENING:** Geringe versnelling, minder gevoelige omgang en een geringe snelheid in de bochten om het gras te beschermen en voor nieuwe gebruikers.
- **STANDAARD:** Perfect voor dagelijks gebruik.
- **SPORT:** Hogere versnelling, nauwkeurige omgang en scherpe bochten om de maai-effectiviteit te maximaliseren en voor enthousiaste gebruikers.

Aanpassing van de rijnsnelheid (afb. A4)

Aanpassing van de snelheid van de messen (afb. A5)

OPMERKING: Når produktet står på funktionen "TRAVEL", skal du trykke på "↩", hvorefter kørehastigheden går tilbage til den forrige funktion.

USB poort

OPMERKING: De USB-poort biedt een laadmogelijkheid van 5 Volt DC met een gecombineerde afname van 1,5 ampère en staat alleen ter beschikking als de grasmaaier loopt.

DE ELEKTRISCHE ZERO-TURN GRASMAAIER STOPPEN (afb. H1 - afb. H6)

OPMERKING: Als er meer dan 60 minuten geen activiteit plaatsvindt, gaat de grasmaaier vanzelf uit.

Thuisbreng-modus

Als het accuniveau gering is, gaat de grasmaaier naar de thuisbreng-modus:

- De grasmaaier stopt automatisch met het maaien van gras;
- De zoemer-indicator blijft afgaan;
- De grasmaaier statusindicator knippert elke seconde rood, het eerste segment van de grasmaaier benzine-meter knippert rood en beide indicatoren voor gering accuvermogen en de accugrafiek op de benzine-meter knipperen.

De bediener moet:

- a) de PTO-schakelaar naar beneden (afb. H3) drukken om de messen los te koppelen. De zoemer-indicator stopt als de messen stoppen;
- b) Stop met werken en ga zo snel mogelijk naar de acculader. De maximale afstand die de grasmaaier kan afleggen bedraagt 1000 m.

Als de accu bijna leeg is, knippert het symbool van elk gebruikt accuvak en gering vermogen-indicator elke halve seconde. De grasmaaier stopt onmiddellijk met werken. De bediener moet de grasmaaier naar de acculader brengen om hem op te laden.

Handmatig duwen

Als u handmatig moet duwen, zorg er dan voor dat de accu's zijn losgekoppeld van de grasmaaier en het parkeerrem-pedaal is ontkoppeld van de rempositie.

DE ELEKTRISCHE ZERO-TURN GRASMAAIER RIJDEN (afb. I1 - afb. I9)

Om te stoppen, verhoogt of verlaagt u de snelheid en verandert u langzaam de afstand van de stuurhendel naar de neutrale positie.

⚠ GEVAAR: Blijf op minstens twee maai breedtes (2,14 m) afstand van greppels, hellingen of water. De voorwielen kunnen draaien als de grasmaaier is gestopt, zelfs als de rem is geactiveerd, en kunnen ervoor zorgen dat de grasmaaier over de rand gaat of in het water beland wat de dood of ernstig letsel tot gevolg kan hebben.

⚠ WAARSCHUWING: Let op wat zich achter de grasmaaier bevindt als u achteruit rijdt. Maai NIET in de achteruit tenzij dit absoluut noodzakelijk is. Kijk altijd naar beneden en achter u voordat u achteruit rijdt om ervoor te zorgen dat zich geen kinderen, omstanders of huisdieren binnen het maai bereik bevindt. Denk eraan dat een fractie van een seconde onoplettendheid ernstig letsel teweeg kan brengen.

⚠ WAARSCHUWING: Gebruik de machine niet op de openbare weg.

⚠ WAARSCHUWING: Als er sprake van een blokkade is of als u een vreemd voorwerp raakt, dient u de motor te stoppen en de accu's te verwijderen. Verwijder vastzittend gras, bladeren, verontreinigingen en ander opgehoopt vuil; inspecteer de grasmaaier grondig op schade en repareer de schade alvorens de grasmaaier weer te starten en te gebruiken.

ONDERHOUD

⚠ WAARSCHUWING: Draag altijd een veiligheidsbril met zijschermen. Als u dit niet doet kan het ertoe leiden dat voorwerpen in uw ogen terechtkomen wat ernstig letsel kan veroorzaken.

⚠ WAARSCHUWING: Bescherm altijd uw handen door handschoenen te dragen of door de snijvlakken met doeken of andere materialen in te wikkelen voordat u onderhoud aan de messen van de grasmaaier uitvoert. Verwijder altijd de veiligheidssleutel en de accupacks tijdens onderhoud aan of transport van de grasmaaier.

Onderhoudsinterval	Onderhoudsprocedure
Voor elk gebruik of dagelijks	<ul style="list-style-type: none"> Controleer het veiligheidsvergrendelingsstelsel. Visuele controle of de banden plat zijn. Controleer of de messen zijn versleten, gescheurd of gebogen. Controleer het gehele product op beschadigingen, ontbrekende of los zittende onderdelen zoals de zijkoker, schroeven, moeren, bouten, doppen etc., zorg ervoor dat alle beschermingen op hun plek zitten en correct werken. Controleer de werking van de rem.
Na elk gebruik	<ul style="list-style-type: none"> De grasmaaierafdekking reinigen.
Elke 25 uur	<ul style="list-style-type: none"> Controleer de bandendruk.
Elke 50 uur	<ul style="list-style-type: none"> Controleer de smering aan de binnenkant van de flens van de messen.
Elke 100 uur	<ul style="list-style-type: none"> Controleer de achterwielen; zorg ervoor dat de 4 slotbouten zijn aangehaald met het aanbevolen koppel.
Elke 200 uur	<ul style="list-style-type: none"> Controleer de voorwielen, zorg dat ze vrij kunnen draaien.
Jaarlijks	<ul style="list-style-type: none"> Controleer het parkeerrempedaal. Verwijder de accu van de grasmaaier en zet de parkeerrem in de parkeerpositie. Druk de grasmaaier met de hand naar voren om te zien of de grasmaaier beweegt of niet. Als hij nog beweegt, moet u hem laten onderhouden door een gekwalificeerde onderhoudsmonteur.

DE GRASMAAIER SCHOONMAKEN (afb. J1 - afb. J9)

Vorbereitung (afb. J1 - afb. J5)

De behuizing van de grasmaaier reinigen (afb. J6 - afb. J7)

Gebruik de waspoort om de grasmaaierafdekking te reinigen (afb. J8 - afb. J9)

J8-1	Waspoort	J8-3	Tuinslang
J8-2	Waspoort snelkoppeling		

OPMERKING: Als u klaar bent met de reiniging, drukt u de PTO-schakelaar naar beneden om de messen van de grasmaaier te ontkoppelen.

ONDERHOUD VAN DE GRASMAAIERAFDEKKING EN DE MESSEN

Vorbereitung (afb. K1 - afb. K6)

Verwijder de grasmaaierafdekking (afb. K7 - afb. K8)

K7-1	Motorkabel	K7-3	Ophangingsmechanisme
K7-2	Splitpen		

OPMERKING: Koppel de motorkabels los en maak de splitpenen aan beide zijden van de grasmaaierafdekking los.

Vervang de snijmessen (afb. K9 - afb. K11)

K9-1	Stabilisator	K10-3	Mes
K10-1	Bout	K10-4	Flens
K10-2	Sluitring	K10-5	Motorschacht

De grasmaaierafdekking nivelleren

a. Wanneer moet worden genivelleerd (afb. K12 - afb. K14)

b. Voor het nivelleren

- Controleer de bandenspanning in koude toestand (afb. K15)
- Controleer de snijmessen. Verwijder en vervang indien nodig versleten, gescheurde en/of gebogen messen.

c. Vorbereitung voor het nivelleren (afb. K16 - afb. K21)

d. Hoe te nivelleren

- Een aanpassing van zijkant naar zijkant maken (afb. K22)

Het verschil tussen de afstanden H1 & H2 gemeten vanaf de onderste rand van elk mes naar de grond moet binnen 5 mm liggen.

K22-1	Borgmoer
-------	----------

- **Een aanpassing van voor- naar achterkant maken (afb. K23)**

De voorste punt H3 van het mes moet van 2 mm tot 10 mm lager zijn dan de achterste punt H4.

HET GRASMAAIER TRACKING-SYSTEEM KALIBREREN (afb. L1 - afb. L6 & afb. L7 - afb. L12)

OPMERKING: De zoemer-indicator is een keer te horen als de kalibratie wordt gestart en als de kalibratie is afgesloten.

DE GRASMAAIER RESETTEN NAAR DE STANDAARD INSTELLINGEN (afb. M1 - afb. M4)

OPMERKING: De zoemer-indicator is een keer te horen als het resetten wordt gestart en als het resetten is afgesloten.

OPSLAG & TRANSPORT

DE GRASMAAIER TRANSPORTEREN (AFB. N1 – AFB. N11)

OPMERKING: Beveilig de grasmaaier indien nodig, gebruik banden of kabels om bewegingen tijdens het transport te voorkomen. Tijdens het laden of lossen van de grasmaaier mag u de maximum aanbevolen gebruikshoek van 12° tussen helling en bodem niet overschrijden.

OPSLAG (afb. 01 - afb. 06)

- **OPMERKING:** Verwijder de accupacks en berg de accu's op volgens de instructies in de betreffende handleidingen.


Reinig en controleer de grasmaaier alvorens hem op te bergen en zie hiervoor de hoofdstukken “**DE GRASMAAIER SCHOONMAKEN**” en “**AANBEVOLEN ONDERHOUDSSCHEMA(S)**”.

Beskyttelse af miljøet




WEEE (Waste Electrical and Electronic Equipment) Elektrisk udstyr, batterioplader og batterier må ikke smides ud sammen med almindelig husholdningsaffald! Tag dette produkt til en autoriseret genbrugsplads, og sørg for at det sendes til genbrug. Elektriske værktøjer skal returneres til et miljøkompatibelt genvindingsanlæg.

PROBLEEMOPLOSSING

PROBLEEM	OORZAAK	OPLOSSING
<p>De elektrische zero-turn grasmaaier rijdt niet terwijl de twee stuurhendels in het begin naar voren of naar achteren worden gedrukt.</p>  <p>Het stuurniveausymbool knippert</p>	<ul style="list-style-type: none"> De gecombineerde Ah van de aangesloten accu's is minder dan 15 Ah. 	<ul style="list-style-type: none"> Om deze grasmaaier te starten, vereisen de accu's een totale lading van 15 Ah (2x BA4200/BA4200T) of meer. Voor de beste prestaties raden wij het gebruik van accu's met een totaal van 30 Ah of meer aan.
	<ul style="list-style-type: none"> Het parkeerrempedaal bevindt zich in de rempositie. 	<ul style="list-style-type: none"> Druk het parkeerrempedaal volledig in om hem te ontkoppelen uit de rempositie.
	<ul style="list-style-type: none"> De stuurhendels bevinden zich niet in de geopende positie als de grasmaaier wordt gestart. 	<ul style="list-style-type: none"> Breng de stuurhendels terug naar de open positie en start de grasmaaier opnieuw.
	<ul style="list-style-type: none"> De bediener zit niet op de zitting. 	<ul style="list-style-type: none"> Alleen als de bediener juist op de zitting zit, kan hij de grasmaaier bedienen.
	<ul style="list-style-type: none"> De schakelaar van de zitting is niet juist aangesloten. 	<ul style="list-style-type: none"> Verwijder de accu uit de grasmaaier en demonteer de zitting in omgekeerde volgorde van de instructies in het hoofdstuk "DE ZITTING INSTALLEREN" in deze handleiding om te aansluiting van de stoelschakelaar te controleren. Monteer de zitting weer en volg de instructies in "START DE ELEKRISCHE ZERO-TURN GRASMAAIER" om de grasmaaier opnieuw te starten en zie of de grasmaaier kan worden gestart. Als dat niet lukt, neemt u contact op met een gekwalificeerde servicemonteur voor reparatie.
	<ul style="list-style-type: none"> Bij extreem koud eer kan de rijfunctie eventueel niet succesvol starten als gevolg van de bescherming tegen lage temperaturen. 	<ul style="list-style-type: none"> Berg de grasmaaier en de accu altijd op in een warme omgeving. Herstart de grasmaaier als hij is opgewarmd. Voer alstublieft geen herhaaldelijke pogingen onder extreem koude omstandigheden uit omdat deze de machine kunnen beschadigen. Aanbevolen bedrijfstemperatuur is 0°C - 40°C.

DK

PROBLEEM	OORZAAK	OPLOSSING
De elektrische zero-turn grasmaaier stopt met rijden.	<ul style="list-style-type: none"> De stuurhendels moeten worden 'gereset'. 	<ul style="list-style-type: none"> Breng de stuurhendels terug naar de open positie en start de grasmaaier opnieuw.
	<ul style="list-style-type: none"> De elektronische bedieningscomponenten van de stuurhendels werken niet. 	<ul style="list-style-type: none"> Neem contact op met een gekwalificeerde servicemonteur voor reparatie.
	<ul style="list-style-type: none"> De schakelaar van de zitting is niet meer aangesloten tijdens het rijden op een ruw terrein. 	<ul style="list-style-type: none"> Verwijder de accu uit de grasmaaier en demonteer de zitting in omgekeerde volgorde van de instructies in het hoofdstuk “DE ZITTING INSTALLEREN” in deze handleiding om te aansluiting van de stoelschakelaar te controleren. Monteer de zitting weer en volg de instructies in “START DE ELEKTRISCHE ZERO-TURN GRASMAAIER” om de grasmaaier opnieuw te starten en zie of de grasmaaier kan worden gestart. Als dat niet lukt, neemt u contact op met een gekwalificeerde servicemonteur voor reparatie.
De rijnsnelheid/rijmodus kan tijdens het rijden niet worden aangepast.	<ul style="list-style-type: none"> Dit is een eigenschap van de elektrische zero-turn grasmaaier om veilig te rijden. 	<ul style="list-style-type: none"> De functie wordt alleen geactiveerd als de wielen van de grasmaaier stilstaan en de hendels van het stuur open zijn.
De elektrische zero-turn grasmaaier start de messen niet als de PTO-schakelaar wordt gedrukt.  Het PTO-schakelaar symbool knippert	<ul style="list-style-type: none"> De gecombineerde Ah van de aangesloten accu's is minder dan 15 Ah. 	<ul style="list-style-type: none"> Om deze grasmaaier te starten, vereisen de accu's een totale lading van 15 Ah (2x BA4200/BA4200T) of meer. Voor de beste prestaties raden wij het gebruik van accu's met een totaal van 30 Ah of meer aan.
	<ul style="list-style-type: none"> De PTO-schakelaar is niet naar beneden gedrukt toen de grasmaaier de laatste keer werd gestopt. 	<ul style="list-style-type: none"> Druk de PTO-schakelaar naar beneden en herstart de messen van de grasmaaier.
	<ul style="list-style-type: none"> De grasmaaier is overbelast op het moment dat de messen starten, wat erin resulteert dat de motor zichzelf beschermt. 	<ul style="list-style-type: none"> Start de grasmaaier eerst met een lage snelheid van de messen en totdat de messen de juiste rotatie bereiken, mag u de snelheid van de messen niet in de gewenste snelheid verhogen.
	<ul style="list-style-type: none"> Bij extreem koud eer kan de motor van de messen eventueel niet succesvol starten als gevolg van de bescherming tegen lage temperaturen. 	<ul style="list-style-type: none"> Berg de grasmaaier en de accu altijd op in een warme omgeving. Herstart de grasmaaier als hij is opgewarmd. Voer alstublieft geen herhaaldelijke pogingen onder extreem koude omstandigheden uit omdat deze de machine kunnen beschadigen. Aanbevolen bedrijfstemperatuur is 0°C - 40°C.
	<ul style="list-style-type: none"> Het mes raakt de vervormde grasmaaierafdekking. 	<ul style="list-style-type: none"> Neem contact op met een gekwalificeerde servicemonteur voor reparatie.

PROBLEEM	OORZAAK	OPLOSSING
De messen stoppen tijdens het maaien van gras.	<ul style="list-style-type: none"> De grasmaaier is overbelast. 	<ul style="list-style-type: none"> Verhoog de maaihoogte van de afdekking of verlaag de rijsnelheid om de belasting van de grasmaaier te verlagen.
	<ul style="list-style-type: none"> De afdekking van de grasmaaier is verstopt door gras en vuil. 	<ul style="list-style-type: none"> Reinig de grasafdekking en controleer of de messen vrij kunnen bewegen.
	<ul style="list-style-type: none"> De grasmaaier is oververhit. 	<ul style="list-style-type: none"> Reduceer de belasting van de grasmaaier, door de maaihoogte van de afdekking te verhogen of verlaag de snelheid van de messen/rijsnelheid en laat de grasmaaier afkoelen.
	<ul style="list-style-type: none"> Het accupack/de accupacks in de accuvakken van de grasmaaier is/zijn oververhit, wat erin resulteert dat de gecombineerde Ah van alle aangesloten accu's lager is dan 15 Ah. 	<ol style="list-style-type: none"> Als het gecombineerde accuvermogen lager is dan 15 Ah, werkt de grasmaaier niet totdat meer accupacks worden aangesloten op de lege accuvakken. Zodra de oververhitte accu de normale temperatuur bereikt, gaat hij direct weer door met het verziën van stroom voor de grasmaaier..
		<ol style="list-style-type: none"> Reduceer de belasting van de grasmaaier, door de maaihoogte van de afdekking te verhogen of langzamer te maaien om het gebruik te hervatten.
	<ul style="list-style-type: none"> De grasmaaier bevindt zich in de thuisbreng-modus. 	<ul style="list-style-type: none"> Als de grasmaaier zich in de thuisbreng-modus bevindt, gaan de messen automatisch over naar de geringe rotatiesnelheid zonder gras te maaien. De bediener moet stoppen met werken en zo snel mogelijk naar de het acculaadstation gaan.
<ul style="list-style-type: none"> De grasmaaier heeft een vreemd voorwerp geraakt, waardoor de motor is overgegaan naar de zelfbescherming. 	<ul style="list-style-type: none"> Druk de PTO-schakelaar naar beneden en herstart de messen van de grasmaaier. 	
De zoemer-indicator blijft zoemen.	<ul style="list-style-type: none"> De grasmaaier bevindt zich in de thuisbreng-modus en de messen zijn niet uitgeschakeld. 	<ul style="list-style-type: none"> Druk de PTO-schakelaar naar beneden om de messen los te koppelen. De zoemer-indicator stopt als de messen stoppen.
	<ul style="list-style-type: none"> De grasmaaier stopt met bewegen op een helling en de bediener opent de stuurhendels en zit niet op de zitting zonder het parkeerrempedaal in de repositie te drukken. 	<ul style="list-style-type: none"> Druk het parkeerrempedaal in de repositie alvorens de grasmaaier op een helling te parkeren.

PROBLEEM	OORZAAK	OPLOSSING
De accu-indicatoren zijn nog steeds aan terwijl de grasmaaier is uitgeschakeld.	<ul style="list-style-type: none"> Als de grasmaaier is uitgeschakeld op een vlakke ondergrond zonder het accupack/de accupacks uit de grasmaaier te halen, blijven de accu-indicatoren nog 3 minuten branden. 	<ul style="list-style-type: none"> U hoeft niets te doen. De accu-indicatoren gaan na een bepaalde tijd uit.
	<ul style="list-style-type: none"> Als de grasmaaier wordt uitgeschakeld op een helling zonder het parkeerrempeedaal in de rempositie te zetten, blijven de accu-indicatoren branden totdat de accu leeg is. De zoemer-indicator blijft gelijktijdig zoemen. 	<ul style="list-style-type: none"> Zet het parkeerrempeedaal in de rempositie voordat de bediener het gereedschap op een helling laat staan.
Het LCD-scherm begint niet te branden met alle symbolen aan.	<ul style="list-style-type: none"> Er wordt minder dan 3 seconden lang op de start/stop knop gedrukt. 	<ul style="list-style-type: none"> Het LCD-scherm toont alleen 'benzinemeter' als de start/stop knop kort wordt ingedrukt.
		<ul style="list-style-type: none"> Het LCD-scherm gaat aan nadat de start/stop knop gedurende 3 seconden werd ingedrukt.
De grasmaaier maait niet gelijkmatig, met duidelijke hoogteverschillen voor en achter.	<ul style="list-style-type: none"> De messen zijn bot. 	<ul style="list-style-type: none"> Slijp of vervang het snijmes zoals vermeld in deze gebruiksaanwijzing.
	<ul style="list-style-type: none"> De messen zijn verbogen. 	<ul style="list-style-type: none"> Vervang het gebogen snijmes volgens de instructies in het hoofdstuk "DE SNIJMESSEN VERVANGEN".
	<ul style="list-style-type: none"> De grasmaaierafdekking is niet genivelleerd, wat voor verschillend hoge snijmessen zorgt. 	<ul style="list-style-type: none"> Nivelleer de grasmaaierafdekking volgens de instructies in hoofdstuk "DE GRASMAAIERAFDEKKING NIVELLEREN".
De daadwerkelijke grasmaaihoogte is niet genivelleerd met de aanbevolen hoogte.	<ul style="list-style-type: none"> De moeren van de grasmaaierafdekking op het ophangingsmechanisme zijn los 	<ul style="list-style-type: none"> Volg de instructies in het hoofdstuk "DE GRASMAAIERAFDEKKING NIVELLEREN" om de voor- en achterkant van de grasmaaierafdekking juist in te stellen en maak de vier moeren op het ophangingsmechanisme goed vast (twee aan elke zijde).
	<ul style="list-style-type: none"> De grasmaaierafdekking is beschadigd of zeer versleten. 	<ul style="list-style-type: none"> Volg de instructies in het hoofdstuk "DE GRASMAAIERAFDEKKING VERWIJDEREN" om de grasmaaierafdekking te vervangen.
De grasmaaier mulcht niet goed.	<ul style="list-style-type: none"> Nat gemaaid gras blijft aan de onderkant van de afdekking plakken. 	<ul style="list-style-type: none"> Wacht totdat het gras droog is voordat u het maait.
	<ul style="list-style-type: none"> De grasmaaier is zo ingesteld dat hij te veel gras in een keer moet maaien. 	<ul style="list-style-type: none"> Beweeg de afdekking omhoog naar de maaihoogte.

PROBLEEM	OORZAAK	OPLOSSING
Er is sprake van excessieve trillingen.	<ul style="list-style-type: none"> De snijmessen zijn los. 	<ul style="list-style-type: none"> Maak de bout van het mes vast met het aanbevolen moment van 50-55 Nm.
	<ul style="list-style-type: none"> De messen zijn verbogen. 	<ul style="list-style-type: none"> Vervang het gebogen snijmes volgens de instructies in het hoofdstuk "DE SNIJMESSEN VERVANGEN".
	<ul style="list-style-type: none"> De grasmaaierafdekking is niet genivelleerd. 	<ul style="list-style-type: none"> Nivelleer de grasmaaierafdekking volgens de instructies in hoofdstuk "DE GRASMAAIERAFDEKKING NIVELLEREN".
	<ul style="list-style-type: none"> De moeren van de grasmaaierafdekking op het ophangingsmechanisme zijn los. 	<ul style="list-style-type: none"> Gebruik een 18 mm steeksleutel (niet inbegrepen) om de vier moeren op het ophangingsmechanisme vast te draaien (twee aan elke zijde).
	<ul style="list-style-type: none"> De grasmaaier is zo ingesteld dat hij te veel gras in een keer moet maaien. 	<ul style="list-style-type: none"> Beweeg de afdekking omhoog naar de maaihoogte.
Er blijft gras of vuil achter op de grond na het maaien.	<ul style="list-style-type: none"> De grasmaaier is zo ingesteld dat hij te veel gras in een keer moet maaien als het gras te lang is. 	<ul style="list-style-type: none"> Begin met een hoge maaihoogte en reduceer totdat het gewenste maairesultaat is bereikt. Gras van meer dan 6 inch moet in twee keer worden gemaaid, met opeenvolgend lager wordende hoogtes.
	<ul style="list-style-type: none"> Het gras is nat. 	<ul style="list-style-type: none"> Maai het gras niet als het nat is, wacht totdat het droog is.
	<ul style="list-style-type: none"> De rijsnelheid is te hoog. 	<ul style="list-style-type: none"> Verlaag de rijsnelheid.
Een korte gebruiksduur van de grasmaaier met inbegrepen accu.	<ul style="list-style-type: none"> De rijsnelheid van het mes is te laag. 	<ul style="list-style-type: none"> Verhoog de snelheid van het mes geleidelijk.
	<ul style="list-style-type: none"> De grasomstandigheden en de maaihoogte-instelling heeft een grote invloed op de looptijd van de accu. De aangegeven looptijd is gebaseerd op een lichte belasting. 	<ul style="list-style-type: none"> Verhoog de maaihoogte van de afdekking of verlaag de snelheid van het mes om de belasting tijdens het maaien te verminderen.
De grasmaaier loopt niet recht.	<ul style="list-style-type: none"> De bandendruk voor het linker- en rechterachterwiel is verschillend. 	<ul style="list-style-type: none"> Controleer de luchtdruk van beide achterwielen en pas ze aan, in overeenstemming met de aanbeveling in hoofdstuk "DE BANDENSPANNING CONTROLEREN" in deze handleiding.
	<ul style="list-style-type: none"> De rijsnelheden voor het linker- en rechterachterwiel is verschillend. 	<ul style="list-style-type: none"> Kalibreer het trackingsysteem van de grasmaaier volgens de instructies in het hoofdstuk "HET TRACKINGSYSTEEM VAN DE GRASMAAIER KALIBREREN".
Het parkeerrempeedaal kan niet worden ontgrendeld uit de rempositie of springt slechts langzaam terug.	<ul style="list-style-type: none"> Er is een hoop vuil of afzetting aan de binnenkant van het parkeerrempeedaal. 	<ul style="list-style-type: none"> Open de parkeerrempeedaal-box door de binnenkant van de box grondig te reinigen en hem weer te sluiten. Reset het parkeerrempeedaal om te zien of het probleem is opgelost. Als dat niet lukt, neemt u contact op met een gekwalificeerde servicemonteur voor reparatie.

PROBLEEM	OORZAAK	OPLOSSING
De grasmaaier kan niet worden geladen via de laadpoort terwijl de statusindicatie van de grasmaaier continu rood brandt.	<ul style="list-style-type: none"> De stekker van de lader is niet juist aangesloten op de laadpoort van de grasmaaier. 	<ul style="list-style-type: none"> Sluit de laadstekker weer aan om te zien of de grasmaaier normaal kan worden opgeladen.
	<ul style="list-style-type: none"> Er staat geen stroom op het stopcontact. 	<ul style="list-style-type: none"> U hoeft niets te doen. Wacht totdat de spanning herstelt.
	<ul style="list-style-type: none"> Storing van de lader. 	<ul style="list-style-type: none"> Neem contact op met een gekwalificeerde onderhoudsmonteur voor inspectie en laad de lader indien nodig repareren.
	<ul style="list-style-type: none"> De laadpoort van de grasmaaier is defect. 	<ul style="list-style-type: none"> Neem contact op met een gekwalificeerde servicemonteur voor reparatie.
De laadduur via de laadpoort van de grasmaaier is te lang.	<ul style="list-style-type: none"> Het gebruik van de EGO-adapter ACA1000 vergt een langere tijd. 	<ul style="list-style-type: none"> Gebruik de EGO lader CHV1600E voor het direct laden van de elektrische zero-turn grasmaaier.
De accu kan niet volledig worden opgeladen via de laadpoort van de grasmaaier.	<ul style="list-style-type: none"> Er is een storing van de firmware van de rijdende grasmaaier of een fout van de lader/accu. 	<ul style="list-style-type: none"> Ontkoppel de lader en wacht minstens 1 minuut, sluit de stekker vervolgens weer aan op het stopcontact. Als dat niet werkt, neemt u contact op met een gekwalificeerde servicemonteur voor reparatie.
De grasmaaier kan niet worden gestart na het reinigen.	<ul style="list-style-type: none"> Onjuiste reiniging, waardoor bijvoorbeeld water in de elektrische componenten, het LCD-scherm etc. komt. 	<ul style="list-style-type: none"> Volg de instructies in het hoofdstuk "DE GRASMAAIER SCHOONMAKEN" om de grasmaaier op de juiste manier schoon te maken.
De grasmaaier kan verstopt raken.	<ul style="list-style-type: none"> De afdekking van de grasmaaier is verstopt door gras en vuil. 	<ul style="list-style-type: none"> Als de grasmaaier onbedoeld in de regen terecht komt, laat u hem 12 uur lang in een droge omgeving of gebruik perslucht om hem te drogen.
		<ul style="list-style-type: none"> Reinig de grasmaaierafdekking na elk gebruik, doe dit aan de hand van het hoofdstuk "Gebruik de waspoort om de grasmaaierafdekking te reinigen".
De grasmaaier verliest snel de tractie als hij een helling moet beklimmen.	<ul style="list-style-type: none"> De banden van de achterwielen zijn versleten. 	<ul style="list-style-type: none"> Ga naar een lokale werkplek om de banden van de wielen te vervangen.
	<ul style="list-style-type: none"> Grote maaihelling. 	<ul style="list-style-type: none"> De helling die u maait moet minder dan 12 graden bedragen.
Als de grasmaaier op een helling stopt met de parkeerrem gedrukt, kan de grasmaaier naar beneden glijden van de helling.	<ul style="list-style-type: none"> De remcomponenten zijn uitermate versleten als gevolg van onjuist gebruik van de grasmaaier. 	<ul style="list-style-type: none"> Neem contact op met een gekwalificeerde servicemonteur voor reparatie.

PROBLEEM	OORZAAK	OPLOSSING
Er komt geen water uit de waspoort tijdens het wassen van de afdekking.	<ul style="list-style-type: none">▪ De waspoort snelkoppeling is niet op de plek van de waspoort gemonteerd.	<ul style="list-style-type: none">▪ Bevestig de waspoort snelkoppeling opnieuw totdat u een klik hoort nadat u hem er stevig op heeft gedrukt. Als dat niet werkt, neemt u contact op met een gekwalificeerde servicemonteur voor reparatie.
Er is een abnormaal geluid als de grasmaaier handmatig wordt geduwd zonder te starten.	<ul style="list-style-type: none">▪ Het geluid is afkomstig van de magneten aan de binnenkant van de aandrijfmotor.	<ul style="list-style-type: none">▪ Het is normaal en u hoeft niets te doen.

DK

KEES VAN DER SPEK
TUINMACHINES ★ STOLWIJK

GRASMAAIER STATUSREFERENTIE & STORINGSCODE

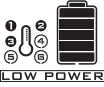


LCD-display	Beschrijving	Storing- score op het LCD	Gras maaier- statu- sindicator	Zoemer	Oorzaak	Oplossing
	Het led-lampen symbool wordt weergegeven op het LCD-scherm	n.v.t.	UIT	Nee	De koplampen, zijlampen en achterlichten worden ingeschakeld door de led-lichtschakelaar.	Dit is een normaal proces. U hoeft niets te doen.
	Het USB-symbool wordt weergegeven op het LCD-scherm	n.v.t.	UIT	Nee	USB-symbool brandt om aan te geven dat een USB-apparaat kan werken nadat de grasmaaier juist is gestart.	Dit is een normaal proces. U hoeft niets te doen.
	Het benzinemeter-symbool wordt weergegeven op het LCD-scherm	n.v.t.	UIT	Nee	Het geeft de gemiddelde laadcapaciteit aan van de geplaatste accu's	Dit is een normaal proces. U hoeft niets te doen.
	Het uurmeter-symbool wordt weergegeven op het LCD-scherm	n.v.t.	UIT	Nee	Het geeft de totale rijtijd van de grasmaaier aan in uren en kan niet worden gereset.	Dit is een normaal proces. U hoeft niets te doen.
	Het belastingindicator-symbool wordt weergegeven in het ECO-bereik	n.v.t.	UIT	Nee	Het geeft de huidige belasting van de grasmaaier aan.	Dit is een normaal proces. U hoeft niets te doen.
	De overbelastingindicator knippert.	n.v.t.	Knippert rood	Een keer zoemen	De mesmotor is overbelast.	Verhoog de maaihoogte van de afdekking of verlaag de rijsnelheid om de belasting van de grasmaaier te verlagen.

DK


LCD-display	Beschrijving	Storing-score op het LCD	Grasmaaier-status-indicator	Zoemer	Oorzaak	Oplossing
	Het belastingindicator-symbool wordt weergegeven in het PWR-bereik.	n.v.t.	UIT	Nee	De veiligheidssleutel is niet geplaatst.	Plaats de veiligheidssleutel en druk vervolgens minstens 3 seconden lang op de START/STOP knop om de grasmaaier te starten.
					Het LCD-scherm wordt niet van stroom voorzien.	Laat reparaties uitvoeren door een gekwalificeerde servicetechnicus.
	Het symbool van een leeg accuvak knippert.	n.v.t.	UIT	Nee	De accucapaciteit is niet voldoende om de grasmaaier te laten werken.	Om deze grasmaaier te starten, vereisen de accu's een totale lading van 15 Ah (2x BA4200/BA4200T) of meer. Voor de beste prestaties raden wij het gebruik van EGO-accu's aan met een totaal van 30 Ah of meer.
	Het symbool van de thermometer knippert.	n.v.t.	Knippert rood	Een keer zoemen	De grasmaaier is oververhit.	Reduceer de belasting van de grasmaaier, door de maaihoogte van de afdekking te verhogen of verlaag de snelheid van de messen/rijsnelheid. Pauzeer en laat de grasmaaier afkoelen.

LCD-display	Beschrijving	Storing-score op het LCD	Grasmaaier-status-indicator	Zoemer	Oorzaak	Oplossing
	<p>Het oververhittingssymbool en het betreffende accuvak knippert op hetzelfde moment.</p>	n.v.t.	n.v.t.	Nee	<p>Het accupack in het overeenkomstig genummerde accuvak is oververhit.</p>	<p>1. De grasmaaier kan verder werken als de gecombineerde Ah-waarde van de accu's, inclusief oververhitte accu, gelijk is aan of hoger is dan 15 Ah. Zodra de oververhitte accu de normale temperatuur bereikt, gaat hij direct weer door met het voorzien van stroom voor de grasmaaier.</p> <p>2. Als het gecombineerde accuvermogen lager is dan 15 Ah, werkt de grasmaaier niet totdat meer accupacks worden aangesloten op de lege accuvakken.</p> <p>3. Reduceer de belasting van de grasmaaier, door de maaihoogte van de afdekking te verhogen of langzamer te maaien om het gebruik te hervatten.</p>

DK

LCD-display	Beschrijving	Storing-score op het LCD	Grasmaaier-status-indicator	Zoemer	Oorzaak	Oplossing
	<p>Het symbool van elk bezet accuvak, geringe stroomindicator, accugrafieken of benzine-meter knippert elke seconde op hetzelfde moment op het LCD-scherm. Het eerste segment van de LED-benzine-meter & statusindicator knippert eveneens.</p>	n.v.t.	Knippert rood	Blijft zoemen totdat de PTO-schakelaar naar beneden wordt gedrukt	De accupacks hebben een gering vermogen en de grasmaaier bevindt zich in de thuisbrengmodus.	<p>Stop met werken en breng de accu naar de lader.</p> <p>OPMERKING: Als de grasmaaier zich in de thuisbrengmodus bevindt, gaan de messen automatisch over naar de geringe rotatiesnelheid zonder gras te maaien en hoort u in de tussentijd de zoemer. De bediener moet de PTO-schakelaar naar beneden drukken om de messen los te koppelen. De geluidsindicator stopt met zoemen nadat het mes is gestopt.</p>
	<p>Het symbool van elk gebruikt accuvak en gering vermogen-indicator knippert elke halve seconde.</p>	n.v.t.	UIT	Nee	De accupacks zijn bijna leeg.	De grasmaaier stopt onmiddellijk met werken. De bediener moet de grasmaaier naar de acculader brengen om hem op te laden.
	<p>Het automatisch parkeren-symbool knippert op het LCD.</p>	n.v.t.	UIT	Blijft zoemen	De grasmaaier is geparkeerd op een helling en de bediener laat de grasmaaier achter zonder het rempedaal in de rempositie te zetten, alleen met de stuurhendels in de open positie.	Zet het rempedaal in de rempositie. Het automatisch parkeersymbool gaat uit en de zoemer stopt met zoemen.

LCD-display	Beschrijving	Storing-score op het LCD	Grasmaaier-status-indicator	Zoemer	Oorzaak	Oplossing
	Het rempedaal-symbool wordt weergegeven op het LCD.	n.v.t.	UIT	Nee	Het parkeerrempedaal is ingesteld in de rempositie.	Loslaten voordat u de grasmaaier start.
	Het zittingsensor-symbool wordt weergegeven op het LCD.	n.v.t.	UIT	Nee	De bediener staat op van de stoel of de stoelschakelaar is niet aangesloten.	Als de bediener op de stoel zit, het symbool aan is, stop direct met het gebruik van de grasmaaier en controleer de stoelverbinding. Als de stoelverbinding met de grasmaaier juist is, moet u contact opnemen met een gekwalificeerde servicetechnicus voor reparaties.
	Het PTO-schakelaar symbool knippert.	n.v.t.	UIT	Nee	De mesmotor werd onderbroken en de PTO-schakelaar bevindt zich niet in de uit-positie.	Voor het herstarten van de grasmaaier, drukt u de PTO-schakelaar naar beneden om de moto-rafdekking te ontkoppelen. Zie alstublieft het hoofdstuk "PROBLEEM-OPLOSSING" in deze handleiding voor meer informatie.
	Het stuurhendelsymbool knippert.	n.v.t.	UIT	Nee	De aandrijfmotor werd onderbroken tijdens het gebruik en de stuurhendels bevinden zich niet in de open positie.	Voor het herstarten van de grasmaaier brengt u de stuurhendels naar de open positie. Zie alstublieft het hoofdstuk "PROBLEEM-OPLOSSING" in deze handleiding voor meer informatie.

LCD-display	Beschrijving	Storing-score op het LCD	Grasmaaier-status-indicator	Zoemer	Oorzaak	Oplossing	
	Energie-terugwinningsymbool knippert af en toe.	n.v.t.	UIT	Nee	De kinetische energie die wordt opgewekt tijdens het remmen of bergaf rijden is omgezet in elektriciteit om de accupacks op te laden.	Dit is een normaal proces. U hoeft niets te doen.	
Zie "Storing-score"	De linker aandrijfmotor werkt niet tijdens een rotatie.	PCBA gecontroleerde linker aandrijfmotor werkt niet.	413	UIT	Een keer zoemen	PCBA storing	Laat reparaties uitvoeren door een gekwalificeerde servicetechnicus.
		Stekker (driefase, stroomdraad) aansluiting op de linker aandrijfmotor met de bijbehorende PCBA is losgeraakt.	317	UIT	Een keer zoemen	Losse verbinding	
		Stekker (zes pinnen, signaaldraad) aansluiting op de linker aandrijfmotor met de bijbehorende PCBA is losgeraakt.	301	UIT	Een keer zoemen	Losse verbinding	
		De linker aandrijfmotor werkt niet.	317	UIT	Een keer zoemen	Motorstoring	

LCD-display	Beschrijving		Storing-score op het LCD	Grasmaaier-status-indicator	Zoemer	Oorzaak	Oplossing
Zie "Storing-score"	De rechter aandrijfmotor werkt niet tijdens een rotatie.	PCBA gecontroleerde rechter aandrijfmotor werkt niet.	313	UIT	Een keer zoemen	PCBA storing	Laat reparaties uitvoeren door een gekwalificeerde servicetechnicus.
		Stekker (driefase, stroomdraad) aansluiting op de rechter aandrijfmotor met de bijbehorende PCBA is losgeraakt.	417	UIT	Een keer zoemen	Losse verbinding	
		Stekker (zes pinnen, signaaldraad) aansluiting op de rechter aandrijfmotor met de bijbehorende PCBA is losgeraakt.	401	UIT	Een keer zoemen	Losse verbinding	
		De rechter aandrijfmotor werkt niet.	417	UIT	Een keer zoemen	Motorstoring	

DK

LCD-display	Beschrijving		Storing-score op het LCD	Grasmaaier-status-indicator	Zoemer	Oorzaak	Oplossing
Zie "Storing-score"	De linker mesmotor werkt niet tijdens een rotatie.	PCBA gecontroleerde linker mesmotor werkt niet.	607	n.v.t.	Een keer zoemen	PCBA storing	Laat reparaties uitvoeren door een gekwalificeerde servicetechnicus.
		Stekker (driefase, stroomdraad) aansluiting op de linker aandrijfmotor met de bijbehorende PCBA is losgeraakt.	509	n.v.t.	Een keer zoemen	Losse verbinding	Inspecteer eerst het mes. Als het los zit, gebruikt u een 14 mm moment-sleutel om de bout met de klok mee vast te draaien. Het aanbevolen moment voor de bout van het mes is 50-55 Nm. Laat reparaties anders uitvoeren door een gekwalificeerde service-technicus.
		De linker mesmotor werkt niet.	509	n.v.t.	Een keer zoemen	Motorstoring	
Zie "Storing-score"	De rechter mesmotor werkt niet tijdens een rotatie.	PCBA gecontroleerde rechter mesmotor werkt niet.	507	n.v.t.	Een keer zoemen	PCBA storing	Laat reparaties uitvoeren door een gekwalificeerde servicetechnicus.
		Stekker (driefase, stroomdraad) aansluiting op de rechter aandrijfmotor met de bijbehorende PCBA is losgeraakt.	609	n.v.t.	Een keer zoemen	Losse verbinding	Inspecteer eerst het mes. Als hij los zit, gebruikt u een 14 mm moment-sleutel om de bout met de klok mee vast te draaien. Het aanbevolen moment voor de bout van het mes is 50-55 Nm. Laat reparaties anders uitvoeren door een gekwalificeerde servicetechnicus.
		De rechter mesmotor werkt niet.	609	n.v.t.	Een keer zoemen	Motorstoring	

LCD-display	Beschrijving		Storing-score op het LCD	Grasmaaier-status-indicator	Zoemer	Oorzaak	Oplossing
Zie "Storing-score"	De linker stuurhendel werkt niet.	De linker door PCBA gecontroleerde stuurhendel werkt niet.	311 /412	UIT	Een keer zoemen	PCAB storing	Laat reparaties uitvoeren door een gekwalificeerde servicetechnicus..
		Stekkerverbinding van de bedienende PCBA, in de stuurstang, is los.				Losse verbinding	
Zie "Storing-score"	De rechter stuurhendel werkt niet.	De rechter door PCBA gecontroleerde stuurhendel werkt niet.	312 /411	UIT	Een keer zoemen	PCAB storing	Laat reparaties uitvoeren door een gekwalificeerde servicetechnicus..
		Stekkerverbinding van de bedienende PCBA, in de stuurstang, is los.				Losse verbinding	
Zie "Storing-score"	De parkeerrem werkt niet, het gereedschap kan niet worden gereden.	De parkeerrem PCBA, die zich aan de montage op het voorframe bevindt, is stuk.	309 /409	UIT	Een keer zoemen	PCBA storing	Laat reparaties uitvoeren door een gekwalificeerde servicetechnicus..
		De parkeerremschakelaar en/of kabel is stuk.	801	UIT	Een keer zoemen	Bedrading/schakelaarstoring	

LCD-display	Beschrijving	Storing-score op het LCD	Grasmaaier-status-indicator	Zoemer	Oorzaak	Oplossing
UIT	Laadpoort storing	n.v.t.	Permanent ROOD	n.v.t.	De laadpoort is in open circuit.	Laat reparaties uitvoeren door een gekwalificeerde servicetechnicus..
		n.v.t.	Permanent ROOD	n.v.t.	Er is geen stroomvoorziening.	Check the wall outlet whether there is 220 V-240 V supplied or the socket is good.
		n.v.t.	Permanent ROOD	n.v.t.	De zekering is doorgebrand.	Laat reparaties uitvoeren door een gekwalificeerde servicetechnicus..
Zie "Storing-score"	Laadpoort storing	204	n.v.t.	Een keer zoemen	De laadpoort is in open circuit.	
Zie "Storing-score"	Accubox montage werkt niet	217	n.v.t.	Een keer zoemen	De stroombron van de accubox montage is stuk. De LED-koplampen en USB zullen niet werken.	Laat reparaties uitvoeren door een gekwalificeerde servicetechnicus..
		310 /410	UIT	Een keer zoemen	De verbinding tussen type C bedrading van de accubox montage en andere type C bedradingen van de grasmaaier werken niet.	
		201 /202 /203	UIT	Een keer zoemen	De BMS van de accubox montage is stuk.	
Zie "Storing-score"	Start/stop schakelaar storing	314 /414	UIT	Een keer zoemen	Schakelaar PCBA storing of slechte bedrading voor de start/stop schakelaar.	Laat reparaties uitvoeren door een gekwalificeerde servicetechnicus..

LCD-display	Beschrijving	Storing-scode op het LCD	Grasmaaier-status-indicator	Zoemer	Oorzaak	Oplossing
Zie "Storing-scode"	LCD-scherm storing	315 /415	UIT	Een keer zoemen	LCD-montage is stuk of slechte bedrading van de LCD-montage.	Laat reparaties uitvoeren door een gekwalificeerde servicetechnicus..

GARANTIE

EGO GARANTIEBELEID

Bezoek alstublieft de website egopowerplus.com voor de volledige voorwaarden van het EGO garantiebeleid.

DK

KEES VAN DER SPEK
TUINMACHINES ★ STOLWIJK

LÄS IGENEJM ALLA INSTRUKTIONER!



LÄS IGENOM BRUKSANVISNINGEN

⚠ Dolda risker! Personer med elektroniska enheter såsom pacemaker skall rådfråga sin läkare innan denna produkt används. Användning av elektronisk utrustning i närheten av en pacemaker kan orsaka störningar eller fel på pacemakern.

SÄKERHETSSYMBOL

SE

Syftet med säkerhetssymboler är att uppmärksamma eventuella faror. Säkerhetssymbolerna och förklaringarna av dessa kräver din fullständiga uppmärksamhet och förståelse. Symbolvarningarna i sig eliminerar inte några faror. Instruktionerna och varningarna som ges är inte något substitut för korrekta åtgärder för förhindrande av olyckor.

⚠ VARNING: Var Nejsa med att läsa igeNejm och förstå alla säkerhetsinstruktioner i denna bruksanvisning, inklusive alla varningssymboler såsom **“FARA”**, **“VARNING”** och **“FÖRSIKTIGHET”** innan detta verktyg används. Underlåtenhet att läsa alla instruktioner som listas nedan kan resultera i elektrisk stöt, brand och/eller allvarlig personskada.

SYMBOLBETYDELSE

Denna sida framställer och beskriver säkerhetssymboler som kan visas på denna produkt. Läs igeNejm, förstå och följ alla instruktioner på maskinen innan försök görs att montera och hantera den.

SÄKERHETSSYMBOLER



Säkerhetslarm



Ögonskydd



FARA – Risk med brant sluttning



Transportera aldrig barn



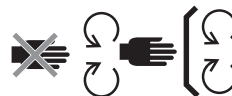
VARNING - Använd inte denna maskin i lutningar som är större än 12°.



VARNING - HÅLL UNDAN HÄNDER OCH FÖTTER



Läs igeNejm och förstå bruksanvisningen



Underhålla säkerhetsenheter



FARA – Håll åskådare undan från bladen



Titta bakåt när du backar



FARA - Ivägslungade objekt



Garanterad ljudeffektnivå. I enlighet med EU-direktivet.



Kliv inte



Denna produkt är i enlighet med tillämplig EG-direktiv.



Likström

kPa

Kilopascal

V

Volt

in

Tum

Nm

Newtonmeter

°C

Celsius

km/h

Kilometer per timme



Förbrukade elektriska produkter får inte kastas i hushållssoporna. Lämna in dem till en auktoriserad återvinningsstation.



VARNING - Stirra inte i i arbetslampan.



Denna produkt uppfyller tillämpliga lagar i Storbritannien.

RPM

Varv per minut

m

meter

cm

Centimeter

mm

Millimeter

kg

Kilogram

IPX4

Ingång skyddsgrad

SE

SPECIFIKATIONER

Spänning		56 V
Däckstorlek		107 cm
Hjulstorlek	Front	11 x 4 tum (279,4 mm)
	Bak	18 x 8,5 tum (457,2 mm)
Kallt däcktryck	Front	220 kPa
	Bak	50 kPa
Svängradie		0
Bladhastighet (RPM)		2400, 2600, 2800, 3000
Max. Körhastighet (km/h)	Framåt	4,8 km/h, 8 km/h, 9,6 km/h, 11,2 km/h (12,8 km/h i transportmodell)
	Bakåt	upp till 5,6 km/h
Laddar	Laddare (tillval)	CHV1600E
	Adapter (tillval)	ACA1000
	Temperaturområde laddning	5°C - 40°C
Inställnings klipphöjd (10 positioner)		25 – 100 mm

Driftstemperatur		0°C - 40°C
Förvaringstemperatur		-20°C - 70°C
Vikt (utan batteripaket)		186 kg
Uppmätt ljudeffektnivå L_{WA}		96,44 dB(A) K=0,68 dB(A)
Ljudtrycksnivå vid operatörens öra L_{PA}		84,3 dB(A) K=3,0 dB(A)
Garanterad ljudeffektnivå L_{WA} (mätt enligt 2000/14/EG)		100 dB(A)
Vibration a_h	Hand	1,221 m/s ² K=1,5 m/s ²
	Kropp	0,568 m/s ² K=1,5 m/s ²

- Det deklarerade totala vibrationsvärdet har uppmätts i enlighet med en standardtestmetod och kan användas för att jämföra ett verktyg med ett annat.
- Det deklarerade totala vibrationsvärdet kan också användas i en preliminär utvärdering av exponeringen.

NOTERA: Vibrationsutstrålningen under verklig användning av elverktyg kan skilja sig från det deklarerade värdet i vilken verktyget används. För att skydda användaren skall skyddshandskar och hörselskydd användas under faktiska användningsförhållandet.

BESKRIVNING

LÄR KÄNNA DEN SPAKSTYRDA GRÄSKLIPPAREN (Bild A1 och A2)

1. Säte
2. Laddningsuttag
3. Batterifack
4. Bakre LED-lampor
5. Förvaringsbox
6. Kopphållare
7. LED sidobelysning
8. Bakre hjul (drivhjul)
9. Däck
10. Däckskydd
11. Antiskalp-hjul
12. Framhjul
13. Parkeringsbromspedal
14. Körlampor
15. LED-strålkastare
16. Sidoutkastare
17. Inställningsspak klipphöjd
18. Inställningsratt sätesupphängning
19. Inställningsspak förflyttning av sätet framåt eller bakåt
20. Styrspak
21. Statusindikator gräsklippare
22. LCD-skärm
23. PTO-omkopplare
24. Start-/Stoppknapp
25. Säkerhetsnyckel
26. Telefonförvaringsbox
27. Bränslemätare och statusindikator gräsklippare
- 27a. Bränslemätarindikator gräsklippare
- 27b. Indikator gräsklipparstatus
28. Fotstödsområde
29. Låsknapp lock till strömenhet
30. Lock strömenhet
31. Låsknapp för batteriet
32. Hake
33. Tillsats monteringslock
34. Tillsats förvaring monteringslock
35. USB-uttag

LÄR KÄNNA LCD-SKÄRMEN OCH KNAPPARNA (Bild A3)

Se sektionen "STATUSREFERENS OCH FELKODER FÖR GRÄSKLIPPARE" för ytterligare information ikonerna och indikatorerna på LCD-skärmen.

1. Ikon säkerhetsnyckel
2. Ikon LED-lampa
3. Ikon automatisk parkering
4. USB-ikon
5. Indikatorer bladhastighet
6. Statusindikator säkerhetsenhet
7. Timmätare
8. Batteriikon
9. Ikon överhettning
10. Körläge
11. Indikator felkod
12. Indikator överbelastning
13. Indikator låg effekt
14. Indikatorer körhastighet
15. Belastningsindikator
16. Inställningsknapp bladhastighet
17. Inställningsknapp
18. Knapp körläge
19. Omkopplare LED-lampa
20. Inställningsknapp körhastighet
21. Bränslemätare

UPPACKNING

NOTERA: Spara förpackningsmaterialet tills du Nejggrant har inspekterat och tillfredsställande använt produkten. Om någon del i förpackningslistan är monterad på maskinen kontakta omedelbart EGO-service.

NOTERA: Förutom verktygen i nedanstående förpackningslista är alla andra verktyg som nämns i manualerna bara rekommendationer och medföljer inte.

FÖRPACKNINGSLISTA (bild B1)

B1-1	Elektrisk spakstyrd gräsklippare	B1-7	Säkerhetsnycklar
B1-2	Säte	B1-8	Öppna skruvnycklar (13 mm)
B1-3	Mulchingtillsats	B1-9	Insexnyckel

B1-4	Styrspak	B1-10	Snabbkoppling tvättuttag
B1-5	Insexskruvar (2 för backup)	B1-11	Bruksanvisning
B1-6	Sexkantsbultar (2 för backup)		

UPPACKNING (bild B2 – bild B3)

REKOMMENDERADE TILLBEHÖR

⚠ VARNING: Använd endast identiska utbytesdelar som listas nedan. Användning av delar som inte uppfyller originaldelarnas specifikationer kan leda till felaktig prestanda och riskera säkerheten.

ARTIKELNAMN	MODELLNUMMER
Standardblad	AB4200
Hög Lyftblad	AB4201
Mulchingtillsats	AMP4200
Gräsupsamlings-sats	ABK4200-A

MONTERING

INSTALLERA SÄTET (Bild C1 och C2)

⚠ VARNING: Säkerhetsspärssystemet får inte fränkopplas eller förbikopplas. Om så görs kan det orsaka att gräsklipparen arbetar oväntat och resultera i personskador.

NOTERA: För din säkerhet kan gräsklipparen stanna om sätets omkopplare fränkopplas under körningen. I detta fall se sektionen **“FELSÖKNING”** för ytterligare information.

C1-1	Kabel:	C1-5	Insexskruvar
C1-2	Kontakt	C2-1	Krok
C1-3	Uttag	C2-2	StålskeNejr
C1-4	Upphångningsbas	C2-3	Insexskruvar

INSTALLERA STYRSPAKARNA (Bild C3)

C3-1	Styrspakar	C3-3	Monter-ingshåll styrspak
C3-2	Sexkantsbultar		

FÄSTA MULCHINGTILLSATSEN (Bild C4)

C4-1	Sidoutkastare	C4-3	Flyttbar fjäder
C4-2	Mulchingtillsats		

DRIFT

INNAN GRÄSKLIPPAREN ANVÄNDS

Kontrollera omgivningen

- Se till att inga barn, åskådare eller husdjur är iNejm arbetsområdet.
- Rensa området från föremål som kan kastas iväg av gräsklipparens blad.
- Kontrollera och se till att LED-lamporna har korrekt status.
 - Strålkastarna, sidolamporna och bakljusen kontrolleras med LED-lampomkopplaren.
 - Körlamporna lyser alltid under körning.
 - Vid backning, om bakljusen är avstängda kommer de att blinka för att varna åskådare, om bakljusen är påslagna kommer de att förbli på.
 - Alla lampor stängs av automatiskt efter mer än tre minuter utan aktivitet.

Kontrollera de kalla däckens tryck (bild D1)

Kontrollera gräsklipparens status och batteriets laddningsnivå.

- Gräsklippare bränslemätarindikator (bild A2 - 27a)

Varje segment av gräsklipparens bränslemätarindikator indikerar 20% laddning på isatta batteripaketet.

NOTERA: Gräsklipparens bränslemätarindikator och bränslemätaren på LCD-skärmen indikerar geNejmsnittlig kapacitet hor de isatta batteripaketet.

- Gräsklipparens statusindikator (bild A1 och bild A2 - 27b)

Om statusindikatorn visar grön är gräsklipparen redo att köras. Om inte, se sektionen **“STATUSREFERENS OCH FELKODER FÖR GRÄSKLIPPARE”**

Testa säkerhetsspärssystemet (bild D2 - bild D8)

NOTERA: Operatören måste sitta på sätet innan test.

- Innan test (bild D2 – bild D4)
- För att testa däckbladssystemet (bild D5) ställ dig långsamt upp

- c. För att testa körsystemet (bild D6 - bild D8) ställ dig långsamt upp

Om däckbladsystemet och/eller körsystemet inte stoppar när operatören reser från sätet och om orsaken inte kan fastställas efter att det bekräftats att kontakten och uttagsanslutningen för sätet är ordentligt anslutet kontaktar du EGO kundtjänst omedelbart.

JUSTERING (bild E1 – bild E13)

Förberedelse (bild E1 – bild E5)

Inställning av klipphöjden (bild E6)

Inställning av antiskalp-hjulen (bild E7 – bild E10)

E7-1	Antiskalp-hjul	E9-2	Lockskruv
E9-1	Mutter	E10-1	Etikett däckhöjd

Inställning av sätet (bild E11)

Justera sätets position så att du får bra kontakt med parkeringsbromspedalen innan gräsklipparen används. Sätets upphängningsinställning gör att du kan hitta den mest bekväma upplevelsen i sätet.

E11-1	Inställningsspak förflyttning av sätet framåt eller bakåt	E11-2	Inställningsratt sättesupphängning
-------	---	-------	------------------------------------

Ställa in parkeringsbromsen (bild E12 – bild E13)

E13-1	Bromsposition	E13-2	Frisläppt position
-------	---------------	-------	--------------------

LADDNING (bild F1 – bild F11)

För att starta denna gräsklippare krävs EGO-batterier på totalt 15 Ah (2 X BA4200/BA4200T) eller mer. För bästa prestanda rekommenderar vi användning av EGO-batterier på totalt 30 Ah eller mer.

Använd endast med de rekommenderade batteripaketet och laddarna. (bild F9 och F10)

Förberedelser för laddning (bild F1 – bild F4)

Ladda batteripaketet separat. (bild F5 – bild F9)

F5-1	Låsknapp för hölje	F7-1	Låsknapp för batteri
------	--------------------	------	----------------------

- Montera batteripaketet (bild F5 – bild F6)
- Ta bort batteripaket (bild F7 – bild F8)

NOTERA: För att ladda batteriet se motsvarande manual för batteriet och laddaren.

Ladda batteripaketet via laddningsuttag (bild F10)

F10-1	Dammlock	F10-2	Laddningsuttag
-------	----------	-------	----------------

STARTA DEN ELEKTRISKA SPAKSTYRDA GRÄSKLIPPAREN (bild A4 – bild A5 och bild G1 – bild G6)

⚠ VARNING: Undvik plötsliga starter, stopp och svängningar samt överdriven hastighet, särskilt under första inläringen av hanteringen av gräsklipparen. Gräsklipparen kan accelerera iväg snabbt vilket kan göra att du tappar kontrollen vilket kan resultera i allvarliga personskador och/eller egendomsskador.

⚠ VARNING: Innan gräsklipparen startas, kontrollera och se till att bladen är inaktiverade när PTO-omkopplaren trycks nedåt. Om bladen inte stoppar, använd inte gräsklipparen och kontakta EGO kundtjänst omedelbart.

NOTERA: Följ bild A4 och bild G2 för att få den lägsta körhastigheten och **STANDARD** körläge tills du är fullt kapabel att hantera gräsklipparen i alla situationer. Körhastigheten och körläget kommer endast att aktiveras när gräsklipparens hjul stoppats och styrspeaken är öppen.

Gräsklipparen kommer att spara och presentera den tidigare inställningen när den startas igen.

Körläge

- **KONTROLL:** Lägre acceleration, mindre känslig hantering och försiktig svängningshastighet för att skydda gräset och för nya användare.
- **STANDARD:** Perfekt för daglig användning.
- **SPORT:** Högre acceleration, korrekt hantering och skarpa svängningar för att maximera klippeffektiviteten och för gräsklipparentusiaster.

Inställning körhastighet (bild A4)

Inställning bladhastighet (bild A5)

NOTERA: I "RES-läge", tryck på "↶", körhastigheten kommer att återgå till det föregående läget.

USB-uttag

NOTERA: USB-uttaget ger laddningsström på 5 Volt DC på upp till en kombinerad spänning på 1,5 ampere och strömförsörjs endast när gräsklipparen startar.

STOPPA DEN ELEKTRISKA SPAKSTYRDA GRÄSKLIPPAREN (bild H1 – bild H6)

NOTERA: Efter mer än 60 minuters inaktivitet kommer gräsklipparen att stängas av automatiskt.

Linka-hemläge

När batteriladdningen blir låg kommer gräsklipparen att gå in i Linka-hemläget:

- Gräsklipparen stoppar automatiskt gräsklippningen;
- Ljudindikatorn kommer att fortsätta att ljuda;
- Gräsklipparens statusindikator kommer att blinka röd varje sekund, det första segmentet på gräsklipparens bränslemätare kommer att blinka röd och både indikatorn för låg energi och batterigrafiken på bränslemätaren kommer att blinka.

Operatören skall:

- a) Skjuta PTO-omkopplaren nedåt (bild H3) för att avaktivera bladen. Ljudindikatorn slutar att ljuda när bladen stoppas;
- b) Sluta arbeta och kör till batteriladdningsområdet snarast. Det maximala avståndet som gräsklipparen kan köra är 1000 m.

När batteriet är nästan helt tomt kommer ikonen för varje upptaget batterifack och indikatorn för låg energi kommer att blinka varje halv sekund. Gräsklipparen slutar att arbeta omedelbart. Operatören skall transportera gräsklipparen till batteriladdningsområdet för laddning.

Manuell påskjutning

Om manuell påskjutning behövs, se till att batterierna är bortkopplade från gräsklipparen och att parkeringsbromspedalen är lossad från bromspositionen.

KÖRA DEN ELEKTRISKA SPAKSTYRDA GRÄSKLIPPAREN (bild I1 – bild I9)

För att stoppa, öka eller sänka hastigheten, ändra långsamt styrspakarnas avstånd från neutral.

⚠ FARA: Håll dig minst två klippbredder (2,14 m) från diken, branter eller vatten. De främre hjulen kan rotera när gräsklipparen är stoppad, även med bromsen aktiverad och orsaka att gräsklipparen kör över kanten eller ned i vattnet och resultera i dödsfall eller allvarliga personskador.

⚠ VARNING: Var uppmärksam på vad som finns bakom gräsklipparen innan du backar. Klipp INTE backande om det inte är absolut nödvändigt. Titta alltid ned och bakom innan och under backningen för att vara säker på att inga barn, åskådare eller djur kommer in i klippområdet. Kom ihåg att oaktsamhet under en bråkdel av en sekund är tillräcklig för att orsaka dödsfall eller allvarliga skador.

⚠ VARNING: Kör inte med denna maskin på allmän väg.

⚠ VARNING: Om en blockering uppstår eller du kör på ett främmande föremål, stoppa motorn och ta bort batterierna. Ta bort gräsklipp, löv, smuts och annan ackumulerat skräp, inspektera gräsklipparen Nejta om där finns skador och reparera skadorna innan gräsklipparen startas och används.

UNDERHÅLL

⚠ VARNING: Använd alltid ögonskydd med sidoskärmar. Om inte så görs kan det resultera i att föremål kastas in i ögonen och andra möjliga allvarliga skador.

⚠ VARNING: Skydda alltid händer geNejm att använda kraftiga handskar eller linda in klippkanterna med trasor eller annat material när underhålls görs av kniven. Ta alltid bort säkerhetsnyckeln och batteripaketet vid service eller transport av gräsklipparen.

Intervall underhållsservice	Maintenance Procedure
Innan varje användning eller dagligen	<ul style="list-style-type: none"> ■ Kontrollera visuellt däckerna om de är platta. ■ Inspektera bladen om de är slitna, spräckta eller böjda. ■ Inspektera hela produkten om där finns skador, saknade eller lösa delar såsom sidoutkastaren, skruvar, muttrar, bultar, höljen etc., se till att alla skydd finns på plats och fungerar korrekt. ■ Kontrollera bromsens funktion.
Efter varje användning	<ul style="list-style-type: none"> ■ Rensa gräsklippardäcket.
Var 25:e timma	<ul style="list-style-type: none"> ■ Kontrollera däcktrycket.
Var 50:e timma	<ul style="list-style-type: none"> ■ Kontrollera smörjningen inuti klippbladens fläns.

Var 100:e timma	<ul style="list-style-type: none"> Kontrollera det bakre hjulen, se till att de fyra hjulmuttrarna är fastsatta med det rätta vridmomentet.
Var 200:e timma	<ul style="list-style-type: none"> Kontrollera de främre hjulen, se till att de rör sig fritt.
Årligen	<ul style="list-style-type: none"> Kontrollera parkeringsbromspedalen Ta bort batteriet från gräsklipparen och placera bromspedalen i bromsläget. Skjut manuellt gräsklipparen framåt för att se om gräsklipparen kan förflyttas eller ej. Om den rör sig, lämna den på service hos en kvalificerad servicetekniker.

RENGÖRA GRÄSKLIPPAREN (bild J1 – bild J9)

Förberedelse (bild J1 – bild J5)

Rengöra gräsklipparens hölje (bild J6 - bild J7)

Använd tvättuttaget för att rengöra gräsklippardäcket (bild J8 - bild J9)

J8-1	Tvättuttag	J8-3	Trädgårdsslang
J8-2	Snabbkoppling tvättuttag		

NOTERA: När rengöringen är klar, skjut PTO-omkopplaren nedåt för att avaktivera gräsklipparens blad.

UNDERHÅLLA GRÄSKLIPPARDÄCKET OCH KLIPPBLADEN

Förberedelse (bild K1 – bild K6)

Ta bort gräsklippardäcket (bild K7 – bild K8)

K7-1	Motorkabel	K7-3	Upphångningslänk
K7-2	Saxsprint		

NOTERA: Koppla ifrån motorkablarna och saxsprintarna på båda sidorna när gräsklippardäcket tas bort.

Byta ut klippbladen (bild K9 - bild K11)

K9-1	Stabilisator	K10-3	Kniv
K10-1	Bult	K10-4	Fläns
K10-2	Bricka	K10-5	Motoraxel

Nivellera gräsklippardäcket

a. Vid nivellering (bild K12 – bild K14)

b. Innan nivellering

- Kontrollera de kalla däckens tryck (bild K15)
- Kontrollera klippbladen. Ta bort och byt slitna, spräckta och/eller böjda blad vid behov.

c. Förberedelse för nivellering (bild K16 – bild K21)

d. Hur man nivellerar

- Göra sida-till-sida inställning (bild K22)

Skilnaden mellan avstånden H1 och H2 mätt från under kanten på varje blad skall vara i Nejm 5 mm.

K22-1	Låsmutter
-------	-----------

- Göra en front-till-bak inställning (bild K23)

Den främre spetsen H3 på bladet skall vara från 2 mm till 10 mm lägre än bakre spetsen H4.

KALIBRERA GRÄSKLIPPARENS SPÅRNINGSSYSTEM (bild L1 – bild L6 och bild L7 – bild L12)

NOTERA: Ljudindikatorn kommer att ljuda en gång både när kalibreringen startar och när kalibreringen är avslutad.

ÅTERSTÄLLA GRÄSKLIPPAREN TILL URSPRUNGLIGA FABRIKSINSTÄLLNINGEN (BILD M1 – BILD M4)

NOTERA: Ljudindikatorn kommer att ljuda en gång både när återställningen startar och när återställningen är avslutad.

FÖRVARING OCH TRANSPORT

TRANSPORTERA GRÄSKLIPPAREN (BILD N1 – BILD N11)

NOTERA: Sätt fast gräsklipparen såsom behövs, använd remmar eller kablar för att förhindra rörelser under transporten. Vid lastning eller avlastning av gräsklipparen, använd inte mer än maximalt rekommenderad arbetsvinkel på 12 grader mellan rampen och marken.

FÖRVARING (bild 01 – bild 06)

NOTERA: Ta bort batteripaketet och förvara batterierna i enlighet med deras respektive manual.

Rengör och kontrollera gräsklipparen innan förvaring, se sektionerna **“RENGÖRA GRÄSKLIPPAREN”** och **“REKOMMENDERADE UNDERHÅLLSSCHEMAN”**.


Skydda miljön




WEEE (Waste Electrical and Electronic Equipment) Kasta inte elektrisk utrustning, använt batteri och laddare i hushållssoporna! Ta denna produkt till en auktoriserad återvinnare och gör den tillgänglig för separat insamling. Elektriska verktyg måste returneras till en miljöanpassad återvinningsanläggning.

FELSÖKNING

SE

PROBLEM	ORSAK	LÖSNING
<p>Den elektriska spakstyrda gräsklipparen går inte att köra när de två styrspakarna skjuts framåt eller bakåt i början.</p>  Ikonen för styrspaken blinkar	<ul style="list-style-type: none"> Den kombinerade Ah för de isatta batterierna är mindre än 15 Ah. 	<ul style="list-style-type: none"> För att starta denna gräsklippare krävs EGO-batterier på totalt 15 Ah (2 X BA4200/BA4200T) eller mer. För bästa prestanda rekommenderas användning av batterier med totalt 30 Ah eller mer.
	<ul style="list-style-type: none"> Parkeringsbromspedalen är inställd i bromspositionen. 	<ul style="list-style-type: none"> Tryck helt ned parkeringsbromspedalen för att lossa den från bromspositionen.
	<ul style="list-style-type: none"> Styrspakarna är inte i öppet läge när gräsklipparen startar. 	<ul style="list-style-type: none"> Återför styrspakarna till den öppna positionen för att starta om gräsklipparen.
	<ul style="list-style-type: none"> Operatören sitter inte på sätet. 	<ul style="list-style-type: none"> Endast när operatören sitter korrekt på sätet kan gräsklipparen arbeta.
	<ul style="list-style-type: none"> Sätet är inte korrekt anslutet. 	<ul style="list-style-type: none"> Ta bort batteriet från gräsklipparen och demontera sätet i motsatt ordning mot instruktionerna i sektionen “INSTELLA SÄTET” i denna manual för att inspektera sätets omkopplaranslutning. Montera tillbaka sätet och följ instruktionerna i “STARTA DEN ELEKTRISKA SPAKSTYRDA GRÄSKLIPPAREN” för att starta om gräsklipparen för att se om gräsklipparen kan startas. Om inte, kontakta en kvalificerad servicetekniker för reparation.
	<ul style="list-style-type: none"> Under extremt kallt väder kan inte drivfunktionen startas på grund av skydd mot låga temperaturer. 	<ul style="list-style-type: none"> Förvara alltid gräsklipparen och batteriet i en varm miljö. Starta om gräsklipparen när den värmts upp. Gör inte upprepade försök under extremt kallt väder vilket kan skada maskinen. Rekommenderad drifttemperatur är 0°C - 40°C.
<p>Den elektriska spakstyrda gräsklipparen slutar att köra.</p>	<ul style="list-style-type: none"> Styrspakarna kräver en “återställning”. 	<ul style="list-style-type: none"> Återför styrspakarna till den öppna positionen för att starta om gräsklipparen.
	<ul style="list-style-type: none"> De elektriska kontrollkomponenterna på styrspakarna fallerar. 	<ul style="list-style-type: none"> Kontakta en kvalificerad servicetekniker för reparation.
	<ul style="list-style-type: none"> Sättesomkopplaren fränkopplar under körningen i en tuff terräng. 	<ul style="list-style-type: none"> Ta bort batteriet från gräsklipparen och demontera sätet i motsatt ordning mot instruktionerna i sektionen “INSTELLA SÄTET” i denna manual för att inspektera sätets omkopplaranslutning. Montera tillbaka sätet och följ instruktionerna i “STARTA DEN ELEKTRISKA SPAKSTYRDA GRÄSKLIPPAREN” för att starta om gräsklipparen för att se om gräsklipparen kan startas. Om inte, kontakta en kvalificerad servicetekniker för reparation.
<p>Körhastigheten/körläget kan inte ändras under körningen.</p>	<ul style="list-style-type: none"> Det finns en funktion hos den elektriska spakstyrda gräsklipparen för säker körning. 	<ul style="list-style-type: none"> Funktionen kommer endast att aktiveras när gräsklipparens hjul stoppats och styrspakarna är öppna.

PROBLEM	ORSAK	LÖSNING
<p>Den elektriska spakstyrda gräsklipparen vägrar att starta bladen när PRO-omkopplaren aktiveras.</p>  <p>PTO-omkopplarens ikon blinkar</p>	<ul style="list-style-type: none"> Den kombinerade Ah för de isatta batterierna är mindre än 15 Ah. 	<ul style="list-style-type: none"> För att starta denna gräsklippare krävs EGO-batterier på totalt 15 Ah (2 X BA4200/BA4200T) eller mer. För bästa prestanda rekommenderas användning av batterier med totalt 30 Ah eller mer.
	<ul style="list-style-type: none"> PTO-omkopplaren är inte skjuten ned när gräsklipparen stoppades senast. 	<ul style="list-style-type: none"> Skjut PTO-omkopplaren nedåt och starta om gräsklipparens blad.
	<ul style="list-style-type: none"> Gräsklipparen är överbelastad när bladen startat vilket resulterar i självskydd av motorn. 	<ul style="list-style-type: none"> Starta gräsklipparens klippning först med låg hastighet och tills bladen når korrekt rotation, öka inte bladens acceleration när så behövs.
	<ul style="list-style-type: none"> Under extremt kallt väder kan inte bladmotorn startas på grund av skydd mot låga temperaturer. 	<ul style="list-style-type: none"> Förvara alltid gräsklipparen och batteriet i en varm miljö. Starta om gräsklipparen när den värmts upp. Gör inte upprepade försök under extremt kallt väder vilket kan skada maskinen. Rekommenderad drifttemperatur är 0°C - 40°C.
	<ul style="list-style-type: none"> Bladet kommer i kontakt med det deformerade gräsklippardäcket. 	<ul style="list-style-type: none"> Kontakta en kvalificerad servicetekniker för reparation.
<p>Bladen slutar att arbeta under gräsklippningen.</p>	<ul style="list-style-type: none"> Gräsklipparen är överbelastad. 	<ul style="list-style-type: none"> Höj däckets klipp höjd eller sänk körhastigheten för att minska belastningen på gräsklipparen.
	<ul style="list-style-type: none"> Gräsklippardäcket är igensatt med gräs och skräp. 	<ul style="list-style-type: none"> Rengör gräsklippardäcket och se till att bladen kan röra sig fritt.
	<ul style="list-style-type: none"> Gräsklipparen är överhettad. 	<ul style="list-style-type: none"> Minska belastningen på gräsklipparen geNejm att höja däckets klipp höjd eller sänka hastigheten hos bladet/körningen och låta gräsklipparen svalna.
	<ul style="list-style-type: none"> Batteripaketet i gräsklipparens batterifack är överhettad vilket resulterar i den kombinerade Ah-värderingen för alla isatta batteriet är under 15 ah. 	<ol style="list-style-type: none"> Om det kombinerade batteriets Ah märkning är mindre än 15 Ah kommer inte gräsklipparen att arbeta innan fler batteripaket satts i det tomma batterifacket. När det överhettade batteriet återgår till normal temperatur kommer det omedelbart att ansluta för att strömförsörja gräsklipparen. Minska belastningen på gräsklipparen geNejm att höja däckets klipp höjd eller sakta ned klippningen när arbetet återupptas.
	<ul style="list-style-type: none"> Gräsklipparen är i Linka-hemläge. 	<ul style="list-style-type: none"> När gräsklipparen är i Linka-hemläget kommer bladen automatiskt att växla till låg rotationshastighet utan att klippa gräs. Operatören skall sluta arbeta och kör till batteriladdningsområdet så snart som möjligt.
	<ul style="list-style-type: none"> Gräsklipparen har träffat ett främmande föremål vilket resulterar i självskydd av motorn. 	<ul style="list-style-type: none"> Skjut PTO-omkopplaren nedåt och starta om gräsklipparens blad.

PROBLEM	ORSAK	LÖSNING
Ljudindikatorn fortsätter att ljuda.	<ul style="list-style-type: none"> ▪ Gräsklipparen är i Linka-hemläge och bladen är inte avstängda. 	<ul style="list-style-type: none"> ▪ Skjut PTO-omkopplaren nedåt för att avaktivera däckbladen. Ljudindikatorn slutar att ljuda när bladen stoppas.
	<ul style="list-style-type: none"> ▪ Gräsklipparen slutar att köra i en sluttning och operatören öppnar styrspakarna och kliver ur sätet utan att ställa in parkeringsbromsspaken i bromsläget. 	<ul style="list-style-type: none"> ▪ Ställ in parkeringsbromspedalen i bromsläget innan gräsklipparen lämnas i en sluttning.
Batteriindikatorn är fortfarande på när gräsklipparen stängs av.	<ul style="list-style-type: none"> ▪ När gräsklipparen är avstängd på plan mark utan att batteripaketet tagits bort från gräsklipparen kommer batteriindikatorerna att lysa i tre minuter. 	<ul style="list-style-type: none"> ▪ Ingen handling krävs. Batteriindikatorn kommer att slockna efter en stund.
	<ul style="list-style-type: none"> ▪ När gräsklipparen stängs av i en sluttning utan att parkeringsbromspedalen ställts in i bromspositionen kommer batteriindikatorerna att lysa till batteriladdningen är slut. Ljudindikatorn kommer att ljuda samtidigt. 	<ul style="list-style-type: none"> ▪ Ställ in parkeringsbromspedalen i bromsläget innan operatören lämnar verktyget i en sluttning.
LCD-skärmen kan inte lysa med alla ikonerna påslagna.	<ul style="list-style-type: none"> ▪ Trycktiden på start-/stoppknappen är mindre än tre sekunder. 	<ul style="list-style-type: none"> ▪ LCD-skärmen kommer endast att visa "Bränslemätare" vid kort tryckning på när start/stopknappen.
		<ul style="list-style-type: none"> ▪ LCD-skärmen kommer att slås på när start/stopknappen tryckts in i tre sekunder.
Gräsklipparen klipper ojämnt med signifikant höjdskillnad framifrån och bak.	<ul style="list-style-type: none"> ▪ Bladen är slöa. 	<ul style="list-style-type: none"> ▪ Slipa eller byt klippbladen såsom instrueras i denna manual.
	<ul style="list-style-type: none"> ▪ Bladen är böjda. 	<ul style="list-style-type: none"> ▪ Byt böjda klippblad enligt instruktionerna i sektionen "BYTA KLIPPBLADEN".
	<ul style="list-style-type: none"> ▪ Gräsklippardäcket är inte nivellerad vilket resulterar i olika höjd på klippbladen. 	<ul style="list-style-type: none"> ▪ Nivellera gräsklippardäcket enligt instruktionerna i sektionen "NIVELLERA GRÄSKLIPPARDÄCKET".

PROBLEM	ORSAK	LÖSNING
Den verkliga gräsklippningshöjden är inte i linje med begärd höjd.	<ul style="list-style-type: none"> Gräsklippardäckets muttrar är lösa på upphängningslänken. 	<ul style="list-style-type: none"> Följ instruktionerna i sektionen “NIVELLERA GRÄSKLIPPARDÄCKET” för att göra korrekt justering av front-till-bak av gräsklippardäcket och dra åt de fyra muttrarna på upphängningslänkarna (två för varje sida).
	<ul style="list-style-type: none"> Gräsklippardäcket är skadat eller allvarligt slitet. 	<ul style="list-style-type: none"> Följ instruktionerna i sektionen “TA BORT GRÄSKLIPPARDÄCKET” för att byta gräsklippardäcket.
Gräsklipparen finfördelar inte ordentligt.	<ul style="list-style-type: none"> Vått gräsklipp har fastnat på undersidan av däckets. 	<ul style="list-style-type: none"> Vänta tills gräset torkar innan klippning.
	<ul style="list-style-type: none"> Gräsklipparen är inställd att klippa för mycket gräs i taget. 	<ul style="list-style-type: none"> Höj däckets klipphöjd.
Det förekommer kraftiga vibrationer.	<ul style="list-style-type: none"> Klippbladen är lösa. 	<ul style="list-style-type: none"> Dra åt bladbulten enligt rekommenderade vridmomentet 50-55 Nm.
	<ul style="list-style-type: none"> Bladen är böjda. 	<ul style="list-style-type: none"> Byt böjda klippblad enligt instruktionerna i sektionen “BYTA KLIPPBLADEN”.
	<ul style="list-style-type: none"> Gräsklippardäcket är inte i nivå. 	<ul style="list-style-type: none"> Nivellera gräsklippardäcket enligt instruktionerna i sektionen “NIVELLERA GRÄSKLIPPARDÄCKET”.
	<ul style="list-style-type: none"> Gräsklippardäckets muttrar är lösa på upphängningslänken. 	<ul style="list-style-type: none"> Använd en 18 mm öppen nyckel (medföljer inte) för att dra åt de fyra muttrarna på upphängningslänkarna (två på varje sida).
	<ul style="list-style-type: none"> Gräsklipparen är inställd att klippa för mycket gräs i taget. 	<ul style="list-style-type: none"> Höj däckets klipphöjd.
Det finns gräs eller skräp kvar på marken efter klippningen.	<ul style="list-style-type: none"> Gräsklipparen är inställd att klippa för mycket gräs i taget när gräset är högt. 	<ul style="list-style-type: none"> Börja med en hög klipphöjd och sänk den tills önskat klippresultat uppnås. Gräs högre än 15 cm skall klippas två gånger med successivt sänkt klipphöjd.
	<ul style="list-style-type: none"> Gräset är vått. 	<ul style="list-style-type: none"> Klipp inte gräset när det är vått utan vänta tills det torkat.
	<ul style="list-style-type: none"> Körhastigheten är för hög. 	<ul style="list-style-type: none"> Sänk körhastigheten.
	<ul style="list-style-type: none"> Bladhastigheten är låg. 	<ul style="list-style-type: none"> Öka bladhastigheten gradvis.
Kort körtid för gräsklipparen med inkluderat batteri.	<ul style="list-style-type: none"> Gräsförhållandet och inställningen av klipphöjden påverkar mycket batteriets körtid. Den angivna körtiden baseras på en lätt belastning. 	<ul style="list-style-type: none"> Höj däckets klipphöjd och sänk bladhastigheten för att minska klippbelastningen.

PROBLEM	ORSAK	LÖSNING
Gräsklipparen spårar inte rakt.	<ul style="list-style-type: none"> ▪ Däcktrycket för det vänstra och höga bakre hjulen är olika. 	<ul style="list-style-type: none"> ▪ Kontrollera och justera lufttrycket på båda bakre hjulens däck enligt rekommendationen i sektionen “KONTROLLERA DÄCKTRYCKET” i denna manual.
	<ul style="list-style-type: none"> ▪ Körhastigheten för det vänstra och högra bakre hjulen är olika. 	<ul style="list-style-type: none"> ▪ Kalibrera gräsklipparens spårningssystem enligt instruktionerna i sektionen “KALIBRERA GRÄSKLIPPARNES SPÅRNINGSSYSTEM”.
Parkeringsbromspedalen kan inte lossas från bromspositionen eller fjädrar långsamt tillbaka.	<ul style="list-style-type: none"> ▪ Det kan finnas skräp eller smuts som kommit in i parkeringsbromspedalen. 	<ul style="list-style-type: none"> ▪ Öppna parkeringsbromsens pedalbox för att Nejggrant rengöra boxen på insidan och stäng den. Återställ parkeringsbromspedalen för att se om problemet är löst. Om inte, kontakta en kvalificerad servicetekniker för reparation.
Gräsklipparen kan inte laddas via laddningsuttaget med gräsklipparens statusindikator lysande fast röd.	<ul style="list-style-type: none"> ▪ Kontakten till laddaren är inte korrekt isatt i laddningsuttaget på gräsklipparen. 	<ul style="list-style-type: none"> ▪ Återanslut laddningskontakten för att se om gräsklipparen kan laddas Nejrmalt.
	<ul style="list-style-type: none"> ▪ Det finns ingen ström i vägguttaget. 	<ul style="list-style-type: none"> ▪ Ingen handling krävs. Vänta tills effekten återställts.
	<ul style="list-style-type: none"> ▪ Funktionsfel hos laddaren. 	<ul style="list-style-type: none"> ▪ Kontakta en kvalificerad servicetekniker för inspektion och reparera laddaren om så behövs.
	<ul style="list-style-type: none"> ▪ Laddningsuttaget på gräsklipparen är defekt. 	<ul style="list-style-type: none"> ▪ Kontakta en kvalificerad servicetekniker för reparation.
Laddningstiden via gräsklipparens laddningsuttag är alltför lång.	<ul style="list-style-type: none"> ▪ Användning av EGO-adapter ACA1000 för laddning kräver lång tid. 	<ul style="list-style-type: none"> ▪ Använd EGO-laddare CHV1600E för laddning av den elektriska spakstyrda gräsklipparen direkt.
Batteriet kan inte laddas fullt via gräsklipparens laddningsuttag.	<ul style="list-style-type: none"> ▪ Bugg i det fasta programmet på åkgräsklipparen eller fel hos laddaren/batteriet. 	<ul style="list-style-type: none"> ▪ Koppla ur laddaren och vänta mer än en minut, återanslut sedan kontakten till strömförsörjningen. Om det inte fungerar, kontakta en kvalificerad servicetekniker för reparation.
Gräsklipparen kan inte startas efter rengöringen.	<ul style="list-style-type: none"> ▪ Felaktig rengöring så att vatten kommit in i de elektriska komponenterna, LCD-skärmen etc. 	<ul style="list-style-type: none"> ▪ Följ instruktionerna i sektionen “RENGÖRA GRÄSKLIPPAREN” för att rengöra gräsklipparen korrekt.
Gräsklipparen kan lätt bli igensatt.	<ul style="list-style-type: none"> ▪ Gräsklippardäcket är igensatt med gräs och skräp. 	<ul style="list-style-type: none"> ▪ Om gräsklipparen oavsiktligt lämnats ute i regnet, låt den torka minst 12 timmar eller använd tryckluft för att torka den.
		<ul style="list-style-type: none"> ▪ Rengör gräsklippardäcket efter varje användning, följ sektionen “Använda tvättuttaget för att rengöra gräsklippardäcket”.


PROBLEM	ORSAK	LÖSNING
Gräsklipparen förlorar lätt riktningen vid klättring i sluttningar.	<ul style="list-style-type: none"> ▪ Däcken på de bakre hjulen är slitna. 	<ul style="list-style-type: none"> ▪ Sök efter lokal service för att byta hjulens däck.
	<ul style="list-style-type: none"> ▪ Klippning i brant sluttning. 	<ul style="list-style-type: none"> ▪ Gräsklippning i sluttningar skall inte överstiga 12 grader.
När gräsklipparen stoppas i en sluttning med parker-ingsbromspedalen nedtryckt kan gräsklipparen glida bakåt i sluttningen.	<ul style="list-style-type: none"> ▪ Bromskomponenterna är mycket slitna på grund av felaktig hantering av gräsklipparen. 	<ul style="list-style-type: none"> ▪ Kontakta en kvalificerad servicetekniker för reparation.
Det kommer inget vatten i tvättuttaget när däcktvätt utförs.	<ul style="list-style-type: none"> ▪ Tvättuttagets snabbkoppling är inte monterad på plats på tvättuttaget. 	<ul style="list-style-type: none"> ▪ Sätt tillbaka tvättuttagets snabbkoppling tills du hör ett klick efter en fast nedtryckning. Om det inte fungerar, kontakta en kvalificerad servicetekniker för reparation.
Det finns ett oNejrmalt ljud när gräsklipparen skjuts manuellt utan att vara startad.	<ul style="list-style-type: none"> ▪ Ljudet kommer från magneterna inuti drivmotorn. 	<ul style="list-style-type: none"> ▪ Det är Nejrmalt och ingen åtgärd krävs.

STATUSREFERENS OCH FELKODER FÖR GRÄSKLIPPARE

LCD-display	Beskrivning	Felkod på LCD-skärm	Statusindikator gräsklippare	Ljudenhet	Orsak	Lösning
	LED-lampikonen visas på LCD-skärmen	inte tillämpligt	AV	Nej	Strålkastarna, sidolamporna och bakljusen är påslagna av LED-lamp-pomkopplaren.	Det är normal funktion. Ingen handling krävs.
	USB-ikonen visas på LCD-skärmen	inte tillämpligt	AV	Nej	USB-ikonen upplyser om att en USB-enhet kan arbeta efter att gräsklipparen har startats korrekt.	Det är normal funktion. Ingen handling krävs.
	Ikonen för bränslemätning visas på LCD-skärmen	inte tillämpligt	AV	Nej	Den indikera genomsnittliga laddningskapacitet för isatta batterier.	Det är normal funktion. Ingen handling krävs.
	Ikonen för timmätning visas på LCD-skärmen	inte tillämpligt	AV	Nej	Den visar den totala körtiden för gräsklipparen, i timmar och kan inte återställas.	Det är normal funktion. Ingen handling krävs.
	Indikatorikonen för belastning visas i ECO-området	inte tillämpligt	AV	Nej	Den indikerar nuvarande belastning hos gräsklipparen	Det är normal funktion. Ingen handling krävs.
	Indikatorn för överbelastning blinkar.	inte tillämpligt	Blinkar röd	Ett pip	Bladmotorn är överbelastad.	Höj däckets klipphöjd eller sänk körhastigheten för att minska belastningen på gräsklipparen.
	Indikatorikonen för belastning visas i PWR-området	inte tillämpligt	AV	Nej	Säkerhetsnyckeln är inte isatt.	Sätt i säkerhetsnyckeln och tryck sedan på och håll kvar knappen START/STOP i mer än tre sekunder för att slå på gräsklipparen.
					Ström levereras inte till LCD-skärmen.	Överlåt reparationer till en behörig servicetekniker.

SE

LCD-display	Beskrivning	Felkod på LCD-skärm	Statusindikator gräsklippare	Ljudenhet	Orsak	Lösning
	Ikonen för tomt batterifack blinkar.	inte tillämpligt	AV	Nej	Batterikapaciteten är inte tillräckligt för att åkgräsklipparen kan arbeta.	För att starta denna gräsklippare krävs EGO-batterier på totalt 15 Ah (2 X BA4200/BA4200T) eller mer. För bästa prestanda rekommenderas användning av EGO-batterier med totalt EGO 30 Ah eller mer.ri.
	Ikonen för termometer blinkar.	inte tillämpligt	Blinkar röd	Ett pip	Gräsklipparen är överhettad.	Minska belastningen på gräsklipparen genom att höja däckets klipphöjd eller sänka hastigheten hos bladet/körningen. Ta en paus och låt gräsklipparen svalna.

LCD-display	Beskrivning	Felkod på LCD-skärm	Statusindikator gräsklippare	Ljudenhet	Orsak	Lösning
	<p>Ikonen för överhettning och upptagna batterifacket blinkar samtidigt.</p>	<p>inte tillämpligt</p>	<p>inte tillämpligt</p>	<p>Nej</p>	<p>Batteripaketet i motsvarande numrerat batterifack är överhettat.</p>	<p>1. Gräsklipparen kan fortsätta att arbeta om det kombinerade batteri AH märkningen, exkluderat överhettat batteri, är lika med eller mer än 15 Ah. När det överhettade batteriet återgår till normal temperatur kommer det omedelbart att ansluta för att strömförsörja gräsklipparen.</p> <p>2. Om det kombinerade batteriets Ah-märkning är mindre än 15 Ah kommer inte gräsklipparen att arbeta innan fler batteripaket satts i det tomma batterifacket.</p> <p>3. Minska belastningen på gräsklipparen genom att höja däckets klipphöjd eller sakta ned klippningen när arbetet återupptas.</p>

LCD-display	Beskrivning	Felkod på LCD-skärm	Statusindikator gräsklippare	Ljudenhet	Orsak	Lösning
	Ikonerna för varje upptagna batterifack, indikatorn låg energi, batterigrafik hos bränslemätaren blinkar varje sekund samtidigt på LCD-skärmen. Det första segmentet hos LED bränslemätaren och statusindikatorn blinkar också.	inte tillämpligt	Blinkar röd	Fortsätter att ljuda tills PTO-omkopplaren trycks ned.	Batteripaketet har låg laddning och gräsklipparen är i Linka-hemläge.	Sluta arbeta och kör till batteri-laddningssområdet. NOTERA: När gräsklipparen är i Linka-hemläget kommer bladen automatiskt att växla till låg rotationshastighet utan att klippa gräs och under tiden kommer ljudindikatorn att fortsätta ljuda.. Operatören skall skjuta PTO-omkopplaren nedåt för att avaktivera däckbladen. Ljudindikatorn kommer att sluta ljuda efter att bladet stoppat.
	Ikonen för varje upptaget batterifack och indikator för låg energi blinkar varje halv sekund.	inte tillämpligt	AV	Nej	Batteripaketet är nästa helt tomt.	Gräsklipparen slutar att arbeta omedelbart. Operatören skall transportera gräsklipparen till batteri-laddningssområdet för laddning.
	Ikonen för automatisk parkering blinkar på LCD-skärmen.	inte tillämpligt	AV	Fortsätter att ljuda	Gräsklipparen är parkerad i en sluttning och operatören har lämnat gräsklipparen utan att aktivera bromspedalen till bromsposition, bara med styrspakarna i den öppna positionen.	Ställ in bromspedalen i bromspositionen. Ikonen för automatisk parkering kommer att slockna och ljudindikatorn slutar att ljuda.
	Ikonen för bromspedalen visas på LCD-skärmen	inte tillämpligt	AV	Nej	Parkering-sbromspedalen är inställd i bromspositionen.	Släpp den innan gräsklipparen startas.

LCD-display	Beskrivning	Felkod på LCD-skärm	Statusindikator gräsklippare	Ljudenhet	Orsak	Lösning
	Ikonen för sätesensorn visas på LCD-skärmen	inte tillämpligt	AV	Nej	Operatören lämnar sätet eller sätesomkopplaren är fränkopplad.	Om operatören sitter i sätet lyser ikonen, sluta att använda gräsklipparen omedelbart och kontrollera sätets anslutning. Om sätesanslutningen med gräsklipparen är bekräftad korrekt, kontakta en kvalificerad servicetekniker för reparation.
	PTO-omkopplarens ikon blinkar.	inte tillämpligt	AV	Nej	Bladmotorn avbröts under arbetet och PTO-omkopplaren är inte inställd i avstängd position.	Innan gräsklipparen startas om, skjut PTO-omkopplaren nedåt för att avaktivera däckmotorn. Se sektionen "FELSÖKNING" i denna manual för referens.
	Ikonen för styrspaken blinkar.	inte tillämpligt	AV	Nej	Drivmotorn avbröts under arbetet och styrspakarna är inte inställda i öppen position.	Innan gräsklipparen startas om, flytta styrspakarna till den öppna positionen. Se sektionen "FELSÖKNING" i denna manual för referens.
	Ikonen för energiåtervinning blinkar då och då.	inte tillämpligt	AV	Nej	Den kinetiska energin som genereras under bromsningen eller vid körning utför konverteras till elektricitet för att ladda batteripaketet.	Det är normal funktion. Ingen handling krävs.

LCD-display	Beskrivning	Felkod på LCD-skärm	Statusindikator gräsklippare	Ljudenhet	Orsak	Lösning	
Se "Felkod"	Vänster drivmotor roterar inte.	PCBA kontrollerade vänstra motorn fallerar.	413	AV	Ett pip	PCBA-fel	Överlåt reparationer till en behörig servicetekniker.
		Kontakten (trefas, strömsladd) för anslutning till vänster drivmotorn med motsvarande PCBA har lossnat.	317	AV	Ett pip	Lös anslutning	
		Kontakt (sex stift. signalledning) för anslutning till vänstra drivmotorn med motsvarande PCBA har lossnat.	301	AV	Ett pip	Lös anslutning	
		Vänster drivmotor fallerar.	317	AV	Ett pip	Motorfel	

SE

LCD-display	Beskrivning	Felkod på LCD-skärm	Statusindikator gräsklippare	Ljudenhet	Orsak	Lösning	
Se "Felkod"	Höger drivmotor roterar inte.	PCBA kontrollerade högra motorn fallerar.	313	AV	Ett pip	PCBA-fel	Överlåt reparationer till en behörig servicetekniker..
		Kontakten (trefas, strömsladd) för anslutning till höger drivmotorn med motsvarande PCBA har lossnat.	417	AV	Ett pip	Lös anslutning	
		Kontakt (sex stift, signalledning) för anslutning till högra drivmotorn med motsvarande PCBA har lossnat.	401	AV	Ett pip	Lös anslutning	
		Höger drivmotor fallerar.	417	AV	Ett pip	Motorfel	
Se "Felkod"	Vänster bladmotor roterar inte.	PCBA kontrollerade vänstra bladmotorn fallerar.	607	inte tillämpligt	Ett pip	PCBA-fel	Överlåt reparationer till en behörig servicetekniker. Inspektera bladen först. Om de är lösa, använd en 14 mm momentnyckel för att dra åt bulten medurs. Rekommendationen för bladbulten är 50-55 Nm. I annat fall låt en kvalificerad servicetekniker utföra reparationer.
		Kontakten (trefas, strömsladd) för anslutning till vänster drivmotorn med motsvarande PCBA har lossnat.	509	inte tillämpligt	Ett pip	Lös anslutning	
		Vänster bladmotor fallerar	509	inte tillämpligt	Ett pip	Motorfel	

LCD-display	Beskrivning		Felkod på LCD-skärm	Statusindikator gräsklippare	Ljudenhet	Orsak	Lösning
Se "Felkod"	Höger bladmotor roterar inte.	PCBA kontrollerade höger bladmotorn fallerar.	507	inte tillämpligt	Ett pip	PCBA-fel	Överlåt reparationer till en behörig servicetekniker.
		Kontakten (trefas, strömssladd) för anslutning till höger drivmotorn med motsvarande PCBA har lossnat.	609	inte tillämpligt	Ett pip	Lös anslutning	Inspektera bladen först. Om de har lossnat, använd en 14 mm momentnyckel för att dra åt bulten medurs. Rekommendationen för bladbulten är 50-55 Nm. I annat fall låt en kvalificerad servicetekniker utföra reparationer.
		Höger bladmotor fallerar	609	inte tillämpligt	Ett pip	Motorfel	
Se "Felkod"	Vänster styrspak fallerar.	Vänster styrspak som kontrollerar PCBA fallerar.	311 /412	AV	Ett pip	PCAB-fel	Överlåt reparationer till en behörig servicetekniker.
		Kontakten som ansluter kontroll-PCBA, placerad i styrstången har lossnat.				Lös anslutning	
Se "Felkod"	Höger styrspak fallerar.	Höger styrspak som kontrollerar PCBA fallerar.	312 /411	AV	Ett pip	PCAB-fel	Överlåt reparationer till en behörig servicetekniker.
		Kontakten som ansluter kontroll-PCBA, placerad i styrstången har lossnat.				Lös anslutning	

LCD-display	Beskrivning		Felkod på LCD-skärm	Statusindikator gräsklippare	Ljudenhet	Orsak	Lösning
Se "Felkod"	Parkeringsbromsen fallerar, verktyget kan inte drivas.	Parkeringsbromsen PCBA, som finns i främre ramenheten är trasig.	309 /409	AV	Ett pip	PCBA-fel	Överlåt reparationer till en behörig servicetekniker.
		Omkopplaren för parkeringsbromsen är trasig.	801	AV	Ett pip	Kabel/omkopplarfel	
AV	Fel på laddningsporten		inte tillämpligt	Fast RÖD	inte tillämpligt	Laddningsuttaget är i öppen krets.	Överlåt reparationer till en behörig servicetekniker.
			inte tillämpligt	Fast RÖD	inte tillämpligt	Det finns ingen strömförsörjning	Kontrollera vägguttaget om där finns 220 V-240 V strömförsörjning och om uttaget är bra.
			inte tillämpligt	Fast RÖD	inte tillämpligt	Säkringen har utlösts.	Överlåt reparationer till en behörig servicetekniker.
Se "Felkod"	Fel på laddningsporten		204	inte tillämpligt	Ett pip	Laddningsuttaget är i öppen krets.	

SE

LCD-display	Beskrivning	Felkod på LCD-skärm	Statusindikator gräsklippare	Ljudenhet	Orsak	Lösning
Se "Felkod"	Batteriboxenheten fungerar inte	217	inte tillämpligt	Ett pip	Strömkällan från batteriboxenheten är trasig. LED-strålkastarna och USB fungerar inte.	Överlåt reparationer till en behörig servicetekniker.
		310 /410	AV	Ett pip	Anslutningen mellan typ C kablar till batteriboxenheten och andra typ C kablar hos gräsklipparen arbetar inte.	
		201 /202 /203	AV	Ett pip	BMS hos batteriboxenheten är trasig.	
Se "Felkod"	Fel på start/stoppomkopplaren	314 /414	AV	Ett pip	Fel hos omkopplarens PCBA eller dålig kabelanslutning för Start/stoppomkopplaren.	Överlåt reparationer till en behörig servicetekniker.
Se "Felkod"	Fel på LCD-skärm	315 /415	AV	Ett pip	LCD-enheten är trasig eller dålig kabelanslutning för LCD-enheten.	Överlåt reparationer till en behörig servicetekniker.

SE

GARANTI

EGO GARANTIPOLICY

Besök webbsidan egopowerplus.com för fullständiga villkor för EGO garantipolicy.

LUE KAIKKI OHJEET!



LUE KÄYTTÖOPAS

⚠ Jäännösriski! Henkilöiden, joilla on sydämentahdistin tai muu vastaava elektroninen laite, tulisi keskustella lääkärin kanssa ennen tämän tuotteen käyttöä. Sähkölaitteiden käyttö sydämentahdistimen lähetyvillä saattaa häiritä tahdistimen toimintaa tai aiheuttaa vakavan toimintahäiriön.

TURVALLISUUSSYMBOLIT

Turvallisuussymbolien tarkoituksena on kiinnittää huomiota mahdollisiin vaaroihin. Turvallisuussymbolit ja niiden selitykset on syytä lukea tarkkaan ja ymmärtää perusteellisesti. Varoitusymbolit eivät yksin poista vaaran mahdollisuutta. Niiden antamat ohjeet ja varoitukset eivät korvaa kunnollisia onnettomuuksien ehkäisytoimenpiteitä.

FI

⚠ VAROITUS: Lue ja ymmärrä tämän käyttöoppaan kaikki turvallisuusohjeet, mukaan lukien kaikki turvallisuusvaroitusymbolit, kuten **”VAARA”**, **”VAROITUS”** ja **”HUOMIO”** ennen laitteen käyttämistä. Alla olevien ohjeiden noudattamatta jättäminen saattaa aiheuttaa sähköiskun, tulipalon ja/tai vakavan henkilövahingon.

SYMBOLIEN MERKITYK-SET

Tällä sivulla kuvataan ja esitellään turvallisuussymbolit, jotka saattavat esiintyä tässä tuotteessa. Lue, ymmärrä ja noudata kaikkia laitteen ohjeita ennen kuin yrität koota sen tai käyttää sitä.

TURVALLISUUSSYMBOLI



Turvallisuushälytys



Käytä suojalaseja



VAARA – jyrkkä rinne



Älä koskaan kuljeta lapsia



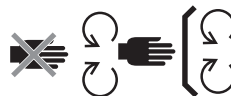
VAROITUS – Älä käytä konetta rinteissä, joiden jyrkkyys on yli 12°.



VAROITUS – PIDÄ KÄTESI JA JALKASI ETÄÄLLÄ



Lue ja ymmärrä käyttöopas



Säilytä turvallisuusohjeet



VAARA – pidä sivulliset etäällä teristä



Katso taaksepäin peruuttaessasi



VAARA – sinkoutuvia kohteita



Taattu äänitehotaso. Melupäästöt ympäristöön Euroopan yhteisön direktiivin mukaiset.



Älä astu



Tämä tuote vastaa sovellettavia EU-direktiivejä



Tasavirta

kPa

Kilopascal

V

Voltti

in

Tuuma

Nm

Newtonmetri

°C

Celsius

km/t

Kilometriä per tunti



Vanhoja sähkölaitteita ei saa hävittää kotitalousjätteen mukana. Vie laite valtuutettuun kierrätyslaitokseen.



HUOMIO – Älä tuijota käyttövaloa.



Tämä tuote vastaa sovellettavaa UK-lainsäädäntöä.

RPM

Kierrosta minuutissa

m

Metri

cm

Senttimetri

mm

Millimetri

kg

Kilogramma

IPX4

Kotelointiluokka

FI

TEKNISET TIEDOT

Jännite	56 V	
Kannen koko	107 cm	
Pyörän koko	Etu	279,4 mm
	Taka	457,2 mm
Kylmä rengaspaine	Etu	220 kPa
	Taka	50 kPa
Kääntösäde	0	
Terän nopeus (RPM)	2400, 2600, 2800, 3000	
Maks. ajonopeus (km/t)	Eteenpäin	4,8 km/t, 8 km/t, 9,6 km/t, 11,2 km/t (12,8 km/t liikkumistilassa)
	Taaksepäin	Enintään 5,6 km/t
Lataus	Laturi (lisävaruste)	CHV1600E
	Verkkolaite (lisävaruste)	ACA1000
	Latauslämpötila-alue	5°C - 40°C
Leikku-ukorkeuden säätö (10 asentoa)	25 – 100 mm	
Käyttölämpötila	0°C- 40°C	
Varastointilämpötila	-20°C - 70°C	
Paino (ilman akkua)	186 kg	
Mitattu äänitehotaso L_{WA}	96,44 dB(A) K=0,68 dB(A)	

Äänenpaineen taso käyttäjän korvien tasolla L_{PA}	84.3 dB(A) K=3.0 dB(A)	
Taattu äänitehotaso L_{WA} (mitattu direktiivin 2000/14/EY mukaan)	100 dB(A)	
Tärinä a_h	Kädet	1,221 m/s ² K=1,5 m/s ²
	Vartalo	0.568 m/s ² K=1,5 m/s ²

- Ilmoitettu tärinän kokonaispäästöarvo on mitattu standarditestausten menetelmän mukaisesti, ja sen avulla voidaan vertailla työkaluja keskenään;
- Ilmoitettua tärinän kokonaispäästöarvoa voidaan käyttää myös altistumisen alustavaan arviointiin.

HUOMAUTUS: Työkalun käytön aikana mitattu todellinen tärinäpäästöarvo voi poiketa ilmoitetusta kokonaispäästöarvosta työkalun käyttötavasta johtuen; käyttäjän suojaamiseksi tulee käyttää käsineitä ja kuulosuojaimia varsinaisissa käyttöolosuhteissa.

KUVAUS

PAIKALLAAN KÄÄNTYVÄN SÄHKÖRUOHONLEIKKURIN OSAT (Kuvat A1 ja A2)

1. Istuin
2. Latausliitäntä
3. Akun lokero
4. LED-takavalot
5. Säilytyslaatikko
6. Mukipidikkeet
7. LED-sivuvalot
8. Takapyörä (ajopyörä)
9. Leikkuulaite
10. Kannen suojus
11. Kannatinpyörä
12. Etupyörä
13. Seisontajarrupoljin
14. Ajovalot
15. LED-etuvalot
16. Sivupoistokouru
17. Leikkuulaitteen korkeuden säätövipu
18. Istuimen jousituksen säätönappi
19. Istuin eteenpäin ja taaksepäin säätövipu
20. Ohjaussauva
21. Ruohonleikkurin tilan merkkivalo
22. LCD-näyttö
23. PTO-kytkin
24. Käynnistys-/pysäytyspainike
25. Turva-avain
26. Puhelimen säilytyslaatikko
27. Ruohonleikkurin akkutehomittarin ja tilan merkkivalo
- 27a. Ruohonleikkurin akkutehomittarin merkkivalo
- 27b. Ruohonleikkurin tilan merkkivalo
28. Jalkataso
29. Tehonlähteen kannen vapautuspainike
30. Tehonlähteen kansi
31. Akun vapautuspainike
32. Vetokoukku
33. Lisävarusteen asennuskansi
34. Lisävarusteen asennuskannen säilytystila
35. USB-portti

FI

LCD-NÄYTTÖ JA PAINIKKEET (kuva A3)

Katso lisätietoa LCD-näytön kuvakkeista ja merkkivaloista osiosta ”RUOHONLEIKKURIN TILA JA VIKAKOODIT”.

1. Turva-avainkuvake
2. LED-valojen kuvake
3. Automaattisen pysäköinnin kuvake
4. USB-kuvake
5. Terien nopeuden merkkivalo
6. Turvalaitteen tilan merkkivalo
7. Käyttötuntimittari
8. Akkukuvake
9. Ylikuumentumisen kuvake
10. Ajotila
11. Virhekoodimerkkivalo
12. Ylikuormituksen merkkivalo
13. Alhaisen varauksen merkkivalo
14. Ajonopeuden merkkivalo
15. Kuormituksen merkkivalo
16. Terän nopeuden säätöpainike
17. Asetuspainike
18. Ajotilapainike
19. LED-valokytin
20. Ajonopeuden säätöpainike
21. Akkutehomittari

PAKKAUKSEN PURKA-MINEN

HUOMAUTUS: Älä hävitä pakkausmateriaalia ennen kuin olet tarkastanut tuotteen huolellisesti ja käyttänyt sitä tyydyttävästi. Jos pakkausluettelossa mainittuja osia puuttuu, ota välittömästi yhteys EGO-huoltoon.

HUOMAUTUS: Lukuun ottamatta alla olevassa pakkausluettelossa olevia työkaluja, kaikki muut oppaissa mainitut työkalut ovat vain suosituksia eivätkä ne sisälly pakkaukseen.

PAKKAUSLUETTELO (kuva B1)

B1-1	Paikallaan kääntyvä sähköruohonleikkuri	B1-7	Turva-avaimet
B1-2	Istuin	B1-8	Kiintoavaimet (13 mm)

B1-3	Silppuriosa	B1-9	Kuusioavain
B1-4	Ohjaussauva	B1-10	Pesuportin pikaliitin
B1-5	Kolokantaruuvit (2 varalle)	B1-11	Käyttöopas
B1-6	Kuusiopultit (2 varalle)		

PAKKAUKSESTA PURKAMINEN (kuvat B2–B3) SUOSITELLUT LISÄVARUSTEET

VAROITUS: Käytä vaihto-osina vain identtisiä varaosia. Sellaisten osien käyttö, jotka eivät vastaa alkuperäisiä laitemäärittäjiä, saattaa aiheuttaa vääranlaisen toiminnan ja heikentää turvallisuutta.

OSAN NIMI	MALLIN NUMERO
Vakioterä	AB4200
High Lift -terä	AB4201
Silppuriosa	AMP4200
Ruohopussisarja	ABK4200-A

KOKOAMINEN

ISTUIMEN ASENTAMINEN (kuvat C1 ja C2)

VAROITUS: Turvalukitusjärjestelmää ei saa irrottaa tai ohittaa. Muutoin ruohonleikkuri saattaa toimia odottamattomalla tavalla ja aiheuttaa henkilövahingon.

HUOMAUTUS: Ruohonleikkuri saattaa turvallisuuden takia lopettaa ajamisen, jos istuinkytkin irrotetaan ajon aikana. Katso tästä lisätietoa osiosta ”VIANMÄÄRITYS”.

C1-1	Johto	C1-5	Kolokantaruuvit
C1-2	Pistoke	C2-1	Koukku
C1-3	Liitäntä	C2-2	Teräskiskot
C1-4	Jousialusta	C2-3	Kolokantaruuvit

OHJAUSSAUVOJEN ASENTAMINEN (kuva C3)

C3-1	Ohjaussauvat	C3-3	Ohjaussauvojen asennusreiät
C3-2	Kuusiopultit		

SILPPURIOSAN KIINNITTÄMINEN (kuva C4)

C4-1	Sivupoistokouru	C4-3	Liikkuva jousi
------	-----------------	------	----------------

C4-2	Silppuriosa		
------	-------------	--	--

KÄYTTÖ

ENNEN RUOHONLEIKKURIN KÄYTTÄMISTÄ

Ympäristön tarkastaminen

- Varmista, ettei työskentelyalueella ole lapsia, sivullisia tai lemmikkieläimiä.
- Tyhjennä alue kohteista, jotka voivat sinkoutua ruohonleikkurin teristä.
- Tarkista ja varmista, että LED-valot ovat kunnossa:
 - LED-valokytkin ohjaa ajovaloja, sivuvaloja ja takavaloja.
 - Pidä ajovalot päällä aina ajamisen aikana.
 - Jos takavalot ovat sammutettuina peruutettaessa, ne vilkkuvat sivullisten varoittamiseksi. Jos takavalot ovat päällä peruutettaessa, ne jäävät päälle.
 - Kaikki valot sammuvat automaattisesti, jos mitään toimintaa ei ole kolmeen minuuttiin.

Kylmien renkaiden paineen tarkastaminen (kuva D1)

Ruohonleikkurin tila ja akun varaustason tarkastaminen

- Ruohonleikkurin akkutehomittarin merkkivalo (kuvat A2 - 27a)
 - Jokainen ruohonleikkurin akkutehomittarin merkkivalosegmentti merkitsee akun 20 %:n varausta.

HUOMAUTUS: Ruohonleikkurin akkutehomittarin merkkivalo ja LCD-näytön akkutehomittari ilmaisevat asennettujen akkujen keskimääräisen kapasiteetin.

- Ruohonleikkurin tilan merkkivalo (kuvat A1 ja A2 - 27b)

Jos tilan merkkivalo on vihreä, ruohonleikkuri on valmis ajettavaksi. Jos näin ei ole, katso osiota ”RUOHONLEIKKURIN TILA JA VIKAKOODIT”

Turvalukitusjärjestelmän testaaminen (kuva D2–D8)

HUOMAUTUS: Ajajan täytyy istua istuimella ennen testin suorittamista.

- Ennen testausta (kuvat D2–D4)
- Leikkuulaitejärjestelmän testaaminen (kuva D5), nouse sitten hitaasti ylös.
- Ajojärjestelmän testaaminen (kuvat D6–D8), nouse sitten hitaasti ylös.

USB-portti

HUOMAUTUS: USB-portti tuottaa 5 voltin DC-lataustehon yhteensä 1,5 ampeeria ja se saa virtaa vain ruohonleikkurin käynnistyksen yhteydessä.

PAIKALLAAN KÄÄNTYVÄN SÄHKÖRUOHONLEIKKURIN PYSÄYTTÄMINEN (Kuvat H1–H6)

HUOMAUTUS: ruohonleikkuri sammuu automaattisesti, jos mitään toimintaa ei ole 60 minuuttiin.

Hätäkäyttötila

Kun akun varaus on vähäinen, ruohonleikkuri siirtyy hätäkäyttötilaan:

- Ruohonleikkuri pysäyttää ruohon leikkaamisen automaattisesti;
- Merkkiääni-ilmaisain jatkaa toimimista;
- Ruohonleikkurin tilan merkkivalo vilkkuu punaisena sekunnin välein, ruohonleikkurin akkutehomittarin ensimmäinen segmentti vilkkuu punaisena ja alhaisen varauksen merkkivalo ja akkutehomittarin akkugrafiikka vilkkuvat.

Käyttäjän pitää:

- a) Painaa PTO-kytkin alas (kuva H3) terien kytkemiseksi pois päältä. Merkkiääni-ilmaisain lopettaa toiminnan, kun terä pysähtyy;
- b) Lopeta työskentely ja siirry akun latausalueelle mahdollisimman pian. Enimmäismatka, jonka ruohonleikkuri voi liikkua on 1000 metriä.

Kun akku on lähes tyhjä, jokainen akun varausilmäyksikö ja alhaisen varauksen merkkivalo vilkkuvat puolen sekunnin välein. Ruohonleikkuri lopettaa toiminnan välittömästi. Käyttäjän täytyy kuljettaa ruohonleikkuri akun latausalueelle latausta varten.

Käsin työntäminen

- Jos ruohonleikkuri vaatii käsin työntämistä, varmista, että akut on irrotettu ja seisontajarrupoljin vapautettu jarrutusasennosta.

PAIKALLAAN KÄÄNTYVÄN SÄHKÖRUOHONLEIKKURIN AJAMINEN (Kuvat I1–I9)

Pysäytät, vähennät tai lisäät nopeutta muuttamalla hitaasti ohjaussauvan etäisyyttä vapaa-asennosta.

VAARA: Pysy vähintään kahden leikkuuleveyden (2,14 m) päässä ojista, pudotuksista tai vesistä. Etupyörät voivat pyöriä, kun ruohonleikkuri pysäytetään, vaikka jarru olisi painettuna, ja se voi aiheuttaa ruohonleikkurin kulkemisen reunan yli tai putoamisen veteen, mikä johtaa kuolemaan tai vakavaan henkilövahinkoon.

VAROITUS: Ole varovainen ja tarkista ennen peruuttamista, mitä ruohonleikkurin takana on. ÄLÄ leikkaa peruuttamalla, ellei se ole ehdottoman tarpeellista. Katso aina alas ja taakse ennen peruuttamista ja peruuttamisen aikana, jotta varmistat ettei leikkuualueella ole lapsia, sivullisia tai lemmikkieläimiä. Muista, että sekunnin sadasosankin huolimattomuus voi aiheuttaa kuoleman tai vakavan loukkaantumisen.

VAROITUS: Älä aja koneella yleisillä teillä.

VAROITUS: Jos tulee tukos tai leikkuri osuu vieraaseen esineeseen, sammuta moottorit ja poista akut. Poista ruohot, lehdet, lika ja muut roskakertymät. Tarkista ruohonleikkuri huolellisesti vaurioiden varalta ja korjaa vauriot ennen ruohonleikkurin uudelleen käynnistämistä tai käyttämistä.

HUOLTAMINEN

VAROITUS: Käytä aina sellaisia suojalaseja, joissa on sivusuojat. Tämän ohjeen noudattamatta jättäminen saattaa aiheuttaa esineiden sinkoutumisen silmiin ja mahdollisen vakavan henkilövahingon.

VAROITUS: Suojaa aina kätesi paksuilla käsineillä tai käärimällä leikkauspinnat riepuihin tai muihin materiaaleihin silloin, kun teet kunnossapitotoimia ruohonleikkurin terälle. Poista aina turva-avain ja akut, kun huollat tai kuljetat ruohonleikkuria.

Kun- nossapitovälit	Maintenance Procedure
Ennen jokaista käyttökertaa tai päivittäin	<ul style="list-style-type: none"> Huoltotoimenpide Tarkista turvalukitusjärjestelmä. Tarkista silmämääräisesti, että renkaissa on ilmaa. Tarkista terät kulumisen, murtumien tai taipumien varalta. Tarkista ennen jokaista käyttökertaa koko laite vahingoittuneiden, puuttuvien tai löystyneiden osien varalta, kuten sivupoistokouru, ruuvit, mutterit, pultit, korkit ym., ja varmista, että kaikki suojukset ovat paikoillaan ja toimivat kunnolla. Tarkista jarrun toiminta.
Jokaisen käyttökerran jälkeen	<ul style="list-style-type: none"> Puhdista ruohonleikkurin leikkuulaite.
25 tunnin välein	<ul style="list-style-type: none"> Tarkista rengaspaine.
50 tunnin välein	<ul style="list-style-type: none"> Tarkista rasvatilanne leikkuuterän laipan sisältä.
100 tunnin välein	<ul style="list-style-type: none"> Tarkista takapyörät. Varmista, että neljä pyöränmutteria on kiristetty suositeltuun momenttiin.
200 tunnin välein	<ul style="list-style-type: none"> Tarkista etupyörät. Varmista, että ne kääntyvät vapaasti.
Vuosittain	<ul style="list-style-type: none"> Tarkista seisontajarrupoljin. Poista akku ruohonleikkurista ja aseta seisontajarrupoljin jarrutasentoon. Työnnä ruohonleikkuria käsin eteenpäin ja tarkista, liikkuuko ruohonleikkuri. Jos se liikkuu, vie se päteväälle huoltoteknikolle huollettavaksi.

RUOHONLEIKKURIN PUHDISTUS (kuvat J1–J9)

Valmistelu (kuvat J1–J5)

Ruohonleikkurin kotelon puhdistaminen (kuvat J6–J7)

Ruohonleikkurin leikkuulaitteen puhdistaminen pesuporttia käyttäen (kuvat J8–J9)

J8-1	Pesuportti	J8-3	Puutarhaletku
J8-2	Pesuportin pikaliitin		

HUOMAUTUS: Kun lopetat puhdistamisen, paina PTO-kytkin alas ruohonleikkurin terien vapauttamiseksi.

RUOHONLEIKKURIN LEIKKUULAITTEEN JA LEIKKUUTERIEN KUNNOSSAPITO

Valmistelu (kuvat K1–K6)

Ruohonleikkurin leikkuulaitteen poistaminen (kuvat K7–K8)

K7-1	Moottorikaapeli	K7-3	Jousikannatus
K7-2	Saksisokka		

HUOMAUTUS: irrota moottorikaapelit ja saksisokat kummastakin sivusta, kun poistat ruohonleikkurin leikkuulaitteen.

Leikkuuterien vaihtaminen (kuvat K9–K11)

K9-1	Vakauslaite	K10-3	Terä
K10-1	Pultti	K10-4	Laippa
K10-2	Aluslevy	K10-5	Moottorin kara

Ruohonleikkurin leikkuulaitteen tasapainotus

a. Milloin tasapainotus tehdään (kuvat K12–K14)

b. Ennen tasapainotusta

- Kylmien renkaiden paineen tarkastaminen (kuva K15)
- Tarkista leikkuuterät. Poista ja vaihda kuluneet, murtuneet ja/tai taipuneet terät tarvittaessa.

c. Tasapainotuksen valmistelu (kuvat K16–K21)

d. Tasapainotuksen suorittaminen

- Sivusuuntaisen säädön tekeminen (kuva K22)

Etäisyyksien H1 ja H2 ero mitattuna kummankin terän alareunasta maahan pitää olla 5 mm:n sisällä.

K22-1	Jumiutunut mutteri
-------	--------------------

- Etu-takasäädön tekeminen (kuva K23)

Terän etukärjen H3 täytyy olla 2–10 mm alempana kuin takakärki H4.

RUOHONLEIKKURIN HALLINTAJÄRJESTELMÄN KALIBROINTI (kuvat L1–L6 ja L7–L12)

HUOMAUTUS: Merkkiääni-ilmaisimien antama yhden merkkiäänen, kun kalibrointi alkaa ja kun kalibrointi päättyy.

RUOHONLEIKKURIN TEHDASASETUKSTEN PALAUTTAMINEN (kuvat M1–M4)

HUOMAUTUS: Merkkiääni-ilmaisimien antama yhden merkkiäänen, kun palauttaminen alkaa ja kun palauttaminen päättyy.

VARASTOINTI JA KULJETTAMINEN

RUOHONLEIKKURIN KULJETTAMINEN (Kuvat N1– N11)

HUOMAUTUS: Kiinnitä ruohonleikkuri kuljetuksen ajaksi tarpeen mukaan hihnoilla tai vaijereilla, jotta se ei pääse liikkumaan. Kun lastaat tai purat ruohonleikkuria, älä ylitä suositeltua suurinta 12 asteen käyttökulmaa rampin ja maan välillä.

VARASTOINTI (kuvat 01–06)

HUOMAUTUS: poista akut ja säilytä akut niiden käyttöohjeiden mukaisesti.

Puhdista ja tarkista ruohonleikkuri ennen varastointia osioiden ”**RUOHONLEIKKURIN PUHDISTAMINEN**” ja ”**SUOSITELTU KUNNOSSAPITOAIKATAULU**”.


Ympäristönsuojelu



WEEE (Sähkö- ja elektroniikkalaiteromu) Älä hävitä sähkölaitteita, akkulaturia tai akkua/ ladattavia paristoja kotitalousjätteen seassa! Vie tämä tuote hyväksytyyn kierrätyspaikkaan tai anna se erilliseen keräilyyn. Sähkötyökalut tulee palauttaa asianmukaiseen ympäristöstävälliseen kierrätyslaitokseen.

VIANMÄÄRITYS

ONGELMA	SYY	RATKAISU
<p>Paikallaan kääntyvä sähköruohonleikkuri ei liiku, kun kaksi ohjaussauvaa työnnetään eteenpäin tai taaksepäin alussa.</p>	<ul style="list-style-type: none"> Asetettujen akkujen yhteinen Ah on alle 15 Ah. 	<ul style="list-style-type: none"> Ruohonleikkuri vaatii käynnistyäkseen vähintään 15 Ah:n EGO-akut (2 x BA4200/BA4200T) Parhaan suoritusasteon saamiseksi suosittelemme käyttämään akkuja, joiden yhteiskapasiteetti on vähintään 30 Ah.
	<ul style="list-style-type: none"> Seisontajarrupoljin on jarrutusasennossa. 	<ul style="list-style-type: none"> Paina seisontajarrupoljin täysin pohjaan vapauttaaksesi jarrutusasennon.
	<ul style="list-style-type: none"> Ohjaussauvat eivät ole avoimessa asennossa, kun ruohonleikkuri käynnistetään. 	<ul style="list-style-type: none"> Palauta ohjaussauvat avoimeen asentoon ja käynnistä ruohonleikkuri uudelleen.
	<ul style="list-style-type: none"> Käyttäjä ei istu istuimessa. 	<ul style="list-style-type: none"> Käyttäjä voi käyttää ruohonleikkuria vain istuessaan oikein istuimessa.
	<ul style="list-style-type: none"> Istuinkytkintä ei ole yhdistetty oikein. 	<ul style="list-style-type: none"> Poista akku ruohonleikkurista ja pura istuin päinvastaisessa järjestyksessä kuin mikä on tämän käyttöoppaan kohdassa ”ISTUIMEN ASENTAMINEN” ja tarkista istuinkytkimen liitäntä. Kokoa istuin uudelleen ja käynnistä ruohonleikkuri noudattamalla kohdan ”PAIKALLAAN KÄÄNTYVÄN SÄHKÖRUOHONLEIKKURIN KÄYNNISTÄMINEN” ohjeita, jos ruohonleikkuri ei käynnisty. Jos se ei käynnisty, ota yhteyttä pätevään huoltoasentajaan.
	<ul style="list-style-type: none"> Erittäin kylmässä säässä ajotoiminto ei ehkä käynnisty alhaisen lämpötilan suojan takia. 	<ul style="list-style-type: none"> Varastoi ruohonleikkuri ja akku aina lämpimässä tilassa. Käynnistä ruohonleikkuri uudelleen, kun se on lämmennyt. Älä yritä toistuvasti äärimmäisen kylmällä säällä, se voi vaurioittaa konetta. Suositeltu käyttölämpötila on 0–40°C.
<p>Paikallaan kääntyvä sähköruohonleikkuri pysähtyy.</p>	<ul style="list-style-type: none"> Ohjaussauvat täytyy ”nollata”. 	<ul style="list-style-type: none"> Palauta ohjaussauvat avoimeen asentoon ja käynnistä ruohonleikkuri uudelleen.
	<ul style="list-style-type: none"> Ohjaussauvojen sähköiset hallintakomponentit eivät toimi. 	<ul style="list-style-type: none"> Korjausasioissa ota yhteyttä pätevään huoltoasentajaan.
	<ul style="list-style-type: none"> Istuinkytkin vapautui ajettaessa epätasaisessa maastossa. 	<ul style="list-style-type: none"> Poista akku ruohonleikkurista ja pura istuin päinvastaisessa järjestyksessä kuin mikä on tämän käyttöoppaan kohdassa ”ISTUIMEN ASENTAMINEN” ja tarkista istuinkytkimen liitäntä. Kokoa istuin uudelleen ja käynnistä ruohonleikkuri noudattamalla kohdan ”PAIKALLAAN KÄÄNTYVÄN SÄHKÖRUOHONLEIKKURIN KÄYNNISTÄMINEN” ohjeita, jos ruohonleikkuri ei käynnisty. Jos se ei käynnisty, ota yhteyttä pätevään huoltoasentajaan.
<p>Ajonopeutta/ajotilaa ei voi säätää ajamisen aikana.</p>	<ul style="list-style-type: none"> Tämä on paikallaan kääntyvän sähköruohonleikkurin turvatoiminto. 	<ul style="list-style-type: none"> Toiminto aktivoituu vasta, kun ruohonleikkurin pyörät on pysäytetty ja ohjaussauvat ovat avoimena.

ONGELMA	SYY	RATKAISU
Paikallaan kääntyvä sähköruohonleikkuri ei kytke teriä päälle, kun PTO-kytkintä painetaan.  PTO-kytkinkuvake vilkkuu	<ul style="list-style-type: none"> Asetettujen akkujen yhteinen Ah on alle 15 Ah. 	<ul style="list-style-type: none"> Ruohonleikkuri vaatii käynnistyäkseen vähintään 15 Ah:n EGO-akut (2 x BA4200/BA4200T) Parhaan suoritustehon saamiseksi suosittelemme käyttämään akkuja, joiden yhteiskapasiteetti on vähintään 30 Ah.
	<ul style="list-style-type: none"> PTO-kytkintä ei painettu alas, kun ruohonleikkuri pysäytettiin edellisen kerran. 	<ul style="list-style-type: none"> Paina PTO-kytkin alas ja käynnistä ruohonleikkurin terät uudelleen.
	<ul style="list-style-type: none"> Ruohonleikkuri oli ylikuormitettu terien käynnistämisen aikana, mikä johtaa moottorin suojaukseen. 	<ul style="list-style-type: none"> Käynnistä ruohonleikkuri leikkurilla ensin alhaisella terän nopeudella, kunnes terät pyörivät. Älä kiihdytä terän nopeutta kuin tarvittaessa.
	<ul style="list-style-type: none"> Erittäin kylmässä säässä terämoottori ei ehkä käynnisty alhaisen lämpötilan suojan takia. 	<ul style="list-style-type: none"> Varastoi ruohonleikkuri ja akku aina lämpimässä tilassa. Käynnistä ruohonleikkuri uudelleen, kun se on lämmennyt. Älä yritä toistuvasti äärimmäisen kylmällä säällä, se voi vaurioittaa konetta. Suositeltu käyttölämpötila on 0–40°C.
	<ul style="list-style-type: none"> Ruohonleikkurin vääntynyt leikkuulaite häiritsee terää. 	<ul style="list-style-type: none"> Korjausasioissa ota yhteyttä pätevään huoltoasentajaan.
Terät lakkaavat toimimasta ruohonleikkuun aikana.	<ul style="list-style-type: none"> Ruohonleikkuri on ylikuormittunut 	<ul style="list-style-type: none"> Eista leikkuulaitteen leikkuukorkeutta tai hidasta ajonopeutta, jotta saat vähennettyä ruohonleikkurin kuormitusta.
	<ul style="list-style-type: none"> Ruohonleikkurin kansi on täynnä ruohoa ja irtoainesta. 	<ul style="list-style-type: none"> Puhdista ruohonleikkurin leikkuulaite, ja varmista, että terät liikkuvat vapaasti.
	<ul style="list-style-type: none"> Ruohonleikkuri on ylikuumentunut. 	<ul style="list-style-type: none"> Vähennä ruohonleikkurin kuormitusta nostamalla leikkuulaitteen leikkuukorkeutta tai hidastamalla terien nopeutta / ajonopeutta ja antamalla ruohonleikkurin jäähtyä.
	<ul style="list-style-type: none"> Ruohonleikkurin akkulokerossa olevat akut ovat ylikuumentuneet, mikä johtaa siihen, että asetettujen akkujen yhteinen Ah on alle 15 Ah. 	<ol style="list-style-type: none"> Jos akkujen yhteinen Ah-arvo on alle 15 Ah, ruohonleikkuri ei toimi ennen kuin akkuja on asetettu lisää tyhjiin akkupaikkoihin. Kun ylikuumentunut akku on jälleen normaalissa lämpötilassa, se alkaa antamaan virtaa ruohonleikkurille välittömästi. Vähennä ruohonleikkurin kuormitusta nostamalla leikkuulaitteen leikkuukorkeutta tai hidastamalla ruohonleikkurunopeutta, kun jatkat työskentelyä.
	<ul style="list-style-type: none"> Ruohonleikkuri on hätäkäyttötilassa. 	<ul style="list-style-type: none"> Kun ruohonleikkuri on hätäkäyttötilassa, terät kytkeytyvät automaattisesti hitaaseen pyörimisnopeuteen eivätkä leikkaa ruohoa. Käyttäjän on lopetettava työskentely ja siirryttävä akun latausalueelle mahdollisimman pian.
	<ul style="list-style-type: none"> Ruohonleikkuri on osunut vieraaseen esineeseen ja moottorin suojaus on lauennut. 	<ul style="list-style-type: none"> Paina PTO-kytkin alas ja käynnistä leikkuuterät uudelleen.

ONGELMA	SYY	RATKAISU
Merkkiääni-ilmaisain jatkaa toimimista.	<ul style="list-style-type: none"> Ruohonleikkuri on hätäkäyttötilassa eikä teriä ole kytketty pois päältä. 	<ul style="list-style-type: none"> Painaa PTO-kytkin alas leikkuulaitteen terien kytkemiseksi pois päältä. Merkkiääni-ilmaisain lopettaa toiminnan, kun terä pysähtyy.
	<ul style="list-style-type: none"> Ruohonleikkuri pysähtyy rinteessä ja käyttäjä avaa ohjaussauvat ja nousee istuimelta asettamatta seisontajarrupoljinta jarrutusasettoon. 	<ul style="list-style-type: none"> Aseta seisontajarrupoljin jarrutusasettoon ennen kuin poistut ruohonleikkurista rinteessä.
Akun merkkivalot palavat, kun ruohonleikkuri on kytketty pois päältä.	<ul style="list-style-type: none"> Kun ruohonleikkuri kytketään pois päältä tasaisella maalla poistamatta akkuja, akun merkkivalo jää palamaan kolmen minuutin ajaksi. 	<ul style="list-style-type: none"> Mitään toimenpiteitä ei tarvita. Akun merkkivalot sammuvat jonkin ajan kuluttua.
	<ul style="list-style-type: none"> Kun ruohonleikkuri kytketään pois päältä rinteessä asettamatta seisontajarrupoljinta jarrutusasettoon, akun merkkivalot palavat, kunnes akun varaus on tyhjä. Merkkiääni kuuluu samanaikaisesti. 	<ul style="list-style-type: none"> Aseta seisontajarrupoljin jarrutusasettoon ennen kuin jätät työkalun rinteessä.
LCD-näyttö ei syty kaikkien kuvakkeiden kanssa.	<ul style="list-style-type: none"> Käynnistys-/pysäytyspainikkeen painamisaika on alle kolme sekuntia. 	<ul style="list-style-type: none"> LCD-näytössä näkyy ”Akkutehomittari” vain, kun käynnistys-/pysäytyspainiketta painetaan lyhyesti.
		<ul style="list-style-type: none"> LCD-näyttö kytkeytyy päälle, kun käynnistys-/pysäytyspainiketta pidetään painettuna kolmen sekunnin ajan.
Ruohonleikkuri leikkaa epätasaisesti, merkittävä korkeusero edessä ja takana.	<ul style="list-style-type: none"> Terät ovat tylsät. 	<ul style="list-style-type: none"> Teroita tai vaihda leikkuuterä tämän käyttöoppaan ohjeiden mukaisesti.
	<ul style="list-style-type: none"> Terät ovat taipuneet. 	<ul style="list-style-type: none"> Vaihda taipunut leikkuuterä osion ”LEIKKUUTERIEN VAIHTAMINEN” ohjeiden mukaan.
	<ul style="list-style-type: none"> Ruohonleikkurin leikkuulaite ei ole tasapainossa, mikä johtaa leikkuuterien korkeuseroihin. 	<ul style="list-style-type: none"> Tasapainota ruohonleikkurin leikkuulaite osion ”RUOHONLEIKKURIN LEIKKUULAITTEEN TASAPAINOTUS” ohjeiden mukaan.
Todellinen ruohon leikkuukorkeus ei täsmää halutun korkeuden kanssa.	<ul style="list-style-type: none"> Leikkuulaitteen jousikannatuksen kansimutterit ovat löysällä 	<ul style="list-style-type: none"> Tee leikkuulaitteen etu-taka-säätö noudattaen osion ”RUOHONLEIKKURIN LEIKKUULAITTEEN TASAPAINOTUS” ohjeita ja kiristä jousikannatuksen neljä mutteria (kaksi kummassakin sivussa).
	<ul style="list-style-type: none"> Ruohonleikkurin leikkuulaite on vaurioitunut tai erittäin kulunut. 	<ul style="list-style-type: none"> Vaihda ruohonleikkurin leikkuulaite noudattaen osion ”RUOHONLEIKKURIN LEIKKUULAITTEEN POISTAMINEN” ohjeita.

ONGELMA	SYY	RATKAISU
Ruohonleikkuri ei silppua kunnolla.	<ul style="list-style-type: none"> Märät ruohopalat juuttuvat kannen alapuolelle. 	<ul style="list-style-type: none"> Odota, että ruoho kuivuu, ennen kuin jatkat leikkaamista.
	<ul style="list-style-type: none"> Ruohonleikkuri on asetettu leikkaamaan liikaa ruohoa kerralla. 	<ul style="list-style-type: none"> Eista leikkulaitteen leikkuukorkeutta.
Liiallista tärinää.	<ul style="list-style-type: none"> Leikkuuterät ovat löysällä. 	<ul style="list-style-type: none"> Kiristä terän pultti suositeltuun momenttiin 50–55 Nm.
	<ul style="list-style-type: none"> Terät ovat taipuneet. 	<ul style="list-style-type: none"> Vaihda taipunut leikkuuterä osion ”LEIKKUUTERIEN VAIHTAMINEN” ohjeiden mukaan.
	<ul style="list-style-type: none"> Ruohonleikkurin leikkulaite ei ole tasapainossa. 	<ul style="list-style-type: none"> Tasapainota ruohonleikkurin leikkulaite osion ”RUOHONLEIKKURIN LEIKKUULAITTEEN TASAPAINOTUS” ohjeiden mukaan.
	<ul style="list-style-type: none"> Leikkulaitteen jousikannatuksen kansimutterit ovat löysällä. 	<ul style="list-style-type: none"> Käytä 18 mm:n leuka-avainta (ei mukana) ja kiristä jousikannatuksen neljä mutteria (kaksi kummassakin sivussa).
	<ul style="list-style-type: none"> Ruohonleikkuri on asetettu leikkaamaan liikaa ruohoa kerralla. 	<ul style="list-style-type: none"> Eista leikkulaitteen leikkuukorkeutta.
Maahan jää ruohoa tai roskia leikkaamisen jälkeen.	<ul style="list-style-type: none"> Ruohonleikkuri on asetettu leikkaamaan liikaa ruohoa kerralla, kun ruoho on pitkää. 	<ul style="list-style-type: none"> Aloita korkeimmalla leikkuukorkeudella ja vähennä korkeutta, kunnes haluttu leikkuutulos saavutetaan. Yli kuuden tuuman korkuinen ruoho on ajettava kaksi kertaa peräkkäin pienemmillä leikkuukorkeuksilla.
	<ul style="list-style-type: none"> Ruoho on märkää. 	<ul style="list-style-type: none"> Älä leikkaa märkää ruohoa. Odota ruohon kuivumista.
	<ul style="list-style-type: none"> Ajonopeus on korkea. 	<ul style="list-style-type: none"> Hidasta ajonopeutta.
	<ul style="list-style-type: none"> Terän nopeus on hidas. 	<ul style="list-style-type: none"> Eista terän nopeutta asteittain.
Ruohonleikkurin akun kesto on lyhyt.	<ul style="list-style-type: none"> Ruohon kunto ja leikkuukorkeuden asetus vaikuttavat akun keston merkittävästi. Annettu akun kesto aika perustuu kevyesti kuormittaviin olosuhteisiin. 	<ul style="list-style-type: none"> Eista leikkulaitteen leikkuukorkeutta ja hidasta terän nopeutta, jotta saat vähennettyä leikkurin kuormitusta.
Ruohonleikkuri ei liiku suoraan.	<ul style="list-style-type: none"> Vasemman ja oikean takarenkaan rengaspaineet ovat erilaiset. 	<ul style="list-style-type: none"> Tarkista ja säädä kummankin takarenkaan ilmanpaine tämän käyttöoppaan osion ”RENGASPAINEN TARKISTAMINEN” ohjeiden mukaan.
	<ul style="list-style-type: none"> Vasemman ja oikean takarenkaan ajonopeudet ovat erilaiset. 	<ul style="list-style-type: none"> Kalibroi ruohonleikkurin hallintajärjestelmä osion ”RUOHONLEIKKURIN HALLINTAJÄRJESTELMÄN KALIBROINTI” ohjeiden mukaan.

ONGELMA	SYY	RATKAISU
Seisontajarrupoljin ei vapaudu jarrutusasennosta tai vapautuu hitaasti.	<ul style="list-style-type: none"> Seisontajarrupolkimen sisällä saattaa olla roskaa tai likaa. 	<ul style="list-style-type: none"> Open the parking brake pedal box to thoroughly clean the box inside and close it. Reset the parking brake pedal to see whether the problem is solved. If not, contact a qualified service technician for repair.
Ruohonleikkuria ei voi ladata latausliitännän kautta, ruohonleikkurin tilan merkkivalo palaa punaisena.	<ul style="list-style-type: none"> Laturin pistoke ei ole kunnolla kiinni ruohonleikkurin latausliitännässä. 	<ul style="list-style-type: none"> Yhdistä laturin pistoke uudelleen ja tarkista latautuuko ruohonleikkuri normaalisti.
	<ul style="list-style-type: none"> Seinäpistorasiassa ei ole virtaa. 	<ul style="list-style-type: none"> Mitään toimenpiteitä ei tarvita. Odota, kunnes virta palautuu.
	<ul style="list-style-type: none"> Laturissa on toimintahäiriö. 	<ul style="list-style-type: none"> Anna pätevän huoltoasentajan tarkistaa laturi ja korjata se tarvittaessa.
	<ul style="list-style-type: none"> Ruohonleikkurin latausliitäntä on viallinen. 	<ul style="list-style-type: none"> Korjausasioissa ota yhteyttä pätevään huoltoasentajaan.
Latausaika ruohonleikkurin latausliitännän kautta on liian pitkä.	<ul style="list-style-type: none"> Lataaminen kestää pitkään käytettäessä EGO-verkkolaitetta ACA1000. 	<ul style="list-style-type: none"> Käytä EGO-laturia CHV1600E paikallaan kääntyvän sähköruohonleikkurin lataamiseksi suoraan.
Akku ei lataudu täyteen ruohonleikkurin latausliitännän kautta.	<ul style="list-style-type: none"> Ajettavan ruohonleikkurin laiteohjelmistovirhe tai laturiEi olekun toimintahäiriö. 	<ul style="list-style-type: none"> Irrota laturi ja odota yli 1 minuutti, liitä pistoke sitten uudelleen sähköverkkoon. Jos se ei toimi, ota yhteyttä pätevään huoltoasentajaan.
Ruohonleikkuri ei käynnisty puhdistamisen jälkeen.	<ul style="list-style-type: none"> Virheellinen puhdistaminen, vettä on esimerkiksi päässyt sähköisiin osiin, LCD-näyttöön jne. 	<ul style="list-style-type: none"> Puhdista ruohonleikkuri oikein osion "RUOHONLEIKKURIN PUHDISTAMINEN" ohjeiden mukaan.
Ruohonleikkuri menee helposti tukkoon.	<ul style="list-style-type: none"> Ruohonleikkurin kansi on täynnä ruohoa ja irtoainesta. 	<ul style="list-style-type: none"> Jos ruohonleikkuri on jäänyt vahingossa sateeseen, anna sen kuivua yli 12 tuntia tai käytä sen kuivaamiseen paineilmaa.
		<ul style="list-style-type: none"> Puhdista ruohonleikkurin leikkuulaite jokaisen käyttökerran jälkeen noudattaen osion "Pesuportin käyttäminen ruohonleikkurin leikkuulaitteen puhdistamiseen" ohjeita.
The mower easily loses traction when climbing up on the slope.	<ul style="list-style-type: none"> Takapyörrien renkaat ovat kuluneet. 	<ul style="list-style-type: none"> Vaihdata pyörän renkaat paikallisessa huoltoliikkeessä.
	<ul style="list-style-type: none"> Liian jyrkkä leikattava rinne. 	<ul style="list-style-type: none"> Ajettavan rinteen jyrkkyys ei saa olla yli 12 astetta.


ONGELMA	SYY	RATKAISU
Kun ruohonleikkuri pysäytetään rinteeseen seisontajarrupoljin painettuna, ruohonleikkuri voi liukua rinnettä alaspäin.	<ul style="list-style-type: none"> Jarruosat ovat liian kuluneet ruohonleikkurin virheellisen käytön takia. 	<ul style="list-style-type: none"> Korjausasioissa ota yhteyttä pätevään huoltoasentajaan.
Pesuportista ei tule vettä leikkuulaitteen pesemisen aikana.	<ul style="list-style-type: none"> Pesuportin pikaliitintä ei ole kiinnitetty paikoilleen pesuporttiin. 	<ul style="list-style-type: none"> Kiinnitä pesuportin pikaliitin takaisin painamalla, kunnes kuulet selkeän napsahduksen. Jos se ei toimi, ota yhteyttä pätevään huoltoasentajaan.
Kuuluu epänormaali ääni, kun ruohonleikkuria työnnetään käsin ilman käynnistämistä.	<ul style="list-style-type: none"> Ääni kuuluu ajomoottorin sisällä olevista magneeteista. 	<ul style="list-style-type: none"> Tämä on normaalia, toimenpiteitä ei tarvita.

RUOHONLEIKKURIN TILA JA VIKAKOODIT

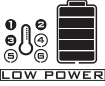



LCD-näyttö	Kuvaus	Vika-koodi LCD-näytössä	Ruohonleikkurin tilan merkivalo	Beeper	Syy	Ratkaisu
	LED-valokuvake näkyy LCD-näytössä	Ei ole	Ei pala	Ei	LED-valokytin kytkee ajovalot, sivuvalot ja takavalot.	Tämä on normaalia toimintaa. Mitään toimenpiteitä ei tarvita.
	USB-kuvake näkyy LCD-näytössä	Ei ole	Ei pala	Ei	USB-kuvake ilmaisee, että USB-laite toimii ruohonleikkurin käynnistämisen jälkeen.	Tämä on normaalia toimintaa. Mitään toimenpiteitä ei tarvita.
	Akkutehomittarikuvake näkyy LCD-näytössä	Ei ole	Ei pala	Ei	Ilmaisee asetettujen akkujen keskimääräisen varauskapasiteetin.	Tämä on normaalia toimintaa. Mitään toimenpiteitä ei tarvita.
	Käyttötuntimittarikuvake näkyy LCD-näytössä	Ei ole	Ei pala	Ei	Näyttää ruohonleikkurin kokonaiskäyttötunnit, ei voi nollata.	Tämä on normaalia toimintaa. Mitään toimenpiteitä ei tarvita.
	Kuormituksen merkkivalokuvake on ECO-alueella	Ei ole	Ei pala	Ei	Ilmaisee ruohonleikkurin nykyisen kuormituksen.	Tämä on normaalia toimintaa. Mitään toimenpiteitä ei tarvita.
	Ylikuormituksen merkkivalo vilkkuu. Kuormituksen merkkivalokuvake on PWR-alueella.	Ei ole	Vilkkuu punaisena	Yksi merkkiääni	Terämoottori on ylikuormittunut.	Nosta leikkuulaitteen leikkuukorkeutta tai hidasta ajonopeutta, jolloin saat vähennettyä ruohonleikkurin kuormitusta.

FI

LCD-näyttö	Kuvaus	Vika-koodi LCD-näytössä	Ruohonleikkurin tilan merkivalo	Beeper	Syy	Ratkaisu
	Turva-avainkuvake vilkkuu.	Ei ole	Ei pala	Ei	Turva-avainta ei ole asetettu.	Käynnistä ruohonleikkuri asettamalla turva-avain ja pitämällä sitten KÄYNNISTYS/PYSÄYTYS-painiketta painettuna yli kolmen sekunnin ajan.
					LCD-näyttöön ei tule virtaa.	Jätä korjaukset pätevän huoltoasentajan tehtäväksi.
	Tyhjän akkulokeron kuvake vilkkuu.	Ei ole	Ei pala	Ei	Akun kapasiteetti ei riitä ajettavan ruohonleikkurin käyttämiseen.	Ruohonleikkuri vaatii käynnistyäkseen vähintään 15 Ah:n EGO-akut (2 x BA4200/BA4200T) Parhaan suoritustehon saamiseksi suosittelemme käyttämään EGO-akkuja, joiden yhteiskapasiteetti on vähintään 30 Ah.
	Lämpömittarin kuvake vilkkuu.	Ei ole	Vilkkuu punaisena	Yksi merkkiääni	Leikkuri on ylikuumentunut	Vähennä ruohonleikkurin kuormitusta nostamalla leikkuulaitteen leikkuukorkeutta tai hidastamalla terien nopeutta / ajonopeutta. Pidä tauko ja anna ruohonleikkurin jäähtyä.

LCD-näyttö	Kuvaus	Vika-koodi LCD-näytössä	Ruohonleikkurin tilan merkivalo	Beeper	Syy	Ratkaisu
	<p>Ylikuumentumiskuvake ja tarkka akkulokero vilkkuvat samanaikaisesti.</p>	Ei ole	Ei ole	Ei	<p>Vastaavalla numerolla varustetun akkusaston akku on ylikuumentunut.</p>	<p>1. Ruohonleikkuri jatkaa toimintaa, jos akkujen yhteinen Ah-arvo, ylikuumentunut akku pois lukien, on 15 Ah tai enemmän. Kun ylikuumentunut akku on jälleen normaalissa lämpötilassa, se alkaa antamaan virtaa ruohonleikkurille välittömästi.</p> <p>2. Jos akkujen yhteinen Ah-arvo on alle 15 Ah, ruohonleikkuri ei toimi ennen kuin akkuja on asetettu lisää tyhjiin akkupaikkoihin.</p> <p>3. Vähennä ruohonleikkurin kuormitusta nostamalla leikkuulaitteen leikkuukorkeutta tai hidastamalla ruohonleikkuunopeutta, kun jatkat työskentelyä.</p>

KEES VAN DER SPEK
TUINMACHINES * STOLWIJK

LCD-näyttö	Kuvaus	Vika-koodi LCD-näytössä	Ruohonleikkurin tilan merkkivalo	Beeper	Syy	Ratkaisu
	Jokaisen akkulokeron paikan kuvake, alhaisen varauksen ilmaisin, akkutehomittarin grafiikka vilkkuvat yhden sekunnin välein samanaikaisesti LCD-näytössä. LED-tehomittarin ensimmäinen segmentti ja tilan merkkivalo vilkkuvat myös.	Ei ole	Vilkkuu punaisena	Merkkiääni kuuluu, kunnes PTO-kytkin on painettu alas.	Akkujen varaus on vähissä ja ruohonleikkuri on hätäkäyttötilassa.	Lopeta työskentely ja siirry akun latausalueelle. HUOMAUTUS: Kun ruohonleikkuri on hätäkäyttötilassa, terät kytkeytyvät automaattisesti hitaaseen pyörimisnopeuteen eivätkä leikkaa ruohoa ja samalla kuuluu merkkiääniä. Käyttäjän pitää painaa PTO-kytkin alas leikkulaitteen terien kytkemiseksi pois päältä. Merkkiääni lakkaa kuulumasta, kun terä pysähtyy.
	Jokainen akun varausilmaisinkuvake ja alhaisen varauksen merkkivalo vilkkuvat puolen sekunnin välein.	Ei ole	Ei pala	Ei	Akut ovat lähes tyhjt.	Ruohonleikkuri lopettaa toiminnan välittömästi. Käyttäjän täytyy kuljettaa ruohonleikkuri akun latausalueelle latausta varten.
	Automaattisen pysäköinnin kuvake vilkkuu LCD-näytössä.	Ei ole	Ei pala	Jatkaa kuulumista	Ruohonleikkuri on pysäköity rinteeseen ja käyttäjä jättää ruohonleikkurin asettamatta seisontajarrua jarrutusasettoon ohjaussauvojen ollessa avoimessa asennossa.	Aseta jarrupoljin jarrutusasettoon. Automaattisen pysäköinnin kuvake sammuu ja merkkiääni lakkaa kuulumasta.
	Jarrupolkimen kuvake näkyy LCD-näytössä.	Ei ole	Ei pala	Ei	Seisontajarrupoljin on asetettu jarrutusasettoon.	Vapauta ennen ruohonleikkurin käynnistämistä.

LCD-näyttö	Kuvaus	Vika-koodi LCD-näytössä	Ruohonleikkurin tilan merkivalo	Beeper	Syy	Ratkaisu
	Istuinanturin kuvake näkyy LCD-näytössä.	Ei ole	Ei pala	Ei	Käyttäjä nousee pois istuimelta tai istuinkytkin on pois päältä.	Jos kuvake palaa käyttäjän istuessa istuimessa, lopeta ruohonleikkurin käyttö välittömästi ja tarkista istuimen liitäntä. Jos istuimen liitäntä ruohonleikkuriin on oikein, ota yhteyttä pätevään huoltoasentajaan korjausta varten.
	PTO-kytkinkuvake vilkkuu.	Ei ole	Ei pala	Ei	Terämoottoria häirittiin käytön aikana ja PTO-kytkintä ei ole asetettu pois päältä -asentoon.	Paina ennen ruohonleikkurin käynnistämistä uudelleen PTO-kytkin alas leikkuulaitteen terämoottorin kytkemiseksi pois päältä. Katso lisätietoa tämän käyttöoppaan osiosta "VIANMÄÄRITYS" .
	Ohjaussauvakuvake vilkkuu.	Ei ole	Ei pala	Ei	Ajomoottoria häirittiin käytön aikana ja ohjaussauvoja ei ole asetettu avoimeen asentoon.	Palauta ohjaussauvat avoimeen asentoon ennen ruohonleikkurin uudelleen käynnistämistä. Katso lisätietoa tämän käyttöoppaan osiosta "VIANMÄÄRITYS" .
	Energian talteenoton kuvake vilkkuu ajoittain.	Ei ole	Ei pala	Ei	Jarrituksen tai alamäkeen ajamisen aikana syntyvä liike-energia muunnetaan sähköksi akkujen lataamista varten.	Tämä on normaalia toimintaa. Mitään toimenpiteitä ei tarvita.

FI

LCD-näyttö	Kuvaus	Vika-koodi LCD-näytössä	Ruohonleikkurin tilan merkivalo	Beeper	Syy	Ratkaisu
Katso "Vika-koodi"	Vasen ajomoottori ei pyöri.	PCBA-ohjattu vasen ajomoottori ei toimi.	413	Ei pala	Yksi merkkiääni	PCBA-vika
		Pistoke (kolmivaihe, virtajohto), joka liittää vasemman ajomoottorin vastaavaan PCBA:han, on irronnut.	317	Ei pala	Yksi merkkiääni	Löysä liitäntä
		Pistoke (kuusinapainen, signaali johto), joka liittää vasemman ajomoottorin vastaavaan PCBA:han, on irronnut.	301	Ei pala	Yksi merkkiääni	Löysä liitäntä
		Vasen ajomoottori ei toimi.	317	Ei pala	Yksi merkkiääni	Moottorivika
						Jätä korjaukset pätevän huoltoasentajan tehtäväksi.

FI

LCD-näyttö	Kuvaus		Vika-koodi LCD-näytössä	Ruohonleikkurin tilan merkivalo	Beeper	Syy	Ratkaisu
Katso ”Vika-koodi”	Oikea ajomoottori ei pyöri.	PCBA-ohjattu oikea ajomoottori ei toimi.	313	Ei pala	Yksi merkkiääni	PCBA-vika	Jätä korjaukset pätevän huoltoasentajan tehtäväksi.
		Pistoke (kolmivaihe, virtajohto), joka liittää oikean ajomoottorin vastaavaan PCBA:han, on irronnut.	417	Ei pala	Yksi merkkiääni	Löysä liitântä	
		Pistoke (kuusinapainen, signaalijohto), joka liittää oikean ajomoottorin vastaavaan PCBA:han, on irronnut.	401	Ei pala	Yksi merkkiääni	Löysä liitântä	
		Oikea ajomoottori ei toimi.	417	Ei pala	Yksi merkkiääni	Moottorivika	
Katso ”Vika-koodi”	Vasen terämoottori ei pyöri.	PCBA-ohjattu vasen terämoottori ei toimi.	607	Ei ole	Yksi merkkiääni	PCBA-vika	Jätä korjaukset pätevän huoltoasentajan tehtäväksi.
		Pistoke (kolmivaihe, virtajohto), joka liittää vasemman ajomoottorin vastaavaan PCBA:han, on irronnut.	509	Ei ole	Yksi merkkiääni	Löysä liitântä	Tarkasta ensin terä. Jos se on löysällä, kiristä pulttia myötöpäivään 14 mm:n momenttiavaimella. Suositeltu momentti terän pultille on 50–55 Nm. Muussa tapauksessa jätä korjaukset pätevän huoltoasentajan tehtäväksi.
		Vasen terämoottori ei toimi.	509	Ei ole	Yksi merkkiääni	Moottorivika	

LCD-näyttö	Kuvaus		Vika-koodi LCD-näytössä	Ruohonleikkurin tilan merkivalo	Beeper	Syy	Ratkaisu
Katso "Vika-koodi"	Oikea terämoottori ei pyöri.	PCBA-ohjattu oikea terämoottori ei toimi.	507	Ei ole	Yksi merkkiääni	PCBA-vika	Jätä korjaukset pätevän huoltoasentajan tehtäväksi.
		Pistoke (kolmivaihe, virtajohto), joka liittää oikean ajomoottorin vastaavaan PCBA:han, on irronnut.	609	Ei ole	Yksi merkkiääni	Löysä liitântä	Tarkasta ensin terä. Jos se on löysällä, kiristä pulttia myötöpäivään 14 mm:n momenttiavaimella. Suositeltu momentti terän pultille on 50–55 Nm. Muussa tapauksessa jätä korjaukset pätevän huoltoasentajan tehtäväksi.
		Oikea terämoottori ei toimi.	609	Ei ole	Yksi merkkiääni	Moottorivika	Jätä korjaukset pätevän huoltoasentajan tehtäväksi.
Katso "Vika-koodi"	Vasen ohjaussauva ei toimi	PCBA:ta ohjaava vasen ohjaussauva ei toimi.	311 /412	Ei pala	Yksi merkkiääni	PCAB-vika	Jätä korjaukset pätevän huoltoasentajan tehtäväksi.
		Ohjaavan PCBA:n ohjaussauvassa sijaitseva pistoke on irronnut.				Löysä liitântä	
Katso "Vika-koodi"	Oikea ohjaussauva ei toimi	PCBA:ta ohjaava oikea ohjaussauva ei toimi.	312 /411	Ei pala	Yksi merkkiääni	PCAB-vika	Jätä korjaukset pätevän huoltoasentajan tehtäväksi.
		Ohjaavan PCBA:n ohjaussauvassa sijaitseva pistoke on irronnut.				Löysä liitântä	

LCD-näyttö	Kuvaus		Vika-koodi LCD-näytössä	Ruohonleikkurin tilan merkivalo	Beeper	Syy	Ratkaisu
Katso ”Vika-koodi”	Seisontajarru ei toimi, työkalua ei voi käyttää.	Eturungossa oleva seisontajarrun PCBA on rikki.	309 /409	Ei pala	Yksi merkkiääni	PCBA-vika	Jätä korjaukset pätevän huoltoasentajan tehtäväksi.
		Seisontajarrun kytkin ja/ tai johto on viallinen.	801	Ei pala	Yksi merkkiääni	Johto-/kytkinvika	
Ei pala	Lataussuojaus ei toimi		Ei ole	Solid RED	Ei ole	Latausportti on avoimessa piirissä.	Jätä korjaukset pätevän huoltoasentajan tehtäväksi.
			Ei ole	Solid RED	Ei ole	Ei virransyöttöä.	Tarkista seinäpistorasia, onko jännite 220–240 V ja pistorasia kunnossa.
			Ei ole	Solid RED	Ei ole	Sulake on palanut.	Jätä korjaukset pätevän huoltoasentajan tehtäväksi.
Katso ”Vika-koodi”	Lataussuojaus ei toimi		204	Ei ole	Yksi merkkiääni	Latausportti on avoimessa piirissä.	
Katso ”Vika-koodi”	Akkulokero ei toimi.		217	Ei ole	Yksi merkkiääni	Akkulokeron virtalähde on rikki. LED-ajovalot ja USB eivät toimi.	Jätä korjaukset pätevän huoltoasentajan tehtäväksi.
			310 /410	Ei pala	Yksi merkkiääni	Akkulokeron Type-C-johtojen yhteys ruohonleikkurin muihin Type-C-johtoihin ei toimi.	
			201 /202 /203	Ei pala	Yksi merkkiääni	Akkulokeron BMS on rikki.	
Katso ”Vika-koodi”	Käynnistys-/pysäytyskytkin ei toimi		314 /414	Ei pala	Yksi merkkiääni	Kytkimen PCBA-vika tai käynnistys-/pysäytyskytkimen huono johdinliitäntä.	Jätä korjaukset pätevän huoltoasentajan tehtäväksi.

LCD-näyttö	Kuvaus	Vika-koodi LCD-näytössä	Ruohonleikkurin tilan merkivalo	Beeper	Syy	Ratkaisu
Katso "Vika-koodi"	LCD-näyttö ei toimi	315 /415	Ei pala	Yksi merkkiäänäni	LCD-kokoonpano on rikki tai LCD-kokoonpanon huono johdinliitäntä.	Jätä korjaukset pätevän huoltoasentajan tehtäväksi.

TAKUU

EGON TAKUUEHDOT

Verkkosivustolta egopowerplus.com löydät EGO:n takuukäytännön täydelliset ehdot.

FI

KEES VAN DER SPEK
TUINMACHINES ★ STOLWIJK

LES ALLE INSTRUKSJONER!



LES BRUKERHÅNDBOKEN

⚠ Gjenværende risiko! Personer med elektroniske enheter, for eksempel pacemakere, bør konsultere legen(e) før de bruker dette produktet. Betjening av elektrisk utstyr i nærheten av en hjertestarter kan forårsake interferens eller svikt i hjertestarteren.

SIKKERHETSSYMBOL

Hensikten med sikkerhetssymboler er å tiltrekke deg oppmerksomheten mot mulige farer. Sikkerhetssymbolene og forklaringene med dem fortjener nøye oppmerksomhet og forståelse. Symbolvarslene eliminerer ikke i seg selv noen fare. Instruksjonene og advarslene de gir, erstatter ikke riktige tiltak for å forhindre ulykker.

⚠ ADVARSEL: Sørg for å lese og forstå alle sikkerhetsinstruksjonene i denne brukerhåndboken, inkludert alle sikkerhetsvarselsymboler som **“FARE”**, **“ADVARSEL”** og **“FORSIKTIG”** før du bruker dette verktøyet. Hvis du ikke følger alle instruksjonene nedenfor, kan det føre til elektrisk støt, brann og/eller alvorlig personskade.

NO

SYMBOLBETYDELSE

Denne siden viser og beskriver sikkerhetssymboler som kan vises på dette produktet. Les, forstå og følg alle instruksjonene på maskinen før du prøver å montere og bruke den.

SIKKERHETSSYMBOLER

	Sikkerhetsvarsel		Les og forstå brukerhåndboken
	Øyebeskyttelse		Opprettholde sikkerhetsinnretninger
	FARE - Fare for bratt skråning		FARE - Hold tilskuere borte fra bladene
	Aldri bær barn		Se bak deg mens du rygger
	ADVARSEL - Ikke bruk denne maskinen i bakker som er brattere enn 12°.		FARE - Objekter som kastes
	ADVARSEL - HOLD HENDER OG FØTTER BORTE		Garantert lydeffektnivå. I henhold til det europeiske samfunnets direktiv.



Ikke gå



Dette produktet er i samsvar med gjeldende EF -direktiver



Likestrøm

kPa

Kilopascal

V

Volt

i

Tommer

Nm

Newton meter

°C

Celsius

km/t

Kilometer i timen



Elektriske avfallsprodukter skal ikke kastes sammen med husholdningsavfall. Ta med til en autorisert resirkulator.



FORSIKTIG - Ikke se direkte på lampen.



Dette produktet er i samsvar med gjeldende britisk lovgivning.

RPM

Omdreininger per minutt

m

Meter

cm

Centimeter

mm

Millimeter

kg

Kilogram

IPX4

Ingress beskyttelsesgrad

NO

SPESIFIKASJONER

Spenning		56 V
Dekkstørrelse		107 cm
Hjulstørrelse	Front	11 x 4 tommer (279,4 mm)
	Bak	18 x 8.5 tommer (457.2 mm)
Kaldt dekktrykk	Front	220 kPa
	Bak	50 kPa
Svingradius		0
Bladhastighet (RPM)		2400, 2600, 2800, 3000
Maks. Kjørehastighet (km/t)	Framover	4,8 km/t, 8 km/t, 9,6 km/t, 11,2 km/t (12,8 km/t i reisemodell)
	Reverser	up to 5.6 km/h
Lader	Lader (valgfritt)	CHV1600E
	Adapter (valgfritt)	ACA1000
	Ladetemperaturområde	5°C - 40°C
Justering av klippehøyde (10 posisjoner)		25 – 100 mm
Driftstemperatur		0°C- 40°C

Lagertemperatur		-20°C - 70°C
Vekt (Uten batteripakke)		186 kg
Målt lydeffektnivå L_{WA}		96.44 dB(A) K=0.68 dB(A)
Lydtrykknivå ved brukerens øre L_{PA}		84.3 dB(A) K=3.0 dB(A)
Garantert lydeffektnivå L_{WA} (målt i henhold til 2000/14/EC)		100 dB(A) 2000/14/EC)
Vibrasjon a_h	Hånd	1.221 m/s ² K=1.5 m/s ²
	Kropp	0.568 m/s ² K=1.5 m/s ²

- Den deklarete totale vibrasjonsverdien er målt i samsvar med en standard testmetode og kan brukes til å sammenligne ett verktøy med et annet;
- Den deklarete totale vibrasjonsverdien kan også brukes i en foreløpig vurdering av eksponering.

MERKNAD: Vibrasjonsutslippet under faktisk bruk av elektroverktøyet kan avvike fra den deklarete verdien som verktøyet brukes i; For å beskytte brukeren, bør brukeren bruke hansker og hørselsvern under de faktiske bruksforholdene.

BESKRIVELSE

KJENN DEN ELEKTRISKE ZERO TURN KLIPPEREN (Fig. A1 og A2)

1. Sete
2. Ladeport
3. Batterirom
4. LED baklys
5. Oppbevaringsboks
6. Koppholdere
7. LED -sidelys
8. Bakhjul (drivhjul)
9. Dekk
10. Dekkbeskytter
11. Anti-Scalp hjul
12. Forhjul
13. Parkeringsbremsepedal
14. Navigasjonslys
15. LED -frontlykter
16. Sideutkast
17. Justeringsspak for dekkhøyde
18. Justeringsknapp for setefjæring
19. Justeringsspak for sete forover-bak
20. Styrespak
21. Statusindikator for klipperen
22. LCD skjerm
23. Kraftuttaksbryter
24. Start/stopp -knapp
25. Sikkerhetsnøkkel
26. Telefon oppbevaringsboks
27. Slåmaskinens drivstoffmåler og statusindikator
- 27a. Indikator for drivstoffmåler for slåmaskin
- 27b. Statusindikator for klipperen
28. Fotstøtteområde
29. Utløserknapp for kraftenhetdeksel
30. Deksel til kraftenhet
31. Batteriutløserknapp
32. Trekk
33. Monteringsdeksel for tilbehør
34. Monteringsdeksel oppbevaring for tilbehør
35. USB -port

NO

KJENN LCD -SKJERMEN OG KNAPPENE (Fig. A3)

Se avsnittet “KLIPPESTATUSREFERANSE OG FEILKODE” for mer informasjon om ikonene og indikatorene på LCD -skjermen.

1. Sikkerhetsnøkkelikon
2. LED -lysiikon
3. Autoparkeringsikon
4. USB -ikon
5. Bladepastighetsindikator
6. Sikkerhetsstatusindikator
7. Timemeter
8. Batteriikon
9. Overopphetingsikon
10. Kjøremodus
11. Indikator for feilkode
12. Overbelastningsindikator
13. Indikator for lav effekt
14. Kjøreastighetsindikator
15. Lastindikator
16. Knapp for justering av bladastighet
17. Sett -knapp
18. Kjøremodus -knapp
19. LED lysbryter
20. Knapp for justering av kjøreastighet
21. Drivstoffmåler

Å PAKKE UT

MERKNAD: Lagre emballasjen til du har inspisert produktet på en tilfredsstillende måte. Hvis noen deler på pakkelisten er montert på maskinen, må du umiddelbart kontakte EGO -service.

MERKNAD: Bortsett fra verktøyene under pakkelisten, er alle andre verktøy som er nevnt i manualene bare anbefalt, men ikke gitt.

PAKNINGSLISTE (Fig. B1)

B1-1	Elektrisk zero turn klipper		Sikkerhetsnøkler
B1-2	Sete	B1-8	Skiftenøkler (13 mm)
B1-3	Blindplugg	B1-9	Umbrakonøkkel
B1-4	Styrespak	B1-10	Vask-port hurtigkobling

B1-5	Sokkelskruer (2 for sikkerhet-skopiering)	B1-11	Brukerhåndbok
B1-6	Utvendig sekskanthode (2 for sikkerhet-skopiering)		

Å PAKKE UT (Fig. B2 - Fig. B3)

ANBEFALT TILBEHØR

⚠ ADVARSEL: Bruk kun identiske reservedeler som er oppført nedenfor. Bruk av deler som ikke oppfyller de originale utstyrsspesifikasjonene kan føre til feil ytelse og svekket sikkerhet.

DELNAVN	MODEL NUMBER
Standard blad	AB4200
Høyt løfteblad	AB4201
Blindplugg	AMP4200
Gressopp-samlingssett	ABK4200-A

MONTERING

INSTALLERE SETE (Fig. C1 og C2)

⚠ ADVARSEL: Sikkerhetslåsesystemet må ikke kobles fra eller omgås. Hvis du gjør det, kan klipperen operere uventet og føre til personskade.

MERKNAD: For din egen sikkerhet kan klipperen slutte å kjøre ettersom setebryteren ble koblet fra under kjøring. I dette tilfellet, se delen **“FEILSØKING”** for mer informasjon.

C1-1	Kabel	C1-5	Sokkelskruer
C1-2	Støpsel	C2-1	Krok
C1-3	Stikkontakt	C2-2	Stålskinner
C1-4	Opphengsbasis	C2-3	Sokkelskruer

INSTALLERE STYRESPAKENE (Fig. C3)

C3-1	Rattstang	C3-3	Styrespak monteringshull
C3-2	Utvendig sekskanthode		

FESTE BLINDPLUGGEN (Fig. C4)

C4-1	Sideutkast	C4-3	Bevegelig fjær
C4-2	Blindplugg		

OPERASJON

FØR DU BRUKER GRESSKLIPPEREN

Kontrollerer miljøet

- Sørg for at arbeidsområdet er fritt for barn, tilskuere og kjæledyr.
- Fjern arbeidsområdet for gjenstander som kan bli kastet av klipperen.
- Kontroller og kontroller at LED -lampene er i riktig status:
 - Frontlyktene, sidelysene og baklysene styres av LED -lysbryteren.
 - Kjørelysene lyser alltid under kjøring.
 - Når du rygger, hvis baklysene er slått av, blinker de for å advare tilskuere; hvis baklysene er slått på, forblir de på.
 - Alle lysene slås av automatisk etter mer enn 3 minutter uten bruk

Kontroll av kaldt dekktrykk (fig. D1)

Kontroller klippestatus og batterinivå

- Drivstoffmålerindikator for slåmaskin (fig. A2 - 27a)
Hvert segment av gressklipperens drivstoffindikator indikerer 20% lading av de innsatte batteriene.

MERKNAD: Drivstoffmålerindikatoren for klipperen og drivstoffmåleren på LCD -skjermen indikerer gjennomsnittlig kapasitet på de innsatte batteriene.

- Statusindikator for klipperen (Fig. A1 og Fig. A2 - 27b)

Hvis statusindikatoren viser grønt, er klipperen klar til å kjøre. Hvis ikke, vennligst se avsnittet **“SLÅSTATUSREFERANSE OG FEILKODE”**

Testing av sikkerhetslåsesystemet (Fig. D2 - Fig. D8)

MERKNAD: Føreren må være på setet før testen.

- Før testing (Fig. D2 - Fig. D4)
- For å teste dekkbladssystemet (fig. D5), reis deg deretter sakte opp
- For å teste drivsystemet (Fig. D6 - Fig. D8), reis deg deretter sakte opp

NO

Hvis dekkbladsystemet og/eller drivsystemet ikke stopper når føreren er utenfor setet, og hvis årsaken ikke kan fastslås etter at du har bekreftet at pluggen og stikkontakten på setet er godt tilkoblet, må du kontakte EGOs kundeservicesenter umiddelbart.

JUSTERING (Fig. E1 - Fig. E13)

Forberedelse (Fig. E1 - Fig. E5)

Justere klippeaggregatets høyde (fig. E6)

Justere hjulene mot hodebunnen (Fig. E7-Fig. E10)

E7-1	Anti-Scalp hjul	E9-2	Lagbolt
E9-1	Mutter	E10-1	Etikett for dekkhøyde

Justering av setet (Fig. E11)

Juster seteposisjonen for å sikre at du kan komme i fast kontakt med parkeringsbremsepedalen før du bruker klipperen. Setejustering kan få deg til å oppnå den mest komfortable opplevelsen på setet.

E11-1	Justeringsspak for sete forover-bak	E11-2	Justeringsknapp for setefjæring
-------	-------------------------------------	-------	---------------------------------

Stille inn parkeringsbremsen (Fig. E12 - Fig. E13)

E13-1	Bremseposisjon	E13-2	Utgitt posisjon
-------	----------------	-------	-----------------

LADING (Fig. F1 - Fig. F11)

For å starte denne klipperen kreves EGO -batterier på til sammen 15 Ah (2 X BA4200/BA4200T) eller mer. For best ytelse anbefalte vi bruk av EGO -batterier på til sammen 30 Ah eller mer.

Bruk kun med anbefalte batteripakker og ladere. (Fig. F9 og F10)

Forberedelse til lading (Fig. F1 - Fig. F4)

Lad batteriet(ene) separat (Fig. F5 - Fig. F9)

F5-1	Deksel utløserknapp	F7-1	Batteriutløserknapp
------	---------------------	------	---------------------

- For å feste batteripakken (e) (Fig. F5 - Fig. F6)
- Koble fra batteripakken (e) (Fig. F7 - Fig. F8)

MERKNAD: Lad batteripakken(e) se de tilhørende håndbøkene for batteri og lader.

Lade batteriene via ladeporten (Fig. F10)

F10-1	Støvlokk	F10-2	Ladeport
-------	----------	-------	----------

STARTE DEN ELEKTRISKE ZERO TURN KLIPPEREN (Fig. A4 - Fig. A5 og Fig. G1 - Fig. G6)

⚠ ADVARSEL: Unngå plutselige oppstarter, stopper og svinger, samt for høy hastighet, spesielt når du først lærer å bruke gressklipperen. Gressklipperen kan snurre raskt, noe som kan føre til at du mister kontrollen og kan føre til alvorlig personskade og/eller skade.

⚠ ADVARSEL: Før du starter klipperen, må du sjekke og kontrollere at knivene er frakoblet når du skyver kraftuttaksbryteren nedover. Hvis knivene ikke stopper, må du ikke bruke klipperen og kontakte din EGO kundeservice umiddelbart.

MERKNAD: Følg Fig. A4 og Fig. G2 for å få den laveste kjørehastigheten og STANDARD -kjøremodus til du er fullt i stand til å bruke klipperen i alle situasjoner. Kjørehastigheten og kjøremodus aktiveres bare når klippehjulene er stoppet og styrehendlene er åpne.

Gressklipperen vil lagre og presentere den forrige innstillingen når den startes på nytt.

Kjøremodus

- **KONTROLL:** Lavere akselerasjon, mindre sensitiv håndtering og mild svinghastighet for å beskytte gresset og for nye brukere.
- **STANDARD:** Perfekt til daglig bruk.
- **SPORT:** Høyere akselerasjon, nøyaktig håndtering og skarp svinging for å maksimere klippeeffektiviteten og for klippeentusiaster.

Justering av kjørehastighet (fig. A4)

Justering av knivhastighet (fig. A5)

MERKNAD: Når du er i "TRAVEL" -modus, trykker du på "↩", og kjørehastigheten vil gå tilbake til forrige modus."

USB -port

MERKNAD: USB -porten gir en ladeeffekt på 5 Volt DC ved en kombinert effekt på 1,5 ampere og drives bare når klipperen starter.

NO

Å STOPPE DEN ELEKTRISKE ZERO TURN KLIPPEREN (Fig. H1 - Fig. H6)

MERKNAD: Etter mer enn 60 minutter uten bruk, slår klipperen seg automatisk av.

Limp-home-modus

Når batteriladningen blir lav, går klipperen over i limp-home-modus:

- Gressklipperen stopper automatisk gressklipping;
- Pipindikatoren fortsetter å lyde;
- Klipperens statusindikator blinker rødt hvert sekund, det første segmentet av gressklipperens drivstoffmåler blinker rødt, og både laveffektindikatoren og batterigrafikken på drivstoffmåleren blinker.

Operatøren bør:

- a) Skyv krafttuttaksbryteren nedover (fig. H3) for å koble ut bladene. Pipeindikatoren slutter å høres når bladet stopper;
- b) Slutt å jobbe og gå til batteriladeområdet så snart som mulig. Maksimal distanse klipperen kan kjøre er 1000 m.

Når batteriet er nesten utladet, blinker ikonet for hver opptatte batterirom og indikator for lite strøm hvert halve sekund. Slåmaskinen slutter å fungere umiddelbart. Operatøren bør transportere klipperen til batteriets ladeområde for lading.

Manuell skyving

Hvis det er nødvendig å skyve manuelt, må du kontrollere at batteriene er koblet fra klipperen og at parkeringsbrems pedal slippes fra bremsestillingen.

KJØRING AV DEN ELEKTRISKE ZERO TURN KLIPPEREN (Fig. I1 - Fig. I9)

- For å stoppe, redusere eller øke hastigheten, endre sakte rattets avstand fra nøytral.

FARE: Hold deg minst to klippebredder (2,14 m) vekk fra grøfter, frafall eller vann. Forhjulene kan rotere når klipperen er stoppet, selv om bremsen er trukket på, og føre til at klipperen går over kanten eller i vannet og kan føre til død eller alvorlig personskade.

ADVARSEL: Vær oppmerksom på hva som ligger bak klipperen før du rygger. IKKE klipp i revers hvis det ikke er absolutt nødvendig. Se alltid ned og bak før og mens du rygger for å sikre at ingen barn, tilskuere eller kjæledyr kommer inn i klippeområdet. Husk at en uforsiktig brøkdel av et sekund er tilstrekkelig til å påføre død eller alvorlig skade.

ADVARSEL: Ikke bruk denne maskinen på offentlige veier.

ADVARSEL: Hvis det oppstår blokkering eller du rammer et fremmedlegeme, må du stoppe motorene og fjerne batteriene. Fjern gressklipp, blader, smuss og annet oppsamlet rusk; inspisér gressklipperen grundig for skader og reparer den før du starter og bruker klipperen på nytt.

VEDLIKEHOLD

ADVARSEL: Bruk alltid vernebriller med sidebeskyttelse. Hvis du ikke gjør det, kan det føre til at ting blir kastet i øynene dine og kan føre til alvorlig personskade.

ADVARSEL: Beskytt alltid hendene dine ved å bruke tunge hansker eller pakke skjærekantene med filler eller annet materiale når du utfører vedlikehold på klipperen. Fjern alltid sikkerhetsnøkkelen og batteripakkene når du utfører service eller transporterer klipperen.

NO

Vedlikeholdstjenest-eintervall	Maintenance Procedure
Før hver bruk eller daglig	<ul style="list-style-type: none"> ▪ Vedlikeholdsprosedyre ▪ Kontroller sikkerhetslåsesystemet. ▪ Sjekk dekket visuelt om det er flatt. ▪ Inspisér bladene hvis de er slitte, sprekker eller bøyd. ▪ Inspisér hele produktet for å se om det er skadede, manglende eller løse deler som sideutkast, skruer, muttere, bolter, hetter osv., Og sørg for at alle vern er på plass og fungerer som de skal. ▪ Kontroller bremsefunksjonen.
Etter hver bruk	<ul style="list-style-type: none"> ▪ Rengjør klippeenheten.
Hver 25. time	<ul style="list-style-type: none"> ▪ Kontroller dekktrykket.
Hver 50. time	<ul style="list-style-type: none"> ▪ Kontroller fett-tilstanden inne i skjærebladflensen.

Hver 100. time	<ul style="list-style-type: none"> ▪ Kontroller bakhjulene, og kontroller at de fire mutterne er festet med anbefalt dreiemoment.
Hver 200. time	<ul style="list-style-type: none"> ▪ Kontroller forhjulene og sørg for at de svinger fritt.
Årlig	<ul style="list-style-type: none"> ▪ Kontroller parkeringsbremspepedalen. Fjern batteriet fra klipperen og sett parkeringspedalen i bremsestilling. Skyv klipperen manuelt for å se om klipperen kan flyttes eller ikke. Hvis den beveger seg, må den repareres av en kvalifisert servicetekniker.

NO RENGJØRING AV KLIPPEREN (Fig. J1 - Fig. J9)

Forberedelse (Fig. J1 - Fig. J5)

Rengjøring av gressklipperhuset (Fig. J6 - Fig. J7)

Bruk vaskeport for å rengjøre klippeenheten (Fig. J8 - Fig. J9)

J8-1	Vaskeport	J8-3	Hageslange
J8-2	Vask-port hurtigkobling		

MERKNAD: Når du er ferdig med rengjøringen, skyver du kraftoverføringsbryteren nedover for å koble klipperen.

VEDLIKEHOLD AV KLIPPEENHETEN OG KLIPPEKNIVENE

Klargjøring (Fig. K1 - Fig. K6)

Fjerne klippeenheten (Fig. K7 - Fig. K8)

K7-1	Motorkabel	K7-3	Suspensjonskobling
K7-2	Låsepinne		

MERKNAD: Koble fra motorkablene og splintene på begge sider når du fjerner klippeenheten.

Skifte av knivbladene (Fig. K9 - Fig. K11)

K9-1	Stabilisator	K10-3	Blad
K10-1	Bolt	K10-4	Flens
K10-2	Vasker	K10-5	Motoraksel

Utjevning av klippeenheten

a. Når skal den justeres (Fig. K12 - Fig. K14)

b. Før utjevning

- Kontroll av kaldt dekktrykk (Fig. K15)
- Kontroller skjærebladene. Fjern og bytt ut slitte, sprukne og/eller bøyd kniver etter behov.

c. Forberedelse til utjevning (Fig. K16 - Fig. K21)

d. Hvordan utjevne

- For å gjøre side-til-side-justering (fig. K22)

Forskjellen mellom avstandene H1 og H2 målt fra nedre kant av hvert blad til bakken bør være innenfor 5 mm.

K22-1 ▪ Jam mutter

- For å gjøre justering foran til bak (fig. K23)

Den fremre spissen H3 på bladet skal være fra 2 mm til 10 mm lavere enn den bakre spissen H4.

KALIBRERING AV KLIPPESPORINGSSYSTEMET (Fig. L1 - Fig. L6 & Fig. L7 - Fig. L12)

MERKNAD: Signalindikatoren høres én gang både når kalibreringen startes og når kalibreringen er fullført.

GJENSTILLING AV KLIPPEREN TIL FABRIKSINNSTILLING (Fig. M1 - Fig. M4)

MERKNAD: Pipindikatoren vil lyde én gang både når du starter tilbakestillingen og når tilbakestillingen er fullført.

LAGRING OG TRANSPORT

TRANSPORT AV KLIPPEREN (FIG. N1 - FIG. N11)

MERKNAD: Fest klipperen etter behov ved hjelp av stropper eller kabler for å forhindre bevegelse under transport. Når du laster eller losses gressklipperen, må du ikke overskride maksimal anbefalt driftsvinkel på 12° mellom rampen og bakken.

LAGRING (Fig. O1 - Fig. O6)

MERKNAD: Ta ut batteriene og lagre batteriene, se de tilhørende håndbøkene.

Rengjør og kontroller klipperen før lagring, se avsnittene "RENGJØRING AV KLIPPEREN" og "ANBEFALT VEDLIKEHOLDSPLAN(ER)".

Beskytt miljøet





WEEE (elektrisk og elektronisk avfall) Ikke kast elektrisk utstyr, brukt batteri og lader i husholdningsavfallet! Ta med dette produktet til autorisert gjenvinning, og gjør det tilgjengelig for separat innsamling. Elektriske verktøy må returneres til et egnet resirkuleringsanlegg.

NO

KEES VAN DER SPEK
TUINMACHINES ★ STOLWIJK

FEILSØKING

PROBLEM	ÅRSAKEN	LØSNING
<p>Den elektriske zero turn klipperen klarer ikke å kjøre når de to styrehendlene skyves forover eller bakover i begynnelsen.</p>  Ikonet for styringsnivået blinker	<ul style="list-style-type: none"> Den kombinerte Ah for de innsatte batteriene er mindre enn 15 Ah. 	<ul style="list-style-type: none"> For å starte denne klipperen kreves EGO -batterier på til sammen 15 Ah (2 X BA4200/BA4200T) eller mer. For best ytelse anbefaler vi bruk av batterier på til sammen 30 Ah eller mer.
	<ul style="list-style-type: none"> Parkeringsbremsepedalen er satt i bremsestilling. 	<ul style="list-style-type: none"> Trykk parkeringsbremsepedalen helt ned for å slippe den fra bremsestillingen.
	<ul style="list-style-type: none"> Styrespakene er ikke i åpen stilling når klipperen startes. 	<ul style="list-style-type: none"> Sett styrehendlene tilbake til åpen stilling og start klipperen på nytt.
	<ul style="list-style-type: none"> Operatøren sitter ikke på setet. 	<ul style="list-style-type: none"> Bare når føreren sitter korrekt på setet, kan han betjene klipperen.
	<ul style="list-style-type: none"> Setebryteren er ikke riktig tilkoblet. 	<ul style="list-style-type: none"> Ta batteriet ut av klipperen og demonter setet i motsatt rekkefølge av instruksjonene i avsnittet "INSTALLERE SETET" i denne håndboken for å inspisere setebryterforbindelsen. Sett sammen setet igjen og følg instruksjonene i "STARTE DEN ELEKTRISKE ZERO TURN KLIPPEREN" for å starte klipperen på nytt for å se om klipperen kan startes. Hvis ikke, kontakt en kvalifisert servicetekniker for reparasjon.
	<ul style="list-style-type: none"> Under ekstremt kaldt vær kan det hende at kjørefunksjonen ikke starter vellykket på grunn av den lave temperaturbeskyttelsen. 	<ul style="list-style-type: none"> Oppbevar alltid klipperen og batteriet i varme omgivelser. Start klipperen på nytt når den er varm. Ikke gjør gjentatte forsøk under ekstremt kaldt vær som kan skade maskinen. Anbefalt driftstemperatur er 0°C-40°C.
<p>Den elektriske zero turn klipperen slutter å kjøre.</p>	<ul style="list-style-type: none"> Styrespakene krever en "reset". 	<ul style="list-style-type: none"> Sett styrehendlene tilbake til åpen stilling og start klipperen på nytt.
	<ul style="list-style-type: none"> De elektriske kontrollkomponentene i styrespakene mislykkes. 	<ul style="list-style-type: none"> Kontakt en kvalifisert servicetekniker for reparasjon.
	<ul style="list-style-type: none"> Setebryteren ble koblet fra under kjøring i ulendt terreng. 	<ul style="list-style-type: none"> Ta batteriet ut av klipperen og demonter setet i motsatt rekkefølge av instruksjonene i avsnittet "INSTALLERE SETET" i denne håndboken for å inspisere setebryterforbindelsen. Sett sammen setet igjen og følg instruksjonene i "STARTE DEN ELEKTRISKE ZERO TURN KLIPPEREN" for å starte klipperen på nytt for å se om klipperen kan startes. Hvis ikke, kontakt en kvalifisert servicetekniker for reparasjon.
<p>Kjørehastigheten/ kjøremodus kan ikke justeres under kjøring.</p>	<ul style="list-style-type: none"> Dette er et trekk ved den elektriske zero turn klipperen for trygg kjøring. 	<ul style="list-style-type: none"> Funksjonen aktiveres bare når klippehjulene er stoppet og styrehendlene er åpne.

PROBLEM	ÅRSAKEN	LØSNING
<p>Den elektriske zero turn klipperen klarer ikke å starte knivene når kraftuttaksbryteren er aktivert.</p>  Kraftuttaksbryterikonet blinker	<ul style="list-style-type: none"> Den kombinerte Ah for de innsatte batteriene er mindre enn 15 Ah. 	<ul style="list-style-type: none"> For å starte denne klipperen kreves EGO -batterier på til sammen 15 Ah (2 X BA4200/BA4200T) eller mer. For best ytelse anbefaler vi bruk av batterier på til sammen 30 Ah eller mer.
	<ul style="list-style-type: none"> Kraftuttaksbryteren trykkes ikke ned når klipperen ble stoppet sist. 	<ul style="list-style-type: none"> Skyv kraftuttaksbryteren nedover og start klipperen på nytt.
	<ul style="list-style-type: none"> Klipperen er overbelastet i det øyeblikket knivene starter, noe som resulterer i selvbeskyttelse av motoren. 	<ul style="list-style-type: none"> Start gressklipperen med lavere klippehastighet først, og til bladene får suksessrotasjon, ikke akselerer bladhastigheten etter behov.
	<ul style="list-style-type: none"> Under ekstremt kaldt vær kan det hende at bladmotoren ikke starter vellykket på grunn av den lave temperaturbeskyttelsen. 	<ul style="list-style-type: none"> Oppbevar alltid klipperen og batteriet i varme omgivelser. Start klipperen på nytt når den er varm. Ikke gjør gjentatte forsøk under ekstremt kaldt vær som kan skade maskinen. Anbefalt driftstemperatur er 0°C-40°C.
	<ul style="list-style-type: none"> Bladet forstyrrer det deformerte klippeaggregatet. 	<ul style="list-style-type: none"> Kontakt en kvalifisert servicetekniker for reparasjon.
<p>Bladene slutter å fungere under gressklipping.</p>	<ul style="list-style-type: none"> Klipperen er overbelastet. 	<ul style="list-style-type: none"> Øk klippeenhetens klippehøyde eller senk kjørehastigheten for å redusere klipperen.
	<ul style="list-style-type: none"> Klippeenheten er tett med gress og rusk. 	<ul style="list-style-type: none"> Rengjør klippeenheten og sørg for at bladene har bevegelsesfrihet.
	<ul style="list-style-type: none"> Klipperen er overopphetet. 	<ul style="list-style-type: none"> Reduser klipperen, ved å øke klippehøyden på klippeenheten eller senke bladet/kjørehastigheten og la gressklipperen kjøle seg ned.
	<ul style="list-style-type: none"> Batteripakken(e) i klipperens batteriområde er overopphetet, noe som resulterer i at kombinert Ah -grad for alle innsatte batterier er under 15 Ah. 	<ol style="list-style-type: none"> Hvis den kombinerte batterikapasiteten Ah er mindre enn 15 Ah, vil klipperen ikke fungere før flere batteripakker er satt inn i de ledige batterikomponentene. Når det overopphetede batteriet går tilbake til normal temperatur, vil det slå på slåmaskinen umiddelbart. Reduser klipperens belastning ved å heve klippehøyden på dekket eller bremse klippingen når du fortsetter driften.
	<ul style="list-style-type: none"> Gressklipperen er i limp-home-modus. 	<ul style="list-style-type: none"> Når gressklipperen er i limp-home-modus, byttes bladene automatisk til lav rotasjonshastighet uten gressklipping. Operatøren bør slutte å jobbe og gå til ladeområdet for batteriet så snart som mulig.
	<ul style="list-style-type: none"> Klipperen har truffet et fremmedlegeme, noe som resulterer i selvbeskyttelse av motoren. 	<ul style="list-style-type: none"> Skyv kraftuttaksbryteren nedover og start klipperen på nytt.

NO

PROBLEM	ÅRSAKEN	LØSNING
Signalindikatoren fortsetter å lyde.	<ul style="list-style-type: none"> Gressklipperen er i limp-home-modus og knivene er ikke slått av. 	<ul style="list-style-type: none"> Trykk kraftoverføringsbryteren ned for å koble ut dekkbladene. Signalindikatoren slutter å høres når bladet stopper.
	<ul style="list-style-type: none"> Gressklipperen slutter å kjøre i en skråning, og føreren åpner rattet og er av setet uten å sette parkeringsbremsepedalen i bremsestilling. 	<ul style="list-style-type: none"> Sett parkeringsbremsepedalen i bremsestilling før du lar klipperen stå på skråningen.
Batteriindikatorene er fortsatt på når klipperen slås av.	<ul style="list-style-type: none"> Når klipperen slås av på plant underlag uten å fjerne batteripakken(e) fra klipperen, vil batteriindikatorene forbli tent i 3 minutter. 	<ul style="list-style-type: none"> Ingen handling er nødvendig. Batteriindikatorene slukker etter en periode.
	<ul style="list-style-type: none"> Når klipperen slås av i en skråning uten å sette parkeringsbremsepedalen i bremsestilling, vil batteriindikatorene fortsette til batteriladningen er utladet. Signalindikatoren fortsetter å lyde samtidig. 	<ul style="list-style-type: none"> Sett parkeringsbremsepedalen i bremsestilling før føreren forlater verktøyet i skråningen.
LCD -skjermen lyser ikke med alle ikoner på.	<ul style="list-style-type: none"> Trykktiden på start/stopp -knappen er mindre enn 3 sekunder. 	<ul style="list-style-type: none"> LCD -skjermen viser bare "drivstoffmåler" når start/stopp -knappen trykkes kort.
		<ul style="list-style-type: none"> LCD -skjermen slås på etter at start/stopp -knappen har blitt trykket på i 3 sekunder.
Klipperen klipper ujevnt, med betydelig høydeforskjell foran til bak.	<ul style="list-style-type: none"> Bladene er sløve. 	<ul style="list-style-type: none"> Slip eller bytt skjærebladet som beskrevet i denne håndboken.
	<ul style="list-style-type: none"> Bladene er bøyd. 	<ul style="list-style-type: none"> Bytt det bøyde skjærebladet etter instruksjonene i avsnittet "SKIFTE KUTTEBLADENE".
	<ul style="list-style-type: none"> Klippeenheten er ikke jevn, noe som resulterer i forskjellig klippehøyde. 	<ul style="list-style-type: none"> Rett opp klipperen ved å følge instruksjonene i avsnittet "NIVÅJUSTERING AV KLIPPEREN".
Den faktiske gressklippehøyden er ikke på linje med den påståtte høyden.	<ul style="list-style-type: none"> Klippeenhetens muttere er løsnet på fjæringsleddet 	<ul style="list-style-type: none"> Følg instruksjonene i avsnittet "NIVÅJUSTERING AV KLIPPEREN" for å foreta korrekt front-til-bak-justering for klippeaggregatet og stram de fire mutrene på fjæringsleddet sikkert (to på hver side).
	<ul style="list-style-type: none"> Klippeenheten er skadet eller alvorlig slitt. 	<ul style="list-style-type: none"> Følg instruksjonene i avsnittet "FJERNE KLIPPERENHETEN" for å bytte klippeenhet.

PROBLEM	ÅRSAKEN	LØSNING
Slåmaskinen klipper ikke ordentlig.	<ul style="list-style-type: none"> Våt gressklipp fester seg til undersiden av dekket. 	<ul style="list-style-type: none"> Vent til gresset tørker før du klipper.
	<ul style="list-style-type: none"> Klipperen klipper for mye gress samtidig. 	<ul style="list-style-type: none"> Løft klippehøyden.
Det er overdreven vibrasjon.	<ul style="list-style-type: none"> Skjærebladene er løse. 	<ul style="list-style-type: none"> Stram bladbolten til anbefalt moment 50-55 Nm.
	<ul style="list-style-type: none"> Bladene er bøyd. 	<ul style="list-style-type: none"> Bytt det bøyde skjærebladet etter instruksjonene i avsnittet “SKIFTE KUTTEBLADENE”.
	<ul style="list-style-type: none"> Klippeenheten står ikke på jevnt underlag. 	<ul style="list-style-type: none"> Rett opp klipperen ved å følge instruksjonene i avsnittet “NIVÅJUSTERING AV KLIPPEREN”.
	<ul style="list-style-type: none"> Klippeenhetens muttere er løsnet på fjæringsleddet. 	<ul style="list-style-type: none"> Bruk en 18 mm fastnøkkel (følger ikke med) for å stramme de fire mutrene på fjæringsleddet (to på hver side).
Det er gress eller rusk igjen på bakken etter klipping.	<ul style="list-style-type: none"> Klipperen skal klippe for mye gress samtidig når gresset er høyt. 	<ul style="list-style-type: none"> Begynn med høy klippehøyde og reduser den til ønsket klipperesultat er oppnådd. Gress over 6 tommer høyt bør klippes to ganger, med lavere klippehøyder etter hverandre.
	<ul style="list-style-type: none"> Gresset er vått. 	<ul style="list-style-type: none"> Ikke klipp når gresset er vått før gresset tørker.
	<ul style="list-style-type: none"> Kjørehastigheten er høy. 	<ul style="list-style-type: none"> Senk kjørehastigheten.
	<ul style="list-style-type: none"> Bladhastigheten er lav. 	<ul style="list-style-type: none"> Øk bladhastigheten gradvis.
Kort driftstid for klipperen med det inkluderte batteriet.	<ul style="list-style-type: none"> Gressforhold og klippehøydeinnstilling vil i stor grad påvirke batteriets driftstid. Den påståtte kjøretiden er basert på en lett belastningstilstand. 	<ul style="list-style-type: none"> Øk klippehøyden og reduser bladhastigheten for å redusere klippelasten.
Gressklipperen kjører ikke rett.	<ul style="list-style-type: none"> Dekktrykket for venstre og høyre bakhjul er forskjellig. 	<ul style="list-style-type: none"> Kontroller og juster lufttrykket i begge bakhjulsdekkene, i henhold til anbefalingen i avsnittet “KONTROLLER DEKKTRYKKET” i denne håndboken.
	<ul style="list-style-type: none"> Kjørehastighetene til venstre og høyre bakhjul er forskjellige. 	<ul style="list-style-type: none"> Kalibrer gressklipperens svingssystem ved å følge instruksjonene i avsnittet “KALIBRERING AV KLIPPERSVINGSYSTEMET”.
Parkeringsbremspedalen kan ikke slippes fra bremsestillingen eller hopper sakte tilbake.	<ul style="list-style-type: none"> Det kan komme rusk eller smuss inn i parkeringsbremspedalen. 	<ul style="list-style-type: none"> Åpne parkeringsbremspedalboksen for å rengjøre boksen grundig og lukke den. Tilbakestill parkeringsbremspedalen for å se om problemet er løst. Hvis ikke, kontakt en kvalifisert servicetekniker for reparasjon.

PROBLEM	ÅRSAKEN	LØSNING
Gressklipperen kan ikke lades via ladeporten med statusindikatoren for klipperen lyser rødt.	<ul style="list-style-type: none"> Pluggen til laderen er ikke satt riktig inn i ladeporten på klipperen. 	<ul style="list-style-type: none"> Koble til ladestøpset igjen for å se om klipperen kan lades normalt.
	<ul style="list-style-type: none"> Det er ingen strøm i stikkontaktene. 	<ul style="list-style-type: none"> Ingen handling er nødvendig. Vent til strømmen gjenopprettes.
	<ul style="list-style-type: none"> Laderfeil. 	<ul style="list-style-type: none"> Kontakt en kvalifisert servicetekniker for inspeksjon og få laderen reparert om nødvendig.
	<ul style="list-style-type: none"> Laderporten på klipperen er defekt. 	<ul style="list-style-type: none"> Kontakt en kvalifisert servicetekniker for reparasjon.
Ladetiden via ladeporten for klipperen er for lang.	<ul style="list-style-type: none"> Å bruke EGO -adapter ACA1000 til lading krever lang tid. 	<ul style="list-style-type: none"> Bruk EGO -lader CHV1600E for direkte lading av den elektriske zero turn klipperen.
Batteriet kan ikke lades fullstendig via ladeporten for klipperen.	<ul style="list-style-type: none"> Firmware-feil på klipperen eller feil på laderen/batteriet. 	<ul style="list-style-type: none"> Koble fra laderen og vent i mer enn 1 minutt, og koble deretter pluggen til strømforsyningen. Hvis det ikke fungerer, må du kontakte en kvalifisert servicetekniker for reparasjon.
Gressklipperen kan ikke startes etter rengjøring.	<ul style="list-style-type: none"> Feil rengjøring, for eksempel vann som kommer på de elektriske komponentene, LCD -skjerm etc. 	<ul style="list-style-type: none"> Følg instruksjonene i avsnittet “RENGJØRING AV KLIPPEREN” for å rengjøre klipperen riktig.
Gressklipperen blir lett tett.	<ul style="list-style-type: none"> Klippeenheten er tett med gress og rusk. 	<ul style="list-style-type: none"> Hvis klipperen skulle komme i regn ved et uhell, la den stå i mer enn 12 timer for å tørke eller bruk trykkluft for å tørke den.
		<ul style="list-style-type: none"> Rengjør klippeenheten etter hver bruk, og følg avsnittet “Bruke vaskeport til rengjøring av klippeenheten”.
Gressklipperen mister lett trekraft når den klatrer opp i skråningen.	<ul style="list-style-type: none"> Dekkene på bakhjulene er slitte. 	<ul style="list-style-type: none"> Søk lokal service for å bytte hjuldekk.
	<ul style="list-style-type: none"> Stor klippeskråning. 	<ul style="list-style-type: none"> Slåningshellingen skal være mindre enn 12 grader.
Når klipperen stoppes i en skråning med parkering-sbremsepedalen trykket ned, kan klipperen gli nedover skråningen.	<ul style="list-style-type: none"> Bremsekomponentene er for slitne på grunn av feil bruk av klipperen. 	<ul style="list-style-type: none"> Kontakt en kvalifisert servicetekniker for reparasjon.
Det kommer ikke vann fra vaskeåpningen når du vasker dekket.	<ul style="list-style-type: none"> Vaskeporten sin hurtigkobler er ikke montert på plass på vaskeporten. 	<ul style="list-style-type: none"> Fest hurtigkoblingen til vaskeporten igjen til du hører et tydelig klikk etter å ha trykket ordentlig. Hvis det ikke fungerer, må du kontakte en kvalifisert servicetekniker for reparasjon.

NO

PROBLEM	ÅRSAKEN	LØSNING
Det er en unormal lyd når du skyver klipperen manuelt uten å starte den.	<ul style="list-style-type: none">▪ Lyden kommer fra magneter inne i drivmotoren.	<ul style="list-style-type: none">▪ Det er normalt og ingen handling er nødvendig.

NO

KEES VAN DER SPEK
TUINMACHINES ★ STOLWIJK

KLIPPESTATUSREFERANSE OG FEILKODE

LCD-skjerm	Beskrivelse	Feil-kode på LCD	Statu-sindi-kator for klip-peren	Piper	Årsaken	Løsning
	LED -lys ikonet vises på LCD -skjermen	n/a	AV	Nei	Frontlyktene, sidelysene og baklysene slås på med LED -lysbryteren.	Dette er normal drift. Ingen handling er nødvendig.
	USB -ikonet vises på LCD -skjermen	n/a	AV	Nei	USB -ikon lyser at en USB -enhet kan fungere etter at klipperen er startet riktig.	Dette er normal drift. Ingen handling er nødvendig.
	Drivstoffmålerikonet vises på LCD -skjermen	n/a	AV	Nei	Den angir gjennomsnittlig ladekapasitet for innsatte batterier	Dette er normal drift. Ingen handling er nødvendig.
	Timetellerikonet vises på LCD -skjermen	n/a	AV	Nei	Den viser den totale kjøretiden til klipperen, i timer og kan ikke tilbakestilles.	Dette er normal drift. Ingen handling er nødvendig.
	Lastindikatorikonet vises i ECO -området	n/a	AV	Nei	Den angir den nåværende lasten til klipperen.	Dette er normal drift. Ingen handling er nødvendig.
	Overbelastningsindikatoren blinker.	n/a	Blinker rødt	Ett pip	Bladmotoren er overbelastet.	Løft klippehøyden eller senk kjørehastigheten for å redusere klipperen.
	Lastindi-katorikonet vises i PWR -området.	n/a	AV	Nei	Sikker-hetsnøk-kelen er ikke satt inn.	Sett inn sikkerhetsnøkkelen, og trykk på og hold inne START/STOPP -knappen i mer enn 3 sekunder for å slå på klipperen.
					Strøm leveres ikke til LCD -skjermen.	Få reparasjoner utført av en kvalifisert servicetekniker.

NO

KEES VAN DER SP
TUINMACHINES • STOLWIJ





LCD-skjerm	Beskrivelse	Feil-kode på LCD	Statu-sindi-kator for klip-peren	Piper	Årsaken	Løsning
	Ikonet for det tomme batterirommet blinker.	n/a	AV	Nei	Batterikapasiteten er ikke tilstrekkelig til at kjøringen på gressklipperen kan fungere.	For å starte denne klipperen kreves EGO -batterier på til sammen 15 Ah (2 X BA4200/BA4200T) eller mer. For best ytelse anbefaler vi bruk av EGO -batterier på til sammen 30 Ah eller mer.
	Ikonet til termometeret blinker.	n/a	Blinker rødt	Ett pip	Klipperen er overopphetet.	Reduser klipperen ved å heve klippeenhetens høyde eller senke bladet/kjørehastigheten. Ta en pause og la gressklipperen avkjøles.
	Overopphetingsikonet og det nøyaktige batterirommet blinker samtidig.	n/a	n/a	Nei	Batteripakken i det tilsvarende nummererte batterirommet er overopphetet.	<p>1. Gressklipperen kan fortsette å arbeide hvis kombinert batteri Ah -rating, overopphetet batteri er ekskludert, er lik eller mer enn 15 Ah. Når det overopphetede batteriet går tilbake til normal temperatur, vil det slå på slåmaskinen umiddelbart.</p> <p>2. Hvis den kombinerte batterikapasiteten Ah er mindre enn 15 Ah, vil klipperen ikke fungere før flere batteripakker er satt inn i de ledige batterirommene.</p> <p>3. Reduser klipperens belastning ved å heve klippehøyden på dekket eller bremse klippingen når du fortsetter driften.</p>

NO

LCD-skjerm	Beskrivelse	Feil-kode på LCD	Statu-sindi-kator for klip-peren	Piper	Årsaken	Løsning
	<p>Ikonene for hvert opptatte batterirom, lav effektindikator, batterigrafikk på drivstoffmåler blinker hvert 1. sekund samtidig på LCD -skjermen. Det første segmentet av LED-drivstoffmåleren og statusindikatoren blinker også.</p>	n/a	Blinker rødt	Piper til krafttuttak-sbryteren sky-ves nedover.	Batteripakken er lavt ladet, og klipperen er i limp-home-modus.	<p>Slutt å jobbe og gå tilbake til batteriladningsområdet.</p> <p>MERKNAD: Når gressklipperen er i limp-home-modus, skiftes bladene automatisk til lav rotasjonshastighet uten gressklipping, og i mellomtiden fortsetter lydindikatoren å pippe. Operatøren bør skyve krafttuttsbryteren nedover for å koble ut dekkbladene. Lydindikatoren slutter å pipe etter at bladet har stoppet.</p>
	<p>Ikonet for hvert opptatt batterirom og indikatoren for lav strøm blinker hvert halve sekund.</p>	n/a	AV	Nei	Batteriparkene er nesten oppbrukt.	<p>Slåmaskinen slutter å fungere umiddelbart. Operatøren bør transportere klipperen til batteriets ladeområde for lading.</p>
	<p>Ikonet for automatisk parkering blinker på LCD-skjermen.</p>	n/a	AV	Fortsetter å pipe	Gressklipperen står parkert i en skråning, og føreren forlater klipperen uten å sette bremsepedalen i bremsestilling, bare med rattet i åpen stilling.	<p>Sett bremsepedalen i bremsestilling. Autoparkeringsikonet vil være av og lydindikatoren slutter å pipe.</p>
	<p>Ikonet for bremsepedal vises på LCD -skjermen.</p>	n/a	AV	Nei	Parkering-sbremsepedalen er satt i bremsestilling.	<p>Slipp den før du starter klipperen.</p>

NO

KES VAN DER SPEK

LCD-skjerm	Beskrivelse	Feil-kode på LCD	Statu-sindi-kator for klip-peren	Piper	Årsaken	Løsning
	Setesensorikonet vises på LCD -skjermen.	n/a	AV	Nei	Operatøren forlater setet eller setebryteren er frakoblet.	Hvis ikonet er på med føreren sittende på setet, må du slutte å bruke klipperen umiddelbart og kontrollere setetilkoblingen. Hvis det er bekreftet at setetilkoblingen til klipperen er korrekt, må du kontakte en kvalifisert service-tekniker for reparasjoner.
	Kraftuttaksbryterikonet blinker.	n/a	AV	Nei	Bladmotoren ble avbrutt under drift og kraftuttaksbryteren er ikke satt til av-stilling.	Før du starter klipperen på nytt, skyv kraftoverføring-sbryteren nedover for å koble ut dekkmotoren. Se delen "FEILSØKING" i denne håndboken for referanse.
	Rattstangikonet blinker.	n/a	AV	Nei	Drivmotoren ble avbrutt i drift og styrehendlene er ikke satt til åpen posisjon.	Før du starter klipperen, må du flytte styrehendlene til åpen stilling. Se delen "FEILSØKING" i denne håndboken for referanse.
	Ikonet for energigjenvinning blinker av og til.	n/a	AV	Nei	Den kinetiske energien som genereres under bremsing eller kjøring i nedoverbakke omdannes til elektrisitet for å lade batteriene.	Dette er normal drift. Ingen handling er nødvendig.

NO

LCD-skjerm	Beskrivelse	Feil-kode på LCD	Statu-sindi-kator for klip-peren	Piper	Årsaken	Løsning	
Se "Feilkode"	Venstre driv-motor svikter i rotasjon.	PCBA -kontrollert venstre drivmotor svikter.	413	AV	Ett pip	PCBA -feil	Få reparasjoner utført av en kvalifisert servicetekniker.
		Plugg (trefase, strømledning) som forbinder venstre drivmotor med tilhørende PCBA er løst.	317	AV	Ett pip	Løs forbindelse	
		Plugg (seks pinner, signalkabel) som forbinder den venstre drivmotoren med den tilhørende PCBA er løst.	301	AV	Ett pip	Løs forbindelse	
		Venstre drivmotor svikter.	317	AV	Ett pip	Motorsvikt	
Se "Feilkode"	Høyre driv-motor svikter i rotasjon.	PCBA -kontrollert høyre drivmotor mislykkes.	313	AV	Ett pip	PCBA -feil	Få reparasjoner utført av en kvalifisert servicetekniker.
		Plugg (trefase, strømledning) som kobler den riktige drivmotoren med den tilhørende PCBA er løst.	417	AV	Ett pip	Løs forbindelse	
		Plugg (seks pinner, signalkabel) som kobler den høyre drivmotoren med den tilhørende PCBA er løst.	401	AV	Ett pip	Løs forbindelse	
		Høyrekjørende motor mislykkes.	417	AV	Ett pip	Motorsvikt	

LCD-skjerm	Beskrivelse		Feil-kode på LCD	Statu-sindi-kator for klip-peren	Piper	Årsaken	Løsning
Se "Feilkode"	Venstre blad-motor svikter i rotasjon.	PCBA -kontrollert venstre bladmotor svikter.	607	n/a	Ett pip	PCBA -feil	Få reparasjoner utført av en kvalifisert servicetekniker.
		Plugg (trefase, strømledning) som forbinder venstre drivmotor med tilhørende PCBA er løst.	509	n/a	Ett pip	Løs forbindelse	Inspiser bladet først. Hvis den løsnes, bruk en 14 mm momentnøkkel for å stramme bolten med klokken. Anbefalingen for bladbolten er 50-55 Nm. Ellers må reparasjonen utføres av en kvalifisert servicetekniker.
		Venstre bladmotor svikter	509	n/a	Ett pip	Motorsvikt	
Se "Feilkode"	Høyre blad-motor svikter i rotasjon.	PCBA -kontrollert høyre bladmotor svikter.	507	n/a	Ett pip	PCBA -feil	Få reparasjoner utført av en kvalifisert servicetekniker.
		Plugg (trefase, strømledning) som kobler den riktige drivmotoren med den tilhørende PCBA er løst.	609	n/a	Ett pip	Løs forbindelse	Inspiser bladet først. Hvis den løsnes, bruk en 14 mm momentnøkkel for å stramme bolten med klokken. Anbefalingen for bladbolten er 50-55 Nm. Ellers må reparasjonen utføres av en kvalifisert servicetekniker.
		Høyre bladmotor svikter	609	n/a	Ett pip	Motorsvikt	
Se "Feilkode"	Venstre styre-hendel svikter.	Venstre styrehåndtak som kontrollerer PCBA mislykkes.	311 /412	AV	Ett pip	PCAB -feil	Få reparasjoner utført av en kvalifisert servicetekniker.
		Plugg som kobler den styrende PCBA, som ligger i rattet, er løst.				Løs forbindelse	

NO

LCD-skjerm	Beskrivelse		Feil-kode på LCD	Statu-sindi-kator for klip-peren	Piper	Årsaken	Løsning
Se "Feilkode"	Høyre styre-hendel svikter.	Høyre ratt som styrer PCBA mislykkes.	312 /411	AV	Ett pip	PCAB -feil	Få reparasjoner utført av en kvalifisert servicetekniker.
		Plugg som kobler den styrende PCBA, som ligger i rattet, er løst.				Løs forbindelse	
Se "Feilkode"	Parker-ing-sbremen-sen svikter, verk-tøyet kan ikke kjøres.	Parkeringsbrems PCBA, som er i frontrammen, er ødelagt.	309 /409	AV	Ett pip	PCBA -feil	Få reparasjoner utført av en kvalifisert servicetekniker.
		Parkeringsbremsebry-teren og/eller ledningen er ødelagt.	801	AV	Ett pip	Tråd/bryterfeil	
AV	Lade prot -feil		n/a	Solid RØD	n/a	Ladeporten er i åpen krets.	Få reparasjoner utført av en kvalifisert servicetekniker.
			n/a	Solid RØD	n/a	Det er ingen strømforsyning.	Sjekk stikkkontakten om det er 220 V-240 V som følger med eller om kontakten er god.
			n/a	Solid RØD	n/a	Sikringen er sprengt.	Få reparasjoner utført av en kvalifisert servicetekniker.
Se "Feilkode"	Lade prot -feil		204	n/a	Ett pip	Ladeporten er i åpen krets.	

NO

KEES VAN DER SPEK
TUINMACHINES • STOLWIJK

LCD-skjerm	Beskrivelse	Feil-kode på LCD	Statu-sindi-kator for klip-peren	Piper	Årsaken	Løsning
Se "Feilkode"	Batteri-boksen-heten fungerer ikke	217	n/a	Ett pip	Strømkilden fra batteriboksenheten er ødelagt. LED-frontlyktene og USB fungerer ikke.	Få reparasjoner utført av en kvalifisert servicetekniker.
		310 /410	AV	Ett pip	Tilkoblingen mellom Type C -ledninger i batteriboksenheten og andre Type C -ledninger på klipperen er ute av arbeid.	
		201 /202 /203	AV	Ett pip	BMS for batteriboksenheten er ødelagt.	
Se "Feilkode"	Start/stopp bryterfeil	314 /414	AV	Ett pip	Bryter PCBA-feil eller dårlig ledningstilkobling for Start/Stop -bryter.	Få reparasjoner utført av en kvalifisert servicetekniker.
Se "Feilkode"	LCD -skjermfeil	315 /415	AV	Ett pip	LCD -enheten er ødelagt eller dårlig ledningstilkobling til LCD -enheten.	Få reparasjoner utført av en kvalifisert servicetekniker.

NO

GARANTI

EGOS GARANTIREGLER

Besøk nettsiden egopowerplus.com for å se fullstendige vilkår og betingelser for EGO-garantireglene.

ПРОЧИТАЙТЕ ВСЕ ИНСТРУКЦИИ!



ПРОЧИТАЙТЕ РУКОВОДСТВО ПОЛЬЗОВАТЕЛЯ

⚠ Остаточный риск! Если вы используете такие электронные устройства, как кардиостимулятор, перед эксплуатацией данного устройства проконсультируйтесь с врачом. Использование электрооборудования в непосредственной близости от кардиостимулятора может привести к образованию помех и повреждению кардиостимулятора.

СИМВОЛЫ БЕЗОПАСНОСТИ

Символы безопасности предназначены для привлечения внимания к возможным рискам. Символы безопасности, а также пояснения к ним, требуют особого внимания и понимания. Предупреждения по технике безопасности сами по себе не устраняют опасность. Инструкции и предупреждения не заменяют соответствующие меры по предотвращению несчастных случаев.

RU

⚠ ПРЕДУПРЕЖДЕНИЕ. Перед использованием устройства внимательно прочитайте все инструкции в данном руководстве пользователя и ознакомьтесь с предупреждающими символами безопасности, такими как **ОПАСНОСТЬ**, **ПРЕДУПРЕЖДЕНИЕ** и **ВНИМАНИЕ**. Несоблюдение всех приведенных ниже инструкций может привести к поражению электрическим током, возникновению пожара и (или) получению серьезных травм.

УСЛОВНЫЕ ОБОЗНАЧЕНИЯ

Далее приведено изображение и описание символов безопасности, которые могут присутствовать на данном устройстве. Перед сборкой или использованием внимательно прочитайте все инструкции, приведенные на устройстве, и соблюдайте их.

СИМВОЛЫ БЕЗОПАСНОСТИ



Предупреждение об опасности



Защита глаз



ОПАСНО! Риск при нахождении на крутом склоне.



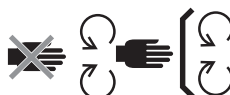
Никогда не перевозите детей на устройстве.



ПРЕДУПРЕЖДЕНИЕ. Не используйте это устройство на уклонах более 12°.



Внимательно прочитайте руководство пользователя.



Выполняйте обслуживание защитных устройств.



ОПАСНО! Держите посторонних подальше от режущих элементов.



Смотрите назад при движении задним ходом.



ОПАСНО! Отбрасываемые предметы.



**ПРЕДУПРЕЖДЕНИЕ. ДЕРЖИТЕ
НОГИ И РУКИ НА РАССТОЯНИИ.**



Гарантированный уровень звуковой мощности в соответствии с Европейской директивой.



Не становитесь на устройство.



Неисправные электрические устройства нельзя выбрасывать вместе с бытовым мусором. Сдавайте их в авторизованные пункты сбора и утилизации.



Соответствует основным требованиям стандартов безопасности Европейских директив.



ВНИМАНИЕ! Не смотрите на работающую лампу.



Постоянный ток



Данное изделие соответствует действующему законодательству Великобритании.

кПа

Килопаскаль

об/мин

Оборотов в минуту

В

Вольт

м

Метры

"

Дюйм

см

Сантиметры

Нм

Ньютон-метр

мм

Миллиметры

°C

Градус Цельсия

кг

Килограмм

км/ч

Километров в час

IPX4

Класс защиты

KEES VAN DER SPEK
TUINMACHINES * STOLWIJK

RU

СПЕЦИФИКАЦИИ

Напряжение		56 В
Размер платформы		107 см
Размер колеса	Переднее	11 x 4 дюйма (279,4 мм)
	Заднее	18 x 8,5 дюймов (457,2 мм)
Давление в холодных шинах	Переднее	220 кПа
	Заднее	50 кПа
Радиус поворота		0
Скорость вращения режущего элемента (об/мин)		2400, 2600, 2800, 3000
Макс. скорость хода (км/ч)	Передний ход	4,8, 8, 9,6, 11,2 (12,8 в модели Travel)
	Задний ход	до 5,6

Зарядка	Зарядное устройство (дополнительно)	CHV1600E
	Адаптер (дополнительно)	ACA1000
	Диапазон температуры зарядки	5°C–40°C
Регулировка высоты скашивания (10 положений)		25–100 мм
Рабочая температура		0°C–40°C
Температура хранения		-20°C–70°C
Масса (без аккумулятора)		186 кг
Измеренный уровень звуковой мощности, L_{WA}		96.44 дБ (A) K=0.68 дБ (A)
Уровень звукового давления на уши оператора, L_{PA}		84.3 дБ (A) K=3.0 дБ (A)
Гарантированный уровень звуковой мощности, L_{WA} (измеренный в соответствии со стандартом 2000/14/EC)		100 дБ (A)

Вибрация a_h	Рука	1.221 M/C ² K=1.5 M/C ²
	Туловище	0.568 M/C ² K=1.5 M/C ²

- Указанное общее значение вибрации было определено с помощью стандартного теста и может быть использовано для сравнения разных инструментов.
- Указанное общее значение вибрации также может использоваться для предварительной оценки уровня воздействия.

ПРИМЕЧАНИЕ. Реальное вибрационное воздействие электроинструмента может отличаться от указанного в зависимости от способа использования. В целях безопасности оператор должен надевать перчатки и средства защиты органов слуха во время использования устройства.

RU

ОПИСАНИЕ

ЗНАКОМСТВО С ЭЛЕКТРИЧЕСКОЙ КОСИЛКОЙ С НУЛЕВЫМ РАДИУСОМ ПОВОРОТА (Рис. А1 и А2)

1. Сиденье
2. Порт зарядки
3. Аккумуляторный отсек
4. Задние светодиодные фонари
5. Ящик для хранения
6. Подстаканники
7. Боковые светодиоды подсветки
8. Заднее колесо (ведущее)
9. Платформа
10. Защита платформы
11. Противооткатное колесо
12. Переднее колесо
13. Педаль стояночного тормоза
14. Ходовые огни
15. Светодиодная подсветка
16. Боковой разгрузочный желоб
17. Рычаг регулировки высоты платформы
18. Ручка регулировки подвески сиденья
19. Рычаг регулировки сиденья вперед-назад
20. Рычаг управления
21. Индикатор состояния газонокосилки

22. ЖК-дисплей
23. Переключатель отбора мощности
24. Кнопка запуска/остановки
25. Ключ безопасности
26. Отсек для хранения телефона
27. Индикатор заряда и состояния косилки
- 27а. Индикатор заряда косилки
- 27b. Индикатор состояния косилки
28. Область подножки
29. Кнопка фиксации крышки приводного блока
30. Крышка приводного блока
31. Кнопка фиксации аккумулятора
32. Сцепное устройство
33. Крышка крепления навесного оборудования
34. Отсек для крышки крепления навесного оборудования
35. USB-порт

ЗНАКОМСТВО С ЖК-ЭКРАНОМ И КНОПКАМИ (Рис. А3)

Более подробную информацию о символах и индикаторах на ЖК-экране см. в разделе «СВЕДЕНИЯ О СОСТОЯНИИ КОСИЛКИ И КОДАХ НЕИСПРАВНОСТЕЙ».

1. Символ ключа безопасности
2. Символ светодиодной подсветки
3. Символ автоматической парковки
4. Символ USB
5. Индикатор скорости работы режущего элемента
6. Индикатор состояния защитного устройства
7. Счетчик моточасов
8. Символ аккумулятора
9. Символ перегрева
10. Режим движения
11. Индикатор кода ошибки
12. Индикатор перегрузки
13. Индикатор низкого уровня питания
14. Индикатор скорости хода
15. Индикатор нагрузки
16. Кнопка регулировки скорости режущего элемента
17. Кнопка настройки
18. Кнопка режима движения
19. Переключатель светодиодной подсветки
20. Кнопка регулировка скорости движения

21. Указатель уровня заряда

РАСПАКОВКА

ПРИМЕЧАНИЕ. Сохраните упаковочные материалы до тех пор, пока не проверите изделие и не убедитесь в его исправной работе. Если какие-либо части из списка комплекта поставки установлены на устройство, немедленно обратитесь в сервисный центр EGO.

ПРИМЕЧАНИЕ. За исключением инструментов, указанных в приведенном ниже списке комплекта поставки, все остальные инструменты, упомянутые в руководствах, только рекомендуются к использованию, но не прилагаются.

КОМПЛЕКТ ПОСТАВКИ (Рис. В1)

V1-1	Электрическая косилка с нулевым радиусом поворота	V1-7	Ключи безопасности
V1-2	Сиденье	V1-8	Рожковые гаечные ключи (13 мм)
V1-3	Заглушка для приготовления мульчи	V1-9	Шестигранный ключ
V1-4	Рычаг управления	V1-10	Быстроразъемное соединение для промывочного порта
V1-5	Винты с углублением под ключ (2 запасных)	V1-11	Руководство по эксплуатации
V1-6	Шестигранные болты (2 запасных)		

РАСПАКОВКА (Рис. В2–В3)

РЕКОМЕНДУЕМЫЕ ПРИНАДЛЕЖНОСТИ

⚠ ПРЕДУПРЕЖДЕНИЕ. Используйте только идентичные запасные части, приведенные в списке ниже. Использование деталей с другими характеристиками может привести к снижению эффективности работы и безопасности устройства.

НАЗВАНИЕ ДЕТАЛИ	НОМЕР МОДЕЛИ
Стандартный режущий элемент	AB4200
Высокоподъемный режущий элемент	AB4201
Заглушка для приготовления мульчи	AMP4200
Комплект травосборника	ABK4200-A

СБОРКА

УСТАНОВКА СИДЕНЬЯ (Рис. С1 и С2)

⚠ ПРЕДУПРЕЖДЕНИЕ. Запрещается отключать или обходить систему защитной блокировки. Это может привести к неожиданному поведению косилки при работе, что может стать причиной травмы.

ПРИМЕЧАНИЕ. В целях безопасности косилка может прекратить движение, если выключатель сиденья отсоединился во время движения. В этом случае для получения дополнительной информации ознакомьтесь с разделом «УСТРАНЕНИЕ НЕПОЛАДОК».

C1-1	Кабель	C1-5	Винты с углублением под ключ
C1-2	Вилка	C2-1	Крюк
C1-3	Разъем	C2-2	Стальные направляющие
C1-4	Основание подвески	C2-3	Винты с углублением под ключ

УСТАНОВКА РЫЧАГОВ УПРАВЛЕНИЯ (Рис. С3)

C3-1	Рычаги управления	C3-3	Крепежные отверстия рычага управления
C3-2	Шестигранные болты		

RU

УСТАНОВКА ЗАГЛУШКИ ДЛЯ ПРИГОТОВЛЕНИЯ МУЛЬЧИ (Рис. С4)

C4-1	Боковой разгрузочный желоб	C4-3	Подвижная пружина
C4-2	Заглушка для приготовления мульчи		

ЭКСПЛУАТАЦИЯ

ПЕРЕД ИСПОЛЬЗОВАНИЕМ КОСИЛКИ

Проверка рабочей зоны

- Убедитесь, что в рабочей зоне нет детей, посторонних лиц и домашних животных.
- Очистите рабочую зону от предметов, которые могут быть отброшены режущими элементами косилки.
- Убедитесь, что светодиодные индикаторы находятся в надлежащем состоянии.
 - Управление фарами, боковыми и задними светодиодами осуществляется с помощью переключателя светодиодной подсветки.
 - Ходовые огни всегда светятся во время движения.
 - Если при движении задним ходом задние светодиоды подсветки выключены, они начнут мигать, чтобы предупредить посторонних лиц. Если задние светодиоды включены, они останутся включенными.
 - Все светодиоды автоматически выключаются после 3 минут бездействия.

Проверка давления в холодных шинах (Рис. D1)

Проверка состояния косилки и уровня заряда аккумулятора

- Индикатор заряда косилки (Рис. А2 — 27а)
Каждый сегмент индикатора уровня заряда косилки соответствует 20% заряда установленных аккумуляторных батарей.

ПРИМЕЧАНИЕ. Индикатор уровня заряда косилки и индикатор заряда на ЖК-дисплее показывают среднюю емкость установленных аккумуляторных батарей.

- Индикатор состояния косилки (Рис. А1 и А2 — 27b)

Если индикатор состояния светится зеленым, косилка готова к работе. Если нет, ознакомьтесь с разделом «СВЕДЕНИЯ О СОСТОЯНИИ КОСИЛКИ И КОДАХ НЕИСПРАВНОСТЕЙ».

Проверка системы защитной блокировки (Рис. D2–D8)

ПРИМЕЧАНИЕ: Перед проверкой оператор должен занять сиденье.

- Перед проверкой (Рис. D2–D4)
- Выполните для проверки системы режущих элементов платформы (Рис. D5), затем медленно встаньте.
- Выполните для проверки системы управления (Рис. D6–D8), затем медленно встаньте.

Если система режущих элементов платформы и (или) система управления не останавливаются, когда оператор встает с сиденья, и если причину невозможно определить после проверки надежности подключения штекера к разъему сиденья, немедленно обратитесь в центр поддержки клиентов EGO.

РЕГУЛИРОВКА (Рис. E1–E13)

Подготовка (Рис. E1–E5)

Регулировка высоты скашивающей платформы (Рис. E6)

Регулировка противооткатных колес (Рис. E7–E10)

E7-1	Противооткатное колесо	E9-2	Закладной болт
E9-1	Гайка	E10-1	Маркировка высоты платформы

Регулировка сиденья (Рис. E11)

Перед началом работы с косилкой отрегулируйте положение сиденья таким образом, чтобы обеспечить надежный контакт с педалью стояночного тормоза. Регулировка подвески сиденья позволяет достичь максимального комфорта при посадке.

E11-1	Рычаг регулировки сиденья вперед-назад	E11-2	Ручка регулировки подвески сиденья
-------	--	-------	------------------------------------

Настройка стояночного тормоза (Рис. E12–E13)

E13-1	Положение торможения	E13-2	Положение разблокировки
-------	----------------------	-------	-------------------------

ЗАРЯДКА (Рис. F1–F11)

Для эксплуатации косилки необходимы аккумуляторы EGO общей емкостью 15 Ач (2 x BA4200/BA4200T) или более. Для максимальной эффективности рекомендуется использовать аккумуляторы EGO емкостью не менее 30 Ач.

Используйте только с рекомендованными аккумуляторами и зарядными устройствами (Рис. F9 и F10)

Подготовка к зарядке (Рис. F1–F4)

Отдельная зарядка аккумулятора(-ов) (Рис. F5–F9)

F5-1	Кнопка фиксации крышки	F7-1	Кнопка извлечения аккумулятора
------	------------------------	------	--------------------------------

- Установка аккумулятора(-ов) (Рис. F5–F6)
- Извлечение аккумулятора(-ов) (Рис. F7–F8)

ПРИМЕЧАНИЕ. Зарядите аккумуляторную батарею (батареи) согласно соответствующим руководствам по эксплуатации аккумуляторов и зарядных устройств.

Зарядка аккумуляторов через зарядный порт (Рис. F10).

F10-1	Пылезащитная колпачок	F10-2	Порт зарядки
-------	-----------------------	-------	--------------

ЗАПУСК ЭЛЕКТРИЧЕСКОЙ КОСИЛКИ С НУЛЕВЫМ РАДИУСОМ ПОВОРОТА (Рис. A4–A5 и Рис. G1–G6)

⚠ ПРЕДУПРЕЖДЕНИЕ. Избегайте резких запусков, остановок и поворотов, а также чрезмерной скорости, особенно при обучении работе с косилкой. Косилка может быстро вращаться, что может привести к потере контроля и серьезным травмам и (или) повреждениям.

⚠ ПРЕДУПРЕЖДЕНИЕ. Перед запуском косилки убедитесь, что режущие элементы отключаются при перемещении переключателя отбора мощности вниз. Если режущие элементы не останавливаются, не используйте косилку и немедленно обратитесь в службу поддержки клиентов EGO.

ПРИМЕЧАНИЕ. Следуйте инструкциям на Рис. A4 и G2, чтобы настроить наименьшую скорость движения

и **СТАНДАРТНЫЙ** режим движения на время обучения управлению косилкой в любых ситуациях. Скорость хода и режим движения активируются только при остановленных колесах косилки и открытых рычагах управления.

При повторном запуске косилка сохранит и использует предыдущую настройку.

Режим движения

- **УПРАВЛЕНИЕ.** Более низкое ускорение, менее чувствительное управление и небольшая скорость поворота для защиты травы, а также для новых пользователей.
- **СТАНДАРТ.** Идеально подходит для повседневного использования.
- **СПОРТ.** Более высокое ускорение, точное управление и повышенная маневренность для максимальной эффективности скашивания, а также для опытных пользователей.

Регулировка скорости хода (Рис. A4)

Регулировка скорости режущего элемента (Рис. A5)

ПРИМЕЧАНИЕ. В режиме «ДВИЖЕНИЕ» нажмите кнопку «↔». Скорость хода вернется в настройкам предыдущего режима.

USB-порт

ПРИМЕЧАНИЕ. Порт USB обеспечивает зарядную мощность 5 В постоянного тока при суммарном потреблении до 1,5 А, и на него подается питание только при запуске газонокосилки.

ОСТАНОВКА ЭЛЕКТРИЧЕСКОЙ КОСИЛКИ С НУЛЕВЫМ РАДИУСОМ ПОВОРОТА (Рис. H1–H6)

ПРИМЕЧАНИЕ. После 60 минут бездействия косилка автоматически отключается.

Аварийный режим

Когда заряд аккумулятора становится низким, косилка переходит в аварийный режим:

- косилка автоматически прекращает скашивание травы;
- звуковой сигнал будет звучать непрерывно;
- индикатор состояния косилки будет мигать красным каждую секунду, первый сегмент указателя уровня заряда косилки будет мигать

красным, а индикатор низкого уровня питания и символ батареи на указателе уровня заряда будут мигать.

Действия оператора:

- Переместите переключатель отбора мощности вниз (Рис. Н3), чтобы отключить режущие элементы. Звуковой сигнал перестанет звучать, когда режущие элементы остановятся.
- Прекратите работу и как можно скорее отправляйтесь к месту зарядки аккумулятора. Максимальное расстояние, которое может преодолеть косилка, составляет 1000 м.

Когда аккумулятор почти разряжен, символ каждого занятого аккумуляторного отсека и индикатор низкого уровня питания будут мигать каждые полсекунды. Косилка немедленно прекратит работу. Оператор должен транспортировать косилку к месту зарядки аккумулятора.

RU

Перемещение вручную

Если необходимо толкать устройство вручную, убедитесь, что аккумуляторы отсоединены от косилки, а педаль стояночного тормоза отпущена из положения торможения.

УПРАВЛЕНИЕ ЭЛЕКТРИЧЕСКОЙ КОСИЛКОЙ С НУЛЕВЫМ РАДИУСОМ ПОВОРОТА (Рис. I1–I9)

Чтобы остановиться, снизить или увеличить скорость, медленно переместите рычаг рулевого управления из нейтрального положения.

⚠ ОПАСНО! Держитесь на расстоянии не менее двукратной ширины скашивания (2,14 м) от любых канав, обрывов или воды. Передние колеса могут вращаться, когда косилка остановлена, даже при включенном тормозе, что может привести к переворачиванию косилки или ее падению в воду, что станет причиной смерти или серьезных травм.

⚠ ПРЕДУПРЕЖДЕНИЕ. Перед началом движения задним ходом обратите внимание на то, что находится позади косилки. НЕ косите задним ходом без крайней необходимости. Всегда смотрите вниз и назад перед движением задним ходом, а также во время него, чтобы убедиться, что в зоне скашивания нет детей, посторонних лиц или домашних животных. Помните, что потеря бдительности даже на долю секунды может привести к смерти или получению серьезной травмы.

⚠ ПРЕДУПРЕЖДЕНИЕ. Не используйте данное устройство на дорогах общего пользования.

⚠ ПРЕДУПРЕЖДЕНИЕ. При засорении или столкновении с посторонним предметом остановите двигатель и извлеките аккумуляторы. Удалите обрезки травы, листья, грязь и любой другой скопившийся мусор. Перед повторным запуском и эксплуатацией осмотрите косилку на наличие повреждений и при необходимости отремонтируйте.

ОБСЛУЖИВАНИЕ

⚠ ПРЕДУПРЕЖДЕНИЕ. Всегда надевайте защитные очки с боковыми щитками. В противном случае выбрасываемые предметы попадут в глаза, что может привести к получению серьезной травмы.

⚠ ПРЕДУПРЕЖДЕНИЕ. При выполнении любых работ по обслуживанию режущих элементов всегда надевайте прочные перчатки либо обматывайте режущий элемент ветошью или другим материалом. Перед проведением обслуживания или транспортировкой устройства обязательно извлекайте ключ безопасности и аккумуляторы.

Интервалы технического обслуживания	Процедура обслуживания
Перед каждым использованием или ежедневно	<ul style="list-style-type: none"> Проверьте систему защитной блокировки. Визуально проверьте, не спущены ли шины. Проверьте режущие элементы на предмет износа, трещин и изгибов. Полностью проверьте устройство на наличие поврежденных, отсутствующих или плохо закрепленных частей, таких как боковой разгрузочный желоб, винты, гайки, болты, крышки и т. д., и убедитесь, что все защитные приспособления находятся на месте и работают надлежащим образом. Проверьте работу тормозов.
После каждого использования	<ul style="list-style-type: none"> Очистите платформу косилки.
Каждые 25 часов	<ul style="list-style-type: none"> Проверьте давление в шинах.

Каждые 50 часов	<ul style="list-style-type: none"> Проверьте состояние смазки внутри фланца режущего элемента.
Каждые 100 часов	<ul style="list-style-type: none"> Проверьте задние колеса и убедитесь, что 4 гайки затянуты с рекомендуемым крутящим моментом.
Каждые 200 часов	<ul style="list-style-type: none"> Проверьте передние колеса и убедитесь, что они свободно вращаются.
Ежегодно	<ul style="list-style-type: none"> Проверьте педаль стояночного тормоза. Отсоедините аккумулятор от косилки и установите педаль стояночного тормоза в положение торможения. Вручную толкните косилку вперед, чтобы проверить, можно ли ее сдвинуть с места. Если устройство двигается, немедленно обратитесь для ремонта к квалифицированному специалисту.

ОЧИСТКА КОСИЛКИ (Рис. J1–J9)

Подготовка (Рис. J1–J5)

Очистка корпуса косилки (Рис. J6–J7)

Использование промывочного порта для очистки платформы косилки (Рис. J8–J9)

J8-1	Промывочный порт	J8-3	Садовый шланг
J8-2	Быстроразъемное соединение для промывочного порта		

ПРИМЕЧАНИЕ. После окончания очистки переместите переключатель отбора мощности вниз, чтобы отключить режущие элементы косилки.

ОБСЛУЖИВАНИЕ ПЛАТФОРМЫ КОСИЛКИ И РЕЖУЩИХ ЭЛЕМЕНТОВ

Подготовка (Рис. K1–K6)

Снятие платформы косилки (Рис. K7–K8)

K7-1	Кабель двигателя	K7-3	Сцепное устройство подвески
K7-2	Шплинт		

ПРИМЕЧАНИЕ. При снятии платформы косилки отсоедините кабели двигателя и шплинты с обеих сторон.

Замена режущих элементов (Рис. K9–K11)

K9-1	Стабилизатор	K10-3	Лезвие
K10-1	Болт	K10-4	Фланец
K10-2	Шайба	K10-5	Вал двигателя

Выравнивание платформы косилки

a. Когда необходимо выравнивание (Рис. K12–K14)

b. Перед выравниванием

- Проверка давления в холодных шинах (Рис. K15)
- Проверьте режущие элементы. При необходимости снимите и замените изношенные, треснувшие и (или) погнутые режущие элементы.
- Подготовка к выравниванию (Рис. K16–K21)

d. Порядок выравнивания

- Выполнение боковой регулировки (Рис. K22)

Разница между расстояниями H1 и H2, измеренными от нижнего края каждого режущего элемента до земли, должна быть в пределах 5 мм.

K22-1	Стопорная гайка
-------	-----------------

- Выполнение передне-задней регулировки (Рис. K23)

Передний кончик H3 режущего элемента должен быть на 2–10 мм ниже заднего кончика H4.

КАЛИБРОВКА СИСТЕМЫ МОНИТОРИНГА КОСИЛКИ (Рис. L1–L6, L7–L12)

ПРИМЕЧАНИЕ. Звуковой сигнал прозвучит один раз как при начале калибровки, так и при ее завершении.

СБРОС КОСИЛКИ ДО ПЕРВОНАЧАЛЬНЫХ ЗАВОДСКИХ НАСТРОЕК (Рис. M1–M4)

ПРИМЕЧАНИЕ. Звуковой сигнал прозвучит один раз как при начале сброса настроек, так и при его завершении.

ХРАНЕНИЕ И ТРАНСПОРТИРОВКА

ТРАНСПОРТИРОВКА КОСИЛКИ (РИС. N1– N11)

ПРИМЕЧАНИЕ. При необходимости закрепите косилку с помощью ремней или тросов, чтобы предотвратить ее перемещение во время транспортировки. При погрузке и выгрузке косилки следите, чтобы не превышался максимальный рекомендованный рабочий угол в 12 градусов между пандусом и землей.

ХРАНЕНИЕ (Рис. O1–O6)

ПРИМЕЧАНИЕ. Извлеките аккумуляторы и уберите их на хранение согласно инструкциям в соответствующих руководствах.

RU

Очистите и проверьте косилку перед уборкой на хранение в соответствии с разделами «**ОЧИСТКА КОСИЛКИ**» и «**РЕКОМЕНДУЕМОЕ РАСПИСАНИЕ ОБСЛУЖИВАНИЯ**».


Защита окружающей среды

KEES VAN DER SPEK
TUINMACHINES ★ STOLWIJK




Утилизация отходов электрического и электронного оборудования (WEEE). Не выбрасывайте электроприборы, зарядные устройства и аккумуляторные батареи вместе с бытовыми отходами! Отправьте данное изделие на переработку в специализированное предприятие или сдайте его для отдельного сбора. Электроинструменты должны быть возвращены на перерабатывающее предприятие, не наносящее ущерба окружающей среде.

УСТРАНЕНИЕ НЕПОЛАДОК

ПРОБЛЕМА	ПРИЧИНА	РЕШЕНИЕ
<p>Электрическая косилка с нулевым радиусом поворота не едет, когда два рычага управления перемещаются вперед или назад в самом начале.</p>  Мигает символ рычага управления.	<ul style="list-style-type: none"> Суммарная емкость установленных аккумуляторов составляет менее 15 Ач. 	<ul style="list-style-type: none"> Для эксплуатации косилки необходимы аккумуляторы EGO общей емкостью 15 Ач (2 x BA4200/BA4200T) или более. Для максимальной эффективности рекомендуется использовать аккумуляторы емкостью не менее 30 Ач.
	<ul style="list-style-type: none"> Педаля стояночного тормоза установлена в положение торможения. 	<ul style="list-style-type: none"> Полностью отпустите педаль стояночного тормоза, чтобы вывести ее из положения торможения.
	<ul style="list-style-type: none"> При запуске косилки рычаги управления не находятся в открытом положении. 	<ul style="list-style-type: none"> Верните рычаги управления в открытое положение и снова запустите косилку.
	<ul style="list-style-type: none"> Оператор не сидит на сиденье. 	<ul style="list-style-type: none"> Только когда оператор правильно сидит на сиденье, он может управлять косилкой.
	<ul style="list-style-type: none"> Переключатель сиденья подключен неправильно. 	<ul style="list-style-type: none"> Извлеките аккумулятор из косилки и снимите сиденье согласно обратному порядку установки в соответствии с инструкциями в разделе «УСТАНОВКА СИДЕНЬЯ» данного руководства, чтобы проверить подключение переключателя сиденья. Установите сиденье на место и следуйте инструкциям в разделе «ЗАПУСК ЭЛЕКТРИЧЕСКОЙ КОСИЛКИ С НУЛЕВЫМ РАДИУСОМ ПОВОРОТА» для проверки возможности повторного запуска косилки. Если нет, обратитесь для ремонта к квалифицированному специалисту.
	<ul style="list-style-type: none"> При экстремально холодной погоде функция движения может не запуститься из-за срабатывания защиты от низкой температуры. 	<ul style="list-style-type: none"> Всегда храните косилку и аккумулятор в теплом месте. Перезапустите косилку, когда она прогреется. Не делайте повторных попыток в условиях сильного холода, который может повредить устройство. Рекомендуемая рабочая температура составляет 0–40°C.

RU

ПРОБЛЕМА	ПРИЧИНА	РЕШЕНИЕ
<p>Электрическая косилка с нулевым радиусом поворота прекратила движение.</p>	<ul style="list-style-type: none"> ▪ Рычаги управления требуют «сброса». 	<ul style="list-style-type: none"> ▪ Верните рычаги управления в открытое положение и снова запустите косилку.
	<ul style="list-style-type: none"> ▪ Вышли из строя электрические компоненты рычагов управления. 	<ul style="list-style-type: none"> ▪ Обратитесь для ремонта к квалифицированному специалисту.
	<ul style="list-style-type: none"> ▪ Переключатель сиденья отсоединился во время движения по пересеченной местности. 	<ul style="list-style-type: none"> ▪ Извлеките аккумулятор из косилки и снимите сиденье согласно обратному порядку установки в соответствии с инструкциями в разделе «УСТАНОВКА СИДЕНЬЯ» данного руководства, чтобы проверить подключение переключателя сиденья. Установите сиденье на место и следуйте инструкциям в разделе «ЗАПУСК ЭЛЕКТРИЧЕСКОЙ КОСИЛКИ С НУЛЕВЫМ РАДИУСОМ ПОВОРОТА» для проверки возможности повторного запуска косилки. Если нет, обратитесь для ремонта к квалифицированному специалисту.
<p>Скорость хода / режим движения нельзя регулировать во время движения.</p>	<ul style="list-style-type: none"> ▪ Это функция для безопасного вождения электрической косилки с нулевым радиусом поворота. 	<ul style="list-style-type: none"> ▪ Функция активируются только при остановленных колесах косилки и открытых рычагах управления.
<p>Электрическая косилка с нулевым радиусом поворота не запускает режущие элементы при включенном переключателе отбора мощности.</p> <p> Мигает символ переключателя отбора мощности.</p>	<ul style="list-style-type: none"> ▪ Суммарная емкость установленных аккумуляторов составляет менее 15 Ач. 	<ul style="list-style-type: none"> ▪ Для эксплуатации косилки необходимы аккумуляторы EGO общей емкостью 15 Ач (2 x BA4200/BA4200T) или более. Для максимальной эффективности рекомендуется использовать аккумуляторы емкостью не менее 30 Ач.
	<ul style="list-style-type: none"> ▪ Переключатель отбора мощности не был нажат при последней остановке косилки. 	<ul style="list-style-type: none"> ▪ Переместите переключатель отбора мощности вниз и снова запустите режущие элементы косилки.
	<ul style="list-style-type: none"> ▪ В момент запуска режущих элементов косилка была перегружена, в результате чего сработала защита двигателя. 	<ul style="list-style-type: none"> ▪ Начинайте скашивать траву сначала на более низкой скорости вращения режущих элементов и до тех пор, пока режущие элементы не начнут вращаться нормально, не увеличивайте скорость вращения режущих элементов без необходимости.
	<ul style="list-style-type: none"> ▪ При экстремально холодной погоде двигатель режущих элементов может не запуститься из-за срабатывания защиты от низкой температуры. 	<ul style="list-style-type: none"> ▪ Всегда храните косилку и аккумулятор в теплом месте. Перезапустите косилку, когда она прогреется. Не делайте повторных попыток в условиях сильного холода, который может повредить устройство. Рекомендуемая рабочая температура составляет 0–40°C.
	<ul style="list-style-type: none"> ▪ Режущие элементы цепляются за деформированную платформу косилки. 	<ul style="list-style-type: none"> ▪ Обратитесь для ремонта к квалифицированному специалисту.

RU

ПРОБЛЕМА	ПРИЧИНА	РЕШЕНИЕ
Режущие элементы перестали работать во время скашивания травы.	<ul style="list-style-type: none"> Газонокосилка перегружена. 	<ul style="list-style-type: none"> Увеличьте высоту скашивания платформы или уменьшите скорость хода, чтобы снизить нагрузку на косилку.
	<ul style="list-style-type: none"> Платформа газонокосилки забита травой и мусором. 	<ul style="list-style-type: none"> Очистите платформу косилки и убедитесь, что режущие элементы свободно перемещаются.
	<ul style="list-style-type: none"> Газонокосилка перегрелась. 	<ul style="list-style-type: none"> Уменьшите нагрузку на косилку, увеличив высоту скашивания платформы или замедлив скорость вращения режущих элементов / хода, и дайте косилке остыть.
	<ul style="list-style-type: none"> Аккумуляторы в батарейном отсеке косилки перегрелись, в результате чего суммарная емкость всех установленных аккумуляторов стала ниже 15 Ач. 	<ol style="list-style-type: none"> Если суммарная емкость используемых аккумуляторов меньше 15 Ач, косилка не будет работать до тех пор, пока в свободные батарейные отсеки не будут установлены дополнительные аккумуляторы. Как только перегретый аккумулятор остынет до нормальной температуры, он сразу же будет использован для питания косилки. При возобновлении работы уменьшите нагрузку на косилку, увеличив высоту скашивания платформы или замедлив скорость хода.
	<ul style="list-style-type: none"> Косилка находится в аварийном режиме. 	<ul style="list-style-type: none"> Когда косилка находится в аварийном режиме, режущие элементы автоматически переключаются на низкую скорость вращения без скашивания травы. Оператор должен прекратить работу и как можно скорее отправиться к месту зарядки аккумулятора.
	<ul style="list-style-type: none"> Косилка столкнулась с посторонним предметом, в результате чего сработала защита двигателя. 	<ul style="list-style-type: none"> Переместите переключатель отбора мощности вниз и снова запустите режущие элементы косилки.
Звуковой сигнал звучит непрерывно.	<ul style="list-style-type: none"> Косилка находится в аварийном режиме, а режущие элементы не выключаются. 	<ul style="list-style-type: none"> Переместите переключатель отбора мощности вниз, чтобы отключить режущие элементы платформы. Звуковой сигнал перестанет звучать, когда режущие элементы остановятся.
	<ul style="list-style-type: none"> Косилка прекратила движение по склону, а оператор открыл рычаги управления и встал с сиденья, не установив педаль стояночного тормоза в положение торможения. 	<ul style="list-style-type: none"> Перед тем как оставить косилку на склоне, установите педаль стояночного тормоза в положение торможения.

ПРОБЛЕМА	ПРИЧИНА	РЕШЕНИЕ
Индикаторы заряда батареи остаются включенными, когда косилка выключена.	<ul style="list-style-type: none"> ▪ Если косилка выключается на ровной поверхности без извлечения из нее аккумуляторов, индикаторы заряда аккумулятора будут светиться в течение 3 минут. 	<ul style="list-style-type: none"> ▪ Никаких действий не требуется. Через некоторое время индикаторы заряда батареи перестанут светиться.
	<ul style="list-style-type: none"> ▪ Если косилка выключается на склоне без установки педали стояночного тормоза в положение торможения, индикаторы заряда аккумулятора будут светиться до тех пор, пока заряд аккумуляторов не иссякнет. В то же время звуковой сигнал будет продолжать звучать. 	<ul style="list-style-type: none"> ▪ Перед тем как оставить косилку на склоне, установите педаль стояночного тормоза в положение торможения.
ЖК-дисплей не подсвечивается при включении всех символов.	<ul style="list-style-type: none"> ▪ Время нажатия на кнопку запуска/остановки составляло менее 3 секунд. 	<ul style="list-style-type: none"> ▪ При коротком нажатии кнопки запуска/остановки на ЖК-дисплее будет отображаться только указатель уровня заряда.
		<ul style="list-style-type: none"> ▪ ЖК-дисплей включится после нажатия кнопки запуска/остановки и ее удержания в течение 3 секунд.
Косилка стрижет неравномерно, со значительным перепадом высоты спереди и сзади.	<ul style="list-style-type: none"> ▪ Режущие элементы затупились. 	<ul style="list-style-type: none"> ▪ Заточите или замените режущий элемент в соответствии с инструкциями, приведенными в данном руководстве.
	<ul style="list-style-type: none"> ▪ Режущие элементы изогнуты. 	<ul style="list-style-type: none"> ▪ Замените погнутый режущий элемент, следуя инструкциям в разделе «ЗАМЕНА РЕЖУЩИХ ЭЛЕМЕНТОВ».
	<ul style="list-style-type: none"> ▪ Платформа косилки не выровнена, что является причиной разной высоты режущих элементов. 	<ul style="list-style-type: none"> ▪ Выровняйте платформу косилки, следуя инструкциям в разделе «ВЫРАВНИВАНИЕ ПЛАТФОРМЫ КОСИЛКИ».
Фактическая высота скашивания травы не соответствует заявленной.	<ul style="list-style-type: none"> ▪ Крепление гаек платформы косилки на сцепном устройстве подвески ослабло. 	<ul style="list-style-type: none"> ▪ Следуя инструкциям в разделе «ВЫРАВНИВАНИЕ ПЛАТФОРМЫ КОСИЛКИ», выполните правильную регулировку платформы косилки спереди и сзади и надежно затяните четыре гайки на сцепном устройстве подвески (по две с каждой стороны).
	<ul style="list-style-type: none"> ▪ Платформа косилки повреждена или серьезно изношена. 	<ul style="list-style-type: none"> ▪ Следуйте инструкциям в разделе «СНЯТИЕ ПЛАТФОРМЫ КОСИЛКИ» для замены платформы косилки.

ПРОБЛЕМА	ПРИЧИНА	РЕШЕНИЕ
Газонокосилка не делает мульчу должным образом.	<ul style="list-style-type: none"> ▪ На внутреннюю поверхность платформы налипла срезанная трава. 	<ul style="list-style-type: none"> ▪ Перед скашиванием дождитесь высыхания травы.
	<ul style="list-style-type: none"> ▪ Газонокосилка отрегулирована так, что срезает слишком много травы за один заход. 	<ul style="list-style-type: none"> ▪ Увеличьте высоту скашивания платформы.
Устройство сильно вибрирует.	<ul style="list-style-type: none"> ▪ Режущие элементы плохо закреплены. 	<ul style="list-style-type: none"> ▪ Затяните болт режущего элемента с рекомендуемым моментом затяжки 50–55 Нм.
	<ul style="list-style-type: none"> ▪ Режущие элементы изогнуты. 	<ul style="list-style-type: none"> ▪ Замените погнутый режущий элемент, следуя инструкциям в разделе «ЗАМЕНА РЕЖУЩИХ ЭЛЕМЕНТОВ».
	<ul style="list-style-type: none"> ▪ Платформа косилки не выровнена. 	<ul style="list-style-type: none"> ▪ Выровняйте платформу косилки, следуя инструкциям в разделе «ВЫРАВНИВАНИЕ ПЛАТФОРМЫ КОСИЛКИ».
	<ul style="list-style-type: none"> ▪ Крепление гаек платформы косилки на сцепном устройстве подвески ослабло. 	<ul style="list-style-type: none"> ▪ Используйте рожковый гаечный ключ 18 мм (не входит в комплект поставки), чтобы затянуть четыре гайки на сцепном устройстве подвески (по две с каждой стороны).
	<ul style="list-style-type: none"> ▪ Косилка отрегулирована так, что срезает слишком много травы за один заход. 	<ul style="list-style-type: none"> ▪ Увеличьте высоту скашивания платформы.
После скашивания на земле остается трава или мусор.	<ul style="list-style-type: none"> ▪ Косилка отрегулирована так, что срезает слишком много травы за один заход, когда трава высокая. 	<ul style="list-style-type: none"> ▪ Начните с большой высоты скашивания и уменьшайте ее до тех пор, пока не будет достигнут желаемый результат скашивания. Траву высотой более 15 см следует скашивать в два захода, постепенно снижая высоту скашивания.
	<ul style="list-style-type: none"> ▪ Трава мокрая. 	<ul style="list-style-type: none"> ▪ Не косите мокрую траву, пока она не высохнет.
	<ul style="list-style-type: none"> ▪ Высокая скорость хода. 	<ul style="list-style-type: none"> ▪ Уменьшите скорость хода.
Малое время работы косилки с включенным аккумулятором.	<ul style="list-style-type: none"> ▪ Скорость вращения режущего элемента слишком низкая. 	<ul style="list-style-type: none"> ▪ Постепенно увеличивайте скорость режущего элемента.
	<ul style="list-style-type: none"> ▪ Состояние травы и установленная высота скашивания значительно влияют на время работы аккумулятора. Заявленное время работы основано на условиях небольшой нагрузки. 	<ul style="list-style-type: none"> ▪ Увеличьте высоту скашивания платформы и уменьшите скорость режущего элемента, чтобы снизить нагрузку.

ПРОБЛЕМА	ПРИЧИНА	РЕШЕНИЕ
Косилка не движется по прямой.	<ul style="list-style-type: none"> Давление в шинах левого и правого задних колес различается. 	<ul style="list-style-type: none"> Проверьте и отрегулируйте давление воздуха в шинах задних колес в соответствии с рекомендациями в разделе «ПРОВЕРКА ДАВЛЕНИЯ В ШИНАХ» данного руководства.
	<ul style="list-style-type: none"> Скорость хода для левого и правого задних колес различается. 	<ul style="list-style-type: none"> Откалибруйте систему мониторинга косилки, следуя инструкциям в разделе «КАЛИБРОВКА СИСТЕМЫ МОНИТОРИНГА КОСИЛКИ».
Педаль стояночного тормоза не отпускается из положения торможения или слишком медленно возвращается в исходное положение.	<ul style="list-style-type: none"> Возможно, внутрь педали стояночного тормоза попал мусор или грязь. 	<ul style="list-style-type: none"> Откройте отсек педали стояночного тормоза, чтобы тщательно очистить его изнутри, а затем закройте. Верните педаль стояночного тормоза в исходное положение и проверьте, устранена ли проблема. Если нет, обратитесь для ремонта к квалифицированному специалисту.
Косилку нельзя зарядить через зарядный порт, когда индикатор состояния косилки постоянно светится красным.	<ul style="list-style-type: none"> Штекер зарядного устройства неправильно вставлен в порт зарядки на косилке. 	<ul style="list-style-type: none"> Снова подсоедините штекер зарядного устройства и проверьте, может ли косилка нормально заряжаться.
	<ul style="list-style-type: none"> В розетке электросети нет питания. 	<ul style="list-style-type: none"> Никаких действий не требуется. Подождите, пока питание не восстановится.
	<ul style="list-style-type: none"> Неисправность зарядного устройства. 	<ul style="list-style-type: none"> Обратитесь к квалифицированному специалисту для проверки и при необходимости ремонта зарядного устройства.
	<ul style="list-style-type: none"> Зарядный разъем на косилке неисправен. 	<ul style="list-style-type: none"> Обратитесь для ремонта к квалифицированному специалисту.
Слишком большое время зарядки косилки через порт для зарядки.	<ul style="list-style-type: none"> Зарядка с помощью адаптера EGO ACA1000 требует длительного времени. 	<ul style="list-style-type: none"> Используйте зарядное устройство EGO CHV1600E для непосредственной зарядки электрической косилки.
Аккумулятор не удаётся полностью зарядить через порт для зарядки косилки.	<ul style="list-style-type: none"> Ошибка прошивки самоходной косилки или неисправность зарядного устройства / аккумулятора. 	<ul style="list-style-type: none"> Отключите зарядное устройство от электросети и подождите 1 минуту, а затем снова подключите вилку зарядного устройства к источнику питания. Если оно не работает, обратитесь для ремонта к квалифицированному специалисту.
Косилка не запускается после очистки.	<ul style="list-style-type: none"> Неправильная очистка, например попадание воды на электрические компоненты, ЖК-дисплей и т. д. 	<ul style="list-style-type: none"> Для правильной очистки косилки следуйте инструкциям в разделе «ОЧИСТКА КОСИЛКИ».
Косилка легко засоряется.	<ul style="list-style-type: none"> Платформа газонокосилки забита травой и мусором. 	<ul style="list-style-type: none"> Если косилка случайно попала под дождь, дайте ей высохнуть не менее 12 часов или используйте сжатый воздух для сушки.
		<ul style="list-style-type: none"> Очищайте платформу косилки после каждого использования, следуя инструкциям в разделе «Использование промывочного порта для очистки платформы косилки».

ПРОБЛЕМА	ПРИЧИНА	РЕШЕНИЕ
Косилка быстро теряет тягу при подъеме по склону.	▪ Шины задних колес изношены.	▪ Обратитесь в местный сервис для замены шин.
	▪ Большой уклон для скашивания.	▪ Уклон при скашивании должен быть менее 12 градусов.
Когда косилка останавливается на склоне с нажатой педалью стояночного тормоза, она может соскальзывать вниз по склону.	▪ Компоненты тормоза чрезмерно изношены из-за неправильной эксплуатации косилки.	▪ Обратитесь для ремонта к квалифицированному специалисту.
При мытье платформы вода из промывочного отверстия не поступает.	▪ Быстроразъемное соединение для промывочного порта не установлено на порт.	▪ Подсоедините быстроразъемное соединение промывочного порта, сильно прижав его до четкого щелчка. Если оно не работает, обратитесь для ремонта к квалифицированному специалисту.
При ручном толкании косилки без запуска раздается ненормальный звук.	▪ Звук исходит от магнитов внутри приводного двигателя.	▪ Никаких действий не требуется, это нормально.





СВЕДЕНИЯ О СОСТОЯНИИ КОСИЛКИ И КОДАХ НЕИСПРАВНОСТЕЙ

ЖК-дисплей	Наименование	Код неисправности на ЖК-дисплее	Индикатор состояния косилки	Звуковой сигнал	Причина	Решение
	Символ светодиодной подсветки отображается на ЖК-дисплее.	н/з	ВЫКЛ	Нет	Фары, боковые и задние светодиоды включаются с помощью переключателя светодиодной подсветки.	Это нормально. Никаких действий не требуется.
	Символ USB отображается на ЖК-дисплее.	н/з	ВЫКЛ	Нет	Светящийся символ USB означает, что USB-устройство может работать после правильного запуска косилки.	Это нормально. Никаких действий не требуется.
	Символ уровня заряда отображается на ЖК-дисплее.	н/з	ВЫКЛ	Нет	Показывает среднюю емкость заряда установленных аккумуляторов.	Это нормально. Никаких действий не требуется.
	Символ счетчика моточасов отображается на ЖК-дисплее.	н/з	ВЫКЛ	Нет	Показывает общее время работы косилки в часах и не может быть сброшен.	Это нормально. Никаких действий не требуется.
	Символ индикатора нагрузки отображается в диапазоне ECO.	н/з	ВЫКЛ	Нет	Показывает текущую нагрузку на косилку.	Это нормально. Никаких действий не требуется.
	Индикатор перегрузки мигает. Символ индикатора нагрузки отображается в диапазоне PWR.	н/з	Мигает красным	Один звуковой сигнал	Двигатель режущих элементов перегружен.	Увеличьте высоту скашивания платформы или уменьшите скорость хода, чтобы снизить нагрузку на косилку.
	Символ ключа безопасности мигает.	н/з	ВЫКЛ	Нет	Ключ безопасности не установлен.	Вставьте ключ безопасности, затем нажмите и удерживайте кнопку запуска/остановки более 3 секунд, чтобы включить косилку.
					Питание не подается на ЖК-дисплей.	Ремонт должен выполнять квалифицированный специалист.

RU

ЖК-дисплей	Наименование	Код неисправности на ЖК-дисплее	Индикатор состояния косилки	Звуковой сигнал	Причина	Решение
	Символ пустого батарейного отсека мигает.	н/з	ВЫКЛ	Нет	Емкости аккумулятора недостаточно для работы косилки.	Для эксплуатации косилки необходимы аккумуляторы EGO общей емкостью 15 Ач (2 x BA4200/BA4200T) или более. Для максимальной эффективности рекомендуется использовать аккумуляторы EGO емкостью не менее 30 Ач.
	Символ термометра мигает.	н/з	Мигает красным	Один звуковой сигнал	Косилка перегрелась.	Уменьшите нагрузку на косилку, увеличив высоту скашивания платформы или замедлив скорость режущих элементов / хода. Сделайте перерыв и дайте косилке остыть.
	Одновременно мигают символы перегрева и конкретного занятого батарейного отсека.	н/з	н/з	Нет	Аккумулятор в соответствующем батарейном отсеке перегрелся.	<p>1. Косилка может продолжить работу, если суммарная емкость используемых аккумуляторов, исключая перегретый, равна или превышает 15 Ач. Как только перегретый аккумулятор остынет до нормальной температуры, он сразу же будет использован для питания косилки.</p> <p>2. Если суммарная емкость используемых аккумуляторов меньше 15 Ач, косилка не будет работать до тех пор, пока в свободные батарейные отсеки не будут установлены дополнительные аккумуляторы.</p> <p>3. При возобновлении работы уменьшите нагрузку на косилку, увеличив высоту скашивания платформы или замедлив скорость хода.</p>

ЖК-дисплей	Наименование	Код неисправности на ЖК-дисплее	Индикатор состояния косилки	Звуковой сигнал	Причина	Решение
	На ЖК-дисплее каждую 1 секунду одновременно мигают символы каждого занятого батарейного отсека, индикатора низкого уровня питания и батареи на указателе уровня заряда. Также мигает первый сегмент светодиодного индикатора уровня заряда и состояния.	н/з	Мигает красным	Продолжает издавать звуковой сигнал, пока переключатель отбора мощности не будет перемещен вниз.	Аккумуляторы разряжены, косилка находится в аварийном режиме.	Прекратите работу и вернитесь к месту зарядки аккумулятора. ПРИМЕЧАНИЕ. Когда косилка находится в аварийном режиме, режущие элементы автоматически переключаются на низкую скорость вращения без скашивания травы, а звуковой сигнал звучит непрерывно. Оператор должен переместить переключатель отбора мощности вниз, чтобы отключить режущие элементы платформы. Звуковой сигнал перестанет звучать, когда режущие элементы остановятся.
	Символ каждого занятого батарейного отсека и индикатор низкого уровня питания мигают каждые полсекунды.	н/з	ВЫКЛ	Нет	Аккумуляторы разряжены почти полностью.	Косилка немедленно прекратит работу. Оператор должен транспортировать почти полностью разряженную косилку к месту зарядки аккумулятора.
	На ЖК-дисплее мигает символ автоматической парковки.	н/з	ВЫКЛ	Продолжает издавать звуковой сигнал.	Косилка припаркована на склоне, и оператор покинул сиденье, не установив педаль тормоза в положение торможения, но оставив рычаги управления в открытом положении.	Установите педаль тормоза в положение торможения. Символ автоматической парковки перестанет светиться, а звуковой сигнал перестанет звучать.
	Символ педали тормоза отображается на ЖК-дисплее.	н/з	ВЫКЛ	Нет	Педаль стояночного тормоза установлена в положение торможения.	Отпустите педаль перед запуском косилки.

ЖК-дисплей	Наименование	Код неисправности на ЖК-дисплее	Индикатор состояния косилки	Звуковой сигнал	Причина	Решение
	Символ датчика сиденья отображается на ЖК-дисплее.	н/з	ВЫКЛ	Нет	Оператор покинул сиденье, или переключатель сиденья отсоединен.	Если символ светится при сидящем на сиденье операторе, немедленно прекратите использование косилки и проверьте соединение сиденья. Если сиденье правильно подключено к косилке, обратитесь к квалифицированному специалисту для ремонта.
	Символ переключателя отбора мощности мигает.	н/з	ВЫКЛ	Нет	Двигатель режущих элементов был остановлен во время работы, а переключатель отбора мощности не был установлен в выключенное положение.	Перед повторным запуском косилки переместите переключатель отбора мощности вниз, чтобы отключить двигатель платформы. Для получения дополнительной информации см. раздел «УСТРАНЕНИЕ НЕПОЛАДОК» данного руководства.
	Символ рычага управления мигает.	н/з	ВЫКЛ	Нет	Приводной двигатель был остановлен во время работы, а рычаги управления не были установлены в открытое положение.	Перед повторным запуском косилки переведите рычаги управления в открытое положение. Для получения дополнительной информации см. раздел «УСТРАНЕНИЕ НЕПОЛАДОК» данного руководства.
	Символ восстановления энергии периодически мигает.	н/з	ВЫКЛ	Нет	Кинетическая энергия, возникающая при торможении или движении под уклон, преобразуется в электричество для зарядки аккумуляторных батарей.	Это нормально. Никаких действий не требуется.

ЖК-дисплей	Наименование		Код неисправности на ЖК-дисплее	Индикатор состояния косилки	Звуковой сигнал	Причина	Решение
См. «Код неисправности»	Левый приводной двигатель не вращается.	Отказ левого приводного двигателя с управлением от блока печатных плат.	413	ВЫКЛ	Один звуковой сигнал	Неисправность блока печатных плат	Ремонт должен выполнять квалифицированный специалист.
		Ослабло соединение штекера (трехфазного, с проводом питания), соединяющего левый приводной двигатель с соответствующим блоком печатных плат.	317	ВЫКЛ	Один звуковой сигнал	Плохое соединение	
		Ослабло соединение штекера (шестиконтактного, с сигнальным проводом), соединяющего левый приводной двигатель с соответствующим блоком печатных плат.	301	ВЫКЛ	Один звуковой сигнал	Плохое соединение	
		Отказ левого приводного двигателя.	317	ВЫКЛ	Один звуковой сигнал	Неисправность двигателя	

RU

KEES VAN DER SPEK
TUINMACHINES ★ STOLWIJK

ЖК-дисплей	Наименование		Код неисправности на ЖК-дисплее	Индикатор состояния косилки	Звуковой сигнал	Причина	Решение
См. «Код неисправности»	Правый приводной двигатель не вращается.	Отказ правого приводного двигателя с управлением от блока печатных плат.	313	ВЫКЛ	Один звуковой сигнал	Неисправность блока печатных плат	Ремонт должен выполнять квалифицированный специалист.
		Ослабло соединение штекера (трехфазного, с проводом питания), соединяющего правый приводной двигатель с соответствующим блоком печатных плат.	417	ВЫКЛ	Один звуковой сигнал	Плохое соединение	
		Ослабло соединение штекера (шестиконтактного, с сигнальным проводом), соединяющего правый приводной двигатель с соответствующим блоком печатных плат.	401	ВЫКЛ	Один звуковой сигнал	Плохое соединение	
		Отказ правого приводного двигателя.	417	ВЫКЛ	Один звуковой сигнал	Неисправность двигателя	

ЖК-дисплей	Наименование		Код неисправности на ЖК-дисплее	Индикатор состояния косилки	Звуковой сигнал	Причина	Решение
См. «Код неисправности»	Левый двигатель режущих элементов не вращается.	Отказ левого двигателя режущих элементов с управлением от блока печатных плат.	607	н/з	Один звуковой сигнал	Неисправность блока печатных плат	Ремонт должен выполнять квалифицированный специалист.
		Ослабло соединение штекера (трехфазного, с проводом питания), соединяющего левый приводной двигатель с соответствующим блоком печатных плат.	509	н/з	Один звуковой сигнал	Плохое соединение	Сначала осмотрите режущий элемент. Если он ослаблен, используйте динамометрический ключ 14 мм, чтобы затянуть болт по часовой стрелке. Рекомендуемый крутящий момент для болта режущего элемента составляет 50–55 Нм. В противном случае ремонт должен выполнять квалифицированный специалист.
		Отказ левого двигателя режущих элементов.	509	н/з	Один звуковой сигнал	Неисправность двигателя	
См. «Код неисправности»	Правый двигатель режущих элементов не вращается.	Отказ правого двигателя режущих элементов с управлением от блока печатных плат.	507	н/з	Один звуковой сигнал	Неисправность блока печатных плат	Ремонт должен выполнять квалифицированный специалист.
		Ослабло соединение штекера (трехфазного, с проводом питания), соединяющего правый приводной двигатель с соответствующим блоком печатных плат.	609	н/з	Один звуковой сигнал	Плохое соединение	Сначала осмотрите режущий элемент. Если он ослаблен, используйте динамометрический ключ 14 мм, чтобы затянуть болт по часовой стрелке. Рекомендуемый крутящий момент для болта режущего элемента составляет 50–55 Нм. В противном случае ремонт должен выполнять квалифицированный специалист.
		Отказ правого двигателя режущих элементов.	609	н/з	Один звуковой сигнал	Неисправность двигателя	

ЖК-дисплей	Наименование		Код неисправности на ЖК-дисплее	Индикатор состояния косилки	Звуковой сигнал	Причина	Решение
См. «Код неисправности»	Отказ левого рычага управления.	Отказ левого рычага управления с управлением от блока печатных плат.	311 /412	ВЫКЛ	Один звуковой сигнал	Неисправность блока печатных плат	Ремонт должен выполнять квалифицированный специалист.
		Ослабло соединение штекера, соединяющего управляющий блок печатных плат, расположенный в рулевой рейке.				Плохое соединение	
См. «Код неисправности»	Отказ правого рычага управления.	Отказ правого рычага управления с управлением от блока печатных плат.	312 /411	ВЫКЛ	Один звуковой сигнал	Неисправность блока печатных плат	Ремонт должен выполнять квалифицированный специалист.
		Ослабло соединение штекера, соединяющего управляющий блок печатных плат, расположенный в рулевой рейке.				Плохое соединение	
См. «Код неисправности»	Неисправен стояночный тормоз, устройство невозможно привести в движение.	Поврежден блок печатных плат стояночного тормоза, который находится в узле передней рамы.	309 /409	ВЫКЛ	Один звуковой сигнал	Неисправность блока печатных плат	Ремонт должен выполнять квалифицированный специалист.
		Переключатель стояночного тормоза и (или) провод неисправны.	801	ВЫКЛ	Один звуковой сигнал	Неисправность провода/ выключателя	

ЖК-дисплей	Наименование	Код неисправности на ЖК-дисплее	Индикатор состояния косилки	Звуковой сигнал	Причина	Решение
ВЫКЛ	Неисправность порта для зарядки.	н/з	Светится КРАСНЫМ	н/з	Порт зарядки находится в разомкнутой цепи.	Ремонт должен выполнять квалифицированный специалист.
		н/з	Светится КРАСНЫМ	н/з	Нет питания.	Проверьте, исправна ли розетка и подается ли в нее напряжение 220–240 В.
		н/з	Светится КРАСНЫМ	н/з	Предохранитель перегорел.	Ремонт должен выполнять квалифицированный специалист.
См. «Код неисправности»	Неисправность порта для зарядки.	204	н/з	Один звуковой сигнал	Порт зарядки находится в разомкнутой цепи.	
См. «Код неисправности»	Неисправность блока батарейного отсека.	217	н/з	Один звуковой сигнал	Источник питания от батарейного отсека поврежден. Светодиодные фары и порт USB не будут работать.	Ремонт должен выполнять квалифицированный специалист.
		310 /410	ВЫКЛ	Один звуковой сигнал	Соединение между проводами Type C батарейного отсека и другими проводами Type C косилки не работает.	
		201 /202 /203	ВЫКЛ	Один звуковой сигнал	Система управления питанием батарейного отсека повреждена.	
Див. «Коды неисправностей»	Неисправность выключателя запуска/остановки.	314 /414	ВЫКЛ	Один звуковой сигнал	Неисправность переключателя блока печатных плат или плохое соединение проводов выключателя запуска/остановки.	Ремонт должен выполнять квалифицированный специалист.

ЖК-дисплей	Наименование	Код неисправности на ЖК-дисплее	Индикатор состояния косилки	Звуковой сигнал	Причина	Решение
Див. «Коды неисправностей»	Неисправность ЖК-дисплея.	315 /415	ВИМК-НЕНИЙ	Один звуковой сигнал	Узел ЖК-дисплея поврежден или плохое соединение проводов ЖК-дисплея.	Ремонт должен выполнять квалифицированный специалист.

ГАРАНТИЯ

ГАРАНТИЙНАЯ ПОЛИТИКА EGO

Посетите веб-сайт egopowerplus.com чтобы ознакомиться со всеми условиями и сроками гарантийной политики EGO.

RU

KEES VAN DER SPEK
TUINMACHINES ★ STOLWIJK

PRZECZYTAJ WSZYSTKIE INSTRUKCJE!



PRZECZYTAJ INSTRUKCJĘ OBSŁUGI

⚠ Ryzyko resztkowe! Osoby z urządzeniami elektronicznymi, takimi jak rozruszniki serca, powinny przed użyciem produktu skonsultować się ze swoim(i) lekarzem/-ami. Używanie urządzeń elektrycznych blisko rozrusznika serca może spowodować zakłócenia lub uszkodzić rozrusznik.

SYMBOL BEZPIECZEŃSTWA

Celem symboli bezpieczeństwa jest zwrócenie uwagi użytkownika na możliwe zagrożenia. Symbole bezpieczeństwa i objaśnienia do nich zasługują na to, aby je uważnie przestudiować i zrozumieć. Symbole bezpieczeństwa nie eliminują same z siebie jakichkolwiek zagrożeń. Podawane w nich instrukcje i ostrzeżenia nie zastępują odpowiednich środków zapobiegania wypadkom.

⚠ OSTRZEŻENIE: Przed użyciem narzędzia należy koniecznie przeczytać ze zrozumieniem wszystkie instrukcje dotyczące bezpieczeństwa podane w podręczniku użytkownika, łącznie z wszystkimi symbolami ostrzegawczymi takimi jak „**NIEBEZPIECZEŃSTWO**”, „**OSTRZEŻENIE**” i „**OSTROŻNIE**”. Niestosowanie się do wszystkich podanych niżej instrukcji może doprowadzić do porażenia prądem, pożaru i/lub poważnych urazów ciała.

PL

ZNACZENIE SYMBOLI

Na tej stronie pokazano i opisano symbole bezpieczeństwa, które mogą występować na produkcie. Przed podjęciem próby złożenia i użycia urządzenia należy przeczytać i zrozumieć wszystkie instrukcje dotyczące narzędzia oraz zastosować się do nich.

SYMBOLE BEZPIECZEŃSTWA



Ostrzeżenie dotyczące bezpieczeństwa



Przeczytaj ze zrozumieniem instrukcję użytkownika



Okulary ochronne



Konserwacja urządzeń ochronnych



NIEBEZPIECZEŃSTWO - zagrożenie strome zbocze



ZAGROŻENIE - Osoby postronne należy trzymać z daleka od ostrzy



Nigdy nie transportuj dzieci



Patrz do tyłu w trakcie cofania



OSTRZEŻENIE - Maszyny nie należy używać na pochyłościach o nachyleniu przekraczającym 12°.



ZAGROŻENIE - Przedmioty wyrzucane w powietrze



OSTRZEŻENIE - RĘCE I STOPY
TRZYMAJ ODDALONE



Gwarantowany poziom mocy
akustycznej. Zgodnie z dyrektywą
Wspólnoty Europejskiej.



Nie wchodzić



Zużytych wyrobów elektrycznych
nie należy wyrzucać razem
ze zwykłymi odpadami
domowymi. Należy je oddać do
autoryzowanego punktu recyklingu.



Ten produkt jest zgodny z
obowiązującymi dyrektywami WE



OSTROŻNIE – Nie należy
wpatrywać się w świecąca lampę.



Prąd stały



Ten produkt jest zgodny z
obowiązującymi dyrektywami UK.

kPa

Kilopaskal

obr./min

Obroty na minutę

V

Wolt

m

Metry

in

Cal

cm

Centymetry

Nm

Niutonometr

mm

Milimetry

°C

Celsjusz

kg

Kilogram

km/h

Kilometry na godzinę

IPX4

Stopień ochrony przed penetracją

KEES VAN DER SPEK
TUINMACHINES ★ STROOJK

PL

SPECYFIKACJA

Napięcie	56 V	
Wymiary podwozia	107 cm	
Rozmiar koła	Przód	11 x 4 in (279.4 mm)
	Tył	18 x 8.5 in (457.2 mm)
Ciśnienie zimnej opony	Przód	220 kPa
	Tył	50 kPa
Promień skrętu	0	
Prędkość ostrza (obr./min)	2400, 2600, 2800, 3000	
Maks. Prędkość jechania (km/h)	Do przodu	4.8 km/h, 8 km/h, 9.6 km/h, 11.2 km/h (12.8 km/h w modelu podróznym)
	Do tyłu	do 5,6 km/h

Ładowanie	Ładowarka (opcjonalnie)	CHV1600E
	Prześciółka (opcjonalnie)	ACA1000
	Zakres temperatury ładowania	5°C–40°C
Regulacja wysokości koszenia (10 pozycji)		25–100 mm
Temperatura pracy		0°C–40°C
Temperatura przechowywania		-20°C–70°C
Ciężar (bez akumulatora)		186 kg
Zmierzony poziom mocy akustycznej L_{WA}		96.44 dB(A) K=0.68 dB(A)
Poziom ciśnienia akustycznego na wysokości ucha operatora L_{PA}		84.3 dB(A) K=3.0 dB(A)
Gwarantowany poziom mocy akustycznej L_{WA} (pomiar zgodnie z dyrektywą 2000/14/WE)		100 dB(A)

Drgania a_h	Ręka	1.221 m/s ² K=1.5 m/s ²
	Ciało	0.568 m/s ² K=1.5 m/s ²

- Deklarowana całkowita wartość drgań została zmierzona zgodnie ze standardowymi metodami testowania i może służyć do porównywania różnych narzędzi.
- Deklarowana całkowita wartość drgań może również służyć do wstępnej oceny narażenia na drgania.

UWAGA: Emisja drgań podczas rzeczywistego stosowania elektronarzędzia może różnić się od deklarowanej wartości, w której narzędzie jest używane. Aby się zabezpieczyć, w rzeczywistych warunkach użytkowania użytkownik powinien nosić rękawice i nauszniki ochronne.

OPIS

ZAPOZNAJ SIĘ ELEKTRYCZNĄ KOSIARKĄ O ZEROWYM PROMIENIU SKRĘTU (Rys. A1 i A2)

1. Fotel
2. Port ładowania
3. Komora akumulatora
4. Tylne światła LED
5. Schowek
6. Uchwyty na pojemnik
7. Światła boczne LED
8. Tylne koło (koło napędzające)
9. Pomost
10. Osłona pomostu
11. Koło zapobiegające zdarciu darni (anti-scalp)
12. Koło przednie
13. Pedał hamulca postojowego
14. Światła działania
15. Reflektory LED
16. Boczna rynna wyrzutowa
17. Dźwignia regulacji wysokości pomostu
18. Pokrętko regulacji podwozia fotela
19. Dźwignia regulacji przesuwania fotela do przodu-do tyłu
20. Dźwignia sterowania
21. Kontrolka stanu kosiarki
22. Ekran LCD
23. Przełącznik PTO
24. Przycisk włączanie/wyłączanie

25. Kluczyk zabezpieczający
26. Schowek na telefon
27. Kontrolka paliwomierza i stanu kosiarki
- 27a. Kontrolka paliwomierza kosiarki
- 27b. Kontrolka stanu kosiarki
28. Miejsce na podnózek
29. Przycisk zwalniania przykrywki jednostki zasilającej
30. Przykrywka jednostki zasilającej
31. Przycisk odblokowujący akumulator
32. Zaczep
33. Przykrywka montująca końcówki
34. Przechowywanie przykrywki montującej końcówki
35. Port USB

ZAPOZNAJ SIĘ Z EKRANEM LCD I PRZYCISKAMI (Rys. A3)

Zapoznaj się z częścią „NUMER STANU KOSIARKI I KOD BŁĘDÓW”, by uzyskać więcej informacji o ikonach i oznaczeniach na wyświetlaczu LCD.

1. Ikona kluczyka zabezpieczającego
2. Ikona podświetlenia LED
3. Ikona automatycznego parkowania
4. Ikona USB
5. Kontrolka prędkości ostrza
6. Kontrolka stanu urządzenia zabezpieczającego
7. Licznik godzinowy
8. Ikona akumulatora
9. Ikona przegrzania
10. Tryb kierowania
11. Kontrolka kodu błędu
12. Kontrolka przeładowania
13. Kontrolka niskiego zasilania
14. Kontrolka prędkości jazdy
15. Kontrolka obciążenia
16. Przycisk regulacji prędkości ostrza
17. Przycisk ustawiania
18. Przycisk trybu jazdy
19. Przełącznik lampki LED
20. Przycisk regulacji prędkości jazdy
21. Paliwomierz

KEES VAN DER SPEK
TUINMACHINE

ROZPAKOWANIE

UWAGA: Nie wyrzucaj materiału opakowania przed dokładnym skontrolowaniem i poprawnym użyciem urządzenia. W przypadku awarii jakiegokolwiek części z listy części zainstalowanej na urządzeniu należy skontaktować się z punktem serwisowym EGO.

UWAGA: Za wyjątkiem narzędzi z poniższej listy części wszystkie pozostałe narzędzia wymienione w instrukcji są zalecane ale nie załączone.

LISTA ELEMENTÓW W OPAKOWANIU (Rys. B1)

B1-1	Elektryczna kosiarka o zerowym promieniu skrętu	B1-7	Kluczyki zabezpieczający
B1-2	Fotel	B1-8	Klucze maszynowe płaskie (13 mm)
B1-3	Wtyczka do mulczowania	B1-9	Klucz imbusowy
B1-4	Dźwignia sterowania	B1-10	Szybkozłącze do mycia
B1-5	Wkręty z łbem o sześciokątnym gnieździe (2 zapasowe)	B1-11	Instrukcja obsługi
B1-6	Śruby sześciokątne (2 zapasowe)		

ROZPAKOWANIE (Rys. B2 - Rys. B3)

ZALECANE AKCESORIA

⚠ OSTRZEŻENIE: Należy używać wyłącznie części zamiennych podanych poniżej. Stosowanie części, które nie spełniają oryginalnych specyfikacji sprzętu może spowodować niewłaściwe działanie i narazić na niebezpieczeństwo.

NAZWY CZĘŚCI	NUMER MODELU
Standardowe ostrze	AB4200
Nóż listwa tnąca	AB4201
Wtyczka do mulczowania	AMP4200
Zestaw pojemnika na trawę	ABK4200-A

MONTAŻ

INSTALACJA FOTEŁA (Rys. C1 i C2)

⚠ OSTRZEŻENIE: System blokady bezpieczeństwa nie może być odłączony ani pominięty. W przeciwnym razie kosiarka nie będzie działać poprawnie i może spowodować urazy użytkownika.

UWAGA: Dla bezpieczeństwa użytkownika kosiarka może zatrzymać jazdę, gdy przełącznik fotela rozłączy się podczas jazdy. W takim przypadku należy zapoznać się z działem „ROZWIĄZYWANIE PROBLEMÓW”, by uzyskać więcej informacji.

C1-1	Kabel	C1-5	Wkręty z łbem o sześciokątnym gnieździe
C1-2	Wtyczka	C2-1	Zaczep
C1-3	Gniazdo wtykowe	C2-2	Szyny stalowe
C1-4	Podstawa podwieszenia	C2-3	Wkręty z łbem o sześciokątnym gnieździe

INSTALACJA DŹWIGNI STEROWANIA (Rys. C3)

C3-1	Dźwignie sterowania	C3-3	Otwory montażowe dźwigni sterowania
C3-2	Śruby z łbem sześciokątnym		

MOCOWANE WTYCZKI DO MULCZOWANIA (Rys. C4)

C4-1	Boczna rynna wyrzutowa	C4-3	Ruchoma sprężyna
C4-2	Wtyczka do mulczowania		

UŻYTKOWANIE

PRZED UŻYCIEM KOSIARKI

Kontrola środowiska

- Upewnić się, że na terenie pracy nie ma dzieci, osób postronnych oraz zwierząt.
- Usuń z obszaru roboczego przedmioty, które mogą być wyrzucone przez ostrza kosiarki.
- Sprawdź oświetlenie LED i upewnij się, że jest w dobrym stanie:

- Reflektory, światła pozycyjne i światła tylne są kontrolowane przełącznikiem oświetlenia LED.
- Światła pozycyjne zawsze są włączone podczas jazdy.
- Przy cofaniu jeśli tylne światła są wyłączone, zaczną one migać, by ostrzec przechodniów; jeśli tylne światła są włączone, będą świecić się nadal.
- Wszystkie światła wyłączą się automatycznie, gdy więcej niż 3 minuty bez działania upłyną.

Kontrola ciśnienia zimnych opon (Rys. D1)

Kontrola stanu kosiarki i poziomu ładowania akumulatora

a. Kontrolka paliwomierza kosiarki (Rys. A2 - 27a)

Każdy segment kontrolki paliwomierza kosiarki oznacza 20% ładowania włożonych akumulatorów.

UWAGA: Kontrolka paliwomierza kosiarki oraz paliwomierz na wyświetlaczu LCD oznacza średnią pojemność włożonych akumulatorów.

b. Kontrolka stanu kosiarki (Rys. A1 i Rys. A2 - 27b)

Jeśli kontrolka stanu świeci na zielono, kosiarka jest gotowa do jazdy. W przeciwnym razie należy zapoznać się z działem „**NUMER STANU KOSIARKI I KOD BŁĘDÓW**”

Test systemu blokady bezpieczeństwa (Rys. D2 - Rys. D8)

UWAGA: Operator musi zawsze siedzieć na fotelu przed testem.

- Przed testem (Rys. D2 – Rys. D4)
- By testować system ostrzy podestu (Rys. D5) a następnie powoli wstać.
- By testować układ napędowy (Rys. D6 - Rys. D8) a następnie powoli wstać.

Jeśli system ostrzy podestu i/lub układ napędowy nie zatrzymuje się, gdy operator podnosi się z fotela i jeśli nie znaleziono przyczyny po upewnieniu się, że wtyczka i gniazdko są poprawnie połączone, skontaktować się natychmiast z punktem serwisowym EGO.

REGULACJA (Rys. E1 – Rys. E13)

Przygotowanie (Rys. E1 – Rys. E5)

Regulacja wysokości cięcia podwozia (Rys. E6)

Regulacja kół zapobiegających zderzeniu darni (Rys. E7 - Rys. E10)

E7-1	Koło zapobiegające zderzeniu darni (anti-scalp)	E9-2	Śruba z niepełnym gwintem
E9-1	Nakrętka	E10-1	Label wysokości pomostu

Regulacja fotela (Rys. E11)

Ustawić pozycję fotela, by zapewnić poprawny kontakt z pedałem hamulca postojowego przed obsługą kosiarki. Regulacja podwozia fotela umożliwi wygodne siedzenie podczas jazdy.

E11-1	Dźwignia regulacji przesuwania fotela do przodu-do tyłu	E11-2	Pokrętło regulacji podwozia fotela
-------	---	-------	------------------------------------

Ustawianie hamulca postojowego (Rys. E12 - Rys. E13)

E13-1	Pozycja hamowania	E13-2	Zwolniona pozycja
-------	-------------------	-------	-------------------

ŁADOWANIE (Rys. F1 - Rys. F11)

Aby uruchomić kosiarkę, wymagane są baterie EGO o wartości całkowitej 15 Ah (2 x BA4200/BA4200T) lub większej. Aby uzyskać najlepsze wyniki, zalecamy używanie akumulatora EGO 30 Ah lub więcej.

Do urządzenia należy używać wyłącznie zalecanych ładowarek i akumulatorów. (Rys. F9 i F10)

Przygotowanie do ładowania (Rys. F1 - Rys. F4)

Ładowanie oddzielne akumulatora (Rys. F5 – Rys. F9)

F5-1	Przycisk odblokowujący przykrywkę	F7-1	Przycisk odblokowujący akumulator
------	-----------------------------------	------	-----------------------------------

- Wkładanie akumulatora (Rys. F5 – Rys. F6)
- Wyjmowanie akumulatora (Rys. F7 – Rys. F8)

UWAGA: Aby naładować akumulatory, zapoznaj się z odpowiednimi instrukcjami dotyczącymi akumulatorów i ładowarek.

Ładowanie akumulatorów przez port ładowania (Rys. F10)

F10-1	Oslona przeciwpylowa	F10-2	Port ładowania
-------	----------------------	-------	----------------

URUCHAMIANIE ELEKTRYCZNEJ KOSIARKI O ZEROWYM PROMIENIU SKRĘTU (Rys. A4 – Rys. A5 i Rys. G1 – Rys. G6)

⚠ OSTRZEŻENIE: Unikaj gwałtownego uruchamiania, zatrzymywania i skrętów, oraz nadmiernej prędkości, zwłaszcza przy obsłudze kosiarki po raz pierwszy. Kosiarka może prędko się obracać, co może spowodować utratę kontroli przez operatora i spowodować poważne urazy i/lub uszkodzenia.

⚠ OSTRZEŻENIE: Przed uruchomieniem kosiarki, skontroluj ostrze i upewnij się, że są zatrzymane, gdy przesuwasz przełącznik PTO w dół. Jeśli ostrza się nie zatrzymują, nie używaj kosiarki i skontaktuj się natychmiast z punktem serwisowym EGO.

UWAGA: Postępuj zgodnie z Rys. A4 i Rys. G2, by uzyskać najmniejszą prędkość jazdy i **STANDARDOWY** tryb jazdy do momentu, gdy będziesz mógł/mogła w pełni obsługiwać kosiarkę we wszystkich sytuacjach. Prędkość jazdy i tryb jazdy włączają się tylko wtedy, gdy koła kosiarki zatrzymają się a dźwignie sterowania są otwarte.


Kosiarka zapamięta i wyświetli poprzednie ustawienie przy ponownym uruchomieniu,

Tryb jazdy

- **KONTROLA:** Małe przyspieszenie, mniej delikatne manipulowanie i łagodna prędkość skrętu, by chronić trawę i dla nowych użytkowników.
- **STANDARD:** Idealne do stosowania na co dzień.
- **SPORT:** Większe przyspieszenie, dokładne manipulowanie i ostre skręty, by zwiększyć skuteczność koszenia i dla entuzjastów koszenia.

Regulacja prędkości jazdy (Rys. A4)

Regulacja prędkości ostrza (Rys. A5)

UWAGA: „W trybie „TRAVEL” („PRZESUW”), nacisnąć przycisk „”, prędkość jazdy wróci do poprzedniego trybu.”

Port USB

UWAGA: Port USB zapewnia moc ładowania 5 Voltów DC do łącznego pobrania 1.5 Amperów i jest zasilany tylko przy uruchomieniu kosiarki.

ZATRZYMYWANIE ELEKTRYCZNEJ KOSIARKI O ZEROWYM PROMIENIU SKRĘTU Rys. H1 – Rys. H6)

UWAGA: Po ponad 60 minutach bez działania, kosiarka

automatycznie wyłączy się.

Tryb awaryjny

Gdy poziom baterii jest niski, kosiarka przechodzi w tryb awaryjny:

- Kosiarka automatycznie przestaje kosić trawę;
- Kontrolka sygnału dźwiękowego kontynuuje wydawanie sygnałów;
- Kontrolka stanu kosiarki będzie migać na czerwono co sekundę, pierwszy segment paliwomierza kosiarki zacznie migać na czerwono i kontrolka niskiego zasilania oraz grafiki akumulatora na paliwomierzu zaczną migać.

Użytkownik powinien:

- a) Popchnij przełącznik PTO w dół (Rys. H3), by wyłączyć ostrza. Kontrolka sygnału dźwiękowego przestanie wydawać sygnały, gdy ostrza zatrzymają się;
- b) Zaprzestań pracę i przejdź do obszaru ładowania akumulatora jak najszybciej. Maksymalna odległość jazdy kosiarki wynosi 1000 m.

Gdy poziom baterii jest prawie wyczerpany, ikona każdego zajętego schowka akumulatora i kontrolka niskiego zasilania będzie migać co pół sekundy. Kosiarka przestanie natychmiast działać. Operator powinien przemieścić kosiarkę do obszaru ładowania akumulatora w celu ładowania.

Ręczne pchanie

Jeśli potrzebne jest ręczne pchanie, upewnij się, że akumulator jest odłączony od kosiarki i że pedał hamulca postojowego jest zwolniony z pozycji postojowej.

JAZDA ELEKTRYCZĄ KOSIARKĄ O ZEROWYM PROMIENIU SKRĘTU (Rys. I1 – Rys. I9)

Aby zatrzymać, zmniejszyć lub zwiększyć prędkość, powoli zmień odległość dźwigni sterowania z neutralnego.

⚠ NIEBEZPIECZEŃSTWO: Pozostań w odległości co najmniej dwóch szerokości koszenia (2,14 m) od nasypów, kanałów lub wody. Przednie koła mogą obracać się, gdy kosiarka jest zatrzymana, nawet jeśli hamulec jest zaciągnięty, i spowodować przesunięcie kosiarki do krawędzi lub do wody oraz spowodować śmierć lub poważne urazy osób.

⚠ OSTRZEŻENIE: Zawsze sprawdzaj co znajduje się z tyłu zanim cofniesz kosiarkę. O ile nie jest to absolutnie konieczne, Nie należy kosić podczas jazdy wstecz. Zawsze spójrz w kół i do tyłu przed cofaniem i podczas

cofania, by upewnić się, że na obszarze koszenia nie ma dzieci, osób postronnych ani zwierząt domowych. Należy pamiętać, że do spowodowania śmierci lub poważnych obrażeń wystarczy zaledwie chwila nieuwagi.

⚠ OSTRZEŻENIE: Maszyny nie należy używać na drogach publicznych.

⚠ OSTRZEŻENIE: W przypadku wystąpienia blokady lub uderzenia przedmiotu, zatrzymaj silniki i wyjmij akumulatory. Wyjmij przycinaną trawę, liście, brud i inne zebrane odpady; dokładnie sprawdź, czy kosiarka nie jest uszkodzona i napraw uszkodzenia przed ponownym uruchomieniem i obsługa kosiarki.

KONSERWACJA

⚠ OSTRZEŻENIE: Należy zawsze nosić okulary ochronne z osłonami bocznymi. Nieprzestrzeganie tego zalecenia może doprowadzić do poważnych obrażeń oczu odłamkiem lub skrawkiem materiału wyrzuconym przez narzędzie.

⚠ OSTRZEŻENIE: Podczas czynności konserwacyjnych przy ostrzu kosiarki należy zawsze chronić ręce przez noszenie solidnych rękawic lub owinięcie krawędzi ostrza szmatami lub innymi materiałami. Na czas wykonywania czynności serwisowych oraz transportowania kosiarki należy zawsze wyjmować kluczyk zabezpieczający i akumulator.

PL

Harmonogram działań serwisowych	Procedura konserwacji
Przed każdym użyciem lub codziennie	<ul style="list-style-type: none"> ▪ Sprawdź system blokady bezpieczeństwa. ▪ Wzrokowo sprawdź, czy opony są płaskie. ▪ Skontroluj, czy ostrza nie są zużyte, pęknięte lub wygięte. ▪ Przed każdym użyciem należy skontrolować cały produkt pod kątem uszkodzonych, brakujących lub obluźwionych części takich jak boczny wylot, śruby, wkręty, nakrętki, nasadki itp. i sprawdzić, czy wszystkie osłony są zainstalowane i działają poprawnie. ▪ Sprawdź działanie hamulców.
Po każdym użyciu	<ul style="list-style-type: none"> ▪ Wyczyść podwozie kosiarki.

Co 25 godzin	<ul style="list-style-type: none"> ▪ Sprawdź ciśnienie opon.
Co 50 godzin	<ul style="list-style-type: none"> ▪ Sprawdź stan smarowania wewnątrz kołnierza ostrza tnącego.
Co 100 godzin	<ul style="list-style-type: none"> ▪ Sprawdź tylne koła, by upewnić się, że 4 nakrętki mocujące są przymocowane zalecanym momentem.
Co 200 godzin	<ul style="list-style-type: none"> ▪ Sprawdź, czy przednie koła obracają się swobodnie.
Rocznie	<ul style="list-style-type: none"> ▪ Sprawdź pedał hamulca postojowego. Wyjmij akumulator z kosiarki i ustaw hamulec postojowy w pozycji hamowania. Ręcznie popchnij kosiarkę do przodu, by zobaczyć, czy może być przesunięta czy nie. Jeśli rusza się, odnieś do serwisowania przez wykwalifikowanego technika serwisu.

CZYSZCZENIE KOSIARKI (Rys. J1 - Rys. J9)

Przygotowanie (Rys. J1 – Rys. J5)

Czyszczenie obudowy kosiarki (Rys. J6 - Rys. J7)

Za pomocą portu myjącego wyczyść podwozie kosiarki. (Rys. J8 - Rys. J9)

J8-1	Port do mycia	J8-3	Wąż ogrodowy
J8-2	Szybkozłącze do mycia		

UWAGA: Po zakończeniu czyszczenia popchnij przełącznik PTO w dół, by wyłączyć ostrza kosiarki.

KONSERWACJA PODWOZIA KOSIARKI I OSTRZY TNĄCYCH

Przygotowanie (Rys. K1 – Rys. K6)

Wymywanie podwozia kosiarki (Rys. K7 - Rys. K8)

K7-1	Kabel silnika	K7-3	Wyciek z podwozia
K7-2	Zawlecзка		

UWAGA: Odłącz kable silnika i zawlecзки z obu stron przy wymywaniu podwozia kosiarki.

Wymiana ostrzy tnących (Rys. K9 - Rys. K11)

K9-1	Stabilizator	K10-3	Ostrze
K10-1	Śruba	K10-4	Kolnierz
K10-2	Podkładka	K10-5	Wałek silnika

Poziomowanie podwozia kosiarki

- a. **Moment poziomowania (Rys. K12 - Rys. K14)**
- b. **Przed poziomowaniem**
 - Kontrola ciśnienia zimnych opon (Rys. K15)
 - Sprawdzić ostrza tnące. Wyjmij i wymień zużyte, pęknięte i/lub wygięte ostrza, jeśli jest to konieczne.
- c. **Przygotowania do poziomowania (Rys. K16 - Rys. K21)**
- d. **Poziomowanie**
 - **Wykonanie regulacji z boku na bok (Rys. K22)**

Różnica między odległościami H1 i H2 zmierzona od dolnej krawędzi każdego ostrza do podłoża powinna mieścić się w granicach 5 mm.

K22-1	Przeciwnakrętka
-------	-----------------

- **Wykonanie regulacji z przodu do tyłu (Rys. K23)**

Przednia końcówka H3 ostrza znajdować się poniżej tylnej końcówki H4 w odległości od 2 mm do 10 mm.

KALIBRACJA SYSTEMU ŚLEDZENIA KOSIARKI (Rys. L1 - Rys. L6 i Rys. L7 - Rys. L12)

UWAGA: Kontrolka sygnału dźwiękowego wyda jeden sygnał zarówno przy rozpoczęciu kalibracji jak i na jej zakończenie.

RESETOWANIE KOSIARKI DO POCZĄTKOWYCH FUNKCJI (Rys. M1 - Rys. M4)

UWAGA: Kontrolka sygnału dźwiękowego wyda jeden sygnał zarówno przy rozpoczęciu resetowania jak i na jego zakończenie.

PRZECHOWYWANIE I TRANSPORT

TRANSPORT KOSIARKI (RYS. N1 – RYS. N11)

UWAGA: Przymocuj kosiarkę według potrzeb za pomocą pasów lub kabli, by uniknąć ruszania podczas transportu. Podczas załadunku i wyładunku kosiarki nie należy przekraczać maksymalnego zalecanego kąta pracy wynoszącego 12 stopni między rampą a ziemią.

PRZECHOWYWANIE (Rys. O1 - Rys. O6)

UWAGA: Wyjmij akumulatory i przechowuj je zgodnie z zaleceniami w instrukcjach obsługi.


Wyczyść i skontroluj kosiarkę przed przechowaniem zgodnie z działem „CZYSZCZENIE KOSIARKI” i „ZALECANY HARMONOGRAM KONSERWACJI”.


Ochrona środowiska



WEEE (Zużyty sprzęt elektryczny i elektroniczny) Urządzeń elektrycznych, zużytych akumulatorów i ładowarki nie należy wyrzucać do zwykłych zmieszanych śmieci domowych! Produkt należy oddać do zbiórki selektywnej w autoryzowanym punkcie recyklingu. Elektronarzędzia należy oddawać do przyjaznego dla środowiska zakładu recyklingu.

ROZWIĄZYWANIE PROBLEMÓW

PROBLEM	PRZYCZYNA	ROZWIĄZANIE
<p>Elektryczna kosiarka o zerowym promieniu skrętu nie jedzie, gdy dwie dźwignie sterowania są popchnięte do przodu lub do tyłu na początku.</p>  Ikona poziomu sterowania miga	<ul style="list-style-type: none"> Łączna wartość Ah włożonych akumulatorów jest mniejsza od 15 Ah. 	<ul style="list-style-type: none"> Aby uruchomić kosiarkę, wymagane są baterie EGO o wartości całkowitej 15 Ah (2 x BA4200/BA4200T) lub większej. Aby uzyskać najlepsze wyniki, zalecamy używanie akumulatora o całkowitej wartości 30 Ah lub więcej.
	<ul style="list-style-type: none"> Pedał hamowania postojowego jest ustawiony w pozycji hamowania. 	<ul style="list-style-type: none"> Całkowicie obniżyć pedał hamowania, by zwolnić go z pozycji hamowania.
	<ul style="list-style-type: none"> Dźwignie sterowania nie znajdują się w pozycji otwartej podczas uruchamiania kosiarki. 	<ul style="list-style-type: none"> Przesuń dźwignie sterowania z powrotem do pozycji otwartej i uruchom ponownie kosiarkę.
	<ul style="list-style-type: none"> Operator nie siedzi na fotelu. 	<ul style="list-style-type: none"> Operator może obsługiwać kosiarkę tylko wtedy, gdy poprawnie siedzi na fotelu.
	<ul style="list-style-type: none"> Przełącznik fotela nie jest poprawnie podłączony. 	<ul style="list-style-type: none"> Wymij akumulator z kosiarki i zdejmij fotel w kolejności odwrotnej do instrukcji w dziale „INSTALACJA FOTEŁA” w instrukcji obsługi, by sprawdzić połączenie przełącznika fotela. Zamontuj fotel i postępuj zgodnie z instrukcjami w dziale „URUCHOMIENIE ELEKTRYCZNEJ KOSIARKI O ZEROWYM SKRĘCIE”, by uruchomić kosiarkę i sprawdzić, czy można ją uruchomić. W przeciwnym razie prosimy skontaktować się z wykwalifikowanym technikiem serwisu w celu naprawy.
	<ul style="list-style-type: none"> Przy bardzo niskich temperaturach funkcja jazdy może nie włączać się poprawnie ze względu na zabezpieczenie przed niskimi temperaturami. 	<ul style="list-style-type: none"> Zawsze przechowuj kosiarkę i akumulator w ciepłym miejscu. Uruchom ponownie kosiarkę, gdy jest rozgrzana. Nie wykonuj powtarzających się prób w bardzo niskich temperaturach, gdyż może to uszkodzić urządzenie. Zalecana temperatura użytkowania wynosi 0°C-40°C.
<p>Elektryczna kosiarka o zerowym promieniu skrętu zatrzymuje się.</p>	<ul style="list-style-type: none"> Dźwignie sterowania wymagają „zresetowania”. 	<ul style="list-style-type: none"> Przesuń dźwignie sterowania z powrotem do pozycji otwartej i uruchom ponownie kosiarkę.
	<ul style="list-style-type: none"> Elektryczne elementy sterowania dźwigni sterowania nie działają poprawnie. 	<ul style="list-style-type: none"> Skontaktować się z wykwalifikowanym technikiem serwisu w celu naprawy.
	<ul style="list-style-type: none"> Przełącznik fotela rozłącza się podczas jazdy na twardym terenie. 	<ul style="list-style-type: none"> Wymij akumulator z kosiarki i zdejmij fotel w kolejności odwrotnej do instrukcji w dziale „INSTALACJA FOTEŁA” w instrukcji obsługi, by sprawdzić połączenie przełącznika fotela. Zamontuj fotel i postępuj zgodnie z instrukcjami w dziale „URUCHOMIENIE ELEKTRYCZNEJ KOSIARKI O ZEROWYM SKRĘCIE”, by uruchomić kosiarkę i sprawdzić, czy można ją uruchomić. W przeciwnym razie prosimy skontaktować się z wykwalifikowanym technikiem serwisu w celu naprawy.

PROBLEM	PRZYCZYNA	ROZWIĄZANIE
Nie można ustawić prędkości jazdy/trybu jazdy podczas jazdy.	<ul style="list-style-type: none"> ▪ Jest to funkcja elektrycznej kosiarki o zerowym skręcie dla bezpiecznej jazdy. 	<ul style="list-style-type: none"> ▪ Funkcja włączy się tylko wtedy, gdy koła kosiarki zatrzymają się a dźwignie sterowania są otworzone.
<p>Elektryczna kosiarka o zerowym promieniu skrętu nie włącza ostrzy, gdy przełącznik PTO jest włączony.</p>  Ikona przełącznika PTO miga	<ul style="list-style-type: none"> ▪ Łączna wartość Ah włożonych akumulatorów jest mniejsza od 15 Ah. 	<ul style="list-style-type: none"> ▪ Aby uruchomić kosiarkę, wymagane są baterie EGO o wartości całkowitej 15 Ah (2 x BA4200/BA4200T) lub większej. Aby uzyskać najlepsze wyniki, zalecamy używanie akumulatora o całkowitej wartości 30 Ah lub więcej.
	<ul style="list-style-type: none"> ▪ Przełącznik PTO nie jest popchnięty w dół, gdy kosiarka jest zatrzymana ostatni raz. 	<ul style="list-style-type: none"> ▪ Wciśnij przełącznik PTO w dół i włącz ostrza kosiarki.
	<ul style="list-style-type: none"> ▪ Kosiarka jest przeciążona przy uruchamianiu ostrzy co powoduje automatyczne zabezpieczenie silnika. 	<ul style="list-style-type: none"> ▪ Uruchom najpierw cięcie trawy przy małej prędkości ostrzy i nie przyspieszaj dopóki ostrza nie osiągną poprawnych obrotów.
	<ul style="list-style-type: none"> ▪ Przy bardzo niskich temperaturach silnik ostrza może nie włączać się poprawnie ze względu na zabezpieczenie przed niskimi temperaturami. 	<ul style="list-style-type: none"> ▪ Zawsze przechowuj kosiarkę i akumulator w ciepłym miejscu. Uruchom ponownie kosiarkę, gdy jest rozgrzana. Nie wykonuj powtarzających się prób w bardzo niskich temperaturach, gdyż może to uszkodzić urządzenie. Zalecana temperatura użytkowania wynosi 0°C-40°C.
	<ul style="list-style-type: none"> ▪ Ostrze haczą o zniekształcone podwozie kosiarki. 	<ul style="list-style-type: none"> ▪ Skontaktować się z wykwalifikowanym technikiem serwisu w celu naprawy.

PROBLEM	PRZYCZYNA	ROZWIĄZANIE
Ostrza zatrzymują się podczas cięcia trawy.	<ul style="list-style-type: none"> ▪ Kosiarka jest przeciążona. 	<ul style="list-style-type: none"> ▪ Zwiększ wysokość cięcia podwozia lub zwolnij prędkość jazdy, by zmniejszyć obciążenie kosiarki.
	<ul style="list-style-type: none"> ▪ Podwozie kosiarki jest zapchane trawą i zanieczyszczeniami. 	<ul style="list-style-type: none"> ▪ Wyczyść podwozie kosiarki i upewnij się, że ostrza mogą się swobodnie obracać.
	<ul style="list-style-type: none"> ▪ Kosiarka jest przegrzana. 	<ul style="list-style-type: none"> ▪ Zmniejsz obciążenie kosiarki zwiększając wysokość cięcia podwozia lub zwalniając prędkość ostrza/jazdy i odczekaj, aż kosiarka ostygnie.
	<ul style="list-style-type: none"> ▪ Akumulatory w schowku akumulatora kosiarki są przegrzane, co powoduje, że łączna wartość Ah wszystkich włożonych akumulatorów jest poniżej 15 Ah. 	<ol style="list-style-type: none"> 1. Jeśli łączna wartość Ah akumulatora jest mniejsza od 15 Ah, kosiarka nie będzie działać dopóki akumulator nie będzie włożony do wolnych schowków akumulatora. Gdy rozgrzany akumulator powróci do normalnej temperatury, będzie zasilał natychmiast kosiarki.
		<ol style="list-style-type: none"> 2. Zmniejsz obciążenie kosiarki zwiększając wysokość cięcia podwozia lub zwalniając koszenie po wznowieniu działania.
	<ul style="list-style-type: none"> ▪ Kosiarka jest w trybie awaryjnym. 	<ul style="list-style-type: none"> ▪ Gdy kosiarka jest w trybie awaryjnym, ostrza są automatycznie przełączone do wolnej prędkości obrotów bez cięcia trawy. Operator powinien zaprzestać pracy i przejść do obszaru ładowania akumulatora jak najszybciej.
<ul style="list-style-type: none"> ▪ Kosiarka uderzyła w twarde przedmiot co powoduje automatyczne zabezpieczenie silnika. 	<ul style="list-style-type: none"> ▪ Wciśnij przełącznik PTO w dół i włącz ostrza kosiarki. 	
Kontrolka sygnału dźwiękowego kontynuuje wydawanie sygnałów.	<ul style="list-style-type: none"> ▪ Kosiarka jest w trybie awaryjnym i ostrza nie są wyłączone. 	<ul style="list-style-type: none"> ▪ Wciśnij przełącznik PTO w dół, by wyłączyć ostrza podwozia. Kontrolka sygnału dźwiękowego przestanie wydawać sygnały, gdy ostrza zatrzymają się.
	<ul style="list-style-type: none"> ▪ Silnik przestaje jechać na stoku a operator otwiera dźwignie sterowania i schodzi z fotela nie ustawiając pedału hamowania postojowego w pozycję hamowania. 	<ul style="list-style-type: none"> ▪ Ustaw pedał hamowania w pozycji hamowania zanim pozostawisz kosiarkę na stoku.

PROBLEM	PRZYCZYNA	ROZWIĄZANIE
Kontrolki akumulatora są wciąż włączone, gdy kosiarka jest wyłączona.	<ul style="list-style-type: none"> Gdy kosiarka jest wyłączona na równym podłożu bez wyjmowania akumulatora, kontrolki akumulatora pozostaną włączone przez 3 minuty. 	<ul style="list-style-type: none"> Nie jest potrzebne żadne działanie. Kontrolki akumulatora zgasną po pewnym czasie.
	<ul style="list-style-type: none"> Gdy kosiarka jest wyłączona na stoku bez ustawienia pedału hamulcowego w pozycji hamowania, kontrolki akumulatora będą włączone aż do całkowitego rozładowania akumulatora. Jednocześnie kontrolka będzie wydawała sygnał dźwiękowy. 	<ul style="list-style-type: none"> Ustaw pedał hamowania w pozycji hamowania zanim pozostawisz narzędzie na stoku.
Ekran LCF nie zaświeca się, gdy wszystkie ikony są włączone.	<ul style="list-style-type: none"> Czas wciśnięcia na przycisk start/stop jest mniejszy od 3 sekund. 	<ul style="list-style-type: none"> Ekran LCD będzie wyświetlać „Paliwomierz”, gdy przycisk start/stop jest krótko wciśnięty. Ekran LCD włączy się po wciśnięciu przycisku start/stop przez 3 sekundy.
Kosiarka kosi nierówno, ze znaczącą różnicą wysokości od przodu do tyłu.	<ul style="list-style-type: none"> Ostrza są tępe. 	<ul style="list-style-type: none"> Naostrz lub wymień ostrza tnące, zgodnie z instrukcjami.
	<ul style="list-style-type: none"> Ostrza są wygięte. 	<ul style="list-style-type: none"> Wymień wygięte ostrze tnące zgodnie z instrukcjami w dziale „WYMIANA OSTRZY TNĄCYCH”.
	<ul style="list-style-type: none"> Podwozie kosiarki nie jest wypoziomowane, co powoduje nierówną wysokość cięcia. 	<ul style="list-style-type: none"> Wykonaj poziomowanie podwozia kosiarki zgodnie z instrukcjami w dziale „POZIOMOWANIE PODWOZIA KOSIARKI”.
Aktualna wysokość cięcia trawy nie jest wyrównana z żądaną wysokością.	<ul style="list-style-type: none"> Nakrętki podwozia kosiarki są poluzowane na elementach prowadzących zawieszenia 	<ul style="list-style-type: none"> Postępuj zgodnie z instrukcjami w dziale „POZIOMOWANIE PODWOZIA KOSIARKI”, by wykonać poprawną regulację od przodu do tyłu dla podwozia kosiarki i przykręć cztery nakrętki na elementach prowadzących zawieszenia (dwa z każdej strony).
	<ul style="list-style-type: none"> Podwozie kosiarki jest uszkodzone lub bardzo zużyte. 	<ul style="list-style-type: none"> Postępuj zgodnie z instrukcjami w dziale „WYJMOWANIE PODWOZIA KOSIARKI”, by wymienić podwozie.
Kosiarka niewłaściwie mulczyje.	<ul style="list-style-type: none"> Skoszona mokra trawa przykleja się pod podwoziem. 	<ul style="list-style-type: none"> Przed koszeniem odczekać, aż wyschnie trawa.
	<ul style="list-style-type: none"> Kosiarka jest ustawiona na koszenie zbyt dużej ilości trawy za jednym razem. 	<ul style="list-style-type: none"> Ustawić wyższą wysokość koszenia.

PROBLEM	PRZYCZYNA	ROZWIĄZANIE
Nadmierne drgania.	<ul style="list-style-type: none"> Ostrza tnące są poluzowane. 	<ul style="list-style-type: none"> Zalecany moment siły podczas dokręcania śruby ostrza wynosi 50-55 Nm.
	<ul style="list-style-type: none"> Ostrza są wygięte. 	<ul style="list-style-type: none"> Wymień wygięte ostrze tnące zgodnie z instrukcjami w dziale „WYMIANA OSTRZY TNĄCYCH”.
	<ul style="list-style-type: none"> Podwozie kosiarki nie jest wypoziomowane. 	<ul style="list-style-type: none"> Wykonaj poziomowanie podwozia kosiarki zgodnie z instrukcjami w dziale „POZIOMOWANIE PODWOZIA KOSIARKI”.
	<ul style="list-style-type: none"> Nakrętki podwozia kosiarki są poluzowane na elementach prowadzących zawieszenia. 	<ul style="list-style-type: none"> Za pomocą klucza maszynowego płaskiego 18 mm (nie załączony), by wkręcić cztery nakrętki na elementach prowadzących zawieszenia (dwa z każdej strony).
	<ul style="list-style-type: none"> Kosiarka jest ustawiona na koszenie zbyt dużej ilości trawy za jednym razem. 	<ul style="list-style-type: none"> Ustawić wyższą wysokość koszenia.
PL Na podłożu pozostaje trawa lub resztki po wykoszeniu.	<ul style="list-style-type: none"> Kosiarka jest ustawiona na koszenie zbyt dużej ilości trawy za jednym razem, gdy trawa jest wysoka. 	<ul style="list-style-type: none"> Rozpocznij przy dużej wysokości cięcia i zmniejsz ją, aż uzyskasz żądany wynik koszenia. W przypadku trawy o wysokości 6 cali, należy kosić dwa razy, zmniejszając wysokość cięcia.
	<ul style="list-style-type: none"> Trawa jest mokra. 	<ul style="list-style-type: none"> Nie kosić, gdy trawa jest mokra, odczekać, aż trawa wyschnie.
	<ul style="list-style-type: none"> Prędkość jazdy jest zbyt duża. 	<ul style="list-style-type: none"> Zmniejsz prędkość jazdy.
	<ul style="list-style-type: none"> Prędkość ostrza jest niska. 	<ul style="list-style-type: none"> Zwiększ stopniowo prędkość ostrzy.
Skróć czas działania kosiarki z akumulatorem.	<ul style="list-style-type: none"> Stan trawy i ustawienia wysokości cięcia wpłyną na czas działania akumulatora. Zadeklarowany czas działania opiera się na warunkach lekkiego obciążenia. 	<ul style="list-style-type: none"> Zwiększ wysokość cięcia podwozia lub zwolnij prędkość ostrza, by zmniejszyć obciążenie cięcia.
Kosiarka nie jedzie prosto.	<ul style="list-style-type: none"> Ciśnienie opon w lewym i prawym kole nie jest jednakowe. 	<ul style="list-style-type: none"> Sprawdź i ustaw ciśnienie powietrza w obu tylnych oponach koła, zgodnie z zaleceniem w dziale „KONTROLA CIŚNIENIA OPON” w instrukcji.
	<ul style="list-style-type: none"> Prędkości jazdy dla lewego i prawego koła nie są jednakowe. 	<ul style="list-style-type: none"> Kalibruj system śledzenia kosiarki zgodnie instrukcjami w dziale „KALIBRACJA SYSTEMU ŚLEDZENIA KOSIARKI”.
Nie można zwolnić pedału hamowania postojowego z pozycji hamowania lub jest zbyt wolny, by powrócić do pozycji.	<ul style="list-style-type: none"> Wewnątrz pedału hamowania mogą znajdować się odpady lub brud. 	<ul style="list-style-type: none"> Otwórz obudowę pedału hamowania, by wyczyścić dokładnie obudowę wewnątrz i zamknij ją. Zresetuj pedał hamowania, by zobaczyć, czy problem został rozwiązany. W przeciwnym razie prosimy skontaktować się z wykwalifikowanym technikiem serwisu w celu naprawy.

PROBLEM	PRZYCZYNA	ROZWIĄZANIE
Kosiarki nie można naładować za pomocą portu ładowania, gdy kontrolka stanu kosiarki świeci na czerwono.	<ul style="list-style-type: none"> Wtyczka ładowarki nie jest poprawnie włożona do portu ładowania na kosiarce. 	<ul style="list-style-type: none"> Podłącz wtyczkę ładowania, by sprawdzić, czy kosiarkę można naładować normalnie.
	<ul style="list-style-type: none"> W gniazdkach ściennych nie ma prądu. 	<ul style="list-style-type: none"> Nie jest potrzebne żadne działanie. Odczekaj, aż zasilanie powróci.
	<ul style="list-style-type: none"> Niepoprawne działanie ładowarki. 	<ul style="list-style-type: none"> Skontaktuj się z wykwalifikowanym technikiem, w celu kontroli i naprawy ładowarki, jeśli jest to konieczne.
	<ul style="list-style-type: none"> Port ładowarki na kosiarce jest uszkodzony. 	<ul style="list-style-type: none"> Skontaktować się z wykwalifikowanym technikiem serwisu w celu naprawy.
Czas ładowania za pomocą portu ładowania jest zbyt długi.	<ul style="list-style-type: none"> Stosowanie zasilacza EGO ACA1000 do ładowania wymaga długiego czasu. 	<ul style="list-style-type: none"> Do bezpośredniego ładowania elektrycznej kosiarki o zerowym skręcie używaj ładowarki EGO CHV1600E.
Akumulatora nie można całkowicie naładować za pomocą portu ładowania.	<ul style="list-style-type: none"> Problem firmware kosiarki lub awaria ładowarki/akumulatora. 	<ul style="list-style-type: none"> Odłączyć ładowarkę i odczekać ponad minutę, podłączyć następnie ponownie wtyczkę do zasilania. Jeśli to nie zadziała, prosimy skontaktować się z wykwalifikowanym technikiem serwisu w celu naprawy.
Kosiarki nie można uruchomić po czyszczeniu.	<ul style="list-style-type: none"> Niepoprawne czyszczenie, np. woda dostała się do elektrycznych elementów, ekran LCD, itp. 	<ul style="list-style-type: none"> Postępuj zgodnie z instrukcjami w dziale „CZYSZCZENIE PODWOZIA KOSIARKI”, by wyczyścić poprawnie podwozie kosiarki.
Kosiarka łatwo się zatyka.	<ul style="list-style-type: none"> Podwozie kosiarki jest zapchane trawą i zanieczyszczeniami. 	<ul style="list-style-type: none"> Jeśli kosiarka przez przypadek znajdzie się w deszczu, odczekaj około 12 godzin, by wyschła lub użyj sprężonego powietrza do wysuszenia.
		<ul style="list-style-type: none"> Wyczyść podwozie kosiarki po każdym użyciu, zgodnie z działem „Używanie portu myjącego do czyszczenia podwozia kosiarki”.
Kosiarka łatwo traci przyczepność, gdy wspina się po skarpie.	<ul style="list-style-type: none"> Opony tylnych kół są zużyte. 	<ul style="list-style-type: none"> Aby wymienić opony kół, skontaktuj się z lokalnym punktem serwisowym.
	<ul style="list-style-type: none"> Szeroki stok koszenia. 	<ul style="list-style-type: none"> Spadek, który będzie koszony, powinien wynosić poniżej 12 stopni.
Gdy kosiarka jest zatrzymana na skarpie z włączonym pedałem hamowania, kosiarka może ześlizgnąć się w dół skarpy.	<ul style="list-style-type: none"> Elementy hamulca są zbyt zużyte na skutek niepoprawnego działania kosiarki. 	<ul style="list-style-type: none"> Skontaktować się z wykwalifikowanym technikiem serwisu w celu naprawy.
W porcie myjącym nie ma wody podczas czyszczenia podwozia.	<ul style="list-style-type: none"> Szybkozłączka portu myjącego nie jest zamontowana na porcie mycia. 	<ul style="list-style-type: none"> Ponownie zamocuj szybkozłączkę portu myjącego, aż usłyszysz kliknięcie. Jeśli to nie zadziała, prosimy skontaktować się z wykwalifikowanym technikiem serwisu w celu naprawy.

PROBLEM	PRZYCZYNA	ROZWIĄZANIE
Podczas ręcznego pchania kosiarki bez uruchomienia słychać dziwny sygnał.	<ul style="list-style-type: none">▪ Z magnesów w silniku jazdy wydobywa się dźwięk.	<ul style="list-style-type: none">▪ Jest to normalne i nie wymaga żadnych działań.





NUMER STANU KOSIARKI I KOD BŁĘDÓW

Wyświetlacz LCD	Opis	Kod błędu na LCD	Kontrolka stanu kosiarki	Biper	Przyczyna	Rozwiązanie
	Ikona świateł LED jest wyświetlona na ekranie LCD	n.d.	NIE ŚWIECI	Nie	Reflektory, światła pozycyjne i światła tylne są włączone przełącznikiem oświetlenia LED.	Jest to normalne działanie. Nie jest potrzebne żadne działanie.
	Ikona USB jest wyświetlona na ekranie LCD	n.d.	NIE ŚWIECI	Nie	Ikona USB włącza się, gdy urządzenie USB może działać po poprawnym uruchomieniu kosiarki.	Jest to normalne działanie. Nie jest potrzebne żadne działanie.
	Ikona paliwomierza jest wyświetlona na ekranie LCD	n.d.	NIE ŚWIECI	Nie	Przedstawia średnią pojemność ładowania włożonych akumulatorów.	Jest to normalne działanie. Nie jest potrzebne żadne działanie.
	Ikona licznika godzin jest wyświetlona na ekranie LCD	n.d.	NIE ŚWIECI	Nie	Przedstawia całkowity czas jazdy kosiarki, w godzinach i nie może być zresetowany.	Jest to normalne działanie. Nie jest potrzebne żadne działanie.
	Ikona kontrolki przeladowania jest wyświetlona w zakresie ECO.	n.d.	NIE ŚWIECI	Nie	Przedstawia bieżące obciążenie kosiarki.	Jest to normalne działanie. Nie jest potrzebne żadne działanie.
	Kontrolka przeladowania miga. Ikona kontrolki przeladowania jest wyświetlona w zakresie PWR.	n.d.	Miga na czerwono	Один звуковий сигнал	Silnik ostrza jest przeciążony.	Zwiększ wysokość cięcia podwozia lub zwolnij prędkość jazdy, by zmniejszyć obciążenie kosiarki.
	Ikona kluczyka zabezpieczającego miga.	n.d.	NIE ŚWIECI	Nie	Klucz zabezpieczający nie jest włożony.	Włóż klucz bezpieczeństwa i wciśnij i przytrzymaj przycisk START/STOP przez ponad 3 sekundy, by włączyć kosiarkę.
					Ekran LCD nie jest zasilany.	Naprawy powinny być wykonane przez wykwalifikowanego technika serwisu.

Wyświetlacz LCD	Opis	Kod błędu na LCD	Kontrolka stanu kosiarki	Biper	Przyczyna	Rozwiązanie
	Ikona pustego schowka akumulatora miga.	n.d.	NIE ŚWIECI	Nie	Pojemność akumulatora nie jest wystarczająca, by kosiarka jechała.	Aby uruchomić kosiarkę, wymagane są baterie EGO o wartości całkowitej 15 Ah (2 x BA4200/BA4200T) lub większej. Aby uzyskać najlepsze wyniki, zalecamy używanie akumulatora EGO 30 Ah lub więcej.
	Ikona termometru miga.	n.d.	Miga na czerwono	Один звуковий сигнал	Kosiarka jest przegrzana.	Zmniejsz obciążenie kosiarki zwiększając wysokość cięcia podwozia lub zwalniając prędkość ostrza/jazdy. Odczekaj, aż kosiarka ostygnie.
	Ikona przegrzania i dokładnego schowka zajmowanego przez akumulator miga jednocześnie.	n.d.	n.d.	Nie	Akumulator w odpowiednim schowku akumulatora jest przegrzany.	<p>1. Kosiarka może nadal działać, jeśli łączna wartość akumulatorów, z wyłączeniem przegrzanego akumulatora, jest równa lub większa od 15 Ah. Gdy rozgrzany akumulator powróci do normalnej temperatury, będzie zasilał natychmiast kosiarkę.</p> <p>2. Jeśli łączna wartość Ah akumulatora jest mniejsza od 15 Ah, kosiarka nie będzie działać dopóki akumulator nie będzie włożony do wolnych schowków akumulatora.</p> <p>3. Zmniejsz obciążenie kosiarki zwiększając wysokość cięcia podwozia lub zwalniając koszenie po wznowieniu działania.</p>

PL

Wyświetlacz LCD	Opis	Kod błędu na LCD	Kontrolka stanu kosiarki	Biper	Przyczyna	Rozwiązanie
	Ikony każdego zajmowanego przez akumulator schowka, kontrolki niskiego zasilania, grafika akumulatora paliwomierza migają co jedną sekundę jednocześnie na ekranie LCD. Pierwszy segment paliwomierza LED i kontrolki stanu miga również.	n.d.	Miga na czerwono	Kontynuuje wydawanie sygnałów dźwiękowych do chwili, gdy przełącznik PTO jest popchnięty w dół.	Poziom akumulatora jest niski przy ładowaniu i kosiarka jest w trybie awaryjnym.	Zaprzestań pracę i przejdź do obszaru ładowania akumulatora. UWAGA. Gdy kosiarka jest w trybie awaryjnym, ostrza są automatycznie przełączone do wolnej prędkości obrotów bez cięcia trawy, kontrolka sygnału dźwiękowe będzie wciąż wydawać sygnały dźwiękowe. Operator powinien popchnąć przełącznik PTO w dół, by wyłączyć ostrza podwozia. Kontrolka sygnału dźwiękowego przestanie wydawać sygnały dźwiękowe po zatrzymaniu ostrzy.
	Ikona każdego zajmowanego przez akumulator schowka oraz kontrolka niskiego zasilania miga co pół sekundy.	n.d.	NIE ŚWIECI	Nie	Akumulator jest prawie rozładowany.	Kosiarka przestanie natychmiast działać. Operator powinien przemieścić kosiarkę do obszaru ładowania akumulatora w celu ładowania.
	Ikona automatycznego parkowania miga na LCD.	n.d.	NIE ŚWIECI	Kontynuuje wydawanie sygnałów dźwiękowych	Kosiarka jest zaparkowana na stoku i operator opuszcza kosiarkę nie ustawiając pedału hamowania w pozycji hamowania ale zostawiając dźwignie sterowania w pozycji otwartej.	Ustaw pedał hamowania w pozycję hamowania. Ikona automatycznego parkowania wyłączy się a kontrolka sygnału dźwiękowego będzie wciąż wydawać sygnały dźwiękowe.
	Ikona pedału hamowania jest wyświetlona na LCD.	n.d.	NIE ŚWIECI	Nie	Pedał hamowania postojowego jest ustawiony w pozycji hamowania.	Zwolnić przed włączeniem kosiarki.

Wyświetlacz LCD	Opis	Kod błędu na LCD	Kontrolka stanu kosiarki	Biper	Przyczyna	Rozwiązanie
	Ikona czujnika fotela jest wyświetlona na LCD.	n.d.	NIE ŚWIECI	Nie	Operator wstaje z fotela lub przełącznik fotela jest odłączony.	Jeśli operator siedzi w fotelu, ikona będzie włączona, przestań natychmiast obsługiwać kosiarkę i sprawdź połączenie fotela. Jeśli połączenie fotela w kosiarce jest poprawne, skontaktuj się z wykwalifikowanym technikiem, w celu naprawy.
	Ikona przełącznika PTO miga.	n.d.	NIE ŚWIECI	Nie	Silnik ostrza jest przerywa działanie a przełącznik PTO nie jest ustawiony w pozycji off.	Przed poprawnym uruchomieniem kosiarki, popchnij przełącznik PTO w dół, by wyłączyć silnik podwozia. Zapoznaj się z działem „ROZWIĄZYWANIE PROBLEMÓW” w instrukcji.
	Ikona dźwigni sterowania miga.	n.d.	NIE ŚWIECI	Nie	Silnik jazdy jest przerywa działanie a dźwignie sterowania nie są ustawione w pozycji otwartej.	Przed ponownym uruchomieniem kosiarki, przesun dźwignie sterowania do pozycji otwartym. Zapoznaj się z działem „ROZWIĄZYWANIE PROBLEMÓW” w instrukcji.
	Ikona wznowienia energii miga od czasu do czasu.	n.d.	NIE ŚWIECI	Nie	Energia kinetyczna wytwarzana podczas hamowania lub jazdy w dół jest przekształcona w energię elektryczną, by ładować akumulator.	Jest to normalne działanie. Nie jest potrzebne żadne działanie.

Wyświetlacz LCD	Opis		Kod błędu na LCD	Kontrolka stanu kosiarki	Biper	Przyczyna	Rozwiązanie
Zobacz „Kod błędu”	Lewy silnik jazdy nie działa przy obrotach.	Awaria PCBA lewego kontrolowanego silnika jazdy.	413	NIE ŚWIECI	Jeden sygnał dźwiękowy	Awaria PCBA	Naprawy powinny być wykonane przez wykwalifikowanego technika serwisu.
		Wtyczka (trójfazowa, przewód zasilający) podłączona do lewego silnika z PCBA jest poluzowana.	317	NIE ŚWIECI	Jeden sygnał dźwiękowy	Utracone połączenie	
		Wtyczka (z sześcioma sworzniami, przewód sygnałowy) podłączona do lewego silnika z PCBA jest poluzowana.	301	NIE ŚWIECI	Jeden sygnał dźwiękowy	Utracone połączenie	
		Lewy silnik jazdy nie działa.	317	NIE ŚWIECI	Jeden sygnał dźwiękowy	Awaria silnika	
Zobacz „Kod błędu”	Prawy silnik jazdy nie działa przy obrotach.	Awaria PCBA prawego kontrolowanego silnika jazdy.	313	NIE ŚWIECI	Jeden sygnał dźwiękowy	Awaria PCBA	Naprawy powinny być wykonane przez wykwalifikowanego technika serwisu.
		Wtyczka (trójfazowa, przewód zasilający) podłączona do prawego silnika z PCBA jest poluzowana.	417	NIE ŚWIECI	Jeden sygnał dźwiękowy	Utracone połączenie	
		Wtyczka (z sześcioma sworzniami, przewód sygnałowy) podłączona do prawego silnika z PCBA jest poluzowana.	401	NIE ŚWIECI	Jeden sygnał dźwiękowy	Utracone połączenie	
		Prawy silnik jazdy nie działa.	417	NIE ŚWIECI	Jeden sygnał dźwiękowy	Awaria silnika	

Wyświetlacz LCD	Opis	Kod błędu na LCD	Kontrolka stanu kosiarki	Biper	Przyczyna	Rozwiązanie	
Zobacz „Kod błędu”	Lewy silnik ostrza nie działa przy obrotach.	Awaria PCBA lewego kontrolowanego silnika ostrza.	607	n.d.	Jeden sygnał dźwiękowy	Awaria PCBA	Naprawy powinny być wykonane przez wykwalifikowanego technika serwisu.
		Wtyczka (trójfazowa, przewód zasilający) podłączona do lewego silnika z PCBA jest poluzowana.	509	n.d.	Jeden sygnał dźwiękowy	Utracone połączenie	Najpierw skontrolować ostrza. Jeśli są poluzowane, przykręć śrubę zgodnie z ruchem wskazówek zegara za pomocą klucza dynamometrycznego 14 mm. Dla śruby ostrza zaleca się 50-55 Nm. W przeciwnym razie odnieść do wykwalifikowanego technika serwisu w celu naprawy.
		Lewy silnik ostrza nie działa	509	n.d.	Jeden sygnał dźwiękowy	Awaria silnika	W przeciwnym razie odnieść do wykwalifikowanego technika serwisu w celu naprawy.
Zobacz „Kod błędu”	Prawy silnik ostrza nie działa przy obrotach.	Awaria PCBA prawego kontrolowanego silnika ostrza.	507	n.d.	Jeden sygnał dźwiękowy	Awaria PCBA	Naprawy powinny być wykonane przez wykwalifikowanego technika serwisu.
		Wtyczka (trójfazowa, przewód zasilający) podłączona do prawego silnika z PCBA jest poluzowana.	609	n.d.	Jeden sygnał dźwiękowy	Utracone połączenie	Najpierw skontrolować ostrza. Jeśli są poluzowane, przykręć śrubę zgodnie z ruchem wskazówek zegara za pomocą klucza dynamometrycznego 14 mm. Dla śruby ostrza zaleca się 50-55 Nm. W przeciwnym razie odnieść do wykwalifikowanego technika serwisu w celu naprawy.
		Prawy silnik ostrza nie działa	609	n.d.	Jeden sygnał dźwiękowy	Awaria silnika	W przeciwnym razie odnieść do wykwalifikowanego technika serwisu w celu naprawy.
Zobacz „Kod błędu”	Lewa dźwignia sterowania nie działa.	Awaria lewej dźwigni sterowania kontrolowanego PCBA.	311 /412	NIE ŚWIECI	Jeden sygnał dźwiękowy	Awaria PCAB	Naprawy powinny być wykonane przez wykwalifikowanego technika serwisu.
		Wtyczka łącząca poprawnie kontrolowany PCBA, umieszczony w pasku sterowania, jest poluzowana.				Utracone połączenie	

Wyświetlacz LCD	Opis		Kod błędu na LCD	Kontrolka stanu kosiarki	Biper	Przyczyna	Rozwiązanie
Zobacz „Kod błędu”	Prawa dźwignia sterowania nie działa.	Awaria prawej dźwigni sterowania kontrolowanego PCBA.	312 /411	NIE ŚWIECI	Jeden sygnał dźwiękowy	Awaria PCAB	Naprawy powinny być wykonane przez wykwalifikowanego technika serwisu.
		Wtyczka łącząca poprawnie kontrolowany PCBA, umieszczony w pasku sterowania, jest poluzowana.				Utracone połączenie	
Zobacz „Kod błędu”	Pedal hamulcowy nie działa, narzędzia nie można obsługiwać.	Hamulec PCBA, znajdujący się w przedniej ramie, jest uszkodzony.	309 /409	NIE ŚWIECI	Jeden sygnał dźwiękowy	Awaria PCBA	Naprawy powinny być wykonane przez wykwalifikowanego technika serwisu.
		Przełącznik hamulca postojowego i/ lub przewód są popsute.	801	NIE ŚWIECI	Jeden sygnał dźwiękowy	Awaria przewodu/ przełącznika	
NIE ŚWIECI	Awaria portu ładowania	n.d.	n.d.	Świeci na czerwono stałym światłem	n.d.	Port ładowania jest w otwartym obwodzie.	Naprawy powinny być wykonane przez wykwalifikowanego technika serwisu.
				Świeci na czerwono stałym światłem	n.d.	Brak zasilania.	Sprawdź, czy napięcie w gniazdku ściennym wynosi 220 V-240 V lub czy gniazdko jest w dobrym stanie.
				Świeci na czerwono stałym światłem	n.d.	Przepalony bezpiecznik.	Naprawy powinny być wykonane przez wykwalifikowanego technika serwisu.
Zobacz „Kod błędu”	Awaria portu ładowania	204	n.d.	Jeden sygnał dźwiękowy	Port ładowania jest w otwartym obwodzie.		

Wyświetlacz LCD	Opis	Kod błędu na LCD	Kontrolka stanu kosiarki	Biper	Przyczyna	Rozwiązanie
Zobacz „Kod błędu”	Skrzynka akumulatorowa nie działa.	217	n.d.	Jeden sygnał dźwiękowy	Źródło zasilania ze skrzynki akumulatora jest uszkodzone. Reflektory LED oraz USB nie działają.	Naprawy powinny być wykonane przez wykwalifikowanego technika serwisu.
		310 /410	NIE ŚWIECI	Jeden sygnał dźwiękowy	Połączenie między przewodami typu C skrzynki akumulatora i innymi przewodami typu C kosiarki nie działa.	
		201 /202 /203	NIE ŚWIECI	Jeden sygnał dźwiękowy	BMS skrzynki akumulatora jest uszkodzone.	
Zobacz „Kod błędu”	Awaria przełącznika start/stop	314 /414	NIE ŚWIECI	Jeden sygnał dźwiękowy	Awaria przełącznika PCBA lub niepoprawne połączenie przewodu dla przełącznika start/stop.	Naprawy powinny być wykonane przez wykwalifikowanego technika serwisu.
Zobacz „Kod błędu”	Awaria ekranu LCD	315 /415	ВИМК-НЕНИЙ	Jeden sygnał dźwiękowy	Komplet LCD jest uszkodzony lub niepoprawne połączenie przewodu kompletu LCD.	Naprawy powinny być wykonane przez wykwalifikowanego technika serwisu.

PL

GWARANCJA

POLITYKA GWARANCYJNA EGO

W celu zapoznania się z wszystkimi warunkami polityki gwarancyjnej EGO prosimy odwiedzić stronę egopowerplus.com.

PŘEČTĚTE SI VŠECHNY POKYNY!



PŘEČTĚTE SI NÁVOD K OBSLUZE

⚠ Zbytkové riziko! Osoby s elektronickými přístroji, jako jsou např. kardiostimulátory, by se měli před použitím toho výrobku poradit se svým lékařem. Použití elektrického zařízení v těsné blízkosti kardiostimulátoru může způsobit rušení činnosti nebo poruchu kardiostimulátoru.

BEZPEČNOSTNÍ SYMBOL

Účelem bezpečnostních symbolů je upoutat vaši pozornost k případným nebezpečím. Bezpečnostní symboly a jejich vysvětlení vyžadují vaši zvýšenou pozornost a porozumění. Výstražné symboly samy o sobě nevylučují žádné nebezpečí. Pokyny a varování nejsou náhradou vhodných opatření pro prevenci úrazů.

⚠ VAROVÁNÍ: Před použitím tohoto nářadí si přečtěte a seznamte se se všemi bezpečnostními pokyny uvedenými v tomto návodu k obsluze včetně veškerých výstražných symbolů jako např. „**NEBEZPEČÍ**“, „**VAROVÁNÍ**“ a „**UPOZORNĚNÍ**“. Nedodržení níže uvedených pokynů může mít za následek úraz elektrickým proudem, požár a/nebo vážná zranění osob.

VÝZNAM SYMBOLŮ

Na této stránce jsou zobrazeny a popsány bezpečnostní symboly, které se mohou na výrobku objevit. Před montáží a provozem si přečtěte, seznamte se a dodržujte veškeré pokyny související s nářadím.

CZ

BEZPEČNOSTNÍ SYMBOLY



Bezpečnostní upozornění



Ochrana očí



NEBEZPEČÍ – Nebezpečí prudkého svahu



Nikdy nevozte děti



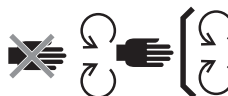
VAROVÁNÍ - Nepoužívejte tento stroj na svazích se sklonem větším než 12 °.



UPOZORNĚNÍ – UDRŽUJTE NOHY A RUCI V BEZPEČNÉ VZDÁLENOSTI.



Je nutné si přečíst návod k obsluze a porozumět pokynům v něm uvedeným



Provádějte údržbu bezpečnostních zařízení



NEBEZPEČNÍ – Udržujte ostatní osoby v bezpečné vzdálenosti



Při couvání se dívejte za sebe



NEBEZPEČÍ – Odmrštěné předměty



Zaručená hladina akustického výkonu. Podle směrnice Evropské unie.



Zákaz vstupu



Tento výrobek je v souladu s platnými směrnici ES



Stejnoseměrný proud

kPa

Kilopascal

V

Volty

palce

Palec

Nm

Newtonmetr

°C

Celsius

km/h

Kilometry za hodinu



Odpadní elektrické výrobky se nesmí likvidovat spolu s domovním odpadem. Odevzdejte je do autorizovaného recyklačního střediska.



UPOZORNĚNÍ - Nedívejte se na provozní lampu.



Tento výrobek je v souladu s platnými předpisy ve Spojeném království.

Ot/min

Otáčky za minutu

m

Metry

cm

Centimetry

mm

Milimetry

kg

Kilogram

IPX4

Stupeň ochrany před vniknutím

CZ

TECHNICKÉ ÚDAJE

Napětí		56 V
Velikost šasi		107 cm
Velikost kola	Přední panel	11 x 4 palce (279,4 mm)
	Zadní panel	18 x 8,5 palce (457,2 mm)
Tlak v pneumatikách za studena	Přední panel	220 kPa
	Zadní panel	50 kPa
Poloměr otáčení		0
Rychlost čepelí (ot/min)		2400, 2600, 2800, 3000
Max. Rychlost pojezdu (km/h)	Dopředu	4,8 km/h, 8 km/h, 9,6 km/h, 11,2 km/h (12,8 km/h v režimu pojezdu)
	Couvání	Až 5,6 km/h
Nabíjení	Nabíječka (volitelná)	CHV1600E
	Adaptér (volitelný)	ACA1000
	Rozsah teploty nabíjení	5°C–40°C

Nastavení výšky sekání (10 poloh)	25–100 mm	
Provozní teplota	0°C–40°C	
Skladovací teplota	-20°C–70°C	
Hmotnost (bez akumulátoru)	186 kg	
Měřená hladina akustického výkonu L_{WA}	96.44 dB(A) K=0.68 dB(A)	
Hladina akustického tlaku na sluch obsluhy L_{PA}	84.3 dB(A) K=3.0 dB(A)	
Gwarantovaný poziom moci akustycznej L_{WA} (měřená podle 2000/14/ES)	100 dB(A)	
Vibrace a_h	Ruka	1.221 m/s ² K=1.5 m/s ²
	Tělo	0.568 m/s ² K=1.5 m/s ²

- Celková deklarovaná hodnota vibrací byla naměřena podle standardní zkušební metody a lze ji použít ke srovnání s jiným nářadím;
- Celkovou deklarovanou hodnotu vibrací lze použít také k předběžnému stanovení expozičních limitů.

POZNÁMKA: Emise vibrací při konkrétním použití elektrického nářadí se mohou lišit od deklarované hodnoty, při které se nářadí používá; z důvodu ochrany provozovatele by měl uživatel ve skutečných pracovních podmínkách nosit rukavice a chrániče sluchu.

POPIS

SEZNAMTE SE S ELEKTRICKOU NEROTAČNÍ SEKAČKOU (Obr. A1 & A2)

1. Sedadlo
2. Nabíjecí port
3. Prostor pro baterie
4. Zadní LED světla
5. Úložný box
6. Držáky na šálek
7. LED boční světla
8. Zadní kolo (hnací kolo)
9. Nášlap
10. Chránič šasi
11. Protiskalповací kolečko
12. Přední kolo
13. Pedál parkovací brzdy
14. Světla chodu
15. LED světlomety
16. Boční vývod
17. Páka pro nastavení výšky šasi
18. Knoflík pro nastavení odpružení sedadla
19. Páka pro nastavení polohy sedadla směrem vpřed a vzad
20. Řídicí páka
21. Kontrolka stavu sekačky
22. LCD obrazovka
23. Spínač pomocného pohonu
24. Tlačítko Start/Stop
25. Bezpečnostní klíč
26. Úložný box na telefon
27. Ukazatel nabití baterie a stavu sekačky
- 27a. Ukazatel nabití baterie sekačky
- 27b. Kontrolka stavu sekačky
28. Oblast opěrky pro nohy
29. Tlačítko pro uvolnění krytu napájecí jednotky
30. Kryt napájecí jednotky
31. Tlačítko pro uvolnění akumulátoru
32. Závěs
33. Montážní kryt nástavce
34. Uložení montážního krytu nástavce
35. USB port

SEZNAMTE SE S LCD OBRAZOVKOU & TLAČÍTKY (obr. A3)

Další informace o symbolech a kontrolkách na LCD displeji naleznete v části „REFERENCE STAVU SEKAČKY A KÓD PORUCHY“.

1. Symbol pro bezpečnostní klíč
2. Symbol LED světel
3. Symbol automatického parkování
4. Symbol USB
5. Ukazatel rychlosti čepelí
6. Ukazatel stavu bezpečnostního zařízení
7. Počítadlo hodin
8. Symbol baterie
9. Symbol přehřátí
10. Režim jízdy
11. Ukazatel chybového kódu
12. Kontrolka přetížení
13. Kontrolka nízkého stavu baterie
14. Kontrolka rychlosti pojezdu
15. Kontrolka zatížení
16. Tlačítko pro nastavení rychlosti čepelí
17. Tlačítko nastavení
18. Tlačítko režimu jízdy
19. Spínač světla LED
20. Tlačítko pro nastavení rychlosti jízdy
21. Ukazatel stavu baterie

VYBALENÍ

POZNÁMKA: Obalový materiál nevyhazujte, dokud výrobek pečlivě neprohlédnete a nebudete si jisti jeho uspokojivým provozem. Pokud jsou na stroji namontovány díly uvedené v obsahu balení, neprodleně se obraťte na servis EGO.

POZNÁMKA: Kromě nástrojů uvedených v níže uvedeném obsahu balení jsou všechny ostatní nástroje uvedené v příručkách pouze doporučené, avšak nejsou součástí dodávky.

OBSAH BALENÍ (obr. B1)

B1-1	Elektrická nerotační sekačka	B1-7	Bezpečnostní klíče
B1-2	Sedadlo	B1-8	Otevřené klíče (13 mm)

B1-3	Mulčovací zásuvka	B1-9	Inbusový klíč
B1-4	Řídicí páka	B1-10	Rychlospojka mycího otvoru
B1-5	Šrouby s nástrčnou hlavou (2 jako záloha)	B1-11	Návod k obsluze
B1-6	Šestihřanné šrouby (2 pro zálohu)		

VYBALENÍ (obr. B2–B3)

DOPORUČENÉ PŘÍSLUŠENSTVÍ

VAROVÁNÍ: Používejte pouze níže uvedené originální náhradní díly. Použití dílů, které nesplňují specifikace originálního vybavení může vést k nekvalitnímu výkonu a narušení bezpečnosti.

NÁZEV DÍLU	ČÍSLO MODELU
Standardní čepel	AB4200
Vysokozdvížná čepel	AB4201
Mulčovací zásuvka	AMP4200
Sada na sběr trávy	ABK4200-A

MONTÁŽ

INSTALACE SEDADLA (obr. C1 & C2)

VAROVÁNÍ: Bezpečnostní blokovací systém nelze odpojit ani obejít. V opačném případě by mohlo dojít k neočekávanému spuštění sekačky a následnému zranění osob.

POZNÁMKA: Z důvodu bezpečnosti se může stát, že se sekačka zastaví, jelikož se během jízdy odpojí spínač sedadla. V takovém případě naleznete další informace v části „ODSTRAŇOVÁNÍ ZÁVAD“.

C1-1	Kabel	C1-5	Šrouby s nástrčnou hlavou
C1-2	Zástrčka	C2-1	Hák
C1-3	Zásuvka	C2-2	Ocelové kolejnice
C1-4	Základna pro zavěšení	C2-3	Šrouby s nástrčnou hlavou

MONTÁŽ ŘÍDICÍCH PÁK (obr. C3)

C3-1	Řídicí páky	C3-3	Montážní otvory řídicí páky
C3-2	Šrouby s šestihřannou hlavou		

PŘIPOJENÍ MULČOVACÍ ZÁSUVKY (obr. C4)

C4-1	Boční vývod	C4-3	Pohyblivá pružina
C4-2	Mulčovací zásuvka		

OBSLUHA

PŘED POUŽITÍM SEKAČKY

Kontrola prostředí

- Zajistěte, aby se v pracovním prostoru nenacházely děti, kolemjdoucí a domácí zvířata.
- Z pracovního prostoru odstraňte předměty, které by čepele sekačky mohly vymrštít.
- Zkontrolujte a ujistěte se, že jsou světla LED ve správném stavu:
 - Světlomety, boční světla a zadní světla se ovládají pomocí spínače LED světel.
 - Světla během jízdy vždy svítí.
 - Pokud jsou zadní světla vypnutá, při couvání blikají z důvodu varování osob v okolí; pokud jsou zadní světla zapnutá, zůstávají zapnutá.
 - Všechna světla se automaticky vypnou, jakmile sekačka nebude v provozu déle než 3 minuty

Kontrola tlaku v pneumatikách za studena (obr. D1)

Kontrola stavu sekačky a úrovně nabití baterie

- Ukazatel stavu baterie sekačky (obr. A2–27a)

Každý segment ukazatele stavu baterie sekačky indikuje 20 % nabití vložených akumulátorů.

POZNÁMKA: Ukazatel stavu baterie sekačky a ukazatel stavu baterie na displeji LCD ukazují průměrnou kapacitu vložených akumulátorů.

- Kontrolka stavu sekačky (obr. A1 & A2–27b)

Pokud kontrolka stavu svítí zeleně, je sekačka připravena k použití. V opačném případě najdete další informace v části „ZOBRAZENÍ STAVU SEKAČKY A KÓD ZÁVADY“.

Zkouška bezpečnostního blokovacího systému (obr. D2–D8)

POZNÁMKA: Obsluha musí být před zkouškou na sedadle.

- Před provedením zkoušky (obr. D2–D4)
- Chcete-li vyzkoušet systém čepelí na šasi (obr. D5), pomalu se postavte.
- Chcete-li vyzkoušet systém řízení jízdy (obr. D6–D8), pomalu se postavte.

Pokud se systém čepelí na šasi a/nebo systém řízení jízdy nezastaví, jakmile je obsluha mimo sedadlo a pokud nelze určit příčinu ani po ověření, že je zástrčka a zásuvka sedadla řádně připojena, neprodleně se obraťte na zákaznické servisní středisko EGO.

NASTAVENÍ (obr. E1–E13)

Příprava (obr. E1–E5)

Nastavení výšky žacího ústrojí (obr. E6)

Nastavení protiskalповacích koleček (obr. E7–E10)

E7-1	Protiskalповací kolečko	E9-2	Zpoždovací šroub
E9-1	Matice	E10-1	Označení výšky šasi

Nastavení sedadla (obr. E11)

Před zahájením práce se sekačkou upravte polohu sedadla tak, abyste se mohli pevně dotknout pedálu parkovací brzdy. Nastavení odpružení sedadla by vám mělo umožnit dosáhnout co nejpohodlnějšího posedu na sedadle.

E11-1	Páka pro nastavení polohy sedadla směrem vpřed a vzad	E11-2	Knoflík pro nastavení odpružení sedadla
-------	---	-------	---

Nastavení parkovací brzdy (obr. E12–E13)

E13-1	Poloha zabrzdění	E13-2	Uvolněná poloha
-------	------------------	-------	-----------------

NABÍJENÍ (obr. F1–F11)

Ke spuštění této sekačky jsou zapotřebí baterie EGO o celkové kapacitě 15 Ah (2 X BA4200/BA4200T) nebo vyšší. Pro dosažení nejlepšího výkonu doporučujeme používat baterie EGO s celkovou kapacitou 30 Ah nebo vyšší.

Používejte pouze doporučené akumulátory a nabíječky. (Obr. F9 & F10)

Příprava pro nabíjení (obr. F1–F4)

Samostatné nabíjení akumulátoru (akumulátorů) (Obr. F5–F9)

F5-1	Tlačítko pojistky krytu	F7-1	Tlačítko pro uvolnění akumulátoru
------	-------------------------	------	-----------------------------------

- Připojení akumulátoru (akumulátorů) (obr. F5–F6)
- Odpojení akumulátoru (akumulátorů) (obr. F7–F8)

POZNÁMKA: Pro nabíjení akumulátoru (akumulátorů) viz příslušné příručky k akumulátoru a nabíječce.

Nabíjení akumulátorů přes nabíjecí port (Obr. F10)

F10-1	Prachová krytka	F10-2	Nabíjecí port
-------	-----------------	-------	---------------

SPUŠTĚNÍ ELEKTRICKÉ NEROTAČNÍ SEKAČKY (Obr. A4–A5 a obr. G1–G6)

VAROVÁNÍ: Vyvarujte se náhlých rozjezdů, zastavení a otáčení, jakož i nadměrné rychlosti, zejména pokud se se sekačkou učíte pracovat poprvé. Sekačka se může rychle roztočit, což může způsobit ztrátu kontroly a vážné zranění a/nebo škody.

VAROVÁNÍ: Před spuštěním sekačky zkontrolujte a ujistěte se, že jsou čepelě po stisknutí spínače pomocného pohonu směrem dolů odpojeny. Pokud se čepelě nezastaví, sekačku nepoužívejte a okamžitě kontaktujte zákaznický servis EGO.

POZNÁMKA: Postupujte podle obr. A4 a obr. G2, abyste dosáhli nejnižší rychlosti jízdy a režimu jízdy **STANDARD**, dokud nebudete plně schopni ovládat sekačku za všech okolností. Rychlost jízdy a jízdní režim se aktivují pouze tehdy, pokud jsou kola sekačky zastavena a páky řízení jsou otevřené.

Sekačka si uloží a při opětovném spuštění se vrátí do předchozího nastavení.

Režim jízdy

- REGULACE:** Nižší zrychlení, méně citlivé ovládání a mírná rychlost otáčení pro ochranu trávy a pro nové uživatele.
- STANDARDNÍ:** Perfektní pro každodenní používání.

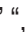
- **SPORTOVNÍ:** Vyšší zrychlení, přesné ovládání a ostré otáčení pro maximální efektivitu sečení a pro nadšence do sečení.

Nastavení rychlosti jízdy (obr. A4)

Nastavení rychlosti čepelí (obr. A5)

POZNÁMKA: V režimu „TRAVEL“ stiskněte tlačítko , rychlost jízdy se vrátí do předchozího režimu.

USB port

POZNÁMKA: V režimu „TRAVEL“ stiskněte tlačítko , rychlost jízdy se vrátí do předchozího režimu.

ZASTAVENÍ ELEKTRICKÉ NEROTAČNÍ SEKAČKY (Obr. H1–H6)

POZNÁMKA: Sekačka se automaticky vypne, jakmile nebude v provozu déle než 60 minuty.

Režim nízkého stavu baterie

V případě vybité baterie se sekačka přepne do režimu nízkého stavu baterie:

- Sekačka automaticky přestane sekat trávu;
- Sekačka bude pípat;
- Kontrolka stavu sekačky bude každou sekundu blikat červeně, první segment stavu baterie sekačky bude blikat červeně a bude blikat kontrolka nízkého stavu baterie i grafika baterie na ukazateli stavu baterie.

Obsluha by měla:

- a) Stisknout spínač pomocného pohonu směrem dolů (obr. H3), čímž se čepele zastaví. Jakmile se čepele zastaví, sekačka přestane pípat;
- b) Přestat pracovat a co nejdříve přejet do prostoru pro nabíjení akumulátoru. Maximální vzdálenost, kterou může sekačka ujet, je 1000 m.

Pokud je baterie téměř vybitá, bliká dvakrát za sekundu symbol každého obsazeného prostoru pro baterii a kontrolka nízkého stavu baterie. Sekačka okamžitě přestane pracovat. Obsluha by měla sekačku převézt do prostoru pro nabíjení akumulátoru, kde se nabije.

Manuální tlačení

Pokud je nutné sekačku manuálně odtlačit, ujistěte se, že jsou baterie odpojeny od sekačky a pedál parkovací brzdy je uvolněn z brzděné polohy.

ŘÍZENÍ ELEKTRICKÉ NEROTAČNÍ SEKAČKY (Obr. I1–I9)

Chcete-li zastavit, snížit nebo zvýšit rychlost, pomalu měňte vzdálenost páky řízení od neutrálu.

⚠ NEBEZPEČÍ: Nepřibližujte se k příkopům, srázům nebo vodě na vzdálenost alespoň dvou šířek sečení (2,14 m). Přední kola se mohou při zastavení sekačky i se zataženou brzdou otáčet a způsobit přejetí sekačky přes okraj nebo do vody s následkem smrti nebo vážného zranění osob.

⚠ VAROVÁNÍ: Před couváním se ujistěte, co se nachází v prostoru za sekačkou. Pokud to není nezbytně nutné, při couvání NESEČTE. Před couváním a při couvání se vždy dívejte dolů a dozadu a ujistěte se, že do prostoru sečení nevstupují děti, kolemjdoucí nebo domácí zvířata. Nezapomínejte, že stačí chvíle nepozornosti a může se stát vážný úraz či může dojít k úmrtí.

⚠ VAROVÁNÍ: Neprovozujte tento stroj na veřejných komunikacích.

⚠ VAROVÁNÍ: Pokud dojde k zablokování nebo k nárazu na cizí předmět, zastavte motory a vyjměte baterie. Odstraňte posekanou trávu, listí, nečistoty a další nahromaděné nečistoty; před opětovným spuštěním a provozem sekačky důkladně zkontrolujte, zda není poškozena, a poškození opravte.

ÚDRŽBA

⚠ VAROVÁNÍ: Vždy používejte ochranu očí s bočními kryty. Pokud tak neučiníte, může dojít k vymrštění předmětu do očí, což může mít za následek vážné zranění.

⚠ VAROVÁNÍ: Při údržbě nože sekačky vždy chraňte ruce s pomocí pevných rukavic nebo zabalením břitů nože do hadru nebo jiného materiálu. Při servisu nebo přepravě sekačky vždy vyjměte bezpečnostní klíč a akumulátory.

Interval údržby	Postup údržby
Před každým použitím nebo denně	<ul style="list-style-type: none"> Zkontrolujte bezpečnostní blokovací systém. Vizuálně zkontrolujte, zda nedošlo k prasknutí pneumatiky. Zkontrolujte čepele, zda nejsou opotřebené, prasklé nebo ohnuté. Zkontrolujte celý výrobek, zda na něm nejsou poškozené, chybějící nebo uvolněné díly, jako je boční vyhazovací žlab, šrouby, matice, krytky atd. a ujistěte se, že jsou všechny kryty na svém místě a správně fungují. Zkontrolujte funkci brzdy.
Po každém použití	<ul style="list-style-type: none"> Vyčistěte šasi sekačky.
Každých 25 hodin	<ul style="list-style-type: none"> Zkontrolujte tlak v pneumatikách.
Každých 50 hodin	<ul style="list-style-type: none"> Zkontrolujte stav maziva uvnitř příruby žací čepele.
Každých 100 hodin	<ul style="list-style-type: none"> Zkontrolujte zadní kola a ujistěte se, že jsou 4 matice upevněny doporučeným utahovacím momentem.
Každých 200 hodin	<ul style="list-style-type: none"> Zkontrolujte přední kola a ujistěte se, že se volně otáčejí.
Ročně	<ul style="list-style-type: none"> Zkontrolujte pedál parkovací brzdy. Vyjměte baterii ze sekačky a nastavte parkovací pedál do brzděné polohy. Ručně zatlačte sekačku směrem vpřed a zjistěte, zda lze sekačkou pohybovat či nikoli. Pokud se pohybuje, nechte ji opravit kvalifikovaným servisním technikem.

ČIŠTĚNÍ SEKAČKY (obr. J1–J9)

Příprava (obr. J1–J5)

Čištění krytu sekačky (obr. J6–J7)

Čištění žacího ústrojí pomocí mycího otvoru

(Obr. J8–J9)

J8-1	Mycí otvor	J8-3	Zahradní hadice
J8-2	Rychlospojka mycího otvoru		

POZNÁMKA: Po skončení čištění stiskněte spínač pomocného pohonu směrem dolů, čímž odpojíte žací čepele.

ÚDRŽBA ŠASI SEKAČKY A ŽACÍCH NOŽŮ

Příprava (obr. K1–K6)

Demontáž šasi sekačky (obr. K7–K8)

K7-1	Kabel motoru	K7-3	Vazba odpružení
K7-2	Závlačka		

POZNÁMKA: Při demontáži šasi sekačky odpojte kabely motoru a závlačky na obou stranách.

Výměna žacích nožů (obr. K9–K11)

K9-1	Stabilizátor	K10-3	Čepel
K10-1	Čep	K10-4	Příruba
K10-2	Podložka	K10-5	Hřídel motoru

Vyrovnání šasi sekačky

a. Kdy je třeba provést vyrovnání (obr. K12–K14)

b. Před vyrovnáním

- Kontrola tlaku v pneumatikách za studena (obr. K15)
- Zkontrolujte žací nože. V případě potřeby sejměte a vyměňte opotřebené, prasklé a/nebo ohnuté nože.

c. Příprava na vyrovnání (obr. K16–K 21)

d. Jak provést vyrovnání

- Nastavení do stran (obr. K22)

Rozdíl mezi vzdálenostmi H1 & H2 naměřenými od spodního okraje každé čepele k zemi by neměl překročit 5 mm.

K22-1	Zápustná matice
-------	-----------------

- Nastavení zepředu dozadu (obr. K23)

Přední hrot H3 čepele by měl být o 2 mm až 10 mm níže než zadní hrot H4.

KALIBRACE SYSTÉMU SLEDOVÁNÍ SEČENÍ (obr. L1–L6 a obr. L7–L12)

POZNÁMKA: Při zahájení kalibrace i po jejím dokončení vydá sekačka jeden zvukový signál (pípnutí).

RESETOVÁNÍ SEKAČKY DO TOVÁRNÍHO NASTAVENÍ (obr. M1–M4)

POZNÁMKA: Při spuštění resetování i po jeho dokončení vydá sekačka jeden zvukový signál (pípnutí).

SKLADOVÁNÍ & PŘEPRAVA

PŘEPRAVA SEKAČKY (OBR. N1– N11)

POZNÁMKA: Sekačku podle potřeby zajistěte pomocí popruhů nebo lan s cílem zamezit pohybu během přepravy. Při nakládání nebo vykládání sekačky nepřekračujte maximální doporučený provozní úhel 12° mezi rampou a zemí.

SKLADOVÁNÍ (obr. O1–O6)

POZNÁMKA: Vyjměte akumulátory a uložte je podle příslušných příruček.

Před uskladněním sekačku vyčistěte a zkontrolujte, viz části „**ČIŠTĚNÍ SEKAČKY**“ a „**DOPORUČENÝ(É) PLÁN(Y) ÚDRŽBY**“.


Ochrana životního prostředí




OEEZ (Odpadních elektrická a elektronická zařízení) Elektrické zařízení, použité baterie a nabíječku nevyhazujte do domovního odpadu! Tento výrobek předejte autorizované recyklační společnosti ke tříděnému sběru. Elektrické nářadí musí být vráceno do zařízení k ekologické recyklaci.

RIES VAN DER SPEK
TUINMACHINES ★ STOLWIJK

ODSTRAŇOVÁNÍ ZÁVAD

PROBLÉM	PŘÍČINA	ŘEŠENÍ
<p>Elektrická nerotační sekačka se nerozjede, když na začátku zatlačíte obě řídicí páky dopředu nebo dozadu.</p>  <p>Bliká symbol úrovně řízení</p>	<ul style="list-style-type: none"> Kombinovaná kapacita vložených baterií je menší než 15 Ah. 	<ul style="list-style-type: none"> Ke spuštění této sekačky jsou zapotřebí baterie EGO o celkové kapacitě 15 Ah (2 X BA4200/BA4200T) nebo vyšší. Pro dosažení nejlepšího výkonu doporučujeme používat baterie s celkovou kapacitou 30 Ah nebo vyšší.
	<ul style="list-style-type: none"> Pedál parkovací brzdy je nastaven do brzdné polohy. 	<ul style="list-style-type: none"> Úplně sešlápněte pedál parkovací brzdy a uvolněte jej z brzdné polohy.
	<ul style="list-style-type: none"> Řídicí páky nejsou při spuštění sekačky v otevřené poloze. 	<ul style="list-style-type: none"> Vraťte řídicí páky do otevřené polohy a sekačku znovu spusťte.
	<ul style="list-style-type: none"> Obsluha nesedí na sedadle. 	<ul style="list-style-type: none"> Sekačku lze ovládat, pouze pokud obsluha řádně sedí na sedadle.
	<ul style="list-style-type: none"> Spínač sedadla není správně zapojen. 	<ul style="list-style-type: none"> Vyjměte baterii ze sekačky a demontujte sedadlo v opačném pořadí, než je uvedeno v části „MONTÁŽ SEDADLA“ v této příručce a zkontrolujte připojení spínače sedadla. Znovu sestavte sedadlo a podle pokynů v části „SPUŠTĚNÍ ELEKTRICKÉ NEROTAČNÍ SEKAČKY“ znovu spusťte sekačku a zjistěte, zda lze sekačku spustit. V opačném případě se obraťte na kvalifikovaného servisního technika, který provede opravu.
	<ul style="list-style-type: none"> Za extrémně chladného počasí nemusí dojít k úspěšnému spuštění funkce pohonu z důvodu ochrany proti nízké teplotě. 	<ul style="list-style-type: none"> Sekačku a baterii vždy skladujte v teplém prostředí. Po zahřátí sekačku znovu spusťte. Neprovádějte opakované pokusy za extrémně chladného počasí, které by mohlo sekačku poškodit. Doporučená provozní teplota je 0°C – 40°C.
<p>Elektrická nerotační sekačka se zastaví.</p>	<ul style="list-style-type: none"> Řídicí páky vyžadují „reset“. 	<ul style="list-style-type: none"> Vraťte řídicí páky do otevřené polohy a sekačku znovu spusťte.
	<ul style="list-style-type: none"> Došlo k selhání elektrických ovládacích součástí řídicích pák. 	<ul style="list-style-type: none"> Obraťte se na kvalifikovaného servisního technika, který provede opravu.
	<ul style="list-style-type: none"> Spínač sedadla se při jízdě v nerovném terénu odpojil. 	<ul style="list-style-type: none"> Vyjměte baterii ze sekačky a demontujte sedadlo v opačném pořadí, než je uvedeno v části „MONTÁŽ SEDADLA“ v této příručce a zkontrolujte připojení spínače sedadla. Znovu sestavte sedadlo a podle pokynů v části „SPUŠTĚNÍ ELEKTRICKÉ NEROTAČNÍ SEKAČKY“ znovu spusťte sekačku a zjistěte, zda lze sekačku spustit. V opačném případě se obraťte na kvalifikovaného servisního technika, který provede opravu.

PROBLÉM	PŘÍČINA	ŘEŠENÍ
Rychlost jízdy / režim jízdy nelze během jízdy nastavit.	<ul style="list-style-type: none"> Jedná se o funkci elektrické nerotační sekačky pro bezpečnou jízdu. 	<ul style="list-style-type: none"> Funkce se aktivuje pouze tehdy, pokud jsou kola sekačky zastavena a páky řízení jsou otevřené.
<p>Elektrická nerotační sekačka nespustí čepel, když je zapnutý spínač pomocného pohonu.</p>  <p>Bliká symbol spínače pomocného pohonu</p>	<ul style="list-style-type: none"> Kombinovaná kapacita vložených baterií je menší než 15 Ah. 	<ul style="list-style-type: none"> Ke spuštění této sekačky jsou zapotřebí baterie EGO o celkové kapacitě 15 Ah (2 X BA4200/BA4200T) nebo vyšší. Pro dosažení nejlepšího výkonu doporučujeme používat baterie s celkovou kapacitou 30 Ah nebo vyšší.
	<ul style="list-style-type: none"> Spínač pomocného pohonu není při posledním zastavení sekačky stisknutý. 	<ul style="list-style-type: none"> Stiskněte spínač pomocného pohonu směrem dolů a znovu spustte čepel sekačky.
	<ul style="list-style-type: none"> Sekačka je v okamžiku spuštění čepelí přetížena, což má za následek samočinné spuštění ochrany motoru. 	<ul style="list-style-type: none"> Nejprve spustte sekání trávy při nižších rychlostech čepelí a dokud se nože nezačnou úspěšně otáčet, nezvyšujte otáčky čepelí podle potřeby.
	<ul style="list-style-type: none"> Za extrémně chladného počasí nemusí dojít k úspěšnému spuštění motoru čepelí v důsledku ochrany proti nízké teplotě. 	<ul style="list-style-type: none"> Sekačku a baterii vždy skladujte v teplém prostředí. Po zahřátí sekačku znovu spustte. Neprovádějte opakované pokusy za extrémně chladného počasí, které by mohlo sekačku poškodit. Doporučená provozní teplota je 0°C – 40°C.
	<ul style="list-style-type: none"> Čepel zasahuje do deformovaného šasi sekačky. 	<ul style="list-style-type: none"> Obráťte se na kvalifikovaného servisního technika, který provede opravu.

PROBLÉM	PŘÍČINA	ŘEŠENÍ
Během sekání trávy přestanou čepele pracovat.	<ul style="list-style-type: none"> ▪ Sekačka je přetížená. 	<ul style="list-style-type: none"> ▪ Zvyšte výšku sečení nebo snižte rychlost jízdy, čímž snížíte zatížení sekačky.
	<ul style="list-style-type: none"> ▪ Šasi sekačky je zanesené trávou a nečistotami. 	<ul style="list-style-type: none"> ▪ Vyčistěte šasi sekačky a zkontrolujte, zda se mohou čepele volně pohybovat.
	<ul style="list-style-type: none"> ▪ Sekačka je přehřátá. 	<ul style="list-style-type: none"> ▪ Snižte zatížení sekačky zvýšením výšky sečení nebo snížením rychlosti čepelí / pohonu a nechte sekačku vychladnout.
	<ul style="list-style-type: none"> ▪ Akumulátor(y) v prostoru pro akumulátory sekačky je(jsou) přehřátý(é), což má za následek, že kombinovaná hodnota Ah všech vložených akumulátorů je nižší než 15 Ah. 	<ol style="list-style-type: none"> 1. Pokud je kombinovaná kapacita akumulátorů nižší než 15 Ah, sekačka nebude fungovat, dokud do volných částí akumulátoru nevložíte další akumulátory. Jakmile se přehřátá baterie vrátí na normální teplotu, neprodleně se připojí k napájení sekačky.
		<ol style="list-style-type: none"> 2. Při opětovném spuštění provozu snižte zatížení sekačky zvýšením výšky sečení nebo snížením rychlosti sečení.
	<ul style="list-style-type: none"> ▪ Sekačka je v režimu nízkého stavu baterie. 	<ul style="list-style-type: none"> ▪ Pokud je sekačka v režimu nízkého stavu baterie, čepele se automaticky přepnou do nízkých otáček a přestanou sekat. Obsluha by měla přestat pracovat a co nejdříve přejet do prostoru pro nabíjení akumulátoru.
<ul style="list-style-type: none"> ▪ Sekačku zasáhl cizí předmět, což má za následek samočinné spuštění ochrany motoru. 	<ul style="list-style-type: none"> ▪ Stiskněte spínač pomocného pohonu směrem dolů a znovu spusťte čepele sekačky. 	
Sekačka stále vydává zvukový signál (pípání)	<ul style="list-style-type: none"> ▪ Sekačka je v režimu nízkého stavu baterie a nedošlo k vypnutí čepelí. 	<ul style="list-style-type: none"> ▪ Stiskněte spínač pomocného pohonu směrem dolů, čímž se čepele zastaví. Jakmile se lišty zastaví, sekačka přestane pípat.
	<ul style="list-style-type: none"> ▪ Sekačka se zastaví při jízdě na svahu a obsluha otevře řídicí páky a je mimo sedadlo, aniž by nastavila pedál parkovací brzdy do brzděné polohy. 	<ul style="list-style-type: none"> ▪ Před opuštěním sekačky na svahu nastavte pedál parkovací brzdy do brzděné polohy.

PROBLÉM	PŘÍČINA	ŘEŠENÍ
Indikátory baterie svítí i po vypnutí sekačky.	<ul style="list-style-type: none"> ▪ Pokud sekačku vypnete na rovném povrchu, aniž byste ze sekačky vyndali akumulátor(y), kontrolky akumulátoru zůstanou svítit po dobu 3 minut. 	<ul style="list-style-type: none"> ▪ Není zapotřebí žádného úkonu. Kontrolky baterie po určité době zhasnou.
	<ul style="list-style-type: none"> ▪ Pokud sekačku vypnete na svahu, aniž byste nastavili pedál parkovací brzdy do brzděné polohy, kontrolky baterie budou svítit až do vybití baterie. Zároveň bude sekačka vydávat zvukový signál (pípání) 	<ul style="list-style-type: none"> ▪ Než obsluha opustí sekačku na svahu, nastavte pedál parkovací brzdy do brzděné polohy.
LCD displej se nerozsvítí, třebaže jsou všechny symboly zapnuté.	<ul style="list-style-type: none"> ▪ Doba stisku tlačítka start/stop je kratší než 3 sekundy. 	<ul style="list-style-type: none"> ▪ Po krátkém stisknutí tlačítka start/stop se na LCD displeji zobrazí pouze „Stav baterie“. ▪ Displej LCD se zapne po stisknutí tlačítka start/stop po dobu 3 sekund.
Sekačka seká nerovnoměrně, s výrazným výškovým rozdílem vpředu a vzadu.	<ul style="list-style-type: none"> ▪ Nože jsou tupé. 	<ul style="list-style-type: none"> ▪ Žací čepele nabruste nebo vyměňte podle pokynů v této příručce.
	<ul style="list-style-type: none"> ▪ Nože jsou ohnuté. 	<ul style="list-style-type: none"> ▪ Ohnuté žací čepele vyměňte podle pokynů v části „VÝMĚNA ŽACÍCH ČEPELÍ“.
	<ul style="list-style-type: none"> ▪ Šasi sekačky není vyrovnané, což má za následek rozdílnou výšku žací čepele. 	<ul style="list-style-type: none"> ▪ Vyrovnajte šasi sekačky podle pokynů v části „VYROVNÁNÍ ŠASI SEKAČKY“.
Skutečná výška sečení trávy není v souladu s požadovanou výškou.	<ul style="list-style-type: none"> ▪ Matice šasi sekačky na závěsu jsou uvolněné. 	<ul style="list-style-type: none"> ▪ Podle pokynů v části „VYROVNÁNÍ ŠASI SEKAČKY“ proveďte správné nastavení šasi sekačky zepředu dozadu a pevně utáhněte čtyři matice na závěsu (dvě na každé straně).
	<ul style="list-style-type: none"> ▪ Šasi sekačky je poškozené nebo značně opotřebené. 	<ul style="list-style-type: none"> ▪ Při výměně šasi sekačky postupujte podle pokynů v části „DEMONTÁŽ ŠASI SEKAČKY“.
Sekačka špatně mulčuje.	<ul style="list-style-type: none"> ▪ Na spodní straně šasi se usazuje posekaná tráva. 	<ul style="list-style-type: none"> ▪ Před sečením počkejte, dokud tráva neuschne.
	<ul style="list-style-type: none"> ▪ Sekačka je nastavená tak, aby sekala příliš velké množství trávy najednou. 	<ul style="list-style-type: none"> ▪ Zvyšte výšku sečení.

PROBLÉM	PŘÍČINA	ŘEŠENÍ
Sekačka vydává nadměrné vibrace.	▪ Žací nože jsou je uvolněné.	▪ Utáhněte šroub čepele na doporučený utahovací moment 50–55 Nm.
	▪ Nože jsou ohnuté.	▪ Ohnuté žací čepele vyměňte podle pokynů v části „VÝMĚNA ŽACÍCH ČEPELÍ“.
	▪ Šasi sekačky není vyrovnané.	▪ Vyrovnajte šasi sekačky podle pokynů v části „VYROVNÁNÍ ŠASI SEKAČKY“.
	▪ Matice šasi sekačky na závěsu jsou uvolněné.	▪ Pomocí 18 mm otevřeného klíče (není součástí balení) utáhněte čtyři matice závěsu (dvě na každé straně).
	▪ Sekačka je nastavená tak, aby sekala příliš velké množství trávy najednou.	▪ Zvyšte výšku sečení.
Na zemi zůstává po sečení tráva nebo zbytky trávy.	▪ Sekačka je nastavená tak, aby sekala příliš velké množství trávy v případě, že je tráva vysoká.	▪ Začněte s vysokou výškou sečení a snižujte ji, dokud nedosáhnete požadovaného výsledku sečení. Trávu vyšší než 6 palců je třeba sekat dvakrát s postupně nižší výškou sečení.
	▪ Tráva je mokrá.	▪ Nesekejte mokrou trávu, počkejte, až uschne.
	▪ Rychlost jízdy je vysoká.	▪ Snižte rychlost jízdy.
	▪ Rychlost čepelí je nízká.	▪ Otáčky čepelí zvyšujte postupně.
Doba chodu sekačky s dodanou baterií je krátká.	▪ Stav trávy a nastavení výšky sečení výrazně ovlivňují dobu provozu akumulátoru. Udávaná doba provozu je založena na nízkém zatížení.	▪ Zvyšte výšku sečení a snižte rychlost čepelí, čímž snížíte zatížení při sečení.
Sekačka neseče rovně.	▪ Tlak v pneumatikách levého a pravého zadního kola se liší.	▪ Zkontrolujte a upravte tlak vzduchu v obou pneumatikách zadních kol podle doporučení v části „KONTROLA TLAKU V PNEUMATIKÁCH“ v této příručce.
	▪ Rychlosti jízdy levého a pravého zadního kola se liší.	▪ Proveďte kalibraci systém sledování sečení podle pokynů v části „KALIBRACE SYSTÉMU SLEDOVÁNÍ SEČENÍ“.
Pedál parkovací brzdy nelze uvolnit z brzdě polohy nebo se vrací zpět pomalu.	▪ Do pedálu parkovací brzdy se mohly dostat nečistoty.	▪ Otevřete schránku pedálu parkovací brzdy, důkladně ji vyčistěte a opět zavřete. Znovu sešlápněte pedál parkovací brzdy a zjistěte, zda je problém vyřešen. V opačném případě se obraťte na kvalifikovaného servisního technika, který provede opravu.

PROBLÉM	PŘÍČINA	ŘEŠENÍ
Sekačku nelze nabíjet přes nabíjecí port, přičemž indikátor stavu sekačky svítí trvale červeně.	▪ Zástrčka nabíječky není správně zasunuta do nabíjecího portu sekačky.	▪ Znovu připojte zástrčku nabíječky a zkontrolujte, zda lze sekačku normálně nabíjet.
	▪ Zásuvky nejsou pod napětím.	▪ Není zapotřebí žádného úkonu. Počkejte na obnovení napájení.
	▪ Došlo k poruše nabíječky.	▪ obraťte se na kvalifikovaného servisního technika, který provede kontrolu a v případě potřeby nechá nabíječku opravit.
	▪ Port nabíječky na sekačce je vadný.	▪ obraťte se na kvalifikovaného servisního technika, který provede opravu.
Doba nabíjení přes nabíjecí port sekačky je příliš dlouhá.	▪ Použití adaptéru EGO ACA1000 k nabíjení vyžaduje dlouhou dobu.	▪ Pro přímé nabíjení elektrické nerotační sekačky použijte nabíječku EGO CHV1600E.
Akumulátor nelze přes nabíjecí port sekačky plně nabít.	▪ Chyba firmwaru sekačky nebo porucha nabíječky/baterie.	▪ Odpojte nabíječku, vyčkejte alespoň 1 minutu a znovu připojte zástrčku ke zdroji napájení. Pokud ani tento postup nefunguje, obraťte se na kvalifikovaného servisního technika, který provede opravu.
Sekačku nelze po vyčištění spustit.	▪ Nesprávné čištění, např. do elektrických součástí, obrazovky LCD apod. se dostala voda.	▪ Pro řádné čištění sekačky postupujte podle pokynů v části „ČIŠTĚNÍ SEKAČKY“.
Sekačka se snadno ucpává.	▪ Šasi sekačky je zanesené trávou a nečistotami.	▪ Pokud sekačku náhodou zasáhne déšť, nechte ji více než 12 hodin vyschnout nebo ji vysušte stlačeným vzduchem.
		▪ Po každém použití vyčistěte šasi sekačky podle pokynů v části „Čištění šasi sekačky pomocí mycího otvoru“.
Sekačka snadno ztrácí trakci při stoupání do svahu.	▪ Pneumatiky zadních kol jsou opotřebené.	▪ obraťte se na místní servis a vyměňte pneumatiky kol.
	▪ Velký svah pro sečení.	▪ Sklon sečení by měl být menší než 12 stupňů.
Při zastavení sekačky na svahu se sešlápnutým pedálem parkovací brzdy, může sklouznout po svahu dolů.	▪ Součásti brzdy jsou nadměrně opotřebené v důsledku nesprávného provozu sekačky.	▪ obraťte se na kvalifikovaného servisního technika, který provede opravu.
Při mytí šasi nevytéká z mycího otvoru žádná voda.	▪ Na mycím otvoru není namontována rychlospojka.	▪ Znovu nasadte rychlospojku mycího otvoru, dokud po silném zatlačení neuslyšíte jasné cvaknutí. Pokud ani tento postup nefunguje, obraťte se na kvalifikovaného servisního technika, který provede opravu.
Při ručním tlačení sekačky bez nastartování se ozývá neobvyklý zvuk.	▪ Zvuk vychází z magnetů uvnitř hnacího motoru.	▪ Jde o normální jev a není třeba podnikat žádné kroky.

STAV SEKAČKY & KÓDY PORUCHY

LCD displej	Opis	Kód poruchy na LCD displeji	Kontrolka stavu sekačky	Zvukový signál	Příčina	Řešení
	Na displeji LCD se zobrazí symbol LED světel.	Nevztahuje se.	VYP	Ne	Světlomety, boční světla a zadní světla se spouští pomocí spínače LED světel.	Jedná se o normální provoz. Není zapotřebí žádného úkonu.
	Na displeji LCD se zobrazí symbol USB.	Nevztahuje se.	VYP	Ne	Symbol USB svítí, což znamená, že zařízení USB může pracovat po správném spuštění sekačky.	Jedná se o normální provoz. Není zapotřebí žádného úkonu.
	Na displeji LCD se zobrazí symbol stavu baterie.	Nevztahuje se.	VYP	Ne	Udává průměrnou kapacitu nabití vložených baterií.	Jedná se o normální provoz. Není zapotřebí žádného úkonu.
	Na displeji LCD se zobrazí symbol počítadla hodin.	Nevztahuje se.	VYP	Ne	Udává celkovou dobu jízdy sekačky v hodinách a nelze jej vynulovat.	Jedná se o normální provoz. Není zapotřebí žádného úkonu.
	Symbol kontrolky zatížení se zobrazuje v rozsahu ECO.	Nevztahuje se.	VYP	Ne	Udává aktuální zatížení sekačky.	Jedná se o normální provoz. Není zapotřebí žádného úkonu.
	Kontrolka přetížení bliká. Symbol kontrolky zatížení se zobrazuje v rozsahu PWR.	Nevztahuje se.	Bliká červeně	Jedno pípnutí	Motor čepelí je přetížený.	Zvyšte výšku sečení nebo snižte rychlost jízdy, čímž snižíte zatížení sekačky.
	Symbol pro bezpečnostní klíč bliká.	Nevztahuje se.	VYP	Ne	Není vložený bezpečnostní klíč.	Vložte bezpečnostní klíč a poté sekačku spusťte stisknutím tlačítka START/STOP po dobu alespoň 3 sekund.
					LCD obrazovka není napájena.	Opravy světe kvalifikovanému servisnímu technikovi.
	Symbol prázdné přihrádky na baterie bliká.	Nevztahuje se.	VYP	Ne	Kapacita baterie není dostatečná, aby mohla sekačka s pojezdem pracovat.	Ke spuštění této sekačky jsou zapotřebí baterie EGO o celkové kapacitě 15 Ah (2 X BA4200/BA4200T) nebo vyšší. Pro dosažení nejlepšího výkonu doporučujeme používat baterie EGO s celkovou kapacitou 30 Ah nebo vyšší.

CZ

LCD displej	Opis	Kód poruchy na LCD displeji	Kontrolka stavu sekačky	Zvukový signál	Příčina	Řešení
	Symbol teploměru bliká.	Nevztahuje se.	Bliká červeně	Jedno pípnutí	Sekačka je přehřátá.	Snižte zatížení sekačky zvýšením výšky sečení nebo snížením rychlosti čepelí / pohonu. Udělejte přestávku a nechte sekačku vychladnout.
	Symbol přehřátí a přesného obsazení prostoru pro baterii blikají současně.	Nevztahuje se.	Nevztahuje se.	Ne	Akumulátor v příslušné očíslované přihrádce na baterie je přehřátý.	<p>1. Sekačka může pokračovat v práci, pokud je kombinovaná kapacita akumulátoru alespoň 15 Ah bez započtení přehřátého akumulátoru. Jakmile se přehřátá baterie vrátí na normální teplotu, neprodleně se připojí k napájení sekačky.</p> <p>2. Pokud je kombinovaná kapacita akumulátorů nižší než 15 Ah, sekačka nebude fungovat, dokud do volných přihrádek nevložíte další akumulátory.</p> <p>3. Při opětovném spuštění provozu snižte zatížení sekačky zvýšením výšky sečení nebo snížením rychlosti sečení.</p>
	Symbols jednotlivých obsazených přihrádek na baterie, kontrolky nízkého stavu napájení a grafického symbolu stavu baterie blikají na displeji LCD každou 1 sekundu současně. Bliká také první segment LED ukazatele stavu baterie a sekačky.	Nevztahuje se.	Bliká červeně	Pípá, dokud nedojde ke stisknutí spínače pomocného pohonu směrem dolů.	Akumulátory jsou vybité a sekačka je v režimu nízkého stavu baterie.	<p>Přestaňte pracovat a vraťte se do prostoru pro nabíjení akumulátoru.</p> <p>POZNÁMKA: Pokud je sekačka v režimu nízkého stavu baterie, čepel se automaticky přepnou do nízkých otáček a přestanou sekat. Mezitím bude sekačka vydávat zvukový signál (pípání). Obsluha by měla stisknout spínač pomocného pohonu směrem dolů, čímž se čepel zastaví. Jakmile se čepel zastaví, sekačka přestane vydávat zvukový signál (pípání).</p>
	Dvakrát za sekundu bliká symbol každého obsazeného prostoru pro baterii a kontrolka nízkého stavu baterie.	Nevztahuje se.	VYP	Ne	Akumulátory jsou téměř vybité.	Sekačka okamžitě přestane pracovat. Obsluha by měla sekačku převézt do prostoru pro nabíjení akumulátoru, kde se nabije.

LCD displej	Opis	Kód poruchy na LCD displeji	Kontrolka stavu sekačky	Zvukový signál	Příčina	Řešení
	Na LCD displeji bliká symbol automatického parkování.	Nevztahuje se.	VYP	Pípá neustále	Sekačka je zaparkována na svahu a obsluha opustí sekačku bez nastavení brzdového pedálu do brzdné polohy, pouze s pákami řízení v otevřené poloze.	Nastavte brzdový pedál do brzdné polohy. Symbol automatického parkování se vypne a sekačka přestane vydávat zvukový signál (pípání).
	Na displeji LCD se zobrazí symbol pedálu brzd.	Nevztahuje se.	VYP	Ne	Pedál parkovací brzdy je nastaven do brzdné polohy.	Před spuštěním sekačky jej uvolněte.
	Na displeji LCD se zobrazí symbol senzoru sedadla.	Nevztahuje se.	VYP	Ne	Obsluha opustí sedadlo nebo se odpojí spínač sedadla.	Pokud symbol svítí, i když je obsluha na sedadle, okamžitě sekačku zastavte a zkontrolujte připojení sedadla. Pokud se potvrdí, že spojení sedadla se sekačkou je v pořádku, obraťte se na kvalifikovaného servisního technika, který provede opravu.
	Bliká symbol spínače pomocného pohonu.	Nevztahuje se.	VYP	Ne	Došlo k přerušení chodu motoru čepelí za provozu a přepínač pomocného pohonu není nastaven do polohy vypnuto.	Před opětovným spuštěním sekačky stiskněte spínač pomocného pohonu směrem dolů, čímž odpojíte motor čepelí. Viz část „ODSTRANOVÁNÍ ZÁVAD“ v této příručce.
	Bliká symbol úrovně řízení.	Nevztahuje se.	VYP	Ne	Došlo k přerušení chodu hnacího motoru za provozu a řídicí páky nejsou nastaveny do otevřené polohy.	Před opětovným spuštěním sekačky přesuňte řídicí páky do otevřené polohy. Viz část „ODSTRANOVÁNÍ ZÁVAD“ v této příručce.
	Symbol obnovy napájení občas bliká.	Nevztahuje se.	VYP	Ne	Kinetická energie, která vzniká při brzdění nebo jízdě z kopce, se přeměňuje na elektřinu a nabíjí akumulátory.	Jedná se o normální provoz. Není zapotřebí žádného úkonu.

LCD displej	Opis	Kód poruchy na LCD displeji	Kontrolka stavu sekačky	Zvukový signál	Příčina	Řešení	
Viz „Kód poruchy“	Levý hnací motor se neotáčí.	Došlo k selhání levého hnacího motoru řízeného deskou PCBA.	413	VYP	Jeden sygnál dźwiękowy	Porucha bloku PCBA	Opravy svěřte kvalifikovanému servisnímu technikovi.
		Došlo k uvolnění zástrčky (třífázové, napájecí vodič) spojující levý hnací motor s příslušnou deskou PCBA.	317	VYP	Jeden sygnál dźwiękowy	Uvolněné spojení	
		Došlo k uvolnění zástrčky (šestikólikové, signální vodič) spojující levý hnací motor s příslušnou deskou PCBA.	301	VYP	Jeden sygnál dźwiękowy	Uvolněné spojení	
		Levý hnací motor přestal fungovat.	317	VYP	Jeden sygnál dźwiękowy	Porucha motoru	
Viz „Kód poruchy“	Pravý hnací motor se neotáčí.	Došlo k selhání pravého hnacího motoru řízeného deskou PCBA.	313	VYP	Jeden sygnál dźwiękowy	Porucha bloku PCBA	Opravy svěřte kvalifikovanému servisnímu technikovi.
		Došlo k uvolnění zástrčky (třífázové, napájecí vodič) spojující pravý hnací motor s příslušnou deskou PCBA.	417	VYP	Jeden sygnál dźwiękowy	Uvolněné spojení	
		Došlo k uvolnění zástrčky (šestikólikové, signální vodič) spojující pravý hnací motor s příslušnou deskou PCBA.	401	VYP	Jeden sygnál dźwiękowy	Uvolněné spojení	
		Pravý hnací motor přestal fungovat.	417	VYP	Jeden sygnál dźwiękowy	Porucha motoru	

CZ

LCD displej	Opis	Kód poruchy na LCD displeji	Kontrolka stavu sekačky	Zvukový signál	Příčina	Řešení	
Viz „Kód poruchy“	Levý motor čepel se neotáčí.	Došlo k selhání levého motoru čepel řízeného deskou PCBA.	607	Nevztahuje se.	Jeden signál dźwiękowy	Porucha bloku PCBA	Opravy svěřte kvalifikovanému servisnímu technikovi.
		Došlo k uvolnění zástrčky (třífázové, napájecí vodič) spojující levý hnací motor s příslušnou deskou PCBA.	509	Nevztahuje se.	Jeden signál dźwiękowy	Uvolněné spojení	Nejprve zkontrolujte čepel. V případě uvolnění utáhněte šroub 14 mm momentovým klíčem ve směru hodinových ručiček. Doporučená hodnota pro šroub čepel je 50–55 Nm. V opačném případě svěřte opravy kvalifikovanému servisnímu technikovi.
		Levý motor čepel nefunguje.	509	Nevztahuje se.	Jeden signál dźwiękowy	Porucha motoru	Opravy svěřte kvalifikovanému servisnímu technikovi.
Viz „Kód poruchy“	Pravý motor čepel se neotáčí.	Došlo k selhání pravého motoru čepel řízeného deskou PCBA.	507	Nevztahuje se.	Jeden signál dźwiękowy	Porucha bloku PCBA	Opravy svěřte kvalifikovanému servisnímu technikovi.
		Došlo k uvolnění zástrčky (třífázové, napájecí vodič) spojující pravý hnací motor s příslušnou deskou PCBA.	609	Nevztahuje se.	Jeden signál dźwiękowy	Uvolněné spojení	Nejprve zkontrolujte čepel. V případě uvolnění utáhněte šroub 14 mm momentovým klíčem ve směru hodinových ručiček. Doporučená hodnota pro šroub čepel je 50–55 Nm. V opačném případě svěřte opravy kvalifikovanému servisnímu technikovi.
		Pravý motor čepel nefunguje.	609	Nevztahuje se.	Jeden signál dźwiękowy	Porucha motoru	Opravy svěřte kvalifikovanému servisnímu technikovi.
Viz „Kód poruchy“	Došlo k selhání levé řídicí páky.	Došlo k selhání levé řídicí páky, která ovládá desku PCBA.	311 /412	VYP	Jeden signál dźwiękowy	Selhání bloku PCAB	Opravy svěřte kvalifikovanému servisnímu technikovi.
		Došlo k uvolnění zástrčky připojující řídicí desku PCBA, která je umístěna v řídicí tyči.				Uvolněné spojení	
Viz „Kód poruchy“	Došlo k selhání pravé řídicí páky.	Došlo k selhání levé pravé páky, která ovládá desku PCBA.	312 /411	VYP	Jeden signál dźwiękowy	Selhání bloku PCAB	Opravy svěřte kvalifikovanému servisnímu technikovi.
		Došlo k uvolnění zástrčky připojující řídicí desku PCBA, která je umístěna v řídicí tyči.				Uvolněné spojení	

LCD displej	Opis		Kód poruchy na LCD displeji	Kontrolka stavu sekačky	Zvukový signál	Příčina	Řešení
Viz „Kód poruchy“	Došlo k selhání parkovací brzy, se sekačkou nelze jezdit.	Došlo k poškození bloku PCBA parkovací brzdy, který se nachází v sestavě předního rámu.	309 /409	VYP	Jeden sygnál dźwiękowy	Porucha bloku PCBA	Opravy svěřte kvalifikovanému servisnímu technikovi.
		Došlo k přerušení spínače a/nebo vodiče parkovací brzdy.	801	VYP	Jeden sygnál dźwiękowy	Porucha vodiče / spínače	
VYP	Porucha nabíjecího portu		Svítil ČERVENĚ	Świeci na czerwono stałym światłem	Nevztahuje se.	Nabíjecí port je v rozpojeném obvodu.	Opravy svěřte kvalifikovanému servisnímu technikovi.
			Svítil ČERVENĚ	Świeci na czerwono stałym światłem	Nevztahuje se.	Sekačka není napájena.	Zkontrolujte, zda je do zásuvky přivedeno 220–240 V či zda je zásuvka v pořádku.
			Svítil ČERVENĚ	Świeci na czerwono stałym światłem	Nevztahuje se.	Došlo ke spálení pojistky.	Opravy svěřte kvalifikovanému servisnímu technikovi.
Viz „Kód poruchy“	Porucha nabíjecího portu		204	Nevztahuje se.	Jeden sygnál dźwiękowy	Nabíjecí port je v rozpojeném obvodu.	
Viz „Kód poruchy“	Nefunguje sestava akumulátorového boxu.		217	Nevztahuje se.	Jeden sygnál dźwiękowy	Došlo k poškození zdroje napájení ze sestavy akumulátorů. Světlomety LED a USB nefungují.	Opravy svěřte kvalifikovanému servisnímu technikovi.
			310 /410	VYP	Jeden sygnál dźwiękowy	Nefunguje spojení mezi vodiči typu C sestavy akumulátoru a ostatními vodiči typu C sekačky.	
			201 /202 /203	VYP	Jeden sygnál dźwiękowy	Došlo k poškození systému BMS sestavy akumulátoru.	

LCD displej	Opis	Kód poruchy na LCD displeji	Kontrolka stavu sekačky	Zvukový signál	Příčina	Řešení
Viz „Kód poruchy“	Porucha spínače start/stop	314 /414	VYP	Jeden sygnál dźwiękowy	Došlo k poruše spínače PCBA nebo špatnému zapojení vodičů pro spínač start/stop.	Opravy svěžte kvalifikovanému servisnímu technikovi.
Viz „Kód poruchy“	Porucha LCD obrazovky	315 /415	ВІМК-НЕНІЙ	Jeden sygnál dźwiękowy	Došlo k poškození sestavy LCD displeje nebo je špatně připojen vodič sestavy LCD displeje.	Opravy svěžte kvalifikovanému servisnímu technikovi.

ZÁRUKA

ZÁRUKA SPOLEČNOSTI EGO

Úplné záruční podmínky společnosti EGO naleznete na webové stránce egopowerplus.com.

CZ

KEES VAN DER SPEK
TUINMACHINES ★ STOLWIJK

PREČÍTAJTE SI VŠETKY POKYNY!



PREČÍTAJTE SI NÁVOD NA OBSLUHU

⚠ Potenciálne riziká! Ľudia s elektronickými zariadeniami, napríklad kardiostimulátorom, musia používanie tohto výrobku konzultovať so svojím lekárom. Použitie elektrických zariadení v tesnej blízkosti kardiostimulátora by mohlo spôsobiť rušenie alebo zlyhanie kardiostimulátora.

BEZPEČNOSTNÝ SYMBOL

Účelom bezpečnostných symbolov je upozorniť na možné nebezpečenstvá. Venujte príslušnú pozornosť a pochopte bezpečnostné symboly a ich vysvetlenia. Varovné symboly, samy o sebe, nedokážu eliminovať nebezpečenstvo. Pokyny a varovania, ktoré obsahujú, nie sú náhradou za vhodné opatrenia na prevenciu úrazov.

⚠ VAROVANIE: Pred použitím tohto nástroja si prečítajte a pochopte všetky bezpečnostné pokyny v tomto návode na obsluhu, vrátane všetkých bezpečnostných výstražných symbolov, ako sú „**NEBEZPEČENSTVO**“, „**VAROVANIE**“ a „**UPOZORNENIE**“. Nedodržanie nižšie uvedených pokynov môže mať za následok úraz elektrickým prúdom, požiar a/alebo vážne zranenie.

VÝZNAM SYMBOLU

SK Táto strana zobrazuje a popisuje bezpečnostné symboly, ktoré sa objavujú na tomto výrobku. Pred pokusom o zostavenie a prevádzkovanie si prečítajte, pochopte a dodržiavajte všetky pokyny na stroji.

BEZPEČNOSTNÉ SYMBOLY



Bezpečnostné upozornenie



Ochrana očí



NEBEZPEČENSTVO -
Nebezpečenstvo prudkého svahu



Nikdy nenoste deti



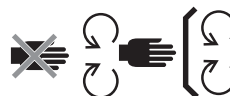
VAROVANIE - Nepoužívajte tento stroj na svahoch so sklonom väčším ako 12°.



VAROVANIE - DRŽTE RUKY A NOHY V BEZPEČNEJ VZDIALENOSTI



Prečítajte si a pochopte návod na obsluhu



Údržba bezpečnostných zariadení



NEBEZPEČENSTVO - Držte okolostojace osoby mimo dosahu čepelí



Pri cúvaní sa pozerajte za seba



NEBEZPEČENSTVO - Vymrštené predmety



Garantovaná hladina akustického výkonu. Emisie hluku do prostredia podľa smernice Európskeho spoločenstva.



Nevstupujte



Tento výrobok je v súlade s platnými smernicami ES



Jednosmerný prúd

kPa

Kilopascal

V

Volt

in

Palec

Nm

Newton meter

°C

Celcius

km/h

Kilometre za hodinu



Odpadové elektrické výrobky sa nesmú likvidovať spolu s domovým odpadom. Odovzdajte do autorizovaného recyklačného strediska.



UPOZORNENIE - Nedívať sa do prevádzkovej žiarovky.



Tento výrobok je v súlade s platnou legislatívou Spojeného kráľovstva.

RPM

Otáčky za minútu

m

Metre

cm

Centimetre

mm

Milimetre

kg

Kilogram

IPX4

Stupeň ochrany pred vniknutím

TECHNICKÉ ÚDAJE

Napätie	56 V	
Veľkosť kosacej jednotky	107 cm	
Veľkosť kolesa	Predok	11 x 4 in (279,4 mm)
	Zadok	18 x 8.5 in (457,2 mm)
Tlak v studených pneumatikách	Predok	220 kPa
	Zadok	50 kPa
Polomer otáčania	0	
Rýchlosť čepele (ot/min)	2400, 2600, 2800, 3000	
Max. Rýchlosť jazdy (km/h)	Vpred	4,8 km/h, 8 km/h, 9,6 km/h, 11,2 km/h (12,8 km/h pre cestovný model)
	Vzad	až 5,6 km/h
Nabíjanie	Nabíjačka (voliteľná)	CHV1600E
	Adaptér (voliteľný)	ACA1000
	Rozsah teplôt nabíjania	5°C - 40°C
Nastavenie výšky kosenia (10 polôh)	25 – 100 mm	
Prevádzková teplota	0°C – 40°C	
Skladovacia teplota	-20°C – 70°C	

Hmotnosť (bez akumulátora)	186 kg	
Nameraná hladina akustického výkonu L_{WA}	96,44 dB(A) K=0,68 dB(A)	
Hladina akustického tlaku na uši obsluhy L_{WA}	84,3 dB(A) K=3,0 dB(A)	
Zaručená úroveň akustického výkonu L_{WA} (medido de acordo com a 2000/14/CE)	100 dB(A)	
Vibração a_h	Ruka	1,221 m/s ² K=1,5 m/s ²
	Telo	0,568 m/s ² K=1,5 m/s ²

- Deklarovaná celková hodnota vibrácií bola meraná v súlade so štandardnou skúšobnou metódou a môže sa použiť na vzájomné porovnanie jednotlivých náradí;
- Uvádzaná celková hodnota vibrácie sa môže použiť aj na predbežný odhad expozície.

POZNÁMKA: Emisia vibrácií pri skutočnom používaní náradia sa môže odlišovať od deklarovanej hodnoty, pri akej sa nástroj používa; za účelom ochrany obsluhy má používateľ v skutočných podmienkach použitia nosiť rukavice a ochranu sluchu.

SK

POPIS

ZOZNÁMTE SA S ELEKTRICKOU KOSAČKOU S NULOVÝM POKOMEROM OTÁČANIA (Obr. A1 a A2)

1. Sedadlo
2. Nabíjací port
3. Priestor pre akumulátor
4. Zadné LED svetlá
5. Úložný priestor
6. Držiaky pohárov
7. Obrysové LED svetlá
8. Zadné koleso (hnacie koleso)
9. Kosacia jednotka
10. Chránič kosacej jednotky
11. Koliesko proti oskalpovaniu
12. Predné koleso
13. Pedál parkovacej brzdy
14. Funkčné svetlá
15. LED svetlomety
16. Bočná výsypka
17. Páka pre nastavenie výšky kosacej jednotky
18. Gombík nastavenia odpruženia sedadla
19. Páka nastavenia sedadla (dopredu a dozadu)
20. Riadiaca páka
21. Indikátor stavu kosačky
22. LCD obrazovka
23. Prepínač PTO
24. Tlačidlo štart/stop
25. Bezpečnostný kľúč
26. Úložný priestor na telefón
27. Ukazovateľ paliva a indikátor stavu kosačky
- 27a. Indikátor ukazovateľa paliva kosačky
- 27b. Indikátor stavu kosačky
28. Priestor opierky na nohy
29. Tlačidlo uvoľnenia krytu napájacej jednotky
30. Kryt napájacej jednotky
31. Tlačidlo uvoľnenia akumulátora
32. Záves
33. Kryt upevnenia prídavného zariadenia
34. Úložný kryt upevnenia prídavného zariadenia
35. USB port

SK

SPOZNAJTE OBRAZOVKU LCD A TLAČIDLÁ (obr. A3)

Ďalšie informácie o ikonách a indikátoroch na obrazovke LCD nájdete v časti „REFERENCIA STAVU KOSAČKY A CHYBOVÝ KÓD“.

1. Ikona bezpečnostného kľúča
2. Ikona LED svetiel
3. Ikona automatického parkovania
4. Ikona USB
5. Indikátor rýchlosti čepele
6. Indikátor stavu bezpečnostného zariadenia
7. Hodiny
8. Ikona akumulátora
9. Ikona prehriatia
10. Režim jazdy
11. Indikátor chybového kódu
12. Indikátor preťaženia
13. Indikátor nízkeho výkonu
14. Indikátor rýchlosti jazdy
15. Indikátor zaťaženia
16. Tlačidlo nastavenia rýchlosti čepele
17. Nastavovacie tlačidlo
18. Tlačidlo režimu jazdy
19. Spínač svetiel LED
20. Tlačidlo nastavenia rýchlosti jazdy
21. Palivomer

ROZBALENIE

POZNÁMKA: Obalový materiál si uschovajte, kým výrobok dôkladne neprekontrolujete a nebudete ho bezpečne ovládať. Ak nie sú na stroji namontované akékoľvek diely zo zoznamu balenia, okamžite kontaktujte servis EGO.

POZNÁMKA: Okrem nástrojov uvedených v zozname nižšie sú všetky ostatné odporúčané nástroje uvedené v príručkách, ale nie sú k dispozícii.

ZOZNAM BALENIA (obr. B1)

B1-1	Elektrická kosačka s nulovým polomerom otáčania	B1-7	Bezpečnostné kľúče
B1-2	Sedadlo	B1-8	Vidlicové kľúče (13 mm)

B1-3	Mulčovacia zástrčka	B1-9	Imbusový kľúč
B1-4	Riadiaca páka	B1-10	Rýchlospojka umývacieho portu
B1-5	Skrutky s vnútorným šesťhranom (2 náhradné)	B1-11	Návod na obsluhu
B1-6	Šesťhranné skrutky (2 náhradné)		

VYBALENIE (obr. B2 - obr. B3)

ODPORÚČANÉ PRÍSLUŠENSTVO

⚠ VAROVANIE: Používajte iba identické náhradné diely uvedené nižšie. Používanie dielov, ktoré nespĺňajú pôvodné technické údaje zariadenia, môže mať za následok nedostatočný výkon a ohrozenie bezpečnosti.

NÁZOV DIELU	ČÍSLO MODELU
Štandardná čepeľ	AB4200
Čepeľ s vysokým zdvihom	AB4201
Mulčovacia zástrčka	AMP4200
Sada na zber trávy	ABK4200-A

MONTÁŽ

INŠTALÁCIA SEDADLA (obr. C1 a C2)

⚠ VAROVANIE: Bezpečnostný blokovací systém sa nesmie odpojiť ani obísť. V opačnom prípade môže kosačka nepredvídateľne fungovať, čo môže viesť k zraneniu osôb.

POZNÁMKA: Kvôli vašej bezpečnosti môže kosačka zastaviť jazdu, pretože sa počas jazdy odpojil spínač sedadla. V takom prípade nájdete ďalšie informácie v časti „RIEŠENIE PROBLÉMOV“.

C1-1	Kábel	C1-5	Skrutky so zápusťou hlavou
C1-2	Zástrčka	C2-1	Háčik
C1-3	Objímka	C2-2	Oceľové koľajnice
C1-4	Závesná základňa	C2-3	Skrutky so zápusťou hlavou

INŠTALÁCIA RIADIACICH PÁK (obr. C3)

C3-1	Riadiace páky	C3-3	Riadiaca páka Montážne otvory
C3-2	Šesťhranné skrutky		

PRIPOJENIE MULČOVACEJ ZÁSTRČKY (obr. C4)

C4-1	Bočná výsypka	C4-3	Pohyblivá pružina
C4-2	Mulčovacia zástrčka		

OBSLUHA

PRED POUŽITÍM KOSAČKY

Kontrola prostredia

- Zaistíte, aby bol pracovný priestor mimo detí, okoloidúcich a domácich zvierat.
- Vyčistíte pracovný priestor od predmetov, ktoré môžu byť vymrštené čepeľou kosačky.
- SKontrolujete a zaistíte, aby boli LED svetlá v správnom stave:

- Svetlomety, obrysovú svetlá a zadné svetlá sa ovládajú vypínačom LED svetiel.
- Počas jazdy vždy svietia svetlá.
- Ak sú zadné svetlá vypnuté pri cúvaní, budú blikať, aby varovali okoloidúcich; ak sú zapnuté zadné svetlá, zostanú zapnuté.
- Všetky svetlá sa automaticky vypnú po viac ako 3 minútach bez prevádzky

Kontrola tlaku v studených pneumatikách (obr. D1)

Kontrola stavu kosačky a úrovne nabitia batérie

- Indikátor palivomera kosačky (obr. A2 - 27a)

Každý segment palivomera kosačky ukazuje 20% nabitie vložených akumulátorov.

POZNÁMKA: Indikátor palivomera kosačky a palivomer na LCD displeji indikujú priemernú kapacitu vložených akumulátorov.

- Indikátor stavu kosačky (obr. A1 a obr. A2 - 27b)

Ak sa indikátor stavu rozsvieti na zeleno, kosačka je pripravená na jazdu. Ak nie, pozrite si časť „REFERENČNÝ A CHYBOVÝ KÓD STAVU KOSAČKY“

Testovanie systému bezpečnostného blokovania (obr. D2 - obr. D8)

POZNÁMKA: Pred skúškou musí byť používateľ na sedadle.

- Pred testovaním (obr. D2 - obr. D4)
- Otestovanie systému kosacej jednotky (obr. D5), potom pomaly vstaňte
- Otestovanie systému pohonu (obr. D6-obr. D8), potom pomaly vstaňte

Ak sa kosacia jednotka a/alebo pohonný systém nezastavia, keď je používateľ mimo sedadla, a ak nie je možné určiť príčinu po potvrdení správneho pripojenia zástrčky a zásuvky sedadla, obráťte sa ihneď na zákaznícke stredisko EGO.

NASTAVENIE (obr. E1 - obr. E13)

Príprava (obr. E1 - obr. E5)

Nastavenie výšky kosacej jednotky (obr. E6)

Nastavenie koliesok proti oskalpovaniu (E7-obr. E10)

E7-1	Koliesko proti oskalpovaniu	E9-2	Kotevná skrutka
E9-1	Matica	E10-1	Štítok výšky kosacej jednotky

Nastavenie sedadla (obr. E11)

Upravte polohu sedadla tak, aby ste sa pred použitím kosačky mohli pevne dotýkať pedála parkovacej brzdy. Vďaka nastaveniu odpruženia sedadla môžete na sedadle dosiahnuť najpohodlnejší zážitok.

E11-1	Páka nastavenia sedadla (dopredu a dozadu)	E11-2	Gombík nastavenia odpruženia sedadla
-------	--	-------	--------------------------------------

Nastavenie parkovacej brzdy (obr. E12 - obr. E13)

E13-1	Zabrzdená poloha	E13-2	Odbrzdená pozícia
-------	------------------	-------	-------------------

NABÍJANIE (obr. F1 - obr. F11)

Na spustenie tejto kosačky sú potrebné akumulátory EGO s celkovou kapacitou 15 Ah (2 x BA4200/BA4200T) alebo viac. Aby ste dosiahli čo najlepší výkon, odporúčame používať akumulátory EGO s celkovou kapacitou 30 Ah alebo viac.

Používajte iba s odporúčanými akumulátormi a nabíjačkami. (Obr. F9 a F10)

Príprava na nabíjanie (obr. F1 - obr. F4)

Samostatné nabíjanie akumulátorov (Obr. F5 - Obr. F9)

F5-1	Tlačidlo uvoľnenia krytu	F7-1	Tlačidlo uvoľnenia akumulátora
------	--------------------------	------	--------------------------------

- Pripojenie akumulátorov (obr. F5 - obr. F6)
- Odpojenie akumulátorov (obr. F7 - obr. F8)

POZNÁMKA: Nabite akumulátory podľa príslušných návodov k akumulátorom a nabíjačke.

Nabíjanie akumulátorov prostredníctvom nabíjacieho portu (Obr. F10)

F10-1	Prachový uzáver	F10-2	Nabíjací port
-------	-----------------	-------	---------------

SPUSTENIE ELEKTRICKEJ KOSAČKY S NULOVÝM POLOMEROM OTÁČANIA (Obr. A4 - Obr. A5 a Obr. G1 - Obr. G6)

VAROVANIE: Vyhnite sa náhlym štartom, zastaveniam a zatáčkam, ako aj nadmernej rýchlosti, najmä keď sa prvýkrát učíte ovládať kosačku. Kosačka sa môže rýchlo otáčať, čo môže spôsobiť, že stratíte kontrolu a spôsobíte vážne zranenie alebo škodu.

VAROVANIE: Pred spustením kosačky skontrolujte a uistite sa, že sú čepele odpojené pri zatlačení spínača PTO nadol. Ak sa čepele nezastavia, kosačku nepoužívajte a ihneď kontaktujte zákaznícky servis EGO.

POZNÁMKA: Podľa obr. A4 a obr. G2 dosiahnete najnižšiu rýchlosť jazdy a **ŠTANDARNDÝ** režim jazdy, až pokiaľ nebudete schopní kosačku ovládať vo všetkých situáciách. Pojazdová rýchlosť a jazdný režim sa aktivujú iba vtedy, ak sú kolesá kosačky zastavené a riadiace páky v otvorenej polohe.


Kosačka uloží a pri reštartovaní zobrazí predchádzajúce nastavenia.

Jazdný režim

- **RIADENIE:** Nižšia akcelerácia, menej citlivé ovládanie a mierna rýchlosť otáčania na ochranu trávy a pre nových používateľov.
- **ŠTANDARD:** Ideálne pre každodenné použitie.
- **ŠPORT:** Vyššia akcelerácia, presná ovládateľnosť a ostré zatáčanie pre maximalizáciu účinnosti kosenia a pre nadšencov kosenia.

Nastavenie rýchlosti jazdy (obr. A4)

Nastavenie rýchlosti čepele (obr. A5)

POZNÁMKA: V režime „TRAVEL“ stlačte tlačidlo „“, rýchlosť jazdy sa vráti do predchádzajúceho režimu.

USB port

POZNÁMKA: USB port poskytuje nabíjaci výkon 5 voltov DC pri kombinovanom odbere 1,5 ampéra a je napájaný iba vtedy, keď sa kosačka zapína.

ZASTAVENIE ELEKTRICKEJ KOŠAČKY S NULOVÝM POLOMEROM OTÁČANIA (Obr. H1 - Obr. H6)

POZNÁMKA: Po viac ako 60 minútach bez prevádzky sa kosačka automaticky vypne.

Režim núdzového chodu

Keď je batéria takmer vybitá, kosačka prejde do režimu núdzového chodu:

- Kosačka automaticky zastaví kosenie trávy;
- Zaznie pípanie;
- Indikátor stavu kosačky bude každú sekundu blikať načerveno, prvý segment palivomera kosačky bude blikať načerveno a začne blikať indikátor nízkeho výkonu a obrázok akumulátora na palivomere.

Používateľ by mal:

- a) Zatlačením spínača PTO nadol (obr. H3) uvoľniť čepele. Keď sa čepele zastaví, pípanie sa vypne;
- b) Prestaňte pracovať a choďte čo najskôr do oblasti pre nabíjanie akumulátorov. Maximálna vzdialenosť, ktorú môže kosačka prejsť, je 1 000 m.

Keď je akumulátor takmer vybitý, ikona každého obsadeného priestoru pre akumulátor a indikátor nízkeho výkonu začnú blikať každú pol sekundu. Kosačka okamžite prestane pracovať. Používateľ by mal kosačku prepraviť do oblasti pre nabíjanie akumulátorov.

Manuálne tlačenie

Ak je potrebné ručné zatlačenie, uistite sa, že sú batérie odpojené od kosačky a pedál parkovacej brzdy je uvoľnený zo zabrzdenej polohy.

RIADENIE ELEKTRICKEJ KOŠAČKY S NULOVÝM POLOMEROM OTÁČANIA (Obr. I1 - Obr. I9)

Ak chcete zastaviť, znížiť alebo zvýšiť rýchlosť, pomaly meňte vzdialenosť riadiacej páky z neutrálu.

⚠ NEBEZPEČENSTVO: Držte sa najmenej dve šírky kosenia (2,14 m) od všetkých priekop, odpadov alebo

vody. Predné kolesá sa môžu otáčať, keď je kosačka zastavená, dokonca aj so zabrzdenu brzdou, a spôsobí, že kosačka prejde cez okraj alebo do vody a spôsobí smrť alebo vážne zranenie osôb.

⚠ VAROVANIE: Pred cúvaním si uvedomte, čo je za kosačkou. NEKOSTE smerom dozadu, pokiaľ to nie je nevyhnutné. Pred a počas cúvania sa vždy pozerajte dole a zozadu, aby ste sa presvedčili, že do oblasti kosenia nevstupujú žiadne deti, okoloidúce alebo domáce zvieratá. Nezabudnite, že aj nepatrný zlomok sekundy stačí na to, aby spôsobil smrť alebo vážne zranenie.

⚠ VAROVANIE: Nepoužívajte tento stroj na verejných komunikáciách.

⚠ VAROVANIE: Ak dôjde k zablokovaniu alebo narazíte na cudzí predmet, zastavte motory a vyberte akumulátory. Odstráňte pokosenú trávu, lístie, nečistoty a všetky ďalšie nahromadené odpady; pred opätovným spustením a používaním kosačky dôkladne skontrolujte, či nie je poškodená, a poškodenie opravte.

ÚDRŽBA

⚠ VAROVANIE: Vždy používajte ochranné okuliare s bočnými štítmami. V opačnom prípade môže dôjsť k vymršteniu predmetov do očí a následnému vážnemu zraneniu.

⚠ VAROVANIE: Pri vykonávaní údržby čepele kosačky vždy používajte pevné rukavice alebo zabaľte reznú hranu do handier alebo iných materiálov, aby ste si chránili ruky. Pri údržbe alebo preprave kosačky vždy vyberte bezpečnostný kľúč a akumulátory.

Interval údržby	Порядок обслуговування
Pred každým použitím alebo denne	<ul style="list-style-type: none"> Skontrolujte bezpečnostný blokovací systém. Vizuálne skontrolujte, či nie je pneumatika prázdna. Skontrolujte čepele, či nie sú opotrebované, prasknuté alebo ohnuté. Skontrolujte celý výrobok, či nemá poškodené, chýbajúce alebo uvoľnené časti, napríklad žľab s bočným vypúšťaním, skrutky, matice, krytky atď., uistite sa, že sú všetky kryty na svojom mieste a správne fungujú. Skontrolujte činnosť brzdy.
Po každom použití	<ul style="list-style-type: none"> Vyčistite kosaciu jednotku
Každých 25 hodín	<ul style="list-style-type: none"> Skontrolujte tlak v pneumatikách.
Každých 50 hodín	<ul style="list-style-type: none"> Skontrolujte stav mazadla vo vnútri čepeľovej príruby .
Každých 100 hodín	<ul style="list-style-type: none"> Skontrolujte zadné kolesá a uistite sa, že sú 4 matice skrutiek utiahnuté odporúčaným krútiacim momentom.
Každých 200 hodín	<ul style="list-style-type: none"> Skontrolujte predné kolesá a zistite či sa voľne otáčajú.
Ročne	<ul style="list-style-type: none"> Skontrolujte pedál parkovacej brzdy. Vyberte akumulátor z kosačky a nastavte parkovací pedál do zabrzdenej polohy. Ručne zatlačte kosačku dopredu, aby ste zistili, či sa s kosačkou dá pohybovať alebo nie. Ak sa pohybuje, nechajte ju opraviť kvalifikovaným servisným technikom.

ČISTENIE SEKAČKY (obr. J1 - obr. J9)

Príprava (obr. J1 - obr. J5)

Čistenie krytu kosačky (obr. J6 - obr. J7)

Použitie umývacieho portu na čistenie kosacej jednotky (Obr. J8 - Obr. J9)

J8-1	Umývací port	J8-3	Záhradná hadica
J8-2	Rýchlospojka umývacieho portu		

POZNÁMKA: Na konci čistenia zatlačte spínač PTO nadol, aby ste odpojili čepele kosačky.

ÚDRŽBA KOSACEJ JEDNOTKY A ČEPELÍ

Príprava (obr. K1 - obr. K6)

Demontáž kosacej jednotky (obr. K7 - obr. K8)

K7-1	Motorový kábel	K7-3	Rameno zavesenia
K7-2	Závlačka		

POZNÁMKA: Pri demontáži kosacej jednotky odpojte káble motora a závlačky na oboch stranách.

Výmena čepeľí (obr. K9 - obr. K11)

K9-1	Stabilizátor	K10-3	Lišta
K10-1	Skrutka	K10-4	Príruba
K10-2	Podložka	K10-5	Hriadeľ motora

Vyrovnanie kosacej jednotky

a. Kedy vyrovnať (obr. K12 - obr. K14)

b. Pred vyrovnaním

- Kontrola tlaku v studených pneumatikách (obr. K15)
- Skontrolujte čepele Podľa potreby vyberte a vymeňte opotrebované, popraskané a/alebo ohnuté čepele.

c. Príprava na vyrovnanie (obr. K16 - obr. K21)

d. Ako vyrovnať

- Nastavenie zo strany na stranu (obr. K22)

Rozdiel medzi vzdialenosťami H1 a H2 meranými od spodného okraja každej čepele k zemi by mal byť maximálne 5 mm.

K22-1	Poistná matica
-------	----------------

- Nastavenie spredu dozadu (obr. K23)

Predný hrot H3 čepele by mal byť o 2 mm až 10 mm nižšie ako zadný hrot H4.

KALIBRÁCIA SYSTÉMU DRŽANIA JAZDNEJ STOPY KOSAČKY

(obr. L1 - obr. L6 a obr. L7 - obr. L12)

POZNÁMKA: Pípanie zaznie raz pri spustení kalibrácie a raz po dokončení kalibrácie.

UVEDENIE KOSAČKY DO PŮVODNÉHO VÝROBNÉHO NASTAVENIA (obr. M1 - obr. M4)

POZNÁMKA: Pípanie zaznie raz pri spustení resetovania a raz po dokončení resetovania.

SKLADOVANIE A DOPRAVA

PREPRAVA KOSAČKY (obr. N1 - obr. N11)

POZNÁMKA: Zabezpečte kosačku podľa potreby pomocou popruhov alebo lán, aby sa zabránilo pohybu počas prepravy. Pri nakladaní alebo vykladaní kosačky neprekračujte maximálny odporúčaný prevádzkový uhol 12° medzi rampou a zemou.

SKLADOVANIE (obr. O1 - obr. O6)

POZNÁMKA: Vyberte akumulátory a uložte ich podľa príslušných návodov.

Pred uskladnením kosačku vyčistite a skontrolujte. Pozrite si časti „ČISTENIE KOSAČKY“ a „ODPORUČENÉ PLÁNY ÚDRŽBY“.

Ochrana životného prostredia





WEEE (Odpad z elektrických a elektronických zariadení) Nevyhadzujte elektrické zariadenia, nabíjačku a použité akumulátory do domového odpadu! Tento výrobok odneste na autorizované recyklačné miesto a poskytnite ho na separovaný zber. Elektrické náradie sa musí odovzdať do príslušného zariadenia na ekologicky šetrnú recykláciu.

KLEES VAN DER SPEK
TUINMACHINES ★ STOLWIJK

SK

ODSTRAŇOVANIE PORÚCH

PROBLÉM	PRÍČINA	RIEŠENIE
<p>Elektrická kosačka s nulovým polomerom otáčania nepracuje, keď sú na začiatku obidve riadiace páky zatlačené dopredu alebo dozadu.</p>  Ikona úrovne riadenia bliká	<ul style="list-style-type: none"> ▪ Kombinovaný výkon Ah vložených akumulátorov je menší ako 15 Ah. 	<ul style="list-style-type: none"> ▪ Na spustenie tejto kosačky sú potrebné akumulátory EGO s celkovou kapacitou 15 Ah (2 x BA4200/BA4200T) alebo viac. Na dosiahnutie najlepšieho výkonu odporúčame používať akumulátory s celkovou kapacitou 30 Ah alebo viac.
	<ul style="list-style-type: none"> ▪ Pedál parkovacej brzdy je nastavený do zabrzdenej polohy. 	<ul style="list-style-type: none"> ▪ Úplne zošliapnite pedál parkovacej brzdy, aby ste ho uvoľnili zo zabrzdenej polohy.
	<ul style="list-style-type: none"> ▪ Riadiace páky nie sú pri štartovaní kosačky v otvorenej polohe. 	<ul style="list-style-type: none"> ▪ Vráťte riadiace páky do otvorenej polohy a reštartujte kosačku.
	<ul style="list-style-type: none"> ▪ Obsluha nesedí na sedadle. 	<ul style="list-style-type: none"> ▪ Kosačku je možné obsluhovať iba vtedy, keď používateľ správne sedí na sedadle.
	<ul style="list-style-type: none"> ▪ Spínač sedadla nie je správne zapojený. 	<ul style="list-style-type: none"> ▪ Vyberte akumulátor z kosačky a demontujte sedadlo v opačnom poradí ako v pokynoch v časti „INŠTALÁCIA SEDAČKY“ v tejto príručke, aby ste skontrolovali zapojenie spínača sedadla. Znova namontujte sedadlo a podľa pokynov v časti „SPUSTENIE ELEKTRICKEJ KOSAČKY S NULOVÝM POLOMEROM OTÁČANIA“ reštartujte kosačku, aby ste zistili, či je možné kosačku naštartovať. Ak nie, požiadajte kvalifikovaného servisného technika o opravu.
	<ul style="list-style-type: none"> ▪ V extrémne chladnom počasí sa funkcia jazdy nemusí úspešne spustiť z dôvodu ochrany pred nízkymi teplotami. 	<ul style="list-style-type: none"> ▪ Kosačku a akumulátor vždy skladujte v teplom prostredí. Keď je kosačka zahriata, reštartujte ju. Nerobte opakované pokusy v extrémne chladnom počasí, ktoré môžu poškodiť stroj. Odporúčaná prevádzková teplota je 0°C - 40°C.
<p>Elektrická kosačka s nulovým polomerom otáčania zastaví jazdu.</p>	<ul style="list-style-type: none"> ▪ Riadiace páky vyžadujú „reset“. 	<ul style="list-style-type: none"> ▪ Vráťte riadiace páky do otvorenej polohy a reštartujte kosačku.
	<ul style="list-style-type: none"> ▪ Zlyhali elektrické ovládacie prvky riadiacich pák. 	<ul style="list-style-type: none"> ▪ Požiadajte kvalifikovaného servisného technika o opravu.
	<ul style="list-style-type: none"> ▪ Počas jazdy v nerovnom teréne bol spínač sedadla odpojený. 	<ul style="list-style-type: none"> ▪ Vyberte akumulátor z kosačky a demontujte sedadlo v opačnom poradí ako v pokynoch v časti „INŠTALÁCIA SEDAČKY“ v tejto príručke, aby ste skontrolovali zapojenie spínača sedadla. Znova namontujte sedadlo a podľa pokynov v časti „SPUSTENIE ELEKTRICKEJ KOSAČKY S NULOVÝM POLOMEROM OTÁČANIA“ reštartujte kosačku, aby ste zistili, či je možné kosačku naštartovať. Ak nie, požiadajte kvalifikovaného servisného technika o opravu.

PROBLÉM	PRÍČINA	RIEŠENIE
Rýchlosť/režim jazdy nie je možné nastaviť počas jazdy.	<ul style="list-style-type: none"> Toto je vlastnosť elektrickej kosačky s nulovým polomerom otáčania pre bezpečnú jazdu. 	<ul style="list-style-type: none"> Funkcia sa aktivuje iba vtedy, ak sú kolesá kosačky zastavené a riadiace páky otvorené.
Elektrická kosačka s nulovým polomerom otáčania nedokáže naštartovať čepele, keď je zapojený spínač PTO.  Ikona prepínača PTO bliká	<ul style="list-style-type: none"> Kombinovaný výkon Ah vložených akumulátorov je menší ako 15 Ah. 	<ul style="list-style-type: none"> Na spustenie tejto kosačky sú potrebné akumulátory EGO s celkovou kapacitou 15 Ah (2 x BA4200/BA4200T) alebo viac. Na dosiahnutie najlepšieho výkonu odporúčame používať akumulátory s celkovou kapacitou 30 Ah alebo viac.
	<ul style="list-style-type: none"> Pri poslednom zastavení kosačky nebol spínač PTO stlačený. 	<ul style="list-style-type: none"> Zatlačte spínač PTO nadol a reštartujte čepele kosačky.
	<ul style="list-style-type: none"> Kosačka je v okamihu naštartovania čepelí preťažená, čo má za následok vlastnú ochranu motora. 	<ul style="list-style-type: none"> Začnite kosenie trávy najskôr pri nižších otáčkach čepelí a pokiaľ sa čepelí dostatočne rýchlo neotáča, nezvyšujte jej rýchlosť.
	<ul style="list-style-type: none"> V extrémne chladnom počasí sa motor čepelí nemusí úspešne spustiť z dôvodu ochrany pred nízkymi teplotami. 	<ul style="list-style-type: none"> Kosačku a akumulátor vždy skladujte v teplom prostredí. Keď je kosačka zahriata, reštartujte ju. Nerobte opakované pokusy v extrémne chladnom počasí, ktoré môžu poškodiť stroj. Odporúčaná prevádzková teplota je 0°C - 40°C.
	<ul style="list-style-type: none"> Čepel zasahuje do zdeformovanej kosacej jednotky. 	<ul style="list-style-type: none"> Požiadajte kvalifikovaného servisného technika o opravu.
Pri kosení trávy čepele prestanú fungovať.	<ul style="list-style-type: none"> Kosačka je preťažená. 	<ul style="list-style-type: none"> Zvýšte výšku kosacej jednotky alebo spomalte rýchlosť jazdy, aby ste znížili zaťaženie kosačky.
	<ul style="list-style-type: none"> Spodná časť kosacej jednotky je upchatá trávou a nečistotami. 	<ul style="list-style-type: none"> Vyčistite kosaciu jednotku a zaistite, aby mali čepele voľný pohyb.
	<ul style="list-style-type: none"> Kosačka je prehriata. 	<ul style="list-style-type: none"> Znížte zaťaženie kosačky zvýšením výšky kosacej jednotky alebo spomalením rýchlosti čepelí a nechajte kosačku vychladnúť.
	<ul style="list-style-type: none"> Akumulátory v priehradke na akumulátory kosačky sú prehriate, čo má za následok, že kombinované hodnotenie Ah všetkých vložených Akumulátorov je pod 15 Ah. 	<ol style="list-style-type: none"> Ak je kombinovaný výkon akumulátora Ah nižší ako 15 Ah, kosačka nebude fungovať, kým do voľných miest pre akumulátor nevložíte viac akumulátorov. Hneď ako sa prehriaty akumulátor vráti na normálnu teplotu, okamžite sa zapojí do napájania kosačky. Pri obnovení prevádzky znížte zaťaženie kosačky zvýšením výšky kosacej jednotky alebo spomalením kosenia.
	<ul style="list-style-type: none"> Kosačka je v režime núdzového chodu. 	<ul style="list-style-type: none"> Keď je kosačka v režime núdzového chodu, čepele sa automaticky prepnú na nízke otáčky bez kosenia trávy. Používateľ by mal čo najskôr prestať pracovať a zísť do oblasti pre nabíjanie akumulátorov.
	<ul style="list-style-type: none"> Kosačka zasiahne cudzí predmet, čo spôsobí vlastnú ochranu motora. 	<ul style="list-style-type: none"> Zatlačte spínač PTO nadol a reštartujte čepele kosačky.

PROBLÉM	PRÍČINA	RIEŠENIE
Pípanie naďalej znie.	<ul style="list-style-type: none"> ▪ Kosačka je v režime núdzového chodu a čepele nie sú vypnuté. 	<ul style="list-style-type: none"> ▪ Zatlačením spínača PTO nadol odpojíte čepele kosacej jednotky. Keď sa čepeľ zastaví, pípanie sa vypne.
	<ul style="list-style-type: none"> ▪ Kosačka zastaví jazdu na svahu a obsluha posunie riadiace páky a je mimo sedadla bez toho, aby pedál parkovacej brzdy nastavila do zabrzdenej polohy. 	<ul style="list-style-type: none"> ▪ Pred opustením kosačky na svahu nastavte pedál parkovacej brzdy do zabrzdenej polohy.
Keď je kosačka vypnutá, indikátory batérie stále svietia.	<ul style="list-style-type: none"> ▪ Keď je kosačka vypnutá na rovnom povrchu bez vybratia akumulátorov z kosačky, indikátory batérie zostanú svietiť 3 minúty. 	<ul style="list-style-type: none"> ▪ Nie je potrebná žiadna akcia. Indikátory akumulátora po určitom čase zhasnú.
	<ul style="list-style-type: none"> ▪ Keď je kosačka vypnutá na svahu bez toho, aby ste pedál parkovacej brzdy nastavili do polohy brzdenia, indikátory batérie budú svietiť, kým sa batéria úplne nevybije. Zároveň bude počuteľné pípanie. 	<ul style="list-style-type: none"> ▪ Predtým, ako používateľ nechá náradie na svahu, nastavte pedál parkovacej brzdy do zabrzdenej polohy.
SK LCD obrazovka sa nerozsvieti so zapnutými všetkými ikonami.	<ul style="list-style-type: none"> ▪ Čas stlačenia tlačidla štart/stop je kratší ako 3 sekundy. 	<ul style="list-style-type: none"> ▪ Na LCD displeji sa zobrazí „Palivomer“ iba vtedy, ak krátko stlačíte tlačidlo štart/stop. ▪ LCD obrazovka sa zapne po 3 sekundách od stlačenia tlačidla štart/stop.
Kosačka kosí nerovnomerne, s výrazným výškovým rozdielom spredu dozadu.	<ul style="list-style-type: none"> ▪ Čepele sú tupé. 	<ul style="list-style-type: none"> ▪ Nabrušte alebo vymeňte čepeľ podľa pokynov v tomto návode.
	<ul style="list-style-type: none"> ▪ Čepele sú ohnuté. 	<ul style="list-style-type: none"> ▪ Zohnutú rezaciu čepeľ vymeňte podľa pokynov v časti „VÝMENA REŽNÝCH ČEPELÍ“.
	<ul style="list-style-type: none"> ▪ Kosacia jednotka nie je vyrovnaná, čo má za následok rôznu výšku rezacej čepele. 	<ul style="list-style-type: none"> ▪ Vyrovnejte kosaciu jednotku podľa pokynov v časti „VYROVNANIE KOSACEJ JEDNOTKY“.
Skutočná výška kosenia trávy nie je v súlade s požadovanou výškou.	<ul style="list-style-type: none"> ▪ Matice kosacej jednotky sú uvoľnené na ramene zavesenia 	<ul style="list-style-type: none"> ▪ Postupujte podľa pokynov v časti „VYROVNANIE KOSACEJ JEDNOTKY“, aby ste správne nastavili prednú a zadnú časť kosacej jednotky a pevne utiahnite štyri matice na ramene zavesenia (dve na každej strane).
	<ul style="list-style-type: none"> ▪ Kosacia jednotka je poškodená alebo vážne opotrebovaná. 	<ul style="list-style-type: none"> ▪ Pri výmene kosacej jednotky postupujte podľa pokynov v časti „DEMONTÁŽ KOSACEJ JEDNOTKY“.

PROBLÉM	PRÍČINA	RIEŠENIE
Kosačka nemulčuje správne.	<ul style="list-style-type: none"> Mokrý odrezky trávy sú prilepené na spodnej časti kosacej jednotky. 	<ul style="list-style-type: none"> Pred kosením nechajte trávu vyschnúť.
	<ul style="list-style-type: none"> Kosačka je nastavená na kosenie príliš veľkého množstva trávy naraz. 	<ul style="list-style-type: none"> Zvýšte výšku kosenia.
Sú prítomné nadmerné vibrácie.	<ul style="list-style-type: none"> Rezacie čepele sú uvoľnené. 	<ul style="list-style-type: none"> Uťahnite skrutku čepele odporúčaným krútiacim momentom 50-55 Nm.
	<ul style="list-style-type: none"> Čepele sú ohnuté. 	<ul style="list-style-type: none"> Zohnutú rezáciu čepel vymeňte podľa pokynov v časti „VÝMENA REZNÝCH ČEPELÍ“.
	<ul style="list-style-type: none"> Kosacia jednotka nie je vyrovnaná. 	<ul style="list-style-type: none"> Vyrovajte kosaciu jednotku podľa pokynov v časti „VYROVNANIE KOSACEJ JEDNOTKY“.
	<ul style="list-style-type: none"> Matice kosacej jednotky sú uvoľnené na ramena zavesenia. 	<ul style="list-style-type: none"> Pomocou 18 mm vidlicového kľúča (nie je súčasťou balenia) utiahnite štyri matice ramena zavesenia (dve na každej strane).
	<ul style="list-style-type: none"> Kosačka je nastavená na kosenie príliš veľkého množstva trávy naraz. 	<ul style="list-style-type: none"> Zvýšte výšku kosenia.
Po kosení zostáva na zemi tráva alebo odpad.	<ul style="list-style-type: none"> Kosačka je nastavená na kosenie príliš veľkého množstva trávy naraz, keď je tráva vysoká. 	<ul style="list-style-type: none"> Začnite s vysokou výškou kosenia a znižujte ju, kým nedosiahnete požadovaný výsledok kosenia. Trávu vysokú viac ako 6 palcov (15 cm) by ste mali kosiť dvakrát, postupne pri nižších výškach kosenia.
	<ul style="list-style-type: none"> Tráva je mokrá. 	<ul style="list-style-type: none"> Nekoste, ak je tráva mokrá. Počkajte, kým tráva nevyschne.
	<ul style="list-style-type: none"> Rýchlosť jazdy je vysoká. 	<ul style="list-style-type: none"> Spomaľte rýchlosť jazdy.
	<ul style="list-style-type: none"> Rýchlosť čepele je nízka. 	<ul style="list-style-type: none"> Postupne zvyšujte rýchlosť čepele.
Krátka doba chodu kosačky s dodaným akumulátorom.	<ul style="list-style-type: none"> Podmienky trávy a nastavenie výšky kosenia výrazne ovplyvnia životnosť akumulátora. Uvádzaný čas chodu vychádza z podmienok mierneho zaťaženia. 	<ul style="list-style-type: none"> Zvýšte výšku kosenia kosačky a spomaľte rýchlosť čepele, aby ste znížili zaťaženie pri kosení.
Kosačka nejazdí priamo.	<ul style="list-style-type: none"> Tlak v pneumatikách pre ľavé a pravé zadné koleso je odlišný. 	<ul style="list-style-type: none"> Skontrolujte a upravte tlak vzduchu v oboch pneumatikách zadných kolies podľa odporúčania v časti „KONTROLA TLAKU PNEUMATÍK“ v tejto príručke.
	<ul style="list-style-type: none"> Rýchlosti jazdy pre ľavé a pravé zadné koleso sú odlišné. 	<ul style="list-style-type: none"> Kalibrujte systém sledovania kosačky podľa pokynov v časti „KALIBRÁCIA SYSTÉMU DRŽANIA JAZDNEJ STOPY KOSAČKY“.

PROBLÉM	PRÍČINA	RIEŠENIE
Pedál parkovacej brzdy nie je možné uvoľniť zo zabrzdenej polohy alebo sa pomaly pohybuje späť.	<ul style="list-style-type: none"> Do pedála parkovacej brzdy sa môžu dostať nečistoty. 	<ul style="list-style-type: none"> Otvorte skriňu pedála parkovacej brzdy, aby ste dôkladne vyčistili schránku vo vnútri a potom ju zatvorte. Resetujte pedál parkovacej brzdy, aby ste zistili, či sa problém vyriešil. Ak nie, požiadajte kvalifikovaného servisného technika o opravu.
Kosačku nemožno nabíjať cez nabíjací port, keď indikátor stavu kosačky svieti na červeno.	<ul style="list-style-type: none"> Zástrčka nabíjačky nie je správne zasunutá do nabíjacieho portu na kosačke. 	<ul style="list-style-type: none"> Znovu zapojte nabíjačku, aby ste zistili, či je možné kosačku normálne nabíjať.
	<ul style="list-style-type: none"> V sieťových zásuvkách nie je napájanie. 	<ul style="list-style-type: none"> Nie je potrebná žiadna akcia. Počkejte, kým sa napájanie obnoví.
	<ul style="list-style-type: none"> Porucha nabíjačky. 	<ul style="list-style-type: none"> Požiadajte kvalifikovaného servisného technika o kontrolu a v prípade potreby nechajte nabíjačku opraviť.
	<ul style="list-style-type: none"> Port nabíjačky na kosačke je poškodený. 	<ul style="list-style-type: none"> Požiadajte kvalifikovaného servisného technika o opravu.
Doba nabíjania cez nabíjací port kosačky je príliš dlhá.	<ul style="list-style-type: none"> Použitie adaptéra EGO ACA1000 na nabíjanie vyžaduje dlhý čas. 	<ul style="list-style-type: none"> Na priame nabíjanie elektrickej kosačky s nulovým polomerom otáčania použite nabíjačku EGO CHV1600E.
SK Akumulátor nie je možné úplne nabiť prostredníctvom nabíjacieho portu kosačky.	<ul style="list-style-type: none"> Chyba firmvéru kosačky alebo porucha nabíjačky/akumulátora. 	<ul style="list-style-type: none"> Odpojte nabíjačku a počkajte viac ako 1 minútu, potom znova zapojte zástrčku do zásuvky. Ak to nefunguje, požiadajte kvalifikovaného servisného technika o opravu.
Po vyčistení kosačku nemožno spustiť.	<ul style="list-style-type: none"> Nesprávne čistenie, napríklad vniknutie vody do elektrických komponentov, obrazovky LCD atď. 	<ul style="list-style-type: none"> Pri správnom čistení kosačky postupujte podľa pokynov v časti „ČISTENIE KOSAČKY“.
Je ľahké upchať kosačku.	<ul style="list-style-type: none"> Spodná časť kosacej jednotky je upchatá trávou a nečistotami. 	<ul style="list-style-type: none"> Ak na kosačku náhodou zaprší, nechajte ju sušiť viac ako 12 hodín alebo ju osušte stlačeným vzduchom.
		<ul style="list-style-type: none"> Po každom použití kosaciu jednotku vyčistite podľa časti „Použitie umývacieho portu na čistenie kosacej jednotky“.
Pri stúpaní na svah kosačka ľahko stráca trakciu.	<ul style="list-style-type: none"> Pneumatiky zadných kolies sú opotrebované. 	<ul style="list-style-type: none"> Pri výmene pneumatík vyhľadajte miestny servis.
	<ul style="list-style-type: none"> Veľký sklon kosenia. 	<ul style="list-style-type: none"> Sklon kosenia má byť menší ako 12 stupňov.
Keď sa kosačka zastaví na svahu so stlačeným pedálom parkovacej brzdy, kosačka sa môže zo svahu sklznúť dole.	<ul style="list-style-type: none"> Brzdové komponenty sú nadmerne opotrebované v dôsledku nesprávnej činnosti kosačky. 	<ul style="list-style-type: none"> žiadajte kvalifikovaného servisného technika o opravu.

PROBLÉM	PRÍČINA	RIEŠENIE
Pri umývaní kosacej jednotky nevychádza voda z umývacieho portu.	<ul style="list-style-type: none">▪ Rýchlospojka umývacieho portu nie je namontovaná na umývacom porte.	<ul style="list-style-type: none">▪ Znovu pripevnite rýchlospojku umývacieho portu, kým nebudete po silnom zatlačení počuť cvaknutie. Ak to nefunguje, požiadajte kvalifikovaného servisného technika o opravu.
Pri ručnom potlačení kosačky bez naštartovania zaznie abnormálny zvuk.	<ul style="list-style-type: none">▪ Zvuk pochádza z magnetov vo vnútri hnacieho motora.	<ul style="list-style-type: none">▪ Je to normálne a nie sú potrebné žiadne opatrenia.

REFERENČNÝ A CHYBOVÝ KÓD STAVU KOSAČKY

LCD displej	Popis	Chybový kód na LCD	Indikátor stavu kosačky	Pípač	Prčina	Riešenie
	Na LCD displeji sa zobrazí ikona LED svetiel	n/a	VYPNUTÉ	Nie	Svetlomety, obrysové svetlá a zadné svetlá sa zapínajú spínačom LED svetiel.	Toto je normálna prevádzka. Nie je potrebná žiadna akcia.
	Na LCD displeji sa zobrazí ikona USB	n/a	VYPNUTÉ	Nie	Ikona USB sa rozsvieti v prípade, že zariadenie USB môže fungovať, ak je kosačka správne spustená.	Toto je normálna prevádzka. Nie je potrebná žiadna akcia.
	Na LCD displeji sa zobrazí ikona palivomeru	n/a	VYPNUTÉ	Nie	Udáva priemernú nabíjajúcu kapacitu vložených akumulátorov	Toto je normálna prevádzka. Nie je potrebná žiadna akcia.
	Na LCD displeji sa zobrazí ikona hodín	n/a	VYPNUTÉ	Nie	Ukazuje celkový čas jazdy kosačky v hodinách a nedá sa resetovať.	Toto je normálna prevádzka. Nie je potrebná žiadna akcia.
	Ikona indikátora zaťaženia sa zobrazuje v rozsahu ECO	n/a	VYPNUTÉ	Nie	Udáva aktuálne zaťaženie kosačky.	Toto je normálna prevádzka. Nie je potrebná žiadna akcia.
	Indikátor preťaženia bliká. Ikona indikátora zaťaženia sa zobrazuje v rozsahu PWR.	n/a	Bliká na červeno	Jedno pípnutie	Motor čepele je preťažený.	Znížte zaťaženie kosačky zvýšením výšky kosenia alebo znížením rýchlosti jazdy.
	Ikona bezpečnostného kľúča bliká.	n/a	VYPNUTÉ	Nie	Bezpečnostný kľúč nie je zasunutý.	Vložte bezpečnostný kľúč a potom stlačte a podržte tlačidlo ŠTART/STOP na viac ako 3 sekundy, aby ste kosačku zapli.
					LCD obrazovka nie je napájaná.	Opravy nechajte vykonať kvalifikovaným servisným technikom.
	Ikona prázdneho priestoru pre akumulátor bliká.	n/a	VYPNUTÉ	Nie	Kapacita akumulátora nepostačuje na to, aby mohla pojazdová kosačka fungovať.	Na spustenie tejto kosačky sú potrebné akumulátory EGO s celkovou kapacitou 15 Ah (2 x BA4200/BA4200T) alebo viac. Na dosiahnutie najlepšieho výkonu odporúčame používať batérie EGO s celkovou kapacitou 30 Ah alebo viac.
	Ikona teplomera bliká.	n/a	Bliká na červeno	Jedno pípnutie	Kosačka je prehriata.	Znížte zaťaženie kosačky zvýšením výšky kosenia alebo spomalením rýchlosti čepele. Urobte si prestávku a nechajte kosačku vychladnúť.

SK

LCD displej	Popis	Chybový kód na LCD	Indikátor stavu kosačky	Pípač	Príčina	Riešenie
	Súčasne bliká ikona prehriatia a presný obsadený priestor pre akumulátor.	n/a	n/a	Nie	Akumulátor v príslušnom očíslovanom priečinku na akumulátory je prehriaty.	<p>1. Kosačka môže pokračovať v práci, ak je kombinovaná kapacita batérie Ah, okrem prehriatej batérie, rovná alebo vyššia ako 15 Ah. Hneď ako sa prehriaty akumulátor vráti na normálnu teplotu, okamžite sa zapojí do napájania kosačky.</p> <p>2. Ak je kombinovaný výkon akumulátora Ah nižší ako 15 Ah, kosačka nebude fungovať, kým do prázdnych priečinkov pre batérie nevložíte viac akumulátorov.</p> <p>3. Pri obnovení prevádzky znížte zaťaženie kosačky zvýšením výšky kosacej jednotky alebo spomalením kosenia.</p>
	Ikony každého obsadeného priestoru pre akumulátor, indikátor nízkeho výkonu, obrázky akumulátora palivomeru blikajú na LCD displeji každú 1 sekundu súčasne. Prvý segment LED palivomeru a stavová kontrolka tiež blikajú.	n/a	Bliká na červeno	Pípanie pokračuje, kým nie je spínač PTO stlačený nadol.	Akumulátory sú takmer vybité a kosačka je v režime núdzového chodu.	<p>Prestaňte pracovať a vráťte sa do oblasti pre nabíjanie akumulátorov.</p> <p>POZNÁMKA: Keď je kosačka v režime núdzového chodu, čepele sa automaticky prepnú na nízke otáčky bez kosenia trávy a medzitým bude znieť pípanie. Používateľ by mal stlačením spínača PTO nadol uvoľniť čepele kosacej jednotky. Pípanie sa vypne po zastavení čepele.</p>
	Ikona každého obsadeného priestoru pre akumulátor a indikátor nízkeho výkonu blikajú každú pol sekundu.	n/a	VYPNUTÉ	Nie	Akumulátory sú takmer vybité	Kosačka okamžite prestane pracovať. Používateľ by mal kosačku prepraviť do oblasti pre nabíjanie akumulátorov.
	Na LCD displeji bliká ikona automatického parkovania.	n/a	VYPNUTÉ	Pípanie pokračuje	Kosačka je zaparkovaná na svahu a obsluha opúšťa kosačku bez toho, aby nastavila brzdový pedál do zabrzdenej polohy a s riadiacimi pákami v otvorenej polohe.	Nastavte brzdový pedál do zabrzdenej polohy. Ikona automatického parkovania zhasne a pípanie sa vypne.
	Na LCD displeji sa zobrazí ikona brzdového pedála.	n/a	VYPNUTÉ	Nie	Pedál parkovacej brzdy je nastavený do zabrzdenej polohy.	Pred štartovaním kosačky ju uvoľnite.

LCD displej	Popis	Chybový kód na LCD	Indikátor stavu kosačky	Pípač	Príčina	Riešenie	
	Na senzore LCD sa zobrazí ikona senzora sedadla.	n/a	VYPNUTÉ	Nie	Operátor opustí sedadlo alebo je spínač sedadla odpojený.	Ak je používateľ sediaci na sedadle, ikona svieti, okamžite prestaňte kosačku používať a skontrolujte pripojenie sedadla. Ak je spojenie sedadla s kosačkou potvrdené správne, požiadajte kvalifikovaného servisného technika o opravu.	
	Ikona prepínača PTO bliká.	n/a	VYPNUTÉ	Nie	Motor čepele bol prerušený a spínač PTO nie je nastavený do vypnutej polohy.	Pred opätovným spustením kosačky zatlačte spínač PTO nadol, aby sa odpojil motor kosacej jednotky. Referenčné informácie nájdete v časti „ RIEŠENIE PROBLÉMOV “ v tejto príručke.	
	Ikona riadiacej páky bliká.	n/a	VYPNUTÉ	Nie	Hnací motor bol zastavený a riadiace páky nie sú nastavené do otvorenej polohy.	Pred opätovným spustením kosačky presuňte riadiace páky do otvorenej polohy. Referenčné informácie nájdete v časti „ RIEŠENIE PROBLÉMOV “ v tejto príručke.	
	Ikona obnovy energie občas bliká.	n/a	VYPNUTÉ	Nie	Kinetická energia generovaná pri brzdení alebo jazde z kopca sa premieňa na elektrickú energiu na nabíjanie akumulátorov.	Toto je normálna prevádzka. Nie je potrebná žiadna akcia.	
Pozrite si „ Chybový kód “	Ľavý hnací motor zlyhá pri otáčaní.	Ľavý hnací motor ovládaný PCBA zlyhá.	413	VYPNUTÉ	Jedno pípnutie	Porucha PCBA	Opravy nechajte vykonať kvalifikovaným servisným technikom.
		Zástrčka (trojfázová, napájací vodič) spájajúca ľavý hnací motor s príslušnou PCBA je uvoľnená.	317	VYPNUTÉ	Jedno pípnutie	Uvoľnené spojenie	
		Zástrčka (šesť kolíkov, signálny vodič) spájajúca ľavý hnací motor s príslušnou doskou PCBA je uvoľnená.	301	VYPNUTÉ	Jedno pípnutie	Uvoľnené spojenie	
		Motor ľavého pohonu zlyhá.	317	VYPNUTÉ	Jedno pípnutie	Porucha motora	

LCD displej	Popis	Chybový kód na LCD	Indikátor stavu kosačky	Pípač	Príčina	Riešenie	
Pozrite si „Chybový kód“	Pravý hnací motor zlyhá pri otáčaní.	Porucha pravého hnacieho motora ovládaného PCBA.	313	VYPNUTÉ	Jedno pípnutie	Porucha PCBA	Opravy nechajte vykonať kvalifikovaným servisným technikom.
		Zástrčka (trojfázová, napájací vodič) spájajúca pravý hnací motor s príslušnou doskou PCBA je uvoľnená.	417	VYPNUTÉ	Jedno pípnutie	Uvoľnené spojenie	
		Zástrčka (šesť kolíkov, signálny vodič) spájajúca pravý hnací motor s príslušnou doskou PCBA je uvoľnená.	401	VYPNUTÉ	Jedno pípnutie	Uvoľnené spojenie	
		Pravý motor zlyhal.	417	VYPNUTÉ	Jedno pípnutie	Porucha motora	
Pozrite si „Chybový kód“	Motor ľavej čepele zlyhal pri otáčaní.	Porucha motora ľavej čepele riadeného PCBA.	607	n/a	Jedno pípnutie	Porucha PCBA	Opravy nechajte vykonať kvalifikovaným servisným technikom.
		Zástrčka (trojfázová, napájací vodič) spájajúca ľavý hnací motor s príslušnou PCBA je uvoľnená.	509	n/a	Jedno pípnutie	Uvoľnené spojenie	Najprv skontrolujte čepeľ. Ak je uvoľnený, dotiahnite skrutku 14 mm momentovým kľúčom v smere hodinových ručičiek. Odporúčaná ťahovacia moment skrutky pre čepeľ je 50-55 Nm. V opačnom prípade nechajte opravu vykonať kvalifikovaným servisným technikom.
		Motor ľavej čepele zlyhal	509	n/a	Jedno pípnutie	Porucha motora	

LCD displej	Popis	Chybový kód na LCD	Indikátor stavu kosačky	Pípač	Príčina	Riešenie	
Pozrite si „Chybový kód“	Motor pravej čepele zlyhal pri otáčaní.	Porucha motora pravej čepele ovládaného PCBA.	507	n/a	Jedno pípnutie	Porucha PCBA	Opravy nechajte vykonať kvalifikovaným servisným technikom.
		Zástrčka (trojfázová, napájací vodič) spájajúca pravý hnací motor s príslušnou doskou PCBA je uvoľnená.	609	n/a	Jedno pípnutie	Uvoľnené spojenie	Najprv skontrolujte čepeľ. Ak je uvoľnená, utiahnite skrutku 14 mm momentovým kľúčom v smere hodinových ručičiek. Odporúčaná uťahovací moment skrutky pre čepeľ je 50-55 Nm. V opačnom prípade nechajte opravu vykonať kvalifikovaným servisným technikom.
		Motor pravej čepele zlyhal	609	n/a	Jedno pípnutie	Porucha motora	
Pozrite si „Chybový kód“	Ľavá riadiaca páka zlyhala.	Riadiaca páka ovládajúca PCBA zlyhala.	311 /412	VYPNUTÉ	Jedno pípnutie	Porucha PCAB	Opravy nechajte vykonať kvalifikovaným servisným technikom.
		Zástrčka spájajúca riadiacu dosku PCBA umiestnenú na riadidlách je uvoľnená.				Uvoľnené spojenie	
Pozrite si „Chybový kód“	Pravá riadiaca páka zlyhala.	Pravá riadiaca páka riadenia ovládajúca PCBA zlyhala.	312 /411	VYPNUTÉ	Jedno pípnutie	Porucha PCAB	Opravy nechajte vykonať kvalifikovaným servisným technikom.
		Zástrčka spájajúca riadiacu dosku PCBA umiestnenú na riadidlách je uvoľnená.				Uvoľnené spojenie	
Pozrite si „Chybový kód“	Parkovacia brzda zlyhala, s nástrojom sa nedá pracovať.	Parkovacia brzda PCBA, ktorá je v zostave predného rámu, je pokazená.	309 /409	VYPNUTÉ	Jedno pípnutie	Porucha PCBA	Have repairs performed by a qualified service technician.
		Spínač parkovacej brzdy a/ alebo kábel je poškodený.	801	VYPNUTÉ	Jedno pípnutie	Porucha kábla/ spínača	

LCD displej	Popis	Chybový kód na LCD	Indikátor stavu kosačky	Pípač	Príčina	Riešenie
VYPNUTÉ	Porucha nabíjacieho portu	n/a	svietiaci ČERVENÁ	n/a	Nabíjací port je v otvorenom obvode.	Opravy nechajte vykonať kvalifikovaným servisným technikom.
		n/a	svietiaci ČERVENÁ	n/a	Neexistuje žiadne napájanie.	Skontrolujte, či je elektrická zásuvka 220 V - 240 V alebo je zásuvka dobrá.
		n/a	svietiaci ČERVENÁ	n/a	Poistka je spálená.	Opravy nechajte vykonať kvalifikovaným servisným technikom.
Pozrite si „Chybový kód“	Porucha nabíjacieho portu	204	n/a	Jedno pípnutie	Nabíjací port je v otvorenom obvode.	
Pozrite si „Chybový kód“	Zostava akumulátorovej skrinky nefunguje	217	n/a	Jedno pípnutie	Zdroj energie zo zostavy akumulátorovej skrinky je poškodený. LED svetlomety a USB nebudú fungovať.	Opravy nechajte vykonať kvalifikovaným servisným technikom.
		310 /410	VYPNUTÉ	Jedno pípnutie	Spojenie medzi káblami typu C zostavy akumulátorovej skrinky a inými káblami typu C kosačky nefunguje.	
		201 /202 /203	VYPNUTÉ	Jedno pípnutie	BMS zostavy akumulátorovej skrinky je poškodený.	
Pozrite si „Chybový kód“	Porucha spínača štart/stop	314 /414	VYPNUTÉ	Jedno pípnutie	Prepínač PCBA zlyhal alebo je zlé pripojenie vodiča pre spínač Štart/Stop.	Opravy nechajte vykonať kvalifikovaným servisným technikom.
Pozrite si „Chybový kód“	Porucha LCD obrazovky	315 /415	VYPNUTÉ	Jedno pípnutie	Zostava LCD je poškodená alebo je nesprávne pripojená zostava LCD.	Opravy nechajte vykonať kvalifikovaným servisným technikom.

SK

ZÁRUKA

ZÁRUČNÁ POLITIKA EGO

Navštívte webové stránky egopowerplus.com pre úplné podmienky záručnej politiky spoločnosti EGO.

OLVASSA EL AZ ÖSSZES UTASÍTÁST!



OLVASSA EL A HASZNÁLATI ÚTMUTATÓT

⚠ Maradék kockázat! Az elektronikus készülékekkel, például pacemakerrel élő emberek a termék használata előtt kérjék ki az orvos véleményét. Az elektromos felszerelésnek a pacemakerhez közel való működtetése interferenciát vagy meghibásodást okozhat a pacemakerben.

BIZTONSÁGI SZIMBÓLUM

A biztonsági szimbólumok célja, hogy felhívják a figyelmet az esetleges veszélyekre. Nagyon figyeljen a biztonsági szimbólumokra és magyarázatokra, ill. ezek megértésére. A szimbólumok figyelmeztetési önmagukban nem hártják el a veszélyeket. Az utasítások és figyelmeztetések nem helyettesítik a megfelelő baleset-megelőző intézkedéseket.

⚠ FIGYELMEZTETÉS: A szerszám használata előtt feltétlenül olvassa el és értse meg a jelen kezelési útmutatóban található valamennyi biztonsági utasítást, valamint a **“VESZÉLY”**, **“FIGYELMEZTETÉS”**, és **“FIGYELEM”** biztonsági figyelmeztető szimbólumokat is. Az alább felsorolt utasítások be nem tartása áramütést, tűzveszélyt és/vagy súlyos személyi sérülést idézhet elő.

SZIMBÓLUM JELENTÉSE

Ezen az oldalon olyan biztonsági szimbólumok láthatók és olvashatók, amelyek megjelenhetnek a terméken. Az összeszerelés vagy működtetés előtt olvassa el, értse meg és tartsa be a gép minden utasítását.

HU

BIZTONSÁGI SZIMBÓLUMOK



Biztonsági figyelmeztetés



Szemvédő



VESZÉLY – Meredek lejtő veszélye



Soha ne vigyen gyerekeket



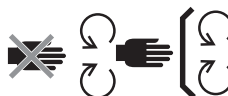
FIGYELMEZTETÉS - Ne használja ezt a gépet 12°-nál nagyobb lejtésű rézsún.



FIGYELMEZTETÉS - A KEZÉT ÉS LÁBÁT TARTSA TÁVOL



Olvassa el és értelmezze a használati útmutatót



Tartsa karban a biztonsági eszközöket



VESZÉLY – Tartsa távol a nézelődőket a pengéktől



Figyeljen maga mögé, amikor hátrafelé lép



VESZÉLY - Repülő tárgyak



Garantált hangteljesítményszint. Az Európai Közösség irányelve szerint.



Ne lépjen rá



A termék megfelel az érvényes EK irányelveknek



Egyenáram

kPa

Kilopascal

V

Volt

in

Inch

Nm

Newton méter

°C

Celsius

km/h

Kilométer / óra



Az elhasznált elektromos termékek nem helyezhetők a háztartási hulladékok közé. Vigye hivatalos újrahasznosító telephelyre.



FIGYELEM - Ne nézzen bele a lámpába, ha világít.



A termék megfelel az Egyesült Királyság vonatkozó jogszabályainak.

RPM

Fordulat / perc

m

Méter

cm

Centiméter

mm

Milliméter

kg

Kilogramm

IPX4

Külső behatásokkal szembeni védelem

JELLEMZŐK

Feszültség	56 V	
Burkolat mérete	107 cm	
Kerék méret	Első	11 x 4 coll (279,4 mm)
	Hátsó	18 x 8,5 coll (457,2 mm)
Hideg abroncsnyomás	Első	220 kPa
	Hátsó	50 kPa
Fordulókör	0	
Kés sebesség (RPM)	2400, 2600, 2800, 3000	
Max. Haladási sebesség (km/h)	Előre	4.8 km/h, 8 km/h, 9.6 km/h, 11.2 km/h (12.8 km/h utazási módban)
	Hátra	max. 5.6 km/h
Töltés	Töltő (opcionális)	CHV1600E
	Adapter (opcionális)	ACA1000
	Töltési hőmérséklet tartomány	5°C - 40°C
Vágásmagasság beállítás (10 pozíció)	25 – 100 mm	
Működési hőmérséklet	0°C- 40°C	

Tárolási hőmérséklet	-20°C - 70°C	
Súly (akkumulátoregység nélkül)	186 kg	
Mért hangteljesítményszint L_{WA}	96,44 dB(A) K=0,68 dB(A)	
Hangnyomásszint a kezelő fülénél L_{PA}	84,3 dB(A) K=3,0 dB(A)	
Garantált hangteljesítményszint L_{WA} (a 2000/14/EK szerint mérve)	100 dB(A)	
Vibráció a_h	Kéz	1,221 m/s ² K=1,5 m/s ²
	Test	0,568 m/s ² K=1,5 m/s ²

- A névleges rezgési összérték mérése standard vizsgálati módszerrel történt, és használatával a szerszámok egymással összehasonlíthatók;
- A névleges rezgési összérték a kockázat előzetes felméréséhez is felhasználható.

MEGJEGYZÉS: A rezgés-kibocsátás az elektromos szerszám aktuális használata közben eltérhet attól a névleges értéktől, amellyel a szerszámot használják: a kezelő védelme érdekében a használónak kesztyűt és hallásvédőt kell használnia működtetés közben.

LEÍRÁS

ISMERJE MEG AZ ELEKTROMOS ZERO TURN FÜNYÍRÓT (A1 és A2 ábra)

1. Ülés
2. Töltő csatlakozó
3. Akkumulátor tartó
4. LED hátsó lámpa
5. Tárolódoboz
6. Kupaktartók
7. LED oldallámpák
8. Hátsó kerék (hajtó kerék)
9. Burkolat
10. Burkolatvédő
11. Támasztó kerék
12. Elülső kerék
13. Parkoló fékpedál
14. Menetfény
15. LED fényszórók
16. Oldalsó fűgyűjtő rekesz
17. Burkolatmagasság-beállító kar
18. Ülésfelfüggesztés-beállító fogantyú
19. Ülés előre-hátra állító kar
20. Kormánykar
21. Fűnyíró állapotjelző
22. LCD kijelző
23. PTO kapcsoló
24. Start/stop gomb
25. Biztonsági kulcs
26. Telefon tárolódoboz
27. Fűnyíró üzemanyagmérő és állapotjelző
- 27a. Fűnyíró üzemanyagmérő jelző
- 27b. Fűnyíró állapotjelző
28. Lábtartó rész
29. Hajtóműburkolat-kioldó gomb
30. Hajtóműburkolat
31. Akkumulátorkioldó gomb
32. Vonó
33. Tartozékszerelő burkolat
34. Tartozékszerelő burkolat tároló
35. USB port

AZ LCD KIJELEZŐ ÉS A GOMBOK MEGISMERÉSE (A3 ábra)

Olvassa el a „FÜNYÍRÓ ÁLLAPOT REFERENCIA- ÉS HIBAKÓD” részt az LCD-képernyőn megjelenő ikonokkal és jelzésekkel kapcsolatos további információkért.

1. Biztonsági kulcs ikon
2. LED világítás ikon
3. Automatikus parkolás ikon
4. USB ikon
5. Késsebesség jelző
6. Biztonsági eszköz állapotjelző
7. Üzemóra számláló
8. Akkumulátor ikon
9. Túlmelegedés ikon
10. Vezetési mód
11. Hibakód jelző
12. Túlterhelés jelző
13. Alacsony teljesítmény jelző
14. Vezetési sebességjelző
15. Terhelés jelző
16. Kés sebesség beállító gomb
17. Beállító gomb
18. Vezetési mód gomb
19. LED világításkapcsoló
20. Vezetési sebesség beállító gomb
21. Üzemanyagmérő

KICSOMAGOLÁS

MEGJEGYZÉS: Ne dobja el a csomagolóanyagot addig, amíg gondosan meg nem vizsgálta a készüléket és a működésével nem volt elégedett. Ha a csomag tartalmának listáján felsorolt bármely alkatrész a gépre van szerelve, kérjük, azonnal forduljon az EGO szervizhez.

MEGJEGYZÉS: Az alábbi listán szereplő eszközökön kívül a kézikönyvben említett minden egyéb eszköz csupán ajánlott, de nem képezi a csomag tartalmát.

A CSOMAG TARTALMA (B1 ábra)

B1-1	Elektromos „Zero-Turn” fűnyíró	B1-7	Biztonsági kulcsok
B1-2	Ülés	B1-8	Villáskulcsok (13 mm)

B1-3	Mulcsozó csatlakozó	B1-9	Imbuszkulcs
B1-4	Kormánykar	B1-10	Mosó gyorscsatlakozó
B1-5	Imbuszfejű csavarok (2 tartalék)	B1-11	Használati útmutató
B1-6	Hatlapfejű csavarok (2 tartalék)		

KICSOMAGOLÁS (B2 ábra – B3 ábra)

JAVASOLT TARTOZÉKOK

▲ FIGYELMEZTETÉS: Csak az alább felsorolt pótalkatrészekkel azonos alkatrészeket használjon. Az olyan alkatrészeket használata, amelyek nem felelnek meg az eredeti felszerelés műszaki adatainak, nem megfelelő teljesítményt eredményeznek, és befolyásolják a biztonságot.

ALKATRÉSZ NEVE

ALKATRÉSZ NEVE	MODELLSZÁM
Standard kés	AB4200
magas késemelő	AB4201
Mulcsozó csatlakozó	AMP4200
Fűgyűjtő készlet	ABK4200-A

ÖSSZESZERELÉS

AZ ÜLÉS FELSZERELÉSE (C1 és C2 ábra)

▲ FIGYELMEZTETÉS: A biztonsági reteszelőrendszert tilos leválasztani vagy megkerülni. Ez a fűnyíró váratlan működését okozhatja, ami személyes sérüléshez vezethet.

MEGJEGYZÉS: Az Ön biztonsága érdekében előfordulhat, hogy a fűnyíró leáll, ha az üléskapcsolót vezetés közben leválasztják. Ebben az esetben további információkért olvassa el a „**HIBAELHÁRÍTÁS**” című részt.

C1-1	Kábel	C1-5	Imbuszfejű csavarok
C1-2	Dugó	C2-1	Kampó
C1-3	Aljzat	C2-2	Acélsínek
C1-4	Felfüggesztési alap	C2-3	Imbuszfejű csavarok

A KORMÁNYKAROK FELSZERELÉSE (C3 ábra)

C3-1	Kormánykarok	C3-3	Kormánykar szerelési nyílások
C3-2	Hatlapfejű csavarok		

A MULCSOZÓ CSATLAKOZÓ RÖGZÍTÉSE (C4 ábra)

C4-1	Oldalsó fűgyűjtő rekesz	C4-3	Mozgatható rugó
C4-2	Mulcsozó csatlakozó		

HASZNÁLAT

A FŰNYÍRÓ HASZNÁLATA ELŐTT

A környezet ellenőrzése

- Ügyeljen arra, hogy a munkaterületen ne legyenek gyermekek, nézelődők és állatok.
- Tisztítsa meg a munkaterületet azoktól a tárgyaktól, amelyeket a fűnyíró kései elszoríhatnak.
- Ellenőrizze, és bizonyosodjon meg róla, hogy a LED lámpák megfelelő állapotban vannak:
 - A fényszórókat, illetve oldalsó és hátsó lámpákat a LED világításkapcsoló vezérli.
 - A menetfény vezetés közben mindig világít.
 - Ha a hátsó lámpák nem égnek, akkor tolatáskor villogni kezdenek, figyelmeztetve a közelben tartózkodó személyeket; ha a hátsó világítás fel van kapcsolva, akkor pedig továbbra is világítani fog.
 - Mindegyik lámpa automatikusan lekapcsol, ha több mint 3 perc telik el működtetés nélkül.

A hideg abroncsnyomás ellenőrzése (D1 ábra)

A fűnyíró állapotának és az akkumulátor töltöttségi szintjének ellenőrzése

- Fűnyíró üzemanyagmérő jelző (A2–27a ábra)
A fűnyíró üzemanyagmérő jelző minden része 20% töltöttséget jelez a beillesztett akkumulátoregységekre.

MEGJEGYZÉS: A fűnyíró üzemanyagmérő jelző és az üzemanyagmérő a beillesztett akkumulátoregységek átlagos kapacitását jeleníti meg az LCD kijelzőn.

- Fűnyíró állapotjelző (A1 ábra és A2 ábra - 27b)

Ha az állapotjelző zölden világít, akkor a fűnyíró vezetésre készen áll. Ha nem, kérjük, olvassa el a „FŰNYÍRÓ ÁLLAPOT REFERENCIA- ÉS HIBAKÓD” című részt

A biztonsági reteszelőrendszer tesztelése (D2–D8 ábra)

MEGJEGYZÉS: A tesztelés előtt a kezelőnek helyet kell foglalnia az ülésen.

- Tesztelés előtt (D2 ábra – D4 ábra)
- A burkolat-kés rendszer teszteléséhez (D5 ábra), majd lassan álljon fel
- A vezetőrendszer teszteléséhez (D6–D8 ábra), majd lassan álljon fel

Ha a burkolat-kés rendszer és/vagy a vezetőrendszer nem áll le, amikor a kezelő leszáll az ülésről, és ha ennek az okát nem találják azután, hogy ellenőrzik az ülés csatlakozója és alzata közötti csatlakozást, akkor haladéktalanul forduljon az EGO ügyfélszolgálatához.

BEÁLLÍTÁS (E1 ábra – E13 ábra)

Előkészítés (E1 ábra – E5 ábra)

A vágási burkolatmagasság beállítása (E6 ábra)

HU A támasztó kerekek beállítása (E7–E10 ábra)

E7-1	Támasztó kerék	E9-2	Rögzítő csavar
E9-1	Anyá	E10-1	Burkolatmagasság címke

Az ülés beállítása (E11 ábra)

A fűnyíró használata előtt állítsa be az ülés magasságát úgy, hogy határozottan le tudja nyomni a fékpedált. Az ülés felfüggesztésének beállításával érheti el a legkényelmesebb üléspozíciót.

E11-1	Ülés előre-hátra állító kar	E11-2	Ülésfelfüggesztés-beállító fogantyú
-------	-----------------------------	-------	-------------------------------------

A parkoló fék beállítása (E12 ábra – E13 ábra)

E13-1	Fékezési pozíció	E13-2	Kioldott pozíció
-------	------------------	-------	------------------

TÖLTÉS (F1 ábra – F11 ábra)

A fűnyíró beindításához összesen 15 Ah (2 X BA4200/BA4200T) vagy annál nagyobb teljesítményű akkumulátorokra van szükség. A legjobb teljesítmény eléréséhez javasoljuk a 30 Ah vagy annál erősebb EGO akkumulátorok használatát.

Kizárólag az ajánlott akkumulátoregységeket és töltőket használja. (F9 és F10 ábra)

A töltés előkészítése (F1 ábra – F4 ábra)

Az akkumulátoregység(ek) töltése (F5 ábra – F9 ábra)

F5-1	Burkolat kioldógomb	F7-1	Akkumulátor kioldógomb
------	---------------------	------	------------------------

- Az akkumulátoregység(ek) berakása (F5 ábra – F6 ábra)
- Az akkumulátoregység(ek) kivétele (F7 ábra – F8 ábra)

MEGJEGYZÉS: Töltse fel az akkumulátoregysége(ke)t az adott akkumulátor és töltő kézikönyvei alapján.

Az akkumulátoregység töltése a töltő csatlakozón keresztül (F10 ábra)

F10-1	Porvédő kupak	F10-2	Töltő csatlakozó
-------	---------------	-------	------------------

AZ ELEKTROMOS ZERO-TURN FŰNYÍRÓ ELINDÍTÁSA

(A4 ábra – A5 ábra és G1 ábra – G6 ábra)

FIGYELMEZTETÉS: Kerülje a hirtelen indulásokat, leállításokat és fordulatokat, valamint a túlzott sebességet, különösen, amíg ismerkedik a fűnyíró kezelésével. A fűnyíró gyorsan meg tud fordulni, ami miatt elveszítheti az irányítást felette, és súlyos sérülés szenvedhet és/vagy károsodást okozhat.

FIGYELMEZTETÉS: A fűnyíró elindítása előtt ellenőrizze és bizonyosodjon meg róla, hogy a kések szabadon mozognak, amikor lenyomja a PTO kapcsolót. Ha a kések nem állnak le, akkor ne használja a fűnyíró, és haladéktalanul forduljon az EGO ügyfélszolgálatához.

MEGJEGYZÉS: A legalacsonyabb sebesség és a **STANDARD** vezetési mód eléréséhez kövesse az A4 és G2 ábrát, amíg teljesen meg nem ismeri a fűnyíró kezelését minden helyzetben. A vezetési sebesség és a vezetési mód csak akkor aktiválódik, amikor a fűnyíró kerekei leálltak, és a kormánykarok nyitva vannak.

A fűnyíró elmenti a korábbi beállításokat, és újraindításkor előhívja őket.

Vezetési mód

- VEZÉRLÉS:** Kisebb gyorsítás, kevésbé érzékeny kezelés és finom fordulási sebesség a fű és az új felhasználó védelme érdekében.
- STANDARD:** Tökéletes minden napi használatra.

- **SPORT:** Nagyobb gyorsítás, pontos kezelés és éles fordulatok a fűnyírás hatékonyság maximalizálása érdekében, a fűnyírás szerelmeseinek.

A haladási sebesség beállítása (A4 ábra)

A kés sebesség beállítása (A5 ábra)

MEGJEGYZÉS: Ha "TRAVEL" módban van nyomja meg a "↔" gombot, a a haladási sebesség visszatér az előző üzemmódba."

USB port

MEGJEGYZÉS: Az USB port 5 VDC töltési teljesítményt biztosít, 1,5 A-rel, és csak a fűnyíró indításakor kapcsol be.

AZ ELEKTROMOS ZERO-TURN FŰNYÍRÓ LEÁLLÍTÁSA (H1 ábra – H6 ábra)

MEGJEGYZÉS: A fűnyíró automatikusan leáll, ha több mint 60 percig nem működtetik.

Szükségfutás mód

Amikor az akkumulátor töltöttsége alacsony, a fűnyíró visszatér szükségfutás módba:

- A fűnyíró automatikusan abbahagyja a fűnyírást;
- A hangjelző továbbra is hangot ad;
- A fűnyíró állapotjelzője másodpercenként pirosan villog, a fűnyíró üzemanyagmérőjének első szegmense pirosan villog, és az alacsony teljesítmény jelző és az üzemanyagmérő akkumulátor grafikája is villog.

A kezelőnek a következőket kell tennie:

- Nyomja le a PTO kapcsolót (H3 ábra) a kések kioldásához. A hangjelző elnémul, amikor a kés leáll;
- Hagyja abba a munkát, és a lehető leghamarabb menjen az akkumulátortöltő területre. A fűnyíró maximum 1000 m távolságot képes megtenni.

Amikor az akkumulátor már majdnem lemerül, akkor a mindegyik akkumulátortartó foglalt, és az alacsony teljesítmény jelző is fél másodpercenként villog. A fűnyíró működése azonnal leáll. A kezelőnek az akkumulátortöltő területre kell vinnie a fűnyírót a feltöltéshez.

Manuális tolás

Ha manuálisan kell tolni, akkor ügyeljen rá, hogy az akkumulátorok le legyenek választva a fűnyíróról, és a parkoló fékpedál ki legyen oldva a fékezési pozícióból.

AZ ELEKTROMOS ZERO TURN FŰNYÍRÓ VEZETÉSE (I1 ábra – I9 ábra)

A megálláshoz, illetve a sebesség csökkentéséhez vagy növeléséhez lassan változtassa a kormánykar távolságát a semleges kiinduló állásról.

⚠ VESZÉLY: Maradjon legalább két fűnyírás sáv szélességre (2,14 m) minden ároktól, szakadéktól és víztől. Az első kerekek a fűnyíró leállásakor is foroghatnak, még akkor is, ha használják a féket, így a fűnyíró a vízbe hajthat, halált vagy súlyos személyi sérülést okozva.

⚠ FIGYELMEZTETÉS: Tolatáskor figyeljen hátra. Hátrafelé haladva NE nyírjon fűvet, kivéve ha ez feltétlenül szükséges. Mindig nézzen le és hátra tolatás előtt és közben, hogy biztosan nem érkeztek-e gyerekek, felnőttek vagy állatok a fűnyírás területre. Emlékezzen arra, hogy a másodperc töredéke alatt történő óvatlanság súlyos sérülést vagy halált okozhat.

⚠ FIGYELMEZTETÉS: Ezt a gépet ne használja közutakon.

⚠ FIGYELMEZTETÉS: Ha akadályba ütközik, vagy idegen tárgyba akad, állítsa le a motort, és vegye ki az akkumulátorokat. Távolítsa el a fűmaradványokat, leveleket, koszt és egyéb felhalmozódott törmeléket, nézze át alaposan, hogy nem károsodott-e a fűnyíró, és javítsa ki a sérülést, mielőtt újraindítaná és tovább használná a fűnyírót.

KARBANTARTÁS

⚠ FIGYELMEZTETÉS: Mindig viseljen oldalsó védőlemezzel ellátott védőszemüveget. Amennyiben ezt elmulasztja, tárgyak repülhetnek a szemébe, súlyos sérülést okozva.

⚠ FIGYELMEZTETÉS: Mindig védje a kezét nagy teherbírású kesztyűvel vagy úgy, hogy a vágóéleket betekeri rongyokba vagy más anyagokba, amikor karbantartást végez a fűnyíró pengéjén. Mindig vegye ki a biztonsági kulcsot és az akkumulátoregységeket a fűnyíró szervizelése vagy szállítása közben.

Karbantartási szerviz intervallum	Karbantartási eljárás
Minden használat előtt vagy naponta	<ul style="list-style-type: none"> Ellenőrizze a biztonsági reteszelőrendszert. Szemrevételezéssel ellenőrizze, hogy nem lapos-e a gumibroncs. Vizsgálja meg, hogy nem kopottak-e a kések, vagy nem repedtek vagy hajlottak-e el. Ellenőrizze az egész terméket a sérült, hiányzó vagy meglazult alkatrészek, például az oldalkidobó csúszda, csavarok, anyák, csavarok, sapkák stb. szempontjából, és győződjön meg arról, hogy minden védőelem a helyén van és megfelelően működik. Ellenőrizze a fék működését.
Minden használat után	<ul style="list-style-type: none"> Tisztítsa meg a fűnyíró burkolatát.
25 óránként	<ul style="list-style-type: none"> Ellenőrizze az abroncsnyomást.
50 óránként	<ul style="list-style-type: none"> Ellenőrizze a vágókések peremén belüli zsírzást.
100 óránként	<ul style="list-style-type: none"> Ellenőrizze a hátsó kereket, és bizonyosodjon meg róla, hogy a 4 rögzítő csavar a megfelelő nyomatékkel van meghúzva.
200 óránként	<ul style="list-style-type: none"> Ellenőrizze az első kerekeket, és bizonyosodjon meg róla, hogy szabadon forognak.
Évente	<ul style="list-style-type: none"> Ellenőrizze a parkoló fékpedált. Távolítsa el az akkumulátort a fűnyíróból, és állítsa a parkoló fékpedált fékezési pozícióba. Tolja előre kézzel a fűnyírót, és nézze meg, hogy lehet-e mozgatni. Ha elmozdul, javíttassa meg szakképzett szerviztechnikussal.

A FŰNYÍRÓ TISZTÍTÁSA (J1 ábra – J9 ábra)

Előkészítés (J1–J5 ábra)

A fűnyíró ház tisztítása (J6 ábra – J7 ábra)

A mosó csatlakozó használata a fűnyíró burkolatának tisztításához (J8–J9 ábra)

J8-1	Mosó csatlakozó	J8-3	Kerti tömlő
J8-2	Mosó gyorscsatlakozó		

MEGJEGYZÉS: A tisztítás befejeztével nyomja le a PTO kapcsolót a fűnyíró késeinek kioldásához.

A FŰNYÍRÓBURKOLAT ÉS A VÁGÓKÉESK KARBANTARTÁSA

Előkészítés (K1–K6 ábra)

A fűnyíró burkolatának eltávolítása (K7–K8 ábra)

K7-1	Motor kábel	K7-3	Felfüggesztésrudazat
K7-2	Biztosító szeg		

MEGJEGYZÉS: Válassza le a motor kábeleit és a sasszegeket mindkét oldalon, amikor eltávolítja a fűnyíró burkolatát.

A vágókések cseréje (K9–K11 ábra)

K9-1	Stabilizátor	K10-3	Penge
K10-1	Csavar	K10-4	Karima
K10-2	Alátét	K10-5	Motortengely

A fűnyíró burkolatának színtezése

a. Mikor szükséges a színtezés? (K12–K14 ábra)

b. Színtezés előtt

- A hideg abroncsnyomás ellenőrzése (K15 ábra)
- A vágókések ellenőrzése. Vegye ki és cserélje le az elhasználódott, repedt és/vagy meghajlott késeket, ha szükséges.

c. A színtezés előkészítése (K16–K21 ábra)

d. Hogyan végezzük a színtezést?

- Az oldalirányú beállítás elvégzése (K22 ábra)

A talaj és a kések alsó szélétől mért H1 és H2 távolságok közötti különbségnek 5 mm-en belül kell lennie.

K22-1 Lapos anya

Az előre-hátra irányuló beállítás elvégzése (K23 ábra)

A kés elülső H3 hegyének 2–10 mm-rel alacsonyabban kell lennie a hátsó H4 hegynél.

A FÚNYÍRÓ NYOMONKÖVETÉSI RENDSZERÉNEK KALIBRÁLÁSA (L1–L6 és L7–L12 ábra)

MEGJEGYZÉS: A hangjelző a kalibrálás elkezdésekor és befejezésekor is jelez.

A FÚNYÍRÓ VISSZAÁLLÍTÁSA EREDETI GYÁRI BEÁLLÍTÁSOKRA (M1–M4 ábra)

MEGJEGYZÉS: A hangjelző a visszaállítás elkezdésekor és befejezésekor is jelez.

TÁROLÁS ÉS SZÁLLÍTÁS

A FÚNYÍRÓ SZÁLLÍTÁSA (N1 ÁBRA – N11 ÁBRA)

MEGJEGYZÉS: Rögzítse a fűnyírót a megfelelő módon, hevederek vagy kábelek segítségével, hogy ne mozoghasson szállítás közben. A fűnyíró fel- és lepakolásakor ne lépje túl a 12°-os maximális javasolt működési szöveget a rárpa és a talaj között.

TÁROLÁS (O1 ábra – O6 ábra)

MEGJEGYZÉS: Vegye le az akkumulátoregységeket, és tárolja akkumulátorokat a vonatkozó kézikönyvben előírt módon.


Tisztítsa és ellenőrizze le a fűnyírót tárolás előtt, olvassa el a „FÚNYÍRÓ TISZTÍTÁSA” és a „KARBANTARTÁS JAVASOLT ÜTEMEZÉSE(I)” című részt.


Környezetvédelem



WEEE (Elektromos és elektronikus berendezések hulladékai) Ne dobja az elektromos felszerelést, az elhasznált akkumulátort és a töltőt a háztartási hulladékok közé! Vigye hivatalos újrahasznosító telephelyre, és tegye hozzáférhetővé a szelektív gyűjtéshez. Az elektromos szerszámokat környezetbarát újrahasznosító üzembe kell vinni.

HIBAELHÁRÍTÁS

PROBLÉMA	OK	MEGOLDÁS
<p>Az elektromos zero turn fűnyíró nem mozdul, amikor a két kormánykart előre vagy hátra tolják az elején.</p>  A kormányszint ikon villog	<ul style="list-style-type: none"> A behelyezett akkumulátorok kombinált Ah értéke kevesebb, mint 15 Ah. 	<ul style="list-style-type: none"> A fűnyíró beindításához összesen 15 Ah (2 X BA4200/BA4200T) vagy annál nagyobb teljesítményű akkumulátorokra van szükség. A legjobb teljesítmény eléréséhez javasoljuk a 30 Ah vagy annál erősebb akkumulátorok használatát.
	<ul style="list-style-type: none"> A parkoló fékpedál fékezési pozícióba van állítva. 	<ul style="list-style-type: none"> Nyomja le teljesen a parkoló fékpedált, hogy kioldja a fékezési pozícióból.
	<ul style="list-style-type: none"> A kormánykarok nincsenek nyitott pozícióban a fűnyíró elindításakor. 	<ul style="list-style-type: none"> Állítsa vissza a kormánykarokat nyitott pozícióba, majd indítsa újra a fűnyíró.
	<ul style="list-style-type: none"> A kezelő nem ül az ülésen. 	<ul style="list-style-type: none"> A kezelő csak akkor működtetheti a fűnyíró, ha helyesen ül az ülésen.
	<ul style="list-style-type: none"> Az üléskapcsoló nincs megfelelően csatlakoztatva. 	<ul style="list-style-type: none"> Vegye ki az akkumulátort a fűnyíróból, majd szerelje szét az ülést a kézikönyv „ÜLÉS BESZERELÉSE” című részében leírtakhoz képest fordított sorrendben, hogy megvizsgálhassa az üléskapcsoló csatlakozását. Szerelje vissza az ülést, és kövesse az „ELEKTROMOS ZERO TURN FŰNYÍRÓ INDÍTÁSA” című részben leírt utasításokat a fűnyíró újraindításához, hogy ellenőrizhesse, el lehet-e indítani a fűnyíró. Ha nem, a javításhoz forduljon szakképzett szerviztechnikushoz.
	<ul style="list-style-type: none"> Rendkívül hideg időjárás esetén előfordulhat, hogy a vezetési funkció nem indul el sikeresen az alacsony hőmérsékleti védelem miatt. 	<ul style="list-style-type: none"> Mindig tartsa a fűnyíró és az akkumulátort meleg környezetben. Akkor indítsa újra a fűnyíró, ha felmelegedett. Kérjük, ne próbálkozzon többször nagyon hideg időjárás esetén, ami károsíthatja a gépet. A javasolt üzemi hőmérséklet 0°C-40°C.
<p>A elektromos zero turn fűnyíró megáll.</p>	<ul style="list-style-type: none"> A kormánykarokat „vissza kell állítani”. 	<ul style="list-style-type: none"> Állítsa vissza a kormánykarokat nyitott pozícióba, majd indítsa újra a fűnyíró.
	<ul style="list-style-type: none"> A kormánykarok elektromos vezérlőelemei hibásak. 	<ul style="list-style-type: none"> A javításhoz forduljon szakképzett szerviztechnikushoz.
	<ul style="list-style-type: none"> Az üléskapcsoló vezetés közben leválik, amikor nehéz talajon halad. 	<ul style="list-style-type: none"> Vegye ki az akkumulátort a fűnyíróból, majd szerelje szét az ülést a kézikönyv „ÜLÉS BESZERELÉSE” című részében leírtakhoz képest fordított sorrendben, hogy megvizsgálhassa az üléskapcsoló csatlakozását. Szerelje vissza az ülést, és kövesse az „ELEKTROMOS ZERO TURN FŰNYÍRÓ INDÍTÁSA” című részben leírt utasításokat a fűnyíró újraindításához, hogy ellenőrizhesse, el lehet-e indítani a fűnyíró. Ha nem, a javításhoz forduljon szakképzett szerviztechnikushoz.
<p>A haladási sebességet/vezetési módot nem lehet beállítani haladás közben.</p>	<ul style="list-style-type: none"> Ez az elektromos zero turn fűnyíró biztonságos vezetését szolgáló tulajdonság. 	<ul style="list-style-type: none"> A funkció csak akkor aktiválódik, amikor a fűnyíró kerekei leálltak, és a kormánykarok nyitva vannak.

PROBLÉMA	OK	MEGOLDÁS
<p>Az elektromos zero turn fűnyíró nem indítja el a késeket, amikor kioldják a PTO kapcsolót.</p>  A PTO kapcsoló ikon villog	<ul style="list-style-type: none"> A behelyezett akkumulátorok kombinált Ah értéke kevesebb, mint 15 Ah. 	<ul style="list-style-type: none"> A fűnyíró beindításához összesen 15 Ah (2 X BA4200/BA4200T) vagy annál nagyobb teljesítményű akkumulátorokra van szükség. A legjobb teljesítmény eléréséhez javasoljuk a 30 Ah vagy annál erősebb akkumulátorok használatát.
	<ul style="list-style-type: none"> A PTO kapcsoló nem lett lenyomva, amikor a fűnyíró legutóbb leállították. 	<ul style="list-style-type: none"> Nyomja le a PTO kapcsolót, majd indítsa újra a fűnyíró késeit.
	<ul style="list-style-type: none"> A fűnyíró túlterhelt, amikor a kések elindulnak, ezért a motor védi magát. 	<ul style="list-style-type: none"> Indítsa be a fűnyíró, először az alsó késsebességgel, amíg a kések forogni nem kezdenek, ne gyorsítsa a kés sebességét.
	<ul style="list-style-type: none"> Rendkívül hideg időjárás esetén előfordulhat, hogy a kés motorja nem indul el sikeresen az alacsony hőmérsékleti védelem miatt. 	<ul style="list-style-type: none"> Mindig tartsa a fűnyíró és az akkumulátort meleg környezetben. Akkor indítsa újra a fűnyíró, ha felmelegedett. Kérjük, ne próbálkozzon többször nagyon hideg időjárás esetén, ami károsíthatja a gépet. A javasolt üzemi hőmérséklet 0°C-40°C.
	<ul style="list-style-type: none"> A kések elakadnak a fűnyíró eldeformálódott burkolatában. 	<ul style="list-style-type: none"> A javításhoz forduljon szakképzett szerviztechnikushoz.
<p>A kések működése fűnyírás közben leáll.</p>	<ul style="list-style-type: none"> A fűnyíró túlterhelt. 	<ul style="list-style-type: none"> Emeljen a burkolat vágásmagasságán, vagy lassítson a menetsebességen a fűnyíró terhelésének csökkentéséhez.
	<ul style="list-style-type: none"> A fűnyíró eltömődött fűvel vagy hulladékkal. 	<ul style="list-style-type: none"> Tisztítsa meg a fűnyíró burkolatát, és ellenőrizze, hogy a kések szabadon tudjanak mozogni.
	<ul style="list-style-type: none"> A fűnyíró túlmelegedett. 	<ul style="list-style-type: none"> Csökkentse a fűnyíró terhelését úgy, hogy emeli a burkolat vágásmagasságát, vagy lassít a késen/menetsebességen, és hagyja visszahúlni a fűnyíró.
	<ul style="list-style-type: none"> Az akkumulátoregység(ek) a fűnyíró akkumulátor rekeszében túlmelegedett, ezért az összes beillesztett akkumulátor Ah összege 15 Ah alá került. 	<ol style="list-style-type: none"> Ha az akkumulátorok kombinált Ah értéke kevesebb, mint 15 Ah, akkor a fűnyíró nem fog működni, amíg még több akkumulátoregységet nem illesztnek be az akkumulátorok szabad tartóiba. Amikor a túlmelegedett akkumulátor visszatér normál hőmérsékletűre, akkor azonnal elkezdi táplálni a fűnyíró. Csökkentse a fűnyíró terhelését úgy, hogy emeli a burkolat vágásmagasságát, vagy lassít a fűnyírás sebességén, amikor újra elkezdi működtetni.
	<ul style="list-style-type: none"> A fűnyíró szükségfutás módban van. 	<ul style="list-style-type: none"> Amikor a fűnyíró szükségfutás módban van, a kések automatikusan alacsony forgási sebességre állnak, és nem nyírják a fűvet. A kezelőnek abba kell hagynia a munkát, és a lehető leghamarabb az akkumulátortöltő területre kell mennie.
	<ul style="list-style-type: none"> A fűnyíró idegen tárgynak ütközött, ezért beindult a motor önvédelmi mechanizmusa. 	<ul style="list-style-type: none"> Nyomja le a PTO kapcsolót, majd indítsa újra a fűnyíró késeit.

PROBLÉMA	OK	MEGOLDÁS
A hangjelző továbbra is jelez.	<ul style="list-style-type: none"> A fűnyíró szükségfutás módban van, és a kések nem álltak le. 	<ul style="list-style-type: none"> Nyomja le a PTO kapcsolót a fűnyíró késeinek kioldásához. A hangjelzés elnémul, amikor a kés leáll.
	<ul style="list-style-type: none"> A fűnyíró a lejtőn leáll, a kezelő kinyitja a kormánykarokat, és leszáll az ülésről anélkül, hogy fékezési pozícióba állította volna a parkoló fékpedált. 	<ul style="list-style-type: none"> Állítsa a parkoló fékpedált fékezési pozícióba, mielőtt a lejtőn hagyná a fűnyírót.
Az akkumulátorjelző a fűnyíró kikapcsolása után is világít.	<ul style="list-style-type: none"> Ha a fűnyírót a sík talajon állítják le az akkumulátoregység(ek) kivétele nélkül, akkor akkumulátor jelzőfényei további 3 percig világítanak. 	<ul style="list-style-type: none"> Művelet nem szükséges. Az akkumulátor jelzőfényei egy idő után kikapcsolnak.
	<ul style="list-style-type: none"> Ha a fűnyírót lejtős talajon állítják le úgy, hogy a parkoló fékpedált nem állítják fékezési pozícióba, akkor az akkumulátor jelzőfényei tovább világítanak, amíg az akkumulátor le nem merül. A hangjelző ugyanakkor hangjelzést ad. 	<ul style="list-style-type: none"> A parkoló fékpedált fékezési pozícióba kell állítani, mielőtt a kezelő a lejtőn hagyná az eszközt.
Az LCD kijelző nem világít, amikor mindegyik ikon működésben van.	<ul style="list-style-type: none"> A start/stop gomb nyomva tartási ideje kevesebb, mint 3 másodperc. 	<ul style="list-style-type: none"> Az LCD kijelző csak az „Üzemanyagmérőt” jeleníti meg, amikor a start/stop gombot röviden megnyomják. Az LCD kijelző csak akkor kapcsol be, ha a start/stop gombot 3 percen keresztül nyomva tartják.
A fűnyíró egyenetlenül vág, jelentős eltérésekkel az első és a hátsó rész között.	<ul style="list-style-type: none"> A kések tompák. 	<ul style="list-style-type: none"> Élezze meg, vagy cserélje a vágókéseket a kézikönyvben leírt módon.
	<ul style="list-style-type: none"> A kések elgörbültek. 	<ul style="list-style-type: none"> Cserélje le a meghajlott vágókést a „VÁGÓKÉSEK CSERÉJE” című részben leírtak szerint.
	<ul style="list-style-type: none"> A fűnyíró burkolata nincs színtezve, ezért a vágókések magassága eltérő. 	<ul style="list-style-type: none"> Végezze el a fűnyíró burkolatának színtezését a „FŰNYÍRÓ BURKOLATÁNAK SZINTEZÉSE” című részben leírtak szerint.
A tényleges vágási magasság nem egyezik a kért magassággal.	<ul style="list-style-type: none"> A fűnyíró burkolatának anyacsavarjai meglazultak a felfüggesztésrudazatnál 	<ul style="list-style-type: none"> Kövesse a „FŰNYÍRÓ BURKOLATÁNAK SZINTEZÉSE” című részben leírt utasításokat a fűnyíró burkolatának előlről hátra való beállításának helyes elvégzéséhez, majd szorítsa meg a négy anyát a felfüggesztésrudazaton (mindkét oldalon kettőt).
	<ul style="list-style-type: none"> A fűnyíró burkolata sérült, vagy nagyon elkopott. 	<ul style="list-style-type: none"> Kövesse a „FŰNYÍRÓ BURKOLATÁNAK ELTÁVOLÍTÁSA” című részben leírt utasításokat a fűnyíró burkolatának visszahelyezéséhez.

PROBLÉMA	OK	MEGOLDÁS
A fűnyíró nem megfelelően aprít.	<ul style="list-style-type: none"> Nedves lenyírt fű ragadt a burkolat aljára. 	<ul style="list-style-type: none"> Fűnyírás előtt várjon, amíg a fű megszárad.
	<ul style="list-style-type: none"> A fűnyíró úgy van beállítva, hogy egyszerre túl sok fűvet nyírjon. 	<ul style="list-style-type: none"> Emeljen a burkolat vágásmagasságán.
Túlzott vibráció.	<ul style="list-style-type: none"> A vágókései lazák. 	<ul style="list-style-type: none"> Húzza meg a kés csavart az ajánlott 50–55 Nm nyomatékkal.
	<ul style="list-style-type: none"> A kések elgörbültek. 	<ul style="list-style-type: none"> Cserélje le a meghajlott vágókést a „VÁGÓKÉSEK CSERÉJE” című részben leírtak szerint.
	<ul style="list-style-type: none"> A fűnyíró burkolata nincs szintezve. 	<ul style="list-style-type: none"> Végezze el a fűnyíró burkolatának szintezését a „FŰNYÍRÓ BURKOLATÁNAK SZINTEZÉSE” című részben leírtak szerint.
	<ul style="list-style-type: none"> A fűnyíró burkolatának anyacsavarjai meglazultak a felfüggesztésrudazatnál. 	<ul style="list-style-type: none"> Használjon egy 18 mm-es villáskulcsot (nincs mellékelve) a felfüggesztésrudazaton lévő négy anya meghúzásához (mindkét oldalon kettő).
	<ul style="list-style-type: none"> A fűnyíró úgy van beállítva, hogy egyszerre túl sok fűvet nyírjon. 	<ul style="list-style-type: none"> Emeljen a burkolat vágásmagasságán.
Fűnyírás előtt fűmaradvány vagy törmelék van a földön.	<ul style="list-style-type: none"> A fűnyíró úgy van beállítva, hogy egyszerre túl sok fűvet nyírjon, miközben a fű magas. 	<ul style="list-style-type: none"> Kezdje magas vágásmagassággal, majd csökkentse addig, amíg eléri a kívánt fűnyírási eredményt. A 6 hüvelyknél magasabb fűvet kétszer kell vágni, egyre alacsonyabb vágásmagasságokkal.
	<ul style="list-style-type: none"> A fű nedves. 	<ul style="list-style-type: none"> Ne vágja le a fűvet, ha nedves, amíg meg nem szárad.
	<ul style="list-style-type: none"> A haladási sebesség túl magas. 	<ul style="list-style-type: none"> Lassítson a menetsebességen.
	<ul style="list-style-type: none"> A kés sebessége alacsony. 	<ul style="list-style-type: none"> Fokozatosan növelje a kés sebességét.
Rövid futási idő a mellékelt akkumulátorral.	<ul style="list-style-type: none"> A fű állapota és a vágás magassága nagyban befolyásolja az akkumulátor üzemidejét. Az elismert üzemidő enyhe terhelés mellett került meghatározásra. 	<ul style="list-style-type: none"> Emeljen a burkolat vágásmagasságán, és lassítson a kés sebességén a vágási terhelés csökkentéséhez.
A fűnyíró nem egyenesen követi a nyomvonalat.	<ul style="list-style-type: none"> Az abroncsnyomás eltérő a bal és a jobb hátsó keréknél. 	<ul style="list-style-type: none"> Ellenőrizze és állítsa be a légnyomást mindkét hátsó kerékabroncsban, a „ABRONCSNYOMÁS ELLENŐRZÉSE” című részben leírt ajánlásoknak megfelelően.
	<ul style="list-style-type: none"> A menetsebesség eltérő a bal és a jobb hátsó keréknél. 	<ul style="list-style-type: none"> Végezze el a fűnyíró nyomkövetési rendszerének kalibrálását a „FŰNYÍRÓ NYOMKÖVETÉSI RENDSZERÉNEK KALIBRÁLÁSA” című részben leírtak szerint.

PROBLÉMA	OK	MEGOLDÁS
A parkoló fékpedált nem lehet kioldani fékezési pozícióból, vagy lassan ugrik vissza.	<ul style="list-style-type: none"> Előfordulhat, hogy törmelék vagy kosz került a parkoló fékpedál belsejébe. 	<ul style="list-style-type: none"> Nyissa fel a parkoló fékpedál dobozát, és tisztítsa meg alaposan a doboz belsejét, majd zárja le. Állítsa vissza a parkoló fékpedált, hogy ellenőrizhesse, megoldódott-e a probléma. Ha nem, a javításhoz forduljon szakképzett szerviztechnikushoz.
A fűnyírót nem lehet tölteni a töltő csatlakozón keresztül, amikor a fűnyíró állapotjelzője állandó pirosan világít.	<ul style="list-style-type: none"> A töltő csatlakozója nem megfelelően van beillesztve a fűnyíró töltő csatlakozójába. 	<ul style="list-style-type: none"> Csatlakoztassa újra a töltő csatlakozóját, hogy ellenőrizhesse, megfelelően lehet-e tölteni a fűnyírót.
	<ul style="list-style-type: none"> Nincs áram a fali kimenetben. 	<ul style="list-style-type: none"> Művelet nem szükséges. Várjon, amíg a teljesítmény helyreáll.
	<ul style="list-style-type: none"> A töltő hibásan működik. 	<ul style="list-style-type: none"> Forduljon szakképzett szerviztechnikushoz a vizsgálat elvégzéséhez, és javíttassa meg a töltőt, ha szükséges.
	<ul style="list-style-type: none"> A töltő port a fűnyírón megsérült. 	<ul style="list-style-type: none"> A javításhoz forduljon szakképzett szerviztechnikushoz.
A töltési idő a fűnyíró töltő csatlakozóján keresztül túl hosszú.	<ul style="list-style-type: none"> A ACA1000 EGO adapterrel való töltés sok időt vesz igénybe. 	<ul style="list-style-type: none"> Használja a CHV1600E EGO töltőt az elektromos zero turn fűnyíró közvetlen töltéséhez.
Az akkumulátort nem lehet teljesen feltölteni a fűnyíró porton keresztül.	<ul style="list-style-type: none"> Firmwarehiba merült fel a haladó fűnyírónál, vagy a töltő/akkumulátor meghibásodott. 	<ul style="list-style-type: none"> Húzza ki a töltőt, és várjon legalább 1 percet, majd csatlakoztassa a csatlakozódugót a hálózati aljzathoz. Ha nem működik, a javításhoz forduljon szakképzett szerviztechnikushoz.
A fűnyírót nem lehet elindítani tisztítás után.	<ul style="list-style-type: none"> Nem megfelelő tisztítás, például víz került az elektromos komponensekbe, az LCD kijelzőre stb. 	<ul style="list-style-type: none"> Kövesse a „FŰNYÍRÓ TISZTÍTÁSA” részben leírt utasításokat a fűnyíró helyes tisztításához.
A fűnyíró könnyen eltömődik.	<ul style="list-style-type: none"> A fűnyíró eltömődött fűvel vagy hulladékkal. 	<ul style="list-style-type: none"> Ha a fűnyírót véletlenül eső éri, hagyja 12 órán át száradni, vagy szárítsa sűrített levegővel.
		<ul style="list-style-type: none"> Tisztítsa meg a fűnyíró burkolatát minden használat után, a „Mosó csatlakozó használata a fűnyíró burkolatának tisztításához” részben leírtaknak megfelelően.
A fűnyíró irányíthatósága könnyen elveszik, amikor felfelé halad a lejtőn.	<ul style="list-style-type: none"> A hátsó kerekeken az abroncsok elkoptak. 	<ul style="list-style-type: none"> A kerékabroncsok cseréjéhez kérje a helyi szerviz segítségét.
	<ul style="list-style-type: none"> Nagy fűnyírási lejtő. 	<ul style="list-style-type: none"> A fűnyírási lejtőnek 12 foknál kisebbnek kell lennie.
Amikor a fűnyírót lejtős talajon állítják meg a parkoló fékpedál lenyomásával, a fűnyíró lecsúszik a lejtőn.	<ul style="list-style-type: none"> A fék komponensei túlságosan kopottak a fűnyíró nem megfelelő működtetése miatt. 	<ul style="list-style-type: none"> A javításhoz forduljon szakképzett szerviztechnikushoz.

PROBLÉMA	OK	MEGOLDÁS
Nem jön víz a mosó csatlakozóból a burkolat mosásakor.	<ul style="list-style-type: none"> A mosó gyorscsatlakozó nincs a helyén a mosó csatlakozónál. 	<ul style="list-style-type: none"> Csatlakoztassa vissza a mosó gyorscsatlakozót, amíg kattanó hangot nem hall, miután határozott mozdulattal beillesztette. Ha nem működik, a javításhoz forduljon szakképzett szerviztechnikushoz.
Rendellenes zaj hallatszik, amikor manuálisan, beindítás nélkül tolják a fűnyírót.	<ul style="list-style-type: none"> A hang a hajtómotor belsejében lévő mágnesekből jön. 	<ul style="list-style-type: none"> Nem kell tennie semmit, ez normál jelenség.

FŰNYÍRÓ ÁLLAPOT REFERENCIA- ÉS HIBAKÓD

LCD kijelző	Leírás	Hibakód az LCD-n	Fűnyíró állapotjelző	Hangjelző	Ok	Megoldás
	A LED lámpa ikon látszik az LCD kijelzőn	n/a	KI	Nem	A fényszórókat, illetve oldalsó és hátsó lámpákat a LED világításkapcsoló kapcsolja fel.	Ez a normál működés. Művelet nem szükséges.
	Az USB ikon látszik az LCD kijelzőn	n/a	KI	Nem	A világító USB ikon azt jelzi, hogy az USB eszköz működésre képes a fűnyíró helyes indítása után.	Ez a normál működés. Művelet nem szükséges.
	Az üzemanyagmérő ikon látszik az LCD kijelzőn	n/a	KI	Nem	A behelyezett akkumulátorok átlagos töltési kapacitását jelzi	Ez a normál működés. Művelet nem szükséges.
	Az üzemóra számláló ikon látszik az LCD kijelzőn	n/a	KI	Nem	A fűnyíró teljes menetidejét jeleníti meg órában kifejezve, és nem lehet visszaállítani.	Ez a normál működés. Művelet nem szükséges.
	A terhelésjelző ikon az ECO tartományban jelenik meg	n/a	KI	Nem	A fűnyíró aktuális terhelését jelzi.	Ez a normál működés. Művelet nem szükséges.
	A túlterhelés jelző villog. A terhelésjelző ikon az PWR tartományban jelenik meg.	n/a	Pirosan villog	Egy hangjelzés	A késmotor túlterhelt.	Emelje a burkolat vágásmagasságán, vagy csökkentse a menetsebességet a fűnyíró terhelésének csökkentéséhez.
	A biztonsági kulcs ikon villog.	n/a	KI	Nem	A biztonsági kulcs nincs berakva.	Illessze be a biztonsági kulcsot, majd nyomja le és tartsa lenyomva a START/STOP gombot 3 másodpercnél tovább a fűnyíró beindításához.
	Az üres akkumulátortartó ikon villog.	n/a	KI	Nem	Az akkumulátor kapacitása nem elegendő ahhoz, hogy dolgozni lehessen a fűnyírón.	A fűnyíró beindításához összesen 15 Ah (2 X BA4200/BA4200T) vagy annál nagyobb teljesítményű akkumulátorokra van szükség. A legjobb teljesítmény eléréséhez javasoljuk a 30 Ah vagy annál erősebb EGO akkumulátorok használatát.

LCD kijelző	Leírás	Hibakód az LCD-n	Fűnyíró állapotjelző	Hangjelző	Ok	Megoldás
	A hőmérő ikon villog.	n/a	Pirosan villog	Egy hangjelzés	A fűnyíró túlmelegedett.	Csökkentse a fűnyíró terhelését úgy, hogy emeli a burkolat vágásmagasságát, vagy lassít a késen/ menetsebességen. Tartson szünetet, és hagyja visszahűlni a fűnyírót.
	A túlmelegedés ikon és a foglalt akkumulátortartó rekesz ikonja egyszerre villog.	n/a	n/a	Nem	Az adott számmal ellátott akkumulátortartó rekesz akkumulátoregysége túlmelegedett.	<p>1. A fűnyíró akkor tud tovább működni, ha a kombinált akkumulátor Ah értéke – a túlmelegedett akkumulátort kivéve – 15 Ah vagy annál több. Amikor a túlmelegedett akkumulátor visszatér normál hőmérsékletűre, akkor azonnal elkezd táplálni a fűnyírót.</p> <p>2. Ha az akkumulátorok kombinált Ah értéke kevesebb, mint 15 Ah, akkor a fűnyíró nem fog működni, amíg még több akkumulátoregységet nem illesztnek be az akkumulátorok szabad tartórekeszeibe.</p> <p>3. Csökkentse a fűnyíró terhelését úgy, hogy emeli a burkolat vágásmagasságát, vagy lassít a fűnyírás sebességén, amikor újra elkezd működtetni.</p>
	A minden akkumulátortartó rekesz foglalt ikonja, az alacsony töltöttségjelző, és az üzemanyagmérő akkumulátor grafikája 1 másodpercenként villog egyszerre az LCD kijelzőn. Az első szegmens világít a LED-es üzemanyagmérőnél és az állapotjelzőnél is.	n/a	Pirosan villog	Addig ad hangjelzést, amíg a PTO kapcsolót le nem nyomják.	Az akkumulátoregységek töltöttségi szintje alacsony, a fűnyíró szükségfűtés módban van.	Hagyja abba a munkát, és menjen az akkumulátortöltő területre. MEGJEGYZÉS: Amikor a fűnyíró szükségfűtés módban van, a kések automatikusan alacsony forgási sebességre állnak, nem nyírják a fűvet, és a hangjelző folyamatosan hangjelzést ad. A kezelőnek le kell nyomnia a PTO kapcsolót a fűnyíró késeinek kioldásához. A hangjelzés elnémul, miután a kés leáll.

LCD kijelző	Leírás	Hibakód az LCD-n	Fűnyíró állapotjelző	Hangjelző	Ok	Megoldás
	A minden akkumulátortartó rekesz foglalt ikon és az alacsony töltöttségjelző fél másodpercenként villog.	n/a	KI	Nem	Az akkumulátoregységek majdnem lemerültek.	A fűnyíró működése azonnal leáll. A kezelőnek az akkumulátortöltő területre kell vinnie a fűnyírót a feltöltéshez.
	Az automatikus parkolás ikon villon az LCD kijelzőn.	n/a	KI	Folyamatosan hangjelzést ad	A fűnyírót lejtős talajon állították le, és a kezelő úgy hagyja ott, hogy nem állítja a fékpedált fékezési pozícióba, csak a kormánykarokat hagyja nyitott pozícióban.	Állítsa a fékpedál fékezési pozícióba. Az automatikus parkolás ikon kialszik, és a hangjelzés elnémul.
	A fékpedál ikon látható az LCD kijelzőn.	n/a	KI	Nem	A parkoló fékpedál fékezési pozícióba van állítva.	A fűnyíró elindítása előtt oldja ki.
	Az ülés érzékelő ikon látható az LCD kijelzőn.	n/a	KI	Nem	A kezelő leszáll az ülésről, vagy az üléskapcsolót leválasztották.	Ha az ülésen elhelyezkedő kezelő mellett világít az ikon, azonnal függessze fel a fűnyíró használatát, és ellenőrizze az ülés csatlakozását. Ha az ülés és a fűnyíró közötti csatlakozás megfelelő, kérjük, a javításhoz forduljon szakképzett szerviztechnikushoz.
	A PTO kapcsoló ikon villog.	n/a	KI	Nem	A késmotor működését megszakították, és a PTO kapcsoló nincs kikapcsolva.	A fűnyíró újraindítása előtt nyomja le a PTO kapcsolót a fűnyíró késeinek kioldásához. Kérjük, olvassa el a kézikönyv „HIBAE LHÁRÍTÁS” című részét.
	A kormánykar ikon villog.	n/a	KI	Nem	A hajtómotor működését megszakították, és a kormánykarok nincsenek nyitott pozícióban.	A fűnyíró újraindítása előtt állítsa a kormánykarokat nyitott pozícióba. Kérjük, olvassa el a kézikönyv „HIBAE LHÁRÍTÁS” című részét.
	Az energiahelyreállítás ikon időszakosan villog.	n/a	KI	Nem	A lejtőn való fékezés vagy vezetés során létrejövő kinetikus energia elektromossággá válik, és tölti az akkumulátoregységeket.	Ez a normál működés. Művelet nem szükséges.

LCD kijelző	Leírás	Hibakód az LCD-n	Fűnyíró állapotjelző	Hangjelző	Ok	Megoldás	
Lásd "Hibakód"	A bal oldali hajtómotor nem forog megfelelően.	A nyomtatott áramkör által vezérelt bal oldali hajtómotor nem működik.	413	KI	Egy hangjelzés	Nyomtatott áramkör hiba	A javítást szakképzett szerviztechnikus végezze el.
		A bal oldali hajtómotor és a hozzá tartozó nyomtatott áramkör közötti csatlakozó (három fázis, tápkábel) meglazult.	317	KI	Egy hangjelzés	Laza csatlakozás	
		A bal oldali hajtómotor és a hozzá tartozó nyomtatott áramkör közötti csatlakozó (hat tű, jeladó kábel) meglazult.	301	KI	Egy hangjelzés	Laza csatlakozás	
		A bal oldali hajtómotor nem működik.	317	KI	Egy hangjelzés	Motorhiba	
Lásd "Hibakód"	A jobb oldali hajtómotor nem forog megfelelően.	A nyomtatott áramkör által vezérelt jobb oldali hajtómotor nem működik.	313	KI	Egy hangjelzés	Nyomtatott áramkör hiba	A javítást szakképzett szerviztechnikus végezze el.
		A jobb oldali hajtómotor és a hozzá tartozó nyomtatott áramkör közötti csatlakozó (három fázis, tápkábel) meglazult.	417	KI	Egy hangjelzés	Laza csatlakozás	
		A jobb oldali hajtómotor és a hozzá tartozó nyomtatott áramkör közötti csatlakozó (hat tű, jeladó kábel) meglazult.	401	KI	Egy hangjelzés	Laza csatlakozás	
		A jobb oldali hajtómotor nem működik.	417	KI	Egy hangjelzés	Motorhiba	

LCD kijelző	Leírás	Hibakód az LCD-n	Fűnyíró állapotjelző	Hangjelző	Ok	Megoldás	
Lásd "Hibakód"	A bal oldali késmotor nem forog megfelelően.	A nyomtatott áramkör által vezérelt bal oldali késmotor nem működik.	607	n/a	Egy hangjelzés	Nyomtatott áramkör hiba	A javítást szakképzett szerviztechnikus végezze el.
		A bal oldali hajtómotor és a hozzá tartozó nyomtatott áramkör közötti csatlakozó (három fázis, tápkábel) meglazult.	509	n/a	Egy hangjelzés	Laza csatlakozás	Először a kést ellenőrizze. Ha meglazult, használjon egy 14 mm-es nyomatékulcsot, és húzza meg a csavart az óramutató járásával megegyező irányban. A javasolt nyomaték a kés csavar meghúzásához 50–55 Nm. Ellenkező esetben végeztesse el a javítást szakképzett szerviztechnikussal.
		A bal oldali késmotor nem működik	509	n/a	Egy hangjelzés	Motorhiba	A javítást szakképzett szerviztechnikussal.
Lásd "Hibakód"	A jobb oldali késmotor nem forog megfelelően.	A nyomtatott áramkör által vezérelt jobb oldali késmotor nem működik.	507	n/a	Egy hangjelzés	Nyomtatott áramkör hiba	A javítást szakképzett szerviztechnikus végezze el.
		A jobb oldali hajtómotor és a hozzá tartozó nyomtatott áramkör közötti csatlakozó (három fázis, tápkábel) meglazult.	609	n/a	Egy hangjelzés	Laza csatlakozás	Először a kést ellenőrizze. Ha meglazult, használjon egy 14 mm-es nyomatékulcsot, és húzza meg a csavart az óramutató járásával megegyező irányban. A javasolt nyomaték a kés csavar meghúzásához 50–55 Nm. Ellenkező esetben végeztesse el a javítást szakképzett szerviztechnikussal.
		A jobb oldali késmotor nem működik	609	n/a	Egy hangjelzés	Motorhiba	A javítást szakképzett szerviztechnikussal.
Lásd "Hibakód"	A bal oldali kormánykar nem működik.	A bal oldali kormánykart vezérlő nyomtatott áramkör nem működik.	311 /412	KI	Egy hangjelzés	Nyomtatott áramkör hiba	A javítást szakképzett szerviztechnikus végezze el.
		A kormányrudon lévő, vezérlő nyomtatott áramkört összekötő csatlakozó meglazult.				Laza csatlakozás	

LCD kijelző	Leírás		Hibakód az LCD-n	Fűnyíró állapotjelző	Hangjelző	Ok	Megoldás
Lásd "Hibakód"	A jobb oldali kormánykar nem működik.	A jobb oldali kormánykart vezérlő nyomtatott áramkör nem működik.	312 /411	KI	Egy hangjelzés	Nyomtatott áramkör hiba	A javítást szakképzett szerviztechnikus végezze el.
		A kormányrudon lévő, vezérlő nyomtatott áramkört összekötő csatlakozó meglazult.				Laza csatlakozás	
Lásd "Hibakód"	A parkolófék nem működik, az eszközt nem lehet vezetni.	A parkolófék első keretes egységén lévő nyomtatott áramkör hibás.	309 /409	KI	Egy hangjelzés	Nyomtatott áramkör hiba	A javítást szakképzett szerviztechnikus végezze el.
		A parkolófék kapcsolója és/ vagy kábele hibás.	801	KI	Egy hangjelzés	Vezeték/kapcsoló hiba	
KI	Töltőcsatlakozó hiba		n/a	Folyamatos PIROS	n/a	A töltőcsatlakozó nyitott áramkörön van.	A javítást szakképzett szerviztechnikus végezze el.
			n/a	Folyamatos PIROS	n/a	Nincs áramellátás.	Ellenőrizze a fal aljzatot, hogy van-e 220 V-240 V tápfeszültség, vagy az aljzat jó-e.
			n/a	Folyamatos PIROS	n/a	A biztosíték kiégett.	A javítást szakképzett szerviztechnikus végezze el.
Lásd "Hibakód"	Töltőcsatlakozó hiba		204	n/a	Egy hangjelzés	A töltőcsatlakozó nyitott áramkörön van.	
Lásd "Hibakód"	Az akkumulátordoboz egység nem működik		217	n/a	Egy hangjelzés	Az akkumulátordoboz egységéből érkező tápforrás hibás. A LED fényszórók és az USB nem működik.	A javítást szakképzett szerviztechnikus végezze el.
			310 /410	KI	Egy hangjelzés	Az akkumulátordoboz egységének C típusú kábele és a fűnyíró egyéb C típusú kábele nem csatlakoznak egymáshoz.	
			201 /202 /203	KI	Egy hangjelzés	Az akkumulátordoboz egységének BMS-e hibás.	

LCD kijelző	Leírás	Hibakód az LCD-n	Fűnyíró állapotjelző	Hangjelző	Ok	Megoldás
Lásd "Hibakód"	Start/stop kapcsoló hiba	314 /414	KI	Egy hangjelzés	A kapcsoló nyomtatott áramköre hibás, vagy a start/stop kapcsoló kábelcsatlakozása rossz.	A javítást szakképzett szerviztechnikus végezze el.
Lásd "Hibakód"	LCD kijelző hiba	315 /415	KI	Egy hangjelzés	Az LCD egysége hibás, vagy az LCD egység kábelcsatlakozása rossz.	A javítást szakképzett szerviztechnikus végezze el.

GARANCIA

EGO GARANCIÁLIS FELTÉTELEK

Kérjük, látogasson el az egopowerplus.com oldalra, ahol megtalálja a részletes EGO garanciális feltételeket.

KEES VAN DER SPEK
TUINMACHINES ★ STOLWIJK

CITIȚI TOATE INSTRUCȚIUNILE!



CITIȚI MANUALUL DE INSTRUCȚIUNI

⚠ Riscuri reziduale! Persoanele cu dispozitive electronice precum stimulatoare cardiace ar trebui să se consulte cu medicul (medicii) înainte de a utiliza acest produs. Funcționarea echipamentelor electrice în imediata apropiere a unui stimulator cardiac ar putea provoca interferențe sau defecțiuni ale stimulatorului cardiac.

SIMBOL DEEE

Scopul simbolurilor privind siguranța este să vă atragă atenția asupra pericolelor posibile. Simbolurile privind siguranța și explicațiile furnizate cu acestea merită atenția și înțelegerea dumneavoastră. Avertizările simbolurilor nu elimină, prin ele însele, niciun pericol. Instrucțiunile și avertizările pe care le oferă acestea nu pot înlocui măsurile adecvate de prevenire a accidentelor.

⚠ AVERTISMENT: Asigurați-vă că ați citit și înțelegiți toate instrucțiunile privind siguranța din acest Manual de utilizare, inclusiv toate simbolurile de alertă privind siguranța precum “**PERICOL**”, “**AVERTIZARE**” și “**ATENȚIE**” înainte de a utiliza această sculă. Nerespectarea tuturor instrucțiunilor enumerate mai jos poate duce la electrocutare, incendiu și/sau vătămări corporale grave.

SEMNIFICAȚIA SIMBOLURILOR

Această pagină descrie simbolurile de siguranță ce pot apărea pe acest produs. Citiți, înțelegiți și respectați toate instrucțiunile de pe mașină înainte de a o asambla și de a o utiliza.

SIMBOLURI PRIVIND SIGURANȚA

RO



Alertă privind siguranța



Protecție pentru ochi



PERICOL - Pericol de pantă abruptă



Nu transportați niciodată copii



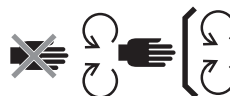
AVERTISMENT - Nu utilizați această mașină pe pante mai mari de 12°.



AVERTISMENT - ȚINEȚI MÂINILE ȘI PICIOARELE DEPARTE



Citiți și înțelegiți manualul de instrucțiuni



Mențineți dispozitivele de siguranță



PERICOL - Țineți spectatorii departe de lame



Uitați-vă în spate în timp ce întoarceți cu spatele



PERICOL - Obiecte aruncate



Nivel de putere acustică garantat. Conform Directivei comunitare europene.



Nu pășiți



Acest produs este în conformitate cu directivele europene aplicabile



Curent continuu

kPa

Kilopascal

V

Volt

in

Inch

Nm

Newton metru

°C

Celsius

km/h

Kilometri pe oră



Deșeurile produselor electrice nu trebuie să fie eliminate împreună cu deșeurile menajere. Predați-le unui punct de reciclare autorizat.



ATENȚIE – Nu priviți în lampa de operare.



Acest produs este în conformitate cu legislația aplicabilă din Marea Britanie.

RPM

Rotații pe minut

m

Metri

cm

Centimetri

mm

Milimetri

kg

Kilograme

IPX4

Grad de protecție împotriva factorilor externi

SPECIFICAȚII

Tensiune		56 V
Dimensiuni carcasă		107 cm
Mărimile roții	Frontal	11 x 4 in (279.4 mm)
	Spate	18 x 8.5 in (457.2 mm)
Presiunea anvelopelor reci	Frontal	220 kPa
	Spate	50 kPa
Raza de întoarcere		0
Viteza lamei (RPM)		2400, 2600, 2800, 3000
Max. Viteza de deplasare (km/h)	Înainte	4.8 km/h, 8 km/h, 9.6 km/h, 11.2 km/h (12.8 km/h în modul de călătorie)
	Înapoi	până la 5.6 km/h
Încărcare	Încărcător (opțional)	CHV1600E
	Adaptor (opțional)	ACA1000
	Interval de temperatură încărcare	5°C - 40°C
Reglare înălțime de tăiere (10 poziții)		25 – 100 mm
Temperatură de funcționare		0°C- 40°C

Temperatură de depozitare		-20°C - 70°C
Greutate (fără set de acumulatori)		186 kg
Nivel de putere sonoră măsurată L_{WA}		96,44 dB(A) K=0,68 dB(A)
Nivel de presiune acustică la urechea operatorului L_{PA}		84,3 dB(A) K=3,0 dB(A)
Nivel de putere sonoră garantată L_{WA} (măsurat în conformitate cu 2000/14/EC)		100 dB(A)
Vibrații a_h	Mână	1,221 m/s ² K=1,5 m/s ²
	Corp	0,568 m/s ² K=1,5 m/s ²

- Valoarea totală declarată a vibrațiilor a fost măsurată în conformitate cu o metodă standard de testare și poate fi utilizată pentru compararea sculelor între ele;
- Valoarea totală declarată poate fi utilizată în evaluarea preliminară a expunerii.

OBSERVAȚIE: Vibrațiile emise în timpul utilizării efective a sculei electrice pot diferi față de valoarea celor declarate pentru scula utilizată; Pentru protejarea operatorului, utilizatorul trebuie să poarte mănuși și protecții auditive în timpul utilizării efective a produsului.

DESCRIERE

CUNOȘTEȚI MAȘINA ELECTRICĂ DE TUNS IARBA FĂRĂ VIRARE (Fig. A1&A2)

1. Scaun
2. Port de încărcare
3. Compartiment de acumulatori
4. Luminile din spate cu LED-uri
5. Cutia de depozitare
6. Suporturi pentru pahar
7. Lumini laterale cu LED
8. Roată spate (roată motrice)
9. Platformă
10. Protector de punte
11. Roată anti-scalpare iarbă
12. Roată frontală
13. Pedală frână parcare
14. Lumini de exploatare
15. Faruri cu LED
16. Evacuare laterală
17. Manetă de reglare a înălțimii punții
18. Buton de reglare a suspensiilor scaunului
19. Manetă de reglare a scaunului înainte-spate
20. Manetă de direcție
21. Indicator de stare a cositoarei
22. Ecran LCD
23. Comutator PTO
24. Butonul Start/Stop
25. Cheie de siguranță
26. Cutie de depozitare a telefonului
27. Indicator de măsurare a combustibilului și stare a mașinii de tuns
- 27a. Indicator de măsurare a combustibilului din mașina de tuns
- 27b. Indicator al stării mașinii de tuns iarbă
28. Zona de odihnă a picioarelor
29. Butonul de eliberare a capacului unității de alimentare
30. Capacul unității de alimentare
31. Buton de detașare a acumulatorului
32. Cârlig
33. Capacul de montare a atașamentului
34. Depozitarea capacului de montare a atașamentului
35. Port USB

CUNOȘTEȚI ECRANUL LCD ȘI BUTOANELE (Fig. A3)

Consultați secțiunea „STAREA DE REFERINȚĂ ȘI COD DE DEFECTIUNE A MAȘINII DE TUNS IARBA” pentru mai multe informații despre pictograme și indicatorii de pe ecranul LCD.

1. Pictograma cheii de siguranță
2. Pictogramă Lumini LED
3. Pictogramă parcare automată
4. Pictogramă USB
5. Indicator de viteză a lamei
6. Indicator de stare a dispozitivului de siguranță
7. Contor de ore
8. Pictogramă baterie
9. Pictogramă supraîncălzire
0. Modul conducere
11. Indicator de cod de eroare
12. Indicator de suprasarcină
13. Indicator de putere redusă
14. Indicator de viteză de conducere
15. Indicator de încărcare
16. Butonul de reglare a vitezei lamei
17. Butonul Setare
18. Buton Mod de conducere
19. Comutator de lumină cu LED
20. Buton de reglare a vitezei de conducere
21. Indicator de combustibil

DESPACHETAREA

OBSERVAȚIE: Păstrați materialele de ambalare până când ați inspectat cu atenție și ați utilizat produsul în mod satisfăcător. Dacă există piese din lista de ambalare asamblate pe aparat, vă rugăm să contactați instantaneu serviciul EGO.

OBSERVAȚIE: Cu excepția instrumentelor din lista de ambalare de mai jos, toate celelalte instrumente menționate în manuale sunt doar recomandate, dar nu sunt furnizate.

LISTA COMPONENTELOR (Fig. B1)

B1-1	Mașina electrică de tuns iarba fără viraj	B1-7	Chei de siguranță
B1-2	Scaun	B1-8	Chei deschise (13mm)
B1-3	Fișă de tocare resturi vegetale	B1-9	Imbus
B1-4	Manetă de direcție	B1-10	Cuplaj rapid cu port de spălare
B1-5	Șuruburi cu cap imbus(2 pentru rezervă)	B1-11	Manual de utilizare
B1-6	Șuruburi hexagonale (2 pentru rezervă)		

DESPACHETARE (Fig. B2 – Fig. B3)

ACCESORII RECOMANDATE

⚠️ AVERTISMENT: Utilizați numai piese de schimb identice enumerate mai jos. Utilizarea pieselor care nu întrunesc specificațiile echipamentului original pot duce la funcționarea inadecvată și la compromiterea siguranței.

RO

DENUMIREA PIESELOR	NUMĂR MODEL
Lama standard	AB4200
Lama de ridicare ridicată	AB4201
Fișă de tocare resturi vegetale	AMP4200
Sac colector de iarbă	ABK4200-A

ASAMBLARE

INSTALAREA SCAUNULUI (Fig. C1 & C2)

⚠️ AVERTISMENT: Sistemul de blocare a siguranței nu trebuie deconectat sau ocolit. Dacă faceți acest lucru, mașina de tuns iarba poate funcționa în mod neașteptat, provocând vătămări corporale.

OBSERVAȚIE: Pentru siguranța dvs., mașina de tuns iarba poate opri conducerea, deoarece întrerupătorul scaunului s-a deconectat în timpul conducerii. În acest caz, vă rugăm să consultați secțiunea „DEPANARE” pentru mai multe informații.

C1-1	Cablu	C1-5	Șuruburi cu cap imbus
------	-------	------	-----------------------

C1-2	Fișă	C2-1	Cârlig
C1-3	Racord	C2-2	Șine de oțel
C1-4	Baza de suspensie	C2-3	Șuruburi cu cap imbus

INSTALAREA MANETEI DE DIRECȚIE (Fig. C3)

C3-1	Maneta de direcție	C3-3	Găuri de montare a manete de direcție
C3-2	Șuruburi hexagonale		

FIXAREA PRIZEI DE TOCARE RESTURI VEGETALE (Fig. C4)

C4-1	Evacuare laterală	C4-3	Arc mobil
C4-2	Fișă de tocare resturi vegetale		

FUNCȚIONARE

ÎNAINTE SĂ UTILIZAȚI MAȘINA DE COSIT

Verificarea mediului

- Asigurați-vă că zona de lucru este liberă de copii, spectatori și animale de companie.
- Eliberați zona de lucru de obiectelor care pot fi aruncate de lamele de tuns.
- Verificați și asigurați-vă că luminile LED sunt în stare corectă:
 - Farurile, luminile laterale și luminile din spate sunt controlate de comutatorul cu LED.
 - Luminile de funcționare sunt întotdeauna aprinse în timpul conducerii.
 - Când dați cu spatele, dacă luminile din spate sunt stinse, acestea vor clipi pentru a avertiza spectatorii; dacă luminile din spate sunt aprinse, acestea vor rămâne aprinse.
 - Toate luminile se vor stinge automat după mai mult de 3 minute fără să funcționeze

Verificați presiunii pneurilor la rece (Fig. D1)

Verificarea stării cositoarei și a nivelului de încărcare a bateriei

- Indicator de măsurare a combustibilului cositoarei (Fig. A2-27a)

Fiecare segment al indicatorului de măsurare a

combustibilului pentru cositoare indică o încărcare de 20% a pachetelor de baterii introduse.

OBSERVAȚIE: Indicatorul de măsurare a combustibilului mașinii de tuns și indicatorul de combustibil de pe ecranul LCD indică capacitatea medie a pachetelor de baterii introduse.

- b. Indicatorul de stare de pe mașina de tuns iarbă (Fig. A1 & Fig. A2 - 27b)

Dacă indicatorul de stare este verde, mașina de tuns iarba este pregătită pentru a conduce. În caz contrar, vă rugăm să consultați secțiunea „**STAREA DE REFERINȚĂ ȘI COD DE DEFECȚIUNE A MAȘINII DE TUNS IARBA**”

Testarea sistemului de blocare a siguranței (Fig. D2 - Fig. D8)

OBSERVAȚIE: Operatorul trebuie să fie pe scaun înainte de test.

- a. Înainte de testare (Fig. D2 - Fig. D4)
- b. Pentru a testa sistemul de lame-punte (Fig. D5), apoi ridicați-vă încet
- c. Pentru a testa sistemul de conducere (Fig. D6 - Fig. D8), apoi ridicați-vă încet

Dacă sistemul de lamă de punte și/sau sistemul de conducere nu se oprește atunci când operatorul nu este pe scaun și dacă cauza nu poate fi determinată după ce ați confirmat că, conexiunea scaunului și priza scaunului sunt bine conectate, contactați centrul de service clienți EGO imediat.

AJUSTĂRI (Fig. E1 - Fig. E13)

Pregătire (Fig. E1 - Fig. E5)

Reglarea înălțimii de tăiere (Fig. E6)

Reglarea roților anti-scalpare (Fig. E7 - Fig. E10)

E7-1	Roată anti-scalpare iarbă	E9-2	Șurub lung
E9-1	Piuliță	E10-1	Etichetă înălțime punte

Reglarea scaunului (Fig. E11)

Reglați poziția scaunului pentru a vă asigura că puteți atinge ferm pedala de frână parcare înainte de a folosi mașina de tuns iarbă. Reglarea suspensiei scaunului vă poate face să realizați cea mai confortabilă experiență pe scaun.

E11-1	Manetă de reglare a scaunului înainte-spate	E11-2	Buton de reglare a suspensiei scaunului
-------	---	-------	---

Reglarea frânei parcare (Fig. E12 - Fig. E13)

E13-1	Poziția de frânare	E13-2	Poziția eliberată
-------	--------------------	-------	-------------------

ÎNCĂRCAREA (Fig. F1 - Fig. F11)

Pentru a porni această mașină de tuns iarbă, sunt necesare baterii EGO cu valoare totală de 15 Ah (2 X BA4200/BA4200T) sau mai mult. Pentru cele mai bune performanțe, vă recomandăm utilizarea bateriilor EGO care totalizează 30 Ah sau mai mult.

A se utiliza numai cu bateriile și încărcătoarele recomandate. (Fig. F9 & F10)

Pregătirea pentru încărcare (Fig. F1 - Fig. F4)

Încărcați separat acumulatorul (bateriile) (Fig. F5 – Fig. F9)

F5-1	Butonul de eliberare a capacului	F7-1	Buton de eliberare a acumulatorului
------	----------------------------------	------	-------------------------------------

- Pentru a atașa acumulatorul:(Fig. F5 – Fig. F6)
- Pentru a detașa acumulatorul(Fig. F7 – Fig. F8)

OBSERVAȚIE: Încărcați acumulatorul (acumulatoroale) consultați manualele corespunzătoare ale bateriei și încărcătorului.

Încărcarea pachetelor de baterii prin portul de încărcare (Fig. F10)

F10-1	Apărătoare de praf	F10-2	Port de încărcare
-------	--------------------	-------	-------------------

PORNIREA MAȘINII DE TUNS IARBA FĂRĂ VIRARE (Fig. A4 – Fig. A5 & Fig. G1 – Fig. G6)

⚠ AVERTISMENT: Evitați pornirile, opririle și întoarcerile bruște, precum și viteza excesivă, mai ales atunci când învățați să folosiți mașina de tuns iarbă. Cositoarea se poate roti rapid, ceea ce poate determina pierderea controlului și poate duce la vătămări grave și/sau daune.

⚠ AVERTISMENT: Înainte de a porni mașina de tuns, verificați și asigurați-vă că lamele sunt decuplate atunci când apăsați comutatorul PTO în jos. Dacă lamele nu se opresc, nu utilizați cositoarea și contactați imediat serviciul clienți EGO.

OBSERVAȚIE: Urmați figurile A4 și fig. G2 pentru a obține cea mai mică viteză de rulare și modul de conducere STANDARD până când sunteți pe deplin capabil să acționați mașina de tuns iarba în toate situațiile. Viteza de rulare și modul de conducere se vor activa numai atunci când roțile cositoarei sunt oprite și maneta de direcție sunt deschise.

Cositoarea va salva și va prezenta setarea anterioară la repornire.

Modul de conducere

- **CONTROLUL:** Accelerație mai mică, manevrare mai puțin sensibilă și viteză ușoară de virare pentru a proteja iarba și pe noii utilizatori.
- **STANDARD:** Perfect pentru utilizarea de zi cu zi.
- **SPORT:** Accelerație mai mare, manevrabilitate precisă și întoarcere bruscă pentru a maximiza eficiența cosirii și pentru pasionații de cosire.

Reglarea vitezei de conducere (Fig. A4)

Reglarea vitezei lamei (fig. A5)

OBSERVAȚIE: Când sunteți în modul "TRAVEL", apăsați "←", viteza de conducere va reveni la modul anterior.

Port USB

RO

OBSERVAȚIE: Portul USB asigură o putere de încărcare de 5 Volt DC la un consum combinat de 1,5 Amperi și este alimentat numai când mașina de tuns iarba este pornită.

OPRIREA MAȘINII DE TUNS IARBA FĂRĂ VIRARE (Fig. H1 – Fig. H6)

OBSERVAȚIE: După mai mult de 60 minute fără a funcționa, cositoarea se va opri automat.

Modul Limp-Home

Când încărcarea bateriei scade, mașina de tuns iarba va intra în modul Limp-Home:

- Cositoarea oprește automat tăierea ierbii;
- Indicatorul sonor va continua să sune;
- Indicatorul de stare a cositoarei va clipi roșu în fiecare secundă, primul segment al indicatorului de combustibil al cositoarei va clipi roșu și atât indicatorul de putere redusă, cât și pictograma bateriei de pe indicatorul de combustibil vor clipi.

Operatorul ar trebui:

- a) Să apese comutatorul PTO în jos (Fig. H3) pentru a decupla lamele. Indicatorul de semnal sonor nu va mai suna atunci când lama se oprește;
- b) Nu mai lucrați și mergeți la zona de încărcare a bateriei cât mai curând posibil. Distanța maximă pe care o poate parcurge mașina de tuns iarba este de 1000 m.

Când bateria este aproape epuizată, pictograma fiecărui compartiment ocupat al bateriei și indicatorul de consum redus vor clipi la fiecare jumătate de secundă. Cositoarea nu va mai funcționa imediat. Operatorul ar trebui să transporte mașina de tuns iarba în zona de încărcare a bateriei pentru încărcare.

Împingere manuală

Dacă este necesară împingerea manuală, asigurați-vă că bateriile sunt deconectate de la cositoare și că pedala frână parcare este eliberată din poziția de frânare.

CONDUCEREA MAȘINII DE TUNS IARBA FĂRĂ VIRARE (Fig. I1 – Fig. I9)

Pentru a opri, micșora sau mări viteza, schimbați încet distanța manetei de direcție de la neutru.

⚠ PERICOL: Stați cel puțin două lățimi de cositoare (2,14m) departe de orice șanțuri, pante sau apă. Roțile din față se pot roti atunci când mașina de tuns iarba este oprită, chiar și cu frâna acționată, și poate provoca, ca mașina de tuns iarba să pornească peste margine sau în apă și poate duce la moarte sau vătămări corporale grave.

⚠ AVERTISMENT: Fiți conștienți de ceea ce se află în spatele cositoarei înainte de a da cu spatele. NU cosiți în sens invers, dacă nu este absolut necesar. Priviți întotdeauna în jos și în spate înainte și în timp ce dați înapoi pentru a vă asigura că niciun copil, persoane din apropiere sau animale de companie nu intră în zona de cosit. Amintiți-vă că o fracțiune de secundă de neglijență este suficientă pentru a provoca moartea sau rănirea gravă.

⚠ AVERTISMENT: Nu folosiți această mașină pe drumurile publice.

⚠ AVERTISMENT: Dacă se întâmplă blocarea sau se lovești un obiect străin, opriți motoarele și scoateți bateriile. Îndepărtați tăieturile de iarbă, frunzele, murdăria și orice alte resturi acumulate; inspectați cu atenție mașina de tuns iarba și reparați daunele înainte de a reporni și de a folosi mașina de tuns iarba.

ÎNȚREȚINERE

⚠️ AVERTISMENT: Purtați întotdeauna ochelari de protecție cu apărători laterale. Nerespectarea acestei instrucțiuni ar putea avea ca rezultat proiectarea în ochi a obiectelor și alte posibile vătămări grave.

⚠️ AVERTISMENT: Protejați-vă întotdeauna mâinile purtând mănuși rezistente sau înfășurând marginile tăioase cu cârpe sau alte materiale când efectuați orice operație de întreținere asupra lamei de tăiere. Scoateți întotdeauna cheia de siguranță și setul de acumulatori când efectuați operații de întreținere sau transportați mașina de tuns iarba.

Intervalele de întreținere service	Procedura de întreținere
Înainte de fiecare utilizare sau zilnic	<ul style="list-style-type: none"> ▪ Verificați sistemul de siguranță. ▪ Verificați vizual anvelopa dacă are pana. ▪ Inspectați lamele dacă sunt uzate, fisurate sau îndoite. ▪ Inspectați întregul produs pentru a găsi piese deteriorate, lipsă sau slăbite, cum ar fi jgheabul de descărcare laterală, șuruburi, piulițe, șuruburi, capace etc., asigurându-vă că toate dispozitivele de protecție sunt la locul lor și funcționează corect. ▪ Verificați funcționarea frânei.
După fiecare utilizare	<ul style="list-style-type: none"> ▪ Curățați puntea cositoarei.
La fiecare 25 ore	<ul style="list-style-type: none"> ▪ Verificați presiunea anvelopelor.
La fiecare 50 ore	<ul style="list-style-type: none"> ▪ Verificați starea ungeri din interiorul flanșei lamei de tăiere.
La fiecare 100 ore	<ul style="list-style-type: none"> ▪ Verificați roțile din spate, asigurându-vă că cele 4 piulițe sunt fixate la cuplul recomandat.
La fiecare 200 ore	<ul style="list-style-type: none"> ▪ Verificați roțile din față, asigurându-vă că acestea se rotesc liber.

Anual	<ul style="list-style-type: none"> ▪ Verificați pedala frână parcare. Scoateți bateria din mașină de tuns și puneți pedala de parcare în poziția de frânare. Împingeți manual mașina de tuns iarba înainte pentru a vedea dacă mașina de tuns iarba poate fi mutată sau nu. În cazul în care se deplasează, întrețineți-o de un tehnician de service calificat.
-------	--

CURĂȚAREA MAȘINII DE TUNS IARBA (Fig. J1 – Fig. J9)

Pregătire (Fig. J1 - Fig. J5)

Curățarea carcasei cositoarei (Fig. J6 - Fig. J7)

Utilizarea port de spălare pentru a curăța puntea cositoarei (Fig. J8 - Fig. J9)

Port de spălare

J8-1	Port de spălare	J8-3	Furtun de grădină
J8-2	Cuplaj rapid cu port de spălare		

OBSERVAȚIE: La terminarea curățării, împingeți comutatorul PTO în jos pentru a decupla lamele cositoarei.

ÎNȚREȚINEREA PUNTII COSITOAREI ȘI A LAMELOR DE TĂIERE

Pregătire (Fig. K1 - Fig. K6)

Demontarea punții mașinii de tuns (Fig. K7 - Fig. K8)

K7-1	Cablu motor	K7-3	Legături suspensii
K7-2	Cui spintecat		

OBSERVAȚIE: Deconectați cablurile motorului și știfturile de pe ambele părți atunci când scoateți puntea mașinii de tuns iarba.

Înlocuirea lamelor de tăiere (Fig. K9 - Fig. K11)

K9-1	Stabilizator	K10-3	Lamă
K10-1	Bolț	K10-4	Flanșă
K10-2	Șaibă	K10-5	Ax motor

Nivelarea punții mașinii de tuns iarba

a. Când se nivelează (Fig. K12 - Fig. K14)

b. Înainte de nivelare

- Verificați presiunea în pneuri la rece (Fig. K15)
- Verificați lamele de tăiere. Scoateți și înlocuiți lamele uzate, crăpate și/sau îndoite, după cum este necesar.

c. Pregătirea pentru nivelare (Fig. K16 - Fig. K21)**d. Cum se nivelează**

- **Pentru a face reglarea laterală (Fig. K22)**

Diferența dintre distanțele H1 și H2 măsurate de la marginea inferioară a fiecărei lame până la sol ar trebui să fie de 5 mm.

K22-1	Blocare piuliță
-------	-----------------

- **Pentru a efectua reglarea față-spate (Fig. K23)**

Vârful frontal H3 al lamei trebuie să fie de la 2 mm la 10 mm mai jos decât vârful posterior H4.

CALIBRAREA SISTEMULUI DE URMĂRIRE A COSIOAREI

(Fig. L1 - Fig. L6 și Fig. L7 - Fig. L12)

OBSERVAȚIE: Indicatorul de semnal sonor va suna o dată atât la începerea calibrării, cât și la terminarea calibrării.

RESETAREA COSITOAREI LA REGLAREA INIȚIALĂ DIN FABRICĂ (Fig. M1 - Fig. M4)

OBSERVAȚIE: Indicatorul de semnal sonor va suna o dată atât la începerea resetării, cât și la finalizarea resetării.

DEPOZITARE ȘI TRANSPORT

TRANSPORTUL MAȘINII DE TUNS IARBA (FIG. N1 – FIG. N11)

OBSERVAȚIE: Asigurați mașina de tuns iarbă după cum este necesar, folosind curele sau cabluri pentru a preveni mișcarea în timpul transportului. Când încărcați sau descărcați această mașină, nu utilizați mai mult decât unghiul maxim de funcționare recomandat de 12°.

DEPOZITARE (Fig. O1 - Fig. O6)


OBSERVAȚIE: Scoateți pachetele de baterii și depozitați bateriile, consultați manualele corespunzătoare.


Curățați și verificați mașina de tuns iarbă înainte de depozitare, consultați secțiunile „**CURĂȚAREA MAȘINII DE TUNS IARBA**” și „**PROGRAMUL (E) DE ÎNTREȚINERE RECOMANDAT**”.

Protejarea mediului înconjurător

DEEE (Deșeuri de echipamente electrice și electronice) - Nu eliminați echipamentul electric, acumulatorul epuizat și încărcătorul de acumulator împreună cu deșeurile menajere! Predați acest produs unui punct de reciclare autorizat și puneți-l la dispoziția colectării separate. Sculele electrice trebuie returnate unui centru de reciclare ecologic.

DEPANARE

PROBLEMĂ	CAUZĂ	SOLUȚIE
<p>Mașina electrică de tuns iarba fără virare nu funcționează atunci când cele două manete de direcție sunt împinse înainte sau înapoi la început.</p>  Pictograma manetei de direcție clipește	<ul style="list-style-type: none"> ▪ Ah combinat al bateriilor introduse este mai mic de 15 Ah. 	<ul style="list-style-type: none"> ▪ Pentru a porni această mașină de tuns iarba, sunt necesare baterii EGO cu valoare totală de 15 Ah (2 X BA4200/BA4200T) sau mai mult. Pentru cele mai bune performanțe, vă recomandăm utilizarea bateriilor care totalizează 30 Ah sau mai mult.
	<ul style="list-style-type: none"> ▪ Pedala de frână de parcare este setată în poziția de frânare. 	<ul style="list-style-type: none"> ▪ Apăsăți complet pedala frână parcare pentru a o elibera din poziția de frânare.
	<ul style="list-style-type: none"> ▪ Manetele de direcție nu sunt în poziția deschisă la pornirea cositoarei. 	<ul style="list-style-type: none"> ▪ Puneți manetele de direcție în poziția deschisă și reporniți cositoarea.
	<ul style="list-style-type: none"> ▪ Operatorul nu stă pe scaun. 	<ul style="list-style-type: none"> ▪ Doar atunci când operatorul stă corect pe scaun, el poate acționa cositoarea.
	<ul style="list-style-type: none"> ▪ Comutatorul scaunului nu este conectat corect. 	<ul style="list-style-type: none"> ▪ Scoateți bateria din cositoare și dezamblați scaunul în ordinea inversă a instrucțiunilor din secțiunea „INSTALAREA SCAUNULUI” din acest manual pentru a inspecta conexiunea comutatorului scaunului. Reasamblați scaunul și urmați instrucțiunile din „PORNIREA MAȘINII DE TUNS IARBA FĂRĂ VIRARE” pentru a reporni cositoarea pentru a vedea dacă cositoarea poate fi pornită. Dacă nu, contactați un tehnician de service calificat pentru reparații.
	<ul style="list-style-type: none"> ▪ Pe vreme extremă rece, este posibil ca funcția de conducere să nu pornească cu succes din cauza protecției la temperatură scăzută. 	<ul style="list-style-type: none"> ▪ Depozitați întotdeauna cositoarea și bateria într-un mediu cald. Reporniți cositoarea când este încălzită. Vă rugăm să nu faceți încercări repetate pe timp extrem de rece, care ar putea deteriora mașina. Temperatura de funcționare recomandată este de 0°C-40°C.
<p>Mașina electrică de tuns iarba fără virare se oprește.</p>	<ul style="list-style-type: none"> ▪ Manetele de direcție necesită o „resetare”. 	<ul style="list-style-type: none"> ▪ Puneți manetele de direcție în poziția deschisă și reporniți cositoarea.
	<ul style="list-style-type: none"> ▪ Componentele electrice de comandă ale manetelor de direcție sunt defectate. 	<ul style="list-style-type: none"> ▪ Contactați un tehnician de service calificat pentru reparații.
	<ul style="list-style-type: none"> ▪ Comutatorul scaunului a fost deconectat în timpul conducerii pe un teren accidentat. 	<ul style="list-style-type: none"> ▪ Scoateți bateria din cositoare și dezamblați scaunul în ordinea inversă a instrucțiunilor din secțiunea „INSTALAREA SCAUNULUI” din acest manual pentru a inspecta conexiunea comutatorului scaunului. Reasamblați scaunul și urmați instrucțiunile din „PORNIREA MAȘINII DE TUNS IARBA FĂRĂ VIRARE” pentru a reporni cositoarea pentru a vedea dacă cositoarea poate fi pornită. Dacă nu, contactați un tehnician de service calificat pentru reparații.

PROBLEMĂ	CAUZĂ	SOLUȚIE
Viteza de conducere cu/modul de conducere nu pot fi reglate în timpul mersului.	<ul style="list-style-type: none"> Aceasta este o caracteristică a mașinii de tuns iarba fără virare pentru o conducere sigură. 	<ul style="list-style-type: none"> Funcția se va activa numai atunci când roțile cositoarei sunt oprite și manetele de direcție sunt deschise.
<p>Mașina electrică de tuns iarba fără virare, nu pornește lamele atunci când comutatorul prizei de putere este cuplat.</p>  Pictograma PTO Switch clipește	<ul style="list-style-type: none"> Ah combinat al bateriilor introduse este mai mic de 15 Ah. 	<ul style="list-style-type: none"> Pentru a porni această mașină de tuns iarba, sunt necesare baterii EGO cu valoare totală de 15 Ah (2 X BA4200/BA4200T) sau mai mult. Pentru cele mai bune performanțe, vă recomandăm utilizarea bateriilor care totalizează 30 Ah sau mai mult.
	<ul style="list-style-type: none"> Comutatorul PTO nu este apăsat în jos când mașina de tuns iarba a fost oprită ultima dată. 	<ul style="list-style-type: none"> Apăsați comutatorul PTO în jos și reporniți lamele cositoarei.
	<ul style="list-style-type: none"> Cositoarea este supraîncărcată în momentul pornirii lamelor, rezultând o auto-protecție a motorului. 	<ul style="list-style-type: none"> Porniți cositoarea în viteză mai mică a lamei la început și până când lamele obțin o rotație reușită, nu accelerați viteza lamei, după cum este necesar.
	<ul style="list-style-type: none"> Pe vreme extremă rece, este posibil ca motorul lamei să nu pornească cu succes din cauza protecției la temperatură scăzută. 	<ul style="list-style-type: none"> Depozitați întotdeauna cositoarea și bateria într-un mediu cald. Reporniți cositoarea când este încălzită. Vă rugăm să nu faceți încercări repetate pe timp extrem de rece, care ar putea deteriora mașina. Temperatura de funcționare recomandată este de 0°C-40°C.
	<ul style="list-style-type: none"> Lama interferează cu puntea de tuns deformată. 	<ul style="list-style-type: none"> Contactați un tehnician de service calificat pentru reparații.
<p>Lamele nu mai funcționează în timpul tăierii ierbii.</p>	<ul style="list-style-type: none"> Mașina de tuns iarbă este supraîncărcată. 	<ul style="list-style-type: none"> Ridicați înălțimea de tăiere a punții sau încetiniți viteza de deplasare pentru a reduce sarcina cositoarei.
	<ul style="list-style-type: none"> Mașina de tuns iarbă este înfundată cu iarbă și resturi. 	<ul style="list-style-type: none"> Curățați puntea cositoarei și asigurați-vă că lamele au libertate de mișcare.
	<ul style="list-style-type: none"> Mașina de tuns iarbă este supra-încălzită. 	<ul style="list-style-type: none"> Reduceți sarcina cositoarei, ridicând înălțimea de tăiere a punții sau reducând viteza lamei/ de deplasare și lăsați mașina de tuns să se răcească.
	<ul style="list-style-type: none"> Acumulatorul (bateriile) din compartimentul pentru baterii al cositoarei este supraîncălzit, rezultând o clasificare Ah combinată a tuturor bateriilor introduse să fie sub 15 Ah. 	<ol style="list-style-type: none"> Dacă valoarea Ah a bateriilor combinată este mai mică de 15 Ah, cositoarea nu va funcționa până când nu vor fi introduse mai mulți acumulatori în componentele bateriei libere. Odată ce bateria supra-încălzită revine la temperatura normală, aceasta se va alătura imediat la puterea cositoarei. Reduceți sarcina cositoarei ridicând înălțimea de tăiere a punții sau încetinind cosirea la reluarea operației.
	<ul style="list-style-type: none"> Cositoarea este în modul Limp-Home. 	<ul style="list-style-type: none"> Când mașina de tuns iarba este în modul Limp-Home, lamele sunt comutate automat în viteză de rotație redusă, fără tăiere iarbă. Operatorul ar trebui oprească munca și să meargă în zona de încărcare a bateriei cât mai curând posibil.
	<ul style="list-style-type: none"> Mașina de tuns iarba a lovit un obiect străin, rezultând în auto-protecția motorului. 	<ul style="list-style-type: none"> Apăsați comutatorul PTO în jos și reporniți lamele de tuns.

PROBLEMĂ	CAUZĂ	SOLUȚIE
Indicatorul de semnal sonor continuă să sune.	<ul style="list-style-type: none"> ▪ Cositoarea este în modul Limp-Home și lamele nu sunt oprite. 	<ul style="list-style-type: none"> ▪ Apăsați comutatorul PTO în jos pentru a decupla lamele punții. Indicatorul de semnal sonor nu va mai suna atunci când lama se oprește.
	<ul style="list-style-type: none"> ▪ Cositoarea încetează să meargă pe o pantă, iar operatorul deschide manetele de direcție și se dă jos de pe scaun fără a pune pedala de frână de parcare în poziția de frânare. 	<ul style="list-style-type: none"> ▪ Puneți pedala frână parcare în poziția de frânare înainte de a lăsa cositoarea în pantă.
Indicatoarele bateriei sunt încă aprinse când mașina de tuns iarba este oprită.	<ul style="list-style-type: none"> ▪ Când mașina de tuns iarba este oprită pe un teren plan, fără a scoate acumulatorul (bateriile) de la mașina de tuns, indicatoarele bateriei vor rămâne aprinse timp de 3 minute. 	<ul style="list-style-type: none"> ▪ Nu este necesară nicio acțiune. Indicatoarele bateriei se vor stinge după o perioadă.
	<ul style="list-style-type: none"> ▪ Când mașina de tuns iarba este oprită pe o pantă fără a seta pedala de frână de parcare în poziția de frânare, indicatoarele bateriei vor rămâne aprinse până când încărcarea bateriei se va epuiza. Indicatorul de semnal sonor continuă să sune în același timp. 	<ul style="list-style-type: none"> ▪ Puneți pedala frână de parcare în poziția de frânare înainte ca operatorul să lase scula pe pantă.
Ecranul LCD nu poate fi iluminat cu toate pictogramele activate.	<ul style="list-style-type: none"> ▪ Timpul de apăsare pe butonul Start/Stop este mai mic de 3 secunde. 	<ul style="list-style-type: none"> ▪ Ecranul LCD va afișa „Fuel Gauge” numai atunci când butonul de pornire/oprire este apăsat scurt.
		<ul style="list-style-type: none"> ▪ Ecranul LCD se va aprinde după ce butonul de pornire/oprire a fost apăsat timp de 3 secunde.
Cositoarea taie inegal, cu diferențe semnificative de înălțime față-spate.	<ul style="list-style-type: none"> ▪ Lamele sunt tocite. 	<ul style="list-style-type: none"> ▪ Ascuțiți sau înlocuiți lama de tăiere conform instrucțiunilor din acest manual.
	<ul style="list-style-type: none"> ▪ Lamele sunt îndoite. 	<ul style="list-style-type: none"> ▪ Înlocuiți lama de tăiere îndoită urmând instrucțiunile din secțiunea „ÎNLOCUIREA LAMEI DE TĂIERE”.
	<ul style="list-style-type: none"> ▪ Puntea cositoarei nu este nivelată, rezultând înălțimi diferite a lamei de tăiere. 	<ul style="list-style-type: none"> ▪ Nivelati puntea de tuns iarba urmând instrucțiunile din secțiunea „NIVELAREA PUNȚII MAȘINII DE TUNS IARBA”.
Înălțimea efectivă de tăiere a ierbii nu este aliniată cu înălțimea revendicată.	<ul style="list-style-type: none"> ▪ Piulițele punții cositoarei sunt slăbite pe legătura cu suspensiile. 	<ul style="list-style-type: none"> ▪ Urmați instrucțiunile din secțiunea „NIVELAREA PUNȚII MAȘINII DE TUNS IARBA” pentru a face o reglare corectă față-spate pentru puntea cositoarei și strângeți sigur cele patru piulițe de legătura pentru suspensie (două pentru fiecare parte).
	<ul style="list-style-type: none"> ▪ Puntea cositoarei este deteriorată sau uzată grav. 	<ul style="list-style-type: none"> ▪ Urmați instrucțiunile din secțiunea „DEMONTAREA PUNȚII MAȘINII DE TUNS IARBA” pentru a înlocui puntea cositoarei.




PROBLEMĂ	CAUZĂ	SOLUȚIE
Cositoarea nu mărunțește corect.	<ul style="list-style-type: none"> Resturile de iarbă tăiată udă se lipesc de dedesubtul carcasei. 	<ul style="list-style-type: none"> Așteptați să se usuce iarba înainte de a tunde.
	<ul style="list-style-type: none"> Mașina de tuns iarbă este setată să taie prea multă iarbă odată. 	<ul style="list-style-type: none"> Ridicați înălțimea de tăiere a punții.
Există vibrații excesive.	<ul style="list-style-type: none"> Reascuțiți lamele de tăiere. 	<ul style="list-style-type: none"> Strângeți șurubul lamei la cuplul recomandat de 50-55 Nm.
	<ul style="list-style-type: none"> Lamele sunt îndoite. 	<ul style="list-style-type: none"> Înlocuiți lama de tăiere îndoită urmând instrucțiunile din secțiunea „ÎNLOCUIREA LAMEI DE TĂIERE”.
	<ul style="list-style-type: none"> Puntea cositoare nu este nivelată. 	<ul style="list-style-type: none"> Nivelați puntea de tuns iarba urmând instrucțiunile din secțiunea „NIVELAREA PUNȚII MAȘINII DE TUNS IARBA”.
	<ul style="list-style-type: none"> Piulițele punții cositoare sunt slăbite la legătura suspensiei. 	<ul style="list-style-type: none"> Folosiți o cheie cu capăt deschis de 18 mm (nu este furnizată) pentru a strânge cele patru piulițe de pe legătura suspensiei (două pentru fiecare parte).
	<ul style="list-style-type: none"> Cositoarea este setată să taie prea multă iarbă la un moment dat. 	<ul style="list-style-type: none"> Ridicați înălțimea de tăiere a punții.
Există iarbă sau resturi pe pământ după tuns.	<ul style="list-style-type: none"> Cositoarea este setată să taie prea multă iarbă odată când iarba este înaltă. 	<ul style="list-style-type: none"> Începeți cu o înălțime ridicată de tăiere și reduceți-o până când se obține rezultatul dorit la cosit. Iarba de peste 6 cm înălțime ar trebui tunsă de două ori, la înălțimi de tăiere succesive.
	<ul style="list-style-type: none"> Iarba este udă. 	<ul style="list-style-type: none"> Nu cosiți când iarba este umedă până când iarba nu se usucă.
	<ul style="list-style-type: none"> Viteza de conducere este mare. 	<ul style="list-style-type: none"> Reduceți viteza de conducere.
	<ul style="list-style-type: none"> Viteza lamei este redusă. 	<ul style="list-style-type: none"> Măriți viteza lamei treptat.
Timp scurt de funcționare a cositoare cu bateria inclusă.	<ul style="list-style-type: none"> Condiția ierbii și setarea înălțimii de tăiere vor afecta foarte mult durata de funcționare a bateriei. Timpul de funcționare revendicat se bazează pe o condiție de încărcare ușoară. 	<ul style="list-style-type: none"> Ridicați înălțimea de tăiere a punții și încetiniți viteza lamei pentru a reduce sarcina de tăiere.
Cositoarea nu merge drept.	<ul style="list-style-type: none"> Presiunile anvelopelor pentru roțile din spate stânga și dreapta sunt diferite. 	<ul style="list-style-type: none"> Verificați și reglați presiunea aerului la ambele roți din spate, conform recomandărilor din secțiunea „VERIFICAREA PRESIUNII ANVELOPELOR” din acest manual.
	<ul style="list-style-type: none"> Vitezele de rulare pentru roțile din spate stânga și dreapta sunt diferite. 	<ul style="list-style-type: none"> Calibrați sistemul de urmărire a cositorului urmând instrucțiunile din secțiunea „CALIBRAREA SISTEMULUI DE URMĂRIRE A COSIOAREI”.

PROBLEMĂ	CAUZĂ	SOLUȚIE
Pedala frână parcare nu poate fi eliberată din poziția de frânare sau se încetinește la revenire.	<ul style="list-style-type: none"> În interiorul pedalei frânei parcare pot apărea resturi sau murdărie. 	<ul style="list-style-type: none"> Deschideți cutia pedalei frână parcare pentru a curăța bine cutia din interior și închideți-o. Resetați pedala de frână de parcare pentru a vedea dacă problema este rezolvată. Dacă nu, contactați un tehnician de service calificat pentru reparații.
Mașina de tuns iarba nu poate fi încărcată prin portul de încărcare, cu indicatorul de stare al mașinii care strălucește roșu continuu.	<ul style="list-style-type: none"> Ștecherul încărcătorului nu este introdus corect în portul de încărcare al mașinii de tuns. 	<ul style="list-style-type: none"> Reconectați mufa încărcătorului pentru a vedea dacă mașina de tuns iarba poate fi încărcată normal.
	<ul style="list-style-type: none"> Nu există curent în prizele de perete. 	<ul style="list-style-type: none"> Nu este necesară nicio acțiune. Așteptați până când puterea se recuperează.
	<ul style="list-style-type: none"> Defecțiunea încărcătorului. 	<ul style="list-style-type: none"> Contactați un tehnician de service calificat pentru inspecția și reparația încărcătorului dacă este necesar.
	<ul style="list-style-type: none"> Portul încărcătorului de pe cositoarea este defect. 	<ul style="list-style-type: none"> Contactați un tehnician de service calificat pentru reparații.
Timpul de încărcare prin portul de încărcare a cositoarei este prea lung.	<ul style="list-style-type: none"> Utilizarea adaptorului EGO ACA1000 pentru încărcare necesită mult timp. 	<ul style="list-style-type: none"> Utilizați încărcătorul EGO CHV1600E pentru încărcarea directă a mașinii electrice de tuns iarba fără virare.
Bateria nu poate fi încărcată complet prin portul de încărcare a cositoarei.	<ul style="list-style-type: none"> Eroare de firmware la cositoarei sau defectarea încărcătorului/bateriei. 	<ul style="list-style-type: none"> Deconectați încărcătorul și așteptați mai mult de 1 minut, apoi reconectați ștecherul la sursa de alimentare. Dacă nu funcționează, contactați un tehnician calificat pentru reparații.
Cositoarea nu poate fi pornită după curățare.	<ul style="list-style-type: none"> Curățare necorespunzătoare, cum ar fi pătrunderea apei pe componentele electrice, ecranul LCD etc. 	<ul style="list-style-type: none"> Urmați instrucțiunile din secțiunea “CURĂȚAREA MAȘINII DE TUNS IARBA” pentru a curăța corect mașina de tuns iarba.
Cositoarea se înfundă ușor.	<ul style="list-style-type: none"> Mașina de tuns iarbă este înfundată cu iarbă și resturi. 	<ul style="list-style-type: none"> Dacă mașina de tuns iarba este prinsă accidental în ploaie, lăsați-o timp de peste 12 ore să se usuce sau folosiți aer comprimat pentru a o usca.
		<ul style="list-style-type: none"> Curățați puntea de tuns după fiecare utilizare, urmând secțiunea „Utilizarea portului de spălare pentru a curăța puntea de tuns”.
Cositoarea își pierde ușor tracțiunea când urcă pe pantă.	<ul style="list-style-type: none"> Anvelopele roților din spate sunt uzate. 	<ul style="list-style-type: none"> Căutați un service local pentru înlocuirea anvelopelor roților.
	<ul style="list-style-type: none"> Panta mare de cosit. 	<ul style="list-style-type: none"> Panta de cosit trebuie să fie mai mică de 12 grade.
Când mașina de tuns iarba este oprită pe o pantă cu pedala frână apăsată, mașina de tuns iarba poate aluneca în jos pe panta.	<ul style="list-style-type: none"> Componentele frânei sunt uzate excesiv din cauza funcționării necorespunzătoare a cositoarei. 	<ul style="list-style-type: none"> Contactați un tehnician de service calificat pentru reparații.





PROBLEMĂ	CAUZĂ	SOLUȚIE
Nu iese apă din orificiul de spălare la spălarea punții.	<ul style="list-style-type: none">▪ Cuplajul rapid cu orificiu de spălare nu este montat în poziție pe orificiul de spălare.	<ul style="list-style-type: none">▪ Atașați din nou cuplajul rapid al orificiului de spălare până când auziți un clic clar după apăsarea fermă. Dacă nu funcționează, contactați un tehnician calificat pentru reparații.
Există un sunet anormal la împingerea manuală a cositoarei fără pornire.	<ul style="list-style-type: none">▪ Sunetul provine de la magnetii din interiorul motorului de acționare.	<ul style="list-style-type: none">▪ Este normal și nu este necesară nicio acțiune.

STAREA DE REFERINȚĂ ȘI COD DE DEFECȚIUNE A MAȘINII DE TUNS IARBA

Ecran LCD	Descriere	Cod de defecțiune pe ecranul LCD	Indicator de stare a cositoarei	Emite sunet de avertizare (bip)	Cauză	Soluție
	Pictograma cu LED-uri se afișează pe ecranul LCD	nu se aplică	OPRIT	Nu	Farurile, luminile laterale și luminile din spate sunt aprinse de comutatorul cu LED-uri.	Aceasta este o funcționare normală. Nu este necesară nicio acțiune.
	Pictograma USB este afișată pe ecranul LCD	nu se aplică	OPRIT	Nu	Pictograma USB luminează indicând faptul că un dispozitiv USB poate funcționa după pornirea corectă a mașinii de tuns.	Aceasta este o funcționare normală. Nu este necesară nicio acțiune.
	Pictograma indicatorului de combustibil este afișată pe ecranul LCD	nu se aplică	OPRIT	Nu	Indică capacitatea medie de încărcare a bateriilor introduse	Aceasta este o funcționare normală. Nu este necesară nicio acțiune.
	Pictograma contorului de ore este afișată pe ecranul LCD	nu se aplică	OPRIT	Nu	Afișează timpul total de conducere al cositoarei, în ore și nu poate fi resetat.	Aceasta este o funcționare normală. Nu este necesară nicio acțiune.
	Pictograma indicator de încărcare apare în zona ECO	nu se aplică	OPRIT	Nu	Indică sarcina curentă a cositoarei.	Aceasta este o funcționare normală. Nu este necesară nicio acțiune.
	Indicatorul de suprasarcină clipește. LPictograma indicatorului de încărcare apare în zona PWR.	nu se aplică	Clipește roșu	Un bip	Motorul lamei este suprasolicitat.	Ridicați înălțimea de tăiere a punții sau reduceți viteza de deplasare pentru a reduce sarcina cositoarei.
	Pictograma cheii de siguranță clipește.	nu se aplică	OPRIT	Nu	Cheia de siguranță nu este introdusă.	Introduceți cheia de siguranță, apoi țineți apăsat butonul START/ STOP mai mult de 3 secunde pentru a porni mașina de tuns iarba.
					Alimentarea nu este furnizată pe ecranul LCD.	Solicitați reparații de către un tehnician de service calificat.

Ecran LCD	Descriere	Cod de defecțiune pe ecranul LCD	Indicator de stare a cositoarei	Emite sunet de avertizare (bip)	Cauză	Soluție
	Pictograma compartimentului gol al bateriei clipește.	nu se aplică	OPRIT	Nu	Capacitatea bateriei nu este suficientă pentru a permite mersul pe mașină de tuns iarba.	Pentru a porni această mașină de tuns iarba, sunt necesare baterii EGO cu valoare totală de 15 Ah (2 X BA4200/BA4200T) sau mai mult. Pentru cele mai bune performanțe, recomandăm utilizarea bateriilor EGO care totalizează 30 Ah sau mai mult.
	Pictograma termometrului clipește.	nu se aplică	Clipește roșu	Un bip	Mașina de tuns iarbă este supra-încălzită.	Reduceți sarcina pe cositoare, ridicând înălțimea de tăiere a punții sau reducând viteza lamei/ de deplasare. Faceți o pauză și lăsați cositoarea să se răcească.
	Pictograma supra-încălzire și compartimentul exact al bateriei ocupate clipește în același timp.	nu se aplică	nu se aplică	Nu	Acumulatorul din compartimentul numerotat corespunzător este supra-încălzit.	<p>1. Mașina de tuns iarba poate continua să funcționeze, dacă bateria nominală Ah, exclusiv bateria supra-încălzită, este egală sau mai mare de 15 Ah. Odată ce bateria supra-încălzită revine la temperatura normală, aceasta se va alătura imediat la puterea cositoarei.</p> <p>2. Dacă valoarea Ah a bateriilor combinată este mai mică de 15 Ah, cositoarea nu va funcționa până când nu vor fi introduse mai mulți acumulatori în compartimentele bateriei libere.</p> <p>3. Reduceți sarcina cositoarei ridicând înălțimea de tăiere a punții sau încetinind cosirea la reluarea operației.</p>

Ecran LCD	Descriere	Cod de defecțiune pe ecranul LCD	Indicator de stare a cositoarei	Emite sunet de avertizare (bip)	Cauză	Soluție
	Pictogramele fiecărui compartiment ocupate pentru baterii, indicatorul de putere mică, pictograma indicatorului de baterie pentru combustibil clipește la fiecare 1 secundă, în același timp, pe ecranul LCD. Primul segment al indicatorului LED pentru indicatorul de combustibil și de stare clipește și el.	nu se aplică	Clipește roșu	Continuă să semnalizeze până când comutatorul PTO este împins în jos.	Pachetele de baterii sunt descărcate, iar cositoarea este în modul Limp-Home.	Nu mai lucrați și mergeți la zonă de încărcare a bateriei. OBSERVAȚIE: Când mașina de tuns iarba este în modul Limp-Home, lamele sunt comutate automat în viteză de rotație redusă, fără tăiere iarba și între timp, indicatorul sonor va continua să emită sunete de avertizare (bip). Operatorul ar trebui să apese comutatorul PTO în jos pentru a decupla lamele punții. Indicatorul de sunet nu va mai emite sunete după oprirea lamei.
	Pictograma fiecărui compartiment ocupat al bateriei și indicatorul de consum redus clipește la fiecare jumătate de secundă.	nu se aplică	OPRIT	Nu	Acumulatorul este aproape epuizat.	Cositoarea nu va mai funcționa imediat. Operatorul ar trebui să transporte mașina de tuns iarba în zona de încărcare a bateriei pentru încărcare.
	Pictograma parcare automată clipește pe ecranul LCD.	nu se aplică	OPRIT	Continuă să semnalizeze	Cositoarea este parcată pe o pantă și operatorul părăsește cositoarea fără a acționa pedala de frână în poziția de frânare, doar cu manetele de direcție în poziția deschisă.	Puneți pedala de frână în poziția de frânare. Pictograma de parcare automată va fi dezactivată, iar indicatorul sonor nu va mai emite semnale (bipuri).
	Pictograma pedalei de frână este afișată pe ecranul LCD.	nu se aplică	OPRIT	Nu	Pedala de frână de parcare este setată la poziția de frânare.	Eliberați-l înainte de a porni mașina de tuns iarba.

Ecran LCD	Descriere	Cod de defecțiune pe ecranul LCD	Indicator de stare a cositoarei	Emite sunet de avertizare (bip)	Cauză	Soluție
	Pictograma senzorului scaunului este afișată pe ecranul LCD.	nu se aplică	OPRIT	Nu	Operatorul părăsește scaunul sau comutatorul scaunului este deconectat.	Dacă, cu operatorul așezat pe scaun, pictograma este activată, opriți imediat funcționarea mașinii de tuns iarba și verificați conexiunea scaunului. Dacă conexiunea scaunului cu mașina de tuns iarba este confirmată corectă, vă rugăm să contactați un tehnician de service calificat pentru reparații.
	Pictograma comutator PTO clipește.	nu se aplică	OPRIT	Nu	Motorul lamei a fost întrerupt în funcționare și comutatorul PTO nu este setat în poziția oprit.	Înainte de a reporni mașina de tuns iarba, împingeți comutatorul PTO în jos pentru a decupla motorul punții. Vă rugăm să consultați secțiunea „DEPANARE” din acest manual pentru referință.
	Pictograma manetei de direcție clipește.	nu se aplică	OPRIT	Nu	Motorul de acționare a fost întrerupt în funcțiune și manetele de direcție nu sunt setate în poziția deschisă.	Înainte de a reporni mașina de tuns iarba, puneți manetele de direcție în poziția deschisă. Vă rugăm să consultați secțiunea „DEPANARE” din acest manual pentru referință.
	Pictograma de recuperare a energiei clipește ocazional.	nu se aplică	OPRIT	Nu	Energia cinetică generată în timpul frânării sau conducerii în jos este convertită în energie electrică pentru a încărca acumulatorii.	Aceasta este o funcționare normală. Nu este necesară nicio acțiune.

Ecran LCD	Descriere	Cod de defecțiune pe ecranul LCD	Indicator de stare a cositoarei	Emite sunet de avertizare (bip)	Cauză	Soluție	
Consultați "COD DE DEFECȚIUNE"	Motorul din stânga nu funcționează în rotație.	PCBA care controlează motorul conducere stânga nu funcționează.	413	OPRIT	Un bip	PCBA defectă	Solicitați reparații de către un tehnician de service calificat.
		Fișa (trifazat, cablu de alimentare) care conectează motorul de conducere din stânga cu PCBA corespunzător este slăbită.	317	OPRIT	Un bip	Conexiune slăbită	
		Fișa (șase pini, fir de semnal) care conectează motorul de conducere din stânga cu PCBA corespunzător este slăbită.	301	OPRIT	Un bip	Conexiune slăbită	
		Motorul de conducere din stânga nu funcționează.	317	OPRIT	Un bip	Motor defect	

Ecraan LCD	Descriere	Cod de defecțiune pe ecranul LCD	Indicator de stare a cositoarei	Emite sunet de avertizare (bip)	Cauză	Soluție	
Consultați „COD DE DEFECTIUNE”	Motorul de acționare dreapta nu funcționează în rotație.	PCBA care controlează motorul conducere dreapta nu funcționează.	313	OPRIT	Un bip	PCBA defectă	Solicitați reparații de către un tehnician de service calificat.
		Fișa (trifazat, cablu de alimentare) care conectează motorul de acționare dreapta cu PCBA corespunzător este slăbită.	417	OPRIT	Un bip	Conexiune slăbită	
		Fișa (șase pini, fir de semnal) care conectează motorul de acționare dreapta cu PCBA corespunzător este slăbită.	401	OPRIT	Un bip	Conexiune slăbită	
		Motorul de conducere din dreapta nu funcționează.	417	OPRIT	Un bip	Motor defect	
Consultați „COD DE DEFECTIUNE”	Motorul lamei stângi eșuează în rotație.	PCBA care controlează motorul lamei stânga nu funcționează.	607	nu se aplică	Un bip	PCBA defectă	Solicitați reparații de către un tehnician de service calificat.
		Fișa (trifazat, cablu de alimentare) care conectează motorul de conducere din stânga cu PCBA corespunzător este slăbită.	509	nu se aplică	Un bip	Conexiune slăbită	Verificați mai întâi lama. Dacă este slăbită, folosiți o cheie dinamometrică de 14 mm pentru a strânge șurubul în sensul acelor de ceasornic. Recomandarea pentru șurubul lamei este de 50-55 Nm. Altfel lăsați să fie reparată de un tehnician de service calificat.
		Motorul lamei stângi nu funcționează	509	nu se aplică	Un bip	Motor defect	

Ecran LCD	Descriere	Cod de defecțiune pe ecranul LCD	Indicator de stare a cositoarei	Emite sunet de avertizare (bip)	Cauză	Soluție	
Consultați "COD DE DEFECȚIUNE"	Motorul cu lamei drepte eșuează în rotație.	PCBA care controlează motorul lamei dreapta nu funcționează.	507	nu se aplică	Un bip	PCBA defectă	Solicitați reparații de către un tehnician de service calificat.
		Fișa (trifazat, cablu de alimentare) care conectează motorul de acționare dreapta cu PCBA corespunzător este slăbită.	609	nu se aplică	Un bip	Conexiune slăbită	Verificați mai întâi lama. Dacă este slăbit, folosiți o cheie dinamometrică de 14 mm pentru a strânge șurubul în sensul acelor de ceasornic. Recomandarea pentru șurubul lamei este de 50-55 Nm. Altfel lăsați să fie reparată de un tehnician de service calificat.
		Motor lamei dreapta nu funcționează.	609	nu se aplică	Un bip	Motor defect	
Consultați "COD DE DEFECȚIUNE"	Maneta de direcție stângă nu funcționează.	PCBA care controlează maneta de direcție stânga nu funcționează.	311 /412	OPRIT	Un bip	PCBA defectă	Solicitați reparații de către un tehnician de service calificat.
		Ștecherul care conectează PCBA de comandă, situat în bara de direcție, este slăbit.				Conexiune slăbită	
Consultați "COD DE DEFECȚIUNE"	Maneta de direcție dreapta nu funcționează.	PCBA care controlează maneta de direcție dreapta nu funcționează.	312 /411	OPRIT	Un bip	PCBA defectă	Solicitați reparații de către un tehnician de service calificat.
		Ștecherul care conectează PCBA de comandă, situat în bara de direcție, este slăbit.				Conexiune slăbită	

Ecraan LCD	Descriere		Cod de defecțiune pe ecranul LCD	Indicator de stare a cositoarei	Emite sunet de avertizare (bip)	Cauză	Soluție
Consultați "COD DE DEFECȚIUNE"	Frâna de parcare nu funcționează, scula nu poate fi acționată.	PCBA al frânei de parcare, care se află în ansamblul cadrului frontal, este ruptă.	309 /409	OPRIT	Un bip	PCBA defectă	Solicitați reparații de către un tehnician de service calificat.
		Întreprătorul și/sau firul de frână de parcare sunt rupte.	801	OPRIT	Un bip	Defecțiuni fire/ comutator	
OPRIT	Eroare la portul de încărcare		nu se aplică	ROȘU continuu	nu se aplică	Portul de încărcare este în circuit deschis.	Solicitați reparații de către un tehnician de service calificat.
			nu se aplică	ROȘU continuu	nu se aplică	Fără alimentare electrică.	Verificați priza de perete dacă este furnizat 220 V-240 V sau dacă priza este bună.
			nu se aplică	ROȘU continuu	nu se aplică	Siguranța este sărită/arsă.	Solicitați reparații de către un tehnician de service calificat.
Consultați "COD DE DEFECȚIUNE"	Eroare la portul de încărcare		204	nu se aplică	Un bip	Portul de încărcare este în circuit deschis.	
Consultați "COD DE DEFECȚIUNE"	Ansamblul cutiei bateriei nu funcționează		217	n/a	Un bip	Sursa de alimentare din ansamblul pachetului de baterie este întreruptă. Farurile LED și USB nu vor funcționa.	Solicitați reparații de către un tehnician de service calificat.
			310 /410	OFF	Un bip	Conexiunea dintre firele de tip C ale ansamblului pachetului de baterii și alte fire de tip C ale cositoarei nu mai funcționează.	
			201 /202 /203	OFF	Un bip	BMS-ul ansamblului bateriei este rupt.	

Ecran LCD	Descriere	Cod de defecțiune pe ecranul LCD	Indicator de stare a cositoarei	Emite sunet de avertizare (bip)	Cauză	Soluție
Consultați „COD DE DEFECTIUNE”	Start/ Stop Eroare de comutare	314 /414	OFF	Un bip	Defecțiunea comutatorului PCBA sau conexiunea de cablu defectă pentru comutatorul Start/ Stop.	Solicitați reparații de către un tehnician de service calificat.
Consultați „COD DE DEFECTIUNE”	Eroare ecran LCD	315 /415	OFF	Un bip	Ansamblul LCD este întrerupt sau conexiunea de cablu defectă a ansamblului LCD.	Solicitați reparații de către un tehnician de service calificat.

GARANȚIE

POLITICA PRIVIND GARANȚIA EGO

Vă rugăm să consultați site-ul egopowerplus.com pentru termenii și condițiile complete ale politicii privind garanția EGO.

KEES VAN DER SPEK
TUINMACHINES ★ STOLWIJK

PREBERITE VSA NAVODILA!



PREBERITE PRIROČNIK Z NAVODILI ZA UPORABO

⚠ Tveganje zaradi preostalega toka! Pred uporabo izdelka se morajo osebe z elektronskimi napravami, kot je srčni spodbujevalnik, posvetovati s svojim zdravnikom. Delovanje električne opreme v bližini srčnega spodbujevalnika lahko povzroči motnje ali okvaro srčnega spodbujevalnika.

VARNOSTNI SIMBOL

Namen varnostnih simbolov je, da vas opozorijo na morebitne nevarnosti. Bodite pozorni na varnostne simbole in njihova pojasnila ter jih poskušajte razumeti. Opozorilni simboli sami ne odpravljajo nobene nevarnosti. Navodila in opozorila niso nadomestilo za ustrezne ukrepe za preprečevanje nesreč.

⚠ OPOZORILO: Pred uporabo tega orodja preberite in razumite vsa varnostna navodila v tem priročniku, vključno z vsemi varnostnimi opozorilnimi simboli, kot so »NEVARNOST«, »OPOZORILO« in »POZOR«. Zaradi neupoštevanja spodaj navedenih navodil lahko pride do električnega udara, požara in/ali resnih telesnih poškodb.

POMEN SIMBOLA

Na tej strani so prikazani in opisani varnostni simboli, ki se lahko pojavijo na tem izdelku. Preberite in osvojite navodila na napravi ter jih upoštevajte, preden se lotite sestavljanja in upravljanja stroja.

VARNOSTNI SIMBOLI

SL



Varnostno opozorilo



Zaščita za oči



NEVARNOST – nevarnost zaradi strmega pobočja



Nikoli ne vozite otrok na kosilnici.



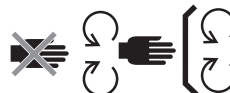
OPOZORLO – Tega stroje ne uporabljajte na pobočjih z naklonom večjim od 12°.



OPOZORILO – Z DLANMI IN STOPALI SE NE PRIBLIŽUJTE KOSILNICI



Uporabniški priročnik morate prebrati in razumeti.



Varnostne naprave morate vzdrževati.



NEVARNOST – opazovalci ne smejo stati v bližini rezil.



Pri vzratni vožnji poglejte nazaj.



NEVARNOST – izvrženi predmeti



Zagotovljena raven zvočne moči
V skladu z direktivo Evropske skupnosti.



Ne stopajte



Ta izdelek je skladen z veljavnimi direktivami ES.



Enosmerni tok

kPa

Kilopascal

V

Volt

in

Palec

Nm

Newton meter

°C

Celzij

km/h

Kilometri na uro



Odpadnih električnih izdelkov ne odlagajte med gospodinjne odpadke. Odnosite jih v pooblaščen obrat za recikliranje.



PREVIDNO – nikoli ne glejte v delujočo luč!



Ta izdelek je skladen z veljavno zakonodajo VB.

VRT./MIN.

Število vrtljajev na minuto

m

Metri

cm

Centimetri

mm

Milimetri

kg

Kilogram

IPX4

Stopnja zaščite pred vdorom

TEHNIČNI PODATKI

Napetost		56 V
Velikost pokrova		107cm
Velikost kolesa	Spredaj	11 x 4 in (279,4 mm)
	Zadaj	18 x 8,5 in (457,2 mm)
Tlak pri hladni pnevmatiki	Spredaj	220 kPa
	Zadaj	50 kPa
Obračalni krog		0
Hitrost rezila (vrt./min)		2400, 2600, 2800, 3000
Najv. Hitrost vožnje (km/h)	Naprej	4,8 km/h, 8 km/h, 9,6 km/h, 11,2 km/h (12,8 km/h v potovalnem načinu (Travel))
	Vzratno	do 5,6 km/h
Polnjenje	Polnilnik (izbirno)	CHV1600E
	Adapter (izbirno)	ACA1000
	Temperaturni razpon polnjenja	od 5°C do 40°C
Prilagajanje višine košnje (10 položajev)		25 – 100 mm
Obratovalna temperatura		od 0°C do 40°C
Temperatura za shranjevanje		od -20°C do 70°C

Teža (brez akumulatorja)		186 kg
Izmerjena raven zvočne moči L_{WA}		96,44 dB(A) K=0,68 dB(A)
Raven zvočnega tlaka v ušesu upravljavca L_{PA}		84,3 dB(A) K=3,0 dB(A)
Zajamčena raven zvočnega tlaka L_{WA} (izmerjeno v skladu z Direktivo 2000/14/ES)		100 dB(A)
Vibration a_n	Roka	1,221 m/s ² K=1,5 m/s ²
	Telo	0,568 m/s ² K=1,5 m/s ²

- Nazivna skupna vrednost tresljajev je bila izmerjena v skladu s standardno preskusno metodo in jo je mogoče uporabiti za primerjavo enega orodja z drugim.
- Nazivno skupno vrednost tresljajev je mogoče uporabiti tudi za predhodno oceno izpostavljenosti.

OPOMBA: oddajanje tresljajev med dejansko uporabo električnega orodja se lahko razlikuje od nazivne vrednosti, v kateri se uporablja orodje. Upravlavec se lahko zaščiti tako, da uporablja rokavice in naušnike, primerne dejanskim pogojem uporabe.

OPIS

SPOZNAVANJE ELEKTRIČNE KOSILNICE Z MOŽNOSTJO OBRAČANJA NA MESTU (Sl. A1 in A2)

1. Sedež
2. Polnilna vrata
3. Prostor za baterijo
4. Zadnje luči LED
5. Omarica za shranjevanje
6. Držala za pijačo
7. Stranske luči LED
8. Zadnja kolesa (pogonska kolesa)
9. Pokrov
10. Zaščita za pokrov
11. Kolo, ki ne zadane ob tla
12. Sprednje kolo
13. Stopalka parkirne zavore
14. Dnevne luči
15. Žarometi LED
16. Stranski deflektor za izmet
17. Vzvod za prilagajanje višine pokrova
18. Gumb za prilagoditev vzmetenja sedeža
19. Vzvod za nastavitev sedeža naprej oz. nazaj
20. Krmilni vzvod
21. Indikator stanja kosilnice
22. Zaslون LCD
23. Stikalo PTO
24. Gumb za zagon/zaustavitev
25. Varnostni ključ
26. Omarica za shranjevanje telefona
27. Indikator stanja in merilnika goriva kosilnice
- 27a. Indikator merilnika goriva kosilnice
- 27b. Indikator stanja kosilnice
28. Predel z nožno oporo
29. Gumb za sprostitvev pokrova napajalne enote
30. Pokrov napajalne enote
31. Gumb za sprostitvev baterije
32. Vlečna kljuka
33. Pokrov nameščenega priključka
34. Shranjevanje pokrova nameščenega priključka
35. Vrata USB

SL

SPOZNAJTE ZASLON LCD IN GUMBE (sl. A3)

Za več informacij o ikonah in indikatorjih na zaslonu LCD si oglejte razdelek „SKLICSTANJA KOSILNICE IN KODA NAPAKE“.

1. Ikona varnostnega ključa
2. Ikona LED-luči
3. Ikona samodejnega parkiranja
4. Ikona USB
5. Indikator hitrosti rezila
6. Indikator stanja varnostne naprave
7. Števec ur
8. Ikona akumulatorja
9. Ikona pregrevanja
10. Način vožnje
11. Indikator kode napake
12. Indikator preobremenitve
13. Indikator nizkega napajanja
14. Indikator hitrosti vožnje
15. Indikator obremenitve
16. Gumb za nastavitev hitrosti rezila
17. Gumb za nastavitev
18. Gumb za način vožnje
19. Stikalo za LED-lučko
20. Gumb za nastavitev hitrosti vožnje
21. Merilnik stanja goriva

ODSTRANJEVANJE EMBALAŽE

OPOMBA: Shranite embalažni material, dokler izdelka temeljito ne pregledate in ga ne začnete uporabljati zadovoljivo. Če manjka katerikoli del s seznama delov stroja, se takoj obrnite na servisno službo EGO.

OPOMBA: Razen orodja, ki je navedeno v spodnji vsebini paketa, so vsa druga orodja, ki so omenjena v priročnikih, le priporočena, niso pa priložena.

VSEBINA PAKETA (sl. B1)

B1-1	Električna kosilnica z možnostjo obračanja na mestu	B1-7	Varnostni ključi
B1-2	Sedež	B1-8	Odprti ključi (13 mm)
B1-3	Priključek za mulčenje	B1-9	Šestkotni ključ
B1-4	Krmilni vzvod	B1-10	Hitra spojka za vodni priklop
B1-5	Vijaki z udrtjo glavo (2 za rezervo)	B1-11	Priročnik za uporabo
B1-6	Šestkotni vijak (2 za rezervo)		

ODSTRANJEVANJE EMBALAŽE (sl. B2–B3)

PRIPOROČENI DODATKI

⚠ OPOZORILO: Uporabite samo identične nadomestne dele, ki so navedeni spodaj. Uporaba delov, ki ne izpolnjujejo zahtev originalne opreme, lahko vodi k neprimernemu delovanju in ogroženi varnosti.

IME DELA	ŠTEVILKA MODELA
Standardno rezilo	AB4200
Rezilo High Lift	AB4201
Priključek za mulčenje	AMP4200
Komplet vreče za travo	ABK4200-A

SESTAVLJANJE

NAMEŠČANJE SEDEŽA (sl. C1 in C2)

⚠ OPOZORILO: Varnostnega zaklepnega sistema ni dovoljeno odklopiti ali zaobiti. Posledično lahko začne kosilnica nepričakovano delovati, kar lahko povzroči telesno poškodbo.

OPOMBA: Zaradi vaše varnosti lahko kosilnica preneha delovati, če se med vožnjo sedež odklopi. V tem primeru si za več informacij oglejte razdelek „**ODPRAVLJANJE TEŽAV**“.

C1-1	Kabel	C1-5	Vijaki z udrtjo glavo
C1-2	Vtikač	C2-1	Kavelj
C1-3	Vtičnica	C2-2	Jeklene tirnice

C1-4	Vzmetno podnožje	C2-3	Vijaki z udrtjo glavo
------	------------------	------	-----------------------

NAMEŠČANJE KRMILNIH VZVODOV (sl. C3)

C3-1	Krmilni vzvodi	C3-3	Odprtine za namestitev krmilne ročice
C3-2	Šestrobi vijaki		

PRITRDITEV PRIKLJUČKA ZA MULČENJE (sl. C4)

C4-1	Stranski deflektor za izmet	C4-3	Premična vzmet
C4-2	Priključek za mulčenje		

UPRAVLJANJE

PRED PORABO KOSILNICE

Preverjanje okolja

- Prepričajte se, da v delovnem območju ni otrok, opazovalcev ali hišnih ljubljencev.
- Iz delovnega območja odstranite vse predmete, ki bi jih lahko rezila kosilnice razmetala naokoli.
- Preverite stanje luči LED in se prepričajte, da so ustrezne:
 - žarometi, stranske luči in zadnje luči se upravljajo prek stikala za LED-luči.
 - Dnevne luči morajo biti med vožnjo vedno vklopljene.
 - Če so med vzvratno vožnjo zadnje luči izklopljene, bodo utripale, da bodo s tem opozorile opazovalce; če so vklopljene, bodo ostale vklopljene.
 - Če kosilnice ne boste uporabljali 3 minute ali več, se bodo vse luči samodejno izklopile.

Preverjanje tlaka pri hladnih pnevmatikah (sl. D1)

Preverjanje stanja kosilnice in nivoja napoljenosti akumulatorja

- Indikator merilnika goriva kosilnice (sl. A2 do 27a)
Vsak segment indikatorja merilnika goriva kosilnice označuje 20 % napoljenosti vstavljenega akumulatorskega sklopa.

OPOMBA: Indikator merilnika goriva kosilnice in merilna goriva na zaslonu LCD označujeta povprečno zmogljivost vstavljenih akumulatorskih sklopov.

b. Indikator stanja kosilnice (sl. A1 in sl. A2 do 27b)

Če je indikator stanja obarvan zeleno, je kosilnica pripravljena za vožnjo. Če temu ni tako, si oglejte razdelek „**SKLIC STANJA KOSILNICE IN KODA NAPAKE**“

Preizkušanje varnostnega zaklepnega sistema (sl. D2 do D8)

OPOMBA: Pred preizkusom mora voznik sedeti na sedežu.

- Pred preizkušanjem (sl. D2 do D4)
- Če želite preizkusiti sistem pokrova in rezila (sl. D5), potem počasi vstanite.
- Če želite preizkusiti sistem vožnje (sl. D6 do D8), potem počasi vstanite.

Če se sistem pokrova in rezila in/ali sistem vožnje ne zaustavi, ko se voznik vstane s sedeža in če ne morete določiti vzroka, potem ko ste potrdili, da sta vtičnik in vtičnica sedeža dobro priključena, se takoj obrnite na servisni center za stranke EGO.

NASTAVITEV (sl. E1 do E13)

Priprava (sl. E1 do E5)

Prilaganje višine pokrova za košnjo (sl. E6)

Prilaganje koles, ki ne zadenejo ob tla (sl. E7 do E10)

E7-1	Kolo, ki ne zadane ob tla	E9-2	Zatični vijak
E9-1	Matica	E10-1	Oznaka višine pokrova

Nastavitev sedeža (sl. E11)

Prilagodite položaj sedeža in se tako prepričajte, da se lahko zanesljivo dotaknete stopalke parkirne zavore, preden začnete uporabljati kosilnico. S prilagoditvijo vzmetenja sedeža si lahko zagotovite najbolj udobno izkušnjo.

E11-1	Vzvod za nastavitev sedeža naprej oz. nazaj	E11-2	Gumb za prilagoditev vzmetenja sedeža
-------	---	-------	---------------------------------------

Nastavitev parkirne zavore (sl. E12 do E13)

E13-1	Zavorni položaj	E13-2	Sproščen položaj
-------	-----------------	-------	------------------

POLNJENJE (sl. F1 do F11)

Za zagon te kosilnice morate uporabiti akumulator EGO s skupno močjo 15 Ah (2 X BA4200/BA4200T) ali več. Za najboljše delovanje priporočamo uporabo akumulatorja EGO s skupno močjo 30 Ah ali več.

Uporabljajte samo priporočene akumulatorske sklope in polnilnike. (sl. F9 in F10)

Priprava na polnjenje (sl. F1 do F4)

Ločeno polnjenje akumulatorskih sklopov (sl. F5 do F9).

F5-1	Gumb za sprostitvev pokrova	F7-1	Gumb za sprostitvev baterije
------	-----------------------------	------	------------------------------

- Namestitev akumulatorskih sklopov (sl. F5 do F6)
- Odstranitev akumulatorskih sklopov (sl. F7 do F8)

OPOMBA: Napolnite akumulatorske sklope v skladu z ustreznimi priročniki za akumulator in polnilnik.

Polnjenje akumulatorskih sklopov prek polnilnih vrat (sl. F10)

F10-1	Protiprašni pokrovček	F10-2	Polnilna vrata
-------	-----------------------	-------	----------------

ZAGON ELEKTRIČNE KOSILNICE Z MOŽNOSTJO OBRAČANJA NA MESTU (sl. A4 do A5 in sl. G1 do G6)

⚠ OPOZORILO: Izogibajte se nenadnim zagonom, zaustavitvam in zavojem ter velikemu pospeševanju hitrosti, še posebej ko se prvič učite upravljati kosilnico. Kosilnica se lahko hitro zavrti, zaradi česar lahko izgubite nadzor in povzroči resne telesne poškodbe in/ali škodo.

⚠ OPOZORILO: Preden zaženete kosilnico, preverite in se prepričajte, da se rezila sprostijo, ko pritisnete stikalo PTO navzdol. Če se rezila ne nehajo vrteti, kosilnice ne smete uporabiti in se takoj obrnite na servisno službo za stranke podjetja EGO.

OPOMBA: Upoštevajte slike A4 in G2, da nastavite najnižjo hitrost vožnje in **STANDARDNI** način vožnje, dokler ne boste popolnoma sposobni upravljati kosilnice v vseh situacijah. Hitrost vožnje in vozni način je mogoče aktivirati le, ko so kolesa kosilnice zaustavljena, krmilni vzvodi pa so odprti.

Ob ponovnem zagonu bo kosilnica shranila in prikazala prejšnje nastavitve.

Vozni način

- **CONTROL:** manj pospeševanja; manj občutljivo krmiljenje in manjša hitrost v zavojih za zaščito trave in za nove uporabnike.
- **STANDARD:** popolno za vsakodnevno uporabo.
- **SPORT:** večje pospeševanje, natančno krmiljenje in ostri zavoji za največjo učinkovitost košnje in za navdušence nad košnjo.

Prilagoditev hitrosti vožnje (sl. A4)

Prilagoditev hitrosti rezila (sl. A5)

OPOMBA: V načinu "TRAVEL" pritisnite "🐾" in hitrost vožnje se bo povrnila v prejšnji način.

Vrata USB

OPOMBA: Vrata USB zagotavljajo moč polnjenja s 5 V enosmernega toka pri kombinirani vleki 1,5 A in se napajajo le takrat, ko je kosilnica vklopljena.

ZAUSTAVITEV ELEKTRIČNE KOSILNICE Z MOŽNOSTJO OBRAČANJA NA MESTU (sl. H1 do H6)

OPOMBA: Če kosilnice 60 minute ne boste uporabljali, se bo samodejno izklopila.

Način Limp-home

Ko se napoljenost akumulatorja zmanjša, bo kosilnica preklopila v način Limp-Home:

- kosilnica samodejno preneha kositi travo;
- zvočni indikator se bo še naprej oglašal;
- indikator stanja kosilnice bo vsako sekundo utripnil rdeče, prvi segment merilnika goriva kosilnice bo utripal rdeče, indikator nizke napoljenosti in grafika akumulatorja na merilniku goriva bosta utripala.

Voznik mora:

- pritisniti stikalo PTO navzdol (sl. H3), da iztakne rezila. Zvočni indikator bo prenehal piskati, ko se bodo rezila zaustavila;
- prenehajte delati in se čim prej vrnite v območje za polnjenje akumulatorja. Največja razdalja, ki jo lahko opravi kosilnica, znaša 1000 m.

Ko je akumulator skoraj prazen, bosta ikona vsakega zasedenega predelka akumulatorja in indikator nizkega stanja energije utripnila vsake pol sekunde. Kosilnica

bo v trenutku prenehala delovati. Voznik mora odpeljati kosilnico v območje za polnjenje akumulatorja, da se napolni.

Ročno potiskanje

Če morate kosilnico potisniti ročno, se prepričajte, da je akumulator odklopljen s kosilnice in stopalka parkirne zavore ni več v položaju za zaviranje.

VOŽNJA ELEKTRIČNE KOSILNICE Z MOŽNOSTJO OBRAČANJA NA MESTU (sl. I1 do I9)

Za zaustavitev, zmanjšanje ali povečanje hitrosti počasi spremenite razdaljo krmilne ročice iz nevtralnega položaja.

⚠ NEVARNOST: Ostanite vsaj za dve širini košnje (2,14 m) od vseh jarkov, prepadov ali vode. Sprednji kolesi se lahko vrtita, ko je kosilnica zaustavljena, tudi če je aktivirana zavora, kar pomeni, da se lahko kosilnica premakne čez rob ali v vodo ter tako povzroči smrt ali resne telesne poškodbe.

⚠ OPOZORILO: Preden zapeljete vzvratno, preverite, kaj je za kosilnico. NE kosite vzvratno, razen če je to nujno potrebno. Med vzvratno vožnjo vedno pogledujte navzdol in za vami ter se tako prepričajte, da v območju košnje ni nobenih otrok, opazovalcev ali živali. Upoštevajte, da je samo delček sekunde nepazljivosti dovolj, da pride do smrti ali hude telesne poškodbe.

⚠ OPOZORILO: Stroja ne vozite po javnih cestah.

⚠ OPOZORILO: Če pride do blokade ali zadenete ob neznan predmet, ustavite motorje in odstranite akumulator. Odstranite odrezke trave, listje, umazanijo in vse druge nakopičene ostanke; temeljito preglejte, ali je kosilnica poškodovana ter popravite poškodbe, preden znova zaženete in uporabite kosilnico.

VZDRŽEVANJE

⚠ OPOZORILO: Vedno nosite zaščito za oči, ki ima varovanje tudi s strani. Če tega ne storite, vam lahko v oči priletijo predmeti, kar lahko povzroči hude poškodbe.

⚠ OPOZORILO: Pri izvajanju vzdrževanja na rezilu kosilnice dlani vedno zaščitite z robustnimi rokavicami ali robove rezila ovijte s krpami ali drugim materialom. Pri servisiranju ali transportu kosilnice vedno odstranite varnostni ključ in akumulatorski sklop.

Servisni interval vzdrževanja	Postopek vzdrževanja
Pred vsako uporabo ali vsak dan	<ul style="list-style-type: none"> Preverite varnostni zaklepni sistem. Vizualno preverite, ali je pnevmatika morda prazna. Preverite, ali so rezila morda obrabljena, počena ali ukrivljena. Celoten izdelek pregledajte za poškodovane, manjkajoče ali zrahljanje dele, kot so stranski deflektor za izmet, vijaki, matice, sorniki, pokrovi itd., ter se prepričajte, da so vse zaščitne nameščene in ustrezno delujejo. Preverite delovanje zavor.
Po vsaki uporabi	<ul style="list-style-type: none"> Očistite pokrov kosilnice.
Vsakih 25 ur	<ul style="list-style-type: none"> Preverite tlak v pnevmatikah.
Vsakih 50 ur	<ul style="list-style-type: none"> Preverite stanje maziva v prirobnici rezila.
Vsakih 100 ur	<ul style="list-style-type: none"> Preverite zadnji kolesi in se prepričajte, da so 4 kolesne matice zategnjene s priporočenim navorom.
Vsakih 200 ur	<ul style="list-style-type: none"> Preverite sprednji kolesi in se prepričajte, da se prosto vrtita.
Letno	<ul style="list-style-type: none"> Preverite stopalko parkirne zavore. Odstranite akumulator iz kosilnice in nastavite stopalko parkirne zavore na položaj za zaviranje. Ročno pritisnite kosilnico naprej, da preverite, ali se lahko kosilnica premakne ali ne. Če se premakne, naj jo usposobljen serviser popravi.

ČIŠČENJE KOSILNICE (sl. J1 do J9)

Priprava (sl. J1 do J5)

Čiščenje ohišja kosilnice (sl. J6 do J7)

Uporaba vodnega priklopa za čiščenje pokrova kosilnice (sl. J8 do J9)

Vodni prikllop

J8-1	Hitra spojka za vodni prikllop	J8-3	Vrtna cev
J8-2	Cuplaj rapid cu port de spalare		

OPOMBA: Po končanem čiščenju pritisnite stikalo PTO navzdol, da iztaknete rezila kosilnice.

VZDRŽEVANJE POKROVA KOSILNICE IN REZIL

Priprava (sl. K1 do K6)

Odstranjevanje pokrova kosilnice (sl. K7 do K8)

K7-1	Kabel motorja	K7-3	Spoj vzmetenja
K7-2	Razcepka		

OPOMBA: Pri odstranitvi pokrova kosilnice odklopite kable motorja in razcepke na obeh straneh.

Zamenjava rezil (sl. K9 do K11)

K9-1	Stabilizator	K10-3	Rezilo
K10-1	Sornik	K10-4	Prirobnica
K10-2	Podložka	K10-5	Gred motorja

Izravnava pokrova kosilnice

a. Kdaj izravnati (sl. K12 do K14)

b. Pred izravnavo

- Preverjanje tlaka pri hladni pnevmatiki (sl. K15)
- Preverite rezila. Obrabljena, počena in/ali ukrivljena rezila po potrebi odstranite in zamenjajte.

c. Priprava na izravnavo (sl. K16 do K21)

d. Način izravnave

- Prilagajanje od ene do druge strani (sl. K22)

Razlika med razdaljama H1 in H2, izmerjenima od spodnjega roba posameznega rezila do tal, je lahko največ 5 mm.

K22-1	Protimatica
-------	-------------

- Prilagajanje od spredaj nazaj (sl. K23)

Sprednja konica H3 rezila mora biti od 2 mm do 10 mm nižja od zadnje konice H4.

UMERJANJE SISTEMA SLEDENJA KOSILNICE (sl. L1 do L6 in sl. L7 do L12)

OPOMBA: Indikator piskanja se bo sprostil dvakrat: enkrat ob začetku umerjanja in po končanem umerjanju.

PONASTAVITEV KOSILNICE NA ZAČETNE TOVARNIŠKE NASTAVITVE (sl. M1 do M4)

OPOMBA: Indikator piskanja se bo sprostil dvakrat: enkrat ob začetku ponastavitve in po končani ponastavitvi.

SHRANJEVANJE IN PREVOZ

PREVAŽANJE KOSILNICE (SL N1 DO N11)

OPOMBA: Kosilnico ustrezno pritrdite s trakovi ali kabli, da se ne bo med prevozom premikala. Pri nakladanju ali razkladanju kosilnice ne uporabljajte več kot največjega priporočenega kota 12 stopinj med rampo in tlemi.

SHRANJEVANJE (Sl. O1 do O6)

OPOMBA: Odstranite akumulatorske sklope in shranite akumulatorje. Oglejte si ustrezne priročnike.

Pred shranjevanjem očistite in preverite kosilnico. Oglejte si razdelka „**ČIŠČENJE KOSILNICE**“ in „**PRIPOROČENI NAČRTI VZDRŽEVANJA**“.


Varovanje okolja




Odpadna električna in elektronska oprema: električne opreme, rabljene baterije in polnilnika ne odvrzite med gospodinjske odpadke. Izdelek odnesite v pooblaščen obrat za recikliranje in ga zavržite ločeno. Električna orodja je treba odnesti na obrat za recikliranje in ga reciklirati na okolju prijazen način.

Kees van der Spek
Stolwijk

ODPRAVLJANJE TEŽAV

TEŽAVA	VZROK	REŠITEV
<p>Električna kosilnica z možnostjo obračanja na mestu se ne premakne, ko pritisnete na začetku dva krmilna vzvoda naprej ali nazaj.</p>  Ikona krmilnega vzvoda utripa.	<ul style="list-style-type: none"> Kombinirana zmogljivost Ah vstavljenega akumulatorja je manjša od 15 Ah. 	<ul style="list-style-type: none"> Za zagon te kosilnice morate uporabiti akumulator EGO s skupno močjo 15 Ah (2 X BA4200/BA4200T) ali več. Za najboljše delovanje priporočamo uporabo akumulatorjev s skupno močjo 30 Ah ali več.
	<ul style="list-style-type: none"> Stopalka parkirne zavore je v položaju za zaviranje. 	<ul style="list-style-type: none"> Do konca pritisnite stopalko parkirne zavore, da jo sprostite iz položaja za zaviranje.
	<ul style="list-style-type: none"> Ob zagonu kosilnice krmilni vzvodi niso v odprtem položaju. 	<ul style="list-style-type: none"> Krmilne vzvode vrnite v odprt položaj in znova zaženite kosilnico.
	<ul style="list-style-type: none"> Voznik ne sedi na sedežu. 	<ul style="list-style-type: none"> Voznik lahko pravilno upravlja kosilnico samo takrat, ko pravilno sedi na svojem sedežu.
	<ul style="list-style-type: none"> Stikalo sedeža ni pravilno priključeno. 	<ul style="list-style-type: none"> Odstranite akumulator iz kosilnice in razstavite sedež v obratnem vrstnem redu navodil v poglavju „NAMEŠČANJE SEDEŽA“ v tem priročniku, da preverite priključitev stikala sedeža. Znova sestavite sedeže in upoštevajte navodila v razdelku „ZAGON ELEKTRIČNE KOSILNICE Z MOŽNOSTJO OBRAČANJA NA MESTU“, da znova zaženete kosilnico in preverite, ali jo je mogoče zagnati. Če se kosilnica ne zažene, se obrnite na kvalificiranega serviserja.
	<ul style="list-style-type: none"> V izjemno hladnem vremenu se vozna funkcija morda ne bo zagnala uspešno zaradi nizke temperaturne zaščite. 	<ul style="list-style-type: none"> Kosilnico in akumulator vedno shranjujte v toplem prostoru. Ko se kosilnica segreje, jo znova zaženite. V izjemno hladnem vremenu ne poskušajte kosilnice zagnati večkrat zapored, saj jo lahko tako poškodujete. Priporočena obratovalna temperatura znaša od 0°C do 40°C.
<p>Električna kosilnica z možnostjo obračanja na mestu se ustavi.</p>	<ul style="list-style-type: none"> Krmilne vzvode je treba „ponastaviti“. 	<ul style="list-style-type: none"> Krmilne vzvode vrnite v odprt položaj in znova zaženite kosilnico.
	<ul style="list-style-type: none"> Električne komponente za upravljanje krmilnih vzvodov so okvarjene. 	<ul style="list-style-type: none"> Za popravilo se obrnite na kvalificiranega serviserja.
	<ul style="list-style-type: none"> Stikalo sedeža se je med vožnjo po grobem terenu odklopilo. 	<ul style="list-style-type: none"> Odstranite akumulator iz kosilnice in razstavite sedež v obratnem vrstnem redu navodil v poglavju „NAMEŠČANJE SEDEŽA“ v tem priročniku, da preverite priključitev stikala sedeža. Znova sestavite sedeže in upoštevajte navodila v razdelku „ZAGON ELEKTRIČNE KOSILNICE Z MOŽNOSTJO OBRAČANJA NA MESTU“, da znova zaženete kosilnico in preverite, ali jo je mogoče zagnati. Če se kosilnica ne zažene, se obrnite na kvalificiranega serviserja.

TEŽAVA	VZROK	REŠITEV
Hitrosti vožnje/voznega načina ni mogoče prilagoditi med vožnjo.	<ul style="list-style-type: none"> To je funkcija električne kosilnice z možnostjo obračanja na mestu za varno vožnjo. 	<ul style="list-style-type: none"> Funkcija se bo aktivirala le, ko so kolesa kosilnice zaustavljena, krmilni vzvodi pa so odprti.
Ob vklopu stikala PTO električna kosilnica z možnostjo obračanja na mestu ne zažene rezil.  Ikona stikala PTO utripa.	<ul style="list-style-type: none"> Kombinirana zmogljivost Ah vstavljenih akumulatorjev je manjša od 15 Ah. 	<ul style="list-style-type: none"> Za zagon te kosilnice morate uporabiti akumulator EGO s skupno močjo 15 Ah (2 X BA4200/BA4200T) ali več. Za najboljše delovanje priporočamo uporabo akumulatorjev s skupno močjo 30 Ah ali več.
	<ul style="list-style-type: none"> Stikalo PTO ni bilo pritisnjeno, ko ste nazadnje ustavili kosilnico. 	<ul style="list-style-type: none"> Pritisnite stikalo PTO navzdol in znova zaženite rezila kosilnice.
	<ul style="list-style-type: none"> Ob zagonu rezil je kosilnica preobremenjena, kar povzroči samozaščito motorja. 	<ul style="list-style-type: none"> Najprej začnite kositi travo z nizko hitrostjo rezila in ne povečujte hitrosti rezila, dokler se ne začnejo rezila ustrezno vrteti.
	<ul style="list-style-type: none"> V izjemno hladnem vremenu se motor rezil morda ne bo zagnal uspešno zaradi nizke temperaturne zaščite. 	<ul style="list-style-type: none"> Kosilnico in akumulator vedno shranjujte v toplem prostoru. Ko se kosilnica segreje, jo znova zaženite. V izjemno hladnem vremenu ne poskušajte kosilnice zagnati večkrat zapored, saj jo lahko tako poškodujete. Priporočena obratovalna temperatura znaša od 0°C do 40°C.
	<ul style="list-style-type: none"> Rezilo vpliva na deformiran pokrov kosilnice. 	<ul style="list-style-type: none"> Za popravilo se obrnite na kvalificiranega serviserja.
Med košnjo trave rezila prenehajo delovati.	<ul style="list-style-type: none"> Kosilnica je preobremenjena. 	<ul style="list-style-type: none"> Dvignite višino košnje ali upočasnite vožnjo, da zmanjšate obremenitev kosilnice.
	<ul style="list-style-type: none"> Pokrov kosilnice je zamašen s travo in delci. 	<ul style="list-style-type: none"> Očistite pokrov kosilnice in se prepričajte, da se lahko rezila prosto premikajo.
	<ul style="list-style-type: none"> Kosilnica je pregreta. 	<ul style="list-style-type: none"> Zmanjšajte obremenitev kosilnice, tako da dvignete višino košnje ali upočasnite vrtenje rezil/hitrost vožnje ter omogočite kosilnici, da se ohladi.
	<ul style="list-style-type: none"> Akumulatorski sklopi v predelku za akumulatorje v kosilnici so pregreti, kar povzroči, da je kombinirana zmogljivost Ah vseh vstavljenih akumulatorjev manjša od 15 Ah. 	<ol style="list-style-type: none"> Če je kombinirana zmogljivost akumulatorja manjša od 15 Ah, kosilnica ne bo delovala, dokler ne boste v prazne predele za akumulatorja vstavili še več baterijskih sklopov. Ko bo pregret akumulator znova deloval z normalno temperaturo, se bo takoj pridružil napajanju kosilnice. Zmanjšajte obremenitev kosilnice, tako da dvignete višino košnje ali upočasnite košnjo pri nadaljnjem delu.
	<ul style="list-style-type: none"> Kosilnica je v načinu Limp-Home. 	<ul style="list-style-type: none"> Ko je kosilnica v načinu Limp-Home, rezila samodejno preklopijo v nizko hitrost vrtenja brez košnje trave. Voznik bi moral prenehati delati in se čim prej vrniti v območje za polnjenje akumulatorja.
	<ul style="list-style-type: none"> Kosilnica je zadela ob tujek, kar je sprožilo samozaščito motorja. 	<ul style="list-style-type: none"> Pritisnite stikalo PTO navzdol in znova zaženite rezila kosilnice.

TEŽAVA	VZROK	REŠITEV
Indikator utripanja se še naprej oglašča.	<ul style="list-style-type: none"> ▪ Kosilnica je v načinu Limp-Home in rezila niso izklopljena. 	<ul style="list-style-type: none"> ▪ Pritisniti stikalo PTO navzdol, da iztakne rezila iz pokrova. Zvočni indikator bo prenehal piskati, ko se bo rezilo zaustavilo.
	<ul style="list-style-type: none"> ▪ Kosilnica se ne pobočju zaustavi, voznik odpre krmilne vzvode in vstane s sedeža, ne da bi nastavlil stopalko parkirne zavore v položaj za zaviranje. 	<ul style="list-style-type: none"> ▪ Preden pustite kosilnico na pobočju, nastavite stopalko parkirne zavore v položaj za zaviranje.
Indikatorji akumulatorja so še vedno vklopljeni, ko je kosilnica izklopljena.	<ul style="list-style-type: none"> ▪ Če izklopite kosilnico na ravnih tleh, ne da bi odstranili akumulatorske sklope iz kosilnice, bodo indikatorji akumulatorja svetili še 3 minute. 	<ul style="list-style-type: none"> ▪ Dejanje ni potrebno. Indikatorji akumulatorja se bodo po določenem času izklopili.
	<ul style="list-style-type: none"> ▪ Če izklopite kosilnico na pobočju, ne da bi nastavili stopalko parkirne zavore v položaj za parkiranje, bodo indikatorji akumulatorja svetili, dokler je bo akumulator izprazen. Hkrati se bo ves čas sproščal tudi zvočni indikator. 	<ul style="list-style-type: none"> ▪ Preden pustite napravo na pobočju, nastavite stopalko parkirne zavore v položaj za zaviranje.
Zaslon LCD ni osvetljen z vsemi ikonami.	<ul style="list-style-type: none"> ▪ Gumb za zagon/zaustavitev ste pritisnili za manj kot 3 sekunde. 	<ul style="list-style-type: none"> ▪ Na zaslonu LCD bo prikazan „merilnik goriva“ le, če boste gumb za zagon/zaustavitev pritisnili na hitro.
		<ul style="list-style-type: none"> ▪ Zaslon LCD se bo vklopil, če boste gumb za zagon/zaustavitev pritisnili in zadržali 3 sekunde.
Kosilnica reže neenakomerno, tako da je razlika v višini spredaj in zadaj zelo opazna.	<ul style="list-style-type: none"> ▪ Rezila so topa. 	<ul style="list-style-type: none"> ▪ Nabrusite ali zamenjajte rezila v skladu z navodili.
	<ul style="list-style-type: none"> ▪ Rezila so zvita. 	<ul style="list-style-type: none"> ▪ Zvita rezila zamenjajte v skladu z navodili v razdelku „ZAMENJAVA REZIL“.
	<ul style="list-style-type: none"> ▪ Pokrov kosilnice ni izravnani, zato je trava porezana na različni višini. 	<ul style="list-style-type: none"> ▪ Pokrov kosilnice izravnajte v skladu z navodili v razdelku „IZRAVNAVA POKROVA KOSILNICE“.
Dejanska višina rezanja ni usklajena z nastavljenimi višini.	<ul style="list-style-type: none"> ▪ Matice pokrova kosilnice na spoju vzmetenja so zrahljane. 	<ul style="list-style-type: none"> ▪ Upoštevajte navodila v razdelku „IZRAVNAVA POKROVA KOSILNICE“, da ustrezno prilagodite pokrov kosilnice od spredaj nazaj, ter trdno privijte štiri matice na spoju vzmetenja (dva na vsaki strani).
	<ul style="list-style-type: none"> ▪ Pokrov kosilnice je poškodovan ali hudo obrabljen. 	<ul style="list-style-type: none"> ▪ Za zamenjavo pokrova kosilnice upoštevajte navodila v razdelku „ODSTRANITEV POKROVA KOSILNICE“.

TEŽAVA	VZROK	REŠITEV
Kosilnica ne mulči pravilno.	<ul style="list-style-type: none"> ▪ Drobcji mokre trave so se nalepili na spodnjo stran pokrova. 	<ul style="list-style-type: none"> ▪ Pred košenjem počakajte, da se trava posuši.
	<ul style="list-style-type: none"> ▪ Kosilnica je nastavljena tako, da kosi preveč trave naenkrat. 	<ul style="list-style-type: none"> ▪ Dvignite višino košnje.
Prihaja do pretiranih vibracij.	<ul style="list-style-type: none"> ▪ Rezila so zrahljana. 	<ul style="list-style-type: none"> ▪ Zategnite sornik rezila s priporočenim navorom med 50 in 55 Nm.
	<ul style="list-style-type: none"> ▪ Rezila so zvit. 	<ul style="list-style-type: none"> ▪ Zvita rezila zamenjajte v skladu z navodili v razdelku „ZAMENJAVA REZIL“.
	<ul style="list-style-type: none"> ▪ Pokrov kosilnice ni izravn. 	<ul style="list-style-type: none"> ▪ Pokrov kosilnice izravnajte v skladu z navodili v razdelku „IZRAVNAVA POKROVA KOSILNICE“.
	<ul style="list-style-type: none"> ▪ Matice pokrova kosilnice na spoju vzmetenja so zrahljane. 	<ul style="list-style-type: none"> ▪ Z odprtim ključem velikosti 18 mm (ni priložen) zategnite štiri matice na spoju vzmetenja (dve na vsaki strani).
	<ul style="list-style-type: none"> ▪ Kosilnica je nastavljena tako, da kosi preveč trave naenkrat. 	<ul style="list-style-type: none"> ▪ Dvignite višino košnje.
Po košnji ostanejo na tleh trava ali ostanki.	<ul style="list-style-type: none"> ▪ Kosilnica je nastavljena tako, da kosi preveč trave naenkrat, ko je trava visoka. 	<ul style="list-style-type: none"> ▪ Začnite na visoki višini košnje in jo postopoma nižajte, dokler ne dosežete zelenega rezultata košnje. Travo, ki je višja od 15 cm, morate kositi dvakrat, pri čemer nastavite vedno nižjo višino.
	<ul style="list-style-type: none"> ▪ Trava je mokra. 	<ul style="list-style-type: none"> ▪ Če je trava mokra, je ne kosite, dokler se ne posuši.
	<ul style="list-style-type: none"> ▪ Visoka hitrost vožnje. 	<ul style="list-style-type: none"> ▪ Upočasnite hitrost vožnje.
	<ul style="list-style-type: none"> ▪ Počasna hitrost rezila. 	<ul style="list-style-type: none"> ▪ Hitrost rezil povečujte postopoma.
Kratek čas delovanja akumulatorja s priloženim akumulatorjem.	<ul style="list-style-type: none"> ▪ Stanje trave in nastavitve višine košnje bosta močno vplivali na čas delovanja akumulatorja. Navedeni čas delovanja temelji na pogojih lahko obremenitve. 	<ul style="list-style-type: none"> ▪ Dvignite višino košnje in upočasnite hitrost rezila, da zmanjšate obremenitev kosilnice.
Kosilnica ne sledi v ravni liniji.	<ul style="list-style-type: none"> ▪ Tlak v pnevmatikah za levo in desno zadnjo pnevmatiko je različen. 	<ul style="list-style-type: none"> ▪ Preverite in prilagodite zračni tlak v obeh zadnjih kolesih v skladu s priporočili v razdelku „PREVERJANJE TLAKA V PNEVATIKAH“ v tem priročniku.
	<ul style="list-style-type: none"> ▪ Hitrost vožnje za levo in desno zadnjo pnevmatiko je različna. 	<ul style="list-style-type: none"> ▪ Umerite sistem sledenja kosilnice v skladu z navodili v razdelku „UMERJANJE SISTEMA SLEDENJA KOSILNICE“.
Stopalke parkirne zavore ni mogoče sprostiti iz zavornega položaja ali pa skoči nazaj prepočasi.	<ul style="list-style-type: none"> ▪ V stopalko parkirne zavore so morda zašli ostanki ali umazanija. 	<ul style="list-style-type: none"> ▪ Odprite ohišje stopalke parkirne zavore, temeljito očistite notranost in ga zaprite. Ponastavite stopalko parkirne zavore in preverite, ali ste odpravili težavo. Če se kosilnica ne zažene, se obrnite na kvalificiranega serviserja.

TEŽAVA	VZROK	REŠITEV
Kosilnice ni mogoče polniti prek polnilnega vhoda, ko indikator stanja kosilnice sveti neprekinjeno rdeče.	<ul style="list-style-type: none"> Vtič polnilnika ni pravilno priključen na polnilna vrata na kosilnici. 	<ul style="list-style-type: none"> Znova priključite vtič polnilnika in preverite, ali lahko polnilnik normalno polnite.
	<ul style="list-style-type: none"> V stenski vtičnici ni električnega toka. 	<ul style="list-style-type: none"> Dejanje ni potrebno. Počakajte, da se napajanje obnovi.
	<ul style="list-style-type: none"> Polnilnik je okvarjen. 	<ul style="list-style-type: none"> Obrnite se na kvalificiranega serviserja, ki bo preveril polnilnik in ga po potrebi popravil.
	<ul style="list-style-type: none"> Polnilna vrata na kosilnici so okvarjena. 	<ul style="list-style-type: none"> Za popravilo se obrnite na kvalificiranega serviserja.
Čas polnjenja prek polnilnih vrat kosilnice je predolg.	<ul style="list-style-type: none"> Pri uporabi adapterja EGO ACA1000 traja polnjenje dolgo časa. 	<ul style="list-style-type: none"> Za neposredno napajanje električne kosilnice z možnostjo obračanja na mestu uporabite polnilnik EGO CHV1600E.
Akumulatorja ni mogoče popolnoma napolniti prek polnilnih vrat kosilnice.	<ul style="list-style-type: none"> Napaka vdelane programske opreme kosilnice s sedežem ali napaka polnilnika/akumulatorja. 	<ul style="list-style-type: none"> Odklopite polnilnik in počakajte več kot 1 minuto, nato pa vtič znova priključite v vir napajanja. Če težave ne morete odpraviti, se obrnite na kvalificiranega serviserja.
Po čiščenju kosilnice ni mogoče zagnati.	<ul style="list-style-type: none"> Nepravilno čiščenje, pri katerem je na primer voda zalila električne komponente, zaslon LCD itd. 	<ul style="list-style-type: none"> Za pravilno čiščenje kosilnice upoštevajte navodila v razdelku „ČIŠČENJE KOSILNICE“.
Kosilnica se hitro zamaši.	<ul style="list-style-type: none"> Pokrov kosilnice je zamašen s travo in delci. 	<ul style="list-style-type: none"> Če ste kosilnico po nesreči pustili na dežju, počakajte 12 ur, da se posuši, ali pa jo posušite s stisnjenim zrakom.
		<ul style="list-style-type: none"> Po vsaki uporabi očistite pokrov kosilnice po navodilih v razdelku „Uporaba vodnega priklopa za čiščenje pokrova kosilnice“.
Kosilnica takoj izgubi oprijem pri vožnji po hribu navzgor.	<ul style="list-style-type: none"> Pnevmatike zadnjih koles so obrabljene. 	<ul style="list-style-type: none"> Za zamenjavo kolesnih pnevmatik se obrnite na lokalni servis.
	<ul style="list-style-type: none"> Strmo pobočje za košnjo. 	<ul style="list-style-type: none"> Pobočje, ki ga boste kosili, ima lahko naklon največ 12 stopinj.
Ko se kosilnica zaustavi na pobočju, stopalka zavornega pedala pa je pritisnjena, lahko kosilnica zdrsne navzdol po pobočju.	<ul style="list-style-type: none"> Komponente zavore so prekomerno obrabljene zaradi nepravilnega delovanja kosilnice. 	<ul style="list-style-type: none"> Za popravilo se obrnite na kvalificiranega serviserja.

TEŽAVA	VZROK	REŠITEV
Med čiščenje pokrova iz vodnega priklopa ne izteka nič vode.	<ul style="list-style-type: none">▪ Hitra spojka za vodni prikllop ni nameščena na mestu za vodni prikllop.	<ul style="list-style-type: none">▪ Znova namestite hitro spojko za vodni prikllop, dokler po močnem potisku ne zaslišite jasnega klika. Če težave ne morete odpraviti, se obrnite na kvalificiranega serviserja.
Pri ročnem potiskanju kosilnice brez zagona se sliši nenavaden zvok.	<ul style="list-style-type: none">▪ Hrup povzročajo magneti v pogonskem motorju.	<ul style="list-style-type: none">▪ To je običajno in nobeno dejanje ni potrebno.

SKLIC STANJA KOSILNICE IN KODA NAPAKE

Zaslon LCD	Opis	Koda napake na zaslonu LCD	Indikator stanja kosilnice	Pozivnik	Vzrok	Rešitev
	Na zaslonu LCD je prikazana ikona LED-luči.	N/V	NE SVETI	Ne	Žarometi, stranske luči in zadnje luči se vklopijo prek stikala za LED-luči.	To je običajno delovanje. Dejanje ni potrebno.
	Na zaslonu je prikazana ikona USB.	N/V	NE SVETI	Ne	Ikona USB sveti, da lahko naprava USB deluje, potem ko je bila kosilnica pravilno zagnana.	To je običajno delovanje. Dejanje ni potrebno.
	Na zaslonu LCD je prikazana ikona merilnika goriva.	N/V	NE SVETI	Ne	Označuje povprečno zmogljivost polnjenja vstavljenih akumulatorjev.	To je običajno delovanje. Dejanje ni potrebno.
	Na zaslonu LCD je prikazana ikona merilnika časa.	N/V	NE SVETI	Ne	Prikazuje skupni čas vožnje kosilnice v urah in ga ni mogoče ponastaviti.	To je običajno delovanje. Dejanje ni potrebno.
	V razponu ECO se prikaže ikona indikatorja obremenitve.	N/V	NE SVETI	Ne	Označuje trenutno obremenitev kosilnice.	To je običajno delovanje. Dejanje ni potrebno.
	Indikator preobremenitve utripa. V razponu PWR se prikaže ikona indikatorja obremenitve.	N/V	Clipešte rošu	En pisk	Motor rezila je preobremenjen.	Dvignite višino košnje ali upočasnite vožnjo, da zmanjšate obremenitev kosilnice.
	Ikona varnostnega ključa utripa.	N/V	NE SVETI	Ne	Varnostni ključ ni vstavljen.	Vstavite varnostni ključ, nato pritisnite in pridržite gumb za zagon/zaustavitev za več kot 3 sekunde, da vklopite kosilnico.
					Zaslon LCD se ne napaja.	Popravila naj izvede kvalificiran serviser.

SL

Zaslon LCD	Opis	Koda napake na zaslonu LCD	Indikator stanja kosilnice	Pozivnik	Vzrok	Rešitev
	Ikona za predelek praznega akumulatorja utripa.	N/V	NE SVETI	Ne	Zmogljivost akumulatorja ni zadostna, da bi lahko sedeli na kosilnici in z njo kosili.	Za zagon te kosilnice morate uporabiti akumulator EGO s skupno močjo 15 Ah (2 X BA4200/BA4200T) ali več. Za najboljšo delovanje priporočamo uporabo akumulatorjev EGO z zmogljivostjo najmanj 30 Ah.
	Ikona termometra utripa.	N/V	Clipešte rošu	En pisk	Kosilnica je pregreta.	Zmanjšajte obremenitev kosilnice, tako da dvignete višino košnje ali upočasnite vrtenje rezil/hitrost. Naredite odmor in počakajte, da se kosilnica ohladi.
	Ikona pregrevanja in ikona določenega predelka zasedenega akumulatorja utripata hkrati.	N/V	N/V	Ne	Akumulatorski sklop v ustrezno oštevilčenem predelku za akumulator je pregret.	<p>1. Kosilnica bo še naprej delovala, če bo zmogljivost kombiniranega akumulatorja brez pregretega akumulatorja znašala najmanj 15 Ah. Ko bo pregret akumulator znova deloval z normalno temperaturo, se bo takoj pridružil napajanju kosilnice.</p> <p>2. Če je kombinirana zmogljivost akumulatorja manjša od 15 Ah, kosilnica ne bo delovala, dokler ne boste v prazne predele za akumulatorja vstavili še več akumulatorskih sklopov.</p> <p>3. Zmanjšajte obremenitev kosilnice, tako da dvignete višino košnje ali upočasnite košnjo pri nadaljnjem delu.</p>

Zaslon LCD	Opis	Koda napake na zaslonu LCD	Indikator stanja kosilnice	Pozivnik	Vzrok	Rešitev
	Ikone posameznega zasedenega predelka akumulatorja, indikator za nizko napajanje, grafika akumulatorja merilnika goriva utripnejo na zaslonu LCD vsako sekundo hkrati. Prvi segment indikatorja stanja in merilnika goriva na zaslonu LCD prav tako utripa.	N/V	Utripa rdeče	Piska, dokler ne pritisnete stikala PTO navzdol.	Akumulatorski sklopi niso dovolj napolnjeni in kosilnica je v načinu Limp-Home.	Prenehajte delati in se vrnite v območje za polnjenje akumulatorja. OPOMBA: Ko je kosilnica v načinu Limp-Home, rezila samodejno preklopijo v nizko hitrost vrtenja brez košnje trave, medtem ko bo zvočni indikator še naprej utripal. Voznik mora pritisniti stikalo PTO navzdol, da sprostí rezila iz pokrova. Po zaustavitvi rezil bo zvočni indikator prenehal piskati.
	Ikona vsakega zasedenega predelka akumulatorja in indikator nizkega stanja energije utripne vsake pol sekunde.	N/V	NE SVETI	Ne	Akumulatorski sklopi so skoraj prazni.	Kosilnica bo v trenutku prenehala delovati. Voznik mora odpeljati kosilnico v območje za polnjenje akumulatorja, da se napolni.
	Na zaslonu LCD utripa ikona samodejnega parkiranja.	N/V	NE SVETI	Neprekinjeno piska	Kosilnica je parkirana na pobočju in voznik je zapustil kosilnico, ne da bi preklopil stopalko parkirne zavore v položaj za zaviranje, ampak je pustil krmilne vzvode samo v odprtem položaju.	Zavorno stopalko nastavite v položaj za zaviranje. Ikona samodejnega parkiranja se bo izklopila, zvočni indikator pa bo prenehal piskati.
	Na zaslonu LCD je prikazana ikona zavorne stopalke.	N/V	NE SVETI	Ne	Stopalka parkirne zavore je nastavljena na položaj za zaviranje.	Pred zagonom kosilnice ga sprostite.
	Na zaslonu LCD je prikazana ikona senzorja sedeža.	N/V	NE SVETI	Ne	Voznik je pustil sedež ali stikalo sedeža v odklopljen.	Če je ikona vklopljena, ko voznik sedi na sedežu, takoj prenehajte upravljati kosilnico in preverite priključek sedeža. Če ste zagotovili, da je sedež ustrezno priključen, se za popravilo obrnite na kvalificiranega serviserja.

Zaslon LCD	Opis	Koda napake na zaslonu LCD	Indikator stanja kosilnice	Pozivnik	Vzrok	Rešitev
	Ikona stikala PTO utripa.	N/V	NE SVETI	Ne	Delovanje motorja rezila je bilo prekinjeno in stikalo PTO ni nastavljeno na položaj za izklop.	Pred ponovnim zagonom kosilnice pritisnite stikalo PTO navzdol, da sprostite motor s pokrova. Za sklice si oglejte razdelek "ODPRAVLJANJE TEŽAV" v tem priročniku.
	Ikona krmilnega vzvoda utripa.	N/V	NE SVETI	Ne	Delovanje pogonskega motorja je bilo prekinjeno in krmilni vzvodi niso nastavljeni na odprti položaj.	Pred ponovnim zagonom kosilnice premaknite krmilne vzvode v odprt položaj. Za sklice si oglejte razdelek "ODPRAVLJANJE TEŽAV" v tem priročniku.
	Ikona obnavljanja energije občasno utripne.	N/V	NE SVETI	Ne	Kinetična energija, ki se ustvari med zaviranjem ali vožnjo po hribu navzdol, se pretvori neposredno v elektriko, ki napolni akumulatorske sklope.	To je običajno delovanje. Dejanje ni potrebno.

Zaslon LCD	Opis		Koda napake na zaslonu LCD	Indikator stanja kosilnice	Pozivnik	Vzrok	Rešitev
Glejte „Koda napake“	Levi pogonski motor se ne vrti.	Levi pogonski motor, ki se upravlja prek PCBA, ne deluje.	413	NE SVETI	En pisk	Napaka PCBA	Popravila naj izvede kvalificiran serviser.
		Vtikač (trifazni, napajalni kabel), ki povezuje levi pogonski motor z ustreznim PCBA, je razrahljan.	317	NE SVETI	En pisk	Zrahljan priključek	
		Vtikač (šest pinov, signalni kabel), ki povezuje levi pogonski motor z ustreznim PCBA, je razrahljan.	301	NE SVETI	En pisk	Zrahljan priključek	
		Levi pogonski motor ne deluje.	317	NE SVETI	En pisk	Napaka motorja	
Glejte „Koda napake“	Desni motor rezila se ne vrti.	Desni pogonski motor, ki se upravlja prek PCBA, ne deluje.	313	NE SVETI	En pisk	Napaka PCBA	Popravila naj izvede kvalificiran serviser.
		Vtikač (trifazni, napajalni kabel), ki povezuje desni pogonski motor z ustreznim PCBA, je razrahljan.	417	NE SVETI	En pisk	Zrahljan priključek	
		Vtikač (šest pinov, signalni kabel), ki povezuje desni pogonski motor z ustreznim PCBA, je razrahljan.	401	NE SVETI	En pisk	Zrahljan priključek	
		Desni pogonski motor ne deluje.	417	NE SVETI	En pisk	Napaka motorja	

SL

Zaslona LCD	Opis	Koda napake na zaslonu LCD	Indikator stanja kosilnice	Pozivnik	Vzrok	Rešitev	
Glejte „Koda napake“	Levi motor rezila se ne vrti.	Levi motor rezila, ki se upravlja prek PCBA, ne deluje.	607	N/V	En pisk	Napaka PCBA	Popravila naj izvede kvalificiran serviser.
		Vtikač (trifazni, napajalni kabel), ki povezuje levi pogonski motor z ustreznim PCBA, je razrahljan.	509	N/V	En pisk	Zrahljan priključek	Najprej preglejte rezilo. Če je sproščeno, z momentnim ključem 14 mm zategnite vijak v smeri urinih kazalcev. Priporočen navor za sornik rezila je med 50 in 55 Nm. Sicer naj popravila izvede kvalificiran serviser.
		Levi motor rezila ne deluje.	509	N/V	En pisk	Napaka motorja	Popravila naj izvede kvalificiran serviser.
Glejte „Koda napake“	Desni motor rezila se ne vrti.	Desni motor rezila, ki se upravlja prek PCBA, ne deluje.	507	N/V	En pisk	Napaka PCBA	Popravila naj izvede kvalificiran serviser.
		Vtikač (trifazni, napajalni kabel), ki povezuje desni pogonski motor z ustreznim PCBA, je razrahljan.	609	N/V	En pisk	Zrahljan priključek	Najprej preglejte rezilo. Če je sproščeno, z momentnim ključem 14 mm zategnite vijak v smeri urinih kazalcev. Priporočen navor za sornik rezila je med 50 in 55 Nm. Sicer naj popravila izvede kvalificiran serviser.
		Desni motor rezila ne deluje.	609	N/V	En pisk	Napaka motorja	Popravila naj izvede kvalificiran serviser.
Glejte „Koda napake“	Levi krmilni vzvod ne deluje.	Levi krmilni vzvod, ki se upravlja prek PCBA, ne deluje.	311 /412	NE SVETI	En pisk	Napaka PCBA	Popravila naj izvede kvalificiran serviser.
		Vtikač, ki povezuje nadzorno vezje PCBA, nameščeno v krmilni palici, je razrahljan.				Zrahljan priključek	

Zaslon LCD	Opis		Koda napake na zaslonu LCD	Indikator stanja kosilnice	Pozivnik	Vzrok	Rešitev
Glejte „Koda napake“	Desni krmilni vzvod ne deluje.	Desni krmilni vzvod, ki se upravlja prek PCBA, ne deluje.	312 /411	NE SVETI	En pisk	Napaka PCBA	Popravila naj izvede kvalificiran serviser.
		Vtikač, ki povezuje nadzorno vezje PCBA, nameščeno v krmilni palici, je razrahljan.				Zrahljan priključek	
Glejte „Koda napake“	Parkirna zavora na deluje. Kosilnice ni mogoče voziti.	PCBA parkirne zavore, ki je v sklopu sprednjega ogrodja, je poškodovano.	309 /409	NE SVETI	En pisk	Napaka PCBA	Solicitați reparații de către un tehnician de service calificat.
		Stikalo parkirne zavore in/ ali žica sta poškodovana.	801	NE SVETI	En pisk	Napaka kabla/ stikala	
NE SVETI	Napaka polnilne odprtine		N/V	Sveti rdeče	N/V	Polnilna vrata imajo odprt tokokrog.	Popravila naj izvede kvalificiran serviser.
			N/V	Sveti rdeče	N/V	Ni napajanja.	Preverite, ali je napajanje na stenski vtičnici med 220 V in 240 V oziroma če je vtičnica v ustreznem stanju.
			N/V	Sveti rdeče	N/V	Varovalka je pregorela.	Popravila naj izvede kvalificiran serviser.
Glejte „Koda napake“	Napaka polnilne odprtine		204	N/V	En pisk	Polnilna vrata imajo odprt tokokrog.	

SL

Zaslon LCD	Opis	Koda napake na zaslonu LCD	Indikator stanja kosilnice	Pozivnik	Vzrok	Rešitev
Glejte „Koda napake“	Akumulatorski sklop ne deluje.	217	n/a	En pisk	Vir napajanja iz akumulatorskega sklopa je prekinjen. LED-žarometi in USB ne bodo delovali.	Popravila naj izvede kvalificiran serviser.
		310 /410	OFF	En pisk	Povezava med kabli tipa C akumulatorskega sklopa in drugimi kabli tipa C kosilnice ne deluje.	
		201 /202 /203	OFF	En pisk	BMS akumulatorskega sklopa je okvarjen.	
Glejte „Koda napake“	Napaka stikala za zagon/ zaustavitev	314 /414	OFF	En pisk	Napaka stikala PCBA ali slaba kabelska povezava stikala za zagon/ zaustavitev.	Popravila naj izvede kvalificiran serviser.
Glejte „Koda napake“	Napaka zaslona LCD	315 /415	OFF	En pisk	Sklop LCD je poškodovan ali pa ima sklop zaslona LCD slabo kabelsko povezavo.	Popravila naj izvede kvalificiran serviser.

GARANCIJA

GARANCIJSKA POLITIKA DRUŽBE EGO

Za popolne pogoje garancijske politike družbe EGO obiščite spletno mesto egopowerplus.com.

PERSKAITYKITE VISAS INSTRUKCIJAS!



PERSKAITYKITE NAUDOJIMO INSTRUKCIJĄ

⚠ Liekamasis pavojus! Žmonėms, kuriems implantuoti elektroniniai prietaisai, pvz., širdies stimulatoriai, prieš pradėdami naudoti šį gaminį, reikia pasitarti su savo gydytoju (-ais). Arti širdies stimulatoriaus veikianti elektros įranga gali trikdyti širdies stimulatoriaus veikimą arba jį sugadinti.

SAUGOS SIMBOLIAI

Saugos simbolių paskirtis – atkreipti dėmesį į galimus pavojus. Gerai susipažinkite su saugos simboliais bei jų paaiškinimais ir juos įsidėmėkite. Simbolių įspėjimai patys savaime negali apsaugoti nuo pavojų. Jais žymimi nurodymai ir įspėjimai neatstoja tinkamų nelaimingų atsitikimų prevencijos priemonių.

⚠ ĮSPĖJIMAS: Prieš pradėdami naudoti šį įrenginį, perskaitykite visus šioje naudojimo instrukcijoje pateiktus saugos nurodymus, taip pat susipažinkite su visais saugos įspėjimaisiais simboliais, tokiais kaip „**PAVOJUS**“, „**ĮSPĖJIMAS**“ ir „**DĖMESIO**“, ir įsitikinkite, ar juos supratote. Nesilaikant visų toliau išdėstytų nurodymų galima patirti elektros smūgį, sukelti gaisrą ir (ar) sunkiai susižaloti.

SIMBOLIŲ REIKŠMĖ

Šiame puslapyje pavaizduoti ir aprašyti saugos simboliai, kurie gali būti nurodyti ant šio gaminio. Prieš bandydami surinkti ir naudoti įrankį, perskaitykite visus ant jo pateiktus nurodymus, įsitikinkite, ar juos supratote, ir jais vadovaukitės.

SAUGOS SIMBOLIAI

LT



Įspėjimas dėl saugos



Užsidėti apsauginius akinius



PAVOJUS – staus šlaito pavojus



Niekada nevežti vaikų



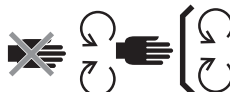
ĮSPĖJIMAS. Nenaudokite šio įrenginio esant didesnei nei 12° nuolydžiui.



ĮSPĖJIMAS – NEKIŠTI RANKŲ IR KOJŲ



Perskaityti ir suprasti naudojimo instrukciją



Prižiūrėti apsauginius įtaisus



PAVOJUS – neleisti pašalinių asmenų prie peilių



Žiūrėti atgal važiuojant atbuline eiga



PAVOJUS – išsviestos šiukšlės



Garantuojamas garso galios lygis. Pagal Europos Bendrijos direktyvą.



Nelipti



Šis gaminys atitinka jam taikomas EB direktyvas



Nuolatinė srovė

kPa

Kilopaskaliai

V

Voltai

in

Coliai

Nm

Niutonmetrai

°C

Celsijaus laipsniai

km/h

Kilometrai per valandą



Netinkamus naudoti elektrinius įrankius draudžiama išmesti kartu su buitinėmis atliekomis. Pristatyti įgaliotam perdirbėjui.



DĖMESIO – Nežiūrėkite į šviečiančią lempą.



Šis gaminys atitinka taikomas JK direktyvas.

RPM

Sūčiai per minutę

m

Metrai

cm

Centimetrai

mm

Milimetrai

kg

Kilogramai

IPX4

Apsaugos klasė

TECHNINIAI DUOMENYS

Įtampa	56 V	
Įėjimo platformos dydis	107cm	
Ratų dydis	Priekis	11 x 4 colių (279,4 mm)
	Galas	18 x 8.5 colių (457,2 mm)
Slėgis šaltose padangose	Priekis	220 kPa
	Galas	50 kPa
Posūkio spindulys	0	
Peilių sukimosi greitis (sūk./min.)	2400, 2600, 2800, 3000	
Maks. važiavimo greitis (km/val.)	Į priekį	4,8 km/val., 8 km/val., 9,6 km/val., 11,2 km/val. (12,8 km/val. važiavimo režime)
	Atgal	iki 5,6 km/val.
Įkrovimas	Įkroviklis (pasirinktis)	CHV1600E
	Adapteris (pasirinktis)	ACA1000
	Įkrovimo temperatūra	5°C - 40°C
Įėjimo aukščio reguliavimas (10 padėtis)	25 – 100 mm	
Darbinė temperatūra	0°C- 40°C	
Laikymo temperatūra	-20°C - 70°C	
Svoris (be sudėtinės baterijos)	186 kg	

Išmatuotas garso galios lygis L_{WA}	96,44 dB(A) K=0,68 dB(A)	
Garso slėgio lygis ties naudotojo ausimi L_{PA}	84,3 dB(A) K=3,0 dB(A)	
Garantuojamas garso galios lygis L_{WA} (išmatuotas pagal 2000/14/EC)	100 dB(A)	
Vibracija a_h	Rankos	1,221 m/s ² K=1,5 m/s ²
	Kūnas	0,568 m/s ² K=1,5 m/s ²

- Nurodyta bendroji vibracijos vertė išmatuota taikant standartinį bandymo metodą, todėl pagal ją galima palyginti skirtingus įrenginius.
- Nurodytą bendrąją vibracijos vertę taip pat galima naudoti pirminiam poveikio vertinimui.

PASTABA: Naudojant įrenginį realiomis sąlygomis, sklaidžiamos vibracijos stiprumo vertė gali skirtis nuo nurodytos. Kad apsisaugotų dirbdamas realiomis sąlygomis, naudotojas turi mūvėti pirštines ir naudoti klausos apsaugos priemones.

LT

APRAŠYMAS

PAŽINKITE SAVO NULINIO POSŪKIO SPINDULIO TRAKTORIUKĄ (A1 ir A2 pav.)

1. Sėdynė
2. Įkrovimo jungtis
3. Baterijų skyrius
4. LED galiniai žibintai
5. Daiktadėžė
6. Puodelių laikikliai
7. LED šoniniai žibintai
8. Galinis ratas (varantysis ratas)
9. Pjovimo platforma
10. Pjovimo platformos apsauga
11. Apsaugos nuo skutimo ratukas
12. Priekinis ratas
13. Stovėjimo stabdžio pedalas
14. Dienos žibintai
15. LED darbiniai žibintai
16. Šoninis išmetimo kanalas
17. Pjovimo platformos aukščio reguliavimo svirtis
18. Sėdynės pakabos reguliavimo rankenėlė
19. Sėdynės slinkimo pirmyn ir atgal rankenėlė
20. Vairavimo svirtis
21. Traktoriuko būsenos indikatorius
22. LCD ekranas
23. PTO jungiklis
24. Paleidimo ir sustabdymo mygtukas
52. Saugos raktelis
26. Telefono dėtuė
27. Traktoriuko įkrovos ir būsenos indikatoriai
- 27a. Traktoriuko įkrovos indikatorius
- 27b. Traktoriuko būsenos indikatorius
28. Atrama kojoms
29. Maitinimo bloko dangčio atkabinimo mygtukas
30. Maitinimo bloko dangtis
31. Baterijos atjungimo mygtukas
32. Vilkimo jungtis
33. Padargų tvirtinimo dangtelis
34. Padargų tvirtinimo dangtelio dėtuė
35. USB lizdas

PAŽINKITE LCD EKRANĄ IR MYGTUKUS (A3 pav.)

Daugiau informacijos apie piktogramas ir indikatorius LCD ekrane rasite skyriuje „TRAKTORIUKO BŪSENOS

NUORODOS IR GEDIMŲ KODAI“.

1. Saugos raktelio piktograma
2. LED žibintų piktograma
3. Automatinio statymo piktograma
4. USB piktograma
5. Peilių sukimosi greičio indikatorius
6. Apsauginio įtaiso būsenos indikatorius
7. Valandų skaitiklis
8. Baterijos piktograma
9. Perkaitimo piktograma
10. Važiavimo režimas
11. Gedimų kodų indikatorius
12. Perkrovos indikatorius
13. Mažos galios indikatorius
14. Važiavimo greičio indikatorius
15. Apkrovos indikatorius
16. Peilių sukimosi greičio reguliavimo mygtukas
17. Nustatymo mygtukas
18. Važiavimo režimo mygtukas
19. LED žibintų jungiklis
20. Važiavimo greičio reguliavimo mygtukai
21. Įkrovos indikatorius

IŠPAKAVIMAS

PASTABA: Neišmeskite pakuotės medžiagų, kol atidžiai nepatikrinote ir neišbandėte gaminio. Jeigu kokių nors dalių iš pakuotės turinio sąrašo trūksta, nedelsdami kreipkitės į EGO klientų aptarnavimo centrą.

PASTABA: Išskyrus toliau pakuotės turinio sąrašė išvardintus įrankius, jokių kitokių instrukcijose minimų įrankių nėra, nes jie tik rekomenduojami.

PAKUOTĖS TURINIO SĄRAŠAS (B1 pav.)

B1-1	Elektrinis nulinio posūkio spindulio traktoriukas	B1-7	Saugos rakteliai
B1-2	Sėdynė	B1-8	Veržliarakčiai (13 mm)
B1-3	Mulčiavimo įdėklas	B1-9	Šešiakampis raktelis
B1-4	Vairavimo svirtis	B1-10	Plovimo jungties greitojo sujungimo mova

B1-5	Varžtai su lizdais galvutėse (2 atsarginiai)	B1-11	Naudojimo instrukcija
B1-6	Varžtai su šešiakampėmis galvutėmis (2 atsarginiai)		

IŠPAKAVIMAS (B2–B3 pav.)

REKOMENDUOJAMI PRIEDAI

⚠️ ĮSPĖJIMAS: Naudokite tik toliau išvardintas identiškias atsargines dalis. Naudojant dalis, kurios neatitinka originalios įrangos specifikacijų, traktoriukas gali netinkamai veikti ir kelti pavojų.

DALIES PAVADINIMAS	MODELIO NUMERIS
Standartinis peilis	AB4200
Aukštai pakeliamas peilis	AB4201
Mulčiavimo įdėklas	AMP4200
Žolės rinktuvo komplektas	ABK4200-A

SURINKIMAS

SĖDYNĖS TVIRTINIMAS (C1 ir C2 pav.)

⚠️ ĮSPĖJIMAS: Draudžiama atjungti ar apeiti apsauginę blokavimo sistemą. Priešingu atveju traktoriukas gali veikti nenuspėjamai ir galite susižaloti.

PASTABA: Dėl jūsų saugumo įrengtas apsauginis sėdynės jungiklis važiavimo metu gali suveikti ir traktoriukas sustos. Tokiu atveju daugiau informacijos prašome ieškoti skyriuje „**TRIKČIŲ ŠALINIMAS**“.

C1-1	Kabelis	C1-5	Varžtai su lizdais galvutėse
C1-2	Kištukas	C2-1	Kabliukas
C1-3	Lizdas	C2-2	Plieniniai bėgeliai
C1-4	Pakabos pagrindas	C2-3	Varžtai su lizdais galvutėse

VAIRAVIMO SVIRČIŲ TVIRTINIMAS (C3 pav.)

C3-1	Vairavimo svirtys	C3-3	Vairavimo svirčių tvirtinimo skylės
C3-2	Varžtai su šešiakampėmis galvutėmis		

MULČIAVIMO ĮDĖKLO TVIRTINIMAS (C4 pav.)

C4-1	Šoninis išmetimo kanalas	C4-3	Nuimama spyruoklė
C4-2	Mulčiavimo įdėklas		

DARBAS

PRIEŠ TRAKTORIUKO NAUDOJIMĄ

Aplinkos tikrinimas

- Darbo zonoje neturi būti vaikų, pašalinių asmenų ir naminių gyvūnų.
- Išvalykite darbo zoną nuo šiukšlių, kurias gali išsviesti traktoriuko peiliai.
- Patikrinkite, ar tinkamai veikia LED žibintai:
 - Priekiniai, šoniniai ir galiniai žibintai valdomi LED žibintų jungikliu.
 - Dienos žibintai važiavimo metu visada šviečia.
 - Važiuojant atbuline eiga: jei galiniai žibintai išjungti, jie mirksi įspėdami šalia esančius asmenis; jei galiniai žibintai įjungti, jie ir toliau dega.
 - Visi žibintai turi automatiškai išsijungti, jei traktoriukas stovi ilgiau nei 3 minutes.

Oro slėgio šaltose padangose tikrinimas (D1 pav.)

Traktoriuko būsenos ir baterijos įkrovos tikrinimas

- Traktoriuko įkrovos indikatorius (A2 pav., 27a)

Kiekvienas įkrovos indikatoriaus segmentas atitinka 20 % įstatytų sudėtinių baterijų įkrovos.

PASTABA: Traktoriuko įkrovos indikatorius ir indikatorius LCD ekrane rodo vidutinę įstatytų sudėtinių baterijų įkrovos vertę.

- Traktoriuko būsenos indikatorius (A1 ir A2 pav., 27b)

Jeigu būsenos indikatorius žalias, tai reiškia, kad traktoriukas pasiruošęs važiuoti. Priešingu atveju prašome skaityti skyrių „**TRAKTORIUKO BŪSENOS NUORODOS IR GĖDIMŲ KODAI**“

Apsauginės blokavimo sistemos išbandymas (D2–D8 pav.)

PASTABA: Prieš pradėdant bandymą vairuotojas turi atsisėsti ant sėdynės.

- Prieš bandymą (D2–D4 pav.)

- b. Išbandykite pjovimo platformos peilių sistemą (D5 pav.), po to iš lėto atsistokite.
- c. Išbandykite vairavimo sistemą (D6–D8 pav.), po to iš lėto atsistokite.

Jeigu vairuotojui pakilus nuo sėdynės pjovimo platformos peilių ir (ar) vairavimo sistemos neišsijungia, ir jei negalima nustatyti priežasties (patikrinus kištuko ir lizdo jungties patikimumą), nedelsdami kreipkitės į savo EGO klientų aptarnavimo centrą.

REGULIAVIMAS (E1–E13 pav.)

Pasiruošimas (E1–E5 pav.)

Pjovimo platformos aukščio reguliavimas (E6 pav.)

Apsaugos nuo skutimo ratukų reguliavimas (E7–E10 pav.)

E7-1	Apsaugos nuo skutimo ratukas	E9-2	Varžtas su kampuota galvute
E9-1	Veržlė	E10-1	Pjovimo platformos aukščio etiketė

Sėdynės reguliavimas (E11 pav.)

Prieš pradėdami važiuoti traktoriuku pastumkite sėdynę taip, kad koja galėtumėte tvirtai nuspausti stovėjimo stabdžio pedalą. Sėdynės pakabą susireguliuokite taip, kad būtų patogus sėdėti.

E11-1	Sėdynės slinkimo pirmyn ir atgal rankenėlė	E11-2	Sėdynės pakabos reguliavimo rankenėlė
-------	--	-------	---------------------------------------

Stovėjimo stabdžio nustatymas (E12–E13 pav.)

E13-1	Stabdymo padėtis	E13-2	Stabdžio atjungimo padėtis
-------	------------------	-------	----------------------------

ĮKROVIMAS (F1–F11 pav.)

Šiam traktoriukui reikia 15 Ah (2 X BA4200 / BA4200T) arba didesnės bendros talpos EGO baterijų. Kad traktoriukas geriau veiktų, rekomenduojame naudoti ne mažesnės kaip 30 Ah talpos EGO baterijų komplektą.

Naudokite tik rekomenduojamas sudėtines baterijas ir įkroviklius (F9 ir F10 pav.)

Pasiruošimas įkrauti (F1–F4 pav.)

Atskiros sudėtinės baterijos (-ų) įkrovimas (F5–F9 pav.)

F5-1	Dangčio atkabinimo mygtukas	F7-1	Baterijos atjungimo mygtukas
------	-----------------------------	------	------------------------------

- Sudėtinės baterijos (-ų) įstatymas (F5–F6 pav.)
- Sudėtinės baterijos (-ų) atjungimas (F7–F8 pav.)

PASTABA: Sudėtinę bateriją (-as) įkraukite pagal atitinkamos baterijos ir įkroviklio instrukcijas.

Sudėtinių baterijų įkrovimas per įkrovimo jungtį (F10 pav.)

F10-1	Apsaugos nuo dulkių dangtelis	F10-2	Įkrovimo jungtis
-------	-------------------------------	-------	------------------

NULINIO POSŪKIO SPINDULIO ELEKTRINIO TRAKTORIUKO PALEIDIMAS (A4–A5 pav. ir G1–G6 pav.)

⚠️ ĮSPĖJIMAS: Venkite staigių pajudėjimų iš vietos, stabdymų, posūkių ir didelio greičio, ypač mokydami valdyti traktoriuką pirmą kartą. Traktoriukas gali greitai sukis aplink, ir tuomet galite jį nesuvaldyti ir sunkiai susižaloti ar sugadinti turta.

⚠️ ĮSPĖJIMAS: Prieš paleisdami traktoriuką patikrinkite, ar peiliai atsijungia nuspaudus žemyn PTO jungiklį. Jeigu peiliai nesustoja, nedelsdami kreipkitės į savo EGO klientų aptarnavimo centrą.

PASTABA: Rinkitės mažiausią važiavimo greitį (žr. A4 ir G2 pav.) ir STANDARD važiavimo režimą, kol išmoksite traktoriuką valdyti visose situacijose. Važiavimo greitį ir režimą galite nustatyti tik sustabdę traktoriuką ir atlenkę į šalis vairavimo svirtis.


Iš naujo paleidžiant traktoriuką atkuriamos vėliausiai nustatytos jo nuostatos.

Važiavimo režimas

- **CONTROL:** Lėtesnis greitėjimas, mažiau jautrus valdymas ir nedidelis sukimosi greitis, kad nepatyrę vairuotojai nesugadintų vejos.
- **STANDARD:** Puikiai tinka naudoti kasdien.
- **SPORT:** Staigesnis greitėjimas, tikslus valdymas ir staigus sukimasis, siekiant maksimaliai padidinti pjovimo efektyvumą – skirtas vejos pjovimo entuziastams.

Važiavimo greičio reguliavimas (A4 pav.)

Peilių sukimosi greičio reguliavimas (A5 pav.)

PASTABA: „TRAVEL“ (važiavimo) režime spustelėkite „“ ir važiavimo greitis grįš į ankstesnio režimo greitį.

USB lizdas

PASTABA: USB lizdas tiekia 5 V / 1,5 A nuolatinės srovės įkrovimo įtampą tik tuomet, kai traktoriukas paleistas.

NULINIO POSŪKIO SPINDULIO TRAKTORIUKO SUSTABDYMAS (H1–H6 pav.)

PASTABA: Jei traktoriukas stovi ilgiau nei 60 minutes, jis automatiškai išsijungia.

Avarinis grįžimo režimas

Kai baterijos įkrova sumažėja iki minimumo, traktoriukas persijungia į avarinį grįžimo režimą:

- Traktoriukas automatiškai nustoja pjauti žolę;
- Nuolat skamba garsinis signalas;
- Kas sekundę mirksi raudonas traktoriuko būsenos indikatorius, mirksi raudonas pirmasis įkrovos indikatorius segmentas ir mažos galios indikatorius bei baterijos segmentai įkrovos indikatoriuje.

Vairuotojas privalo:

- a) Nuspausti žemyn PTO jungiklį (H3 pav.) ir taip atjungti peilius; peiliams sustojus nustoja skambėti garsinis signalas;
- a) Nutraukti darbą ir kuo skubiau grįžti į sudėtinės baterijos įkrovimo vietą. Šiuo atveju traktoriukas dar gali nuvažiuoti iki 1000 m.

Kai baterija beveik išsikrauna, baterijos segmentų piktogramos ir mažos galios indikatorius pradeda mirksėti kas pusę sekundės. Traktoriukas iš karto sustoja. Vairuotojas turi jį nugabenti į baterijos įkrovimo vietą.

Stūmimas rankiniu būdu

Jei traktoriuką reikia stumti, atjunkite nuo jo baterijas ir atleiskite iš stabdymo padėties stovėjimo stabdžio pedalą.

NULINIO POSŪKIO SPINDULIO TRAKTORIUKO VAIRAVIMAS (I1–I9 pav.)

Norint traktoriuką sustabdyti ar pakeisti važiavimo greitį, reikia atsargiai keisti vairavimo svirčių padėtį neutralios padėties atžvilgiu.

⚠ PAVOJUS: Nepriartėkite arčiau kaip per du pjovimo pločius (2,14 m) prie griovių, šlaitų ar vandens. Netgi nuspaudus stabdžio pedalą ir sustabdžius traktoriuką, priekiniai jo ratai gali dar sukstis, ir tuomet jis gali nuvirsti nuo šlaito ar įvažiuoti į vandenį, o vairuotojas gali sunkiai ar net mirtinai susižaloti.

⚠ ĮSPĖJIMAS: Pasižiūrėkite atgal prieš pradėdami judėti traktoriuku atbuline eiga. NEPJAUKITE vejos

judėdami atbuline eiga, nebent tai absoliučiai būtina. Visada pasižiūrėkite žemyn ir atgal prieš pradėdami judėti traktoriuku atbuline eiga ir judėjimo metu, kad neužkliudytumėte pjovimo zonoje atsidūrusių vaikų, pašalinių asmenų ar naminių gyvūnų. Atminkite, kad net akimirksniui atitraukę dėmesį galite sunkiai ar net mirtinai susižaloti ar sužaloti kitus.

⚠ ĮSPĖJIMAS: Nevažinėkite šiuo traktoriuku bendrojo naudojimo keliais.

⚠ ĮSPĖJIMAS: Jei pjovimo platforma užsikemša ar atsitrenkiate į kokią nors kliūtį, išjunkite variklius ir ištraukite baterijas. Išvalykite žolės nuopjovas, lapus, purvą ir kitas prikibusias šiukšles; traktoriuką atidžiai patikrinkite, ar nesugadintas, ir pašalinkite visus gedimus prieš vėl jį paleisdami.

TECHNINĖ PRIEŽIŪRA

⚠ ĮSPĖJIMAS: Visada užsidėkite apsauginius akinius su šonine apsauga. Nesilaikant šio nurodymo į akis gali pataikyti išsviestos šiukšlės arba galite kitaip sunkiai susižaloti.

⚠ ĮSPĖJIMAS: Vykdydami traktoriuko peilių techninės priežiūros darbus, visada apsaugokite rankas, užsimaudami tvirtas pirštines arba apvyniodami peilio ašmenis skudurais ar kitomis medžiagomis. Visada ištraukite saugos raktelį ir išimkite sudėtinės baterijas, prieš vykdydami traktoriuko techninės priežiūros darbus arba prieš jį gabendami.

Techninės priežiūros intervalai	Techninės priežiūros procedūros
Kiekvieną kartą prieš naudojimą arba kasdien	<ul style="list-style-type: none"> ■ Patikrinti apsauginę blokavimo sistemą. ■ Apžiūrėti padangas, ar netrūksta oro. ■ Patikrinti, ar nesudilę, neįtrūkę ir nesulenkti peiliai. ■ Patikrinti visą traktoriuką, ar nėra sugadintų, trūkstamų ar atsipalaidavusių dalių: šoninį išmetimo kanalą, sraigtus, varžtus, veržles ir pan.; visos apsaugos turi būti savo vietose ir tinkamai veikti. ■ Patikrinti stabdžio funkciją.

LT

Kiekvieną kartą po naudojimo	<ul style="list-style-type: none"> ▪ Nuvalyti traktoriuko pjovimo platformą.
Kas 25 valandas	<ul style="list-style-type: none"> ▪ Patikrinti oro slėgį padangose.
Kas 50 valandų	<ul style="list-style-type: none"> ▪ Patikrinti tepalą peilių jungės viduje.
Kas 100 valandų	<ul style="list-style-type: none"> ▪ Patikrinti galinius ratus, ar visos 4 ratų veržlės priveržtos rekomenduojama priveržimo jėga.
Kas 200 valandų	<ul style="list-style-type: none"> ▪ Patikrinti priekinius ratus, ar laisvai sukasi.
Kartą į metus	<ul style="list-style-type: none"> ▪ Patikrinti stovėjimo stabdžio pedalą. Išimti iš traktoriuko baterijas ir nustatyti pedalą į stabdymo padėtį. Pastumti rankomis traktoriuką į priekį ir patikrinti, ar galima jį pajudinti iš vietos. Jeigu jis juda, kreipkitės į kvalifikuotą techninės priežiūros specialistą, kad sutvarkytų gedimą.

TRAKTORIUKO VALYMAS (J1–J9 pav.)

Pasiruošimas (J1–J5 pav.)

Traktoriuko kėbulo valymas (J6–J7 pav.)

Plovimo jungties naudojimas pjovimo platformai plauti (J8–J9 pav.)

J8-1	Plovimo jungtis	J8-3	Sodo žarna
J8-2	Plovimo jungties greitojo sujungimo mova		

PASTABA: Baigę valyti nuspauskite PTO jungiklį žemyn, atjungdami traktoriuko peilius.

TRAKTORIUKO PJOVIMO PLATFORMOS IR PEILIŲ PRIEŽIŪRA

Pasiruošimas (K1–K6 pav.)

Pjovimo platformos nuėmimas (K7–K8 pav.)

K7-1	Variklio kabelis	K7-3	Pakabos traukė
K7-2	Vielokaištis		

PASTABA: Nuimdami pjovimo platformą, atjunkite variklio kabelius ir ištraukite vielokaiščius abiejose pusėse.

Peilių keitimas (K9–K11 pav.)

K9-1	Stabilizatorius	K10-3	Peilis
K10-1	Varžtas	K10-4	Jungė
K10-2	Poveržlė	K10-5	Variklio velenas

Pjovimo platformos išlyginimas horizontaliai

a. Kada reikia išlyginti (K12–K14 pav.)

b. Prieš išlyginant

- Oro slėgio šaltose padangose tikrinimas (K15 pav.)
- Patikrinkite peilius. Nuimkite ir pakeiskite sudilusius, įtrūkusius ir (ar) sulenktus peilius, jei reikia.

c. Pasiruošimas išlyginti (K16–K21 pav.)

d. Kaip išlyginti horizontaliai

- Reguliavimas pagal šonus (K22 pav.)

Skirtumas tarp atstumų H1 ir H2, išmatuotų nuo apatinio kiekvieno peilio krašto iki žemės, turi neviršyti 5 mm.

K22-1	Fiksavimo veržlė
-------	------------------

- Reguliavimas pagal priekį ir galą (K23 pav.)

Priekinis peilio galas H3 turi būti 2–10 mm žemiau už galinį galą H4.

TRAKTORIUKO JUDĖJIMO SISTEMOS KALIBRAVIMAS (L1–L6 ir L7–L12 pav.)

PASTABA: Garsinis signalas suskamba ir pradeda kalibravimo procedūrą, ir ją užbaigus.

TRAKTORIUKO GAMYKLINIŲ NUOSTATŲ ATSTATA (M1–M4 pav.)

PASTABA: Garsinis signalas suskamba ir pradeda atstatos procedūrą, ir ją užbaigus.

LAIKYMAS IR GABENIMAS

TRAKTORIUKO GABENIMAS (N1 –N11 pav.)

PASTABA: Traktoriuką tinkamai pritvirtinkite diržais ar trosais, kad jis nejudėtų gabenimo metu. Kraudami ar iškraudami traktoriuką, neviršykite maksimalus rekomenduojamo 12 laipsnių kampo tarp nuožulnaus paviršiaus ir žemės.

LAIKYMAS (O1–O6 pav.)

PASTABA: Išimkite sudėtines baterijas ir laikykite pagal nurodymus atitinkamose instrukcijose.

Prieš pastatydami traktoriuką į laikymo vietą, nuvalykite jį ir patikrinkite pagal nurodymus skyriuose „**TRAKTORIUKO VALYMAS**“ ir „**REKOMENDUOJAMAS TECHNINĖS PRIEŽIŪROS GRAFIKAS (-AI)**“.


Aplinkos apsauga




WEEE (elektrinės ir elektroninės įrangos atliekos). Neišmeskite elektros įrangos, panaudotų baterijų ir įkroviklio kartu su buitinėmis atliekomis! Šias atliekas reikia pristatyti į jų surinkimo vietą ar įgaliotam perdirbėjui. Elektrinius įrankius reikia grąžinti į atitinkamą perdirbimo įmonę

KEES VAN DER SPEK
TUINMACHINES ★ STOLWIJK

TRIKČIŲ ŠALINIMAS

PROBLEMA	PRIEŽASTIS	SPRENDIMAS
<p>Elektrinis nulinio posūkio spindulio traktoriukas nepajuda iš vietos, abi vairavimo svirtis pastūmus į priekį ar patraukus atgal.</p>  <p>Mirksi vairavimo svirčių piktograma</p>	<ul style="list-style-type: none"> Bendra prijungtų sudėtinių baterijų talpa nesiekia 15 Ah. 	<ul style="list-style-type: none"> Šiam traktoriukui reikia 15 Ah (2 X BA4200 / BA4200T) arba didesnės bendros talpos EGO baterijų. Kad traktoriukas geriau veiktų, rekomenduojame naudoti ne mažesnės kaip 30 Ah talpos sudėtinių baterijų komplektą.
	<ul style="list-style-type: none"> Stovėjimo stabdžio pedalas nustatytas į stabdymo padėtį. 	<ul style="list-style-type: none"> Iki galo nuspauskite stovėjimo stabdžio pedalą, kad atjungtumėte jį iš stabdymo padėties.
	<ul style="list-style-type: none"> Paleidžiant traktoriuką vairavimo svirtys neatlenktos į šalis. 	<ul style="list-style-type: none"> Gražinkite vairavimo svirtis į atvėrimo padėtį ir vėl pabandykite paleisti traktoriuką.
	<ul style="list-style-type: none"> Vairuotojas neatsisėdęs ant sėdynės. 	<ul style="list-style-type: none"> Traktoriuku galima važiuoti tik vairuotojui tinkamai atsisėdus ant sėdynės.
	<ul style="list-style-type: none"> Netinkamai prijungtas sėdynės jungiklis. 	<ul style="list-style-type: none"> Išimkite iš traktoriuko bateriją ir nuimkite sėdynę priešinga tvarka, nei nurodyta skyriuje „SĖDYNĖS TVIRTINIMAS“, kad patikrintumėte sėdynės jungiklio prijungimą. Nuimkite sėdynę ir vėl pabandykite paleisti traktoriuką pagal nurodymus skyriuje „NULINIO POSŪKIO SPINDULIO ELEKTRINIO TRAKTORIUKO PALEIDIMAS“. Jei nepavyksta, dėl remonto kreipkitės į kvalifikuotą techninės priežiūros specialistą.
	<ul style="list-style-type: none"> Ypač žemoje temperatūroje traktoriukas gali nepajudėti iš vietos dėl įsijungusios apsaugos nuo žemos temperatūros. 	<ul style="list-style-type: none"> Traktoriuką ir baterijas visada laikykite šiltoje aplinkoje. Traktoriukui sušilus vėl bandykite jį paleisti. Nebandykite paleisti įšalusio įrenginio, nes galite jį sugadinti. Rekomenduojama darbinė temperatūra 0–40°C.
<p>Elektrinis nulinio posūkio spindulio traktoriukas važiuodamas sustoja.</p>	<ul style="list-style-type: none"> Reikia atlikti vairavimo svirčių „atstatą“. 	<ul style="list-style-type: none"> Gražinkite vairavimo svirtis į atvėrimo padėtį ir vėl pabandykite paleisti traktoriuką.
	<ul style="list-style-type: none"> Sugedo elektroniniai vairavimo svirčių valdymo komponentai. 	<ul style="list-style-type: none"> Dėl remonto kreipkitės į kvalifikuotą techninės priežiūros specialistą.
	<ul style="list-style-type: none"> Važiuojant nelygia vietove atsijungė sėdynės jungiklis. 	<ul style="list-style-type: none"> Išimkite iš traktoriuko bateriją ir nuimkite sėdynę priešinga tvarka, nei nurodyta skyriuje „SĖDYNĖS TVIRTINIMAS“, kad patikrintumėte sėdynės jungiklio prijungimą. Nuimkite sėdynę ir vėl pabandykite paleisti traktoriuką pagal nurodymus skyriuje „NULINIO POSŪKIO SPINDULIO ELEKTRINIO TRAKTORIUKO PALEIDIMAS“. Jei nepavyksta, dėl remonto kreipkitės į kvalifikuotą techninės priežiūros specialistą.
<p>Važdavimo metu negalima reguliuoti važdavimo greičio ir keisti važdavimo režimo.</p>	<ul style="list-style-type: none"> Tai elektrinio nulinio posūkio spindulio traktoriuko saugos funkcija, kad būtų saugu važiuoti. 	<ul style="list-style-type: none"> Funkcija veikia tik sustabdžius traktoriuką ir atvėrus vairavimo svirtis.

PROBLEMA	PRIEŽASTIS	SPRENDIMAS
<p>Ijungus PTO jungiklį elektrinio nulinio posūkio spindulio traktoriuko peiliai nepradeda sukstis.</p>  <p>Mirksi PTO jungiklio piktograma</p>	<ul style="list-style-type: none"> Bendra prijungtų sudėtinių baterijų talpa nesiekia 15 Ah. 	<ul style="list-style-type: none"> Šiam traktoriukui reikia 15 Ah (2 X BA4200 / BA4200T) arba didesnės bendros talpos EGO baterijų. Kad traktoriukas geriau veiktų, rekomenduojame naudoti ne mažesnės kaip 30 Ah talpos sudėtinių baterijų komplektą.
	<ul style="list-style-type: none"> Paskutinį kartą sustabdžius traktoriuką, jo PTO jungiklis nenuspaustas žemyn. 	<ul style="list-style-type: none"> Nuspauskite PTO jungiklį žemyn ir vėl paleiskite traktoriuko peilius.
	<ul style="list-style-type: none"> Peilių paleidimo metu juos veikia per didelė apkrova, todėl įsijungia variklio apsauga. 	<ul style="list-style-type: none"> Pradžioje traktoriuko peilius paleiskite mažesniu greičiu, kol jie įsisuks, ir nedidinkite greičio, jei nereikia.
	<ul style="list-style-type: none"> Ypač žemoje temperatūroje peilių variklis gali neįsijungti dėl apsaugos nuo žemos temperatūros. 	<ul style="list-style-type: none"> Traktoriuką ir baterijas visada laikykite šiltoje aplinkoje. Traktoriukui sušilus vėl bandykite jį paleisti. Nebandykite paleisti išalusio įrenginio, nes galite jį sugadinti. Rekomenduojama darbinė temperatūra 0–40°C.
	<ul style="list-style-type: none"> Peilis siekia deformuotą pjovimo platformą. 	<ul style="list-style-type: none"> Dėl remonto kreipkitės į kvalifikuotą techninės priežiūros specialistą.
<p>Pjaunant žolę peiliai sustoja.</p>	<ul style="list-style-type: none"> Per didelė traktoriuko apkrova. 	<ul style="list-style-type: none"> Padidinkite žolės pjovimo aukštį arba sumažinkite važiavimo greitį, kad sumažėtų traktoriuko variklių apkrova.
	<ul style="list-style-type: none"> Traktoriuko pjovimo platformą užkimšo žolė ir šiukšlės. 	<ul style="list-style-type: none"> Nuvalykite traktoriuko pjovimo platformą ir patikrinkite, ar peilis gali laisvai sukstis.
	<ul style="list-style-type: none"> Traktoriukas perkaito. 	<ul style="list-style-type: none"> Sumažinkite traktoriuko apkrovą, padidindami pjovimo aukštį arba sumažindami peilių sukimosi ar važiavimo greitį ir leisdami traktoriukui atvėsti.
	<ul style="list-style-type: none"> Sudėtinė baterija (-os) traktoriuko baterijų skyriuje perkaito, todėl bendra įstatytų baterijų talpa nukrito žemiau 15 Ah. 	<ol style="list-style-type: none"> Jei bendra įstatytų baterijų talpa nesiekia 15 Ah, traktoriukas nedirbs, kol į tuščias baterijų skyriaus vietas neįstatysite daugiau sudėtinių baterijų. Kai perkaitusi baterija atvėsta iki įprastos temperatūros, ji iš karto prisijungia prie traktoriuko galios didinimo. Sumažinkite traktoriuko apkrovą padidindami žolės pjovimo aukštį arba sulėtindami pjovimą, o po to vėl atnaujinkite darbą.
	<ul style="list-style-type: none"> Traktoriukas yra avariniame grįžimo režime. 	<ul style="list-style-type: none"> Kai traktoriukas persijungia į avarinį grįžimo režimą, automatiškai sumažinamas peilių sukimosi greitis ir išjungiamas žolės pjovimas. Vairuotojas turi nutraukti darbą ir kuo skubiau grįžti į baterijų įkrovimo vietą.
	<ul style="list-style-type: none"> Traktoriukas atsitrenkė į kliūtį ir suveikė variklio apsauga. 	<ul style="list-style-type: none"> Nuspauskite PTO jungiklį, o po to vėl paleiskite traktoriuko peilius.

PROBLEMA	PRIEŽASTIS	SPRENDIMAS
Neišsijungia garsinis signalas.	<ul style="list-style-type: none"> ▪ Traktoriukas yra avariniame grįžimo režime, tačiau peiliai nenustojo sukstis. 	<ul style="list-style-type: none"> ▪ Nuspauskite PTO jungiklį, taip atjungdami pjovimo platformos peilius. Garsinis signalas išsijungs sustojus peiliams.
	<ul style="list-style-type: none"> ▪ Traktoriukas sustoja šlaite, o vairuotojas atlenkia į šonus vairavimo svirtis ir pakyla nuo sėdynės, nenuspaudęs stovėjimo stabdžio į stabdymo padėtį. 	<ul style="list-style-type: none"> ▪ Prieš išlipdami iš ant šlaito sustojusio traktoriuko, nustatykite stabdžio pedalą į stabdymo padėtį.
Išjungus traktoriuką baterijos įkrovos indikatoriai lieka degti.	<ul style="list-style-type: none"> ▪ Kai traktoriukas išjungiamas ant lygaus paviršiaus, o sudėtinė baterija (-os) iš jo neišimama, baterijų indikatoriai lieka degti dar 3 minutes. 	<ul style="list-style-type: none"> ▪ Nieko nereikia daryti. Baterijos indikatoriai neužilgo užges.
	<ul style="list-style-type: none"> ▪ Kai traktoriukas išjungiamas ant šlaito nenuspaudus stovėjimo stabdžio į stabdymo padėtį, baterijų indikatoriai lieka degti, kol baterija išsikrauna. Tuo metu visą laiką skamba garsinis signalas. 	<ul style="list-style-type: none"> ▪ Prieš išlipdami iš ant šlaito sustojusio traktoriuko, nustatykite stabdžio pedalą į stabdymo padėtį.
Neįsijungia visos LCD ekrano piktogramos.	<ul style="list-style-type: none"> ▪ Paleidimo ir sustabdymo mygtukas laikomas nuspauštas trumpiau nei 3 sekundes. 	<ul style="list-style-type: none"> ▪ Spustelėjus paleidimo ir sustabdymo mygtuką LCD ekrane atsiranda tik baterijos įkrovos rodmuo.
		<ul style="list-style-type: none"> ▪ Visos LCD ekrano piktogramos atsiranda paspaudus ir 3 sekundes palaikius nuspauštą paleidimo ir sustabdymo mygtuką.
Traktoriukas pjauna nelygiai ir ženkliai skiriasi žolės aukštis priekyje ir gale.	<ul style="list-style-type: none"> ▪ Peiliai atšipę. 	<ul style="list-style-type: none"> ▪ Peilius pagaląskite arba pakeiskite, kaip nurodyta šioje instrukcijoje.
	<ul style="list-style-type: none"> ▪ Peiliai sulinkę. 	<ul style="list-style-type: none"> ▪ Sulenktą peilį pakeiskite vadovaudamiesi skyriuje „PEILIŲ KEITIMAS“ pateiktais nurodymais.
	<ul style="list-style-type: none"> ▪ Pjovimo platforma neišlyginta horizontaliai, todėl peiliai yra skirtingame aukštyje. 	<ul style="list-style-type: none"> ▪ Išlyginkite horizontaliai pjovimo platformą vadovaudamiesi skyriuje „PJOVIMO PLATFORMOS IŠLYGINIMAS HORIZONTALIAI“ pateiktais nurodymais.
Nupjautos žolės aukštis neatitinka nustatyto pjovimo aukščio.	<ul style="list-style-type: none"> ▪ Atsisukę pjovimo platformos pakabos traukės veržlės. 	<ul style="list-style-type: none"> ▪ Pagal instrukcijas skyriuje „PJOVIMO PLATFORMOS IŠLYGINIMAS HORIZONTALIAI“ sureguliuokite pjovimo platformą pagal priekį ir galą ir tvirtai priveržkite visas keturias pakabos traukės veržles (po dvi kiekvienoje pusėje).
	<ul style="list-style-type: none"> ▪ Pjovimo platforma pažeista arba gerokai sudilusi. 	<ul style="list-style-type: none"> ▪ Pagal instrukcijas skyriuje „PJOVIMO PLATFORMOS NUĖMIMAS“ pakeiskite pjovimo platformą.

LT

PROBLEMA	PRIEŽASTIS	SPRENDIMAS
Traktoriukas netinkamai mulčiuoja.	▪ Nupjauta šlapia žolė prikimba pjovimo platformos apačioje.	▪ Prieš pjaudami veją, palaukite, kol žolė išdžius.
	▪ Traktoriukas nustatytas iš karto pjauti per daug žolės.	▪ Pakelkite pjovimo platformą į didesnę aukštį.
Pernelyg didelė vibracija.	▪ Peiliai atsipalaidavę.	▪ Priveržkite peilio varžtą rekomenduojama 50–55 Nm priveržimo jėga.
	▪ Peiliai sulinkę.	▪ Sulenktą peilį pakeiskite vadovaudamiesi skyriuje „ PEILIŲ KEITIMAS “ pateiktais nurodymais.
	▪ Pjovimo platforma neišlyginta horizontaliai.	▪ Išlyginkite horizontaliai pjovimo platformą vadovaudamiesi skyriuje „ PJOVIMO PLATFORMOS IŠLYGINIMAS HORIZONTALIAI “ pateiktais nurodymais.
	▪ Atsisukę pjovimo platformos pakabos traukės veržlės.	▪ 18 mm veržliarakčiu (komplekte nėra) priveržkite visas keturias pakabos traukės veržles (po dvi kiekvienoje pusėje).
	▪ Traktoriukas nustatytas iš karto pjauti per daug žolės.	▪ Pakelkite pjovimo platformą į didesnę aukštį.
Po pjovimo ant vejos lieka žolė ar šiukšlės.	▪ Traktoriukas nustatytas iš karto pjauti per daug žolės, kai ji aukšta.	▪ Veją pradėkite pjauti nustatę didesnę aukštį, kurį po to mažinkite, kol pasieksite pageidaujama pjovimo rezultata. Aukštesnę nei 15 cm žolę reikia pjauti per du kartus, palaipsniui mažinant pjovimo aukštį.
	▪ Žolė šlapia.	▪ Palaukite, kol šlapia žolė išdžius, ir tik tada pjaukite.
	▪ Per didelis važiavimo greitis.	▪ Sumažinkite važiavimo greitį.
	▪ Per mažas peilių sukimosi greitis.	▪ Palaipsniui padidinkite peilių sukimosi greitį.
Su įkrauta baterija traktoriukas dirba per trumpai.	▪ Baterijos veikimo trukmė labai priklauso nuo žolės būklės ir pjovimo aukščio nustatymo. Nurodytas darbo laikas yra lengvos apkrovos sąlygomis.	▪ Padidinkite pjovimo aukštį ir sumažinkite peilių sukimosi greitį, kad sumažėtų pjovimo apkrova.
Traktoriukas nevažiuoja tiesiai.	▪ Skiriasi kairiosios ir dešinėsios pusės galinių ratų oro slėgis padangose.	▪ Patikrinkite ir sureguliuokite oro slėgį abiejose galinių ratų padangose pagal rekomendacijas šios instrukcijos skyriuje „ ORO SLĖGIO PADANGOSE TIKRINIMAS “.
	▪ Skiriasi kairiosios ir dešinėsios pusės galinių ratų sukimosi greitis.	▪ Sukalibruokite traktoriuko judėjimo sistemą pagal instrukcijas skyriuje „ TRAKTORIUKO JUDEJIMO SISTEMOS KALIBRAVIMAS “.
Stovėjimo stabdžio negalima atleisti iš stabdymo padėties arba jis per lėtai grįžta į pradinę padėtį.	▪ Į stovėjimo stabdžio pedalo vidų galėjo patekti šiukšlių ar purvo.	▪ Atidarykite stovėjimo stabdžio pedalo dėžutę, kruopščiai išvalykite jos vidų ir vėl uždarykite. Išbandykite stovėjimo stabdžio pedalo veikimą ir patikrinkite, ar problema išspręsta. Jei nepavyksta, dėl remonto kreipkitės į kvalifikuotą techninės priežiūros specialistą.

PROBLEMA	PRIEŽASTIS	SPRENDIMAS
Traktoriuko negalima įkrauti prijungus per įkrovimo jungtį, nors būsenos indikatorius šviečia raudonai.	<ul style="list-style-type: none"> Įkroviklio kištukas netinkamai įstatytas į traktoriaus įkrovimo jungtį. 	<ul style="list-style-type: none"> Iš naujo prijunkite įkroviklio kištuką ir patikrinkite, ar vyksta įkrovimas.
	<ul style="list-style-type: none"> Sieniniame elektros lizde nėra įtampos. 	<ul style="list-style-type: none"> Nieko nereikia daryti. Palaukite, kol atsiras maitinimo įtampa.
	<ul style="list-style-type: none"> Sugedęs įkroviklis. 	<ul style="list-style-type: none"> Kreipkitės į kvalifikuotą techninės priežiūros specialistą, kad patikrintų įkroviklį ir suremontuotų, jei reikia.
	<ul style="list-style-type: none"> Sugedusi traktoriaus įkrovimo jungtis. 	<ul style="list-style-type: none"> Dėl remonto kreipkitės į kvalifikuotą techninės priežiūros specialistą.
Įkrovimas per įkrovimo jungtį trunka pernelyg ilgai.	<ul style="list-style-type: none"> Naudojant EGO adapterį ACA1000 įkrovimas trunka ilgai. 	<ul style="list-style-type: none"> Nulinio posūkio spindulio traktoriukui tiesiogiai įkrauti naudokite EGO įkroviklį CHV1600E.
Baterijos negalima iki galo įkrauti per traktoriuko įkrovimo jungtį.	<ul style="list-style-type: none"> Aparatinės programinės įrangos klaida arba įkroviklio ar baterijos gedimas. 	<ul style="list-style-type: none"> Atjunkite įkroviklį ir palaukite ne mažiau 1 minutės, po to vėl prijunkite prie maitinimo įtampos. Jeigu tai nepadeda, dėl remonto kreipkitės į kvalifikuotą techninės priežiūros specialistą.
Po valymo traktoriuko neįmanoma paleisti.	<ul style="list-style-type: none"> Netinkamas valymas, pavyzdžiui, vanduo pateko į elektrinius komponentus, ant LCD ekrano ir pan. 	<ul style="list-style-type: none"> Valydami laikykitės skyriuje „TRAKTORIUKO VALYMAS“ pateiktų nurodymų.
Traktoriuko pjovimo platforma greitai užsikemša.	<ul style="list-style-type: none"> Traktoriuko pjovimo platformą užkimšo žolė ir šiukšlės. 	<ul style="list-style-type: none"> Jeigu traktoriukas atsitiktinai pateko į lietu, pastatykite jį išdžiūti ne mažiau kaip 12 valandų arba išdžiovinkite pūsdami suslėgtąjį orą.
		<ul style="list-style-type: none"> Kiekvieną kartą po naudojimo išplaukite traktoriuko pjovimo platformą pagal nurodymus skyriuje „Pjovimo jungties naudojimas pjovimo platformai plauti“.
Važiuodamas įkalnėn traktoriukas pradeda slysti.	<ul style="list-style-type: none"> Nudilę traktoriuko galinių ratų padangos. 	<ul style="list-style-type: none"> Pakeiskite ratų padangas artimiausiose remonto dirbtuvėse.
	<ul style="list-style-type: none"> Per status šlaitas. 	<ul style="list-style-type: none"> Žolę pjauti galima ne statesniame kaip 12 laipsnių šlaite.
Traktoriukui sustojus ant šlaito ir nuspaudus stovėjimo stabdžio pedalą, jis vis tiek slysta žemyn.	<ul style="list-style-type: none"> Netinkamai naudojant traktoriuką susidėvėjo stabdžių komponentai. 	<ul style="list-style-type: none"> Dėl remonto kreipkitės į kvalifikuotą techninės priežiūros specialistą.

PROBLEMA	PRIEŽASTIS	SPRENDIMAS
Plaunant plovimo platformą iš plovimo jungties neteka vanduo.	<ul style="list-style-type: none">▪ Plovimo jungties greitojo sujungimo mova netinkamai prijungta prie plovimo jungties.	<ul style="list-style-type: none">▪ Iš naujo prijunkite plovimo jungties greitojo sujungimo movą taip, kad stipriai prispaudę išgirstumėte spragtelėjimą. Jeigu tai nepadeda, dėl remonto kreipkitės į kvalifikuotą techninės priežiūros specialistą.
Stumiant rankomis traktoriuką girdimas neįprastas garsas.	<ul style="list-style-type: none">▪ Garsą skleidžia traktoriuko variklio magnetai.	<ul style="list-style-type: none">▪ Tai normalu ir nereikia imtis jokių veiksmų.

TRAKTORIUKO BŪSENOS NUORODOS IR GEDIMŲ KODAI

LCD ekranas	Aprašymas	Gedimo kodas LCD ekrane	Traktoriuko būsenos indikatorius	Garsinis signalas	Priežastis	Sprendimas
	LCD ekrane rodoma LED žibintų piktograma	Nėra	Išjungta	Nėra	LED žibintų jungikliu įjungti priekiniai, šoniniai ir galiniai žibintai.	Tai normalu. Nieko nereikia daryti.
	LCD ekrane rodoma USB piktograma	Nėra	Išjungta	Nėra	Užsidegusi USB piktograma reiškia, kad tinkamai paleidus traktoriuką galima prijungti USB prietaisą.	Tai normalu. Nieko nereikia daryti.
	LCD ekrane rodoma baterijos įkrovos piktograma	Nėra	Išjungta	Nėra	Rodoma vidutinė įstatytų sudėtinių baterijų įkrovos vertė.	Tai normalu. Nieko nereikia daryti.
	LCD ekrane rodoma valandų skaitiklio piktograma	Nėra	Išjungta	Nėra	Rodo bendrą traktoriuko važiavimo laiką valandomis, kurio negalima atstatyti.	Tai normalu. Nieko nereikia daryti.
	ECO diapazone rodoma apkrovos indikatoriaus piktograma	Nėra	Išjungta	Nėra	Rodo einamąją traktoriuko apkrovą.	Tai normalu. Nieko nereikia daryti.
	Mirksi perkrovos indikatorius. PWR diapazone rodoma apkrovos indikatoriaus piktograma.	Nėra	Mirksi raudonas	Vienas pyptelėjimas	Peilių variklio perkrova.	Padidinkite pjovimo aukštį arba sumažinkite važiavimo greitį, kad sumažėtų traktoriuko apkrova.
	Mirksi saugos raktelio piktograma	Nėra	Išjungta	Nėra	Saugos raktelis neįkištas į lizdą.	Įstatykite saugos raktelį ir tuomet paspauskite ir ne trumpiau kaip 3 sekundes palaikykite nuspaudę paleidimo ir sustabdymo mygtuką, kad paleistumėte traktoriuką.
					Nėra LCD ekrano maitinimo įtampos.	Dėl remonto kreipkitės į kvalifikuotą techninės priežiūros specialistą.
	Mirksi tuščio baterijų skyriaus piktograma.	Nėra	Išjungta	Nėra	Baterijos įkrovos nepakanka traktoriukui dirbti.	Šiam traktoriukui reikia 15 Ah (2 X BA4200 / BA4200T) arba didesnės bendros talpos EGO baterijų. Kad traktoriukas geriau veiktų, rekomenduojame naudoti ne mažesnės kaip 30 Ah talpos sudėtinių baterijų komplektą.

LT

LCD ekranas	Aprašymas	Gedimo kodas LCD ekrane	Traktoriuko būsenos indikatorius	Garsinis signalas	Priežastis	Sprendimas
	Mirksi termometro piktograma	Nėra	Mirksi raudonas	Vienas pyptelėjimas	Traktoriukas perkaito.	Sumažinkite traktoriuko apkrovą, padidindami pjovimo aukštį arba sumažindami peilio sukimosi ar važiavimo greitį. Padarykite pertrauką ir leiskite traktoriukui atvėsti.
	Vienu metu mirksi perkaitimo piktograma ir tiksliai užimto baterijų skyriaus vieta	Nėra	Nėra	Nėra	Perkaito sudėtinė baterija atitinkamo numerio baterijų skyriuje.	<p>1. Traktoriukas gali tęsti darbą, jei bendra įstatytų baterijų talpa, atmetus perkaitusią bateriją, yra ne mažesnė kaip 15 Ah. Kai perkaitusi baterija atvėsta iki įprastos temperatūros, ji iš karto prisijungia prie traktoriuko galios didinimo.</p> <p>2. Jei bendra įstatytų baterijų talpa nesiekia 15 Ah, traktoriukas nedirbs, kol į tuščias vietas baterijų skyriuje neįstatysite daugiau sudėtinių baterijų.</p> <p>3. Sumažinkite traktoriuko apkrovą padidindami žolės pjovimo aukštį arba sulėtindami pjovimą, o po to vėl atnaujinkite darbą.</p>
	Vienu metu LCD ekrane kas 1 sekundę mirksi kiekvieno užimto baterijų skyriaus piktogramos, žemos galios indikatorius ir baterijos segmentai įkrovos indikatoriuje. Taip pat mirksi pirmasis LED įkrovos indikatoriaus segmentas ir būsenos indikatorius.	Nėra	Mirksi raudonas	Nuolat pypsi, kol nuspaudžiamas PTO jungiklis	Maža sudėtinių baterijų įkrova ir traktoriukas yra avariniame grįžimo režime.	<p>Nutraukite darbą ir grįžkite į baterijų įkrovimo vietą.</p> <p>PASTABA: Kai traktoriukas persijungia į avarinį grįžimo režimą, automatiškai sumažinamas peilių sukimosi greitis ir išjungiamas žolės pjovimas; tuo pat metu nuolat skamba garsinis signalas. Vairuotojas turi nuspaušti PTO jungiklį ir atjungti pjovimo platformos peilius. Sustojus peiliams garsinis signalas nustos skambėti.</p>
	Kas 0,5 sekundės mirksi kiekvieno užimto baterijų skyriaus piktogramos ir žemos galios indikatorius	Nėra	Išjungta	Nėra	Sudėtinės baterijos beveik išsikrovė.	Traktoriukas iš karto sustoja. Vairuotojas turi jį nugabenti į baterijos įkrovimo vietą.
	LCD ekrane mirksi automatinio statymo piktograma	Nėra	Išjungta	Nuolat pypsi	Traktoriukas pastatytas ant šlaito ir vairuotojas iš jo išlipo nenustatęs stabdžio pedalą į stabdymo padėtį – jis tik į šalis atlenkė vairavimo svirtis.	Nustatykite stabdžių pedalą į stabdymo padėtį. Automatinio statymo piktograma ir garsinis signalas išsijungs.

LCD ekranas	Aprašymas	Gedimo kodas LCD ekrane	Traktoriuko būsenos indikatorius	Garsinis signalas	Priežastis	Sprendimas
	LCD ekrane rodoma stabdžio pedalo piktograma	Nėra	Išjungta	Nėra	Stovėjimo stabdžio pedalas nustatytas į stabdymo padėtį.	Atleiskite stabdį prieš paleisdami traktoriuką.
	LCD ekrane rodoma sėdynės jutiklio piktograma	Nėra	Išjungta	Nėra	Vairuotojas pakilo nuo sėdynės arba atjungtas sėdynės jungiklis.	Jeigu vairuotojas sėdi sėdynėje, o piktograma dega, iš karto nutraukite darbą ir patikrinkite sėdynės jungtį. Jeigu sėdynė tinkamai prijungta prie traktoriuko, dėl remonto kreipkitės į kvalifikuotą techninės priežiūros specialistą.
	Mirksi PTO jungiklio piktograma	Nėra	Išjungta	Nėra	Išjungtas veičes peilių variklis, tačiau neišjungtas PTO jungiklis.	Prieš vėl paleisdami traktoriuką, nuspauskite PTO jungiklį ir atjunkite pjovimo platformos variklį. Daugiau informacijos rasite šios instrukcijos skyriuje „TRIKČIŲ ŠALINIMAS“.
	Mirksi vairavimo svirčių piktograma	Nėra	Išjungta	Nėra	Išjungtas veičes varantysis variklis, tačiau neatlenktos į šalis vairavimo svirtys.	Prieš vėl paleisdami traktoriuką, atlenkite vairavimo svirtis į atvėrimo padėtį. Daugiau informacijos rasite šios instrukcijos skyriuje „TRIKČIŲ ŠALINIMAS“.
	Retkarčiais mirksi energijos regeneracijos piktograma	Nėra	Išjungta	Nėra	Stabdymo ar važiavimo nuokalnėn metu sukuriama kinetinė energija paverčiama elektros energija, kuri naudojama sudėtinėms baterijoms įkrauti.	Tai normalu. Nieko nereikia daryti.

LCD ekranas	Aprašymas		Gedimo kodas LCD ekrane	Traktoriuko būsenos indikatorius	Garsinis signalas	Priežastis	Sprendimas
See "Fault Code"	Nesisuka kairysis varantysis variklis	Sugedo spausdintinė plokštė, valdanti kairįjį varantįjį variklį	413	Išjungta	Vienas pyptelėjimas	Spausdintinės plokštės gedimas.	Dėl remonto kreipkitės į kvalifikuotą techninės priežiūros specialistą.
		Atsivalaidavo trifazio maitinimo laido kištukas, jungiantis kairįjį varantįjį variklį su atitinkama spausdintine plokšte	317	Išjungta	Vienas pyptelėjimas	Atsivalaidavusi jungtis.	
		Atsivalaidavo šešių kontaktų signalinis laido kištukas, jungiantis kairįjį varantįjį variklį su atitinkama spausdintine plokšte	301	Išjungta	Vienas pyptelėjimas	Atsivalaidavusi jungtis.	
		Sugedo kairysis varantysis variklis	317	Išjungta	Vienas pyptelėjimas	Variklio gedimas.	
See "Fault Code"	Nesisuka dešinysis varantysis variklis	Sugedo spausdintinė plokštė, valdanti dešinįjį varantįjį variklį	313	Išjungta	Vienas pyptelėjimas	Spausdintinės plokštės gedimas.	Dėl remonto kreipkitės į kvalifikuotą techninės priežiūros specialistą.
		Atsivalaidavo trifazio maitinimo laido kištukas, jungiantis dešinįjį varantįjį variklį su atitinkama spausdintine plokšte	417	Išjungta	Vienas pyptelėjimas	Atsivalaidavusi jungtis.	
		Atsivalaidavo šešių kontaktų signalinis laido kištukas, jungiantis dešinįjį varantįjį variklį su atitinkama spausdintine plokšte	401	Išjungta	Vienas pyptelėjimas	Atsivalaidavusi jungtis.	
		Sugedo dešinysis varantysis variklis	417	Išjungta	Vienas pyptelėjimas	Variklio gedimas.	

LCD ekranas	Aprašymas		Gedimo kodas LCD ekrane	Traktoriuko būsenos indikatorius	Garsinis signalas	Priežastis	Sprendimas
See "Fault Code"	Nesisuka kairiojo peilio variklis	Sugedo spausdintinė plokštė, valdanti kairiojo peilio variklį	607	Nėra	Vienas pyptelėjimas	Spausdintinės plokštės gedimas.	Dėl remonto kreipkitės į kvalifikuotą techninės priežiūros specialistą.
		Atsivalaidavo trifazio maitinimo laido kištukas, jungiantis kairįjį varantįjį variklį su atitinkama spausdintine plokšte	509	Nėra	Vienas pyptelėjimas	Atsivalaidavusi jungtis.	Pradžioje patikrinkite peilį. Jeigu jis atsilaisvinęs, 14 mm veržliarakčiu priveržkite varžtą pagal laikrodžio rodyklę. Rekomenduojama peilio varžto priveržimo jėga yra 50–55 Nm. Priešingu atveju dėl remonto kreipkitės į kvalifikuotą techninės priežiūros specialistą.
		Sugedo kairiojo peilio variklis	509	Nėra	Vienas pyptelėjimas	Variklio gedimas.	Dėl remonto kreipkitės į kvalifikuotą techninės priežiūros specialistą.
See "Fault Code"	Nesisuka dešiniojo peilio variklis	Sugedo spausdintinė plokštė, valdanti dešiniojo peilio variklį	507	Nėra	Vienas pyptelėjimas	Spausdintinės plokštės gedimas.	Dėl remonto kreipkitės į kvalifikuotą techninės priežiūros specialistą.
		Atsivalaidavo trifazio maitinimo laido kištukas, jungiantis dešinįjį varantįjį variklį su atitinkama spausdintine plokšte	609	Nėra	Vienas pyptelėjimas	Atsivalaidavusi jungtis.	Pradžioje patikrinkite peilį. Jeigu jis atsilaisvinęs, 14 mm veržliarakčiu priveržkite varžtą pagal laikrodžio rodyklę. Rekomenduojama peilio varžto priveržimo jėga yra 50–55 Nm. Priešingu atveju dėl remonto kreipkitės į kvalifikuotą techninės priežiūros specialistą.
		Sugedo dešiniojo peilio variklis	609	Nėra	Vienas pyptelėjimas	Variklio gedimas.	Dėl remonto kreipkitės į kvalifikuotą techninės priežiūros specialistą.
See "Fault Code"	Sugedo kairioji vairavimo svirtis	Sugedo spausdintinė plokštė, valdanti kairiąją vairavimo svirtį	311 /412	Išjungta	Vienas pyptelėjimas	Spausdintinės plokštės gedimas.	Dėl remonto kreipkitės į kvalifikuotą techninės priežiūros specialistą.
		Atsivalaidavo kištukas vairavimo svirtyje, jungiantis su valdančia spausdintine plokšte				Atsivalaidavusi jungtis.	

LCD ekranas	Aprašymas		Gedimo kodas LCD ekrane	Traktoriuko būsenos indikatorius	Garsinis signalas	Priežastis	Sprendimas
See "Fault Code"	Sugedo dešinioji vairavimo svirtis	Sugedo dešiniąją vairavimo svirtį valdanti spausdintinė plokštė	312 /411	Išjungta	Vienas pyptelėjimas	Spausdintinės plokštės gedimas.	Dėl remonto kreipkitės į kvalifikuotą techninės priežiūros specialistą.
		Atsipalaidavo kištukas vairavimo svirtyje, jungiantis su valdančia spausdintinė plokšte				Atsipalaidavusi jungtis.	
See "Fault Code"	Sugedo stovėjimo stabdys ir traktoriukas negali pajudėti	Sugedo stovėjimo stabdžio spausdintinė plokštė priekiniame rėme	309 /409	Išjungta	Vienas pyptelėjimas	Spausdintinės plokštės gedimas.	Dėl remonto kreipkitės į kvalifikuotą techninės priežiūros specialistą.
		Sugedo stovėjimo stabdžio jungiklis ir (ar) pažeistas laidas	801	Išjungta	Vienas pyptelėjimas	Laido / jungiklio gedimas	
OFF	Įkrovimo jungties gedimas	Nėra	Nėra	Dega raudonas	Nėra	Atvira įkrovimo jungties grandinė.	Dėl remonto kreipkitės į kvalifikuotą techninės priežiūros specialistą.
		Nėra	Nėra	Dega raudonas	Nėra	Nėra maitinimo įtampos.	Patikrinkite sieninį elektros lizdą, ar yra 220–240 V maitinimo įtampa ir ar lizdas geras.
		Nėra	Nėra	Dega raudonas	Nėra	Perdegęs saugiklis.	Dėl remonto kreipkitės į kvalifikuotą techninės priežiūros specialistą.
See "Fault Code"	Įkrovimo jungties gedimas		204	Nėra	Vienas pyptelėjimas	Atvira įkrovimo jungties grandinė.	

LCD ekranas	Aprašymas	Gedimo kodas LCD ekrane	Traktoriuko būsenos indikatorius	Garsinis signalas	Priežastis	Sprendimas
See "Fault Code"	Neveikia baterijų dėžutės blokas	217	Nėra	Vienas pyptelėjimas	Nėra maitinimo iš baterijų dėžutės bloko. Neveiks LED žibintai ir USB lizdas.	Dėl remonto kreipkitės į kvalifikuotą techninės priežiūros specialistą.
		310 /410	Išjungta	Vienas pyptelėjimas	Nėra jungties tarp baterijų dėžutės bloko „C“ tipo laidų ir kitų traktoriuko „C“ tipo laidų.	
		201 /202 /203	Išjungta	Vienas pyptelėjimas	Sugedusi baterijų dėžutės bloko baterijų valdymo sistema.	
See "Fault Code"	Sugedęs paleidimo ir sustabdymo mygtukas	314 /414	Išjungta	Vienas pyptelėjimas	Jungiklio spausdintinės plokštės gedimas arba netinkamai prijungtas paleidimo ir sustabdymo mygtukas.	Dėl remonto kreipkitės į kvalifikuotą techninės priežiūros specialistą.
See "Fault Code"	Sugedęs LCD ekranas	315 /415	Išjungta	Vienas pyptelėjimas	Sugedęs arba netinkamai prijungtas LCD blokas.	Dėl remonto kreipkitės į kvalifikuotą techninės priežiūros specialistą.

GARANTIJA

„EGO“ GARANTIJOS TAISYKLĖS

Jei norite sužinoti visas „EGO“ garantinės politikos sąlygas, apsilankykite interneto svetainėje egopowerplus.com.

IZLASIET VISUS NORĀDĪJUMUS!



IZLASIET LIETOTĀJA ROKASGRĀMATU

⚠ Citi riski! Personām, kuras lieto elektroniskas ierīces, piemēram, elektrokardiostimulatorus, pirms šīs ierīces lietošanas jākonsultējas ar savu ārstu. Elektriskā aprikojuma darbība sirds elektrokardiostimulatora tuvumā var radīt stimulatora darbības traucējumus vai kļūmes.

DROŠĪBAS APZĪMĒJUMS

Drošības apzīmējumi ir paredzēti, lai pievērstu jūsu uzmanību iespējamiem apdraudējumiem. Pievērsiet uzmanību drošības apzīmējumiem un to skaidrojumiem, un izprotiet tos. Brīdinājumu apzīmējumi paši par sevi nenovērš apdraudējumu. Tajos ietvertie norādījumi un brīdinājumi neaizstāj atbilstošu negadījumu novēršanas pasākumu īstenošanu.

⚠ BRĪDINĀJUMS! Pirms šī instrumenta lietošanas izlasiet un izprotiet visus šajā lietotāja rokasgrāmatā iekļautos drošības norādījumus, tostarp visus drošības brīdinājuma apzīmējumus, piemēram, „**BĪSTAMI!**”, „**BRĪDINĀJUMS!**” un „**UZMANĪBU!**”. Visu turpmāk uzskaitīto norādījumu neievērošana var izraisīt elektriskās strāvas triecienu, aizdegšanos un/vai smagus miesas bojājumus.

SIMBOLA NOZĪME

Šajā lapaspusē ir parādīti un aprakstīti drošības apzīmējumi, kas var būt norādīti uz šī izstrādājuma. Pirms iekārtas montāžas un lietošanas izlasiet, izprotiet un ievērojiet visus uz iekārtas sniegtos norādījumus.

DROŠĪBAS SIMBOLI



Drošības brīdinājums



Acu aizsarglīdzekļi



BĪSTAMI! Pastāv draudi, ko rada stāvas nogāzes



Nekad nepārvadājiēt bērnus



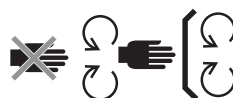
BRĪDINĀJUMS! Nebraukt ar plāvēju slīpumā, kura leņķis ir platāks par 12°.



BRĪDINĀJUMS! TURIET ROKAS UN KĀJAS DROŠĀ ATTĀLUMĀ



Izlasiet un izprotiet lietotāja rokasgrāmatu



Veiciet drošības ierīcēm apkopi



BĪSTAMI! Neļaujiet nepiederošām personām tuvuoties asmeņiem



Braucot atpakaļgaitā, skatieties atpakaļ



BĪSTAMI! Var tikt izsviesti priekšmeti



Garantētais skaņas intensitātes līmenis. Saskaņā ar Eiropas Kopienas direktīvu.



Nekāpiet virsū



Šis izstrādājums atbilst piemērojamām EK direktīvām



Līdzstrāva

kPa

Kilopaskāli

V

Volti

colla

Colla

Nm

Nūtonmetri

°C

Celsijs

km/h

Kilometri stundā



Elektrisko izstrādājumu atkritumus nedrīkst izmest kopā ar sadzīves atkritumiem. Nogādāt uz pilnvarotu pārstrādes punktu.



UZMANĪBU! Neskatīties tieši uz darba lampu.



Šis izstrādājums atbilst piemērojamiem Apvienotās Karalistes tiesību aktiem.

RPM

Apgriezieni minūtē

m

Metri

cm

Centimetri

mm

Millimetri

kg

Kilograms

IPX4

Aizsardzības klase

SPECIFIKĀCIJAS

Spriegums	56 V	
Plaušanas bloka izmērs	107cm	
Aizmugurējā riteņa izmērs	Priekšā	11 x 4 collas (279,4 mm)
	Aizmugurē	18 x 8,5 collas (457,2 mm)
Spiediens aukstās riepiēs	Priekšā	220 kPa
	Aizmugurē	50 kPa
Pagriezienu rādiuss	0	
Asmens griešanās ātrums (RPM)	2400, 2600, 2800, 3000	
Maks. braukšanas ātrums (km/h)	Uz priekšu	4,8 km/h, 8 km/h, 9,6 km/h, 11,2 km/h (12,8 km/h braukšanas režīmā)
	Atpakaļgaitā	līdz 5,6 km/h
Notiek uzlāde	Lādētājs (pēc izvēles)	CHV1600E
	Adapteris (pēc izvēles)	ACA1000
	Uzlādes temperatūras diapazons	5°C līdz 40°C
Griešanas augstuma regulēšana (10 pozīcijas)	25 līdz 100 mm	
Darba temperatūra	0°C līdz 40°C	

Uzglabāšanas temperatūra	-20°C līdz 70°C	
Svars (bez akumulatoru bloka)	186 kg	
Izmērītais skaņas intensitātes līmenis L_{WA}	96,44 dB(A) K=0,68 dB(A)	
Trokšņa spiediena līmenis pie lietotāja auss L_{PA}	84,3 dB(A) K=3,0 dB(A)	
Garantētais skaņas intensitātes līmenis L_{WA} (izmērīts saskaņā ar 2000/14/EK)	100 dB(A)	
Vibrācija a_h	Rokturis	1,221 m/s ² K=1,5 m/s ²
	Korpuss	0,568 m/s ² K=1,5 m/s ²

▪ Norādītā vibrāciju kopējā vērtība ir izmērīta saskaņā ar standarta pārbaudes metodi un var tikt izmantota, lai salīdzinātu vairākus instrumentus.

▪ Deklarēto vibrāciju emisijas vērtību var arī lietot iepriekšējai vibrāciju iedarbības novērtēšanai.

PIEZĪME! Vibrāciju emisijas faktiskajā elektroinstrumenta darbināšanas laikā var atšķirties no norādītās vērtības. Lai pasargātu operatoru, lietotājam jāvalkā cimdi un dzirdes aizsarglīdzekļi atbilstoši patiesajiem darba apstākļiem.

APRAKSTS

PĀRZINIET ELEKTRISKO NULLES PAGRIEZIENA BRAUCAMO ZĀLES PĻĀVĒJU (A1 un A2 att.)

1. Sēdeklis
2. Uzlādes pieslēgvietā
3. Akumulatoru nodalījums
4. LED aizmugurējās lampas
5. Uzglabāšanas kārbā
6. Krūžu turētāji
7. LED sānu gaismas
8. Aizmugurējais ritenis (piedziņas ritenis)
9. Pļaušanas bloks
10. Pļaušanas bloka aizsargs
11. Aizsargritenis
12. Priekšējais ritenis
13. Stāvbremzes pedālis
14. Braukšanas gaismas
15. LED priekšējie lukturi
16. Sānu izlādes tekne
17. Pļaušanas bloka augstuma regulēšanas svira
18. Sēdekļa balstiekārtas regulēšanas poga
19. Svira sēdekļa regulēšanai uz priekšu un atpakaļ
20. Stūres svira
21. Zāles pļāvēja statusa indikators
22. LCD ekrāns
23. PTO slēdzis
24. Poga „Start/Stop” (Palaist/Apturēt)
25. Drošības atslēga
26. Telefona uzglabāšanas nodalījums
27. Pļāvēja degvielas mērītājs un statusa indikators
- 27a. Pļāvēja degvielas mērītāja indikators
- 27b. Pļāvēja statusa indikators
28. Pēdu novietošanas zona
29. Barošanas bloka vāciņa atbrīvošanas poga
30. Barošanas bloka vāciņš
31. Akumulatora atbrīvošanas poga
32. Sakabe
33. Pierīces stiprinājuma pārsegs
34. Pierīces stiprinājuma pārsega uzglabāšanas nodalījums

35. USB ports

PĀRZINIET LCD EKRĀNU UN POGAS (A3. att.)

Sīkāku informāciju par LCD ekrāna ikonām un indikatoriem skatiet sadaļā „PĻĀVĒJA STATUSS UN KĻŪDU KODI”.

1. Drošības atslēgas ikona
2. LED apgaismojuma ikona
3. Automātiskās pļāvēja novietošanas ikona
4. USB ikona
5. Asmens griešanās ātruma indikators
6. Drošības ierīces statusa indikators
7. Stundu skaitītājs
8. Akumulatoru ikona
9. Motora pārkaršanas ikona
10. Braukšanas režīms
11. Kļūdas koda indikators
12. Pārslodzes indikators
13. Zemas strāvas indikators
14. Braukšanas ātruma indikators
15. Slodzes indikators
16. Asmens griešanās ātruma regulēšanas poga
17. Iestaļījumu poga
18. Braukšanas režīma poga
19. LED apgaismojuma slēdzis
20. Braukšanas ātruma regulēšanas poga
21. Degvielas mērītājs

IZPAKOŠANA

PIEZĪME! Neizmetiet iepakojuma materiālu, kamēr neesat rūpīgi pārbaudījis, vai produkts darbojas apmierinoši. Ja iepakojuma sarakstā kāda no esošajām daļām pļāvējam jau ir uzstādīta, lūdzu, nekavējoties sazinieties ar EGO servisa daļu.

PIEZĪME! Visi instrumenti, izņemot iepakojuma sarakstā norādītos, ir tikai ieteiktie instrumenti, un tādēļ tie nav iekļauti komplektācijā.

IEPAKOJUMA SATURA SARAKSTS (B1 att.)

B1-1	Elektriskais nulles pagrieziens pļāvējs	B1-7	Drošības atslēgas
------	---	------	-------------------

LV

B1-2	Sēdeklis	B1-8	Uzgriežņatslēgas ar atvērtiem galiem (13 mm)
B1-3	Mulčēšanas ieliktnis	B1-9	Seškanšu atslēga
B1-4	Stūres svira	B1-10	Mazgāšanas porta ātrais savienotājs
B1-5	Ligzdu skrūves (2 rezerves)	B1-11	Lietotāja rokasgrāmata
B1-6	Sešstūra galvas skrūves (2 rezerves)		

IZPAKOŠANA (B2 – B3 att.)

IETEICAMIE PIEDERUMI

▲ BRĪDINĀJUMS! Izmantojiet tikai identiskas, sarakstā norādītās rezerves daļas. Oriģinālā aprīkojuma specifikācijām neatbilstošu daļu izmantošana var radīt nepareizu plājummašīnas darbību un apdraudēt jūsu drošību.

DAĻAS NOSAUKUMS	MODEĻA NUMURS
Standarta asmens	AB4200
Augstās pacelšanas asmens	AB4201
Mulčēšanas ieliktnis	AMP4200
Zāles savācēja komplekts	ABK4200-A

LV MONTĀŽA

SĒDEKĻA UZSTĀDĪŠANA (C1 un C2 att.)

▲ BRĪDINĀJUMS! Drošības bloķēšanas sistēmu nav atļauts atvienot vai apiet. Pretējā gadījumā zāles plāvējs var negaidīti ieslēgties, izraisot miesas bojājumus.

PIEZĪME! Jūsu drošībai zāles plāvējs ir aprīkots ar braukšanas apturēšanas drošības funkciju gadījumiem, kad braukšanas laikā pēkšņi atvienojas sēdekļa slēdzis. Ja tas tā noticis, lūdzu, izlasiet sadaļu „**PROBLĒMU MEKLĒŠANA UN NOVĒRŠANA**”.

C1-1	Kabelis	C1-5	Ligzdu skrūves
C1-2	Spraudnis	C2-1	Āķis
C1-3	Kontaktilgizda	C2-2	Tērauda sliedes

C1-4	Balstiekārtas pamatne	C2-3	Ligzdu skrūves
------	-----------------------	------	----------------

STŪRES SVIRU UZSTĀDĪŠANA (C3 att.)

C3-1	Stūres sviras	C3-3	Stūres sviru uzstādīšanas caurumi
C3-2	Sešstūra galvas skrūves		

MULČĒŠANAS IELIKTŅA UZSTĀDĪŠANA (C4 att.)

C4-1	Sānu izlādes tekne	C4-3	Pārvietojama atspere
C4-2	Mulčēšanas ieliktnis		

EKSPLUATĀCIJA

PIRMS PLĀVĒJA LIETOŠANAS

Apkārtējās vides apskatīšana

- Pārlicinieties, vai darba zonā neatrodas bērni, citi klātesošie un mājdzīvnieki.
- Attīriet darba zonu no jebkādiem priekšmetiem, kurus plāvēja asmeņi var atsviest.
- Pārbaudiet un pārlicinieties, vai LED apgaismojumam ir pareizs statuss:
 - Priekšējos, sānu un aizmugurējos lukturus regulē ar LED apgaismojuma slēdzi.
 - Braukšanas laikā gaismām vienmēr ir jādeg.
 - Ja, braucot atpakaļgaitā, aizmugurējie lukturi būs izslēgti, tie sāks mirgot, lai brīdinātu apkārtējos; ja aizmugurējie lukturi būs ieslēgti, tie paliks ieslēgti.
 - Visas gaismas automātiski izslēdzas pēc vairāk nekā 3 plāvēja neaktivitātes minūtēm

Spiediena pārbaude aukstās riepās (D1 att.)

Plāvēja statusa un akumulatora uzlādes līmeņa pārbaude

- Plāvēja degvielas mērītāja indikators (A2 – 27a att.)
Katrs plāvēja degvielas mērītāja indikatora segments rāda 20 % uzlādētajiem akumulatoru blokiem.

PIEZĪME! Plāvēja degvielas līmeņa indikators un degvielas mērītājs LCD ekrānā rāda ievietoto akumulatoru bloku vidējo kapacitāti.

b. Plāvēja statusa indikators (A1 att. un A2 – 27b att.)

Ja statusa indikators deg zaļā krāsā, tad tas nozīmē, ka plāvējs ir gatavs braukšanai. Ja nē, lūdzu, skatiet sadaļu

„**PLĀVĒJA STATUSS UN KĻŪDU KODI**”

Drošības bloķēšanas sistēmas pārbaude (D2 – D8 att.)

PIEZĪME. Operatoram, uzsākot pārbaudi, ir jāatrodas sēdekļī.

- Pirms pārbaudes (D2 – D4 att.)
- Lai pārbaudītu plaušanas bloka asmeņu sistēmu (D5 att.), lēnām piecelieties
- Lai pārbaudītu braukšanas sistēmu (D6 – D8 att.), lēnām piecelieties

Ja plaušanas bloka asmeņu sistēma un/vai piedziņas sistēma neapstājas, operatoram atrodoties sēdekļī, un ja cēloni nevar noteikt pēc tam, kad ir apstiprināts, ka sēdekļa kontaktdakša ir kārtīgi iesprausta kontaktligzdā, nekavējoties sazinieties ar savu EGO klientu apkalpošanas centru.

REGULĒŠANA (E1 – E13 att.)

Sagatavošana (E1 – E5 att.)

Plaušanas bloka augstuma regulēšana (E6 att.)

Aizsargriteņu noregulēšana (E7 – E10 att.)

E7-1	Aizsargritenis	E9-2	Nobīdes bultskrūve
E9-1	Uzgrieznis	E10-1	Plaušanas bloka augstuma atzīmes etiķete

Sēdekļa regulēšana (E11 attēls)

Noregulējiet sēdekļa stāvokli pirms plaušanas iedarbināšanas, lai pārliecinātos, ka varat stingri nospiegt stāvbremzes pedāli. Sēdekļa balstierkārtas regulēšana nodrošinās visērtāko sēdekļa stāvokli.

E11-1	Svira sēdekļa regulēšanai uz priekšu un atpakaļ	E11-2	Sēdekļa balstierkārtas regulēšanas poga
-------	---	-------	---

Stāvbremzes iestatīšana (E12 – E13 att.)

E13-1	Nospiegtu bremžu stāvoklis	E13-2	Atlaistu bremžu stāvoklis
-------	----------------------------	-------	---------------------------

UZLĀDĒŠANA (F1 – F11 att.)

Lai iedarbinātu šo plāvēju, nepieciešami EGO akumulatori, kuru kopējā jauda ir 15 Ah (2 X BA4200/

BA4200T) vai vairāk. Lai plāvējs darbotos ar vislabāko veiktspēju, iesakām izmantot EGO akumulatorus, kuru kopējā jauda ir 30 Ah vai vairāk.

Izmantojiet tikai kopā ar ieteikto akumulatoru blokiem un lādētājiem. (F9 un F10 att.)

Sagatavošanās uzlādēšanai (F1 – F4 att.)

Atsevišķa akumulatoru bloka(-u) uzlāde. (F5 – F9 att.)

F5-1	Pārsega atbrīvošanas poga	F7-1	Akumulatora atbrīvošanas poga
------	---------------------------	------	-------------------------------

- Akumulatoru bloka(-u) pievienošana (F5 – F6 att.)
- Akumulatoru bloka(-u) atvienošana (F7 – F8 att.)

PIEZĪME! Uzlādējiet akumulatoru bloku(-us), izlasiet atbilstošā akumulatora un lādētāja rokasgrāmatas.

Akumulatoru bloku uzlāde caur uzlādes pieslēgvietu (F10 att.)

F10-1	Putekļu aizsargvāciņš	F10-2	Uzlādes pieslēgvietā
-------	-----------------------	-------	----------------------

ELEKTRISKĀ NULLES PAGRIEZIENA BRAUCAMĀ ZĀLES PLĀVĒJA IEDARBINĀŠANA (A4 – A5 att. un G1 – G6 att.)

⚠ BRĪDINĀJUMS! Izvairieties no pēkšņas plāvēja iedarbināšanas, apturēšanas un straujiem pagriezieniem, un nebrauciet ar pārāk lielu ātrumu, it īpaši, ja mācāties darbināt plāvēju pirmo reizi. Zāles plāvējs var ātri pagriezties, kā rezultātā jūs varat zaudēt vadību un gūt nopietnas traumas un/vai plāvēja bojājumus.

⚠ BRĪDINĀJUMS! Pirms plāvēja iedarbināšanas pārbaudiet un pārliecinieties, vai asmeņi ir atvienoti, nospiežot jūgvārpstas (PTO) slēdzi uz leju. Ja asmeņi neapstājas, neizmantojiet plāvēju un nekavējoties sazinieties ar EGO klientu servisu.

PIEZĪME! Apskatiet A4 un G2 att., lai pārslēgtu zemāko braukšanas ātrumu un **STANDARTA** braukšanas režīmu, kamēr jūs pilnībā nebūsit apguvis plāvēja izmantošanas iemaņas jebkurā situācijā. Braukšanas ātrums un braukšanas režīms tiks aktivizēts tikai tad, ja plāvēja riteņi būs apturēti un stūres sviras būs atvērtas.

Plāvējs saglabās iepriekšējo iestatījumu un nākamās iedarbināšanas laikā to parādīs.

Braukšanas režīms

- **KONTROLES REŽĪMS:** Zemāks paātrinājums, mazāk jutīga vadāmība un neliels pagriezienu ātrums, lai pasargātu zāli un jaunus lietotājus.
- **STANDARTA REŽĪMS:** Lieliski piemērots ikdienas lietošanai.
- **SPORTA REŽĪMS:** Lielāks paātrinājums, precīza vadāmība un straujš pagrieziens, lai palielinātu pļaušanas efektivitāti, paredzēts pļaušanas entuziastiem.

Braukšanas ātruma regulēšana (A4 att.)

Asmeņu griešanās ātruma regulēšana (A5 att.)

PIEZĪME! Kad pļāvējam ir ieslēgts „TRAVEL” (BRAUKŠANAS) režīms, nospiediet „↔”, un braukšanas ātrums atgriezīsies iepriekšējā režīmā.

USB ports

PIEZĪME! USB ports nodrošina 5 voltu līdzstrāvas uzlādes jaudu kopā ar 1,5 ampēriem, un aktivizējas tikai tad, kad tiek iedarbināts pļāvējs.

ELEKTRISKĀ NULLES PAGRIEZIENA BRAUCAMĀ ZĀLES PĻĀVĒJA APTURĒŠANA (H1 – H6 att.)

PIEZĪME! Zāles pļāvējs automātiski izslēgsies pēc vairāk nekā 60 minūšu ilgas neaktivitātes.

Ārkārtas darbības režīms

LV Kad akumulatora uzlādes līmenis kļūst zems, pļāvējs pāriet ārkārtas darbības režīmā:

- pļāvējs automātiski pārtrauc zāles pļaušanu;
- pīkstienu skaņas indikators turpina skanēt;
- pļāvēja statusa indikators ik sekundi iemirgojas sarkanā krāsā, pļāvēja degvielas mērtāja pirmais segments iemirgojas sarkanā krāsā, un mirgo gan zemas strāvas indikators, gan akumulatora grafiskais apzīmējums uz degvielas mērtāja.

Operatoram ir jārikojas šādi:

- a) jānospiež jūgvārpstas slēdzis uz leju (H3 att.), lai atvienotu asmeņus. Kad asmens būs apstājies, pārstās skanēt pīkstienu indikators;
- b) jāpārtrauc darbs un pēc iespējas ātrāk jānododas uz akumulatora uzlādes zonu. Maksimālais attālums, ko pļāvējs var nobraukt, ir 1000 m.

Kad akumulators būs gandrīz izlādējies, ik pēc pussekundes iemirgosies katra aizņemtā akumulatora nodalījuma ikona un zemas strāvas indikators. Pļāvējs nekavējoties pārstās darboties. Operatoram jāpārvieta pļāvējs uz akumulatora uzlādes zonu, lai to uzlādētu.

Manuāla stumšana

Ja ir nepieciešama manuāla stumšana, vispirms atvienojiet pļāvēja akumulatorus un atlaidiet stāvbremzes pedāli no bremzēšanas stāvokļa.

BRAUKŠANA AR ELEKTRISKO NULLES PAGRIEZIENA ZĀLES PĻĀVĒJU (I1 – I9 att.)

Lai apturētu pļāvēju, samazinātu vai palielinātu braukšanas ātrumu, lēnām izņemiet stūres sviras pozīciju no neitrālās pozīcijas.

⚠ BĪSTAMI! Ieturiet distanci vismaz divu pļaušanas platumu (2,14 m) attālumā no grāvjiem, nomalēm vai ūdens. Priekšējie riteņi var turpināt griezties arī tad, kad pļāvējs ir apturēts, un ar ieslēgtu bremzi, kā rezultātā pļāvējs var pārrīpot pāri malai vai iebraukt ūdenī, radot nāves vai smagu miesas bojājumu bīstamību.

⚠ BRĪDINĀJUMS! Pirms braukšanas atpakaļgaitā apskatieties, kas atrodas aiz pļāvēja. **NEPĻĀUJIET** pretējā virzienā, ja vien tas nav absolūti nepieciešams. Pirms braukšanas atpakaļgaitā vai tās laikā, vienmēr vispirms paskatieties uz leju un pēc tam atpakaļ, lai pārliecinātos, ka pļaušanas zonā nav ienākuši bērni, citi klātesošie vai mājdzīvnieki. Neaizmirstiet, ka pat mirklis neuzmanības var izraisīt nāves iestāšanos vai nopietnu traumu.

⚠ BRĪDINĀJUMS! Neizmantojiet šo pļaujmašīnu uz koplietošanas ceļiem.

⚠ BRĪDINĀJUMS! Ja pļāvējā radies aizsprostojums vai jūs ar to atsitāties pret kādu svešķermeni, vispirms apturiet motoru un izņemiet akumulatorus. Izīriet zāles atgriezumus, lapas, neīrumus un citus sakrājušos gružus; pirms vēlreiz iedarbināt pļāvēju un uzsākat ar to braukt rūpīgi pārbaudiet, vai pļāvējam nav radušies bojājumi, un, ja nepieciešams, veiciet remontdarbus.

APKOPE

⚠ BRĪDINĀJUMS! Vienmēr valkājiet aizsargbrilles ar sānu aizsargiem. Pretējā gadījumā acis var tīrīt svešķermeni un radīt smagas traumas.

⚠ BRĪDINĀJUMS! Vienmēr sargājiet rokas, valkājot izturīgus cimdus vai aptinot asmens griežējmalas ar

lupatiņu vai citu materiālu, ja zāles plāvēja asmenim veiksiet apkopes darbus. Vienmēr izņemiet drošības atslēgu un akumulatoru blokus, ja zāles plāvēju pārvedīsiet uz citu vietu vai veiksiet apkopi.

Apkopes un servisa intervāls	Apkopes procedūra
Pirms katras lietošanas reizes vai reizi dienā	<ul style="list-style-type: none"> ▪ Drošības bloķēšanas sistēmas pārbaude. ▪ Vizuāli pārbaudiet, vai riepas nav tukšas. ▪ Pārbaudiet asmeņus, vai tie nav nolietojušies, iekļāvušies vai saliekušies. ▪ Pārbaudiet visu plāvēju, vai tam nav kādu bojātu, trūkstošu vai atskrūvējušos daļu, piemēram, sānu izlādes tekne, skrūves, uzgriežņi, bultskrūves, vāciņi utt., un pārliedziniet, vai visi aizsargi atrodas savās vietās un darbojas pareizi. ▪ Pārbaudiet bremžu darbību.
Pēc katras lietošanas reizes	<ul style="list-style-type: none"> ▪ Iztīriet plaušanas bloku.
Ik pēc 25 darba stundām	<ul style="list-style-type: none"> ▪ Pārbaudiet spiedienu riepās.
Ik pēc 50 darba stundām	<ul style="list-style-type: none"> ▪ Pārbaudiet smērvielas stāvokli griezējasmens atlokā.
Ik pēc 100 darba stundām	<ul style="list-style-type: none"> ▪ Pārbaudiet aizmugurējos riteņus un pārliedziniet, vai visi 4 uzgriežņi ir pieskrūvēti ar ieteicamo griezes momentu.
Ik pēc 200 darba stundām	<ul style="list-style-type: none"> ▪ Pārbaudiet priekšējos riteņus un pārliedziniet, vai tie brīvi griežas.
Reizi gadā	<ul style="list-style-type: none"> ▪ Pārbaudiet stāvbremzes pedāli. Izņemiet akumulatoru no zāles plāvēja un novietojiet stāvbremzes pedāli bremzēšanas stāvoklī. Pastumiet plāvēju uz priekšu manuāli, lai redzētu, vai to var pārvietot. Ja tas pārvietojas, nogādājiet to pie kvalificēta servisa speciālista.

PLĀVĒJA TĪRĪŠANA (J1 – J9 att.)

Sagatavošana (J1 – J5 att.)

Plāvēja korpusa tīrīšana (J6 – J7 att.)

Plaušanas bloka tīrīšanai izmantojiet mazgāšanas portu (J8 – J9 att.)

J8-1	Mazgāšanas ports	J8-3	Dārza šļūtene
J8-2	Mazgāšanas porta ātrais savienotājs		

PIEZĪME! Tīrīšanas beigās nospiediet jūgvārpstas slēdzi uz leju, lai atvienotu plāvēja asmeņus.

PLĀUŠANAS BLOKA UN GRIEZĒJASMEŅU APKOPE

Sagatavošana (K1 – K6 att.)

Plaušanas bloka noņemšana (K7 – K8 att.)

K7-1	Motora kabelis	K7-3	Balstiekārtas savienojums
K7-2	Šķelttapa		

PIEZĪME! Pirms plaušanas bloka noņemšanas jāatvieno motora kabeli un tapas abās pusēs.

Griezējasmēņu nomaiņa (K9 – K11 att.)

K9-1	Stabilizators	K10-3	Asmens
K10-1	Bultskrūve	K10-4	Atloks
K10-2	Paplāksne	K10-5	Motora vārpsta

Plaušanas bloka izlīdzināšana

a. Kad izlīdzināt (K12 – K14 att.)

b. Pirms izlīdzināšanas

- Spiediena pārbaude aukstās riepās (K15 att.)
- Pārbaudiet griezējasmēņus. Ja nepieciešams, noņemiet un nomainiet nodilušos, saplaisājušos un/ vai saliektos asmeņus.

c. Sagatavošanās izlīdzināšanai (K16 – K21 att.)

d. Kā izlīdzināt

- Regulēšana no vienas puses uz otru (K22 att.)

Starpībai starp attālumiem H1 un H2, ko mēra no katra asmens apakšējās malas līdz zemei, jābūt 5 mm robežās.

K22-1	Bloķēšanas uzgriežnis
-------	-----------------------

- Regulēšana no priekšas uz aizmuguri (K23 att.)

Asmens priekšējam galam H3 jāatrodas 2 mm līdz 10 mm zemāk par aizmugurējo galu H4.

PLĀVĒJA IZSEKOŠANAS SISTĒMAS KĀLIBRĒŠANA (L1 – L6 att. un L7 – L12 att.)

PIEZĪME! Sākot kalibrēšanu, kā arī pēc tās pabeigšanas, vienreiz atskanēs pīkstēšanas indikators.

PLĀVĒJA ATIESTATĪŠANA SĀKOTNĒJĀ RŪPNĪCAS IESTATĪJUMĀ (M1 – M4 att.)

PIEZĪME! Uzsākot atiestatīšanu, kā arī pēc tās pabeigšanas, vienreiz atskanēs pīkstēšanas indikators.

UZGLABĀŠANA UN TRANSPORTĒŠANA

ZĀLES PLĀVĒJA TRANSPORTĒŠANA (N1. – N11 att.)

PIEZĪME! Lai novērstu pārvietošanos transportēšanas laikā, nostipriniet plāvēju pēc vajadzības, izmantojot siksnas vai kabeļus. Iekraujot vai izkraujot plāvēju, nepārsniedziet maksimālo ieteicamo 12° darbības leņķi starp rampu un zemi.

UZGLABĀŠANA (O1 – O6 att.)

PIEZĪME! Izņemiet akumulatoru blokus un uzglabājiet tos, ievērojot atbilstošajās rokasgrāmatās sniegto informāciju.

Pirms uzglabāšanas iztīriet un pārbaudiet plāvēju, izlasiet sadaļas „**PLĀVĒJA TĪRĪŠANA**” un „**IETEICAMĀIS APKĀPES GRAFIKS(-I)**”.


K E E S V A N D E R S P E K
TUINMACHINES ★ STOLWIJK


LV Apkārtējās vides aizsardzība



Direktīva par elektrisko un elektronisko iekārtu atkritumiem (EEIA) Neutilizējiet elektrisko aprīkojumu, izlietoto akumulatoru un lādētāju sadzīves atkritumos. Nogādājiet šo produktu uz pilnvarotu pārstrādes punktu un sagatavojiet atkritumu šķirošanai. Elektriskos instrumentus jānogādā videi nekaitīgā pārstrādes rūpnīcā.

PROBLĒMU MEKLĒŠANA UN NOVĒRŠANA

PROBLĒMA	CĒLONIS	RISINĀJUMS
<p>Elektriskais nulles pagrieziena plāvējs nebrauc, ja sākumā abas stūres sviras tiek pabīdītas uz priekšu vai atpakaļ.</p>  Mirgo stūres sviras ikona	<ul style="list-style-type: none"> Kopējā ievietoto akumulatoru Ah ir mazāka par 15 Ah. 	<ul style="list-style-type: none"> Lai iedarbinātu šo plāvēju, nepieciešami EGO akumulatori, kuru kopējā jauda ir 15 Ah (2 X BA4200/BA4200T) vai vairāk. Lai plāvējs darbotos ar vislabāko veiktspēju, iesakām izmantot akumulatorus, kuru kopējā jauda ir 30 Ah vai vairāk.
	<ul style="list-style-type: none"> Stāvbremzes pedālis ir ieslēgts bremzēšanas stāvoklī. 	<ul style="list-style-type: none"> Nospiediet stāvbremzes pedāli līdz galam, lai to atbrīvotu no bremzēšanas stāvokļa.
	<ul style="list-style-type: none"> Strādājot ar plāvēju, stūres sviras nav atvērtā stāvoklī. 	<ul style="list-style-type: none"> Atgrieziet stūres sviras atvērtā stāvoklī un vēlreiz iedarbiniet plāvēju.
	<ul style="list-style-type: none"> Operators neatrodas uz sēdekļa. 	<ul style="list-style-type: none"> Plāvēju var iedarbināt tikai tad, kad operators ir pareizi apsēdies uz sēdekļa.
	<ul style="list-style-type: none"> Sēdekļa slēdzis nav pareizi pievienots. 	<ul style="list-style-type: none"> Lai pārbaudītu sēdekļa slēdža savienojumu, izņemiet akumulatoru no plāvēja un izjauciet sēdekli apgrieztā secībā, kā tas norādīts šīs rokasgrāmatas sadaļā „SĒDEKĻA UZSTĀDĪŠANA”. Uzstādiet sēdekli atpakaļ un izpildiet norādījumus sadaļā „ELEKTRISKĀ NULLĒS PAGRIEZIENA BRAUCAMĀ ZĀLES PLĀVĒJA IEDARBINĀŠANA”, lai pārbaudītu, vai plāvēju var iedarbināt. Ja plāvēju nevar iedarbināt, sazinieties ar kvalificētu servisa tehniķi, kas veiks remontdarbus.
	<ul style="list-style-type: none"> Īpaši aukstā laikā braukšanas funkcija var nedarboties pietiekami labi zemās temperatūras aizsardzības dēļ. 	<ul style="list-style-type: none"> Vienmēr uzglabājiet plāvēju un akumulatoru siltā vidē. Kad plāvējs ir uzsillis, vēlreiz iedarbiniet. Nemēģiniet to atkārtot aukstā laikā, jo tas var sabojāt plāvēju. Ieteicamā darba temperatūra ir 0°C līdz 40°C.
<p>Elektriskais nulles pagrieziena plāvējs pārstāj braukt.</p>	<ul style="list-style-type: none"> Stūres sviras ir nepieciešams „atīstāt”. 	<ul style="list-style-type: none"> Atgrieziet stūres sviras atvērtā stāvoklī un vēlreiz iedarbiniet plāvēju.
	<ul style="list-style-type: none"> Stūres sviras elektriskās vadības komponenti ir bojāti. 	<ul style="list-style-type: none"> Sazinieties ar kvalificētu servisa tehniķi, kas veiks remontdarbus.
	<ul style="list-style-type: none"> Braucot pa nelīdzenu reljefu, atvienojās sēdekļa slēdzis. 	<ul style="list-style-type: none"> Lai pārbaudītu sēdekļa slēdža savienojumu, izņemiet akumulatoru no plāvēja un izjauciet sēdekli apgrieztā secībā, kā tas norādīts šīs rokasgrāmatas sadaļā „SĒDEKĻA UZSTĀDĪŠANA”. Uzstādiet sēdekli atpakaļ un izpildiet norādījumus sadaļā „ELEKTRISKĀ NULLĒS PAGRIEZIENA BRAUCAMĀ ZĀLES PLĀVĒJA IEDARBINĀŠANA”, lai pārbaudītu, vai plāvēju var iedarbināt. Ja plāvēju nevar iedarbināt, sazinieties ar kvalificētu servisa tehniķi, kas veiks remontdarbus.

PROBLĒMA	CĒLONIS	RISINĀJUMS
Braukšanas laikā nevar noregulēt braukšanas ātrumu/braukšanas režīmu.	<ul style="list-style-type: none"> Šī ir elektriskā nulles pagrieziena plāvēja iezīme drošai braukšanai. 	<ul style="list-style-type: none"> Funkcija tiks aktivizēta tikai tad, ja plāvēja riteņi būs apturēti un stūres sviras būs atvērtas.
<p>Elektriskais nulles pagrieziena plāvējs nespēj aktivizēt asmeņus pēc jūgvārpstas slēdža ieslēgšanas.</p>  <p>Mirgo jūgvārpstas slēdža ikona</p>	<ul style="list-style-type: none"> Kopējā ievietoto akumulatoru Ah ir mazāka par 15 Ah. 	<ul style="list-style-type: none"> Lai iedarbinātu šo plāvēju, nepieciešami EGO akumulatori, kuru kopējā jauda ir 15 Ah (2 X BA4200/BA4200T) vai vairāk. Lai plāvējs darbotos ar vislabāko veikspēju, iesakām izmantot akumulatorus, kuru kopējā jauda ir 30 Ah vai vairāk.
	<ul style="list-style-type: none"> Kad plāvējs pēdējo reizi tika apturēts, jūgvārpstas slēdzis netika nospiests. 	<ul style="list-style-type: none"> Nospiediet jūgvārpstas slēdzi un vēlreiz ieslēdziet plāvēja asmeņus.
	<ul style="list-style-type: none"> Plāvējs tiek pārslogots brīdī, kad ieslēdzas asmeņi, kā rezultātā aktivizējas motora pašaizsardzība. 	<ul style="list-style-type: none"> Vispirms sāciet plaut zāli ar zemāku asmens apgriezīgu skaitu un, tiklīdz asmeņi sāk pietiekami labi griezties, paātriniet ātrumu pēc nepieciešamības.
	<ul style="list-style-type: none"> Tāpat aukstā laikā asmens motors var nedarboties pietiekami labi zemās temperatūras aizsardzības dēļ. 	<ul style="list-style-type: none"> Vienmēr uzglabājiet plāvēju un akumulatoru siltā vidē. Kad plāvējs ir uzsilis, vēlreiz iedarbiniet. Nemēģiniet to atkārtot aukstā laikā, jo tas var sabojāt plāvēju. Ieteicamā darba temperatūra ir 0°C līdz 40°C.
	<ul style="list-style-type: none"> Asmens saskaras ar deformētu pļaušanas bloku. 	<ul style="list-style-type: none"> Sazinieties ar kvalificētu servisa tehniķi, kas veiks remontdarbus.
<p>Zāles pļaušanas laikā pārstāj darboties asmeņi.</p>	<ul style="list-style-type: none"> Zāles plāvēja pārslodze. 	<ul style="list-style-type: none"> Lai samazinātu plāvēja slodzi, paceliet bloka pļaušanas augstumu vai samaziniet braukšanas ātrumu.
	<ul style="list-style-type: none"> Pļaušanas bloks ir aizsērējis ar zāli un grūžiem. 	<ul style="list-style-type: none"> Notīriet plāvēju un pārliecinieties, vai asmeņi var brīvi kustēties.
	<ul style="list-style-type: none"> Pārkarsis zāles plāvējs. 	<ul style="list-style-type: none"> Samaziniet plāvējam slodzi, paaugstinot bloka pļaušanas augstumu vai palēninot asmeņu/braukšanas ātrumu, un ļaujiet plāvējam atdzist.
	<ul style="list-style-type: none"> Plāvēja akumulatoru nodalījumā esošais akumulators(-i) ir pārkarsis(-uši), kā rezultātā visu ievietoto akumulatoru Ah strāva ir zemāka par 15 Ah. 	<ol style="list-style-type: none"> Ja kopējā akumulatoru Ah jauda ir mazāka par 15 Ah, plāvējs nedarbosies, kamēr brīvajos akumulatoru nodalījumos nebūs ievietots vairāk akumulatoru. Tiklīdz pārkarsušais akumulators atgriezīsies normālā temperatūrā, tas nekavējoties sāks plāvēja uzlādi. Samaziniet plāvējam slodzi, paaugstinot bloka pļaušanas augstumu vai palēninot pļaušanas ātrumu, atsākot darbu.
	<ul style="list-style-type: none"> Plāvējs pārgājis ārkārtas darbības režīmā 	<ul style="list-style-type: none"> Kad plāvējs ir pārgājis ārkārtas darbības režīmā, asmeņi tiek automātiski pārslēgti zemā rotācijas ātrumā bez zāles pļaušanas funkcijas. Operatoram ir jāpārtrauc darbs un pēc iespējas ātrāk jānododas uz akumulatora uzlādes zonu.
	<ul style="list-style-type: none"> Plāvējs ir ietriecies svešķermenī, kā rezultātā aktivizējies motora pašaizsardzības funkcija. 	<ul style="list-style-type: none"> Nospiediet jūgvārpstas slēdzi un vēlreiz ieslēdziet plāvēja asmeņus.

PROBLĒMA	CĒLONIS	RISINĀJUMS
Pīkstēšanas indikators turpina pīkstēt.	<ul style="list-style-type: none"> Plāvējs pārgājis ārkārtas darbības režīmā, un asmeņi nav izslēgti. 	<ul style="list-style-type: none"> Nospiediet jūgvārpstas slēdzi, lai atvienotu bloka asmeņus. Kad asmens būs apstājies, pārstās skanēt pīkstieni indikators.
	<ul style="list-style-type: none"> Plāvējs pārtraucis braukt pa nogāzi, operators atvēris stūres sviras un ir izkāpis no sēdekļa, nenošpiežot stāvbremzes pedāli bremsēšanas stāvoklī. 	<ul style="list-style-type: none"> Pirms atstājat plāvēju slīpumā, ieslēdziet stāvbremzes pedāli bremsēšanas stāvoklī.
Izslēgta plāvēja laikā joprojām deg akumulatora indikatori.	<ul style="list-style-type: none"> Ja plāvējs tiek izslēgts, atrodoties uz līdzenas zemes, un no plāvēja netiek izņemti akumulatori, akumulatora indikatori degs 3 minūtes. 	<ul style="list-style-type: none"> Nekas cits nav jādara. Akumulatora indikatori pēc kāda laika nodzīsīs.
	<ul style="list-style-type: none"> Ja zāles plāvējs tiek izslēgts slīpumā, neieslēdzot stāvbremzes pedāli bremsēšanas stāvoklī, akumulatora indikatori degs tik ilgi, kamēr nebūs izlādējies akumulators. Pīkstēšanas indikators turpina atskanēt vienlaikus. 	<ul style="list-style-type: none"> Pirms operators atstāj plāvēju slīpumā, jāieslēdz stāvbremzes pedālis bremsēšanas stāvoklī.
LCD ekrāns neizgaismojas ar ieslēgtām ikonām.	<ul style="list-style-type: none"> Iedarbināšanas/apturēšanas pogas nospiešanas laiks ir īsāks par 3 sekundēm. 	<ul style="list-style-type: none"> LCD ekrānā „Degvielas mērītājs” būs redzams tikai tad, ja īslaicīgi tiks nospiesta poga „Start/Stop” (Palaist/Apturēt).
		<ul style="list-style-type: none"> LCD ekrāns ieslēgsies pēc pogas „Start/Stop” (Palaist/Apturēt) nospiešanas un pieturēšanas 3 sekundes.
Plāvējs plauj nevienmērīgi, ir ievērojama augstuma starpība priekšā un aizmugurē.	<ul style="list-style-type: none"> Asmeņi kļuvuši neasi. 	<ul style="list-style-type: none"> Uzasiniet vai nomainiet griezējasmēni atbilstoši norādēm šajā rokasgrāmatā.
	<ul style="list-style-type: none"> Asmeņi ir saliekti. 	<ul style="list-style-type: none"> Nomainiet saliekto griešanas asmeni, ievērojot norādījumus sadaļā „GRIEZĒJASMĒŅU NOMAINA”.
	<ul style="list-style-type: none"> Plaušanas bloks nav izlīdzināts, kā rezultātā atšķiras plaušanas asmeņu augstums. 	<ul style="list-style-type: none"> Izlīdziniet plaušanas bloku, ievērojot norādījumus sadaļā „PLAUŠANAS BLOKA IZLĪDZINĀŠANA”.
Faktiskais zāles plaušanas augstums nav saskaņots ar norādīto augstumu.	<ul style="list-style-type: none"> Plaušanas bloka uzgriežņi ir atskrūvējušies uz balstiekārtas savienojuma 	<ul style="list-style-type: none"> Izpildiet norādījumus sadaļā „PLAUŠANAS BLOKA IZLĪDZINĀŠANA”, lai pareizi noregulētu plaušanas bloku no priekšpuses uz aizmuguri, un pēc tam stingri pievelciet visus četrus balstiekārtas savienojuma uzgriežņus (pa diviem katrā pusē).
	<ul style="list-style-type: none"> Plaušanas bloks ir bojāts vai stipri nolietojies. 	<ul style="list-style-type: none"> Lai nomainītu plaušanas bloku, izpildiet norādījumus sadaļā „PLAUŠANAS BLOKA NOŅĒMŠANA”.

PROBLĒMA	CĒLONIS	RISINĀJUMS
Zāles plāvējs nemulčē pareizi.	<ul style="list-style-type: none"> Slapjā, nopļautā zāle līp klāt zem pļaušanas bloka. Plāvējs ir iestatīts tā, lai tas ar vienu piegājieni nopļautu daudz zāles. 	<ul style="list-style-type: none"> Pagaidiet, kamēr nožūst zāle, un tikai tad sāciet pļaut. Paceliet bloka pļaušanas augstumu.
Pārāk liela vibrācija.	<ul style="list-style-type: none"> Atskrūvējušies griezējasmeņi. Asmeņi ir saliekti. Pļaušanas bloks nav izlīdzināts Pļaušanas bloka uzgriežņi ir atskrūvējušies uz balstiekārtas savienojuma. Plāvējs ir iestatīts tā, lai tas ar vienu piegājieni nopļautu daudz zāles. 	<ul style="list-style-type: none"> Pēc tam pievelciet asmens bultskrūvi līdz ieteiktajam griezes momentam 50 – 55 Nm. Nomainiet salieкто griešanas asmeni, ievērojot norādījumus sadaļā „GRIEZĒJASMENŪ NOMAIŅA”. Izlīdziniet pļaušanas bloku, ievērojot norādījumus sadaļā „PLĀUŠANAS BLOKA IZLĪDZINĀŠANA”. Izmantojiet 18 mm uzgriežņu atslēgu (nav iekļauta komplektā), lai pievilktu visus četrus balstiekārtas savienojuma uzgriežņus (pa diviem katrā pusē). Paceliet bloka pļaušanas augstumu.
Pēc pļaušanas uz zemes paliek zāle vai gruži.	<ul style="list-style-type: none"> Plāvējs ir iestatīts tā, lai tas ar vienu piegājieni nopļautu daudz zāles, kad zāle ir gara. Zāle ir slapja. Liels braukšanas ātrums. Zems asmens ātrums. 	<ul style="list-style-type: none"> Sāciet ar lielu pļaušanas augstumu un pēc tam samaziniet to, līdz tiek sasniegts vēlams pļaušanas rezultāts. Zāle, kas garāka par 6 collām, jāpļauj divas reizes, secīgi samazinot pļaušanas augstumu. Nepļaujiet mitru zāli, pagaidiet, kamēr zāle nožūst. Palēniniet braukšanas ātrumu. Pakāpeniski palieliniet asmens griešanās ātrumu.
Īss plāvēja darbības laiks ar komplektā iekļauto akumulatoru.	<ul style="list-style-type: none"> Zāles apstākļi un pļaušanas augstuma iestatījums lielā mērā ietekmēs akumulatora darbības laiku. Norādītā darbības laika pamatā ir maza slodze. 	<ul style="list-style-type: none"> Lai samazinātu pļaušanas slodzi, paaugstiniet bloka pļaušanas augstumu un samaziniet asmens griešanās ātrumu.
Plāvējs nebrauc taisni.	<ul style="list-style-type: none"> Atšķirīgs riepu spiediens kreisajam un labajam aizmugurējam ritenim. Atšķirīgs braukšanas ātrums kreisajam un labajam aizmugurējam ritenim. 	<ul style="list-style-type: none"> Pārbaudiet un noregulējiet gaisa spiedienu abās aizmugurējo riteņu riepiņās saskaņā ar ieteikumiem šīs rokasgrāmatas sadaļā „RIEPU SPIEDIENA PĀRBAUDE”. Kalibrējiet plāvēja izsekošanas sistēmu, ievērojot norādījumus sadaļā „PLĀVĒJA IZSEKOŠANAS SISTĒMAS KALIBRĒŠANA”.

PROBLĒMA	CĒLONIS	RISINĀJUMS
Stāvbremzes pedāli nevar atlaist no bremzēšanas stāvokļa vai tas lēnām atlec atpakaļ.	<ul style="list-style-type: none"> Iespējams, stāvbremzes pedālī iekļuvuši gruži vai netīrumi. 	<ul style="list-style-type: none"> Atveriet stāvbremzes pedāļa kārbu, lai rūpīgi iztīrītu kārbu no iekšpuses, un aizveriet to. Vēlreiz ieslēdziet stāvbremzes pedāli, lai redzētu, vai problēma ir atrisināta. Ja plāvēju nevar iedarbināt, sazinieties ar kvalificētu servisa tehniķi, kas veiks remontdarbus.
Zāles plāvēju nevar uzlādēt, izmantojot uzlādes portu, un plāvēja statusa indikators mirgo sarkanā krāsā.	<ul style="list-style-type: none"> Lādētāja kontaktdakša nav pareizi ievietota plāvēja uzlādes pieslēgvietā. 	<ul style="list-style-type: none"> Vēlreiz iespraudiet lādētāja kontaktdakšu, lai redzētu, vai plāvēju var uzlādēt kā parasti.
	<ul style="list-style-type: none"> Sienas kontaktligzdās nav strāvas. 	<ul style="list-style-type: none"> Nekas cits nav jādara. Pagaidiet, līdz atjaunojas elektrība.
	<ul style="list-style-type: none"> Lādētāja darbības traucējumi. 	<ul style="list-style-type: none"> Sazinieties ar kvalificētu servisa tehniķi, lai veiktu pārbaudi un, ja nepieciešams, salabotu lādētāju.
	<ul style="list-style-type: none"> Bojāta plāvēja uzlādes pieslēgvietā. 	<ul style="list-style-type: none"> Sazinieties ar kvalificētu servisa tehniķi, kas veiks remontdarbus.
Uzlādes laiks, izmantojot plāvēja uzlādes portu, ir pārāk ilgs.	<ul style="list-style-type: none"> Uzlādei ar EGO adapteri ACA1000 paiet ilgs laiks. 	<ul style="list-style-type: none"> Elektriskā nulles pagrieziena plāvēja uzlādei izmantojiet EGO lādētāju CHV1600E.
Akumulatoru nevar pilnībā uzlādēt, izmantojot plāvēja uzlādes portu.	<ul style="list-style-type: none"> Plāvēja programmaparatūras kļūda vai lādētāja/akumulatora kļūme. 	<ul style="list-style-type: none"> Atvienojiet lādētāju un pagaidiet vairāk nekā 1 minūti, pēc tam vēlreiz pievienojiet kontaktdakšu barošanas avotam. Ja tas nelīdz, sazinieties ar kvalificētu servisa tehniķi, kas veiks remontdarbus.
Pēc tīrīšanas plāvēju nevar iedarbināt.	<ul style="list-style-type: none"> Nepareizi veikta tīrīšana, piemēram, elektriskajos komponentos, LCD ekrānā utt. ir iekļuvis ūdens. 	<ul style="list-style-type: none"> Izpildiet sadaļā „PLĀVĒJA TĪRĪŠANA” sniegtos norādījumus, lai pareizi notīrītu plāvēju.
Plāvējs var viegli aizsērēt.	<ul style="list-style-type: none"> Plāušanas bloks ir aizsērējis ar zāli un gružiem. 	<ul style="list-style-type: none"> Ja plāvējs nejauši nokļūst lietū, atstājiet to iekštelpās nožūt ilgāk par 12 stundām vai izžāvējiet ar saspiesto gaisu.
		<ul style="list-style-type: none"> Pēc katras lietošanas reizes notīriet plāušanas bloku, ievērojot sadaļā „Mazgāšanas porta izmantošana plāušanas bloka tīrīšanai” sniegtos norādījumus.
Plāvējs viegli zaudē saķeri, braucot augšup slīpumā.	<ul style="list-style-type: none"> Nolietojušās aizmugurējo riteņu riepas. 	<ul style="list-style-type: none"> Lai nomainītu riteņu riepas, dodieties uz vietējo servisu.
	<ul style="list-style-type: none"> Liels plāušanas slīpums. 	<ul style="list-style-type: none"> Plāušanas slīpumam jābūt mazākam par 12 grādiem.
Ja zāles plāvēju aptur slīpumā, nospiežot stāvbremzes pedāli, plāvējs var sākt slidēt lejup.	<ul style="list-style-type: none"> Nepareizi ekspluatēta plāvēja dēļ pārāk stipri nodilušas bremžu detaļas. 	<ul style="list-style-type: none"> Sazinieties ar kvalificētu servisa tehniķi, kas veiks remontdarbus.

PROBLĒMA	CĒLONIS	RISINĀJUMS
Pļaušanas bloka mazgāšanas laikā no mazgāšanas porta netek ūdens.	<ul style="list-style-type: none">Mazgāšanas portā nav uzstādīts mazgāšanas porta ātrais savienotājs.	<ul style="list-style-type: none">Vēlreiz piestipriniet mazgāšanas porta ātro savienotāju, stingri piespiežot, līdz ir dzirdama klikšķa skaņa. Ja tas nelīdz, sazinieties ar kvalificētu servisa tehniķi, kas veiks remontdarbus.
Stumjot pļāvēju manuāli bez iedarbināšanas, rodas neparasta skaņa.	<ul style="list-style-type: none">No magnētiem nāk skaņa, kas atrodas piedziņas motora iekšpusē.	<ul style="list-style-type: none">Tas ir normāli, un nekādas darbības nav jāveic.

PLĀVĒJA STATUSS UN KĻŪDU KODI

LCD displejs	Apraksts	Kļūdas kods LCD ekrānā	Zāles plāvēja statusa indikators	Pikstienu signāls	Cēlonis	Risinājums
	LCD ekrānā redzama LED apgaismojuma ikona	N/A	OFF (IZSLĒGTS)	Nav	Ar LED apgaismojuma slēdzi ieslēgti priekšējie, sānu un aizmugurējie lukturi.	Šī ir normāla darbība. Nekas cits nav jādara.
	LCD ekrānā redzama USB ikona	N/A	OFF (IZSLĒGTS)	Nav	Iedegas USB ikona, norādot, ka USB ierīce var darboties pēc pareizas plāvēja palaišanas.	Šī ir normāla darbība. Nekas cits nav jādara.
	LCD ekrānā redzama degvielas mērītāja ikona	N/A	OFF (IZSLĒGTS)	Nav	Parāda ievietoto akumulatoru vidējo uzlādes jaudu	Šī ir normāla darbība. Nekas cits nav jādara.
	LCD ekrānā redzama stundu skaitītāja ikona	N/A	OFF (IZSLĒGTS)	Nav	Parāda plāvēja kopējo braukšanas laiku stundās, un to nevar atiestatīt.	Šī ir normāla darbība. Nekas cits nav jādara.
	ECO diapazonā redzama slodzes indikatora ikona	N/A	OFF (IZSLĒGTS)	Nav	Parāda plāvēja pašreizējo slodzi.	Šī ir normāla darbība. Nekas cits nav jādara.
	Mirgo pārslodzes indikators. PWR diapazonā redzama slodzes indikatora ikona.	N/A	Mirgo sarkanā gaisma	Viens pīkstiena signāls	Asmens motora pārslodze.	Lai samazinātu plāvēja slodzi, paceliet bloka plaušanas augstumu vai samaziniet braukšanas ātrumu.
	Mirgo drošības atslēgas ikona.	N/A	OFF (IZSLĒGTS)	Nav	Nav ievietota drošības atslēga.	Ievietojiet drošības atslēgu, pēc tam nospiediet un pieturiet pogu „Start/Stop” (Palaist/Apturēt) vairāk nekā 3 sekundes, lai ieslēgtu plāvēju.
					LCD ekrānam nepienāk strāva.	Nogādājiet to pie kvalificēta servisa speciālista, kas veiks remontdarbus.
	Mirgo tukša akumulatora nodalījuma ikona.	N/A	OFF (IZSLĒGTS)	Nav	Akumulatora jauda nav pietiekama, lai plāvējs varētu darboties.	Lai iedarbinātu šo plāvēju, nepieciešami EGO akumulatori, kuru kopējā jauda ir 15 Ah (2 X BA4200/BA4200T) vai vairāk. Lai plāvējs darbotos ar vislabāko veiktspēju, iesakām izmantot EGO akumulatorus, kuru kopējā jauda ir 30 Ah vai vairāk.

LV

LCD displejs	Apraksts	Kļūdas kods LCD ekrānā	Zāles plāvēja statusa indikators	Pīkstienu signāls	Cēlonis	Risinājums
	Mirgo termometra ikona.	N/A	Mirgo sarkanā gaisma	Viens pīkstiena signāls	Pārkaršis zāles plāvējs.	Samaziniet plāvējam slodzi, paaugstinot bloka plāušanas augstumu vai palēninot asmeņu/ braukšanas ātrumu. Ieturiet pauzi un ļaujiet plāvējam atdzist.
	Motora pārkaršanas ikona mirgo reizē ar attiecīgo akumulatora nodalījumu.	N/A	N/A	Nav	Atbilstošajā numurētajā akumulatoru nodalījumā pārkaršis akumulatoru bloks.	<p>1. Zāles plāvējs var turpināt darbu, ja kopējā akumulatoru Ah nominālā vērtība, izņemot pārkaršētu akumulatoru, ir vienāda vai lielāka par 15 Ah. Tiklīdz pārkaršusais akumulators atgriezīsies normālā temperatūrā, tas nekavējoties sāks plāvēja uzlādi.</p> <p>2. Ja kopējā akumulatoru Ah jauda ir mazāka par 15 Ah, plāvējs nedarbosies, kamēr brīvajos akumulatoru nodalījumos nebūs ievietots vairāk akumulatoru.</p> <p>3. Samaziniet plāvējam slodzi, paaugstinot bloka plāušanas augstumu vai palēninot plāušanas ātrumu, atsākot darbu.</p>
	LCD ekrānā ik pēc 1 sekundes mirgo katra attiecīgā akumulatora nodalījuma ikonas, zema enerģijas patēriņa indikators un degvielas mērītāja akumulatora grafiskais apzīmējums. Mirgo arī LED degvielas mērītāja un statusa indikatora pirmais segments.	N/A	Mirgo sarkanā gaisma	Turpina pīkstēt, līdz netiek nospiests jūgvārpstas slēdzis.	Izlādējušies akumulatoru bloki, un plāvējs ir pārgājis ārkārtas darbības režīmā.	Jāpārtrauc darbs un pēc iespējas ātrāk jādodas uz akumulatora uzlādes zonu. PIEZĪME! Kad plāvējs ir pārgājis ārkārtas darbības režīmā, asmeņi tiek automātiski pārslēgti zemā rotācijas ātrumā bez zāles plāušanas funkcijas, un tikmēr turpinās pīkstēt skaņas indikators. Operatoram ir jānospiež jūgvārpstas slēdzis, lai atvienotu plāušanas bloka asmeņus. Kad asmens būs apstājies, parstās skanēt indikators.

LV

LCD displejs	Apraksts	Kļūdas kods LCD ekrānā	Zāles plāvēja statusa indikators	Pikstienu signāls	Cēlonis	Risinājums
	Ik pēc pussekundes mirgo katra attiecīgā akumulatora nodalījuma ikona un zema enerģijas patēriņa indikators.	N/A	OFF (IZSLĒGTS)	Nav	Gandrīz izlādējušies akumulatoru bloki.	Pļāvējs nekavējoties pārstās darboties. Operatoram jāpārvieta pļāvējs uz akumulatora uzlādes zonu, lai to uzlādētu.
	LCD ekrānā mirgo automātiskās pļāvēja novietošanas ikona.	N/A	OFF (IZSLĒGTS)	Turpina pīkstēt	Zāles pļāvējs novietots slīpumā, un operators devies projām, nenospiežot bremžu pedāli bremzēšanas stāvoklī; ieslēgtas tikai stūrēšanas sviras atvērtā stāvoklī.	Ieslēdziet stāvbremzes pedāli bremzēšanas stāvoklī. Nodzisīs automātiskās pļāvēja novietošanas ikona, un skaņas indikators pārstās pīkstēt.
	LCD ekrānā redzama bremžu pedāļa ikona.	N/A	OFF (IZSLĒGTS)	Nav	Stāvbremzes pedālis ieslēgts bremzēšanas stāvoklī.	Atlaidiet to pirms pļāvēja iedarbināšanas.
	LCD ekrānā redzama sēdekļa sensora ikona.	N/A	OFF (IZSLĒGTS)	Nav	Operators piecēlies no sēdekļa, vai atvienots sēdekļa slēdzis.	Ja ikona deg brīdī, kad operators ir apsēdies uz sēdekļa, nekavējoties apturiet pļāvēju un pārbaudiet sēdekļa savienojumu. Ja pareizs sēdekļa savienojums ar pļāvēju ir apstiprināts, lūdzu, sazinieties ar kvalificētu servisa tehniķi, kas veiks remontdarbus.
	Mirgo jūgvārpstas slēdža ikona.	N/A	OFF (IZSLĒGTS)	Nav	Traucēta asmens motora darbība, un jūgvārpstas slēdzis nav iestatīts izslēgtā stāvoklī.	Operatoram pirms pļāvēja iedarbināšanas ir jānospiež jūgvārpstas slēdzis, lai izslēgtu pļaušanas bloka motoru. Lūdzu, izlasiet šīs rokasgrāmatas sadaļu „ PROBLĒMU MEKLĒŠANA UN NOVĒRŠANA ”.
	Mirgo stūres sviras ikona.	N/A	OFF (IZSLĒGTS)	Nav	Traucēta piedziņas motora darbība, un stūrēšanas sviras nav iestatītas atvērtā stāvoklī.	Pirms pļāvēja ieslēgšanas stūres sviras ir jāpārvieta atvērtā stāvoklī. Lūdzu, izlasiet šīs rokasgrāmatas sadaļu „ PROBLĒMU MEKLĒŠANA UN NOVĒRŠANA ”.

LCD displejs	Apraksts		Kļūdas kods LCD ekrānā	Zāles plāvēja statusa indikators	Pīkstienu signāls	Cēlonis	Risinājums
	Laiku pa laikam mirgo enerģijas atgūšanas ikona.		N/A	OFF (IZSLĒGTS)	Nav	Kinētiskā enerģija, kas rodas, bremzējot vai braucot lejup, pārveidojusies elektriskajā enerģijā, lai uzlādētu akumulatorus.	Šī ir normāla darbība. Nekas cits nav jādara.
Skatīt „Kļūdas kods”	Negriežas kreisās puses piedziņas motors.	Negriežas PCBA vadības kreisās puses piedziņas motors.	413	OFF (IZSLĒGTS)	Viens pīkstiena signāls	PCBA kļūme	Nogādājiet to pie kvalificēta servisa speciālista, kas veiks remontdarbus.
		Nav līdz galam iesprausta kontaktdakša (trīsfāzu, strāvas vads), kas savieno kreisās puses piedziņas motoru ar atbilstošo PCBA.	317	OFF (IZSLĒGTS)	Viens pīkstiena signāls	Atskrūvējusies savienojumvieta	
		Nav līdz galam iesprausta kontaktdakša (sešu tapu, signāla vads), kas savieno kreisās puses piedziņas motoru ar atbilstošo PCBA.	301	OFF (IZSLĒGTS)	Viens pīkstiena signāls	Atskrūvējusies savienojumvieta	
		Negriežas kreisās puses piedziņas motors.	317	OFF (IZSLĒGTS)	Viens pīkstiena signāls	Motora kļūme	

LCD displejs	Apraksts		Kļūdas kods LCD ekrānā	Zāles plāvēja statusa indikators	Pīkstien signāls	Cēlonis	Risinājums
Skatīt „Kļūdas kods”	Negriežas labās puses piedziņas motors.	Negriežas PCBA vadības labās puses piedziņas motors.	313	OFF (IZSLĒGTS)	Viens pīkstiena signāls	PCBA kļūme	Nogādājiet to pie kvalificēta servisa speciālista, kas veiks remontdarbus.
		Nav līdz galam iesprausta kontaktdakša (trīsfāzu, strāvas vads), kas savieno labās puses piedziņas motoru ar atbilstošo PCBA.	417	OFF (IZSLĒGTS)	Viens pīkstiena signāls	Atskrūvējusies savienojumvieta	
		Nav līdz galam iesprausta kontaktdakša (sešu tapu, signāla vads), kas savieno labās puses piedziņas motoru ar atbilstošo PCBA.	401	OFF (IZSLĒGTS)	Viens pīkstiena signāls	Atskrūvējusies savienojumvieta	
		Negriežas labās puses piedziņas motors.	417	OFF (IZSLĒGTS)	Viens pīkstiena signāls	Motora kļūme	
Skatīt „Kļūdas kods”	Negriežas kreisās puses asmens motors.	Negriežas PCBA vadības kreisās puses asmens motors.	607	N/A	Viens pīkstiena signāls	PCBA kļūme	Nogādājiet to pie kvalificēta servisa speciālista, kas veiks remontdarbus.
		Nav līdz galam iesprausta kontaktdakša (trīsfāzu, strāvas vads), kas savieno kreisās puses piedziņas motoru ar atbilstošo PCBA.	509	N/A	Viens pīkstiena signāls	Atskrūvējusies savienojumvieta	Vispirms pārbaudiet asmeni. Ja tas ir atskrūvējis, izmantojiet 14 mm uzgriežņu atslēgu, lai pievilktu bultskrūvi pulksteņrādītāja kustības virzienā. Ieteicamais griezes moments asmens bultskrūves pievilkšanai ir 50-55Nm. Vai arī nogādājiet to pie kvalificēta servisa speciālista, kas veiks remontdarbus.
		Negriežas kreisās puses asmens motors	509	N/A	Viens pīkstiena signāls	Motora kļūme	

LCD displejs	Apraksts		Kļūdas kods LCD ekrānā	Zāles plāvēja statusa indikators	Pīkstien signāls	Cēlonis	Risinājums
Skatīt „Kļūdas kods”	Negriežas labās puses asmens motors.	Negriežas PCBA vadības labās puses asmens motors.	507	N/A	Viens pīkstiena signāls	PCBA kļūme	Nogādājiet to pie kvalificēta servisa speciālista, kas veiks remontdarbus.
		Nav līdz galam iesprausta kontaktdakša (trīsfāzu, strāvas vads), kas savieno labās puses piedziņas motoru ar atbilstošo PCBA.	609	N/A	Viens pīkstiena signāls	Atskrūvējusies savienojumvieta	Vispirms pārbaudiet asmeni. Ja tas ir atskrūvējies, izmantojiet 14 mm uzgriežņu atslēgu, lai pievilktu bultskrūvi pulksteņrādītāja kustības virzienā. Ieteicamais griezes moments asmens bultskrūves pievilkšanai ir 50 – 55Nm. Vai arī nogādājiet to pie kvalificēta servisa speciālista, kas veiks remontdarbus.
		Negriežas labās puses asmens motors	609	N/A	Viens pīkstiena signāls	Motora kļūme	
Skatīt „Kļūdas kods”	Nedarbojas kreisās puses stūres svira.	Nedarbojas kreisās puses stūres svira, kas vada PCBA.	311 /412	OFF (IZSLĒGTS)	Viens pīkstiena signāls	PCBA kļūme	Nogādājiet to pie kvalificēta servisa speciālista, kas veiks remontdarbus.
		Atvienojusies kontaktdakša, ar kuru izveido savienojumu ar vadības PCBA, kas atrodas stūres stienī.				Atskrūvējusies savienojumvieta	
Skatīt „Kļūdas kods”	Nedarbojas labās puses stūres svira.	Nedarbojas labās puses stūres svira, kas vada PCBA.	312 /411	OFF (IZSLĒGTS)	Viens pīkstiena signāls	PCBA kļūme	Nogādājiet to pie kvalificēta servisa speciālista, kas veiks remontdarbus.
		Atvienojusies kontaktdakša, ar kuru izveido savienojumu ar vadības PCBA, kas atrodas stūres stienī.				Atskrūvējusies savienojumvieta	
Skatīt „Kļūdas kods”	Nedarbojas stāvbremze, plāvēju nevar vadīt.	Salūzusi stāvbremze PCBA, kas atrodas priekšējā rāmī.	309 /409	OFF (IZSLĒGTS)	Viens pīkstiena signāls	PCBA kļūme	Nogādājiet to pie kvalificēta servisa speciālista, kas veiks remontdarbus.
		Salūzīs stāvbremzes slēdzis un/vai vads.	801	OFF (IZSLĒGTS)	Viens pīkstiena signāls	Vada/slēdža kļūme	

LCD displejs	Apraksts	Kļūdas kods LCD ekrānā	Zāles plāvēja statusa indikators	Pīkstien signāls	Cēlonis	Risinājums
OFF (IZSLĒGTS)	Uzlādes pieslēgvietas kļūme	n/a	Deg nepārtraukta SARKANĀ gaisma	N/A	Uzlādes pieslēgvietas atvērtā ķēdē.	Nogādājiet to pie kvalificēta servisa speciālista, kas veiks remontdarbus.
		n/a	Deg nepārtraukta SARKANĀ gaisma	N/A	Nav strāvas padeves.	Pārbaudiet sienas kontaktligzdu, vai tajā pienāk 220V – 240V, un vai tā vispār darbojas.
		n/a	Deg nepārtraukta SARKANĀ gaisma	N/A	Izdzedzis drošinātājs.	Nogādājiet to pie kvalificēta servisa speciālista, kas veiks remontdarbus.
Skatīt „Kļūdas kods”	Uzlādes pieslēgvietas kļūme	204	N/A	Viens pīkstiena signāls	Uzlādes pieslēgvietas atvērtā ķēdē.	
Skatīt „Kļūdas kods”	Nedarbojas akumulatoru bloks	217	N/A	Viens pīkstiena signāls	Akumulatoru kārbā bojāts barošanas avots. Nedarbojas LED priekšējie lukturi un USB.	Nogādājiet to pie kvalificēta servisa speciālista, kas veiks remontdarbus.
		310 /410	OFF (IZSLĒGTS)	Viens pīkstiena signāls	Nav savienojuma starp akumulatora kārbas C tipa vadiem un citiem plāvēja C tipa vadiem.	
		201 /202 /203	OFF (IZSLĒGTS)	Viens pīkstiena signāls	Akumulatoru kārbā bojāts BMS.	
Skatīt „Kļūdas kods”	„Start/Stop” (Palaist/Apturēt) slēdža kļūme	314 /414	OFF (IZSLĒGTS)	Viens pīkstiena signāls	Slēdža PCBA kļūme vai vājš vadu savienojums ar „Start/Stop” (Palaist/Apturēt) slēdzi.	Nogādājiet to pie kvalificēta servisa speciālista, kas veiks remontdarbus.
Skatīt „Kļūdas kods”	LCD ekrāna kļūme	315 /415	OFF (IZSLĒGTS)	Viens pīkstiena signāls	Salūzis LCD bloks vai vājš savienojums ar LCD bloku.	Nogādājiet to pie kvalificēta servisa speciālista, kas veiks remontdarbus.

GARANTIJA

EGO GARANTIJAS POLITIKA

Lūdzu, apmeklējiet tīmekļa vietni egopowerplus.com, kur pieejama pilna EGO garantijas politikas noteikumu un nosacījumu versija.

ΔΙΑΒΑΣΤΕ ΟΛΕΣ ΤΙΣ ΟΔΗΓΙΕΣ!



ΔΙΑΒΑΣΤΕ ΤΟ ΕΓΧΕΙΡΙΔΙΟ ΧΡΗΣΗΣ

⚠ Υπολειπόμενοι κίνδυνοι! Άνθρωποι που φέρουν ηλεκτρονικές συσκευές όπως βηματοδότες πρέπει να συμβουλευόνται τους γιατρούς τους, πριν τη χρήση αυτού του προϊόντος. Η λειτουργία ηλεκτρολογικού εξοπλισμού κοντά σε βηματοδότη μπορεί να προκαλέσει παρεμβολές ή βλάβη στο βηματοδότη.

ΣΥΜΒΟΛΟ ΑΣΦΑΛΕΙΑΣ

Ο σκοπός των συμβόλων ασφαλείας είναι να σας επιστήσουν την προσοχή σε ενδεχόμενους κινδύνους. Προσέξτε και κατανοήστε τα σύμβολα ασφαλείας και τις επεξηγήσεις που τα συνοδεύουν. Τα σύμβολα προειδοποίησης από μόνα τους δεν εξαλείφουν κανέναν κίνδυνο. Οι οδηγίες και οι προειδοποιήσεις που παρέχουν δεν υποκαθιστούν τα κατάλληλα μέτρα πρόληψης ατυχημάτων.

⚠ ΠΡΟΕΙΔΟΠΟΙΗΣΗ: Βεβαιωθείτε ότι έχετε διαβάσει και κατανοήσει όλες τις οδηγίες ασφαλείας στο παρόν εγχειρίδιο χρήσης, συμπεριλαμβανομένων όλων των συμβόλων ασφαλείας, όπως «**ΚΙΝΔΥΝΟΣ**», «**ΠΡΟΕΙΔΟΠΟΙΗΣΗ**» και «**ΠΡΟΣΟΧΗ**», προτού να χρησιμοποιήσετε αυτό το ηλεκτρικό εργαλείο. Η μη τήρηση όλων των παρακάτω οδηγιών μπορεί να οδηγήσει σε ηλεκτροπληξία, πυρκαγιά και/ή σοβαρό τραυματισμό.

ΕΠΕΞΗΓΗΣΗ ΣΥΜΒΟΛΩΝ

Αυτή η σελίδα απεικονίζει και περιγράφει τα σύμβολα ασφαλείας που μπορεί να υπάρχουν επάνω στο προϊόν. Διαβάζετε, κατανοείτε και τηρείτε όλες τις οδηγίες επάνω στη μηχανή, προτού επιχειρήσετε να τη συναρμολογήσετε και να τη χρησιμοποιήσετε.

ΣΥΜΒΟΛΑ ΑΣΦΑΛΕΙΑΣ



Προειδοποίηση ασφαλείας



Προστατευτικά γυαλιά



ΚΙΝΔΥΝΟΣ – Κίνδυνος σε απότομη πλαγιά



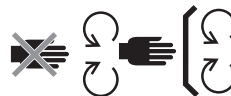
Ποτέ μη μεταφέρετε παιδιά



ΠΡΟΕΙΔΟΠΟΙΗΣΗ - Μη χρησιμοποιείτε αυτό το μηχάνημα σε κεκλιμένες επιφάνειες με κλίση μεγαλύτερη από 12°.



Διαβάστε και κατανοήστε το εγχειρίδιο χρήσης



Συντηρείτε τις συσκευές ασφαλείας



ΚΙΝΔΥΝΟΣ – Διατηρείτε τους παρευρισκόμενους μακριά από τις λεπίδες



Όταν κάνετε όπισθεν κοιτάτε πίσω



ΚΙΝΔΥΝΟΣ – Αντικείμενα που πετιούνται

GR



ΠΡΟΕΙΔΟΠΟΙΗΣΗ – ΔΙΑΤΗΡΕΙΤΕ
ΤΑ ΧΕΡΙΑ ΚΑΙ ΤΑ ΠΟΔΙΑ ΜΑΚΡΙΑ



Εγγυημένη στάθμη ηχητικής
ισχύος. Σύμφωνα με την οδηγία της
Ευρωπαϊκής Κοινότητας.



Μην πατάτε



Τα απόβλητα ειδών ηλεκτρικού
και ηλεκτρονικού εξοπλισμού δεν
πρέπει να απορρίπτονται στα
οικιακά απορρίμματα. Παραδώστε
τα σε εξουσιοδοτημένη μονάδα
ανακύκλωσης.



Αυτό το προϊόν συμμορφώνεται με
τις εφαρμοστέες οδηγίες της ΕΚ.



ΠΡΟΣΟΧΗ – Μην κοιτάτε στην εν
λειτουργία λυχνία.



Συνεχές ρεύμα



Αυτό το προϊόν συμμορφώνεται
με την εφαρμοστέα νομοθεσία του
Ηνωμένου Βασιλείου.



kPa Kilopascal



RPM Στροφές ανά λεπτό



V Volt



m Μέτρα



in Ίντσα



cm Εκατοστά



Nm Μέτρο Newton



mm Χιλιοστά



°C Κελσίου



kg Κιλό



km/h Χιλιόμετρα την ώρα



IPX4 Βαθμός προστασίας εισόδου

KEES VAN DER SPEK
TUINMACHINES * STOLWIJK

ΤΕΧΝΙΚΕΣ ΠΡΟΔΙΑΓΡΑΦΕΣ

Τάση	56 V	
Μέγεθος βάσης	107cm	
Μέγεθος τροχού	Μπροστά	11 x 4 in (279.4 mm)
	Πίσω	18 x 8.5 in (457.2 mm)
Πίεση ψυχρών ελαστικών	Μπροστά	220 kPa
	Πίσω	50 kPa
Ακτίνα στροφής	0	
Ταχύτητα λεπίδας (Σ.Α.Λ.)	2400, 2600, 2800, 3000	
Μέγ. ταχύτητα οδήγησης (χλμ./ώρα)	Προς τα εμπρός	4.8 km/h, 8 km/h, 9.6 km/h, 11.2 km/h (12.8 km/h in Travel Model)
	Όπισθεν	up to 5.6 km/h

Φόρτιση	Φορτιστής (προαιρετικό)	CHV1600E
	Αντάπτορας (προαιρετικό)	ACA1000
	Εύρος θερμοκρασίας φόρτισης	5°C - 40°C
Ρύθμιση ύψους κοπής (10 θέσεις)	25 – 100 mm	
Θερμοκρασία λειτουργίας	0°C- 40°C	
Θερμοκρασία αποθήκευσης	-20°C - 70°C	
Βάρος (χωρίς συστοιχία μπαταριών)	186 kg	
Μετρημένη στάθμη ηχητικής ισχύος L_{WA}	96.44 dB(A) K=0.68 dB(A)	
Στάθμη ηχητικής πίεσης στο αυτί του χειριστή L_{PA}	84.3 dB(A) K=3.0 dB(A)	

GR

Εγγυημένη στάθμη ηχητικής ισχύος L_{WA} (μετρημένη κατά 2000/14/ΕΚ)		100 dB(A)
Δόνηση a_h	Χέρι	1.221 m/s ² K=1.5 m/s ²
	Σώμα	0.568 m/s ² K=1.5 m/s ²

- Η δηλωθείσα συνολική τιμή κραδασμών έχει μετρηθεί σύμφωνα με πρότυπη μέθοδο ελέγχου και μπορεί να χρησιμοποιηθεί για τη σύγκριση ενός εργαλείου με κάποιο άλλο.
- Η αναφερόμενη συνολική τιμή κραδασμών μπορεί να χρησιμοποιηθεί, επίσης, για προκαταρκτική αξιολόγηση έκθεσης.

ΣΗΜΕΙΩΣΗ: Οι εκπομπές κραδασμών κατά τη διάρκεια της πραγματικής χρήσης του ηλεκτρικού εργαλείου μπορεί να διαφέρουν από τη δηλωμένη τιμή στην οποία χρησιμοποιείται το εργαλείο. Για την προστασία του χειριστή, πρέπει να χρησιμοποιούνται γάντια και προστασία της ακοής στις πραγματικές συνθήκες χρήσης.

ΠΕΡΙΓΡΑΦΗ

ΓΝΩΡΙΣΤΕ ΤΗΝ ΗΛΕΚΤΡΙΚΗ ΧΛΟΟΚΟΠΤΙΚΗ ΜΗΧΑΝΗ ΤΥΠΟΥ ZERO TURN (Εικ. A1&A2)

1. Κάθισμα
2. Θύρα φόρτισης
3. Θήκη συστοιχίας μπαταριών
4. Πίσω φώτα LED
5. Κουτί αποθήκευσης
6. Βάσεις κούπας
7. Πλευρικοί προβολείς LED
8. Πίσω τροχός (τροχός κίνησης)
9. Βάση
10. Προστατευτικό βάσης
11. Τροχός με προστατευτικό λεπίδας
12. Μπροστινός τροχός
13. Πεντάλ φρένου στάθμευσης
14. Φώτα λειτουργίας
15. Κύριοι προβολείς LED
16. Χοάνη πλευρικής εξαγωγής
17. Μοχλός ρύθμισης ύψους βάσης
18. Κουμπί ρύθμισης ανάρτησης καθίσματος
19. Μοχλός ρύθμισης καθίσματος προς τα εμπρός-πίσω

20. Μοχλός χειρισμού
21. Ένδειξη κατάστασης χλοοκοπτικής μηχανής
22. Οθόνη LCD
23. Διακόπτης PTO
24. Κουμπί έναρξης/σταματήματος
25. Κλειδί ασφαλείας
26. Κουτί αποθήκευσης τηλεφώνου
27. Ένδειξη δείκτη στάθμης καυσίμου & κατάστασης χλοοκοπτικής μηχανής
- 27a. Ένδειξη ρυθμιστή καυσίμου χλοοκοπτικής μηχανής
- 27b. Ένδειξη κατάστασης χλοοκοπτικής μηχανής
28. Τομέας βάσης ποδιών
29. Κουμπί αποδέσμευσης καλύμματος μονάδας ισχύος
30. Κάλυμμα μονάδας ισχύος
31. Κουμπί αποδέσμευσης μπαταρίας
32. Ζεύξη
33. Κάλυμμα στήριξης προσαρτήματος
34. Αποθήκευση καλύμματος στήριξης προσαρτήματος
35. Θύρα USB

ΓΝΩΡΙΣΤΕ ΤΗΝ ΟΘΟΝΗ LCD & ΤΑ ΚΟΥΜΠΙΑ (Εικ. A3)

Ανατρέξτε στο απόσπασμα «**ΑΝΑΦΟΡΑ ΚΑΤΑΣΤΑΣΗΣ & ΚΩΔΙΚΟΙ ΣΦΑΛΜΑΤΩΝ ΧΛΟΟΚΟΠΤΙΚΗΣ ΜΗΧΑΝΗΣ**» για περισσότερες πληροφορίες σχετικά με τα εικονίδια και τις ενδείξεις στην οθόνη LCD.

1. Εικονίδιο κλειδιού ασφαλείας
2. Εικονίδιο φώτων LED
3. Εικονίδιο αυτόματης στάθμευσης
4. Εικονίδιο USB
5. Ένδειξη ταχύτητας λεπίδας
6. Ένδειξη κατάστασης συσκευής ασφαλείας
7. Μετρητής ωρών
8. Εικονίδιο μπαταρίας
9. Εικονίδιο υπερθέρμανσης
10. Λειτουργία οδήγησης
11. Ένδειξη κωδικού σφάλματος
12. Ένδειξη υπερφόρτωσης
13. Ένδειξη χαμηλής ισχύος
14. Ένδειξη ταχύτητας οδήγησης
15. Ένδειξη φορτίου
16. Κουμπί ρύθμισης ταχύτητας λεπίδας
17. Κουμπί ρύθμισης
18. Κουμπί λειτουργίας οδήγησης

- 19. Διακόπτης λυχνίας LED
- 20. Κουμπί ρύθμισης ταχύτητας οδήγησης
- 21. Δείκτης στάθμης καυσίμου

ΑΠΟΣΥΣΚΕΥΑΣΙΑ

ΣΗΜΕΙΩΣΗ: Φυλάξτε τα υλικά συσκευασίας μέχρι να επιθεωρήσετε προσεκτικά και να θέσετε ικανοποιητικά σε λειτουργία το προϊόν. Εάν κάποια εξαρτήματα στον κατάλογο εξαρτημάτων είναι συναρμολογημένα στο μηχάνημα, επικοινωνήστε αμέσως με το σέρβις της EGO.

ΣΗΜΕΙΩΣΗ: Εκτός των εργαλείων στην κατωτέρω λίστα εξαρτημάτων, όλα τα άλλα εργαλεία που αναφέρονται στα εγχειρίδια, απλά προτείνονται αλλά δεν παρέχονται.

ΚΑΤΑΛΟΓΟΣ ΕΞΑΡΤΗΜΑΤΩΝ ΣΥΣΚΕΥΑΣΙΑΣ (Εικ. Β1)

B1-1	Ηλεκτρική χλοοκοπτική μηχανή τύπου Zero Turn	B1-7	Κλειδιά ασφαλείας
B1-2	Κάθισμα	B1-8	Ανοικτά κλειδιά (13 χιλ.)
B1-3	Εξάρτημα κάλυψης εδάφους	B1-9	Κλειδί Άλλεν
B1-4	Μοχλός χειρισμού	B1-10	Ταχυζεύκτης θύρας πλύσης
B1-5	Βίδα με κεφαλή βυθισμένου εξαγώνου (2 εφεδρικές)	B1-11	Εγχειρίδιο χρήσης
B1-6	Εξάγωνα μπουλόνια (2 εφεδρικά)		

ΑΠΟΣΥΣΚΕΥΑΣΙΑ (Εικ. Β2 - Εικ. Β3)

ΣΥΝΙΣΤΩΜΕΝΑ ΒΟΗΘΗΤΙΚΑ ΕΞΑΡΤΗΜΑΤΑ

⚠ ΠΡΟΕΙΔΟΠΟΙΗΣΗ: Χρησιμοποιείτε μόνο όμοια ανταλλακτικά που αναφέρονται παρακάτω. Η χρήση ανταλλακτικών που δεν πληρούν τις αρχικές προδιαγραφές εξοπλισμού μπορεί να οδηγήσει σε μειωμένη απόδοση και να θέσει σε κίνδυνο την ασφάλεια.

ΟΝΟΜΑ ΕΞΑΡΤΗΜΑΤΟΣ	ΑΡΙΘΜΟΣ ΜΟΝΤΕΛΟΥ
Στάνταρ λεπίδα	AB4200
Λεπίδα High Lift	AB4201

Εξάρτημα κάλυψης εδάφους	AMP4200
Κιτ σάκου συλλογής γρασιδιού	ABK4200-A

ΣΥΝΑΡΜΟΛΟΓΗΣΗ

ΤΟΠΟΘΕΤΗΣΗ ΤΟΥ ΚΑΘΙΣΜΑΤΟΣ (Εικ. C1 & C2)

⚠ ΠΡΟΕΙΔΟΠΟΙΗΣΗ: Το προστατευτικό σύστημα αλληλασφάλισης δεν πρέπει να αποσυνδέεται ή να παρακάμπτεται. Κάτι τέτοιο μπορεί να προκαλέσει απρόσμενη λειτουργία της χλοοκοπτικής μηχανής με αποτέλεσμα ατομικό τραυματισμό.

ΣΗΜΕΙΩΣΗ: Για την ασφάλειά σας η χλοοκοπτική μηχανή μπορεί να σταματήσει την κίνηση εάν το κάθισμα αποσυνδεθεί κατά τη διάρκεια της οδήγησης. Σε αυτή την περίπτωση ανατρέξτε στο απόσπασμα «**ΑΝΤΙΜΕΤΩΠΙΣΗ ΠΡΟΒΛΗΜΑΤΩΝ**» για περισσότερες πληροφορίες.

C1-1	Καλώδιο	C1-5	Βίδες με κεφαλή βυθισμένου εξαγώνου
C1-2	Βύσμα	C2-1	Άγκιστρο
C1-3	Υποδοχή	C2-2	Χαλύβδινες ράγες
C1-4	Βάση ανάρτησης	C2-3	Βίδες με κεφαλή βυθισμένου εξαγώνου

ΤΟΠΟΘΕΤΗΣΗ ΤΩΝ ΜΟΧΛΩΝ ΧΕΙΡΙΣΜΟΥ (Εικ. C3)

C3-1	Μοχλοί χειρισμού	C3-3	Οπές τοποθέτησης μοχλού χειρισμού
C3-2	Εξάγωνα μπουλόνια		

ΠΡΟΣΑΡΤΗΣΗ ΤΟΥ ΕΞΑΡΤΗΜΑΤΟΣ ΚΑΛΥΨΗΣ ΕΔΑΦΟΥΣ (Εικ. C4)

C4-1	Χοάνη πλευρικής εξαγωγής	C4-3	Κινούμενο ελατήριο
C4-2	Εξάρτημα κάλυψης εδάφους		

GR

ΛΕΙΤΟΥΡΓΙΑ

ΠΡΙΝ ΧΡΗΣΙΜΟΠΟΙΗΣΕΤΕ ΤΗ ΧΛΟΟΚΟΠΤΙΚΗ ΜΗΧΑΝΗ

Έλεγχος του περιβάλλοντος

- Εξασφαλίστε ότι στο χώρο εργασίας δεν υπάρχουν παιδιά, παρευρισκόμενοι και κατοικίδια.
- Καθαρίζετε το χώρο εργασίας από αντικείμενα τα οποία μπορεί να πεταχτούν από τις λεπίδες χλοοκοπτικής μηχανής.
- Ελέγξτε και εξασφαλίστε ότι οι λυχνίες LED είναι στη σωστή κατάσταση:
 - Οι προβολείς, οι πλευρικοί προβολείς και τα πίσω φώτα ελέγχονται από τον διακόπτη λυχνίας LED.
 - Τα φώτα λειτουργίας παραμένουν συνεχώς ανοιχτά κατά την οδήγηση.
 - Όταν κάνετε όπισθεν εάν τα πίσω φώτα είναι απενεργοποιημένα θα αναβοσβήσουν για να προειδοποιήσουν τους παρευρισκόμενους. Εάν τα πίσω φώτα είναι ενεργά, θα παραμείνουν ενεργά.
 - Όλα τα φώτα θα απενεργοποιηθούν αυτόματα μετά από περισσότερα από 3 λεπτά χωρίς λειτουργία.

Έλεγχος της πίεσης ψυχρών ελαστικών (Εικ. D1)

Έλεγχος της κατάστασης χλοοκοπτικής μηχανής και της στάθμης φόρτισης μπαταρίας

- Ένδειξη δείκτη στάθμης καυσίμου χλοοκοπτικής μηχανής (Εικ. A2 - 27a)

Κάθε τμήμα της ένδειξης στάθμης καυσίμου χλοοκοπτικής μηχανής υποδεικνύει 20% φόρτιση των εισηγμένων συστοιχιών μπαταριών.

ΣΗΜΕΙΩΣΗ: Ο δείκτης στάθμης καυσίμου χλοοκοπτικής μηχανής και ο δείκτης καυσίμου στην οθόνη LCD δείχνουν τη μέση απόδοση των εισηγμένων συστοιχιών μπαταριών.

- Ένδειξη κατάστασης χλοοκοπτικής μηχανής (Εικ. A1 & Εικ. A2 - 27b)

Εάν η ένδειξη κατάστασης είναι πράσινη, η χλοοκοπτική μηχανή είναι έτοιμη για οδήγηση. Εάν όχι, ανατρέξτε στο απόσπασμα «**ΑΝΑΦΟΡΑ ΚΑΤΑΣΤΑΣΗΣ ΧΛΟΟΚΟΠΤΙΚΗΣ ΜΗΧΑΝΗΣ & ΚΩΔΙΚΟΙ ΣΦΑΛΜΑΤΩΝ**»

Έλεγχος του προστατευτικού συστήματος αλληλασφάλισης (Εικ. D2 - Εικ. D8)

ΣΗΜΕΙΩΣΗ: Ο χειριστής πρέπει να βρίσκεται στο κάθισμα πριν τον έλεγχο.

- Πριν τον έλεγχο (Εικ. D2 - Εικ. D4)
- Για να ελέγξετε το σύστημα λεπίδας βάσης (Εικ. D5), σηκωθείτε αργά
- Για να ελέγξετε το σύστημα οδήγησης (Εικ. D6 - Εικ. D8), σηκωθείτε αργά

Εάν το σύστημα λεπίδας βάσης ή/και το σύστημα οδήγησης δεν σταματήσει όταν ο χειριστής είναι εκτός του καθίσματος και εάν η αιτία δεν μπορεί να καθοριστεί αφού επιβεβαιωθεί η καλή σύνδεση του βύσματος και της υποδοχής καθίσματος, επικοινωνήστε με το κέντρο εξυπηρέτησης πελατών της EGO αμέσως.

ΠΡΟΣΑΡΜΟΓΗ (Εικ. E1 - Εικ. E13)

Προετοιμασία (Εικ. E1 - Εικ. E5)

Ρύθμιση τους ύψους βάσης κοπής (Εικ. E6)

Ρύθμιση των τροχών με προστατευτικό λεπίδας (Εικ. E7 - Εικ. E10)

E7-1	Τροχός με προστατευτικό λεπίδας	E9-2	Ξυλόβιδα
E9-1	Παξιμάδι	E10-1	Ετικέτα ύψους βάσης

Ρύθμιση του καθίσματος (Εικ. E11)

Ρυθμίστε τη θέση καθίσματος για να εξασφαλίσετε ότι μπορείτε να έχετε σταθερή επαφή με το πεντάλ φρένου στάθμευσης πριν θέσετε σε λειτουργία την χλοοκοπτική μηχανή. Με τη ρύθμιση ανάρτησης καθίσματος μπορείτε να επιτύχετε την πιο άνετη εμπειρία στο κάθισμα.

E11-1	Μοχλός ρύθμισης καθίσματος προς τα εμπρός-πίσω	E11-2	Κουμπί ρύθμισης ανάρτησης καθίσματος
-------	--	-------	--------------------------------------

Ρύθμιση του φρένου στάθμευσης (Εικ. E12 - Εικ. E13)

E13-1	Θέση φρεναρίσματος	E13-2	Θέση αποδέσμευσης
-------	--------------------	-------	-------------------

ΦΟΡΤΙΣΗ (Εικ. F1 - Εικ. F11)

Για τη θέση σε λειτουργία της χλοοκοπτικής μηχανής, απαιτούνται μπαταρίες EGO συνολικής απόδοσης 15Ah (2 X BA4200/BA4200T) ή μεγαλύτερης. Για την καλύτερη απόδοση συστήνουμε τη χρήση μπαταριών EGO συνολικής απόδοσης 30Ah ή μεγαλύτερης.

Χρησιμοποιείτε μόνο με συστοιχίες μπαταριών και φορτιστές που συστήνονται. (Εικ. F9 & F10)

Προετοιμασία για τη φόρτιση (Εικ. F1 - Εικ. F4)

Ξεχωριστή φόρτιση της (των) συστοιχίας (συστοιχιών) μπαταριών (Εικ. F5 - Εικ. F9).

F5-1	Κουμπί αποδέσμευσης καλύμματος	F7-1	Κουμπί αποδέσμευσης συστοιχίας μπαταριών
------	--------------------------------	------	--

- Προσάρτηση της (των) συστοιχίας (συστοιχιών) μπαταριών (Εικ. F5 – Εικ. F6)
- Αφαίρεση της (των) συστοιχίας (συστοιχιών) μπαταριών (Εικ. F7 – Εικ. F8)

ΣΗΜΕΙΩΣΗ: Για τη φόρτιση της (των) συστοιχίας (συστοιχιών) μπαταριών ανατρέξτε στα αντίστοιχα εγχειρίδια μπαταρίας και φορτιστή.

Φόρτιση των συστοιχιών μπαταριών μέσω θύρας φόρτισης (Εικ. F10)

F10-1	Πώμα σκόνης	F10-2	Θύρα φόρτισης
-------	-------------	-------	---------------

ΘΕΣΗ ΣΕ ΛΕΙΤΟΥΡΓΙΑ ΤΗΣ ΗΛΕΚΤΡΙΚΗΣ ΧΛΟΟΚΟΠΤΙΚΗΣ ΜΗΧΑΝΗΣ ΤΥΠΟΥ ZERO TURN (Εικ. A4 – Εικ. A5 & Εικ. G1 – Εικ. G6)

⚠ ΠΡΟΕΙΔΟΠΟΙΗΣΗ: Αποφεύγετε ξαφνική εκκίνηση, σταμάτημα και στροφές καθώς και υπερβολική ταχύτητα, ειδικά όταν μαθαίνετε για πρώτη φορά να χειρίζεστε τη χλοοκοπτική μηχανή. Η χλοοκοπτική μηχανή μπορεί να περιστρέφεται πολύ γρήγορα, γεγονός που μπορεί να σας κάνει να χάσετε τον έλεγχο με αποτέλεσμα σοβαρό τραυματισμό ή/και ζημιά.

⚠ ΠΡΟΕΙΔΟΠΟΙΗΣΗ: Πριν θέσετε σε λειτουργία τη χλοοκοπτική μηχανή ελέγξτε και εξασφαλίστε ότι οι λεπίδες έχουν απεμπλακεί όταν ωθείτε τον διακόπτη ΡΤΟ προς τα κάτω. Εάν οι λεπίδες δεν σταματήσουν, μη χρησιμοποιήσετε τη χλοοκοπτική μηχανή και επικοινωνήστε αμέσως με το τμήμα εξυπηρέτησης πελατών της EGO.

ΣΗΜΕΙΩΣΗ: Ακολουθήστε την Εικ. A4 & την Εικ. G2 για την χαμηλότερη ταχύτητα και την **ΣΤΑΝΤΑΡ** λειτουργία οδήγησης μέχρι να έχετε πλήρη δυνατότητα λειτουργίας της χλοοκοπτικής μηχανής σε όλες τις καταστάσεις. Η ταχύτητα οδήγησης και η λειτουργία οδήγησης ενεργοποιούνται μόνο όταν οι τροχοί χλοοκοπτικής μηχανής σταματάνε και οι μοχλοί χειρισμού είναι ανοιχτοί.

Η χλοοκοπτική μηχανή αποθηκεύει και προβάλλει την προηγούμενη ρύθμιση κατά την επανεκκίνησή της.

Λειτουργία οδήγησης

- **ΕΛΕΓΧΟΣ:** Χαμηλότερη επιτάχυνση, λιγότερο ευαίσθητος χειρισμός και ήπια ταχύτητα στροφών για την προστασία του γρασιδιού και για τους νέους χρήστες.
- **ΣΤΑΝΤΑΡ:** Τέλειο για καθημερινή χρήση.
- **ΣΠΟΡ:** Υψηλότερη επιτάχυνση, ακριβής χειρισμός και απότομες στροφές για τη μεγιστοποίηση της απόδοσης κοπής και για τους ενθουσιώδεις των χλοοκοπτικών.

Ρύθμιση ταχύτητας οδήγησης (Εικ. A4)

Ρύθμιση ταχύτητας λεπίδας (Εικ. A5)

ΣΗΜΕΙΩΣΗ: Όταν είστε στη λειτουργία "TRAVEL", πιέστε το "↔", η ταχύτητα οδήγησης θα επιστρέψει στην προηγούμενη λειτουργία.

Θύρα USB

ΣΗΜΕΙΩΣΗ: Η θύρα USB παρέχει ισχύ φόρτισης τάσης 5 DC με συνδυσασμένο τράβηγμα 1,5 Αμπέρ και ενεργοποιείται μόνο όταν η χλοοκοπτική μηχανή εκκινείται.

ΣΤΑΜΑΤΗΜΑ ΤΗΣ ΗΛΕΚΤΡΙΚΗΣ ΧΛΟΟΚΟΠΤΙΚΗΣ ΜΗΧΑΝΗΣ ΤΥΠΟΥ ZERO TURN (Εικ. H1 - Εικ. H6)

ΣΗΜΕΙΩΣΗ: Μετά από περισσότερα από 60 λεπτά χωρίς λειτουργία, η χλοοκοπτική μηχανή απενεργοποιείται αυτόματα.

Κατάσταση λειτουργίας έκτακτης ανάγκης

Όταν η φόρτιση μπαταρίας μειωθεί πολύ, η χλοοκοπτική μηχανή θα μεταβεί στην κατάσταση λειτουργίας έκτακτης ανάγκης.

- Η χλοοκοπτική μηχανή σταματάει αυτόματα να κόβει γρασίδι.
- Η ένδειξη με ήχο μπιπ θα συνεχίσει να ηχεί.
- Η ένδειξη κατάστασης χλοοκοπτικής μηχανής θα αναβοσβήνει με κόκκινο χρώμα κάθε δευτερόλεπτο, το πρώτο τμήμα του δείκτη καυσίμου μηχανής θα αναβοσβήνει με κόκκινο χρώμα και η ένδειξη χαμηλής ισχύος και τα γραφικά μπαταρίας στον δείκτη καυσίμου θα αναβοσβήνουν.

Ο χειριστής πρέπει:

- Να ωθήσει κάτω τον διακόπτη ΡΤΟ (Εικ. Η3) για να απεμπλακούν οι λεπίδες. Η ένδειξη με ήχο μπιπ θα σταματήσει να ηχεί όταν σταματήσει η λεπίδα.
- Σταματήστε την εργασία και μεταβείτε όσο πιο σύντομα γίνεται στον τομέα φόρτισης μπαταρίας. Η μέγιστη απόσταση που μπορεί να διανύει η χλοοκοπτική μηχανή είναι 1000 m.

Όταν η μπαταρία σχεδόν εξαντληθεί, το εικονίδιο κάθε κατελιγμένου τμήματος μπαταρίας και η ένδειξη χαμηλής ισχύος θα αναβοσβήνουν κάθε μισό δευτερολέπτο. Η χλοοκοπτική μηχανή θα σταματήσει αμέσως να λειτουργεί. Ο χειριστής πρέπει να μεταφέρει την χλοοκοπτική μηχανή στο χώρο φόρτισης μπαταρίας για τη φόρτιση.

Χειροκίνητη ώθηση

Εάν απαιτείται χειροκίνητη ώθηση, βεβαιωθείτε ότι οι μπαταρίες είναι αποσυνδεδεμένες από την χλοοκοπτική μηχανή και το πεντάλ φρένου στάθμευσης έχει αποδεσμευτεί από τη θέση φρεναρίσματος.

ΟΔΗΓΗΣΗ ΤΗΣ ΗΛΕΚΤΡΙΚΗΣ ΧΛΟΟΚΟΠΤΙΚΗΣ ΜΗΧΑΝΗΣ ΤΥΠΟΥ ZERO TURN (Εικ. Ι1 - Εικ. Ι9)

Για να σταματήσετε, να μειώσετε ή να αυξήσετε την ταχύτητα, αλλάζετε αργά την απόσταση μοχλού χειρισμού από τη νεκρά.

⚠ ΚΙΝΔΥΝΟΣ: Παραμένετε τουλάχιστον δύο πλάτη κοπής (2,14 m) μακριά από χαντάκια, απότομες κεκλιμένες επιφάνειες ή νερό. Οι μπροστινοί τροχοί μπορούν να περιστρέφονται όταν η χλοοκοπτική μηχανή είναι σταματημένη, ακόμα και με εμπλοκή του φρένου, με συνέπεια η μηχανή να ωθείται προς τα άκρα ή μέσα σε νερό, γεγονός που μπορεί να επιφέρει θάνατο ή σοβαρό ατομικό τραυματισμό.

⚠ ΠΡΟΕΙΔΟΠΟΙΗΣΗ: Πριν κάνετε όπισθεν να γνωρίζετε τι βρίσκεται πίσω από την χλοοκοπτική μηχανή. ΜΗΝ κόβετε με την όπισθεν παρά μόνο εάν είναι απολύτως απαραίτητο. Πάντα να κοιτάτε κάτω και πίσω πριν και κατά τη διάρκεια της όπισθεν ώστε να εξασφαλίζετε ότι δεν εισέρχονται παιδιά, παρευρισκόμενοι ή κατοικίδια μέσα στο χώρο κοπής. Θυμηθείτε πως ένα κλάσμα δευτερολέπτου απροσεξίας μπορεί να προκαλέσει θάνατο ή σοβαρό τραυματισμό.

⚠ ΠΡΟΕΙΔΟΠΟΙΗΣΗ: Μη θέτετε σε λειτουργία το μηχάνημα σε δημόσιους δρόμους.

⚠ ΠΡΟΕΙΔΟΠΟΙΗΣΗ: Εάν προκύψει έμφραξη ή χτυπήσετε ξένο αντικείμενο, σταματήστε τα μοτέρ και

απομακρύνετε τις μπαταρίες. Απομακρύνετε κομμένο γρασίδι, φύλλα, ρύπους και άλλα συσσωρευμένα υπολείμματα. Επιθεωρήστε σχολαστικά τη χλοοκοπτική μηχανή για ζημιές και επισκευάστε τη ζημιά πριν επανεκκινήσετε και θέσετε σε λειτουργία τη χλοοκοπτική μηχανή

ΣΥΝΤΗΡΗΣΗ

⚠ ΠΡΟΕΙΔΟΠΟΙΗΣΗ: Φοράτε πάντα προστασία για τα μάτια με πλαϊνά προστατευτικά, Στην αντίθετη περίπτωση, ενδέχεται να υπάρξει εκτόξευση αντικειμένων στα μάτια σας με συνέπεια πιθανό σοβαρό τραυματισμό.

⚠ ΠΡΟΕΙΔΟΠΟΙΗΣΗ: Προστατεύετε πάντα τα χέρια σας, φορώντας ανθεκτικά γάντια ή τυλίγοντας τις ακμές κοπής με πανιά ή άλλα υλικά όταν διεξάγετε συντήρηση στη λεπίδα της χλοοκοπτικής μηχανής. Απομακρύνετε πάντοτε το κλειδί ασφαλείας και τη συστοιχία μπαταριών κατά τη συντήρηση ή μεταφορά της χλοοκοπτικής μηχανής.

Διάστημα εργασιών συντήρησης	Διαδικασία συντήρησης.
Πριν από κάθε χρήση ή καθημερινά	<ul style="list-style-type: none"> Ελέγξτε το προστατευτικό σύστημα αλληλασφάλισης. Ελέγξτε οπτικά εάν τα ελαστικά έχουν σκάσει. Ελέγξτε εάν οι λεπίδες έχουν φθαρεί, ραγίσει ή στραβώσει. Επιθεωρήστε ολόκληρο το προϊόν για χαλασμένα, ελλειπή ή χαλαρά μέρη όπως είναι η χοάνη πλευρικής εξαγωγής, οι βίδες, τα παξιμάδια, τα μπουλόνια, τα πώματα κ.λπ., εξασφαλίζοντας ότι όλα τα προστατευτικά είναι στη σωστή θέση και λειτουργούν σωστά. Ελέγξτε τη λειτουργία φρένων.
Μετά από κάθε χρήση	<ul style="list-style-type: none"> Καθαρίστε τη βάση της χλοοκοπτικής μηχανής.
Κάθε 25 ώρες	<ul style="list-style-type: none"> Ελέγξτε την πίεση ελαστικών.
Κάθε 50 ώρες	<ul style="list-style-type: none"> Ελέγξτε την κατάσταση του γράσου στο εσωτερικό της φλάντζας λεπίδας κοπής.

Κάθε 100 ώρες	<ul style="list-style-type: none"> Ελέγξτε τους πίσω τροχούς εξασφαλίζοντας ότι τα 4 περικόχλια τροχών είναι σφιγμένα με την προτεινόμενη ροπή.
Κάθε 200 ώρες	<ul style="list-style-type: none"> Ελέγξτε τους μπροστινούς τροχούς εξασφαλίζοντας ότι γυρίζουν ελεύθερα.
Ετησίως	<ul style="list-style-type: none"> Ελέγξτε το πεντάλ φρένου στάθμευσης. Απομακρύνετε την μπαταρία από τη χλοοκοπτική μηχανή και θέστε το πεντάλ στάθμευσης στη θέση φρεναρίσματος. Ωθήστε χειροκίνητα τη χλοοκοπτική μηχανή προς τα εμπρός για να δείτε εάν η μηχανή μπορεί να κινηθεί ή όχι. Εάν κινείται πρέπει να διεξαχθεί συντήρηση από εξειδικευμένο τεχνικό του σέρβις.

ΚΑΘΑΡΙΣΜΟΣ ΤΗΣ ΧΛΟΟΚΟΠΤΙΚΗΣ ΜΟΝΑΔΑΣ (Εικ. J1 - Εικ. J9)

Προετοιμασία (Εικ. J1 - Εικ. J5)

Καθαρισμός του περιβλήματος χλοοκοπτικής μηχανής (Εικ. J6 - Εικ. J7)

Χρήση της θύρας πλύσης για τον καθαρισμό της βάσης χλοοκοπτικής μηχανής (Εικ. J8 - Εικ. J9)

J8-1	Θύρα πλύσης	J8-3	Εύκαμπτος σωλήνας κήπου
J8-2	Ταχυζεύκτης θύρας πλύσης		

ΣΗΜΕΙΩΣΗ: Όταν ολοκληρώσετε τον καθαρισμό, ωθήστε τον διακόπτη ΡΤΟ προς τα κάτω για να απεμπλέξετε τις λεπίδες χλοοκοπτικής μηχανής.

ΣΥΝΤΗΡΗΣΗ ΤΗΣ ΒΑΣΗΣ ΧΛΟΟΚΟΠΤΙΚΗΣ ΜΗΧΑΝΗΣ ΚΑΙ ΤΩΝ ΛΕΠΙΔΩΝ ΚΟΠΗΣ

Προετοιμασία (Εικ. K1 - Εικ. K6)

Απομάκρυνση της βάσης χλοοκοπτικής μηχανής (Εικ. K7 - Εικ. K8)

K7-1	Καλώδιο κινητήρα	K7-3	Σύνδεσμος ανάρτησης
K7-2	Ασφαλιστική περόνη		

ΣΗΜΕΙΩΣΗ: Αποσυνδέστε τα καλώδια μοτέρ και τις ασφαλιστικές περόνες και στις δύο πλευρές όταν αφαιρείτε τη βάση χλοοκοπτικής μηχανής.

Αντικατάσταση των λεπίδων κοπής (Εικ. K9 - Εικ. K11)

K9-1	Σταθεροποιητής	K10-3	Λεπίδα
K10-1	Μπουλόνι	K10-4	Φλάντζα
K10-2	Ροδέλα	K10-5	Άξονας μοτέρ

Αλφάδιασμα της βάσης χλοοκοπτικής μηχανής

a. Πότε γίνεται αλφάδιασμα (Εικ. K12 - Εικ. K14)

b. Πριν από το αλφάδιασμα

- Έλεγχος της πίεσης ψυχρών ελαστικών (Εικ. K15)
- Έλεγχος των λεπίδων κοπής. Απομακρύνετε και αντικαθιστάτε φθαρμένες, ραγισμένες ή/και λυγισμένες λεπίδες όπως απαιτείται.

c. Προετοιμασία για το αλφάδιασμα (Εικ. K16 - Εικ. K21)

d. Τρόπος αλφαδιάσματος

- Ρύθμιση από άκρη σε άκρη (Εικ. K22)

Η διαφορά μεταξύ των αποστάσεων H1&H2 που μετρείται από το κάτω άκρο κάθε λεπίδας προς το έδαφος, πρέπει να βρίσκεται εντός 5 mm.

K22-1	Αντιπερικόχλιο
-------	----------------

- Για ρύθμιση από μπροστά προς τα πίσω (Εικ. K23)

Η μπροστινή ακμή H3 της λεπίδας πρέπει να είναι από 2 mm έως 10 mm πιο χαμηλά από την πίσω ακμή H4.

ΚΑΛΙΜΠΡΑΡΙΣΜΑ ΤΟΥ ΣΥΣΤΗΜΑΤΟΣ ΠΑΡΑΚΟΛΟΥΘΗΣΗΣ ΧΛΟΟΚΟΠΤΙΚΗΣ ΜΗΧΑΝΗΣ (Εικ. L1 - Εικ. L6 & Εικ. L7 - Εικ. L12)

ΣΗΜΕΙΩΣΗ: Η ένδειξη μη ήχο μπιπ θα ηχήσει μια φορά κατά την εκκίνηση του καλιμπραρίσματος και όταν ολοκληρωθεί αυτό.

ΕΠΑΝΑΦΟΡΑ ΤΗΣ ΧΛΟΟΚΟΠΤΙΚΗΣ ΜΗΧΑΝΗΣ ΣΤΗΝ ΑΡΧΙΚΗ ΕΡΓΟΣΤΑΣΙΑΚΗ ΡΥΘΜΙΣΗ (Εικ. M1 - Εικ. M4)

ΣΗΜΕΙΩΣΗ: Η ένδειξη μη ήχο μπιπ θα ηχήσει μια φορά κατά την εκκίνηση της επαναφοράς και όταν ολοκληρωθεί η επαναφορά.

ΑΠΟΘΗΚΕΥΣΗ & ΜΕΤΑΦΟΡΑ

ΜΕΤΑΦΟΡΑ ΤΗΣ ΧΛΟΟΚΟΠΤΙΚΗΣ ΜΗΧΑΝΗΣ (ΕΙΚ. Ν1 – ΕΙΚ. Ν11)

ΣΗΜΕΙΩΣΗ: Ασφαλίστε τη χλοοκοπτική μηχανή όπως απαιτείται χρησιμοποιώντας ιμάντες ή καλώδια ώστε να εμποδίσετε κίνηση κατά τη μεταφορά. Κατά τη φόρτωση ή εκφόρτωση αυτού της χλοοκοπτικής μηχανής μην υπερβαίνετε τη μέγιστη προτεινόμενη γωνία λειτουργίας των 12° μεταξύ της ράμπας και του εδάφους.

ΑΠΟΘΗΚΕΥΣΗ (Εικ. Ο1 – Εικ. Ο6)

ΣΗΜΕΙΩΣΗ: Απομακρύνετε τις συστοιχίες μπαταριών και αποθηκεύετε τις μπαταρίες ανατρέχοντας στα αντίστοιχα εγχειρίδια.

Καθαρίζετε και ελέγχετε τη χλοοκοπτική μηχανή πριν την αποθήκευση, ανατρέξτε στα αποσπάσματα «**ΚΑΘΑΡΙΣΜΟΣ ΤΗΣ ΧΛΟΟΚΟΠΤΙΚΗΣ ΜΗΧΑΝΗΣ**» και «**ΠΡΟΤΕΙΝΟΜΕΝΑ ΠΡΟΓΡΑΜΜΑΤΑ ΣΥΝΤΗΡΗΣΗΣ**».


Προστασία του περιβάλλοντος




ΑΗΗΕ (Απόβλητα ειδών ηλεκτρικού και ηλεκτρονικού εξοπλισμού) – Μην απορρίπτετε ηλεκτρικό εξοπλισμό, παλιές μπαταρίες και φορτιστές στα οικιακά απορρίμματα!

Μεταφέρετε αυτό το προϊόν σε εξουσιοδοτημένο κέντρο ανακύκλωσης και παραδώστε το για ξεχωριστή συλλογή. Τα ηλεκτρικά εργαλεία πρέπει να επιστρέφονται σε περιβαλλοντικά συμβατή μονάδα ανακύκλωσης.

ΑΝΤΙΜΕΤΩΠΙΣΗ ΠΡΟΒΛΗΜΑΤΩΝ

ΠΡΟΒΛΗΜΑ	ΑΙΤΙΑ	ΑΝΤΙΜΕΤΩΠΙΣΗ
<p>Η ηλεκτρική χλοοκοπτική μηχανή τύπου zero turn δεν κινείται όταν στην αρχή οι δύο μοχλοί χειρισμού ωθούνται προς τα εμπρός ή πίσω.</p> <p> Το εικονίδιο μοχλού χειρισμού αναβοσβήνει</p>	<ul style="list-style-type: none"> Η συνδυασμένη τιμή Ah των εισηγμένων μπαταριών είναι μικρότερη από 15 Ah. 	<ul style="list-style-type: none"> Για τη θέση σε λειτουργία της χλοοκοπτικής μηχανής, απαιτούνται μπαταρίες EGO συνολικής απόδοσης 15Ah (2 X BA4200/BA4200T) ή μεγαλύτερης. Για βέλτιστη απόδοση, συνιστούμε να χρησιμοποιείτε μπαταρίες με συνολικά 30Ah ή περισσότερο.
	<ul style="list-style-type: none"> Το πεντάλ φρένου στάθμευσης είναι ρυθμισμένο στη θέση φρεναρίσματος. 	<ul style="list-style-type: none"> Πατήστε εντελώς το πεντάλ φρένου στάθμευσης για να το αποδεσμεύσετε από τη θέση φρεναρίσματος.
	<ul style="list-style-type: none"> Ο μοχλοί χειρισμού δεν βρίσκονται στην ανοιχτή θέση κατά την εκκίνηση της χλοοκοπτικής μηχανής. 	<ul style="list-style-type: none"> Επιστρέψτε τους μοχλούς χειρισμού στην ανοιχτή θέση και επανεκκινήστε την χλοοκοπτική μηχανή.
	<ul style="list-style-type: none"> Ο χειριστής δεν κάθεται στο κάθισμα. 	<ul style="list-style-type: none"> Μόνο όταν ο χειριστής κάθεται σωστά στο κάθισμα μπορεί να χειριστεί την χλοοκοπτική μηχανή.
	<ul style="list-style-type: none"> Ο διακόπτης καθίσματος δεν έχει συνδεθεί σωστά. 	<ul style="list-style-type: none"> Απομακρύνετε την μπαταρία από την χλοοκοπτική μηχανή και αποσυναρμολογήστε το κάθισμα με την αντίστροφη σειρά από την αναφερόμενη στις οδηγίες στο απόσπασμα «ΤΟΠΟΘΕΤΗΣΗ ΤΟΥ ΚΑΘΙΣΜΑΤΟΣ» στο παρόν εγχειρίδιο για να επιθεωρήσετε τη σύνδεση διακόπτη καθίσματος. Επανασυναρμολογήστε το κάθισμα και ακολουθήστε τις οδηγίες στο «ΘΕΣΗ ΣΕ ΛΕΙΤΟΥΡΓΙΑ ΤΗΣ ΗΛΕΚΤΡΙΚΗΣ ΧΛΟΟΚΟΠΤΙΚΗΣ ΜΗΧΑΝΗΣ ΤΥΠΟΥ ZERO TURN» για να επανεκκινήσετε την χλοοκοπτική μηχανή και να δείτε εάν είναι δυνατή εκκίνησή της. Εάν όχι, επικοινωνήστε με έναν εξειδικευμένο τεχνικό του σέρβις για την επισκευή.
	<ul style="list-style-type: none"> Υπό ακραίες ψυχρές καιρικές συνθήκες η λειτουργία οδήγησης μπορεί να μην ξεκινήσει επιτυχώς λόγω της προστασίας χαμηλής θερμοκρασίας. 	<ul style="list-style-type: none"> Αποθηκεύετε πάντα την χλοοκοπτική μηχανή και την μπαταρία σε θερμό περιβάλλον. Επανεκκινήστε την χλοοκοπτική μηχανή όταν ζεσταθεί. Μην κάνετε επαναλαμβανόμενες απόπειρες σε ακραίες κρύες καιρικές συνθήκες διότι έτσι μπορεί να προκληθεί ζημιά στη μηχανή. Η συνιστώμενη θερμοκρασία λειτουργίας είναι 0°C-40°C.

ΠΡΟΒΛΗΜΑ	ΑΙΤΙΑ	ΑΝΤΙΜΕΤΩΠΙΣΗ
<p>Η ηλεκτρική χλοοκοπτική μηχανή τύπου zero turn σταματάει να κινείται.</p>	<ul style="list-style-type: none"> Ο μοχλοί χειρισμού απαιτούν «επαναφορά». 	<ul style="list-style-type: none"> Επιστρέψτε τους μοχλούς χειρισμού στην ανοιχτή θέση και επανεκκινήστε την χλοοκοπτική μηχανή.
	<ul style="list-style-type: none"> Τα ηλεκτρονικά στοιχεία ελέγχου των μοχλών χειρισμού δεν λειτουργούν. 	<ul style="list-style-type: none"> Επικοινωνήστε με έναν εξειδικευμένο τεχνικό του σέρβις για την επισκευή.
	<ul style="list-style-type: none"> Ο διακόπτης καθίσματος αποσυνδέθηκε κατά τη διάρκεια της οδήγησης σε ανώμαλο έδαφος. 	<ul style="list-style-type: none"> Απομακρύνετε την μπαταρία από την χλοοκοπτική μηχανή και αποσυναρμολογήστε το κάθισμα με την αντίστροφη σειρά από την αναφερόμενη στις οδηγίες στο απόσπασμα «ΤΟΠΟΘΕΤΗΣΗ ΤΟΥ ΚΑΘΙΣΜΑΤΟΣ» στο παρόν εγχειρίδιο για να επιθεωρήσετε τη σύνδεση διακόπτη καθίσματος. Επανασυναρμολογήστε το κάθισμα και ακολουθήστε τις οδηγίες στο «ΘΕΣΗ ΣΕ ΛΕΙΤΟΥΡΓΙΑ ΤΗΣ ΗΛΕΚΤΡΙΚΗΣ ΧΛΟΟΚΟΠΤΙΚΗΣ ΜΗΧΑΝΗΣ ΤΥΠΟΥ ZERO TURN» για να επανεκκινήσετε την χλοοκοπτική μηχανή και να δείτε εάν είναι δυνατή εκκίνησή της. Εάν όχι, επικοινωνήστε με έναν εξειδικευμένο τεχνικό του σέρβις για την επισκευή.
<p>Η λειτουργία ταχύτητας οδήγησης/οδήγησης δεν ρυθμίζεται κατά τη διάρκεια της οδήγησης.</p>	<ul style="list-style-type: none"> Πρόκειται για ένα χαρακτηριστικό της ηλεκτρικής χλοοκοπτικής μηχανής τύπου zero turn για ασφαλή οδήγηση. 	<ul style="list-style-type: none"> Η λειτουργία θα ενεργοποιηθεί μόνο όταν οι τροχοί χλοοκοπτικής μηχανής σταματάνε και οι μοχλοί χειρισμού είναι ανοιχτοί.
<p>Η ηλεκτρική χλοοκοπτική μηχανή τύπου zero turn δεν εκκινεί τις λεπίδες όταν έχει εμπλακεί ο διακόπτης PTO.</p> <p> Το εικονίδιο διακόπτη PTO αναβοσβήνει</p>	<ul style="list-style-type: none"> Η συνδυασμένη τιμή Ah των εισηγμένων μπαταριών είναι μικρότερη από 15 Ah. 	<ul style="list-style-type: none"> Για τη θέση σε λειτουργία της χλοοκοπτικής μηχανής, απαιτούνται μπαταρίες EGO συνολικής απόδοσης 15Ah (2 X BA4200/BA4200T) ή μεγαλύτερης. Για βέλτιστη απόδοση, συνιστούμε να χρησιμοποιείτε μπαταρίες με συνολικά 30Ah ή περισσότερο.
	<ul style="list-style-type: none"> Ο διακόπτης PTO δεν ωθήθηκε κάτω κατά το τελευταίο σταμάτημα της χλοοκοπτικής μηχανής. 	<ul style="list-style-type: none"> Πιέστε τον διακόπτη PTO προς τα κάτω και επανεκκινήστε τις λεπίδες της χλοοκοπτικής μηχανής.
	<ul style="list-style-type: none"> Η χλοοκοπτική μηχανή υπερφορτώθηκε κατά την εκκίνηση των λεπίδων, με αποτέλεσμα τη λειτουργία αυτοπροστασίας του μοτέρ. 	<ul style="list-style-type: none"> Εκκινήστε την κοπή γρασιδιού με τη μηχανή πρώτα με χαμηλή ταχύτητα λεπίδων και μέχρι οι λεπίδες να επιτύχουν την περιστροφή μην επιταχύνετε τη ταχύτητά τους.
	<ul style="list-style-type: none"> Υπό ακραίες ψυχρές καιρικές συνθήκες το μοτέρ λεπίδων μπορεί να μην ξεκινήσει επιτυχώς λόγω της προστασίας χαμηλής θερμοκρασίας. 	<ul style="list-style-type: none"> Αποθηκεύετε πάντα την χλοοκοπτική μηχανή και την μπαταρία σε θερμό περιβάλλον. Επανεκκινήστε την χλοοκοπτική μηχανή όταν ζεσταθεί. Μην κάνετε επαναλαμβανόμενες απόπειρες σε ακραίες κρύες καιρικές συνθήκες διότι έτσι μπορεί να προκληθεί ζημιά στη μηχανή. Η συνιστώμενη θερμοκρασία λειτουργίας είναι 0°C-40°C.
	<ul style="list-style-type: none"> Η λεπίδα παρεμβαίνει στην παραμορφωμένη βάση χλοοκοπτικής μηχανής. 	<ul style="list-style-type: none"> Επικοινωνήστε με έναν εξειδικευμένο τεχνικό του σέρβις για την επισκευή.

GR

ΠΡΟΒΛΗΜΑ	ΑΙΤΙΑ	ΑΝΤΙΜΕΤΩΠΙΣΗ
Οι λεπίδες σταματάνε να λειτουργούν κατά τη διάρκεια της κοπής γρασιδιού.	<ul style="list-style-type: none"> Η χλοοκοπτική μηχανή έχει υπερφορτωθεί. 	<ul style="list-style-type: none"> Αυξήστε το ύψος κοπής βάσης ή επιβραδύνετε την ταχύτητα οδήγησης για να μειώσετε το φορτίο της χλοοκοπτικής μηχανής.
	<ul style="list-style-type: none"> Η βάση της χλοοκοπτικής μηχανής έχει φράξει με γρασίδι και υπολείμματα. 	<ul style="list-style-type: none"> Καθαρίστε τη βάση της χλοοκοπτικής μηχανής και βεβαιωθείτε ότι οι λεπίδες κινούνται ελεύθερα.
	<ul style="list-style-type: none"> Η χλοοκοπτική μηχανή έχει υπερθερμανθεί. 	<ul style="list-style-type: none"> Μειώστε το φορτίο της χλοοκοπτικής μηχανής αυξάνοντας το ύψος κοπής βάσης ή επιβραδύνοντας τη λεπίδα/την ταχύτητα οδήγησης και αφήστε την χλοοκοπτική μηχανή να κρυώσει.
	<ul style="list-style-type: none"> Η (Οι) συστοιχία(ες) μπαταριών στο χώρο μπαταρίας της χλοοκοπτικής μηχανής υπερθερμάνθηκε(αν), με αποτέλεσμα η συνδυαζόμενη τιμή Ah όλων των εισηγμένων μπαταριών να είναι κάτω από 15 Ah. 	<ol style="list-style-type: none"> Εάν η συνδυαζόμενη τιμή μπαταρίας Ah είναι μικρότερη από 15 Ah, η χλοοκοπτική μηχανή δεν θα λειτουργεί μέχρι να εισαχθούν και άλλες συστοιχίες μπαταριών στους κενούς χώρους μπαταριών. Μόλις η υπερθερμασμένη μπαταρία επιστρέψει στην κανονική θερμοκρασία, θα συμμετέχει αμέσως στην παροχή ισχύος στη χλοοκοπτική μηχανή.
		<ol style="list-style-type: none"> Μειώστε το φορτίο της χλοοκοπτικής μηχανής αυξάνοντας το ύψος κοπής βάσης ή επιβραδύνοντας την κοπή κατά τη συνέχιση λειτουργίας.
	<ul style="list-style-type: none"> Η χλοοκοπτική μηχανή βρίσκεται στην κατάσταση λειτουργίας έκτακτης ανάγκης. 	<ul style="list-style-type: none"> Όταν η χλοοκοπτική μηχανή βρίσκεται στην κατάσταση λειτουργίας έκτακτης ανάγκης, οι λεπίδες γυρίζουν αυτόματα στην χαμηλή ταχύτητα περιστροφής χωρίς να κόβεται γρασίδι. Ο χειριστής πρέπει να σταματήσει την εργασία και να μεταβεί όσο πιο σύντομα γίνεται στον τομέα φόρτισης μπαταρίας.
<ul style="list-style-type: none"> Η χλοοκοπτική μηχανή χτύπησε ξένο αντικείμενο με αποτέλεσμα την αυτοπροστασία του μοτέρ. 	<ul style="list-style-type: none"> Πιέστε τον διακόπτη PTO προς τα κάτω και επανεκκινήστε τις λεπίδες της χλοοκοπτικής μηχανής. 	
Η ένδειξη με ήχο μπιπ συνεχίζει να ηχεί.	<ul style="list-style-type: none"> Η χλοοκοπτική μηχανή βρίσκεται στην κατάσταση λειτουργίας έκτακτης ανάγκης και οι λεπίδες δεν απενεργοποιούνται. 	<ul style="list-style-type: none"> Πιέστε κάτω τον διακόπτη PTO για να απεμπλακούν οι λεπίδες βάσης. Η ένδειξη με ήχο μπιπ θα σταματήσει να ηχεί όταν σταματήσει η λεπίδα.
	<ul style="list-style-type: none"> Η χλοοκοπτική μηχανή σταματάει να κινείται σε πλαγιά και ο χειριστής ανοίγει τους μοχλούς χειρισμού και είναι εκτός του καθίσματος χωρίς να εμπλέξει το πεντάλ φρένου στάθμευσης στη θέση στάθμευσης. 	<ul style="list-style-type: none"> Εμπλέξτε το πεντάλ φρένου στάθμευσης στη θέση φρεναρίσματος πριν αφήσετε την χλοοκοπτική μηχανή στην πλαγιά.

ΠΡΟΒΛΗΜΑ	ΑΙΤΙΑ	ΑΝΤΙΜΕΤΩΠΙΣΗ
Οι ενδείξεις μπαταρίας παραμένουν αναμμένες όταν η χλοοκοπτική μηχανή είναι απενεργοποιημένη.	<ul style="list-style-type: none"> Όταν η χλοοκοπτική μηχανή απενεργοποιηθεί σε επίπεδο έδαφος χωρίς να αφαιρεθεί(ούν) η (οι) συστοιχία(ες) μπαταριών από την χλοοκοπτική μηχανή, οι ενδείξεις μπαταρίας θα παραμείνουν αναμμένες για 3 λεπτά. 	<ul style="list-style-type: none"> Δεν απαιτείται καμία ενέργεια. Οι ενδείξεις μπαταρίας θα σβήσουν μετά από μια χρονική περίοδο.
	<ul style="list-style-type: none"> Όταν η χλοοκοπτική μηχανή απενεργοποιηθεί σε πλαγιά χωρίς να εμπλακεί το πεντάλ φρένου στάθμευσης στη θέση φρεναρίσματος, οι ενδείξεις μπαταρίας θα παραμείνουν ενεργές μέχρι να αδειάσει η μπαταρία. Η ένδειξη με ήχο μπιπ συνεχίζει να ηχεί ταυτόχρονα. 	<ul style="list-style-type: none"> Εμπλέξτε το πεντάλ φρένου στάθμευσης στη θέση φρεναρίσματος προτού αφήσετε το μηχανήμα στην πλαγιά.
Η οθόνη LCD δεν ανάβει με όλα τα εικονίδια ενεργά.	<ul style="list-style-type: none"> Ο χρόνος πίεσης στο κουμπί έναρξης/σταματήματος είναι λιγότερος από 3 δευτερόλεπτα. 	<ul style="list-style-type: none"> Η οθόνη LCD θα προβάλλει μόνο «Δείκτης καυσίμου» εάν πατηθεί σύντομα το κουμπί έναρξης/σταματήματος. Η οθόνη LCD θα ανάψει αφότου πατηθεί το κουμπί έναρξης/σταματήματος για 3 δευτερόλεπτα.
Η χλοοκοπτική μηχανή κόβει ανομοιόμορφα με σημαντική διαφορά ύψους από το πίσω μέρος.	<ul style="list-style-type: none"> Οι λεπίδες είναι στομωμένες. 	<ul style="list-style-type: none"> Τροχίζετε ή αντικαθιστάτε τη λεπίδα κοπής όπως υποδεικνύεται στο παρόν εγχειρίδιο.
	<ul style="list-style-type: none"> Οι λεπίδες είναι λυγισμένες. 	<ul style="list-style-type: none"> Αντικαθιστάτε τη λυγισμένη λεπίδα κοπής σύμφωνα με τις οδηγίες στο απόσπασμα «ΑΝΤΙΚΑΤΑΣΤΑΣΗ ΤΩΝ ΛΕΠΙΔΩΝ ΚΟΠΗΣ».
	<ul style="list-style-type: none"> Η βάση της χλοοκοπτικής μηχανής δεν είναι αλφαδιασμένη, με αποτέλεσμα διαφορετικά ύψη λεπίδας κοπής. 	<ul style="list-style-type: none"> Αλφαδιάστε τη βάση χλοοκοπτικής μηχανής σύμφωνα με τις οδηγίες στο απόσπασμα «ΑΛΦΑΔΙΑΣΜΑ ΤΗΣ ΒΑΣΗΣ ΧΛΟΟΚΟΠΤΙΚΗΣ ΜΗΧΑΝΗΣ».
Το πραγματικό ύψος κοπής γρασιδιού δεν ευθυγραμμίζεται με το ζητούμενο ύψος.	<ul style="list-style-type: none"> Τα παξιμάδια της βάσης χλοοκοπτικής μηχανής έχουν λασκάρει στον σύνδεσμο ανάρτησης 	<ul style="list-style-type: none"> Ακολουθήστε τις οδηγίες στο απόσπασμα «ΑΛΦΑΔΙΑΣΜΑ ΤΗΣ ΒΑΣΗΣ ΧΛΟΟΚΟΠΤΙΚΗΣ ΜΗΧΑΝΗΣ» για να κάνετε σωστή ρύθμιση από μπροστά προς τα πίσω της βάσης χλοοκοπτικής μηχανής και να σφίξετε με ασφάλεια τα τέσσερα παξιμάδια στον σύνδεσμο ανάρτησης (δύο για κάθε πλευρά).
	<ul style="list-style-type: none"> Η βάση της χλοοκοπτικής μηχανής έχει ζημιά ή σοβαρές φθορές. 	<ul style="list-style-type: none"> Ακολουθήστε τις οδηγίες στο απόσπασμα «ΑΠΟΜΑΚΡΥΝΣΗ ΤΗΣ ΒΑΣΗΣ ΧΛΟΟΚΟΠΤΙΚΗΣ ΜΗΧΑΝΗΣ» για να γίνει η αντικατάσταση της βάσης μηχανής.

ΠΡΟΒΛΗΜΑ	ΑΙΤΙΑ	ΑΝΤΙΜΕΤΩΠΙΣΗ
Η χλοοκοπτική μηχανή δεν κάνει σωστή κάλυψη εδάφους.	<ul style="list-style-type: none"> Υγρά αποκόμματα γρασιδιού κολλάνε στην κάτω πλευρά της βάσης. 	<ul style="list-style-type: none"> Περιμένετε ώσπου να στεγνώσει το γρασίδι προτού το κόψετε.
	<ul style="list-style-type: none"> Η χλοοκοπτική μηχανή έχει ρυθμιστεί να κόβει πολύ γρασίδι μονομιάς. 	<ul style="list-style-type: none"> Αυξήστε το ύψος κοπής βάσης.
Προκύπτουν υπερβολικοί κραδασμοί.	<ul style="list-style-type: none"> Οι λεπίδες κοπής είναι χαλαρές. 	<ul style="list-style-type: none"> Σφίξτε το μπουλόνι λεπίδας στην προτεινόμενη ροπή σύσφιξης 50-55 Nm.
	<ul style="list-style-type: none"> Οι λεπίδες είναι λυγισμένες. 	<ul style="list-style-type: none"> Αντικαθιστάτε τη λυγισμένη λεπίδα κοπής σύμφωνα με τις οδηγίες στο απόσπασμα «ΑΝΤΙΚΑΤΑΣΤΑΣΗ ΤΩΝ ΛΕΠΙΔΩΝ ΚΟΠΗΣ».
	<ul style="list-style-type: none"> Η βάση χλοοκοπτικής μηχανής δεν είναι αλφαδισμένη. 	<ul style="list-style-type: none"> Αλφαδιάστε τη βάση χλοοκοπτικής μηχανής σύμφωνα με τις οδηγίες στο απόσπασμα «ΑΛΦΑΔΙΑΣΜΑ ΤΗΣ ΒΑΣΗΣ ΧΛΟΟΚΟΠΤΙΚΗΣ ΜΗΧΑΝΗΣ».
	<ul style="list-style-type: none"> Τα παξιμάδια της βάσης χλοοκοπτικής μηχανής έχουν λασκάρει στον σύνδεσμο ανάρτησης. 	<ul style="list-style-type: none"> Χρησιμοποιήστε ένα ανοικτό κλειδί 18 mm (δεν παρέχεται) για να σφίξετε τα τέσσερα παξιμάδια στον σύνδεσμο ανάρτησης (δύο για κάθε πλευρά).
	<ul style="list-style-type: none"> Η χλοοκοπτική μηχανή έχει ρυθμιστεί να κόβει πολύ γρασίδι μονομιάς. 	<ul style="list-style-type: none"> Αυξήστε το ύψος κοπής βάσης.
Απομένει γρασίδι ή υπολείμματα στο έδαφος μετά την κοπή.	<ul style="list-style-type: none"> Η χλοοκοπτική μηχανή έχει ρυθμιστεί να κόβει πολύ γρασίδι μονομιάς όταν το γρασίδι είναι ψηλό. 	<ul style="list-style-type: none"> Ξεκινήστε με μεγάλο ύψος κοπής και μειώστε το μέχρι να επιτευχθεί το επιθυμητό αποτέλεσμα κοπής. Γρασίδι με ύψος πάνω από 25,4 mm (6 ίντσες) πρέπει να κόβεται δύο φορές, με διαδοχικά χαμηλότερα ύψη κοπής.
	<ul style="list-style-type: none"> Το γρασίδι είναι βρεγμένο. 	<ul style="list-style-type: none"> Μην κόβετε όταν το γρασίδι είναι βρεγμένο, μέχρι να στεγνώσει.
	<ul style="list-style-type: none"> Η ταχύτητα οδήγησης είναι υψηλή. 	<ul style="list-style-type: none"> Μειώστε την ταχύτητα οδήγησης.
	<ul style="list-style-type: none"> Η ταχύτητα λεπίδας είναι χαμηλή. 	<ul style="list-style-type: none"> Αυξήστε σταδιακά την ταχύτητα λεπίδων.
Σύντομος χρόνος λειτουργίας της χλοοκοπτικής μηχανής με την μπαταρία που περιλαμβάνεται.	<ul style="list-style-type: none"> Η κατάσταση του γρασιδιού και η ρύθμιση ύψους κοπής επηρεάζουν εξαιρετικά το χρόνο λειτουργίας της μπαταρίας. Ο δηλωθείς χρόνος λειτουργίας βασίζεται σε συνθήκες ελαφριού φορτίου. 	<ul style="list-style-type: none"> Αυξήστε το ύψος κοπής βάσης και επιβραδύνετε την ταχύτητα λεπίδων για να μειώσετε το φορτίο κοπής.

ΠΡΟΒΛΗΜΑ	ΑΙΤΙΑ	ΑΝΤΙΜΕΤΩΠΙΣΗ
<p>Η χλοοκοπτική μηχανή δεν ακολουθεί ίσια διαδρομή.</p>	<ul style="list-style-type: none"> Οι πιέσεις ελαστικών για τον αριστερό και δεξί πίσω τροχό είναι διαφορετικές. 	<ul style="list-style-type: none"> Ελέγξτε και ρυθμίστε την πίεση αέρα και στα δύο πίσω ελαστικά, σύμφωνα με τη σύσταση στο απόσπασμα «ΕΛΕΓΧΟΣ ΤΗΣ ΠΙΕΣΗΣ ΕΛΑΣΤΙΚΩΝ», στο παρόν εγχειρίδιο.
	<ul style="list-style-type: none"> Οι ταχύτητες οδήγησης για τον αριστερό και δεξί πίσω τροχό είναι διαφορετικές. 	<ul style="list-style-type: none"> Καλιμπράρετε το σύστημα παρακολούθησης χλοοκοπτικής μηχανής σύμφωνα με τις οδηγίες στο απόσπασμα «ΚΑΛΙΜΠΡΑΡΙΣΜΑ ΤΟΥ ΣΥΣΤΗΜΑΤΟΣ ΠΑΡΑΚΟΛΟΥΘΗΣΗΣ ΧΛΟΟΚΟΠΤΙΚΗΣ ΜΗΧΑΝΗΣ».
<p>Το πεντάλ φρένου στάθμευσης δεν αποδεσμεύεται από τη θέση φρεναρίσματος ή επιστρέφει πίσω αργά.</p>	<ul style="list-style-type: none"> Ενδέχεται να υπάρχουν υπολείμματα ή ρύποι που εισέρχονται στο εσωτερικό του πεντάλ φρένου στάθμευσης. 	<ul style="list-style-type: none"> Ανοίξτε το κουτί πεντάλ φρένου στάθμευσης για να καθαρίσετε σχολαστικά το κουτί στο εσωτερικό, και κλείστε το. Επαναφέρετε το πεντάλ φρένου στάθμευσης για να δείτε εάν έχει λυθεί το πρόβλημα. Εάν όχι, επικοινωνήστε με έναν εξειδικευμένο τεχνικό του σέρβις για την επισκευή.
<p>Η χλοοκοπτική μηχανή δεν φορτίζεται μέσω της θύρας φόρτισης και η ένδειξη κατάστασης χλοοκοπτικής μηχανής ανάβει σταθερά με κόκκινο χρώμα.</p>	<ul style="list-style-type: none"> Το βύσμα του φορτιστή δεν έχει εισαχθεί σωστά στη θύρα φόρτισης της χλοοκοπτικής μηχανής. 	<ul style="list-style-type: none"> Επανασυνδέστε το βύσμα φορτιστή για να δείτε εάν η χλοοκοπτική μηχανή μπορεί να φορτιστεί φυσιολογικά.
	<ul style="list-style-type: none"> Δεν υπάρχει ισχύς στις εξόδους τοιχωμάτων. 	<ul style="list-style-type: none"> Δεν απαιτείται καμία ενέργεια. Περιμένετε μέχρι να ανακτηθεί η ισχύς.
	<ul style="list-style-type: none"> Δυσλειτουργία του φορτιστή. 	<ul style="list-style-type: none"> Επικοινωνήστε με έναν εξειδικευμένο τεχνικό του σέρβις για την επιθεώρηση και παραδώστε τον φορτιστή για επισκευή εφόσον απαιτείται.
<ul style="list-style-type: none"> Η θύρα φορτιστή στην χλοοκοπτική μηχανή είναι ελαττωματική. 	<ul style="list-style-type: none"> Επικοινωνήστε με έναν εξειδικευμένο τεχνικό του σέρβις για την επισκευή. 	
<p>Ο χρόνος φόρτισης μέσω της θύρας φόρτισης χλοοκοπτικής μηχανής είναι πολύ μεγάλος.</p>	<ul style="list-style-type: none"> Η χρήση του αντάπτορα EGO ACA1000 για τη φόρτιση απαιτεί πολύ χρόνο. 	<ul style="list-style-type: none"> Χρησιμοποιήστε τον φορτιστή EGO CHV1600E για την απευθείας φόρτιση της ηλεκτρικής χλοοκοπτικής μηχανής τύπου zero turn.
<p>Η μπαταρία δεν φορτίζει πλήρως μέσω της θύρας φόρτισης χλοοκοπτικής μηχανής.</p>	<ul style="list-style-type: none"> Σφάλμα υλικολογισμικού της χλοοκοπτικής μηχανής τύπου ride-on ή βλάβη στο φορτιστή/ την μπαταρία. 	<ul style="list-style-type: none"> Αποσυνδέστε το φορτιστή και περιμένετε για περισσότερο από 1 λεπτό, κατόπιν επανασυνδέστε το βύσμα στην τροφοδοσία ισχύος. Εάν αυτό δεν έχει αποτέλεσμα, επικοινωνήστε με έναν εξειδικευμένο τεχνικό του σέρβις για την επισκευή.
<p>Η χλοοκοπτική μηχανή δεν εκκινείται μετά το καθάρισμα.</p>	<ul style="list-style-type: none"> Ακατάλληλος καθαρισμός όπως διείδυση νερού στα ηλεκτρικά στοιχεία, στην οθόνη LCD κ.λπ. 	<ul style="list-style-type: none"> Ακολουθήστε τις οδηγίες στο απόσπασμα «ΚΑΘΑΡΙΣΜΟΣ ΤΗΣ ΧΛΟΟΚΟΠΤΙΚΗΣ ΜΗΧΑΝΗΣ», για τον σωστό καθαρισμό της μηχανής.

ΠΡΟΒΛΗΜΑ	ΑΙΤΙΑ	ΑΝΤΙΜΕΤΩΠΙΣΗ
Η χλοοκοπτική μηχανή μπλοκάρει εύκολα.	<ul style="list-style-type: none"> Η βάση της χλοοκοπτικής μηχανής έχει φράξει με γρασίδι και υπολείμματα. 	<ul style="list-style-type: none"> Εάν κατά τύχη η χλοοκοπτική μηχανή βρεθεί σε βροχή, αφήστε την να στεγνώσει για πάνω από 12 ώρες ή χρησιμοποιήστε πεπιεσμένο αέρα για να την στεγνώσετε.
		<ul style="list-style-type: none"> Καθαρίζετε τη βάση χλοοκοπτικής μηχανής μετά από κάθε χρήση ακολουθώντας τις οδηγίες στο απόσπασμα «Χρήση της θύρας πλύσης για τον καθαρισμό της βάσης χλοοκοπτικής μηχανής».
Η χλοοκοπτική μηχανή χάνει εύκολα την πρόσφυση κατά την αναρρίχηση σε πλαγιά.	<ul style="list-style-type: none"> Τα ελαστικά των πίσω τροχών έχουν φθαρεί. 	<ul style="list-style-type: none"> Αναζητήστε το τοπικό σέρβις για την αντικατάσταση των ελαστικών τροχών.
	<ul style="list-style-type: none"> Μεγάλη πλαγιά προς κοπή. 	<ul style="list-style-type: none"> Η πλαγιά όπου γίνεται κοπή πρέπει να μικρότερη από 12 μοίρες.
Όταν η χλοοκοπτική μηχανή σταματήσει σε πλαγιά με πιεσμένο το πεντάλ φρένου στάθμευσης, η μηχανή μπορεί να κυλίσει προς τα κάτω.	<ul style="list-style-type: none"> Τα στοιχεία φρένων έχουν φθαρεί υπερβολικά λόγω ακατάλληλης λειτουργίας της χλοοκοπτικής μηχανής. 	<ul style="list-style-type: none"> Επικοινωνήστε με έναν εξειδικευμένο τεχνικό του σέρβις για την επισκευή.
Δεν βγαίνει νερό από τη θύρα πλύσης κατά τη διεξαγωγή της πλύσης βάσης.	<ul style="list-style-type: none"> Ο ταχυζεύκτης θύρας πλύσης δεν έχει τοποθετηθεί στη σωστή θέση στη θύρα πλύσης. 	<ul style="list-style-type: none"> Επαναπροσαρτίστε τον ταχυζεύκτη θύρας πλύσης μέχρι να ακούσετε έναν σαφή ήχο κλικ μετά από σφικτή ώθηση. Εάν αυτό δεν έχει αποτέλεσμα, επικοινωνήστε με έναν εξειδικευμένο τεχνικό του σέρβις για την επισκευή.
Ακούγονται αφύσικοι θόρυβοι κατά τη χειροκίνητη ώθηση της χλοοκοπτικής μηχανής χωρίς εκκίνηση.	<ul style="list-style-type: none"> Ο ήχος προέρχεται από τους μαγνήτες στο εσωτερικό του μοτέρ κίνησης. 	<ul style="list-style-type: none"> Αυτό είναι φυσιολογικό και δεν απαιτείται καμία ενέργεια.

ΑΝΑΦΟΡΑ ΚΑΤΑΣΤΑΣΗΣ ΧΛΟΟΚΟΠΤΙΚΗΣ ΜΗΧΑΝΗΣ & ΚΩΔΙΚΟΙ ΣΦΑΛΜΑΤΩΝ

Οθόνη LCD	Περιγραφή	Κωδικός σφάλματος στην οθόνη LCD	Ένδειξη κατάστασης χλοοκοπτικής μηχανής	Βομβητής	Αιτία	Αντιμετώπιση
	Το εικονίδιο λυχνιών LED προβάλλεται στην οθόνη LCD	Δεν υπάρχει	ΣΒΗΣΤΗ	Όχι	Οι προβολείς, οι πλευρικοί προβολείς και τα πίσω φώτα ενεργοποιούνται από τον διακόπτη λυχνίας LED.	Πρόκειται για κανονική λειτουργία. Δεν απαιτείται καμία ενέργεια.
	Το εικονίδιο USB προβάλλεται στην οθόνη LCD	Δεν υπάρχει	ΣΒΗΣΤΗ	Όχι	Το εικονίδιο USB ανάβει και δείχνει ότι μια συσκευή USB μπορεί να λειτουργεί αφότου εκκινηθεί σωστά η χλοοκοπτική μηχανή.	Πρόκειται για κανονική λειτουργία. Δεν απαιτείται καμία ενέργεια.
	Το εικονίδιο δείκτη καυσίμου προβάλλεται στην οθόνη LCD	Δεν υπάρχει	ΣΒΗΣΤΗ	Όχι	Υποδεικνύει την μέση απόδοση φόρτισης των εισηγμένων μπαταριών	Πρόκειται για κανονική λειτουργία. Δεν απαιτείται καμία ενέργεια.
	Το εικονίδιο μετρητή ωρών προβάλλεται στην οθόνη LCD	Δεν υπάρχει	ΣΒΗΣΤΗ	Όχι	Δείχνει τον συνολικό χρόνο οδήγησης της χλοοκοπτικής μηχανής σε ώρες και δεν επαναρυθμίζεται.	Πρόκειται για κανονική λειτουργία. Δεν απαιτείται καμία ενέργεια.
	Το εικονίδιο δείκτη φορτίου προβάλλεται στο εύρος ECO	Δεν υπάρχει	ΣΒΗΣΤΗ	Όχι	Υποδεικνύει το τρέχον φορτίο της χλοοκοπτικής μηχανής.	Πρόκειται για κανονική λειτουργία. Δεν απαιτείται καμία ενέργεια.
	Η ένδειξη υπερφόρτωσης αναβοσβήνει. Το εικονίδιο δείκτη φορτίου προβάλλεται στο εύρος PWR	Δεν υπάρχει	Αναβοσβήνει με κόκκινο	Ένα μπιπ	Ο κινητήρας λεπίδας έχει υπερφορτωθεί.	Αυξήστε το ύψος κοπής βάσης ή μειώστε την ταχύτητα οδήγησης για να μειώσετε το φορτίο της χλοοκοπτικής μηχανής.

Οθόνη LCD	Περιγραφή	Κωδικός σφάλματος στην οθόνη LCD	Ένδειξη κατάστασης χλοοκοπτικής μηχανής	Βομβητής	Αιτία	Αντιμετώπιση
	Το εικονίδιο κλειδιού ασφαλείας αναβοσβήνει.	Δεν υπάρχει	ΣΒΗΣΤΗ	Όχι	Το κλειδί ασφαλείας δεν έχει εισαχθεί.	Εισαγάγετε το κλειδί ασφαλείας, κατόπιν πιέστε και κρατήστε το κουμπί ENARΞH/ΣΤΑΜΑΤΗΜΑ για περισσότερα από 3 δευτερόλεπτα για να ενεργοποιήσετε την χλοοκοπτική μηχανή.
					Δεν παρέχεται ισχύς στην οθόνη LCD.	Επιτρέψτε ένας εξειδικευμένος τεχνικός του σέρβις να διεξάγει αμέσως τις επισκευές.
	Το εικονίδιο του χώρου με άδεια μπαταρίας αναβοσβήνει.	Δεν υπάρχει	ΣΒΗΣΤΗ	Όχι	Η απόδοση μπαταρίας δεν είναι επαρκής ώστε να επιτρέπεται εργασία με την χλοοκοπτική μηχανή τύπου ride-on.	Για τη θέση σε λειτουργία της χλοοκοπτικής μηχανής, απαιτούνται μπαταρίες EGO συνολικής απόδοσης 15Ah (2 X BA4200/BA4200T) ή μεγαλύτερης. Για την καλύτερη απόδοση συστήνουμε τη χρήση μπαταριών EGO συνολικής απόδοσης 30Ah ή μεγαλύτερης.
	Το εικονίδιο του θερμομέτρου αναβοσβήνει.	Δεν υπάρχει	Αναβοσβήνει με κόκκινο	Ένα μπιπ	Η χλοοκοπτική μηχανή έχει υπερθερμανθεί	Μειώστε το φορτίο της χλοοκοπτικής μηχανής αυξάνοντας το ύψος κοπής βάσης ή επιβραδύνοντας τη λεπίδα/την ταχύτητα. Κάντε ένα διάλειμμα και αφήστε την χλοοκοπτική μηχανή να κρυώσει.

Οθόνη LCD	Περιγραφή	Κωδικός σφάλματος στην οθόνη LCD	Ένδειξη κατάστασης χλοοκοπτικής μηχανής	Βομβητής	Αιτία	Αντιμετώπιση
	<p>Το εικονίδιο υπερθέρμανσης και ο ακριβής κατειλημμένος χώρος μπαταρίας αναβοσβήνουν ταυτόχρονα.</p>	Δεν υπάρχει	Δεν υπάρχει	Όχι	<p>Η συστοιχία μπαταριών στο χώρο μπαταρίας με αντίστοιχη αρίθμηση έχει υπερθερμανθεί.</p>	<p>1. Η χλοοκοπτική μηχανή μπορεί να συνεχίσει να λειτουργεί εάν συνδυαζόμενη τιμή Ah μπαταρίας, εκτός της υπερθερμασμένη; μπαταρίας, είναι ίση με ή μεγαλύτερη από 15 Ah. Μόλις η υπερθερμασμένη μπαταρία επιστρέψει στην κανονική θερμοκρασία, θα συμμετέχει αμέσως στην παροχή ισχύος στη χλοοκοπτική μηχανή.</p>
						<p>2. Εάν η συνδυαζόμενη τιμή μπαταρίας Ah είναι μικρότερη από 15 Ah, η χλοοκοπτική μηχανή δεν θα λειτουργεί μέχρι να εισαχθούν και άλλες συστοιχίες μπαταριών στους κενούς χώρους μπαταριών.</p>
						<p>3. Μειώστε το φορτίο της χλοοκοπτικής μηχανής αυξάνοντας το ύψος κοπής βάσης ή επιβραδύνοντας την κοπή κατά τη συνέχιση λειτουργίας.</p>

Οθόνη LCD	Περιγραφή	Κωδικός σφάλματος στην οθόνη LCD	Ένδειξη κατάστασης χλοοκοπτικής μηχανής	Βομβητής	Αιτία	Αντιμετώπιση
	<p>Τα εικονίδια κάθε κατειλημμένου χώρου μπαταρίας, η ένδειξη χαμηλής ισχύος, τα γραφικά μπαταρίας του δείκτη καυσίμου αναβοσβήνουν κάθε 1 δευτερόλεπτο ταυτόχρονα στην οθόνη LCD. Το πρώτο τμήμα της ένδειξης LED καυσίμου & της ένδειξης κατάστασης αναβοσβήνει επίσης.</p>	Δεν υπάρχει	Αναβοσβήνει με κόκκινο	Συνεχίζει να κάνει μπιπ μέχρι να πιεστεί προς τα κάτω ο διακόπτης PTO.	Οι συστοιχίες μπαταριών έχουν χαμηλή φόρτιση και η χλοοκοπτική μηχανή βρίσκεται σε κατάσταση λειτουργίας έκτακτης ανάγκης.	<p>Σταματήστε την εργασία και επιστρέψτε στον τομέα φόρτισης μπαταρίας.</p> <p>ΣΗΜΕΙΩΣΗ: Όταν η χλοοκοπτική μηχανή βρίσκεται στην κατάσταση λειτουργίας έκτακτης ανάγκης, οι λεπίδες γυρίζουν αυτόματα στην χαμηλή ταχύτητα περιστροφής και στο μεταξύ η ένδειξη ήχου συνεχίζει να ηχεί. Ο χειριστής πρέπει να πιέσει κάτω τον διακόπτη PTO για να απεμπλακούν οι λεπίδες βάσης. Η ένδειξη ήχου θα σταματήσει να ηχεί αφότου οι λεπίδες σταματήσουν.</p>
	<p>Το εικονίδιο κάθε κατειλημμένου τμήματος μπαταρίας και η ένδειξη χαμηλής ισχύος αναβοσβήνουν κάθε μισό δευτερόλεπτο.</p>	Δεν υπάρχει	ΣΒΗΣΤΗ	Όχι	Οι συστοιχίες μπαταριών έχουν σχεδόν αδειάσει.	<p>Η χλοοκοπτική μηχανή θα σταματήσει αμέσως να λειτουργεί. Ο χειριστής πρέπει να μεταφέρει την χλοοκοπτική μηχανή στο χώρο φόρτισης μπαταρίας για τη φόρτιση.</p>

Οθόνη LCD	Περιγραφή	Κωδικός σφάλματος στην οθόνη LCD	Ένδειξη κατάστασης χλοοκοπτικής μηχανής	Βομβητής	Αιτία	Αντιμετώπιση
	Το εικονίδιο αυτόματης στάθμευσης αναβοσβήνει στην LCD.	Δεν υπάρχει	ΣΒΗΣΤΗ	Συνεχίζει να κάνει μπιπ	Η χλοοκοπτική μηχανή είναι σταθμευμένη σε πλαγιά και ο χειριστής αφήνει τη μηχανή χωρίς να εμπλέξει το πεντάλ φρένου στη θέση στάθμευσης και οι μοχλοί χειρισμού απλά βρίσκονται στην ανοιχτή θέση.	Ρυθμίστε το πεντάλ φρένου στη θέση στάθμευσης. Το εικονίδιο αυτόματης στάθμευσης θα είναι ανενεργό και η ένδειξη ήχου θα σταματήσει να ηχεί.
	Το εικονίδιο πεντάλ φρένου προβάλλεται στην οθόνη LCD	Δεν υπάρχει	ΣΒΗΣΤΗ	Όχι	Το πεντάλ φρένου στάθμευσης είναι ρυθμισμένο στη θέση φρεναρίσματος.	Πριν από την ενεργοποίηση της χλοοκοπτικής μηχανής, αποδεσμεύστε.
	Ο αισθητήρας καθίσματος προβάλλεται στην οθόνη LCD	Δεν υπάρχει	ΣΒΗΣΤΗ	Όχι	Ο χειριστής αφήνει το κάθισμα ή ο διακόπτης καθίσματος είναι αποσυνδεδεμένος.	Εάν όταν κάθετοι ο χειριστής στο κάθισμα το εικονίδιο είναι ενεργό, σταματήστε αμέσως τη λειτουργία της χλοοκοπτικής μηχανής και ελέγξτε τη σύνδεση καθίσματος. Εάν η σύνδεση καθίσματος με την χλοοκοπτική μηχανή επιβεβαιωθεί ότι είναι σωστή, επικοινωνήστε με ένα εξειδικευμένο τεχνικό σέρβις για επισκευές.
	Το εικονίδιο διακόπτη PTO αναβοσβήνει.	Δεν υπάρχει	ΣΒΗΣΤΗ	Όχι	Διακόπηκε η λειτουργία του μοτέρ λεπίδας και ο διακόπτης PTO δεν έχει τεθεί στη θέση off.	Πριν επανεκκινήσετε την χλοοκοπτική μηχανή, πιέστε τον διακόπτη PTO προς τα κάτω για να απεμπλέξετε το μοτέρ βάσης. Δείτε το απόσπασμα «ΑΝΤΙΜΕΤΩΠΙΣΗ ΠΡΟΒΛΗΜΑΤΩΝ» στο παρόν εγχειρίδιο για αναφορά.

Kees van der Spek
TUINMACHINES * STOLWIJK

Οθόνη LCD	Περιγραφή	Κωδικός σφάλματος στην οθόνη LCD	Ένδειξη κατάστασης χλοοκοπτικής μηχανής	Βομβητής	Αιτία	Αντιμετώπιση	
	Το εικονίδιο μοχλού χειρισμού αναβοσβήνει.	Δεν υπάρχει	ΣΒΗΣΤΗ	Όχι	Διακόπηκε η λειτουργία του μοτέρ οδήγησης και οι μοχλοί χειρισμού δεν έχουν ρυθμιστεί στην ανοιχτή θέση.	Πριν την επανεκκίνηση της χλοοκοπτικής μηχανής, μετακινήστε τους μοχλούς χειρισμού στην ανοιχτή θέση. Δείτε το απόσπασμα « ΑΝΤΙΜΕΤΩΠΙΣΗ ΠΡΟΒΛΗΜΑΤΩΝ » στο παρόν εγχειρίδιο για αναφορά.	
	Το εικονίδιο ανάκτησης ενέργειας αναβοσβήνει περιστασιακά.	Δεν υπάρχει	ΣΒΗΣΤΗ	Όχι	Η κινητική ενέργεια που δημιουργείται κατά τη διάρκεια του φρεναρίσματος ή της καθοδικής οδήγησης μετατρέπεται σε ηλεκτρική για τη φόρτιση των συστοιχιών μπαταριών.	Πρόκειται για κανονική λειτουργία. Δεν απαιτείται καμία ενέργεια.	
Δείτε «Κωδικοί σφαλμάτων»	Ο αριστερός κινητήρας οδήγησης δεν περιστρέφεται.	Ο αριστερός κινητήρας οδήγησης με έλεγχο PCBA έχει βλάβη.	413	ΣΒΗΣΤΗ	Ένα μπιπ	Βλάβη PCBA	Επιτρέψτε ένας εξειδικευμένος τεχνικός του σέρβις να διεξάγει αμέσως τις επισκευές.
		Το βύσμα (τριπλή φάση, καλώδιο ισχύος) που συνδέει τον αριστερό κινητήρα οδήγησης με το αντίστοιχο PCBA έχει χαλαρώσει.	317	ΣΒΗΣΤΗ	Ένα μπιπ	Χαλαρή σύνδεση	
		Το βύσμα (έξι ακίδες, καλώδιο σήματος) που συνδέει τον αριστερό κινητήρα οδήγησης με το αντίστοιχο PCBA έχει χαλαρώσει.	301	ΣΒΗΣΤΗ	Ένα μπιπ	Χαλαρή σύνδεση	
		Ο αριστερός κινητήρας οδήγησης δεν λειτουργεί.	317	ΣΒΗΣΤΗ	Ένα μπιπ	Βλάβη μοτέρ	

Οθόνη LCD	Περιγραφή	Κωδικός σφάλματος στην οθόνη LCD	Ένδειξη κατάστασης χλοοκοπτικής μηχανής	Βομβητής	Αιτία	Αντιμετώπιση	
Δείτε «Κωδικοί σφαλμάτων»	Ο δεξιός κινητήρας οδήγησης δεν περιστρέφεται.	Ο δεξιός κινητήρας οδήγησης με έλεγχο PCBA έχει βλάβη.	313	ΣΒΗΣΤΗ	Ένα μπιπ	Βλάβη PCBA	Επιτρέψτε ένας εξειδικευμένος τεχνικός του σέρβις να διεξάγει αμέσως τις επισκευές.
		Το βύσμα (τριπλή φάση, καλώδιο ισχύος) που συνδέει τον δεξιό κινητήρα οδήγησης με το αντίστοιχο PCBA έχει χαλαρώσει.	417	ΣΒΗΣΤΗ	Ένα μπιπ	Χαλαρή σύνδεση	
		Το βύσμα (έξι ακίδες, καλώδιο σήματος) που συνδέει τον δεξιό κινητήρα οδήγησης με το αντίστοιχο PCBA έχει χαλαρώσει.	401	ΣΒΗΣΤΗ	Ένα μπιπ	Χαλαρή σύνδεση	
		Ο δεξιός κινητήρας οδήγησης δεν λειτουργεί.	417	ΣΒΗΣΤΗ	Ένα μπιπ	Βλάβη μοτέρ	
Δείτε «Κωδικοί σφαλμάτων»	Ο αριστερός κινητήρας λεπίδας δεν περιστρέφεται.	Ο αριστερός κινητήρας λεπίδας με έλεγχο PCBA έχει βλάβη.	607	Δεν υπάρχει	Ένα μπιπ	Βλάβη PCBA	Επιτρέψτε ένας εξειδικευμένος τεχνικός του σέρβις να διεξάγει αμέσως τις επισκευές.
		Το βύσμα (τριπλή φάση, καλώδιο ισχύος) που συνδέει τον αριστερό κινητήρα οδήγησης με το αντίστοιχο PCBA έχει χαλαρώσει.	509	Δεν υπάρχει	Ένα μπιπ	Χαλαρή σύνδεση	Επιθεωρήστε πρώτα τη λεπίδα. Εάν έχει χαλαρώσει, χρησιμοποιήστε ένα κλειδί ροπής 14 mm για να σφίξετε δεξιόστροφα το μπουλόνι. Η προτεινόμενη ροπή για το μπουλόνι λεπίδας είναι 50-55Nm. Αλλιώς αναθέστε αμέσως τις επισκευές σε εξειδικευμένο τεχνικό σέρβις.
		Ο αριστερός κινητήρας λεπίδας έχει βλάβη	509	Δεν υπάρχει	Ένα μπιπ	Βλάβη μοτέρ	

Οθόνη LCD	Περιγραφή	Κωδικός σφάλματος στην οθόνη LCD	Ένδειξη κατάστασης χλοοκοπτικής μηχανής	Βομβητής	Αιτία	Αντιμετώπιση	
Δείτε «Κωδικοί σφαλμάτων»	Ο δεξιός κινητήρας λεπίδας δεν περιστρέφεται.	Ο δεξιός κινητήρας λεπίδας με έλεγχο PCBA έχει βλάβη.	507	Δεν υπάρχει	Ένα μπιπ	Βλάβη PCBA	Επιτρέψτε ένας εξειδικευμένος τεχνικός του σέρβις να διεξάγει αμέσως τις επισκευές.
		Το βύσμα (τριπλή φάση, καλώδιο ισχύος) που συνδέει τον δεξιό κινητήρα οδήγησης με το αντίστοιχο PCBA έχει χαλαρώσει.	609	Δεν υπάρχει	Ένα μπιπ	Χαλαρή σύνδεση	Επιθεωρήστε πρώτα τη λεπίδα. Εάν έχει χαλαρώσει, χρησιμοποιήστε ένα κλειδί ροπής 14 mm για να σφίξετε δεξιόστροφα το μπουλόνι. Η προτεινόμενη ροπή για το μπουλόνι λεπίδας είναι 50-55Nm. Αλλιώς αναθέστε αμέσως τις επισκευές σε εξειδικευμένο τεχνικό σέρβις.
		Ο δεξιός κινητήρας λεπίδας έχει βλάβη	609	Δεν υπάρχει	Ένα μπιπ	Βλάβη μοτέρ	Επιτρέψτε ένας εξειδικευμένος τεχνικός του σέρβις να διεξάγει αμέσως τις επισκευές.
Δείτε «Κωδικοί σφαλμάτων»	Ο αριστερός μοχλός οδήγησης έχει βλάβη.	311 /412	ΣΒΗΣΤΗ	Ένα μπιπ	Βλάβη PCAB	Επιτρέψτε ένας εξειδικευμένος τεχνικός του σέρβις να διεξάγει αμέσως τις επισκευές.	
Το PCBA που ελέγχει τον αριστερό μοχλό οδήγησης έχει βλάβη.	Χαλαρή σύνδεση						
Δείτε «Κωδικοί σφαλμάτων»	Ο δεξιός μοχλός οδήγησης έχει βλάβη.	Το PCBA που ελέγχει τον δεξιό μοχλό οδήγησης έχει βλάβη.	312 /411	ΣΒΗΣΤΗ	Ένα μπιπ	Βλάβη PCAB	Επιτρέψτε ένας εξειδικευμένος τεχνικός του σέρβις να διεξάγει αμέσως τις επισκευές.
		Το βύσμα που συνδέει το PCBA ελέγχου και βρίσκεται στη μπάρα χειρισμού, έχει λασκάρει.				Χαλαρή σύνδεση	

Οθόνη LCD	Περιγραφή	Κωδικός σφάλματος στην οθόνη LCD	Ένδειξη κατάστασης χλοοκοπτικής μηχανής	Βομβητής	Αιτία	Αντιμετώπιση	
Δείτε «Κωδικοί σφαλμάτων»	Το φρένο στάθμευσης έχει βλάβη, η μηχανή δεν είναι δυνατόν να οδηγηθεί.	Το PCBA φρένου στάθμευσης, που βρίσκεται στο συγκρότημα μπροστινού πλαισίου, έχει σπάσει.	309 /409	ΣΒΗΣΤΗ	Ένα μπιπ	Βλάβη PCBA	Επιτρέψτε ένας εξειδικευμένος τεχνικός του σέρβις να διεξάγει αμέσως τις επισκευές.
		Ο διακόπτης φρένου στάθμευσης ή/και το καλώδιο έχει σπάσει/κοπεί.	801	ΣΒΗΣΤΗ	Ένα μπιπ	Βλάβη καλωδίου/ διακόπτη	
ΣΒΗΣΤΗ	Σφάλμα θύρας φόρτισης		n/a	Ανάβει σταθερά ΚΟΚΚΙΝΟ	Δεν υπάρχει	Η θύρα φόρτισης είναι σε ανοιχτό κύκλωμα.	Ελέγξτε εάν στην έξοδο στον τοίχο υπάρχει τροφοδοσία 220V-240V ή εάν η υποδοχή είναι εντάξει.
			n/a	Ανάβει σταθερά ΚΟΚΚΙΝΟ	Δεν υπάρχει	Δεν υπάρχει τροφοδοσία ισχύος.	Επιτρέψτε ένας εξειδικευμένος τεχνικός του σέρβις να διεξάγει αμέσως τις επισκευές.
			n/a	Ανάβει σταθερά ΚΟΚΚΙΝΟ	Δεν υπάρχει	Έπεσε η ασφάλεια.	Επιτρέψτε ένας εξειδικευμένος τεχνικός του σέρβις να διεξάγει αμέσως τις επισκευές.
Δείτε «Κωδικοί σφαλμάτων»	Σφάλμα θύρας φόρτισης	204	Δεν υπάρχει	Ένα μπιπ	Η θύρα φόρτισης είναι σε ανοιχτό κύκλωμα.		

GR

Οθόνη LCD	Περιγραφή	Κωδικός σφάλματος στην οθόνη LCD	Ένδειξη κατάστασης χλοοκοπτικής μηχανής	Βομβητής	Αιτία	Αντιμετώπιση
Δείτε «Κωδικοί σφαλμάτων»	Το συγκρότημα κουτιού μπαταρίας δεν λειτουργεί	217	Δεν υπάρχει	Ένα μπαπ	Η πηγή ισχύος από το συγκρότημα κουτιού μπαταρίας έχει διακοπεί. Οι προβολείς LED και το USB δεν λειτουργούν.	Επιτρέψτε ένας εξειδικευμένος τεχνικός του σέρβις να διεξάγει αμέσως τις επισκευές.
		310 /410	ΣΒΗΣΤΗ	Ένα μπαπ	Η σύνδεση μεταξύ των καλωδίων τύπου C του συγκροτήματος κουτιού μπαταρίας και άλλων καλωδίων τύπου C της χλοοκοπτικής μηχανής δεν λειτουργεί.	
		201 /202 /203	ΣΒΗΣΤΗ	Ένα μπαπ	Το BMS του συγκροτήματος κουτιού μπαταρίας έχει βλάβη.	
Δείτε «Κωδικοί σφαλμάτων»	Σφάλμα διακόπτη έναρξης/σταματήματος	314 /414	ΣΒΗΣΤΗ	Ένα μπαπ	Βλάβη του PCBA διακόπτη ή κακή σύνδεση καλωδίων στον διακόπτη έναρξης/σταματήματος.	Επιτρέψτε ένας εξειδικευμένος τεχνικός του σέρβις να διεξάγει αμέσως τις επισκευές.
Δείτε «Κωδικοί σφαλμάτων»	Σφάλμα οθόνης LCD	315 /415	ΣΒΗΣΤΗ	Ένα μπαπ	Το συγκρότημα LCD έχει βλάβη ή η σύνδεση καλωδίων του συγκροτήματος LCD είναι κακή.	Επιτρέψτε ένας εξειδικευμένος τεχνικός του σέρβις να διεξάγει αμέσως τις επισκευές.

ΕΓΓΥΗΣΗ

ΠΟΛΙΤΙΚΗ ΕΓΓΥΗΣΗΣ EGO

Επισκεφθείτε την ιστοσελίδα egopowerplus.com για όλους τους όρους και τις προϋποθέσεις της πολιτικής εγγύησης EGO.

TÜM TALİMATLARI OKUYUN!



KULLANIM KILAVUZUNU OKUYUN

⚠ Artık risk! Kalp pili gibi elektronik cihazlar kullanan kişiler bu ürünü kullanmadan önce doktorlarına danışmalıdır. Elektrikli cihazların, kalp pili yakınında çalıştırılması kalp pilinde parazite veya arızaya neden olabilir.

GÜVENLİK SEMBOLÜ

Güvenlik sembollerinin amacı olası tehlikelere dikkatinizi çekmektir. Güvenlik sembolleri ve yanlarındaki açıklamalar özel dikkat ve anlayış göstermenizi gerektirir. Uyarı sembolleri kendi başlarına herhangi bir tehlikeyi gidermez. Sundukları talimat ve uyarılar uygun kaza önleme önlemlerinin yerine geçmez.

⚠ UYARI: Bu aleti kullanmadan önce **“TEHLİKE”**, **“UYARI”** ve **“DİKKAT”** gibi tüm güvenlik uyarı ve sembollerini içeren bu Kullanım Kılavuzundaki tüm güvenlik talimatlarını okuyup anladığınızdan emin olun. Aşağıdaki talimatların tamamına uyulmaması elektrik çarpması, yangın ve/veya ciddi yaralanma ile sonuçlanabilir.

SEMBOLÜN ANLAMI

Bu sayfada, bu ürün üzerinde görülebilecek güvenlik sembolleri gösterilmekte ve açıklanmaktadır. Makineyi monte etmeye ve kullanmaya başlamadan önce makineye ilişkin tüm talimatları okuyup anlayın ve bu talimatlara uyun.

GÜVENLİK SEMBOLLERİ



Güvenlik Uyarısı



Göz Koruması



TEHLİKE – Dik eğim tehlikesi



Asla çocukları taşımayın



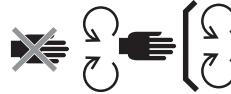
UYARI - Bu makineyi 12°'den daha fazla eğime sahip yerlerde kullanmayın.



UYARI – ELLERİ VE AYAKLARI UZAKTA TUTUN



Kullanım Kılavuzunu Okuyun ve Anlayın



Emniyet Tertibatının Bakımını Yapın



TEHLİKE – Çevredeki Kişileri Bıçakların Uzağında Tutun



Geride geri giderken arkanıza bakın



TEHLİKE – Fırlayan nesnelere



Garanti edilen ses gücü seviyesidir. Avrupa topluluğunun Direktifine göre.

TR



Basmayın



Bu ürün, yürürlükteki AB yönetmeliklerine uygundur



Doğru Akım

kPa

Kilopascal

V

Volt

inç

İnç

Nm

Newton metre

°C

Santigrat

km/sa.

kilometre/saat



Atık elektrikli ürünler, evsel atıklar ile birlikte bertaraf edilmemelidir. Yetkili bir geri dönüşüm merkezine teslim edilmelidir.



DİKKAT – Çalışma lambasına uzun süre bakmayın.



Bu ürün, yürürlükteki Birleşik Krallık yasalarına uygundur.

RPM

Dakikada devir sayısı

m

Metre

cm

Santimetre

mm

Milimetre

kg

Kilogram

IPX4

Hava Girişi Koruma Derecesi

TEKNİK ÖZELLİKLER

Voltaj		56 V
Bıçme Haznesi Boyutu		107cm
Tekerlek Boyutu	Ön	11 x 4 inç (279,4 mm)
	Arka	18 x 8,5 inç (457,2 mm)
Soğuk Lastik Basıncı	Ön	220 kPa
	Arka	50 kPa
Dönüş Yarıçapı		0
Bıçak Hızı (RPM)		2400, 2600, 2800, 3000
Maks. Sürüş Hızı (km/sa.)	İleri	4,8 km/sa., 8 km/sa., 9,6 km/sa., 11,2 km/sa. (Yolculuk modunda 12,8 km/sa.)
	Geri	azami 5,6 km/sa.
Şarj	Şarj Cihazı (İsteğe Bağlı)	CHV1600E
	Adaptör (İsteğe Bağlı)	ACA1000
	Şarj Etme Sıcaklığı Aralığı	5°C - 40°C
Kesim Yüksekliği Ayarı (10 konum)		25 – 100 mm
Çalışma Sıcaklığı		0°C- 40°C
Depolama Sıcaklığı		-20°C - 70°C

Ağırlık (Batarya hariç)		186 kg
Ölçülen ses gücü seviyesi L_{WA}		96.44 dB(A) K=0.68 dB(A)
Operatörün kulağındaki ses basıncı seviyesi L_{PA}		84.3 dB(A) K=3.0 dB(A)
Garanti edilen ses gücü seviyesi L_{WA} (2000/14/EC'ye göre ölçülmüştür)		100 dB(A)
Titreşim a_h	EI	1.221 m/s ² K=1.5 m/s ²
	Vücut	0.568 m/s ² K=1.5 m/s ²

- Beyan edilen toplam titreşim değeri standart bir test yöntemine göre ölçülmüştür ve bir ürünü diğeri ile karşılaştırmak için kullanılabilir.
- Beyan edilen toplam titreşim değeri, maruz kalma seviyesinin ilk değerlendirmesi için de kullanılabilir.

DİKKAT: Elektrikli aletin fiili kullanımı sırasında oluşan titreşim emisyonu değeri aletin kullanım şekline bağlı olarak beyan edilen değerden farklı olabilir. Operatör korunmak için fiili kullanım koşullarında eldiven ve kulak koruması takmalıdır.

TR

AÇIKLAMA

ELEKTRİKLİ SIFIR DÖNÜŞLÜ ÇİM BİÇME TRAKTÖRÜNÜ TANIYIN (Şek. A1 ve A2)

1. Koltuk
2. Şarj Bağlantı Noktası
3. Batarya Bölmesi
4. LED Arka Lambalar
5. Saklama Kutusu
6. Bardak Tutucular
7. LED Yan Lambalar
8. Arka Tekerlek (Çekiş Tekerleği)
9. Biçme Haznesi
10. Biçme Haznesi Koruyucu
11. Kazıma Önleyici Tekerlek
12. Ön Tekerlek
13. Park Freni Pedalı
14. Sürüş Lambaları
15. LED Farlar
16. Yan Boşaltma Oluğu
17. Biçme Haznesi Yüksekliği Ayar Kolu
18. Koltuk Süspansiyonu Ayar Düğmesi
19. Koltuğu İleri-Geri Ayarlama Kolu
20. Direksiyon Kolu
21. Çim Biçme Traktörü Durum Göstergesi
22. LCD Ekran
23. PTO Anahtarı
24. Çalıştır/Durdur Düğmesi
25. Emniyet Anahtarı
26. Telefon Saklama Kutusu
27. Çim Biçme Traktörü Enerji Seviyesi ve Durum Göstergesi
- 27a. Çim Biçme Traktörü Enerji Seviyesi Göstergesi
- 27b. Çim Biçme Traktörü Durum Göstergesi
28. Ayak Koyma Yeri
29. Güç Ünitesi Kapağı Açma Düğmesi
30. Güç Ünitesi Kapağı
31. Batarya Çıkarma Düğmesi
32. Çeki Demiri
33. Aparat Montaj Kapağı
34. Aparat Montaj Kapağı Saklama Yeri
35. USB Bağlantı Noktası

LCD EKRANI VE DÜĞMELERİ TANIYIN (Şek. A3)

LCD Ekrandaki simgeler ve göstergeler hakkında daha fazla bilgi edinmek için “ÇİM BİÇME TRAKTÖRÜ DURUM REFERANSI VE ARIZA KODU” bölümüne bakın.

1. Emniyet Anahtarı Simgesi
2. LED Lamba Simgesi
3. Otomatik Park Simgesi
4. USB Simgesi
5. Bıçak Hızı Göstergesi
6. Emniyet Tertibatı Durum Göstergesi
7. Saat Ölçer
8. Batarya Simgesi
9. Aşırı Isınma Simgesi
10. Sürüş Modu
11. Hata Kodu Göstergesi
12. Aşırı Yük Göstergesi
13. Düşük Güç Göstergesi
14. Sürüş Hızı Göstergesi
15. Yük Göstergesi
16. Bıçak Hızı Ayarlama Düğmesi
17. Ayar Düğmesi
18. Sürüş Modu Düğmesi
19. LED Lamba Anahtarı
20. Sürüş Hızı Ayarlama Düğmesi
21. Enerji Seviyesi Göstergesi

AMBALAJIN AÇILMASI

DİKKAT: Ürünü dikkatlice inceleyip yeterince iyi olduğunu göreceğiniz şekilde kullanana kadar ambalaj malzemelerini saklayın. Ambalaj listesindeki herhangi bir parça makineye monte edilmişse lütfen hemen EGO servisini arayın.

DİKKAT: Aşağıdaki ambalaj listesinde bulunan aletler dışında kılavuzlarda belirtilen tüm diğer aletler sadece önerilmekte olup ürünle birlikte verilmemektedir.

AMBALAJ LİSTESİ (Şek. B1)

B1-1	Elektrikli Sıfır Dönüşlü Çim Biçme Traktörü	B1-7	Emniyet Anahtarları
B1-2	Koltuk	B1-8	Açık Uçlu Anahtarlar (13 mm)
B1-3	Malçlama Aparatı	B1-9	Alyan Anahtarı

B1-4	Direksiyon Kolu	B1-10	Yıkama Ağız Hızlı Bağlantı Parçası
B1-5	Soket Başlı Vidalar (2 tane yedek)	B1-11	Kullanım Kılavuzu
B1-6	Altıgen Cıvatalar (2 tane yedek)		

AMBALAJIN AÇILMASI (Şek. B2 – Şek. B3)

ÖNERİLEN AKSESUARLAR

⚠ UYARI: Sadece aşağıda listelenen orijinal yedek parçaları kullanın. Orijinal ekipman özelliklerini karşılamayan parçaların kullanılması, ürünün hatalı ve tehlikeli bir şekilde çalışmasına neden olabilir.

PARÇA ADI	MODEL NUMARASI
Standart Bıçak	AB4200
Yüksek Bıçak	AB4201
Malçlama Aparatı	AMP4200
Çim Torbası Kiti	ABK4200-A

MONTAJ

KOLTUĞUN TAKILMASI (Şek. C1 ve C2)

⚠ UYARI: Güvenlik kilidi sisteminin bağlantısı kesilmemeli veya sistem devre dışı bırakılmamalıdır. Aksi halde çim biçme traktörü beklenmedik şekilde çalışabilir ve yaralanmalara neden olabilir.

DİKKAT: Güvenliğiniz için sürüş sırasında koltuk anahtarının bağlantısı kesilirse çim biçme traktörü durabilir. Bu durumda daha fazla bilgi için “**SORUN GİDERME**” bölümüne bakın.

C1-1	Kablo	C1-5	Soket Başlı Vidalar
C1-2	Fiş	C2-1	Kanca
C1-3	Soket	C2-2	Çelik Raylar
C1-4	Süspansiyon Tabanı	C2-3	Soket Başlı Vidalar

DİREKSİYON KOLLARININ TAKILMASI (Şek. C3)

C3-1	Direksiyon Kolları	C3-3	Direksiyon Kolu Montaj Delikleri
C3-2	Altıgen Cıvatalar		

MALÇLAMA APARATININ TAKILMASI (Şek. C4)

C4-1	Yan Boşaltma Oluğu	C4-3	Hareketli Yay
C4-2	Malçlama Aparatı		

ÇALIŞTIRMA

ÇİM BİÇME TRAKTÖRÜNÜ KULLANMADAN ÖNCE

Çevre kontrolü

- Çalışma alanında çocukların, başka insanların ve evcil hayvanların olmadığından emin olun.
- Çalışma alanını çim biçme bıçakları tarafından fırlatılabilecek nesnelere temizleyin.
- LED lambaları kontrol edin ve uygun durumda olduklarından emin olun:
 - Farlar, yan lambalar ve arka lambalar LED lamba anahtarları ile kontrol edilir.
 - Sürüş sırasında sürüş lambaları her zaman açık olur.
 - Geri giderken arka lambalar kapalıysa etraftaki insanları uyarmak için yanar; arka lambalar açıksa açık kalmaya devam eder.
 - Çalışma yapılmadan geçen 3 dakikadan sonra tüm lambalar otomatik olarak söner.

Soğuk hava basıncının kontrol edilmesi (Şek. D1)

Çim biçme traktörünün durumunun ve batarya şarj seviyesinin kontrol edilmesi

- Çim biçme traktörü enerji seviyesi göstergesi (Şek. A2 - 27a)

Çim biçme traktörü enerji seviyesi göstergesindeki her bölme, takılı bataryanın %20'lik şarjını gösterir.

DİKKAT: Çim biçme traktörü enerji seviyesi göstergesi ve LCD ekrandaki enerji seviyesi, takılı bataryanın ortalama kapasitesini gösterir.

- Çim biçme traktörü durum göstergesi (Şek. A1 ve Şek. A2 - 27b)

Durum göstergesi yeşilse çim biçme traktörü kullanıma hazırdır. Değilse lütfen “**ÇİM BİÇME TRAKTÖRÜ DURUM REFERANSI VE ARIZA KODU**” bölümüne bakın

Güvenlik kilidi sisteminin test edilmesi (Şek. D2 - Şek. D8)

DİKKAT: Testten önce operatör koltuğa oturmalıdır.

- Testten önce (Şek. D2 – Şek. D4)
- Biçme haznesi bıçak sistemini test etmek için (Şek. D5) yavaşça kalkın
- Sürüş sistemini test etmek için (Şek. D6 – Şek. D8) yavaşça kalkın

Operatör koltuktan kalktığı anda biçme haznesi bıçak sistemi ve/veya sürüş sistemi durmuyorsa ve koltuğun fiş ve soket bağlantısının düzgün olduğu kontrol edildikten sonra sorunun nedeni belirlenemiyorsa hemen EGO müşteri hizmetleri merkezi ile iletişime geçin.

AYARLAMA (Şek. E1 – Şek. E13)

Hazırlık (Şek. E1 – Şek. E5)

Biçme haznesi yüksekliğinin ayarlanması (Şek. E6)

Kazıma önleyici tekerleklerin ayarlanması (Şek. E7 – Şek. E10)

E7-1	Kazıma Önleyici Tekerlek	E9-2	Somunlu Cıvata
E9-1	Somun	E10-1	Biçme Haznesi Yüksekliği Etiket

Koltuğu ayarlanması (Şek. E11)

Çim biçme traktörünü çalıştırmadan önce koltuğu, park freni pedalına sağlam bir şekilde basabileceğiniz konuma ayarlayın. Koltuk süspansiyonu ayarı, koltukta en rahat deneyimi elde edeceğiniz şekilde oturmanızı sağlayabilir.

E11-1	Koltuğu İleri-Geri Ayarlama Kolu	E11-2	Koltuk Süspansiyonu Ayar Düğmesi
-------	----------------------------------	-------	----------------------------------

Park frenini ayarlama (Şek. E12 – Şek. E13)

E13-1	Frene Basılı Konum	E13-2	Fren Bırakılmış Konum
-------	--------------------	-------	-----------------------

ŞARJ ETME (Şek. F1 – Şek. F11)

Bu çim biçme traktörünü çalıştırmak için toplam 15 Ah (2 X BA4200/BA4200T) veya daha fazla güce sahip EGO bataryaları gereklidir. En iyi performansı elde etmek için toplam 30 Ah veya üzeri güce sahip EGO bataryalarının kullanılmasını öneririz.

Sadece önerilen bataryaları ve şarj cihazlarını kullanın. (Şek. F9 ve F10)

Şarj hazırlığı (Şek. F1 – Şek. F4)

Bataryaların ayrı olarak şarj edilmesi (Şek. F5 – Şek. F9)

F5-1	Kapak Açma Düğmesi	F7-1	Batarya Çıkarma Düğmesi
------	--------------------	------	-------------------------

- Bataryaları takmak için (Şek. F5 – Şek. F6)
- Bataryaları çıkarmak için (Şek. F7 – Şek. F8)

DİKKAT: Bataryaları şarj ederken ilgili batarya ve şarj cihazı kılavuzlarına bakın.

Bataryaların şarj bağlantı noktası üzerinden şarj edilmesi (Şek. F10)

F10-1	Toz Kapağı	F10-2	Şarj Bağlantı Noktası
-------	------------	-------	-----------------------

ELEKTRİKLİ SIFIR DÖNÜŞLÜ ÇİM BİÇME TRAKTÖRÜNÜN ÇALIŞTIRILMASI (Şek. A4 – Şek. A5 ve Şek. G1 – Şek. G6)

⚠ UYARI: Özellikle çim biçme traktörünü ilk kez kullanmayı öğrenirken ani çalıştırma, durdurma ve dönüşlerin yanı sıra aşırı hız yapmaktan kaçınınız. Çim biçme traktörü hızlı bir şekilde dönebilir, bu da kontrolü kaybetmenize ve ciddi yaralanmalara ve/veya hasara neden olabilir.

⚠ UYARI: Çim biçme traktörünü çalıştırmadan önce PTO anahtarını aşağı doğru iterken bıçakların devreden çıktığından emin olun. Bıçaklar durmuyorsa çim biçme traktörünü kullanmayın ve hemen EGO müşteri hizmetlerinizle iletişime geçin.

DİKKAT: Çim biçme traktörünü her durumda kullanabilecek tam kapasiteye sahip olana kadar en düşük sürüş hızı ve **STANDART** sürüş modu için Şek. A4 ve Şek. G2'ye uyun. Sürüş hızı ve sürüş modu sadece çim biçme traktörünün tekerlekleri durduğunda ve direksiyon kolları açık olduğunda etkinleşir.

Çim biçme traktörü yeniden başlatıldığında önceki ayarları kaydeder ve bunları kullanır.

Sürüş Modu

- KONTROL:** Çimlerin korunması ve yeni kullanıcılar için düşük hızlanma, düşük tutma hassasiyeti ve yavaş dönüş hızı.
- STANDART:** Günlük kullanım için mükemmel.

- **SPOR:** Çim biçme verimliliğini maksimize etmek ve çim biçme meraklıları için yüksek hızlanma, hassas tutma ve keskin dönüş.

Sürüş Hızını Ayarlama (Şek. A4)

Bıçak Hızını Ayarlama (Şek. A5)

DİKKAT: “YOLCULUK” modundayken “↺” düğmesine bastığınızda sürüş hızı önceki moda geri dönecektir.

USB bağlantı noktası

DİKKAT: USB bağlantı noktası, 1,5 Amperlik toplam çekişte 5 Volt DC şarj gücü sağlar ve sadece çim biçme traktörü çalışırken güç sağlar.

ELEKTRİKLİ SIFIR DÖNÜŞLÜ ÇİM BİÇME TRAKTÖRÜNÜN DURDURULMASI (Şek. H1 – Şek. H6)

DİKKAT: Çalışma yapılmadan geçen 60 dakikadan sonra çim biçme traktörü otomatik olarak durur.

Koruma modu

Batarya şarjı azaldığında çim biçme traktörü Koruma moduna geçer:

- Çim biçme traktörü otomatik olarak çim biçmeyi durdurur;
- Bip sesi göstergesi ses çıkarmaya devam eder;
- Çim biçme traktörü durum göstergesi her saniye kırmızı yanar, enerji seviyesinin ilk bölümü kırmızı yanar ve enerji seviyesindeki düşük güç göstergesi ve batarya grafiği yanar.

Operatörün yapması gerekenler:

- a) Bıçakları devre dışı bırakmak için PTO anahtarını aşağı doğru itin (Şek. H3). Bıçaklar durduğunda bip sesi göstergesi ses çıkarmayı durdurur.
- b) Çalışmayı durdurun ve en kısa sürede batarya şarj alanına gidin. Çim biçme traktörünün gidebileceği maksimum mesafe 1000 m'dir.

Batarya boşalmaya yakinken her kullanılan batarya bölümü simgesi ve düşük güç göstergesi her yarım saniyede bir yanıp söner. Çim biçme traktörü hemen çalışmayı durdurur. Operatörün çim biçme traktörünü şarj için batarya şarj alanına götürmesi gerekir.

Manuel itme

Manuel itme gerekirse bataryaların çim biçme traktörü ile bağlantısının kesildiğinden ve park freni pedalının park konumunda olmadığından emin olun.

ELEKTRİKLİ SIFIR DÖNÜŞLÜ ÇİM BİÇME TRAKTÖRÜNÜN SÜRÜLMESİ (Şek. I1 – Şek. I9)

Durmak, hızı azaltmak veya hızı artırmak için direksiyon kolunun mesafesini nötr konuma göre yavaşça değiştirin.

⚠ TEHLİKE: Tüm hendeklerin, dik inişlerin veya su bulunan yerlerin en az iki biçme genişliği (2,14 m) uzağında kalın. Çim biçme traktörü durduğunda frene basılsa bile ön tekerlekler dönebilir ve traktörün eşik üzerinden geçmesine veya suya girmesine neden olabilir ve bu da ölüm ya da ciddi yaralanma ile sonuçlanabilir.

⚠ UYARI: Geri geri gitmeden önce çim biçme traktörünün arkasında ne olduğuna dikkat edin. Mutlaka gerekli olmadıkça geri geri çim BİÇMEYİN. Geri geri gitmeden önce ve geri geri giderken çim biçme alanında çocukların, başka insanların veya evcil hayvanların olmadığından emin olmak için daima aşağıya ve arkanıza bakın. Bir anlık dikkatsizliğin ölüme veya ciddi yaralanmalara sebep olabileceğini unutmayın.

⚠ UYARI: Bu makineyi halka açık yollarda kullanmayın.

⚠ UYARI: Bir tıkanıklık olursa veya yabancı bir cisme çarparsanız motoru durdurun ve bataryaları sökün. Çim kırıntılarını, yaprakları, kiri ve tüm diğer birikintileri temizleyin, çim biçme traktöründe hasar olup olmadığını iyice kontrol edin ve traktörü yeniden çalıştırıp kullanmadan önce hasarı onarın.

BAKIM

⚠ UYARI: Daima yan siperleri olan göz koruması kullanın. Aksi halde gözlerinize nesnelere fırlayabilir ve ciddi yaralanmalar oluşabilir.

⚠ UYARI: Bıçak bakımı sırasında dayanıklı eldivenler takarak ve/veya bıçağın keskin kenarlarına üstü ve diğer malzemeleri sararak ellerinizi koruyun. Çim biçme traktörünü taşıırken veya bakım/onarım yaparken daima emniyet anahtarını ve bataryayı çıkarın.

Bakım Aralığı	Bakım Prosedürü
Her kullanımdan önce veya günlük	<ul style="list-style-type: none"> Güvenlik kilidi sistemini kontrol edin. Tekerleklerin patlak olup olmadığını gözle kontrol edin. Bıçaklarda aşınma, çatlama veya bükülme olup olmadığını kontrol edin. Ürünün tamamını inceleyerek yan boşaltma oluğu, vidalar, somunlar, cıvatalar, kapaklar gibi parçalarda hasar, eksiklik veya gevşeklik olup olmadığını kontrol edin ve tüm emniyet tertibatının yerinde ve düzgün çalışır durumda olduğundan emin olun. Frenin çalışmasını kontrol edin.
Her kullanımdan sonra	<ul style="list-style-type: none"> Bıçme haznesini temizleyin.
25 saatte bir	<ul style="list-style-type: none"> Lastik basıncını kontrol edin.
50 saatte bir	<ul style="list-style-type: none"> Kesme bıçağı flanşının içindeki gres yağı durumunu kontrol edin.
100 saatte bir	<ul style="list-style-type: none"> Arka tekerlekleri kontrol edin ve 4 somunlu cıvatanın önerilen tork değerinde sıkıldığından emin olun.
200 saatte bir	<ul style="list-style-type: none"> Ön tekerlekleri kontrol edin ve serbestçe döndüklerinden emin olun.
Yıllık	<ul style="list-style-type: none"> Park freni pedalını kontrol edin. Bataryayı çim biçme traktöründen çıkarın ve park pedalını park konumuna getirin. Çim biçme traktörünün hareket edip etmediğini görmek için traktörü manuel olarak ileri itin. Hareket ediyorsa uzman bir servis teknisyenine bakımını yaptırın.

ÇİM BİÇME TRAKTÖRÜNÜN TEMİZLENMESİ (Şek. J1 – Şek. J9)

Hazırlık (Şek. J1 – Şek. J5)

Çim biçme traktörünün gövdesinin temizlenmesi (Şek. J6 - Şek. J7)

Bıçme haznesini temizlemek için yıkama ağzının kullanılması (Şek. J8 - Şek. J9)

J8-1	Yıkama Ağız	J8-3	Bahçe Hortumu
J8-2	Yıkama Ağız Hızlı Bağlantı Parçası		

DİKKAT: Temizliği bitirdikten sonra PTO anahtarını aşağı doğru iterek çim biçme traktörü bıçaklarını devre dışı bırakın.

BİÇME HAZNESİNİN VE KESME BİÇAKLARININ BAKIMI

Hazırlık (Şek. K1 – Şek. K6)

Bıçme haznesinin çıkarılması (Şek. K7 – Şek. K8)

K7-1	Motor Kablosu	K7-3	Süspansiyon Bağlantısı
K7-2	Çatal Pim		

DİKKAT: Bıçme haznesini çıkarırken her iki taraftan motor kablolarını ve çatal pimleri ayırın.

Kesme bıçaklarının değiştirilmesi (Şek. K9 - Şek. K11)

K9-1	Stabilizör	K10-3	Bıçak
K10-1	Cıvata	K10-4	Flanş
K10-2	Rondela	K10-5	Motor Mili

Bıçme haznesini hizalama

a. Ne zaman hizalanmalı (Şek. K12 – Şek. K14)

b. Hizalamadan önce

- Soğuk hava basıncını kontrol edin (Şek. K15)
- Kesme bıçaklarını kontrol edin. Gerekirse aşınmış, çatlak ve/veya bükülmüş bıçakları çıkarın ve değiştirin.

c. Hizalama hazırlığı (Şek. K16 – Şek. K21)

d. Hizalama yöntemi

- Yan yana hizalama yapmak için (Şek. K22)

Her bıçağın alt kenarından zemine ölçülen H1 ve H2 mesafeleri arasındaki fark en fazla 5 mm olmalıdır.

K22-1	Kontra Somun
-------	--------------

- Ön arka hizalama yapmak için (Şek. K23)

Bıçağın öndeki H3 ucu, arkadaki H4 ucundan 2 ila 10 mm daha düşük olmalıdır.

ÇİM BİÇME TRAKTÖRÜ İZLEME SİSTEMİNİN KALİBRASYONU

(Şek. L1 – Şek. L6 ve Şek. L7 – Şek. L12)

DİKKAT: Bip sesi göstergesi, hem kalibrasyon başladığında hem de kalibrasyon bittiğinde bir kez ses çıkarır.

ÇİM BİÇME TRAKTÖRÜNÜN İLK FABRİKA AYARLARINA SIFIRLANMASI

(Şek. M1 – Şek. M4)

DİKKAT: Bip sesi göstergesi, hem sıfırlama başladığında hem de sıfırlama bittiğinde bir kez ses çıkarır.

DEPOLAMA VE TAŞIMA

ÇİM BİÇME TRAKTÖRÜNÜN TAŞINMASI

(Şek. N1 – Şek. N11)

DİKKAT: Taşıma sırasında hareket etmesini önlemek için kayışlar ve kablolar kullanarak çim biçme traktörünü gerektiği gibi sabitleyin. Çim biçme traktörünü yüklerken veya indirirken rampa ve zemin arasındaki 12 derecelik maksimum önerilen çalışma açısını geçmeyin.

DEPOLAMA (Şek. O1 – Şek. O6)

DİKKAT: Bataryaları çıkarın ve ilgili kılavuzdaki talimatlara göre depolayın.

Çim biçme traktörünü depolamadan önce “**ÇİM BİÇME TRAKTÖRÜNÜN TEMİZLENMESİ**” ve “**ÖNERİLEN BAKIM PROGRAMLARI**” bölümlerindeki talimatlara göre traktörün temizliğini ve kontrollerini yapın.


Çevre koruması



WEEE (Atık Elektrikli ve Elektronik Cihazlar) Elektrikli cihazları, kullanılmış aküyü ve şarj cihazını evsel atıklarla bertaraf etmeyin! Bu ürünü yetkili bir geri dönüşüm merkezine götürün ve ayrı bir şekilde toplanmasını sağlayın. Elektrikli aletler çevreyle uyumlu bir geri dönüşüm tesisine götürülmelidir.

SORUN GİDERME

SORUN	NEDENİ	ÇÖZÜM
<p>İlk çalıştırmadan sonra elektrikli sıfır dönüştü çim biçme traktörünün iki direksiyon kolu ileri veya geri itildiğinde traktör gitmiyor.</p> <p>Direksiyon kolu simgesi yanıp söner</p>	<ul style="list-style-type: none"> Takılı bataryaların toplam Ah değeri 15 Ah'tan daha azdır. 	<ul style="list-style-type: none"> Bu çim biçme traktörünü çalıştırmak için toplam 15 Ah (2 X BA4200/BA4200T) veya daha fazla güce sahip EGO bataryaları gereklidir. En iyi performans için toplam gücü 30 Ah veya üzerinde olan bataryalar kullanılmasını öneririz.
	<ul style="list-style-type: none"> Park freni pedalı, frenleme konumuna getirilmiştir. 	<ul style="list-style-type: none"> Frenleme konumundan çıkarmak için park freni pedalına tamamen basın.
	<ul style="list-style-type: none"> Çim biçme traktörü çalıştırılırken direksiyon kolları açık konumda değildir. 	<ul style="list-style-type: none"> Direksiyon kollarını açık konuma geri getirin ve çim biçme traktörünü yeniden başlatın.
	<ul style="list-style-type: none"> Operatör koltukta oturmuyordur. 	<ul style="list-style-type: none"> Sadece operatör doğru bir şekilde koltukta otururken çim biçme traktörü çalıştırılabilir.
	<ul style="list-style-type: none"> Koltuk anahtarı doğru bir şekilde bağlanmamıştır. 	<ul style="list-style-type: none"> Bataryayı çim biçme traktöründen çıkarın, bu kılavuzun "KOLTUĞUN TAKILMASI" bölümündeki talimatları ters sırada uygulayarak koltuğu sökün ve koltuk anahtarı bağlantısını kontrol edin. "ELEKTRİKLİ SIFIR DÖNÜŞLÜ ÇİM BİÇME TRAKTÖRÜNÜN ÇALIŞTIRILMASI" bölümündeki talimatları uygulayarak koltuğu yeniden takın ve çim biçme traktörünün çalışıp çalışmadığını görmek için traktörü yeniden başlatın. Sorun çözülmediyse onarım için yetkili bir servis teknisyeni ile iletişime geçin.
	<ul style="list-style-type: none"> Aşırı soğuk havalarda, düşük sıcaklık koruması nedeniyle sürüş işlevi başarıyla çalıştırılmayabilir. 	<ul style="list-style-type: none"> Çim biçme traktörünü ve bataryayı daima sıcak bir ortamda depolayın. Çim biçme traktörünü ısındığında yeniden başlatın. Aşırı soğuk havalarda lütfen çok fazla çalıştırma denemesi yapmayın aksi halde makine hasar görebilir. Önerilen çalıştırma sıcaklığı 0°C ile 40°C arasındadır.
<p>Elektrikli sıfır dönüştü çim biçme traktörü sürüş sırasında duruyor.</p>	<ul style="list-style-type: none"> Direksiyon kollarının "sıfırlanması" gerekmektedir. 	<ul style="list-style-type: none"> Direksiyon kollarını açık konuma geri getirin ve çim biçme traktörünü yeniden başlatın.
	<ul style="list-style-type: none"> Direksiyon kollarının elektrikli kontrol parçalarında arıza olmuştur. 	<ul style="list-style-type: none"> Onarım için yetkili bir servis teknisyeni ile iletişime geçin.
	<ul style="list-style-type: none"> Engelibeli bir arazide sürüş yaparken koltuk anahtarının bağlantısı kesilmiştir. 	<ul style="list-style-type: none"> Bataryayı çim biçme traktöründen çıkarın, bu kılavuzun "KOLTUĞUN TAKILMASI" bölümündeki talimatları ters sırada uygulayarak koltuğu sökün ve koltuk anahtarı bağlantısını kontrol edin. "ELEKTRİKLİ SIFIR DÖNÜŞLÜ ÇİM BİÇME TRAKTÖRÜNÜN ÇALIŞTIRILMASI" bölümündeki talimatları uygulayarak koltuğu yeniden takın ve çim biçme traktörünün çalışıp çalışmadığını görmek için traktörü yeniden başlatın. Sorun çözülmediyse onarım için yetkili bir servis teknisyeni ile iletişime geçin.

SORUN	NEDENİ	ÇÖZÜM
Sürüş hızı/sürüş modu, sürüş sırasında ayarlanamıyor.	<ul style="list-style-type: none"> Bu durum, güvenli sürüş için elektrikli sıfır dönüşlü traktörün bir özelliğidir. 	<ul style="list-style-type: none"> Bu işlev sadece çim biçme traktörünün tekerlekleri durduğunda ve direksiyon kolları açık olduğunda etkinleşir.
Elektrikli sıfır dönüşlü çim biçme traktörü, PTO anahtarı devreye alındığında bıçakları çalıştırmıyor.  PTO Anahtarı simgesi yanıp söner	<ul style="list-style-type: none"> Takılı bataryaların toplam Ah değeri 15 Ah'tan daha azdır. 	<ul style="list-style-type: none"> Bu çim biçme traktörünü çalıştırmak için toplam 15 Ah (2 X BA4200/BA4200T) veya daha fazla güce sahip EGO bataryaları gereklidir. En iyi performans için toplam gücü 30 Ah veya üzerinde olan bataryalar kullanılmasını öneririz.
	<ul style="list-style-type: none"> Çim biçme traktörü en son durdurulduğunda PTO anahtarı aşağı itilmemiştir. 	<ul style="list-style-type: none"> PTO anahtarını aşağı doğru itin ve bıçakları yeniden çalıştırın.
	<ul style="list-style-type: none"> Bıçaklar çalıştırılmaya başladığında çim biçme traktörü aşırı yüklenmiştir ve bu da motorun kendini korumasına neden olmuştur. 	<ul style="list-style-type: none"> Çim biçme traktörünü önce düşük bıçak hızında çalıştırarak çimleri biçin ve bıçaklar başarılı bir şekilde dönene kadar bıçak hızını artırmayın.
	<ul style="list-style-type: none"> Aşırı soğuk havalarda, düşük sıcaklık koruması nedeniyle bıçak motoru başarıyla çalıştırılmayabilir. 	<ul style="list-style-type: none"> Çim biçme traktörünü ve bataryayı daima sıcak bir ortamda depolayın. Çim biçme traktörünü ısındığında yeniden başlatın. Aşırı soğuk havalarda lütfen çok fazla çalışma denemesi yapmayın aksi halde makine hasar görebilir. Önerilen çalışma sıcaklığı 0°C ile 40°C arasındadır.
	<ul style="list-style-type: none"> Bıçaklar, deforme olmuş biçme haznesine takılıyordur. 	<ul style="list-style-type: none"> Onarım için yetkili bir servis teknisyeni ile iletişime geçin.
Çim biçme sırasında bıçakların çalışması duruyor.	<ul style="list-style-type: none"> Çim biçme traktörü aşırı yüklenmiştir. 	<ul style="list-style-type: none"> Çim biçme traktörünün yükünü azaltmak için biçme haznesi kesim yüksekliğini artırın veya sürüş hızını azaltın.
	<ul style="list-style-type: none"> Biçme haznesi çim ve birikintiler nedeniyle tıkanmıştır. 	<ul style="list-style-type: none"> Biçme haznesini temizleyin ve bıçakların serbestçe hareket ettiğinden emin olun.
	<ul style="list-style-type: none"> Çim biçme traktörü aşırı ısınmıştır. 	<ul style="list-style-type: none"> Biçme haznesi kesim yüksekliğini artırarak veya bıçak/sürüş hızını yavaşlatarak çim biçme traktörünün yükünü azaltın ve çim biçme traktörünün soğumasını bekleyin.
	<ul style="list-style-type: none"> Çim biçme traktörünün batarya bölmesindeki bataryalar aşırı ısınmıştır ve bunun sonucunda tüm takılı bataryaların toplam Ah değeri 15 Ah'ın altına inmiştir. 	<ol style="list-style-type: none"> Toplam batarya Ah değeri 15 Ah'ın altındaysa boş batarya bölmelerine daha fazla batarya takılana kadar çim biçme traktörü çalışmaz. Aşırı ısınan batarya normal sıcaklığına döndüğünde hemen çim biçme traktörüne güç sağlayamaya katılacaktır. Çalışmaya devam ederken biçme haznesi kesim yüksekliğini artırarak veya çim biçme traktörünü yavaşlatarak çim biçme traktörünün yükünü azaltın.
	<ul style="list-style-type: none"> Çim biçme traktörü koruma modundadır. 	<ul style="list-style-type: none"> Çim biçme traktörü Koruma modundayken bıçaklar, çim biçmeden otomatik olarak düşük dönüş hızına geçer. Operatörün çalışmayı durdurması ve en kısa sürede batarya şarj alanına gitmesi gerekir.
<ul style="list-style-type: none"> Çim biçme traktörü yabancı bir nesneye çarpmıştır ve bu da motorun kendini korumasına neden olmuştur. 	<ul style="list-style-type: none"> PTO anahtarını aşağı doğru itin ve bıçakları yeniden çalıştırın. 	

SORUN	NEDENİ	ÇÖZÜM
Bip sesi göstergesi sürekli ses çıkarıyor.	<ul style="list-style-type: none"> Çim biçme traktörü Koruma modundadır ve bıçaklar açılmamıştır. 	<ul style="list-style-type: none"> Biçme haznesi bıçaklarını devre dışı bırakmak için PTO anahtarını aşağı doğru itin. Bıçaklar durduğunda bip sesi göstergesi ses çıkarmayı durdurur.
	<ul style="list-style-type: none"> Çim biçme traktörü eğimli bir yerde sürüşü durdurmuş ve operatör direksiyon kollarını açıp park freni pedalını frenleme konumuna getirmeden koltuktan kalkmıştır. 	<ul style="list-style-type: none"> Çim biçme traktörünü eğimli bir yerde bırakmadan önce park freni pedalını frenleme konumuna getirin.
Batarya göstergeleri, çim biçme traktörü kapatıldığında açık kalmaya devam ediyor.	<ul style="list-style-type: none"> Çim biçme traktörü bataryalar çıkarılmadan düz bir zeminde kapatıldığında batarya göstergeleri 3 dakika yanık kalır. 	<ul style="list-style-type: none"> Herhangi bir işleme gerek yoktur. Batarya göstergeleri bir süre sonra söner.
	<ul style="list-style-type: none"> Çim biçme traktörü park freni pedalı frenleme konumuna getirilmeden eğimli bir yerde kapatıldığında batarya göstergeleri batarya boşalana kadar yanmaya devam eder. Bip sesi göstergesi de aynı zamanda ses çıkarmaya devam eder. 	<ul style="list-style-type: none"> Operatör çim biçme traktörünü eğimli bir yerde bırakmadan önce park freni pedalını frenleme konumuna getirmelidir.
Tüm simgeler açıkken LCD ekranının ışıkları yanmıyor.	<ul style="list-style-type: none"> Çalıştır/Durdur düğmesine basma süresi 3 saniyeden daha azdır. 	<ul style="list-style-type: none"> Çalıştır/Durdur düğmesine kısa süre basıldığında LCD ekranda sadece “Enerji Seviyesi Göstergesi” gösterilir.
		<ul style="list-style-type: none"> Çalıştır/Durdur düğmesine 3 saniyeden daha uzun basıldığında LCD ekran açılır.
Çim biçme traktörü, önden arkaya doğru önemli ölçüde yükseklik farklı olacak şekilde eşit olmayan kesim yapıyor.	<ul style="list-style-type: none"> Bıçaklar körelmiştir. 	<ul style="list-style-type: none"> Kesme bıçağını bu kılavuzdaki talimatlara göre keskin hale getirin veya değiştirin.
	<ul style="list-style-type: none"> Bıçaklar bükülmüştür. 	<ul style="list-style-type: none"> Bükülmüş kesme bıçağını “KESME BIÇAKLARININ DEĞİŞTİRİLMESİ” bölümündeki talimatları uygulayarak değiştirin.
	<ul style="list-style-type: none"> Biçme haznesi hizalanmamıştır, bu da farklı kesme bıçağı yüksekliğine neden olmuştur. 	<ul style="list-style-type: none"> Biçme haznesini “BIÇME HAZNESİNİ HIZALAMA” bölümündeki talimatları uygulayarak hizalayın.
Fiili olarak gerçekleşen çim kesme yüksekliği belirtilen yükseklikle aynı hizada değil.	<ul style="list-style-type: none"> Süspansiyon bağlantısındaki biçme haznesi somunları gevşemiştir. 	<ul style="list-style-type: none"> Biçme haznesinin önden arkaya doğru hizalamasını düzeltmek için “BIÇME HAZNESİNİ HIZALAMA” bölümündeki talimatları uygulayın ve süspansiyon bağlantısındaki dört somunu (her tarafta iki tane) sağlam bir şekilde sıkın.
	<ul style="list-style-type: none"> Biçme haznesi hasar görmüştür veya ciddi biçimde aşınmıştır. 	<ul style="list-style-type: none"> Biçme haznesini değiştirmek için “BIÇME HAZNESİNİ ÇIKARMA” bölümündeki talimatları uygulayın.

SORUN	NEDENİ	ÇÖZÜM
Çim biçme traktörü düzgün malçlama yapmıyor.	<ul style="list-style-type: none"> Islak çim kırpıntıları biçme haznesinin altına yapışmıştır. 	<ul style="list-style-type: none"> Çim biçmeye başlamadan önce çimlerin kurummasını bekleyin.
	<ul style="list-style-type: none"> Çim biçme traktörü, bir defada çok fazla çim kesecek şekilde ayarlanmıştır. 	<ul style="list-style-type: none"> Biçme haznesi kesim yüksekliğini artırın.
Aşırı titreşim var.	<ul style="list-style-type: none"> Kesme bıçakları çok gevşektir. 	<ul style="list-style-type: none"> Bıçak civatasını önerilen tork değerine (50-55 Nm) sıkın.
	<ul style="list-style-type: none"> Bıçaklar bükülmüştür. 	<ul style="list-style-type: none"> Bükülmüş kesme bıçağını "KESME BIÇAKLARININ DEĞİŞTİRİLMESİ" bölümündeki talimatları uygulayarak değiştirin.
	<ul style="list-style-type: none"> Biçme haznesi hizalanmamıştır. 	<ul style="list-style-type: none"> Biçme haznesini "BIÇME HAZNESİNİ HIZALAMA" bölümündeki talimatları uygulayarak hizalayın.
	<ul style="list-style-type: none"> Süspansiyon bağlantısındaki biçme haznesi somunları gevşemiştir. 	<ul style="list-style-type: none"> 18 mm'lik açık uçlu bir anahtar (ürüne dahil değildir) kullanarak süspansiyon bağlantısındaki dört somunu (her tarafta iki tane) sıkın.
	<ul style="list-style-type: none"> Çim biçme traktörü, bir defada çok fazla çim kesecek şekilde ayarlanmıştır. 	<ul style="list-style-type: none"> Biçme haznesi kesim yüksekliğini artırın.
Çim biçtikten sonra zeminde çim veya birikintiler kalıyor.	<ul style="list-style-type: none"> Çim biçme traktörü, çimler uzunken bir defada çok fazla çim kesecek şekilde ayarlanmıştır. 	<ul style="list-style-type: none"> Yüksek bir kesim uzunluğu ile başlayın ve istenilen biçme uzunluğunu elde edene kadar uzunluğu azaltın. 6 inçten daha uzun çimler, arka arkaya daha kısa kesim uzunluklarında iki kez biçilmelidir.
	<ul style="list-style-type: none"> Çimler ıslaktır. 	<ul style="list-style-type: none"> Çimler ıslakken kuruyana kadar biçmeyin.
	<ul style="list-style-type: none"> Sürüş hızı çok yüksektir. 	<ul style="list-style-type: none"> Sürüş hızını düşürün.
	<ul style="list-style-type: none"> Bıçak hızı çok düşüktür. 	<ul style="list-style-type: none"> Bıçak hızını kademeli olarak artırın.
Dahili batarya ile birlikte çim biçme traktörünün çalışma süresi çok kısa sürüyor.	<ul style="list-style-type: none"> Çim koşulları ve kesme yüksekliği ayarı bataryanın çalışma süresini büyük ölçüde etkiler. Belirtilen çalışma süresi hafif yük koşullarına dayanmaktadır. 	<ul style="list-style-type: none"> Kesme yükünü azaltmak için biçme haznesi kesim yüksekliğini artırın ve sürüş hızını azaltın.
Çim biçme traktörü yolu düzgün izlemiyor.	<ul style="list-style-type: none"> Sağ ve sol arka tekerleklerin lastik basınçları farklıdır. 	<ul style="list-style-type: none"> Her iki arka tekerleğin hava basıncını bu kılavuzdaki "LASTİK BASINCININ KONTROL EDİLMESİ" bölümündeki önerilere uygun olarak kontrol edin ve ayarlayın.
	<ul style="list-style-type: none"> Sağ ve sol arka tekerleklerin sürüş hızları farklıdır. 	<ul style="list-style-type: none"> Çim biçme traktörü izleme sistemini "ÇİM BIÇME TRAKTÖRÜ İZLEME SİSTEMİNİN KALİBRASYONU" bölümündeki talimatları uygulayarak kalibre edin.
Park freni pedalı park konumundan serbest bırakılmıyor veya pedal yavaş geri geliyor.	<ul style="list-style-type: none"> Park freni pedalının içine birikinti veya kir girmiş olabilir. 	<ul style="list-style-type: none"> Park freni pedal kutusunu açarak kutunun içini iyice temizleyin ve kutuyu kapatın. Sorunun çözülüp çözülmediğini görmek için park freni pedalını sıfırlayın. Sorun çözülmediyse onarım için yetkili bir servis teknisyeni ile iletişime geçin.

SORUN	NEDENİ	ÇÖZÜM
Çim biçme traktörü durum göstergesi sabit kırmızı yanarken şarj bağlantı noktası üzerinden şarj edilemiyor.	▪ Şarj cihazının fişi, çim biçme traktöründeki şarj bağlantı noktasına doğru takılmamıştır.	▪ Çim biçme traktörünün normal şekilde şarj olup olmadığını görmek için şarj fişini yeniden takın.
	▪ Elektrik prizinde elektrik yoktur.	▪ Herhangi bir işleme gerek yoktur. Güç geri gelene kadar bekleyin.
	▪ Şarj cihazı arızalıdır.	▪ İnceleme için yetkili bir servis teknisyeni ile iletişime geçin ve gerekirse şarj cihazının onarılmasını sağlayın.
	▪ Çim biçme traktöründeki şarj cihazı bağlantı noktası arızalıdır.	▪ Onarım için yetkili bir servis teknisyeni ile iletişime geçin.
Çim biçme traktörü şarj bağlantı noktası üzerinden şarj etme süresi çok uzun sürüyor.	▪ Şarj için ACA1000 EGO Adaptörünü kullanmak daha uzun süre gerektirir.	▪ Elektrikli sıfır dönüşlü çim biçme traktörünü doğrudan şarj etmek için CHV1600E EGO şarj cihazını kullanın.
Batarya, çim biçme traktörü şarj bağlantı noktası üzerinden tamamen şarj edilemiyor.	▪ Çim biçme traktöründe cihaz yazılımı hatası vardır veya şarj cihazı/batarya arızalıdır.	▪ Şarj cihazının fişini çekip en az 1 dk. bekleyin ve ardından fişi prize tekrar takın. Sorun çözülmezse onarım için yetkili bir servis teknisyeni ile iletişime geçin.
Çim biçme traktörü temizlikten sonra çalıştırılmıyor.	▪ Elektrikli parçalara, LCD ekrana su girmesi gibi uygun olmayan şekilde temizlik yapılmıştır.	▪ Çim biçme traktörünü doğru bir şekilde temizlemek için "ÇİM BİÇME TRAKTÖRÜNÜN TEMİZLENMESİ" bölümündeki talimatları uygulayın.
Çim biçme traktörü çok kolay tıkanıyor.	▪ Biçme haznesi çim ve birikintiler nedeniyle tıkanmıştır.	▪ Çim biçme traktörü yanlışlıkla yağmura yakalanırsa kuruması için en az 12 saat bekleyin veya kurutmak için basınçlı hava kullanın.
		▪ "Biçme Haznesini Temizlemek için Yıkama Ağzını Kullanma" bölümüne uygun olarak her kullanımdan sonra biçme haznesini temizleyin.
Çim biçme traktörü yokuş yukarı çıkarken çekim gücünü kolayca kaybediyor.	▪ Arka tekerleklerin lastikleri aşınmıştır.	▪ Tekerlek lastiklerini değiştirmek için yerel servise başvurun.
	▪ Biçme eğimi geniştir.	▪ Çim biçme eğimi 12 dereceden az olmalıdır.
Çim biçme traktörü park freni pedalına basılı olarak eğimli bir yerde durduğunda traktör yokuş aşağı kayabiliyor.	▪ Çim biçme traktörünün hatalı kullanımı nedeniyle fren parçaları aşırı biçimde aşınmıştır.	▪ Onarım için yetkili bir servis teknisyeni ile iletişime geçin.
Biçme haznesini yıkarken yıkama ağzından su gelmiyor.	▪ Yıkama ağzı hızlı bağlantı parçası, yıkama ağzına takılmamıştır.	▪ Yıkama ağzı hızlı bağlantı parçasını yeniden takın ve net bir tık sesi duyana kadar sıkıca itin. Sorun çözülmezse onarım için yetkili bir servis teknisyeni ile iletişime geçin.

SORUN	NEDENİ	ÇÖZÜM
Çim biçme traktörünü çalıştırmadan manuel olarak itince anormal bir ses çıkıyor.	<ul style="list-style-type: none">Tahrik motorunun içindeki mıknatıslardan ses geliyordur.	<ul style="list-style-type: none">Bu durum normaldir ve herhangi bir işleme gerek yoktur.

ÇİM BİÇME TRAKTÖRÜ DURUM REFERANSI VE ARIZA KODU

LCD Ekran	Açıklama	LCD'deki Arıza Kodu	Çim Biçme Traktörü Durum Göstergesi	Bip sesi	Nedeni	Çözüm
	LCD ekranda LED lambalar simgesi gösterilir.	Yok	KAPALI	Hayır	Farlar, yan lambalar ve arka lambalar LED lamba anahtarı ile açılmıştır.	Bu durum normaldir. Herhangi bir işleme gerek yoktur.
	LCD ekranda USB simgesi gösterilir.	Yok	KAPALI	Hayır	USB simgesi, çim biçme traktörü doğru şekilde çalıştırıldıktan sonra bir USB cihazının çalıştırılabileceğini gösterir.	Bu durum normaldir. Herhangi bir işleme gerek yoktur.
	LCD ekranda Enerji Seviyesi Simgesi gösterilir.	Yok	KAPALI	Hayır	Takılı bataryalar için ortalama şarj kapasitesini gösterir.	Bu durum normaldir. Herhangi bir işleme gerek yoktur.
	LCD ekranda Saat Ölçer simgesi gösterilir.	Yok	KAPALI	Hayır	Çim biçme traktörünün toplam sürüş süresini saat cinsinden gösterir ve sıfırlanamaz.	Bu durum normaldir. Herhangi bir işleme gerek yoktur.
	ECO aralığında yük göstergesi simgesi gösterilir.	Yok	KAPALI	Hayır	Çim biçme traktörünün mevcut yükünü gösterir.	Bu durum normaldir. Herhangi bir işleme gerek yoktur.
	Aşırı yük göstergesi yanıp söner. PWR aralığında yük göstergesi simgesi gösterilir.	Yok	Kırmızı yanar	One beep	Bıçak motoruna aşırı yüklenilmiştir.	Çim biçme traktörünün yükünü azaltmak için biçme haznesinin kesim yüksekliğini artırın veya sürüş hızını azaltın.
	Emniyet anahtarı simgesi yanıp söner.	Yok	KAPALI	Hayır	Emniyet anahtarı takılı değildir.	Çim biçme traktörünü çalıştırmak için emniyet anahtarını takın ve ardından ÇALIŞTIR/DURDUR düğmesini 3 saniyeden uzun süre basılı tutun.
					LCD ekrana güç gelmiyordur.	Yetkili bir servis teknisyeni tarafından onarılmasını sağlayın.
	Boş batarya bölmesi simgesi yanıp söner.	Yok	KAPALI	Hayır	Çim biçme traktörünün çalışması için batarya kapasitesi yeterli değildir.	Bu çim biçme traktörünü çalıştırmak için toplam 15 Ah (2 X BA4200/BA4200T) veya daha fazla güce sahip EGO bataryaları gereklidir. En iyi performans için toplam 30 Ah veya üzeri güce sahip EGO bataryalarının kullanılmasını öneririz.

LCD Ekran	Açıklama	LCD'deki Arıza Kodu	Çim Biçme Traktörü Durum Göstergesi	Bip sesi	Nedeni	Çözüm
	Termometre simgesi yanıp söner.	Yok	Kırmızı yanar	Tek bip	Çim biçme traktörü aşırı ısınmıştır.	Biçme haznesi kesim yüksekliğini artırarak veya bıçak/sürüş hızını yavaşlatarak çim biçme makinesinin yükünü azaltın. Biraz ara verin ve çim biçme traktörünün soğumasını bekleyin.
	Aşırı ısınma simgesi ve tam kullanılan batarya bölmesi simgesi aynı anda yanıp söner.	Yok	Yok	Hayır	İlgili numaralı batarya bölümündeki batarya aşırı ısınmıştır.	<p>1. Aşırı ısınan batarya dışında bataryaların toplam Ah gücü 15 Ah'a eşitse veya daha fazlaysa çim biçme traktörü çalışmaya devam edebilir. Aşırı ısınan batarya normal sıcaklığına döndüğünde hemen çim biçme traktörüne güç sağlayamaya katılacaktır.</p> <p>2. Toplam batarya Ah değeri 15 Ah'ın altındaysa boş batarya bölmelerine daha fazla batarya takılana kadar çim biçme traktörü çalışmaz.</p> <p>3. Çalışmaya devam ederken biçme haznesi kesim yüksekliğini artırarak veya çim biçme traktörünü yavaşlatarak çim biçme traktörünün yükünü azaltın.</p>
	LCD ekranda her kullanılan batarya bölmesi simgeleri, düşük güç göstergesi, enerji seviyesinin batarya grafiği her 1 saniyede aynı anda yanıp söner. LED enerji seviyesinin ilk bölmesi ve durum göstergesi de yanıp söner.	Yok	Kırmızı yanar	PTO anahtarını aşağı doğru itene kadar bip sesi çıkarmaya devam eder.	Bataryaların şarjı azdır ve çim biçme traktörü Koruma modundadır.	<p>Çalışmayı durdurun ve batarya şarj alanına geri dönün.</p> <p>DİKKAT: Çim biçme traktörü Koruma modundayken bıçaklar, çim biçmeden otomatik olarak düşük dönüş hızına geçer ve bu sırada ses göstergesi bip sesi çıkarmaya devam eder. Operatör, biçme haznesi bıçaklarını devre dışı bırakmak için PTO anahtarını aşağı doğru itmelidir. Ses göstergesi, bıçak durduktan sonra ses çıkarmayı durdurur.</p>

LCD Ekran	Açıklama	LCD'deki Arıza Kodu	Çim Biçme Traktörü Durum Göstergesi	Bip sesi	Nedeni	Çözüm
	Her kullanılan batarya bölümü simgesi ve düşük güç göstergesi her yarım saniyede bir yanıp söner.	Yok	KAPALI	Hayır	Bataryalar bitmek üzeredir.	Çim biçme traktörü hemen çalışmayı durdurur. Operatörün çim biçme traktörünü şarj için batarya şarj alanına götürmesi gerekir.
	LCD ekranda otomatik park simgesi yanıp söner.	Yok	KAPALI	Bip sesi çıkarmaya devam eder	Çim biçme traktörü eğimli bir yere park edilmiştir ve operatör traktörü fren pedalını frenleme konumuna getirmeden direksiyon kolları açık konumda bırakmıştır.	Fren pedalını frenleme konumuna getirin. Otomatik park simgesi söner ve ses göstergesi ses çalmayı durdurur.
	LCD ekranda fren pedalı simgesi gösterilir.	Yok	KAPALI	Hayır	Park freni pedalı frenleme konumuna getirilmiştir.	Çim biçme traktörünü çalıştırmadan önce freni bırakın.
	LCD ekranda koltuk sensörü simgesi gösterilir.	Yok	KAPALI	Hayır	Operatör koltuktan kalkmıştır veya koltuk anahtarı bağlantısı kesilmiştir.	Operatör koltukta otururken simge yanıyor çim biçme traktörünü kullanmayı hemen bırakın ve koltuk bağlantısını kontrol edin. Çim biçme traktörünün koltuk bağlantısı doğruysa lütfen onarım için yetkili bir servis teknisyeni ile iletişime geçin.
	PTO Anahtarı simgesi yanıp söner.	Yok	KAPALI	Hayır	Bıçak motorunun çalışması kesilmiştir ve PTO anahtarı kapalı konuma getirilmemiştir.	Çim biçme traktörünü yeniden çalıştırmadan önce PTO anahtarını aşağı doğru iterek biçme haznesi motorunu devre dışı bırakın. Referans için bu kılavuzun "SORUN GİDERME" bölümüne bakabilirsiniz.
	Direksiyon kolu simgesi yanıp söner.	Yok	KAPALI	Hayır	Tahrik motorunun çalışması kesilmiştir ve direksiyon kolları açık konuma getirilmemiştir.	Çim biçme traktörünü yeniden çalıştırmadan önce direksiyon kollarını açık konuma getirin. Referans için bu kılavuzun "SORUN GİDERME" bölümüne bakabilirsiniz.
	Enerjinin geri gelmesi simgesi ara sıra yanıp söner.	Yok	KAPALI	Hayır	Frenleme veya aşağı yönlü sürüş sırasında oluşan kinetik enerji bataryaları şarj etmek için elektrik enerjisine dönüştürülmüştür.	Bu durum normaldir. Herhangi bir işleme gerek yoktur.

LCD Ekran	Açıklama	LCD'deki Arıza Kodu	Çim Biçme Traktörü Durum Göstergesi	Bip sesi	Nedeni	Çözüm	
Bkz. "Arıza Kodu"	Sol tahrik motoru dönemez.	PCBA kontrollü sol tahrik motoru arızalıdır.	413	KAPALI	Tek bip	PCBA arızası	Yetkili bir servis teknisyeni tarafından onarılmasını sağlayın.
		Sol tahrik motorunu ilgili PCBA'ya bağlayan fiş (üç fazlı, güç kablosu) gevşemiştir.	317	KAPALI	Tek bip	Gevşek bağlantı	
		Sol tahrik motorunu ilgili PCBA'ya bağlayan fiş (altı pimli, sinyal kablosu) gevşemiştir.	301	KAPALI	Tek bip	Gevşek bağlantı	
		Sol tahrik motoru arızalıdır.	317	KAPALI	Tek bip	Motor arızası	
Bkz. "Arıza Kodu"	Sağ tahrik motoru dönemez.	PCBA kontrollü sağ tahrik motoru arızalıdır.	313	KAPALI	Tek bip	PCBA arızası	Yetkili bir servis teknisyeni tarafından onarılmasını sağlayın.
		Sağ tahrik motorunu ilgili PCBA'ya bağlayan fiş (üç fazlı, güç kablosu) gevşemiştir.	417	KAPALI	Tek bip	Gevşek bağlantı	
		Sağ tahrik motorunu ilgili PCBA'ya bağlayan fiş (altı pimli, sinyal kablosu) gevşemiştir.	401	KAPALI	Tek bip	Gevşek bağlantı	
		Sağ tahrik motoru arızalıdır.	417	KAPALI	Tek bip	Motor arızası	
Bkz. "Arıza Kodu"	Sol bıçak motoru dönemez.	PCBA kontrollü sol bıçak motoru arızalıdır.	607	Yok	Tek bip	PCBA arızası	Yetkili bir servis teknisyeni tarafından onarılmasını sağlayın.
		Sol tahrik motorunu ilgili PCBA'ya bağlayan fiş (üç fazlı, güç kablosu) gevşemiştir.	509	Yok	Tek bip	Gevşek bağlantı	Önce bıçağı kontrol edin. Gevşekse 14 mm'lik bir tork anahtarı kullanarak civatayı saat yönünde sıkın. Bıçak civatası için önerilen sıkma değeri 50-55 Nm'dir. Ya da yetkili bir servis teknisyeni tarafından onarılmasını sağlayın.
		Sol bıçak motoru arızalıdır.	509	Yok	Tek bip	Motor arızası	

LCD Ekran	Açıklama	LCD'deki Arıza Kodu	Çim Bıçme Traktörü Durum Göstergesi	Bip sesi	Nedeni	Çözüm	
Bkz. "Arıza Kodu"	Sağ bıçak motoru dönmez.	PCBA kontrollü sağ bıçak motoru arızalıdır.	507	Yok	Tek bip	PCBA arızası	Yetkili bir servis teknisyeni tarafından onarılmasını sağlayın.
		Sağ tahrik motorunu ilgili PCBA'ya bağlayan fiş (üç fazlı, güç kablosu) gevşemiştir.	609	Yok	Tek bip	Gevşek bağlantı	Önce bıçağı kontrol edin. Gevşekse 14 mm'lik bir tork anahtarını kullanarak cıvatayı saat yönünde sıkın. Bıçak cıvatası için önerilen sıkma değeri 50-55 Nm'dir. Ya da yetkili bir servis teknisyeni tarafından onarılmasını sağlayın.
		Sağ bıçak motoru arızalıdır.	609	Yok	Tek bip	Motor arızası	
Bkz. "Arıza Kodu"	Sol direksiyon kolu arızalıdır.	PCBA'yı kontrol eden sol direksiyon kolu arızalıdır.	311 /412	KAPALI	Tek bip	PCAB arızası	Yetkili bir servis teknisyeni tarafından onarılmasını sağlayın.
		Direksiyon çubuğunda bulunan kontrol PCBA'sını bağlayan fiş gevşektir.				Gevşek bağlantı	
Bkz. "Arıza Kodu"	Sağ direksiyon kolu arızalıdır.	PCBA'yı kontrol eden sağ direksiyon kolu arızalıdır.	312 /411	KAPALI	Tek bip	PCAB arızası	Yetkili bir servis teknisyeni tarafından onarılmasını sağlayın.
		Direksiyon çubuğunda bulunan kontrol PCBA'sını bağlayan fiş gevşektir.				Gevşek bağlantı	
Bkz. "Arıza Kodu"	Park freni arızalıdır, alet sürülemez.	Ön şase aksamındaki PCBA park freni arızalıdır.	309 /409	KAPALI	Tek bip	PCBA arızası	Yetkili bir servis teknisyeni tarafından onarılmasını sağlayın.
		Park freni anahtarı ve/veya kablosu arızalıdır.	801	KAPALI	Tek bip	Kablo/Anahtar arızası	
KAPALI	Şarj Bağlantı Noktası Arızası	n/a	n/a	Sabit Kırmızı	Yok	Şarj bağlantı noktası açık devrededir.	Yetkili bir servis teknisyeni tarafından onarılmasını sağlayın.
		n/a	n/a	Sabit Kırmızı	Yok	Güç kaynağı yoktur.	Prizde 220 V - 240 V olup olmadığını veya socketin iyi durumda olup olmadığını kontrol edin.
		n/a	n/a	Sabit Kırmızı	Yok	Sigorta atmıştır.	Yetkili bir servis teknisyeni tarafından onarılmasını sağlayın.

LCD Ekran	Açıklama	LCD'deki Arıza Kodu	Çim Biçme Traktörü Durum Göstergesi	Bip sesi	Nedeni	Çözüm
Bkz. "Arıza Kodu"	Şarj Bağlantı Noktası Arızası	204	Yok	Tek bip	Şarj bağlantı noktası açık devrededir.	
Bkz. "Arıza Kodu"	Batarya Kutusu Tertibatı çalışmıyor	217	Yok	Tek bip	Batarya Kutusu tertibatından sağlanan güç kaynağı arızalıdır. LED farlar ve USB çalışmaz.	Yetkili bir servis teknisyeni tarafından onarılmasını sağlayın.
		310 /410	KAPALI	Tek bip	Batarya Kutusu tertibatının Type C kabloları ile çim biçme traktörünün diğer Type C kabloları arasındaki bağlantı bozuktur.	
		201 /202 /203	KAPALI	Tek bip	Batarya Kutusu tertibatının BMS'si bozuktur.	
Bkz. "Arıza Kodu"	Çalıştır/Durdur Düğmesi Arızası	314 /414	KAPALI	Tek bip	PCBA anahtarı arızası vardır veya Çalıştır/Durdur Düğmesinin kablo bağlantısı bozuktur.	Yetkili bir servis teknisyeni tarafından onarılmasını sağlayın.
Bkz. "Arıza Kodu"	LCD Ekran Arızası	315 /415	KAPALI	Tek bip	LCD tertibatı veya LCD tertibatının kablo bağlantısı bozuktur.	Yetkili bir servis teknisyeni tarafından onarılmasını sağlayın.

GARANTİ

EGO GARANTİ POLİTİKASI

EGO Garanti Politikasına ilişkin tüm hükümler ve koşullar için lütfen egopowerplus.com adresindeki web sitemizi ziyaret edin.

LUGEGE KÕIKI JUHISEID!



LUGEGE KASUTUSJUHENDIT

⚠ Jääkrisk! Inimesed, kes kasutavad elektroonilisi seadmeid, nt südamestimulaatorit, peaksid enne selle toote kasutamist konsulteerima oma arstiga. Elektriseadmete kasutamine südamestimulaatori läheduses võib põhjustada südamestimulaatori häireid või rikkeid.

OHUTUSSÜMBOL

Ohutussümbolite eesmärk on pöörata tähelepanu võimalikele ohtudele. Ohutussümbolitele ja nende juures olevatele seletustele tuleb korralikult tähelepanu pöörata ja need endale selgeks teha. Ohutussümbolid isenesest ei kõrvalda ohtu. Nendega kaasnevad juhendid ja hoiatused ei asenda asjakohaseid õnnetuste ennetamise meetmeid.

⚠ HOIATUS! Enne käesoleva seadme kasutamist lugege kindlasti läbi ja tehke endale selgeks kõik kasutusjuhendis toodud ohutusjuhised, sh kõik ohutussümbolid nagu „OHT,” „HOIATUS,” ja „ETTEVAATUST”. Kui allpool loetletud juhiseid ei järgita, võib tagajärjeks olla elektrilöök, tulekahju ja/või tõsised isikuvigastused.

SÜMBOLITE TÄHENDUSED

Sel lehel on kujutatud ja kirjeldatud ohutussümboleid, mida võib käesolevalt tootelt leida. Enne seadme kokkupanemist ja kasutamist lugege, tehke omale selgeks ja järgige kõiki juhiseid.

OHUTUSSÜMBOLID



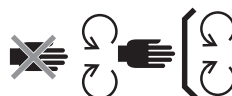
Ohutusteade



Lugege kasutusjuhend läbi ja tehke see endale selgeks



Silmade kaitse



Ohutuseadiste hooldamine



OHT – järsu kallaku oht



OHT – hoidke kõrvalised isikud lõiketeradest eemal



Ärge kunagi sõidutage niidukil lapsi



Vaadake tagurdamisel enda taha



HOIATUS! Ärge kasutage seda masinat kallakutel üle 12°.



OHT – viskuvad esemed



HOIATUS – HOIDKE KÄED JA JALAD EEMAL



Garanteeritud helivõimsuse tase. Vastavuses Euroopa Ühenduse direktiiviga.

ET



Ärge peale astuge



Toode vastab kohaldatavatele EÜ direktiividele.



Alalisvool

kPa

Kilopaskal

V

Volti

tolli

Toll

Nm

Njuutonmeeter

°C

Celsius

km/h

Kilomeetrit tunnis



Elektriseadmete jäätmeid ei tohi visata olmejäätmete hulka. Viige volitatud taaskäitleja juurde.



ETTEVAATUST! Ärge vaadake otse töötava lambi suunas.



Toode vastab kohaldatavatele Ühendkuningriigi õigusaktidele.

p/min

Pööret minutis

m

Meetrit

cm

Sentimeetrid

mm

Millimeetrit

kg

Kilogramm

IPX4

Kaitseklass

SPETSIFIKATSIOONID

Pinge	56 V
Aluse suurus	107 cm
Ratta suurus	Eesmine 11 x 4 tolli (279,4 mm)
	Tagumine 18 x 8,5 tolli (457,2 mm)
Külma rehvi rõhk	Eesmine 220 kPa
	Tagumine 50 kPa
Pöörderaadius	0
Terakiirus (p/min)	2400, 2600, 2800, 3000
Max Sõidukiirus (km/h)	Edasi 4,8 km/h, 8 km/h, 9,6 km/h, 11,2 km/h (reisimisrežiimis 12,8 km/h)
	Tagurdamine kuni 5,6/h
Laadimine	Laadija (valikuline) CHV1600E
	Adapter (valikuline) ACA1000
	Laadimis-temperatuuri vahemik -5°C–40°C
Lõikekõrguse reguleerimine (10 asendit)	25–100 mm

Töötemperatuur	0°C– 40°C
Hoiustamistemperatuur	-20°C–70°C
Kaal (ilma akuplokita)	186 kg
Mõõdetud helivõimsuse tase L_{WA}	96,44 dB(A) K=0,68 dB(A)
Helirõhk seadme operaatori kõrva juures L_{PA}	84,3 dB(A) K=3,0 dB(A)
Garanteeritud helivõimsuse tase L_{WA} (mõõdetud vastavalt 2000/14/EÜ)	100 dB(A)
Vibratsioon a_h	Käsi 1,221 m/s ² K=1,5 m/s ²
	Keha 0,568 m/s ² K=1,5 m/s ²

- Esitatud vibratsioonitaseme näit on mõõdetud standardsete testmeetodite kohaselt ja seda võidakse kasutada erinevate tööriistade võrdlemiseks.
- Esitatud vibratsioonitaseme näitu võib kasutada ka algse kokkupuutehinnangu andmiseks.

MÄRKUS: Tegelikul kasutamisel tekkiv vibratsioonitase võib esitatust erineda; turvalisuse eesmärgil peaks seadme kasutaja tegelikes kasutustingimustes kandma kindaid ja kuulmiskaitsmeid.

ET

KIRJELDUS

ÕPPIGE TUNDMA NULLPÖÖDERAADIUSEGA ELEKTRILIST NIIDUKIT (joonised A1 ja A2)

1. Iste
2. Laadimisport
3. Akupesa
4. LED-tagatuled
5. Hoiukarp
6. Tassihoidjad
7. LED-küljetuled
8. Tagaratas (veoratas)
9. Sõidulaud
10. Niiduki aluse kaitse
11. Tugiratas
12. Esiratas
13. Seisupiduri pedaal
14. Sõidutuled
15. LED-esituled
16. Külmine väljutusrenn
17. Lõikekõrguse reguleerimisnupp
18. Istme vedrustuse reguleerimisnupp
19. Istme edasi-tagasi reguleerimishoob
20. Juhthoob
21. Niiduki oleku märgutuli
22. LCD-ekraan
23. Jõusiirdevõlli lüliti
24. Sisse-väljalülitusnupp
25. Turvavõti
26. Telefoni hoiukarp
27. Niiduki kütusenäidiku ja oleku märgutuli
- 27a. Niiduki kütusenäidiku märgutuli
- 27b. Niiduki oleku märgutuli
28. Jalatugi
29. Toiteploki kaane vabastusnupp
30. Toiteploki kate
31. Akuvabastusnupp
32. Haakesead
33. Lisaseadme paigalduskate
34. Lisaseadme paigalduskatte hoiustamine
35. USB port

ÕPPIGE TUNDMA LCD-EKRAANI JA NUPPE (joonis A3)

Lisateavet LCD-ekraanil olevate ikoonide ja märgutulede kohta leiate jaotisest „NIIDUKI OLEKU VIIDE JA RIKKEKOD“.

1. Turvavõtme ikoon
2. LED-tulete ikoon
3. Auto-Parking ikoon
4. USB ikoon
5. Terakiiruse märgutuli
6. Ohutusseadise oleku märgutuli
7. Tunniarvesti
8. Aku ikoon
9. Ülekuumenemise ikoon
10. Sõidurežiim
11. Veakoodi märgutuli
12. Ülekoormuse märgutuli
13. Madala energia märgutuli
14. Sõidukiiruse märgutuli
15. Koormuse märgutuli
16. Terakiiruse reguleerimisnupp
17. Seadistamisnupp
18. Sõidurežiimi nupp
19. LED-tule lüliti
20. Sõidukiiruse reguleerimisnupp
21. Kütusemõõdik

LAHTIPAKKIMINE

MÄRKUS: Ärge visake pakkematerjali ära enne, kui olete tööriista tähelepanelikult üle kontrollinud ja seda rahuldavate tulemustega kasutanud. Kui mõni pakendiloendis olev osa on puudu, võtke kohe ühendust EGO teenindusega.

MÄRKUS: Välja arvatud allpool pakendiloendis olevad tööriistad, on kõik muud juhendis mainitud tööriistad lihtsalt soovitatavad, kuid neid ei tarnita koos seadmega.

PAKENDILOEND (joonis B1)

B1-1	Nullpöörderaadiusega elektriline niiduk	B1-7	Turvavõtmed
B1-2	Iste	B1-8	Harkvõtmed (13 mm)

B1-3	Multšimispistik	B1-9	Kuuskantvõti
B1-4	Juhthoob	B1-10	Pesuava kiirühendus
B1-5	Pesapeakruvid (2 tagavaraks)	B1-11	Kasutusjuhend
B1-6	Kuuskantpoldid (2 tagavaraks)		

LAHTIPAKKIMINE (joonised B2–B3)

SOOVITATUD TARVIKUD

⚠ HOIATUS: Hooldusel ja remontimisel kasutage vaid allpool loetletutega identseid varuosi. Algele tootespetsifikatsioonile mittevastavate varuosade kasutamine võib põhjustada häireid seadme töös ja puudujääke ohutuses.

OSA NIMI	MUDELI NUMBER
Standardtera	AB4200
Kõrge tõstega tera	AB4201
Multšimispistik	AMP4200
Murukoguri kott	ABK4200-A

KOKKUPANEK

ISTME PAIGALDAMINE (joonised C1 ja C2)

⚠ HOIATUS: Turvablokeerimissüsteemi ei tohi lahti ühendada ega sellest mööda minna. See võib niiduki ootamatult käivita, põhjustades kehavigastusi.

MÄRKUS: Teie ohutuse tagamiseks võib niiduk seisma jääda, kuna istme lüliti on sõidu ajal lahti tulnud. Sel juhul vaadake lisateavet jaotisest „TÕRKEOTSING“.

C1-1	Kaabel	C1-5	Pesapeakruvid
C1-2	Pistik	C2-1	Konks
C1-3	Pesa	C2-2	Terasreksid
C1-4	Vedrustuse alus	C2-3	Pesapeakruvid

JUHTHOODE PAIGALDAMINE (joonis C3)

C3-1	Juhthoovad	C3-3	Juhthoova kinnitusavad
------	------------	------	------------------------

C3-2	Kuuskantpoldid		
------	----------------	--	--

MULTŠIMISPISTIKU PAIGALDAMINE (joonis C4)

C4-1	Külgmine väljutusrenn	C4-3	Liigutatav vedru
C4-2	Multšimispistik		

SEADME KASUTAMINE

ENNE NIIDUKI KASUTAMIST

Kontrollimise keskkond

- Tagage, et tööalas poleks lapsi, kõrvalisi isikuid ega lemmikloomi.
- Puhastage tööala esemetest, mida niiduki terad võivad üles visata.
- Kontrollige ja veenduge, et LED-tuled oleksid õiges olekus:
 - Esilaternalid, külg- ja tagatulesid juhitakse LED-valguslülitil abil.
 - Sõitmise ajal põlevad alati tuled.
 - Tagurdamise ajal, kui tagatuled on välja lülitatud, vilguvad need kõrvaliste isikute hoiatamiseks; kui tagatuled sisse lülitada, jäävad need põlema.
 - Kõik tuled kustuvad automaatselt rohkem kui 3 minuti pärast ilma niiduki töötamiseta

Külma rehvirõhu kontrollimine (joonis D1)

Niiduki oleku ja aku laetuse taseme kontrollimine

- Niiduki kütusenäidiku näidik (joonised A2–27a)

Niiduki kütusenäidiku märgutule iga segment näitab sisestatud akuplokkide 20% täituvust.

MÄRKUS: Niiduki kütusenäidiku märgutuli ja kütusenäidik LCD-ekraanil näitavad sisestatud akuplokkide keskmist mahtuvust.

- Niiduki oleku märgutuli (joonised A1 ja A2–27b)

Kui oleku märgutuli on roheline, on niiduk sõiduks valmis. Kui ei, siis vaadake jaotist „NIIDUKI OLEKU VIIDE JA VEAKOOD“

Turvablokeerimisüsteemi katsetamine (joonised D2–D8)

MÄRKUS: Kasutaja peab enne katsetamist istmele istuma.

- Enne katsetamist (joonised D2–D4)
- Niiduki aluse terade süsteemi (joonis D5) katsetamiseks tõuske aeglaselt püsti
- Sõidusüsteemi katsetamiseks (joonised D6–D8) tõuske aeglaselt püsti

Kui aluse terade süsteem ja/või juhtimissüsteem ei peatu, kui juht istmelt lahkub ja kui pärast istme pistiku- ja pistikupesäühenduse kontrollimist ei ole põhjust võimalik kindlaks teha, võtke kohe ühendust EGO klienditeeninduskeskusega.

REGULEERIMINE (joonised E1–E13)

Ettevalmistus (joonised E1–E5)

Lõikamisaluse kõrguse reguleerimine (joonis E6)

Tugirataste reguleerimine (joonised E7– E10)

E7-1	Tugiratas	E9-2	Puidupolt
E9-1	Mutter	E10-1	Niiduki aluse kõrguse silt

Istmereguleerimine (joonis E11)

Reguleerige istme asendit selliselt, et ulatuksite enne niiduki kasutamist kindlalt seisupiduri pedaalini. Istme vedrustuse reguleerimine võimaldab teil istmel kõige mugavama asendi võtta.

E11-1	Istme edasi-tagasi reguleerimishoob	E11-2	Istme vedrustuse reguleerimisnupp
-------	-------------------------------------	-------	-----------------------------------

Seisupiduri seadistamine (joonised E12–E13)

E13-1	Pidurdusasend	E13-2	Vabastatud asend
-------	---------------	-------	------------------

LAADIMINE (joonised F1–F11)

Selle niiduki käivitamiseks on vaja EGO akusid kogumahtuvusega vähemalt 15 Ah (2 X BA4200/BA4200T). Parima jõudluse tagamiseks soovime kasutada EGO akusid, mille kogumahtuvus on vähemalt 30 Ah.

Kasutage ainult soovitatud akuplokke ja laadijaid: (joonised F9 ja F10)

Laadimise ettevalmistus (joonised F1–F4)

Akuploki (-plokkide) eraldi laadimine (joonised F5–F9)

F5-1	Katte vabastamise nupp	F7-1	Akuvabastusnupp
------	------------------------	------	-----------------

- Akuploki (-plokkide) paigaldamine (joonised F5–F6)
- Akuploki (-plokkide) eemaldamine (joonised F7–F8)

MÄRKUS: Akuploki (-plokkide) laadimiseks tutvuge vastavate akude ja laadijate kasutusjuhendeid.

Aku laadimine laadimispori kaudu (joonis F10)

F10-1	Tolmukate	F10-2	Laadimisport
-------	-----------	-------	--------------

NULLPÖÖRDERAADIUSEGA ELEKTRILISE NIIDUKI KÄIVITAMINE (joonised A4–A5 ja joonised G1–G6)

⚠ HOIATUS: Vältige äkilisi käivitusi, peatusi ja pööreid, samuti liigset kiirust, eriti kui te alles õpite niidukit kasutama. Niiduk võib kiiresti pöörlema hakata, mille tõttu võib kontroll niiduki üle kaduda ning kasutaja saada raskeid vigastusi ja/või kahju.

⚠ HOIATUS: Enne niiduki käivitamist kontrollige ja veenduge, et jõusirdevõlli lüliti alla vajutades on terad välja lülitatud. Kui terad ei peatu, ärge niidukit kasutage ja võtke kohe ühendust EGO klienditeenindusega.

MÄRKUS: Järgige jooniseid A4 ja G2, et tagada väiksem sõidukiirus ja **STANDARDNE** sõidurežiim, kuni olete täielikult võimeline niidukit igas olukorras juhtima. Sõidukiirus ja sõidurežiim aktiveeruvad alles siis, kui niiduki rattad on peatunud ja juhthoovad avatud.

Niiduk salvestab eelmise seadistuse ja esitab selle taaskäivitamisel.

Sõidurežiim

- JUHTIMINE:** Väiksem kiirendus, vähem tundlik käsitsemine ja mõõdukas pöörämiskiirus muru kaitsmiseks ja uutele kasutajate jaoks.
- STANDARDNE:** Sobib ideaalselt igapäevaseks kasutamiseks.
- SPORTIMINE:** Suurem kiirendus, täpne käsitsemine ja järsk pööre, et maksimeerida niitmise tõhusust ja niitmise entusiastide jaoks.

Sõidukiiruse reguleerimine (joonis A4)

Terakiiruse reguleerimine (joonis A5)

MÄRKUS: Reisisirežiimis vajutage nuppu “” ja sõidukiirus naaseb eelneva režiimi seadistusele.

USB port

MÄRKUS: USB-port tagab 5-voldise alalisvoolu laadimisvõimsuse kuni 1,5-amprisel kombineeritud voolutugevusel ja saab toidet ainult niiduki käivitamisel.

NULLPÖÖRDRAADIUSEGA ELEKTRILISE NIIDUKI SEISKAMINE (joonised H1–H6)

MÄRKUS: Pärast enam kui 60-minutilist töötamist lülitub niiduk automaatselt välja.

Avariirežiim

Kui aku hakkab tühjaks saama, siis läheb niiduk avariirežiimi:

- Niiduk peatab automaatselt muru niitmise;
- Piiksumise märgutuli jätkab piiksumist;
- Niiduki oleku märgutuli vilgub punaselt iga sekundi tagant, niiduki kütusenäidiku esimene segment vilgub punaselt ja nii vähese energia märgutuli kui ka akugraafika kütusenäidikul vilguvad.

Kasutaja peaks:

- a) Terade väljalülitamiseks vajutage jõusiirdevõlli lüliti alla (joonis H3). Tera seiskamisel lakkab piiksumise märgutuli piiksumast;
- b) Lõpetage töö ja suunduge aku laadimispiirkonda niipea kui võimalik. Maksimaalne vahemaa, mida niiduk suudab läbida, on 1000 m.

Kui aku on peaaegu tühi, vilgub iga hõivatud akupesa ja vähese energia märgutuli iga poole sekundi tagant. Niiduk lakkab kohe töötamast. Kasutaja peaks niiduki laadimiseks aku laadimispiirkonda transportima.

Käsitsi lükkamine

Kui niidukit on vaja käsitsi lükata, veenduge et akud oleksid niidukist lahti ühendatud ja seisupiduri pedaal on pidurdusasendist vabastatud.

NULLPÖÖRDERAADIUSEGA ELEKTRILISE NIIDUKI JUHTIMINE (joonised I1–I9)

Kiiruse peatamiseks, vähendamiseks või suurendamiseks vahetage aeglaselt juhthoova kaugust neutraalist.

⚠ OHT! Jääge vähemalt kahe niitmislaiuse (2,14 m) kaugusele kraavidest, langustest või veest. Esirattad võivad niiduki peatamisel pöörlema hakata ka siis, kui on pidurit vajutatud, ja põhjustada niiduki üle serva või vette kukkumise, mille tagajärg võib olla surm või tõsised kehavigastused.

⚠ HOIATUS: Enne tagurdamist tehke kindlaks, mis on niiduki taga. ÄRGE niitke tagurpidikäiguga, kui see pole just hädavajalik. Vaadake enne tagurdamist alati alla ja enda taha veendumaks, et niitmisalal ei oleks lapsi, kõrvalisi isikuid ega lemmikloomi. Pidage meeles, et surma ja raskeid vigastusi põhjustavaks õnnetuseks piisab ka sekundi murdosa pikkusest tähelepanematusesest.

⚠ HOIATUS: Ärge kasutage seadet avalikel maanteedel.

⚠ HOIATUS: Kui niiduk takerdub või sõidab otsa võõrkehale, peatage mootorid ja eemaldage akud. Eemaldage niidetud muru, lehed, muld ja muu kogunenud praht; kontrollige niidukit põhjalikult kahjustuste suhtes ja parandage kahjustused enne niiduki taaskäivitamist ja kasutamist.

HOOLDUS

⚠ HOIATUS: Kandke alati küljekaitsega turvaprilile. Vastasel korral võib teile midagi silma paiskuda ja võite saada raskeid vigastusi.

⚠ HOIATUS: Kaitske alati oma käsi, kasutades niiduki terade hooldamisel tugevaid töökindaid või kattes teravad ääred rätikute või muu kattega. Niiduki hooldamise ja transportimise ajaks eemaldage alati turvavõti ja akuplokid.

Hooldusvälp	Hooldustööd
Enne iga kasutust või iga päev	<ul style="list-style-type: none"> ▪ Kontrollige turvablokeerimissüsteemi. ▪ Kontrollige visuaalselt, kas rehv on tühi. ▪ Kontrollige, kas terad on kulunud, purunenud või paindunud. ▪ Enne iga kasutuskorda kontrollige tervet seadet, et ei esineks kahjustunud, puuduvaid või lahtisi osi, nt külgmine väljutusrenn, kruvid, mutrid, poldid, korgid vms. ▪ Kontrollige piduri tööd.
Pärast iga kasutuskorda	<ul style="list-style-type: none"> ▪ Puhastage niiduki alus.
Iga 25 tunni tagant	<ul style="list-style-type: none"> ▪ Kontrollige rehvirõhku.
Iga 50 tunni tagant	<ul style="list-style-type: none"> ▪ Kontrollige lõiketera ääriku sees oleva määrdeaine seisundit.
Iga 100 tunni tagant	<ul style="list-style-type: none"> ▪ Kontrollige tagarattaid ja veenduge, et 4 mutrit oleksid kinnitatud soovitatud pöördemomendiga.
Iga 200 tunni tagant	<ul style="list-style-type: none"> ▪ Kontrollige esirattaid ja veenduge, et need vabalt pöörleksid.
Igal aastal	<ul style="list-style-type: none"> ▪ Kontrollige seisupiduri pedaali. Eemaldage niidukilt aku ja seadke seisupiduri pedaal pidurdusasendisse. Lükake niidukit käsitsi ettepoole, et näha, kas seda saab liigutada või mitte. Kui see liigub, laske kvalifitseeritud hooldustehnikul niidukit hooldada.

NIIDUKI PUHASTAMINE (joonised J1–J9)

Ettevalmistus (joonised J1–J5)

Niiduki korpuse puhastamine (joonised J6–J7)

Kasutage pesuava niiduki aluse puhastamiseks (joonised J8–J9)

J8-1	Pesuava	J8-3	Aiavoolik
------	---------	------	-----------

J8-2	Pesuava kiirühendus		
------	---------------------	--	--

MÄRKUS: Puhastamise lõpetamisel lükake jõusirdevõlli lüliti alla, et niiduki terad välja lülitada.

NIIDUKI ALUSE JA LÕIKETERADE HOOLDUS

Ettevalmistus (joonised K1–K6)

Niiduki aluse eemaldamine (joonised K7–K8)

K7-1	Mootori kaabel	K7-3	Vedrustushoovastik
K7-2	Splint		

MÄRKUS: Niiduki aluse eemaldamisel ühendage mootori kaablid ja splindid mõlemal küljel lahti.

Lõiketerade vahetamine (joonised K9–K11)

K9-1	Stabilisaator	K10-3	Tera
K10-1	Polt	K10-4	Äärik
K10-2	Seib	K10-5	Mootorivõll

Niiduki aluse loodimine.

a. Millal loodida (joonised K12–K14)

b. Enne loodimist

- Külma rehvirõhu kontrollimine (joonis K15)
- Kontrollige lõiketerasid. Vajadusel eemaldage ja asendage kulunud, purunenud ja/või paindunud terad.

c. Loodimise ettevalmistus (joonised K16–K21)

d. Kuidas loodida

- Küljelt küljele reguleerimine (joonis K22)

Iga tera alumisest servast maapinnani mõõdetud kauguste H1 ja H2 vahe peaks jääma 5 mm piiridesse.

Kontramutter

K22-1	Kontramutter
-------	--------------

- Esti tahk reguleerimine (joonis K23)

Tera eesmine ots H3 peaks olema 2–10 mm madalam kui tagumine ots H4.

Niiduki jälgimissüsteemi kalibreerimine (joonised L1–L6 ja joonised L7–L12)

MÄRKUS: Piiksumise märgutuli piiksub üks kord nii kalibreerimise alustamisel kui ka kalibreerimise lõpetamisel.

NIIDUKI LÄHTESTAMINE TEHASE ALGSEADISTUSTELE (joonised M1–M4)

MÄRKUS: Piiksumise märgutuli piiksub üks kord nii lähtestamise alustamisel kui ka lähtestamise lõpetamisel.

HOIUSTAMINE JA TRANSPORT

NIIDUKI TRANSPORTIMINE (Joonis N1– N11)

MÄRKUS: Kinnitage niiduk vastavalt vajadusele, kasutades rihmasid või kaableid, et vältida selle transpordi ajal liikuma hakkamist. Seadme laadimisel või mahalaadimisel ärge ületage soovituslikku maksimaalset 12-kraadist kaldenurka rambi ja maapinna vahel.

HOIUSTAMINE (joonised 01–06)

MÄRKUS: Uurige akuplokkide eemaldamise ja akude hoiustamise kohta vastavatest juhenditest.

Puhastage ja kontrollige niidukit enne selle hoiustamist vastavalt jaotisele „NIIDUKI PUHASTAMINE“ ja „SOOVITATUD HOOLDUSKAVA(D)“.

Keskkonnakaitse



Elektri- ja elektroonikaseadmetest tekkinud jäätmete direktiiv (WEEE). Ärge visake elektriseadmeid, kasutatud akut ega laadijat olmeprügi hulka! Viige toode volitatud taaskäitleja juurde ja võimaldage selle komponendid sorteerituna kõrvaldada. Elektritööriistad viige keskkonnakaitsenõudeid järgivasse jäätmekäitluskeskusesse.

Kees van der Spek
TUINMACHINES ★ STOLWIJK

TÕRKEOTSING

PROBLEEM	PÕHJUS	LAHENDUS
Nullpöörderaadiusega elektriline niiduk ei saa sõita, kui sõitu alustades kahte juhthoobi edasi või tagasi lükatakse. Juhthoova ikoon vilgub	<ul style="list-style-type: none"> Sisestatud akude ühine Ah on väiksem kui 15 Ah. 	<ul style="list-style-type: none"> Selle niiduki käivitamiseks on vaja EGO akusid kogumahtuvusega vähemalt 15 Ah (2 X BA4200/BA4200T). Parima jõudluse tagamiseks soovime kasutada EGO akusid, mille kogumahtuvus on vähemalt 30 Ah.
	<ul style="list-style-type: none"> Seisupiduri pedaal on seatud pidurdusasendisse. 	<ul style="list-style-type: none"> Vajutage seisupiduri pedaal täielikult alla, et see pidurdusasendist vabastada.
	<ul style="list-style-type: none"> Juhthoovad ei ole niiduki käivitamisel avatud asendis. 	<ul style="list-style-type: none"> Pöörake roolihoovad avatud asendisse ja taaskäivitage niiduk.
	<ul style="list-style-type: none"> Kasutaja ei istu istmel. 	<ul style="list-style-type: none"> Niidukit saab juhtida ainult siis, kui kasutaja istub istmel õigesti.
	<ul style="list-style-type: none"> Istme lüliti pole õigesti ühendatud. 	<ul style="list-style-type: none"> Eemaldage niidukilt aku ja demonteerige iste selle kasutusjuhendi jaotise „ISTME PAIGALDAMINE“ juhistega vastupidises järjekorras, et kontrollida istme lüliti ühendust. Pange iste uuesti kokku ja järgige niiduki taaskäivitamiseks juhiseid jaotises „NULLPÖÖRDERAADIUSEGA ELEKTRILISE NIIDUKI KÄIVITAMINE“, et näha, kas niidukit saab käivitada. Kui seda ei juhtu, võtke remondiks ühendust kvalifitseeritud hooldustehnikuga.
	<ul style="list-style-type: none"> Äärmiselt külma ilmaga ei tarvitse sõidufunktsioon madala temperatuuri kaitse tõttu käivituda. 	<ul style="list-style-type: none"> Hoidke niidukit ja akut alati soojas keskkonnas. Taaskäivitage niiduk, kui see on soojenenud. Ärge tehke korduvaid käivitamiskatseid äärmiselt külma ilmaga, mis võib niidukit kahjustada. Soovituslik töötemperatuur on 0°C–40°C
Nullpöörderaadiusega elektriline niiduk lõpetab sõitmise.	<ul style="list-style-type: none"> Juhthoovad vajavad n-ö lähtestamist. 	<ul style="list-style-type: none"> Pöörake roolihoovad avatud asendisse ja taaskäivitage niiduk.
	<ul style="list-style-type: none"> Juhthoobade elektrilised juhtkomponendid ei tööta. 	<ul style="list-style-type: none"> Võtke remondiks ühendust kvalifitseeritud hooldustehnikuga.
	<ul style="list-style-type: none"> Istme lüliti on ebatasasel maastikul sõites lahti tulnud. 	<ul style="list-style-type: none"> Eemaldage niidukilt aku ja demonteerige iste selle kasutusjuhendi jaotise „ISTME PAIGALDAMINE“ juhistega vastupidises järjekorras, et kontrollida istme lüliti ühendust. Pange iste uuesti kokku ja järgige niiduki taaskäivitamiseks juhiseid jaotises „NULLPÖÖRDERAADIUSEGA ELEKTRILISE NIIDUKI KÄIVITAMINE“, et näha, kas niidukit saab käivitada. Kui seda ei juhtu, võtke remondiks ühendust kvalifitseeritud hooldustehnikuga.

PROBLEEM	PÕHJUS	LAHENDUS
Sõidukiirust / sõidurežiimi ei saa sõidu ajal reguleerida.	<ul style="list-style-type: none"> See on nullpöörderaadiusega elektrilise niiduki ohutu sõitmise funktsioon. 	<ul style="list-style-type: none"> Funktsioon aktiveeritakse ainult siis, kui niiduki rattad on peatunud ja juhthoovad avatud.
Nullpöörderaadiusega elektriline niiduk ei käivita terasid, kui jõusirdevõlli lüliti on sisse lülitatud.  Jõusirdevõlli lüliti ikoon vilgub	<ul style="list-style-type: none"> Sisestatud akude kombineeritud Ah on väiksem kui 15 Ah. 	<ul style="list-style-type: none"> Selle niiduki käivitamiseks on vaja EGO akusid kogumahtuvusega vähemalt 15 Ah (2 X BA4200/BA4200T). Parima jõudluse tagamiseks soovitame kasutada EGO akusid, mille kogumahtuvus on vähemalt 30 Ah.
	<ul style="list-style-type: none"> Jõusirdevõlli lüliti ei vajutatud alla, kui niiduk eelmine kord peatati. 	<ul style="list-style-type: none"> Lükake jõusirdevõlli lüliti alla ja käivitage niiduki terad uuesti.
	<ul style="list-style-type: none"> Niiduk on terade käivitamisel ülekoormatud, mis põhjustab mootori enesekaitse. 	<ul style="list-style-type: none"> Alustage niidukiga muru niitmist kõigepealt madalama löikekiirusega ja kuni terade pöörlema hakkamisele lisage kiirust vastavalt vajadusele.
	<ul style="list-style-type: none"> Äärmiselt külma ilmaga ei tarvitse tera mootori käivitamine madala temperatuuri kaitse tõttu õnnestuda. 	<ul style="list-style-type: none"> Hoidke niidukit ja akut alati soojas keskkonnas. Taaskäivitage niiduk, kui see on soojenenud. Ärge tehke korduvaid käivitamiskatseid äärmiselt külma ilmaga, mis võib niidukit kahjustada. Soovituslik töötemperatuur on 0°C–40°C
	<ul style="list-style-type: none"> Tera takistab deformeerunud niidukit. 	<ul style="list-style-type: none"> Võtke remondiks ühendust kvalifitseeritud hooldustehnikuga.

PROBLEEM	PÕHJUS	LAHENDUS
Terad lakkavad muru niitmise ajal töötamast.	<ul style="list-style-type: none"> Niiduk on ülekoormatud. 	<ul style="list-style-type: none"> Niiduki koormuse vähendamiseks suurendage aluse löikekõrgust ja vähendage terakiirust.
	<ul style="list-style-type: none"> Muruniiduki alla on kogunenud liiga palju muru ja prahti. 	<ul style="list-style-type: none"> Puhastage niiduki alus ja veenduge, et terad saaksid vabalt liikuda.
	<ul style="list-style-type: none"> Niiduk on ülekuumenenud 	<ul style="list-style-type: none"> Vähendage niiduki koormust, tõstes niiduki aluse löikekõrgust või aeglustades tera- / sõidukiirust ja laske niidukil maha jahtuda.
	<ul style="list-style-type: none"> Niiduki akupesas olev(ad) akuplokk (-plokid) on ülekuumenenud, mille tulemusel on kõigi sisestatud akude mahtuvus alla 15 Ah. 	<ol style="list-style-type: none"> Kui kombineeritud aku mahtuvus on väiksem kui 15 Ah, ei tööta niiduk enne, kui tühjadesse akupesadesse lisatakse plokke. Kui ülekuumenenud aku saavutab normaalse temperatuuri, lülitab see niiduki kohe sisse.
		<ol style="list-style-type: none"> Vähendage niiduki koormust, tõstes niiduki aluse löikekõrgust või aeglustades niitmiskiirust, kui tööd jätkate.
	<ul style="list-style-type: none"> Niiduk on avariirežiimis. 	<ul style="list-style-type: none"> Kui niiduk on avariirežiimis, lülitatakse terad automaatselt madalale pöörlemiskiirusele ilma muru niitmiseta. Kasutaja peaks töö lõpetama ja suunduma aku laadimispiirkonda niipea kui võimalik.
<ul style="list-style-type: none"> Niiduk sõidab otsa võõrkehale, mis põhjustab mootori enesekaitse. 	<ul style="list-style-type: none"> Lükake jõusirdevõlli lüliti alla ja käivitage niiduki terad uuesti. 	
Piiksumise märgutuli jätkab piiksumist.	<ul style="list-style-type: none"> Niiduk on avariirežiimis ja terad pole välja lülitatud. 	<ul style="list-style-type: none"> Aluse terade väljalülitamiseks vajutage jõusirdevõlli lüliti alla. Tera seiskamisel lakkab piiksumise märgutuli piiksumast.
	<ul style="list-style-type: none"> Niiduk peatud kallakul ja kasutaja avab juhthoovad ning ei istu istmel ilma seisupiduri pedaali pidurdusasendisse seadmata. 	<ul style="list-style-type: none"> Enne niiduki kallakule jätmist seadke seisupiduri pedaal pidurdusasendisse.

PROBLEEM	PÕHJUS	LAHENDUS
Aku märgutuled põlevad ka niiduki väljalülitamisel.	<ul style="list-style-type: none"> Kui niiduk lülitatakse tasasel pinnal välja ilma niidukist plokki (plokke) eemaldamata, jäävad aku märgutuled 3 minutiks põlema. 	<ul style="list-style-type: none"> Midagi pole vaja ette võtta. Aku märgutuled kustuvad mõne aja pärast.
	<ul style="list-style-type: none"> Kui niiduk lülitatakse kallakul välja ilma seisupiduri pedaali pidurdusasendisse seadmata, jäävad aku märgutuled põlema seni, kuni aku on tühjenenud. Piiksumise märgutuli jätkab samal ajal piiksumist. 	<ul style="list-style-type: none"> Enne seda, kui kasutaja lahkub ja jätab niiduki kallakule, peab ta seisupiduri pedaali pidurdusasendisse seadma.
LCD-ekraan ei valgustu, kui kõik ikoonid sees on.	<ul style="list-style-type: none"> Sisse-väljalülitusnupu vajutamise aeg on väiksem kui 3 sekundit. 	<ul style="list-style-type: none"> LCD-ekraanil kuvatakse „Kütusenäidik“ ainult siis, kui sisse-väljalülitusnupu korraks vajutada.
		<ul style="list-style-type: none"> LCD-ekraan lülitub sisse pärast seda, kui sisse-väljalülitusnupu on 3 sekundit vajutatud.
Niiduk löikab ebaühtlaselt, ees ja taga on märkimisväärne kõrguste erinevus.	<ul style="list-style-type: none"> Terad on nürid 	<ul style="list-style-type: none"> Teritage või vahetage lõiketera vastavalt selle kasutusjuhendi juhistele.
	<ul style="list-style-type: none"> Terad on paindunud. 	<ul style="list-style-type: none"> Vahetage paindunud lõiketera välja, järgides juhiseid jaotises „LÕIKETERADE VAHETAMINE“.
	<ul style="list-style-type: none"> Niiduki alus ei ole looditud, mille tagajärjel lõiketera kõrgus erineb. 	<ul style="list-style-type: none"> Loodige niiduki alus, järgides juhiseid peatükis „NIIDUKI ALUSE LOODIMINE“.
Muru tegelik niitmiskõrgus ei vasta väidetavale kõrgusele.	<ul style="list-style-type: none"> Niiduki aluse mutrid on vedrustushoovastikul lahti tulnud 	<ul style="list-style-type: none"> Järgige juhiseid jaotises „NIIDUKI LOODIMINE“, et niidukit õigesti ees -taha reguleerida ja pingutage kindlalt kinni vedrustushoovastiku neli mutrit (kaks kummalgi küljel).
	<ul style="list-style-type: none"> Niiduki korpus on kahjustatud või väga kulunud. 	<ul style="list-style-type: none"> Järgige juhiseid jaotises „NIIDUKI ALUSE EEMALDAMINE“.
Niiduk ei multši korralikult.	<ul style="list-style-type: none"> Märja muru tükid jäävad muruniiduki aluse külge kinni. 	<ul style="list-style-type: none"> Enne niitmist oodake, et muru kuivaks.
	<ul style="list-style-type: none"> Niiduk on seadistatud nii, et korraga lõigatakse liiga palju muru. 	<ul style="list-style-type: none"> Suurendage aluse lõikekõrgust.

PROBLEEM	PÕHJUS	LAHENDUS
Esineb liigset vibratsiooni.	<ul style="list-style-type: none"> ▪ Lõiketerad on lahti tulnud. 	<ul style="list-style-type: none"> ▪ Pingutage terapolti soovitusliku pöördemomendini 50–55 Nm.
	<ul style="list-style-type: none"> ▪ Terad on paindunud. 	<ul style="list-style-type: none"> ▪ Vahetage paindunud lõiketera välja, järgides juhiseid jaotises „LÕIKETERADE VAHETAMINE“.
	<ul style="list-style-type: none"> ▪ Niiduki alus ei ole looditud. 	<ul style="list-style-type: none"> ▪ Loodige niiduki alus, järgides juhiseid peatükis „NIIDUKI ALUSE LOODIMINE“.
	<ul style="list-style-type: none"> ▪ Niiduki aluse mutrid on vedrustushoovastikul lahti tulnud. 	<ul style="list-style-type: none"> ▪ Kasutage 18 mm harkvõtit (ei kuulu komplekti), et pingutada vedrustushoovastiku nelja mutrit (kaks kummalgi küljel).
	<ul style="list-style-type: none"> ▪ Niiduk on seadistatud selliselt, et korraga lõigatakse liiga palju muru. 	<ul style="list-style-type: none"> ▪ Suurendage aluse lõikekõrgust.
Pärast niitmist on maapinnale jäänud niidetud muru või prahti.	<ul style="list-style-type: none"> ▪ Niiduk on seadistatud selliselt, et pika muru puhul lõigatakse korraga liiga palju muru. 	<ul style="list-style-type: none"> ▪ Alustage suure lõikekõrgusega ja vähendage seda, kuni saavutate soovitud niitmistulemuse. Üle 6 tolli kõrgust muru tuleks niita kaks korda järjest madalamate lõikekõrgustega.
	<ul style="list-style-type: none"> ▪ Muru on märg. 	<ul style="list-style-type: none"> ▪ Ärge niitke, kui muru on märg; laske rohul kuivada.
	<ul style="list-style-type: none"> ▪ Sõidukiirus on suur. 	<ul style="list-style-type: none"> ▪ Vähendage sõidukiirust.
	<ul style="list-style-type: none"> ▪ Terakiirus 	<ul style="list-style-type: none"> ▪ Suurendage tera kiirust järk-järgult.
Niiduk töötab komplektis oleva akuga lühikest aega.	<ul style="list-style-type: none"> ▪ Muru seisukord ja lõikekõrguse seadistus mõjutavad oluliselt aku tööaega. Väidetav tööaeg lähtub kergest koormusest. 	<ul style="list-style-type: none"> ▪ Lõikekoormuse vähendamiseks suurendage aluse lõikekõrgust ja vähendage terakiirust.
Niiduk ei sõida otse.	<ul style="list-style-type: none"> ▪ Vasaku ja parema tagaratta rehvirõhk erinevad. 	<ul style="list-style-type: none"> ▪ Kontrollige ja reguleerige mõlema tagaratta õhurõhku vastavalt selle kasutusjuhendi jaotises „REHVIRÕHU KONTROLLIMINE“ esitatud soovitudele.
	<ul style="list-style-type: none"> ▪ Vasaku ja parema tagaratta sõidukiirus on erinev. 	<ul style="list-style-type: none"> ▪ Kalibreerige niiduki jälgimissüsteem, järgides juhiseid jaotises „NIIDUKI JÄRGISÜSTEEMI KALIBREERIMINE“.
Seisupiduri pedaali ei saa pidurdusasendist vabastada või see vabaneb aeglaselt.	<ul style="list-style-type: none"> ▪ Seisupiduri pedaali sisse võib sattuda prahti või mulda. 	<ul style="list-style-type: none"> ▪ Avage seisupiduri pedaalikast, et see põhjalikult seest puhastada ja seejärel sulgege see. Lähtestage seisupiduri pedaal, et näha, kas probleem on lahendatud. Kui seda ei juhtu, võtke remondiks ühendust kvalifitseeritud hooldustehnikuga.

PROBLEEM	PÕHJUS	LAHENDUS
Niidukit ei saa laadida laadimisporti kaudu, kui niiduki oleku märgutuli põleb pidevalt punaselt.	<ul style="list-style-type: none"> Laadija pistik pole niiduki laadimisporti õigesti sisestatud. 	<ul style="list-style-type: none"> Ühendage laadija pistik uuesti, et näha, kas niidukit saab normaalselt laadida.
	<ul style="list-style-type: none"> Seinakontaktides pole voolu. 	<ul style="list-style-type: none"> Midagi pole vaja ette võtta. Oodake, kuni toide taastub.
	<ul style="list-style-type: none"> Laadija talitlushäire. 	<ul style="list-style-type: none"> Võtke kontrollimiseks ühendust kvalifitseeritud hooldustehnikuga ja laske laadijat vajadusel remontida.
	<ul style="list-style-type: none"> Niiduki laadimisport on defektne. 	<ul style="list-style-type: none"> Võtke remondiks ühendust kvalifitseeritud hooldustehnikuga.
Laadimisaeg niiduki laadimisporti kaudu on liiga pikk.	<ul style="list-style-type: none"> EGO adapteri ACA1000 laadimiseks kasutamine vajab pikka aega. 	<ul style="list-style-type: none"> Kasutage EGO laadijat CHV1600E nullpööreraadiusega elektrilise niiduki otse laadimiseks.
Akut ei saa niiduki laadimisporti kaudu täielikult laadida.	<ul style="list-style-type: none"> Niiduki püsivara viga või laadija/aku rike. 	<ul style="list-style-type: none"> Ühendage laadija rohkem kui 1 minutiks vooluvõrgust lahti ja seejärel ühendage pistik uuesti vooluvõrku. Kui see ei toimi, võtke remondiks ühendust kvalifitseeritud hooldustehnikuga.
Niidukit ei saa pärast puhastamist käivitada.	<ul style="list-style-type: none"> Vale puhastamine, näiteks vesi elektrikomponentidel, LCD-ekraanil jms. 	<ul style="list-style-type: none"> Niiduki õigeks puhastamiseks järgige juhiseid jaotises „NIIDUKI PUHASTAMINE“.
Niiduk võib lihtsalt takerduda.	<ul style="list-style-type: none"> Muruniiduki alla on kogunenud liiga palju muru ja prahti. 	<ul style="list-style-type: none"> Kui niiduk jääb kogemata vihma kätte, jätke see rohkem kui 12 tunniks kuivama või kasutage selle kuivatamiseks suruõhku.
		<ul style="list-style-type: none"> Puhastage niidukit pärast iga kasutuskorda, järgides jaotist „Pesuava kasutamine niiduki aluse puhastamiseks“.
Kallakul ülespoole liikudes kaotab niiduk kergesti veojõudu.	<ul style="list-style-type: none"> Tagarataste rehvid on kulunud. 	<ul style="list-style-type: none"> Rattarehvide vahetamiseks minge kohaliku teenindusse.
	<ul style="list-style-type: none"> Suur niitmismurk. 	<ul style="list-style-type: none"> Niitmiskalle peaks olema väiksem kui 12 kraadi.
Kui niiduk peatatakse kallakul seisupiduri pedaalile vajutamiselega, võib niiduk kallakust alla veereda.	<ul style="list-style-type: none"> Piduri osad on niiduki vale kasutamise tõttu väga kulunud. 	<ul style="list-style-type: none"> Võtke remondiks ühendust kvalifitseeritud hooldustehnikuga.
Niiduki aluse pesemisel ei tule pesuavast vett.	<ul style="list-style-type: none"> Pesuava kiirühendus ei ole pesuavale paigaldatud. 	<ul style="list-style-type: none"> Paigaldage pesuava kiirühendus tagasi, kuni tugeval surumisel kuulete selget klõpsatust. Kui see ei toimi, võtke remondiks ühendust kvalifitseeritud hooldustehnikuga.

PROBLEEM	PÕHJUS	LAHENDUS
Niiduki käsitsi lükkamisel ilma käivitamiseta kostub ebatavaline heli.	<ul style="list-style-type: none">Ajamimootori sees olevatest magnetitest tuleb heli.	<ul style="list-style-type: none">See on normaalne ja midagi pole vaja ette võtta.

NIIDUKI OLEKU VIIDE JA VEAKOOD

LCD-ekraan	Kirjeldus	Veakood LCD-ekraanil	Niiduki oleku märgutuli	Piipar	Põhjus	Lahendus
	LED-tulede ikoon kuvatakse LCD-ekraanil	Ei kehti	VÄLJAS	Ei	Esilaternad, külg- ja tagatuled lülitatakse sisse LED-valguslülitil abil.	See on normaalne töötamine. Midagi pole vaja ette võtta.
	LCD-ekraanil kuvatakse USB-ikoon	Ei kehti	VÄLJAS	Ei	USB-ikoon süttib, et USB-seade saaks pärast niiduki õiget käivitamist töötada.	See on normaalne töötamine. Midagi pole vaja ette võtta.
	Kütusenäidiku ikoon kuvatakse LCD-ekraanil	Ei kehti	VÄLJAS	Ei	See näitab sisestatud akude keskmist laadimismahtuvust	See on normaalne töötamine. Midagi pole vaja ette võtta.
	Tunniarvesti ikoon kuvatakse LCD-ekraanil	Ei kehti	VÄLJAS	Ei	See näitab niiduki kogu sõiduaega tundides ja seda ei saa lähtestada.	See on normaalne töötamine. Midagi pole vaja ette võtta.
	Koormuse märgutule ikoon kuvatakse ökovahemikus (ECO)	Ei kehti	VÄLJAS	Ei	See näitab niiduki jooksvat koormust.	See on normaalne töötamine. Midagi pole vaja ette võtta.
	Ülekoormuse märgutuli vilgub. Koormuse märgutule ikoon kuvatakse toitevahemikus (PWR).	Ei kehti	Flashes red	Üks piiks	Teramootor on ülekoormatud.	Niiduki koormuse vähendamiseks suurendage aluse löikekõrgust ja vähendage terakiirust.
	Turvavõtme ikoon vilgub.	Ei kehti	VÄLJAS	Ei	Turvavõtit pole sisestatud.	Sisestage turvavõti, seejärel vajutage ja hoidke niiduki sisselülitamiseks rohkem kui 3 sekundit all sisseväljalülitusnuppu (START/STOP).
					LCD-ekraanile ei saa voolu.	Laske remont teostada kvalifitseeritud hooldustehnikul.
	Tühja akupesa ikoon vilgub.	Ei kehti	VÄLJAS	Ei	Aku maht ei ole piisav, et niidukil saaks sõita.	Selle niiduki käivitamiseks on vaja EGO akusid kogumahtuvusega vähemalt 15 Ah (2 X BA4200/BA4200T). Parima jõudluse tagamiseks soovime kasutada EGO akusid, mille kogumahtuvus on vähemalt 30 Ah.
	Termomeetri ikoon vilgub.	Ei kehti	Vilgub punaselt	Üks piiks	Niiduk on ülekuumenenud.	Vähendage niiduki koormust, tõstes niiduki aluse löikekõrgust või vähendades tera- / sõidukiirust. Tehke paus ja laske niidukil maha jahtuda.

LCD-ekraan	Kirjeldus	Veakood LCD-ekraanil	Niiduki oleku märgutuli	Piipar	Põhjus	Lahendus
	Ülekuumenemise ikoon ja hõivatud akupesa vilguvad korraga.	Ei kehti	Ei kehti	Ei	Vastavas nummerdatud akupesas olev aku on ülekuumenenud.	<p>1. Niiduk võib tööd jätkata, kui kombineeritud aku, välja arvatud ülekuumenenud aku Ah mahtuvus on vähemalt 15 Ah. Kui ülekuumenenud aku saavutab normaalse temperatuuri, lülitab see niiduki kohe sisse.</p> <p>2. Kui kombineeritud aku mahtuvus on väiksem kui 15 Ah, ei tööta niiduk enne, kui tühjadesse akupesadesse lisatakse plokke.</p> <p>3. Vähendage niiduki koormust, tõstes niiduki aluse löikekõrgust või aeglustades niitmiskiirust, kui tööd jätkate.</p>
	Iga hõivatud akupesa ikoonid, vähese energia märgutuli, kütusenäidiku akugraafika vilguvad LCD-ekraanil iga 1 sekundi tagant. Ka LED-kütusenäidiku ja oleku märgutule esimene segment vilgub.	Ei kehti	Vilgub punaselt	Piiksub edasi, kuni jõusirdevõlli lülitati alla lükatakse.	Aku on tühjenemas ja niiduk on avariirežiimis.	<p>Lõpetage töö ja pöörduge tagasi aku laadimispiirkonda.</p> <p>MÄRKUS: Kui niiduk on avariirežiimis, lülitatakse terad automaatselt madalale pöörlemiskiirusele ilma muru niitmise, mille ajal heli märgutuli piiksub. Kasutaja peab aluse terade vabastamiseks vajutama jõusirdevõlli lülitati alla. Pärast tera seiskamist lõpetab heli märgutuli piiksumise.</p>
	Iga hõivatud akupesa ja vähese energia märgutule ikoon vilgub iga poole sekundi tagant.	Ei kehti	VÄLJAS	Ei	Akuplokid on peaaegu tühjad.	Niiduk lakkab kohe töötamast. Kasutaja peaks niiduki laadimiseks aku laadimispiirkonda transportima.
	LCD-ekraanil vilgub automaatse parkimise ikoon.	Ei kehti	VÄLJAS	Piiksub edasi	Niiduk on pargitud kallakule ja kasutaja lahkub niidukist piduripedaali pidurdusasendisse seadmata, jättes lihtsalt juhthoovad avatud asendisse.	Seadke piduri pedaal pidurdusasendisse. Automaatse parkimise ikoon kustub ja heli märgutuli lõpetab piiksumise.
	LCD-ekraanil kuvatakse piduri pedaaali ikoon.	Ei kehti	VÄLJAS	Ei	Seisupiduri pedaal on seatud pidurdusasendisse.	Vabastage see enne niiduki käivitamist

LCD-ekraan	Kirjeldus	Veakood LCD-ekraanil	Niiduki oleku märgutuli	Piipar	Põhjus	Lahendus	
	Istme anduri ikoon kuvatakse LCD-ekraanil.	Ei kehti	VÄLJAS	Ei	Kasutaja on istmelt lahkunud või istme lüliti on lahti ühendatud.	Kui juht istub istmel ja ikoon põleb, lõpetage niiduki kasutamine kohe ja kontrollige istme ühendust. Kui kontrollimisel selgub, et istme ühendus niidukiga on õige, võtke remondiks ühendust kvalifitseeritud hooldustehnikuga.	
	Jõusirdevõlli lüliti ikoon vilgub.	Ei kehti	VÄLJAS	Ei	Tera mootori töö katkes kasutamise ajal ja jõusirdevõlli lüliti ei ole väljalülitatud asendis.	Enne niiduki taaskäivitamist lükake niiduki aluse mootori väljalülitamiseks jõusirdevõlli lüliti alla. Uurige selle kasutusjuhendi jaotist „TÖRKEOTSING“.	
	Juhthoova ikoon vilgub.	Ei kehti	VÄLJAS	Ei	Ajamimootor katkestas töö ja juhthoobasid ei ole avatud asendisse seatud.	Enne niiduki taaskäivitamist viige juhthoovad avatud asendisse. Uurige selle kasutusjuhendi jaotist „TÖRKEOTSING“.	
	Energia taaskasutamise ikoon vilgub aeg-ajalt.	n/a	VÄLJAS	Ei	Pidurdamisel või allamäge sõites tekkiv kineetiline energia muundatakse akude laadimiseks elektrienergiaks.	See on normaalne töötamine. Midagi pole vaja ette võtta.	
Vaadake jaotist „Veakood“	Vasak ajamimootor ei pöörle.	Trükkplaatkoostu juhitud vasak ajamimootor ei tööta.	413	VÄLJAS	Üks piiks	Trükkplaatkoostu rike	Laske remont teostada kvalifitseeritud hooldustehnikul.
		Vasakut ajamimootorit vastava trükkplaatkoostuga ühendav pistik (kolmefaasiline, toitejuhe) on lahti.	317	VÄLJAS	Üks piiks	Lahtine ühendus	
		Vasakut ajamimootorit vastava trükkplaatkoostuga ühendav pistik (kuus tihvti, signaaljuhe) on lahti.	301	VÄLJAS	Üks piiks	Lahtine ühendus	
		Vasak sõidumootor ei tööta.	317	VÄLJAS	Üks piiks	Mootori rike	

LCD-ekraan	Kirjeldus	Veakood LCD-ekraanil	Niiduki oleku märgutuli	Piipar	Põhjus	Lahendus	
Vaadake jaotist „Veakood“	Parem ajamimootor ei pöörle.	Trükkplaatkoost juhitud parem ajamimootor ei tööta.	313	VÄLJAS	Üks piiks	Trükkplaatkoostu rike	Laske remont teostada kvalifitseeritud hooldustehnikul.
		Paremat ajamimootorit vastava trükkplaatkoostuga ühendav pistik (kolmefaasiline, toitejuhe) on lahti.	417	VÄLJAS	Üks piiks	Lahtine ühendus	
		Paremat ajamimootorit vastava trükkplaatkoostuga ühendav pistik (kuus tihvti, signaaljuhe) on lahti.	401	VÄLJAS	Üks piiks	Lahtine ühendus	
		Parem ajamimootor ei tööta.	417	VÄLJAS	Üks piiks	Mootori rike	
Vaadake jaotist „Veakood“	Vasaku tera mootori ei pöörle.	Trükkplaatkoostu juhitud vasaku tera mootor ei tööta.	607	Ei kehti	Üks piiks	Trükkplaatkoostu rike	Laske remont teostada kvalifitseeritud hooldustehnikul.
		Vasakut ajamimootorit vastava trükkplaatkoostuga ühendav pistik (kolmefaasiline, toitejuhe) on lahti.	509	Ei kehti	Üks piiks	Lahtine ühendus	Kontrollige kõigepealt tera. Kui seda on lõdvendatud, kasutage poldi päripäeva keeramiseks 14 mm pöördemomendiga võtit. Soovitatud terapolt on 50–55 Nm. Muul juhul laske remont teostada kvalifitseeritud hooldustehnikul.
		Vasaku tera mootori rike	509	Ei kehti	Üks piiks	Mootori rike	
Vaadake jaotist „Veakood“	Parema tera mootor ei pöörle.	Trükkplaatkoostu juhitud parema tera mootor ei tööta.	507	Ei kehti	Üks piiks	Trükkplaatkoostu rike	Laske remont teostada kvalifitseeritud hooldustehnikul.
		Paremat ajamimootorit vastava trükkplaatkoostuga ühendav pistik (kolmefaasiline, toitejuhe) on lahti.	609	Ei kehti	Üks piiks	Lahtine ühendus	Kontrollige kõigepealt tera. Kui seda on lõdvendatud, kasutage poldi päripäeva keeramiseks 14 mm pöördemomendiga võtit. Soovitatud terapolt on 50–55 Nm. Muul juhul laske remont teostada kvalifitseeritud hooldustehnikul.
		Parema tera mootor ei tööta	609	Ei kehti	Üks piiks	Mootori rike	
Vaadake jaotist „Veakood“	Vasak juhthoob ei tööta.	Vasakut juhthooba kontrolliv trükkplaatkoost ei tööta.	311 /412	VÄLJAS	Üks piiks	Trükkplaatkoostu rike	Laske remont teostada kvalifitseeritud hooldustehnikul.
		Trükkplaatkoostuga juhtiv pistik juhtraual on lahti.				Lahtine ühendus	

LCD-ekraan	Kirjeldus		Veakood LCD-ekraanil	Niiduki oleku märgutuli	Piipar	Põhjus	Lahendus
Vaadake jaotist „Veakood“	Parem roolihoob ei tööta.	Paremat juhthooba trükkplaatkoostu juhtiv ei tööta.	312 /411	VÄLJAS	Üks piiks	Trükkplaatkoostu rike	Laske remont teostada kvalifitseeritud hooldustehnikul.
		Trükkplaatkoostuga juhtiv pistik juhtraual on lahti.				Lahtine ühendus	
Vaadake jaotist „Veakood“	Seisupidur ei tööta, nii dukiga ei ole võimalik sõita.	Seisupiduri trükkplaatkoost, mis asub esiraami koostus, on katki.	309 /409	VÄLJAS	Üks piiks	Trükkplaatkoostu rike	Laske remont teostada kvalifitseeritud hooldustehnikul.
		Seisupiduri lüliti ja/ või juhe on katki.	801	VÄLJAS	Üks piiks	Juhtme / lüliti rike	
VÄLJAS	Laadimispori viga		Ei kehti	Pidev PUNANE	Ei kehti	Laadimisport on avatud vooluringis.	Laske remont teostada kvalifitseeritud hooldustehnikul.
			Ei kehti	Pidev PUNANE	Ei kehti	Elektritoide puudub.	Kontrollige seinakontakti selle suhtes, kas toitepinge on 220–240 V või kas pistikupesa on korras.
			Ei kehti	Pidev PUNANE	Ei kehti	Kaitse on läbi põlenud.	Laske remont teostada kvalifitseeritud hooldustehnikul.
Vaadake jaotist „Veakood“	Laadimispori viga		204	Ei kehti	Üks piiks	Laadimisport on avatud vooluringis.	
Vaadake jaotist „Veakood“	Akuanuma koost ei tööta		217	Ei kehti	Üks piiks	Akukasti toiteallikas on rikkis. LED-esilaternad ja USB ei tööta.	Laske remont teostada kvalifitseeritud hooldustehnikul.
			310 /410	VÄLJAS	Üks piiks	Ühendus akukasti C-tüüpi juhtmete ja niiduki muude C-tüüpi juhtmete vahel ei toimi.	
			201 /202 /203	VÄLJAS	Üks piiks	Akukasti koostu akuhaldussüsteem on riski.	
Vaadake jaotist „Veakood“	Sisse-väljalülituslüliti viga		314 /414	VÄLJAS	Üks piiks	Lülitage trükkplaatkoostu tõrke või halva juhtmeühenduse korral sisse-väljalülituslülile.	Have repairs performed by a qualified service technician.
Vaadake jaotist „Veakood“	LCD-ekraani viga		315 /415	VÄLJAS	Üks piiks	LCD koost on katki või LCD koostu juhtmeühendus on halb.	Have repairs performed by a qualified service technician.



GARANTII

EGO GARANTIIPÕHIMÕTTED

Täielikud EGO garantiitingimused leiate veebilehelt egopowerplus.com.

KEES VAN DER SPEK
TUINMACHINES ★ STOLWIJK

ET

560

NULLPÖÖRDRAADIUSEGA PEALISTUTAV MURUNIIDUK — ZT4200E-L

ПРОЧИТАЙТЕ ВСІ ІНСТРУКЦІЇ!



ПРОЧИТАЙТЕ ПОСІБНИК З ЕКСПЛУАТАЦІЇ

⚠ Залишковий ризик! Люди з електронними пристроями, наприклад кардіостимуляторами, повинні проконсультуватися зі своїм лікарем (лікарями) перед використанням цього виробу. Експлуатація електрообладнання в безпосередній близькості від кардіостимулятора може спричинити перешкоди або несправність кардіостимулятора.

СИМВОЛ БЕЗПЕКИ

Мета символів, пов'язаних із безпекою, – привернути вашу увагу до можливих небезпек. Символи безпеки та їхнє пояснення заслуговують на вашу пильну увагу та розуміння. Символи попереджень самі по собі не усувають будь-якої небезпеки. Інструкції та попередження, які вони надають, не замінюють належних заходів щодо запобігання аваріям.

⚠ ПОПЕРЕДЖЕННЯ. Перш ніж користуватися цим інструментом, обов'язково ознайомтеся з усіма інструкціями з безпеки, наведеними в цьому посібнику користувача, зокрема з усіма символами попереджень, такими як «**НЕБЕЗПЕКА**», «**ПОПЕРЕДЖЕННЯ**» та «**ЗАСТЕРЕЖЕННЯ**». Недотримання наведених нижче вказівок може спричинити ураження електричним струмом, пожежу та/або серйозні травми.

ЗНАЧЕННЯ СИМВОЛУ

KEES VAN DER SPEK

На цій сторінці зображено та описано символи, пов'язані з безпекою, які можуть відобразитись на цьому виробі. Перш ніж намагатися зібрати та експлуатувати його, ознайомтеся з усіма інструкціями на інструменті та дотримуйтеся їх.

СИМВОЛИ, ЩО СТОСУЮТЬСЯ БЕЗПЕКИ



Попередження щодо безпеки



Засоби захисту очей



НЕБЕЗПЕКА – небезпека крутого схилу



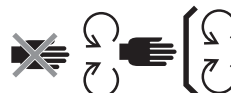
Ніколи не перевозьте дітей



ПОПЕРЕДЖЕННЯ. Не використовуйте цю машину на схилах більше 12°.



Ознайомтеся з посібником користувача



Догляд за пристроями безпеки



НЕБЕЗПЕКА – не підпускайте сторонніх до лез



Озирайтеся, рухаючись назад



НЕБЕЗПЕКА – відкидання предметів

UK



ПОПЕРЕДЖЕННЯ – ТРИМАЙТЕ РУКИ ТА НОГИ ПОДАЛІ



Гарантований рівень звукової потужності. Згідно з директивою Європейського співтовариства.



Не ставайте



Гарантований рівень звукової потужності. Згідно з директивою Європейського співтовариства.



Цей виріб відповідає чинним директивам ЄС.



УВАГА! Не дивіться на лампу, що працює.



Постійний струм



Цей виріб відповідає чинному законодавству Великобританії.

кПа

Кілопаскаль

Об./хв

Обертів на хвилину

V

Вольт

м

Метри

"

Дюйм

см

Сантиметри

Н·м

Ньютон-метр

мм

Міліметри

°C

Градус Цельсія

кг

Кілограм

км/год

Кілометри на годину

IPX4

Ступінь захисту від пилу та вологи

ТЕХНІЧНІ ХАРАКТЕРИСТИКИ

Напруга		56 В
Розмір деки		107 см
Розмір колеса	Переднє	11 x 4 " (279,4 мм)
	Заднє	18 x 8,5 " (457,2 мм)
Тиск у холодній шині	Переднє	220 кПа
	Заднє	50 кПа
Радіус повороту		0
Швидкість леза (об./хв)		2400, 2600, 2800, 3000
Макс. Швидкість руху (км/год)	Вперед	4,8 км/год, 8 км/год, 9,6 км/год, 11,2 км/год (12,8 км/год у транспортувальному режимі)
	Назад	до 5,6 км/год

KEES VAN DER SPEK
TUINMACHINE • STOLWIJK

Зарядження	Зарядний пристрій (опціонально)	CHV1600E
	Адаптер (опціонально)	ACA1000
	Діапазон температур зарядження	5°C–40°C
Регулювання висоти різання (10 положень)		25–100 мм
Робоча температура		0°C–40°C
Температура зберігання		-20°C–70°C
Вага (без акумулятора)		186 кг
Вимірний рівень звукової потужності L_{WA}		96,44 dB(A) K=0,68 dB(A)
Рівень звукового тиску на місці вуха оператора L_{PA}		84,3 dB(A) K=3,0 dB(A)
Гарантований рівень звукової потужності L_{WA} (виміряно відповідно до 2000/14/EC)		100 dB(A)

UK

Вібрація a_h	Рука	1,221 m/s ² K=1,5 m/s ²
	Тіло	0,568 m/s ² K=1,5 m/s ²

- Вказане загальне значення вібрації виміряне за стандартним методом тестування і може використовуватися для порівняння одного інструмента з іншим;
- Заявлене сумарне значення вібрації може також використовуватись для попередньої оцінки впливу.

ПРИМІТКА. Емісія вібрації під час фактичного використання електроінструмента може відрізнятися від заявленої величини, у якій використовується інструмент. Щоб захистити оператора, користувач повинен одягати рукавички та захисні навушники в реальних умовах використання.

ОПИС

ОЗНАЙОМЛЕННЯ З ЕЛЕКТРИЧНОЮ КОСАРКОЮ З НУЛЬОВИМ РАДІУСОМ ПОВОРОТУ (Рис. А1 і А2)

1. Сидіння
2. Порт для заряджання
3. Акумуляторний відсік
4. Світлодіодні задні ліхтарі
5. Коробка для зберігання
6. Підстаканники
7. Світлодіодні бічні ліхтарі
8. Заднє колесо (приводне колесо)
9. Дека
10. Протектор деки
11. Колесо проти скальпування
12. Переднє колесо
13. Педаль гальма стоянки
14. Ходові вогні
15. Світлодіодні фари
16. Бічний випускний жолоб
17. Важіль регулювання висоти деки
18. Ручка регулювання підвіски сидіння
19. Важіль регулювання положення сидіння вперед-назад
20. Важіль кермування

21. Індикатор стану косарки
22. РК-екран
23. Перемикач валу відбору потужності
24. Кнопка «Пуск/Стоп»
25. Запобіжний ключ
26. Коробка для зберігання телефону
27. Індикатор рівня палива та стану косарки
- 27a. Індикатор рівня палива косарки
- 27b. Індикатор стану косарки
28. Зона упору для ніг
29. Кнопка відкривання кришки блока живлення
30. Кришка блока живлення
31. Кнопка звільнення батареї
32. Зчіпка
33. Кришка кріплення навісного обладнання
34. Зберігання кришки кріплення навісного обладнання
35. USB-порт

ОЗНАЙОМЛЕННЯ З РК-ЕКРАНОМ І КНОПКАМИ (рис. А3)

Див. розділ «КОДИ СТАНІВ І НЕСПРАВНОСТЕЙ КОСАРКИ» для отримання додаткової інформації про значки та індикатори на РК-екрані.

1. Значок запобіжного ключа
2. Значок світлодіодного освітлення
3. Значок автоматичного паркування
4. Значок USB
5. Індикатор швидкості лез
6. Індикатор стану захисного пристрою
7. Лічильник годин
8. Значок акумулятора
9. Значок перегріву
10. Режим руху
11. Індикатор коду помилки
12. Індикатор перевантаження
13. Індикатор низької потужності
14. Індикатор швидкості ходу
15. Індикатор навантаження
16. Кнопка регулювання швидкості лез
17. Кнопка встановлення
18. Кнопка режиму руху
19. Перемикач світлодіодного ліхтаря
20. Кнопка регулювання швидкості руху
21. Показчик рівня палива

РОЗПАКУВАННЯ

ПРИМІТКА. Зберігайте пакувальні матеріали, доки ви уважно не оглянете виріб і не почнете його нормально експлуатувати. Якщо будь-які деталі з пакувального листа встановлені на машині, негайно зв'яжіться із сервісною службою EGO.

ПРИМІТКА. За винятком інструментів із нижченаведеного пакувального списку, усі інші інструменти, згадані в посібнику, рекомендуються, але не надаються в комплекті.

ПАКУВАЛЬНИЙ СПИСОК (рис. В1)

V1-1	Електрична косарка з нульовим радіусом повороту	V1-7	Запобіжні ключі
V1-2	Сидіння	V1-8	Ріжкові ключі (13 мм)
V1-3	Пробка для мульчування	V1-9	Шестигранні ключі
V1-4	Важіль кермування	V1-10	Пристрій для швидкої зміни навісного обладнання з отвором для промивання
V1-5	Гвинти з головкою під торцевий ключ (2 запасних)	V1-11	Посібник користувача
V1-6	Болти із шестигранною головкою (2 запасних)		

UK

РОЗПАКУВАННЯ (рис. В2 – В3)

РЕКОМЕНДОВАНІ АКСЕСУАРИ

▲ ПОПЕРЕДЖЕННЯ. Використовуйте лише ідентичні запчастини, перелічені нижче. Використання деталей, що не відповідають характеристикам оригінального обладнання, може призвести до неналежної роботи та поставити під загрозу безпеку.

НАЗВА ДЕТАЛІ	НОМЕР МОДЕЛІ
Стандартне лезо	AB4200
Лезо з високим підйомом	AB4201
Пробка для мульчування	AMP4200
Комплект укладальника трави	ABK4200-A

ЗБИРАННЯ

УСТАНОВЛЕННЯ СИДІННЯ (рис. С1 і С2)

▲ ПОПЕРЕДЖЕННЯ. Систему захисного блокування не можна вимикати або обходити. Це може спричинити несподівану роботу газонокосарки, що може призвести до травм.

ПРИМІТКА. Задля вашої безпеки косарка може припинити рух через те, що вимикач сидіння від'єднався під час руху. У такому разі див. розділ «УСУНЕННЯ НЕСПРАВНОСТЕЙ» для отримання додаткової інформації.

C1-1	Кабель	C1-5	Гвинти з головкою під торцевий ключ
C1-2	Штекер	C2-1	Гачок
C1-3	Гніздо	C2-2	Сталеві рейки
C1-4	Підвісна основа	C2-3	Гвинти з головкою під торцевий ключ

УСТАНОВЛЕННЯ ВАЖЕЛІВ КЕРМУВАННЯ (рис. С3)

C3-1	Важелі кермування	C3-3	Отвори для кріплення важелів кермування
C3-2	Шестигранні болти		

КРІПЛЕННЯ ПРОБКИ ДЛЯ МУЛЬЧУВАННЯ (рис. С4)

C4-1	Бічний випускний жолоб	C4-3	Рухома пружина
C4-2	Пробка для мульчування		

ЕКСПЛУАТАЦІЯ

ПЕРЕД ВИКОРИСТАННЯМ КОСАРКИ

Перевірка середовища

- Переконайтеся, що в робочій зоні немає дітей, сторонніх і домашніх тварин.
- Очистьте робочу зону від предметів, які можуть бути відкинуті лезами косарки.
- Перевірте й переконайтеся, що світлодіодне освітлення перебуває в належному стані:
 - Керування фарами, габаритними вогнями та задніми ліхтарями здійснюється за допомогою перемикача світлодіодного освітлення.
 - Під час руху ходові вогні завжди горять.
 - Під час руху заднім ходом, якщо задні ліхтарі вимкнені, вони блиматимуть, щоб попередити оточуючих; якщо задні ліхтарі ввімкнені, вони залишаться ввімкненими.
 - Усі вогні автоматично вимикаються після більш ніж 3 хвилин бездіяльності.

Перевірка тиску в холодних шинах (рис. D1)

Перевірка стану косарки та рівня заряду акумулятора

- Індикатор рівня палива косарки (рис. A2 – 27a)

Кожен сегмент індикатора рівня палива косарки показує 20% заряду вставлених акумуляторних батарей.

ПРИМІТКА. Індикатор рівня палива на косарці та показчик рівня палива на РК-екрані показують середню ємність вставлених акумуляторних батарей.

- Індикатор стану на косарці (рис. A1 і рис. A2 – 27b)

Якщо індикатор стану світиться зеленим, косарка готова до роботи. Якщо ні, див. розділ «КОДИ СТАНУ ТА НЕСПРАВНОСТЕЙ КОСАРКИ».

Перевірка системи захисного блокування (рис. D2 – D8)

ПРИМІТКА. Перед перевіркою оператор повинен сісти на сидіння.

- Перед перевіркою (рис. D2 – D4)
- Щоб перевірити систему «дека-лезо» (рис. D5), повільно встаньте.

- Щоб перевірити самохідну систему (рис. D6 – D8), повільно встаньте.

Якщо система «дека-лезо» та/або самохідна система не зупиняється, коли оператор перебуває поза сидінням, і якщо причина не може бути визначена після перевірки правильності підключення штекера та гнізда сидіння, зверніться в центр обслуговування клієнтів EGO негайно.

РЕГУЛЮВАННЯ (рис. E1 – E13)

Підготовка (рис. E1 – E5)

Регулювання висоти ріжучої деки (рис. E6)

Регулювання коліщаток для захисту від скальпування (рис. E7 – E10)

E7-1	Колесо проти скальпування	E9-2	Болт із квадратною головкою
E9-1	Гайка	E10-1	Етикетка висоти деки

Регулювання сидіння (рис. E11)

Відрегулюйте положення сидіння, щоб забезпечити надійний контакт із педаллю гальма стоянки перед роботою з косаркою. Регулювання підвіски сидіння може зробити сидіння максимально комфортним.

E11-1	Важіль регулювання положення сидіння вперед-назад	E11-2	Ручка регулювання підвіски сидіння
-------	---	-------	------------------------------------

Установлення стоянкового гальма (рис. E12 – E13)

E13-1	Положення гальмування	E13-2	Відпущене положення
-------	-----------------------	-------	---------------------

ЗАРЯДЖАННЯ (рис. F1 – F11)

Для запуску цієї косарки потрібні акумулятори EGO на 15 А·год (2 X BA4200/BA4200T) або більше. Для кращої роботи ми рекомендуємо використовувати акумулятори EGO загальною ємністю 30 А·год або більше.

Використовуйте лише рекомендовані акумулятори та зарядні пристрої. (Рис. F9 і F10)

Підготовка до заряджання (рис. F1 – F4)

Окреме заряджання акумуляторних батарей (Рис. F5 – F9)

F5-1	Кнопка відкриття кришки	F7-1	Кнопка звільнення батареї
------	-------------------------	------	---------------------------

- Прикріплення акумулятора(-ів) (рис. F5 – F6)
- Зняття акумулятора(-ів) (рис. F7 – F8)

ПРИМІТКА. Заряджайте акумулятор(и) згідно з відповідними інструкціями акумуляторної батареї та зарядного пристрою.

Заряджання акумуляторів через зарядний порт (Рис. F10)

F10-1	Пилозахисний ковпачок	F10-2	Порт для заряджання
-------	-----------------------	-------	---------------------

ЗАПУСК ЕЛЕКТРИЧНОЇ КОСАРКИ З НУЛЬОВИМ РАДІУСОМ ПОВОРОТУ (Рис. A4 – A5 і рис. G1 – G6)

▲ ПОПЕРЕДЖЕННЯ. Уникайте різких пусків, зупинок і поворотів, а також надмірної швидкості, особливо під час початкового навчання роботи з косаркою. Косарка може швидко обертатися, що може призвести до втрати керування та серйозних травм і/або шкоди.

▲ ПОПЕРЕДЖЕННЯ. Перед запуском косарки перевірте й переконайтеся, що леза відключені під час натискання перемикача вала відбору потужності вниз. Якщо леза не зупиняються, не використовуйте газонокосарку і негайно зверніться в службу підтримки клієнтів EGO.

ПРИМІТКА. Дотримуйтесь рис. A4 і рис. G2, щоб отримати найнижчу швидкість руху і **СТАНДАРТНИЙ** режим руху, доки ви не зможете повністю керувати косаркою в будь-яких ситуаціях. Швидкість руху і режим руху активуються тільки тоді, коли колеса косарки зупинені і важелі керування відкриті.

Косарка збереже та представить попередні налаштування під час перезавантаження.

Самохідний режим

- **КОНТРОЛЬ.** Нижче прискорення, менш чутливе керування і помірні швидкості повороту для захисту трави та для нових користувачів.
- **СТАНДАРТ.** Ідеально підходить для повсякденного використання.
- **СПОРТ.** Більше прискорення, точне керування та круті повороти для максимальної ефективності косіння та для ентузіастів косіння.

Регулювання швидкості руху (рис. A4)

Регулювання швидкості лез (рис. A5)

ПРИМІТКА. У режимі «ПОДОРОЖ» натисніть кнопку «↔», швидкість руху повернеться до попереднього режиму.

USB-порт

ПРИМІТКА. Порт USB забезпечує заряджання 5 В постійного струму при сумарному споживанні 1,5 А і отримує живлення, тільки газонокосарка запущена.

ЗУПИНКА ЕЛЕКТРИЧНОЇ КОСАРКИ З НУЛЬОВИМ РАДІУСОМ ПОВОРОТУ (Рис. H1 – H6)

ПРИМІТКА. Після більше ніж 60 хвилин бездіяльності косарка автоматично вимкнеться.

Аварійний режим

Коли заряд акумулятора стає низьким, газонокосарка переходить в аварійний режим:

- Косарка автоматично зупиняє стрижку трави;
- Звуковий індикатор продовжуватиме видавати звукові сигнали;
- Індикатор стану газонокосарки блиматиме червоним кожну секунду, перший сегмент покажчика рівня палива косарки блиматиме червоним кольором, а індикатор низького заряду та індикатор заряду батареї на покажчику рівня палива блиматимуть.

Оператор повинен:

- Натиснути перемикач вала відбору потужності вниз (рис. H3), щоб відключити леза. Звуковий індикатор перестане видавати звукові сигнали, коли лезо зупиниться;
- Припинити роботу і якомога швидше вирушайте в зону заряджання акумулятора. Максимальна

відстань, яку може проїхати косарка, становить 1000 м.

Коли акумулятор майже розряджений, значок кожного зайнятого акумуляторного відсіку та індикатор низького заряду блиматимуть кожні півсекунди. Косарка негайно перестане працювати. Оператор повинен доставити газонокосарку в зону заряджання акумулятора, щоб зарядити її.

Штовхання вручну

Якщо потрібне штовхання вручну, переконайтеся, що акумуляторні батареї відключені від газонокосарки і педаль гальма стоянки відпущена з положення гальмування.

РУХ ЕЛЕКТРИЧНОЇ КОСАРКИ З НУЛЬОВИМ РАДІУСОМ ПОВОРОТУ (Рис. I1–I9)

Щоб зупинити, зменшити або збільшити швидкість, повільно змініть відстань важеля кермування від нейтрального.

⚠ НЕБЕЗПЕКА. Тримайтеся на відстані принаймні подвійної ширини скошування (2,14 м) від канав, обривів або води. Передні колеса можуть обертатися, коли косарка зупинена, навіть із задіяним гальмом, що може привести до вильоту косарки за край або у воду та спричинити смерть або серйозні травми.

⚠ ПОПЕРЕДЖЕННЯ. Перш ніж рухатися заднім ходом, стежте за тим, що за косаркою. НЕ косіть у зворотному напрямку без крайньої необхідності. Завжди дивіться вниз і назад перед тим, як їхати заднім ходом, щоб переконатися, що в зону косіння не входять діти, сторонні люди або домашні тварини. Пам'ятайте, що півсекунди неуважності досить для смерті або серйозної травми.

⚠ ПОПЕРЕДЖЕННЯ. Не використовуйте цю машину на дорогах загального користування.

⚠ ПОПЕРЕДЖЕННЯ. У разі блокування або удару об сторонній предмет зупиніть двигуни та вийміть усі батареї. Видаліть скошену траву, листя, бруд і будь-яке інше сміття, що скупчилося; ретельно огляньте косарку на предмет пошкоджень і усуньте пошкодження перед повторним запуском і експлуатацією косарки.

ОБСЛУГОВУВАННЯ

⚠ ПОПЕРЕДЖЕННЯ. Завжди носіть засоби захисту органів зору із закисними щитками. Недотримання цього правила може призвести до потрапляння предметів в очі та стати причиною серйозних травм.

⚠ ПОПЕРЕДЖЕННЯ. Завжди захищайте руки, одягнувши товсті рукавички або обгорнувши різучі кромки ганчірками чи іншими матеріалами під час виконання будь-якого технічного обслуговування леза косарки. Під час обслуговування або транспортування косарки завжди виймайте запобіжний ключ та акумуляторну батарею.

Інтервал технічного обслуговування	Порядок обслуговування
Перед кожним використанням або щодня	<ul style="list-style-type: none"> ▪ Перевірте систему захисного блокування. ▪ Візуально перевірте шину, чи не спущена вона. ▪ Огляньте леза на предмет зносу, тріщин або погнутості. ▪ Огляньте весь виріб на предмет пошкоджень, відсутніх або незакріплених деталей, таких як жолоб для бічного розвантаження, гвинти, гайки, болти, кришки тощо. Переконавшись, що всі щитки розміщені на своїх місцях і працюють належним чином. ▪ Перевірте роботу гальма.
Після кожного використання	<ul style="list-style-type: none"> ▪ Очистьте деку косарки.
Кожні 25 годин	<ul style="list-style-type: none"> ▪ Перевірити тиск у шинах.
Кожні 50 годин	<ul style="list-style-type: none"> ▪ Перевірте стан мастила всередині фланця різучого леза.
Кожні 100 годин	<ul style="list-style-type: none"> ▪ Перевірте задні колеса, переконавшись, що 4 вушка затягнуті з рекомендованим крутним моментом.
Кожні 200 годин	<ul style="list-style-type: none"> ▪ Перевірте передні колеса та переконайтеся, що вони вільно обертаються.

UK

Щорічно	<ul style="list-style-type: none"> Перевірте педаль гальма стоянки. Зніміть акумулятор із косарки та встановіть педаль гальма стоянки в положення гальмування. Вручну штовхайте косарку вперед, щоб перевірити, чи можна її переміщати. Якщо вона переміщається, зверніться до кваліфікованого фахівця з обслуговування.
---------	---

ЧИЩЕННЯ КОСАРКИ (рис. J1 – J9)

Підготовка (рис. J1 – J5)

Очищення корпусу косарки (рис. J6 – J7)

Використання промивного отвору для очищення деки косарки (Рис. J8 – J9)

J8-1	Промивний отвір	J8-3	Садовий шланг
J8-2	Пристрій для швидкої зміни навісного обладнання з отвором для промивання		

ПРИМІТКА. Після закінчення очищення натисніть перемикач вала відбору потужності вниз, щоб вивільнити леза косарки.

ТЕХНІЧНЕ ОБСЛУГОВУВАННЯ КОСАРКИ ТА ЛЕЗ

Підготовка (рис. K1 – K6)

Зняття деки косарки (рис. K7 – K8)

K7-1	Кабель двигуна	K7-3	Привод підвіски
K7-2	Шплінт		

ПРИМІТКА. Під час зняття деки косарки від'єднайте кабелі двигуна та шплінти з обох сторін.

Заміна ріжучих лез (рис. K9 – K11)

K9-1	Стабілізатор	K10-3	Лезо
K10-1	Болт	K10-4	Фланець
K10-2	Шайба	K10-5	Вал мотора

Вирівнювання деки косарки

- Коли вирівнювати (рис. K12 – K14)
- Перед вирівнюванням

- Перевірка тиску в холодних шинах (рис. K15)
- Перевірте ріжучі леза. За необхідності зніміть і замініть зношені, тріснуті та/або погнуті леза.
- с. Підготовка до вирівнювання (рис. K16 – K21)**
- d. Як вирівняти**
 - Для поперечного регулювання (рис. K22)

Різниця між відстанями H1 і H2, вимірюваними від нижнього краю кожного леза до землі, має бути в межах 5 мм.

K22-1	Контргайка
-------	------------

- Для регулювання положення спереду назад (рис. K23)

Передній кінець H3 леза має бути на 2–10 мм нижче, ніж задній кінець H4.

КАЛІБРУВАННЯ СИСТЕМА СТЕЖЕННЯ КОСАРКИ (рис. L1 – L6 і L7 – L12)

ПРИМІТКА. Звуковий сигнал пролунає один раз як під час запуску калібрування, так і після його завершення.

СКИДАННЯ КОСАРКИ ДО ПОЧАТКОВИХ ЗАВОДСЬКИХ НАЛАШТУВАНЬ (рис. M1 – M4)

ПРИМІТКА. Звуковий сигнал пролунає один раз як під час запуску скидання, так і після його завершення.

ЗБЕРІГАННЯ ТА ТРАНСПОРТУВАННЯ

ТРАНСПОРТУВАННЯ КОСАРКИ (РИС. N1 – РИС. N11)


ПРИМІТКА. За необхідності закріпіть косарку ременями або тросами, щоб запобігти її переміщенню під час транспортування. Під час завантаження або вивантаження косарки не перевищуйте максимальний рекомендований робочий кут 12° між апареллю та землею.

ЗБЕРІГАННЯ (рис. O1 – O6)

ПРИМІТКА. Зніміть акумуляторні батареї та зберігайте акумулятори згідно з відповідними інструкціями.

Очистьте та перевірте косарку перед зберіганням. Див. розділи «ОЧИЩЕННЯ КОСАРКИ» та «РЕКОМЕНДОВАНИЙ ГРАФІК(И) ТЕХНІЧНОГО ОБСЛУГОВУВАННЯ».

УСУНЕННЯ НЕСПРАВНОСТЕЙ

НЕСПРАВНІСТЬ	ПРИЧИНА	ВИРІШЕННЯ
<p>Газонокосарка з нульовим поворотом не може рухатися, коли два важелі керування спочатку переміщені вперед або назад.</p>  <p>Значок важеля керування блимає</p>	<ul style="list-style-type: none"> Сумарна ємність вставлених акумуляторів менше 15 А·год. 	<ul style="list-style-type: none"> Для запуску цієї косарки потрібні акумулятори EGO на 15 А·год (2 X BA4200/BA4200T) або більше. Для кращої роботи ми рекомендуємо використовувати акумулятори загальною ємністю 30 А·год або більше.
	<ul style="list-style-type: none"> Педаль гальма стоянки встановлена в положення гальмування. 	<ul style="list-style-type: none"> Повністю натисніть педаль гальма стоянки, щоб вивести її з положення гальмування.
	<ul style="list-style-type: none"> Важелі керування не перебувають у відкритому положенні під час запуску косарки. 	<ul style="list-style-type: none"> Поверніть важелі керування у відкрите положення та перезапустіть косарку.
	<ul style="list-style-type: none"> Оператор не сидить на сидінні. 	<ul style="list-style-type: none"> Тільки коли оператор правильно сидить на сидінні, він може керувати косаркою.
	<ul style="list-style-type: none"> Перемикач сидіння неправильно підключений. 	<ul style="list-style-type: none"> Зніміть акумулятор із косарки та розберіть сидіння в порядку, зворотному вказівкам у розділі «УСТАНОВЛЕННЯ СИДІННЯ» цього посібника, щоб перевірити з'єднання перемикача сидіння. Зберіть сидіння та виконайте кроки з розділу «ЗАПУСК ЕЛЕКТРИЧНОЇ КОСАРКИ З НУЛЬОВИМ РАДІУСОМ ПОВОРОТУ», щоб перезапустити газонокосарку та перевірити, чи газонокосарка запускається. Якщо ні, зверніться до кваліфікованого спеціаліста з обслуговування.
	<ul style="list-style-type: none"> У дуже холодну погоду самохідна функція може не запускатися через захист від низьких температур. 	<ul style="list-style-type: none"> Завжди зберігайте косарку та акумулятор у теплому місці. Перезапустіть газонокосарку, коли вона прогріється. Не робіть повторних спроб у дуже холодну погоду, оскільки це може призвести до пошкодження машини. Рекомендована робоча температура – від 0°C до 40°C.

НЕСПРАВНІСТЬ	ПРИЧИНА	ВИРІШЕННЯ
Електрична косарка з нульовим радіусом зупиняється під час руху.	<ul style="list-style-type: none"> Важелі керування потребують «скидання». 	<ul style="list-style-type: none"> Поверніть важелі керування у відкрите положення та перезапустіть косарку.
	<ul style="list-style-type: none"> Електричні елементи керування важелів керування вийшли з ладу. 	<ul style="list-style-type: none"> Зверніться до кваліфікованого фахівця з обслуговування для ремонту.
	<ul style="list-style-type: none"> Вимикач сидіння від'єднався під час руху по пересіченій місцевості. 	<ul style="list-style-type: none"> Зніміть акумулятор із косарки та розберіть сидіння в порядку, зворотному вказівкам у розділі «УСТАНОВЛЕННЯ СИДІННЯ» цього посібника, щоб перевірити з'єднання перемикача сидіння. Зберіть сидіння та виконайте кроки з розділу «ЗАПУСК ЕЛЕКТРИЧНОЇ КОСАРКИ З НУЛЬОВИМ РАДІУСОМ ПОВОРОТУ», щоб перезапустити газонокосарку та перевірити, чи газонокосарка запускається. Якщо ні, зверніться до кваліфікованого спеціаліста з обслуговування.
Швидкість руху/самохідний режим не можна регулювати під час руху.	<ul style="list-style-type: none"> Це особливість електричної косарки з нульовим поворотом для безпечного руху. 	<ul style="list-style-type: none"> Функція активується тільки тоді, коли колеса косарки зупинені, а важелі керування відкриті.
Газонокосарка з нульовим поворотом не запускає ножі, коли вал відбору потужності ввімкнено.  Значок перемикача вала відбору потужності блимає	<ul style="list-style-type: none"> Сумарна ємність вставлених акумуляторів менше 15 А·год. 	<ul style="list-style-type: none"> Для запуску цієї косарки потрібні акумулятори EGO на 15 А·год (2 X BA4200/BA4200T) або більше. Для кращої роботи ми рекомендуємо використовувати акумулятори загальною ємністю 30 А·год або більше.
	<ul style="list-style-type: none"> Перемикач вала відбору потужності не опустився під час останньої зупинки газонокосарки. 	<ul style="list-style-type: none"> Переведіть перемикач вала відбору потужності вниз і перезапустіть леза косарки.
	<ul style="list-style-type: none"> У момент запуску ножів косарка перевантажена, що призводить до самозахисту двигуна. 	<ul style="list-style-type: none"> Почніть різання трави газонокосаркою спочатку на нижчій швидкості лез і, доки леза не почнуть успішно обертатися, не збільшуйте швидкість лез до необхідної.
	<ul style="list-style-type: none"> У дуже холодну погоду мотор лез може не запуститися через захист від низьких температур. 	<ul style="list-style-type: none"> Завжди зберігайте косарку та акумулятор у теплому місці. Перезапустіть газонокосарку, коли вона прогріється. Не робіть повторних спроб у дуже холодну погоду, оскільки це може призвести до пошкодження машини. Рекомендована робоча температура – від 0°C до 40°C.
	<ul style="list-style-type: none"> Лезо зачіпає деформовану деку косарки. 	<ul style="list-style-type: none"> Зверніться до кваліфікованого фахівця з обслуговування для ремонту.

НЕСПРАВНІСТЬ	ПРИЧИНА	ВИРІШЕННЯ
Ножі перестають працювати під час косіння трави.	<ul style="list-style-type: none"> Косарка перевантажена. 	<ul style="list-style-type: none"> Збільште висоту різання деки або зменште швидкість руху, щоб знизити навантаження на косарку.
	<ul style="list-style-type: none"> Дека косарки забита травою та сміттям. 	<ul style="list-style-type: none"> Очистьте деку косарки та переконайтеся, що леза мають свободу руху.
	<ul style="list-style-type: none"> Косарка перегрілася. 	<ul style="list-style-type: none"> Зменште навантаження на косарку, збільшивши висоту різання деки або знизивши швидкість лез/руху і дайте косарці охолонути.
	<ul style="list-style-type: none"> Акумуляторна батарея(-ї) в акумуляторному відсіку газонокосарки перегрівається, у результаті чого сумарна ємність усіх вставлених акумуляторів становить менше 15 А·год. 	<ol style="list-style-type: none"> Якщо сумарна ємність акумулятора менше ніж 15 А·год, газонокосарка не працюватиме, доки у вільні акумуляторні відсіки не буде вставлено більше акумуляторних батарей. Щойно перегріта батарея повернеться до нормальної температури, вона негайно ввімкне живлення газонокосарки.
		<ol style="list-style-type: none"> Зменште навантаження на косарку, збільшивши висоту стриження деки або знизивши швидкість косіння під час поновлення роботи.
	<ul style="list-style-type: none"> Косарка перебуває в аварійному режимі. 	<ul style="list-style-type: none"> Коли косарка перебуває в аварійному режимі, ножі автоматично перемикаються на низьку швидкість обертання та не ріжуть траву. Оператор повинен припинити роботу і якомога швидше вирушити в зону заряджання акумулятора.
<ul style="list-style-type: none"> Косарка стикається зі стороннім предметом, що призводить до самозахисту двигуна. 	<ul style="list-style-type: none"> Переведіть перемикач вала відбору потужності вниз і перезапустіть леза косарки. 	
Звуковий сигнал продовжує лунати.	<ul style="list-style-type: none"> Косарка перебуває в аварійному режимі, і леза не вимкнені. 	<ul style="list-style-type: none"> Натисніть перемикач вала відбору потужності вниз, щоб від'єднати ножі деки. Звуковий індикатор перестане видавати звукові сигнали, коли лезо зупиниться;
	<ul style="list-style-type: none"> Косарка припиняє рух по схилу, оператор відкриває важелі керування і підводиться із сидіння, не встановивши педаль гальма стоянки в положення гальмування. 	<ul style="list-style-type: none"> Перш ніж залишити косарку на схилі, установіть педаль гальма стоянки в положення гальмування.

НЕСПРАВНІСТЬ	ПРИЧИНА	ВИРІШЕННЯ
Індикатори заряду акумулятора продовжують горіти, коли газонокосарка вимкнена.	<ul style="list-style-type: none"> Якщо вимкнути газонокосарку на рівній поверхні без зняття акумуляторної батареї з косарки, індикатори заряду акумулятора горітимуть протягом 3 хвилин. 	<ul style="list-style-type: none"> Жодних дій не потрібно. Індикатори батареї згаснуть через деякий час.
	<ul style="list-style-type: none"> Коли газонокосарка вимикається на схилі без установлення педалі гальма стоянки в положення гальмування, індикатори заряду акумулятора горітимуть, доки не розрядиться акумулятор. Звуковий індикатор продовжує при цьому подавати звукові сигнали. 	<ul style="list-style-type: none"> Установіть педаль гальма стоянки в положення гальмування, перш ніж оператор залишить інструмент на схилі.
РК-екран не світиться, коли всі значки ввімкнено.	<ul style="list-style-type: none"> Час натискання на кнопку «Пуск/Стоп» становить менше 3 секунд. 	<ul style="list-style-type: none"> На РК-екрані відображається «Покажчик рівня палива» тільки під час короткого натискання кнопки «Пуск/Стоп».
		<ul style="list-style-type: none"> На РК-екрані відображається «Покажчик рівня палива» тільки під час короткого натискання кнопки «Пуск/Стоп».
Косарка ріже нерівномірно, зі значною різницею по висоті спереду і ззаду.	<ul style="list-style-type: none"> Леза затупились. 	<ul style="list-style-type: none"> Заточіть або замініть ріжуче лезо, як зазначено в цій інструкції.
	<ul style="list-style-type: none"> Леза погнуті. 	<ul style="list-style-type: none"> Замініть погнуте ріжуче лезо, дотримуючись вказівок у розділі «ЗАМІНА РІЖУЧИХ ЛЕЗ».
	<ul style="list-style-type: none"> Дека косарки не вирівняна, що призводить до різної висоти ріжучого леза. 	<ul style="list-style-type: none"> Вирівняйте дека косарки, дотримуючись вказівок у розділі «ВИРІВНЮВАННЯ ДЕКИ КОСАРКИ».
Фактична висота скошування трави не відповідає заявленій висоті.	<ul style="list-style-type: none"> Ослаблені гайки деки косарки на приводі підвіски. 	<ul style="list-style-type: none"> Дотримуйтеся інструкцій у розділі «ВИРІВНЮВАННЯ ДЕКИ КОСАРКИ», щоб виконати правильне регулювання деки косарки спереду назад, і надійно затягніть чотири гайки на приводі підвіски (по дві з кожної сторони).
	<ul style="list-style-type: none"> Дека косарки пошкоджена або серйозно зношена. 	<ul style="list-style-type: none"> Дотримуйтеся вказівок у розділі «ЗНЯТТЯ ДЕКИ КОСАРКИ», щоб замінити дека косарки.
Косарка не мульчує правильно.	<ul style="list-style-type: none"> Обрізки мокрої трави приклеюються до нижньої поверхні деки. 	<ul style="list-style-type: none"> Зачекайте, доки трава не висохне, перед косінням.
	<ul style="list-style-type: none"> Косарка встановлена для зрізання занадто великої кількості трави за раз. 	<ul style="list-style-type: none"> Підніміть дека, щоб установити вищу висоту зрізання.

НЕСПРАВНІСТЬ	ПРИЧИНА	ВИРІШЕННЯ
Надмірна вібрація.	▪ Ріжучі леза ослабли.	▪ Затягніть болт леза з рекомендованим моментом 50–55 Н·м.
	▪ Леза погнуті.	▪ Замініть погнуте ріжуче лезо, дотримуючись вказівок у розділі « ЗАМІНА РІЖУЧИХ ЛЕЗ ».
	▪ Дека косарки не вирівняна.	▪ Вирівняйте деку косарки, дотримуючись вказівок у розділі « ВИРІВНЮВАННЯ ДЕКИ КОСАРКИ ».
	▪ Ослаблені гайки деки косарки на приводі підвіски.	▪ За допомогою ріжкового ключа на 18 мм (не входить у комплект) затягніть чотири гайки на приводі підвіски (по дві з кожної сторони).
	▪ Косарка встановлена для зрізання занадто великої кількості трави за раз.	▪ Підніміть деку, щоб установити вищу висоту зрізання.
Після стрижки на землі залишилася трава або сміття.	▪ Косарка встановлена для зрізання занадто великої кількості трави за раз, якщо трава висока.	▪ Почніть із великої висоти різання та зменшуйте її, доки не отримаєте бажаний результат косіння. Траву висотою більше 6 дюймів (15 см) слід косити двічі, послідовно зменшуючи висоту різання.
	▪ Трава мокра.	▪ Не косіть вологу траву, доки вона не висохне.
	▪ Швидкість руху висока.	▪ Зменште швидкість руху.
	▪ Швидкість лез низька.	▪ Поступово збільшуйте швидкість лез.
Короткий час роботи косарки від комплектного акумулятора.	▪ Стан трави і настройка висоти різання сильно впливають на час роботи від акумулятора. Заявлений час роботи розрахований в умовах невеликого навантаження.	▪ Підніміть висоту різання деки і зменште швидкість лез, щоб зменшити навантаження під час різання.
Газонокосарка їде не по прямій.	▪ Тиск у шинах лівого і правого задніх коліс різний.	▪ Перевірте та відрегулюйте тиск повітря в шинах обох задніх коліс відповідно до рекомендацій у розділі « ПЕРЕВІРКА ТИСКУ В ШИНАХ » цього посібника.
	▪ Швидкість руху лівого і правого задніх коліс різна.	▪ Відкалібруйте самохідну систему косарки, дотримуючись вказівок у розділі « КАЛІБРУВАННЯ САМОХІДНОЇ СИСТЕМИ КОСАРКИ ».
Педаль гальма стоянки не може бути відпущена з положення гальмування або повільно повертається у вихідне положення.	▪ Усередину педалі гальма стоянки може потрапити сміття або бруд.	▪ Відкрийте коробку педалі гальма стоянки, щоб ретельно очистити коробку всередині, і закрийте її. Скиньте педаль гальма стоянки, щоб побачити, чи вирішена проблема. Якщо ні, зверніться до кваліфікованого спеціаліста з обслуговування.

НЕСПРАВНІСТЬ	ПРИЧИНА	ВИРІШЕННЯ
Косарка не може заряджатися через зарядний порт, коли індикатор стану косарки постійно горить червоним.	▪ Штекер зарядного пристрою неправильно вставлений у зарядний порт газонокосарки.	▪ Знову підключіть вилку зарядного пристрою, щоб перевірити, чи газонокосарка заряджається у звичайному режимі.
	▪ У розетках немає електрики.	▪ Жодних дій не потрібно. Зачекайте, доки подача живлення не відновиться.
	▪ Несправність зарядного пристрою.	▪ Зверніться до кваліфікованого фахівця з обслуговування для перевірки та за необхідності відремонтуйте зарядний пристрій.
	▪ Зарядний порт на газонокосарці несправний.	▪ Зверніться до кваліфікованого фахівця з обслуговування для ремонту.
Заряджання через зарядний порт газонокосарки займає забагато часу.	▪ Заряджання за допомогою адаптера EGO ACA1000 займає багато часу.	▪ Використовуйте зарядний пристрій EGO CHV1600E для безпосереднього заряджання електричної косарки з нульовим поворотом.
Акумулятор не може бути повністю заряджений через зарядний порт газонокосарки.	▪ Помилка прошивки самохідної газонокосарки або збій зарядного пристрою/акумулятора.	▪ Від'єднайте зарядний пристрій і почекайте більше 1 хвилини, потім знову підключіть вилку до джерела живлення. Якщо це не спрацює, зверніться до кваліфікованого спеціаліста з обслуговування.
Косарка не запускається після очищення.	▪ Неправильна очищення, наприклад, потрапляння води на електричні компоненти, РК-екран тощо.	▪ Дотримуйтеся вказівок у розділі «ОЧИЩЕННЯ КОСАРКИ», щоб правильно очистити газонокосарку.
Газонокосарка легко забивається.	▪ Дека косарки забита травою та сміттям.	▪ Якщо газонокосарка випадково потрапила під дощ, дайте їй висохнути більш ніж на 12 годин або висушіть її стисненим повітрям.
		▪ Очищайте деку косарки після кожного використання, дотримуючись вказівок у розділі «Використання промивного отвору для очищення деки косарки».
Косарка легко втрачає тягу під час підйому по схилу.	▪ Зношені шини задніх коліс.	▪ Зверніться до місцевого сервісного центру для заміни колісних шин.
	▪ Великий ухил скошування.	▪ Ухил скошування має бути менше 12 градусів.
Коли косарка зупиняється на схилі з натиснутою педаллю гальма стоянки, косарка може ковзати вниз по схилу.	▪ Компоненти гальма надмірно зношені через неправильну експлуатацію косарки.	▪ Зверніться до кваліфікованого фахівця з обслуговування для ремонту.
Під час миття деки з промивного отвору не надходить вода.	▪ Швидкороз'ємне з'єднання промивного отвору не встановлюється на місце на промивний отвір.	▪ Знову прикріпіть швидкороз'ємне з'єднання промивного отвору, доки не почуєте чітке клацання після сильного натискання. Якщо це не спрацює, зверніться до кваліфікованого спеціаліста з обслуговування.

НЕСПРАВНІСТЬ	ПРИЧИНА	ВИРІШЕННЯ
Якщо штовхати косарку вручну, не запускаючи її, чути ненормальний звук.	<ul style="list-style-type: none">▪ Магніти всередині приводного двигуна видають звуки.	<ul style="list-style-type: none">▪ Це нормально, нічого не потрібно робити.





КОДИ СТАНУ ТА НЕСПРАВНОСТЕЙ КОСАРКИ

РК-екран	Опис	Код несправності на РК-дисплеї	Індикатор стану косарки	Звуковий сигнал	Причина	Вирішення
	Значок світлодіодного освітлення відображається на РК-екрані	н/з	ВИМКНЕНИЙ	Ні	Вмикання фар, габаритних вогнів і задніх ліхтарів здійснюється за допомогою перемикача світлодіодного освітлення.	Це нормальна робота. Жодних дій не потрібно.
	Значок USB відображається на РК-екрані	н/з	ВИМКНЕНИЙ	Ні	Значок USB показує, що пристрій USB може працювати після правильного запуску газонокосарки.	Це нормальна робота. Жодних дій не потрібно.
	Значок показчика рівня палива відображається на РК-екрані.	н/з	ВИМКНЕНИЙ	Ні	Показує середню ємність заряду вставлених акумуляторів.	Це нормальна робота. Жодних дій не потрібно.
	Значок лічильника годин відображається на РК-екрані.	н/з	ВИМКНЕНИЙ	Ні	Показує загальний час руху косарки в годинах і не може бути скинутий.	Це нормальна робота. Жодних дій не потрібно.
	Значок індикатора навантаження відображається в діапазоні ECO	н/з	ВИМКНЕНИЙ	Ні	Показує поточне навантаження косарки.	Це нормальна робота. Жодних дій не потрібно.
	Індикатор перевантаження блимає. Значок індикатора навантаження відображається в діапазоні PWR.	н/з	Блимає червоним	Один звуковий сигнал	Мотор лез перевантажено.	Збільште висоту різання деки або зменште швидкість руху, щоб знизити навантаження на косарку.
	Значок запобіжного ключа блимає.	н/з	ВИМКНЕНИЙ	Ні	Запобіжний ключ не вставлено.	Вставте запобіжний ключ, потім натисніть і утримуйте кнопку «ПУСК/СТОП» більше 3 секунд, щоб увімкнути газонокосарку.
					На РК-екран не подається живлення.	Доручіть ремонт кваліфікованому фахівцю з технічного обслуговування.

РК-екран	Опис	Код несправності на РК-дисплеї	Індикатор стану косарки	Звуковий сигнал	Причина	Вирішення
	Значок порожнього батарейного відсіку блимає.	н/з	ВИМКНЕНИЙ	Ні	Ємності акумулятора недостатньо для роботи газонокосарки.	Для запуску цієї косарки потрібні акумулятори EGO на 15 А·год (2 X BA4200/BA4200T) або більше. Для кращої роботи ми рекомендуємо використовувати акумулятори EGO загальною ємністю 30 А·год або більше.
	Значок термометра блимає.	н/з	Блимає червоним	Один звуковий сигнал	Косарка перегрілася.	Зменште навантаження на косарку, збільшивши висоту різання деки або знизивши швидкість лез/руху. Зробіть перерву і дайте косарці охолонути.
	Значок перегріву і точне значення зайнятого батарейного відсіку блимають одночасно.	н/з	н/з	Ні	Акумуляторна батарея в батарейному відсіку з відповідним номером перегрілася.	<p>1. Газонокосарка може продовжувати працювати, якщо сумарна ємність акумулятора, виключаючи перегріту акумуляторну батарею, дорівнює або перевищує 15 А·год. Щойно перегріта батарея повернеться до нормальної температури, вона негайно ввімкне живлення газонокосарки.</p> <p>2. Якщо сумарна ємність акумулятора менше ніж 15 А·год, газонокосарка не працюватиме, доки у вільні акумуляторні відсіки не буде вставлено більше акумуляторних батарей.</p> <p>3. Зменште навантаження на косарку, збільшивши висоту стрижання деки або знизивши швидкість косіння під час поновлення роботи.</p>

РК-екран	Опис	Код несправності на РК-дисплеї	Індикатор стану косарки	Звуковий сигнал	Причина	Вирішення
	Значки кожного зайнятого акумуляторного відсіку, індикатор низького заряду, індикатор рівня заряду батареї на індикаторі рівня палива блимають одночасно на РК-екрані щосекунди. Також блимає перший сегмент світлодіодного індикатора рівня палива і стану.	н/з	Блимає червоним	Подає звуковий сигнал, доки перемикач вала відбору потужності не буде натиснуто вниз.	Акумулятори розряджені, і газонокосарка перебуває в аварійному режимі.	Припиніть роботу та поверніться в зону заряджання акумулятора. ПРИМІТКА. Коли косарка перебуває в аварійному режимі, ножі автоматично перемикаються на низьку швидкість обертання без різання трави, і при цьому звуковий індикатор продовжуватиме видавати звуковий сигнал. Оператор повинен натиснути перемикач вала відбору потужності вниз, щоб від'єднати леза деки. Звуковий індикатор перестане подавати звуковий сигнал після зупинки леза.
	Значок кожного зайнятого акумуляторного відсіку та індикатор низького заряду блимає кожні півсекунди.	н/з	ВИМКНЕНИЙ	Ні	Акумулятори майже розряджені.	Косарка негайно перестане працювати. Оператор повинен доставити газонокосарку в зону заряджання акумулятора, щоб зарядити її.
	На РК-дисплеї блимає значок автоматичного паркування.	н/з	ВИМКНЕНИЙ	Продовжує видавати звуковий сигнал	Косарка припаркована на схилі, і оператор залишає косарку, не натискаючи педаль гальма в положення гальмування, тільки важелі керування перебувають у відкритому положенні.	Установіть педаль гальма в положення гальмування. Значок автоматичного паркування згасне, а звуковий індикатор перестане подавати звукові сигнали.
	Значок педалі гальма відображається на РК-дисплеї.	н/з	ВИМКНЕНИЙ	Ні	Педаль гальма стоянки встановлена в положення гальмування.	Відпустіть її перед запуском косарки.

KEES VAN DER SPEK
TUINMACHINES * STOLWIJK

РК-екран	Опис	Код несправності на РК-дисплеї	Індикатор стану косарки	Звуковий сигнал	Причина	Вирішення
	Значок датчика сидіння відображається на РК-дисплеї.	н/з	ВИМКНЕНИЙ	Ні	Оператор залишає сидіння, або перемикач сидіння від'єднаний.	Якщо оператор сидить на сидінні, значок горить, негайно припиніть роботу з косаркою та перевірте з'єднання сидіння. Якщо підтверджено, що з'єднання сидіння з косаркою правильне, зверніться до кваліфікованого фахівця з технічного обслуговування.
	Значок перемикача вала відбору потужності блимає.	н/з	ВИМКНЕНИЙ	Ні	Робота мотора лез була перервана, і перемикач вала відбору потужності не встановлено в положення «вимкнено».	Перед повторним запуском косарки натисніть перемикач вала відбору потужності вниз, щоб відключити двигун деки. Для довідки див. розділ «УСУНЕННЯ НЕСПРАВНОСТЕЙ» цього посібника.
	Значок важеля керування блимає.	н/з	ВИМКНЕНИЙ	Ні	Робота приводного двигуна була перервана, а важелі керування не встановлено у відкрите положення.	Перед повторним запуском косарки переведіть важелі керування у відкрите положення. Для довідки див. розділ «УСУНЕННЯ НЕСПРАВНОСТЕЙ» цього посібника.
	Значок відновлення енергії іноді блимає.	н/з	ВИМКНЕНИЙ	Ні	Кінетична енергія, що генерується під час гальмування або руху під ухил, перетворюється в електрику для заряджання акумуляторних батарей.	Це нормальна робота. Жодних дій не потрібно.

РК-екран	Опис	Код несправності на РК-дисплеї	Індикатор стану косарки	Звуковий сигнал	Причина	Вирішення	
Див. «Коди несправностей»	Лівий приводний мотор виходить із ладу під час обертання.	Несправний лівий приводний двигун, керований РСВА.	413	ВИМКНЕНИЙ	Один звуковий сигнал	Збій РСВА	Доручить ремонт кваліфікованому фахівцю з технічного обслуговування.
		Штекер (трифазний, силовий провід), що з'єднує лівий приводний двигун із відповідною друкованою платою, ослаблений.	317	ВИМКНЕНИЙ	Один звуковий сигнал	Слабке з'єднання	
		Ослаблений штекер (шість контактів, сигнальний провід), що з'єднує лівий приводний двигун із відповідною друкованою платою.	301	ВИМКНЕНИЙ	Один звуковий сигнал	Слабке з'єднання	
		Лівий приводний мотор несправний.	317	ВИМКНЕНИЙ	Один звуковий сигнал	Поломка двигуна	

РК-екран	Опис	Код несправності на РК-дисплеї	Індикатор стану косарки	Звуковий сигнал	Причина	Вирішення	
Див. «Коди несправностей»	Правий приводний мотор виходить із ладу під час обертання.	Несправний правий приводний двигун, керований РСВА.	313	ВИМКНЕНИЙ	Один звуковий сигнал	Збій РСВА	Доручить ремонт кваліфікованому фахівцю з технічного обслуговування.
		Штекер (трифазний, силовий провід), що з'єднує правий приводний двигун із відповідною друкованою платою, ослаблений.	417	ВИМКНЕНИЙ	Один звуковий сигнал	Слабке з'єднання	
		Ослаблений штекер (шість контактів, сигнальний провід), що з'єднує правий приводний двигун із відповідною друкованою платою.	401	ВИМКНЕНИЙ	Один звуковий сигнал	Слабке з'єднання	
		Правий приводний мотор несправний.	417	ВИМКНЕНИЙ	Один звуковий сигнал	Поломка двигуна	
Див. «Коди несправностей»	Лівий мотор лез виходить із ладу під час обертання.	Несправний лівий мотор лез, керований РСВА.	607	н/з	Один звуковий сигнал	Збій РСВА	Доручить ремонт кваліфікованому фахівцю з технічного обслуговування.
		Штекер (трифазний, силовий провід), що з'єднує лівий приводний двигун із відповідною друкованою платою, ослаблений.	509	н/з	Один звуковий сигнал	Слабке з'єднання	Спочатку огляньте лезо. Якщо воно ослаблене, використовуйте динамометричний ключ на 14 мм, щоб затягнути болт за годинниковою стрілкою. Рекомендований момент затягування болта леза становить 50–55 Н·м. В іншому разі зверніться до кваліфікованого фахівця з технічного обслуговування.
		Лівий мотор лез виходить із ладу	509	н/з	Один звуковий сигнал	Поломка двигуна	

РК-екран	Опис	Код несправності на РК-дисплеї	Індикатор стану косарки	Звуковий сигнал	Причина	Вирішення	
Див. «Коди несправностей»	Правий мотор лез виходить із ладу під час обертання.	Несправний правий мотор лез, керований РСВА.	507	н/з	Один звуковий сигнал	Збій РСВА	Доручить ремонт кваліфікованому фахівцю з технічного обслуговування.
		Штекер (трифазний, силовий провід), що з'єднує правий приводний двигун із відповідною друкованою платою, ослаблений.	609	н/з	Один звуковий сигнал	Слабке з'єднання	Спочатку огляньте лезо. Якщо воно ослаблене, використовуйте динамометричний ключ на 14 мм, щоб затягнути болт за годинниковою стрілкою. Рекомендований момент затягування болта леза становить 50–55 Н·м. В іншому разі зверніться до кваліфікованого фахівця з технічного обслуговування.
		Правий мотор лез виходить із ладу	609	н/з	Один звуковий сигнал	Поломка двигуна	
Див. «Коди несправностей»	Лівий важіль керування виходить із ладу.	Лівий важіль керування, який керує РСВА, виходить із ладу.	311 /412	ВИМКНЕНИЙ	Один звуковий сигнал	Збій РСВА	Доручить ремонт кваліфікованому фахівцю з технічного обслуговування.
		Ослаблений штекер, який з'єднує керуючу РСВА, розташовану в кермовій колонці.				Слабке з'єднання	
Див. «Коди несправностей»	Правий важіль керування виходить із ладу.	Правий важіль керування, який керує РСВА, виходить із ладу.	312 /411	ВИМКНЕНИЙ	Один звуковий сигнал	Збій РСВА	Доручить ремонт кваліфікованому фахівцю з технічного обслуговування.
		Ослаблений штекер, який з'єднує керуючу РСВА, розташовану в кермовій колонці.				Слабке з'єднання	

KEES VAN DER SPEK
TOEGEMAKT IN STOLWIJK

РК-екран	Опис		Код несправності на РК-дисплеї	Індикатор стану косарки	Звуковий сигнал	Причина	Вирішення
Див. «Коди несправностей»	Гальмо стоянки виходить із ладу, машина не може їздити.	РСВА стоянкового гальма, яка розташована в передній частині рами, зламана.	309 /409	ВИМКНЕНИЙ	Один звуковий сигнал	Збій РСВА	Доручить ремонт кваліфікованому фахівцю з технічного обслуговування.
		Вимикач і/або провід гальма стоянки зламаний/ обірваний.	801	ВИМКНЕНИЙ	Один звуковий сигнал	Несправність проводу/ перемикача	
ВИМКНЕНИЙ	Несправність зарядного порту		н/з	Світиться ЧЕРВОНИМ	н/з	Зарядний порт перебуває в розімкнутому колі.	Доручить ремонт кваліфікованому фахівцю з технічного обслуговування.
			н/з	Світиться ЧЕРВОНИМ	н/з	Немає живлення.	Перевірте розетку, чи є в ній напруга 220–240 В і чи розетка справна.
			н/з	Світиться ЧЕРВОНИМ	н/з	Перегорів запобіжник.	Доручить ремонт кваліфікованому фахівцю з технічного обслуговування.
Див. «Коди несправностей»	Несправність зарядного порту		204	н/з	Один звуковий сигнал	Зарядний порт перебуває в розімкнутому колі.	
Див. «Коди несправностей»	Блок батарейного відсіку не працює		217	н/з	Один звуковий сигнал	Зламаний блок живлення від акумуляторного відсіку. Світлодіодні фари та USB не працюватимуть.	Доручить ремонт кваліфікованому фахівцю з технічного обслуговування.
			310 /410	ВИМКНЕНИЙ	Один звуковий сигнал	Не працює з'єднання між проводами Туре С блока акумуляторного відсіку та іншими проводами Туре С газнокосарки.	
			201 /202 /203	ВИМКНЕНИЙ	Один звуковий сигнал	BMS блока акумуляторного відсіку зламана.	

РК-екран	Опис	Код несправності на РК-дисплеї	Індикатор стану косарки	Звуковий сигнал	Причина	Вирішення
Див. «Коди несправностей»	Несправність перемикача «Пуск/Стоп»	314 /414	ВИМКНЕНИЙ	Один звуковий сигнал	Несправність РСВА перемикача або погане з'єднання перемикача «Пуск/Стоп».	Доручіть ремонт кваліфікованому фахівцю з технічного обслуговування.
Див. «Коди несправностей»	Несправність РК-екрана	315 /415	ВИМКНЕНИЙ	Один звуковий сигнал	Збірка РК-дисплея зламана або погане з'єднання проводів збірки РК-дисплея.	Доручіть ремонт кваліфікованому фахівцю з технічного обслуговування.

ГАРАНТІЯ

ПРАВИЛА ГАРАНТІЇ EGO

Відвідайте веб-сайт egopowerplus.com для отримання повного тексту умов гарантійної політики EGO.

KEES VAN DER SPEK
TUINMACHINES ★ STOLWIJK

ПРОЧЕТЕТЕ ВСИЧКИ ИНСТРУКЦИИ!



ПРОЧЕТЕТЕ РЪКОВОДСТВОТО НА ОПЕРАТОРА

⚠ Остатъчен риск! Хора с електронни устройства, като пейсмейкър трябва да се консултират с лекуващия(те) си лекар(и) преди употреба на този продукт. Работата с електрическо оборудване в непосредствена близост до сърдечен пейсмейкър може да предизвика смущение или неизправност на пейсмейкъра.

СИМВОЛ ЗА БЕЗОПАСНОСТ

Целта на символите за безопасност е да привличат вниманието към възможни опасности. Символите за безопасност и обясненията към тях заслужават вашето повишено внимание и осъзнаване. Символите за безопасност сами по себе си не елиминират каквато и да е опасност. Инструкциите и предупрежденията, които предоставят не са заместители за подходящите мерки за предотвратяване на инцидент.

⚠ ПРЕДУПРЕЖДЕНИЕ: Уверете се, че сте прочели и осъзнали всички инструкции за безопасност в това Ръководство на оператора, включително всички известяващи символи за безопасност, като **“ОПАСНОСТ,”** **“ПРЕДУПРЕЖДЕНИЕ”** и **“ВНИМАНИЕ”** преди да използвате този инструмент. Неспазването на всички инструкции изброени долу може да доведе до електрически удар, пожар и/или сериозно нараняване.

ЗНАЧЕНИЕ НА СИМВОЛИТЕ

Тази страница изобразява и описва символите за безопасност, които може да се появят по този продукт. Прочетете, осъзнайте и следвайте всички инструкции по машината преди предприемане на сглобяване и работа.

СИМВОЛИ ЗА БЕЗОПАСНОСТ



Сигнал за безопасност



Защита за очите



ОПАСНОСТ - заплаха от стръмен наклон



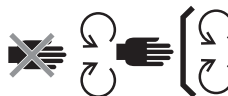
Никога не превозвайте деца



ПРЕДУПРЕЖДЕНИЕ - Не използвайте тази машина върху наклони по-големи от 12°.



Прочетете и разберете ръководството на оператора



Поддържайте устройствата за безопасност



ОПАСНОСТ - дръжте околните хора надалеч от ножовете



Гледайте назад при заден ход



ОПАСНОСТ - изхвърлени предмети



ПРЕДУПРЕЖДЕНИЕ - ДРЪЖТЕ РЪЦЕТЕ И КРАКАТА СИ ДАЛЕЧ



Не стъпвайте



Този продукт е в съответствие с приложимите директиви на ЕС



Постоянен ток

kPa

Килопаскал

V

Волт

инч

Инч

Nm

Нютон метър

°C

Целзий

км/ч

Километра в час



Гарантирано ниво на мощност на звука. Съгласно директивата на Европейската общност.



Отпадъчните електрически продукти не трябва да бъдат изхвърляни заедно с домакинския отпадък. Отнесете го до упълномощено място за рециклиране.



ВНИМАНИЕ – Не гледайте в работната лампа.



Този продукт е в съответствие с приложимото законодателство на Великобритания.

ОБ/МИН

Обороти в минута

m

Метри

cm

Сантиметри

mm

Милиметри

kg

Килограм

IPX4

Степен на защита от навлизане на вода

KEES VAN DER SPEK
TUINMACHINES * STOLIJK

СПЕЦИФИКАЦИИ

Напрежение		56 V
Размер на платформата		107 cm
Размер на колелата	Предни	11 x 4 инча (279,4 mm)
	Задни	18 x 8,5 инча (457,2 mm)
Налягане при студени гуми	Предни	220 kPa
	Задни	50 kPa
Радиус на завиване		0
Скорост на ножа (ОБ/МИН)		2400, 2600, 2800, 3000
Макс. Скорост на движение (км/ч)	Напред	4,8 км/ч, 8 км/ч, 9,6 км/ч, 11,2 км/ч (12,8 км/ч в режим на движение)
	Назад	до 5,6 км/ч

Зареждане	Зарядно устройство (опционално)	CHV1600E
	Адаптер (опционален)	ACA1000
	Диапазон на температурата на зареждане	5°C - 40°C
Регулиране височината на рязане (10 позиции)		25 – 100 mm
Работна температура		0°C- 40°C
Температура на съхранение		-20°C - 70°C
Тегло (без акумулаторна батерия)		186 kg
Измерено ниво на сила на звука L_{WA}		96,44 dB(A) K=0,68 dB(A)

BG

Ниво на звуково налягане при ухото на оператора L_{PA}		84,3 dB(A) K=3,0 dB(A)
Гарантирано ниво на сила на звука L_{WA} (измерено съгласно 2000/14/EC)		100 dB(A)
Вибрации a_h	Ръка	1,221 m/s^2 K=1,5 m/s^2
	Тяло	0,568 m/s^2 K=1,5 m/s^2

- Декларираният общ размер на вибрации е измерен в съответствие със стандартния метод за тест и може да бъде използван за сравнение между два инструмента;
- Декларираният общ размер на вибрации може също така да бъде използван за предварителна оценка на влиянието.

БЕЛЕЖКА: Вибрационните емисии по време на действителната употреба на електрическия инструмент може да се различава от декларираната стойност. С цел да се защити оператора, потребителят трябва да носи ръкавици и антифони в действителни условия на работа.

ОПИСАНИЕ

ЗАПОЗНАЙТЕ СЕ С ЕЛЕКТРИЧЕСКАТА КОСАЧКА С НУЛЕВ ЗАВОЙ (Фиг. A1 и A2)

1. Седалка
2. Порт за зареждане
3. Отделение за батериите
4. LED задни светлини
5. Кутия за съхранение
6. Държачи на чаши
7. LED странични светлини
8. Задно колело (задвижващо колело)
9. Платформа
10. Протектор на платформата
11. Анти-скалп колело
12. Предно колело
13. Педал на спирачката за паркиране
14. Работни светлини
15. LED фарове

16. Страничен отвеждащ улей
17. Лост за регулиране височината на платформата
18. Бутон за регулиране на окачването на седалката
19. Бутон за регулиране на седалката напред-назад
20. Лост на кормилното управление
21. Индикатор на статуса на косачката
22. LCD екран
23. Превключвател на вала за отвеждане на мощност
24. Старт/стоп бутон
25. Ключ за безопасност
26. Кутия за съхранение на телефон
27. Индикатор за горивото на косачката и индикатор на статуса
- 27a. Индикатор за горивото на косачката
- 27b. Индикатор на статуса на косачката
28. 3 она за поставяне на краката
29. Бутон за освобождаване на капака на задвижването
30. Капак на задвижването
31. Бутон за освобождаване на батерията
32. Теглич
33. Капак за монтиране на приставка
34. Отделение за капака за монтиране на приставка
35. USB порт

ЗАПОЗНАЙТЕ СЕ С LCD ЕКРАНА И БУТОНИТЕ (Фиг. A3)

Вижте раздела “СТАТУС НА КОСАЧКАТА РЕФЕРЕНТНИ КОДОВЕ И КОДОВЕ ЗА НЕИЗПРАВНОСТ” за повече информация относно иконите и индикаторите на LCD екрана.

1. Икона на ключа за безопасност
2. Икона на LED светлините
3. Икона на автоматичното паркиране
4. Икона на USB
5. Индикатор на скоростта на ножа
6. Индикатор на статуса на предпазното устройство
7. Часомер
8. Икона за акумулаторната батерия
9. Икона за прегряване
10. Режим на движение
11. Индикатор на код на грешка
12. Индикатор за претоварване

13. Индикатор за ниска мощност
14. Индикатор на скоростта на движение
15. Индикатор на натоварването
16. Бутон за регулиране на скоростта на ножа
17. Бутон за настройка
18. Бутон за режим на движение
19. Превключвател на LED светлината
20. Бутон за регулиране на скоростта на движение
21. Измервателен уред за горивото

РАЗОПАКОВАНЕ

БЕЛЕЖКА: Запазете опаковъчните материали, докато не сте инспектирали внимателно и не работите задоволително с продукта. Ако някои части в опаковъчния лист са сглобени към машината, моля незабавно се свържете със сервиз на EGO.

БЕЛЕЖКА: С изключение на инструментите в опаковъчния лист, всички други инструменти посочени в ръководството са само препоръчителни, но не са предоставени.

ОПАКОВЪЧЕН ЛИСТ (Фиг. В1)

V1-1	Електрическа косачка с нулев завой	V1-7	Ключове за безопасност
V1-2	Седалка	V1-8	Гаечни ключове с отворен край (13 mm)
V1-3	Пробка за торене	V1-9	Ключ за вътрешен шестостен
V1-4	Лост на кормилното управление	V1-10	Бърз съединител на отвора за измиване
V1-5	Винтове с глава за ключ (2 за поддръжка)	V1-11	Ръководство на оператора
V1-6	Болтове с шестостенна глава (2 за поддръжка)		

РАЗОПАКОВАНЕ (Фиг. В2 – Фиг. В3)

ПРЕПОРЪЧИТЕЛНИ АКСЕСОАРИ

▲ ПРЕДУПРЕЖДЕНИЕ: Използвайте само идентични резервни части посочени по-долу.

Употребата на части, които не съответстват със спецификациите на стандартното оборудване, могат да доведат до неправилна работа и компрометирана безопасност.

НАЗВА ДЕТАЛИ	НОМЕР МОДЕЛИ
Стандартне лезо	AB4200
Лезо з високим підйомом	AB4201
Пробка для мульчування	AMP4200
Комплект укладальника трави	ABK4200-A

МОНТАЖ

ИНСТАЛИРАНЕ НА СЕДАЛКАТА (Фиг. С1 и С2)

▲ ПРЕДУПРЕЖДЕНИЕ: Системата за предпазно блокиране не трябва да бъде изключвана или шунтирана. Ако направите това, косачката може да се задейства неочаквано и да причини нараняване на хора.

БЕЛЕЖКА: За Вашата безопасност косачката може да спре да се движи, когато превключвателят на седалката се изключи по време на движение. В този случай вижте раздел **“ОТСТРАНЯВАНЕ НА ПРОБЛЕМИ”** за повече информация.

C1-1	Кабел	C1-5	Винтове с глава за ключ
C1-2	Щепсел	C2-1	Кука
C1-3	Контакт	C2-2	Стоманени релси
C1-4	Основа за окачване	C2-3	Винтове с глава за ключ

ИНСТАЛИРАНЕ НА ЛОСТОВЕТЕ НА КОРМИЛНОТО УПРАВЛЕНИЕ (Фиг. С3)

C3-1	Лостове на кормилното управление	C3-3	Монтажни отвори на лоста на кормилното управление
C3-2	Болтове с шестостенна глава		

ЗАКРЕПВАНЕ НА ПРОБКАТА ЗА ТОРЕНЕ (Фиг. С4)

C4-1	Страничен отвеждащ улей	C4-3	Подвижна пружина
C4-2	Пробка за торене		

ЕКСПЛОАТАЦИЯ

ПРЕДИ ДА ИЗПОЛЗВАТЕ КОСАЧКАТА

Проверка на околната сред

- Освободете работната зона от деца, околни хора или домашни любимци.
- Изчистете работната зона от предмети, които могат да бъдат изхвърлени от ножовете на косачката.
- Проверете и се уверете, че LED светлините са в правилен статус:
 - Фаровете, страничните светлини и задните светлини се управляват от превключвателя на LED светлините.
 - Работните светлини винаги продължават да светят по време на движение.
 - При движение назад, ако задните светлини са изключени, те ще премигнат, за да предупредят околните хора; ако задните светлини са включени, те ще останат включени.
 - Всички светлини ще се изключат автоматично след повече от 3 минути без работа

Проверка на налягането при студени думи (Фиг. D1)

Проверка на статуса на косачката и нивото на зареждане на батерията

- Индикатор за горивото на косачката (Фиг. A2 - 27a)
Всеки сегмент на индикатора на горивото на косачката указва 20% зареждане на поставените акумулаторни батерии.

БЕЛЕЖКА: Индикаторът на горивото на косачката и индикаторът на горивото на LCD екрана показват средния капацитет на поставените акумулаторни батерии.

- Индикатор на статуса на косачката (Фиг. A1 и Фиг. A2 - 27b)

Ако индикаторът на статуса показва зелено, косачката е готова за движение. Ако не, моля вижте раздела

“СТАТУС НА КОСАЧКАТА, РЕФЕРЕНТНИ КОДОВЕ И КОДОВЕ НА ГРЕШКИ”

Тестване на системата за предпазна блокировка (Фиг. D2 - Фиг. D8)

БЕЛЕЖКА: Операторът трябва да бъде на седалката преди теста.

- Преди тестване (Фиг. D2 – Фиг. D4)
- За да тествате системата платформа-нож (Фиг. D5), след това бавно станете
- За да тествате системата за задвижване (Фиг. D6 - Фиг. D8), след това бавно станете

Ако системата платформа-нож и/или системата за задвижване не спрат, когато операторът е станал от седалката и ако причината не може да бъде определена след уверяване, че щепселът и контактът а седалката са добре свързани, свържете се със своя потребителски сервизен център на EGO незабавно.

РЕГУЛИРАНЕ (Фиг. E1 – Фиг. E13)

Подготовка (Фиг. E1 – Фиг. E5)

Регулиране на височината рязане-платформа (Фиг. E6)

Регулиране на анти-скалп колелата (Фиг. E7 – Фиг. E10)

E7-1	Анти-скалп колело	E9-2	Фиксиращ болт
E9-1	Гайка	E10-1	Стикер за височината на платформата

Регулиране на седалката (Фиг. E11)

Регулирайте позицията на седалката, за да се уверите, че сте в състояние да извършите пълен контакт с педала на спирачката за паркиране, преди да работите с косачката. Регулирането на окачването на седалката може да ви помогне да постигнете най-удобно разполагане върху седалката.

E11-1	Бутон за регулиране на седалката напред-назад	E11-2	Бутон за регулиране на окачването на седалката
-------	---	-------	--

Настройка на спирачката за паркиране (Фиг. E12 – Фиг. E13)

E13-1	Спирачна позиция	E13-2	Освободена позиция
-------	------------------	-------	--------------------

ЗАРЕЖДАНЕ (Фиг. F1 – Фиг. F11)

За да стартирате тази косачка, са необходими батерии EGO от общо 15 Ah (2 X BA4200/BA4200T) или повече. За най-добра ефективност ние препоръчваме употребата на батерии EGO от общо 30 Ah или повече.

Използвайте единствено препоръчаните акумулаторни батерии и зарядни устройства. (Фиг. F9 и F10)

Подготовка за зареждане (Фиг. F1 – Фиг. F4)

Акумулаторната(ите) батерия(и) не се зарежда(т).
(Фиг. F5 – Фиг. F9)

F5-1	Бутон за освобождаване на капака	F7-1	Бутон за освобождаване на батерията
------	----------------------------------	------	-------------------------------------

- За прикрепване на акумулаторната(ите) батерия(и) (Фиг. F5 - Фиг. F6)
- За снемане на акумулаторната(ите) батерия(и) (Фиг. F7 - Фиг. F8)

БЕЛЕЖКА: Заредете акумулаторната(ите) батерия(и) като направите справка с съответните ръководства на батерията и зарядното устройство.

Зареждане на акумулаторните батерии през порт за зареждане (Фиг. F10)

F10-1	Капачка против прах	F10-2	Порт за зареждане
-------	---------------------	-------	-------------------

BG

СТАРТИРАНЕ НА ЕЛЕКТРИЧЕСКАТА КОСАЧКА С НУЛЕВ ЗАВОЙ (Фиг. A4 – Фиг. A5 и Фиг. G1 – Фиг. G6)

▲ ПРЕДУПРЕЖДЕНИЕ: Избягвайте внезапни стартирания, спирания и завои, както и прекомерна скорост, особено когато се учите да управлявате косачката. Косачката може да се завърти бързо, които може да причини загуба на управление и да доведе до сериозно нараняване и/или повреда.

▲ ПРЕДУПРЕЖДЕНИЕ: Преди стартиране на косачката проверете и се уверете, че ножовете са изключени, когато натискате превключвателя на вала за отвеждане на мощност надолу. Ако ножовете не спрат, не използвайте косачката и се свържете със своя потребителски сервиз на EGO незабавно.

БЕЛЕЖКА: Следвайте Фиг. A4 и Фиг. G2 за да постигнете най-ниската скорост на движение и **СТАНДАРТЕН** режим на движение, докато не сте напълно способни да управлявате косачката във всички ситуации. Скоростта на движение и режимът на движение се активират само, когато колелата на косачката са спрени и кормилните лостове са отворени.

Косачката ще запамети и представи последната настройка, когато я стартирате.

Режим на движение

- **CONTROL (КОНТРОЛЕН):** Ниско ускоряване по-малко чувствително боравене и ниска скорост при завой за защита на тревата и за нови потребители.
- **STANDARD (СТАНДАРТЕН):** Перфектен за всекидневна употреба.
- **SPORT (СПОРТЕН):** По-високо ускоряване, акуратно боравене и остро завиване за увеличаване на ефективността на косачката и ентусиазма при косене.

Регулиране на скоростта на движение (Фиг. A4)

Регулиране на скоростта на ножа (Фиг. A5)

БЕЛЕЖКА: Когато сте в режим "ДВИЖЕНИЕ", натиснете "↔", скоростта на придвижване ще се върне към предишния режим.

USB порт

БЕЛЕЖКА: USB портът осигурява зарядна мощност от 5 V постоянен ток при комбиниран ток от 1,5 A и работи само, когато косачката е стартирана.

СПИРАНЕ НА ЕЛЕКТРИЧЕСКАТА КОСАЧКА С НУЛЕВ ЗАВОЙ (Фиг. H1 – Фиг. H6)

БЕЛЕЖКА: След повече от 60 минути без работа косачката ще се изключи автоматично.

Режим на аварийно прибиране

Когато зарядът на батерията стане нисък, косачката ще влезе в режим на аварийно прибиране:

- Косачката автоматично ще спре да коси трева;
- Звуковият индикатор ще продължи да звучи;
- Индикаторът за статуса на косачката ще мига в червено всяка секунда, първият сегмент на индикатора за гориво на косачката ще мига в червено, а двата индикатора за ниско захранване и графиката на батерията на индикатора за гориво ще мигат.

Операторът трябва:

- a) Да натисне превключвателя на вала за отвеждане на мощност надолу (Фиг. Н3), за да изключи ножовете. Звуковият индикатор ще спре да звучи, когато ножовете спрат;
- b) Спрете работа и отидете в зоната за зареждане на батерията възможно най-скоро. Максималното разстояние, което косачката може да измине е 1000 м.

Когато батерията е почти изтощена, иконата на всяко заето отделение за батерия и индикаторът за ниска мощност ще мигат на всяка половин секунда. Косачката ще спре работа незабавно. Операторът трябва да транспортира косачката до зоната за зареждане на батерията за зареждане.

Ръчно бутане

Ако е необходимо ръчно бутане, уверете се, че батериите са разкачени от косачката и педалът на спирачката за паркиране е освободен от позицията за паркиране.

ДВИЖЕНИЕ НА ЕЛЕКТРИЧЕСКАТА КОСАЧКА С НУЛЕВ ЗАВОЙ (Фиг. I1 – Фиг. I9)

За да спрете, намалите или увеличите скоростта, бавно променете разстоянието на лоста на кормилното управление от неутрално.

▲ ОПАСНОСТ: Бъдете поне на две ширини на косачката (2,14 м) далеч от канали, откоси и вода. Предните колела могат да се завъртят, когато косачката спре, даже със задействана спирачка и да причинят косачката да премине ръба или да попадне във вода и да доведе до смърт или сериозно нараняване на хора.

▲ ПРЕДУПРЕЖДЕНИЕ: Проверете какво има зад косачката, преди да потеглите назад. НЕ косете в обратна посока, освен ако не е абсолютно необходимо. Винаги гледайте надолу и назад преди и по време на движение на заден ход, за да сте сигурни, че в зоната на косене няма деца, околни хора или домашни любимци. Запомнете, че невнимание за малка част от секундата е достатъчно, за да причини смърт или сериозно нараняване.

▲ ПРЕДУПРЕЖДЕНИЕ: Не управлявайте тази машина по обществени пътища.

▲ ПРЕДУПРЕЖДЕНИЕ: Ако възникне блокиране или ударите чужд предмет, спете двигателите и отстранете батериите. Отстранете изрезките от трева, листа, замърсявания и всички други насъбрани се отлагания; цялостно инспектирайте косачката за повреда и ремонтирайте повредата, преди да стартирате отново и управлявате косачката.

ПОДДРЪЖКА

▲ ПРЕДУПРЕЖДЕНИЕ: Винаги носете защита за очите със странични предпазни екрани. Ако не го направите може да доведе до изхвърляне на предмети към очите ви водещо до сериозни наранявания.

▲ ПРЕДУПРЕЖДЕНИЕ: Винаги защитете ръцете си, чрез носене на тежки ръкавици или чрез обвиване на острият ръбове с парцали или други материали, когато извършвате поддръжка на ножа на косачката. Винаги изваждайте ключа за безопасност и акумулаторните батерии, когато обслужвате или транспортирате косачката.

Интервал за сервизна поддръжка	Процедура за поддръжка
Преди всяка употреба или ежедневно	<ul style="list-style-type: none"> Проверка на системата за предпазна блокировка. Визуално проверете гумата дали е спаднала. Инспектирайте ножовете дали са износени, пукнати или огънати. Инспектирайте целия продукт за повредени, липсващи или разхлабени части, като улей за странично изпражнение, винтове, гайки, болтове, капачки и др., като се уверите, че всички предпазители са на място и работят правилно. Проверете работата на спирачката.
След всяка употреба	<ul style="list-style-type: none"> Почистете платформата на косачката.
На всеки 25 часа	<ul style="list-style-type: none"> Проверете налягането на гумите.
На всеки 50 часа	<ul style="list-style-type: none"> Проверете състоянието на гресиране във фланеца на режещия нож.
На всеки 100 часа	<ul style="list-style-type: none"> Проверете задните колела като се уверите, че 4-те фиксиращи гайки са затегнати до препоръчителния момент на затягане.
На всеки 200 часа	<ul style="list-style-type: none"> Проверете предните колела, като се уверите, че те се въртят свободно.

Ежегодно	<ul style="list-style-type: none"> Проверете педала на спирачката за паркиране. Отстранете батерията на косачката и поставете педала за паркиране в позиция за спиране. Ръчно бутайте косачката напред, за да видите дали косачката може да се движи, или не. Ако тя се движи, осигурете нейното обслужване от квалифициран сервизен техник.
----------	---

ПОЧИСТВАНЕ НА КОСАЧКАТА (Фиг. J1 - Фиг. J9)

Подготовка (Фиг. J1 - Фиг. J5)

Почистване на корпуса на косачката (Фиг. J6 - Фиг. J7)

Употреба на отвора за измиване за почистване на платформата на косачката

(Фиг. J8 - Фиг. J9)

J8-1	Отвор за измиване	J8-3	Градински маркуч
J8-2	Бърз съединител на отвора за измиване		

БЕЛЕЖКА: Когато завършите почистването, натиснете превключвателя на вала за отвеждане на мощност надолу, за да изключите ножовете на косачката.

ПОДДРЪЖКА НА ПЛАТФОРМАТА НА КОСАЧКАТА И РЕЖЕЩИТЕ НОЖОВЕ

Подготовка (Фиг. K1 - Фиг. K6)

Отстраняване на платформата на косачката (Фиг. K7 – Фиг. K8)

K7-1	Кабел на двигателя	K7-3	Лостове на окачването
K7-2	Шплинт		

БЕЛЕЖКА: Разкачете кабелите на двигателя и извадете шплинтовете от двете страни, когато отстранявате платформата на косачката.

Замяна на режещите ножове (Фиг. K9 - Фиг. K11)

K9-1	Стабилизатор	K10-3	Нож
K10-1	Болт	K10-4	Фланец
K10-2	Шайба	K10-5	Вал на мотора

Нивелиране на платформата на косачката

- a. Кога да се нивелира (Фиг. K12 – Фиг. K14)
- b. Преди нивелиране
 - Проверка на налягането при студени думи (Фиг. K15)
 - Проверете режещите ножове. Снемете и заменете износени, напукани и/или огънати ножове, ако е необходимо.
- c. Подготовка за нивелиране (Фиг. K16 – Фиг. K21)
- d. Как се нивелира
 - За да извършите регулировка на страна към страна (Фиг. K22)

Разликата между разстоянията H1 и H2 измерена от долния ръб на всеки нож до земята трябва да е в рамките на 5 mm.

K22-1	Контрагайка
-------	-------------

- За да извършите регулировка на предната страна към задната (Фиг. K23)

Предният връх на ножа H3 трябва да бъде от 2 mm до 10 mm по-нисък от задния връх H4.

КАЛИБРИРАНЕ НА СИСТЕМАТА ЗА СЛЕДЕНЕ НА КОСАЧКАТА (Фиг. L1 – Фиг. L6 и Фиг. L7 – Фиг. L12)

БЕЛЕЖКА: Звуковият индикатор ще прозвучи веднъж както при стартиране, така и при завършване на калибрирането.

ВРЪЩАНЕ НА КОСАЧКАТА КЪМ ПЪРВОНАЧАЛНАТА ЗАВОДСКА НАСТРОЙКА (Фиг. M1 – Фиг. M4)

БЕЛЕЖКА: Звуковият индикатор ще прозвучи веднъж както при стартиране, така и при завършване на връщането към заводската настройка.

СЪХРАНЕНИЕ И ТРАНСПОРТ

ТРАНСПОРТИРАНЕ НА КОСАЧКАТА (ФИГ. N1 – ФИГ. N11)

БЕЛЕЖКА: Закрепете косачката според необходимостта, като използвате колани или въжета, за да предотвратите движение по време на транспортиране. При товарене или разтоварване на косачката не използвайте по-голям от максимално препоръчваният работен ъгъл от 12 градуса между рампата и земята.

СЪХРАНЕНИЕ (Фиг. O1 – Фиг. O6)

БЕЛЕЖКА: Отстранете акумулаторните батерии и съхранете батериите съгласно съответните ръководства.


Почистете и проверете косачката преди съхранение като направите справка с разделите „ПОЧИСТВАНЕ НА КОСАЧКАТА“ и „ПРЕПОРЪЧИТЕЛНИ ГРАФИЦИ ЗА ПОДДРЪЖКА“.

Опазване на околната среда



WEEE (Отпадъчно електрическо и електронно оборудване) Не изхвърляйте електрическо оборудване, използвана батерия или зарядно устройство в домакинския отпадък! Отнесете продукта до упълномощена фирма за рециклиране и го предоставете за разделно събиране. Електрическите инструменти трябва да бъдат връщани в съоръжения за рециклиране съвместими с околната среда.

ОТСТРАНЯВАНЕ НА ПРОБЛЕМИ

ПРОБЛЕМ	ПРИЧИНА	РЕШЕНИЕ
<p>Електрическата косачка с нулев завой не се движи, когато двата лоста на кормилното управление са натиснати напред или назад в началото.</p>  <p>Иконата на нивото на кормилното управление мига</p>	<ul style="list-style-type: none"> Кombинираните Ah на поставените батерии с по-малко от 15 Ah. 	<ul style="list-style-type: none"> За да стартирате тази косачка, са необходими батерии EGO от общо 15 Ah (2 X BA4200/BA4200T) или повече. За най-добра производителност препоръчваме използване на батерии от общо 30 Ah или повече.
	<ul style="list-style-type: none"> Педалът на спирачката за паркиране е поставен в спирачна позиция. 	<ul style="list-style-type: none"> Натиснете докрай педала на спирачката за паркиране, за да я освободите от спирачната позиция.
	<ul style="list-style-type: none"> Лостове на кормилното управление не са в отворена позиция, когато се стартира косачката. 	<ul style="list-style-type: none"> Върнете лостове на кормилното управление до отворена позиция и рестартирайте косачката.
	<ul style="list-style-type: none"> Операторът не е седнал на седалката. 	<ul style="list-style-type: none"> Само когато операторът е правилно седнал на седалката, той може да управлява косачката.
	<ul style="list-style-type: none"> Превключвателят на седалката не е свързан правилно. 	<ul style="list-style-type: none"> Отстранете батерията от косачката и разглобете седалката в обратен ред на инструкциите в раздела „ИНСТАЛИРАНЕ НА СЕДАЛКАТА“ в това ръководство, за да инспектирате съединението на превключвателя на седалката. Сглобете отново седалката и следвайте инструкциите в „СТАРТИРАНЕ НА ЕЛЕКТРИЧЕСКАТА КОСАЧКА С НУЛЕВ ЗАВОЙ“, за да рестартирате косачката, за да видите дали косачката може да бъде стартирана. Ако не, свържете се с квалифициран сервизен техник за ремонт.
	<ul style="list-style-type: none"> При много студено време функцията движение може да не стартира успешно поради защитата срещу ниска температура. 	<ul style="list-style-type: none"> Винаги съхранявайте косачката и батерията в топла среда. Рестартирайте косачката, когато тя е затоплена. Моля, не правете многократни опити при много студено време, което може да повреди машината. Препоръчителната работна температура е 0°C-40°C.

ПРОБЛЕМ	ПРИЧИНА	РЕШЕНИЕ
Електрическата косачка с нулев завой спира да се движи.	<ul style="list-style-type: none"> Лостовите на кормилното управление се нуждаят от „нулиране“. 	<ul style="list-style-type: none"> Върнете лостовите на кормилното управление до отворена позиция и рестартирайте косачката.
	<ul style="list-style-type: none"> Електрическите компоненти за управление на лостовите на кормилното управление са неизправни. 	<ul style="list-style-type: none"> Свържете се с квалифициран сервизен техник за ремонт.
	<ul style="list-style-type: none"> Превключвателят на седалката се е изключил при движение върху неравен терен. 	<ul style="list-style-type: none"> Отстранете батерията от косачката и разглобете седалката в обратен ред на инструкциите в раздела „ИНСТАЛИРАНЕ НА СЕДАЛКАТА“ в това ръководство, за да инспектирате съединението на превключвателя на седалката. Сглобете отново седалката и следвайте инструкциите в „СТАРТИРАНЕ НА ЕЛЕКТРИЧЕСКАТА КОСАЧКА С НУЛЕВ ЗАВОЙ“, за да рестартирате косачката, за да видите дали косачката може да бъде стартирана. Ако не, свържете се с квалифициран сервизен техник за ремонт.
Скоростта на движение/режимът на движение не могат да бъдат регулирани по време на движение.	<ul style="list-style-type: none"> Това е функция на електрическата косачка с нулев завой за безопасно движение. 	<ul style="list-style-type: none"> Функцията се активира само, когато колелата на косачката са спрени и кормилните лостове са отворени.
Електрическата косачка с нулев завой не може да стартира ножовете, когато превключвателят на вала за отвеждане на мощност е задействан.	<ul style="list-style-type: none"> Комбинираните Ah на поставените батерии с малко от 15 Ah. 	<ul style="list-style-type: none"> За да стартирате тази косачка, са необходими батерии EGO от общо 15 Ah (2 X BA4200/BA4200T) или повече. За най-добра производителност препоръчваме използване на батерии от общо 30 Ah или повече.
	<ul style="list-style-type: none"> Превключвателят на вала за отвеждане на мощност не е натиснат, когато косачката е спряна за последен път. 	<ul style="list-style-type: none"> Натиснете превключвателя на вала за отвеждане на мощност надолу и рестартирайте ножовете на косачката.
	<ul style="list-style-type: none"> Косачката е претоварена в момента на стартиране на ножовете, което води до сработване на защитата на мотора. 	<ul style="list-style-type: none"> Стартирайте косенето на трева с косачката с по-ниска скорост на ножовете отначало и докато ножовете не се завъртят успешно, не ускорявайте ножовете според необходимостта.
	<ul style="list-style-type: none"> При много студено време моторът на ножа може да не стартира успешно поради защитата срещу ниска температура. 	<ul style="list-style-type: none"> Винаги съхранявайте косачката и батерията в топла среда. Рестартирайте косачката, когато тя е затоплена. Моля, не правете многократни опити при много студено време, което може да повреди машината. Препоръчителната работна температура е 0°C-40°C.
	<ul style="list-style-type: none"> Ножът взаимодейства с деформираната платформа на косачката. 	<ul style="list-style-type: none"> Свържете се с квалифициран сервизен техник за ремонт.



Иконата на превключвателя на вала за отвеждане на мощност мига

ПРОБЛЕМ	ПРИЧИНА	РЕШЕНИЕ
Ножовете спират работа по време на косене на трева.	<ul style="list-style-type: none"> Косачката е претоварена. 	<ul style="list-style-type: none"> Увеличете височината на рязане на платформата или забавете скоростта на движение, за да намалите натоварването на косачката.
	<ul style="list-style-type: none"> Платформата на косачката е запушена с трева и отпадъци. 	<ul style="list-style-type: none"> Почистете платформата на косачката и се уверете, че ножовете се движат свободно.
	<ul style="list-style-type: none"> Косачката е претоварена. 	<ul style="list-style-type: none"> Намалете натоварването на косачката чрез увеличаване на височината на косене на платформата или понижаване на скоростта на ножовете/движението и позволяване на косачката да се охлади.
	<ul style="list-style-type: none"> Батерията(ите) в отделението за батерии на косачката са прегрели, което води до комбинирани Ah на всички поставени батерии под 15 Ah. 	<ol style="list-style-type: none"> Ако комбинираните Ah на батериите са по-малко от 15 Ah, косачката няма да работи, докато не бъдат поставени повече акумулаторни батерии в празните места за батерии. Когато прегрялата батерия се върне към нормална температура, тя ще се включи незабавно към захранването на косачката. Намалете натоварването на косачката чрез увеличаване на височината на косене на платформата или забавяне на косенето при възобновяване на работата.
	<ul style="list-style-type: none"> Косачката е в режим на аварийно прибиране. 	<ul style="list-style-type: none"> Когато косачката е в режим на аварийно прибиране, ножовете автоматично се превключват на по-ниска скорост на въртене без косене на трева. Операторът трябва да спре работа и да отиде в зоната за зареждане на батерията възможно най-скоро.
	<ul style="list-style-type: none"> Косачката е ударила чужд предмет което е довело до сработване на защитата на мотора. 	<ul style="list-style-type: none"> Натиснете превключвателя на вала за отвеждане на мощност надолу и рестартирайте ножовете на косачката.
Звуковият индикатор продължава да звучи.	<ul style="list-style-type: none"> Косачката е в режим на аварийно прибиране и ножовете не са изключени. 	<ul style="list-style-type: none"> Натиснете превключвателя на вала за отвеждане на мощност надолу, за да се изключат ножовете на платформата. Звуковият индикатор ще спре да звучи, когато ножовете спрат.
	<ul style="list-style-type: none"> Косачката спира движение върху наклон и операторът отваря лостовете на кормилното управление и става от седалката без да настрои педала на спирачката за паркиране в спираща позиция. 	<ul style="list-style-type: none"> Поставете педала на спирачката за паркиране в спираща позиция, преди да напуснете косачката върху склона.

ПРОБЛЕМ	ПРИЧИНА	РЕШЕНИЕ
Индикаторите на батериите още са включени, когато косачката е изключена.	<ul style="list-style-type: none"> Когато косачката е изключена на терена без отстраняване на акумулаторната(ите) батерия(и) от косачката, индикаторите на батерията ще останат да светят за 3 минути. 	<ul style="list-style-type: none"> Не е необходимо действие. Индикаторите на батериите ще изгаснат след известно време.
	<ul style="list-style-type: none"> Когато косачката е изключена върху склон без поставяне на педала на спирачката за паркиране в спирачна позиция, индикаторите на батерията ще продължават да светят, докато зарядът на батерията се изтощи. Звуковият индикатор ще продължи да звучи през същото време. 	<ul style="list-style-type: none"> Поставете педала на спирачката за паркиране в спирачна позиция, преди операторът да напуснете инструмента върху склона.
LCD екран не е осветен с всички включени икони.	<ul style="list-style-type: none"> Времето на натискане на старт/стоп бутон е по-малко от 3 секунди. 	<ul style="list-style-type: none"> LCD екранът ще покаже само "Fuel Gauge" (Измервателен уред за горивото), когато старт/стоп бутонът бъде натиснат за кратко.
		<ul style="list-style-type: none"> LCD екранът ще се включи след като старт/стоп бутонът бъде натиснат за 3 секунди.
Косачката коси неравномерно, със значителна разлика във височината отпред и отзад.	<ul style="list-style-type: none"> Ножовете са тъпи. 	<ul style="list-style-type: none"> Заточете или заменете режещия нож съгласно инструкциите в това ръководство.
	<ul style="list-style-type: none"> Ножовете са огънати. 	<ul style="list-style-type: none"> Заменете огънатия режещ нож съгласно инструкциите в раздела „ЗАМЯНА НА РЕЖЕЩИ НОЖОВЕ“.
	<ul style="list-style-type: none"> Платформата на косачката не е нивелирана, което води до различна височина на косене от ножа. 	<ul style="list-style-type: none"> Нивелирайте платформата на косачката като следвате инструкциите в раздела „НИВЕЛИРАНЕ НА ПЛАТФОРМАТА НА КОСАЧКАТА“.

ПРОБЛЕМ	ПРИЧИНА	РЕШЕНИЕ
Действителната височина на косене на тревата не е равна на желаната височина.	<ul style="list-style-type: none"> Гайките на платформата на косачката са разхлабени от лостовете на окачването. 	<ul style="list-style-type: none"> Следвайте инструкциите в раздела „НИВЕЛИРАНЕ НА ПЛАТФОРМАТА НА КОСАЧКАТА“, за да направите правилната настройка и предната към задната част за платформата на косачката и затегнете сигурно четирите гайки на лостовете на окачването (по две от всяка страна).
	<ul style="list-style-type: none"> Платформата на косачката е повредена или сериозно износена. 	<ul style="list-style-type: none"> Следвайте инструкциите в раздела „ОТСТРАНЯВАНЕ НА ПЛАТФОРМАТА НА КОСАЧКАТА“, за да отстраните платформата на косачката.
Косачката не тори правилно.	<ul style="list-style-type: none"> Отрязъци мокра трева са залепнали за долната част на платформата. 	<ul style="list-style-type: none"> Изчакайте докато тревата се изсуши преди косене.
	<ul style="list-style-type: none"> Косачката е настроена да реже твърде много трева наведнъж. 	<ul style="list-style-type: none"> Увеличете височината на косене на платформата.
Има прекалено силни вибрации.	<ul style="list-style-type: none"> Режещите ножове са разхлабени. 	<ul style="list-style-type: none"> Затегнете болта на ножа до препоръчителния въртящ момент за затягане 50-55 Nm.
	<ul style="list-style-type: none"> Ножовете са огънати. 	<ul style="list-style-type: none"> Заменете огънатия режещ нож съгласно инструкциите в раздела „ЗАМЯНА НА РЕЖЕЩИ НОЖОВЕ“.
	<ul style="list-style-type: none"> Платформата на косачката не е нивелирана. 	<ul style="list-style-type: none"> Нивелирайте платформата на косачката като следвате инструкциите в раздела „НИВЕЛИРАНЕ НА ПЛАТФОРМАТА НА КОСАЧКАТА“.
	<ul style="list-style-type: none"> Гайките на платформата на косачката са разхлабени от лостовете на окачването. 	<ul style="list-style-type: none"> Използвайте отворен гаечен ключ с размер 18 mm (не е доставен), за да затегнете четирите гайки на лостовете на окачването (по две от всяка страна).
	<ul style="list-style-type: none"> Косачката е настроена да коси твърде много трева наведнъж. 	<ul style="list-style-type: none"> Увеличете височината на косене на платформата.

ПРОБЛЕМ	ПРИЧИНА	РЕШЕНИЕ
Има трева или остатъци останали на земята след косене.	<ul style="list-style-type: none"> Косачката е настроена да коси твърде много трева наведнъж, когато тревата е висока. 	<ul style="list-style-type: none"> Започнете с висока височина на косете и я намалете до постигане на желания резултат от косенето. Трева над 6 инча висока трябва да бъде косена на два пъти с последователно намаляване на височината на косене.
	<ul style="list-style-type: none"> Тревата е мокра. 	<ul style="list-style-type: none"> Не косете когато тревата е мокра, докато тревата не изсъхне.
	<ul style="list-style-type: none"> Скоростта на движение е висока. 	<ul style="list-style-type: none"> Забавете скоростта на движение.
	<ul style="list-style-type: none"> Скоростта на ножа е ниска. 	<ul style="list-style-type: none"> Увеличавайте скоростта на ножа постепенно.
Късо време на работа на косачката с включена батерия.	<ul style="list-style-type: none"> Състоянието на тревата и настройката на височината на косене силно влияят върху времето на работа на батерията. Посоченото време на работа се базира върху състояние на леко натоварване. 	<ul style="list-style-type: none"> Увеличете височината на рязане на платформата или забавете скоростта на ножа, за да намалите натоварването при косене.
Косачката не се движи напред.	<ul style="list-style-type: none"> Налягането в гумите за лявото и дясното задно колело е различно. 	<ul style="list-style-type: none"> Проверете и регулирайте налягането на въздуха в двете задни гуми съгласно препоръката в раздел „ПРОВЕРКА НА НАЛЯГАНЕТО НА ГУМИТЕ“ в това ръководство.
	<ul style="list-style-type: none"> Скоростта на движение за лявото и дясното задно колело е различна. 	<ul style="list-style-type: none"> Калибрирайте системата за следене на косачката като следвате инструкциите в раздел „КАЛИБРИРАНЕ НА СИСТЕМАТА ЗА СЛЕДЕНЕ НА КОСАЧКАТА“.
Педалът на спирачката за паркиране не може да бъде освободен от спирачната позиция или се връща бавно от пружината.	<ul style="list-style-type: none"> Може да има отлагания или замърсявания попаднали в педала на спирачката за паркиране. 	<ul style="list-style-type: none"> Отворете кутията на педала на спирачката за паркиране за цялостно почистване на кутията отвътре и я затворете. Нулирайте педала на спирачката за паркиране, за да видите дали проблемът е разрешен. Ако не, свържете се с квалифициран сервизен техник за ремонт.

ПРОБЛЕМ	ПРИЧИНА	РЕШЕНИЕ
Косачката не може да бъде заредена през порта за зареждане с индикатор на статуса на косачката светещ постоянно в червено.	<ul style="list-style-type: none"> Щепселът на зарядното устройство не е правилно вмъкнат в порта за зареждане на косачката. 	<ul style="list-style-type: none"> Свържете отново щепсела на зарядното устройство, за да видите дали косачката може да се зареди нормално.
	<ul style="list-style-type: none"> Няма захранване в стенните контакти. 	<ul style="list-style-type: none"> Не е необходимо действие. Изчакайте до възстановяване на захранването.
	<ul style="list-style-type: none"> Неизправно зарядно устройство. 	<ul style="list-style-type: none"> Свържете се с квалифициран сервизен техник за инспекция и ремонт на зарядното устройство, ако е необходимо.
	<ul style="list-style-type: none"> Портът на зарядното устройство на косачката е дефектен. 	<ul style="list-style-type: none"> Свържете се с квалифициран сервизен техник за ремонт.
Времето на зареждане през порта за зареждане на косачката е твърде дълго.	<ul style="list-style-type: none"> Употребата на адаптер EGO ACA1000 за зареждане изисква продължително време. 	<ul style="list-style-type: none"> Използвайте зарядно устройство EGO CHV1600E за директно зареждане на електрическата косачка с нулев завой.
Батерията не може да бъде напълно заредена през порта за зареждане на косачката.	<ul style="list-style-type: none"> Бъг във фърмуера на трактор-косачката или неизправност на зарядното устройство/батерията. 	<ul style="list-style-type: none"> Изключете от контакта зарядното устройство и изчакайте повече от 1 мин., след това включете повторно щепсела към електрозахранването. Ако не работи, свържете се с квалифициран сервизен техник за ремонт.
Косачката не може да бъде стартирана след почистване.	<ul style="list-style-type: none"> Неправилно почистване като попадане на вода върху електрически компоненти, LCD екрана и др. 	<ul style="list-style-type: none"> Следвайте инструкциите в раздел „ПОЧИСТВАНЕ НА КОСАЧКАТА“, за да почистите косачката правилно.
Косачката се задръства лесно.	<ul style="list-style-type: none"> Платформата на косачката е запушена с трева и отпадъци. 	<ul style="list-style-type: none"> Ако случайно вали дъжд върху косачката, оставете я за повече от 12 часа да изсъхне или използвайте сгъстен въздух, за да я изсушите.
		<ul style="list-style-type: none"> Почиствайте платформата на косачката след всяка употреба като следвате раздел „Употреба на отвора за измиване на почистване на платформата на косачката“.
Косачката лесно губи сцепление, когато се изкачва нагоре по склон.	<ul style="list-style-type: none"> Гумите на задните колела са износени. 	<ul style="list-style-type: none"> Потърсете местен сервиз за замяна на гумите на колелата.
	<ul style="list-style-type: none"> Голям наклон при косене. 	<ul style="list-style-type: none"> Наклонът, върху който се коси, трябва да е по-малък от 12 градуса.

ПРОБЛЕМ	ПРИЧИНА	РЕШЕНИЕ
Когато косачката спре върху склон с натиснат педал на спирачката за паркиране, косачката може да се плъзне надолу по склона.	<ul style="list-style-type: none"> Спирачните компоненти са изключително износени поради неправилна работа на косачката. 	<ul style="list-style-type: none"> Свържете се с квалифициран сервизен техник за ремонт.
Не излиза вода от отвора за измиване, когато се извършва измиване на платформата.	<ul style="list-style-type: none"> Бързият съединител на отвора за измиване не е монтиран на място към отвора за измиване. 	<ul style="list-style-type: none"> Свържете отново бързия съединител на порта за измиване, докато чуete ясно щракване след силно натискане. Ако не работи, свържете се с квалифициран сервизен техник за ремонт.
Има необичаен шум, когато се извършва ръчно бутане на косачката без стартиране.	<ul style="list-style-type: none"> Звукът идва от магнитите в задвижващия мотор. 	<ul style="list-style-type: none"> Това е нормално и не е необходимо никакво действие.

РЕФЕРЕНТЕН КОД ЗА СТАТУСА НА КОСАЧКАТА И КОД ЗА ГРЕШКА

LCD дисплей	Описание	Код за грешка на LCD	Индикатор на статуса на косачката	Звуков сигнал	Причина	Решение
	Иконата на LED светлините се показва на LCD екрана	Неприложимо	ИЗКЛ	Не	Фаровете, страничните светлини и задните светлини са включени от превключвателя на LED светлините.	Това е нормална операция. Не е необходимо действие.
	Иконата на USB се показва на LCD екрана	Неприложимо	ИЗКЛ	Не	Иконата на USB свети, че USB устройството може да работи след като косачката е стартирана правилно.	Това е нормална операция. Не е необходимо действие.
	Иконата на измервателния уред за горивото се показва на LCD екрана	Неприложимо	ИЗКЛ	Не	Тя показва средния капацитет на зареждане и поставените батерии	Това е нормална операция. Не е необходимо действие.
	Иконата на часомера се показва на LCD екрана	Неприложимо	ИЗКЛ	Не	Той показва общото време на движение на косачката в часове и не може да бъде нулирана.	Това е нормална операция. Не е необходимо действие.
	Иконата на индикатора на натоварването се показва в диапазона ECO	Неприложимо	ИЗКЛ	Не	Той показва текущото натоварване на косачката.	Това е нормална операция. Не е необходимо действие.
	Индикаторът за претоварване мига. Иконата на индикатора на натоварването се показва в диапазона PWR.	Неприложимо	Мига в червено	Един звуков сигнал	Моторът на ножовете е претоварен.	Увеличете височината на рязане на платформата или забавете скоростта на движение, за да намалите натоварването на косачката.

LCD дисплей	Описание	Код за грешка на LCD	Индикатор на статуса на косачката	Звуков сигнал	Причина	Решение
	Иконата на ключа за безопасност мига.	Неприложимо	ИЗКЛ	Не	Ключът за безопасност не е поставен.	Поставете ключа за безопасност, след което натиснете и задръжте СТАРТ/СТОП бутона за повече от 3 секунди, за да включите косачката.
					Не е подадено захранване към LCD екрана.	Възложете изпълнението на ремонтите на квалифициран сервизен техник.
	Иконата на празното отделение за батерии мига.	Неприложимо	ИЗКЛ	Не	Капацитетът на батерията е недостатъчен, за да позволи шофиране на косачката за работа.	За да стартирате тази косачка, са необходими батерии EGO от общо 15 Ah (2 X BA4200/BA4200T) или повече. За най-добра производителност препоръчваме използване на батерии EGO от общо 30 Ah или повече.
	Иконата на термометъра мига.	Неприложимо	Мига в червено	Един звуков сигнал	Косачката е прегряла.	Намалете натоварването на косачката чрез увеличаване на височината на косене на платформата или забавяне на скоростта на ножовете/движението. Направете почивка и оставете косачката да се охлади.

LCD дисплей	Описание	Код за грешка на LCD	Индикатор на статуса на косачката	Звуков сигналатор	Причина	Решение
	Иконата за прегряване и точно заетото отделение за батериите мигат едновременно.	Неприложимо	Неприложимо	Не	Акумулаторната батерия в съответното номерирано отделение за батерия е прегряла.	<p>1. Косачката може да продължи да работи, ако комбинираната стойност на Ah, при изключена прегряла батерия, е равна на или повече от 15 Ah. Когато прегрялата батерия се върне към нормална температура, тя ще се включи незабавно към захранването на косачката.</p> <p>2. Ако комбинираните Ah на батериите са по-малко от 15 Ah, косачката няма да работи, докато не бъдат поставени повече акумулаторни батерии в празните отделения за батерии.</p> <p>3. Намалете натоварването на косачката чрез увеличаване на височината на косене на платформата или забавяне на косенето при възобновяване на работата.</p>

KEES VAN DER SPEK
TUINMACHINES * STOLWIJK

LCD дисплей	Описание	Код за грешка на LCD	Индикатор на статуса на косачката	Звуков сигнал	Причина	Решение
	Иконите на всяко заето отделение за батерия, индикаторът за ниска мощност, графиките на батериите на измервателния уред за горивото мигат на всяка 1 секунда едновременно на LCD екрана. Първият сегмент на LED индикатора за горивото и статуса мига също.	Неприложимо	Мига в червено	Продължава да звучи, докато превключвателят на вала за отвеждане на мощност е натиснат.	Акумулаторните батерии са с нисък заряд и косачката е в режим на аварийно прибиране.	Спрете работа и се върнете в зоната за зареждане на батерията. БЕЛЕЖКА: Когато косачката е в режим на аварийно прибиране, ножовете автоматично се превключват на по-ниска скорост на въртене без косене на трева и междувременно звуковият индикатор продължава да звучи. Операторът трябва да натисне превключвателя на вала за отвеждане на мощност надолу, за да се изключат ножовете на платформата. Звуковият индикатор ще спре да звучи след като ножовете спрат.
	Иконата на всяко заето отделение за батерия и индикаторът за ниска мощност мигат на всяка половин секунда.	Неприложимо	ИЗКЛ	Не	Акумулаторните батерии са почти изтощени.	Косачката ще спре работа незабавно. Операторът трябва да транспортира косачката до зоната за зареждане на батерията за зареждане.
	Иконата на автоматичното паркиране мига на LCD екрана.	Неприложимо	ИЗКЛ	Продължава да звучи	Косачката е паркирана върху склон и операторът напуска косачката без да постави педала на спирачката в спирачна позиция, само с лостове за кормилно управление в отворена позиция.	Поставете спирачния педал в спирачната позиция. Иконата на автоматичното паркиране ще се изключи и звуковият индикатор ще спре да звучи

LCD дисплей	Описание	Код за грешка на LCD	Индикатор на статуса на косачката	Звуков сигнал	Причина	Решение
	Иконата на спирачния педал се показва на LCD екрана.	Неприложимо	ИЗКЛ	Не	Педалът на спирачката за паркиране е поставен в спирачна позиция.	Освободете я преди стартиране на косачката.
	Иконата на сензора на седалката се показва на LCD екрана.	Неприложимо	ИЗКЛ	Не	Операторът напуска седалката или превключвателя на седалката е прекъснат.	Ако с оператор седнал на седалката иконата е включена, спрете работа с косачката незабавно и проверете съединението на седалката. Ако се потвърди, че съединението на седалката с косачката е правилно, моля, свържете се с квалифициран сервизен техник за ремонт.
	Иконата на превключвателя на вала за отвеждане на мощност мига.	Неприложимо	ИЗКЛ	Не	Моторът на ножа е прекъснат по време на работа и превключвателя на вала за отвеждане на мощност не е поставен в изключена позиция.	Преди рестартиране на косачката натиснете превключвателя на вала за отвеждане на мощност надолу, за да изключите мотора на платформата. Моля, вижте раздела „ОТСТРАНЯВАНЕ НА ПРОБЛЕМИ“ в това ръководство за справка.
	Иконата на лоста на кормилното управление мига.	Неприложимо	ИЗКЛ	Не	Моторът на задвижването е прекъснат по време на работа и лостовите за кормилното управление не са поставени в отворена позиция.	Преди да рестартирате косачката преместете лостовите на кормилното управление до отворена позиция. Моля, вижте раздела „ОТСТРАНЯВАНЕ НА ПРОБЛЕМИ“ в това ръководство за справка.

KEES VAN DER SPEK
TUINMACHINES * STOLWIJK

LCD дисплей	Описание	Код за грешка на LCD	Индикатор на статуса на косачката	Звук на сигнализатор	Причина	Решение	
	Иконата за възстановяване на енергията мига понякога.	Неприложимо	ИЗКЛ	Не	Кинетичната енергия генерирана по време на спиране или движение надолу по склон се преобразува в електричество за зареждане на акумулаторните батерии.	Това е нормална операция. Не е необходимо действие.	
Вижте “Код за грешка”	Левият задвижващ мотор не се върти.	Неизправност на управлявания от печатна платка ляв задвижващ мотор.	413	ИЗКЛ	Един звуков сигнал	Неизправност на печатната платка	Възложете изпълнението на ремонтите на квалифициран сервизен техник.
		Щепселът (трифазен, захранващ проводник) свързващ левия задвижващ мотор със съответната печатна платка е разхлабен.	317	ИЗКЛ	Един звуков сигнал	Разхлабено съединение	
		Щепселът (шестпинов, сигнален проводник) свързващ левия задвижващ мотор със съответната печатна платка е разхлабен.	301	ИЗКЛ	Един звуков сигнал	Разхлабено съединение	
		Левият задвижващ мотор е неизправен.	317	ИЗКЛ	Един звуков сигнал	Неизправност на мотора	

LCD дисплей	Описание		Код за грешка на LCD	Индикатор на статуса на косачката	Звуков сигнал	Причина	Решение
Вижте "Код за грешка"	Десният задвижващ мотор не се върти.	Неизправност на управлявания от печатна платка десен задвижващ мотор.	313	ИЗКЛ	Един звуков сигнал	Неизправност на печатната платка	Възложете изпълнението на ремонтите на квалифициран сервизен техник.
		Щепселът (трифазен, захранващ проводник) свързващ десния задвижващ мотор със съответната печатна платка е разхлабен.	417	ИЗКЛ	Един звуков сигнал	Разхлабено съединение	
		Щепселът (шестпинов, сигнален проводник) свързващ десния задвижващ мотор със съответната печатна платка е разхлабен.	401	ИЗКЛ	Един звуков сигнал	Разхлабено съединение	
		Десният задвижващ мотор е неизправен.	417	ИЗКЛ	Един звуков сигнал	Неизправност на мотора	

LCD дисплей	Описание		Код за грешка на LCD	Индикатор на статуса на косачката	Звуков сигнал	Причина	Решение
Вижте “Код за грешка”	Левият мотор за ножовете не се върти.	Неизправност на управлявания от печатна платка ляв мотор за ножовете.	607	Неприложимо	Един звуков сигнал	Неизправност на печатната платка	Възложете изпълнението на ремонтите на квалифициран сервизен техник.
		Щепселът (трифазен, захранващ проводник) свързващ левия задвижващ мотор със съответната печатна платка е разхлабен.	509	Неприложимо	Един звуков сигнал	Разхлабено съединение	Инспектирайте първо ножа. Ако е разхлабен, използвайте динамометричен гаечен ключ 14 mm, за да затегнете болта по часовниковата стрелка. Препоръчителната стойност за болта на ножа е 50-55 Nm. В противен случай осигурете ремонт от квалифициран сервизен техник.
		Левият мотор за ножовете е неизправен	509	Неприложимо	Един звуков сигнал	Неизправност на мотора	
Вижте “Код за грешка”	Десният мотор за ножовете не се върти.	Неизправност на управлявания от печатна платка десен мотор за ножовете.	507	Неприложимо	Един звуков сигнал	Неизправност на печатната платка	Възложете изпълнението на ремонтите на квалифициран сервизен техник.
		Щепселът (трифазен, захранващ проводник) свързващ десния задвижващ мотор със съответната печатна платка е разхлабен.	609	Неприложимо	Един звуков сигнал	Разхлабено съединение	Инспектирайте първо ножа. Ако е разхлабен, използвайте динамометричен гаечен ключ 14 mm, за да затегнете болта по часовниковата стрелка. Препоръчителната стойност за болта на ножа е 50-55 Nm. В противен случай осигурете ремонт от квалифициран сервизен техник.
		Десният мотор за ножовете е неизправен	609	Неприложимо	Един звуков сигнал	Неизправност на мотора	

LCD дисплей	Описание		Код за грешка на LCD	Индикатор на статуса на косачката	Звуков сигнал	Причина	Решение
Вижте “Код за грешка”	Левият лост на кормилното управление е неизправен.	Неизправност на печатната платка управляваща левия лост на кормилното управление.	311 /412	ИЗКП	Един звуков сигнал	Неизправност на печатната платка	Възложете изпълнението на ремонтите на квалифициран сервизен техник.
		Щепселът свързващ управляващата печатна платка, намиращ се на кормилния лост, е разхлабен.				Разхлабено съединение	
Вижте “Код за грешка”	Десният лост на кормилното управление е неизправен.	Неизправност на печатната платка управляваща десния лост на кормилното управление.	312 /411	ИЗКП	Един звуков сигнал	Неизправност на печатната платка	Възложете изпълнението на ремонтите на квалифициран сервизен техник.
		Щепселът свързващ управляващата печатна платка, намиращ се на кормилния лост, е разхлабен.				Разхлабено съединение	
Вижте “Код за грешка”	Спирачката за паркиране е неизправна, инструментът не може да се движи.	Печатната платка за спиращката за паркиране, която е във възела на предната рама, е счупена.	309 /409	ИЗКП	Един звуков сигнал	Неизправност на печатната платка	Възложете изпълнението на ремонтите на квалифициран сервизен техник.
		Превключвателят и/или проводникът на спиращката за паркиране са повредени.	801	ИЗКП	Един звуков сигнал	Неизправност на проводника/ превключвателя	

LCD дисплей	Описание	Код за грешка на LCD	Индикатор на статуса на косачката	Звуков сигнал	Причина	Решение
ИЗКЛ	Неизправност на порта за зареждане	Неприложимо	Постоянно в ЧЕРВЕНО	Неприложимо	Портът за зареждане е с отворена верига.	Възложете изпълнението на ремонтите на квалифициран сервизен техник.
		Неприложимо	Постоянно в ЧЕРВЕНО	Неприложимо	Няма електрозахранване.	Проверете стенния контакт дали е за 220 V - 240 V или дали контактът е добър.
		Неприложимо	Постоянно в ЧЕРВЕНО	Неприложимо	Предпазителят е изгорял.	Възложете изпълнението на ремонтите на квалифициран сервизен техник.
Вижте “Код за грешка”	Неизправност на порта за зареждане	204	Неприложимо	Един звуков сигнал	Портът за зареждане е с отворена верига.	
Вижте “Код за грешка”	Възелът на кутията за батериите не функционира	217	Неприложимо	Един звуков сигнал	Източникът на електрозахранване от кутията за батериите е прекъснат. LED фаровете и USB не работят.	Възложете изпълнението на ремонтите на квалифициран сервизен техник.
		310 /410	ИЗКЛ	Един звуков сигнал	Връзката между проводници тип С на кутията за батериите и други проводници тип С на косачката не работи.	
		201 /202 /203	ИЗКЛ	Един звуков сигнал	BMS на кутията за батериите е неизправен.	

LCD дисплей	Описание	Код за грешка на LCD	Индикатор на статуса на косачката	Звуков сигнал	Причина	Решение
Вижте "Код за грешка"	Старт/стоп превключвателят е неизправен	314 /414	ИЗКЛ	Един звуков сигнал	Неизправност на превключвателя на печатната платка или лошо свързан проводник за старт/стоп превключвателя.	Възложете изпълнението на ремонтите на квалифициран сервизен техник.
Вижте "Код за грешка"	LCD екранът е неизправен	315 /415	ИЗКЛ	Един звуков сигнал	Възелът на LCD е неизправен или лошо свързан проводник на възела на LCD.	Възложете изпълнението на ремонтите на квалифициран сервизен техник.

ГАРАНЦИЯ

ГАРАНЦИОННА ПОЛИТИКА EGO

Моля, посетете уебсайта egopowerplus.com за пълните срокове и условия по гаранционната политика на EGO.

KEES VAN DER SPEK
TUINMACHINES ★ STOLWIJK

PROČITAJTE UPUTE U CIJELOSTI!



PROČITAJTE PRIRUČNIK ZA RUKOVATELJE

⚠ Skrivene opasnosti! Osobe s elektroničkim uređajima poput srčanih elektrostimulatora prije uporabe ovog proizvoda trebaju se posavjetovati sa svojim liječnikom. Rad električne opreme u neposrednoj blizini srčanih elektrostimulatora može prouzročiti smetnju ili kvar srčanog elektrostimulatora.

SIMBOL O SIGURNOSTI

Svrha simbola o sigurnosti je skretanje pozornosti na moguće opasnosti. Simboli o sigurnosti i njihova objašnjenja zahtijevaju vašu potpunu pozornost i razumijevanje. Simboli upozorenja ne isključuju opasnost sami po sebi. Upute i upozorenja koja pružaju nisu zamjena za propisne mjere zaštite od nezgode.

⚠ UPOZORENJE: Prije korištenja ovog alata, s razumijevanjem pročitajte sve sigurnosne upute u ovom priručniku za rukovatelja, uključujući sve sigurnosne simbole kao što su „**OPASNOST**“, „**UPOZORENJE**“ i „**OPREZ**“. Zanemarivanje uputa navedenih u nastavku može rezultirati električnim udarom, požarom i/ili teškim tjelesnim ozljedama.

ZNAČENJE SIMBOLA

Na ovoj stranici slikovno su prikazani i objašnjeni simboli sigurnosti koji se mogu pojaviti na ovom proizvodu. Prije sastavljanja i rukovanja, s razumijevanjem pročitajte sve upute na stroju i pridržavajte ih se.

SIGURNOSNI SIMBOLI



Upozorenje u vezi sigurnosti



Zaštita za oči



OPASNOST – opasnost od strmih kosina



Nikad ne vozite djecu



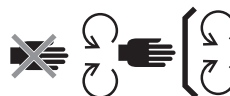
UPOZORENJE: nemojte upotrebljavati stroj na kosinama većim od 12°.



UPOZORENJE – DRŽITE PODALJE OD RUKU I STOPALA



S razumijevanjem pročitajte priručnik za rukovatelje



Održavanje sigurnosnih uređaja



OPASNOST – promatrači moraju biti podalje od noževa



Kad idete unatrag, gledajte iza sebe



OPASNOST – odbačeni predmeti



Zajamčena razina snage zvuka. U skladu je s direktivom Europske zajednice.



Ne stajati ovdje



Ovaj proizvod je u skladu s važećim direktivama EU



Istosmjerna struja

kPa

Kilopaskal

V

Volt

in

Inč

nm

Newtonmetar

°C

Celzij

km/h

Kilometara na sat



Otpadni električni proizvodi ne smiju se odlagati s otpadom iz kućanstva. Odnosite ih u ovlaštenu centar za recikliranje.



OPREZ - ne gledajte u uključenu svjetiljku.



Ovaj proizvod je u skladu s važećim zakonodavstvom UK.

O/MIN

Brzina vrtnje

m

Metri

cm

Centimetri

mm

Milimetri

kg

Kilogram

IPX4

Stupanj zaštite od prodora vode

TEHNIČKI PODACI

Napon		56 V
Veličina trupa		107 cm
Veličina kotača	Sprijeda	279,4 mm (11' 4")
	Straga	457,2 mm (18' 8,5")
Tlak u hladnim gumama	Sprijeda	220 kPa
	Straga	50 kPa
Radijus zaokretanja		0
Brzina noža (o/min)		2400, 2600, 2800, 3000
Maks. Brzina vožnje (km/h)	Naprijed	4,8 km/h, 8 km/h, 9,6 km/h, 11,2 km/h (12,8 km/h u modelu vožnje)
	Unatrag	do 5,6 km/h
Punjenje	Punjač (dodatni pribor)	CHV1600E
	Adapter (dodatni pribor)	ACA1000
	Raspon temperatura punjenja	5°C – 40°C

Podešavanje visine otkosa (10 položaja)		25 – 100 mm
Radna temperatura		0°C – 40°C
Temperatura skladištenja		-20°C – 70°C
Masa (bez baterijskog modula)		186 kg
Izmjerena razina zvučne snage L_{WA}		96,44 dB(A) K=0,68 dB(A)
Razina zvučnog tlaka kod uha rukovatelja L_{PA}		84,3 dB(A) K=3,0 dB(A)
Zajamčena razina zvučne snage L_{WA} (izmjereno sukladno direktivi 2000/14/EZ)		100 dB(A)
Vibracija a_h	Ruka	1,221 m/s ² K=1,5 m/s ²
	Tijelo	0,568 m/s ² K=1,5 m/s ²

- Deklarirane ukupne vrijednosti vibracija izmjerene su u skladu sa standardnom metodom ispitivanja i mogu se koristiti za usporedbu jednog alata s drugim.
- Deklarirane ukupne vrijednosti vibracija mogu se koristiti i u preliminarnoj procjeni izloženosti.

OBAVIJEST: Emisija vibracija tijekom aktualnog korištenja električnog alata može se razlikovati od deklarirane vrijednosti u kojoj se alat koristio; Radi zaštite rukovatelja korisnik treba nositi rukavice i štitičke za uši u aktualnim uvjetima korištenja.

OPIS

PREDSTAVLJAMO ELEKTRIČNU KOSILICU S OKRETOM U MJESTU (sl. A1 i A2)

1. Sjedalo
2. Priključak za punjenje
3. Baterijski pretinac
4. Stražnja LED svjetla
5. Kutija za spremanje
6. Držač za čaše
7. LED bočna svjetla
8. Stražnji kotač (pogonski kotač)
9. Trup
10. Štitnik trupa
11. Kotači za ograničenje visine otkosa
12. Prednji kotač
13. Papučica parkirne kočnice
14. Dnevna svjetla
15. Prednja LED svjetla
16. Bočni izlazni nastavak
17. Ručica za podešavanje visine trupa
18. Gumb za podešavanje ogibljenja sjedala
19. Ručica za podešavanje pomicanja sjedala naprijed/natrag
20. Poluga upravljača
21. Indikator stanja kosilice
22. LCD zaslon
23. PTO sklopka
24. Tipka Start/Stop
25. Sigurnosni ključ
26. Kutija za telefon
27. Indikator stanja i mjerač goriva kosilice
- 27a. Indikator mjerača goriva kosilice
- 27b. Indikator stanja kosilice
28. Područje s osloncem za stopala
29. Gumb za oslobađanje poklopca pogonskog uređaja
30. Poklopac pogonskog uređaja
31. Gumb za oslobađanje baterije
32. Kuka
33. Poklopac za montažu priključka
34. Kutija poklopca za montažu priključka
35. USB priključak

PREDSTAVLJAMO LCD ZASLON I GUMBE (sl. A3)

Više informacija o ikonama i indikatorima na LCD zaslonu potražite u odjeljku „STATUSNE REFERENCE I ŠIFRE KVAROVA KOSILICE“.

1. Ikona sigurnosnog ključa
2. Ikona LED svjetla
3. Ikona automatskog parkiranja
4. Ikona USB-a
5. Indikator brzine noža
6. Indikator stanja sigurnosnog uređaja
7. Brojilo sati rada
8. Ikona baterije
9. Ikona pregrijavanja
10. Način rada vožnje
11. Indikator šifre pogreške
12. Indikator preopterećenja
13. Indikator slabog napajanja
14. Indikator brzine vožnje
15. Indikator opterećenja
16. Gumb za podešavanje brzine noža
17. Gumb za postavljanje
18. Gumb za način vožnje
19. Sklopka LED svjetla
20. Gumb za podešavanje brzine vožnje
21. Mjerač goriva

RASPAKIRAVANJE

OBAVIJEST: Nemojte odbaciti ambalažni materijal dok pažljivo ne pregledate alat i uspješno ne pokrenete proizvod. Ako vam nedostaje bilo koji sastavni dio stroja s otpremnice, odmah se obratite EGO servisnom centru.

OBAVIJEST: Osim alata iz dolje navedene otpremnice, svi drugi alati navedeni u priručnicima dio su preporučene otpreme, ali nisu dio paketa.

OTPREMNICA (sl. B1)

B1-1	Električna kosilica s okretom u mjestu	B1-7	Sigurnosni ključevi
B1-2	Sjedalo	B1-8	Otvoreni ključevi (13 mm)

B1-3	Zatvarač za malčiranje	B1-9	Imbus ključ
B1-4	Poluga upravljača	B1-10	Spojnica priključka za pranje
B1-5	Vijci s nasadnom glavom (2 rezervna)	B1-11	Priručnik za rukovatelje
B1-6	Imbus vijci (2 rezervna)		

RASPAKIRAVANJE (sl. B2 – sl. B3)

PREPORUČENA DODATNA OPREMA

⚠ UPOZORENJE: Koristite samo identične zamjenske dijelove navedene u nastavku. Korištenje dijelova koji nisu u skladu sa specifikacijama za izvornu opremu može rezultirati nepravilnim radom i smanjenom sigurnošću.

NAZIV DIJELA	BROJ MODELA
Standardni nož	AB4200
Izdignuti nož	AB4201
Zatvarač za malčiranje	AMP4200
Komplet s vrećom za travu	ABK4200-A

SASTAVLJANJE

UGRADNJA SJEDALA (sl. C1 i C2)

⚠ UPOZORENJE: Sigurnosni sustav blokade ne smije se isključivati niti zaobilaziti. Time biste mogli uzrokovati neočekivan rad kosilice, što može dovesti do ozljeda.

OBAVIJEST: Zbog vaše sigurnosti, kosilica u slučaju prekida sklopke sjedala može prestati s radom. U tom slučaju više informacija potražite u odjeljku „RJEŠAVANJE PROBLEMA“.

C1-1	Kabel	C1-5	Vijci s nasadnom glavom
C1-2	Utikač	C2-1	Kuka
C1-3	Podnožje	C2-2	Čelične vodilice
C1-4	Baza ovjesa	C2-3	Vijci s nasadnom glavom

UGRADNJA RUČICA ZA UPRAVLJANJE (sl. C3)

C3-1	Ručice za upravljanje	C3-3	Otvori za montažu ručice za upravljanje
C3-2	Imbus vijci		

PRIČVRŠĆIVANJE ZATVARAČA ZA MALČIRANJE (sl. C4)

C4-1	Bočni izlazni nastavak	C4-3	Pokretna opruga
C4-2	Zatvarač za malčiranje		

RAD

PRIJE UPOTREBE KOSILICE

Provjera okruženja

- Uvjerite se da u radnom području nema djece, promatrača i kućnih ljubimaca.
- Radno područje očistite od predmeta koje razbacuju noževi kosilice.
- Provjerite i uvjerite se kako su LED svjetla u pravilnom stanju:
 - Radnim, bočnim i stražnjim svjetlima upravlja sklopka LED svjetla.
 - Radna svjetla u vožnji su uvijek uključena.
 - Pri kretanju unatrag, ako su stražnja svjetla isključena, treptat će zbog upozorenja promatračima; ako su stražnja svjetla uključena, nastavit će svijetliti.
 - Sva svjetla automatski će se isključiti nakon više od 3 minute neaktivnosti

Provjera tlaka u hladnom gumama (sl. D1)

Provjera stanja kosilice i razina napunjenosti baterije

- Indikator mjerača goriva kosilice (sl. A2 – 27a)

Svaki segment indikatora mjerača goriva kosilice označava 20 % napunjenosti umetnutih baterijskih modula.

OBAVIJEST: Indikator mjerača goriva kosilice i mjerač goriva na LCD zaslonu označavaju prosječan kapacitet umetnutih baterijskih modula.

- Indikator stanja kosilice (sl. A1 i sl. A2 – 27b)

Ako indikator stanja svijetli zeleno, kosilica je spremna za vožnju. Ako ne, provjerite odjeljak „STATUSNE REFERENCE I ŠIFRE KVAROVA KOSILICE“

Ispitivanje sigurnosnog sustava blokade (sl. D2 – sl. D8)

OBAVIJEST: Rukovatelj prije ispitivanja mora biti na sjedalu.

- Prije ispitivanja (sl. D2 – sl. D4)
- Za ispitivanje sustava trupa–noža (sl. D5); zatim polagano ustanite
- Za ispitivanje sustava vožnje (sl. D6 – sl. D8); zatim polagano ustanite

Ako se sustav trupa–noža i/ili sustav vožnje ne zaustave nakon što se rukovatelj ustane sa sjedala i ako se uzrok ne može utvrditi niti nakon potvrde kako je spoj utikača i utičnice sjedala pravilan, odmah se obratite u servisni centar tvrtke EGO.

PODEŠAVANJE (sl. E1 – sl. E13)

Priprema (sl. E1 – sl. E5)

Podešavanje visine otkosa (sl. E6)

Podešavanje kotača za ograničenje visine otkosa (sl. E7 – sl. E10)

E7-1	Kotači za ograničenje visine otkosa	E9-2	Sigurnosni vijak
E9-1	Matica	E10-1	Oznaka visine otkosa

Podešavanje sjedala (sl. E11)

Podesite položaj sjedala kako biste osigurali čvrst kontakt s papučicom parkirne kočnice prije rukovanja kosilicom. Podešavanjem ogibljenja sjedala možete postići najudobniji osjećaj na sjedalu.

E11-1	Ručica za podešavanje pomicanja sjedala naprijed/natrag	E11-2	Gumb za podešavanje ogibljenja sjedala
-------	---	-------	--

Postavljanje parkirne kočnice (sl. E12 – sl. E13)

E13-1	Položaj kočnja	E13-2	Otpušteni položaj
-------	----------------	-------	-------------------

PUNJENJE (sl. F1 – sl. F11)

Kako biste mogli pokrenuti kosilicu, morate imati EGO baterije ukupnog kapaciteta 15 Ah (2 x BA4200/BA4200T) ili većeg. Za najbolji učinak preporučujemo upotrebu EGO baterija ukupnog kapaciteta 30 Ah ili većeg.

Upotrebljavajte isključivo preporučene baterijske module i punjače. (sl. F9 i F10)

Priprema za punjenje (sl. F1 – sl. F4)

Zasebno punjenje baterijskih modula (sl. F5 – sl. F9)

F5-1	Gumb za otpuštanje poklopca	F7-1	Gumb za oslobađanje baterije
------	-----------------------------	------	------------------------------

- Postavljanje baterijskih modula (sl. F5 – sl. F6)
- Odvajanje baterijskih modula (sl. F7 – sl. F8)

OBAVIJEST: Upute za punjenje baterijskih modula potražite u pripadajućim priručnicima za baterije i punjače.

Punjenje baterijskih modula putem priključka za punjenje (sl. F10)

F10-1	Kapa protiv prašine	F10-2	Priključak za punjenje
-------	---------------------	-------	------------------------

POKRETANJE ELEKTRIČNE KOSILICE S OKRETOM U MJESTU (sl. A4 – sl. A5 i sl. G1 – sl. G6)

⚠ UPOZORENJE: Izbjegavajte naglo pokretanje, zaustavljanje i okretanje, kao i prekomjernu brzinu, naročito dok se tek privikavate na rukovanje kosilicom. Kosilica se može okretati brzo, zbog čega biste mogli izgubiti kontrolu i/ili prouzročiti teške ozljede i/ili oštećenja.

⚠ UPOZORENJE: Prije nego što pokrenete kosilicu, provjerite i uvjerite se kako se noževi odvajaju nakon što pritisnete PTO sklopu prema dolje. Ako se noževi ne zaustavljaju, nemojte upotrebljavati kosilicu i odmah se obratite u servisni centar tvrtke EGO.

OBAVIJEST: Slijedite upute sa sl. A4 i sl. G2 te koristite najnižu brzinu vožnje i način vožnje **STANDARD** dok u potpunosti ne ovladate rukovanjem kosilicom u svim situacijama. Brzina vožnje i način vožnje aktivirat će se samo ako su kotači kosilice zaustavljeni, a ručice za upravljanje otvorene.

Nakon ponovnog pokretanja, kosilica će spremiti i predstaviti prethodne postavke.

Način vožnje

- **CONTROL:** Manje ubrzanje, manje osjetljivo rukovanje i mala brzina okretanja za zaštitu trave i za nove korisnike.
- **STANDARD:** Savršeno za svakodnevnu upotrebu.
- **SPORT:** Veće ubrzanje, precizno rukovanje i oštri okreti, za maksimalnu učinkovitost košnje i iskusne rukovatelje.

Podešavanje brzine vožnje (sl. A4)

Podešavanje brzine noža (sl. A5)

OBAVIJEST: Kada je u načinu rada "TRAVEL" (VOŽNJA), pritisnite "↶", brzina vožnje vratit će se u prethodni način rada.

USB priključak

OBAVIJEST: USB priključak pruža snagu punjenja od 5 V DC pri kombiniranom povlačenju struje do 1,5 A, a funkcionira jedino kad je kosilica uključena.

ZAUSTAVLJANJE ELEKTRIČNE KOSILICE S OKRETOM U MJESTU (sl. H1 – sl. H6)

OBAVIJEST: Nakon više od 60 minute neaktivnosti, kosilica će se automatski isključiti.

Način rada Limp Home

Prije nego što se baterija posve isprazni, kosilica će prijeći u način rada Limp Home:

- Kosilica će automatski prestati kositi travu;
- Oglašavat će se zvučni signal;
- Indikator stanja kosilice treptat će crveno svake sekunde; prvi segment mjerača goriva kosilice treptat će crveno, a treptat će i indikator slabog napajanja te grafički prikaz baterije za mjerač goriva.

Rukovatelj treba učiniti sljedeće:

- a) Pritisnuti PTO sklopku prema dolje (sl. H3) kako bi odvojio noževе. Zvučni signal prestat će se oglašavati nakon što se nož zaustavi;
- b) Prestanite s radom i što prije prijedite na mjesto za punjenje baterije. Maksimalna udaljenost koju kosilica može prijeći je 1000 m.

Prije nego što se baterija posve isprazni, ikona svakog zauzetog pretinca za bateriju i indikator slabog napajanja zatreperit će svakih pola sekunde. Kosilica će odmah prestati s radom. Rukovatelj treba premjestiti kosilicu na mjesto za punjenje baterije.

Ručno guranje

Ako se pokaže potreba za ručnim guranjem, odvojite bateriju od kosilice i otpustite papučicu parkirne kočnice iz položaja kočenja.

VOŽNJA ELEKTRIČNE KOSILICE S OKRETOM U MJESTU (sl. I1 – sl. I9)

Kako biste stali, smanjili ili povećali brzinu, lagano promijenite udaljenost ručice za upravljanje iz neutralnog položaja.

⚠ OPASNOST: Držite se barem dvije širine otkosa (2,14 m) podalje od jama, strmina i vode. Prednji kotači mogu se okretati ako je kosilica zaustavljena, čak i ako je kočnica aktivirana, zbog čega kosilica može prijeći preko ruba ili pasti u vodu, uzrokujući smrt ili teške ozljede.

⚠ UPOZORENJE: Prije vožnje unatrag provjerite što se nalazi iza vas. NEMOJTE kositi unatrag ako to stvarno nije potrebno. Prije i tijekom vožnje unatrag uvijek gledajte dolje i iza sebe kako biste se uvjerali da iza vas nema djece, promatrača ili kućnih ljubimaca. Zapamtite da je samo jedan djelić sekunde nepažnje dovoljan za pogibiju ili ozljede.

⚠ UPOZORENJE: Ne koristite ovaj stroj na javnim cestama.

⚠ UPOZORENJE: U slučaju blokade ili ako udarite strani predmet, zaustavite motore i izvadite baterije. Uklonite ostatke trave, lišće, prljavštinu i ostale nakupljene nečistoće; dobro pregledajte da na kosilici nema oštećenja i otklonite oštećenja prije ponovnog pokretanja i upotrebe kosilice.

ODRŽAVANJE

⚠ UPOZORENJE: Uvijek nosite zaštitu za oči s bočnim štitnicima. Nepostupanje u skladu s tim može rezultirati odbacivanjem predmeta u oči i drugim mogućim teškim ozljedama.

⚠ UPOZORENJE: Pri obavljanju radova održavanja na nožu kosilice zaštitite ruke rukavicama ili omotajte noževе krpama ili drugim materijalima. Izvadite sigurnosni ključ i baterijski modul prije servisa ili transporta kosilice.

Interval servisnog održavanja	Postupak za održavanje
Prije svake upotrebe ili svakodnevno	<ul style="list-style-type: none"> ■ Provjerite sigurnosni sustav blokade. ■ Vizualno provjerite je li guma prazna. ■ Provjerite jesu li noževe istrošeni, oštećeni ili svinuti. ■ Pregledajte čitav proizvod i uvjerite se kako nema dijelova koji su oštećeni, nedostaju ili su olabavljeni, što uključuje sklop bočnog nastavka, vijke, matice, kapice itd. te provjerite jesu li svi štitnici na mjestu i ispravno rade. ■ Provjerite rad kočnica.
Nakon svake upotrebe	<ul style="list-style-type: none"> ■ Očistite trup kosilice.
Svakih 25 sati	<ul style="list-style-type: none"> ■ Provjerite tlak u gumama.
Svakih 50 sati	<ul style="list-style-type: none"> ■ Provjerite stanje podmazanosti unutar prirubnice reznog noža.
Svakih 100 sati	<ul style="list-style-type: none"> ■ Provjerite stražnje kotače i uvjerite se kako su 4 sigurnosna vijka zategnuta na preporučeni moment.
Svakih 200 sati	<ul style="list-style-type: none"> ■ Provjerite prednje kotače i uvjerite se kako se slobodno okreću.
Godišnje	<ul style="list-style-type: none"> ■ Provjerite papučicu parkirne kočnice. Odvojite bateriju od kosilice i postavite papučicu parkirne kočnice u položaj za kočenje. Ručno gurnite kosilicu prema naprijed i provjerite možete li ju pomicati. Ako se pomiče, neka ju servisira ovlaštenu servisnu tehničar.

ČIŠĆENJE KOSILICE (sl. J1 – sl. J9)

Priprema (sl. J1 – sl. J5)

Čišćenje kućišta kosilice (sl. J6 – sl. J7)

Čišćenje trupa kosilice pomoću priključka za pranje (sl. J8 – sl. J9)

J8-1	Priključak za pranje	J8-3	Vrtno crijevo
------	----------------------	------	---------------

J8-2	Spojnica priključka za pranje		
------	-------------------------------	--	--

OBAVIJEST: Po dovršetku čišćenja, pritisnite PTO sklopku prema dolje kako biste odvojili noževe kosilice.

ODRŽAVANJE TRUPA KOSILICE I NOŽEVA

Priprema (sl. K1 – sl. K6)

Uklanjanje trupa kosilice (sl. K7 – sl. K8)

K7-1	Kabel motora	K7-3	Spona ovjesa
K7-2	Rascjepka		

OBAVIJEST: Pri uklanjanju trupa kosilice odvojite kabele motora i rascjepke s obje strane.

Zamjena noževa (sl. K9 – sl. K11)

K9-1	Stabilizator	K10-3	Nož
K10-1	Vijak	K10-4	Prirubnica
K10-2	Podloška	K10-5	Vratilo motora

Niveliranje trupa kosilice.

a. Kada nivelirati (sl. K12 – sl. K14)

b. Prije niveliranja

- Provjera tlaka u hladnom gumama (sl. K15)
- Provjerite noževe. Prema potrebi uklonite i zamijenite istrošene, oštećene i/ili savijene noževe.

c. Priprema za niveliranje (sl. K16 – sl. K21)

d. Način niveliranja

- Bočno podešavanje (sl. K22)

Razlika između udaljenosti H1 i H2 izmjerena od donjeg ruba oštrica do tla treba biti manja od 5 mm.

K22-1	Sigurnosna matica
-------	-------------------

- Podešavanje naprijed–natrag (sl. K23)

Prednji vrh H3 noža mora biti od 2 do 10 mm niži od stražnjeg vrha H4.

KALIBRIRANJE SUSTAVA PRAĆENJA KOSILICE (sl. L1 – sl. L6 i sl. L7 – sl. L12)

OBAVIJEST: Zvučni signal oglasit će se jednom nakon početka kalibracije i jednom po njezinom dovršetku.

PONOVNO POSTAVLJANJE KOSILICE NA POČETNE TVORNIČKE POSTAVKE (sl. M1 – sl. M4)

OBAVIJEST: Zvučni signal oglasit će se jednom nakon početka ponovnog postavljanja i jednom po njegovom dovršetku.

POHRANA I TRANSPORT

TRANSPORT KOSILICE (SL. N1 – SL. N11)

OBAVIJEST: Prema potrebi osigurajte kosilicu trakama ili kabelima kako biste onemogućili njezino pomicanje tijekom transporta. Pri utovaru ili istovaru kosilice nemojte prekoračivati najveći preporučeni radni kut od 12° između rampe i tla.

POHRANA (sl. O1 – sl. O6)

OBAVIJEST: Upute za uklanjanje baterijskih modula i pohranu baterija potražite u pripadajućim priručnicima.

Upute za čišćenje i provjeru kosilice prije pohrane potražite u odjeljcima „ČIŠĆENJE KOSILICE“ i „PREPORUČENI RASPOREDI ODRŽAVANJA“.


DEES VAN DER SPEK
TUINMACHINES ★ STOLWIJK


Zaštita okoliša



OEEO (Otpadna električna i elektronička oprema) Električnu opremu, iskorištenu bateriju i punjač nemojte odlagati u otpad iz kućanstva! Ovaj proizvod odnesite u ovlaštenu centar za reciklažu i time omogućite odvojeno sakupljanje. Električne alate potrebno je vratiti u ekološki prihvatljiv pogon za reciklažu.

OTKLANJANJE SMETNJI

PROBLEM	UZROK	RJEŠENJE
<p>Električna kosilica s okretom u mjestu ne pokreće se nakon što na početku dvije ručice za upravljanje gurnete unaprijed ili unatrag.</p>  <p>Zatreptat će ikona za razinu upravljanja</p>	<ul style="list-style-type: none"> Kombinirani kapacitet umetnutih baterija manji je od 15 Ah. 	<ul style="list-style-type: none"> Kako biste mogli pokrenuti kosilicu, morate imati EGO baterije ukupnog kapaciteta 15 Ah (2 x BA4200/BA4200T) ili većeg. Za najbolji učinak preporučujemo upotrebu baterija ukupnog kapaciteta 30 Ah ili većeg.
	<ul style="list-style-type: none"> Papučica parkirne kočnice postavljena je u položaj kočenja. 	<ul style="list-style-type: none"> Pritisnite papučicu parkirne kočnice do kraja i otpustite je iz položaja kočenja.
	<ul style="list-style-type: none"> Pri pokretanju kosilice, ručice za upravljanje nisu u otvorenom položaju. 	<ul style="list-style-type: none"> Vratite ručice za upravljanje u otvoreni položaj i ponovno pokrenite kosilicu.
	<ul style="list-style-type: none"> Rukovatelj ne sjedi na sjedalu. 	<ul style="list-style-type: none"> Kosilicu ćete moći pokrenuti tek nakon što rukovatelj pravilno sjedne na sjedalo.
	<ul style="list-style-type: none"> Sklopka sjedala nije pravilno spojena. 	<ul style="list-style-type: none"> Odvojite bateriju od kosilice i rastavite sjedalo obrnutim redoslijedom od uputa iz odjeljka „UGRADNJA SJEDALA“ iz ovog priručnika te pregledajte priključak sklopke sjedala. Ponovno sastavite sjedalo i slijedite upute iz odjeljka „POKRETANJE ELEKTRIČNE KOSILICE S OKRETOM U MJESTU“ kako biste ponovno pokrenuli kosilicu i provjerili može li se pokrenuti. Ako ne, obratite se ovlaštenom servisnom tehničaru i zatražite njezin popravak.
	<ul style="list-style-type: none"> U slučaju iznimno hladnog vremena, funkcija vožnje možda se neće uspješno pokrenuti zbog zaštite od niskih temperatura. 	<ul style="list-style-type: none"> Kosilicu i bateriju obavezno čuvajte u toplom okruženju. Ponovno pokrenite kosilicu nakon što se zagrije. Ako je jako hladno, nemojte je uzastopno pokušavati pokrenuti, jer to može dovesti do oštećenja stroja. Preporučena radna temperatura iznosi 0 – 40°C.

PROBLEM	UZROK	RJEŠENJE
Električna kosilica s okretom u mjestu se zaustavlja.	<ul style="list-style-type: none"> ▪ Ručice za upravljanje zahtijevaju „ponovno pokretanje“. 	<ul style="list-style-type: none"> ▪ Vratite ručice za upravljanje u otvoreni položaj i ponovno pokrenite kosilicu.
	<ul style="list-style-type: none"> ▪ Električne komponente upravljanja ručicama za upravljanje su neispravne. 	<ul style="list-style-type: none"> ▪ Obratite se ovlaštenom servisnom tehničaru i zatražite njezin popravak.
	<ul style="list-style-type: none"> ▪ Sklopka sjedala odvojila se uslijed vožnje po nepristupačnom terenu. 	<ul style="list-style-type: none"> ▪ Odvojite bateriju od kosilice i rastavite sjedalo obrnutim redoslijedom od uputa iz odjeljka „UGRADNJA SJEDALA“ iz ovog priručnika te pregledajte priključak sklopke sjedala. Ponovno sastavite sjedalo i slijedite upute iz odjeljka „POKRETANJE ELEKTRIČNE KOSILICE S OKRETOM U MJESTU“ kako biste ponovno pokrenuli kosilicu i provjerili može li se pokrenuti. Ako ne, obratite se ovlaštenom servisnom tehničaru i zatražite njezin popravak.
Brzina vožnje / način vožnje ne može se podesiti u vožnji.	<ul style="list-style-type: none"> ▪ To je značajka električne kosilice s okretom u mjestu koja osigurava sigurnu vožnju. 	<ul style="list-style-type: none"> ▪ Funkcija će se aktivirati samo ako su kotači kosilice zaustavljeni, a ručice za upravljanje otvorene.
Električna kosilica s okretom u mjestu ne pokreće noževe nakon aktiviranja PTO sklopke.  Trepće ikona PTO sklopke	<ul style="list-style-type: none"> ▪ Kombinirani kapacitet umetnutih baterija manji je od 15 Ah. 	<ul style="list-style-type: none"> ▪ Kako biste mogli pokrenuti kosilicu, morate imati EGO baterije ukupnog kapaciteta 15 Ah (2 x BA4200/BA4200T) ili većeg. Za najbolji učinak preporučujemo upotrebu baterija ukupnog kapaciteta 30 Ah ili većeg.
	<ul style="list-style-type: none"> ▪ PTO sklopka nije pritisnuta prema dolje nakon zadnjeg zaustavljanja kosilice. 	<ul style="list-style-type: none"> ▪ Gurnite PTO sklopku prema dolje i ponovno pokrenite noževe kosilice.
	<ul style="list-style-type: none"> ▪ Kosilica je u trenutku pokretanja noževa preopterećena, što rezultira aktivacijom zaštite motora. 	<ul style="list-style-type: none"> ▪ Košnju trave kosilicom najprije pokrenite s manjom brzinom noža i nemojte je ubrzavati prije nego što se noževi uspješno ne zavrte.
	<ul style="list-style-type: none"> ▪ U slučaju iznimno hladnog vremena, motor noža možda se neće uspješno pokrenuti zbog zaštite od niskih temperatura. 	<ul style="list-style-type: none"> ▪ Kosilicu i bateriju obavezno čuvajte u toplom okruženju. Ponovno pokrenite kosilicu nakon što se zagrije. Ako je jako hladno, nemojte je uzastopno pokušavati pokrenuti, jer to može dovesti do oštećenja stroja. Preporučena radna temperatura iznosi 0 – 40°C.
	<ul style="list-style-type: none"> ▪ Nož dolazi u doticaj s izobličenim trupom kosilice. 	<ul style="list-style-type: none"> ▪ Obratite se ovlaštenom servisnom tehničaru i zatražite njezin popravak.

PROBLEM	UZROK	RJEŠENJE
Noževi se zaustavljaju tijekom košenja trave	<ul style="list-style-type: none"> ▪ Kosilica je preopterećena. 	<ul style="list-style-type: none"> ▪ Podignite visinu košnje na trupu ili usporite brzinu vožnje kako biste smanjili opterećenje kosilice.
	<ul style="list-style-type: none"> ▪ Trup kosilice je začepljen travom i ostalim nečistoćama. 	<ul style="list-style-type: none"> ▪ Očistite trup kosilice i osigurajte dovoljno mjesta za pomicanje noževa.
	<ul style="list-style-type: none"> ▪ Kosilica se pregrijava. 	<ul style="list-style-type: none"> ▪ Smanjite opterećenje na kosilicu podizanjem visine košnje na trupu ili usporavanjem brzine noža/vožnje te omogućite hlađenje kosilice.
	<ul style="list-style-type: none"> ▪ Baterijski moduli u baterijskom pretincu kosilice se pregrijavaju, zbog čega je kombinirani kapacitet svih umetnutih baterija manji od 15 Ah. 	<ol style="list-style-type: none"> 1. Ako je kombinirani kapacitet baterija manji od 15 Ah, kosilica neće raditi sve dok u prazna mjesta za baterije ne umetnete još baterijskih modula. Nakon što se pregrijana baterija vrati na normalnu temperaturu, odmah će se pridružiti punjenju kosilice.
	<ul style="list-style-type: none"> ▪ Kosilica je u načinu rada Limp Home. 	<ul style="list-style-type: none"> ▪ Kad je kosilica u načinu rada Limp Home, noževi automatski prelaze u način rada za sporo okretanje u kojemu ne kose travu. Rukovatelj treba prestati s radom i što prije prijeći na mjesto za punjenje baterije.
<ul style="list-style-type: none"> ▪ Kosilicu je udario strani predmet, zbog čega se aktivirala zaštita motora. 	<ul style="list-style-type: none"> ▪ Gurnite PTO sklopku prema dolje i ponovno pokrenite noževe kosilice. 	
Zvučni signal se nastavlja oglašavati.	<ul style="list-style-type: none"> ▪ Kosilica je u načinu rada Limp Home, a noževi nisu isključeni. 	<ul style="list-style-type: none"> ▪ Gurnite PTO sklopku prema dolje kako biste odvojili noževe trupa. Zvučni signal prestat će se oglašavati nakon što se nož zaustavi.
	<ul style="list-style-type: none"> ▪ Kosilica prestaje s radom na nagibu, a rukovatelj otvara ručice za upravljanje i ne sjedi na sjedalu, pri čemu papučica parkirne kočnice nije u položaju za kočenje. 	<ul style="list-style-type: none"> ▪ Prije nego što kosilicu ostavite na nagibu, papučicu parkirne kočnice postavite u položaj kočenja.

PROBLEM	UZROK	RJEŠENJE
Dok je kosilica isključena, indikatori baterije i dalje svijetle.	<ul style="list-style-type: none"> U slučaju isključivanja kosilice na ravnom tlu, bez prethodnog odvajanja baterijskih modula od kosilice, indikatori baterije nastavit će svijetliti 3 minute. 	<ul style="list-style-type: none"> Ne morate učiniti ništa. Indikatori baterije nakon određenog će se razdoblja isključiti.
	<ul style="list-style-type: none"> U slučaju isključivanja kosilice na nagibu, pri čemu papučica parkirne kočnice nije u položaju za kočenje, indikatori baterije nastavit će svijetliti sve dok se baterija ne isprazni. Istovremeno će se nastaviti oglašavati zvučni signal. 	<ul style="list-style-type: none"> Prije nego što rukovatelj alat ostavi na nagibu, papučicu parkirne kočnice treba postaviti u položaj kočenja.
LCD zaslon ne svijetli, a sve su ikone uključene.	<ul style="list-style-type: none"> Vrijeme pritiska tipke Start/ Stop kraće je od 3 sekunde. 	<ul style="list-style-type: none"> Na LCD zaslonu mjerac goriva prikazat će se tek nakon kratkog pritiska na tipku Start/Stop. LCD zaslon će se uključiti nakon pritiska tipke Start/ Stop na 3 sekunde.
Kosilica kosi neravnomjerno, uz značajnu razliku u visini između prednje i stražnje strane.	<ul style="list-style-type: none"> Noževi su tupi. 	<ul style="list-style-type: none"> Rezni nož naoštrite ili zamijenite u skladu s uputama iz ovog priručnika.
	<ul style="list-style-type: none"> Noževi su savijeni. 	<ul style="list-style-type: none"> Savijeni nož zamijenite u skladu s uputama iz odjeljka „ZAMJENA NOŽEVA“.
	<ul style="list-style-type: none"> Trup kosilice nije u ravnini, zbog čega dolazi do različitih visina otkosa. 	<ul style="list-style-type: none"> Trup kosilice spustite u skladu s uputama iz odjeljka „NIVELIRANJE TRUPA KOSILICE“.
Stvarna visina košnje nije u skladu s predviđenom.	<ul style="list-style-type: none"> Vijci trupa kosilice su otpušteni na sponi ovjesa 	<ul style="list-style-type: none"> Slijedite upute iz odjeljka „NIVELIRANJE TRUPA KOSILICE“ kako biste ga podesili prema naprijed–natrag i čvrsto zategnute četiri vijka na sponi ovjesa (dva sa svake strane).
	<ul style="list-style-type: none"> Trup kosilice je oštećen ili jako istrošen. 	<ul style="list-style-type: none"> Slijedite upute iz odjeljka „UKLANJANJE TRUPA KOSILICE“ kako biste zamijenili trup kosilice.
Kosilica ne malčira kako treba.	<ul style="list-style-type: none"> Mokri komadići trave zalijepljeni su za podnožje trupa. 	<ul style="list-style-type: none"> Pričekajte da se trava osuši, zatim nastavite s košnjom.
	<ul style="list-style-type: none"> Kosilica je postavljena za košnju prevelike količine trave odjednom. 	<ul style="list-style-type: none"> Podignite visinu košnje na trupu.

PROBLEM	UZROK	RJEŠENJE
Javljaaju se prekomjerne vibracije.	<ul style="list-style-type: none"> Rezni noževi su olabavljeni. 	<ul style="list-style-type: none"> Zategnite vijak noža na preporučeni moment od 50–55 Nm.
	<ul style="list-style-type: none"> Noževi su savijeni. 	<ul style="list-style-type: none"> Savijeni nož zamijenite u skladu s uputama iz odjeljka „ZAMJENA NOŽEVA“.
	<ul style="list-style-type: none"> Trup kosilice nije u ravni. 	<ul style="list-style-type: none"> Trup kosilice spustite u skladu s uputama iz odjeljka „NIVELIRANJE TRUPA KOSILICE“.
	<ul style="list-style-type: none"> Vijci trupa kosilice su otpušteni na sponi ovjesa. 	<ul style="list-style-type: none"> Upotrijebite otvoreni ključ od 18 mm (nije u kompletu) kako biste zategnuli četiri matice na sponi ovjesa (po dvije sa svake strane).
	<ul style="list-style-type: none"> Kosilica je postavljena za košnju prevelike količine trave odjednom. 	<ul style="list-style-type: none"> Podignite visinu košnje na trupu.
Na tlu nakon košnje ostaje trava ili otpad.	<ul style="list-style-type: none"> Kosilica je postavljena za košnju prevelike količine visoke trave odjednom. 	<ul style="list-style-type: none"> Započnite s većom visinom košnje i smanjite je dok ne postignete željeni rezultat. Travu višu od 15 cm treba pokositi dvaput, drugi put s manjom visinom košnje.
	<ul style="list-style-type: none"> Trava je mokra. 	<ul style="list-style-type: none"> Travu nemojte kositi ako je mokra; pričekajte da se osuši.
	<ul style="list-style-type: none"> Brzina vožnje je visoka. 	<ul style="list-style-type: none"> Smanjite brzinu vožnje.
	<ul style="list-style-type: none"> Brzina noža je niska. 	<ul style="list-style-type: none"> Postupno povećavajte brzinu vrtnje noža.
Kosilica na bateriju radi kratko.	<ul style="list-style-type: none"> Stanje trave i postavka visine otkosa značajno utječu na trajanje baterije. Predviđeno vrijeme rada temelji se na malim opterećenjima. 	<ul style="list-style-type: none"> Podignite visinu košnje na trupu i usporite brzinu noža kako biste smanjili opterećenje košnje.
Kosilica se ne kreće ravno.	<ul style="list-style-type: none"> Tlakovi u gumama lijevog i desnog stražnjeg kotača se razlikuju. 	<ul style="list-style-type: none"> Provjerite i podesite tlak zraka u obje gume stražnjih kotača, u skladu s preporukama iz odjeljka „PROVJERA TLAKA U GUMAMA“ u ovom priručniku.
	<ul style="list-style-type: none"> Brzina okretanja lijevog i desnog stražnjeg kotača se razlike. 	<ul style="list-style-type: none"> Kalibrirajte sustav praćenja kosilice u skladu s uputama iz odjeljka „KALIBRIRANJE SUSTAVA PRAĆENJA KOSILICE“.
Papučica parkirne kočnice ne može se otpustiti iz položaja kočnja ili se sporo vraća.	<ul style="list-style-type: none"> Ispod papučice parkirne kočnice možda je dospio otpad ili prljavština. 	<ul style="list-style-type: none"> Otvorite kutiju papučice parkirne kočnice, temeljito je očistite iznutra i ponovno je zatvorite. Ponovno postavite papučicu parkirne kočnice kako biste vidjeli je li problem riješen. Ako ne, obratite se ovlaštenom servisnom tehničaru i zatražite njezin popravak.

PROBLEM	UZROK	RJEŠENJE
Kosilica se ne puni putem priključka za punjenje, a indikator stanja kosilice svijetli crveno.	<ul style="list-style-type: none"> Utikač punjača nije pravilno umetnut u priključak za punjenje kosilice. 	<ul style="list-style-type: none"> Ponovno spojite utikač punjača kako biste vidjeli može li se kosilica normalno puniti.
	<ul style="list-style-type: none"> U zidnim utičnicama nema struje. 	<ul style="list-style-type: none"> Ne morate učiniti ništa. Pričekajte oporavak napajanja.
	<ul style="list-style-type: none"> Neispravnost punjača. 	<ul style="list-style-type: none"> Obratite se ovlaštenom servisnom tehničaru zbog pregleda i popravka punjača, ako se pokaže potreba za tim.
	<ul style="list-style-type: none"> Priključak za punjenje kosilice je neispravan. 	<ul style="list-style-type: none"> Obratite se ovlaštenom servisnom tehničaru i zatražite njezin popravak.
Vrijeme punjenja putem priključka za punjenje kosilice je predugo.	<ul style="list-style-type: none"> Punjenje EGO adapterom ACA1000 zahtijeva puno vremena. 	<ul style="list-style-type: none"> Za izravno punjenje električne kosilice s okretom u mjestu upotrijebite EGO punjač CHV1600E.
Priključak za punjenje kosilice ne uspijeva napuniti bateriju do kraja.	<ul style="list-style-type: none"> Pogreška u programskim datotekama kosilice ili kvar punjača/baterije. 	<ul style="list-style-type: none"> Odspojite punjač i pričekajte više od 1 min, a zatim ponovno utaknite utikač u električnu utičnicu. Ako to ne uspije, obratite se ovlaštenom servisnom tehničaru i zatražite njezin popravak.
Kosilica se ne može pokrenuti nakon čišćenja.	<ul style="list-style-type: none"> Nepropisno čišćenje, uključujući ulazak vode u električne komponente, LCD zaslon itd. 	<ul style="list-style-type: none"> Za pravilno čišćenje kosilice slijedite upute iz odjeljka „ČIŠĆENJE KOSILICE“.
Lako dolazi do začepljenja kosilice.	<ul style="list-style-type: none"> Trup kosilice je začepljen travom i ostalim nečistoćama. 	<ul style="list-style-type: none"> Ako kosilica slučajno ostane na kiši, ostavite je 12 sati da se osuši ili je ispušite komprimiranim zrakom.
		<ul style="list-style-type: none"> Nakon svake upotrebe kosilicu očistite u skladu s uputama iz odjeljka „Čišćenje trupa kosilice pomoću priključka za pranje“.
Kosilica lako gubi vuču pri penjanju uzbrdo.	<ul style="list-style-type: none"> Gume stražnjih kotača su istrošene. 	<ul style="list-style-type: none"> Zatražite pomoć lokalnog servisa za zamjenu kotača.
	<ul style="list-style-type: none"> Velik nagib za košnju. 	<ul style="list-style-type: none"> Nagib za košnju treba biti blaži od 12 stupnjeva.
Nakon zaustavljanja kosilice na nagibu, iako je pritisnuta parkirne kočnice, kosilica klizi niz nagib.	<ul style="list-style-type: none"> Komponente kočnica iznimno su istrošene zbog nepravilnog rada kosilice. 	<ul style="list-style-type: none"> Obratite se ovlaštenom servisnom tehničaru i zatražite njezin popravak.

PROBLEM	UZROK	RJEŠENJE
Iz priključka za pranje tijekom postupka pranja trupa ne izlazi voda.	<ul style="list-style-type: none">▪ Spojnica priključka za pranje nije postavljena na priključak za pranje.	<ul style="list-style-type: none">▪ Ponovno spojite spojnicu priključka za pranje sve dok nakon čvrstog pritiska ne začujete jasan klik. Ako to ne uspije, obratite se ovlaštenom servisnom tehničaru i zatražite njezin popravak.
Čuje se neuobičajen zvuk pri ručnom guranju kosilice koja nije pokrenuta.	<ul style="list-style-type: none">▪ Iz magneta u pogonskom motoru dopire zvuk.	<ul style="list-style-type: none">▪ Nije potrebno poduzimati ništa; to je normalno.

KEES VAN DER SPEK
TUINMACHINES ★ STOLWIJK

STATUSNE REFERENCE I ŠIFRE KVAROVA KOSILICE

LCD zaslon	Opis	Šifra kvara na LCD-u	Indikator stanja kosilice	Zvučni signal	Uzrok	Rješenje
	Na LCD zaslonu prikazat će se ikona LED svjetla	nedostupno	ISKLJUČEN	Ne	Radna, bočna i stražnja svjetla uključuje sklopka LED svjetla.	To je normalan rad. Ne morate učiniti ništa.
	Na LCD zaslonu prikazat će se ikona USB-a	nedostupno	ISKLJUČEN	Ne	Ikona USB-a svijetli, označavajući kako USB uređaj može raditi nakon pravilnog pokretanja kosilice.	To je normalan rad. Ne morate učiniti ništa.
	Na LCD zaslonu prikazat će se ikona mjerača goriva	nedostupno	ISKLJUČEN	Ne	Označava prosječan kapacitet napunjenosti umetnutih baterija	To je normalan rad. Ne morate učiniti ništa.
	Na LCD zaslonu prikazat će se ikona mjerača sati	nedostupno	ISKLJUČEN	Ne	Prikazuje ukupno vrijeme vožnje kosilice u satima i ne može se ponovno postaviti.	To je normalan rad. Ne morate učiniti ništa.
	Na ECO rasponu prikazat će se ikona indikatora opterećenja	nedostupno	ISKLJUČEN	Ne	Označava trenutno opterećenje kosilice.	To je normalan rad. Ne morate učiniti ništa.
	Indikator preopterećenja će treptati. Na PWR rasponu prikazat će se ikona indikatora opterećenja.	nedostupno	Treperi crveno	Jedan signal	Motor noža je preopterećen.	Podignite visinu košnje na trupu ili usporite brzinu vožnje kako biste smanjili opterećenje kosilice.
	Zatreperit će ikona sigurnosnog ključa.	nedostupno	ISKLJUČEN	Ne	Sigurnosni ključ nije umetnut.	Umetnite sigurnosni ključ i pritisnite tipku START/STOP te zadržite pritisak dulje for more 3 sekunde kako biste uključili kosilicu.
					Do LCD zaslona ne dolazi napajanje.	Popravke treba izvršiti ovlašteni servisni tehničar.
	Zatreperit će ikona praznog pretinca za bateriju.	nedostupno	ISKLJUČEN	Ne	Kapacitet baterije nije dovoljan za rad traktorske kosilice.	Kako biste mogli pokrenuti kosilicu, morate imati EGO baterije ukupnog kapaciteta 15 Ah (2 x BA4200/BA4200T) ili većeg. Za najbolji učinak preporučujemo upotrebu EGO baterija ukupnog kapaciteta 30 Ah ili većeg.
	Zatreperit će ikona termometra.	nedostupno	Treperi crveno	Jedan signal	Kosilica se pregrijava.	Smanjite opterećenje na kosilicu podizanjem visine košnje na trupu ili usporavanjem brzine noža/vožnje. Odmorite i pričekajte da se kosilica ohladi.

LCD zaslon	Opis	Šifra kvara na LCD-u	Indikator stanja kosilice	Zvučni signal	Uzrok	Rješenje
	Istovremeno trepere ikona pregrijavanja i konkretnog zauzetog pretinca za bateriju.	nedostupno	nedostupno	Ne	Baterijski modul u pripadajućem numeriranom pretincu za bateriju se pregrijava.	<p>1. Kosilica može nastaviti s radom ako kombinirani kapacitet baterija, ne računajući pregrijanu bateriju, iznosi minimalno 15 Ah. Nakon što se pregrijana baterija vrati na normalnu temperaturu, odmah će se pridružiti punjenju kosilice.</p> <p>2. Ako je kombinirani kapacitet baterija manji od 15 Ah, kosilica neće raditi sve dok u prazna mjesta za baterije ne umetnete još baterijskih modula.</p> <p>3. Smanjite opterećenje na kosilicu podizanjem visine košnje na trupu ili usporavanjem košnje pri nastavku rada.</p>
	Na LCD zaslonu istovremeno, svake 1 sekunde trepere ikone konkretnog zauzetog pretinca za bateriju, indikator slabog napajanja i grafički prikaz baterije za mjerac goriva. Treperi i prvi segment LED indikatora stanja i mjerac goriva.	nedostupno	Treperi crveno	Signal se neće zaustaviti dok ne pritisnete PTO sklopku.	Baterijski moduli su gotovo prazni i kosilica je u načinu rada Limp Home.	<p>Prestanite s radom i vratite se na mjesto za punjenje baterije.</p> <p>OBAVIJEST: Kad je kosilica u načinu rada Limp Home, noževi automatski prelaze u način rada za sporo okretanje u kojemu ne kose travu, a zvučni signal se pritom nastavlja oglašavati. Rukovatelj treba pritisnuti PTO sklopku prema dolje kako bi odvojio noževe trupa. Zvučni signal prestat će se oglašavati nakon što se nož zaustavi.</p>
	Ikona konkretnog zauzetog pretinca za bateriju i indikator slabog napajanja trepere svake pola sekunde.	nedostupno	ISKLJUČEN	Ne	Baterijski moduli su gotovo prazni.	Kosilica će odmah prestati s radom. Rukovatelj treba premjestiti kosilicu na mjesto za punjenje baterije.
	Na LCD-u treperi ikona automatskog parkiranja.	nedostupno	ISKLJUČEN	Signal se stalno ponavlja	Kosilica je parkirana na nagibu, a rukovatelj je ostavio kosilicu bez da je postavio papučicu kočnice u položaj kočenja, već samo s ručicama za upravljanje u otvorenom položaju.	Papučicu kočnice stavite u položaj kočenja. Ikona automatskog parkiranja će se isključiti, a zvučni signal prestat će se oglašavati.

LCD zaslon	Opis	Šifra kvara na LCD-u	Indikator stanja kosilice	Zvučni signal	Uzrok	Rješenje
	Na LCD-u se prikazuje ikona papučice kočnice.	nedostupno	ISKLJUČEN	Ne	Papučica parkirne kočnice postavljena je u položaj kočenja.	Otpustite je prije pokretanja kosilice.
	Na LCD-u se prikazuje ikona senzora sjedala.	nedostupno	ISKLJUČEN	Ne	Rukovatelj ostavlja sjedalo ili sklopku sjedala odvojene.	Ako ikona svijetli dok rukovatelj sjedi na sjedalu, odmah prekinite rad kosilice i provjerite priključak sjedala. Ako je priključak sjedala na kosilicu ispravan, obratite se ovlaštenom servisnom tehničaru i zatražite njezin popravak.
	Trepće ikona PTO sklopke.	nedostupno	ISKLJUČEN	Ne	Prekinut je rad motora noža, a PTO sklopka nije postavljena u isključeni položaj.	Prije ponovnog pokretanja kosilice pritisnite PTO sklopku prema dolje kako biste odvojili motor trupa. Provjerite odjeljak „RJEŠAVANJE PROBLEMA“ u priručniku zbog referenci.
	Zatreptat će ikona ručice za upravljanje.	nedostupno	ISKLJUČEN	Ne	Prekinut je rad pogonskog motora, a ručice za upravljanje nisu postavljene u otvoreni položaj.	Prije ponovnog pokretanja kosilice, ručice za upravljanje premjestite u otvoreni položaj. Provjerite odjeljak „RJEŠAVANJE PROBLEMA“ u priručniku zbog referenci.
	S vremena na vrijeme će zatreptati ikona za oporavak energije.	nedostupno	ISKLJUČEN	Ne	Kinetička energija generirana tijekom kočenja ili vožnje nizbrdo pretvorena je u struju za punjenje baterijskih modula.	To je normalan rad. Ne morate učiniti ništa.

LCD zaslon	Opis	Šifra kvara na LCD-u	Indikator stanja kosilice	Zvučni signal	Uzrok	Rješenje	
Pogledajte „Šifre kvarova“	Lijevi pogonski motor se ne okreće.	PCBA upravljani lijevi pogonski motor ne radi.	413	ISKLJUČEN	Jedan signal	Kvar PCBA-a	Popravke treba izvršiti ovlašteni servisni tehničar.
		Utikač (trofazni, naponski kabel) koji povezuje lijevi pogonski motor s pripadajućim PCBA-om je olabavio.	317	ISKLJUČEN	Jedan signal	Otpušten spoj	
		Utikač (šest izvoda, signalni kabel) koji povezuje lijevi pogonski motor s pripadajućim PCBA-om je olabavio.	301	ISKLJUČEN	Jedan signal	Otpušten spoj	
		Lijevi pogonski motor ne radi.	317	ISKLJUČEN	Jedan signal	Kvar motora	
Pogledajte „Šifre kvarova“	Desni pogonski motor se ne okreće.	PCBA upravljani desni pogonski motor ne radi.	313	ISKLJUČEN	Jedan signal	Kvar PCBA-a	Popravke treba izvršiti ovlašteni servisni tehničar.
		Utikač (trofazni, naponski kabel) koji povezuje desni pogonski motor s pripadajućim PCBA-om je olabavio.	417	ISKLJUČEN	Jedan signal	Otpušten spoj	
		Utikač (šest izvoda, signalni kabel) koji povezuje desni pogonski motor s pripadajućim PCBA-om je olabavio.	401	ISKLJUČEN	Jedan signal	Otpušten spoj	
		Desni pogonski motor ne radi.	417	ISKLJUČEN	Jedan signal	Kvar motora	

LCD zaslon	Opis		Šifra kvara na LCD-u	Indikator stanja kosilice	Zvučni signal	Uzrok	Rješenje
Pogledajte „Šifre kvarova“	Lijevi motor noža se ne okreće.	PCBA upravljani lijevi motor noža ne radi.	607	nedostupno	Jedan signal	Kvar PCBA-a	Popravke treba izvršiti ovlašteni servisni tehničar.
		Utikač (trofazni, naponski kabel) koji povezuje lijevi pogonski motor s pripadajućim PCBA-om je olabavio.	509	nedostupno	Jedan signal	Otpušten spoj	Prvo pregledajte nož. Ako je olabavio, zategnite vijak u smjeru kazaljke sata moment ključem od 14 mm. Preporučeni moment za vijak noža je 50 – 55 Nm. U suprotnom, popravke treba izvršiti ovlašteni servisni tehničar.
		Lijevi motor noža ne radi.	509	nedostupno	Jedan signal	Kvar motora	
Pogledajte „Šifre kvarova“	Desni motor noža se ne okreće.	PCBA upravljani desni motor noža ne radi.	507	nedostupno	Jedan signal	Kvar PCBA-a	Popravke treba izvršiti ovlašteni servisni tehničar.
		Utikač (trofazni, naponski kabel) koji povezuje desni pogonski motor s pripadajućim PCBA-om je olabavio.	609	nedostupno	Jedan signal	Otpušten spoj	Prvo pregledajte nož. Ako je olabavio, zategnite vijak u smjeru kazaljke sata moment ključem od 14mm. Preporučeni moment za vijak noža je 50 – 55 Nm. U suprotnom, popravke treba izvršiti ovlašteni servisni tehničar.
		Desni motor noža ne radi.	609	nedostupno	Jedan signal	Kvar motora	
Pogledajte „Šifre kvarova“	Lijeva ručica za upravljanje ne radi.	Lijeva ručica za upravljanje koja upravlja PCBA-om ne radi.	311 /412	ISKLJUČEN	Jedan signal	Kvar PCAB-a	Popravke treba izvršiti ovlašteni servisni tehničar.
		Utikač koji povezuje kontrolni PCBA koji se nalazi u šipki za upravljanje je olabavio.				Otpušten spoj	
Pogledajte „Šifre kvarova“	Desna ručica za upravljanje ne radi.	Desna ručica za upravljanje koja upravlja PCBA-om ne radi.	312 /411	ISKLJUČEN	Jedan signal	Kvar PCAB-a	Popravke treba izvršiti ovlašteni servisni tehničar.
		Utikač koji povezuje kontrolni PCBA koji se nalazi u šipki za upravljanje je olabavio.				Otpušten spoj	

LCD zaslon	Opis	Šifra kvara na LCD-u	Indikator stanja kosilice	Zvučni signal	Uzrok	Rješenje	
Pogledajte „Šifre kvarova“	Parkirna kočnica ne radi; alat se ne može voziti.	PCBA parkirne kočnice, u sklopu prednjeg okvira, neispravan je.	309 /409	ISKLJUČEN	Jedan signal	Kvar PCBA-a	Popravke treba izvršiti ovlašteni servisni tehničar.
		Sklopka i/ili kabel parkirne kočnice je neispravan.	801	ISKLJUČEN	Jedan signal	Pogreška kabela/ sklopke	
ISKLJUČEN	Greška priključka za punjenje	nedostupno	Stalno svijetli CRVENO	nedostupno	Priključak za punjenje nije u otvorenom krugu.	Popravke treba izvršiti ovlašteni servisni tehničar.	
		nedostupno	Stalno svijetli CRVENO	nedostupno	Nema napajanja.	Provjerite zidnu utičnicu kako biste se uvjerali daje li napon 220–240 V i je li utičnica ispravna.	
		nedostupno	Stalno svijetli CRVENO	nedostupno	Osigurač je pregorio.	Popravke treba izvršiti ovlašteni servisni tehničar.	
Pogledajte „Šifre kvarova“	Greška priključka za punjenje	204	nedostupno	Jedan signal	Priključak za punjenje nije u otvorenom krugu.		
Pogledajte „Šifre kvarova“	Sklop kućišta baterije ne funkcionira	217	nedostupno	Jedan signal	Izvor napajanja sklopa kućišta baterije je oštećen. Prednja LED svjetla i USB ne rade.	Popravke treba izvršiti ovlašteni servisni tehničar.	
		310 /410	ISKLJUČEN	Jedan signal	Veza između Type C kabela iz sklopa kućišta baterije i drugih Type C kabela kosilice ne radi.		
		201 /202 /203	ISKLJUČEN	Jedan signal	BMS sklopa kućišta baterije je oštećen.		
Pogledajte „Šifre kvarova“	Greška sklopke Start/Stop	314 /414	ISKLJUČEN	Jedan signal	Kvar PCBA-a sklopke ili neispravna kabela veza sa sklopkom Start/Stop.	Popravke treba izvršiti ovlašteni servisni tehničar.	
Pogledajte „Šifre kvarova“	Greška LCD zaslona	315 /415	ISKLJUČEN	Jedan signal	Sklop LCD-a je oštećen ili je kabela veza sa sklopkom LCD-a neispravna.	Popravke treba izvršiti ovlašteni servisni tehničar.	

JAMSTVO

JAMSTVENA POLITIKA PROIZVOĐAČA EGO

Cjelokupne uvjete i odredbe jamstvene politike proizvođača EGO potražite na internetskoj stranici egopowerplus.com.

სრულად გაეცანით მომხმარებლის სახელმძღვანელოს!



გაეცანით მომხმარებლის ინსტრუქციას

⚠ ნარჩენი რისკი! პირებმა, რომელთაც აქვთ იმპლანტირებული სამედიცინო მოწყობილობები, როგორცაა პეისმეიკერი, აღნიშნული პროდუქტის გამოყენებამდე უნდა გაიარონ სამედიცინო კონსულტაცია. ელექტრო მოწყობილობამ შეიძლება გავლენა იქონიოს პეისმეიკერის მუშაობაზე.

უსაფრთხოების სიმბოლოები

უსაფრთხოების სიმბოლოების მიზანია ყურადღების გამახვილება შესაძლო საფრთხეებზე. ყურადღებით გაეცანით უსაფრთხოების სიმბოლოებს და მათი შესაბამის განმარტებებს. საშიშროების აღნიშვნელი სიმბოლოები თავისთავად არ ანეიტრალურს რაიმე საფრთხის არსებობის რისკს. მათმიერ მოწოდებული მითითებები და გაფრთხილებები არ არიან შემთხვევის თავიდან აცილების სწორი პროცედურის შემცველები.

⚠ გაფრთხილება: მოწყობილობის გამოყენებამდე ყურადღებით გაეცანით აღნიშნულ სახელმძღვანელოში მოცემულ უსაფრთხოების წესებს, მათ შორის ყველა უსაფრთხოების სიმბოლოს, როგორცაა „საშიშროება“, „გაფრთხილება“ და „ყურადღება“. ქვემოთ ჩამოთვლილი მითითებების შეუსრულებლობამ შეიძლება გამოიწვიოს დენის დარტყმა, ცეცხლის გაჩენა და / ან სერიოზული სხეულის დაზიანება.

სიმბოლოების მნიშვნელობა

აღნიშნულ გვერდზე მოცემულია და განმარტებულია ის უსაფრთხოების სიმბოლოები, რომლებიც დაიტანება პროდუქტის ეტიკეტზე. გაეცანით და მიყევით მოწყობილობის ინსტრუქციას მის აწყობამდე და ჩართვამდე.

უსაფრთხოების სიმბოლოები



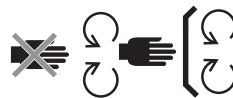
განგაშის სიგნალი



წაიკითხეთ და გაეცანით მომხმარებლის სახელმძღვანელოს.



თვალეების დაცვა



დამცავი მექანიზმის ტექნიკური მომსახურება



საშიშროება- ციცაბო ფერდობი



საშიშროება- მოარიდეთ სხვა პირები მჭრელ კომპონენტებს.

KA



არ დასვათ ბავშვები



გაიხედეთ უკან უკუსვლით მოძრაობისას.



გაფრთხილება: არ გამოიყენოთ აღნიშნული მანქანა 12 გრადუსზე მეტი დახრილობის ფერდობზე.



საშიშროება- გამოტყორცნილი საგნები



გაფრთხილება-მოარიდეთ ხელები და ფეხები მჭრელ ნაწილებს.



გარანტირებული ხმის სიმძლავრის დონე. ევროკავშირის რეგულაციების შესაბამისად.



სამუშაო ტერიტორიაზე არ დაიშვებიან სხვა პირები.



პროდუქტის ნარჩენები არ გადაყაროთ საყოფაცხოვრებო ნარჩენებთან ერთად. წაიღეთ შესაბამის გადამამუშავებელ საწარმოში.



აღნიშნული პროდუქტი აკმაყოფილებს ევროსაბჭოს დირექტივების მოთხოვნებს.



გაფრთხილება – არ მიაშტერდეთ სამუშაო სანათს.



მუდმივი დენი



აღნიშნული პროდუქტი აკმაყოფილებს გაერთიანებული სამეფოს კანონმდებლობით დადგენილ მოთხოვნებს.

კვა

კილოპასკალი

ბრ/წთ

ბრუნი წუთში

ვ

ვოლტი

მ

მეტრი

დუიმი

დუიმი

სმ

სანტიმეტრი

ნმ

ნიუტონ მეტრი

მმ

მილიმეტრი

კ

ცელსიუსი

კვ

კილოგრამი

კმ/სთ

კილომეტრი საათში

IPX4

წყლის შეღწევისგან დაცვა



ტექნიკური სპეციფიკაციები

ძაბვა		56 ვოლტი ≡
ქვედა ნაწილის ზომა		107სმ
ბორბლის ზომა	წინა	11 x 4 დუიმი (279.4 მმ)
	უკანა	18 x 8.5 დუიმი (457.2 მმ)
ცივი საბურავის წნევა	წინა	220 კვა
	უკანა	50 კვა

მოხვევის რადიუსი		0
მჭრელი პირის ბრუნვის სიჩქარე(ბრუნი წუთში)		2400, 2600, 2800, 3000
მაქს. მოძრაობის სიჩქარე (კმ/სთ)	წინსვლა	4.8 კმ/სთ, 8 კმ/სთ, 9.6 კმ/სთ, 11.2 კმ/სთ (12.8 კმ/სთ Travel Model)
	უკუსვლა	5,6 კმ/სთ -მდე

KA

დამუხტვა	დამტენი (არასავალდებულო)	CHV1600E
	გადამყვანი (არასავალდებულო)	ACA1000
	ჰაერის მუხტის ტემპერატურა	-5°C-40°C
ჭრის სიმაღლის რეგულირება (10 პოზიცია)		25- 100 მმ
საექსპლუატაციო ტემპერატურა		-0°C-40°C
შენახვის ტემპერატურა		-20°C-70°C
წონა (აკუმულატორების ბლოკის გარეშე)		186 კგ
გაზომილი ხმის სიმძლავრის დონე L_{WA}		96.44 dB(A) K=0.68 dB(A)
ბგერის წნევის დონე მომხმარებლის ყურზე L_{PA}		84.3 dB(A) K=3.0 dB(A)
გარანტირებული ხმის სიმძლავრის დონე L_{WA} (გაზომილი 2000/14/EC რეგულაციის მიხედვით)		100 dB(A)
ვიბრაცია a_h	ხელი	1.221 m/s^2 K=1.5 m/s^2
	კორპუსი	0.568 m/s^2 K=1.5 m/s^2

- მითითებული ვიბრაციის სრული მნიშვნელობა გაზომილია სტანდარტული ტესტირების მეთოდით და შესაძლოა გამოყენებულ იქნას ერთი მოწყობილობის მეორესთან შედარებისას.
- მითითებული ვიბრაციის სრული მნიშვნელობა ასევე შესაძლოა გამოყენებულ იქნას ზემოქმედების პირველადი შეფასებისას.

შენიშვნა: ელექტრო ხელსაწყო ფაქტობრივად გამოყენებისას ვიბრაციის ემისია შესაძლოა განსხვავდებოდეს მითითებული მნიშვნელობისგან; მომხმარებელმა მოწყობილობით სარგებლობისას საჭიროა გამოიყენოს ხელთათმანები და სმენის დამცავი საშუალებები.

აღწერა

ელექტრო მოხვევის ნულოვანი რადიუსის მქონე ბალახის საკრეჭი ტრაქტორი (სურ. A1 & A2)

1. სავარძელი
2. დატენვის პორტი
3. სააკუმულატორო ნაკვეთური
4. LED უკანა ფარები
5. შესანახი ყუთი
6. ჭიქის დამჭერები
7. LED გვერდითი განათება
8. უკანა თვალი (წამყვანი თვალი)
9. ქვედა ნაწილი
10. ქვედა ნაწილის დამცავი
11. სკალპირების საწინააღმდეგო მოწყობილობა
12. წინა ბორბალი
13. სადგომი მუხრუჭის სატერფული
14. სვლის ნათურები
15. LED წინა ფარები
16. გვერდითი დაცლის ღარი
17. ჭრის სიმაღლის მარეგულირებელი
18. დასაჯდომი ადგილის რეგულირების ლილაკი
19. სავარძლის წინ და უკან გადასაწევი მექანიზმები
20. საჭის ბერკეტი
21. ბალახის საკრეჭი მანქანის სტატუსის ინდიკატორი
22. LCD ეკრანი
23. სიმძლავრის ასართმევი ლილვი
24. ჩართვა -გამორთვის ლილაკი
25. უსაფრთხოების გასაღები
26. ტელეფონის შესანახი ყუთი
27. ბალახის საკრეჭი მანქანის საწვავის დონის მაჩვენებელი და სტატუსის ინდიკატორი
- 27a. ბალახის საკრეჭი მანქანის საწვავის დონის მაჩვენებელი
- 27b. ბალახის საკრეჭი მანქანის სტატუსის ინდიკატორი
28. სატერფული
29. კვების ბლოკის ხუფის მოხსნის ლილაკი

30. კვების ბლოკის ხუფი
31. აკუმულატორის მოხსნის ღილაკი
32. გადასაბმელი მოწყობილობა
33. შეერთების სქემა
34. შეერთების სქემის დაცვა
35. USB პორტი

LCD ეკრანი და ღილაკები (სურ. A3)

LCD ეკრანზე გამოტანილი პიქტოგრამებისა და ინდიკატორების შესახებ დამატებითი ინფორმაციისთვის იხილეთ პუნქტი - „ბალახის საჭრელი ტრაქტორის სტატუსის ინდიკატორი და დაზიანების კოდი“.

1. უსაფრთხოების გასაღების პიქტოგრამა
2. LED განათების პიქტოგრამა
3. ავტომატური პარკირების პიქტოგრამა
4. USB პიქტოგრამა
5. მჭრელი პირების ბრუნვის სიჩქარის მაჩვენებელი
6. დამცავი მექანიზმის სტატუსის ინდიკატორი
7. ამპერსაათის მრიცხველი
8. აკუმულატორის პიქტოგრამა
9. გადახურების პიქტოგრამა
10. მართვის რეჟიმი
11. შეცდომის კოდის ინდიკატორი
12. გადატვირთვის ინდიკატორი
13. დაბალი სიმძლავრის ინდიკატორი
14. მოძრაობის სიჩქარის ინდიკატორი
15. დატვირთვის მაჩვენებელი
16. მჭრელი პირების მოძრაობის სიჩქარის რეგულირების ღილაკი
17. ღილაკი
18. მართვის რეჟიმის ღილაკი
19. LED განათების ჩამრთველი
20. მოძრაობის სიჩქარის რეგულირების ღილაკი
21. საწვავის დონის მაჩვენებელი

განფუთვა

შენიშვნა: შეინახეთ შესაფუთი მასალა პროდუქტის ყურადღრებით შემოწმებამდე და გამოყენებამდე. იმ შემთხვევაში, თუ შეფუთვის ფურცელში მითითებული რომელიმე ნაწილი დამონტაჟებულია მოწყობილობაზე, დაუყონებლივ დაუკავშირდით EGO სამსახურს.

შენიშვნა: ქვემოთ მოცემულ შეფუთვის ფურცელში მითითებული ინსტრუმენტების გარდა, სახელმძღვანელოში ყველა სხვა ინსტრუმენტი უბრალოდ რეკომენდაციის სახითაა აღნიშნული, მაგრამ არ არის გათვალისწინებული.

შეფუთვის ფურცელი (სურ. B1)

B1-1	ელექტრო მოხვევის ნულოვანი რადიუსის მქონე ბალახის საკრეჭი ტრაქტორი
B1-2	სავარძელი
B1-3	მულჩირების მოწყობილობა
B1-4	საჭის ბერკეტი
B1-5	ექვსწახნაგათავიანი ხრახნები (2 სათადარიგო)
B1-6	ექვსწახნაგა ჭანჭიკები (2 სათადარიგო)
B1-7	უსაფრთხოების გასაღები
B1-8	ორმხრივი ღიახახიანი ქანჩის გასაღები (13მმ)
B1-9	ექვსწახნაგა შლიცის გასაღები
B1-10	რეცხვის პორტის მაერთებელი მოწყობილობა
B1-11	მომხმარებლის სახელმძღვანელო

განფუთვა (სურ. B2 - სურ. B3)

რეკომენდებული აქსესუარები

▲ გაფრთხილება: გამოიყენეთ მხოლოდ ქვემოთ მითითებული იდენტური სათადარიგო ნაწილები. ისეთი ნაწილების გამოყენებამ, რომლებიც არ აკმაყოფილებს ორიგინალური ნაწილების სპეციფიკაციებს, შესაძლოა გამოიწვიოს მოწყობილობის არასათანადო მუშაობა და უსაფრთხოების ნორმების დარღვევა.

ნაწილის დასახელება	მოდელის ნომერი
სტანდარტული მჭრელი პირი	AB4200
მჭრელი პირი (High Lift)	AB4201
მულჩირების მოწყობილობა	AMP4200
ბალახის შესაგროვებელი კონტეინერი	ABK4200-A

ანყოფა

დასაჯდომი ადგილის დამონტაჟება (სურ. C1 & C2)

▲ გაფრთხილება: დამცავი ბლოკირების სისტემა არ უნდა იყოს გამორთული. წინააღმდეგ შემთხვევაში, ბალახის საკრეჭი მანქანა შეიძლება მოულოდნელად ჩაირთოს, რამაც შეიძლება გამოიწვიოს სხეულის დაზიანება.

შენიშვნა: თქვენი უსაფრთხოებისათვის, საკრეჭი მანქანა გაჩერდება, თუ მართვისას სავარძლის ჩამრთველი გაითიშა. აღნიშნულ შემთხვევაში, დამატებითი ინფორმაციისთვის იხილეთ პუნქტი „შეცდომებისა და დეფექტების აღმოჩენა და გამოსწორება“.

C1-1	სადენი
C1-2	შტეკერი
C1-3	როზეტი
C1-4	დაკიდების სისტემა
C1-5	ექვსწახნაგათავიანი ხრახნები
C2-1	კაუჭი
C2-2	ფოლადის ძელაკები
C2-3	ექვსწახნაგათავიანი ხრახნები

საჭის ბერკეტების მონტაჟი (სურ. C3)

C3-1	საჭის ბერკეტები	C3-3	საჭის ბერკეტის სამონტაჟო ხვრელები
------	-----------------	------	-----------------------------------

C3-2	ექვსწახნაგა ქანჭიკები		
------	-----------------------	--	--

მულჩირების მოწყობილობის დამაგრება (სურ. C4)

C4-1	გვერდითი დაცლის ღარი	C4-3	რესორი
C4-2	მულჩირების მოწყობილობა		

ექსპლუატაცია

ბალახის საკრეჭი ტრაქტორის გამოყენებამდე

გარემოს შემოწმება

- მოარიდეთ სამუშაო ადგილს ბავშვები, სხვა პირები და შინაური ცხოველები.
- გაასუფთავეთ სამუშაო ადგილი იმ საგნებისგან, რომლებიც შეიძლება აისხლიტოს მჭრელმა პირებმა.
- შეამოწმეთ LED ნათურები, თუ რამდენად გამართულად მუშაობს:
 - წინა, გვერდითი და უკანა ფარები კონტროლდება LED განათების ჩამრთველით.
 - მართვის დროს სვლის ნათურები ყოველთვის ჩართული უნდა იყოს.
 - უკუსვლით მოძრაობისას, უკანა ფარები, თუ გამორთულია, ჩართეთ გაფრთხილების მიზნით; თუ უკანა ფარები ჩართულია, არ გამორთოთ.
 - ყველა განათება ავტომატურად გაითიშება 3 წუთზე მეტი ხნით გაჩერების შემთხვევაში.

ცივი საბურავის წნევის შემოწმება (სურ. D1)

ბალახის საკრეჭი ტრაქტორის სტატუსისა და აკუმულატორის დამუხტვის ხარისხის შემოწმება

- ბალახის საკრეჭი ტრაქტორის საწვავის დონის მაჩვენებელი (სურ. A2 - 27 ა)

ბალახის საკრეჭი ტრაქტორის საწვავის დონის მაჩვენებლის თითოეული სეგმენტი მიუთითებს აკუმულატორის ბლოკის 20% დატენვაზე.

შენიშვნა: ბალახის საკრეჭი ტრაქტორის საწვავის დონის მაჩვენებელი და LCD ეკრანზე გამოტანილი საწვავის დონის ინდიკატორი აჩვენებს აკუმულატორის ბლოკის საშუალო სიმძლავრეს.

b. ბალახის საკრეჭი ტრაქტორის სტატუსის ინდიკატორი (ნახ. A1 & Fig. A2 - 27b)

თუ სტატუსის ინდიკატორი მწვანეა, ბალახის საკრეჭი მანქანა მზად არის მუშაობისთვის. თუ არა, იხილეთ პუნქტი „ბალახის საჭრელი ტრაქტორის სტატუსის ინდიკატორი და დაზიანების კოდი“

დამცავი ბლოკირების სისტემის ტესტირება (სურ. D2 - სურ. D8)

შენიშვნა: ტესტირების დაწყებამდე მძლოლი უნდა იჯდეს.

- ტესტირების დაწყებამდე (სურ. D2 - სურ. D4)
- შეამოწმეთ მჭრელი პირები (სურ. D5), შემდეგ ნელა ადექით.
- შეამოწმეთ მართვის სისტემა (სურ. D6 - სურ. D8), შემდეგ ნელა ადექით.

იმ შემთხვევაში, თუ მძლოლის ადგომის დროს მჭრელი პირები და / ან მართვის სისტემა არ გამოირთო, აგრეთვე თუ მიზეზი ვერ დადგინდა სავარძლის შტეკერისა და როზეტის შეერთების შემოწმების შემდეგ, დაუყოვნებლივ დაუკავშირდით EGO-ს კლიენტთა მომსახურების განყოფილებას.

რეგულირება (სურ. E1 - სურ. E13)

მომზადება (სურ. E1 - სურ. E5)

კრეჭვის სიმაღლის რეგულირება (სურ. E6)

სკალპირების საწინააღმდეგო მოწყობილობის რეგულირება (სურ. E7-სურ. E10)

E7-1	სკალპირების საწინააღმდეგო მოწყობილობა	E9-2	ყრუ ჭანჭიკი
------	---------------------------------------	------	-------------

E9-1	ქანჩი	E10-1	ქვედა ნაწილის სიმაღლის მონიშვნა
------	-------	-------	---------------------------------

მძლოლის სავარძლის რეგულირება (სურ. E11)

მუშაობის დაწყებამდე დაარეგულირეთ სავარძელი ისე, რომ კარგად სწვდებოდეთ სადგომი მუხრუჭის სატერფულს. სავარძლის რეგულირება უზრუნველყოფს მძლოლის ადგილის კომფორტულ მოწყობას.

E11-1	სავარძლის წინ და უკან გადასაწევი მექანიზმები
E11-2	დასაჯდომი ადგილის რეგულირების ღილაკი

სადგომი მუხრუჭის რეგულირება (სურ. E12 - სურ. E13)

E13-1	სამუხრუჭე პოზიცია	E13-2	თავისუფალი პოზიცია
-------	-------------------	-------	--------------------

დატენვა (სურ. F1 - სურ. F11)

აღნიშნული ბალახის საკრეჭის ჩასართავად საჭიროა 15ან მეტი ა/სთ EGO აკუმულატორები (2 X BA4200/BA4200T). საუკეთესო შედეგებისთვის, რეკომენდებულია 30 ან მეტი ა/სთ EGO აკუმულატორების გამოყენება.

გამოიყენეთ მხოლოდ რეკომენდებული აკუმულატორების ბლოკები და დამტენები: (სურ. F9 & F10)

დატენვისთვის მზადება (სურ. F1 - სურ. F4)

დატენეთ აკუმულატორების ბლოკ (ებ)ი ცალ-ცალკე (სურ. F5 - სურ. F9)

F5-1	ხუფის მოხსნის ღილაკი	F7-1	აკუმულატორის მოხსნის ღილაკი
------	----------------------	------	-----------------------------

- აკუმულატორების ბლოკ (ებ)ის ჩადგმა (სურ. F5 - სურ. F6)
- აკუმულატორების ბლოკ (ებ)ის მოხსნა (სურ. F7 - სურ. F8)

შენიშვნა: აკუმულატორების ბლოკების დატენვასთან დაკავშირებით გაეცანით შესაბამისი აკუმულატორისა და დამტენის ინსტრუქციებს.

აკუმულატორების ბლოკების დატენვა შესაძლებელია დატენვის პორტის საშუალებით. (სურ. F10)

F10-1	მტვერდამცავი	F10-2	დატენვის პორტი
-------	--------------	-------	----------------

ელექტრო მოხვევის ნულოვანი რადიუსის მქონე ბალახის საკრეჭი ტრაქტორის ამუშავება (სურ. A4 - სურ. A5 და სურ. G1 - სურ. G6)

▲ გაფრთხილება: მოერიდეთ მკვეთრ მოძრაობებს, გაჩერებას და მოხვევებს, აგრეთვე გადაჭარბებულ სიჩქარეს, განსაკუთრებით მაშინ, თუ პირველად მართავთ ბალახის საკრეჭ ტრაქტორს. ბალახის საკრეჭ მანქანას შეუძლია სწრაფად მობრუნება, რამაც შეიძლება დაგაკარგვინოთ კონტროლი და გამოიწვიოს სხეულის სერიოზული დაზიანება და / ან ზარალი.

▲ გაფრთხილება: მუშაობის დაწყებამდე, შეამოწმეთ და დარწმუნდით, მჭრელი პირები თუა გათიშული, PTO-ს ქვევით გადაწვისას. თუ პირების მოძრაობა არ გაჩერდა, არ გამოიყენოთ ბალახის საკრეჭი მანქანა და დაუყოვნებლივ დაუკავშირდით EGO-ს კლიენტთა მომსახურების განყოფილებას.

შენიშვნა: მოძრაობის ყველაზე დაბალ სიჩქარესთან და **სტანდარტული** მართვის რეჟიმთან დაკავშირებით იხილეთ სურ. A4 და სურ. G2, სანამ სრულყოფილად არ შეძლებთ ბალახის საკრეჭი მანქანის მართვას ყველა სიტუაციაში. მოძრაობის სიჩქარე და მართვის რეჟიმი გააქტიურდება მხოლოდ მაშინ, როცა ბორბლები გაჩერებულია და საჭის ბერკეტები ღია მდგომარეობაშია.

ხელახალი ამუშავების შემთხვევაში, ბალახის საკრეჭი მანქანა ინახავს წინა პარამენტრებს.

მართვის რეჟიმი

- **კონტროლი:** ახალი მომხმარებლებისთვის და ბალახის დაცვის მიზნით რეკომენდებულია დაბალი სიჩქარე, ნაკლები მანევრულობა და ზომიერი მოხვევის სიჩქარე.
- **სტანდარტული:** იდეალურია ყოველდღიური გამოყენებისთვის.
- **SPORT:** მოყვარულთათვის და მაქსიმალური ეფექტურობის მისაღწევად

ნებადართულია მაღალი სიჩქარე, ზუსტი მანევრულობა და მკვეთრი მოხვევა.

მოძრაობის სიჩქარის რეგულირება (სურ. A4)

მჭრელი პირების მოძრაობის სიჩქარის რეგულირება (სურ. A5)

შენიშვნა: “ტრანსპორტირების” რეჟიმში ყოფნისას, დააჭირეთ “↔”-ს, მოძრაობის სიჩქარე დაუბრუნდება წინანდელ რეჟიმს.

USB პორტი

შენიშვნა: USB პორტი უზრუნველყოფს 5 VDC დატენვის სიმძლავრეს საერთო 1.5 ამპერამდე და იტენება მხოლოდ მაშინ, როდესაც საკრეჭი მანქანა ჩართულია.

ელექტრო მოხვევის ნულოვანი რადიუსის მქონე ბალახის საკრეჭი ტრაქტორის გაჩერება (სურ. H1 - სურ. H6)

შენიშვნა: 60 წუთზე მეტი ხნით გაჩერების შემთხვევაში, ბალახის საკრეჭი ტრაქტორი ავტომატურად გამოირთვება.

ავარიული რეჟიმი

დაცლილი აკუმულატორის შემთხვევაში, ბალახის საკრეჭი ტრაქტორი გადადის ავარიული რეჟიმში:a

- ბალახის საკრეჭი ტრაქტორი ავტომატურად წყვეტს ბალახის მოჭრას;
- ირთვება ხმოვანი სიგნალი;
- ბალახის საკრეჭი ტრაქტორის სტატუსის ინდიკატორი წითლად ანათებს ყოველ წამს, ბალახის საკრეჭი ტრაქტორის საწვავის დონის მაჩვენებლის პირველი სეგმენტი წითლად ანათებს, ხოლო დაბალი სიმძლავრის მაჩვენებელი და აკუმულატორის გრაფიკები საწვავის დონის მაჩვენებელზე ციმციმებს.

მძლოლმა უნდა:

- a) დააჭიროს PTO გადამრთველს ქვემოთ (სურ. H3), რათა გათიშოს პირები. ხმოვანი სიგნალი გამოირთვება, როდესაც გაჩერდება მჭრელი პირები;
- b) შეწყვიტოს მუშაობა და დაუყოვნებლივ გადავიდეს აკუმულატორების დატენვის ზონაში. ბალახის საკრეჭი ტრაქტორს შეუძლია დაფაროს მაქს. 1000 მ.

თითქმის დაცლილი აკუმულატორის

შემთხვევაში, თითოეული სააკუმულატორო ნაკვეთურის პიქტოგრამა და დაბალი სიმძლავრის მაჩვენებელი ყოველ ნახევარ წამში ციმციმებს. ბალახის საკრეჭი მანქანა გაჩერდება. მძღოლმა ბალახის საკრეჭი მანქანა დასატენად უნდა გადაიყვანოს აკუმულატორის დატენვის ზონაში.

ხელით მიწოლა

ხელით მიწოლის აუცილებლობის შემთხვევაში, გათიშეთ აკუმულატორები და სადგომი მუხრუჭის სატერფული გამორთეთ სამუხრუჭე პოზიციიდან.

ელექტრო მოხვევის ნულოვანი რადიუსის მქონე ბალახის საკრეჭი ტრაქტორის მართვა (სურ. 11 - სურ. 19)

გასაჩერებლად, სიჩქარის შესამცირებლად ან გასაზრდელად, ნელა გადართეთ საჭის ბერკეტი ნეიტრალური გადაცემიდან.

▲ საშიშროება: არ მიუახლოვდეთ თხრილებს, ცივბო დაღმართებს ან წყალს სულ მცირე 2.14 მეტრის მანძილზე (ორი თიბვის სიგანე). წინა ბორბლები ბრუნავს, როცა ბალახის საკრეჭი მანქანა გაჩერებულია, მუხრუჭის გამოყენების შემთხვევაშიც კი, ამიტომ მანქანა შეიძლება გადავიდეს კიდეზე ან ჩაგორდეს წყალში და გამოიწვიოს სიკვდილი ან სხეულის სერიოზული დაზიანება.

▲ გაფრთხილება: უკუსვლით მოძრაობის დაწყებამდე გაიხედეთ უკან. ნუ მოჭრით ბალახს საპირისპრო მიმართულებით, გადაუდებელი აუცილებლობის გარეშე. ყოველთვის იყურეთ ქვევით და უკან, უკუსვლით მოძრაობის დროს და მის დაწყებამდე, რათა დარწმუნდეთ, რომ ბავშვები, სხვა პირები ან შინაური ცხოველები არ იმყოფებიან სამუშაო ტერიტორიაზე. დაიმახსოვრეთ რომ წამიერმა უყურადღებობამაც კი შესაძლოა გამოიწვიოს სიკვდილი ან სხეულის სერიოზული დაზიანება.

▲ გაფრთხილება: არ გამოიყენოთ აღნიშნული მანქანა გზის სავალ ნაწილზე.

▲ გაფრთხილება: ბლოკირების ან უცხო საგანთან დაჯახების შემდეგ გამორთეთ ძრავა და მოხსენით აკუმულატორები. მოაშორეთ მოჭრილი ბალახები, ფოთლები, მიწა და ნებისმიერი სხვა დაგროვილი ნარჩენები;

ყოველი გამოყენების წინ ყურადღებით შეამოწმეთ, ხომ არ დაზიანდა მანქანა, შეაკეთეთ დაზიანება.

ტექნიკური მომსახურება

▲ გაფრთხილება: ყოველთვის გაიკეთეთ სათვალე გვერდითი დამცავი ფარებით. წინააღმდეგ შემთხვევაში, თვალში შეიძლება მოგხვდეთ სხვადასხვა საგანი, რამაც შეიძლება გამოიწვიოს სერიოზული დაზიანება.

▲ გაფრთხილება: ბალახის საკრეჭი მანქანის მჭრელი პირების ტექნიკური მომსახურებისას ყოველთვის გაიკეთეთ მძიმე პირობებში მუშაობისთვის განკუთვნილი ხელთათმანები ან შეფუთეთ მჭრელი პირები ნაჭრებით ან სხვა მასალით. ამოიღეთ უსაფრთხოების გასაღები და აკუმულატორების ბლოკი ბალახის საკრეჭი ტრაქტორის შეკეთებისას ან ტრანსპორტ-ტირებისას.

ინტერვალი ტექნიკურ მომსახურებებს შორის	ტექნიკური მომსახურების პროცედურა
ყოველი გამოყენების წინ ან ყოველდღიურად	<ul style="list-style-type: none"> ■ შეამოწმეთ დამცავი ბლოკირების სისტემა. ■ ვიზუალურად შეამოწმეთ საბურავი, ხომ არ არის დაშვებული. ■ შეამოწმეთ მჭრელი პირები, ხომ არ არის გაცვეთილი, გაბზარული ან გაღუნული. ■ შეამოწმეთ მთლიანი მოწყობილობა, ხომ არ არის დაზიანებული, დაკარგული ან მოშვებული მისი ნაწილები, როგორცაა გვერდითი დაცლის ღარი, ხრახნები, ქანჩები, ქანჭიკები, ხუფები და ა.შ. დარწმუნდით, რომ ყველა დამცავი მოწყობილობა ადგილზეა და გამართულად მუშაობას. ■ შეამოწმეთ მუხრუჭები.

KA

ყოველი გამოყენების შემდეგ	<ul style="list-style-type: none"> გაასუფთავეთ ბალახის საკრეჭი ტრაქტორის ქვედა ნაწილი.
ყოველ 25 საათში	<ul style="list-style-type: none"> შეამოწმეთ საბურავის წნევა.
ყოველ 50 საათში	<ul style="list-style-type: none"> შეამოწმეთ საპოხი მასალის მდგომარეობა მჭრელი პირის კიდებზე.
ყოველ 100 საათში	<ul style="list-style-type: none"> შეამოწმეთ უკანა ბორბლები, დარწმუნდით, რომ 4 ბორბლის ქანჩი სათანადოდ არის მოჭერილი.
ყოველ 200 საათში	<ul style="list-style-type: none"> შეამოწმეთ წინა ბორბლები, ხომ თავისუფლად ტრიალებენ.
ყოველწლიურად	<ul style="list-style-type: none"> შეამოწმეთ სადგომი მუხრუჭის სატერფული. ამოიღეთ აკუმულატორი ბალახის საკრეჭი მანქანიდან და სადგომი მუხრუჭის სატერფული გადართეთ სამუხრუჭე რეჟიმში. ხელით მიაწექით ბალახის საკრეჭ ტრაქტორს, ხომ არ მოძრაობს. თუ მოძრაობს, საჭიროა კვალიფიციური სპეციალისტის მომსახურება.

ბალახის საკრეჭი ტრაქტორის გაწმენდა (სურ. J1 - სურ. J9)

მომზადება (სურ. J1 - სურ. J5)

ბალახის საკრეჭი ტრაქტორის კორპუსის გაწმენდა (სურ. J6 - სურ. J7)

KA

გამოიყენეთ რეცხვის პორტი ბალახის საკრეჭი ტრაქტორის ქვედა ნაწილის გასაწმენდად. (სურ. J8 - სურ. J9)

J8-1	რეცხვის პორტი	J8-3	სარწყავი შლანგი
J8-2	რეცხვის პორტის მაერთებელი მოწყობილობა		

შენიშვნა: გაწმენდის დასრულებისას, მჭრელი პირების გათიშვის მიზნით გადაწიეთ PTO გადამრთველი ქვემოთ.

ბალახის საკრეჭი ტრაქტორის ქვედა ნაწილისა და მჭრელი პირების ტექნიკური მომსახურება მომზადება (სურ. K1 - სურ. K6)

ბალახის საკრეჭი ტრაქტორის ქვედა ნაწილის მოხსნა (სურ. K7 - სურ. K8)

K7-1	ძრავის კაბელი	K7-3	საკიდრის ბერკეტი
K7-2	ჭილიბყურა		

შენიშვნა: ბალახის საკრეჭი ტრაქტორის ქვედა ნაწილის მოხსნისას გათიშეთ ძრავის კაბელები და ჭილიბყურა ორივე მხარეს.

მჭრელი პირების შეცვლა (სურ. K9 - სურ. K11)

K9-1	სტაბილიზატორი
K10-1	ჭანჭიკი
K10-2	საყელური
K10-3	მჭრელი პირი
K10-4	კიდე
K10-5	ღერძი

ბალახის საკრეჭი მანქანის ქვედა ნაწილის გასწორება.

a. გასწორება (სურ. K12 - სურ. K14)

b. გასწორებამდე

- ცივი საბურავის წნევის შემოწმება (სურ. K15).

- მჭრელი პირების შემოწმება. მოხსენით და შეცვალეთ გაცვეთილი, გაბზარული და / ან გაღუნული პირები საჭიროების შესაბამისად.

c. მომზადება გასწორებისთვის (სურ. K16 - სურ. K21)

d. როგორ გავასწოროთ

- გვერდითი ნაწილების რეგულირება (სურ. K22)

თითოეული მჭრელი პირის ქვედა კიდედან (H1) მიწამდე (H2) მანძილი უნდა იყოს 5 მმ ფარგლებში.

K22-1	კონტრქანჩი
-------	------------

- წინა-უკანა ნაწილის რეგულირება (სურ. K23)

პირის წინა წვერი H3 უნდა იყოს 2 მმ - 10 მმ-ით დაბალი უკა წვერთან H4 შედარებით.

ბალახის საკრეჭი ტრაქტორის თვალთვალის სისტემის დაკალიბრება (სურ. L1 - სურ. L6 & სურ. L7 - სურ. L12)

შენიშვნა: ხმოვანი სიგნალი ჩაირთვება როგორც დაკალიბრების დაწყებისას, ასევე დაკალიბრების დასრულების შემდეგ.

ბალახის საკრეჭი ტრაქტორის დაბრუნება საწყის ქარხნულ პარამეტრებში (სურ. M1 - სურ. M4)

შენიშვნა: ხმოვანი სიგნალი ჩაირთვება როგორც გადატვირთვის დაწყებისას, ასევე გადატვირთვის დასრულების შემდეგ.

შენახვა და ტრანსპორტირება

ბალახის საკრეჭი ტრაქტორის ტრანსპორტირება (სურ. N1 – სურ. N11)

შენიშვნა: საჭიროების შემთხვევაში, დააფიქსირეთ ბალახის საკრეჭი ტრაქტორი ღვედებით ან ტროსებით, რათა შეზღუდოთ მისი მოძრაობა ტრანსპორტირების დროს. ბალახის საკრეჭი ტრაქტორის ტრანსპორტზე დატვირთვისას ან გადმოტვირთვისას, პანდუსსა და მიწას შორის დახრილობის კუთხე არ უნდა აღემატებოდეს მაქსიმალურ რეკომენდებულ 12 გრადუსს.

შენახვა (სურ. O1 - სურ. O6)

შენიშვნა: აკუმულატორების ბლოკების მოხსნასა და შენახვასთან დაკავშირებით გაეცანით შესაბამის ინსტრუქციებს.


შენახვის წინ გაასუფთავეთ და შეამოწმეთ ბალახის საკრეჭი ტრაქტორი, იხილეთ „ბალახის საკრეჭი ტრაქტორის გაწმენდა“ და „რეკომენდებული ტექნიკური მომსახურების განრიგ (ები)“.

გარემოს დაცვა




WEEE (ელექტრული მოწყობილობების ნარჩენების მართვა). არ მოათავსოთ ელექტრული მოწყობილობა, დამტენი და აკუმულატორი / მისი ბატარეები საყოფაცხოვრებო ნაგავში! მიუტანეთ ისინი ავტორიზირებულ ნარჩენების გადამამუშავებელს და მოახდინეთ ასეთი ნარჩენის განცალკევებულად შეგროვება. ელექტრული ხელსაწყოები უნდა ჩაბარდეს ნარჩენების გადამამუშავებელ ორგანოს გარემოს დაცვის ნორმების გათვალისწინებით.

შეცდომებისა და დეფექტების აღმოჩენა და გამოსწორება

პრობლემა	გამომწვევი მიზეზი	პრობლემის გადაჭრის გზა
<p>ელექტრო მოხვევის ნულოვანი რადიუსის მქონე ბალახის საკრეჭი ტრაქტორი არ ამუშავდა, როცა 2 საჭის ბერკეტი გადაწეულია წინ ან უკან.</p> <p> საჭის ბერკეტის პიქტოგრამა ციმციმებს.</p>	<ul style="list-style-type: none"> ჩამონტაჟებული აკუმულატორების საერთო ა/სთ არის 15 ა/სთ – ზე ნაკლები. 	<ul style="list-style-type: none"> აღნიშნული ბალახის საკრეჭის ჩასართავად საჭიროა 15ან მეტი ა/სთ EGO აკუმულატორები (2 X BA4200/BA4200T). საუკეთესო შედეგებისთვის, რეკომენდებულია 30 ან მეტი ა/სთ EGO აკუმულატორების გამოყენება.
	<ul style="list-style-type: none"> სადგომი მუხრუჭის სატერფული სამუხრუჭე პოზიციაშია. 	<ul style="list-style-type: none"> სამუხრუჭე პოზიციიდან გამოსართავად კარგად დააჭირეთ სადგომი მუხრუჭის სატერფულს.
	<ul style="list-style-type: none"> საჭის ბერკეტი არ არის ღია მდგომარეობაში ბალახის საკრეჭი ტრაქტორის ამუშავებისას. 	<ul style="list-style-type: none"> დააბრუნეთ საჭის ბერკეტები ღია მდგომარეობაში და გადატვირთეთ ბალახის საკრეჭი ტრაქტორი.
	<ul style="list-style-type: none"> მძლოლი არ ზის სავარძელზე. 	<ul style="list-style-type: none"> ბალახის საკრეჭი ტრაქტორის მართვა შესაძლებელია მხოლოდ იმ შემთხვევაში, თუ მძლოლი სწორად ზის სავარძელზე.
	<ul style="list-style-type: none"> სავარძლის ჩამრთველი არ არის სწორად დაკავშირებული. 	<ul style="list-style-type: none"> ამოიღეთ აკუმულატორი ბალახის საკრეჭი ტრაქტორიდან და დაშალეთ სავარძელი აღნიშნული სახელმძღვანელოს პუნქტით – „სავარძლის მონტაჟი“ – გათვალისწინებული მითითებების შებრუნებული წესით, რათა შეამოწმოთ სავარძლის ჩამრთველის კავშირი. ხელახლა ააწყვეთ სავარძელი და მიჰყევით პუნქტით – „ელექტრო მოხვევის ნულოვანი რადიუსის მქონე ბალახის საკრეჭი ტრაქტორის ამუშავება“ – გათვალისწინებულ მითითებებს, გადატვირთეთ ბალახის საკრეჭი ტრაქტორი, შეამოწმეთ, თუ ამუშავდა. თუ არ ამუშავდა, დაუკავშირდით კვალიფიციურ სპეციალისტს.
<ul style="list-style-type: none"> ძალიან ცივ ამინდში მართვის ფუნქცია შეიძლება შეფერხდეს დაბალი ტემპერატურის გამო. 	<ul style="list-style-type: none"> ბალახის საკრეჭი ტრაქტორი და აკუმულატორი შეინახეთ თბილ გარემოში. გახურების შემთხვევაში, გადატვირთეთ ბალახის საკრეჭი ტრაქტორი. ძალიან ცივ ამინდში ჩართვის რამდენიმე მცდელობისას მანქანა შეიძლება დაზიანდეს. რეკომენდებული სამუშაო ტემპერატურაა 0°C–40°C. 	

KA

პრობლემა	გამომწვევი მიზეზი	პრობლემის გადაჭრის გზა
<p>ელექტრო მოხვევის ნულოვანი რადიუსის მქონე ბალახის საკრეჭი ტრაქტორი გაჩერდა.</p>	<ul style="list-style-type: none"> საჭის ბერკეტები მოითხოვს "გადატვირთვას". 	<ul style="list-style-type: none"> დააბრუნეთ საჭის ბერკეტები ღია მდგომარეობაში და გადატვირთეთ ბალახის საკრეჭი ტრაქტორი.
	<ul style="list-style-type: none"> საჭის ბერკეტების ელექტრო მართვის კომპონენტები დეფექტურია. 	<ul style="list-style-type: none"> შესაკუთებლად დაუკავშირდით კვალიფიციურ სპეციალისტს.
	<ul style="list-style-type: none"> სავარძლის ჩამრთველი გამოირთო რთულ რელიეფზე მართვის დროს. 	<ul style="list-style-type: none"> ამოიღეთ აკუმულატორი ბალახის საკრეჭი ტრაქტორიდან და დაშალეთ სავარძელი აღნიშნული სახელმძღვანელოს პუნქტით - „სავარძლის მონტაჟი“ - გათვალისწინებული მითითებების შებრუნებული წესით, რათა შეამოწმოთ სავარძლის ჩამრთველის კავშირი. ხელახლა ააწყვეთ სავარძელი და მიჰყევით პუნქტით - „ელექტრო მოხვევის ნულოვანი რადიუსის მქონე ბალახის საკრეჭი ტრაქტორის ამუშავება“ - გათვალისწინებულ მითითებებს, გადატვირთეთ ბალახის საკრეჭი ტრაქტორი, შეამოწმეთ, თუ ამუშავდა. თუ არ ამუშავდა, დაუკავშირდით კვალიფიციურ სპეციალისტს.
<p>მართვის დროს მოძრაობის სიჩქარის / მართვის რეჟიმის რეგულირება შეუძლებელია.</p>	<ul style="list-style-type: none"> აღნიშნული წარმოადგენს ელექტრო მოხვევის ნულოვანი რადიუსის მქონე ბალახის საკრეჭი ტრაქტორის ტექნიკურ მახასიათებელს უსაფრთხო მართვის უზრუნველსაყოფად. 	<ul style="list-style-type: none"> ფუნქცია გააქტიურდება მხოლოდ მაშინ, როცა ბალახის საკრეჭი ტრაქტორის ბორბლები გაჩერებულია და საჭის ბერკეტები ღია მდგომარეობაშია.

პრობლემა	გამომწვევი მიზეზი	პრობლემის გადაჭრის გზა
<p>ელექტრო მოხვევის ნულოვანი რადიუსის მქონე ბალახის საკრეჭი ტრაქტორის პირები არ მუშაობს, როცა PTO გადამრთველი ჩართულია.</p> <p> PTO გადამრთველის პიქტოგრამა ციმციმებს.</p>	<ul style="list-style-type: none"> ჩამონტაჟებული აკუმულატორების საერთო ა/სთ არის 15 ა/სთ – ზე ნაკლები. 	<ul style="list-style-type: none"> აღნიშნული ბალახის საკრეჭის ჩასართავად საჭიროა 15ან მეტი ა/სთ EGO აკუმულატორები (2 X BA4200/BA4200T). საუკეთესო შედეგებისთვის, რეკომენდებულია 30 ან მეტი ა/სთ EGO აკუმულატორების გამოყენება.
	<ul style="list-style-type: none"> PTO გადამრთველი არ არის ქვემოთ გადაწეული, როდესაც ბალახის საკრეჭი ტრაქტორი გაჩერებულია. 	<ul style="list-style-type: none"> დააჭირეთ PTO გადამრთველს ქვემოთ და გადატვირთეთ ბალახის საკრეჭი ტრაქტორის მჭრელი პირები.
	<ul style="list-style-type: none"> ბალახის საკრეჭი ტრაქტორი გადატვირთულია მჭრელი პირების მოძრაობის დაწყებისას, რაც იწვევს ძრავის თავდაცვის გააქტიურებას. 	<ul style="list-style-type: none"> ბალახის ჭრა დაიწყეთ უფრო დაბალი სიჩქარით და სანამ მჭრელი პირები არ დაიწყებენ ბრუნვას, ნუ მოუმატებთ პირების მოძრაობის სიჩქარეს.
	<ul style="list-style-type: none"> ძალიან ცივ ამინდში, მჭრელი პირების ძრავის ფუნქცია შეიძლება შეფერხდეს დაბალი ტემპერატურის გამო. 	<ul style="list-style-type: none"> ბალახის საკრეჭი ტრაქტორი და აკუმულატორი შეინახეთ თბილ გარემოში. გახურების შემთხვევაში, გადატვირთეთ ბალახის საკრეჭი ტრაქტორი. ძალიან ცივ ამინდში ჩართვის რამდენიმე მცდელობისას მანქანა შეიძლება დაზიანდეს. რეკომენდებული სამუშაო ტემპერატურაა 0°C-40°C.
	<ul style="list-style-type: none"> მჭრელი პირი ედება დეფორმირებულ ქვედა ნაწილს. 	<ul style="list-style-type: none"> შესაკუთებლად დაუკავშირდით კვალიფიციურ სპეციალისტს.

პრობლემა	გამომწვევი მიზეზი	პრობლემის გადაჭრის გზა
მჭრელი პირები გაჩერდა ბალახის მოჭრისას.	<ul style="list-style-type: none"> ბალახის საკრეჭი ტრაქტორი გადატვირთულია. 	<ul style="list-style-type: none"> ბალახის საკრეჭი ტრაქტორის დატვირთვის შემცირების მიზნით, გაზარდეთ ჭრის სიმაღლე ან შეამცირეთ მართვის სიჩქარე.
	<ul style="list-style-type: none"> ბალახის საკრეჭი ტრაქტორის ქვედა ნაწილი გაჭედილია ბალახითა და ნარჩენებით. 	<ul style="list-style-type: none"> გაწმინდეთ ბალახის საკრეჭი ტრაქტორის ქვედა ნაწილი და შეამოწმეთ, ხომ თავისუფლად მოძრაობენ მჭრელი პირები.
	<ul style="list-style-type: none"> ბალახის საკრეჭი ტრაქტორი გადახურებულია. 	<ul style="list-style-type: none"> შეამცირეთ ბალახის საკრეჭი ტრაქტორის დატვირთვა ჭრის სიმაღლის გაზრდით ან პირების მოძრაობის/ მართვის სიჩქარის შემცირებით და აცალეთ, რომ გაგრილდეს.
	<ul style="list-style-type: none"> ბალახის საკრეჭი ტრაქტორის სააკუმულატორო ნაკვეთურში აკუმულატორების ბლოკ (ებ)ი გადახურებულია, რის შედეგადაც ყველა ჩამონტაჟებული აკუმულატორის საერთო ა/სთ 15 ა/სთ -ზე ნაკლებია. 	<ul style="list-style-type: none"> 1. იმ შემთხვევაში, თუ საერთო ა/სთ არის 15 ა/სთ– ზე ნაკლები, ბალახის საკრეჭი ტრაქტორი არ იმუშავებს მანამ, სანამ მეტი აკუმულატორების ბლოკი არ დაემატება ცარიელ სააკუმულატორო ნაკვეთურში. როგორც კი გადახურებული აკუმულატორი დაუბრუნდება ნორმალურ ტემპერატურას, მაშინვე აღდგება ბალახის საკრეჭი ტრაქტორის ელექტრომომარაგება. 2. მუშაობის განახლებისას, შეამცირეთ საკრეჭი ტრაქტორის დატვირთვა ჭრის სიმაღლის გაზრდით ან თიბვის შენელებით.
	<ul style="list-style-type: none"> ბალახის საკრეჭი ტრაქტორი ავარიულ რეჟიმშია. 	<ul style="list-style-type: none"> ბალახის საკრეჭი ტრაქტორის ავარიულ რეჟიმში ყოფნის დროს, მჭრელი პირები ავტომატურად გადადის ბრუნვის დაბალ სიჩქარეზე ბალახის მოჭრის გარეშე. მძღოლმა უნდა შეწყვიტოს მუშაობა და დაუყონებლივ გადავიდეს აკუმულატორის დატენვის ზონაში.
	<ul style="list-style-type: none"> ბალახის საკრეჭი ტრაქტორი დაეჯახა უცხო საგანს, რის შედეგადაც ჩაირთო ძრავის დაცვა. 	<ul style="list-style-type: none"> დააჭირეთ PTO გადამრთველს ქვემოთ და გადატვირთეთ ბალახის საკრეჭი ტრაქტორის პირები.

პრობლემა	გამომწვევი მიზეზი	პრობლემის გადაჭრის გზა
ხმოვანი სიგნალი კვლავ ჩართულია.	<ul style="list-style-type: none"> ბალახის საკრეჭი ტრაქტორი ავარიულ რეჟიმშია და მჭრელი პირები გამორთულია. 	<ul style="list-style-type: none"> დააჭირეთ PTO გადამრთველს ქვემოთ მჭრელი პირების გასათიშად. ხმოვანი სიგნალი გამოირთვება, როცა მჭრელი პირები გაჩერდება;
	<ul style="list-style-type: none"> ბალახის საკრეჭი ტრაქტორი გაჩერდა ფერდობზე, საჭის ბერკეტები ღია მდგომარეობაშია და მძღოლი არ ზის, ხოლო სადგომი მუხრუჭის სატერფული არ არის სამუხრუჭე პოზიციაში. 	<ul style="list-style-type: none"> ბალახის საკრეჭი ტრაქტორის ფერდობზე დატოვებამდე, სადგომი მუხრუჭის სატერფული გადართეთ სამუხრუჭე მდგომარეობაში.
აკუმულატორის დამუხტულობის ინდიკატორი კვლავ ანთია, როცა ბალახის საკრეჭი ტრაქტორი გამორთულია.	<ul style="list-style-type: none"> სწორზედაპირიან ადგილზე, აკუმულატორების ბლოკ(ებ)ის ამოღების გარეშე, ბალახის საკრეჭი ტრაქტორის გამორთვის შემთხვევაში აკუმულატორის დამუხტულობის მაჩვენებელი ანთია 3 წუთის განმავლობაში. 	<ul style="list-style-type: none"> არანაირი ჩარევა არ არის საჭირო. აკუმულატორის დამუხტულობის ინდიკატორები გამოირთვება გარკვეული პერიოდის შემდეგ.
	<ul style="list-style-type: none"> ფერდობზე, სადგომი მუხრუჭის სატერფულის სამუხრუჭე პოზიციაში გადაყვანის გარეშე, ბალახის საკრეჭი ტრაქტორის გამორთვის შემთხვევაში აკუმულატორის დამუხტულობის ინდიკატორია ანთია აკუმულატორის დაცვამდე. ხმოვანი სიგნალის ჩართულია. 	<ul style="list-style-type: none"> მოწყობილობის ფერდობზე დატოვებამდე, სადგომი მუხრუჭის სატერფული ჩართეთ სამუხრუჭე მდგომარეობაში.
LCD ეკრანი არ ნათდება.	<ul style="list-style-type: none"> ჩართვა - გამორთვის ღილაკზე დაჭერის დრო არ აღემატება 3 წამს. 	<ul style="list-style-type: none"> LCD ეკრანზე „საწვავის დონის მაჩვენებელი“ გამოჩნდება მხოლოდ ჩართვა - გამორთვის ღილაკზე დაჭერისას.
		<ul style="list-style-type: none"> LCD ეკრანი ჩაირთვება ჩართვა - გამორთვის ღილაკზე 3 წამის განმავლობაში დაჭერის შემთხვევაში.

KA

პრობლემა	გამომწვევი მიზეზი	პრობლემის გადაჭრის გზა
ბალახის საკრეჭი ტრაქტორი ჭრის არათანაბრად, მნიშვნელოვანი განსხვავებაა სიმაღლის თვალსაზრისით.	<ul style="list-style-type: none"> მჭრელი პირები დაბლაგვებულია. 	<ul style="list-style-type: none"> გააწესეთ ან შეცვალეთ მჭრელი პირები, როგორც ეს მითითებულია წინამდებარე სახელმძღვანელოში.
	<ul style="list-style-type: none"> მჭრელი პირები გაღუნულია. 	<ul style="list-style-type: none"> შეცვალეთ გაღუნული მჭრელი პირები, პუნქტით- „მჭრელი პირების შეცვლა“ -გათვალისწინებული მითითებების შესაბამისად.
	<ul style="list-style-type: none"> ბალახის საკრეჭი ტრაქტორის ქვედა ნაწილი არ არის სწორი, რის შედეგადაც პირები სხვადასხვა სიმაღლეზე ჭრის ბალახს. 	<ul style="list-style-type: none"> გაასწორეთ ბალახის საკრეჭი ტრაქტორის ქვედა ნაწილი, პუნქტის - „ბალახის საკრეჭი ტრაქტორის ქვედა ნაწილის გასწორება“ - შესაბამისად.
ბალახის ჭრის რეალური სიმაღლე არ შეესაბამება მოთხოვნილ სიმაღლეს.	<ul style="list-style-type: none"> ბალახის საკრეჭი ტრაქტორის ქვედა ნაწილის ქანჩები მოშვებულია საკიდრის ბერკეტზე. 	<ul style="list-style-type: none"> მიჰყევით პუნქტით - „ბალახის საკრეჭი ტრაქტორის ქვედა ნაწილის გასწორება“ -გათვალისწინებულ მითითებებს, რათა უზრუნველყოთ წინა-უკანა ნაწილის რეგულირება და საკიდრის ბერკეტზე ოთხი ქანჩის საიმედოდ მოჭერა (ორი თითოეულ მხარეს).
	<ul style="list-style-type: none"> ბალახის საკრეჭი ტრაქტორის ქვედა ნაწილი დაზიანებული ან სერიოზულად გაცვეთილია. 	<ul style="list-style-type: none"> ბალახის საკრეჭი ტრაქტორის ქვედა ნაწილის შესაცვლელად, მიჰყევით პუნქტით- „ბალახის საკრეჭი ტრაქტორის ქვედა ნაწილის მოხსნა“ -გათვალისწინებულ მითითებებს.
ბალახის საკრეჭი ტრაქტორი სწორად არ აკეთებს მულჩირებას.	<ul style="list-style-type: none"> სველი ბალახის ნარჩენები მიწეკეპებულია ქვედა ნაწილზე უკანა მხრიდან. 	<ul style="list-style-type: none"> დაელოდეთ სანამ ბალახი გაშრება მოთიბვამდე.
	<ul style="list-style-type: none"> ბალახის საკრეჭი ტრაქტორი მომართულია, მოჭრას ერთბაშად ძალიან ბევრი ბალახი. 	<ul style="list-style-type: none"> გაზარდეთ ჭრის სიმაღლე.

პრობლემა	გამომწვევი მიზეზი	პრობლემის გადაჭრის გზა
აქვს გადაჭარბებული ვიბრაცია.	<ul style="list-style-type: none"> მჭრელი პირები მოშვებულია. 	<ul style="list-style-type: none"> მჭრელი პირის ჭანჭიკისთვის რეკომენდებული მანრუნის მომენტია 50-55 ნმ.
	<ul style="list-style-type: none"> მჭრელი პირები გალუნულია. 	<ul style="list-style-type: none"> შეცვალეთ გალუნული მჭრელი პირები, პუნქტით- „მჭრელი პირების შეცვლა“ -გათვალისწინებული მითითებების შესაბამისად.
	<ul style="list-style-type: none"> ბალახის საკრეჭი ტრაქტორის ქვედა ნაწილი არ არის სწორი. 	<ul style="list-style-type: none"> გაასწორეთ ბალახის საკრეჭი ტრაქტორის ქვედა ნაწილი, პუნქტის - „ბალახის საკრეჭი ტრაქტორის ქვედა ნაწილის გასწორება“ - შესაბამისად.
	<ul style="list-style-type: none"> ბალახის საკრეჭი ტრაქტორის ქვედა ნაწილის ქანჩები მოშვებულია საკიდრის ბერკეტზე. 	<ul style="list-style-type: none"> საკიდრის ბერკეტზე ოთხი ქანჩის (ორი თითოეულ მხარეს) მოსაჭერად გამოიყენეთ 18 მმ -იანი ორმხრივი ღიახახიანი ქანჩის გასაღები (არ არის მოწოდებული).
	<ul style="list-style-type: none"> ბალახის საკრეჭი ტრაქტორი მომართულია, მოჭრას ერთბაშად ძალიან ბევრი ბალახი. 	<ul style="list-style-type: none"> გაზარდეთ ჭრის სიმაღლე.
მოთიბვის შემდეგ მიწაზე რჩება ბალახი ან ნარჩენები.	<ul style="list-style-type: none"> ბალახის საკრეჭი ტრაქტორი მომართულია, მოჭრას ერთბაშად ძალიან ბევრი ბალახი, როდესაც ბალახი მაღალია. 	<ul style="list-style-type: none"> დაიწყეთ მაღალ სიმაღლეზე ჭრით და შეამცირეთ, სანამ სასურველ შედეგს არ მიიღებთ. 6 დუიმზე მეტი სიმაღლის ბალახი ორჯერ უნდა მოიჭრას, თანმიმდევრულად დაბალ სიმაღლეზე.
	<ul style="list-style-type: none"> ბალახი სველია. 	<ul style="list-style-type: none"> სველი ბალახი არ მოჭრათ.
	<ul style="list-style-type: none"> მართვის სიჩქარე მაღალია. 	<ul style="list-style-type: none"> შეამცირეთ მოძრაობის სიჩქარე.
	<ul style="list-style-type: none"> მჭრელი პირის მოძრაობის სიჩქარე დაბალია. 	<ul style="list-style-type: none"> თანდათან გაზარდეთ მჭრელი პირების მოძრაობის სიჩქარე.

პრობლემა	გამომწვევი მიზეზი	პრობლემის გადაჭრის გზა
<p>ბალახის საკრეჭი ტრაქტორის მუშაობის ხანგრძლივობა შემცირებულია.</p>	<ul style="list-style-type: none"> ▪ ბალახის მდგომარეობა და ჭრის სიმაღლის რეგულირება მნიშვნელოვნად იმოქმედებს აკუმულატორის ექსპლუატაციის ვადაზე. მითითებული ვადა განისაზღვრება მსუბუქი დატვირთვის მდგომარეობიდან გამომდინარე. 	<ul style="list-style-type: none"> ▪ ჭრის დატვირთვის შემცირების მიზნით, გაზარდეთ ჭრის სიმაღლე ან შეანელოთ მჭრელი პირების მოძრაობის სიჩქარე.
<p>ბალახის საკრეჭი ტრაქტორი არ მოძრაობს სწორ ხაზზე.</p>	<ul style="list-style-type: none"> ▪ მარცხენა და მარჯვენა უკანა ბორბლების საბურავის წნევა განსხვავებულია. ▪ მარცხენა და მარჯვენა უკანა ბორბლების მოძრაობის სიჩქარე განსხვავებულია. 	<ul style="list-style-type: none"> ▪ შეამოწმეთ და დაარეგულირეთ ჰაერის წნევა ორივე უკანა ბორბლის საბურავებში, აღნიშნული სახელმძღვანელოს პუნქტით - „საბურავის წნევის შემოწმება“ - გათვალისწინებული რეკომენდაციის შესაბამისად. ▪ უზრუნველყავით ბალახის საკრეჭი ტრაქტორის თვალთვალის სისტემის დაკალიბრება პუნქტის - „ბალახის საკრეჭი მანქანის თვალთვალის სისტემის დაკალიბრება“ - შესაბამისად.
<p>სადგომი მუხრუჭის სატერფული არ ირთვება სამუხრუჭე პოზიციიდან ან საწყის მდგომარეობაში ნელა ბრუნდება.</p>	<ul style="list-style-type: none"> ▪ სადგომი მუხრუჭის პედალში შეიძლება მოხვდეს მიწა და ნარჩენები. 	<ul style="list-style-type: none"> ▪ გახსენით სადგომი მუხრუჭის სატერფულის ყუთი და კარგად გაწმინდეთ ყუთი შიგნიდან და დახურეთ. ხელახლა დააჭირეთ სადგომი მუხრუჭის სატერფულს და შეამოწმეთ, თუ მოგვარდა პრობლემა. თუ არ ამუშავდა, დაუკავშირდით კვალიფიციურ სპეციალისტს.

პრობლემა	გამომწვევი მიზეზი	პრობლემის გადაჭრის გზა
ბალახის საკრეჭი ტრაქტორი არ იტენება დატენვის პორტის საშუალებით და ბალახის საკრეჭი ტრაქტორის სტატუსის ინდიკატორი წითლად ანათებს.	<ul style="list-style-type: none"> დამტენის შტეკერი სწორად არ არის შეერთებული ბალახის საკრეჭი ტრაქტორის დატენვის პორტში. 	<ul style="list-style-type: none"> ხელახლა შეაერთეთ დამტენი და შეამოწმეთ, თუ იტენება ბალახის საკრეჭი ტრაქტორი.
	<ul style="list-style-type: none"> კედლის როზეტებში არ გადის დენი. 	<ul style="list-style-type: none"> არანაირი ჩარევა არ არის საჭირო. დაელოდეთ ენერჯის რეკუპერაციას.
	<ul style="list-style-type: none"> დამტენის გაუმართაობა. 	<ul style="list-style-type: none"> შესამოწმებლად დაუკავშირდით კვალიფიციურ სპეციალისტს და, საჭიროების შემთხვევაში, შეაკეთეთ დამტენი.
	<ul style="list-style-type: none"> ბალახის საკრეჭ ტრაქტორზე დატენვის პორტი დეფექტურია. 	<ul style="list-style-type: none"> შესაკეთებლად დაუკავშირდით კვალიფიციურ სპეციალისტს.
დატენვის პორტის საშუალებით დატენვას ძალიან დიდი დრო სჭირდება.	<ul style="list-style-type: none"> EGO ACA1000 ადაპტერის გამოყენებით დატენვას დიდი დრო სჭირდება. 	<ul style="list-style-type: none"> ელექტრო მოხვევის ნულოვანი რადიუსის მქონე ბალახის საკრეჭი ტრაქტორის დასატენად გამოიყენეთ EGO დამტენი CHV1600E.
აკუმულატორი სრულად არ იტენება ბალახის საკრეჭი ტრაქტორის დატენვის პორტის საშუალებით.	<ul style="list-style-type: none"> ბალახის საკრეჭ ტრაქტორის პროგრამული შეცდომა ან დამტენის / აკუმულატორის გაუმართაობა. 	<ul style="list-style-type: none"> გათიშეთ დამტენი ქსელიდან და 1 წუთის მერე ისევ შეაერთეთ დენის წყაროსთან. თუ არ მუშაობს, შესაკეთებლად დაუკავშირდით კვალიფიციურ სპეციალისტს.
ბალახის საკრეჭი ტრაქტორი არ ამუშავდა გაწმენდის შემდეგ.	<ul style="list-style-type: none"> არასათანადო გაწმენდა, მაგ. წყლის მოხვედრა ელექტრო კომპონენტებზე, LCD ეკრანზე და ა.შ. 	<ul style="list-style-type: none"> ბალახის საკრეჭი ტრაქტორის სწორად გაწმენდის მიზნით, გაეცანით პუნქტით - „ბალახის საკრეჭი ტრაქტორის გაწმენდა“- გათვალისწინებულ მითითებებს.
ბალახის საკრეჭი ტრაქტორი ადვილად იჭედება.	<ul style="list-style-type: none"> ბალახის საკრეჭი ტრაქტორის ქვედა ნაწილი გაჭედილია ბალახითა და ნარჩენებით. 	<ul style="list-style-type: none"> წვიმაში მოხვედრის შემთხვევაში, გაშრობის მიზნით გააჩერეთ 12 საათზე მეტხანს ან გასაშრობად გამოიყენეთ შეკუმშული ჰაერი.
		<ul style="list-style-type: none"> ყოველი გამოყენების შემდეგ გაწმინდეთ ბალახის საკრეჭი ტრაქტორის ქვედა ნაწილი, პუნქტის -, ბალახის საკრეჭი ტრაქტორის ქვედა ნაწილის გაწმენდა რეცხვის პორტის გამოყენებით“ - შესაბამისად.

KA

პრობლემა	გამომწვევი მიზეზი	პრობლემის გადაჭრის გზა
ბალახის საკრეჭი ტრაქტორი ფერდობზე ასვლისას ადვილად კარგავს წევას.	<ul style="list-style-type: none"> უკანა ბორბლების საბურავები გაცვეთილია. 	<ul style="list-style-type: none"> საბურავების შესაცვლელად დაუკავშირდით ადგილობრივ სამსახურს.
	<ul style="list-style-type: none"> დიდი ფერდობი. 	<ul style="list-style-type: none"> დახრილობა არ უნდა აღემატებოდეს 12 გრადუსს.
როცა ბალახის საკრეჭი ტრაქტორი გაჩერებულია ფერდობზე და ჩართულია სადგომი მუხრუჭის პედალი, ბალახის საკრეჭი ტრაქტორს შეუძლია დაგორდეს ფერდობზე.	<ul style="list-style-type: none"> სამუხრუჭე ელემენტები მეტისმეტად გაცვეთილია ბალახის საკრეჭი ტრაქტორის არასწორი ექსპლუატაციის გამო. 	<ul style="list-style-type: none"> შესაკეთებლად დაუკავშირდით კვალიფიციურ სპეციალისტს.
ქვედა ნაწილის გარეცხვისას რეცხვის პორტიდან წყალი არ მოდის.	<ul style="list-style-type: none"> რეცხვის პორტის მაერთებელი მოწყობილობა არ არის დამონტაჟებული რეცხვის პორტზე. 	<ul style="list-style-type: none"> ხელახლა მიამაგრეთ რეცხვის პორტის მაერთებელი მოწყობილობა, დაჭერის შემდეგ გაიგონებთ დაწყაპუნების ხმას. თუ არ მუშაობს, შესაკეთებლად დაუკავშირდით კვალიფიციურ სპეციალისტს.
დაქოქვის გარეშე, ხელით მიწოლის შემთხვევაში უცნაური ხმა ისმის.	<ul style="list-style-type: none"> ხმას გამოსცემს ელექტროძრავის მაგნიტები. 	<ul style="list-style-type: none"> ეს ნორმალურია და არანაირი ჩარევა არ არის საჭირო.

ბალახის საჭრელი ტრაქტორის სტატუსის ინდიკატორი და დაზიანების კოდი

LCD ეკრანი	აღწერა	დაზიანების კოდი LCD-ზე	ბალახის საკრეჭი მანქანის სტატუსის ინდიკატორი	სასიგნალო მოწყობილობა	გამომწვევი მიზეზი	პრობლემის გადაჭრის გზა
	LED განათების პიქტოგრამა გამოტანილია LCD ეკრანზე.	არ მიესადაგება	გათიშული	არა	წინა, გვერდითი და უკანა ფარები ჩართულია LED განათების ჩამრთველით.	ეს ჩვეულებრივი ოპერაციაა. არანაირი ჩარევა არ არის საჭირო.
	USB პიქტოგრამა გამოტანილია LCD ეკრანზე.	არ მიესადაგება	გათიშული	არა	USB პიქტოგრამის ციმციმი მიუთითებს იმაზე, რომ USB მოწყობილობა მუშაობს ბალახის საკრეჭი ტრაქტორის სწორად ამუშავების შემთხვევაში.	ეს ჩვეულებრივი ოპერაციაა. არანაირი ჩარევა არ არის საჭირო.
	საწვავის დონის მაჩვენებელი გამოტანილია LCD ეკრანზე.	არ მიესადაგება	გათიშული	არა	აღნიშნული მიუთითებს ჩამონტაჟებული აკუმულატორების საშუალო დონის დამუხტულობაზე.	ეს ჩვეულებრივი ოპერაციაა. არანაირი ჩარევა არ არის საჭირო.
	ამპერსაათის მრიცხველის პიქტოგრამა გამოტანილია LCD ეკრანზე.	არ მიესადაგება	გათიშული	არა	აღნიშნული მიუთითებს ბალახის საკრეჭი ტრაქტორის მთლიანი მუშაობის ხანგრძლივობაზე, საათებში, ხოლო მისი გადატვირთვა შეუძლებელია.	ეს ჩვეულებრივი ოპერაციაა. არანაირი ჩარევა არ არის საჭირო.
	დატვირთვის პიქტოგრამა მოცემულია ECO დიაგნოზოზში.	არ მიესადაგება	გათიშული	არა	აღნიშნული მიუთითებს ბალახის საკრეჭი ტრაქტორის არსებულ დატვირთვაზე.	ეს ჩვეულებრივი ოპერაციაა. არანაირი ჩარევა არ არის საჭირო.
	გადატვირთვის ინდიკატორი ციმციმებს. დატვირთვის პიქტოგრამა მოცემულია PWR დიაგნოზოზში.	არ მიესადაგება	ციმციმებს წითლად	ერთი ხმოვანი სიგნალი	მჭრელი პირების ძრავა გადატვირთულია.	ბალახის საკრეჭი ტრაქტორის დატვირთვის შემცირების მიზნით, გაზარდეთ ჭრის სიმაღლე ან შეამცირეთ მოძრაობის სიჩქარე.
	უსაფრთხოების გასაღების პიქტოგრამა ციმციმებს.	არ მიესადაგება	გათიშული	არა	უსაფრთხოების გასაღები არ არის მოთავსებული.	ბალახის საკრეჭი ტრაქტორის ასამუშავებლად მოთავსეთ უსაფრთხოების გასაღები, შემდეგ დააჭირეთ ჩართვა - გამორთვის ლილავს 3 წამზე მეტხანს.
					ელექტროენერგია არ მიეწოდება LCD ეკრანს.	დაუკავშირდით კვალიფიციური სპეციალისტს.
	ვარიელი სააკუმულატორო ნაკვეთურის პიქტოგრამა ციმციმებს.	არ მიესადაგება	გათიშული	არა	აკუმულატორის ტევადობა არასაკმარისია ბალახის საკრეჭი ტრაქტორის მუშაობისთვის.	აღნიშნული ბალახის საკრეჭის ჩასართავად საჭიროა 15ან მეტი ა/სთ EGO აკუმულატორები (2 X BA4200/BA4200T). საუკეთესო შედეგებისთვის, რეკომენდებულია 30 ან მეტი ა/სთ EGO აკუმულატორების გამოყენება.

KA

LCD ეკრანი	აღწერა	დაზიანების კოდი LCD-ზე	ბალახის საკრეჭი მანქანის სტატუსის ინდიკატორი	სასიგნალო მოწყობილობა	გამომწვევი მიზეზი	პრობლემის გადაჭრის გზა
	თერმომეტრის პიქტოგრამა ციმციმებს.	არ მიესადაგება	ციმციმებს წითლად	ერთი ხმოვანი სიგნალი	ბალახის საკრეჭი ტრაქტორი გადახურებულია.	შეამცირეთ ბალახის საკრეჭი ტრაქტორის დატვირთვა ქრის სიმძლავის გაზრდით ან პირების მოძრობის/ მართვის სიჩქარის შემცირებით. შეისვენეთ და აცალეთ, რომ გაგრილდეს.
	გადახურების პიქტოგრამა და შევსებული სააკუმულატორი ნაკვეთური ერთდროულად ციმციმებს.	არ მიესადაგება	არ მიესადაგება	არა	შესაბამის დანომრილ სააკუმულატორო ნაკვეთურში აკუმულატორი გადახურებულია.	<p>1. ბალახის საკრეჭი ტრაქტორი იმუშავებს, თუ აკუმულატორის საერთო ა/სი, გადახურებული აკუმულატორის გარეშე, ტოლია ან აღემატება 15 ა/სი-ს. როგორც კი გადახურებული აკუმულატორი დაუბრუნდება ნორმალურ ტემპერატურას, მაშინვე აღდგება ბალახის საკრეჭი ტრაქტორის ელექტრომომარაგება.</p> <p>2. იმ შემთხვევაში, თუ საერთო ა/სი არის 15 ა/სი-ზე ნაკლები, ბალახის საკრეჭი ტრაქტორი არ იმუშავებს მანამ, სანამ მეტი აკუმულატორების ბლოკი არ დაემატება ცარიელ სააკუმულატორო ნაკვეთურში.</p> <p>3. მუშაობის განახლებისას, შეამცირეთ საკრეჭი ტრაქტორის დატვირთვა ქრის სიმძლავის გაზრდით ან თიხის შენელებით.</p>
	თითოეული შევსებული სააკუმულატორი ნაკვეთურის, დაბალი სიმძლავრის ინდიკატორის, საწვავის დონის პიქტოგრამები ყოველ 1 წაშში ერთდროულად ანათებს LCD ეკრანზე. LED საწვავის დონის მაჩვენებლისა და სტატუსის ინდიკატორის პირველი ნაწილიც ციმციმებს.	არ მიესადაგება	ციმციმებს წითლად	გამოსცემს ხმოვან სიგნალს, PTO გადამრთველის ქვევით გადაწევაზე.	აკუმულატორი დაცლილია და ბალახის საკრეჭი ტრაქტორი ავარიულ რეჟიმშია.	<p>შეწყვიტეთ მუშაობა და დაბრუნდით აკუმულატორის დატენვის ზონაში.</p> <p>შენიშვნა: ბალახის საკრეჭი ტრაქტორის ავარიულ რეჟიმში ყოფნის დროს, მჭრელი პირები ავტომატურად გადადის ბრუნვის დაბალ სიჩქარეზე ბალახის მოჭრის გარეშე და ამავდროულად ნივთიერებას სიგნალი გამოსცემს ხმას. მძღოლმა PTO გადამრთველი უნდა გადაწიოს ქვემოთ მჭრელი პირების გასათიშად. ხმოვანი სიგნალი გამოირთვება, როცა მჭრელი პირები გაჩერდება;</p>
	თითოეული შევსებული სააკუმულატორი ნაკვეთურისა და დაბალი სიმძლავრის მაჩვენებლები ანათებს ყოველ ნახევარ წაშში.	არ მიესადაგება	გათიშული	არა	აკუმულატორი თითქმის დაცლილია.	ბალახის საკრეჭი მანქანა გაჩერდება. მძღოლმა ბალახის საკრეჭი მანქანა დასატენად უნდა გადაიყვანოს აკუმულატორის დატენვის ზონაში.

Kees van der Spek
TUINMACHINES * STOLWIJK

KA

LCD ეკრანი	აღწერა	დაზიანების კოდი LCD-ზე	ბალახის საკრეჭი მანქანის სტატუსის ინდიკატორი	სასიგნალო მოწყობილობა	გამომწვევი მიზეზები	პრობლემის გადაჭრის გზა
	ავტომატური პარკირების პიქტოგრამა ციმციმებს LCD ეკრანზე.	არ მიესადაგება	გათიშული	გამოსცემს ხმოვან სიგნალს.	ბალახის საკრეჭი ტრაქტორი გაჩერებულია ფერდობზე და მძღოლმა მიატოვა ბალახის საკრეჭი ტრაქტორი ისე, რომ მუხრუჭის სატერფული არ გადართო სამუხრუჭე პოზიციაში, მხოლოდ საჭის ბერკეტები გადართო ღია პოზიციაში.	გადაიყვანეთ მუხრუჭის სატერფული სამუხრუჭე პოზიციაში. ავტომატური პარკირების პიქტოგრამა გამოიჩინებს ხმოვან სიგნალს შეწყდება.
	მუხრუჭის სატერფულის პიქტოგრამა გამოტანილია LCD ეკრანზე.	არ მიესადაგება	გათიშული	არა	სადგომი მუხრუჭის სატერფული სამუხრუჭე პოზიციაშია.	ბალახის საკრეჭი ტრაქტორის ამუშავებამდე გამოართეთ სამუხრუჭე პოზიციიდან.
	სავარძლის სენსორის პიქტოგრამა გამოტანილია LCD ეკრანზე.	არ მიესადაგება	გათიშული	არა	მძღოლი ადგა სავარძლიდან ან სავარძლის გადამრთველი გათიშულია.	იმ შემთხვევაში, თუ მძღოლი ზის და პიქტოგრამა მაინც ციმციმებს, დაუყოვნებლივ შეწყვეტეთ მუშაობა და შეამოწმეთ სავარძლის კავშირი. თუ სავარძლის კავშირი გამართულია, შესაკეთებლად დაუკავშირდით კვალიფიციურ სპეციალისტს.
	PTO პიქტოგრამა ციმციმებს.	არ მიესადაგება	გათიშული	არა	მჭრელი პირების ძრავა გაჩერდა მუშაობისას და PTO გადამრთველი არ არის გამორთულ მდგომარეობაში.	მუშაობის ხელახლა დაწყებამდე, PTO გადამრთველი გადაწიეთ ქვემოთ ძრავის გასათიშად. იხილეთ პუნქტი „შეცდომებისა და დეფექტების აღმოჩენა და გამოსწორება“.
	საჭის ბერკეტის პიქტოგრამა ციმციმებს.	არ მიესადაგება	გათიშული	არა	წვეის ძრავა გაჩერდა მუშაობისას და საჭის ბერკეტები არ არის ღია მდგომარეობაში.	ბალახის საკრეჭი მანქანის ამუშავებამდე, საჭის ბერკეტები გადაიყვანეთ ღია მდგომარეობაში. იხილეთ პუნქტი „შეცდომებისა და დეფექტების აღმოჩენა და გამოსწორება“.
	ენერჯის რეკუპერაციის პიქტოგრამა პერიოდულად ციმციმებს.	არ მიესადაგება	გათიშული	არა	დადმართზე მოძრაობისას ან დამუხრუჭებისას წარმოქმნილი კინეტიკური ენერჯია გარდაიქმნება ელექტროენერჯად, რითაც იტენება აკუმულატორი.	ეს ჩვეულებრივი ოპერაციაა. არანაირი ჩარევა არ არის საჭირო.

KES VAN DER SPEK
TUINMACHINES * STOLWIJK

LCD ეკრანი	აღწერა	დაზიანების კოდი LCD-ზე	ბალახის საკრეჭი მანქანის სტატუსის ინდიკატორი	სასიგნალო მოწყობილობა	გამომწვევი მიზეზი	პრობლემის გადაჭრის გზა	
იხილეთ „დაზიანების კოდი“	მარცხენა წვევის ძრავა არ ბრუნავს.	PCBA კონტროლირებადი მარცხენა წვევის ძრავა მწყობრიდანაა გამოსული.	413	გათიშული	ერთი ხმოვანი სიგნალი	PCBA გაუმართაობა	დაუკავშირდით კვალიფიციური სპეციალისტს.
		შესაბამის PCBA-სთან მარცხენა წვევის ძრავის მართებელი (სამფაზიანი, დენის მავთული) არ არის დაკავშირებული.	317	გათიშული	ერთი ხმოვანი სიგნალი	სუსტი კავშირი	
		შესაბამის PCBA-სთან მარცხენა წვევის ძრავის მართებელი (6-წვერიანი ,სასიგნალო სადენი) არ არის დაკავშირებული.	301	გათიშული	ერთი ხმოვანი სიგნალი	სუსტი კავშირი	
		მარცხენა წვევის ძრავა მწყობრიდანაა გამოსული.	317	გათიშული	ერთი ხმოვანი სიგნალი	ძრავის გაუმართაობა	
იხილეთ „დაზიანების კოდი“	მარჯვენა წვევის ძრავა არ ბრუნავს.	PCBA კონტროლირებადი მარჯვენა წვევის ძრავა მწყობრიდანაა გამოსული.	313	გათიშული	ერთი ხმოვანი სიგნალი	PCBA გაუმართაობა	დაუკავშირდით კვალიფიციური სპეციალისტს.
		შესაბამის PCBA-სთან მარჯვენა წვევის ძრავის მართებელი (სამფაზიანი, დენის მავთული) არ არის დაკავშირებული.	417	გათიშული	ერთი ხმოვანი სიგნალი	სუსტი კავშირი	
		შესაბამის PCBA-სთან მარჯვენა წვევის ძრავის მართებელი (6-წვერიანი ,სასიგნალო სადენი) არ არის დაკავშირებული.	401	გათიშული	ერთი ხმოვანი სიგნალი	სუსტი კავშირი	
		მარჯვენა წვევის ძრავა მწყობრიდანაა გამოსული.	417	გათიშული	ერთი ხმოვანი სიგნალი	ძრავის გაუმართაობა	
იხილეთ „დაზიანების კოდი“	მარცხენა მჭრელი პირის ძრავა არ ბრუნავს.	PCBA კონტროლირებადი მარცხენა მჭრელი პირის ძრავა მწყობრიდანაა გამოსული.	607	არ მიესადაგება	ერთი ხმოვანი სიგნალი	PCBA გაუმართაობა	დაუკავშირდით კვალიფიციური სპეციალისტს.
		შესაბამის PCBA-სთან მარცხენა წვევის ძრავის მართებელი (სამფაზიანი, დენის მავთული) არ არის დაკავშირებული.	509	არ მიესადაგება	ერთი ხმოვანი სიგნალი	სუსტი კავშირი	პირველ რიგში, შეამოწმეთ მჭრელი პირები. თუ მოშვებულია, 14 მმ დინამომეტრული ქანჩის გასაღებით მოუჭირეთ ქანჭიკს საათის ისრის მიმართულებით. მჭრელი პირის ქანჭიკისთვის რეკომენდებულია 50-55 ნმ. დაუკავშირდით კვალიფიციური სპეციალისტს.
		მარცხენა მჭრელი პირის ძრავა მწყობრიდანაა გამოსული.	509	არ მიესადაგება	ერთი ხმოვანი სიგნალი	ძრავის გაუმართაობა	დაუკავშირდით კვალიფიციური სპეციალისტს.
იხილეთ „დაზიანების კოდი“	მარჯვენა მჭრელი პირის ძრავა არ ბრუნავს.	PCBA კონტროლირებადი მარჯვენა მჭრელი პირის ძრავა მწყობრიდანაა გამოსული.	507	არ მიესადაგება	ერთი ხმოვანი სიგნალი	PCBA გაუმართაობა	დაუკავშირდით კვალიფიციური სპეციალისტს.
		შესაბამის PCBA-სთან მარჯვენა წვევის ძრავის მართებელი (სამფაზიანი, დენის მავთული) არ არის დაკავშირებული.	609	არ მიესადაგება	ერთი ხმოვანი სიგნალი	სუსტი კავშირი	პირველ რიგში, შეამოწმეთ მჭრელი პირები. თუ მოშვებულია, 14 მმ დინამომეტრული ქანჩის გასაღებით მოუჭირეთ ქანჭიკს საათის ისრის მიმართულებით. მჭრელი პირის ქანჭიკისთვის რეკომენდებულია 50-55 ნმ. დაუკავშირდით კვალიფიციური სპეციალისტს.
		მარჯვენა მჭრელი პირის ძრავა მწყობრიდანაა გამოსული.	609	არ მიესადაგება	ერთი ხმოვანი სიგნალი	ძრავის გაუმართაობა	დაუკავშირდით კვალიფიციური სპეციალისტს.

KA

LCD ეკრანი	აღწერა	დაზიანების კოდი LCD-ზე	ბალახის საკრეჭი მანქანის სტატუსის ინდიკატორი	სასიგნალო მოწყობილობა	გამომწვევი მიზეზი	პრობლემის გადაჭრის გზა	
იხილეთ „დაზიანების კოდი“	მარცხენა საჭის ბერკეტი არ მუშაობს.	მარცხენა საჭის ბერკეტი, რომელიც აკონტროლებს PCBA-ს, მწყობრიდანაა გამოსული.	311 /412	გათიშული	ერთი ხმოვანი სიგნალი	PCBA გაუმართაობა	დაუკავშირდით კვალიფიციური სპეციალისტს.
		საჭის ლილვში მოთავსებულ PCBA-თან მაერთებელი არ არის დაკავშირებული.				სუსტი კავშირი	
იხილეთ „დაზიანების კოდი“	მარჯვენა საჭის ბერკეტი არ მუშაობს.	მარჯვენა საჭის ბერკეტი, რომელიც აკონტროლებს PCBA-ს, მწყობრიდანაა გამოსული.	312 /411	გათიშული	ერთი ხმოვანი სიგნალი	PCBA გაუმართაობა	დაუკავშირდით კვალიფიციური სპეციალისტს.
		საჭის ლილვში მოთავსებულ PCBA-თან მაერთებელი არ არის დაკავშირებული.				სუსტი კავშირი	
იხილეთ „დაზიანების კოდი“	სადგომი მუხრუჭი არ მუშაობს, მოწყობილობის მართვა შეუძლებელია.	სადგომი მუხრუჭი PCBA, რომელიც მდებარეობს კორპუსის წინა ნაწილში, დაზიანებულია.	309 /409	გათიშული	ერთი ხმოვანი სიგნალი	PCBA გაუმართაობა	დაუკავშირდით კვალიფიციური სპეციალისტს.
		სადგომი მუხრუჭის გადამრთველი და/ან სადენი დაზიანებულია.	801	გათიშული	ერთი ხმოვანი სიგნალი	სადენის/ ჩამრთველის გაუმართაობა	
გათიშული	დატენვის პორტი დაზიანებულია.	არ მიესადაგება	მუქი წითელი	არ მიესადაგება	დატენვის პორტი ღია წრედშია ჩართული.	დაუკავშირდით კვალიფიციური სპეციალისტს.	
		არ მიესადაგება	მუქი წითელი	არ მიესადაგება	ელექტრონერგის მიწოდება არ ხდება.	შემოწმეთ შტეფსელის როზეტი, რამდენად მიეწოდება 220V-240V და რამდენად მუშაობს.	
		არ მიესადაგება	მუქი წითელი	არ მიესადაგება	დნობადი მცველი გადაიწვა.	დაუკავშირდით კვალიფიციური სპეციალისტს.	
იხილეთ „დაზიანების კოდი“	დატენვის პორტი დაზიანებულია.	204	არ მიესადაგება	ერთი ხმოვანი სიგნალი	დატენვის პორტი ღია წრედშია ჩართული.		
იხილეთ „დაზიანების კოდი“	აკუმულატორის ყუთი არ მუშაობს.		217	არ მიესადაგება	ერთი ხმოვანი სიგნალი	აკუმულატორის ყუთიდან ელექტრომომარაგება ვერ ხერხდება. LED ფარები და USB არ იმუშავებს.	დაუკავშირდით კვალიფიციური სპეციალისტს.
			310 /410	გათიშული	ერთი ხმოვანი სიგნალი	აკუმულატორის ყუთის C ტიპის სადენებსა და ბალახის საკრეჭი ტრაქტორის სხვა C ტიპის სადენებს შორის კავშირი არ მუშაობს.	
			201 /202 /203	გათიშული	ერთი ხმოვანი სიგნალი	აკუმულატორის ყუთის BMS დაზიანებულია	
იხილეთ „დაზიანების კოდი“	ჩართვა- გამორთვის ღილაკი დაზიანებულია.	314 /414	გათიშული	ერთი ხმოვანი სიგნალი	PCBA-ს გაუმართაობა ან ჩართვა- გამორთვის გადამრთველის ცდელი კავშირი.	დაუკავშირდით კვალიფიციური სპეციალისტს.	

LCD ეკრანი	აღწერა	დაზიანების კოდი LCD-ზე	ბალახის საკრეჭი მანქანის სტატუსის ინდიკატორი	სასიგნალო მოწყობილობა	გამომწვევი მიზეზი	პრობლემის გადაჭრის გზა
იხილეთ „დაზიანების კოდი“	LCD ეკრანი დაზიანებულია.	315 /415	გათიშული	ერთი ხმოვანი სიგნალი	LCD დაზიანებულია ან ცუდი კავშირია.	დაუკავშირდით კვალიფიციური სპეციალისტს.

გარანტია

EGO-ს გარანტიის მომსახურების წესი

გთხოვთ ეწვიოთ ვებ-გვერდს egopowerplus.com, რათა მიიღოთ EGO-ს საგარანტიო მომსახურების სრული პირობები.

KEES VAN DER SPEK
TUINMACHINES ★ STOLWIJK

PROČITAJTE SVA UPUTSTVA!



PROČITAJTE PRIRUČNIK ZA RUKOVAOCA

⚠ Rezidualni rizik! Osobe sa elektronskim uređajima, poput pejsmejкера, treba da konsultuju svog lekara (svoje lekare) pre upotrebe ovog proizvoda. Rukovanje električnom opremom u neposrednoj blizini srčanog pejsmejкера moglo bi da izazove smetnje ili otkazivanje pejsmejкера.

SIGURNOSNI SIMBOL

Svrha sigurnosnih simbola je da vam skrenu pažnju na moguće opasnosti. Sigurnosni simboli i objašnjenja uz njih zaslužuju vašu pomnu pažnju i shvatanje. Simboli upozorenja, sami po sebi, ne eliminišu nikakve opasnosti. Uputstva i upozorenja koja oni daju nisu zamena za odgovarajuće mere sprečavanja nezgoda.

⚠ UPOZORENJE: Obavezno pročitajte i shvatite sva sigurnosna uputstva u ovom Priručniku za rukovaoca, obuhvatajući i sve simbole sigurnosnih upozorenja poput „**OPASNOST**“, „**UPOZORENJE**“ i „**OPREZ**“ pre korišćenja ovog alata. Nepridržavanje svih dolenađenih uputstava može da dovede do strujnog udara, požara i/ili ozbiljne telesne povrede.

ZNAČENJE SIMBOLA

Ova stranica prikazuje i opisuje sigurnosne simbole koji mogu da se pojave na ovom proizvodu. Pročitajte, shvatite i sledite sva uputstva na mašini pre no što pokušate da je sklopite i da rukujete njom.

SIGURNOSNI SIMBOLI



Sigurnosno upozorenje



Zaštita za oči



OPASNOST – Opasnost na oštrm nagibu



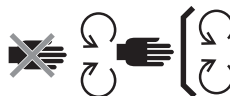
Nikada nemojte voziti decu



UPOZORENJE - Ne koristite ovu mašinu na nagibima većim od 12°.



Pročitajte i shvatite priručnik za rukovaoca



Održavajte bezbednosne uređaje



OPASNOST – Držite prolaznike dalje od sečiva



Gledajte iza sebe dok idete unazad



OPASNOST – Izbačeni predmeti



UPOZORENJE – DRŽITE ŠAKE I STOPALA DALJE



Garantovani nivo zvučne snage. Prema Direktivi Evropske zajednice.



Ne gaziti



Otpadni električni proizvodi ne smeju da se odlažu sa otpadom iz domaćinstva. Odnosite ih u ovlašćeni centar za reciklažu.



Ovaj proizvod je u skladu sa primenjivim direktivama EC



OPREZ – Ne gledajte u lampu koja radi.



Jednosmerna struja



Ovaj proizvod je u skladu sa primenjivim zakonima UK.

kPa

Kilopaskal

O/min

Obrtaji u minutu

V

Volt

m

Metar

in

Inč

cm

Centimetar

Nm

Njutn metar

mm

Milimetar

°C

Celzijus

kg

Kilogram

km/h

Kilometara na sat

IPX4

Stepen zaštite od prodora

KEES VAN DER SPEK
TUINMACHINES * STOLIJEN

SPECIFIKACIJE

Napon	56 V	
Veličina platforme	107 cm	
Veličina točkova	Prednji	11 x 4 in (279,4 mm)
	Zadnji	18 x 8,5 in (457,2 mm)
Pritisak hladne gume	Prednji	220 kPa
	Zadnji	50 kPa
Poluprečnik skretanja	0	
Brzina sečiva (o/min)	2400, 2600, 2800, 3000	
Maks. Brzina vožnje (km/h)	Napred	4,8 km/h, 8 km/h, 9,6 km/h, 11,2 km/h (12,8 km/h u režimu putovanja)
	Nazad	do 5,6 km/h

Punjenje	Punjač (opcionalan)	CHV1600E
	Adapter (opcionalan)	ACA1000
	Opseg temperature punjenja	Od 5 do 40°C
Podešavanje visine košenja (10 pozicija)		25-100 mm
Radna temperatura		Od 0 do 40°C
Temperatura skladištenja		Od -20 do +70°C
Težina (bez baterije)		186 kg
Izmereni nivo zvučne snage L_{WA}		96,44 dB(A) K=0,68 dB(A)
Nivo zvučnog pritiska na uhu rukovaoca L_{PA}		84,3 dB(A) K=3,0 dB(A)

SR

Garantovan nivo jačine zvuka L_{WA} (izmereno prema 2000/14/EC)		100 dB(A)
Vibracije a_h	Šaka	1,221 m/s ² K=1,5 m/s ²
	Telo	0,568 m/s ² K=1,5 m/s ²

- Deklarisana ukupna vrednost vibracije je izmerena u skladu sa standardnim metodom testiranja i može se koristiti za upoređivanje jednog alata sa drugim;
- Deklarisana ukupna vrednost vibracije može se koristiti i u preliminarnoj proceni izlaganja.

NAPOMENA: Emisija vibracija tokom stvarne upotrebe električnog alata može da se razlikuje od deklarisanе vrednosti u kojoj se alat koristi. Da bi se rukovalac zaštitio, korisnik bi trebalo da nosi rukavice i štitnike za uši u stvarnim uslovima korišćenja.

OPIS

UPOZNAJTE ELEKTRIČNU KOSILICU KOJA SKREĆE U MESTU (Slika A1 i A2)

1. Sedište
2. Port za punjenje
3. Odeljak baterije
4. LED zadnja svetla
5. Kutija za skladištenje
6. Držači šolja
7. LED bočna svetla
8. Zadnji točak (pogonski točak)
9. Platforma
10. Štitnik platforme
11. Točak protiv skalpiranja
12. Prednji točak
13. Pedala parkirne kočnice
14. Dnevna svetla
15. LED prednja svetla
16. Bočni izlazni otvor
17. Poluga za podešavanje visine platforme
18. Okruglo dugme za podešavanje vešanja sedišta
19. Poluga za podešavanje sedišta napred-nazad
20. Poluga za upravljanje
21. Indikator statusa kosilice

22. LCD ekran
23. PTO prekidač
24. Start/stop dugme
25. Sigurnosni ključ
26. Kutija za skladištenje telefona
27. Pokazivač goriva i indikator statusa kosilice
- 27a. Indikator pokazivača goriva kosilice
- 27b. Indikator statusa kosilice
28. Prostor za oslanjanje nogu
29. Dugme za otpuštanje poklopca pogonske jedinice
30. Poklopac pogonske jedinice
31. Dugme za otpuštanje baterije
32. Priključak za prikolicu
33. Poklopac za montiranje priključka
34. Skladište poklopca za montiranje priključka
35. USB port

UPOZNAJTE LCD EKTRAN I DUGMAD (slika A3)

Pogledajte odeljak „**KODOVI STATUSA KOSILICE ZA REFERENCE I GREŠKE**“ za više informacija o ikonicama i indikatorima na LCD ekranu.

1. Ikonica za sigurnosni ključ
2. Ikonica za LED svetla
3. Ikonica za automatsko parkiranje
4. Ikonica za USB
5. Indikator brzine sečiva
6. Indikator statusa bezbednosnog uređaja
7. Brojač sati
8. Ikonica za bateriju
9. Ikonica za pregrevanje
10. Režim vožnje
11. Indikator za kodove greške
12. Indikator preopterećenja
13. Indikator za slabu bateriju
14. Indikator za brzinu vožnje
15. Indikator za opterećenje
16. Dugme za podešavanje brzine sečiva
17. Dugme za postavke
18. Dugme za režim vožnje
19. Prekidač za LED svetla
20. Dugme za podešavanja brzine vožnje
21. Pokazivač goriva

RASPAKIVANJE

NAPOMENA: Sačuvajte ambalažu dok ne budete pažljivo pregledali proizvod i rukovali njime na zadovoljavajući način. Ako su bilo koji delovi sa popisa pakovanja sklopljeni na mašini, odmah se obratite EGO servisu.

NAPOMENA: Osim alata na donjem popisu pakovanja, svi drugi alati pomenuti u priručnicima su samo preporučeni ali nisu priloženi.

POPIS PAKOVANJA (slika B1)

B1-1	Električna kosilica koje skreće u mestu	B1-7	Sigurnosni ključevi
B1-2	Sedište	B1-8	Francuski ključevi (13 mm)
B1-3	Umetak za malčiranje	B1-9	Inbus ključ
B1-4	Poluga za upravljanje	B1-10	Brza spojnica za port za pranje
B1-5	Inbus vijci (2 za rezervu)	B1-11	Priručnik za rukovaoca
B1-6	Šestougaoni vijci (2 za rezervu)		

RASPAKIVANJE (slika B2-B3)

PREPORUČENI DODACI

⚠ UPOZORENJE: Upotrebljavajte samo identične rezervne delove navedene ispod. Upotreba delova koji ne ispunjavaju specifikacije originalne opreme može da dovede do nepravilnog rada i kompromitovane bezbednosti.

NAZIV DELA	BROJ MODELA
Standardno sečivo	AB4200
Sečivo za visoko izbacivanje	AB4201
Umetak za malčiranje	AMP4200
Komplet vreća za travu	ABK4200-A

SASTAVLJANJE

INSTALIRANJE SEDIŠTA (slika C1 i C2)

⚠ UPOZORENJE: Sigurnosni sistem međusobnog zaključavanja se ne sme odvajati niti zaobilaziti. To može uzrokovati da kosilica funkcioniše nepredvidivo, rezultujući telesnim povredama.

NAPOMENA: Radi vaše bezbednosti, kosilica može stopirati vožnju kad se prekidač sedišta odvoji tokom vožnje. U ovom slučaju, pogledajte odeljak „**REŠAVANJE PROBLEMA**“ za više informacija.

C1-1	Kabl	C1-5	Inbus vijci
C1-2	Utikač	C2-1	Kukica
C1-3	Utičnica	C2-2	Čelične šine
C1-4	Osnova vešanja	C2-3	Inbus vijci

POSTAVLJANJE POLUGA ZA UPRAVLJANJE (slika C3)

C3-1	Poluge za upravljanje	C3-3	Rupe za montiranje poluge za upravljanje
C3-2	Šestougaoni vijci		

PRIČVRŠČIVANJE UMETKA ZA MALČIRANJE (slika C4)

C4-1	Bočni izlazni otvor	C4-3	Pokretna opruga
C4-2	Umetak za malčiranje		

UKOVANJE

PRE UPOTREBE KOSILICE

Provera okoline

- Osigurajte da na mestu rada nema dece, prolaznika i kućnih ljubimaca.
- Očistite mesto rada od predmeta koji mogu biti izbačeni sečivom kosilice.
- Proverite i osigurajte da su LED svetla u ispravnom stanju:
 - Prednja, bočna i zadnja svetla se kontrolišu prekidačem LED svetla.

- Dnevna svetla uvek rade tokom vožnje.
- Kada idete unazad, ako su zadnja svetla isključena ona će bljeskati da bi upozorila prolaznike; ako su zadnja svetla uključena ona će ostati uključena.
- Sva svetla će se automatski isključiti nakon više od 3 minuta neaktivnosti

Provera pritiska hladne gume (slika D1)

Provera statusa kosilice i nivoa napunjenosti baterije

- a. Indikator pokazivača goriva kosilice (slika A2 – 27a)
- Svaki segment indikatora pokazivača goriva kosilice prikazuje 20% napunjenosti umetnutih baterija.

NAPOMENA: Indikator pokazivača goriva kosilice i pokazivač goriva na LCD ekranu prikazuju prosečni kapacitet umetnutih baterija.

- b. Indikator statusa kosilice (slika A1 i slika A2 – 27b)

Ako indikator statusa prikazuje zeleno, kosilica je spremna za vožnju. Ako ne, pogledajte odeljak „KODOVI STATUSA KOSILICE ZA REFERENCE I GREŠKE“

Testiranje sigurnosnog sistema međusobnog zaključavanja (slika D2-D8)

NAPOMENA: Rukovalac mora biti na sedištu pre testa.

- Pre testiranja (slika D2-D4)
- Da biste testirali sistem platforme i sečiva (slika D5), potom polako ustanite
- Da biste testirali sistem vožnje (slika D6-D8), potom polako ustanite

Ako sistem platforme i sečiva i/ili sistem vožnje neće da se stopira kad rukovalac ustane sa sedišta i ako se razlog ne može utvrditi nakon potvrđivanja da su utikač i utičnica sedišta dobro povezani, odmah se obratite centru EGO korisničke službe.

PODEŠAVANJE (slika E1-E13)

Priprema (slika E1-E5)

Podešavanje visine platforme (slika E6)

Podešavanje točkova protiv skalpiranja (slika E7-E10)

E7-1	Točak protiv skalpiranja	E9-2	Zavrtanj
------	--------------------------	------	----------

E9-1	Navrtka	E10-1	Oznaka visine platforme
------	---------	-------	-------------------------

Podešavanje sedišta (slika E11)

Podesite poziciju sedišta da biste osigurali da možete da ostvarite čvrst kontakt sa pedalom parkirne kočnice pre rukovanja kosilicom. Podešavanje vešanja sedišta će vam omogućiti udobniji rad.

E11-1	Poluga za podešavanje sedišta napred-nazad	E11-2	Okruglo dugme za podešavanje vešanja sedišta
-------	--	-------	--

Postavljanje parkirne kočnice (slika E12-E13)

E13-1	Položaj za kočenje	E13-2	Otpušteni položaj
-------	--------------------	-------	-------------------

PUNJENJE (slika F1-F11)

Da biste startovali ovu kosilicu, neophodne su EGO baterije sa ukupno 15 Ah (2 X BA4200/BA4200T) ili više. Za najbolje performanse preporučujemo upotrebu EGO baterija sa ukupno 30 Ah ili više.

Koristite samo sa preporučenim baterijama i punjačima. (Slika F9 i F10)

Priprema za punjenje (slika F1-F4)

Punjenje baterija zasebno (slika F5-F9)

F5-1	Dugme za otpuštanje poklopca	F7-1	Dugme za oslobađanje baterije
------	------------------------------	------	-------------------------------

- Za spajanje baterija (slika F5-F6)
- Za odvajanje baterija (slika F7-F8)

NAPOMENA: Za punjenje baterija pogledajte odgovarajuće priručnike baterije i punjača.

Punjenje baterija preko porta za punjenje (slika F10)

F10-1	Poklopac protiv prašine	F10-2	Port za punjenje
-------	-------------------------	-------	------------------

STARTOVANJE ELEKTRIČNE KOSILICE KOJA SKREĆE U MESTU (slika A4-A5 i slika G1-G6)

⚠ UPOZORENJE: Izbegavate naglo startovanje, stopiranje i skretanje, kao i prekomernu brzinu, naročito kad prvi put učite da rukujete kosilicom. Kosilica može da se brzo zavrti, što može izazvati da izgubite kontrolu i dovesti do ozbiljne povrede i/ili štete.

⚠ UPOZORENJE: Pre startovanja kosilice, proverite i osigurajte da sečiva budu otpuštena dok pritisnete PTO prekidač nadole. Ako se sečiva ne stopiraju, ne koristite kosilicu i odmah se obratite EGO korisničkoj službi.

NAPOMENA: Pratite sliku A4 i G2 da biste dobili najmanju brzinu vožnje i **STANDARDNI** režim vožnje dok ne budete bili potpuno sposobni za rukovanje kosilicom u svim situacijama. Brzina vožnje i režim vožnje će se aktivirati samo kad su točkovi kosilice stopirani a poluge za upravljanje otvorene.

Kosilica će sačuvati i ponuditi prethodne postavke kad je restartujete.

Režim vožnje

- **KONTROLNI:** Manje ubrzanje, manje osetljivo rukovanje i mala brzina skretanja radi zaštite trave i za nove korisnike.
- **STANDARDNI:** Savršen za svakodnevnu upotrebu.
- **SPORTSKI:** Veće ubrzanje, precizno rukovanje i oštro skretanje radi povećavanja efikasnosti košenja i za entuzijaste košenja.

Podešavanje brzine vožnje (slika A4)

Podešavanje brzine sečiva (slika A5)

NAPOMENA: Tokom režima "PUTOVANJA", pritisnite "↩"; brzina vožnje će se vratiti u prethodni režim.

USB port

NAPOMENA: USB port omogućava punjenje snage 5 volti jednosmerne struje pri ukupno 1,5 ampera i funkcioniše samo kad je kosilica startovana.

STOPIRANJE ELEKTRIČNE KOSILICE KOJA SKREĆE U MESTU (slika H1-H6)

NAPOMENA: Posle više od 60 minuta neaktivnosti, kosilica će se automatski isključiti.

Režim odlaska kući

Kad je napunjenost baterije pri kraju, kosilica će ući u režim odlaska kući:

- Kosilica automatski stopira košenje trave;
- Zvučni indikator će nastaviti da se oglašava;
- Indikator statusa kosilice će bljeskati crveno svake sekunde, prvi segment pokazivača goriva kosilice će bljeskati crveno i indikator za slabu bateriju i grafika baterije na pokazivaču goriva će bljeskati.

Rukovalac treba da:

- a) Pritisne PTO prekidač nadole (slika H3) da bi deaktivirao sečiva. Zvučni indikator će prestati da se oglašava kad se sečivo stopira;
- b) Stopira rad i ode na mesto punjenja baterije što pre. Maksimalna udaljenost koju kosilica može da pređe je 1000 m.

Kad je baterija skoro ispražnjena, ikonica svakog zauzetog odeljka za bateriju i indikator slabe baterije će treperiti svakih pola sekunde. Kosilica će momentalno stopirati rad. Rukovalac treba da transportuje kosilicu do mesta za punjenje baterije radi punjenja.

Ručno guranje

Ako je potrebno ručno guranje, osigurajte da baterije budu odvojene od kosilice i da pedala parkirne kočnice bude otpuštena iz položaja kočenja.

VOŽENJE ELEKTRIČNE KOSILICE KOJA SKREĆE U MESTU (slika I1-I9)

Za stopiranje, smanjivanje ili povećavanje brzine, polako menjajte udaljenost poluga za upravljanje od neutralnog položaja.

⚠ OPASNOST: Budite udaljeni najmanje dve širine otkosa (2,14 m) od bilo kakvih jaraka, litica ili vode. Prednji točkovi mogu da se okreću kad je kosilica stopirana, čak i sa aktiviranom kočnicom, i da izazovu da kosilica padne preko ivice ili u vodu te da rezultuju smrću ili ozbiljnom telesnom povredom.

⚠ UPOZORENJE: Budite svesni onoga što je iza kosilice pre kretanja unazad. NEMOJTE kositi unazad osim ako nije apsolutno neophodno. Uvek gledajte dole i nazad pre i tokom kretanja unazad da biste osigurali da deca, prolaznici ili kućni ljubimci ne uđu u oblast košenja. Imajte na umu da je za izazivanje smrti ili teških povreda dovoljan samo delić sekunde nepažnje.

⚠ UPOZORENJE: Ne rukujte ovom mašinom na javnim putevima.

⚠ UPOZORENJE: Ako dođe do blokade ili udarite strani predmet, stopirajte motore i izvadite baterije. Uklonite

pokošenu travu, lišće, zemlju i svu drugu nagomilanu prijavštinu; temeljno pregledajte da li na kosilici ima oštećenja i popravite ih pre restartovanja kosilice i rukovanja njom.

ODRŽAVANJE

⚠ UPOZORENJE: Uvek nosite zaštitne naočare sa bočnim štيتnicima. Nepostupanje u skladu sa tim može da rezultira odbacivanjem predmeta u oči koji rezultuju mogućim teškim povredama.

⚠ UPOZORENJE: Uvek zaštitite ruke tako što ćete nositi debele rukavice ili umotati oštre ivice krpama ili drugim materijalom kad radite bilo kakvo održavanje na sečivu kosilice. Uvek izvadite sigurnosni ključ i baterije kad servisirate ili transportujete kosilicu.

Interval servisnog održavanja	Procedura održavanja
Pre svake upotrebe ili jednom na dan	<ul style="list-style-type: none"> Proverite sigurnosni sistem međusobnog zaključavanja. Vizuelno proverite da li su gume prazne. Pregledajte da li su sečiva pohabana, napukla ili savijena. Pregledajte ceo proizvod da biste videli da li ima oštećenih, nedostajućih ili labavih delova poput bočnog izlaznog otvora, vijaka, navrtanja, zavrtnja, kapica itd., osiguravajući da svi štيتnici budu na svom mestu i da pravilno funkcionišu. Proverite funkcionisanje kočnice.
Posle svake upotrebe	<ul style="list-style-type: none"> Očistite platformu.
Svakih 25 sati	<ul style="list-style-type: none"> Proverite pritisak guma.
Svakih 50 sati	<ul style="list-style-type: none"> Proverite stanje maziva unutar prirubnice sečiva.
Svakih 100 sati	<ul style="list-style-type: none"> Proverite zadnje točkove, osiguravajući da 4 matice budu zategnute na preporučeni obrtni moment.
Svakih 200 sati	<ul style="list-style-type: none"> Proverite prednje točkove, osiguravajući da se slobodno okreću.

Jednom godišnje	<ul style="list-style-type: none"> Proverite pedalu parkirne kočnice. Izvadite bateriju iz kosilice i postavite parkirnu pedalu u položaj kočenja. Ručno gurnite kosilicu unapred da biste videli da li se kosilica može kretati ili ne. Ako se kreće, odnesite je na servis kod kvalifikovanog servisnog tehničara.
-----------------	---

ČIŠĆENJE KOSILICE (slika J1-J9)

Priprema (slika J1-J5)

Čišćenje kućišta kosilice (slika J6-J7)

Korišćenje porta za pranje za čišćenje platforme (slika J8-J9)

J8-1	Port za pranje	J8-3	Baštensko crevo
J8-2	Brza spojnica za port za pranje		

NAPOMENA: Kad završite sa čišćenjem, pritisnite PTO prekidač nadole da biste otpustili sečiva kosilice.

ODRŽAVANJE PLATFORME I SEČIVA

Priprema (slika K1-K6)

Uklanjanje platforme (slika K7-K8)

K7-1	Kabl motora	K7-3	Spona vešanja
K7-2	Osigurač		

NAPOMENA: Odvojite kablove motora i osigurače sa obe strane kad uklanjate platformu.

Zamena sečiva (slika K9-K11)

K9-1	Stabilizator	K10-3	Sečivo
K10-1	Zavrtnj	K10-4	Prirubnica
K10-2	Podloška	K10-5	Vratilo motora

Nivelisanje platforme

a. Kada nivelisati (slika K12-K14)

b. Pre nivelisanja

- Provera pritiska hladne gume (slika K15)
- Provera sečiva. Uklonite i zamenite pohabana, napukla i/ili iskrivljena sečiva po potrebi.

a. Priprema za nivelisanje (slika K16-K21)

b. Kako nivelisati

- Za bočno podešavanje (slika K22)

Razlika između udaljenosti H1 i H2 merenih od donje ivice svakog sečiva do zemlje treba da bude unutar 5 mm.

K22-1	Kontranavrтка
-------	---------------

- Za podešavanje napred-nazad (slika K23)

Prednji vrh sečiva H3 treba da bude od 2 mm do 10 mm niže od zadnjeg vrha H4.

KALIBRISANJE SISTEMA ZA PRAĆENJE KOSILICE (slika L1-L6 i slika L7-L12)

NAPOMENA: Zvučni indikator će se jednom oglasiti i kad kalibracija startuje i kad se kalibracija završi.

RESETOVANJE KOSILICE NA POČETNE FABRIČKE POSTAVKE (slika M1-M4)

NAPOMENA: Zvučni indikator će se jednom oglasiti i kad resetovanje startuje i kad se resetovanje završi.

SKLADIŠTENJE I TRANSPORT

TRANSPORTOVANJE KOSILICE (slika N1- N11)

NAPOMENA: Pričvrstite kosilicu prema potrebi, pomoću kaiša ili kablova, da biste sprečili pomeranje tokom transporta. Kad utovarujete ili istovarujete kosilicu, ne prekoračujte maksimalno preporučeni radni ugao od 12° između rampe i tla.

SKLADIŠTENJE (slika O1-O6)

NAPOMENA: Izvadite baterije i skladištite ih u skladu sa odgovarajućim priručnicima.


Očistite i proverite kosilicu pre skladištenja u skladu sa odeljcima „ČIŠĆENJE KOSILICE“ i „PREPORUČENI RASPORED ODRŽAVANJA“.


Zaštita životne sredine



WEEE (otpadna električna i elektronska oprema): ne odlažite električnu opremu, potrošene baterije i punjače u kućni otpad! Odnosite ovaj proizvod u ovlašćeni pogon za reciklažu ili ga odvojite od ostalog smeća radi zasebnog prikupljanja. Električni alati moraju se odneti u ekološki prihvatljiv pogon za reciklažu.

REŠAVANJE PROBLEMA

PROBLEM	UZROK	REŠENJE
<p>Električna kosilica koje skreće u mestu neće da vozi kad se dve poluge za upravljanje gurnu unapred ili unazad na početku.</p>  Ikonica za nivo upravljanja treperi	<ul style="list-style-type: none"> Ukupni Ah umetnutih baterija je manji od 15 Ah. 	<ul style="list-style-type: none"> Da biste startovali ovu kosilicu, neophodne su EGO baterije sa ukupno 15 Ah (2 X BA4200/BA4200T) ili više. Za najbolji učinak preporučujemo upotrebu baterija koje ukupno imaju 30 Ah ili više.
	<ul style="list-style-type: none"> Pedala parkirne kočnice je postavljena u položaj kočenja. 	<ul style="list-style-type: none"> Pritisnite pedalu parkirne kočnice do kraja da biste je otpustili iz položaja kočenja.
	<ul style="list-style-type: none"> Poluge za upravljanje nisu u otvorenom položaju prilikom startovanja kosilice. 	<ul style="list-style-type: none"> Vratite poluge za upravljanje u otvoreni položaj i restartujte kosilicu.
	<ul style="list-style-type: none"> Rukovalac ne sedi na sedištu. 	<ul style="list-style-type: none"> Rukovalac može rukovati kosilicom isključivo kad pravilno sedi na sedištu.
	<ul style="list-style-type: none"> Prekidač sedišta nije pravilno spojen. 	<ul style="list-style-type: none"> Izvadite bateriju iz kosilice i rasklopite sedište prateći obrnutim redosledom uputstva u odeljku „INSTALIRANJE SEDIŠTA“ u ovom priručniku da biste pregledali spoj prekidača sedišta. Ponovo sklopite sedište i pratite uputstva u odeljku „STARTOVANJE ELEKTRIČNE KOSILICE KOJA SKREĆE U MESTU“ da biste restartovali kosilicu i videli da li se kosilica može startovati. Ako ne može, obratite se kvalifikovanom servisnom tehničaru radi popravke.
	<ul style="list-style-type: none"> Po ekstremno hladnom vremenu, funkcija vožnje možda neće uspešno startovati zbog zaštite od niske temperature. 	<ul style="list-style-type: none"> Uvek čuvajte kosilicu i bateriju u toplom okruženju. Restartujte kosilicu kad se bude ugrijala. Nemojte pokušavati više puta u ekstremno hladnom vremenu jer to može oštetiti mašinu. Preporučena radna temperatura je od 0 do 40°C.
<p>Električna kosilica koje skreće u mestu stopira vožnju.</p>	<ul style="list-style-type: none"> Poluge za upravljanje zahtevaju „resetovanje“. 	<ul style="list-style-type: none"> Vratite poluge za upravljanje u otvoreni položaj i restartujte kosilicu.
	<ul style="list-style-type: none"> Električne kontrolne komponente poluga za upravljanje su se pokvarile. 	<ul style="list-style-type: none"> Obratite se kvalifikovanom servisnom tehničaru radi popravke.
	<ul style="list-style-type: none"> Prekidač sedišta se odvojio tokom vožnje na neravnom terenu. 	<ul style="list-style-type: none"> Izvadite bateriju iz kosilice i rasklopite sedište prateći obrnutim redosledom uputstva u odeljku „INSTALIRANJE SEDIŠTA“ u ovom priručniku da biste pregledali spoj prekidača sedišta. Ponovo sklopite sedište i pratite uputstva u odeljku „STARTOVANJE ELEKTRIČNE KOSILICE KOJA SKREĆE U MESTU“ da biste restartovali kosilicu i videli da li se kosilica može startovati. Ako ne može, obratite se kvalifikovanom servisnom tehničaru radi popravke.

PROBLEM	UZROK	REŠENJE
Brzina vožnje/režim vožnje ne mogu da se podese tokom vožnje.	<ul style="list-style-type: none"> To je funkcija električne kosilice koja skreće u mestu radi bezbedne vožnje. 	<ul style="list-style-type: none"> Funkcija će se aktivirati samo kad su točkovi kosilice stopirani a poluge za upravljanje otvorene.
<p>Električna kosilica koje skreće u mestu neće da startuje sečiva kad se angažuje PTO prekidač.</p>  Ikonica PTO prekidača treperi	<ul style="list-style-type: none"> Ukupni Ah umetnutih baterija je manji od 15 Ah. 	<ul style="list-style-type: none"> Da biste startovali ovu kosilicu, neophodne su EGO baterije sa ukupno 15 Ah (2 X BA4200/BA4200T) ili više. Za najbolji učinak preporučujemo upotrebu baterija koje ukupno imaju 30 Ah ili više.
	<ul style="list-style-type: none"> PTO prekidač nije pritisnut nadole kad je kosilica poslednji put stopirana. 	<ul style="list-style-type: none"> Pritisnite PTO prekidač nadole i restartujte sečiva kosilice.
	<ul style="list-style-type: none"> Kosilica je preopterećena u trenutku startovanja sečiva, rezultujući u samozaštiti motora. 	<ul style="list-style-type: none"> Startujte košenje trave prvo na manjoj brzini sečiva i, dok god sečiva ne ostvare uspešnu rotaciju, ne povećavajte brzinu sečiva po potrebi.
	<ul style="list-style-type: none"> Po ekstremno hladnom vremenu, motor sečiva možda neće uspešno startovati zbog zaštite od niske temperature. 	<ul style="list-style-type: none"> Uvek čuvajte kosilicu i bateriju u toplom okruženju. Restartujte kosilicu kad se bude ugrejala. Nemojte pokušavati više puta u ekstremno hladnom vremenu jer to može oštetiti mašinu. Preporučena radna temperatura je od 0 do 40°C.
	<ul style="list-style-type: none"> Sečivo ometa deformisana platforma. 	<ul style="list-style-type: none"> Obratite se kvalifikovanom servisnom tehničaru radi popravke.

PROBLEM	UZROK	REŠENJE
Sečiva stopiraju rad tokom košenja trave.	<ul style="list-style-type: none"> ▪ Kosilica je preopterećena. 	<ul style="list-style-type: none"> ▪ Povećajte visinu košenja platforme ili smanjite brzinu vožnje da biste smanjili opterećenje na kosilicu.
	<ul style="list-style-type: none"> ▪ Platforma kosilice je zapušena travom i prljavštinom. 	<ul style="list-style-type: none"> ▪ Očistite platformu i uverite se da sečiva mogu slobodno da se kreću.
	<ul style="list-style-type: none"> ▪ Kosilica je pregrejana. 	<ul style="list-style-type: none"> ▪ Smanjite opterećenje kosilice tako što ćete povećati visinu platforme ili smanjiti brzinu sečiva/vožnje i ostaviti kosilicu da se ohladi.
	<ul style="list-style-type: none"> ▪ Baterije u odeljcima za baterije na kosilici su pregrejane, a rezultat je da je ukupni Ah zbir svih umetnutih baterija ispod 15 Ah. 	<ol style="list-style-type: none"> 1. Ako je ukupni Ah baterija manji od 15 Ah, kosilica neće raditi dok se još baterija ne umetne u prazne komponente za baterije. Kad se pregrejana baterija vrati na normalnu temperaturu, odmah će se uključiti u napajanje kosilice. 2. Smanjite opterećenje kosilice tako što ćete povećati visinu platforme ili usporiti košenje kad nastavite sa radom.
	<ul style="list-style-type: none"> ▪ Kosilica je u režimu odlaska kući. 	<ul style="list-style-type: none"> ▪ Kad je kosilica u režimu odlaska kući, sečiva se automatski prebacuju u malu brzinu rotacije bez košenja trave. Rukovalac treba da stopira rad i ode na mesto punjenja baterije što pre.
	<ul style="list-style-type: none"> ▪ Kosilica je udarila strani predmet, rezultujući u samozaštiti motora. 	<ul style="list-style-type: none"> ▪ Pritisnite PTO prekidač nadole i restartujte sečiva kosilice.
Zvučni indikator nastavlja da se oglašava.	<ul style="list-style-type: none"> ▪ Kosilica je u režimu odlaska kući a sečiva nisu isključena. 	<ul style="list-style-type: none"> ▪ Pritisne PTO prekidač dole da biste deaktivirali sečiva platforme. Zvučni indikator će prestati da se oglašava kad se sečivo stopira.
	<ul style="list-style-type: none"> ▪ Kosilica stopira vožnju na nagibu a rukovalac otvara poluge za upravljanje i ustaje sa sedišta bez postavljanja pedale parkirne kočnice u položaj kočenja. 	<ul style="list-style-type: none"> ▪ Postavite pedalu parkirne kočnice u položaj kočenja pre no što ostavite kosilicu na nagibu.

PROBLEM	UZROK	REŠENJE
Indikatori baterija su i dalje uključeni kada je kosilica isključena.	<ul style="list-style-type: none"> Kad je kosilica isključena na ravnom tlu bez vađenja baterija iz kosilice, indikatori baterija će ostati osvetljeni 3 minuta. 	<ul style="list-style-type: none"> Nije potrebna nikakva radnja. Indikatori baterija će se isključiti posle nekog vremena.
	<ul style="list-style-type: none"> Kad je kosilica isključena na nagibu bez postavljanja pedale parkirne kočnice u položaj kočenja, indikatori baterija će nastaviti da svetle dok se baterije ne isprazne. Zvučni indikator istovremeno nastavlja da se oglašava. 	<ul style="list-style-type: none"> Postavite pedalu parkirne kočnice u položaj kočenja pre no što ostavite alat na nagibu.
LCD ekran neće da se osvetli sa svim ikonicama uključenim.	<ul style="list-style-type: none"> Vreme pritiskanja start/stop dugmeta je manje od 3 sekunde. 	<ul style="list-style-type: none"> LCD ekran će prikazati samo pokazivač goriva kad se start/stop dugme pritisne na kratko.
		<ul style="list-style-type: none"> LCD ekran će se isključiti nakon što je start/stop dugme pritisnuto 3 sekunde.
Kosilica kosi neravnomerno, sa značajnom razlikom u visini napred-nazad.	<ul style="list-style-type: none"> Sečiva su tupa. 	<ul style="list-style-type: none"> Naoštrite ili zamenite sečivo prema uputstvima u ovom priručniku.
	<ul style="list-style-type: none"> Sečiva su iskrivljena. 	<ul style="list-style-type: none"> Zamenite iskrivljeno sečivo prateći uputstva u odeljku „ZAMENA SEČIVA“.
	<ul style="list-style-type: none"> Platforma nije nivelisana, što dovodi do različite visine sečiva. 	<ul style="list-style-type: none"> Nivelišite platformu prateći uputstva u odeljku „NIVELISANJE PLATFORME“.
Stvarna visina košenja trave nije u skladu sa podešenom visinom.	<ul style="list-style-type: none"> Navrtke platforme su labave na sponi vešanja 	<ul style="list-style-type: none"> Pratite uputstva u odeljku „NIVELISANJE PLATFORME“ da biste pravilno podesili platformu napred-nazad i čvrsto zategnite četiri navrtke na sponi vešanja (dve sa svake strane).
	<ul style="list-style-type: none"> Platforma je oštećena ili ozbiljno pohabana. 	<ul style="list-style-type: none"> Pratite uputstva u odeljku „UKLANJANJE PLATFORME“ da biste zamenili platformu.
Kosilica ne malčira pravilno.	<ul style="list-style-type: none"> Mokra pokošena trava se lepi za donju stranu platforme. 	<ul style="list-style-type: none"> Sačekajte da se trava osuši pre košenja.
	<ul style="list-style-type: none"> Kosilica je postavljena da kosi suviše trave odjednom. 	<ul style="list-style-type: none"> Povećajte visinu košenja platforme.

PROBLEM	UZROK	REŠENJE
Dolazi do prekomernih vibracija.	<ul style="list-style-type: none"> Sečiva su labava. 	<ul style="list-style-type: none"> Zategnite zavrtnaj sečiva na preporučeni obrtni moment 50-55 Nm.
	<ul style="list-style-type: none"> Sečiva su iskrivljena. 	<ul style="list-style-type: none"> Zamenite iskrivljeno sečivo prateći uputstva u odeljku „ZAMENA SEČIVA“.
	<ul style="list-style-type: none"> Platforma nije nivelisana. 	<ul style="list-style-type: none"> Nivelišite platformu prateći uputstva u odeljku „NIVELISANJE PLATFORME“.
	<ul style="list-style-type: none"> Navrtke platforme su labave na sponi vešanja. 	<ul style="list-style-type: none"> Koristite francuski ključ od 18 mm (nije priložen) da biste zategnuli četiri navrtke na sponi vešanja (dve sa svake strane).
	<ul style="list-style-type: none"> Kosilica je postavljena da kosi suviše trave odjednom. 	<ul style="list-style-type: none"> Povećajte visinu košenja platforme.
Trava ili materijal ostaju na zemlji posle košenja.	<ul style="list-style-type: none"> Kosilica je postavljena da kosi suviše trave odjednom kad je trava visoka. 	<ul style="list-style-type: none"> Započnite sa velikom visinom košenja i smanjite je dok ne ostvarite željeni rezultat košenja. Trava viša od 15 cm treba se kositi dvaput, prvo na većoj pa onda na manjoj visini košenja.
	<ul style="list-style-type: none"> Trava je vlažna. 	<ul style="list-style-type: none"> Nemojte kositi kad je trava mokra, sve dok se ne osuši.
	<ul style="list-style-type: none"> Brzina vožnje je visoka. 	<ul style="list-style-type: none"> Smanjite brzinu vožnje.
	<ul style="list-style-type: none"> Brzina sečiva je niska. 	<ul style="list-style-type: none"> Postepeno povećavajte brzinu sečiva.
Kratko vreme rada kosilice sa priloženom baterijom.	<ul style="list-style-type: none"> Uslovi trave i postavka visine košenja će mnogo uticati na vreme rada baterije. Navedeno vreme rada je zasnovano na uslovima lakog opterećenja. 	<ul style="list-style-type: none"> Povećajte visinu košenja platforme i smanjite brzinu sečiva da biste smanjili opterećenje košenja.
Praćenje kosilice nije ravno.	<ul style="list-style-type: none"> Pritisak u gumama levog i desnog zadnjeg točka je različit. 	<ul style="list-style-type: none"> Proverite i podesite pritisak vazduha u obe gume zadnjih točkova, prema preporukama u odeljku „PROVERA PRITISKA GUMA“ u ovom priručniku.
	<ul style="list-style-type: none"> Brzina vožnje levog i desnog zadnjeg točka je različita. 	<ul style="list-style-type: none"> Kalibrišite sistem za praćenje kosilice prateći uputstva u odeljku „KALIBRISANJE SISTEMA ZA PRAĆENJE KOSILICE“.
Pedala parkirne kočnice ne može da se otpusti iz položaja kočenja ili se sporo vraća nazad.	<ul style="list-style-type: none"> Možda je prljavština ili zemlja ušla u pedalu parkirne kočnice. 	<ul style="list-style-type: none"> Otvorite kutiju pedale parkirne kočnice da biste temeljno očistili unutrašnjost kutije i potom je zatvorite. Ponovo postavite pedalu parkirne kočnice da biste videli da li je problem rešen. Ako nije, obratite se kvalifikovanom servisnom tehničaru radi popravke.

PROBLEM	UZROK	REŠENJE
Kosilica se ne može puniti preko porta za punjenje a indikator statusa kosilice svetli neprekidno crveno.	<ul style="list-style-type: none"> Utikač punjača nije pravilno umetnut u port za punjenje na kosilici. 	<ul style="list-style-type: none"> Ponovo spojite utikač punjača da biste videli da li kosilica može normalno da se puni.
	<ul style="list-style-type: none"> Nema struje u zidnoj utičnici. 	<ul style="list-style-type: none"> Nije potrebna nikakva radnja. Sačekajte da dođe struja.
	<ul style="list-style-type: none"> Kvar punjača. 	<ul style="list-style-type: none"> Obratite se kvalifikovanom servisnom tehničaru radi pregleda i popravke punjača ako bude potrebna.
	<ul style="list-style-type: none"> Port za punjenje na kosilici je defektan. 	<ul style="list-style-type: none"> Obratite se kvalifikovanom servisnom tehničaru radi popravke.
Vreme punjenja preko porta za punjenje kosilice je predugačko.	<ul style="list-style-type: none"> Korišćenje EGO adaptera ACA1000 za punjenje zahteva mnogo vremena. 	<ul style="list-style-type: none"> Koristite EGO punjač CHV1600E za direktno punjenje električne kosilice koja skreće u mestu.
Baterija se ne može napuniti do kraja preko porta za punjenje kosilice.	<ul style="list-style-type: none"> Kvar u firmveru traktorske kosilice ili kvar punjača/ baterije. 	<ul style="list-style-type: none"> Isključite punjač iz utičnice i pričekajte duže od 1 minuta, a zatim ponovo spojite utikač na izvor napajanja. Ako to ne uspe, obratite se kvalifikovanom servisnom tehničaru radi popravke.
Kosilica se ne može startovati nakon čišćenja.	<ul style="list-style-type: none"> Nepravilno čišćenje, poput dospevanja vode na električne komponente, LCD ekran itd. 	<ul style="list-style-type: none"> Pratite uputstva u odeljku „ČIŠĆENJE KOSILICE“ da biste pravilno očistili kosilicu.
Kosilica se lako zapuši.	<ul style="list-style-type: none"> Platforma kosilice je zapušena travom i prljavštinom. 	<ul style="list-style-type: none"> Ako je kosilicu slučajno uhvatila kiša, ostavite je duže od 12 sati da se suši ili koristite komprimovani vazduh da biste je osušili.
		<ul style="list-style-type: none"> Očistite platformu posle svake upotrebe, prateći odeljak „Korišćenje porta za pranje za čišćenje platforme“.
Kosilica lako gubi trakciju kad se penje uz nagib.	<ul style="list-style-type: none"> Gume na zadnjim točkovima su izlizane. 	<ul style="list-style-type: none"> Potražite lokalni servis koji će zameniti gume na točkovima.
	<ul style="list-style-type: none"> Oštar nagib košenja. 	<ul style="list-style-type: none"> Nagib košenja treba da bude manji od 12 stepeni.
Kad je kosilica stopirana na nagibu sa pritisnutom pedalom parkirne kočnice, kosilica može da klizi niz nagib.	<ul style="list-style-type: none"> Komponente kočnice su prekomerno pohabane zbog nepravilnog rukovanja kosilicom. 	<ul style="list-style-type: none"> Obratite se kvalifikovanom servisnom tehničaru radi popravke.
Voda ne izlazi iz porta za pranje kad se radi pranje platforme.	<ul style="list-style-type: none"> Brza spojnica za port za pranje nije montirana na svoje mesto na portu za pranje. 	<ul style="list-style-type: none"> Ponovo pričvrstite brzu spojnicu porta za pranje dok ne čujete jasno škljocanje nakon čvrstog guranja. Ako to ne uspe, obratite se kvalifikovanom servisnom tehničaru radi popravke.

PROBLEM	UZROK	REŠENJE
Čuje se abnormalan zvuk tokom ručnog guranja kosilice bez startovanja.	<ul style="list-style-type: none">▪ Zvuk dolazi iz magneta unutar pogonskog motora.	<ul style="list-style-type: none">▪ To je normalno i nije potrebna nikakva radnja.

KODOVI STATUSA KOSILICE ZA REFERENCE I GREŠKE

LCD ekran	Opis	Kod greške na LCD-u	Indikator statusa kosilice	Zvučni signal	Uzrok	Rešenje
	Ikonica za LED svetla je prikazana na LCD ekranu	Nije primenjivo	ISKLUČENO	Ne	Prednja, bočna i zadnja svetla se uključuju prekidačem LED svetla.	To je normalno funkcionisanje. Nije potrebna nikakva radnja.
	Ikonica za USB je prikazana na LCD ekranu	Nije primenjivo	ISKLUČENO	Ne	USB ikonica svetli da USB uređaj može da radi nakon što je kosilica pravilno startovana.	To je normalno funkcionisanje. Nije potrebna nikakva radnja.
	Ikonica za pokazivač goriva je prikazana na LCD ekranu	Nije primenjivo	ISKLUČENO	Ne	Označava prosečan kapacitet punjenja umetnutih baterija	To je normalno funkcionisanje. Nije potrebna nikakva radnja.
	Ikonica za brojač sati je prikazana na LCD ekranu	Nije primenjivo	ISKLUČENO	Ne	Prikazuje ukupno vreme vožnje kosilice, u satima, i ne može se resetovati.	To je normalno funkcionisanje. Nije potrebna nikakva radnja.
	Ikonica za indikator opterećenja je prikazana u ECO opsegu	Nije primenjivo	ISKLUČENO	Ne	Pokazuje trenutno opterećenje kosilice.	To je normalno funkcionisanje. Nije potrebna nikakva radnja.
	Indikator preopterećenja treperi.	Nije primenjivo	Bljeska crveno	Jedan zvuk	Motor sečiva je preopterećen.	Povećajte visinu košenja platforme ili smanjite brzinu vožnje da biste smanjili opterećenje na kosilicu.
	Ikonica za indikator opterećenja je prikazana u PWR opsegu.	Nije primenjivo	ISKLUČENO	Ne	Sigurnosni ključ nije umetnut.	Umetnite sigurnosni ključ a zatim pritisnite i držite START/STOP dugme duže od 3 sekunde da biste uključili kosilicu.
					LCD ekran ne dobija struju.	Popravke obavite kod kvalifikovanog servisnog tehničara.
	Ikonica za prazan odeljak baterije treperi.	Nije primenjivo	ISKLUČENO	Ne	Kapacitet baterija nije dovoljan da omogući rad traktorske kosilice.	Da biste startovali ovu kosilicu, neophodne su EGO baterije sa ukupno 15 Ah (2 X BA4200/BA4200T) ili više. Za najbolje performanse preporučujemo upotrebu EGO baterija sa ukupno 30 Ah ili više.

LCD ekran	Opis	Kod greške na LCD-u	Indikator statusa kosilice	Zvučni signal	Uzrok	Rešenje
	Ikonica termometra treperi.	Nije primenjivo	Bljeska crveno	Jedan zvuk	Kosilica je pregrejana.	Smanjite opterećenje kosilice tako što ćete povećati visinu platforme ili smanjiti brzinu sečiva/vožnje. Napravite pauzu i omogućite kosilici da se ohladi.
	Ikonica za pregrevanje i tačan zauzet odeljak baterije trepere istovremeno.	Nije primenjivo	Nije primenjivo	Ne	Baterija u odeljku za bateriju pod odgovarajućim brojem je pregrejana.	<p>1. Kosilica može nastaviti da radi ako je ukupni Ah baterija, izuzimajući pregrejanu bateriju, jednak ili veći od 15 Ah. Kad se pregrejana baterija vrati na normalnu temperaturu, odmah će se uključiti u napajanje kosilice.</p> <p>2. Ako je ukupni Ah baterija manji od 15 Ah, kosilica neće raditi dok se još baterija ne umetne u prazne odeljke za baterije.</p> <p>3. Smanjite opterećenje kosilice tako što ćete povećati visinu platforme ili usporiti košenje kad nastavite sa radom.</p>
	Ikonice svih zauzetih odeljaka baterija, indikator slabog napajanja, grafika baterija na pokazivaču goriva istovremeno trepere svake sekunde na LCD ekranu. Prvi segment LED pokazivača goriva i indikator statusa takođe trepere.	Nije primenjivo	Bljeska crveno	Nastavlja da se oglašava dok PTO prekidač ne bude pritisnut nadole.	Baterije su slabo napunjene i kosilica je u režimu odlaska kući.	<p>Stopirajte rad i vratite se na mesto punjenja baterije.</p> <p>NAPOMENA: Kad je kosilica u režimu odlaska kući, sečiva se automatski prebacuju u malu brzinu rotacije bez košenja trave a u međuvremenu će zvučni indikator nastaviti da se oglašava. Rukovalac treba da pritisne PTO prekidač nadole da bi deaktivirao sečiva platforme. Zvučni indikator će prestati da se oglašava nakon stopiranja sečiva.</p>
	Ikonica svakog zauzetog odeljka za bateriju i indikator slabog napajanja trepere svakih pola sekunde.	Nije primenjivo	ISKLJUČENO	Ne	Baterije su skoro ispražnjene.	Kosilica će momentalno stopirati rad. Rukovalac treba da transportuje kosilicu do mesta za punjenje baterije radi punjenja.

KEES VAN DER SPEK
TUINMACHINES * STOLWIJK

LCD ekran	Opis	Kod greške na LCD-u	Indikator statusa kosilice	Zvučni signal	Uzrok	Rešenje
	Ikonica automatskog parkiranja treperi na LCD-u.	Nije primenjivo	ISKLUČENO	Nastavlja da se oglašava	Kosilica je parkirana na nagibu a rukovalac je napustio kosilicu bez postavljanja pedale kočnice u položaj kočenja, samo sa polugama za upravljanje u otvorenom položaju.	Postavite pedalu kočnice u položaj kočenja. Ikonica automatskog parkiranja će se isključiti a zvučni indikator će prestati da se oglašava.
	Ikonica pedale kočnice je prikazana na LCD-u.	Nije primenjivo	ISKLUČENO	Ne	Pedala parkirne kočnice je postavljena u položaj kočenja.	Otpustite je pre startovanja kosilice.
	Ikonica senzora sedišta je prikazana na LCD-u.	Nije primenjivo	ISKLUČENO	Ne	Rukovalac je napustio sedišta ili je prekidač sedišta odvojen.	Ako je ikonica uključena dok sedite na sedištu, odmah stopirajte rad sa kosilicom i proverite vezu sedišta. Ako potvrdite da je veza sedišta sa kosilicom pravilna, obratite se kvalifikovanom servisnom tehničaru radi popravke.
	Ikonica PTO prekidača treperi.	Nije primenjivo	ISKLUČENO	Ne	Rad motora sečiva je prekinut a PTO prekidač nije postavljen u isključen položaj.	Pre restartovanja kosilice, pritisnite PTO prekidač nadole da biste otpustili motor platforme. Pogledajte odeljak „ REŠAVANJE PROBLEMA “ u ovom priručniku radi reference.
	Ikonica poluge upravljanja treperi.	Nije primenjivo	ISKLUČENO	Ne	Rad motora za vožnju je prekinut a poluge za upravljanje nisu postavljene u otvoren položaj.	Pre restartovanja kosilice, pomerite poluge za upravljanje u otvoreni položaj. Pogledajte odeljak „ REŠAVANJE PROBLEMA “ u ovom priručniku radi reference.
	Ikonica oporavka energije povremeno treperi.	Nije primenjivo	ISKLUČENO	Ne	Kinetička energija generisana tokom kočenja ili vožnje nizbrdo se pretvara u elektricitet za punjenje baterija.	To je normalno funkcionisanje. Nije potrebna nikakva radnja.

LCD ekran	Opis	Kod greške na LCD-u	Indikator statusa kosilice	Zvučni signal	Uzrok	Rešenje	
Pogledajte „Kod greške“	Levi motor za vožnju ne uspeva da se rotira.	PCBA kontrolisani levi motor za vožnju otkazuje.	413	ISKLJUČENO	Jedan zvuk	Otkazivanje PCBA	Popravke obavite kod kvalifikovanog servisnog tehničara.
		Utikač (trofazni, strujna žica) koji spaja levi motor za vožnju sa odgovarajućim PCBA je labav.	317	ISKLJUČENO	Jedan zvuk	Labava veza	
		Utikač (šest pinova, signalna žica) koji spaja levi motor za vožnju sa odgovarajućim PCBA je labav.	301	ISKLJUČENO	Jedan zvuk	Labava veza	
		Levi motor za vožnju otkazuje.	317	ISKLJUČENO	Jedan zvuk	Otkazivanje motora	
Pogledajte „Kod greške“	Desni motor za vožnju ne uspeva da se rotira.	PCBA kontrolisani desni motor za vožnju otkazuje.	313	ISKLJUČENO	Jedan zvuk	Otkazivanje PCBA	Popravke obavite kod kvalifikovanog servisnog tehničara.
		Utikač (trofazni, strujna žica) koji spaja desni motor za vožnju sa odgovarajućim PCBA je labav.	417	ISKLJUČENO	Jedan zvuk	Labava veza	
		Utikač (šest pinova, signalna žica) koji spaja desni motor za vožnju sa odgovarajućim PCBA je labav.	401	ISKLJUČENO	Jedan zvuk	Labava veza	
		Desni motor za vožnju otkazuje.	417	ISKLJUČENO	Jedan zvuk	Otkazivanje motora	

LCD ekran	Opis		Kod greške na LCD-u	Indikator statusa kosilice	Zvučni signal	Uzrok	Rešenje
Pogledajte „Kod greške“	Levi motor sečiva ne uspeva da se rotira.	PCBA kontrolisani levi motor sečiva otkazuje.	607	Nije primenjivo	Jedan zvuk	Otkazivanje PCBA	Popravke obavite kod kvalifikovanog servisnog tehničara.
		Utikač (trofazni, strujna žica) koji spaja levi motor za vožnju sa odgovarajućim PCBA je labav.	509	Nije primenjivo	Jedan zvuk	Labava veza	Prvo pregledajte sečivo. Ako je labavo, koristite moment ključ od 14 mm da biste zategnuli zavrtnj u smeru kazaljke na satu. Za zavrtnj sečiva se preporučuje 50-55 Nm. U suprotnom, obavite popravke kod kvalifikovanog servisnog tehničara.
		Levi motor sečiva otkazuje.	509	Nije primenjivo	Jedan zvuk	Otkazivanje motora	
Pogledajte „Kod greške“	Desni motor sečiva ne uspeva da se rotira.	PCBA kontrolisani desni motor sečiva otkazuje.	507	Nije primenjivo	Jedan zvuk	Otkazivanje PCBA	Popravke obavite kod kvalifikovanog servisnog tehničara.
		Utikač (trofazni, strujna žica) koji spaja desni motor za vožnju sa odgovarajućim PCBA je labav.	609	Nije primenjivo	Jedan zvuk	Labava veza	Prvo pregledajte sečivo. Ako je labavo, koristite moment ključ od 14 mm da biste zategnuli zavrtnj u smeru kazaljke na satu. Za zavrtnj sečiva se preporučuje 50-55 Nm. U suprotnom, obavite popravke kod kvalifikovanog servisnog tehničara.
		Desni motor sečiva otkazuje	609	Nije primenjivo	Jedan zvuk	Otkazivanje motora	
Pogledajte „Kod greške“	Leva poluga za upravljanje otkazuje.	PCBA koji kontroliše levu polugu za upravljanje otkazuje.	311 /412	ISKLUČENO	Jedan zvuk	Otkazivanje PCAB	Popravke obavite kod kvalifikovanog servisnog tehničara.
		Utikač koji povezuje kontrolni PCBA, smešten u šipki za upravljanje, je labav.				Labava veza	
Pogledajte „Kod greške“	Desna poluga za upravljanje otkazuje.	PCBA koji kontroliše desnu polugu za upravljanje otkazuje.	312 /411	ISKLUČENO	Jedan zvuk	Otkazivanje PCAB	Popravke obavite kod kvalifikovanog servisnog tehničara.
		Utikač koji povezuje kontrolni PCBA, smešten u šipki za upravljanje, je labav.				Labava veza	

LCD ekran	Opis		Kod greške na LCD-u	Indikator statusa kosilice	Zvučni signal	Uzrok	Rešenje
Pogledajte „Kod greške“	Parkirna kočnica otkazuje, alat se ne može voziti.	PCBA parkirne kočnice, koji je u sklopu prednjeg okvira, je pokvaren.	309 /409	ISKLUČENO	Jedan zvuk	Otkazivanje PCBA	Popravke obavite kod kvalifikovanog servisnog tehničara.
		Prekidač i/ili žica parkirne kočnice su pokvareni.	801	ISKLUČENO	Jedan zvuk	Otkazivanje žice/ prekidača	
ISKLUČENO	Greška porta za punjenje		Nije primenjivo	Neprekidno CRVENO	Nije primenjivo	Port za punjenje je u otvorenom strujnom kolu.	Popravke obavite kod kvalifikovanog servisnog tehničara.
			Nije primenjivo	Neprekidno CRVENO	Nije primenjivo	Nema napajanja.	Proverite da li zidna utičnica ima napajanje 220-240 V i da li je ispravna.
			Nije primenjivo	Neprekidno CRVENO	Nije primenjivo	Osigurač je pregoreo.	Popravke obavite kod kvalifikovanog servisnog tehničara.
Pogledajte „Kod greške“	Greška porta za punjenje		204	Nije primenjivo	Jedan zvuk	Port za punjenje je u otvorenom strujnom kolu.	
Pogledajte „Kod greške“	Sklop kutije baterije ne funkcioniše		217	Nije primenjivo	Jedan zvuk	Izvor napajanja iz sklopa kutije baterije je pokvaren. LED prednja svetla i USB neće raditi.	Popravke obavite kod kvalifikovanog servisnog tehničara.
			310 /410	ISKLUČENO	Jedan zvuk	Veza između žica tipa C u sklopu kutije baterije i drugih žica tipa C na kosilici ne funkcioniše.	
			201 /202 /203	ISKLUČENO	Jedan zvuk	BMS u sklopu kutije baterije je pokvaren.	
Pogledajte „Kod greške“	Greška start/stop prekidača		314 /414	ISKLUČENO	Jedan zvuk	Otkazivanje PCBA prekidača ili loša žična veza za start/stop prekidač.	Popravke obavite kod kvalifikovanog servisnog tehničara.
Pogledajte „Kod greške“	Greška LCD ekrana		315 /415	ISKLUČENO	Jedan zvuk	LCD sklop je pokvaren ili je žična veza LCD sklopa loša.	Popravke obavite kod kvalifikovanog servisnog tehničara.

GARANCIJA

EGO POLITIKA GARANCIJE

Posetite veb-lokaciju egopowerplus.com za potpune uslove i odredbe EGO politike garancije.

KEES VAN DER SPEK
TUINMACHINES ★ STOLWIJK

PROČITAJTE UPUTSTVO U CIJELOSTI!



PROČITAJTE PRIRUČNIK ZA RUKOVAOCA

⚠ Preostale opasnosti! Osobe s elektroničkim uređajima poput srčanih elektrostimulatora prije upotrebe ovog proizvoda trebaju se posavjetovati sa svojim ljekarom. Rad električne opreme u neposrednoj blizini srčanih elektrostimulatora može uzrokovati smetnju ili kvar srčanog elektrostimulatora.

SIGURNOSNI SIMBOL

Svrha sigurnosnih simbola je skretanje pažnje na moguće opasnosti. Sigurnosni simboli i njihova objašnjenja zahtijevaju vašu potpunu pažnju i razumijevanje. Simboli upozorenja sami po sebi ne isključuju opasnost. Uputstva i upozorenja koja pružaju nisu zamjena za propisne mjere za prevenciju nesreća.

⚠ UPOZORENJE! Prije upotrebe ovog alata pobrinite se da sva sigurnosna uputstva u ovom korisničkom priručniku, uključujući sve sigurnosne simbole kao što su “**OPASNOST**”, “**UPOZORENJE**” i “**OPREZ**” pročitate s razumijevanjem. Zanemarivanje svih uputstava navedenih u nastavku može rezultirati strujnim udarom, požarom i/ili teškim tjelesnim povredama.

ZNAČENJE SIMBOLA

Na ovoj stranici slikovno su prikazani i objašnjeni sigurnosni simboli koji se mogu pojaviti na ovom proizvodu. Prije pokušaja sastavljanja i rukovanja, s razumijevanjem pročitate sva uputstva na proizvodu i pridržavajte ih se.

SIGURNOSNI SIMBOLI



Simbol upozorenja



Zaštita za oči



OPASNOST – Opasnost od strmih nagiba!



Nemojte nikada prevoziti djecu.



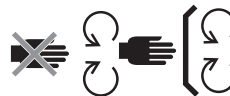
UPOZORENJE! Ovu mašinu nemojte upotrebljavati na nagibima većim od 12°.



UPOZORENJE – DRŽITE PODALJE ŠAKE I STOPALA.



S razumijevanjem pročitate korisnički priručnik.



Održavajte sigurnosne uređaje.



OPASNOST – Prisutne osobe držite podalje od noževa.



Uvijek gledajte iza sebe tokom vožnje unazad.



OPASNOST – Odbačeni predmeti!



Zagarantovani nivo zvučne snage. U skladu s Direktivom Evropske unije.



Nemojte upotrebljavati kosilicu kao stepenicu.



Ovaj proizvod je u skladu s primjenjivim Direktivama EU.



Istosmjerna struja

kPa

Kilopaskal

V

Volt

in

Inč

Nm

Njutnmetar

°C

Celzijus

km/h

Kilometri po satu



Otpadni električni proizvodi ne smiju se odlagati s otpadom iz domaćinstva. Odnosite ih u ovlašteni centar za reciklažu.



OPREZ - Nemojte gledati u radnu svjetiljku.



Ovaj proizvod je u skladu s važećim zakonodavstvom Velike Britanije.

o/min

Okretaji u minuti

m

Metri

cm

Centimetri

mm

Milimetri

kg

Kilogram

IPX4

Stepen zaštite od prodiranja

TEHNIČKI PODACI

Napon	56 V	
Veličina trupa	107 cm	
Veličina točka	Prednja strana	279,4 mm (11 x 4 in)
	Stražnja strana	457,2 mm (18 x 8,5 in)
Pritisak u hladnim gumama	Prednja strana	220 kPa
	Stražnja strana	50 kPa
Radius okretanja	0	
Brzina noža (o/min)	2400, 2600, 2800, 3000	
Maks. Maks. brzina vožnje (km/h)	Naprijed	4,8 km/h, 8 km/h, 9,6 km/h, 11,2 km/h (12,8 km/h u režimu vožnje)
	Unazad	do 5,6 km/h

Punjenje	Punjač (opcija)	CHV1600E
	Adapter (opcija)	ACA1000
	Raspon temperature punjenja	5°C - 40°C
Podešavanje visine košnje (10 položaja)		25 - 100 mm
Radna temperatura		0°C - 40°C
Temperatura skladištenja		-20°C - 70°C
Masa (bez kompleta baterija)		186 kg
Izmjereni nivo zvučne snage L_{WA}		96,44 dB(A) K=0,68 dB(A)
Nivo zvučnog pritiska kod uha rukovaoca L_{PA}		84,3 dB(A) K=3,0 dB(A)
Zagarantovani nivo zvučne snage L_{WA} (izmjereno u skladu s Direktivom 2000/14/EZ)		100 dB(A)
Vibracije a_h	Šaka	1,221 m/s ² K=1,5 m/s ²
	Tijelo	0,568 m/s ² K=1,5 m/s ²

- Deklarisane ukupne vrijednosti vibracija izmjerene su u skladu sa standardnom metodom ispitivanja i mogu se primjenjivati za poređenje jednog alata s drugim.
- Deklarisane ukupne vrijednosti vibracija mogu se primjenjivati i u preliminarnoj procjeni izloženosti.

NAPOMENA! Emisija vibracija tokom aktuelne upotrebe električnog alata može se razlikovati od deklarisanе vrijednosti u kojoj se alat upotrebljavao; Korisnik radi zaštite treba nositi rukavice i štitnike za uši u aktuelnim uslovima upotrebe.

OPIS

UPOZNAJTE ELEKTRIČNU KOSILICU S NULTIM OKRETOM (sl. A1 i A2)

1. Sjedište
2. Priključak za punjenje
3. Pretinac za baterije
4. LED stražnja svjetla
5. Kutija za skladištenje
6. Držač za čaše
7. LED bočna svjetla
8. Stražnji točak (pogonski točak)
9. Ploča
10. Štitnik ploče
11. Anti-scalp točak
12. Prednji točak
13. Papučica parkirne kočnice
14. Radna svjetla
15. Prednja LED svjetla
16. Bočni izlazni otvor
17. Ručica za podešavanje visine ploče
18. Okretno dugme za podešavanje amortizacije sjedišta
19. Ručica za podešavanje sjedišta naprijed i nazad
20. Upravljačka ručica
21. Indikator stanja kosilice
22. LCD ekran
23. PTO prekidač
24. Dugme za pokretanje/zaustavljanje
25. Sigurnosni ključ
26. Kutija za odlaganje telefona
27. Mjerač goriva i indikator stanja kosilice

- 27a. Indikator mjerača goriva kosilice
- 27b. Indikator stanja kosilice
28. Područje za spuštanje stopala
29. Dugme za otpuštanje poklopca jedinice napajanja
30. Poklopac jedinice napajanja
31. Dugme za oslobađanje baterije
32. Kuka za vuču
33. Poklopac za montažu priključka
34. Prostor za skladištenje poklopca za montažu priključka
35. USB priključak

UPOZNAJTE LCD EKTRAN I DUGMAD (sl. A3)

Više informacija o ikonama i indikatorima na LCD zaslonu potražite u odjeljku "REFERENCE O STANJU KOSILICE I KODOVI GREŠKI".

1. Ikona sigurnosnog ključa
2. Ikona LED svjetala
3. Ikona funkcije automatskog parkiranja
4. Ikona USB priključka
5. Indikator brzine noža
6. Indikator statusa sigurnosnog uređaja
7. Brojač sati
8. Ikona baterije
9. Ikona pregrijavanja
10. Režim vožnje
11. Indikator koda greške
12. Indikator preopterećenja
13. Indikator niskog nivoa napunjenosti
14. Indikator brzine vožnje
15. Indikator opterećenja
16. Dugme za podešavanje brzine noža
17. Dugme za podešavanje
18. Dugme za režim vožnje
19. Prekidač za LED svjetla
20. Dugme za podešavanje brzine vožnje
21. Mjerač goriva

OTPAKIVANJE

NAPOMENA! Ambalažu čuvajte dok pažljivo ne pregledate proizvod i ne budete zadovoljni radom proizvoda. Ako su na mašini postavljeni dijelovi iz sadržaja pakovanja, odmah se obratite EGO servisnoj službi.

NAPOMENA! Osim alata iz sadržaja pakovanja u nastavku, svi drugi alati navedeni u priručnicima samo su preporučeni i nisu uključeni u sadržaj isporuke.

SADRŽAJ PAKOVANJA (sl. B1)

B1-1	Električna kosilica s nultim okretom	B1-7	Sigurnosni ključevi
B1-2	Sjedište	B1-8	Viljuškasti i okasti ključevi (13 mm)
B1-3	Utični priključak za malčiranje	B1-9	Inbus ključ
B1-4	Upravljačka ručica	B1-10	Brza spojnica priključka za pranje
B1-5	Inbus vijci (2 rezervna)	B1-11	Korisnički priručnik
B1-6	Šesterostrane osovinice (2 rezervne)		

OTPAKIVANJE (sl. B2 - sl. B3)

PREPORUČENI PRIBOR

⚠ UPOZORENJE! Upotrebljavajte samo identične zamjenske dijelove navedene u nastavku. Upotreba dijelova koji ne ispunjavaju zahtjeve specifikacija originalne opreme može rezultirati nepropisnim radnim učinkom i nedovoljnom sigurnošću.

NAZIV DIJELA	BROJ MODELA
Standardni nož	AB4200
Nož za visoko podizanje	AB4201
Utični priključak za malčiranje	AMP4200
Komplet sakupljača trave	ABK4200-A

SASTAVLJANJE

POSTAVLJANJE SJEDIŠTA (sl. C1 i C2)

⚠ UPOZORENJE! Sigurnosni sistem zaključavanja ne smije se odspojiti niti zaobići. Ako to učinite, kosilica bi mogla početi neočekivano raditi, što može rezultirati tjelesnim povredama.

NAPOMENA! Radi vaše sigurnosti, moguće je da se vožnja kosilice zaustavi jer se prekidač sjedišta odspojio tokom vožnje. U tom slučaju, više informacija potražite u odjeljku "OTKLANJANJE PROBLEMA".

C1-1	Kabel	C1-5	Inbus vijci
C1-2	Utikač	C2-1	Kuka
C1-3	Utičnica	C2-2	Čelične vodilice
C1-4	Postolje za amortizaciju	C2-3	Inbus vijci

POSTAVLJANJE UPRAVLJAČKIH RUČICA (sl. C3)

C3-1	Upravljačke ručice	C3-3	Rupe za montažu upravljačke ručice
C3-2	Šesterostrane osovinice		

POSTAVLJANJE UTIČNOG PRIKLJUČKA ZA MALČIRANJE (sl. C4)

C4-1	Bočni izlazni otvor	C4-3	Uklonjiva opruga
C4-2	Utični priključak za malčiranje		

RAD

PRIJE UPOTREBE KOSILICE

Provjera okruženja

- Pobrinite se da iz radnog područja udaljite djecu, prisutne osobe i kućne ljubimce.
- Radno područje očistite od predmeta koje bi noževi kosilice mogli odbaciti.
- Provjerite i uvjerite se da je stanje LED svjetala propisno:
 - Prednjim svjetlima, bočnim svjetlima i stražnjim svjetlima upravlja se pomoću prekidača za LED svjetla.
 - Radna svjetla uvijek držite uključena tokom vožnje.
 - Ako su stražnja svjetla isključena tokom vožnje unazad, treperit će da upozore prisutne osobe; ako su stražnja svjetla uključena, ostat će uključena.
 - Sva svjetla automatski se isključuju ako nema aktivnosti duže od 3 minute.

Provjera pritiska u hladnim gumama (sl. D1)

Provjera stanja kosilice i nivoa napunjenosti baterije

a. Indikator mjerača goriva kosilice (sl. A2 - 27a)

Svaki segment indikatora mjerača goriva kosilice prikazuje 20% nivoa napunjenosti ugrađenih kompleta baterija.

NAPOMENA! Indikator mjerača goriva kosilice i mjerač goriva na LCD ekranu prikazuju prosječan kapacitet ugrađenih kompleta baterija.

b. Indikator stanja kosilice (sl. A1 i sl. A2 - 27b)

Ako indikator stanja svijetli zeleno, kosilica je spremna za vožnju. Ako to nije slučaj, pogledajte odjeljak "REFERENCE O STANJU KOSILICE I KODOVI GREŠKI"

Testiranje sigurnosnog sistema zaključavanja (sl. D2 - sl. D8)

NAPOMENA! Prije testiranja rukovalac mora biti na sjedištu.

- Prije testiranja (sl. D2 - sl. D4)
- Za testiranje sistema ploče i noža (sl. D5) polako ustanite.
- Za testiranje sistema vožnje (sl. D6 - sl. D8) polako ustanite.

Ako se sistem ploče i noža i/ili sistem vožnje ne zaustave kada rukovalac ustane sa sjedišta i ako se uzrok ne može utvrditi nakon što se uvjerite da je utikač sjedišta pravilno priključen u utičnicu, odmah se obratite EGO servisnom centru za korisnike.

PODEŠAVANJE (sl. E1 - sl. E13)

Priprema (sl. E1 - sl. E5)

Podešavanje visine rezne ploče (sl. E6)

Podešavanje anti-scalp točkova (sl. E7 - sl. E10)

E7-1	Anti-scalp točak	E9-2	Sidrena osovinica
E9-1	Matica	E10-1	Oznaka visine ploče

Podešavanje sjedišta (sl. E11)

Prije rada s kosilicom podesite položaj sjedišta tako da imate siguran kontakt s papučicom parkirne kočnice. Podešavanjem amortizacije sjedišta možete postići najviši nivo udobnosti na sjedištu.

E11-1	Ručica za podešavanje sjedišta naprijed i nazad	E11-2	Okretno dugme za podešavanje amortizacije sjedišta
-------	---	-------	--

Podešavanje parkirne kočnice (sl. E12 - sl. E13)

E13-1	Položaj kočenja	E13-2	Položaj otpuštanja
-------	-----------------	-------	--------------------

PUNJENJE (sl. F1 - sl. F11)

Za pokretanje ove kosilice potrebne su EGO baterije ukupnog kapaciteta od 15 Ah (2 X BA4200/BA4200T) ili više. Za najbolji radni učinak, preporučujemo upotrebu EGO baterija ukupnog kapaciteta od 30 Ah ili više.

Upotrebljavajte samo preporučene komplete baterija i punjače. (sl. F9 i F10)

Priprema za punjenje (sl. F1 - sl. F4)

Zasebno punjenje kompleta baterija (sl. F5 - sl. F9)

F5-1	Dugme za otpuštanje poklopca	F7-1	Dugme za oslobađanje baterije
------	------------------------------	------	-------------------------------

- Postavljanje kompleta baterija (sl. F5 - sl. F6)
- Skidanje kompleta baterija (sl. F7 - sl. F8)

NAPOMENA! Komplete baterija punite u skladu s odgovarajućim priručnicima za bateriju i punjač.

Punjenje kompleta baterija putem priključka za punjenje (sl. F10)

F10-1	Kapica za zaštitu od prašine	F10-2	Priključak za punjenje
-------	------------------------------	-------	------------------------

POKRETANJE ELEKTRIČNE KOSILICE S NULTIM OKRETOM (sl. A4 - sl. A5 i sl. G1 - sl. G6)

⚠ UPOZORENJE! Izbjegavajte nagla pokretanja, zaustavljanja, skretanja i prekomjernu brzinu, a posebno kada prvi put učite da rukujete kosilicom. Kosilica se može brzo zavrtjeti, što može uzrokovati gubitak kontrole i teške povrede i/ili oštećenja.

⚠ UPOZORENJE! Prije pokretanja kosilice provjerite i uvjerite se da su noževi deaktivirani kada pritisnete PTO prekidač. Ako se noževi ne zaustave, nemojte upotrebljavati kosilicu i odmah se obratite EGO korisničkoj službi.

NAPOMENA! Za postavljanje najniže brzine vožnje i **STANDARDNOG** režima vožnje postupite prema sl. A4 i sl. G2 tako da možete potpuno upravljati kosilicom u svim situacijama. Brzina vožnje i režim vožnje aktiviraju se samo kada su točkovi kosilice zaustavljeni i kada su upravljačke ručice otvorene.

Nakon ponovnog pokretanja kosilica će spremirati i prikazati prethodnu postavku.

Režim vožnje

- **KONTROLNI:** Manje ubrzanje, manje osjetljivo rukovanje i niža brzina okretanja za zaštitu travnjaka i za nove korisnike.
- **STANDARDNI:** Savršen za svakodnevnu upotrebu.
- **SPORTSKI:** Veće ubrzanje, precizno rukovanje i oštro okretanje za maksimalnu učinkovitost košnje i za ljubitelje košnje.

Podešavanje brzine vožnje (sl. A4)

Podešavanje brzine noža (sl. A5)

NAPOMENA! Kada je kosilica u režimu rada "KRETANJE", pritisnite "↶" i brzina vožnje će se vratiti u prethodni režim rada.

USB priključak

NAPOMENA! USB priključak omogućuje punjenje istosmjernom strujom od 5 V uz kombinovanu potrošnju energije do 1,5 ampera i napaja se samo kada je kosilica pokrenuta.

ZAUSTAVLJANJE ELEKTRIČNE KOSILICE S NULTIM OKRETOM (sl. H1 - sl. H6)

NAPOMENA! Kosilica se automatski isključuje ako nema aktivnosti duže od 60 minute.

Režim rada bez košnje

Kada nivo napunjenosti baterije postane nizak, kosilica prelazi u režim rada bez košnje:

- Kosilica će automatski prestati kositi travu;
- Indikator zvučnog signala nastavit će se oglašavati;
- Indikator stanja kosilice će treperiti crveno svake sekunde, prvi segment mjerača goriva kosilice će treperiti crveno, a indikator niskog nivoa napunjenosti baterije i grafički prikaz baterije na mjeraču goriva će treperiti.

Rukovalac bi trebao uraditi sljedeće:

- Pritisnite PTO prekidač (sl. H3) prema dolje da deaktivirate noževe. Indikator zvučnog signala više se ne oglašava kada se nož zaustavi;
- Što je moguće prije prestanite raditi i idite u područje za punjenje baterije. Maksimalna udaljenost koju kosilica može preći je 1000 m.

Kada je baterija skoro prazna, ikona za svaki zauzeti pretinac za bateriju i indikator niskog nivoa napunjenosti baterije trepere svakih pola sekunde. Kosilica će odmah prestati raditi. Rukovalac kosilicu treba transportovati do područja za punjenje baterije radi punjenja.

Ručno guranje

Ako je potrebno ručno guranje, uvjerite se da su baterije odspojene od kosilice i da je papučica parkirne kočnice otpuštena iz položaja kočenja.

VOŽNJA ELEKTRIČNE KOSILICE S NULTIM OKRETOM (sl. I1 - sl. I9)

Za zaustavljanje, smanjenje ili povećanje brzine polako promijenite udaljenost između upravljačke ručice i neutralnog položaja.

⚠ OPASNOST! Održavajte minimalnu udaljenost od dvije širine košnje (2,14 m) od jaraka, kosina ili vode. Kada se kosilica zaustavi, čak i s aktiviranom kočnicom, prednji točkovi se mogu okretati i uzrokovati pad kosilice preko ruba ili u vodu, što može rezultirati smrću i teškim tjelesnim povredama.

⚠ UPOZORENJE! Prije vožnje unazad, pazite na predmete koji se nalaze iza kosilice. NEMOJTE kositi unazad, osim ako je to apsolutno neophodno. Prije i za vrijeme vožnje unazad uvijek gledajte dolje i iza sebe da budete sigurni da u području košnje nema djece, prisutnih osoba ili kućnih ljubimaca. Imajte na umu da je za smrtni ishod ili nanošenje teških povreda dovoljan samo djelić sekunde nepažnje.

⚠ UPOZORENJE! Ovu mašinu nemojte upotrebljavati na javnim cestama.

⚠ UPOZORENJE! Ako dođe do začepljenja ili ako udarite o strani predmet, zaustavite motore i izvadite baterije. Uklonite komadiće trave, lišće, prljavštinu i ostale nakupljene naslage; dobro pregledajte je li kosilica oštećena i popravite oštećenje prije ponovnog pokretanja kosilice i rukovanja kosilicom.

ODRŽAVANJE

⚠ UPOZORENJE! Uvijek nosite zaštitne naočale s bočnim štitnicima. Nepostupanje u skladu s tim može rezultirati odbacivanjem predmeta u oči i drugim mogućim teškim povredama.

⚠ UPOZORENJE! Pri obavljanju radova održavanja na nožu kosilice uvijek zaštitite ruke nošenjem čvrstih rukavica ili umotajte noževe krpama ili drugim materijalom. Za radove servisiranja ili transport kosilice uvijek izvucite sigurnosni ključ i izvadite kompletne baterije.

Interval radova održavanja	Postupak održavanja
Prije svake upotrebe ili svaki dan	<ul style="list-style-type: none"> ▪ Provjerite sigurnosni sistem zaključavanja. ▪ Vizuelno provjerite je li guma ispuhana. ▪ Pregledajte jesu li noževi istrošeni, napuknuti ili savijeni. ▪ Pregledajte cijeli proizvod na postojanje oštećenih, nedostajućih ili otpuštenih dijelova, kao što su bočni izlazni otvor, vijci, matice, osovinice, kapice, itd. i uvjerite se da su svi štitnici na svom mjestu i da propisno rade. ▪ Provjerite rad kočnice.
Nakon svake upotrebe	<ul style="list-style-type: none"> ▪ Očistite trup kosilice.
Svakih 25 sati	<ul style="list-style-type: none"> ▪ Provjerite pritisak u gumama.
Svakih 50 sati	<ul style="list-style-type: none"> ▪ Provjerite stanje masti u prirubnici reznog noža.
Svakih 100 sati	<ul style="list-style-type: none"> ▪ Provjerite stražnje točkove i provjerite jesu li 4 matice točka pritegnute preporučenim momentom pritezanja.
Svakih 200 sati	<ul style="list-style-type: none"> ▪ Provjerite prednje točkove i provjerite da li se slobodno okreću.

Godišnje	<ul style="list-style-type: none"> ▪ Provjerite papučicu parkirne kočnice. Izvadite bateriju iz kosilice i postavite papučicu parkirne kočnice u položaj kočenja. Ručno gurnite kosilicu naprijed kako biste vidjeli može li se pomicati ili ne. Ako se kosilica pomakne, servisiranje prepustite kvalifikovanom servisnom tehničaru.
----------	--

ČIŠĆENJE KOSILICE (sl. J1 - sl. J9)

Priprema (sl. J1 - sl. J5)

Čišćenje kućišta kosilice (sl. J6 - sl. J7)

Upotreba priključka za pranje za čišćenje trupa kosilice (sl. J8 - sl. J9)

J8-1	Priključak za pranje	J8-3	Vrtno crijevo
J8-2	Brza spojnica priključka za pranje		

NAPOMENA! Nakon čišćenja pritisnite PTO prekidač prema dolje da deaktivirate noževe kosilice.

ODRŽAVANJE TRUPA KOSILICE I REZNIH NOŽEVA

Priprema (sl. K1 - sl. K6)

Uklanjanje trupa kosilice (sl. K7 - sl. K8)

K7-1	Kabel motora	K7-3	Spojni element sistema amortizacije
K7-2	Rascjepka		

NAPOMENA! Prilikom uklanjanja trupa kosilice odspojite kablove motora i uklonite rascjepke s obje strane.

Zamjena reznih noževa (sl. K9 - sl. K11)

K9-1	Stabilizator	K10-3	Nož
K10-1	Osovinica	K10-4	Prirubnica
K10-2	Podloška	K10-5	Osovina motora

Nivelisanje trupa kosilice

- Kada je nivelisanje potrebno (sl. K12 - sl. K14)**
- Prije nivelisanja**

- Provjerite pritisak u hladnim gumama (sl. K15).
- Provjerite rezne noževe. Uklonite istrošene, napuknute i/ili savijene noževe i po potrebi ih zamijenite.
- c. **Priprema za nivelisanje (sl. K16 - sl. K21)**
- d. **Postupak nivelisanja**
 - **Bočno podešavanje (sl. K22)**

Razlika između udaljenosti H1 i H2, mjereno od donjeg ruba svakog noža do tla, treba biti u okviru od 5 mm.

K22-1	Niskoprofilna matica
-------	----------------------

- **Podešavanje s prednje strane prema stražnjoj strani (sl. K23)**

Prednji vrh H3 noža treba bi biti 2 mm do 10 mm niži od stražnjeg vrha H4.

KALIBRACIJA SISTEMA NAVOĐENJA KOSILICE (sl. L1 - sl. L6 i sl. L7 - sl. L12)

NAPOMENA! Indikator zvučnog signala oglašava se jednom pri pokretanju kalibracije i jednom po završetku kalibracije.

VRAĆANJE KOSILICE NA TVORNIČKE POSTAVKE (sl. M1 - sl. M4)

NAPOMENA! Indikator zvučnog signala oglašava se jednom pri pokretanju postupka vraćanja na tvorničke postavke i jednom po završetku postupka vraćanja na tvorničke postavke.

SKLADIŠTENJE I TRANSPORT

TRANSPORT KOSILICE (sl. N1 - sl. N11)

NAPOMENA! Ako je potrebno, kosilicu učvrstite trakama ili užadima da spriječite pomicanje tokom transporta. Prilikom utovara i istovara kosilice nemojte prekoračiti preporučeni maksimalni radni ugao od 12° između utovarne platforme i tla.

SKLADIŠTENJE (sl. O1 - sl. O6)

NAPOMENA! Izvadite kompletne baterije i skladištite baterije u skladu s odgovarajućim priručnicima.

Prije skladištenja kosilicu čistite i pregledajte, pogledajte odjeljke “ČIŠĆENJE KOSILICE” i “PREPORUČENI RASPORED ODRŽAVANJA”.


Zaštita životne sredine




WEEE (električna i elektronička oprema koja više nije iskoristiva) Električnu opremu, iskorištenu bateriju i punjač nemojte odlagati u kućni otpad! Ovaj proizvod odnesite u ovlašteni centar za reciklažu i time omogućite odvojeno sakupljanje. Električne alate potrebno je vratiti u ekološki prihvatljiv pogon za reciklažu.

KEES VAN DER SPEK
TUINMACHINES * STOLWIJK

OTKLANJANJE PROBLEMA

PROBLEM	UZROK	RJEŠENJE
<p>Električnu kosilicu s nultim okretom nije moguće voziti kada se na početku dvije upravljačke ručice gurnu prema naprijed ili natrag.</p>  <p>Ikona upravljačke ručice treperi.</p>	<ul style="list-style-type: none"> Ukupna vrijednost Ah ugrađenih baterija je manja od 15 Ah. 	<ul style="list-style-type: none"> Za pokretanje ove kosilice potrebne su EGO baterije ukupnog kapaciteta od 15 Ah (2 X BA4200/BA4200T) ili više. Za najbolji radni učinak, preporučujemo upotrebu baterija ukupnog kapaciteta od 30 Ah ili više.
	<ul style="list-style-type: none"> Papučica parkirne kočnice je postavljena u položaj kočenja. 	<ul style="list-style-type: none"> Potpuno pritisnite papučicu parkirne kočnice da je oslobodite iz položaja kočenja.
	<ul style="list-style-type: none"> Upravljačke ručice nisu u otvorenom položaju pri pokretanju kosilice. 	<ul style="list-style-type: none"> Vratite upravljačke ručice u otvoreni položaj i ponovo pokrenite kosilicu.
	<ul style="list-style-type: none"> Rukovalac ne sjedi na sjedištu. 	<ul style="list-style-type: none"> Rukovalac može upravljati kosilicom samo ako pravilno sjedi na sjedištu.
	<ul style="list-style-type: none"> Prekidač sjedišta nije pravilno spojen. 	<ul style="list-style-type: none"> Izvadite bateriju iz kosilice i demontirajte sjedište redoslijedom obrnutim od redoslijeda iz uputa u odjeljku "POSTAVLJANJE SJEDIŠTA" u ovom priručniku da pregledate spoj prekidača sjedišta. Ponovo postavite sjedište i pratite upute iz odjeljka "POKRETANJE ELEKTRIČNE KOSILICE S NULTIM OKRETOM" da ponovo pokrenete kosilicu i vidite može li se pokrenuti. Ako to nije slučaj, obratite se kvalifikovanom servisnom tehničaru radi popravka.
	<ul style="list-style-type: none"> U vrlo hladnim vremenskim uslovima funkcija vožnje možda se neće uspješno pokrenuti zbog zaštite od niske temperature. 	<ul style="list-style-type: none"> Kosilicu i bateriju uvijek skladištite u toplom okruženju. Kosilicu ponovo pokrenite kada se zagrije. Izbjegavajte ponavljane pokušaje u vrlo hladnim vremenskim uslovima jer time možete oštetiti mašinu. Preporučena radna temperatura je od 0°C do 40°C.
<p>Električna kosilica s nultim okretom prestaje s vožnjom.</p>	<ul style="list-style-type: none"> Upravljačke ručice je potrebno "resetovati". 	<ul style="list-style-type: none"> Vratite upravljačke ručice u otvoreni položaj i ponovo pokrenite kosilicu.
	<ul style="list-style-type: none"> Električne upravljačke komponente upravljačkih ručica su neispravne. 	<ul style="list-style-type: none"> Obratite se kvalifikovanom servisnom tehničaru radi popravka.
	<ul style="list-style-type: none"> Prekidač sjedišta se odspojio tokom vožnje po neravnom terenu. 	<ul style="list-style-type: none"> Izvadite bateriju iz kosilice i demontirajte sjedište redoslijedom obrnutim od redoslijeda iz uputa u odjeljku "POSTAVLJANJE SJEDIŠTA" u ovom priručniku da pregledate spoj prekidača sjedišta. Ponovo postavite sjedište i pratite upute iz odjeljka "POKRETANJE ELEKTRIČNE KOSILICE S NULTIM OKRETOM" da ponovo pokrenete kosilicu i vidite može li se pokrenuti. Ako to nije slučaj, obratite se kvalifikovanom servisnom tehničaru radi popravka.

PROBLEM	UZROK	RJEŠENJE
Brzinu vožnje/režim vožnje nije moguće podesiti tokom vožnje.	<ul style="list-style-type: none"> Ovo je funkcija električne kosilice s nultim okretom za sigurnu vožnju. 	<ul style="list-style-type: none"> Funkcija se aktivira se samo kada su točkovi kosilice zaustavljeni i kada su upravljačke ručice otvorene.
<p>Električna kosilica s nultim okretom ne pokreće noževe kada se aktivira PTO prekidač.</p>  Ikona PTO prekidača treperi.	<ul style="list-style-type: none"> Ukupna vrijednost Ah ugrađenih baterija je manja od 15 Ah. 	<ul style="list-style-type: none"> Za pokretanje ove kosilice potrebne su EGO baterije ukupnog kapaciteta od 15 Ah (2 X BA4200/BA4200T) ili više. Za najbolji radni učinak, preporučujemo upotrebu baterija ukupnog kapaciteta od 30 Ah ili više.
	<ul style="list-style-type: none"> PTO prekidač nije pritisnut prema dolje pri zadnjem zaustavljanju kosilice. 	<ul style="list-style-type: none"> Pritisnite PTO prekidač prema dolje i ponovo pokrenite noževe kosilice.
	<ul style="list-style-type: none"> Kosilica je preopterećena pri pokretanju noževa, što je rezultiralo aktivacijom funkcije samozaštite motora. 	<ul style="list-style-type: none"> Kosilicu najprije pokrenite s nižom brzinom noža sve dok se noževi ne počnu uspješno okretati. Nemojte povećavati brzinu noža prema potrebi.
	<ul style="list-style-type: none"> U vrlo hladnim vremenskim uslovima motor noža možda se neće uspješno pokrenuti zbog zaštite od niske temperature. 	<ul style="list-style-type: none"> Kosilicu i bateriju uvijek skladištite u toplom okruženju. Kosilicu ponovo pokrenite kada se zagrije. Izbjegavajte ponavljane pokušaje u vrlo hladnim vremenskim uslovima jer time možete oštetiti mašinu. Preporučena radna temperatura je od 0°C do 40°C.
	<ul style="list-style-type: none"> Nož udara o deformisani trup kosilice. 	<ul style="list-style-type: none"> Obratite se kvalifikovanom servisnom tehničaru radi popravka.

PROBLEM	UZROK	RJEŠENJE
Noževi prestaju raditi tokom košnje trave.	<ul style="list-style-type: none"> ▪ Kosilica je preopterećena. 	<ul style="list-style-type: none"> ▪ Povećajte visinu košnje trupa kosilice ili smanjite brzinu vožnje da smanjite opterećenje kosilice.
	<ul style="list-style-type: none"> ▪ Trup kosilice je začepljen travom i naslagama. 	<ul style="list-style-type: none"> ▪ Očistite trup kosilice i vodite računa da se noževi mogu slobodno kretati.
	<ul style="list-style-type: none"> ▪ Kosilica se pregrijava. 	<ul style="list-style-type: none"> ▪ Smanjite opterećenje kosilice povećanjem visine košnje trupa kosilice ili usporavanjem brzine noža/vožnje i pričekajte da se kosilica ohladi.
	<ul style="list-style-type: none"> ▪ Kompleti baterija u pretincu za baterije kosilice su pregriyani, tako da je ukupna vrijednost Ah svih ugrađenih baterija manja od 15 Ah. 	<ol style="list-style-type: none"> 1. Ako je ukupna vrijednost Ah baterije manja od 15 Ah, kosilica neće raditi sve dok se dodatni kompleti baterija ne umetnu u prazne pretince za baterije. Čim se pregrijana baterija vrati na normalnu temperaturu, odmah će napajati kosilicu. 2. Smanjite opterećenje kosilice povećanjem visine košnje trupa kosilice ili usporavanjem postupka košnje kada nastavljate s radom.
	<ul style="list-style-type: none"> ▪ Kosilica je u režimu rada bez košnje. 	<ul style="list-style-type: none"> ▪ Kada je kosilica u režimu rada bez košnje, noževi se automatski prebacuju na malu brzinu okretanja bez košenja trave. Rukovalac bi trebao što je moguće prije da prestane raditi i da ode u područje za punjenje baterije.
	<ul style="list-style-type: none"> ▪ Kosilica je udarila o strani predmet, što je rezultiralo aktivacijom funkcije samozaštite motora. 	<ul style="list-style-type: none"> ▪ Pritisnite PTO prekidač prema dolje i ponovo pokrenite noževe kosilice.
Indikator zvučnog signala nastavlja se oglašavati.	<ul style="list-style-type: none"> ▪ Kosilica je u režimu rada bez košnje, a noževi nisu isključeni. 	<ul style="list-style-type: none"> ▪ Pritisnite PTO prekidač prema dolje da deaktivirate noževe trupa kosilice. Indikator zvučnog signala više se ne oglašava kada se nož zaustavi.
	<ul style="list-style-type: none"> ▪ Kosilica se zaustavlja na nagibu, a rukovalac otvara upravljačke ručice i napušta sjedište bez postavljanja papučice parkirne kočnice u položaj kočenja. 	<ul style="list-style-type: none"> ▪ Prije nego što kosilicu ostavite na nagibu, postavite papučicu parkirne kočnice u položaj kočenja.

PROBLEM	UZROK	RJEŠENJE
Indikatori baterije ostaju uključeni nakon isključivanja kosilice.	<ul style="list-style-type: none"> Ako se kosilica isključi na ravnom tlu, a da se iz nje ne izvade kompleti baterija, indikatori baterije će svijetliti 3 minute. 	<ul style="list-style-type: none"> Radnja nije potrebna. Indikatori baterije isključit će se nakon određenog vremena.
	<ul style="list-style-type: none"> Ako se kosilica isključi na nagibu bez postavljanja papučice parkirne kočnice u položaj kočenja, indikatori baterije će svijetliti dok se baterija ne isprazni. Indikator zvučnog signala istovremeno se nastavlja oglašavati. 	<ul style="list-style-type: none"> Prije nego što alat ostavite na nagibu, postavite papučicu parkirne kočnice u položaj kočenja.
LCD ekran ne svijetli sa svim uključenim ikonama.	<ul style="list-style-type: none"> Pritisak na dugme za pokretanje/zaustavljanje traje kraće od 3 sekunde. 	<ul style="list-style-type: none"> Na LCD ekranu prikazuje se "Mjerač goriva" samo kada se kratko pritisne dugme za pokretanje/zaustavljanje. LCD ekran se uključuje kada se dugme za pokretanje/zaustavljanje pritisne 3 sekunde.
Kosilica kosi neravnomjerno, sa značajnom razlikom u visini s prednje strane prema stražnjoj strani.	<ul style="list-style-type: none"> Noževi su tupi. 	<ul style="list-style-type: none"> Rezni nož naoštrite ili zamijenite kako je navedeno u ovom priručniku.
	<ul style="list-style-type: none"> Noževi su savijeni. 	<ul style="list-style-type: none"> Savijeni rezni nož zamijenite prema uputama u odjeljku "ZAMJENA REZNIH NOŽEVA".
	<ul style="list-style-type: none"> Trup kosilice nije nivelisan, što rezultira različitim visinama reznih noževa. 	<ul style="list-style-type: none"> Trup kosilice izbalansirajte prema uputama u odjeljku "NIVELISANJE TRUPA KOSILICE".
Stvarna visina košnje trave ne odgovara navedenoj visini.	<ul style="list-style-type: none"> Matice trupa kosilice na spojnom elementu sistema amortizacije su otpuštene. 	<ul style="list-style-type: none"> Za pravilno podešavanje prednje strane prema stražnjoj strani za trup kosilice i dobro pritezanje četiriju matica na spojnom elementu sistema amortizacije (po dvije sa svake strane) pratite upute u odjeljku "NIVELISANJE TRUPA KOSILICE".
	<ul style="list-style-type: none"> Trup kosilice je oštećen ili veoma istrošen. 	<ul style="list-style-type: none"> Za zamjenu trupa kosilice pratite upute u odjeljku "UKLANJANJE TRUPA KOSILICE".
Kosilica ne malčira pravilno.	<ul style="list-style-type: none"> Mokri komadići trave lijepe se za donju stranu trupa. 	<ul style="list-style-type: none"> Prije košnje pričekajte da se trava posuši.
	<ul style="list-style-type: none"> Kosilica je postavljena za košnju prevelike količine trave odjednom. 	<ul style="list-style-type: none"> Povećajte visinu košnje trupa kosilice.

PROBLEM	UZROK	RJEŠENJE
Pojavljaju se prevelike vibracije.	<ul style="list-style-type: none"> Rezni noževi su otpušteni. 	<ul style="list-style-type: none"> Pritegnite osovinicu noža preporučenim momentom pritezanja od 50 - 55 Nm.
	<ul style="list-style-type: none"> Noževi su savijeni. 	<ul style="list-style-type: none"> Savijeni rezni nož zamijenite prema uputama u odjeljku "ZAMJENA REZNIH NOŽEVA".
	<ul style="list-style-type: none"> Trup kosilice nije iznivelisan. 	<ul style="list-style-type: none"> Trup kosilice izbalansirajte prema uputama u odjeljku "NIVELISANJE TRUPA KOSILICE".
	<ul style="list-style-type: none"> Matice trupa kosilice na spojnom elementu sistema amortizacije su otpuštene. 	<ul style="list-style-type: none"> Za pritezanje četiriju matice na spojnom elementu sistema amortizacije (po dvije sa svake strane) upotrijebite viljuškasti i okasti ključ od 18 mm (nije u sadržaju isporuke).
	<ul style="list-style-type: none"> Kosilica je postavljena za košnju prevelike količine trave odjednom. 	<ul style="list-style-type: none"> Povećajte visinu košnje trupa kosilice.
Nakon košnje na tlu ima trave ili naslaga.	<ul style="list-style-type: none"> Kosilica je postavljena za košnju prevelike količine trave odjednom kad je trava visoka. 	<ul style="list-style-type: none"> Počnite s velikom visinom košnje i smanjite je dok se ne postigne željeni rezultat košnje. Travu visoku više od 6 inča potrebno je kositi dva puta, s uzastopno nižim visinama košnje.
	<ul style="list-style-type: none"> Trava je mokra. 	<ul style="list-style-type: none"> Nemojte kositi kada je trava mokra dok se ne posuši.
	<ul style="list-style-type: none"> Brzina vožnje je visoka. 	<ul style="list-style-type: none"> Smanjite brzinu vožnje.
	<ul style="list-style-type: none"> Brzina noža je niska. 	<ul style="list-style-type: none"> Postepeno povećavajte brzinu noža.
Kratko vrijeme rada kosilice s isporučenom baterijom.	<ul style="list-style-type: none"> Stanje trave i postavka visine košnje imaju veliki uticaj na vrijeme rada baterije. Navedeno vrijeme rada zasniva se na malom opterećenju. 	<ul style="list-style-type: none"> Povećajte visinu košnje trupa kosilice i smanjite brzinu noža da smanjite opterećenje pri košnji.
Kosilica se ne kreće ravno.	<ul style="list-style-type: none"> Pritisak u gumama za lijevi i desni stražnji točak je različit. 	<ul style="list-style-type: none"> Provjerite pritisak zraka u gumama stražnjih točkova i podesite ga prema preporuci u odjeljku "PROVJERA PRITISKA U GUMAMA" u ovom priručniku.
	<ul style="list-style-type: none"> Brzina vožnje za lijevi i desni stražnji točak je različita. 	<ul style="list-style-type: none"> Obavite kalibraciju sistema navođenja kosilice prema uputama u odjeljku "KALIBRACIJA SISTEMA NAVOĐENJA KOSILICE".
Papučica parkirne kočnice ne može se otpustiti iz položaja kočenja ili se sporo vraća.	<ul style="list-style-type: none"> U papučicu parkirne kočnice možda su dospjele naslage ili prljavština. 	<ul style="list-style-type: none"> Otvorite kućište papučice parkirne kočnice da ga dobro očistite, a zatim ga ponovo zatvorite. Ponovo postavite papučicu parkirne kočnice da vidite je li problem riješen. Ako to nije slučaj, obratite se kvalifikovanom servisnom tehničaru radi popravka.

PROBLEM	UZROK	RJEŠENJE
Kosilica se ne može puniti pomoću priključka za punjenje kada indikator stanja kosilice svijetli crveno.	<ul style="list-style-type: none"> Utikač punjača nije pravilno umetnut u priključak za punjenje na kosilici. 	<ul style="list-style-type: none"> Ponovo spojite utikač punjača da vidite može li se kosilica normalno puniti.
	<ul style="list-style-type: none"> U zidnim utičnicama nema struje. 	<ul style="list-style-type: none"> Radnja nije potrebna. Pričekajte da se napajanje povraća.
	<ul style="list-style-type: none"> Punjač je neispravan. 	<ul style="list-style-type: none"> Obratite se kvalifikovanom servisnom tehničaru radi pregleda i po potrebi popravite punjač.
	<ul style="list-style-type: none"> Priključak za punjenje na kosilici je neispravan. 	<ul style="list-style-type: none"> Obratite se kvalifikovanom servisnom tehničaru radi popravka.
Vrijeme punjenja putem priključka za punjenje kosilice je predugo.	<ul style="list-style-type: none"> Punjenje s EGO adapterom ACA1000 traje predugo. 	<ul style="list-style-type: none"> Za direktno punjenje električne kosilice s nultim okretom upotrebljavajte EGO punjač CHV1600E.
Baterija se ne može potpuno napuniti putem priključka za punjenje kosilice.	<ul style="list-style-type: none"> Greška firmvera kosilice za vožnju ili kvar punjača/baterije. 	<ul style="list-style-type: none"> Isključite punjač iz strujnog napajanja i pričekajte duže od 1 minutu, a zatim ponovo utaknite utikač u strujnu utičnicu. Ako to ne uspije, obratite se kvalifikovanom servisnom tehničaru radi popravka.
Kosilicu nije moguće pokrenuti nakon čišćenja.	<ul style="list-style-type: none"> Nepropisno čišćenje, poput vode prolivene po električnim komponentama, LCD ekranu, itd. 	<ul style="list-style-type: none"> Za pravilno čišćenje kosilice pratite upute u odjeljku "ČIŠĆENJE KOSILICE".
Kosilica se može lako začepiti.	<ul style="list-style-type: none"> Trup kosilice je začepljen travom i naslagama. 	<ul style="list-style-type: none"> Ako kosilica slučajno pokisne, pričekajte duže od 12 sati da se osuši ili je osušite komprimiranim zrakom.
		<ul style="list-style-type: none"> Trup kosilice očistite nakon svake upotrebe kako je opisano u odjeljku "Upotreba priključka za pranje za čišćenje trupa kosilice".
Kosilica lako gubi vuču pri vožnji uz nagib.	<ul style="list-style-type: none"> Gume na stražnjim točkovima su istrošene. 	<ul style="list-style-type: none"> Za zamjenu guma točka obratite se lokalnoj servisnoj službi.
	<ul style="list-style-type: none"> Veliki nagib za košnju. 	<ul style="list-style-type: none"> Nagib košenja treba biti manji od 12 stepeni.
Ako se zaustavi na nagibu s pritisnutom papučicom parkirne kočnice, kosilica može skliznuti niz nagib.	<ul style="list-style-type: none"> Komponente kočnice su previše istrošene zbog nepravilnog rukovanja kosilicom. 	<ul style="list-style-type: none"> Obratite se kvalifikovanom servisnom tehničaru radi popravka.
Prilikom pranja trupa kosilice voda ne izlazi iz priključka za pranje.	<ul style="list-style-type: none"> Brza spojnica priključka za pranje nije postavljena na priključak za pranje. 	<ul style="list-style-type: none"> Ponovo pričvrstite brzu spojnicu priključka za pranje tako da osjetite jasno klikanje nakon jakog pritiska. Ako to ne uspije, obratite se kvalifikovanom servisnom tehničaru radi popravka.

PROBLEM	UZROK	RJEŠENJE
Kada se kosilica ručno gura bez pokretanja, čuje se neuobičajeni zvuk.	<ul style="list-style-type: none">▪ Zvuk dolazi od magneta u pogonskom motoru.	<ul style="list-style-type: none">▪ To je uobičajena pojava i nije potrebna nikakva radnja.

REFERENCA STANJA KOSILICE I KOD GREŠKE

LCD zaslon	Opis	Kod greške na LCD ekranu	Indikator stanja kosilice	Zujalica	Uzrok	Rješenje
	Na LCD ekranu prikazuje se ikona LED svjetala.	Nije primjenjivo.	ISKLJUČENO	Ne	Prednja svjetla, bočna svjetla i stražnja svjetla uključuju se pomoću prekidača za LED svjetla.	Ovo je uobičajeni rad. Radnja nije potrebna.
	Na LCD ekranu prikazuje se ikona USB priključka.	Nije primjenjivo.	ISKLJUČENO	Ne	Ikona USB priključka svijetli i ukazuje da USB uređaj može raditi nakon pravilnog pokretanja kosilice.	Ovo je uobičajeni rad. Radnja nije potrebna.
	Na LCD ekranu prikazuje se ikona mjerača goriva.	Nije primjenjivo.	ISKLJUČENO	Ne	Prikazuje prosječni kapacitet punjenja ugrađenih baterija.	Ovo je uobičajeni rad. Radnja nije potrebna.
	Na LCD ekranu prikazuje se ikona brojača sati.	Nije primjenjivo.	ISKLJUČENO	Ne	Prikazuje ukupno vrijeme vožnje kosilice u satima i ne može se resetovati.	Ovo je uobičajeni rad. Radnja nije potrebna.
	U ECO području prikazuje se ikona indikatora opterećenja.	Nije primjenjivo.	ISKLJUČENO	Ne	Prikazuje trenutno opterećenje kosilice.	Ovo je uobičajeni rad. Radnja nije potrebna.
	Indikator preopterećenja treperi. U PWR području prikazuje se ikona indikatora opterećenja.	Nije primjenjivo.	Treperi crveno.	Jedan zvučni signal	Motor noža je preopterećen.	Povećajte visinu košnje trupa kosilice ili smanjite brzinu vožnje da smanjite opterećenje kosilice.
	Ikona sigurnosnog ključa treperi.	Nije primjenjivo.	ISKLJUČENO	Ne	Sigurnosni ključ nije umetnut.	Umetnite sigurnosni ključ, a zatim pritisnite dugme za POKRETANJE/ZAUSTAVLJANJE i držite ga pritisnutim duže od 3 sekunde da uključite kosilicu.
					LCD ekran se ne napaja.	Popravke prepustite kvalifikovanom servisnom tehničaru.
	Ikona praznog pretinca za baterije treperi.	Nije primjenjivo.	ISKLJUČENO	Ne	Kapacitet baterije nije dovoljan da se omogući rad s vožnjom na kosilici.	Za pokretanje ove kosilice potrebne su EGO baterije ukupnog kapaciteta od 15 Ah (2 X BA4200/BA4200T) ili više. Za najbolji radni učinak, preporučujemo upotrebu EGO baterija ukupnog kapaciteta od 30 Ah ili više.

LCD zaslon	Opis	Kod greške na LCD ekranu	Indikator stanja kosilice	Zujalica	Uzrok	Rješenje
	Ikona termometra treperi.	Nije primjenjivo.	Treperi crveno.	Jedan zvučni signal	Kosilica se pregrijava.	Smanjite opterećenje kosilice povećanjem visine košnje trupa kosilice ili usporavanjem brzine noža/vožnje. Napravite pauzu i pričekajte da se kosilica ohladi.
	Ikona pregrijavanja i tačno zauzeti pretinac za bateriju istovremeno trepere.	Nije primjenjivo.	Nije primjenjivo.	Ne	Komplet baterija u pretincu za baterije s odgovarajućim brojem se pregrijava.	<p>1. Kosilica može nastaviti raditi ako je ukupna vrijednost Ah baterije, isključujući pregrijane baterije, 15 Ah ili više. Čim se pregrijana baterija vrati na normalnu temperaturu, odmah će napajati kosilicu.</p> <p>2. Ako je ukupna vrijednost Ah baterije manja od 15 Ah, kosilica neće raditi sve dok se dodatni kompleti baterija ne umetnu u prazne pretince za baterije.</p> <p>3. Smanjite opterećenje kosilice povećanjem visine košnje trupa kosilice ili usporavanjem postupka košnje kada nastavljate s radom.</p>
	Ikone za svaki zauzeti pretinac za baterije, indikator niskog nivoa napunjenosti, grafički prikaz baterije i mjerač goriva istovremeno trepere na LCD ekranu svake sekunde. Trepere i prvi segment LED indikatora mjerača goriva i indikator stanja.	Nije primjenjivo.	Treperi crveno.	Zvučni signal oglašava se do pritiska na PTO prekidač.	Nivo napunjenosti kompleta baterija je nizak i kosilica je u režimu rada bez košnje.	<p>Prestanite raditi i vratite se u područje za punjenje baterije.</p> <p>NAPOMENA! Kada je kosilica u režimu rada bez košnje, noževi se automatski prebacuju na malu brzinu okretanja bez košenja trave, a u međuvremenu će se nastaviti oglašavati zvučni indikator. Rukovalac treba pritisnuti PTO prekidač prema dolje da deaktivira noževe trupa kosilice. Zvučni indikator prestaje se oglašavati nakon zaustavljanja noža.</p>

LCD zaslon	Opis	Kod greške na LCD ekranu	Indikator stanja kosilice	Zujalica	Uzrok	Rješenje
	Ikona za svaki zauzeti pretinac za bateriju i indikator niskog nivoa napunjenosti trepere svakih pola sekunde.	Nije primjenjivo.	ISKLJUČENO	Ne	Kompleti baterija su se skoro ispraznili.	Kosilica će odmah prestati raditi. Rukovalac kosilicu treba transportovati do područja za punjenje baterije radi punjenja.
	Na LCD ekranu treperi ikona funkcije automatskog parkiranja.	Nije primjenjivo.	ISKLJUČENO	Zvučni signal i dalje se oglašava.	Kosilica je parkirana na nagibu, a rukovalac napušta kosilicu bez postavljanja papučice kočnice u položaj kočenja, već samo s upravljačkim ručicama u otvorenom položaju.	Postavite papučicu kočnice u položaj kočenja. Ikona funkcije automatskog parkiranja će se isključiti, a zvučni indikator će se prestati oglašavati.
	Na LCD ekranu prikazuje se ikona papučice kočnice.	Nije primjenjivo.	ISKLJUČENO	Ne	Papučica parkirne kočnice je postavljena u položaj kočenja.	Otpustite ga prije pokretanja kosilice.
	Na LCD ekranu prikazuje se ikona senzora sjedišta.	Nije primjenjivo.	ISKLJUČENO	Ne	Rukovalac napušta sjedište ili je prekidač sjedala odspojen.	Ako se ikona uključi kada rukovalac sjedi na sjedištu, odmah obustavite rad s kosilicom i provjerite priključak sjedišta. Ako je priključak sjedišta s kosilicom potvrđen kao ispravan, obratite se kvalifikovanom servisnom tehničaru radi popravka.
	Ikona PTO prekidača treperi.	Nije primjenjivo.	ISKLJUČENO	Ne	Došlo je do prekida rada motora noža, a PTO prekidač nije postavljen u položaj isključivanja.	Prije ponovnog pokretanja kosilice, pritisnite PTO prekidač prema dolje da deaktivirate motor trupa kosilice. Više informacija potražite u odjeljku "OTKLANJANJE PROBLEMA" u ovom priručniku.
	Ikona upravljačke ručice treperi.	Nije primjenjivo.	ISKLJUČENO	Ne	Došlo je do prekida rada pogonskog motora, a upravljačke ručice nisu postavljene u otvoreni položaj.	Prije ponovnog pokretanja kosilice pomaknite upravljačke ručice u otvoreni položaj. Više informacija potražite u odjeljku "OTKLANJANJE PROBLEMA" u ovom priručniku.

LCD zaslon	Opis	Kod greške na LCD ekranu	Indikator stanja kosilice	Zujalica	Uzrok	Rješenje	
	Ikona za obnovu energije povremeno treperi.	n/a	ISKLJUČENO	Ne	Kinetička energija proizvedena pri kočenju ili vožnji nizbrdo pretvara se u električnu energiju za punjenje kompleta baterija.	Ovo je uobičajeni rad. Radnja nije potrebna.	
Pogledajte odjeljak "Kod kvara".	Lijevi pogonski motor se ne okreće.	Lijevi pogonski motor s PCBA upravljanjem ne radi.	413	ISKLJUČENO	Jedan zvučni signal	Kvar PCBA	Popravke prepustite kvalifikovanom servisnom tehničaru.
		Utikač (trofazni, strujni kabel) koji spaja lijevi pogonski motor s odgovarajućom PCBA-om je otpušten.	317	ISKLJUČENO	Jedan zvučni signal	Otpušteni priključak	
		Utikač (šestopinski, signalni kabel) koji spaja lijevi pogonski motor s odgovarajućom PCBA-om je otpušten.	301	ISKLJUČENO	Jedan zvučni signal	Otpušteni priključak	
		Lijevi pogonski motor ne radi.	317	ISKLJUČENO	Jedan zvučni signal	Kvar motora	

KEES VAN DER SPEK
TECHNISCHE BUREAU

LCD zaslon	Opis	Kod greške na LCD ekranu	Indikator stanja kosilice	Zujalica	Uzrok	Rješenje	
Pogledajte odjeljak "Kod kvara".	Desni pogonski motor se ne okreće.	Desni pogonski motor s PCBA upravljanjem ne radi.	313	ISKLUČENO	Jedan zvučni signal	Kvar PCBA	Popravke prepustite kvalifikovanom servisnom tehničaru.
		Utikač (trofazni, strujni kabel) koji spaja desni pogonski motor s odgovarajućom PCBA-om je otpušten.	417	ISKLUČENO	Jedan zvučni signal	Otpušteni priključak	
		Utikač (šestopinski, signalni kabel) koji spaja desni pogonski motor s odgovarajućom PCBA-om je otpušten.	401	ISKLUČENO	Jedan zvučni signal	Otpušteni priključak	
		Desni pogonski motor ne radi.	417	ISKLUČENO	Jedan zvučni signal	Kvar motora	
Pogledajte odjeljak "Kod kvara".	Motor lijevog noža se ne okreće.	Motor lijevog noža s PCBA upravljanjem ne radi.	607	Nije primjenjivo.	Jedan zvučni signal	Kvar PCBA	Popravke prepustite kvalifikovanom servisnom tehničaru.
		Utikač (trofazni, strujni kabel) koji spaja lijevi pogonski motor s odgovarajućom PCBA-om je otpušten.	509	Nije primjenjivo.	Jedan zvučni signal	Otpušteni priključak	Najprije pregledajte nož. Ako je osovinica otpuštena, upotrijebite moment ključ od 14 mm i pritegnite je u smjeru kretanja kazaljki na satu. Preporučeni moment pritezanja za osovinicu noža je 50 - 55 Nm. U suprotnom, popravke prepustite kvalifikovanom servisnom tehničaru.
		Motor lijevog noža ne radi.	509	Nije primjenjivo.	Jedan zvučni signal	Kvar motora	

LCD zaslon	Opis		Kod greške na LCD ekranu	Indikator stanja kosilice	Zujalica	Uzrok	Rješenje
Pogledajte odjeljak "Kod kvara".	Motor desnog noža se ne okreće.	Motor desnog noža s PCBA upravljanjem ne radi.	507	Nije primjenjivo.	Jedan zvučni signal	Kvar PCBA	Popravke prepustite kvalifikovanom servisnom tehničaru.
		Utikač (trofazni, strujni kabel) koji spaja desni pogonski motor s odgovarajućom PCBA-om je otpušten.	609	Nije primjenjivo.	Jedan zvučni signal	Otpušteni priključak	Najprije pregledajte nož. Ako je osovinica otpuštena, upotrijebite moment ključ od 14 mm i pritegnite je u smjeru kretanja kazaljki na satu. Preporučeni moment pritezanja za osovinicu noža je 50 - 55 Nm. U suprotnom, popravke prepustite kvalifikovanom servisnom tehničaru.
		Motor desnog noža ne radi.	609	Nije primjenjivo.	Jedan zvučni signal	Kvar motora	Popravke prepustite kvalifikovanom servisnom tehničaru.
Pogledajte odjeljak "Kod kvara".	Lijeva upravljačka ručica ne radi.	Lijeva upravljačka ručica s PCBA upravljanjem ne radi.	311 /412	ISKLJUČENO	Jedan zvučni signal	Kvar PCBA	Popravke prepustite kvalifikovanom servisnom tehničaru.
		Utikač koji spaja PCBA upravljanje na upravljaču je otpušten.				Otpušteni priključak	
Pogledajte odjeljak "Kod kvara".	Desna upravljačka ručica ne radi.	Desna upravljačka ručica s PCBA upravljanjem ne radi.	312 /411	ISKLJUČENO	Jedan zvučni signal	Kvar PCBA	Popravke prepustite kvalifikovanom servisnom tehničaru.
		Utikač koji spaja PCBA upravljanje na upravljaču je otpušten.				Otpušteni priključak	
Pogledajte odjeljak "Kod kvara".	Parkirna kočnica ne radi, alat se ne može pogoniti.	PCBA parkirne kočnice koji se nalazi u sklopu prednjeg okvira je u kvaru.	309 /409	ISKLJUČENO	Jedan zvučni signal	Kvar PCBA	Popravke prepustite kvalifikovanom servisnom tehničaru.
		Prekidač i/ili kabel parkirne kočnice je u kvaru.	801	ISKLJUČENO	Jedan zvučni signal	Kvar kabela/prekidača	

LCD zaslon	Opis	Kod greške na LCD ekranu	Indikator stanja kosilice	Zujalica	Uzrok	Rješenje
ISKLJUČENO	Kvar priključka za punjenje	Nije primjenjivo.	Svijetli CRVENO.	Nije primjenjivo.	Priključak za punjenje je u otvorenom krugu.	Popravke prepustite kvalifikovanom servisnom tehničaru.
		Nije primjenjivo.	Svijetli CRVENO.	Nije primjenjivo.	Nema strujnog napajanja.	Provjerite je li napajanje zidne utičnice od 220 V - 240 V ili je li utičnica u dobrom stanju.
		Nije primjenjivo.	Svijetli CRVENO.	Nije primjenjivo.	Osigurač je pregorio.	Popravke prepustite kvalifikovanom servisnom tehničaru.
Pogledajte odjeljak "Kod kvara".	Kvar priključka za punjenje	204	Nije primjenjivo.	Jedan zvučni signal	Priključak za punjenje je u otvorenom krugu.	
Pogledajte odjeljak "Kod kvara".	Sklop pretinca za baterije ne radi.	217	Nije primjenjivo.	Jedan zvučni signal	Izvor napajanja iz sklopa pretinca za baterije je u kvaru. LED prednja svjetla i USB ne rade.	Popravke prepustite kvalifikovanom servisnom tehničaru.
		310 /410	ISKLJUČENO	Jedan zvučni signal	Spoj između kabela tipa C sklopa pretinca za baterije i ostalih kabela tipa C kosilice je neispravan.	
		201 /202 /203	ISKLJUČENO	Jedan zvučni signal	BMS sklopa pretinca za baterije je u kvaru.	
Pogledajte odjeljak "Kod kvara".	Kvar prekidača za pokretanje/zaustavljanje	314 /414	ISKLJUČENO	Jedan zvučni signal	Kvar prekidača PCBA ili loš kablovski spoj za prekidač za pokretanje/ zaustavljanje.	Popravke prepustite kvalifikovanom servisnom tehničaru.
Pogledajte odjeljak "Kod kvara".	Kvar LCD ekrana	315 /415	ISKLJUČENO	Jedan zvučni signal	Kvar sklopa LCD-a ili loš kablovski spoj sklopa LCD-a.	Popravke prepustite kvalifikovanom servisnom tehničaru.

GARANCIJA

POLITIKA GARANCIJE PROIZVOĐAČA EGO

Za sve odredbe i uslove politike garancije proizvođača EGO posjetite internetsku stranicu egopowerplus.com

קראו את כל ההוראות!



קראו את מדריך ההוראות

⚠ סיכון שיורי! אנשים בעלי מכשירים חשמליים כגון קוצבי לב, צריכים להתייעץ עם הרופא(ים) המטפל(ים) בהם לפני השימוש במכשיר זה. הפעלה של ציוד חשמלי בקרבת קוצבי לב עלולה להפריע לפעולת הקוצב או אפילו להפסיק את פעולתו.

סמל בטיחות

מטרתם של סימני הבטיחות היא למשוך את תשומת לבכם אל סכנות אפשריות. סימני הבטיחות וההסברים שלהם דורשים את תשומת הלב וההבנה המלאות שלכם. סימני הבטיחות בעצמם לא ימנעו כל סכנה. ההוראות והאזהרות אותן הם מספקים לא תחלפנה נקיטת אמצעי מניעה מתאימים בעת תאונה.

⚠ אזהרה: וודאו שאתם קוראים ומבינים את כל ההוראות הבטיחות המופיעות במדריך זה למשתמש, כולל את כל סימני התראות הבטיחות כגון „סכנה“, „אזהרה“ ו-„זהירות“ לפני השימוש במכשיר זה. אי מילוי אחר כל ההוראות המופיעות למטה יכול לגרום להלם חשמלי, שרפה ו/או פציעות אישיות חמורות.

פירוש הסימן

עמוד זה מציין ומתאר את סימני הבטיחות העשויים להופיע על גבי המוצר. קראו, הבינו ועקבו אחר ההוראות המופיעות על המכשיר לפני כל ניסיון להרכיב ולהשתמש בו.

KEES VAN DER SPEK
TUINMACHINES * STOLWIJK

סימני בטיחות

קראו והבינו את המדריך למפעיל		התראת בטיחות	
שמרו על התקני הבטיחות		מגני עיניים	
סכנה - הרחיקו עוברי אורח מהלהבים		סכנה - סכנת מדרון תלול	
הסתכלו אחורה כאשר אתם נוסעים לאחור.		לעולם אין להרכיב ילדים	
סכנה - חפצים מושלכים		אזהרה - אל תשתמש במכונה בשיפועים הגדולים מ- 12°	
רמת עוצמת קול מובטחת. בהתאם לתקנת האיחוד האירופי.		אזהרה - הרחיקו ידיים ורגליים	

אין לזרוק מוצרים חשמליים
כחלק מאשפה ביתית. הביאו את
המכשיר למרכז מחזור מוסמך.



אזהרה - אל תביט על נורית
ההפעלה למשך זמן ממושך.



מוצר זה תואם לחוקים הרלוונטיים
בבריטניה.



סיבובים לדקה

סל"ד

מטרים

מטר

סנטימטרים

ס"מ

מילימטרים

מ"מ

קילוגרם

ק"ג

רמת הגנת כניסה

IPX4

אין לדרוך



מוצר זה תואם לתקנות ה-EC
הרלוונטיות



זרם ישיר



קילו-פסקל

kPa

וולט

V

אינץ'

אינץ'

ניוטון-מטר

ננומטר

צלזיוס

°C

ק"מ לשעה

קמ"ש

מפרטים

-20°C - 70°C	טמפרטורת אחסון	
186 ק"ג	משקל (ללא מארז סוללה)	
96.44 dB(A) K=0.68 dB(A)	רמת עוצמת קול נמדדת L _{WA}	
84.3 dB(A) K=3.0 dB(A)	רמת לחץ קול באוזן המפעיל L _{PA}	
100 dB(A)	רמת עוצמת קול מובטחת L _{WA} (נמדדת על פי EC/2000/14)	
1.221 מ'²/שנייה² 1.5=K מ'²/שנייה²	י"ד	רטט a _h
0.568 מ'²/שנייה² 1.5=K מ'²/שנייה²	גוף	

■ ערך הרטט הכללי המוצהר נמדד בהתאם לשיטת בדיקה סטנדרטית וניתן להשתמש בו על מנת להשוות ציוד אחד עם ציוד אחר;

■ ניתן להשתמש בערך הרטט הכללי המוצהר בהערכה ראשונית של חשיפה.

הודעה: פליטת הרטט בעת השימוש המעשי בכלי יכולה להיות שונה מן הערך המוצהר כאשר הכלי נמצא בשימוש; על מנת להגן על המפעיל, על המשתמש ללבוש כפפות ומגני אוזניים בעת השימוש למעשה.

56V	מתח חשמלי	
107 ס"מ	גודל משטח	
11 x 4 אינץ' (279.4 מ"מ)	קדמי	גודל גלגל
18 x 8.5 אינץ' (457.2 מ"מ)	אחורי	
220 kPa	קדמי	לחץ גלגל קר
50 kPa	אחורי	
0	רדיוס סיבוב	
2800, 2600, 2400, 3000	מהירות להב (סל"ד)	
4.8 קמ"ש, 8 קמ"ש, 9.6 קמ"ש, 11.2 קמ"ש, 12.8 קמ"ש (בדגם Travel)	קדימה	מקסימום מהירות נסיעה (קמ"ש)
עד 5.6 קמ"ש	אחורה	
CHV1600E	מטען (אופציונלי)	טעינה
ACA1000	מתאם (אופציונלי)	
5°C - 40°C	טווח טמפרטורת טעינה	
100 - 25 מ"מ	כיוון גובה חיתוך (10 מצבים)	
0°C - 40°C	טמפרטורת הפעלה	

HE

תיאור

הכר את המכסחה החשמלית ZERO TURN (רדיוס סיבוב 0) (איור A1 ו-A2)

1. מושב
2. יציאת טעינה
3. תא סוללה
4. פנסי לד אחוריים
5. תא אחסון
6. מחזיקי כוסות
7. פנסי לד צדדיים
8. גלגל אחורי (גלגל נסיעה)
9. משטח
10. מגן משטח
11. גלגל למניעת גיזום
12. גלגל קדמי
13. דוושת בלם חניה
14. פנסי פעולה
15. פנסי לד קדמיים
16. אשד לפריקה צדדית
17. דוושת כיוון גובה משטח
18. ידית כווןן השעיית מושב
19. ידית כווןן מושב אחורה קדימה
20. ידית היגוי
21. אינדיקטור סטטוס עבור המכסחה
22. מסך LCD
23. מתג PTO
24. לחצן הפעלה/כיבוי
25. מפתח בטיחות
26. תא אחסון טלפון
27. אינדיקטור סטטוס ומד דלק עבור המכסחה
- 27a. אינדיקטור מד דלק עבור המכסחה
- 27b. אינדיקטור סטטוס עבור המכסחה
28. אזור משען לרגל
29. כפתור שחרור מכסה יחידת נח
30. מכסה יחידת נח
31. כפתור שחרור סוללה
32. לולאה
33. מכסה הרכבת אביזר מצורף
34. אחסון מכסה הרכבת אביזר מצורף
35. יציאת USB

הכירו את מסך ה-LCD והלחצנים (איור A3)
 עיין בסעיף „קוד תקלה והפניה למצב המכסחה” למידע נוסף על הסמלים והמחזונים במסך ה-LCD.

1. סמל מפתח בטיחות
2. סמל פנסי לד
3. סמל חניה אוטומטית
4. סמל USB
5. אינדיקטור להב
6. אינדיקטור סטטוס התקן אבטחה
7. מונה שעות
8. סמל סוללה
9. סמל התחממות יתר
10. מצב נהיגה
11. אינדיקטור קוד שגיאה
12. אינדיקטור עומס יתר
13. אינדיקטור מתח נמוך
14. אינדיקטור מהירות נסיעה
15. אינדיקטור עומס
16. לחצן כווןן מהירות להב
17. לחצן הגדרה
18. לחצן מצב נהיגה
19. מתג פנס לד
20. לחצן כווןן מהירות נסיעה
21. מד דלק

הוצאה מן האריזה

הודעה: שמור את חומרי האריזה עד שתבדוק ותפעיל בהצלחה את המוצר. אם חלקים כלשהם ברשימת האריזה מורכבים על המכונה פנה מיד אל השירות של EGO.

הודעה: מלבד הכלים המפורטים ברשימת האריזה להלן, כל שאר הכלים המפורטים במדריכים הם מומלצים בלבד אך אינם מצורפים לאריזה.

רשימת אריזה (איור B1)

מפתחות בטיחות	B1-7	מכסחה חשמלית Zero Turn (רדיוס סיבוב 0)	B1-1
מפתחות קצה פתוח (13 מ"מ)	B1-8	מושב	B1-2
מפתח Alley	B1-9	פקק מלצי'נג	B1-3
מצמד מהיר של יציאת השטיפה	B1-10	ידית היגוי	B1-4

הפעלה

לפני השימוש במכסחה

בדיקת הסביבה

- a. וודאו שאזור העבודה פנוי מילדים, עוברי אורח ובעלי חיים.
- b. פנו את אזור העבודה מפריטים שעשויים להיות מושלכים על ידי להבי המכסחה.
- c. בדקו וודאו שפנסי הליד נמצאים במצב המתאים:
 - הפנסים הקדמיים, פנסי הצד והפנסים האחוריים נשלטים על ידי מתג פנסי הליד.
 - פנסי הפעולה נשארים דולקים תמיד במהלך נסיעה.
 - כאשר נוסעים לאחור, אם הפנסים האחוריים כבויים, הם יבהבו כדי להזהיר עוברי אורח, אם הפנסים האחוריים דולקים, הם יישארו דולקים.
 - כל הפנסים יכבו אוטומטי לאחר יותר מ-3 דקות ללא הפעלה

בדיקת הלחץ בגלגל הקר (איור D1)

בדיקת מצב המכסחה ורמת טעינת הסוללה

- a. אינדיקטור מד דלק עבור המכסחה (איור 27a - A2)
- כל מקטע באינדיקטור מד הדלק של המכסחה מציין 20% טעינה של מארזי הסוללה שהוכנסו.
- הודעה:** אינדיקטור מד הדלק של המכסחה ומד דלק על מסך ה-LCD מציינים את הקיבולת הממוצעת של מארזי הסוללה שהוכנסו.

- b. אינדיקטור הסטטוס של המכסחה (איור A1 ואיור 27b - A2)

אם אינדיקטור הסטטוס נראה ירוק המכסחה מוכנה לנהיגה. אם לא, עיין בקטע „קוד תקלה והפניה בסטטוס המכסחה”

בדיקת מערכת מנעולי הבטיחות המשולבים (איור D2 - איור D8)

- הודעה:** המפעיל חייב להיות על המושב לפני הבדיקה.
- a. לפני הבדיקה (איור D2 - איור D4)
- b. לבדיקת מערכת להב המשטח (איור D5) לאחר מכן עמדו באיטיות

B1-5	ברגי ראש-שקע (2 לגיבוי)	B1-11	מדריך למפעיל
B1-6	ברגי ראש משושה (2 לגיבוי)		

פתיחת המארז (איור B2 - איור B3)

אביזרים מומלצים

⚠ אזהרה: השתמשו רק בחלקי חילוף זהים המפורטים להלן. שימוש של חלקים אשר לא מתאימים למפרטים של הציוד המקורי עלולים להוביל לביצועים לא מתאימים ולפגוע בבטיחות הציוד.

שם חלק	מספר דגם
להב סטנדרטי	AB4200
להב הרמה גבוהה	AB4201
פקק מלצי'נג	AMP4200
ערכת איסוף דשא	ABK4200-A

הרכבה

התקנת המושב (איור C1 ו-C2)

⚠ אזהרה: אין לנתק או לעקוף את מערכת המנעולים המשולבים. פעולה זו יכולה לגרום למכסחה לפעול בפתאומיות, מה שיכול לגרום לפגיעה גופנית.

הודעה: למען בטיחותך, המכסחה עשויה להפסיק לנסוע מכיוון שמתג המושב התנתק במהלך הנסיעה. במקרה זה עיין בסעיף „איתור וטיפול בבעיות” למידע נוסף.

C1-1	כבל	C1-5	ברגי ראש-שקע
C1-2	תקע	C2-1	
C1-3	שקע	C2-2	מסילות פלדה
C1-4	בסיס השעיה	C2-3	ברגי ראש-שקע

התקנת ידידות ההיגוי (איור C3).

C3-1	ידידות היגוי	C3-3	חורי הרכבה לידידות ההיגוי
C3-2	ברגי משושה		

חיבור פקק המלצי'נג (איור C4)

C4-1	אשד לפריקה צדדית	C4-3	קפיץ הניתן להזזה
C4-2	פקק מלצי'נג		

הודעה: הטעינו את מארזי הסוללה, עיינו במדריכים המתאימים לסוללה ולמטען.

טעינת מארזי הסוללה באמצעות יציאת הטעינה (איור F10)

F10-1	מכסה אבק	F10-2	יציאת טעינה
-------	----------	-------	-------------

הפעלת המכסחה החשמלית ZERO TURN (רדיוס סיבוב 0) (איור A4 – איור A5 ואיור G1 – איור G6)

⚠ אזהרה: הימנעו מהפעלות, עצירות וסיבובים פתאומיים, כמו גם ממהירויות חריגות, בייחוד כאשר מתחילים ללמוד להפעיל את המכסחה. המכסחה יכולה להסתובב סביב עצמה במהירות, מה שעלול לגרום לכם לאבד שליטה ולגרום לפציעה חמורה ו/או לנזק.

⚠ אזהרה: לפני הפעלת המכסחה, בדקו וודאו שלהבים מנותקים כאשר לוחצים על מתג ה-PTO כלפי מטה. אם הלהבים אינם נעצרים, אין להשתמש במכסחה ויש לפנות מיד לשירות הלקוחות של EGO.

הודעה: בצעו את המתואר באיור A4 ו-G2 כדי להשיג את מהירות הנסיעה הנמוכה ביותר ואת מצב הנהיגה הסטנדרטי עד שתהיו מסוגלים לגמרי להפעיל את המכסחה בכל מצב. מהירות הנסיעה ומצב הנהיגה יפעלו רק כאשר גלגלי המכסחה נעצרו וידידות ההיגוי פתוחות.

המכסחה תשמור ותציג את ההגדרה הקודמת כאשר היא תופעל מחדש.

מצב נהיגה

- **בקרה:** האצה נמוכה יותר, טיפול רגיש מופחת ומהירות סיבוב קלה להגנה על הדשא ועבור משתמשים חדשים.
- **סטנדרטי:** מושלם לשימוש יומיומי.
- **ספורט:** האצה גבוהה יותר, טיפול מדויק, וסיבוב חד למיטוב יעילות הכיסוח ולחובבי הכיסוח.

כוונן מהירות נסיעה (איור A4)

כוונן מהירות הלהב (איור A5)

הודעה: במצב "תנועה", לחץ על "🏠", מהירות הנסיעה תחזור למצב הקודם.

יציאת USB

הודעה: יציאת ה-USB מספקת הספק טעינה של 5 וולט DC עד למשיכה כוללת של 1.5 אמפרים והיא מופעלת רק כאשר המכסחה מותנת.

c. לבדיקת מערכת הנהיגה (איור D6 - איור D8) לאחר מכן עמדו באיטיות

אם מערכת להב המשטח ו/או מערכת הנהיגה אינה עוצרת כאשר המפעיל אינו על המושב ואם לא ניתן לקבוע את הסיבה לכך לאחר אישור שחיבור התקע והשקע של המושב מחוברים היטב, יש לפנות מיד אל מרכז שירות הלקוחות EGO.

כיוון (איור E1 - איור E13)

הכנה (איור E1 - איור E5)

כיוון גובה משטח החיתוך (איור E6)

כיוון הגלגלים למניעת הגיזום (איור E7 - איור E10)

E7-1	גלגל למניעת גיזום	E9-2	בריח ההשהיה
E9-1	אום	E10-1	תווית גובה המשטח

כיוון המושב (איור E11)

התאימו את מצב המושב כדי להבטיח שאתם יכולים לקיים מגע יציב עם דושת בלם החניה לפני הפעלת המכסחה. כיוון השעיית המושב יכולה לעזור לך להשיג את החוויה הנוחה ביותר על המושב.

E11-1	ידיית כוונן מושב אחורה קדימה	E11-2	ידיית כוונן השעיית מושב
-------	------------------------------	-------	-------------------------

הגדרת בלם החניה (איור E12 - איור E13)

E13-1	מצב בלימה	E13-2	מצב שחרור
-------	-----------	-------	-----------

טעינה (איור F1 - איור F11)

על מנת להפעיל את המכסחה, נדרשות סוללות EGO של 15AH בסה"כ (X BA4200/BA4200T 2) או יותר. לביצועים מיטביים, אנו ממליצים להשתמש בסוללות אגו של 30AH סה"כ, או יותר.

השתמשו רק במארזי הסוללה ובמטענים המומלצים. (איור F9 ו-F10)

הכנה לטעינה (איור F1 - איור F4)

טעינת מארזי הסוללה בנפרד (איור F5 - איור F9)

F5-1	כפתור שחרור מכסה	F7-1	כפתור שחרור הסוללה
------	------------------	------	--------------------

■ על מנת לחבר את מארזי הסוללה (איור F5 - איור F6)

■ על מנת לנתק את מארזי הסוללה (איור F7 - איור F8)

⚠ אזהרה: אל תפעילו מכשיר זה בכבישים ציבוריים.

⚠ אזהרה: אם מתרחשת חסימה או שאתם פוגעים בחפץ זר, עצרו את המנועים והוציאו את הסוללות. הוציאו את גזם הדשא, העלים, הלכלוך וכל פסולת אחרת שהצטברה, בדקו בעיון את המכסחה לאיתור נזק ותקנו את הנזק לפני הפעלה מחודשת ותפעול של המכסחה.

תחזוקה

⚠ אזהרה: ענדו תמיד משקפי בטיחות עם הגנה צדדית. אם לא תעשו זאת עצמים עלולים להיזרק אל תוך העיניים שלכם ועלולה להיגרם פציעה חמורה.

⚠ אזהרה: הגנו תמיד על הידיים שלכם על ידי לבישת כפפות מוצקות או עטיפה של הקצוות החותכים בעזרת מטליות או חומרים אחרים בעת ביצוע כל פעולת תחזוקה בלהב המכסחה. הסירו תמיד את מארזי הסוללה בעת ביצוע תיקונים או הובלה של המכסחה.

הליך התחזוקה	מרווחי הזמן לביצוע שירותי תחזוקה
<ul style="list-style-type: none"> ■ בדוק את מערכת מנעולי הבטיחות המשולבים. ■ בדוק ויזואלית את הצמיג כדי לראות האם הוא שטוח. ■ בדוק את הלהבים האם הם בלויים, סדוקים או מעוקמים. ■ בדקו את כל המוצר לאיתור חלקים ניזוקים, משוחררים או חסרים, כגון צינור הפליטה הצדדי, ברגים, אומים, בריחים, מכסים וכו' וודאו שכל המגנים נמצאים במקומם ופועלים כראוי. ■ בדקו את פעולת הבלם. 	לפני כל שימוש או מידי יום
<ul style="list-style-type: none"> ■ נקו את משטח המכסחה. 	לאחר כל שימוש
<ul style="list-style-type: none"> ■ בדקו את לחץ הצמיג. 	כל 25 שעות
<ul style="list-style-type: none"> ■ בדקו את מצב הגריז בתוך אוגן הלהב החיתוך. 	כל 50 שעות
<ul style="list-style-type: none"> ■ בדקו את הגלגלים האחוריים, וודאו ש-4 בריחי הזיזים מהודקים במומנט המומלץ. 	כל 100 שעות
<ul style="list-style-type: none"> ■ בדקו את הגלגלים הקדמיים וודאו שה מסתובבים בחופשיות. 	כל 200 שעות

כיבוי המכסחה החשמלית ZERO TURN (רדיוס סיבוב 0) (איור H1 – איור H6)

הודעה: לאחר יותר מ-60 דקות ללא הפעלה, המכסחה תכבה אוטומטית.

מצב „צליעה הביתה”

כאשר טעינת הסוללה יורדת, המכסחה תיכנס למצב „צליעה הביתה”:

- המכסחה תפסיק את החיתוך באופן אוטומטי.
- אינדיקטור הצפוף ימשיך להישמע.

■ אינדיקטור סטטוס המכסחה יהבהב באדום מידי שניה, המקטע הראשון של מד הדלק של המכסחה יהבהב באדום ואינדיקטור הסוללה החלשה וגרפיקת הסוללה על מד הדלק יהבהבו.

על המפעיל:

a) ללחוץ על מתג ה-PTO כלפי מטה (איור H3) כדי לנתק את הלהבים. אינדיקטור הצפוף ישתתק כאשר הלהב יעצור.

b) להפסיק לעבוד ולעבור אל אזור טעינת הסוללה בהקדם האפשרי. המרחק המירבי שהמכסחה יכולה לנסוע הוא 1000 מטר.

כאשר הסוללה כמעט ריקה, הסמל של כל תא סוללה מאוכלס ואינדיקטור הסוללה החלשה יהבהבו מידי חצי שניה. המכסחה תפסיק לעבוד מיד. המפעיל צריך להעביר את המכסחה לאזור טעינת הסוללה לצורך טעינתה.

דחיפה ידנית

אם נדרשת דחיפה ידנית, הקפידו לוודא שהסוללות מנותקות מהמכסחה ודושת בלם החניה משוחררת ממצב הבלימה.

הסעת המכסחה החשמלית ZERO TURN (רדיוס סיבוב 0) (איור I1 – איור I9)

כדי לעצור, הקטינו או הגבירו את המהירות, שנו באיטיות את מרחק ידית ההיגוי ממצב סרק.

⚠ סכנה: שמרו על מרחק של רוחב כיסוח כפול (2.14 מטר), לכל הפחות, משוחות, שוליים או מים. הגלגלים הקדמיים יכולים להסתובב כאשר המכסחה עצרה, אפילו כאשר הבלם מופעל, ולגרום למכסחה לעבור את הקצה או להיכנס למים ולגרום למוות או לפציעה חמורה.

⚠ אזהרה: בדקו מה יש מאחורי המכסחה לפני נסיעה לאחור. אל תכסחו את הדשא לכיוון ההפוך אלא אם הדבר חיוני בהחלט. הסתכלו תמיד למטה ואחורה לפני ובמהלך נסיעה לאחור כדי לוודא שילדים, עובדי אורח או חיות מחמד לא ייכנסו לאיזור הכיסוח. זכרו שחוסר זהירות של שבריר שניה אחד מספיק כדי לגרום לפציעה או למוות.

■ **כיוון מצד לצד (איור K22)**
 ההבדל בין המרחקים H1 ו-H2 הנמדד מהקצה התחתון של כל להב עד לקרקע צרי להיות בטווח של 5 מ"מ.

K22-1	אום לחיצה
-------	-----------

■ **כיוון מקדימה לאחור (איור K23)**
 הקצה הקדמי H3 של הלהב חייב להיות מ-2 מ"מ עד 10 מ"מ נמוך יותר מהקצה האחורי H4.

כיוול מערכת המעקב של המכסחה (איור L1 - איור L6 ואיור L7 - איור L12)

הודעה: אינדיקטור הצפצוף יושמע פעם אחת בתחילת הכיוול ופעם אחת בסיום הכיוול.

איפוס המכסחה להגדרות המפעל (איור M1 - איור M4)

הודעה: אינדיקטור הצפצוף יושמע פעם אחת בתחילת האיפוס ופעם אחת בסיום האיפוס.

אחסון והעברה

העברת המכסחה (איור N1 - איור N11)

הודעה: אבטחו את המכסחה לפי הצורך, באמצע רצועות או כבלים כדי למנוע תזוזה זמן ההעברה. בעת העמסת ופריקת המכסחה, אין להשתמש בזווית העולה על זווית ההפעלה המומלצת המירבית של 12 מעלות בין הרמפה לקרקע.

אחסון (איור O1 - איור O6)

הודעה: הסירו את מארזי הסוללה, ואחסנו את הסוללות, עיינו במדריכים המתאימים.

נקו ובדקו את המכסחה לפני האחסון, עיינו בסעיפים „ניקוי המכסחה” ו”לוחות זמנים מומלצים לתחזוקה”.

הגנה על הסביבה

WEEE (זריקה של ציוד חשמלי ואלקטרוני) - אין לזרוק ציוד חשמלי, מטעני סוללות וסוללות ביחד עם אשפה ביתית! קחו מוצרים אלו למרכז מחזור מוסמך וודאו שהם זמינים לאיסוף בנפרד. יש להחזיר כלים חשמליים אל מתקן מחזור המתאים לסביבה



<p>■ בדקו את דוושת בלם חניה. הוציאו את הסוללה מהמכסחה והגדירו את בלם החניה למצב החניה. דחפו ידנית את המכסחה קדימה כדי לראות האם ניתן להזיז את המכסחה או שלא. אם היא זזה, הביאו אותה לטיפול אצל טכנאי שירות מוסמך.</p>	מידי שנה
--	----------

ניקיון המכסחה (איור J1 - איור J9)

הכנה (איור J1 - איור J5)

ניקוי מעטפת המכסחה (איור J6 - איור J7)

שימוש ביציאת השטיפה כדי לנקות את משטח המכסחה (איור J8 - איור J9)

J8-1	יציאת השטיפה	J8-3	צינור גינה
J8-2	מצמד מהיר של יציאת השטיפה		

הודעה: עם סיום הניקוי לחצו על מתג ה-PTO כלפי מטה כדי לנתק את להבי המכסחה.

תחזוקת משטח המכסחה ולהבי החיתוך

הכנה (איור K1 - איור K6)

הסרת משטח המכסחה (איור K7 - איור K8)

K7-1	כבל המנוע	K7-3	חיבור ההשעיה
K7-2	פין פציל		

הודעה: נתקו את כבלי המנוע ואת פני הפציל בשני הצדדים, בעת הסרת משטח המכסחה.

החלפת להבי החיתוך (איור K9 - איור K11)

K9-1	מייצב	K10-3	להב
K10-1	בריח	K10-4	גליל
K10-2	דסקית	K10-5	מוט מנוע

איזון משטח המכסחה

a. **מתי יש לאזן (איור K12 - איור K14)**

b. **לפני האיזון**


■ בדיקת הלחץ בגלגל הקר (איור K15)


■ בדקו את להבי החיתוך. הסירו והחליפו להבים בלויים, סדוקים ו/או עקומים לפי הצורך.

c. **הכנה לאיזון (איור K16 - איור K21)**

d. **כיבוד לאזן**

איתור וטיפול בבעיות

בעיה	סיבה	פתרון
<p>המכסחה החשמלית Zero Turn (רדיוס סיבוב 0) אינה מצליחה לנסוע כאשר שתי ידיות ההיגוי נדחפות קדימה או אחורה בתחילה.</p> <p>סמל ידית ההיגוי מהבהב</p> 	<ul style="list-style-type: none"> ■ ה-Ah המשולב של הסוללות המוכנסות נמוך מ-15Ah. 	<ul style="list-style-type: none"> ■ על מנת להפעיל את המכסחה, נדרשות סוללות EGO של 15Ah בסה"כ (X BA4200/BA4200T 2) או יותר. לביצועים מיטביים אנו ממליצים להשתמש בסוללות של 30Ah בסה"כ, או יותר.
	<ul style="list-style-type: none"> ■ דוושת בלם החניה מוגדרת למצב חניה. 	<ul style="list-style-type: none"> ■ לחצו לחלוטין את דוושת בלם החניה כדי לשחרר אותה ממצב הבלימה.
	<ul style="list-style-type: none"> ■ ידיות ההיגוי אינן במצב פתוח בעת הפעלת המכסחה. 	<ul style="list-style-type: none"> ■ החזירו את ידיות ההיגוי למצב הפתוח והפעילו מחדש את המכסחה.
	<ul style="list-style-type: none"> ■ המפעיל אינו יושב על המושב. 	<ul style="list-style-type: none"> ■ רק כאשר המפעיל ישוב כראוי על המושב, הוא יכול להפעיל את המכסחה.
<p>מתג המושב אינו מחובר כראוי.</p>	<ul style="list-style-type: none"> ■ הוצא את הסוללה מהמכסחה ונתק את המושב בסדר הפוך מההוראות בסעיף „התקנת המושב” במדריך זה כדי לבדוק את חיבור מתג המושב. חבר מחדש את המושב ובצע את ההוראות ב”הפעלת המכסחה החשמלית Zero Turn (רדיוס סיבוב 0)” כדי להפעיל מחדש את המכסחה ולראות אם ניתן להפעיל את המכסחה. אם לא, פנו לטכנאי שירות מוסמך לצורך תיקון. 	<p>AN DER SPEK CHINES * STOLWIJK</p>
	<ul style="list-style-type: none"> ■ בתנאי מזג אויר קרים באופן קיצוני, ייתכן שפונקציית הנהיגה לא תפעל בהצלחה עקב הגנת הטמפרטורה הנמוכה. 	<ul style="list-style-type: none"> ■ אחסנו תמיד את המכסחה והסוללה בסביבה חמימה. הפעילו מחדש את מכסחת הדשא כאשר היא התחממה. אל תעשו נסיונות חוזרים בתנאי מזג אויר קרים חריגים מה שעשוי לפגוע במכונה. טמפרטורת ההפעלה המומלצת היא 0°C-40°C.
<p>המכסחה החשמלית Zero Turn (רדיוס סיבוב 0) מפסיקה לנסוע.</p>	<ul style="list-style-type: none"> ■ ידיות היגוי דורשות „איפוס”. 	<ul style="list-style-type: none"> ■ החזירו את ידיות ההיגוי למצב הפתוח והפעילו מחדש את המכסחה.
	<ul style="list-style-type: none"> ■ רכיבי הבקרה החשמליים של ידיות ההיגוי תקולים. 	<ul style="list-style-type: none"> ■ פנו לטכנאי שירות מוסמך לתיקון.
	<ul style="list-style-type: none"> ■ מתג ההיגוי התנתק במהלך הנהיגה בשטח קשה. 	<ul style="list-style-type: none"> ■ הוצא את הסוללה מהמכסחה ונתק את המושב בסדר הפוך מההוראות בסעיף „התקנת המושב” במדריך זה כדי לבדוק את חיבור מתג המושב. חבר מחדש את המושב ובצע את ההוראות ב”הפעלת המכסחה החשמלית Zero Turn (רדיוס סיבוב 0)” כדי להפעיל מחדש את המכסחה ולראות אם ניתן להפעיל את המכסחה. אם לא, פנו לטכנאי שירות מוסמך לצורך תיקון.
<p>לא ניתן לשנות את מהירות הנסיעה / מצב הנהיגה במהלך הנסיעה.</p>	<ul style="list-style-type: none"> ■ זוהי תכונה של המכסחה החשמלית Zero Turn (רדיוס סיבוב 0) לנהיגה בטוחה. 	<ul style="list-style-type: none"> ■ הפונקציה תפעל רק כאשר גלגלי המכסחה נעצרו וידיות ההיגוי פתוחות.

בעיה	סיבה	פתרון
<p>המכסחה חשמלית Zero Turn (רדיוס סיבוב 0) אינה מפעילה את הלהבים כאשר מתג ה-PTO מופעל.</p> <p>סמל מתג ה-PTO מהבהב</p> 	<ul style="list-style-type: none"> ה-Ah המשולב של הסוללות המוכנסות נמוך מ-Ah 15. 	<ul style="list-style-type: none"> על מנת להפעיל את המכסחה, נדרשות סוללות EGO של 15Ah בסה"כ (2 X BA4200/BA4200T) או יותר. לביצועים מיטביים אנו ממליצים להשתמש בסוללות של 30Ah בסה"כ, או יותר.
	<ul style="list-style-type: none"> מתג ה-PTO אינו לחוץ למטה כאשר המכסחה עצרה בפעם האחרונה. 	<ul style="list-style-type: none"> לחצו על מתג ה-PTO כלפי מטה והפעילו מחדש את להבי המכסחה.
	<ul style="list-style-type: none"> עומס יתר במכסחה ברגע שהלהבים מופעלים מה שגורם להגנה עצמית של המנוע. 	<ul style="list-style-type: none"> הפעילו את חיתוך הדשא של המכסחה במהירות להב נמוכה תחילה ועד שהלהבים מגיעים לסיבובים מוצלחים אל תאיצו את מהירות הלהב בהתאם לצורך.
	<ul style="list-style-type: none"> בתנאי מזג אויר קרים באופן קיצוני, ייתכן שמנוע הלהב לא יפעל בהצלחה עקב הגנת הטמפרטורה הנמוכה. 	<ul style="list-style-type: none"> אחסנו תמיד את המכסחה והסוללה בסביבה חמימה. הפעילו מחדש את מכסחת הדשא כאשר היא התחממה. אל תעשו נסיונות חוזרים בתנאי מזג אויר קרים חריגים מה שעשוי לפגוע במכונה. טמפרטורת ההפעלה המומלצת היא 0°C-40°C.
	<ul style="list-style-type: none"> הלהב מפריע למשטח המכסחה המעוות. 	<ul style="list-style-type: none"> פנו לטכנאי שירות מוסמך לתיקון.
	<ul style="list-style-type: none"> ישנו עומס יתר במכסחה. 	<ul style="list-style-type: none"> הגדילו את גובה החיתוך של המשטח או האטו את מהירות הנסיעה כדי להפחית את העומס של המכסחה.
<p>הלהבים מפסיקים לעבוד במהלך חיתוך דשא.</p>	<ul style="list-style-type: none"> ישנה הצטברות של דשא ואשפה על משטח המכסחה. 	<ul style="list-style-type: none"> נקו את משטח המכסחה, וודאו שללהבים ישנו חופש תזוזה.
	<ul style="list-style-type: none"> ישנו חימום יתר במכסחה. 	<ul style="list-style-type: none"> הפחיתו את העומס על המכסחה, על ידי הרמת גובה החיתוך של המשטח או האטו את מהירות הלהב/הנסיעה ואפשרו למכסחה להתקרר.
	<ul style="list-style-type: none"> ישנו חימום יתר במארזי/ הסוללה בתא סוללת המכסחה הגורם לדירוג AH משולב של כל הסוללות המוכנסות של פחות מ-15Ah. 	<ul style="list-style-type: none"> 1. אם דירוג ה-Ah המשולב נמוך מ-15Ah, המכסחה לא תפעל עד להכנסת מארזי סוללה נוספים לתוך רכיבי הסוללה הריקים. לאחר שהסוללה שהתחממה יתר על המידה חוזרת לטמפרטורה רגילה, היא תצטרף מיד להפעלת המכסחה.
	<ul style="list-style-type: none"> המכסחה נמצאת במצב „צליעה הביתה”. 	<ul style="list-style-type: none"> 2. הפחיתו את העומס על המכסחה, על ידי הרמת גובה החיתוך של המשטח או האטו הכיסוח כאשר אתם מפעילים אותה מחדש.
	<ul style="list-style-type: none"> המכסחה נמצאת במצב „צליעה הביתה”. 	<ul style="list-style-type: none"> כאשר המכסחה נמצאת במצב „צליעה הביתה”, הלהבים מועברים אוטומטית למהירות סיבוב נמוכה ללא חיתוך דשא. על המפעיל להפסיק לעבוד ולעבור אל אזור טעינת הסוללה בהקדם האפשרי.
	<ul style="list-style-type: none"> המכסחה פגעה בחפץ זר, הגורם להגנה עצמית של המנוע. 	<ul style="list-style-type: none"> לחצו על מתג ה-PTO כלפי מטה והפעילו מחדש את להבי המכסחה.

בעיה	סיבה	פתרון
אינדיקטור הצפצוף ממשיך להישמע.	<ul style="list-style-type: none"> המכסחה נמצאת במצב „צליעה הביתה” והלהבים אינם כבויים. 	<ul style="list-style-type: none"> לחצו על מתג ה-PTO כלפי מטה כדי לנתק את להבי המשטח. אינדיקטור הצפצוף ישתק כאשר הלהב יעצור.
	<ul style="list-style-type: none"> המכסחה מפסיקה לנסוע על מדרון והמפעיל פותח את ידיות ההיגוי ואינו יושב על המושב מבלי להגדיר את דוושת בלם החניה במצב הבלימה. 	<ul style="list-style-type: none"> העבירו את דוושת בלם החניה למצב חניה, לפני עזיבת המכסחה על מדרון.
אינדיקטורי הסוללה עדיין פועלים כאשר המכסחה כבויה.	<ul style="list-style-type: none"> כאשר המכסחה כבויה על קרקע ישרה ללא הסרת מארזי/ הסוללה מהמכסחה, אינדיקטורי הסוללה יישארו מוארים למשך 3 דקות. 	<ul style="list-style-type: none"> לא נדרשת פעולה. אינדיקטורי הסוללה יכבו לאחר זמן מה.
	<ul style="list-style-type: none"> כאשר המכסחה כבויה על מדרון ללא הגדרת דוושת בלם החניה במצב הבלימה, אינדיקטורי הסוללה יישארו פועלים עד שמטען הסוללה יתרוקן. אינדיקטור הצפצוף ממשיך לצפצף באותו זמן. 	<ul style="list-style-type: none"> העבירו את דוושת בלם החניה למצב חניה, לפני שהמפעיל עוזב את הכלי על מדרון.
מסך ה-LCD אינו מואר כשכל הסמלים פועלים.	<ul style="list-style-type: none"> זמן הלחיצה על לחצן ההפעלה/כיבוי הוא פחות מ-3 שניות. 	<ul style="list-style-type: none"> מסך ה-LCD יציג „מד דלק” בלבד כאשר לחצן ההפעלה/כיבוי לחוץ בקצרה.
		<ul style="list-style-type: none"> מסך ה-LCD יפעל לאחר שלחצן ההפעלה/כיבוי נלחץ למשך 3 שניות.
המכסחה חותך בצורה לא שווה, עם שינויי גובה שונים מקדימה לאחור.	<ul style="list-style-type: none"> הלהבים קהים. 	<ul style="list-style-type: none"> השחזו או החליפו את להב החיתוך לפי ההוראות במדריך.
	<ul style="list-style-type: none"> הלהבים מעוקמים. 	<ul style="list-style-type: none"> החליפו את להב החיתוך לפי ההוראות בסעיף „החלפת להבי החיתוך”.
	<ul style="list-style-type: none"> משטח המכסחה אינו מיושר, מה שגורם לגובה להב חיתוך שונה. 	<ul style="list-style-type: none"> אזנו את משטח המכסחה לפי ההוראות בסעיף „איזון משטח המכסחה”.
גובה חיתוך הדשא בפועל אינו מותאם לגובה המוצהר.	<ul style="list-style-type: none"> בריחי משטח המכסחה משוחררים בקישור ההשעיה. 	<ul style="list-style-type: none"> בצעו את ההוראות בסעיף „איזון משטח המכסחה” כדי לבצע כוונון אחורי קדמי נאות עבור משטח המכסחה והדקו בבטחה את 4 האומים על קישור ההשעיה (שניים בכל צד).
	<ul style="list-style-type: none"> משטח המכסחה פגום או בלוי באופן חמור. 	<ul style="list-style-type: none"> בצעו את ההוראות בסעיף „הסרת משטח המכסחה” להחלפת משטח המכסחה.
המכסחה איננה מבצעת מלצ'נג באופן ראוי.	<ul style="list-style-type: none"> ישנה הצטברות של חתיכות דשא רטוב בחלק התחתון של המשטח. 	<ul style="list-style-type: none"> חכו עד אשר הדשא מתייבש לפני הכיסוח.
	<ul style="list-style-type: none"> המכסחה הוגדרה לחתוך כמות גדולה מדי של דשא בבת אחת. 	<ul style="list-style-type: none"> הגביהו את גובה חיתוך המשטח.

בעיה	סיבה	פתרון
ישנו יתר רטט.	<ul style="list-style-type: none"> להבי החיתוך משוחררים. 	<ul style="list-style-type: none"> הדקו את בורג הלהב לגובה המומנט המומלץ של 50-55 ננומטר.
	<ul style="list-style-type: none"> הלהבים מעוקמים. 	<ul style="list-style-type: none"> החליפו את להב החיתוך לפי ההוראות בסעיף „החלפת להבי החיתוך”.
	<ul style="list-style-type: none"> משטח המכסחה אינו מאוזן. 	<ul style="list-style-type: none"> אזנו את משטח המכסחה לפי ההוראות בסעיף „איזון משטח המכסחה”.
	<ul style="list-style-type: none"> בריחי משטח המכסחה משוחררים בקישור ההשעיה. 	<ul style="list-style-type: none"> השתמשו במפתח ברגים 18 מ”מ בעל קצה פתוח (לא מצורף) כדי להדק את ארבע האומים בקישור ההשעיה (שניים בכל צד).
	<ul style="list-style-type: none"> המכסחה הוגדרה לחתוך כמות גדולה מדי של דשא בבת אחת. 	<ul style="list-style-type: none"> הגביהו את גובה חיתוך המשטח.
קיימות שאריות של דשא או פסולת על הקרקע לאחר הכיסוח.	<ul style="list-style-type: none"> המכסחה הוגדרה לחתוך כמות גדולה מדי של דשא בבת אחת, כאשר הדשא גבוה. 	<ul style="list-style-type: none"> התחילו בגובה חיתוך גבוה והפחיתו אותו עד להשגת תוצאות הכיסוח הרצויות. יש לכסח פעמיים דשא הגבוה מ-15 ס”מ, בגבהי חיתוך נמוכים יותר ויותר.
	<ul style="list-style-type: none"> הדשא רטוב. 	<ul style="list-style-type: none"> אל תכסחו כאשר הדשא רטוב עד שהוא יתייבש.
	<ul style="list-style-type: none"> מהירות הנסיעה גבוהה. 	<ul style="list-style-type: none"> הקטינו את מהירות הנסיעה.
זמן הפעלה קצר של המכסחה עם הסוללה המצורפת.	<ul style="list-style-type: none"> מהירות הלהב נמוכה. 	<ul style="list-style-type: none"> הגבירו את מהירות הלהב באופן הדרגתי.
	<ul style="list-style-type: none"> תנאי הדשא והגדרות גובה החיתוך ישפיעו בצורה משמעותית על זמן ההפעלה של הסוללה. זמן ההפעלה המוצהר מבוסס על מצב עומס קל. 	<ul style="list-style-type: none"> הגדילו את גובה החיתוך של המשטח והאטו את מהירות הלהב כדי להפחית את עומס החיתוך.
המכסחה אינה עוקבת כראוי.	<ul style="list-style-type: none"> לחצי הצמיג עבור הגלגל האחורי הימני והשמאלי שונים. 	<ul style="list-style-type: none"> בדקו וכווננו את לחץ האוויר בשני צמיגי הגלגלים האחוריים, על פי ההמלצות בסעיף „בדיקת לחץ הצמיג” במדריך זה.
	<ul style="list-style-type: none"> מהירויות הנסיעה עבור הגלגל האחורי הימני והשמאלי שונים. 	<ul style="list-style-type: none"> כיוול מערכת המעקב של המכסחה בהתאם להוראות בסעיף „כיוול מערכת המעקב של המכסחה”.
לא ניתן לשחרר את דושת בלם החניה ממצב החניה או שהוא חוזר חזרה למקומו באיטיות.	<ul style="list-style-type: none"> ייתכן שיש פסולת או לכלוך הנכנסים לדושת בלם החניה. 	<ul style="list-style-type: none"> פתחו את תיבת דושת בלם החניה כדי לנקות ביסודיות את התיבה מבפנים וסגרו אותה. אפסו את דושת בלם החניה כדי לראות האם הבעיה נפתרה. אם לא, פנו לטכנאי שירות מוסמך לצורך תיקון.


בעיה	סיבה	פתרון
לא ניתן לטעון את המכסחה באמצעות יציאת הטעינה כשאינדיקטור סטטוס המכסחה זוהר באדום יציב.	■ התקע של המטען אינו מוכנס כראוי לתוך יציאת הטעינה במכסחה.	■ חברו מחדש את תקע המטען כדי לראות אם ניתן להטעין את המכונה כרגיל.
	■ אין חשמל בשקע החשמל בקיר.	■ לא נדרשת פעולה. המתינו עד שהחשמל יחזור.
	■ תקלה במטען.	■ פנו לטכנאי שירות מוסמך לצורך בדיקה ותיקון המטען לפי הצורך.
	■ יציאת המטען במכסחה פגומה.	■ פנו לטכנאי שירות מוסמך לתיקון.
זמן הטעינה באמצעות יציאת הטעינה של המכסחה ארוך מידי.	■ שימוש במתאם EGO ACA1000 לצורך טעינה דורש זמן רב.	■ השתמשו במטען EGO CHV1600E לטעינה ישירה של המכסחה החשמלית Zero Turn (רדיוס סיבוב 0).
לא ניתן לטעון את הסוללה במלואה באמצעות יציאת הטעינה של המכסחה.	■ באג קושחה במכסחה הרכובה או תקלה במטען/בסוללה.	■ הוציאו את המטען ממקור המתח והמתינו למעלה מדקה אחת ואז חברו מחדש את התקע אל מקור המתח. אם הוא אינו פועל, פנו לטכנאי שירות מוסמך לצורך תיקון.
לא ניתן להפעיל את המכסחה לאחר הניקוי.	■ ניקוי לא תקין, כגון מים הנכנסים לרכיבי החשמל, למסך ה-LCD וכד'.	■ בצעו את ההוראות בסעיף „ניקוי המכסחה” כדי לנקות את המכסחה כראוי.
המכסחה נחסמת בקלות.	■ ישנה הצטברות של דשא ואשפה על משטח המכסחה.	■ אם המכסחה נחשפה לגשם בטעות, אפשרו לה להתייבש למשך 12 שעות לפחות או השתמשו באוויר דחוס כדי לייבש אותה.
		■ נקו את משטח המכסחה לאחר כל שימוש, לפי הסעיף „שימוש ביציאת השטיפה כדי לשטוף את משטח המכסחה”.
המכסחה מאבדת בקלות את כוח המשיכה כאשר היא מטפסת על מדרון.	■ הצמיגים של הגלגלים האחוריים בלויים.	■ פנו לשירות המקומי כדי להחליף את צמיגי הגלגלים.
	■ מדרון כיסוח רחב.	■ מדרון הכיסוח אמור להיות פחות מ-12 מעלות.
כאשר המכסחה עוצרת על מדרון כשדווש בלם החניה לחוצה, המכסחה יכולה להתגלגל מטה במדרון.	■ רכיבי הבלימה בלויים בצורה משמעותית עקב הפעלה לא נאותה של המכסחה.	■ פנו לטכנאי שירות מוסמך לתיקון.
המים לא יוצאים מיציאת השטיפה כאשר מבצעים שטיפה של המשטח.	■ המצמד המהיר של יציאת השטיפה אינו מורכב במקומו על יציאת השטיפה.	■ חברו מחדש את המצמד המהיר של יציאת השטיפה עד לשמיעת קליק ברור לאחר דחיפה חזקה. אם הוא אינו פועל, פנו לטכנאי שירות מוסמך לצורך תיקון.
צליל חריג נשמע כאשר דוחפים את המכסחה ידנית מבלי להתניע אותה.	■ הצליל מגיע מהמגנטים בתוך מנוע הנסיעה.	■ זהו מצב נורמלי, לא נדרשת פעולה.

קוד התקלה וההפניה של סטטוס המכסחה.


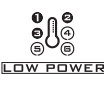


מסך LCD	תיאור	קוד תקלה במסך LCD-ה	אינדיקטור סטטוס עבור המכסחה	צפצוף	סיבה	פתרון
	סמל פנסי הLED מוצג על מסך LCD-ה	לא רלוונטי	כבוי	לא	הפנסים הקדמיים, פנסי הצד והפנסים האחוריים מופעלים על ידי מתג פנסי הLED.	זו היא פעולה תקינה. לא נדרשת פעולה.
	סמל ה-USB מוצג על מסך LCD-ה	לא רלוונטי	כבוי	לא	סמל ה-USB מאיר ומציין שהתקן ה-USB יכול לפעול לאחר שהמכסחה מופעלת כראוי.	זו היא פעולה תקינה. לא נדרשת פעולה.
	סמל מד הדלק מוצג על מסך LCD-ה	לא רלוונטי	כבוי	לא	הוא מציין את קיבולת הטעינה הממוצעת של הסוללות המוכנסות.	זו היא פעולה תקינה. לא נדרשת פעולה.
	סמל מד השעות מוצג על מסך LCD-ה	לא רלוונטי	כבוי	לא	הוא מציג את זמן הנהיגה הכולל של המכסחה, בשעות, ולא ניתן לאפס אותו.	זו היא פעולה תקינה. לא נדרשת פעולה.
	סמל אינדיקטור העומס מוצג בטווח ה-ECO	לא רלוונטי	כבוי	לא	הוא מציין את העומס הנוכחי של המכסחה.	זו היא פעולה תקינה. לא נדרשת פעולה.
	אינדיקטור עומס היתר מהבהב. סמל אינדיקטור העומס מוצג בטווח ה-PWR.	לא רלוונטי	מהבהב באדום	צפצוף יחיד	ישנו עומס יתר על מנוע הלהב.	הגדילו את גובה החיתוך של המשטח או האטו את מהירות הנסיעה כדי להפחית את העומס של המכסחה.
	סמל מפתח הבטיחות מהבהב.	לא רלוונטי	כבוי	לא	מפתח הבטיחות אינו מוכנס.	הכניסו את מפתח הבטיחות ואז לחצו והחזיקו את לחצן ההפעלה/כיבוי למשך יותר מ-3 שניות כדי להפעיל את המכסחה.
					החשמל אינו מצורף למסך LCD-ה.	בצעו תיקונים על ידי טכנאי שירות מוסמך.





מסך LCD	תיאור	קוד תקלה במסך LCD-ה	אינדיקטור סטטוס עבור המכסחה	צפצוף	סיבה	פתרון
	הסמל של תא הסוללה הריק מהבהב.	לא רלוונטי	כבוי	לא	קיבולת הסוללה אינה מספקת כדי לאפשר את פעולת הנהיגה על המכסחה.	על מנת להפעיל את המכסחה, נדרשות סוללות EGO של 15AH בסה"כ X BA4200/ 2) (BA4200T) או יותר. לביצועים מיטביים, אנו ממליצים להשתמש בסוללות EGO של 30AH סה"כ, או יותר.
	סמל המדחום מהבהב.	לא רלוונטי	מהבהב באדום	צפצוף יחיד	ישנו חימום יתר במכסחה.	הפחיתו את העומס על המכסחה, על ידי הרמת גובה החיתוך של המשטח או האטו את מהירות הלהב/ הנסיעה. קחו הפסקה ואפשרו למכסחה להתקרר.

Kees van der Spek
TUINMACHINES * STOLWIJK

מסך LCD	תיאור	קוד תקלה במסך LCD-ה	אינדיקטור סטטוס עבור המכסה	צפצוף	סיבה	פתרון
	<p>סמל התחממות היתר ותא הסוללה המאוכלס הספציפי מהבהבים בו זמנית.</p>	לא רלוונטי	לא רלוונטי	לא	ישנו חימום יתר במארז הסוללה הממוספר המתאים.	<p>1. המכסה אינה יכולה להמשיך לפעול אם דירוג ה-Ah הכולל של הסוללה, לא כולל הסוללה שהתחממה מידי, שווה או גדול מ-15 Ah. לאחר שהסוללה שהתחממה יתר על המידה חוזרת לטמפרטורה רגילה, היא תצטרף מיד להפעלת המכסה.</p>
		לא רלוונטי	לא רלוונטי	לא	ישנו חימום יתר במארז הסוללה הממוספר המתאים.	<p>2. אם דירוג ה-Ah המשולב נמוך מ-15Ah, המכסה לא תפעל עד להכנסת מארזי סוללה נוספים לתוך תאי הסוללה הריקים.</p>
		לא רלוונטי	לא רלוונטי	לא	ישנו חימום יתר במארז הסוללה הממוספר המתאים.	<p>3. הפחיתו את העומס על המכסה, על ידי הרמת גובה החיתוך של המשטח או האטת הכיסוח כאשר אתם מפעילים אותה מחדש.</p>

KEES VAN DER SPEK
TUINMACHINES * STOLWIJK

מסך LCD	תיאור	קוד תקלה במסך LCD-ה	אינדיקטור סטטוס עבור המכסה	צפצוף	סיבה	פתרון
	הסמלים של כל תא סוללה מאוכלס, אינדיקטור סוללה חלשה, גרפיקת הסוללה של מד הדלק מהבהבים מדי שניה 1, בו זמנית, על מסך ה-LCD. המקטע הראשון של לד מד הדלק ואינדיקטור המצב מהבהב גם כן.	לא רלוונטי	מהבהב באדום	ממשיך לצפצף עד שמתג ה-PTO נלחץ מטה.	רמת טעינת מארזי הסוללה חלשה והמכסה נמצאת במצב „צליעה הביתה“.	הפסיקו לעבוד וחזרו אל אזור טעינת הסוללה. הודעה: כאשר המכסה נמצאת במצב „צליעה הביתה“, הלהבים מועברים אוטומטית למהירות סיבוב נמוכה ללא חיתוך דשא ובינתיים אינדיקטורי השמע ימשיכו לצפצף. על המפעיל ללחוץ על מתג ה-PTO כלפי מטה כדי לנתק את להבי המשטח. אינדיקטור הצפצוף ישתתק לאחר שהלהב יעצור.
	הסמל של כל תא סוללה מאוכלס ואינדיקטור הסוללה החלשה מהבהבים מידי חצי שניה.	לא רלוונטי	כבוי	לא	קיבולת מארזי הסוללה כמעט ריקה.	המכסה תפסיק לעבוד מיד. המפעיל צריך להעביר את המכסה לאזור טעינת הסוללה לצורך טעינתה.
	סמל החניה האוטומטית מהבהב על מסך ה-LCD.	לא רלוונטי	כבוי	ממשיך לצפצף	המכסה חונה על מדרון והמפעיל עוזב את המכסה מבלי להגדיר את דוושת בלם החניה למצב הבלימה, רק עם ידיות ההיגוי במצב פתוח.	הגדירו את דוושת החניה למצב חניה. סמל החניה האוטומטית יהיה כבוי ואינדיקטור השמע יפסיק לצפצף.
	סמל דוושת הבלם מוצג על מסך ה-LCD	לא רלוונטי	כבוי	לא	דוושת בלם החניה מוגדרת למצב חניה.	שחררו אותו לפני ההפעלה של המכסה.

מסך LCD	תיאור	קוד תקלה במסך LCD-ה	אינדיקטור סטטוס עבור המכסה	צפוף	סיבה	פתרון
	סמל חיישן המושב מוצג על מסך ה-LCD	לא רלוונטי	כבוי	לא	המפעיל עוזב את המושב או שמתג המושב מנותק.	אם כאשר המפעיל יושב על המושב, הסמל מופעל, הפסיקו להפעיל את המכסה מיד ובדקו את חיבור המושב. אם נבדק שחיבור המושב עם המכסה תקין, פנו לטכנאי שירות מוסמך לביצוע תיקונים.
	סמל מתג ה-PTO מהבהב.	לא רלוונטי	כבוי	לא	מנוע הלהב הופסק בהפעלה ומתג ה-PTO אינו מוגדר במצב כבוי.	לפני הפעלת המכסה, לחצו על מתג ה-PTO כלפי מטה כדי לנתק את מנוע המשטח. עיינו בסעיף „ איתור וטיפול בבעיות ” במדריך זה לצורך הפניה.
	סמל ידית ההיגוי מהבהב.	לא רלוונטי	כבוי	לא	מנוע הנהיגה הופסק בהפעלה וידיות ההיגוי אינן מוגדרות למצב כבוי.	לפני אתחול המכסה, העבירו את ידיות ההיגוי למצב הפתוח. עיינו בסעיף „ איתור וטיפול בבעיות ” במדריך זה לצורך הפניה.
	סמל שחזור החשמל מהבהב מידי פעם.	לא רלוונטי	כבוי	לא	הכוח הקינטי המופעל במהלך הבלימה או הנהיגה במורד מומר לחשמל כדי לטעון את מארזי הסוללה.	זו היא פעולה תקינה. לא נדרשת פעולה.

KEES VAN DER SPEK
TUINMACHINES * STOLWIJK

מסך LCD	תיאור	קוד תקלה במסך LCD-ה	אינדיקטור סטטוס עבור המכסחה	צפצוף	סיבה	פתרון
ראו "קוד תקלה"	כשל במנוע הנהיגה השמאלי הנשלט על ידי PCBA. תקע (מצב משולש, חוט חשמל) המתחבר למנוע הנהיגה השמאלי עם ה-PCBA המתאים, משוחרר. תקע (שש פינים, חוט יחיד) המתחבר למנוע הנהיגה השמאלי עם ה-PCBA המתאים, משוחרר. כשל במנוע הנהיגה השמאלי.	413	כבוי	צפצוף יחיד	תקלת PCBA	בצעו תיקונים על ידי טכנאי שירות מוסמך.
		317	כבוי	צפצוף יחיד	חיבור חלש	
		301	כבוי	צפצוף יחיד	חיבור חלש	
		317	כבוי	צפצוף יחיד	תקלת מנוע	
ראו "קוד תקלה"	כשל במנוע הנהיגה הימני הנשלט על ידי PCBA. תקע (מצב משולש, חוט חשמל) המתחבר למנוע הנהיגה הימני עם ה-PCBA המתאים, משוחרר. תקע (שש פינים, חוט יחיד) המתחבר למנוע הנהיגה הימני עם ה-PCBA המתאים, משוחרר. כשל במנוע הנהיגה הימני.	313	כבוי	צפצוף יחיד	תקלת PCBA	בצעו תיקונים על ידי טכנאי שירות מוסמך.
		417	כבוי	צפצוף יחיד	חיבור חלש	
		401	כבוי	צפצוף יחיד	חיבור חלש	
		417	כבוי	צפצוף יחיד	תקלת מנוע	

מסך LCD	תיאור	קוד תקלה במסך ה-LCD	אינדיקטור סטטוס עבור המכסה	צפצוף	סיבה	פתרון
ראו "קוד תקלה"	כשל במנוע הלהב השמאלי הנשלט על ידי PCBA.	607	לא רלוונטי	צפצוף יחיד	תקלת PCBA	בצעו תיקונים על ידי טכנאי שירות מוסמך.
	תקע (מצב משולש, חוט חשמל) המתחבר למנוע הנהיגה השמאלי עם ה-PCBA המתאים, משוחרר.	509	לא רלוונטי	צפצוף יחיד	חיבור חלש	בדקו תחילה את הלהב. אם הוא משוחרר, השתמשו במפתח מומנט של 14 מ"מ כדי להדק את הבורג בכיוון השעון. המומלץ עבר בורג הלהב הוא 50-55 ננומטר. אחרת, בצעו תיקונים בעזרת טכנאי המוסמך לכך.
	כשל במנוע הלהב השמאלי	509	לא רלוונטי	צפצוף יחיד	תקלת מנוע	בצעו תיקונים על ידי טכנאי שירות מוסמך.
ראו "קוד תקלה"	כשל במנוע הלהב הימני הנשלט על ידי PCBA.	507	לא רלוונטי	צפצוף יחיד	תקלת PCBA	בצעו תיקונים על ידי טכנאי שירות מוסמך.
	תקע (מצב משולש, חוט חשמל) המתחבר למנוע הנהיגה הימני עם ה-PCBA המתאים, משוחרר.	609	לא רלוונטי	צפצוף יחיד	חיבור חלש	בדקו תחילה את הלהב. אם הוא משוחרר, השתמשו במפתח מומנט של 14 מ"מ כדי להדק את הבורג בכיוון השעון. המומלץ עבר בורג הלהב הוא 50-55 ננומטר. אחרת, בצעו תיקונים בעזרת טכנאי המוסמך לכך.
	כשל במנוע הלהב הימני	609	לא רלוונטי	צפצוף יחיד	תקלת מנוע	בצעו תיקונים על ידי טכנאי שירות מוסמך.
ראו "קוד תקלה"	כשל בידיית ההיגוי השמאלית השולטת ב-PCBA.	311/412	כבוי	צפצוף יחיד	תקלת PCBA	בצעו תיקונים על ידי טכנאי שירות מוסמך.
	התקע המתחבר ל-PCBA השוחט, הממוקם במוט ההיגוי, משוחרר.				חיבור חלש	

מסך LCD	תיאור	קוד תקלה במסך ה-LCD	אינדיקטור סטטוס עבור המכסה	צפצוף	סיבה	פתרון		
ראו „קוד תקלה”	כשל בידית ההיגוי הימנית השולטת ב-PCBA.	כשל בידית ההיגוי הימנית.	כבוי	צפצוף יחיד	תקלת PCBA	בצעו תיקונים על ידי טכנאי שירות מוסמך.		
	התקע המתחבר ל-PCBA השוחט, הממוקם במוט ההיגוי, משוחרר.							
ראו „קוד תקלה”	בלם החניה PCBA, הנמצא במכלול המסגרת הקדמית שבור.	כשל בבלם החניה, לא ניתן להסייע את הכלי.	כבוי	צפצוף יחיד	תקלת PCBA	בצעו תיקונים על ידי טכנאי שירות מוסמך.		
	מתג בלם החניה ו/או החיווט שבור.							
כבוי	תקלת יציאת הטעינה	לא רלוונטי	לא רלוונטי	לא רלוונטי	יציאת הטעינה היא במעגל פתוח.	בצעו תיקונים על ידי טכנאי שירות מוסמך.		
					לא רלוונטי	לא רלוונטי	לא רלוונטי	בדקו את שקע החשמל בקיר כדי לוודא שאספקת החשמל היא של 220V-240V ושהשקע תקין.
					לא רלוונטי	לא רלוונטי	לא רלוונטי	קצר בנתיך.
ראו „קוד תקלה”	תקלת יציאת הטעינה	204	לא רלוונטי	צפצוף יחיד	יציאת הטעינה היא במעגל פתוח.			

מסך LCD	תיאור	קוד תקלה במסך LCD-ה	אינדיקטור סטטוס עבור המכסה	צפצוף	סיבה	פתרון
ראו „קוד תקלה”	מכלול תיבת הסוללה אינו מתפקד	217	לא רלוונטי	צפצוף יחיד	מקור המתח ממכלול תיבת הסוללה שבור. פנסי הLED הקדמיים וה-USB לא יפעלו.	בצעו תיקונים על ידי טכנאי שירות מוסמך.
		310 410/	כבוי	צפצוף יחיד	החיבור בין חוטי חשמל Type C של מכלול מארז הסוללה וחוטי החשמל Type C של המכסה אינם פועלים.	
		201 202/ 203/	כבוי	צפצוף יחיד	ה-BMS של מכלול תיבת הסוללה שבור.	
ראו „קוד תקלה”	תקלה במתג ההפעלה/כיבוי	314 414/	כבוי	צפצוף יחיד	תקלה במתג PCBA או חיבור חוט חשמל תקול במתג ההפעלה/כיבוי.	בצעו תיקונים על ידי טכנאי שירות מוסמך.
ראו „קוד תקלה”	תקלה במסך LCD	315 415/	כבוי	צפצוף יחיד	מכלול ה-LCD שבור או חיבור חוט חשמל תקול במכלול ה-LCD.	בצעו תיקונים על ידי טכנאי שירות מוסמך.

אחריות

מדיניות האחריות של EGO

אנא בקרו באתר egopowerplus.com עבור התנאים וההתניות השלמים של מדיניות האחריות של EGO.

اقرأ جميع التعليمات!



اقرأ دليل التشغيل

⚠ خطر زائد! الأشخاص الذين تم تركيب أجهزة طبية إلكترونية لهم، مثل منظم ضربات القلب، يجب عليهم استشارة الطبيب قبل استخدام هذا المنتج. لأن تشغيل معدات كهربائية بالقرب من منظم ضربات القلب قد ينشأ عنه خلل أو فشل في أداء منظم ضربات القلب.

رموز السلامة

الغرض من رموز السلامة هو جذب انتباهك إلى المخاطر المحتملة. رموز السلامة والشروح المصاحبة لها تستحق اهتمامك وفهمك الدقيق. تحذيرات كل رمز، بنفسها، لا تمنع وقوع أي خطر. التعليمات والتحذيرات التي تمنحك إياها لا تعد بديلاً عن تطبيق الإجراءات الملائمة لمنع وقوع الحوادث.

⚠ تحذير: احرص على قراءة وفهم جميع تعليمات السلامة في دليل التشغيل هذا، بما في ذلك جميع رموز تنبيهات السلامة، مثل "خطر"، و"تحذير"، و"تنبيه" قبل استخدام هذه الآلة. عدم اتباع جميع التعليمات الواردة أدناه قد يؤدي إلى حدوث صدمة كهربائية أو نشوب حريق أو التعرض للإصابة الشخصية، أحدها أو جميعها.

معنى الرمز

هذه الصفحة تصف وتشرح رموز السلامة التي قد تظهر على هذا المنتج. اقرأ جميع التعليمات المذكورة على الآلة وافهمها واتبعها قبل محاولة تجميع الآلة وتشغيلها.

رموز السلامة

اقرأ دليل التشغيل وافهمه		تنبيه سلامة	
حافظ على أجهزة الأمان		أدوات حماية العينين	
خطر - أبقى المرافقين بعيداً عن نطاق عمل الشفرات		خطر - خطر منحدر شاهق	
انظر للخلف أثناء الرجوع للخلف		لا تحمل الأطفال مطلقاً	
خطر - أشياء متطايرة		تحذير - لا تستخدم هذه الآلة على المنحدرات التي يزيد ميلها عن 12 درجة.	
مستوى قوة الصوت المضمون. وفقاً لتوجيه الاتحاد الأوروبي.		تحذير - أبقى يديك وقدميك بعيداً	

لا يجب التخلص من الأجهزة الكهربائية المستهلكة في النفايات المنزلية. توجه بالجهاز إلى مركز إعادة تدوير معتمد.

شعارات إعادة التدوير الموحدة من Triman تتم إعادة تدويرهم، لا تتخلص منهم!

هذا المنتج متوافق مع تشريعات المملكة المتحدة المعمول بها.

لفة في الدقيقة

أمتار

سنتيمترات

مليمترات

كيلوجرام

درجة حماية الدخول



RPM

m

cm

mm

kg

IPX4

لا تضع قدمك فوق هذا المكان



هذا المنتج متوافق مع توجيهات شهادة الجودة الأوروبية (CE) المعمول بها



تيار مستمر



كيلو باسكال

kPa

فولت

V

بوصة

in

نيوتن متر

Nm

درجة مئوية

°C

كيلومتر في الساعة

km/h

المواصفات

96.44 ديسيبل (A)	مستوى قوة الصوت المُقدَّر L_{WA}
4.1=K ديسيبل (A)	
84.3 ديسيبل (A)	مستوى ضغط الصوت عند أذن مُشغل الآلة L_{PA}
3.0=K ديسيبل (A)	
100 ديسيبل (A)	مستوى قوة الصوت المضمون L_{WA} (تم قياسه وفقاً للمعيار EC/14/2000)
1.221 م/ثانية ²	الاهتزاز a_{hh}
1.5=K م/ثانية ²	
0.568 م/ثانية ²	الجسم
K=1.5 م/ثانية ²	

■ القيمة الكلية للاهتزاز الموضحة تم قياسها وفقاً لطريقة اختبار قياسية وقد تستخدم لمقارنة أداة بأخرى؛

■ كما يمكن استخدام القيمة الكلية للاهتزاز الموضحة في التقييم التمهيدي للتعرض.

ملاحظة: قد تختلف انبعاثات الاهتزاز أثناء الاستخدام الفعلي للآلة العاملة بالطاقة عن القيمة المعلنة التي يتم استخدام الآلة فيها؛ ولحماية مشغل الآلة، ينبغي على المستخدم ارتداء قفازات وواقيات للأذن في ظروف الاستخدام الفعلية.

56 فولت	الجهد الكهربائي
107 سم	حجم أرضية الآلة
4 × 11 بوصة (279.4 مم)	حجم العجلة
8.5 × 18 بوصة (457.2 مم)	حجم العجلة
220 كيلو باسكال	ضغط الإطار وهو بارد
50 كيلو باسكال	ضغط الإطار وهو بارد
0	نصف قطر الدوران
3000, 2800, 2600, 2400	سرعة الشفرة (لفة في الدقيقة)
4.8 كم/ساعة، 8 كم/ساعة، 9.6 كم/ساعة، 11.2 كم/ساعة (12.8 كم/ساعة في وضع السفر)	الحد الأقصى لسرعة القيادة (كم/ساعة)
حتى 5.6 كم/ساعة	للخلف
CHV1600E	الشاحن (اختياري)
ACA1000	المهايئ (اختياري)
5 - 40 درجة مئوية	مدى درجة حرارة الشحن
25 - 100 مم	ضبط ارتفاع الجز (10 أوضاع)
0 - 40 درجة مئوية	درجة حرارة التشغيل
20 - 70 درجة مئوية	درجة حرارة التخزين
186 كجم	الوزن (بدون وحدة البطارية)

الوصف

التعرف على الجرازة الكهربائية صفرية زاوية الدوران (الشكل A1 و A2)

1. المقعد
2. منفذ الشحن
3. حجرة البطارية
4. كشافات خلفية LED
5. صندوق التخزين
6. حوامل الأكواب
7. كشافات جانبية LED
8. العجلة الخلفية (عجلة الحركة)
9. أرضية الجرازة
10. واقي أرضية الجرازة
11. عجلة منع الاحتكاك بالأرض
12. العجلة الأمامية
13. دواسة فرملة الوقوف
14. كشافات الحركة
15. كشافات أمامية LED
16. أبواب التفريغ الجانبي
17. ذراع ضبط ارتفاع أرضية الجرازة
18. بكرة ضبط نظام تعليق المقعد
19. ذراع ضبط المقعد للأمام وللخلف
20. ذراع التوجيه
21. مؤشر حالة الجرازة
22. شاشة LCD
23. مفتاح تشغيل طاقة المحرك
24. زر البدء/الإيقاف
25. مفتاح الأمان
26. صندوق تخزين الهاتف
27. مؤشر مقياس وقود الجرازة وحالتها
- 27a. مؤشر مقياس وقود الجرازة
- 27b. مؤشر حالة الجرازة
28. مسند القدم
29. زر تحرير غطاء وحدة الطاقة
30. غطاء وحدة الطاقة
31. زر تحرير البطارية
32. وصلة الجر
33. غطاء تثبيت الملحق
34. موضع تخزين غطاء تثبيت الملحق
35. منفذ USB

التعرف على شاشة LCD والأزرار (الشكل A3)

راجع القسم "مرجع حالة الجرازة وكود الأعطال" للتعرف على المزيد من المعلومات الخاصة بالأيقونات والمؤشرات الموجودة على شاشة LCD.

1. أيقونة مفتاح الأمان
2. أيقونة كشافات LED
3. أيقونة الوقوف التلقائي
4. أيقونة USB
5. مؤشر سرعة الشفرة
6. مؤشر حالة جهاز الأمان
7. عداد ساعات العمل
8. أيقونة البطارية
9. أيقونة سخونة الزائدة
10. وضع القيادة
11. مؤشر كود الخطأ
12. مؤشر الحمل الزائد
13. مؤشر انخفاض الطاقة
14. مؤشر سرعة الحركة
15. مؤشر الحمل
16. زر ضبط سرعة الشفرة
17. زر الضبط
18. زر وضع الحركة
19. مفتاح كشافات LED
20. زر ضبط سرعة الحركة
21. مقياس الوقود

فك التغليف

ملاحظة: احتفظ بمكونات التغليف حتى الانتهاء من فحص المنتج بعناية والتأكد من تشغيله كما ينبغي. إذا وجدت أن أي جزء من الأجزاء المدرجة في قائمة المحتويات قد تم تجميعه بالفعل في الآلة، يجب عليك التواصل على الفور مع خدمة عملاء EGO.

ملاحظة: باستثناء الأدوات المدرجة في قائمة المحتويات أدناه، فإن جميع الأدوات الأخرى المذكورة في الدلائل موصى بها فقط وغير مرفقة مع المنتج.

قائمة المحتويات (الشكل B1)

مفاتيح الأمان	7-B1	جرازة كهربائية صفرية زاوية الدوران	1-B1
مفاتيح بلدي (مفتوح الطرف) (13 مم)	8-B1	المقعد	2-B1
مفتاح ربط سداسي (ألانكيه)	9-B1	سدادة توزيع العشب المجزوز على الأرض	3-B1
قارنة التوصيل السريع لمنفذ الغسل	10-B1	ذراع التوجيه	4-B1

التشغيل

قبل استخدام الجارزة

فحص بيئة العمل

- تأكد من خلو منطقة العمل من الأطفال والمرافقين والحيوانات الأليفة.
- تخلص من أي أشياء قد تتطاير بفعل شفرات الجارزة من منطقة العمل.
- افحص كشافات LED وتأكد من عملها كما ينبغي:

- يتم التحكم في الكشافات الأمامية، والكشافات الجانبية، والكشافات الخلفية من خلال مفتاح كشافات LED.
- تظل كشافات الحركة مضاءة بشكل دائم أثناء القيادة.
- عند الرجوع للخلف، إذا كانت الكشافات الخلفية مطفاة، فحينها ستومض من أجل تحذير المرافقين؛ أما إذا كانت الكشافات الخلفية مضاءة، فإنها ستظل مشغلة.
- سيتم إطفاء جميع الأضواء تلقائيًا بعد مرور أكثر من 3 دقائق بدون تشغيل.

مراجعة ضغط الإطار وهو بارد (الشكل D1)

فحص حالة الجارزة ومستوى شحن البطارية

a. مؤشر مقياس الوقود في الجارزة (الشكل A2 - 27a)

كل قسم من أقسام مؤشر مقياس الوقود الخاص بالجارزة يشير إلى 20% من شحن مجموعات البطارية المركبة.

ملاحظة: يشير مؤشر مقياس الوقود الخاص بالجارزة ومقياس الوقود الموجود على شاشة LCD إلى متوسط سعة شحن مجموعات البطارية المركبة.

b. مؤشر حالة الجارزة (الشكل A1 والشكل A2 - 27b)

إذا أضاء مؤشر الحالة باللون الأخضر، فهذا معناه أن الجارزة جاهزة للحركة. أما إذا لم يضيء باللون الأخضر، يُرجى مراجعة قسم مرجع حالة الجارزة وكود الأعطال "

اختبار نظام قفل الأمان (الشكل D2 - الشكل D8)

ملاحظة: يجب أن يكون مشغل الآلة جالسًا على المقعد قبل الاختبار.

a. قبل الاختبار (الشكل D2 - الشكل D4)

b. لاختبار نظام شفرة أرضية الجارزة (الشكل D5)، ثم قف ببطء

c. لاختبار نظام الحركة (الشكل D6 - الشكل D8)، ثم قف ببطء

إذا لم يتم نظام شفرة أرضية الجارزة و/أو نظام الحركة بالتوقف عند نزول مشغل الآلة عن المقعد، وإذا لم يمكن تحديد السبب بعد التأكد من توصيل قابس المقعد ومقبسه كما ينبغي، فاتصل بمركز خدمة عملاء EGO على الفور.

5-B1	مسامير برأس ألانكيه (2 احتياطيًا)	11-B1	دليل التشغيل
6-B1	براغي سداسية الرأس (2 احتياطيًا)		

فك التغليف (الشكل B2 - الشكل B3)

الملحقات الموصى بها

⚠ تحذير: استخدم فقط قطع الغيار الأصلية المدرجة أدناه. لأن استخدام قطع غيار لا تتوافق مع مواصفات المعدات الأصلية قد يؤدي إلى الأداء غير السليم والتأثير بالسلب على الأمان.

اسم القطعة	رقم الطراز
الشفرة العادية	AB4200
شفرة الرفع العالي	AB4201
سدادة توزيع العشب المجزوز على الأرض	AMP4200
طقم حقيبة العشب	ABK4200-A

التجميع

تركيب المقعد (الشكل C1 و C2)

⚠ تحذير: لا يجب بأي حال من الأحوال فصل نظام قفل الأمان أو تجاوزه. لأن فعل ذلك قد يؤدي إلى تشغيل الجارزة بشكل غير متوقع، وهو ما قد يتسبب في وقوع إصابات شخصية.

ملاحظة: لسلامتك، قد تتوقف الجارزة عن الحركة بسبب فصل مفتاح المقعد أثناء الحركة. في هذه الحالة، يُرجى مراجعة قسم "استكشاف الأعطال وإصلاحها" للتعرف على المزيد من المعلومات.

1-C1	كابيل	5-C1	مسامير برأس ألانكيه
2-C1	قابس	1-C2	خطاف
3-C1	مقبس	2-C2	قضبان من الصلب
4-C1	قاعدة نظام التعليق	3-C2	مسامير برأس ألانكيه

تركيب أذرع التوجيه (الشكل C3)

1-C3	أذرع التوجيه	3-C3	فتحات تثبيت ذراع التوجيه
2-C3	براغي سداسية الرأس		

تركيب سدادة توزيع العشب المجزوز على الأرض (الشكل C4)

1-C4	أنبوب التفريغ الجانبي	3-C4	زنبك قابل للتحريك
2-C4	سدادة توزيع العشب المجزوز على الأرض		

الضبط (الشكل E1 – الشكل E13)

التحضير (الشكل E1 – الشكل E5)

ضبط ارتفاع أرضية الجز (الشكل E6)

ضبط عجلات منع الاحتكاك بالأرض (الشكل E7 – الشكل E10)

1-E7	عجلة منع الاحتكاك بالأرض	2-E9	مسما ملولب
1-E9	صامولة	1-E10	ملصق ارتفاع أرضية الجز

ضبط المقعد (الشكل E11)

اضبط موضع المقعد للتأكد من قدرتك على الوصول بشكل فعال لدواسة فرملة الوقوف قبل تشغيل الجزارة. قد يؤدي ضبط نظام تعليق المقعد إلى تحقيق أفضل تجربة استخدام مريحة للمقعد.

1-E11	ذراع ضبط المقعد للأمام وللخلف	2-E11	بكرة ضبط نظام تعليق المقعد
-------	-------------------------------	-------	----------------------------

ضبط فرملة الوقوف (الشكل E12 – الشكل E13)

1-E13	وضع الفرملة	2-E13	وضع تحرير الفرملة
-------	-------------	-------	-------------------

الشحن (الشكل F1 – الشكل F11)

لبدء تشغيل هذه الجزارة، يجب تركيب بطاريات EGO بإجمالي 15 أمبير-ساعة (2 × بطارية (BA4200/BA4200T) أو أكثر. لتحقيق أفضل أداء، نوصي باستخدام بطاريات EGO بإجمالي 30 أمبير-ساعة أو أكثر.

لا تستخدم أي مجموعات بطارية أو شواحن غير تلك الموصى بها. (الشكل F9 و F10)

التحضير للشحن (الشكل F1 – الشكل F4)

شحن مجموعات البطارية بشكل منفصل (الشكل F5 – الشكل F9)

1-F5	زر تحرير الغطاء	1-F7	زر تحرير البطارية
------	-----------------	------	-------------------

تركيب مجموعات البطارية (الشكل F5 – الشكل F6)

لخلع مجموعات البطارية (الشكل F7 – الشكل F8)

ملاحظة: اشحن مجموعات البطارية وفقاً لدلائل البطارية والشاحن المعنية.

شحن مجموعات البطارية من خلال منفذ الشحن (الشكل F10)

1-F10	غطاء الأتربة	2-F10	منفذ الشحن
-------	--------------	-------	------------

بدء تشغيل الجزارة الكهربائية صفرية زاوية الدوران

(الشكل A4 – الشكل A5 والشكل G1 – الشكل G6)

تحذير: تجنب عمليات بدء التشغيل والتوقف والدوران بشكل مفاجئ، وكذا السرعة الزائدة، خاصة عند تعلم تشغيل الجزارة للمرة الأولى. يمكن للجزارة أن تدور حول نفسها بسرعة، وهو ما قد يتسبب في فقد السيطرة والتعرض لإصابات خطيرة و/أو حدوث تلف.

تحذير: قبل بدء تشغيل الجزارة، افحص الشفرات وتأكد من إلغاء تعشيقها عند الضغط على مفتاح تعشيق طاقة المحرك (PTO) لأسفل. إذا لم تتوقف الشفرات، لا تستخدم الجزارة واتصل بمركز خدمة عملاء EGO على الفور.

تنبيه: اتبع الشكل A4 والشكل G2 للوصول إلى أقل سرعة للحركة والانتقال إلى وضع القيادة STANDARD (القياسي) إلى أن تصبح ماهراً في تشغيل الجزارة في جميع الحالات. لن يتم تفعيل سرعة الحركة ووضع القيادة إلا بعد توقف عجلات الجزارة وفتح أذرع التوجيه.

ستقوم الجزارة بحفظ الضبط السابق وتطبيقه عند إعادة تشغيلها

وضع القيادة

■ **CONTROL (التحكم):** تسارع أقل، واستجابة أقل حساسية، وسرعة دوران معتدلة لحماية العشب، وهذا الوضع مناسب للمستخدمين الجدد.

■ **STANDARD (القياسي):** مثالي للاستخدام اليومي.

■ **SPORT (الرياضي):** تسارع أعلى، واستجابة دقيقة، ودوران حاد لزيادة فعالية الجزر، وهذا الوضع مناسب لمحترفي الجزر.

ضبط سرعة الحركة (الشكل A4)

ضبط سرعة الشفرة (الشكل A5)

ملاحظة: عندما تكون في وضع «TRAVEL» (الحركة)، اضغط على «»، وحينها ستعود سرعة القيادة إلى الوضع السابق..

منفذ USB

ملاحظة: يقدم منفذ USB طاقة شحن بقدرة 5 فولت تيار مستمر عند توصيل أجهزة استهلاك يصل استهلاكها مجتمعة إلى 1.5 أمبير، ولن يعمل المنفذ إلا بعد بدء تشغيل الجزارة.

إيقاف الجزارة الكهربائية صفرية زاوية الدوران

(الشكل H1 – الشكل H6)

ملاحظة: بعد مرور أكثر من 60 دقائق دون تشغيل، سيتم إطفاء الجزارة تلقائياً.

وضع التشغيل الطارئ

عندما يصبح شحن البطارية منخفضاً، ستدخل الجزارة في وضع التشغيل الطارئ:

■ ستتوقف الجزارة تلقائياً عن جز العشب؛

■ سيستمر مؤشر التنبيه الصوتي في إطلاق التنبيه؛

■ سيومض مؤشر حالة الجزارة باللون الأحمر كل ثانية، كما سيومض القسم الأول من مقياس الوقود الخاص بالجزارة باللون الأحمر، وسيومض كلاً من مؤشر انخفاض الطاقة والشكل البياني للبطارية في مقياس الوقود.

يجب على مشغل الآلة:

a) الضغط على مفتاح تعشيق طاقة المحرك لأسفل (الشكل H3) لإلغاء

تعشيق الشفرات. سيتوقف مؤشر التنبيه الصوتي عن إطلاق التنبيه عند توقف الشفرات؛

b) توقف عن العمل واهب إلى مكان لشحن البطارية في أقرب وقت ممكن. أقصى مسافة يمكن للجزارة قطعها 1000 متر.

عند اقتراب نفاذ شحن البطارية، ستومض أيقونة كل حجرة من حجرات البطارية المشغولة ومؤشر انخفاض الطاقة كل نصف ثانية. ستتوقف الجزارة عن العمل على الفور. يجب على مشغل الآلة نقل الجزارة إلى مكان شحن البطارية لشحنها.

الدفع اليدوي

إذا احتجت إلى دفع الآلة يدوياً، احرص على فصل البطاريات من الجزارة وتحرير دواسة فرملة الوقوف من وضع الفرملة.

كل 200 ساعة	■ افحص العجلات الأمامية، مع التأكد من دورانها بحرية.
سنويًا	■ افحص دواسة فرملة الوقوف. اخلع البطارية من الجرافة، واضبط دواسة فرملة الوقوف على وضع الفرملة. ادفع الجرافة للأمام باليد لترى ما إذا كانت الجرافة تتحرك أم لا. فإذا كانت تتحرك، يجب فحصها من قبل فني صيانة مؤهل.

تنظيف الجرافة (الشكل J1 - الشكل J9)

التحضير (الشكل J1 - الشكل J5)

تنظيف هيكل الجرافة (الشكل J6 - الشكل J7)

استخدام منفذ الغسل في تنظيف أرضية الجرافة (الشكل J8 - الشكل J9)

1-J8	منفذ الغسل	3-J8	خرطوم الحديقة
2-J8	قارئة التوصيل السريع لمنفذ الغسل		

ملاحظة: عند الانتهاء من التنظيف، ادفع مفتاح تشغيل طاقة المحرك لأسفل لإلغاء تشغيل شفرات الجرافة.

صيانة أرضية الجرافة وشفرات الجز

التحضير (الشكل K1 - الشكل K6)

خلع أرضية الجرافة (الشكل K7 - الشكل K8)

1-K7	كابلات المحرك	3-K7	وصلة نظام التعليق
2-K7	تيلة مشقوقة		

ملاحظة: افصل كابلات المحرك والتيل المشقوق على كلا الجانبين عند خلع أرضية الجرافة.

استبدال شفرات الجز (الشكل K9 - الشكل K11)

1-K9	قضيب الموازنة	3-K10	شفرة
1-K10	مسمار ملولب	4-K10	الشفة
2-K10	وردة	5-K10	عمود المحرك

ضبط مستوى أرضية الجرافة

a. ضبط المستوى (الشكل K12 - الشكل K14)

b. قبل ضبط المستوى

■ مراجعة ضغط الإطار وهو بارد (الشكل K15)

■ افحص شفرات الجز. اخلع الشفرات المتهاكلة أو المشققة أو المنتنية، واستبدالها عند اللزوم.

c. التحضير لضبط المستوى (الشكل K16 - الشكل K21)

d. كيفية ضبط المستوى

■ لتنفيذ الضبط من جانب إلى آخر (الشكل K22)

يجب أن يكون الفارق بين المسافات H1 و H2 المقاسة من الحافة السفلية لكل شفرة إلى الأرض في نطاق 5 مم.

قيادة الجرافة الكهربائية صفرية زاوية الدوران (الشكل I1 - الشكل I9)

للإيقاف أو خفض السرعة أو زيادتها، انقل ذراع التوجيه ببطء من الوضع المحايد.

⚠ خطر: ابق على مسافة لا تقل عن ضعف عرض الجز (2.14 متر) عن أي خنادق أو منحدرات أو مياه. يمكن للعجلات الأمامية أن تدور عند توقف الجرافة، حتى بعد الضغط على الفرملة، مما قد يتسبب في تجاوز الجرافة لحافة أو السقوط في الماء، وهو ما قد يتسبب في التعرض للوفاة أو الإصابة الشخصية الخطيرة.

⚠ تحذير: كن حذرًا مما هو موجود خلف الجرافة أثناء الرجوع للخلف. لا تقم بالجز بشكل عكسي إلا في حالات الضرورة القصوى. احرص دائمًا على النظر لأسفل وخلفك قبل الرجوع للخلف وأثنائه للتأكد من عدم دخول أطفال أو مرافقين أو حيوانات أليفة إلى منطقة الجز. ولا تنس أن الاستهتار لجزء من الثانية كافٍ للتسبب في حدوث الوفاة أو الإصابات الخطيرة.

⚠ تحذير: لا تقم بتشغيل هذه الآلة على الطرق العامة.

⚠ تحذير: إذا حدث انسداد أو ارتطمت بجسم غريب، قم بإيقاف المحرك واخلع البطاريات. تخلص من قصاصات العشب وأوراق الشجر والأوساخ وأي عوائل أخرى متراكمة؛ وافحص الجرافة بعناية بحثًا عن أي علامات للتلف وأصلحه قبل إعادة تشغيل الجرافة.

الصيانة

⚠ تحذير: ارتد بشكل دائم أدوات حماية العينين المزودة بواقيات على الجانبين. قد ينجم عن عدم الامتثال لذلك دخول أشياء في عينيك، وهو ما قد يؤدي إلى وقوع إصابات خطيرة.

⚠ تحذير: احرص دائمًا على حماية يديك عن طريق ارتداء قفازات قوية أو تغليف الحواف القاطعة بقطعة قماش أو مواد أخرى ملائمة عند إجراء أي أعمال صيانة على شفرة الجرافة. احرص دائمًا على خلع مفتاح الأمان ومجموعات البطارية عند إجراء أعمال الصيانة على الجرافة أو نقلها.

جدول الصيانة والخدمة	إجراءات الصيانة
قبل كل استخدام أو يوميًا	<ul style="list-style-type: none"> ■ افحص نظام قفل الأمان. ■ تحقق بنظرك مما إذا كان الإطار فارغًا. ■ تحقق مما إذا كانت الشفرات متهاكلة أو مشققة أو مثنية. ■ افحص المنتج بأكمله بحثًا عن الأجزاء التالفة أو المفقودة أو المفكوكة، مثل أنبوب التفريغ الجانبي أو المسامير أو الصواميل أو البراغي أو الأغشية أو ما شابههم، مع التأكد من تركيب جميع الواقيات في مكانها وعملها كما ينبغي. ■ افحص أداء الفرملة.
بعد كل استخدام	<ul style="list-style-type: none"> ■ نظف أرضية الجرافة.
كل 25 ساعة	<ul style="list-style-type: none"> ■ افحص ضغط هواء الإطارات.
كل 50 ساعة	<ul style="list-style-type: none"> ■ افحص حالة الشحم الموجود داخل شفة شفرة الجز.
كل 100 ساعة	<ul style="list-style-type: none"> ■ افحص العجلات الخلفية، مع التأكد من ربط صواميل العجلة الأربع بالعزم الموصى به.

■ لتنفيذ الضبط من الأمام إلى الخلف (الشكل K23)
يجب أن يكون الطرف الأمامي H3 للشفرة منخفضاً لمسافة 2 إلى 10 مم عن الطرف الخلفي H4.

معايرة نظام تتبع الجزازة
(الشكل L1 - الشكل L6 والشكل L7 - الشكل L12)

ملاحظة: سيقوم مؤشر التنبيه الصوتي بإطلاق الصوت مرة واحدة عند بدء المعايرة وعند اكتمالها.

إعادة تعيين الجزازة إلى أوضاع ضبط المصنع الأولية
(الشكل M1 - الشكل M4)

ملاحظة: سيقوم مؤشر التنبيه الصوتي بإطلاق الصوت مرة واحدة عند بدء إعادة التعيين وعند اكتمالها.

التخزين والنقل

نقل الجزازة (الشكل N1 - الشكل N11)

ملاحظة: عند اللزوم، قم بتثبيت الجزازة باستخدام الأشرطة أو الكابلات لمنعها من الحركة أثناء النقل. عند تحميل الجزازة أو إنزالها، لا يجب أن تتخطى زاوية التشغيل القصوى الموصى بها 12 درجة بين السقالة والأرض.

KEES VAN DER SPEK
TUINMACHINES * STOLWIJK

التخزين (الشكل O1 - الشكل O6)

ملاحظة: اخلع مجموعات البطارية وخرنها وفقاً للتعليمات الواردة في الدلائل ذات الصلة.

نظف الجزازة وافحصها قبل تخزينها وفقاً للتعليمات الواردة في الأقسام "تنظيف الجزازة" و"جداول الصيانة الموصى بها".

حماية البيئة

نفايات المعدات الكهربائية والإلكترونية (WEEE) لا تتخلص من المعدات الكهربائية أو البطارية المستهلكة أو الشاحن في النفايات المنزلية! بل توجه بهذا المنتج إلى مركز إعادة تدوير معتمد ليكون متاحاً للفرز بشكل منفرد. تجب إعادة الآلات الكهربائية إلى مرفق إعادة



استكشاف الأخطاء وإصلاحها

المشكلة	السبب	الحل
	<ul style="list-style-type: none"> إجمالي التيار (أمبير-ساعة) للبطاريات المركبة أقل من 15 أمبير-ساعة. 	<ul style="list-style-type: none"> لبدء تشغيل هذه الجازة، يجب تركيب بطاريات EGO بإجمالي 15 أمبير-ساعة (2 × بطارية BA4200/BA4200T) أو أكثر. لتحقيق أفضل أداء، نوصي باستخدام بطاريات بإجمالي 30 أمبير-ساعة أو أكثر.
	<ul style="list-style-type: none"> دواسة فرملة الوقوف مضبوطة على وضع الفرملة. 	<ul style="list-style-type: none"> اضغط حتى النهاية على دواسة فرملة الوقوف لتحريرها من وضع الفرملة.
	<ul style="list-style-type: none"> أذرع التوجيه ليست في الوضع المفتوح عند بدء تشغيل الجازة. 	<ul style="list-style-type: none"> أعد أذرع التوجيه إلى وضع الفتح، ثم أعد تشغيل الجازة.
	<ul style="list-style-type: none"> مشغل الآلة غير جالس على المقعد. 	<ul style="list-style-type: none"> لا يمكن تشغيل الجازة إلا بعد جلوس مشغل الآلة بشكل صحيح على المقعد.
لا يمكن للجازة الكهربائية صفيرية زاوية الدوران أن تتحرك بعد دفع ذراعي التوجيه للأمام أو للخلف في البداية.	<ul style="list-style-type: none"> مفتاح المقعد غير موصل بشكل صحيح. 	<ul style="list-style-type: none"> اخلع البطارية من الجازة وفكك المقعد باتباع الترتيب العكسي للتعليمات الواردة في القسم "تركيب المقعد" في هذا الدليل لفحص وصلة مفتاح المقعد. أعد تجميع المقعد واتبع التعليمات الواردة في القسم "بدء تشغيل الجازة الكهربائية صفيرية زاوية الدوران" لإعادة تشغيل الجازة لترى ما إذا كان بالإمكان بدء تشغيلها. إن لم يمكن تشغيلها، يُرجى التواصل مع فني صيانة متخصص لإصلاحها.
	<ul style="list-style-type: none"> في ظروف الطقس القاسية، قد لا يمكن بدء تشغيل وظيفة القيادة بنجاح بسبب وظيفة الحماية ضد درجة الحرارة المنخفضة. 	<ul style="list-style-type: none"> احرص دائماً على تخزين الجازة والبطارية في بيئة دافئة. أعد تشغيل الجازة بعد أن تدفأ. يُرجى عدم تكرار المحاولات في ظل ظروف الطقس القاسية، فذلك قد يتسبب في تلف الآلة. درجة حرارة التشغيل الموصى بها هي 0 - 40 درجة مئوية
	<ul style="list-style-type: none"> أذرع التوجيه بحاجة "لإعادة التعيين". 	<ul style="list-style-type: none"> أعد أذرع التوجيه إلى وضع الفتح، ثم أعد تشغيل الجازة.
	<ul style="list-style-type: none"> مكونات التحكم الكهربائي لأذرع التوجيه بها خلل. 	<ul style="list-style-type: none"> يُرجى التواصل مع فني صيانة متخصص للإصلاح.
الجازة الكهربائية صفيرية زاوية الدوران تتوقف عن الحركة.	<ul style="list-style-type: none"> تم فصل مفتاح المقعد أثناء القيادة على أرض وعرة. 	<ul style="list-style-type: none"> اخلع البطارية من الجازة وفكك المقعد باتباع الترتيب العكسي للتعليمات الواردة في القسم "تركيب المقعد" في هذا الدليل لفحص وصلة مفتاح المقعد. أعد تجميع المقعد واتبع التعليمات الواردة في القسم "بدء تشغيل الجازة الكهربائية صفيرية زاوية الدوران" لإعادة تشغيل الجازة لترى ما إذا كان بالإمكان بدء تشغيلها. إن لم يمكن تشغيلها، يُرجى التواصل مع فني صيانة متخصص لإصلاحها.
لا يمكن ضبط سرعة الحركة/وضع القيادة أثناء الحركة.	<ul style="list-style-type: none"> هذه خاصية في الجازة الكهربائية صفيرية زاوية الدوران للقيادة بشكل آمن. 	<ul style="list-style-type: none"> لن يتم تفعيل الوظيفة إلا بعد توقف عجلات الجازة وفتح أذرع التوجيه.

Kees van der Spek
TUINMACHINES * STOLWIJK



أيقونة مستوى التوجيه تومض

المشكلة	السبب	الحل
الجزارة الكهربائية صفرية زاوية الدوران غير قادرة على تشغيل الشفرات بعد تعشيق مفتاح تعشيق طاقة المحرك (PTO).  أيقونة مفتاح تعشيق طاقة المحرك (PTO) تومض	<ul style="list-style-type: none"> إجمالي التيار (أمبير-ساعة) للبطاريات المركبة أقل من 15 أمبير-ساعة. 	<ul style="list-style-type: none"> لبدء تشغيل هذه الجزارة، يجب تركيب بطاريات EGO بإجمالي 15 أمبير-ساعة (2 × بطارية BA4200/BA4200T) أو أكثر. لتحقيق أفضل أداء، نوصي باستخدام بطاريات بإجمالي 30 أمبير-ساعة أو أكثر.
	<ul style="list-style-type: none"> لم يتم الضغط على مفتاح تعشيق طاقة المحرك (PTO) لأسفل أثناء توقف الجزارة في آخر مرة. 	<ul style="list-style-type: none"> اضغط على مفتاح تعشيق طاقة المحرك (PTO) لأسفل وأعد تشغيل شفرات الجزارة.
	<ul style="list-style-type: none"> هناك حمل زائد على الجزارة عند بدء تشغيل الشفرات، وهو ما يؤدي إلى تفعيل خاصية الحماية الذاتية للمحرك. 	<ul style="list-style-type: none"> ابدأ جز العشب بالجزارة بسرعة منخفضة للشفرة وانتظر حتى وصول الشفرات لسرعة دوران ناجحة، ولا تقم بزيادة تسارع الشفرة إلا بحسب الحاجة.
	<ul style="list-style-type: none"> في ظروف الطقس القاسية، قد لا يمكن بدء تشغيل محرك الشفرة بنجاح بسبب وظيفة الحماية ضد درجة الحرارة المنخفضة. 	<ul style="list-style-type: none"> احرص دائماً على تخزين الجزارة والبطارية في بيئة دافئة. أعد تشغيل الجزارة بعد أن تدفأ. يُرجى عدم تكرار المحاولات في ظل ظروف الطقس القاسية، فذلك قد يتسبب في تلف الآلة. درجة حرارة التشغيل الموصى بها هي 0 - 40 درجة مئوية
	<ul style="list-style-type: none"> هناك تداخل بين الشفرة وأرضية الجزارة المشوهة. 	<ul style="list-style-type: none"> يُرجى التواصل مع فني صيانة متخصص للإصلاح.
تتوقف الشفرات عن العمل أثناء جز العشب.	<ul style="list-style-type: none"> هناك حمل زائد على الجزارة. 	<ul style="list-style-type: none"> ارفع ارتفاع جز أرضية الجزارة أو اخفض سرعة الحركة للحد من الحمل على الجزارة.
	<ul style="list-style-type: none"> هناك عشب وعوالق تعيق حركة أرضية الجزارة. 	<ul style="list-style-type: none"> نظف أرضية الجزارة، وتأكد من أن الشفرات تتحرك بحرية.
	<ul style="list-style-type: none"> الجزارة ساخنة بشكل زائد. 	<ul style="list-style-type: none"> قلل الحمل على الجزارة عن طريق رفع ارتفاع جز أرضية الجزارة أو خفض سرعة الشفرة/الحركة وترك الجزارة تبرد.
	<ul style="list-style-type: none"> هناك حرارة زائدة في مجموعات البطارية الموجودة في حجرة البطارية بالجزارة، وهو ما يؤدي إلى انخفاض التيار (أمبير-ساعة) للبطاريات المركبة عن 15 أمبير-ساعة. 	<ul style="list-style-type: none"> 1. إذا كان إجمالي التيار (أمبير-ساعة) للبطاريات المركبة أقل من 15 أمبير-ساعة، لن تعمل الجزارة إلا بعد تركيب مجموعات بطارية في حجرات البطارية الفارغة. ما أن تعود درجة حرارة البطارية الساخنة بشكل زائد إلى درجة الحرارة الطبيعية، ستعود للمساهمة في توفير الطاقة للجزارة على الفور. 2. قلل الحمل على الجزارة عن طريق رفع ارتفاع جز أرضية الجزارة أو إبطاء الجز عند متابعة التشغيل.
يستمر مؤشر التنبيه الصوتي في إطلاق التنبيه.	<ul style="list-style-type: none"> الجزارة في وضع التشغيل الطارئ. 	<ul style="list-style-type: none"> عندما تكون الجزارة في وضع التشغيل الطارئ، يتم نقل الشفرات تلقائياً إلى وضع سرعة الدوران المنخفضة بدون جز العشب. يجب على مشغل الآلة التوقف عن العمل والذهاب إلى مكان لشحن البطارية في أقرب وقت ممكن.
	<ul style="list-style-type: none"> ارتطمت الجزارة بجسم غريب، وهو ما أدى إلى تفعيل وظيفة الحماية الذاتية للمحرك. 	<ul style="list-style-type: none"> اضغط على مفتاح تعشيق طاقة المحرك (PTO) لأسفل وأعد تشغيل شفرات الجزارة.
	<ul style="list-style-type: none"> الجزارة في وضع التشغيل الطارئ، ولم يتم إيقاف تشغيل الشفرات. 	<ul style="list-style-type: none"> اضغط على مفتاح تعشيق طاقة المحرك (PTO) لأسفل لإلغاء تعشيق شفرات أرضية الجزارة. سيتوقف مؤشر التنبيه الصوتي عن إطلاق التنبيه عند توقف الشفرات.
	<ul style="list-style-type: none"> تتوقف الجزارة عن الحركة على المنحدر ويقوم مشغل الآلة بفتح أذرع التوجيه وينزل عن المقعد بدون ضبط دواسه فرملة الوقوف على وضع الفرملة. 	<ul style="list-style-type: none"> اضبط دواسه فرملة الوقوف على وضع الفرملة قبل ترك الجزارة على المنحدر.

المشكلة	السبب	الحل
	<ul style="list-style-type: none"> عند إيقاف تشغيل الجرازة على أرضية مستوية بدون إزالة مجموعات البطارية من الجرازة، ستظل مؤشرات البطارية مضاءة لمدة 3 دقائق. 	<ul style="list-style-type: none"> لست في حاجة لاتخاذ أي إجراءات. ستنتطفئ مؤشرات البطارية بعد مرور بعض الوقت.
تظل مؤشرات البطارية مشغلة حتى بعد إيقاف تشغيل الجرازة.	<ul style="list-style-type: none"> عند إيقاف تشغيل الجرازة على منحدر بدون ضبط دواسة فرملة الوقوف على وضع الفرملة، ستظل مؤشرات البطارية مضاءة إلى أن استهلاك شحن البطارية. يستمر مؤشر التنبيه الصوتي في إطلاق التنبيه في نفس الوقت. 	<ul style="list-style-type: none"> اضبط دواسة فرملة الوقوف على وضع الفرملة قبل أن يقوم مشغل الآلة بتزكها على المنحدر.
تتوقف شاشة LCD عن الإضاءة مع ظهور جميع الأيقونات.	<ul style="list-style-type: none"> وقت الضغط على زر التشغيل/الإيقاف أقل من 3 ثوانٍ. 	<ul style="list-style-type: none"> ستقوم شاشة LCD بعرض "مقياس الوقود" فقط عند الضغط على زر التشغيل/الإيقاف لوهلة قصيرة. ستعمل شاشة LCD بعد الضغط على زر التشغيل/الإيقاف لمدة 3 ثوانٍ.
الجرازة تجز العشب بشكل غير متساوٍ مع فارق ارتفاع واضح بين الأمام والخلف.	<ul style="list-style-type: none"> الشفرات غير حادة. الشفرات منثنية. 	<ul style="list-style-type: none"> اشد شفرة الجز أو استبدلها على النحو الموضح في هذا الدليل. استبدل شفرة الجز المثنية وفقاً للتعليمات الواردة في القسم "استبدال شفرات الجز". اضبط مستوى أرضية الجرازة وفقاً للتعليمات الواردة في القسم "ضبط مستوى أرضية الجرازة".
الارتفاع الفعلي لجز العشب غير متوافق مع الارتفاع المطلوب.	<ul style="list-style-type: none"> صواميل أرضية الجرازة مفكوكة في وصلة نظام التعليق أرضية الجرازة تالفة أو متهالكة بشكل خطير. 	<ul style="list-style-type: none"> اتباع التعليمات الواردة في القسم لتنفيذ عملية الضبط من الأمام للخلف لأرضية الجرازة بشكل صحيح، واربط الصواميل الأربعة في وصلة نظام التعليق بإحكام (اثنان على كل جانب). اتباع التعليمات في القسم "إزالة أرضية الجرازة" لاستبدال أرضية الجرازة.
لا تقوم الجرازة بتوزيع العشب المجزوز على الأرض بشكل صحيح.	<ul style="list-style-type: none"> هناك قصاصات عشب رطب عالقة على الجانب السفلي لأرضية الجرازة. تم ضبط الجرازة لجز كمية زائدة من العشب مرة واحدة. 	<ul style="list-style-type: none"> انتظر حتى جفاف الحشائش قبل جزها. ارفع ارتفاع الجز لأرضية الجرازة.
	<ul style="list-style-type: none"> شفرات الجز مفكوكة. الشفرات منثنية. 	<ul style="list-style-type: none"> اربط مسمار الشفرة بالعزم الموصى به وهو 50-55 نيوتن متر. استبدل شفرة الجز المثنية وفقاً للتعليمات الواردة في القسم "استبدال شفرات الجز".
هناك اهتزازات زائدة.	<ul style="list-style-type: none"> لم يتم ضبط مستوى أرضية الجرازة. صواميل أرضية الجرازة مفكوكة في وصلة نظام التعليق. تم ضبط الجرازة لجز كمية زائدة من العشب مرة واحدة. 	<ul style="list-style-type: none"> اضبط مستوى أرضية الجرازة وفقاً للتعليمات الواردة في القسم "ضبط مستوى أرضية الجرازة". استخدم مفتاح ربط مفتوح الطرف 18 مم (غير مرفق) في ربط الصواميل الأربعة في وصلة نظام التعليق (اثنان على كل جانب). ارفع ارتفاع الجز لأرضية الجرازة.
هناك عشب أو عوالق متبقية على الأرض بعد الجز.	<ul style="list-style-type: none"> تم ضبط الجرازة لجز كمية زائدة من العشب مرة واحدة عندما يكون العشب طويلاً العشب رطب. سرعة الحركة عالية. سرعة الشفرة منخفضة. 	<ul style="list-style-type: none"> ابدأ بارتفاع الجز العالي وقلله إلى أن تصل إلى نتيجة الجز المرغوبة. يجب جز العشب الذي يزيد طوله عن 6 بوصات مرتين على ارتفاعات جز متناقصة تدريجياً. لا تقم بجز العشب وهو مبلل إلا بعد جفافه. اخفض سرعة الحركة. قم بزيادة سرعة الشفرة تدريجياً.

المشكلة	السبب	الحل
وقت تشغيل الجازة صار قصيرًا مع البطارية المركبة.	<ul style="list-style-type: none"> حالات العشب وضبط ارتفاع الجز سيؤثرون بشكل كبير على مدة تشغيل البطارية. تم احتساب مدة التشغيل المذكورة وفقًا لحالة تحميل خفيفة. 	<ul style="list-style-type: none"> ارفع ارتفاع جز أرضية الجازة وخفض سرعة الشفرة للحد من حمل الجز.
الجازة لا تتحرك في خط مستقيم.	<ul style="list-style-type: none"> ضغط الإطارات للعجلات الخلفية اليسرى واليمنى مختلف. سرعات الحركة للعجلات الخلفية اليسرى واليمنى مختلفة. 	<ul style="list-style-type: none"> راجع ضغط الهواء واضبطه في إطارات العجلات الخلفية وفقًا للتوصيات الواردة في القسم "مراجعة ضغط الإطارات" من هذا الدليل. قم بمعايرة نظام تتبع الجازة وفقًا للتعليمات الواردة في القسم "معايرة نظام تتبع الجازة".
لا يمكن تحرير دواسة فرملة الوقوف من وضع الفرملة أو أنها تترد للخلف ببطء.	<ul style="list-style-type: none"> قد تكون هناك عوالق أو أتربة داخل دواسة فرملة الوقوف. 	<ul style="list-style-type: none"> افتح صندوق دواسة فرملة الوقوف لتنظيفه من الداخل جيدًا، ثم أغلقه. أعد تعيين دواسة فرملة الوقوف لترى ما إذا كانت المشكلة قد تم حلها أم لا. إن لم يمكن تشغيلها، يُرجى التواصل مع فني صيانة متخصص لإصلاحها.
لا يمكن شحن الجازة باستخدام منفذ الشحن مع إضاءة مؤشر حالة الجازة باللون الأحمر الثابت.	<ul style="list-style-type: none"> لم يتم تركيب قابس الشاحن بشكل صحيح في منفذ الشحن الموجود في الجازة. لا توجد طاقة في مقابس الحائط. هناك عطل في الشاحن. منفذ الشاحن في الجازة معطوب. 	<ul style="list-style-type: none"> أعد توصيل قابس الشاحن لترى ما إذا كان مقدورك شحن الجازة بشكل طبيعي. لست في حاجة لاتخاذ أي إجراءات. انتظر حتى استعادة الطاقة. تواصل مع فني صيانة معتمد لإجراء عملية الفحص وإصلاح الشاحن عند اللزوم. يُرجى التواصل مع فني صيانة متخصص للإصلاح.
وقت الشحن عبر منفذ شحن الجازة طويل للغاية.	<ul style="list-style-type: none"> استخدام مهايئ EGO للشاحن ACA1000 في عملية الشحن يطيل فترة الشحن. 	<ul style="list-style-type: none"> استخدم شاحن EGO من الطراز CHV1600E في شحن الجازة الكهربائية صفرية زاوية الدوران مباشرة.
لا يمكن شحن البطارية بالكامل من خلال منفذ شحن الجازة.	<ul style="list-style-type: none"> هناك خطأ في البرنامج الثابت للجازة أو هناك عطل في الشاحن/البطارية. 	<ul style="list-style-type: none"> افصل الشاحن عن مصدر الطاقة وانتظر لأكثر من دقيقة، ثم أعد توصيل القابس في مصدر الطاقة. إن لم يتم حل المشكلة، يُرجى التواصل مع فني صيانة متخصص لإصلاحه.
لا يمكن بدء تشغيل الجازة بعد تنظيفها.	<ul style="list-style-type: none"> التنظيف غير الملائم، مثل دخول الماء إلى المكونات الكهربائية أو شاشة LCD أو ما شابه. 	<ul style="list-style-type: none"> اتباع التعليمات الواردة في القسم "تنظيف الجازة" لتنظيف الجازة بشكل صحيح.
من السهل حدوث انسداد في الجازة.	<ul style="list-style-type: none"> هناك عشب وعوالق تعيق حركة أرضية الجازة. 	<ul style="list-style-type: none"> إذا ظلت الجازة تحت المطر دون قصد، اتركها تجف لمدة تزيد عن 12 ساعة أو استخدم الهواء المضغوط في تجفيفها. نظف أرضية الجازة بعد كل استخدام، واتباع التعليمات الواردة في القسم "استخدام منفذ الغسل في تنظيف أرضية الجازة".
الجازة تفقد قدرتها على الجر أثناء صعود منحدر.	<ul style="list-style-type: none"> إطارات العجلات الخلفية متهالكة. منحدر جز شاقق. 	<ul style="list-style-type: none"> توجه إلى مركز الصيانة المحلي لاستبدال إطارات العجلات. ينبغي ألا يزيد ميل المنحدر الذي تنوي جزه عن 12 درجة.
عند إيقاف الجازة على منحدر والضغط على دواسة فرملة الوقوف، تنزلق الجازة لأسفل على المنحدر.	<ul style="list-style-type: none"> مكونات الفرملة متهالكة بشكل زائد بسبب التشغيل غير الملائم للجازة. 	<ul style="list-style-type: none"> يُرجى التواصل مع فني صيانة متخصص للإصلاح.
لا يخرج أي ماء من منفذ الغسل عند تنفيذ عملية غسل أرضية الجازة.	<ul style="list-style-type: none"> قارئة التوصيل السريع لمنفذ الغسل غير مركبة في مكانها بمنفذ الغسل. 	<ul style="list-style-type: none"> أعد تركيب قارئة التوصيل السريع لمنفذ الغسل إلى أن تسمع صوت نقرة بعد الضغط بقوة. إن لم يتم حل المشكلة، يُرجى التواصل مع فني صيانة متخصص لإصلاحه.
هناك صوت غير طبيعي يصدر عند دفع الجازة يدويًا بدون بدء تشغيلها.	<ul style="list-style-type: none"> الصوت صادر عن المغناطيس الموجود داخل محرك الدفع. 	<ul style="list-style-type: none"> هذا طبيعي ولست في حاجة لاتخاذ أي إجراءات.

مرجع حالة الجوزة وكود الأعطال

شاشة عرض LCD	الوصف	كود العطل على شاشة LCD	مؤشر حالة الجوزة	جهاز التنبيه الصوتي	السبب	الحل
	تم عرض أيقونة كشافات LED على شاشة LCD	غير متاح	متوقف	لا	يتم تشغيل الكشافات الأمامية، والكشافات الجانبية، والكشافات الخلفية من خلال مفتاح كشافات LED.	هذا من إجراءات التشغيل العادية. لست في حاجة لاتخاذ أي إجراءات.
	تم عرض أيقونة USB على شاشة LCD	غير متاح	متوقف	لا	تضيء أيقونة USB في إشارة إلى أن جهاز USB يمكنه العمل بعد بدء تشغيل الجوزة بشكل صحيح.	هذا من إجراءات التشغيل العادية. لست في حاجة لاتخاذ أي إجراءات.
	تم عرض أيقونة مقياس الوقود على شاشة LCD	غير متاح	متوقف	لا	يشير إلى متوسط سعة الشحن الخاصة بالبطاريات المركبة	هذا من إجراءات التشغيل العادية. لست في حاجة لاتخاذ أي إجراءات.
	تم عرض أيقونة عداد ساعات العمل على شاشة LCD	غير متاح	متوقف	لا	يعرض إجمالي وقت قيادة الجوزة بالساعات، ولا يمكن إعادة تعيينه.	هذا من إجراءات التشغيل العادية. لست في حاجة لاتخاذ أي إجراءات.
	أيقونة مؤشر الحمل تعرض أنها في النطاق الاقتصادي "ECO"	غير متاح	متوقف	لا	يشير إلى حمل تيار الجوزة.	هذا من إجراءات التشغيل العادية. لست في حاجة لاتخاذ أي إجراءات.
	مؤشر الحمل الزائد يومض. أيقونة مؤشر الحمل تعرض أنها في نطاق الطاقة "PWR".	غير متاح	يومض باللون الأحمر	تنبيه صوتي واحد	هناك حمل زائد على محرك الشفرة.	ارفع ارتفاع جز أرضية الجوزة أو قلل سرعة الحركة للحد من الحمل على الجوزة.
	أيقونة مفتاح الأمان تومض.	غير متاح	متوقف	لا	مفتاح الأمان غير مُدخل.	أدخل مفتاح الأمان، ثم اضغط مع التثبيت على زر التشغيل/الإيقاف لأكثر من 3 ثوانٍ لتشغيل الجوزة.
	أيقونة حجرة البطارية الفارغة تومض.	غير متاح	متوقف	لا	سعة البطارية غير كافية للسماح بالركوب على الجوزة للعمل.	لبدء تشغيل هذه الجوزة، يجب تركيب بطاريات EGO بإجمالي 15 أمبير-ساعة (2 × بطارية BA4200/BA4200T) أو أكثر. لتحقيق أفضل أداء، نوصي باستخدام بطاريات EGO بإجمالي 30 أمبير-ساعة أو أكثر.
	أيقونة مقياس الحرارة تومض.	غير متاح	يومض باللون الأحمر	تنبيه صوتي واحد	الجوزة ساخنة بشكل زائد.	قلل الحمل على الجوزة عن طريق رفع ارتفاع جز أرضية الجوزة أو إبطاء سرعة الشفرة/الحركة. نل قسماً من الراحة واترك الجوزة تبرد.

شاشة عرض LCD	الوصف	كود العطل على شاشة LCD	مؤشر حالة الجرافة	جهاز التنبيه الصوتي	السبب	الحل
	أيقونة سخونة الزائدة وحجيرة البطارية المشغولة بالفعل تومضان في نفس الوقت.	غير متاح	غير متاح	لا	مجموعة البطارية في حجيرة البطارية ذات الرقم المعني ساخنة بشكل زائد.	1. يمكن للجرافة أن تواصل العمل إذا كان إجمالي التيار (أمبير-ساعة) للبطاريات، باستثناء البطارية الساخنة بشكل زائد عن الحد، أكثر من أو يساوي 15 أمبير-ساعة. ما أن تعود درجة حرارة البطارية الساخنة بشكل زائد إلى درجة الحرارة الطبيعية، ستعود للمساهمة في توفير الطاقة للجرافة على الفور.
						2. إذا كان إجمالي التيار (أمبير-ساعة) للبطاريات المركبة أقل من 15 أمبير-ساعة، لن تعمل الجرافة إلا بعد تركيب مجموعات بطارية في حجيرات البطارية الفارغة.
						3. قلل الحمل على الجرافة عن طريق رفع ارتفاع جز أرضية الجرافة أو إبطاء الجز عند متابعة التشغيل.
	تومض أيقونات كل حجيرة بطارية مشغولة، ومؤشر انخفاض الطاقة، والشكل البياني للبطارية في مقياس الوقود كل ثانية في نفس الوقت على شاشة LCD. يومض القسم الأول من مقياس الوقود LED ومؤشر الحالة أيضاً.	غير متاح	يومض باللون الأحمر	تنبيه صوتي متواصل إلى أن يتم الضغط على مفتاح تعشيق طاقة المحرك (PTO) لأسفل.	الشحن منخفض في مجموعات البطارية والجرافة في وضع التشغيل الطارئ.	توقف عن العمل وعد إلى مكان لشحن البطارية. تنبيه: عندما تكون الجرافة في وضع التشغيل الطارئ، يتم نقل الشفرات تلقائياً إلى وضع سرعة الدوران المنخفضة بدون جز العشب، وفي هذه الأثناء سيستمر مؤشر التنبيه الصوتي في إطلاق التنبيه. يجب على مشغل الآلة أن يدفع مفتاح تعشيق طاقة المحرك لأسفل لإلغاء تعشيق شفرات أرضية الجرافة. سيتوقف مؤشر التنبيه الصوتي عن إطلاق التنبيه بعد إيقاف الشفرات.
	تومض أيقونة كل حجيرة بطارية مشغولة ومؤشر انخفاض الطاقة كل نصف ثانية.	غير متاح	متوقف	لا	نقد شحن مجموعات البطارية تقريباً.	ستتوقف الجرافة عن العمل على الفور. يجب على مشغل الآلة نقل الجرافة إلى مكان شحن البطارية لشحنها.
	تومض أيقونة الوقوف التلقائي على شاشة LCD.	غير متاح	متوقف	تنبيه صوتي متواصل	تم إيقاف الجرافة على منحدر، ومشغل الآلة غادر الجرافة بدون ضبط دواسة الفرملة على وضع الفرملة، بل فقط قام بترك أذرع التوجيه في الوضع المفتوح.	اضبط دواسة الفرملة على وضع الفرملة. ستنتطفئ أيقونة الوقوف التلقائي ويتوقف مؤشر التنبيه الصوتي عن إطلاق التنبيه.
	يتم عرض أيقونة دواسة الفرملة على شاشة LCD.	غير متاح	متوقف	لا	دواسة فرملة الوقوف مضبوطة على وضع الفرملة.	حررها قبل بدء تشغيل الجرافة.

شاشة عرض LCD	الوصف	كود العطل على شاشة LCD	مؤشر حالة الجازاة	جهاز التنبيه الصوتي	السبب	الحل
	يتم عرض أيقونة مستشعر المقعد على شاشة LCD.	غير متاح	متوقف	لا	مشغل الآلة غادر المقعد أو تم فصل مفتاح المقعد.	إذا كان مشغل الآلة جالسًا على المقعد والأيقونة مضاءة، أوقف الجازاة عن التشغيل على الفور وافحص وصلة المقعد. إذا تأكدت أن وصلة المقعد بالجازاة صحيحة، يُرجى التواصل مع فني صيانة متخصص لإصلاحها.
	تومض أيقونة مفتاح تعشيق طاقة المحرك (PTO).	غير متاح	متوقف	لا	حدث اعتراض لتشغيل محرك الشفرة ولم يتم ضبط مفتاح تعشيق طاقة المحرك (PTO) على وضع الإيقاف.	قبل إعادة تشغيل الجازاة، اضغط على مفتاح تعشيق طاقة المحرك لأسفل لإلغاء تعشيق محرك أرضية الجازاة. يُرجى مراجعة قسم "استكشاف الأعطال وإصلاحها" من هذا الدليل للتعرف على المعلومات.
	تومض أيقونة ذراع التوجيه.	غير متاح	متوقف	لا	حدث اعتراض لتشغيل محرك الحركة ولم يتم ضبط أذرع التوجيه على وضع الفتح.	قبل إعادة تشغيل الجازاة، حرك أذرع التوجيه إلى وضع الفتح. يُرجى مراجعة قسم "استكشاف الأعطال وإصلاحها" من هذا الدليل للتعرف على المعلومات.
	تومض أيقونة استعادة الطاقة من حين لآخر.	غير متاح	متوقف	لا	يتم تحويل الطاقة الحركية المتولدة أثناء الفرملة أو القيادة على المنحدر إلى كهرباء لشحن مجموعات البطارية.	هذا من إجراءات التشغيل العادية. لست في حاجة لاتخاذ أي إجراءات.
انظر "كود الأعطال"	هناك خلل في محرك الحركة الأيسر الخاضع للتحكم من قبل لوحة الدائرة الكهربائية (PCBA).	413	متوقف	تنبيه صوتي واحد	خلل في لوحة الدائرة الكهربائية (PCBA)	يجب إصلاحها من قبل فني صيانة مؤهل.
	القابس (ثلاثي المراحل، كابل طاقة) الموصل لمحرك الحركة الأيسر مع لوحة الدائرة الكهربائية المعنوية (PCBA) مفكوك.	317	متوقف	تنبيه صوتي واحد	وصلة مفكوك	
	القابس (سداسي المراحل، كابل إشارة) الموصل لمحرك الحركة الأيسر مع لوحة الدائرة الكهربائية المعنوية (PCBA) مفكوك.	301	متوقف	تنبيه صوتي واحد	وصلة مفكوك	
	محرك الحركة الأيسر يفشل في العمل.	317	متوقف	تنبيه صوتي واحد	خلل في المحرك	

شاشة عرض LCD	الوصف	كود العطل على شاشة LCD	مؤشر حالة الجزارة	جهاز التنبيه الصوتي	السبب	الحل
انظر "كود الأعطال"	هناك خلل في محرك الحركة الأيمن الخاضع للتحكم من قبل لوحة الدائرة الكهربائية (PCBA).	313	متوقف	تنبيه صوتي واحد	خلل في لوحة الدائرة الكهربائية (PCBA)	يجب إصلاحها من قبل فني صيانة مؤهل.
	القابس (ثلاثي المراحل، كابل طاقة) الموصل لمحرك الحركة الأيمن مع لوحة الدائرة الكهربائية (PCBA) المعنية مفكوك.	417	متوقف	تنبيه صوتي واحد	وصلة مفكوكة	
	القابس (سداسي المراحل، كابل إشارة) الموصل لمحرك الحركة الأيمن مع لوحة الدائرة الكهربائية (PCBA) المعنية مفكوك.	401	متوقف	تنبيه صوتي واحد	وصلة مفكوكة	
	محرك الحركة الأيمن يفشل في العمل.	417	متوقف	تنبيه صوتي واحد	خلل في المحرك	
انظر "كود الأعطال"	هناك خلل في محرك الشفرة الأيسر الخاضع للتحكم من قبل لوحة الدائرة الكهربائية (PCBA).	607	غير متاح	تنبيه صوتي واحد	خلل في لوحة الدائرة الكهربائية (PCBA)	يجب إصلاحها من قبل فني صيانة مؤهل.
	القابس (ثلاثي المراحل، كابل طاقة) الموصل لمحرك الحركة الأيسر مع لوحة الدائرة الكهربائية (PCBA) المعنية مفكوك.	509	غير متاح	تنبيه صوتي واحد	وصلة مفكوكة	
	محرك الشفرة الأيسر يفشل في العمل.	509	غير متاح	تنبيه صوتي واحد	خلل في المحرك	

شاشة عرض LCD	الوصف	كود العطل على شاشة LCD	مؤشر حالة الجزارة	جهاز التنبيه الصوتي	السبب	الحل
انظر "كود الأعطال"	هناك خلل في محرك الشفرة الأيمن الخاضع للتحكم من قبل لوحة الدائرة الكهربائية (PCBA).	507	غير متاح	تنبيه صوتي واحد	خلل في لوحة الدائرة الكهربائية (PCBA)	يجب إصلاحها من قبل فني صيانة مؤهل.
	القابس (ثلاثي المراحل، كابل طاقة) الموصل لمحرك الحركة الأيمن مع لوحة الدائرة الكهربائية (PCBA) المعنية مفكوك.	609	غير متاح	تنبيه صوتي واحد	وصلة مفكوكة	افحص الشفرة أولاً. إذا كانت مفكوكة، استخدم مفتاح ربط بمقياس عزم 14 مم لربط المسمار في اتجاه عقارب الساعة. العزم الموصى به لمسمار الشفرة هو 50-55 نيوتن متر. وإلا، يجب الإصلاح من قبل فني صيانة مؤهل.
	محرك الشفرة الأيمن يفشل في العمل.	609	غير متاح	تنبيه صوتي واحد	خلل في المحرك	
انظر "كود الأعطال"	لوحة الدائرة الكهربائية (PCBA) المتحكممة في ذراع التوجيه الأيسر تفشل في العمل.	412/311 متوقف	متوقف	تنبيه صوتي واحد	خلل في لوحة الدائرة الكهربائية (PCBA)	يجب إصلاحها من قبل فني صيانة مؤهل.
	القابس الموصل للوحة الدائرة الكهربائية (PCBA) المتحكممة، الموجودة في قضيب التوجيه، مفكوك.				وصلة مفكوكة	
انظر "كود الأعطال"	لوحة الدائرة الكهربائية (PCBA) المتحكممة في ذراع التوجيه الأيمن تفشل في العمل.	411/312 متوقف	متوقف	تنبيه صوتي واحد	خلل في لوحة الدائرة الكهربائية (PCBA)	يجب إصلاحها من قبل فني صيانة مؤهل.
	القابس الموصل للوحة الدائرة الكهربائية (PCBA) المتحكممة، الموجودة في قضيب التوجيه، مفكوك.				وصلة مفكوكة	
انظر "كود الأعطال"	لوحة الدائرة الكهربائية (PCBA) الخاصة بفرملة الوقوف، والموجودة في تجميعية الهيكل الأمامي، تالفة.	409/309	متوقف	تنبيه صوتي واحد	خلل في لوحة الدائرة الكهربائية (PCBA)	يجب إصلاحها من قبل فني صيانة مؤهل.
	هناك تلف في مفتاح و/أو كابل فرملة الوقوف.	801	متوقف	تنبيه صوتي واحد	خلل في الكابل/المفتاح	

شاشة عرض LCD	الوصف	كود العطل على شاشة LCD	مؤشر حالة الجزارة	جهاز التنبيه الصوتي	السبب	الحل
متوقف	عطل في منفذ الشحن	غير متاح	أحمر ثابت	غير متاح	منفذ الشحن موجود في دائرة مفتوحة.	يجب إصلاحها من قبل فني صيانة مؤهل.
		غير متاح	أحمر ثابت	غير متاح	لا يوجد اتصال بالتيار.	تحقق مما إذا كان مقبس الحائط به تيار 220-240 فولت أو أن المقبس في حالة جيدة.
		غير متاح	أحمر ثابت	غير متاح	المصهر محترق.	يجب إصلاحها من قبل فني صيانة مؤهل.
انظر "كود الأعطال"	عطل في منفذ الشحن	204	غير متاح	تنبيه صوتي واحد	منفذ الشحن موجود في دائرة مفتوحة.	
انظر "كود الأعطال"	تجميعية صندوق البطارية لا تعمل	217	غير متاح	تنبيه صوتي واحد	مصدر الطاقة من تجميعية صندوق البطارية معطوب. لن تعمل الكشافات الأمامية LED ومنفذ USB.	يجب إصلاحها من قبل فني صيانة مؤهل.
		410/310	متوقف	تنبيه صوتي واحد	الاتصال بين كابلات Type C بتجميعية صندوق البطارية وكابلات Type C الأخرى بالجزارة لا يعمل.	
		201 202/ 203/	متوقف	تنبيه صوتي واحد	نظام إدارة البطارية (BMS) الخاص بتجميعية صندوق البطارية معطوب.	
انظر "كود الأعطال"	عطل في مفتاح التشغيل/الإيقاف	414/314	متوقف	تنبيه صوتي واحد	خلل في لوحة الدائرة الكهربائية (PCBA) للمفتاح أو اتصال سلكي سيء لمفتاح التشغيل/الإيقاف.	يجب إصلاحها من قبل فني صيانة مؤهل.
انظر "كود الأعطال"	عطل في شاشة LCD	415/315	متوقف	تنبيه صوتي واحد	تجميعية شاشة LCD معطوبة أو هناك اتصال سلكي سيء في تجميعية شاشة LCD.	يجب إصلاحها من قبل فني صيانة مؤهل.

الضمان

سياسة ضمان EGO

تفضل زيارة الموقع الإلكتروني egopowerplus.com للتعرف على الشروط والأحكام الكاملة الخاصة بسياسة ضمان EGO.

KEES VAN DER SPEK
TUINMACHINES ★ STOLWIJK

KEES VAN DER SPEK
TUINMACHINES ★ STOLWIJK

KEES VAN DER SPEK
TUINMACHINES ★ STOLWIJK