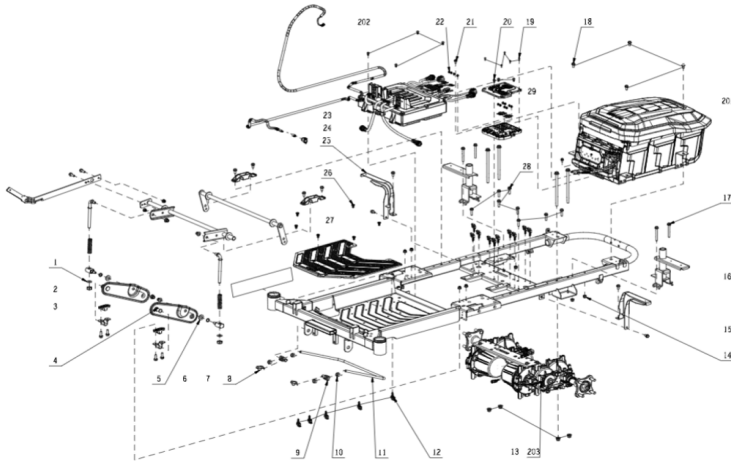


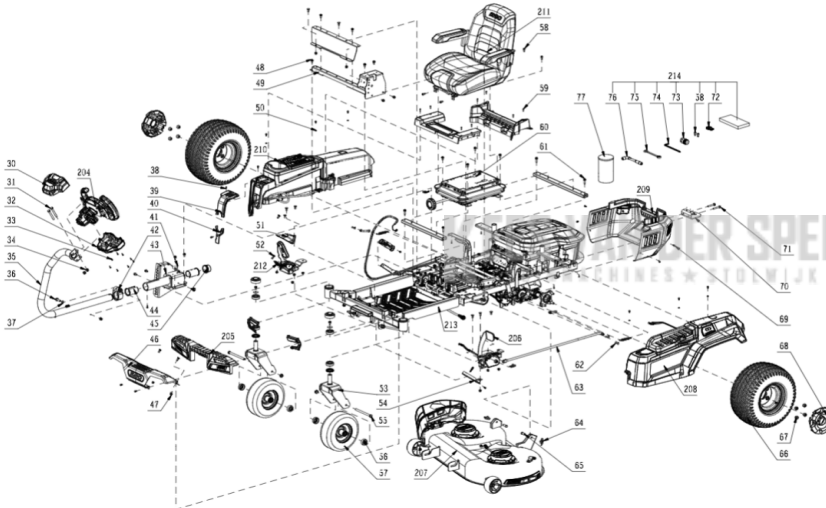
ZT4200E-S Riding Mower



Product Description: Zero Turn Riding Mower  
Model Number: ZT4200E-S  
Body Number: 2829485001  
Version: A  
Issue Date: 2022/08/10

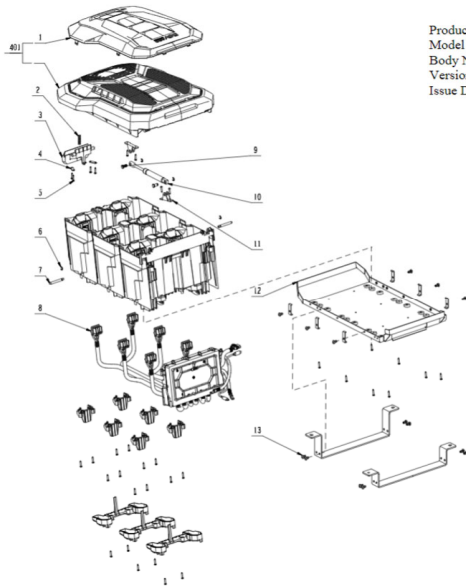


Product Description: Zero Turn Riding Mower  
Model Number: ZT4200E-S  
Body Number: 1000058001  
Version: A  
Issue Date: 2022/08/10



Index No.	Art. No.	Description EN	QTY in machine
1	5650909001	Plain Washer	2
2	5630070003	Nut	2
3	2827074001	Right Lift Arm Assembly	1
4	2827075001	Left Lift Arm Assembly	1
5	5650740001	Plain Washer	2
6	5690532001	Seal Ring	2
7	2245662003	Nameplate	1
8	5670561001	Split Pin	2
9	3553471001	Connecting Rod Spindle	2
10	5630022004	Hexagon Nut	4
11	3707327001	Hanger Rod	1
12	3131157001	Wire Holder	17
13	5630267001	Nut	8
14	5630371001	Prevailing Torque Type Hexagon Lock Nut with Flange	10
15	3707365001	Left Supporting Plate	1
16	2827182001	Support Assembly	2
17	5640363001	Flange Bolt-Large Series	4
18	5640360001	Hexagon Flange Head Thread Forming Screw	12
19	5620377003	Hexagon Socket Screw	5
20	5610388001	Hexalobular Socket Thread Forming Screw	7
21	5640373001	Hex Serrated Flange Screw	2
22	5620618001	Screw with Washer	12
23	3580076001	Rubber Sleeve	1
24	3131055001	Wire Holder	1
25	3707366001	Right Supporting Plate	1
26	3131528001	Hook	6
27	3131403001	Base Foot	1
28	5640361001	Hexagon Flange Head Thread Forming Screw	8
29	4970355001	Fuse	4
30	2829422001	Decorative Cover Assembly	1
31	5610923001	Hexagon Head Bolt	2
32	3133728001	Lower Housing	1
33	5610223002	Hexagon Lobuar Screw	8
34	5630329001	Lock Nut	3
35	2829130001	Inner Tube Welded Assembly	1
36	5640212002	Bolt	1
37	5650259001	Washer	1
38	5620377003	Hexagon Socket Screw	5
39	3133548001	Top Cover	1
40	3403426001	Lower Housing	1
41	5620339002	Hexagon Socket Screw	2
42	3423390001	Hoop	1
43	2829131001	Outer Tube Welded Assembly	1
44	3580440001	Pressing Sleeve	2
45	3133549001	Lock Sleeve	1
46	2829470001	Footrest Pedal Assembly	1
47	5630371001	Prevailing Torque Type Hexagon Lock Nut with Flange	13
48	5640360001	Hexagon Flange Head Thread Forming Screw	15
49	2829100001	Support Assembly	1
50	5650016007	Plain Washer	8
51	3708673001	Decorative Cover	1
52	5640358001	Small Round Head Low Square Neck Bolt	12
53	2827052001	Front Wheel Bracket Assembly	2
54	3708360001	Bracket	1
55	5640356001	Hexagon Head Bolt	2
56	3130956001	Bearing Cover	4
57	2827184001	Front Wheel Set	2
58	5620021004	Hexagon Socket Screw	4
59	5620453003	Tapping Screw	8
60	2827209001	Shock Absorber	1
61	5640361001	Hexagon Flange Head Thread Forming Screw	4
62	5670563001	R Pin	3
63	2827083001	Connecting Rod Assembly	1
64	5670561001	Split Pin	3
65	5670553001	Pin Shaft	2
66	2828736001	Rear Wheel Set	2
67	5630372001	Conical Nut	8
68	3131306001	Rear Hubcap	2
69	5610388001	Hexalobular Socket Thread Forming Screw	21
70	3707449001	Hitc	1
71	5640353001	Flange Bolt-Large Series	3
72	2827673001	Key Assembly	1
73	2823689001	Quick Connect Coupling	1
74	5680145001	Hexagon Socket Screw Key	1
75	5680137001	Combination Wrench	1
76	5680356001	Socket Wrench	1
77	5970136002	Grease	1
201	2827138002	Battery Box Assembly	1
202	2829486001	Control Electric Assembly	1
203	2827266002	Drive Train Assembly	1
204	2829461001	Steering Wheel Assembly	1
205	2829473001	Front Frame Assembly	1
206	2827245002	Parking Assembly	1
207	2827360002	Deck Unit	1
208	2829174002	Left Cover Assembly	1
209	2827270002	Rear Guard Assembly	1
210	2829374003	Right Cover Assembly	1
211	2827269001	Damping Seat Assembly	1
212	2829179001	Accelerator	1
214	2829672001	Wrench Tool Set	1

KEES VAN DER SPEK  
 K. VAN DER SPEK  
 STOLWIJK



Product Description: Zero Turn Riding Mower  
 Model Number: ZT4200E-S  
 Body Number: 2827138002S02  
 Version: A  
 Issue Date: 2022/11/25

201

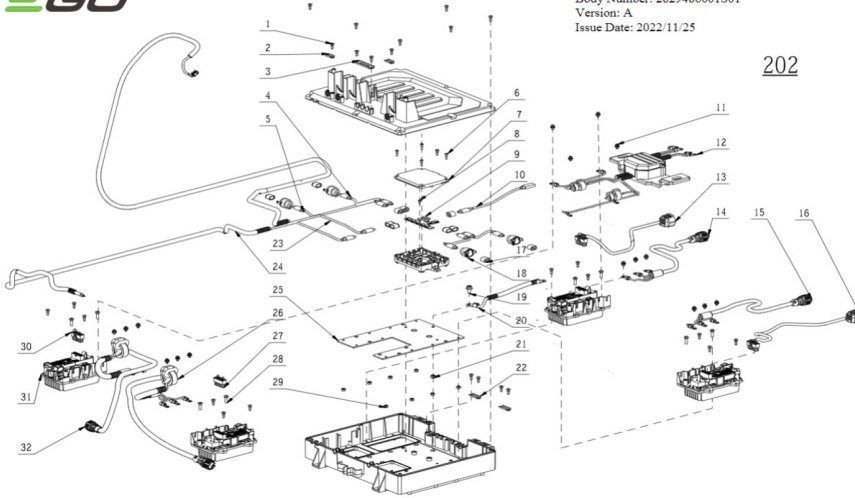
201-1	3130889001	Rear Transparent Guard	1
201-2	3660705002	Compression Spring	1
201-3	3130964001	Latch	1
201-4	3706580001	Clamp	2
201-5	5620157006	Hexagon Socket Screw	54
201-6	5660305001	E Ring	4
201-7	3553477001	Spindle	2
201-8	2830882001	BMS Electric Assembly	1
201-9	5670559001	Pin Shaft	2
201-10	3660805001	Gas Spring	1
201-11	3707349001	Support Base	2
201-12	3707351001	Hook	6
201-13	5610388001	Hexalobular Socket Thread Forming Screw	14
201-401	2827772001	Battery Box Cover Assembly	1

**KEES VAN DER SPEK**  
 TUINMACHINES ★ STOLWIJK

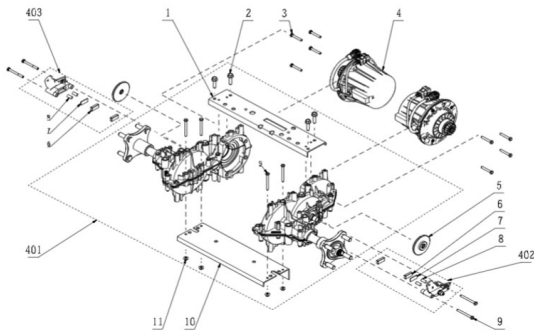


Product Description: Zero Turn Riding Mower  
 Model Number: ZT4200E-S  
 Body Number: 2829486001S01  
 Version: A  
 Issue Date: 2022/11/25

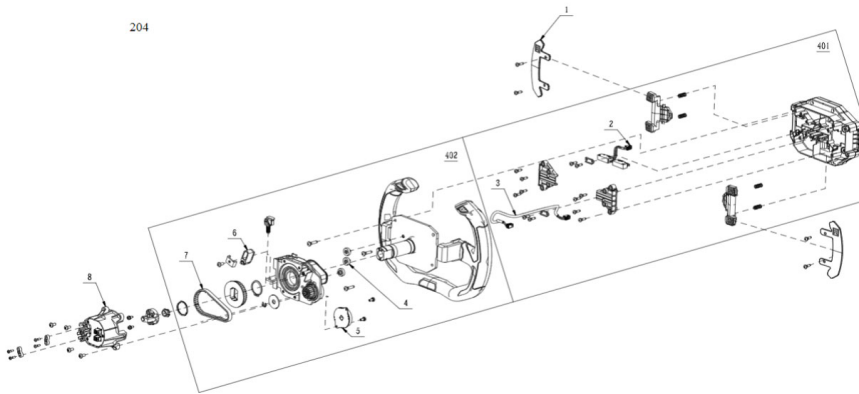
202



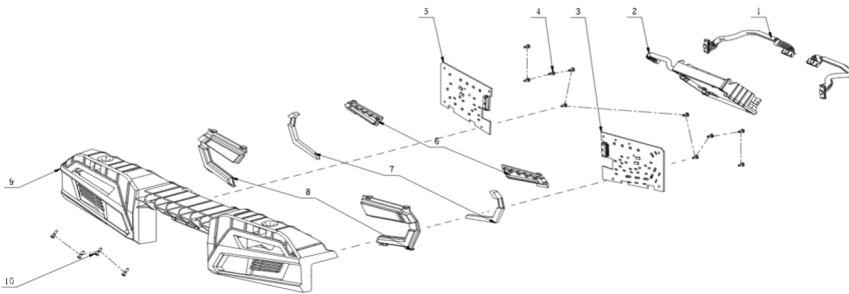
202-1	5620377003	Hexagon Socket Screw	Sechskantschraube		30
202-2	3700367001	Cord Anchorage	Kabelbefestigung		2
202-3	3708930001	Cord Anchorage			1
202-4	4860792004	Type-C Male-male Wire	USB C Kabel (110)		3
202-5	4860792003	Type-C Male-male Wire	USB C Kabel (220)		1
202-6	5610305002	Tapping Screw	TX Schraube		4
202-7	3900369002	PCB Box	Gehäuse USB Box		1
202-8	5610021001	Tapping Screw	TX Schraube		1
202-9	4891968001	Connecting PCBA	USB C Verteilerplatine		1
202-10	4860791003	Type-C Male-female Wire	USB C Kabel (420)		1
202-11	5620618001	Screw with Washer	Schraube Mit Unterlegscheibe		16
202-12	2829641001	Magnet Ring Assembly			1
202-13	4860788001	Wire Harness	Steuerkabel Radmotor rechts		1
202-14	4861056001	Motor Wire Harness	Stromkabel für Mähmotor links		1
202-15	4861056002	Motor Wire Harness	Stromkabel für Mähmotor rechts		1
202-16	4860789001	Wire Harness	Steuerkabel Radmotor links		1
202-17	3580076001	Rubber Sleeve	Gummi Tülle		11
202-18	3131055001	Wire Holder	USB C Kabelhalter		4
202-19	5640373001	Hex Serrated Flange Screw	Sechskantschraube		1
202-20	4860768002	Host Power Wire Harness			1
202-21	5630015001	Prevailing Torque Hexagon Nut	Sechskantmutter Ve 1		1
202-22	3707407001	Cord Anchorage	Kabelklemme		2
202-23	4861094001	Communication Wire Harness			1
202-24	4860797001	Type-C Male-male Wire	USB C Kabel für Power Box (1320)		1
202-25	3707400001	Base Plate	Alu Grundplatte		1
202-26	4861140003	Motor Wire Harness			1
202-27	4860785001	Motor Wiring Harness	Stecker für Mähmotor links		1
202-28	5620051009	Screw	Schraube		8
202-29	5630006003	Prevailing Torque Hexagon Nut	Mutter		8
202-30	4860786001	Motor Wiring Harness	Stecker für Mähmotor rechts		1
202-31	2829376001	Control Electric Assembly			4
202-32	4861140001	Motor Wire Harness			1



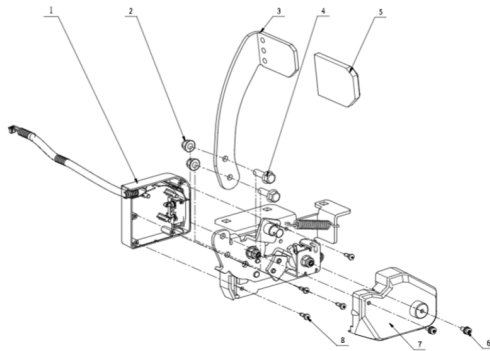
203-1	3707424001	Connecting Plate	Hinterachsträger Oberteil	1
203-2	5640361001	Hexagon Flange Head Thread Forming Screw	Sechskantschraube	4
203-3	5640247002	Hexagon Head Bolt	Sechskantschraube	8
203-4	2730398001	DC Motor		2
203-5	3553570001	Brake Disc	Bremsscheibe	2
203-6	3521235001	Friction Block	Bremssbelag	4
203-7	3707277001	Scaleboard	Hitzeblech	2
203-8	5670552001	Parallel Pin	Passstift	4
203-9	5640009003	Hexagon Head Bolt	Sechskantschraube	8
203-10	3707423001	Connecting Plate	Hinterachsträger Unterteil	1
203-11	5630244004	Nut	Mutter	4
203-401	2827439002	Gear Case Assembly	Hinterachse kompl. Ohne Motoren	1
203-402	2827528002	Right Bracket Assembly	Bremssattel rechts	1
203-403	2827525002	Left Bracket Assembly	Bremssattel links	1



204-1	3708720001	Switch-plate				2
204-2	4870949001	Switch Assembly				1
204-3	4861093001	Spring Wire				1
204-4	5610925001	Hexagon Socket Rubber Head Cap Screw				3
204-5	2829161001	Damper				1
204-6	2829501001	Roller Assembly				1
204-7	3800215001	Timing Belt				1
204-8	2831381001	Angle Measuring Electric Assembly				1
204-401	2829534001	Control Assembly				1
204-402	2829590001	Belt Drive Assembly				1



205-1	4860770001	Lamp Wire Harness	Lichtkabelbaum	2
205-2	2831393001	Control Electric Assembly		1
205-3	4891966002	LED PCBA	LED Leiterplatte links	1
205-4	5610021001	Tapping Screw	TX Schraube	10
205-5	4891967002	LED PCBA	LED Leiterplatte rechts	1
205-6	3900346002	Transparent Cap Assembly	Scheinwerferabdeckung	1
205-7	3900344002	Transparent Guard Assembly	Scheinwerferabdeckung	1
205-8	3900345002	Transparent Guard Assembly	Scheinwerferabdeckung	1
205-9	3130877001	Front Frame	Lichträger	1
205-10	5610305002	Tapping Screw	TX Schraube	4



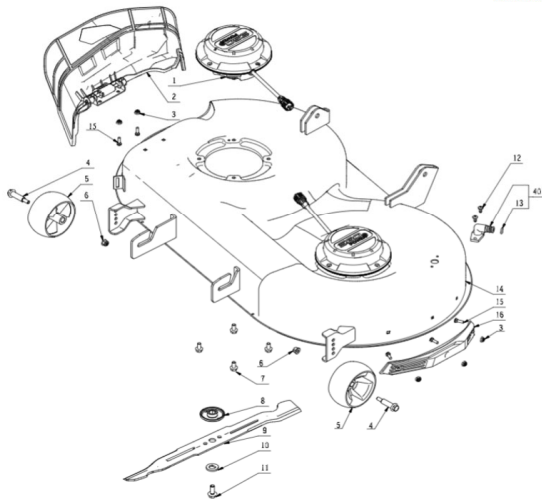
206-1	2827480002	Switch Box Assembly	Schalter Box Bremse		1
206-2	5630371001	Prevailing Torque Type Hexagon Lock Nut with Flange	Mutter		2
206-3	3707284001	Pedal	Pedal		1
206-4	5640354001	Flange Bolt-Large Series	Flanschbolzen		2
206-5	3580060001	Rubber Sleeve	Gummi für Pedal		1
206-6	5620352002	Screw with Washer	Schraube mit Unterlegscheibe		2
206-7	3130932001	Seal Packing Case	Abdeckung(Gehäuse)		1
206-8	5620377003	Hexagon Socket Screw	Sechskantschraube		4





Product Description: Zero Turn Riding Mower  
 Model Number: ZT4200E-S  
 Body Number: 1000031001\_S  
 Version: A  
 Issue Date: 2022/11/25

207

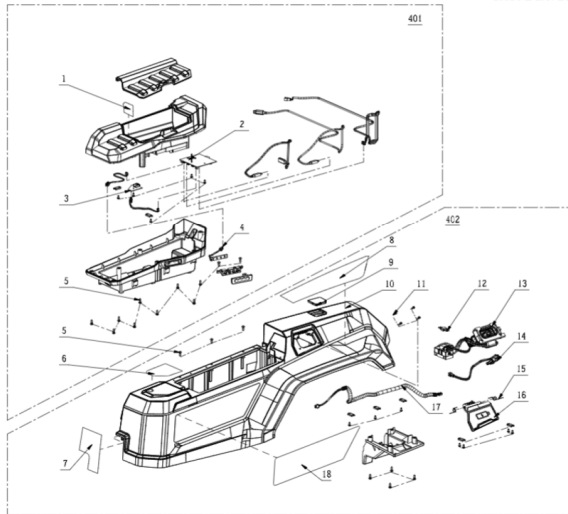


207-1	2730319001	DC Motor	Mähmotor			2
207-2	2823670002	Chute Deflector Assembly	Seitenauswurf			1
207-3	5630244004	Nut	Mutter			5
207-4	5640352001	Hexagon Flange Bolt	Sondersechskantschraube			2
207-5	3131072001	Roller Wheel	Anschlagsrolle			2
207-6	5630371001	Prevailing Torque Type Hexagon Lock Nut with Flange	Mutter			2
207-7	5640222001	Hexagon Flange Bolt	Sechskantschraube			8
207-8	3580113001	Flange	Messerflansch			2
207-9	3707399001	Blade	Mähmesser	AB4200		0
207-9	AB4200	Universal blade (general purpose)				2
207-9	AB4201	High lift blade (bagging)				0
207-10	5650510001	Washer	Scheibe			2
207-11	5640226001	Flange Bolt	Befest.schraube Messer			2
207-12	5610388001	Hexalobular Socket Thread Forming Screw	Schraube			2
207-13	5690141001	O Ring	O Ring			1
207-14	2827070001	Deck Unit	Mähdeck			1
207-15	5640357001	Semicircular Head Square Neck Bolt	Schlossschraube			5
207-16	3131048001	Baffle Strip	Anschlagschutz			1
207-401	2823718002	Outlet Nozzle Assembly	Wasseranschlussstutzen			1



Product Description: Zero Turn Riding Mower  
 Model Number: ZT4200E-S  
 Body Number: 2829174001S01  
 Version: A  
 Issue Date: 2022/11/25

208

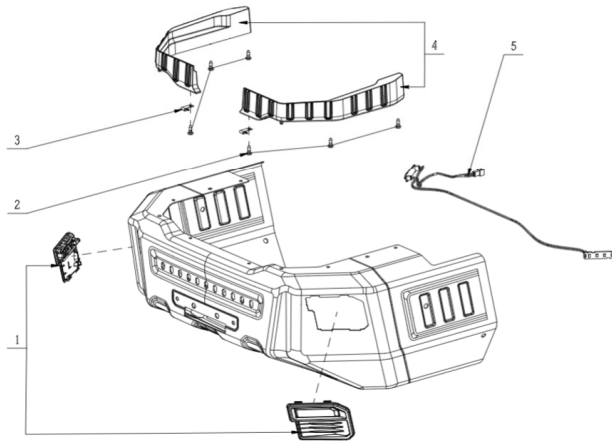


208-1	2245883001	Nameplate			1
208-2	4891973002	USB PCBA	USB Versorgungsplatine		1
208-3	4891964001	USB PCBA	Blatine USB A		1
208-4	2830790001	LED Electric Assembly	LED Lichtleiste		1
208-5	5620377003	Hexagon Socket Screw	Sechskantschraube		18
208-6	2245881001	Brand Label			1
208-7	2240166003	Brand Label			1
208-8	2245884001	Brand Label			1
208-9	3131104001	Left Cover Plate	Abdeckkappe links		1
208-10	3130901002	Left Cover			1
208-11	5610305002	Tapping Screw	TX Schraube		4
208-12	4970354001	Fuse	Sicherung 80A		1
208-13	4860796001	Charging Harness Assembly	Ladebuchse Komplett		1
208-14	4870766001	Switch Assembly	Taster mit Kabel		1
208-15	3660810001	Torsion Spring	Drehfeder		2
208-16	3131010001	Charging Port Cover	Ladebuchsenklappe		1
208-17	4860771001	Wiring Harness	Kabel für Rücklichter		1
208-18	2244798001	Brand Label			1
208-401	2829176002	Storage Box Assembly			1
208-402	2829175002	Left Cover Set			1



Product Description: Zero Turn Riding Mower  
 Model Number: ZT4200E-S  
 Body Number: 1000031001\_S  
 Version: A  
 Issue Date: 2022/11/25

209

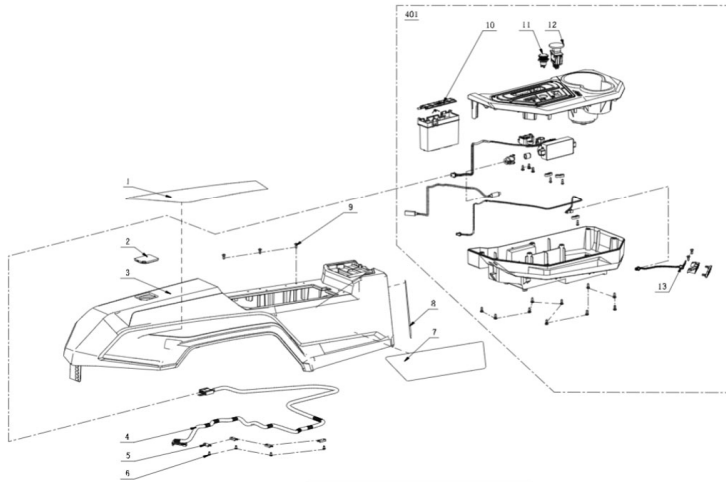


209-1	2827628001	L R Indicator Cover Set	LED Lichtabdeckung r&l hinten	1
209-2	5620377003	Hexagon Socket Screw	Sechskantschraube	6
209-3	3707406001	Wire Holder	Kabelhalter	2
209-4	3900385001	Guard Assembly	Schutzabdeckung	1
209-5	2830770001	LED Electric Assembly	LED Rücklichter	1

**KEES VAN DER SPEK**  
 TUINMACHINES ★ STOLWIJK



Product Description: Zero Turn Riding Mower  
 Model Number: ZT4200E-S  
 Body Number: 2829374001S01  
 Version: A  
 Issue Date: 2022/11/25



210

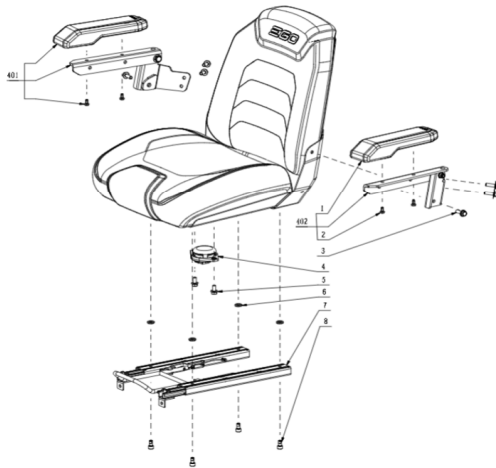
210-1	2245884001	Brand Label			1
210-2	3131105001	Right Cover Plate	Abdeckkappe rechts		1
210-3	3130909003	Right Cover			1
210-4	4860777001	Wiring Harness	Kabel für Sitzschalter		1
210-5	3700367001	Cord Anchorage	Kabelbefestigung		4
210-6	5610021001	Tapping Screw	TX Schraube		4
210-7	2244798002	Brand Label			1
210-8	2244806002	Nameplate			1
210-9	5620377003	Hexagon Socket Screw	Sechskantschraube		18
210-10	3322835001	Phone Box Cover	Deckel für Telefon Box		1
210-11	4870764001	Push Switch	Ein- Aus Schalter		1
210-12	4870762001	Push Switch	Schalter für Mähwerk		1
210-13	2830790001	LED Electric Assembly	LED Lichtleiste		1
210-401	2829373001	Control Panel Box Assembly			1

**KEES VAN DER SPEK**  
 TUINMACHINES ★ STOLWIJK



Product Description: Zero Turn Riding Mower  
 Model Number: ZT4200E-S  
 Body Number: 1000031001\_S  
 Version: A  
 Issue Date: 2022/11/25

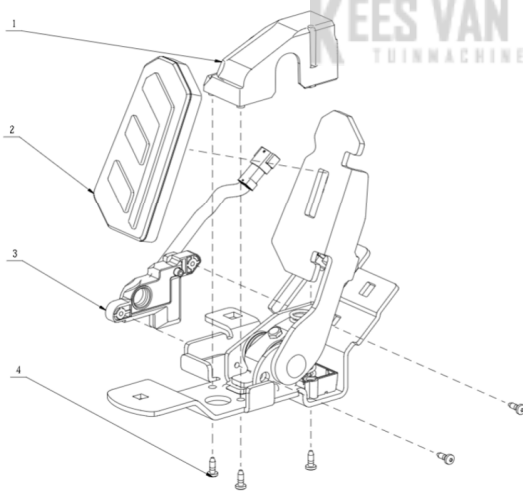
211



211-1	3402283001	Armrest	Polster für Armlehne		2
211-2	5610388001	Hexalobular Socket Thread Forming Screw	Schraube		4
211-3	5640354001	Flange Bolt-Large Series	Flanschbolzen		6
211-4	4870579001	Switch Assembly	Sitzschalter		1
211-5	5640222001	Hexagon Flange Bolt	Sechskantschraube		2
211-6	3550110002	Washer	Unterlegscheibe		4
211-7	2827473001	Guide Rail Assembly	Sitzverstellung		1
211-8	5620021004	Hexagon Socket Screw	Inbusschraube		4
211-401	2827759001	Right Armrest Assembly	Armlehnenet rechts		1
211-402	2827760001	Left Armrest Assembly	Armlehnenet links		1



Product Description: Zero Turn Riding Mower  
 Model Number: ZT4200E-S  
 Body Number: 2829179001S01  
 Version: A  
 Issue Date: 2022/11/25



212-1	3133799001	Dust Cover			1
212-2	3403428001	Pedal Sheath			1
212-3	2831380001	Accelerator PCB			1
212-4	5620377003	Hexagon Socket Screw	Sechskantschraube		5