

GTM
PROFESSIONAL®

**Spare parts drawings
hakselaar - broyeur
woodchipper - Häcksler**

GTS 900

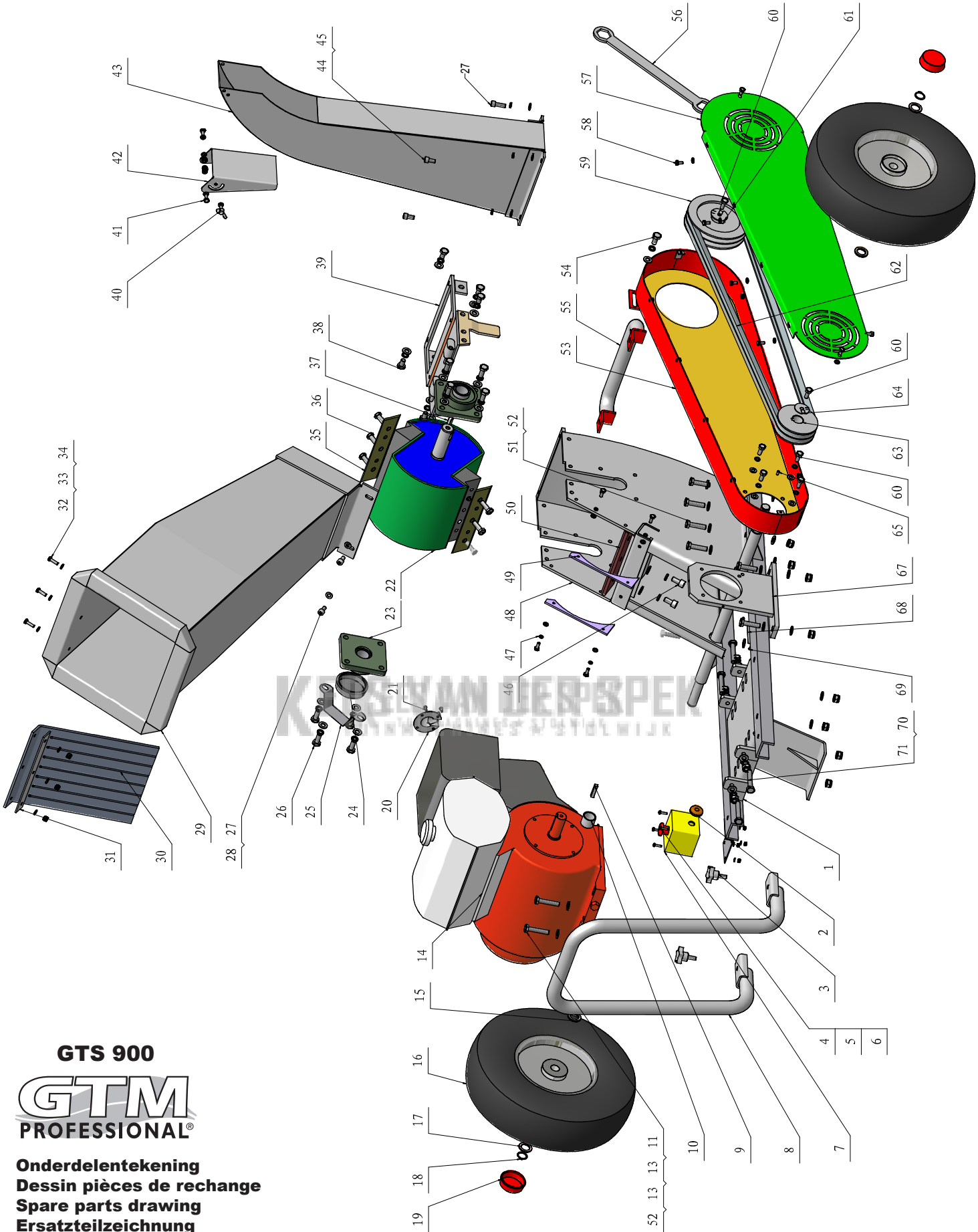


www.gtmprofessional.com

ONDERDELENLIJST - LISTE PIECES DE RECHANGE - SPARE PARTS LIST - ERSATZTEILLISTE

NR.	ARTICLE NR.	frame	QNT.
1	MZSGTS0900001	frame	1
2	MZSGTS0900002	feed through coil $\phi 28 \times \phi 8$	1
3	MZSGTS0900003	star head bolt M8*20	2
4	MZSGTS0900004	pan head screw	4
5	MZSGTS0900005	washer 4	4
6	MZSGTS0900006	hex nut M4	4
7	MZSGTS0900007	emergency switch	1
8	MZSGTS0900008	handle	1
9	MZSGTS0900009	engine shaft key	1
10	MZSGTS0900010	bush engine shaft	1
11	MZSGTS0900011	bolt M10*50	4
12	MZSGTS0900012	spring washer M10	23
13	MZSGTS0900013	washer 10	51
14	MZSGTS0900014	engine GTE270	1
15	MZSGTS0900015	washer	2
16	MZSGTS0900016	wheel	2
17	MZSGTS0900017	washer	2
18	MZSGTS0900018	circlip	2
19	MZSGTS0900019	cap of wheel	2
20	MZSGTS0900020	cover of the muffler	1
21	MZSGTS0900021	tapping screw ST4.2*10	4
22	MZSGTS0900022	rotor	1
23	MZSGTS0900023	bearing + housing FY506M	2
24	MZSGTS0900024	cap bearing	1
25	MZSGTS0900025	lock washer	1
26	MZSGTS0900026	bolt M10*25	8
27	MZSGTS0900027	screw M8*20	4
28	MZSGTS0900028	washer 8	10
29	MZSGTS0900029	hopper	1
30	MZSGTS0900030	rubber cover	1
31	MZSGTS0900031	strip 3 mm	1
32	MZSGTS0900032	hex headed bolt M6*20	3
33	MZSGTS0900033	washer 6	23
34	MZSGTS0900034	hex locknut M6	5
35	MZSGTS0900035	rotar blade	2
36	MZSGTS0900036	blade bolt	6

37	MZSGTS0900037	rotor shaft key	1
38	MZSGTS0900038	bolt M10*16	7
39	MZSGTS0900039	top of the box	1
40	MZSGTS0900040	wing screw M6*16	1
41	MZSGTS0900041	bolt M6*16	6
42	MZSGTS0900042	deflector	1
43	MZSGTS0900043	conveyor	1
44	MZSGTS0900044	screw M8*16	2
45	MZSGTS0900045	spring washer M8	10
46	MZSGTS0900046	screw M10*20	3
47	MZSGTS0900047	spring washer	4
48	MZSGTS0900048	shredder box	1
49	MZSGTS0900049	rotor protector	2
50	MZSGTS0900050	counter blade	1
51	MZSGTS0900051	bolt M10*40	10
52	MZSGTS0900052	hex locknut M10	14
53	MZSGTS0900053	belt cover	1
54	MZSGTS0900054	bolt M10*20	1
55	MZSGTS0900055	bumper	1
56	MZSGTS0900056	rotor deblocking tool	1
57	MZSGTS0900057	top belt cover	1
58	MZSGTS0900058	bolt M6*12	8
59	MZSGTS0900059	pulley 146	1
60	MZSGTS0900060	bolt M8*20	6
61	MZSGTS0900061	safety ring for rotor	1
62	MZSGTS0900062	V-belt A 1709 L4/13*1676L. A66	2
63	MZSGTS0900063	belt pulley 96 S-type (Honda)	1
64	MZSGTS0900064	safety ring for engine	1
65	MZSGTS0900065	socket hex holding screw	1
67	MZSGTS0900067	silent block	1
68	MZSGTS0900068	production serial number plate	1
69	MZSGTS0900069	rivet $\phi 3.2 \times 12$	2
70	MZSGTS0900070	hex nut M10	4
71	MZSGTS0900071	hex headed bolt M10*60	4



GTS 900
GTM
PROFESSIONAL®

Onderdelentekening
Dessin pièces de rechange
Spare parts drawing
Ersatzteilzeichnung

KEESE VAN DER SPEK
TOY MACHINES & STIJL WJK

GTM
PROFESSIONAL®

www.gtmprofessional.com