

STARK 2500 TR (EURO 2) Brushcutter



Documenten

Engine

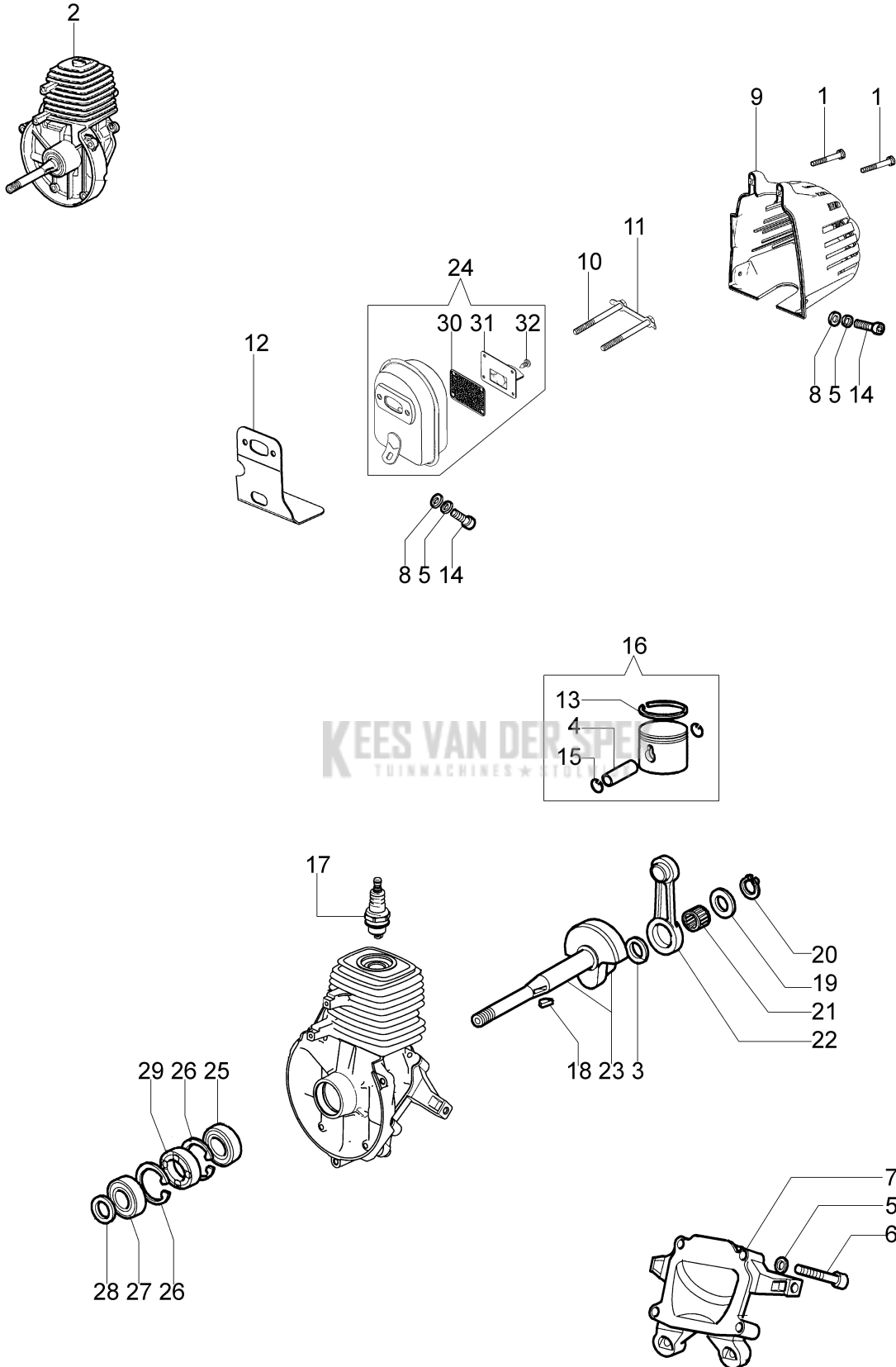
Starter assy and clutch

Tank and air filter

Transmission

Carburettor WYL-245

KEES VAN DER SPEK
TUINMACHINES ★ STOLWIJK

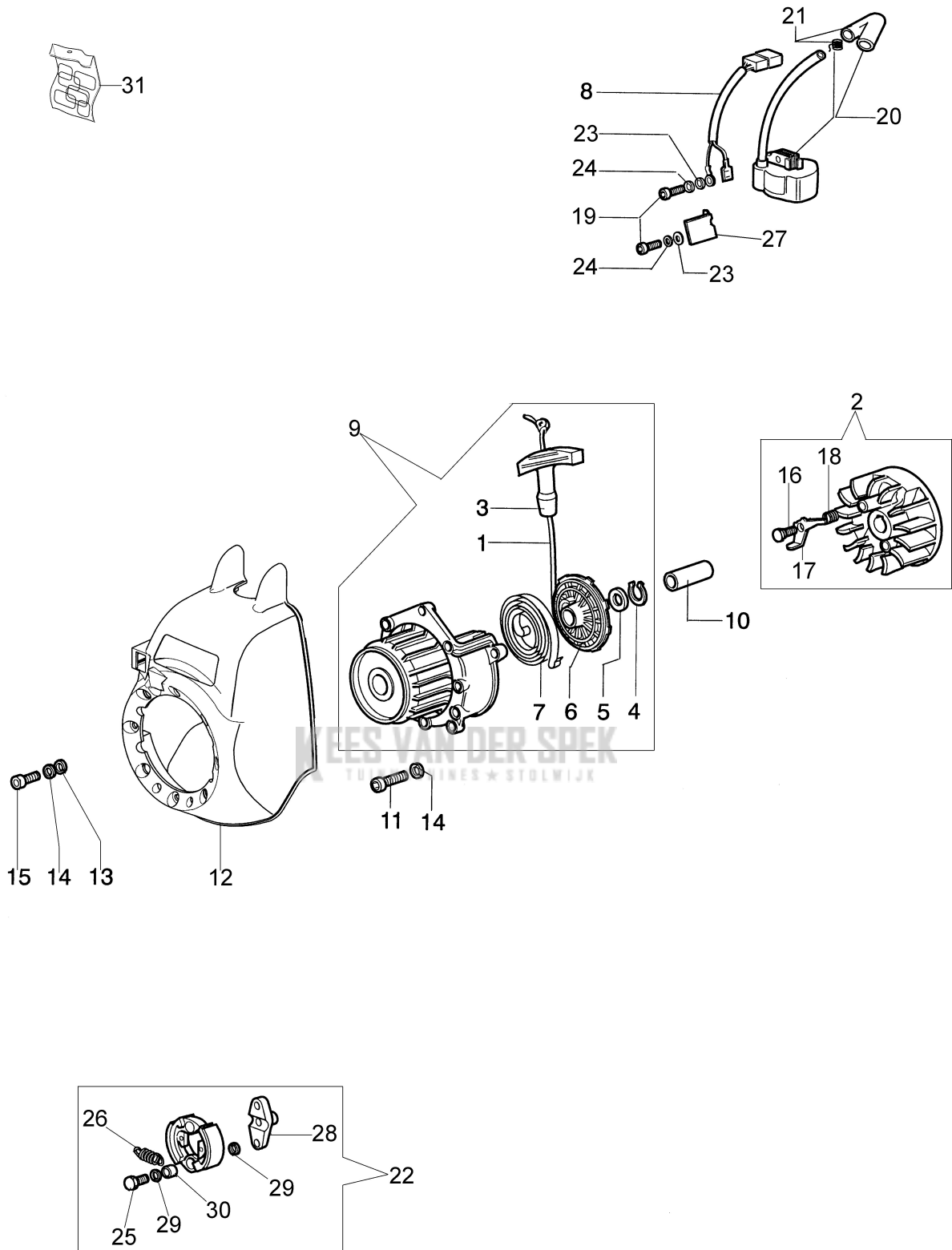


KEES VAN DER SPEK
TUINMACHINES * 1980

Illustratie Engine

| Ref.Nu | Qty | Part number | Description | Validity from | Validity till | Notes | Bulletin |
|--------|-----|-------------|------------------|---------------|---------------|-------|----------|
| 1 | 1 | 3960067AR | Screw | | | | |
| 2 | 1 | 61030049AR | Short block | | | | |
| 3 | 1 | 4098683R | Washer | | | | |
| 4 | 1 | 4160026R | Plug | | | | |
| 5 | 4 | 3819006R | Washer | | | | |
| 6 | 4 | 3801015R | Screw | | | | |
| 7 | 1 | 61010001R | Cover | | | | |
| 8 | 2 | 3916005R | Washer | | | | |
| 9 | 1 | 61030042R | Muffler cover | | | | |
| 10 | 2 | 3806028 | Screw | | | | |
| 11 | 1 | 4095211R | Plate | | | | |
| 12 | 1 | 61030067AR | Gasket | | | | |
| 13 | 1 | 072700048R | Piston ring Ø34 | | | | |
| 14 | 2 | 3801010R | Screw | | | | |
| 15 | 2 | 4160025R | Ring | | | | |
| 16 | 1 | 4161030CR | Piston assy Ø34 | | | | |
| 17 | 1 | 3055101 | Spark plug | | | | |
| 18 | 1 | 4098232R | Key | | | | |
| 19 | 1 | 3064005AR | Washer | | | | |
| 20 | 1 | 3024010R | Snap ring | | | | |
| 21 | 1 | 3037026R | Thrust bearing | | | | |
| 22 | 1 | 4161599R | Connecting rod | | | | |
| 23 | 1 | 61030174R | Crankshaft | | | | |
| 24 | 1 | 61032083 | Complete muffler | | | | |
| 25 | 1 | 3034003R | Bearing | | | | |
| 26 | 2 | 3025019 | Ring | | | | |
| 27 | 1 | 3035023R | Bearing | | | | |
| 28 | 1 | 4160124R | Washer | | | | |
| 29 | 1 | 3050030R | Seal ring | | | | |
| 30 | 1 | 61030046R | Screen | | | | |
| 31 | 1 | 61030105R | Deflector | | | | |
| 32 | 2 | 012000028 | Screw | | | | |

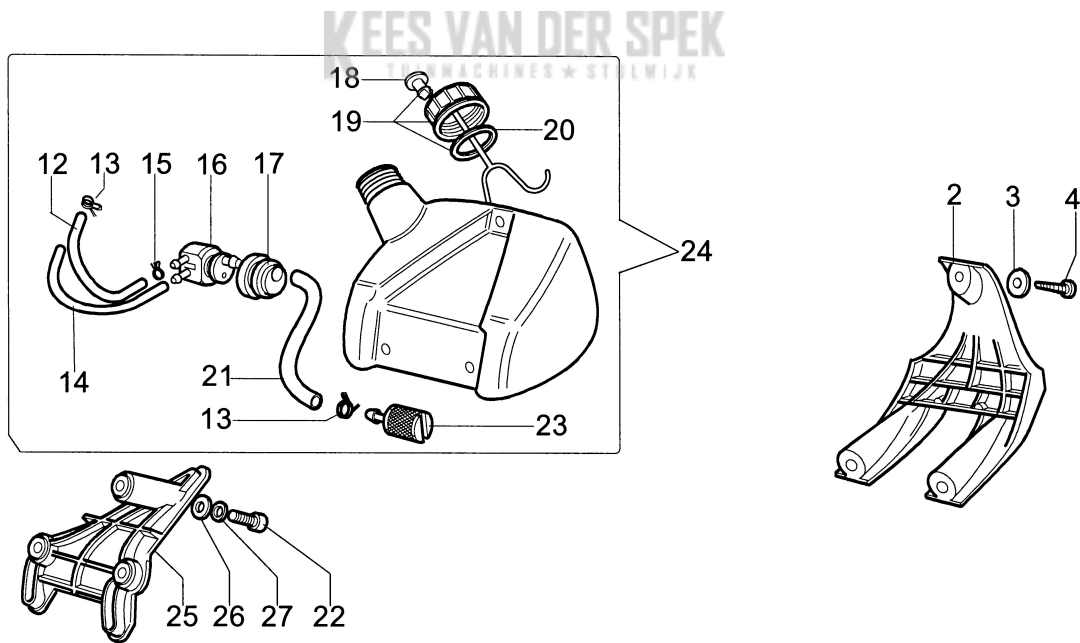
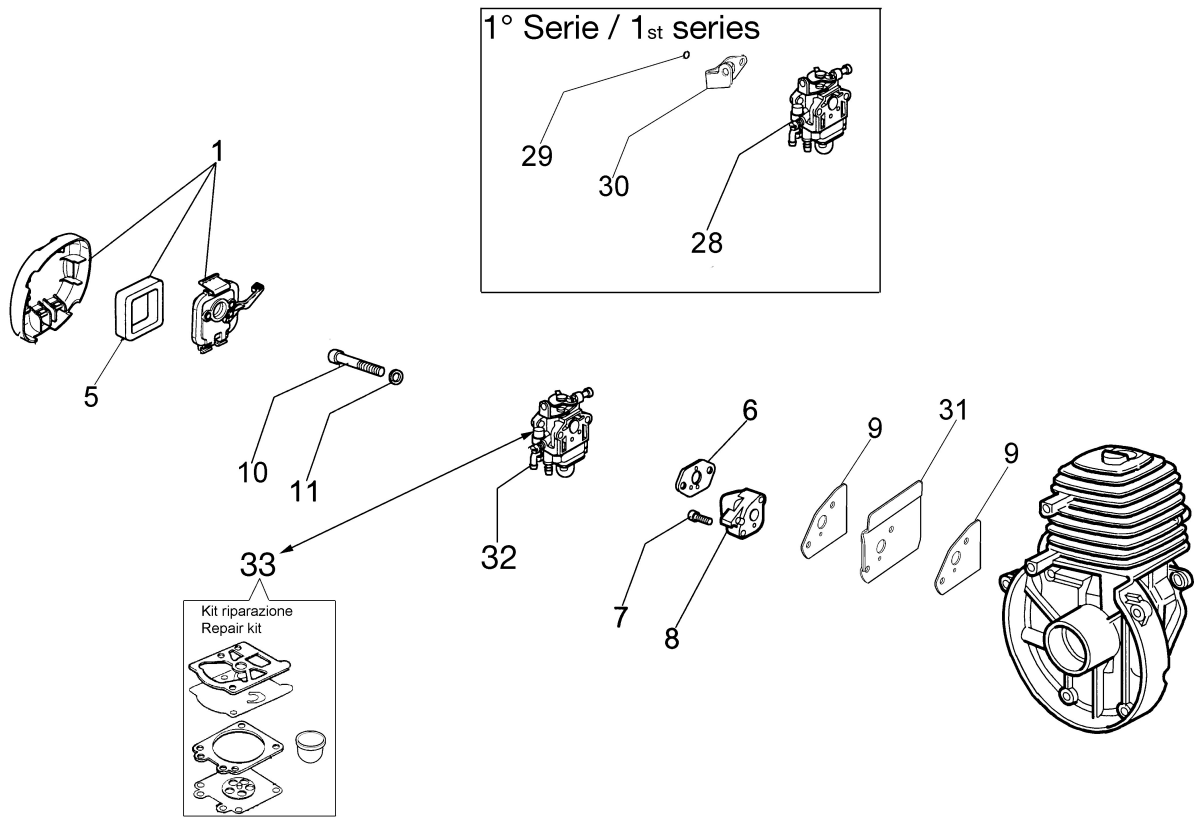
KEES VAN DER SPEK
TUINMACHINES ★ STOLWIJK



Illustratie Starter assy and clutch

| Ref.Nu | Qty | Part number | Description | Validity from | Validity till | Notes | Bulletin |
|--------|-----|-------------|----------------|---------------|---------------|-------|----------|
| 1 | 1 | 4160125R | Starter rope | | | | |
| 2 | 1 | 4161264BR | Flywheel | | | | |
| 3 | 1 | 4191020A | Starter handle | | | | |
| 4 | 1 | 3024018R | Ring | | | | |
| 5 | 1 | 4161150R | Ring | | | | |
| 6 | 1 | 4161148AR | Pulley | | | | |
| 7 | 1 | 004000132R | Spring | | | | |
| 8 | 1 | 4162358 | Cable | | | | |
| 9 | 1 | 4161160AR | Starter assy | | | | |
| 10 | 1 | 4160072R | Spacer | | | | |
| 11 | 1 | 3801010R | Screw | | | | |
| 12 | 1 | 61030043R | Starter case | | | | |
| 13 | 4 | 3916005R | Washer | | | | |
| 14 | 4 | 3819006R | Washer | | | | |
| 15 | 4 | 3801009 | Screw | | | | |
| 16 | 2 | 4161151 | Pin | | | | |
| 17 | 2 | 4138441R | Pawl | | | | |
| 18 | 1 | 4161186A | Spring | | | | |
| 19 | 2 | 3801003 | Screw | | | | |
| 20 | 1 | 4138722R | Ignition coil | | | | |
| 21 | 1 | 4098064R | Spark plug cap | | | | |
| 22 | 1 | 61030177R | Clutch | | | | |
| 23 | 2 | 3916004R | Washer | | | | |
| 24 | 2 | 3819005R | Washer | | | | |
| 25 | 2 | 3806035R | Screw | | | | |
| 26 | 1 | 61030190R | Spring | | | | |
| 27 | 1 | 4160146AR | Deflector | | | | |
| 28 | 1 | 61030189R | Clutch driver | | | | |
| 29 | 2 | 3918007R | Washer | | | | |
| 30 | 2 | 61030191R | Bushing | | | | |
| 31 | 1 | 61162041 | Labels kit | | | | |

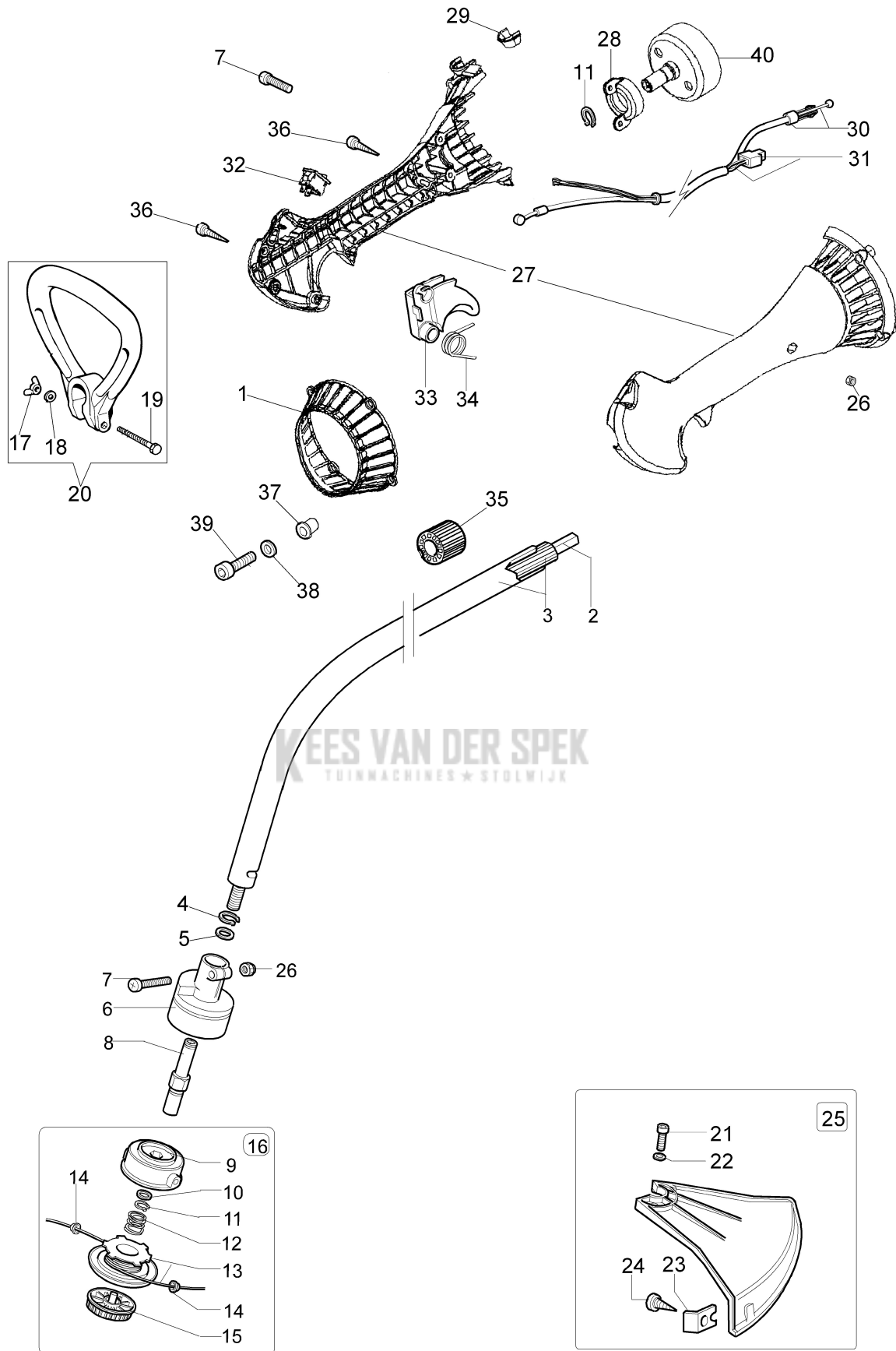
KEES VAN DER SPEK
TUINMACHINES ★ STOLWIJK



Illustratie Tank and air filter

| Ref.Nu | Qty | Part number | Description | Validity from | Validity till | Notes | Bulletin |
|--------|-----|-------------|----------------|---------------|---------------|-------|---------------|
| 1 | 1 | 61162017A | Air filter kit | | | | |
| 2 | 1 | 61010004 | Stand | | | | |
| 3 | 3 | 3918010R | Washer | | | | |
| 4 | 3 | 3960057R | Screw | | | | |
| 5 | 1 | 61160014AR | Air filter | | | | |
| 6 | 1 | 4161438 | Gasket | | | | |
| 7 | 2 | 3801051R | Screw | | | | |
| 8 | 1 | 4162256BR | Insulator | | | | |
| 9 | 2 | 61030112BR | Gasket | | | | |
| 10 | 2 | 3801012 | Screw | | | | |
| 11 | 2 | 3833073R | Washer | | | | |
| 12 | 1 | 4162297R | Tube | | | | |
| 13 | 1 | 4098377R | Band | | | | |
| 14 | 1 | 4162316R | Tube | | | | |
| 15 | 1 | 3059002 | Band | | | | |
| 16 | 1 | 4162270AR | Fittings | | | | |
| 17 | 1 | 4162268R | Bushing | | | | |
| 18 | 1 | 4098658AR | Breather valve | | | | |
| 19 | 1 | 4151258R | Complete cap | | | | |
| 20 | 1 | 4100308AR | Gasket | | | | |
| 21 | 1 | 4162296 | Tube | | | | |
| 22 | 3 | 3801010R | Screw | | | | |
| 23 | 1 | 094600450R | Fuel filter | | | | |
| 24 | 1 | 61032026R | Complete tank | | | | |
| 25 | 1 | 61010002 | Support | | | | |
| 26 | 3 | 3918005R | Washer | | | | |
| 27 | 3 | 3819006R | Washer | | | | |
| 28 | 1 | 2318393R | Carburetor | | SN 9073092452 | | BT3-120-07/13 |
| 29 | 1 | 3049040R | O-ring | | SN 9073092452 | | BT3-120-07/13 |
| 30 | 1 | 61150023R | Bracket | | SN 9073092452 | | BT3-120-07/13 |
| 31 | 1 | 61030113R | Gasket | | | | |
| 32 | 1 | 2318393R | Carburetor | SN 9073092453 | | | BT3-120-07/13 |
| 33 | 1 | 2318395R | Gasket set | SN 9073092453 | | | BT3-120-07/13 |

KEES VAN DER SPEK
TUINMACHINES * STOLWIJK

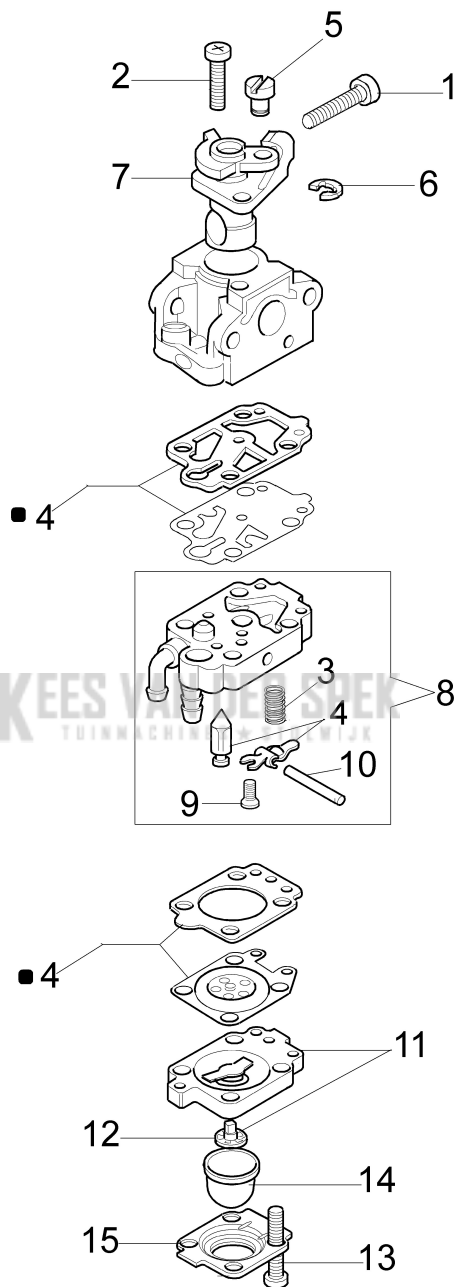


KEES VAN DER SPEK
TUINMACHINES * STOLWIJK

Illustratie Transmission

| Ref.Nu | Qty | Part number | Description | Validity from | Validity till | Notes | Bulletin |
|--------|-----|-------------|-----------------|---------------|---------------|-------|----------|
| 1 | 1 | 61160009 | Grid | | | | |
| 2 | 1 | 61150020AR | Drive shaft | | | | |
| 3 | 1 | 60012079AR | Tube Ø22 | | | | |
| 4 | 1 | 3024010R | Snap ring | | | | |
| 5 | 1 | 004400285 | Washer | | | | |
| 6 | 1 | 60012002R | Hub | | | | |
| 7 | 2 | 3979017 | Screw | | | | |
| 8 | 1 | 071000005 | Pin | | | | |
| 9 | 1 | 070000192A | Cover | | | | |
| 10 | 1 | 3064004AR | Washer | | | | |
| 11 | 2 | 3024012R | Snap ring | | | | |
| 12 | 1 | 071000010AR | Spring | | | | |
| 13 | 1 | 61062006R | Nylon spool | | | | |
| 14 | 2 | 070000193R | Bushing | | | | |
| 15 | 1 | 071000006BR | Knob | | | | |
| 16 | 1 | 61062023A | Nylon head Ø2 | | | | |
| 17 | 1 | 3915006 | Nut | | | | |
| 18 | 1 | 3916006R | Washer | | | | |
| 19 | 1 | 3906053 | Screw | | | | |
| 20 | 1 | 4162042A | Handle | | | | |
| 21 | 1 | 3801010R | Screw | | | | |
| 22 | 1 | 3916005R | Washer | | | | |
| 23 | 1 | 4174275R | Blade | | | | |
| 24 | 1 | 3960014 | Screw | | | | |
| 25 | 1 | 60012008 | Disc guard | | | | |
| 26 | 3 | 3914003R | Nut | | | | |
| 27 | 1 | 61162027 | Complete handle | | | | |
| 28 | 1 | 61160015 | Flange | | | | |
| 29 | 1 | 61160008 | Bushing | | | | |
| 30 | 1 | 61130006R | Throttle cable | | | | |
| 31 | 1 | 4162267A | Cable | | | | |
| 32 | 1 | 2317021R | Switch | | | | |
| 33 | 1 | 61060003AR | Throttle lever | | | | |
| 34 | 1 | 61060007 | Spring | | | | |
| 35 | 1 | 61150034AR | Spacer | | | | |
| 36 | 5 | 3960069AR | Screw | | | | |
| 37 | 4 | 61160005 | Bushing | | | | |
| 38 | 4 | 3918010R | Washer | | | | |
| 39 | 4 | 4175074R | Screw | | | | |
| 40 | 1 | 61160007R | Clutch drum | | | | |

KEES VAN DER SPEK
TUINMACHINES ★ STOLWIJK



■ 4 KIT RIPARAZIONE
REPAIR KIT

Illustratie Carburettor WYL-245

| Ref.Nu | Qty | Part number | Description | Validity from | Validity till | Notes | Bulletin |
|--------|-----|-------------|--------------|---------------|---------------|-------|----------|
| 1 | 1 | 2318583 | Screw | | | | |
| 2 | 2 | 2318954 | Screw | | | | |
| 3 | 1 | 2318568 | Spring | | | | |
| 4 | 1 | 2318674 | Repair kit | | | | |
| 5 | 1 | 2318577 | Adjuster nut | | | | |
| 6 | 1 | 2318189 | Ring | | | | |
| 7 | 1 | 2318958 | Valve | | | | |
| 8 | 1 | 2318567 | Pump body | | | | |
| 9 | 1 | 2318569 | Screw | | | | |
| 10 | 1 | 003300201 | Spindle | | | | |
| 11 | 1 | 2318570 | Primer body | | | | |
| 12 | 1 | 2318592 | Valve | | | | |
| 13 | 4 | 2318585 | Screw | | | | |
| 14 | 1 | 2318572 | Primer pump | | | | |
| 15 | 1 | 2318571 | Cover | | | | |

KEES VAN DER SPEK
TUINMACHINES ★ STOLWIJK