

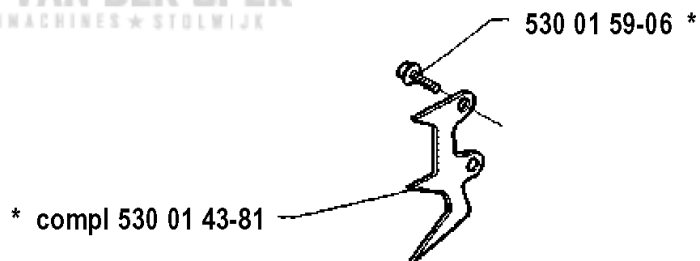


SPARE PARTS LIST

CHAIN SAWS
CS42S, 2016-05

N Accessories
Zubehöre
Accessoires
Acessorios
Tillbehör

KEES VAN DER SPEK
TUINMACHINES * STOLWIJK



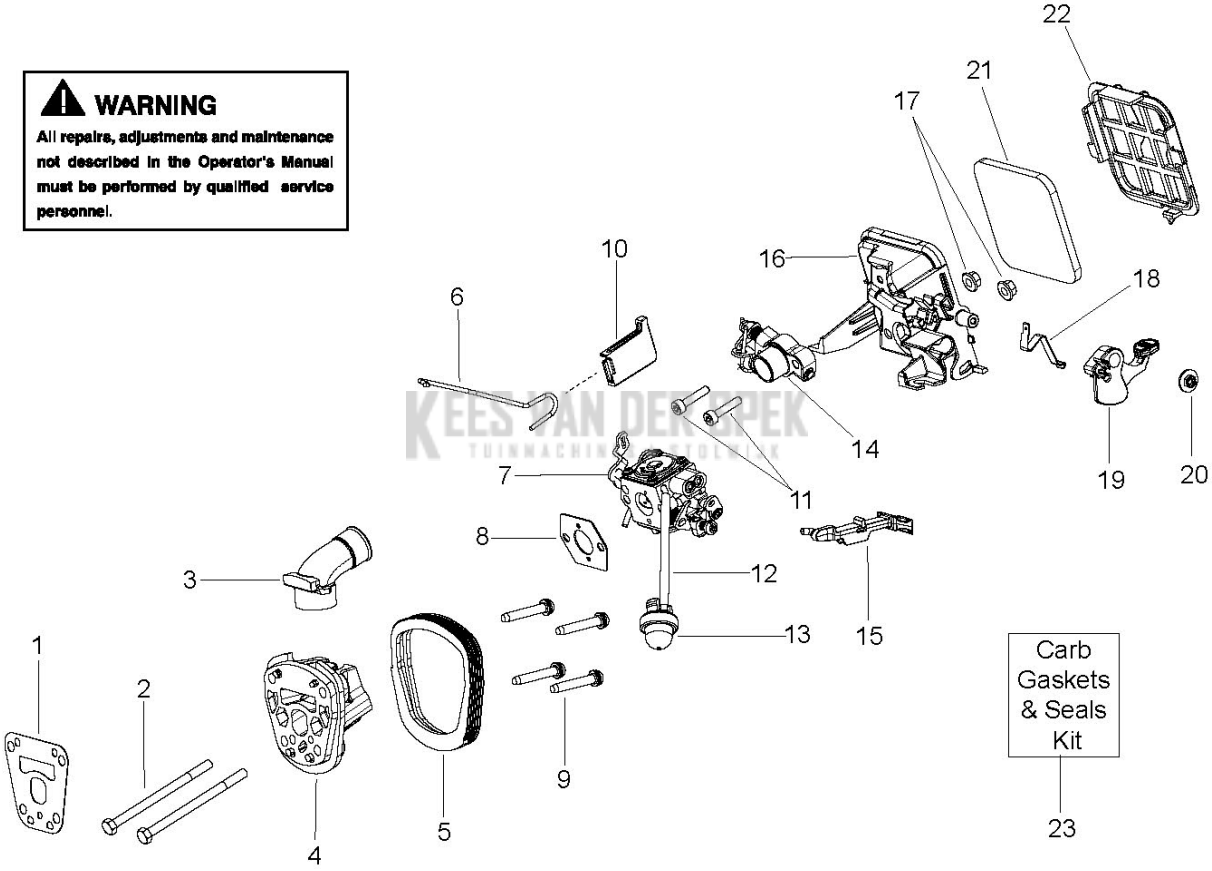
ACCESSORIES

CS42S, 2016-05

Part No	Description	Remark	QTY KIT
530 01 43-81	FELLING DOG		1
530 01 59-06	SCREW		1

KEES VAN DER SPEK
TUINMACHINES ★ STOLWIJK

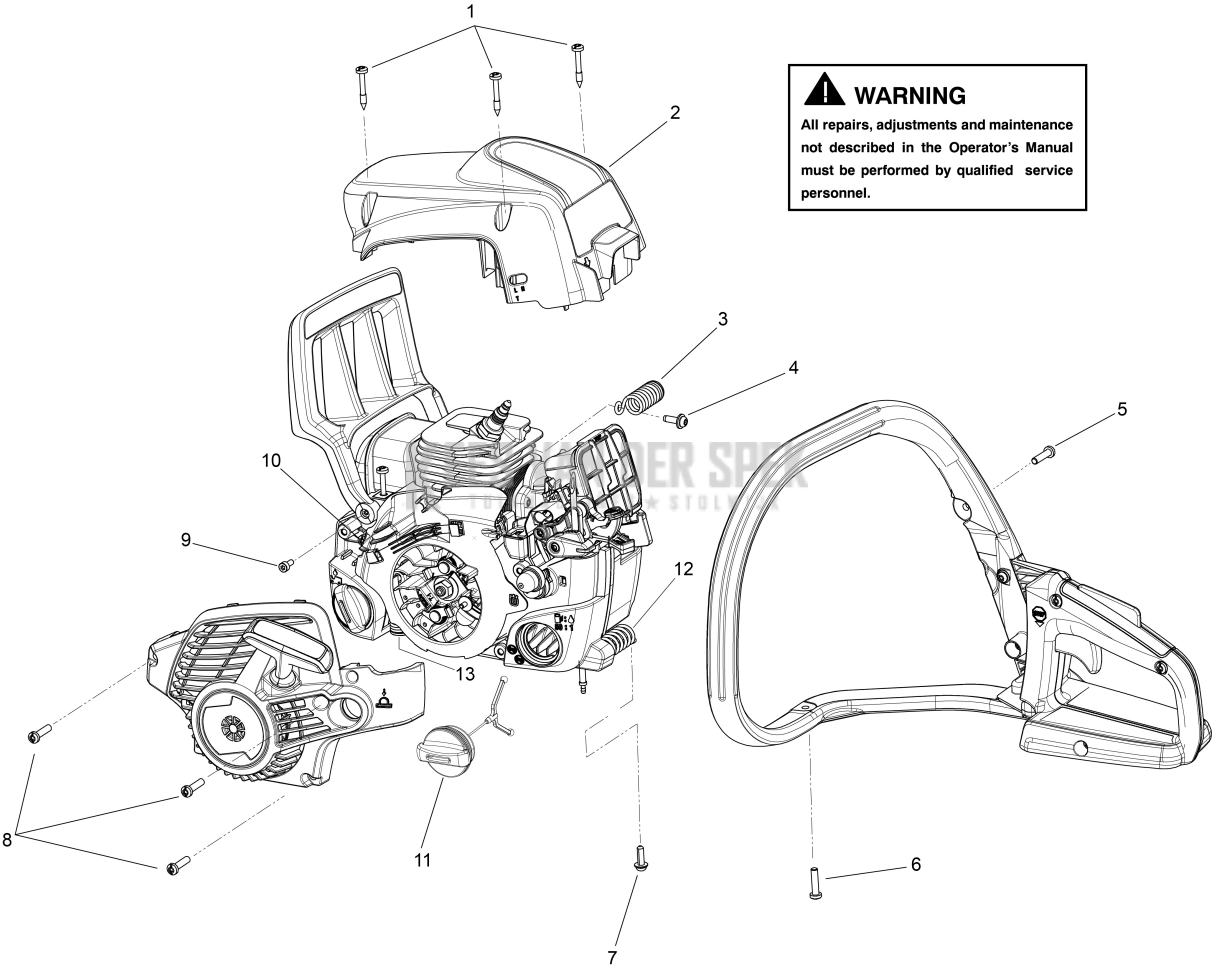
⚠ WARNING
All repairs, adjustments and maintenance not described in the Operator's Manual must be performed by qualified service personnel.



CARBURETOR

CS42S, 2016-05

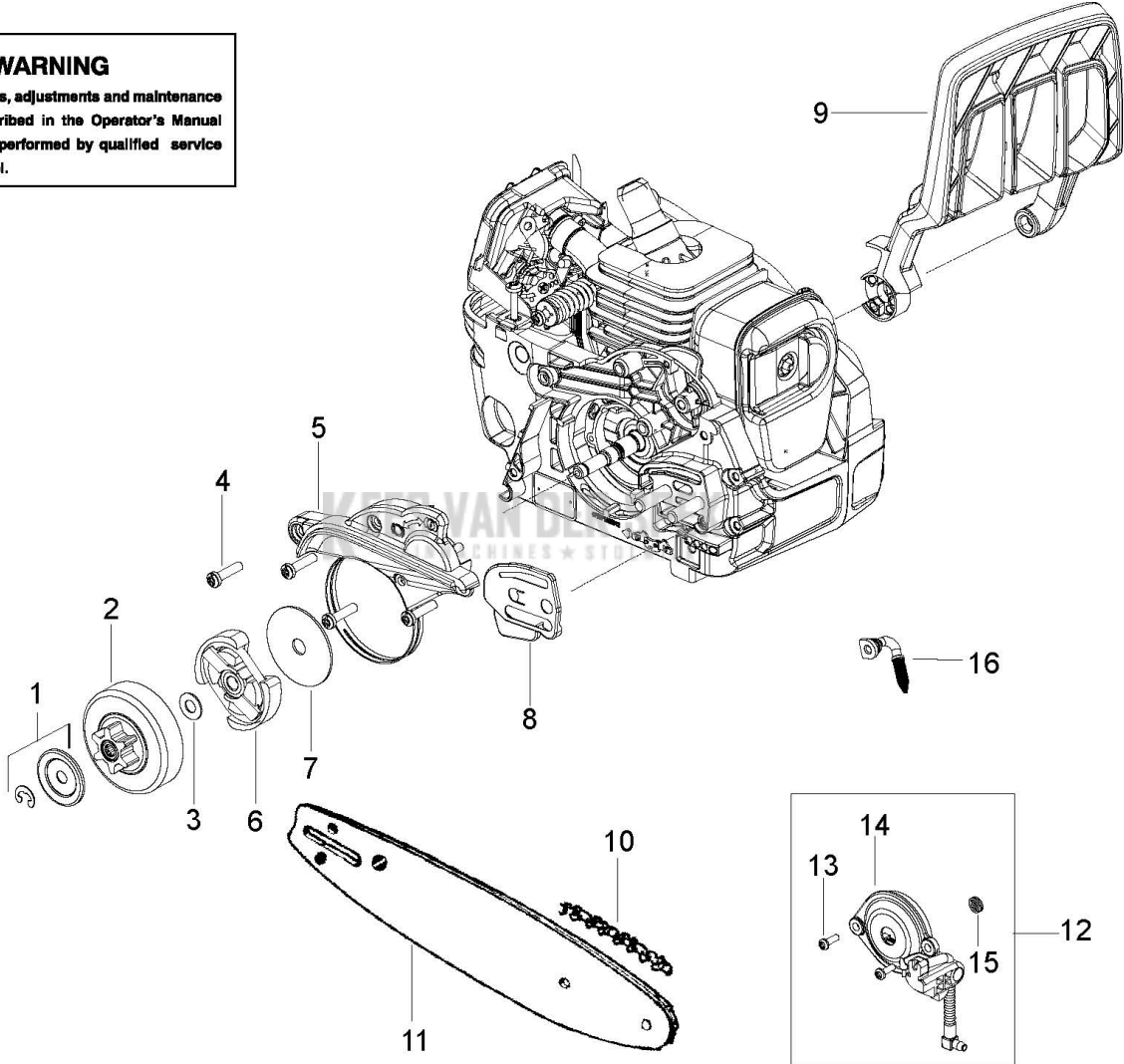
Ref	Part No	Description	Remark	QTY	KIT
1	585 30 91-01	GASKET	CYLINDER GASKET	1	
2	587 36 04-01	SCREW	CARB STUD	2	
3	585 31 73-01	BOOT	CARB BOOT INTAKE	1	
4	585 30 89-01	ADAPTER	CARB ADAPTOR	1	
5	585 31 74-01	SEAL	CARB ADAPTOR SEAL	1	
6	585 05 89-01	WIRE	THROTTLE WIRE	1	
7	596 78 66-02	SERVICE KIT	CARBURETOR	1	7,8,12,13,14
8	585 69 51-01	GASKET	CARB GASKET	1	
9	587 12 74-01	SCREW	CARB ADAPTER TO CYLINDER SCREW	4	
10	585 43 61-01	CAP	THROTTLE WIRE CAP	1	
11	545 00 35-11	SCREW	AIR VALVE TO FILTER SCREW	2	
12	580 72 71-02	FUEL HOSE	FUEL LINE KIT	1	
13	586 68 83-01	PURGE BULB	PURGE BULB	1	
14	596 78 66-02	SERVICE KIT	CARBURETOR	1	7,8,12,13,14
15	585 31 56-01	LEVER	CHOKE LEVER	1	
16	585 31 54-01	HOUSING	AIR FILTER HOUSING	1	
17	530 01 61-01	NUT	CARB NUT	2	
18	530 05 79-08	SPRING	IGNITION SWITCH SPRING	1	
19	585 31 55-01	LEVER	IGNITION SWITCH LEVER	1	
20	530 01 60-80	SCREW	SWITCH SCREW	1	
21	585 31 57-01	FILTER	FILTER ELEMENT	1	
22	586 50 19-01	COVER	FILTER COVER	1	
23	587 45 59-03	KIT	CARB GASKETS AND SEALS	1	1,3,5,8



⚠ WARNING
All repairs, adjustments and maintenance not described in the Operator's Manual must be performed by qualified service personnel.

Ref	Part No	Description	Remark	QTY KIT
1	530 01 61-53	SCREW	CAPTIVE SCREW	3
2	586 56 14-01	SHIELD	CYLINDER SHIELD (MCC/PP), STD CHOKE CARB	1
3	585 43 63-01	SPRING	UPPER REAR ISOLATOR SPRING	1
4	530 01 64-43	SCREW	SCREW	1
5	530 01 64-32	SCREW	SCREW M5.38- 14X22.225MM	2
6	530 01 64-32	SCREW	SCREW M5.38- 14X22.225MM	2
7	530 01 59-06	SCREW	SCREW	2
8	530 01 64-32	SCREW	SCREW M5.38- 14X22.225MM	3
9	588 27 46-01	SPRING	HANDGUARD SPRING	1
10	530 01 64-32	SCREW	SCREW M5.38- 14X22.225MM	4
11	544 11 12-04	TANK CAP ASSY	TANK CAP ASSY	2
12	585 00 57-01	SPRING	LOWER REAR ISOLATOR SPRING	1
13	586 44 81-01	SPRING	FRONT ISOLATOR SPRING	1

WARNING
All repairs, adjustments and maintenance not described in the Operator's Manual must be performed by qualified service personnel.



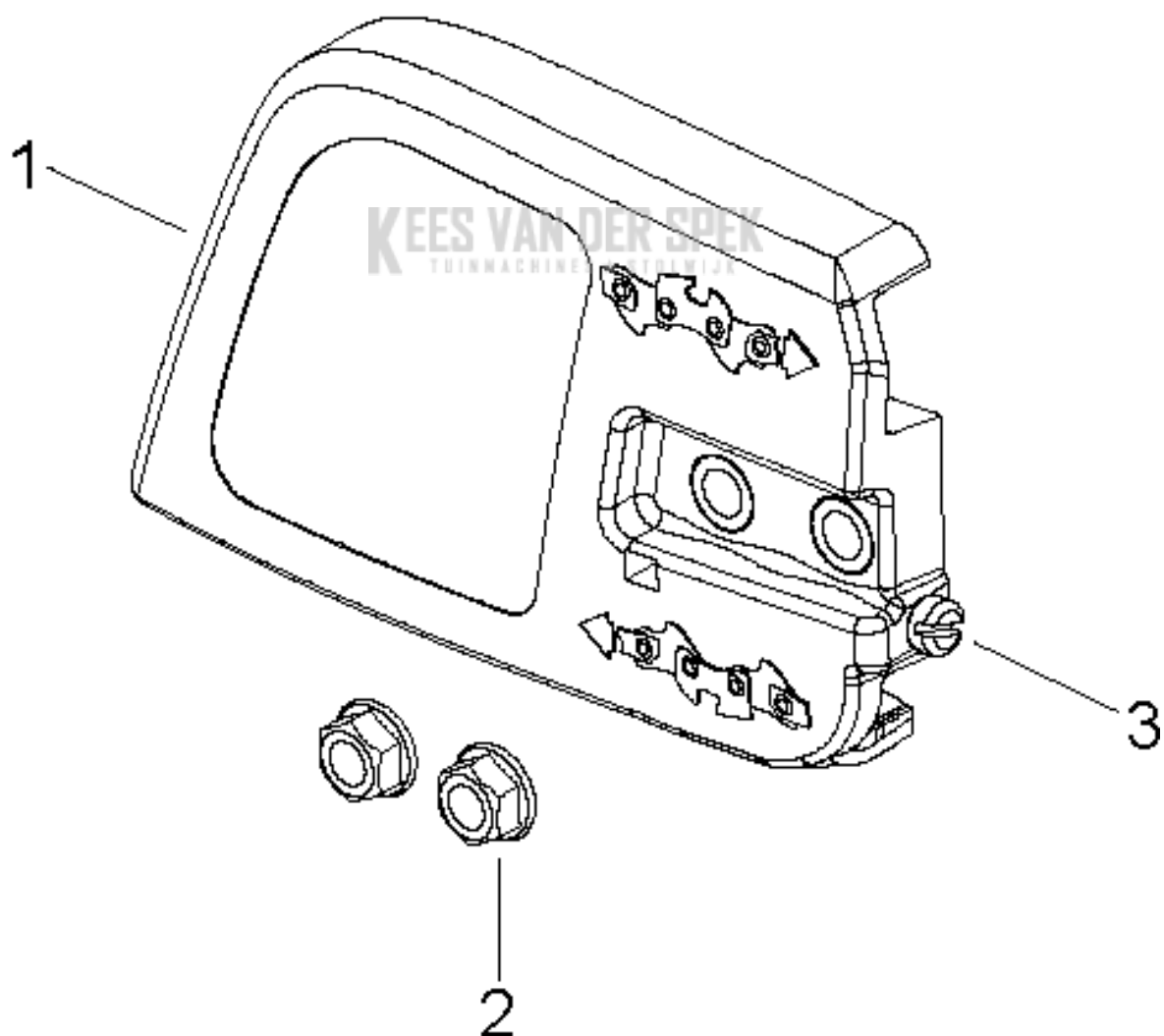
CLUTCH

CS42S, 2016-05

Ref	Part No	Description	Remark	QTY KIT
1	530 07 19-45	KIT	CLUTCH WASHER KIT (INCL. 3)	1
2	501 62 83-01	CLUTCH DRUM ASSY	CLUTCH DRUM ASSEMBLY	1
3	530 07 19-45	KIT	CLUTCH WASHER KIT (INCL. 1)	1
4	530 01 64-32	SCREW	SCREW	4
5	530 07 18-93	KIT	CHAIN BRAKE KIT	1
6	530 05 79-07	CLUTCH ASSY	CLUTCH ASSY	1
7	530 01 64-19	WASHER	LARGE CLUTCH WASHER	1
8	530 05 79-10	PLATE BAR MOUNTING	BAR MOUNTING PLATE	1
9	586 56 12-01	GUARD	HANDGUARD	1
10	579 57 93-01	CHAIN	"CHAIN 91PX 14''' 3/8''' 52DL (MCCULLOCH)"	1
11	582 28 01-01	BAR	"BAR, MCCULLOCH 14 IN (35 CM)"	1
12	530 07 18-91	KIT	OIL PUMP KIT	1
13	545 22 71-01	SCREW	SCREW	2
14	530 05 79-31	OIL PUMP ASSY	OIL PUMP ASSEMBLY	1
15	530 03 78-20	WORM GEAR	WORM GEAR	1
16	530 05 79-24	ASSEMBLY	OIL PICK-UP ASSEMBLY	1

 **WARNING**

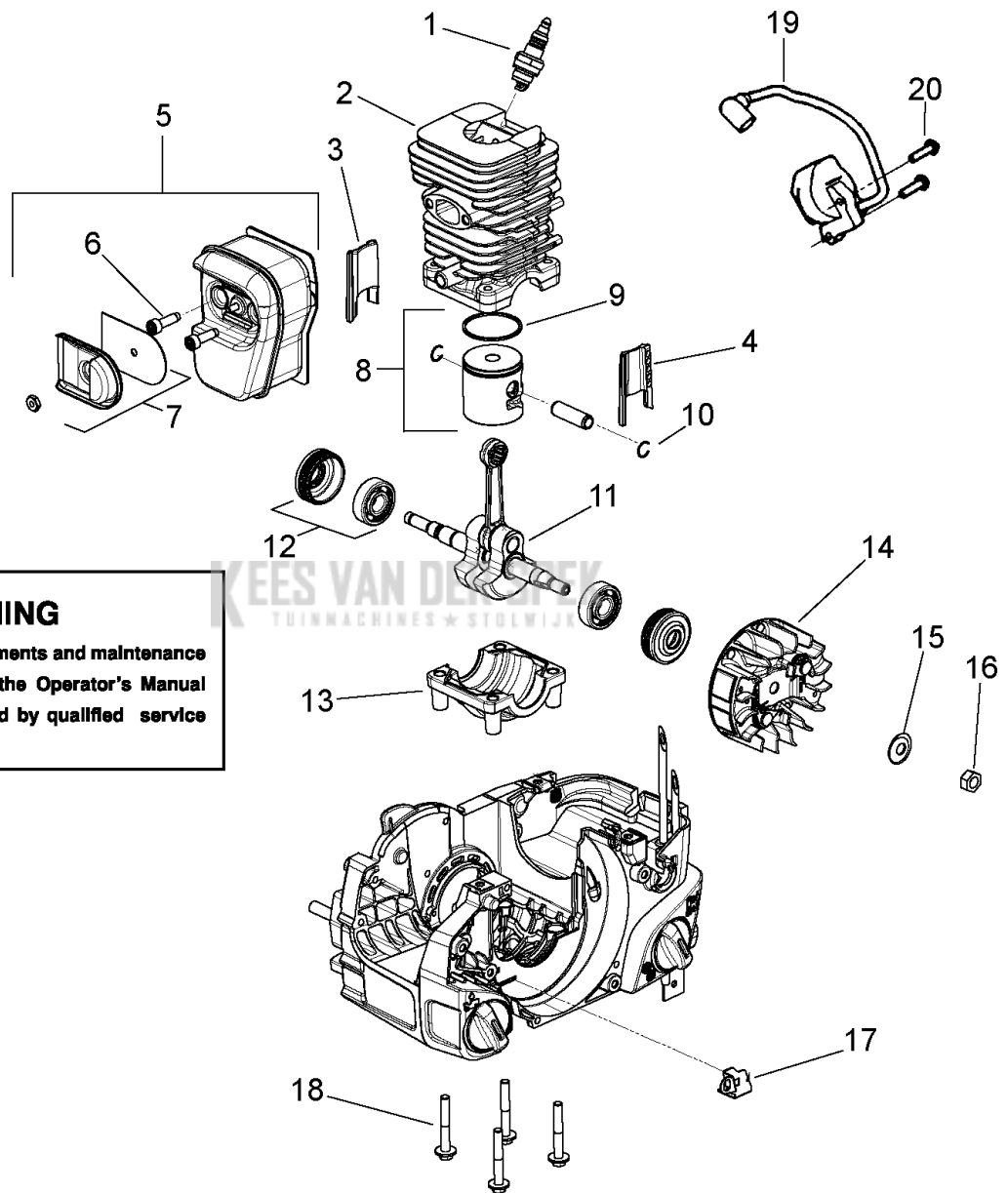
All repairs, adjustments and maintenance not described in the Operator's Manual must be performed by qualified service personnel.



CLUTCH COVER

CS42S, 2016-05

Ref	Part No	Description	Remark	QTY KIT
1	545 01 22-01	CLUTCH COVER ASSY	CLUTCH COVER ASSY BLACK (INCL. 3)	1
2	530 01 59-17	NUT	BAR NUT	2
3	530 06 96-11	RETAINER	FRONT ADJUST SCREW AND GEARS KIT	1



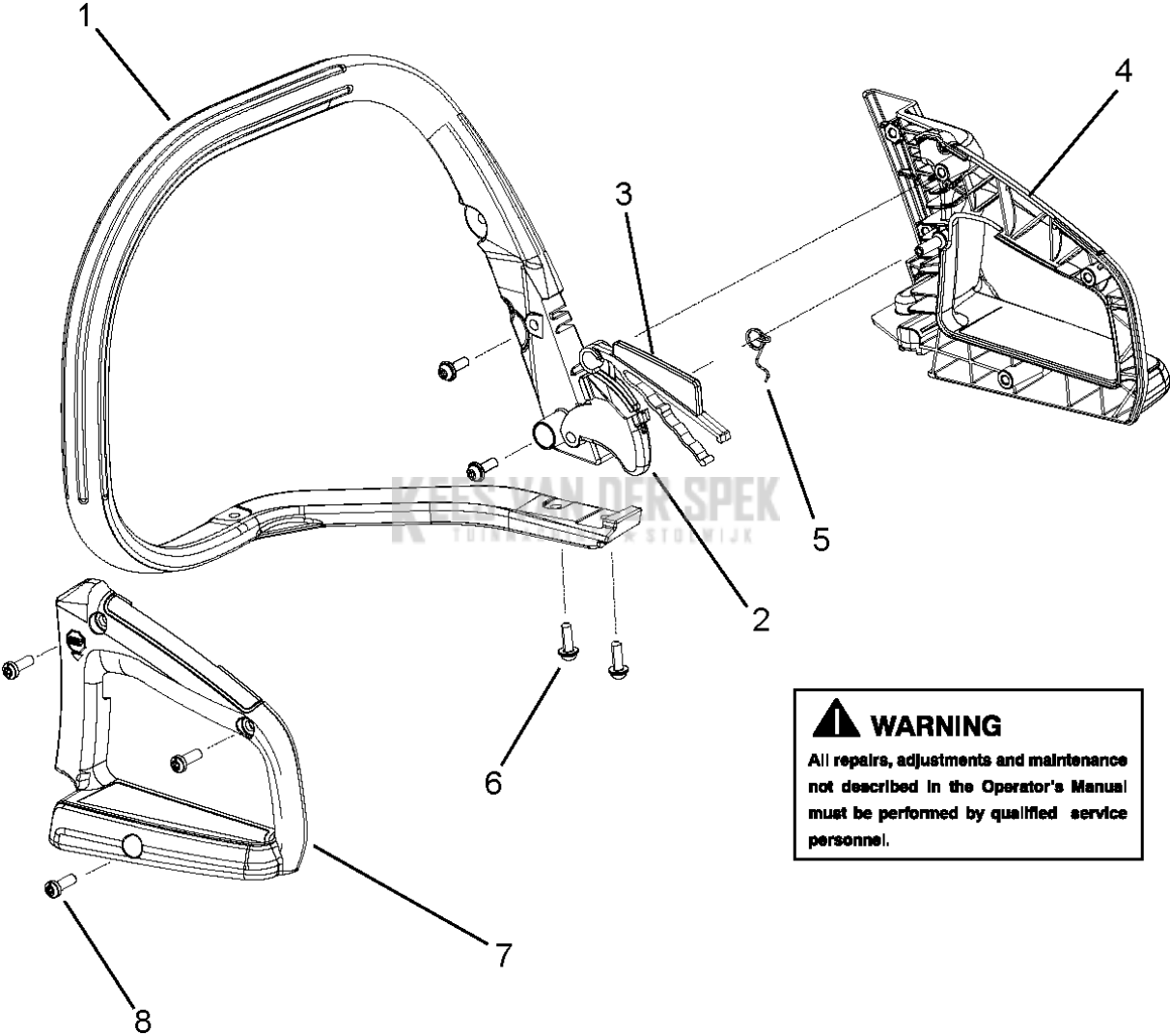
⚠ WARNING
All repairs, adjustments and maintenance not described in the Operator's Manual must be performed by qualified service personnel.

KEES VAN DEN BERG
TUINMACHINES * STOLWIJK

CYLINDER

CS42S, 2016-05

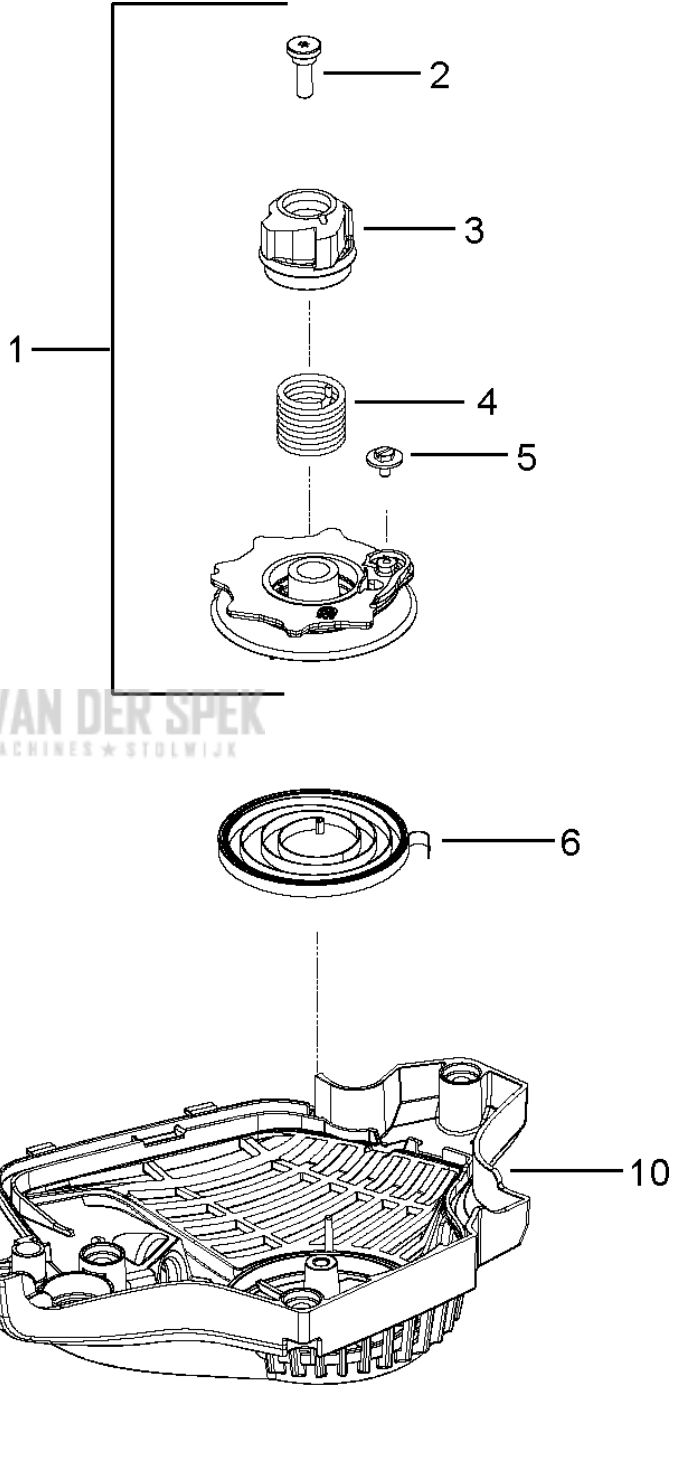
Ref	Part No	Description	Remark	QTY KIT
1	585 35 82-01	SPARK PLUG	"SPARK PLUG BRISK M14x1,25 HQT-1"	1
2	530 07 18-84	KIT	"CYLINDER KIT (INCL. CYLINDER, 3, 4)"	1
3	545 01 54-01	INSERT	RIGHT INSERT (GRAY)	1
4	545 01 53-01	INSERT	LEFT INSERT (BLACK)	1
5	501 80 90-01	MUFFLER ASSY	MUFFLER ASSY	1
6	530 01 63-38	BOLT	MUFFLER BOLT	2
7	545 08 17-01	SPARK ARRESTER	SPARK ARRESTER ASSY	1
8	582 02 31-01	SERVICE KIT	"PISTON KIT (INCL. PISTON, PIN, 9, 10)"	1
9	545 16 04-01	PISTON RING	PISTON RING	1
10	530 01 56-97	LOCKING RING	PISTON PIN RETAINER	2
11	587 60 25-01	CRANKSHAFT	CRANKSHAFT & CON ROD ASSY	1
12	530 05 63-63	BEARING	CRANKSHAFT BEARING & SEAL ASSY	2
13	586 12 05-01	CRANKCASE	CRANKCASE CAP	1
14	545 01 63-08	FLYWHEEL ASSY	FLYWHEEL ASSY	1
15	530 01 51-27	WASHER	FLYWHEEL WASHER	1
16	530 01 61-34	NUT	FLYWHEEL NUT	1
17	585 36 56-01	STRAP	GROUND STRAP	1
18	545 08 15-01	BOLT	CYLINDER BOLT	4
19	583 94 49-03	MODULE	IGNITION MODULE	1
20	530 01 64-32	SCREW	SCREW M5.38-14X22.225MM	1



▲ WARNING
All repairs, adjustments and maintenance not described in the Operator's Manual must be performed by qualified service personnel.

Ref	Part No	Description	Remark	QTY KIT
1	585 43 54-01	HANDLE	FRONT HANDLE	1
2	585 43 59-02	TRIGGER	TRIGGER (GOLD)	1
3	585 43 60-02	THROTTLE LOCKOUT	LOCKOUT (GOLD)	1
4	585 43 56-01	HANDLE	REAR HANDLE	1
5	585 18 73-01	SPRING	TRIGGER SPRING	1
6	530 01 59-06	SCREW	SCREW	4
7	585 43 57-01	HANDLE	REAR HANDLE COVER	1
8	530 01 63-49	SCREW	SCREW	3

⚠ WARNING
 All repairs, adjustments and maintenance not described in the Operator's Manual must be performed by qualified service personnel.



Kees van der Spek
 TUINMACHINES * STOLWIJK

STARTER

CS42S, 2016-05

Ref	Part No	Description	Remark	QTY KIT
1	530 07 19-66	STARTER PULLEY	"EPS STARTER KIT (INCL. 2,3,4,5, PULLEY)"	1
2	530 02 11-79	SCREW	SCREW	1
3	530 05 96-77	SLEEVE	EPS STARTER HUB SLEEVE	1
4	530 02 11-80	SPRING	TORSION SPRING	1
5	530 01 60-80	SCREW	SCREW	1
6	576 65 78-01	SPRING	STARTER SPRING	1
7	545 01 00-09	HANDLE	HANDLE AND ROPE ASSY	1
8	545 00 61-08	HANDLE	STARTER HANDLE (GRAY)	1
9	530 06 92-32	STARTER ROPE	STARTER ROPE	1
10	586 86 72-01	FAN HOUSING	FAN HOUSING (BLACK)	1