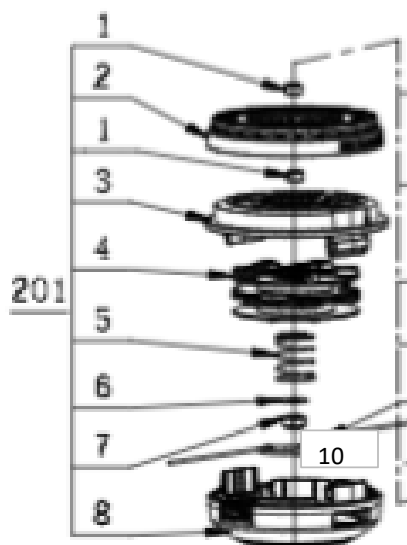


AH1522



10A 10B 10C 10D

Index No.	Art. No.	Description EN	Partnumber	QTY in machine
1	3580161001	Position Sleeve	3580161001	2
2	2827608002	Support Plate Assembly	2827608002	1
3	3129007001	Upper Housing	3129007001	1
4	2825307002	Spool Assembly	2825307002	1
5	3660582001	Compression Spring	3660582001	1
6	3700155002	Washer	3700155002	1
7	5630271001	Nut	5630271001	1
8	2825469004	Lower Housing ASSY	2825469004	1
9	5610059007	Thread Forming Screw	5610059007	3
10A	AL2415R	15m Round Line (2.4mm Orange)	AL2415R	1
10B	AL2490R	90m Round Line (2.4mm Orange)	AL2490R	1
10C	AL2415T	15m Twist Line (2.4mm Orange)	AL2415T	1
10D	AL2475T	75m twist line (2.4mm orange/green)	AL2475T	1
201	AH1522	2.4mm POWERLOAD line trimmer head (clockwise rotation)	AH1522	1