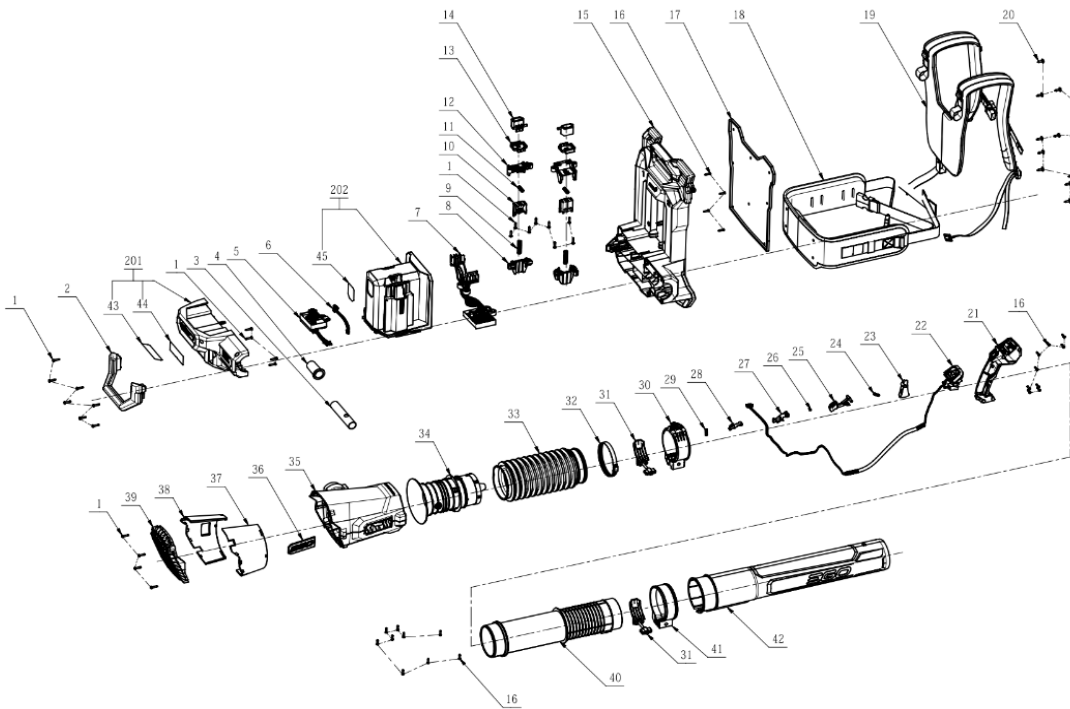


LBP8000E Leaf Blower



Product Description Backpack Blower  
Model Number LBP8000E  
Service Item Number F820043002501  
Version B  
Issue Date: 2022/12/15



**KEES VAN DER SPEK**  
TUINMACHINES ★ STOLWIJK

Index No.	Art. No.	Description EN	Partnumber	QTY in machine
1	5620157006	Hexagon Socket Screw	5620157006	23
2	3133792001	Auxiliary Handle	3133792001	1
3	3708741001	Connecting Tube	3708741001	1
4	3128346001	Plastic Sleeve	3128346001	1
5	2831534001	Control Electric Assembly	2831534001	1
6	4861115001	Wire Harness Assembly	4861115001	1
7	2831533001	BMS Electric Assembly	2831533001	1
8	3131426001	Supporting Structure	3131426001	2
9	3660979001	Compression Spring	3660979001	2
10	3131427001	Sliding Block	3131427001	2
11	3660303002	Spring	3660303002	2
12	3131425001	Support Base	3131425001	2
13	3126772001	Sliding Block	3126772001	2
14	3126760001	Release Button	3126760001	2
15	2829245001	Rear Housing Assembly	2829245001	1
16	5610294001	Tapping Screw	5610294001	22
17	3709023001	Backboard	3709023001	1
18	3800230001	Belt	3800230001	1
19	3800214001	Harness	3800214001	1
20	5610298001	Tapping Screw	5610298001	12
21	3900666001	Handle Assembly	3900666001	1
22	2831549001	LCD Assembly	2831549001	1
23	3133622001	Trigger	3133622001	1
24	3660088003	Knob-reset Spring	3660088003	1
25	3133621001	Boost Button	3133621001	1
26	5610011001	Tapping Screw	5610011001	1
27	3133445001	Mounting Plate	3133445001	1
28	3133641001	Switch Button	3133641001	1
29	3667889001	Knob-reset Spring	3667889001	1
30	3900665001	Handle Support Assembly	3900665001	1
31	2829682001	Trigger Assembly	2829682001	2
32	2829337001	Hoop	2829337001	1
33	3133835001	Bellows Seal	3133835001	1
34	2829896001	Ducted Set	2829896001	1
35	3900664001	Housing Assembly	3900664001	1
36	3323141001	EGO Logo	3323141001	1
37	2829329001	Right Scaleboard Assembly	2829329001	1
38	2829330001	Left Scaleboard Assembly	2829330001	1
39	3133606001	Fan Baffle	3133606001	1
40	2829890001	Connecting Tube Assembly	2829890001	1
41	3133837001	Holding Ring	3133837001	1
42	3133833003	Tube	3133833003	1
43	2245917001	Nameplate	2245917001	1
44	2245919001	Nameplate	2245919001	1
45	2245918001	Nameplate	2245918001	1
201	2829894002	Decorative Cover Assembly	2829894002	1
202	3133659002	Battery Box	3133659002	1

VAN DER SPEK  
STOLWIJK