

# PELLENC

## Catalogus van vervangonderdelen

57221 - AIRION BACKPACK  
57221 - AIRION BACKPACK - 2023  
Bouwjaar X



PELLENC

84122      Pertuis

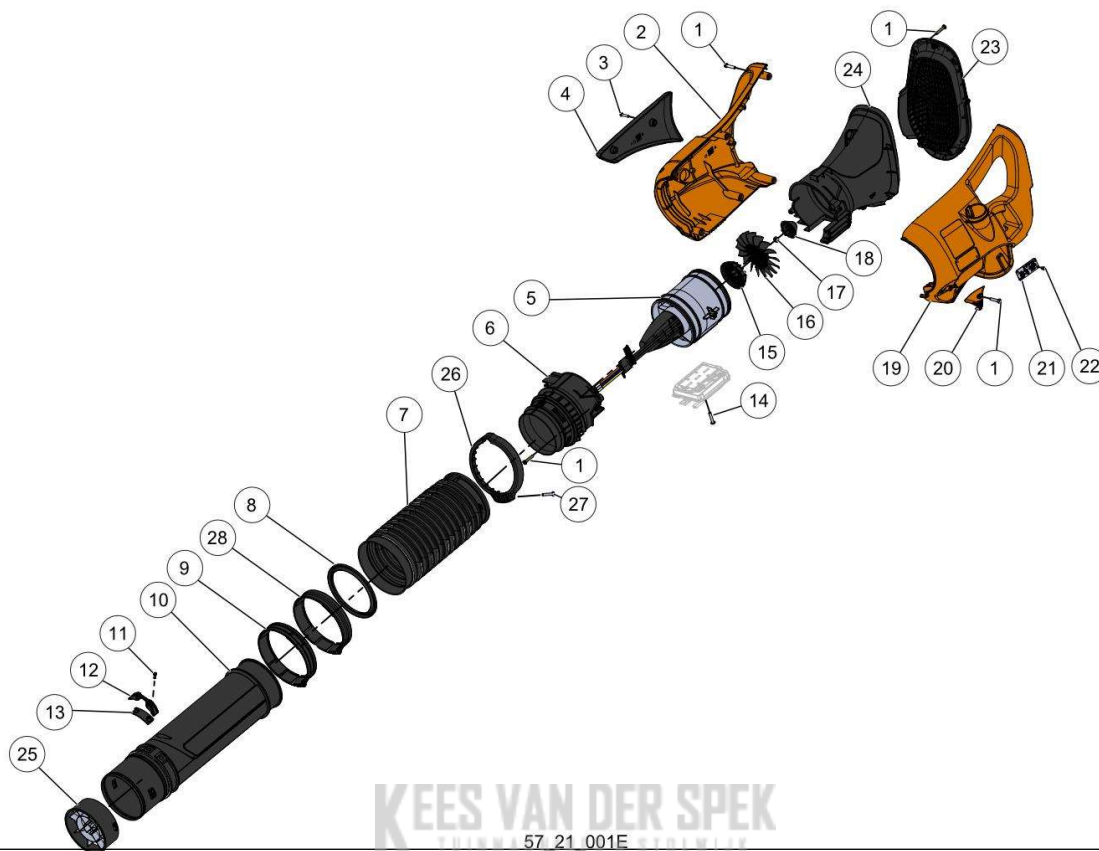
Tel:      +33 (0)490 094 700

Email:    [hotline.pellenc-catalog@pellenc.com](mailto:hotline.pellenc-catalog@pellenc.com)

Fax:      +33 (0)490 096 409

Website   [www.pellenc.com](http://www.pellenc.com)

Vervangonderdelen *Mechanisch*



KES VAN DER SPEK  
57\_21\_001E

| nr. | Artikelnumm | Beschrijving                  | Hoe | Opmerkingen |
|-----|-------------|-------------------------------|-----|-------------|
| 1   | 121477      | SCHROEF DELTA PT WN5452 50-25 | 32  | KIT B*      |
| 2   | 148529      |                               | 1   | KIT B*      |
| 3   | 131837      | LOT VAN 20 DELTA PT SCHROEVEN | 8   | KIT B*      |
| 4   | 148533      | STOOTRAND - BP                | 1   | KIT B*      |
| 5   | 156926      | COMPLETE TURBINE- lage druk   | 1   |             |
| 6   | 148531      | UITLAAT - BP                  | 1   |             |
| 7   | 146008      | SLANG - BP                    | 1   |             |
| 8   | 158962      |                               | 1   |             |
| 9   | 148555      | KLEMRING - BP                 | 1   |             |
| 10  | 156941      | HOOFDBLAASPIJP                | 1   |             |
| 11  | 73848       | SCHROEF DELTA PT WN5452 40X12 | 2   |             |
| 12  | 148615      | OPBERGRING - BP               | 1   |             |
| 13  | 148616      | INZET OPBERGRING - BP         | 1   |             |
| 14  | 111528      |                               | 4   |             |
| 15  | 148564      |                               | 1   | KIT A*      |
| 16  | 148562      |                               | 1   | KIT A*      |
| 17  | 11241       | ECROU FREIN H M6 INOX         | 1   | KIT A*      |
| 18  | 148575      |                               | 1   | KIT A*      |
| 19  | 148528      |                               | 1   | KIT B       |
| 20  | 148532      |                               | 1   |             |
| 21  | 148566      |                               | 1   |             |
| 22  | 114302      |                               | 2   | KIT B       |
| 23  | 148527      | GRILL - BP                    | 1   |             |

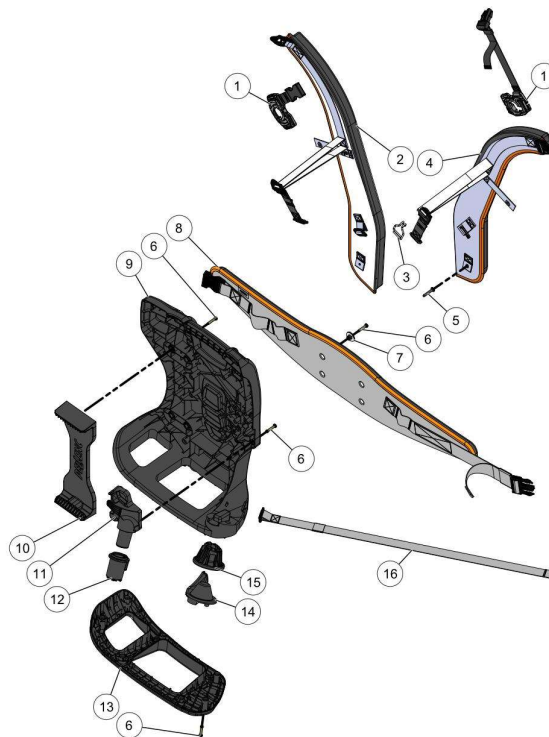
|    |        |                             |   |
|----|--------|-----------------------------|---|
| 24 | 148530 | INLAAT - BP                 | 1 |
| 25 | 148625 | TOEGANGS- EN                | 1 |
| 26 | 148571 | KLEMRING GEREEDSCHAP - BP   | 1 |
| 27 | 162828 |                             | 1 |
| 28 | 148554 | DRAAIBUS - BP               | 1 |
| A  | 159680 | KIT PROPELLER - BP          | 1 |
| B  | 159681 | KIT GEREEDSCHAPSKAPPEN - BP | 1 |

Vervangonderdelen *Mechanisch*



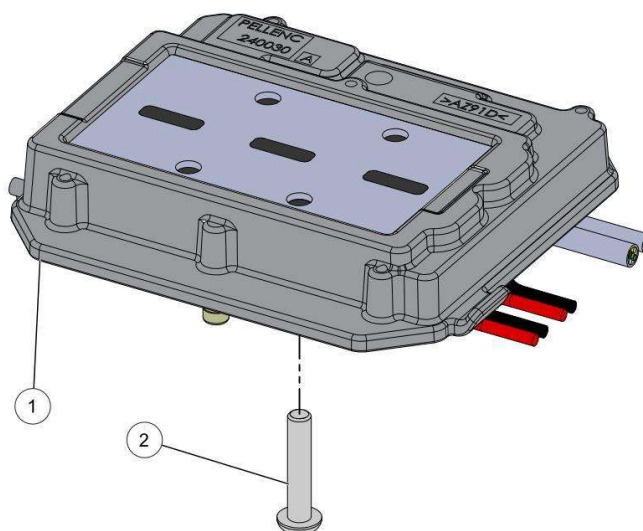
KEES VAN DER SPEK  
57\_21\_002C

| nr. | Artikelnumm | Beschrijving                   | Hoe | Opmerkingen |
|-----|-------------|--------------------------------|-----|-------------|
| 1   | 131837      | LOT VAN 20 DELTA PT SCHROEVEN  | 1   |             |
| 2   | 148586      | KAP RECHTS OVERMOLDED HMI - BP | 1   |             |
| 3   | 80883       | SCHROEF CBX M5-35 Z            | 1   |             |
| 4   | 148557      | VOET RECHTS HMI - BP           | 32  |             |
| 5   | 65800       |                                | 1   |             |
| 6   | 148558      | RING-KANAALFLENS               | 8   |             |
| 7   | 148556      | VOET LINKS HMI -BP             | 1   |             |
| 8   | 148560      | PIN MET SCHROEFDRAAD - BP      | 1   |             |
| 9   | 148559      | HENDEL - BP                    | 1   |             |
| 10  | 148597      | ONTLAADONDERDEEL HMI - BP      | 1   |             |
| 11  | 132977      |                                | 1   | KIT A       |
| 12  | 148606      |                                | 2   | KIT A       |
| 13  | 148594      |                                | 1   | KIT A       |
| 14  | 148595      | PLATTE VEER HMI - BP           | 1   |             |
| 15  | 148590      | GLAS HMI-LED - BP              | 1   |             |
| 16  | 148592      | SELECTIEKNOP HMI - BP          | 1   |             |
| 17  | 156940      | KAP LINKS HMI VOORGEMONTEERD - | 1   |             |
| 18  | 148593      | HEFBOOM HMI - BP               | 1   |             |
| A   | 156933      | HENDEL HMI VOORGEMONTEERD - BP | 1   |             |



Kees van der Spek  
57\_21\_004A

| nr. | Artikelnumm | Beschrijving                     | Hoe | Opmerkingen |
|-----|-------------|----------------------------------|-----|-------------|
| 1   | 132242      |                                  | 2   |             |
| 2   | 148538      | SCHOUDERBAND LINKS               | 1   |             |
| 3   | 148617      | OPBERGHAAK - BP                  | 1   |             |
| 4   | 148539      | SCHOUDERBAND RECHTS              | 1   |             |
| 5   | 73207       | SCHROEF DELTA PT WN5451 50-30 ZN | 2   |             |
| 6   | 121477      | SCHROEF DELTA PT WN5452 50-25    | 30  |             |
| 7   | 118403      |                                  | 4   | KIT A       |
| 8   | 148537      | CEINTURE DRAAGHARNAS - BP        | 1   |             |
| 9   | 158395      | DRAAGBEHUIZING                   | 1   |             |
| 10  | 148536      | ACCUSTEUN - BP                   | 1   |             |
| 11  | 148543      |                                  | 1   |             |
| 12  | 148545      | AFDICHTING SPIL ONDER - BP       | 1   |             |
| 13  | 148546      | VOET VERVOER - BP                | 1   |             |
| 14  | 148542      | VOET VERVOER - BP                | 1   |             |
| 15  | 148544      | AFDICHTING SPIL BOVEN - BP       | 1   |             |
| 16  | 148541      | AFSTELBAND SCHOUDERBAND - BP     | 1   |             |
| 17  | 118404      |                                  | 1   | KIT A       |
| A   | 154702      | HARNAS ACCU 250 >=2022           | 1   |             |

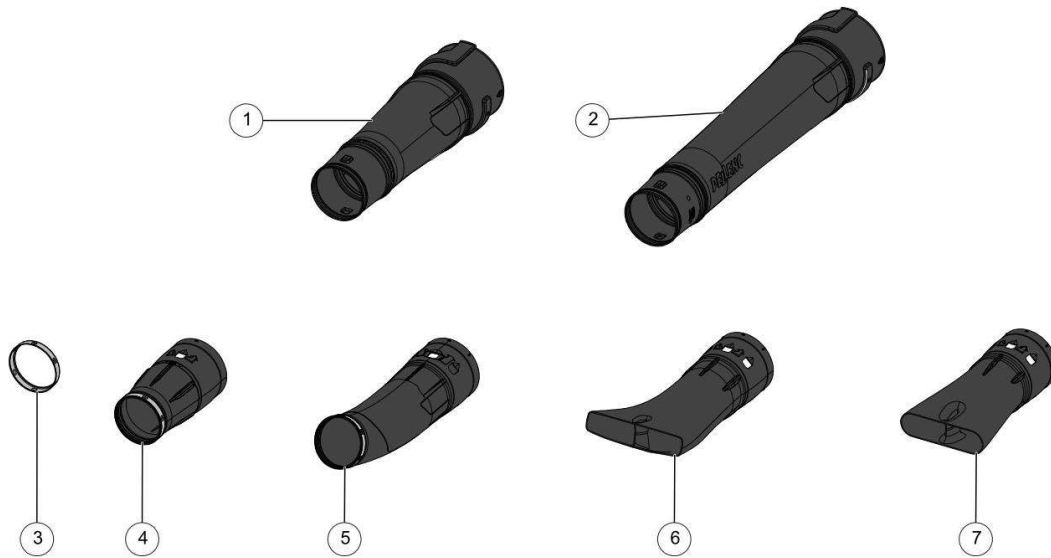


**KEES VAN DER SPEK**  
57\_21\_008A

| nr. | Artikelnumm | Beschrijving                 | Hoe | Opmerkingen |
|-----|-------------|------------------------------|-----|-------------|
| 1   | 148622      |                              | 1   | KIT A*      |
| 2   | 111528      |                              | 4   | KIT A*      |
| A   | 159679      | KIT CONTROLEKAART MOTOR - BP | 1   |             |



| nr. | Artikelnumm | Beschrijving             | Hoe | Opmerkingen |
|-----|-------------|--------------------------|-----|-------------|
| 1   | 150585      | VOEDINGSKABEL BP         | 1   |             |
| 2   | 148534      | DRAADDOERVOER HMI - BP   | 1   |             |
| 3   | 148608      | VERLENGSNOER HMI - BP    | 1   |             |
| 4   | 148589      | GLAS OVERMOLDED HMI - BP | 1   |             |
| 5   | 148591      | AANSLAG MENUKNOP - BP    | 1   |             |
| 6   | 148587      | OVERMOLDED PCB HMI - BP  | 1   |             |



Kees van der Spek  
57 21 005A

| nr. | Artikelnumm | Beschrijving                    | Hoe | Opmerkingen |
|-----|-------------|---------------------------------|-----|-------------|
| 1   | 148547      | KORTE SECUNDAIRE BLAASPIJP - BP | 1   |             |
| 2   | 148548      | LANGE SECUNDAIRE BLAASPIJP - BP | 1   |             |
| 3   | 148553      | ANTI-SLIJTAGE RING - BP         | 1   |             |
| 4   | 148552      | ANTI-SLIJTAGE EINDSTUK - BP     | 1   |             |
| 5   | 159701      | ACCESSOIRE GEBOGEN RONDE        | 1   |             |
| 6   | 159700      | ACCESSOIRE GEBOGEN PLATTE       | 1   |             |
| 7   | 159699      | ACCESSOIRE PLATTE BLAASMOND -   | 1   |             |



Vervangonderdelen *Medeplichtig*



| nr. | Artikelnumm | Beschrijving                  | Hoe | Opmerkingen |
|-----|-------------|-------------------------------|-----|-------------|
| 1   | 145436      | SCHROEF WUPLAST W1452 5-40 Z  | 4   |             |
| 2   | 142833      | RUGHARNAS BATTERIJ 4P/2P      | 1   |             |
| 3   | 134982      | INT. OMHULSEL HARNAS BATTERIJ | 1   |             |
| 4   | 139545      | KAART KNOP HARNAS ACCU 4P/2P  | 1   |             |
| 5   | 134983      | EXT. OMHULSEL HARNAS BATTERIJ | 1   |             |
| 6   | 143224      |                               | 1   |             |
| 7   | 134803      |                               | 1   |             |
| 8   | 132556      |                               | 1   |             |

### Vervangonderdelen Medeplichtig

|   |                                       |             |   |                                       |                          |                           |                          |
|---|---------------------------------------|-------------|---|---------------------------------------|--------------------------|---------------------------|--------------------------|
| 26-VINION<br>32-PRUNION<br>26-C35                           | 26-LIXION                             | 32-TREELION | 48-OLIVION                                  | 26-VINION<br>26-LIXION                | 29-FIXION 2<br>29-FIXION | 32-PRUNION<br>32-TREELION |                          |
|   |                                       |             |   |                                       |                          |                           |                          |
| 48-OLIVION  | 58-CULTIVION<br>58-CULTIVION<br>ALPHA | 48-OLIVION  |   | 26-VINION<br>26-C35                   | 32-PRUNION<br>32-C45     |                           | 26-LIXION<br>32-TREELION |
|   |                                       |             |   |                                       |                          |                           |                          |
| 53-EXCELION 2000  |                                       |             | 48-OLIVION                                  | 58-CULTIVION<br>58-CULTIVION<br>ALPHA | 26-C35                   | 32-C45                    |                          |
|   |                                       |             |   |                                       |                          |                           |                          |
| 51-SELION PERCHE<br>51-SELION M12<br>51-SELION C20 / C21 HD | 58-CULTIVION<br>58-CULTIVION<br>ALPHA |             | 54-HELION<br>54-HELION 2<br>54-HELION ALPHA | 54-HELION 3                           |                          |                           |                          |
|   |                                       |             |   |                                       |                          |                           |                          |
| 59-RASION SMART<br>59-RASION EASY<br>59-RASION BASIC        | 54-HELION 1<br>54-HELION 2            |             | 26-VINION<br>26-C35                         | 32-PRUNION<br>32-C45                  |                          |                           |                          |
|   |                                       |             |   |                                       |                          |                           |                          |
| OEP   |                                       |             | 26-VINION<br>26-LIXION<br>26-C35            | 32-PRUNION<br>32-TREELION<br>32-C45   |                          |                           |                          |
|   |                                       |             |   |                                       |                          |                           |                          |

| nr. | Artikelnumm | Beschrijving                       | Hoe | Opmerkingen |
|-----|-------------|------------------------------------|-----|-------------|
| 1   | 149789      | VET FUCHS ECO NAVULLING 400 G      | 1   |             |
| 2   | 84401       | VET REDUCTOR GR190                 | 1   |             |
| 3   | 140484      | VET FUCHS HLT-2 NAVULLING 400 G    | 1   |             |
| 4   | 35749       | SKIN PACK TUBE SMEERVET            | 1   |             |
| 5   | 85125       | VETPATROON G0102 400 G             | 1   |             |
| 6   | 52649       | SMEER BR2+ (400GR)                 | 1   |             |
| 7   | 02168       | LAGERVET (200 g)                   | 1   |             |
| 8   | 02170       | VET KOGELBOUTEN (400 g)            | 1   |             |
| 9   | 80326       | VETPATROON G2001 375 G             | 1   |             |
| 10  | 116688      | BLIK 5L BIOLOGISCHE OLIE           | 1   |             |
| 11  | 68518       | VETPOMP VOOR KETTINGGELEIDER       | 1   |             |
| 12  | 115174      | VETPATROON HELION 400G             | 1   |             |
| 13  | 121633      | SMEERMIDDEL / OPLOSMIDDEL BIO      | 1   |             |
| 14  | 36649       |                                    | 1   |             |
| 15  | 121596      | CONTACTVET PLASTIC - METAAL (1 kg) | 1   |             |
| 16  | 146528      | THERM. SMEER HY880 (1G)            | 1   |             |
| 17  | 01223       |                                    | 1   |             |
| 18  | 64635       | SILICONENVRIJE THERMISCHE PASTA    | 1   |             |
| 19  | 05944       |                                    | 1   |             |
| 20  | 02167       |                                    | 1   |             |
| 21  | 111539      |                                    | 1   |             |
| 22  | 140486      |                                    | 1   |             |
| 23  | 170729      |                                    | 1   |             |

|    |        |                         |   |
|----|--------|-------------------------|---|
| 24 | 52649  | SMEER BR2+ (400GR)      | 1 |
| 24 | 02171  | CONTACTSPRAY ELECTR. KF | 1 |
| 22 | 35749  | SKIN PACK TUBE SMEERVET | 1 |
| 25 | 140616 |                         | 1 |
| 26 | 158783 | VETPOMP VOOR C35 C45    | 1 |