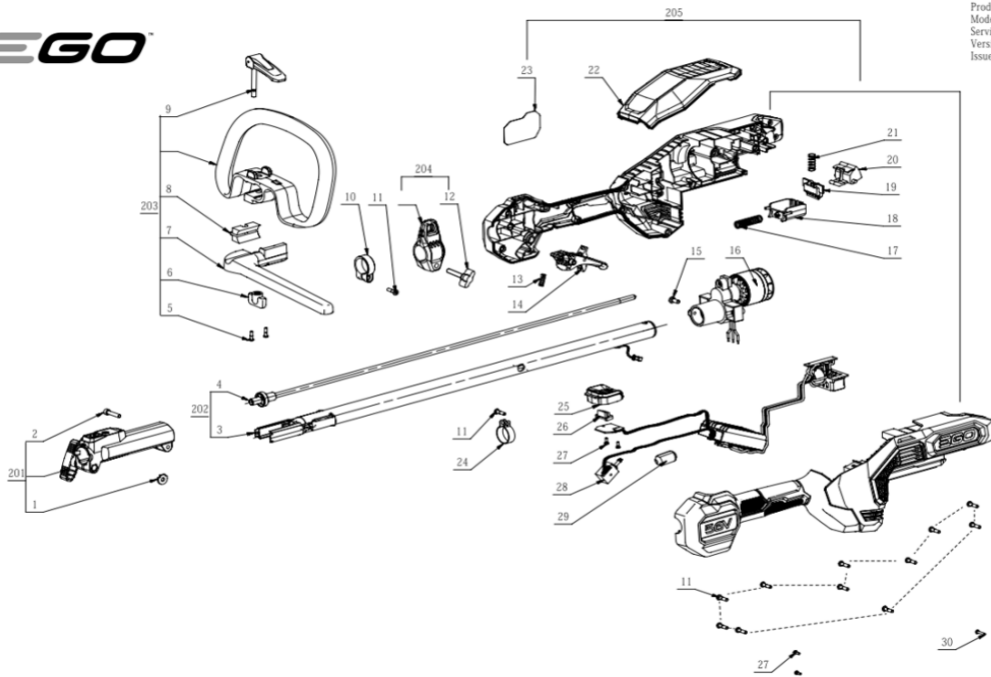


PH1420E

Multi-tool



Product Description: Power Head
Model Number: PH1420E
Service Item Number: F850022002501
Version: A
Issue Date: 2022/11/30

KEES VAN DER SPEK
TUINMACHINES ★ STOLWIJK

| Index No. | Art. No. | Description EN | QTY in machine |
|-----------|------------|------------------------------|----------------|
| 1 | 3705464001 | Limit Chute | 1 |
| 2 | 5620550002 | Hexagon Socket Screw | 1 |
| 3 | 2829389001 | Connecting Tube Assembly | 1 |
| 4 | 2829392001 | Shaft Assembly | 1 |
| 5 | 5610305001 | Tapping Screw | 2 |
| 6 | 3400010003 | Wing Nut | 1 |
| 7 | 3128672001 | Front Handle Cover | 1 |
| 8 | 3127651001 | Clamping Block | 1 |
| 9 | 2825135002 | Handle Lever Set | 1 |
| 10 | 3128598001 | Retaining Ring | 1 |
| 11 | 5620479001 | Screw | 13 |
| 12 | 5640239002 | Wing Bolt | 1 |
| 13 | 3660013003 | Spring1 | 1 |
| 14 | 2828581001 | Trigger Assembly | 1 |
| 15 | 5620050007 | Screw | 1 |
| 16 | 2790723001 | Motor And Gear Case Assembly | 1 |
| 17 | 3660818001 | Compression Spring | 1 |
| 18 | 3131427001 | Sliding Block | 1 |
| 19 | 3127497001 | Power Pack Button | 1 |
| 20 | 3127498001 | Power Pack Button | 1 |
| 21 | 3660088003 | Knob-reset Spring | 1 |
| 22 | 3323413001 | Cover Plate | 1 |
| 23 | 2245877002 | Nameplate | 1 |
| 24 | 3705178001 | Fixed Ring | 1 |
| 25 | 3323122001 | Lamp Housing | 1 |
| 26 | 3132698001 | Light Guide Pole | 1 |
| 27 | 5610222002 | Hexagon Lobuar Screw | 4 |
| 28 | 2831413001 | Electric Assembly | 1 |
| 29 | 3680259001 | Magnet Ring | 1 |
| 30 | 5610274003 | Self Tapping Screw | 1 |
| 201 | 2829798001 | Connector Assembly | 1 |
| 202 | 2829393001 | Connecting Tube Assembly | 1 |
| 203 | 2825126002 | Handle ASSY | 1 |
| 204 | 2829417001 | Pothead Assembly | 1 |
| 205 | 2829650001 | Housing Assembly | 1 |