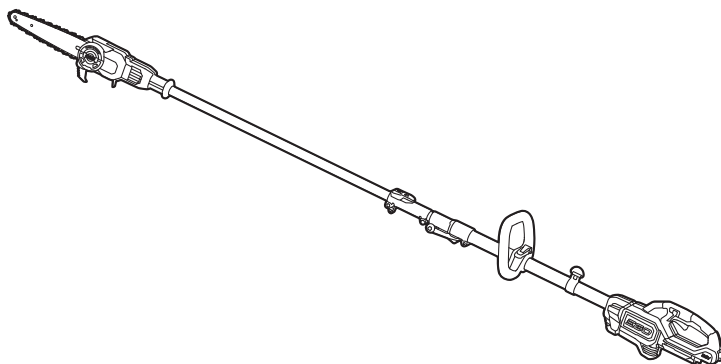


EGO™

POWER⁺ POLE SAW

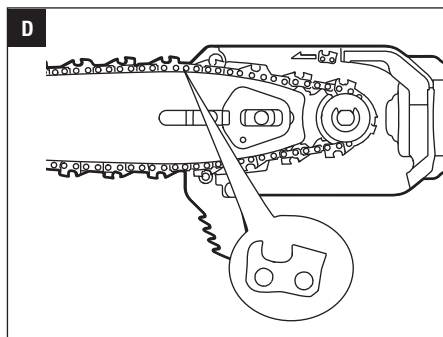
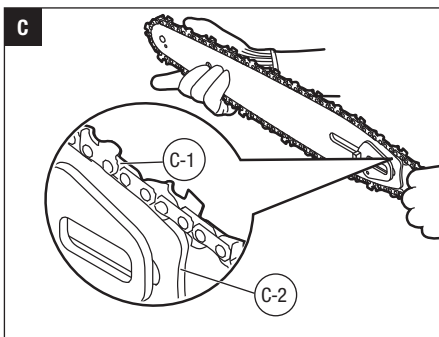
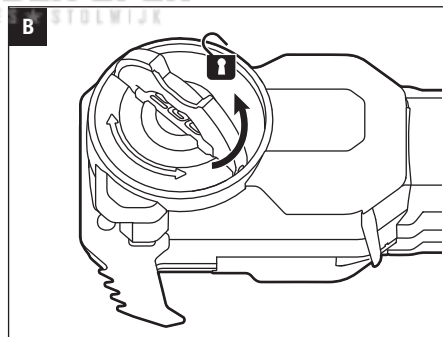
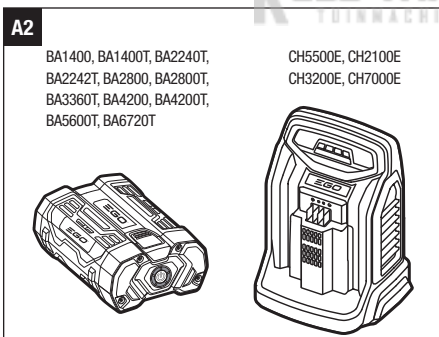
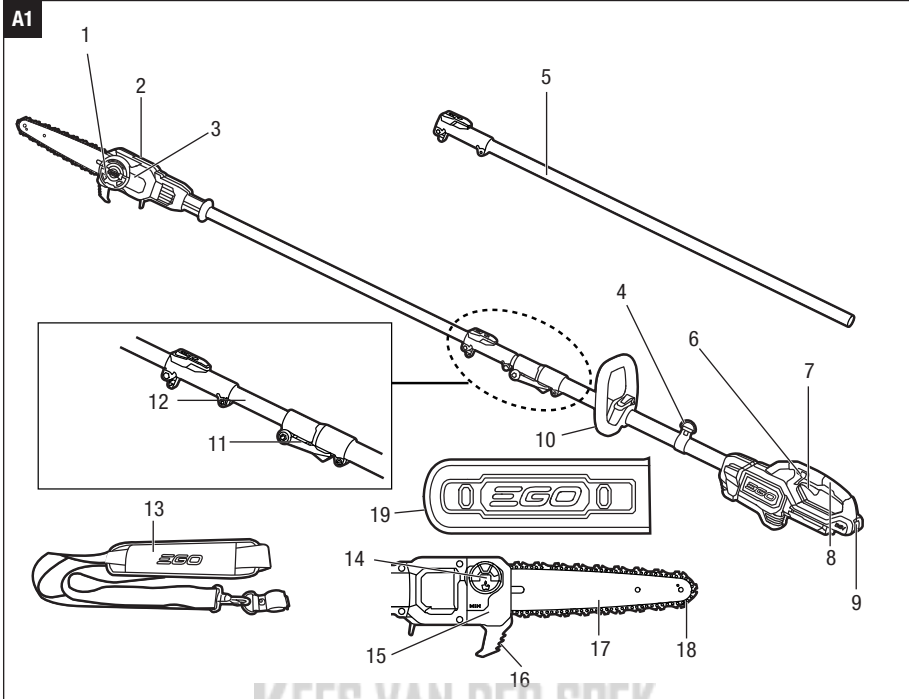


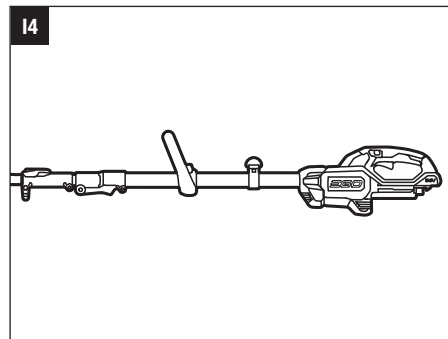
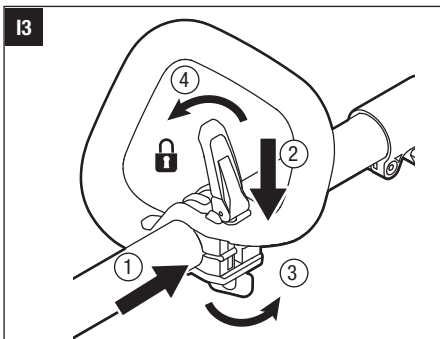
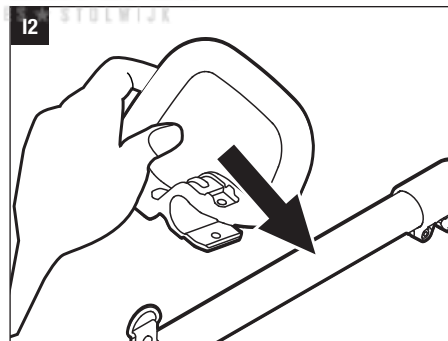
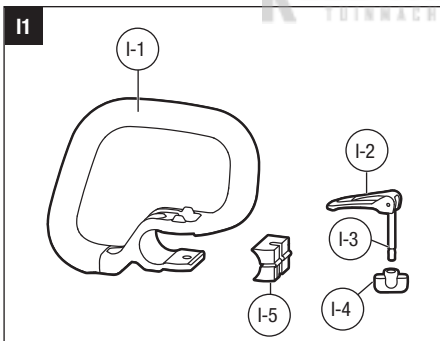
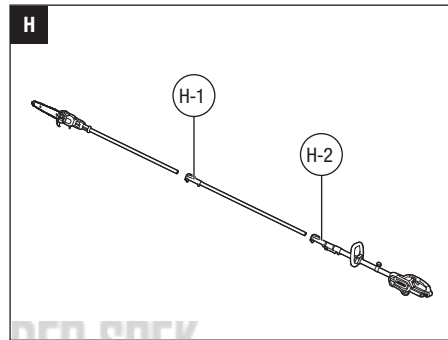
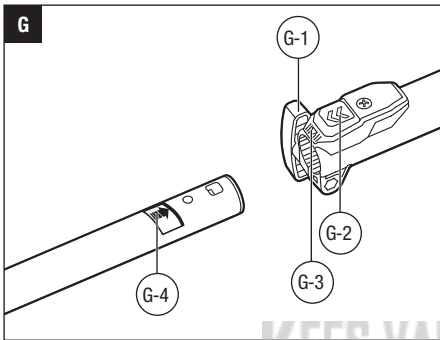
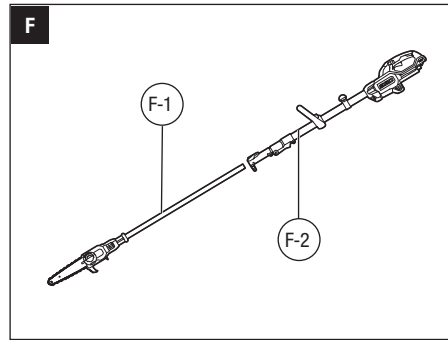
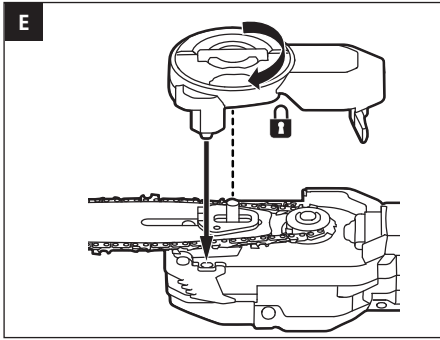
PS1000E

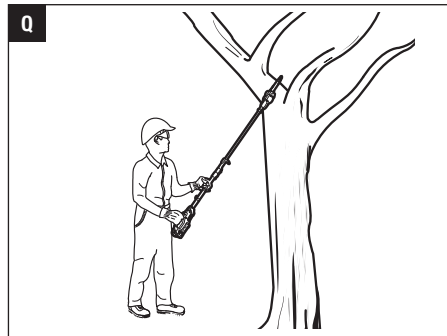
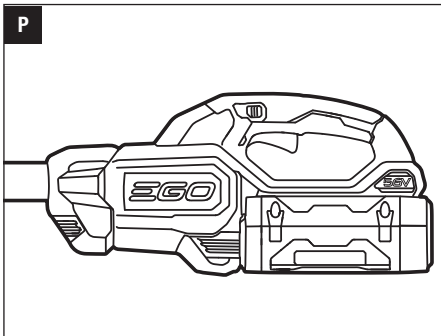
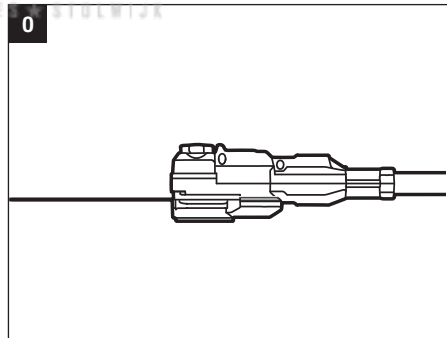
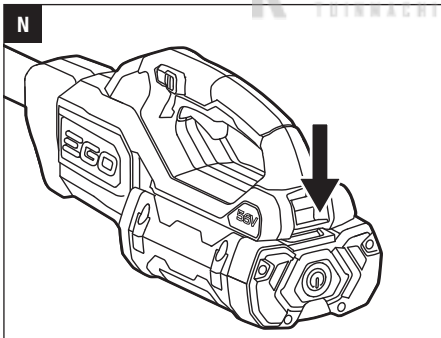
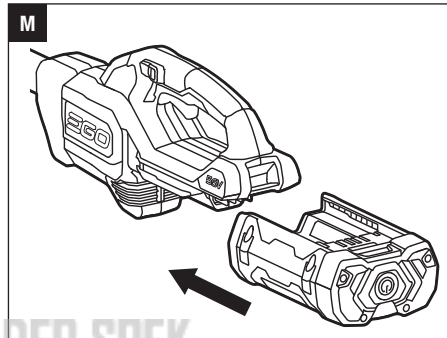
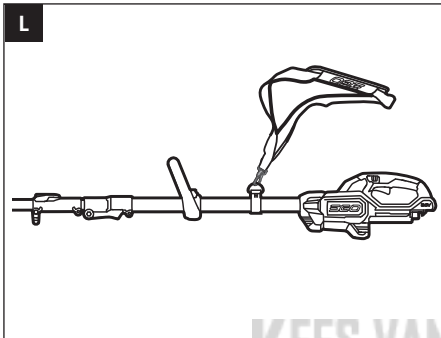
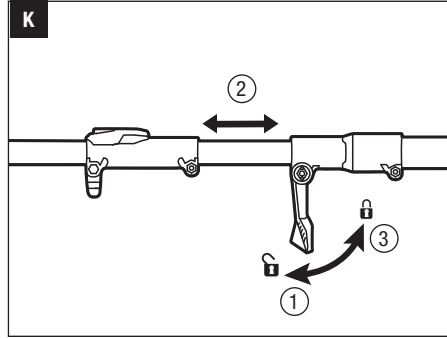
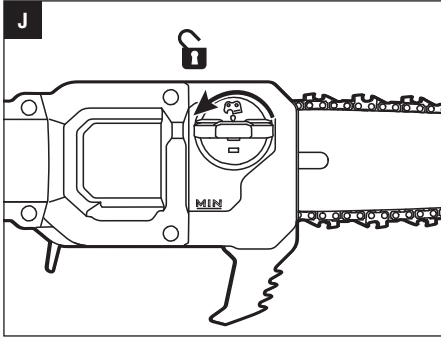
KEES VAN DER SPEK
TUINMACHINES ★ STOLWIJK

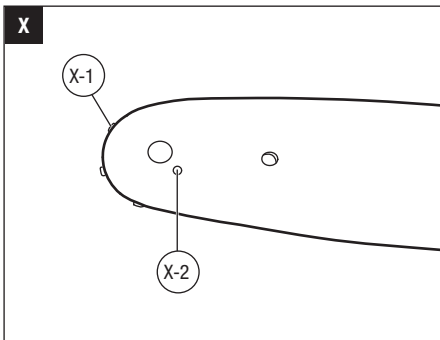
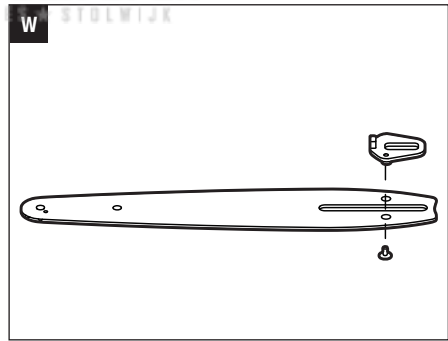
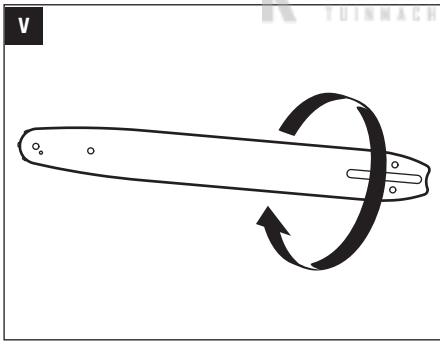
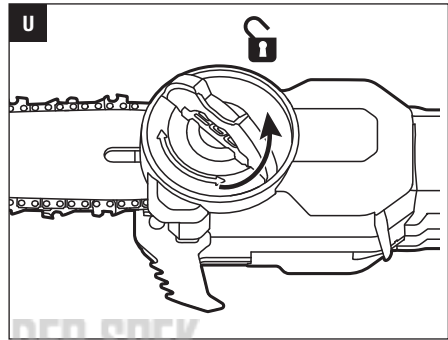
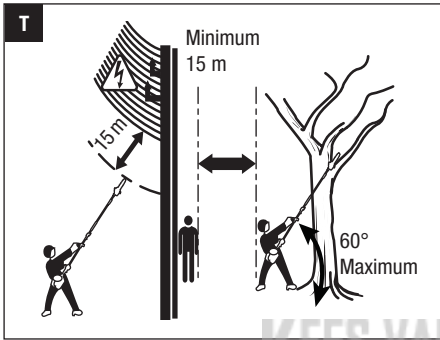
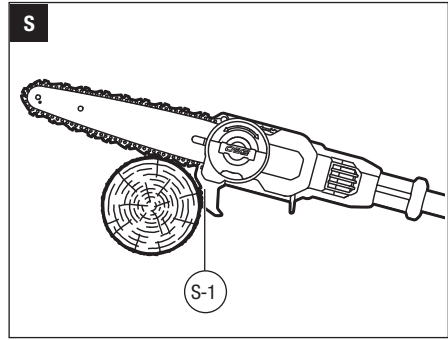
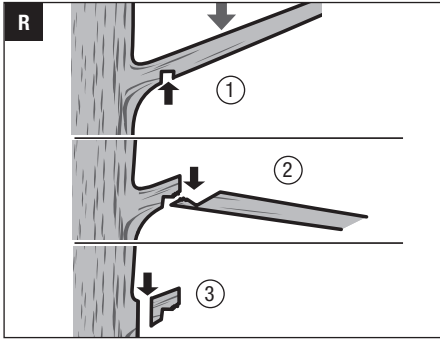
56 VOLT LITHIUM-ION CORDLESS POLE SAW

EN	56 volt lithium-ion cordless pole saw	6	SL	56-voltni litij-ionjski brezžični višinski obrezovalnik	81
DE	56-volt lithium-ionen-akku-hochentaster	16	LT	Belaidė aukštąjavė su 56 voltų ličio jonų baterija	191
FR	Élagueuse sur perche sans fil lithium-ion 56 volts	27	LV	56 voltu litija jonu akumulatora augstgriezis	201
ES	Sierra telescópica inalámbrica con batería de iones de litio de 56 voltios	38	GR	Ασύρματο κονταροαλυστροίριο ιονταν λιθίου 56 volt	211
PT	Podadora sem fios com bateria de ião de lítio de 56 volts	49	TR	56-volt lityum iyon kablosuz yüksek dal budama testeresi	222
IT	Potatore cordless li-ion 56 volt	59	ET	56-voldine liitium-ioon juhtmevaba toitepea akusaag	232
NL	56v lithium-ion snoerloze stokzaag	69	UK	Штангова пила, що працює від 56-вольтного літій-іонного акумулятора	242
DK	Batteridrevet stangsav med 56 volt litium-ion-batteri	79	BG	56-волта литиево-ионена безкабелен прътов трион	253
SE	56 volt litium-jon sladdlös stångsåg	89	HR	Štapna pila s 56 voltnom litij-ionskom baterijom	264
FI	56 voltin litiumioniakulla toimiva varsisaha	99	KA	56 ვოლტიანი ლითიუმ-იონის უსადენო ძეგლზემდებარე ხერხი	274
NO	56 volt lithium-ion traddløs stangsag	109	SR	Bežična teleskopska testera sa litijum-jonskom baterijom od 56 volti	286
RU	Беспроводной высоторез с литий-ионным аккумулятором 56 в	119	BS	Akumulatorska štapna žaga s litij-ionskom baterijom od 56 v	296
PL	Okrzesywarka bezprzewodowa z baterią litowo-jonową 56 woltów	130	HE	מסור טלסקופי עם סוללת ליתיום-יון 56 וולט	323
CZ	56 voltová lithium-iontová akumulátorová tyčová pila	141	AR	منشار عمودي لاسلكي ببطارية ليثيوم-أيون 56 فولت	314
SK	56 v litium-iónová akumulátorová tyčová pila	151			
HU	56 voltos vezeték nélküli litium-ion ágazófűrész	161			
RO	Ferăstrău cu tijă cu acumulator de litiu ion de 56 volți	171			









EN READ ALL INSTRUCTIONS!



READ OPERATOR'S MANUAL

⚠ Residual risk! People with electronic devices, such as pacemakers, should consult their physician(s) before using this product. Operation of electrical equipment in close proximity to a heart pacemaker could cause interference or failure of the pacemaker.

⚠ WARNING: To ensure safety and reliability, all repairs should be performed by a qualified service technician.

SAFETY SYMBOLS

The purpose of safety symbols is to attract your attention to possible dangers. The safety symbols and the explanations with them deserve your careful attention and understanding. The symbol warnings do not by themselves eliminate any danger. The instructions and warnings they give are no substitutes for proper accident prevention measures.

⚠ WARNING: Be sure to read and understand all safety instructions in this Operator's Manual, including all safety alert symbols such as "DANGER," "WARNING," and "CAUTION" before using this tool. Failure to follow all instructions listed below may result in electric shock, fire, and/or serious personal injury.

SYMBOL MEANING

This page depicts and describes safety symbols that may appear on this product. Read, understand, and follow all instructions on the machine before attempting to assemble and operate.



Safety Alert



To reduce the risk of injury, user must read and understand operator's manual before using this product.



Wear Eye Protection



Wear Head Protection



Wear Ear Protection



Wear Protective Gloves

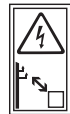


Guaranteed sound power level. Noise emission to the environment according to the European community's Directive.

IPX4 Ingress Protection Degree



Wear Safety Footwear



To prevent electrocution, do not operate within 15m of overhead electrical lines. Contact with or use near power lines may cause serious injury or electric shock resulting in death.



Do Not Expose To Rain.



This product is in accordance with applicable EC directives.



This product is in accordance with applicable UK legislation.



Waste electrical products should not be disposed of with household waste. Take to an authorized recycler.



Direct Current



Voltage

SPECIFICATIONS

Rated Voltage	56 V	
Guide Bar Length	25 cm	
Chain Pitch	6.4 mm (1/4")	
Chain Gauge	1.1 mm (0.043")	
Oil Tank Capacity	80 ml	
Number of Drive Links	56	
Tool Length (without extension pole)	Max. 292 cm Min. 233 cm	
Recommended Operating Temperature	-15°C-40°C	
Recommended Storage Temperature	-20°C-70°C	
Recommended Charging Temperature	5°C-40°C	
Weight (without battery pack, chain sheath)	4.25 kg	
Measured sound power level L_{WA}	97 dB(A) K=2.5 dB(A)	
Sound pressure level at working position L_{PA}	82 dB(A) K=3 dB(A)	
Guaranteed sound power level L_{WA} (according to 2000/14/EC)	100 dB(A)	
Vibration a_h	Front-assist Handle	1.19 m/s ² K=1.5 m/s ²
	Rear Handle	1.01 m/s ² K=1.5 m/s ²

- The declared vibration total value has been measured in accordance with a standard test method and may be used for comparing one tool with another;
- The declared vibration total value may also be used in a preliminary assessment of exposure.

NOTICE: The vibration emission during actual use of the power tool can differ from the declared value in which the tool is used; In order to protect the operator, user should wear gloves and ear protectors in the actual conditions of use.

DESCRIPTION

KNOW YOUR POLE SAW (Fig. A1)

1. Quick Chain-tension Adjust Knob
2. LED Work Light
3. Side Cover
4. Shoulder Strap Hanger
5. Extension Pole
6. Lock-off Button
7. Trigger Switch
8. Rear Handle
9. Battery Release Button
10. Front-assist Handle
11. Quick Release Lever
12. Telescopic Pole
13. Shoulder Strap
14. Oil Tank Cap
15. Oil Tank
16. Bucking Spikes
17. Guide Bar
18. Saw Chain
19. Chain Sheath

PACKING LIST (Fig. A1)

Recommended Bar and Chain for this Pole Saw

PART NAME	MODEL NUMBER
Guide Bar	AG1000Q, AG1200Q
Saw Chain	AC1000Q, AC1200Q

ASSEMBLY

⚠ WARNING: If any parts are damaged or missing, do not operate this product until the parts are replaced. Use of this product with damaged or missing parts could result in serious personal injury.

⚠ WARNING: Do not attempt to modify this product or create accessories not recommended for use with this product. Any such alteration or modification is misuse and could result in a hazardous condition leading to possible serious personal injury.

⚠ WARNING: Always remove the battery pack from the product when you are assembling parts, making adjustments, cleaning, or when the product is not in use.

ASSEMBLING THE GUIDE BAR AND CHAIN

1. Lay the pole saw on a firm, flat surface, so that the side cover is facing upwards.
2. Wear gloves. Remove the side cover (Fig. B).
3. Lay the new saw chain in a loop on a flat surface and straighten any kinks.
4. Place the chain drive links into the guide bar groove. Position the chain so there is a loop at the back of the guide bar (Fig. C).

C-1	Chain Drive Links
C-2	Guide Bar Groove

5. Hold the chain in position on the guide bar and place the loop around the drive sprocket of the pole saw.

NOTICE: A small direction arrow and a cutter is engraved in the tool housing (Fig. D). When looping the saw chain onto the guide bar, make sure that, after mounting the guide bar, the direction of the saw chain will correspond to the rotation direction arrow on the tool housing and the shape of the cutters on the top of the guide bar are consistent with that of the cutter on the housing. If they face in opposite directions, reassemble the saw chain onto the guide bar with the arrows facing the same direction. The guide bar should be mounted with the adjustment plate facing away from the housing.

6. Keep the bar and chain parallel to the mounting surface. Attach the side cover to the housing so that the holes/pins and fastening bolt /thread hole are aligned with each other properly (Fig. E). Press the side cover towards the housing, then fully tighten the quick chain-tension adjust knob clockwise. The eccentric gear inside the side cover is designed to ensure that the chain will not be over-tensioned.

NOTE: If the chain gets loose, turn the quick chain-tension adjust knob counterclockwise at least one turn, then fully tighten the knob.

7. Rotate the chain by hand to check whether the chain is properly assembled without binding. Otherwise, reassemble the chain and bar.

CONNECTING THE POLE SAW ATTACHMENT TO THE POWER HEAD

This pole saw works under the combination of the pole saw attachment and the power head (Fig. F).

F-1	Pole Saw Attachment
F-2	Power Head

⚠ WARNING: Never attach or adjust the pole saw attachment while the power head is running or with the battery installed. Failure to stop the motor and remove the battery may cause serious personal injury.

The pole saw attachment connects to the power head by means of a coupler device.

1. Stop the motor and remove the battery pack.
2. Loosen the wing knob.
3. Align the arrow on the pole saw shaft with the arrow on the coupler and push the pole saw shaft into the coupler until you hear a clear “click” sound which indicates the pole saw shaft is mounted into place (Fig. G).

G-1	Wing Knob	G-3	Arrow on the Coupler
G-2	Shaft Release Button	G-4	Arrow on the Pole Saw Shaft

4. Pull the shaft of the attachment to verify it is securely locked into the coupler. If not, rotate the pole-saw shaft from side to side in the coupler until it snaps into place.
5. Tighten the wing knob securely.

⚠ WARNING: Be certain that the wing knob is fully tightened before operating the equipment; check it periodically for tightness during use to avoid serious personal injury.

CONNECTING THE EXTENSION POLE BETWEEN THE POWER HEAD AND THE POLE SAW ATTACHMENT (Model No. EP1000)

⚠ WARNING: Never attach or adjust attachment while the power head is running or with the battery installed. Failure to stop the motor and remove the battery may cause serious personal injury.

This extension pole is designed for exclusive use with EGO PS1000E. Never use it with other EGO attachments.

The extension pole increases the tool length by 100cm, extending the cutting range. It should be connected between the pole saw attachment and the power head. A maximum of two extension poles (available separately) can be used on one tool.

Follow the process in the section “CONNECTING THE POLE SAW ATTACHMENT TO THE POWER HEAD” to install the extension pole between the pole saw attachment and power head (Fig. H).

H-1	Coupler on the Extension Pole
H-2	Coupler on the Power Head

NOTICE: Once assembled correctly, the pole saw attachment, extension pole and the power head should not separate when pulled. Always test the connection by pulling them. Repeat the steps above if the pieces can be separated.

⚠ WARNING: Failure to secure the attachment and power head/extension pole as instructed above could result in serious injury or death.

REMOVING THE ATTACHMENT FROM THE POWER HEAD

1. Stop the motor and remove the battery pack.
2. Loosen the wing knob.
3. Press the shaft release button and, with the button depressed, pull or twist the pole saw shaft out of the coupler to separate it from the power head or the extension pole (if used).
4. Repeat the process to separate the extension pole from the power head (if extension pole is used).

MOUNTING AND ADJUSTING THE FRONT-ASSIST HANDLE

1. Stop the motor and remove the battery pack.
2. Loosen the wing nut and remove it with the clamp bolt from the front-assist handle (Fig. 11).

I-1	Front-assist Handle	I-4	Wing Nut
I-2	Lock Lever	I-5	Clamp Block
I-3	Clamp Bolt		

3. Press the assist handle onto the power head shaft and turn it downward so that it points toward the saw chain (Fig. 12).
4. Insert the clamp block and assemble the clamp bolt with the wing nut (Fig. 13).
5. Do not fully tighten the wing nut. Adjust the front-assist handle position so that it is between the shoulder strap hanger and the telescopic pole sleeve (Fig. 14). The handle should be adjusted so that your arm is straight when using the pole saw.
6. Press down the lock lever and tighten the wing nut so that the front-assist handle is secured from rotation or moving on the power head shaft.

OPERATION

⚠ DANGER: Never cut near power lines, electric cords, or other electric sources. If the bar and chain jams on any electrical cord or line, **DO NOT TOUCH THE BAR, CHAIN OR THE POLE! THEY CAN BECOME ELECTRICALLY LIVE AND MAY BE VERY DANGEROUS.** Continue to hold the pole saw by the insulated rear handle or lay it down and away from you in a safe manner. Disconnect the electrical service to the damaged line or cord before attempting to free the bar and chain from the line or cord. Contact with the bar, chain, other conductive parts of the pole saw, or live electric cords or lines will result in death by electrocution or serious injury.

⚠ WARNING: Do not allow familiarity with this product to make you careless. Remember that a careless fraction of a second is sufficient to inflict serious injury.

⚠ WARNING: Always wear safety goggles or safety glasses with side shield. Failure to do so could result in objects being thrown into your eyes and other possible serious injuries.

⚠ WARNING: Always remove the battery pack from the product when you are assembling parts, making adjustments, cleaning, transporting or when not in use. Removing the battery pack will prevent accidental starting that could cause serious personal injury.

⚠ WARNING: Do not use any attachments or accessories not recommended by the manufacturer of this product. The use of attachments or accessories not recommended can result in serious personal injury.

Before each use, inspect the entire product for damaged, missing, or loose parts such as screws, nuts, bolts, caps, etc. Tighten securely all fasteners and caps and do not operate this product until all missing or damaged parts are replaced.

APPLICATIONS

You may use this product for the purposes listed below:

- Limbing
- Pruning

NOTICE: The tool is to be used only for its prescribed purpose. Any other use is deemed to be a case of misuse.

FILLING OILTANK WITH BAR AND CHAIN LUBRICANT

⚠ WARNING: Do not smoke or bring any fire or flame near the oil or the pole saw. Oil may spill and cause a fire.

NOTICE: The pole saw is not filled with oil at the time of purchase. It is essential to fill the tank with chain oil before use. Operating the pole saw without chain oil or when the oil level is below a certain amount will result in damage to the pole saw. Chain life and cutting capacity depend on optimum lubrication. The chain is automatically lubricated with chain oil during operation, if there is sufficient oil in the reservoir. Oil level should also be checked after every 20 minutes of use and refilled as needed.

1. Remove the battery pack from the power head.
2. Clean the oil-tank cap and the area around it to ensure that no dirt falls into the oil tank.
3. Lay the pole saw on a firm, flat surface, so that the oil tank cap is facing upwards, then remove the cap (Fig. J).
4. Carefully pour the bar and chain oil into the tank until it fills to the tank neck. Be careful not to let the oil spill from the opening. Wipe off any excess oil.

NOTICE:

- Never use oil or other lubricants not specifically designed for use on the bar and chain. This can lead to a clogged oil system, which may cause premature wear of the bar and chain.
- Check the oil level frequently and refill as needed.
- Do not use dirty, used or other contaminated oil. Damage may occur to the bar or chain.
- It is normal for oil to seep from the saw when it is not in use. To prevent seepage, empty the oil tank after each use, and then run the saw for one minute. When storing the tool for a long period of time, be sure the chain is lightly lubricated; this will prevent rust on the chain and bar sprocket.
- To preserve natural resources, please recycle or dispose of oil properly. Consult your local waste authority for information regarding available recycling and disposal options.

ADJUSTING THE TELESCOPIC POLE (Fig. K)

1. Lift the quick release lever to unlock the telescopic pole.
2. Extend the telescopic pole to the required length.
3. Press the quick release lever down to lock the telescopic pole securely.

ASSEMBLING THE SHOULDER STRAP

Depress the strap hook to open it and attach it onto shoulder strap hanger on the saw (Fig. L). Adjust the shoulder strap to a comfortable operating position.

⚠ WARNING: When emergency occurs, take the strap off from your shoulder immediately to avoid injury.

INSTALLING/REMOVING THE BATTERY PACK

NOTE: Fully charge the battery pack before first use.

Use only with battery packs and chargers listed in fig. A2.

To Attach

Align the battery ribs with the mounting slots and press the battery pack down until you hear a “click” (Fig. M).

⚠ WARNING: Make sure the battery pack is locked in place before operation. Failure to securely seat the battery pack could cause the battery pack to fall out, resulting in serious personal injury.

⚠ WARNING: Always be aware of the location of your feet and children or pets around you when pressing the battery-release button. Serious injury could result if the battery pack falls. NEVER remove the battery pack at a high location.

To Detach

Depress the battery-release button and pull the battery pack out (Fig. N).

LED WORK LIGHT (Fig. O)

The LED work light is at the front of the pole saw attachment, in line with the saw chain. This feature provides extra light for users to see where the saw chain is when cutting branches high up in the tree.

The work light will automatically turn on when squeezing the trigger switch and it will be off about 10 secs after releasing the trigger switch.

STARTING/STOPPING THE TOOL**Before Starting the Pole Saw**

⚠ WARNING: NEVER OPERATE THE POWER HEAD WITHOUT AN ATTACHMENT. Do not attempt to start the power head before connecting the pole saw attachment.

NOTICE: Before starting the pole saw, check for the quick chain-tension adjustment, oil level and chain and teeth sharpness. As well as, gripping method, balanced footing and proper distance away from the ground are needed (Fig. Q).

To Start (Fig. P)

1. Install the battery pack.
2. Make sure that no objects or obstructions that could come in contact with the bar and chain are in the immediate vicinity.

3. Grasp the assist handle and the rear handle firmly, using both hands.
4. Press and hold the lock-off button, then squeeze the trigger switch to start the saw. Release the lock-off button and continue to squeeze the trigger switch for continued operation.

⚠ WARNING: Do not attempt to start the saw when the saw chain is in a cut or in contact with any surface.

To Stop

Move the pole saw away from cutting area, and then release the trigger switch to stop the pole saw.

⚠ WARNING: Always remove the battery pack from the pole saw during work breaks and after finishing work.

BASIC CUTTING PROCEDURE (Fig. R)

Follow the steps below to prevent damage to tree or shrub bark. Do not use a back-and-forth sawing motion.

1. Make a shallow first cut (1/4 of the limb diameter) on the underside of the limb, close to the main limb or trunk.
2. Make a second cut from the top side of the limb, outboard from the first cut. Continue the cut through the limb until the limb separates from the tree. Be prepared to balance the weight of the tool when the limb falls.
3. Make a final cut close to trunk.

NOTICE: For second and final cuts (from the top of the limb or branch), hold the bucking spikes against the limb being cut (Fig. S). This will help to steady the limb and make it easier to cut. Allow the chain to cut for you; only exert light downward pressure. If you force the cut, damage to the bar, chain, or motor can result.

S-1	Bucking Spikes
-----	----------------

4. Release the trigger switch as soon as the cut is completed.

NOTICE: Failure to follow proper cutting procedures will result in the bar and chain binding and becoming pinched or trapped in the limb. If this should happen:

1. Stop the motor and remove the battery pack.
2. If the limb can be reached from the ground, lift the limb while holding the saw. This should release the “pinch” and free the saw.
3. If the saw is still trapped, call a professional for assistance.

LIMBING AND PRUNING

This pole saw is designed for trimming small branches and limbs up to 20cm (for tool with 25cm guide bar) or 25cm (for tool with 30cm guide bar) in diameter. For best results, observe the following precautions:

1. Plan the cut carefully. Be aware of the direction in which the branch will fall.
2. The most typical cutting application is to position the unit at an angle of 60° or less, depending on the specific situation, as shown in Fig. T. As the angle of the pole saw shaft to the ground increases, the difficulty of making the first cut (from the underside of limb) increases.
3. Remove long branches in several stages.
4. Cut lower branches first to allow the top branches more room to fall.
5. Work slowly, keeping both hands on the saw with a firm grip. Maintain secure footing and balance.
6. Keep the tree between you and the chain while limbing. Cut from the side of the tree opposite the branch you are cutting.
7. Do not cut from a ladder; this is extremely dangerous. Leave such operations for professionals.
8. Do not make the flush cut next to the main limb or trunk until you have cut off much of limb to reduce the weight. Following proper cutting procedures will prevent stripping the bark from the main member.
9. Do not use the pole saw for felling or bucking.
10. To prevent electrocution, do not operate within 15m of overhead electrical lines (Fig. T).
11. Keep bystanders at least 15m away (Fig. T).

⚠ WARNING: Branches may fall in unexpected directions. Do not stand directly under the branch being cut.

MAINTENANCE

⚠ WARNING: Before inspecting, cleaning or servicing the unit, stop the motor, wait for all moving parts to stop, and remove the battery pack. Failure to follow these instructions can result in serious personal injury or property damage.

⚠ WARNING: When servicing, use only identical replacement parts. Use of any other parts can create a hazard or cause product damage. To ensure safety and reliability, all repairs, other than the items listed in these maintenance instructions, should be performed by a qualified service technician.

⚠ WARNING: Always wear gloves when handling the saw chain. The chain is sharp and may contain burrs.

GENERAL MAINTENANCE

Avoid using solvents when cleaning plastic parts. Most plastics are susceptible to damage from various types of commercial solvents and may be damaged by their use. Use clean cloths to remove dirt, dust, oil, grease, etc.

CLEANING

- After each use, clean debris from the chain and guide bar with a soft brush. Wipe the pole saw surface with a clean cloth moistened with a mild soap solution.
- Remove the side cover, and then use a soft brush to remove debris from the guide bar, saw chain, sprocket and side cover.
- Always clean out wood chips, saw dust, and dirt from the guide bar groove when replacing the saw chain.

All pole saw service, other than the items listed in these maintenance instructions, should be performed by competent pole saw service personnel.

REPLACING THE BAR AND CHAIN

When replacing the guide bar and chain, always use the specified bar and chain combination listed in the **“Recommended Bar and Chain for this Pole Saw”** section.

1. Remove the battery and allow the saw to cool. Make sure the oil-tank cap is snag to prevent oil leakage.
2. Position the pole saw on its side on a firm, flat surface, so that the side cover is facing upwards.
3. Wear gloves. Remove the side cover (Fig. U). Clean the side cover with a dry cloth.
4. Remove the worn bar and chain from the mounting surface.
5. Install new guide bar and saw chain, following the **“ASSEMBLING THE GUIDE BAR AND CHAIN”** instructions in section **“ASSEMBLY”**.

NOTICE: This is a good time to inspect the drive sprocket for excessive wear or damage.

GUIDE BAR MAINTENANCE

When the guide bar shows signs of wear, disassemble it from the saw. Remove the set screw and adjustment plate, reverse the guide bar (Fig. V) and reinstall the adjustment plate on the new side of the guide bar (Fig. W) to distribute the wear for maximum bar life. The bar should be cleaned every day after use and be checked

for wear and damage. Feathering or burring of the bar rails is a normal process of bar wear. Such faults should be smoothed with a file as soon as they occur. A bar with any of the following faults should be replaced.

- Wear inside the bar rails which permits the chain to lay over sideways.
- Bent guide bar.
- Cracked or broken rails.
- Spread rails.

In addition, the guide bar has a sprocket at its tip. The sprocket must be lubricated weekly with a grease syringe to extend the guide bar life. Use a grease syringe to lubricate weekly with chain oil by means of the lubricating hole (Fig. X). Turn the guide bar and check that the lubrication holes and chain groove are free from impurities.

X-1	Sprocket in Guide-bar Tip
X-2	Lubricating Hole

CHAIN MAINTENANCE

Only use low-kickback chains on this saw. This fast-cutting chain will provide kickback reduction when properly maintained.

A properly sharpened saw chain cuts through wood effortlessly, even with very little pressure.

Never use a dull or damaged saw chain. A dull saw chain cutter leads to increased physical strain, increased vibration load, unsatisfactory cutting results and increased wear.

For smooth and fast cutting, the saw chain needs to be maintained properly. When the wood chips are small and powdery, the chain must be forced through the wood during cutting, or the chain cuts to one side are the indicators that the chain requires sharpening. During maintenance of your saw chain, consider the following:

- Improper filing angle of the side plate can increase the risk of a severe kickback.
- Raker (depth gauge) clearance. Too low increases the potential for kickback. Not low enough decreases cutting ability.
- If cutter teeth have hit hard objects, such as nails and stones, or have been abraded by mud or sand on the wood, have the chain sharpened by a qualified service technician.

TRANSPORTING AND STORING

- Do not store or transport the pole saw attachment when it is running. Always remove the battery pack before storing or transporting.

- Always place the guide bar sheath on the guide bar and chain before storing or transporting the pole saw attachment. Use caution to avoid the sharp teeth of the chain.
- Clean the pole saw thoroughly before storing. Store the pole saw indoors, in a dry place that is locked and/or inaccessible to children and keep away from corrosive agents such as garden chemicals and deicing salts.

Protecting the environment

Do not dispose of electrical equipment, used battery and charger into household waste!

Take this product to an authorized recycler and make it available for separate collection. Electric tools must be returned to an environmentally compatible recycling facility.

EN TROUBLESHOOTING

PROBLEM	CAUSE	SOLUTION
<p>MOTOR DOES NOT RUN.</p>	<ul style="list-style-type: none"> ■ The battery pack is not attached to the pole saw. ■ No electrical contact between the saw and battery. ■ The battery pack is depleted. ■ The lock-off button is not depressed before pressing the trigger switch. ■ The battery pack or power head is too hot. ■ Saw chain is bound in the wood. ■ The bar and chain are skew and are not parallel to the housing. ■ Debris in bar groove. ■ Debris in side cover. 	<ul style="list-style-type: none"> ■ Attach the battery pack to the pole saw. ■ Remove battery, check contacts and reinstall the battery pack. ■ Charge the battery pack. ■ Press down the lock-off lever and hold it, then depress the trigger switch to turn on the pole saw. ■ Allow the battery pack or power head to cool until the temperature drops to the recommended operating temperature range. ■ Release the trigger switch; remove the saw chain and guide bar from the wood, then restart the pole saw. ■ Remove the battery pack and replace the bar and chain following the section "REPLACING THE BAR AND CHAIN". Always remember to keep the bar and chain parallel to the mounting surface before installing the side cover. ■ Press the saw chain against the wood, move the pole saw back and forth to discharge the debris. ■ Remove battery pack, then remove side cover and clean out debris.

PROBLEM	CAUSE	SOLUTION
Motor runs, but chain does not rotate.	<ul style="list-style-type: none"> ■ Chain does not engage drive sprocket. ■ Insufficient chain tension. ■ Dull chain. ■ Chain installed backwards. ■ Worn chain. ■ Dry or excessively stretched chain. ■ Chain not in bar groove. 	<ul style="list-style-type: none"> ■ Remove the battery pack and reinstall the chain, making sure that the drive links on the chain are fully seated on the sprocket. ■ Loosen the quick chain-tension adjust knob at least one circle counterclockwise first and then fully tighten it clockwise until the chain is correctly tensioned. ■ Sharpen the chain cutters by a qualified service technician. ■ Remove the battery pack and reinstall the saw chain, following the section “REPLACING THE BAR AND CHAIN”. ■ Remove the battery pack and replace the chain following the section “REPLACING THE BAR AND CHAIN”. ■ Check the oil level. Refill the oil tank if necessary. ■ Remove the battery pack and reinstall the saw chain, following the section “REPLACING THE BAR AND CHAIN”.
Bar and chain running hot and smoking.	<ul style="list-style-type: none"> ■ Chain oil tank is empty. ■ Debris in guide bar groove. 	<ul style="list-style-type: none"> ■ Filling bar and chain lubricant. ■ Clear the debris in the groove.

WARRANTY

EGO WARRANTY POLICY

Please visit the website egopowerplus.com for full terms and conditions of the EGO Warranty policy.

LESEN SIE ALLE ANWEISUNGEN!

DE



LESEN SIE DIE BETRIEBSANLEITUNG

⚠ Restrisiko! Menschen mit elektronischen Geräten, wie z.B. Herzschrittmachern, sollten ihren Arzt konsultieren, bevor sie dieses Gerät verwenden. Der Betrieb von Elektrogeräten in unmittelbarer Nähe zu Herzschrittmachern kann zu Einstörungen und zum Versagen des Schrittmachers führen.

⚠ WARNUNG: Um die Sicherheit und Zuverlässigkeit zu gewährleisten, sollten alle Reparaturen nur von qualifizierten Servicetechnikern durchgeführt werden.

WARNSYMBOL

Der Zweck von Warnsymbolen besteht darin, Ihre Aufmerksamkeit auf mögliche Gefahren zu lenken. Die Warnsymbole und deren Erklärungen verdienen Ihre vollste Aufmerksamkeit und Beachtung. Durch die Warnsymbole allein sind die Gefahren noch nicht ausgeschaltet. Die Anweisungen und Warnhinweise stellen keinen Ersatz für angemessene Unfallverhütungsmaßnahmen dar.

⚠ WARNUNG: Vor der Benutzung des Geräts sollten Sie alle Sicherheitsanweisungen in dieser Bedienungsanleitung gelesen und verstanden haben. Das gilt auch für die Sicherheits- und Gefahrenzeichen wie „VORSICHT“, „WARNUNG“ und „ACHTUNG“. Die Nichtbeachtung aller aufgeführter Anweisungen kann zu Stromschlägen, Bränden und/oder schweren Verletzungen führen.

SYMBOLBEDEUTUNG

Auf dieser Seite werden die Warnsymbole vorgestellt und beschrieben, die sich unter Umständen an dem Gerät befinden. Vor dem Zusammenbau und der Inbetriebnahme müssen sämtliche Anweisungen am Gerät gelesen und genau befolgt werden.



Sicherheitswarnung



Um das Verletzungsrisiko zu verringern, muss der Benutzer die Bedienungsanleitung vor der Benutzung des Gerätes gelesen und verstanden haben.



Augenschutz tragen



Kopfschutz tragen



Gehörschutz tragen



Schutzhandschuhe tragen



Garantierter Schalleistungspegel. Geräuschemission an die Umgebung gemäß Richtlinie der Europäischen Gemeinschaft.

IPX4 Schutzklasse



Tragen Sie Sicherheitsschuhe



Arbeiten Sie zur Vorbeugung gegen Stromschlag in mindestens 15 m Abstand von Oberleitungen. Eine Verwendung des Gerätes in der Nähe von Stromleitungen oder eine Berührung solcher Leitungen kann zu schweren Verletzungen oder zu Stromschlag mit Todesfolge führen.



Vor Regen schützen.



Dieses Produkt erfüllt die einschlägigen CE-Richtlinien.



Dieses Produkt erfüllt die einschlägigen Vorschriften in GB.



Elektrische Altgeräte dürfen nicht im Hausmüll entsorgt werden. Bringen Sie das Gerät zu einem Wertstoffhof bzw. zu einer amtlichen Sammelstelle.



Gleichstrom

V Spannung

TECHNISCHE DATEN

Nennspannung	56 V ---	
Länge der Führungsschiene	25 cm	
Kettenteilung	6,4 mm (1/4")	
Kettengliedlänge	1,1 mm (0.043")	
Fassungsvermögen des Öltanks	80 ml	
Anzahl der Kettenglieder	56	
Werkzeuglänge (ohne Verlängerungsstange)	Max. 292 cm .../min 233 cm	
Empfohlene Betriebstemperatur	-15°C-40°C	
Empfohlene Lagertemperatur	-20°C-70°C	
Empfohlene Ladetemperatur	5°C-40°C	
Gewicht (mit Akku und Ketten-Schutzhülle)	4,25 kg	
Gemessener Schalleistungspegel L_{WA}	97 dB(A) K=2,5 dB(A)	
Schalldruckpegel in Arbeitsposition L_{PA}	82 dB(A) K=3 dB(A)	
Garantierter Schalleistungspegel L_{WA} (nach 2000/14/EG)	100 dB(A)	
Vibration a_h	Vorderer Haltegriff	1,19 m/s ² K=1,5 m/s ²
	Hinterer Griffbügel	1,01 m/s ² K=1,5 m/s ²

- Der angegebene Vibrationsgesamtwert wurde nach einem Standard-Prüfverfahren gemessen und kann zum Vergleich mit einem anderen Werkzeug herangezogen werden.
- Der angegebene Vibrationsgesamtwert kann auch zur vorläufigen Risikobewertung herangezogen werden.

HINWEIS: Die beim Einsatz des Elektrowerkzeugs entstehenden Istvibrationen können von dem angegebenen Wert abweichen. Zum Schutz des Benutzers sollten Handschuhe und ein Gehörschutz während des Geräteinsatzes getragen werden.

BESCHREIBUNG

BESCHREIBUNG IHRER STABSÄGE (Abb. A1)

- Kettenspannschraube
- LED-Arbeitsleuchte
- Seitenabdeckung
- Schultergurtanhänger
- Verlängerungsstab
- Auslöser-Freigabeknopf
- Ein-/Ausschalter
- Hinterer Griffbügel
- Akku-Entriegelungstaste
- Vorderer Haltegriff
- Schnellspannhebel
- Teleskopstange
- Schultergurt
- Öltankverschluss
- Öltank
- Prelldorne
- Führungsschiene
- Sägekette
- Kettenschutzhülle

PACKLISTE (Abb. A1)

Empfohlene Führungsschiene und Kette für diese Stabsäge

BEZEICHNUNG DES TEILS	MODELLNUMMER
Führungsschiene	AG1000Q, AG1200Q
Sägekette	AC1000Q, AC1200Q

MONTAGE

⚠️ WARNUNG: Wenn irgendwelche Teile beschädigt sind oder fehlen, verwenden Sie das Produkt nicht, bis alle Teile ersetzt worden sind. Die Verwendung dieses Produkts mit beschädigten oder fehlenden Teilen kann zu schweren Verletzungen führen.

⚠️ WARNUNG: Versuchen Sie nicht, dieses Produkt zu verändern oder Zubehörteile zu verwenden, die für den Einsatz mit dieser Bodenfräse nicht empfohlen werden.

Jedliche Änderung oder falsche Anwendung dieses Geräts gilt als Zweckentfremdung und kann sehr riskant sein und zu möglichen schweren Körperverletzungen führen.

⚠️ WARNUNG: Der Akku muss immer aus dem Gerät genommen werden, wenn Teile montiert, Einstellungen vorgenommen, Teile gereinigt werden oder das Gerät außer Betrieb genommen wird.

MONTAGE DER FÜHRUNGSSCHIENE UND DER KETTE

1. Legen Sie die Stabsäge auf eine feste, ebene Fläche, so dass die Seitenabdeckung nach oben zeigt.
2. Ziehen Sie Handschuhe an. Entfernen Sie die Seitenabdeckung (Abb. B).
3. Legen Sie die neue Sägekette in einer Schlaufe auf einer ebenen Fläche aus und richten Sie etwaige Knicke gerade.
4. Setzen Sie die Kettenglieder in die Nut der Führungsschiene. Positionieren Sie die Kette so, dass an der Rückseite der Führungsschiene eine Schlaufe ist (Abb. C).

C-1	Kettenglieder
C-2	Nut der Führungsschiene

5. Halten Sie die Kette auf der Führungsschiene fest und legen Sie sie um das Antriebsritzel der Stabsäge.

HINWEIS: Im Werkzeuggehäuse ist ein kleiner Richtungspfeil und ein Sägezahn eingepreßt (Abb. D). Wenn Sie die Sägekette um die Führungsschiene legen, achten Sie darauf, dass nach der Montage der Führungsschiene die Laufrichtung der Sägekette mit dem Laufrichtungspfeil auf dem Werkzeuggehäuse und die Form der Sägezähne auf der Oberseite der Führungsschiene mit der des Sägezahns am Gehäuse übereinstimmen. Wenn sie in entgegengesetzte Richtungen weisen, bringen Sie die Sägekette erneut auf der Führungsschiene an, wobei die Pfeile in die gleiche Richtung zeigen. Die Führungsschiene sollte mit der Justierplatte vom Gehäuse weg zeigend montiert werden.

6. Halten Sie die Schiene und die Kette parallel zur Montagefläche. Bringen Sie die Seitenabdeckung so am Gehäuse an, dass die Löcher/Stifte und der Befestigungsbolzen/das Gewindeloch richtig fluchten (Abb. E). Drücken Sie die Seitenabdeckung in Richtung des Gehäuses, ziehen Sie dann die Kettenspannschraube im Uhrzeigersinn fest an. Das Exzenterrad hinter der Seitenabdeckung ist so konstruiert, dass die Kette nicht zu stark gespannt werden kann.

ANMERKUNG: Wenn sich die Kette lockert, drehen Sie die Kettenspannschraube mindestens eine Umdrehung gegen den Uhrzeigersinn und ziehen Sie die Schraube dann vollständig fest.

7. Drehen Sie die Kette von Hand, um zu prüfen, ob die Kette richtig montiert ist, ohne zu klemmen. Andernfalls muss die Kette erneut über die Schiene verlegt werden.

BEFESTIGUNG DES STABSÄGEN-ANBAUWERKZEUGS AM KOMBIMOTOR

Diese Stabsäge arbeitet mit einem Stabsägen-Anbauwerkzeug und Kombimotor (Abb. F).

F-1	Stabsägen-Anbauwerkzeug
F-2	Kombimotor

⚠️ WARNUNG: Das Stabsägen-Anbauwerkzeug darf in keinem Fall bei laufendem Kombimotor oder mit eingesetztem Akku montiert oder eingestellt werden. Der Motor muss ausgeschaltet und der Akku abgenommen werden, da sonst die Gefahr schwerer Verletzungen besteht.

Das Stabsägen-Anbauwerkzeug wird über eine Kupplung mit dem Kombimotor verbunden.

1. Motor ausschalten und Akku abnehmen.
2. Lockern Sie die Knebelschraube.
3. Richten Sie den Pfeil auf dem Schaft der Stabsäge und den Pfeil auf der Kupplung aufeinander aus und schieben Sie den Schaft der Stabsäge in die Kupplung, bis der Schaft der Stabsäge hörbar einrastet (Abb. G).

G-1	Knebelschraube	G-3	Pfeil an der Kupplung
G-2	Schaften-triangelung	G-4	Pfeil am Schaft der Stabsäge

4. Ziehen Sie am Schaft der Stabsäge, um zu überprüfen, dass er sicher in der Kupplung eingerastet ist. Falls nicht, drehen Sie den Schaft der Stabsäge in der Kupplung, bis er einrastet.
5. Ziehen Sie die Knebelschraube gut fest.

⚠️ WARNUNG: Vergewissern Sie sich vor dem Betrieb des Geräts, dass die Knebelschraube gut festgezogen ist. Überprüfen Sie die Schraube während des Gebrauchs regelmäßig, um schweren Verletzungen vorzubeugen.

BEFESTIGUNG DER VERLÄNGERUNGSSTANGE ZWISCHEN KOMBIMOTOR UND STABSÄGEN-ANBAUWERKZEUG (Model No. EP1000)

⚠️ WARNUNG: Anbauwerkzeuge dürfen in keinem Fall bei laufendem Kombimotor oder mit eingesetztem Akku montiert oder eingestellt werden. Der Motor muss ausgeschaltet und der Akku abgenommen werden, da sonst die Gefahr schwerer Verletzungen besteht.

Diese Verlängerungsstange ist ausschließlich für die Verwendung mit EGO PS1000E konzipiert. Verwenden Sie sie auf keinen Fall mit anderen EGO-Anbauwerkzeugen.

Die Verlängerungsstange verlängert die Werkzeuglänge um 100 cm und erweitert den Schnittbereich. Sie ist zwischen Kombimotor und Stabsägen-Anbauwerkzeug einzusetzen. An einem Werkzeug können maximal zwei Verlängerungsstangen (separat erhältlich) verwendet werden.

Folgen Sie zur Befestigung der Verlängerungsstange zwischen Stabsägen-Anbauwerkzeug und Kombimotor den Schritten im Abschnitt „**BEFESTIGUNG DES STABSÄGEN-ANBAUWERKZEUGS AM KOMBIMOTOR**“ (Abb. H).

H-1	Kupplung an der Verlängerungsstange
H-2	Kupplung am Kombimotor

HINWEIS: Nach korrekter Montage sollten sich das Stabsägen-Anbauwerkzeug, die Verlängerungsstange und der Kombimotor nicht trennen lassen, wenn daran gezogen wird. Testen Sie die Verbindung immer durch Ziehen. Wiederholen Sie die obigen Schritte, wenn die Teile getrennt werden können.

⚠️ WARNUNG: Werden das Anbauwerkzeug und der Kombimotor/die Verlängerungsstange nicht wie oben beschrieben gesichert, kann dies zu schweren Verletzungen oder zum Tod führen.

ANBAUWERKZEUG VOM KOMBIMOTOR ABNEHMEN

1. Motor ausschalten und Akku abnehmen.
2. Lockern Sie die Knebelschraube.
3. Drücken Sie den Schaftentriegelungsknopf und ziehen oder drehen Sie bei gedrücktem Knopf den Schaft der Stabsäge aus der Kupplung, um ihn vom Kombimotor oder der Verlängerungsstange (falls verwendet) zu trennen.
4. Wiederholen Sie den Vorgang, um die Verlängerungsstange vom Kombimotor zu trennen (falls eine Verlängerungsstange verwendet wird).

MONTIEREN UND EINSTELLEN DES VORDEREN HALTEGRIFFS

1. Motor ausschalten und Akku abnehmen.
2. Lösen Sie die Flügelmutter und entfernen Sie sie zusammen mit dem Klemmbolzen vom vorderen Haltegriff (Abb. I1).

I-1	Vorderer Haltegriff	I-4	Flügelmutter
I-2	Verriegelungshebel	I-5	Klemmblock
I-3	Klemmbolzen		

3. Drücken Sie den Haltegriff auf den Kombimotorschaft und drehen Sie ihn nach unten, sodass er zur Sägekette zeigt (Abb. I2).
4. Setzen Sie den Klemmblock ein und montieren Sie den Klemmbolzen mit der Flügelmutter (Abb. I3).
5. Ziehen Sie die Flügelmutter nicht vollständig an. Stellen Sie die Position des vorderen Haltegriffs so ein, dass er sich zwischen dem Schultergurtanhänger und der Teleskopstangenhülse befindet (Abb. I4). Der Griff sollte so eingestellt sein, dass Ihr Arm ausgestreckt ist, wenn Sie die Stabsäge benutzen.
6. Drücken Sie den Verriegelungshebel nach unten und ziehen Sie die Flügelmutter fest, sodass der vordere Haltegriff gegen Drehung oder Bewegung auf der Kombimotorwelle gesichert ist.

BETRIEB

⚠️ VORSICHT: Auf keinen Fall in der Nähe von Hochspannungsleitungen, Stromkabeln oder anderen Stromquellen arbeiten. Sollten die Schiene und Kette an einer Stromleitung hängenbleiben, **DÜRFEN DIE SCHIENE, DIE KETTE ODER DIE STANGE NICHT BERÜHRT WERDEN! SIE KÖNNEN STROM FÜHREN UND SEHR GEFÄHRLICH SEIN.** Halten Sie die Stabsäge weiterhin an isolierten hinteren Griff fest oder legen Sie ihn mit einem gewissen Sicherheitsabstand auf den Boden. Stellen Sie die Stromversorgung der beschädigten Leitung oder des Kabels ab, bevor Sie versuchen, die Schiene und die Kette aus der Elektroleitung zu entfernen. Eine Berührung der Schiene, der Kette oder anderer leitender Teile der Stabsäge oder stromführender Stromleitungen wird zum Tod durch Stromschlag oder zu schweren Verletzungen führen.

⚠️ WARNUNG: Auch wenn Sie sich mit dem Gerät auskennen, sollten Sie sich nicht zu einer gewissen Nachlässigkeit verleiten lassen. Denken Sie daran, dass ein kurzer Moment der Unachtsamkeit zu ernsthaften Verletzungen führen kann.

⚠️ WARNUNG: Tragen Sie immer eine Schutzbrille, möglichst mit Seitenschutz. Andernfalls besteht die Gefahr, dass Gegenstände in Ihre Augen geschleudert werden oder andere schwere Verletzungen verursacht werden.

⚠️ WARNUNG: Entfernen Sie immer den Akkusatz aus dem Produkt, wenn Sie Teile montieren, Anpassungen vornehmen, etwas säubern, das Gerät transportieren oder wenn das Gerät nicht benutzt wird. Das Entfernen des Akkusatzes beugt dem unabsichtlichen Starten vor, das zu schweren Verletzungen führen kann.

⚠️ WARNUNG: Verwenden Sie keine Anbauwerkzeuge oder Zubehörteile, die nicht vom Hersteller dieses Produkts empfohlen worden sind. Der Gebrauch von nicht empfohlenen Anbauwerkzeugen oder Zubehör kann zu schweren Verletzungen führen.

Inspezieren Sie das gesamte Produkt vor jeder Benutzung auf beschädigte, fehlende oder lockere Teile, wie z. B. Schrauben, Muttern, Bolzen, Abdeckungen usw. Ziehen Sie alle Befestigungsteile und Abdeckungen an und bedienen Sie das Produkt nicht, bis alle beschädigten oder fehlenden Teile ersetzt worden sind.

ANWENDUNGEN

Sie können dieses Produkt für die unten aufgeführten Zwecke einsetzen:

- Entasten
- Beschneiden

HINWEIS: Das Gerät darf nur für den bestimmungsgemäßen Zweck verwendet werden. Jede andere Verwendung gilt als Missbrauch.

BEFÜLLEN DES ÖLTANKS MIT SCHIENEN- UND KETTEN-SCHMIERMITTEL

⚠️ WARNUNG: Rauchen Sie nicht und halten Sie Feuer oder Flammen vom Öl und der Stabsäge fern. Das Öl kann auslaufen und einen Brand verursachen.

HINWEIS: Zum Zeitpunkt des Kaufs ist die Stabsäge nicht mit Öl befüllt. Der Tank muss vor dem Gebrauch mit Kettenöl gefüllt werden. Der Betrieb der Stabsäge ohne Kettenöl oder mit einem Ölstand unter einer bestimmten Menge führt zu Schäden an der Stabsäge. Die

Lebensdauer der Kette und die Sägekapazität hängen von der optimalen Schmierung ab. Die Kette wird während des Betriebs automatisch mit Kettenöl geschmiert, wenn ausreichend Öl im Vorratsbehälter vorhanden ist. Der Ölstand sollte alle 20 Betriebsminuten überprüft und gegebenenfalls nachgefüllt werden.

1. Nehmen Sie den Akkusatz vom Kombimotor ab.
2. Säubern Sie den Öltankverschluss und den Bereich um den Verschluss, um sicherzustellen, dass kein Schmutz in den Öltank gelangen kann.
3. Legen Sie die Stabsäge auf eine feste, ebene Fläche, sodass der Öltankverschluss nach oben zeigt, und entfernen Sie dann den Verschluss (Abb. J).
4. Befüllen Sie den Tank vorsichtig bis zum oberen Rand mit Schienen- und Kettenöl. Achten Sie darauf, dass das Öl nicht aus der Tanköffnung schwappt. Wischen Sie überschüssiges Öl ab.

HINWEIS:

- Verwenden Sie niemals Öl oder andere Schmiermittel, die nicht speziell für die Schiene und Kette vorgesehen sind. Dies kann zu einem verstopften Ölsystem führen und somit vorzeitigen Verschleiß von Schiene und Kette verursachen.
- Überprüfen Sie regelmäßig den Ölstand und füllen Sie bei Bedarf nach.
- Verwenden Sie kein schmutziges, gebrauchtes oder anderweitig kontaminiertes Öl. Dies könnte die Schiene oder Kette beschädigen.
- Es ist normal, dass Öl aus der Säge sickert, wenn sie nicht in Betrieb ist. Um dem Aussickern vorzubeugen, leeren Sie den Öltank nach jeder Benutzung und lassen Sie dann die Säge eine Minute lang laufen. Wenn Sie das Werkzeug über längere Zeit lagern, achten Sie darauf, dass die Kette leicht geölt ist. Dadurch wird die Rostbildung auf der Kette und dem Kettenrad verhindert.
- Zur Schonung der Umwelt muss Öl vorschriftsmäßig recycelt oder entsorgt werden. Informationen zum Recycling und zu Entsorgungsmöglichkeiten erhalten Sie bei Ihrer zuständigen Gemeindeverwaltung.

EINSTELLEN DER TELESKOPSTANGE (Abb. K)

1. Heben Sie den Schnellspannhebel an, um die Teleskopstange zu entriegeln.
2. Ziehen Sie die Teleskopstange auf die erforderliche Länge aus.
3. Drücken Sie den Schnellspannhebel nach unten, um die Teleskopstange sicher zu verriegeln.

MONTAGE DES SCHULTERGURTS

Drücken Sie den Gurthaken herunter, um ihn zu öffnen, und befestigen Sie ihn am Schultergurtanhänger an der Säge (Abb. L). Stellen Sie den Schultergurt so ein, dass die Arbeitsposition bequem ist.

⚠️ WARNUNG: Wenn ein Notfall eintritt, nehmen Sie den Gurt sofort von Ihrer Schulter ab, um Verletzungen zu vermeiden.

EINSETZEN/ABNEHMEN DES AKKUS

ANMERKUNG: Laden Sie den Akku vor dem ersten Gebrauch voll auf.

Nur mit Akkus und Ladegeräten verwenden, die in Abb. A2 aufgeführt sind:

Anbringen

Lassen Sie die Rippen am Akkugehäuse mit den Öffnungen am Gerät fluchten und schieben Sie den Akku bis zum hörbaren Einrasten in das Gerät (Abb. M).

⚠️ WARNUNG: Vergewissern Sie sich vor dem Betrieb, dass der Akkupack fest eingerastet ist. Wenn der Akkupack nicht sicher eingesetzt wird, kann der Akkupack herausfallen, was zu schweren Verletzungen führen würde.

⚠️ WARNUNG: Achten Sie immer auf Ihre Füße und Kinder oder Tiere in Ihrer Nähe, wenn Sie den Akku-Freigabeknopf betätigen. Das Fallenlassen des Akkusatzes kann zu ernsthaften Verletzungen führen. Entfernen Sie den Akku NIEMALS an einer hohen Position.

Abnehmen

Drücken Sie den Akku-Freigabeknopf und ziehen Sie den Akku heraus (Abb. N).

LED-ARBEITSLEUCHE (Abb. O)

Die LED-Arbeitsleuchte befindet sich an der Vorderseite des Stabsägen-Anbauwerkzeugs, in einer Linie mit der Sägekette. Diese Funktion bietet dem Benutzer zusätzliches Licht, um zu sehen, wo sich die Sägekette befindet, wenn er Äste hoch oben im Baum schneidet.

Die Arbeitsleuchte schaltet sich automatisch ein, wenn der Ein-/Ausschalter gedrückt wird, und erlischt etwa 10 Sekunden nach dem Loslassen des Ein-/Ausschalters.

EIN-/AUSSCHALTEN DES WERKZEUGS

Vor dem Starten der Stangensäge

⚠️ WARNUNG: KOMBIMOTOR IN KEINEM FALL OHNE ANBAUWERKZEUG BETREIBEN. Versuchen Sie nicht,

den Kombimotor zu starten, bevor Sie das Stabsägen-Anbauwerkzeug angebracht haben.

HINWEIS: Überprüfen Sie vor dem Starten der Stabsäge die Kettenspannschraube, den Ölstand und die Schärfe von Kette und Zähnen. Außerdem sind eine sichere Greifmethode, ein fester Stand und ein angemessener Abstand zum Boden erforderlich (Abb. Q).

Starten (Abb. P)

1. Setzen Sie den Akku ein.
2. Stellen Sie sicher, dass sich keine Objekte oder Behinderungen in unmittelbarer Nähe befinden, die mit der Schiene oder Kette in Berührung kommen könnten.
3. Fassen Sie den Handgriff und den hinteren Griff mit beiden Händen fest an.
4. Zum Starten des Geräts drücken Sie zuerst den Auslöser-Freigabeknopf und anschließend den Ein-/Ausschalter. Lassen Sie den Auslöser-Freigabeknopf los und halten Sie den Ein-/Ausschalter weiter gedrückt. Die Säge läuft nun weiter.

⚠️ WARNUNG: Versuchen Sie nicht, die Säge zu starten, wenn sich die Sägekette in einem Schnitt befindet oder mit einer Oberfläche in Kontakt ist.

Stoppen

Bewegen Sie die Stabsäge vom Schnittbereich weg und lassen Sie dann den Ein-/Ausschalter los, um die Stabsäge zu stoppen.

⚠️ WARNUNG: Nehmen Sie bei Arbeitspausen und nach Abschluss der Arbeit stets den Akku aus der Stabsäge.

GRUNDLEGENDE SCHNITTAUSFÜHRUNG

Halten Sie sich an unten stehende Schritte, um Schäden am Baum oder an der Rinde zu vermeiden. Bewegen Sie die Säge nicht vor und zurück.

1. Führen Sie einen ersten oberflächlichen Schnitt (1/4 des Astdurchmessers) auf der Unterseite des Astes neben dem Hauptast oder Stamm aus.
2. Nehmen Sie einen zweiten Schnitt auf der Oberseite des Astes außerhalb des ersten Schnittes vor. Sägen Sie weiter durch den Ast, bis der Ast vom Baum abbricht. Stellen Sie sich beim Fallen des Astes darauf ein, das Gewicht des Werkzeugs abzufangen.
3. Führen Sie einen abschließenden Schnitt direkt am Stamm aus.

HINWEIS: Stützen Sie beim zweiten und abschließenden Schnitt (von der Oberseite des Astes oder Zweigs) die Prelldornen gegen den zu sägenden Ast (Abb. S). Dadurch wird der Ast stabil gehalten und die Schnittführung wird erleichtert. Lassen Sie die Kette die Arbeit erledigen; üben Sie nur leichten Druck nach unten aus. Durch Gewaltanwendung beim Sägen können die Schiene, die Kette oder der Motor beschädigt werden.

S-1 Prelldorne

4. Lassen Sie den Ein-/Ausschalter los, sobald der Schnitt ausgeführt ist.

HINWEIS: Werden die genannten Schritte beim Sägen nicht richtig angewandt, können die Schiene und die Kette klemmen und im Ast stecken bleiben. In einem solchen Fall ist wie folgt vorzugehen:

1. Motor ausschalten und Akku abnehmen.
2. Falls der Ast vom Boden aus erreicht werden kann, heben Sie den Ast an, während Sie die Säge festhalten. Auf diese Weise sollte sich die Säge aus dem Ast ziehen lassen.
3. Bleibt die Säge dennoch weiterhin stecken, wird empfohlen, fachmännische Unterstützung heranzuziehen.

ENTASTEN UND BESCHNEIDEN

Diese Stabsäge ist zum Schneiden kleiner Äste und Äste mit einem Durchmesser von bis zu 20 cm (für Werkzeuge mit 25-cm-Führungsschiene) oder 25 cm (für Werkzeuge mit 30-cm-Führungsschiene) ausgelegt. Um beste Ergebnisse zu erzielen, sind folgende Vorsichtsmaßnahmen zu beachten.

1. Planen Sie den Schnitt sorgfältig. Beachten Sie die Richtung, in die der Ast fallen wird.

⚠️ WARNUNG: Äste können in unerwartete Richtungen fallen. Stellen Sie sich nicht direkt unter den abzusägenden Ast.

2. Die am häufigsten verwendete Schneidmethode besteht darin, das Gerät je nach Situation in einem Winkel von 60° oder weniger zu positionieren, wie in Abb. T gezeigt. Je größer der Winkel des Stabsägenschafts zum Boden ist, umso schwerer ist der erste Schnitt auszuführen (von der Unterseite des Astes).
3. Sägen Sie lange Äste in mehreren Schritten ab.
4. Sägen Sie zuerst die unteren Äste ab, damit darüber liegende Äste mehr Platz zum Fallen haben.

5. Arbeiten Sie langsam und halten Sie dabei die Säge mit beiden Händen fest. Achten Sie immer auf festen Stand und auf Ihr Gleichgewicht.
6. Beim Entasten muss der Baum immer zwischen Ihnen und der Kette bleiben. Sägen Sie von der Seite aus, die dem zu sägenden Ast gegenüber liegt
7. Steigen Sie zum Sägen auf keine Leiter - dies ist äußerst gefährlich. Beauftragen Sie Fachleute mit derartigen Arbeiten.
8. Führen Sie den bündigen Schnitt am Hauptast oder am Stamm erst aus, wenn Sie den Ast zum größten Teil abgesägt haben, um das Gewicht zu verringern. Durch ein ordnungsgemäßes Schnittverfahren wird ein Abreißen der Rinde vom Hauptast vermieden.
9. Verwenden Sie die Stabsäge nicht zum Fällen oder Ablängen.
10. Arbeiten Sie zur Vorbeugung gegen Stromschlag in mindestens 15 m Abstand von Oberleitungen (Abb. T).
11. Schaulustige sollten mindestens 15 m entfernt bleiben (Abb. T).

WARTUNG

⚠️ WARNUNG: Vor Überprüfung, Reinigung oder Reparatur des Geräts den Motor ausschalten, warten, bis alle beweglichen Teile zum Stillstand gekommen sind, und Akku abnehmen. Bei Nichtbeachtung dieser Anweisungen kann es zu schweren Verletzungen oder Sachschäden kommen.

⚠️ WARNUNG: Verwenden Sie für die Wartung nur baugleiche Ersatzteile. Die Verwendung anderer Teile kann Unfälle und Schäden am Gerät hervorrufen. Um die Sicherheit und Zuverlässigkeit des Geräts zu gewährleisten, sind alle nicht in dieser Wartungsanleitung genannten Reparaturen von einem qualifizierten Kundendiensttechniker vornehmen zu lassen.

⚠️ WARNUNG: Tragen Sie beim Umgang mit der Sägekette immer Handschuhe. Die Kette ist scharf und kann Grate enthalten.

ALLGEMEINE WARTUNG

Zum Reinigen von Kunststoffteilen Lösungsmittel vermeiden. Die verschiedenen handelsüblichen Lösungsmittel greifen die meisten Kunststoffe an. Verwenden Sie saubere Lappen zum Entfernen von Schmutz, Staub, Öl, Fett usw.

REINIGUNG

- Entfernen Sie nach jedem Gebrauch mithilfe einer weichen Bürste anhaftenden Schmutz von der Kette und Führungsschiene. Wischen Sie die Oberfläche der Stabsäge mit einem sauberen Tuch ab, das Sie mit einer milden Seifenlösung anfeuchten.
- Nehmen Sie die Seitenabdeckung ab und entfernen Sie dann mit einer weichen Bürste Ablagerungen von der Führungsschiene, Sägekette, vom Ritzel und der Seitenabdeckung.
- Entfernen Sie Holzspäne, Sägestaub und Schmutz aus der Nut der Führungsschiene, wenn Sie die Sägekette wechseln.
- Alle Wartungsarbeiten an der Stabsäge, die nicht ausdrücklich in dieser Wartungsanleitung aufgeführt sind, sollten von autorisiertem Kundendienstpersonal durchgeführt werden.

AUSWECHSELN DER SCHIENE UND KETTE

Wenn Sie die Führungsschiene und Kette auswechseln, verwenden Sie immer die im Abschnitt „**Empfohlene Führungsschiene und Kette für diese Stabsäge**“ angegebene Schienen-Ketten-Kombination.

1. Entfernen Sie den Akku und lassen Sie die Säge abkühlen. Stellen Sie sicher, dass der Öltankverschluss fest sitzt, um ein Auslaufen von Öl zu verhindern.
2. Legen Sie die Stabsäge auf die Seite auf eine feste, ebene Fläche, sodass der Tankverschluss nach oben zeigt.
3. Ziehen Sie Handschuhe an. Entfernen Sie die Seitenabdeckung (Abb. U). Wischen Sie die Seitenabdeckung mit einem trockenen Tuch ab.
4. Nehmen Sie die abgenutzte Schiene und die Kette von der Befestigungsfläche ab.
5. Bringen Sie die neue Führungsschiene und Sägekette an, indem Sie die Anweisungen „**MONTAGE DER FÜHRUNGSSCHIENE UND KETTE**“ im Abschnitt „**MONTAGE**“ befolgen.

HINWEIS: Dies ist ein guter Zeitpunkt, um das Antriebskettenrad auf übermäßigen Verschleiß oder Schäden zu untersuchen.

WARTUNG DER FÜHRUNGSSCHIENE

Falls die Führungsschiene Verschleißerscheinungen aufweist, montieren Sie sie von der Säge ab. Entfernen Sie die Feststellschraube und die Justierplatte, drehen Sie die Führungsschiene um (Abb. V) und bringen Sie die Justierplatte wieder auf der neuen Seite der Führungsschiene an (Abb. W), um die Abnutzung für

eine maximale Lebensdauer der Schiene zu verteilen. Die Schiene sollte jeden Tag, an dem das Gerät verwendet wurde, nach dem Gebrauch gereinigt und auf Verschleiß sowie Schäden untersucht werden. Scharfe Kanten oder Grat an den Schienenstegen sind normale Verschleißerscheinungen an der Schiene. Diese Fehlstellen sollten mit einer Feile geglättet werden, sobald sie sich bemerkbar machen. Eine Schiene mit einem der folgenden Mängel sollte ausgewechselt werden:

- Verschleiß in den Schienenstegen, wodurch sich die Kette seitlich legen kann.
- Verbogene Führungsschiene
- Gesprungene oder gebrochene Stege.
- Gespreizte Stege.

Darüber hinaus ist die Führungsschiene mit einem Zahnrad an der Spitze versehen. Das Zahnrad muss wöchentlich mit einer Fettpresse geschmiert werden, um die Nutzungsdauer der Führungsschiene zu verlängern. Schmierien Sie mithilfe einer Fettpresse mit Kettenöl wöchentlich über das Schmierloch (Abb. X). Wenden Sie die Führungsschiene und prüfen Sie, ob die Schmierlöcher und Kettennut frei von Verunreinigungen sind.

X-1	Zahnrad in der Führungsschienen spitze
X-2	Schmierloch

WARTUNG DER KETTE

Verwenden Sie für diese Säge nur rückschlagarme Ketten. Diese Schnellsägekette sorgt für eine Reduzierung des Rückschlags, wenn sie sachgemäß gewartet wird.

Eine sachgemäß geschärfte Sägekette durchtrennt Holz mühelos, selbst mit sehr wenig Druck.

Benutzen Sie niemals eine stumpfe oder beschädigte Sägekette. Eine stumpfe Sägekette führt zu erhöhter körperlicher Belastung, erhöhter Beanspruchung durch Vibration, zu einem mangelhaften Schnitt und erhöhtem Verschleiß.

Für ein schnelles und reibungsloses Schneiden muss die Sägekette ordnungsgemäß gewartet werden. Wenn die Holzspäne klein und pulvrig sind, wenn ein größerer Kraftaufwand beim Sägen des Holzes erforderlich ist oder die Kette zu einer Seite zieht, muss die Kette geschärft werden. Berücksichtigen Sie bei der Wartung Ihrer Sägekette Folgendes:

- Ein falscher Schleifwinkel der Seitenfläche kann das Risiko eines heftigen Rückschlags erhöhen.
- Räumzahnspiel (Eingriffmesser) Ein zu tiefes Eintauchen erhöht die Rückschlaggefahr. Durch zu flaches Eintauchen nimmt die Sägeleistung ab.

- Falls die Sägezähne auf harte Gegenstände wie Nägel und Steine treffen oder durch Schlamm oder Sand am Holz abgenutzt werden, lassen Sie die Kette von einem qualifizierten Servicetechniker nachschleifen.

TRANSPORT UND LAGERUNG

- Ein laufendes Stabsägen-Anbauwerkzeug darf nicht verstaut oder transportiert werden. Entfernen Sie vor dem Lagern oder Transportieren immer den Akku.
- Schieben Sie immer die Führungsschienen-Schutzhülle über die Führungsschiene und Kette, bevor Sie die Stabsäge lagern oder transportieren. Nehmen Sie sich vor den scharfen Zähnen der Kette in Acht.
- Reinigen Sie die Stabsäge gründlich, bevor Sie ihn lagern. Lagern Sie die Stabsäge im Haus an einem trockenen Ort, der abgeschlossen und/oder für Kinder nicht erreichbar ist. Halten Sie ihn von zersetzenden Mitteln wie Gartenchemikalien oder Tausalzen fern.

Schutz der Umwelt



Elektrogeräte, alte Akkus und Ladegeräte dürfen nicht im Hausmüll entsorgt werden!

Das Gerät muss einer offiziellen Recycling-Sammelstelle zur getrennten Entsorgung zugeführt werden. Elektrowerkzeuge müssen bei einem umweltfreundlichen Recycling-Betrieb abgegeben werden.

STÖRUNGSBEHEBUNG

DE

PROBLEM	URSACHE	LÖSUNG
MOTOR LÄUFT NICHT.	<ul style="list-style-type: none"> ■ Der Akku ist nicht an der Stabsäge angebracht. ■ Es besteht kein elektrischer Kontakt zwischen Säge und Akku. ■ Der Akku ist entladen. ■ Der Auslöser-Freigabeknopf wurde vor dem Betätigen des Ein-/Ausschalters nicht heruntergedrückt. ■ Akku oder Kombimotor sind zu heiß. ■ Sägekette sitzt im Holz fest. ■ Schiene und Kette sind verschoben und nicht parallel zum Gehäuse. ■ Sägereste in der Schienennut ■ Sägereste in der Seitenabdeckung 	<ul style="list-style-type: none"> ■ Akku an der Stabsäge anschließen. ■ Akku herausnehmen, Kontakte überprüfen und wieder anschließen. ■ Den Akku aufladen. ■ Halten Sie den Auslöser-Freigabeknopf gedrückt und drücken Sie dann den Ein-/Ausschalter, um die Stabsäge einzuschalten. ■ Lassen Sie den Akku oder den Kombimotor abkühlen, bis die Temperatur auf den empfohlenen Betriebstemperaturbereich gefallen ist. ■ Lassen Sie den Auslöser los; ziehen Sie die Sägekette und Führungsschiene aus dem Holz und schalten Sie die Stabsäge wieder ein. ■ Akkupack entfernen und Schiene und Kette wie im Abschnitt „SCHIENEN- UND KETTENWECHSEL“ beschrieben ersetzen. Die Schiene und Kette müssen immer parallel zur Montagefläche sein, bevor die Seitenabdeckung montiert wird. ■ Drücken Sie die Sägekette gegen das Holz und bewegen Sie die Stabsäge vor und zurück, um die Sägereste zu beseitigen. ■ Entfernen Sie den Akku, nehmen Sie dann die Seitenabdeckung ab und entfernen Sie die Rückstände.

PROBLEM	URSACHE	LÖSUNG
Motor läuft, aber die Kette dreht sich nicht.	<ul style="list-style-type: none"> ■ Kette greift nicht in das Antriebsritzel ein. ■ Ungenügende Kettenspannung ■ Stumpfe Kette ■ Kette verkehrt herum installiert ■ Abgenutzte Kette ■ Trockene oder übermäßig gedehnte Kette ■ Kette nicht in der Nut der Führungsschiene. 	<ul style="list-style-type: none"> ■ Entfernen Sie den Akku und montieren Sie die Kette erneut. Achten Sie dabei darauf, dass die Antriebsglieder der Kette vollständig auf dem Kettenrad sitzen. ■ Lösen Sie die Kettenspannschraube mindestens eine volle Umdrehung gegen den Uhrzeigersinn und ziehen Sie sie dann im Uhrzeigersinn fest, bis die Kette die richtige Spannung hat. ■ Lassen Sie die Kettenschneiden durch einen qualifizierten Kundendiensttechniker schleifen. ■ Entfernen Sie den Akku und setzen Sie die Sägekette gemäß Abschnitt „SCHIENEN- UND KETTENWECHSEL“ wieder ein. ■ Entfernen Sie den Akku und wechseln Sie die Sägekette gemäß Abschnitt „SCHIENEN- UND KETTENWECHSEL“. ■ Überprüfen Sie den Ölstand. Füllen Sie gegebenenfalls Öl nach. ■ Entfernen Sie den Akku und setzen Sie die Sägekette gemäß Abschnitt „SCHIENEN- UND KETTENWECHSEL“ wieder ein.
Schiene und Kette laufen heiß und setzen Rauch frei.	<ul style="list-style-type: none"> ■ Der Kettenöltank ist leer. ■ Schmutzreste in der Nut der Führungsschiene 	<ul style="list-style-type: none"> ■ Schienen- und Kettenschmiermittel nachfüllen. ■ Entfernen Sie Schmutzreste aus der Nut.

GARANTIE

EGO-GARANTIEBEDINGUNGEN

Sämtliche EGO Garantiebedingungen finden Sie auf der Website egopowerplus.com.

LISEZ TOUTES LES INSTRUCTIONS!



LISEZ LE MANUEL D'UTILISATION

FR

⚠ Risques résiduels! Les personnes portant des appareils électroniques, par exemple des stimulateurs cardiaques, doivent consulter leur(s) médecin(s) avant d'utiliser ce produit. L'utilisation d'un équipement électrique près d'un stimulateur cardiaque peut provoquer des interférences ou la panne du stimulateur cardiaque.

⚠ AVERTISSEMENT: Pour garantir la sécurité et la fiabilité, toutes les réparations doivent être effectuées par un réparateur qualifié.

SYMBOLES DE SÉCURITÉ

L'objectif des symboles de sécurité est d'attirer votre attention sur des dangers potentiels. Les symboles de sécurité et les explications les accompagnant doivent être lus attentivement et compris. Les symboles de mise en garde ne permettent pas par eux-mêmes d'éliminer les dangers. Les consignes et mises en garde ne se substituent pas à des mesures de prévention des accidents appropriées.

⚠ AVERTISSEMENT : Assurez-vous de lire et de comprendre toutes les consignes de sécurité de ce manuel d'utilisation, y compris les symboles de mise en garde de sécurité tels que « **DANGER** », « **AVERTISSEMENT** » et « **ATTENTION** » avant d'utiliser cet outil. Le non-respect de toutes les instructions énumérées ci-dessous peut entraîner un choc électrique, un incendie et / ou des blessures graves.

SIGNIFICATION DES SYMBOLES

Cette page décrit des symboles de sécurité pouvant être présents sur ce produit. Lisez, comprenez et respectez toutes les instructions présentes sur l'outil avant d'essayer de l'assembler et de l'utiliser.



Alerte de sécurité



Pour réduire le risque de blessures, l'utilisateur doit lire et comprendre le manuel d'utilisation avant d'utiliser ce produit.



Porter une protection oculaire



Porter un casque de protection.



Porter une protection auditive



Porter des gants protecteurs



Niveau de puissance acoustique garanti. Émission de bruit dans l'environnement conformément à la directive CE.

IPX4 Indice de protection



Porter des chaussures de sécurité



Pour prévenir le risque d'électrocution, ne pas utiliser l'outil à moins de 15 m de lignes électriques surplombantes. Le contact avec des lignes électriques ou l'utilisation près de lignes électriques peut provoquer des blessures graves ou une électrocution provoquant la mort.



Ne pas exposer à la pluie.



Ce produit est conforme aux directives CE applicables.



Ce produit est conforme à la législation britannique applicable.



Les produits électriques usagés ne doivent pas être jetés avec les ordures ménagères. Apportez-les dans un centre de recyclage agréé.



Courant continu



Tension

SPÉCIFICATIONS

FR

Tension nominale	56 V ---	
Longueur du guide-chaîne	25 cm	
Pas de chaîne	6,4 mm (1/4")	
Limiteur de profondeur	1,1 mm (0.043")	
Capacité du réservoir d'huile	80 ml	
Nombre de maillons d'entraînement	56	
Longueur de l'outil (sans la perche de rallonge)	Max. 292 cm Min. 233 cm	
Température d'utilisation recommandée	-15°C-40°C	
Température de stockage recommandée	-20°C-70°C	
Température de charge recommandée	5°C-40°C	
Poids (sans la batterie et sans le protège-guide)	4,25 kg	
Niveau de puissance acoustique mesuré L_{WA}	97 dB(A) K=2,5 dB(A)	
Niveau de pression acoustique à la position de fonctionnement L_{PA}	82 dB(A) K=3 dB(A)	
Niveau de puissance acoustique garanti L_{WA} (d'après 2000/14/CE)	100 dB(A)	
Vibration a_h	Poignée d'assistance frontale	1,19 m/s ² K=1,5 m/s ²
	Poignée arrière	1,01 m/s ² K=1,5 m/s ²

- La valeur totale des vibrations indiquée a été mesurée selon une procédure conforme à une méthode de test standardisée et peut servir pour comparer différents outils.
- La valeur totale des vibrations déclarée peut également servir pour effectuer une évaluation préliminaire de l'exposition.

REMARQUE: Le niveau de vibrations lors de l'utilisation réelle de l'outil peut être différent de la valeur déclarée totale en fonction de la manière dont l'outil est utilisé ; Afin de protéger l'opérateur, l'utilisateur doit porter des

gants et des protecteurs d'oreilles en conditions réelles d'utilisation.

DESCRIPTION

DESCRIPTION DE VOTRE ÉLAGUEUSE SUR PERCHE (Fig. A1)

- Bouton de réglage rapide de la tension de la chaîne
- Lampe de travail à LED
- Capot latéral
- Attache de sangle d'épaule
- Perche de rallonge
- Bouton de déverrouillage
- Interrupteur-gâchette
- Poignée arrière
- Bouton de déblocage de la batterie
- Poignée d'assistance frontale
- Levier à retrait rapide
- Perche télescopique
- Sangle d'épaule
- Bouchon du réservoir d'huile
- Réservoir d'huile
- Griffes
- Guide-chaîne
- Chaîne
- Protège-guide

CONTENU DE L'EMBALLAGE (IMAGE A1)

Guide et chaîne recommandés pour cette élagueuse sur perche

NOM DES PIÈCES	NUMÉRO DE MODÈLE
Guide-chaîne	AG1000Q, AG1200Q
Chaîne	AC1000Q, AC1200Q

ASSEMBLAGE

AVERTISSEMENT : Si une ou plusieurs pièces sont manquantes ou endommagées, n'utilisez pas cet outil tant que toutes les pièces n'ont pas été remplacées. Utiliser cet outil avec des pièces endommagées ou manquantes peut provoquer des blessures corporelles graves.

⚠ AVERTISSEMENT : N'essayez pas de modifier ce produit ni de créer des accessoires non recommandés pour être utilisés avec ce produit. De tels modifications et changements constituent un usage impropre et peuvent engendrer des situations dangereuses pouvant provoquer des blessures corporelles graves.

⚠ AVERTISSEMENT : Toujours retirer la batterie du produit avant d'assembler des pièces, d'effectuer une opération de réglage ou de nettoyage, et lorsque vous n'utilisez pas le produit.

ASSEMBLAGE DU GUIDE-CHAÎNE ET DE LA CHAÎNE

1. Posez l'élagueuse sur perche sur une surface ferme et plane, de sorte que le capot latéral soit orienté vers le haut.
2. Portez des gants. Retirez le capot latéral (Fig. B).
3. Faites une boucle sur une surface plane avec la nouvelle chaîne en redressant tout pli
4. Insérez les maillons d'entraînement dans la rainure du guide. Positionnez la chaîne de façon à ce qu'il y ait une boucle à l'arrière du guide-chaîne (Fig. C).

C-1	Maillons d'entraînement de la chaîne
C-2	Rail du guide

5. Maintenez la chaîne en position sur le guide-chaîne et placez la boucle autour du pignon d'entraînement de l'élagueuse sur perche.

REMARQUE : Une petite flèche directionnelle et une gouge sont gravées sur le boîtier de l'outil (Fig. D). Lorsque vous montez la chaîne sur le guide-chaîne, assurez-vous qu'après avoir monté le guide-chaîne, la direction de la chaîne correspond au sens de rotation indiqué par la flèche sur le boîtier de l'outil et veillez à ce que la forme des gorges sur le dessus du guide-chaîne est identique à celle de la gouge figurant sur le boîtier. Si tel n'est pas le cas, remontez la chaîne sur le guide-chaîne en respectant le sens indiqué par la flèche. Le guide-chaîne doit être monté avec la plaque de réglage orientée à l'opposé du boîtier.

6. Maintenez le guide et la chaîne parallèles à la surface de montage. Fixez le capot latéral au boîtier de sorte que les trous/goupilles et le boulon de fixation/trou fileté soient correctement alignés les uns avec les autres (Fig. E). Appuyez le capot latéral vers le boîtier, puis serrez à fond le bouton de réglage rapide de la tension de la chaîne dans le sens des aiguilles d'une montre. L'engrenage excentrique à l'intérieur du capot latéral est conçu pour garantir que la chaîne ne soit pas surtendue.

REMARQUE : Si la chaîne est lâche, tournez le bouton de réglage rapide de la tension de la chaîne dans le sens inverse des aiguilles d'une montre d'au moins un tour, puis serrez complètement le bouton.

7. Faites tourner la chaîne à la main pour vérifier si la chaîne est correctement assemblée sans se coincer. Sinon, remontez la chaîne et le guide.

ASSEMBLER L'EXTENSION ÉLAGUEUSE SUR PERCHE SUR LE BLOC MOTEUR

Cette élagueuse sur perche fonctionne en combinant l'extension élagueuse sur perche au bloc moteur (Fig. F).

F-1	Extension élagueuse sur perche
F-2	Bloc moteur

⚠ AVERTISSEMENT : N'assemblez jamais et ne réglez jamais l'extension élagueuse sur perche lorsque le bloc moteur est en marche ou que la batterie est insérée. Ne pas éteindre le moteur et ne pas retirer la batterie peut provoquer des blessures corporelles graves.

L'extension élagueuse sur perche se raccorde au bloc moteur au moyen d'un dispositif de couplage.

1. Éteignez le moteur et retirez la batterie.
2. Desserrez la molette papillon.
3. Alignez la flèche sur le manche de l'élagueuse sur perche avec la flèche sur le coupleur et poussez le manche de l'élagueuse sur perche dans le coupleur jusqu'à ce que vous entendiez un « clic » qui indique que le manche est bien en place (Fig. G).

G-1	Bouton à oreilles	G-3	Flèche sur le coupleur
G-2	Bouton de déverrouillage du manche	G-4	Flèche sur le manche de l'élagueuse sur perche

4. Tirez sur le manche de l'extension pour vérifier qu'il est bien fixé dans le coupleur. Si tel n'est pas le cas, tournez le manche de l'élagueuse sur perche d'un côté à l'autre dans le coupleur jusqu'à ce qu'il s'enclenche.
5. Serrez fermement le bouton à oreilles.

⚠ AVERTISSEMENT : Assurez-vous que le bouton à oreilles est bien serré avant d'utiliser l'équipement. Vérifiez régulièrement le serrage pendant l'utilisation pour éviter tout risque de blessure grave.

ASSEMBLER LA PERCHE DE RALLONGE ENTRE LE BLOC MOTEUR ET L'EXTENSION ÉLAGUEUSE SUR PERCHE (N° de modèle EP1000)

FR

⚠ AVERTISSEMENT : N'assemblez jamais et ne réglez jamais un accessoire quand le bloc moteur est en marche ou que la batterie est insérée. Ne pas éteindre le moteur et ne pas retirer la batterie peut provoquer des blessures corporelles graves.

Cette perche de rallonge est conçue pour une utilisation exclusive avec EGO PS1000E. Ne l'utilisez jamais avec d'autres accessoires EGO.

La perche de rallonge augmente la longueur de l'outil de 100 cm, offrant ainsi une plus grande plage de coupe. Elle doit être montée entre le bloc moteur et l'extension élagueuse sur perche. Un maximum de deux perches de rallonge (disponibles séparément) peuvent être utilisées sur un outil.

Respectez la procédure indiquée dans la partie « **ASSEMBLER L'EXTENSION ÉLAGUEUSE SUR PERCHE SUR LE BLOC MOTEUR** » pour installer la perche de rallonge entre l'extension élagueuse sur perche et le bloc moteur (Fig. H).

H-1	Coupleur sur la perche de rallonge
H-2	Coupleur sur le bloc moteur

REMARQUE : Une fois assemblés correctement, l'extension élagueuse sur perche, la perche de rallonge et le bloc moteur doivent tenir ensemble lorsqu'on tire dessus. Testez toujours qu'ils sont bien raccordés en tirant dessus. Répétez les étapes ci-dessus si les différentes parties ne tiennent pas ensemble.

⚠ AVERTISSEMENT : Ne pas fixer l'accessoire et le bloc moteur/rallonge comme indiqué précédemment peut provoquer des blessures graves ou la mort.

RETRAIT DE L'EXTENSION DU BLOC MOTEUR

1. Éteignez le moteur et retirez la batterie.
2. Desserrez la molette papillon.
3. Appuyez sur le bouton de déverrouillage du manche et, en maintenant le bouton enfoncé, tirez ou tournez le manche de l'élagueuse sur perche pour le sortir du coupleur et le séparer du bloc moteur ou de la perche de rallonge (le cas échéant).
4. Répétez le processus pour séparer la perche de rallonge du bloc moteur (si la perche de rallonge est utilisée).

INSTALLATION ET RÉGLAGE DE LA POIGNÉE DE MANŒUVRE AVANT

1. Éteignez le moteur et retirez la batterie.
2. Desserrez l'écrou à oreilles et retirez-le avec le boulon de serrage de la poignée avant (Fig. I1).

I-1	Poignée d'assistance frontale	I-4	Écrou papillon
I-2	Lévier de verrouillage	I-5	Bloc de serrage
I-3	Boulon de serrage		

3. Appuyez la poignée avant contre le manche du bloc moteur et tournez-la vers le bas de manière à ce qu'elle soit orientée vers la chaîne (Fig. I2).
4. Insérez le bloc de serrage et assemblez le boulon de serrage avec l'écrou à oreilles (Fig. I3).
5. Ne serrez pas complètement l'écrou à oreilles. Réglez la position de la poignée avant de manière à ce qu'elle se trouve entre l'attache de la bandoulière et le manchon de la perche télescopique (Fig. I4). La poignée doit être réglée de sorte que votre bras soit tendu pendant l'utilisation de l'outil.
6. Appuyez sur le levier de verrouillage et serrez l'écrou à oreilles de façon à ce que la poignée avant ne puisse pas tourner ou se déplacer sur le manche.

FONCTIONNEMENT

⚠ DANGER: Ne coupez jamais près de lignes électriques, de câbles électriques ou d'autres sources d'électricité. Si le guide ou la chaîne se bloque sur une ligne ou un câble électrique, **NE TOUCHEZ PAS LE GUIDE, LA CHAÎNE OU LA PERCHE ! CES PIÈCES PEUVENT SE RETROUVER SOUS TENSION ÉLECTRIQUE ET ÊTRE TRÈS DANGEREUSES.** Continuez de tenir l'élagueuse sur perche par sa poignée arrière isolée ou posez-la loin de vous d'une manière sécurisée. Mettez la ligne ou le câble électrique endommagé hors tension avant d'essayer de décoincer le guide et la chaîne de la ligne ou du câble électrique. Le contact avec le guide, la chaîne ou d'autres pièces conductrices de l'élagueuse sur perche, ou avec des lignes ou câbles électriques sous tension peut provoquer la mort par électrocution ou des blessures graves.

⚠ AVERTISSEMENT: Veillez à ne pas devenir moins prudent(e) au fur et à mesure que vous vous familiarisez avec cet outil. Gardez à l'esprit qu'une fraction de

seconde d'inattention peut suffire pour provoquer des blessures graves.

⚠ AVERTISSEMENT: Portez toujours un masque de sécurité ou des lunettes de sécurité avec boucliers latéraux. Sans protection, des objets peuvent être projetés dans vos yeux et d'autres blessures graves peuvent se produire.

⚠ AVERTISSEMENT: Retirez toujours la batterie de l'outil avant d'assembler des pièces, d'effectuer une opération de réglage ou de nettoyage, de transporter l'outil et quand vous n'utilisez pas l'outil. Retirer la batterie permet de prévenir un démarrage accidentel pouvant provoquer des blessures corporelles graves.

⚠ AVERTISSEMENT: N'utilisez aucun accessoire ou pièce non recommandé par le fabricant de ce produit. L'utilisation d'accessoires ou de pièces non recommandés peut provoquer des blessures corporelles graves.

Avant chaque utilisation, inspectez l'ensemble du produit à la recherche de pièces endommagées, manquantes ou desserrées telles que des vis, écrous, boulons, capuchons, etc. Serrez fermement toutes les fixations et capuchons et ne faites pas fonctionner ce produit tant que toutes les pièces manquantes ou endommagées n'ont pas été remplacées.

APPLICATIONS

Vous pouvez utiliser cet outil pour les usages listés ci-dessous :

- Ébrancher
- Élaguer

REMARQUE: L'outil ne doit être utilisé que pour son usage prévu. Toute autre utilisation est considérée comme inappropriée.

REMPLIR LE RÉSERVOIR D'HUILE AVEC DU LUBRIFIANT POUR GUIDE ET CHAÎNE

⚠ AVERTISSEMENT: Ne fumez pas et n'approchez aucune flamme près de l'huile ou de l'élagueuse sur perche. Il peut y avoir des coulures/projections d'huile qui peuvent provoquer un incendie.

REMARQUE: L'élagueuse sur perche n'est pas remplie d'huile lors de son achat. Il faut impérativement remplir son réservoir avec de l'huile pour chaîne avant de l'utiliser. L'utilisation de l'élagueuse sur perche sans huile de chaîne ou lorsque le niveau d'huile est bas endommagera l'outil. La durée de vie et la capacité de coupe de la chaîne dépendent d'une lubrification optimale. La chaîne est automatiquement lubrifiée avec

de l'huile de chaîne pendant le fonctionnement, s'il y a suffisamment d'huile dans le réservoir. Le niveau d'huile doit être vérifié toutes les 20 minutes d'utilisation et complété si nécessaire.

1. Retirez la batterie du bloc moteur.
2. Nettoyez le bouchon du réservoir d'huile et la zone qui l'entoure pour éviter que des saletés ne tombent dans le réservoir d'huile.
3. Posez l'élagueuse sur perche sur une surface ferme et plane, de sorte que le bouchon du réservoir d'huile soit orienté vers le haut, puis retirez le bouchon (Fig. J).
4. Versez délicatement l'huile pour chaîne et guide dans le réservoir jusqu'à ce qu'il soit rempli jusqu'au goulot. Veillez à ne pas faire déborder l'huile par l'ouverture. Essuyez l'excès d'huile.

REMARQUE :

- N'utilisez pas d'huiles ni de lubrifiants qui n'ont pas été spécialement conçus pour être utilisés avec des guide-chaînes et des chaînes. En utiliser pourrait boucher le système de distribution de l'huile, ce qui entraînerait l'usure prématurée du guide-chaîne et de la chaîne.
- Vérifiez fréquemment le niveau d'huile et faites l'appoint si nécessaire.
- N'utilisez pas d'huiles sales, usagées ou autrement contaminées. Elles peuvent provoquer la détérioration du guide et de la chaîne.
- Il est normal que de l'huile s'écoule de l'élagueuse lorsqu'elle n'est pas utilisée. Pour éviter cet écoulement, videz le réservoir d'huile après chaque utilisation, puis faites fonctionner l'élagueuse pendant une minute. Si vous prévoyez remiser la scie à chaîne pendant longtemps, assurez-vous que sa chaîne est légèrement lubrifiée ; le guide-chaîne et le pignon d'entraînement seront ainsi protégés de la rouille.
- Pour préserver les ressources naturelles, veuillez recycler ou jeter l'huile de manière appropriée. Consultez l'organisme local de gestion des déchets au sujet des possibilités offertes pour la mise au rebut et le recyclage.

RÉGLAGE DE LA PERCHE TÉLESCOPIQUE (Fig. K)

1. Soulevez le levier à retrait rapide pour déverrouiller la perche télescopique.
2. Étendez la perche télescopique à la longueur requise.
3. Appuyez sur le levier à retrait rapide pour verrouiller le manche télescopique.

ASSEMBLAGE DE LA BANDOULIÈRE

Appuyez sur le crochet de la sangle pour l'ouvrir et fixez-le sur l'attache de la bandoulière sur l'élagueuse (Fig. L). Réglez la bandoulière dans une position d'utilisation confortable.

⚠ AVERTISSEMENT: En cas d'urgence, retirez immédiatement la sangle de votre épaule pour éviter les blessures.

INSTALLER/RETIRER LA BATTERIE

REMARQUE : Rechargez la batterie au maximum avant de l'utiliser pour la première fois.

Utilisez exclusivement les batteries et les chargeurs indiqués à la fig. A2.

Insertion

Alignez les arêtes de la batterie sur les rainures d'assemblage et poussez la batterie vers le bas jusqu'à entendre un déclic (Fig. M).

⚠ AVERTISSEMENT: Assurez-vous que la batterie est bien installée avant d'utiliser l'outil. Si la batterie n'est pas correctement installée, elle pourrait tomber et entraîner des blessures graves.

⚠ AVERTISSEMENT: Faites toujours attention à vos pieds, aux enfants et aux animaux présents lorsque vous appuyez sur le bouton de déblocage de la batterie. Si la batterie tombe, cela peut provoquer des blessures graves. Ne retirez JAMAIS la batterie dans une position haute.

Retrait

Appuyez sur le bouton de déblocage de la batterie et retirez la batterie hors de l'outil (Fig. N).

LAMPE DE TRAVAIL À LED (Fig. O)

La lampe de travail à LED se trouve à l'avant de l'extension élagueuse sur perche, alignée avec la chaîne. Cette fonction fournit un éclairage supplémentaire aux utilisateurs en leur permettant de voir où se trouve la chaîne lors de la coupe de branches en hauteur dans un arbre.

La lampe de travail s'allume automatiquement lorsque vous appuyez sur la gâchette et s'éteint environ 10 secondes après avoir relâché la gâchette.

DÉMARRAGE/ARRÊT DE L'OUTIL

Avant de démarrer l'élagueuse sur perche

⚠ AVERTISSEMENT: N'UTILISEZ JAMAIS LE BLOC MOTEUR SANS UNE EXTENSION. N'essayez pas de démarrer le bloc moteur avant d'y avoir raccordé l'extension élagueuse sur perche.

REMARQUE: Avant de démarrer l'élagueuse sur perche, vérifiez le réglage de la tension de la chaîne, le niveau d'huile ainsi que l'affûtage de la chaîne et des dents. De plus, une bonne préhension de l'outil, une assise équilibrée et une distance appropriée du sol sont nécessaires (Fig. Q).

Démarrer l'outil (Image P)

1. Installez la batterie.
2. Assurez-vous qu'aucun objet ou obstacle à proximité ne peut toucher le guide-chaîne ou la chaîne.
3. Saisissez fermement la poignée avant et la poignée arrière en utilisant les deux mains.
4. Maintenez le bouton de déverrouillage enfoncé, puis appuyez sur la gâchette pour démarrer l'élagueuse. Relâchez le bouton de déverrouillage et continuez d'appuyer sur la gâchette pour utiliser l'outil.

⚠ AVERTISSEMENT : N'essayez pas de démarrer l'élagueuse lorsque la chaîne est dans une coupe ou en contact avec une surface quelconque.

Arrêt

Éloignez l'élagueuse sur perche de la zone de coupe, puis relâchez la gâchette pour arrêter l'outil.

⚠ AVERTISSEMENT : Retirez toujours la batterie de l'élagueuse pendant les pauses et après avoir terminé le travail.

PROCÉDURE DE COUPE BASIQUE (Fig. R)

Respectez la procédure suivante pour éviter d'endommager l'écorce des arbres et des arbustes. N'effectuez pas de mouvements de sciage d'avant en arrière.

1. Effectuez d'abord une première coupe peu profonde (1/4 du diamètre de la branche) par-dessous la branche près du tronc ou de la branche principale.
2. Effectuez une deuxième coupe par-dessus la branche à une position plus éloignée du tronc ou de la branche principale que la première coupe. Continuez de couper la branche jusqu'à ce qu'elle se sépare de l'arbre. Préparez-vous à rééquilibrer le poids de l'outil quand la branche tombe.
3. Effectuez une coupe finale près du tronc.

REMARQUE : Pour la deuxième coupe et la dernière coupe (par-dessus la branche), maintenez les griffes contre la branche coupée (Fig. S). Cela aide à immobiliser la branche et facilite la coupe. Laissez la chaîne couper pour vous ; n'exercez qu'une légère pression vers le bas. Si vous forcez pour effectuer la coupe, vous risquez d'endommager le guide, la chaîne ou le moteur.

S-1	Griffes
-----	---------

4. Relâchez la gâchette dès que la coupe est terminée.

REMARQUE : Le non-respect des procédures de coupe correctes peut provoquer le coincement de la chaîne et du guide qui risquent d'être pincés ou bloqués dans la branche. Si cela se produit :

1. Éteignez le moteur et retirez la batterie.
2. Si vous pouvez atteindre la branche du sol, soulevez-la tout en tenant l'outil. Cela permet d'éliminer le pincement et de décoincer l'outil.
3. Si l'outil est toujours coincé, contactez un professionnel pour qu'il règle le problème.

ÉBRANCHER ET ÉLAGUER

Cette élagueuse sur perche est conçue pour tailler de petites branches jusqu'à 20 cm (pour des outils avec un guide-chaîne de 25 cm) ou 25 cm (pour des outils avec un guide-chaîne de 30 cm) de diamètre. Pour des résultats optimaux, respectez les précautions suivantes :

1. Planifiez soigneusement la coupe. Prenez en compte le sens de chute de la branche.

⚠ AVERTISSEMENT : Les branches peuvent tomber dans des directions inattendues. Ne vous placez pas directement sous la branche en train d'être coupée.

2. Typiquement, on réalise une coupe en positionnant l'unité à un angle de 60° ou moins, selon la situation, comme illustré à la Fig. T. À mesure que l'angle du manche de l'élagueuse augmente par rapport au sol, la difficulté de la première coupe (du dessous de la branche) augmente.
3. Coupez les branches longues par tronçons successifs.
4. Coupez d'abord les branches inférieures pour que les branches supérieures aient plus d'espace pour tomber.
5. Travaillez lentement en tenant toujours fermement l'outil à deux mains. Ayez toujours un bon équilibre et des appuis des pieds sûrs.
6. Positionnez-vous de sorte que l'arbre se trouve entre vous et la chaîne lors de l'ébranchage. Positionnez-

vous du côté de l'arbre opposé à celui où se trouve la branche que vous coupez.

7. Ne coupez pas posté(e) sur une échelle ; ceci est extrêmement dangereux. Laissez ce type d'opération aux professionnels.
8. N'effectuez pas de coupe au ras d'un tronc ou d'une branche principale tant que vous n'avez pas coupé la plus grande partie de la branche pour réduire son poids. Respecter les procédures de coupe correctes permet d'éviter d'endommager l'écorce du tronc ou de la branche principale.
9. N'utilisez pas l'élagueuse sur perche pour les travaux d'abattage ou de débitage.
10. Pour prévenir le risque d'électrocution, n'utilisez pas l'outil à moins de 15 m de lignes électriques surplombantes (Fig. T).
11. Maintenez toutes les autres personnes éloignées d'au moins 15 m (Fig. T).

FR

ENTRETIEN

⚠ AVERTISSEMENT: Avant d'inspecter, de nettoyer ou de réparer l'outil, éteignez le moteur, attendez que toutes les pièces mobiles se soient arrêtées et retirez la batterie. Ne pas respecter ces instructions peut provoquer des blessures corporelles graves et des dommages matériels.

⚠ AVERTISSEMENT: L'outil ne doit être réparé qu'avec des pièces de rechange identiques. L'utilisation de toute autre pièce peut créer un danger ou détériorer l'outil. Pour garantir la sécurité et la fiabilité, toutes les réparations, autres que les opérations listées dans ces instructions d'entretien, doivent être effectuées par un réparateur qualifié.

⚠ AVERTISSEMENT: Portez toujours des gants lorsque vous manipulez la chaîne. La chaîne est tranchante et peut présenter des bavures.

ENTRETIEN GÉNÉRAL

N'utilisez pas de solvant pour nettoyer les pièces en plastique. La plupart des plastiques peuvent être détériorés par de nombreux types de solvants vendus dans le commerce. Utilisez des chiffons propres pour enlever les saletés, les poussières, l'huile, la graisse, etc.

NETTOYAGE

- Après chaque utilisation, enlevez les débris de la chaîne et du guide avec une brosse souple. Essuyez la surface de l'élagueuse sur perche avec un chiffon propre humidifié d'une solution de savon doux.

- Retirez le capot latéral, puis enlevez les débris du guide, de la chaîne, du pignon d'entraînement et du capot latéral avec une brosse souple.
- Enlevez tous les copeaux de bois, les sciures et les saletés du rail du guide quand vous changez la chaîne.

Tous les travaux d'entretien sur l'élagueuse, autres que ceux énumérés dans les présentes consignes d'entretien, doivent être effectués par des professionnels.

REMPLENER LE GUIDE ET LA CHAÎNE

Lors du remplacement du guide et de la chaîne, utilisez toujours la combinaison guide/chaîne spécifiée dans la section « **Guide et chaîne recommandés pour cette élagueuse sur perche** ».

1. Retirez la batterie et laissez l'élagueuse refroidir. Assurez-vous que le bouchon du réservoir d'huile est bien en place pour éviter les fuites d'huile.
2. Placez l'élagueuse sur perche sur le côté sur une surface solide et plane, de façon à ce que le capot latéral soit orienté vers le haut.
3. Portez des gants. Retirez le capot latéral (Fig. U). Nettoyez le capot latéral avec un chiffon sec.
4. Retirez le guide et la chaîne usagée.
5. Installez le nouveau guide-chaîne et la chaîne neuve en suivant les consignes indiquées par l'« **ASSEMBLAGE DU GUIDE-CHAÎNE ET DE LA CHAÎNE** » dans la partie « **ASSEMBLAGE** ».

REMARQUE C'est le bon moment pour inspecter le pignon d'entraînement afin de vérifier s'il est endommagé ou excessivement usé.

ENTRETIEN DU GUIDE-CHAÎNE

Lorsque le guide-chaîne montre des signes d'usure, retirez-le de l'élagueuse. Retirez la vis de réglage et la plaque de réglage, retournez le guide-chaîne (Fig. V) et réinstallez la plaque de réglage sur le côté neuf du guide-chaîne (Fig. W) pour répartir l'usure et garantir une durée de vie maximale du guide. Le guide doit être nettoyé chaque jour après utilisation et doit être inspecté pour contrôler son usure et sa détérioration. L'apparition de bavures et l'amincissement du guide font partie du processus normal d'usure du guide. Ces défauts doivent être lissés avec une lime dès leur apparition. Un guide présentant l'un des défauts suivants doit être changé.

- Usure interne du rail du guide permettant à la chaîne de se coucher sur le côté.
- Guide tordu.
- Rail fissuré ou cassé.

- Rail élargi.

En outre, le bout du guide-chaîne est muni d'un pignon. Ce pignon doit être lubrifié toutes les semaines avec une seringue à graisse pour prolonger la durée de vie du guide. Utilisez une seringue à graisse pour lubrifier toutes les semaines avec de l'huile de chaîne via le trou de lubrification (Fig. X). Retournez le guide et vérifiez que les trous de lubrification et le rail sont exempts de saletés.

X-1	Pignon de renvoi (dans le nez du guide)
X-2	Trou de lubrification

ENTRETIEN DE LA CHAÎNE

N'utilisez que des chaînes à faible rebond avec cette élagueuse. Cette chaîne à coupe rapide permet de réduire les rebonds quand elle est correctement entretenue. Une chaîne correctement affûtée coupe le bois sans effort, même en appuyant très faiblement.

N'utilisez jamais de chaîne émoussée ou endommagée. Si la chaîne est émoussée, cela accroît la fatigue physique, les vibrations, engendre des résultats de coupe non satisfaisants et accroît l'usure.

Pour que les coupes soient rapides et fluides, la chaîne doit être correctement entretenue. La chaîne doit être affûtée dans les cas suivants : les copeaux de bois sont petits et poudreux ; la chaîne doit être forcée dans le bois pendant la coupe ; la chaîne ne coupe que d'un côté. Pendant l'entretien de votre chaîne, prenez en compte les points suivants :

- Si l'angle d'affûtage par rapport à la platine latérale est incorrect, cela accroît le risque d'un rebond puissant.
- Retrait des limiteurs de profondeurs. Si le retrait des limiteurs de profondeur est trop bas, cela augmente le risque de rebond. S'il n'est pas assez bas, cela réduit la capacité de coupe.
- Si les tranchants des gouges percutent des objets durs, par exemple des clous ou des pierres, ou s'ils ont été abrasés par de la boue ou du sable présent sur le bois, faites affûter la chaîne par un réparateur qualifié.

TRANSPORT ET RANGEMENT

- Ne rangez pas et ne transportez pas l'extension élagueuse sur perche quand elle est en marche. Retirez toujours la batterie de l'outil avant de ranger ou de transporter l'outil.
- Recouvrez toujours le guide et la chaîne avec le protège-guide avant de ranger ou de transporter l'extension élagueuse sur perche. Faites attention pour éviter qu'il ne soit endommagé par les gouges de la chaîne.

- Nettoyez intégralement l'élagueuse sur perche avant de la ranger. Rangez l'élagueuse sur perche à l'intérieur dans un endroit sec, verrouillé et/ou inaccessible aux enfants, et maintenez-la éloignée des produits corrosifs, par exemple les produits chimiques de jardinage et les sels de déverglaçage.

FR**Protection de l'environnement**

Ne jetez pas les équipements électriques, les batteries et les chargeurs usagés avec les ordures ménagères !

Apportez ce produit chez un recycleur agréé et rendez-le disponible pour une collecte séparée. Les outils électriques doivent être amenés dans un centre de recyclage pour assurer le respect de l'environnement.

KEES VAN DER SPEK
TUINMACHINES ★ STOLWIJK

PROBLÈME	CAUSE	SOLUTION
LE MOTEUR NE FONCTIONNE PAS.	<ul style="list-style-type: none"> ■ La batterie n'est pas insérée sur l'élagueuse sur perche. ■ Il n'y a pas de contact électrique entre la tronçonneuse et la batterie. ■ La batterie est déchargée. ■ Le verrou d'interrupteur n'est pas appuyé avant d'appuyer sur l'interrupteur-gâchette. ■ La batterie ou le bloc moteur est trop chaud. ■ La chaîne est coincée dans le bois. ■ Le guide-chaîne et la chaîne sont de travers et ne sont pas parallèles au boîtier. ■ Il y a des débris dans le rail du guide. ■ Il y a des débris dans le capot latéral. 	<ul style="list-style-type: none"> ■ Insérez la batterie sur l'élagueuse sur perche. ■ Retirez la batterie, inspectez les contacts, puis réinsérez la batterie. ■ Rechargez la batterie. ■ Appuyez sur le levier de déverrouillage et maintenez-le enfoncé, puis appuyez sur la gâchette pour mettre en marche l'élagueuse sur perche. ■ Laissez la batterie ou le bloc moteur refroidir jusqu'à ce que la température diminue et atteigne la plage de température d'utilisation recommandée. ■ Relâchez la gâchette, retirez la chaîne et le guide hors du bois, puis redémarrez l'élagueuse. ■ Retirez la batterie et remplacez le guide-chaîne et la chaîne en suivant les consignes de la rubrique « CHANGER LE GUIDE ET LA CHAÎNE ». Veillez toujours à ce que le guide-chaîne et la chaîne soient parallèles à la surface de montage avant d'installer le capot latéral. ■ Appuyez la chaîne contre le bois et déplacez l'élagueuse sur perche d'avant en arrière pour enlever les débris. ■ Retirez la batterie, puis retirez le capot latéral et enlevez les débris.

PROBLÈME	CAUSE	SOLUTION
Le moteur fonctionne, mais la chaîne ne tourne pas.	<ul style="list-style-type: none"> ■ La chaîne n'est pas engagée dans le pignon d'entraînement. ■ La chaîne n'est pas assez tendue. ■ La chaîne est émoussée. ■ La chaîne a été assemblée à l'envers. ■ La chaîne est usée. ■ La chaîne est sèche ou excessivement tendue. ■ La chaîne n'est pas dans le rail du guide. 	<ul style="list-style-type: none"> ■ Retirez la batterie, réinstallez la chaîne en veillant à complètement encasterner les maillons d'entraînement de la chaîne sur le pignon. ■ Desserrez d'abord le bouton de réglage rapide de la tension de la chaîne d'au moins un tour dans le sens antihoraire puis resserrez-le entièrement dans le sens horaire jusqu'à ce que la chaîne soit correctement tendue. ■ Faites affûter les gouges de la chaîne par un technicien qualifié. ■ Retirez la batterie et remontez la chaîne en procédant comme indiqué dans la section « CHANGER LE GUIDE ET LA CHAÎNE ». ■ Retirez la batterie et remplacez la chaîne en procédant comme indiqué dans la section « CHANGER LE GUIDE ET LA CHAÎNE ». ■ Contrôlez le niveau d'huile. Remplissez le réservoir d'huile si nécessaire. ■ Retirez la batterie et remontez la chaîne en procédant comme indiqué dans la section « CHANGER LE GUIDE ET LA CHAÎNE ».
La chaîne et le guide chauffent et fument.	<ul style="list-style-type: none"> ■ Le réservoir d'huile est vide. ■ Il y a des débris dans le rail du guide. 	<ul style="list-style-type: none"> ■ Ajoutez du lubrifiant de guide et de chaîne. ■ Enlevez les débris du rail du guide.

GARANTIE

POLITIQUE DE GARANTIE EGO

Visitez le site Web egopowerplus.com pour consulter l'intégralité des conditions de la politique de garantie EGO.

¡LEA TODAS LAS INSTRUCCIONES!



LEA EL MANUAL DEL USUARIO

ES

⚠ ¡Riesgo residual! Las personas con implantes electrónicos, como marcapasos, deberán consultar a su médico antes de utilizar este producto. La utilización de equipos eléctricos en las proximidades inmediatas de un marcapasos podría causar en este interferencias o averías.

⚠ ADVERTENCIA: Para garantizar la seguridad y fiabilidad de la herramienta, las reparaciones debe realizarlas únicamente un técnico cualificado.

SÍMBOLOS DE SEGURIDAD

El propósito de los símbolos de seguridad es atraer su atención hacia posibles peligros. Los símbolos de seguridad y las explicaciones que los acompañan requieren su máxima atención y comprensión. Por sí solos, los símbolos de advertencia no eliminan los posibles peligros. Las instrucciones y advertencias que proporcionan no sustituyen a las medidas adecuadas de prevención de accidentes.

⚠ ADVERTENCIA: Antes de utilizar esta herramienta, asegúrese de haber leído y entendido perfectamente todas las instrucciones que aparecen en este manual del usuario, incluidos todos los símbolos de aviso sobre seguridad, como «PELIGRO», «ADVERTENCIA» y «PRECAUCIÓN». Si no se observan todas las instrucciones que se indican a continuación existe riesgo de incendio, electrocución y lesiones graves.

SIGNIFICADO DE LOS SÍMBOLOS

Esta página muestra y describe los símbolos de seguridad que puede haber en este producto. Antes del montaje y utilización del producto, asegúrese de leer, comprender y seguir todas las instrucciones que están en la máquina.



Aviso de seguridad



Para reducir el riesgo de lesiones, el usuario debe leer y comprender el manual del usuario antes de utilizar este producto.



Utilizar protección ocular



Utilizar protección para la cabeza



Utilizar protección auditiva



Utilizar guantes de protección



Nivel de potencia acústica garantizado. La emisión de ruido al medio ambiente cumple la directiva de la Comunidad Europea.

IPX4 Grado de protección contra la penetración



Utilice calzado de seguridad



Para evitar la electrocución, no utilice la herramienta a una distancia menor que 15 m de líneas eléctricas aéreas. El contacto con las líneas eléctricas o el uso cerca de las mismas podría provocar lesiones graves o una descarga eléctrica con resultado mortal.



No exponga el aparato a la lluvia.



Este producto está en conformidad con las directivas de la CE aplicables.



Este producto está en conformidad con la legislación aplicable del Reino Unido.



Los productos eléctricos no deben eliminarse con la basura doméstica. Llévelos a un centro de reciclaje autorizado.



Corriente continua



Tensión

ESPECIFICACIONES

Tensión nominal	56 V	
Longitud de la espada	25 cm	
Paso de cadena	6,4 mm (1/4")	
Calibre de la cadena	1,1 mm (0.043")	
Capacidad del depósito de aceite	80 ml	
Número de eslabones de arrastre	56	
Longitud de la herramienta (sin alargador)	Máx. 292 cm Mín. 233 cm	
Temperatura de funcionamiento recomendada	de -15°C a 40°C	
Temperatura de almacenamiento recomendada	de -20°C a 70°C	
Temperatura de carga recomendada	de 5°C a 40°C	
Peso (sin batería ni protector de espada)	4,25 kg	
Nivel de potencia acústica medido L_{wa}	97 dB(A) K=2,5 dB(A)	
Nivel de presión acústica medido en la posición del usuario L_{pa}	82 dB(A) K=3 dB(A)	
Nivel de potencia acústica garantizado L_{wa} (medido según 2000/14/CE)	100 dB(A)	
Nivel de vibraciones a_h	Empuñadura auxiliar delantera	1,19 m/s ² K=1,5 m/s ²
	Empuñadura trasera	1,01 m/s ² K=1,5 m/s ²

- El valor de vibración total ha sido medido de acuerdo con el método de prueba estándar y se puede utilizar para comparar herramientas.
- El valor total de vibración declarado se puede usar además en una evaluación preliminar del grado de exposición.

AVISO: Las vibraciones generadas durante el uso real de la herramienta eléctrica pueden diferir del valor declarado en función de la manera en que se utilice. Como protección, el usuario debería utilizar guantes y protectores auditivos en condiciones reales de uso.

DESCRIPCIÓN

FAMILIARÍCESE CON LA SIERRA TELESCÓPICA (fig. A1)

- Mando de ajuste rápido de la tensión de la cadena
- Luz de trabajo LED
- Tapa lateral
- Colgador de la correa para el hombro
- Tubo de extensión
- Botón de desbloqueo
- Gatillo interruptor
- Empuñadura trasera
- Botón de liberación de la batería
- Empuñadura auxiliar delantera
- Palanca de liberación rápida
- Tubo telescópico
- Correa bandolera
- Tapón del depósito de aceite
- Depósito de aceite
- Espigas del parachoques
- Espada
- Cadena de la sierra
- Funda de la espada

ES

LISTA DE CONTENIDO (Fig. A1)

Espada y cadena recomendadas para esta sierra telescópica

NOMBRE DE LA PIEZA	N.º DE MODELO
Espada	AG1000Q, AG1200Q
Cadena de la sierra	AC1000Q, AC1200Q

MONTAJE

⚠ ADVERTENCIA: Si alguna pieza falta o está rota, no utilice el producto hasta haber sustituido las piezas. Podrían producirse lesiones graves en caso de utilizar el producto si alguna de sus piezas falta o está dañada.

⚠ ADVERTENCIA: No intente modificar este producto ni fabricar accesorios no recomendados para su uso en este producto. Cualquier alteración o modificación se considerará uso indebido y podría provocar una situación peligrosa con riesgo de sufrir lesiones graves.

⚠ ADVERTENCIA: Quite siempre la batería del producto antes de instalar piezas, efectuar ajustes, proceder a su limpieza, o cuando el producto no esté en uso.

ES

MONTAJE DE LA ESPADA Y LA CADENA

1. Coloque la sierra telescópica sobre una superficie firme y plana, de modo que la tapa lateral quede hacia arriba.
2. Utilice guantes. Quite la tapa lateral (fig. B).
3. Coloque la nueva cadena cerrada de motosierra sobre una superficie plana y enderece cualquier doblez.
4. Coloque los eslabones de arrastre en el carril de la espada. Posicione la cadena de manera que quede un bucle cerrado en la parte trasera de la espada (fig. C).

C-1	Eslabones de arrastre de la cadena
C-2	Carril de la espada

5. Sujete la cadena en su sitio en la espada y pase el bucle alrededor del piñón de la sierra telescópica.

AVISO: En la carcasa de la herramienta hay grabada una pequeña flecha de dirección y un diente de corte (fig. D). Al colocar la cadena de la sierra en la espada, asegúrese de que, después de montar la espada, la dirección de la cadena de la sierra se corresponda con la flecha de dirección de giro grabada en la carcasa de la herramienta, y que la forma de los dientes de corte de la parte superior de la espada coincida con la que aparece grabada en la carcasa. Si están orientadas en direcciones opuestas, vuelva a montar la cadena de la sierra en la espada, con las flechas orientadas en la misma dirección. La espada debe montarse con la placa de ajuste orientada hacia el exterior de la carcasa.

6. Mantenga la espada y la cadena paralelas a la superficie de montaje. Fije la tapa lateral a la carcasa, de forma que los agujeros/espigas y el perno de sujeción/agujero roscado estén bien alineados entre sí (fig. E). Presione la tapa lateral hacia la carcasa y, a continuación, apriete completamente el mando de ajuste rápido de la tensión de la cadena en sentido horario. El engranaje excéntrico en el interior de la tapa lateral está diseñado para asegurar que la cadena no esté demasiado tensa.

NOTA: Si la cadena se afloja, gire el mando de ajuste rápido de la tensión de la cadena en sentido antihorario al menos una vuelta y, a continuación, apriételo completamente.

40

7. Gire la cadena con la mano para comprobar si está bien montada y no se atasca. De lo contrario, vuelva a montar la cadena y la espada.

CONEXIÓN DEL ACCESORIO DE SIERRA TELESCÓPICA AL CONJUNTO DE MOTOR

Esta sierra telescópica funciona con la combinación del accesorio de sierra telescópica y el conjunto de motor (fig. F).

F-1	Accesorio de sierra telescópica
F-2	Conjunto de motor

⚠ ADVERTENCIA: No instale ni ajuste nunca ningún accesorio de sierra telescópica mientras el conjunto de motor esté funcionando o con la batería instalada. Si no se apaga el motor y se quita la batería pueden producirse lesiones graves.

El accesorio de sierra telescópica deberá conectarse al conjunto de motor mediante un dispositivo de acoplamiento.

1. Apague el motor y quite la batería.
2. Afloje la tuerca de mariposa.
3. Alinee la flecha del tubo de la sierra telescópica con la flecha del acoplador, y empuje el tubo de la sierra telescópica para introducirlo en el acoplador hasta que oiga claramente un «clic», lo que indicará que el eje de la sierra telescópica está montado en su sitio (fig. G).

G-1	Mando de mariposa	G-3	Flecha en el acoplador
G-2	Botón de liberación del tubo	G-4	Flecha en el tubo de la sierra telescópica

4. Tire del eje del accesorio para verificar si está bloqueado de modo seguro en el acoplador. Si no fuera así, gire el tubo de la sierra telescópica de un lado a otro en el acoplador hasta que enganche en su sitio.
5. Apriete el mando de mariposa de forma segura.

⚠ ADVERTENCIA: Asegúrese de que el mando de mariposa esté totalmente apretado antes de utilizar el equipo: compruebe el apriete periódicamente durante el uso para evitar lesiones personales graves.

CONEXIÓN DEL TUBO DE EXTENSIÓN ENTRE EL CONJUNTO DE MOTOR Y EL ACCESORIO DE SIERRA TELESCÓPICA (n.º de modelo EP1000)

⚠ ADVERTENCIA: No instale ni ajuste nunca ningún

accesorio mientras el conjunto de motor esté funcionando o con la batería instalada. Si no se apaga el motor y se quita la batería pueden producirse lesiones graves.

Este tubo de extensión está diseñado para uso exclusivo con EGO PS1000E. No lo utilice nunca con otros accesorios de EGO.

El tubo de extensión aumenta la longitud de la herramienta en 100 cm, ampliando el rango de corte. Debería conectarse entre el accesorio de sierra telescópica y el conjunto de motor. Se pueden utilizar un máximo de dos tubos de extensión (disponibles por separado) en una herramienta.

Siga el procedimiento descrito en el apartado «**CONEXIÓN DEL ACCESORIO DE SIERRA TELESCÓPICA AL CONJUNTO DE MOTOR**» para instalar el tubo de extensión entre el accesorio de sierra telescópica y el conjunto de motor (fig. H).

H-1	Acoplamiento en el poste de extensión
H-2	Acoplamiento en el cabezal de alimentación

AVISO: Una vez ensamblados correctamente, el accesorio de sierra telescópica, el tubo de extensión y el conjunto de motor no deberían separarse al tirar de ellos. Compruebe siempre la conexión tirando de ellos. Repita los pasos anteriores en caso de que se separen las piezas.

⚠ ADVERTENCIA: Si no se sujeta el accesorio y el conjunto de motor/el tubo de extensión siguiendo las instrucciones mencionadas arriba, pueden producirse lesiones graves o la muerte.

DESINSTALACIÓN DE UN ACCESORIO DEL CONJUNTO DE MOTOR

1. Apague el motor y quite la batería.
2. Afloje la tuerca de mariposa.
3. Presione el botón de liberación del tubo y, con el botón presionado, tire o gire el tubo de la sierra telescópica para sacarlo del acoplador y separarlo del conjunto de motor o del tubo de extensión (si se utiliza).
4. Repita el proceso para separar la pértiga de extensión del cabezal de alimentación (si se utiliza la pértiga de extensión).

MONTAJE Y AJUSTE DE LA EMPUÑADURA AUXILIAR DELANTERA

1. Apague el motor y quite la batería.
2. Afloje la tuerca de mariposa y retírela junto con

el perno de sujeción de la empuñadura auxiliar delantera (fig. I1).

I-1	Empuñadura auxiliar delantera	I-4	Tuerca de mariposa
I-2	Palanca de bloqueo	I-5	Bloque de sujeción
I-3	Perno de sujeción		

ES

3. Presione la empuñadura auxiliar sobre el tubo del conjunto de motor, y gírela hacia abajo para que apunte hacia la cadena de la sierra (fig. I2).
4. Inserte el bloque de sujeción y ensamble el perno de sujeción con la tuerca de mariposa (fig. I3).
5. No apriete del todo la tuerca de mariposa. Ajuste la posición de la empuñadura auxiliar delantera de manera que quede entre el colgador de correa para el hombro y la funda del tubo telescópico (fig. I4). La empuñadura auxiliar debe ajustarse de manera que, al sujetarla con la mano durante el uso de la sierra telescópica, su brazo quede extendido.
6. Presione hacia abajo la palanca de bloqueo y apriete la tuerca de mariposa para que la empuñadura auxiliar delantera quede sujeta, de modo que no gire ni se mueva en el eje del conjunto de motor.

FUNCIONAMIENTO

⚠ PELIGRO: No corte nunca cerca de líneas eléctricas, cables eléctricos ni otras fuentes de electricidad. Si la espada y la cadena se atascan en algún cable o línea eléctrica, ¡NO TOQUE LA ESPADA, LA CADENA NI EL TUBO! PODRÍAN ESTAR BAJO TENSIÓN Y RESULTAR EXTREMADAMENTE PELIGROSOS. Continúe sujetando la sierra telescópica por la empuñadura trasera aislada o deposítela con cuidado a una distancia prudente. Corte el suministro eléctrico que alimenta el cable dañado antes de intentar liberar la cuchilla del cable donde se ha trabado. El contacto con la espada, la cadena u otras piezas de la sierra telescópica conductoras de corriente, o con las líneas o cables eléctricos bajo tensión, provocará la muerte por electrocución o lesiones graves.

⚠ ADVERTENCIA: No permita que el hecho de estar familiarizado con el producto le haga descuidarse. Recuerde que cualquier distracción de una fracción de segundo es suficiente para provocar lesiones graves.

⚠ ADVERTENCIA: Lleve siempre gafas de seguridad o gafas con pantallas de protección lateral. De lo contrario,

de la herramienta pueden salir objetos despedidos y alcanzar los ojos, provocando lesiones graves.

⚠️ ADVERTENCIA: Retire siempre el acumulador del producto antes de instalar alguna pieza, efectuar ajustes, proceder a su limpieza, transportarlo, o cuando la herramienta no esté en uso. El hecho de retirar el acumulador permitirá evitar cualquier puesta en marcha accidental de la herramienta que podría dar lugar a lesiones físicas graves.

⚠️ ADVERTENCIA: No utilice piezas o accesorios no recomendados por el fabricante de este producto. La utilización de piezas o accesorios no recomendados puede provocar lesiones graves.

Antes de cada uso, examine todo el producto para ver si hay piezas dañadas, extraviadas o sueltas, como tornillos, tuercas, pernos, tapones, etc. Apriete bien todas las sujeciones y los tapones y no ponga en marcha el producto hasta haber reemplazado todas las piezas que falten o que estén dañadas.

APLICACIONES

Este producto puede utilizarse para los fines indicados a continuación:

- Desrame
- Poda

AVISO: La herramienta debe utilizarse únicamente para el fin previsto. Cualquier otro uso se considerará uso indebido.

LLENAR EL DEPÓSITO DE ACEITE LUBRICANTE PARA LA ESPADA Y LA CADENA

⚠️ ADVERTENCIA: No fume ni acerque llamas ni chispas al aceite o la sierra telescópica. El aceite podría derramarse y provocar un incendio.

AVISO: La sierra telescópica no se suministra rellena de aceite. Es esencial llenar el depósito de aceite para la cadena antes de utilizarla. El uso de la sierra telescópica sin aceite para la cadena o cuando el nivel de aceite está por debajo de una determinada cantidad, provocará daños en la sierra telescópica. La vida útil de la cadena y su capacidad de corte dependerán de una óptima lubricación. La cadena se lubrica automáticamente con aceite para cadenas durante el funcionamiento, si hay suficiente aceite en el depósito. El nivel de aceite debe controlarse también cada 20 minutos de uso, y rellenarse cuando sea necesario.

1. Quite el acumulador del conjunto de motor.

2. Limpie el tapón del depósito de aceite y la zona a su alrededor para asegurarse de que no penetre suciedad en el depósito.
3. Coloque la sierra telescópica sobre una superficie firme y plana, de modo que el tapón del depósito de aceite quede hacia arriba, y después quite el tapón (fig. J).
4. Con cuidado, vierta el aceite para la cadena y la espada en el depósito de aceite, llenándolo hasta el cuello del depósito. Tenga cuidado de que no se derrame aceite fuera del orificio. Limpie cualquier derrame de aceite.

AVISO:

- Nunca utilice aceites o lubricantes no diseñados específicamente para espadas y cadenas. De lo contrario, podrían producirse obstrucciones en el sistema de lubricación que podrían provocar el desgaste prematuro de la espada y la cadena.
- Compruebe el nivel de aceite con frecuencia y rellénelo cuando sea necesario.
- No utilice aceite sucio, usado o contaminado. De lo contrario, podrían producirse daños en la espada o cadena.
- Es normal que salga algo de aceite de la sierra cuando no está en uso. Para evitar dichas fugas, vacíe el depósito de aceite después de cada uso y, a continuación, haga funcionar la sierra durante un minuto. Cuando guarde la herramienta durante periodos prolongados, asegúrese de que la cadena esté ligeramente lubricada; así evitará que el piñón de la espada y la cadena se oxiden.
- Para contribuir a la conservación de los recursos naturales y proteger así el medio ambiente, asegúrese de reciclar o desechar el aceite de la manera correcta. Consulte a su empresa municipal de recogida de basuras para obtener información acerca de las opciones disponibles para el reciclaje y desecho de este tipo de materiales.

AJUSTE DEL POLO TELESCÓPICO (Fig. K)

1. Levante la palanca de liberación rápida para desbloquear la pértiga telescópica.
2. Extienda la pértiga telescópica hasta la longitud deseada.
3. Presione hacia abajo la palanca de liberación rápida para bloquear el tubo telescópico de forma segura.

MONTAJE DE LA CORREA PARA EL HOMBRO

Presione el gancho de la correa para abrirlo y fíjelo en el colgador de la correa para el hombro en la sierra (fig. L). Ajuste la correa bandolera en una posición cómoda para

utilizar la herramienta.

⚠ ADVERTENCIA: En caso de emergencia, quítese la correa del hombro inmediatamente para evitar lesiones.

INSTALAR/QUITAR LA BATERÍA

NOTA: Cargue siempre la batería completamente antes del primer uso.

Usar solo con baterías recargables y cargadores incluidos en la lista de la fig. A2.

Instalación

Alinee las nervaduras de la batería con las ranuras de montaje, e introduzca el pack de la batería presionándolo hacia abajo hasta oír un „clic“ (Fig. M).

⚠ ADVERTENCIA: Asegúrese de que el acumulador está bloqueado en su lugar antes del uso. Si no se coloca firmemente el acumulador, podría caerse y provocar graves lesiones personales.

⚠ ADVERTENCIA: Preste atención siempre a la posición de sus pies, así como a la presencia de niños o mascotas cuando presione el botón de liberación del acumulador. Podrían producirse lesiones graves si el acumulador se cayese. No quiete NUNCA la batería en un lugar elevado.

Retirada

Pulse el botón de liberación de la batería y saque el pack de la batería (Fig. N).

LUZ DE TRABAJO LED (Fig. O)

La luz de trabajo LED se encuentra en la parte delantera del accesorio de sierra telescópica, en línea con la cadena de sierra. Esta función proporciona una luz adicional para que los usuarios puedan ver dónde está la cadena de la sierra cuando cortan ramas en lo alto del árbol.

La luz de trabajo se encenderá automáticamente al apretar el gatillo interruptor y se apagará unos 10 segundos después de soltarlo.

ARRANQUE/PARADA DE LA HERRAMIENTA

Antes de poner en marcha la sierra de pértiga

⚠ ADVERTENCIA: NO UTILICE NUNCA EL CONJUNTO DE MOTOR SIN NINGÚN ACCESORIO. No intente poner en marcha el conjunto de motor antes de conectar el accesorio de sierra telescópica.

AVISO: Antes de arrancar la sierra telescópica, compruebe el ajuste rápido de la tensión de la cadena,

el nivel de aceite y el afilado de la cadena y los dientes. Además, se necesita un método de agarre, un buen equilibrio de los pies y una distancia adecuada del suelo (fig. Q).

Puesta en marcha (fig. P)

1. Instale la batería.
2. Asegúrese de que no haya objetos y obstáculos en las proximidades inmediatas que pudieran entrar en contacto con la espada y cadena.
3. Agarre firmemente la empuñadura auxiliar y la empuñadura trasera, usando ambas manos.
4. Mantenga pulsado el botón de desbloqueo y, a continuación, apriete el gatillo para arrancar la sierra. Suelte el botón de desbloqueo y continúe apretando el gatillo interruptor para seguir utilizando la sierra de manera continua.

⚠ ADVERTENCIA: No intente arrancar la sierra cuando la cadena de la sierra esté en un corte o en contacto con alguna superficie.

Parada

Aleje la sierra telescópica de la zona de corte y, a continuación, suelte el gatillo para detener la sierra telescópica.

⚠ ADVERTENCIA: Asegúrese siempre de quitar la batería de la sierra telescópica durante cualquier de trabajo y cuando haya finalizado la tarea.

PROCEDIMIENTO BÁSICO DE CORTE (Fig. R)

Siga los pasos que se indican a continuación para evitar dañar la corteza del árbol o arbusto. No sierre realizando un movimiento hacia adelante y hacia atrás.

1. Haga un primer corte poco profundo (1/4 del diámetro de la rama) en la parte de abajo de la rama, cerca de la rama principal o el tronco.
2. Haga un segundo corte desde la parte de arriba de la rama, más hacia fuera que el primer corte. Continúe el corte a través de la rama hasta que se separe del árbol. Está preparado para compensar el peso de la herramienta cuando caiga la rama.
3. Haga un corte final cerca del tronco.

AVISO: Para los segundos cortes y los cortes finales (desde la parte de arriba de la rama), apoye las espigas del parachoques contra la rama que va a cortar (fig. E). Esto ayudará a estabilizar la extremidad y facilitará el corte. Deje que la cadena corte por usted; ejerza solo una ligera presión hacia abajo. Si se fuerza el corte se puede

dañar la espada, la cadena o el motor.

S-1 Espigas del parachoques

ES

4. En cuanto haya finalizado el corte, suelte el gatillo.

AVISO: Si no se siguen los procedimientos de corte correctos se puede trabar la cadena y la espada y atascarse en la rama. Si esto sucede:

1. Apague el motor y quite la batería.
2. Si se puede alcanzar la rama desde el suelo, levante la rama mientras sujeta la sierra. Así podrá eliminar el «atasco» y liberar la sierra.
3. Si la sierra sigue enganchada, solicite ayuda a un profesional.

DESRAEME Y PODA

Esta sierra telescópica está diseñada para recortar ramas y ramas pequeñas de hasta 20 cm (para la herramienta con espada de 25 cm) o de 25 cm (para la herramienta con espada de 30 cm) de diámetro. Para obtener los mejores resultados, observe las siguientes precauciones:

1. Planifique bien el corte. Tenga en cuenta la dirección en la que caerá la rama.

⚠ ADVERTENCIA: Las ramas pueden caer en direcciones inesperadas. No se coloque justo debajo de la rama que va a cortar.

2. La aplicación de corte más habitual es colocar la unidad en un ángulo de 60° o menos, dependiendo de la situación específica, como se muestra en la Fig. T. Cuanto mayor sea el ángulo del tubo de la sierra telescópica respecto al suelo, más difícil será hacer el primer corte (desde la parte de abajo de la rama).
3. Quite las ramas largas en varias etapas.
4. Corte primero las ramas más bajas para que las ramas superiores tengan más espacio de caída.
5. Trabaje despacio, sujetando firmemente la sierra con las dos manos. Mantenga un buen equilibrio y los pies firmemente apoyados en el suelo.
6. Mantenga el árbol entre usted y la cadena cuando desrame. Corte desde el lado del árbol contrario a la rama que está cortando.
7. No corte estando subido a una escalera: es extremadamente peligroso. Estas operaciones deben hacerlas solo los profesionales.
8. No haga el corte final junto a la rama principal o el tronco hasta que haya cortado gran parte de la rama, para reducir el peso. Siguiendo los procedimientos

de corte correctos se evita pelar la corteza del tronco o la rama principal.

9. No utilice la sierra telescópica para trabajos de tala o trozado.
10. Para evitar la electrocución, no utilice la herramienta a una distancia menor que 15 m de líneas eléctricas aéreas (fig. T).
11. Mantenga a otras personas a una distancia mínima de 15 m (fig. T).

MANTENIMIENTO

⚠ ADVERTENCIA: Antes de inspeccionar, limpiar o realizar el mantenimiento de la herramienta, apague el motor, espere a que se detengan todas las partes móviles y quite la batería. El incumplimiento de estas instrucciones podría provocar lesiones personales graves o daños materiales.

⚠ ADVERTENCIA: Cuando repare el aparato, utilice solo piezas idénticas a las originales. La utilización de otras piezas puede suponer un peligro o causar daños en el producto. Para garantizar la seguridad y fiabilidad del producto, todas las reparaciones que no se enumeran en estas instrucciones de mantenimiento deberá realizarlas un técnico cualificado.

⚠ ADVERTENCIA: Utilice siempre guantes cuando manipule la cadena de la sierra. La cadena está afilada y puede contener rebabas.

MANTENIMIENTO GENERAL

Evite utilizar disolventes para limpiar las piezas de plástico. La mayoría de los plásticos podrían dañarse si se limpian con algunos de los tipos de disolventes disponibles en el mercado. Utilice paños limpios para eliminar la suciedad y los residuos de polvo, aceite, grasa, etc.

LIMPIEZA

- Después de cada uso, limpie cualquier residuo o acumulación de material de la cadena y la espada utilizando un cepillo suave. Limpie la superficie de la sierra telescópica con un paño limpio, humedecido con una solución jabonosa.
- Quite la tapa lateral y, a continuación, utilice un cepillo suave para eliminar residuos y acumulaciones de material de la espada, la cadena, el piñón y la tapa lateral.
- Limpie siempre las virutas de madera, serrín y suciedad acumulada en el carril de la espada cuando cambie la cadena.

Todas las reparaciones de la sierra telescópica distintas a las acciones que se enumeran en estas instrucciones de mantenimiento debe realizarlas el personal de servicio técnico competente para esta herramienta.

SUSTITUCIÓN DE LA ESPADA Y LA CADENA

Cuando sustituya la espada y la cadena, utilice siempre la combinación específica de estos elementos indicada en el apartado «Espada y cadena recomendadas para esta sierra telescópica».

- Quite la batería y deje que la sierra se enfríe. Asegúrese de que el tapón del depósito de aceite está bien cerrado para evitar fugas de aceite.
- Coloque la sierra telescópica de costado sobre una superficie firme y plana, de manera que la tapa lateral quede orientada hacia arriba.
- Utilice guantes. Quite la tapa lateral (Fig. U). Limpie la tapa lateral con un paño seco.
- Quite la espada y la cadena gastadas de la superficie de montaje.
- Instale la nueva espada y la cadena de la sierra, siguiendo las instrucciones del apartado «**MONTAJE DE LA ESPADA Y LA CADENA**» en la capítulo «**MONTAJE**».

AVISO: Esta será una buena ocasión para examinar el piñón de arrastre y comprobar si está dañado o excesivamente desgastado.

MANTENIMIENTO DE LA ESPADA

Cuando la espada muestre signos de desgaste, desmóntela de la sierra. Quite el tornillo de fijación y la placa de ajuste, invierta la espada (fig. V) y vuelva a instalar la placa de ajuste en el nuevo lado de la espada (fig. W) para distribuir el desgaste y conseguir la máxima vida útil de la espada. La espada deberá limpiarse tras cada día después del uso, y examinarse por si presentase desgaste o daños. Los rebordes o rebabas presentes en el carril de la espada son un proceso normal de desgaste de la espada. Dichas anomalías deberán alisarse con una lima en cuanto se produzcan. Una espada que muestre cualquiera de las siguientes anomalías deberá sustituirse.

- Desgaste en el carril de la espada que permite a la cadena acostarse hacia los lados.
- Espada doblada o deformada.
- Carril con grietas o roturas.
- Carril ensanchado.

Además, la espada cuenta con un piñón en su punta. El piñón deberá lubricarse semanalmente utilizando una jeringa o pistola de engrase para así prolongar la vida útil de la espada. Utilice una jeringa o pistola de engrase para

lubricar semanalmente el piñón con aceite para cadenas a través del orificio de lubricación (fig. X). Gire la espada y compruebe que los orificios de lubricación y el carril de la cadena están libres de suciedad.

X-1	Piñón en la punta de la espada
X-2	Orificio de lubricación

ES

MANTENIMIENTO DE LA CADENA

Utilice únicamente cadenas de bajo retroceso en esta sierra. Esta cadena de corte rápido provocará menos retrocesos si se mantiene correctamente.

Una cadena de motosierra correctamente afilada cortará a través de madera sin esfuerzo, incluso ejerciendo una presión mínima.

Nunca utilice una cadena embotada o dañada. Unos dientes de corte de cadena embotados requerirán mayor esfuerzo para cortar por parte del usuario, además de generar más vibraciones y proporcionar unos resultados de corte poco satisfactorios, y serán más propensos a sufrir desgaste.

- Para poder cortar con suavidad y rapidez, la cadena de la sierra deberá mantenerse correctamente. Cuando las virutas de madera producidas sean pequeñas y de una consistencia polvorienta, cuando sea necesario un gran esfuerzo para que la cadena penetre a través de la madera durante el corte, o si la cadena corta hacia un lado, esto indica que es necesario afilar la cadena. A llevar a cabo el mantenimiento de la cadena de la sierra, tenga en cuenta lo siguiente:
 - Un ángulo de afilado incorrecto de las placas laterales de los dientes puede aumentar los riesgos de fuerte retroceso.
 - Altura de los dientes de arrastre (limitadores de profundidad). Si es demasiado baja, aumentará la posibilidad de retroceso. Si no es lo bastante baja, disminuirá la capacidad de corte.
 - Si los dientes de corte han golpeado objetos duros, como clavos y piedras, o bien han sufrido desgaste debido a fricción con lodo o arena en la madera, confíe el afilado de la cadena a personal técnico cualificado.

TRANSPORTE Y ALMACENAMIENTO

- No almacene ni transporte el accesorio de sierra telescópica mientras está funcionando. Quite siempre la batería antes de guardar o transportar la herramienta.
- Coloque siempre la funda en la espada y la cadena antes de guardar o transportar el accesorio de sierra



telescópica. Tenga cuidado para evitar cortarse con los dientes afilados de la cadena.

- Limpie a fondo la sierra telescópica antes de guardarla. Guarde la sierra telescópica en un espacio interior seco y cerrado con llave, fuera del alcance de los niños, y manténgala apartada de agentes corrosivos como productos químicos de jardinería y sal para deshielo.

ES

Protección del medio ambiente



¡No elimine aparatos eléctricos, baterías usadas ni cargadores de baterías junto con los desperdicios domésticos!

Lleve este producto a un punto de reciclaje autorizado y deposítelo por separado según corresponda. Las herramientas eléctricas se deben llevar a un punto de reciclaje con fin de proteger el medio ambiente.

KES VAN DER SPEK
TUINMACHINES ★ STOLWIJK

SOLUCIÓN DE PROBLEMAS

PROBLEMA	CAUSA	SOLUCIÓN
EL MOTOR NO FUNCIONA.	<ul style="list-style-type: none"> ■ La batería no está insertada correctamente en la sierra telescópica. ■ No hay contacto eléctrico entre la batería y la sierra. ■ La batería está agotada. ■ No ha pulsado el botón de desbloqueo antes de apretar el gatillo interruptor. ■ La batería o el conjunto de motor se han sobrecalentado. ■ Cadena clavada en la madera. ■ La espada y la cadena están torcidas y no están paralelas a la carcasa. ■ Residuos en el carril de la espada. ■ Residuos acumulados en la tapa lateral. 	<ul style="list-style-type: none"> ■ Inserte correctamente la batería en la sierra telescópica. ■ Quite la batería, compruebe los contactos eléctricos y vuelva a instalarla. ■ Cargue la batería. ■ Mantenga presionada hacia abajo la palanca de desbloqueo y apriete el gatillo interruptor para poner en marcha la sierra telescópica. ■ Deje que la batería o el conjunto de motor se enfrien hasta que la temperatura descienda al rango de temperatura de funcionamiento recomendado. ■ Suelte el gatillo interruptor, retire la espada y cadena de la ranura de corte en la madera y vuelva a poner en marcha la sierra telescópica. ■ Quite la batería y cambie la espada y la cadena siguiendo las instrucciones del apartado «SUSTITUCIÓN DE LA ESPADA Y LA CADENA». Recuerde siempre mantener la espada y la cadena paralelas a la superficie de montaje antes de instalar la tapa lateral. ■ Presione la cadena contra la madera y desplace la sierra telescópica hacia adelante y hacia atrás para descargar cualquier acumulación de residuos. ■ Quite la batería y, a continuación, desmonte la tapa lateral y limpie los residuos.

ES

PROBLEMA	CAUSA	SOLUCIÓN
El motor funciona, pero la cadena no gira.	<ul style="list-style-type: none"> ■ La cadena no está engranada en el piñón de arrastre. ■ Cadena destensada. ■ 2 Cadena embotada. ■ Cadena instalada al revés. ■ Cadena desgastada. ■ Cadena seca o excesivamente estirada. ■ La cadena no está bien asentada en el carril de la espada. 	<ul style="list-style-type: none"> ■ Quite la batería y vuelva a instalar la cadena, asegurándose de que los eslabones de arrastre de la cadena han engranado en los dientes del piñón. ■ Afloje el mando de ajuste rápido de la tensión de la cadena como mínimo una vuelta en sentido antihorario y, a continuación, apriételo completamente en sentido horario hasta que la cadena esté bien tensada. ■ Los dientes de corte de la cadena debe afilarlos un técnico cualificado. ■ Quite la batería y vuelva a instalar la cadena de la sierra, siguiendo las indicaciones del apartado «SUSTITUCIÓN DE LA ESPADA Y LA CADENA». ■ Quite la batería y vuelva a colocar la cadena, siguiendo las indicaciones del apartado «SUSTITUCIÓN DE LA ESPADA Y LA CADENA». ■ Compruebe el nivel de aceite. Si es necesario, rellene el depósito de aceite. ■ Quite la batería y vuelva a instalar la cadena de la sierra, siguiendo las indicaciones del apartado «SUSTITUCIÓN DE LA ESPADA Y LA CADENA».
La espada y la cadena se calientan y emana humo.	<ul style="list-style-type: none"> ■ El depósito de aceite de cadena está vacío. ■ Residuos en el carril de la espada. 	<ul style="list-style-type: none"> ■ Rellene el depósito de lubricante para espada y cadena. ■ Elimine los residuos del carril.

GARANTÍA

POLÍTICA DE GARANTÍA DE EGO

Visite la página web egopowerplus.com para conocer los términos y condiciones completos de la política de garantía de EGO.

LEIA TODAS AS INSTRUÇÕES!



LEIA O MANUAL DE INSTRUÇÕES

⚠ Risco residual! As pessoas com dispositivos eletrônicos, como pacemakers, deverão consultar o seu médico antes de utilizarem este produto. A utilização de equipamento elétrico perto de um pacemaker pode causar interferências ou falhas no pacemaker.

⚠ AVISO: Para garantir a segurança e bom funcionamento, todas as reparações deverão ser efetuadas por um técnico de reparação qualificado.

PT

SÍMBOLOS DE SEGURANÇA

O objetivo dos símbolos de segurança é chamar a atenção para possíveis perigos. Os símbolos de segurança e as explicações apresentadas com eles requerem a sua atenção e compreensão. Os avisos de segurança, só por si não eliminam o perigo. As instruções e avisos dados não são substitutos para medidas de prevenção adequadas a acidentes.

⚠ AVISO: Certifique-se de que lê e compreende todos os avisos de segurança neste manual do utilizador, incluindo todos os símbolos de alerta de segurança, como "PERIGO", "AVISO" e "CUIDADO" antes de usar esta ferramenta. Não seguir todas as instruções apresentadas abaixo pode resultar em choque elétrico, incêndio e/ou ferimentos graves.

SIGNIFICADO DOS SÍMBOLOS

Esta página retrata e descreve os símbolos de segurança que podem aparecer neste produto. Leia, compreenda e siga todas as instruções na máquina antes de tentar montar e utilizar.



Alerta de segurança



Para reduzir o risco de ferimentos, o utilizador tem de ler e compreender o manual do utilizador antes de utilizar este produto.



Use proteção ocular



Use proteção para a cabeça



Use proteção auditiva



Use luvas de proteção

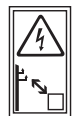


Nível de potência do som garantido. Emissão de ruído para o ambiente de acordo com a diretiva da Comunidade Europeia.

IPX4 Grau de proteção de entrada



Use calçado de segurança



Para evitar a eletrocussão, não trabalhe a menos de 15 metros de fios elétricos. O contacto com linhas elétricas pode causar ferimentos sérios ou choque elétrico que pode dar origem a morte.



Não exponha à chuva.



Este produto encontra-se em conformidade com as diretivas CE aplicáveis.



Este produto encontra-se em conformidade com a legislação no Reino Unido.



Os produtos elétricos residuais não deverão ser eliminados juntamente com o lixo doméstico comum. Entregue-os num centro de reciclagem autorizado.



Corrente direta



V Voltagem

CARACTERÍSTICAS TÉCNICAS

Voltagem nominal	56 V ---	
Comprimento da barra de orientação	25 cm	
Engate da corrente	6,4 mm (1/4")	
Extremidade da corrente	1,1 mm (0.043")	
Capacidade do depósito do óleo	80 ml	
Número de elos condutores	56	
Comprimento da ferramenta (sem haste de extensão)	Máx. 292 cm Mín. 233 cm	
Temperatura de funcionamento recomendada	-15°C-40°C	
Temperatura de armazenamento recomendada	-20°C-70°C	
Temperatura de carregamento recomendada	5°C-40°C	
Peso (sem a bateria, baihna da corrente)	4,25 kg	
Nível de potência do som medido L_{WA}	97 dB(A) K=2,5 dB(A)	
Nível de pressão do som na posição de trabalho L_{PA}	82 dB(A) K=3 dB(A)	
Nível de potência do som garantido L_{WA} (de acordo com a 2000/14/CE)	100 dB(A)	
Vibração a_h	Pega auxiliar dianteira	1,19 m/s ² K=1,5 m/s ²
	Pega traseira	1,01 m/s ² K=1,5 m/s ²

- O valor total declarado da vibração foi medido de acordo com um método de teste padrão e pode ser usado para comparar duas ferramentas.
- O valor total declarado da vibração também pode ser usado numa avaliação preliminar da exposição.

OBSERVAÇÃO: A emissão de vibrações durante a utilização da ferramenta elétrica pode diferir do valor declarado em que a ferramenta é usada. De modo a proteger o utilizador, este deverá usar luvas e proteção auditiva nas condições atuais de utilização.

DESCRIÇÃO

CONHEÇA A SUA PODADORA (Imagem A1)

1. Manipulo de ajuste rápido da tensão da corrente
2. Luz de trabalho LED
3. Cobertura lateral
4. Suporte da alça para os ombros
5. Haste de extensão
6. Botão de desbloqueio
7. Gatilho do interruptor
8. Pega traseira
9. Botão de libertação da bateria
10. Pega auxiliar dianteira
11. Alavanca de libertação rápida
12. Haste telescópica
13. Alça para os ombros
14. Tampa do depósito do óleo
15. Depósito do óleo
16. Espigões de corte
17. Barra de orientação
18. Corrente da serra
19. Baihna da corrente

LISTA DE PEÇAS (Imagem A1)

Barra e corrente recomendadas para a podadora

NOME DA PEÇA	NÚMERO DO MODELO
Barra de orientação	AG1000Q, AG1200Q
Corrente da serra	AC1000Q, AC1200Q

MONTAGEM

⚠ AVISO: Se houver peças danificadas ou em falta, não utilize o produto até ter substituído essas peças. Utilizar este produto com peças danificadas ou em falta pode dar origem a ferimentos sérios.

⚠ AVISO: Não tente modificar este produto nem criar acessórios que não sejam recomendados para utilizar com o produto. Qualquer alteração ou modificação é considerada uma má utilização e pode dar origem a perigos, que podem levar a ferimentos sérios.

⚠ AVISO: Retire sempre a bateria do produto quando estiver a montar peças, fazer ajustes, limpar ou quando não utilizar o produto.

INSTALAR A BARRA DE ORIENTAÇÃO E A CORRENTE

1. Posicione a podadora numa superfície firme e plana, de modo a que a tampa do depósito fique virada para cima.
2. Use luvas. Retire a cobertura lateral (Imagem B).
3. Coloque a nova corrente da serra num arco numa superfície plana, e endireite quaisquer dobras.
4. Coloque os elos condutores da corrente na ranhura da barra de orientação. Coloque a corrente de modo a que haja um arco na parte traseira da barra de orientação (Imagem C).

C-1	Elos condutores da corrente
C-2	Ranhura da barra de orientação

5. Segure a corrente em posição na barra de orientação e coloque o arco à volta da roda dentada da podadora.

OBSERVAÇÃO: Existe uma pequena seta de direção e um cortador gravados na estrutura da ferramenta (Imagem D). Quando passar a corrente da serra pela barra de orientação, certifique-se de que, após montar a barra de orientação, a direção da corrente da serra corresponde à seta da direção de rotação na estrutura da ferramenta, e que a forma dos cortadores no topo da barra de orientação são consistentes com o cortador na estrutura. Se ficarem em direções opostas, volte a montar a corrente da serra na barra de orientação com as setas na mesma direção. A barra de orientação deverá ser montada com a placa de ajuste virada na direção oposta à estrutura.

6. Mantenha a barra e a corrente paralelas à superfície de montagem. Fixe a cobertura lateral na estrutura, de modo a que os orifícios/cavilhas e parafuso de aperto/orifício de roscar fiquem alinhados corretamente uns com os outros (Imagem E). Pressione a cobertura lateral na direção da estrutura, depois aperte por completo o manípulo de ajuste rápido da tensão da corrente no sentido dos ponteiros do relógio. O carreto excêntrico no interior da cobertura lateral foi criado para garantir que a corrente não fica com uma tensão excessiva.

NOTA: Se a corrente ficar solta, rode o manípulo de ajuste rápido da tensão da corrente no sentido inverso ao dos ponteiros do relógio, pelo menos, uma volta. Depois, aperte o manípulo por completo.

7. Rode a corrente com a mão para verificar se a corrente ficou corretamente montada sem dobras. Caso contrário, volte a montar a corrente e a barra.

LIGAR O ACESSÓRIO DA PODADORA À CABEÇA MOTORA

Esta podadora funciona através da combinação do acessório da podadora e cabeça motora (Imagem F).

F-1	Acessório da podadora
F-2	Cabeça do motor

⚠ AVISO: Nunca instale nem ajuste o acessório da podadora enquanto a cabeça motora estiver a funcionar ou com a bateria instalada. Falha em parar o motor e retirar a bateria pode causar ferimentos sérios.

O acessório da podadora liga-se à cabeça motora através de um dispositivo de acoplamento.

1. Pare o motor e retire a bateria.
2. Desaperte o manípulo de asa.
3. Alinhe a seta no eixo da podadora com a seta no acoplador e empurre o eixo da podadora para o acoplador até ouvir um clique, o que significa que o eixo da podadora está montado no respetivo lugar (Imagem G).

G-1	Manípulo de asa	G-3	Seta no acoplador
G-2	Botão de libertação do eixo	G-4	Seta no eixo da podadora

4. Puxe o eixo do acessório para se certificar de que está bem fixado no acoplador. Caso contrário, rode o eixo da podadora de um lado para o outro no acoplador até ficar fixado no respetivo lugar.
5. Aperte bem o manípulo de asa.

⚠ AVISO: Certifique-se de que o manípulo de asa está completamente apertado antes de utilizar o equipamento. Verifique-o periodicamente quanto ao aperto durante a utilização, para evitar ferimentos sérios.

LIGAR A HASTE DE EXTENSÃO ENTRE A CABEÇA MOTORA E O ACESSÓRIO DA PODADORA (Modelo nº EP1000)

⚠ AVISO: Nunca instale nem ajuste o acessório enquanto a cabeça motora estiver a funcionar ou com a bateria instalada. Falha em parar o motor e retirar a bateria pode causar ferimentos sérios.

Esta haste de extensão foi criada para ser usada exclusivamente com a EGO PS1000E. Nunca a use com outros acessórios da EGO.

A haste de extensão aumenta o comprimento da ferramenta em 100 cm, aumentando o alcance de corte. Deverá ser ligada entre o acessório da podadora e a cabeça motora. Pode usar um máximo de duas hastes de extensão (disponíveis separadamente) numa ferramenta.

Siga o processo na secção “**LIGAR O ACESSÓRIO DA PODADORA À CABEÇA MOTORA**” para instalar a haste de extensão entre o acessório da podadora e a cabeça motora (Imagem H).

H-1	Acoplador na haste de extensão
H-2	Acoplador na cabeça motora

OBSERVAÇÃO: Quando a montagem for feita corretamente, o acessório da podadora, haste de extensão e cabeça motora não se deverão separar quando forem puxados. Teste sempre a ligação, puxando-os. Repita os passos apresentados acima se as peças puderem ser separadas.

AVISO: Não fixar o acessório e a cabeça motora/haste de extensão conforme indicado pode dar origem a ferimentos sérios ou morte.

RETIRAR O ACESSÓRIO DA CABEÇA MOTORA

1. Pare o motor e retire a bateria.
2. Desaperte o manípulo de asa.
3. Prima o botão de libertação do eixo e, com o botão pressionado, puxe ou rode o eixo da podadora para fora do acoplador, para o separar da cabeça motora ou haste de extensão (se usada).
4. Repita este processo para separar a haste de extensão da cabeça motora (se usar a haste de extensão).

MONTAR E AJUSTAR A PEGA AUXILIAR DIANTEIRA

1. Pare o motor e retire a bateria.
2. Desaperte a porca de asas e retire-a do parafuso de fixação da pega auxiliar dianteira (Imagem I1).

I-1	Pega auxiliar dianteira	I-4	Porca de asas
I-2	Alavanca de bloqueio	I-5	Bloco de fixação
I-3	Parafuso de fixação		

3. Pressione a pega auxiliar para o eixo da cabeça motora e rode para baixo, de modo a ficar virado para a corrente da serra (Imagem I2).
4. Insira o bloco de fixação e monte o parafuso de fixação com a porca de asas (Imagem I3).
5. Não aperte por completo a porca de asas. Ajuste a posição da pega auxiliar dianteira, de modo a ficar entre o suporte da alça para os ombros e a manga da haste telescópica (Imagem I4). A pega deverá ser ajustada de modo a que o seu braço fique direito quando usar a podadora.
6. Pressione a alavanca de fixação e aperte a porca de asas de modo a que a pega auxiliar dianteira fique fixa e que não rode nem se mova no eixo da cabeça motora.

FUNCIONAMENTO

PERIGO: Nunca corte perto de linhas elétricas, cabos elétricos ou outras fontes elétricas. Se a barra e a corrente prenderem em qualquer fio ou linha elétrica, **NÃO TOQUE NA BARRA, CORRENTE NEM NA HASTE! ESTAS PODEM ESTAR SOB TENSÃO E PODEM SER MUITO PERIGOSAS.** Continue a segurar a podadora pela pega traseira isolada ou pouso-a afastada de si, de forma segura. Desligue a alimentação elétrica do fio danificado antes de tentar libertar a barra e a corrente da linha ou do fio. O contacto com a barra, corrente, outras peças condutoras da podadora ou fios elétricos pode dar origem a morte por electrocussão ou ferimentos sérios.

AVISO: Não permita que a familiarização com este produto o torne descuidado. Lembre-se de que uma fração de segundo de desatenção é o suficiente para sofrer um ferimento sério.

AVISO: Use sempre óculos de segurança com proteções laterais. Se não o fizer, pode apanhar com objetos nos olhos, dando origem a possíveis ferimentos graves.

AVISO: Retire sempre a bateria do produto quando estiver a montar peças, fazer ajustes, limpar, transportar ou quando não utilizar o produto. Retirar a bateria evita um arranque accidental que poderia causar ferimentos sérios.

AVISO: Não utilize quaisquer ligações ou acessórios não recomendados pelo fabricante deste produto. A utilização de acessórios que não sejam recomendados pode dar origem a ferimentos sérios.

Antes de cada utilização, inspecione todo o produto quanto

a peças danificadas, em falta ou soltas, como parafusos, porcas, tampas, etc. Aperte bem todos os fixadores e tampas e não utilize este produto até que todas as peças em falta ou danificadas sejam substituídas.

APLICAÇÕES

Pode utilizar este produto com os intuitos listados abaixo:

- Desbravar
- Podar

OBSERVAÇÃO: A ferramenta tem de ser usada apenas conforme descrito. Qualquer outra utilização será considerada má utilização.

ATESTAR O DEPÓSITO DO ÓLEO COM LUBRIFICANTE PARA A BARRA E SERRA

⚠ AVISO: Não fume nem aproxime chamas do óleo ou da podadora. O óleo pode ser derramado e causar um incêndio.

OBSERVAÇÃO: A podadora não vem com óleo na altura da compra. É essencial abastecer o depósito com óleo antes da utilização. Utilizar a podadora sem óleo ou quando o nível do óleo estiver abaixo de uma certa quantidade pode dar origem a danos na podadora. O tempo de vida útil da corrente e a capacidade de corte dependem de uma lubrificação ótima. A corrente é lubrificada automaticamente com óleo da corrente durante o funcionamento, caso haja óleo suficiente no depósito. Deverá verificar o nível do óleo após cada 20 minutos de utilização, e encher, se necessário.

1. Retire a bateria da cabeça motora.
2. Limpe a tampa do depósito do óleo e a área em redor desta, para se certificar de que não entra lixo no depósito do óleo.
3. Posicione a podadora numa superfície firme e plana, de modo a que a tampa do depósito fique virada para cima. Depois, retire a tampa (Imagem J).
4. Deite cuidadosamente o óleo da barra e da corrente no depósito até encher até ao pescoço do depósito. Tenha cuidado para não deixar o óleo derramar na entrada. Limpe o excesso de óleo.

OBSERVAÇÃO:

- Nunca use óleo ou outros lubrificantes que não tenham sido criados especificamente para serem usados na barra e na corrente. Isto pode dar origem a uma obstrução no sistema do óleo, que pode causar o desgaste prematuro da barra e da corrente.
- Verifique frequentemente o nível do óleo e encha conforme necessário.

- Não use óleos sujos, usados ou contaminados. Pode danificar a barra ou a corrente.
- É normal que o óleo se derrame quando não usar o aparelho. Para evitar derrames, esvazie o depósito do óleo após cada utilização e deixe funcionar o aparelho durante um minuto. Quando guardar a ferramenta durante um longo período de tempo, certifique-se de que a corrente fica ligeiramente lubrificada. Isto evita que apareça ferrugem na corrente ou roda dentada da barra.
- Para preservar os recursos naturais, recicle ou elimine o óleo de um modo adequado. Consulte as autoridades locais quanto ao modo de reciclar e eliminar corretamente.

AJUSTAR A HASTE TELESCÓPICA (Imagem K)

1. Levante a alavanca de libertação rápida para desbloquear a haste telescópica.
2. Estique a haste telescópica para o comprimento desejado.
3. Pressione a alavanca de libertação rápida para baixo para desbloquear em segurança a haste telescópica.

MONTAR A ALÇA PARA O OMBRO

Prima o gancho da alça para o ombro e fixe no gancho de fixação da alça para o ombro na serra (Imagem L). Ajuste a alça numa posição de funcionamento confortável.

⚠ AVISO: Se ocorrer uma emergência, retire imediatamente a alça do ombro para evitar ferimentos.

INSTALAR/RETIRAR A BATERIA

NOTA: Carregue por completo a bateria antes da primeira utilização.

Utilize apenas com as baterias e carregadores listados na Imagem A2.

Para fixar

Alinhe as abas da bateria com as ranhuras de fixação e empurre a bateria para baixo até ouvir um “clique” (Imagem M).

⚠ AVISO: Certifique-se de que a bateria é fixada no respetivo lugar antes da utilização. Não fixar corretamente a bateria pode fazer com que ela caia, podendo dar origem a ferimentos sérios.

⚠ AVISO: Certifique-se sempre da localização dos seus pés, de crianças ou animais quando premir o botão de libertação da bateria. Se a bateria cair, podem ocorrer ferimentos sérios. NUNCA retire a bateria num local elevado.

Para retirar

Prima o botão de libertação da bateria e puxe a bateria para fora (Imagem N).

LUZ DE FUNCIONAMENTO LED (Imagem O)

A luz de funcionamento LED encontra-se na frente da podadora, em linha com a corrente da serra. Esta funcionalidade fornece luz extra para os utilizadores verem onde a corrente da serra se encontra quando cortarem ramos altos em árvores.

A luz de funcionamento liga-se automaticamente quando pressionar o interruptor do gatilho, e desliga-se passados 10 segundos após libertar o interruptor do gatilho.

LIGAR/DESLIGAR A FERRAMENTA

Antes de ligar a podadora

AVISO: NUNCA UTILIZE A CABEÇA MOTORA SEM UM ACESSÓRIO. Não tente ligar a cabeça motora antes de ligar o acessório da podadora.

OBSERVAÇÃO: Antes de ligar a podadora, verifique o ajuste da tensão da corrente, nível do óleo e se a corrente e os dentes estão afiados. Adicionalmente, é necessário manter a distância correta do solo e uma base estável (Imagem Q).

Iniciar (Imagem P)

1. Instale a bateria.
2. Certifique-se de que não se encontram por perto objetos ou obstruções que possam entrar em contacto com a barra e a corrente.
3. Segure firmemente as pegas dianteira e traseira usando ambas as mãos.
4. Prima e mantenha premido o botão de desbloqueio, depois prima o gatilho do interruptor para ligar a serra. Liberte o botão de desbloqueio e continue a premir o gatilho para uma utilização prolongada.

AVISO: Não tente ligar a serra quando a corrente da serra estiver num corte ou em contacto com qualquer superfície.

Parar

Afaste a podadora da área de corte e liberte o interruptor do gatilho para parar a podadora.

AVISO: Retire sempre a bateria da podadora durante pausas de trabalho e após terminar o trabalho.

PROCEDIMENTO BÁSICO DE CORTE (Imagem R)

Siga os passos apresentados a seguir para evitar danos na árvore ou descascar arbustos. Não utilize um movimento de serrar para a frente e para trás.

1. Faça primeiro um corte superficial (1/4 do diâmetro do ramo) na parte inferior do ramo, perto do ramo principal ou tronco.
2. Faça um segundo corte a partir do lado de cima do ramo, de forma afastada do primeiro corte. Continue o corte através do ramo, até que este se separe da árvore. Esteja preparado para equilibrar o peso da ferramenta quando o ramo cair.
3. Faça um corte final no tronco.

OBSERVAÇÃO: Para um segundo e últimos cortes (na parte superior do ramo), mantenha os espigões de corte contra o ramo a ser cortado (Imagem S). Isto ajuda a equilibrar o ramo e a facilitar o corte. Deixe a serra cortar por si. Faça apenas uma ligeira pressão para baixo. Se forçar o corte, danifica a barra, serra ou o motor.

S-1 Espigões de corte

4. Liberte o interruptor do gatilho mal o corte termine.

OBSERVAÇÃO: Se não seguir os procedimentos corretos de corte, a barra e a serra podem ficar torcidas e ficam presas no ramo. Caso isto aconteça:

1. Pare o motor e retire a bateria.
2. Se conseguir chegar ao ramo a partir do chão, segure o ramo enquanto segura a podadora. Isto deverá libertar o bloqueio e a serra.
3. Se a serra continuar presa, contacte um profissional.

DESBRAVAR E PODAR

Esta podadora foi criada para podar ramos pequenos e troncos com até 20 cm (para a ferramenta com uma barra de orientação de 25 cm), ou 25 cm (para a ferramenta com uma barra de orientação de 30 cm) de diâmetro. Para obter melhores resultados, tenha em conta as seguintes precauções.

1. Planeie cuidadosamente o corte. Tenha em conta a direção em que o ramo irá cair.

AVISO: Os ramos podem cair em direções inesperadas. Não se coloque diretamente por baixo do ramo a ser cortado.

2. A aplicação de corte mais habitual é posicionando a unidade a um ângulo de 60° ou menos, dependendo da situação específica, conforme apresentado na Imagem T. À medida que o ângulo do eixo da podadora em relação ao chão aumenta, a dificuldade

- em fazer o primeiro corte (por baixo do ramo) aumenta.
3. Retire os ramos compridos em vários passos.
 4. Corte primeiro os ramos mais baixos e dê mais espaço aos ramos de cima para caírem.
 5. Trabalhe lentamente, segurando firmemente a podadora com ambas as mãos. Mantenha sempre uma posição estável e o equilíbrio.
 6. Mantenha a árvore entre si e a serra enquanto desbrava. Corte do lado da árvore oposto ao ramo que está a cortar.
 7. Não corte em cima de uma escada. Isto é extremamente perigoso. Deixe esta operação para profissionais.
 8. Não faça um corte seguido ao lado do ramo principal ou tronco, até ter cortado o ramo o suficiente para reduzir o peso. Seguir um procedimento de corte seguro evita o descascar do ramo principal.
 9. Não use a podadora para fazer pressão ou cortes.
 10. Para evitar a eletrocussão, não trabalhe a menos de 15 metros de fios elétricos (Imagem T).
 11. Mantenha outras pessoas a, pelo menos, 15 metros de distância (Imagem T).

MANUTENÇÃO

AVISO: Antes de inspecionar, limpar ou reparar a unidade, pare o motor, espere que todas as peças móveis parem por completo e retire a bateria. O não seguimento destas instruções pode dar origem a ferimentos sérios ou danos patrimoniais.

AVISO: Quando fizer a manutenção, utilize peças de substituição idênticas. A utilização de outras peças pode dar origem a perigos ou danos no produto. Para assegurar a segurança, todas as reparações para além dos itens listados nestas instruções de manutenção deverão ser efetuadas por um técnico de reparação qualificado.

AVISO: Use sempre luvas quando manusear a corrente da serra. A corrente está afiada e pode conter rebarbas.

MANUTENÇÃO GERAL

Evite usar solventes quando limpar peças de plástico. Grande parte dos plásticos é suscetível a danos devido a vários tipos de solventes comerciais. Use panos limpos para retirar a sujidade, pó, óleo, gordura, etc.

LIMPEZA

- Após cada utilização, limpe os resíduos da corrente e barra de orientação com uma escova suave. Limpe a superfície da podadora com um pano limpo embebido numa solução neutra de sabão.
- Retire a cobertura lateral e depois use uma escova suave para retirar os resíduos da barra de orientação, corrente da serra, roda dentada e cobertura lateral.
- Limpe sempre as lascas, serradura e sujidade da ranhura da barra de orientação quando voltar a colocar a corrente da serra.

Todo o serviço relativo à podadora, à exceção do que vem mencionado no manual de instruções, deve ser efetuado por pessoal qualificado.

SUBSTITUIR A BARRA E A SERRA

Quando substituir a barra de orientação e a corrente, use sempre a combinação especificada de barra e corrente listada na secção “Barra e corrente recomendadas para esta podadora”.

1. Retire a bateria e deixe a serra arrefecer. Certifique-se de que a tampa do depósito do óleo está bem fechada, para evitar derrames de óleo.
2. Posicione a podadora de lado numa superfície firme e plana, de modo a que a cobertura lateral fique virada para cima.
3. Use luvas. Retire a cobertura lateral (Imagem U). Limpe a cobertura lateral com um pano seco.
4. Retire a barra gasta e a corrente da superfície de montagem.
5. Instale a nova barra de orientação e corrente da serra seguindo as instruções de “MONTAGEM DA BARRA DE ORIENTAÇÃO E CORRENTE” na secção “MONTAGEM”.

OBSERVAÇÃO: Esta é uma boa altura para inspecionar a roda dentada motriz quanto a desgaste excessivo ou danos.

MANUTENÇÃO DA BARRA DE ORIENTAÇÃO

Quando a barra de orientação apresentar sinais de desgaste, desmonte-a da serra. Retire o parafuso de configuração e placa de ajuste, inverta a barra de configuração (Imagem V) e volte a instalar a placa de ajuste no novo lado da barra de orientação (Imagem W) para distribuir o desgaste, para um tempo máximo de vida da barra. A barra deverá ser limpa todos os dias em que for utilizada e verificada quanto a desgaste ou danos. Empenos ou rebarbas das calhas da barra são um processo normal do desgaste da barra. Tais falhas deverão ser reparadas com recurso a uma

lima, mal aconteçam. Uma barra com qualquer uma das seguintes falhas deverá ser substituída.

- Desgaste dentro das calhas da barra que permita à corrente ficar virada de lado.
- Barra de orientação dobrada.
- Calhas rachadas ou partidas.
- Calhas separadas.

Além disso, a barra de orientação tem uma roda dentada na ponta. A roda dentada tem de ser lubrificada todas as semanas com uma seringa de lubrificação para aumentar o tempo de vida útil da barra de orientação. Utilize uma seringa de lubrificação para lubrificar semanalmente com óleo de corrente através do orifício de lubrificação (Imagem X). Vire a barra de orientação e certifique-se de que os orifícios de lubrificação e a ranhura da corrente não têm impurezas.

X-1	Roda dentada na ponta da barra de orientação
X-2	Orifício de lubrificação

MANUTENÇÃO DA CORRENTE

Utilize apenas correntes de ressalto baixo com esta serra. Esta corrente de corte rápido diminui os ressaltos quando devidamente mantida.

Uma corrente devidamente afiada corta madeira sem esforço, mesmo com muito pouca pressão.

Nunca utilize uma corrente da serra danificada ou que não esteja afiada. Uma corrente da serra que não esteja afiada leva a um maior esforço físico, aumenta a vibração, produz resultados de corte insatisfatórios e um aumento do desgaste.

Para um corte rápido e suave, a corrente deve ser submetida a uma manutenção correta. A corrente tem de ser afiada quando as lascas de madeira forem cada vez mais pequenas e tiverem pó, quando a corrente tiver de ser forçada para dentro da madeira durante o corte ou se a corrente cortar para um dos lados. Durante a manutenção da serra, tenha em conta o seguinte:

- Um ângulo de limagem incorreto da placa lateral pode aumentar o risco de um ressalto grave.
- Folga do manómetro de profundidade. Demasiado baixo aumenta o potencial de ressalto. Se não for baixo o suficiente, diminui a capacidade de corte.
- Se os dentes de corte atingirem objetos sólidos, como por exemplo pregos e pedras, ou tiverem sofrido abrasão por lama ou areia na madeira, estes devem ser afiados por um técnico de reparação qualificado.

TRANSPORTE E ARMAZENAMENTO

- Não armazene nem transporte o acessório da podadora quando este se encontrar em funcionamento. Retire sempre a bateria antes de guardar ou transportar.
- Coloque sempre a cobertura na barra de orientação e na corrente antes de guardar ou transportar o acessório da podadora. Tenha cuidado para evitar os dentes afiados da corrente.
- Limpe bem a podadora antes de a guardar. Guarde a podadora no interior, num local seco trancado e/ou inacessível a crianças, e mantenha-a afastada de agentes corrosivos, como químicos de jardim e sais para o gelo.

Proteja o ambiente



Não elimine equipamento elétrico, bateria gasta nem carregador juntamente com o lixo doméstico comum!

Leve este produto a um centro de reciclagem autorizado para que possa haver uma separação das peças. As ferramentas elétricas têm de ser devolvidas em instalações de reciclagem ambientalmente compatíveis.

RESOLUÇÃO DE PROBLEMAS

PROBLEMA	CAUSA	SOLUÇÃO
O MOTOR NÃO FUNCIONA.	<ul style="list-style-type: none"> ■ A bateria não foi colocada na podadora. ■ Não existe contacto elétrico entre a serra e a bateria. ■ A bateria está gasta. ■ O botão de desbloqueio não foi pressionado antes de premir o gatilho. ■ A bateria ou a cabeça motora estão muito quentes. ■ A corrente da serra ficou presa na madeira. ■ A barra e a corrente são assimétricas e não ficam paralelas à estrutura. ■ Existem resíduos na ranhura da barra. ■ Existem resíduos na cobertura lateral. 	<ul style="list-style-type: none"> ■ Fixe a bateria na podadora. ■ Retire a bateria, verifique os contactos e volte a instalar a bateria. ■ Carregue a bateria. ■ Prima a alavanca de bloqueio e mantenha premida, depois prima o gatilho para ligar a podadora. ■ Deixe a bateria ou a cabeça motora arrefecer até que a temperatura desça para uma temperatura de funcionamento recomendada. ■ Liberte o interruptor do gatilho. Retire a corrente da serra e a barra de orientação da madeira, depois volte a ligar a podadora. ■ Retire a bateria e substitua a barra e a corrente de acordo com a secção "SUBSTITUIR A BARRA E A CORRENTE". Lembre-se sempre de manter a barra e a corrente paralelas à superfície de fixação antes de instalar a cobertura lateral. ■ Pressione a corrente da serra contra a madeira, mova-a para a frente e para trás para retirar os resíduos. ■ Retire a bateria, depois retire a cobertura lateral e limpe os resíduos.

PROBLEMA	CAUSA	SOLUÇÃO
O motor funciona, mas a corrente não roda.	<ul style="list-style-type: none"> ■ A corrente não encaixa na roda dentada motriz. ■ Tensão da corrente insuficiente. ■ A corrente não está afiada. ■ A corrente foi instalada para trás. ■ Corrente gasta. ■ Corrente seca ou excessivamente esticada. ■ A corrente não se encontra na ranhura da barra. 	<ul style="list-style-type: none"> ■ Retire a bateria e volte a instalar a corrente, certificando-se de que os elos condutores na corrente estão completamente assentes na roda dentada. ■ Desaperte o manípulo de ajuste rápido da tensão da corrente uma volta no sentido inverso ao dos ponteiros do relógio, depois aperte por completo no sentido dos ponteiros do relógio até que a corrente fique com a tensão correta. ■ A afiação da corrente deverá ser efetuada por um técnico de reparação qualificado. ■ Retire a bateria e volte a instalar a corrente da serra, de acordo com a secção "SUBSTITUIR A BARRA E A CORRENTE". ■ Retire a bateria e substitua a corrente, de acordo com a secção "SUBSTITUIR A BARRA E A CORRENTE". ■ Verifique o nível do óleo. Encha o depósito do óleo, se necessário. ■ Retire a bateria e volte a instalar a corrente da serra, de acordo com a secção "SUBSTITUIR A BARRA E A CORRENTE".
A barra e a serra ficam quentes e deitam fumo.	<ul style="list-style-type: none"> ■ O depósito do óleo da corrente está vazio. ■ Existem resíduos na ranhura da barra de orientação. 	<ul style="list-style-type: none"> ■ Adicione lubrificante à barra e à serra. ■ Limpe os resíduos na ranhura.

GARANTIA

POLÍTICA DE GARANTIA EGO

Visite o website egopowerplus.com para os termos e condições completos da política de garantia da EGO.

LEGGERE TUTTE LE ISTRUZIONI!



LEGGERE IL MANUALE DI ISTRUZIONI

⚠️ Rischi residui! Le persone portatrici di dispositivi elettronici, ad esempio pacemaker, devono consultare il proprio medico prima di usare questo prodotto. L'uso di apparecchi elettrici in prossimità di pacemaker cardiaci comporta il rischio di interferenze o malfunzionamento del pacemaker.

⚠️ AVVERTENZA! Per garantire sicurezza e affidabilità, tutte le riparazioni e sostituzioni devono essere eseguite da un tecnico qualificato.

IT

SIMBOLI DI SICUREZZA

Lo scopo dei simboli di sicurezza è attirare l'attenzione dell'operatore su possibili pericoli. I simboli di sicurezza e le relative spiegazioni richiedono la massima attenzione e comprensione da parte dell'operatore. Le avvertenze espresse dai simboli, da sole, non eliminano tutti i rischi. Le istruzioni e le avvertenze non sostituiscono le adeguate misure di prevenzione contro gli incidenti.

⚠️ AVVERTENZA! Accertarsi di aver letto e compreso tutte le istruzioni di sicurezza in questo manuale, inclusi tutti i simboli di avvertenza come "PERICOLO", "AVVERTENZA" e "ATTENZIONE", prima di usare questo apparecchio. Il mancato rispetto di tutte le istruzioni elencate di seguito comporta il rischio di scossa elettrica, incendio e/o lesioni gravi.

SIGNIFICATO DEI SIMBOLI

Questa pagina illustra e descrive i simboli di sicurezza che possono comparire sul prodotto. Leggere, comprendere e seguire tutte le istruzioni sull'apparecchio prima di tentare di assemblarlo e ripararlo.



Avvertenza di sicurezza



Per ridurre il rischio di infortuni, l'utente deve leggere e comprendere tutte le istruzioni prima di usare questo prodotto.



Indossare protezioni per gli occhi



Indossare protezioni per la testa



Indossare protezioni per le orecchie



Indossare guanti protettivi



Livello di potenza sonora garantito Emissione acustica ambientale ai sensi della direttiva dell'Unione europea.

IPX4 Grado di protezione



Indossare calzature di sicurezza.



Per evitare il rischio di folgorazione, non usare l'apparecchio entro 15 m da linee elettriche sospese. Il contatto o l'utilizzo in prossimità di linee elettriche comporta il rischio di lesioni gravi, scossa elettrica o morte.



Non esporre alla pioggia



Questo prodotto è conforme alle direttive europee applicabili.



Questo prodotto è conforme alle direttive britanniche applicabili.



I prodotti elettrici non devono essere smaltiti insieme ai rifiuti domestici. Portarli presso un centro di riciclaggio autorizzato.



Corrente continua



Tensione

SPECIFICHE TECNICHE

Tensione nominale	56 V ---	
Lunghezza della barra guida	25 cm	
Partitura della catena	6,4 mm (1/4")	
Larghezza della scanalatura	1,1 mm (0.043")	
Capacità del serbatoio dell'olio	80 ml	
Numero di maglie di trascinamento	56	
Lunghezza dell'utensile (senza asta di prolunga)	Maks. 292 cm Min. 233 cm	
Temperatura di funzionamento raccomandata	Da -15 °C a 40°C	
Temperatura di conservazione raccomandata	Da -20°C a 70°C	
Temperatura di ricarica raccomandata	Da 5°C a 40°C	
Peso (senza gruppo batteria e copertura della catena)	4,25 kg	
Livello di potenza sonora misurato L_{WA}	97 dB(A) K=2,5 dB(A)	
Livello di pressione sonora a livello dell'operatore L_{PA}	82 dB(A) K=3 dB(A)	
Livello di potenza sonora garantito L_{WA} (misurato conformemente a 2000/14/EC)	100 dB(A)	
Vibrazioni a_h	Impugnatura ausiliaria anteriore	1,19 m/s ² K=1,5 m/s ²
	Impugnatura posteriore	1,01 m/s ² K=1,5 m/s ²

- Il valore totale di emissioni delle vibrazioni dichiarato è stato misurato con un metodo di valutazione standard e può essere utilizzato per confrontare l'apparecchio con altri prodotti analoghi.
- Il valore totale di emissione delle vibrazioni dichiarato può essere utilizzato anche per una valutazione preliminare dei livelli di esposizione.

NOTA: il valore di emissione delle vibrazioni durante l'uso effettivo dell'utensile elettrico può variare rispetto al valore totale dichiarato in base alla modalità di utilizzo

dell'utensile. Per proteggersi, l'operatore deve indossare guanti e dispositivi di protezione per le orecchie in base alle condizioni di utilizzo effettive.

DESCRIZIONE

COMPONENTI DEL POTATORE (Fig. A1)

- Manopola di regolazione della tensione della catena
- Luce di lavoro LED
- Copertura laterale
- Anello di aggancio della tracolla
- Asta di prolunga
- Pulsante di sbloccaggio
- Interruttore a grilletto
- Impugnatura posteriore
- Pulsante di rilascio della batteria
- Impugnatura ausiliaria anteriore
- Leva a rilascio rapido
- Asta telescopica
- Tracolla
- Tappo del serbatoio dell'olio
- Serbatoio dell'olio
- Spuntoni di appoggio
- Barra guida
- Catena
- Copertura della catena

CONTENUTO DELL'IMBALLAGGIO (Fig. A1)

Barra guida e catena raccomandate per questo potatore

NOME COMPONENTE	NUMERO MODELLO
Barra guida	AG1000Q, AG1200Q
Catena	AC1000Q, AC1200Q

ASSEMBLAGGIO

AVVERTENZA! In caso di componenti danneggiati o mancanti, non usare l'apparecchio finché i componenti non vengono sostituiti. L'uso dell'apparecchio con componenti danneggiati o mancanti comporta il rischio di lesioni gravi.

⚠ AVVERTENZA! Non tentare di modificare l'apparecchio o creare accessori non raccomandati per l'uso con questo apparecchio. Tali alterazioni o modifiche costituiscono un uso improprio e comportano condizioni pericolose e il rischio di lesioni gravi.

⚠ AVVERTENZA! Rimuovere il gruppo batteria dall'apparecchio quando non è in uso e prima delle operazioni di assemblaggio, regolazione e pulizia.

ASSEMBLAGGIO DELLA BARRA GUIDA E DELLA CATENA

1. Posizionare il potatore su una superficie piana e stabile, in modo tale che la copertura laterale sia rivolta verso l'alto.
2. Indossare guanti. Rimuovere la copertura laterale (Fig. B).
3. Disporre la catena ad anello su una superficie piana, raddrizzando eventuali pieghe.
4. Posizionare le maglie di trascinamento nella scanalatura della barra guida. Posizionare la catena in modo tale che formi un anello alla fine della barra guida (Fig. C).

C-1	Maglie di trascinamento
C-2	Scanalatura della barra guida

5. Mantenere la catena sulla barra guida e posizionare l'anello intorno al pignone del potatore.

NOTA: all'interno del vano motore è presente il simbolo di una freccia e di un dente di taglio (Fig. D). Durante l'avvolgimento della catena intorno alla barra guida, assicurarsi che la direzione di rotazione della catena corrisponda a quella indicata dalla freccia e che i denti di taglio sulla parte superiore della barra guida siano orientati come indicato dal simbolo del dente. Se i denti sono orientati in direzione opposta, rimuovere la catena e avvolgerla intorno alla barra guida in modo tale che le frecce siano rivolte nella stessa direzione. La barra guida deve essere installata con la piastra di regolazione rivolta lontano dal vano motore.

6. Mantenere la barra e la catena parallele alla superficie di assemblaggio. Fissare la copertura laterale sul vano motore in modo tale che i fori/ perni e il foro/bullone di fissaggio siano allineati correttamente (Fig. E). Spingere la copertura laterale verso il vano motore e ruotare la manopola di regolazione della tensione completamente in senso orario. L'ingranaggio eccentrico all'interno della copertura laterale è progettato per evitare che la catena venga tesa eccessivamente.

NOTA: se la catena si allenta, ruotare la manopola di regolazione della tensione della catena in senso antiorario di almeno un giro, quindi serrarla completamente.

7. Ruotare la catena manualmente per assicurarsi che sia installata correttamente e non si inceppi. In caso contrario, reinstallare la barra e la catena.

COLLEGAMENTO DELL'ACCESSORIO POTATORE ALL'UNITÀ MOTORE

Questo potatore è composto da un accessorio potatore e un'unità motore (Fig. F).

F-1	Accessorio potatore
F-2	Unità motore

⚠ AVVERTENZA! Non installare o regolare l'accessorio potatore quando l'unità motore è in funzione o con la batteria installata per evitare il rischio di lesioni gravi.

L'accessorio potatore si collega all'unità motore tramite un dispositivo di raccordo.

1. Arrestare il motore e rimuovere il gruppo batteria.
2. Allentare la manopola di fissaggio.
3. Allineare la freccia sull'asta del potatore con la freccia sul raccordo e spingere l'asta del potatore all'interno del raccordo fino a udire un "clic" (Fig. G).

G-1	Manopola di fissaggio	G-3	Freccia sul raccordo
G-2	Pulsante di rilascio dell'asta	G-4	Freccia sull'asta del potatore

4. Tirare l'asta del potatore per verificare che sia fissata saldamente all'interno del raccordo. In caso contrario, ruotare l'asta del potatore all'interno del raccordo da una parte all'altra finché non si incastra in posizione.
5. Serrare la manopola di fissaggio.

⚠ AVVERTENZA! Accertarsi che la manopola di fissaggio sia serrata completamente prima di usare l'apparecchio; durante l'uso, controllare periodicamente che sia serrata per evitare il rischio di lesioni gravi.

COLLEGAMENTO DELL'ASTA DI PROLUNGA TRA L'UNITÀ MOTORE E L'ACCESSORIO POTATORE (modello EP1000)

⚠ AVVERTENZA! Non installare o regolare l'accessorio quando l'unità motore è in funzione o con la batteria installata per evitare il rischio di lesioni gravi.

L'asta di prolunga è destinata al solo uso con il prodotto EGO PS1000E. Non utilizzarla con altri accessori EGO.

IT

L'asta di prolunga aumenta la lunghezza dell'utensile di 100 cm, estendendo l'ampiezza di taglio. L'asta di prolunga deve essere collegata tra l'accessorio potatore e l'unità motore. È possibile fissare fino a due aste di prolunga (acquistabili separatamente) sullo stesso utensile.

Procedere come descritto alla sezione **"COLLEGAMENTO DELL'ACCESSORIO POTATORE ALL'UNITÀ MOTORE"** per installare l'asta di prolunga tra l'unità motore e l'accessorio potatore (Fig. H).

H-1	Raccordo sull'asta di prolunga
H-2	Raccordo sull'unità motore

NOTA: dopo l'assemblaggio, l'accessorio potatore, l'asta di prolunga e l'unità motore non devono separarsi se tirati. Verificare che siano fissati saldamente tirandoli; se si separano, ripetere i passaggi descritti in precedenza.

AVVERTENZA! Il mancato rispetto delle istruzioni di fissaggio dell'accessorio e dell'unità motore/asta di prolunga comporta il rischio di lesioni gravi o morte.

RIMOZIONE DELL'ACCESSORIO DALL'UNITÀ MOTORE

1. Arrestare il motore e rimuovere il gruppo batteria.
2. Allentare la manopola di fissaggio.
3. Tenendo premuto il pulsante di rilascio dell'asta, tirare, se necessario ruotandola, l'asta dal raccordo per separarla dall'unità motore o dall'asta di prolunga (se installata).
4. Procedere allo stesso modo per separare l'asta di prolunga (se installata) dall'unità motore.

INSTALLAZIONE E REGOLAZIONE DELL'IMPUGNATURA AUSILIARIA ANTERIORE

1. Arrestare il motore e rimuovere il gruppo batteria.
2. Allentare il dado a farfalla e rimuoverlo insieme al bullone di bloccaggio dall'impugnatura ausiliaria anteriore (Fig. I1).

I-1	Impugnatura ausiliaria anteriore	I-4	Dado a farfalla
I-2	Leva di bloccaggio	I-5	Morsetto
I-3	Bullone di bloccaggio		

3. Posizionare l'impugnatura sull'asta dell'unità motore e ruotarla verso il basso in modo tale da orientarla verso la catena (Fig. I2).

4. Inserire il morsetto e assemblare il bullone di bloccaggio con il dado a farfalla (Fig. I3).
5. Non serrare completamente il dado a farfalla. Regolare la posizione dell'impugnatura ausiliaria anteriore in modo tale che si trovi tra l'anello di aggancio della tracolla e l'asta telescopica (Fig. I4). Regolare l'impugnatura in modo tale che il proprio braccio sia dritto durante l'uso del potatore.
6. Chiudere la leva di bloccaggio e serrare il dado a farfalla in modo tale da impedire la rotazione o lo spostamento dell'impugnatura sull'asta dell'unità motore.

UTILIZZO

PERICOLO! Non effettuare le operazioni di taglio in prossimità di linee elettriche, cavi elettrici o altre fonti di elettricità. Se la barra e la catena si impigliano in un cavo elettrico, **NON TOCCARE LA BARRA, LA CATENA O L'ASTA! POSSONO DIVENTARE ELETTIFICATE E MOLTO PERICOLOSE.** Continuare a tenere il potatore tramite l'impugnatura isolata posteriore o appoggiarlo lontano da sé in modo sicuro. Scollegare la fonte di alimentazione del cavo danneggiato prima di tentare di sbloccare la barra e la catena dal cavo. Il contatto con la barra, la catena, altri componenti conduttori elettrici del potatore, linee o cavi elettrificati comporta il rischio di morte per folgorazione o lesioni gravi.

AVVERTENZA! La familiarità con questo apparecchio non deve rendere l'operatore disattento. Anche un solo momento di disattenzione comporta il rischio di lesioni gravi.

AVVERTENZA! Indossare sempre occhiali di sicurezza o con schermi laterali per evitare il rischio di lesioni gravi causate da oggetti proiettati verso gli occhi dell'operatore.

AVVERTENZA! Rimuovere sempre il gruppo batteria dall'apparecchio durante l'assemblaggio dei componenti, prima delle operazioni di manutenzione e pulizia e quando non è in uso. La rimozione del gruppo batteria impedisce l'avvio accidentale e il conseguente rischio di lesioni gravi.

AVVERTENZA! Non usare accessori non raccomandati dal costruttore dell'apparecchio. L'uso di accessori non raccomandati può causare lesioni gravi.

Prima di ogni utilizzo, ispezionare l'intero apparecchio per verificare che nessun elemento sia mancante e non siano presenti componenti danneggiati o allentati, ad esempio

viti, bulloni, cappucci, ecc. Serrare saldamente tutti i dispositivi di fissaggio e non usare l'apparecchio finché tutti i componenti mancanti o danneggiati non vengono sostituiti.

APPLICAZIONI

Questo prodotto può essere usato per gli scopi elencati di seguito.

- Diramatura
- Potatura

NOTA: l'apparecchio deve essere utilizzato esclusivamente per gli scopi previsti. Altri utilizzi sono da considerarsi impropri.

RIEMPIMENTO DEL SERBATOIO DELL'OLIO

AVVERTENZA! Non fumare in prossimità dell'olio o del potatore e non avvicinare fonti di fuoco o fiamme. L'olio può fuoriuscire e causare un incendio.

NOTA: il potatore è privo di olio al momento dell'acquisto. È essenziale riempire il serbatoio con dell'olio per catena prima dell'uso. Il potatore subirà danni se viene usato senza olio o con un livello di olio insufficiente. La durata di vita e l'efficienza di taglio della catena dipendono dalla lubrificazione. La catena viene automaticamente lubrificata con l'olio durante l'uso, purché il serbatoio sia sufficientemente pieno. Il livello dell'olio deve essere controllato ogni 20 minuti di utilizzo e rabboccato se necessario.

1. Rimuovere il gruppo batteria dall'unità motore.
2. Pulire il tappo del serbatoio dell'olio e l'area circostante per evitare che la sporcizia penetri all'interno del serbatoio.
3. Posizionare il potatore su una superficie piana e stabile, in modo tale che il tappo del serbatoio dell'olio sia rivolto verso l'alto (Fig. J). Quindi rimuovere il tappo.
4. Versare con attenzione l'olio per catena nel serbatoio fino a raggiungere il collo del serbatoio. Fare attenzione a evitare fuoriuscite di olio dall'apertura. Rimuovere eventuali fuoriuscite di olio.

NOTE

- Non usare oli o altri lubrificanti non progettati appositamente per barre e catene per evitare l'ostruzione del sistema dell'olio e il rischio di usura prematura della barra e della catena.
- Controllare frequentemente il livello dell'olio e rabboccarlo se necessario.

- Non usare oli sporchi, usati o contaminati in altro modo per evitare danni alla barra o alla catena.
- È normale che l'olio fuoriesca quando l'apparecchio non è in uso. Per evitare le fuoriuscite, svuotare il serbatoio dell'olio dopo ogni utilizzo, quindi mettere in funzione l'apparecchio per un minuto. In previsione di un lungo periodo di inutilizzo dell'apparecchio, accertarsi che la catena sia leggermente lubrificata per evitare la formazione di ruggine sulla catena e sul pignone.
- Per salvaguardare le risorse naturali, riciclare o smaltire l'olio in modo corretto. Contattare le autorità locali per informazioni sulle modalità di riciclaggio e/o smaltimento.

REGOLAZIONE DELL'ASTA TELESCOPICA (Fig. K)

1. Sollevare la leva a rilascio rapido per sbloccare l'asta telescopica.
2. Fare scorrere l'asta telescopica fino alla lunghezza desiderata.
3. Abbassare la leva a rilascio rapido per bloccare l'asta telescopica.

INSTALLAZIONE DELLA TRACOLLA

Premere il gancio della tracolla per aprirlo e fissarlo all'anello di aggancio sull'apparecchio (Fig. L). Regolare la tracolla per una posizione di lavoro confortevole.

AVVERTENZA! In caso di emergenza, sfilare immediatamente la tracolla dalla spalla per evitare il rischio di lesioni.

INSTALLAZIONE/RIMOZIONE DEL GRUPPO BATTERIA

NOTA: ricaricare completamente il gruppo batteria prima del primo utilizzo.

Usare l'apparecchio esclusivamente con i gruppi batteria e i caricatori elencati in Fig. A2.

Installazione

Allineare i rilievi sul gruppo batteria con le scanalature di assemblaggio e premere il gruppo batteria fino a udire un "clac" (Fig. M).

AVVERTENZA! Prima dell'uso, assicurarsi che il gruppo batteria sia fissato saldamente per evitare che possa cadere, con il rischio di lesioni gravi.

AVVERTENZA! Prestare sempre attenzione ai propri piedi e all'eventuale presenza di bambini o animali attorno a sé durante la rimozione del gruppo batteria. La caduta

del gruppo batteria comporta il rischio di lesioni gravi. Non rimuovere MAI il gruppo batteria quando si è in posizione sopraelevata.

Rimozione

Premere il pulsante di rilascio della batteria ed estrarre il gruppo batteria (Fig. N).

Luce di lavoro LED (Fig. O)

Sulla parte anteriore dell'accessorio potatore è presente una luce di lavoro LED, allineata con la catena. La luce di lavoro fornisce un'illuminazione aggiuntiva durante il taglio dei rami più alti dell'albero.

La luce di lavoro si accende automaticamente alla pressione dell'interruttore a grilletto e si spegne dopo circa 10 secondi dal rilascio dell'interruttore.

AVVIO/ARRESTO DEL POTATORE

Prima di avviare il potatore

AVVERTENZA! NON UTILIZZARE L'UNITÀ MOTORE SENZA UN ACCESSORIO. Non tentare di avviare l'unità motore prima di aver collegato l'accessorio potatore.

NOTA: prima di avviare il potatore, controllare la tensione della catena, il livello dell'olio e l'affilatura dei denti della catena. Impugnatura saldamente l'apparecchio, assumere una posizione in equilibrio e mantenere una corretta distanza dal terreno (Fig. Q).

Avvio (Fig. P)

1. Installare il gruppo batteria.
2. Verificare che nelle immediate vicinanze non siano presenti oggetti o ostruzioni che potrebbero entrare in contatto con la barra guida e la catena.
3. Afferrare saldamente l'impugnatura anteriore e posteriore con entrambe le mani.
4. Tenere premuto il pulsante di sbloccaggio, quindi premere l'interruttore a grilletto per avviare il potatore. Rilasciare il pulsante di sbloccaggio e continuare a premere l'interruttore per il funzionamento continuato.

AVVERTENZA! Non tentare di avviare il potatore quando la catena è all'interno del legno o a contatto con qualsiasi superficie.

Arresto

Allontanare il potatore dall'area di taglio, quindi rilasciare l'interruttore a grilletto per arrestare il potatore.

AVVERTENZA! Rimuovere il gruppo batteria dal potatore durante le pause e al termine del lavoro.

PROCEDURA DI TAGLIO GENERALE (Fig. R)

Seguire i passaggi riportati di seguito per evitare di danneggiare l'albero o la corteccia. Non usare un movimento a sega avanti-indietro.

1. Praticare un primo taglio poco profondo (1/4 del diametro del ramo) sulla parte inferiore del ramo, in prossimità del ramo principale o del tronco.
2. Praticare un secondo taglio sulla parte superiore del ramo, sfalsato verso l'esterno rispetto al primo ramo. Proseguire il taglio fino a separare il ramo dall'albero. Prepararsi a controbilanciare il peso dell'apparecchio durante la caduta del ramo.
3. Praticare il taglio finale in prossimità del tronco.

NOTA: per il secondo taglio e quelli finali (nella parte superiore del ramo), tenere gli spuntoni di appoggio contro il ramo da tagliare (Fig. S) per mantenere il ramo stabile e facilitare il taglio. Lasciare che sia la catena a effettuare il taglio; applicare solo una leggera pressione verso il basso. Non forzare il taglio per evitare di danneggiare la barra, la catena o il motore.

S-1	Spuntoni di appoggio
-----	----------------------

4. Rilasciare l'interruttore a grilletto immediatamente dopo il taglio.

NOTA: il mancato rispetto delle corrette procedure di taglio comporta il rischio di inceppamento della barra e della catena all'interno del ramo. In tal caso:

1. Arrestare il motore e rimuovere il gruppo batteria.
2. Se il ramo può essere raggiunto da terra, sollevarlo tenendo l'apparecchio per liberare la catena dal legno.
3. Se la catena rimane incastrata, contattare un professionista.

DIRAMATURA E POTATURA

Questo potatore è progettato per il taglio di rami con diametro non superiore a 20 cm (per gli utensili con barra guida da 25 cm) o 25 cm (per gli utensili con barra guida da 30 cm). Per i migliori risultati, rispettare le precauzioni riportate di seguito.

1. Pianificare il taglio con attenzione. Prevedere la direzione di caduta del ramo.

AVVERTENZA! I rami possono cadere in direzioni inaspettate. Non posizionarsi direttamente sotto il ramo da tagliare.

2. Per un taglio tipico, posizionare l'apparecchio a un angolo minore di 60°, a seconda della situazione specifica, come illustrato in Fig. T. Maggiore è l'angolo dell'asta del potatore rispetto al terreno, più sarà difficile praticare il primo taglio (sulla parte inferiore della ramo).
3. Rimuovere i rami più lunghi in diversi passaggi.
4. Tagliare per primi i rami inferiori, affinché i rami superiori abbiano più spazio per cadere.
5. Lavorare lentamente, tenendo entrambe le mani sul potatore con una presa salda. Mantenere sempre una posizione salda e in equilibrio.
6. Durante la diramatura, mantenere l'albero tra sé e la catena. Iniziare il taglio dal lato dell'albero opposto al ramo da tagliare.
7. Non tagliare da una scala. È molto pericoloso. Questa operazione è riservata ai professionisti.
8. Durante la potatura di un albero, non tagliare a filo del ramo principale o del tronco prima di aver accorciato il ramo per ridurne il peso. Seguire le corrette procedure di taglio per evitare che la corteccia si strappi dal tronco o dal ramo principale.
9. Non usare il potatore per l'abbattimento o la riduzione in ceppi.
10. Per evitare il rischio di folgorazione, usare l'apparecchio ad almeno 15 metri di distanza dalle linee elettriche sospese (Fig. T).
11. Tenere eventuali altre persone ad almeno 15 metri di distanza (Fig T).

MANUTENZIONE

AVVERTENZA! Prima di ispezionare, pulire o regolare l'apparecchio, arrestare il motore, attendere che tutte le parti mobili si arrestino e rimuovere il gruppo batteria. Il mancato rispetto di queste istruzioni comporta il rischio di lesioni gravi o danni materiali.

AVVERTENZA! Per la riparazione dell'apparecchio, usare esclusivamente parti di ricambio identiche. L'uso di altri ricambi comporta situazioni pericolose o il rischio di danni all'apparecchio. Per garantire sicurezza e affidabilità, tutte le operazioni diverse da quelle elencate di seguito devono essere eseguite da un tecnico qualificato.

AVVERTENZA! Indossare guanti di protezione durante la manipolazione della catena. La catena è affilata e può presentare sbavature.

MANUTENZIONE GENERALE

Evitare l'uso di solventi durante la pulizia delle parti in plastica. La maggior parte dei materiali plastici può essere danneggiata da molti tipi di solventi in commercio. Usare un panno pulito per rimuovere sporcizia, polvere, olio, grasso, ecc.

PULIZIA

Dopo ogni utilizzo, rimuovere i detriti dalla barra e dalla catena con una spazzola morbida. Pulire la superficie del potatore con un panno pulito inumidito con acqua saponata.

Rimuovere la copertura laterale, quindi usare una spazzola morbida per rimuovere i detriti da barra guida, catena, pignone e copertura laterale.

Rimuovere sempre eventuali frammenti di legno, segatura e sporcizia dalla scanalatura della barra guida durante la sostituzione della catena.

Tutte le operazioni di manutenzione diverse da quelle elencate in queste istruzioni devono essere eseguite da un tecnico qualificato.

SOSTITUZIONE DELLA BARRA E DELLA CATENA

Per la sostituzione della barra guida e della catena, usare esclusivamente le barre e le catene riportate alla sezione **"Barra guida e catena raccomandate per questo potatore"**.

1. Rimuovere il gruppo batteria e attendere che il potatore si raffreddi. Assicurarsi che il tappo del serbatoio dell'olio sia chiuso saldamente per evitare il rischio di fuoriuscite di olio.
2. Posizionare il potatore su una superficie piana e stabile, in modo tale che la copertura laterale sia rivolta verso l'alto.
3. Indossare guanti. Rimuovere la copertura laterale (Fig. U). Pulire la copertura laterale con un panno asciutto.
4. Rimuovere la barra e la catena usurate.
5. Installare la barra guida e la catena nuove come indicato alla sezione **"ASSEMBLAGGIO DELLA BARRA E DELLA CATENA"** del capitolo **"ASSEMBLAGGIO"**.

NOTA: questo è il momento ideale per ispezionare il pignone e verificare che non sia danneggiato o usurato eccessivamente.

MANUTENZIONE DELLA BARRA GUIDA

Quando la barra guida mostra segni di usura, rimuoverla dal potatore. Rimuovere le vite di fissaggio e la piastra di regolazione, capovolgere la barra guida (Fig. V) e reinstallare la piastra di regolazione sul nuovo lato della barra guida

(Fig. W) per distribuire l'usura e prolungare la durata di servizio della barra. La barra deve essere pulita ogni giorno di utilizzo e ispezionata per verificare che non sia usurata o danneggiata. La sbavatura o la smussatura dei binari della barra è un normale processo dell'usura della barra. Tali difetti devono essere immediatamente corretti con una lima. Un barra con i difetti elencati di seguito deve essere sostituita.

- Usura all'interno dei binari della barra che mantengono la catena in posizione.
- Barra guida piegata.
- Binari incrinati o rotti.
- Allargamento dei binari.

Inoltre, la barra guida è dotata di un pignone sulla punta. Il pignone deve essere lubrificato settimanalmente con un'apposita siringa per prolungare la durata di vita della barra guida. Usare una siringa per grasso per lubrificarlo settimanalmente con olio per catena attraverso il foro di lubrificazione (Fig. X). Capovolgere la barra guida e controllare che i fori di lubrificazione e la scanalatura della barra siano privi di impurità.

X-1	Pignone nella punta della barra guida
X-2	Foro di lubrificazione

MANUTENZIONE DELLA CATENA

Usare esclusivamente catene a riduzione del contraccolpo. Le catene a taglio rapido riducono il rischio di contraccolpo se vengono mantenute in buono stato.

Una catena affilata correttamente taglia il legno senza sforzo, anche esercitando poca pressione.

Non usare mai una catena smussata o danneggiata. Una catena smussata comporta l'aumento dello sforzo fisico e del carico di vibrazioni, risultati di taglio non soddisfacenti e una maggiore usura.

Per un taglio rapido e uniforme, la catena deve essere mantenuta in buono stato. La catena deve essere affilata quando i frammenti di legno diventano piccoli e polverosi, se è necessario forzare la catena nel legno durante il taglio o se la catena taglia da un lato. Per la manutenzione della catena, tenere in considerazione i punti descritti di seguito.

- Se l'angolo di taglio laterale viene affilato scorrettamente, il rischio di contraccolpo può aumentare.
- Un oggetto di spoglia (profondità di taglio) troppo grande aumenta il rischio di contraccolpo, ma se è troppo piccolo riduce l'efficienza di taglio.
- Se i taglienti hanno urtato oggetti duri, come chiodi e pietre, o sono stati abrasati da fango o sabbia nel legno, affidare l'affilatura della catena a un tecnico qualificato.

TRASPORTO E CONSERVAZIONE

- Non riporre o trasportare l'accessorio potatore quando è in funzione. Rimuovere sempre il gruppo batteria prima di riporlo o trasportarlo.
- Installare sempre la copertura della catena prima di riporre o trasportare l'accessorio potatore. Prestare attenzione per evitare il contatto con i denti affilati della catena.
- Pulire accuratamente il potatore prima di riporlo. Riporre il potatore in interni, in un luogo asciutto, al chiuso e/o inaccessibile ai bambini. Tenerlo al riparo da agenti corrosivi, ad esempio sostanze chimiche per il giardinaggio e sale per disgelo.

Protezione dell'ambiente



Non smaltire apparecchi elettrici, caricabatteria e batterie insieme ai rifiuti domestici.

Portare il prodotto presso un centro di riciclaggio autorizzato affinché venga raccolto separatamente. Gli apparecchi elettrici devono essere portati presso un centro di riciclaggio ecocompatibile.

RISOLUZIONE DEI PROBLEMI

PROBLEMA	CAUSA	SOLUZIONE
IL MOTORE NON FUNZIONA.	<ul style="list-style-type: none"> ■ Il gruppo batteria non è installato sul potatore. ■ Nessun contatto elettrico tra il potatore e la batteria. ■ Il gruppo batteria è scarico. ■ Il pulsante di sbloccaggio non è stato premuto prima di premere l'interruttore a grilletto. ■ Il gruppo batteria o l'unità motore sono troppo caldi. ■ La catena è incastrata nel legno. ■ La barra e la catena non sono parallele al vano motore. ■ Presenza di detriti nella scanalatura della barra. ■ Presenza di detriti nella copertura laterale. 	<ul style="list-style-type: none"> ■ Installare il gruppo batteria sul potatore. ■ Rimuovere la batteria, ispezionare i contatti e reinstallare il gruppo batteria. ■ Ricaricare il gruppo batteria. ■ Per avviare il potatore, tenere premuta la leva di sbloccaggio contemporaneamente all'interruttore a grilletto. ■ Attendere che la temperatura del gruppo batteria o dell'unità motore rientri all'interno dei valori raccomandati. ■ Rilasciare l'interruttore a grilletto; rimuovere la catena e la barra guida dal legno, quindi riavviare il potatore. ■ Rimuovere il gruppo batteria e sostituire la barra e la catena come descritto alla sezione "SOSTITUZIONE DELLA BARRA E DELLA CATENA". Mantenere la barra e la catena parallele alla superficie di assemblaggio prima di installare la copertura laterale. ■ Premere il potatore contro il legno e muoverlo avanti e indietro per rimuovere i detriti. ■ Rimuovere il gruppo batteria, quindi rimuovere la copertura laterale ed eliminare i detriti.

IT

PROBLEMA	CAUSA	SOLUZIONE
Il motore funziona ma la catena non ruota.	<ul style="list-style-type: none"> ■ La catena non ingrana il pignone. ■ La tensione della catena è insufficiente. ■ La catena è smussata. ■ La catena è installata in senso inverso. ■ La catena è usurata. ■ La catena è secca o eccessivamente allungata. ■ La catena non è posizionata nella scanalatura della barra. 	<ul style="list-style-type: none"> ■ Rimuovere il gruppo batteria e reinstallare la catena, accertandosi che le maglie di trascinamento sulla catena siano posizionate completamente sul pignone. ■ Ruotare la manopola di regolazione della tensione di almeno un giro in senso antiorario, quindi ruotarla completamente in senso orario per tendere la catena correttamente. ■ Affilare l'affilatura della catena a un tecnico qualificato. ■ Rimuovere il gruppo batteria e reinstallare la catena come descritto alla sezione "SOSTITUZIONE DELLA BARRA E DELLA CATENA". ■ Rimuovere il gruppo batteria e sostituire la catena come descritto alla sezione "SOSTITUZIONE DELLA BARRA E DELLA CATENA". ■ Controllare il livello dell'olio. Riempire il serbatoio dell'olio, se necessario. ■ Rimuovere il gruppo batteria e reinstallare la catena come descritto alla sezione "SOSTITUZIONE DELLA BARRA E DELLA CATENA".
La barra e la catena diventano calde ed emettono fumo.	<ul style="list-style-type: none"> ■ Il serbatoio dell'olio è vuoto. ■ Presenza di detriti nella scanalatura della barra guida. 	<ul style="list-style-type: none"> ■ Aggiungere il lubrificante per barra e catena. ■ Eliminare i detriti nella scanalatura.

GARANZIA

CONDIZIONI DELLA GARANZIA EGO

Visitare il sito web egopowerplus.com per consultare le condizioni complete della garanzia EGO.

LEES ALLE INSTRUCTIES!



LEES DE GEBRUIKSAANWIJZING

⚠ Restrisico! Personen met elektronische apparaten zoals pacemakers, moeten eerst hun arts(en) raadplegen voordat ze dit product gebruiken. De werking van een elektrisch apparaat in de nabijheid van een pacemaker kan een storing of defect van de pacemaker veroorzaken.

⚠ WAARSCHUWING: Laat alle reparaties uitvoeren door een vakbekwame reparateur om een continue veiligheid en betrouwbaarheid te waarborgen.

NL

VEILIGHEIDSSYMBOLEN

Het doel van de veiligheidssymbolen is om u te wijzen op mogelijke gevaren. Besteed daarom voldoende aandacht hieraan en begrijp de veiligheidssymbolen en bijbehorende uitleg. De symboolwaarschuwingen op zich elimineren geen enkel gevaar. De verstrekte instructies en waarschuwingen gelden niet als vervanging voor gepaste voorzorgsmaatregelen tegen ongevallen.

⚠ WAARSCHUWING: Lees en begrijp alle veiligheidsinstructies die in deze gebruiksaanwijzing staan vermeld, waaronder alle veiligheidssymbolen zoals “GEVAAR,” “WAARSCHUWING,” en “OPGELET” voordat u dit gereedschap gebruikt. Het negeren van onderstaande instructies kan leiden tot een elektrische schok, brand en/of ernstig persoonlijk letsel.

BETEKENIS VAN DE SYMBOLEN

Deze pagina toont en beschrijft alle veiligheidssymbolen die zich op dit product kunnen bevinden. Lees, begrijp en volg alle instructies op de machine voordat u deze in elkaar steekt en gebruikt.



Veiligheidswaarschuwing



De gebruiker dient de gebruiksaanwijzing voor het gebruik van dit product te lezen en te begrijpen om risico op letsel te beperken.



Draag oogbescherming



Draag hoofdbescherming



Draag gehoorbescherming



Draag beschermende handschoenen



Gewaarborgd geluidsvermogensniveau. Geluidsemisatie voor de omgeving in overeenstemming met de richtlijnen van de Europese Unie.

IPX4 Beschermingsgraad bij binnendringen



Draag veiligheidsschoenen



Om elektrocutie te voorkomen, mag u niet binnen een straal van 15 m van bovenaardse elektriciteitskabels werken. Contact met of het gebruik naast elektriciteitskabels kan ernstig letsel of een elektrische schok met de dood tot gevolg hebben.



Niet aan regen blootstellen.



Dit product is in overeenstemming met de EG-richtlijnen.



Dit product is in overeenstemming met de toepasselijke richtlijnen van het VK.



Gooi elektrisch afval niet via het huishoudelijk afval weg. Breng het naar een geautoriseerd recyclingbedrijf.



Gelijkstroom



V Spanning

SPECIFICATIES

Nominale spanning	56 V ---	
Lengte zaagblad	25 cm	
Kettingsteek	6,4 mm (1/4")	
Kettingpeil	1,1 mm (0.043")	
Capaciteit olietank	80 ml	
Aantal aandrijfschakels	56	
Gereedschapslengte (zonder verlengstang)	Max. 292 cm Min. 233 cm	
Aanbevolen bedrijfstemperatuur	-15°C-40°C	
Aanbevolen opslagtemperatuur	-20°C-70°C	
Aanbevolen oplaadtemperatuur	5°C-40°C	
Gewicht (zonder accupack, kettingbeschermer)	4.25 kg	
Gemeten geluidsvermogen sniveau L_{WA}	97 dB(A) K=2,5 dB(A)	
Geluidsdrukkniveau bij de werkpositie L_{PA}	82 dB(A) K=3 dB(A)	
Gegarandeerd geluidsvermogensniveau L_{WA} (conform 2000/14/EC)	100 dB(A)	
Trilling a_h	Voorste ondersteunende handgreep	1,19 m/s ² K=1,5 m/s ²
	Achterste handgreep	1,01 m/s ² K=1,5 m/s ²

- De opgegeven totale vibratiewaarde is gemeten volgens de standaard testmethode en kan worden gebruikt om het apparaat met een ander apparaat te vergelijken;
- De opgegeven totale vibratiewaarde kan tevens worden gebruikt in een voorafgaande beoordeling op blootstelling.

OPMERKING: De trillingsemisatie tijdens het werkelijk gebruik van het elektrisch gereedschap kan verschillen van de opgegeven totale waarde; Om de bediener te beschermen dient de gebruiker tijdens het gebruik handschoenen en gehoorbescherming te dragen.

BESCHRIJVING

KEN UW STOKZAAG (afb. A1)

- Knop voor de snelle aanpassing van de kettingspanning
- Led- werkklamp
- Zij-afdekking
- Schouderriem hanger
- Verlengpaal
- Vergrendelknop
- Drukschakelaar
- Achterste handgreep
- Accu-ontgrendelingsknop
- Voorste ondersteunende handgreep
- Snelle ontgrendelingshendel
- Telescopische paal
- Schouderriem
- Olietank dop
- Olietank
- Zaagspikes
- Zaagblad
- Zaagketting
- Kettingbeschermer

INHOUD VAN DE VERPAKKING (afb. A1)

Aanbevolen blad en ketting voor deze zaag met paal

NAAM VAN HET ONDERDEEL	MODELNUMMER
Zaagblad	AG1000Q, AG1200Q
Zaagketting	AC1000Q, AC1200Q

MONTAGE

⚠ WAARSCHUWING: Als er onderdelen beschadigd zijn of ontbreken, gebruik dit product niet totdat alle onderdelen vervangen of aanwezig zijn. Dit product gebruiken met beschadigde of ontbrekende onderdelen kan ernstig persoonlijk letsel veroorzaken.

⚠ WAARSCHUWING: Probeer niet om dit product aan te passen of accessoires te maken die niet voor gebruik met dit product zijn aanbevolen. Een dergelijke

aanpassing of wijziging is misbruik en kan leiden tot gevaar en een ernstig persoonlijk letsel.

⚠ WAARSCHUWING: Verwijder altijd het accupack uit het product wanneer u onderdelen monteert, aanpassingen uitvoert, het product reinigt of wanneer het niet in gebruik is.

HET ZAAGBLAD EN KETTING MONTEREN

1. Plaats de stokzaag op een stevige, vlakke ondergrond, zodat de zijafdekking naar boven wijst.
2. Draag handschoenen. Verwijder de zij-afdekking (afb. B).
3. Plaats de nieuwe ketting in een lus op de vlakke ondergrond en maak eventuele knikken recht.
4. Plaats de kettingaandrijving schakels in de groef van het zaagblad. Plaats de ketting zo dat er een lus aan de achterkant van het zaagblad is (afb. C).

C-1	Aandrijfschakels van de ketting
C-2	Zaagblad groef

5. Houd de ketting op zijn plaats op het zaagblad en plaats de lus rond het aandrijftandwiel van de stokzaag.

OPMERKING: In de gereedschapsbehuizing is een kleine richtingspijl en een mes gegraveerd (afb. D). Wanneer u de zaagketting op het zaagblad plaatst, moet u ervoor zorgen dat na het monteren van het zaagblad, de richting van de zaagketting overeenkomt met de draairichtingspijl op de gereedschapsbehuizing en de vorm van de messen op de bovenkant van het zaagblad consistent zijn met die van de messen op de behuizing. Als ze in tegengestelde richting wijzen, monteer dan de zaagketting opnieuw op het zaagblad met de pijlen in dezelfde richting. Het zaagblad moet worden gemonteerd met de afstelplaat van de behuizing af gericht.

6. Houd het zwaard en de ketting parallel aan het montageoppervlak. Bevestig de zijafdekking aan de behuizing zodat de gaten/pennen en bevestigingsbout/schroefdraadgat goed op elkaar zijn uitgelijnd (afb. E). Druk de zijafdekking richting de behuizing en draai de knop voor de snelle kettingspanning met de klok mee volledig vast. De excentrische versnelling in de zijafdekking is ontwikkeld om ervoor te zorgen dat de ketting niet te strak zit.

OPMERKING: Als de ketting losraakt, draait u de instelknop voor de snelle kettingspanning minstens één slag tegen de klok in en draait u de knop vervolgens volledig vast.

7. Draai de ketting met de hand om te controleren of de ketting goed vastzit zonder vast te klemmen. Anders moet u de ketting en het blad opnieuw monteren.

AANSLUITEN VAN HET ZAAG MET PAAL TOEBEHOOR AAN DE MOTORKOP

Deze stokzaag werkt onder de combinatie van de stokzaagbevestiging en de motorkop (afb. F).

F-1	Zaag met paal-toebehør
F-2	Motorkop

⚠ WAARSCHUWING: Bevestig of pas het toebehør van de stokzaag nooit aan terwijl de motorkop loopt of de accu is geïnstalleerd. Het niet stoppen van de draaiende motor of het niet verwijderen van de accu kan ernstig persoonlijk letsel veroorzaken.

Het toebehør van de stokzaag wordt met behulp van een koppeling vastgemaakt aan de motorkop.

1. Stop de motor en verwijder het accupack.
2. Maak de vleugelknop los.
3. Breng de pijl op de schacht van de stokzaag in één lijn met de pijl op de koppeling en druk de schacht van de stokzaag in de koppeling totdat u een "klik" hoort, wat aangeeft dat de schacht van de stokzaag correct is gemonteerd (afb. G).

G-1	Knevel	G-3	Pijl op de koppeling
G-2	Asvrijgaveknop	G-4	Pijl op de schacht van de stokzaag

4. Trek aan de schacht van het toebehør om te controleren of deze correct is bevestigd op de koppeling. Indien dat niet het geval is, draai dan de schacht van de stokzaag van de ene naar de andere kant in de koppeling totdat deze vastklikt.
5. Bevestig de knevel correct.

⚠ WAARSCHUWING: Controleer of de vleugelknop helemaal is vastgedraaid voordat u het apparaat in gebruik neemt; controleer regelmatig de bevestiging tijdens het gebruik om ernstig persoonlijk letsel te voorkomen.

DE VERLENGPAAL AANSLUITEN TUSSEN DE MOTORKOP EN HET STOKZAAG TOEBEHOOR (model nr. EP1000)

⚠ WAARSCHUWING: Bevestig of pas het toebehoor nooit aan terwijl de motorkop loopt of de accu is geïnstalleerd. Het niet stoppen van de draaiende motor of het niet verwijderen van de accu kan ernstig persoonlijk letsel veroorzaken.

Deze verlengpaal is ontworpen voor exclusief gebruik met EGO PS1000E. Gebruik hem nooit met andere EGO toebehoren.

NL

De verlengpaal vergroot de gereedschapslengte met 100 cm, waardoor het snijbereik wordt vergroot. Hij dient te worden aangesloten tussen de motorkop en de stokzaagbevestiging. Er kunnen maximaal twee verlengstangen (apart verkrijgbaar) op één gereedschap worden gebruikt.

Volg het proces beschreven in het hoofdstuk **“AANSLUITEN VAN HET ZAAIG MET PAAL TOEBEHOOR AAN DE MOTORKOP”** om de verlengpaal aan te sluiten tussen de stokzaag en de motorkop (afb. H).

H-1	Koppeling op de verlengpaal
H-2	Koppeling op de motorkop

OPMERKING: Eenmaal correct gemonteerd, mogen de stokzaagbevestiging, de verlengstok en de motorkop niet loskomen wanneer eraan wordt getrokken. Test de verbinding altijd door eraan te trekken. Herhaal de bovenstaande stappen als de stukken loslaten van elkaar.

WAARSCHUWING: Het niet zekeren van het toebehoor en de motorkop/verlengpaal zoals hierboven beschreven kan ernstig letsel of de dood tot gevolg hebben.

HET TOEBEHOOR VAN DE MOTORKOP VERWIJDEREN

1. Stop de motor en verwijder het accupack.
2. Maak de vleugelknop los.
3. Druk op de ontgrendelingsknop van de as en trek of draai, terwijl de knop is ingedrukt, de stokzaagas uit de koppeling om deze te scheiden van de motorkop of de verlengstang (indien gebruikt).
4. Herhaal het proces om de verlengstang van de motorkop te scheiden (als de verlengstang wordt gebruikt).

DE VOORSTE HANDGREEP MONTEREN EN AANPASSEN

1. Stop de motor en verwijder het accupack.

2. Draai de vleugelmoer los en verwijder deze met de klembout van de voorste ondersteunende handgreep (afb. I1).

I-1	Voorste ondersteunende handgreep	I-4	Vleugelmoer
I-2	Vergrendelhendel	I-5	Klemblok
I-3	Klembout		

3. Druk de ondersteunende handgreep op de motorkopas en draai deze naar beneden zodat deze naar de zaagketting wijst (afb. I2).
4. Plaats het klemblok en monteer de klembout met de vleugelmoer (afb. I3).
5. Draai de vleugelmoer niet helemaal vast. Stel de positie van de voorste ondersteunende handgreep zo in dat deze zich tussen de hanger van de schouderriem en de telescopische stanghuls bevindt (afb. I4). Pas het handvat aan zodat uw arm volledig gestrekt is wanneer u de stokzaag gebruikt.
6. Druk de vergrendelingshendel omlaag en draai de vleugelmoer vast zodat de voorste ondersteunende handgreep niet kan draaien of bewegen op de motorkopas.

GEBRUIK

⚠ GEVAAR: Snijd nooit in de buurt van stroomkabels, elektriciteitskabels of andere elektrische bronnen. Als het zaagblad en ketting in een elektrische kabel blijft haken, **MAG U HET ZAAIGBLAD, DE KETTING OF DE PAAL NIET AANRAKEN! DEZE KUNNEN ELEKTRISCH GLEIDEND WORDEN EN ZEER GEVAARLIJK ZIJN.** Blijf de zaag met paal bij het geïsoleerd achterste handvat vasthouden of leg het neer en uit uw buurt op een veilige manier. Ontkoppel de stroomtoevoer naar de beschadigde leiding of kabel voordat u probeert om het zaagblad en ketting van de leiding of kabel los te maken. Contact met het zaagblad, de ketting, andere geleidende onderdelen van de zaag met paal of onder stroom staande elektriciteitskabels zullen elektrocutie met de dood of ernstig letsel tot gevolg hebben.

⚠ WAARSCHUWING: Vertrouwdheid kan leiden tot onvoorzichtigheid. Opgelet, één seconde van onoplettendheid kan ernstig letsel teweegbrengen.

⚠ WAARSCHUWING: Draag altijd een veiligheidsbril of een veiligheidsbril met zijschermen. Het niet dragen van deze beschermingsuitrusting kan ertoe leiden dat voorwerpen in uw ogen terechtkomen of kan een ander

ernstig letsel veroorzaken.

⚠ WAARSCHUWING: Verwijder altijd het accupack uit het product wanneer u onderdelen monteert, aanpassingen uitvoert, het product reinigt, transporteert of wanneer het niet in gebruik is. Het verwijderen van het accupack voorkomt een toevallige inschakeling dat ernstig persoonlijk letsel kan veroorzaken.

⚠ WAARSCHUWING: Gebruik geen opzetstukken of toebehoren die niet door de fabrikant van dit product zijn aanbevolen. Het gebruik van niet aanbevolen opzetstukken of toebehoren kan leiden tot ernstig persoonlijk letsel.

Voor elk gebruik dient u het complete product op beschadigingen, missende of los zittende onderdelen zoals schroeven, moeren, bouten, doppen etc. te controleren. Draai alle bevestigingen en doppen goed vast en gebruik dit product niet totdat alle missende of beschadigde onderdelen zijn vervangen.

APPLICATIES

U kunt dit product gebruiken voor onderstaand vermelde doeleinden:

- Vellen
- Snoeien

OPMERKING: Het gereedschap mag alleen voor het voorheen genoemde doeleinde worden gebruikt. Ieder ander gebruik is in dit geval misbruik.

OLIETANK BIJVULLEN MET SMEERMIDDEL VOOR HET ZAAGBLAD EN DE KETTING

⚠ WAARSCHUWING: Niet roken en geen vuur of vlammen in de buurt van de olie of de zaag met paal brengen. Olie kan lekken en brand veroorzaken.

OPMERKING: De zaag met paal is niet gevuld met olie op het moment van aankoop. Het is van essentieel belang dat de tank voor gebruik met kettingolie wordt gevuld. Als u de stokzaag gebruikt zonder kettingolie of als het oliepeil onder een bepaalde hoeveelheid ligt, zal de stokzaag beschadigd raken. De levensduur en de zaagcapaciteit zijn afhankelijk van een optimale smering. De ketting wordt tijdens het gebruik automatisch gesmeerd met kettingolie, als er voldoende olie in het reservoir zit. Het olieniveau dient na iedere 20 minuten gebruik gecontroleerd te worden en indien nodig bijgevoerd worden.

1. Verwijder het accupack van de motorkop.
2. Reinig de dop van de olietank rondom om ervoor te zorgen dat er geen vuil in de olietank valt.

3. Leg de stokzaag op een stevige, vlakke ondergrond, zodat de olietankdop naar boven wijst en verwijder vervolgens de dop (afb. J).
4. Giet voorzichtig het zaagblad en kettingolie in de tank totdat deze tot aan de rand vol is. Let op dat u geen olie morst. Veeg overtollige olie af.

OPMERKING:

- Gebruik nooit olie of andere smeermiddelen die niet specifiek zijn ontworpen voor gebruik op het zaagblad en de ketting. Hierdoor kan het oliesysteem verstopt raken, wat een vervroegde slijtage van het zaagblad en de ketting veroorzaakt.
- Controleer het oliepeil regelmatig en vul zo nodig bij.
- Gebruik geen verontreinigde, gebruikte of anderszins vervuilde olie. Hierdoor kan schade aan het zaagblad of de ketting ontstaan.
- Het is normaal dat er olie van de zaag sijpelt wanneer hij niet in gebruik is. Om sijpelen te vermijden, maakt u de olietank na ieder gebruik leeg en laat u de zaag gedurende één minuut draaien. Als u het gereedschap gedurende een langere periode opbergt, dient u ervoor te zorgen dat de ketting een beetje gesmeerd is; dit voorkomt roest aan de ketting en het tandwiel van het zaagblad.
- Om de natuurlijke hulpbronnen te ontzien, dient u de olie te recyclen of op correcte wijze te verwijderen. Raadpleeg uw lokale overheid voor informatie over de mogelijkheid tot recycling en verwijdering.

INSTELLING VAN DE TELESCOPISCHE PAAL (afb. K)

1. Til de snelle ontgrendelingshendel omhoog om de telescopische paal te ontgrendelen.
2. Verleng de telescopische paal tot op de gewenste lengte.
3. Druk de snelle ontgrendelingshendel naar beneden om de telescopische paal stevig te vergrendelen.

DE SCHOUDERRIEM BEVESTIGEN

Druk de riemhaak in om deze te openen en bevestig hem aan de schouderriem hanger op de zaag (afb. L). Pas de schouderriem aan zodat u een comfortabele werkpositie bereikt.

⚠ WAARSCHUWING: Als er zich een noodgeval voordoet, moet u de riem onmiddellijk van uw schouder halen om letsel te voorkomen.

INSTALLEREN/VERWIJDEREN VAN HET ACCUPACK

OPMERKING: Laad het accupack voor de eerste ingebruikname volledig op.

Gebruik alleen met in afb. A2 vermelde accupacks en opladers.

Installeren

Breng de geleiders van de accu overeen met de montagesleuven en druk het accupack naar beneden totdat u „klik“ hoort (afb. M).

⚠ WAARSCHUWING: Zorg ervoor dat het accupack op zijn plaats is vergrendeld voor het gebruik. Als u het accupack niet goed bevestigt, kan het accupack eruit vallen, met ernstig persoonlijk letsel tot gevolg.

⚠ WAARSCHUWING: Let altijd op de positie van uw voeten en op kinderen of huisdieren als u op de accuvrijgaveknop drukt. Ernstig letsel kan zich voordoen wanneer de accu valt. Haal het accupack NOOIT uit wanneer u zich in een hoge positie bevindt.

Verwijderen

Druk de accu-ontgrendelingsknop naar beneden en trek het accupack eruit (afb. N).

LED WERKLAMP (afb. O)

De led-werklamp bevindt zich aan de voorkant van de stokzaagbevestiging, in een lijn met de zaagketting. Deze functie biedt extra licht voor gebruikers om te zien waar de zaagketting zich bevindt tijdens het zagen van takken hoog in de boom.

De werklamp gaat automatisch aan wanneer de drukschakelaar wordt ingedrukt en gaat uit ongeveer 10 seconden na het loslaten van de drukschakelaar.

HET GEREEDSCHAP STARTEN/STOPPEN

Voor dat u de stokzaag start

⚠ WAARSCHUWING: GEBRUIK DE MOTORKOP NOOIT ZONDER TOEBEHOOR. Probeer de motorkop niet te starten voordat u het stokzaagtoebehoor heeft aangesloten.

OPMERKING: Controleer voor het starten van de stokzaag de snelle kettingspanningsaanpassing, het oliepeil en de scherpte van de ketting en tanden. Naast de grijpmethode zijn een evenwichtige stand en de juiste afstand tot de grond nodig (afb. Q).

Starten (afb. P)

1. Installeer het accupack.
2. Zorg ervoor dat zich geen voorwerpen of obstakels in de directe omgeving bevinden die in contact kunnen komen met het zaagblad of de ketting.

3. Pak de ondersteunende handgreep en de achterste handgreep stevig vast met beide handen.
4. Druk de ontgrendelingsknop en houd deze ingedrukt, druk vervolgens op de drukknop om de zaag te starten. Laat de ontgrendelknop los en houd de drukschakelaar ingedrukt voor continu gebruik.

⚠ WAARSCHUWING: Probeer de zaag niet te starten wanneer de zaagketting in een snede zit of in contact is met een oppervlak.

Stoppen

Beweeg de stokzaag weg van het zaaggebied en laat de drukschakelaar los om de stokzaag te stoppen.

⚠ WAARSCHUWING: Haal altijd het accupack uit de stokzaag wanneer u een pauze inlast of als u klaar bent met gebruik.

STANDAARD ZAAGPROCEDURE (afb. R)

Volg de onderstaande stappen om schade aan de boom of de bast te voorkomen. Gebruik geen heen- en weer gaande zaagbeweging.

1. Maak een eerste ondiepe snede (1/4 van de diameter van de tak) aan de onderkant van de tak dichtbij de hoofdtak of stam.
2. Maak een tweede snede aan bovenkant van de tak aan de buitenkant van de eerste snede. Zet de zaagsnede van de tak door totdat de tak loslaat van de boom. Wees bereid om het gewicht van het gereedschap op te vangen als de tak valt.
3. Maak een laatste snede dicht bij de stam.

OPMERKING: Voor de tweede en laatste sneden (van de bovenkant van de tak), houdt u de afkortspikes tegen de te zagen tak (afb. S). Dit zorgt ervoor dat de tak stevig blijft en maakt het eenvoudiger te zagen. Laat de ketting voor u snijden; oefen slechts lichte neerwaartse druk uit. Als u de snede forceert, kunt u het zaagblad, de ketting of motor beschadigen.

S-1	Zaagspikes
-----	------------

4. Laat de drukschakelaar los zodra de snede is afgerond.

OPMERKING: Het niet opvolgen van correcte zaagprocedures kan resulteren dat het zaagblad en ketting vast komen te zitten in de tak. Als dat mocht gebeuren:

1. Stop de motor en verwijder het accupack.

2. Als de tak vanaf de grond kan worden bereikt, tilt u de tak op terwijl u de zaag vast houdt. Hierdoor zou het vastklemmen moeten verdwijnen waarna u de zaag kunt bevrijden.
3. Als de zaag nog steeds vast zit, dient u een professional te raadplegen.

VELLEN EN SNOEIEN

Deze stokzaag is ontworpen voor het trimmen van kleine takken tot een diameter van 20 cm (voor gereedschap met een zaagblad van 25 cm) of 25 cm (voor gereedschap met een zaagblad van 30 cm). Voor de beste resultaten dient u de volgende voorzorgsmaatregelen in acht te nemen:

1. Plan de zaagsnede nauwkeurig. Wees bewust van de richting waarin de tak zal vallen.

⚠ WAARSCHUWING: Takken kunnen in onverwachte richtingen vallen. Ga niet direct onder de tak staan die wordt afgezaagd.

2. De meest typische zaagtoepassing is om het gereedschap onder een hoek van 60° of minder te plaatsen, afhankelijk van de specifieke situatie, zoals weergegeven in afb. T. Naarmate de hoek van de stokzaagas ten opzichte van de grond toeneemt, wordt het moeilijker om de eerste snede (vanaf de onderkant van de tak) te maken.
3. Verwijder lange takken in meerdere stappen.
4. Snijd lagere takken eerst af zodat de bovenste takken meer ruimte hebben om te vallen.
5. Ga langzaam te werk, houd de zaag stevig met beide handen vast. Blijf stevig en stabiel staan.
6. Houd de boom tussen u en de ketting tijdens het zagen. Zaag aan de zijkant van de boom, aan de overkant van de tak die u zaagt.
7. Zaag niet vanaf een ladder; dit is extreem gevaarlijk. Laat dergelijke operaties over aan professionals.
8. Maak de finale zaagsnede dicht bij de hoofdtak of stam niet, totdat u het grootste gedeelte van de tak heeft afgezaagd om het gewicht te reduceren. Het opvolgen van de juiste zaagprocedures zal voorkomen dat de bast afbreekt van de hoofdstam.
9. Gebruik de zaag met paal niet voor het vellen of afkorten.
10. Om elektrocutie te voorkomen, mag u niet binnen een straal van 15 m van bovenaardse elektriciteitskabels werken (afb. T).
11. Houd omstanders minstens 15 meter uit de buurt (afb. T).

ONDERHOUD

⚠ WAARSCHUWING: Voor het inspecteren, reinigen of onderhouden van het apparaat dient u de motor te stoppen, te wachten totdat alle bewegende onderdelen tot stilstand zijn gekomen en het accupack te verwijderen. Het negeren van deze instructies kan ernstig persoonlijk letsel of materiële schade tot gevolg hebben.

⚠ WAARSCHUWING: Gebruik tijdens reparaties uitsluitend identieke reserve-onderdelen. Het gebruik van andere onderdelen kan gevaar opleveren of schade aan het product veroorzaken. Om een continue veiligheid en betrouwbaarheid te waarborgen, dienen alle reparaties, uitgezonderd zulke die worden opgesomd in deze gebruiksaanwijzing, te worden uitgevoerd door een vakbekwame reparateur.

⚠ WAARSCHUWING: Draag altijd handschoenen bij het hanteren met de zaagketting. De ketting is scherp en kan bramen bezitten.

ALGEMEEN ONDERHOUD

Maak de kunststof onderdelen niet schoon met oplosmiddelen. De meeste kunststoffen kunnen worden beschadigd wanneer ze in contact komen met commerciële oplosmiddelen. Gebruik een schone doek voor het verwijderen van vuil, stof, olie, smeer, etc.

REINIGING

- Na ieder gebruik dient u het vuil met een zachte borstel van de ketting en het zaagblad te verwijderen. Veeg het oppervlak van de zaag met paal schoon met een vochtige doek en een mild zeepsopje.
- Verwijder de zij-afdekking en gebruik een zachte borstel om het vuil van het zaagblad, zaagketting, het tandwiel en de zij-afdekking te verwijderen.
- Verwijder altijd houtsnippers, zaagsel en vuil van de groef van het zaagblad als u de zaagketting vervangt.

Al het onderhoud aan de stokzaag, behalve het onderhoud dat in de gebruiksaanwijzing wordt genoemd, dient door een competente onderhoudsmonteur voor stokzagen te worden uitgevoerd.

VERVANGEN VAN HET ZAAGBLAD EN DE KETTING

Als u het zaagblad en de ketting vervangt, dient u altijd het gespecificeerde zaagblad en kettingcombinatie te gebruiken die in "Aanbevolen zaagblad en ketting voor deze zaag met paal" staan.

1. Verwijder de accu en laat de zaag afkoelen. Zorg ervoor dat de dop van de olietank goed dicht is om oliekkage te voorkomen.

2. Positioneer de stokzaag op zijn kant op een stevige, vlakke ondergrond, zodat de zij-afdekking naar boven wijst.
3. Draag handschoenen. Verwijder de zij-afdekking (afb. U). Maak het zijpaneel schoon met een droge doek.
4. Verwijder het versleten zwaard en de ketting van het montagevlak.
5. Installeer het nieuwe zaagblad en de zaagketting volgens de instructies "HET ZAAGBLAD EN KETTING MONTEREN" in de sectie "MONTAGE".

NL

OPMERKING: Dit is een goed moment om het kettingwiel op abnormale slijtage of beschadigingen te controleren.

ZAAGBLAD ONDERHOUD

Als het zaagblad tekenen van slijtage vertoont, demonteer het dan van de zaag. Verwijder de stelschroef en de afstelplaat, draai het zaagblad om (afb. V) en plaats de afstelplaat terug op de nieuwe kant van het zaagblad (afb. W) om de slijtage te verdelen voor een maximale levensduur van het zaagblad. Het blad dient iedere dag na gebruik te worden gereinigd en op slijtage en beschadigingen te worden gecontroleerd. Vering of afbramen van de bladgeleiders is een normaal slijtageproces van het zaagblad. Dergelijke fouten dienen te worden verholpen met een vijl zodra deze de kop opsteken. Een blad met één van de volgende fouten dient te worden vervangen.

- Slijtage aan de binnenkant van de bladgeleiders waardoor de ketting over de zijkant kan lopen.
- Gebogen zaagblad.
- Gescheurde of gebroken geleiders.
- Uiteenstaande geleiders.

Bovendien heeft het zaagblad een tandwiel aan de punt. Het tandwiel moet op een wekelijks basis worden gesmeerd met een vetspuit om de levensduur van het zaagblad te verlengen. Gebruik een vetspuit om op een wekelijks basis met kettingolie te smeren door middel van de smeropening (afb. X). Draai het zaagblad en controleer of de smeropeningen en de ketting groef vrij zijn van verontreinigingen.

X-1	Tandwiel in de punt van het zaagblad
X-2	Smeropening

KETTING ONDERHOUD

Gebruik alleen kettingen met een lage terugslag op deze zaag. Deze snel zagende kettingzaag zorgt voor een verminderde terugslag als hij correct wordt onderhouden.

Een goed geslepen zaagketting snijdt moeiteloos door hout, zelfs met zeer weinig druk.

Gebruik nooit een botte of beschadigde zaagketting. Een botte zaagketting leidt tot verhoogde lichamelijke krachtspanning, verhoogde trilling, onbevredigende zaagresultaten en verhoogde slijtage.

Voor het soepel en snel zagen dient de zaagketting correct te worden onderhouden. Als de houtsnippers klein en poederachtig zijn, moet de ketting met kracht door het hout moet worden gedrukt of als de ketting aan slechts één zijde zaagt, is dit een teken dat de ketting moet worden geslepen. Tijdens het onderhoud van uw zaagketting moet u rekening houden met het volgende:

- Een onjuiste vijlhoek van de zijplaat kan het risico op een zware terugslag verhogen.
- Harken (dieptemeter) speling. Te laag verhoogt het potentiële risico op een terugslag. Niet laag genoeg vermindert het zaagvermogen.
- Als de zaagtanden harde voorwerpen hebben getroffen, zoals spijkers en stenen, of als ze worden afgeschuurd door modder of zand op het hout, moet de ketting worden geslepen door een gekwalificeerde servicemonteur.

TRANSPORT EN OPSLAG

- Berg het zaag met paal toebehoor nooit op en transporteer hem niet als hij aan staat. Verwijder altijd het accupack voor het opbergen of de transport.
- Plaats altijd de bescherming op het zaagblad en de ketting voordat u het zaag met paal toebehoor opslaat of transporteert. Let op voor de scherpe tanden van de ketting.
- Maak de zaag met paal grondig schoon voordat u deze opbergt. Bewaar de zaag met paal binnenshuis, op een droge plek die is afgesloten en/of ontoegankelijk is voor kinderen en houd corrosieve middelen zoals tuinchemicaliën en strooizout uit de buurt.

Het milieu beschermen



Gooi geen elektrische apparatuur, gebruikte accu's en laders weg via het huishoudelijk afval!

Geef dit product af bij een geautoriseerd recyclingbedrijf en zorg dat het apart kan worden ingezameld. Elektrisch gereedschap moet worden afgegeven voor een milieuvriendelijke recycling.

PROBLEEMOPLOSSING

PROBLEEM	OORZAAK	OPLOSSING
DE MOTOR WERKT NIET.	<ul style="list-style-type: none"> ■ Het accupack is niet met de zaag met paal verbonden. ■ Er is geen elektrisch contact tussen de zaag en accu. ■ Het accupack is uitgeput. ■ De vergrendelknop is niet ingedrukt voordat u de druschakelaar drukt. ■ Het accupack of de basis machine is te warm. ■ De zaagketting zit vast in het hout. ■ Het blad en de ketting zitten scheef en lopen niet parallel aan de behuizing. ■ Er bevindt zich vuil in de groef van het blad. ■ Er bevindt zich vuil in de zij-afdekking. 	<ul style="list-style-type: none"> ■ Bevestig het accupack aan de zaag met paal. ■ Verwijder de accu, controleer de contacten en bevestig het accupack weer. ■ Laad het accupack op. ■ Om de stokzaag te starten, duw de ontgrendelingshendel omlaag en houd op deze positie. Duw vervolgens de druschakelaar. ■ Laat het accupack of de motorkop afkoelen totdat de temperatuur daalt tot het aanbevolen bedrijfstemperatuurbereik. ■ Laat de druschakelaar los; verwijder de zaagketting en het zaagblad uit het hout, start de stokzaag vervolgens opnieuw. ■ Verwijder het accupack en vervang het blad en de ketting overeenkomstig het hoofdstuk “VERVANGEN VAN HET ZWAARD EN DE KETTING”. Denk er altijd aan het blad en de ketting parallel aan het montagevlak te houden alvorens de zijafdekking te installeren. ■ Druk de zaagketting tegen het hout, beweeg de zaag met paal heen en weer om het vuil te verwijderen. ■ Verwijder het accupack, verwijder vervolgens de zij-afdekking en ontdoe hem van vuil.

NL

PROBLEEM	OORZAAK	OPLOSSING
De motor loopt, maar de ketting draait niet.	<ul style="list-style-type: none"> ■ De ketting heeft geen contact met het tandwiel. ■ Onvoldoende kettingspanning. ■ Botte ketting. ■ De ketting is achterste voren bevestigd. ■ De ketting is versleten. ■ Droge of overmatig gerekte ketting. ■ De ketting loopt niet in de groef van het zaagblad. 	<ul style="list-style-type: none"> ■ Verwijder het accupack en monteer de ketting weer; let erop dat de aandrijschakels op de ketting volledig over het tandwiel lopen. ■ Maak de knop voor de snelle aanpassing van de kettingspanning minstens een slag tegen de klok in los en draai hem vervolgens met de klok mee vast totdat de ketting goed is gespannen. ■ Het slijpen van de zaagtanden mag alleen door een gekwalificeerde servicetechnicus worden uitgevoerd. ■ Verwijder het accupack en monteer de zaagketting weer, volg hiervoor de instructies in “VERVANGEN VAN HET ZWAARD EN DE KETTING”. ■ Verwijder het accupack en vervang de ketting weer, volg hiervoor de instructies in “VERVANGEN VAN HET ZWAARD EN DE KETTING”. ■ Controleer het oliepeil. Vul de olietank indien nodig. ■ Verwijder het accupack en monteer de zaagketting weer, volg hiervoor de instructies in “VERVANGEN VAN HET ZWAARD EN DE KETTING”.
Zaagblad en ketting lopen warm en roken.	<ul style="list-style-type: none"> ■ Kettingolie tank is leeg. ■ Er bevindt zich vuil in de groef van het zaagblad. 	<ul style="list-style-type: none"> ■ Smeermiddel van het zaagblad en de ketting bijvullen. ■ Verwijder het vuil in de groef.

GARANTIE

EGO GARANTIEBELEID

Bezoek alstublieft de website egopowerplus.com voor de volledige voorwaarden van het EGO garantiebeleid.

LÆS ALLE ANVISNINGER!



LÆS BRUGERVEJLEDNINGEN

⚠ Resterende risiko! Folk med elektroniske enheder, såsom pacemakere, skal spørge deres læge til råds, før de bruger dette produkt. Betjening af elektrisk udstyr i umiddelbar nærhed af en pacemaker, kan forårsage forstyrrelser eller svigt af pacemakeren.

⚠ ADVARSEL: For at sikre sikkerhed og pålidelighed, bør alle reparationer udføres af en kvalificeret servicetekniker.

SIKKERHEDSSYMBOLER

Formålet med sikkerheds- symboler er at tiltrække din opmærksomhed på mulige farer. Du skal være meget opmærksom på sikkerhedssymbolerne og forklaringerne til dem og lære at forstå dem. Symbolernes advarsler fjerner ikke i sig selv eventuelle farer. Anvisningerne og advarselene er ingen erstatninger for ordentlig forebyggelse af ulykker.

⚠ ADVARSEL: Sørg for at læse og forstå alle sikkerhedsanvisninger i denne brugsanvisning, herunder alle sikkerhedssymboler, såsom "FARE", "ADVARSEL" og «FORSIGTIG», før du bruger dette værktøj. Hvis anvisningerne nedenfor ikke følges, kan det føre til elektrisk stød, brand og/eller alvorlig personskade.

SYMBOLERNES BETYDNING

Denne side viser og beskriver sikkerhedssymboler, der kan være på dette produkt. Læs, forstå og følg alle anvisninger på maskinen, før du forsøger at samle og betjene.



Sikkerhedsadvarsel



For at reducere risikoen for skader, skal brugeren læse og forstå brugsanvisningen, før dette produkt tages i brug.



Wear Eye Protection



Brug hovedbeskyttelse



Brug høreværn



Brug beskyttelseshandsker



Garanteret lydniveau. Støjemission til miljøet opfylder EF-direktivet.

IPX4

Grad af beskyttelse mod indtrængning



Benyt sikkerhedsfodtøj



For at undgå elektrisk stød må du ikke bruge det inden for en afstand af 15 m fra elektriske luftledninger. Kontakt med eller anvendelse i nærheden af elledninger kan forårsage alvorlig personskade eller elektrisk stød, hvilket kan føre til dødsfald.



Må ikke udsættes for regn.



Dette produkt er i overensstemmelse med gældende EU-direktiver.



Dette produkt er i overensstemmelse med lovgivningen i Storbritannien.



Elektriske affaldsprodukter må ikke bortskaffes sammen med husholdningsaffald. Tag det til en godkendt genbrugsplads.



Jævnstrøm (DC)



Spænding

DK

SPECIFIKATIONER

Nominal spænding	56 V	
Længde på sværdet	25 cm	
Kædedeling	6,4 mm (1/4")	
Kædemåler	1,1 mm (0.043")	
Oliebeholderens kapacitet	80 ml	
Antal kædeled	56	
Værktøjets længde (uden forlængerstang)	Maks. 292 cm Min. 233 cm	
Anbefalet driftstemperatur	-15°C-40°C	
Anbefalet opbevaringstemperatur	-20°C-70°C	
Anbefalet opladning Temperatur	5°C-40°C	
Vægt (uden batteripakke, kædehylster)	4,25 kg	
Målt lydeffektniveau L_{WA}	97 dB(A) K=2,5 dB(A)	
Lydtryk tæt ved arbejdspositionen L_{PA}	82 dB(A) K=3 dB(A)	
Garanteret lydeffektniveau L_{PA} (i henhold til 2000/14/EF)	100 dB(A)	
Vibration a_h	Forreste hjælpehåndtag	1,19 m/s ² K=1,5 m/s ²
	Bageste håndtag	1,01 m/s ² K=1,5 m/s ²

- Den samlede erklærede vibrationsværdi er målt i overensstemmelse med en standard testmetoden, og den kan bruges til at sammenligne et værktøj med et andet;
- Den samlede angivne vibrationsværdi kan også bruges ved en foreløbig vurdering af eksponeringen.

BEMÆRK: Vibrationsemissionen ved faktisk brug af elværktøjet kan afvige fra den angivne værdi, hvor værktøjet bruges. For at beskytte brugeren, skal brugeren bruge handsker og høreværn i de faktiske brugsforhold.

BESKRIVELSE

GØR DIG BEKENDT MED DIN STANGSAV (fig. A1)

- Knop til hurtig justering af kædespændingen
- LED-arbejdslys
- Sidebeslag
- Bøjle til skulderrem
- Forlængerstang
- Låseknap
- Gashåndtag
- Bageste håndtag
- Knop til frigørelse af batteri
- Forreste hjælpehåndtag
- Udløsergreb
- Teleskopstang
- Skulderrem
- Låg til oliebeholder
- Oliebeholder
- Afkortningskam
- Savsværd
- Savkæde
- Kædehylster

LISTE OVER DELE (fig. A1)

Anbefalet sværd og kæde til denne stangsav

RESERVEDELENS NAVN	MODELNUMMER
Savsværd	AG1000Q, AG1200Q
Savkæde	AC1000Q, AC1200Q

SAMLING

ADVARSEL: Hvis der er dele, der er beskadigede eller mangler, anvendes apparatet ikke, før delene er udskiftet. Brug af dette produkt med beskadigede eller manglende dele kan medføre alvorlig personskaade.

ADVARSEL: Forsøg ikke at ændre dette produkt eller fremstille tilbehør, der ikke anbefales til brug med dette produkt. Enhver sådan ændring eller modifikation er misbrug og kan resultere i en farlig situation og føre til eventuel alvorlig personskaade.

DK

⚠ ADVARSEL: Fjern altid batteriet fra produktet, når du monterer dele, foretager justeringer, ved rengøring, eller når det ikke bruges.

MONTERING AF SVÆRDET OG KÆDEN

1. Læg stangsaven på siden på en fast, flad overflade, så sidedækslet vender opad.
2. Brug handsker. Fjern sidedækslet (fig. B).
3. Læg den nye savkæde i en løkke på en plan flade, og ret alle knæk ud.
4. Sæt kædens led på plads i rillen på sværdet. Placer kæden, så der er en løkke på bagsiden af sværdet (fig. C).

C-1	Kædeled
C-2	Rille på savsværdet

5. Hold kæden på plads på sværdet, og sæt kædeløkken omkring stangsavens tandhjul.

BEMÆRK: Der er indgraveret en lille retningspil og en kniv i værktøjshuset (fig. D). Når sværdet er sat på, og savkæden sættes på sværdet, skal du sørge for, at savkædens retning passer med drejeretning-pilen på kabinettet. Sørg også for, at skærerne øverst på sværdet passer med knivenes retning på kabinettet. Hvis de vender i modsatte retninger, skal du vende kæden om. Sværdet skal monteres med justeringspladen vendt væk fra kabinettet.

6. Hold stangen og kæden parallelt med monteringsfladen. Spænd sidedækslet fast på kabinettet, så hullerne/stifterne og fastgørelsesbolten/gevindhullet passer med hinanden (fig. E). Tryk sidedækslet mod kabinettet, og spænd derefter knoppen til kædespændingen helt med uret. Gearet i sidedækslet er designet til at sikre, at kæden ikke spændes for meget.

BEMÆRK: Hvis kæden løsner sig, skal justeringsknoppen til kædespændingen drejes mindst én omgang mod uret. Stram derefter knoppen helt.

7. Drej kæden med hånden for at se, om er sat rigtig på og at den ikke binder. Eller skal du samle kæde og sværdet igen.

MONTERING AF STANGSAVENS TILBEHØR PÅ MOTORHOVEDET

Denne stangsav kan bruges med dens tilbehør og motorhovedet (fig. F).

F-1	Stangsavstilbehør
F-2	Motorhoved

⚠ ADVARSEL: Stangsavens tilbehør må aldrig monteres eller tilpasses, når motordelen kører eller med batteriet isat. Hvis motoren ikke standses og batteriet ikke fjernes, kan der ske alvorlig personskade.

Stangsavens tilbehør sættes på motorhovedet med koblingsstykket.

1. Stop motoren, og fjern batteripakken.
2. Løsn vingegrebet.
3. Sørg for, at pilen på stangsavens aksel er ud for pilen på koblingsstykket. Tryk akslen ind i koblingsstykket, indtil du hører et "klik", hvilket betyder at akslen er på plads (fig. G).

G-1	Vingegreb	G-3	Pil på koblingen
G-2	Knop til frigørelse af akslen	G-4	Pil på stangsavens aksel

4. Træk i akslen på tilbehøret for at kontrollere, at det sidder fast i koblingsstykket. Hvis ikke, skal du dreje stangsavens aksel fra side til side i koblingsstykket, indtil det klikker på plads.
5. Spænd vingegrebet til.

⚠ ADVARSEL: Sørg for, at vingegrebet er spændt godt til, før produktet tages i brug. Kontroller regelmæssigt, at den er spændt under brug, så du undgår alvorlige personskader.

MONTERING AF FORLÆNGERSTANGEN MELLEM MOTORHOVEDET OG STANGSAVENS TILBEHØR (Modelnummer EP1000)

⚠ ADVARSEL: Tilbehør må aldrig monteres eller tilpasses, mens motorhovedet kører eller med batteriet isat. Hvis motoren ikke standses og batteriet ikke fjernes, kan der ske alvorlig personskade.

Denne forlængerstang er kun beregnet til brug med EGO PS1000E. Brug den aldrig med andre EGO-påmonteringer.

Forlængerstangen forlænger værktøjets længde med 100 cm, så skæreoområdet kan udvides. Den skal sættes mellem motorhovedet og stangsavens tilbehør. Værktøjet må højst bruges med to forlængerstænger (købes separat).

I afsnittet »MONTERING AF STANGSAVENS TILBEHØR PÅ MOTORHOVEDET« kan du se, hvordan forlængerstangen sættes på mellem tilbehøret og motorhovedet (fig. H).

DK

H-1	Kobling på forlængerstang
H-2	Kobling på motorhovedet

BEMÆRK: Når stangsaven samles rigtigt, må tilbehøret, forlængelsesstangen og motorhovedet ikke kunne skilles ad, når der trækkes i dem. Kontroller altid forbindelsen ved, at trække i delene. Hvis du kan trække delene fra hinanden, skal du gentage trinene ovenfor.

⚠ ADVARSEL: Hvis man undlader at sikre tilbehøret/forlængerstangen som anvist ovenfor, kan det medføre dødsfald eller alvorlig personskade.

DK

AFTAGNING AF TILBEHØRET PÅ MOTORDELEN

1. Stop motoren, og fjern batteripakken.
2. Løsn vingegrebet.
3. Hold akslens udløserknop nede, og træk eller drej akslen ud af koblingen, så den tages af motorhovedet eller forlængerstangen (hvis denne bruges).
4. Gentag dette for, at tage forlængerstangen af motorhovedet (hvis en forlængerstang bruges).

MONTERING OG JUSTERING AF FORRESTE STØTTEHÅNDTAG

1. Stop motoren, og fjern batteripakken.
2. Løsn vingemøtrikken, og fjern den og klemmebolten på forhåndtaget (fig. 11).

I-1	Forreste hjælpehåndtag	I-4	Vingemøtrik
I-2	Lås Håndtag	I-5	Klemmeklods
I-3	Klemmebolt		

3. Tryk støttehåndtaget på motorhovedets aksel, og drej det nedad, så det peger mod savkæden (fig. 12).
4. Sæt klemmeklods i, og sæt klemmebolten og vingemøtrikken på (fig. 13).
5. Spænd ikke vingemøtrikken helt. Juster placeringen af forhåndtaget, så det er mellem skulderremmens bøjle og bøsningen til teleskopstangen (fig. 14). Håndtaget skal justeres, så din arm er udstrakt, når du bruger stangsaven.
6. Tryk låsehåndtaget ned, og stram vingemøtrikken, så forhåndtaget er spændt fast og ikke drejer eller bevæger sig på motorhovedets aksel.

BETJENING

⚠ FARE: Arbejd aldrig i nærheden af kabler, elektriske ledninger eller andre elektriske kilder. Hvis sværdet og kæden vikles ind i en elektrisk ledning eller stærkstrømsledning: **RØR IKKE VED SVÆRDET, KÆDEN ELLER STANGEN! DE KAN BLIVE STRØMFØRENDE OG VÆRE MEGET FARLIGE.** Fortsæt med at holde i stangsavens isolerede bageste håndtag eller læg den ned og væk fra dig på en sikker måde. Afbryd strømmen til kablet/ledningen, der er beskudiget, inden du forsøger at frigøre sværdet og kæden fra kablet eller ledningen. Berøring af sværd, kæde, andre ledende dele af stangsaven eller strømførende elektriske ledninger eller kabler kan medføre dødsfald forårsaget af elektricitet eller alvorlig personskade.

⚠ ADVARSEL: Lad ikke fortrolighed med dette produkt gøre dig skodesløs. Husk på, at det kan føre til alvorlige skader, hvis du ikke er opmærksom i blot et sekund.

⚠ ADVARSEL: Sørg altid for at bruge beskyttelsesbriller eller sikkerhedsbriller med sideskærme. Hvis disse ikke bruges, kan du få genstande slynget i øjnene, og der kan også opstå andre alvorlige skader.

⚠ ADVARSEL: Fjern altid batteriet fra produktet, når du monterer dele, foretager justeringer, ved rengøring, under transport og når produktet ikke bruges. Fjernelse af batteripakken vil forhindre utilsigtet start, der kan forårsage alvorlig personskade.

⚠ ADVARSEL: Anvend ikke tilbehør eller påmonteringer, der ikke anbefales af fabrikanten af dette produkt. Brug af tilbehør eller påmonteringer, der ikke anbefales, kan forårsage alvorlig personskade.

Før hver brug skal du undersøge hele produktet for skader, manglende eller løse dele, såsom skruer, møtrikker, bolte, hætter etc. Tilspænd omhyggeligt alle dele og hætter, og betjen ikke dette produkt, før alle manglende eller beskadigede dele er udskiftet.

ANVENDELSER

Du kan bruge dette produkt til de formål, der er nævnt nedenfor:

- Grensavning
- Beskæring

BEMÆRK: Værktøjet må kun bruges til dets tilsigtede formål. Enhver anden anvendelse anses for at være et tilfælde af misbrug.

SÅDAN FYLDES OLIEBEHOLDEREN TIL SMØRING AF SVÆRDET OG KÆDEN

⚠ ADVARSEL: Der må ikke rygtes eller være åbne flammer i nærheden af olien eller stangsaven. Der kan spildes olie, der kan føre til brand.

BEMÆRK: Stangsaven er ikke påfyldt olie, når den købes. Det er vigtigt at fylde olie på stangsaven inden brug. Hvis stangsaven bruges uden kædeolie, eller med et lavt olieniveau, kan den tage skade. Kædens levetid og savkapacitet afhænger af optimal smøring. Kæden smøres automatisk med kædeolie under drift, hvis der er nok olie i beholderen. Oliestanden bør også kontrolleres efter hver 20 minutters brug og efterfyldes efter behov.

1. Tag batteripakken ud af motordelen.
2. Rengør oliebeholderens låg og området omkring det for at sikre, at der ikke kommer snavs ind i oliebeholderen.
3. Læg stangsaven på en fast, flad overflade, så oliebeholderens dæksel vender opad. Tag derefter dækslet af (fig. J).
4. Hæld forsigtigt olien til sværd og kæde i beholderen, indtil det er påfyldt op til beholderens hals. Vær forsigtig med ikke at lade olie løbe ud af åbningen. Tør eventuelle olierester af.

BEMÆRK:

- Brug aldrig olie eller andre smøremidler, der ikke er beregnet til sværdet og kæden. Dette kan tilstoppe oliesystemet, som kan hurtigt slide sværdet og kæden.
- Kontroller regelmæssigt olieniveauet, og påfyld efter behov.
- Brug ikke snavset, brugt eller olie, der på anden måde er forurenset. Der kan opstå skade på sværd eller kæde.
- Det er normalt, at saven lækker olie, når den ikke er i brug. Tøm oliebeholderen efter hver brug, så den ikke lækker, og lad derefter saven køre i et minut. Hvis værktøjet ikke skal bruges i længere tid, skal du sørge for, at kæden er let smurt. Dette gør, at kæden og tandhjulet ikke rustner.
- For at bevare naturlige ressourcer, skal olien genbruges eller bortskaffes korrekt. Kontakt din lokale affaldsmyndighed for oplysninger om, hvor produktet kan genbruges og/eller bortskaffes.

SÅDAN JUSTERES TELESKOPSTANGEN (fig. K)

1. Tryk udløsergrebet opad for, at låse teleskopstangen op.
2. Træk teleskopstangen ud til den ønskede længde.

3. Tryk udløsergrebet nedad for, at låse teleskopstangen fast.

MONTERING AF SKULDERREMME

Tryk på remkrogen for at åbne den, og sæt den på skulderremmens bøjle på saven (fig. L). Juster skulderremmen, så den giver en behagelig arbejdsstilling.

⚠ ADVARSEL: I en eventuel nødsituation, skal du straks tage remmen af skulderen, så du undgår personskader.

INSTALLATION / FJERNELSE AF BATTERIPAKKE

BEMÆRK: Oplad batteriet helt før første brug.

Produktet må kun bruges med batteripakkerne og opladerne, der står på listen i fig. A2.

Påsætning

Sørg for at ribberne i hver side batteripakken passer med monteringsnoterne i batterirummet, og tryk batteripakken ned, indtil du hører et "klik" (fig. M).

⚠ ADVARSEL: Sørg for, at batteripakken er låst på plads, før produktet tages i brug. Hvis batteripakken sættes forkert i, kan det falde ud, hvilket kan føre til alvorlige personskader.

⚠ ADVARSEL: Vær altid opmærksom på dine fødders placering og på børn eller kæledyr omkring dig, når du trykker på udløserknappen til batteriet. Der kan opstå alvorlig skade, hvis batteriet falder. Fjern ALDRIG batteriet på et højt sted.

Aftagning

Tryk på knappen til batteriudløseren, og træk batteripakken ud (fig. N).

LED-ARBEJDSLYS (fig. O)

LED-arbejdslyset sidder foran på tilbehøret til stangsaven, og er på linje med savkæden. På denne måde får brugeren mere lys, så han kan se, hvor savkæden er, når han skærer grene højt oppe i et træ.

Arbejdslyset tænder automatisk, når du trykker på gashåndtaget og det går ud ca. 10 sekunder efter du slipper gashåndtaget.

START/STOP AF VÆRKTØJET

Inden stangsaven startes

⚠ ADVARSEL: MOTORHOVEDET MÅ ALDRIG BRUGES UDEN TILBEHØR. Forsøg ikke at starte motorhovedet, før du stangsavens tilbehør er sat på.

DK

BEMÆRK: Før du starter stangsaven, skal du kontrollere kædens spænding, olieniveaet og kædens og tændernes skarphed. Sørg også for, at du har ordentligt fat i værktøjet, at du står ordentligt med den korrekte afstand fra jorden (fig. Q).

Sådan startes plæneklipperen (billede P)

1. Sæt batteripakken i.
2. Sørg for, at der ikke er nogen genstande eller forhindringer i nærheden, der kan komme i kontakt med stangen og kæden.
3. Tag fat i støttehåndtaget og baghåndtaget med begge hænder.
4. Hold låseknappen nede, og tryk derefter på gashåndtaget, for at starte saven. Slip låseknappen, men hold fortsat gashåndtaget nede, for at holde saven i gang.

⚠ ADVARSEL: Forsøg ikke at starte saven, når savkæden er i et snit eller er i kontakt med nogen overflade.

Sådan stoppes produktet

Flyt stangsaven væk fra skæreamrådet, og slip derefter gashåndtaget for at stoppe stangsaven.

⚠ ADVARSEL: Tag altid batteripakken ud af stangsaven, hvis du holder en pause og når du er færdig med at bruge saven.

GRUNDLÆGGENDE FREMGANGSMÅDE VED SAVNING (fig. R)

Følg nedenstående trin for at forhindre skader på barken på træer eller buske. Brug ikke frem- og tilbagegående savbevægelse.

1. Lav først et mindre indsnit (1/4 af grenens diameter) på undersiden af grenen tæt på hovedgrenen eller stammen.
2. Lav endnu et snit fra den øverste side af grenen uden for det første snit. Fortsæt gennem grenen, indtil grenen er adskilt fra træet. Vær forberedt på at kompensere for vægten af værktøjet, når grenen falder.
3. Derefter kan der saves af tæt på stammen.

BEMÆRK: Når der saves anden og sidste gang (fra toppen af grenen), holdes afkortningskammen mod den gren, der skal saves (fig. S). Dette hjælper med at holde grenen støttet og gør det lettere at save den over. Lad kæden skære for dig. Tryk kun let nedad. Hvis du tvinger saven, risikerer du skader på sværd, kæde eller motor.

S-1 Afkortningskam

4. Slip gashåndtaget, så snart savningen er færdig.

BEMÆRK: Undladelse af at følge den rette fremgangsmåde kan medføre, at sværdet og kæden binder og kommer i klemme i grenen. Hvis dette skulle ske:

1. Stop motoren, og fjern batteripakken.
2. Hvis grenen kan nås fra jorden, så løftes grenen, mens saven holdes. Derved burde saven komme fri, så saven kan fjernes.
3. Hvis saven stadig sidder fast, bør der tilkaldes professionel hjælp.

GRENSAVNING OG BESKÆRING

Denne stangsav er beregnet til, at save i små grene op til 20 cm tykke (værktøjer med et sværd på 25 cm) eller 25 cm tykke (værktøjer med et værd på 30 cm). For at opnå de bedste resultater skal du være opmærksom på følgende.

1. Planen savningen omhyggeligt. Vær opmærksom på, i hvilken retning grenen vil falde.

⚠ ADVARSEL: Grene kan falde ned i uventede retninger. Stå ikke direkte under grenen, der saves i.

2. Den mest almindelige måde, at save på, er at holde saven i en vinkel på 60° eller mindre, afhængigt af situationen, som vist i fig. T. Jo større vinklen på stangsavens aksel til jorden bliver, jo sværere bliver det, at udføre det første snit (fra undersiden af grenen).
3. Fjern lange grene i flere etaper.
4. Skær de nederste grene først, så de øverste grene har plads til at falde.
5. Arbejd langsomt, og hold begge hænder på saven med et fast greb. Sørg for at stå godt fast og i balance.
6. Hold træet mellem dig og kæden, mens du saver grenene over. Sav fra siden af træet overfor grenen, du saver over.
7. Stå ikke på en stige, når der saves; dette er yderst farligt. Overlad dette arbejde til fagfolk.
8. Lav ikke et snit, der flugter tæt med grenen eller stammen, før du har savet en stor del af grenen; derved mindskes vægten af grenen. En korrekt fremgangsmåde når der saves vil forhindre, at barken rives af hovedgrenen.
9. Anvend ikke stangsaven til fældning af træer eller opskæring af tømmer.

DK

10. For at undgå elektrisk stød må du ikke bruge det inden for en afstand af 15 m fra elektriske luftledninger (fig. T).
11. Hold alle omkringstående mindst 15 m væk (fig. T).

VEDLIGEHOLDELSE

⚠ ADVARSEL: Før eftersyn, rengøring eller service på enheden standses motoren. Vent til alle bevægelige dele er standset, og fjern batteripakken. Efterkommes disse anvisninger ikke, kan det medføre alvorlig personskade eller materielle skader.

⚠ ADVARSEL: Ved service må der kun bruges originale reservedele. Brug af andre reservedele kan medføre fare eller forårsage skader på produktet. For at sikre sikkerhed og pålidelighed, bør alle reparationer, der ligger ud over dem, der foretages i henhold til listen i vedligeholdelsesanvisningerne, udføres af en kvalificeret servicetekniker.

⚠ ADVARSEL: Brug altid handsker, når du skal arbejde med savkæden. Kæden er skarp og den kan have grater.

GENEREL VEDLIGEHOLDELSE

Undgå, at bruge opløsningsmidler til rengøring af plastdele. De fleste plastmaterialer risikerer at blive ødelagt, ved brug af forskellige slags alment tilgængelige opløsningsmidler. Brug rene klude til at fjerne snavs, støv, olie, fedt osv.

RENGØRING

- Efter hver brug, skal kæden og savsværdet rengøres for rester med en blød børste. Tør stangsavens overflade af med en ren klud, fugtet med en mild sæbeopløsning.
- Fjern sidebeslaget, og brug derefter en blød børste til at fjerne snavs fra sværdet, kæden, tandhjulet og sidebeslaget.
- Rengør altid rillen på savsværdet for træflis, savsmuld og skidt, inden savkæden sættes på.

Al servicering af stangsav - bortset fra de varer, der er anført i disse vedligeholdelsesanvisninger - skal udføres af en kompetent tekniker.

SÅDAN SKIFTES SAVSVÆRDET OG KÆDEN

Når savsværdet og kæden skal skiftes, skal du altid bruge den kombination af savsværd og kæde, der er angivet i afsnittet "Anbefalet sværd og kæde til denne stangsav".

1. Tag batteriet ud, og lad saven køle ned. Sørg for, at oliebeholderens dæksel sættes godt på, så olien ikke lækker.
2. Læg stangsavens på siden på en fast, flad overflade, så tankdækslet vender opad.
3. Brug handsker. Tag sidedækslet af (fig. U). Rengør sidebeslaget med en tør klud.
4. Fjern det nedslidte sværd og kæde fra monteringsfladen.
5. Monter et nyt sværd og savkæde i henhold til instruktionerne i »**MONTERING AF SÆVRDET OG KÆDE**« i afsnittet »**SAMLING**«.

BEMÆRK: Dette er et godt tidspunkt at se tandhjulet efter for slid og skader.

VEDLIGEHOLDELSE AF SAVSVÆRDET

Når sværdet viser tegn på slid, skal det tages af saven. Fjern indstillingskruen og justeringspladen, vend sværdet om (fig. V) og sæt justeringspladen på den nye side af sværdet

(Fig. W) for at fordele slitage, så sværdet holder længst muligt. Sværdet skal rengøres hver dag efter brug, og ses efter for slid og skader. Udtynding og afgratning på rillen af sværdet er et normal tegn på slid. Sådanne fejl skal jævnes ud med en fil, så snart de opstår. Et sværd med en af følgende fejl, skal skiftes.

- Slid på indersiden af rillen på sværdet, som får kæden til at køre skævt.
- Et bøjet sværd.
- Revnede eller ødelagte riller.
- Udvidede riller.

Derudover har sværdet et tandhjul på spidsen. Tandhjulet skal smøres ugentligt med en fedtsprøjte, så dets levetid forlænges. Brug ugentligt en fedtsprøjte til at smøre med kædeolie via smøringshullet (fig. X). Drej sværdet og sørg for at smørehullerne og kæderillen er fri for urenheder.

X-1	Tandhjul på spidsen af sværdet
X-2	Hul til smøring

VEDLIGEHOLDELSE AF KÆDEN

Denne sav må kun bruges med kæder, der reducerer chancen for tilbageslag. Den hurtige savkæde reducerer chancen for tilbageslag, når den vedligeholdes ordentligt.

En ordentlig slebet kæde kan nemt save gennem træ, også uden meget pres.

DK

Brug aldrig en nedslidt eller beskadigede savkæde. En nedslidt kæde øger den fysiske belastning, får motorsaven til at vibrere mere og save dårligere, og slider mere på motorsaven.

For nem og hurtig skæring, skal savkæden vedligeholdes ordentligt. Kæden skal slibes, hvis træfliserne bliver små og ligner savsmuld, hvis motorsaven skal tvinges gennem træet eller hvis motorsaven saver til den ene side. Når savkæden vedligeholdes, skal du holde øje med følgende:

- Forkert slibevinkel på sidepladen kan øge risikoen for alvorlige tilbageslag.
- Indstilling af dybdemåleren. Hvis den er for lav, øges risikoen for tilbageslag. Hvis den er for høj, reduceres saveevnen.
- Hvis skæretænderne har ramt hårde genstande, såsom søm eller sten, eller er blevet slidt af mudder eller sand på træet, skal kæden slibes af en kvalificeret servicetekniker.

DK

TRANSPORT OG OPBEVARING

- Stangsavstilbehøret må ikke lægges væk eller transporteres, når det kører. Batteripakken skal altid tages ud, inden motorsaven gemmes væk og transporteres.
- Sæt altid hylsteret på sværdet og kæden, inden stangsavstilbehøret gemmes væk eller transporteres. Vær forsigtig med ikke at røre de skarpe tænder på kæden.
- Rengør stangsaven grundigt før opbevaring. Opbevar stangsaven indendørs på et tørt sted, der er aflåst og/eller utilgængeligt for børn. Opbevar den i sikker afstand af ætsende stoffer, såsom have kemikalier og tøsalt.

Beskyttelse af miljøet



Elektrisk udstyr, batterioplader og batterier må ikke smides ud sammen med almindelig husholdningsaffald!

Tag dette produkt til en autoriseret genbrugsplads, og sørg for at det sendes til genbrug. Elektriske værktøjer skal returneres til et miljøkompatibelt genvindingsanlæg.

FEJLFINDING

PROBLEM	ÅRSAG	LØSNING
MOTOREN KØRER IKKE.	<ul style="list-style-type: none"> ■ Batteripakken er ikke sat i stangsaven. ■ Der er ingen elektrisk kontakt mellem saven og batteriet. ■ Batteriet er afladet. ■ Låseknappen er ikke trykket ned, inden der trykkes på gashåndtaget. ■ Batteripakken eller motordelen er for varm. ■ Savkæden sidder fast i træet. ■ Savsværdet og kæden er skæv og er ikke parallel med kabinettet. ■ Skidt i rillen på savsværdet. ■ Snavs i sidebeslaget. 	<ul style="list-style-type: none"> ■ Sæt batteripakken i stangsaven. ■ Fjern batteriet, kontrollér kontakter, og sæt batteriet på igen. ■ Oplad batteripakken. ■ Tryk låsehåndtaget ned, og hold det, tryk derefter på gashåndtaget for at starte stangsaven. ■ Lad batteripakken eller motorhovedet køle ned, indtil temperaturen falder til den anbefalede driftstemperatur. ■ Slip gashåndtaget. Tag savkæden og savsværdet ud af træet. Start derefter stangsaven igen. ■ Tag batteriet ud, skift savsværdet og kæden ved at følge instruktionerne i afsnittet “GENMONTERING AF SVÆRD OG KÆDE”. Sørg altid for, at holde savsværdet og kæden parallel med monteringsoverfladen før sidedækslet sættes på. ■ Tryk savkæden mod træet, og ryk stangsaven frem og tilbage, så skidtet kommer ud. ■ Tag batteripakken ud, og tag derefter sidebeslaget af og rengør evt. skidt.

DK

PROBLEM	ÅRSAG	LØSNING
Motoren kører, men kæden kører ikke rundt.	<ul style="list-style-type: none"> ■ Kæden kører ikke på tandhjulet. ■ Kæden er ikke strammet ordentligt. ■ Kæden er døv. ■ Kæden er sat omvendt på. ■ Kæden er slidt. ■ Kæden er tør eller sidder for stramt. ■ Kæder kører ikke i rillen på savsværdet. 	<ul style="list-style-type: none"> ■ Fjern batteripakken, og sæt kæden på igen, og sørg for at leddene på kæden sidder ordentligt på tandhjulet. ■ Løsn knoppen til kædespændingen, ved at dreje den mindst én omgang mod uret. Stram den derefter helt ved at dreje den med uret, indtil kæden er ordentligt spændt. ■ Kædens tænder slibes af en kvalificeret servicetekniker. ■ Fjern batteripakken, og sæt savkæden på igen iht. afsnittet "GENMONTERING AF SVÆRD OG KÆDE". ■ Fjern batteripakken, og sæt kæden på igen iht. afsnittet "GENMONTERING AF SVÆRD OG KÆDE". ■ Tjek olien. Fyld olie på, hvis nødvendigt. ■ Fjern batteripakken, og sæt savkæden på igen iht. afsnittet "GENMONTERING AF SVÆRD OG KÆDE".
Savsværdet og kæden bliver varm og ryger.	<ul style="list-style-type: none"> ■ Der er ikke mere olie i oliebeholderen. ■ Snavs i rillen på savsværdet. 	<ul style="list-style-type: none"> ■ Sørg for at der er nok smøremiddel til savsværdet og kæden. ■ Fjern snavs i rillen.

GARANTI

EGO GARANTI POLITIK

Besøg venligst hjemmesiden egopowerplus.com for fuldstændige vilkår og betingelser for EGO's garantipolitik.

LÄS IGENOM ALLA INSTRUKTIONER!



LÄS IGENOM BRUKSANVISNINGEN

⚠ Dolda risker! Personer med elektroniska enheter såsom pacemaker skall rådfråga sin läkare innan denna produkt används. Användning av elektronisk utrustning i närheten av en pacemaker kan orsaka störningar eller fel på pacemakern.

⚠ VARNING: För att garantera en säker och pålitlig användning måste alla reparationer utföras av en kvalificerad servicetekniker.

SÄKERHETSSYMBOLER

Syftet med säkerhetssymboler är att uppmärksamma eventuella faror. Säkerhetssymbolerna och förklaringarna av dessa kräver din fullständiga uppmärksamhet och förståelse. Symbolvarningarna i sig eliminerar inte några faror. Instruktionerna och varningarna som ges är inte något substitut för korrekta åtgärder för förhindrande av olyckor.

⚠ VARNING: Var noga med att läsa igenom och förstå alla säkerhetsinstruktioner i denna bruksanvisning, inklusive alla varningssymboler såsom "FARA", "VARNING" och "FÖRSIKTIGHET" innan detta verktyg används. Underlåtenhet att läsa alla instruktioner som listas nedan kan resultera i elektrisk stöt, brand och/eller allvarlig personskada.

SE

SYMBOLBETYDELSE

Denna sida framställer och beskriver säkerhetssymboler som kan visas på denna produkt. Läs igenom, förstå och följ alla instruktioner på maskinen innan försök görs att montera och hantera den.



Säkerhetslarm



För att minska risker för skador måste användare läsa igenom och förstå bruksanvisningen innan denna produkt används.



Använd ögonskydd



Använd skyddshjälm



Använd hörselskydd



Använd skyddshandskar



Garanterad ljudeffektivnivå. Bulleremissioner för omgivningen enligt EU-direktivet.

IPX4 Ingång skyddsgrad



Använd skyddsskor



För att undvika dödsfall genom elektriska ström, använd inte inom 15 m från elektriska luftledningar. Kontakt med eller användning i närheten av elektriska ledningar kan orsaka allvarliga personskador eller dödsfall.



Utsätt den inte för regn.



Denna produkt är i enlighet med gällande EG-direktiv.



Denna produkt uppfyller tillämpliga lagar i Storbritannien.



Förbrukade elektriska produkter får inte kastas i hushållssoporna. Lämnna in dem till en auktoriserad återvinningsstation.



Likström



Spänning

SPECIFIKATIONER

Märkspänning	56 V	
Svärdlängd	25 cm	
Kedjedelning	6,4 mm (1/4")	
Kedjemått	1,1 mm (0,043")	
Oljetankens kapacitet	80 ml	
Antal drivlänkar	56	
Verktöglängd (utan förlängningsstång)	Max. 292 cm Min. 233 cm	
Rekommenderad drifttemperatur	-15°C-40°C	
Rekommenderad förvaringstemperatur	-20°C-70°C	
Rekommenderad laddningstemperatur	5°C-40°C	
Vikt (utan batteripaket, kedjeöverdrag)	4,25 kg	
Uppmätt ljudeffektnivå L_{WA}	97 dB(A) K=2,5 dB(A)	
Ljudtrycksnivå vid arbetspositionen L_{PA}	82 dB(A) K=3 dB(A)	
Garanterad ljudeffektnivå L_{WA} (enligt 2000/14/EG)	100 dB(A)	
Vibration a_h	Främre handtag	1,19 m/s ² K=1,5 m/s ²
	Bakre handtag	1,01 m/s ² K=1,5 m/s ²

- Det deklarerade totala vibrationsvärdet har uppmätts i enlighet med en standardtestmetod och kan användas för att jämföra ett verktyg med ett annat.
- Det deklarerade totala vibrationsvärdet kan också användas i en preliminär utvärdering av exponeringen.

UPPMÄRKSAMMA: Vibrationsutstrålningen under verklig användning av elverktyg kan skilja sig från det deklarerade värdet i vilken verktyget används. För att skydda användaren skall skyddshandskar och hörselskydd användas under faktiska användningsförhållandet.

BESKRIVNING

LÄR KÄNNA DIN STÅNGESÅG (Bild A1)

1. Utstickare för inställning av kedjespänningen
2. LED arbetsbelysning
3. Sidokåpa
4. Axelremsögla
5. Förlängningsstång
6. Startspärr
7. Avtryckare
8. Bakre handtag
9. Låsknapp för batteri
10. Främre handtag
11. Snabbblåsspak
12. Teleskopstång
13. Axelrem
14. Lock oljetank
15. Oljebehållare
16. Spikar för aptering
17. Svärd
18. Sågkedja
19. Kedjeöverdrag

FÖRPACKNINGSLISTA (bild A1)

Rekommenderat svärd och kedja för denna stångsåg

ARTIKELNAMN	MODELLNUMMER
Svärd	AG1000Q, AG1200Q
Sågkedja	AC1000Q, AC1200Q

MONTERING

⚠ VARNING: Om någon del är skadad eller saknas skall inte denna produkt användas innan delarna ersatts. Användning av denna produkt om den är skadad eller saknar delar kan resultera i allvarliga personskador.

⚠ VARNING: Försök inte att modifiera denna produkt eller skapa tillbehör som inte rekommenderas för användning med denna produkt. Alla sådana ändringar eller modifieringar är missbruk och kan resultera i allvarliga situationer som kan leda till allvarliga personskador.

⚠ VARNING: Ta alltid bort batteripaketet från produkten vid montering av delar, justeringar, rengöring eller när produkten inte används.

MONTERA SVÄRDET OCH KEDJAN

- Lägg stängsågen på en fast, plan yta så att sidokåpan är vänd uppåt.
- Använd handskar. Ta bort sidokåpan (bild B).
- Lägg den nya kedjan i en loop på en plan yta och räta ut alla knutar.
- Placera kedjedrivlänkarna i svärdsspåret. Placera kedjan så att det finns en ögla på baksidan av styrstången (bild C).

C-1	Kedjedrivlänkar
C-2	Svärdsspår

- Håll kedjan i positionen på svärdet och placera loopen runt kedjedrivhjulet på stängsågen.

UPPMÄRKSAMMA: En liten riktningsspil och en fräs är ingraverade i verktygshuset (bild D). När sågkedjan slussas på svärdet, se till att sågkedjans riktning, efter montering av svärdet, överensstämmer med pilen för rotationsriktningen på verktygshuset och att formen på fräsarna på svärdets ovansida överensstämmer med formen på fräsarna på höljet. Om de pekar åt olika håll monterar du tillbaka sågkedjan på svärdet så att pilarna pekar åt samma håll. Svärdet ska monteras med justeringsplattan vänd bort från huset.

- Håll stängsen och kedjan parallella med monteringsytan. Sätt fast sidokåpan på höljet så att hålen/stiften och hålen/stiften är rätt riktade mot varandra (bild E). Tryck sidopanelen mot höljet, dra sedan åt snabbkedjespänningens justeringsratt medurs. Excenterlåset inuti sidokåpan är utformat för att säkerställa att kedjan inte blir överspänd

NOTERA: Om kedjan blir lös, vrid snabbspänningsreglaget moturs minst ett varv och dra sedan åt ratten helt och hållet.

- Rotera kedjan för hand för att kontrollera att kedjan är korrekt monterad utan att den kärvar. I annat fall ska du montera tillbaka kedjan och stängsen.

ANSLUTA TILLBEHÖRET FÖR STÄNGSÅG TILL MOTORENHETEN

Den här stängsågen fungerar genom motorenheten (bild F).

F-1	Tillbehör för stängsåg
F-2	Motorenhet

⚠ VARNING: Montera aldrig eller justera något stängsågstillbehör medan motorenheten är igång eller med batteriet monterat. Underlåtenhet att stoppa motorn och ta ut batteriet kan orsaka allvarliga personskador.

Stängsågens tillbehör ansluts till motorenheten via en kopplingsenhet.

- Stoppa motorn och ta bort batteripaketet.
- Lossa på vingmuttern.
- Rikta in pilen på stängsågens skaft mot pilen på kopplingen och tryck in stängsågens axel i kopplingen tills du hör ett klick. Detta klick indikerar att tillbehörets axel är monterat på plats (bild G).

G-1	Vingratt	G-3	Pil på fästet
G-2	Låsknapp för axeln	G-4	Pil på stängsågens axel

- Dra i tillbehörets axel för att bekräfta att den är fastlåst i kopplingen. Om den inte är fastlåst, vrid tillbehörets axel från sida till sida i kopplingen tills den knäpps på plats.
- Dra åt vingmuttern ordentligt.

⚠ VARNING: Säkerställ att låsratten är helt åtdragen innan utrustningen används. Kontrollera regelbundet att den är åtdragen före användning för att undvika allvarliga personskador.

ANSLUTA FÖRLÄNGNINGSSTÄNGEN MELLAN MOTORENHETEN OCH TILLBEHÖRET FÖR STÄNGSÅG (modellnr. EP1000)

⚠ VARNING: Montera aldrig eller justera något tillbehör medan motorenheten är igång eller med batteriet monterat. Underlåtenhet att stoppa motorn och ta ut batteriet kan orsaka allvarliga personskador.

Den här förlängningsstång är utformat för exklusiv användning med EGO PS1000E. Använd den aldrig med andra tillbehör från EGO.

Förlängningsstången ökar verktygslängden med 100 cm, vilket utökar sågområdet. Den ska anslutas mellan motorenheten och stängsågstillbehöret. Maximalt två förlängningsstänger (finns separat) kan användas på ett verktyg.

Följ förfarandet i avsnittet „ANSLUTA STÄNGSÅGEN TILL MOTORENHETEN“ för att montera förlängningsstången mellan stängsågstillbehöret och motorenheten (bild H).

SE

H-1	Koppling på förlängningsstången
H-2	Koppling på motorenheten

UPPMÄRKSAMMA: När de har monterats korrekt ska stängsågstillsetsen, förlängningsstången och motorenheten inte kunna skiljas åt när de dras. Testa alltid anslutningen genom att dra i dem. Upprepa stegen ovan om delarna kan separeras.

⚠ VARNING: Om tillbehöret och motorenheten/förlängningsstången inte säkerställs korrekt och enligt ovanstående instruktioner kan det resultera i allvarliga personskador eller dödsfall.

SE

TA BORT TILLBEHÖR FRÅN MOTORENHETEN

1. Stoppa motorn och ta bort batteripaketet.
2. Lossa på vingmuttern.
3. Tryck på axelns låsknapp och, med knappen nedtryckt, dra eller vrida ut stängsågens axel ut ur kopplingen för att separera den från motorenheten eller förlängningsstången (om den används).
4. Upprepa processen för att separera förlängningsstången från motorenheten (om förlängningsstången används).

MONTERA OCH JUSTERA DET FRÄMRE HANDTAGET

1. Stoppa motorn och ta bort batteripaketet.
2. Lossa vingmuttern och ta bort den tillsammans med klämskruven från handtaget för främre hjälphandtaget (bild 11).

I-1	Främre handtag	I-4	Vingmutter
I-2	Låshandtag	I-5	Klämblock
I-3	Klämskruv		

3. Tryck på hjälphandtaget på motorenhetens axel och vrid det nedåt så att det pekar mot sågkedjan (bild I2).
4. Sätt in klämblocket och montera klämskruven med vingmuttern (bild I3).
5. Dra inte åt vingmuttern helt och hållet. Justera det främre hjälphandtaget så att det befinner sig mellan axelremshängaren och teleskopstångshylsan (bild I4). Handtaget ska justeras så att armen är rak när du använder stängsågen.
6. Tryck ner låsspaken och dra åt vingmuttern så att det främre handtaget inte kan rotera eller röra sig på motorenhetens axel.

DRIFT

⚠ FARA: Kapa aldrig i närheten av elledningar, strömkablar eller andra strömkällor. Om svärdet och kedjan fastnar i en elledning eller strömkabel, **VIDRÖR INTE SVÄRDET, KEDJAN ELLER STÅNGEN! DE KAN BLI STRÖMFÖRANDE OCH KAN VARA MYCKET FARLIGA!**

Fortsätt att hålla stängsågen i det isolerade bakre handtaget eller lägg ner den i riktning från dig på ett säkert sätt. Koppla ifrån elektriciteten för den skadade ledningen eller kabeln innan du försöker frigöra svärdet och kedjan från ledningen eller kabeln. Kontakt med svärdet, kedjan, övriga strömledande delar på stängsågen, eller strömförande strömkablar eller elledningar kan resultera i allvarliga personskador eller dödsfall.

⚠ VARNING: Bli inte vårdslös bara för att du är bekant med denna produkt. Kom ihåg att oaksamhet under en bråkdel av en sekund är tillräcklig för att orsaka allvarliga skador.

⚠ VARNING: Använd alltid skyddsglasögon eller säkerhetsglasögon med sidoskydd. Om inte så görs kan det resultera i att föremål kastas in i ögonen och andra möjliga allvarliga skador.

⚠ VARNING: Ta alltid ut batteripaketet från produkten vid montering av delar, justeringar, rengöring eller när den inte ska användas. När batteripaketet tas ut förhindrar det oavsiktliga starter som kan orsaka allvarliga personskador.

⚠ VARNING: Använd inga andra tillsatser eller tillbehör än de som rekommenderas av tillverkaren av denna produkt. Användning av tillbehör eller tillsatser som inte rekommenderas kan resultera i allvarlig personskada.

Inspektera hela produkten innan varje användning om där finns skador, saknade eller lösa delar såsom skruvar, muttrar, bultar, höljen etc. Dra åt alla fästelement och lock och använd inte denna produkt innan alla saknade eller skadade delar bytts ut.

TILLÄMPNINGAR

Du kan använda denna produkt för de tillämpningar som listas nedan:

- Kvistning
- Beskäring

UPPMÄRKSAMMA: Verktuget får enbart användas för det föreskrivna ändamålet. All annan användning betraktas som missbruk.

FYLLA PÅ OLJEBEHÅLLAREN MED SMÖRJMEDEL FÖR SVÄRDET OCH KEDJAN

⚠ VARNING: Rök inte eller för eld eller öppna lågor i närheten av oljan eller stångsågen. Oljan kan spillas och orsaka brand.

UPPMÄRKSAMMA: Stångsågen är inte fylld med olja vid köpet. Det är väsentligt att fylla tanken med kedjeolja före användning. Att använda stångsågen utan kedjeolja eller när oljenivån är lägre än en viss nivå leder till skador på stångsågen. Kedjans livslängd och kapningskapacitet är beroende av en optimal smörjning. Kedjan smörjs automatiskt med kedjeolja under drift om det finns tillräckligt med olja i behållaren. Oljenivån bör kontrolleras efter varje 20 minuters användning och fyllas på vid behov.

1. Ta ut batteripaketet från motorenheten.
2. Rengör oljebehållarens locket och området runt det för att säkerställa att smuts inte tränger in i oljebehållaren.
3. Lägg stångsågen på en fast, plan yta så att oljetanklocket är uppåt och ta sedan bort locket (bild J).
4. Häll försiktigt i svärds- och kedjeoljan i behållaren tills du når tankhalsen. Var noga med att inte låta olja spillas ut från öppningen. Torka bort överflödiga olja.

UPPMÄRKSAMMA:

- Använd aldrig olja eller annat smörjmedel som inte är särskilt avsett för användning på svärdet och kedjan. Detta kan leda till att olja sätter igen system vilket kan göra att svärdet och kedjan slit i förtid.
- Kontrollera oljenivån ofta och fyll på vid behov.
- Använd inte smutsig, använd eller på annat sätt förorenad olja. Det kan skada svärdet eller kedjan.
- Det är normalt att olja sipprar ut från sågen när den inte används. För att förhindra läckage ska du tömma oljetanken efter varje användning och sedan köra sågen i en minut. När du förvarar verktyget under en längre period ska du se till att kedjan är lätt smord, vilket förhindrar rost på kedjan och kedjehjulet.
- För att spara på naturresurser, återvinn eller kassera oljan på korrekt sätt. Rådfråga din lokala myndighet för sophantering om tillgänglig information och återvinning och kasseringsalternativ.

FÖRVARA TELESKOPSTÅNGEN (bild K)

1. Lyft snabbblåsspaken för att låsa upp teleskopstången.
2. Dra ut teleskopstången till önskad längd.
3. Tryck ner snabbblåsspaken för att låsa teleskopstången ordentligt.

MONTERING AV AXELREMMEN

Tryck ner bandkroken för att öppna den och fäst den på axelbandshängaren på sågen (bild L). Justera axelremmen för ett bekvämt arbetsläge.

⚠ VARNING: Om en nödsituation uppstår, ta bort remmen från axeln omedelbart för att undvika skador.

INSTALLERA/TA UT BATTERIPAKETET

NOTERA: Ladda batteripaketet fullt före första användning.

Använd endast med de batteripaket och laddare som listas i bild A2.

Fästa

Rikta in listerna på batteriet med monteringsspåren och tryck sedan ner batteripaketet tills du hör ett „klick“ (bild M).

⚠ VARNING: Se till att batteripaketet är låst på plats innan du använder det. Om batteripaketet inte sitter ordentligt fast kan det leda till att batteripaketet ramlar ut, vilket kan leda till allvarlig personskada.

⚠ VARNING: Var alltid försiktig med dina fötter, barn eller husdjur som är i din närhet när du trycker på batteriets låsknapp. Allvarliga personskador kan inträffa om batteripaketet tappas. Ta ALDRIG ut batteripaketet när du är på en hög plats.

Ta bort

Tryck in frigöringsknappen för batteriet och dra sedan ut batteripaketet (bild N).

LED-arbetsbelysning (bild O)

LED-arbetsbelysningen är placerad framtill på stångsågstillbehöret, i linje med sågkedjan. Den här funktionen ger extra ljus så att användarna kan se var sågkedjan befinner sig när de kapar grenar högt upp i trädet.

Arbetsbelysningen tänds automatiskt när du trycker på avtryckaren och släcks cirka 10 sekunder efter att du släppt avtryckaren.

STARTA/STOPPA VERKTYGET

Innan stångsågen startas

⚠ VARNING: ANVÄND ALDRIG MOTORENHETEN UTAN ETT TILLBEHÖR. Försök inte att starta motorenheten innan du ansluter stångsågstillbehöret.

SE

UPPMÄRKSAMMA: Innan du startar stångsågen ska du kontrollera att kedjespänningen är snabbjusterad, oljenivån och att kedjan och tänderna är vassa. Dessutom krävs det en greppmetod, en balanserad fotställning och ett lämpligt avstånd till marken (bild Q).

Att starta (Fig. P)

1. Installera batteripaketet.
2. Se till att det inte finns några föremål eller hinder i omedelbar närhet som kan komma i kontakt med stängan och kedjan.
3. Ta ett fast grepp om hjälphandtaget och det bakre handtaget med båda händerna.
4. Tryck ned och håll nere låsknappen, tryck sedan in avtryckaren för variabel hastighet för att starta sågen. Släpp låsknappen och fortsätt att klämma in avtryckaren för fortsatt drift.

SE

⚠ VARNING: Försök inte starta sågen när sågkedjan är i ett snitt eller i kontakt med någon yta.

Stoppa

Flytta stångsågen bort från sågområdet och släpp sedan avtryckaren för att stoppa stångsågen.

⚠ VARNING: Ta alltid bort batteripaketet från kedjesågen vid arbetsavbrott och efter avslutat arbete.

GRUNDLÄGGANDE KAPNINGSPROCEDUR (bild R)

Följ stegen nedan för att förhindra skada på träbark eller buskar. Använd inte en bakåt och framåt sågrörelse.

1. Utför ett grunt första snitt (1/4 av grenens diameter) nära stammen eller huvudgrenen på grenens undersida.
2. Gör ett andra snitt på ovansidan av grenen, riktat utåt från det första snittet. Fortsätt att kapa grenen tills den lossnar från trädet. Var uppmärksam på verktygets vikt när trädgrenen faller ner.
3. Gör ett sista snitt nära stammen.

UPPMÄRKSAMMA: För det andra och slutliga snittet (på grenens övre sida), håll spikarna för aptering mot grenen som kapas (bild S). Det hjälper till att göra grenen stadig och därmed enklare att kapa. Låt kedjan skära åt dig och utöva endast ett lätt tryck nedåt. Om du forcerar kapningen kan det resultera i skada på svärdet, kedjan eller motorn.

S-1 Spikar för aptering

4. Släpp upp avtryckaren så snart som kapningen är klar

UPPMÄRKSAMMA: Underlåtenhet att följa korrekta kapningsprocedurer kan resultera i att svärdet och kedjan kärvar, nyps fast eller fastnar i grenen. Om detta inträffar:

1. Stoppa motorn och ta bort batteripaketet.
2. Om grenen kan nås från marken, lyft upp grenen medan du håller i sågen. Detta bör frigöra sågen om den sitter fast.
3. Om sågen fortfarande sitter fast, ring efter professionell hjälp.

GRENKAPNING OCH BESKÄRNING

Den här stångsågen är utformad för att trimma små grenar och grenar upp till 20 cm (för verktyg med 25 cm svärd) eller 25 cm (för verktyg med 30 cm svärd) i diameter. Observera följande försiktighetsåtgärder för bästa resultat.

1. Planera din kapning noga. Var medveten om i vilken riktning som grenen kommer falla.
VARNING: Grenar kan falla i en oväntad riktning. Stå inte direkt under grenen som kapas.
2. Den mest typiska sågtillämpningen är att placera enheten i en vinkel på 60° eller mindre, beroende på den specifika situationen, vilket visas i bild T. När stångsågens axelvinkel mot marken ökar, ökar svårigheten att göra det första snittet (från undersidan av grenarna).
3. Ta bort långa grenar i flera etapper.
4. Kapa de lägre grenarna först för att ge de övre grenarna mer utrymme att falla.
5. Arbeta långsamt, håll båda händerna på sågen med ett fast grepp. Säkerställ ett gott fölfäste och balans.
6. Håll trädet mellan dig och kedjan under kvistningen. Såga från sidan av trädet motsatt den gren du sågar.
7. Kapa inte från en stege eftersom det är extremt farligt. Överlåt sådan kapning till professionella yrkesmän.
8. Utför inte ett snitt i vid huvudgrenen eller stammen tills du har kapat bort en stor del av grenen för att minska vikten. Följ de korrekta kapningsprocedurerna för att förhindra att barken slits bort från huvudgrenen.
9. Använd inte stångsågen för fällning och aptering.
10. För att undvika dödsfall genom elektriska ström, använd inte inom 15 m från elektriska luftledning (bild T).
11. Håll alla åskådare på ett avstånd av minst 15 meter (bild T)

UNDERHÅLL

⚠ VARNING: Före inspektion, rengöring eller service av enheten, stoppa motorn, vänta tills alla rörliga delar har stoppats och ta sedan ut batteripaketet. Underlåtenhet att följa dessa instruktioner kan resultera i allvariga personskador eller skada på egendom.

⚠ VARNING: Vid service ska enbart identiska utbyteskomponenter användas. Om andra delar används kan det skapa en fara eller orsaka produktskador. För att säkerställa produktens säkerhet och pålitlighet måste alla reparationer, förutom de som anges i dessa underhållsinstruktioner, utföras av en behörig servicetekniker.

⚠ VARNING: Bär alltid handskar när du hanterar sågkedjan. Kedjan är vass och kan innehålla grader.

ALLMÄNT UNDERHÅLL

Använd inte lösningsmedel när du rengör plastdelarna. De flesta plaster är känsliga för skador från olika typer av kommersiella lösningsmedel och kan skadas av dess användning. Använd rena trasor för att ta bort smuts, damm, olja, fett osv.

RENGÖRING

- Efter varje användning, ta bort skräp från kedjan och svärdet med en mjuk borste. Torka av stångsågens yta med en ren trasa fuktad med en mild tvålösning.
- Ta bort sidokåpan och använd sedan en mjuk borste för att ta bort skräp från svärdet, sågkedjan, kedjehjulet och sidokåpan.
- Rensa alltid bort träspån, sågspån och smuts från svärdets spår när sågkedjan byts.

All service av stångsågen, utöver det som anges i dessa underhållsinstruktioner, ska utföras av kompetens auktoriserad servicepersonal för stångsågar.

BYTE AV SVÄRDET OCH KEDJAN

Vid byte av svärdet och kedjan, använd alltid den specificerade svärd- och kedjekombination i avsnittet „Rekommenderat svärd och kedja för denna stångsåg“.

1. Ta bort batteriet och låt sågen svalna. Se till att oljetanklocket sitter fast för att förhindra oljeläckage.
2. Placera stångsågen på sidan på en fast och plan yta så att tanklocket är riktad uppåt.
3. Använd handskar. Ta bort sidokåpan (bild U). Rengör sidokåpan med en torr trasa.

4. Ta bort den slitna skivstången och kedjan från monteringsytan.
5. Montera den nya svärdet och sågkedjan enligt instruktionerna **“MONTERING AV SVÄRDET OCH KEDJAN”** i avsnittet **“MONTERING”**.

UPPMÄRKSAMMA: Detta är ett bra tillfälle att inspektera kedjedrivhjulet om det är mycket slitet.

UNDERHÅLL AV SVÄRDET

När svärdet visar tecken på slitage ska du ta bort den från sågen. Ta bort ställskruven och justeringsplattan, vänd svärdet (bild V) och sätt tillbaka justeringsplattan på den nya sidan av svärdet.

(bild W) för att fördela slitaget och få maximal livslängd på stången. Svärdet skall rengöras dagligen efter användning och kontrolleras om det är slitet. Skäggnings och gradning hos sågsvärdet är en normal process vid svärdsslitage. Sådana fel skall jämnas till med en fil så snart som de uppstår. Ett svärd med något av följande fel skall bytas ut.

- Slitage på insidan av svärdsspåren som låter kedjan glida över åt sidan.
- Böjt sågsvärd.
- Spräckta eller trasiga spår.
- Breddade spår.

Dessutom har svärdet en kugge på dess spets. Kuggen måste smörjas veckovis med fettspruta för att öka svärdets livslängd. Använd en fettspruta för att smörja varje vecka med kedjeolja med hjälp av smörjhålet (bild X). Vrid svärdet och kontrollera att smörjhålet och kedjespåret är fria från föroreningar.

X-1	Drivenhet i svärdsspetsen
X-2	Smörjhål

UNDERHÅLLA KEDJAN

Använd endast lågrekylskedjor på denna såg. Den snabba sågkedjan kommer att ge reducerade rekylar när den underhålls korrekt.

En korrekt slipad sågkedja sågar lätt genom trä, även med mycket lite tryck.

Använd aldrig en slö eller skadad sågkedja. En slö sågkedjekutter leder till ökad fysisk ansträngning, ökad vibrationsbelastning, osäkert kapningsresultat och ökat slitage.

För smidig och snabb kapning behöver kedjan underhållas korrekt. Kedjan kräver slipning när träspånen är små och puderliknande, kedjan måste forceras genom trät under sågningen eller kedjan kapa åt ena sidan. Under underhåll av kedjan, tänk på följande:

SE

- Felaktig slipvinkel på sidoplattan kan öka risken för allvarlig rekyl.
- Tandningsfrigång (djupmätare). För låg ökar risken för potentiell rekyl. Inte tillräckligt låg minskar sågmöjligheten.
- Om sågtänderna träffat ett hårt föremål, såsom spikar eller stenar eller har skavt mot lera eller sand på träet, lämna kedjan för slipning hos en kvalificerad servicetekniker.

TRANSPORT OCH FÖRVARING

- Förvara inte eller transportera stångsågen när den är igång. Ta alltid bort batteripaketet innan förvaring och transport.
- Placera alltid svärdsskyddet på svärdet och kedjan innan förvaring eller transport av stångsågens tillbehör. Var försiktig för att undvika de vassa tänderna på kedjan.
- Rengör stångsågen noga innan förvaring. Förvara stångsågen inomhus, på en torr plats som är låst och/eller inte kan komma åt av barn och håll borta från frätande medel som t.ex. trädgårdskemikalier och vägsalt.

SE

Skydda miljön



Kasta inte elektrisk utrustning, använt batteri och laddare i hushållssoporna!

Ta denna produkt till en auktoriserad återvinnare och gör den tillgänglig för separat insamling. Elektriska verktyg måste returneras till en miljöanpassad återvinningsanläggning.

KIEFS VAN DER SPEK
LINES ★ STOLWIJK

FELSÖKNING

PROBLEM	ORSAK	LÖSNING
MOTORN KÖR INTE.	<ul style="list-style-type: none"> ■ Batteripaketet är inte monterat på stängsågen. ■ Ingen elektrisk kontakt mellan sågen och batteriet. ■ Batteripaketet är helt tomt. ■ Startspärren är inte intryckt innan avtryckaren trycks in. ■ Batteripaketet eller motorenheten är överhettad. ■ Sågkedjan är klämd i trä. ■ Svärdet och kedjan är skeva och är inte parallella i höljet. ■ Skräp i svärdsspåret. ■ Skräp i sidokåpan. 	<ul style="list-style-type: none"> ■ Montera batteripaketet i stängsågen. ■ Ta ut batteriet, kontrollera kontaktorna och sätt sedan tillbaka batteripaketet. ■ Ladda batteripaketet. ■ Tryck in startspärren och håll den nertryckt, tryck sedan in gasreglaget för att slå på stängsågen. ■ Låt batteripaketet eller strömhuvudet svalna tills temperaturen sjunker till det rekommenderade drifttemperaturintervallet. ■ Släpp avtryckaren, ta bort sågkedjan och svärdet från trä, starta sedan om stängsågen. ■ Ta bort batteripaketet och byt svärdet och kedjan genom att följa sektionen "BYTA SVÄRD OCH KEDJA". Kom alltid ihåg att hålla svärdet och kedjan parallella mot monteringsytan innan sidokåpan installeras. ■ Tryck sågkedjan mot trä, flytta stängsågen fram och tillbaka för att lossa skräpet. ■ Ta bort batteripaketet, ta sedan bort sidokåpan och rensa bort skräpet.

SE

PROBLEM	ORSAK	LÖSNING
<p>Motorn körs men kedjan roterar inte.</p>	<ul style="list-style-type: none"> ■ Kedjan kuggar inte in i kedjedrivhjulet. ■ Otillräcklig kedjespänning. ■ Slö kedja. ■ Kedjan installerad baklänges. ■ Sliten kedja. ■ Torr eller kraftigt sträckt kedja. ■ Kedjan är inte i svärdsspären. 	<ul style="list-style-type: none"> ■ Ta bort batteripaketet och installera om kedjan, se till att drivlänkarna på kedjan är helt isatt i kedjehjulet. ■ Lossa snabbspänningsreglaget för kedjespänningen minst två gånger varv moturs först och dra sedan åt den medurs tills kedjan är korrekt spänd. ■ Överlåt kedjefräsning till en behörig servicetekniker. ■ Ta bort batteripaketet och montera tillbaka sågkedjan, följ avsnittet "BYTA SVÄRD OCH KEDJA". ■ Ta bort batteripaketet och byt ut kedjan, följ avsnittet "BYTA SVÄRD OCH KEDJA". ■ Kontrollera oljenivån. Fyll på oljebehållaren om så behövs. ■ Ta bort batteripaketet och montera tillbaka sågkedjan, följ avsnittet "BYTA SVÄRD OCH KEDJA".
<p>Svärdet och kedjan körs het och ryker.</p>	<ul style="list-style-type: none"> ■ Kedjeoljetanken är tom. ■ Skräp i svärdspåret. 	<ul style="list-style-type: none"> ■ Fylla på svärd och kedja med smörjmedel. ■ Rensa bort skräp från spåret.

GARANTI

EGO GARANTIPOLICY

Besök webbsidan egopowerplus.com för fullständiga villkor för EGO garantipolicy.

LUE KAIKKI OHJEET!



LUE KÄYTTÖOPAS

⚠ Jäännösriski! Henkilöiden, joilla on sydämentahdistin tai muu vastaava elektroninen laite, tulisi keskustella lääkärin kanssa ennen tämän tuotteen käyttöä. Sähkölaitteiden käyttö sydämentahdistimen läheyydellä saattaa häiritä tahdistimen toimintaa tai aiheuttaa vakavan toimintahäiriön.

⚠ VAROITUS: Pätevän huoltoteknikon tulee suorittaa kaikki korjaukset, jotta voidaan taata tuotteen turvallinen ja luotettava käyttö.

TURVALLISUUSYMBOLIT

Turvallisuussymbolien tarkoituksena on kiinnittää huomiota mahdollisiin vaaroihin. Turvallisuussymbolit ja niiden selitykset on syytä lukea tarkkaan ja ymmärtää perusteellisesti. Varoitussymbolit eivät yksinään poista vaaran mahdollisuutta. Niiden antamat ohjeet ja varoitukset eivät korvaa kunnollisia onnettomuuksien ehkäisytoimenpiteitä.

⚠ VAROITUS: Lue ja ymmärrä tämän käyttöoppaan kaikki turvallisuusohjeet, mukaan lukien kaikki turvallisuusvaroitussymbolit, kuten "VAARA", "VAROITUS" ja "HUOMIO" ennen laitteen käyttämistä. Alla olevien ohjeiden noudattamatta jättäminen saattaa aiheuttaa sähköiskun, tulipalon ja/tai vakavan henkilövahingon.

FI

SYMBOLIEN MERKITYKSET

Tällä sivulla kuvataan ja esitellään turvallisuussymbolit, jotka saattavat esiintyä tässä tuotteessa. Lue, ymmärrä ja noudata kaikkia laitteen ohjeita ennen kuin yrität koota sen tai käyttää sitä.



Turvallisuushälytys



Käyttäjän on luettava ja ymmärrettävä käyttöopas ennen tämän laitteen käyttöä loukkaantumista varten vähentämiseksi.



Käytä silmäsuojaimia



Käytä suojakypärää



Käytä kuulosuojaimia



Käytä suojakäsineitä



Taattu äänitehotaso. Melupäästöt ympäristöön Euroopan yhteisön direktiivin mukaiset.

IPX4 Koteloitiluokka



Käytä turvajalkineita



Vältä sähköiskut, älä käytä alle 15 metrin etäisyydellä ilmasähkolinjoista. Kosketus sähkölinjaan tai käyttö sähkölinjan lähellä voi aiheuttaa vakavan henkilövahingon tai kuolemaan johtavan sähköiskun.



Älä altista sateelle.



Tämä tuote vastaa sovellettavia EU-direktiivejä.



Tämä tuote vastaa sovellettavaa UK-lainsäädäntöä.



Vanhoja sähkölaitteita ei saa hävittää kotitalousjätteen mukana. Vie laite valtuutettuun kierrätyslaitokseen.



Tasavirta



Jännite

TEKNISET TIEDOT

Nimellisjännite	56 V $\overline{\text{---}}$	
Terälevyn pituus	25 cm	
Ketjujako	6,4 mm (1/4")	
Ketjumittari	1,1 mm (0,043")	
Öljysäiliön tilavuus	80 ml	
Vetolenkkien määrä	56	
Työkalun pituus (ilman jatkovartta)	Maks. 292 cm Min. 233 cm	
Suosittelun käyttölämpötila	-15–40°C	
Suosittelun säilytyslämpötila	-20–70°C	
Suosittelun latauslämpötila	5–40°C	
Paino (ilman akkua tai sahan suojusta)	4,25 kg	
Mitattu äänitehotaso L_{WA}	97 dB(A) K=2,5 dB(A)	
Äänenpaineen taso käyttäjän kohdalla L_{PA}	82 dB(A) K=3 dB(A)	
Taattu äänen tehotaso L_{WA} (mitattu 2000/14/EY mukaisesti)	100 dB(A)	
Tärinä a_h	Etupukahva	1,19 m/s ² K=1,5 m/s ²
	Takakahva	1,01 m/s ² K=1,5 m/s ²

- Ilmoitettu tärinän kokonaispäästöarvo on mitattu standarditestausten mukaisesti, ja sen avulla voidaan vertailla työkaluja keskenään;
- Ilmoitettua tärinän kokonaispäästöarvoa voidaan käyttää myös altistumisen alustavaan arviointiin.

HUOMAUTUS: Työkalun käytön aikana mitattu todellinen tärinäpäästöarvo voi poiketa ilmoitetusta kokonaispäästöarvosta työkalun käyttötavasta johtuen; käyttäjän suojaamiseksi tulee käyttää käsinettä ja kuulosuojaimia varsinaisissa käyttöolosuhteissa.

KUVAUS

TUNNE VARSISAHASI (kuva A1)

1. Ketjun kireyden pikasäätönuppi
2. LED-työvalo
3. Sivukansi
4. Olkahihnan ripustin
5. Jatkovarsi
6. Lukituksen vapautuspainike
7. Liipaisinkytkin
8. Takakahva
9. Akun vapautuspainike
10. Etupukahva
11. Pikavapautusvipu
12. Teleskooppivarsi
13. Olkahihna
14. Öljytankin korkki
15. Öljysäiliö
16. Katkontapiikit
17. Laippa
18. Teräketju
19. Teräsuoja

PAKKAUSLUETTELO (kuva A1)

Tähän varsisahaan suositellut laipat ja ketjut

OSAN NIMI	MALLIN NUMERO
Laippa	AG1000Q, AG1200Q
Teräketju	AC1000Q, AC1200Q

KOKOAMINEN

VAROITUS: Jos jokin osa on vahingoittunut tai puuttuu, älä käytä tuotetta ennen kuin osat on vaihdettu. Tuotteen käyttö vioittuneilla tai puuttuvilla osilla voi aiheuttaa vakavan henkilövahingon.

VAROITUS: Älä yritä muuttaa tätä tuotetta tai käyttää siinä lisävarusteita, joita ei ole suunniteltu käytettäväksi tämän tuotteen kanssa. Mikä tahansa tällainen muokkaus tai muutos on vääriinkäyttöä ja saattaa aiheuttaa vaarallisen tilan, joka saattaa johtaa vakavaan henkilövammaan.

VAROITUS: Poista akku laitteesta aina, kun kokoat osia, teet säätöjä tai puhdistat laitetta, tai kun et käytä laitetta.

TERÄLEVYN JA KETJUN KOKOAMINEN

1. Aseta varsisaha tukevalle, tasaiselle alustalle siten, että sivukansi on ylöspäin.
2. Käytä käsiineitä. Irrota sivukansi (kuva B).
3. Aseta uusi teräketju tasaiselle alustalle ja oikaise kaikki kiertymät.
4. Aseta ketjun vetolenkit terälaipan uraan. Sijoita ketju siten, että silmukka on terälaipan takaosassa (kuva C).

C-1	Ketjun vetolenkit
C-2	Terälevyn ura

5. Pidä ketjua paikallaan terälaipassa ja aseta silmukka varsisahan vetopyörän ympärille.

HUOMAUTUS: Työkalun koteloon on kaiverrettu pieni suuntanuoli ja leikkuri (kuva D). Kun pujotat teräketjun laipan päälle, varmista laipan kiinnittämisen jälkeen, että teräketjun suunta vastaa työkalun kotelossa olevaa pyörimissuunnan nuolta ja että laipan yläosassa olevien leikkureiden muoto on yhdenmukainen kotelossa olevan leikkurin muodon kanssa. Jos nuolet osoittavat vastakkaisiin suuntiin, asenna teräketju uudelleen laipan päälle siten, että nuolet osoittavat samaan suuntaan. Laippa on asennettava siten, että säätölevy osoittaa pois päin kotelosta.

6. Pidä laippa ja ketju yhdensuuntaisina asennuspinnan kanssa. Kiinnitä sivukansi koteloon siten, että reiät/tapit ja kiinnityspultti/kierriereikät ovat oikein kohdakkain (kuva E). Paina sivukansi koteloa kohti, kiristä sitten ketjun kireyden pikasäätönuppi loppuun asti myötäpäivään. Epäkeskopyörä sivukannen sisäpuolella on suunniteltu varmistamaan, että ketjua ei voi kiristää liikaa.

HUOMAA: Jos ketju löystyy, käännä ketjun kireyden pikasäätönuppiä vastapäivään vähintään yksi kierros ja kiristä nuppi sitten loppuun.

7. Pyöritä ketjua käsin tarkistaaksesi, että ketju on oikein asennettu eikä jää kiinni. Muutoin asenna ketju ja terälevy uudelleen.

VARSISAHAOSAN KIINNITTÄMINEN AKKUPÄÄHÄN

Tämä varsisaha on varsisahaosan ja akkupään yhdistelmä (kuva F).

F-1	Varsisahalaisäosa
F-2	Akkupää

VAROITUS: Älä koskaan kiinnitä tai säädä varsisahaosaa, kun akkupää on käynnissä, tai kun akku on asennettuna. Moottorin sammuttamatta jättäminen ja akun poistamatta jättäminen voivat aiheuttaa vakavan henkilövahingon.

Varsisahaosa yhdistyy akkupäähän liitoskappaleen avulla.

1. Pysäytä moottori ja poista akku.
2. Löysää siipinuppi.
3. Kohdista lisäosan varren nuoli liitoskappaleen nuoleen ja paina varsisahan vartta liitoskappaleeseen, kunnes kuulet "naksahavan" äänen. Se ilmaisee, että varsisahan varsi on paikoillaan (kuva G).

G-1	Siipinuppi	G-3	Liitoskappaleen nuoli
G-2	Varren vapautuspainike	G-4	Nuoli varsisahan varressa

4. Tarkasta lisäosan varren pysyvyys liitoskappaleessa vetämällä vartta. Jos se ei pysy, käännä varsisahan vartta puolelta toiselle liitoskappaleessa, kunnes varsi naksahaa paikoilleen.
5. Kiristä siipinuppi kunnolla.

VAROITUS: Varmista, että siipinuppi on kunnolla kiristetty ennen laitteen käyttämistä; tarkista sen kireys säännöllisesti käytön aikana vakavien henkilövahinkojen välttämiseksi.

JATKOVARREN YHDISTÄMINEN AKKUPÄÄN JA VARSISAHALISÄOSAN VÄLIIN (mallinumero EP1000)

VAROITUS: Älä koskaan kiinnitä tai säädä lisäosaa, kun akkupää on käynnissä, tai kun akku on asennettuna. Moottorin sammuttamatta jättäminen ja akun poistamatta jättäminen voivat aiheuttaa vakavan henkilövahingon.

Tämä jatkovarsi on suunniteltu käytettäväksi yksinomaan EGO PS1000E-mallin kanssa. Älä käytä sitä muiden EGO-lisäosien kanssa.

Jatkovarsi lisää työkalun pituutta 100 cm, mikä laajentaa sahausaluetta. Se tulee yhdistää varsisahaosan ja akkupään väliin. Yhdessä työkalussa voidaan käyttää enintään kahta jatkovartta (saatavana erikseen).

Noudata kohdan "VARSISAHAOSAN KIINNITTÄMINEN AKKUPÄÄHÄN" ohjeita asentamisessa ja kiinnittä jatkovarsi varsisahaosan ja akkupään väliin (kuva H).

H-1	Jatkovarren liitoskappale
H-2	Akkupään liitoskappale

HUOMAUTUS: Kun varsisahaosa, jatkovarsi ja akkupää on koottu oikein, niiden ei pitäisi irrota toisistaan vedettäessä. Testaa liittämällä aina vetämällä. Toista edellä kuvatut vaiheet, jos kappaleet irtoavat toisistaan.

VAROITUS: Jos lisäosaa ja akkupäätä/jatkovartta ei kiinnitetä edellä olevien ohjeiden mukaisesti, voi seurauksena olla vakava henkilövahinko tai kuolema.

LISÄOSAN POISTAMINEN AKKUPÄÄSTÄ

1. Pysäytä moottori ja poista akku.
2. Löysää siipinuppi.
3. Paina varren vapautuspainiketta ja vedä tai kierrä varsisahan varrta irti liitoskappaleesta, kun painike on painettuna, jolloin se irtoaa akkupäädästä ja jatkovarresta (jos käytössä).
4. Toista menettely irrottaaksesi jatkovarren akkupäädästä (jos jatkovarsi on käytössä).

ETUAPUKAHVAN KIINNITYS JA SÄÄTÄMINEN

1. Pysäytä moottori ja poista akku.
2. Löysää siipimutteri ja irrota se kiinnityspultin kanssa etuapukahvasta (kuva I1).

I-1	Etuapukahva	I-4	Siipimutteri
I-2	Lukitusvipu	I-5	Kiinnityslohko
I-3	Kiinnityspultti		

3. Paina apukahva akkupään karaan ja käännä sitä alaspäin niin, että se osoittaa kohti teräketjua (kuva I2).
4. Työnnä kiinnityslohko paikalleen ja asenna kiinnityspultti siipimutterin kanssa (kuva I3).
5. Älä kiristä siipimutteria kokonaan. Säädä etuapukahvan asento siten, että se on olkahihnan ripustimen ja teleskooppivarren holkin välissä (kuva I4). Kahva on säädettävä niin, että käsivarsi on suorassa, kun käytät varsisahaa.
6. Paina lukitusvipu alas ja kiristä siipimutteri niin, että etuapukahva ei pääse pyörimään tai liikkumaan akkupään varressa.

KÄYTTÖ

VAARA: Älä koskaan työskentele lähellä sähkölinjoja, sähköjohtoja tai muita sähkövirran lähteitä. Jos laippa ja ketju jäävät kiinni sähköjohtoon tai sähkölinjaan, **ÄLÄ KOSKE LAIPPAAN, KETJUUN TAI VARTEEN! NE VOIVAT OLLA JÄNNITTEELLISIÄ JA ERITTÄIN VAARALLISIA.** Voit jatkaa varsisahan pitämistä eristetyistä kahvista tai voit laittaa sen maahan itsestäsi etäälle turvallisella tavalla. Irrota vahingoittunut johto tai kaapeli sähköverkosta ennen kuin yrität irrottaa terälaipan ja ketjun linjasta tai kaapelista. Laippaan, ketjuun tai varsisahan sähköä johtaviin osiin, jännitteellisiin sähköjohtoihin tai sähkölinjoihin koskeminen voi aiheuttaa kuoleman tai vakavan henkilövahingon.

VAROITUS: Älä anna tämän laitteen tuttuuden tehdä sen käsittelystä huolimattontta. Muista, että sekunnin sadasosan kiinnittämättömyys riittää vakavan vamman aiheutumiseen.

VAROITUS: Käytä aina tavanomaisia tai sivusuojilla varustettuja suojalaseja. Tämän ohjeen laiminlyöminen saattaa aiheuttaa esineiden sinkoutumisen silmiin ja mahdollisen vakavan henkilövahingon.

VAROITUS: Poista akku laitteesta aina, kun kokoat osia, teet säätöjä, puhdistat tai kuljetat laitetta tai kun et käytä sitä. Näin varmistat, ettei laite käynnisty vahingossa ja aiheuta vakavia henkilövahinkoja.

VAROITUS: Älä käytä lisälaitteita tai lisävarusteita, jos tämän tuotteen valmistaja ei ole suositellut niitä. Tällaisten lisävarusteiden tai apuvälineiden käyttö saattaa aiheuttaa vakavia henkilövahinkoja.

Ennen jokaista käyttökertaa tarkista koko laite vahingoittuneiden, puuttuvien tai löystyneiden osien varalta, kuten ruuvit, mutterit, pultit, korkit jne. Kiinnitä kaikki kiinnittimet ja kannet tiukasti, äläkä käytä laitetta ennen kuin kaikki puuttuvat tai vahingoittuneet osat on vaihdettu.

KÄYTTÄMINEN

Tätä laitetta voi käyttää seuraavassa mainittuihin tarkoituksiin:

- Karsiminen
- Raivaus

HUOMAUTUS: Työkalua tulee käyttää vain sille määritettyyn tarkoitukseen. Kaikki muu käyttö katsotaan väärinkäytöksi.

TERÄLAIPAN JA -KETJUN VOITELUAIINEEN LISÄÄMINEN

VAROITUS: Älä tupakoi tai tuo tulta tai liekkiä öljyn tai varsisahan lähelle. Öljy voi läikkyä ja seurauksena voi olla tulipalo.

HUOMAUTUS: Varsisahassa ei ole ostohetkellä öljyä. On tärkeää täyttää säiliö ketjuöljyllä ennen käyttöä. Jos varsisahaa käytetään ilman ketjuöljyä tai jos öljytaso on tietyn määrän alapuolella, varsisaha vaurioituu. Ketjun käyttöikä ja sahausteho riippuvat optimaalisesta voitelusta. Ketju voidellaan automaattisesti ketjuöljyllä käytön aikana, jos säiliössä on riittävästi öljyä. Voiteluainetaso tulee tarkistaa 20 käyttöminuutin välein ja voiteluainetta lisätään tarpeen mukaan.

- Poista akku akkupäältä.
- Puhdista öljysäiliön korkki ja sitä ympäröivä alue, jotta likaa ei pääse öljysäiliöön.
- Aseta varsisaha tukevalle, tasaiselle alustalle siten, että öljysäiliön korkki on ylöspäin, ja irrota korkki (kuva J).
- Kaada varovasti laippa- ja ketjuöljyä säiliöön, kunnes öljyä on kaulan alaosan asti. Varo, ettei öljyä roisku aukosta. Pyyhi ylimääräiset öljyt pois.

HUOMAUTUS:

- Älä käytä öljyä tai voiteluaineita, jotka ei ole suunniteltu käytettäväksi terälevyn ja ketjun kanssa. Tämä voi johtaa tukkeutuneeseen öljyjärjestelmään, mikä voi aiheuttaa terälevyn ja ketjun ennenaikaisen kulumisen.
- Tarkista öljytaso usein ja lisää öljyä tarvittaessa.
- Älä käytä likaista, käytettyä tai muuten saastunutta öljyä. Se voi vaurioittaa terälaippaa tai ketjua.
- On normaalia, että sahasta tihkuu öljyä, kun sitä ei käytetä. Tyhjennä öljysäiliö jokaisen käyttökerran jälkeen ja käytä sahaa yhden minuutin ajan, jotta estät tihkumisen. Kun säilytät työkalua pitkään, varmista, että ketju on kevyesti voideltu; tämä estää ketjun ja ketjupyörän ruostumisen.
- Suojele luonnonvaroja ja kierrätä tai hävitä öljy asianmukaisesti. Saat lisätietoja kierrättämisestä ja/ tai hävitysvaihtoehdoista ottamalla yhteyttä paikallisiin jätehuoltoviranomaisiin.

TELESKOOPPIVARREN SÄÄTÄMINEN (kuva K)

- Nosta pikavapautusvipu avataksesi teleskooppivarren lukituksen.
- Pidennä teleskooppivarsi haluttuun pituuteen.
- Paina pikavapautusvipu alas lukitaksesi teleskooppivarren turvallisesti.

OLKAHIHNNAN KIINNITTÄMINEN

Avaa hihnan koukku painamalla sitä ja kiinnitä se sahan olkahihnan ripustimeen (kuva L). Säädä olkahihnaa, kunnes käyttöasento on mukava.

VAROITUS: Kun on hätätilanne, irrota hihna olaltasi välittömästi loukkaantumisen välttämiseksi.

AKUN ASENTAMINEN/POISTAMINEN

HUOMAA: Lataa akku täysin ennen käyttöä.

Käytä vain kuvassa A2 luetteltujen akkujen ja latureiden kanssa.

Liittäminen

Aseta akun ulokkeet kiinnitysaukkoihin ja paina akkua alaspäin, kunnes kuulet naksahduksen (kuva M).

VAROITUS: Varmista, että akku on lukittu paikalleen ennen käyttöä. Jos akkua ei kiinnitetä kunnolla, akku voi pudota, mikä voi aiheuttaa vakavia henkilövahinkoja.

VAROITUS: Huomioi aina, missä omat jalkasi, lapset tai lemmikkieläimet ovat, kun painat akun vapautuspainiketta. Jos akku putoaa, se voi aiheuttaa vakavan vamman. Älä KOSKAAN poista akkua, jos se on korkealla.

Poistaminen

Paina akun vapautuspainiketta ja vedä akku ulos (kuva N).

LED TYÖVALO (kuva O)

LED-työvalo on varsisahaosan etuosassa, teräketjun suuntaisesti. Tämä ominaisuus antaa käyttäjille lisävaloa, jotta he näkevät, missä teräketju on, kun he leikkaavat oksia korkealla puussa.

Työvalo syttyy automaattisesti, kun liipaisinkytkintä puristetetaan, ja se sammuu noin 10 sekunnin kuluttua liipaisinkytkimen vapauttamisesta.

TYÖKALUN KÄYNNISTÄMINEN/PYSÄYTTÄMINEN

Ennen varsisahan käynnistämistä

VAROITUS: ÄLÄ KOSKAAN KÄYTÄ AKKUPÄÄTÄ ILMAN LISÄOSAA. Älä yritä käynnistää akkupäätä ennen varsisahaosan liittämistä.

HUOMAUTUS: Tarkista ennen varsisahan käynnistämistä ketjun kireyden pikasäätö, öljytaso sekä ketjun ja hampaiden terävyys. Tarkista samoin asentosi tasapainoisuus ja riittävä etäisyys maasta (kuva Q).

Käynnistys (kuva P)

1. Aseta akku paikalleen.
2. Varmista, että välittömässä läheisyydessä ei ole esineitä tai esteitä, jotka voisivat joutua kosketuksiin laipan ja ketjun kanssa.
3. Tartu apukahvaan ja takakahvaan tukevasti käyttäen molempia käsiä.
4. Paina ensin lukituksen vapautuspainike pohjaan ja purista sitten liipaisinkytkintä sahan käynnistämiseksi. Vapauta lukituksen vapautuspainike ja jatka liipaisimen puristamista, jotta laite pysyy käynnissä.

VAROITUS: Älä yritä käynnistää sahaa, kun teräketju on sahauskohdassa tai kosketuksissa mihinkään pintaan.

FI

Pysäyttäminen

Siirrä varsisaha pois sahausalueelta ja vapauta sitten liipaisinkytkin varsisahan pysäyttämiseksi.

VAROITUS: Poista akku varsisahasta aina, kun pidät työstä taukoa ja kun lopetat sen käytön.

PERUSSAHAUS (kuva R)

Noudata alla olevia vaiheita, jotta estät puun tai puun kuoren vaurioitumisen. Älä käytä edestakaista sahausliikettä.

1. Tee ensin matala ensimmäinen sahaus (1/4 oksan halkaisijasta) oksan alapuolelle lähelle pääoksa tai runkoa.
2. Tee toinen sahaus oksan yläpuolelle ulospäin ensimmäisestä sahauskohdasta. Jatka sahaamista oksan läpi, kunnes oksa irtoaa puusta. Valmistaudu tasapainottamaan työkalun paino, kun oksa putoaa.
3. Tee lopullinen sahaus läheltä runkoa.

HUOMAUTUS: Toisessa ja lopullisessa sahausksessa (oksan päältä) pidä katkontapiikkejä katkaistavaa oksaa vasten (kuva S). Tämä auttaa pitämään oksaa paikallaan ja helpottaa sahaamista. Anna ketjun sahata puolestasi; paina vain kevyesti alaspäin. Jos pakotat sahaa, voit vaurioittaa laipan, ketjun tai moottorin.

S-1 Katkontapiikit

4. Vapauta liipaisinkytkin heti, kun sahaus on tehty.

HUOMAUTUS: Oikean katkaisutekniikan käyttämisen laiminlyöminen aiheuttaa laipan ja ketjun puristumisen tai oksaan tarttumisen. Jos näin tapahtuu:

1. Pysäytä moottori ja poista akku.
2. Jos oksaan ylettyy maasta, nosta oksaa samalla kun pidät sahaa. Tämän pitäisi vapauttaa ”puristuksen” ja sahan.
3. Jos saha on vieläkin tarttuneena, pyydä ammattiapua.

KARSIMINEN JA RAIVAAMINEN

Tämä varsisaha on suunniteltu pienten oksien ja haarojen sahaamiseen halkaisijaltaan enintään 20 cm (25 cm:n laipalla varustetussa työkalussa) tai 25 cm (30 cm:n laipalla varustetussa työkalussa). Saat parhaan tuloksen noudattamalla seuraavia varotoimia:

1. Suunnittele sahaus huolellisesti. Huomioi suunta, mihin oksa putoaa.

VAROITUS: Oksat saattavat pudota odottamattomiin suuntiin. Älä seiso suoraan katkaistavan oksan alla.

2. Tyypillisin sahaustapa on sijoittaa laite 60° kulmaan tai sitä pienempään tilanteesta riippuen, kuten kuvassa T on esitetty. Kun varsisahan varren kulma maahan nähden kasvaa, ensimmäisen sahausksen tekeminen (haaran alapuolelta) vaikeutuu.
3. Sahaa pitkät oksat useammassa vaiheessa.
4. Katkaise aloaksat ensin, jotta yläoksilla on enemmän tilaa pudota.
5. Työskentele hitaasti, pidä molemmilla käsillä tukeva ote sahasta. Pidä vakaa seisoma-asento ja tasapaino.
6. Pidä puu itsesi ja ketjun välissä karsimisen aikana. Saha puu sahattavan oksan vastakkaiselta puolelta.
7. Älä sahaa tikapuilla seisten, se on erittäin vaarallista. Jätä tällaiset toimenpiteet ammattilaisille.
8. Älä tee lopullista katkaisua pääoksan tai rungon vierestä ennen kuin olet katkaissut mahdollisimman paljon oksasta painon vähentämiseksi. Oikeiden sahausmenetelmien noudattaminen estää kuoren irtoamisen päärungosta.
9. Älä käytä varsisaha puiden kaatamiseen.
10. Vältä sähköiskut, älä käytä alle 15 metrin etäisyydellä ilmasähkölinoista (kuva T).
11. Pidä kaikki sivulliset vähintään 15 metrin päässä (kuva T).

HUOLTAMINEN

VAROITUS: Pysäytä moottori, odota kaikkien liikkuvien osien pysähtymistä ja poista akku ennen laitteen tarkastamista, puhdistamista tai huoltamista. Näiden ohjeiden noudattamatta jättäminen saattaa johtaa vakavaan henkilövahinkoon tai omaisuusvahinkoon.

VAROITUS: Käytä huollon yhteydessä vain identtisiä varaosia. Muiden osien käyttö voi aiheuttaa vaaran tai tuotteen vaurioitumisen. Turvallisuuden ja luotettavuuden takia kaikki korjaukset, muut kuin näissä huolto-ohjeissa luetellut, tulee antaa ammattiasentajien suoritettaviksi.

VAROITUS: Käytä aina käsineitä käsitellessäsi teräketjua. Ketju on terävä ja siinä voi olla purseita.

YLEINEN KUNNOSSAPITO

Vältä liuotinaineiden käyttöä, kun puhdistat muoviosia. Useimmat muovit ovat herkkiä vaurioitumaan erilaisista kaupallisista liuottimista ja voivat vaurioitua niiden käytöstä. Poista liika, pöly, öljy, rasva ym. puhtailla liinoilla.

PUHDISTAMINEN

- Puhdista irtoaines ketjusta ja terälevystä jokaisen käyttökerran jälkeen pehmeällä harjalla. Pyyhi varsisahan pinta puhtaalla, mietoon saippualliuokseen kostutetulla liinalla.
- Poista sivukansi ja käytä pehmeää harjaa poistamaan irtoaines terälevystä, teräketjusta, ketjupyörästä ja sivukannesta.
- Puhdista aina puulastut, sahanpuru ja liika terälevyn urasta, kun vaihdat teräketjun.

Kaikki varsisahan huoltotoimet, muut kuin näissä kunnossapito-ohjeissa luetellut, tulee antaa varsisahan huoltoon valtuutettujen henkilöiden suoritettaviksi.

TERÄLEVYN JA KETJUN VAIHTAMINEN

Kun vaihdat terälaippaa ja ketjua, käytä aina kohdassa **Tähän varsisahaan suositellut laipat** ja ketjut kerrottua terälevyn ja ketjun yhdistelmää.

1. Irrota akku ja anna sahan jäähtyä. Varmista, että öljysäiliön korkki on tiiviisti kiinni öljyvuodon estämiseksi.
2. Aseta varsisaha kyljelleen kiinteälle, tasaiselle pinnalle siten, että sivukansi on ylöspäin.
3. Käytä käsineitä. Irrota sivukansi (kuva U). Pyyhi sivukannen pinta kuivalla liinalla.
4. Poista kulunut laippa ja ketju kiinnityspinnasta.
5. Asenna uusi laippa ja teräketju ”**ASENNUS**”-luvun kohdan ”**LAIPAN JA KETJUN KOKOAMINEN**” mukaisesti.

HUOMAUTUS: Tässä yhteydessä on hyvä tarkistaa liikeratas merkittävän kulumisen tai vahingoittumisen varalta.

LAIPAN KUNNOSSAPITO

Kun laipassa on kulumisen merkkejä, irrota se sahasta. Irrota säätöruuvi ja säätölevy, käännä laippa (kuva V) ja asenna säätölevy takaisin laipan uudelle puolelle (kuva W) kulumisen jakamiseksi, jotta laipan käyttöikä olisi mahdollisimman pitkä. Laippa tulee puhdistaa jokaisena käyttöpäivänä ja tarkistaa kulumisen ja vahingoittumisen varalta. Terälevyn kiskojen rispaantuminen tai epätasaisuus on tavallista terälevyn kulumista. Nämä viat voidaan korjata viilalla heti niiden ilmestyessä. Terälevy, jossa on jokin seuraavista vioista, pitää vaihtaa.

- Kulumista terälevyn kiskojen sisäpuolella, jonka takia ketju voi olla liikkua sivuttain.
- Vääntynyt terälevy.
- Halkeilleet tai rikkiinäiset kiskot.
- Levinneet kiskot.

Terälevyn kärjessä on lisäksi kärkipyörä. Ratas on voideltava viikoittain rasvaruiskulla, jotta laipan käyttöikä pitenee. Käytä rasvaruiskua viikoittain ja voitele se ketjuöljyllä voiteluaukon kautta (kuva X). Käännä terälevy ja tarkista, että voitelurei'issä ja ketjun urassa ei ole epäpuhtauksia.

X-1	Terälaipan kärjen kärkipyörä
X-2	Voiteluaukko

KETJUN KUNNOSSAPITO

Käytä tässä sahassa vain vähäisen takapotkun ketjuja. Tämä nopeasti sahaava ketju vähentää takapotkua, kun se huolletaan kunnolla.

Hyvin teroitettu teräketju sahaa puuta helposti pienelläkin painamisella.

Älä koskaan käytä tylsää tai vahingoittunutta teräketjua. Tylsä teräketjuleikkuri aiheuttaa ruumiillisen voimankäytön lisääntymistä, enemmän värinäristusta, huonompia sahaustuloksia ja lisääntynyttä kulumista.

Jotta sahaaminen olisi helppoa ja nopeaa, teräketju tulee pitää kunnossa asianmukaisesti. Kun puupalat ovat pieniä ja jauhomaisia, kun ketjuja on pakotettava puun läpi sahausken aikana tai kun ketju ohjautuu jompaankumpaan suuntaan, ketju vaatii teroituksen. Huomioi teräketjun kunnossapidon aikana seuraavat asiat:

- Vääränlainen sivulevyn viilauksulma saattaa lisätä merkittävästi takapotkun riskiä.
- Piikkien (syvyysmittareiden) liikkumisvara. Liian alhainen liikkumisvara lisää takapotkun todennäköisyyttä. Liian korkea liikkumisvara huonontaa sahaustehoa.

- Jos terän hampaat ovat osuneet koviin esineisiin, kuten kiviin tai nauloihin, tai puussa oleva muta tai hiekka on hiertänyt niitä, teroituta ketju asiantuntevalla huoltoteknikolla.

KULJETUS JA VARASTOINTI

- Älä varastoi tai kuljeta varsisaha, kun se on käynnissä. Irrota aina akkuyksikkö ennen varastointia tai kuljetusta.
- Aseta terälaipan suojus aina terälaippaan ja -ketjuun ennen varsisahan varastointia tai kuljetusta. Varo ketjun teräviä hampaita.
- Puhdista varsisaha perusteellisesti ennen varastointia. Säilytä varsisaha sisätiloissa kuivassa paikassa, joka on lukittu ja/tai johon lapset eivät pääse. Pidä se etäällä syövyttävistä aineista, kuten puutarhakemikaaleista ja tiesuoloista.

FI

Ympäristönsuojelu



Älä hävitä sähkölaitteita, käytettyjä akkuja tai laturia kotitalousjätteen seassa!

Vie tämä tuote hyväksytyyn kierrätyspaikkaan tai anna se erilliseen keräilyyn. Sähkötyökalut tulee palauttaa asianmukaiseen ympäristöystävälliseen kierrätyslaitokseen.

REKES VAN DER SPEK
TUINMACHINES ★ STOLWIJK

VIANMÄÄRITYS

ONGELMA	SYY	RATKAISU
MOOTTORI EI KÄY.	<ul style="list-style-type: none"> ■ Akkuyksikköä ei ole liitetty varsisahaan. ■ Sahan ja akun välillä ei ole sähköyhteyttä. ■ Akku on tyhjä. ■ Lukituksenpoistopainiketta ei ole painettu pohjaan ennen kuin liipaisinkytkintä painetaan. ■ Akku tai akkupää on ylikuumentunut. ■ Teräketju on jäänyt puristuksiin puuhun. ■ Laippa ja ketju ovat vinossa eivätkä ole yhdensuuntaiset kotelon kanssa. ■ Terälevyn urassa on irtoainesta. ■ Sivukannessa on irtoainesta. 	<ul style="list-style-type: none"> ■ Liitä akku varsisahaan. ■ Poista akku, tarkista kosketuskohdat ja asenna akku uudelleen paikalleen. ■ Lataa akku. ■ Paina lukituksenpoistokytkin alas ja pidä sitä painettuna, käynnistä sen jälkeen varsisaha painamalla liipaisinkytkintä. ■ Anna akun tai akkupään jäähtyä, kunnes lämpötila laskee suositellulle käyttölämpötila-alueelle. ■ Vapauta liipaisinkytkin; irrota teräketju ja laippa puusta ja käynnistä varsisaha uudelleen. ■ Poista akku ja vaihda laippa ja ketju kohdan "LAIPAN JA KETJUN VAIHTAMINEN" mukaan. Muista aina pitää laippa ja ketju yhdensuuntaisina asennuspinnan kanssa ennen sivusuojuksen asentamista. ■ Paina teräketju puuta vasten ja liikuta varsisaha edestakaisin sahausjätteiden poistamiseksi. ■ Poista akku, poista sivukansi ja puhdista irtoaines.

FI

ONGELMA	SYY	RATKAISU
Moottori käy, mutta ketju ei pyöri.	<ul style="list-style-type: none"> ■ Ketju ei kiinnity vetopyörään. ■ Riittämätön ketjun kiristys. ■ Tylsä ketju. ■ Ketju asennettu väärin päin. ■ Kulunut ketju. ■ Kuiva tai liian kireä ketju. ■ Ketju ei ole terälevyn urassa. 	<ul style="list-style-type: none"> ■ Poista akkuyksikkö, asenna ketju uudelleen varmistaen, että ketjun vetolenkit ovat kokonaan paikoillaan ketjupyörässä. ■ Löysää ketjun kireyden pikasäätönuppia ensin vähintään yksi kierros vastapäivään ja kiristä se sitten myötäpäivään, kunnes ketju on oikein kiristetty. ■ Jätä ketjuleikkureiden teroittaminen pätevän ammattihenkilön tehtäväksi. ■ Poista akkuyksikkö ja asenna teräketju takaisin kohdan "LAIPAN JA KETJUN VAIHTAMINEN" mukaan. ■ Poista akkuyksikkö ja vaihda teräketju kohdan "LAIPAN JA KETJUN VAIHTAMINEN" mukaan. ■ Tarkista öljytilanne. Lisää öljysäiliöön tarvittaessa öljyä. ■ Poista akkuyksikkö ja asenna teräketju takaisin kohdan "LAIPAN JA KETJUN VAIHTAMINEN" mukaan.
Terälevy ja ketju ovat kuumia ja savuavia	<ul style="list-style-type: none"> ■ Ketjun öljysäiliö on tyhjä. ■ Irtoainesta terälevyn urassa. 	<ul style="list-style-type: none"> ■ Täytä terälevyn ja ketjun voiteluaine. ■ Puhdista irtoaines urasta.

FI

TAKUU

EGON TAKUUEHDOT

Verkkosivustolta egopowerplus.com löydät EGO:n takuukäytännön täydelliset ehdot.

LES ALLE INSTRUKSJONER!



LES BRUKERHÅNDBOKEN

⚠ Gjenværende risiko! Personer med elektroniske enheter, for eksempel pacemakere, bør konsultere legen(e) før de bruker dette produktet. Betjening av elektrisk utstyr i nærheten av en hjertestarter kan forårsake interferens eller svikt i hjertestarteren.

⚠ ADVARSEL: For å sikre sikkerhet og pålitelighet bør alle reparasjoner utføres av en kvalifisert servicetekniker.

SIKKERHETSSYMBOLER

Hensikten med sikkerhetssymboler er å tiltrekke deg oppmerksomheten mot mulige farer. Sikkerhetssymbolene og forklaringene med dem fortjener nøye oppmerksomhet og forståelse. Symboladvarslene eliminerer ikke i seg selv noen fare. Instruksjonene og advarslene de gir er ingen erstatning for riktige ulykkesforebyggende tiltak.

⚠ ADVARSEL: Sørg for å lese og forstå alle sikkerhetsinstruksjoner i denne brukerhåndboken, inkludert alle sikkerhetsvarselssymboler som „FARE“, „ADVARSEL“ og „FORSIKTIG“ før du bruker dette verktøyet. Hvis du ikke følger alle instruksjonene nedenfor, kan det føre til elektrisk støt, brann og/eller alvorlig personskade.

NO

SYMBOLBETYDELSE

Denne siden viser og beskriver sikkerhetssymboler som kan vises på dette produktet. Les, forstå og følg alle instruksjoner på enheten før du begynner montering og tar den i bruk.



Sikkerhetsvarsel



For at risikoen for personskader skal unngås må brukeren lese og forstå bruksanvisningen før produktet tas i bruk.



Bruk vernebriller



Bruk hodevern



Bruk hørselvern



Bruk vernehansker



Garantert lydeffektnivå. Støy i omgivelsene er i henhold til EUs direktiv.

IPX4 Ingress beskyttelsesgrad



Bruk verneskotøy



Ikke bruk innen 15 meter fra elektriske luftledninger for å forhindre elektrisk støt. Kontakt med eller bruk i nærheten av kraftlinjer kan forårsake alvorlige skader eller dødelig elektrisk sjokk.



Må ikke utsettes for regn.



Dette produktet er i samsvar med gjeldende EF-direktiver.



Dette produktet er i samsvar med gjeldende britisk lovgivning.



Elektriske avfallsprodukter skal ikke kastes sammen med husholdningsavfall. Ta med til en autorisert resirkulator.



Likestrøm



Spennning

SPESIFIKASJONER

Merkespenning	56 V $\overline{\text{---}}$	
Styrestanglengde	25 cm	
Kjedevinkel	6,4 mm (1/4")	
Kjedestørrelse	1,1 mm (0,043")	
Oljetank Kapasitet	80 ml	
Antall Drive-koblinger	56	
Verktøylengde (uten forlengelsesstang)	Maks. 292 cm Min. 233 cm	
Anbefalt driftstemperatur	-15°C-40°C	
Anbefalt lagringstemperatur	-20°C-70°C	
Anbefalt ladetemperatur	5°C-40°C	
Vekt (uten batteripakke, kjedekappe)	4,25 kg	
Målt lydeffektnivå L_{WA}	97 dB(A) K=2,5 dB(A)	
Lydtrykknivå ved arbeidsstilling L_{PA}	82 dB(A) K=3 dB(A)	
Garantert lydeffektnivå L_{WA} (i henhold til 2000/14/EC)	100 dB(A)	
Vibrasjon a_h	Front-assisterende håndtak	1,19 m/s ² K=1,5 m/s ²
	Bakre håndtak	1,01 m/s ² K=1,5 m/s ²

- Den deklarerte totale vibrasjonsverdien er målt i samsvar med en standard testmetode og kan brukes til å sammenligne ett verktøy med et annet;
- Den deklarerte totale vibrasjonsverdien kan også brukes i en foreløpig vurdering av eksponering.

MERKNAD: Vibrasjonsutslippet under faktisk bruk av elektroverktøyet kan avvike fra den deklarerte verdien som verktøyet brukes i; For å beskytte brukeren, bør brukeren bruke hansker og hørselsvern under de faktiske bruksforholdene.

BESKRIVELSE

KJENN DIN STANGSAG (Fig. A1)

- Hurtigjusteringsknapp for kjedespennning
- LED arbeidslys
- Sidedeksel
- Skulderrem Hanger
- Teleskopstang
- Låseknapp
- Utløserbryter
- Bakre håndtak
- Batteriutløserknapp
- Front-assisterende håndtak
- Hurtigutløserpak
- Teleskopstang
- Skulderrem
- Oljetanklokk
- Oljetank
- Støttepigger
- Styrestang
- Sagkjede
- Kjedeslire

PAKKELISTE (FIG. A1)

Anbefalt sagsverd og kjede for denne stangsagen

NAVN PÅ DELER	MODELLNUMMER
Styrestang	AG1000Q, AG1200Q
Sagkjede	AC1000Q, AC1200Q

MONTERING

ADVARSEL: Hvis noen av delene er skadet eller mangler, må du ikke bruke dette produktet før delene er byttet. Bruk av dette produktet dersom deler er skadet eller mangler, kan føre til alvorlige personskader.

ADVARSEL: Ikke forsøk å modifisere dette produktet eller lage tilbehør som ikke anbefales for bruk med dette produktet. Enhver endring eller endring er misbruk og kan føre til en farlig tilstand som kan føre til alvorlig personskade.

⚠ ADVARSEL: Batteripakken skal alltid tas ut når du monterer deler, gjør justeringer, rengjør produktet, eller når produktet ikke er i bruk.

MONTERING AV STYRESTYRE OG KJEDE

1. Legg stangsgagen på et fast, flatt underlag, slik at sidedekselet vender oppover.
2. Ha på hansker. Fjern sidedekselet (fig. B).
3. Legg det nye sagkjedet i en løkke på en flat overflate og rett ut eventuelle knekk.
4. Plasser kjededrivleddene inn i sverdets spor. Plasser kjedet slik at det er en løkke på baksiden av sverdet (fig. C).

C-1	Kjededriftskoblinger
C-2	Styrestang Groove

5. Hold kjedet på plass på sverdet og plasser løkken rundt drivhjulet til stangsgagen.

LEGG MERKE TIL: En liten retningspil og en kutter er gravert i verktøyhuset (fig. D). Når du løkker sagkjedet på sverdet, sørg for at, etter montering av sverdet, vil retningen på sagkjedet samsvare med rotasjonsretningspilen på verktøyhuset og formen på knivene på toppen av sverdet stemmer overens med kniven på huset. Hvis de vender i motsatte retninger, sett sammen sagkjedet på sverdet med pilene i samme retning. Skjæret skal monteres med justeringsplaten vendt bort fra huset.

6. Hold sverdet og kjedet parallelt med monteringsoverflaten. Fest sidedekselet til huset slik at hullene/pinnene og festebolten/gjengehullet er riktig på linje med hverandre (fig. E). Trykk sidedekselet mot huset, og stram deretter hurtigjusteringsknappen for kjedestrømming med klokken. Det eksentriske giret inne i sidedekselet er utformet for å sikre at kjedet ikke blir overspent.

MERK: Hvis kjedet løsner, vri hurtigjusteringsknappen for kjedestrømming mot klokken minst én omdreining, og stram deretter knotten helt.

7. Roter kjedet for hånd for å sjekke om kjedet er riktig montert uten binding. Ellers sett sammen kjedet og sverdet.

KOBLING AV STANGSAGEN TIL KRAFFTHODET

Denne stangsgagen fungerer under kombinasjonen av stangsgagfestet og krafthode (fig. F).

F-1	Stangsgagfeste
F-2	Krafthode

⚠ ADVARSEL: Aldri fest eller juster stangsgagen mens strømhodet går eller med batteriet installert. Hvis du ikke stopper motoren og fjerner batteriet, kan det oppstå alvorlig personskaade.

Stangsgagfestet kobles til strømhodet ved hjelp av en koplingsanordning.

1. Stopp motoren og fjern batteripakken.
2. Løsne vingeknappen.
3. Rett inn pilen på stangsgagakselen med pilen på koblingen og skyv stangsgagakselen inn i koblingen til du hører en tydelig "klikk"-lyd som indikerer at stangsgagakselen er montert på plass (fig. G).

G-1	Vingeknapp	G-3	Pil på koblingen
G-2	Skaftutløserknapp	G-4	Pil på stangsgagskaftet

4. Trekk i skaftet på tilbehøret for å kontrollere at det er sikkert låst inn i koblingen. Hvis ikke, roter stangsgagakselen fra side til side i koblingen til den klikker på plass.
5. Stram vingeknappen godt til.

⚠ ADVARSEL: Pass på at vingeknappen er helt strammet før du bruker utstyret; sjekk den med jevne mellomrom for tetthet under bruk for å unngå alvorlig personskaade.

TILKOBLING AV FORLENGINGSSTANGEN MELLOM KRAFFTHODET OG STANGSAG-FESTET (modellnr. EP1000)

⚠ ADVARSEL: Aldri fest eller juster tilbehør mens strømhodet går eller med batteriet installert. Hvis du ikke stopper motoren og fjerner batteriet, kan det føre til alvorlig personskaade.

Denne forlengelsesstangen er designet for eksklusiv bruk med EGO PS1000E. Bruk den aldri med andre EGO-vedlegg.

Forlengelsesstangen øker verktøylengden med 100 cm, og utvider skjæreområdet. Den skal kobles mellom stangsgagfestet og krafthode. Maksimalt to forlengelsesstenger (tilgjengelig separat) kan brukes på ett verktøy.

Følg fremgangsmåten i avsnittet **"KOBLE STANGSAG-FESTET TIL KRAFFTHODET"** for å installere forlengelsesstangen mellom stangsgagfestet og krafthode (fig. H).

NO

H-1	Kobling på forlengelsesstangen
H-2	Kobling på Power Head

LEGG MERKE TIL: Når de er montert riktig, skal ikke stangsfestet, forlengelsesstangen og krafthodet skilles når de trekkes. Test alltid tilkoblingen ved å trekke dem. Gjenta trinnene ovenfor hvis delene kan skilles.

⚠ ADVARSEL: Hvis ikke festet og strømhodet/forlengelsesstangen sikres som instruert ovenfor, kan det føre til alvorlig skade eller død.

FJERNING AV TILBEHØRET FRA STRØMHODET

1. Stopp motoren og fjern batteripakken.
2. Løsne vingeknappen.
3. Trykk på akselutløserknappen, og med knappen trykket inn, trekk eller vri stangsgakselen ut av koblingen for å skille den fra krafthodet eller forlengelsesstangen (hvis brukt).
4. Gjenta prosessen for å skille forlengelsesstangen fra strømhodet (hvis forlengelsesstangen brukes).

MONTERING OG JUSTERING AV FRONT ASSISTENT HÅNDTAK

1. Stopp motoren og fjern batteripakken.
2. Løsne vingemutteren og fjern den med klemmebolten fra det fremre hjelpehåndtaket (fig. 11).

I-1	Front-assisterende håndtak	I-4	Vingemutter
I-2	Låsespak	I-5	Klemblokk
I-3	Klemmebolt		

3. Trykk hjelpehåndtaket på krafthodeakselen og dreid det nedover slik at det peker mot sagkjedet (fig. 12).
4. Sett inn klemblokken og sett sammen klemmebolten med vingemutteren (fig. 13).
5. Ikke stram vingemutteren helt. Juster fremre hjelpehåndtaksposisjon slik at den er mellom skulderreimhengeren og den teleskopiske stanghylsen (fig. 14). Håndtaket bør justeres slik at armen er rett når du bruker stangsgagen.
6. Trykk ned låsespaken og trekk til vingemutteren slik at det fremre hjelpehåndtaket er sikret mot rotasjon eller bevegelse på krafthodeakselen.

OPERASJON

⚠ FARE: Unngå å kappe nær kraftlinjer, elektriske ledninger eller andre el-kilder. Hvis sverdet og kjedet setter seg fast på en elektrisk ledning eller ledning, **IKKE RØR BAREN, KJEDET ELLER STAVEN! DE KAN BLI ELEKTRISK LIVE OG KAN VÆRE SVÆRT FARLIG.** Fortsett å holde stangsgagen i det isolerte bakre håndtaket eller legg den ned og vekk fra deg på en sikker måte. Koble fra den elektriske servicen til den skadede ledningen eller ledningen før du prøver å frigjøre sverdet og kjedet fra ledningen eller ledningen. Kontakt med sverdet, kjedet, andre ledende deler av stangsgagen eller strømførende elektriske ledninger eller ledninger vil resultere i dødsfall på grunn av elektrisk støt eller alvorlig skade.

⚠ ADVARSEL: Ikke la kjennskap til dette produktet gjøre deg uforsiktig. Husk at en uforsiktig brøkdell av et sekund er tilstrekkelig til å påføre alvorlig skade.

⚠ ADVARSEL: Bruk alltid vernebriller eller vernebriller med sideskjold. Hvis du ikke gjør det, kan det føre til at gjenstander blir kastet inn i øynene dine og andre mulige alvorlige skader.

⚠ ADVARSEL: Ta alltid ut batteripakken fra produktet når du setter sammen deler, gjør justeringer, rengjør, transporterer eller når du ikke er i bruk. Fjerning av batteripakken vil hindre utilsikket start, som igjen kan føre til alvorlig personskade.

⚠ ADVARSEL: Ikke bruk tilbehør eller deler som ikke er anbefalt av produsenten av produktet. Bruk av tilbehør eller deler som ikke anbefales, kan medføre alvorlige personskader.

Hver gang du skal bruke produktet, må du sjekke at det ikke er skadet eller mangler deler som skruer, muttre, bolter, hetter osv. Stram alle festemidler og hetter godt og ikke bruk dette produktet før alle manglende eller skadede deler er skiftet ut.

APPLIKASJONER

Du kan bruke dette produktet til formålene som er listet opp under:

- Avkapping av grener
- Beskjæring

LEGG MERKE TIL: Verktøyet skal bare brukes til sitt foreskrevne formål. All annen bruk er feil.

NO

FYLLE OLJETANKEN MED SMØREMIDDEL FOR SAGSVÆRD OG KJEDE

⚠ ADVARSEL: Unngå å røyke eller bruke åpen flamme i nærheten av oljetanken eller stangsagen. Olje kan spilles og forårsake brann.

LEGG MERKE TIL: Det er ikke olje på stangsagen når den er ny. Du er derfor nødt til å fylle tanken med kjedeolje før bruk. Betjening av stangsagen uten kjedeolje eller når oljenivået er under en viss mengde vil føre til skade på stangsagen. Kjedefens levetid og skjærekapasitet avhenger av optimal smøring. Kjedet smøres automatisk med kjedeolje under drift, hvis det er nok olje i reservoaret. Oljenivået bør også kontrolleres etter hvert 20. minuts bruk og etterfylles etter behov.

1. Fjern batteripakken fra strømhodet.
2. Rengjør oljetanklokket og området rundt det for å sikre at det ikke faller smuss ned i oljetanken.
3. Legg stangsagen på et fast, flatt underlag, slik at oljetanklokket vender oppover, fjern deretter lokket (fig. J).
4. Hell forsiktig sverd- og kjedeoljen inn i tanken til den fylles til tankhalsen. Vær forsiktig så du ikke slipper olje fra åpningen. Tørk av overflødig olje.

LEGG MERKE TIL:

- Bruk aldri olje eller andre smøremidler som ikke er spesielt designet for bruk på stangen og kjeden. Dette kan føre til et tett oljesystem, som kan føre til for tidlig slitasje på stangen og kjedet.
- Kontroller oljenivået ofte og fyll på etter behov.
- Ikke bruk skitten, brukt eller annen forurenset olje. Det kan oppstå skader på sverdet eller kjedet.
- Det er normalt at olje siver fra sagen når den ikke er i bruk. For å forhindre siver, tøm oljetanken etter hver bruk, og kjør deretter sagen i ett minutt. Når du oppbevarer verktøyet over lengre tid, sørg for at kjedet er lett smurt; dette vil forhindre rust på kjedet og sverdet tannhjul.
- For å bevare naturressursene, vennligst resirkuler eller kast olje på riktig måte. Kontakt din lokale avfallsmyndighet for informasjon om tilgjengelige alternativer for resirkulering og avhending.

JUSTERING AV DEN TELESKOPISE STANGEN (Fig. K)

1. Løft hurtigutløserpakken for å låse opp teleskopstangen.
2. Forleng teleskopstangen til ønsket lengde.

3. Trykk hurtigutløserpakken ned for å låse teleskopstangen sikkert.

SAMLING AV SKULDERREMME

Trykk inn stroppekroken for å åpne den og fest den til skulderreimhengeren på sagen (fig. L). Juster skulderstroppen til en komfortabel arbeidsstilling.

⚠ ADVARSEL: Når en nødsituasjon oppstår, ta av remmen umiddelbart fra skulderen for å unngå skade.

INSTALLERE/FJERNE BATTERIPAKKEN

MERK: Batteripakken skal fullades før første gangs bruk.

Bruk bare med batteripakker og ladere oppført i fig. A2.

Slik setter du den på

Juster batteririllene i forhold til monteringssporene, og trykk batteripakken ned til du hører et klikk (Fig. M).

⚠ ADVARSEL: Sørg for at batteripakken er låst på plass før bruk. Hvis du ikke setter batteripakken på plass, kan det føre til at batteripakken faller ut, noe som kan føre til alvorlig personskade.

⚠ ADVARSEL: Vær alltid oppmerksom på plasseringen av føttene dine og barn eller kjæledyr rundt deg når du trykker på batteriutløserknappen. Alvorlig skade kan oppstå hvis batteripakken faller. Ta ALDRI ut batteripakken på et høyt sted.

Å løsne

Trykk inn batteriutløserknappen og trekk batteripakken ut (fig. N).

LED ARBEIDSLYS (Fig. O)

LED-arbeidsløset er foran på stangsagfestet, på linje med sagkjedet. Denne funksjonen gir ekstra lys slik at brukerne kan se hvor sagkjedet er når de skjærer grener høyt oppe i treet.

Arbeidsløset vil automatisk slå seg på når du klemmer på utløserbryteren, og det vil være av ca. 10 sekunder etter at du slipper utløserbryteren.

STARTE/STOPPE VERKTØYET

Før du starter stangsagen

⚠ ADVARSEL: BRUK ALDRI STRØMHODET UTEN TILBEHØR. Ikke prøv å starte strømhodet før du kobler til stangsagfestet.

NO

LEGG MERKE TIL: Før du starter stangsagen, sjekk for rask justering av kjedestramming, oljenivå og skarphet på kjede og tenner. I tillegg er det nødvendig med gripemetode, balansert fotfeste og riktig avstand fra bakken (fig. Q).

For å starte (fig. P)

1. Installer batteripakken.
2. Pass på at ingen gjenstander eller hindringer som kan komme i kontakt med sverdet og kjedet er i umiddelbar nærhet.
3. Ta godt tak i hjelpehåndtaket og det bakre håndtaket med begge hender.
4. Trykk og hold inne låseknappen, og trykk deretter på utløserbryteren for å starte sagen. Slipp låseknappen og fortsett å trykke på utløserbryteren for fortsatt drift.

NO

⚠ ADVARSEL: Ikke forsøk å starte sagen når sagkjedet er i et kutt eller i kontakt med noen overflate.

Å stoppe

Flytt stangsagen vekk fra skjæreområdet, og slipp deretter utløserbryteren for å stoppe stangsagen.

⚠ ADVARSEL: Ta alltid ut batteripakken fra stangsagen under arbeidspauser og etter endt arbeid.

GRUNNLEGGENDE SKJÆREPROSEDYRE (Fig. R)

Følg trinnene nedenfor for å forhindre skade på tre- eller buskbark. Ikke bruk frem og tilbake sagebevegelser.

1. Gjør et grunt første kutt (1/4 av lemdiameteren) på undersiden av lemmet, nær hovedlemmet eller stammen.
2. Lag et andre kutt fra oversiden av lemnen, utenbords fra det første kutt. Fortsett kuttet gjennom lem til lem skiller seg fra treet. Vær forberedt på å balansere vekten av verktøyet når lemnen faller.
3. Gjør et siste kutt nær stammen.

LEGG MERKE TIL: For andre og siste kutt (fra toppen av grenen eller lemnet), hold støttepiggene mot lemnet som skjæres (fig. S). Dette vil bidra til å stabilisere lemnen og gjøre det lettere å kutte. La kjedet kutte for deg; bare øv lett nedover. Hvis du tvinger kuttet, kan det oppstå skade på sverdet, kjedet eller motoren.

S-1	Støttepigger
-----	--------------

4. Slipp utløserbryteren så snart kuttet er fullført.

LEGG MERKE TIL: Unnlattelse av å følge de riktige skjæreprosedyrene vil føre til at stangen og kjedet binder seg og blir klemt eller fanget i lemnen. Skulle dette skje:

1. Stopp motoren og fjern batteripakken.
2. Hvis lemnen kan nås fra bakken, løfter du lemnen mens du holder i sagen. Dette skal utløse "klemmen" og frigjøre sagen.
3. Hvis sagen fortsatt er fanget, ring en profesjonell for å få hjelp.

AVKAPPING AV GRENER OG BESKJÆRING

Denne stangsagen er designet for trimming av små grener og lemmer opp til 20 cm (for verktøy med 25 cm sverd) eller 25 cm (for verktøy med 30 cm sverd) i diameter. For best resultat, observer følgende forholdsregler:

1. Planlegg kuttet nøye. Vær oppmerksom på retningen grenen vil falle i.

⚠ ADVARSEL: Grener kan falle i uventede retninger. Ikke stå rett under grenen som kuttet.

2. Den mest typiske skjæreapplikasjonen er å plassere enheten i en vinkel på 60° eller mindre, avhengig av den spesifikke situasjonen, som vist i Fig. T. Ettersom vinkelen på stangsagakselen til bakken øker, vil vanskelighetene med å lage første kutt (fra undersiden av lemnen) øker.
3. Fjern lange grener i flere omganger.
4. Klipp ned de nederste grenene først slik at de øverste grenene får mer plass til å falle.
5. Arbeid sakte, hold begge hendene på sagen med et fast grep. Plasser føttene stødig med god balanse.
6. Hold treet mellom deg og kjeden mens du limer. Klipp fra siden av treet motsatt grenen du klipper.
7. Ikke kutt fra en stige; dette er ekstremt farlig. Slike operasjoner må gjøres av fagfolk.
8. Ikke gjør flush kutt ved siden av hovedbenet eller stammen før du har kuttet av mye av lemnen for å redusere vekten. Hvis du følger riktig fremgangsmåte for kapping, unngår du å strippe barken fra hovedstammen.
9. Ikke bruk stangsagen for felling eller kapping.
10. For å forhindre elektrisk støt, ikke bruk innen 15 m fra elektriske ledninger (fig. T).
11. Hold tilskuere minst 15 meter unna (fig. T).

VEDLIKEHOLD

⚠ ADVARSEL: Før du etterser, rengjør eller vedlikeholder verktøyet, må du stoppe motoren, vente på at alle deler har stanset, og så ta ut batteripakken. Hvis du ikke følger disse instruksjonene, kan det resultere i alvorlig personskade eller skade på eiendeler.

⚠ ADVARSEL: Bruk bare identiske reservedeler ved service. Bruk av uoriginale deler kan forårsake fare eller skade produktet. For å sikre trygg og pålitelig bruk må alle reparasjoner bortsett fra de som omhandles i vedlikeholdsinstruksjonene, utføres av en kvalifisert fagperson.

⚠ ADVARSEL: Bruk alltid hansker når du håndterer sagkjedet. Kjedet er skarpt og kan inneholde grader.

GENERELT VEDLIKEHOLD

Unngå bruk av løsemidler når plastdeler skal rengjøres. De fleste plasttyper kan ta skade av ulike typer løsemidler som er i salg, og kan dermed bli ødelagt. Bruk rene kluter til å fjerne smuss, støv, olje, fett osv.

RENGJØRING

- Etter hver bruk fjernes rusk fra kjedet og sverdet med en myk børste. Tørk av overflaten på sagen med en ren klut fuktet med mildt såpevann.
- Ta av sidedekselet, og bruk deretter en myk børste for å fjerne rusk fra sverdet, sagkjedet, drivhjul og sidedeksel.
- Fjern alltid trefliser, spon og rusk fra fordypningen til sagsverdet når du bytter kjede.

All service på stangsag, bortsett fra elementene som er oppført i disse vedlikeholdsinstruksjonene, skal utføres av kompetent stavsagservicepersonell.

BYTTE AV STOPP OG KJEDE

Når du skifter sverd og kjede, bruk alltid den spesifiserte sverd- og kjedekombinasjonen som er oppført i avsnittet „Anbefalt sverd og kjede for denne stangsagen“.

1. Ta ut batteriet og la sagen avkjøles. Sørg for at oljetankklokket sitter fast for å forhindre oljelekkasje.
2. Plasser stangsagen på siden på et fast, flatt underlag, slik at sidedekselet vender oppover.
3. Ha på hansker. Fjern sidedekselet (fig. U). Rengjør sidedekselet med en tørr klut.
4. Fjern det slitte sverdet og kjedet fra monteringsoverflaten.

5. Installer nytt sverd og sagkjede, følg instruksjonene for “MONTERING AV STYRESVERD OG KJEDE” i avsnittet “MONTERING”.

LEGG MERKE TIL: Dette er et godt tidspunkt å inspisere drivhjulet for overdreven slitasje eller skade.

VEDLIKEHOLD AV STYREBAR

Når sverdet viser tegn til slitasje, demonterer du det fra sagen. Fjern settskruen og justeringsplaten, snu sverdet (fig. V) og installer justeringsplaten på den nye siden av sverdet (Fig. W) for å fordele slitasjen for maksimal stanglevetid. Baren bør rengjøres hver dag etter bruk og kontrolleres for slitasje og skader. Uttoning eller gradering på sverdskindene er en normal slitasjeprosess på stangen. Slike feil skal jevnes med en fil så snart de oppstår. En stang med noen av følgende feil skal byttes ut.

- Slitasje inne i stangskinnene, som gjør at kjedet legger seg over sidelengs.
- Bøyd stang.
- Sprukne eller ødelagte skinner.
- Spre sporene.

I tillegg har sverdet et tannhjul på spissen. Tannhjulet må smøres ukentlig med en fettsprøyte for å forlenge sverdets levetid. Bruk en fettsprøyte til å smøre ukentlig med kjedeolje ved hjelp av smørehullet (fig. X). Snu sverdet og kontroller at smørehullene og kjedesporet er fri for urenheter.

X-1	Tannhjul i sverdspissen
X-2	Smørehull

KJEDEVEDLIKEHOLD

Bruk kun kjeder med lavt tilbakeslag på denne sagen. Dette hurtigskjærende kjedet vil gi reduksjon av tilbakeslag når det vedlikeholdes på riktig måte.

Et riktig slipt sagkjede kutter gjennom treet uten problemer, selv med svært lite trykk.

Bruk aldri et sløvt eller skadet sagkjede. En sløv sagkjedekutter fører til økt fysisk belastning, økt vibrasjonsbelastning, utilfredsstillende kutteresultater og økt slitasje.

For jevn og rask kapping må sagkjedet vedlikeholdes riktig. Når flisene er små og pulveraktige, må kjedet presses gjennom treet under kapping, eller kjedesnittene til den ene siden er indikatorene på at kjedet krever sliping. Under vedlikehold av sagkjedet ditt bør du vurdere følgende:

- Uriktig filevinkel på sideplaten kan øke risikoen for en alvorlige tilbakeslag.

NO

- Rakers (dybdemåler) klaring. For lav øker faren for tilbakeslag. Ikke lavt nok til å senke sageevnen.
- Hvis skjæretennene har truffet på harde gjenstander, for eksempel spiker og steiner, eller har blitt slipt ned av gjørme eller sand på veden, må kjedet skjerpes av en kvalifisert servicetekniker.

TRANSPORT OG LAGRING

- Ikke oppbevar eller transporter stangsagefestet når det er i gang. Ta alltid ut batteriet før du lagrer eller transporterer den.
- Plasser alltid føringshylsen på sverdet og kjedet før du setter opp eller transporterer stangsagefeste. Vær nøye med å unngå de skarpe tennene på kjedet.
- Rengjør stangsagen grundig før du lagrer den. Oppbevar stangsagen innendørs, på et tørt sted som er låst og/eller utilgjengelig for barn og hold unna etsende midler som hagekjemikalier og avsningsalter.

NO

Beskytt miljøet



Elektrisk utstyr, brukte batterier og batteriladere må ikke kastes i husholdningsavfallet!

Ta med dette produktet til autorisert gjenvinning, og gjør det tilgjengelig for separat innsamling. Elektriske verktøy må returneres til et egnet resirkuleringsanlegg.

AN DER SPEK
MACHINES ★ STOLWIJK

FEILSØKING

PROBLEM	ÅRSAK	LØSNING
MOTOREN KJØRER IKKE.	<ul style="list-style-type: none"> ■ Batteripakken er ikke installert. ■ Ingen elektrisk kontakt mellom sagen og batteriet. ■ Batteripakken er utladet. ■ Låseknappen er ikke trykket inn før du trykker på utløserbryteren. ■ Batteripakken eller motorenheten er for opphetet. ■ Sagkjedet sitter fast i treet. ■ Baren og kjedet er skjevt og er ikke parallellt med huset. ■ Rusk i sverdsporet. ■ Rusk i sidedekselet. 	<ul style="list-style-type: none"> ■ Installer batteripakken. ■ Fjern batteriet, sjekk kontakter og installer batteripakken. ■ Lad batteripakken. ■ Trykk ned låsespaken og hold den, og trykk deretter på utløserbryteren for å slå på stangsagen. ■ La batteripakken eller strømhodet avkjøles til temperaturen synker til det anbefalte driftstemperaturområdet. ■ Slipp utløserbryteren; fjern sagkjedet og sverdet fra veden, og start deretter stangsagen på nytt. ■ Ta ut batteripakken og bytt ut baren og kjedet i henhold til avsnittet "BYTTE AV STANGEN OG KJEDET". Husk alltid å holde baret og kjedet parallellt med monteringsflaten før du installerer sidedekselet. ■ Press sagkjedet mot treet, flytt stangsagen frem og tilbake for å slippe ut rusk. ■ Fjern batteripakken, fjern deretter sidedekselet og rens ut rusk.

NO

PROBLEM	ÅRSAK	LØSNING
<p>Motoren går, men kjedet går ikke rundt.</p>	<ul style="list-style-type: none"> ■ Kjedet tar ikke tak i drivhjulet. ■ Utilstrekkelig kjedestramming. ■ Sløvt kjede. ■ Kjedet er installert baklengs. ■ Slitt kjede. ■ Tørt eller overstrukket kjede. ■ Kjedet er ikke i sverdsporet. 	<ul style="list-style-type: none"> ■ Ta ut batteripakken og installer kjedet på nytt, og pass på at drivleddene på kjedet sitter helt på tannhjulet. ■ Løsne hurtigjusteringsknappen for kjedestramming minst én sirkel mot klokken først, og stram den deretter helt med klokken til kjedet er riktig strammet. ■ Få skjerpet skjæretennene av en kvalifisert reparatør. ■ Ta ut batteripakken og sett inn sagkjeden på nytt, i henhold til avsnittet "BYTTE AV STANGEN OG KJEDET". ■ Ta ut batteripakken og bytt ut kjettingen ved å følge avsnittet "BYTTE AV STANGEN OG KJEDET". ■ Sjekk oljenivået. Etterfyll oljetanken om nødvendig. ■ Ta ut batteripakken og sett inn sagkjeden på nytt, i henhold til avsnittet "BYTTE AV STANGEN OG KJEDET".
<p>Stang og kjede blir varmt og ryker.</p>	<ul style="list-style-type: none"> ■ Kjedeeoljetanken er tom. ■ Rusk i føringsstangsporet. 	<ul style="list-style-type: none"> ■ Påfylling av sverd- og kjedeolje. ■ Fjern rusken fra sporet.

NO

GARANTI

EGO GARANTIPOLITIKK

Besøk nettstedet egopowerplus.com for fullstendige vilkår og betingelser for EGO-garantipolicyen.

ПРОЧИТАЙТЕ ВСЕ ИНСТРУКЦИИ!



ПРОЧИТАЙТЕ РУКОВОДСТВО ПОЛЬЗОВАТЕЛЯ

⚠️ Остаточный риск! Если вы используете такие электронные устройства, как кардиостимулятор, перед эксплуатацией данного устройства проконсультируйтесь с врачом. Использование электрооборудования в непосредственной близости от кардиостимулятора может привести к образованию помех и повреждению кардиостимулятора.

⚠️ ПРЕДУПРЕЖДЕНИЕ. Для обеспечения безопасности и надежности устройства его ремонт должен выполнять квалифицированный специалист.

СИМВОЛЫ БЕЗОПАСНОСТИ

Символы безопасности предназначены для привлечения внимания к возможным рискам. Символы безопасности, а также пояснения к ним, требуют особого внимания и понимания. Предупреждения по технике безопасности сами по себе не устраняют опасность. Инструкции и предупреждения не заменяют соответствующие меры по предотвращению несчастных случаев.

⚠️ ПРЕДУПРЕЖДЕНИЕ. Перед использованием устройства внимательно прочитайте все инструкции в данном руководстве пользователя и ознакомьтесь с предупреждающими символами безопасности, такими как **ОПАСНОСТЬ, ПРЕДУПРЕЖДЕНИЕ и ВНИМАНИЕ**. Несоблюдение всех приведенных ниже инструкций может привести к поражению электрическим током, возникновению пожара и (или) получению серьезных травм.

RU

УСЛОВНЫЕ ОБОЗНАЧЕНИЯ

Далее приведено изображение и описание символов безопасности, которые могут присутствовать на данном устройстве. Перед сборкой или использованием внимательно прочитайте все инструкции, приведенные на устройстве, и соблюдайте их.



Предупреждение об опасности



Чтобы уменьшить риск получения травм, перед использованием устройства необходимо прочитать и понять руководство по эксплуатации.



Используйте защитные очки.



Используйте защитный головной убор.



Используйте средства защиты органов слуха.



Используйте защитные перчатки.



Гарантированный уровень звуковой мощности Уровень шума в окружающей среде в соответствии с директивой ЕС.

IPX4 Класс защиты



Используйте надежную обувь.



Во избежание риска поражения электрическим током работайте на расстоянии не менее 15 м от линий электропередач. Контакт с линиями электропередач или использование устройства рядом с ними может привести к серьезной травме или смертельному поражению электрическим током.



Не оставляйте под дождем.



Соответствует основным требованиям стандартов безопасности Европейских директив.



Данное изделие соответствует действующему законодательству Великобритании.



Неисправные электрические устройства нельзя выбрасывать вместе с бытовым мусором. Сдавайте их в авторизованные пункты сбора и утилизации.



Постоянный ток



В Напряжение

ТЕХНИЧЕСКИЕ ХАРАКТЕРИСТИКИ

Номинальное напряжение	56 В $\overline{\text{---}}$	
Длина шины	25 см	
Шаг цепи	6,4 мм (1/4")	
Калибр цепи	1,1 мм (0,043")	
Емкость резервуара для масла	80 мл	
Количество звеньев	56	
Длина инструмента (без удлинительной штанги)	Макс. 292 см Мин. 233 см	
Рекомендуемая рабочая температура	-15...40°C	
Рекомендуемая температура хранения	-20...70°C	
Рекомендуемая температура зарядки	5-40°C	
Масса (без аккумуляторной батареи и чехла для цепи)	4,25 кг	
Измеренный уровень звуковой мощности L_{WA}	97 дБ (А) K=2,5 дБ (А)	
Уровень звукового давления в рабочем состоянии L_{PA}	82 дБ (А) K=3 дБ (А)	
Гарантированный уровень звуковой мощности L_{WA} (в соответствии с 2000/14/ЕС)	100 дБ (А)	
Вибрация a_n	Передняя вспомогательная рукоятка	1,19 м/с ² K=1,5 м/с ²
	Задняя рукоятка	1,01 м/с ² K=1,5 м/с ²

- Указанное общее значение вибрации было определено с помощью стандартного теста и может быть использовано для сравнения разных инструментов.
- Указанное общее значение вибрации также может использоваться для предварительной оценки уровня воздействия.

ПРИМЕЧАНИЕ. Реальное вибрационное воздействие электроинструмента может отличаться от указанного в зависимости от способа использования. В целях

безопасности оператор должен надевать перчатки и средства защиты органов слуха во время использования устройства.

ОПИСАНИЕ

ЧАСТИ ВЫСОТОРЕЗА (Рис. А1)

1. Регулятор натяжения цепи
2. Светодиодная рабочая подсветка
3. Боковой кожух
4. Крепление наплечного ремня
5. Удлинительная штанга
6. Кнопка блокировки
7. Курковый переключатель
8. Задняя рукоятка
9. Кнопка извлечения аккумулятора
10. Передняя вспомогательная рукоятка
11. Быстроразъемный рычаг
12. Телескопическая штанга
13. Наплечный ремень
14. Крышка резервуара для масла
15. Резервуар для масла
16. Упорные зубья
17. Шина цепи
18. Пильная цепь
19. Чехол цепи

КОМПЛЕКТ ПОСТАВКИ (Рис. А1)

Рекомендуемые шина и цепь для данного высотореза

НАЗВАНИЕ ДЕТАЛИ	НОМЕР МОДЕЛИ
Шина цепи	AG1000Q, AG1200Q
Пильная цепь	AC1000Q, AC1200Q

СБОРКА

⚠ ПРЕДУПРЕЖДЕНИЕ. Если какие-либо части повреждены или отсутствуют, не используйте устройство, пока они не будут установлены. Использование устройства в случае повреждения или отсутствия частей может привести к получению серьезной травмы.

RU

⚠ ПРЕДУПРЕЖДЕНИЕ. Не пытайтесь изменить конструкцию устройства или создать не рекомендованные для него дополнительные приспособления. Подобное изменение считается ненадлежащим использованием и способствует возникновению опасной ситуации, которая приведет к получению серьезной травмы.

⚠ ПРЕДУПРЕЖДЕНИЕ. Перед сборкой, регулировкой, очисткой, а также когда устройство не используется, всегда извлекайте из него аккумулятор.

СБОРКА ШИНЫ И ЦЕПИ

1. Положите высоторез на твердую ровную поверхность так, чтобы боковая крышка была обращена вверх.
2. Наденьте перчатки. Снимите боковую крышку (Рис. В).
3. Разложите новую пильную цепь петлей на плоской поверхности и распрямите все перегибы.
4. Поместите звенья цепи в паз шины. Расположите цепь так, чтобы на конце шины образовалась петля (Рис. С).

C-1	Приводные звенья цепи
C-2	Паз шины цепи

5. Удерживая цепь в одном положении на шине, поместите петлю на зубчатое колесо.

ПРИМЕЧАНИЕ. На корпусе инструмента выгравирована небольшая стрелка направления и зуб цепи (Рис. D). При установке цепи на шину убедитесь, что направление пильной цепи соответствует стрелке направления вращения на корпусе инструмента, а форма зубьев в верхней части шины соответствует маркировке на корпусе. Если направление не совпадает, заново установите пильную цепь на шину в соответствии с маркировкой на корпусе. Шина должна быть установлена таким образом, чтобы регулировочная пластина была обращена в сторону от корпуса.

6. Держите шину и цепь параллельно монтажной поверхности. Прикрепите боковую крышку к корпусу так, чтобы штифт был совмещен с соответствующим пазом, а крепежный болт с резьбовым отверстием (Рис. E). Прижмите боковую крышку к корпусу, затем полностью затяните регулятор натяжения цепи по часовой стрелке. Конструкция эксцентриковой шестерни внутри бокового кожуха предохраняет цепь от чрезмерного натяжения.

ПРИМЕЧАНИЕ. Если цепь ослабла, поверните регулятор натяжения цепи против часовой стрелки хотя бы на один оборот, затем полностью затяните.

7. Проверните цепь рукой. Правильно установленная цепь должна вращаться без заклинивания. В противном случае выполните сборку шины и цепи повторно.

УСТАНОВКА НАСАДКИ ВЫСОТОРЕЗА НА ПРИВОДНОЙ БЛОК

Данный высоторез работает в сочетании с насадкой для высотореза и приводным блоком (Рис. F).

F-1	Насадка высотореза
F-2	Приводной блок

⚠ ПРЕДУПРЕЖДЕНИЕ. Никогда не выполняйте установку или регулировку насадки высотореза, если приводной блок работает или в него установлен аккумулятор. Двигатель должен быть остановлен, а аккумулятор извлечен, в противном случае существует риск получения серьезных травм.

Насадка высотореза соединяется с приводным блоком при помощи муфты.

1. Остановите двигатель и извлеките аккумулятор.
2. Открутите барашковый фиксатор.
3. Совместите стрелку на вале высотореза со стрелкой на муфте и вставьте вал высотореза в муфту до щелчка, чтобы зафиксировать инструмент на месте (Рис. G).

G-1	Барашковый фиксатор	G-3	Стрелка на муфте
G-2	Кнопка извлечения вала	G-4	Стрелка на валу высотореза

4. Потяните за вал инструмента, чтобы убедиться, что он надежно зафиксирован в муфте. Если это не так, поворачивайте вал высотореза из стороны в сторону в муфте, пока он не встанет на место.
5. Надежно затяните барашковый фиксатор.

⚠ ПРЕДУПРЕЖДЕНИЕ. Перед использованием устройства убедитесь, что фиксатор полностью затянут. Во время использования время от времени проверяйте надежность его затяжки, чтобы предотвратить риск получения травм.

RU

УСТАНОВКА УДЛИНИТЕЛЬНОЙ ШТАНГИ МЕЖДУ ПРИВОДНЫМ БЛОКОМ И НАСАДКОЙ ВЫСОТОРЕЗА (№ модели: EP1000)

⚠ ПРЕДУПРЕЖДЕНИЕ. Никогда не выполняйте установку или регулировку принадлежностей, если приводной блок работает или в него установлен аккумулятор. Двигатель должен быть остановлен, а аккумулятор извлечен, в противном случае существует риск получения серьезных травм.

Данная удлинительная штанга предназначена только для использования с EGO PS1000E. Никогда не используйте ее с другими принадлежностями EGO.

Удлинительная штанга увеличивает длину инструмента на 100 см, расширяя диапазон режки. Она должна быть установлена между насадкой высотореза и приводным блоком. На одном инструменте можно использовать не более двух удлинительных штанг (приобретаются отдельно).

RU

Следуйте инструкциям в разделе **УСТАНОВКА НАСАДКИ ВЫСОТОРЕЗА НА ПРИВОДНОЙ БЛОК**, чтобы установить удлинительную штангу между насадкой высотореза и приводным блоком (Рис. Н).

H-1	Муфта на удлинительной штанге
H-2	Муфта на приводном блоке

ПРИМЕЧАНИЕ. После правильной сборки насадка высотореза, удлинительная штанга и приводной блок не должны разъединяться при вытягивании. Всегда проверяйте соединение, потянув за него. Если части можно разъединить, повторите описанные выше действия.

⚠ ПРЕДУПРЕЖДЕНИЕ. Несоблюдение приведенных выше инструкций по установке насадки и приводного блока или удлинительной штанги может привести к серьезным травмам или смерти.

ИЗВЛЕЧЕНИЕ ИНСТРУМЕНТА ИЗ ПРИВОДНОГО БЛОКА

1. Остановите двигатель и извлеките аккумулятор.
2. Открутите барашковый фиксатор.
3. Нажмите и удерживайте кнопку извлечения вала. Вытяните или выкрутите вал высотореза из муфты, чтобы отсоединить его от приводного блока или удлинительной штанги (если используется).
4. Повторите процесс, чтобы отсоединить от приводного блока удлинительную штангу (если используется).

УСТАНОВКА И РЕГУЛИРОВКА ПЕРЕДНЕЙ ВСПОМОГАТЕЛЬНОЙ РУКОЯТКИ

1. Остановите двигатель и извлеките аккумулятор.
2. Открутите барашковую гайку и снимите ее вместе с зажимным болтом с передней вспомогательной рукоятки (Рис. I1).

I-1	Передняя вспомогательная рукоятка	I-4	Барашковая гайка
I-2	Рычаг блокировки	I-5	Зажимной блок
I-3	Зажимной болт		

3. Прижмите вспомогательную рукоятку к валу приводного блока и поверните вниз так, чтобы она была направлена в сторону пильной цепи (Рис. I2).
4. Вставьте зажимной блок и соберите зажимной болт с барашковой гайкой (Рис. I3).
5. Не затягивайте до конца барашковую гайку. Отрегулируйте положение передней вспомогательной рукоятки так, чтобы она находилась между креплением наплечного ремня и муфтой телескопической штанги (Рис. I4). Рукоятка должна быть отрегулирована так, чтобы при использовании высотореза рука была прямой.
6. Нажмите на рычаг блокировки и затяните барашковую гайку так, чтобы передняя вспомогательная рукоятка не вращалась и не перемещалась на валу приводного блока.

ИСПОЛЬЗОВАНИЕ

⚠ ОПАСНО! Никогда не работайте с инструментом вблизи линий электропередач, электрических кабелей или других источников электричества. Если в шину и цепь попал электропровод, **НЕ ПРИКАСАЙТЕСЬ К ШИНЕ, ЦЕПИ ИЛИ ШТАНГЕ! ОНИ МОГУТ БЫТЬ ПОД НАПРЯЖЕНИЕМ И ОЧЕНЬ ОПАСНЫ.** Продолжайте удерживать высоторез за изолированную заднюю рукоятку или отложите в сторону безопасным способом. Прежде чем удалить застрявший в шине и цепи провод, отключите поврежденный провод от электросети. Контакт шины, цепи или других токопроводящих частей высотореза с электрическими кабелями и проводами может привести к смерти от удара током или серьезным травмам.

⚠ ПРЕДУПРЕЖДЕНИЕ. Не допускайте небрежности и беспечности при работе с устройством. Помните, что потери бдительности на долю секунды достаточно для получения серьезной травмы.

⚠ ПРЕДУПРЕЖДЕНИЕ. Всегда надевайте защитную маску или защитные очки с боковыми щитками. В противном случае выбрасываемые предметы могут попасть в глаза, что приведет к получению серьезной травмы.

⚠ ПРЕДУПРЕЖДЕНИЕ. Перед сборкой, регулировкой, очисткой и транспортировкой, а также когда устройство не используется, всегда извлекайте из него аккумулятор. Извлечение аккумулятора поможет предотвратить непредвиденный запуск устройства, который может привести к серьезным травмам.

⚠ ПРЕДУПРЕЖДЕНИЕ. Не используйте насадки или дополнительные приспособления, не рекомендованные производителем устройства. Использование нерекондованных насадок и дополнительных приспособлений может привести к серьезным травмам.

Перед каждым использованием полностью проверяйте устройство на наличие поврежденных, отсутствующих или плохо закрепленных частей, таких как винты, гайки, болты, заглушки и т. д. Надежно закрепите все фиксаторы и заглушки и не пользуйтесь устройством до тех пор, пока не будут заменены поврежденные или отсутствующие части.

ПРИМЕНЕНИЕ

Данное устройство можно использовать в следующих целях.

- Обрезка ветвей
- Обрезка кроны

ПРИМЕЧАНИЕ. Инструмент должен использоваться только по назначению. Любое другое использование, кроме упомянутого, считается ненадлежащим.

ЗАПОЛНЕНИЕ РЕЗЕРВУАРА ДЛЯ МАСЛА СМАЗКОЙ ДЛЯ ШИНЫ И ЦЕПИ

⚠ ПРЕДУПРЕЖДЕНИЕ. Не курите рядом с маслом или высоторезом и не подносите к ним огонь или источники открытого пламени. Масло может пролиться, что приведет к пожару.

ПРИМЕЧАНИЕ. На момент покупки высоторез не заполнен маслом. Перед использованием устройства в резервуар необходимо залить масло для цепи. Эксплуатация высотореза без масла для цепи или при низком уровне масла приведет к повреждению инструмента. Срок службы цепи и производительность резания зависит от правильной смазки. Цепь автоматически смазывается маслом во время

использования, если в резервуаре достаточно масла. Кроме того, через каждые 20 минут эксплуатации следует проверять уровень масла и добавлять его при необходимости.

1. Извлеките аккумулятор из приводного блока.
2. Очистите крышку резервуара для масла и область вокруг нее, чтобы никакая грязь не попала внутрь резервуара.
3. Положите высоторез на твердую ровную поверхность так, чтобы крышка резервуара для масла была обращена вверх. Затем снимите крышку (Рис. J).
4. Аккуратно залейте масло для шины и цепи в резервуар до горловины. Старайтесь не пролить масло. Вытрите излишки масла.

ПРИМЕЧАНИЕ.

- Никогда не используйте масло и другие смазочные материалы, не предназначенные специально для шин и цепей. В противном случае возможно засорение масляной системы, что может привести к преждевременному износу шины и цепи.
- Часто проверяйте уровень масла и при необходимости доливайте.
- Не используйте старое или загрязненное масло. Это может привести к повреждению шины или цепи.
- Когда устройство не используется, масло может выходить из цепи. Чтобы избежать утечки, после использования опорожните резервуар для масла и запустите устройство на одну минуту. При подготовке устройства к длительному хранению убедитесь, что цепь слегка смазана. Это позволит предотвратить появление ржавчины на цепи и звездочке шины.
- Чтобы сохранить природные ресурсы, обеспечьте надлежащую переработку и утилизацию масла. Для получения информации о возможности переработки и способах утилизации обратитесь в местную организацию по утилизации.

РЕГУЛИРОВКА ТЕЛЕСКОПИЧЕСКОЙ ШТАНГИ (Рис. K)

1. Поднимите быстроразъемный рычаг, чтобы разблокировать телескопическую штангу.
2. Раздвиньте телескопическую штангу на нужную длину.
3. Нажмите на быстроразъемный рычаг, чтобы надежно зафиксировать телескопическую штангу.

RU

СБОРКА НАПЛЕЧНОГО РЕМНЯ

Нажмите на карабин ремня, чтобы открыть его, и присоедините к креплению ремня на приводном блоке (Рис. L). Отрегулируйте наплечный ремень до удобного положения.

⚠ ПРЕДУПРЕЖДЕНИЕ. В случае возникновения чрезвычайной ситуации немедленно снимите ремень с плеча, чтобы избежать травмы.

УСТАНОВКА И ИЗВЛЕЧЕНИЕ АККУМУЛЯТОРА

ПРИМЕЧАНИЕ. Перед первым использованием полностью зарядите аккумулятор.

Используйте только аккумуляторы и зарядные устройства, указанные на Рис. A2.

Установка

Совместите ребра аккумулятора с крепежными отверстиями и вставьте аккумулятор до щелчка (Рис. M).

⚠ ПРЕДУПРЕЖДЕНИЕ. Перед использованием инструмента убедитесь, что аккумулятор надежно закреплен. Неправильная установка аккумулятора может стать причиной его выпадения, что может привести к серьезным травмам.

⚠ ПРЕДУПРЕЖДЕНИЕ. Всегда следите за положением своих ног, а за также за местонахождением детей и животных, когда нажимаете на кнопку фиксации аккумулятора. Падение аккумулятора может привести к серьезным травмам. НИКОГДА не извлекайте аккумулятор, если находитесь на возвышенности.

Извлечение

Нажмите кнопку фиксации аккумулятора и извлеките аккумулятор (Рис. N).

СВЕТОДИОДНАЯ РАБОЧАЯ ПОДСВЕТКА (Рис. O)

Светодиодная рабочая подсветка находится в передней части насадки высотореза, на одной линии с пильной цепью. Эта функция обеспечивает дополнительное освещение, чтобы пользователь мог видеть, где находится пильная цепь при обрезке ветвей высоко на дереве.

Рабочая подсветка автоматически включается при нажатии на курок и выключается примерно через 10 секунд после отпущания курка.

ЗАПУСК И ОСТАНОВКА ИНСТРУМЕНТА

Перед запуском или остановкой высотореза

⚠ ПРЕДУПРЕЖДЕНИЕ. НИКОГДА НЕ ИСПОЛЬЗУЙТЕ ПРИВОДНОЙ БЛОК БЕЗ УСТАНОВЛЕННОГО ИНСТРУМЕНТА. Не пытайтесь запустить приводной блок до подключения насадки высотореза.

ПРИМЕЧАНИЕ. Перед запуском высотореза проверьте регулятор натяжения цепи, уровень масла и остроту зубьев цепи. Кроме того, необходимо правильно взять инструмент, принять устойчивое положение и удерживать инструмент на надлежащем расстоянии от земли (Рис. Q).

Запуск (Рис. P)

1. Установите аккумулятор.
2. Убедитесь, что в непосредственной близости нет предметов или препятствий, которые могут соприкоснуться с шиной и цепью.
3. Крепко возьмитесь одной рукой за вспомогательную рукоятку, а другой — за заднюю рукоятку.
4. Чтобы запустить инструмент, нажмите и удерживайте кнопку блокировки, а затем нажмите курковый переключатель. Для продолжительной работы отпустите кнопку блокировки и продолжайте зажимать курок.

⚠ ПРЕДУПРЕЖДЕНИЕ. Не пытайтесь запустить пилу, если цепь находится в разрезе или в контакте с какой-либо поверхностью.

Остановка

Уберите высоторез подальше от зоны резания, а затем отпустите курок, чтобы остановить инструмент.

⚠ ПРЕДУПРЕЖДЕНИЕ. Во время перерывов в работе и после ее окончания всегда извлекайте аккумулятор из устройства.

ОСНОВНЫЕ СПОСОБЫ РЕЗКИ (Рис. R)

Чтобы не допустить повреждения коры дерева или кустарника, следуйте инструкциям ниже. При распиле не делайте движений вперед-назад.

1. С нижней стороны ветки сделайте первый неглубокий пропил (1/4 диаметра) рядом со стволом или основной веткой.
2. С верхней стороны ветки сделайте второй пропил чуть дальше первого. Продолжайте пропиливать, пока ветка не отделится от дерева. Когда ветка упадет, будьте готовы сохранить равновесие инструмента.

3. Сделайте последний пропил рядом со стволом.

ПРИМЕЧАНИЕ. При выполнении второго и последнего пропила (сверху ветки) удерживайте упорные зубья вплотную к ветке, которую срезаете (Рис. S). Это поможет сохранить устойчивое положение ветки и упростить резку. Позвольте инструменту сделать всю работу, оказывайте лишь небольшое давление. Применение чрезмерных усилий при резке может привести к повреждению шины, цепи или двигателя.

S-1	Упорные зубья
-----	---------------

4. После завершения пропила сразу отпустите курковый переключатель.

ПРИМЕЧАНИЕ. Неправильное выполнение резки может привести к зажатию или застреванию шины и цепи в ветке. Если это случилось, выполните следующее.

1. Остановите двигатель и извлеките аккумулятор.
2. Если до ветки можно дотянуться с земли, приподнимите ее, удерживая пилу. Это должно открыть защемление и освободить пилу.
3. Если пилу извлечь не удалось, обратитесь за помощью к специалисту.

ОБРЕЗКА ВЕТВЕЙ И КРОНЫ

Высоторез предназначен для обрезки небольших ветвей и сучьев диаметром до 20 см (для инструмента с шиной 25 см) или 25 см (для инструмента с шиной 30 см). Для достижения наилучших результатов соблюдайте следующие меры предосторожности.

1. Тщательно планируйте обрезку. Учитывайте траекторию падения ветки.

⚠ ПРЕДУПРЕЖДЕНИЕ. Ветки могут падать в неожиданном направлении. Не стойте под веткой, которую срезаете.

2. Наиболее распространенное положение резки — это расположение устройства под углом не более 60° (в зависимости от конкретной ситуации), как показано на Рис. T. Если угол штанги высотореза по отношению к земле будет больше, это затруднит выполнение первого пропила (с нижней стороны ветки).
3. Длинные ветви срезайте в несколько подходов.
4. Сначала срезайте нижние ветки, чтобы верхним веткам было больше места для падения.
5. Не спешите, крепко держите инструмент двумя руками. Сохраняйте устойчивое положение и равновесие.

6. Старайтесь, чтобы во время резки дерево находилось между вами и инструментом. Во время резки стойте с противоположной стороны дерева от ветки, которую срезаете.
7. Не работайте, стоя на лестнице — это чрезвычайно опасно. Предоставьте это специалистам.
8. При резке деревьев не обрезайте ветви заподлицо рядом со стволом или основной веткой, пока не срежете значительную часть ветки, чтобы уменьшить массу. Правильное выполнение резки позволяет избежать повреждения коры ствола.
9. Не используйте высоторез для валки или раскряжевки.
10. Во избежание риска поражения электрическим током работайте на расстоянии не менее 15 м от линий электропередач (Рис. T).
11. Следите за тем, чтобы посторонние лица находились на расстоянии не менее 15 м (Рис. T).

ОБСЛУЖИВАНИЕ

⚠ ПРЕДУПРЕЖДЕНИЕ. Прежде чем выполнять проверку, очистку или обслуживание устройства, выключите двигатель, дождитесь, пока все движущиеся детали полностью остановятся, а затем извлеките аккумулятор. Несоблюдение данных инструкций может привести к серьезным травмам или материальному ущербу.

⚠ ПРЕДУПРЕЖДЕНИЕ. При ремонте используйте только идентичные запасные части. Использование других запасных частей может привести к возникновению опасной ситуации или повреждению устройства. Чтобы обеспечить безопасность и надежность устройства, любой ремонт, кроме указанного в данных инструкциях по обслуживанию, должен выполнять квалифицированный специалист.

⚠ ПРЕДУПРЕЖДЕНИЕ. Всегда надевайте перчатки при обращении с пильной цепью. Цепь острая и может содержать заусенцы.

ОБЩЕЕ ОБСЛУЖИВАНИЕ

Не используйте растворители для очистки пластиковых частей. Большинство пластиковых частей чувствительны к различным бытовым растворителям и могут быть повреждены. Для очистки от грязи, пыли, масла, смазки и т. п. используйте чистую ткань.

RU

ОЧИСТКА

- После каждого использования очищайте цепь и шину мягкой щеткой. Очищайте поверхность высотореза чистой тканью, смоченной в слабом мыльном растворе.
- Снимите боковой кожух и очистите шину, цепь, зубчатое колесо и кожух мягкой щеткой.
- При замене пильной цепи всегда очищайте паз шины цепи от щепок, опилок и загрязнений.

Все работы по обслуживанию высотореза, кроме тех, которые описаны в инструкциях по обслуживанию, должны выполняться компетентными специалистами.

ЗАМЕНА ШИНЫ И ЦЕПИ

При замене шины и цепи всегда используйте специальные шины и цепи, указанные в разделе **Рекомендуемые шина и цепь для данного высотореза**.

1. Извлеките аккумулятор и дайте инструменту остыть. Убедитесь, что крышка масляного бака закрыта, чтобы предотвратить утечку масла.
2. Положите высоторез на бок на твердую плоскую поверхность так, чтобы боковая крышка была обращена вверх.
3. Наденьте перчатки. Снимите боковую крышку (Рис. U). Протрите боковую крышку сухой тканью.
4. Снимите изношенные шину и цепь с монтажной поверхности.
5. Установите новую шину и пильную цепь согласно инструкциям **СБОРКА ШИНЫ И ЦЕПИ** в разделе **СБОРКА**.

ПРИМЕЧАНИЕ. Не забудьте осмотреть зубчатое колесо на наличие повреждений или износа.

УХОД ЗА ШИНОЙ

Когда на шине появятся признаки износа, снимите ее с инструмента. Снимите установочный винт и регулировочную пластину, переверните шину (Рис. V) и установите регулировочную пластину на другой стороне шины (Рис. W), чтобы распределить износ и обеспечить максимальный срок службы шины. Шину необходимо очищать и проверять на наличие износа и повреждений каждый день после использования. Появление зазубрин и стружек на шине — нормальное явление, свидетельствующее о ее износе. Такие дефекты необходимо удалять напильником сразу же при их обнаружении. При наличии любого из перечисленных ниже дефектов шину необходимо заменить.

- Износ внутренней части шины, из-за которого цепь съезжает набок.
- Изгиб шины.
- Трещины или разрыв направляющих.
- Расширение направляющих.

Кроме того, на конце шины установлено зубчатое колесо. Чтобы продлить срок службы шины, раз в неделю колесо необходимо смазывать из масленки. Смазывайте шину маслом для цепи раз в неделю, подавая его из масленки в смазочное отверстие (Рис. X). Переверните шину и убедитесь, что смазочные отверстия и паз цепи не загрязнены.

X-1	Зубчатое колесо на конце шины
X-2	Смазочное отверстие

ОБСЛУЖИВАНИЕ ЦЕПИ

Используйте только пильные цепи с низкой отдачей. При правильном уходе цепи для быстрой резки позволяют снизить отдачу.

Правильно заточенные цепи легко распиливают дерево даже при минимальном давлении.

Не используйте тупые и поврежденные цепи. Использование тупых цепей приводит к повышенной физической нагрузке на оператора, увеличению уровня вибрации, низкой эффективности работы и чрезмерному износу инструмента.

Для поддержания скорости и эффективности работы за цепью необходимо ухаживать надлежащим образом. Если опилки получаются очень мелкими и при работе выделяется много пыли, при распилке приходится прилагать слишком много усилий или линия распила получается неровной, цепь необходимо заточить. При уходе за цепью обратите внимание на следующее.

- Неправильный угол заточки режущих зубьев повышает отдачу.
- Зазор ограничительных зубьев. Слишком маленький зазор увеличивает отдачу. Недостаточно маленький зазор снижает эффективность работы инструмента.
- Если зубья цепи подвергались ударам о твердые предметы, например гвозди или камни, или износу из-за грязи или песка на заготовке, необходимо обратиться к квалифицированному специалисту для заточки цепи.

ТРАНСПОРТИРОВКА И ХРАНЕНИЕ

- Не храните и не перемещайте насадку высотореза в работающем состоянии. Перед хранением и транспортировкой всегда извлекайте аккумулятор из устройства.

RU

- Всегда надевайте чехол на шину цепи и цепь, прежде чем убрать насадку высотореза на хранение или транспортировать ее. Будьте осторожны с острыми зубьями цепи.
- Прежде чем убрать высоторез на хранение, тщательно очистите его. Храните высоторез в помещении, в сухом, закрытом, недоступном для детей месте, подальше от агрессивных веществ, таких как химикаты для сада и противообледенительные соли.

Защита окружающей среды



Не выбрасывайте электроприборы, зарядные устройства и аккумуляторные батареи вместе с бытовыми отходами!

Отправьте данное изделие на переработку в специализированное предприятие или сдайте его для раздельного сбора.

Электроинструменты должны быть возвращены на перерабатывающее предприятие, не наносящее ущерба окружающей среде.

RU

KEES VAN DER SPEK
TUINMACHINES ★ STOLWIJK

УСТРАНЕНИЕ НЕПОЛАДOK

ПРОБЛЕМА	ПРИЧИНА	РЕШЕНИЕ
<p>RU</p> <p>ДВИГАТЕЛЬ НЕ ЗАПУСКАЕТСЯ.</p>	<ul style="list-style-type: none"> ■ Аккумулятор не установлен в высоторез. ■ Нет электрического контакта между пилой и аккумулятором. ■ Аккумулятор разряжен. ■ При нажатии на курок-выключатель не была нажата кнопка фиксатора. ■ Аккумулятор или приводной блок перегрелся. ■ Цепь зажата в заготовке. ■ Шина и цепь перекошены и не параллельны корпусу. ■ В пазу шины скопился мусор. ■ Под боковой кожух набился мусор. 	<ul style="list-style-type: none"> ■ Установите аккумулятор в высоторез. ■ Извлеките аккумулятор, проверьте контакты и установите его снова. ■ Зарядите аккумулятор. ■ Нажмите на рычаг блокировки и удерживайте его, затем зажмите курковый переключатель, чтобы включить высоторез. ■ Дайте аккумулятору или приводному блоку остыть, пока температура не упадет до рекомендуемого значения. ■ Отпустите курок, извлеките цепь и шину из древесины, затем запустите высоторез снова. ■ Извлеките аккумулятор и замените шину и цепь, следуя инструкциям в разделе ЗАМЕНА ШИНЫ И ЦЕПИ. Всегда помните, что шина и цепь должны быть параллельны монтажной поверхности перед установкой боковой крышки. ■ Прижмите пильную цепь к дереву, переместите высоторез назад и вперед, чтобы удалить загрязнения. ■ Извлеките аккумулятор, затем снимите боковой кожух и удалите загрязнения.

ПРОБЛЕМА	ПРИЧИНА	РЕШЕНИЕ
Двигатель работает, но цепь не вращается.	<ul style="list-style-type: none"> ■ Цепь не зацепляется за зубчатое колесо. ■ Цепь плохо натянута. ■ Цепь затупилась. ■ Цепь установлена задом наперед. ■ Цепь изношена. ■ Цепь не смазывается или сильно растянулась. ■ Цепь вышла из паза в шине. 	<ul style="list-style-type: none"> ■ Извлеките аккумулятор и переустановите цепь, убедившись, что звенья цепного привода надежно прилегают к зубчатому колесу. ■ Сначала ослабьте регулятор натяжения цепи не менее чем на один оборот против часовой стрелки, а затем полностью затяните его по часовой стрелке, пока цепь не будет правильно натянута. ■ Заточку режущих элементов цепи должен выполнять квалифицированный специалист. ■ Извлеките аккумулятор и переустановите цепь, следуя инструкциям в разделе ЗАМЕНА ШИНЫ И ЦЕПИ. ■ Извлеките аккумулятор и замените цепь, следуя инструкциям в разделе ЗАМЕНА ШИНЫ И ЦЕПИ. ■ Проверьте уровень масла. При необходимости залейте масло в резервуар. ■ Извлеките аккумулятор и переустановите цепь, следуя инструкциям в разделе ЗАМЕНА ШИНЫ И ЦЕПИ.
Шина и цепь нагреваются и дымятся.	<ul style="list-style-type: none"> ■ Резервуар для масла пуст. ■ В пазу шины скопился мусор. 	<ul style="list-style-type: none"> ■ Заправьте инструмент маслом. ■ Удалите мусор из паза.

RU

ГАРАНТИЯ

ГАРАНТИЙНАЯ ПОЛИТИКА EGO

Посетите веб-сайт egopowerplus.com, чтобы ознакомиться со всеми условиями и сроками гарантийной политики EGO.

PRZECZYTAJ WSZYSTKIE INSTRUKCJE!



PRZECZYTAJ INSTRUKCJĘ OBSŁUGI

⚠ Ryzyko resztkowe! Osoby z urządzeniami elektronicznymi, takimi jak rozruszniki serca, powinny przed użyciem produktu skonsultować się ze swoim(i) lekarzem/-ami. Używanie urządzeń elektrycznych blisko rozrusznika serca może spowodować zakłócenia lub uszkodzić rozrusznik.

⚠ OSTRZEŻENIE: Aby zagwarantować bezpieczeństwo i niezawodność, wszystkie naprawy powinny być wykonywane przez wykwalifikowanych techników serwisu.

SYMBOLE BEZPIECZEŃSTWA

Celem symboli bezpieczeństwa jest zwrócenie uwagi użytkownika na możliwe zagrożenia. Symbole bezpieczeństwa i objaśnienia do nich zasługują na to, aby je uważnie przestudiować i zrozumieć. Symbole bezpieczeństwa nie eliminują same z siebie jakichkolwiek zagrożeń. Podawane w nich instrukcje i ostrzeżenia nie zastępują odpowiednich środków zapobiegania wypadkom.

⚠ OSTRZEŻENIE: Przed użyciem narzędzia należy koniecznie przeczytać ze zrozumieniem wszystkie instrukcje dotyczące bezpieczeństwa podane w podręczniku użytkownika, łącznie z wszystkimi symbolami ostrzegawczymi takimi jak „**NIEBEZPIECZEŃSTWO**”, „**OSTRZEŻENIE**” i „**OSTROŻNIE**”. Niestosowanie się do wszystkich podanych niżej instrukcji może doprowadzić do porażenia prądem, pożaru i/lub poważnych urazów ciała.

PL

ZNACZENIE SYMBOLI

Na tej stronie pokazano i opisano symbole bezpieczeństwa, które mogą występować na produkcie. Przed podjęciem próby złożenia i użycia urządzenia należy przeczytać i zrozumieć wszystkie instrukcje dotyczące maszyny oraz zastosować się do nich.



Ostrzeżenie dotyczące bezpieczeństwa



Aby zmniejszyć ryzyko urazów, przed rozpoczęciem używania urządzenia, użytkownik musi przeczytać i zrozumieć instrukcję.



Noś okulary ochronne



Noś kask ochronny



Noś ochronniki słuchu



Noś rękawice ochronne



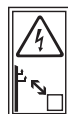
Gwarantowany poziom mocy akustycznej. Emisja hałasu do środowiska zgodnie z dyrektywą Wspólnoty Europejskiej.

IPX4

Stopień ochrony przed penetracją



Noś obuwie ochronne



Aby nie dopuścić do porażenia prądem, nie należy używać narzędzia w odległości mniejszej niż 15 m od napowietrznych linii wysokiego napięcia. Dotknięcie lub używanie w pobliżu przewodów elektroenergetycznych może doprowadzić do poważnych urazów lub porażenia prądem ze skutkiem śmiertelnym.



Chronić przed deszczem.



Ten produkt jest zgodny z obowiązującymi dyrektywami WE.



Produkt jest zgodny z dyrektywami obowiązującymi w Wielkiej Brytanii.



Zużytych wyrobów elektrycznych nie należy wyrzucać razem ze zwykłymi odpadami domowymi. Należy je oddać do autoryzowanego punktu recyklingu.



Prąd stały

V

Napięcie

SPECYFIKACJA

Napięcie znamionowe	56 V $\overline{\text{---}}$	
Długość prowadnicy	25 cm	
Podziałka łańcucha	6,4 mm (1/4")	
Grubość łańcucha	1,1 mm (0,043")	
Pojemność zbiornika oleju	80 ml	
Liczba ogniów napędowych	56	
Długość narzędzia (bez drążka przedłużającego)	Maks. 292 cm Min. 233 cm	
Zalecana temperatura użytkowania	-15°C-40°C	
Zalecana temperatura przechowywania	-20°C-70°C	
Zalecana temperatura ładowania	5°C-40°C	
Ciężar (bez akumulatora i osłony łańcucha)	4,25 kg	
Zmierzony poziom mocy akustycznej L_{WA}	97 dB(A) K=2,5 dB(A)	
Poziom ciśnienia akustycznego w pozycji pracy L_{PA}	82 dB(A) K=3 dB(A)	
Gwarantowany poziom mocy akustycznej LWA (zgodnie z dyrektywą 2000/14/WE)	100 dB(A)	
Drgania a_h	Przedni uchwyt pomocniczy	1,19 m/s ² K=1,5 m/s ²
	Uchwyt tylny	1,01 m/s ² K=1,5 m/s ²

- Deklarowana całkowita wartość drgań została zmierzona zgodnie ze standardowymi metodami testowania i może służyć do porównywania różnych narzędzi.
- Deklarowana całkowita wartość drgań może również służyć do wstępnej oceny narażenia na drgań.

UWAGA: Emisja dźwięku podczas rzeczywistego stosowania elektronarzędzia może różnić się od deklarowanej wartości, w której narzędzie jest używane. Aby się zabezpieczyć, w rzeczywistych warunkach użytkowania użytkownik powinien nosić rękawice i nauszki ochronne.

OPIS

Zapoznanie z okrzyszarką (Rys. A1)

1. Pokrętko szybkiej regulacji napięcia łańcucha
2. Lampka do pracy LED
3. Pokrywa boczna
4. Zaczep na pasek na ramię
5. Drążek przedłużający
6. Przycisk odblokowujący
7. Przelącznik spustowy
8. Uchwyt tylny
9. Przycisk odblokowujący akumulator
10. Przedni uchwyt pomocniczy
11. Dźwignia szybkiego odblokowywania
12. Drążek teleskopowy
13. Pasek na ramię
14. Zakrętka zbiornika oleju
15. Zbiornik oleju
16. Ostrogi
17. Prowadnica
18. Łańcuch tnący
19. Osłona łańcucha

LISTA ELEMENTÓW W OPAKOWANIU (Rys. A1)

Prowadnica i łańcuch zalecane do okrzyszarki

NAZWA CZĘŚCI	NUMER MODELU
Prowadnica	AG1000Q, AG1200Q
Łańcuch tnący	AC1000Q, AC1200Q

MONTAŻ

⚠ OSTRZEŻENIE: W przypadku braku lub uszkodzenia którejś z części nie należy uruchamiać urządzenia aż do momentu wymiany lub naprawy części. Używanie urządzenia z uszkodzonymi częściami lub gdy którejś z części brakuje może doprowadzić do poważnych urazów ciała.

⚠ OSTRZEŻENIE: Nie należy próbować przerabiać urządzenia lub tworzyć akcesoriów, które nie są zalecane do używania w produkcji. Wszelkie tego typu zmiany lub modyfikacje są niedozwolone i mogą prowadzić do niebezpiecznych sytuacji oraz poważnych urazów ciała.

⚠ OSTRZEŻENIE: Przed montażem części, regulacją i czyszczeniem oraz gdy produkt nie jest używany należy zawsze wyjąć z niego akumulator.

MONTAŻ PROWADNICZY I ŁAŃCUCHA

1. Położyć okrzesywarkę na twardej, płaskiej powierzchni, tak aby osłona boczna była skierowana do góry.
2. Założyć rękawice. Zdjąć osłonę boczną (Rys. B).
3. Położyć nowy łańcuch w postaci pętli na płaskiej powierzchni i wyprostować wszelkie splątane miejsca.
4. Umieścić ogniwa przesuwające łańcuch w rowku prowadnicy. Ułożyć łańcuch w taki sposób, aby z tyłu prowadnicy utworzyć pętlę (Rys. C).

C-1	Ogniwa przesuwające łańcuch
C-2	Rowek prowadnicy

5. Przytrzymać łańcuch w odpowiedniej pozycji na prowadnicy i nałożyć pętlę na zębatkę napędową okrzesywarki.

UWAGA: Na obudowie narzędzia wygrawerowana jest mała strzałka pokazująca kierunek i ogniwo tnące (Rys. D). Podczas zakładania łańcucha tnącego na prowadnicę należy się upewnić, że po zamontowaniu prowadnicy kierunek pracy łańcucha tnącego będzie zgodny ze strzałką kierunku obrotów na obudowie narzędzia, a kształt ogniw tnących na górnej części prowadnicy będzie pokrywał się z kształtem ogniwa tnącego na obudowie. Jeżeli ogniwa tnące są skierowane w przeciwnym kierunku, należy ponownie założyć łańcuch tnący na prowadnicę, ale tak, aby strzałki skierowane były w tym samym kierunku. Prowadnicę należy zamontować tak, aby płytka regulacyjna była odwrócona od obudowy.

6. Prowadnica i łańcuch muszą być ustawione równolegle do powierzchni montażowej. Założyć pokrywę boczną na obudowę tak, aby otwory/szpilki i śruba mocująca/otwór gwintowany były do siebie prawidłowo dopasowane (Rys. E). Docisnąć pokrywę boczną do obudowy, a potem do całkowicie dokręcić w prawo (zgodnie z kierunkiem ruchu wskazówek zegara) pokrętło szybkiej regulacji naprężenia łańcucha. Zębatka ekscentryczna w środku pokrywy bocznej została zaprojektowana w taki sposób, aby łańcuch nie był zbyt mocno naprężony.

UWAGA: Jeśli łańcuch się poluzuje, pokrętło szybkiej regulacji naprężenia łańcucha należy przekręcić o co najmniej jeden obrót w lewo, a następnie całkowicie dokręcić.

7. Przekręcić łańcuch ręcznie, aby sprawdzić, czy jest on prawidłowo założony i czy się nie zacina. Jeśli się zacina, łańcuch i prowadnicę należy założyć ponownie.

PODŁĄCZANIE KOŃCÓWKI-OKRZESYWARKI DO GŁOWICY NAPĘDOWEJ

Okrzesywarka pracuje jako połączenie końcówki-okrzesywarki z głowicą napędową (Rys. F).

F-1	Końcówka-okrzesywarka
F-2	Głowica napędowa

⚠ OSTRZEŻENIE: Końcówki-okrzesywarki nie należy nigdy zakładać ani regulować w czasie, gdy pracuje głowica napędowa lub z założonym akumulatorem. Niewyłączenie silnika i niewyjęcie akumulatora może doprowadzić do poważnych urazów ciała.

Końcówka-okrzesywarka jest połączona z głowicą napędową za pomocą elementu sprzęgającego.

1. Wyłączyć silnik i wyjąć akumulator.
2. Odkręcić pokrętło motylkowe.
3. Dopasować strzałkę na drążku okrzesywarki do strzałki na łączówce i wsunąć drążek okrzesywarki do łączówki aż do punktu, w którym rozlegnie się kliknięcie, które oznacza, że drążek został zamocowany na swoim miejscu (Rys. G).

G-1	Pokrętło motylkowe	G-3	Strzałka na łączówce
G-2	Przycisk odłączania drążka	G-4	Strzałka na drążku okrzesywarki

4. Pociągnąć drążek końcówki, aby upewnić się, czy jest on dobrze zamocowany w łączówce. Jeśli nie jest, przekręcić drążek końcówki na boki w łączówce aż zablokuje się i zaskoczy.
5. Mocno dokręcić pokrętło motylkowe.

⚠ OSTRZEŻENIE: Przed użyciem urządzenia należy dopilnować, aby pokrętło motylkowe było całkowicie dokręcone. Aby nie dopuścić do poważnych urazów, w czasie użytkowania pokrętło należy okresowo kontrolować.

PODŁĄCZANIE DRAŻKA PRZEDŁUŻAJĄCEGO MIĘDZY GŁOWICĄ NAPĘDOWĄ A KOŃCÓWKĄ-OKRZESYWARKĄ (nr modelu EP1000)

⚠ OSTRZEŻENIE: Nigdy nie należy zakładać ani regulować jakichkolwiek końcówek w czasie, gdy pracuje głowica napędowa lub z założonym akumulatorem. Niewyłączenie silnika i niewyjęcie akumulatora może doprowadzić do poważnych urazów ciała.

Ten drążek przedłużający jest przeznaczony wyłącznie do użytku z okrzesywarką EGO PS1000E. Nigdy nie należy go używać do innych końcówek EGO.

Drażek przedłużający zwiększa długość narzędzia o 100 cm, przez co zwiększa też zasięg cięcia. Należy go podłączać między głowicą napędową a końcówką-okrzesywarką. Na jednym narzędziu można używać maksymalnie dwóch drążków przedłużających (dostępnych osobno).

Aby założyć i zamocować drążek przedłużający między końcówką-okrzesywarką a głowicą napędową, należy wykonać procedurę opisaną w części „**PODŁĄCZANIE KOŃCÓWKI-OKRZESYWARKI DO GŁOWICY NAPĘDOWEJ**” (Rys. H).

H-1	Łączówka na drążku przedłużającym
H-2	Łączówka na głowicy napędowej

UWAGA: Po prawidłowym złożeniu, końcówka-okrzesywarka, drążek przedłużający i głowica napędowa nie powinny się przy cięgnięciu dawać rozdzielić. Połączenie należy zawsze sprawdzić przez pociągnięcie elementów. Jeśli części można rozdzielić, powyższe czynności należy powtórzyć.

⚠ OSTRZEŻENIE: Niezamocowanie końcówki i głowicy napędowej/drażka przedłużającego zgodnie z instrukcjami podanymi powyżej może doprowadzić do poważnych urazów lub śmierci.

ZDEJMOWANIE KOŃCÓWKI Z GŁOWICY NAPĘDOWEJ

1. Wylączyć silnik i wyjąć akumulator.
2. Odkręcić pokrętkę motylkową.
3. Nacisnąć przycisk odłączania drążka i z wciśniętym przyciskiem wyciągnąć lub przekręcić drążek okrzesywarki z łączówki, aby oddzielić go od głowicy napędowej lub drążka przedłużającego (jeśli jest używany).
4. Powtórzyć procedurę, aby oddzielić drążek przedłużający od głowicy napędowej (jeśli jest używany trzonek przedłużający).

MOCOWANIE I REGULACJA PRZEDNIEGO UCHWYTU POMOCNICZEGO

1. Wylączyć silnik i wyjąć akumulator.
2. Poluzować nakrętkę motylkową i zdjąć ją wraz ze śrubą zaciskową z przedniego uchwytu pomocniczego (Rys. I1).

I-1	Przedni uchwyt pomocniczy	I-4	Nakrętka motylkowa
I-2	Dźwignia zamka	I-5	Blok zaciskowy
I-3	Śruba mocująca		

3. Wcisnąć uchwyt pomocniczy na drążek głowicy napędowej i obrócić go w dół, tak aby był skierowany w stronę łańcucha tnącego (Rys. I2).
4. Włożyć blok zaciskowy i założyć śrubę zaciskową z nakrętką motylkową (rys. I3).
5. Nie dokręcać jeszcze całkowicie nakrętki motylkowej. Wyregulować położenie przedniego uchwytu pomocniczego tak, aby znajdował się pomiędzy zaczepem na pasek na ramię a tuleją drążka teleskopowego (Rys. I4). Uchwyt powinien być tak wyregulowany, aby podczas użytkowania okrzesywarki ramię użytkownika było wyprostowane.
6. Docisnąć dźwignię blokującą i dokręcić nakrętkę motylkową, tak aby zabezpieczyć przedni uchwyt pomocniczy przed obracaniem się lub przesuwaniem po drążku głowicy napędowej.

PL

UŻYTKOWANIE

⚠ NIEBEZPIECZEŃSTWO: Nigdy nie należy niczego przecinać w pobliżu przewodów elektroenergetycznych, kabli elektrycznych lub innych źródeł prądu. Jeżeli przewodnica i łańcuch zakleszczą się na jakimkolwiek kablu lub przewodzie elektrycznym, **NIE WOLNO DOTYKAĆ PROWADNICY, ŁAŃCUCHA ANI DRAŻKA! ELEMENTY TE MOGĄ BYĆ POD NAPIĘCIEM I MOGĄ BYĆ BARDZO NIEBEZPIECZNE.** Okrzesywarkę należy nadal trzymać za izolowany uchwyt tylny, ewentualnie można ją odłożyć z dala od siebie i w bezpieczny sposób. Następnie trzeba wylączyć zasilanie przewodu/kabla. Dopiero potem można spróbować wyplątać przewodnicę z przewodu lub kabla. Dotknięcie przewodnicy, łańcucha, innych części przewodzących okrzesywarki lub kabli lub przewodów elektrycznych pod napięciem doprowadzi do poważnych urazów lub nawet śmierci wskutek porażenia prądem.

⚠ OSTRZEŻENIE: Nie wolno dopuścić do tego, aby znajomość narzędzia doprowadziła do nieuwagi. Należy pamiętać, że do spowodowania poważnych obrażeń wystarczy zaledwie chwila nieuwagi.

⚠ OSTRZEŻENIE: Należy mieć zawsze założone gogle ochronne lub okulary ochronne z osłonami bocznymi. Nieprzestrzeganie tego zalecenia może doprowadzić do poważnych obrażeń oczu odłamkiem lub skrawkiem materiału wyrzuconym przez pracujące narzędzie, a także grozi innymi możliwymi urazami.

⚠ OSTRZEŻENIE: Przed zakładaniem części, regulacją i czyszczeniem lub transportem oraz gdy urządzenie nie jest używane należy zawsze wyjąć z niego akumulator. Wyjęcie akumulatora zapobiega przypadkowemu włączeniu, które mogłoby spowodować ciężkie urazy ciała.

⚠ OSTRZEŻENIE: Nie należy używać końcówek lub akcesoriów innych niż zalecane przez producenta produktu. Używanie końcówek lub akcesoriów innych niż zalecane może doprowadzić do poważnych obrażeń.

Przed każdym użyciem należy skontrolować cały produkt pod kątem uszkodzonych, brakujących lub obluźwionych części takich jak śruby, wkręty, nakrętki, nasadki itp. Wszystkie elementy połączeniowe i nasadki należy mocno dokręcić. Nie używać produktu zanim wszystkie brakujące lub uszkodzone części nie zostaną wymienione.

PL

ZASTOSOWANIA

Urządzenia można używać wyłącznie do celów podanych poniżej:

- Okrzesywanie
- Przcinięcie gałęzi

UWAGA: Narzędzia należy używać tylko do celów zgodnych z przeznaczeniem. Wszelkie inne zastosowania uznaje się za niezgodne z przeznaczeniem.

NAPEŁNIANIE ZBIORNIKA NA OLEJ SMAREM DO PROWADNIC I ŁAŃCUCHÓW

⚠ OSTRZEŻENIE: W pobliżu oleju lub okrzesywarki nie należy palić tytoniu ani zapalać ognia lub płomieni. Olej może się rozlać i spowodować pożar.

UWAGA: W momencie zakupu w okrzesywarcie nie ma oleju. Przed użyciem bardzo ważne jest, aby nalać oleju do smarowania łańcucha do zbiornika na olej! Praca okrzesywarką bez oleju do łańcucha lub gdy poziom oleju jest zbyt niski doprowadzi do uszkodzenia narzędzia. Czas eksploatacji łańcucha i wydajność piłowania nim zależą od optymalnego smarowania. Pod warunkiem, że w zbiorniku znajduje się wystarczająca ilość oleju, podczas pracy łańcuch jest automatycznie smarowany olejem do łańcuchów. Poziom oleju należy kontrolować po każdym 20 minutach użytkowania oraz uzupełniać odpowiednio do potrzeb.

1. Wyjąć akumulator z głowicy napędowej.
2. Wyczyścić korek zbiornika oleju i miejsce wokół, aby do zbiornika oleju nie dostały się żadne nieczystości.
3. Położyć okrzesywarkę na twardej, płaskiej powierzchni, tak aby korek zbiornika oleju był skierowany do góry, a następnie odkręcić i zdjąć korek (Rys. J).
4. Ostrożnie nalać oleju do smarowania prowadnicy i łańcucha do zbiornika aż po szyjkę zbiornika. Uważać, aby przelać oleju przez wlew. Wytrzeć ewentualne plamy rozlanego oleju.

UWAGA:

- Nigdy nie należy używać oleju lub innych smarów, które nie są specjalnie zaprojektowane do smarowania prowadnicy i łańcucha. Mogłoby to skutkować zatłaniem się układu olejowego, co mogłoby doprowadzić do przedwczesnego zużycia prowadnicy i łańcucha.
- Należy często sprawdzać poziom oleju i dolewać olej odpowiednio do potrzeb.
- Nie należy używać brudnego, przepracowanego lub w inny sposób zanieczyszczonego oleju. Mogłoby to doprowadzić do uszkodzenia prowadnicy i łańcucha.
- Jest rzeczą normalną, że olej kapie z piły, gdy nie jest ona używana. Aby zapobiec kapaniu, po każdym użyciu zbiornik oleju należy opróżnić. Następnie pilę należy włączyć na jedną minutę. W przypadku przechowywania narzędzia przez dłuższy okres czasu należy się upewnić, że łańcuch jest lekko nasmarowany; zapobiegnie to rdzewieniu łańcucha i zębątki prowadnicy.
- Aby chronić zasoby naturalne, olej należy poddawać recyklingowi lub utylizować. Pytania o dostępne możliwości recyklingu i utylizacji należy kierować do władz lokalnych zarządzających odpadami.

REGULACJA DRAŻKA TELESKOPOWEGO (Rys. K)

1. Podnieść dźwignię szybkiego odblokowywania, aby odblokować drążek teleskopowy.
2. Wysunąć drążek teleskopowy na wymaganą długość.
3. Zaciśnąć dźwignię szybkiego odblokowywania, aby bezpiecznie zablokować drążek teleskopowy.

MONTAŻ PASKA NA RAMIĘ

Wcisnąć zaczep na pasek, aby go otworzyć i zamocować go na zaczepie na pasek na ramieniu na pilę (Rys. L). Pasek należy wyregulować w taki sposób, aby dawał wygodną pozycję podczas pracy.

⚠ OSTRZEŻENIE: W sytuacji awaryjnej, aby uniknąć urazów, należy natychmiast zdjąć pasek z ramienia.

ZAKŁADANIE/WYJMOWANIE AKUMULATORA

UWAGA: Przed pierwszym użyciem należy całkowicie naładować akumulator.

Do urządzenia używaj wyłącznie akumulatorów i ładowarek podanych na rys. A2.

Zakładanie

Należy wyrównać żeberka akumulatora względem szczelin mocujących i wsunąć akumulator do ładowarki aż da się słyszeć kliknięcie (Rys. M).

⚠ OSTRZEŻENIE: Przed rozpoczęciem pracy należy upewnić się, że akumulator jest dobrze zamocowany na swoim miejscu. Niepewne zamocowanie akumulatora może spowodować jego wypadnięcie, co może skutkować poważnymi urazami.

⚠ OSTRZEŻENIE: W momencie naciskania przycisku wyjmowania akumulatora należy zawsze uważać na swoje stopy, dzieci i zwierzęta domowe wokół siebie. Upuszczenie akumulatora może doprowadzić do poważnych urazów. NIGDY nie należy wyjmować akumulatora na znacznej wysokości.

Wyjmowanie

Należy wcisnąć przycisk wyjmowania akumulatora i wysunąć akumulator (Rys. N).

LAMPKA DO PRACY LED (Rys. O)

Lampka do pracy LED znajduje się z przodu końcówki-okrzesywarki, w jednej linii z łańcuchem piły. Lampka zapewnia dodatkowe oświetlenie, dzięki któremu użytkownik może zobaczyć, gdzie znajduje się łańcuch piły podczas przycinania gałęzi wysoko na drzewie.

Lampka do pracy włącza się automatycznie po wciśnięciu przełącznika spustowego i gaśnie po około 10 sekundach od puszczenia spustu.

WŁĄCZANIE/WYŁĄCZANIE NARZĘDZIA

Przed włączeniem okrzesywarki

⚠ OSTRZEŻENIE: NIGDY NIE NALEŻY WŁĄCZAĆ GŁOWICY NAPĘDOWEJ BEZ ZAŁOŻONEJ KOŃCÓWKI. Nie należy próbować uruchamiać głowicy napędowej przed podłączeniem jej do końcówki-okrzesywarki.

UWAGA: Przed włączeniem okrzesywarki należy sprawdzić mechanizm szybkiej regulacji napięcia łańcucha, poziom oleju oraz ostrość łańcucha i zębów. Ważne są również: sposób chwywania, równowaga i odpowiednia odległość od podłoża (rys. Q).

Włączanie (Rys. P)

1. Zainstalować akumulator.
2. Upewnić się, że w bezpośrednim otoczeniu nie ma żadnych przedmiotów ani przeszkód, które mogłyby zetknąć się z prowadnicą i łańcuchem.
3. Obiema rękoma mocno chwycić za uchwyt pomocniczy i uchwyt tylny.
4. Nacisnąć i przytrzymać przycisk odblokowujący, a następnie wcisnąć przełącznik spustowy, aby włączyć piłę. Puścić przycisk odblokowujący, ale w dalszym ciągu wcisnąć spust, aby podtrzymać pracę narzędzia.

⚠ OSTRZEŻENIE: Nie należy próbować włączać pilarki, gdy piła łańcuchowa znajduje się w nacięciu lub dotyka jakiegokolwiek powierzchni.

Wyłączanie

Aby wyłączyć okrzesywarkę, należy odsunąć ją od miejsca cięcia, a następnie puścić przełącznik spustowy.

⚠ OSTRZEŻENIE: Na czas przerw w pracy i po zakończeniu pracy należy zawsze wyjmować akumulator z okrzesywarki.

PODSTAWOWA PROCEDURA CIĘCIA (Rys. R)

Aby nie dopuścić do uszkodzenia kory drzewa lub krzewu, należy wykonać następujące kroki. Nie należy wykonywać ruchów piłowania w przód i w tył.

1. Najpierw należy wykonać pierwsze płytkie cięcie od dołu (na głębokość 1/4 średnicy konaru), w pobliżu głównego konaru lub pnia.
2. Wykonać drugie cięcie od góry konaru, na zewnątrz względem pierwszego cięcia. Kontynuować piłowanie konaru aż oddzieli się on od drzewa. Przygotować się, aby utrzymać ciężar narzędzia w momencie, gdy konar się oderwie.
3. Wykonać cięcie końcowe blisko pnia.

UWAGA: Podczas wykonywania drugiego i końcowego cięcia (od góry konaru lub gałęzi), ostrogi należy dociskać do przecinanego konaru (Rys. S). Pomoże to ustabilizować konar i ułatwi to cięcie. Należy pozwolić, aby to łańcuch wykonywał cięcie i tylko w niewielkim stopniu dociskać prowadnicę. Piłowanie na siłę – silne dociskanie prowadnicy z łańcuchem do przecinanego konaru – może uszkodzić prowadnicę, łańcuch lub silnik.

S-1	Ostrogi
-----	---------

4. Gdy tylko konar zostanie przecięty, należy puścić spust.

UWAGA: Nieprzestrzeganie właściwej procedury piłowania spowoduje zacinanie się prowadnicy i łańcucha i może doprowadzić do ich zakleszczenia się lub zablokowania w konarze. Jeśli tak się stanie:

1. Wyłączyć silnik i wyjąć akumulator.
2. Jeśli konar da się osiągnąć z ziemi, podnieść go i jednocześnie przytrzymać okrzesywarkę. Powinno to doprowadzić do poluzowania się „zakleszczenia” i oswobodzenia okrzesywarki.
3. Jeżeli okrzesywarka będzie nadal uwięziona, wezwać na pomoc profesjonalistę.

OKRZESYWANIE I PRZYCINANIE GAŁĘZI

Ta okrzesywarka jest przeznaczona do przycinania małych gałęzi i konarów o średnicy do 20 cm (w przypadku narzędzia z prowadnicą 25 cm) lub 25 cm (w przypadku narzędzia z prowadnicą 30 cm). Aby uzyskać najlepsze efekty, należy stosować następujące środki ostrożności:

1. Uważnie planować cięcie. Mieć świadomość kierunku, w którym spadnie gałąź.

PL

⚠ OSTRZEŻENIE: Gałęzie mogą spadać w nieprzewidzianych kierunkach. Nie należy stać bezpośrednio pod przycinaną gałęzią.

2. Najbardziej typowym zastosowaniem jest cięcie narzędziem ustawionym pod kątem 60° lub mniejszym, w zależności od konkretnej sytuacji, tak jak pokazano na Rys. T. Wraz ze wzrostem kąta nachylenia drążka okrzesywarki do podłoża wzrasta trudność wykonania pierwszego cięcia (od spodu konaru).
3. Długie gałęzie należy odcinać etapami.
4. Najpierw należy odcinać dolne gałęzie, tak aby górnym dać więcej miejsca na upadnięcie.
5. Należy pracować powoli i mocno oburącz trzymać okrzesywarkę. Należy zawsze dbać o pewne podparcie nóg i zachowanie równowagi.
6. Podczas okrzesywania należy pilnować, aby drzewo mieć między sobą a łańcuchem. Podczas piłowania należy stać po stronie drzewa przeciwnej do przycinanej gałęzi.
7. Nie należy piłować stojąc na drabinie, jest to niezwykle niebezpieczne. Tego typu prace należy zostawić profesjonalistom.
8. Nie należy wykonywać cięć równo z powierzchnią głównego konaru lub pnia zanim nie odetnie się konaru w pewnej odległości w celu zmniejszenia wagi obcinanego fragmentu. Przestrzeganie właściwych procedur piłowania zapobiegnie odarcium głównego konaru z kory.

9. Okrzesywarki nie należy używać do obalania drzew lub piłowania kłód na kawałki.
10. Aby nie dopuścić do porażenia prądem, nie należy używać narzędzia w odległości mniejszej niż 15 m od napowietrznych linii wysokiego napięcia (Rys. T).
11. Osoby postronne muszą stać w odległości co najmniej 15 m (Rys. T).

KONSERWACJA

⚠ OSTRZEŻENIE: Przed kontrolą, czyszczeniem lub serwisowaniem urządzenia należy wyłączyć silnik, odczekać aż wszystkie poruszające części zatrzymają się i wyjąć akumulator. Niezastosowanie się do powyższych instrukcji może doprowadzić do poważnych obrażeń ciała lub do uszkodzenia mienia.

⚠ OSTRZEŻENIE: Do serwisowania należy używać wyłącznie części zamiennych identycznych z oryginalnymi. Używanie jakichkolwiek innych części stwarza ryzyko i może spowodować usterkę produktu. Aby zagwarantować bezpieczeństwo i niezawodność, wszystkie naprawy części innych niż wymienione w niniejszej instrukcji powinny być wykonywane przez wykwalifikowanych techników serwisu.

⚠ OSTRZEŻENIE: Podczas używania piły łańcuchowej należy mieć zawsze założone rękawice. Łańcuch jest ostry i może mieć zadziory.

KONSERWACJA OGÓLNA

Podczas czyszczenia części plastikowych należy unikać używania rozpuszczalników. Pod wpływem kontaktu z różnego rodzaju rozpuszczalnikami dostępnymi w handlu większość tworzyw może ulec uszkodzeniu. Do usuwania zabrudzeń, kurzu, oleju, smaru itp. należy używać czystych ściereczek.

CZYSZCZENIE

- Po każdym użyciu należy miękką szczoteczką usunąć zanieczyszczenia z łańcucha i prowadnicy. Powierzchnię końcówki-okrzesywarki należy przetrzeć czystą szmatką zwilżoną roztworem łagodnego mydła.
- Zdjąć pokrywę boczną i miękką szczoteczką usunąć zanieczyszczenia z prowadnicy, łańcucha tnącego, zębátky i pokrywy bocznej.
- Przy wymianie łańcucha tnącego należy zawsze usunąć z rowka prowadnicy drzazgi, wióry i zanieczyszczenia.

Wszystkie czynności serwisowe przy okrzesywarce inne niż wymienione w niniejszej instrukcji konserwacji, powinny być wykonane przez kompetentnych serwisantów okrzesywarek.

WYMIANA PROWADNICZY I ŁAŃCUCHA

Podczas wymiany prowadnicy i łańcucha należy zawsze używać prowadnicy i łańcucha podanych w części „Prowadnica i łańcuch zalecane do okrzesywarki”.

1. Wyjąć akumulator i pozwolić, aby piła ostygła. Aby nie dopuścić do wycieku oleju, upewnić się, że korek zbiornika oleju jest zakręcony.
2. Położyć okrzesywarkę na boku na twardej, płaskiej powierzchni, tak aby osłona boczna była skierowana do góry.
3. Założyć rękawice. Zdjąć osłonę boczną (Rys. U). Przetrzeć pokrywą boczną suchą szmatką.
4. Zdjąć starą prowadnicę z łańcuchem z powierzchni mocującej.
5. Założyć nową prowadnicę i łańcuch, zgodnie z instrukcją „MONTAŻ PROWADNICZY I ŁAŃCUCHA” w części „MONTAŻ”.

UWAGA: Jest to dobry moment, aby skontrolować, czy zębatka napędowa nie jest nadmiernie zużyta lub uszkodzona.

KONSERWACJA PROWADNICZY

Jeśli prowadnica wykazuje ślady zużycia, należy ją wymontować z piły. Wykręcić śrubę ustalającą i wyjąć płytkę regulacyjną, odwrócić prowadnicę (Rys. V) i ponownie zamontować płytkę regulacyjną po nowej stronie prowadnicy (Rys. W), aby zużycie było równomierne i aby maksymalnie wydłużyć żywotność prowadnicy. Prowadnicę należy czyścić codziennie po zakończeniu użytkowania, jednocześnie należy ją kontrolować pod kątem zużycia i uszkodzeń. Szczerbienie się lub powstawanie wżerów na szynach prowadnicy jest normalnym procesem zużycia się. Tego typu defekty należy wygładzać pilnikiem natychmiast gdy się pojawiają. Prowadnicę z następującymi defektami należy wymienić:

- Zużycie do środka szyn prowadnicy, pozwalające łańcuchowi zsuwać się na boki.
- Wygięta prowadnica.
- Pęknięte lub uszkodzone szyny.
- Rozgięte szyny.

Ponadto, prowadnica ma na końcu zębatkę. Zębatka ta musi być co tydzień smarowana strzykawką olejową – przedłuż to czas użytkowania prowadnicy. Cotygodniowe smarowanie należy wykonywać przez wstrzykiwanie strzykawką olejową oleju do łańcuchów przez otwór do smarowania (Rys. X). Przekręcić prowadnicę i sprawdzić, czy otwory do smarowania i rowek na łańcuch nie są zanieczyszczone.

X-1	Zębatka na końcu prowadnicy
X-2	Otwór do smarowania

KONSERWACJA ŁAŃCUCHA

W tej pilarcie należy używać wyłącznie łańcuchów o małej podatności na odbicie. Pod warunkiem prawidłowej pielęgnacji, tego typu szybko tnący łańcuch ogranicza ryzyko odbicia.

Prawidłowo naostrzony łańcuch pilarki bez trudu przecina drewno, nawet jeśli się go tylko bardzo lekko dociska.

Nigdy nie należy używać tępego lub uszkodzonego łańcucha tnącego. Tępy łańcuch pilarki zwiększa wysiłek fizyczny, prowadzi do większych drgań i niezadowolających efektów pracy, a także przyspiesza zużywanie się podzespołów.

Aby ciąć gładko i szybko, łańcuch tnący musi być właściwie utrzymywany. Jeśli wióry stają się małe i tworzy się dużo pyłu, a w czasie pilowania łańcuch trzeba mocno dociskać lub jeśli łańcuch tnie tylko z jednej strony, oznacza to, że wymaga on ostrzenia. Podczas wykonywania czynności konserwacyjnych przy łańcuchu należy uwzględnić następujące fakty:

- Niewłaściwy kąt szlifowania płytek bocznych pilnikiem zwiększa ryzyko silnego odbicia.
- Prześwit miernika głębokości. Zbyt mały zwiększa ryzyko odbicia. Za wysoki zmniejsza zdolność cięcia.
- Jeśli zęby tnące uderzyły w twarde przedmioty, takie jak np. gwoździe i kamienie, lub jeśli starty się od błota lub piasku znajdującego się na drewnie, łańcuch należy oddać do naostrzenia wykwalifikowanemu technikowi serwisu.

TRANSPORT I PRZECHOWYWANIE

- Końcówki-okrzesywarki nie należy chować ani transportować w czasie, gdy urządzenie pracuje. Przed schowaniem lub transportowaniem należy zawsze wyjąć akumulator.
- Przed schowaniem lub transportowaniem końcówki-okrzesywarki należy zawsze założyć osłonę na prowadnicę. Prosimy zachować ostrożność, aby nie skaleczyć się zębami łańcucha.
- Przed schowaniem końcówkę-okrzesywarkę należy dokładnie wyczyścić. Końcówkę-okrzesywarkę należy przechowywać w pomieszczeniach, w suchym miejscu zamkniętym na klucz i/lub niedostępnym dla dzieci. Narzędzie należy chronić przed czynnikami powodującymi korozję, takimi jak np. chemia ogrodowa lub sól do rozpuszczania lodu.

EGO

Ochrona środowiska



Urządzeń elektrycznych, zużytych akumulatorów i ładowarki nie należy wyrzucać do zwykłych zmieszanych śmieci domowych!



Produkt należy oddać do zbiórki selektywnej w autoryzowanym punkcie recyklingu. Elektronarzędzia należy oddawać do przyjaznego dla środowiska zakładu recyklingu.

PL

KES VAN DER SPEK
TUINMACHINES ★ STOLWIJK

138

OKRZESYWARKA BEZPRZEWODOWA Z BATERIĄ LITOWO-JONOWĄ 56 WOLTÓW — PS1000E

ROZWIĄZYWANIE PROBLEMÓW

PROBLEM	PRZYCZYNA	ROZWIĄZANIE
SILNIK NIE PRACUJE.	<ul style="list-style-type: none"> ■ Do okrzesywarki nie włożono akumulatora. ■ Piła i akumulator nie kontaktują. ■ Akumulator jest rozładowany. ■ Przed wciśnięciem przełącznika spustowego nie został wciśnięty przycisk odblokowujący. ■ Akumulator lub głowica napędowa są zbyt gorące. ■ Łańcuch tnący zaklinował się w drewnie. ■ Prowadnica i łańcuch są skrzywione i nie leżą równolegle do obudowy. ■ Zanieczyszczenia w rowku prowadnicy. ■ Zanieczyszczenia w pokrywie bocznej. 	<ul style="list-style-type: none"> ■ Włożyć akumulator do okrzesywarki. ■ Wyjąć akumulator, sprawdzić styki i założyć akumulator z powrotem. ■ Naładować akumulator. ■ Aby włączyć okrzesywarkę, wcisnąć i przytrzymać dźwignię odblokowującą, a następnie nacisnąć przełącznik spustowy. ■ Pozostawić akumulator lub głowicę napędową do ostygnięcia, aż temperatura spadnie do zalecanego przedziału temperatur roboczych. ■ Puścić przełącznik spustowy; wyjąć łańcuch tnący i prowadnicę z drewna, a następnie ponownie włączyć okrzesywarkę. ■ Wyjąć akumulator i wymienić prowadnicę i łańcuch zgodnie z procedurą opisaną w części „WYMIANA PROWADNICY I ŁAŃCUCHA”. Należy zawsze pamiętać o tym, aby przed założeniem pokrywy bocznej prowadnica i łańcuch były ustawione równolegle do powierzchni montażowej. ■ Docisnąć łańcuch tnący do drewna, przesuwając okrzesywarkę do przodu i do tyłu, aby usunąć zanieczyszczenia. ■ Wyjąć akumulator, następnie zdjąć pokrywę boczną i usunąć zanieczyszczenia.

PL

PROBLEM	PRZYCZYNA	ROZWIĄZANIE
<p>Silnik pracuje, ale łańcuch nie kręci się.</p>	<ul style="list-style-type: none"> ■ Łańcuch nie jest zaczepiony na zębatkę napędowej. ■ Zbyt słabo naciągnięty łańcuch. ■ Tępy łańcuch. ■ Łańcuch założony do tyłu. ■ Zużyty łańcuch. ■ Suchy lub nadmiernie rozciągnięty łańcuch. ■ Łańcuch poza rowkiem prowadnicy. 	<ul style="list-style-type: none"> ■ Wyjąć akumulator i ponownie założyć łańcuch, dopilnować, aby ogniwa przesuwające łańcucha były całkowicie nałożone na zębatkę. ■ Najpierw odkręcić pokrętło szybkiej regulacji naprężenia łańcucha o co najmniej dwa obroty w lewo (przeciwnie do kierunku ruchu wskazówek zegara), a potem całkowicie zakręcić je w prawo (zgodnie z kierunkiem ruchu wskazówek zegara), aż łańcuch będzie prawidłowo napięty. ■ Oddać łańcuch do naostwienia przez wykwalifikowanego technika serwisu. ■ Wyjąć akumulator i ponownie założyć łańcuch zgodnie z instrukcjami podanymi w części „WYMIANA PROWADNICY I ŁAŃCUCHA”. ■ Wyjąć akumulator i wymienić łańcuch zgodnie z instrukcjami podanymi w części „WYMIANA PROWADNICY I ŁAŃCUCHA”. ■ Sprawdzić poziom oleju. W razie potrzeby uzupełnić olej w zbiorniku oleju. ■ Wyjąć akumulator i ponownie założyć łańcuch zgodnie z instrukcjami podanymi w części „WYMIANA PROWADNICY I ŁAŃCUCHA”.
<p>Prowadnica i łańcuch nagrzewają się i dymią.</p>	<ul style="list-style-type: none"> ■ Zbiornik na olej jest pusty. ■ Zanieczyszczenia w rowku prowadnicy. 	<ul style="list-style-type: none"> ■ Nasmarować smarem prowadnicę i łańcuch. ■ Usunąć zanieczyszczenia z rowka.

PL

GWARANCJA

POLITYKA GWARANCYJNA EGO

W celu zapoznania się z wszystkimi warunkami polityki gwarancyjnej EGO prosimy odwiedzić stronę egopowerplus.com.

PŘEČTĚTE SI VŠECHNY POKYNY!



PŘEČTĚTE SI NÁVOD K OBSLUZE

⚠️ Potenciální riziko! Lidé s elektronickými přístroji, jako jsou např. kardiostimulátory, by se měli před použitím toho výrobku poradit se svým lékařem. Použití elektrického zařízení v těsné blízkosti kardiostimulátoru může způsobit narušení činnosti nebo poruchu kardiostimulátoru.

⚠️ VAROVÁNÍ: Z důvodu zajištění bezpečnosti a spolehlivosti musí všechny opravy provádět kvalifikovaný servisní technik.

BEZPEČNOSTNÍ SYMBOLY

Účelem bezpečnostních symbolů je upoutat vaši pozornost k případným nebezpečím. Bezpečnostní symboly a jejich vysvětlení vyžadují vaši zvýšenou pozornost a porozumění. Výstražné symboly samy o sobě nevylučují žádné nebezpečí. Pokyny a varování nejsou náhradou vhodných opatření pro prevenci úrazů.

⚠️ VAROVÁNÍ: Před použitím tohoto nářadí si přečtěte a seznámte se všemi bezpečnostními pokyny v tomto návodu k obsluze včetně veškerých výstražných symbolů jako např. „**NEBEZPEČÍ**“, „**VAROVÁNÍ**“ a „**UPOZORNĚNÍ**“. Nedodržení níže uvedených pokynů může mít za následek úraz elektrickým proudem, požár a/nebo vážná zranění osob.

VÝZNAM SYMBOLŮ

Na této stránce jsou zobrazeny a popsány bezpečnostní symboly, které se mohou na výrobku objevit. Před montáží a provozem si přečtěte, seznámte se a dodržujte veškeré pokyny ke stroji.

GZ


Bezpečnostní upozornění



Z důvodu snížení nebezpečí úrazu si musí uživatel před použitím tohoto výrobku přečíst návod k obsluze a porozumět mu.



Používejte ochranu očí



Používejte ochranu hlavy



Používejte chrániče sluchu



Používejte ochranné rukavice



Garantovaná hladina akustického výkonu.
Emise hluku do prostředí dle směrnice
Evropského společenství.

IPX4 Stupeň ochrany před vniknutím



Používejte ochrannou obuv



Aby se zabránilo úrazu elektrickým proudem, nepracujte v dosahu 15 m od nadzemního elektrického vedení. Kontakt s elektrickým vedením nebo použití v blízkosti vedení může vést k vážnému zranění nebo úrazu elektrickým proudem s následkem smrti.



Nevystavujte dešti.



Tento výrobek je v souladu s platnými směrnici ES.



Tento výrobek je v souladu s platnými předpisy ve Spojeném království.



Odpadní elektrické výrobky se nesmí likvidovat s domovním odpadem. Odevzdejte je do autorizovaného recyklačního střediska.



Stejnoseměrný proud



Napětí

TECHNICKÉ ÚDAJE

Jmenovité napětí	56 V ---	
Délka vodící lišty	25 cm	
Rozteč řetězu	6,4 mm (1/4")	
Měrka řetězu	1,1 mm (0,043")	
Objem olejové nádrže	80 ml	
Počet hnacích článků	56	
Délka nářadí (bez prodlužovací tyče)	Max. 292 cm Min. 233 cm	
Doporučená provozní teplota	-15°C-40°C	
Doporučená skladovací teplota	-20°C-70°C	
Doporučená teplota nabíjení	5°C-40°C	
Hmotnost (bez akumulátoru a krytu řetězu)	4,25 kg	
Měřená hladina akustického výkonu L_{WA}	97 dB(A) K=2,5 dB(A)	
Hladina akustického tlaku v místě obsluhy L_{PA}	82 dB(A) K=3 dB(A)	
Zaručená úroveň akustického výkonu LWA (podle 2000/14/ES)	100 dB(A)	
Vibration a_n	Přední pomocná rukojeť	1,19 m/s ² K=1,5 m/s ²
	Zadní rukojeť	1,01 m/s ² K=1,5 m/s ²

- Celková deklarovaná hodnota vibrací byla naměřena podle standardní zkušební metody a lze ji použít ke srovnání s jiným nářadím;
- Celkovou deklarovanou hodnotu vibrací lze použít také k předběžnému stanovení expozičních limitů.

POZNÁMKA: Emise vibrací při konkrétním použití elektrického nářadí se mohou lišit od deklarované hodnoty, při které se nářadí používá; z důvodu ochrany provozovatele by měl uživatel ve skutečných pracovních podmínkách nosit rukavice a chrániče sluchu.

POPIS

SEZNAMTE SE S VAŠÍ TYČOVOU PILOU (Obr. A1)

1. Nastavte napnutí řetězu
2. Pracovní LED světlo
3. Boční kryt
4. Závěs ramenního popruhu
5. Prodlužovací tyč
6. Blokovací tlačítka
7. Spínač
8. Zadní rukojeť
9. Tlačítko pro uvolnění akumulátoru
10. Přední pomocná rukojeť
11. Rychloupínací páka
12. Teleskopický pól
13. Ramenní popruh
14. Uzávěr olejové nádrže
15. Olejová nádrž
16. Opěrné hroty
17. Vodící lišta
18. Pilový řetěz
19. Kryt řetězu

OBSAH BALENÍ (Obr. A1)

Doporučená lišta a řetěz pro tuto tyčovou pilu

NÁZEV DÍLU	ČÍSLO MODELU
Vodící lišta	AG1000Q, AG1200Q
Pilový řetěz	AC1000Q, AC1200Q

MONTÁŽ

VAROVÁNÍ: Pokud jsou některé díly poškozené, nebo chybí, nepoužívejte výrobek, dokud se díly nevymění. Použití tohoto výrobku s poškozenými nebo chybějícími díly může vést k vážnému úrazu.

VAROVÁNÍ: Nepokoušejte se výrobek upravovat ani vytvářet příslušenství, které se k tomuto výrobku nedoporučuje. Každá taková změna nebo úprava je nesprávná a může vést k nebezpečné situaci, která může zapříčinit vážný úraz.

VAROVÁNÍ: Pokud provádíte montáž dílů, úpravy, čištění nebo výrobek dlouhodobě nepoužíváte, vždy vyjměte akumulátor.

MONTÁŽ VODICÍ LIŠTY A ŘETĚŽU

1. Tyčovou pilu položte na pevný, rovný povrch tak, aby boční kryt směřoval nahoru.
2. Používejte rukavice. Sejměte boční kryt (obr. B).
3. Položte nový pilový řetěz ve smyčce na rovný povrch a vyrovnejte případné ohyby.
4. Umístěte hnací články řetězu do drážky vodící lišty. Umístěte řetěz tak, aby byla smyčka na zadní části vodící lišty (obr. C).

C-1	Hnací články řetězu
C-2	Drážka vodící lišty

5. Držte řetěz v dané poloze na vodící liště a nasadte smyčku kolem hnacího kola tyčové pily.
POZNÁMKA: Do pouzdra nářadí je vyryta malá směrová šipka a zuby (obr. D). Při zatahování pilového řetězu na vodící lištu se ujistěte, že po namontování vodící lišty bude směr řetězu pily odpovídat šipce směru otáčení na pouzdře nářadí a že tvar zubů na horní straně vodící lišty je shodný s tvarem zubů na pouzdře. Pokud směřují opačným směrem, znovu sestavte pilový řetěz na vodící lištu se šípkami směřujícími stejným směrem. Vodící lišta by měla být namontována tak, aby seřizovací deska směřovala od pouzdra.
6. Udržte lištu a řetěz rovnoběžně s montážní plochou. Boční kryt připevněte k pouzdru tak, aby otvory/čepy a upínací šroub pro šroub/závít byly navzájem správně zarovnány (obr. E). Zatlačte boční kryt směrem k pouzdru a poté zcela utáhněte knoflík pro rychlé nastavení napnutí řetězu ve směru hodinových ručiček. Excentrický převod uvnitř bočního krytu je konstruován tak, aby nedošlo k přepnutí řetězu.

POZNÁMKA: Pokud se řetěz uvolní, otočte knoflíkem pro rychlé nastavení napnutí řetězu proti směru hodinových ručiček alespoň jednu otáčku a poté knoflík plně utáhněte.

7. Otáčejte řetězem ručně, abyste zkontrolovali, zda je řetěz správně sestaven bez vazby. Pokud ano, řetěz a lištu opět sestavte.

PŘIPOJENÍ NÁSTAVCE TYČOVÉ PILY NA Pohonnou Hlavu

Tato tyčová pila pracuje s kombinací nástavce tyčové pily a pohonné hlavy (obr. F).

F-1	Nástavec tyčové pily
F-2	Pohonná hlava

VAROVÁNÍ: Nikdy nepřipojujte nebo neupravujte

nástavec tyčové pily, když pohonná hlava běží nebo je nainstalovaný akumulátor. Pokud nevypnete motor a nevyjmete akumulátor, může dojít k vážnému zranění.

Nástavec tyčové pily se připojí k pohonné hlavě pomocí spojovacího zařízení.

1. Vypněte motor a vyjměte akumulátor.
2. Uvolněte křídlový knoflík.
3. Srovnejte šipku na hřídeli tyčové pily se šípkou na spojce a zatlačte hřídel tyčové pily do spojky, dokud neuslyšíte jasné „cvaknutí“, což znamená, že hřídel tyčové pily je ukotvena na své místo (obr. G).

G-1	Křídlový knoflík	G-3	Šipka na spojce
G-2	Tlačítko pro uvolnění hřídele	G-4	Šipka na hřídeli tyčové pily

4. Vytáhněte hřídel nástavce pro ověření jejího bezpečného zajištění ve spojce. Pokud tomu tak není, pootočte hřídel tyčové pily ze strany na stranu ve spojce, dokud nezapadne na své místo.
5. Dobře utáhněte křídlový knoflík.

VAROVÁNÍ: Před uvedením zařízení do provozu se ujistěte, že křídlový knoflík je pevně utažen; během používání pravidelně kontrolujte jeho dotažení, aby nedošlo k vážnému zranění.

PŘIPOJENÍ PRODLUŽOVACÍ TYČE MEZI Pohonnou Hlavu a Nástavec Tyčové Pily (model č. EP1000)

VAROVÁNÍ: Nikdy nepřipojujte nebo neupravujte nástavec, když pohonná hlava běží nebo je nainstalovaný akumulátor. Pokud nevypnete motor a nevyjmete akumulátor, může dojít k vážnému zranění.

Tato prodlužovací tyč je navržena pro výhradní použití s EGO PS1000E. Nikdy ji nepoužívejte s jinými nástavci EGO.

Prodlužovací tyč zvětšuje délku nástroje o 100 cm a rozšiřuje tak řezný rozsah. Připojuje se mezi nástavec tyčové pily a pohonnou hlavu. Na jednom nástroji lze použít maximálně dva prodlužovací póly (k dispozici samostatně).

Postupujte podle návodu v části „PŘIPOJENÍ NÁSTAVCE TYČOVÉ PILY NA Pohonnou Hlavu“ pro instalaci prodlužovací tyče mezi nástavec tyčové pily a pohonnou hlavu (obr. H).

H-1	Spojka na prodlužovací tyči
H-2	Spojka na pohonnou hlavě

POZNÁMKA: Po správném sestavení by se tyčová pila,

GZ

prodlužovací tyč a pohonní hlava neměly při tažení oddělit. Vždy otestujte připojení táhnutím. Opakujte výše uvedené kroky, pokud lze kusy oddělit.

VAROVÁNÍ: Nezajištění nástavce a pohonné hlavy/prodlužovací tyče podle výše uvedených pokynů může mít za následek vážné zranění nebo smrt.

ODPOJENÍ NÁSTAVCE Z POHONNÉ HLAVY

1. Vypněte motor a vyjměte akumulátor.
2. Uvolněte křídlový knoflík.
3. Stiskněte tlačítko pro uvolnění hřídele a se stisknutým tlačítkem vytáhněte nebo otočte hřídel tyčové pily ze spojky, abyste ji oddělili od pohonní hlavy nebo prodlužovacího tyče (je-li použita).
4. Opakujte postup, abyste oddělili prodlužovací tyč od pohonní hlavy (pokud je použita prodlužovací tyč).

MONTÁŽ A NASTAVENÍ PŘEDNÍ POMOČNÉ RUKOJETI

1. Vypněte motor a vyjměte akumulátor.
2. Povolte křídlovou matici a vyjměte ji upínacím šroubem z přední rukojeti (obr. I1).

I-1	Přední pomocná rukojeť	I-4	Křídlová matice
I-2	Zamykací páčka	I-5	Svorkový blok
I-3	Svorkový šroub		

3. Zatlačte pomocnou rukojeť na hřídel pohonní hlavy a otočte ji směrem dolů tak, aby směřovala k pilovému řetězu (obr. I2).
4. Vložte svorkový blok a sestavte svorkový šroub s křídlovou maticí (obr. I3).
5. Křídlovou matici zcela neutahujte. Nastavte polohu přední pomocní rukojeti tak, aby byla mezi závěsem ramenního popruhu a teleskopickým pouzdem na tyč (obr. I4). Rukojeť by měla být nastavena tak, aby vaše paže byla při použití tyčové pily rovná.
6. Zatlačte na pojistnou páku a utáhněte křídlovou matici tak, aby přední pomocná rukojeť byla zajištěna před otáčením nebo pohybem na hřídeli pohonní hlavy.

OBSLUHA

VAROVÁNÍ: Nikdy neřežte v blízkosti elektrického vedení, elektrických kabelů nebo jiných elektrických zdrojů. Pokud se lišta a řetěz zaseknou na nějakém elektrickém kabelu nebo vedení, **NEDOTÝKEJTE SE LIŠTY, ŘETĚZU NEBO TYČE! MOHOU SE STÁT ELEKTRICKY VODIVÝMI A BÝT VELMI NEBEZPEČNÉ.** Držte nadále tyčovou pilou za izolovanou zadní rukojeť, nebo ji opatrně položte do bezpečné vzdálenosti od sebe. Než se pokusíte uvolnit lištu a řetěz z vedení nebo kabelu, odpojte je od elektrické sítě. Kontakt s lištou, řetězem, jinými vodivými částmi tyčové pily, nebo živými elektrickými vodiči nebo vedením bude mít za následek vážné zranění nebo smrt elektrickým proudem.

VAROVÁNÍ: Dbejte na to, abyste po seznámení s výrobkem neprestali být opatrní. Nezapomínejte, že stačí chvíle nepozornosti a může se stát vážný úraz.

VAROVÁNÍ: Vždy noste ochranné brýle nebo ochranné brýle s bočním krytem. Pokud tak neučiníte, může dojít k vymrštění předmětu do očí nebo případně jiným vážným úrazům.

VAROVÁNÍ: Pokud provádíte montáž dílů, úpravy, čištění, přenášení nebo nástroj dlouhodobě nepoužíváte, vždy vyjměte akumulátor. Vyjmutí akumulátoru zabrání neúmyslnému spuštění, které může způsobit vážný úraz.

VAROVÁNÍ: Nepoužívejte nástavce nebo příslušenství, které nedoporučuje výrobce tohoto výrobku. Použití nedoporučených nástavců a příslušenství může vést k vážnému úrazu.

Před každým použitím zkontrolujte celý výrobek, zda není poškozen, nechýbí nebo nejsou uvolněné žádné díly, jako např. vruty, matice, šrouby, uzávěry atd. Pevně utáhněte všechny upevňovací prvky a uzávěry a výrobek nepoužívejte, dokud se nevymění všechny chybějící nebo poškozené díly.

POUŽITÍ

Výrobek lze použít k následujícím účelům:

- Odvětvování
- Prořezávání

POZNÁMKA: Přístroj se smí používat pouze k vyhrazenému účelu. Jakékoliv jiné použití se považuje za zneužití.

DOPLŇOVÁNÍ OLEJOVÉ NÁDRŽE MAZIVEM PRO LIŠTU A ŘETĚZ

VAROVÁNÍ: V blízkosti oleje nebo tyčové pily nekuřte ani nerozdělávejte oheň. Olej se může rozlít a způsobit požár.

POZNÁMKA: Při nákupu není v tyčové pile olej. Před použitím je nezbytné doplnit řetězový olej do nádrže. Provoz tyčové pily bez řetězového oleje nebo při hladině oleje pod určitým množstvím bude mít za následek poškození tyčové pily. Životnost řetězu a řezný výkon závisí na optimálním mazání. Řetěz je během provozu automaticky mazán řetězovým olejem, pokud je v zásobníku dostatek oleje. Hladina oleje se musí rovněž kontrolovat každých 20 minut provozu a doplnit podle potřeby.

1. Vyjměte akumulátor z pohonné hlavy.
2. Vyčistěte víčko olejové nádrže a oblast kolem něj, abyste zajistili, že do olejové nádrže nespadnou žádné nečistoty.
3. Tyčovou pilu položte na pevný rovný povrch tak, aby víčko olejové nádrže směřovalo nahoru, a poté víčko sejměte (obr. J).
4. Opatrně nalijte řetězový olej do nádrže až po hrdlo nádrže. Dávejte pozor, aby se olej nevyliil z otvoru. Otřete přebytečný olej.

POZNÁMKA:

- Nikdy nepoužívejte olej ani jiná maziva, která nejsou určena pro mazání lišty a řetězu. Může dojít k ucpání olejového systému, což může vést k předčasnému opotřebení lišty a řetězu.
- Často kontrolujte hladinu oleje a podle potřeby doplňte.
- Nepoužívejte znečištěný, použitý nebo jiný kontaminovaný olej. Může dojít k poškození lišty nebo řetězu.
- Je normální, že olej prosakuje z pily, když se nepoužívá. Aby se zabránilo prosakování, vyprázdněte olejovou nádrž po každém použití a poté spusťte pilu po dobu jedné minuty. Při dlouhodobém skladování nástroje se ujistěte, že je řetěz lehce namažán; tím se zabrání korozi řetězu a řetězového kola na liště.
- Pro zachování přírodních zdrojů recyklujte nebo zlikvidujte olej správným způsobem. Informace o možných způsobech recyklace a likvidace vám podá místní úřad pro likvidaci odpadů.

NASTAVENÍ TELESKOPICKÉ TYČE (obr. K)

1. Zvednutím rychloupínací páčky uvolněte teleskopickou tyč.
2. Vysuňte teleskopickou tyč na požadovanou délku.
3. Stisknutím rychloupínací páčky bezpečně zajistíte teleskopickou tyč.

MONTÁŽ RAMENNÍHO POPRUHU

Stisknutím háčku na popruhu jej otevřete a připevněte jej na ramenní popruh na pile (obr. L). Upravte ramenní popruh do pohodlné pracovní polohy.

VAROVÁNÍ: Když dojde k nouzové situaci, okamžitě sundejte popruh z ramene, abyste se vyhnuli zranění.

INSTALACE/VYJMUTÍ AKUMULÁTORU

POZNÁMKA: Před prvním použitím akumulátor plně nabijte.

Používejte pouze akumulátory a nabíječky uvedené na obr. A2.

Instalace

Srovnejte žebrování akumulátoru s instalačními drážkami a tlačte baterii dokud neuslyšíte „kliknutí“ (Obr. M).

VAROVÁNÍ: Před použitím se ujistěte, že je akumulátor uzamčen na svém místě. Pokud se akumulátor nepodaří bezpečně umístit, může dojít k vypadnutí akumulátoru, což bude mít za následek vážné zranění osob.

VAROVÁNÍ: Při stisku tlačítka pro uvolnění akumulátoru si vždy uvědomte polohu vašich nohou, dětí nebo domácích zvířat. Pokud akumulátor upadne, může dojít k vážnému úrazu. NIKDY nevyjímejte akumulátor na vyvýšeném místě.

Vyjmutí

Stiskněte tlačítko pro uvolnění akumulátoru a vytáhněte jej (Obr. N).

PRACOVNÍ LED SVĚTLO (obr. O)

Pracovní LED světlo je v přední části nástavce tyčové pily v jedné linii s pilovým řetězem. Tato funkce poskytuje uživatelům další světlo, aby viděli, kde je pilový řetěz při řezání větví vysoko ve stromu.

Pracovní světlo se automaticky rozsvítí při stisknutí spínače spouště a po uvolnění spínače spouště bude vypnuto asi za 10 sekund.

SPUŠTĚNÍ/ZASTAVENÍ NÁSTROJE

Před spuštěním tyčové pily

VAROVÁNÍ: NIKDY NEPROVOZUJTE Pohonnou Hlavu BEZ NÁSTAVCE. Nepokoušejte se spustit pohonnou hlavu před připojením nástavce tyčové pily.

POZNÁMKA: Před spuštěním tyčové pily zkontrolujte rychlé nastavení napětí řetězu, hladinu oleje a ostrost řetězu a zubů. Kromě metody uchopení je nezbytný vyvážený postoj a správná vzdálenost od země. (obr. Q).

Spuštění (obr. P)

1. Nainstalujte akumulátor.
2. Ujistěte se, že v bezprostřední blízkosti nejsou žádné předměty nebo překážky, které by mohly přijít do styku s tyčí a řetězem.
3. Uchopte rukojeť a zadní rukojeť pevně oběma rukama.
4. Nejprve stiskněte pojistku, a pak spínačem spusťte pilu. Uvolněte blokovací tlačítko, držte stlačený spínač a pokračujte v práci.

⚠ VAROVÁNÍ: Nepokoušejte se spustit pilu, když je pilový řetěz v řezu nebo v kontaktu s jakýmkoli povrchem.

Zastavení

Přesuňte tyčovou pilu mimo oblast řezu a poté uvolněte spínač, abyste zastavili tyčovou pilu.

⚠ VAROVÁNÍ: Při přestávce a po skončení práce vždy vyjměte akumulátor z tyčové pily.

ZÁKLADNÍ POSTUP ŘEZÁNÍ (obr. R)

Aby nedošlo k poškození kůry stromu či keře, postupujte podle následujících kroků. Při řezání nepoužívejte pohyb vpřed a vzad.

1. Udělejte mělký první řez (1/4 průměru větve) zespodu větve v blízkosti hlavní větve nebo kmene.
2. Provedte druhý řez z horní strany větve nad prvním řezem. Pokračujte v řezu skrz větve do jejího oddělení od stromu. Připravte se k vyvážení hmotnosti přístroje, když větve odpadne.
3. Provedte konečné odříznutí těsně u kmene.

POZNÁMKA: Pro druhý a poslední řez (z horní části větve) přidržete opěrné hroty u ořezávané větve (obr. S). Pomůže to upevnit větve a usnadní řez s lehkým tlakem směrem dolů. Nechte řetěz řezat za vás; vyvíjejte pouze mírný tlak směrem dolů. Pokud silíte řez, může dojít k poškození tyče, řetězu nebo motoru.

S-1	Opěrné hroty
-----	--------------

4. Jakmile je řez dokončen, uvolněte spínač.

POZNÁMKA: Nedodržení správného postupu řezání bude mít za následek zaseknutí nebo uvíznutí lišty a řetězu ve větvi. Pokud k tomu dojde:

1. Vypněte motor a vyjměte akumulátor.
2. V případě, že lze na větev dosáhnout ze země, zvedněte větev a držte pilu. To by mělo povolit „sevření“ a uvolnit pilu.

3. V případě, že pila je dále zaseknutá, zavolejte profesionální pomoc.

ODVĚTVOVÁNÍ A PROŘEZÁVÁNÍ

Tato tyčová pila je určena pro ořezávání malých větví do průměru 20 cm (pro nářadí s vodící lištou 25 cm) nebo 25 cm (pro nástroj s vodící lištou 30 cm). Pro dosažení nejlepších výsledků dodržujte následující opatření:

1. Opatrně naplánujte řez. Dávejte pozor na směr, kterým bude větev padat.

⚠ VAROVÁNÍ: Větve mohou padat do nečekaných směrů. Nestůjte přímo pod řezanou větví.

2. Nejtypičtější řeznou aplikací je umístění jednotky pod úhlem 60 ° nebo menším, v závislosti na konkrétní situaci, jak je znázorněno na obr. T. Jak se zvyšuje úhel hřídele tyčové pily k zemi, zvyšuje se obtížnost provedení prvního řezu (ze spodní strany větve).
3. Odstraňte dlouhé větve v několika etapách.
4. Nejdřív odřežte spodní větve, aby horní větve měly větší prostor k pádu.
5. Pracujte pomalu, držte obě ruce na pile s pevným úchopem. Udržujte bezpečný postoj a rovnováhu.
6. Při odvětvování nechte strom stát mezi sebou a pilou. Odřezávejte ze strany stromu opačně než se nachází větve, kterou odřezáváte.
7. Neřezejte ze žebříku; je to velmi nebezpečné. Nechejte takové práce na profesionály.
8. Neprovádějte vyrovnávací řez vedle hlavní větve nebo kmene, dokud jste neurčili většinu větve a nesnížili hmotnost. Správné postupy řezání zabrání odstraňování kůry z hlavního kmene.
9. Nepoužívejte tyčovou pilu ke kácení nebo zkracování.
10. Aby se zabránilo úrazu elektrickým proudem, nepracujte v dosahu 15 m od nadzemního elektrického vedení (obr. T).
11. Ostatní osoby udržujte ve vzdálenosti alespoň 15 m (obr. T).

ÚDRŽBA

⚠ VAROVÁNÍ: Před kontrolou, čištěním nebo údržbou přístroje zastavte motor, počkejte, až se všechny pohyblivé díly zastaví a vyjměte baterii. Nedodržení těchto pokynů může vést k vážnému zranění nebo poškození majetku.

⚠ VAROVÁNÍ: Při opravách používejte pouze originální náhradní díly. Použití jiných dílů může být nebezpečné nebo může způsobit poškození výrobku. Pro zajištění bezpečnosti a spolehlivosti musí veškeré opravy, kromě položek uvedených v tomto návodu k údržbě, provádět

kvalifikovaný servisním technik.

VAROVÁNÍ: Při manipulaci s pilovým řetězem vždy noste rukavice. Řetěz je ostrý a může obsahovat otřepy.

CELKOVÁ ÚDRŽBA

K čištění plastových dílů nepoužívejte rozpouštědla. Většina plastů je náchylná k poškození různými typy komerčních rozpouštědel a jejich použití je může poškodit. K odstranění nečistot, prachu, oleje, maziva atd. použijte čistý hadr.

ČIŠTĚNÍ

- Po každém použití odstraňte nečistoty z řetězu a vodící lišty měkkým kartáčem. Očistěte povrch tyčové pily čistým hadrem navlhčeným ve slabém mýdlovém roztoku.
- Sejměte boční kryt, a pak použijte měkký kartáč k odstranění nečistot z vodící lišty, pilového řetězu, řetězového kola a bočního krytu.
- Při výměně pilového řetězu vždy z drážky vodící lišty odstraňte dřevěné štěpky, piliny a nečistoty.

Veškeré opravy tyčové pily, kromě položek uvedených v tomto návodu k údržbě, může provádět pouze kvalifikovaný servisní technik.

VÝMĚNA LIŠTY A ŘETĚZU

Při výměně vodící lišty a řetězu vždy použijte určenou kombinaci lišty a řetězu uvedenou v části „**Doporučená lišta a řetěz pro tuto tyčovou pilu**“.

1. Vyjměte akumulátor a nechte pilu vychladnout. Ujistěte se, že víčko olejové nádrže je uzavřeno, aby se zabránilo úniku oleje.
2. Řetězovou pilu položte na bok na pevný rovný povrch tak, aby víčko nádrže směřovalo nahoru.
3. Používejte rukavice. Sejměte boční kryt (obr. U). Očistěte boční kryt suchým hadrem.
4. Odstraňte opotřebenou lištu a řetěz z montážní plochy.
5. Nainstalujte novou vodící lištu a pilový řetěz podle pokynů „**MONTÁŽ VODICÍ LIŠTY A ŘETĚZU**“ v části „**MONTÁŽ**“.

POZNÁMKA: To je správný čas, kdy zkontrolovat, zda není hnací řetězové kolo nadměrně opotřebené nebo poškozené.

ÚDRŽBA VODICÍ LIŠTY

Když vodící lišta vykazuje známky opotřebení, odmontujte ji z pily. Sejměte nastavovací šroub a seřizovací desku, otočte vodící lištu (obr. V) a znovu nainstalujte seřizovací desku na novou stranu vodící lišty (Obr. W) pro rozložení

opotřebení pro maximální životnost lišty. Lištu je třeba po použití každý den vyčistit a zkontrolovat, zda není opotřebená a poškozená. Zkosení nebo otřepy vodících lišt jsou běžným procesem opotřebení lišty. Tyto závady odstraňte pilníkem, jakmile se objeví. Lištu, u které se projeví jedna z následujících poruch, musíte vyměnit.

- Opotřebení uvnitř vodících kolejnic, které umožňují řetězu posun do boku.
- Ohnutá vodící lišta.
- Prasklé nebo zlomené kolejnice.
- Roztažené kolejnice.

Vodící lišta má dále na hrotu řetězové kole. Řetězové kolo se musí jednou týdně mazat mazací stříkačkou, aby se prodloužila životnost vodící lišty. Jednou týdně použijte mazací stříkačku k mazání řetězovým olejem s pomocí mazacího otvoru (obr. X). Otočte vodící lištu a zkontrolujte, zda jsou mazací otvory a drážka řetězu čisté.

X-1	Řetězové kolo v hrotu vodící lišty
X-2	Mazací otvor

ÚDRŽBA ŘETĚZU

S touto pilou používejte pouze řetězy s malým zpětným rázem. Tato rychlořezná pila zajistí při správné údržbě snížení zpětného rázu.

Správně nabroušený pilový řetěz řezá dřevem bez námahy, a to i s malým tlakem.

Nikdy nepoužívejte tupý nebo poškozený pilový řetěz. Tupý řezací zub pilového řetězu vede ke zvýšenému fyzickému namáhání, zvýšenému zatížení vibracemi, neuspokojivým výsledkům řezání a zvýšenému opotřebení.

Pilový řetěz musí být řádně udržován, aby plynule a rychle řezal. Když jsou dřevěné štěpky malé a práškovité, musí být řetěz při řezání protlačen dřevem, nebo řezy řetězu na jedné straně jsou indikátorem, že řetěz vyžaduje naostření. Při údržbě vašeho pilového řetězu dbejte na následující:

- Nesprávný úhel pilování boční plošky může zvýšit riziko prudkého zpětného rázu.
- Vzdálenost omezovací patky (omezovacího zubu). Příliš nízká zvyšuje riziko zpětného rázu. Pokud není dostatečně nízká, omezuje schopnost řezání.
- Pokud řezací zuby narazily do tvrdého tělesa, jako např. hřebíku, kamene nebo se obrousily o bláto nebo písek na dřevě, nechejte řetěz nabrousit kvalifikovaným servisním technikem.

PŘEPRAVA A SKLADOVÁNÍ

- Nepřepravujte ani neskladujte nástavec tyčové pily, když je motor v chodu. Před uskladněním nebo přepravou vždy vyjměte akumulátor.
- Před uskladněním nebo přepravou nástavce tyčové pily vždy nasadte kryt na vodící lištu a řetěz. Dávejte pozor na ostré zuby řetězu.
- Před uskladněním řádně vyčistěte tyčovou pilu. Tyčovou pilu skladujte uvnitř, na suchém a zamčeném místě, které je mimo dosah dětí. Uchovávejte ji v bezpečné vzdálenosti od korozivních látek, jako jsou chemické látky a rozmrazovací soli.

Ochrana životního prostředí



Elektrické zařízení, použité baterie a nabíječku nevhazujte do domovního odpadu!

Předějte tento výrobek autorizované recyklační společnosti ke tříděnému sběru. Elektrické nářadí musí být vráceno do zařízení pro ekologickou recyklaci.

CZ

KEES VAN DER SPEK
TUINMACHINES ★ STOLWIJK

ODSTRAŇOVÁNÍ ZÁVAD

PROBLÉM	PŘÍČINA	ŘEŠENÍ
MOTOR NEBĚŽÍ.	<ul style="list-style-type: none"> ■ K tyčové pile není připojen akumulátor. ■ Bez elektrického kontaktu mezi pilou a akumulátorem. ■ Akumulátor je vybitý. ■ Před stlačením spínače jste nestiskli pojistku. ■ Akumulátor nebo pohonná hlava jsou příliš horké. ■ Řetězová pila se zablokovala ve dřevě. ■ Lišta a řetěz jsou zkosené a nejsou rovnoběžné s pouzdrem. ■ Nečistoty v drážce lišty. ■ Nečistoty v bočním krytu. 	<ul style="list-style-type: none"> ■ Připojte akumulátor na tyčovou pilu. ■ Vyměňte akumulátor, zkontrolujte póly a znovu jej nainstalujte. ■ Nabijte akumulátor. ■ Zatlačte páčku pojistky, podržte ji a stisknutím spínače zapněte tyčovou pilu. ■ Nechte modul akumulátoru nebo pohonní hlavu vychladnout, dokud teplota neklesne na doporučený rozsah provozních teplot. ■ Uvolněte spínač; vyjměte pilový řetěz a vodicí lištu ze dřeva, a pak řetězovou pilu restartujte. ■ Vyměňte baterii a vyměňte lištu a řetěz podle části „VÝMĚNA LIŠTY A ŘETĚZU“. Před instalací bočního krytu vždy pamatujte na to, aby byly lišta a řetěz rovnoběžné s montážním povrchem. ■ Zatlačte pilový řetěz proti dřevu a pohybujte tyčovou pilou tam a zpět, dokud se úlomky neuvolní. ■ Vyměňte akumulátor, sejměte boční kryt a odstraňte nečistoty.

CZ

PROBLÉM	PŘÍČINA	ŘEŠENÍ
Motor běží, ale řetěz se netočí.	<ul style="list-style-type: none"> ■ Řetěz není nasazený na hnacím řetězovém kole. ■ Nedostatečně napnutý řetěz. ■ Tupý řetěz. ■ Obráceně instalovaný řetěz. ■ Opotřeбенý řetěz. ■ Suchý nebo příliš napnutý řetěz. ■ Řetěz mimo drážku lišty. 	<ul style="list-style-type: none"> ■ Vyměňte akumulátor, znovu nainstalujte řetěz a dbejte na to, aby hnací články řetězu plně dosedly na řetězové kolo. ■ Povolte knoflík pro nastavení napnutí řetězu nejméně o jednu otáčku proti směru hodinových ručiček a poté jej úplně utáhněte ve směru hodinových ručiček, dokud nebude řetěz správně napnutý. ■ Nechejte nabrousit zuby řetězu kvalifikovaným servisním technikem. ■ Vyměňte akumulátor a znovu nainstalujte řetěz podle části „VÝMĚNA LIŠTY A ŘETĚZU“. ■ Vyměňte akumulátor a vyměňte řetěz podle části „VÝMĚNA LIŠTY A ŘETĚZU“. ■ Zkontrolujte hladinu oleje. V případě potřeby doplňte olejovou nádrž. ■ Vyměňte akumulátor a znovu nainstalujte řetěz podle části „VÝMĚNA LIŠTY A ŘETĚZU“.
Lišta a řetěz se zahřívají a kouří se z nich.	<ul style="list-style-type: none"> ■ Zkontrolujte, zda není prázdná olejová nádrž. ■ Nečistoty v drážce vodící lišty. 	<ul style="list-style-type: none"> ■ Doplňte mazivo lišty a řetězu. ■ Odstraňte nečistoty z drážky.

CZ

ZÁRUKA

ZÁRUKA SPOLEČNOSTI EGO

Úplné záruční podmínky společnosti EGO naleznete na webové stránce egopowerplus.com.

PREČÍTAJTE SI VŠETKY POKYNY!



PREČÍTAJTE SI NÁVOD NA OBSLUHU

⚠ Potenciálne riziká! Ľudia s elektronickými zariadeniami, napríklad kardiostimulátorom, musia používanie tohto výrobku konzultovať so svojím lekárom. Použitie elektrických zariadení v tesnej blízkosti kardiostimulátora by mohlo spôsobiť rušenie alebo zlyhanie kardiostimulátora.

⚠ VAROVANIE: Pre zaistenie bezpečnosti a spoľahlivosti je nevyhnutné, aby všetky opravy vykonával len kvalifikovaný servisný technik.

BEZPEČNOSTNÉ SYMBOLY

Účelom bezpečnostných symbolov je upozorniť na možné nebezpečenstvá. Venujte príslušnú pozornosť a pochopte bezpečnostné symboly a ich vysvetlenia. Výstražné symboly samy osebe nevytvúrajú žiadne nebezpečenstvo. Pokyny a varovania, ktoré obsahujú, nie sú náhradou za vhodné opatrenia na prevenciu úrazov.

⚠ VAROVANIE: Pred použitím tohto nástroja si prečítajte a pochopte všetky bezpečnostné pokyny v tomto návode na obsluhu, vrátane všetkých bezpečnostných výstražných symbolov, ako sú „**NEBEZPEČENSTVO**“, „**VAROVANIE**“ a „**UPOZORNENIE**“. Nedodržanie nižšie uvedených pokynov môže mať za následok úraz elektrickým prúdom, požiar a/alebo vážne zranenie.

VÝZNAM SYMBOLU

Táto strana zobrazuje a popisuje bezpečnostné symboly, ktoré sa objavujú na tomto výrobku. Pred pokusom o zostavenie a prevádzkovanie si prečítajte, pochopte a dodržiavajte všetky pokyny na stroji.

SK


Bezpečnostné upozornenie



Ak chcete znížiť riziko zranenia, používateľ musí pred použitím tohto výrobku prečítať a pochopiť návod na obsluhu.



Používajte ochranu zraku.



Používajte ochranu hlavy.



Používajte ochranu sluchu.



Používajte ochranné rukavice.



Garantovaná hladina akustického výkonu. Emisie hluku do prostredia podľa smernice Európskeho spoločenstva.

IPX4 Stupeň ochrany pred vniknutím



Používajte ochrannú obuv.



Aby sa zabránilo úrazu elektrickým prúdom, nepracujte v dosahu 15 m od nadzemného elektrického vedenia. Kontakt s elektrickým vedením môže viesť k vážnemu zraneniu alebo úrazu elektrickým prúdom s následkom smrti.



Nevystavujte dažďu.



Tento výrobok je v súlade s platnými smericami ES.



Tento výrobok je v súlade s platnou legislatívou Spojeného kráľovstva.



Odpadové elektrické výrobky sa nesmú likvidovať spolu s domovým odpadom. Odovzdajte do autorizovaného recyklačného strediska.



Jednosmerný prúd



Napätie

TECHNICKÉ ÚDAJE

Menovité napätie	56 V ---	
Dĺžka vodiacej lišty	25 cm	
Výška reťaze	6,4 mm (1/4")	
Meradlo lišty	1,1 mm (0,043")	
Objem olejovej nádrže	80 ml	
Počet vodiacich článkov	56	
Dĺžka náradia (bez predĺžovacej tyče)	Max. 292 cm Min. 233 cm	
Odporúčaná prevádzková teplota	- 15°C ~ 40°C	
Odporúčaná skladovacia teplota	- 20°C - 70°C	
Odporúčaná teplota nabíjania	5°C - 40°C	
Hmotnosť (bez akumulátora, krytu reťaze)	4,25 kg	
Nameraná hladina akustického výkonu L_{WA}	97 dB(A) K = 2,5 dB(A)	
Hladina akustického tlaku na mieste obsluhy L_{PA}	82 dB(A) K = 3 dB(A)	
Zaručená úroveň akustického výkonu L_{WA} (podľa 2000/14/ES)	100 dB(A)	
Vibrácie a_h	Predná pomocná rukoväť	1,19 m/s ² K = 1,5 m/s ²
	Zadná rukoväť	1,01 m/s ² K = 1,5 m/s ²

- Deklarovaná celková hodnota vibrácií bola meraná v súlade so štandardnou skúšobnou metódou a môže sa použiť na vzájomné porovnanie jednotlivých náradí;
- Uvádzaná celková hodnota vibrácie sa môže použiť aj na predbežný odhad expozície.

POZNÁMKA: Emisia vibrácií pri skutočnom používaní náradia sa môže odlišovať od deklarovanej hodnoty, pri akej sa nástroj používa; za účelom ochrany obsluhy má používateľ v skutočných podmienkach použitia nosiť rukavice a ochranu sluchu.

POPIS

SPOZNAJTE VAŠU TYČOVÚ PÍLU (obr. A1)

1. Nastavovacie koliesko pre rýchle napnutie reťaze
2. LED pracovné svetlo
3. Bočný kryt
4. Záves ramenného popruhu
5. Predĺžovacia tyč
6. Zaisťovacie tlačidlo
7. Hlavný vypínač
8. Zadná rukoväť
9. Tlačidlo uvoľnenia akumulátora
10. Predná pomocná rukoväť
11. Rýchlopínacia páčka
12. Teleskopická tyč
13. Ramenný popruh
14. Uzáver olejovej nádrže
15. Olejová nádrž
16. Oporné hroty
17. Vodiaca lišta
18. Reťaz píly
19. Kryt reťaze

OBSAH BALENIA (Obr. A1)

Odporúčaná lišta a reťaz pro túto tyčovú pílu

NÁZOV DIELU	ČÍSLO MODELU
Vodiaca lišta	AG1000Q, AG1200Q
Reťaz píly	AC1000Q, AC1200Q

MONTÁŽ

VAROVANIE: Ak akýkoľvek diel chýba, alebo je poškodený, nepoužívajte tento výrobok, kým nie sú vymenené diely. Ak používate tento výrobok s poškodenými alebo chýbajúcimi časťami, môže dôjsť k vážnemu zraneniu.

VAROVANIE: Nepokúšajte sa upravovať tento výrobok alebo vytvoriť príslušenstvo, ktoré nie je odporúčané na použitie s týmto výrobkom. Každá takáto zmena alebo modifikácia sa považuje za zneužitie a môže spôsobiť nebezpečný stav, ktorý vedie k možnému vážnemu zraneniu.

VAROVANIE: Vždy vyberte akumulátor z prístroja pri montáži dielov, vykonávaní úprav, čistení, alebo keď sa nepoužíva.

MONTÁŽ VODIACEJ LIŠTY A REŤAZE

1. Položte pilovú pílu na pevný, rovný povrch tak, aby bočný kryt smeroval nahor.
2. Používajte rukavice. Odstráňte bočný kryt (obr. B).
3. Uložte novú reťaz do slučky na rovnú plochu a vyrovnajte prípadné zalomenia.
4. Umiestnite hnacie články reťaze do drážky vodiacej lišty. Umiestnite reťaz tak, aby bola slučka na zadnej časti vodiacej lišty (obr. C).

C-1	Vodiace články reťaze
C-2	Drážka vodiacej lišty

5. Držte reťaz v polohe na vodiacej lište a umiestnite slučku okolo hnacieho ozubeného kolesa tyčovej píly.

POZNÁMKA: V kryte nástroja je vyrytá malá smerová šípka a zub (obr. D). Pri nasadzovaní reťaze píly na vodiacu lištu sa uistite, že po montáži vodiacej lišty bude smer reťaze píly zodpovedať šípke smeru otáčania na kryte nástroja a tvar zubov na vrchu vodiacej lišty je v súlade s tvarom zubu na kryte. Ak čelia opačným smerom, znova namontujte reťaz píly na vodiacu lištu so šípkami smerujúcimi rovnakým smerom. Vodiaca lišta má byť namontovaná s nastavovacou doskou smerujúcou od krytu.

6. Udržujte tyč a reťaz rovnoobežne s montážnou plochou. Pripevnite bočný kryt k puzdru tak, aby otvory/koliky a upevňovacia skrutka/otvor pre závit boli navzájom správne zarovnané (obr. E). Zatlačte bočný kryt smerom k puzdru a potom úplne utiahnite gombík na rýchle nastavenie napnutia reťaze v smere hodinových ručičiek. Excentrické ozubené koleso vo vnútri bočného krytu je navrhnuté tak, aby reťaz nebola nadmerne napnutá.

POZNÁMKA: Ak sa reťaz uvoľní, otočte gombík na nastavenie rýchleho napnutia reťaze proti smeru hodinových ručičiek aspoň o jednu otáčku a potom gombík úplne utiahnite.

7. Otočte reťaz ručne, aby ste skontrolovali, či je reťaz správne zostavená bez viazania. V opačnom prípade znova namontujte reťaz a lištu.

PRIPOJENIE NÁSTAVCA TYČOVEJ PÍLY NA POHONNÚ HLAVU

Táto tyčová píla pracuje v kombinácii nástavca tyčovej píly a pohonnej hlavy (obr. F).

F-1	Nástavec tyčovej píly
F-2	Pohonná hlava

VAROVANIE: Nikdy nepripájajte alebo neupravujte nástavec tyčovej píly, keď pohonná hlava beží, alebo je nainštalovaný akumulátor. Neschopnosť zastaviť motor a vybrať akumulátor môže spôsobiť vážne zranenie.

Nástavec tyčovej píly sa pripojí na pohonnú hlavu pomocou spojovacieho zariadenia.

1. Zastavte motor a vyberte akumulátor.
2. Uvoľnite krídlový gombík.
3. Vyrovnajte šípku na hriadeľ tyčovej píly so šípkou na spojke a zatlačte hriadeľ tyčovej píly do spojky, pokiaľ nebudete počuť jasné „cvaknutie“, ktoré znamená, že hriadeľ tyčovej píly je ukotvený na svojom mieste (obr. G).

G-1	Krídlový gombík	G-3	Šípka na spojke
G-2	Tlačidlo na uvoľnenie hriadeľa	G-4	Šípka na hriadeľ tyčovej píly

4. Vytiahnete hriadeľ nástavca na overenie jeho bezpečného zaistenia v spojke. Ak tomu tak nie je, pootočte hriadeľ tyčovej píly zo strany na stranu v spojke, pokiaľ nezapadne na svoje miesto.
5. Dobře utiahnete krídlový gombík.

VAROVANIE: Pred uvedením zariadenia do prevádzky sa uistite, že krídlový gombík je pevne dotiahnutý; počas používania pravidelne kontrolujte jeho dotiahnutie, aby nedošlo k vážnemu zraneniu.

PRIPOJENIE PREDLŽOVACEJ TYČE MEDZI POHONNÚ HLAVU A NÁSTAVEC TYČOVEJ PÍLY (Model č. EP1000)

VAROVANIE: Nikdy nepripájajte alebo neupravujte nástavec, keď pohonná hlava beží, alebo je nainštalovaný akumulátor. Neschopnosť zastaviť motor a vybrať akumulátor môže spôsobiť vážne zranenie.

Táto predlžovacia tyč je navrhnutá na exkluzívne použitie s EGO PS1000E. Nikdy ju nepoužívajte s inými nástavcami EGO.

Predlžovacia tyč zvyšuje dĺžku nástroja o 100 cm, čím sa predlžuje rozsah rezania. Mala by byť pripojená medzi nástavcom tyčovej píly a pohonnou hlavou. Na jednom nástroji je možné použiť maximálne dve predlžovacie tyče (k dispozícii samostatne).

SK

Postupujte podľa návodu v časti „**PRIPOJENIE NÁSTAVCA TYČOVEJ PÍLY NA POHONNÚ HLAVU**“ pre inštaláciu predlžovacej tyče medzi nástavec tyčovej píly a pohonnú hlavu (obr. H).

H-1	Spojka na predlžovacej tyči
H-2	Spojka na pohonnej hlavě

POZNÁMKA: Po správnom zostavení by sa nástavec tyčovej píly, predlžovacia tyč a pohonná hlava nemali pri ťahaní oddeliť. Vždy otestujte spojenie potiahnutím. Opakujte vyššie uvedené kroky, či je možné jednotlivé kusy oddeliť.

VAROVANIE: Nezaistenie nástavca a pohonnej hlavy/predlžovacej tyče podľa vyššie uvedených pokynov môže mať za následok vážne zranenie alebo smrť.

ODPOJENIE NADSTAVCA Z POHONNEJ HLAVY

1. Zastavte motor a vyberte akumulátor.
2. Uvoľnite krídlový gombík.
3. Stlačte tlačidlo uvoľnenia hriadeľa a so stlačeným tlačidlom vyťahnite alebo otočte hriadeľ tyčovej píly zo spojky, aby ste ho oddelili od pohonnej hlavy alebo predlžovacej tyče (ak sa používa).
4. Opakujte postup na oddelenie predlžovacej tyče od pohonnej hlavy (ak sa používa predlžovacia tyč).

MONTÁŽ A NASTAVENIE PREDNEJ POMOCNEJ RUKOVÄTI

1. Zastavte motor a vyberte akumulátor.
2. Uvoľnite krídlovú maticu a odstráňte ju pomocou upínacej skrutky z prednej pomocnej rukoväte (obr. I1).

I-1	Predná pomocná rukoväť	I-4	Krídlová matica
I-2	Lock páka	I-5	Svorkový blok
I-3	Upínacia skrutka		

3. Zatláčajte pomocnú rukoväť na hriadeľ pohonnej hlavy a otočte ju smerom nadol tak, aby smerovala k reťazovej píle (obr. I2).
4. Vložte svorkový blok a namontujte upínaciu skrutku s krídlovou maticou (obr. I3).
5. Neťahajte úplne krídlovú maticu. Nastavte polohu prednej pomocnej rukoväte tak, aby bola medzi závesom ramenného popruhu a objímkou

teleskopической tyče (obr. I4). Rukoväť by mala byť nastavená tak, aby vaša ruka bola rovná pri používaní tyčovej píly.

6. Zatláčajte poistnú páku a utiahnite krídlovú maticu tak, aby bola predná pomocná rukoväť zaistená pred otáčaním alebo pohybom na hriadeľ pohonnej hlavy.

OBSLUHA

NEBEZPEČENSTVO: Nikdy nerezte v blízkosti elektrického vedenia, elektrických káblov alebo iných elektrických zdrojov. Ak sa lišta a reťaz zaseknú na nejakom elektrickom kábli alebo vedení, **NEDOTÝKAJTE SA LIŠTY, REŤAZE ALEBO TYČE! MÔŽU SA STAŤ ELEKTRICKY VODIVÝMI A VEĽMI NEBEZPEČNÝMI.** Držte ďalej tyčovú pílu za izolovanú zadnú rukoväť alebo ju bezpečným spôsobom položte dole a smerom od vás. Pred pokusom o uvoľnenie lišty a reťaze z vedenia alebo kábla odpojte elektrické napájanie poškodeného vedenia alebo kábla. Kontakt s lištou, reťazou, inými vodivými časťami tyčovej píly, alebo živými elektrickými vodičmi či vedením bude mať za následok vážne zranenie alebo smrť elektrickým prúdom.

VAROVANIE: Nedovoľte, aby dlhodobá skúsenosť práce s týmto výrobkom spôsobila vašu neopatrnosť. Pamätajte na to, že aj chvíľková neopatrnosť stačí na to, aby spôsobila vážny úraz.

VAROVANIE: Vždy noste ochranné okuliare alebo bezpečnostné okuliare s bočným štítom. Ak tak neurobíte, môže dôjsť k vymršteniu predmetov do očí a k ďalším možným vážnym zraneniam.

VAROVANIE: Vždy vyberte akumulátor z nástroja pri montáži dielov, vykonávaní úprav, čistení, prenášaní alebo keď sa nepoužíva. Vybratie akumulátora zabráni náhodnému spusteniu, ktoré by mohlo viesť k vážnemu zraneniu.

VAROVANIE: Nepoužívajte žiadne doplnky alebo príslušenstvo, ak ho neodporúča výrobca uvedeného výrobku. Používanie nástavcov alebo príslušenstva, ktoré nie sú odporúčané, môže viesť k vážnemu zraneniu osôb.

Pred každým použitím skontrolujte, či na zariadení nie sú poškodené, chýbajúce alebo uvoľnené časti, napríklad skrutky, matice, závitky, uzávery atď. Bezpečne utiahnite všetky upevňovacie prvky a uzávery a nepoužívajte tento výrobok, kým nebudú vymenené všetky chýbajúce alebo poškodené diely.

POUŽITIE

Tento výrobok môžete použiť na tieto uvedené účely:

- Odvetvovanie

- Prerezávanie

POZNÁMKA: Nádrie sa musí používať v súlade s účelom použitia. Každé iné použitie sa považuje za prípad nevhodného použitia.

DOPLNENIE OLEJOVEJ NÁDRŽE MAZIVOM PRE LIŠTU A REŤAZ

VAROVANIE: Nefajčite ani nepoužívajte oheň alebo plameň v blízkosti oleja alebo tyčovej píly. Olej sa môže rozlíať a spôsobiť požiar.

POZNÁMKA: Pri kúpe nie je olej v tyčovej pile. Je nevyhnutné, aby ste pred použitím naplnili nádrž reťazovým olejom. Prevádzka tyčovej píly bez reťazového oleja alebo keď je hladina oleja nižšia ako určitá suma, bude mať za následok poškodenie tyčovej píly. Životnosť reťaze a rezný výkon závisia od optimálneho mazania. Reťaz sa počas prevádzky automaticky maže reťazovým olejom, ak je v nádrži dostatok oleja. Hladina oleja sa musí tiež kontrolovať každých 20 minút prevádzky a doplniť podľa potreby.

1. Vyberte akumulátor z pohonnej hlavy.
2. Vyčistite veko olejovej nádrže a jej okolie, aby ste zaistili, že sa žiadna špina nedostala do olejovej nádrže.
3. Položte pilovú pílu na pevný, rovný povrch tak, aby viečko olejovej nádrže smerovalo nahor, potom odstráňte uzáver (obr. J).
4. Opatrne nalejte reťazový olej do nádrže až po hrdo nádrže. Divejte pozor, aby ste nevyliali olej z otvoru. Poutierajte prebytočný olej.

POZNÁMKA:

- Nikdy nepoužívajte olej alebo iné mazivá, ktoré nie sú špeciálne určené pre lišty a reťaze. Môže to viesť k upchatiu olejového systému, čo môže spôsobiť predčasné opotrebenie lišty a reťaze.
- Často kontrolujte hladinu oleja a podľa potreby doplňte.
- Nepoužívajte špinavé, používané alebo iné kontaminované oleje. Môže dôjsť k poškodeniu lišty alebo reťaze.
- Je normálne, že olej presakuje z píly, keď sa nepoužíva. Aby ste zabránili presakovaniu, po každom použití vyprázdnite olejovú nádrž a potom pílu spustite na jednu minútu. Pri dlhodobom skladovaní nástroja sa uistíte, že reťaz je trochu namazaná; zabránite tak korózii reťaze a lišty ozubeného kolesa.
- Olej náležite recyklujte a likvidujte tak, aby ste chránili prírodné zdroje. Poradte sa na vašom miestnom úrade ohľadne likvidácie odpadu a získajte informácie o dostupných možnostiach recyklácie a likvidácie.

NASTAVENIE TELESKOPICKEJ TYČE (obr. K)

1. Zdvihnutím rýchloupínacej páčky uvoľníte teleskopickú tyč.
2. Roztiahnite teleskopickú tyč na požadovanú dĺžku.
3. Stlačte rýchloupínaniu páčku nadol, aby ste teleskopickú tyč bezpečne zablokovali.

MONTÁŽ RAMENNÉHO POPRUHU

Stlačte háčik na popruhu, aby ste ho otvorili, a pripevnite ho na záves ramenného popruhu píly (obr. L). Upravte ramenný popruh do pohodlnej pracovnej polohy.

VAROVANIE: V prípade núdze okamžite odstráňte popruh z vášho ramena, aby ste predišli zraneniu.

INŠTALÁCIA/VYBRATIE AKUMULÁTORA

POZNÁMKA: Pred prvým použitím akumulátor úplne nabite.

Používajte iba s akumulátormi a nabíjačkami, ktoré sú uvedené na obr. A2.

Pripojenie

Zarovnajte rebrovanie akumulátora s montážnymi drážkami a zatlačte akumulátor nadol, kým nebudete počuť „cvaknutie“ (Obr. M).

VAROVANIE: Pred uvedením do prevádzky skontrolujte, či je akumulátor zablokovaný na mieste. Ak sa akumulátor nedá bezpečne usadiť, môže dôjsť k jeho vypadnutiu, čo môže mať za následok vážne zranenie osôb.

VAROVANIE: Vždy majte na pamäti polohu vašich nôh, detí alebo domácich zvierat okolo vás pri stlačení tlačidla uvoľnenia akumulátora. Mohlo by dôjsť k vážnemu zraneniu v prípade vypadnutia akumulátora. NIKDY nevyberajte akumulátor na vyvýšenom mieste.

Odpojenie

Stlačte tlačidlo pre uvoľnenie akumulátora a vytiahnite ho von. (Obr. N).

LED PRACOVNÉ SVETLO (obr. O)

Pracovné svetlo LED je v prednej časti nástavca pilovej píly, zarovno s reťazou píly. Táto funkcia poskytuje používateľom dodatočné osvetlenie, aby videli, ako vysoko je reťaz píly pri rezaní konárov na strome.

Pracovné svetlo sa automaticky rozsvieti pri stlačení spínača a po uvoľnení spínača sa vypne asi za 10 sekúnd.

SK

SPUSTENIE/ZASTAVENIE NÁRADIA

Pred spustením tyčovej píly

VAROVANIE: NIKDY NEPOUŽÍVAJTE POHONNÚ HLAVU BEZ NÁSTAVCA. Nepokúšajte sa spustiť pohonnú hlavu pred pripojením nástavca píly.

POZNÁMKA: Pred spustením tyčovej píly skontrolujte nastavenie napätia rezače, hladinu oleja a ostrosť rezača a zubov. Okrem toho je potrebné udržiavať správnu metódu uchopenia, rovnováhu postoja a správnu vzdialenosť od zeme (obr. Q).

Spustenie (obr. P)

1. Nainštalujte akumulátor.
2. Uistite sa, že v bezprostrednej blízkosti nie sú žiadne predmety alebo prekážky, ktoré by mohli prísť do styku s lištou a reťazou.
3. Uchopte pomocnú rukoväť a zadnú rukoväť pevne pomocou oboch rúk.
4. Stlačte zaisťovacie tlačidlo, potom zatlačte na hlavný vypínač a zapnite pílu. Uvoľnite zaisťovacie tlačidlo a stále držte stlačený hlavný vypínač pre pokračovanie v činnosti.

SK

VAROVANIE: Nepokúšajte sa spustiť pílu, keď je reťaz píly v reze alebo v kontakte s akýmkoľvek povrchom.

Zastavenie

Presuňte pilovú pílu od oblasti rezu a potom uvoľnite hlavný vypínač, aby ste zastavili tyčovú pílu.

VAROVANIE: Počas pracovných prestávok a po ukončení práce vždy vyberte z tyčovej píly akumulátor.

ZÁKLADNÝ POSTUP REZANIA (obr. R)

Aby nedošlo k poškodeniu kôry stromu či kríka, postupujte podľa nasledujúcich krokov. Nepoužívajte pohyb vpred a vzad pri rezaní.

1. Urobte plytký prvý rez (1/4 priemeru konára) zospodu konára v blízkosti hlavného konára alebo kmeňa.
2. Urobte druhý rez z hornej strany konára nad prvým rezom. Pokračujte v reze cez konár do jeho oddelenia od stromu. Pripravte sa na vyváženie hmotnosti nástroja, keď konár odpadne.
3. Urobte konečné odrezanie tesne pri kmeni.

POZNÁMKA: Pre druhý a posledný rez (z hornej časti konára) pridržte oporné hroty proti odrezávanému konáru (obr. S). Pomôže to stabilizovať konár a uľahčí sa rezanie. Nechajte reťaz rezať za vás; vyvíjajte iba

ľahký tlak smerom nadol. Ak robíte rez nasilu, môže dôjsť k poškodeniu lišty, rezače alebo motora.

S-1	Oporné hroty
-----	--------------

4. Uvoľnite hlavný vypínač na pohonnej hlave hneď po dokončení rezu.

POZNÁMKA: Nedodržanie správneho postupu rezania bude mať za následok zaseknutie alebo uviaznutie lišty a rezače v konári. Ak k tomu dôjde:

1. Zastavte motor a vyberte akumulátor.
2. V prípade, že konár môže byť dosiahnutý zo zeme, zdvihnite konár a držte pílu. To by malo uvoľniť „zovretie“ a oslobodí pílu.
3. V prípade, že píla je ďalej uviaznutá, zavolajte profesionálnu pomoc.

ODVETVOVANIE A PREREZÁVANIE

Táto tyčová píla je určená na orezávanie malých konárov a vetiev do 20 cm (pre nástroj s vodiacou lištou 25 cm) alebo 25 cm (pre nástroj s vodiacou tyčou 30 cm) v priemere. Pre dosiahnutie najlepších výsledkov, dodržiavať nasledujúce opatrenia:

1. Naplánujte rez opatrne. Dávajte pozor na smer, v ktorom bude konár padať.

VAROVANIE: Konáre môžu padať do nečakaných smerov. Nestojte priamo pod rezaným konárom.

2. Najtypickejšou aplikáciou rezania je umiestnenie jednotky pod uhlom 60 ° alebo menej, v závislosti od konkrétnej situácie, ako je znázornené na obr. T. Keď sa zvyšuje uhol tyčovej píly k zemi, zvyšuje sa obtiažnosť vykonania prvého rezu (zo spodnej strany vetvy).
3. Odstráňte dlhé konáre v niekoľkých etapách.
4. Najskôr odrežte spodné konáre, aby horné konáre mali väčší priestor na pád.
5. Pracujte pomaly, držte obe ruky na píle s pevným úchopom. Udržujte bezpečný postoj a rovnováhu.
6. Pri odvetvovaní držte strom medzi vami a reťazou. Režte zo strany stromu na druhej strane oproti vetve, ktorú režete.
7. Nerežte z rebrika; je to veľmi nebezpečné. Nechajte takéto práce na profesionálov.
8. Nerobte vyrovnávací rez vedľa hlavného konára alebo kmeňa, ak ste neodrezali väčšinu konára pre zníženie hmotnosti. Správne postupy rezania zabráni odstraňovaniu kôry z hlavného kmeňa.
9. Nepoužívajte tyčovú pílu na výrub alebo ako oporu.

10. Aby sa zabránilo úrazu elektrickým prúdom, nepracujte v dosahu 15 m od nadzemného elektrického vedenia. (obr. T)
11. Udržiavajte okolostojace osoby vo vzdialenosti aspoň 15 m. (obr. T)

ÚDRŽBA

VAROVANIE: Pred kontrolou, čistením alebo údržbou prístroja zastavte motor, počkajte, kým sa všetky pohyblivé diely zastavia a vyberte akumulátor. Nedodržanie týchto pokynov môže viesť k vážnemu zraneniu alebo poškodeniu majetku.

VAROVANIE: Pri údržbe používajte iba originálne náhradné diely. Použitie iných častí môže vyvolať nebezpečenstvo, alebo spôsobiť poškodenie výrobku. Pre zaistenie bezpečnosti a spoľahlivosti musí všetky opravy, okrem položiek uvedených v tomto návode na údržbu, vykonávať kvalifikovaný servisný technik.

VAROVANIE: Pri manipulácii s reťazou pily vždy používajte rukavice. Reťaz je ostrá a môže obsahovať otrepy.

CELKOVÁ ÚDRŽBA

Na čistenie plastových dielov nepoužívajte rozpúšťadlá. Väčšina plastov je náchylná na poškodenie rôznymi typmi komerčných rozpúšťadiel a môžu sa poškodiť, ak sa rozpúšťadlá použijú. Použite čisté handry na odstránenie nečistôt, prachu, oleja, maziva atď.

ČISTENIE

- Po každom použití odstráňte nečistoty z reťaze a vodiacej lišty použitím mäkkej kefy. Utrite povrch tyčovej pily čistou handričkou navlhčenou v slabom mydlovom roztoku.
- Zložte bočný kryt a potom použite mäkkú kefu na odstránenie nečistôt z vodiacej lišty, reťaze pily, ozubeného kolesa a bočného krytu.
- Pri výmene reťaze vždy odstráňte drevnú štieпку, piliny a nečistoty z drážky vodiacej lišty.

Všetky opravy tyčovej pily, okrem položiek uvedených v tomto návode na údržbu, musí vykonávať kvalifikovaný servisný technik.

VÝMENA LIŠTY A REŤAZE

Pri výmene vodiacej lišty a reťaze vždy používajte určenú kombináciu lišty a reťaze uvedenú v časti „**Odporúčaná lišta a reťaz pre túto tyčovú pílu**“.

1. Vyberte akumulátor a nechajte pílu vychladnúť. Uistite sa, že uzáver olejovej nádrže je zatvorený, aby sa zabránilo úniku oleja.

2. Položte reťazovú pílu na bok na pevný, rovný povrch tak, aby uzáver nádrže smeroval nahor.
3. Používajte rukavice. Odstráňte bočný kryt (obr. U). Vyčistite bočný kryt suchou handričkou.
4. Odstráňte opotrebovanú lištu a reťaz z montážnej plochy.
5. Nainštalujte novú vodiacu lištu a pilovú reťaz podľa pokynov „**MONTÁŽ VODIACEJ LIŠTY a REŤAZE**“ v časti „**MONTÁŽ**“.

POZNÁMKA: To je správny čas na kontrolu nadmerného opotrebenia alebo poškodenia hnacieho ozubeného kolesa.

ÚDRŽBA VODIACEJ LIŠTY

Keď vodiaca lišta vykazuje známky opotrebenia, vyberte ju z pily. Odstráňte nastavovaciu skrutku a nastavovaciu dosku, otočte vodiacu lištu (obr. V) a znova nainštalujte nastavovaciu dosku na novú stranu vodiacej lišty (Obr. W) za účelom rozloženia opotrebovania pre maximálnu životnosť lišty. Lišta sa má čistiť po každom použití a je potrebné ju kontrolovať na známky opotrebenia a poškodenia. Rozstrapkanie alebo tvorenie drsných okrajov na kolajniciach lišty je bežný jav pri opotrebovaní lišty. Tieto nedokonalosti treba vyhladiť pomocou pilníka hneď, ako sa objavia. Lištu, ktorá vykazuje nasledujúce nedostatky, je potrebné vymeniť.

- Opatrebovanie vo vnútri kolajnice lišty umožňuje, aby sa reťaz dostala cez bočné strany.
- Zohnutá vodiaca lišta.
- Prasknuté alebo zlomené kolajnice.
- Rozšírené kolajnice.

Navyše má vodiaca lišta na svojom hrote ozubené koleso. Ozubené koleso treba mazať raz za týždeň mazacou striekačkou, aby sa predĺžila životnosť vodiacej lišty. Používajte mazaciu striekačku raz do týždňa na mazanie reťazovým olejom cez mazací otvor (obr. X). Otočte vodiacu lištu a skontrolujte, či sú mazacie otvory a drážky reťaze čisté.

X-1	Ozubené koliesko v hrote vodiacej lišty
X-2	Otvor na mazanie

ÚDRŽBA REŤAZE

Na túto pílu používajte iba reťaze s nízkym spätným nárazom. Táto rýchlorezná reťaz zaisťuje zníženie spätného nárazu, ak je udržiavaná v dobrom stave.

Dobre naostrená reťaz pily prereže drevo bez námahy, a to aj pri veľmi malom pritlaku.

SK

Nikdy nepoužívajte tupé alebo poškodené reťaze. Tupé nože reťazovej pily vedú k zvýšenej fyzickej námahe, zvýšenému zaťaženiu vibráciami, neuspokojivým výsledkom pílenia a zvýšenému opotrebeniu.

Pre plynulé a rýchle rezanie je potrebné reťaz pily správne udržiavať. Ak sú drevné štiepky malé a prachovité, alebo reťaz musí byť počas rezania pretlačaná cez drevo, či reťaz reže do jednej strany, tak to značí, že je potrebné ju naostriť. Pri údržbe reťaze pily zvážte nasledujúce skutočnosti:

- Nesprávny vstupný uhol bočnice môže zvýšiť riziko vážneho spätného nárazu.
- Výška podpery (hĺbkomer). Ak je príliš nízka, vzniká nebezpečenstvo vzniku spätného nárazu. Nedostatočne nízka zase znižuje rezacie schopnosti.
- Nechajte reťaz nabrúsiť kvalifikovaným servisným technikom, ak rezacie zuby narazia na tvrdé predmety, napríklad kĺnce a kamene, alebo boli obrúsené blatom či pieskom na dreve.

PREPRAVA A SKLADOVANIE

- Nástavec tyčovej pily neprepravujte ani neskladujte, ak je zapnutý motor. Pred skladovaním alebo prepravou vždy vyberte akumulátor.
- Pred skladovaním alebo prepravou tyčovej pily umiestnite na vodiacu lištu kryt. Nedotýkajte sa ostrých zubov reťaze.
- Pred skladovaním tyčovú pílu dôkladne vyčistite. Tyčovú pílu skladujte v interiéri, na suchom a zamknutom mieste, ktoré je mimo dosahu detí. Uchovávajte ju v bezpečnej vzdialenosti od korozívnych látok, ako sú chemické látky a rozmrazovacie soli.

SK

Ochrana životného prostredia



Nevyhadzujte elektrické zariadenia, nabíjačku a použité akumulátory do domového odpadu!

Tento výrobok odneste na autorizované recyklačné miesto a poskytnite ho na separovaný zber. Elektrické náradie sa musí odovzdať do príslušného zariadenia na ekologicky šetrnú recykláciu.

ODSTRAŇOVANIE PORÚCH

PROBLÉM	PRÍČINA	RIEŠENIE
MOTOR NEBEŽÍ.	<ul style="list-style-type: none"> ■ K tyčovej píle nie je pripojený akumulátor. ■ Medzi pilou a akumulátorom nie je elektrický kontakt. ■ Akumulátor je vybitý. ■ Pred stlačením spúšťača ste nestlačili tlačidlo odomknutia. ■ Akumulátor alebo pohonná hlava sú príliš horúce. ■ Reťaz píly je zaseknutá v dreve. ■ Lišta a reťaz sú zošikmené a nie sú rovnobežné s krytom. ■ Špina v drážke lišty. ■ Špina v bočnom kryte. 	<ul style="list-style-type: none"> ■ Pripojte akumulátor k tyčovej píle. ■ Vyberte akumulátor, skontrolujte kontakty a akumulátor nainštalujte naspäť. ■ Nabite akumulátor. ■ Pre zapnutie tyčovej píly zatlačte poistnú páčku a podržte ju, potom stlačte hlavný vypínač. ■ Nechajte akumulátor alebo napájaciu hlavu vychladnúť, kým teplota neklesne na odporúčaný rozsah prevádzkových teplôt. ■ Uvoľnite spúšťač; vyťahnite reťaz píly a vodiacu lištu z dreva, potom tyčovú pílu znovu zapnite. ■ Vyberte batériu a vymeňte lištu a reťaz podľa časti „VÝMENA LIŠTY A REŤAZE“. Pred inštaláciou bočného krytu vždy nezabudnite držať lištu a reťaz rovnobežne s montážnou plochou. ■ Zatlačte tyčovú pílu proti drevu. Zatraste pilou hore dolu, aby ste sa zbavili úlomkov. ■ Vyberte akumulátor, potom odstráňte bočný kryt a vyčistite špinu.

SK

PROBLÉM	PRÍČINA	RIEŠENIE
Motor beží, ale reťaz sa neotáča.	<ul style="list-style-type: none"> ■ Reťaz nezapadá do ozubeného kolesa. ■ Nedostatočné napnutie reťaze. ■ Tupá reťaz. ■ Reťaz je nainštalovaná naopak. ■ Opatrebovaná reťaz. ■ Suchá alebo príliš napnutá reťaz. ■ Reťaz nie je v drážke lišty. 	<ul style="list-style-type: none"> ■ Vyberte akumulátor, znovu nainštalujte reťaz a uistite sa, že vodiace články na reťazi zapadajú do ozubeného kolesa. ■ Najprv uvoľníte nastavovacie koleso pre rýchle napnutie reťaze aspoň raz proti smeru hodinových ručičiek a potom ho úplne dotiahnite v smere hodinových ručičiek, až kým nebude reťaz správne napnutá. ■ Nechajte nabrúsiť zuby reťaze kvalifikovaným servisným technikom. ■ Vyberte akumulátor a znovu nainštalujte reťaz podľa časti „VÝMENA LIŠTY A REŤAZE“. ■ Vyberte akumulátor a vymeňte reťaz podľa časti „VÝMENA LIŠTY A REŤAZE“. ■ Skontrolujte hladinu oleja. V prípade potreby doplňte olejovú nádrž. ■ Vyberte akumulátor a znovu nainštalujte reťaz podľa časti „VÝMENA LIŠTY A REŤAZE“.
Lišta a reťaz sú horúce a dymia.	<ul style="list-style-type: none"> ■ Olejová nádrž reťaze je prázdna. ■ Špina v drážke vodiacej lišty. 	<ul style="list-style-type: none"> ■ Doplňte mazivo lišty a reťaze. ■ Vyčistite špinu z drážky.

SK

ZÁRUKA

ZÁRUČNÁ POLITIKA EGO

Navštívte webové stránky egopowerplus.com pre úplné podmienky záručnej politiky spoločnosti EGO.

OLVASSA EL AZ ÖSSZES UTASÍTÁST!



OLVASSA EL A HASZNÁLATI ÚTMUTATÓT

⚠ Maradék kockázat! Az elektronikus készülékekkel, például pacemakerrel élő emberek a termék használata előtt kérjék ki orvos véleményét. Az elektromos felszerelésnek a pacemakerhez közel való működtetése interferenciát vagy meghibásodást okozhat a pacemakerben.

⚠ FIGYELMEZTETÉS: A biztonságosság és megbízhatóság biztosítása érdekében minden javítást szakképzett szerviztechnikusnak kell elvégeznie.

BIZTONSÁGI SZIMBÓLUMOK

A biztonsági szimbólumok célja, hogy felhívják a figyelmet az esetleges veszélyekre. Nagyon figyeljen a biztonsági szimbólumokra és magyarázatokra, ill. ezek megértésére. A szimbólumok figyelmeztetéseit önmagukban nem hárítják el a veszélyforrásokat. Az utasítások és figyelmeztetések nem helyettesítik a megfelelő balesetmegelőző intézkedéseket.

⚠ FIGYELMEZTETÉS: A szerszám használata előtt feltétlenül olvassa el a használati útmutató minden biztonsági utasítását, a „VESZÉLY”, „FIGYELMEZTETÉS” és „FIGYELEM” biztonsági szimbólumokat is. Az alább felsorolt utasítások be nem tartása áramütést, tűzveszélyt és/vagy súlyos személyi sérülést idézhet elő.

SZIMBÓLUM JELENTÉSE

Ezen az oldalon olyan biztonsági szimbólumok láthatók és olvashatók, amelyek megjelenhetnek a terméken. Az összeszerelés vagy működtetés előtt olvassa el, értse meg és tartsa be a gép minden utasítását.



Biztonsági figyelmeztetés



A sérülések kockázatának csökkentése érdekében a használatnak a termék használata előtt el kell olvasnia és meg kell értenie a használati útmutatót.



Viseljen szemvédőt



Viseljen fejdődöt



Viseljen fülvédőt



Viseljen védőkesztyűt



Garantált hangteljesítményszint. Környezetre ható zajkibocsátás a Európai Közösség irányelve szerint.

IPX4

Külső behatásokkal szembeni védelem



Viseljen védőlábbelit



Az áramütés megelőzése érdekében ne működtesse feje felett 15 m-en belül elektromos vezetékek vannak. Amennyiben elektromos vezetékekhez ér, vagy azok közelében használja, akkor az sérülést vagy áramütést okozhat, amely halálal végződhet.



Ne tegye ki esőnek.



A termék megfelel az érvényes EK irányelveknek.



Ez a termék megfelel az Egyesült Királyság hatályos jogszabályainak.



Az elhasznált elektromos termékek nem helyezhetők a háztartási hulladékok közé. Vigye hivatalos újrahasznosító telephelyre.



Egyenáram

V

Feszültség

HU

JELLEMZŐK

Névleges feszültség	56 V $\overline{\text{---}}$	
Láncvezető hossza	25 cm	
Lánc fogosztása	6,4 mm (1/4")	
Lánc idom	1,1 mm (0.043")	
Üzemanyagtartály-kapacitás	80 ml	
Hajtóláncok száma	56	
Szerszám hossza (hosszabbító rúd nélkül)	Max. 292 cm Min. 233 cm	
Javasolt üzemi hőmérséklet	-15°C - 40°C	
Javasolt tárolási hőmérséklet	-20°C - 70°C	
Javasolt töltési hőmérséklet	5°C - 40°C	
Súly (akkumulátoregység és lánc tok nélkül)	4,25 kg	
Mért hangteljesítményszint L_{WA}	97 dB(A) K=2,5 dB(A)	
Hangnyomászint munkahelyzetben L_{PA}	82 dB(A) K=3 dB(A)	
Garantált hangteljesítményszint L_{WA} (2000/14/EK szerint)	100 dB(A)	
Vibráció a_h	Elülső segédfogantyú	1,19 m/s ² K=1,5 m/s ²
	Hátsó fogantyú	1,01 m/s ² K=1,5 m/s ²

- A névleges rezgési összérték mérése standard vizsgálati módszerrel történt, és használatával a szerszámok egymással összehasonlíthatók.
- A névleges rezgési összérték a kockázat előzetes felméréséhez is felhasználható.

MEGJEGYZÉS: A rezgés-kibocsátás az elektromos szerszám aktuális használata közben eltérhet attól a névleges értéktől, amellyel a szerszámot használják: a kezelő védelme érdekében a használatonak kesztyűt és hallásvédőt kell használnia működtetés közben.

LEÍRÁS

ISMERJE A MAGASSÁGI ÁGVÁGÓT (A1 ábra)

1. Gyors láncfeszesség beállító gomb
2. LED munkalámpa
3. Oldalsó burkolat
4. Vállpánt akasztó
5. Hosszabbító rúd
6. Reteszelő gomb
7. Indítókapcsoló
8. Hátsó fogantyú
9. Akkumulátor kioldógomb
10. Elülső segédfogantyú
11. Gyorskioldó kar
12. Teleszkópos rúd
13. Vállszij
14. Olajtartály sapka
15. Olajtartály
16. Vágótűskék
17. Láncvezető
18. Fűrészlánc
19. Lánc tok

A CSOMAG TARTALMA (A1 ábra)

A magassági ágvághoz javasolt láncvezető és lánc

ALKATRÉSZ NEVE	MODELLSZÁM
Láncvezető	AG1000Q, AG1200Q
Fűrészlánc	AC1000Q, AC1200Q

ÖSSZESZERELÉS

▲ FIGYELMEZTETÉS: Ha bármely alkatrész sérült vagy hiányzik, akkor addig ne használja a terméket, amíg az alkatrész(ek) cseréje meg nem történik. Sérült vagy hiányzó alkatrészekkel történő használat súlyos személyi sérülést okozhat.

▲ FIGYELMEZTETÉS: Ne próbálja megváltoztatni a terméket, és ne készítsen hozzá tartozékokat, amelyek nem javasoltak ehhez a termékhez. Bármilyen módosítás vagy változtatás helytelen használatnak minősül, és veszélyes feltételeket teremthet, amely súlyos személyi sérüléssel végződhet.

▲ FIGYELMEZTETÉS: Mindig vegye ki az akkumulátoregységet a termékből, amikor összeszereli az alkatrészeket, beállításokat, tisztítást végez, vagy amikor nem használja a terméket.

A LÁNCVEZETŐ ÉS A LÁNC ÖSSZESZERELÉSE

1. Helyezze a magassági ágvágót szilárd, sima felületre úgy, hogy az oldalsó burkolat felfelé nézzen.
2. Viseljen védőkesztyűt. Távolítsa el az oldalsó burkolatot (B ábra).
3. Helyezze a fűrészláncot hurok alakban sima felületre, és egyenesítse ki az esetleges megtöréseket.
4. Helyezze a láncajtót balra a láncvezető horonyba. Úgy helyezze el a láncot, hogy hurkot alkosson a láncvezető hátoldalán (C ábra).

C-1	Láncajtó szemek
C-2	Láncvezető horony

5. Tartsa pozícióban a láncot a láncvezetőn, és helyezze a hurkot a magassági ágvágó láncvezetőjére.

MEGJEGYZÉS: A szerszámháza egy kis irányjelző nyíl és egy vágó van gravírozva (D ábra). Amikor a fűrészláncot a vezetőlemezre hurkolja, ügyeljen arra, hogy a vezetőlemez felszerelése után a fűrészlánc iránya megfelelően a szerszámháza látható irányjelző nyílra és hogy a vezetőlemez tetején lévő vágók alakja összhangban legyen a házon lévő vágóéval. Ha ellentétes irányba néznek, szerelje vissza a fűrészláncot a vezetőlemezre úgy, hogy a nyílak ugyanabba az irányba nézzenek. A vezetőlemezt úgy kell felszerelni, hogy az állítólemez a háztól ellentétes irányban nézzen.

6. A rudat és a láncot tartsa a rögzítési felülettel párhuzamosan. Rögzítse az oldalsó burkolatot a házhoz úgy, hogy a furatok/csapok és a rögzítőcsavar/ menetturat megfelelően illeszkedjenek egymáshoz (E ábra). Nyomja az oldalsó burkolatot a ház felé, majd húzza meg teljesen a láncfeszesség gyorsbeállító gombot az óramutató járásával megegyező irányba. Az oldalsó burkolaton belül lévő excentrikus szerelvényt úgy tervezték, hogy a lánc ne feszülhessen túl.

MEGJEGYZÉS: Ha a lánc meglazul, forgassa el a gyors láncfeszesség-beállító gombot az óramutató járásával ellentétes irányba legalább egy fordulattal, majd húzza meg teljesen a gombot.

7. Forgassa el a láncot kézzel, hogy ellenőrizze, hogy a lánc megfelelően van-e összeszerelve, és nem tekeredett-e meg. Egyébként szerelje vissza a láncot és a láncvezetőt.

A MAGASSÁGI ÁGVÁGÓ TARTOZÉK RÖGZÍTÉSE A MOTORBLOKKRA

Ez a magassági ágvágó a magassági ágvágó-rögzítés és az elektromos fej kombinációjával működik (F ábra).

F-1	Magassági ágvágó adapter
F-2	Motorblokk

▲ FIGYELMEZTETÉS: Soha ne csatlakoztassa vagy állítsa be a magassági ágvágó tartozékát, ha a motorblokk működésben van, vagy az akkumulátor be van helyezve. Ha nem állítja le a motort, vagy nem veszi ki az akkumulátort, súlyos személyi sérülés következhet be.

A tartozék egy csatlakozó készülékkel csatlakozik a motorblokkhoz.

1. Állítsa le a motort, és vegye ki az akkumulátoregységet.
2. Oldja ki a rögzítőgombot.
3. Igazítsa a magassági ágvágó szárán lévő nyilat a csatlakozón lévő nyílhoz, és tolja a magassági ágvágó szárát a csatlakozóba, amíg kattantást nem hall, ami azt jelzi, hogy a magassági ágvágó szára a helyére került (G ábra).

G-1	Rögzítőgomb	G-3	Nyíl a csatlakozón
G-2	Tengelykioldó gomb	G-4	Nyíl a magassági ágvágó szárán

4. Húzza ki a tengelyt a tartozékból, hogy megnézze, biztonságosan van-e a csatlakozóban rögzítve. Ha nem, akkor forgassa a magassági ágvágó szárát egyik oldalról a másikra, amíg a helyére nem kattant.
5. Húzza meg biztonságosan a rögzítőgombot.

▲ FIGYELMEZTETÉS: A készülék működtetése előtt győződjön meg arról, hogy a rögzítőgomb teljesen meg van-e húzva; időnként ellenőrizze a rögzítést használat közben a súlyos személyi sérülések elkerülése érdekében.

A HOSSZABBÍTÓ RÚD CSATLAKOZTATÁSA A MOTORBLOKK ÉS AZ MAGASSÁGI ÁGVÁGÓ TARTOZÉK KÖZÉ (EP1000 modell)

▲ FIGYELMEZTETÉS: Soha ne csatlakoztassa és állítsa be a tartozékokat, amikor a motorblokk működésben van, vagy az akkumulátor be van helyezve. Ha nem állítja le a motort, vagy nem veszi ki az akkumulátort, súlyos személyi sérülés következhet be.

A hosszabbító rudat kizárólag az EGO PS1000E modellel való használatra tervezték. Soha ne használja másik EGO tartozékkal.

A hosszabbító rúd 100 cm-rel növeli a szerszám hosszát, megnövelve a vágási tartományt. A magassági ágvágó tartozéka és a motorblokk között kell csatlakoztatni. Egy szerszámon legfeljebb két hosszabbító rúd használható (külön megvásárolható).

Kövesse a „**MAGASSÁGI ÁGVÁGÓ TARTOZÉK RÖGZÍTÉSE A MOTORBLOKKRA**” című fejezetben leírt folyamatot ahhoz, hogy a hosszabbító rudat a magassági ágvágó és a motorblokk közé csatlakoztassa és rögzítse (H ábra).

H-1	A hosszabbító rúd csatlakozója
H-2	A motorblokk csatlakozója

MEGJEGYZÉS: A helyes összeszerelés után a magassági ágvágó tartozék, a hosszabbító rúd és a motorblokk nem válhat el egymástól, ha meghúzzák. Mindig ellenőrizze a csatlakozást úgy, hogy meghúzza. Ismételje meg a fenti lépéseket, ha szét tudja választani a darabokat.

▲ FIGYELMEZTETÉS: Amennyiben a tartozékot és a motorblokkot/hosszabbító rudat nem a fent leírtaknak megfelelően rögzíti, az súlyos vagy halálos sérüléssel végződhet.

AS ADAPTER ELTÁVOLÍTÁSA A MOTORBLOKKRÓL

1. Állítsa le a motort, és vegye ki az akkumulátoregységet.
2. Oldja ki a rögzítőgombot.
3. Nyomja meg a tengelykioldó gombot, és a gomb lenyomásával húzza ki vagy csavarja ki a magassági ágvágó szárát a csatlakozóból, hogy elválassza a motorbloktól vagy a hosszabbító rúdtól (ha van).
4. Ismételje meg a folyamatot a hosszabbító rúd és a motorblokk leválasztásához (ha hosszabbító rudat használ).

AS ELÜLSŐ SEGÉDFOGANTYÚ FELSZERELÉSE ÉS BEÁLLÍTÁSA

1. Állítsa le a motort, és vegye ki az akkumulátoregységet.
2. Lazítsa meg a szárnyas anyát, és távolítsa el az elülső segédfogantyúról a szorítócsavar segítségével (I1 ábra).

I-1	Elülső segédfogantyú	I-4	Szárnyas anya
-----	----------------------	-----	---------------

I-2	Rögzítőkar	I-5	Rögzítőblokk
I-3	Rögzítőcsavar		

3. Nyomja a segédfogantyút a motorblokk tengelyére, és fordítsa le úgy, hogy a fűrészlánc felé mutasson (I2 ábra).
4. Illeszse be a rögzítőblokkot, és szerelje össze a rögzítőcsavart a szárnyas anyával (I3 ábra).
5. Ne húzza meg teljesen a szárnyas anyát. Állítsa be az elülső segédfogantyú pozícióját úgy, hogy a vállpánt akasztója és a teleszkópos rúd hüvelye között legyen (I4 ábra). A fogantyút úgy kell beállítani, hogy egyenesen tartja a karját a magassági ágvágó használatakor.
6. Nyomja le a rögzítőkart, és húzza meg a szárnyas anyát úgy, hogy az elülső segédfogantyú ne tudjon elmozdulni vagy elfordulni a motorblokk tengelyén.

HASZNÁLAT

▲ VESZÉLY: Soha ne vágjon elektromos vezetékek vagy áramforrások közelében. Ha a láncvezető vagy a lánc beakad egy elektromos vezetékbe, akkor **NE ÉRJEN A LÁNCVEZETŐHÖZ, A LÁNCHOZ ÉS A RÚDHOZ! ELEKTROMOS ÁRAM ALÁ KERÜLHETNEK, AMI IGEN VESZÉLYES.** Az ágazófűrész továbbra is a szigetelt hátsó fogantyúnál tartsa, vagy Öntől távol biztonságosan tegye le. Mielőtt megpróbálja kiszabadítani a pengét a vezetékből, válassza le az rudat és a láncot a sérült vezetékről. Ha a láncvezetőhöz, lánchoz vagy a magassági ágvágó más vezetőképes alkatrészeihez, vagy áram alatt lévő elektromos vezetékekhez hozzáér, akkor halálos vagy súlyos sérüléssel járó áramütést szenvedhet.

▲ FIGYELMEZTETÉS: Ügyeljen rá, nehogy a termékkel szerzett jártassága miatt óvatlaná váljon. Emlékezzon arra, hogy a másodperc töredéke alatt történő óvatlanság súlyos sérülést okozhat.

▲ FIGYELMEZTETÉS: Mindig viseljen védőszemüveget vagy oldalsó védőlemezzel ellátott szemvédőt. Amennyiben nem ezt teszi, tárgyak repülhetnek a szemébe, és más komoly sérülések keletkezhetnek.

▲ FIGYELMEZTETÉS: Mindig vegye ki az akkumulátoregységet a termékből, amikor összeszereli az alkatrészeket, beállításokat, tisztítást végez, vagy amikor nem használja. Ha kiveszi az akkumulátoregységet, akkor azzal megelőzi a véletlenszerű indítást, amely súlyos személyi sérüléseket okozhat.

▲ FIGYELMEZTETÉS: Ne használjon a termék gyártója által nem javasolt tartozékokat. A nem javasolt tartozékok használata súlyos személyi sérüléseket okozhat.

Minden használat előtt ellenőrizze a teljes termék sérülései, hiányzó vagy laza alkatrészek, pl. csavarok, anyák, alátétek, sapkák stb. szempontjából. Biztonságosan húzzon meg minden rögzítőt és sapkát, és ne használja a terméket, amíg a sérült vagy hiányzó alkatrészeket ki nem cserélték.

ALKALMAZÁSOK

A terméket az alább felsorolt célokra használhatja:

- Gallyazás
- Metszés

MEGJEGYZÉS: A szerszámot csak az előírt célokra használja. Bármilyen más használat helytelen használatnak minősül.

OLAJTARTÁLY FELTÖLTÉSE LÁNCVEZETŐ ÉS LÁNC KENŐANYAGGAL

▲ FIGYELMEZTETÉS: Ne dohányozzon, és ne legyen tűz vagy láng az olaj vagy az ágazófűrész közelében. Az olaj kifröccsenhet, és tüzet okozhat.

MEGJEGYZÉS: Az ágazófűrész a vásárláskor nincs feltöltve olajjal. Használat előtt fel kell tölteni a tartályt láncolajjal. Ha a magassági ágvágót láncolaj nélkül működteti, vagy ha az olajsint egy bizonyos szint alatt van, az a magassági ágvágó károsodásához vezethet. A lánc élettartama és vágási kapacitása az optimális kenéstől függ. Működés közben a lánc kenése láncolajjal automatikusan történik, ha elegendő olaj van a tartályban. Az olajsintet minden 20 perc használat után ellenőrizni kell, és szükség esetén fel kell tölteni.

1. Vegye ki az akkumulátoregységet a motorblokkból.
2. Ellenőrizze az olajtartály sapkáját és a körülötte lévő területet, nehogy szennyeződés kerüljön az olajtartályba.
3. Helyezze a magassági ágvágót szilárd, sima felületre úgy, hogy az olajtartály sapkája felfelé nézzen, majd vegye le a sapkát (J ábra).
4. Óvatosan töltsen a rúd- és láncolajat a tartályba, amíg a tartály nyakáig nem ér. Legyen óvatos, ne hagyja, hogy olaj fröccsenjen ki a nyíláson. Törölje le felesleges olajat.

MEGJEGYZÉS:

- Soha ne használjon olyan olajat vagy egyéb kenőanyagot, amelyeket nem specifikusan a

lánckerékhez és a lánchoz terveztek. Ez az olajrendszer eltömődéséhez vezethet, ami a lánckerék és a lánc idő előtti kopását okozhatja.

- Ellenőrizze gyakran az olajsintet, és szükség szerint töltsen utána.
- Ne használjon piszkos, használt vagy másképpen szennyezett olajat. Mert az megrongálhatja a rudat vagy a láncot.
- Normális jelenség, hogy az olaj kiszivárog a fűrészből, amikor nem használja. A szivárgás elkerülése érdekében minden használat után ürítse ki az olajtartályt, majd járassa a fűrész egy percig. Ha a szerszámot hosszú ideig tárolja, ügyeljen arra, hogy a lánc enyhén meg legyen kenve; ez megakadályozza a lánc és a lánckerék rozsdásodását.
- A természetes források megtartása érdekében kérjük, megfelelően ártalmatlanítsa vagy hasznosítsa újra az olajat. Kérjen tanácsot a helyi hulladékkezelőtől a lehetséges újrahasznosítási és/vagy ártalmatlanítási lehetőségekkel kapcsolatban.

A TELESZKÓPOS RÚD BEÁLLÍTÁSA (K ábra)

1. Emelje fel a gyorskioldó kart a teleszkópos rúd kioldásához.
2. Húzza ki a teleszkópos rudat a kívánt hosszúságra.
3. Nyomja le a gyorskioldó kart a teleszkópos rúd biztonságos rögzítéséhez.

A VÁLLPÁNT ÖSSZESZERELÉSE

Nyomja le a vállpánt kampóját a kinyitáshoz, és csatlakoztassa a vállpánt motorblokkon lévő akasztójába (L ábra). Állítsa vállpántot kényelmes pozícióba.

▲ FIGYELMEZTETÉS: Vészhelyzet esetén azonnal vegye le a pántot a vállról a sérülések elkerülése érdekében.

AZ AKKUMULÁTOREGYSÉG FELHELYEZÉSE/ LEVÉTELE

MEGJEGYZÉS: Az első használat előtt teljesen töltsen fel az akkumulátoregységet.

Csak az A2 ábrán felsorolt akkumulátoregységeket és töltőket használja.

Csatlakoztatás

Illessze az akkumulátor vázát az akkumulátorban lévő szerelőnyíláshoz, és nyomja le az akkumulátoregységet, amíg kattánást nem hall (M ábra).

▲ FIGYELMEZTETÉS: Használat előtt győződjön meg arról, hogy az akkumulátoregység a helyére van rögzítve. Az akkumulátoregység biztonságos rögzítésének elmulasztása miatt az akkumulátoregység kieshet, ami súlyos személyi sérülést okozhat.

▲ FIGYELMEZTETÉS: Mindig ügyeljen a lábára, valamint a közelben tartózkodó gyerekek és kisállatok elhelyezkedésére, amikor megnyomja az akkumulátoregység kioldógombját. Súlyos sérülését okozhat, ha az akkumulátoregység kiesik. SOHA ne vegye ki az akkumulátoregységet magasan lévő helyzetben.

Leválasztás

Oldja ki az akkumulátor kioldógombot, és húzza ki az akkumulátoregységet (N ábra).

LED MUNKALÁMPA (O ábra)

A LED-es munkalámpa a magassági ágvágó tartozék elején található, egy vonalban a fűrészlánccal. Ez a funkció extra fényt biztosít a felhasználó számára, hogy láthassa a fűrészláncot, amikor a fa magasan lévő ágait vágja.

A munkalámpa automatikusan bekapcsol, amikor megnyomja az indítókapcsolót, és körülbelül 10 másodperccel az indítókapcsoló elengedése után kikapcsol.

HU

A SZERSZÁM INDÍTÁSA/LEÁLLÍTÁSA

A magassági ágvágó elindítása előtt

▲ FIGYELMEZTETÉS: SOHA NE MŰKÖDTESSE A MOTORBLOKKOT TARTOZÉK NÉLKÜL. Ne kísérelje meg elindítani a motorblokkot, mielőtt csatlakoztatná a magassági ágvágó tartozékokat.

MEGJEGYZÉS: A magassági ágvágó elindítása előtt ellenőrizze a gyors láncfeszesség-beállítást, az olajsíntet, valamint a lánc és a fogak élességét. Emellett szükség van a markolat megfelelő fogására, a kiegyensúlyozott lábtartásra és a talajtól való megfelelő távolságra (Q ábra).

Indítás (P ábra)

1. Helyezze be az akkumulátoregységet.
2. Gondoskodjon arról, hogy ne legyenek a közvetlen közelben olyan tárgyak vagy akadályok, amelyek hozzáérhetnek a láncvezetőhöz és a láncához.
3. Két kézzel fogja meg erősen a segédfogantyút és a hátsó fogantyút.
4. Nyomja be, és tartsa nyomva a reteszelőgombot, majd nyomja be az indítókapcsolót a fűrészt indításához. Oldja ki a reteszelőgombot, és nyomja tovább az indítókapcsolót a folyamatos működéshez.

▲ FIGYELMEZTETÉS: Ne kísérelje meg beindítani a fűrészt, ha a fűrészlánc vágásban van vagy bármilyen felülettel érintkezik.

Leállítás

Vigye távolabb a magassági ágvágót a vágási területtől, majd engedje el az indítókapcsolót a magassági ágvágó leállításához.

▲ FIGYELMEZTETÉS: Mindig vegye ki az akkumulátoregységet a magassági ágvágóból, ha szünetet tart a munkában, vagy befejezte a munkát.

ALAP VÁGÁSI FOLYAMAT (R ábra)

Kövesse a lent leírt lépéseket, nehogy megsérüljön a fa vagy bokor kérge. A fűrészelést ne előre-hátra mozgatva végezze.

1. Először végezzen enyhe vágást (az ág átmérőjének 1/4-éig) az ág külső oldalán, a fő ághoz vagy törzshöz közel.
2. Végezzen második vágást az ág felső oldalán az első vágáson kívül. Folytassa a vágást az ágon, amíg az ág le nem válik a fáról. Készüljön fel arra, hogyan egyensúlyozza ki a szerszámot, amikor az ág leesik.
3. Végezzen végső vágást a törzs közelében.

MEGJEGYZÉS: A második és végső vágáshoz (a gally vagy az ág tetejéről) tartsa a vágótüskéket a vágni kívánt ághoz (S ábra). Ez segít rögzíteni az ágot, és egyszerűsíti a vágást. Hagyja, hogy a lánc elvégezze a vágást Ön helyett; csak enyhe nyomást gyakoroljon lefelé. Ha erőlteti a vágást, megsérülhet a láncvezető, a lánc vagy a motor.

S-1	Vágótüskék
-----	------------

4. Engedje el az indítókapcsolót, amint befejezte a vágást.

MEGJEGYZÉS: Amennyiben nem követi a megfelelő vágási folyamatot, akkor a láncvezető és a lánc elakadhat, és beszorulhat az ágba. Ha ez történik:

1. Állítsa le a motort, és vegye ki az akkumulátoregységet.
2. Ha eléri az ágot a talajról, akkor emelje fel az ágot a fűrészt tartva. Ezzel megszűnik a „szorulás”, és kiszabadul a fűrészt.
3. Amennyiben a fűrészt még mindig be van szorulva, akkor hívjon professzionális segítséget.

GALLYAZÁS ÉS METSZÉS

A magassági ágvágó legfeljebb 20 cm-es (25 cm-es vezetőlemezzel rendelkező szerszámmal) vagy 25 cm-es (30 cm-es vezetőrúddal rendelkező szerszámmal) átmérőjű

kis ágak és gallyak vágására szolgál. A legjobb eredmény elérése érdekében vegye figyelembe a következő óvintézkedéseket:

1. Körültekintően tervezze meg a vágást. Ügyeljen az ág esésének irányára.

▲ FIGYELMEZTETÉS: Az ágak váratlan irányokba tudnak esni. Ne álljon közvetlenül a vágandó ág alá.

2. A legjellemzőbb vágás az egység 60°-os vagy annál kisebb szögben történő elhelyezése, az adott helyzettől függően, ahogy az a T ábrán látható. Ha a magassági ágvágó talajhoz viszonyított szöge növekszik, a első vágás (az ág alja felől) nehezebbé válik.
3. A hosszú ágakat több lépésben vágja le.
4. Az alacsonyabb ágakat vágja le először, hogy a felsőknek több helye legyen az eséshez.
5. Dolgozzon lassan, tartsa mindkét kezét a fűrészen, és erősen fogja. Vegyen fel biztonságos testhelyzetet, és legyen egyensúlyban.
6. Gallyazás közben tartsa a fát ön maga és a lánc között. A fa azon oldalától vágjon, amely a vágni kívánt ággal szemben van.
7. Ne vágjon létráról; az rendkívül veszélyes. Az ilyen műveleteket bizza szakemberekre.
8. Ne vágja le egyszerre a fő ágot vagy gallyat, amíg a nagy részét le nem vágta a súly csökkentése érdekében. A megfelelő vágási folyamat betartásával megelőzi, hogy a kéreg lepattanjon a fő tagról.
9. Ne használja az ágazófűrész részét döntéshez vagy vágáshoz.
10. Az áramütés megelőzése érdekében ne működtesse akkor, ha a feje felett 15 m-en belül elektromos vezetékek vannak (T ábra).
11. A közelben tartózkodók legalább 15 m távolságban legyenek (T ábra).

KARBANTARTÁS

▲ FIGYELMEZTETÉS: Az egység ellenőrzése, tisztítása vagy szervizelése előtt állítsa le a motort, várjon, amíg minden mozgó alkatrész leáll, és vegye ki az akkumulátoregységet. A jelen utasítások be nem tartása súlyos személyi sérülést vagy anyagi kárt eredményezhet.

▲ FIGYELMEZTETÉS: Szervizeléskor csak azonos cserealkatrészeket használjon. Más alkatrészek használata veszélyt okozhat, vagy megrongálhatja a terméket. A biztonságosság és megbízhatóság biztosítása érdekében minden, a jelen karbantartási utasításokban nem szereplő

javitást és cserét szakképzett szerviztechnikus hajtson végre.

▲ FIGYELMEZTETÉS: A fűrészlánc kezelésekor mindig viseljen kesztyűt. A lánc éles és sorját tartalmazhat.

ÁLTALÁNOS KARBANTARTÁS

A műanyag alkatrészek tisztításához ne használjon oldószereket. A legtöbb műanyag különböző vegyi oldószerek hatására károsodik, ezek megrongálhatják őket. Használjon tiszta ruhát a szennyeződés, por, olaj, zsír, stb. eltávolításához.

TISZTÍTÁS

- Minden használat után tisztítsa le a szennyeződést a láncról és a láncvezetőről egy puha kefével. Törölje le az ágazófűrész felületét egy tiszta, kímélő szappanos oldattal megnedvesített ruhával.
- Vegye le az oldalsó burkolatot, majd egy puha kefével távolítsa el a szennyeződéseket a láncvezetőről, fűrészláncról, a lánckerékről és az oldalsó burkolatról.
- Mindig tisztítsa le a faforgácsokat, fűrészport és szennyeződést a láncvezető burkolatról, amikor kicseréli a fűrészláncot.

A magassági ágvágó teljes szervizelését – a karbantartási útmutatóban felsorolt elemek kivételével – szakképzett, magassági ágvágókkal foglalkozó szakember végezze.

LÁNCVEZETŐ ÉS LÁNC CSERÉJE

Amikor kicseréli a láncvezetőt és a láncot, mindig „Az ágazófűrészhez javasolt láncvezető és lánc” fejezetben speciálisan meghatározott láncvezetőt és láncot használja.

1. Vegye ki az akkumulátort, és hagyja lehűlni a fűrész. Ügyeljen arra, hogy az olajtartály sapkája megfelelően a helyén legyen, hogy elkerülje az olajszivárgást.
2. Fektesse a láncfűrész részét az oldalára egy stabil, sima felületen úgy, hogy az oldalsó burkolat felfelé álljon.
3. Viseljen védőkesztyűt. Távolítsa el az oldalsó burkolatot (U ábra). Az oldalsó burkolat tisztítását csak egy nedves ruhával végezze.
4. Vegye le az elhasználot láncvezetőt és a láncot a szerelési felületről.
5. Szereljen be új vezetőlemezt és fűrészláncot, kövesse az „ÖSSZESZERELÉS” című rész „A VEZETŐRÚD ÉS A LÁNC ÖSSZESZERELÉSE” fejezetének utasításait.

MEGJEGYZÉS: Ez jó alkalom arra, hogy ellenőrizze a hajtó láncereket a túlzott kopás vagy sérülés szempontjából.

A LÁNCVEZETŐ KARBANTARTÁSA

Ha a vezetőlemezen kopás jelei mutatkoznak, szerelje le a fűrészről. Távolítsa el az állítócsavart és az állítólemezt, fordítsa meg a vezetősínt (V ábra), és helyezze vissza az állítólemezt a vezetőlemez új oldalára (W ábra) a kopás elosztására a rúd maximális élettartama érdekében. A láncvezetőt minden nap meg kell tisztítani, és ellenőrizni kell, hogy nem sérült vagy kopott-e. A láncvezető sínek lesimítása és sorjáltatása normál folyamat a láncvezető kopása esetén. Az ilyen hibákat akkor kell lecsiszolni egy reszelővel, amikor jelentkeznek. A láncvezetőt a következő hibák esetén ki kell cserélni.

- Kopás a láncvezető síneken, ami lehetővé teszi, hogy a lánc az oldalára fekdüdjön.
- Elgörbült láncvezető.
- Megrepedt vagy törött sínek.
- Szétnyílt sínek.

A láncvezető végén emellett lánckerék van. A lánckereket hetente be kell kenni zsírozó fecskendővel a láncvezető élettartamának meghosszabbítása érdekében. Használjon zsírozó fecskendőt, amikor hetente bekeni lánccalajjal az olajozó nyílás segítségével (X ábra). Fordítsa át a láncvezetőt, és ellenőrizze, hogy az olajozó nyílások és a láncvezető szennyezettek-e.

X-1	Láncvezető a láncvezető hegyben
X-2	Olajozó nyílás

HU

A LÁNC KARBANTARTÁSA

Csak alacsony visszarúgású láncot használjon ehhez a fűrészhez. A gyors vágólánc csökkenti a visszarúgást, ha megfelelően van karbantartva.

A megfelelően éles fűrészlánc könnyedén átvágja a fát kis nyomással is.

Soha ne használjon tompa vagy sérült fűrészláncot. A tompa fűrészlánc nagyobb fizikai terhelést jelent, megnöveli a vibrációs terhelést, a vágás eredménye nem kielégítő, és erősebb a kopás.

Az egyenletes és gyors vágáshoz a láncot megfelelően kell karbantartani. Ha a faforgácsok kicsik és porszerűek, és a láncot át kell erőtleníteni a fán vágás közben, vagy a lánc az egyik oldalon jobban vág, akkor a láncot meg kell élezni. A fűrészlánc karbantartása alatt vegye figyelembe a következőket:

- Az oldalapok nem megfelelő dőlési szöge megnöveli a visszarúgás esélyét.
- Gereblye (mélységkorlátozó) mozgástera. A túl alacsony megnöveli a visszarúgás esélyét. A nem elég alacsony csökkenti a vágásképességet.

- Ha a fogak kemény tárgyakba ütköznek, például kaptokba vagy kövekbe, vagy a fán lévő iszap vagy homok kidörzsölte, akkor a láncot szakértő szerviztechnikusnak kell megéleznie.

SZÁLLÍTÁS ÉS TÁROLÁS

- Működés közben ne szállítsa az ágazófűrész adaptert. Tárolás vagy szállítás előtt mindig vegye ki az akkumulátoregységet.
- Mindig helyezze a láncvezető tokot a láncvezetőre, mielőtt elteszi vagy szállítja az ágazófűrész adaptert. Legyen elővigyázatos, ne érjen a lánc éles fogaihoz.
- Tárolás előtt alaposan tisztítsa meg az ágazófűrész. A magassági ágvágót beltéren, olyan száraz helyen tárolja, amely le van zárva, és/vagy amelyhez gyermekek nem tudnak hozzáférni, és tartsa távol maró hatású szerektől, például kerti vegyszerektől, és jégmentesítő sótól.

Környezetvédelem



Ne dobja az elektromos felszerelést, az elhasznált akkumulátort és a töltőt a háztartási hulladékok közé!

Vigye hivatalos újrahasznosító telephelyre, és tegye hozzáférhetővé a szelektív gyűjtéshez. Az elektromos eszközöket megfelelő környezetbarát újrahasznosító üzembe kell vinni.

HIBAEHÁRÍTÁS

PROBLÉMA	OK	MEGOLDÁS
NEM JÁR A MOTOR.	<ul style="list-style-type: none"> ■ Az akkumulátoregység nincs csatlakoztatva az ágazófűrészhez. ■ Nincs elektromos kapcsolat a láncfűrész és az akkumulátor között. ■ Az akkumulátoregység lemerült. ■ Nem nyomta meg a reteszelő gombot, mielőtt megnyomta az indítókapcsolót. ■ Az akkumulátoregység vagy a motorblokk túl forró. ■ A fűrészlánc beakadt a fába. ■ A láncvezető és a lánc ferdén áll, és nem párhuzamos a házzal. ■ Szennyeződés van a láncvezetőn. ■ Szennyeződés van az oldalsó burkolaton. 	<ul style="list-style-type: none"> ■ Csatlakoztassa az akkumulátoregységet az ágazófűrészhez. ■ Vegye ki az akkumulátoregységet, ellenőrizze a csatlakozásokat, és helyezze vissza az akkumulátoregységet. ■ Töltse fel az akkumulátoregységet. ■ Nyomja meg és tartsa lenyomva a reteszelő kart, majd oldja ki az indítókapcsolót a magassági ágvágó bekapcsolásához. ■ Hagyja lehűlni az akkumulátort vagy a motorblokkot, amíg a hőmérséklet az ajánlott üzemi hőmérséklet-tartományra nem hűl vissza. ■ Engedje el az indítókapcsolót; vegye le a fűrészláncot és a láncvezetőt a fáról, majd indítsa újra a magassági ágvágót. ■ Vegye ki az akkumulátoregységet, és cserélje ki a láncvezetőt és a láncot a „LÁNCVEZETŐ ÉS LÁNC CSERÉJE” c. fejezetben leírt módon. Ne feledje, hogy az oldalsó burkolat felszerelése előtt a láncvezető és a lánc mindig párhuzamos legyen a szerelési felülettel. ■ Nyomja rá az ágazófűrészre a fára, mozgassa a láncfűrészre előre és hátra, hogy megszabadítsa a szennyeződéstől. ■ Vegye ki az akkumulátoregységet, majd vegye le az oldalsó burkolatot, és tisztítsa meg a szennyeződéstől.

HU

PROBLÉMA	OK	MEGOLDÁS
A motor jár, de a lánc nem forog.	<ul style="list-style-type: none"> ■ A lánc nem illeszkedik a lánckerékre. ■ Nem megfelelő láncfeszesség. ■ Tompa a lánc. ■ A lánc fordítva van felszerelve. ■ Elkopott a lánc. ■ Száraz vagy túlságosan megnyúlt a lánc. ■ A lánc nincs a láncvezetőn. 	<ul style="list-style-type: none"> ■ Vegye ki az akkumulátoregységet, és tegye vissza a láncot, és győződjön meg arról, hogy a lánc lánchajtó szemei teljesen a lánckeréken vannak-e. ■ Lazítsa meg a gyors láncfeszesség beállító gombot legalább egy fordulattal az óramutató járásával ellentétes irányban, majd teljesen húzza meg az óramutató járásával megegyező irányban, amíg a lánc megfelelően meg nem feszül. ■ Éleztesse meg a fűrészlancot szakképzett szakemberrel. ■ Vegye ki az akkumulátoregységet, és helyezze vissza a fűrészlancot a „LÁNCVEZETŐ ÉS LÁNC CSERÉJE” fejezetben leírt módon. ■ Vegye ki az akkumulátoregységet, és helyezze vissza a fűrészlancot a „LÁNCVEZETŐ ÉS LÁNC CSERÉJE” fejezetben leírt módon. ■ Ellenőrizze az olajsintet. Töltse fel az olajtartályt, ha szükséges. ■ Vegye ki az akkumulátoregységet, és helyezze vissza a fűrészlancot a „LÁNCVEZETŐ ÉS LÁNC CSERÉJE” fejezetben leírt módon.
A láncvezető és a lánc forró és füstöl.	<ul style="list-style-type: none"> ■ A lánc olajtartály üres. ■ Szennyeződés van a láncvezetőn. 	<ul style="list-style-type: none"> ■ Lánccsere és lánccserényag feltöltése. ■ Távolítsa el a szennyeződések a lánccserevezetőről.

HU

GARANCIA

EGO GARANCIÁLIS FELTÉTELEK

Kérjük, látogasson el az egopowerplus.com oldalra, ahol megtalálja a részletes EGO garanciális feltételeket.

CITIȚI TOATE INSTRUCȚIUNILE!



CITIȚI MANUALUL DE INSTRUCȚIUNI

⚠ Riscuri reziduale! Persoanele cu dispozitive electronice precum stimulatoare cardiace ar trebui să se consulte cu medicul (medicii) înainte de a utiliza acest produs. Funcționarea echipamentelor electrice în imediata apropiere a unui stimulator cardiac ar putea provoca interferențe sau defecțiuni ale stimulatorului cardiac.

⚠ AVERTISMENT: Pentru siguranța și fiabilitatea produsului, toate reparațiile trebuie efectuate de către un tehnician de service autorizat.

SIMBOLURI PRIVIND SIGURANȚA

Scopul simbolurilor privind siguranța este să vă atragă atenția asupra pericolelor posibile. Simbolurile privind siguranța și explicațiile furnizate cu acestea merită atenția și înțelegerea dumneavoastră. Avertizările simbolurilor nu elimină, prin ele însele, niciun pericol. Instrucțiunile și avertizările pe care le oferă acestea nu pot înlocui măsurile adecvate de prevenire a accidentelor.

⚠ AVERTISMENT: Asigurați-vă că ați citit și înțelegiți toate instrucțiunile privind siguranța din acest Manual de utilizare, inclusiv toate simbolurile de alertă privind siguranța precum „PERICOL”, „AVERTISMENT” și „ATENȚIE” înainte de a utiliza această sculă. Nerespectarea tuturor instrucțiunilor enumerate mai jos poate duce la electrocutare, incendiu și/sau vătămări corporale grave.

SEMNIFICAȚIA SIMBOLURILOR

Această pagină descrie simbolurile de siguranță ce pot apărea pe acest produs. Citiți, înțelegiți și respectați toate instrucțiunile de pe mașină înainte de asamblare și utilizare.

RO



Alertă privind siguranța



Pentru a reduce riscul de vătămare, utilizatorul trebuie să citească și să înțeleagă manualul de instrucțiuni înainte de a utiliza acest produs.



Purtați echipament de protecție oculară



Purtați echipament de protecție a capului



Purtați echipament de protecție auditivă



Purtați mănuși de protecție



Nivel de putere acustică garantat. Emisii sonore în mediul înconjurător conform Directivei comunitare europene.

IPX4

Grad de protecție împotriva factorilor externi



Purtați încălțăminte de protecție



Pentru a preveni electrocutarea, nu acționați la mai puțin de 15 m de liniile electrice aeriene. Contactul sau utilizarea în apropierea liniilor electrice poate provoca vătămări grave sau electrocutări care pot duce la deces.



A nu se expune la ploaie.



Acest produs este în conformitate cu directivele europene aplicabile.



Acest produs este în conformitate cu legislația aplicabilă din Marea Britanie.



Deșeurile produselor electrice nu trebuie să fie eliminate împreună cu deșeurile menajere. Predați-le unui punct de reciclare autorizat.



Curent continuu

V

Tensiune

SPECIFICAȚII

Tensiune nominală	56 V	
Lungime șină de ghidare	25 cm	
Pasul lanțului	6,4 mm (1/4")	
Adâncime dinte lanț	1,1 mm (0.043")	
Capacitatea rezervorului de ulei	80 ml	
Numărul de legături de unitate	56	
Lungimea sculei (fără tija de extensie)	Max. 292 cm Min. 233 cm	
Temperatură de funcționare recomandată	-15°C - 40°C	
Temperatură de depozitare recomandată	-20°C - 70°C	
Temperatura de încărcare recomandată	5°C - 40°C	
Greutate (fără set de acumulatori, teacă de lanț)	4,25 kg	
Nivel de putere sonoră măsurată L_{WA}	97 dB(A) K=2,5 dB(A)	
Nivel de presiune sonoră în poziția operatorului L_{PA}	82 dB(A) K=3 dB(A)	
Nivel de putere sonoră garantată L_{WA} (conform directivei 2000/14/CE)	100 dB(A)	
Vibrații a_{rh}	Mâner frontal de susținere	1,19 m/s^2 K=1,5 m/s^2
	Mâner posterior	1,01 m/s^2 K=1,5 m/s^2

- Valoarea totală declarată a vibrațiilor a fost măsurată în conformitate cu o metodă standard de testare și poate fi utilizată pentru compararea sculelor între ele;
- Valoarea totală declarată poate fi utilizată în evaluarea preliminară a expunerii.

OBSERVAȚIE: Vibrațiile emise în timpul utilizării efective a sculei electrice pot diferi față de valoarea celor declarate pentru scula utilizată; Pentru protejerea operatorului, utilizatorul trebuie să poarte mănuși și protecții auditive în timpul utilizării efective a produsului.

DESCRIEREA

DESCRIEREA FERĂSTRĂUL CU TIJĂ (Fig. A1)

- Buton de ajustare rapidă a tensionării lanțului
- Lumina de lucru LED
- Capac lateral
- Agățătoare pentru cureaua de umăr
- Tijă de extensie
- Buton de blocare
- Trăgaci declanșator
- Mâner posterior
- Buton de eliberare a acumulatorului
- Mâner frontal de susținere
- Manetă de eliberare rapidă
- Tijă telescopică
- Curea de umăr
- Capac rezervor de ulei
- Rezervor de ulei
- Gheară
- Șină de ghidare
- Lanț de ferăstrău
- Teacă pentru lanț

LISTA COMPONENTELOR (Fig. A1)

Șină și lanț recomandate pentru acest ferăstrău cu tijă

DENUMIREA PIESELOR	NUMĂR MODEL
Șină de ghidare	AG1000Q, AG1200Q
Lanț de ferăstrău	AC1000Q, AC1200Q

AȘAMBLARE

⚠️ AVERTISMENT: Dacă unele piese sunt deteriorate sau lipsesc, nu utilizați acest produs până la înlocuirea pieselor. Utilizarea acestui produs cu piese deteriorate sau lipsă s-ar putea solda cu vătămări grave.

⚠️ AVERTISMENT: Nu încercați să modificați acest produs sau să creați accesorii nerecomandate pentru acest produs. Orice astfel de modificare sau schimbare reprezintă o utilizare necorespunzătoare și se poate solda cu condiții periculoase care pot conduce la posibile vătămări grave.

⚠️ AVERTISMENT: Scoateți întotdeauna setul de acumulatori din produs înainte de a asambla componente, a efectua reglaje, a curăța sau atunci când produsul nu este utilizat.

ASAMBLAREA ȘINEI DE GHIDARE ȘI A LANȚULUI

1. Așezați ferăstrăul cu tijă pe o suprafață fermă, plană, astfel încât capacul lateral să fie orientat în sus.
2. Purtați mănuși. Scoateți capacul lateral (Fig. B).
3. Așezați noul lanț de ferăstrău într-o buclă pe o suprafață dreaptă și îndreptați orice răsuciri.
4. Așezați verigile lanțului în canalura șinei de ghidare. Poziționați lanțul astfel încât să existe o buclă în partea din spate a șinei de ghidare (Fig. C).

C-1	Verigi de transmisie lanț
C-2	Canelură șină de ghidare

5. Mențineți lanțul poziționat pe șina de ghidare și amplasați bucla lanțului în jurul roții de lanț a ferăstrăului cu tijă.

OBSERVAȚIE: O săgeată mică de direcție și un tăietor sunt gravate în carcasa sculei (Fig. D). Când buclăți lanțul ferăstrăului pe șina de ghidare, asigurați-vă că, după montarea șinei de ghidare, direcția lanțului de ferăstrău va corespunde săgeții direcției de rotație de pe carcasa sculei, iar forma tăietorilor din partea superioară a șinei de ghidare este în concordanță cu cea a tăietorului de pe carcasă. Dacă se confruntă în direcții opuse, reasamblați lanțul de ferăstrău pe șina de ghidare cu săgețile orientate în aceeași direcție. Șina de ghidare trebuie montată cu placa de reglare orientată în direcția opusă carcasei.

6. Păstrați șina și lanțul paralel cu suprafața de montare. Atașați capacul lateral la carcasă, astfel încât găurile/știfturile și șurubul de fixare / gaura filetelui să fie aliniate corect unele cu altele (Fig. E). Apăsati capacul lateral spre carcasă, apoi strângeți complet butonul de ajustare rapidă a tensionării lanțului în sensul acelor de ceasornic. Roata dințată excentrică din interiorul capacului lateral este proiectată să asigure că lanțul nu va fi supra tensionat.

NOTĂ: Dacă lanțul se desface, rotiți butonul de reglare rapidă a tensiunii lanțului în sens invers acelor de ceasornic cel puțin o tură, apoi strângeți complet butonul.

7. Rotiți lanțul manual pentru a verifica dacă lanțul este asamblat corect fără legare. În caz contrar, reasamblați lanțul și șina.

CONECTAREA ACCESORIULUI FERĂSTRĂULUI CU TIJĂ LA CAPUL DE ALIMENTARE

Acest ferăstrău cu tijă funcționează sub combinația dintre atașamentul ferăstrăului cu tijă și capul de alimentare (Fig. F).

F-1	Atașamentul ferăstrăului cu tijă
F-2	Cap de alimentare

⚠️ AVERTISMENT: Niciodată nu instalați, nu îndepărtați sau nu reglați accesoriul ferăstrăului cu tijă în timp ce capul de alimentare este în funcțiune sau dacă acumulatorul este instalat. Dacă motorului nu e oprit și acumulatorul nu e îndepărtat poate duce la vătămări corporale grave.

Atașamentul ferăstrăului cu tijă se conectează la capul de alimentare cu ajutorul unui dispozitiv de cuplare.

1. Opriti motorul și scoateți setul de acumulatori.
2. Slăbiți șurubul cu cap de fluture.
3. Aliniați săgeata de pe tija dispozitivului cu săgeata de pe dispozitivul de cuplare și împingeți tija dispozitivului în dispozitivul de cuplare până la auzul unui "clic" distinct, care indică instalarea tijei în poziție (Fig. G).

G-1	Șurub fluture	G-3	Săgeată de pe racord
G-2	Buton de eliberare a axului	G-4	Săgeată de axul ferăstrăului cu tijă

4. Trageți de tija dispozitivului pentru a vă asigura că aceasta este bine blocată în cuplor. Dacă nu, rotiți axul ferăstrăului cu tijă dintr-o parte în alta a dispozitivului de cuplare până se anclanșează.
5. Strângeți bine șurubul cu cap de fluture.

⚠️ AVERTISMENT: Asigurați-vă că butonul de aripă este bine strâns înainte de a utiliza echipamentul; asigurați-vă periodic că este bine strâns în timpul utilizării pentru evitarea vătămarilor grave.

CONECTAREA TIJEI DE EXTENSIE ÎNTRE CAPUL DE ALIMENTARE ȘI ATAȘAMENTUL FERĂSTRĂULUI CU TIJEI (Nr. Model. EP1000)

⚠️ AVERTISMENT: Niciodată nu atașați sau ajustați niciun atașamentul în timp ce capul de alimentare funcționează sau este cu bateria instalată. Dacă motorului nu e oprit și acumulatorul nu e îndepărtat poate duce la vătămări corporale grave.

Aceasta tija de extensie este proiectată pentru utilizare exclusivă cu EGO PS1000E. Nu-l utilizați niciodată cu alte atașamente EGO.

RO

Tija de extensie mărește lungimea sculei cu 100cm, extinzând gama de tăiere. Ar trebui să fie conectat între atașamentul ferăstrăului cu tijă și capul de alimentare. Un maxim de două tije de extensie (disponibile separat) pot fi utilizate pe o sculă.

Urmați procesul din secțiunea "CONECTAREA ATAȘAMENTULUI FERĂSTRĂULUI CU TIJĂ LA CAPUL DE ALIMENTARE" pentru a instala tija de extensie între atașamentul ferăstrăului cu tijă și capul de alimentare (Fig. H).

H-1	Cuplaj pe tija de extensie
H-2	Cuplaj pe capul de alimentare

OBSERVAȚIE: Odată asamblat corect, tija atașament ferăstrău cu tijă, tija de extensie și capul de alimentare nu trebuie să se separe atunci când sunt trase. Testați întotdeauna conexiunea trăgându-le. Repetați pașii de mai sus dacă piesele pot fi separate.

AVERTISMENT: Dacă atașamentul și tijeii de alimentare nu sunt instalate conform instrucțiunilor de mai sus poate duce la vătămări grave sau la deces.

DECONNECTAREA ACCESORIULUI DE LA CAPUL DE ALIMENTARE

1. Opriti motorul și scoateți setul de acumulatori.
2. Slăbiți șurubul cu cap de fluture.
3. Apăsăți butonul de eliberare a tijeii și, cu butonul apăsat, trageți sau răsuciți tija ferăstrăului din cuplaj pentru a-l separa de capul de alimentare sau de tija de extensie (dacă este utilizată).
4. Repetați procesul pentru a separa tija de extensie de capul de alimentare (dacă se utilizează tija de extensie).

MONTAREA ȘI REGLAREA MÂNERULUI FRONTAL DE SUSȚINERE

1. Opriti motorul și scoateți setul de acumulatori.
2. Slăbiți piulița fluture și scoateți-o cu șurubul de prindere de pe mânerul frontal de susținere (Fig. I1).

I-1	Mâner frontal de susținere	I-4	Piuliță fluture
I-2	Manetă de blocare	I-5	Clema de blocare
I-3	Șurub de prindere		

3. Apăsăți mânerul de susținere pe arborile capului de alimentare și întoarceți-l în jos, astfel încât să se îndrepte spre lanțul de ferăstrău (Fig. I2).
4. Introduceți clema de blocare și asamblați șurubul de prindere cu piulița fluture (Fig. I3).
5. Nu strângeți complet piulița fluture. Reglați poziția mânerului frontal de susținere, astfel încât să fie între agățatoarea curelei de umăr și manșonul telescopic al tijeii (Fig. I4). Mânerul trebuie reglat astfel încât brațul să fie drept atunci când utilizați ferăstrăul cu tijă.
6. Apăsăți în jos maneta de blocare și strângeți piulița fluture, astfel încât mânerul frontal de susținere să fie asigurat împotriva rotației sau mișcării pe arborile capului motor.

FUNȚIONARE

AVERTISMENT: Nu tăiați niciodată în apropierea liniilor electrice, a cablurilor electrice sau a altor surse electrice. Dacă șina și lanțul se blochează de orice cablu sau linie electrică, **NU ATINGEȚI ȘINA, LANȚUL SAU TIJA! ACESTEA POT FI PUSE SUB TENSIUNE ȘI POT DEVENI FOARTE PERICULOASE.** Continuați să țineți ferăstrăul cu tijă de mânerul posterior izolat sau așezați-l pe jos și la distanță de dumneavoastră, într-un mod sigur. Deconectați alimentarea electrică de la cablul sau firul deteriorat înainte de a încerca să eliberați șina și lanțul din cablu sau din fir. Contactul cu șina, lanțul, alte părți conductoare ale ferăstrăului cu tija sau cablurile sau liniile electrice sub tensiune va duce la moartea prin electrocutare sau răniri grave.

AVERTISMENT: Nu permiteți ca familiarizarea cu acest produs să vă determine să fiți neatent. Amintiți-vă că o fracțiune de secundă de neatenție este suficientă pentru a provoca vătămări grave.

AVERTISMENT: Purtați întotdeauna ochelari de protecție sau ochelari de protecție cu apărători laterale. Nerespectarea acestei instrucțiuni ar putea avea ca rezultat proiectarea în ochi a obiectelor și alte posibile vătămări grave.

AVERTISMENT: Scoateți întotdeauna acumulatorul din produs când asamblați piesele, efectuați reglaje, curățați, transportați sau când nu îl utilizați. Îndepărtarea setului de acumulatori va preveni pomirea accidentală care poate cauza răni personale grave.

AVERTISMENT: Nu utilizați nicio componentă sau accesoriu care nu a fost recomandat de producătorul acestui produs. Utilizarea de accesorii nerecomandate se poate solda cu vătămări grave.

Înainte de fiecare utilizare, inspectați întregul produs pentru depistarea defectelor, componentelor lipsă sau slăbite precum șuruburi, piulițe, bolțuri, capace etc. Strângeți bine toate elementele de prindere și capacele și nu utilizați acest produs dacă piesele lipsă sau defecte nu sunt înlocuite.

APLICAȚII

Puteți utiliza acest produs în scopurile menționate mai jos:

- Tăierea crengilor unui copac doborât
- Tăierea crengilor unui copac

OBSERVAȚIE: Scula trebuie utilizată numai în scopul pentru care a fost proiectată. Orice altă utilizare este considerată a fi caz de utilizare necorespunzătoare.

UMPLEREA REZERVORULUI DE ULEI CU LUBRIFIANT DE ȘINĂ ȘI DE LANȚ

⚠ AVERTISMENT: Nu fumați și nu aduceți în apropierea uleiului sau a ferăstrăului cu tijă surse de foc sau flăcări. Uleiul se poate deversa și cauza un incendiu.

OBSERVAȚIE: În momentul cumpărării, ferăstrăul cu tijă nu este umplut cu ulei. Este esențial să umpleți rezervorul cu ulei de lanț înainte de utilizare. Operarea ferăstrăului cu tijă fără ulei de lanț sau atunci când nivelul uleiului este sub o anumită cantitate va duce la deteriorarea ferăstrăului cu tijă. Durata de viață a lanțului și capacitatea de tăiere depind de ungerea optimă. Lanțul este lubrifiat automat cu ulei de lanț în timpul funcționării, dacă există suficient ulei în rezervor. Nivelul uleiului trebuie, de asemenea, verificat după fiecare 20 de minute de utilizare și reumplut după cum este necesar.

1. Detașați setul de acumulatori de la capul de alimentare.
2. Curățați capacul rezervorului de ulei și zona din jurul acestuia pentru a vă asigura că nu cade murdărie în rezervorul de ulei.
3. Așezați ferăstrăul cu tijă pe o suprafață fermă, plană, astfel încât capacul rezervorului de ulei să fie orientat în sus, apoi scoateți capacul (Fig. J).
4. Se toarnă cu grijă ulei pentru șină și lanț în rezervor până se umple până la gâtul rezervorului. Aveți grijă să nu lăsați să se scurgă ulei din deschidere. Ștergeți orice exces de ulei.

OBSERVAȚIE:

- Nu folosiți niciodată ulei sau alți lubrifianți care nu sunt proiectați special pentru a fi folosiți pe șină și lanț. Acest lucru poate duce la un sistem înfundat de ulei, care poate provoca uzura prematură a șinei și a lanțului.

- Verificați frecvent nivelul uleiului și reumpleți după cum este necesar.
- Nu utilizați uleiuri murdare, uzate sau alte uleiuri contaminate. Pot apărea deteriorări ale șinei sau ale lanțului.
- Este normal ca uleiul să se infiltreze din ferăstrău atunci când nu este utilizat. Pentru a preveni infiltrarea, goliți rezervorul de ulei după fiecare utilizare, apoi rulați ferăstrăul timp de un minut. Când depozitați instrumentul pentru o perioadă lungă de timp, asigurați-vă că lanțul este ușor lubrifiat; acest lucru va preveni rugina pe lanț și pinionul de bare.
- Pentru a conserva resursele naturale, vă rugăm să reciclați sau să eliminați uleiul în mod corespunzător. Consultați autoritatea locală în domeniul deșeurilor pentru informații suplimentare privind opțiunile disponibile de reciclare și de eliminare.

REGLAREA TIJEI TELESCOPICE (Fig. K)

1. Ridicați maneta de eliberare rapidă pentru a debloca tija telescopică.
2. Extindeți tija telescopică la lungimea necesară.
3. Apăsăți maneta de eliberare rapidă în jos pentru a bloca în siguranță tija telescopică.

ASAMBLAREA CURELEI DE UMĂR

Apăsăți cârligul curelei pentru a-l deschide și a-l atașa pe agățătoarea curelei de umăr pe ferăstrău (Fig. L). Reglați curea de umăr într-o poziție confortabilă de lucru.

⚠ AVERTISMENT: În caz de urgență, îndepărtați imediat cureaua de pe umăr pentru a evita rănierea

INSTALAREA/ÎNDEPĂRTAREA SETULUI DE ACUMULATORI

NOTĂ: Reîncărcați complet setul de acumulatori înainte de primei utilizări.

Utilizați numai seturile de acumulatori și încărcătorii din fig. A2.

Pentru atașare

Aliniați nervurile de pe acumulator cu fantele de instalare și apăsați în jos setul de acumulatori până la auzul unui clic (Fig. M).

⚠ AVERTISMENT: Asigurați-vă că acumulatorul este blocat înainte de funcționare. Imposibilitatea de a plasa în siguranță acumulatorul ar putea duce la căderea acumulatorului, ceea ce ar duce la vătămări corporale grave.

RO

⚠️ AVERTISMENT: Întotdeauna aveți grijă de picioarele dumneavoastră, copiii sau animalele din jurul dumneavoastră când apăsați butonul de detașare al acumulatorului. În cazul căderii setului de acumulatori, pot rezulta răni grave. Nu detașați NICIODATĂ setul de acumulatori când vă aflați la înălțime.

Pentru detașare

Apăsați butonul de detașare al setului de acumulatori și scoateți setul de acumulatori (Fig. N).

LUMINA DE LUCRU CU LED (Fig. O)

Lumina de lucru cu LED-uri se află în partea din față a atașamentului ferăstrăului cu tijă, în linie cu lanțul de ferăstrău. Această caracteristică oferă o lumină suplimentară pentru ca utilizatorii să vadă unde se află lanțul de ferăstrău atunci când taie ramurile sus în copac.

Lumina de lucru se va aprinde automat la strângerea comutatorului de declanșare și va fi oprită la aproximativ 10 secunde după eliberarea comutatorului de declanșare.

PORNIREA/OPRIREA MAȘINII

Înainte de a porni ferăstrăul cu tijă

⚠️ AVERTISMENT: NU PUNEȚI NICIODATĂ CAPUL DE ALIMENTARE ÎN FUNCȚIUNE FĂRĂ UN DISPOZITIV ATAȘAT. Nu încercați să porniți capul de alimentare înainte de a conecta atașamentul ferăstrăului cu tijă.

OBSERVAȚIE: Înainte de a porni ferăstrăul cu tijă, verificați ajustarea rapidă a picior lanțului, nivelul uleiului și dacă lanțul și dinții sunt ascuțiți. De asemenea, sunt necesare metode de prindere, picior echilibrat și distanță adecvată departe de sol (Fig. Q).

Pentru a începe (Fig. P)

1. Instalați setul de acumulatori.
2. Asigurați-vă că niciun obiect sau obstrucții care ar putea intra în contact cu șina și lanțul nu se află în imediata vecinătate.
3. Prindeți ferm mânerul de susținere și mânerul din spate, folosind ambele mâini.
4. Apăsați și mențineți apăsat butonul de siguranță, după care strângeți trăgaciul declanșator pentru a porni ferăstrăul. Eliberați butonul de siguranță și strângeți în continuare comutatorul de declanșare pentru funcționare continuă.

⚠️ AVERTISMENT: Nu încercați să porniți ferăstrăul atunci când lanțul de ferăstrău este într-o tăietură sau în contact cu orice suprafață.

Oprirea

Mutați ferăstrăul cu tijă departe de zona de tăiere, și apoi eliberați comutatorul de declanșare pentru a opri ferăstrăul cu tijă.

⚠️ AVERTISMENT: Întotdeauna scoateți setul de acumulatori din ferăstrău în timpul pauzelor de lucru și după terminarea lucrării.

PROCEDURA DE TĂIERE DE BAZĂ (Fig. R)

Urmați pașii de mai jos pentru a preveni deteriorarea scoarței copacului sau a arborelui. Nu utilizați o mișcare de tăiere înainte și înapoi.

1. Faceți o primă tăietură superficială (1/4 din diametrul crengii) pe partea inferioară a crengii, aproape de creanga principală sau de trunchi.
2. Faceți a doua tăietură din partea superioară a crengii față de prima tăietură. Continuați tăierea prin creangă până când creanga se separă de copac. Fiți pregătiți să echilibrați greutatea sculei atunci când creanga cade.
3. Faceți o tăietură finală aproape de trunchi.

OBSERVAȚIE: Pentru a doua și ultima tăietură (din partea superioară a crengii sau a ramurii), țineți crampoanele verticale sprijinite pe creanga care se taie (Fig. S). Acest lucru va ajuta la stabilizarea trunchiului și va facilita tăierea. Lăsați lanțul să taie pentru dvs.; exercitați doar o presiune ușoară în jos. Dacă forțați tăierea, se pot deteriora șina, lanțul sau motorul.

S-1	Gheară
-----	--------

4. Eliberați comutatorul de declanșare imediat ce tăierea este finalizată

OBSERVAȚIE: Nerespectarea procedurilor adecvate de tăiere va duce la blocarea șinei și a lanțului și la prinderea sau blocarea crengii. Dacă se întâmplă acest lucru:

1. Opriti motorul și scoateți setul de acumulatori.
2. Dacă se poate ajunge la creangă de la sol, ridicați creanga în timp de țineți ferăstrăul. Această mișcare ar trebui să elibereze „prinderea” și să elibereze ferăstrăul.
3. Dacă ferăstrăul este încă prins, apelați la un profesionist pentru asistență.

TĂIEREA CRENGILOR UNUI COPAC ȘI DOBORÂREA TRUNCHIURILOR

Acest ferăstrău cu tijă este proiectat pentru tăierea ramurilor și crengilor mici de până la 20cm (pentru unealtă cu bară de ghidare de 25cm) sau 25cm (pentru unealtă cu bară de ghidare de 30cm) în diametru. Pentru cele mai

bune rezultate, respectați următoarele precauții.

1. Planificați tăierea cu atenție. Fiți conștienți de direcția în care va cădea ramura.

⚠️ AVERTISMENT: Ramurile pot cădea în direcții neașteptate. Nu stați direct sub ramura care se taie.

2. Cea mai tipică aplicație de tăiere este poziționarea unității la un unghi de 60° sau mai puțin, în funcție de situația specifică, așa cum se arată în Fig. T. Pe măsură ce unghiul arborelui ferăstrău cu tijă față de sol crește, dificultatea de a face prima tăietură (din partea inferioară a crengilor) crește.
3. Îndepărtați ramurile lungi în mai multe etape.
4. Tăiați mai întâi ramurile inferioare pentru a permite ramurilor superioare să cadă într-un spațiu mai liber.
5. Lucrați lent, ținând ambele mâini pe ferăstrău cu o strângere fermă. Păstrați-vă stabilitatea și echilibrul.
6. Păstrați copacul între dvs. și lanț în timp ce bucățiți. Tăiați din partea laterală a copacului opus ramurii pe care o tăiați.
7. Nu tăiați de pe scară; acest lucru este extrem de periculos. Lăsați astfel de operațiuni pentru profesioniști.
8. Nu efectuați tăietura finală lângă creanga principală sau trunchi până când nu ați tăiat o mare parte a crengii pentru a reduce greutatea. Respectarea procedurilor adecvate de tăiere va împiedica scoaterea scoarței de pe creanga principală.
9. Nu utilizați ferăstrăul cu tijă pentru tăierea copacilor sau tăiere pe capră.
10. Pentru a preveni electrocutarea, nu acționați la mai puțin de 15 m de liniile electrice aeriene.(Fig. T).
11. Țineți toți trecătorii la o distanță de cel puțin 15 m (Fig. T).

ÎNȚREȚINEREA

⚠️ AVERTISMENT: Înainte de a inspecta, a curăța sau a efectua operațiuni de service asupra aparatului, opriți motorul, asigurați-vă că toate componentele mobile sunt oprite și îndepărtați setul de acumulatori dacă este nevoie. Nerespectarea acestor instrucțiuni se poate solda cu vătămări corporale grave sau distrugerea bunurilor.

⚠️ AVERTISMENT: La depanare, utilizați numai piese de schimb identice. Utilizarea oricăror altor piese poate crea un pericol sau poate produce o deteriorare. Pentru a asigura siguranța și fiabilitatea, toate reparațiile, altele decât cele enumerate în aceste instrucțiuni de întreținere, trebuie efectuate de un tehnician de service calificat.

⚠️ AVERTISMENT: Purtați întotdeauna mănuși atunci când manipulați lanțul de ferăstrău. Lanțul este ascuțit și poate conține bavuri.

ÎNȚREȚINERE GENERALĂ

Evitați utilizarea solvenților când curățați piese din plastic. Majoritatea pieselor din plastic sunt susceptibile să se deterioreze de la diverse tipuri de solvenți comerciali și se pot defecta prin utilizarea acestora. Utilizați lavete curate pentru a îndepărta murdăria, praful, uleiul, unsoarea etc.

CURĂȚARE

- După fiecare utilizare, îndepărtați reziduurile de pe lanț și de pe șina de ghidare cu ajutorul unei perii moi. Ștergeți suprafața ferăstrăului cu tijă cu o cârpă curată, umezită cu o soluție ce conține un detergent slab.
- Îndepărtați capacul lateral, după care utilizați o perie moale pentru îndepărtarea reziduurilor de pe șina de ghidare, lanț, roată dințată și capac lateral.
- Îndepărtați întotdeauna așchile, rumegușul și murdăria de pe canelura șinei de ghidare când înlocuiți lanțul ferăstrăului.

Toate operațiile de întreținere ale ferăstrăului cu tijă, cu excepția celor înscrise în aceste instrucțiuni de întreținere, trebuie efectuate de personal de service autorizat.

ÎNLOCUIREA ȘINEI ȘI A LANȚULUI

Când înlocuiți șina de ghidare și lanțul, întotdeauna utilizați combinația de șină și lanț specificate în secțiunea „Șină și lanț recomandate pentru acest ferăstrău cu tijă”.

1. Scoateți bateria și lăsați ferăstrăul să se răcească. Asigurați-vă că capacul rezervorului de ulei este închis pentru a preveni scurgerile de ulei.
2. Poziționați ferăstrăul pe o parte pe o suprafață fermă, plană, astfel încât capacul lateral să fie orientat în sus.
3. Purtați mănuși. Scoateți capacul lateral (Fig. U). Curățați capacul lateral cu o cârpă uscată.
4. Scoateți șina și lanțul uzate de pe suprafața de montare.
5. Instalați o nouă bară de ghidare și un lanț de ferăstrău, urmând instrucțiunile «**ASAMBLAREA ȘINEI DE GHIDARE ȘI A LANȚULUI**» din secțiunea «**ASAMBLARE**».

OBSERVAȚIE: Este momentul potrivit ca să verificați roata dințată pentru depistarea urmelor de uzură excesivă.

RO

ÎNȚEȚINEREA ȘINEI DE GHIDARE

Când șina de ghidare prezintă semne de uzură, dezasamblați-o de pe ferăstrău. Scoateți șurubul și placa de reglare stabilite, inversați șina de ghidare (Fig. V) și reinstalați placa de reglare pe noua parte a șinei de ghidare (Fig. W) pentru a distribui uzura pentru o durată maximă de viață a șinei. Șina de ghidare trebuie curățată în fiecare zi de utilizare și verificată pentru depistarea uzurii. Așchieria sau bavurarea șinelor face parte din procesul normal de uzură al șinei. Astfel de defecte pot fi netezite cu o pilă imediat după ce au loc. O șină cu următoarele defecte trebuie înlocuită.

- Uzură în interiorul șinelor ce permite lanțului să stea în lateralul șinei.
- Șină de ghidare îndoită.
- Șine crăpate sau sparte.
- Șine întinse.

Suplimentar, șina de ghidare este echipată în vârf cu o roată dințată. Roata dințată trebuie unsă săptămânal cu o siringă cu grăsime pentru a prelungi durata de viață a șinei. Utilizați o siringă pentru a unge zilnic cu ulei de lanț prin orificiul de lubrifiere (Fig. X). Întoarceți șina de ghidare și asigurați-vă că orificiile de lubrifiere și canelurile lanțului nu sunt acoperite de impurități.

X-1	Roată de lanț în vârful șinei de ghidare
X-2	Orificiu de lubrifiere

RO

ÎNȚEȚINEREA LANȚULUI

Cu acest ferăstrău utilizați numai lanțuri cu risc redus de recul. Acest lanț de tăiere rapidă va reduce reculul dacă este întreținut corect.

Un ferăstrău ascuțit corect va secționa lemnul fără efort, chiar și cu forță de apăsare foarte mică.

Nu utilizați niciodată un lanț tocit sau deteriorat. Un lanț tocit de ferăstrău are tendința să apese mai tare, duce la creșterea încărcăturii vibratorii, la rezultate de tăiere nesatisfăcătoare și la uzură sporită.

Pentru tăiere uniformă și rapidă, lanțul de ferăstrău trebuie întreținut corespunzător. Când așchii de lemn sunt mici și prafoase, când lanțul trebuie forțat prin lemn în timpul tăierii sau dacă lanțul taie într-o parte sunt indicatori că lanțul trebuie ascuțit. În timpul întreținerii lanțului, luați în considerare următoarele:

- Un unghi necorespunzător de pîlire al plăcii laterale poate crește riscul de recul sever.
- Distanța dintre limitatoarele de adâncime. Prea mică, va crește potențialul de recul. Insuficient de mică, descrește capacitatea de tăiere.

- Dacă dinții de tăiere lovesc obiecte tari precum cuiele și pietrele, sau dacă s-au murdărit de noroi sau nisip de pe lemn, dați lanțul la ascuțit unui tehnician de service autorizat.

TRANSPORTAREA ȘI DEPOZITAREA

- Nu depozitați și nu transportați ferăstrăul cu tijă când acesta este în funcțiune. Îndepărtați întotdeauna setul de acumulatori înainte de a depozita sau transporta scula.
- Plasați întotdeauna teaca de șină pe șina de ghidare și lanț înainte de a depozita sau transporta ferăstrăul cu tijă. Fiți precaut pentru a evita dinții ascuțiți ai lanțului.
- Curățați bine ferăstrăul cu tijă înainte de a-l depozita. Păstrați ferăstrăul cu tijă la interior, într-un loc uscat care să fie blocat și/sau inaccesibil copiilor și păstrați-l departe de agenții corozivi, cum ar fi substanțele chimice de grădină și sărurile de dezghețare.

Protejarea mediului înconjurător



Nu eliminați echipamentul electric, acumulatorul epuizat și încărcătorul de acumulator împreună cu deșeurile menajere!

Predați acest produs unui punct de reciclare autorizat sau puneți-l la dispoziția colectării separate. Sculele electrice trebuie returnate unui centru de reciclare ecologic.

DEPANAREA

PROBLÉMA	OK	MEGOLDÁS
Motorul nu funcționează.	<ul style="list-style-type: none"> ■ Setul de acumulatori nu este atașat de ferăstrăul cu tijă. ■ Nu există contact electric între ferăstrău și acumulator. ■ Setul de acumulatori este descărcat. ■ Butonul de siguranță nu este apăsat înainte de a apăsa trăgaciului declanșator. ■ Setul de acumulatori sau capul de alimentare sunt prea fierbinți. ■ Lanțul este prins în lemn. ■ Bara și lanțul sunt înclinate și nu sunt paralele cu carcasa. ■ Reziiduri în canelura șinei. ■ Reziiduri în capacul lateral. 	<ul style="list-style-type: none"> ■ Atașați setul de acumulatori la ferăstrăul cu tijă. ■ Îndepărtați acumulatorul, verificați contactele și reinstalați setul de acumulatori. ■ Încărcați setul de acumulatori. ■ Apăsați în jos maneta de blocare și țineți-o apăsată, după care apăsați comutatorul de declanșare pentru a porni ferăstrăul cu tijă. ■ Lăsați acumulatorul sau capul de alimentare să se răcească până când temperatura scade la intervalul de temperatură de funcționare recomandat. ■ Eliberați comutatorul de declanșare; scoateți lanțul și șina de ghidare din lemn, după care reporniți ferăstrăul. ■ Scoateți acumulatorul și înlocuiți bara și lanțul urmând secțiunea „ÎNLOCUIREA ȘINEI ȘI A LANTULUI”. Nu uitați întotdeauna să țineți bara și lanțul paralele cu suprafața de montare înainte de a instala capacul lateral. ■ Apăsați din nou ferăstrăul pe lemn, deplasați ferăstrăul cu tijă înainte și înapoi pentru îndepărtarea reziduurilor. ■ Îndepărtați setul de acumulatori, după care detașați capacul lateral și curățați reziduurile.

RO

PROBLÉMA	OK	MEGOLDÁS
Motorul funcționează, dar lanțul nu se rotește.	<ul style="list-style-type: none"> ■ Lanțul nu anclanșează roata de lanț. ■ Tensiune lanț insuficientă. ■ Lanț tocit. ■ Lanț instalat pe dos. ■ Lanț uzat. ■ Lanț uscat sau întins excesiv. ■ Lanț neinstalat pe canelurile șinei. 	<ul style="list-style-type: none"> ■ Scoateți setul de acumulatori și reinstalați lanțul, asigurându-vă că verigile de transmisie de pe lanț sunt aranjate complet pe roata de lanț. ■ Slăbiți butonul de ajustare rapidă a tensionării lanțului minim un cerc în sens opus acelor de ceas mai întâi, după care strângeți-le complet în sensul acelor de ceas până când lanțul este tensionat corect. ■ Ascuțirea dinților lanțului trebuie efectuată de către un tehnician de service calificat. ■ Scoateți setul de acumulatori și reinstalați lanțul de ferăstrău urmând instrucțiunile din secțiunea „ÎNLOCUIREA ȘINEI ȘI A LANȚULUI”. ■ Scoateți setul de acumulatori și înlocuiți lanțul de ferăstrău urmând instrucțiunile din secțiunea „ÎNLOCUIREA ȘINEI ȘI A LANȚULUI”. ■ Verificați nivelul de ulei. Umpleți rezervorul de ulei dacă este nevoie. ■ Scoateți setul de acumulatori și reinstalați lanțul de ferăstrău urmând instrucțiunile din secțiunea „ÎNLOCUIREA ȘINEI ȘI A LANȚULUI”.
Șina și lanțul se încălzesc și emană fum.	<ul style="list-style-type: none"> ■ Rezervorul de ulei de lanț este gol. ■ Reziduuri în canelura șinei de ghidare. 	<ul style="list-style-type: none"> ■ Umplerea cu lubrifianț de șină și de lanț. ■ Curățați reziduurile din canelură.

RO

GARANȚIE

POLITICA PRIVIND GARAȚIA EGO

Vă rugăm să consultați site-ul egopowerplus.com pentru termenii și condițiile complete ale politicii privind garanția EGO.

PREBERITE VSA NAVODILA!



PREBERITE PRIROČNIK Z NAVODILI ZA UPORABO

⚠ Tveganje zaradi preostalega toka! Pred uporabo izdelka se morajo osebe z elektronskimi napravami, kot je srčni spodbujevalnik, posvetovati s svojim zdravnikom. Delovanje električne opreme v bližini srčnega spodbujevalnika lahko povzroči motnje ali okvaro srčnega spodbujevalnika.

⚠ OPOZORILO: Za zagotovitev varnosti in zanesljivosti mora vsa popravila izvesti usposobljen servisni tehnik.

VARNOSTNI SIMBOLI

Namen varnostnih simbolov je, da vas opozorijo na morebitne nevarnosti. Bodite pozorni na varnostne simbole in njihova pomena ter jih poskušajte razumeti. Opozorilni simboli sami ne odpravljajo nobene nevarnosti. Navodila in opozorila ne nadomeščajo ustreznih ukrepov za preprečevanje nesreč.

⚠ OPOZORILO: Pred uporabo tega orodja preberite in razumite vsa varnostna navodila v tem priročniku, vključno z vsemi varnostnimi opozorilnimi simboli, kot so »NEVARNOST«, »OPOZORILO« in »POZOR«. Zaradi neupoštevanja spodaj navedenih navodil lahko pride do električnega udara, požara in/ali resnih telesnih poškodb.

POMEN SIMBOLA

Na tej strani so prikazani in opisani varnostni simboli, ki se lahko pojavijo na tem izdelku. Preberite, osvojite in sledite navodilom na stroju, preden ga boste poskušali sestaviti in upravljati.



Varnostno opozorilo



Za zmanjšanje nevarnosti telesnih poškodb je pomembno, da uporabnik pred uporabo tega izdelka prebere priročnik za uporabo in se z njim seznani.



Nosite zaščito za oči



Nosite zaščito za glavo



Nosite zaščito za ušesa



Nosite zaščitne rokavice



Zagotovljena raven zvočne moči Emisije hrupa v okolici so v skladu z direktivo Evropske skupnosti.

IPX4

Stopnja zaščite pred vdorom



Nosite zaščitno obutev.



Da preprečite nevarnost električnega udara, bodite pri upravljanju naprave vsaj 15 metrov oddaljeni od nadzemnih električnih vodov. Stik z električnimi kable ali uporaba naprave v njihovi bližini lahko povzroči resne poškodbe ali električni udar, kar lahko povzroči smrt.



Ne izpostavljajte dežju.



Ta izdelek je skladen z veljavnimi direktivami ES.



Ta izdelek je skladen z veljavno zakonodajo VB.



Odpadnih električnih izdelkov ne odlagajte med gospodinjske odpadke. Odnosite jih v pooblaščen obrat za recikliranje.



Enosmerni tok

V

Napetost

SL

TEHNIČNI PODATKI

Nazivna napetost	56 V	
Dolžina meča	25 cm	
Delitev verige	6,4 mm (1/4")	
Širina utora	1,1 mm (0.043")	
Prostornina rezervoarja za olje	80 ml	
Število členov gonila	56	
Dolžina orodja (brez teleskopskega droga)	Najv. 292 cm Min. 233 cm	
Priporočena obratovalna temperatura	Od -15°C do 40°C	
Priporočena temperatura za shranjevanje	Od -20° do 70°C	
Priporočena temperatura polnjenja	Od 5°C do 40°C	
Teža (brez baterijskega sklopa, pokrova verige)	4,25 kg	
Izmerjena raven zvočne moči L_{WA}	97 dB(A) K=2,5 dB(A)	
Raven zvočnega tlaka v delovnem položaju L_{PA}	82 dB(A) K=3 dB(A)	
Zajamčena raven zvočnega tlaka L_{WA} (v skladu z 2000/14/ES)	100 dB(A)	
Vibration a_h	Sprednji ročaj za prijem	1,19 m/s ² K=1,5 m/s ²
	Zadnji ročaj	1,01 m/s ² K=1,5 m/s ²

SL

- Nazivna skupna vrednost tresljajev je bila izmerjena v skladu s standardno preskusno metodo in jo je mogoče uporabiti za primerjavo enega orodja z drugim.
- Nazivno skupno vrednost tresljajev je mogoče uporabiti tudi za predhodno oceno izpostavljenosti.

OPOMBA: Oddajanje tresljajev med dejansko uporabo električnega orodja se lahko razlikuje od nazivne vrednosti, v kateri se uporablja orodje. Upravljalavec se lahko zaščiti tako, da uporablja rokavice in naušnike, primerne dejanskim pogojem uporabe.

OPIS

SPOZNAJTE SVOJ VIŠINSKI OBREZOVALNIK (Slika A1)

1. Gumb za nastavitev napetosti verige
2. Delovna luč LED
3. Stranski pokrov
4. Obešalo za ramenski pas
5. Teleskopski drog
6. Gumb za odklepanje
7. Sprožilec stikala
8. Zadnji ročaj
9. Gumb za sprostitve baterije
10. Sprednji ročaj za prijem
11. Ročica za hitro sprostitve
12. Izvlečna palica
13. Ramenski pas
14. Pokrov rezervoarja za olje
15. Rezervoar za olje
16. Zobniki za krojenje
17. Vodilo meča
18. Rezalna veriga
19. Pokrov verige

VSEBINA PAKETA (sl. A1)

Priporočeni meč in veriga za višinski obrezovalnik

IME DELA	ŠTEVILKA MODELA
Vodilo meča	AG1000Q, AG1200Q
Rezalna veriga	AC1000Q, AC1200Q

SESTAVLJANJE

⚠ OPOZORILO: Če so deli poškodovani ali manjkajo, orodja ne uporabljajte, dokler ne zamenjate delov. Če ta izdelek uporabljate s poškodovanimi ali manjkajočimi deli, lahko pride do hudih telesnih poškodb.

⚠ OPOZORILO: Tega izdelka ne spreminjajte in ne izdelujte dodatkov, ki niso priporočeni za uporabo s tem izdelkom. Vsako tako spreminjanje ali predelava se šteje za napačno uporabo in povzroči tveganja, ki lahko povzročijo hude telesne poškodbe.

⚠ OPOZORILO: pri nameščanju delov, opravljanju prilagoditev, čiščenju ali kadar izdelek ni v uporabi, vedno odstranite baterijski sklop.

SESTAVLJANJE VODILA MEČA IN VERIGE

- Višinski obrezovalnik položite na trdo, ravno površino, tako da je stranski pokrov obrnjen navzgor.
- Nosite rokavice. Odstranite stranski pokrov (slika B).
- Novo rezalno verigo v obliki zanke položite na ravno površino in poravnajte morebitne zgibe.
- Povezave pogona verige namestite v utor meča. Verigo namestite tako, da je na zadnji strani vodila meča zanka (slika C).

C-1	Členi gonila
C-2	Utor vodila meča

- Verigo držite v položaju na vodilu meča in zanko namestite okoli pogonskega verižnika višinskega obrezovalnika.

OPOMBA: majhna smerna puščica in rezilo sta vgravirana v ohišje orodja (slika D). Pri privijanju rezalne verige na vodilo meča se prepričajte, da bo po namestitvi vodila meča smer rezalne verige ustrezala puščici za smer vrtenja na ohišju orodja in je oblika nožev na vrhu vodila meča skladna z rezalnikom na ohišju. Če sta obrnjena v nasprotno smer, ponovno namestite verigo žage na vodilo meča tako, da so puščice obrnjene v isto smer. Vodilo meča mora biti nameščeno tako, da je nastavitvena plošča obrnjena stran od ohišja.

- Meč in veriga morata ostati vzporedno z namestitveno površino. Pritrdite stranski pokrov na ohišje tako, da so luknje/zatiči in pritrilni vijak/navojna odprtina med seboj pravilno poravnani (slika E). Stranski pokrov pritisnite proti ohišju in nato do konca zategnite gumb za hitro nastavitve napetosti verige v smeri urnega kazalca. Ekscentrični zobnik znotraj stranskega pokrova je oblikovan tako, da preprečuje prekomerno napetost verige.

OPOMBA: Če se veriga zrahlja, obrnite gumb za hitro nastavitve napetosti verige v nasprotni smeri urnega kazalca vsaj za en obrat, nato pa popolnoma zategnite gumb.

- Z roko zavrtite verigo, da preverite, ali je veriga pravilno sestavljena in se ne zaustavlja.. V nasprotnem primeru znova sestavite verigo in meč.

NAMEŠČANJE PRIKLJUČKA ZA VIŠINSKI OBREZOVALNIK NA POGONSKO ENOTO

Ta višinski obrezovalnik deluje v kombinaciji priključka za višinski obrezovalnik in pogonske enote (slika F).

F-1	Priključek za višinski obrezovalnik
F-2	Pogonska enota

⚠ OPOZORILO: Nikoli ne priključujte ali prilagajajte priključka višinskega obrezovalnika, če pogonska glava deluje oz. je baterija nameščena. Če ne zaustavite motorja in odstranite baterije, lahko pride do hudih telesnih poškodb.

Priključek višinskega obrezovalnika je priključen na pogonsko enoto s pomočjo spojnika.

- Ustavite motor in odstranite baterijski sklop.
- Odvijte krilni vijak.
- Poravnajte puščico na gredi višinskega obrezovalnika s puščico na spojniku in potiskajte gred višinskega obrezovalnika v spojnik, dokler ne zaslišite jasnega »klika«, ki pomeni, da je gred višinskega obrezovalnika na svojem mestu (slika G).

G-1	Krilni vijak	G-3	Puščica na spojniku
G-2	Gumb za sprostitve gredi	G-4	Puščica na gredi višinskega obrezovalnika

- Povlecite gred priključka, da se prepričate, ali je čvrsto nameščena v spojniku. Če ni, obračajte gred višinskega obrezovalnika z ene strani na drugo, dokler se ne zaskoči.
- Čvrsto privijte krilni vijak.

⚠ OPOZORILO: pred uporabo opreme preverite, ali je krilni gumb povsem privit. Med uporabo opreme redno preverjajte, ali je vijak dovolj privit, da preprečite hude telesne poškodbe.

PRIKLJUČEVANJE TELESKOPSKEGA DROGA MED POGONSKO ENOTO IN PRIKLJUČEK ZA VIŠINSKI OBREZOVALNIK (model št. EP1000)

⚠ OPOZORILO: Nikoli ne priključujte ali prilagajajte priključka, če pogonska enota deluje oz. je baterija nameščena. Če ne zaustavite motorja in odstranite baterije, lahko pride do hudih telesnih poškodb.

Ta teleskopski drog je zasnovan za izključno uporabo z EGO PS1000E. Nikoli ga ne uporabljajte z drugimi priključki EGO.

SL

Teleskopski drog poveča dolžino orodja za 100 cm, kar poveča obseg rezanja. Nameščen mora biti med priključek za višinski obrezovalnik in pogonsko enoto. Na enem orodju lahko uporabite največ dva teleskopska droga (na voljo ločeno).

Sledite postopku v razdelku »**NAMEŠČANJE PRIKLJUČKA ZA VIŠINSKI OBREZOVALNIK NA POGONSKO ENOTO**«, če želite namestiti teleskopski drog med priključek za višinski obrezovalnik in pogonsko enoto (slika H).

H-1	Spojka na teleskopskem drogu
H-2	Spojka na pogonski enoti

OPOMBA: Ko so pravilno sestavljeni, se priključek za višinski obrezovalnik, teleskopski drog in pogonska enota ne smejo ločiti, ko jih povlečete. Povezavo vedno preverite tako, da jih povlečete. Če je dele mogoče ločiti, ponovite zgornje korake.

⚠ OPOZORILO: če priključek in pogonska enota/drog za podaljšanje nista nameščena v skladu z zgornjimi navodili, lahko pride do hudih poškodb ali celo smrti.

ODSTRANJEVANJE PRIKLJUČKA S POGONSKE ENOTE

1. Ustavite motor in odstranite baterijski sklop.
2. Odvijte krilni vijak.
3. Pritisnite gumb za sprostitev gredi in s pritisnjenim gumbom povlecite ali zasukajte gred višinskega obrezovalnika iz spojke, da jo ločite od pogonske enote ali teleskopskega droga (če je uporabljen).
4. Ponovite postopek, da teleskopski drog ločite od pogonske enote (če uporabljate teleskopski drog).

NAMESTITEV IN PRILAGAJANJE SPREDNJEGA ROČAJA ZA PRIJEM

1. Ustavite motor in odstranite baterijski sklop.
2. Odvijte krilato matico in jo odstranite z objemnim sornikom s sprednjega pomožnega ročaja (slika I1).

I-1	Sprednji ročaj za prijem	I-4	Krilna matica
I-2	Zaklepna ročica	I-5	Vpenjalni blok
I-3	Objemni sornik		

3. Pritisnite ročaj na gred pogonske enote in ga obrnite navzdol, tako da kaže proti verigi žage (slika I2).
4. Vstavite vpenjalni blok in sestavite vpenjalni vijak s krilno matico (slika I3).
5. Krilne matice ne privijte do konca. Prilagodite položaj sprednjega ročaja tako, da je med obešalom za ramenski pas in tulcem izvlečne palice (slika I4). Ročaj mora biti nastavljen tako, da je vaša roka pri uporabi višinskega obrezovalnika iztegnjena.
6. Pritisnite zaklepno ročico navzdol in privijte krilno matico, tako da je sprednji pomožni ročaj zavarovan pred vrtenjem ali premikanjem na gredi pogonske enote.

UPRAVLJANJE

⚠ NEVARNOST: nikoli ne obrezujte v bližini električnih vodov, kablov ali drugih virov napajanja. Če se meč in veriga zagozdita v električni vod ali kabel, **SE NE DOTIKAJTE MEČA, VERIGE ALI DROGA! LAHKO STA POD ELEKTRIČNO NAPETOSTJO IN ZELO NEVARNA.** Višinski obrezovalnik še naprej držite za izolirani zadnji ročaj ali ga varno položite na tla in stran od sebe. Pred osvoboditvijo meča in verige iz poškodovanega kabla prekinite napajanje obrezovalnika. Stik z mečem, verigo, drugimi prevodnimi deli višinskega obrezovalnika ali električnimi vodi ali kabli pod napetostjo bo povzročil smrt zaradi električnega udara ali hude telesne poškodbe.

⚠ OPOZORILO: Tudi če se dobro seznanite s tem izdelkom, bodite pri ravnanju z njim pazljivi. Upoštevajte, da je samo delček sekunde nepazljivosti dovolj, da pride do hude telesne poškodbe.

⚠ OPOZORILO: S stransko zaščito vedno nosite zaščitna očala ali varnostna očala. V nasprotnem primeru vam lahko v oči priletijo predmeti ali pride do drugih hudih telesnih poškodb.

⚠ OPOZORILO: Pri sestavljanju delov, opravljanju prilagoditev, čiščenju, transportu ali kadar izdelek ni v uporabi, vedno odstranite baterijski sklop. Odstranitev baterijskega sklopa bo preprečila nenameren zagon, ki bi lahko povzročil resno telesno poškodbo.

⚠ OPOZORILO: Ne uporabljajte priključkov ali dodatkov, ki jih proizvajalec tega izdelka ne priporoča. Uporaba priključkov ali dodatkov, ki niso priporočeni, lahko povzroči hude telesne poškodbe.

Pred vsako uporabo celoten izdelek pregledajte za poškodovane, manjkajoče ali zrahljanje dele, kot so vijaki, matice, pokrovi itd. Vsa zapirala in pokrove trdno privijte in izdelka ne uporabljajte, dokler ne zamenjate manjkajočih ali poškodovanih delov.

NAMENI UPORABE

Ta izdelek lahko uporabljate za naslednje namene:

- Kleščenje
- Obrezovanje

OPOMBA: Orodje lahko uporabljate samo za predvideni namen. Kakršna koli druga uporaba se smatra za nepravilno uporabo.

POLNJENJE REZERVOARJA ZA OLJE Z MAZIVOM ZA MEČ IN VERIGO

⚠ OPOZORILO: ne kadite in ne uporabljajte ognja ali plamenov v bližini olja ali višinskega obrezovalnika. Olje se lahko razlije in povzroči požar.

OPOMBA: ob nakupu v višinskem obrezovalniku ni olja. Izjemno pomembno je, da pred uporabo rezervoar napolnite z oljem za verigo. Delovanje višinskega obrezovalnika brez olja za verigo ali ko je nivo olja pod določeno količino, bo povzročilo poškodbe višinskega obrezovalnika. Življenjska doba verige in zmogljivost rezanja sta odvisni od optimalnega mazanja. Veriga se med delovanjem samodejno maže z oljem za verigo, če je v rezervoarju dovolj olja. Raven olja morate preveriti vsakih 20 minut uporabe in olje po potrebi doliti.

1. Odstranite baterijski sklop iz pogonske enote.
2. Očistite pokrov rezervoarja za olje in območje okoli njega, da preprečite vstop umazanije v rezervoar.
3. Položite višinski obrezovalnik na trdno, ravno površino, tako da je pokrov rezervoarja za olje obrnjen navzgor, nato pa odstranite pokrov (slika J).
4. Olje za meč in verigo previdno nalivajte do vratu rezervoarja. Pazite, da olja ne polijete izven odprtine. Obrišite odvečno olje.

OPOMBA:

- Nikoli ne uporabljajte olja ali drugih maziv, ki niso namenjena specifično mečem in verigam. To lahko vodi k zamašitvi oljnega sistema, zaradi česar se lahko meč in veriga predčasno obrabita.
- Redno preverjajte nivo olja in ga po potrebi dolijte.
- Ne uporabljajte umazanih, že uporabljenih ali drugih onesnaženih olj. To lahko poškoduje meč ali verigo.
- Normalno je, da olje pronica iz žage, kadar ta ni v uporabi. Da preprečite pronicanje, rezervoar za olje po vsaki uporabi izpraznite, žaga pa naj deluje še eno minuto. Če boste orodje skladiščili dalj časa (tri mesece ali več), poskrbite, da je veriga nekoliko namazana, saj bo to preprečilo rjo na verigi in zobnikih meča.
- Za ohranjanje naravnih virov pravilno reciklirajte oziroma odvrzite izdelek.. Za informacije glede

razpoložljivih možnosti za recikliranje in odstranjevanje se obrnite na lokalne oblasti za ravnanje z odpadki.

NASTAVITEV IZVLEČNE PALICE (slika K)

1. Dvignite ročico za hitro sprostitev, da odklenete izvlečno palico.
2. Podaljšajte izvlečno palico na zeleno dolžino.
3. Pritisnite ročico za hitro sprostitev navzdol, da varno zaklenete izvlečno palico.

SESTAVLJANJE RAMENSKEGA PASU

Pritisnite kavelj pasu, da ga odprete, in ga pričvrstite na obešalo za ramenski pas na žagi (slika L). Ramenski pas nastavite v udoben položaj za upravljanje.

⚠ OPOZORILO: V nujnih primerih pas nemudoma snemite z rame, da se izognete poškodb.

NAMEŠČANJE/ODSTRANJEVANJE BATERIJSKEGA SKLOPA

OPOMBA: pred prvo uporabo popolnoma napolnite baterijski sklop.

Napravo uporabljajte le z baterijskimi sklopi in polnilniki, navedenimi na sliki a2.

Napotki za priključitev

Rebra baterije poravnajte z režami za namestitvev in baterijski sklop potisnite navzdol, da zaslišite »klik« (slika M).

⚠ OPOZORILO: Pred uporabo se prepričajte, da je akumulatorski sklop zaklenjen. Če akumulatorskega sklopa ne namestite varno, lahko akumulatorski sklop pade ven, kar povzroči resne telesne poškodbe.

⚠ OPOZORILO: Vedno pazite na stopala, otroke ali hišne ljubljence okoli sebe, ko pritisnete gumb za sprostitev akumulatorja. Če vam baterijski sklop pade na tla, lahko pride do hudih poškodb. Baterijskega sklopa NIKOLI ne odstranjujte na visokem mestu.

Napotki za odklop

Pritisnite gumb za sprostitev baterije in izvlecite baterijski sklop (slika N).

DELOVNA LUČ LED (slika O)

Delovna luč LED je na sprednji strani priključka za višinski obrezovalnik v skladu z verigo žage. Ta funkcija zagotavlja dodatno svetlobo, da uporabniki vidijo, kje je veriga žage, ko režejo veje visoko na drevesu.

Delovna luč se bo samodejno vklopila, ko pritisnete na sprožilec stikala, in bo ugasnila približno 10 sekund po tem, ko spustite sprožilec stikala.

SL

ZAGON/ZAUSTAVITEV ORODJA

Pred zagonom višinskega obrezovalnika

⚠ OPOZORILO: POGONSKE ENOTE NIKOLI NE UPORABLJAJTE BREZ PRIKLJUČKA. Pogonske enote ne poskušajte zagnati, preden priključite priključek za višinski obrezovalnik.

OPOMBA: Preden zaženete višinski obrezovalnik, preverite hitro nastavitev napetosti verige, nivo olja ter ostrino verige in zob. Poleg tega so potrebni tudi ustrezen način oprijema, uravnotežena opora in primerna razdalja od tal (slika Q).

Zagon (slika P)

1. Namestite baterijski sklop.
2. Prepričajte se, da v neposredni bližini ni predmetov ali ovir, ki bi lahko prišli v stik z mečem in verigo.
3. Pomožni ročaj in zadnji ročaj trdno primite z obema rokama.
4. Pritisnite gumb za odklepanje in ga pridržite, nato pa stisnite sprožilec stikala, da vklopite žago. Sprostite gumb za odklepanje in še naprej stiskajte sprožilec stikala za nadaljevanje delovanja.

⚠ OPOZORILO: Žage ne poskušajte zagnati, kadar je realna veriga v rezu ali v stiku z drugo površino.

Zaustavitev

Višinski obrezovalnik premaknite stran od območja rezanja in nato spustite sprožilec stikala, da zaustavite višinski obrezovalnik.

⚠ OPOZORILO: Med delovnimi odmori in po končanem delu iz višinskega obrezovalnika vedno odstranite akumulatorski sklop.

OSNOVNI POSTOPEK REZANJA (slika R)

Sledite spodnjim korakom, da preprečite poškodbe lubja dreves ali grmovja. Orodja pri rezanju ne premikajte naprej in nazaj.

1. Prvi rez naj bo plitev (1/4 premera veje) na spodnji strani veje ob glavni veji ali deblu.
2. Drugi rez naj bo z zgornje strani veje navzven proti prvemu rezu. Nadaljujte z rezanjem veje, dokler je ne ločite od drevesa. Pripravite se, da boste zadržali ravnotežje, ko veja odpade.
3. Zadnji rez naj bo ob deblu.

OPOMBA: pri drugih in zadnjih rezih (z zgornje strani veje) naslonite zobnike za krojenje ob vejo, ki jo režete (sl. S). S tem boste umirili vejo in si olajšali žaganje. Pustite,

da veriga reže namesto vas; le rahlo pritisnite navzdol. Če boste rezali na silo, lahko poškodujete meč, verigo ali motor.

S-1 Zobniki za krojenje

4. Po končanem rezu takoj sprostite sprožilec.

OPOMBA: zaradi neupoštevanja ustreznih postopkov rezanja se bosta ukrivila meč in veriga in se zagostila v vejo. V tem primeru:

1. Ustavite motor in odstranite baterijski sklop.
2. Če vejo lahko dosežete s tal, držite obrezovalnik in dvignite vejo. Tako boste sprostili obrezovalnik.
3. Če je obrezovalnik še vedno zagosten, pokličite strokovno pomoč.

KLEŠČENJE IN OBREZOVANJE

Višinski obrezovalnik je zasnovan za obrezovanje manjših vej do premera 20 cm (za orodje z vodilom meča 25 cm) ali 25 cm (za orodje z vodilom meča 30 cm). Za najboljše rezultate sledite naslednjim previdnostnim ukrepom.

1. Previdno načrtujte rezanje. Bodite pozorni na smer padca veje.
2. Najpogostejša uporaba rezanja je namestitev enote pod kotom 60° ali manj, odvisno od specifične situacije, kot je prikazano na sliki T. Ko se kot gredi višinskega obrezovalnika glede na tla poveča, se poveča težava pri ustvarjanju prvega reza (s spodnje strani veje).
3. Dolge veje odstranite v več korakih.
4. Najprej odrežite spodnje veje, da imajo zgornje veje več prostora pri padanju.
5. Delajte počasi in obrezovalnik čvrsto držite z obema rokama. Ves čas stojte varno in stabilno.
6. Med kleščenjem stojte tako, da je drevo med vami in verigo. Žagajte s strani drevesa, ki je na nasprotni strani veje, ki jo žagate
7. Ne režite na lestvi, saj je to zelo nevarno. To prepustite strokovnjakom.
8. Ne naredite ravnega reza ob glavni veji ali deblu, dokler ne odrežete večino veje in tako zmanjšate težo. Upoštevanje ustreznih postopkov rezanja bo preprečilo luščenje lubja z glavne veje.
9. Višinskega obrezovalnika ne uporabljajte za sekanje ali krojenje.
10. Da preprečite nevarnost električnega udara, bodite pri upravljanju naprave vsaj 15 metrov oddaljeni od

nadzernih električnih vodov (slika T).

11. Vsi opazovalci naj bodo oddaljeni najmanj 15 m (slika T).

VZDRŽEVANJE

⚠ OPOZORILO: pred pregledom, čiščenjem ali popravilom enote zaustavite motor, počakajte, da se zaustavi vsi premikajoči se deli, in odstranite baterijski sklop. Neupoštevanje teh navodil lahko povzroči hude telesne poškodbe ali materialno škodo.

⚠ OPOZORILO: Za popravila uporabljajte samo identične nadomestne dele. Uporaba drugih delov je tvegana in lahko poškoduje izdelek. Za zagotovitev varnosti in zanesljivosti mora vsa popravila, razen tistih, ki so navedena v navodilih za vzdrževanje, izvesti usposobljen serviser.

⚠ OPOZORILO: Med rokovanjem z rezalno verigo vedno uporabljajte rokavice. Veriga je ostra in lahko vsebuje ostre delce.

SPLOŠNO VZDRŽEVANJE

Pri čiščenju plastičnih delov ne uporabljajte topil. Večina vrst plastike se lahko pri uporabi različnih komercialnih topil poškoduje. Umazanijo, prah, olje, maščobe itd. odstranite s čisto krpo.

ČIŠČENJE

- Po vsaki uporabi, z mehko krtačo, z žage in vodilna meča odstranite delce. Površino višinskega obrezovalnika obrišite s čisto in vlažno krpo ter nekaj blage čistilne raztopine.
- Odstranite stranski pokrov, nato z mehko krtačo odstranite delce z vodila meča, verige, zobnika in stranskega pokrova.
- Pri čiščenju verige vedno očistite delce lesa, žagovino in umazanijo iz utora vodila meča.

Vsa servisna dela na višinskem obrezovalniku z izjemo elementov, navedenih v teh navodilih za vzdrževanje, mora opraviti usposobljeno servisno osebje.

ZAMENJAVA MEČA IN VERIGE

pri ponovnem nameščanju meča ali verige vedno uporabite določeno kombinacijo meča in verige, ki je navedena v razdelku »Priporočeni meč in veriga za ta višinski obrezovalnik«.

- Odstranite akumulator in pustite, da se žaga ohladi. Prepričajte se, da je pokrovček rezervoarja za olje zaskočen, da preprečite puščanje olja.
- Višinski obrezovalnik položite na stran na trdo, ravno površino, tako da je stranski pokrov obrnjen navzgor.

- Nosite rokavice. Odstranite stranski pokrov (slika U). Stranski pokrov očistite s čisto krpo.
- Obrabljen meč in verigo odstranite z namestitvene površine.
- Namestite novo vodilo meča in verigo žage po navodilih "SESTAVLJANJE VODILA MEČA IN VERIGE" v razdelku "SESTAVLJANJE".

OPOMBA: Ob tem je dobro, da preverite zobnik pogona za pretirano obrabo ali poškodbe.

VZDRŽEVANJE VODILA MEČA

Če je vodilo meča obrabljeno, ga odstranite z žage. Odstranite nastavitveni vijak in nastavitveno ploščo, obrnite vodilo meča (slika V) in znova namestite nastavitveno ploščo na novo stran vodila meča (slika W), da se obraba porazdeli in tako zagotovite maksimalno življenjsko dobo meča. Meč je treba očistiti vsak dan po uporabi in preveriti, ali kaže znake obrabe in poškodb. Na tirnicah meča se lahko pojavijo nitke oziroma igle, kar je normalen proces obrabe. Takšne napake je treba zgladiti s pilo takoj ko se pojavijo. Vodilo meča s katero izmed naslednjih napak je treba zamenjati.

- Obraba znotraj tirnic vodilna meča, ki dovoljuje verigi da je nameščena preko stranic.
- Zvitilo vodilo meča.
- Počene tirnice.
- Razširjene tirnice.

Poleg tega ima vodilo meča na konici zobnik. Zobnik je treba tedensko mazati z mastjo iz brizgalka da bi podaljšali življenjsko dobo vodila meča. Za tedensko mazanje z oljem uporabite brizgalko, da namažete luknjo za mazanje (slika X). Vodilo meča obrnite in preverite, da v luknjah za mazanje in utoru verige ni nečistoč.

X-1	Zobnik v konici vodila meča
X-2	Luknja za mazanje

VZDRŽEVANJE VERIGE

S to žago uporabljajte le verige z nizkim povratnim udarcem. Ob pravilnem vzdrževanju bo ta žaga, ki omogoča hitro žaganje, zagotavljala zmanjšanje povratnega udarca.

Primerno nabrušena veriga reže skozi les brez napora tudi z zelo malo pritiska.

Nikoli ne uporabljajte tope ali poškodovane verige. Topo rezilo verige vodi k povečani fizični obremenitvi, povečani obremenitvi zaradi vibracij, slabšim rezultatom žaganja in povečani obrabi.

Za gladko in hitro žaganje je treba verigo žage pravilno

vzdrževati. Kadar so lesni delci majhni in prašni, kadar je treba žago s silo potiskati skozi les med žaganjem ali če veriga reže na eno stran, so to znaki, da je treba verigo nabrusiti. Med vzdrževanjem verige žage upoštevajte sledeče:

- Nepravilen kot piljenja stranske plošče lahko poveča tveganje za močan udarec nazaj.
- Prostor merilnika globine. Premajhna razdalja poveča možnost za povratni udarec. Če razdalja ni dovolj nizka, zmanjša sposobnost žaganja.
- Če so zobje rezila zadeli ob trde predmete, kot so žebliji in kamni, ali pa sta jih zdrsala blato ali pesek na lesu, naj verigo nabrusi kvalificiran serviser.

PREVOZ IN SHRANJEVANJE

- Priključka za višinski obrezovalnik ne prenašajte ali shranjujte, kadar deluje. Pred skladiščenjem ali transportom vedno odstranite baterijski sklop.
- Pred skladiščenjem ali transportom priključka za višinski obrezovalnik vedno namestite pokrov na vodilo meča in verigo. Bodite previdni, da se izognete ostrim zobem verige.
- Pred skladiščenjem priključek za višinski obrezovalnik temeljito očistite. Priključek za višinski obrezovalnik shranite v zaprtem prostoru, ki je zaklenjen in/ali nedostopen otrokom. Poskrbite, ne bo v bližini korozivnih sredstev, kot so vrtno kemikalije in soli za topljenje ledu.

SL

Varovanje okolja



Električne opreme, rabljene baterije in polnilnika ne odvrzite med gospodinjske odpadke.

Izdelek odnesite na pooblaščen obrat za recikliranje in ga zavržite ločeno.

Električna orodja je treba odnesti na obrat za recikliranje in ga reciklirati na okolju prijazen način.

ODPRAVLJANJE TEŽAV

TEŽAVA	VZROK	REŠITEV
Motor ne teče.	<ul style="list-style-type: none"> ■ Baterijski sklop ni pritrjen na višinski obrezovalnik. ■ Med žago in baterijo ni električnega stika. ■ Baterijski sklop je izpraznjen. ■ Gumb za odklepanje ni sproščen pred pritiskom sprožilca stikala. ■ Baterijski sklop ali pogonska glava je prevroča. ■ Veriga je zataknjena v lesu. ■ Vodilo in veriga sta postrani in nista vzporedna z ohišjem. ■ Delci v meču. ■ Delci v stranskem pokrovu. 	<ul style="list-style-type: none"> ■ Baterijski sklop pritržite na višinski obrezovalnik. ■ Odstranite baterijo, preverite kontakte in znova namestite baterijski sklop. ■ Napolnite baterijski sklop. ■ Vzvod za odklepanje pritisnite navzdol in ga pridržite, nato pa pritisnite stikalo za vklop/izklop, da vključite višinski obrezovalnik. ■ Pustite, da se baterijski sklop ali napajalna glava ohladita, dokler temperatura ne pade na priporočeno delovno temperaturno območje. ■ Sprostite stikalo za vklop/izklop, odstranite verigo žage in vodilo meča iz lesa, nato pa verižno žago ponovno vključite. ■ Odstranite akumulator in zamenjajte palico in verigo, kot je opisano v poglavju »ZAMENJAVA MEČA IN VERIGE«. Pred namestitvijo stranskega pokrova ne pozabite, da morata biti vodilo in veriga vedno vzporedna s površino za montažo. ■ Verigo pritisnite ob les ter višinski obrezovalnik premikajte naprej in nazaj, da odstranite delce. ■ Odstranite baterijski sklop, nato odstranite stranski pokrov in očistite delce.

SL

TEŽAVA	VZROK	REŠITEV
Motor teče, vendar se veriga ne vrti.	<ul style="list-style-type: none"> ■ Veriga ne aktivira pogonskega zobnika. ■ Nezadostna napetost verige. ■ Topa veriga. ■ Veriga je nameščena v nasprotni smeri. ■ Obrabljena veriga. ■ Suha ali preveč raztegnjena veriga. ■ Veriga ni v utoru vodilne palice. 	<ul style="list-style-type: none"> ■ Odstranite baterijski sklop in znova namestite verigo. Prepričajte se, da so pogonske povezave na verigi popolnoma nameščene na zobniku. ■ Odvijte gumb za hitro nastavitve napetosti verige v nasprotni smeri urinega kazalca (vsaj en obrat) in ga nato privijte v smeri urinega kazalca, dokler veriga ni napeta pravilno. ■ Usposobljen serviser naj nabrusi rezila verige. ■ Odstranite baterijski sklop in znova namestite verigo v skladu z razdelkom »ZAMENJAVA MEČA IN VERIGE«. ■ Odstranite baterijski sklop in zamenjajte verigo v skladu z razdelkom »ZAMENJAVA MEČA IN VERIGE«. ■ Preverite nivo olja. Če je treba napolnite rezervoar za olje. ■ Odstranite baterijski sklop in znova namestite verigo v skladu z razdelkom »ZAMENJAVA MEČA IN VERIGE«.
Ob delovanju sta meč in veriga vroča, prisoten je dim.	<ul style="list-style-type: none"> ■ Rezervoar za olje je prazen. ■ Delci v utoru vodila meča. 	<ul style="list-style-type: none"> ■ Polnjenje maziva za meč in verigo. ■ Iz utora očistite delce.

SL

GARANCIJA

GARANCIJSKA POLITIKA DRUŽBE EGO

Za popolne pogoje garancijske politike družbe EGO obiščite spletno mesto egopowerplus.com.

PERSKAITYKITE VISAS INSTRUKCIJAS!



PERSKAITYKITE NAUDOJIMO INSTRUKCIJĄ

⚠ Liekamasis pavojus! Žmonėms, kuriems implantuoti elektroniniai prietaisai, pvz., širdies stimulatoriai, prieš pradėdami naudoti šį gaminį reikia pasitarti su savo gydytoju (-ais). Arti širdies stimulatoriaus veikianti elektros įranga gali trikdyti širdies stimulatoriaus veikimą arba jį sugadinti.

⚠ ĮSPĖJIMAS: Norint užtikrinti saugumą ir patikimumą, visus remonto darbus turi atlikti kvalifikuotas techninės priežiūros specialistas.

SAUGOS SIMBOLIAI

Saugos simbolių paskirtis – atkreipti dėmesį į galimus pavojus. Gerai susipažinkite su saugos simboliais bei jų paaiškinimais ir juos įsidėmėkite. Simbolių įspėjimai patys savaime negali apsaugoti nuo pavojų. Jais žymimi nurodymai ir įspėjimai neatstoja tinkamų nelaimingų atsitikimų prevencijos priemonių.

⚠ ĮSPĖJIMAS: Prieš pradėdami naudoti šį įrankį, perskaitykite visus šioje naudojimo instrukcijoje pateiktus saugos nurodymus, taip pat susipažinkite su visais saugos įspėjimaisiais simboliais, tokiais kaip „**PAVOJUS**“, „**ĮSPĖJIMAS**“ ir „**DĖMESIO**“, ir įsitikinkite, kad juos suprato. Nesilaikant visų toliau išdėstytų nurodymų galima patirti elektros smūgį, sukelti gaisrą ir (ar) sunkiai susižaloti.

SIMBOLIŲ REIKŠMĖ

KEES VAN DER SPEK

Šiame puslapyje pavaizduoti ir aprašyti saugos simboliai, kurie gali būti nurodyti ant šio gaminio. Prieš bandydami surinkti ir naudoti įrankį, perskaitykite visus ant jo pateiktus nurodymus, įsitikinkite, kad juos suprato, ir jais vadovaukitės.



Įspėjimas dėl saugos



Kad sumažintų susižalojimo pavojų, prieš naudodamas šį gaminį naudotojas turi perskaityti naudotojo instrukciją ir įsitikinti, kad ją suprato.



Užsidėti apsauginius akinius



Užsidėti galvos apsaugos priemonę



Užsidėti klausos apsaugos priemonę



Mūvėti apsaugines pirštines



Garantuojamas garso galios lygis. Triukšmo sklaida į aplinką atitinka Europos Bendrijos direktyvą.

IPX4 Apsaugos klasė



Apsiauti apsauginę avalynę



Kad nepatirtumėte elektros smūgio, nedirbkite arčiau nei 15 m nuo antžeminių elektros oro linijų. Palletę elektros linijai arba dirbdami šalia jos galite patirti elektros smūgį ir sunkiai ar net mirtinai susižaloti.



Nenaudoti lyjant lietuvi.



Šis gaminys atitinka taikomas EB direktyvas.



Šis gaminys atitinka taikomas JK direktyvas.



Netinkamus naudoti elektrinius įrankius draudžiama išmesti kartu su buitinėmis atliekomis. Pristatyti įgijotam perdirbėjui.



Nuolatinė srovė

V

Įtampa

LT

TECHNINIAI DUOMENYS

Vardinė įtampa	56 V $\overline{\text{---}}$	
Kreipiamosios juostos ilgis	25cm	
Grandinės žingsnis	6,4 mm (1/4")	
Pjovimo gylio ribotuvas	1,1 mm (0.043")	
Alyvos bakelio talpa	80 ml	
Grandinės varančiųjų narelių skaičius	56	
Įrankio ilgis (be ilginamojo koto)	Maks. 292 cm Min. 233 cm	
Rekomenduojama darbo temperatūra	Nuo -15°C iki 40°C	
Rekomenduojama laikymo temperatūra	Nuo -20°C iki 70°C	
Rekomenduojama įkrovimo temperatūra	Nuo 5C iki 40°C	
Svoris (be sudėtinės baterijos ir grandinės užmovos)	4,25 kg	
Išmatuotas garso galios lygis L_{WA}	97 dB(A) K=2,5 dB(A)	
Garso slėgio lygis darbinėje padėtyje L_{PA}	82 dB(A) K=3 dB(A)	
Garantuojamas garso galios lygis L_{WA} (išmatuotas pagal 2000/14/EB)	100 dB(A)	
Vibracija a_n	Priekinė pagalbinė rankena	1,19 m/s^2 K=1,5 m/s^2
	Galinė rankena	1,01 m/s^2 K=1,5 m/s^2

- Nurodyta bendroji vibracijos vertė išmatuota taikant standartinį bandymo metodą, todėl pagal ją galima palyginti skirtingus įrankius.
- Nurodytą bendrąją vibracijos vertę taip pat galima naudoti pirminiam poveikio vertinimui.

PASTABA: Naudojant įrankį realiomis sąlygomis, sklaidžiamos vibracijos stiprumo vertė gali skirtis nuo nurodytos. Kad apsisaugotų dirbdamas realiomis sąlygomis, naudotojas turi mūvėti pirštines ir naudoti klausos apsaugos priemonės.

APRAŠYMAS

AUKŠTAPJOVĖS DALYS (A1 pav.)

1. Greitojo grandinės įtempimo reguliavimo rankenėlė
2. LED darbinė lemputė
3. Šoninis dangtelis
4. Peties diržo pakaba
5. Ilginamasis kotas
6. Blokutuotės išjungimo mygtukas
7. Pagrindinis jungiklis
8. Galinė rankena
9. Baterijos atjungimo mygtukas
10. Priekinė pagalbinė rankena
11. Greitojo atleidimo svirtis
12. Sustumiamas kotas
13. Peties diržas
14. Alyvos bakelio dangtelis
15. Alyvos bakelis
16. Apsauginiai smaigai
17. Kreipiamoji juosta
18. Pjūklo grandinė
19. Grandinės užmova

PAKUOTĖS TURINIO SĄRAŠAS (A1 pav.)

Šiai aukštapjovei rekomenduojama juosta ir grandinė

DALIES PAVADINIMAS	MODELIO NUMERIS
Kreipiamoji juosta	AG1000Q, AG1200Q
Pjūklo grandinė	AC1000Q, AC1200Q

SURINKIMAS

⚠️ ĮSPĖJIMAS: Jei kurios nors dalys pažeistos arba jų nėra, nenaudokite šio gaminio tol, kol tos dalys nebus pakeistos. Naudojant gaminį su pažeistomis dalimis arba kai jų trūksta, galima sunkiai susižaloti.

⚠️ ĮSPĖJIMAS: Nebandykite keisti šio gaminio konstrukcijos arba naudoti priedus, kurie nėra rekomenduojami naudoti su šiuo gaminiumi. Visi tokie pakeitimai laikomi netinkamu naudojimu ir gali sukelti pavojingas situacijas, kurių metu galite sunkiai susižaloti.

⚠️ ĮSPĖJIMAS: Visada išimkite sudėtinę bateriją iš gaminio, kai montuojate dalis, reguliuojate, valote arba gaminio nenaudojate.

KREIPIAMOSIOS JUOSTOS IR GRANDINĖS SURINKIMAS

1. Paguldykite aukštąjį ant tvirtos ir lygaus paviršiaus taip, kad šoninis dangtelis būtų nukreiptas į viršų.
2. Mūvėkite pirštines. Nuimkite šoninį dangtelį (B pav.).
3. Paguldykite naujos pjūklų grandinės kilpą ant lygaus paviršiaus ir ištiesinkite sulenktas vietas.
4. Grandinės varančiuosius narelius įstatykite į krepiamosios juostos griovelį. Grandinę paguldykite taip, kad krepiamosios juostos gale susidarytų kilpa (C pav.).

C-1	Grandinės varantieji nareliai
C-2	Krepiamosios juostos griovelis

5. Laikykite nejudančią grandinę ant krepiamosios juostos ir uždėkite kilpą ant aukštąjį varančiosios žvaigždutės.

PASTABA: Ant įrankio korpuso išgraviuota nedidelė krypties rodyklė ir pjovimo narelis (D pav.). Montuojant pjūklų grandinę ant krepiamosios juostos reikia atkreipti dėmesį, kad, sumontavus krepiamąją juostą, pjūklų grandinės sukimosi kryptis atitiktų šios rodyklės rodomą kryptį, o krepiamosios juostos pjovimo narelių forma – išgraviuoto narelis formą. Priešingu atveju iš naujo uždėkite pjūklų grandinę ant krepiamosios juostos taip, kad grandinės sukimosi kryptis atitiktų rodyklės kryptį. Krepiamąją juostą reikia sumontuoti taip, kad reguliavimo plokštelė būtų nukreipta tolyn nuo korpuso.

6. Juosta ir grandinė turi būti lygiagrečios montavimo paviršiui. Pritvirtinkite šoninį dangtelį prie korpuso taip, kad visos angos ir kaišiai bei tvirtinimo varžtai ir sriegio skylės atitiktų viena kitą (E pav.). Paspauskite šoninį dangtelį link korpuso, tada iki galo priveržkite greitojo grandinės įtempimo reguliavimo rankenėlę pagal laikrodžio rodyklę. Ekscentrikas šoninio dangtelio viduje apsaugo grandinę nuo pertempimo.

PASTABA: Grandinei atsipalaidavus, pasukite greitojo grandinės įtempimo reguliavimo rankenėlę prieš laikrodžio rodyklę bent vieną apsisukimą, o po to iki galo ją priveržkite.

7. Pasukite grandinę ranka, kad patikrintumėte, ar ji tinkamai uždėta ir neklūna. Priešingu atveju iš naujo surinkite grandinę ir juostą.

AUKŠTĄJIOVĖS ĮTAISO PRIJUNGIMAS PRIE ELEKTRINĖS GALVUTĖS

Ši aukštąjiove sudaryta iš aukštąjiove įtaiso ir elektrinės galvutės (F pav.).

F-1	Aukštąjiove įtaisas
F-2	Elektrinė galvutė

⚠️ ĮSPĖJIMAS: Niekada netvirtinkite ir nereguliuokite aukštąjiove įtaiso, kai veikia elektrinė galvutė arba prijungta baterija. Nesustabdę variklio ir neišėmę baterijos galite sunkiai susižaloti.

Aukštąjiove įtaisas prie elektrinės galvutės prijungiamas jungiamąją mova.

1. Išjunkite variklį ir išimkite sudėtinę bateriją.
2. Atsukite sparnuotąją rankenėlę.
3. Sulygiuokite rodyklę ant aukštąjiove koto su rodykle ant jungiamosios movos ir stumkite kotą į jungiamąją movą, kol išgirsite spragtelėjimą, kuris reikš, kad kotas prisitvirtino (G pav.).

G-1	Sparnuotoji rankenėlė	G-3	Rodyklė ant jungiamosios movos
G-2	Koto atjungimo mygtukas	G-4	Rodyklė ant aukštąjiove koto

4. Truktelėkite įtaiso kotą, kad įsitikintumėte, jog jis patikimai užsikisavo. Jei neužsikisavo, pasukinėkite aukštąjiove kotą į abi puses, kad užsikisotų jungiamąjoje movoje.
5. Tvirtai užveržkite sparnuotąją rankenėlę.

⚠️ ĮSPĖJIMAS: Prieš paleisdami įrankį patikrinkite, ar sparnuotoji rankenėlė tvirtai užveržta. Įrankio naudojimo metu periodiškai tikrinkite užveržimą, kad išvengtumėte sunkių sužalojimų.

ILGINAMOJO KOTO PRIJUNGIMAS TARP ELEKTRINĖS GALVUTĖS IR AUKŠTĄJIOVĖS ĮTAISO (modelis Nr. EP1000)

⚠️ ĮSPĖJIMAS: Įtaiso niekada netvirtinkite ir nereguliuokite, kai veikia elektrinė galvutė arba prijungta baterija. Nesustabdę variklio ir neišėmę baterijos galite sunkiai susižaloti.

Šis ilginamasis kotas skirtas naudoti tik su EGO PS1000E. Niekada nenaudokite su kitais EGO įtaisais.

Ilginamasis kotas pailgina įrankį 100 cm ir praplečia pjovimo diapazoną. Jį reikia prijungti tarp aukštąjiove įtaiso ir elektrinės galvutės. Prie vieno įrankio galima prijungti ne daugiau dviejų ilginamųjų kotų (galima įsigyti atskirai).

Ilginamąjį kotą tarp aukštąplovės įtaiso ir elektrinės galvutės prijunkite pagal nurodymus skyriuje „**AUKŠTAPJOVĖS ĮTAISO PRIJUNGIMAS PRIE ELEKTRINĖS GALVUTĖS**“ (H pav.).

H-1	Jungiamoji mova ant ilginamojo koto
H-2	Jungiamoji mova ant elektrinės galvutės

PASTABA: Tinkamai surinkus, aukštąplovės įtaisas, ilginamasis kotas ir elektrinė galvutė traukiant neturi atsiskirti. Visada patikrinkite jungtį, bandydami ją atsikirti. Jei šias jungiamąsias dalis galima atsikirti, pakartokite pirmiau nurodytus veiksmus.

⚠️ ĮSPĖJIMAS: Nesilaikant įtaiso ir elektrinės galvutės arba ilginamojo koto tvirtinimo nurodymų galima sunkiai ar net mirtinai susižaloti.

ĮTAISO NUĖMIMAS NUO ELEKTRINĖS GALVUTĖS

1. Išjunkite variklį ir išimkite sudėtinę bateriją.
2. Atsukite sparnuotąją rankenėlę.
3. Paspauskite koto atjungimo mygtuką ir, laikydami jį nuspausta, traukite arba sukite aukštąplovės kotą iš jungiamosios movos, kad jis atsiskirtų nuo elektrinės galvutės arba ilginamojo koto (jei naudojamas).
4. Pakartokite šią procedūrą, norėdami atsikirti ilginamąjį kotą nuo elektrinės galvutės (jei naudojamas ilginamasis kotas).

PRIEKINĖS PAGALBINĖS RANKENOS TVIRTINIMAS IR REGULAVIMAS

1. Išjunkite variklį ir išimkite sudėtinę bateriją.
2. Atsukite sparnuotąją veržlę ir nuimkite ją kartu su prispaudimo varžtu nuo priekinės pagalbinės rankenos (I1 pav.).

I-1	Priekinė pagalbinė rankena	I-4	Sparnuotoji veržlė
I-2	Fiksavimo svirtis	I-5	Prispaudimo kaladėlė
I-3	Prispaudimo varžtas		

3. Prispauskite pagalbinę rankeną prie elektrinės galvutės koto ir pasukite ją žemyn taip, kad būtų nukreipta į pjūklą grandinę (I2 pav.).
4. Įstatykite prispaudimo kaladėlę ir prakiškite prispaudimo varžtą su sparnuotąja veržle (I3 pav.).

5. Sparnuotosios veržlės neužveržkite iki galo. Nustatykite priekinę pagalbinę rankeną į padėtį tarp peties diržo pakabos ir sustumiamo koto įvorės (I4 pav.). Rankeną reikia sureguliuoti taip, kad naudojant aukštąplovę ranka būtų ištiesta.
6. Nuspauskite žemyn fiksavimo svirtį ir priveržkite sparnuotąją veržlę, kad priekinė pagalbinė rankena ant elektrinės galvutės koto nesisukintų ir nejudėtų.

DARBAS

⚠️ PAVOJUS: Niekada nepjunkite šalia elektros linijų, elektros laidų arba kitų elektros įtampos šaltinių. Jeigu kreipiamoji juosta arba grandinė įstrigtų elektros laiduose arba linijoje **NELIESKITE JUOSTOS, GRANDINĖS ARBA KOTO! JAIS GALI TEKĖTI ELEKTROS SROVĖ, O TAI GALI BŪTI LABAI PAVOJINGA.** Laikykite aukštąplovę už izoliuotos galinės rankenos arba padėkite toliau nuo savęs saugiu būdu. Prieš bandydami išlaisvinti kreipiamąją juostą ir grandinę, atjunkite įtampą pažeistoje elektros linijoje arba laide. Palietę kreipiamąją juostą, grandinę, kitas elektrai laidžias aukštąplovės dalis, elektros laidus ar linijas, kuriomis teka srovė, galite patirti elektros smūgį ir sunkiai ar net mirtinai susižaloti.

⚠️ ĮSPĖJIMAS: Mokėjimas naudotis šiuo gaminiu nesuteikia teisės dirbti nerūpestingai. Atminkite, kad net akimirksniui atitraukę dėmesį galite sunkiai susižaloti.

⚠️ ĮSPĖJIMAS: Visada užsidėkite apsauginius akinius arba apsauginius akinius su šonine apsauga. Nesilaikant šio nurodymo į akis gali pataikyti išsviestos šiukšlės arba galite kitaip sunkiai susižaloti.

⚠️ ĮSPĖJIMAS: Visada išimkite sudėtinę bateriją iš gaminio, kai montuojate dalis, reguliuojate, valote arba nenaudojate gaminio. Išėmę sudėtinę bateriją išvengsite atsitiktinio paleidimo, kuris gali sunkiai sužaloti.

⚠️ ĮSPĖJIMAS: Nenaudokite jokių papildomų įtaisų ar priedų, kurių nerekomendavo šio įrankio gamintojas. Naudojant nerekomenduojamus papildomus įtaisus ar priedus galima sunkiai susižaloti.

Kaskart prieš naudodami gaminį nuodugniai jį patikrinkite, ar nesugadintas ir netrūksta ar neatsilaisvinusios dalys, pavyzdžiui, sraigtai, veržlės, varžtai, dangteliai ir pan. Patikimai priveržkite visas tvirtinimo detales ir dangtelius ir nenaudokite šio gaminio, kol nepakeisite visų trūkstančių ar sugadintų dalių.

PRITAIKYMAS

Galite naudoti šį gaminį toliau išvardytais tikslais:

- Šakoms pjaustyti;
- Genėti.

PASTABA: Įrankį galima naudoti tik pagal numatytąją paskirtį. Bet koks kitas naudojimas laikomas netinkamu.

PJOVIMO JUOSTOS IR GRANDINĖS ALYVOS BAKELIO PILDYMAS

⚠️ ĮSPĖJIMAS: Nerūkykite ir nenaudokite ugnies ar liepsnos šalia alyvos ar aukštapijovės. Alyva gali išsilieti ir sukelti gaisrą.

PASTABA: Nauja aukštapijovė parduodama be alyvos. Prieš ją naudojant bakelį būtina pripildyti grandinėms skirta alyva. Naudodami aukštapijovę be grandinės alyvos arba kai alyvos lygis yra žemesnis už tam tikrą lygį, aukštapijovę sugadinsite. Grandinės eksploatavimo trukmė ir pjovimo našumas priklauso nuo tinkamo tepimo. Darbo metu grandinė automatiškai tepama grandinės alyva, jei bakelyje jos yra pakankamai. Dirbdami kas 20 minučių tikrinkite alyvos lygį ir prireikus įpilkite daugiau alyvos.

1. Iš elektrinės galvutės išimkite sudėtinę bateriją.
2. Kad į alyvos bakelį nepatektų nešvarumų, nuvalykite jo dangtelį ir plotą aplink dangtelį.
3. Paguldykite aukštapijovę ant tvirto ir lygaus paviršiaus taip, kad alyvos bakelio dangtelis būtų nukreiptas į viršų, ir dangtelį atsukite (J pav.).
4. Į bakelį iki pat kakliuko atsargiai pripilkite kreipiamųjų juostų ir grandinių alyvos. Pilkite atsargiai, kad alyva nepersilietų. Nuvalykite alyvos perteklių.

PASTABA:

- Niekada nenaudokite alyvos ar kitų tepimo priemonių, kurios nėra skirtos juostai ir grandinei tepti. Priešingu atveju tepimo sistema gali užsikimšti, ir tuomet greičiau sudilės juosta ir grandinė.
- Dažnai tikrinkite alyvos lygį ir prireikus papildykite.
- Nenaudokite nešvarios, naudotos arba kitaip užterštos alyvos. Nepaisant šio nurodymo galima sugadinti kreipiamąją juostą arba grandinę.
- Normalu, kai iš nenaudojamo įrankio sunkiasi alyva. Kad alyva nevarvėtų, kiekvieną kartą po įrankio naudojimo ištuštinkite alyvos bakelį, o po to paleiskite aukštapijovę vienai minutei. Ilgai laikomo įrankio grandinė turi būti lengvai sutepta; taip išvengsite rūdžių ant grandinės ir juostos žvaigždutės.
- Kad neterštumėte aplinkos, alyvą atiduokite perdirbti arba tinkamai išmeskite. Dėl galimo perdirbimo ir (ar) išmetimo būdų pasitarkite su vietos atliekų tvarkymo institucija.

SUSTUMIAMO KOTO REGULIAVIMAS (K pav.)

1. Pakelkite greitojo atleidimo svirtį, kad atlaisvintumėte sustumiamą kotą.

2. Ištieskite sustumiamą kotą iki reikiamo ilgio.
3. Nuspauskite greitojo atleidimo svirtį žemyn, kad tvirtai užfiksuotumėte sustumiamą kotą.

PETIES DIRŽO TVIRTINIMAS

Spausdami atidarykite diržo kabliuką ir prikabinkite prie aukštapijovės peties diržo pakabos (L pav.). Susireguliuokite peties diržą, kad būtų patogus dirbti.

⚠️ ĮSPĖJIMAS: Atsitikus nelaimei, nedelsdami nusiimkite diržą nuo peties, kad nesužalotumėte.

SUDĖTINĖS BATERIJOS ĮSTATYMAS IR IŠĖMIMAS

PASTABA: Prieš naudodami sudėtinę bateriją pirmą kartą iki galo ją įkraukite.

Naudokite tik su A2 paveiksle nurodytomis sudėtinėmis baterijomis ir įkrovikliais.

Įstatymas

Sulygiuokite sudėtinės baterijos iškyšas su tvirtinimo grioveliais ir spauskite bateriją žemyn, kol išgirsite spragtelėjimą (M pav.).

⚠️ ĮSPĖJIMAS: Prieš pradėdami dirbti įsitinkinkite, kad sudėtinė baterija užfiksuota savo vietoje. Jei sudėtinė baterija tinkamai neužfiksuota, ji gali iškristi ir sunkiai sužaloti.

⚠️ ĮSPĖJIMAS: Spausdami baterijos atjungimo mygtuką, visada atidžiai stebėkite savo kojas ir šalia esančius vaikus bei naminius gyvūnus. Iškritusi baterija gali sunkiai sužaloti. NIEKADA nebandykite išimti sudėtinės baterijos dirbdami aukštyje.

Išėmimas

Paspauskite baterijos atjungimo mygtuką ir ištraukite bateriją (N pav.).

LED DARBINĖ LEMPUTĖ (O pav.)

LED darbinė lemputė yra aukštapijovės priekyje, vienoje linijoje su pjūklų grandine. Ši funkcija užtikrina papildomą apšvietimą, kad pjaudami aukštai medyje esančias šakas naudotojai matytų, kur yra pjūklų grandinė.

Darbinė lemputė automatiškai užsidega paspaudus pagrindinį jungiklį, ir užgesa atleidus pagrindinį jungiklį po maždaug 10 sekundžių.

ĮRANKIO PALEIDIMAS IR SUSTABDYMAS

Prieš paleidžiant aukštapijovę

⚠️ ĮSPĖJIMAS: NIEKADA NENAUDOKITE ELEKTRINĖS GALVUTĖS BE PRIJUNGTO ĮTAISO. Nebandykite paleisti elektrinės galvutės neprijungę aukštapijovės įtaiso.

PASTABA: Prieš paleisdami aukštąjovę patikrinkite greitojo grandinės įtempimo reguliavimo rankenėlę, alyvos lygį ir grandinės bei dantukų aštrumą. Be to, tvirtai atsistokite, tinkamai paimkite įrankį ir laikykite jį tinkamame aukštyje virš žemės (Q pav.).

Paleidimas (P pav.)

1. Įstatykite sudėtinę bateriją.
2. Patikrinkite, ar netoliese nėra jokių daiktų arba kliūčių, kurias kreipiamoji juosta ir grandinė galėtų užkliudyti.
3. Abiem rankomis tvirtai suimkite pagalbinę rankeną ir galinę rankeną.
4. Paspauskite ir laikykite nuspaudę blokuotės išjungimo mygtuką, po to paspauskite pagrindinį jungiklį, kad paleistumėte įrankį. Atleiskite blokuotės išjungimo mygtuką ir toliau laikykite nuspaudę jungiklį, kad įrankis nuolat veiktų.

⚠️ ĮSPĖJIMAS: Nebandykite paleisti aukštąjovės, kai jos grandinė įstatyta į įpjovą arba liečia bet kokį paviršių.

Sustabdymas

Atitraukite aukštąjovę nuo pjovimo zonos ir atleiskite pagrindinį jungiklį, kad sustabdytumėte įrankį.

⚠️ ĮSPĖJIMAS: Darydami pertraukas arba baigę dirbti, visada išimkite sudėtinę bateriją iš aukštąjovės.

PAGRINDINĖ PJOVIMO PROCEDŪRA (R pav.)

Kad nepažeistumėte medžių arba krūmų žievės, atlikite toliau aprašomus veiksmus. Pjaudami nestumdykite aukštąjovės pirmyn ir atgal.

1. Visų pirma negiliai įpjaukite (1/4 šakos skersmens) šakos apatinę pusę arti pagrindinės šakos arba kamieno.
2. Tuomet pjaukite šakos viršutinę pusę šiek tiek toliau nuo pirmojo pjūvio. Pjaukite šaką, kol ji atsiskirs nuo medžio. Būkite pasiruošę išlaikyti įrankio svorį, kai šaka pradės kristi.
3. Paskutinį pjūvį atlikite arti kamieno.

PASTABA: Darydami antrąjį ir paskutinįjį pjūvius (iš šakos viršutinės pusės), apsauginius smaigus atremkite į pjaunamą šaką (S pav.). Taip pjaunama šaka stabilesnė ir ją lengviau pjauti. Leiskite grandinei pjauti už jus; spauskite ją tik lengvai žemyn. Pirmėlyg stipriai spaudžiant galima sugadinti kreipiamąją juostą, grandinę arba variklį.

S-1	Apsauginiai smaigai
-----	---------------------

4. Baigę pjauti iš karto atleiskite pagrindinį jungiklį.

PASTABA: Nesilaikant tinkamų pjovimo procedūrų, juosta ir grandinė gali įstrigti pjaunamoje šakoje. Jeigu taip nutiktų, atlikite šiuos veiksmus:

1. Išjunkite variklį ir išimkite sudėtinę bateriją.
2. Jeigu šaką galite pasiekti nuo žemės, laikydami aukštąjovę ją pakelkite. Šiuo būdu turėtumėte atlaisvinti ir ištraukti aukštąjovę.
3. Nepavykus ištraukti kreipkitės pagalbos į specialistą.

ŠAKŲ PJAUSTYMAS IR GENĖJIMAS

Ši aukštąjovė skirta šakelėmis ir ne storesnėmis kaip 20 cm (įrankis su 25 cm kreipiamąja juosta) ar 25 cm (įrankis su 30 cm kreipiamąja juosta) šakoms pjaustyti ir genėti. Kad darbo rezultatai būtų kuo geresni, laikykitės šių atsargumo priemonių:

1. Atidžiai planuokite pjūvį. Žinokite, kuria kryptimi kris šaka.

⚠️ ĮSPĖJIMAS: Šakos gali kristi nenumatyta kryptimi. Nestovėkite tiesiai po pjaunama šaka.

2. Tipiškiausias pjovimo būdas – pakreipti įrankį 60° ar mažesniu kampu, priklausomai nuo konkrečios situacijos, kaip parodyta T pav. Kuo didesnis aukštąjovės koto kampas su žeme, tuo sunkiau atlikti pirmąjį pjūvį (iš apatinės šakos pusės).
3. Ilgas šakas pjaustykite dalimis.
4. Pradžioje nupjaukite apatines šakas, kad po to būtų daugiau vietos kristi pjaunamoms viršutinėms šakoms.
5. Dirbkite neskubėdami, abiem rankomis tvirtai laikydami aukštąjovę. Visada tvirtai stovėkite ir išlaikykite pusiausvyrą.
6. Pjaudami šakas išlaikykite medį tarp savęs ir grandinės. Pjaukite iš priešingos pjaunamai šakai medžio pusės.
7. Nepjaukite stovėdami ant kopėčių – tai labai pavojinga. Tokius darbus patikėkite specialistams.
8. Prie pagrindinės šakos arba kamieno pjaukite tik nupjovę pakankamą dalį šakos, kad sumažėtų likusios dalies svoris. Tinkamai pjaudami nenuplėšite žievės nuo pagrindinės šakos arba kamieno.
9. Aukštąjovės nenaudokite medžiams leisti arba rąstams pjaustyti.
10. Kad nepatirtumėte elektros smūgio, dirbkite ne arčiau kaip 15 m atstumu nuo antžeminių elektros oro linijų (T pav.).
11. Pašaliniai asmenys turi būti ne arčiau kaip 15 m atstumu (T pav.).

TECHNINĖ PRIEŽIŪRA

⚠️ ĮSPĖJIMAS: Prieš tikrindami, valydami ar vykdydami įrankio techninės priežiūros darbus sustabdykite variklį, palaukite, kol sustos visos judančios dalys, ir išimkite sudėtinę bateriją. Nesilaikydami šių instrukcijų galite sunkiai ar net mirtinai susižaloti arba sugadinti turtą.

⚠️ ĮSPĖJIMAS: Vykdydami techninės priežiūros darbus, naudokite tik identiškas atsargines dalis. Naudojant bet kokias kitas dalis gali kilti pavojus arba sugesti gaminys. Kad gaminys būtų saugus ir patikimas, visus šiuose techninės priežiūros nurodymuose neaprašytus remontų darbus turi atlikti kvalifikuotas techninės priežiūros technikas.

⚠️ ĮSPĖJIMAS: Tvarkydami pjūklo grandinę visada mėvėkite pirštines. Grandinė yra aštri ir gali būti su atplaišomis.

BENDROJI PRIEŽIŪRA

Valydami plastikinės dalis venkite naudoti tirpiklius. Įvairūs komerciniai tirpikliai gali pažeisti įvairių tipų plastiką ir jų naudoti nerekomenduojama. Purvą, dulkes, alyvą, tepalus ir t. t. valykite švariu skudurėliu.

VALYMAS

- Kaskart panaudoję, minkštu šepetėliu nuvalykite nešvarumus nuo grandinės ir krepiamosios juostos. Aukštąjovės paviršių valykite švaria šluoste, sudrėkinta mažos koncentracijos muilo tirpalu.
- Nuimkite šoninį dangtelį ir minkštu šepetėliu nuvalykite nešvarumus nuo krepiamosios juostos, pjūklo grandinės, žvaigždutės ir šoninio dangtelio.
- Keisdami pjūklo grandinę, iš krepiamosios juostos griovelio būtinai išvalykite medienos skiedras, pjuvenas ir nešvarumus.

Visus šioje priežiūros instrukcijoje neaprašytus techninės priežiūros darbus turi atlikti kvalifikuotas aukštąjovės techninės priežiūros specialistas.

JUOSTOS IR GRANDINĖS KEITIMAS

Krepiamąją juostą ir grandinę visada keiskite juostos ir grandinės deriniu, nurodytu skyriuje „Šiai aukštąjovėi rekomenduojama juosta ir grandinė“.

1. Išimkite sudėtinę bateriją ir palaukite, kol įrankis atvės. Patikrinkite, ar prisuktas alyvos bakelio dangtelis, kad neištekėtų alyva.
2. Paguldykite aukštąjovę ant šono ant tvirto ir lygaus paviršiaus taip, kad alyvos bakelio dangtelis būtų viršuje.
3. Mėvėkite pirštines. Nuimkite šoninį dangtelį (U pav.).

Sausu skudurėliu nuvalykite šoninį dangtelį.

4. Nuo montavimo paviršiaus sudilusia juostą ir grandinę.
5. Uždėkite naują krepiamąją juostą ir pjūklo grandinę, vadovaudamiesi skyriuje „SURINKIMAS“ pateiktomis instrukcijomis „KREIPIAMOSIOS JUOSTOS IR GRANDINĖS SURINKIMAS“.

PASTABA: Tuo pačiu tai gera proga patikrinti, ar varančioji žvaigždutė nėra pernelyg sudilusi ar sugadinta.

KREIPIAMOSIOS JUOSTOS TECHNINĖ PRIEŽIŪRA

Jei krepiamoji juosta yra su nudilimo požymiais, nuimkite ją nuo aukštąjovės. Išsukite fiksavimo varžtą ir nuimkite reguliavimo plokštelę, apverskite krepiamąją juostą (V pav.) ir vėl pritvirtinkite reguliavimo plokštelę naujoje krepiamosios juostos pusėje (W pav.), kad juostos dilimas būtų tolygesnis ir ją būtų galima ilgiau naudoti. Kiekvieną dieną po darbo juostą reikia nuvalyti ir patikrinti, ar ji nesudilusi ir nepažeista. Krepiamosios juostos bėgelių šiaušimasis arba šerpetų atsiradimas juose yra normalūs juostos dilimo požymiai. Atsiradusius tokius nelygumus galima pašalinti su dilde. Krepiamąją juostą, kurioje yra toliau nurodytų defektų, reikia pakeisti:

- Išdilimas juostos bėgelyje, dėl kurio grandinė pakrypsta.
- Įlenkta krepiamoji juosta.
- Įtrūkė arba sulūžę bėgeliai.
- Išsiplėtę bėgeliai.

Be to, pjovimo juostos viršūnėje yra žvaigždutė.

Žvaigždutę reikia kas savaitę sutepti tepimo švirkštu, kad prailgintumėte krepiamosios juostos naudojimo trukmę. Kas savaitę tepimo švirkštu įleiskite grandinės alyvos į tepimo skylutę (X pav.). Pasukite krepiamąją juostą ir patikrinkite, ar tepimo skylutėse ir grandinės griovelyje nėra nešvarumų.

X-1	Žvaigždutė krepiamosios juostos viršūnėje
X-2	Tepimo skylutė

GRANDINĖS TECHNINĖ PRIEŽIŪRA

Šiam pjūklui naudokite tik nuo atatrakos saugančias grandines. Tinkamai prižiūrint šią greitą pjovimo grandinę, ji sumažina atatraką.

Su tinkamai išgaląsta grandine galima be didelių pastangų ir labai silpnai spaudžiant pjauti medį.

Niekada nenaudokite atšipusios arba pažeistos grandinės. Atšipę pjūklo grandinės pjovimo nareliai lemia didesnę fizinę įtampą, stipresnę vibraciją, prastus pjovimo rezultatus ir spartesnį dilimą.

Kad grandinė pjautų sklandžiai ir greitai, ją reikia tinkamai prižiūrėti. Grandinę reikia pagalasti, kai medžio pjuvenos tampa smulkios ir panašios į miltelius, kai pjaunant reikia stipriai spausti grandinę į medį arba kai grandinė pjaudama krypta į šoną. Vykdydami pjūklo grandinės techninės priežiūros darbus, atsižvelkite į toliau nurodytus dalykus:

- Netinkamas šoninės plokštelės galandimo kampas gali padidinti pavojų, kad įvyks stipri atatranka.
- Pjovimo gylio ribotuvo tarpelis: per mažas tarpelis padidina atatrankos tikimybę; nepakankamai mažas tarpelis sumažina pjovimo našumą.
- Jei pjovimo narelių dantukai kliudė kietą daiktą, pvz., vinis arba akmenis, arba atbuko nuo purvo ir smėlio, esančio ant medienos, pasirūpinkite, kad grandinę pagalastų kvalifikuotas techninės priežiūros specialistas.

GABENIMAS IR LAIKYMAS

- Nepalikite ir negabenkite veikiančio aukštąjovės įtaiso. Prieš padėdami į laikymo vietą ar gabendami visada išimkite sudėtinę bateriją.
- Prieš padėdami aukštąjovės įtaisą į laikymo vietą ar gabendami, ant kreipiamosios juostos ir grandinės visada uždėkite juostos užmovą. Būkite atsargūs, kad nepaliestumėte aštrių grandinės dantukų.
- Prieš padėdami į laikymo vietą aukštąjovę kruopščiai nuvalykite. Aukštąjovę laikykite sausoje, rakinamoje ir (ar) vaikams neprieinamoje patalpoje ir saugokite nuo šėdinančių medžiagų, pavyzdžiui, sodo chemikalų ir ledui tirpdyti naudojamų druskų.

Aplinkos apsauga



Neišmeskite elektros įrangos, panaudotų baterijų ir įkroviklio kartu su buitinėmis atliekomis!

Šias atliekas reikia pristatyti į jų surinkimo vietą ar įgaliotam perdirbėjui. Elektrinius įrankius reikia grąžinti į tokių atliekų perdirbimo įmonę.

TRIKIŲ ŠALINIMAS

PROBLEMA	PRIEŽASTIS	SPRENDIMAS
Neveikia variklis.	<ul style="list-style-type: none"> ■ Sudėtinė baterija neprijungta prie aukštąplovės. ■ Nėra elektrinio kontakto tarp pjūklo ir baterijos. ■ Sudėtinė baterija visiškai išsikrovusi. ■ Prieš paspaudžiant pagrindinį jungiklį, nenuspaudžiamas blokuotės išjungimo mygtukas. ■ Sudėtinė baterija arba elektrinė galvutė pernelyg įkaitusi. ■ Pjūklo grandinė įstrigo medienoje. ■ Strypas ir grandinė yra pasvirę ir nėra lygiagrečiai korpusui. ■ Nešvarumai kreipiamosios juostos griovelyje. ■ Nešvarumai šoniniame dangtelyje. 	<ul style="list-style-type: none"> ■ Prie aukštąplovės prijunkite sudėtinę bateriją. ■ Išimkite sudėtinę bateriją, patikrinkite kontaktus ir vėl įstatykite sudėtinę bateriją. ■ Įkraukite sudėtinę bateriją. ■ Kad įjungtumėte aukštąplovę, nuspauskite ir laikykite nuspaudę blokuotės išjungimo mygtuką, o po to paspauskite pagrindinį jungiklį. ■ Leiskite sudėtinei baterijai arba elektrinei galvutei atvėsti, kol temperatūra nukris iki rekomenduojamos darbinės temperatūros. ■ Atleiskite pagrindinį jungiklį, ištraukite grandinę ir kreipiamąją juosta iš medienos, o po to vėl paleiskite aukštąplovę. ■ Išimkite bateriją ir pakeiskite juosta bei grandinę, kaip nurodyta skyriuje „JUOSTOS IR GRANDINĖS KEITIMAS“. Prieš montuodami šoninį dangtelį visada nepamirškite, kad juosta ir grandinė būtų lygiagrečios tvirtinimo paviršiu. ■ Spauskite pjūklo grandinę į medį ir stumdykite aukštąplovę pirmyn bei atgal, kad pjuvenos pasišalintų. ■ Išimkite sudėtinę bateriją, nuimkite šoninį dangtelį ir išvalykite nešvarumus.

LT

PROBLEMA	PRIEŽASTIS	SPRENDIMAS
Variklis veikia, tačiau grandinė nesisuka.	<ul style="list-style-type: none"> ■ Grandinė nesusikabina su varančiąja žvaigždute. ■ Nepakankamai įtempta grandinė. ■ Atšipusi grandinė. ■ Grandinė uždėta atvirkščiai. ■ Sudilusi grandinė. ■ Sausa arba per daug įtempta grandinė. ■ Grandinė neįstatyta į kreipiamosios juostos griovelį. 	<ul style="list-style-type: none"> ■ Išimkite sudėtinę bateriją ir iš naujo uždėkite grandinę; grandinės varantieji nareliai turi būti visiškai užmauti ant žvaigždutės. ■ Pradžioje atlaisvinkite (pasukdami prieš laikrodžio rodyklę bent vieną apsisukimą) greitojo grandinės įtempimo reguliavimo rankenėlę, o po to grandinę vėl tinkamai įtempkite, sukdami rankenėlę pagal laikrodžio rodyklę. ■ Kreipkitės į kvalifikuotą techninės priežiūros specialistą, kad paglaštų grandinę. ■ Išimkite sudėtinę bateriją ir pagal skyriuje „JUOSTOS IR GRANDINĖS KEITIMAS“ pateiktus nurodymus vėl uždėkite pjūklą grandinę. ■ Išimkite sudėtinę bateriją ir pagal skyriuje „JUOSTOS IR GRANDINĖS KEITIMAS“ pateiktus nurodymus pakeiskite grandinę. ■ Patikrinkite alyvos lygį. Jei reikia, pripildykite alyvos bakelį. ■ Išimkite sudėtinę bateriją ir pagal skyriuje „JUOSTOS IR GRANDINĖS KEITIMAS“ pateiktus nurodymus vėl uždėkite pjūklą grandinę.
Juosta ir grandinė įkaista bei rūksta.	<ul style="list-style-type: none"> ■ Grandinės alyvos bakelis yra tuščias. ■ Nešvarumai pjovimo juostos griovelyje. 	<ul style="list-style-type: none"> ■ Įpilkite juostos ir grandinės alyvos. ■ Išvalykite nešvarumus iš griovelio.

LT

GARANTIJA

EGO GARANTIJOS TAISYKLĖS

Jei norite sužinoti visas EGO garantinių taisyklių sąlygas, apsilankykite interneto svetainėje egopowerplus.com.

IZLASIET VISUS NORĀDĪJUMUS!



IZLASIET LIETOTĀJA ROKASGRĀMATU

⚠ Citi riski! Personām, kuras lieto elektroniskas ierīces, piemēram, elektrokardiostimulatorus, pirms šīs ierīces lietošanas jākonsultējas ar savu ārstu. Elektriskā aprīkojuma darbība sirds elektrokardiostimulatora tuvumā var radīt stimulatora darbības traucējumus vai kļūmes.

⚠ BRĪDINĀJUMS! Lai garantētu drošu un uzticamu instrumenta darbību, visi remontdarbi jāveic kvalificētam servisa speciālistam.

DROŠĪBAS SIMBOLI

Drošības apzīmējumi ir paredzēti, lai pievērstu jūsu uzmanību iespējamem apdraudējumiem. Pievērsiet uzmanību drošības apzīmējumiem un to skaidrojumiem, un izprotiet tos. Brīdinājumu apzīmējumi paši par sevi nenovērš apdraudējumu. Tajos ietvertie norādījumi un brīdinājumi neaizstāj atbilstošu negadījumu novēršanas pasākumu īstenošanu.

⚠ BRĪDINĀJUMS! Pirms šī instrumenta lietošanas izlasiet un izprotiet visus šajā ekspluatācijas rokasgrāmatā iekļautos drošības norādījumus, tostarp visus drošības brīdinājuma apzīmējumus, piemēram, „**BĪSTAMI!**”, „**BRĪDINĀJUMS!**” un „**UZMANĪBU!**”. Visu turpmāk uzskaitīto norādījumu neievērošana var izraisīt elektriskās strāvas triecienu, aizdegšanos un/vai smagus miesas bojājumus.

SIMBOLA NOZĪME

Šajā lapaspusē ir parādīti un aprakstīti drošības apzīmējumi, kas var būt norādīti uz šī izstrādājuma. Pirms instrumenta salikšanas un lietošanas izlasiet, izprotiet un ievērojiet visus norādījumus par instrumentu.



Drošības brīdinājums



Lai mazinātu traumu rašanās bīstamību, pirms šī izstrādājuma lietošanas tā lietotājam jāizlasa un jāizprot lietošanas rokasgrāmata.



Valkāt acu aizsarglīdzekļus



Valkāt galvas aizsarglīdzekļus



Valkāt dzirdes aizsarglīdzekļus



Valkājiet aizsargcimdus



Garantētais skaņas intensitātes līmenis.

Trokšņa emisija vidē atbilstoši Eiropas

Kopienas direktīvai.

IPX4

Aizsardzības klase



Valkājiet drošības apavus



Lai novērstu elektrošoka bīstamību, nestrādājiet tuvāk par 15 m no elektroenerģijas pārvades gaisvadu līnijām. Saskare ar elektropārvades līnijām vai darbarīka izmantošana to tuvumā var radīt smagas traumas vai elektrošoku, kas var izraisīt nāvi.



Sargāt no lietus.



Šis izstrādājums atbilst piemērojamām EK direktīvām.



Šis izstrādājums atbilst piemērojamiem Apvienotās Karalistes tiesību aktiem.



Elektrisko izstrādājumu atkritumus nedrīkst izmest kopā ar sadzīves atkritumiem. Nogādāt uz pilnvarotu pārstrādes punktu.



Līdzstrāva



Spriegums

LV

SPECIFIKĀCIJAS

Nominālais spriegums	56 V	
Vadotnes sliedes garums	25 cm	
Ķēdes solis	6,4 mm (1/4")	
Ķēdes mērinstruments	1,1 mm (0.043")	
Eļļas tvertnes tilpums	80 ml	
Diska saišu skaits	56	
Instrumenta garums (bez kāta pagarinājuma)	Maks. 292 cm Min. 233 cm	
Ieteicamā darba temperatūra	Nuo -15°C iki 40°C	
Ieteicamā uzglabāšanas temperatūra	Nuo -20°C iki 70°C	
Ieteicamā uzlādes temperatūra	Nuo 5°C iki 40°C	
Svars (bez akumulatora, ķēdes pārvalka)	4,25 kg	
Izmērītais skaņas intensitātes līmenis L_{WA}	97 dB(A) K=2,5 dB(A)	
Trokšņa spiediena līmenis operatora vietā L_{PA}	82 dB(A) K=3 dB(A)	
Garantētais skaņas intensitātes līmenis L_{WA} (saskaņā ar Direktīvu Nr. 2000/14/EK)	100 dB(A)	
Vibrācija a_h	Priekšējais palīgrokturis	1,19 m/s ² K=1,5 m/s ²
	Aizmugurējais rokturis	1,01 m/s ² K=1,5 m/s ²

LV

- Norādītā vibrāciju kopējā vērtība ir izmērīta saskaņā ar standarta pārbaudes metodi un var tikt izmantota, lai salīdzinātu vairākus instrumentus.
- Deklarēto vibrāciju emisijas vērtību var arī lietot iepriekšējai vibrāciju iedarbības novērtēšanai.

PIEZĪME! Vibrāciju emisijas faktiskajā elektroinstrumenta darbināšanas laikā var atšķirties no norādītās vērtības. Lai pasargātu operatoru, lietotājam jāvalkā cimdi un dzirdes aizsarglīdzekļi atbilstoši faktiskajiem darba apstākļiem.

APRAKSTS

PĀRZINIET SAVU AUGSTGRIEZI (A1 att.)

1. Ātrās ķēdes spriegojuma regulēšanas poga
2. LED darba apgaismojums
3. Sānu pārsegs
4. Plecu siksnas kronšteins
5. Kāta pagarinājums
6. Bloķēšanas poga
7. Palaides mehānisma slēdzis
8. Aizmugurējais rokturis
9. Akumulatora atbrīvošanas poga
10. Priekšējais palīgrokturis
11. Ātrās atlaišanas svira
12. Teleskopiskais kāts
13. Plecu sikсна
14. Eļļas tvertnes vāciņš
15. Eļļas tvertne
16. Zāģēšanas balsteņi
17. Vadsliede
18. Zāģa ķēde
19. Ķēdes pārvalks

Iepakojumā saturā saraksts (A1 att.)

Šim augstgriezī ieteiktā sliede un ķēde

DAĻAS NOSAUKUMS	MODEĻA NUMURS
Vadsliede	AG1000Q, AG1200Q
Zāģa ķēde	AC1000Q, AC1200Q

MONTĀŽA

⚠ BRĪDINĀJUMS! Ja kāda daļa ir bojāta vai trūkst, nedarbiniet šo izstrādājumu, kamēr nav nomainīta bojātā daļa. Darbinot šo izstrādājumu ar bojātām vai trūkstošām daļām, varat gūt smagus miesas bojājumus.

⚠ BRĪDINĀJUMS! Nemēģiniet pārveidot šo instrumentu vai izveidot piederumus, kas nav ieteicami lietošanai kopā ar šo instrumentu. Jebkādi šādi uzlabojumi vai pārveidojumi ir uzskatāmi par neatbilstošiem lietošanai un var radīt bīstamus apstākļus, kas var izraisīt nopietnus ievainojumus.

⚠ BRĪDINĀJUMS! Vienmēr izņemiet akumulatoru bloku no produkta, ja tiek veikta detaļu izjaukšana, regulēšanas vai tīrīšanas darbi, kā arī tad, kad produkts netiek lietots.

VADOTNES SLIEDĒS UN KĒDES UZSTĀDĪŠANA

1. Nolieciet augstgriezi uz cietas un līdzenas virsmas tā, lai sānu pārsegs būtu vērsts uz augšu.
2. Uzvelciet cimdus. Noņemiet sānu pārsegu (B att.).
3. Novietojiet jauno zāģa ķēdi cilpā uz līdzenas virsmas un iztaisnojiet visus mezglus.
4. Ievietojiet ķēdes piedziņas posmus sliedes gropē. Novietojiet ķēdi tā, lai cilpa atrastos vadotnes sliedes aizmugurē (C att.).

C-1	Ķēdes piedziņas posmi
C-2	Vadotnes sliedes rieva

5. Pieturiet ķēdi uz vadotnes sliedes un uzlieciet cilpu apkārt augstgrieža piedziņas ķēzratam.

PIEZĪME! Instrumenta korpusā ir iegravēta neliela virziena bultiņa un griezējs (D att.). Uzvelkot zāģa ķēdi uz vadotnes sliedes, pārliecinieties, ka pēc vadotnes sliedes uzstādīšanas zāģa ķēdes virziens sakrīt ar bultiņas griešanas virzienu uz instrumenta korpusa, un griezēju forma vadotnes sliedes augšpusē sakrīt ar griezēja korpusu. Ja tie ir vērsti pretējos virzienos, vēlreiz uzstādiēt zāģa ķēdi uz vadotnes sliedes tā, lai bultiņas būtu vērsta vienā virzienā. Vadotnes sliede ir jāuzstāda tā, lai regulēšanas plāksne būtu vērsta pretējā virzienā no korpusa.

6. Turiet sliedi un ķēdi paralēli montāžas virsmai. Piestipriniet sānu pārsegu korpusam tā, lai caurumi/taņas un stiprinājuma skrūve/vītne caurums būtu pareizi saskaņoti viens ar otru (E att.). Piespiediet sānu vāciņu pret korpusu, pēc tam pulksteņrādītāja virzienā pievelciet ātrās ķēdes spriegojuma regulēšanas pogu līdz galam. Ekscentriskais pārnesums sānu pārsegā ir izveidots tā, lai ķēdi nevarētu pārāk stipri nospriegot.

PIEZĪME! Ja ķēde kļūst vaļīga, pagrieziet ātrās ķēdes spriegojuma regulēšanas pogu pretēji pulksteņrādītāja kustības virzienam vismaz vienu apgriezieni, pēc tam pilnībā pievelciet pogu.

7. Pagrieziet ķēdi ar roku, lai pārbaudītu, vai ķēde ir pareizi salikta bez piestiprināšanas. Ja tas tā nav, vēlreiz samontējiet ķēdi un sliedi.

AUGSTGRIEŽA PIERĪCES PIESTIPRINĀŠANA INSTRUMENTGALVAI

Šis augstgriezis darbojas, izmantojot augstgrieža pierīces un instrumentgalvas kombināciju (F att.).

F-1	Augstgrieža pierīce
F-2	Jaudas galva

⚠ BRĪDINĀJUMS! Nekad nepiestipriniet vai nesalāgojiet pierīci, kamēr darbojas instrumentgalva vai, ja tajā atrodas akumulators. Ja motors netiek apturēts un nav izņemts akumulators, jūs varat gūt smagus miesas bojājumus.

Augstgrieža pierīci savieno ar instrumentgalvu, izmantojot savienotājapskavu.

1. Apturiet motoru un izņemiet akumulatoru bloku.
2. Atskrūvējiet spārņveida pogu.
3. Salāgojiet bultiņu uz augstgrieža vārpstas ar bultiņu uz savienotāja un iespiediet augstgrieža vārpstu savienotājā, līdz dzirdat skaidru „klikšķa” skaņu, kas norāda, ka augstgrieža vārpsta ir uzstādīta (G att.).

G-1	Spārņveida poga	G-3	Bultiņa uz savienotājapskavas
G-2	Vārpstas atbrīvošanas poga	G-4	Bultiņa uz augstgrieža vārpstas

4. Pavelciet darbvārpstu uz āru no pierīces, lai pārbaudītu, vai tā ir stingri nofiksēta savienotājapskavā. Ja tas tā nav, pagrieziet augstgrieža darbvārpstu savienotājapskavā, līdz tā nofiksējas.
5. Pieskrūvējiet spārņveida pogu.

⚠ BRĪDINĀJUMS! Pirms instrumenta iedarbināšanas pārliecinieties, vai fiksēšanas poga ir pilnībā pieskrūvēta; lai izvairītos no nopietniem miesas bojājumiem, periodiski pārbaudiet, vai tā ir stingri pieskrūvēta.

KĀTA PAGARINĀJUMA PIESTIPRINĀŠANA INSTRUMENTGALVAI UN AUGSTGRIEŽA PIERĪCI (modeļa Nr. EP1000)

⚠ BRĪDINĀJUMS! Nekad nepiestipriniet vai nesalāgojiet pierīci, kamēr darbojas instrumentgalva vai, ja tajā atrodas akumulators. Ja motors netiek apturēts un nav izņemts akumulators, jūs varat gūt smagus miesas bojājumus.

Šis kāta pagarinājums ir paredzēts lietošanai kopā tikai un vienīgi ar EGO PS1000E. Nekad neizmantojiet to kopā ar citām EGO pierīcēm.

Kāta pagarinājums pagarina instrumentu par 100 cm, paplašinot griešanas diapazonu. To piestiprina starp instrumentgalvu un augstgrieža pierīci. Vienam instrumentam var izmantot ne vairāk kā divus kāta pagarinājumus (pieejami atsevišķi).

Ievērojiet uzstādīšanas procesu, kas norādīts šajā **„AUGSTGRIEŽA PIERĪCES PIESTIPRINĀŠANA INSTRUMENTGALVAI”**, lai uzstādītu kāta pagarinājumu starp augstgrieža pierīci un instrumentgalvu (H att.).

H-1	Kāta pagarinājuma savienotājspakava
H-2	Instrumentgalvas savienotājspakava

PIEZĪME! Pēc pareizas salikšanas augstgrieža pierīce, kāta pagarinājums un instrumentgalva nedrīkst atdalīties, tos pavelkot. Vienmēr pārbaudiet savienojumu, tos pavelkot. Atkārtojiet iepriekš minētās darbības, ja daļas var atdalīt.

⚠ BRĪDINĀJUMS! Ja pierīce un instrumentgalva / zaru pagarinājums netiek piestiprināts atbilstoši iepriekš norādītajam, var rasties smagas traumas vai nāves iestāšanās.

PIERĪCES IZŅĒMŠANA NO INSTRUMENTGALVAS

1. Apturiet motoru un izņemiet akumulatoru bloku.
2. Atskrūvējiet spārnveida pogu.
3. Nospiediet vārpstas atbrīvošanas pogu un, nospiežot pogu, izvelciet vai pagrieziet augstgrieža vārpstu no savienotājspakavas, lai atdalītu to no instrumentgalvas vai kāta pagarinājuma (ja to izmantojat).
4. Iepriekš aprakstītajā veidā var atdalīt arī kāta pagarinājumu no instrumentgalvas (ja izmantojat kāta pagarinājumu).

PIEKŠĒJĀ PALĪGROKTURA UZSTĀDĪŠANA UN REGULĒŠANA

1. Apturiet motoru un izņemiet akumulatoru bloku.
2. Atskrūvējiet spārnuzgriezni un noņemiet kopā ar skavu bultskrūvi no priekšējā palīgroktura (I1 att.).

I-1	Priekšējais palīgrokturis	I-4	Spārnuzgrieznis
I-2	Bloķēšanas svira	I-5	Skavu bloks
I-3	Skavas bultskrūve		

3. Uzspiediet palīgrokturi uz instrumentgalvas vārpstas un pagrieziet virzienā uz leju, lai tas būtu vērsts pret zāģa ķēdi (I2 att.).
4. Ievietojiet skavu bloku un salieciet skavas skrūvi ar spārnuzgriezni (I3 att.).
5. Nepievelciet spārnuzgriezni līdz galam. Noregulējiet priekšējā palīgroktura pozīciju tā, lai tas atrastos starp plecu siksnas kronšteinu un teleskopiskā kāta uzmvu (I4 att.). Rokturis ir jāneregulē tā, lai, izmantojot augstgriezi, jūsu roka būtu iztaisnota.
6. Nospiediet uz leju bloķēšanas sviru un pievelciet spārnuzgriezni tā, lai priekšējais palīgrokturis negrieztos vai nepārvietotos uz instrumentgalvas vārpstas.

EKSPLUATĀCIJA

⚠ BĪSTAMI! Nekad negrieziet elektropārvades līniju, elektrisko vadu vai citu elektrisko avotu tuvumā. Ja sliede un ķēde ieķeras elektriskajā vadā vai līnijā, **NEPIESKARIETIES SLIEDEI, KĒDEI VAI KĀTAM! TĀS VAR ELEKTRIZĒTIES UN KĻŪT ĻOTI BĪSTAMAS!** Turpiniet turēt zaru ķēdi aiz izolētā aizmugurējā roktura vai drošā veidā nolieciet to uz zemes un projām no sevis. Pirms mēģināt atbrīvot sliedi vai ķēdi no līnijas vai vada, atvienojiet strāvas padevi bojātajai līnijai vai vadam. Saskaņā ar sliedi, ķēdi, kā arī citām augstgrieža strāvu vadošām daļām vai spriegumaktīviem elektriskajiem vadiem vai līnijām elektrošoka rezultātā izraisīs nāves iestāšanos vai smagus miesas bojājumus.

⚠ BRĪDINĀJUMS! Saglabājiet modrību visu griežinstruments lietošanas laiku. Neaizmirstiet, ka pat mīksts neuzmanības var izraisīt nopietnu traumu.

⚠ BRĪDINĀJUMS! Vienmēr valkājiet aizsargbrilles vai brilles ar sānu aizsargiem. Šo noteikumu neievērošanas rezultātā acis var nonākt svešķermeņi vai arī jūs varat gūt citas smagas traumas.

⚠ BRĪDINĀJUMS! Vienmēr izņemiet akumulatoru no instrumenta, kad montējat daļas, labojat, tīrāt vai tad, kad instruments netiek lietots. Akumulatora izņemšana ļaus izvairīties no nejausas iedarbināšanas, kas var izraisīt nopietnus savainojumus.

⚠ BRĪDINĀJUMS! Nelietojiet pierīces vai piederumus, ko nav ieteicis šī produkta ražotājs. Šādu neapstiprinātu palīgierīču vai piederumu lietošana var radīt nopietnus ievainojumus.

Pirms katras lietošanas pārbaudiet visu instrumentu, vai tas nav bojāts, vai tam nav trūkstošu vai atskrūvējušos daļu, piemēram, skrūves, uzgriežņi, bultskrūves, vāciņi utt. Stingri pievelciet visus stiprinājumus un vāciņus un

nedarbiniet izstrādājumu, kamēr nav nomainītas visas trūkstošās vai bojātās daļas.

PIELIETOJUMS

Šo izstrādājumu var lietot tālāk norādītajiem mērķiem:

- atzarošanai,
- zaru apgriešanai.

PIEZĪME! Instrumentu drīkst izmantot tikai aprakstītajam mērķim. Izmantošana jebkādā citā veidā ir uzskatāma par neatbilstošu.

EĻĻAS TVERTNES UZPILDĪŠANA AR SLIEDĒS UN KĒDES SMĒRVIELU

⚠ BRĪDINĀJUMS! Nesmēķējiet, kā arī nenovietojiet uguni vai atklātu liesmu eļļas vai augstgrieža tuvumā. Eļļa var izšļakstīties un izraisīt ugunsgrēku.

PIEZĪME! Iegādes brīdī augstgriežī nav iepildīta eļļa. Pirms lietošanas tvertnē noteikti ir jāiepilda ķēdes eļļa. Augstgrieža darbināšana bez ķēdes eļļas vai arī gadījumā, kad eļļas līmenis ir zem noteiktā līmeņa, var sabojāt augstgriezi. Ķēdes kalpošanas laiks un griešanas jauda ir atkarīga no optimālas eļļošanas. Ja tvertnē ir pietiekami daudz eļļas, darbības laikā ķēde tiek automātiski ieeļļota ar ķēdes eļļu. Lietošanas laikā eļļas līmenis jāpārbauda ik pēc 20 minūtēm un nepieciešamības gadījumā eļļa ir jāuzpilda.

1. Izņemiet no instrumentgalvas akumulatora bloku.
2. Lai eļļas tvertnē neiekristu netīrumi, notīriet eļļas tvertnes vāciņu un vietu ap to.
3. Nolieciet augstgriezi uz cietas un līdzenas virsmas tā, lai eļļas tvertnes vāciņš būtu vērsts uz augšu, un pēc tam noņemiet vāciņu (J att.).
4. Uzmanīgi iepildiet sliedes un ķēdes eļļu tvertnē līdz tvertnes kakliņam. Rīkojieties uzmanīgi, lai eļļa neizšļakstītos no atveres. Noslaukiet lieko eļļu.

PIEZĪME!

- Nekad nelietojiet eļļu vai citas smērvielas, kas nav īpaši paredzētas lietošanai uz sliedes un ķēdes. Tas var aizsērēt eļļas sistēmu, izraisot priekšlaicīgu sliedes un ķēdes nodilumu.
- Regulāri pārbaudiet eļļas līmeni un uzpildiet eļļu, ja nepieciešams.
- Nelietojiet netīru, lietotu vai piesārņotu eļļu. Tas var sabojāt sliedi vai ķēdi.
- Tā ir normāla parādība, ja eļļa sūcas no zāģa, kad to nelieto. Lai nepieļautu noplūdi, iztukšojiet eļļas tvertni pēc katras lietošanas reizes un pēc tam padarbiniet instrumentu vienu minūti. Ja gatavojaties uzglabāt instrumentu uz ilgāku laiku, pārlicinieties, vai ķēde ir

nedaudz ieeļļota; tas novērsīs rūsas rašanos uz ķēdes un velkošā zobrata.

- Lai taupītu dabas resursus, lūdzu, pārstrādājiet vai atbrīvojieties no eļļas pareizā veidā. Lai iegūtu informāciju par otrreizējās pārstrādes un utilizēšanas iespējām, sazinieties ar vietējo varas iestādi, kas atbild par atkritumu apsaimniekošanu.

TELESKOPISKĀ KĀTA REGULĒŠANA (K att.)

1. Lai atbloķētu teleskopisko kātu, paceliet ātrās atbrīvošanas sviru.
2. Izstiepiet teleskopisko kātu līdz vajadzīgajam garumam.
3. Lai stingri nofiksētu teleskopisko kātu, nospiediet ātrās atbrīvošanas sviru.

PLECU SIKSNAS PIESTIPRINĀŠANA

Lai atvērtu siksnas āķi, nospiediet to un pieāķējiet pie plecu siksnas zāģa piekares (L att.). Noregulējiet siksnu ērtā darba pozīcijā.

⚠ BRĪDINĀJUMS! Avārijas gadījumā nekavējoties noņemiet siksnu no pleca, lai izvairītos no traumām gūšanas.

AKUMULATORA IEVIETOŠANA/IZŅEMŠANA

PIEZĪME! Pirms pirmās lietošanas reizes uzlādējiet akumulatoru bloku pilnībā.

Izmantojiet tikai A2 attēlā uzskaitītos akumulatora blokus un lādētājus.

Piestiprināšana

Salāgojiet akumulatora izciņņus ar stiprinājuma rievām un iespiediet akumulatoru bloku, līdz ir dzirdama „klikšķa” skaņa (M att.).

⚠ BRĪDINĀJUMS! Pirms lietošanas pārlicinieties, vai akumulators ir nostiprināts tam paredzētajā vietā. Ja akumulators netiek stingri nofiksēts, tas var izkrist, izraisot nopietnus miesas bojājumus.

⚠ BRĪDINĀJUMS! Pirms akumulatora atbrīvošanas pogas nospiešanas vienmēr pievērsiet uzmanību, kur atrodas jūsu kājas, bērni vai mājdzīvnieki. Zemē nokritis akumulatoru bloks var izraisīt smagas traumas. NEKĀDĀ GADĪJUMĀ neizņemiet akumulatoru bloku, ja atrodaties augstumā.

Izņemšana

Nospiediet akumulatora atbrīvošanas pogu un izņemiet akumulatoru bloku (N att.).

LED DARBA APGAISMOJUMS (O att.)

LED darba apgaismojums atrodas augstgriezīša stiprinājuma priekšpusē, vienā līnijā ar zāģa ķēdi. Šī funkcija nodrošina papildu apgaismojumu, lai lietotāji varētu redzēt, kur atrodas zāģa ķēde, griežot zarus augstu kokā.

Darba apgaismojums automātiski ieslēgsies, nospiežot ieslēgšanas slēdzi, un tas izslēgsies aptuveni 10 sekundes pēc ieslēgšanas slēdža atlaišanas.

INSTRUMENTA PALAIŠANA/APTURĒŠANA

Pirms augstgriezīša iedarbināšanas

⚠ BRĪDINĀJUMS! NEKAD NEDARBINIET INSTRUMENTGALVU BEZ PIERĪCES. Nemēģiniet iedarbināt instrumentgalvu pirms nav pievienota augstgriezīša pierīce.

PIEZĪME! Pirms augstgriezīša iedarbināšanas pārbaudiet, kā darbojas ātrā ķēdes spriegojuma regulēšana, kāds ir eļļas līmenis, kā arī ķēdes un zobu asums. Tāpat ievērojiet pareizu satveršanas metodi, stāju un ieturiet atbilstošu attālumu no zemes (Q att.).

Iedarbināšana (P att.)

1. Ievietojiet akumulatoru bloku.
2. Pārlicinieties, ka tiešā tuvumā neatrodas neviens objekts vai šķērslis, kas varētu saskarties ar kātu un ķēdi.
3. Stingri satveriet palīgrokturi un aizmugurējo rokturi ar abām rokām.
4. Lai iedarbinātu zāģi, vispirms nospiediet un pieturiet bloķēšanas pogu, pēc tam nospiediet ieslēgšanas slēdzi. Atbrīvojiet atbloķēšanas pogu un turpiniet spiest ieslēgšanas slēdzi, lai instruments darbotos nepārtraukti.

⚠ BRĪDINĀJUMS! Nemēģiniet iedarbināt zāģi, kamēr zāģa ķēde atrodas griezumā vai ir saskarē ar kādu virsmu.

Apturēšana

Lai apturētu augstgriezi, vispirms pārvietojiet augstgriezi projām no griešanas zonas un pēc tam atlaidiet ieslēgšanas slēdzi.

⚠ BRĪDINĀJUMS! Vienmēr darba pārtraukumos un pēc darbu pabeigšanas izņemiet akumulatoru no augstgriezīša.

GRIEŠANAS PAMATPAŅĒMIENS (R att.)

Ievērojiet zemāk sniegtos norādījumus par to, kā novērst koku vai krūmu mizas bojāšanu. Neizgājiet virzienā uz priekšu un atpakaļ.

1. Pirmajam zāģējumam nav jābūt dziļam (1/4 no zara caurmēra), un tas ir jāveic no zara apakšpusēs galvenā zara tuvumā vai pie stumbra.
2. Otrais zāģējums jāveic no zara augšpusēs, tālāk no stumbra nekā pirmais zāģējums. Turpiniet zāģēšanu cauri zaram, līdz zars sāk noliekties no koka. Zaram krītot, esiet gatavi noturēt darbarīku līdzsvarā.
3. Beigās zaru pārzāģējiet līdztekus stumbram.

PIEZĪME! Veicot otro un pēdējo griezienu (abus no zara augšpusēs), zāģēšanas balstēni atspiediet pret zāģējamo zaru (S att.). Tādējādi zars tiks stabilizēts un būs arī vieglāk zāģēt. Ļaujiet, lai ķēde pati griež, bet jums pašam ir tikai nedaudz jāpiespiež zāģis uz leju. Ja zāģēsīt ar pārlietu spēku, tad varat sabojāt sliedi, ķēdi vai motoru.

S-1	Zāģēšanas balstēni
-----	--------------------

4. Līdzko zāģējums ir pabeigts, atlaidiet slēdzi.

PIEZĪME! Neievērojot pareizu zāģēšanas procedūru, sliede un ķēde var saliekties un iekerties vai iesprūst zarā. Ja tas notiek:

1. Apturiet motoru un izņemiet akumulatoru bloku.
2. Ja varat aizsniegt zaru, tad to paceliet uz augšu, vienlaikus pieturot zāģi. Šādi var atbrīvot ķēdi un izņemt zāģi no griezuma.
3. Ja zāģi tomēr neizdodas atbrīvot, tad izsauciet profesionālu meistaru.

ATZAROŠANA UN ZARU APGRIEŠANA

Šis augstgriezis ir paredzēts mazu zaru apgriešanai līdz 20 cm (instrumentam ar 25 cm vadotnes sliedi) vai 25 cm (instrumentam ar 30 cm vadotnes sliedi) diametrā. Lai zāģēšanas darbi būtu veiksmīgi, ievērojiet turpmāk norādītos piesardzības pasākumus.

1. Rūpīgi izplānojiet, kā veiksiet zāģēšanu. Apsveriet, kādā virzienā kritīs nozāģētais zars.

⚠ BRĪDINĀJUMS! Dažkārt zari var krist neparedzētā virzienā. Nestāviet tieši zem zara, kuru zāģējat.

2. Tipiskākais griešanas pielietojums ir instrumenta novietošana 60° vai mazākā leņķī atkarībā no konkrētās situācijas, kā parādīts T attēlā. Palielinoties zāģa kāta vārpstas leņķim pret zemi, ir grūtāk veikt pirmo griezumu (no zara apakšpusēs).
3. Garāki zari ir jāzāģē vairākos piegājienos.
4. Vispirms ir jānozāģē zari, kas atrodas zemāk par citiem, jo tad augstākiem zariem būs brīvāks ceļš, kur krist.
5. Strādājiet lēnām, stingri turiet zāģi ar abām rokām. Saglabājiet stabilu pozīciju un līdzsvaru.

6. Neuzturieties pārāk tuvu zaram, kuru zāgējat. Zars ir jāzāgē, stāvot otrā pusē aiz stumbra.
7. Nezāgējiet, stāvot uz kāpnēm — tas ir ārkārtīgi bīstami! Tāda veida darbi ir jāveic profesionāļiem.
8. Neizdariet beidzamo zāgējumu, kurš jāveic līdztekus galvenajam zaram vai stumbram, kamēr vēl neesat nozāgējuši lielāko zara daļu un tādējādi samazinājuši tā svaru. Pareizas zāgēšanas gadījumā tiek novērsta mizas noplēšana no stumbra pie zara pamatnes.
9. Neizmantojiet augstgriezī koku gāšanai un stumbra sagarumšanai.
10. Lai novērstu elektrošoka bīstamību, nestrādājiet tuvāk par 15 m no elektroenerģijas pārvades gaisvadu līnijām (T att.).
11. Instrumenta izmantošanas laikā blakus stāvošām personām jāatrodas 15 m attālumā no tā (T att.).

APKOPE

⚠ BRĪDINĀJUMS! Pirms instrumenta pārbaudīšanas, tīrīšanas vai apkopes darbu veikšanas apturiet motoru, pagaidiet, līdz apstājas visas kustīgās daļas, un izņemiet akumulatora bloku. Šo norādījumu neievērošana var radīt smagus miesas bojājumus vai kaitējumu īpašumam.

⚠ BRĪDINĀJUMS! Veicot instrumenta apkopi, izmantojiet tikai identiskas rezerves daļas. Jebkuru citu daļu izmantošana var radīt apdraudējumu vai izstrādājuma bojājumus. Lai instrumenta darbība būtu droša un uzticama, visus izstrādājumu remontdarbus, izņemot šajās apkopes instrukcijās norādītos, veic kvalificēts servisa speciālists.

⚠ BRĪDINĀJUMS! Rīkojoties ar ķēdi, vienmēr velciet aizsargcimdus. Ķēde ir asa, un var saturēt atskarpes.

VISPĀRĒJĀ APKOPE

Plastmasas detaļu tīrīšanai neizmantojiet šķīdinātājus. Vairums plastmasu ir uzņēmīgas pret dažāda veida komerciālu šķīdinātāju radītiem bojājumiem un, tos izmantojot, var tikt sabojātas. Lai notīrītu neftīrus, putekļus, eļļu, smērvielas u.c., izmantojiet tīras lupatiņas.

TĪRĪŠANA

- Pēc katras lietošanas reizes ar mīkstu suku iztīriet no ķēdes un vadslīdes grūžus. Noslaukiet augstgriezīa virsmu ar tīru drānu, kas samitrināta ar maigu ziepju šķīdumu.
- Noņemiet sānu vāku un pēc tam ar mīkstu suku notīriet grūžus no vadotnes slīdes, zāga ķēdes, ķēzrāta un sānu pārsega.

- Vienmēr, kad maināt augstgriezīa ķēdi, iztīriet koka skaidas, zāgskaidas un neftīrus no vadslīdes rievās.

Visi augstgriezīa apkopes darbi, izņemot šajos apkopes norādījumos uzskaitītos darbus, jāveic kompetentam augstgriezīa servisa personālam.

SLIEDES UN ĶĒDES MAIŅA

Mainot vadotnes sliedi un ķēdi, vienmēr izmantojiet ieteikto slīdes un ķēdes kombināciju, kas norādīta šīs rokasgrāmatas sadaļā „Šim augstgriezīem ieteiktā slīde un ķēde”.

1. Izņemiet akumulatoru un ļaujiet zāgim atdzist. Pārlicinieties, vai eļļas tvertnes vāciņš ir stingri aizvērts, lai novērstu eļļas noplūdi.
2. Nolieciet augstgriezī uz sāniem uz cietas un līdzenas virsmas tā, lai sānu pārsegs būtu vērstš uz augšu.
3. Uzvelciet cimdus. Noņemiet sānu pārsegu (U att.). Notīriet sānu pārsegu ar sausu drānu.
4. Notīriet sānu pārsegu un ķēdi ar sausu lupatiņu.
5. Uzstādiet jaunu vadotnes sliedi un zāga ķēdi, ievērojot sadaļā „MONTĀŽA” esošos norādījumus zem nosaukuma „VADOTNES SLIEDES UN ĶĒDES UZSTĀDĪŠANA”.

PIEZĪME! Šajā mirklī ir lietderīgi pārbaudīt, vai ķēzrats nav nodilis un bojāts.

VADSLIEDES APKOPE

Kad vadotnes slīde rodas nodiluma pazīmes, demontējiet to no zāga (U1 att.). Noņemiet regulēšanas skrūvi un regulēšanas plāksni, apgrieziet vadotnes sliedi (V att.) un uzstādiet regulēšanas plāksni atpakaļ vadotnes slīdes jaunajā pusē.

(W att.), lai sadalītu nodilumu, nodrošinot maksimālu slīdes kalpošanas laiku. Slīde ir jānotīra un jāpārbauda katru dienu pēc lietošanas, lai pārliecinātos, vai nav parādījušās nodiluma pazīmes un bojājumi. Slīdes līniju atstarpošanās un atskabargu veidošanās ir normāls slīdes nodilšanas process. Šādas nepilnības jānotīdina ar vīli tiklīdz tās tiek konstatētas. Slīdi, kurai ir kāds no šiem bojājumiem, jānomaina:

- nodilums slīdes līnijās, kuras ļauj uzlikt ķēdi sāniski;
- saliekta vadslīde;
- ieplaisājušas vai saplīsušas slīdes līnijas;
- izpletušas slīdes līnijas.

Turklāt vadotnes slīdes galā ir ķēzrats. Šis ķēzrats katru nedēļu jāieeļļo ar eļļas šļirci, lai pagarinātu vadotnes slīdes kalpošanas ilgumu. Izmantojot eļļas šļirci, iknedēļu veiciet ieeļļošanu ar ķēdes eļļu caur eļļošanas atveri (X att.). Pāgrieziet vadotnes sliedi un pārlicinieties, vai eļļošanas atverēs un ķēdes rievā nav grūžu.

X-1	Ķēžrats vadotnes sliedes galā
X-2	Elļošanas atvere

ĶĒDES APKOPE

Šim zāģim lietojiet tikai ķēdes ar zemu atsitienu Pareizi uzturot un apkopjot zāģējošo ķēdi, tā ātri nodrošinās atsitienu ietekmes samazināšanu.

Pareizi uzasināta zāģa ķēde vienkārši spēj iziet cauri kokam, pat piemērojot pavisam maz spēku.

Nekad nelietojiet trulu vai bojātu ķēdes zāģi. Truls zāģa ķēdes griezējs rada papildu fizisko slodzi, palielina vibrācijas, sniedz neapmierinošus zāģēšanas rezultātus un palielina nodilumu.

Lai zāģēšana būtu gluda un ātra, zāģa ķēdi nepieciešams pareizi uzturēt un apkopt. Ja koka skaidas ir mazas un pūderveida, zāģēšanas laikā ķēdi nepieciešams ar spēku spiest cauri kokam, citādi zāģēs tikai viena ķēdes puse, kas norādīs, ka ķēdi nepieciešams uzasināt. Veicot zāģa ķēdes apkopi, ņemiet vērā šādus aspektus.

- Nepareizs sānu plāksnes vilēšanas leņķis var palielināt smaga atsitienu risku.
- Nošķelējzobu (dziļummēri) klīrenss. Pārāk zems novietojums palielina atsitienu iespējamību. Nepietiekami zems novietojums samazina zāģēšanas stabilitāti.
- Ja griezēja zobi ir sadūrušies ar citiem priekšmetiem, piemēram, naglām vai akmeņiem, vai tos noberzuši uz koka esošie dubļi vai smiltis, lūdziet kvalificētam servisa tehnikam uzasināt ķēdi.

TRANSPORTĒŠANA UN UZGLABĀŠANA

LV

- Neuzglabājiet vai netransportējiet augstgrieža pierīci, kamēr tā darbojas. Vienmēr pirms novietošanas glabāšanā vai transportēšanas izņemiet akumulatoru.
- Vienmēr pirms augstgrieža pierīces novietošanas glabāšanā vai transportēšanas uzlieciet vadotnes slieci un ķēdei vadotnes sliedes pārvalku. Rīkojieties uzmanīgi, lai izvairītos no asajiem ķēdes zobiem.
- Pirms uzglabāšanas rūpīgi notīriet augstgriezi. Glabājiet augstgriezi telpās sausā vietā, kas ir slēgta un/vai nav pieejama bērniem, un sargājiet no kodīgiem līdzekļiem, piemēram, dārza ķimikālijām un pretapledojuuma sāļiem.

Apkārtējās vides aizsardzība



Neutilizējiet elektrisko aprīkojumu, izlietoto akumulatoru un lādētāju sadzīves atkritumos!

Nogādājiet šo produktu uz pilnvarotu pārstrādes punktu un sagatavojiet atkritumu šķirošanai. Elektriskos instrumentus jānogādā videi nekaitīgā pārstrādes rūpnīcā.

PROBLĒMU MEKLĒŠANA UN NOVĒRŠANA

PROBLĒMA	CĒĻONIS	RISINĀJUMS
Nedarbojas motors.	<ul style="list-style-type: none"> ■ Augstgriezī nav ievietots akumulatora bloks. ■ Starp zāģi un akumulatoru nav elektriskā savienojuma. ■ Akumulatoru bloks ir izlādējies. ■ Pirms palaišanas slēdža nospiešanas nav nospiesta bloķēšanas poga. ■ Akumulatora bloks vai instrumentgalva ir pārāk karsta. ■ Kokā iestrēgusi zāģa ķēde. ■ Novirzījusies sliede un ķēde, un tās neatrodas paralēli korpusam. ■ Gruži sliedes rievā. ■ Gruži sānu pārsegā. 	<ul style="list-style-type: none"> ■ Ievietojiet augstgriezī akumulatora bloku. ■ Izņemiet akumulatoru, pārbaudiet kontaktus un ievietojiet atpakaļ. ■ Uzlādējiet akumulatoru bloku. ■ Nospiediet bloķēšanas sviru un turiet to, tad nospiediet pārslēdzēju, lai ieslēgtu augstgriezī. ■ Ļaujiet akumulatora blokam vai instrumentgalvai atdzist, līdz temperatūra nokrītas līdz ieteicamajam darba temperatūras diapazonam. ■ Atlaidiet slēdzi, noņemiet zāģa ķēdi un vadotnes sliedi no koka un pēc tam no jauna ieslēdziet zaru zāģi. ■ Izņemiet akumulatoru, noņemiet un uzlieciet atpakaļ sliedi un ķēdi, ievērojot sadaļā „SLIEDES UN ĶĒDES NOMAINA” sniegtās norādes. Vienmēr atcerieties, ka pirms sānu pārsega uzslāpšanas sliedi un ķēdi ir jānovieto paralēli montāžas virsmai. ■ Piespiediet zāģa ķēdi pret koku, kustiniet augstgriezī uz priekšu un aizmuguri, lai atbrīvotos no gružiem. ■ Izņemiet akumulatoru, pēc tam noņemiet sānu pārsegu un iztīriet gružus.

PROBLĒMA	CĒĻONIS	RISINĀJUMS
Motors darbojas, bet ķēde negriežas.	<ul style="list-style-type: none"> ■ Ķēde neiedarbina piedziņas ķēžratu. ■ Nepietiekams ķēdes spriegums. ■ Trula ķēde. ■ Ķēde uzstādīta uz otru pusi. ■ Nodilusi ķēde. ■ Sausa vai pārāk izstiepta ķēde. ■ Ķēde neatrodas sliedes rievā. 	<ul style="list-style-type: none"> ■ Izņemiet akumulatora bloku, uzstādiet atpakaļ ķēdi, pārbaudot, ka ķēdes piedziņas posmi pilnībā atrodas uz ķēžrata. ■ Vispirms atskrūvējiet ātrās ķēdes sprieguma regulēšanas pogu, pagriežot vismaz par vienu pagrieziena pretēji pulksteņrādītāja kustības virzienam un pēc tam pievelciet līdz galam pulksteņrādītāja kustības virzienā, līdz ķēde ir pareizi nospriegota. ■ Ķēdes zobu uzasināšanu uzticiet kvalificētam servisa speciālistam. ■ Izņemiet akumulatora bloku un atkārtoti uzstādiet zāģa ķēdi, ievērojot sadaļā „SLIEDES UN ĶĒDES NOMAIŅA” sniegtās norādes. ■ Izņemiet akumulatora bloku un atkārtoti uzstādiet ķēdi, ievērojot sadaļā „SLIEDES UN ĶĒDES NOMAIŅA” sniegtās norādes. ■ Pārbaudiet eļļas līmeni. Ja nepieciešams, uzpildiet tvertne eļļu. ■ Izņemiet akumulatora bloku un atkārtoti uzstādiet zāģa ķēdi, ievērojot sadaļā „SLIEDES UN ĶĒDES NOMAIŅA” sniegtās norādes.
Sliede un ķēde ir karstas un dūmo.	<ul style="list-style-type: none"> ■ Ķēdes eļļas tvertne ir tukša. ■ Gruži vadotnes sliedes rievā. 	<ul style="list-style-type: none"> ■ Uzpildiet sliedes un ķēdes smērvielu. ■ Iztīriet gruzus no rievas.

LV

GARANTĪJA

EGO GARANTĪJAS POLITIKA

Lūdzu, apmeklējiet tīmekļa vietni egopowerplus.com, kur pieejama pilna EGO garantijas politikas noteikumu un nosacījumu versija.

ΔΙΑΒΑΣΤΕ ΟΛΕΣ ΤΙΣ ΟΔΗΓΙΕΣ!



ΔΙΑΒΑΣΤΕ ΤΟ ΕΓΧΕΙΡΙΔΙΟ ΧΡΗΣΗΣ

⚠ Υπολειπόμενοι κίνδυνοι! Άνθρωποι που φέρουν ηλεκτρονικές συσκευές όπως βηματοδότες πρέπει να συμβουλευονται τους γιατρούς τους, πριν τη χρήση αυτού του προϊόντος. Η λειτουργία ηλεκτρολογικού εξοπλισμού κοντά σε βηματοδότη μπορεί να προκαλέσει παρεμβολές ή βλάβη στο βηματοδότη.

⚠ ΠΡΟΕΙΔΟΠΟΙΗΣΗ: Προκειμένου να διασφαλιστεί η ασφάλεια και η αξιοπιστία, όλες οι επισκευές πρέπει να διενεργούνται από εξειδικευμένο τεχνικό σέρβις.

ΣΥΜΒΟΛΑ ΑΣΦΑΛΕΙΑΣ

Ο σκοπός των συμβόλων ασφαλείας είναι να σας επιστήσουν την προσοχή σε ενδεχόμενους κινδύνους. Προσέξτε και κατανοήστε τα σύμβολα ασφαλείας και τις επεξηγήσεις που τα συνοδεύουν. Τα σύμβολα προειδοποίησης από μόνα τους δεν εξαλείφουν κανέναν κίνδυνο. Οι οδηγίες και οι προειδοποιήσεις που παρέχουν δεν υποκαθιστούν τα κατάλληλα μέτρα πρόληψης ατυχημάτων.

⚠ ΠΡΟΕΙΔΟΠΟΙΗΣΗ: Βεβαιωθείτε ότι έχετε διαβάσει και κατανοήσει όλες τις οδηγίες ασφαλείας στο παρόν εγχειρίδιο χρήσης, συμπεριλαμβανομένων όλων των συμβόλων ασφαλείας, όπως «**ΚΙΝΔΥΝΟΣ**», «**ΠΡΟΕΙΔΟΠΟΙΗΣΗ**» και «**ΠΡΟΣΟΧΗ**», προτού να χρησιμοποιήσετε αυτό το ηλεκτρικό εργαλείο. Η μη τήρηση όλων των παρακάτω οδηγιών μπορεί να οδηγήσει σε ηλεκτροπληξία, πυρκαγιά και/ή σοβαρό τραυματισμό.

ΕΠΕΞΗΓΗΣΗ ΣΥΜΒΟΛΩΝ

Αυτή η σελίδα απεικονίζει και περιγράφει τα σύμβολα ασφαλείας που μπορεί να υπάρχουν επάνω στο προϊόν. Διαβάστε, κατανοήστε και τηρείτε όλες τις οδηγίες στη μηχανή, προτού προσπαθήσετε να εκτελέσετε εργασίες συναρμολόγησης και λειτουργίας.



Προειδοποίηση ασφαλείας



Προκειμένου να μειωθεί ο κίνδυνος τραυματισμού, ο χρήστης πρέπει να διαβάσει και να κατανοήσει το εγχειρίδιο χρήσης προτού να χρησιμοποιήσει αυτό το προϊόν.



Φοράτε προστατευτικά γυαλιά



Φοράτε προστασία για το κεφάλι



Φοράτε προστατευτικά ακοής



Φοράτε προστατευτικά γάντια



Εγγυημένη στάθμη ηχητικής ισχύος. Εκπομπές θορύβου στο περιβάλλον σύμφωνα με την οδηγία της Ευρωπαϊκής Ένωσης.

IPX4

Βαθμός προστασίας εισόδου



Φοράτε υποδήματα ασφαλείας



Προκειμένου να αποφευχθεί η ηλεκτροπληξία, μη χρησιμοποιείτε το ηλεκτρικό εργαλείο εντός 15 m από ενσέρια καλώδια ηλεκτρικού ρεύματος. Η επαφή ή η χρήση κοντά σε καλώδια ηλεκτρικού ρεύματος μπορεί να προκαλέσει σοβαρό τραυματισμό ή ηλεκτροπληξία με αποτέλεσμα το θάνατο.



Να μην εκτίθεται σε βροχή.



Αυτό το προϊόν συμμορφώνεται με τις εφαρμοστέες οδηγίες της ΕΚ.



Αυτό το προϊόν συμμορφώνεται με την εφαρμοστέα νομοθεσία του Ηνωμένου Βασιλείου.



Τα απόβλητα ειδών ηλεκτρικού και ηλεκτρονικού εξοπλισμού δεν πρέπει να απορρίπτονται στα οικιακά απορρίμματα. Παραδώστε τα σε εξουσιοδοτημένη μονάδα ανακύκλωσης.



Συνεχές ρεύμα



V Βαθμός προστασίας εισόδου

GR

ΤΕΧΝΙΚΕΣ ΠΡΟΔΙΑΓΡΑΦΕΣ

Όνομαστική τάση	56 V $\overline{\text{---}}$	
Μήκος οδηγητικής μπάρας	25cm	
Βήμα αλυσίδας	6,4 mm (1/4")	
Ένδειξη αλυσίδας	1,1 mm (0.043")	
Χωρητικότητα ρεζερβουάρ λαδιού	80 ml	
Αριθμός συνδέσμων οδηγού αλυσίδας	56	
Μήκος ηλεκτρικού εργαλείου (χωρίς κοντάρι επέκτασης)	Μέγ. 292 cm Μin. 233 cm	
Συνιστώμενη θερμοκρασία λειτουργίας	Nuo -15°C iki 40°C	
Συνιστώμενη θερμοκρασία αποθήκευσης	Nuo -20°C iki 70°C	
Συνιστώμενη θερμοκρασία φόρτισης	Nuo 5°C iki 40°C	
Βάρος (χωρίς συστοιχία μπαταριών, θήκη αλυσίδας)	4,25 kg	
Μετρημένη στάθμη ηχητικής ισχύος L_{WA}	97 dB(A) K=2,5 dB(A)	
Στάθμη ηχητικής πίεσης στη θέση εργασίας L_{PA}	82 dB(A) K=3 dB(A)	
Εγγυημένη στάθμη ηχητικής ισχύος L_{WA} (κατά 2000/14/ΕΚ)	100 dB(A)	
Δόνηση a_h	Χειρολαβή μπροστινής υποβοήθησης	1,19 m/s^2 K=1,5 m/s^2
	Πίσω χειρολαβή	1,01 m/s^2 K=1,5 m/s^2

GR

- Η δηλωθείσα συνολική τιμή κραδασμών έχει μετρηθεί σύμφωνα με πρότυπη μέθοδο ελέγχου και μπορεί να χρησιμοποιηθεί για τη σύγκριση ενός εργαλείου με κάποιο άλλο.
- Η αναφερόμενη συνολική τιμή κραδασμών μπορεί να χρησιμοποιηθεί, επίσης, για προκαταρκτική αξιολόγηση έκθεσης.

ΕΙΔΟΠΟΙΗΣΗ: Οι εκπομπές κραδασμών κατά τη διάρκεια της πραγματικής χρήσης του ηλεκτρικού εργαλείου μπορεί να διαφέρουν από τη δηλωμένη τιμή στην οποία χρησιμοποιείται το εργαλείο. Για την προστασία του χειριστή, πρέπει να χρησιμοποιούνται γάντια και προστασία της ακοής στις πραγματικές συνθήκες χρήσης.

212

ΣΥΡΜΑΤΟ ΚΟΝΤΑΡΟΑΛΥΣΟΠΡΙΟΝΟ ΙΟΝΤΩΝ ΛΙΘΙΟΥ 56 VOLT — PS1000E

ΠΕΡΙΓΡΑΦΗ

ΓΝΩΡΙΣΤΕ ΤΟ ΚΟΝΤΑΡΟΑΛΥΣΟΠΡΙΟΝΟ ΣΑΣ (Εικ. Α1)

1. Κουμπί για γρήγορη ρύθμιση της τάνυσης αλυσίδας
2. Προβολέας εργασίας LED
3. Πλευρικό κάλυμμα
4. Κρίκος ιμάντα ώμου
5. Κοντάρι επέκτασης
6. Κουμπί απασφάλισης
7. Διακόπτης σκανδάλη
8. Πίσω χειρολαβή
9. Κουμπί αποδέσμευσης συστοιχίας μπαταριών
10. Χειρολαβή μπροστινής υποβοήθησης
11. Μοχλός γρήγορης αποδέσμευσης
12. Τηλεσκοπικό κοντάρι
13. Ιμάντας ώμου
14. Καπάκι ρεζερβουάρ λαδιού
15. Ρεζερβουάρ λαδιού
16. Ακμές τεμαχισμού
17. Οδηγητική μπάρα
18. Αλυσίδα πριονιού
19. Θήκη αλυσίδας

ΚΑΤΑΛΟΓΟΣ ΕΞΑΡΤΗΜΑΤΩΝ ΣΥΣΚΕΥΑΣΙΑΣ (Εικ. Α1)

Προτεινόμενη μπάρα και αλυσίδα για αυτό το κονταροαλυσόπριονο

ΟΝΟΜΑ ΕΞΑΡΤΗΜΑΤΟΣ	ΑΡΙΘΜΟΣ ΜΟΝΤΕΛΟΥ
Οδηγητική μπάρα	AG1000Q, AG1200Q
Αλυσίδα πριονιού	AC1000Q, AC1200Q

ΣΥΝΑΡΜΟΛΟΓΗΣΗ

▲ ΠΡΟΕΙΔΟΠΟΙΗΣΗ: Σε περίπτωση που κάποια από τα εξαρτήματα έχουν υποστεί ζημιά ή λείπουν, μη χρησιμοποιήσετε το προϊόν, μέχρι να αντικατασταθούν. Η χρήση αυτού του προϊόντος με φθαρμένα ή ελλιπή εξαρτήματα μπορεί να έχει ως αποτέλεσμα σοβαρό τραυματισμό.

▲ ΠΡΟΕΙΔΟΠΟΙΗΣΗ: Μην επιχειρήσετε να τροποποιήσετε αυτό το προϊόν ή να δημιουργήσετε εξαρτήματα που δεν συνιστώνται για χρήση με αυτό το προϊόν. Κάθε παρόμοια μετατροπή ή τροποποίηση

συνιστά κακή χρήση και μπορεί να δημιουργήσει επικίνδυνες καταστάσεις με επακόλουθο τον σοβαρό τραυματισμό.

▲ ΠΡΟΕΙΔΟΠΟΙΗΣΗ: Αφαιρείτε πάντα τη συστοιχία μπαταριών από το προϊόν, όταν συναρμολογείτε εξαρτήματα, κάνετε ρυθμίσεις, πραγματοποιείτε καθαρισμό ή όταν το προϊόν δε χρησιμοποιείται.

ΣΥΝΑΡΜΟΛΟΓΗΣΗ ΟΔΗΓΗΤΙΚΗΣ ΜΠΑΡΑΣ ΚΑΙ ΑΛΥΣΙΔΑΣ

1. Τοποθετήστε το κονταροαλυσοπρίονο σε μια σταθερή, επίπεδη επιφάνεια, έτσι ώστε το πλευρικό κάλυμμα να είναι στραμμένο προς τα πάνω.
2. Φοράτε γάντια. Αφαιρέστε το πλευρικό κάλυμμα (Εικ. Β).
3. Απλώστε τη νέα αλυσίδα σε μια θηλιά σε μια επίπεδη επιφάνεια και ισιώστε οποιεσδήποτε διπλώσεις.
4. Τοποθετήστε το σύνδεσμο οδηγού αλυσίδας στην εγκοπή οδηγητικής μπάρας. Τοποθετήστε την αλυσίδα με τέτοιο τρόπο, ώστε να υπάρχει ένας βρόχος στο πίσω μέρος της οδηγητικής μπάρας (Εικ. C).

C-1	Σύνδεσμοι οδηγού αλυσίδας
C-2	Εγκοπή οδηγητικής μπάρας

5. Κρατήστε την αλυσίδα στην θέση της πάνω στην οδηγητική μπάρα και τοποθετήστε το βρόχο γύρω από τον οδοντωτό τροχό του κονταροαλυσοπρίονου.

ΕΙΔΟΠΟΙΗΣΗ: Στο περιβλήμα του εργαλείου είναι χαραγμένο ένα μικρό βέλος κατεύθυνσης και ένας κόφτης (Εικ. D). Κατά την τοποθέτηση της αλυσίδας πάνω στην οδηγητική μπάρα, βεβαιωθείτε ότι μετά την τοποθέτηση της οδηγητικής μπάρας η κατεύθυνση της αλυσίδας αντιστοιχεί σε εκείνη που έχει το βέλος κατεύθυνσης περιστροφής πάνω στο περιβλήμα του εργαλείου και ότι το σχήμα των κοπών στην κορυφή της οδηγητικής μπάρας είναι το ίδιο με εκείνο του κοπτικού στο περιβλήμα. Εάν τα βέλη έχουν αντίθετες κατευθύνσεις, συναρμολογήστε ξανά την αλυσίδα στην οδηγητική μπάρα, ώστε τα βέλη να έχουν την ίδια κατεύθυνση. Η οδηγητική μπάρα πρέπει να τοποθετείται με την πλάκα ρύθμισης στραμμένη μακριά από το περιβλήμα.

6. Διατηρήστε την μπάρα και την αλυσίδα παράλληλα με την επιφάνεια τοποθέτησης. Προσαρτήστε το πλευρικό κάλυμμα στο περιβλήμα, έτσι ώστε οι σπές/πείροι και η οπή του μπουλονιού/σπειρώματος στερέωσης να είναι σωστά ευθυγραμμισμένες μεταξύ τους (Εικ. Ε). Πιέστε το πλευρικό κάλυμμα προς το περιβλήμα και, στη συνέχεια, περιστρέψτε πλήρως δεξιόστροφα το κουμπί για γρήγορη ρύθμιση της τάνσης αλυσίδας. Το έκκεντρο γροανάζι μέσα στο πλευρικό κάλυμμα έχει σχεδιαστεί

ώστε να διασφαλίζει ότι η αλυσίδα δεν θα τανυθεί υπερβολικά.

ΣΗΜΕΙΩΣΗ: Εάν η αλυσίδα χαλαρώσει, περιστρέψτε το κουμπί για γρήγορη ρύθμιση της τάνσης αλυσίδας αριστερόστροφα κατά τουλάχιστον μία στροφή και, στη συνέχεια, συσφίξτε το κουμπί πλήρως.

7. Περιστρέψτε την αλυσίδα με το χέρι για να ελέγξετε εάν είναι σωστά συναρμολογημένη χωρίς να μαγκώνει. Στην αντίθετη περίπτωση, συναρμολογήστε εκ νέου την αλυσίδα και την μπάρα.

ΣΥΝΔΕΣΗ ΤΟΥ ΠΡΟΣΑΡΤΗΜΑΤΟΣ ΚΟΝΤΑΡΟΑΛΥΣΟΠΡΙΟΝΟΥ ΣΤΗΝ ΚΙΝΗΤΗΡΙΑ ΚΕΦΑΛΗ

Αυτό το κονταροαλυσοπρίονο αποτελείται από ένα προσάρτημα κονταροαλυσοπρίονου και την κινητήρια κεφαλή (Εικ. F).

F-1	Προσάρτημα κονταροαλυσοπρίονου
F-2	Κινητήρια κεφαλή

▲ ΠΡΟΕΙΔΟΠΟΙΗΣΗ: Ποτέ μην προσαρτάτε ή ρυθμίζετε το προσάρτημα κονταροαλυσοπρίονου ενώ λειτουργεί η κινητήρια κεφαλή ή με τοποθετημένη τη συστοιχία μπαταριών. Εάν δε σβήσετε τον κινητήρα και δεν αφαιρέσετε τη συστοιχία μπαταριών, ενδέχεται να προκληθεί σοβαρός τραυματισμός.

Το προσάρτημα κονταροαλυσοπρίονου συνδέεται στην κινητήρια κεφαλή μέσω μιας συσκευής ζεύξης.

1. Σβήστε τον κινητήρα και αφαιρέστε τη συστοιχία μπαταριών.
2. Λασκάρτε την πεταλούδα.
3. Ευθυγραμμίστε το βέλος στον άξονα του κονταροαλυσοπρίονου με το βέλος στη συσκευή ζεύξης και πιέστε τον άξονα του κονταροαλυσοπρίονου μέσα στη συσκευή ζεύξης, ώσπου να ακούσετε «κλικ», που υποδηλώνει ότι ο άξονας του κονταροαλυσοπρίονου έχει τοποθετηθεί στη θέση του (Εικ. G).

G-1	Κουμπί πεταλούδα	G-3	Βέλος στη συσκευή ζεύξης
G-2	Κουμπί αποδέσμευσης άξονα	G-4	Βέλος στον άξονα του κονταροαλυσοπρίονου

4. Τραβήξτε τον άξονα του προσαρτήματος για να βεβαιωθείτε ότι έχει κλειδώσει με ασφάλεια μέσα στη συσκευή ζεύξης. Εάν όχι, περιστρέψτε τον άξονα του κονταροαλυσοπρίονου από τη μια πλευρά στην άλλη στη συσκευή ζεύξης, ώσπου να κουμπώσει στη θέση του.

GR

5. Σφίξτε με ασφάλεια την πεταλούδα.

⚠️ ΠΡΟΕΙΔΟΠΟΙΗΣΗ: Βεβαιωθείτε ότι η πεταλούδα είναι συσφιγμένη πλήρως προτού να θέσετε σε λειτουργία τον εξοπλισμό. Ελέγχετε τακτικά τη σύσφιξη κατά τη διάρκεια της χρήσης, για την αποφυγή σοβαρού τραυματισμού.

ΣΥΝΔΕΣΗ ΤΟΥ ΚΟΝΤΑΡΙΟΥ ΕΠΕΚΤΑΣΗΣ ΜΕΤΑΞΥ ΤΗΣ ΚΙΝΗΤΗΡΙΑΣ ΚΕΦΑΛΗΣ ΚΑΙ ΤΟΥ ΠΡΟΣΑΡΤΗΜΑΤΟΣ ΚΟΝΤΑΡΟΑΛΥΣΟΠΡΙΟΝΟΥ (Αριθ. μοντέλου EP1000)

⚠️ ΠΡΟΕΙΔΟΠΟΙΗΣΗ: Ποτέ μην προσαρτάτε ή ρυθμίζετε οποιοδήποτε προσάρτημα ενώ λειτουργεί η κινητήρια κεφαλή ή με τοποθετημένη τη συστοιχία μπαταριών. Εάν δε σβήσετε τον κινητήρα και δεν αφαιρέσετε τη συστοιχία μπαταριών, ενδέχεται να προκληθεί σοβαρός τραυματισμός.

Αυτό το κοντάρι επέκτασης έχει σχεδιαστεί για αποκλειστική χρήση με το EGO PS1000E. Ποτέ μην το χρησιμοποιείτε με άλλα προσάρτηματα της EGO.

Το κοντάρι επέκτασης αυξάνει το μήκος του ηλεκτρικού εργαλείου κατά 100 cm, διευρύνοντας το εύρος κοπής. Πρέπει να συνδέεται μεταξύ του προσαρτήματος κονταροαλυσοπριονίου και της κινητήριας κεφαλής. Μπορούν να χρησιμοποιηθούν έως και δύο κοντάρια επέκτασης (διατίθενται χωριστά) στο ίδιο ηλεκτρικό εργαλείο.

Ακολουθήστε τη διαδικασία της ενότητας «**ΣΥΝΔΕΣΗ ΤΟΥ ΠΡΟΣΑΡΤΗΜΑΤΟΣ ΚΟΝΤΑΡΟΑΛΥΣΟΠΡΙΟΝΟΥ ΣΤΗΝ ΚΙΝΗΤΗΡΙΑ ΚΕΦΑΛΗ**» για να εγκαταστήσετε το κοντάρι επέκτασης μεταξύ του προσαρτήματος κονταροαλυσοπριονίου και της κινητήριας κεφαλής (Εικ. Η).

H-1	Συσσκευή ζεύξης στο κοντάρι επέκτασης
H-2	Συσσκευή ζεύξης πάνω στην κινητήρια κεφαλή

GR

ΕΙΔΟΠΟΙΗΣΗ: Αφού συναρμολογηθούν σωστά, το προσάρτημα κονταροαλυσοπριονίου, το κοντάρι επέκτασης και η κινητήρια κεφαλή δεν θα πρέπει να διαχωρίζονται όταν τραβηχτούν. Ελέγχετε πάντα τη σύνδεση τραβώντας τα. Επαναλάβετε τα παραπάνω βήματα εάν τα κομμάτια μπορούν να διαχωριστούν.

⚠️ ΠΡΟΕΙΔΟΠΟΙΗΣΗ: Εάν δεν ασφαλίσετε το προσάρτημα και την κινητήρια κεφαλή / το κοντάρι επέκτασης όπως αναφέρεται παραπάνω μπορεί να προκληθεί σοβαρός τραυματισμός ή θάνατος.

ΑΠΟΜΑΚΡΥΝΣΗ ΤΟΥ ΠΡΟΣΑΡΤΗΜΑΤΟΣ ΑΠΟ ΤΗΝ ΚΙΝΗΤΗΡΙΑ ΚΕΦΑΛΗ

1. Σβήστε τον κινητήρα και αφαιρέστε τη συστοιχία μπαταριών.
2. Λασκάρτε την πεταλούδα.
3. Πιέστε το κουμπί αποδέσμευσης άξονα και, με το κουμπί πατημένο, βγάλτε τραβώντας ή συστρέφοντας τον άξονα του κονταροαλυσοπριονίου από τη συσκευή ζεύξης για να τον αποσυνδέσετε από την κινητήρια κεφαλή ή το κοντάρι επέκτασης (εάν χρησιμοποιείται).
4. Επαναλάβετε τη διαδικασία για να διαχωρίσετε το κοντάρι επέκτασης από την κινητήρια κεφαλή (εάν χρησιμοποιείται κοντάρι επέκτασης).

ΤΟΠΟΘΕΤΗΣΗ ΚΑΙ ΡΥΘΜΙΣΗ ΤΗΣ ΧΕΙΡΟΛΑΒΗΣ ΜΠΡΟΣΤΙΝΗΣ ΥΠΟΒΟΗΘΗΣΗΣ

1. Σβήστε τον κινητήρα και αφαιρέστε τη συστοιχία μπαταριών.
2. Χαλαρώστε την πεταλούδα και αφαιρέστε την μαζί με το κόντρα παξιμάδι από τη χειρολαβή μπροστινής υποβοήθησης (Εικ. Ι1).

I-1	Χειρολαβή μπροστινής υποβοήθησης	I-4	Πεταλούδα
I-2	Μοχλός ασφάλισης	I-5	Μπλοκ σύσφιξης
I-3	Κόντρα παξιμάδι		

3. Πιέστε τη χειρολαβή υποβοήθησης πάνω στον άξονα της κινητήριας κεφαλής και στρέψτε την προς τα κάτω, ώστε να δείχνει προς την αλυσίδα (Εικ. Ι2).
4. Τοποθετήστε το μπλοκ σύσφιξης και συνδέστε το κόντρα παξιμάδι με την πεταλούδα (Εικ. Ι3).
5. Μην συσφίξετε πλήρως την πεταλούδα. Ρυθμίστε τη θέση της χειρολαβής μπροστινής υποβοήθησης, έτσι ώστε να βρίσκεται μεταξύ του κρίκου του μάντα ώμου και του χιτωνίου του τηλεσκοπικού κονταριού (Εικ. Ι4). Η χειρολαβή θα πρέπει να ρυθμιστεί με τέτοιο τρόπο, ώστε το χέρι σας να είναι ίσιο όταν χρησιμοποιείτε το κονταροαλυσοπριόνιο.
6. Πιέστε προς τα κάτω το μοχλό ασφάλισης και συσφίξτε την πεταλούδα, ώστε η χειρολαβή μπροστινής υποβοήθησης να μην μπορεί να περιστραφεί ή να μετακινηθεί στον άξονα της κινητήριας κεφαλής.

ΛΕΙΤΟΥΡΓΙΑ

⚠️ ΚΙΝΔΥΝΟΣ: Μην κόβετε κοντά σε καλώδια ηλεκτρικού ρεύματος, ηλεκτρικά καλώδια ή άλλες ηλεκτρικές πηγές. Εάν η μπάρα και η αλυσίδα μπλοκάρουν σε ηλεκτρικό καλώδιο ή γραμμή, **ΜΗΝ ΑΓΓΙΣΤΕ ΤΗΝ ΜΠΑΡΑ, ΤΗΝ ΑΛΥΣΙΔΑ Ή ΤΟ ΚΟΝΤΑΡΙ! ΜΠΟΡΕΙ ΝΑ ΓΙΝΟΥΝ ΗΛΕΚΤΡΟΦΟΡΑ ΚΑΙ ΕΞΑΙΡΕΤΙΚΑ ΕΠΙΚΙΝΔΥΝΑ.** Συνεχίστε να κρατάτε το πριόνι με κοντάρι από τη μονωμένη πίσω χειρολαβή ή αποθέστε το με ασφαλή τρόπο και απομακρυνθείτε από αυτό. Διακόψτε την παροχή ρεύματος προς την κατεστραμμένη γραμμή ή το κατεστραμμένο καλώδιο προτού επιχειρήσετε να αποδεσμεύσετε την μπάρα και την αλυσίδα από αυτά. Η επαφή με την μπάρα, την αλυσίδα, άλλα αγωγίμα εξαρτήματα του κονταροαλυσοπριονίου ή με ηλεκτροφόρα καλώδια ή γραμμές μπορεί να επιφέρει θάνατο λόγω ηλεκτροπληξίας ή σοβαρό τραυματισμό.

⚠️ ΠΡΟΕΙΔΟΠΟΙΗΣΗ: Η εξοικειώσή σας με αυτό το προϊόν δε θα πρέπει να σας κάνει λιγότερο προσεκτικούς. Θυμηθείτε πως ένα κλάσμα δευτερολέπτου απροσεξίας μπορεί να προκαλέσει σοβαρό τραυματισμό.

⚠️ ΠΡΟΕΙΔΟΠΟΙΗΣΗ: Φοράτε πάντα προστατευτικά γυαλιά ή γυαλιά ασφαλείας με πλευρική προστασία. Στην αντίθετη περίπτωση, ενδέχεται να υπάρξει εκτόξευση αντικειμένων στα μάτια σας και άλλοι πιθανοί σοβαροί τραυματισμοί.

⚠️ ΠΡΟΕΙΔΟΠΟΙΗΣΗ: Αφαιρείτε πάντα τη συστοιχία μπαταριών από το προϊόν όταν συναρμολογείτε μέρη, πραγματοποιείτε ρυθμίσεις, διενεργείτε καθαρισμό ή όταν δεν το χρησιμοποιείτε. Η απομάκρυνση της συστοιχίας μπαταριών εμποδίζει τυχαία εκκίνηση που θα μπορούσε να επιφέρει σοβαρό ατομικό τραυματισμό.

⚠️ ΠΡΟΕΙΔΟΠΟΙΗΣΗ: Μη χρησιμοποιείτε παρελκόμενα που δεν συνιστώνται από τον κατασκευαστή αυτού του προϊόντος. Η χρήση προσαρτημάτων ή παρελκομένων που δε συνιστώνται από τον κατασκευαστή, ενέχει τον κίνδυνο σοβαρού τραυματισμού.

Πριν από κάθε χρήση, ελέγχετε πλήρως το προϊόν για φθαρμένα, ελλιπή ή χαλαρά εξαρτήματα, όπως, βίδες, παξιμάδια, μπουλόνια, πώματα, κτλ. Συσφίξτε με ασφάλεια όλους τους σφιγκτήρες και τα πώματα και μη θέσετε σε λειτουργία το προϊόν προτού να αποκατασταθούν όλα τα ελλιπή ή φθαρμένα εξαρτήματα.

ΕΦΑΡΜΟΓΕΣ

Μπορείτε να χρησιμοποιήσετε αυτό το προϊόν για τους ακόλουθους σκοπούς:

- Αφαίρεση κλαδιών
- Κλάδεμα

ΕΙΔΟΠΟΙΗΣΗ: Το εργαλείο πρέπει να χρησιμοποιείται μόνο για την προβλεπόμενη χρήση. Οποιαδήποτε άλλη χρήση θα εκληφθεί ως καταχρηστική.

ΠΛΗΡΩΣΗ ΤΟΥ ΔΟΧΕΙΟΥ ΛΑΔΙΟΥ ΜΕ ΛΙΠΑΝΤΙΚΟ ΜΠΑΡΑΣ ΚΑΙ ΑΛΥΣΙΔΑΣ

⚠️ ΠΡΟΕΙΔΟΠΟΙΗΣΗ: Μην καπνίζετε ή πλησιάζετε φωτιά ή φλόγα κοντά στα λάδια ή το πριόνι με κοντάρι. Το λάδι μπορεί να διαρρεύσει και να προκληθεί πυρκαγιά.

ΕΙΔΟΠΟΙΗΣΗ: Το πριόνι με κοντάρι δεν είναι γεμάτο με λάδι κατά την αγορά. Είναι απαραίτητο να γεμίσετε το ρεζερβουάρ με λάδι αλυσίδας πριν από τη χρήση. Η λειτουργία του κονταροαλυσοπριονίου χωρίς λάδι αλυσίδας ή όταν η στάθμη λαδιού πέσει κάτω από ένα συγκεκριμένο όριο θα προκαλέσει ζημιά στο κονταροαλυσοπριόνιο. Η διάρκεια ζωής της αλυσίδας και η απόδοση κοπής εξαρτώνται από τη βέλτιστη λίπανση. Η αλυσίδα λιπαίνεται αυτόματα με λάδι αλυσίδας κατά τη διάρκεια της λειτουργίας, εφόσον υπάρχει αρκετό λάδι στο ρεζερβουάρ. Η στάθμη λαδιού πρέπει επίσης να ελέγχεται κάθε 20 λεπτά χρήσης και να γίνεται επαναπλήρωση εφόσον απαιτείται.

1. Απομακρύνετε τη συστοιχία μπαταριών από την κινητήρια κεφαλή.
2. Καθαρίστε το καπάκι του ρεζερβουάρ λαδιού και την περιοχή γύρω από αυτό, ώστε να μην πέσουν ρύποι στο ρεζερβουάρ.
3. Τοποθετήστε το κονταροαλυσοπριόνιο σε μια σταθερή, επίπεδη επιφάνεια, έτσι ώστε το καπάκι του ρεζερβουάρ λαδιού να είναι στραμμένο προς τα πάνω και, στη συνέχεια, βγάλτε το καπάκι (Εικ. J).
4. Συμπληρώστε προσεκτικά το λάδι μπάρας και αλυσίδας στο ρεζερβουάρ, μέχρι το λαιμό του ρεζερβουάρ. Προσέξτε να μη διαρρεύσει λάδι από το άνοιγμα. Σκουπίστε τυχόν περίσσιο λάδι.

ΕΙΔΟΠΟΙΗΣΗ:

- Μη χρησιμοποιείτε ποτέ λάδι ή άλλα λιπαντικά που δεν έχουν σχεδιαστεί ειδικά για χρήση στην μπάρα και την αλυσίδα. Αυτό μπορεί να οδηγήσει σε βούλωμα του συστήματος λαδιού, προκαλώντας πρόωρη φθορά της μπάρας και της αλυσίδας.
- Ελέγχετε συχνά τη στάθμη λαδιού και συμπληρώνετε λάδι αναλόγως.
- Μην χρησιμοποιείτε βρόμικο, χρησιμοποιημένο ή με άλλου είδους επιμόλυνση λάδι. Μπορεί να προκληθεί ζημιά στην μπάρα ή την αλυσίδα.
- Είναι φυσιολογικό να διαρρέει λάδι από το κονταροαλυσοπριόνιο όταν αυτό δεν χρησιμοποιείται. Για να αποφύγετε διαρροές, αδειάζετε το ρεζερβουάρ λαδιού μετά από κάθε χρήση και, στη συνέχεια, θέστε το κονταροαλυσοπριόνιο σε λειτουργία για ένα λεπτό.

GR

Όταν αποθηκεύετε το ηλεκτρικό εργαλείο για μεγάλο χρονικό διάστημα, βεβαιώνετε ότι η αλυσίδα έχει λιπανθεί ελαφρά, έτσι ώστε να αποφευχθεί η εμφάνιση σκουριάς στην αλυσίδα και τον οδοντωτό τροχό της μπάρας.

- Για τη διατήρηση των φυσικών πόρων, ανακυκλώνετε ή απορρίπτετε τα λάδια σωστά. Συμβουλευτείτε τον δήμο σας για πληροφορίες σχετικά με τις διαθέσιμες επιλογές ανακύκλωσης και διάθεσης.

ΡΥΘΜΙΣΗ ΤΟΥ ΤΗΛΕΣΚΟΠΙΚΟΥ ΚΟΝΤΑΡΙΟΥ (Εικ. Κ)

1. Σηκώστε το μοχλό ταχείας αποδέσμευσης για να απασφαλίσετε το τηλεσκοπικό κοντάρι.
2. Επεκτείνετε το τηλεσκοπικό κοντάρι στο απαιτούμενο μήκος.
3. Πιέστε το μοχλό ταχείας αποδέσμευσης για να ασφαλίσετε το τηλεσκοπικό κοντάρι.

ΣΥΝΑΡΜΟΛΟΓΗΣΗ ΤΟΥ ΙΜΑΝΤΑ ΩΜΟΥ

Πιέστε το άγκιστρο του ιμάντα για να το ανοίξετε και προσαρτήστε το πάνω στον κρίκο του ιμάντα ώμου του πριονιού (Εικ. L). Ρυθμίστε τον ιμάντα ώμου σε μια άνετη θέση.

⚠ ΠΡΟΕΙΔΟΠΟΙΗΣΗ: Σε περίπτωση έκτακτης ανάγκης, βγάλτε αμέσως τον ιμάντα από τον ώμο σας για την αποφυγή τραυματισμού.

ΤΟΠΟΘΕΤΗΣΗ/ΑΦΑΙΡΕΣΗ ΤΗΣ ΣΥΣΤΟΙΧΙΑΣ ΜΠΑΤΑΡΙΩΝ

ΣΗΜΕΙΩΣΗ: Φορτίστε τη συστοιχία μπαταριών πλήρως πριν την πρώτη χρήση.

Να χρησιμοποιείται μόνο με τις συστοιχίες μπαταριών και τους φορτιστές που αναφέρονται στην Εικ. Α2.

GR

Προσάρτηση

Ευθυγραμμίστε τις νευρώσεις μπαταρίας με τις σπές τοποθέτησης και πιέστε τη συστοιχία μπαταριών κάτω, έως ότου ακούσετε ένα «κλικ» (Εικ. Μ).

⚠ ΠΡΟΕΙΔΟΠΟΙΗΣΗ: Βεβαιωθείτε ότι η συστοιχία μπαταριών έχει ασφαλίσει στη θέση της πριν από τη λειτουργία. Η μη ασφαλής τοποθέτηση της συστοιχίας μπαταριών μπορεί να προκαλέσει πτώση της συστοιχίας μπαταριών, με αποτέλεσμα σοβαρό τραυματισμό.

⚠ ΠΡΟΕΙΔΟΠΟΙΗΣΗ: Λαμβάνετε πάντα υπόψη τη θέση των ποδιών σας και τυχόν παρακείμενα παιδιά ή κατοικίδια, προτού πιέσετε το κουμπί αποδέσμευσης μπαταρίας. Μπορεί να συμβεί σοβαρός τραυματισμός εάν πέσει κάτω η συστοιχία μπαταριών. ΠΟΤΕ μην απομακρύνετε τη συστοιχία μπαταριών σε υψηλότερο σημείο.

216

ΣΥΡΜΑΤΟ ΚΟΝΤΑΡΟΑΛΥΣΟΠΡΙΟΝΟ ΙΟΝΤΩΝ ΛΙΘΙΟΥ 56 VOLT — PS1000E

Αφαίρεση

Πιέστε το κουμπί αποδέσμευσης μπαταρίας και τραβήξτε έξω τη συστοιχία μπαταριών (Εικ. Ν).

ΠΡΟΒΟΛΕΑΣ ΕΡΓΑΣΙΑΣ LED (Εικ. Ο)

Ο προβολέας εργασίας LED βρίσκεται στο μπροστινό μέρος του προσαρτήματος κονταροαλυσοπριονίου, στην ίδια ευθεία με την αλυσίδα. Αυτή η λειτουργία παρέχει επιπλέον φως, ώστε να βλέπουν οι χρήστες που βρίσκεται η αλυσίδα του κονταροαλυσοπριονίου όταν κόβουν κλαδιά ψηλά στο δέντρο.

Ο προβολέας εργασίας ανάβει αυτόματα όταν πιέζετε το διακόπτη σκανδάλης και σβήνει περίπου 10 δευτερόλεπτα μετά την αποδέσμευση του διακόπτη σκανδάλης.

ΕΝΕΡΓΟΠΟΙΗΣΗ/ΑΠΕΝΕΡΓΟΠΟΙΗΣΗ ΤΟΥ ΗΛΕΚΤΡΙΚΟΥ ΕΡΓΑΛΕΙΟΥ

Προτού ενεργοποιήσετε το κονταροαλυσοπριόνιο

⚠ ΠΡΟΕΙΔΟΠΟΙΗΣΗ: ΜΗΝ ΧΡΗΣΙΜΟΠΟΙΕΙΤΕ ΠΟΤΕ ΤΗΝ ΚΙΝΗΤΗΡΙΑ ΚΕΦΑΛΗ ΧΩΡΙΣ ΠΡΟΣΑΡΤΗΜΑ.

Μην επιχειρήσετε να θέσετε σε λειτουργία την κινητήρια κεφαλή προτού να συνδέσετε το προσάρτημα κονταροαλυσοπριονίου.

ΕΙΔΟΠΟΙΗΣΗ: Πριν από την ενεργοποίηση του κονταροαλυσοπριονίου, ελέγχετε τη γρήγορη ρύθμιση της τάνυσης αλυσίδας, τη στάθμη λαδιού και την αιχμηρότητα της αλυσίδας και των δοντιών. Επίσης, απαιτείται σωστός τρόπος πιασίματος, ισοροπημένο πάτημα και κατάλληλη απόσταση από το έδαφος (Εικ. Q).

Ενεργοποίηση (Εικ. Ρ)

1. Εγκαταστήστε τη συστοιχία μπαταριών.
2. Βεβαιωθείτε ότι δεν υπάρχουν παρακείμενα αντικείμενα ή εμπόδια που θα μπορούσαν να έρθουν σε επαφή με την μπάρα και την αλυσίδα.
3. Πιάστε γερά τη χειρολαβή υποβοήθησης και την πίσω χειρολαβή, χρησιμοποιώντας και τα δύο χέρια.
4. Πατήστε και διατηρήστε πιεσμένο το κουμπί απασφάλισης, και στη συνέχεια, πιέστε το διακόπτη σκανδάλης για να ενεργοποιήσετε το κονταροαλυσοπριόνιο. Αποδεσμεύστε το κουμπί απασφάλισης και συνεχίστε να πιέζετε το διακόπτη σκανδάλης για συνεχή λειτουργία.

⚠ ΠΡΟΕΙΔΟΠΟΙΗΣΗ: Μην επιχειρήσετε να ενεργοποιήσετε το κονταροαλυσοπριόνιο εάν η αλυσίδα του πριονιού βρίσκεται μέσα σε εγκοπή ή έχει επαφή με οποιαδήποτε επιφάνεια.

Απενεργοποίηση

Απομακρύνετε το κονταροαλυσοπρίονο από την περιοχή κοπής και, στη συνέχεια, αποδεσμεύστε το διακόπτη σκανδάλης για να απενεργοποιήσετε το κονταροαλυσοπρίονο.

⚠ ΠΡΟΕΙΔΟΠΟΙΗΣΗ: Αφαιρείτε πάντα τη συστοιχία μπαταριών από το κονταροαλυσοπρίονο κατά τη διάρκεια διαλειμμάτων και μετά την ολοκλήρωση της εργασίας.

ΒΑΣΙΚΗ ΔΙΑΔΙΚΑΣΙΑ ΚΟΠΗΣ (Εικ. R)

Ακολουθήστε τα παρακάτω βήματα για να αποτρέψετε τη ζημιά στο φλοιό του δέντρου ή θάμνου. Μην προιονίζετε παλινδρομικά.

1. Κάντε μια πρώτη επιφανειακή κοπή (1/4 της διαμέτρου του κλαδιού) στην κάτω πλευρά του κλαδιού, κοντά στο κύριο κλαδί ή τον κορμό.
2. Κάντε μια δεύτερη κοπή από την άνω πλευρά του κλαδιού έξω από την πρώτη κοπή. Συνεχίστε την κοπή στο κλαδί ώσπου να αποκοπεί από το δέντρο. Να είστε προετοιμασμένοι να εξορροπήσετε το βάρος του ηλεκτρικού εργαλείου όταν πέσει το κλαδί.
3. Κάντε μια τελική κοπή κοντά στον κορμό.

ΕΙΔΟΠΟΙΗΣΗ: Για τη δεύτερη και την τελική κοπή (από το πάνω μέρος του κλωναριού ή κλαδιού), διατηρείτε τις ακμές τεμαχισμού κόντρα στο κλαδί που κόβεται (Εικ. S). Έτσι θα σταθεροποιηθεί το κλαδί και η κοπή θα είναι πιο εύκολη. Αφήστε την αλυσίδα να κόψει για εσάς – ασκείτε μόνο ελαφρά πίεση προς τα κάτω. Εάν ασκήσετε περισσότερη δύναμη ενδέχεται να υποστεί ζημιά η μπάρα, η αλυσίδα ή ο κινητήρας.

S-1	Ακμές τεμαχισμού
-----	------------------

4. Αποδεσμεύστε το διακόπτη σκανδάλης, μόλις ολοκληρωθεί η κοπή.

ΕΙΔΟΠΟΙΗΣΗ: Εάν δεν τηρήσετε τις σωστές διαδικασίες κοπής θα προκληθεί μπλοκάρισμα της μπάρας και της αλυσίδας και μάγκωμα ή εγκλωβισμός τους στο κλαδί. Εάν συμβεί κάτι τέτοιο:

1. Σβήστε τον κινητήρα και αφαιρέστε τη συστοιχία μπαταριών.
2. Εάν φτάνετε το κλωνάρι από το έδαφος, ανασηκώστε το κλωνάρι ενώ κρατάτε το πριόνι. Έτσι θα αποδεσμευτεί η εμπλοκή και θα απελευθερωθεί το πριόνι.
3. Εάν το πριόνι συνεχίζει να είναι εγκλωβισμένο, καλέστε επαγγελματία για βοήθεια.

ΑΦΑΙΡΕΣΗ ΚΛΑΔΙΩΝ ΚΑΙ ΚΛΑΔΕΜΑ

Αυτό το κονταροαλυσοπρίονο είναι σχεδιασμένο για το κλάδεμα μικρών κλαδιών και κλάδων με διάμετρο έως 20 cm (για εργαλείο με οδηγητική μπάρα 25 cm) ή 25 cm (για εργαλείο με οδηγητική μπάρα 30 cm). Για καλύτερα αποτελέσματα, λαμβάνετε τα εξής προληπτικά μέτρα:

1. Σχεδιάστε προσεκτικά την κοπή. Έχετε επίγνωση της κατεύθυνσης στην οποία θα πέσει το κλαδί.
- ⚠ **ΠΡΟΕΙΔΟΠΟΙΗΣΗ:** Τα κλαδιά μπορεί να πέσουν προς μη αναμενόμενες κατευθύνσεις. Μη στέκεστε ακριβώς κάτω από το κλαδί που θα κοπεί.
2. Η πιο τυπική εφαρμογή κοπής είναι η τοποθέτηση της μονάδας σε γωνία 60° ή μικρότερη, ανάλογα με τη συγκεκριμένη κατάσταση, όπως φαίνεται στην Εικ. T. Όσο αυξάνεται η γωνία του άξονα κονταροαλυσοπρίονου σε σχέση με το έδαφος, αυξάνεται η δυσκολία της πρώτης κοπής (από την κάτω πλευρά του κλαδιού).
3. Απομακρύνετε τα μακριά κλαδιά σταδιακά.
4. Κόβετε πρώτα τα κάτω κλαδιά ώστε να αφήνετε στα πάνω κλαδιά περισσότερο χώρο για να πέσουν.
5. Να εργάζεστε αργά, διατηρώντας γερά και τα δύο χέρια στο πριόνι. Να στέκεστε και να ισορροπείτε καλά.
6. Κατά την αφαίρεση κλαδιών το δέντρο πρέπει να βρίσκεται ανάμεσα σε εσάς και την αλυσίδα. Κάνετε την κοπή από τα πλάγια του δέντρου, απέναντι από το κλαδί που κόβετε.
7. Μην κόβετε από σκάλα γιατί αυτό είναι εξαιρετικά επικίνδυνο. Αφήνετε τέτοιους είδους εργασίες για επαγγελματίες.
8. Μη διεξάγετε την ισοεπίπεδη κοπή δίπλα στο κύριο κλαδί ή τον κορμό προτού να έχετε κόψει τόσο από το κλαδί ώστε να μειώσετε το βάρος. Η τήρηση σωστής διαδικασίας κοπής θα εμποδίσει το ξεφλούδισμα του φλοιού από το κύριο στέλεχος.
9. Μη χρησιμοποιείτε το πριόνι με κοντάρι για υλοτόμηση ή τεμαχισμό.
10. Προκειμένου να αποφευχθεί η ηλεκτροπληξία, μην χρησιμοποιείτε το ηλεκτρικό εργαλείο εντός 15 m από εναέρια καλώδια ηλεκτρικού ρεύματος (Εικ. T).
11. Διατηρείτε τους παρευρισκόμενους σε απόσταση τουλάχιστον 15 m (Εικ. T).

GR

ΣΥΝΤΗΡΗΣΗ

⚠️ ΠΡΟΕΙΔΟΠΟΙΗΣΗ: Πριν από τον έλεγχο, τον καθαρισμό ή τη συντήρηση της μονάδας, σβήστε τον κινητήρα, περιμένετε ώσπου να ακινητοποιηθούν όλα τα κινούμενα εξαρτήματα και αφαιρέστε τη συστοιχία μπαταριών. Η μη τήρηση των οδηγιών μπορεί να οδηγήσει σε σοβαρό τραυματισμό ή υλικές ζημιές.

⚠️ ΠΡΟΕΙΔΟΠΟΙΗΣΗ: Κατά τη συντήρηση, χρησιμοποιείτε μόνο όμοια ανταλλακτικά. Η χρήση σπαιωνδήςποτε άλλων εξαρτημάτων μπορεί να είναι επικίνδυνη ή να προκαλέσει ζημιά στο προϊόν. Προκειμένου να διασφαλιστεί η ασφάλεια και η αξιοπιστία, όλες οι επισκευές που δεν αναφέρονται σε αυτές τις οδηγίες συντήρησης πρέπει να διεξάγονται από εξειδικευμένο τεχνικό σέρβις.

⚠️ ΠΡΟΕΙΔΟΠΟΙΗΣΗ: Φοράτε πάντα γάντια όταν χειρίζεστε την αλυσίδα του κονταροαλυσοπριονίου. Η αλυσίδα είναι αιχμηρή και μπορεί να έχει γρέζια.

ΓΕΝΙΚΗ ΣΥΝΤΗΡΗΣΗ

Αποφεύγετε τη χρήση διαλυτών κατά τον καθαρισμό των πλαστικών εξαρτημάτων. Τα περισσότερα πλαστικά είναι ευπαθή στη χρήση διαφόρων τύπων διαλυτών του εμπορίου και καταστρέφονται από τη χρήση τους. Χρησιμοποιείτε καθαρό πανί για την απομάκρυνση βρωμιάς, σκόνης, λαδιού, γράσου, κτλ.

ΚΑΘΑΡΙΣΜΟΣ

- Μετά από κάθε χρήση, καθαρίζετε τα υπολείμματα από την αλυσίδα και την οδηγητική μπάρα με μια μαλακή βούρτσα. Σκουπίζετε την επιφάνεια του πριονιού με κοντάρι με ένα καθαρό πανί βρεγμένο με ήπια σαπουνάδα.
- Απομακρύνετε το πλαϊνό κάλυμμα και κατόπιν χρησιμοποιήστε μια μαλακή βούρτσα για να απομακρύνετε υπολείμματα από την οδηγητική μπάρα, την αλυσίδα, τον οδοντωτό τροχό και το πλαϊνό κάλυμμα.
- Καθαρίζετε πάντα τα ροκανίδια, τη σκόνη πριονίσματος και τους ρύπους από την εγκοπή οδηγητικής μπάρας όταν αντικαθιστάτε την αλυσίδα.

Όλες οι εργασίες σέρβις του κονταροαλυσοπριονίου που δεν αναφέρονται στις παρουσίες οδηγίες συντήρησης πρέπει να διεξάγονται από εξουσιοδοτημένο προσωπικό σέρβις που ειδικεύεται σε κονταροαλυσοπριόνια.

ΑΝΤΙΚΑΤΑΣΤΑΣΗ ΤΗΣ ΜΠΑΡΑΣ ΚΑΙ ΤΗΣ ΑΛΥΣΙΔΑΣ

Όταν αντικαθιστάτε τον οδηγητική μπάρα και την αλυσίδα, χρησιμοποιείτε πάντα τον καθορισμένο συνδυασμό μπάρας και αλυσίδας που αναφέρεται στο απόσπασμα

«Προτεινόμενη ράβδος και αλυσίδα για αυτό το πριόνι με κοντάρι».

1. Αφαιρέστε τη συστοιχία μπαταριών και αφήστε το κονταροαλυσοπριόνιο να κρυώσει. Βεβαιωθείτε ότι το καπάκι του ρεζερβουάρ λαδιού είναι ερμητικά κλειστό, προκειμένου να αποφευχθεί η διαρροή λαδιού.
2. Τοποθετήστε το κονταροαλυσοπριόνιο με το πλάι πάνω σε μια γερή, επίπεδη επιφάνεια, έτσι ώστε το καπάκι του ρεζερβουάρ λαδιού να έχει κατεύθυνση προς τα επάνω.
3. Φοράτε γάντια. Αφαιρέστε το πλευρικό κάλυμμα (Εικ. U). Καθαρίστε το πλαϊνό κάλυμμα με ένα στεγνό πανί.
4. Απομακρύνετε τη φθαρμένη μπάρα και την αλυσίδα από την επιφάνεια τοποθέτησης.
5. Τοποθετήστε τη νέα οδηγητική μπάρα και την αλυσίδα, ακολουθώντας τις οδηγίες «ΣΥΝΑΡΜΟΛΟΓΗΣΗ ΟΔΗΓΗΤΙΚΗΣ ΜΠΑΡΑΣ ΚΑΙ ΑΛΥΣΙΔΑΣ» στην ενότητα «ΣΥΝΑΡΜΟΛΟΓΗΣΗ».

ΕΙΔΟΠΟΙΗΣΗ: Είναι καλή στιγμή να ελέγξετε τον οδοντωτό τροχό της οδηγητικής μπάρας για έντονη φθορά και ζημιές.

ΣΥΝΤΗΡΗΣΗ ΟΔΗΓΗΤΙΚΗΣ ΜΠΑΡΑΣ

Όταν η οδηγητική μπάρα παρουσιάζει σημάδια φθοράς, αποσυναρμολογήστε την από το πριόνι. Αφαιρέστε τη βίδα ρύθμισης και την πλάκα ρύθμισης, αντιστρέψτε την οδηγητική μπάρα (Εικ. V) και επανατοποθετήστε την πλάκα ρύθμισης στη νέα πλευρά της οδηγητικής μπάρας (Εικ. W) για να κατανέμεται η φθορά και να επιτευχθεί η μέγιστη διάρκεια ζωής της μπάρας. Η μπάρα πρέπει να καθαρίζεται καθημερινά μετά τη χρήση και να ελέγχεται για φθορά και ζημιές. Σφήνωμα ή γρέζια στις ράγες μπάρας είναι φυσιολογικά σημάδια φθοράς της μπάρας. Τέτοια ίχνη πρέπει να λειαίνονται με μια λίμα μόλις εμφανιστούν. Μια μπάρα με κάποιο από τα ακόλουθα σημάδια πρέπει να αντικατασταθεί.

- Φθορά στο εσωτερικό των ραγιών μπάρας που επιτρέπει στην αλυσίδα να τρέχει λοξά.
- Λυγισμένη οδηγητική μπάρα.
- Ραγισμένες ή σπασμένες ράγες.
- Ανοιγμένες ράγες.

Επιπλέον η οδηγητική μπάρα έχει έναν οδοντωτό τροχό στην κορυφή. Ο οδοντωτός τροχός πρέπει να λειάνεται κάθε εβδομάδα με μια σύριγγα με γράσο για την επιμήκυνση της διάρκειας ζωής της οδηγητικής μπάρας. Χρησιμοποιείτε σύριγγα με γράσο για την εβδομαδιαία λίπανση με λάδι αλυσίδας από την οπή λίπανσης (Εικ. X). Γυρίστε την οδηγητική μπάρα και ελέγξτε εάν οι οπές λίπανσης και η εγκοπή αλυσίδας είναι ελεύθερες από ρύπους.

X-1	Οδοντωτός τροχός στην άκρη της οδηγητικής μπάρας
X-2	Οπή λίπανσης

ΣΥΝΤΗΡΗΣΗ ΑΛΥΣΙΔΑΣ

Χρησιμοποιείτε μόνο αλυσίδες αλυσοπριόνου χαμηλού λακτίσματος σε αυτό το κονταροαλυσοπρίονο. Αυτή η αλυσίδα γρήγορης κοπής παρέχει μείωση του λακτίσματος εφόσον συντηρείται σωστά.

Μια σωστά τροχισμένη αλυσίδα αλυσοπριόνου κόβει άνετα ξύλο, ακόμα και με πολύ λίγη πίεση.

Ποτέ μη χρησιμοποιείτε στομαμένη ή φθαρμένη αλυσίδα αλυσοπριόνου. Μια στομαμένη διάταξη κοπής αλυσίδας οδηγεί σε αυξημένη σωματική καταπόνηση, σε αυξημένο φορτίο κραδασμών, σε μη ικανοποιητικά αποτελέσματα κοπής και σε αυξημένες φθορές.

Για απρόσκοπτη και γρήγορη κοπή, η αλυσίδα χρειάζεται σωστή συντήρηση. Όταν τα ροκανίδια ξύλου είναι μικρά και μοιάζουν με σκόνη, η αλυσίδα πρέπει να εισέρχεται με δύναμη στο ξύλο κατά την κοπή, αλλιώς η αλυσίδα θα κόψει στη μια πλευρά. Αυτά τα σημάδια υποδηλώνουν ότι η αλυσίδα θέλει τρόχισμα. Κατά τη συντήρηση της αλυσίδας, λαμβάνετε υπόψη τα ακόλουθα:

- Μια ακατάλληλη γωνία πλήρωσης της πλευρικής πλάκας μπορεί να αυξήσει τον κίνδυνο σοβαρού λακτίσματος.
- Κενό ρυθμιστή βάθους κοπής. Πολύ χαμηλό, αυξάνει την πιθανότητα λακτίσματος. Όχι αρκετά χαμηλό, μειώνει την ικανότητα κοπής.
- Εάν οι οδοντώσεις κόφτη έχουν χτυπήσει σε σκληρά αντικείμενα όπως καρφιά και πέτρες ή έχουν τριφτεί από λάσπη ή άμμο στο ξύλο, τότε ένας εξειδικευμένος τεχνικός σέρβις πρέπει να ακονίσει την αλυσίδα.

ΜΕΤΑΦΟΡΑ ΚΑΙ ΑΠΟΘΗΚΕΥΣΗ

- Μην αποθηκεύετε ή μεταφέρετε το πριόνι με κοντάρι όταν αυτό βρίσκεται σε λειτουργία. Απομακρύνετε πάντα τη συστοιχία μπαταριών πριν από την αποθήκευση ή τη μεταφορά.
- Τοποθετείτε πάντα τη θήκη οδηγητικής μπάρας πάνω στην οδηγητική μπάρα και την αλυσίδα προτού να αποθηκεύσετε ή μεταφέρετε το προσάρτημα πριονιού με κοντάρι. Να είστε προσεκτικοί και να αποφεύγετε την αιχμηρή οδόντωση της αλυσίδας.
- Καθαρίστε το πριόνι με κοντάρι επιμελώς πριν από την αποθήκευση. Αποθηκεύετε το κονταροαλυσοπρίονο σε εσωτερικό, στεγνό χώρο που κλειδώνει και/ή δεν είναι προσβάσιμος από παιδιά και διατηρείτε το μακριά από διαβρωτικές ουσίες, όπως χημικές ουσίες και αποπαγωτικά άλατα κήπου.

Προστασία του περιβάλλοντος



Μην απορρίπτετε ηλεκτρικό εξοπλισμό, παλιές μπαταρίες και φορτιστές στα οικιακά απορρίμματα!

Μεταφέρετε αυτό το προϊόν σε εξουσιοδοτημένο κέντρο ανακύκλωσης και παραδώστε το για ξεχωριστή συλλογή. Τα ηλεκτρικά εργαλεία πρέπει να επιστρέφονται σε περιβαλλοντικά συμβατή μονάδα ανακύκλωσης.

KETTER VAN DER SPEK
MACHINES * STOLWIJK

GR

ΑΝΤΙΜΕΤΩΠΙΣΗ ΠΡΟΒΛΗΜΑΤΩΝ

ΠΡΟΒΛΗΜΑ	ΑΙΤΙΑ	ΑΝΤΙΜΕΤΩΠΙΣΗ
<p>Ο κινητήρας δεν λειτουργεί.</p>	<ul style="list-style-type: none"> ■ Η συστοιχία μπαταριών δεν έχει προσαρτηθεί στο πριόνι με κοντάρι. ■ Δεν υπάρχει ηλεκτρική επαφή μεταξύ πριονιού και συστοιχίας μπαταριών. ■ Η συστοιχία μπαταριών έχει αδειάσει. ■ Το κουμπί απασφάλισης δεν πατήθηκε πριν την πίεση του διακόπτη σκανδάλης. ■ Η συστοιχία μπαταριών ή η κινητήρια κεφαλή έχουν υπερθερμανθεί. ■ Η αλυσίδα έχει μαγκώσει στο ξύλο. ■ Η μπάρα και η αλυσίδα είναι στραβές και όχι παράλληλες με το πλαίσιο. ■ Υπολείμματα στην εγκοπή μπάρας. ■ Υπολείμματα στο πλαϊνό κάλυμμα. 	<ul style="list-style-type: none"> ■ Τοποθετήστε τη συστοιχία μπαταριών στο πριόνι με κοντάρι. ■ Απομακρύνετε τη συστοιχία μπαταριών, ελέγξτε τις επαφές και εγκαταστήστε τη συστοιχία μπαταριών εκ νέου. ■ Φορτίστε τη συστοιχία μπαταριών. ■ Πιέστε το μοχλό ασφάλισης προς τα κάτω και διατηρήστε τον πιεσμένο, και στη συνέχεια, πιέστε το διακόπτη σκανδάλης για να ενεργοποιήσετε το κονταροαλυσοπριόνιο. ■ Αφήστε τη συστοιχία μπαταριών ή την κινητήρια κεφαλή να κρυσώσουν, ώσπου η θερμοκρασία να πέσει στο συνιστώμενο εύρος θερμοκρασιών λειτουργίας. ■ Αποδεσμεύστε το διακόπτη σκανδάλης. Απομακρύνετε την αλυσίδα και την οδηγητική μπάρα από το ξύλο, και επανεκκινήστε το κονταροαλυσοπριόνιο. ■ Απομακρύνετε τη συστοιχία μπαταριών και αντικαταστήστε την μπάρα και την αλυσίδα, σύμφωνα με την ενότητα «ΑΝΤΙΚΑΤΑΣΤΑΣΗ ΤΗΣ ΜΠΑΡΑΣ ΚΑΙ ΤΗΣ ΑΛΥΣΙΔΑΣ». Διατηρείτε πάντοτε την μπάρα και την αλυσίδα παράλληλα με την επιφάνεια τοποθέτησης πριν από την εγκατάσταση του πλευρικού καλύμματος. ■ Πιέστε την αλυσίδα στο ξύλο, μετακινήστε το πριόνι με κοντάρι πίσω και εμπρός για να απομακρύνετε τα υπολείμματα. ■ Απομακρύνετε τη συστοιχία μπαταριών, κατόπιν αφαιρέστε το πλαϊνό κάλυμμα και καθαρίστε τα υπολείμματα.

GR

ΠΡΟΒΛΗΜΑ	ΑΙΤΙΑ	ΑΝΤΙΜΕΤΩΠΙΣΗ
<p>Ο κινητήρας λειτουργεί αλλά η αλυσίδα δεν περιστρέφεται.</p>	<ul style="list-style-type: none"> ■ Η αλυσίδα δεν «πιάνει» τον οδοντωτό τροχό της οδηγητικής μπάρας. ■ Ανεπαρκής τάνυση αλυσίδας. ■ Στομωμένη αλυσίδα. ■ Η αλυσίδα έχει εγκατασταθεί αντίστροφα. ■ Φθαρμένη αλυσίδα. ■ Στεγνή ή υπερβολική τεντωμένη αλυσίδα. ■ Η αλυσίδα δε βρίσκεται στην εγκοπή μπάρας. 	<ul style="list-style-type: none"> ■ Απομακρύνετε τη συστοιχία συσσωρευτών και επανατοποθετήστε την αλυσίδα διασφαλίζοντας ότι οι σύνδεσμοι της αλυσίδας εδράζονται πλήρως στον οδοντωτό τροχό. ■ Ξεβιδώστε πρώτα το κουμπί για γρήγορη ρύθμιση της τάνυσης αλυσίδας, περιστρέφοντας αριστερόστροφα κατά τουλάχιστον μία στροφή, και στη συνέχεια, συσφίξτε πλήρως, περιστρέφοντας δεξιόστροφα, ώσπου να τεντωθεί σωστά η αλυσίδα. ■ Για να τροχίσετε τους κόφτες της αλυσίδας, απευθυνθείτε σε εξειδικευμένο τεχνικό. ■ Απομακρύνετε τη συστοιχία μπαταριών και τοποθετήστε εκ νέου την αλυσίδα, σύμφωνα με την ενότητα «ΑΝΤΙΚΑΤΑΣΤΑΣΗ ΤΗΣ ΜΠΑΡΑΣ ΚΑΙ ΤΗΣ ΑΛΥΣΙΔΑΣ». ■ Απομακρύνετε τη συστοιχία μπαταριών και αντικαταστήστε την αλυσίδα, σύμφωνα με την ενότητα «ΑΝΤΙΚΑΤΑΣΤΑΣΗ ΤΗΣ ΜΠΑΡΑΣ ΚΑΙ ΤΗΣ ΑΛΥΣΙΔΑΣ». ■ Ελέγξτε τη στάθμη λαδιού. Συμπληρώστε λάδι στο ρεζερβουάρ λαδιού, εάν χρειαστεί. ■ Απομακρύνετε τη συστοιχία μπαταριών και τοποθετήστε εκ νέου την αλυσίδα, σύμφωνα με την ενότητα «ΑΝΤΙΚΑΤΑΣΤΑΣΗ ΤΗΣ ΜΠΑΡΑΣ ΚΑΙ ΤΗΣ ΑΛΥΣΙΔΑΣ».
<p>Η μπάρα και η αλυσίδα θερμαίνονται και βγαίνει καπνός.</p>	<ul style="list-style-type: none"> ■ Το ρεζερβουάρ λαδιού της αλυσίδας είναι άδειο. ■ Υπολείμματα στην εγκοπή οδηγητικής μπάρας. 	<ul style="list-style-type: none"> ■ Πλήρωση λιπαντικού μπάρας και αλυσίδας. ■ Καθαρίστε τα υπολείμματα στην εγκοπή.

ΕΓΓΥΗΣΗ

ΠΟΛΙΤΙΚΗ ΕΓΓΥΗΣΗΣ EGO

Επισκεφθείτε την ιστοσελίδα egopowerplus.com για όλους τους όρους και τις προϋποθέσεις της πολιτικής εγγύησης EGO.

TÜM TALİMATLARI OKUYUN!



KULLANIM KILAVUZUNU OKUYUN

⚠ Artık risk! Kalp pili gibi elektronik cihazlar kullanan kişiler bu ürünü kullanmadan önce doktorlarına danışmalıdır. Elektrikli cihazların, kalp pili yakınında çalıştırılması kalp pilinde parazite veya arızaya neden olabilir.

⚠ UYARI: Emniyet ve güvenilirliği sağlamak için tüm tamir işleri yetkili bir servis teknisyeni tarafından yapılmalıdır.

GÜVENLİK SEMBOLLERİ

Güvenlik sembollerinin amacı olası tehlikelere dikkatinizi çekmektir. Güvenlik sembolleri ve yanlarındaki açıklamalar özel dikkat ve anlayış göstermenizi gerektirir. Uyarı sembolleri tek başına herhangi bir tehlikeyi ortadan kaldırmaz. Sembollerde belirtilen talimatlar ve uyarılar uygun kaza önleme tedbirlerinin yerine geçmez.

⚠ UYARI: Bu aleti kullanmadan önce "TEHLİKE", "UYARI" ve "DİKKAT" gibi tüm güvenlik uyarı ve sembollerini içeren bu Kullanım Kılavuzundaki tüm güvenlik talimatlarını okuyup anladığınızdan emin olun. Aşağıdaki talimatların tamamına uyulmaması elektrik çarpması, yangın ve/veya ciddi yaralanma ile sonuçlanabilir.

SEMBOLÜN ANLAMI

Bu sayfada, bu ürün üzerinde görülebilecek güvenlik sembolleri gösterilmekte ve açıklanmaktadır. Makineyi monte etmeye ve kullanmaya başlamadan önce, makineye ilişkin tüm talimatları okuyup anlayın ve bu talimatlara uyun.



Güvenlik Uyarısı



Yaralanma riskini azaltmak için kullanıcı bu ürünü kullanmadan önce kullanım kılavuzunu okuyup anlamalıdır.



Koruyucu Gözlük Takın



Koruyucu Kask Takın



Kulak Koruması Takın



Koruyucu Eldiven Takın



Garanti edilen ses gücü seviyesidir. Avrupa Birliği Yönetmeliği'ne göre çevre gürültü emisyonu.

IPX4

Hava Girişi Koruma Derecesi



Koruyucu Ayakkabı Giyin



Elektrik çarpmasını önlemek için havai elektrik hatlarının 15 m yakınında çalışmayın. Cihazın elektrik hatlarına temas etmesi veya elektrik hatlarının yakınında kullanılması ciddi yaralanmaya veya elektrik çarpmasına neden olabilir ve bu da ölüme yol açabilir.



Yağmura Maruz Bırakmayın.



Bu ürün, yürürlükteki AB yönetmeliklerine uygundur.



Bu ürün, yürürlükteki Birleşik Krallık yasalarına uygundur.



Atık elektrikli ürünler, evsel atıklar ile birlikte bertaraf edilmemelidir. Yetkili bir geri dönüşüm merkezine teslim edilmelidir.



Doğru Akım

V

Voltaj

TEKNİK ÖZELLİKLER

Nominal Voltaj	56 V $\overline{\text{---}}$	
Pala Uzunluğu	25cm	
Zincir Adımı	6,4 mm (1/4")	
Zincir Ölçüsü	1,1 mm (0.043")	
Yağ Deposu Kapasitesi	80 ml	
Sürücü Bağlantılarının Sayısı	56	
Alet Uzunluğu (uzatma çubuğu olmadan)	Maks. 292 cm Min. 233 cm	
Önerilen Çalışma Sıcaklığı	Nuo -15°C iki 40°C	
Önerilen Depolama Sıcaklığı	Nuo -20°C iki 70°C	
Önerilen Şarj Sıcaklığı	Nuo 5°C iki 40°C	
Ağırlık (batarya ve zincir kapağı hariç)	4,25 kg	
Ölçülen ses gücü seviyesi L_{WA}	97 dB(A) K=2,5 dB(A)	
Çalışma pozisyonundaki ses gücü seviyesi L_{PA}	82 dB(A) K=3 dB(A)	
Garanti edilen ses gücü seviyesi L_{WA} (2000/14/EC uyarınca)	100 dB(A)	
Titreşim a_h	Ön Destek Kolu	1,19 m/sn. ² K=1,5 m/sn. ²
	Arka Tutma Kolu	1,01 m/sn. ² K=1,5 m/sn. ²

- Beyan edilen toplam titreşim değeri, standart test yöntemine uygun olarak ölçülmüştür ve bir aleti diğer bir alet ile karşılaştırmak için kullanılabilir.
- Beyan edilen toplam titreşim değeri, maruz kalma seviyesinin ilk değerlendirilmesi için de kullanılabilir.

DİKKAT: Elektrikli aletin fiili kullanımı sırasında oluşan titreşim emisyonu değeri aletin kullanım şekline bağlı olarak beyan edilen değerden farklı olabilir. Operatör korunmak için fiili kullanım koşullarında eldiven ve kulak koruması takmalıdır.

AÇIKLAMA

YÜKSEK DAL BUDAMA TESTERENİZİ TANIYIN (Şek. A1)

1. Hızlı Zincir Gerginliği Ayar Topuzu
2. LED Çalışma Işığı
3. Yan Kapak
4. Omuz Askısı Kancası
5. Uzatma Çubuğu
6. Kilitleme Düğmesi
7. Tetik
8. Arka Tutma Kolu
9. Batarya Çıkarma Düğmesi
10. Ön Destek Kolu
11. Hızlı Çıkarma Kolu
12. Teleskobik Çubuk
13. Omuz Askısı
14. Yağ Deposu Kapağı
15. Yağ Deposu
16. Saplama Uçları
17. Pala
18. Testere Zinciri
19. Zincir Kapağı

AMBALAJ İÇERİĞİ (Şek. A1)

Bu Yüksek Dal Budama Testeresi için Önerilen Pala ve Zincir

PARÇAADI	MODEL NUMARASI
Pala	AG1000Q, AG1200Q
Testere Zinciri	AC1000Q, AC1200Q

TR

MONTAJ

⚠ UYARI: Hasarlı veya eksik parça varsa bu parçalar değiştirilinceye kadar ürünü çalıştırmayın. Bu ürünün hasarlı veya eksik parçalar ile kullanılması ciddi yaralanmalara yol açabilir.

⚠ UYARI: Bu ürün üzerinde değişiklik yapmaya veya bu ürünle kullanılması önerilmeyen aksesuarlar oluşturmaya çalışmayın. Bu tür değişiklikler veya modifikasyonlar hatalı kullanımdır ve ciddi yaralanmalara neden olablen tehlikeli bir duruma sebep olabilir.

⚠ UYARI: Parçaları monte ederken, ayar yaparken, temizlikten önce ve ürün kullanımda değilken daima bataryayı üründen çıkarın.

PALA VE ZİNCİR MONTAJI

1. Yüksek dal budama testeresini yan kapak yukarı bakacak şekilde sert ve düz bir yüzeye yerleştirin.
2. Eldiven takın. Yan kapağı çıkarın (Şekil B).
3. Yeni testere zincirini halka halinde düz bir yüzey üzerine yerleştirin ve kıvrılmış yerleri düzeltin.
4. Zincir sürücüsü baklalarını pala oluşuna yerleştirin. Zinciri, palanın arka kısmında bir halka oluşacak şekilde yerleştirin (Şek. C).

C-1	Zincir Sürücüsü Baklaları
C-2	Pala Oluğu

5. Zinciri pala üzerindeki konumunda tutun ve halkayı yüksek dal budama testeresinin sürücü dişlisinin etrafına yerleştirin.

DİKKAT: Aletin muhafazasına küçük bir yön oku ve bir kesici kazınmıştır (Şek. D). Testere zincirini palaya geçirirken pala montajından sonra testere zincirinin yönünün aletin muhafazasındaki dönüş yönü oku ile aynı olduğundan ve palanın üstündeki kesicilerin şeklinin muhafazadaki kesici ile uyumlu olduğundan emin olun. Ters yönlere bakıyorlarsa oklar aynı yöne bakacak şekilde testere zincirini tekrar palaya monte edin. Pala, ayar plakası muhafazadan uzağa bakacak şekilde monte edilmelidir.

6. Palayı ve zinciri montaj yüzeyine paralel tutun. Yan kapağı, delikler/pimler ve sabitleme civatası/diş deliği birbiriyle düzgün şekilde hizalanacak şekilde muhafazaya takın (Şek. E). Yan kapağı muhafazaya doğru bastırın, ardından hızlı zincir gerginliği ayar topuzunu saat yönünde tamamen sıkın. Yan kapağın içindeki eksantrik dişli, zincirin aşırı gerilmemesini sağlayacak şekilde tasarlanmıştır.

NOT: Zincir gevşerse, hızlı zincir gerginliği ayar topuzunu saat yönünün tersine en az bir tur çevirin, ardından topuzu tamamen sıkın.

7. Zincirin sıkışmadan düzgün şekilde takılıp takılmadığını kontrol etmek için zinciri elle döndürün. Aksi halde zincir ve palayı yeniden birleştirin.

YÜKSEK DAL BUDAMA APARATININ GÜÇ BAŞLIĞINA BAĞLANMASI

Bu yüksek dal budama testeresi, yüksek dal budama aparatı ve güç başlığı kombinasyonu altında çalışır (Şek. F).

F-1	Yüksek Dal Budama Testeresi Aparatı
F-2	Güç Başlığı

⚠ UYARI: Güç başlığı çalışırken veya batarya takılıyken asla yüksek dal budama aparatını takmayın veya ayarlamayın. Motorun durdurulmaması ve bataryanın çıkarılmaması ciddi yaralanmalara neden olabilir.

Yüksek dal budama aparatı güç başlığına bir kaplin aracılığıyla bağlanır.

1. Motoru durdurun ve bataryayı çıkarın.
2. Kelebek düğmesini gevşetin.
3. Yüksek dal budama testeresi milindeki oku kaplin üzerindeki okla hizalayın ve yüksek dal budama testeresi milinin yerine monte edildiğini belirten net bir «klik» sesi duyana kadar yüksek dal budama testeresi milini kaplinin içine itin (Şek. G).

G-1	Kelebek Düğmesi	G-3	Kaplin Üzerindeki Ok
G-2	Mil Çıkarma Düğmesi	G-4	Testere Mili Üzerindeki Ok

4. Kapline sıkıca sabitlendiğinden emin olmak için aparatın milini çekin. Sabitlenmemişse yerine oturana kadar kaplin içinde yüksek dal budama milini bir yandan diğerine çevirin.
5. Güvenli bir şekilde kelebek düğmesini sıkın.

⚠ UYARI: Cihazı çalıştırmadan önce kelebek düğmesinin tamamen sıkıldığından emin olun. Ciddi yaralanmaların önüne geçmek için kullanım sırasında düğmenin sıklığını düzenli olarak kontrol edin.

GÜÇ BAŞLIĞI İLE YÜKSEK DAL BUDAMA APARATI ARASINA UZATMA ÇUBUĞUNUN BAĞLANMASI (Model No. EP1000)

⚠ UYARI: Güç başlığı çalışırken veya batarya takılıyken asla aparat takmayın veya ayarlamayın. Motorun durdurulmaması ve bataryanın çıkarılmaması ciddi yaralanmalara neden olabilir.

Bu uzatma çubuğu, özel olarak EGO PS1000E ile kullanım için tasarlanmıştır. Bu parçayı asla diğer EGO aparatları ile kullanmayın.

Uzatma çubuğu, aleti 100 cm uzatarak kesme aralığını genişletir. Yüksek dal budama aparatı ile güç başlığı arasına bağlanmalıdır. Bir alet üzerinde en fazla iki uzatma çubuğu (ayrı olarak satılır) kullanılabilir.

Uzatma çubuğunu, yüksek dal budama aparatı ile güç başlığı arasına bağlamak için "YÜKSEK DAL BUDAMA APARATININ GÜÇ BAŞLIĞINA BAĞLANMASI"

bölümündeki işlemleri takip edin (Şek. H).

H-1	Uzatma Çubuğu Üzerindeki Kaplin
H-2	Güç Başlığı Üzerindeki Kaplin

DİKKAT: Doğru şekilde monte edildikten sonra yüksek dal budama aparatı, uzatma çubuğu ve güç başlığı çekildiği zaman birbirinden ayrılmamalıdır. Bu parçaları çekerek aralarındaki bağlantıyı her zaman test edin. Parçalar ayrılabilirse yukarıdaki adımları tekrarlayın.

UYARI: Aparat ile elektrikli alet başlığının/uzatma çubuğunun talimatlara uygun olarak sabitlenmemesi ciddi yaralanma veya ölüme yol açabilir.

ELEKTRİKLİ ALET BAŞLIĞINDAN APARAT ÇIKARMA

1. Motoru durdurun ve bataryayı çıkarın.
2. Kelebek düğmesini gevşetin.
3. Mil çıkarma düğmesine basın ve düğmeye basılıyken güç başlığından veya uzatma çubuğundan (kullanılıyorsa) ayırmak için yüksek dal budama testeresi milini kaplından çekin veya kıvrın.
4. Uzatma çubuğunu güç başlığından ayırmak için işlemi tekrarlayın (uzatma çubuğu kullanılıyorsa).

ÖN DESTEK KOLONUN TAKILMASI VE AYARLANMASI

1. Motoru durdurun ve bataryayı çıkarın.
2. Kelebek somununu gevşetin ve kelepçe civatası ile ön destek kolundan çıkarın (Şek. 11).

I-1	Ön Destek Kolu	I-4	Kelebek Somunu
I-2	Kilit Kolu	I-5	Kelepçe Bloğu
I-3	Kelepçe Civatası		

3. Destek kolunu güç başlığı miline bastırın ve testere zincirini gösterecek şekilde aşağı doğru çevirin (Şek. 12).
4. Kelepçe bloğunu takın ve kelepçe civatasını kelebek somunu ile monte edin (Şek. 13).
5. Kelebek somununu tamamen sıkmayın. Ön destek kolunun konumunu, omuz askısı kancası ile teleskopik çubuk manşonu arasında olacak şekilde ayarlayın (Şek. 14). Sap, kutup testeresini kullanırken kolunuz düz olacak şekilde ayarlanmalıdır.
6. Kilit koluna basın ve ön destek kolunun dönmeye veya güç başlığı mili üzerinde hareket etmeye karşı sabitlenmesi için kelebek somununu sıkın.

ÇALIŞTIRMA

TEHLİKE: Asla yakınlardaki elektrik hatlarını, elektrik kablolarını veya diğer elektrik kaynaklarını kesmeyin. Pala veya zincir herhangi bir elektrik kablosu veya hattına sıkışırsa **PALAYA, ZİNCİRE veya ÇUBUĞA DOKUNMAYIN! ELEKTRİKLİ OLABİLİRLER VE ÇOK TEHLİKELİ SONUÇLAR DOĞABİLİR.** Yüksek dal budama testeresini yalıtımlı arka saptandan tutmaya devam edin veya yere yatırın ve sizden uzak bir şekilde tutun. Palayı veya zinciri elektrik hattından veya kablosundan kurtarmaya çalışmadan önce hasarlı elektrik hattına veya kablosuna giden elektrik beslemesini kesin. Pala, zincir veya yüksek dal budama testeresinin diğer iletken parçalarına ya da elektrikli kablolarla veya hatlara temas edilmesi, elektrik çarpması sonucu ölüme veya ciddi yaralanmaya yol açar.

UYARI: Bu ürüne karşı edindiğiniz alışkanlığın sizi dikkatsiz yapmasına izin vermeyin. Bir anlık dikkatsizliğin ciddi yaralanmalara sebep olabileceğini unutmayın.

UYARI: Her zaman koruyucu gözlükler veya yan siperleri olan güvenlik gözlükleri kullanın. Aksi halde gözlerinize nesneler fırlayabilir ve başka ciddi yaralanmalar oluşabilir.

UYARI: Parçaları monte ederken, ayar yaparken, temizlik yaparken, ürünü taşıırken veya ürün kullanımda değilken daima bataryayı üründen çıkarın. Bataryanın çıkarılması, ciddi yaralanmalara neden olabilen yanlışlıkla çalışmayı önler.

UYARI: Bu ürünün üreticisi tarafından önerilmeyen herhangi bir aparatı veya aksesuarı kullanmayın. Tavsiye edilmeyen aksesuarların veya aparatların kullanımı ciddi yaralanmalara sebep olabilir.

Her kullanımdan önce ürünü inceleyerek hasarlı, eksik veya vida, somun, civata, kapak vb. gevşek parça olup olmadığını kontrol edin. Tüm bağlantı parçalarını ve kapakları sıkın, bu ürünün eksik veya hasarlı parçalar değiştirilmeden çalıştırmayın.

KULLANIM ALANLARI

Bu ürünü aşağıda belirtilen amaçlar için kullanabilirsiniz:

- Dal kesme
- Budama

DİKKAT: Bu alet sadece belirtilen kullanım amacına uygun kullanılmalıdır. Diğer kullanım şekilleri hatalı kullanım olarak kabul edilir.

YAĞ DEPOSUNUN PALA VE ZİNCİR YAĞIYLA DOLDURULMASI

⚠ UYARI: Yağın veya yüksek dal budama testeresinin yakınında sigara içmeyin veya herhangi bir ateş veya alev kaynağını testerenin yakınına getirmeyin. Yağ sıçrayabilir ve yangına neden olabilir.

DİKKAT: Satın alındığında yüksek dal budama testeresinde yağ bulunmaz. Kullanmadan önce depo zincir yağı ile doldurulmalıdır. Yüksek dal budama testeresinin zincir yağı olmadan çalıştırılması veya yağ seviyesi belirli bir miktarın altında olduğunda çalıştırılması, yüksek dal budama testeresine hasar verir. Zincir ömrü ve kesim kapasitesi optimum yağlamaya bağlıdır. Depoda yeterince yağ varsa çalışma sırasında zincir otomatik olarak zincir yağı ile yağlanır. Ayrıca her 20 dakikalık kullanımın ardından yağ seviyesi kontrol edilmeli ve gerekirse yeniden doldurulmalıdır.

1. Bataryayı elektrikli alet başlığından çıkarın.
2. Yağ deposu kapağı ile kapak çevresindeki alanı temizleyerek yağ deposuna herhangi bir pisliğin düşmediğinden emin olun.
3. Yüksek dal budama testeresini yağ deposu kapağı yukarı bakacak şekilde sert ve düz bir yüzeye yerleştirin, ardından kapağı çıkarın (Şek. J).
4. Pala ve zincir yağını dikkatle depoya dökerek depoyu ağzına kadar doldurun. Yağın açık ağızdan dökülmemesine dikkat edin. Fazla yağı silin.

DİKKAT:

- Pala ve zincir üzerinde kullanmak için özel olarak tasarlanmamış yağları veya diğer sıvıları asla kullanmayın. Aksi halde yağ sistemi tıkanabilir ve bu da pala ve zincirin erken aşınmasına neden olabilir.
- Yağ seviyesini sık sık kontrol edin ve gerektiğinde tekrar doldurun.
- Kirli, kullanılmış veya diğer kontamine yağları kullanmayın. Pala veya zincir hasar görebilir.
- Yağın kullanılmadığı zamanlarda testereden sızması normaldir. Sızıntıyı önlemek için her kullanımdan sonra yağ deposunu boşaltın ve ardından testereyi bir dakika çalıştırın. Aleti uzun süre depoya kaldıracağınız zaman zincirin hafifçe yağlandığından emin olun, böylece zincir ve pala dişlisinde paslanma önlenir.
- Doğal kaynakları korumak için lütfen yağı uygun şekilde geri dönüştürün veya bertaraf edilmesini sağlayın. Mevcut geri dönüşüm ve bertaraf seçenekleriyle ilgili bilgi için yerel atık yetkilinize danışın.

TELESKOBİK ÇUBUĞUN AYARLANMASI (Şek. K)

1. Teleskobik çubuğun kilidini açmak için hızlı çıkarma kolunu kaldırın.

2. Teleskobik çubuğu istenen uzunluğa kadar uzatın.
3. Teleskobik çubuğu güvenli bir şekilde kilitlemek için hızlı çıkarma koluna basın.

OMUZ ASKISININ TAKILMASI

Askı kancasına basarak açın ve testere üzerindeki omuz askısı kancasına takın (Şek. L). Omuz askısını rahat bir çalışma konumuna ayarlayın.

⚠ UYARI: Acil bir durumda, yaralanmayı önlemek için askıyı derhal omuzunuzdan çıkarın.

BATARYAYI TAKMA/ÇIKARMA

NOT: İlk kullanımdan önce bataryayı tamamen şarj edin. Ürünü sadece şekil A2'e listelenen batarya ve şarj cihazlarıyla kullanın.

Takmak İçin

Batarya dişleri ile montaj yuvalarını hizalayın ve bir "tık" sesi duyana kadar bataryayı bastırın (Şek. M).

⚠ UYARI: Ürünü çalıştırmadan önce bataryanın yerine kilitletiğinden emin olun. Bataryanın güvenli bir şekilde yerleştirilmemesi, bataryanın düşmesine neden olarak ciddi yaralanmalara yol açabilir.

⚠ UYARI: Batarya çıkarma düğmesine basarken daima ayaklarınızı bastığınız yere, etrafınızdaki çocuklara veya evcil hayvanlara dikkat edin. Batarya düşerse ciddi yaralanmaya neden olabilir. ASLA bataryayı yüksek bir yerden çıkarın.

Çıkarmak İçin

Batarya çıkarma düğmesine basın ve bataryayı çekip çıkarın (Şek. N).

LED ÇALIŞMA IŞIĞI (Şek. O)

LED çalışma ışığı, testere zinciri ile aynı hızda, yüksek dal budama aparatının önündedir. Bu özellik, kullanıcıların ağaçta yüksek dalları keserken testere zincirinin nerede olduğunu görmeleri için ekstra ışık sağlar.

Tetik sıkıldığında çalışma ışığı otomatik olarak yanar ve tetik bırakıldıktan yaklaşık 10 saniye sonra söner.

ALETİ ÇALIŞTIRMA/DURDURMA

Yüksek Dal Budama Testeresini Çalıştırmadan Önce

⚠ UYARI: GÜÇ BAŞLIĞINI ASLA BİR AKSESUAR OLMADAN ÇALIŞTIRMAYIN. Yüksek dal budama aparatını bağlamadan önce güç başlığını çalıştırmayın.

DİKKAT: Yüksek dal budama testeresini çalıştırmadan önce hızlı zincir gerginliği ayarını, yağ seviyesini ve

zincir ile dişlerin keskinliğini kontrol edin. Ayrıca kavrama yöntemi, dengeli yere basmak ve yerden uygun mesafede olmak gereklidir (Şek. Q).

Çalıştırmak için (Şek. P)

1. Bataryayı takın.
2. Yakın çevrede pala ve zincirle temas edebilecek hiçbir nesne veya engel bulunmadığından emin olun.
3. Her iki elinizi kullanarak destek kolunu ve arka tutma kolunu sıkıca kavrayın.
4. Kilitleme düğmesini basılı tutun, ardından tetiği sıkarak testereyi çalıştırın. Kilitleme düğmesini bırakın ve sürekli kullanım için tetiğe basmaya devam edin.

⚠ UYARI: Testere zinciri bir kesik içindeyken veya herhangi bir yüzle temas halindeyken testereyi çalıştırmayın.

Durdurmak için

Yüksek dal budama testeresini kesme alanından uzaklaştırın ve ardından testereyi durdurmak için tetiği bırakın.

⚠ UYARI: Mola verdiğinizde ve işi bitirdikten sonra daima bataryayı yüksek dal budama testeresinden çıkarın.

TEMEL KESME YÖNTEMİ (Şek. R)

Ağacın veya ağaç kabuğunun zarar görmesini önlemek için aşağıdaki adımları izleyin. Testere ile ileri-geri kesim hareketi yapmayın.

1. Öncelikle dalın altından, ana gövde yakınından derin olmayan (dal çapının 1/4'ü kadar) bir kesik açın.
2. Birinci kesimin dışından dalın üst kısmından ikinci kesimi yapın. Dal ağaçtan ayrılan kadar dalı kesmeye devam edin. Dal düştüğünde cihaz ağırlığını dengelemeye hazır olun.
3. Ana gövdeye yakın bir son kesim yapın.

DİKKAT: İkinci ve son kesimler (dalın üst kısmından) için saplama uçlarını kesilen dala doğru tutun (Şek. S). Bu, dalın sabit durmasını ve daha kolay kesilmesini sağlar. Sadece hafifçe aşağı doğru basınç uygulayarak zincirin kesim yapmasını sağlayın. Kesim sırasında zorlama yaparsanız pala, zincir veya motor zarar görebilir.

S-1	Saplama Uçları
-----	----------------

4. Kesim tamamlarını tamamlanmaz tetiği bırakın.

DİKKAT: Uygun kesim prosedürlerine uyulmaması halinde pala ve zincir tutukluk yapabilir ve dala sıkışabilir ya da takılabilir. Bu durumlardan biri meydana gelirse:

1. Motoru durdurun ve bataryayı çıkarın.

2. Yerden dala ulaşabiliyorsa testereyi tutarak dalı kaldırın. Bu şekilde "sıkışıklık" giderilir ve testere kurtarılır.
3. Testere hala takılıyorsa bir uzmandan yardım isteyin.

DAL KESME VE BUDAMA

Bu yüksek dal budama testeresi, çapı 20 cm (25 cm palası olan alet için) veya 25 cm'ye (30 cm palası olan alet için) kadar olan küçük dalları budamak için tasarlanmıştır. En iyi sonuçlar için aşağıdaki önlemlere uyun:

1. Kesimi dikkatle planlayın. Dalın düşeceği yöne dikkat edin.

⚠ UYARI: Dallar beklenmedik yönlere düşebilir. Doğrudan kesilen dalın altında durmayın.

2. En tipik kesme uygulaması, belirli duruma bağlı olarak Şek. T'de gösterildiği gibi aleti 60° veya daha az bir açıyla konumlandırmaaktır. Yüksek dal budama testeresi milinin zemine olan açısı arttıkça ilk kesimi (dalın alt tarafından) yapma zorluğu da artar.
3. Uzun dalları bir kaç aşamada kesin.
4. Üst dalların düşmesi için yer açmak amacıyla öncelikle alçak dalları kesin.
5. Testereyi iki elinizle sıkıca kavrayarak yavaşça çalışın. Ayaklarınızı sağlam basın ve dengeyi koruyun.
6. Dal keserken ağacı kendinizle testere arasına alın. Kestiğiniz dalın karşısındaki ağacın yanından kesim yapın.
7. Merdiven üzerinde kesim yapmayın, bu çok tehlikelidir. Bu tür işlemleri profesyonellere bırakın.
8. Dalın çoğunluğunu keserek ağırlığı azaltmadan ana gövdeye yakın düz bir kesim yapmayın. Uygun kesim prosedürleri izlendiğinde ana gövdedeki kabuğun soyulması önlenir.
9. Yüksek dal budama testeresini ağaç kesimi veya saplama amacıyla kullanmayın.
10. Elektrik çarpmasını önlemek için havai elektrik hatlarının 15 m yakınında çalışmayın (Fig. T).
11. Çevredekilerin en az 15 m uzakta olmasını sağlayın (Fig. T).

BAKIM

⚠ UYARI: Cihazın kontrol, temizlik veya bakımından önce motoru durdurun ve tüm hareketli parçaların durmasını bekleyin, ardından bataryayı çıkarın. Bu talimatlara uyulmaması ciddi yaralanmalara veya maddi hasara yol açabilir.

TR

⚠ UYARI: Bakım yaparken sadece orijinal yedek parçaları kullanın. Başka parçaların kullanılması tehlikeli olabilir veya üründe hasara sebep olabilir. Güvenlik ve güvenilirliği sağlamak için bu bakım talimatlarında belirtilenler dışındaki tüm onarımlar uzman bir servis teknisyeni tarafından gerçekleştirilmelidir.

⚠ UYARI: Testere zincirini tutarken daima eldiven giyin. Zincir keskindir ve çapaklar içerebilir.

GENEL BAKIM

Plastik parçaları temizlerken çözücü maddeler kullanmaktan kaçının. Çoğu plastik malzeme çeşitli ticari çözücü türlerinden etkilenmeye yatkındır ve bu çözücü maddelerin kullanılması durumunda zarar görebilirler. Kir, toz, yağ, gres vb. gidermek için temiz bez kullanın.

TEMİZLİK

- Her kullanımdan sonra yumuşak bir fırça ile zincir ve paladaki talaşları temizleyin. Testerenin yüzeyini, az miktarda sabun solüsyonu ile nemlendirilmiş temiz bir bezle silin.
- Yan kapağı çıkarın ve ardından yumuşak bir fırça kullanarak paladaki, zincirdeki, dişlerdeki ve yan kapaktaki talaşı temizleyin.
- Testere zincirini değiştirirken daima pala oluğundaki ahşap talaşları, tozu ve kirleri temizleyin.

Bu bakım talimatlarında listelenen maddeler dışındaki tüm yüksek dal budama testeresi bakımı, yetkili testere servis personeli tarafından yapılmalıdır.

PALA VE ZİNCİRİN DEĞİŞTİRİLMESİ

Palayı ve zinciri değiştirirken daima **“Bu Yüksek Dal Budama Testeresi için Önerilen Pala ve Zincir”** bölümünde belirtilen özel pala ve zinciri kullanın.

- Bataryayı çıkarın ve testerenin soğumasını bekleyin. Yağ sızıntısını önlemek için yağ deposu kapağının takılı olduğundan emin olun.
- Yüksek dal budama testeresini yan kapak yukarı bakacak şekilde sert ve düz bir yüzeye yan yerleştirin.
- Eldiven takın. Yan kapağı çıkarın (Şek. U). Yan kapağı kuru bir bezle temizleyin.
- Aşınmış pala ve zinciri montaj yüzeyinden çıkarın.
- «MONTAJ» bölümündeki «PALA VE ZİNCİR MONTAJI» talimatlarını izleyerek yeni palayı ve testere zincirini takın.

DİKKAT: Bu aşamada sürücü dişlisini aşınmaya veya hasara karşı kontrol etmek faydalıdır.

PALANIN BAKIMI

Pala aşınma belirtileri gösterdiğinde testereyi sökün. Ayar vidasını ve ayar plakasını çıkarın, palayı ters çevirin (Şek. V) ve ayar plakasını palanın yeni tarafına yeniden takarak (Şek. W) maksimum pala ömrü için aşınmayı dağıtın. Pala kullanımdan sonra her gün temizlenmeli ve aşınma ve hasar açısından kontrol edilmelidir. Pala raylarında tüylenme veya çapaklanma oluşması, palanın aşınma sürecinde normaldir. Bu tür bozulmalar oluşur oluşmaz bir eğe ile düzeltilmelidir. Aşağıdaki bozukluklardan herhangi biri bulunan pala değiştirilmelidir.

- Pala raylarının içinde, zincirin yanlara doğru kaymasına neden olan aşınma.
- Eğik pala.
- Çatlak veya kırık raylar.
- Ayrık raylar.

Ayrıca, palanın ucunda da bir dişli bulunmaktadır. Palanın ömrünü uzatmak için, dişli bir yağ enjektörüyle haftada bir yağlanmalıdır. Bir yağ enjektörü kullanarak, yağ deliğinden zincir yağı ile haftada bir yağlayın (Şek. X). Palayı çevirin ve yağlama delikleri ile zincir oluğunda kirlenme olup olmadığını kontrol edin.

X-1	Pala Ucundaki Dişli
X-2	Yağlama Deliği

ZİNCİR BAKIMI

Bu testerede sadece düşük geri tepmeli zincirler kullanın. Doğru şekilde bakım yapılırsa hızlı kesim zinciri geri tepmeyi azaltır.

Düzgün bilenmiş bir testere zinciri, çok az basınçla dahi ahşabı kolayca kesebilir.

Asla körelmiş veya hasarlı bir testere zincirini kullanmayın. Kır bir testere zincirinin kesici ucu fiziksel gerilimi, titreşim yükünü artırır, başarısız kesim sonuçlarına yol açar ve aşınmayı çoğaltır.

Sorunsuz ve hızlı bir kesim için testere zinciri bakımı doğru şekilde yapılmalıdır. Talaşlar küçük ve tozlu olduğunda, kesim sırasında zincirin ahşabın içinden geçmesi için güç kullanılması gerekir veya bir taraftaki zincir kesikleri, zincirin bilenmesi gerektiğinin göstergesidir. Testerenizin zincirinin bakımı sırasında, aşağıdaki hususlara dikkat edilmelidir:

- Yan plakanın hatalı açıyla eğelenmesi ciddi geri tepme riskini artırabilir.
- Tırmık (derinlik ölçüğü) aralığı. Çok alçak olması geri tepme potansiyelini artırır. Yeterince alçak olmaması kesim becerisini azaltır.
- Kesici dişler çivi ve taş gibi sert cisimlere çarpmışsa veya ahşap üzerindeki çamur veya kum nedeniyle

aşınmışsa zincirin yetkili bir servis teknisyeni tarafından
bilenmesini sağlayın.

TAŞIMA VE DEPOLAMA

- Yüksek dal budama testeresi aparatını çalışır durumdayken depolamayın veya taşımayın. Depolamadan veya taşımadan önce daima bataryayı çıkarın.
- Yüksek dal budama testeresi aparatını taşımadan veya depolamadan önce daima pala ve zincirin üzerine pala kapağını takın. Zincirin keskin dişlerine karşı dikkatli olun.
- Yüksek dal budama testeresini depolamadan önce tamamen temizleyin. Yüksek dal budama testeresini kuru, kilitli ve/veya çocukların ulaşamayacağı kapalı bir alanda depolayın, bahçe kimyasalları ve buz eritici tuzlar gibi aşındırıcı maddelerden uzak tutun.

Çevre koruması



Elektrikli cihazları, kullanılmış bataryayı ve şarj cihazını evsel atıklarla bertaraf etmeyin!

Bu ürünü yetkili bir geri dönüşüm merkezine götürün ve ayrı bir şekilde toplanmasını sağlayın. Elektrikli aletler çevreyle uyumlu bir geri dönüşüm tesisine götürülmelidir.

RENNAN DER SPEK
TUINMACHINES * STOLWIJK

TR

SORUN GİDERME

SORUN	SEBEP	ÇÖZÜM
Motor çalışmıyor.	<ul style="list-style-type: none">■ Batarya yüksek dal budama testeresine takılı değildir.■ Testere ile batarya arasında elektrik teması yoktur.■ Batarya boşalmıştır.■ Tetik düğmesine basmadan önce kilitleme düğmesine basılmamış.■ Batarya veya güç başlığı çok sıcaktır.■ Testere zinciri ahşap içerisinde sıkışmıştır.■ Pala ve zincir eğiktir ve muhafazaya paralel değildir.■ Pala oluğunda talaş artıkları vardır.■ Yan kapak içerisinde talaş artıkları var.	<ul style="list-style-type: none">■ Bataryayı yüksek dal budama testeresine takın.■ Bataryayı çıkarın, temas noktalarını kontrol edin ve bataryayı yeniden takın.■ Bataryayı şarj edin.■ Kilit açma koluna basın, ardından tetiğe basarak yüksek dal budama testeresini çalıştırın.■ Sıcaklık önerilen çalışma sıcaklığı aralığına düşene kadar bataryanın veya güç başlığının soğumasını bekleyin.■ Tetiği bırakın, testere zincirini ve palayı ahşaptan çıkarın, ardından yüksek dal budama testeresini yeniden başlatın.■ Bataryayı çıkarın ve "PALA VE ZİNCİRİN DEĞİŞTİRİLMESİ" bölümünü takip ederek pala ve zinciri değiştirin. Yan kapağı takmadan önce pala ve zinciri montaj yüzeyine paralel tutmanız gerektiğini daima aklınızda bulundurun.■ Testere zincirini ahşaba doğru bastırın, testereyi ileri geri hareket ettirerek talaşın boşalmasını sağlayın.■ Bataryayı çıkarın, ardından yan kapağı çıkarın ve talaş artıklarını temizleyin.

SORUN	SEBEP	ÇÖZÜM
Motor çalışıyor, ancak zincir dönmüyor.	<ul style="list-style-type: none"> ■ Zincir, sürücü dişlisine geçmemiştir. ■ Zincir gerginliği yetersizdir. ■ Zincir körelmiştir. ■ Zincir geriye doğru takılmıştır. ■ Zincir aşınmıştır. ■ Zincir kurumuş veya aşırı gerilmiştir. ■ Zincir pala oluşu içerisinde değildir. 	<ul style="list-style-type: none"> ■ Bataryayı çıkarın ve zincir üzerindeki sürücü baklaların tam olarak dişli üzerine oturduğundan emin olarak zinciri tekrar takın. ■ Hızlı zincir gerginliği ayar topuzunu en az bir tur saat yönünün tersine çevirerek gevşetin ve ardından zincir doğru şekilde gerilene kadar saat yönünde çevirerek tamamen sıkın. ■ Zincirin keskin dişlerini uzman bir servis teknisyenine biletin. ■ Bataryayı çıkarın ve “PALA VE ZİNCİRİN DEĞİŞTİRİLMESİ” bölümüne göre testere zincirini yeniden takın. ■ Bataryayı çıkarın ve “PALA VE ZİNCİRİN DEĞİŞTİRİLMESİ” bölümüne göre zinciri değiştirin. ■ Yağ seviyesini kontrol edin. Gerekirse yağ deposunu doldurun. ■ Bataryayı çıkarın ve “PALA VE ZİNCİRİN DEĞİŞTİRİLMESİ” bölümüne göre testere zincirini yeniden takın.
Pala ve zincir ısınıyor ve duman çıkarıyor.	<ul style="list-style-type: none"> ■ Zincir yağı deposu boştur. ■ Pala oluşunda talaş artıkları vardır. 	<ul style="list-style-type: none"> ■ Pala ve zincir yağını doldurun. ■ Oluktaki artıkları temizleyin.

GARANTİ

EGO GARANTİ POLİTİKASI

EGO Garanti Politikasına ilişkin tüm hükümler ve koşullar için lütfen egopowerplus.com adresindeki web sitemizi ziyaret edin.

TR

LUGEGE LÄBI KÕIK JUHISED!



LUGEGE KASUTUSJUHENDIT

⚠ Kaasnev risk! Inimesed, kes kasutavad elektroonilisi seadmeid, nt südamestimulaatorit, peaksid enne selle toote kasutamist konsulteerima oma arsti(de)ga. Elektriseadmete kasutamine südamestimulaatori läheduses võib põhjustada südamestimulaatori häireid või rikkeid.

⚠ HOIATUS: Turvalisuse ja vastupidavuse tagamiseks peab kõiki parandustöid läbi viima kvalifitseeritud hooldustehnik.

OHUTUSSÜMBOLID

Ohutussümbolite eesmärk on pöörata tähelepanu võimalikele ohtudele. Ohutussümbolitele ja nende juures olevatele seletustele tuleb korralikult tähelepanu pöörata ja need endale selgeks teha. Ohutussümbolid iseenesest ei kõrvalda ohtu. Nendega kaasnevad juhendid ja hoiatused ei asenda asjakohaseid õnnetuste ennetamise meetmeid.

⚠ HOIATUS: Enne käesoleva seadme kasutamist lugege kindlasti läbi ja tehke endale selgeks kõik kasutusjuhendis toodud ohutusjuhised, sh kõik ohutussümbolid nagu „OHT“, „HOIATUS“ ja „ETTEVAATUST“. Kui allpool loetletud juhiseid ei järgita, võib tagajärjeks olla elektrilöök, tulekahju ja/või tõsised isikuvigastused.

SÜMBOLITE TÄHENDUSED

Sel lehel on kujutatud ja kirjeldatud ohutussümboliteid, mida võib käesolevalt tootel leida. Enne, kui üritate masinat kokku panna ja kasutada, lugege, tehke omale selgeks ja järgige kõiki juhiseid.



Ohutusteade



Vigastuste ohu vähendamiseks peab kasutaja enne toote kasutamist lugema kasutusjuhendit ja selle endale selgeks tegema.



Kandke kaitseprille



Kandke tugevat peakatet



Kasutage kuulmiskaitsevahendeid



Kandke kaitsekindaid



Garanteeritud helivõimsuse tase. Seadme müra keskkonnas on Euroopa Ühenduse direktiiviga vastavuses.

IPX4 Kaitseklass



Kandke turvajalanõusid



Elektrilöögi vältimiseks ärge kasutage seadet elektrihüliinidele lähemal kui 15 m. Kokkupuude elektriliinidega või nende läheduses töötamine võib põhjustada raskeid vigastusi või anda surmava elektrilöögi.



Mitte jätta vihma kätte.



Toode vastab kohaldatavatele EÜ direktiividele.



Toode vastab kohaldatavatele Ühendkuningriigi õigusaktidele.



Elektriseadmete jäätmeid ei tohi visata olmejäätmete hulka. Viige volitatud taaskäitleja juurde.



Alalisvool



Pinge

ET

SPETSIFIKATSIOONID

Nimipinge	56 V	
Juhtlatti pikkus	25 cm	
Ketisamm	6,4 mm (1/4")	
Keti mõõdik	1,1 mm (0,043")	
Õlimahuti maht	80 ml	
Veolülide arv	56	
Tööriista pikkus (ilma pikendusvarreta)	Max 292 cm Min 233 cm	
Soovituslik töökeskkonna temperatuur	-15°C-40°C	
Soovituslik hoiustamise temperatuur	-20°C-70°C	
Soovitatav laadimistemperatuur	5°C-40°C	
Mass (ilma akuploki ja keti kaitseta)	4,25 kg	
Möödetud helivõimsuse tase L_{WA}	97 dB(A) K = 2,5 dB(A)	
Helirõhk seadme tööasendis L_{PA}	82 dB(A) K=3 dB(A)	
Garanteeritud helirõhk L_{WA} (2000/14/EC kohaselt)	100 dB(A)	
Vibratsioon a_n	Eesmine abikäepide	1,19 m/s ² K=1,5 m/s ²
	Tagumine käepide	1,01 m/s ² K=1,5 m/s ²

- Esitatud vibratsioonitaseme näit on möödetud standardsete testmeetodite kohaselt ja seda võib kasutada erinevate tööriistade võrdlemiseks.
- Esitatud vibratsioonitaseme näitu võib kasutada ka algse kokkupuutehinnangu andmiseks.

MÄRKUS: Tegelikul kasutamisel tekib vibratsioonitase võib esitatust erineda; turvalisuse eesmärgil peaks seadme kasutaja tegelikes kasutustingimustes kandma kindaid ja kuulmiskaitseid.

KIRJELDUS

TUNNE OMA PIKENDUSVARREGA SAAGI (joonis A1)

1. Keti pinget kiire reguleerimise nupp
2. LED-töötuli
3. Küljekate
4. Ölarihma kinnitus
5. Pikenduspost
6. Lukustusnupp
7. Päästik
8. Tagumine käepide
9. Akuvabastusnupp
10. Eesmine abikäepide
11. Kiirvabastushoob
12. Teleskoopvars
13. Ölarihm
14. Õlimahuti kork
15. Õlipaak
16. Hambuline tugiraud
17. Juhtlatt
18. Saekett
19. Keti kaitse

PAKENDI LOEND (joon. A1)

Sellele teleskoopsaele ettenähtud juhtlatt ja kett

OSA NIMI	MUDELI NUMBER
Juhtlatt	AG1000Q, AG1200Q
Saekett	AC1000Q, AC1200Q

KOKKUPANEK

⚠ HOIATUS: Kui mõni osa on kahjustatud või puudub, ärge kasutage toodet enne, kui see osa on parandatud. Kasutades kahjustatud või vajalike komponentideta seadet, võite saada raskeid vigastusi.

⚠ HOIATUS: ärge üritage seadet ümber ehitada ega kasutada tarvikuid, mis pole mõeldud selle seadmega koos kasutamiseks. Kõik niisugused muudatused loetakse väärkasutuseks ja need võivad põhjustada ohtlikke olukordi, mis lõppevad raskete vigastustega.

ET

⚠ HOIATUS: Toote kokkupanemise, reguleerimise, puhastamise või mittekasutamise ajaks tuleb alati eemaldada akuplokk.

JUHTLATI JA KETI PAIGALDAMINE

1. Asetage pikendusvarrega saag kindlale tasasele pinnale nii, et küljekate jääb ülespoole.
2. Kandke kindaid. Eemaldage küljekate (joonis B).
3. Seadke uus kett siledal pinnal silmuseks ja seadke kõik ebatasasused sirgeks.
4. Pange keti veolülid juhtlati soonde. Paigutage kett nii, et juhtlati tagaossa jääks tühi silmus (joonis C).

C-1	Keti veolülid
C-2	Juhtlati soon

5. Hoidke ketti juhtlatil ja asetage silmus ümber pikendusvarrega sae ketiratta.

MÄRKUS: Tööriista korpusele on graveeritud väike suunanool ja lõiketera (joonis D). Saeketti juhtlati külge kinnitades veenduge, et pärast juhtlati paigaldamist vastaks saeketi suund tööriista korpusel olevale pöörlemissuuna noolele ja juhtlati ülaosas olevate terade kuju on kooskõlas korpusel oleva lõiketera omaga. Kui need on suunatud vastupidises suunas, pange saekett uuesti juhtlatile nii, et see oleks nooltega samas suunas. Juhtlatt tuleb paigaldada nii, et reguleerimisplaat on korpusest eemal.

6. Hoidke latti ja ketti paigalduspinnaga paralleelselt. Kinnitage küljekate korpuse külge nii, et augud/ tihvtid ja kinnituspolt/keermeava oleksid üksteisega korralikult joondatud (joonis E). Suruge küljekatet korpuse poole, seejärel keerake keti pinge kiire reguleerimise nuppu päripäeva, kuni see on lõpuni kinni. Küljekattes olev ekstsentriline ülekanne tagab, et ketti ei saa üle pingutada.

MÄRKUS! Kui kett läheb lahti, keerake keti pinge kiire reguleerimise nuppu vastupäeva vähemalt ühe pöörde võrra ning seejärel keerake nupp täielikult kinni.

7. Pöörake ketti käsitsi, et kontrollida, kas kett on korralikult paigaldatud ja ei kiili kinni. Vastasel juhul pange kett ja latt uuesti kokku.

PIKENDUSVARREGA SAE TARVIKU ÜHENDAMINE TOITEPEAGA

See pikendusvarrega saag toimib pikendusvarrega sae tarviku ja toitepea kombinatsioonis (joonis F).

F-1	Teleskoopsae tarvik
F-2	Toitepea

⚠ HOIATUS: Ärge kunagi paigaldage ega reguleerige pikendusvarrega sae tarvikut, kui toitepea töötab või aku on paigaldatud. Mootori peatamata jätmise või aku eemaldamata jätmise võib põhjustada raskeid vigastusi.

Pikendusvarrega sae tarvik ühendatakse toitepeaga haakeseadme abil.

1. Seisake mootor ja eemaldage akuplokk.
2. Keerake libliknupp lahti.
3. Joondage pikendusvarrega sae võlli asuv nool haakeseadmel oleva noolega ja suruge sae võlli haakeseadmesse, kuni kuulete klõpsu, mis annab märku pikendusvarrega sae võlli kinnitumisest (joonis G).

G-1	Tiibnupp.	G-3	Ühendusel asuv nool
G-2	Võlli vabastusnupp	G-4	Pikendusvarrega sae võllil olev nool

4. Tõmmake tarviku võlli, et veenduda tugevas ühenduses haakeseadmega. Kui see nii ei ole, pöörake pikendusvarrega sae võlli küljelt küljele, kuni see kohale napsab.
5. Keerake tiibnupp tugevalt kinni.

⚠ HOIATUS: Enne seadme kasutamist veenduge, et tiibnupp on korralikult pingutatud; kontrollige seda regulaarselt ka kasutamise ajal, sest sedasi ennetate tõsiseid vigastusi.

PIKENDUSVARRE ÜHENDAMINE TOITEPEA JA PIKENDUSVARREGA SAE TARVIKU VAHELE (mudeli nr EP1000)

⚠ HOIATUS: Ärge kunagi paigaldage ega reguleerige tarvikut, kui toitepea töötab või aku on paigaldatud. Mootori peatamata jätmise või aku eemaldamata jätmise võib põhjustada raskeid vigastusi.

See pikendusvars on mõeldud kasutamiseks ainult koos seadmega EGO PS1000E. Ärge kunagi kasutage seda teiste EGO tarvikutega.

Pikendusvars suurendab tööriista pikkust 100 cm võrra, pikendades selle lõikeulatust. See tuleb paigutada pikendusvarrega sae tarviku ja toitepea vahele. Ühel tööriistal saab kasutada maksimaalselt kahte pikendusvart (saadaval eraldi).

Järgige osas „PIKENDUSVARREGA SAE TARVIKU ÜHENDAMINE TOITEPEAGA“ toodud juhiseid, et paigaldada ja kinnitada pikendusvars saetarviku ja toitepea vahele (joonis H).

H-1	Haakeseadme pikendusvarrel
H-2	Haakeseadme toitepeal

MÄRKUS: Kui pikendusvarrega sae tarvik, pikendusvars ja toitepea on õigesti kokku pandud, ei tohiks need tõmbamisel eralduda. Kontrollige ühendust alati neid tõmmates. Korrake ülaltoodud samme, kui detaile saab eraldada.

⚠ HOIATUS: Kui tarvikut ja toitepead / lisa pikendusvart ei kinnitata ülaltoodud juhiste järgi, võib see põhjustada raskeid vigastusi või surma.

TARVIKU TOITEPEALT EEMALDAMINE

1. Seisake mootor ja eemaldage akuplokk.
2. Keerake liibknupp lahti.
3. Pikendusvarrega sae völli eraldamiseks toitepea või pikendusvarre (kui seda kasutatakse) küljest vajutage völli vabastusnuppu ja tõmmake või pöörake nuppu all hoides völli haakeseadmest välja.
4. Korrake toimingut, et eraldada pikendusvars toitepeast (kui pikendusvart kasutatakse).

EESMISE ABIKÄEPIDEME PAIGALDAMINE JA REGULEERIMINE

1. Seisake mootor ja eemaldage akuplokk.
2. Lõdvendage tiibmutrit ja eemaldage see koos eesmise abikäepideme kinnituspoldiga (joonis I1).

I-1	Eesmine abikäepide	I-4	Tiibmutter
I-2	Lukustushoob	I-5	Kinnitusplokk
I-3	Kinnituspolt		

3. Vajutage abikäepide toitepea völlile ja keerake seda alla nii, et see oleks suunatud saeketi poole (joonis I2).
4. Sisestage kinnitusplokk ja ühendage kinnituspolt tiibmutriga (joonis I3).
5. Ärge pingutage tiibmutrit täielikult kinni. Reguleerige eesmise abikäepideme asendit nii, et see oleks õlarihma kinnituse ja teleskoopvarre muhvi vahel (joonis I4). Käepidet tuleks reguleerida nii, et käsi oleks sae kasutamisel sirge.
6. Vajutage lukustushoob alla ja pingutage tiibmutrit nii, et eesmine abikäepide oleks kaitstud pöörlemise või toitepea völli liikumise eest.

SEADME KASUTAMINE

⚠ OHT! Ärge kunagi lõigake elektriliinide, elektrijuhtmete või muude elektrilikkate läheduses. Kui juhtlatt või kett jääb elektrijuhtme või elektriliini külge kinni, **ÄRGE PUUDUTAGE JUHTLATTI, KETTI EGA VART! NEED VÕIVAD OLLA VOOLU ALL JA VÄGA OHTLIKUD.** Hoidke saagi endiselt isoleeritud tagumisest käepidemest või pange maha ja nihutage ettevaatlikult endast eemale. Enne, kui proovite plaati ja ketti liinist või juhtmest vabastada, ühendage kahjustatud liini või juhtme elektrilikkas lahti. Kokkupuude pikendusvarrega sae juhtlatti, keti või muude elektrit juhtivate osadega või voolu all olevate juhtmete või elektriliinidega võib põhjustada elektrilöögi läbi surma või raskeid vigastusi.

⚠ HOIATUS: Ärge muutuge toodet tundma õppides hooletuks. Pidage meeles, et raskeid vigastusi põhjustavaks õnnetuseks piisab ka sekundi murdosa pikkusest tähelepanematusest.

⚠ HOIATUS: Kandke alati kaitseprille või külgkaitsetega kaitseprille. Vastasel korral võib teile midagi silma paiskuda ja võite saada ka muud laadi raskeid vigastusi.

⚠ HOIATUS: Seadme kokkupanemise, reguleerimise, puhastamise, transportimise või mittekasutamise ajaks tuleb akuplokk alati eemaldada. Akuploki eemaldamisega välistate seadme juhusliku käivitumise, millega võiksid kaasnedä rasked kehavigastused.

⚠ HOIATUS: Ärge kasutage lisaseadmeid või -tarvikuid, mida selle seadme valmistaja pole soovinud. Mittesooovitulike lisaseadmete või -tarvikute kasutamine võib põhjustada raskeid kehavigastusi.

Enne iga kasutuskorda kontrollige tervet seadet, et ei esineks kahjustunud, puuduvaid või lahtisi osi, nt. kruve, mutreid, polte, korke vms. Kinnitage kindlalt kõik kinnitused ja korgid ning ärge kasutage toodet, kuni kõik puuduvad või kahjustatud osad on välja vahetatud.

KASUTUSEESMÄRGID

Seda toodet võib kasutada allpool loetletud eesmärkidel.

- laasimine
- pügamine

MÄRKUS: Seadet tohib kasutada vaid käesolevas juhendis lubatud eesmärgil. Igasugust muud kasutust loetakse väärkasutuseks.

LATI JA KETI MÄÄRDEAINE LISAMINE ÖLIPAAKI

⚠ HOIATUS: Ärge suitsetage ega tooge tuleallikaid õli ega teleskoopsae lähedusse. Õli võib maha valguda ja tulekahju põhjustada.

ET

MÄRKUS: Teleskoopsaag ei ole ostuhetkel õliga täidetud. Enne esmakasutust tuleb õli paak kindlasti ketiõliga täita. Kui kasutate saagi ilma ketiõlita või kui õlitase on alla teatud määra, kahjustab see pikendusvarrega saagi. Keti kasutusiga ja löikevõimekus sõltuvad optimaalsest määrimisest. Ketti määratakse töö ajal automaatselt ketiõliga, kui paagis on piisavalt õli. Õlitaset tuleks kontrollida iga 20 tööminuti järel ja vajadusel peab õli juurde lisama.

1. Eemaldage toitepea küljest akuplokk.
2. Puhastage õlipaagi kork ja selle ümbrus, et vältida mustuse õlipaaki sattumist.
3. Asetage pikendusvarrega saag kindlale tasasele pinnale nii, et õlipaagi kork oleks ülespoole, seejärel eemaldage kork (joonis J).
4. Kallake ettevaatlikult juhtlati ja keti õli paaki, kuni paagi kaelani. Ärge laske õlil avast välja voolata. Pühkige üleliigne õli ära.

MÄRKUS:

- Ärge kunagi kasutage õli või teisi määrdeaineid, mis ei ole mõeldud juhtlati ja keti määrimiseks. Vale määrdeaine kasutamine võib tekitada õlisüsteemi ummistuse, mille tagajärjeks on juhtlati ja keti enneaegne kulumine.
- Kontrollige õlitaset sageli ja vajadusel lisage õli.
- Ärge kasutage mittepuitaid, kasutatud või muul moel saastunud õlisid. See võib kahjustada juhtlati või ketti.
- On normaalne, et õli imbub saest välja, kui seda ei kasutata. Lekkimise vältimiseks tühjendage õlipaaki pärast iga kasutuskorda ja seejärel laske sael üks minut töötada. Kui panete tööriista pikemaks ajaks hoiule, veenduge, et kett oleks kergelt määritud; see hoiab ära rooste tekkimise ketil ja ketirattal.
- Loodusressursside säästmiseks taaskasutage või kõrvaldage õli vastavalt nõuetele. Konsulteerige kohaliku jäätmeäritlusametiga, et saada informatsiooni ringlussevõtu ja kõrvaldamise võimaluste kohta.

ET

PIKENDUSVARRE REGULEERIMINE (joonis K)

1. Pikendusvarre lukust vabastamiseks tõstke kiirvabastushoob üles.
2. Pikendage pikendusvars vajaliku pikkuseni.
3. Pikendusvarre turvaliseks lukustamiseks vajutage kiirvabastushoob alla.

ÕLARIHMA KINNITAMINE

Avamiseks vajutage rihamkonks alla ja kinnitage see sael oleva õlarihma kinnituse külge (joonis L). Reguleerige õlarihma nii, et tööasend oleks mugav.

⚠ HOIATUS: Hädaolukorras võtke rihm kohe õlalt ära, et vältida vigastusi.

AKUPLOKI PAIGALDAMINE/EEMALDAMINE

MÄRKUS! Laadike akuplokk enne esimest kasutuskorda täiesti täis.

Kasutage ainult joonisel A2 esitatud akuplokkide ja laadijatega.

Paigaldamine

Joondage aku ribad paigaldussoontega ja suruge akuplokki alla kuni kuulete klõpsatust (joon. M).

⚠ HOIATUS: Enne kasutamist veenduge, et akuplokk oleks oma kohale lukustatud. Kui akuplokki ei asetata kindlalt kohale, võib akuplokk välja kukkuda, põhjustades tõsiseid kehavigastusi.

⚠ HOIATUS: Kui vajutate akuvabastusnuppu, jälgige alati oma jalgade asukohta ning läheduses viibivaid lapsi ja loomi. Akuploki kukkumine võib põhjustada raskeid vigastusi. Akuplokki ei tohi eemaldada kõrges kohas töötades.

Eemaldamine

Vajutage akuvabastusnuppu ja tõmmake akupakk välja (joon. N).

LED-TÖÖTULI (joonis O)

LED-töötuli asetseb pikendusvarrega sae tarviku ees saeketiga ühel joonel. See funktsioon annab kasutajatele lisavalgust, et näha saeketti, kui lõikate kõrgel puu otsas oksa.

Töötuli lülitub päästikülili vajutamisel automaatselt sisse ja kustub umbes 10 sekundit pärast päästikülili vabastamist.

TÖÖRIISTA KÄIVITAMINE/PEATAMINE

Enne pikendusvarrega sae käivitamist

⚠ HOIATUS: ÄRGE KUNAGI KASUTAGE TOITEPEAD ILMA TARVIKUTA. Ärge püüdke toitepead käivitada enne, kui olete pikendusvarrega sae tarviku ühendanud.

MÄRKUS: Enne pikendusvarrega sae käivitamist kontrollige keti pinget kiiret reguleerimist, õlitaset ning keti ja lõikehammade teravust. Lisaks õigele haardemeetodile tuleb töötada kindlal maapinnal ja piisaval kaugusel maapinnast (joonis Q).

Alustamine (Joon. P)

1. Paigaldage aku.
2. Veenduge, et vahetus läheduses ei oleks esemid ega takistusi, mis võiksid lati ja ketiga kokku puutuda.

- Haarake abikäepidemest ja tagumisest käepidemest kindlalt mõlema käega.
- Vajutage ja hoidke all lukustusnuppu, seejärel pigistage sae käivitamiseks päästiklüüti. Vabastage lukustusnupp ja töö jätkamiseks vajutage endiselt päästiklüütile.

⚠ HOIATUS: Ärge proovige saagi käivitada, kui saekett on lõikes või kokkupuutes mõne pinnaga.

Peatamiseks

Sae peatamiseks viige pikendusvarrega saag lõikealast eemale ja vabastage siis päästiklüüti.

⚠ HOIATUS: Tööpauside ajal ja pärast töö lõpetamist eemaldage pikendusvarrega sae küljest alati akuplokk.

TAVALINE LÕIKAMINE (joonis R)

Järgige alltoodud juhiseid, et vältida puu- või pöösakoore kahjustamist. Ärge kasutage edasi-tagasi saagimisliigutust.

- Esmalt tehke üks pinnapealne lõige (1/4 oksa läbimõõdust) peaoksa või tüve lähedal asuva oksa alumisele küljele.
 - Tehke teine lõige oksa pealmiselt küljelt esimesest lõikest eestpoolt. Jätkake oksa läbilõikamist, kuni oks eraldub puu küljest. Olge valmis tööriista tasakaalustamiseks, kui oks kukub.
 - Tehke viimane lõige tüve lähedalt.
- MÄRKUS:** Teise ja viimase lõike (ehk oksa pealtpoolt lõikamise) ajal hoidke hambulist tugirauda lõigatava oksa vastas (joonis S). See aitab oksa paigal hoida ja muudab lõikamise lihtsamaks. Laske ketil enda eest lõigata; avaldage ainult kergelt allapoole suunatud survet. Liiga jõuliselt lõigates võite kahjustada juhtlatti, ketti või mootorit.

S-1	Hambuline tugiraud
-----	--------------------

- Vabastage päästiklüüti kohe pärast lõike lõpetamist.

MÄRKUS: Lõikamisjuhiste eiramine võib põhjustada juhtlatti ja keti kinnikiilumise ning oksa sisse kinnijäämise. Sellisel juhul tuleb toimida järgnevalt.

- Seisake mootor ja eemaldage akuplokk.
- Kui maapinnalt on võimalik oksani ulatuda, tõstke oksa üles, samal ajal saagi hoides. See peaks kinnisurutud koha avama ja sae vabastama.
- Kui saag on ikka kinni, kutsuge professionaal appi.

LAASIMINE JA PÜGAMINE

See pikendusvarrega saag on mõeldud kuni 20 cm (25 cm juhtlatiga tööriista puhul) või 25 cm (30 cm juhtlatiga tööriista puhul) läbimõõduga väikeste okste ja peakoste

lõikamiseks. Parimate tulemuste saavutamiseks järgige järgnevat ettevaatusabinõusid.

- Planeerige saelõige hoolikalt. Teadvustage, millises suunas oks kukub.

⚠ HOIATUS: Oks võib kukkuda ootamatus suunas. Ärge seiske otse lõigatava oksa all.

- Kõige tüüpilisem lõikamisviis on asetada seade olenevalt konkreetsest olukorrast 60° või väiksema nurga alla, nagu on näidatud joonisel T. Kui saevõlli nurk maapinna suhtes suureneb, suureneb ka esimese lõike (peaoksa alumiselt küljelt) tegemise raskus.
- Eemaldage pikad oksad mitmes etapis.
- Saagige enne maha alumised oksad, et ülemistel okstel oleks rohkem kukkumisruumi.
- Töötage aeglaselt, hoides mõlema käega kindlalt saest kinni. Säilitage tugev jalgealune ja tasakaal.
- Langetatud puu laasimise ajal peab puu jääma teie ja sae vahele. Lõikamist viige läbi puu sellelt küljelt, mis asub lõigatava oksa vastas.
- Ärge lõigake redelil seistes; see on äärmiselt ohtlik. Selliseid töid võivad teostada ainult professionaalid.
- Ärge lõigake põhioksa ega tüve lähedalt enne, kui olete ära lõiganud suurema osa oksa raskusest ja selle kaalu vähendanud. Järgige lõikamisjuhiseid, et vältida puu põhiharu koore eemaldamist.
- Ärge kasutage teleskoopsaagi puude langetamiseks ega palkide saagimiseks.
- Elektriõõgi vältimiseks ärge kasutage seadet elektriõhuliinide lähedal kui 15 m (joonis T).
- Hoidke kõrvalseisjad vähemalt 15 m kaugusel (joonis T).

HOOLDUS

⚠ HOIATUS: Enne seadme kontrolli, puhastamist või hooldust tuleb mootor peatada ja oodata kõigi liukivate osade peatumist ja eemaldada akuplokk. Juhiste mittejärgimine võib kaasa tuua tõsise vigastuse või varalise kahju.

⚠ HOIATUS: Hooldusel ja remontimisel kasutage vaid originaalvaruosi. Mis tahes muude osade kasutamine võib põhjustada ohtlikke olukordi või seadet kahjustada. Ohutuse ja seadme usaldusväärsuse huvides peab kõik parandused (välja arvatud selles hooldusjuhises esitatud) tegema kvalifitseeritud hooldustehnik.

⚠ HOIATUS: Saeketi käsitlemisel kandke alati kindaid. Kett on terav ja sellel võib olla karedaid kohti.

ET

ÜLDHOOLDUS

Vältige plastosade puhastamisel lahustite kasutamist. Enamik plastmaterjalid on vastuvõtlikud müügil olevatest lahustitest tulenevatele kahjustustele. Kasutage mustuse, tolm, õli, määrded jms eemaldamiseks puhast lappi.

PUHASTAMINE

- Pärast iga kasutuskorda puhastage kett ja juhtlatt pehme harjaga. Pühkige sae pinda puhta niiske lapiga, millele on lisatud pehmetoimelist seepi.
- Eemaldage küljekate ja puhastage juhtlatt, sae kett, ketiratas ja küljekate pehme harjaga mustusest.
- Saeketi vahetamisel eemaldage juhtlatti soonest alati puidutükid, saepuru ja mustus.

Pikendusvarrega sae kõiki hooldustoiminguid, välja arvatud neid, mis on loetletud siinsetes hooldusjuhistes, peavad läbi viima volitatud pikendusvarrega sae hooldustehnikud.

JUHTLATI JA KETI VAHETAMINE

Juhtlatti ja keti väljavahetamisel kasutage alati selle sae jaoks mõeldud juhtlatti ja keti kombinatsiooni, mis on esitatud jaotises „Sellele teleskoopsaele ettenähtud juhtlatti ja kett“.

1. Eemaldage aku ja laske sael jahtuda. Õlilekete vältimiseks veenduge, et õlipaagi kork oleks kinni.
2. Pange kettsaag küllili kindlale tasasele pinnale nii, et küljekate on suunatud ülespoole.
3. Kandke kindaid. Eemaldage küljekate (joonis U). Pühkige kaane pind kuiva lapiga puhtaks.
4. Eemaldage kulunud juhtlatti ja kett paigalduskohast.
5. Paigaldage uus juhtlatti ja saekett, järgides peatüki „KOKKUPANEK“ jaotises „JUHTLATI JA KETI PAIGALDAMINE“ toodud juhiseid.

MÄRKUS: Nüüd saate kontrollida ka ega ketiratas kulunud või kahjustatud pole.

JUHTLATI HOOLDAMINE

Kui juhtlatti on kulumisjärgi, eemaldage see sae küljest. Eemaldage seadistuskruvi ja reguleerimisplaat, pöörake juhtlatti (joonis V) vastupidises suunas ja paigaldage reguleerimisplaat uuesti juhtlatti uuele küljele (joonis W), et hajutada kulumist lati maksimaalse eluea tagamiseks. Latti tuleks puhastada iga päev pärast kasutamist ning kontrollida seda kulumise ja kahjustuste suhtes. Lati relsside narmastumine või karestumine on normaalne kulumisprotsess. Sellised vead tuleks ilmnenisel kohe viiliga siluda. Allpool mainitud vigadega latti tuleb välja vahetada.

- Lati relsside niisugune kulumine, mille tõttu võib kett küllili minna.

- Paindunud juhtlatti.
- Mõranenud või katkised relsid.
- Lailai vajunud relsid.

Lisaks asub juhtlatti tipu juures ketiratas. Juhtlatti tööea pikendamiseks tuleb ketiratas igal nädalal õlitada. Iganädalasel õlitamisel kasutage ketiõliga täidetud õlisüstalt ja sisestage õli läbi määrdedeaugu (joonis X). Pöörake juhtlatti ja veenduge, et määrdedeavad ja keti soon on puhtad ja korras.

X-1	Juhtlatti tipu juures asuv ketiratas
X-2	Määrdedeava

KETI HOOLDUS

Selle saega tohib kasutada ainult nõrga tagasilöögiga kette. Kui seda kiiresti lõikevat saeketti õigesti hooldada, vähendab see tagasilööki.

Korralikult teritatud saekett lõikab puitu vähesel vaevaga ka siis, kui rakendada väga väikest jõudu.

Ärge kasutage nööri või kahjustatud saeketti. Nööri saekett põhjustab suuremat füüsilist pinget, tugevamat vibratsiooni, mitterahuldavat lõikamistulemusi ja suuremat kulumist.

Sujuvaks ja kiireks lõikamiseks tuleb saeketti korralikult hooldada. Kett vajab teritamist, kui saagimise tulemusena tekivad saepuru koosneb väikestest ja pulbrilistest tükkidest, ketti peab lõikamise ajal puidust läbi suruma või kett lõikab ühelt küljelt. Saeketi hooldamise käigus pidage silmas järgnevat.

- Vale nurga all paigaldatud külgplaat võib tekitada tugeva tagasilöögi ohu.
- Räsas (sügavusmöödiku) kliirens. Liiga väike kliirens suurendab tagasilöögi tõenäosust. Liiga suur kliirens vähendab lõikevõimet.
- Kui lõikehambad puutuvad vastu kõvasid objekte, näiteks vastu naelu või kivisid, või kuluvad puul oleva muda või liivaga kokku puutumise tulemusena, laske kvalifitseeritud hooldustehnikul ketti teritada.

TRANSPORTIMINE JA HOIUSTAMINE

- Ärge transportige ega hoiustage liikuvat teleskoopsae tarvikut. Hooldamise ja transportimise ajaks eemaldage alati akuplokk.
- Enne teleskoopsae tarviku hoiustamist ja transportimist pange juhtlatti ja keti peale alati juhtlatti kate. Olge ettevaatlik ja vältige keti teravaid hambaid.
- Enne hoiustamist puhastage saag hoolikalt. Hoidke pikendusvarrega saagi kuivades sisetingimustes, lukustatud ja/või lastele ligipääsmatus kohas ja hoidke seadet eemal korrodeerivatest ainetest, nagu aiakemikaalid ja sulatussoolad.

ET

Keskkonnakaitse



Ärge visake elektriseadmeid, kasutatud akut ega laadurit olmeprügi hulka!

Viige toode volitatud taaskäitleja juurde ja võimaldage selle komponendid sorteerituna kõrvaldada. Elektritööriistad tuleb viia keskkonnakaitsenõudeid järgivasse jäätmekäitluskeskusesse.

KEES VAN DER SPEK
TUINMACHINES ★ STOLWIJK

ET

TÖRKEOTSING

PROBLEEM	PÕHJUS	LAHENDUS
MOOTOR EI TÖÖTA.	<ul style="list-style-type: none"> ■ Akuplokk pole saega ühendatud. ■ Sae ja aku vahel puudub elektriline ühendus. ■ Akuplokk on tühi. ■ Enne päästikule vajutamist ei vajutatud lukustusnuppu. ■ Akuplokk või toitepea on liiga kuum. ■ Sae kett on puidu sisse kinni jäänud. ■ Juhtlatt ja kett on kaldes ja need ei ole korpusega paralleelsed. ■ Juhtlatti soones on mustust. ■ Külgaktes on mustust. 	<ul style="list-style-type: none"> ■ Kinnitage akuplokk sae külge. ■ Eemaldage aku, kontrollige ühendusi ja pange akuplokk tagasi. ■ Laadige akuplokki. ■ Pikendusvarrega sae sisselülitamiseks vajutage lukustushooba ja hoidke seda all ning suruge päästiküliti alla. ■ Laske akuplokil või toitepeal jahtuda, kuni temperatuur langeb soovitatud töötemperatuuri vahemikku. ■ Vabastage päästiküliti; eemaldage saekett ja juhtlatt puidust ning käivitage pikendusvarrega saag uuesti. ■ Eemaldage akuplokk ja vahetage juhtlatt ning kett välja jaotise „JUHTLATTI JA KETI VAHETAMINE“ kohaselt. Pidage alati meeles, et juhtlatt ja kett peavad enne külgakatte paigaldamist olema paigalduspinnaga paralleelselt. ■ Suruge sae kett vastu puitu ning liigutage mustuse eemaldamiseks saagi edasi-tagasi. ■ Eemaldage akuplokk ning seejärel küljekate ja puhastage seade mustusest.

PROBLEEM	PÕHJUS	LAHENDUS
Mootor töötab, aga kett ei käi ringi.	<ul style="list-style-type: none"> ■ Kett ei haaku ketirattaga. ■ Ebapiisav keti pinge. ■ Lõtv kett. ■ Kett on paigaldatud tagurpidi. ■ Kulunud kett. ■ Kuiv või liigselt pinguldatud kett. ■ Kett pole lati hammastiku vahel. 	<ul style="list-style-type: none"> ■ Eemaldage akuplokk ja paigaldage kett uuesti, jälgides, et selle lülid on korrektselt hammaste vahel. ■ Esmalt lödvendage keti pinge kiire reguleerimise nuppu vähemalt ühe pöörde võrra vastupäeva ja seejärel keerake see päripäeva täiesti kinni, kuni kett on korrektselt pingutatud. ■ Laske kvalifitseeritud hooldustehnikul ketiterasid teritada. ■ Eemaldage akuplokk ja paigaldage sae kett uuesti, järgides juhiseid jaotises „JUHTLATI JA KETI VAHETAMINE“. ■ Eemaldage akuplokk ja vahetage kett välja, järgides juhiseid jaotises „JUHTLATI JA KETI VAHETAMINE“. ■ Kontrollige õlitaset. Vajadusel lisage õli. ■ Eemaldage akuplokk ja paigaldage sae kett uuesti, järgides juhiseid jaotises „JUHTLATI JA KETI VAHETAMINE“.
Juhtlatti ja kett on kuumad ja suitsevad.	<ul style="list-style-type: none"> ■ Ketiõli paak on tühi. ■ Juhtlatti soones on mustust. 	<ul style="list-style-type: none"> ■ Juhtlatti ja keti määrdeaine lisamine. ■ Eemaldage soones olev mustus.

GARANTII

EGO GARANTIIPÕHIMÕTTED

Täielikud EGO garantiitingimused leiab veebilehelt egopowerplus.com.

ET

ПРОЧИТАЙТЕ ВСІ ІНСТРУКЦІЇ!



ПРОЧИТАЙТЕ ПОСІБНИК З ЕКСПЛУАТАЦІЇ

⚠ Залишковий ризик! Люди з електронними пристроями, наприклад кардіостимуляторами, повинні проконсультуватися зі своїм лікарем (лікарями) перед використанням цього виробу. Експлуатація електрообладнання в безпосередній близькості від кардіостимулятора може спричинити перешкоди або несправність кардіостимулятора.

⚠ ПОПЕРЕДЖЕННЯ. Для гарантування безпеки та надійності всі ремонтні роботи повинен проводити кваліфікований технічний спеціаліст.

СИМВОЛИ, ЩО СТОСУЮТЬСЯ БЕЗПЕКИ

Мета символів, пов'язаних із безпекою, – привернути вашу увагу до можливих небезпек. Символи безпеки та їхнє пояснення заслуговують на вашу пильну увагу та розуміння. Символи попереджень самі по собі не усувають будь-якої небезпеки. Інструкції та попередження, які вони надають, не замінюють належних заходів щодо запобігання аваріям.

⚠ ПОПЕРЕДЖЕННЯ. Перш ніж користуватися цим інструментом, обов'язково ознайомтеся з усіма інструкціями з безпеки, наведеними в цьому посібнику користувача, зокрема з усіма символами попереджень, такими як «НЕБЕЗПЕКА», «ПОПЕРЕДЖЕННЯ» та «ЗАСТЕРЕЖЕННЯ». Недотримання наведених нижче вказівок може спричинити ураження електричним струмом, пожежу та/або серйозні травми.

ЗНАЧЕННЯ СИМВОЛУ

На цій сторінці зображено та описано символи, пов'язані з безпекою, які можуть відображатися на цьому виробі. Перш ніж намагатися зібрати та експлуатувати його, ознайомтеся з усіма інструкціями на інструменті та дотримуйтесь їх.



Попередження щодо безпеки



Щоб зменшити ризик травми, користувач повинен ознайомитися з інструкцією користувача перед використанням цього виробу.



Надягайте засоби захисту очей



Надягайте засоби захисту голови



Надягайте засоби захисту органів слуху



Надягайте захисні рукавиці.



Гарантований рівень звукової потужності. Розповсюдження шуму в навколишнє середовище згідно з директивою Європейського співтовариства.

IPX4

Ступінь захисту від пилу та вологи



Надягайте захисне взуття



Для запобігання ураження електричним струмом не працюйте ближче 15 м від повітряних електричних ліній. Контакт із лініями електропередач або використання поблизу них може спричинити серйозну травму або смертельне ураження електричним струмом.



Не залишайте під дощем.



Цей виріб відповідає чинним директивам ЄС.



Цей виріб відповідає чинному законодавству Великобританії.



Відходи електричних виробів не слід викидати разом із побутовим сміттям. Зверніться до авторизованого пункту переробки.



Постійний струм

B

Напруга

UK

ТЕХНІЧНІ ХАРАКТЕРИСТИКИ

Номінальна напруга	56 В ---	
Довжина напрямної шини	25 см	
Крок ланцюга	6,4 мм (1/4")	
Калібр ланцюга	1,1 мм (0,043")	
Об'єм бачка для мастила	80 мл	
Кількість приводних ланок	56	
Довжина інструмента (без подовжувача)	Макс. 292 см Мін. 233 см	
Діапазон рекомендованих робочих температур	-15°C–40°C	
Діапазон рекомендованих температур зберігання	-20°C–70°C	
Рекомендована температура під час заряджання	5°C–40°C	
Вага (без акумулятора, футляра ланцюга)	4,25 кг	
Вимірний рівень звукової потужності L_{WA}	97 дБ(A) K=2,5 дБ(A)	
Рівень звукового тиску на робочому місці L_{PA}	82 дБ(A) K=3 дБ(A)	
Гарантований рівень звукової потужності L_{WA} (відповідно до стандарту 2000/14/ЄС)	100 дБ (A)	
ВВібрація a_h	Передня допоміжна ручка	1,19 м/с ² K=1,5 м/с ²
	Задня ручка	1,01 м/с ² K=1,5 м/с ²

- Вказане загальне значення вібрації виміряне за стандартним методом тестування і може використовуватися для порівняння одного інструмента з іншим;
- Заявлене сумарне значення вібрації може також використовуватися для попередньої оцінки впливу.

ПРИМІТКА. Емісія вібрації під час фактичного використання електроінструмента може відрізнятися від заявленої величини, у якій використовується

інструмент. Щоб захистити оператора, користувач повинен одягати рукавички та захисні навушники в реальних умовах використання.

ОПИС

ОЗНАЙОМЛЕННЯ ЗІ ШТАНГОВОЮ ПИЛОЮ (рис. А1)

1. Ручка швидкого регулювання натягу ланцюга
2. Світлодіодна робоча лампа
3. Бічна кришка
4. Гачок для ремінця на плече
5. Подовжувальна штанга
6. Кнопка блокування
7. Пусковий перемикач
8. Задня ручка
9. Кнопка звільнення батареї
10. Передня допоміжна ручка
11. Важіль ексцентрика
12. Телескопічна штанга
13. Плечовий ремінь
14. Кришка бачка для мастила
15. Бачок для мастила
16. Упорні зубці
17. Напрямна шина
18. Пильний ланцюг
19. Футляр ланцюга

ПАКУВАЛЬНИЙ СПИСОК (Рис. А1)

Рекомендована шина та ланцюг для цієї штангової пили

НАЗВА ДЕТАЛІ	НОМЕР МОДЕЛІ
Напрямна шина	AG1000Q, AG1200Q
Пильний ланцюг	AC1000Q, AC1200Q

UK

ЗБИРАННЯ

⚠ ПОПЕРЕДЖЕННЯ. Якщо якісь частини пошкоджені або відсутні, не користуйтеся цим інструментом, доки вони не будуть замінені. Використання цього виробу з пошкодженими або відсутніми деталями може призвести до серйозних травм.

⚠ ПОПЕРЕДЖЕННЯ. Не намагайтеся вдосконалити цей інструмент або застосувати приладдя, не рекомендоване для нього. Кожна така заміна чи переробка є фактом неправильного користування, створює небезпечні умови й загрожує серйозними травмами.

⚠ ПОПЕРЕДЖЕННЯ. Завжди виймайте акумуляторну батарею з виробу, коли збираєте деталі, виконуєте регулювання, очищення, або коли виріб не використовується.

ЗБИРАННЯ НАПРЯМНОЇ ШИНИ Й ЛАНЦЮГА

1. Покладіть пилу на тверду рівну поверхню так, щоб бічна кришка була спрямована вгору.
2. Вдягніть рукавички. Зніміть бічну кришку (рис. В).
3. Розкладіть новий пильний ланцюг по колу на рівну поверхню і вирівняйте будь-які перекручування.
4. Розташуйте ланки приводного ланцюга в паз напрямної шини. Покладіть ланцюг таким чином, щоб на задній стороні напрямної шини була петля (рис. С).

C-1	Ланки приводного ланцюга
C-2	Паз напрямної шини

5. Тримайте ланцюг у положенні на напрямній шині та розташуйте петлю навколо приводної зірочки штангової пили.

ПРИМІТКА. На корпусі інструмента вигравірувано невелику стрілку напрямку та різець (рис. D). Під час надягання пильяльного ланцюга на напрямну шину стежте за тим, щоб після встановлення напрямної шини напрямок пильяльного ланцюга відповідав стрілці напрямку обертання на корпусі інструмента та формі різців у верхній частині напрямної шини. відповідають різцю на корпусі. Якщо вони спрямовані в протилежні сторони, знову встановіть пильяльний ланцюг на напрямну шину так, щоб стрілки були спрямовані в одному напрямку. Напрямна шина має бути встановлена таким чином, щоб регульовальна пластина була звернена вбік від корпусу.

6. Тримайте шину та ланцюг паралельно монтажній поверхні. Прикріпіть бічну кришку до корпусу так, щоб отвори/штифти та кріпильний болт/різьбовий отвір були правильно суміщені один з одним (рис. E). Притисніть бічну кришку до корпусу, а потім повністю затягніть ручку швидкого регулювання натягу ланцюга за годинниковою стрілкою. Ексцентрикове зубчасте колесо

всередині бічної кришки спроектовано таким чином, щоб ланцюг не був натягнутий надмірно

ПРИМІТКА. Якщо ланцюг ослаб, поверніть ручку швидкого регулювання натягу ланцюга проти годинникової стрілки принаймні на один оберт, потім повністю затягніть ручку.

7. Поверніть ланцюг вручну, щоб перевірити, чи ланцюг зібраний правильно, без заїдань. В іншому разі зберіть ланцюг і шину заново.

ПІД'ЄДНАННЯ НАСАДКИ-ШТАНГОВОЇ ПИЛИ ДО ПРИВІДНОЇ ГОЛОВКИ

Ця штангова пилка працює як поєднання насадки – штангової пили та з приводною головкою (рис. F).

F-1	Насадка-штангова пила
F-2	Приводна головка

⚠ ПОПЕРЕДЖЕННЯ. Ніколи не закріплюйте та не регулюйте насадку – штангову пилу під час роботи приводної головки, або коли батарея встановлена. Якщо не зупинити мотор і не зняти батарею, це може призвести до серйозних травм. Насадка – штангова пила з'єднується з приводною головкою за допомогою пристрою для з'єднання.

1. Вимкніть мотор і вийміть акумулятор.
2. Відкрутіть затискний баранець.
3. Вирівняйте стрілку на валі штангової пили зі стрілкою на муфті та насуньте вал штангової пили на муфту, доки не почуєте чітке «клацання», яке вказує на те, що вал штангової пили закріплено (рис. G).

G-1	Затискний баранець	G-3	Стрілка на муфті
G-2	Кнопка звільнення вала	G-4	Стрілка на валу штангової пили

4. Потягніть вал насадки, щоб переконатися, що він надійно зафіксований у муфті. Якщо ні, повертайте вал штангової пили з боку в бік у муфті, доки він не зафіксується на місці.
5. Зафіксуйте затискний баранець надійно.

⚠ ПОПЕРЕДЖЕННЯ. Упевніться, що затискний баранець повністю затягнута, перед використанням обладнання. Періодично перевіряйте її на міцність під час використання, щоб уникнути серйозних травм.

ПІД'ЄДНАННЯ ПОДОВЖУВАЧА ШТАНГИ ДО ПРИВІДНОЇ ГОЛОВКИ ТА НАСАДКИ-ШТАНГОВОЇ ПИЛИ (модель EP1000)

⚠ ПОПЕРЕДЖЕННЯ. Ніколи не закріплюйте та не регулюйте насадки під час роботи приводної головки, або коли батарея встановлена. Якщо не зупинити мотор і не зняти батарею, це може призвести до серйозних травм.

Цей подовжувач призначений виключно для використання з EGO PS1000E. Не використовуйте його з іншими насадками EGO.

Подовжувач збільшує довжину інструмента на 100 см, збільшуючи дальність різання. Він має бути встановлений між насадкою – штанговою пилою та приводною головкою. З одним інструментом можна використовувати не більше двох подовжувачів (продаються окремо).

Дотримуйтеся процедури, описаної в розділі «ПІД'ЄДНАННЯ НАСАДКИ – ШТАНГОВОЇ ПИЛИ ДО ПРИВІДНОЇ ГОЛОВКИ», щоб установити подовжувач штанги між насадкою – штанговою пилою та приводною головкою (рис. H).

H-1	З'єднувальна муфта на подовжувачі
H-2	З'єднувальна муфта на приводній головці

ПРИМІТКА. Після правильного збирання штангової пили подовжувач і приводна головка не мають відокремлюватися витягуванням. Завжди перевіряйте з'єднання, потягнувши їх. Повторіть описані вище дії, якщо деталі можна роз'єднати.

⚠ ПОПЕРЕДЖЕННЯ. Недотримання вимог кріплення насадки та приводної головки/подовжувача, описаних вище, може призвести до серйозних травм або смерті.

ЗНЯТТЯ НАСАДКИ З ПРИВІДНОЇ ГОЛОВКИ

1. Вимкніть мотор і вийміть акумулятор.
2. Відкрутіть затискний баранець.
3. Натисніть кнопку звільнення валу та, утримуючи кнопку натиснутою, витягніть або поверніть вал штангової пили з муфти, щоб відокремити його від приводної головки або подовжувача (якщо він використовується).
4. Повторіть процедуру, щоб відокремити подовжувач від приводної головки (якщо використовується подовжувач).

УСТАНОВЛЕННЯ ТА РЕГУЛЮВАННЯ ПЕРЕДНЬОЇ ДОПОМІЖНОЇ РУЧКИ

1. Вимкніть мотор і вийміть акумулятор.
2. Послабте гайку-баранець і зніміть її із затискним болтом із передньої допоміжної ручки (рис. I1).

I-1	Передня допоміжна ручка	I-4	Гайка-баранець
I-2	Важіль блокування	I-5	Затискний блок
I-3	Затискний болт		

3. Притисніть допоміжну ручку до вала приводної головки та поверніть її вниз так, щоб вона була спрямована в бік пильяного ланцюга (рис. I2).
4. Вставте затискний блок і встановіть затискний болт із гайкою-баранцем (рис. I3).
5. Не затягуйте гайку-баранець повністю. Відрегулюйте положення передньої допоміжної ручки так, щоб вона була між гачком плечевого ремня та втулкою телескопічної штанги (рис. I4). Ручка має бути відрегульована так, щоб ваша рука була прямою під час використання пили.
6. Натисніть на стопорний важіль і затягніть гайку, щоб передня допоміжна ручка була захищена від обертання або переміщення на валу приводної головки.

ЕКСПЛУАТАЦІЯ

⚠ НЕБЕЗПЕКА. Ніколи не обрізайте біля лінії електропередач, електричних шнурів або інших джерел електричного струму. Якщо шина і ланцюг натрапляють на будь-який електричний шнур або лінію, **НЕ ТОРКАЙТЕСЯ НАПРЯМНОЇ ШИНИ, ЛАНЦЮГА ЧИ ШТАНГИ! ВОНИ МОЖУТЬ БУТИ ПІД НАПРУГОЮ І ДУЖЕ НЕБЕЗПЕЧНИМИ.** Продовжуйте тримати штангову пилу за ізольовану задню ручку або відкладіть її в безпечний спосіб. Відключіть подачу електроенергії на пошкоджену лінію або шнур, перш ніж намагатися звільнити шину і ланцюг від лінії або шнура. Контакт із шиною, ланцюгом, іншими електропровідними частинами штангової пили або електричними шнурами чи лініями під напругою призведе до смертельного ураження електричним струмом або серйозної травми.

⚠ ПОПЕРЕДЖЕННЯ. Знання виробу не має робити вас недбалим. Пам'ятайте, що півсекунди неухважності досить для серйозної травми.

UK

⚠ ПОПЕРЕДЖЕННЯ. Завжди надягайте захисні окуляри з боківим щитком. Без окулярів ви ризикуєте травмами очей від викинутих предметів та іншими серйозними травмами.

⚠ ПОПЕРЕДЖЕННЯ. Завжди виймайте акумуляторну батарею з виробу, коли збираєте деталі, виконуєте регулювання, очищення, транспортування або коли виріб не використовується. Виймання акумулятора запобігає випадковому запуску, що може спричинити серйозні травми.

⚠ ПОПЕРЕДЖЕННЯ. Не використовуйте приладдя чи насадки, не рекомендовані виробником цього пристрою. Використання nereкомендованого приладдя чи насадок може призвести до серйозних травм.

Перед кожним використанням перевіряйте весь виріб на предмет пошкоджень, відсутності або послаблення деталей, таких як гвинти, гайки, болти, кришки тощо. Закріпіть усі затискачі та ковпачки і не використовуйте цей прилад, доки не будуть замінені всі відсутні або пошкоджені деталі.

ЗАСТОСУВАННЯ

Ви можете використовувати цей виріб для цілей, перелічених нижче:

- Обрізання гілляк
- Підрізання

ПРИМІТКА. Цей інструмент має використовуватись тільки за призначенням. Будь-яке інше використання вважається випадком використання не за призначенням.

ЗАПОВНЕННЯ БАЧКА МАСТИЛОМ ДЛЯ ШИНИ ТА ЛАНЦЮГА

⚠ ПОПЕРЕДЖЕННЯ. Не паліть і не наближайте джерела вогню або полум'я до мастила чи штангової пили. Мастило може розлитись і спричинити пожежу.

ПРИМІТКА. Штангова пила не наповнена мастилом у момент покупки. Перед використанням необхідно заповнити бачок мастилом. Експлуатація штангової пили без мастила для ланцюга або з замалим рівнем мастила може призвести до пошкодження штангової пили. Термін служби ланцюга та різальна здатність залежать від оптимального змащення. Ланцюг автоматично змащується ланцюговим мастилом під час роботи, якщо в бачку достатньо мастила. Рівень мастила також необхідно перевіряти після кожних 20 хвилин роботи і поповнювати за необхідності.

1. Вийміть акумуляторну батарею з приводної головки.

2. Очистьте кришку бачка для мастила та ділянку навколо неї, щоб бруд не потрапив у бачок.
3. Покладіть штангову пилу на плоску тверду поверхню так, щоб кришка масляного бака була спрямована вгору, потім зніміть кришку (рис. J).
4. Обережно наливайте мастило для шини і ланцюга та наливайте мастило в бачок, доки він не наповниться до краю. Будьте обережні, щоб не пролити мастило з отвору. Протріть надлишок мастила.

ПРИМІТКА.

- Ніколи не використовуйте мастило або інші мастильні матеріали, не призначені спеціально для використання на шині та ланцюзі. Це може призвести до засмічення масляної системи, що може спричинити передчасний знос шини і ланцюга.
- Часто перевіряйте рівень мастила та заправляйте за потреби.
- Не використовуйте брудні, використані чи інші забруднені мастила. Шину або ланцюг може бути пошкоджено.
- Просочування мастила з пили, коли вона не використовується, є нормальним явищем. Щоб запобігти просоченню, випорожняйте масляний бак після кожного використання, а потім запускайте пилу на одну хвилину. У разі тривалого зберігання інструмента переконайтеся, що ланцюг трохи змащений; це запобігатиме появі іржі на ланцюзі та зірочці шини.
- Щоб зберегти природні ресурси, правильно переробляйте та утилізуйте мастило. Зверніться до свого місцевого органу влади, що займається відходами, щоб отримати інформацію щодо наявних можливостей переробки та утилізації.

РЕГУЛЮВАННЯ ТЕЛЕСКОПІЧНОЇ ШТАНГИ (рис. K)

1. Підніміть важіль ексцентрика, щоб розблокувати телескопічну штангу.
2. Витягніть телескопічну штангу на необхідну довжину.
3. Натисніть важіль ексцентрика вниз, щоб зафіксувати телескопічну штангу.

УСТАНОВЛЕННЯ ПЛЕЧОВОГО РЕМЕНЯ

Натисніть на гачок ремня, щоб відкрити його, і прикріпіть його до кріплення плечового ремня на пилі (рис. L). Відрегулюйте плечовий ремінь у зручному робочому положенні.

⚠ ПОПЕРЕДЖЕННЯ. У разі виникнення надзвичайної ситуації негайно зніміть ремінь із плеча, щоб уникнути травм.

УСТАНОВЛЕННЯ/ВИЙМАННЯ АКУМУЛЯТОРНОЇ БАТАРЕЇ

ПРИМІТКА. Повністю зарядіть акумулятор перед першим використанням.

Використовуйте лише акумулятори та зарядні пристрої, перелічені на рис. A2

Установлення

Вирівняйте виступи на акумуляторі з кріпильними отворами та натисніть на акумуляторну батарею, доки не почуєте «кляцання» (рис. M).

⚠ ПОПЕРЕДЖЕННЯ. Перед початком роботи переконайтеся, що акумуляторна батарея заблокована на місці. Неправильне встановлення акумулятора може призвести до його падіння та серйозної травми.

⚠ ПОПЕРЕДЖЕННЯ. Завжди стежте за положенням ніг і дітьми або домашніми тваринами навколо вас, коли натискаєте кнопку фіксатора акумулятора. Падіння акумуляторної батареї може призвести до серйозної травми. **НИКОЛИ** не виймайте акумуляторну батарею у високо розташованому місці.

Видалення

Натисніть кнопку звільнення акумулятора та витягніть акумуляторну батарею (рис. N).

СВІТЛОДІОДНЕ РОБОЧЕ СВІТЛО (рис. O)

Світлодіодний робочий ліхтар розташований спереду на насадці – штанговій пилі, на одній лінії з пиляльним ланцюгом. Ця функція забезпечує додаткове освітлення для користувачів, щоб вони могли бачити, де розташований пиляльний ланцюг, під час обрізання гілок високо на дереві.

Робоче освітлення автоматично вмикається під час натискання куркового перемикача та вимикається приблизно через 10 секунд після відпускання куркового перемикача.

ЗАПУСК/ЗУПИНКА ІНСТРУМЕНТА

Перед запуском штангової пили

⚠ ПОПЕРЕДЖЕННЯ. **НИКОЛИ НЕ ВИКОРИСТОВУЙТЕ ПРИВОДНУ ГОЛОВКУ БЕЗ НАСАДКИ.** Не намагайтеся запустити приводну головку, доки не під'єднаєте насадку – штангову пилу.

ПРИМІТКА. Перед запуском штангової пили перевірте швидке регулювання натягу ланцюга, рівень масла, гостроту ланцюга та зубців. Крім способу тримання, необхідні збалансована опора та належна відстань від землі (рис. Q).

Запуск (рис. P)

1. Установіть акумуляторну батарею.
2. Переконайтеся, що в безпосередній близькості немає предметів або перешкод, які можуть зіткнутися з шиною та ланцюгом.
3. Міцно візьміться за допоміжну ручку та задню ручку обома руками.
4. Спочатку натисніть і утримуйте кнопку блокування, а потім натисніть на пусковий перемикач для запуску пили. Відпустіть кнопку блокування та продовжуйте натискати пусковий перемикач для продовження роботи.

⚠ ПОПЕРЕДЖЕННЯ. Не намагайтеся запустити пилу, коли пиляльний ланцюг перебуває в пропилі або торкається будь-якої поверхні.

Зупинка

Перемістіть штангову пилу від зони різання, а потім відпустіть пусковий перемикач, щоб зупинити пилу.

⚠ ПОПЕРЕДЖЕННЯ. Завжди виймайте акумуляторну батарею з штангової пили під час перерв у роботі та після закінчення роботи.

БАЗОВА ПРОЦЕДУРА ЗРІЗАННЯ (рис. R)

Виконайте наведені нижче дії для запобігання пошкодженню кори дерева або куща. Не використовуйте рух пиляння вперед і назад.

1. Зробіть неглибокий перший зріз (1/4 діаметра гілки) на нижній стороні гілки близько до головної гілки або стовбура.
2. Зробіть другий зріз від верхньої сторони гілки з зовнішнього боку першого розрізу. Продовжуйте розрізання гілки, доки вона не відділиться від дерева. Будьте готові збалансувати вагу інструмента, коли гілка падатиме.
3. Зробіть остаточний зріз близько до стовбура.

ПРИМІТКА. Для другого і остаточного зрізу (від верхньої частини гілки) тримайте упорні зубці навпроти гілки, яку зрізаєте (рис. S). Це допоможе стабілізувати гілку і легше її зрізати. Дозвольте ланцюгу зрізати; лиш злегка тисніть вниз. Якщо ви докладаєте надмірних зусиль, це може призвести до пошкодження шини, ланцюга або мотора.

S-1 Упорні зубці

4. Відпустіть курок-вимикач, щойно обрізання закінчено.

ПРИМІТКА. Недотримання належних процедур зрізання призведе до застрягання шини і ланцюга або їх защемлення в гілці. Якщо це станеться:

1. Вимкніть мотор і вийміть акумулятор.
2. Якщо до гілки можна дістати з землі, підніміть гілку, тримаючи пилу. Це має відпустити защемлення та звільнити пилу.
3. Якщо пила як і раніше защемлена, зверніться до спеціаліста по допомозі.

ОБРІЗАННЯ СУЧКІВ І ДЕРЕВ

Ця штангова пила призначена для обрізання невеликих гілок діаметром до 20 см (для інструмента з напрямною шиною 25 см) або 25 см (для інструмента з напрямною шиною 30 см). Для досягнення найкращих результатів дотримуйтеся таких застережень:

1. Ретельно плануйте обрізання. Знайте, у якому напрямку буде падати гілка.

⚠ ПОПЕРЕДЖЕННЯ. Гілка може падати в несподіваних напрямках. Не стійте прямо під гілкою, що обрізається.

2. Найбільш типовим застосуванням різання є розташування пристрою під кутом 60° або менше, залежно від конкретної ситуації, як показано на рис. Т. У міру збільшення кута нахилу пили до землі зростає складність виконання першого пропилю (з нижньої сторони гілки).
3. Видаляйте довгі гілки в кілька етапів.
4. Відріжте спочатку нижні гілки, щоб дати верхнім гілкам більше місця для падіння.
5. Працюйте повільно, міцно тримаючи обидві руки на пилі. Міцно стійте на ногах і тримайте рівновагу.
6. Під час обрізання сучків дерево має бути між вами і ланцюгом. Зробіть розріз із боку дерева, протилежного гілці, яку ви зрізаєте.
7. Не зрізайте з драбини, це вкрай небезпечно. Залиште такі операції для професіоналів.
8. Не зрізайте поруч із головною гілкою або стовбуром, доки ви не відріжете більшу частину гілки, щоб зменшити вагу. Дотримання належної процедури різання завадить обдиранню кори з головної гілки.
9. Не використовуйте штангову пилу для валяння дерев або розпливання колод.

10. Для запобігання ураження електричним струмом не працюйте ближче 15 м від повітряних електричних ліній (рис. Т).

11. Тримайте сторонніх не ближче ніж за 15 метрів (рис. Т).

ОБСЛУГОВУВАННЯ

⚠ ПОПЕРЕДЖЕННЯ. Перед оглядом, чищенням або обслуговуванням пристрою зупиніть двигун, почекайте доки всі рухомі частини зупиняться, і вийміть акумуляторну батарею. Недотримання цих інструкцій може призвести до серйозних персональних травм або пошкодження майна.

⚠ ПОПЕРЕДЖЕННЯ. Використовуйте для технічного обслуговування лише ідентичні запчастини. Використання будь-яких інших частин створює небезпеку або може призвести до поломки виробу. Для гарантування безпеки та надійності всі роботи з ремонту, крім описаних в інструкціях з обслуговування, повинен проводити кваліфікований технічний спеціаліст.

⚠ ПОПЕРЕДЖЕННЯ. Завжди надягайте рукавички під час роботи з ланцюгом пилки. Ланцюг гострий і може мати задирки.

ЗАГАЛЬНИЙ ТЕХНІЧНИЙ ДОГЛЯД

Не використовуйте розчинники для очищення пластмасових деталей. Більшість пластмас чутливі до різноманітних промислових розчинників і можуть бути ними пошкоджені. Для видалення бруду, пилу, мастила тощо користуйтеся чистою ганчіркою.

ЧИЩЕННЯ

- Після кожного використання очистьте сміття з ланцюга та напрямної шини м'якою щіткою. Протріть поверхню штангової пилки чистою тканиною, змоченою м'яким розчином мила.
- Зніміть бічну кришку, а потім скористайтеся м'якою щіткою, щоб видалити сміття з напрямної шини, пильного ланцюга, зірочки та бічної кришки.
- Завжди вичищайте деревну стружку, пил і бруд із паза напрямної шини під час заміни пильного ланцюга.

Усі роботи з обслуговування штангових пил, за винятком тих, що перелічені в цій інструкції з технічного обслуговування, мають виконуватись компетентним персоналом з обслуговування штангових пил.

ЗАМІНА ШИНИ ТА ЛАНЦЮГА

Замінюючи напрямну шину та ланцюг, завжди використовуйте комбінацію шини та ланцюга, зазначену в розділі «Рекомендована шина та ланцюг для цієї штангової пили».

1. Вийміть акумулятор і дайте пилі охолонути. Переконайтеся, що кришка масляного бака зафіксована, щоб запобігти витокі мастила.
2. Покладіть ланцюгову пилу на бік на тверду плоску поверхню так, щоб бічна кришка була спрямована вгору.
3. Вдягніть рукавички. Зніміть бічну кришку (рис. U). Протирайте бічну кришку сухою тканиною.
4. Зніміть зношену шину та ланцюг із крипильної поверхні.
5. Установіть нову напрямну шину та пильний ланцюг, дотримуючись інструкцій у пункті «УСТАНОВЛЕННЯ НАПРЯМНОЇ ШИНИ ТА ЛАНЦЮГА» в розділі «ЗБИРАННЯ».

ПРИМІТКА. Це слушний момент, щоб перевірити приводну зірочку на надмірний знос або пошкодження.

ДОГЛЯД ЗА НАПРЯМНОЮ ШИНОЮ

Коли на напрямній шині з'являться ознаки зносу, зніміть її з пилки. Видаліть гвинт і регулювальну пластину, переверніть напрямну шину (рис. V) і встановіть регулювальну пластину на новий бік напрямної шини (рис. W) для розподілу зносу та максимального терміну служби шини. Шину слід чистити кожен день після користування та перевіряти на предмет зносу й пошкодження. Утворення нальоту або задирок на рейках шини є нормальним процесом її зносу. Такі дефекти слід згладжувати напилком, щойно вони з'являться. Шину з будь-якими з наведених нижче дефектів слід замінити.

- Знос всередині рейок шини, що дає ланцюгу змогу лягати на бік.
- Зігнута напрямна шина
- Тріснути або зламані рейки.
- Рейки, що розійшлися.

Крім того, напрямна шина має зірочку на кінці. Зірочку потрібно змащувати щотижня за допомогою масляного шприца, щоб продовжити термін служби напрямної шини. Використовуйте масляний шприц для щотижневого змащення маслом для ланцюга через змащувальний отвір (рис. X). Поверніть напрямну шину та перевірте, чи в змащувальних отворах і пазу ланцюга немає забруднень.

X-1	Зірочка на кінці напрямної шини
X-2	Змащувальний отвір

ОБСЛУГОВУВАННЯ ЛАНЦЮГА

Використовуйте з цією пилою лише ланцюги з низькою віддачею. Цей швидкий різальний ланцюг забезпечить зменшення віддачі за умови правильного обслуговування.

Правильно заточений пильний ланцюг розрізає дерево без зусиль, навіть у разі дуже невеликого тиску.

Ніколи не використовуйте тупий або пошкоджений пильний ланцюг. Тупий різальний ланцюг приводить до збільшення фізичного навантаження, збільшення вібраційного навантаження, незадовільного результату різання та підвищеного зносу.

Для плавного і швидкого різання пильний ланцюг необхідно обслуговувати належним чином. Коли деревна стружка дрібна та порошокподібна, ланцюг має проходити крізь деревину під час різання, а коли ланцюг зрізає в один бік, це є ознакою того, що ланцюг вимагає заточування. Під час обслуговування пильного ланцюга необхідно враховувати таке:

- Неправильне кут підпилювання бічної пластини може збільшити ризик серйозної віддачі.
- Зазор обмежувального виступу (обмежувача глибини). Занадто малий зазор збільшує можливість віддачі. Недостатньо малий зазор зменшує різальну здатність.
- Якщо зубці різача натрапили на тверді предмети, такі як цвяхи і камені, або стерлися брудом чи піском на деревині, доручіть заточування ланцюга кваліфікованому технічному спеціалісту.

ТРАНСПОРТУВАННЯ ТА ЗБЕРІГАННЯ

- Не зберігайте та не переміщуйте насадку-штангову пилу, коли вона працює. Завжди виймайте акумуляторну батарею перед зберіганням або транспортуванням.
- Завжди накладайте захисну оболонку на напрямну шину та ланцюг, перш ніж зберігати або транспортувати насадку-штангову пилу. Будьте обережні, щоб уникати гострих зубців ланцюга.
- Перед зберіганням слід ретельно очистити штангову пилу. Зберігайте штангову пилу в приміщенні, у сухому місці, яке замкнене та/або недоступне дітям, та тримайте подалі від корозійних речовин, таких як садові хімікати та протизаморожувальні солі.

UK

EGO

Захист довкілля



Не викидайте електричне обладнання, акумулятор і зарядний пристрій у побутові відходи!

Віднесіть цей виріб авторизованому переробнику й надайте його для роздільного збирання.

Електроінструменти необхідно повернути в підприємство, що займається екологічно безпечною переробкою.

KEES VAN DER SPEK
TUINMACHINES ★ STOLWIJK

UK

250

ШТАНГОВА ПИЛА, ЩО ПРАЦЮЄ ВІД 56-ВОЛЬТНОГО ЛІТІЙОНОГО АКУМУЛЯТОРА — PS1000E

УСУНЕННЯ НЕСПРАВНОСТЕЙ

НЕСПРАВНІСТЬ	ПРИЧИНА	ВИРІШЕННЯ
МОТОР НЕ ПРАЦЮЄ.	<ul style="list-style-type: none"> ■ Акумуляторна батарея не приєднана до штангової пили. ■ Немає електричного контакту між пилою та батареєю. ■ Акумуляторна батарея розряджена. ■ Кнопка розблокування не натиснута перед натисканням на тригерний вимикач. ■ Акумулятор або приводна головка занадто гарячі. ■ Пильний ланцюг застряг у деревині. ■ Шина та ланцюг перекошені й не паралельні корпусу. ■ Сміття в пазу. ■ Сміття в бічній кришці 	<ul style="list-style-type: none"> ■ Під'єднайте акумулятор до приводної головки. ■ Вийміть акумулятор, перевірте контакти та знову встановіть акумулятор. ■ Зарядіть акумуляторну батарею. ■ Натисніть важіль блокування та тримайте його, а потім натисніть на пусковий перемикач, щоб увімкнути штангову пилу. ■ Дайте акумулятору або блоку живлення охолонути, доки температура не впаде до рекомендованого діапазону робочих температур. ■ Відпустіть тригерний перемикач; зніміть пильний ланцюг і напрямну шину з дерева, а потім знову запустіть штангову пилу. ■ Вийміть акумулятор і замініть шину та ланцюг відповідно до вказівок у розділі «ЗАМІНА ШИНИ І ЛАНЦЮГА». Перед установленням бічної кришки завжди тримайте шину та ланцюг паралельно до монтажної поверхні. ■ Притисніть пильний ланцюг до дерева, переміщуйте штангову пилу назад і вперед, щоб скинути сміття. ■ Вийміть акумуляторну батарею, потім зніміть бічну кришку та приберіть сміття.

НЕСПРАВНІСТЬ	ПРИЧИНА	ВИРІШЕННЯ
<p>Мотор працює, але ланцюг не обертається.</p>	<ul style="list-style-type: none"> ■ Ланцюг не зачіпляє приводну зірочку. ■ Недостатній натяг ланцюга. ■ Тупий ланцюг. ■ Ланцюг установлено на впаки. ■ Зношений ланцюг. ■ Сухий або надмірно натягнутий ланцюг. ■ Ланцюг не в пазу шини. 	<ul style="list-style-type: none"> ■ Вийміть акумуляторну батарею та встановіть ланцюг, переконавшись, що приводні ланки ланцюга повністю розташовані на зірочці. ■ Спочатку ослабте ручку швидкого регулювання натягу ланцюга, принаймні на один оберт проти годинникової стрілки, а потім повністю затягніть її за годинниковою стрілкою, доки ланцюг не буде правильно натягнуто. ■ Доручайте заточування ланцюгових різаків кваліфікованим технічним фахівцям з обслуговування. ■ Вийміть акумуляторну батарею та встановіть на місце пильний ланцюг, як описано в розділі «ЗАМІНА ШИНИ І ЛАНЦЮГА». ■ Виймайте акумуляторну батарею та замінійте ланцюг, як описано в розділі «ЗАМІНА ШИНИ І ЛАНЦЮГА». ■ Перевірте рівень мастила. У разі необхідності наповніть бачок для мастила. ■ Вийміть акумуляторну батарею та встановіть на місце пильний ланцюг, як описано в розділі «ЗАМІНА ШИНИ І ЛАНЦЮГА».
<p>Шини і ланцюги гарячі, і з них іде дим.</p>	<ul style="list-style-type: none"> ■ Бачок мастила для ланцюга пустий. ■ Сміття в пазу прямої шини. 	<ul style="list-style-type: none"> ■ Додавання мастила для шини та ланцюга. ■ Видаліть сміття з пазу.

ГАРАНТІЯ

ПРАВИЛА ГАРАНТІЇ EGO

Відвідайте веб-сайт egopowerplus.com для отримання повного тексту умов гарантійної політики EGO.

UK

ПРОЧЕТЕТЕ ВСИЧКИ ИНСТРУКЦИИ!



ПРОЧЕТЕТЕ РЪКОВОДСТВОТО НА ОПЕРАТОРА

⚠️ Остатъчен риск! хора с електронни устройства, като пейсмейкър трябва да се консултират с лекуващия(те) си лекар(и) преди употреба на този продукт. Работата с електрическо оборудване в непосредствена близост до сърдечен пейсмейкър може да предизвика смущение или неизправност на пейсмейкъра.

⚠️ ПРЕДУПРЕЖДЕНИЕ: За да осигурите безопасността и надеждността, всички поправки трябва да се извършват от квалифициран сервизен техник.

СИМВОЛИ ЗА БЕЗОПАСНОСТ

Целта на символите за безопасност е да привличат вниманието към възможни опасности. Символите за безопасност и обясненията към тях заслужават вашето повишено внимание и осъзнаване. Символите за безопасност сами по себе си не елиминират каквато и да е опасност. Инструкциите и предупрежденията, които предоставят не са заместители за подходящите мерки за предотвратяване на инцидент.

⚠️ ПРЕДУПРЕЖДЕНИЕ: Уверете се, че сте прочели и осъзнали всички инструкции за безопасност в това Ръководство на оператора, включително всички известяващи символи за безопасност, като **“ОПАСНОСТ”, “ПРЕДУПРЕЖДЕНИЕ”** и **“ВНИМАНИЕ”** преди да използвате този инструмент. Неспазването на всички инструкции изброени долу може да доведе до електрически удар, пожар и/или сериозно нараняване.

ЗНАЧЕНИЕ НА СИМВОЛИТЕ

Тази страница изобразява и описва символите за безопасност, които може да се появят по този продукт. Прочетете, осъзнайте и следвайте всички инструкции по машината преди предприемане на слобяване или работа.



Сигнал за безопасност



За намаляване на опасността от нараняване, потребителят трябва да прочете и разбере ръководството на оператора преди използването на този продукт.



Носете защита за очите



Носете защита за главата



Носете защита за слуха



Носете защитни ръкавици



Гарантирано ниво на мощност на звука. Звуковите емисии към околната среда са в съответствие с директивите на европейската общност.

IPX4

Степен на защита от навлизане на вода



Носете защитни обувки



За да предотвратите токов удар, не работете на разстояние до 15 m от въздушни електропроводи. Контактът със или употребата в близост до електропроводи може да причини сериозно нараняване или токов удар водещ до смърт.



Не излагайте на дъжд.



Този продукт е в съответствие с приложимите директиви на ЕС.



Този продукт е в съответствие с приложимото законодателство на Великобритания.



Отпадъчните електрически продукти не трябва да бъдат изхвърляни заедно с домакинския отпадък. Отнесете го до упълномощено място за рециклиране.



Постоянен ток



Напрежение

BG

СПЕЦИФИКАЦИИ

Номинално напрежение	56 V $\overline{\text{---}}$	
Дължина на водещата шина	25 cm	
Звено на веригата	6,4 mm (1/4")	
Измервателен уред за веригата	1,1 mm (0,043")	
Капацитет на резервоара за масло	80 ml	
Брой задвижващи звена	56	
Дължина на инструмента (без удължителен прът)	Макс. 292 cm Мин. 233 cm	
Препоръчителна работна температура	-15°C-40°C	
Препоръчителна температура на съхранение	-20°C-70°C	
Препоръчителна температура на зареждане	5°C-40°C	
Тегло (без акумулаторна батерия, капак на веригата)	4,25 kg	
Измерено ниво на сила на звука L_{WA}	97 dB(A) K = 2,5 dB(A)	
Ниво на звуково налягане в работна позиция L_{PA}	82 dB(A) K=3 dB(A)	
Гарантирано ниво на сила на звука L_{WA} (съгласно 2000/14/EC)	100 dB(A)	
Вибрации a_h	Предна спомагателна ръкохватка	1,19 m/s ² K=1,5 m/s ²
	Задна ръкохватка	1,01 m/s ² K=1,5 m/s ²

BG

- Декларираният общ размер на вибрации е измерен в съответствие със стандартния метод за тест и може да бъде използван за сравнение между два инструмента;
- Декларираният общ размер на вибрации може също така да бъде използван за предварителна оценка на влиянието.

БЕЛЕЖКА: Вибрационните емисии по време на действителната употреба на електрически инструмент може да се различава от декларираната стойност. С

254

56-ВОЛТА ЛИТИЕВО-ЙОНЕНА БЕЗКАБЕЛЕН ПРЪТОВ ТРИОН — PS100E

цел да се защити оператора, потребителят трябва да носи ръкавици и антифони в действителни условия на работа.

ОПИСАНИЕ

ЗАПОЗНАЙТЕ СЕ С ВАШИЯ ПРЪТОВ ТРИОН (Фиг. А1)

1. Копче за регулиране на обтягането на веригата
2. LED работна светлина
3. Страничен капак
4. Окачалка за раменния ремък
5. Удължителен прът
6. Бутон за отключване
7. Спусък превключвател
8. Задна ръкохватка
9. Бутон за освобождаване на батерията
10. Предна спомагателна ръкохватка
11. Лост за бързо освобождаване
12. Телескопичен прът
13. Ремък за рамо
14. Капачка за маслен резервоар
15. Маслен резервоар
16. Захващащи шипове
17. Водеща шина
18. Верига за трион
19. Капак на веригата

ОПАКОВЪЧЕН ЛИСТ (Фиг. А1)

Препоръчани щанга и верига за този прътов трион

ИМЕ НА ЧАСТ	НОМЕР НА МОДЕЛ
Водеща шина	AG1000Q, AG1200Q
Верига за трион	AC1000Q, AC1200Q

МОНТАЖ

⚠ ПРЕДУПРЕЖДЕНИЕ: Ако някои от частите са повредени или липсват, не работете с този продукт, докато частите не се подменят. Използването на този продукт с повредени или липсващи части може да доведе до сериозно лично нараняване.

⚠ ПРЕДУПРЕЖДЕНИЕ: Не се опитвайте да модифицирате този продукт или да създадете аксесоари, които не се препоръчват за употреба с този продукт. Всяка такава промяна или модификация е злоупотреба и може да доведе до опасни условия с последици от възможни сериозни наранявания.

⚠ ПРЕДУПРЕЖДЕНИЕ: Винаги изваждайте акумулаторната батерия от продукта, когато монтирате части, правите настройки, почиствате или когато продуктът не е в употреба.

СГЛОБЯВАНЕ НА НАПРАВЛЯВАЩАТА ШИНА И ВЕРИГАТА

1. Поставете триона върху твърда, равна повърхност, така че страничният капак да е обърнат нагоре.
2. Носете ръкавици. Свалете страничния капак (Фиг. В).
3. Поставете новата верига за трион в затворен кръг върху равна повърхност и изправете всички усуквания.
4. Поставете зъбците на веригата в жлеба на водещата щанга. Позиционирайте веригата, така че да има ухо в задната страна на водещата щанга (фиг. С).

C-1	Задвижващи звена за веригата
C-2	Жлеб на водещата шина

5. Дръжте веригата на позиция във водещата щанга и поставете ухото във верижното зъбно колело на прътовия трион.

БЕЛЕЖКА: В корпуса на инструмента е гравирана малка стрелка за посока и режещ елемент (фиг. D). Когато закачате верижния трион на водещата шина, уверете се, че след монтирането на направляващата шина посоката на верижния трион съответства на стрелката за посоката на въртене върху корпуса на инструмента и формата на режещите елементи в горната част на водещата шина съответства на тази на режещия елемент върху корпуса. Ако са насочени в противоположни посоки, монтирайте отново веригата на триона върху водещата шина така, че стрелките да са насочени в същата посока. Водещата шина трябва да се монтира с плочата за регулиране, обърната встрани от корпуса.

6. Дръжте шината и веригата успоредни на монтажната повърхност. Прикрепете страничния капак към корпуса, така че отворите/щифтовете и закрепващия болт/отвора с резба да са правилно подравнени един спрямо друг (фиг. E). Натиснете страничния капак към корпуса, след това напълно

затегнете бързото обтягане на веригата като регулирате копчето по часовниковата стрелка. Ексцентричното зъбно колело в страничния капак е проектирано за гарантиране, че веригата няма да бъде обтегната твърде много

БЕЛЕЖКА: Ако веригата се разхлаби, завъртете копчето за бързо регулиране на обтягането на веригата обратно на часовниковата стрелка поне с един оборот, след което го затегнете напълно.

7. Завъртете веригата на ръка, за да проверите дали веригата е правилно монтирана без триене. В противен случай монтирайте отново веригата и шината.

СВЪРЗВАНЕ НА ПРИСТАВКАТА ПРЪТОВ ТРИОН КЪМ ЗАХРАНВАЩАТА ГЛАВА

Този прътов трион работи в комбинация с приставката прътов трион и захранваща глава (Фиг. F).

F-1	Приставка прътов трион
F-2	Захранваща глава

⚠ ПРЕДУПРЕЖДЕНИЕ: Никога не монтирайте или регулирайте приставката прътов трион, докато захранващата глава работи или когато батерията е монтирана. Неспазването за спиране на мотора и изваждане на батерията може да доведе до сериозно нараняване.

Приставката прътов трион се свързва със захранващата глава чрез съединителното устройство.

1. Спрете мотора и извадете акумулаторната батерия.
2. Разхлабете крилчатия винт.
3. Подравнете стрелката на вала на прътовия трион със стрелката на съединителното устройство и бутнете вала на прътовия трион в съединителя, докато чуете ясен "клик" звук, показващ, че валът на прътовия трион е монтиран на местото си (Фиг. G).

G-1	Крилчат винт	G-3	Стрелка на съединителното устройство
G-2	Бутон за освобождаване на вала	G-4	Стрелка върху вала на прътовия трион

4. Издърпайте шпиндела на приставката за да осигурите, че е сигурно заключен в съединителя. Ако не е заключен, въртете вала на прътовия трион от страна до страна в съединителя, докато влезе на местото си.

5. Затегнете сигурно крилчатия винт.

⚠ ПРЕДУПРЕЖДЕНИЕ: Уверете се, че крилчатият винт е напълно затегнат, преди да работите с оборудването, проверявайте го за затягане периодично по време на употреба, за да избегнете сериозно нараняване.

СВЪРЗВАНЕ НА УДЪЛЖИТЕЛНИЯ ПРЪТ МЕЖДУ ЗАХРАНВАЩАТА ГЛАВА И ПРИСТАВКАТА ПРЪТОВ ТРИОН (Модел № EP1000)

⚠ ПРЕДУПРЕЖДЕНИЕ: Никога не монтирайте или регулирайте приставка, докато хранващата глава работи или когато батерията е монтирана. Неспазването за спиране на мотора и изваждане на батерията може да доведе до сериозно нараняване.

Този удължителен прът е предназначен за изключителна употреба с EGO PS1000E. Никога не го използвайте с други приставки на EGO.

Удължителният прът увеличава дължината на инструмента със 100 см, като разширява обхвата на рязане. Той трябва да бъде свързан между приставката прътов трион и хранващата глава. За един инструмент могат да се използват максимум два удължителни пръта (предлагат се отделно).

Следвайте процеса в раздел **“СВЪРЗВАНЕ НА ПРИСТАВКАТА ПРЪТОВ ТРИОН КЪМ ЗАХРАНВАЩАТА ГЛАВА”** “за да монтирате удължителния прът между приставката прътов трион и хранващата глава (Фиг. Н).

H-1	Съединител на удължителния прът
H-2	Съединител на хранващата глава

БЕЛЕЖКА: След като са сглобени правилно, приставката за трион, удължаващият прът и хранващата глава не трябва да се отделят при издърпване. Винаги проверявайте връзката, като ги издърпвате. Повторете горните стъпки, ако елементите могат да бъдат разделени.

⚠ ПРЕДУПРЕЖДЕНИЕ: Неуспешното осигуряване на приставката и хранващата глава/удължителния пръстен, както е отбелязано по-горе може да доведе до сериозно нараняване или смърт

ИЗВАЖДАНЕ НА ПРИСТАВКАТА ОТ ЗАХРАНВАЩАТА ГЛАВА

1. Спрете мотора и извадете акумулаторната батерия.
2. Разхлабете крилчатия винт.

3. Натиснете бутона за освобождаване на вала и с натиснат бутон издърпайте или завъртете вала на прътовия трион от съединителя, за да го отделите от хранващата глава или от удължителния прът (ако се използва).
4. Повторете процедурата, за да отделите удължителния прът от хранващата глава (ако се използва удължителен прът).

МОНТИРАНЕ И РЕГУЛИРАНЕ НА ПРЕДНАТА СПОМАГАТЕЛНА РЪКОХВАТКА

1. Спрете мотора и извадете акумулаторната батерия.
2. Разхлабете крилчатата гайка и я отстранете заедно със стягащия болт от предната спомагателна ръкохватка (Фиг. I1).

I-1	Предна спомагателна ръкохватка	I-4	Крилчатата гайка
I-2	Лост за заключване	I-5	Затягащ блок
I-3	Затягащ болт		

3. Натиснете спомагателната ръкохватка върху вала на хранващата глава и я завъртете надолу, така че да сочи към веригата на триона (Фиг. I2).
4. Поставете стягащия блок и монтирайте стягащия болта с крилчатата гайка (Фиг. I3).
5. Не затягайте напълно крилчатата гайка. Регулирайте позицията на предната спомагателна ръкохватка така, че да е между окачалката на ремъка за рамо и втулката на телескопичния прът (Фиг. I4). Ръкохватката трябва да се регулира така, че ръката ви да е изправена, когато използвате триона.
6. Натиснете надолу лоста за заключване и затегнете крилчатата гайка, така че предната спомагателна ръкохватка да бъде обезопасена срещу въртене или преместване върху вала на хранващата глава.

ЕКСПЛОАТАЦИЯ

⚠ ОПАСНОСТ: Никога не режете в близост до електропроводи, електрически жици или други електрически източници. Ако щангата и веригата заседнат на някоя електрическа жица или кабел, **НЕ ДОКОСВАЙТЕ ЩАНГАТА, ВЕРИГАТА ИЛИ ПРЪТА! ТЕ МОГАТ ДА БЪДАТ ПОД ЕЛЕКТРИЧЕСКО НАПРЕЖЕНИЕ И МОЖЕ ДА БЪДЕ МНОГО ОПАСНО.**

Продължете да държите прътвия трион за изолираната задна ръкохватка или го сложете легнал и на разстояние от вас по безопасен начин. Изключете електричеството към повредения проводник или жица, преди да се опитате да освободите щангата и веригата от проводника или жицата. Контактът с шината, веригата или с други електропроводими части на прътвия трион или с електрически жици или проводници под напрежение, ще доведе до смърт от токов удар или сериозно нараняване.

⚠ ПРЕДУПРЕЖДЕНИЕ: Не позволявайте рутината с този продукт да ви направи непредпазливи. Запомнете, че невнимание за малка част от секундата е достатъчна за да нанесе сериозно нараняване.

⚠ ПРЕДУПРЕЖДЕНИЕ: Винаги носете предпазни очила или очила със странична защита. Ако не го направите може да доведе до изхвърляне на предмети към очите ви и други възможни сериозни наранявания.

⚠ ПРЕДУПРЕЖДЕНИЕ: Винаги изваждайте акумулаторната батерия от продукта, когато монтирате части, правите настройки, почиствате, транспортирате или когато не е в употреба. Снемането на акумулаторната батерия ще предотврати инцидентно стартиране, което може да предизвика сериозно нараняване.

⚠ ПРЕДУПРЕЖДЕНИЕ: Не използвайте други приставки или аксесоари, които не са препоръчани от производителя на този продукт. Употребата на приставки или аксесоари, които не са препоръчани, може да доведе до сериозно нараняване.

Преди всяка употреба проверявайте целия продукт за повредени, липсващи или разхлабени части, като винтове, гайки, болтове, капачки и др. Затегнете сигурно всички закопчалки и капачки и не работете с този продукт, докато всички повредени или липсващи части не бъдат подменени.

ПРИЛОЖЕНИЯ

Може да използвате този продукт за целите описани долу:

- Кастрене
- Резитба

БЕЛЕЖКА: Инструментът трябва да бъде използван само за предназначените цели. Всяка друга употреба се смята за случай на злоупотреба.

ПЪЛНЕНЕ НА МАСЛЕНИЯ РЕЗЕРВОАР СЪС СМАЗОЧНИ МАТЕРИАЛИ ЗА ЩАНГАТА И ВЕРИГАТА

⚠ ПРЕДУПРЕЖДЕНИЕ: Не пушете или не носете огън или пламък в близост до маслото или до прътвия трион. Маслото може да се разлее и да причини пожар.

БЕЛЕЖКА: Прътвият трион не е напълнен с масло по времето на покупката. Изключително важно е да напълните резервоара с верижно масло преди употреба. Работата с прътвия трион без масло за веригата или когато нивото на маслото е под определено ниво, ще доведе до повреда на прътвия трион. Животът на веригата и капацитета за рязане зависят от оптималната смазка. Веригата се смазва автоматично с верижно масло по време на работа, ако има достатъчно масло в резервоара. Нивото на маслото също трябва да бъде проверено на всеки 20 часа употреба и да бъде напълнено при необходимост.

1. Извадете акумулаторната батерия от захранващата глава.
2. Почистете капачката на масления резервоар и зоната около нея за да се уверите, че не попада мръсотия в масления резервоар.
3. Поставете прътвия трион върху твърда, равна повърхност, така че капачката на масления резервоар да е насочена нагоре, след което отстранете капачката (Фиг. J).
4. Внимателно излейте верижното масло в резервоара, докато се напълни до гърлото на резервоара. Внимавайте да не оставите маслото да се разлее от отвора. Избършете всяко излишно масло.

БЕЛЕЖКА:

- Никога не използвайте масло или други смазочни средства, които не са специално проектирани за употреба на шината и веригата. Това може да доведе до запушване на маслената система, което може да причини преждевременно износване на шината и веригата.
- Проверявайте често нивото на маслото и доливайте при необходимост.
- Не използвайте нечисто, използвано или друго замърсено масло. Може да се получат повреди по щангата и веригата.
- Нормално е маслото да изтича от триона, когато той не се използва. За да изтичане, изпразвайте резервоара за масло след всяка употреба и след това пускайте триона за една минута. Когато

съхранявате инструмента за дълъг период от време, уверете се, че веригата е леко смазана; това ще предотврати появата на ръжда по веригата и верижното зъбно колело.

- За да съхраните природните ресурси, моля рециклирайте или изхвърлете правилно маслото. Обърнете се към местния орган по отпадъците за информация относно наличните възможности за рециклиране и изхвърляне

РЕГУЛИРАНЕ НА ТЕЛЕСКОПИЧНИЯ ПРЪТ (Фиг. К)

1. Повдигнете лоста за бързо освобождаване, за да отключите телескопичния прът.
2. Удължете телескопичния прът до необходимата дължина.
3. Натиснете лоста за бързо освобождаване надолу, за да застопорите здраво телескопичния прът.

СГЛОБЯВАНЕ НА РЕМЪКА ЗА РАМО

Натиснете куката на ремъка, за да я отворите и я закрепете върху окачалката за раменния ремък (фиг. L). Регулирайте ремъка за рамо в удобна работна позиция.

▲ ПРЕДУПРЕЖДЕНИЕ: При възникване на извънредна ситуация незабавно свалете ремъка от рамото си, за да избегнете нараняване.

МОНТИРАНЕ/ИЗВАЖДАНЕ НА АКУМУЛАТОРНАТА БАТЕРИЯ

БЕЛЕЖКА: Заредете напълно акумулаторната батерия преди пълна употреба.

Използвайте само с акумулаторни батерии и зарядни устройства изброени на фиг. A2.

За да закрепите

Подравнете ребрата на батерията с монтажните жлебове и натиснете батерията надолу, докато чуете "клик" (Фиг. M).

▲ ПРЕДУПРЕЖДЕНИЕ: Преди да започнете работа, се уверете, че акумулаторната батерия е заключена на място. Ако не закрепите акумулаторната батерия сигурно, тя може да изпадне и да доведе до сериозно нараняване.

▲ ПРЕДУПРЕЖДЕНИЕ: Винаги пазете краката си, децата или домашните любимци наоколо, когато натискате бутона за освобождаване на батерията. Може да възникне сериозно нараняване, ако акумулаторната батерия падне. НИКОГА не премахвайте акумулаторната батерия от високо.

За да извадите

Натиснете бутона за освобождаване на батерията и издърпайте акумулаторната батерия навън (Фиг. N).

РАБОТНА LED СВЕТЛИНА (Фиг. O)

Работната LED светлина се намира в предната част на приставката за прътов трион, на една линия с веригата на триона. Тази функция осигурява допълнителна светлина, за да могат потребителите да виждат къде е веригата на триона, когато режат клони високо в дървото.

Работната светлина се включва автоматично при натискане на спусъка и се изключва около 10 секунди след отпускане на спусъка.

ПУСКАНЕ/СПИРАНЕ НА ИНСТРУМЕНТА

Преди да започнете работа с прътовия трион

▲ ПРЕДУПРЕЖДЕНИЕ: НИКОГА НЕ РАБОТЕТЕ СЪС ЗАХРАНВАЩАТА ГЛАВА БЕЗ ПРИСТАВКА. Не се опитвайте да стартирате захранващата глава, преди да свържете приставката прътов трион.

БЕЛЕЖКА: Преди да стартирате триона, проверете бързото регулиране на обтягането на веригата, нивото на маслото и остротата на веригата и зъбите. Освен това са необходими балансирана позиция на краката и правилно разстояние от земята (Фиг. Q).

За стартиране (фиг. P)

1. Монтирайте акумулаторната батерия.
2. Уверете се, че в непосредствена близост няма предмети или препятствия, които биха могли да влязат в контакт с шината и веригата.
3. Хванете здраво спомагателната и задната ръкохватка с двете си ръце.
4. Натиснете и задръжте бутона за отключване, след това стиснете спусъка превключвател, за да стартирате триона. Освободете бутона за отключване и продължете да стискате спусъка превключвател за продължителна работа.

▲ ПРЕДУПРЕЖДЕНИЕ: Не се опитвайте да стартирате триона, когато веригата му е в разрез или в контакт с някаква повърхност.

За да спрете

Отдалечете триона от зоната на рязане и след това освободете спусъка превключвател, за да спрете триона.

⚠ ПРЕДУПРЕЖДЕНИЕ: Винаги изваждайте акумулаторната батерия от прътовия трион по време на работни прекъсвания и след завършване на работата.

ОСНОВНИ ПРОЦЕДУРИ ЗА РЯЗАНЕ (Фиг. R)

Следвайте долните стъпки за да предотвратите щети по кората дървото или храста. Не използвайте движение за рязане напред и назад.

1. Направете плитък първи разрез (1/4 от диаметъра на клона) от долната страна на клона, в близост до главния клон или дънера.
2. Направете втори разрез от горната страна на клона, вършен от първия разрез. Продължете разреза през клона, докато клонът се отдели от дървото. Бъдете подготвени да балансирате телото на инструмента, когато клонът падне.
3. Направете окончателен разрез в близост до дънера.

БЕЛЕЖКА: За втория и за окончателния разрез (от горната страна на клона или израстъка), дръжте захващащите шипове срещу клона, който трябва да бъде изрязан (Фиг. S). Това ще помогне да стабилизирате клона и да направите рязането по-лесно. Оставете веригата да реже вместо вас; упражнявайте само лек натиск надолу. Ако пресилите рязането, могат да се получат щети по щангата, веригата или двигателя.

S-1	Захващащи шипове
-----	------------------

4. Освободете спусъка превключвател веднага след като разрезът е завършен.

БЕЛЕЖКА: Неспазването на правилна процедура при рязане, ще доведе до блокирането на щангата и веригата и засядане или заклещване в клона. Ако това се случи:

1. Спрете мотора и извадете акумулаторната батерия.
2. Ако клонът може да бъде достигнат от земята, повдигнете клона, докато държите триона. Това трябва да отпусне "заклещването" и да освободи триона.
3. Ако трионът е все още заклещен обавете се на професионалист за помощ.

КАСТРЕНЕ И РЕЗИТБА

Този прътов трион е предназначен за рязане на малки клони и клони с диаметър до 20 см (за инструмента

с 25-сантиметрова водеща шина) или 25 см (за инструмента с 30-сантиметрова водеща шина). За най-добър резултат спазвайте следните предпазни мерки:

1. Планирайте внимателно рязането. Внимавайте за посоката, в която ще падне клона.
2. **⚠ ПРЕДУПРЕЖДЕНИЕ:** Клоните могат да паднат в неочаквана посока. Не стойте право отдолу под клонът, който е рязан.
2. Най-типичното приложение за рязане е устройството да се разположи под ъгъл 60° или по-малък, в зависимост от конкретната ситуация, както е показано на фигура Т. С увеличаване на ъгъла на вала на триона за стълбове спрямо земята се увеличава трудността за извършване на първия разрез (от долната страна на клона).
3. Премахнете дългите клони на няколко етапа.
4. Първо отрежете долните клони, за да осигурите повече пространство за падане на горните клони.
5. Работете бавно, като държите двете ръце на триона със здрав захват. Поддържайте сигурна позиция на краката и баланс.
6. Дръжте дървото между себе си и веригата, когато се катерите. Режете от страната на дървото противоположна на клона, който режете.
7. Не режете от стълба, това е изключително опасно. Оставете такива операции за професионалисти.
8. Не правете изравняващия разрез в близост до главния клон или дънера, докато не сте отрязали по-голямата част от клона за да намалите телото. Следвайки правилна процедура за рязане ще предотврати обелването на кората от главното стъбло.
9. Не използвайте прътовия трион за изсичане или захващане.
10. За да предотвратите токов удар, не работете на разстояние до 15 м от въздушни електропроводи (Фиг. Т).
11. Дръжте околните настрици поне на 15 м (Фиг. Т).

ПОДДРЪЖКА

⚠ ПРЕДУПРЕЖДЕНИЕ: Преди инспекция, почистване или обслужване на уреда спрете мотора, изчакайте всички движещи части да спрат и извадете акумулаторната батерия. Неспазването на тези инструкции може да доведе до сериозно нараняване или щети по собствеността.

⚠ ПРЕДУПРЕЖДЕНИЕ: Когато обслужвате, използвайте само идентични резервни части.

Употребата на каквито и да е други части може да създаде опасност или да предизвика повреда на продукта. За да осигурите безопасност и издръжливост, всички ремонти, различни от артикулите изброени в тези инструкции за поддръжка, трябва да бъдат извършвани от квалифициран сервизен техник.

⚠ ПРЕДУПРЕЖДЕНИЕ: Винаги носете ръкавици, когато боравите с веригата на триона. Веригата е остра и може да има заузенци.

ОБЩА ПОДДРЪЖКА

Избягвайте употребата на разтворители, когато почиствате пластмасовите части. Повечето пластмасови части са уязвими на повреда от различни видове разтворители в търговската мрежа и може да се повредят от тяхната употреба. Използвайте чист плат, за премахване на мръсотия, прах, масло и т.н.

ПОЧИСТВАНЕ

- След всяка употреба почистете натрупванията от веригата и водещата шина с мека четка. Избършете повърхността на прътовия трион с мека кърпа навлажнена с мек сапунен разтвор.
- Извадете капака на зъбното колело за веригата и след това използвайте мека четка за да отстраните натрупванията от водещата шина, веригата на триона, зъбното колело и страничния капак.
- Винаги почиствайте дървените стърготини, праха от рязане и мръсотията от жлеба на водещата шина, когато подмените веригата на триона.

Обслужване на прътовия трион, освен на позициите изброени в инструкциите за поддръжка, трябва да бъде извършвано от квалифициран сервизен персонал за прътови триони.

ПОДМЯНА НА ШИНАТА И ТРИОНА

Когато подмените водещата щанга и веригата, винаги използвайте определената комбинация от щанга и верига посочена в раздел **“Препоръчителна щанга и верига за този прътов трион”**.

1. Извадете батерията, позволете на триона да се охлади. Уверете се, че капачката на масления резервоар е затегната, за да предотвратите изтичане на масло.
2. Позиционирайте прътовия трион странично върху твърда, равна повърхност, така че капачката на резервоара да е насочена нагоре.
3. Носете ръкавици. Свалете страничния капак (Фиг. U). Почистете страничния капак със суха кърпа.
4. Отстранете износената шина и верига от монтажната повърхност.

5. Монтирайте новата водеща шина и веригата на триона, като спазвате инструкциите **„СГЛОБЯВАНЕ НА ВОДЕЩАТА ШИНА И ВЕРИГАТА“** в раздел **„СГЛОБЯВАНЕ“**.

БЕЛЕЖКА: Това е добър момент да инспектирате задвижващото зъбно колело за прекалено износване или повреда.

ПОДДРЪЖКА НА ВОДЕЩАТА ШИНА

Когато водещата шина покаже признаци на износване, демонтирайте я от триона. Отстранете регулиращия винт и регулиращата пластина, обърнете водещата шина (Фиг. V) и монтирайте отново регулиращата пластина от новата страна на водещата шина (Фиг. W), за да се разпредели износването и да се осигури максимален живот на шината. Шината трябва да бъде почиствана всеки ден след употреба и да бъде проверявана за износване и повреди. Изтъняване или изстъргване на релсите на шината е нормален процес на износване на шината. Такива дефекти, трябва да бъдат загладени с пила веднага след като се случат. Шина с някой от следните дефекти трябва да бъде подменена.

- Износване от вътрешната страна на релсите на шината, което позволява на веригата да лежи на страни.
- Изкривена водеща шина.
- Напукани или счупени релси.
- Раздалечени релси.

В допълнение, водещата шина има верижно зъбно колело на върха си. Зъбното колело трябва да бъде ежедневно смазвано с гресьорка за да се удължи живота на водещата шина. Използвайте гресьорка за смазване всяка седмица с верижно масло в отворите за смазване (Фиг. X). Завъртете водещата шина и проверете дали отворите за смазване и жлебът на веригата са чисти от мръсотия.

X-1	Смазване на зъбното колело във водещата шина
X-2	Отвор за смазване

ПОДДРЪЖКА НА ВЕРИГАТА

Използвайте само вериги с нисък откат за този трион. Тази верига за бързо рязане ще предостави намаляване на отката, когато е правилно поддръжана. Правилно заточена верига за трион, реже без усилие през дървото, дори с много малко усилие. Никога не използвайте затъпена или повредена верига за трион. Затъпените резци на веригата за трион водят

до повишено физическо натоварване, увеличено излагане на вибрации, незадоволителни резултати от рязането и повишено износване.

За гладко и бързо рязане, веригата на триона трябва да бъде правилно поддържана. Когато дървените стърготини са малки и разпрашени, веригата трябва да бъде водена със сила през дървото по време на рязане или когато веригата реже от едната страна, това са индикатори, че веригата трябва да бъде заточена. По време на поддръжка на вашата верига за трион имайте предвид следното:

- Неправилен ъгъл на подаване на страничната пластина, може да увеличи риска от сериозен откат.
- Клиренса на зъбите (дълбокомерите). Твърде ниско повишава потенциала за откат. Недостатъчно ниско намалява способността за рязане.
- Ако режещите зъби ударят твърд предмет, като пирон или камък или са били изтрети от калта или пясъка по дървото, дайте веригата за заточване на квалифициран сервизен техник.

ТРАНСПОРТИРАНЕ И СЪХРАНЕНИЕ

- Не оставяйте или транспортирайте приставката прътов трион, когато работи. Винаги изваждайте акумулаторната батерия преди съхранение или транспортиране.
- Винаги поставяйте капака на водещата щанга преди да съхранявате или транспортирате приставката прътов трион. Бъдете внимателни за да избегнете острите зъби на веригата.
- Почистете изцяло прътовия трион преди съхраняване. Съхранете на закрито прътовия трион, на сухо място, което е заключено и/или недостъпно за деца и дръжте настрана от корозивни препарати, като градински химикали и соли за размразяване.

Опазване на околната среда



Не изхвърляйте електрическо оборудване, използвана батерия или зарядно устройство в домакинския отпадък!

Отнесете продукта до упълномощена фирма за рециклиране и го предоставете за разделно събиране. Електрическите инструменти трябва да бъдат връщани в съоръжения за рециклиране съвместими с околната среда.

ОТСТРАНЯВАНЕ НА ПРОБЛЕМИ

ПРОБЛЕМ	ПРИЧИНА	РЕШЕНИЕ
МОТОРЪТ НЕ РАБОТИ.	<ul style="list-style-type: none"> ■ Акумулаторната батерия не е прикрепена към прътовия трион. ■ Няма електрически контакт между триона и батерията. ■ Акумулаторната батерия е изтощена. ■ Бутонът за отключване не е натиснат преди натискане на спусъка. ■ Акумулаторната батерия или захранващата глава са твърде горещи. ■ Веригата на триона е заседнала в дървото. ■ Шината и веригата са изкривени и не са успоредни на корпуса. ■ Отломки в жлеба на шината. ■ Отломки в страничния капак. 	<ul style="list-style-type: none"> ■ Закрепете акумулаторната батерия към прътовия трион. ■ Извадете батерията, проверете контактите и поставете наново акумулаторната батерия. ■ Заредете акумулаторната батерия. ■ Натиснете и задръжте лоста за отключване и след това натиснете спусъка превключвател, за да включите прътовия трион. ■ Оставете акумулаторната батерия или захранващата глава да се охладят, докато температурата спадне до препоръчителния температурен диапазон. ■ Освободете спусъка, извадете веригата на триона и водещата шина от дървото и рестартирайте прътовия трион. ■ Отстранете батерията и сменете шината и веригата, като следвате раздела “РЕГУЛИРАНЕ НА ОБТЯГАНЕТО НА ВЕРИГАТА”. Винаги помнете, че трябва да държите шината и веригата успоредни на монтажната повърхност, преди да монтирате страничния капак. ■ Натиснете веригата на триона срещу дървото, преместете прътовия трион напред и назад за да освободите отломките. ■ Извадете батерията, след това извадете страничния капак и почистете отломките.

ПРОБЛЕМ	ПРИЧИНА	РЕШЕНИЕ
<p>Моторът работи, но веригата не се върти.</p>	<ul style="list-style-type: none"> ■ Вери́гата не е зацепена във задви́жващото зъбно колело. ■ Недостатъчно обтягане на веригата. ■ Изтъпена верига. ■ Вери́гата е монтирана назад. ■ Износена верига. ■ Суха или прекалено разтеглена верига. ■ Вери́гата не е в жлеба на шината. 	<ul style="list-style-type: none"> ■ Извадете батерията и монтирайте повторно веригата, като се уверите, че зъбците на веригата са напълно поставени в зъбното колело. ■ Разхлабете копчето за регулиране на обтягането на веригата поне на един оборот обратно на часовниковата стрелка и напълно го затегнете по часовниковата стрелка, докато веригата се обтегне правилно. ■ Заточете резачите на веригата с квалифициран сервизен техник. ■ Извадете батерията и пренастройте обтягането на веригата, следвайки раздел "РЕГУЛИРАНЕ НА ОБТЯГАНЕТО НА ВЕРИГАТА". ■ Извадете батерията и подменете веригата, следвайки раздел "РЕГУЛИРАНЕ НА ОБТЯГАНЕТО НА ВЕРИГАТА". ■ Проверете нивото на маслото. Напълнете контейнера за масло ако е необходимо. ■ Извадете батерията и пренастройте обтягането на веригата, следвайки раздел "РЕГУЛИРАНЕ НА ОБТЯГАНЕТО НА ВЕРИГАТА".
<p>Щангата и веригата се нагорещават и пушат.</p>	<ul style="list-style-type: none"> ■ Резервоарът за верижно масло е празен. ■ Отломки в жлеба на водещата шина. 	<ul style="list-style-type: none"> ■ Напълнете смазка за шината и веригата. ■ Почистете отломките в жлеба.

ГАРАНЦИЯ

ГАРАНЦИОННА ПОЛИТИКА EGO

Моля, посетете уебсайта egopowerplus.com за пълните срокове и условия по гаранционната политика на EGO.

BG

PROČITAJTE UPUTE U CIJELOSTI!



PROČITAJTE PRIRUČNIK ZA RUKOVATELJE.

⚠ Skrivene opasnosti! Osobe s elektroničkim uređajima poput srčanih elektrostimulatora prije uporabe ovog proizvoda trebaju se savjetovati sa svojim liječnikom. Rad električne opreme u neposrednoj blizini srčanih elektrostimulatora može prouzročiti smetnju ili kvar srčanog elektrostimulatora.

⚠ UPOZORENJE: Radi sigurnosti i pouzdanosti, sve popravke mora obavljati kvalificirani servisni tehničar.

SIGURNOSNI SIMBOLI

Svrha simbola o sigurnosti je skretanje pozornosti na moguće opasnosti. Simboli o sigurnosti i njihova objašnjenja zahtijevaju vašu potpunu pozornost i razumijevanje. Simboli upozorenja sami po sebi ne isključuju opasnost. Upute i upozorenja koja pružaju nisu zamjena za propisne mjere za prevenciju nesreća.

⚠ UPOZORENJE: Prije upotrebe ovog alata pobrinite se da sve upute u ovom korisničkom priručniku, uključujući sve sigurnosne simbole kao što su “OPASNOST”, “UPOZORENJE” i “OPREZ” pročitate s razumijevanjem. Zanemarivanje uputa navedenih u nastavku može rezultirati strujnim udarom, požarom i/ili teškim tjelesnim ozljedama.

ZNAČENJE SIMBOLA

Na ovoj stranici slikovno su prikazani i objašnjeni simboli sigurnosti koji se mogu pojaviti na ovom proizvodu. Prije pokušaja sastavljanja i rukovanja s razumijevanjem pročitate sve upute na stroju i pridržavajte ih se.



Simbol upozorenja



Radi smanjenja opasnosti od ozljeda, prije uporabe ovog proizvoda korisnik treba s razumijevanjem pročitati ovaj korisnički priručnik.



Nosite zaštitu za oči.



Nosite zaštitu za glavu.



Nosite zaštitu za sluh.



Nosite zaštitne rukavice

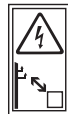


Zajamčena razina snage zvuka. Emisija buke u okruženju u skladu je sa smjernicama Europske unije.

IPX4 Stupanj zaštite od prodora vode



Nosite sigurnosnu obuću



Da ne dođe do električnog udara, ne radite na udaljenosti manjoj od 15 m od nadzemnih električnih vodova. Doticaj s električnim vodovima ili korištenje u njihovoj blizini može prouzročiti ozbiljne ozljede ili smrtonosni električni udar.



Ne izlažite je kiši.



Ovaj proizvod je u skladu s važećim direktivama EU.



Ovaj proizvod je u skladu s važećim zakonodavstvom UK.



Otpadni električni proizvodi ne smiju se odlagati s otpadom iz kućanstva. Odnosite ih u ovlaštenu centar za recikliranje.



istosmjerna struja

V Volt

TEHNIČKI PODACI

Nazivni napon	56 V ---	
Duljina vodilice	25 cm	
Korak lanca	6,4 mm (1/4")	
Debljina karike lanca	1,1 mm (0,043")	
Volumen spremnika za ulje	80 ml	
Broj pogonskih veza	56	
Duljina alata (bez produžnog štapa)	Maks. 292 cm Min. 233 cm	
Preporučena radna temperatura	-15°C-40°C	
Preporučena temperatura skladištenja	-20°C-70°C	
Preporučena temperatura punjenja	5°C-40°C	
Težina (bez baterijskog modula, navlaka za lanac)	4,25 kg	
Izmjerena razina zvučne snage L_{WA}	97 dB(A) $K = 2,5$ dB(A)	
Razina zvučnog tlaka ne mjestu rada L_{PA}	82 dB(A) $K=3$ dB(A)	
Zajamčena razina zvučne snage L_{WA} (izmjereno u skladu s 2000/14/EZ)	100 dB(A)	
Vibracija a_n	Prednji pomoćni rukohvat	1,19 m/s ² $K=1,5$ m/s ²
	Stražnja drška	1,01 m/s ² $K=1,5$ m/s ²

- Deklarirane ukupne vrijednosti vibracija izmjerene su u skladu sa standardnom metodom ispitivanja i mogu se koristiti za usporedbu jednog alata s drugim.
- Deklarirane ukupne vrijednosti vibracija mogu se koristiti i u preliminarnoj procjeni izloženosti.

NAPOMENA: Emisija vibracija tijekom aktualnog korištenja električnog alata može se razlikovati od deklarirane vrijednosti u kojoj se alat koristio; Radi zaštite rukovatelja korisnik treba nositi rukavice i štitičke za uši u aktualnim uvjetima korištenja.

OPIS

UPOZNAJTE SE SA ŠTAPNOM PILOM (sl. A1)

1. Okretni gumb za brzo podešavanje zategnutosti lanca
2. LED radno svjetlo
3. Bočni poklopac
4. Kuka za naramenicu
5. Produžni štap
6. Gumb za deblokadu
7. Sklopka okidača
8. Stražnja drška
9. Gumb za oslobađanje baterije
10. Prednji pomoćni rukohvat
11. Ručica za brzo otpuštanje
12. Teleskopska cijev
13. Naramenica
14. Čep spremnika s uljem
15. Spremnik ulja
16. Zupci za piljenje
17. Vodilica
18. Lanac pile
19. Zaštitna navlaka za lanac

OTPREMNICA (SI. A1)

Preporučena vodilica i preporučeni lanac za ovu štapnu pilu

NAZIV DIJELA	BROJ MODELA
Vodilica	AG1000Q, AG1200Q
Lanac pile	AC1000Q, AC1200Q

SASTAVLJANJE

⚠ UPOZORENJE: Ako je bilo koji dio oštećen ili ako nedostaje, nemojte upotrebljavati ovaj proizvod dok se ne zamijene dijelovi. Upotreba ovog proizvoda oštećenih dijelova ili dijelova koji nedostaju može rezultirati teškim tjelesnim ozljedama.

⚠ UPOZORENJE: Ne pokušavajte obavljati preinake na ovom proizvodu ili raditi dodatnu opremu koja nije preporučena za uporabu s ovim proizvodom. Sve takve izmjene ili preinake predstavljaju nepropisnu uporabu i mogu rezultirati opasnim stanjima koja mogu dovesti do mogućih teških tjelesnih ozljedama.

⚠ UPOZORENJE: Pri sastavljanju dijelova, obavljanju podešavanja, čišćenju ili kada ne upotrebljavati proizvod, baterijski modul izvadite iz proizvoda.

MONTAŽA VODILICE I LANCA

1. Položite lančanu pilu na bočnu stranu, na čvrstu i ravnu površinu tako da čep spremnika bude okrenut gore.
2. Nosite rukavice. Uklonite bočni poklopac (Sl. B).
3. Novi lanac pile položite kružno na ravnu površinu i ispravite eventualne pregibe.
4. Stavite pogonske karike lanca u žlijeb vodilice. Lanac pozicionirajte tako da se na stražnjoj stranu vodilice napravi petlja (sl. C).

C-1	Pogonske karike lanca
C-2	Žlijeb vodilice

5. Držite lanac u položaju na vodilici i stavite petlju oko pogonskog lančanika štapne pile.

NAPOMENA: U kućištu alata ugravirana je mala strelica smjera i rezač (Sl. D). Prilikom stavljanja lanca pile na vodilicu provjerite da je nakon ugradnje vodilice smjer lanca pile odgovarati strelici smjera vrtnje na kućištu alata i obliku rezača na vrhu vodilice u skladu s onim rezača na kućištu. Ako su okrenute u suprotnim smjerovima, ponovno montirajte lanac pile na vodilicu tako da strelice budu okrenute u istom smjeru. Vodilica se treba montirati s pločom za podešavanje okrenutom u smjeru od kućišta.

6. Vodilica i lanac moraju biti paralelni s montažnom površinom. Pričvrstite bočni poklopac na kućište tako da su rupe/zatici i vijak za pričvršćenje / rupa s navojem međusobno propisno usklađeni (Sl. E). Pritisnite bočni poklopac prema kućištu, a zatim potpuno pritegnite okretni gumb za brzo podešavanje zategnutosti lanca u smjeru kretanja kazaljki na satu. Ekscentrični zupčanik u bočnom poklopcu predviđen kao zaštita od prejakog zatezanja lanca.

NAPOMENA! Ako se lanac olabavi, okrenite gumb za brzo podešavanje napetosti lanca ulijevo barem jedan okretaj, a zatim do kraja zategnite gumb.

7. Okrećite lanac rukom kako biste provjerili je li lanac propisno montiran bez zapinjanja. U suprotnom ponovno postavite lanac i vodilicu.

HR PRIKLJUČIVANJE PRIKLJUČKA ŠTAPNE PILE NA POGONSKU JEDINICU

Ova štapna pila radi s kombinacijom nastavka štapne pile i pogonske glave (Sl. F).

F-1	Nastavak štapne pile
F-2	Pogonska glava

⚠ UPOZORENJE: Štapnu pilu ne pričvršćujte i ne podešavajte dok je pogonski štap u radu ili kada je baterija ugrađena. Ako ne zaustavite rad motora i ne uklonite bateriju, to može dovesti do teške tjelesne ozljede.

Nastavak štapne pile se spaja na teleskopski pogonski štap pomoću spojke.

1. zaustavite rad motora i izvadite baterijski modul.
2. Otпустite krilni gumb.
3. Poravnajte strelicu na vratilu štapne pile sa strelicom na spojnici i gurnite vratilo štapne pile u spojnicu dok ne čujete jasan zvuk "klik" koji označava da je vratilo štapne pile postavljeno na svoje mjesto (Sl. G).

G-1	Krilna matica	G-3	Strelica na spojnici
G-2	Gumb za oslobađanje vratila	G-4	Strelica na vratilu štapne pile

4. Povucite vratilo nastavka kako biste provjerili je li čvrsto fiksirano u spojnici. Ako nije, zakrenite vratilo štapne pile s jedne na drugu stranu u spojnici dok se ne sjedne na svoje mjesto.
5. Čvrsto stegnite krilnu maticu.

⚠ UPOZORENJE: Provjerite prije korištenja opreme je li krilna matica do kraja stegnuta; povremeno provjeravajte zategnutost tijekom upotrebe kako biste izbjegli teške tjelesne ozljede.

SPAJANJE PRODUŽNOG ŠTAPA IZMEĐU POGONSKE GLAVE I PRIKLJUČKA ŠTAPNE PILE (Model br. EP1000)

⚠ UPOZORENJE: Priključak ne pričvršćujte i ne podešavajte dok je pogonski štap u radu ili kada je postavljena baterija. Ako ne zaustavite rad motora i ne uklonite bateriju, to može dovesti do teške tjelesne ozljede.

Ovaj produžni štap predviđen je isključivo za upotrebu s EGO PS1000E. Nemojte ga upotrebljavati s drugim EGO nastavcima.

Produžni štap povećava duljinu alata za 100 cm i time povećava raspon rezanja. On se mora spojiti između pogonske glave i nastavka štapne pile. Na jednom alatu mogu se koristiti najviše dva produžna štapa (dostupna zasebno).

Za montažu i učvršćivanje produžnog štapa između nastavka štapne pile i pogonske glave slijedite postupak naveden u poglavlju "SPAJANJE NASTAVKA ŠTAPNE PILE NA POGONSKU JEDINICU" (sl. H).

H-1	Spojnicu na produžnom štapa
H-2	Spojnicu na pogonskoj glavi

NAPOMENA: Jednom pravilno sastavljeni, nastavak štapne pile, produžni štap i pogonska glava ne smiju se odvajati pri povlačenju. Provjerite spoj povlačenjem. Ponovite gore navedeni postupak ako se komadi mogu razdvojiti.

⚠ UPOZORENJE: Zanemarivanje postupka osiguravanja priključka i pogonske jedinice/produžne šipke kako je prethodno navedeno u uputama može rezultirati teškim ozljedama ili smrću.

UKLANJANJE PRIKLJUČKA S POGONSKE JEDINICE

1. zaustavite rad motora i izvadite baterijski modul.
2. Otpustite krilni gumb.
3. Pritisnite gumb za oslobađanje vratila i dok je gumb utisnut, povucite ili uvijte vratilo štapne pile iz spojnice kako biste je odvojili od pogonske glave ili produžnog štapa (ako se koristi).
4. Ponovite postupak da biste odvojili produžni štap od pogonske glave (ako se koristi produžni štap).

POSTAVLJANJE I PODEŠAVANJE PREDNJEG POMOĆNOG RUKOHVATA

1. zaustavite rad motora i izvadite baterijski modul.
2. Otpustite krilnu maticu i uklonite ju sa steznim vijkom s prednje ručke za pomoć (Sl. I1).

I-1	Prednji pomoćni rukohvat	I-4	Krilna matica
I-2	Ručica za fiksiranje	I-5	Stezni blok
I-3	Stezni vijak		

3. Pritisnite pomoćnu ručicu na vratilo pogonske glave i okrenite je prema dolje tako da je okrenuta prema lancu pile (Sl. I2).
4. Umetnite stezni blok i montirajte stezni vijak s krilnom maticom (Sl. I3).
5. Nemojte do kraja zategnuti krilnu maticu. Podesite položaj ručke s prednje strane tako da se nalazi između hvatišta za naramenicu i čahure teleskopskog štapa (Sl. I4). Ručku treba podesiti tako da vam ruka bude ravna kada koristite štapnu pilu.
6. Pritisnite ručicu za fiksiranje i zategnite krilnu maticu tako da je pomoćna ručica sprijeda osigurana od rotacije ili pomicanja na osovini pogonske glave.

RAD

⚠ OPASNOST: Ne režite u blizini električnih vodova, električnih kabela ili drugih električnih izvora. Ako se vodilica ili lanac zaglave na električnom kabeu ili električnom vodu, **NE DOTIČITE VODILICU, LANAC ILI ALUMINIJSKI ŠTAP! ONI MOGU DOĆI POD ELEKTRIČNI NAPON I BITI VRLO OPASNI.** Štapnu pilu nastavite držati za izolirani stražnji rukohvat ili je na siguran način položite na tlo i podalje od sebe. Prije pokušaja oslobađanja vodilice ili lanca iz električnog voda ili kabela isključite električno napajanje oštećenog voda ili kabela. Kontakt s vodilicom, lancem, drugim vodljivim dijelovima štapne pile ili električnim kablom ili vodovima pod naponom će rezultirati smrću ili teškim ozljedama uslijed električnog udara.

⚠ UPOZORENJE: Nemojte biti nepažljivi zato što ste upoznati s načinom rada proizvoda. Zapamtite da je samo jedan djelić sekunde nepažnje dovoljan za nastanak tjelesne ozljede.

⚠ UPOZORENJE: Nosite zatvorene zaštitne naočale ili zaštitne naočale s bočnim štitičima. Nepostupanje u skladu s tim može rezultirati odbacivanjem predmeta u oči i drugim mogućim teškim ozljedama.

⚠ UPOZORENJE: Pri sastavljanju dijelova, obavljanju podešavanja, čišćenju, transportu ili kada ne koristite proizvod, baterijski modul izvadite iz proizvoda. Uklanjanjem baterijskog modula uklanjate mogućnost nehotičnog pokretanja uslijed kojeg mogu nastati teške tjelesne ozljede.

⚠ UPOZORENJE: Nemojte upotrebljavati priključke ili pribor koje nije preporučio proizvođač ovog proizvoda. Upotreba nastavaka ili pribora koji nije preporučen, može dovesti do ozbiljnih tjelesnih ozljeda.

Prije svake upotrebe, pregledajte da na stroju nema oštećenih, nedostajućih ili olabavljenih dijelova kao što su vijci, matice i poklopci. Dobro pritegnite sve elemente za pričvršćenje i kapice i ne upotrebljavajte proizvod dok se svi dijelovi koji nedostaju ili oštećeni dijelovi, ne zamijene.

PRIMJENE

Proizvod možete koristiti za svrhe navedene u nastavku:

- rezanje grana
- obrezivanje

NAPOMENA: Alat se smije upotrebljavati samo za prethodno opisanu namjenu. Svaka druga uporaba smatrat će se nepropisnom uporabom.

PUNJENJE SPREMNIKA ULJA MAZIVOM ZA VODILICU I LANAC

⚠ UPOZORENJE: Nemojte pušiti ili koristiti vatru ili plamen u blizini ulja ili štapne pile. Ulje može iscurjeti i izazvati požar.

NAPOMENA: štapna pila nije napunjena uljem u vrijeme kupnje. Spremnik je prije uporabe potrebno napuniti uljem za lanac. Rad pile za stup bez ulja za lanac ili kada je razina ulja ispod određene količine, rezultirat će oštećenjem štapne pile. Životni vijek lanca i kapacitet rezanja ovise o optimalnom podmazivanju. Lanac se automatski podmazuje uljem za lanac tijekom rada ako u spremniku ima dovoljno ulja. Stoga je razinu ulja potrebno provjeravati nakon svakih 20 minuta uporabe i prema potrebi dopuniti ulje.

1. Prije skladištenja iz pogonske jedinice izvadite komplet baterija.
2. Očistite čep spremnika ulja i okolno područje kako u spremnik ulja ne bi dospjela nečistoća.
3. Položite štapnu pilu na čvrstu, ravnu površinu tako da je poklopac spremnika ulja okrenut prema gore, a zatim uklonite poklopac (Sl. J).
4. Spremnik do gornjeg ruba pažljivo napunite uljem za vodilicu i lanac. Budite pažljivi i nemojte dopustiti da se ulje izlije iz otvora. Obrišite višak ulja.

NAPOMENA:

- Nemojte upotrebljavati ulje i druga maziva koja nisu konkretno predviđena za upotrebu na vodilici i lancu. To može dovesti do začepljenja sustava za ulje što može dovesti do ubrzanog trošenja vodilice i lanca.
- Često provjeravajte razinu ulja i dopunite ga po potrebi.
- Ne koristite prijavu, iskorišteno ili na drugi način kontaminirao ulje. To može oštetiti vodilicu ili lanac.
- Normalno je da ulje curi iz pile kad se pila ne koristi. Da biste spriječili curenje, nakon svake uporabe ispraznite spremnik ulja, a zatim pokrenite pilu jednu minutu. Prilikom dugotrajnog skladištenja alata, pazite da je lanac lagano podmazan; to će spriječiti hrđu na lancu i lančaniku.
- Kako biste zaštitili prirodne resurse, baterije reciklirajte i zbrinite u otpad prema propisima. Informacije o dostupnim mogućnostima za recikliranje i zbrinjavanje zatražite od lokalne službe za zbrinjavanje otpada.

PODEŠAVANJE TELESKOPSKOG ŠTAPA (Sl. K)

1. Podignite ručicu za brzo otpuštanje kako biste otključali teleskopski štap.
2. Produžite teleskopski štap na potrebnu duljinu.

3. Pritisnite ručicu za brzo otpuštanje kako biste čvrsto fiksirali teleskopski štap.

MONTAŽA NARAMENICE

Utisnite kuku za remen da biste je otvorili i pričvrstili na omču za naramenicu na pili (Sl. L). Podesite naramenicu u udoban radni položaj.

⚠ UPOZORENJE: U slučaju nužde, naramenicu odmah skinite s ramena na bilo koji način da izbjegnute ozljedu.

UGRADNJA/UKLANJANJE BATERIJSKOG MODULA

NAPOMENA! Baterijski modul napunite do kraja prije prve uporabe.

Upotrebljavajte samo s baterijskim modulima i punjačima koji su navedeni na sl. A2.

Postavljanje

Poravnajte izbočenja baterije s montažnim utorima i utisnite baterijski modul prema dolje dok ne začujete klik (sl. M).

⚠ UPOZORENJE: Prije rada provjerite je li baterija fiksirana na svom mjestu. Ako baterijski modul ne dosjedne čvrsto, to može prouzročiti ispadanje baterijskog modula i dovesti do ozbiljnih tjelesnih ozljeda.

⚠ UPOZORENJE: Prilikom pritiskanja gumba za oslobađanje baterije pazite na položaj stopala, na djecu i domaće životinje u okolini. Ako baterijski modul ispadne, može doći do teških ozljeda. NEMOJTE vaditi baterijski modul kada ste u povišenom položaju.

Uklanjanje

Pritisnite gumb za oslobađanje baterije i izvucite baterijski modul (sl. N).

LED RADNO SVJETLO (Sl. O)

LED radno svjetlo nalazi se na prednjoj strani nastavka za štapnu pilu u ravnini s lancem pile. Ova značajka pruža dodatno svjetlo korisnicima da vide gdje je lanac pile prilikom rezanja grana visoko na drvetu.

Radno svjetlo automatski će se uključiti prilikom stiskanja okidača sklopke i isključit će se oko 10 sekundi nakon otpuštanja okidača sklopke.

POKRETANJE/ZAUSTAVLJANJE ALATA

Prije pokretanja štapne pile

⚠ UPOZORENJE: NE UPOTREBLJAVAJTE POGONSKU GLAVU BEZ NASTAVKA. Nemojte pokretati pogonsku glavu prije spajanja nastavka štapne pile.

NAPOMENA: Prije pokretanja štapne pile provjerite brzo podešavanje napetosti lanca, razinu ulja te oštrinu lanca i zuba. Kao što je potrebno osigurati metodu držanja, uravnoteženi položaj stopala i pravilnu udaljenost od tla (Sl. Q).

Pokretanje (sl. P)

1. Stavite komplet baterija.
2. Pazite da u neposrednoj blizini nema predmeta ili zapreka koji bi mogli doći u doticaj s vodilicom i lancem.
3. Čvrsto s obje ruke uhvatite pomoćnu ručku i stražnju ručku.
4. Za pokretanje pile pritisnite i držite pritisnutim gumb za deblokadu i zatim pritisnite okidnu sklopku. Otpustite gumb za deblokadu i nastavite stiskati okidač sklopke za kontinuirani rad.

⚠ UPOZORENJE: Ne pokušavajte pokrenuti pilu kada je lanac pile u rezu ili u dodiru s bilo kojom površinom.

Zaustavljanje

Premjestite štapnu pilu dalje od područja rezanja i zatim otpustite okidača sklopke da biste zaustavili štapnu pilu.

⚠ UPOZORENJE: Za vrijeme prekida rada i nakon završetka rada izvadite baterijski modul iz štapne pile.

OSNOVNI POSTUPAK REZANJA (sl. R)

Radi izbjegavanja oštećenja stabla ili kore slijedite korake u nastavku. Ne pomičite pilu u smjeru naprijed i natrag.

1. Napravite prvi plitki rez (1/4 promjera grane) na donjoj strani grane blizu glavne grane ili debla.
2. Napravite drugi rez na gornjoj strani grane izvan prvog reza. Nastavite rezati kroz granu dok se grana ne odvoji od stabla. Budite spremni održavati ravnotežu težine alata pri padu grane.
3. Napravite završni rez u blizini debla.

NAPOMENA: Za druge i završne rezove (s gornje strane grane ili ogranka) naslonite odbojnik na granu koju je potrebno odrezati (sl. S). Time će se omogućiti čvrsto držanje grane i olakšati njezino rezanje. Pustite da lanac reže za vas; vršite samo lagani pritisak prema dolje. Primjena sile pri rezanju može rezultirati oštećenjem vodilice, lanca ili motora.

S-1	Zupci za piljenje
-----	-------------------

4. Otpustite sklopku okidača čim završite s rezom.

NAPOMENA: zanemarivanje propisanih postupaka rezanja rezultirat će zakašnjenjem i zaglavlivanjem vodilice i lanca u grani. U tom slučaju:

1. zaustavite rad motora i izvadite baterijski modul.
2. Ako je granu moguće dohvatiti s tla, podignite je držeći pilu. Na taj bi se način trebala otkloniti zaglavljenost i osloboditi pila.
3. Ako je pila još uvijek zaglavljena, za pomoć se obratite stručnoj osobi.

REZANJE GRANA I OBREZIVANJE

Ova štapna pila predviđena je za obrezivanje malih grana i ogranaka promjera do 20 cm (za alat s vodilicom od 25 cm) ili 25 cm (za alat s vodilicom od 30 cm). Za najbolje rezultate obratite pozornost na sljedeće mjere opreza:

1. Pažljivo isplanirajte rez. Pazite na smjer u kojem će grana pasti.
2. Najtipičnija primjena s rezanjem je postavljanje jedinice pod kutom od 60° ili manje, ovisno o specifičnoj situaciji kao što je prikazano na Sl. T. Kako se kut vratila štapne pile prema tlu povećava, sve će teže biti učiniti prvi reza (s donje strane grane).
3. Dugačke grane uklanjajte u nekoliko faza.
4. Prvo odrežite niže grane kako biste gornjim granama napravili više prostora za pad.
5. Radite polako čvrsto držeći pilu s obje ruke. Održavajte sigurno držanje i ravnotežu.
6. Neka drvo bude između vas i lanca za vrijeme obrezivanja. Režite sa strane drveta koja je suprotna grani koju režete
7. Nemojte rezati s ljestava; to je vrlo opasno. Takve radove prepustite stručnim osobama.
8. Nemojte raditi ravan rez do glavne grane ili ogranka debla dok ne odrežete dovoljno grane kako biste smanjili težinu. Pridržavanjem propisnog postupka rezanja izbjeci ćete skidanje kore s glavne grane.
9. Ne upotrebljavajte štapnu pilu za rušenje ili razrezivanje.
10. Da ne dođe do električnog udara, ne radite na udaljenosti manjoj od 15 m od nadzemnih električnih vodova (sl. T).
11. Promatrače udaljite barem na 15 m (sl. T).

ODRŽAVANJE

⚠ UPOZORENJE: Prije pregleda, čišćenja ili servisiranja uređaja, zaustavite rad motora, pričekajte da se svi pokretni dijelovi zaustave i izvadite bateriju. Nepoštivanje ovih uputa može rezultirati ozbiljnim tjelesnim ozljedama ili oštećenjem imovine.

⚠ UPOZORENJE: Pri servisiranju koristite samo identične zamjenske dijelove. Upotreba drugih dijelova može izazvati opasnost ili prouzročiti oštećenje proizvoda. Radi sigurnosti i pouzdanosti, sve popravke koji nisu navedeni u ovim uputama za održavanje treba obavljati kvalificirani servisni tehničar.

⚠ UPOZORENJE: Nosite rukavice prilikom rukovanja lancem pile. Lanac je oštar i može imati oštre rubove.

OPĆE ODRŽAVANJE

Pri čišćenju plastičnih dijelova izbjegavajte koristiti otapala. Većina plastičnih materijala podložna je oštećenju od različitih vrsta komercijalnih otapala i mogu se oštetiti u slučaju njihove upotrebe. Za uklanjanje nečistoće, prašine, ulja, masti i sl. koristite čiste krpe.

ČIŠĆENJE

- Nakon svake uporabe, mekanom četkom očistite naslage s lanca i vodilice. Površinu štapne pile obrišite čistom krpom navlaženom u blagoj vodi sa sapunom.
- Uklonite bočni poklopac, a zatim mekanom četkom očistite naslage s vodilice, lanca pile, lančanika i bočnog poklopca.
- Pri zamjeni lanca pile iz žlijeba vodilice uvijek očistite iverje od drveta, prašinu od pile i nečistoću.

Sve servisne postupke na štapnoj pili treba prepustiti stručnom osoblju servisa za štapnu pilu, osim postupaka za stavke navedene u ovim uputama za održavanje.

ZAMJENA VODILICE I LANCA

prilikom zamjene vodilice i lanca uvijek koristite kombinaciju vodilice i lanca koja je navedena u poglavlju “Preporučena vodilica i preporučeni lanac za ovu štapnu pilu”.

1. Izvadite bateriju, pričekajte da se alat ohladi. Provjerite je li čep spremnika za ulje zategnut kako bi se spriječilo istjecanje ulja.
2. Postavite štapnu pilu na bočnu stranu, polegnite ju na čvrstu i ravnu površinu tako da čep spremnika bude okrenut gore.
3. Nosite rukavice. Uklonite bočni poklopac (Sl. U). Bočni poklopac očistite suhom krpom.

4. Uklonite istrošenu vodilicu i lanac s montažne površine.
5. Ugradite novu vodilicu i lanac pile prema uputama “MONTAŽA VODILICE I LANCA” u odjeljku “MONTAŽA”.

NAPOMENA: ovo je dobar trenutak da pregledate da na pogonskom lančaniku nema znakova prekomjerne istrošenosti ili oštećenja.

ODRŽAVANJE VODILICE

Kada vodilica pokaže znakove trošenja, demontirajte ga s pile. Uklonite vijak za fiksiranje i ploču za podešavanje, preokrenite vodilicu (Sl. V) i ponovno postavite ploču za podešavanje na novu stranu vodilice (Sl. W) kako biste ravnomjerno rasporedili trošenje radi maksimalnog vijek trajanja vodilice. Vodilicu je potrebno čistiti svaki dan kada se upotrebljava i provjeriti da nema znakova istrošenosti i oštećenja. Stanjivanje vodilice ili pojava oštih rubova normalan je proces pri trošenju vodilice. Takvi nedostaci mogu se izravnati turpijom čim se pojave. Vodilica s bilo kojim od sljedećih nedostataka mora se odmah zamijeniti.

- Istrošenost unutar vodilica koja omogućuje klizanje lanca po bočnim stranicama.
- Savijena vodilica.
- Napuknute ili polomljene vodilice.
- Raširene vodilice.

Osim toga, vodilica na vrhu ima lančanik. Lančanik se mora podmazivati jednom tjedno s pomoću brizgaljke za mast je time se produžuje radni vijek vodilice. S pomoću brizgaljke za mast jednom tjedno obavite podmazivanje uljem kroz rupu za podmazivanje (Sl. X). Okrenite vodilicu i provjerite jesu li otvori za podmazivanje i žlijeb lanca zaprljani.

X-1	Lančanik na vrhu vodilice
X-2	Otvor za podmazivanje

ODRŽAVANJE LANCA

Na ovoj pili koristite samo lance s niskom silom povratnog udarca. Kada se propisno montira, ovaj brzorezni lanac osigurat će smanjenu silu povratnog udarca.

Propisno naoštren lanac pile reže drvo bez napora čak i uz vrlo mali pritisak.

Ne upotrebljavajte oštećen ili zatupljen lanac pile. Zatupljena oštrica lanca pile dovodi do povećanja fizičkog naprezanja, povećanih vibracija, loših rezultata rezanja i povećanog habanja.

Propisno održavanje lanca pile osigurat će lako i brzo rezanje. Kada je strugotina drveta mala i praškasta, kada se lanac mora forsirati pri rezu kroz drvo ili kada lanac reže samo na jednoj strani to su znakovi da je potrebno naoštriti lanac. Za vrijeme održavanja lanca pile vodite računa o sljedećem:

- Nepropisni kut punjenja bočne ploče može povećati rizik od jakog povratnog udarca.
- Razmak zuba razvrtača (duboki kalibar). Premali razmak povećava mogućnost povratnog udarca. Ako nije dovoljno mali razmak, smanjuje se sposobnost rezanja.
- Ako rezni zub udari u tvrdi predmet kao što je čavao ili kamen ili je oštećen blatom ili pijeskom na drvetu, odnesite lanac kvalificiranom serviseru na oštrenje.

TRANSPORT I SKLADIŠTENJE

- Priključak štapne pile nemojte skladištiti i prenositi kada je u radu. Prije skladištenja ili transporta uvijek izvadite baterijski modul.
- Prije skladištenja ili transporta priključka štapne pile, na vodilicu i lanac uvijek stavite zaštitnu navlaku. Budite oprezni kako biste izbjegli oštre zube lanca.
- Štapnu pilu dobro očistite prije skladištenja. Štapnu pilu skladištite u zatvorenim prostorima na suhom mjestu koje se zaključava i/ili koje je nedostupno djeci i držite je dalje od korozivnih sredstava kao što su vrtna kemijska sredstva i soli za odmrzavanje.

Zaštita okoliša



Električnu opremu, iskorištenu bateriju i punjač ne odlažite u otpad iz kućanstva!

Ovaj proizvod odnesite u ovlaštenu centar za reciklažu i time omogućite odvojeno sakupljanje. Električne alate potrebno je vratiti u ekološki prihvatljiv pogon za reciklažu.

OTKLANJANJE SMETNJI

PROBLEM	UZROK	RJEŠENJE
MOTOR NE RADI.	<ul style="list-style-type: none"> ■ Baterijski modul nije pričvršćen na štapnu pilu. ■ Nema električnog kontakta između pile i baterije. ■ Baterijski modul je ispražnjen. ■ Gumb za deblokadu nije utisnut prije pritiska okidačke sklopke. ■ Baterijski modul ili pogonska jedinica su previše vrući. ■ Lanac pile zaglavio se u drvetu. ■ Vodilica i lanac su nakošeni i nisu paralelni s kućištem. ■ Naslage u žlijebu vodilice. ■ Naslage u bočnom poklopcu. 	<ul style="list-style-type: none"> ■ Pričvrstite baterijski modul na štapnu pilu. ■ Izvadite bateriju, provjerite kontakte i ponovno stavite baterijski modul. ■ Napunite baterijski modul. ■ Pritisnite ručicu za blokadu i držite je pritisnutom, a zatim pritisnite okidač sklopke kako biste uključili štapnu pilu. ■ Ostavite da se baterijski modul ili pogonska glava hlade dok temperatura ne padne u preporučeni raspon radne temperature. ■ Otpustite okidnu sklopku, izvadite lanac pile i vodilicu iz drva, a zatim ponovno pokrenite štapnu pilu. ■ Uklonite baterijski modul u zamijenite vodilicu i lanac na temelju uputa u odjeljku "ZAMJENA VODILICE I LANCA". Zapamtite da vodilica i lanac trebaju biti paralelni s montažnom površinom prije ugradnje bočnog poklopcu. ■ Pritisnite lanac pile o drvo, pomičite štapnu pilu natrag i naprijed kako biste uklonili naslage. ■ Uklonite baterijski modul, zatim skinite bočni poklopac i očistite naslage.

PROBLEM	UZROK	RJEŠENJE
Motor radi, ali se lanac ne okreće.	<ul style="list-style-type: none"> ■ Lanac nije u zahvatu s pogonskim lančanikom. ■ Lanac je nedovoljno zategnut. ■ Lanac je tup. ■ Lanac je postavljen naopako. ■ Lanac je istrošen. ■ Lanac je suh ili je previše rastegnut. ■ Lanac nije u žlijebu vodilice. 	<ul style="list-style-type: none"> ■ Uklonite baterijski modul i ponovno postavite lanac vodeći računa da pogonske karike potpuno naliježu na lančanik. ■ Prvo otpustite okretni gumb za brzo podešavanje napetosti lanca za najmanje jedan okretaj ulijevo, a zatim ga potpuno pritegnite udesno dok lanac ne bude propisno zategnut. ■ Oštrenje lanca prepustite kvalificiranom servisnom tehničaru. ■ Uklonite baterijski modul i ponovno postavite lanac pile prema uputama u poglavlju "ZAMJENA VODILICE I LANCA". ■ Uklonite baterijski modul i zamijenite lanac prema uputama u poglavlju "ZAMJENA VODILICE I LANCA". ■ Provjerite razinu ulja. Prema potrebi dopunite ulje u spremnik ulja. ■ Uklonite baterijski modul i ponovno postavite lanac pile prema uputama u poglavlju "ZAMJENA VODILICE I LANCA".
Vodilica i lanac zagrijavaju se tijekom rada i oslobađaju dim.	<ul style="list-style-type: none"> ■ Spremnik ulja za lanac prazan je. ■ Naslage u žlijebu vodilice. 	<ul style="list-style-type: none"> ■ Dopunite mazivo za vodilicu i lanac. ■ Očistite naslage u žlijebu.

JAMSTVO

PRAVILA U VEZI JAMSTVA PROIZVOĐAČA EGO

Cjelokupne uvjete i odredbe jamstvene politike proizvođača EGO potražite na internetskoj stranici egopowerplus.com.

წაიკითხეთ ყველა ინსტრუქცია!



გაეცანით მომხმარებლის ინსტრუქციას

⚠ ნარჩენი რისკი! პირებმა ისეთი ელექტრო მოწყობილობებით, როგორიცაა გულის ელექტრო სტიმულატორი, უნდა მიმართონ პირად ექიმს რჩევისთვის ამ პროდუქტის გამოყენებამდე. გულის ელექტრო სტიმულატორთან უშუალო სიახლოვეს ელექტრო მოწყობილობის ოპერირება შესაძლოა გულის ელექტრო სტიმულატორს ხელი შეუშალოს მუშაობაში ან გამოიწვიოს მისი გამორთვა.

⚠ გაფრთხილება: მოწყობილობის უსაფრთხოდ და გამართულად მუშაობისთვის საჭიროა მისი ყველა შეკეთება ჩატარდეს კვალიფიციური ტექნომახურების სპეციალისტის მიერ.

უსაფრთხოების სიმბოლოები

უსაფრთხოების სიმბოლოების მიზანია ყურადღების გამახვილება შესაძლო საფრთხეებზე. ყურადღებით გაეცანით უსაფრთხოების სიმბოლოებს და მათ შესაბამის განმარტებებს.

საშიშროების აღმნიშვნელი სიმბოლოები თავისთავად არ ანიცტრალეებს რაიმე საფრთხეს. მათ მიერ მოწოდებული მითითებები და გაფრთხილებები არ არიან შემთხვევის თავიდან აცილების სწორი პროცედურის შემცვლელი.

⚠ გაფრთხილება: მოწყობილობის გამოყენებამდე დაწვრილებით გაეცანით და შეისწავლეთ ყველა უსაფრთხოების წესი ოპერატორის ამ ინსტრუქციაში, მათ შორის ყველა უსაფრთხოების წესის სიმბოლო, როგორიცაა „საშიშროება“, „გაფრთხილება“ და „ყურადღება“. ქვემოთ ჩამოთვლილი მითითებების შეუსრულებლობამ შეიძლება გამოიწვიოს დენის დარტყმა, ხანძარი და/ან სხეულის სერიოზული დაზიანება.

სიმბოლოების მნიშვნელობა

აღნიშნულ გვერდზე მოცემული და განმარტებულია ის უსაფრთხოების სიმბოლოები, რომლებიც დატანილია ამ პროდუქტზე. წაიკითხეთ, შეისწავლეთ და მიყევით ხელსაწყო ყველა ინსტრუქციას მის აწყობამდე და ჩართვამდე.



სიგნალი საფრთხის შესახებ



ჩაიცვით უსაფრთხოების დამცავი ფეხსაცმელი



დაზიანების რისკის შესამცირებლად, მომხმარებელმა უნდა წაიკითხოს და გაიგოს მოწყობილობის მუშაობის ინსტრუქცია, მის გამოყენებამდე.



დენის დარტყმის ასარიდებლად არ ამუშაოთ ხელსაწყო ჰაერში გაჭიმულ დენის სადენებთან 15 მ-ის სიახლოვეს. ხელსაწყოს გამოყენებისას დენის გადამცემ ხაზებთან მისმა შეხებამ შესაძლოა გამოიწვიოს სერიოზული ზიანი ან ფატალური ელექტრული შოკი.



გაიკეთეთ თვალების დამცავი



არ მოათავსოთ ხელსაწყო წვიმის ქვეშ.



გაიკეთეთ თავის დამცავი საშუალება



მოწყობილობა შეესაბამება EC-ის მოქმედ რეგულაციებს.

KA



გაიკეთეთ ყურების დამცავი



ჩაიცვით დამცავი ხელთათმანები



გარანტირებული ხმის სიმძლავრის დონე. გარემოში ხმაურის გავრცელების დონე ევროკავშირის რეგულაციების შესატყვისია.

IPX4 წყლის შეღწევისგან დაცვა



აღნიშნული პროდუქტი აკმაყოფილებს გაერთიანებული სამეფოს კანონმდებლობით დადგენილ მოთხოვნებს.



ელექტრო პროდუქტის ნარჩენები არ გადაყარეთ საყოფაცხოვრებო ნარჩენებთან ერთად. წაიღეთ შესაბამის გადამამუშავებელ საწარმოში.



მუდმივი დენი

3 ძაბვა

სპეციფიკაციები

ნომინალური ძაბვა	56 ვოლტი
მიმმართველი ძელის სიგრძე	25 სმ
ჯაჭვის ბიჯი	6.4 მმ (1/4")
ჯაჭვის სისქე	1.1 მმ (0.043")
ზეთის ავზის მოცულობა	80 მლ
ამძრავი რგოლების რაოდენობა	56
ინსტრუმენტის სიგრძე (გამაგრმელებელი ღერძის გარეშე)	მაქს. 292 სმ წით 233 სმ
რეკომენდებული საექსპლუატაციო ტემპერატურა	-15°C-40°C
რეკომენდებული დასაწყობების ტემპერატურა	-20°C-70°C
რეკომენდებული დამუხტვის ტემპერატურა	5°C-40°C
წონა (აკუმულატორისა და ჯაჭვის შალითას გარეშე)	4.25 კგ
გაზომილი ხმის სიმძლავრის დონე L_{WA}	97 დბ(A) K=2.5 დბ(A)
ბგერის წნევის დონე სამუშაო პოზიციაში L_{PA}	82 დბ(A) K=3 დბ(A)

გარანტირებული ხმის სიმძლავრის დონე L_{WA} (2000/14/EC რეგულაციის მიხედვით)		100 დბ(A)
ვიბრაცია a_{rh}	წინა სახელური	1.19 მ/წმ ² K=1.5 მ/წმ ²
	უკანა სახელური	1.01 მ/წმ ² K=1.5 მ/წმ ²

■ მითითებული ვიბრაციის სრული სიდიდე გაზომილია სტანდარტული ტესტირების მეთოდის გამოყენებით და შესაძლოა გამოყენებულ იქნას ერთი მოწყობილობის მეორესთან შედარებისას;

მითითებული ვიბრაციის სრული სიდიდე ასევე შესაძლოა გამოყენებულ იქნას ზემოქმედების პირველადი შეფასებისას.

გაფრთხილება: ელექტრო ხელსაწყო ფაქტობრივი გამოყენებისას ვიბრაციის ემისია შესაძლოა განსხვავდებოდეს მითითებული სიდიდისგან; მომხმარებლის დასაცავად, მოწყობილობით სარგებლობისას მომხმარებელმა საჭიროა გამოიყენოს ხელთათმანები და სმენის დამცავი საშუალებები.

აღწერა

KA

შეისწავლეთ თქვენი ძელიანი ხერხი (ნახ. A1)

- ჯაჭვის დაჭიმვის მარეგულირებელი დილაკი
- სამუშაო ლედ განათება

3. გვერდითი ხუფი
4. მხრის ღვედის საკიდი
5. დამაგრებელბელი
6. ჩამკეტი ღილაკი
7. ტრიგერული გამომრთველი
8. უკანა სახელური
9. აკუმულატორის მოხსნის ღილაკი
10. წინა სახელური
11. სწრაფი გამოთავისუფლების ბერკეტი
12. ტელესკოპური ძელი
13. მხარზე ჩამოსაკიდი ღვედი
14. ზეთის ავზის ხუფი
15. ზეთის ავზი
16. ჯაჭვიანი ხერხის მაკომპენსირებელი კბილანები
17. მიმმართველი ძელი
18. ხერხის ჯაჭვი
19. ჯაჭვის მალითა

შეფუთვის ფურცელი (სურ. A1)

ამ ძელიანი ხერხისთვის რეკომენდებული ძელი და ჯაჭვი

ნაწილის დასახელება	მოდელის ნომერი
მიმმართველი ძელი	AG1000Q, AG1200Q
ხერხის ჯაჭვი	AC1000Q, AC1200Q

ნაკრები

⚠ გაფრთხილება: თუ რომელიმე ნაწილი დაზიანებულია ან დაკარგულია, არ ისარგებლოთ მოწყობილობით, სანამ ყველა ნაწილი არ გამოიცვლება. დაზიანებული ან დაკარგული ნაწილების მქონე მოწყობილობით სარგებლობას შესაძლოა მოჰყვეს სერიოზული ზიანი.

⚠ გაფრთხილება: არ სცადოთ ხელსაწყოს გადაკეთება ან ისეთი აქსესუარების შექმნა, რომლებიც არაა რეკომენდებული ამ ხელსაწყოსთვის. ნებისმიერი მსგავსი ცვლილება ან მოდიფიკაცია არის მოწყობილობის არასათანადო გამოყენება და შესაძლოა წარმოქმნას სახიფათო მდგომარეობა, რომელმაც შესაძლოა გამოიწვიოს სერიოზული პირადი ზიანი.

⚠ გაფრთხილება: ყოველთვის მოხსენით აკუმულატორი მოწყობილობას, როდესაც ხდება მისი აწყობა, რეგულირება, წმენდა ან როდესაც არ ხდება მოწყობილობის გამოყენება.

მიმმართველი ძელის და ჯაჭვის აწყობის წესი

1. ძელიანი ხერხი მოათავსეთ მყარ, ბრტყელ ზედაპირზე, ისე, რომ ავზის გვერდითა ხუფი ზემოთ იყოს მიმართული.
2. ჩაივით ხელთათმანები, მოხსენით გვერდითი საფარი (ნახ. B).
3. მოათავსეთ ახალი ხერხის ჯაჭვი მარყუჟის სახით ბრტყელ ზედაპირზე და გაასწორეთ ნებისმიერი გადახლართვა.
4. ჩასვით ჯაჭვის ამძრავი რგოლები ძელის ღარში. განათავსეთ ჯაჭვი ისე, რომ მიმმართველი ძელის ბოლოში დარჩეს მარყუჟი (ნახ. C).

C-1	ჯაჭვური ამძრავის რგოლები
C-2	მიმმართველი ძელის სიღრმე

5. დაიჭირეთ ჯაჭვი მიმმართველ ძელზე ამ პოზიციაში და ჩამოაგვით მარყუჟი ძელზე მდებარე ხერხის კბილანას.

გაფრთხილება: პატარა მიმმართველი ისარი და საჭრელი ამოტვიფრულია ხელსაწყოს კორპუსზე (ნახ.D). როდესაც ხერხის ჯაჭვი დახვეულია მიმმართველ ძელზე, დარწმუნდით, რომ მიმმართველი ძელის დამონტაჟების შემდეგ, ხერხის ჯაჭვის მიმართულმა შეესაბამება ხელსაწყოს კორპუსზე მოცემულ ბრუნვის მიმართულებებს ისარს და მიმმართველი ღერძის თავზე მოცემული საჭრელების ფორმა შეესაბამება კორპუსზე მოცემულ საჭრელს. თუ ისინი საპირისპირო მიმართულებით არის მიმართული, ხელახლა ააწყვეთ ხერხის ჯაჭვი მიმმართველ ძელზე იმავე მიმართულებების მქონე ისრების გამოყენებით. მიმმართველი ღერძი უნდა დამონტაჟდეს მარეგულირებელი ფირფიტით, რომელიც კორპუსისკენ არ არის მიმართული.

6. ძელი და ჯაჭვი უნდა იყოს სამაგრი ზედაპირის პარალელური. მიამაგრეთ გვერდითა ხუფი კორპუსს ისე, რომ ხერხელები/სამაგრები და სამაგრი ჭანჭიკი /კუთხვილის ნახევრები ერთმანეთთან იყოს გასწორებული (ნახ. E). მიაწეკით გვერდითა საფარს

KA

კორპუსის მიმართულებით, შემდეგ ბოლომდე მოუჭირეთ ჯაჭვის დაჭიმვის სარეგულირებელ სახელურს საათის ისრის მიმართულებით. გვერდითა ხუფში არსებული ექსცენტრიკული კბილანის დიზაინი უზრუნველყოფს ჯაჭვის ზედმეტი დაჭიმულობისაგან დაცვას.

შენიშვნა: იმ შემთხვევაში, თუ ჯაჭვი გახდება მოშვებული, მინიმუმ ერთხელ გადაატრიალეთ ჯაჭვის დაჭიმვის მარეგულირებელი ღილაკი საათის ისრის მიმართულების საწინააღმდეგოდ, შემდეგ სრულად მოუჭირეთ ღილაკს.

- დაატრიალეთ ჯაჭვი ხელით, რათა შეამოწმოთ, არის თუ არა სათანადოდ აწყობილი. წინააღმდეგ შემთხვევაში, ხელახლა ააწყვეთ ჯაჭვი და ძელი.

ძელიანი ხერხის მისამაგრებელი ხელსაწყოს შეერთება ძალურ თავაკთან

ეს ძელიანი ხერხი მუშაობს ძელიანი ხერხის მისამაგრებელი ხელსაწყოსა და ძალური თავაკის კომბინაციით (ნახ. F).

F-1	ძელიანი ხერხის მისამაგრებელი ხელსაწყო
F-2	ძალური თავაკი

▲ გაფრთხილება: არასოდეს დაამონტაჟოთ ან დაარეგულიროთ ძელიანი ხერხის მისამაგრებელი ხელსაწყო, როდესაც ძალური თავაკი მუშაობს ან მასში ჩამონტაჟებულია აკუმულატორი. თუ ვერ მოახერხებთ ძრავის გაჩერებას და აკუმულატორის მოხსნას, ამან შესაძლოა მოგაყენოთ სერიოზული პირადი ზიანი.

ძელიანი ხერხის მისამაგრებელი ხელსაწყო უერთდება ძალურ თავს მავრთებელი ქუროს საშუალებით.

- გააჩერეთ ძრავი და მოხსენით აკუმულატორი.
- მოუშვით ქანჩყურა.
- ძელიან ხერხზე არსებული ისარი გაუსწორეთ მავრთებელ ქუროზე არებულ ისარს და მიაწიქით ძელიანი ხერხის ტარს მავრთებელ ქუროში, სანამ არ გაიგებთ „წკაპ“ ხმას, რაც ნიშნავს, რომ ძელიანი ხერხის ტარი ჩასმულია სწორ ადგილას (ნახ. G).

G-1	ქანჩყურა	G-3	მავრთებელ ქუროზე დატანილი ისარი
G-2	ტარის მოხსნის ღილაკი	G-4	ისარი ძელიანი ხერხის ტარზე

- მოქაჩეთ მისამაგრებელი ხელსაწყოს ტარი, რათა დარწმუნდეთ, რომ იგი უსაფრთხოდ არის ჩამაგრებული ქუროში. თუ ასე არაა, დაატრიალეთ ხერხის ტარი აქეთ-იქით ქუროში, სანამ იგი არ ჩაჯდება ბუდეში.
- მჭიდროდ მოუჭირეთ ქანჩყურას.

▲ გაფრთხილება: ხელსაწყოს გამოყენებამდე დარწმუნდით, რომ ქანჩყურა არის სრულად მოჭერილი, პერიოდულად შეამოწმეთ სიმტკიცე, რათა თავიდან აიცილოთ სერიოზული პირადი ზიანი.

დამაგრძელზელი ძელის დამონტაჟება ძალურ თავაკსა და ძელიანი ხერხის მისამაგრებელ ხელსაწყოს შორის (მოდელის ნომერი: EP1000)

▲ გაფრთხილება: არასოდეს დაამონტაჟოთ ან დაარეგულიროთ რაიმე მისამაგრებელი ხელსაწყო, როდესაც ძალური თავაკი მუშაობს ან მასში აკუმულატორი ჩამონტაჟებულია. თუ ვერ მოახერხებთ ძრავის გაჩერებას და აკუმულატორის მოხსნას, ამან შესაძლოა მოგაყენოთ სერიოზული პირადი ზიანი.

ეს დამაგრძელზელი ძელი განკუთვნილია ექსკლუზიურად EGO PS1000E-თან გამოსაყენებლად. არასოდეს გამოიყენოთ იგი სხვა EGO მისამაგრებელ ხელსაწყოებთან.

დამაგრძელზელი ძელი ზრდის ინსტრუმენტის სიგრძეს 100 სმ-ით, რაც, თავის მხრივ, ზრდის ჭრის დიაპაზონს. იგი უნდა დამონტაჟდეს ძელიანი ხერხის მისამაგრებელ ხელსაწყოსა და ძალურ თავაკს შორის. ერთ ხელსაწყოზე შესაძლებელია მაქსიმუმ ორი დამაგრძელზელი ძელის (ხელმისაწვდომია ცალცალკე) გამოყენება.

მიჰყევით პროცეს ინსტრუქციის ნაწილში „ძელიანი ხერხის მისამაგრებელი ხელსაწყოს შეერთება ძალურ თავაკთან“, რათა დააყენოთ დამაგრძელზელი ტარი ძალურ თავაკსა და ძელიან ხერხს შორის (ნახ. H).

H-1	ქურო დამაგრძელზელ ძელზე
H-2	ქურო ძალურ თავაკზე

KA

გაფრთხილება: სწორად აწყობის შემდეგ ძელიანი ხერხის მისამაგრებელი ხელსაწყო, დამაგრებელი ძელი და ძალური თავაკი არ უნდა განაცალკევოთ მოქაჩვისას. ყოველთვის შეამოწმოთ შეერთება მათი მოქაჩვის გზით. გაიმეორეთ ზემოთ მოყვანილი ნაბიჯები, თუ ნაწილების განცალკევება შეიძლება.

▲ გაფრთხილება: მისამაგრებელი ხელსაწყო და ძალური თავაკის/ დამაგრებელი ძელის ზემოთ მითითებული სახით დამონტაჟების წესის უგულებელყოფამ შესაძლოა მოგაყენოთ სერიოზული ან ფატალური ზიანი.

ძალური თავაკიდან მისამაგრებელი ხელსაწყოების მოხსნა

1. გააჩერეთ ძრავი და მოხსენით აკუმულატორი.
2. მოუშვით ქანჩყურა.
3. დააჭირეთ ტარის მომხსნელ ღილაკს და დაჭერილი ხელის აუღებლად მოქაჩეთ ან დაატრიალეთ ძელიანი ხერხის ტარი ქუროში, რათა განაცალკევოთ ის ძალური თავაკიდან ან დამაგრებელი ძელიდან (თუ გამოიყენება).
4. გაიმეორეთ პროცესი, რათა განაცალკევოთ დამაგრებელი ძელი ძალური თავაკიდან (თუ დამაგრებელი ძელი გამოიყენება).

წინა სახელურის დამაგრება და გასწორება

1. გააჩერეთ ძრავი და მოხსენით აკუმულატორი.
2. მოუშვით ქანჩყურა და ამოიღეთ იგი მომჭერი ჭანჭიკის მეშვეობით წინა სახელურიდან (ნახ. 11).

I-1	წინა სახელური	I-4	ქანჩყურა
I-2	ჩამკეტი ბერკეტი	I-5	მომჭერი ბლოკი
I-3	დამჭერი ჭანჭიკი		

3. დააჭირეთ სახელურს ძალური თავაკის ძელზე და დასწიეთ ის დაბლა ისე, რომ მიმართული იყოს ხერხის ჯაჭვისკენ (ნახ. 12).
4. ჩასვით მომჭერი ბლოკი და დაამატეთ მომჭერი ჭანჭიკი ქანჩყურას გამოყენებით (ნახ. 13).

5. მჭიდროდ არ მოუჭიროთ ქანჩყურას. დაარეგულირეთ წინა დამხმარე სახელურის პოზიცია ისე, რომ იგი იყოს მხრის დედის საკიდსა და ტელესკოპური ძელის ქუროს შორის (ნახ. 14). სახელური უნდა იყოს მორგებული ისე, რომ თქვენი მკლავი იყოს სწორი ძელიანი ხერხის გამოყენებისას.
6. ჩასწიეთ დაბლა ჩამკეტი ბერკეტი და მოუჭიროთ ქანჩყურას ისე, რომ წინა სახელური არ ბრუნავდეს ან არ მოძრაობდეს ძალური თავაკის ტარზე.

ექსპლუატაცია

▲ საფრთხე: არასოდეს გაჭრათ ელექტრო გადამცემი ხაზების, სადენების ან ელექტროენერჯის სხვა წყაროების მახლობლად. თუ ძელი ან ჯაჭვი გაიჭედება რაიმე ელექტრო სადენს ან ხაზთან, **ხელი არ მოკიდოთ ძელს, ჯაჭვს ან ტარს! ისინი შესაძლოა გახდნენ დენის გამტარი და ძალიან სახიფათო.** ხელი მოკიდეთ მხოლოდ ძელიანი ხერხის იზოლირებულ უკანა სახელურს ან ფრთხილად და უსაფრთხოდ დადეთ მიწაზე თქვენგან მოშორებით. გათიშეთ დაზიანებული ხაზის ან სადენის ელექტრო კვების წყარო, სანამ შეეცდებით ძელის და ჯაჭვის გამოსხნას. ძელთან, ჯაჭვთან, ძელიანი ხერხის სხვა გამტარ ნაწილებთან, დენის სადენებთან და ხაზებთან შეხებამ შესაძლოა გამოიწვიოს სიკვდილი ელექტრული შოკით ან სერიოზული ფიზიკური ზიანის გამო.

▲ გაფრთხილება: შეეცადეთ მსგავსი პროდუქტის გამოყენების გამოცდილებამ არ გამოიწვიოს თქვენი უგულისყურება. დამახსოვრეთ, რომ უგულისყურობამ წამის მეთაღმდეგ კი შესაძლოა მოგტანოთ სერიოზული ზიანი.

▲ გაფრთხილება: ყოველთვის მორგეთ დამცავი სათვალეები. ამ ინსტრუქციის უგულებელყოფამ შესაძლოა გამოიწვიოს სხვადასხვა სხეულის თვალში მოხვედრა და სხვა შესაძლო სერიოზული ზიანი.

▲ გაფრთხილება: ყოველთვის მოხსენით აკუმულატორის ბლოკი ხელსაწყო, როდესაც ხდება მისი აწყობა, რეგულირება, წმენდა, ტრანსპორტირება ან როდესაც ხელსაწყო არ გამოიყენება. აკუმულატორის მოხსნა გამორიცხავს მოწყობილობის უცაბედ ჩართვას, რამაც შესაძლოა მოგაყენოთ სერიოზული პირადი დაზიანება.

KA

▲ გაფრთხილება: არ გამოიყენოთ სხვა მისამარგებელი ხელსაწყო ან აქსესუარი, რომელიც არაა რეკომენდებული ამ პროდუქტის მწარმოებლის მიერ. არარეკომენდებული მისამარგებელი ხელსაწყო ან აქსესუარების გამოყენებამ შესაძლოა მოგაყენოთ სერიოზული ზიანი. ყოველი გამოყენების წინ შეამოწმეთ მთლიანი ხელსაწყო შესაძლო დაზიანებულ, დაკარგულ ან მოშვებულ ნაწილებზე, როგორცაა ხრახნები, ქანჩები, ჭანჭიკები, ხუფები და ა.შ. მაგრად მოუჭიროეთ ყველა სამაგრი და ხუფი და არ ამუშაოთ მოწყობილობა, სანამ არ მოხდება ყველა დაკარგული ან დაზიანებული ნაწილის გამოცვლა.

გამოყენებები

თქვენ შეგიძლიათ გამოიყენოთ მოწყობილობა ქვემოთ ჩამოთვლილი მიზნებისთვის:

- გასხეპვა
- გასხვლა

გაფრთხილება: ხელსაწყოს გამოყენება შესაძლებელია მხოლოდ დანიშნულებისამებრ. სხვა ნებისმიერი სახით გამოყენება ჩაითვლება, როგორც არასწორი გამოყენების შემთხვევა.

ზეთის ავზი ავსება ძელის და ჯაჭვის საპოხი მასალით

▲ გაფრთხილება: ნუ მოსწევთ ან არ მიიტანოთ ნებისმიერი ცეცხლი ან ალი ზეთის ან ძელიანი ხერხის საიხლოვეს. ზეთი შესაძლოა დაიქვეს და გაჩნდეს ხანძარი.

გაფრთხილება: ძელიანი ხერხი არ არის ზეთით სავსე შემენის მომენტში. აუცილებელია ავზის შევსება ზეთით ხელსაწყოს გამოყენებამდე. ძელიანი ხერხის ჯაჭვის ზეთის გარეშე გამოყენება ან ისეთ შემთხვევაში გამოყენება, როცა ზეთის დონე დაბალია, გამოიწვევს მის დაზიანებას. ჯაჭვის ექსპლუატაციის ვადა და ჭრის უნარი დამოკიდებულია შეზეთვის ოპტიმალურობაზე. ჯაჭვი ავტომატურად გაიზოხება ჯაჭვის ზეთით მუშაობის პროცესის დროს, თუ ავზში არის საჭირო ოდენობის ზეთი. ზეთის დონე უნდა შემოწმდეს მუშაობის ყოველ 20 წუთიან ინტერვალში და შესაბამისად გაივსოს საცავიც.

1. მოხსენით აკუმულატორი ძალოვანი თავაკიდან.

2. გაწმინდეთ ზეთის ავზის ხუფი და მის გარშემო არსებული არე, რათა დარწმუნდეთ, რომ საცავში არ მოხვდება ჭუჭყი.
3. ძელიანი ხერხი მოათავსეთ მყარ, ბრტყელი ზედაპირზე, ისე, რომ ზეთის ავზის ხუფი ზემოთ იყოს მოთავსებული, შემდეგ მოხსენით თავახური (სურ. J).
4. ფრთხილად ჩაახსით ძელის და ჯაჭვის ზეთი, სანამ ავზი ყელამდე არ აივსება. ფრთხილად იყავით, რათა არ გადმოგექცეთ ზეთი ღია თავიდან. მოწმინდეთ ზედმეტი ზეთი.

გაფრთხილება:

- არასოდეს გამოიყენოთ ზეთი ან სხვა საპოხი მასალეტი, რომლებიც სპეციალურად არ არის შექმნილი ძელისა და ჯაჭვისთვის. ამან შეიძლება გამოიწვიოს ზეთოვანი სისტემის დაზიანება, რაც ძელისა და ჯაჭვის ნაადრევი ცვეთის წინაპირობაა.
- ხშირად შეამოწმეთ ზეთის დონე და შეავსეთ საჭიროებისამებრ.
- არ გამოიყენოთ ჭუჭყიანი, მეორადი ან სხვაგვარად დაზიანებული ზეთები. შესაძლოა ამგვარად ზიანი მიადგეს ძელს და ჯაჭვს.
- ნორმალურია ზეთის გაჟონვა ხერხიდან, როდესაც ის არ გამოიყენება. გაჟონვის თავიდან აცილების მიზნით, დაცალეთ ზეთის ავზი ყოველი გამოყენების შემდეგ, და შემდეგ ამუშავეთ ხერხი ერთი წუთის განმავლობაში. ინსტრუმენტის დიდი ხნის განმავლობაში შენახვის შემთხვევაში, დარწმუნდით, რომ ჯაჭვი მსუბუქად არის შეზეთილი; ეს ხელს შეუშლის ქანჩის გაჩენას ჯაჭვსა და ძელის კბილანებზე.
- ბუნებრივი რესურსების შესანარჩუნებლად, გთხოვთ, უზრუნველყავით ზეთის სწორად გადამუშავება ან განკარგვა. მიმართეთ ნარჩენებზე მომუშავე თქვენს ადგილობრივ ორგანოს ნარჩენების გადამუშავების და/ან უტილიზაციის გზების თაობაზე.

ტელესკოპური ძელის შენახვის წესი (სურ. K)

1. მოხსენით სწრაფი გამოთავისუფლების ბერკეტი ტელესკოპური ძელის განსაბლოკად.
2. დააგრძელოთ ტელესკოპური ძელი საჭირო სიგრძეზე.
3. დასწიეთ სწრაფი გამოთავისუფლების ბერკეტი ქვემოთ, რათა უსაფრთხოდ დაიბლოკოს ტელესკოპური ძელი.

KA

მხარზე ჩამოსაკიდი ღვედის აწყობა

დააჭირეთ ხელი ღვედის კაუჭს, რათა გახსნათ იგი და დაამაგრეთ ის ხერხზე არსებულ მხარზე ჩამოსაკიდი ღვედის საკიდზე (ნახ. L). დაარეგულირეთ მხარზე ჩამოსაკიდი ღვედი კომფორტულ სამუშაო პოზიციაში.

▲ გაფრთხილება: გაუთვალისწინებელი შემთხვევის დროს დაუყოვნებლივ მოიხსენით ღვედი მხრიდან, რათა თავიდან აიცილოთ დაზიანება.

აკუმულატორის დამონტაჟება/მოხსნა

შენიშვნა: სრულად დატენით აკუმულატორი პირველ ჯერზე სარგებლობამდე.

გამოიყენეთ მხოლოდ ის აკუმულატორის ბლოკები და დამტენები, რომლებიც მითითებულია სურ. A2-ში.

დამაგრება

გაუსწორეთ აკუმულატორის სამაგრები ბუდის ნასვრეტებს და დააწიეთ აკუმულატორს, სანამ არ გაიგებთ „წკაპუნის“ ხმას (ნახ. M).

▲ გაფრთხილება: მუშაობის დაწყებამდე დარწმუნდით, რომ აკუმულატორის ბლოკი ჩამაგრებულია ადგილზე. თუ აკუმულატორის ბლოკს ვერ ჩასვამთ მყარად თავის ადგილზე, ის შეიძლება გადმოვარდეს და გამოიწვიოს ადამიანის სერიოზული დაზიანება.

▲ გაფრთხილება: ყოველთვის შეამოწმეთ თქვენი ფეხების, ზავშეხების ან შინაური ცხოველების მდებარეობა აკუმულატორის გამშვები დილაკის დაჭერისას. აკუმულატორის დავარდნამ შესაძლოა გამოიწვიოს სერიოზული ფიზიკური ზიანი. არასდროს მოხსნათ აკუმულატორი სიმაღლეზე.

მოხსნა

დააჭირეთ აკუმულატორის გამშვებ დილაკს და ამოიღეთ აკუმულატორი (ნახ. N).

სამუშაო ლედ ნათება (ნახ. O)

სამუშაო ლედ ნათება არის ძელიანი ხერხის მისამაგრებელი ხელსაწყო წინა მხარეს, ხერხის ჯაჭვის შესაბამისად. ეს ფუნქცია მომხმარებლებს აძლევს დამატებით ნათებას იმის დასანახავად, თუ სად არის ხერხის ჯაჭვი ხუზე მაღლა ტოტების მოჭრისას.

სამუშაო ნათება ავტომატურად ირთვება ტრიგერ ჩამრთველზე დაჭერისას და ტრიგერი ჩამრთველის გამორთვის შემდეგ ის დაახლოებით 10 წამში გამორთვება.

ხელსაწყოს ჩართვა/გამორთვა

ძელიანი ხერხის ჩართვამდე

▲ გაფრთხილება: არ გამოიყენოთ ძალური თავაკი მისამაგრებელი ხელსაწყოს გარეშე. არ ამუშაოთ ძალური თავაკი ძელიანი ხერხის მისამაგრებელი ხელსაწყოს შეერთებამდე

გაფრთხილება: ძელიანი ხერხის ჩართვამდე შეამოწმეთ ჯაჭვის დაჭიმვის დონე, ზეთის რაოდენობა, ჯაჭვის და ხერხის კბილების სიმახვილე. ამასთან, საჭიროა მოჭერა, მყარი საყრდენი და სათანადო დისტანცია მიწიდან (სურ. Q).

დაწყება (ნახ. P)

1. ჩასვით აკუმულატორი.
2. დარწმუნდით, რომ ძელთან და ჯაჭვთან რაიმე სხვა საგანი ან დაბრკოლება არ არის მახლობლად.
3. მყარად მოკიდეთ ხელი წინა და უკანა სახელურებს ორივე ხელის გამოყენებით.
4. ჯერ დააჭირეთ და დაყოვნეთ თითო განმბლოკავ დილაკს, შემდეგ დააჭირეთ თითო ტრიგერ ჩამრთველს ხერხის მუშაობის დასაწყებად. ხელი გაუშვით განმბლოკავ დილაკს და გააგრძელეთ ტრიგერ ჩამრთველზე თითის დაჭერა მუშაობის გასაგრძელებლად.

▲ გაფრთხილება: არ შეეცადოთ ხერხის ჩართვას, როდესაც ხერხის ჯაჭვი ეხება ან გაჭედილია ნებისმიერ ზედაპირში.

გაჩერება

მოაშორეთ ძელიანი ხერხი ჭრის ზონას და შემდეგ აუშვით ტრიგერ ჩამრთველს, რათა გააჩეროთ ხერხი.

▲ გაფრთხილება: ყოველთვის მოხსენით აკუმულატორი ძელიან ხერხს შესვენებისას ან სამუშაოს დამთავრებისთანავე.

ჭრის ძირითადი პროცედურა (ნახ. R)

მიყევით ქვევით აღწერილ ნაბიჯებს, რათა თავიდან აიცილოთ ხის ან ბუჩქის მერქნის დაზიანება. არ გამოიყენოთ წინ-და-უკან ტიპის ხერხების მოძრაობა.

1. გააკეთეთ ზედაპირული პირველი ჭდე (ტოტის დიამეტრის 1/4) ტოტის ქვედა მხარეს, ძირითად ტოტთან ან ხის ტანთან ახლოს.

KA

2. გააკეთეთ მეორე ჭედ ტოტის ზედა მხრიდან პირველი ჭედიდან განზე. გააგრძელეთ ტოტის ხერხვა, სანამ ტოტი არ მოსცილდება ხეს. მოემზადეთ ხელსაწყოთა წონის დასაბალანსებლად, როცა ტოტი მოიჭრება.

3. გააკეთეთ საბოლოო ჭედ ხის ტანთან ახლოს.

გაფრთხილება: მეორე და ბოლო გახერხვისას (ტოტის ან ღეროს ზედა მხრიდან) დააყრდენით მაკომპენსირებელი კბილანები მოსაჭრელ ტოტს (ნახ.S) . ეს დაგეხმარებათ ტოტის შეკავებაში და გადავიღებ ხერხვას. ჯაჭვი განახორციელებს ჭრას, საჭიროა მხოლოდ ოდნავი დაწოლა ნეკვით. თუ ძალის დატანებით გახერხავთ, შესაძლოა დაზიანდეს ძელი, ჯაჭვი ან ძრავა.

S-1	ჯაჭვიანი ხერხის მაკომპენსირებელი კბილანები
-----	--

4. აუშვით ტრიგერ ჩამრთველს ხელი, როგორც კი ხერხვას დაასრულებთ.

გაფრთხილება: ჩამოთვლილი სათანადო ხერხვის ინსტრუქციების უგულებელყოფამ შესაძლოა გამოიწვიოს ძელის და ჯაჭვის ჩახლართვა და ტოტში გაჭედვა ან ჩაჭედვა. თუ მსგავსი რამ მოხდა:

1. გააჩერეთ ძრავი და მოხსენით აკუმულატორი.
2. თუ ტოტს მისწვდებით მიწიდან, ხერხზე ხელის გაუშვებლად აწიეთ ტოტი მაღლა. ამან უნდა გახსნას გაჭედული არე და გამოათავისუფლოს ხერხი.
3. თუ ხერხი ისევ გაჭედულია, დაუკავშირდით პროფესიონალს დახმარებისთვის.

გასხევა და გასხვლა

ძელიანი ხერხი განკუთვნილია 20 სმ-მდე (25სმ მიმართველი ღეროს მქონე ხელსაწყოთვის) ან 25სმ-მდე (30სმ მიმართველი ღეროს მქონე ხელსაწყოთვის) დიამეტრის მქონე მცირე ზომის ტოტების და ღეროების გასახერხად. საუკეთესო რეზულტატის მისაღებად მიიღეთ შემდეგი სიფრთხილის ზომები:

1. ყურადღებით დაგეგმეთ ხერხვა. გაითვალისწინეთ ის მიმართულება, საითკენაც დაეცემა ტოტი.

▲ გაფრთხილება: ტოტები შესაძლოა დაეცეს მოულოდნელი მიმართულებით. არ დადგეთ უშუალოდ მოსაჭრელი ტოტის ქვევით.

2. ჭრის ყველაზე ტიპური სახეა ხერხის დაჭერა 60°-იანი ან ნაკლები კუთხით, კონკრეტული სიტუაციიდან გამომდინარე, როგორც ეს ნაჩვენებია T ნახატზე. როგორც კი გაიზრდება კუთხე ძელიანი ხერხის ტარსა და მიწას შორის, იზრდება პირველი ნაჭედვის გაკეთების სირთულე (ტოტის ქვევოდან).

3. მოჭერით გრძელი ტოტები რამდენიმე ეტაპად.

4. დასაწყისში მოჭერით ქვედა ტოტები, რათა მისცეთ ზედა ტოტებს მეტი არე ჩამოვარდინისას.

5. იმუშავეთ ნელა, ორივე ხელი მჭიდროდ ჩაჭიდეთ ხელსაწყოს. დაიცავით ბალანსი და მყარად იდევით ფეხზე.

6. გასხევისას ხე უნდა იყოს თქვენსა და ჯაჭვს შორის. მოჭერით ხის გვერდითა მხრიდან, იმ ტოტის საპირისპირო მხრიდან, რომელსაც ჭრით.

7. არ მოჭრათ კიბეზე მდგომმა: ეს განსაკუთრებით სახიფათოა. მიანდეთ მსგავსი ტიპის სამუშაო პროფესიონალებს.

8. არ გააკეთოთ პირველი ჭედ ტოტზე ხის ტანის ახლოს, სანამ არ ჩამოხერხავთ ამ ტოტის უმეტესობას და არ შეამცირებთ მის წონას. მართებული ხერხვის პროცედურების მიდევნება თავიდან აგაცილებთ ძირითადი ღეროდან მერქნის მოცილების პრობლემას.

9. არ გამოიყენოთ ძელიანი ხერხი ხეების გასაჩეხად ან ძელების დასახერხად.

10. დენის დარტყმის ასარიდებლად არ ამუშაოთ ხელსაწყო ჰაერში გაჭიმულ დენის სადენებთან 15 მ-ის სიახლოვეს (სურ. T.)

11. გარეშე პირები უნდა იყვნენ ხელსაწყოდან მინიმუმ 15 მეტრის დაშორებით (სურ. T.).

ტექნიკური მომსახურება

▲ გაფრთხილება: ხელსაწყო შემოწმებამდე, გაწმენდამდე და ტექნომსახურებამდე, გააჩერეთ ძრავი, დაელოდეთ ყველა მოძრავი ნაწილის გაჩერებას და მოხსენით აკუმულატორი. ჩამოთვლილი ინსტრუქციების უგულებელყოფამ შესაძლოა გამოიწვიოს სერიოზული ფიზიკური ან მატერიალური ზიანი.

KA

▲ გაფრთხილება: შეკეთებისას გამოიყენეთ მხოლოდ იდენტური სათადარიგო ნაწილები. სხვა ნებისმიერი ნაწილის გამოყენებამ შესაძლოა შექმნას საფრთხე ან გამოიწვიოს ხელსაწყო დაზიანება. ხელსაწყო უსაფრთხოდ და გამართულად მუშაობისთვის მისი ყველა შეკეთება, გარდა ინსტრუქციაში მოცემული მოვლის წესებში აღწერილი პროცედურებისა, უნდა შესრულდეს კვალიფიციური ტექნომსახურების ტექნიკოსის მიერ.

▲ გაფრთხილება: ჩაიცვით დამცავი ხელთათმანები ხერხის ჯაჭვთან შეხებისას. ჯაჭვი ბასრია და შეიძლება ჰქონდეს წვეტები.

ზოგადი მოვლის პირობები

მოერიდეთ გამხსნელების გამოყენებას ხელსაწყო პლასტმასის ნაწილების გაწმენდისას. პლასტმასების უმეტესობა ადვილად ზიანდება მათზე სხვადასხვა სახის კომერციული გამხსნელების გამოყენების შედეგად. გამოიყენეთ სუფთა ტილო ტალახის, მტერის, ზეთის, ცხიმის და სხვ. მოსაცილებლად.

გაწმენდა

- ყოველი გამოყენების შემდეგ მოაცილეთ ნარჩენი ჯაჭვს და მიმართველ ძელს რბილი ფუნჯით. გადაწმინდეთ ძელიანი ხერხის ზედაპირი სუფთა, ნოტიო ქსოვილით და რბილი სარეცხი საშუალებით.
- მოხსენით გვერდითა ხუფი, შემდეგ გამოიყენეთ რბილი ფუნჯი, რათა მოაცილოთ ნარჩენი მიმართველ ძელს, ხერხის ჯაჭვს, კბილანას და გვერდითა ხუფს.
- ყოველთვის ამოწმინდეთ ნაფოტები, ნახერხი და ჭუჭყი ძელის სიდრუედან, როდესაც ცვლით ხერხის ჯაჭვს.

ძელიანი ხერხის ტექნომსახურება, გარდა ინსტრუქციაში მოცემული მოვლის წესებში აღწერილი პროცედურებისა, უნდა შესრულდეს ავტორიზირებული ტექნომსახურების მუშაკის მიერ.

ძელის და ჯაჭვის გამოცვლის წესი

ძელისა და ჯაჭვის გამოცვლისას ყოველთვის გამოიყენეთ „ძელიანი ხერხისთვის რეკომენდებული ძელი და ჯაჭვი“ ნაწილში ჩამოთვლილი ძელისა და ჯაჭვის კომბინაცია.

1. მოხსენით აკუმულატორი, აცადეთ ხერხს გაგრილება. დარწმუნდით, რომ ზეთის ავზის ხუფი არის მყარად მოჭერილი, რათა თავიდან ავიცილოთ ზეთის გაჟონვა.
2. ძელიანი ხერხი მოათავსეთ გვერდულად მყარ, ბრტყელ ზედაპირზე, ისე, რომ ავზის ხუფი ზემოთ იყოს მიმართული.
3. ჩაიცვით ხელთათმანები. მოხსენით გვერდითი ხუფი (ნახ. U). შშრალი ქსოვილით გაასუფთავეთ გვერდითა ხუფი.
4. სამაგრი ზედაპირიდან მოხსენით გაცვეთილი ძელი და ჯაჭვი.
5. დამონტაჟეთ ახალი მიმართველი ძელი და ხერხის ჯაჭვი „მიმართველი ძელის და ჯაჭვის აწყობა“ ინსტრუქციის „აწყობის“ ნაწილის შესაბამისად.

გაფრთხილება: ეს არის კარგი დრო ამრავი კბილანის მნიშვნელოვან ცვეთაზე ან დაზიანებაზე შესამოწმებლად.

მიმართველი ძელის ტექნომსახურება

როდესაც მიმართველ ძელს დაეტყობა ცვეთის ნიშნები, მოხსენით ის ხერხიდან. ამოიღეთ ხრახნი და მარგულირებელი ფირფიტა, საპირისპირო მიმართულებით მიმართეთ მიმართველი ძელი (ნახ. V) და ხელახლა დააყენეთ მარგულირებელი ფირფიტა მიმართველი ძელის ახალ მხარზე (ნახ. W) რათა ცვეთა მაქსიმალურად გადანაწილდეს ძელის საექსპლუატაციო ვადაზე. ძელი უნდა გაიწმინდოს ყოველდღე გამოყენების შემდეგ და შემოწმდეს ცვეთასა და დაზიანებაზე. ხერხის ძელის რელსზე ცალმხრივი ცვეთა და უსწორმასწორობები არის ძელის ცვეთის ნორმალური პროცესი. მსგავსი ტიპის უსწორმასწორობები უნდა გაიქლიბოს მათი გამოჩენისთანავე. ქვევით ჩამოთვლილი პრობლემების მქონე ძელი უნდა შეიცვალოს.

- ძელის რელსების შიგნით არსებული ცვეთა, რომლის გამოც ჯაჭვი გვერდით გადაიხრება.
- გაღუნული მიმართველი ძელი.
- გაბზარული ან გატეხილი რელსები.
- გაშლილი რელსები.

ასევე, ხერხის ძელს გააჩნია კბილანა წვერზე. კბილანის შეზეთვა საჭიროა ყოველკვირულად ზეთის შპრიცის გამოყენებით, რათა გაზარდოთ ძელის საექსპლუატაციო ვადა. გამოიყენეთ ზეთის

შპრიცი, რათა ყოველკვირეულად შეზეთოთ ჯაჭვის ზეთით შესაზეთი ნასვრეტის საშუალებით (ნახ. X). მოატრიალეთ მიმმართველი ძელი და დარწმუნდით, რომ შესაზეთი ნასვრეტებსა და ძელის ღარში არაა უცხო სხეულები.

X-1	ძელის წვერში არსებული კბილანა
X-2	შესაზეთი ნასვრეტი

ჯაჭვის მოვლის წესი

გამოიყენეთ მხოლოდ მცირე უკუცემის მქონე ჯაჭვები ამ ხერხზე. სწრაფად მჭრელი ჯაჭვი შეამცირებს უკუცემას სწორი ექსპლუატაციის შემთხვევაში.

სწორად გალესილი ხერხის ჯაჭვი ხერხავს ხეს ძალისხმევის გარეშე, მცირე დაწოლის შემთხვევაშიც კი.

არასოდეს გამოიყენოთ ზლაგვი ან დაზიანებული ხერხის ჯაჭვი. ზლაგვი კბილები ხერხის ჯაჭვზე ზრდის ფიზიკურ დატვირთვას, ვიზრაცის, იწვევს ჭრის არადაამაჟოფილებელ შედეგებს და ზრდის ცვეთას.

გლუვი და სწრაფი ხერხვისთვის, საჭიროა ჯაჭვის სათანადო ტექნომსახურება. როცა ნაფოტები არის პატარა და მტვრიანი, ჯაჭვზე საჭიროა ძალის დატანება ჭრისას ან თუ ჯაჭვი ჭრის მხოლოდ ერთ მხარეს, ეს იმის მაჩვენებელია, რომ საჭიროა ჯაჭვის გალესვა. თქვენი ხერხის ჯაჭვის ტექნომსახურებისას გაითვალისწინეთ შემდეგი:

- გვერდითა ფილის არასწორმა ალესვის კუთხემ შესაძლოა გაზარდოს სერიოზული უკუცემის რისკი.
- გამწმენდი კბილანების (სიღრმის ნიშნულების) დაშორება. ძალიან მცირე დაშორება ზრდის უკუცემის რისკს. არასაკმარისად მცირე დაშორება ამცირებს ხერხვის უნარს.
- თუ მჭრელი კბილები შეეჯახა მყარ საგნებს, როგორცაა ლურსმანი ან ქვა, ან გაიხეხა ხეზე არსებული ტალახით ან ქვიშით, გაალესინეთ ჯაჭვი კვალიფიციურ ტექნიკოსს.

ტრანსპორტირება და შენახვა

- დაუშვებელია ძელიანი ხერხის მისამაგრებელი ხელსაწყო შენახვა ან ტრანსპორტირება ჩართულ მდგომარეობაში. ყოველთვის მოხსენით აკუმულატორი შენახვამდე ან ტრანსპორტირებამდე.
- ყოველთვის გაუკეთეთ ძელის და ჯაჭვის ბუდე ხერხს მის შენახვამდე ან მისამაგრებელი ხელსაწყო ტრანსპორტირებამდე. გამოიჩინეთ სიფრთხილე ჯაჭვის მჭრელ კბილანებთან მიმართებაში.
- საგულდაგულოდ გაწმინდეთ ძელიანი ხერხი შენახვამდე. შეინახეთ ძელიანი ხერხი შენახვაში, მშრალ, ჩაკეტულ და/ან ბავშვებისთვის მიუწვდომელ ადგილას და მოარიდეთ კოროზიული ნაერთები, როგორცაა სოფლის მეურნეობაში გამოყენებული ქიმიკატები და მოყინვის საწინააღმდეგო ტექნიკური მარილი.

გარემოს დაცვა



არ მოათავსოთ ელექტრო მოწყობილობა, ნახშირი დამტენი და აკუმულატორი საყოფაცხოვრებო ნაგავში!

მიუტანეთ პროდუქტი ნარჩენების ავტორიზირებულ გადამამუშავებელს და უზრუნველყავით ასეთი ნარჩენის განცალკევებულად შეგროვება. ელექტრო ხელსაწყოები უნდა ჩაბარდეს ნარჩენების გადამამუშავებელ ობიექტს.

დეფექტების აღმოჩენა და გამოსწორება

პრობლემა	მიზეზი	გადაჭრის გზა
ძრავი არ ირთვება.	<ul style="list-style-type: none"> ■ აკუმულატორი არ არის შეერთებული ხერხზე. ■ ხერხსა და აკუმულატორს შორის არ არის ელექტრო კონტაქტი. ■ აკუმულატორი დაცლილია. ■ განმბლოკავი დილაკი არ არის გადაყვანილი ჩართულ პოზიციაში ტრიგერ ჩამრთველზე ხელის დაჭერამდე. ■ აკუმულატორი ან მალური თავაკი ზედმეტად გაცხელებულია. ■ ხერხის ჯაჭვი გაჭედილია ხეში. ■ ძელი და ჯაჭვი ირიბად მიემართება და არ არის კორპუსის პარალელური. ■ ძელის სიღრუეში უცხო სხეულებია. ■ უცხო სხეულებია გვერდითა ხუფში. 	<ul style="list-style-type: none"> ■ მიუერთეთ აკუმულატორი ძელიან ხერხს. ■ მოხსენით აკუმულატორი, შეამოწმეთ კონტაქტები და კვლავ მოათავსეთ იგი უკან. ■ დატენეთ აკუმულატორი. ■ დააჭირეთ განმბლოკავ ბერკეტს და გააჩერეთ ამ მდგომარეობაში, შემდეგ დააჭირეთ თითო ტრიგერ ჩამრთველს, რათა ჩართოთ ხერხი. ■ აცალეთ აკუმულატორს ან მალურ თავაკს მუშაობისთვის დადგენილ ტემპერატურამდე გაცივება. ■ ხელი გაუშვით ტრიგერ ჩამრთველს; ამოიღეთ ხერხის ჯაჭვი და მიმართველი ძელი ხიდან და ხელახლა ჩართეთ ხერხი. ■ ამოიღეთ ბატარეა და შეცვალეთ ძელი და ჯაჭვი „ძელის და ჯაჭვის გამოცვლის წესი“ სექციის შესაბამისად. ყოველთვის გახსოვდეთ, რომ გვერდითი საფარისდაყენებამდე ძელი და ჯაჭვი სამონტაჟო ზედაპირის პარალელური უნდა იყოს. ■ დააჭირეთ ხერხის ჯაჭვი ხეს, ამომრავეთ ხერხი წინ და უკან უცხო სხეულების მოსაცილებლად. ■ მოხსენით აკუმულატორი, შემდეგ მოუშვით გვერდითა ხუფი და გაწმინდეთ უცხო სხეულებისგან.

პრობლემა	მიზეზი	გადაჭრის გზა
ძრავი ირთვება, მაგრამ ჯაჭვი არ მოძრაობს.	<ul style="list-style-type: none"> ■ ჯაჭვი არ ატრიალებს მოძრავ კბილანას. ■ არასაკმარისი ჯაჭვის დაჭიმულობა. ■ ბლაგვი ჯაჭვი. ■ ჯაჭვი უკუდმა არის დაყენებული. ■ გაცვეთილი ჯაჭვი. ■ მშრალი ან ზედმეტად გაჭიმული ჯაჭვი. ■ ჯაჭვი არ არის ძელის არხში. 	<ul style="list-style-type: none"> ■ მოხსენით აკუმულატორი და თავიდან დააყენეთ ჯაჭვი, დარწმუნდით, რომ ჯაჭვის მამორავებელი რგოლები სრულიად მორგებულია კბილანას. ■ მოუშვით ჯაჭვის დაჭიმვის მარეგულირებელი დილაკი მინიმუმ ერთხელ საათის ისრის საწინააღმდეგო მიმართულებით და შემდეგ სრულად მოუჭირეთ იგი საათის ისრის მიმართულებით, სანამ ჯაჭვი სრულად არ დაიჭიმება. ■ გააღესინეთ ჯაჭვის მჭრელი ნაწილები კვალიფიციურ ტექნომსახურების ტექნიკოსს. ■ მოხსენით აკუმულატორი და დაამონტაჟეთ ჯაჭვი თავიდან, როგორც აღწერილია ინსტრუქციის ნაწილში „ძელის და ჯაჭვის გამოცვლის წესი“. ■ მოხსენით აკუმულატორი და დაამონტაჟეთ ჯაჭვი თავიდან, როგორც აღწერილია ინსტრუქციის ნაწილში „ძელის და ჯაჭვის გამოცვლის წესი“. ■ შეამოწმეთ ზეთის რაოდენობა. შეავსეთ ზეთის ავზი საჭიროებისდა მიხედვით. ■ მოხსენით აკუმულატორი და დაამონტაჟეთ ჯაჭვი თავიდან, როგორც აღწერილია ინსტრუქციის ნაწილში „ძელის და ჯაჭვის გამოცვლის წესი“.
ძელი და ხერხი ცხელდება და უშვებს კვამლს.	<ul style="list-style-type: none"> ■ ჯაჭვის ზეთის ავზი ცარიელია. ■ ძელის არხში უცხო სხეულებია. 	<ul style="list-style-type: none"> ■ ძელის და ჯაჭვის საპოხის ავსება. ■ მოაცილეთ უცხო სხეულები ძელის სიდრუეს.

გარანტია

KA

EGO-ს საგარანტიო პირობები

გთხოვთ, ეწვიოთ ვებ-გვერდს egopowerplus.com, რათა იხილოთ EGO-ს საგარანტიო მომსახურების სრული პირობები.

PROČITAJTE SVA UPUTSTVA!



PROČITAJTE PRIRUČNIK ZA RUKOVAOCA

⚠ Rezidualni rizik! Osobe sa elektronskim uređajima, poput pejsmejera, treba da konsultuju svog lekara (svoje lekare) pre upotrebe ovog proizvoda. Rukovanje električnom opremom u neposrednoj blizini srčanog pejsmejera moglo bi da izazove smetnje ili otkazivanje pejsmejera.

⚠ UPOZORENJE: Radi bezbednosti i pouzdanosti, sve popravke treba da obavlja kvalifikovani servisni tehničar.

SIGURNOSNI SIMBOLI

Svrha sigurnosnih simbola je da vam skrenu pažnju na moguće opasnosti. Sigurnosni simboli i objašnjenja uz njih zaslужuju vašu pomnu pažnju i shvatanje. Simboli upozorenja, sami po sebi, ne eliminišu nikakve opasnosti. Uputstva i upozorenja koja oni daju nisu zamena za odgovarajuće mere sprečavanja nezgoda.

⚠ UPOZORENJE: Obavezno pročitajte i shvatite sva sigurnosna uputstva u ovom Priručniku za rukovaoca, obuhvatajući i sve simbole sigurnosnih upozorenja poput „OPASNOST“, „UPOZORENJE“ i „OPREZ“ pre korišćenja ovog alata. Nepriдрžavanje svih dolenađenih uputstava može da dovede do strujnog udara, požara i/ili ozbiljne telesne povrede.

ZNAČENJE SIMBOLA

Ova stranica prikazuje i opisuje sigurnosne simbole koji mogu da se pojave na ovom proizvodu. Pročitajte, shvatite i sledite sva uputstva na mašini pre no što pokušate da je sklopite i da rukujete njom.



Sigurnosno upozorenje



Da bi smanjio rizik od povreda, korisnik pre korišćenja ovog proizvoda mora pročitati i shvatiti priručnik za rukovaoca.



Nosite zaštitu za oči



Nosite zaštitu za glavu



Nosite zaštitu za uši



Nosite zaštitne rukavice



Nosite sigurnosnu obuću



Radi izbegavanja strujnog udara, nemojte da radite u opsegu od 15 m od nadzemnih električnih vodova. Kontakt sa strujnim vodovima ili upotreba u blizini strujnih vodova može da prouzrokuje teške povrede ili strujni udar sa smrtnim ishodom.



Ne izlažite kiši.



Ovaj proizvod je u skladu sa primenljivim Direktivama EU.



Ovaj proizvod je u skladu sa primenljivim zakonima UK.



Otpadni električni proizvodi ne smeju da se odlažu sa otpadom iz domaćinstva. Odnosite ih u ovlašćeni centar za reciklažu.

SR



Garantovani nivo zvučne snage. Emisija buke u okruženju u skladu je sa Direktivom Evropske unije.

IPX4 Stepen zaštite od prodora



Jednosmerna struja

V

Napon

SPECIFIKACIJE

Nazivna voltaža	56 V	
Dužina vodilice	25 cm	
Korak lanca	6,4 mm (1/4")	
Dubina lanca	1,1 mm (0,043")	
Zapremina rezervoara za ulje	80 ml	
Broj pogonskih alki	56	
Dužina alata (bez produžne šipke)	Maks. 292 cm Min. 233 cm	
Preporučena radna temperatura	Od -15°C do +40°C	
Preporučena temperatura skladištenja	Od -20 do +70°C	
Preporučena temperatura punjenja	Od 5 do 40°C	
Težina (bez baterije, navlake za lanac)	4,25 kg	
Izmereni nivo zvučne snage L _{WA}	97 dB(A) K = 2,5 dB(A)	
Nivo zvučnog pritiska na mestu rada L _{PA}	82 dB(A) K=3 dB(A)	
Garantovan nivo jačine zvuka LWA (prema 2000/14/EC)	100 dB(A)	
Vibracije a _n	Prednja pomoćna drška	1,19 m/s ² K=1,5 m/s ²
	Zadnja drška	1,01 m/s ² K=1,5 m/s ²

- Deklarisana ukupna vrednost vibracije je izmerena u skladu sa standardnim metodom testiranja i može se koristiti za upoređivanje jednog alata sa drugim;
- Deklarisana ukupna vrednost vibracije može se koristiti i u preliminarnoj proceni izlaganja.

NAPOMENA: Emisija vibracija tokom stvarne upotrebe električnog alata može da se razlikuje od deklarisanе vrednosti u kojoj se alat koristi. Da bi se rukovalac zaštitio, korisnik bi trebalo da nosi rukavice i štitičke za uši u stvarnim uslovima korišćenja.

OPIS

UPOZNAJTE SVOJU TELESKOPSKU TESTERU (slika A1)

1. Dugme za brzo podešavanje zategnutosti lanca
2. LED radno svetlo
3. Bočni poklopac
4. Vešalica remena za rame
5. Produžna šipka
6. Dugme za zaključavanje
7. Okidač
8. Zadnja drška
9. Dugme za oslobađanje baterije
10. Prednja pomoćna drška
11. Poluga za brzo oslobađanje
12. Teleskopska šipka
13. Remen za rame
14. Poklopac rezervoara za ulje
15. Rezervoar za ulje
16. Šiljci za sečenje na komade
17. Vodilica
18. Lanac
19. Navlaka za lanac

POPIS PAKOVANJA (slika A1)

Preporučena vodilica i lanac za ovu teleskopsku testeru

NAZIV DELA	BROJ MODELA
Vodilica	AG1000Q, AG1200Q
Lanac	AC1000Q, AC1200Q

SASTAVLJANJE

⚠ UPOZORENJE: Ako su neki delovi oštećeni ili nedostaju, nemojte koristiti ovaj proizvod dok delovi ne budu zamenjeni. Korišćenje ovog proizvoda sa oštećenim ili nedostajućim delovima može dovesti do ozbiljnih telesnih povreda.

⚠ UPOZORENJE: Ne pokušavajte da modifikujete ovaj proizvod ili da pravite dodatke koji nisu preporučeni za korišćenje sa ovim proizvodom. Svaka takva promena ili modifikacija je zloupotreba i može dovesti do opasnih uslova koji mogu da dovedu do ozbiljnih telesnih povreda.

SR

⚠ UPOZORENJE: Kad sklapate delove, obavljate radove podešavanja, čišćenja ili kada ne upotrebljavate proizvod, iz proizvoda uvek izvadite bateriju.

SKLAPANJE VODILICE I LANCA

1. Položite teleskopsku testeru na čvrstu, ravnu površinu, tako da bočni poklopac bude okrenut nagore.
2. Nosite rukavice. Uklonite bočni poklopac (slika B).
3. Položite novi lanac testere u petlju na ravnu površinu i izravajte sve vijuge.
4. Postavite pogonske alke lanca u žleb vodilice. Postavite lanac tako da postoji petlja na zadnjoj strani vodilice (slika C).

C-1	Pogonske alke lanca
C-2	Žleb vodilice

5. Držite lanac na njegovom mestu na vodilici i stavite petlju oko pogonskog lančanika na teleskopskoj testerici.

NAPOMENA: Strelica za smer i sekač su ugravirani na kućištu alata (slika D). Kad stavljate lanac testere na vodilicu, vodite računa da, nakon montiranja vodilice, smer lanca testere odgovara strelici za smer rotacije na kućištu alata i da se oblik sekača na gornjem delu vodilice poklapa sa oblikom sekača na kućištu. Ako su okrenuti u suprotnom smeru, ponovo sklopite lanac testere na vodilicu tako da strelice budu okrenute u istom smeru. Vodilica bi trebalo da bude montirana tako da ploča za podešavanje bude okrenuta dalje od kućišta.

6. Držite vodilicu i lanac paralelno sa montažnom površinom. Pričvrstite bočni poklopac na kućište tako da rupe/igle i vijak/navojna rupa za pričvršćivanje budu pravilno poravnati jedno sa drugim (slika E). Pritisnite bočni poklopac prema kućištu a zatim potpuno zategnite dugme za brzo podešavanje zategnutosti lanca u smeru kazaljki na satu. Ekscentrični zupčanik unutar bočnog poklopca je dizajniran da osigura da lanac ne bude prekomerno zategnut.

NAPOMENA! Ako se lanac olabavi, okrenite dugme za brzo podešavanje zategnutosti lanca suprotno kazaljki na satu najmanje jedan okretaj a zatim potpuno zategnite dugme.

7. Okrenite lanac rukom da biste proverili da li je lanac pravilno sklopljen bez zaglavljivanja. U suprotnom, ponovo sklopite lanac i vodilicu.

POVEZIVANJE DODATKA TELESKOPSKE TESTERE NA POGONSKU GLAVU

Ova teleskopska testerica radi sa kombinacijom dodatka teleskopske testere i pogonske glave (slika F).

F-1	Dodatak teleskopske testere
F-2	Pogonska glava

⚠ UPOZORENJE: Nikad ne pričvršćujte niti podešavajte dodatak teleskopske testere dok pogonska glava radi ili dok je baterija instalirana. Ako ne zaustavite motor i ne izvadite bateriju, to može da izazove ozbiljne telesne povrede.

Dodatak teleskopske testere se povezuje na pogonsku glavu putem spojnog uređaja.

1. Zaustavite motor i izvadite bateriju.
2. Olabavite leptir dugme.
3. Poravnajte strelicu na vratilu teleskopske testere sa strelicom na spojnici pa gurnite vratilo teleskopske testere u spojnicu dok ne čujete jasan zvuk „škljoc“, koji ukazuje da je vratilo teleskopske testere montirano na svoje mesto (slika G).

G-1	Leptir dugme	G-3	Strelica na spojnici
G-2	Dugme za otpuštanje vratila	G-4	Strelica na vratilu teleskopske testere

4. Povucite vratilo dodatka da biste proverili da li je čvrsto zaključano u spojnici. Ako nije, okrenite vratilo teleskopske testere s jedne na drugu stranu u spojnici dok ne škljocne na svoje mesto.
5. Čvrsto zategnite leptir dugme.

⚠ UPOZORENJE: Vodite računa da leptir dugme bude sasvim zategnuto pre rukovanja opremom; periodično proveravajte njegovu zategnutost tokom upotrebe da biste izbegli ozbiljne telesne povrede.

POVEZIVANJE PRODUŽNE ŠIPKE IZMEĐU POGONSKE GLAVE I DODATKA TELESKOPSKE TESTERE (model br. EP1000)

⚠ UPOZORENJE: Nikad ne pričvršćujte niti podešavajte dodatak dok pogonska glava radi ili dok je baterija instalirana. Ako ne zaustavite motor i ne izvadite bateriju, to može da izazove ozbiljne telesne povrede.

Ova produžna šipka je dizajnirana za isključivu upotrebu sa EGO PS1000E. Nikad je ne koristite sa drugim EGO dodacima.

Produžna šipka povećava dužinu alata za 100 cm, produžavajući domet sečenja. Treba je povezati između dodatka teleskopske testere i pogonske glave. Maksimalno dve produžne šipke (dostupne zasebno) se mogu koristiti na jednom alatu.

Pratite proces u odeljku „**POVEZIVANJE DODATKA TELESKOPSKE TESTERE NA POGONSKU GLAVU**“ da biste instalirali produžnu šipku između dodatka teleskopske testere i pogonske glave (slika H).

H-1	Spojnicica na produžnoj šipki
H-2	Spojnicica na pogonskoj glavi

NAPOMENA: Kad su pravilno sklopljeni, dodatak teleskopske testere, produžna šipka i pogonska glava ne bi trebalo da se razdvajaju kad se povuku. Uvek testirajte spoj tako što ćete ih povući. Ponovite korake iznad ako se delovi mogu razdvojiti.

⚠ UPOZORENJE: Ako ne učvrstite dodatak i pogonsku glavu/produžnu šipku kako je navedeno iznad, to bi moglo da dovede do ozbiljne povrede ili smrti.

UKLANJANJE DODATKA SA POGONSKE GLAVE

1. Zaustavite motor i izvadite bateriju.
2. Olabavite leptir dugme.
3. Pritisnite dugme za oslobađanje vratila i, držeći dugme pritisnuto, izvucite ili izvrtite vratilo teleskopske testere iz spojnice da biste ga odvojili od pogonske glave ili produžne šipke (ako je koristite).
4. Ponovite proces da biste odvojili produžnu šipku od pogonske glave (ako koristite produžnu šipku).

POSTAVLJANJE I PODEŠAVANJE PREDNJE POMOĆNE DRŠKE

1. Zaustavite motor i izvadite bateriju.
2. Olabavite leptir navrtanj i skinite ga sa spojnim zavrtnjem sa prednje pomoćne drške (slika I1).

I-1	Prednja pomoćna drška	I-4	Leptir navrtanj
I-2	Poluga za zaključavanje	I-5	Spojni blok
I-3	Spojni zavrtnj		

3. Pritisnite pomoćnu dršku na vratilo pogonske glave i okrenite je nadole tako da bude okrenuta ka lancu testere (slika I2).
4. Umetnite spojni blok i sklopote spojni zavrtnj sa leptir navrtnjem (slika I3).

5. Nemojte sasvim zategnuti leptir navrtanj. Podesite položaj prednje pomoćne drške tako da se nalazi između vešalice remena za rame i naglavka teleskopske šipke (slika I4). Dršku treba podesiti tako da vam ruka bude ispružena kad koristite teleskopsku testeru.
6. Pritisnite nadole polugu za zaključavanje i zategnite leptir navrtanj tako da prednja pomoćna drška bude fiksirana i ne može da se okreće ili pomera na vratilu pogonske glave.

RUKOVANJE

⚠ OPASNOST: Nemojte nikada da sečete u blizini strujnih vodova, električnih kablova ili drugih električnih izvora. Ako se vodilica i lanac zaglave na bilo kakvom električnom kablov ili vodu, **NE DODIRUJTE VODILICU, LANAC ILI ŠIPKU! ONI MOGU DA BUDU POD NAPONOM I MOGU BITI VEOMA OPASNI.** Nastavite da držite teleskopsku testeru za izolovanu zadnju dršku ili je spustite na tlo i dalje od sebe na bezbedan način. Isključite oštećeni vod ili kabl iz električne mreže pre no što pokušate da oslobodite vodilicu i lanac od voda ili kabla. Kontakt sa vodilicom, lancem, drugim provodničkim delovima teleskopske testere ili električnim kablovima ili vodovima pod naponom može dovesti do smrti od strujnog udara ili ozbiljne povrede.

⚠ UPOZORENJE: Nemojte dozvoliti da vas poznavanje ovog proizvoda učini nemarnim. Imajte na umu da je za nanošenje teških povreda dovoljan samo delić sekunde nepažnje.

⚠ UPOZORENJE: Uvek nosite sigurnosne naočare sa ili bez bočnih štitnika. Nepostupanje u skladu sa tim može da rezultira odbacivanjem predmeta u oči i drugim mogućim teškim povredama.

⚠ UPOZORENJE: Uvek izvadite bateriju iz proizvoda kad sklapate delove, podešavate, čistite, transportujete ili kad ga ne koristite. Vađenje baterije će sprečiti nehotično pokretanje koje bi moglo da izazove ozbiljne telesne povrede.

⚠ UPOZORENJE: Ne koristite nikakve dodatke ili pribor koje nije preporučio proizvođač ovog proizvoda. Upotreba nepreporučenih dodataka ili pribora može da rezultira teškim telesnim povredama.

Pre svake upotrebe pregledajte celi proizvod na postojanje oštećenih, nedostajućih ili otpuštenih delova, kao što su vijci, navrtke, zavrtnji, kapiće, itd. Čvrsto zategnite sve spojeve i kapiće i ne rukujte ovih proizvodom dok svi nedostajući ili oštećeni delovi ne budu zamenjeni.

PRIMENE

Ovaj proizvod možete da upotrebljavate za svrhe navedene u nastavku:

- Sečenje grana
- Orezivanje

NAPOMENA: Alat treba koristiti samo za propisanu svrhu. Svaka druga upotreba smatra se slučajem zloupotrebe.

PUNJENJE REZERVOARA ZA ULJE MAZIVOM ZA VODILICU I LANAC

⚠ UPOZORENJE: Nemojte pušiti ili približavati plamen ulju ili teleskopskoj testeri. Ulje se može prosuti i izazvati požar.

NAPOMENA: U teleskopskoj testeri nema ulja u vreme kupovine. Suštinski je važno napuniti rezervoar uljem za lanac pre upotrebe. Rukovanje teleskopskom testerom bez ulja za lanac ili kad je nivo ulja ispod određene količine dovešće do oštećenja teleskopske testere. Radni vek i kapacitet sečenja lanca zavise od optimalnog podmazivanja. Lanac se automatski podmazuje uljem za lanac tokom rada, ako ima dovoljno ulja u rezervoaru. Nivo ulja treba proveravati i posle svakih 20 minuta upotrebe i dopunjavati po potrebi.

1. Izvadite bateriju iz pogonske glave.
2. Očistite kapicu rezervoara za ulje i oblast oko nje da biste osigurali da nikakva prljavština ne upadne u rezervoar za ulje.
3. Položite teleskopsku testeru na čvrstu, ravnu površinu, tako da kapica rezervoara za ulje bude okrenuta nagore a zatim skinite kapicu (slika J).
4. Pažljivo sipajte ulje za vodilicu i lanac u rezervoar dok se rezervoar ne napuni do grlića. Pazite da ne dozvolite da se ulje prosipa iz otvora. Obrišite eventualni višak ulja.

NAPOMENA:

- Nikad ne koristite ulje ili druge lubrikante koji nisu specifično dizajnirani za korišćenje na vodilici i lancu. To može da dovede do zapušnja u sistemu za ulje, što može da izazove prevremeno habanje vodilice i lanca.
- Često proveravajte nivo ulja i dopunjavajte po potrebi.
- Ne koristite prljavo, upotrebljavano ili drugo kontaminirano ulje. Može doći do oštećenja vodilice ili lanca.
- Normalno je da ulje pomalo curi iz testere kad nije u upotrebi. Da biste sprečili curenje, ispraznite rezervoar za ulje posle svake upotrebe a zatim pustite testeru da radi jedan minut. Kad skladištite alat na duži vremenski period, vodite računa da lanac bude blago podmazan; to će sprečiti rđu na lancu i lančaniku vodilice.

- Da bi se očuvali prirodni resursi, ulje pravilno reciklirajte ili odlažite na otpad. Obratite se lokalnoj službi za upravljanje otpadom radi informacija o dostupnim opcijama recikliranja i odlaganja na otpad.

PODEŠAVANJE TELESKOPSKE ŠIPKE (slika K)

1. Podignite polugu za brzo oslobađanje da biste otključali teleskopsku šipku.
2. Produžite teleskopsku šipku na potrebnu dužinu.
3. Pritisnite polugu za brzo oslobađanje nadole da biste čvrsto zaključali teleskopsku šipku.

SKLAPANJE REMENA ZA RAME

Pritisnite kukicu remena da biste je otvorili i pričvrstite je na vešalicu remena za rame na testeri (slika L). Podesite remen za rame u udoban radni položaj.

⚠ UPOZORENJE: Kada se desi hitan slučaj, odmah skinite remen sa ramena da biste izbegli povrede.

INSTALIRANJE/VAĐENJE BATERIJE

NAPOMENA! Potpuno napunite bateriju pre prve upotrebe.

Koristite samo sa baterijama i punjačima navedenim na slici A2.

Postavljanje

Poravnajte rebra baterije sa prorezima za montiranje i pritisnite bateriju nadole dok ne čujete „škljoc“ (slika M).

⚠ UPOZORENJE: Vodite računa da baterija bude zaključana na svom mestu pre rada. Ako baterija nije čvrsto smeštena, to bi moglo da izazove njeno ispadanje, dovodeći do ozbiljne telesne povrede.

⚠ UPOZORENJE: Uvek vodite računa o položaju svojih stopala i dece ili kućnih ljubimaca oko vas kad pritisnete dugme za oslobađanje baterije. Može doći do ozbiljnih povreda ako baterija ispadne. NIKAD ne vadite bateriju na visokom mestu.

Skidanje

Pritisnite dugme za oslobađanje baterije i izvucite bateriju (slika N).

LED RADNO SVETLO (slika O)

LED radno svetlo se nalazi na prednjem delu dodatka teleskopske testere, u ravni sa lancem testere. Ova funkcija korisnicima pruža dodatno svetlo da bi videli gde se nalazi lanac testere kad seku grane visoko na drvetu.

Radno svetlo će se automatski uključiti kad pritisnete okidač i isključuje se oko 10 sekundi nakon puštanja okidača.

POKRETANJE/ZAUSTAVLJANJE ALATA

Pre pokretanja teleskopske testere

⚠ UPOZORENJE: NIKAD NE RUKUJTE POGONSKOM GLAVOM BEZ DODATKA. Ne pokušavajte da pokrenete pogonsku glavu pre povezivanja dodatka teleskopske testere.

NAPOMENA: Pre pokretanja teleskopske testere, proverite brzo podešavanje zategnutosti lanca, nivo ulja i oštrinu zuba i lanca. Takođe su potrebni i metod hvatanja, uravnoteženo uporište i pravilna udaljenost od tla (slika Q).

Za pokretanje (slika P)

1. Instalirajte bateriju.
2. Vodite računa da u neposrednoj blizini nema nikakvih predmeta ili prepreka koje bi mogle doći u kontakt sa vodilicom i lancem.
3. Čvrsto uhvatite pomoćnu dršku i zadnju dršku, koristeći obe ruke.
4. Pritisnite i držite dugme za zaključavanje a zatim pritisnite okidač da biste pokrenuli testeru. Pustite dugme za zaključavanje i nastavite da pritisćete okidač za neprekidni rad.

⚠ UPOZORENJE: Ne pokušavajte da pokrenete testeru kad je lanac testere u rezu ili u dodiru sa bilo kojom površinom.

Za zaustavljanje

Odmaknite teleskopsku testeru dalje od oblasti sečenja a zatim pustite okidač da biste zaustavili teleskopsku testeru.

⚠ UPOZORENJE: Uvek izvadite bateriju iz teleskopske testere tokom pauza u radu i posle završetka rada.

OSNOVNA PROCEDURA SEČENJA (slika R)

Pratite korake ispod da biste sprečili oštećenje kore drveta ili žbuna. Ne koristite pokret testerisanja napred-nazad.

1. Napravite plitak prvi rez (1/4 prečnika grane) na donjoj strani grane, blizu glavnoj grani ili stablu.
2. Napravite drugi rez sa gornje strane grane, prema spoljašnjosti u odnosu na prvi rez. Nastavite rez kroz granu dok se grana ne odvoji od drveta. Budite spremni da uravnotežite težinu alata kad grana padne.
3. Napravite završni rez blizu stabla.

NAPOMENA: Za drugi i završni rez (sa gornje strane grane), držite šiljke za sečenje na komade uz granu koju sećete (slika S). To će pomoći da se grana stabilizuje i olakšaće sečenje. Pustite lanac da seče umesto vas;

primenjajte samo blag pritisak nadole. Ako silite sečenje, može doći do oštećenja vodilice, lanca ili motora.

S-1	Šiljci za sečenje na komade
-----	-----------------------------

- 4 Pustite okidač čim rez bude završen.

NAPOMENA: Nepoštovanje pravilnih procedura sečenja dovešće do zapinjanja vodilice i lanca i njihovog prikleštenja ili zaglavlivanja u grani. Ako se to desi:

1. Zaustavite motor i izvadite bateriju.
2. Ako možete da dohvatite granu sa tla, podignite granu dok držite testeru. To bi trebalo da otpusti prikleštenje i oslobodi testeru.
3. Ako je testera i dalje zaglavljena, pozovite stručnjaka radi pomoći.

SEČENJE GRANA I OREZIVANJE

Ova teleskopska testera je dizajnirana za potkresivanje grančica i grana prečnika do 20 cm (za alat sa vodilicom od 25 cm) ili 25 cm (za alat sa vodilicom od 30 cm). Za najbolje rezultate, pridržavajte se sledećih mera opreza:

1. Pažljivo planirajte rez. Vodite računa o smeru u kojem će grana pasti.
2. Najtipičnija primena sečenja je postavljanje jedinice pod uglom od 60° ili manjim, u zavisnosti od konkretne situacije, kako je prikazano na slici T. Kako se povećava ugao vratila teleskopske testere u odnosu na tlo, povećava se i težina pravljenja prvog reza (sa donje strane grane).
3. Duge grane uklanjajte u nekoliko faza.
4. Prvo secite niže grane da biste napravili više mesta za pad gornjih grana.
5. Radite polako, držeći obe ruke na testeru sa čvrstim hvatom. Održavajte sigurno uporište i ravnotežu.
6. Drvo uvek treba da bude između vas i lanca dok orezujete. Secite sa strane drveta koja je suprotna od grane koju sećete.
7. Ne secite sa lestava; to je krajnje opasno. Ostavite takve zahvate stručnjacima.
8. Ne pravite rez u ravni glavne grane ili stabla dok ne budete odsekli veći deo grane da smanjite težinu. Poštovanje pravilnih procedura sečenja će sprečiti guljenje kore sa glavne grane ili stabla.
9. Ne koristite teleskopsku testeru za obaranje ili sečenje stabla na komade.

10. Radi izbegavanja strujnog udara, nemojte da radite u opsegu od 15 m od nadzemnih električnih vodova (slika T).
11. Držite prolaznike na udaljenosti od najmanje 15 m (slika T).

ODRŽAVANJE

⚠ UPOZORENJE: Pre pregleda, čišćenja ili servisiranja jedinice, zaustavite motor, sačekajte da se svi pokretni delovi zaustave i izvadite komplet baterija. Zanemarivanje ovih uputstava može da rezultira teškim povredama ili materijalnom štetom.

⚠ UPOZORENJE: Kada obavljate radove servisiranja, upotrebljavajte samo identične zamenske delove. Upotreba bilo kakvih drugih delova može da dovede do opasnosti ili da izazove oštećenje proizvoda. Da bi se osigurala sigurnost i pouzdanost, sve popravke, osim stavki navedenih u ovom uputstvu za održavanje, treba da radi kvalifikovani servisni tehničar.

⚠ UPOZORENJE: Uvek nosite rukavice kad rukujete lancem testere. Lanac je oštar i može imati oštre ivice.

OPŠTE ODRŽAVANJE

Izbegavajte korišćenje rastvarača kada čistite plastične delove. Većina plastike je podložna oštećenjima od raznih tipova komercijalnih rastvarača i može se oštetiti njihovom upotrebom. Za uklanjanje prljavštine, prašine, ulja, masti i sl. upotrebljavajte čiste krpe.

ČIŠĆENJE

- Nakon svake upotrebe, očistite prljavštinu sa lanca i vodilice pomoću meke četke. Obrišite površinu teleskopske testere čistom krpom navlaženom rastvorom blagog sapuna.
- Skinite bočni poklopac a zatim mekom četkom uklonite prljavštinu sa vodilice, lanca, lančanika i bočnog poklopca.
- Uvek očistite iverje, piljevinu i zemlju iz žleba vodilice kad zamenjujete lanac.

Svo servisiranje teleskopske testere, osim stavki navedenih u ovom uputstvu za održavanje, treba da radi kvalifikovano osoblje u servisu za teleskopske testere.

ZAMENJIVANJE VODILICE I LANCA

Kad zamenjujete vodilicu i lanac, uvek koristite kombinaciju vodilice i lanca navedenu u odeljku „Preporučena vodilica i lanac za ovu teleskopsku testeru“.

1. Izvadite bateriju i pustite da se testera ohladi. Vodite računa da kapica rezervoara za ulje bude zavrnutu da bi se sprečilo curenje ulja.

2. Postavite teleskopsku testeru na bočnu stranu na čvrstu, ravnu površinu, tako da bočni poklopac bude okrenut nagore.
3. Nosite rukavice. Uklonite bočni poklopac (slika U). Obrišite bočni poklopac suvom krpom.
4. Skinite pohabanu vodilicu i lanac sa montažne površine.
5. Instalirajte novu vodilicu i lanac testere prateći uputstva za „SKLAPANJE VODILICE I LANCA“ u odeljku „SKLAPANJE“.

NAPOMENA: To je dobar trenutak da pogledate da li je pogonski lančanik prekomerno pohaban ili oštećen.

ODRŽAVANJE VODILICE

Kad vodilica pokaže znake habanja, rasklopite je sa testere. Uklonite vijak i ploču za podešavanje, okrenite vodilicu (slika V) i ponovo instalirajte ploču za podešavanje na novu stranu vodilice (slika W) da biste rasporedili habanje radi maksimalnog radnog veka vodilice. Vodilicu treba čistiti svakog dana nakon upotrebe i proveravati da li je pohabana i oštećena. Krivljenje ili deformisanje šina vodilice je normalan proces habanja vodilice. Takve nedostatke treba izravnati turpijom čim se pojave. Vodilicu sa bilo kojim od sledećih nedostataka treba zameniti.

- Habanje unutar šina vodilice koje omogućava lancu da leži bočno.
- Savijena vodilica.
- Napukle ili polomljene šine.
- Raširene šine.

Pored toga, vodilica ima lančanik na vrhu. Lančanik se mora svake nedelje podmazivati špricom za mazivo da bi se produžio radni vek vodilice. Koristite špic za mazivo da biste svake nedelje uljem za lanac podmazali kroz rupicu za podmazivanje (slika X). Okrenite vodilicu i proverite da li u rupicama za podmazivanje i žlebu lanca ima nečistoća.

X-1	Lančanik u vrhu vodilice
X-2	Rupica za podmazivanje

ODRŽAVANJE LANCA

Na ovoj testeru koristite samo lance sa malim povratnim udarcem. Ovaj brzi lanac za sečenje će omogućiti smanjenje povratnog udarca ako se pravilno održava.

Pravilno naoštren lanac seče drvo bez napora, čak i sa veoma malo pritiska.

Nikad ne koristite tup ili oštećen lanac. Tup lanac dovodi do povećanog fizičkog naprezanja, povećanih vibracija, nezadovoljavajućih rezultata sečenja i povećanog habanja.

Za glatko i brzo sečenje, lanac testere treba pravilno održavati. Kad je iverje sitno i praškasto, kad se lanac mora siliti kroz drvo tokom sečenja ili kad lanac seče na jednu stranu su indikatori da je lancu potrebno oštrenje. Tokom održavanja lanca testere, uzmite u obzir sledeće:

- Nepravilan ugao turpijanja bočne ploče može da poveća rizik od ozbiljnog povratnog udarca.
- Zazor grabulja (merača dubine). Suviše nizak povećava potencijal za povratni udarac. Nedovoljno nizak smanjuje sposobnost sečenja.
- Ako zubi udare tvrde predmete, poput eksera i kamenja, ili ako su izjedeni blatom ili peskom na drvetu, odnesite lanac na oštrenje kod kvalifikovanog servisnog tehničara.

TRANSPORTOVANJE I SKLADIŠTENJE

- Ne skladištite ili transportujte dodatak teleskopske testere dok radi. Uvek izvadite bateriju pre skladištenja ili transportovanja.
- Uvek stavite navlaku za vodilicu na vodilicu i lanac pre skladištenja ili transportovanja dodatka teleskopske testere. Budite oprezni da biste izbegli oštre zube lanca.
- Temeljno očistite teleskopsku testeru pre no što je uskladištite. Skladištite teleskopsku testeru u zatvorenom prostoru, na suvom mestu koje je zaključano i/ili nedostupno deci i držite je dalje od korozivnih sredstava poput baštenskih hemikalija i soli za odmrzavanje.

Zaštita životne sredine



Ne odlažite električnu opremu, potrošene baterije i punjače u kućni otpad!

Odnosite ovaj proizvod u ovlašćeni pogon za reciklažu ili ga odvojite od ostalog smeća radi zasebnog prikupljanja.

Električni alati moraju se odneti u ekološki prihvatljiv pogon za reciklažu.

REŠAVANJE PROBLEMA

PROBLEM	UZROK	REŠENJE
MOTOR NE RADI.	<ul style="list-style-type: none"> ■ Baterija nije spojena na teleskopsku testeru. ■ Nema električnog kontakta između testere i baterije. ■ Komplet baterija je ispražnjen. ■ Dugme za zaključavanje nije pritisnuto pre pritiskanja okidača. ■ Baterija ili pogonska glava su prevrući. ■ Lanac testere je zaglavljen u drvetu. ■ Vodilica i lanac su nakrivo i nisu paralelni sa kućištem. ■ Prjavština u žlebu vodilice. ■ Prjavština u bočnom poklopcu. 	<ul style="list-style-type: none"> ■ Spojite bateriju na teleskopsku testeru. ■ Izvadite bateriju, proverite kontakte i ponovo instalirajte bateriju. ■ Napunite bateriju. ■ Pritisnite nadole polugu za zaključavanje i držite je, zatim pritisnite okidač da biste uključili teleskopsku testeru. ■ Ostavite bateriju ili pogonsku glavu da se hlade dok temperatura ne padne u preporučeni opseg radne temperature. ■ Pustite okidač, izvadite lanac testere i vodilicu iz drveta, a zatim ponovo pokrenite teleskopsku testeru. ■ Izvadite bateriju i nameštite vodilicu i lanac prateći odeljak ZAMENJIVANJE VODILICE I LANCA. Uvek vodite računa da držite vodilicu i lanac paralelno sa montažnom površinom pre no što instalirate bočni poklopac. ■ Pritisnite lanac testere na drvo i pomerajte teleskopsku testeru unapred i unazad da biste uklonili prjavštinu. ■ Izvadite bateriju a zatim skinite bočni poklopac i očistite prjavštinu.

PROBLEM	UZROK	REŠENJE
Motor radi ali lanac se ne okreće.	<ul style="list-style-type: none"> ■ Lanac ne dodiruje pogonski lančanik. ■ Nedovoljna zategnutost lanca. ■ Tup lanac. ■ Lanac instaliran unazad. ■ Pohaban lanac. ■ Suv ili prekomerno rastegnut lanac. ■ Lanac nije u žlebu vodilice. 	<ul style="list-style-type: none"> ■ Izvadite bateriju i ponovo instalirajte lanac, vodeći računa da pogonske alke na njemu budu potpuno postavljene na lančanik. ■ Prvo olabavite dugme za brzo podešavanje zategnutosti lanca najmanje jedan krug suprotno kazaljki na satu a zatim ga potpuno zategnite u smeru kazaljke na satu dok lanac ne bude pravilno zategnut. ■ Naoštrite zube lanca kod kvalifikovanog servisnog tehničara. ■ Izvadite bateriju i ponovo instalirajte lanac testere, prateći odeljak „ZAMENJIVANJE VODILICE I LANCA“. ■ Izvadite bateriju i zamenite lanac, prateći odeljak „ZAMENJIVANJE VODILICE I LANCA“. ■ Proverite nivo ulja. Dopunite rezervoar za ulje ako je neophodno. ■ Izvadite bateriju i ponovo instalirajte lanac testere, prateći odeljak „ZAMENJIVANJE VODILICE I LANCA“.
Vodilica i lanac se zagrevaju i dime.	<ul style="list-style-type: none"> ■ Rezervoar ulja za lanac je prazan. ■ Prljavština u žlebu vodilice. 	<ul style="list-style-type: none"> ■ Sipajte mazivo za vodilicu i lanac. ■ Očistite prljavštinu iz žleba.

GARANCIJA

EGO POLITIKA GARANCIJE

Posetite veb-lokaciju egopowerplus.com za potpune uslove i odredbe EGO politike garancije.

PROČITAJTE UPUTSTVO U CIJELOSTI!



PROČITAJTE KORISNIČKI PRIRUČNIK

⚠ Preostale opasnosti! Osobe s elektroničkim uređajima poput srčanih elektrostimulatora prije upotrebe ovog proizvoda trebaju se posavjetovati sa svojim ljekarom. Rad električne opreme u neposrednoj blizini srčanih elektrostimulatora može uzrokovati smetnju ili kvar srčanog elektrostimulatora.

⚠ UPOZORENJE! Radi osiguranja sigurnosti i pouzdanosti, sve popravke treba obavljati kvalifikovani servisni tehničar.

SIGURNOSNI SIMBOLI

Svrha sigurnosnih simbola je skretanje pažnje na moguće opasnosti. Sigurnosni simboli i njihova objašnjenja zahtijevaju vašu potpunu pažnju i razumijevanje. Simboli upozorenja sami po sebi ne isključuju opasnost. Uputstva i upozorenja koja simboli pružaju nisu zamjena za propisne mjere za prevenciju nesreća.

⚠ UPOZORENJE! Prije upotrebe ovog alata pobrinite se da sva sigurnosna uputstva u ovom korisničkom priručniku, uključujući sve sigurnosne simbole kao što su “**OPASNOST**,” “**UPOZORENJE**,” i “**OPREZ**” pročitate s razumijevanjem. Zanemarivanje svih uputstava navedenih u nastavku može rezultirati strujnim udarom, požarom i/ili teškim tjelesnim povredama.

ZNAČENJE SIMBOLA

Na ovoj stranici slikovno su prikazani i objašnjeni sigurnosni simboli koji se mogu pojaviti na ovom proizvodu. Prije pokušaja sastavljanja i rukovanja, s razumijevanjem pročitate sva uputstva na proizvodu i pridržavajte ih se.



Simbol upozorenja



Radi smanjenja opasnosti od povreda, prije upotrebe ovog proizvoda korisnik treba s razumijevanjem pročitati ovaj korisnički priručnik.



Nosite zaštitu za oči.



Nosite zaštitu za glavu.



Nosite zaštitu za sluh.



Nosite zaštitne rukavice.



Zagarantovani nivo zvučne snage. Emisija buke u okruženju u skladu je s Direktivom Evropske unije.

BS

IPX4 Stepen zaštite od prodiranja



Nosite sigurnosnu obuću.



Radi izbjegavanja strujnog udara, nemojte raditi u opsegu od 15 m od nadzemnih električnih vodova. Kontakt sa strujnim vodovima ili upotreba u blizini strujnih vodova može uzrokovati teške povrede ili strujni udar sa smrtnim ishodom.



Ne izlažite alat kiši.



Ovaj proizvod je u skladu s primjenjivim direktivama EU.



Ovaj proizvod je u skladu s važećim zakonodavstvom Velike Britanije.



Otpadni električni proizvodi ne smiju se odlagati s otpadom iz domaćinstva. Odnosite ih u ovlašteni centar za reciklažu.



Istosmjerna struja

V Napon

TEHNIČKI PODACI

Nazivni napon	56 V	
Dužina vodilice	25 cm	
Korak lanca	6,4 mm (1/4")	
Veličina karike lanca	1,1 mm (0,043")	
Zapremina spremnika za ulje	80 ml	
Broj pogonskih karika	56	
Dužina alata (bez produžnog držala)	Maks. 292 cm Min. 233 cm	
Preporučena radna temperatura	-15°C - 40°C	
Preporučena temperatura skladištenja	-20°C - 70°C	
Preporučena temperatura punjenja	5°C - 40°C	
Masa (bez kompleta baterija, zaštitne navlake za lanac)	4,25 kg	
Izmjereni nivo zvučne snage L_{WA}	97 dB(A) K = 2,5 dB(A)	
Nivo zvučnog pritiska u radnom položaju L_{PA}	82 dB(A) K=3 dB(A)	
Zagarantovani nivo zvučne snage L_{WA} (u skladu s Direktivom 2000/14/EZ)	100 dB(A)	
Vibracije a_n	Prednji pomoćni rukohvat	1,19 m/s ² K=1,5 m/s ²
	Stražnji rukohvat	1,01 m/s ² K=1,5 m/s ²

- Deklarisane ukupne vrijednosti vibracija izmjerene su u skladu sa standardnom metodom ispitivanja i mogu se primjenjivati za poređenje jednog alata s drugim.
- Deklarisane ukupne vrijednosti vibracija mogu se primjenjivati i u preliminarnoj procjeni izloženosti.

NAPOMENA! Emisija vibracija tokom aktuelne upotrebe električnog alata može se razlikovati od deklarisanе vrijednosti u kojoj se alat upotrebljavao; Korisnik radi zaštite treba nositi rukavice i štitnike za uši u aktuelnim uslovima upotrebe.

OPIS

UPOZNAJTE SVOJU ŠTAPNU ŽAGU (sl. A1)

1. Okretno dugme za brzo podešavanje zategnutosti lanca
2. LED radno svjetlo
3. Bočni poklopac
4. Držač ramene trake
5. Produžno držalo
6. Dugme za deblokadu
7. Okidni prekidač
8. Stražnji rukohvat
9. Dugme za oslobađanje baterije
10. Prednji pomoćni rukohvat
11. Ručica za brzo otpuštanje
12. Teleskopska šipka
13. Ramena traka
14. Čep spremnika za ulje
15. Spremnik za ulje
16. Odstojnici
17. Vodilica
18. Lanac žage
19. Zaštitna navlaka za lanac

SADRŽAJ PAKOVANJA (sl. A1)

Preporučena vodilica i preporučeni lanac za ovu štapnu žagu

NAZIV DIJELA	BROJ MODELA
Vodilica	AG1000Q, AG1200Q
Lanac žage	AC1000Q, AC1200Q

SASTAVLJANJE

⚠ UPOZORENJE! Ako je bilo koji dio oštećen ili ako nedostaje, nemojte upotrebljavati ovaj proizvod dok ne zamijenite dijelove. Upotreba ovog proizvoda oštećenih dijelova ili dijelova koji nedostaju može rezultirati teškim tjelesnim povredama.

⚠ UPOZORENJE! Nemojte pokušavati da modifikujete ovaj proizvod ili da pravite pribor koji nije preporučen za upotrebu s ovim proizvodom. Sve takve izmjene ili modifikacije predstavljaju nepropisnu upotrebu i mogu rezultirati opasnim stanjima koja mogu dovesti do mogućih teških tjelesnih povreda.

⚠ UPOZORENJE! Kada postavljate dijelove, obavljate radove podešavanja, čišćenja ili kada ne upotrebljavate proizvod, komplet baterija uvijek izvadite iz proizvoda.

POSTAVLJANJE VODILICE I LANCA

1. Štapnu žagu položite na čvrstu, ravnu površinu tako da bočni poklopac bude okrenut prema gore.
2. Nosite rukavice. Uklonite bočni poklopac (sl. B).
3. Položite novi lanac žage kružno u obliku omče na ravnu površinu i ispravite eventualne pregibe.
4. Stavite pogonske karike lanca u žlijeb vodilice. Pozicionirajte lanac tako da se na stražnjoj strani vodilice napravi omča (sl. C).

C-1	Pogonske karike lanca
C-2	Žlijeb vodilice

5. Držite lanac u položaju na vodilici i stavite omču oko lančanika štapne žage.

NAPOMENA! U kućištu alata ugravirani su mala strelica za smjer i rezač (sl. D). Kada postavljate lanac žage na vodilicu, vodite računa da nakon postavljanja vodilice smjer lanca žage bude u skladu sa strelicom smjera rotacije na kućištu alata i da oblik rezača na gornjoj strani vodilice odgovara obliku rezača na kućištu. Ako su strelice usmjerene u suprotnim smjerovima, ponovo postavite lanac žage na vodilicu tako da strelice budu usmjerene u istom smjeru. Vodilicu treba postaviti s pločom za podešavanje okrenutom od kućišta.

6. Vodilicu i lanac držite paralelno s površinom za postavljanje. Pričvrstite bočni poklopac na kućište tako da rupe/osovine i vijak za učvršćivanje/otvor s navojem budu pravilno poravnati (sl. E). Pritisnite bočni poklopac prema kućištu, a zatim potpuno pritegnite dugme za brzo podešavanje zategnutosti lanca u smjeru kretanja kazaljki na satu. Ekscentrični zupčanik u bočnom poklopcu dizajniran je tako da se lanac ne može previše zategnuti.

NAPOMENA! Ako lanac postane labav, okrenite dugme za brzo podešavanje zategnutosti lanca u smjeru suprotnom smjeru kretanja kazaljki na satu barem jedan krug, a zatim ga potpuno pritegnite.

7. Okrenite lanac rukom da provjerite je li pravilno postavljen bez zastoja. U suprotnom ponovo postavite lanac i vodilicu.

PRIKLJUČIVANJE PRIKLJUČKA ŠTAPNE ŽAGE NA POGONSKU JEDINICU

Ova štapna žaga radi u kombinaciji priključka štapne žage i pogonske jedinice (sl. F).

F-1	Priključak štapne žage
F-2	Pogonska jedinica

⚠ UPOZORENJE! Priključak štapne žage nemojte nikada pričvršćivati ili podešavati dok pogonska jedinica radi ili kada je baterija postavljena. Zanemarivanje zaustavljanja motora i vadenja baterije može rezultirati teškim tjelesnim povredama.

Priključak štapne žage se na pogonsku jedinicu priključuje pomoću spojke.

1. Zaustavite motor i izvadite komplet baterija.
2. Otpustite krilnu maticu.
3. Poravnajte strelicu na držalu štapne žage sa strelicom na spojki i držalo štapne žage gurajte u spojku dok ne začujete zvuk klikanja koji ukazuje da je držalo štapne žage postavljeno u ležište (sl. G).

G-1	Krilna matica	G-3	Strelica na spojki
G-2	Dugme za otpuštanje držala	G-4	Strelica na držalu štapne žage

4. Povucite držalo priključka kako biste se uvjerali da je dobro uleglo u spojku. Ako to nije slučaj, držalo štapne žage okrećite na jednu pa na drugu stranu u spojki dok ne ulegne u ležište.
5. Dobro pritegnite krilnu maticu.

⚠ UPOZORENJE! Prije rukovanja opremom uvjerite se da je krilna matica za potpuno pritegnuta; tokom upotrebe povremeno provjeravajte pritegnutost radi izbjegavanja teških tjelesnih povreda.

SPAJANJE PRODUŽNOG DRŽALA IZMEĐU POGONSKE JEDINICE I PRIKLJUČKA ŠTAPNE ŽAGE (model br. EP1000)

⚠ UPOZORENJE! Priključak nemojte nikada pričvršćivati ili podešavati dok pogonska jedinica radi ili kada je baterija postavljena. Zanemarivanje zaustavljanja motora i vadenja baterije može rezultirati teškim tjelesnim povredama.

Ovo produžno držalo isključivo je predviđeno za upotrebu s modelom EGO PS1000E. Nemojte ga nikada upotrebljavati s drugim EGO priključcima.

Produžno držalo povećava dužinu alata za 100 cm i proširuje doseg rezanja. Produžno držalo je potrebno spojiti između priključka štapne žage i pogonske jedinice. Na jednom alatu mogu se upotrebljavati najviše dva produžna držala (prodaju se zasebno).

Za postavljanje produžnog držala između priključka štapne žage i pogonske jedinice (sl. H) pratite upute iz postupka navedenog u odjeljku **“PRIKLJUČIVANJE PRIKLJUČKA ŠTAPNE ŽAGE NA POGONSKU JEDINICU”**.

H-1	Spojnica na produžnom držalu
H-2	Spojnica na pogonskoj jedinici

NAPOMENA! Kada se pravilno sastave, priključak štapne žage, produžno držalo i pogonska jedinica ne smiju se odvojiti kada se povuku. Uvijek provjerite spoj povlačenjem. Ako se dijelovi mogu odvojiti, ponovite prethodno navedene korake.

⚠ UPOZORENJE! Zanemarivanje postupka osiguravanja priključka i pogonske jedinice/produžnog držala kako je prethodno navedeno može rezultirati teškim povredama ili smrću.

SKIDANJE PRIKLJUČKA S POGONSKE JEDINICE

1. Zaustavite motor i izvadite komplet baterija.
2. Otpustite krilnu maticu.
3. Pritisnite dugme za otpuštanje držala i s pritisnutim dugmetom povucite ili zakrenite držalo štapne žage iz spojnice da ga odvojite od pogonske jedinice ili produžnog držala (ako se upotrebljava).
4. Ponovite postupak za odvajanje produžnog držala od pogonske jedinice (ako se upotrebljava produžno držalo).

POSTAVLJANJE I PODEŠAVANJE PREDNJEG POMOĆNOG RUKOHVATA

1. Zaustavite motor i izvadite komplet baterija.
2. Otpustite krilnu maticu i uklonite je sa steznim matičnim vijkom s prednjeg pomoćnog rukohvata (sl. I1).

I-1	Prednji pomoćni rukohvat	I-4	Krilna matica
I-2	Ručica za završavanje	I-5	Stezni blok
I-3	Stezni matični vijak		

3. Pritisnite pomoćni rukohvat na držalo pogonske jedinice i okrenite ga prema dolje tako da bude usmjeren prema lancu žage (sl. I2).
4. Umetnite stezni blok i montirajte stezni matični vijak s krilnom maticom (sl. I3).
5. Nemojte potpuno pritezati krilnu maticu. Podesite položaj prednjeg pomoćnog rukohvata tako da bude između držača ramene trake i rukavca teleskopske šipke (sl. I4). Rukohvat je potrebno podesiti tako da vam ruka bude ravna kada upotrebljavate štapnu žagu.
6. Pritisnite ručicu za završavanje i pritegnite krilnu maticu tako da prednji pomoćni rukohvat bude osiguran od okretanja ili pomicanja na držalu pogonske jedinice.

RAD

⚠ OPASNOST! Nemojte nikada rezati u blizini strujnih vodova, električnih kabela ili drugih električnih izvora. Ako se vodilica i lanac zaglave u strujni kabel ili vod, **NEMOJTE DODIRIVATI VODILICU, LANAC ILI ŠTAP! ONI MOGU POSTATI ELEKTRIČNO VODLJIVI I VRLO OPASNI.**

Štapnu žagu nastavite držati za izolirani stražnji rukohvat ili je na siguran način položite na tlo i podalje od sebe. Prije pokušaja oslobađanja vodilice ili lanca iz strujnog voda ili kabela isključite strujno napajanje oštećenog voda ili kabela. Kontakt s vodilicom, lancem, drugim vodljivim dijelovima štapne žage ili električnim kablom ili vodovima pod naponom može rezultirati smrću ili teškim povredama uslijed strujnog udara.

⚠ UPOZORENJE! Nemojte dozvoliti da vas poznavanje ovog proizvoda učini nepažljivim. Imajte na umu da je za nanošenje teških povreda dovoljan samo djelić sekunde nepažnje.

⚠ UPOZORENJE! Uvijek nosite zatvorene zaštitne naočale ili zaštitne naočale s bočnim štitičima. Nepostupanje u skladu s tim može rezultirati odbacivanjem predmeta u oči i drugim mogućim teškim povredama.

⚠ UPOZORENJE! Kada postavljate dijelove, obavljate radove podešavanja, čišćenja, transporta ili kada ne upotrebljavate proizvod, komplet baterija uvijek izvadite iz proizvoda. Vađenjem kompleta baterija spriječit će se iznenadno pokretanje koje može uzrokovati teške tjelesne povrede.

⚠ UPOZORENJE! Nemojte upotrebljavati priključke ili pribor koje nije preporučio proizvođač ovog proizvoda. Upotreba nepreporučenih priključaka ili pribora može rezultirati teškim tjelesnim povredama.

Prije svake upotrebe pregledajte cijeli proizvod na postojanje oštećenih, nedostajućih ili otpuštenih dijelova, kao što su vijci, matice, osovinice, kapice, itd. Dobro pritegnite sve pričvrstne elemente i kapice i nemojte upotrebljavati ovaj proizvod dok ne postavite sve dijelove koji nedostaju ili zamijenite sve oštećene dijelove.

PRIMJENE

Ovaj proizvod možete upotrebljavati za svrhe navedene u nastavku:

- orezivanje grana
- obrezivanje grana

⚠ NAPOMENA! Alat se smije upotrebljavati samo za prethodno opisanu namjenu. Svaka druga upotreba smatra se nepropisnom upotrebom.

PUNJENJE SPREMNIKA ULJA MAZIVOM ZA VODILICU I LANAC

⚠ UPOZORENJE! Nemojte pušiti ili upotrebljavati vatru ili plamen u blizini ulja ili štapne žage. Ulje može iscuriti i izazvati požar.

NAPOMENA! Štapna žaga nije napunjena uljem u vrijeme kupovine. Prije upotrebe važno je da se spremnik napuni uljem za lanac. Rad štapne žage bez ulja za lanac ili kada je nivo ulja ispod određene količine rezultirat će oštećenjem štapne žage. Životni vijek lanca i kapacitet rezanja zavise od optimalnog podmazivanja. Tokom rada lanac se automatski podmazuje uljem za lanac ako u spremniku ima dovoljno ulja. Zbog toga je nivo maziva potrebno provjeravati nakon svakih 20 minuta upotrebe i prema potrebi dopuniti mazivo.

1. Izvadite komplet baterija iz pogonske jedinice.
2. Očistite čep spremnika za ulje i okolno područje kako biste osigurali da u spremnik za ulje ne upada nečistoća.
3. Štapnu žagu položite na čvrstu, ravnu površinu tako da čep spremnika za ulje bude okrenut prema gore, a zatim uklonite čep (sl. J).
4. Pažljivo napunite spremnik uljem za vodilicu i lanac do gornjeg ruba. Budite pažljivi i nemojte dozvoliti da se ulje izlije iz otvora. Obrišite višak ulja.

NAPOMENA!

- Nemojte nikada upotrebljavati ulja ili druga maziva koji nisu posebno predviđeni za upotrebu za vodilicu i lanac. To može uzrokovati začepljenje sistema ulja, a time i prijevremeno trošenje vodilice i lanca.
- Često provjeravajte nivo ulja i dolijevajte po potrebi.
- Nemojte upotrebljavati prljava, iskorištena ili na drugi način kontaminirana ulja. Time se može oštetiti vodilica ili lanac.

- Normalna je pojava da žaga ispušta ulje kada se ne upotrebljava. Kako biste spriječili prolijevanje ulja, spremnik za ulje ispraznite nakon svake upotrebe i zatim pustite da žaga radi jednu minutu. Ako ćete alat skladištiti na duži vremenski period, provjerite je li lanac lagano podmazan kako biste spriječili hrđanje lanca i lančanika.
- Radi zaštite prirodnih resursa, ulje propisno reciklirajte ili odložite u otpad. Za informacije o dostupnim opcijama za reciklažu i odlaganje u otpad obratite se lokalnoj službi za zbrinjavanje otpada.

PODEŠAVANJE TELESKOPSKE ŠIPKE (sl. K)

1. Podignite ručicu za brzo otpuštanje da odbravite teleskopsku šipku.
2. Produžite teleskopsku šipku na željenu dužinu.
3. Pritisnite ručicu za brzo otpuštanje prema dolje da zavravite teleskopsku šipku.

POSTAVLJANJE RAMENE TRAKE

Pritisnite kukicu za postavljanje ramene trake da je otvorite i pričvrstite je na držač ramene trake na žagi (sl. L). Podesite ramenu traku u ugodan položaj za rad.

⚠ UPOZORENJE! U slučaju nužde ramenu traku odmah skinite s ramena da izbjegnute povrede.

POSTAVLJANJE/SKIDANJE KOMPLETA BATERIJA

NAPOMENA! Komplet baterija potpuno napunite prije prve upotrebe.

Proizvod upotrebljavajte samo s kompletima baterija i punjačima koji su navedeni na sl. A2.

Postavljanje

Poravnajte kontakte baterije s montažnim utorima i pritisnite komplet baterija prema dolje dok ne začujete zvuk klikanja (sl. M).

⚠ UPOZORENJE! Prije rada uvjerite se da je komplet baterija čvrsto postavljen u ležište. Ako komplet baterija nije dobro pričvršćen, može ispasti i izazvati teške tjelesne povrede.

⚠ UPOZORENJE! Kada pritisćete dugme za oslobađanje baterije, uvijek pazite na položaj stopala, djecu ili kućne ljubimce oko vas. Ako komplet baterija padne, može doći do teških povreda. Komplet baterija nemojte NIKADA vaditi na visokom položaju.

Skidanje

Pritisnite dugme za oslobađanje baterije i izvucite komplet baterija (sl. N).

LED RADNO SVJETLO (sl. O)

LED radno svjetlo nalazi se na prednjoj strani priključka štapne žage, u visini lanca žage. Ova funkcija korisniku pruža dodatno svjetlo kako bi mogao vidjeti gdje se nalazi lanac žage kada reže grane visoko na stablu.

Radno svjetlo se uključuje automatski kada se pritisne okidni prekidač, a isključuje se oko 10 sekundi nakon otpuštanja okidnog prekidača.

POKRETANJE/ZAUSTAVLJANJE ALATA

Prije pokretanja štapne žage

⚠ UPOZORENJE! POGONSKU JEDINICU NEMOJTE NIKADA UPOTREBLJAVATI BEZ PRIKLJUČKA.

Nemojte pokušavati da pokrenete pogonsku jedinicu prije priključivanja priključka štapne žage.

NAPOMENA! Prije pokretanja štapne žage provjerite brzo podešavanje zategnutosti lanca, nivo ulja i oštrinu lanca i zubaca. Potrebni su i metoda zahvata, stabilno uporište i propisna udaljenost od tla (sl. Q).

Pokretanje (sl. P)

1. Postavite komplet baterija.
2. Uvjerite se da u neposrednoj blizini nema predmeta ili zapreka koji bi mogli doći u kontakt s vodilicom i lancem.
3. Objema rukama čvrsto prihvatite pomoćni i stražnji rukohvat.
4. Za pokretanje žage pritisnite dugme za deblokadu i držite ga pritisnutim, a zatim pritisnite okidni prekidač. Otpustite dugme za deblokadu i nastavite stiskati okidni prekidač za kontinuirani rad.

⚠ UPOZORENJE! Nemojte pokušavati pokretati žagu kada lanac žage ostane u drvetu ili u kontaktu s bilo kakvom površinom.

Zaustavljanje

Odmaknite štapnu žagu od područja rezanja, a zatim otpustite okidni prekidač da zaustavite štapnu žagu.

⚠ UPOZORENJE! Komplet baterija uvijek izvadite iz štapne žage tokom pauza i nakon završetka radova.

OSNOVNI POSTUPAK REZANJA (sl. R)

Radi izbjegavanja oštećenja stabla ili kore pratite korake u nastavku. Nemojte pomjerati žagu nazad i naprijed.

1. Napravite prvi površinski rez (1/4 prečnika grane) na donjoj strani grane pored glavne grane ili debla.

2. Napravite drugi rez na gornjoj strani grane, van prvog reza. Nastavite rezati kroz granu dok se grana ne odvoji od stabla. Budite spremni održavati ravnotežu mase alata pri padu grane.
3. Napravite završni rez u blizini debla.

NAPOMENA! Za druge i završne rezove (s gornje strane grane ili ogranka) naslonite odbojnik na granu koju je potrebno odrezati (sl. S). Time će se omogućiti čvrsto držanje grane i olakšati rezanje. Dozvolite lancu da reže. Primijenite samo blagi pritisak prema dolje. Primjena sile pri rezanju može rezultirati oštećenjem vodilice, lanca ili motora.

S-1	Odstojnici
-----	------------

4. Otpustite okidni prekidač čim završite s rezom.

NAPOMENA! Zanemarivanje propisnih postupaka rezanja rezultirat će spajanjem i zaglavljivanjem ili zaustavljanjem vodilice i lanca u grani. U tom slučaju:

1. Zaustavite motor i izvadite komplet baterija.
2. Ako je granu moguće dohvatiti s tla, podignite je držeći žagu. Na taj bi se način trebalo otkloniti zaglavljenje i osloboditi žagu.
3. Ako je žaga još uvijek zaglavljena, za pomoć se obratite stručnoj osobi.

OREZIVANJE I OBREZIVANJE GRANA

Ova štapna žaga predviđena je za rezanje malih ogranka i grana prečnika do 20 cm (za alat s vodilicom dužine 25 cm) ili 25 cm (za alat s vodilicom dužine 30 cm). Za najbolje rezultate obratite pažnju na sljedeće mjere opreza:

1. Pažljivo isplanirajte rez. Pazite na smjer u kojem će grana pasti.

⚠ UPOZORENJE! Grane mogu pasti u neočekivanim smjerovima. Nemojte stajati direktno ispod grane koju režete.

2. Uobičajena primjena kod postupka rezanja je pozicioniranje jedinice pod uglom od 60° ili manjim, zavisno od specifičnosti situacije, kako je prikazano na sl. T. Što je ugao između držala štapne žage i tla veći, prvi rez je teži (s donje strane grane).
3. Dugačke grane uklanjajte u nekoliko faza.
4. Najprije odrežite niže grane kako biste gornjim granama napravili više prostora za pad.
5. Radite polako čvrsto držeći obje ruke na žagi. Održavajte sigurno držanje i ravnotežu.
6. Dok orezujete grane neka stablo bude između vas i lanca. Režite na strani stabla nasuprot grane koju režete.

7. Nemojte rezati s ljestvi; to je vrlo opasno. Takve radove prepustite stručnim osobama.
8. Nemojte praviti ravan rez do glavne grane ili ogranka debela dok ne odrežete dovoljno grane kako biste smanjili težinu. Pridržavanjem propisnog postupka rezanja izbjeci ćete skidanje kore s glavne grane.
9. Štapnu žagu nemojte upotrebljavati za obaranje ili skraćivanje.
10. Radi izbjegavanja strujnog udara, nemojte raditi u opsegu od 15 m od nadzemnih električnih vodova (sl. T).
11. Prisutne osobe držite na udaljenosti od najmanje 15 m (sl. T).

ODRŽAVANJE

⚠ UPOZORENJE! Prije pregleda, čišćenja ili servisiranja jedinice, zaustavite motor, pričekajte da se svi pokretni dijelovi zaustave i izvadite komplet baterija. Nepostupanje prema ovim uputstvima može rezultirati teškim povredama ili materijalnom štetom.

⚠ UPOZORENJE! Kada obavljate radove servisiranja, upotrebljavajte samo identične zamjenske dijelove. Upotreba drugih dijelova može uzrokovati opasnost ili oštećenje proizvoda. Radi osiguranja sigurnosti i pouzdanosti, sve popravke drukčije od navedenih u ovim uputstvima za održavanje treba obavljati kvalifikovani servisni tehničar.

⚠ UPOZORENJE! Kada rukujete lancem žage, uvijek nosite rukavice. Lanac je oštar i može imati neravnine.

OSNOVNO ODRŽAVANJE

Kada čistite plastične dijelove, izbjegavajte upotrebljavati rastvore. Mnoge plastike mogu se oštetiti različitim vrstama komercijalnih rastvora i mogu se oštetiti njihovom upotrebom. Za uklanjanje prljavštine, prašine, ulja, masti i sl. upotrebljavajte čiste krppe.

ČIŠĆENJE

- Nakon svake upotrebe mekanom četkom očistite naslage s lanca i vodilice. Površinu štapne žage obrišite čistom krpom navlaženom u blagoj sapunici.
- Skinite bočni poklopac, a zatim mekanom četkom očistite naslage s vodilice, lanca žage, lančanika i bočnog poklopca.
- Pri zamjeni lanca žage, iz žlijeba vodilice uvijek očistite drvo iverje, prašinu od žage i prljavštinu.

Sve popravke štapne žage drukčije od navedenih u ovim uputstvima za održavanje treba obavljati ovlašteno servisno osoblje za štapnu žagu.

BS

ZAMJENA VODILICE I LANCA

Prilikom zamjene vodilice i lanca uvijek upotrebljavajte kombinaciju vodilice i lanca koja je navedena u poglavlju "Preporučena vodilica i preporučeni lanac za ovu štapnu žagu".

1. Izvadite bateriju i pričekajte da se žaga ohladi. Provjerite je li čep spremnika za ulje čvrsto zategnut da izbjegnute curenje ulja.
2. Štapnu žagu položite bočno na čvrstu, ravnu površinu tako da bočni poklopac bude okrenut prema gore.
3. Nosite rukavice. Uklonite bočni poklopac (sl. U). Očistite bočni poklopac suhom krpom.
4. Uklonite istrošenu vodilicu i lanac s montažne površine.
5. Postavite novu vodilicu i lanac žage prema uputama iz odjeljka "POSTAVLJANJE VODILICE I LANCA" u odjeljku "SASTAVLJANJE".

NAPOMENA! Ovo je dobar trenutak za pregled pogonskog lančanika na postojanje znakova prekomjerne istrošenosti ili oštećenja.

ODRŽAVANJE VODILICE

Kada se na vodilici pojave znakovi istrošenosti, skinite je sa žage. Uklonite vijak za podešavanje i ploču za podešavanje, okrenite vodilicu naopako (sl. V) i ponovo postavite ploču za podešavanje na novu stranu vodilice (sl. W) da rasporedite trošenje za maksimalni radni vijek vodilice. Vodilicu je potrebno čistiti svaki dan nakon upotrebe i provjeriti na postojanje znakova istrošenosti i oštećenja. Stvaranje bridova ili neravnina na šinama vodilice je normalan proces trošenja vodilice. Takve nepravilnosti treba ublažiti turpijom čim se pojave. Vodilicu s bilo kojim od sljedećih nepravilnosti je potrebno zamijeniti.

- Istrošenost unutrašnje strane šina vodilice što omogućuje ležanje lanca sa strana.
- Savijena vodilica.
- Napuknute ili polomljene šine.
- Raširene šine.

Osim toga, vodilica na vrhu ima lančanik. Lančanik je potrebno sedmično podmazivati mazalicom radi produženja radnog vijeka vodilice. Za sedmično podmazivanje uljem za lanac putem otvora za podmazivanje upotrebljavajte mazalicu (sl. X). Okrenite vodilicu i provjerite jesu li otvori za podmazivanje i žlijeb lanca očišćeni od nečistoća.

X-1	Lančanik na vrhu vodilice
X-2	Otvor za podmazivanje

ODRŽAVANJE LANCA

Na ovoj žagi upotrebljavajte samo lance s malim povratnim udarom. Lanac s funkcijom brzog rezanja osigurat će smanjenje povratnog udara kada se propisno održava.

Propisno naoštren lanac žage bez napora reže kroz drvo, čak i uz vrlo mali pritisak.

Nemojte nikada upotrebljavati tup ili oštećen lanac žage. Tupi rezači lanca žage dovode do povećanog fizičkog naprezanja, povećanog vibracijskog opterećenja, nezadovoljavajućih rezultata rezanja i povećanog trošenja.

Za besprijekorno i brzo rezanje potrebno je propisno održavati lanac. Lanac zahtijeva oštrenje kada je drveno iverje malo i praškasto, kada je lanac potrebno potiskivati kroz drvo tokom rezanja ili kada lanac reže na jednu stranu. Tokom radova održavanja na lancu žage uzmite u obzir sljedeće:

- Nepravilan ugao turpijanja bočne ploče može povećati rizik od jakog povratnog udara.
- Zazor mjerača dubine. Premala vrijednost povećava mogućnost za povratni udar. Nedovoljno mala vrijednost smanjuje sposobnost rezanja.
- Ako su zubi rezača udarili o tvrde predmete kao što su ekseri ili kamenje ili ako su istrošeni uslijed blata ili pijeska na drvetu, oštrenje lanca prepustite kvalifikovanom servisnom tehničaru.

TRANSPORT I SKLADIŠTENJE

- Priključak štapne žage nemojte skladištiti ili transportovati kada radi. Prije skladištenja ili transporta uvijek izvadite komplet baterija.
- Prije skladištenja ili transporta priključka štapne žage, na vodilicu i lanac uvijek stavite zaštitnu navlaku. Budite oprezni da izbjegnute oštre zube lanca.
- Štapnu žagu dobro očistite prije skladištenja. Štapnu žagu skladištite u zatvorenim prostorima na suhom mjestu koje se zaključava i/ili koje je nedostupno djeci i držite je podalje od korozivnih sredstava kao što su vrtna kemijska sredstva i soli za odmrzavanje.

Zaštita životne sredine



Električnu opremu, iskorištenu bateriju i punjač ne odlažite u kućni otpad!

Ovaj proizvod odnesite u ovlaštenu centar za reciklažu i time omogućite odvojeno sakupljanje. Električne alate potrebno je vratiti u ekološki prihvatljiv pogon za reciklažu.

OTKLANJANJE PROBLEMA

PROBLEM	UZROK	RJEŠENJE
MOTOR NE RADI.	<ul style="list-style-type: none"> ■ Komplet baterija nije pričvršćen na štapnu žagu. ■ Nema električnog kontakta između žage i baterije. ■ Komplet baterija je ispražnjen. ■ Dugme za deblokadu nije pritisnuto prije pritiska na okidni prekidač. ■ Komplet baterija je previše vruć ili je pogonska jedinica previše vruća. ■ Lanac žage zaglavio se u drvetu. ■ Vodilica i lanac su iskrivljeni i nisu paralelni s kućištem. ■ Naslage u žlijebu vodilice. ■ Naslage u bočnom poklopcu. 	<ul style="list-style-type: none"> ■ Pričvrstite komplet baterija na štapnu žagu. ■ Izvadite bateriju, provjerite kontakte i ponovo stavite komplet baterija. ■ Napunite komplet baterija. ■ Pritisnite ručicu za deblokadu i držite je pritisnutom, a zatim pritisnite okidni prekidač da uključite štapnu žagu. ■ Pričekajte da se komplet baterija ili pogonska jedinica ohlade na radnu temperaturu u preporučenom opsegu. ■ Otpustite okidni prekidač, izvadite lanac žage i vodilicu iz drveta, a zatim ponovo pokrenite štapnu žagu. ■ Izvadite komplet baterija i zamijenite vodilicu i lanac prema uputama u odjeljku "ZAMJENA VODILICE I LANCA". Prije postavljanja bočnog poklopca vodilicu i lanac uvijek držite paralelno s površinom za postavljanje. ■ Za uklanjanje naslaga pritisnite lanac žage o drvo i pomičite štapnu žagu prema nazad i naprijed. ■ Izvadite komplet baterija, zatim skinite bočni poklopac i očistite naslage.

PROBLEM	UZROK	RJEŠENJE
Motor radi, ali lanac se ne okreće.	<ul style="list-style-type: none"> ■ Lanac ne zahvaća pogonski lančanik. ■ Lanac je nedovoljno zategnut. ■ Lanac je tup. ■ Lanac je postavljen naopako. ■ Lanac je istrošen. ■ Lanac je suh ili je previše rastegnut. ■ Lanac nije u žlijebu vodilice. 	<ul style="list-style-type: none"> ■ Izvadite komplet baterija i ponovo postavite lanac vodeći računa da pogonske karike potpuno naliježu na lančanik. ■ Najprije otpustite okretno dugme za brzo podešavanje zategnutosti lanca za najmanje jedan okret u smjeru suprotnom smjeru kretanja kazaljki na satu, a zatim ga potpuno pritegnite u smjeru kretanja kazaljki na satu do ispravne zategnutosti lanca. ■ Oštrenje oštrica lanca prepustite kvalificiranom servisnom tehničaru. ■ Izvadite komplet baterija i ponovo postavite lanac žage prema uputama u odjeljku "ZAMJENA VODILICE I LANCA". ■ Izvadite komplet baterija i zamijenite lanac prema uputama u odjeljku "ZAMJENA VODILICE I LANCA". ■ Provjerite nivo ulja. Prema potrebi dopunite ulje u spremnik ulja. ■ Izvadite komplet baterija i ponovo postavite lanac žage prema uputama u odjeljku "ZAMJENA VODILICE I LANCA".
Vodilica i lanac zagrijavaju se i oslobadaju dim.	<ul style="list-style-type: none"> ■ Spremnik ulja za lanac je prazan. ■ Naslage u žlijebu vodilice. 	<ul style="list-style-type: none"> ■ Dopunite mazivo za vodilicu i lanac. ■ Očistite naslage u žlijebu.

GARANCIJA

POLITIKA GARANCIJE PROIZVOĐAČA EGO

Za sve odredbe i uslove politike garancije proizvođača EGO posjetite internetsku stranicu egopowerplus.com.

KEES VAN DER SPEK
TUINMACHINES ★ STOLWIJK

استكشاف الأعطال وإصلاحها

المشكلة	السبب	الحل
المحرك لا يدور.	<ul style="list-style-type: none"> مجموعة البطارية غير مركبة في المنشار العمودي. لا يوجد اتصال كهربائي بين المنشار والبطارية. نقد شحن مجموعة البطارية. لم يتم الضغط على زر القفل قبل الضغط على المفتاح الزنبركي. مجموعة البطارية أو رأس الطاقة ساخنان للغاية. سلسلة المنشار متعثرة في الخشب. الفضيب والسلسلة يكوئان مانئين وليسا موازيين للهيكل. هناك عوالق في تجويف الفضيب. هناك عوالق في الغطاء الجانبي. 	<ul style="list-style-type: none"> قم بتركيب مجموعة البطارية في المنشار العمودي. اخلع البطارية، وافحص التوصيلات، ثم أعد تركيب مجموعة البطارية. اشحن مجموعة البطارية. اضغط لأسفل مع التثبيت على ذراع القفل، ثم اضغط مع التثبيت على المفتاح الزنبركي لتشغيل المنشار العمودي. اترك مجموعة البطارية أو رأس الطاقة يبردان إلى أن تهبط درجة حرارتهم إلى مدى درجة حرارة التشغيل الموصى بها. ارفع إصبعك عن المفتاح الزنبركي؛ واخلع سلسلة المنشار وقضب التوجيه من الخشب، ثم أعد تشغيل المنشار العمودي. اخلع مجموعة البطارية واستبدل الفضيب والسلسلة، وذلك وفقاً للقسم استبدال الفضيب والسلسلة. لا تنس مطلقاً إبقاء الفضيب والسلسلة متوازيين مع سطح التركيب قبل تركيب الغطاء الجانبي. اضغط على سلسلة المنشار ناحية الخشب، وحرك المنشار العمودي للخلف وللأمام لإزالة العوالق. اخلع مجموعة البطارية، ثم اخلع الغطاء الجانبي وأزل العوالق.
المحرك يدور، ولكن السلسلة لا تدور.	<ul style="list-style-type: none"> السلسلة لا تقوم بتعشيق الترس المسنن للعمود. شد السلسلة غير كافٍ. السلسلة غير حادة. تم تركيب السلسلة بشكل عكسي. السلسلة متآكلة. السلسلة جافة أو ممتددة بشكل زائد عن الحد. السلسلة ليست في تجويف الفضيب. 	<ul style="list-style-type: none"> اخلع مجموعة البطارية وأعد تركيب السلسلة، مع التأكد من استواء وصلات نقل الحركة بالسلسلة بأكملها على الترس المسنن. قم أولاً بفك بكرة الضبط السريع لشد السلسلة لدورة واحدة على الأقل عكس اتجاه عقارب الساعة، ثم اربطها بالكامل في اتجاه عقارب الساعة إلى أن يتم شد السلسلة على النحو الصحيح. اشد قواطع السلسلة من قبل فني صيانة مؤهل. اخلع مجموعة البطارية وأعد تركيب سلسلة المنشار، وذلك وفقاً للقسم استبدال الفضيب والسلسلة. اخلع مجموعة البطارية واستبدل السلسلة، وذلك وفقاً للقسم استبدال الفضيب والسلسلة. افحص مستوى الزيت. استكمل ملء خزان الزيت عند الضرورة. اخلع مجموعة البطارية وأعد تركيب سلسلة المنشار، وذلك وفقاً للقسم استبدال الفضيب والسلسلة.
الفضيب والسلسلة يصحان ساخنين ويصدر عنهما أدخنة.	<ul style="list-style-type: none"> خزان زيت السلسلة فارغ. هناك عوالق في تجويف فضيب التوجيه. 	<ul style="list-style-type: none"> التعبئة بزيت الفضيب والسلسلة. نظف العوالق الموجودة في التجويف.

الضمان

سياسة ضمان EGO

تفضل بزيارة الموقع الإلكتروني egopowerplus.com للتعرف على الشروط والأحكام الكاملة الخاصة بسياسة ضمان EGO.

حماية البيئة

لا تتخلص من المعدات الكهربائية أو البطارية المستهلكة أو الشاحن في النفايات المنزلية! بل توجه بهذا المنتج إلى مركز إعادة تدوير معتمد ليكون متاحًا للفرز بشكل منفرد. تجنب إعادة الآلات الكهربائية إلى مرفق إعادة تدوير صديق للبيئة.



تمدد الحواجز.

بالإضافة إلى ذلك، فقصيب التوجيه به ترس مسنن عند طرفه. يجب تشحيم الترس المسنن أسبوعيًا بمحقنة تشحيم، وذلك لتمديد عمر قصيب التوجيه. استخدم محقنة التشحيم للتشحيم أسبوعيًا بزيت السلسلة عن طريق فتحة التزييت (الشكل X). أدر قصيب التوجيه، وتحقق من خلو فتحات التزييت وتجويف السلسلة من الشوائب.

X-1	الترس المسنن في طرف قصيب التوجيه
X-2	فتحة التزييت

صيانة السلسلة

استخدم سلاسل رد الفعل الارتدادي المنخفض فحسب مع هذا المنشار. رد الفعل الارتدادي سوف يكون أقل مع سلسلة القطع السريعة هذه إذا تمت صيانتها على النحو الملائم.

سلسلة المنشار المشحونة جيدًا ستقطع الخشب دون عناء، حتى عند تطبيق أقل مستوى من الضغط.

لا تستخدم سلسلة منشار غير حادة أو تالفة. لأن القطع بسلسلة منشار غير حادة سيحتاج لجهود بدني أكبر، مع وجود حمل اهتزازي أكبر، ونتائج قطع غير مرضية وتآكل زائد.

للقطع بشكل أكثر سلاسة وسرعة، يجب صيانة سلسلة راثنملا إلىء وحنا إنلاملا. امدد زوكذ تاققرلا بمبشخلا فريغص ملهسو تيقنقلا جاتحذ لمسلسلا نحشلل، بجيو عذ لمسلسلا فوقلار ربء بشخلا ءانئا عطقلا، لاو عطقند لمسلسلا إلىء بناج دحاو. ءانئا تملايص لمسلس راثنملا، بجذ لكيلع قاعار ما ء إلىء:

- زاوية البرد غير الملائمة للوح الجانبي قد تزيد من خطر حدوث رد فعل ارتدادي عنيف.
- خلوص المجمع (مقياس العمق). إذا كان منخفضًا للغاية فهذا يزيد من احتمالية حدوث رد فعل ارتدادي. وإذا لم يكن منخفضًا بما فيه الكفاية سيقفل من قدرة القطع.
- إذا اصطدمت أسنان القاطع بشيء صلب، مثل المسامير والصخور، أو تآكلت بفعل الطين أو الرمال الموجود على الخشب، يجب شد السلسلة بواسطة فني صيانة مؤهل.

النقل والتخزين

- لا تقم بتخزين أو نقل ملحق المنشار العمودي وهو يعمل. احرص دائمًا على خلع مجموعة البطارية قبل التخزين أو النقل.
- احرص دائمًا على وضع غلاف قصيب التوجيه على قصيب التوجيه والسلسلة قبل تخزين ملحق المنشار العمودي أو نقله. تعامل بحذر لتجنب الأسنان الحادة للسلسلة.
- نظف المنشار العمودي جيدًا قبل تخزينه. خزن المنشار العمودي داخل المنزل في مكان جاف مغلق و/أو لا يمكن الوصول إليه من قبل الأطفال، وأن يكون بعيدًا عن المواد المسببة للتآكل مثل كيماويات الحديقة وملح إذابة الجليد.

الصيانة العامة

تجنب استخدام المنظفات عند تنظيف الأجزاء البلاستيكية. غالبية المكونات البلاستيكية تكون سريعة التأثر بالأنواع المختلفة للمنظفات الموجودة بالسوق، وقد تلفت نتيجة استخدامها عليها. استخدم قطعة قماش نظيفة لإزالة الأوساخ والأتربة والزيت والشحم وما شابههم.

التنظيف

- بعد كل استخدام، نظف العوالم عن السلسلة وقضيب التوجيه بفرشاة ناعمة. امسح سطح المنشار العمودي بقطعة قماش نظيفة مبللة بمحلول صابون خفيف.
- اخلع الغطاء الجانبي، ثم استخدم فرشاة ناعمة لإزالة العوالم عن قضيب التوجيه وسلسلة المنشار والترس المسنن والغطاء الجانبي.
- احرص دائماً على إزالة الرقاقت الخشبية، وغبار المنشار، والأوساخ عن تجويف قضيب التوجيه أثناء استبدال سلسلة المنشار.

يجب تنفيذ جميع أعمال صيانة المنشار العمودي من قبل فني صيانة معتمد للمنشار العمودي، باستثناء البنود المدرجة في تعليمات الصيانة هذه.

استبدال القضيب والسلسلة

عند استبدال قضيب التوجيه والسلسلة، احرص دائماً على استخدام القضيب والسلسلة الملائمين المدرجين في قسم «القضيب والسلسلة الموصى بهما لهذا المنشار العمودي».

1. اخلع البطارية، واترك المنشار يبرد. تأكد من ثبات غطاء خزان الزيت لمنع تسرب الزيت.
2. ضع المنشار العمودي على جانبه على سطح ثابت مستوي، بحيث يكون الغطاء الجانبي متجهاً لأعلى.
3. احرص على ارتداء قفازات، اخلع الغطاء الجانبي (الشكل U). نظف الغطاء الجانبي بقطعة قماش جافة.
4. اخلع القضيب والسلسلة المتهالكين من سطح التركيب.
5. عند تركيب قضيب توجيه جديد وسلسلة منشار جديدة، اتبع تعليمات «تجميع قضيب التوجيه والسلسلة» الواردة في قسم «التجميع».

تنبيه: هذا هو الوقت المناسب لفحص الترس المسنن لعمود التوجيه بحثاً عن أي علامات للتآكل الزائد أو التلف.

صيانة قضيب التوجيه

عندما تظهر علامات التآكل على قضيب التوجيه، قم بتفكيكه من المنشار. اخلع مسمار المجموعة ولوح الضبط، واعكس اتجاه قضيب التوجيه (الشكل V)، وأعد تركيب لوح الضبط على الجانب الجديد لقضيب التوجيه (الشكل W) لتوزيع التآكل للحصول على أقصى عمر للقضيب. يجب تنظيف القضيب كل يوم بعد الاستخدام وفحصه بحثاً عن أي علامات للتآكل والتلف. تأكل أو ثقّب حواجز القضيب من المظاهر الطبيعية لتآكل القضيب. مثل تلك العيوب يجب تعميمها باستخدام مرود بمجرد ظهورها. أي قضيب به العيوب التالية يجب استبداله.

- تأكل داخل حواجز القضيب تسمح بارتقاء السلسلة للمسارات الجانبية.
- انثناء قضيب التوجيه.
- تشقق الحواجز أو انكسارها.

التي يصل قطرها إلى 20 سم (للآلة ذات قضيب التوجيه بطول 25 سم) أو 25 سم (للآلة ذات قضيب التوجيه بطول 30 سم). لتحقيق أفضل نتائج، انتبه للإجراءات الاحتياطية التالية:

1. خطط لعملية القطع بعناية. انتبه للاتجاه الذي سيسقط فيه الفرع.

⚠ تحذير: قد تسقط الأفرع في اتجاهات غير متوقعة. لا تقف أسفل الفرع المراد قطعه مباشرة.

2. عملية القطع المثالية تكون عن طريق ضبط موضع الوحدة بزوايا 60 درجة أو أقل، وذلك بحسب الحالة المعنية، على النحو الموضح في الشكل T. مع ازدياد الزاوية بين عمود المنشار العمودي إلى الأرض، تزداد صعوبة عمل القطع الأول (من الجانب السفلي للفرع).

3. تخلص من الأفرع الطويلة على عدة مراحل.

4. اقطع الأفرع المنخفضة أو لا كي تمنح الأفرع العلوية مساحة كافية للسقوط.

5. اعمل ببطء، مع مواصلة الإمساك بالمنشار بكلتا يديك بقوة. تأكد من ثبات موضع قدميك وتوازنك.

6. احرص على بقاء الشجرة بينك وبين السلسلة أثناء قطع الأفرع. يجب أن يكون القطع من جانب الشجرة في الاتجاه المعاكس للفرع الذي تقوم بقطعه.

7. لا تنفذ عملية القطع وأنت واقف على سلم، فهذا أمر خطير للغاية. من الأفضل ترك تلك الأعمال للمحترفين.

8. لا تقم بعمل القطع النهائي ببطءاً من عرضاً وأعرضاً. سيبرز الأجزاء من عرضاً ليلتفتل نزولاً. عابثاً تاء ارجا عطقاً تميلسا دحيس نم علد عاحلا نم عتجلا يسينرلا.

9. لا تستخدم المنشار العمودي في عمليات إسقاط الأشجار أو تقطيع الزنود.

10. لمنع حدوث صق كهربائي، لا تقم بتشغيل الآلة في نطاق 15 متراً من خطوط الكهرباء العلوية (الشكل T).

11. احرص على إبقاء جميع الأشخاص المجاورين لك على مسافة لا تقل عن 15 متراً عن مكان العمل (الشكل T).

الصيانة

⚠ تحذير: قبل فحص الوحدة أو تنظيفها أو صيانتها، أطفئ المحرك، وانتظر إلى أن تتوقف جميع الأجزاء المتحركة، ثم اخلع مجموعة البطارية. لأن عدم اتباع هذه التعليمات قد يؤدي إلى وقوع إصابات شخصية خطيرة أو تلف الممتلكات.

⚠ تحذير: استخدم فقط قطع غير أصلية عند إجراء أعمال الصيانة. لأن استخدام أي أجزاء أخرى قد ينشأ عنه مخاطر أو يتسبب في تعرض المنتج للتلف. لضمان السلامة والاعتمادية، يجب تنفيذ جميع أعمال الصيانة من قبل فني صيانة متخصص، باستثناء البنود المدرجة في تعليمات الصيانة هذه.

⚠ تحذير: احرص على ارتداء قفازات واقية عند التعامل مع سلسلة المنشار. السلسلة حادة، وقد تحتوي على نواتج.

باتزان ووجود مسافة ملائمة بعيداً عن الأرض (الشكل Q).

بدء التشغيل (الشكل P)

1. قم بتثبيت مجموعة البطارية.
 2. تأكد من عدم وجود أي أشياء أو عوقات قد تتلامس مع القضيب وأن السلسلة في النطاق المجاور مباشرة.
 3. أمسك مقبض المساعدة والمقبض الخلفي بإحكام بكلتا يديك.
 4. اضغط مع التثبيت على زر القفل، ثم اعصر المفتاح الزنبركي لبدء تشغيل المنشار. حرر زر القفل، وواصل عصر المفتاح الزنبركي للتشغيل المتواصل.
- ⚠ تحذير:** لا تحاول بدء تشغيل المنشار بينما سلسلة المنشار يتم استخدامها في قطع قطعة ما أو عند تلامسها مع أي سطح.

للإيقاف

- حرك المنشار العمودي بعيداً عن أي منطقة قطع، وبعد ذلك حرر المفتاح الزنبركي لإيقاف تشغيل المنشار.
- ⚠ تحذير:** احرص دائماً على خلع مجموعة البطارية من المنشار العمودي أثناء الاستراحة وبعد الانتهاء من العمل.

إجراءات القطع الأساسية (الشكل R)

- اتبع الخطوات أدناه لمنع تعرض الأجزاء أو الشجيرات للتلف. لا تتبع أسلوب الحركة للخلف وللأمام أثناء القطع بالمنشار.
1. بل اصنع قطعاً غير غائر (1/4 من قطر الفرع) أولاً على الجانب الخلفي للفرع بالقرب من الفرع أو الجذع الرئيسي.
 2. وبعد ذلك، اصنع قطعاً ثانياً من الجانب العلوي للفرع بعيداً عن القطع الأول. واصل القطع عبر الفرع إلى أن ينفصل الفرع عن الشجرة. كن جاهزاً لموازنة وزن الآلة عند سقوط الفرع.
 3. اصنع قطعاً أخيراً بالقرب من الجذع.

تنبيه: بالنسبة للقطع الثاني والأخير (من قمة الفرع أو العنق)، ثبت نتوءات تقطيع الزند قبالة الفرع الذي تقوم بقطعه (الشكل S). فهذا سيساعد في تثبيت الفرع وجعل عملية القطع أسهل. اسمح للسلسلة بتنفيذ عملية القطع نيابة عنه، فما عليك سوى الضغط لأسفل برفق فحسب. إذا نفذت عملية القطع فوفاك، دقق يدويًا فلنك فلنك بجسفل وأ تلسلسلأ وأ كرحملا.

S-1	نتوءات تقطيع الزند
-----	--------------------

4. حرر المفتاح الزنبركي بمجرد اكتمال عملية القطع.
- تنبيه:** عدم اتباع إجراءات القطع الملائمة سيؤدي إلى إثناء القضيب والسلسلة، وهو ما قد يتسبب في انحسارهم في الفرع. إذا حدث ذلك:

1. أوقف المحرك وأخلع مجموعة البطارية.
2. إذا كان بمقدورك الوصول للفرع من الأرض، ارفع الفرع بينما تمسك بالمنشار. ينبغي لهذا الإجراء أن يجعل المنشار يتخلص من "الانحسار" ويتحرر.
3. إذا ظل المنشار منحسراً، اتصل بشخص متخصص طلباً للمساعدة.

قطع الأفرع والتقليم

تم تصميم هذا المنشار العمودي لتقليم الفروع والأطراف الصغيرة

ضبط العمود المترابك (الشكل K)

1. ارفع رافعة التحرير السريع لفك قفل العمود المترابك.
2. قم بتمديد العمود المترابك إلى الطول المطلوب.
3. اضغط على رافعة التحرير السريع لأسفل لفك قفل العمود المترابك على الوضع الحالي بإحكام.

تجميع حزام الكتف

اضغط مع التثبيت على خطاف الحزام لفتحه، ثم ركبها في حَمالة حزام الكتف الموجودة برأس الطاقة (الشكل L). اضبط حزام الكتف على وضعية تشغيل مريحة.

⚠ تحذير: عند حدوث حالة طوارئ، انزع الحزام عن كتفك على الفور لتجنب الإصابة.

تركيب/خلع مجموعة البطارية

ملاحظة: اشحن مجموعة البطارية بالكامل قبل الاستخدام. لا تستخدم الآلة إلا مع مجموعات البطارية والشواحن المدرجة في الشكل A2.

للتثبيت

قم بمحاذاة دعائم البطارية مع فتحات التركيب، واضغط على مجموعة البطارية لأسفل إلى أن تسمع صوت «نقرة» (الشكل M).

⚠ تحذير: تأكد من تثبيت مجموعة البطارية في مكانها الصحيح قبل التشغيل. قد يؤدي عدم تثبيت مجموعة البطارية بشكل آمن إلى سقوطها من الآلة، مما قد يؤدي إلى إصابة شخصية خطيرة.

⚠ تحذير: انتبه دائماً لموضع قدميك، والأطفال أو الحيوانات الأليفة المحيطين بك، عند الضغط على زر تحرير البطارية. فقد تقع إصابات خطيرة إذا سقطت مجموعة البطارية. لا تقم أبداً بخلع مجموعة البطارية وأنت في مكان شاهق الارتفاع.

للخلع

اضغط لأسفل على زر تحرير البطارية، واسحب مجموعة البطارية للخارج (الشكل N).

مصباح إضاءة منطقة العمل LED (الشكل O)

مصباح إضاءة منطقة العمل LED موجود في الجانب الأمامي لملحق المنشار العمودي، بالتحاذي مع سلسلة المنشار. تقدم هذه الميزة إضاءة إضافية للمستخدمين ليروا موضع قطع سلسلة المنشار للفروع الموجودة في قمم الأشجار.

يتم تشغيل مصباح إضاءة منطقة العمل تلقائياً عند عصر المفتاح الزنبركي، ثم ينطفئ بعد 10 ثوانٍ من تحرير المفتاح الزنبركي.

تشغيل/إيقاف الآلة

قبل بدء تشغيل المنشار العمودي

⚠ تحذير: لا تقم مطلقاً بتشغيل رأس الطاقة بدون تركيب الملحق. لا تحاول بدء تشغيل رأس الطاقة قبل توصيل ملحق المنشار العمودي.

تنبيه: قبل بدء تشغيل المنشار العمودي، تحقق من بكرة الضبط السريع لتند السلسلة، ومستوى الزيت، والسلسلة، وحدة أسنان المنشار. وكذا، لا بد من التحقق من طريقة إمساك الآلة والوقوف

ولا تقم بتشغيل هذا المنتج إلا بعد استبدال جميع الأجزاء المفقودة أو التالفة.

الاستخدامات

يمكنك استخدام هذا المنتج للأغراض الموضحة أدناه:

- تقطيع الأفرع
- التقليم

تنبيه: يجب استخدام الآلة للغرض المحدد لها فقط. أي استخدام آخر يعد حالة من حالات سوء الاستخدام.

تعبئة خزان الزيت بزيت القضيبي والسلسلة

⚠ تحذير: ينبغي عدم التدخين أو جلب أي مصدر للنيرون أو السمنة اللهب بالقرب من الزيت أو المنشار العمودي. قد يتسبب الزيت ويتسبب في نشوب حريق.

تنبيه: المنشار العمودي لا يكون مملوءًا بالزيت وقت الشراء. من الضروري تعبئة خزان زيت السلسلة قبل الاستخدام. سوف يؤدي تشغيل المنشار العمودي بدون زيت السلسلة أو عندما يكون مستوى الزيت أقل من كمية معينة إلى تعرض المنشار العمودي لأضرار. يعتمد عمر السلسلة وسعة القطع على التزييت المثالي. يتم تزييت السلسلة تلقائيًا بزيت السلسلة أثناء التشغيل، وذلك إذا كان هناك ما يكفي من الزيت في الخزان. كما يجب فحص مستوى الزيت كل 20 دقيقة من الاستخدام، وإعادة ملئه عند اللزوم.

- أخرج مجموعة البطارية من رأس الطاقة.
- نظف غطاء خزان الزيت والمنطقة المحيطة به لضمان عدم دخول أوساخ إلى داخل خزان الزيت.
- ضع المنشار العمودي على سطح ثابت مستوي، بحيث يكون غطاء خزان الزيت متجهًا لأعلى، وبعد ذلك اخلع الغطاء (الشكل ل).
- صب زيت القضيبي والسلسلة برفق في الخزان إلى أن يتم الملء حتى عنق الخزان. احرص على عدم انسكاب الزيت من الفتحة. امسح أي كمية قذازة ن-بتيزولا.

تنبيه:

- احرص على ألا تستخدم الزيوت أو مواد التشحيم الأخرى غير المصممة خصيصًا للاستخدام مع القضيبي والسلسلة. فهذا قد يؤدي إلى انسداد دورة الزيت، وهو ما قد يتسبب في التآكل المبكر للقضيبي والسلسلة.
- تحقق من مستوى الزيت بانتظام، وأعد تعبئته عند اللزوم.
- لا تستخدم زيتًا متسخًا أو مستعملًا أو ملوثًا بأي شكل من الأشكال. فهذا قد يتسبب في تعرض القضيبي أو السلسلة للتلوث.
- من الطبيعي أن يتسرب الزيت من المنشار عندما لا يكون قيد الاستخدام. لمنع التسرب، قم بإفراغ خزان الزيت بعد كل استخدام، ثم قم بتشغيل المنشار لمدة دقيقة واحدة. عند تخزين الآلة لفترة طويلة من الزمن، تأكد من تزييت السلسلة قليلًا؛ فهذا سوف يمنع تراكم الصدا على السلسلة والترس المسمن للقضيبي.
- للمحافظة على الموارد الطبيعية، يُرجى إعادة تدوير الزيت أو التخلص منه كما ينبغي. استشر الجهة المحلية المعنية بالنفائيات للتعرف على المعلومات الخاصة بالخيارات المتاحة لإعادة التدوير والتخلص من المنتج.

I-1	مقبض المساعدة الأمامي	I-4	صامولة مجنحة
I-2	رافعة القفل	I-5	كتلة المشبك
I-3	مسامر التثبيت		

3. اضغط على مقبض المساعدة لتثبيتته في عمود رأس الطاقة، ثم اقلبه لأسفل بحيث يشير إلى سلسلة المنشار (الشكل 12).

4. أدخل كتلة المشبك، وقم بتجميع مسامر التثبيت مع الصامولة المجنحة (الشكل 13).

5. لا تربط الصامولة المجنحة بالكامل. اضبط موضع مقبض المساعدة الأمامي، بحيث يقع بين حمالة حزام الكتف وجلبة العمود المترابك (الشكل 14). يجب ضبط المقبض بحيث تكون ذراعك مستقيمة عند استخدام المنشار العمودي.

6. اضغط لأسفل على رافعة القفل، واربط الصامولة المجنحة بحيث يتم منع مقبض المساعدة الأمامي من الدوران أو الحركة على عمود رأس الطاقة.

التشغيل

⚠ خطر: لا تقم أبدًا بقطع خطوط التيار أو الأسلاك الكهربائية أو المصادر الكهربائية الأخرى الموجودة في الجوار. إذا انحسر القضيبي والسلسلة في أي سلك كهربائي أو خط كهرباء، لا تلمس القضيبي أو السلسلة أو العمود! لأنها قد تصبح موصولة بالتيار الكهربائي، وربما تكون خطيرة للغاية. واصل الإمساك بالمنشار العمودي باستخدام المقبض الخلفي المعزول أو ضعه على الأرض بعيدًا عنك بطريقة آمنة. أفضل التيار عن الخط أو السلك الكهربائي التالف قبل محاولة تحرير القضيبي والسلسلة من السلك أو الكابل. سوف تؤدي ملامسة القضيبي أو السلسلة أو الأجزاء الأخرى الموصلة للكهرباء من المنشار العمودي أو الأسلاك الكهربائية أو خطوط الكهرباء التي بها تيار جارٍ إلى الوفاة بفعل الصعق الكهربائي أو وقوع إصابات خطيرة.

⚠ تحذير: لا تسمح لاعتيادك على تشغيل هذا المنتج أن يجعلك مستهترًا عند التعامل معه. ولا تنس أن الاستهتر جزء من الثانية كافٍ للتسبب في حدوث إصابات خطيرة.

⚠ تحذير: ارتد دائمًا واقيات العينين أو نظارات حماية مزودة بواقيات على الجانبين. قد ينجم عن عدم الامتثال لذلك دخول أشياء في عينيك، واحتمالية وقوع إصابات خطيرة.

⚠ تحذير: احرص دائمًا على خلع مجموعة البطارية من المنتج عند تجميع الأجزاء، أو عمل التعديلات، أو التنظيف، أو النقل، أو عند عدم الاستخدام. خلع مجموعة البطارية سيمنع بدء التشغيل غير المقصود، وهو ما قد يؤدي إلى وقوع إصابات شخصية خطيرة.

⚠ تحذير: لا تستخدم أي مرفقات أو ملحقات سوى تلك الموصى بها من قبل الشركة الصانعة لهذا المنتج. لأن استخدام مرفقات أو ملحقات غير موصى بها قد يؤدي إلى وقوع إصابات شخصية خطيرة.

قبل كل استخدام، افحص المنتج بأكمله بحثًا عن الأجزاء التالفة أو المفقودة أو المفكوكة، مثل المسامير المولوية والصواميل والمسامير والأغطية وما شابه. اربط جميع عناصر التثبيت والأغطية بإحكام،

السهم على عمود المنشار العمودي	G-4	زر تحرير العمود	G-2
-----------------------------------	-----	-----------------	-----

- اسحب عمود الملحق للتحقق من ثباته بإحكام في الوصلة. إن لم يكن ثابتاً، أدر عمود المنشار العمودي من جانب لآخر في الوصلة إلى أن ينشك في مكانه الصحيح.
- اربط البكرة المجنحة بإحكام.

تحذير: تأكد من ربط البكرة المجنحة حتى النهاية جيداً قبل تشغيل الآلة؛ وتتحقق من ربطها بانتظام أثناء الاستخدام لتجنب التعرض لإصابات شخصية خطيرة.

توصيل عمود التمديد بين رأس الطاقة وملحق المنشار العمودي (الطراز رقم EP1000)

تحذير: لا تقم أبداً بتركيب أو تعديل الملحق بينما رأس الطاقة تعمل أو البطارية قد تم تركيبها. عدم إيقاف المحرك وخلع البطارية قد يؤدي إلى وقوع إصابات شخصية خطيرة.

تم تصميم عمود التمديد هذا للاستخدام حصرياً مع الطراز EGO PS1000E. لا تستخدمه مطلقاً مع ملحقات الأخرى. عمود التمديد يزيد من طول الآلة بمقدار 100 سم، مما يوسع نطاق القطع. ويجب توصيله بين ملحق المنشار العمودي ورأس الطاقة. يمكن استخدام عمودي تمديد (متوفر بشكل منفصل) كحد أقصى مع آلة واحدة.

اتبع الإجراءات الواردة في القسم «توصيل ملحق المنشار العمودي ورأس الطاقة» للتعرف على كيفية تركيب المنشار العمودي بين ملحق المنشار العمودي ورأس الطاقة (الشكل H).

H-1	الوصلة في عمود التمديد
H-2	الوصلة في رأس الطاقة

تنبيه: بمجرد التجميع بشكل صحيح، لا يجب أن يفصل ملحق المنشار العمودي وعمود التمديد ورأس الطاقة عند جذبهم من بعضهم البعض. احرص دائماً على اختبار التجميع عن طريق جذبها. كرر الخطوات المذكورة أعلاه إذا كان من الممكن فصل الأجزاء عن بعضها البعض.

تحذير: عدم إحكام تثبيت الملحق ورأس الطاقة/عمود التمديد وفقاً للتعليمات أعلاه قد يؤدي إلى وقوع إصابات خطيرة أو الوفاة.

خلع الملحق من رأس الطاقة

- أوقف المحرك واخلع مجموعة البطارية.
- فك البكرة المجنحة.
- اضغط على زر تحرير العمود، وبينما تضغط على الزر، اسحب أو لف عمود المنشار العمودي للخارج من الوصلة لفصله عن رأس الطاقة أو عمود التمديد (إذا تم استخدامه).
- كرر العملية لفصل عمود التمديد عن رأس الطاقة (في حالة استخدام عمود التمديد).

تركيب مقبض المساعدة الأمامي وضبطه

- أوقف المحرك واخلع مجموعة البطارية.
- قم بفك الصامولة المجنحة واخلعها باستخدام مسمار التثبيت من مقبض المساعدة الأمامي (الشكل I1).

الخلفي لقصيب التوجيه (الشكل C).

C-1	وصلات نقل حركة السلسلة
C-2	تجويف قصيب التوجيه

- أسك السلسلة في موضعها على قصيب التوجيه، وضع العروة حول الترس المسنن للمحرك للمنشار العمودي.
- تنبيه:** هناك نقش لسهم اتجاه صغير وقاطع في هيكل الآلة (الشكل D). عند لف سلسلة المنشار على قصيب التوجيه، فيعد تركيب قصيب التوجيه، تأكد من توافق اتجاه سلسلة المنشار مع سهم اتجاه الدوران المحفور على هيكل الآلة، وتأكد أيضاً من توافق شكل القواطع الموجود بقمة قصيب التوجيه مع القاطع المحفور على الهيكل. إذا كانوا في اتجاهات متعكسة، أعد تجميع سلسلة المنشار على قصيب التوجيه بحيث تكون الأسهم في نفس الاتجاه. يجب بيجرّة بيجضة ميحوتلا شيجد نووك حولا طبضلا مجتماً في تيجانلا یرخدلا زه لکيها.

- حافظ على توازي القصيب والسلسلة مع سطح التركيب. قم بتركيب الغطاء الجانبي على الهيكل، بحيث تتحداه الفتح/التنوّات ومسار التثبيت/فتحة السن الملولب مع بعضها البعض كما ينبغي (الشكل E). اخلع مجموعة البطارية واستبدل القصيب والسلسلة، وذلك وفقاً للقسّم «استبدال القصيب والسلسلة». لا تنس مطلقاً إبقاء القصيب والسلسلة متوازيين مع سطح التركيب قبل تركيب الغطاء الجانبي. ناقل الحركة اللامركزي الموجود داخل الغطاء الجانبي مصمم لضمان عدم شد السلسلة بشكل زائد.
- ملاحظة:** إذا انفكت السلسلة، قم بتدوير بكرة الضبط السريع لشد السلسلة عكس اتجاه عقارب الساعة للفة واحدة على الأقل، ثم اربط البكرة بإحكام.

- قم بتدوير السلسلة يدوياً للتحقق مما إذا كانت السلسلة مجمعة بشكل صحيح بدون وجود معوقات. وإلا، أعد تجميع السلسلة والقصيب.

توصيل ملحق المنشار العمودي برأس الطاقة

يعمل هذا المنشار العمودي عن طريق تجميع ملحق المنشار العمودي ورأس الطاقة (الشكل F).

F-1	ملحق المنشار العمودي
F-2	رأس الطاقة

تحذير: لا تقم أبداً بتركيب أو تعديل ملحق المنشار العمودي بينما رأس الطاقة تعمل أو البطارية قد تم تركيبها. عدم إيقاف المحرك وخلع البطارية قد يؤدي إلى وقوع إصابات شخصية خطيرة. يتم توصيل ملحق المنشار العمودي برأس الطاقة عن طريق جهاز توصيل.

- أوقف المحرك واخلع مجموعة البطارية.
- فك البكرة المجنحة.
- قم بمحاذاة السهم الموجود على عمود المنشار العمودي مع السهم الموجود على الوصلة، وادفع عمود المنشار العمودي في الوصلة إلى أن تسمع صوت «نقرة» واضحة، والتي تشير إلى تركيب عمود المنشار العمودي في مكانه الصحيح (الشكل G).

G-1	بكرة مجنحة	G-3	السهم على الوصلة
-----	------------	-----	------------------

تعرف على المنشار العمودي (الشكل A1)

1. بكرة الضبط السريع لشد السلسلة
2. مصباح إضاءة منطقة العمل بلمبات LED
3. الغطاء الجانبي
4. حمالة حزام الكتف
5. عمود التمديد
6. زر القفل
7. المفتاح الزنبركي
8. المقبض الخلفي
9. زر تحرير البطارية
10. مقبض المساعدة الأمامي
11. رافعة التحرير السريع
12. العمود المتراكب
13. حزام الكتف
14. غطاء خزان الزيت
15. خزان الزيت
16. نتوءات تقطيع الزند
17. قضيب التوجيه
18. سلسلة المنشار
19. غلاف السلسلة

قائمة المحتويات (الشكل A1)

القضيب والسلسلة الموصى بهما لهذا المنشار العمودي

رقم الطراز	اسم القطعة
AG1000Q, AG1200Q	قضيب التوجيه
AC1000Q, AC1200Q	سلسلة المنشار

التجميع

⚠ تحذير: إذا حدث تلف أو فقد في أي أجزاء، لا تقم بتشغيل هذا المنتج إلا بعد استبدال الأجزاء. استخدام هذا المنتج مع وجود أجزاء تالفة أو مفقود قد يؤدي إلى وقوع إصابات شخصية خطيرة.

⚠ تحذير: لا تحاول إجراء أي تعديلات على هذا المنتج أو ابتداء ملحقات غير موصى بها للاستخدام مع هذا المنتج. أي تغيير أو تعديل من هذا النوع يعتبر سوء استخدام، وقد يؤدي إلى وضع خطير قد يتسبب في وقوع إصابات شخصية خطيرة محتملة.

⚠ تحذير: احرص دائماً على خلع مجموعة البطارية من المنتج عند تجميع الأجزاء، أو عمل التعديلات، أو التنظيف، أو عند عدم استخدام المنتج.

تجميع قضيب التوجيه والسلسلة

1. ضع المنشار العمودي على سطح ثابت مستوي، بحيث يكون الغطاء الجانبي متجهاً لأعلى.
2. احرص على ارتداء قفازات. اخلع الغطاء الجانبي (الشكل B).
3. ضع سلسلة المنشار الجديدة في عروة على سطح مستوي، وقم بتسوية أي انثناءات.
4. ضع وصلات نقل حركة السلسلة في تجويف قضيب التوجيه. ضع السلسلة بحيث تكون هناك عروة عند الجانب

الجهد المقدر	56 فولت ---
طول قضيب التوجيه	25 مم
المسافة بين أسنان السلسلة	6.4 مم (1/4")
مقياس السلسلة	1.1 مم (0.043")
سعة خزان الزيت	80 مل
عدد وصلات نقل الحركة	56
طول الآلة (بدون عمود التمديد)	الحد الأقصى 292 سم الحد الأدنى 233 سم
درجة حرارة التشغيل الموصى بها	15 - 40 درجة مئوية
درجة حرارة التخزين الموصى بها	20 - 70 درجة مئوية
درجة حرارة الشحن الموصى بها	5 - 40 درجة مئوية
الوزن (بدون مجموعة البطارية، وغلاف السلسلة)	4.25 كجم
مستوى قوة الصوت المقتر L_{WA}	97 ديسيبل (A) K=2.5 ديسيبل (A)
مستوى ضغط الصوت في وضع التشغيل L_{PA}	82 ديسيبل (A) K=3 ديسيبل (A)
مستوى قوة الصوت المضمون L_{WA} وفقاً للمعيار (EC/2000/14)	100 ديسيبل (A)
الانخفاض a_n	مقبض المساعدة الأمامي 1.19 م/ثانية K=1.5 م/ثانية مقبض الخلفي 1.01 م/ثانية K=1.5 م/ثانية

▪ القيمة الكلية للاهتزاز الموضحة تم قياسها وفقاً لطريقة اختبار قياسية وقد تستخدم لمقارنة أداة بأخرى؛

▪ كما يمكن استخدام القيمة الكلية للاهتزاز الموضحة في التقييم التمهيدي للتعرض.

تنبيه: قد تختلف انبعاثات الاهتزاز أثناء الاستخدام الفعلي للآلة العاملة بالطاقة عن القيمة المعلنة التي يتم استخدام الآلة فيها؛ ولحماية مشغل الآلة، ينبغي على المستخدم ارتداء قفازات وواقايا للأذن في ظروف الاستخدام الفعلية.

اقرأ جميع التعليمات!



⚠ المخاطر المتبقية! الأشخاص الذين تم تركيب أجهزة طبية إلكترونية لهم، مثل منظم ضربات القلب، يجب عليهم استشارة الطبيب قبل استخدام هذا المنتج. لأن تشغيل معدات كهربائية بالقرب من منظم ضربات القلب قد ينشأ عنه خلل أو فشل في أداء منظم ضربات القلب.

⚠ تحذير: لضمان السلامة والاعتمادية، يجب تنفيذ جميع أعمال الإصلاح من قبل فني خدمة موهل.

رموز السلامة

الغرض من رموز السلامة هو جذب انتباهك إلى المخاطر المحتملة. رموز السلامة والشروح المصاحبة لها تستحق اهتمامك وفهمك الدقيق. تحذيرات كل رمز، بنفسها، لا تمنع وقوع أي خطر. التعليمات والتحذيرات التي تمنحك إياها لا تعد بديلاً عن تطبيق الإجراءات الملائمة لمنع وقوع الحوادث.

⚠ تحذير: احرص على قراءة وفهم جميع تعليمات السلامة في دليل التشغيل هذا، بما في ذلك جميع رموز تنبيهات السلامة، مثل «خطر»، و«تحذير»، وتنبه قبل استخدام هذه الآلة. عدم اتباع جميع التعليمات الواردة أدناه قد يؤدي إلى حدوث صدمة كهربائية أو نشوب حريق أو التعرض للإصابة الشخصية، أحدها أو جميعها.

معنى الرمز

هذه الصفحة تصف وتشرح رموز السلامة التي قد تظهر على هذا المنتج. اقرأ جميع التعليمات المذكورة على الآلة وافهمها واتبعها قبل محاولة تجميع الآلة وتشغيلها.

ارتداء حذاء الحماية		تنبيه سلامة	
لمنع حدوث صعق كهربائي، لا تقم بتشغيل الآلة في نطاق 15 مترًا من خطوط الكهرباء العلوية. لأن ملامستها لخطوط التيار أو استخدامها بالقرب منها قد يتسبب في وقوع إصابات خطيرة أو التعرض لصدمة كهربائية قد تؤدي للوفاة.		للحد من خطر الإصابة، يجب على المستخدم قراءة وفهم دليل التشغيل قبل استخدام هذا المنتج.	
لا تُعرض المنتج للمطر.		ارتد أدوات حماية العينين	
هذا المنتج متوافق مع توجيهات شهادة الجودة الأوروبية (CE) المعمول بها.		ارتد أدوات حماية الرأس	
هذا المنتج متوافق مع تشريعات المملكة المتحدة المعمول بها.		ارتد أدوات حماية الأذنين	
لا يجب التخلص من الأجهزة الكهربائية المستهلكة في النفايات المنزلية. توجه بالجهاز إلى مركز إعادة تدوير معتمد.		ارتد قفازات الحماية	
تيار مستمر		مستوى قوة الصوت المضمون. انبعاثات الضوضاء في البيئة وفقًا لتوجيه الاتحاد الأوروبي.	
الجهد الكهربائي	V	درجة حماية الدخول	IPX4

פתרון	סיבה	בעיה
<ul style="list-style-type: none"> הסירו את מארז הסוללה והתקינו מחדש את השרשרת, כאשר אתם מוודאים שקישורי ההנעה על השרשרת ישובים על גלגל השיניים. 	<ul style="list-style-type: none"> השרשרת אינה מניעה את גלגל השיניים. 	<p>המנוע פועל אך השרשרת איננה מסתובבת.</p>
<ul style="list-style-type: none"> קודם, שחררו את כפתור הכוונן המהיר של מתח השרשרת בעיגול אחד לפחות נגד כיוון השעון, ולאחר מכן הדקו אותו לגמרי בכיוון השעון עד שהשרשרת מתוחה כהלכה. השחילו את שיני השרשרת אצל טכנאי שירות מוסמך. הסירו את מארז הסוללה והרכיבו מחדש את שרשרת המסור, על פי הסעיף "החלפת הפס המנחה והשרשרת". הסירו את מארז הסוללה והרכיבו מחדש את השרשרת על פי הסעיף "החלפת הפס המנחה והשרשרת". בדקו את רמת השמן. מלאו שוב את מיכל השמן אם יש צורך בכך. הסירו את מארז הסוללה והרכיבו מחדש את שרשרת המסור, על פי הסעיף "החלפת הפס המנחה והשרשרת". 	<ul style="list-style-type: none"> מתח שרשרת לא מספיק. שרשרת קהה. השרשרת מותקנת הפוך. שרשרת עם סימני בלאי. שרשרת יבשה או מתוחה מעל המידה. השרשרת איננה בחריץ המוט. 	
<ul style="list-style-type: none"> סרגל מיליו ושימון השרשרת. נקו פסולת מהחריץ. 	<ul style="list-style-type: none"> מיכל השמן של השרשרת ריק. אשפה בחריץ הפס המנחה. 	

אחריות

מדיניות האחריות של EGO

בקר באתר egopowerplus.com כדי לעיין בתנאים וההתניות המלאים של מדיניות האחריות של EGO.

איתור וטיפול בבעיות

פתרון	סיבה	בעיה
<ul style="list-style-type: none"> ▪ הצמידו את מארז הסוללה אל המסור הטלסקופי. ▪ הסירו את הסוללה, בדקו את החיבורים והתקינו מחדש את מארז הסוללה. ▪ הטען את מארז הסוללה. ▪ לחצו על דושת הנעילה והחזיקו אותה, לאחר מכן שחררו את ההדק על מנת להפעיל את המסור הטלסקופי. ▪ אפשרו לארזית הסוללה או לראש הכוח להתקרר עד שהטמפרטורה תרד לטווח טמפרטורת הפעולה המומלץ. ▪ שחררו את מתג ההדק; הסירו את המסור הטלסקופי ואת הפס המנחה מן העץ ולאחר מכן הפעילו מחדש את המסור הטלסקופי. ▪ הסר את מארז הסוללה והחלף את המוט והשרשרת בהתאם לחלק "החלפת הפס המנחה והשרשרת". זכור תמיד לשמור על המוט והשרשרת במקביל למשטח ההרכבה לפני התקנת מכסה הצד. ▪ לחצו את המסור הטלסקופי כנגד העץ, הזיזו את המסור הטלסקופי קדימה ואחורה על מנת להיפטר מחלקי פסולת. ▪ הסירו את מארז הסוללה, לאחר מכן הסירו את המכסה הצדדי ונקו את חלקי האשפה. 	<ul style="list-style-type: none"> ▪ מארז הסוללה איננו מחובר למסור הטלסקופי. ▪ אין חיבור חשמלי בין המסור הטלסקופי לסוללה. ▪ קיבולת מארז הסוללה ריקה ▪ כפתור הנעילה איננו לחוץ לפני הלחיצה על מתג ההדק. ▪ מארז הסוללה או ראש הכוח חמים מדי. ▪ המסור הטלסקופי כפות בעץ. ▪ המוט והשרשרת נטויים והם אינם מקבילים לתא. ▪ אשפה בחרוץ המוט. ▪ אשפה במכסה הצדדי. 	<p>המנוע אינו פועל.</p>

סימנים לכך שיש צורך בהשחזת השרשרת. בעת ביצוע פעולות תחזוקה של שרשרת המסור, קחו בחשבון את הדברים הבאים:

- זווית כריתה לא נכונה של הלוחית הצדדית יכולה להגדיל את הסיכון לתגובה חזקה לאחור חמורה.
- פינוי מגרפות (מדי עומק). נמוך מדי מגביר את הפוטנציאל לתגובה חזקה לאחור. לא נמוך מספיק מפחית את יכולת החיתוך.
- אם שיני החותך פגעו בעצמים קשים, כגון מסמרים ואבנים, או אם הן באו במגע עם בוץ או חול אשר היו על העץ, חדדו את השרשרת בעזרת טכנאי שירות מוסמך.

הובלה ואחסון

- אל תאחסנו או תובילו את המסור הטלסקופי כאשר הוא פועל. הסירו תמיד את מארז הסוללה בעת אחסון או הובלה.
- הניחו תמיד את נרתיק הפס המנחה על הפס המנחה והשרשרת לפני אחסון או הובלה של אביזר המסור הטלסקופי. היו זהירים והימנעו ממגע עם השיניים החדות של השרשרת.
- נקו את המסור הטלסקופי ביסודיות לפני אחסונו. יבש ונעול / לא ללא גישה לילדים והרחיקו מחומרים הגורמים לקורוזיה, כגון כימיקלים לגינה ומלחים מסירי קרח.

הגנה על הסביבה

אין לזרוק ציוד חשמלי, מטעני סוללות וסוללות ביחד עם אשפה ביתית! קחו מוצרים אלו למרכז מחזור מוסמך ו-ודאו שהם זמינים לאיסוף נפרד. יש להחזיר כלים חשמליים אל מתקן מחזור המתאים לסביבה.



- מעלה.
 - 3. לבשו כפפות. הסירו את המכסה הצדדי (איור U). נקו את המכסה הצדדי בעזרת מטלית יבשה.
 - 4. הסירו את הפס המנחה והשרשרת הבלויים ממשטח ההרכבה.
 - 5. התקינו את הפס המנחה החדש ושרשרת המסור בהתאם להוראות ב"הרכבת הפס המנחה והשרשרת" בסעיף "הרכבה".
- הודעה:** זהו זמן טוב לבדוק סימני בלאי או נזקים של גלגל השיניים.

תחזוקה של הפס המנחה

כאשר הפס המנחה מראה סימני בלאי, פרקו אותו מהמסור. הסירו את בורג הסט ולוחית הכוונון, הפכו את הפס המנחה (איור V) והתקינו מחדש את לוחית הכוונון בצד החדש של הפס המנחה. (איור W) כדי לפזר את הבלאי, לתוחלת חיים ארוכה יותר של הפס המנחה. יש לנקות את הפס המנחה לאחר כל שימוש ולבדוק אם הוא מכיל סימני בלאי או נזק. רפידה או שרפה של מסילות המוט מהווים סימני בלאי נורמליים. כאשר אלו מתרחשים חש לשייף אותם בעזרת פצירה. יש להחליף מוט בעל אחד מן הליקויים הבאים.

- סימני בלאי בתוך מסילות המאפשר לשרשרת לעבור מעבר לצדדים.
- מוט מנחה מעוקל.
- מסילות סדוקות או שבורות.
- מסילות אשר התרחבו.

בנוסף, לפס המנחה ישנו גלגל שיניים בקצהו. יש לשמן את גלגל השיניים מדי שבוע באמצעות מזרק חומר סיכה על מנת להאריך את חיי הפס המנחה. השתמשו במזרק שמן סיכה על מנת לשמן את השרשרת פעם בשבוע דרך חור השימון (תמונה X). הפכו את הפס המנחה ובדקו שחורי השימון והשרשרת נקיים מחלקיקי אשפה.

X-1	גלגל שיניים בקצה הפס המנחה
X-2	חור שימון

תחזוקת השרשרת

השתמשו רק בשרשראות בעלות רתיעה לאחור נמוכה עבור מסור זה. השרשרת בעלת מהירות החיתוך הגבוהה תפחית את עוצמת הרתיעה לאחור עם תחזוקה מתאימה.

שרשרת מסור מחודדת כראוי חותכת דרך העץ ללא מאמץ, אפילו אם מופעל מעט לחץ.

לעולם אין להשתמש בשרשרת ניזוקה או קהה. חיתוך בשרשרת קהה גורם למתח פיזי גבוה מאוד, עומס רטט מוגבר, תוצאות חיתוך לא מספקות ובלאי מוגבר.

לחיתוך חלק ומהיר, יש לתחזק את שרשרת המסור באופן קבוע. כאשר שבבי העץ קטנים ואבקתיים ויש צורך להפעיל לחץ על השרשרת כדי להחזירה לעץ בעת חיתוך, או כאשר השרשרת חותכת רק בצד אחד, אלה

HE

317

במרחק הקטן מ-15 מטר מקווי חשמל עיליים (איור T).

11. אין להפעיל במרחק של פחות מ-15 מ' מאנשים אחרים (איור T).

לחתוך עבורכם: הפעילו רק לחץ קל כלפי מטה. אם תפעילו לחץ עודף על החתך, ייתכן שייגרם נזק לפס המנחה, לשרשרת או למנוע.

קוצים דוקרנים	S-1
---------------	-----

4. שחררו את מתג ההדק ברגע שהחתך הושלם.

הודעה: כשל בביצוע הליכי החיתוך ההולמים יגרמו להיצמדות של המוט והשרשרת ותפוסתם או צביטתם בגדם. במקרה שכזה:

1. עצרו את המנוע והסירו את מארז הסוללה.
2. אם ניתן להגיע לענף מהקרקע, הרימו את הענף תוך כדי החזקת המסור. פעולה זו אמורה לשחרר את ה"צביטה" ולשחרר את המסור.
3. אם המסור עדיין תפוס, התקשרו למומחה לקבלת זרה.

גידום וגיזום

המסור הטלסקופי זה מיועד לחיתוך ענפים וגזעים קטנים בקוטר של עד 25 ס"מ (עבור מכשיר עם פס מנחה של 25 ס"מ) או 20 ס"מ (עבור מכשיר עם פס מנחה של 30 ס"מ). לתוצאות מיטביות, נקטו את אמצעי הזהירות הבאים:

1. תכננו את החתך בזירות. היו מודעים לכיוון אליו הענף ייפול.

⚠ אזהרה: ענפים עשויים ליפול לכיוונים בלתי צפויים. אל תעמדו ישירות מתחת לענף הנחתך.

2. ישוּם החיתוך האופייני ביותר הוא למקם את היחידה בזווית של 60° או פחות, בהתאם למצב הספציפי, כפי שמוצג באיור T. ככל שהזווית של פיר המסור הטלסקופי לקרקע גדלה, הקושי לבצע את החתך הראשון (המחלק התחתון של הענף) עולה.

3. הסירו ענפים גדולים במספר שלבים.

4. חתכו תחילה ענפים נמוכים יותר כדי לאפשר לענפים העליונים מקום רב יותר כדי ליפול.

5. פעלו לאט כששתי הידיים על המסור עם אחיזה חזקה. שימרו על עמידה ואיזון.

6. שמרו את העץ בינך לבין השרשרת תוך כדי חיתוך לענפים. חתכו מצד העץ שמול הענף שאתם חותכים.

7. אל תחתכו מסולם; פעולה זו מסוכנת מאד. השאירו פעולה זו למומחים.

8. אל תבצעו את חתך האיפוס ליד הענף הראשי או הגזע עד שתחתכו את רוב הענף כדי להפחית את משקלו. ביצוע הליכי חיתוך נאותים ימנע את הסרת האיבר הראשי מהגזע.

9. אל תשתמשו במסור הטלסקופי להפלה או לכרייתה.

10. למניעת התחשמלות, אל תפעילו את המכשיר

תחזוקה

⚠ אזהרה: לפני בדיקה, ניקיון או עבודות שירות עבור היחידה, עצרו את המנוע, חכו שכל החלקים הנעים יפסיקו את פעולתם והסירו את מארז הסוללה. אי ביצוע הוראות אלה עשוי לגרום לפציעה אישית חמורה או נזק לרכוש.

⚠ אזהרה: במקרה של עבודות תיקון, השתמשו רק בחלקי חילוף זהים. שימוש בחלקי חילוף אחרים עלול לגרום לסכנה או נזק למוצר. על מנת להבטיח בטיחות ואמינות, יש לבצע את כל התיקונים, מלבד עבור הפריטים המצוינים בהוראות תחזוקה אלה, בעזרת טכנאי שירות מוסמך.

⚠ אזהרה: יש ללבוש תמיד כפפות בעת הטיפול בשרשרת המסור. השרשרת חדה ועלולה להכיל חודים.

תחזוקה כללית

הימנעו משימוש בממסים כאשר אתם מנקים חלקי פלסטיק. רוב חלקי הפלסטיק עלולים להינזק מסוגים שונים של ממסים מסחריים ועל ידי השימוש בהם. השתמשו במטליות נקיות על מנת להסיר לכלוך, אבק, שמן, חומר סיכה וכו'.

ניקיון

- לאחר כל שימוש, נקו את השאריות מן השרשרת והפס המנחה עם מברשת רכה. נגבו את שטח המסור הטלסקופי עם מטלית נקייה אשר הוטבלה בתמיסת סבון עדינה.

- הסירו את המכסה הצדדי ולאחר מכן השתמשו במברשת רכה על מנת להסיר שאריות מן הפס המנחה, שרשרת המסור והמכסה הצדדי.

- נקו תמיד שאריות ענפים ועץ, נסורת ולכלוך מחרץ הפס המנחה בעת החלפת שרשרת המסור.

כל פעולות השירות של המסור הטלסקופי, מלבד אלו המפורטות בהוראות תחזוקה אלה, צריכות להתבצע על ידי אנשי שירות מוסמכים.

החלפה של המוט והשרשרת

בעת החלפת הפס המנחה והשרשרת, השתמשו תמיד בשילוב הפס המנחה והשרשרת המצוינים בסעיף "הפס המנחה והשרשרת המומלצים לשימוש עם מסור טלסקופי זה".

1. הסירו את הסוללה ואפשרו למסור להתקרר. ודאו שמכסה מיכל השמן צמוד כדי למנוע דליפת שמן.

2. מקמו את המסור הטלסקופי על הצד, על גבי משטח מוצק ושטוח כך שמילכ השמן פונה כלפי

מוסיפה תאורה ועוזרת לראות את מיקום שרשרת המסור בעת חיתוך ענפים גבוהים. נורת העבודה תידלק אוטומטית בעת לחיצה על מתג ההדק ותכבה כ-10 שניות לאחר שחרור מתג ההדק.

הפעלה/כיבוי המכשיר

לפני הפעלת המסור הטלסקופי

⚠ אזהרה: לעולם אין להפעיל את ראש הכוח ללא אביזר. אין לנסות להפעיל את ראש הכוח לפני חיבור אביזר מסור הטלסקופי.

הודעה: לפני הפעלת המסור הטלסקופי, בדקו את כווננו מתח השרשרת המהיר, מפלס השמן וחדות השרשרת והשיניים. כמו כן, יש להקפיד על שיטת אחיזה, דריסת רגל מאוזנת ומרחק מתאים מהקרקע (איור Q).

על מנת להתחיל (תמונה P)

1. התקינו את מארז הסוללה.
2. ודאו שאין חפצים או מכשולים שעלולים לבוא במגע עם המוט והשרשרת בסביבה הקרובה.
3. אחזו בחוזקה בידית הסיוע ובידית האחורית, תוך שימוש בשתי הידיים.
4. לחצו והחזיקו את כפתור הנעילה ולאחר מכן לחצו על מתג ההדק כדי להפעיל את המסור. שחררו את כפתור הנעילה והמשיכו ללחוץ על המתג להפעלה ממושכת.

⚠ אזהרה: אל תנסו להפעיל את המסר כאשר המסור הטלסקופי כבר נמצא בפעולת חיתוך או במגע עם כל משטח.

לכיבוי

הרחיקו את המסור הטלסקופי מאזור החיתוך, ולאחר מכן שחררו את מתג ההדק כדי להפסיק את פעולתו של המסור הטלסקופי.

⚠ אזהרה: הסירו תמיד את מארז הסוללה מן המסור הטלסקופי בעת הפסקות ולאחר סיום העבודה.

הליך חיתוך בסיסי (איור R)

- בצעו את השלבים להלן כדי למנוע נזק לעצים או לקליפות שיחים. אין להשתמש בתנועות ניסור קדימה ואחורה.
1. בצעו חיתוך ראשוני רדוד (1/4 מקוטר הענף) על צידו התחתון של הענף סמוך לענף הראשי או לגזע.
 2. בצעו חתך שני מהצד העליון של הענף בצד השני של החתך הראשון. המשיכו את החתך דרך הענף עד שהענף ייפרד מהעץ. היו מוכנים לאזן את משקל הכלי כאשר הענף נופל.
 3. בצעו חתך סופי בסמוך לגזע.

הודעה: לחתך שני וחתכים סופיים (מראש הגדם או הענף), החזיקו את החודים הדוקרניים כנגד הגדם הנחתך (איור S).

זה יעזור לייצב את הענף ויקל על החיתוך. אפשרו לשרשרת

■ זה נורמלי, ששמן יחלחל מהמסור כאשר אינו בשימוש. כדי למנוע חלחול, רוקנו את מיכל השמן לאחר כל שימוש, ולאחר מכן הפעילו את המסור למשך דקה אחת. בעת אחסון הכלי לתקופה ארוכה, ודאו שהשרשרת משומנת קלות; הדבר ימנע משרשרת וגלגל השיניים להחליד.

■ על מנת לשמור על הסביבה, אנא מחזרו או זרקו את הסוללות בהתאם לכללי המחזור. צרו קשר עם מחלקת התברואה המקומית שלכם כדי לקבל מידע בנוגע לאפשרויות מחזור ו/או השלכת פסולת.

אחסון המוט הטלסקופי (איור K)

1. הרימו את ידית השחרור המהיר כדי להסיר את הנעילה מהמוט הטלסקופי.
2. האריכו את המוט הטלסקופי לאורך הנדרש.
3. לחצו על ידית השחרור המהיר כלפי מטה כדי לנעול את המוט הטלסקופי.

פתחה תעוצר תבכרה

לחצו על ׁו הרצועה כדי לפתוח אותה וחברו אותו על מתלה הרכבת רצועת הכתף על ראש הכוח (איור L). כווננו את רצועת הכתף לתנוחת הפעלה נוחה. **⚠ אזהרה:** במצב חירום, הסירו אותה מיד כדי למנוע פציעה.

התקנה/הסרה של מארז הסוללה

הערה: לפני השימוש בו בפעם הראשונה, הטעינו לגמרי את מארז הסוללה. יש להשתמש רק עם מארזי הסוללה והמטענים הרשומים באיור A2.

על מנת להצמיד

יישרו את עורקי הסוללה עם חריצי ההרכבה ולחצו את מארז הסוללה כלפי מטה עד הישמע "קליק" (איור M). **⚠ אזהרה:** ודאו כי ערכת הסוללה נעולה במקומה לפני ההפעלה. אי השבתה מאובטחת של ערכת הסוללה עלולה לגרום לנפילת ערכת הסוללה, וכתוצאה מכך לפציעה חמורה.

⚠ אזהרה: תמיד היו מודעים למיקום של כפות הרגליים שלכם, וילדים או חיות מחמד בקבת מקום, בעת לחיצה על כפתור שחרור הסוללה. עלולה להיגרם פציעה חמורה אם מארז הסוללה ייפול. לעולם אל תסירו את מארז הסוללה במקומות גבוהים.

על מנת להסיר

לחצו על כפתור שחרור הסוללה והוציאו את מארז הסוללה (איור N).

נורת עבודה LED (איור O)

נורת העבודה LED נמצאת בחלק הקדמי של אביזר המסור הטלסקופי, בקו ישר עם שרשרת המסור. תכונה זו

את מארז הסוללה מן המכשיר.

⚠ אזהרה: אל תעשו שימוש בחיבורים או אביזרים אשר לא הומלצו על ידי יצרן מוצר זה. השימוש בחיבורים או אביזרים אשר לא הומלצו עלול לגרום לפציעה חמורה. לפני כל שימוש בדקו את כל המוצר עבור חלקים ניזוקים, משוחררים או חסרים, כגון ברגים, אומים, בריחים, מכסים וכו'. יש להדק בבטחה את כל האבזמים והמכסים ואין להפעיל את המוצר עד אשר חלקים חסרים או ניזוקים תוקנו או הוחלפו.

יישומים

ניתן להשתמש במוצר אך ורק לצורך המטרות המפורטות להלן:

- גידום
- גיזום

הודעה: יש להשתמש במכשיר רק עבור המטרות להן הוא יועד. כל שימוש אחר ייחשב לשימוש בלתי הולם.

מילוי מיכל השמן עם שמן מוט ושרשרת

⚠ אזהרה: נא לא לעשן או לגרום לאש או להבה ליד שמן המסור הטלסקופי. שמן שנשפך עלול לגרום לשרפה.

הודעה: בעת הרכישה המסור הטלסקופי איננו מלא בשמן. חשוב מאוד למלא את מיכל השמן לפני השימוש. הפעלת מסור הטלסקופי ללא שמן שרשרת או כאשר מפלס השמן נמוך מכמות מסיימת תגרום נזק למסור הטלסקופי. אורך חיי השרשרת ויכולת החיתוך תלויים בשימון אופטימלי. השרשרת משומנת באופן אוטומטי עם שמן שרשרת בעת ההפעלה. יש לבדוק גם את מפלס השמן מידי 20 דקות של שימוש ומלאות אות לפי הצורך.

1. הסירו את מארז הסוללה מראש הכוח.
2. נקו את מיכל השמן ואת האזור שסביבו כדי להבטיח שלכלוך לא ייכנס לתוך מיכל השמן.
3. מקמו את המסור הטלסקופי על הצד, על גבי משטח מוצק ושטוח כך שמסכה מיכל השמן פונה כלפי מעלה וזא הסירו את המכסה (איור J).
4. מזגו בזהירות את שמן המוט והשרשרת לתוך המיכל עד שיתמורזהה. לכימה ראווע הבוגב אל פדועה ונשה תא ובגנ. חתפהמ רפשיי אל ונשהש

הודעה:

- לעולם אין להשתמש בשמן או חומרי סיכה אחרים אשר לא עוצבו במיוחד לשימוש על גבי המוט והשרשרת. הדבר עלול להוביל למערכת שמן חסומה, דבר שעלול להוביל לסימני בלאי מוקדם של המוט והשרשרת.
- בדקו את מפלס השמן לעתים קרובות ומלאו בשמן לפי הצורך.
- אל תשתמשו בשמנים מלוכלכים, משומשים או בשמנים מזוהמים אחרים. הדבר עלול לגרום נזק למוט או לשרשרת.

הרכבה וכוונן של ידית העזר הקדמית

1. עצרו את המנוע והסירו את מארז הסוללה.
2. שחררו את אום הפרפר והסירו אותו בעזרת בורג המהדק מידית הסיוע הקדמית (איור 11).

1-1	ידית עזר קדמית	4-1	אום פרפר
1-2	מתג נעילה	5-1	בלוק מהדק
1-3	בורג מהדק		

3. לחצו על ידית העזר על פיר ראש הכוח וסובבו אותה כלפי מטה כך שהיא פונה לכיוון שרשרת המסור (איור 12).

4. הכניסו את בלוק המהדק והרכיבו את בורג המהדק עם אום הפרפר (איור 13).

5. אין להדק את אום הפרפר במלאו. כווננו את מיקום ידית העזר הקדמית כך שתהיה בין מתלה רצועת הכתף לשרוול המוט הטלסקופי (איור 14). יש להתאים את הידית כך שהזרוע שלך תהיה ישרה בעת השימוש במסור הטלסקופי.

6. לחץ כלפי מטה על ידית הנעילה והדק את אום הפרפר כך שידית הסיוע הקדמית תהיה מאובטחת מפני סיבוב או תנועה על פיר ראש הכוח.

הפעלה

⚠ סכנה: לעולם אין לחתוך ליד קווי חשמל, חוטי חשמל או מקורות חשמל אחרים. אם הפס המנחה והשרשרת נתקעים בחוט או כבל חשמלי, אל תגיעו בפס המנחה, בשרשרת או במוט! הם עלולים להפוך ל"חיים" ועלולים להיות מסוכנים מאד. המשיכו להחזיק את המסור הטלסקופי בעזרת הידית האחורית המבודדת או הניחו אותו למטה ובמרחק ממכם בצורה בטוחה. נתקו את המתח מן החוט או הכבל הניזוקים לפני כל ניסיון לשחרר את המוט והשרשרת מן החוט או הכבל. גגע עם המוט, השרשרת, חלקים מולכים אחרים של המסור הטלסקופי או חוטי או קווי חשמל חיים עלול לגרום למוות מהתחשמלות או לפציעה חמורה.

⚠ אזהרה: אל תניח לעובדה שאתה מכיר את המוצר להפוך אותך לפחות זהיר. זכור שחוסר זהירות של שבריר אחד של שנייה מספיק כדי לגרום לפציעה אישית חמורה.

⚠ אזהרה: הרכיבו תמיד משקיפי בטיחות בעלי הגנה צדדית. אם לא תעשו זאת, עצמים עלולים לחדור לעיניים שלכם ועלולות לגרום לפציעה חמורה.

⚠ אזהרה: הסירו תמיד את מארז הסוללה מן המכשיר בעת הרכבת חלקים, ביצוע התאמות, ניקיון או כאשר המכשיר אינו בשימוש. על מנת למנוע הפעלה מקרית אשר עלולה להוביל לפציעה אישית חמורה, הסירו תמיד

G-1	כפתור פרפר	G-3	החץ על המצמד
G-2	כפתור שחרור פיר	G-4	חץ על פיר המסור הטלסקופי

4. משכו את הפיר על האביזר כדי לוודא שהוא נעול היטב בתוך המצמד. אם לא, סובבו את פיר המסור הטלסקופי מצד לצד בתוך המצמד עד שהוא נכנס למקומו בנקישה.

5. הדקו את ידית הפרפר היטב.

⚠ אזהרה: ודאו שידית הפרפר מהודקת לגמרי לפני הפעלת הציוד, בדקו אותה בקביעות להידוק בזמן השימוש כדי למנוע פגיעה אישית חמורה.

חיבור המוט המאריך בין ראש הכוח לאביזר המסור הטלסקופי (דגם EP1000)

⚠ אזהרה: לעולם אין לחבר או להתאים אביזר כלשהו כשראש הכוח פועל או כשהסוללה מותקנת. אי כיבוי המנוע והסרת הסוללה עלולים לגרום לפגיעה אישית חמורה.

מוט הארכה זה מיועד לשימוש בלעדי עם EGO PS1000E. לעולם אל תשתמש בו עם אביזרים אחרים של EGO.

המוט המאריך מגדיל את אורך הכלי ב-100 ס"מ ומרחיב את טווח החיתוך. יש לחבר אותו בין ראש הכוח לאביזר המסור הטלסקופי. ניתן להשתמש לכל היותר בשני מוטות מאריכים על אותו מכשיר (זמין בנפרד).

בצעו את התהליך בסעיף "חיבור אביזר המסור הטלסקופי לראש הכוח" כדי להתקין את המוט המאריך בין אביזר המסור הטלסקופי לראש הכוח (איור H).

H-1	מצמד על המוט המאריך
H-2	מצמד על ראש הכוח

הודעה: לאחר ההרכבה הנכונה, אביזר המוט הטלסקופי, המוט המאריך וראש הכוח לא אמורים להיפרד בעת משיכה. בדקו תמיד את החיבור על ידי משיכתם. חזרו על השלבים לעיל אם ניתן להפריד את החלקים.

⚠ אזהרה: כשל בהצמדת ראש הכוח/המוט המאריך כפי שמתואר לעיל עלול לגרום לפגיעה חמורה או למוות.

הסרת האביזר מראש הכוח

1. עצרו את המנוע והסירו את מארז הסוללה.

2. שחררו את ידית הפרפר.

3. לחצו על לחצן שחרור הציור, וכשהלחצן לחוץ, משכו או סובבו את פיר המסור הטלסקופי מתוך המצמד כדי להפריד אותו מראש הכוח או מהמוט המאריך (אם נעשה בו שימוש).

4. חזרו על התהליך כדי להפריד את המוט המאריך מראש הכוח (אם נעשה שימוש במוט המאריך).

4. הניחו את קישורי הנעת השרשרת בתוך חריץ הפס המנחה. מקמו את השרשרת כך שתיווצר לולאה בגב הפס המנחה (איור C).

C-1	קישורי הנעת השרשרת
C-2	חריץ הפס המנחה

1. החזיקו את השרשרת במקומה על גבי הפס המנחה ומקמו את הלולאה סביב לגלגל השיניים של המסור הטלסקופי.

הודעה: חץ קטן וחותר חרוטים במארז הכלי (איור D). בעת ליפוף שרשרת המסור על הפס המנחה, ודאו שאחרי הרכבת הפס המנחה, כיוון שרשרת המסור מתאים לחץ הסיבוב על מארז המכשיר ושצורת החותכים בחלק העליון של הפס המנחה תואמים לזו של החותר על המארז. אם הם פונים בכיוונים מנוגדים, הרכיבו מחדש את שרשרת המסור על הפס המנחה כשהחצים פונים לאותו כיוון. יש להתקין את הפס המנחה עם לוחית ההתאמה פונה הרחק מהמארז.

6. ודאו כי הפס המנחה והשרשרת מקבילים למשטח ההרכבה. חברו את המכסה הצדדי למארז כך שהחורים/הסיכות וחור ההידוק/הברגה מיושרים זה עם זה כהלכה (איור E). לחץ על המכסה הצדדי לעבר התא ולאחר מכן הדקו לגמרי את כפתור ההתאמה המהירה של מתח השרשרת בכיוון השעון. הציוד האקסצנטרי בתוך המכסה הצדדי מעוצב על מנת להבטיח שהשרשרת לא תימתח יתר על המידה.

הודעה: אם השרשרת משתחררת, סובבו את כפתור התאמת מתח השרשרת המהיר נגד כיוון השעון לפחות סיבוב אחד, ולאחר מכן הדקו את הכפתור במלואו.

7. סובבו את השרשרת באופן ידני כדי לבדוק אם היא מורכבת כהלכה ללא כפייתה. אחרת, הרכיבו מחדש את השרשרת והמוט.

חיבור אביזר המסור הטלסקופי לראש הכוח

מסור טלסקופי זה פועל כאשר אביזר המסור הטלסקופי וראש הכוח מחוברים (איור F).

F-1	אביזר המסור הטלסקופי
F-2	ראש כוח

⚠ אזהרה: לעולם אין לחבר או להתאים אביזר כלשהו כשראש הכוח פועל או כשהסוללה מותקנת. אי כיבוי המנוע והסרת הסוללה עלולים לגרום לפגיעה אישית חמורה.

אביזר המסור הטלסקופי מתחבר לראש הכוח באמצעות התקן מצמד.

1. עצרו את המנוע והסירו את מארז הסוללה.

2. שחררו את כפתור הפרפר.

3. יישרו את החץ שעל פיר המסור הטלסקופי עם החץ שעל המצמד ודחפו את מוט האביזר לתוך המצמד עד שתשמעו צליל "קליק ברור המציין שפיר המוט הטלסקופי מורכב במקומו (איור G)

מפרטים

תיאור

הכירו את המסור הטלסקופי שלכם (איור A1)

1. כפתור כוונון מהיר עבור מתח השרשרת
2. נורת עבודה LED
3. מכסה צדדי
4. מתלה רצועת כתף
5. מוט מאריך
6. כפתור נעילה
7. מתג הדק
8. ידית אחורית
9. כפתור שחרור הסוללה
10. ידית עזר קדמית
11. מתג לשחרור מהיר
12. מוט טלסקופי
13. רצועת כתף
14. מכסה מיכל שמן
15. מיכל שמן
16. קוצים דוקרנים
17. מוט מנחה
18. שרשרת מסור
19. ג'ון שרשרת

רשימת אריזה (איור A1)

מוט ושרשרת מומלצים עבור מסור טלסקופי זה

מספר דגם	שם חלק
AG1000Q, AG1200Q	מוט מנחה
AC1000Q, AC1200Q	שרשרת מסור

הרכבה

⚠ אזהרה: אם ישנם חלקים ניזוקים או חסרים, אל תפעילו את המכשיר עד אשר חלקים אלו יוחלפו. שימוש במכשיר זה עם חלקים פגומים או חסרים עלול לגרום לפגיעה אישית חמורה.

⚠ אזהרה: אל תנסו לשנות את המוצר או ליצור אביזרים אשר אינם מומלצים לשימוש ביחד עם המסור המוצר. כל שינוי או הוספה מהווים שימוש לא נכון במכשיר ועלול ליצור תנאים מסכנים שעלולים להוביל לפגיעה אישית.

⚠ אזהרה: יש להסיר תמיד את מארז הסוללה מן המכשיר בעת הרכבת חלקים, ביצוע התאמות, ניקיון או כאשר המכשיר אינו בשימוש.

הרכבת הפס המנחה והשרשרת

1. מקמו את המסור הטלסקופי על הצד, על גבי משטח מוצק ושתוח כך שמכיל השמן פונה כלפי מעלה.
2. לבשו כפפות. הסירו את המכסה הצדדי (איור B).
3. הניחו את שרשרת המסור החדשה בלולאה על משטח שטוח ויישרו כל עיקול.

מתח מדורג	56V	
אורך מוט מנחה	25 ס"מ	
צובט שרשרת	6.4 מ"מ ("1/4")	
מד שרשרת	1.1 מ"מ ("0.043")	
קיבולת מיכל שמן	80 מ"ל	
מספר קישורי Drive	56	
אורך הכלי (ללא מוט הארכה)	מקסימום 292 ס"מ מינימום 233 ס"מ	
טמפרטורת הפעלה מומלצת	-15°C-40°C	
טמפרטורת אחסון מומלצת	-20°C-70°C	
טמפרטורת טעינה מומלצת	5°C-40°C	
משקל (ללא מארז סוללה, ג'ון שרשרת)	4.25 ק"ג	
רמת עוצמת קול נמדדת L_{WA}	97 dB(A) K=2.5 dB(A)	
רמת לחץ קול בעמדת עבודה L_{PA}	82 dB(A) K=3 dB(A)	
רמת עוצמת קול מובטחת L_{WA} (בהתאם ל-2000/14/EC)	100 dB(A)	
רטט a_h	ידית עזר קדמית	1.19 m^2/s^4 K=1.5
	ידית אחורית	1.01 m^2/s^4 K=1.5

▪ ערך הרטט הכללי המוצהר נמדד בהתאם לשיטת בדיקה סטנדרטית וניתן להשתמש בו על מנת להשוות ציוד אחד עם ציוד אחר;

▪ ניתן להשתמש בערך הרטט הכללי המוצהר בהערכה ראשונית של חשיפה.

הודעה: פליטת הרטט בעת השימוש המעשי בכלי יכולה להיות שונה מן הערך המוצהר כאשר הכלי נמצא בשימוש; על מנת להגן על המפעיל, על המשתמש ללבוש כפפות ומגני אוזניים בעת השימוש למעשה.

אנא קראו את כל ההוראות!

קראו את מדריך ההוראות

⚠ סיכון שיורי! אנשים בעלי מכשירים חשמליים כגון קוצבי לב, צריכים להתייעץ עם הרופא(ים) המטפל(ים) בהם לפני השימוש במכשיר זה. הפעלה של ציוד חשמלי בקרבת קוצבי לב עלולה ותלועפת אקיספהל וליפא וא בצוקה תלועפל עירפהל **⚠ אזהרה:** על מנת להבטיח בטיחות ואמינות, יש לבצע את כל התיקונים וההחלפות בעזרת טכנאי שירות מוסמך.

סמלי בטיחות

מטרתם של סמלי הבטיחות היא למשוך את תשומת לבך לסכנות אפשריות. סמלי הבטיחות וההסברים שלהם דורשים את תשומת הלב וההבנה המלאות שלך. סימני הבטיחות בעצמם אינם מונעים סכנה. ההוראות והאזהרות אותן הם מספקים לא תחלפנה נקיטת אמצעי מניעה מתאימים בעת תאונה.

⚠ אזהרה: ודאו שאתם קוראים ומבינים את כל ההוראות הבטיחות המופיעות במדריימס לכ ללוק, שמתשמה ך ל "תוריהז"ו "הרהז", "הנכס" ונגכ תוחיטבה תוערתהפני השימוש במכשיר זה. אי מילוי אחר כל ההוראות המופיעות למטה עלול להוביל לזשק חשמלי, שריפה ו/או פציעות חמורות.

פירוש הסימן

עמוד זה מציין ומתאר את סימני הבטיחות העשויים להופיע על גבי המוצר. קראו, הבינו ועקבו אחר ההוראות המופיעות על המכשיר לפני כל ניסיון להרכיב ולהשתמש בו.

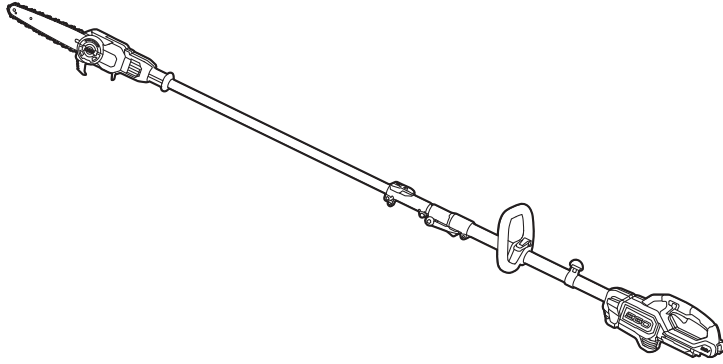
<p>לבשו נעליים בטוחות </p> <p>למניעת התחשמלות, אל תפעילו במרחק קטן מ-15 מטר מקווי חשמל עיליים. מגע בקווי חשמל או עבודה בקרבתם עלולה לגרום לפציעה חמורה או להלם חשמלי שיגרם למוות. </p>	<p>התראת בטיחות </p> <p>על מנת להפחית את הסיכון לפציעות, על המשתמש לקרוא ולהבין את המדריך למשתמש לפני השימוש במוצר זה. </p>
<p>נא לא לחשוף לגשם. </p>	<p>לבשו מגני עיניים </p>
<p>מוצר זה תואם לתקנות ה-EC הרלוונטיות. </p>	<p>לבשו מגני ראש </p>
<p>מוצר זה תואם לחוקים הרלוונטיים בבריטניה. </p>	<p>לבשו מגני אוזניים </p>
<p>אין לזרוק מוצרים חשמליים עם האשפה הביתית. יש להביא את המכשיר למרכז מחזור מוסמך. </p>	<p>לבשו כפפות מגן </p>
<p>תיאר מסמך </p>	<p>רמת עוצמת קול מובטחת. פליטת רעש אל הסביבה בהתאם לתקנת הנציבות האירופית. </p>
<p>מתח חשמלי V </p>	<p>רמת הגנת כניסה IPX4 </p>

HE

323

EGO™

POWER⁺ POLE SAW



KEES VAN DER SPEK
TUINMACHINES ★ STOLWIJK

PS1000E

מסור טלסקופי עם סוללת ליתיום-יון 56 וולט HE

منشار عمودي لاسلكي ببطارية ليثيوم-أيون 65 فولت AR

