

**SPARE PARTS CATALOGUE**  
**BRUSHCUTTERS/CLEARING SAWS: HUSQVARNA 525RX**

**KEES VAN DER SPEK**  
TUINMACHINES ★ STOLWIJK

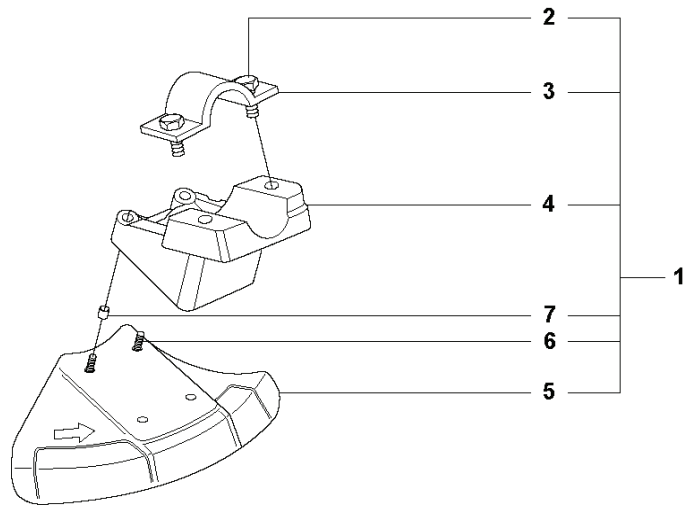
Spare Parts List

# **SPARE PARTS LIST**

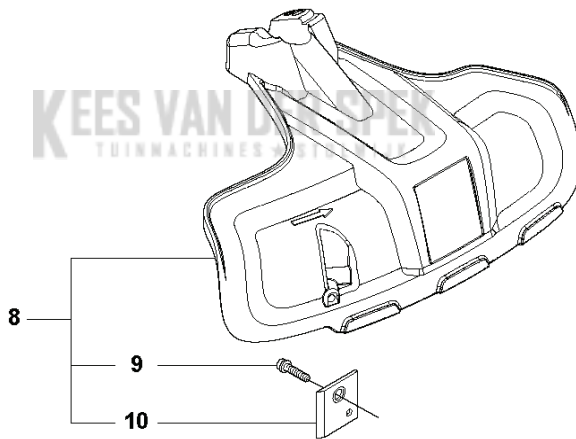
BRUSHCUTTERS/CLEARING SAWS

HUSQVARNA 525RX

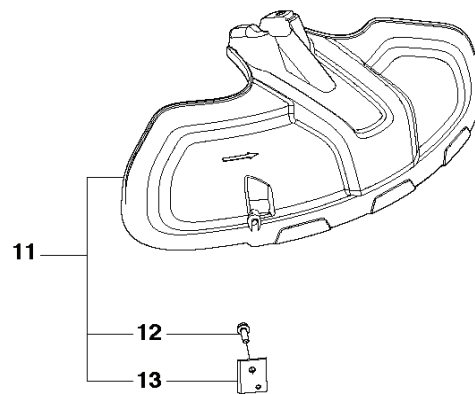
**R1** 525 RX, RXT, RK  
ACCESSORIES



524L, 525L, LS, LST, LK, RJX, RJD, RS, RX, RXT, RK



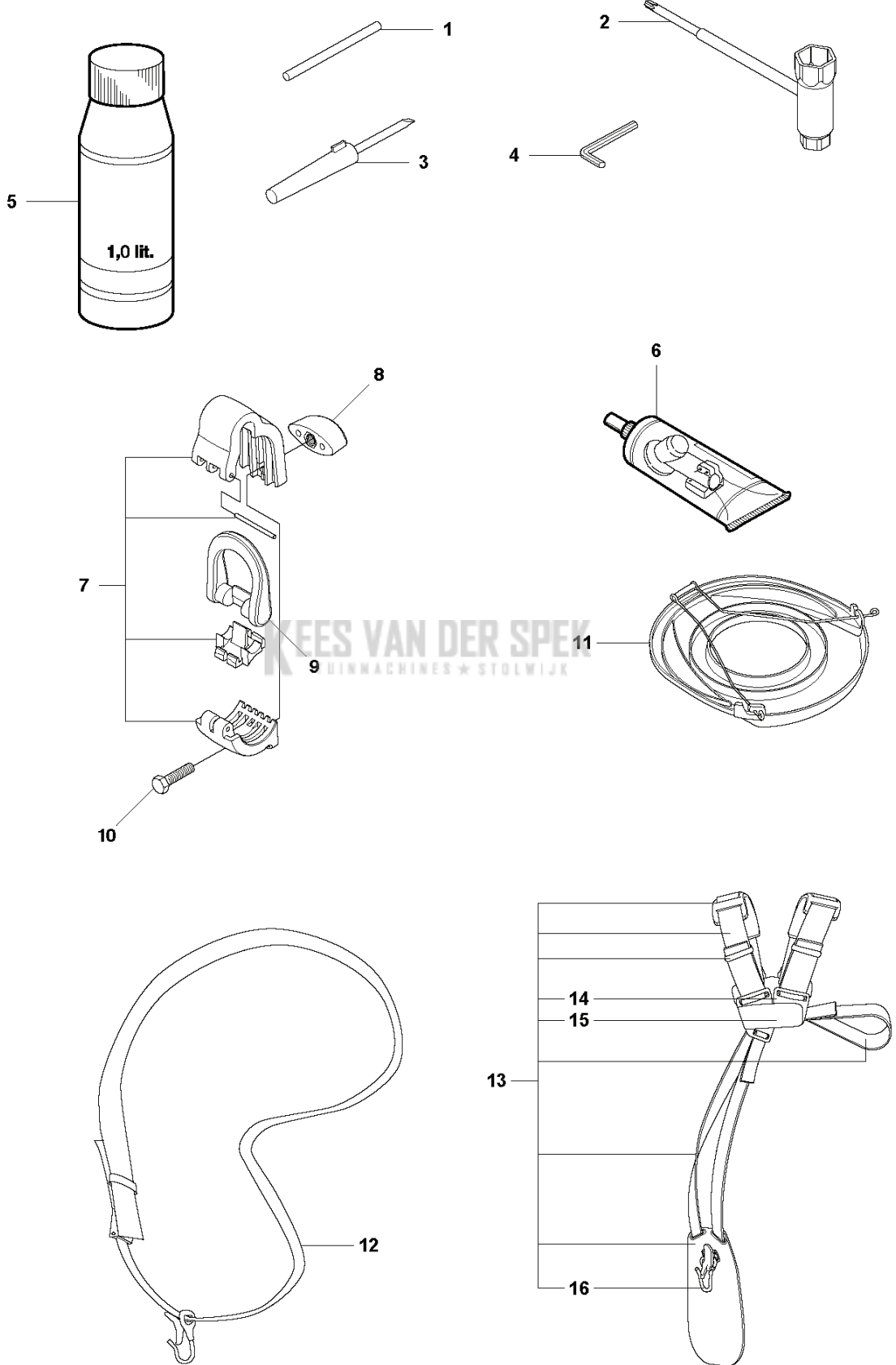
524L, 525L, LS, LST, LK, RJX, RJD, RS, RX, RXT, RK



## BRUSHCUTTERS/CLEARING SAWS

| PXM_REF | PXM_PARTNO | DESCRIPTION        | PXM_REMARK  | QTY. |    |
|---------|------------|--------------------|-------------|------|----|
| 1       | 537299501  | SAW BLADE GUARD    | RX, RXT, RK | 1    |    |
| 2       | 573994304  | SCHROEF IHSCFMO    |             | 2    | 1  |
| 3       | 537047501  | KLEM               |             | 1    | 1  |
| 4       | 537293401  | ADAPTER            |             | 1    | 1  |
| 5       | 537217101  | SAW BLADE GUARD    |             | 1    | 1  |
| 6       | 503200316  | SCHROEF IHSCFM     |             | 4    | 1  |
| 7       | 574039501  | LOCK NUT           |             | 4    | 1  |
| 8       | 588543701  | TRIMMER BESCHERMER |             | 1    |    |
| 9       | 576275601  | SCREW ITXSCFT      |             | 1    | 8  |
| 10      | 503798801  | MES                |             | 1    | 8  |
| 11      | 588117901  | COMBIBESCHERMKAP   |             | 1    |    |
| 12      | 576275601  | SCREW ITXSCFT      |             | 1    | 11 |
| 13      | 503798801  | MES                |             | 1    | 11 |

**R2** 524L, 525L, LS, LST, LK, RJX, RJD, RS, RX, RXT, RK  
ACCESSORIES

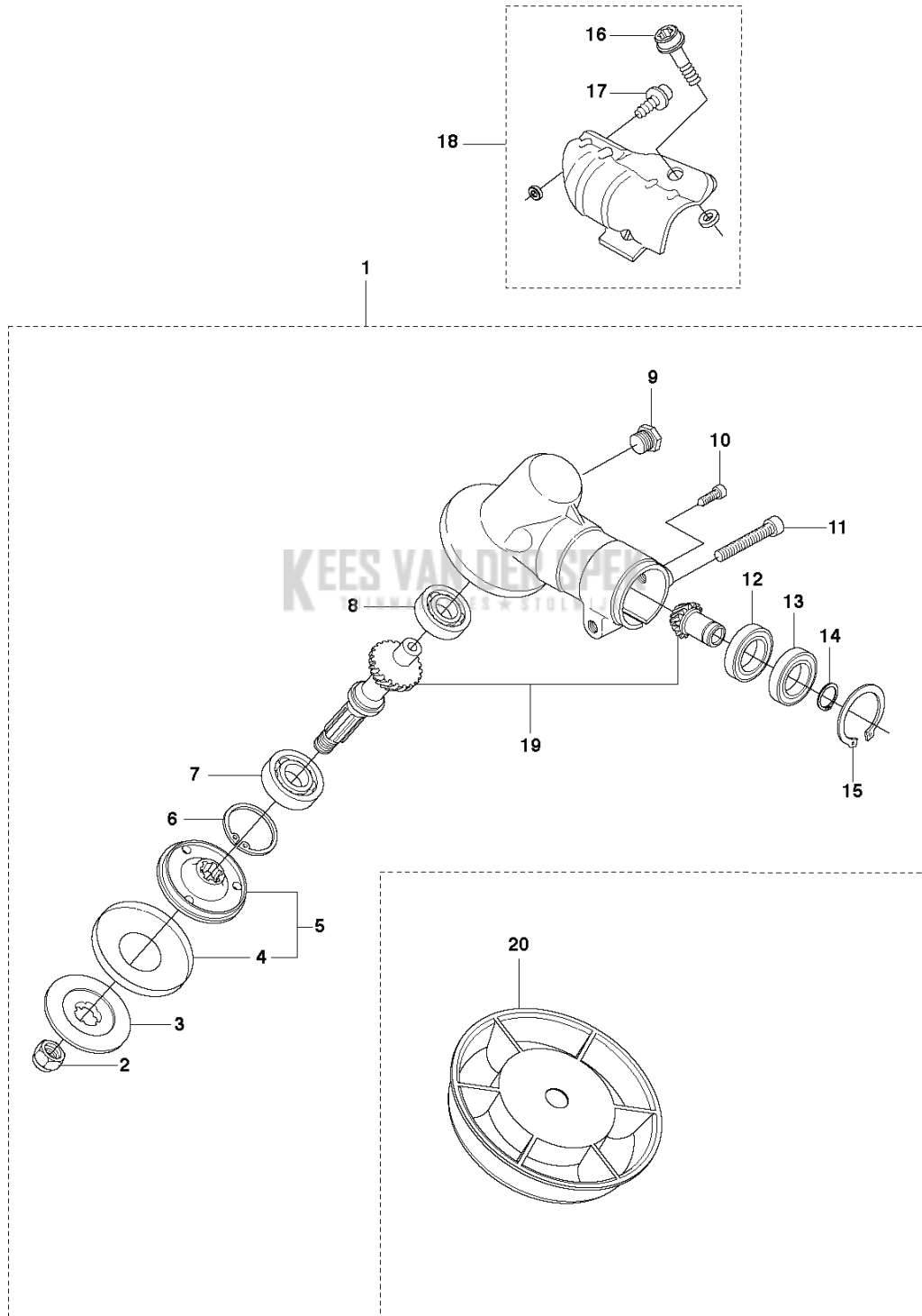


## BRUSHCUTTERS/CLEARING SAWS

| PXM_REF | PXM_PARTNO | DESCRIPTION          | PXM_REMARK  | QTY. |
|---------|------------|----------------------|-------------|------|
| 1       | 502285901  | STOP                 |             | 1    |
| 2       | 575738202  | COMBINATIESLEUTEL    |             | 1    |
| 3       | 501600203  | SCHROEVENDRAAIER     |             | 1    |
| 4       | 502215801  | SLEUTEL              |             | 1    |
| 5       | 531009248  | FILTER OLIE          |             | 1    |
| 6       | 503976401  | VET                  |             | 1    |
| 7       | 537353601  | LUS                  |             | 1    |
| 8       | 537130402  | KNOP                 |             | 1 7  |
| 9       | 537350101  | LUS                  |             | 1 7  |
| 10      | 725233151  | SCREW                |             | 1 7  |
| 11      | 537312901  | TRANSPORTBESCHERMING | 200 - 275mm | 1    |
| 12      | 537216201  | DRAAGSTEL            |             | 1    |
| 12      | 537216202  | DRAAGSTEL            | USA         | 1    |
| 13      | 537216301  | DRAAGSTEL            |             | 1    |
| 13      | 537216302  | DRAAGSTEL            | USA         | 1    |
| 14      | 503734001  | FRONT PIECE          |             | 1 13 |
| 15      | 503734102  | GESP                 |             | 1 13 |
| 16      | 502022802  | OPHANGHAAK           |             | 1 13 |

**KEES VAN DER SPEK**  
TUINMACHINES ★ STOLWIJK

**A1** 524L, 525L, LS, LK, RJX, RJD, RS, RX, RXT, RK  
BEVEL GEAR



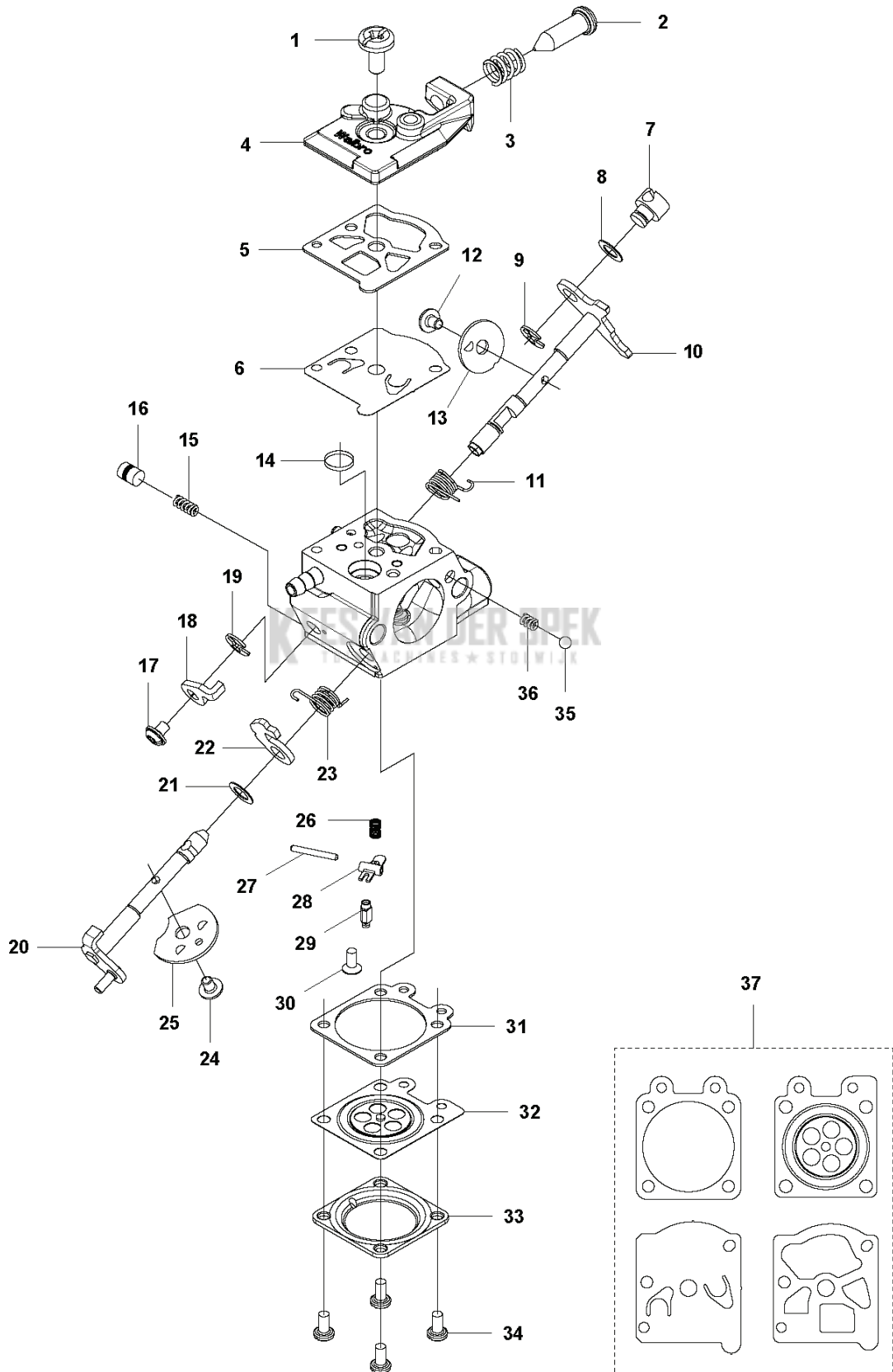
## BRUSHCUTTERS/CLEARING SAWS

| PXM_REF | PXM_PARTNO | DESCRIPTION             | PXM_REMARK | QTY. |
|---------|------------|-------------------------|------------|------|
| 1       | 537199202  | HOEKOVERBRENGING COMPL. |            | 1    |
| 2       | 503856301  | MOER                    |            | 1 1  |
| 3       | 537285601  | FLENSSTEUN              |            | 1 1  |
| 4       | 537292601  | KOP                     |            | 1 1  |
| 5       | 537234901  | MEENEMER COMPL.         |            | 1 1  |
| 6       | 735312810  | BORGCLIP                |            | 1 1  |
| 7       | 503252401  | KOGELLAGER              |            | 1 1  |
| 8       | 738219800  | KOGELLAGER              |            | 1 1  |
| 9       | 503201501  | SCREW                   |            | 1 1  |
| 10      | 503201412  | SCHROEF IHSCFMO         |            | 1 1  |
| 11      | 503200725  | SCHROEF IHSCFM          |            | 1 1  |
| 12      | 738219900  | KOGELLAGER              |            | 1 1  |
| 13      | 738219902  | KOGELLAGER              |            | 1 1  |
| 14      | 735311100  | BORGCLIP                |            | 1 1  |
| 15      | 735312510  | BORGCLIP                |            | 1 1  |
| 16      | 544218420  | SCHROEF ITXSCM          |            | 1 18 |
| 17      | 501981001  | SCHROEF ITXSCM          |            | 1 18 |
| 18      | 574306903  | KLEM                    |            | 1    |
| 20      | 503890101  | DRAAISCHOTEL            |            | 1    |

**KEES VAN DER SPEK**  
TUINMACHINES ★ STOLWIJK



**Q** 524, 525  
CARBURETOR



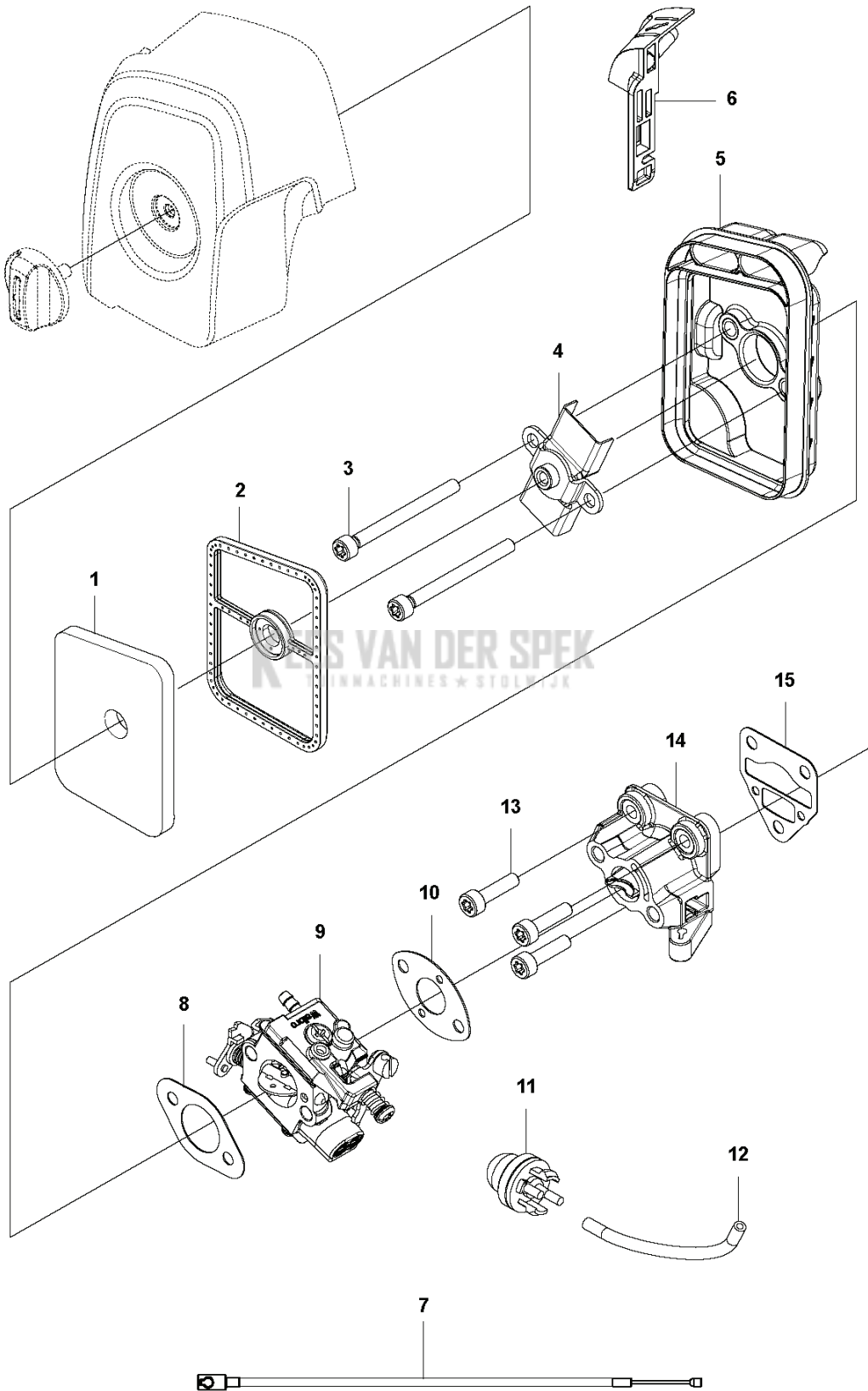
## BRUSHCUTTERS/CLEARING SAWS

| PXM_REF | PXM_PARTNO | DESCRIPTION   | PXM_REMARK | QTY. |
|---------|------------|---------------|------------|------|
| 1       | 520976301  | SCREW         |            | 1    |
| 2       | 577815701  | SCREW         |            | 1    |
| 3       | 513593201  | VEER          |            | 1    |
| 4       | 579190601  | DEKSEL        |            | 1    |
| 5       | 520954801  | PAKKING       |            | 1    |
| 6       | 596968101  | MEMBRAAN POMP |            | 1    |
| 7       | 513400801  | DRAAIEN       |            | 1    |
| 8       | 516524201  | RING          |            | 1    |
| 9       | 506738601  | RETAINER RING |            | 1    |
| 10      | 579190701  | AS            |            | 1    |
| 11      | 577815501  | VEER          |            | 1    |
| 12      | 520759801  | SCREW         |            | 1    |
| 13      | 520978601  | VENTIEL       |            | 1    |
| 14      | 520957001  | VIZIER        |            | 1    |
| 15      | 505057901  | VEER          |            | 1    |
| 16      | 521578301  | ZUIGER        |            | 1    |
| 17      | 520759801  | SCREW         |            | 1    |
| 18      | 579190801  | HEFBOOM       |            | 1    |
| 19      | 505056501  | RING          |            | 1    |
| 20      | 579191001  | AS            |            | 1    |
| 21      | 516524201  | RING          |            | 1    |
| 22      | 584901301  | HEFBOOM       |            | 1    |
| 23      | 579191101  | VEER          |            | 1    |
| 24      | 520759801  | SCREW         |            | 1    |
| 25      | 581154901  | VENTIEL       |            | 1    |
| 26      | 578895401  | VEER          |            | 1    |
| 27      | 520977401  | PEN           |            | 1    |
| 28      | 577807201  | HEFBOOM       |            | 1    |
| 29      | 521085401  | VALVE INLET   |            | 1    |
| 30      | 577807101  | SCREW         |            | 1    |
| 31      | 516972101  | PAKKING       |            | 1    |
| 32      | 577807001  | MEMBRAAN      |            | 1    |
| 33      | 514189201  | DEKSEL        |            | 1    |
| 34      | 520978801  | SCREW ASSY    |            | 4    |
| 35      | 514242601  | KOGEL         |            | 1    |
| 36      | 514243301  | SPRING.CHOKE  |            | 1    |
| 37      | 580684801  | PAKKINGSET    |            | 1    |

Coomodes by item 5, 6, 31  
and 32

**KEES VAN DER SPEK**  
TUINMACHINES \* STOLWIJK

**H2** 525 LK, LX, RJX, RX, RXT, RK  
CARBURETOR & AIRFILTER

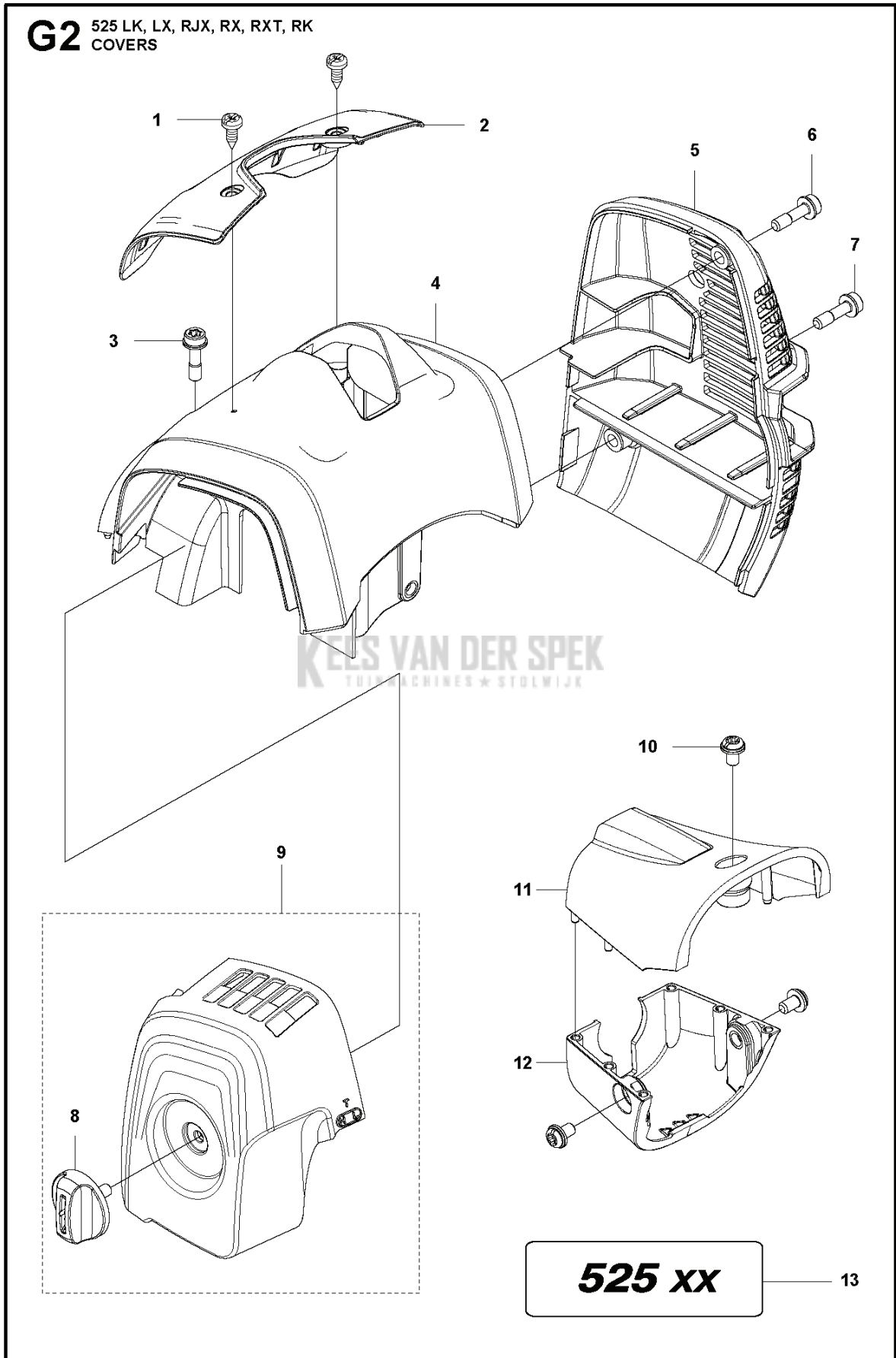


## BRUSHCUTTERS/CLEARING SAWS

| PXM_REF | PXM_PARTNO | DESCRIPTION | PXM_REMARK | QTY. |
|---------|------------|-------------|------------|------|
| 1       | 581047401  | LUCHTFILTER |            | 1    |
| 1       | 577851501  | LUCHTFILTER | US         | 1    |
| 2       | 576401601  | LUCHTFILTER | US         | 1    |
| 2       | 581451801  | LUCHTFILTER |            | 1    |
| 3       | 580467201  | BOUT        |            | 2    |
| 4       | 580437901  | PLAAT       | US         | 1    |
| 4       | 585488501  | PLAAT       |            | 1    |
| 5       | 581047001  | FILTER HUIS |            | 1    |
| 5       | 577851301  | FILTER HUIS | US         | 1    |
| 6       | 577848301  | CHOKEHENDEL |            | 1    |
| 7       | 590900001  | GASKABEL    |            | 1    |
| 8       | 577882402  | PAKKING     |            | 1    |
| 9       | 584901401  | CARBURATEUR |            | 1    |
| 10      | 576399102  | PAKKING     |            | 1    |
| 11      | 503936601  | PURGE       |            | 1    |
| 12      | 577050501  | PIJP        |            | 1    |
| 13      | 504114301  | SCREW       |            | 3    |
| 14      | 578908301  | ISOLATOR    |            | 1    |
| 15      | 576398901  | PAKKING     |            | 1    |

**KEES VAN DER SPEK**  
TUINMACHINES ★ STOLWIJK

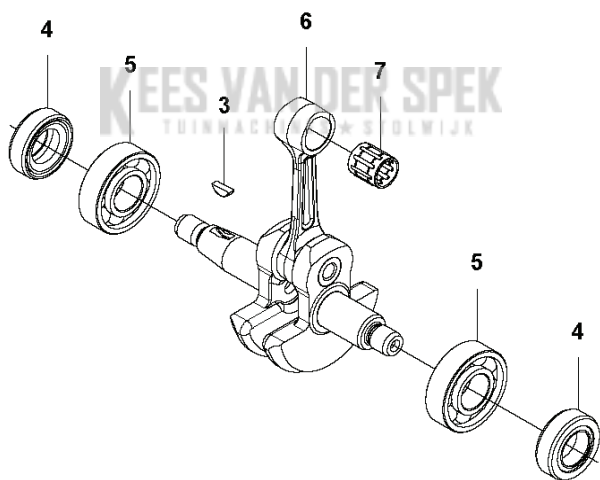
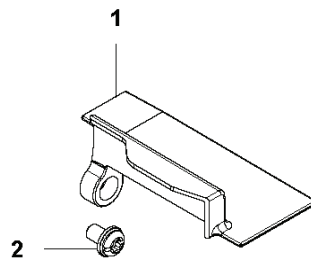
**G2** 525 LK, LX, RJX, RX, RXT, RK  
COVERS



## BRUSHCUTTERS/CLEARING SAWS

| PXM_REF | PXM_PARTNO | DESCRIPTION        | PXM_REMARK                                  | QTY. |
|---------|------------|--------------------|---|------|
| 1       | 503213512  | SCHROEF CCRPANT    |   | 2    |
| 2       | 576404501  | ARMBESCHERMING     |   | 1    |
| 3       | 577815401  | BOUT               |   | 1    |
| 4       | 592621301  | CILINDERDEKSEL     | To be used with<br>576404101 Housing clutch | 1    |
| 4       | 592621302  | CILINDERDEKSEL     | To be used with<br>588567701 Housing clutch | 1    |
| 5       | 576404701  | UITLAAT BESCHERMER |   | 1    |
| 6       | 577815401  | BOUT               |   | 1    |
| 7       | 577815401  | BOUT               |   | 1    |
| 8       | 576992402  | KNOP               |   | 1 9  |
| 9       | 581047301  | FILTERDEKSEL COMPL |   | 1    |
| 9       | 578408801  | FILTERDEKSEL       | US  | 1    |
| 10      | 544256801  | SCREW              |   | 3    |
| 11      | 577851101  | DEKSEL             |   | 1    |
| 12      | 577851001  | DEKSEL             |   | 1    |
| 13      | 579445807  | STICKER            | 525RX                                       | 1    |

**P** 524, 525  
CRANK SHAFT



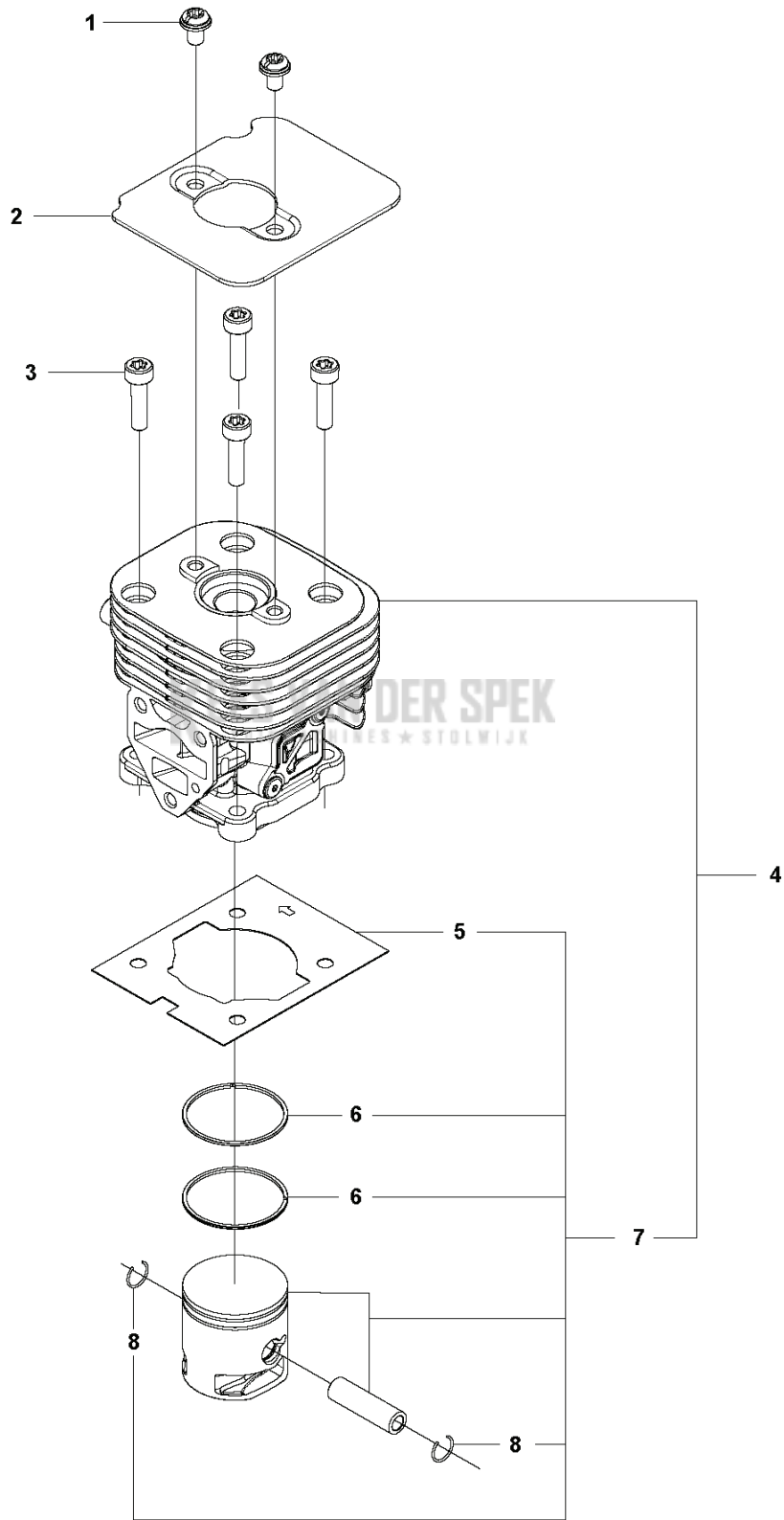
## BRUSHCUTTERS/CLEARING SAWS

---

| PXM_REF | PXM_PARTNO | DESCRIPTION  | PXM_REMARK | QTY. |
|---------|------------|--------------|------------|------|
| 1       | 576404601  | GELUIDDEMPER |            | 1    |
| 2       | 544256801  | SCREW        |            | 1    |
| 3       | 506689401  | SLEUTEL      |            | 1    |
| 4       | 504121501  | AFDICHTING   |            | 2    |
| 5       | 597648101  | LAGER        |            | 2    |
| 6       | 586656602  | KRUKAS       |            | 1    |
| 7       | 576402701  | LAGER        |            | 1    |



**L** 525RX  
CYLINDER PISTON

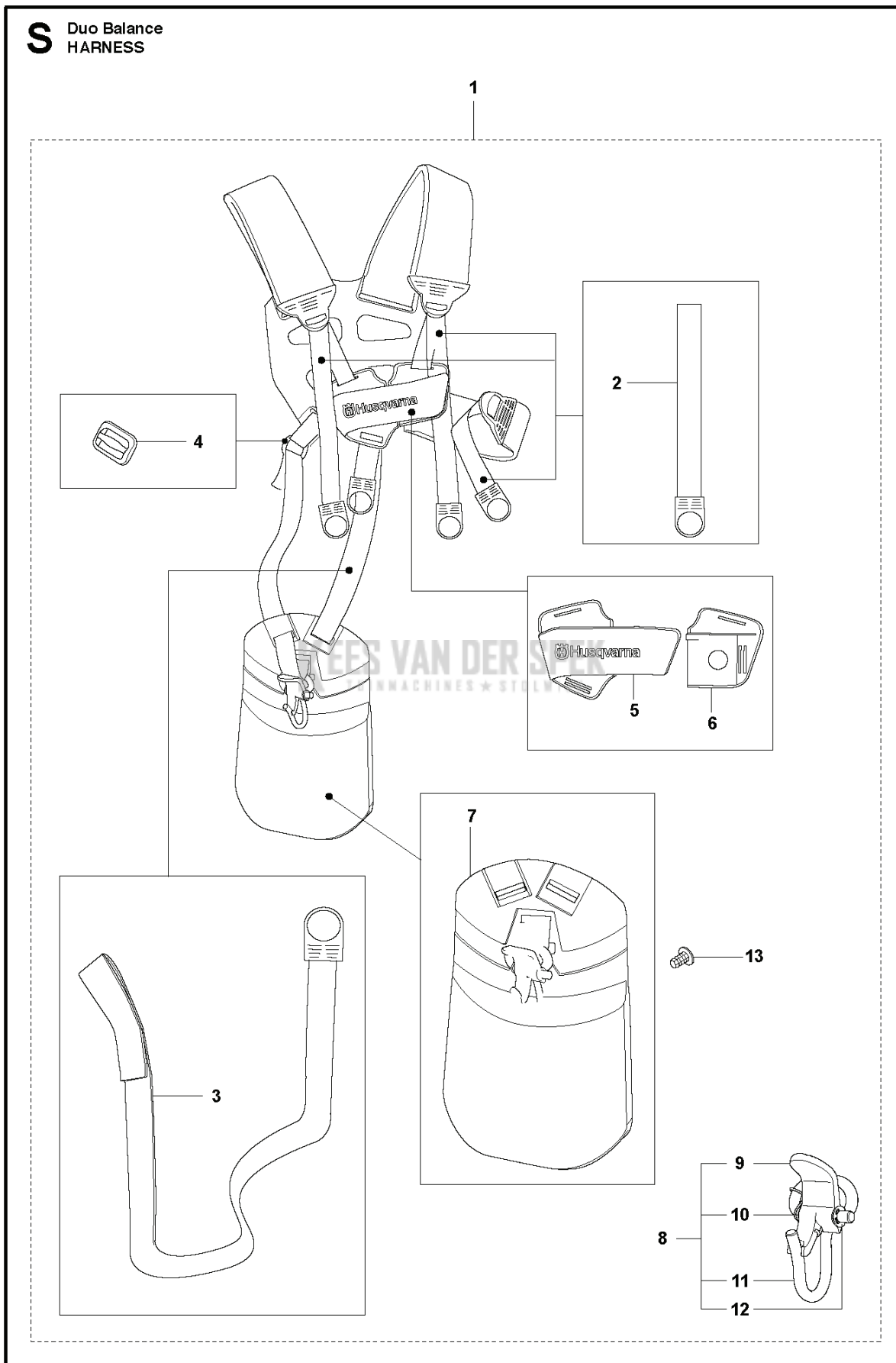


## BRUSHCUTTERS/CLEARING SAWS

---

| PXM_REF | PXM_PARTNO | DESCRIPTION | PXM_REMARK        | QTY.  |
|---------|------------|-------------|-------------------|-------|
| 1       | 544256801  | SCREW       |                   | 2     |
| 2       | 578785301  | PLAAT       |                   | 1     |
| 3       | 504114301  | SCREW       |                   | 4     |
| 4       | 588098202  | SERVICE KIT | Cylinder & Piston | 1     |
| 5       | 576398702  | PAKKING     |                   | 1 4.7 |
| 6       | 506618101  | RING        |                   | 2 4.7 |
| 7       | 588098102  | SERVICE KIT | Piston Kit        | 1 4   |
| 8       | 505045201  | RING        |                   | 2 4.7 |

**S** Duo Balance  
HARNES

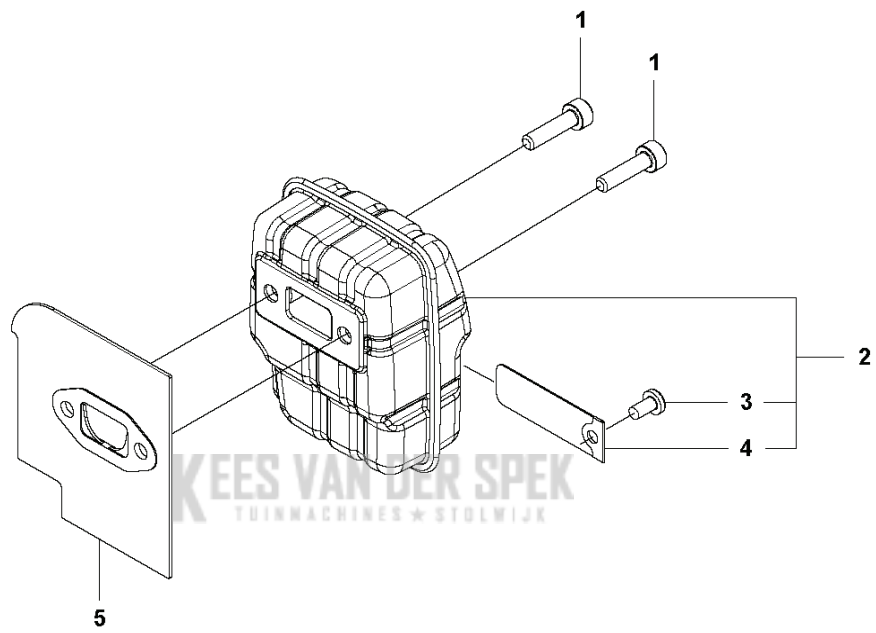


## BRUSHCUTTERS/CLEARING SAWS

| PXM_REF | PXM_PARTNO | DESCRIPTION | PXM_REMARK | QTY. |     |
|---------|------------|-------------|------------|------|-----|
| 1       | 537275701  | DRAAGSTEL   |            | 1    |     |
| 1       | 537275703  | DRAAGSTEL   | US         | 1    | 1   |
| 2       | 503996101  | BAND        |            | 3    | 1   |
| 3       | 503996103  | BAND        |            | 1    | 1   |
| 4       | 537113501  | HOUDER      |            | 1    | 1   |
| 5       | 537288401  | GESP        |            | 1    | 1   |
| 6       | 537288301  | GESP        |            | 1    | 1   |
| 7       | 537275901  | HEUPKUSSEN  |            | 1    | 1   |
| 8       | 502022801  | HAAK        |            | 1    | 1   |
| 9       | 502023002  | SLOT        |            | 1    | 1,8 |
| 10      | 586341001  | VEER        |            | 1    | 1,8 |
| 11      | 502022902  | HAAK        |            | 1    | 1,8 |
| 12      | 735310920  | E-CLIP      |            | 1    | 1,8 |
| 13      | 537175401  | HEUPKUSSEN  |            | 3    | 1   |

**KEES VAN DER SPEK**  
TUINMACHINES ★ STOLWIJK

**P** 525HE3  
MUFFLER



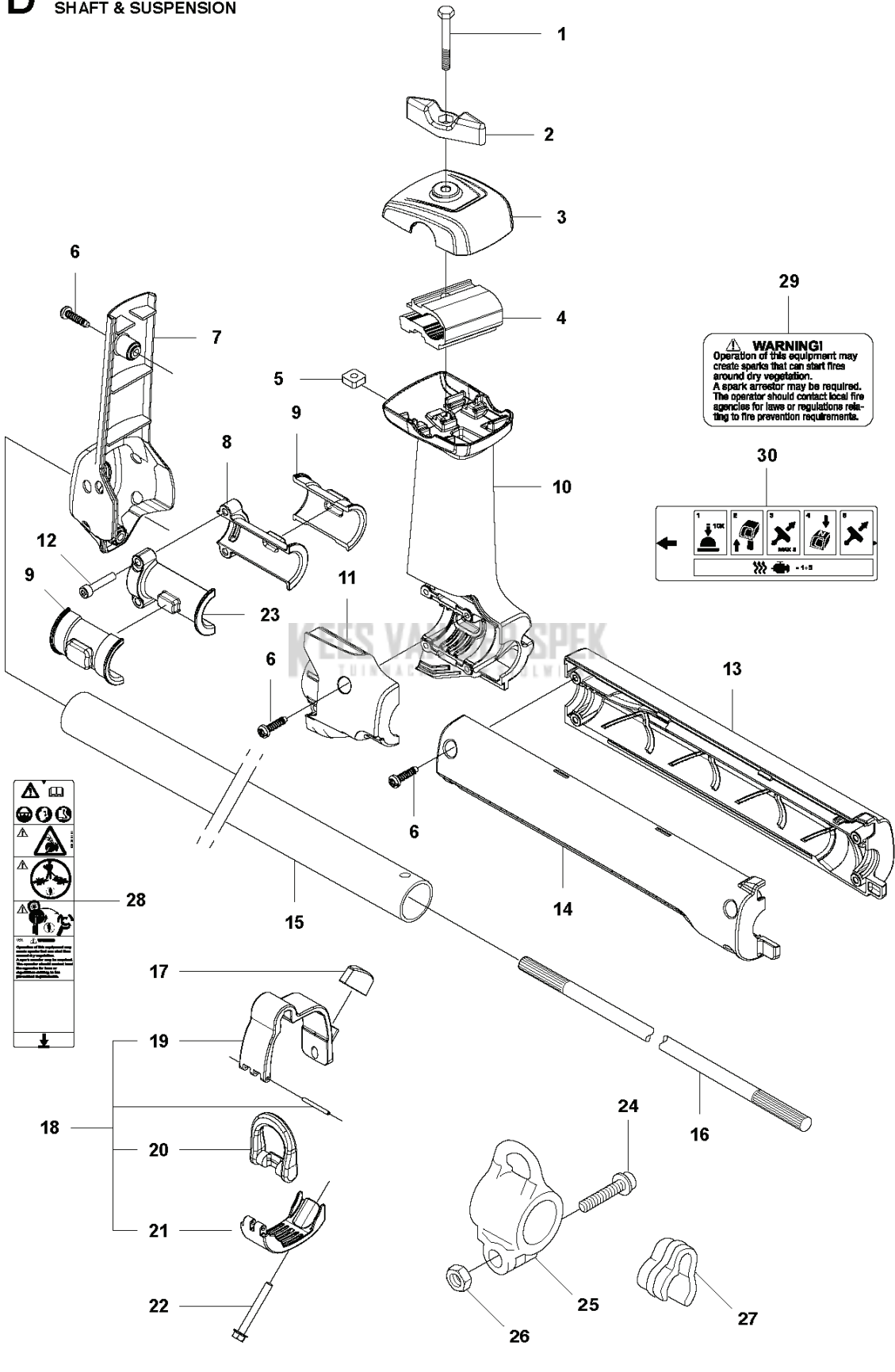
## BRUSHCUTTERS/CLEARING SAWS

---

| PXM_REF | PXM_PARTNO | DESCRIPTION    | PXM_REMARK | QTY. |
|---------|------------|----------------|------------|------|
| 1       | 504114301  | SCREW          |            | 2    |
| 2       | 585248604  | GELUIDDEMPER   |            | 1    |
| 3       | 729577405  | SCHROEF CRPANT |            | 1 1  |
| 4       | 580514401  | VONKENVANGER   |            | 1 1  |
| 5       | 578408101  | PAKKING        |            | 1    |

**KEES VAN DER SPEK**  
TUINMACHINES ★ STOLWIJK

**D** 525 RXT, RK, RX  
SHAFT & SUSPENSION



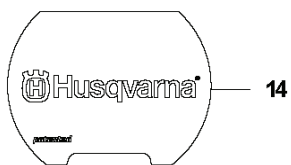
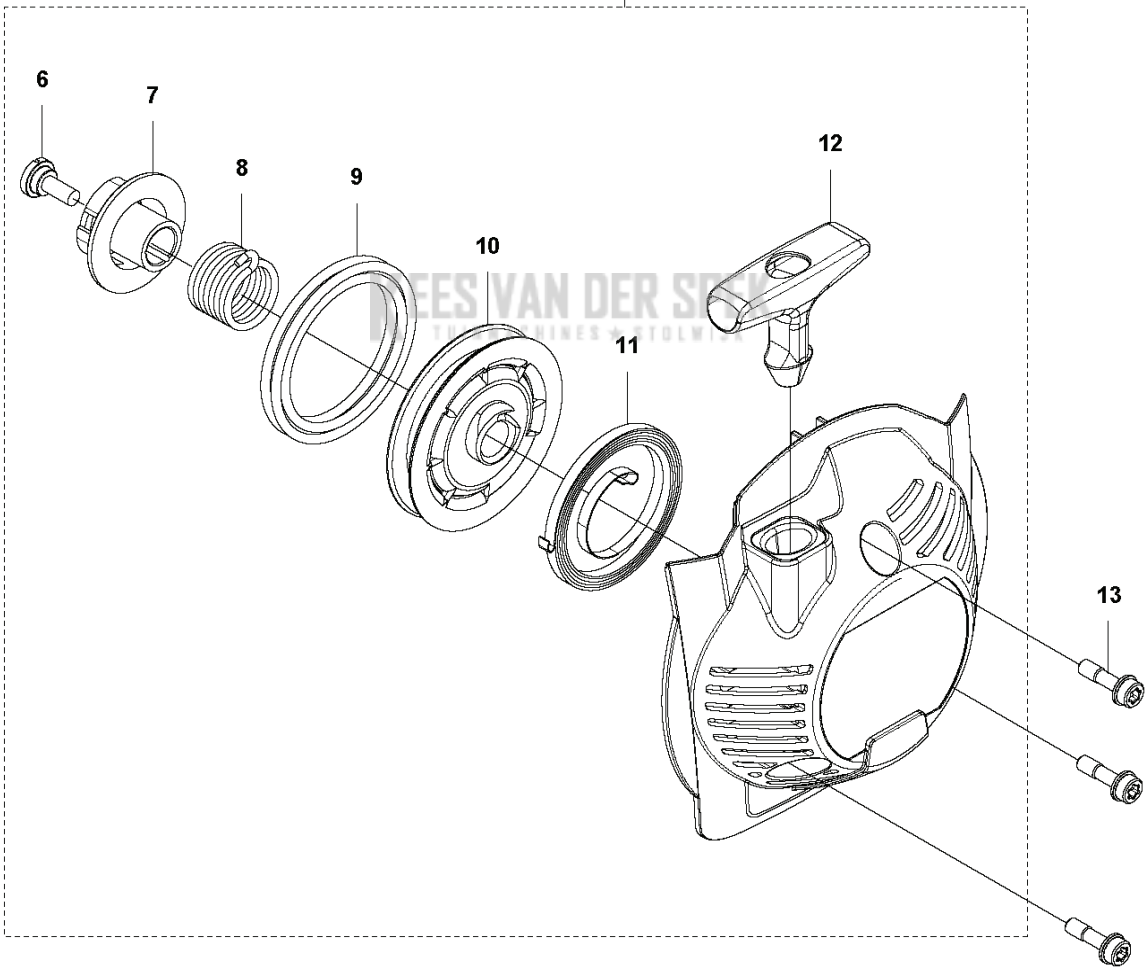
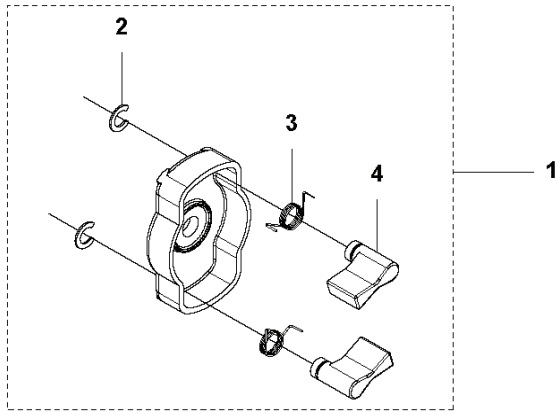
## BRUSHCUTTERS/CLEARING SAWS

| PXM_REF | PXM_PARTNO | DESCRIPTION      | PXM_REMARK | QTY. |
|---------|------------|------------------|------------|------|
| 1       | 725238285  | SCHROEF EHHM     | M6x60      | 1    |
| 2       | 502203801  | KNOP             |            | 1    |
| 3       | 577558201  | KAP              |            | 1    |
| 4       | 544020901  | KLEM             |            | 1    |
| 5       | 502197101  | MOER 4-KANT      |            | 1 10 |
| 6       | 525764604  | SCREW ITXSCT     |            | 10   |
| 7       | 577558101  | DEKSEL           |            | 1    |
| 8       | 578139001  | BEVESTIGING      |            | 1    |
| 9       | 578139201  | SCHOKDEMPER      | RXT, RK    | 2    |
| 9       | 585177601  | AFSTANDRING      | RX         | 2    |
| 10      | 578247701  | STUURHOUDER      |            | 1    |
| 11      | 577558001  | DEKSEL           |            | 1    |
| 12      | 525825001  | SCHROEF ITXSCHM  |            | 2    |
| 13      | 577557501  | SLIJTBESCHERMING |            | 1    |
| 14      | 577557601  | SLIJTBESCHERMING |            | 1    |
| 15      | 584977901  | PIJP             | RXT, RX    | 1    |
| 16      | 581815101  | AANDRIJFAS       | RXT, RX    | 1    |
| 17      | 537130402  | KNOP             | RXT, RK    | 1    |
| 18      | 578247801  | LUS              | RXT, RK    | 1    |
| 19      | 577557701  | KLEM             | RXT, RK    | 1 18 |
| 20      | 537350101  | LUS              | RXT, RK    | 1 18 |
| 21      | 577557801  | KLEM             | RXT, RK    | 1 18 |
| 22      | 725233951  | SCHROEF EHHM     | RXT, RK    | 1    |
| 23      | 578139101  | BEVESTIGING      |            | 1    |
| 24      | 525755101  | SCHROEF ITXSCHM  | RX         | 1    |
| 25      | 503941001  | HAAK             | RX         | 1    |
| 26      | 731231401  | ZESKANT MOER     | RX         | 1    |
| 27      | 502211201  | NIET             | RX         | 1    |
| 28      | 589295101  | PLAATJE          |            | 1    |
| 29      | 522928602  | PLAATJE          |            | 1    |
| 30      | 579562301  | STICKER          |            | 1    |

**KEES VAN DER SPEK**  
TUINMACHINES ★ STOLWIJK



**J2** 525 LK, LX, RJX, RXT, RX, RK  
STARTER

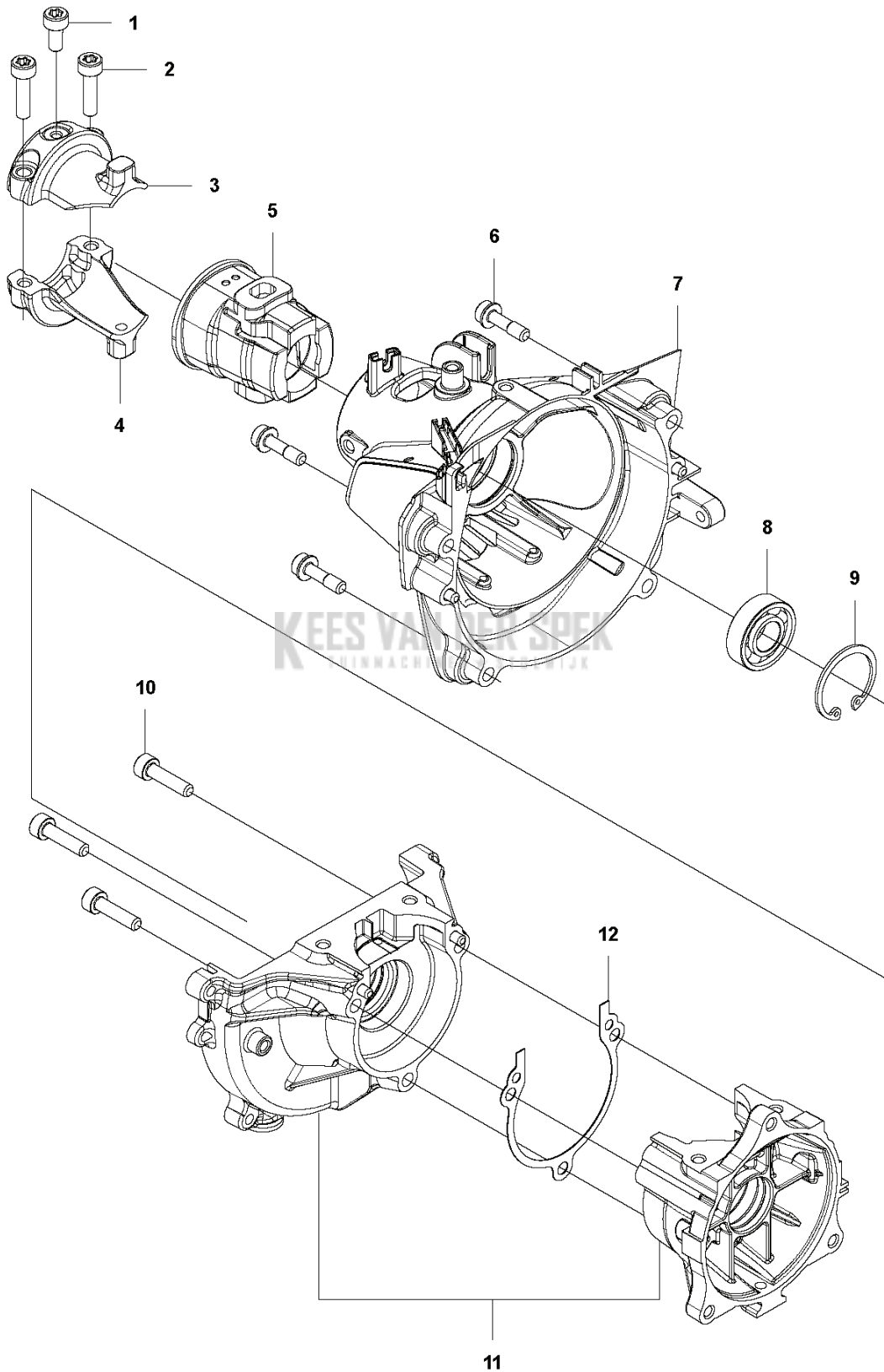


## BRUSHCUTTERS/CLEARING SAWS

| PXM_REF | PXM_PARTNO | DESCRIPTION        | PXM_REMARK              | QTY. |   |
|---------|------------|--------------------|-------------------------|------|---|
| 1       | 596330401  | KOORDSCHIJF COMPL. |                         | 1    |   |
| 2       | 501939001  | KLEM               |                         | 2    | 1 |
| 3       | 596330801  | VEER               |                         | 2    | 1 |
| 4       | 596330501  | RATEL              |                         | 2    | 1 |
| 5       | 577849201  | STARTER COMPL.     |                         | 1    |   |
| 5       | 596249001  | STARTER COMPL.     | US                      | 1    |   |
| 6       | 521600001  | SCREW              |                         | 1    | 5 |
| 7       | 576401201  | POELIE             | Not needed for US model | 1    | 5 |
| 8       | 577134101  | VEER               | Not needed for US model | 1    | 5 |
| 9       | 577848701  | TOUW               |                         | 1    | 5 |
| 9       | 596248901  | TOUW               | US                      | 1    |   |
| 10      | 596247701  | KOORDSCHIJF        | US                      | 1    |   |
| 10      | 577848801  | HASPEL             |                         | 1    | 5 |
| 11      | 596248601  | VEER               |                         | 1    | 5 |
| 12      | 575489501  | STARHANDVAT        |                         | 1    | 5 |
| 13      | 577815401  | BOUT               |                         | 3    |   |
| 14      | 579369601  | STICKER            |                         | 1    |   |

**KEES VAN DER SPEK**  
TUINMACHINES ★ STOLWIJK

**N** 524, 525  
CRANK CASE

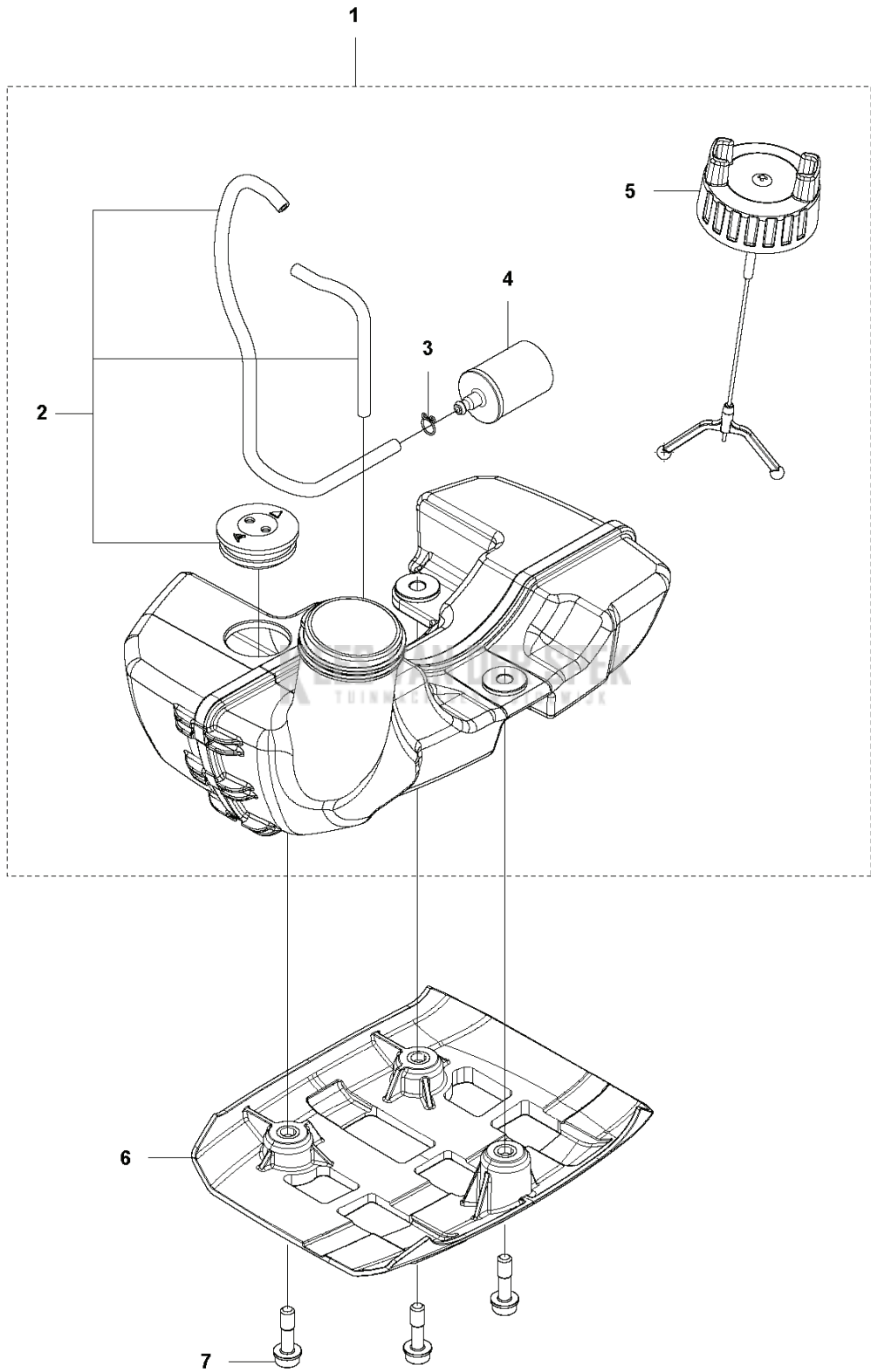


## BRUSHCUTTERS/CLEARING SAWS

---

| PXM_REF | PXM_PARTNO | DESCRIPTION | PXM_REMARK | QTY. |
|---------|------------|-------------|------------|------|
| 1       | 529268101  | BOUT        |            | 1    |
| 2       | 577942001  | BOUT        |            | 2    |
| 3       | 576420702  | BEVESTIGING |            | 1    |
| 4       | 576420802  | BEVESTIGING |            | 1    |
| 5       | 576420501  | CUSHION     |            | 1    |
| 6       | 577815401  | BOUT        |            | 4    |
| 7       | 588567701  | HUIS        |            | 1    |
| 8       | 525953201  | LAGER       |            | 1    |
| 9       | 506609901  | BORGRING    |            | 1    |
| 10      | 504114301  | SCREW       |            | 3    |
| 11      | 581308602  | CARTER      |            | 1    |
| 12      | 576399502  | PAKKING     |            | 1    |

**K2** 524L, 525LK, LX, RJX, RX, RXT, RK  
FUEL TANK

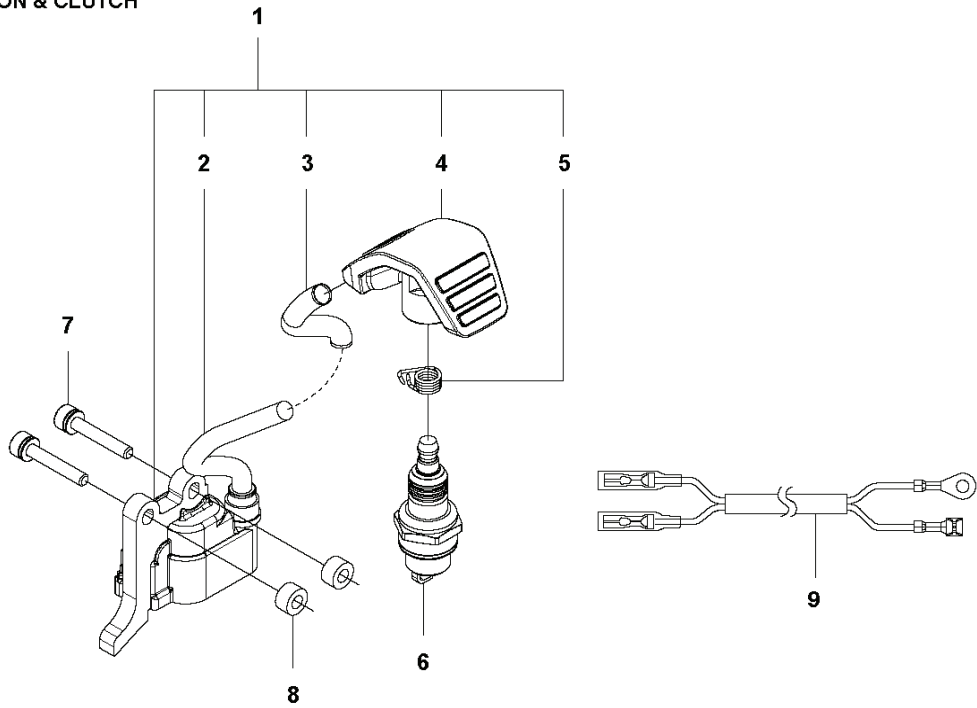


## BRUSHCUTTERS/CLEARING SAWS

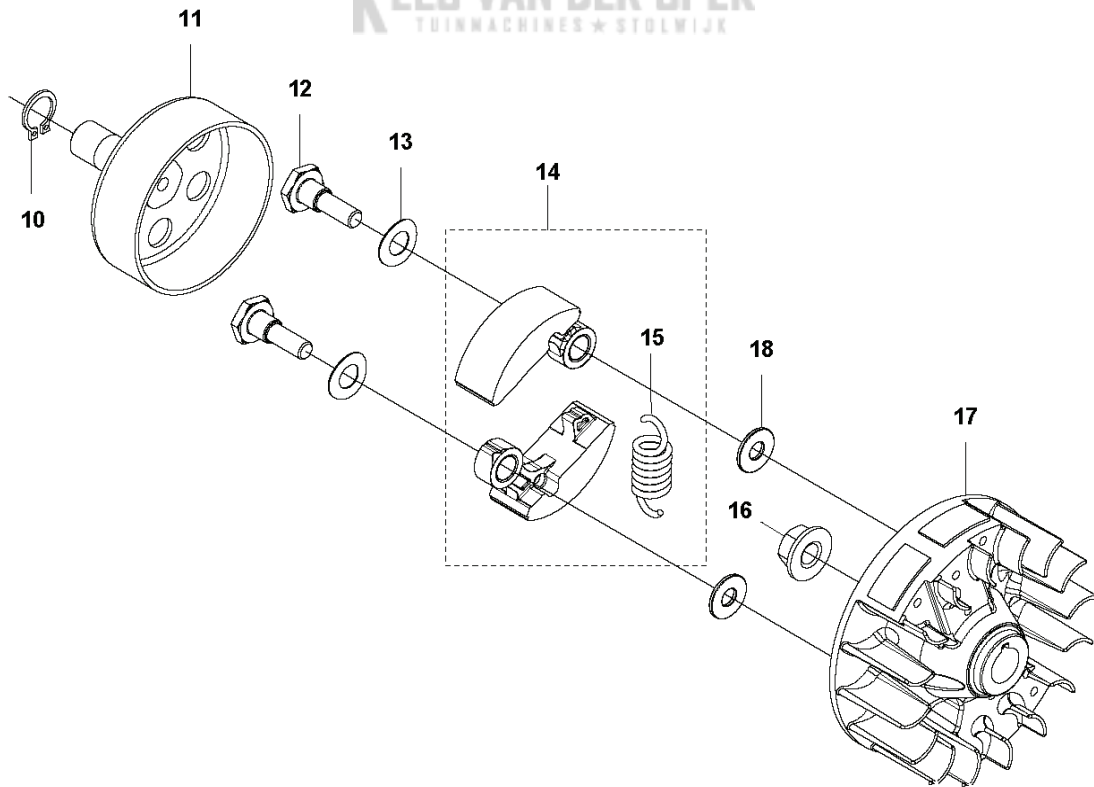
---

| PXM_REF | PXM_PARTNO | DESCRIPTION          | PXM_REMARK | QTY. |
|---------|------------|----------------------|------------|------|
| 1       | 576405101  | BRANDSTOFTANK        | US         | 1    |
| 1       | 576405102  | BRANDSTOFTANK        |            | 1    |
| 2       | 596630402  | BRANDSTOFSLANG       |            | 1 1  |
| 2       | 597967305  | BRANDSTOFSLANG COMPL | US         | 1    |
| 3       | 506707001  | KLEM                 |            | 1 1  |
| 4       | 503443201  | BRANDSTOFFILTER      |            | 1 1  |
| 5       | 579645713  | TANKDEKSEL           |            | 1 1  |
| 6       | 576404901  | GLIJ PLAAT           |            | 1    |
| 7       | 577815401  | BOUT                 |            | 1    |

**L** 524, 525  
IGNITION & CLUTCH



**KEES VAN DER SPEK**  
TUINMACHINES \* STOLWIJK



## BRUSHCUTTERS/CLEARING SAWS

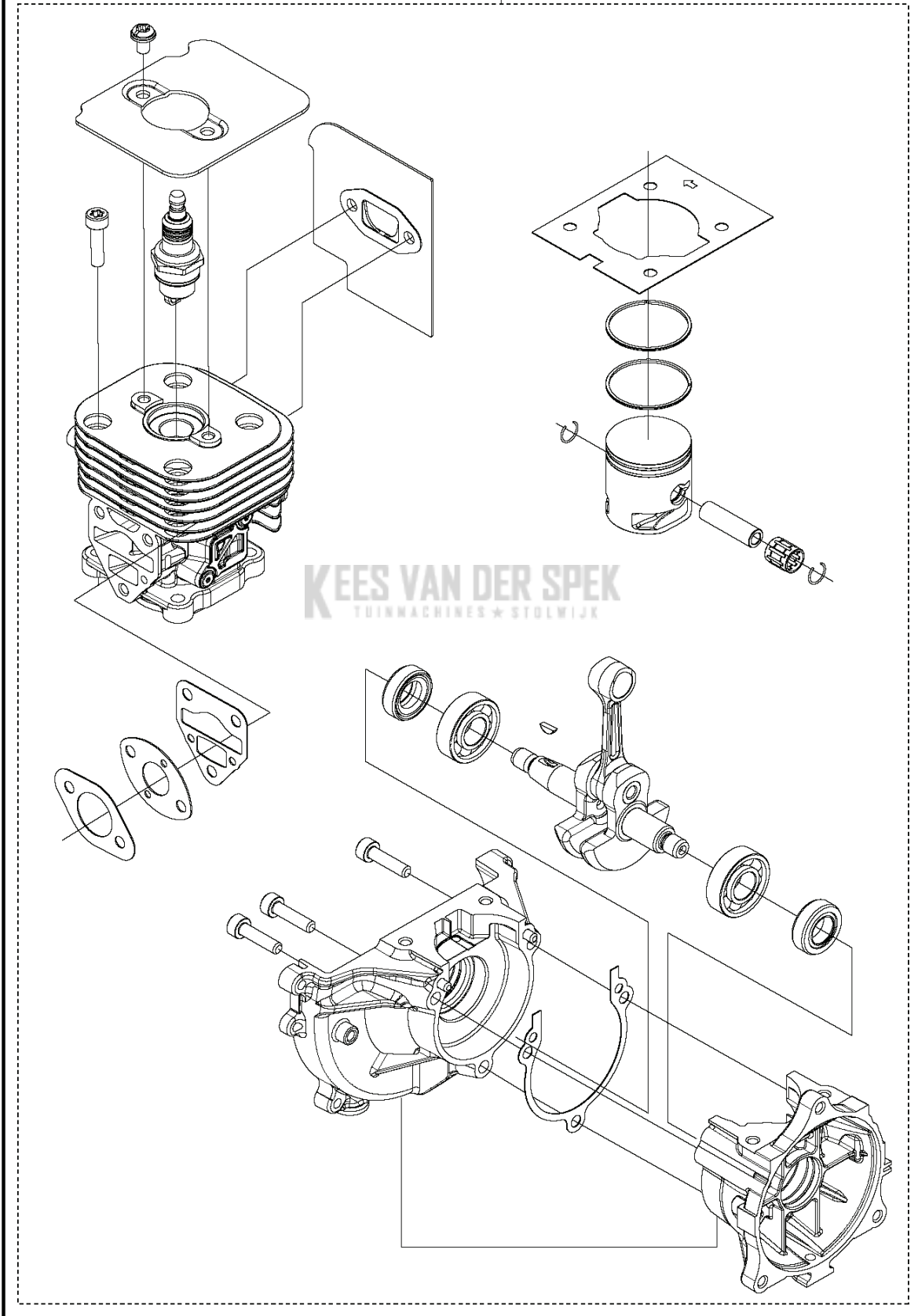
| PXM_REF | PXM_PARTNO | DESCRIPTION       | PXM_REMARK      | QTY. |
|---------|------------|-------------------|-----------------|------|
| 1       | 588141501  | BOBINE            | ROW             | 1    |
| 1       | 587294701  | BOBINE            | US              | 1    |
| 2       | 584826601  | ONTSTEKINGSKABEL  | ROW             | 1 1  |
| 2       | 588945901  | ONTSTEKINGSKABEL  | US              | 1 1  |
| 3       | 579590701  | PIJP              | ROW             | 1 1  |
| 3       | 588945601  | PIJP              | US              | 1 1  |
| 4       | 586107201  | BOUGIEDOP         | ROW             | 1 1  |
| 4       | 588945801  | BOUGIEDOP         | US              | 1 1  |
| 5       | 580634801  | VEER              | ROW             | 1 1  |
| 5       | 588945701  | VEER              | US              | 1    |
| 6       | 590710101  | BOUGIE            | Husqvarna HQT-2 | 1    |
| 7       | 521515801  | BOUT              |                 | 2    |
| 8       | 588171401  | AFSTANDRING       |                 | 2    |
| 9       | 577851701  | KORTSLUITKABEL    |                 | 1    |
| 10      | 516124101  | BORGRING          |                 | 1    |
| 11      | 581142001  | KOPPELINGSTROMMEL |                 | 1    |
| 12      | 513189601  | SCREW             |                 | 2    |
| 13      | 521758201  | RING              |                 | 2    |
| 14      | 585834701  | KOPPELING COMPL.  |                 | 1    |
| 15      | 576400701  | KOPPELINGSVEER    |                 | 1 14 |
| 16      | 504118001  | MOER              |                 | 1    |
| 17      | 578967801  | VLEGGWIEL         |                 | 1    |
| 18      | 505054401  | RING              |                 | 2    |

**KEES VAN DER SPEK**  
TUINMACHINES ★ STOLWIJK



525RX  
SHORT BLOCK

1



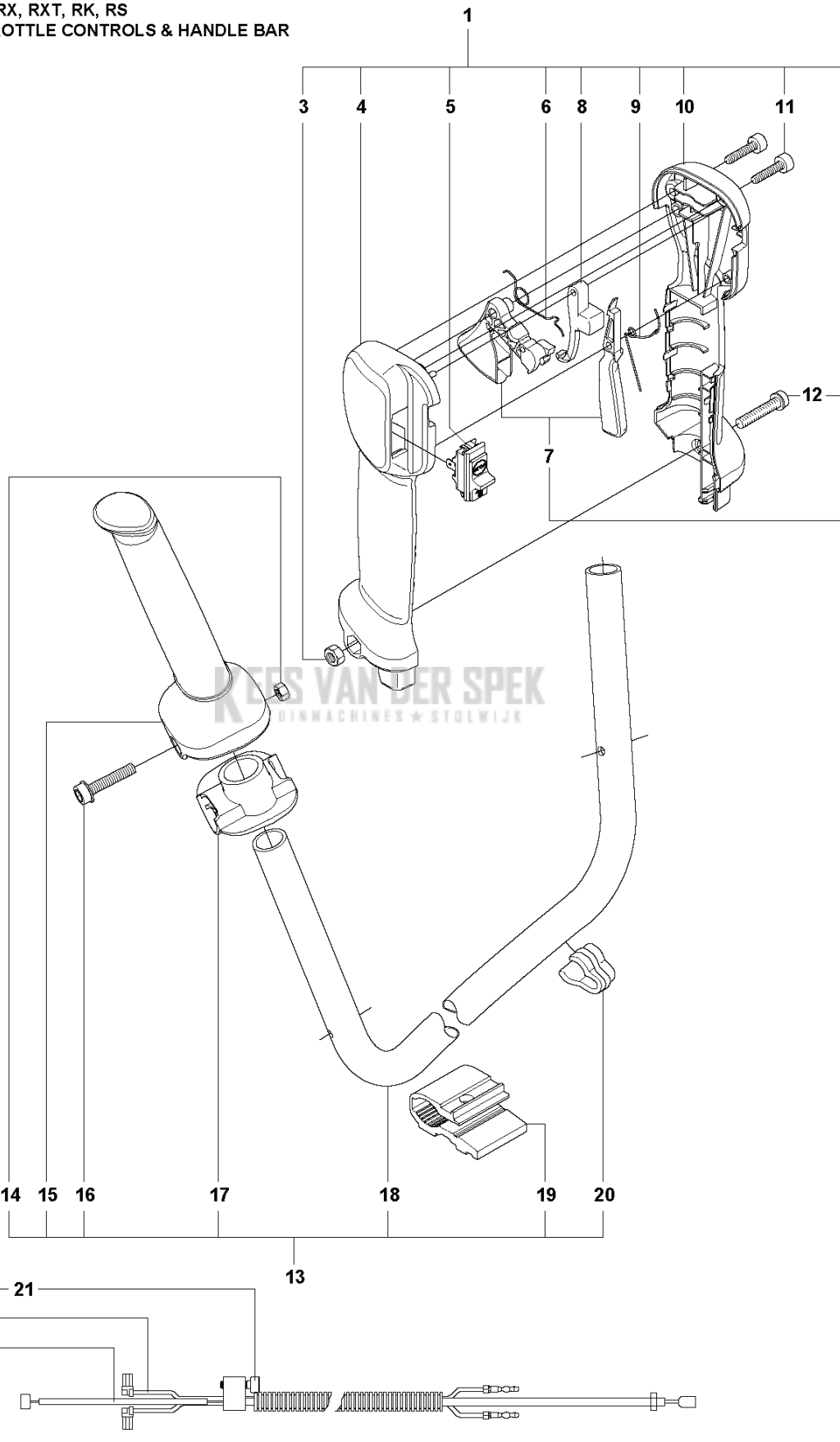
BRUSHCUTTERS/CLEARING SAWS

---

| PXM_REF | PXM_PARTNO | DESCRIPTION | PXM_REMARK | QTY. |
|---------|------------|-------------|------------|------|
| 1       | 592776401  | SHORT BLOCK |            | 1    |

**KEES VAN DER SPEK**  
TUINMACHINES ★ STOLWIJK

**E** 525RX, RXT, RK, RS  
THROTTLE CONTROLS & HANDLE BAR



## BRUSHCUTTERS/CLEARING SAWS

| PXM_REF | PXM_PARTNO | DESCRIPTION          | PXM_REMARK  | QTY. |
|---------|------------|----------------------|-------------|------|
| 1       | 537424513  | HANDGREEP COMPL.     |             | 1    |
| 2       | 578248102  | BEKABELING           | RX, RS      | 1    |
| 3       | 503221013  | ZESKANT MOER         |             | 1 1  |
| 4       | 537160203  | HANDGREEPELF         | RX          | 1 1  |
| 5       | 537419001  | SCHAKELAAR           |             | 1 1  |
| 6       | 537174201  | SPRING THROTTLE TRIG |             | 1 1  |
| 7       | 506497701  | GASHEVEL             |             | 1 1  |
| 8       | 537160703  | GASVERGREDELING      |             | 1 1  |
| 9       | 537174301  | VEER                 |             | 1 1  |
| 10      | 537160301  | HANDGREEPELF         | RX          | 1 1  |
| 11      | 574444001  | SCREW ITXSC          |             | 2 1  |
| 12      | 525755109  | SCHROEF ITXSCFM      | M5X35       | 1 1  |
| 13      | 578248202  | STUUR                | RX          | 1    |
| 14      | 731231401  | ZESKANT MOER         |             | 1 13 |
| 15      | 537172801  | HENDEL               | RXT, RK, RS | 1 13 |
| 16      | 525755204  | SCHROEF ITXSCFM      |             | 1 13 |
| 17      | 537172901  | DEKSEL               |             | 1 13 |
| 18      | 537360001  | STUUR                | RXT, RK, RX | 1 13 |
| 19      | 544020901  | KLEM                 | RXT, RK, RX | 1 13 |
| 19      | 503750001  | STUURHOUDER          | RS          | 1 13 |
| 20      | 502211201  | NIET                 | RX          | 1 13 |
| 21      | 503216618  | SCHROEF IHSCT        |             | 1 2  |

**KEES VAN DER SPEK**  
TUINMACHINES ★ STOLWIJK