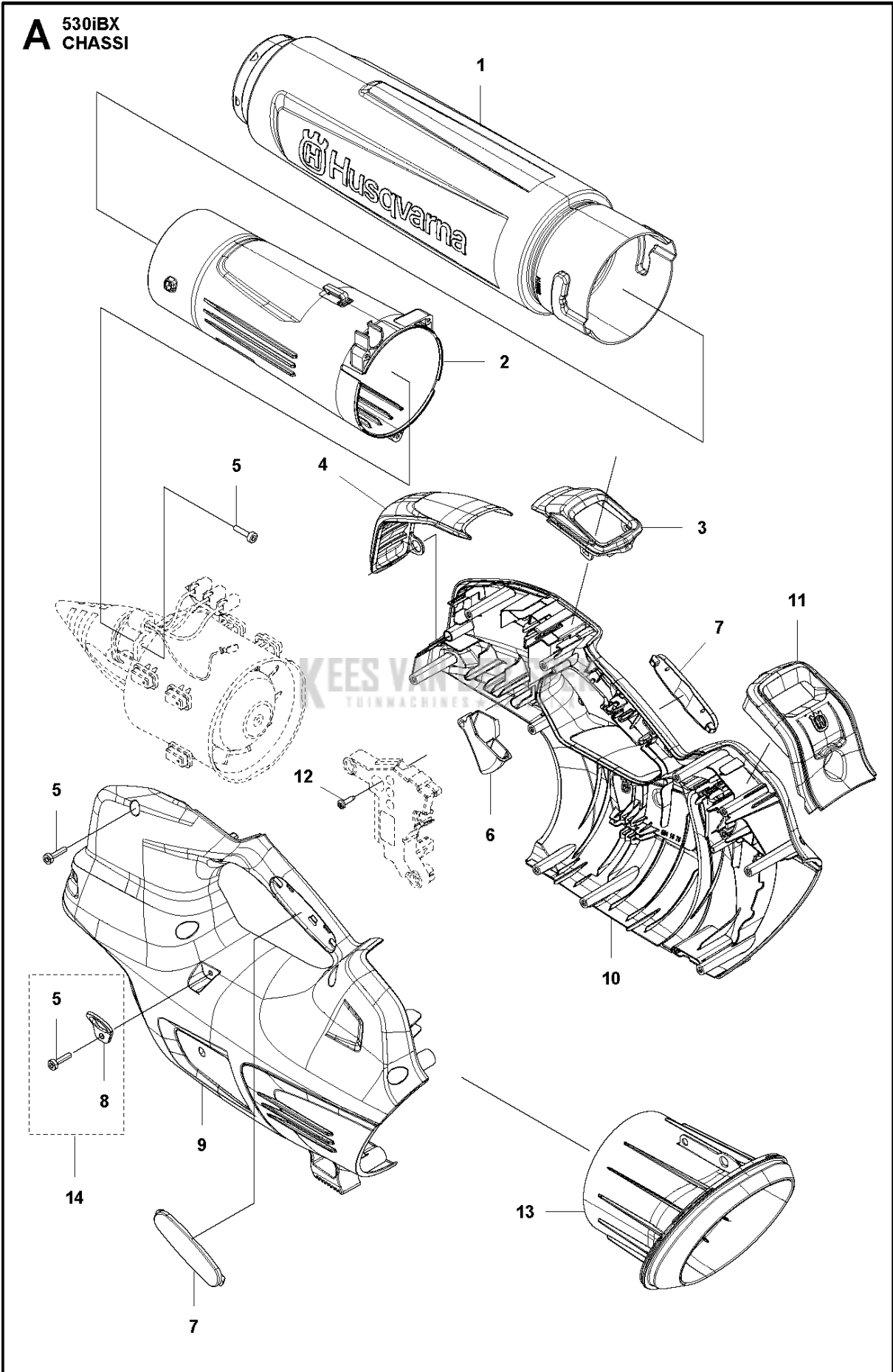




# SPARE PARTS LIST

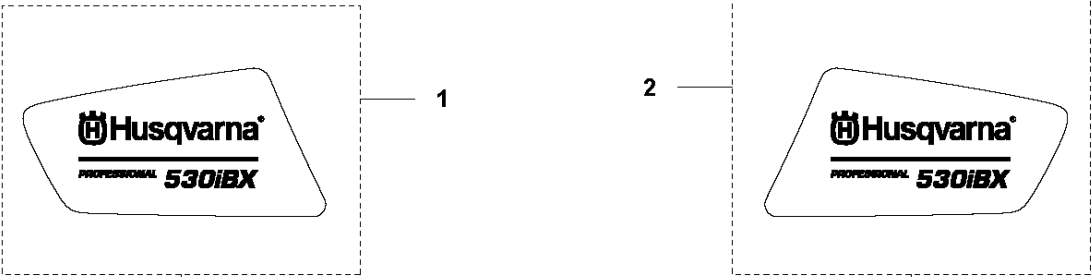
BLOWERS

Kees van der Spek  
530iBX



Ref	Part No	Description	Remark	QTY KIT
1	589 81 17-01	TUBE ASSY		1
2	584 15 66-02	TUBE		1
3	584 21 37-01	FRAME		1
4	584 91 47-01	COVER		1
5	579 21 19-01	SCREW IHSCT		13
6	579 56 41-02	THROTTLE CONTROL		1
7	544 04 20-01	HANDLE INSERT		2
8	586 51 42-01	EYELET		1
9	584 15 76-01	HOUSING		1
10	584 15 75-01	HOUSING		1
11	587 20 30-01	COVER		1
12	503 21 28-13	SCREW CCRPANT		1
13	587 98 51-01	INLET		1
14	588 00 97-01	KIT		1

**B** 530iBX  
DECALS

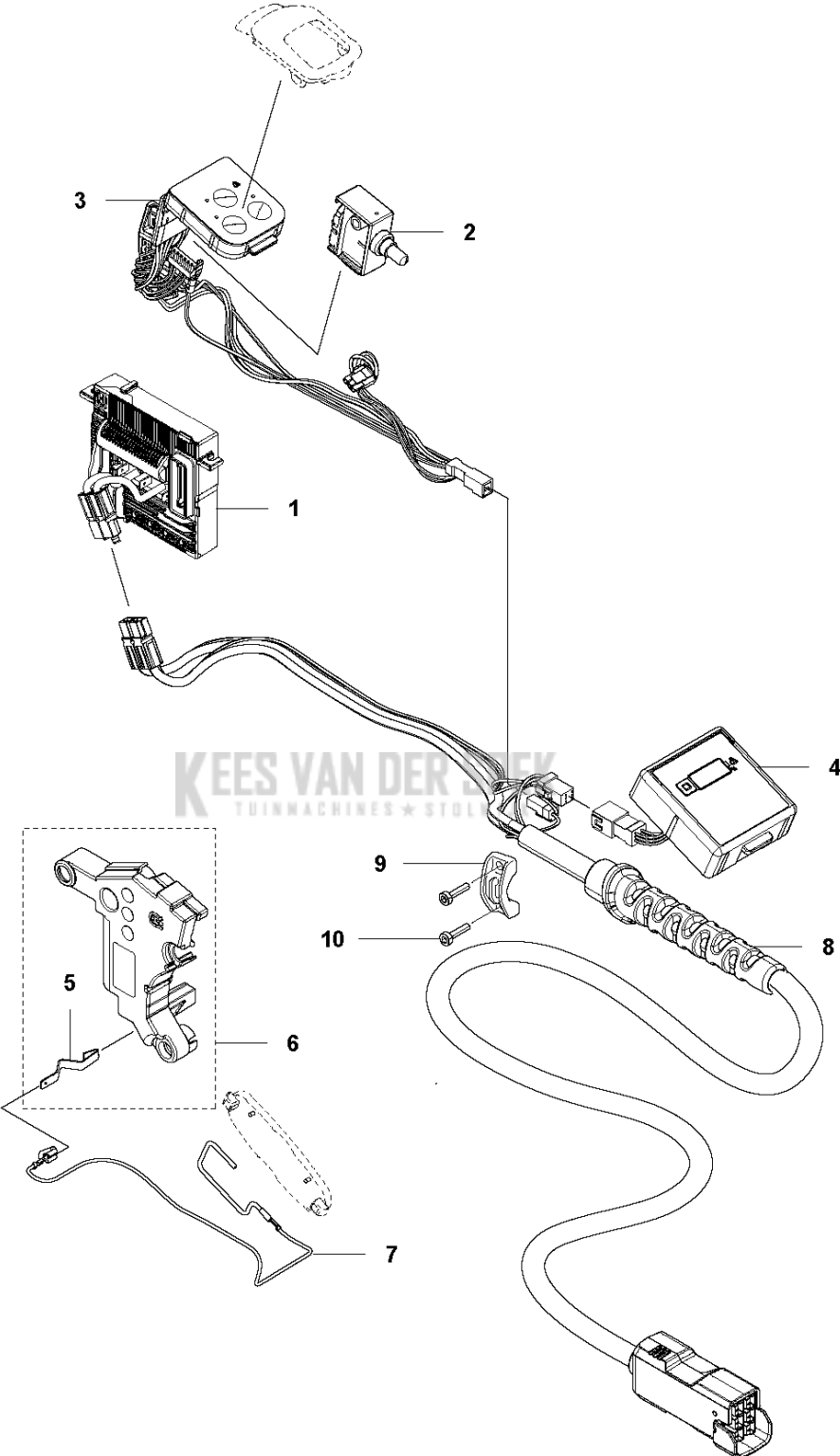


## DECALS

530iBX

Ref	Part No	Description	Remark	QTY KIT
1	588 22 66-03	DECAL	DECAL LEFT	1
2	588 22 67-03	DECAL	DECAL RIGHT	1
3	577 84 43-01	DECAL		1

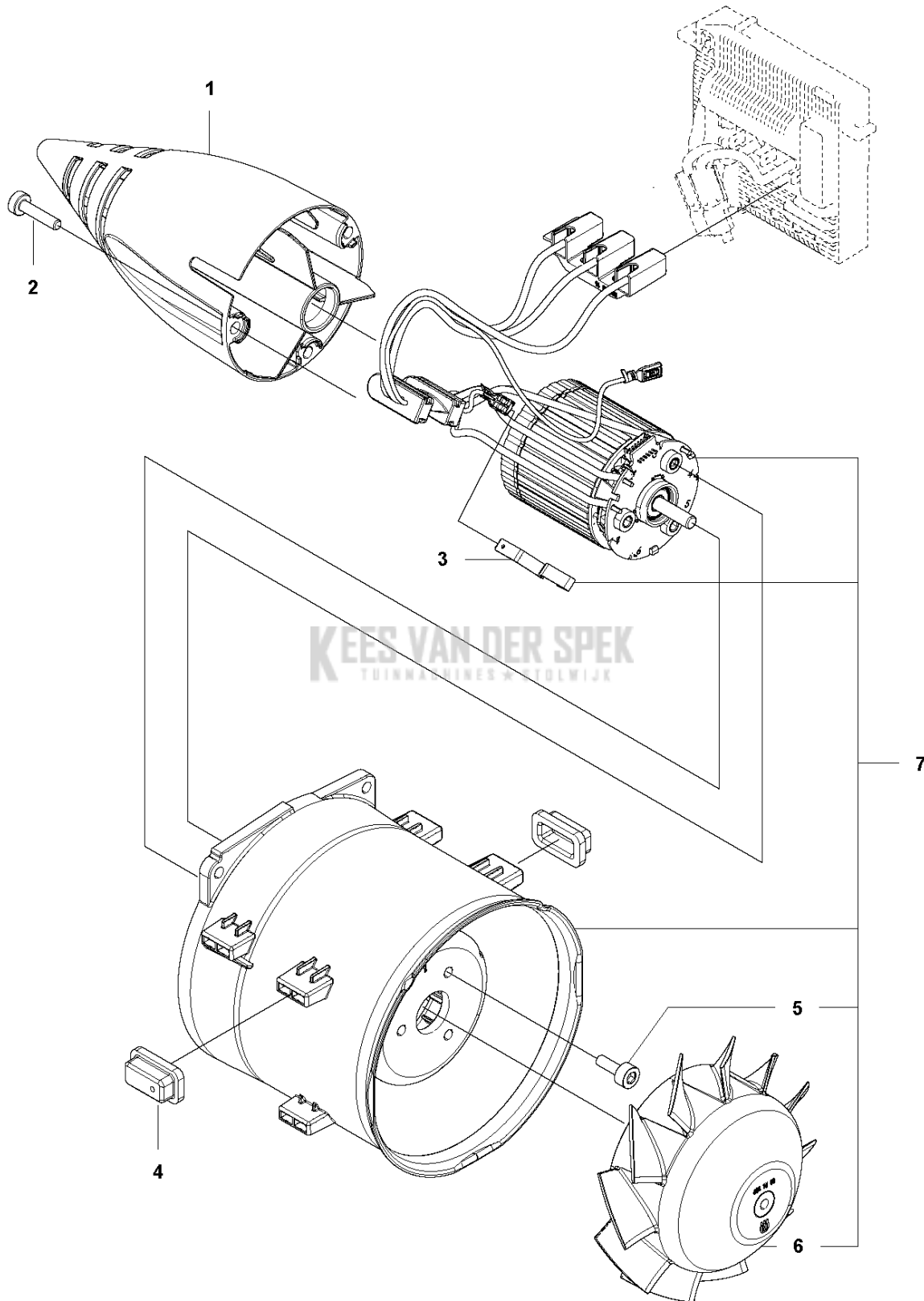
**C** 530iBX  
ELECTRIC SYSTEM



KEES VAN DER BEEK  
TUINMACHINES \* STOLP

Ref	Part No	Description	Remark	QTY KIT
1	587 94 86-01	CONTROL UNIT		1
2	582 05 07-01	TRIGGER SWITCH		1
3	583 79 54-01	WIRING ASSY		1
4	587 97 82-01	DISPLAY		1
5	586 49 22-01	SPRING		2
6	588 00 98-01	KIT		1
7	586 96 39-01	WIRING ASSY		1
8	587 91 73-01	WIRING ASSY		1
9	581 47 23-01	CABLE CLAMP		1
10	579 21 19-01	SCREW IHSCT		2

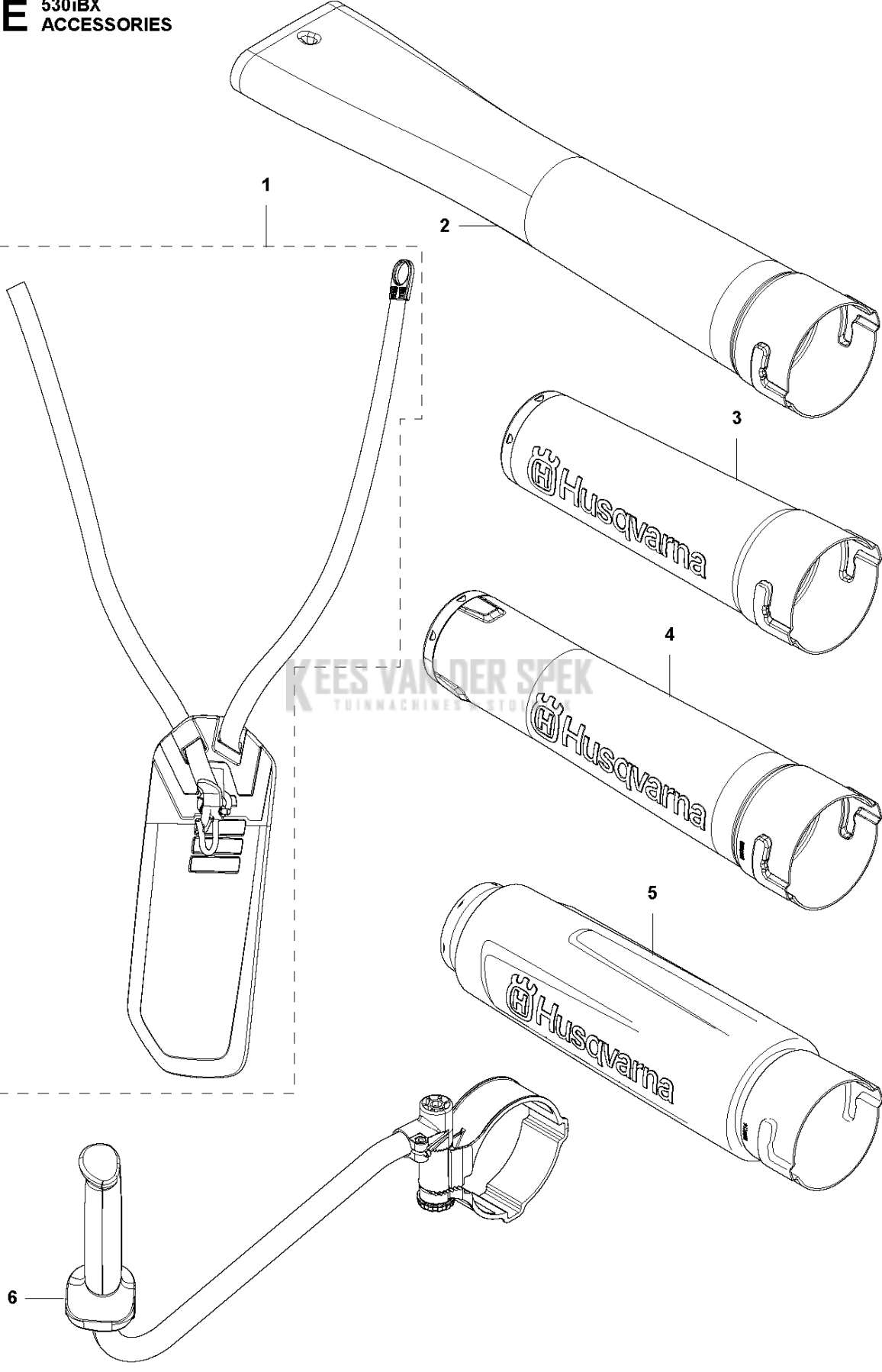
**D** 530iBX  
FAN SYSTEM





Ref	Part No	Description	Remark	QTY KIT
1	584 15 65-01	CONE		1
2	579 21 19-01	SCREW IH SCT		3
3	586 49 22-01	SPRING		1
4	503 91 10-01	SUSPENSION		6
5	503 20 25-12	SCREW IH SCM		3
6	584 15 60-01	ROTOR		1
7	588 00 99-01	MOTOR ASSY		1

**E** 530iBX  
ACCESSORIES



## ACCESSORIES

530iBX

Ref	Part No	Description	Remark	QTY KIT
1	587 83 40-01	HIP PAD		1
2	579 79 75-01	NOZZLE		1
3	586 10 63-01	TUBE ASSY		1
4	586 10 63-02	TUBE ASSY		1
5	589 81 17-01	TUBE ASSY		1
6	501 71 51-01	HANDLE ASSY		1