

SPARE PARTS CATALOGUE
CULTIVATORS/TILLERS: HUSQVARNA TF 335

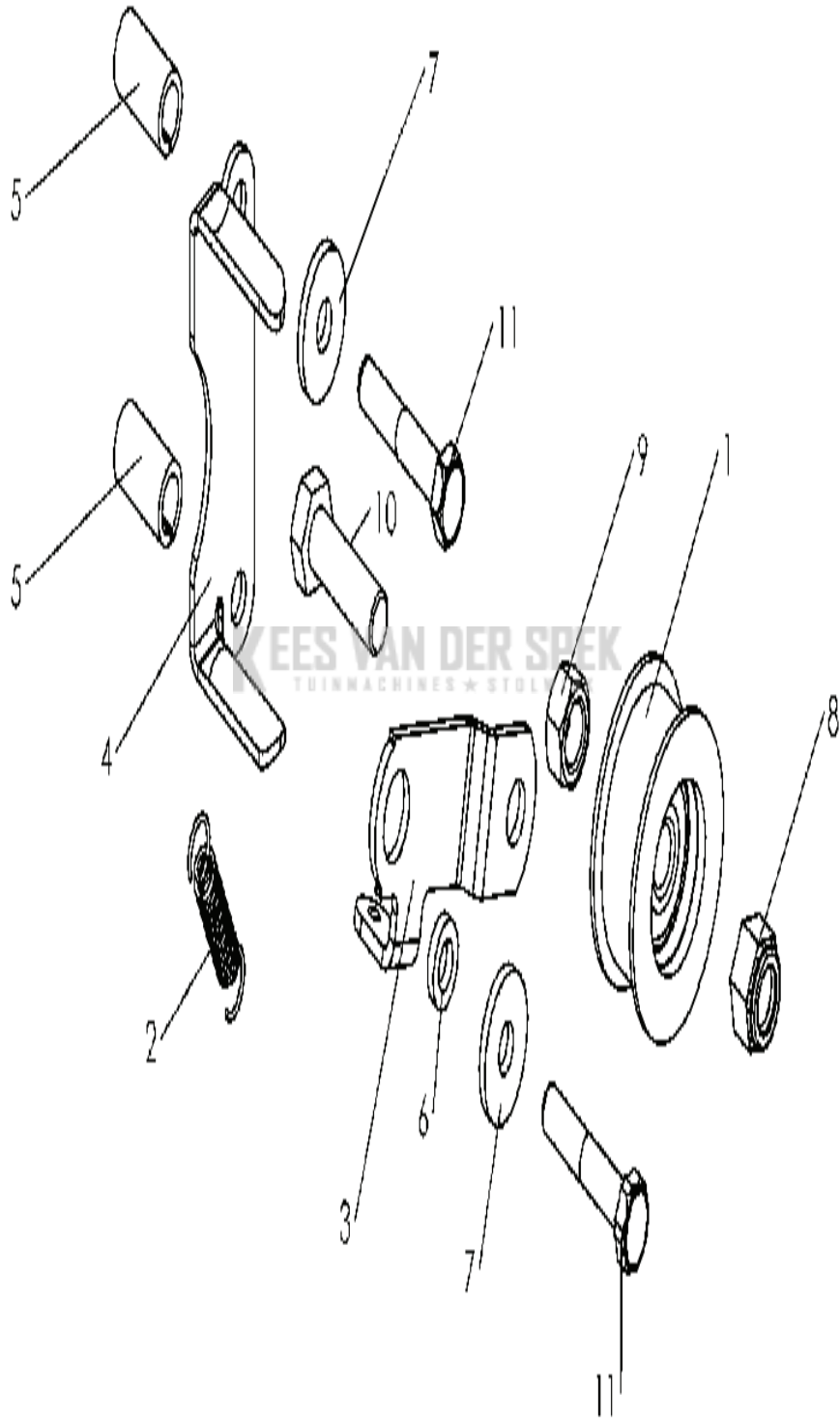
KEES VAN DER SPEK
TUINMACHINES ★ STOLWIJK

Spare Parts List

SPARE PARTS LIST

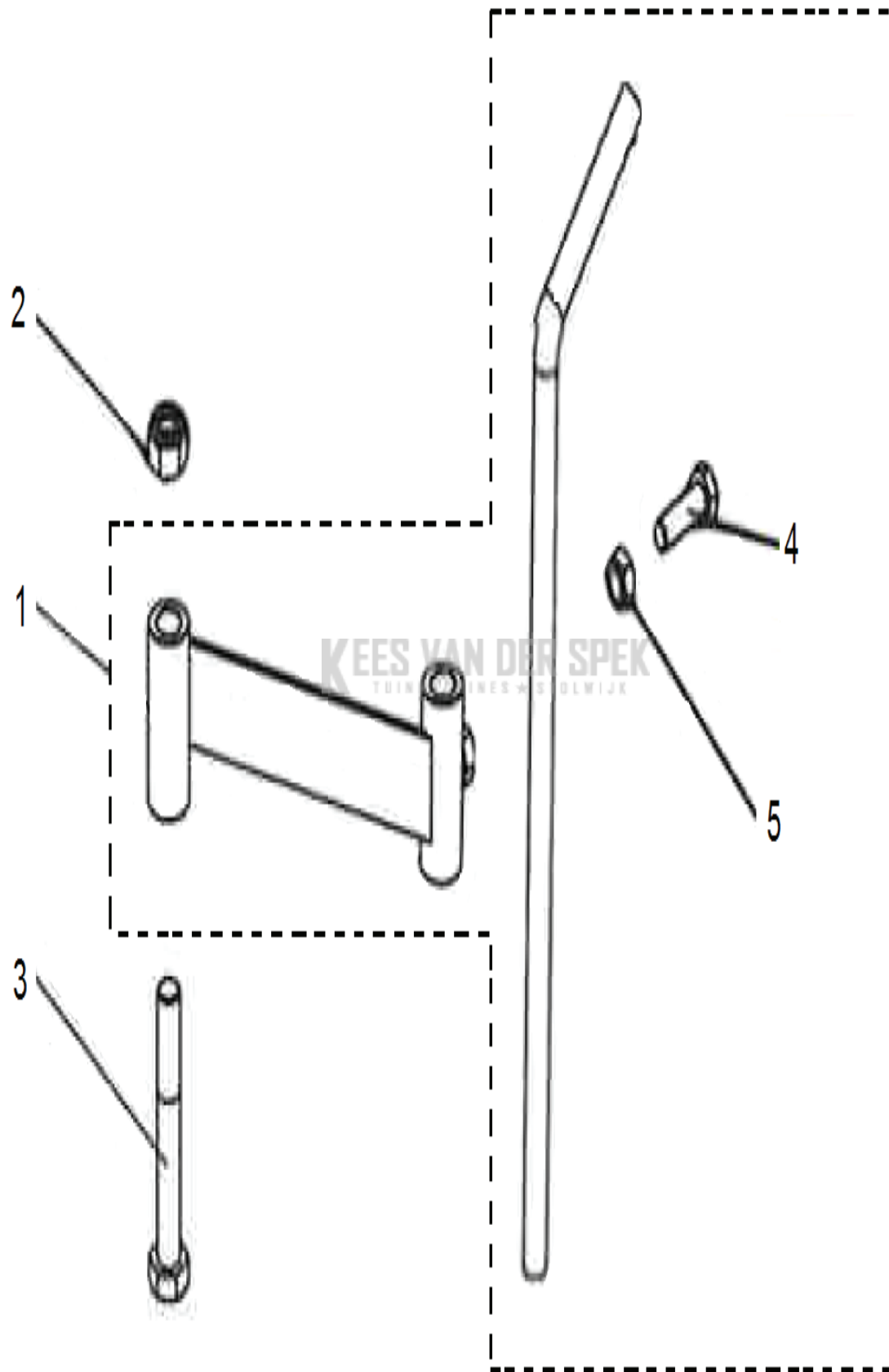
CULTIVATORS/TILLERS

HUSQVARNA TF 335



CULTIVATORS/TILLERS

| PXM_REF | PXM_PARTNO | DESCRIPTION | PXM_REMARK | QTY. |
|---------|------------|--------------|--------------------------------------|------|
| 1 | 519653457 | POELIE | CLUTCH RUNNER | 1 |
| 2 | 590214601 | VEER | TENSION SPRING | 1 |
| 3 | 590214901 | PLAAT | CLUTCH LEVER PLATE | 1 |
| 4 | 531008577 | RIEMGELEIDER | DRIVE BELT ENGINE PULLEY diam. 55 | 1 |
| 5 | 590215001 | AFSTANDRING | SPACER 9X13X25 | 2 |
| 6 | 577520401 | AFSTANDRING | SPACER 14X8X3 Z | 1 |
| 7 | 580538001 | RING | WASHER 8X24X3 | 2 |
| 8 | 519653458 | MOER | BLOCKING NUT M 10 Z | 1 |
| 9 | 519653456 | MOER | Nut HM 10 N | 1 |
| 10 | 519653455 | SCREW | SCREW HM 10X35 Z FST | 1 |
| 11 | 590215201 | SCREW | "SCREW TH 5/16 UNF LG 1" 3/4" | 2 |



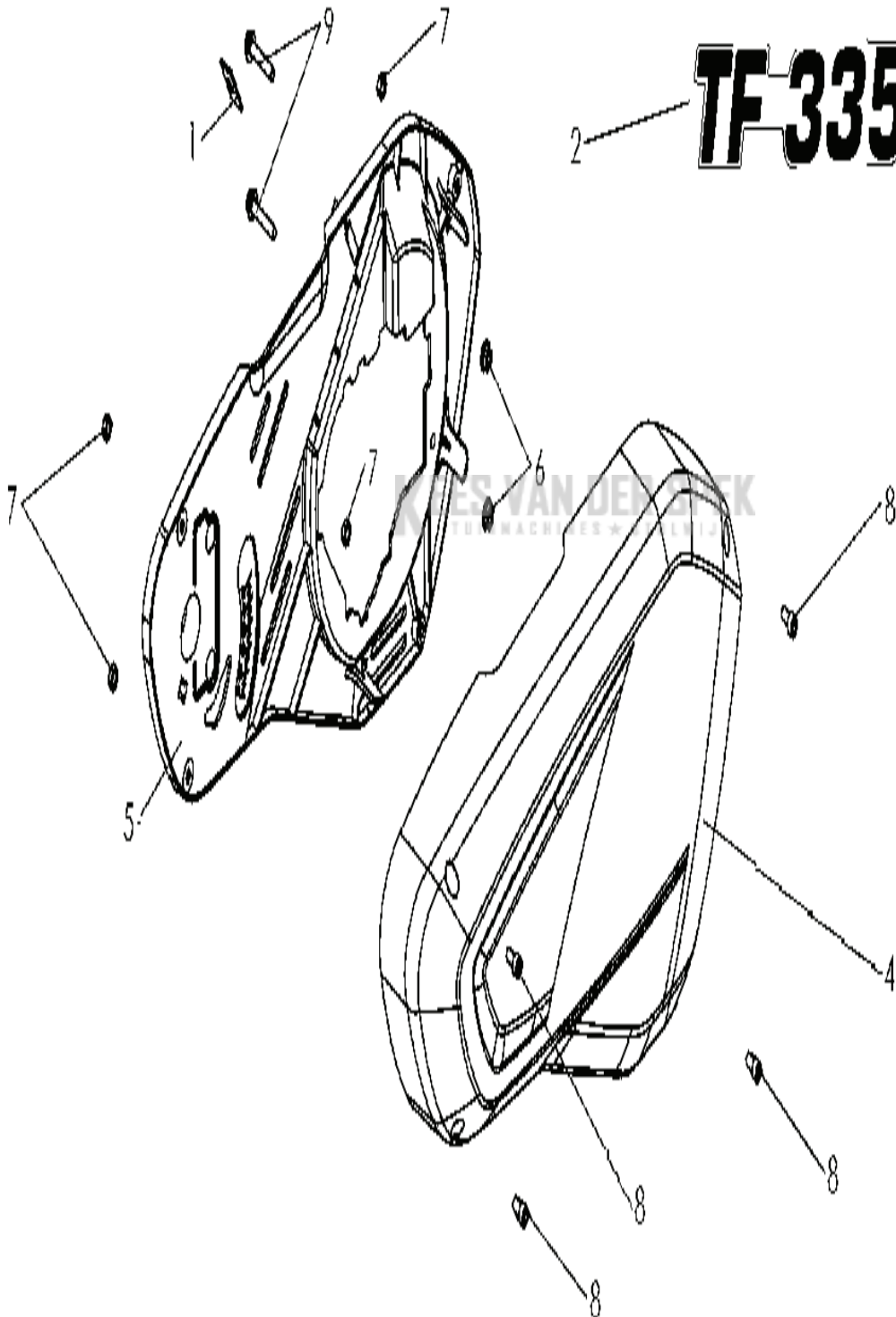
CULTIVATORS/TILLERS

| PXM_REF | PXM_PARTNO | DESCRIPTION | PXM_REMARK | QTY. |
|---------|------------|-------------|-----------------------|------|
| 1 | 597166801 | STELLING | | 1 |
| 2 | 531008578 | MOER | BLOCKING NUT M 14 Z | 1 |
| 3 | 531008220 | BOUT | SCREW H MI 4X90- 34 Z | 1 |
| 4 | 544207701 | SCREW | | 1 |
| 5 | 519653456 | MOER | | 1 |

KEES VAN DER SPEK
TUINMACHINES ★ STOLWIJK

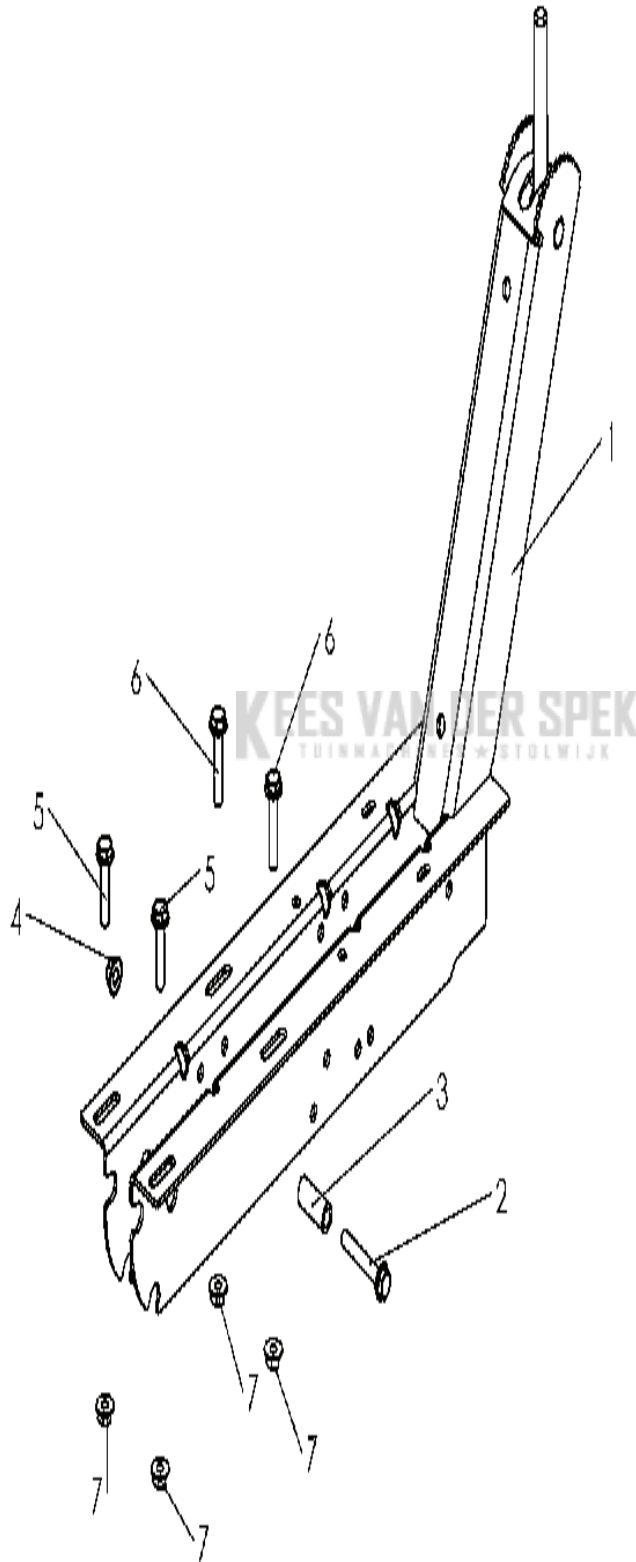
3 

2 **TF-335**



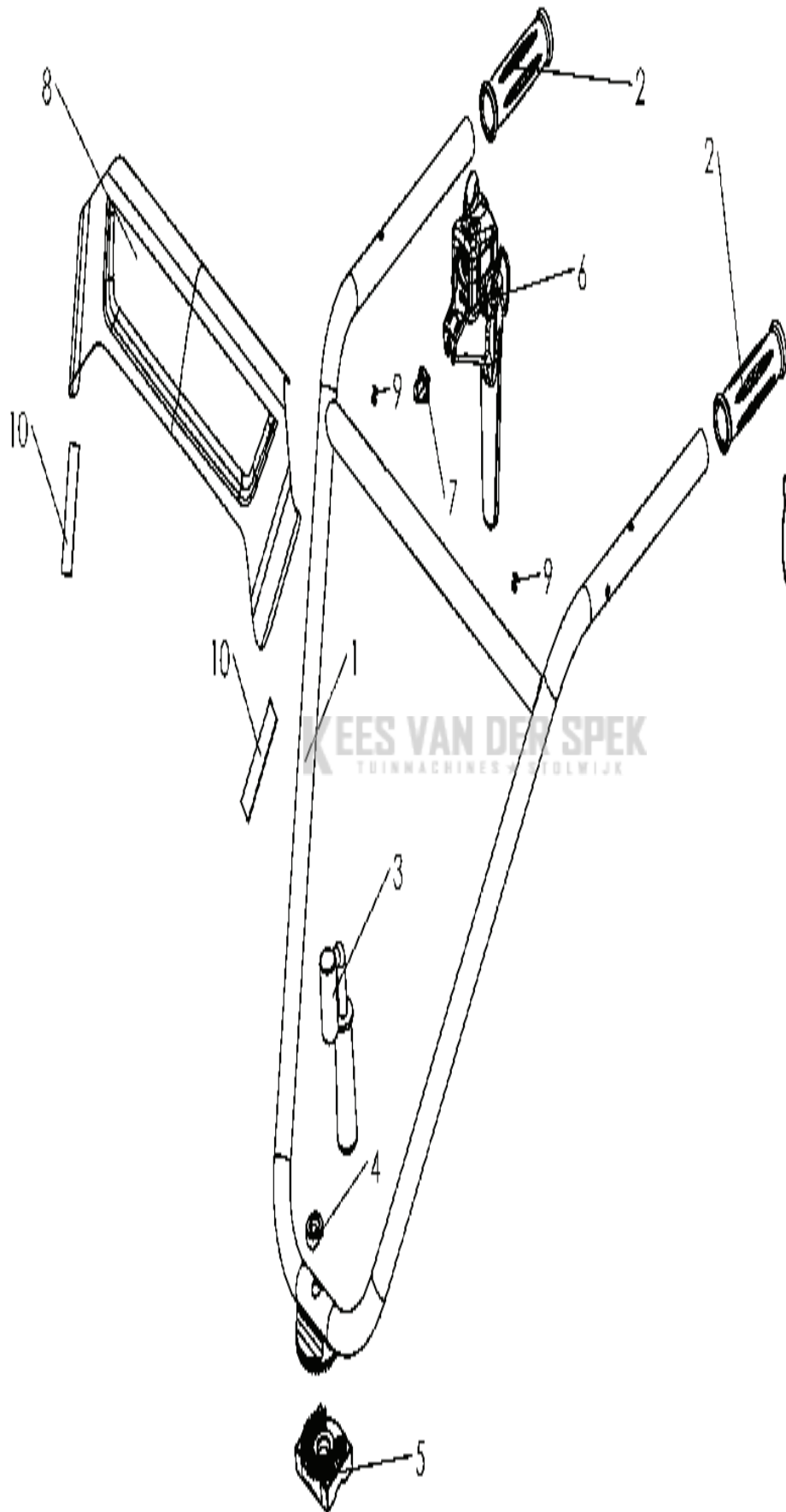
CULTIVATORS/TILLERS

| PXM_REF | PXM_PARTNO | DESCRIPTION | PXM_REMARK | QTY. |
|---------|------------|--------------|---------------------------|------|
| 1 | 580322401 | SNAPSLUITING | SNAP IN STOP | 1 |
| 2 | 590215401 | STICKER | STICKER TF335 | 1 |
| 3 | 590171801 | STICKER | STICKER HUSQVARNA | 1 |
| 4 | 590171701 | DEKSEL | BELT COVER ORANGE | 1 |
| 5 | 590215501 | BESCHERMING | INSIDE PROTECTOR | 1 |
| 6 | 519653432 | MOER | NUT H M6 NOTCHED SHOULDER | 2 |
| 7 | 732261601 | MOER | BLOCKING NUT M 6 | 4 |
| 8 | 580313501 | SCREW | SREW CHC M6X12 | 4 |
| 9 | 577519001 | SCREW | SCREW H 6X35 | 2 |



CULTIVATORS/TILLERS

| PXM_REF | PXM_PARTNO | DESCRIPTION | PXM_REMARK | QTY. |
|---------|------------|-------------|----------------------------------|------|
| 1 | 590213101 | FRAME | FRAME GREY 627 | 2 |
| 2 | 575361601 | SCREW | SCREW H 8X55 Z NOTCHED SHOULDER | 1 |
| 3 | 575361001 | AFSTANDRING | SPACER 14X9X35 z | 1 |
| 4 | 586721001 | MOER | SCREW BDR HM8 SMOOTH BASE | 1 |
| 5 | 544207301 | SCREW | SCREW H 8x35 Z NOTCHED SHOULDER | 2 |
| 6 | 519653413 | SCREW | SCREW H M8X40 Z NOTCHED SHOULDER | 2 |
| 7 | 519653430 | MOER | NUT H M8 Z NOTCHED SHOULDER | 4 |



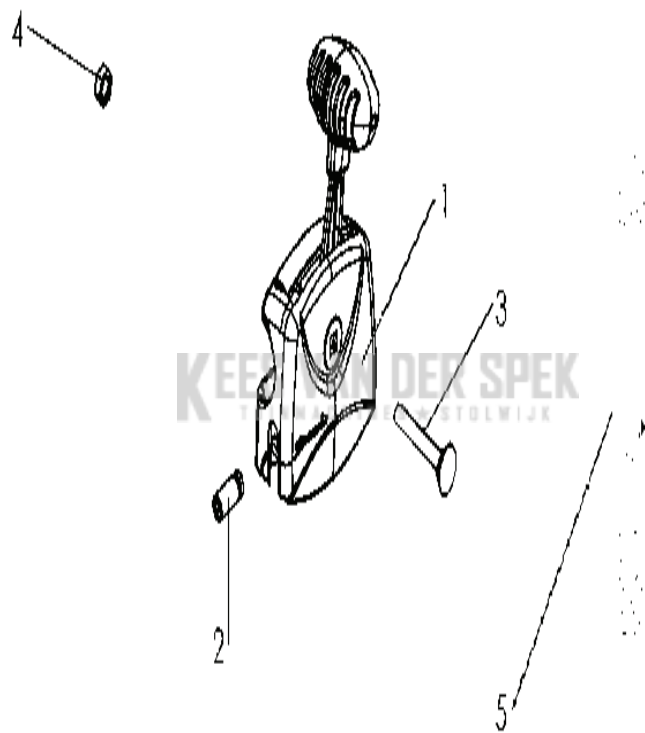
 **Husqvarna**

11

KEES VAN DER SPEK
TUINMACHINES • STOLWIJK

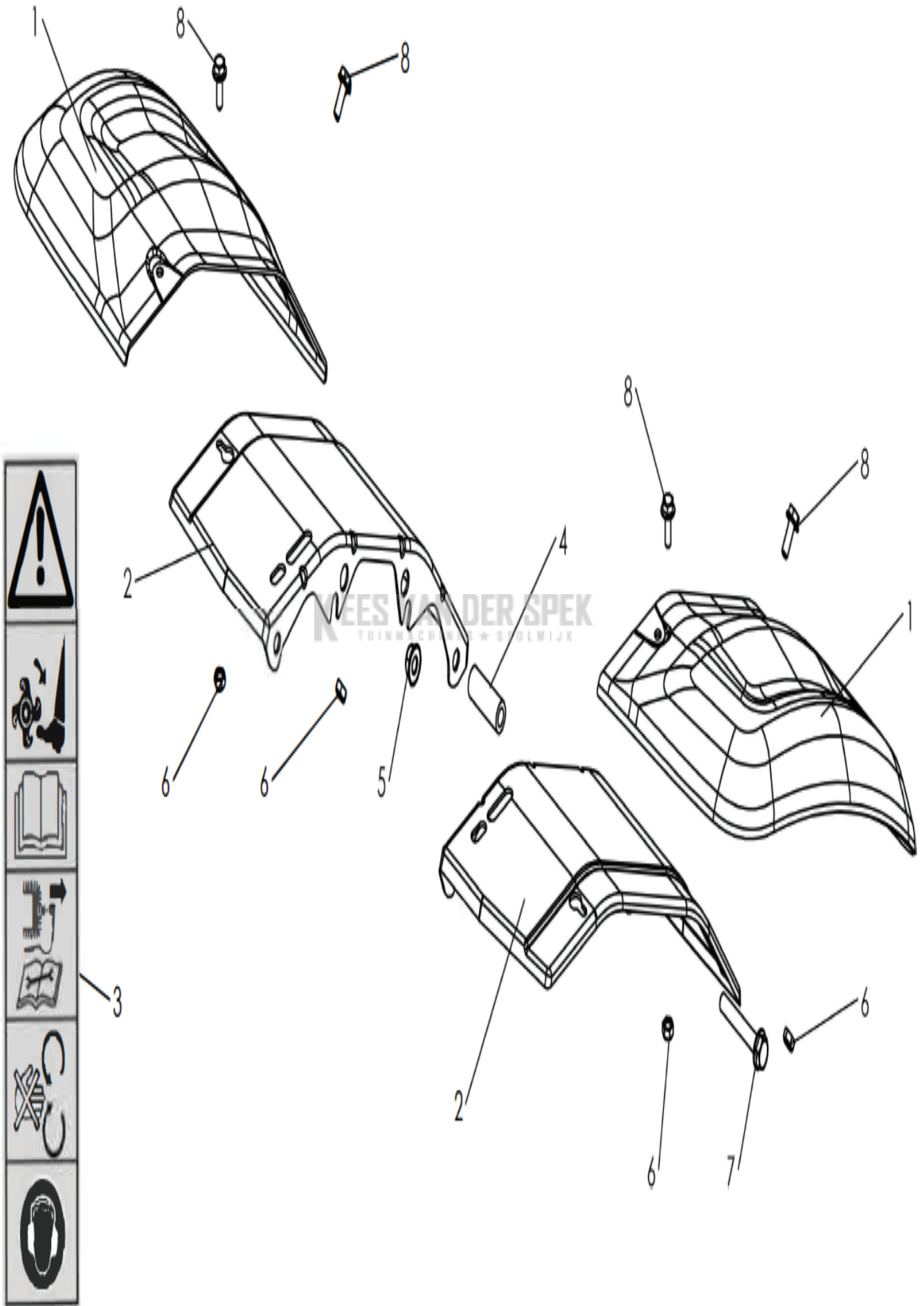
CULTIVATORS/TILLERS

| PXM_REF | PXM_PARTNO | DESCRIPTION | PXM_REMARK | QTY. |
|---------|------------|------------------|--------------------------------------|------|
| 1 | 590215701 | STUUR | HANDLEBAR GREY 627 | 1 |
| 2 | 519000113 | HENDEL | HAND SIDE GRIP diam. 25 | 2 |
| 3 | 590215801 | HEFBOOM | HANDLEBAR TIGHTENING LEVER M 14 GREY | 1 |
| 4 | 519653414 | AFSTANDRING | TIGHTENING LEVER SPACER | 1 |
| 5 | 519653415 | AFSTANDRING | FILLER PIECE | 1 |
| 6 | 590215901 | HEFBOOM | HANDLEVER | 1 |
| 7 | 590216001 | BEDIENINGS KABEL | CLUTCH CABLE | 1 |
| 8 | 590216101 | PANEEL | HANDLE PANEL ORANGE | 1 |
| 9 | 590216201 | KLINKNAGEL | RIVET 4X10 | 2 |
| 10 | 590216301 | STICKER | FACES DOUBLE TAPED | 2 |
| 11 | 590171801 | STICKER | STICKER HUSQVARNA | 1 |



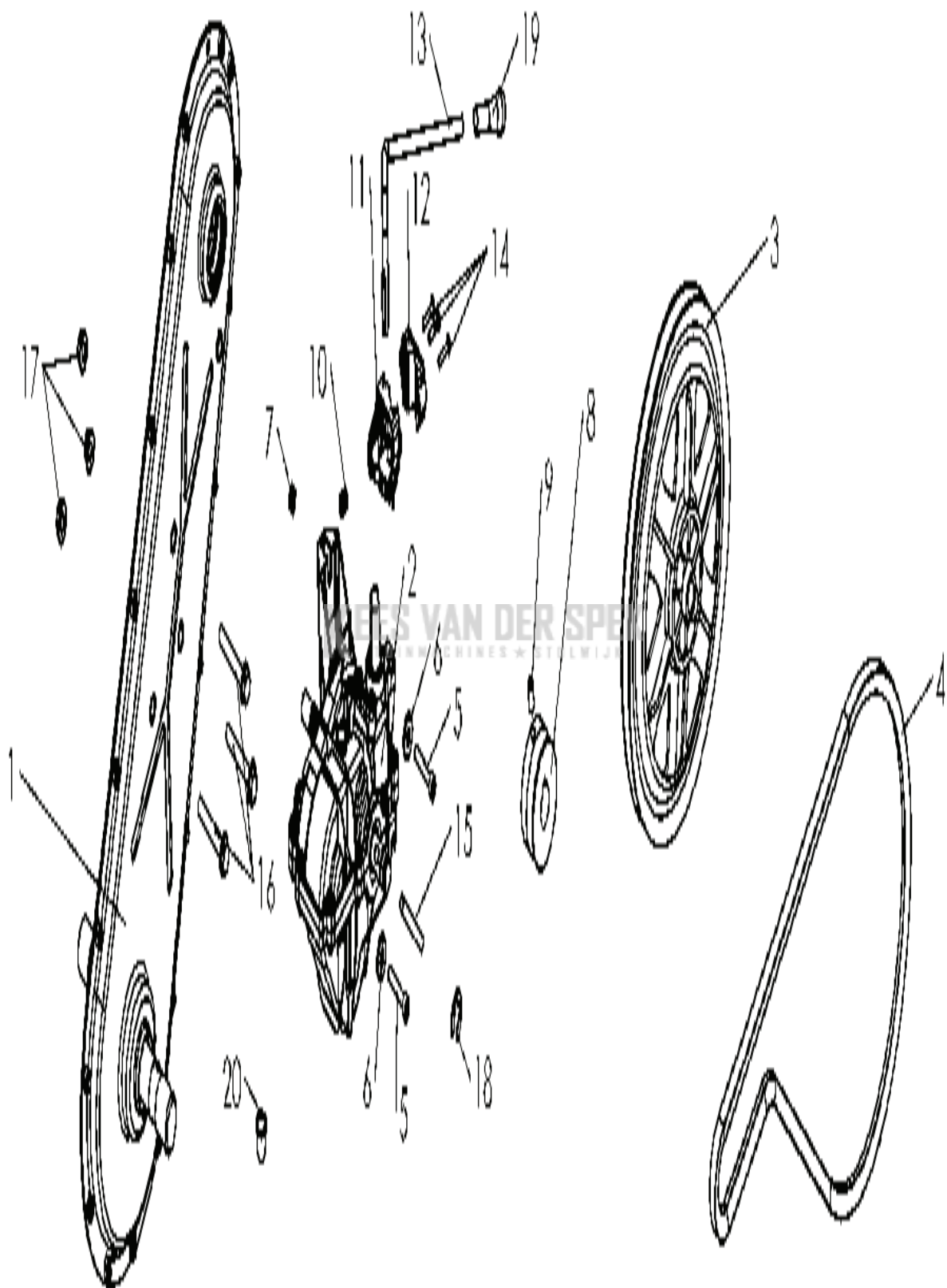
CULTIVATORS/TILLERS

| PXM_REF | PXM_PARTNO | DESCRIPTION | PXM_REMARK | QTY. |
|---------|------------|-------------|--------------------------|------|
| 1 | 577453001 | GASHEFBOOM | THROTTLE LEVER | 1 |
| 2 | 577525001 | GASKABEL | THROTTLE CABLE | 1 |
| 3 | 577453801 | SCREW | SCREW TRCC 6X45 Z | 1 |
| 4 | 732261601 | MOER | BLOCKING NUT M 6 Z | 1 |
| 5 | 519646680 | STICKER | STICKER THROTTLE CONTROL | 1 |



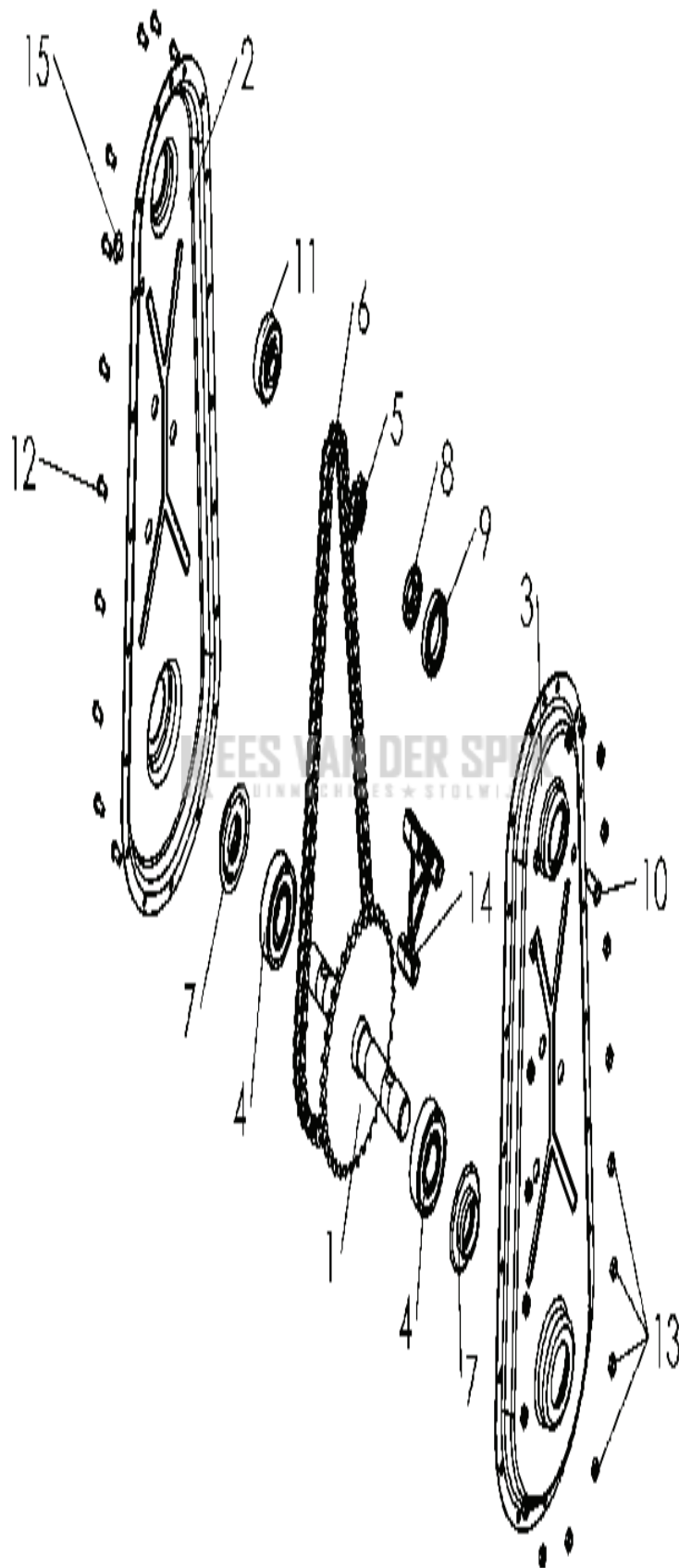
CULTIVATORS/TILLERS

| PXM_REF | PXM_PARTNO | DESCRIPTION | PXM_REMARK | QTY. |
|---------|------------|-------------|------------------------------------|------|
| 1 | 590171001 | BESCHERMEN | ADDITIONAL TINE GUARD ORANGE | 2 |
| 2 | 590171101 | BESCHERMEN | TINE GUARD GREY 627 | 2 |
| 3 | 587995501 | STICKER | STICKER SECURITY | 1 |
| 4 | 590171201 | AFSTANDRING | SPACER 8.2X14X41 | 1 |
| 5 | 586721001 | MOER | SCREW BDR HM8 SMOOTH BASE | 1 |
| 6 | 732261601 | MOER | BLOCKING NUT M 6 | 4 |
| 7 | 575361601 | SCREW | SCREW H 8X55 Z NOTCHED SHOULDER | 1 |
| 8 | 519653435 | SCREW | SCREW HM 6X16 NOTCHED SHOULDER | 4 |



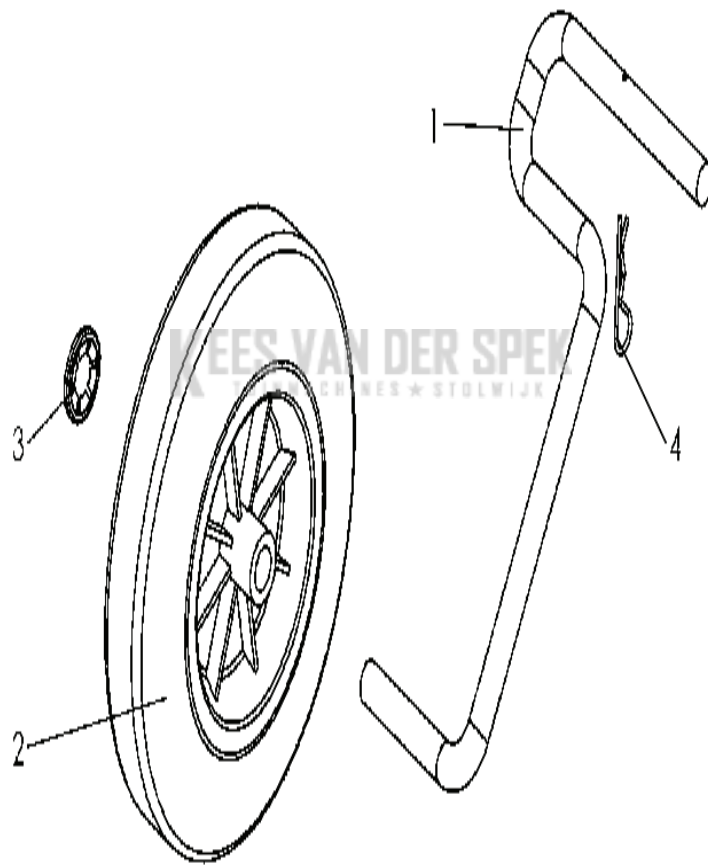
CULTIVATORS/TILLERS

| PXM_REF | PXM_PARTNO | DESCRIPTION | PXM_REMARK | QTY. |
|---------|------------|---------------|---|------|
| 1 | 590213201 | TRANSMISSIE | BOLTED TRANSMISSION 8/37 | 1 |
| 2 | 590213301 | GEARBOX | GEAR BOX 2 FRONT SPEED 1 REVERSE SPEED | 1 |
| 3 | 519653060 | POELIE | TRANSMISSION PULLEY | 1 |
| 4 | 590213401 | RIEM | BELT | 1 |
| 5 | 519653026 | SCREW | SCREW CHC M6x35z | 2 |
| 6 | 531008390 | RING | SPECIAL WASHER 6.3 X19X 2.5 Z | 2 |
| 7 | 732261601 | MOER | BLOCKING NUT M 6 Z | 1 |
| 8 | 544243901 | POELIE | ENGINE PULLEY diam. 55 BORE 19.06 | 1 |
| 9 | 728692300 | SCREW | SCREW ST HC M8X16 DIN 914 45H | 1 |
| 10 | 580315801 | BORGVEER | LOCKING SPRING | 1 |
| 11 | 590213501 | HEFBOOM | SELECTOR | 1 |
| 12 | 590213601 | KLEM | SPEED LEVER CLAMP | 1 |
| 13 | 590213701 | HEFBOOM | SPEED LEVER | 1 |
| 14 | 531009449 | SCREW | SCREW WN 1452 K40X20 TORX | 3 |
| 15 | 519653067 | AS | PULLEY PIN SHAFT | 1 |
| 16 | 575361601 | SCREW | SCREW H 8X55 Z NOTCHED SHOULDER | 3 |
| 17 | 586721001 | MOER | SCREW BDR HM8 SMOOTH BASE | 3 |
| 18 | 580314201 | RETAINER RING | RADIAL RETAINING RING diam. 12 | 1 |
| 19 | 590213801 | DEKSEL | LEVER CAP | 1 |
| 20 | 590213901 | DEKSEL | CAP | 1 |



CULTIVATORS/TILLERS

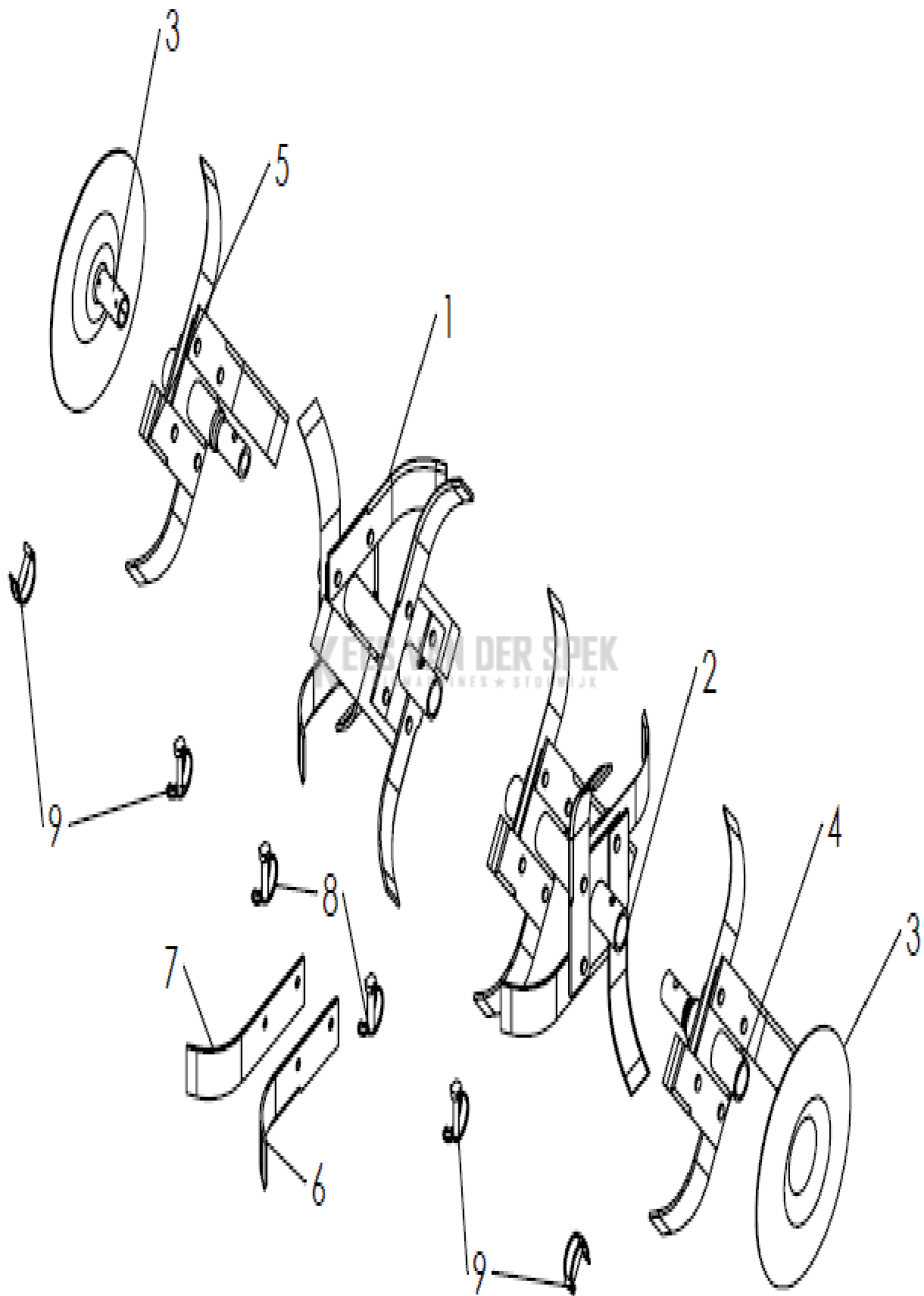
| PXM_REF | PXM_PARTNO | DESCRIPTION | PXM_REMARK | QTY. |
|---------|------------|-------------|----------------------------------|------|
| 1 | 580317001 | ZAAGBLADAS | BLADE SHAFT 37 TEETH 12.7 | 0 |
| 2 | 590214001 | HUIS | TRANSMISSION HOUSING RIGHT | 0 |
| 3 | 590214101 | HUIS | TRANSMISSION HOUSING LEFT | 0 |
| 4 | 519653053 | LAGER | BALL BEARING 6305 2RS | 2 |
| 5 | 519653057 | RONDSEL | PIGNON 8 TEETH 12.7 | 0 |
| 6 | 580316301 | KETTING | CHAIN (78 LINKS RSF) 08B 12.7 | 0 |
| 7 | 531008576 | RING | TRANSMISSION SEAL | 2 |
| 8 | 580315301 | AFSTANDRING | TRANSMISSION SPACER | 1 |
| 9 | 580315901 | KOGELLAGER | BALL BEARING 6906 2RS | 0 |
| 10 | 580313901 | INVOEGEN | INSERT M6 | 0 |
| 11 | 531008546 | RING | SPECIAL BALL BEARING 6204 2RS | 0 |
| 12 | 580313701 | SCREW | SCREW TORX M6X12 | 19 |
| 13 | 732261601 | MOER | BLOCKING NUT M 6 Z | 19 |
| 14 | 585365501 | AFSTANDRING | SPACER FOR TRANSMISSION | 0 |
| 15 | 590214301 | PLUG | GREASE CAP | 1 |



CULTIVATORS/TILLERS

| PXM_REF | PXM_PARTNO | DESCRIPTION | PXM_REMARK | QTY. |
|---------|------------|---------------------|--|------|
| 1 | 577448001 | WIEL | TRANSPORT WHEEL SUPPORT WIRE diam. 14 | 1 |
| 2 | 577447801 | WIEL | BLACK WHEEL diam. 200 BORE 14 | 1 |
| 3 | 577463101 | RING | STARLOCK WASHER diam. 14 | 1 |
| 4 | 519651220 | PIN RETAINING SCREW | CLIP PIN BETA 2 Z | 1 |

KEES VAN DER SPEK
TUINMACHINES ★ STOLWIJK



CULTIVATORS/TILLERS

| PXM_REF | PXM_PARTNO | DESCRIPTION | PXM_REMARK | QTY. |
|---------|------------|-------------|------------|------|
| 1 | 519653029 | MES | | 1 |
| 2 | 519653028 | MES | | 1 |
| 3 | 590173301 | SCHIJF | | 2 |
| 4 | 531008214 | MES | | 1 |
| 5 | 531008215 | MES | | 1 |
| 6 | 519653447 | MES | | 1 |
| 7 | 519653448 | MES | | 1 |
| 8 | 577453601 | KLEM | | 2 |
| 9 | 577453501 | KLEM | | 4 |

KEES VAN DER SPEK
TUINMACHINES ★ STOLWIJK