

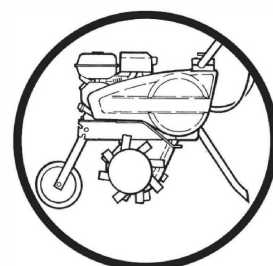
KEES VAN DER SPEK
TUINMACHINES ★ STOLWIJK



EN Operating manual
DE Benutzerhandbuch
FR Manuel d'utilisation

M3000063201-20




ES Manual de uso
IT Istruzioni per l'uso
NL Gebruikshandleiding



TF335

KEES VAN DER SPEK
TUINMACHINES ★ STOLWIJK

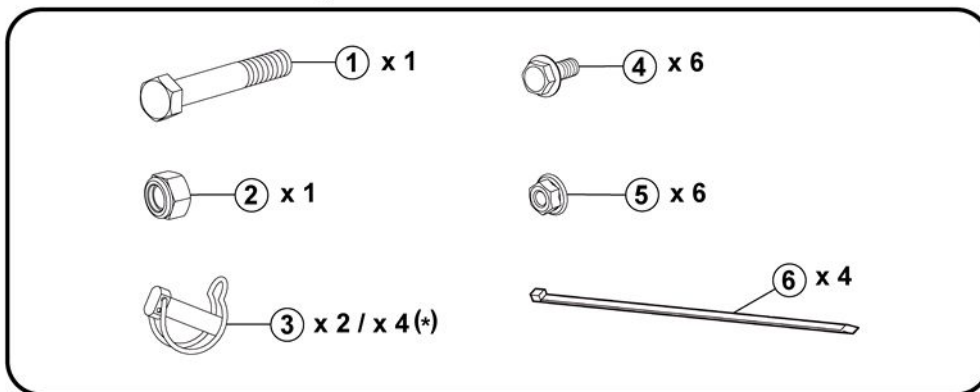
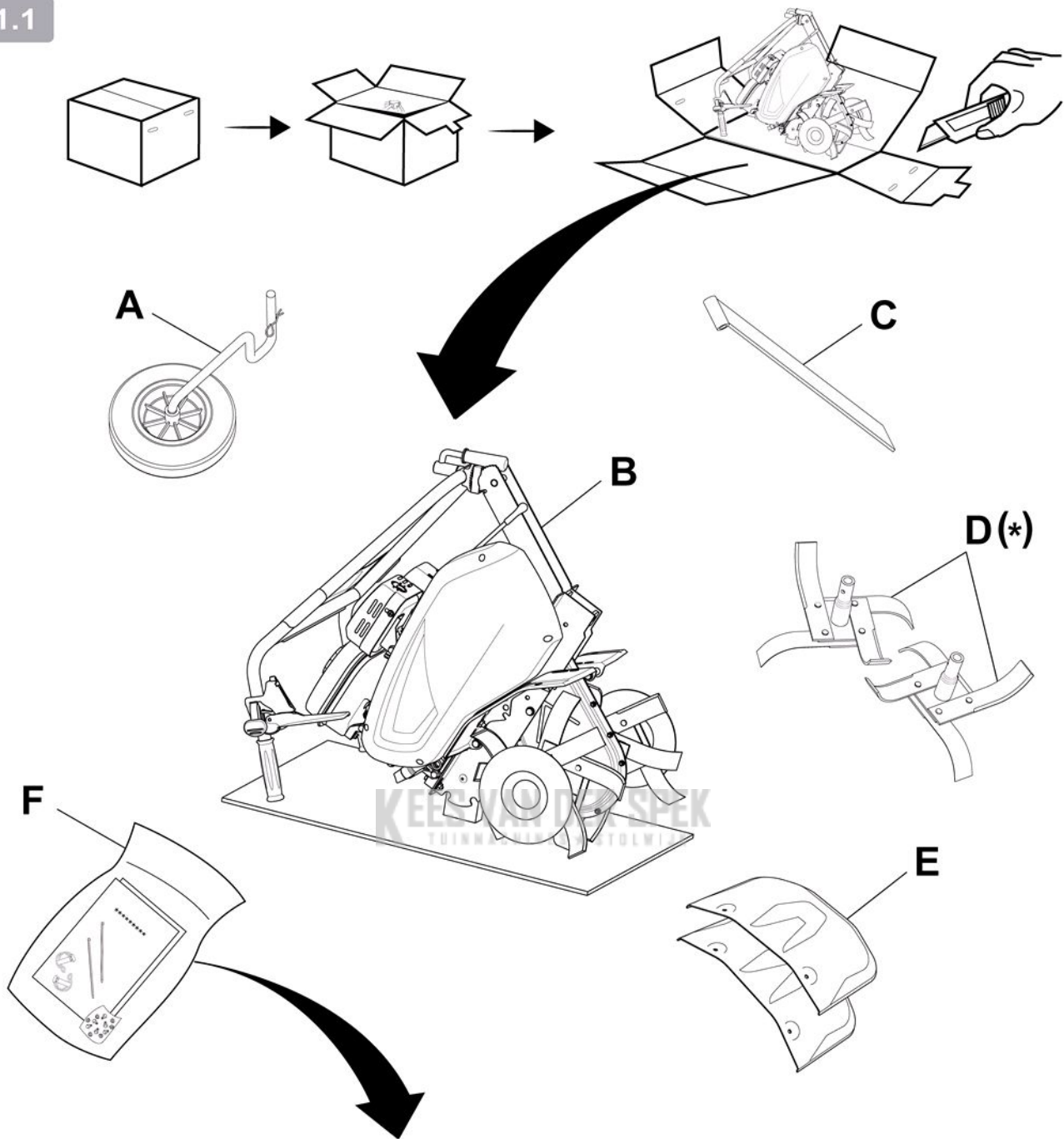
TF 335

	User manual <i>(Translation of the original manual)</i>
EN	MOTOR HOE  Read the instructions in the user manual. Become familiar with the operation and controls of the machine.
	Benutzerhandbuch <i>(Übersetzung der Originalbetriebsanleitung)</i>
DE	MOTORHÄCKE  Die Anweisungen im Benutzerhandbuch durchlesen. Sich mit den Funktionen und Bedienelementen der Maschine vertraut machen.
	Manuel d'utilisation <i>(Notice originale)</i>
FR	MOTOBINEUSE  Lire les instructions du manuel utilisateur. Se familiariser avec le fonctionnement et les commandes de la machine.

	Manual de uso <i>(Traducción del manual original)</i>
ES	MOTOAZADA  Leer las instrucciones del manual del usuario. Familiarizarse con el funcionamiento y los mandos de la máquina.
	Manuale di istruzioni <i>(Traduzione delle istruzioni originali)</i>
IT	MOTOZAPPA  Leggere le istruzioni contenute nel manuale per l'utente. Informarsi sul funzionamento e sui comandi della macchina.
	Gebruikshandleiding <i>(Vertaling van de originele handleiding)</i>
NL	MOTORHAKFREES  Lees de instructies van de gebruikershandleiding. Maak u vertrouwd met de werking en de bedieningselementen van de machine.



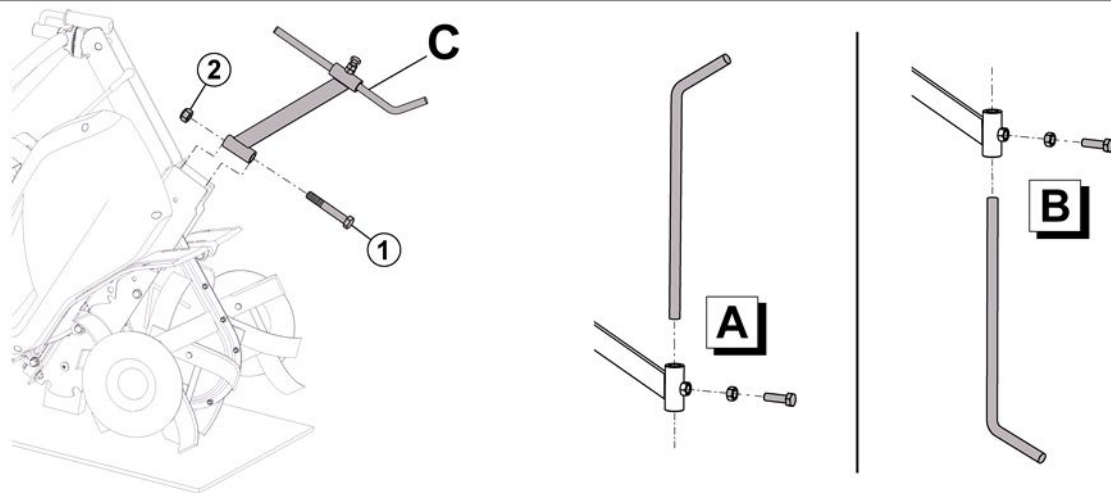
1.1



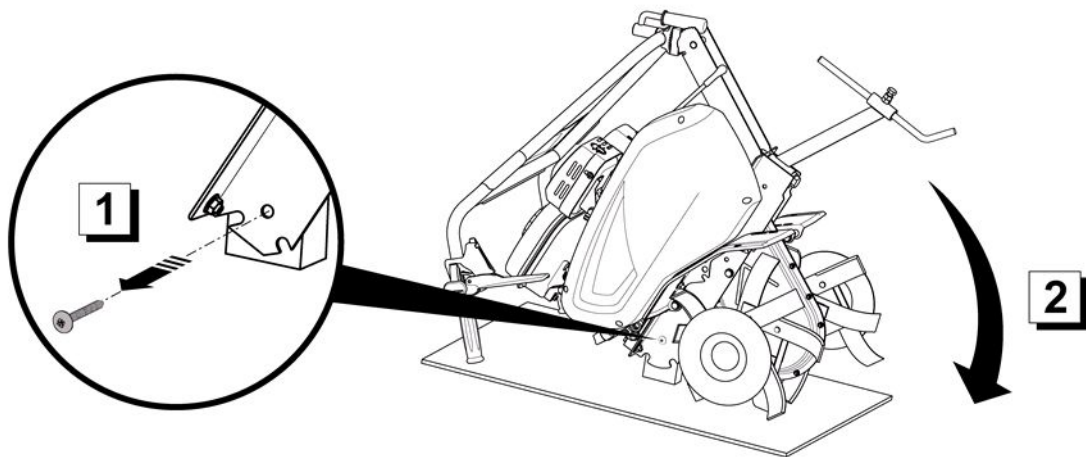
(*): FR : (suivant version) - EN : (depending on the version) - DE : (je nach Ausführungsvariante) - BG : (според варианта)
 HR : (ovisno o verziji) - DA : (Afhængigt af version) - ES : (Según versión) - ET : (järgmine versioon) - FI : (mallista riippuen)
 EL : (ανάλογα με το μοντέλο) - HU : (verziótól függően) - IT : (A seconda del modello) - LV : (atkarībā no versijas)
 LT : (priklausomai nuo versijos) - NL : (Naar gelang model) - NO : (Avhengig av versjon) - PL : (Zależnie od wersji)
 PT : (Consoante versão) - RO : (În funcție de versiune) - TR : (versiyona göre) - SK : (v závislosti od verzie) - SL : (odvisno od verzije)
 SV : (beroende på version) - CZ : (v závislosti na provedení) - UK : (в залежності від версії) - RU : (В зависимости от модификации)



1.2



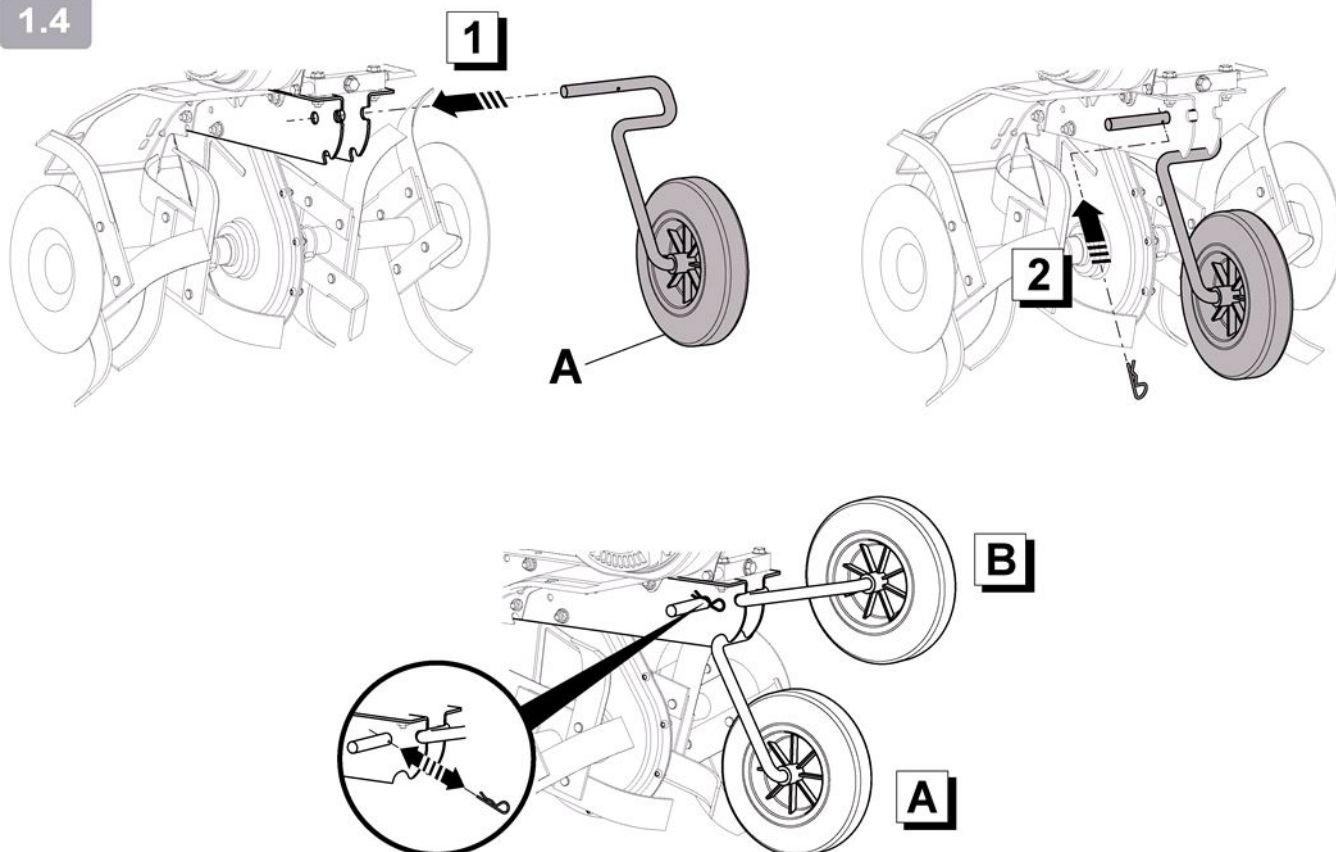
1.3



KEES VAN DER SPEK
TUINMACHINES * STOLWIJK

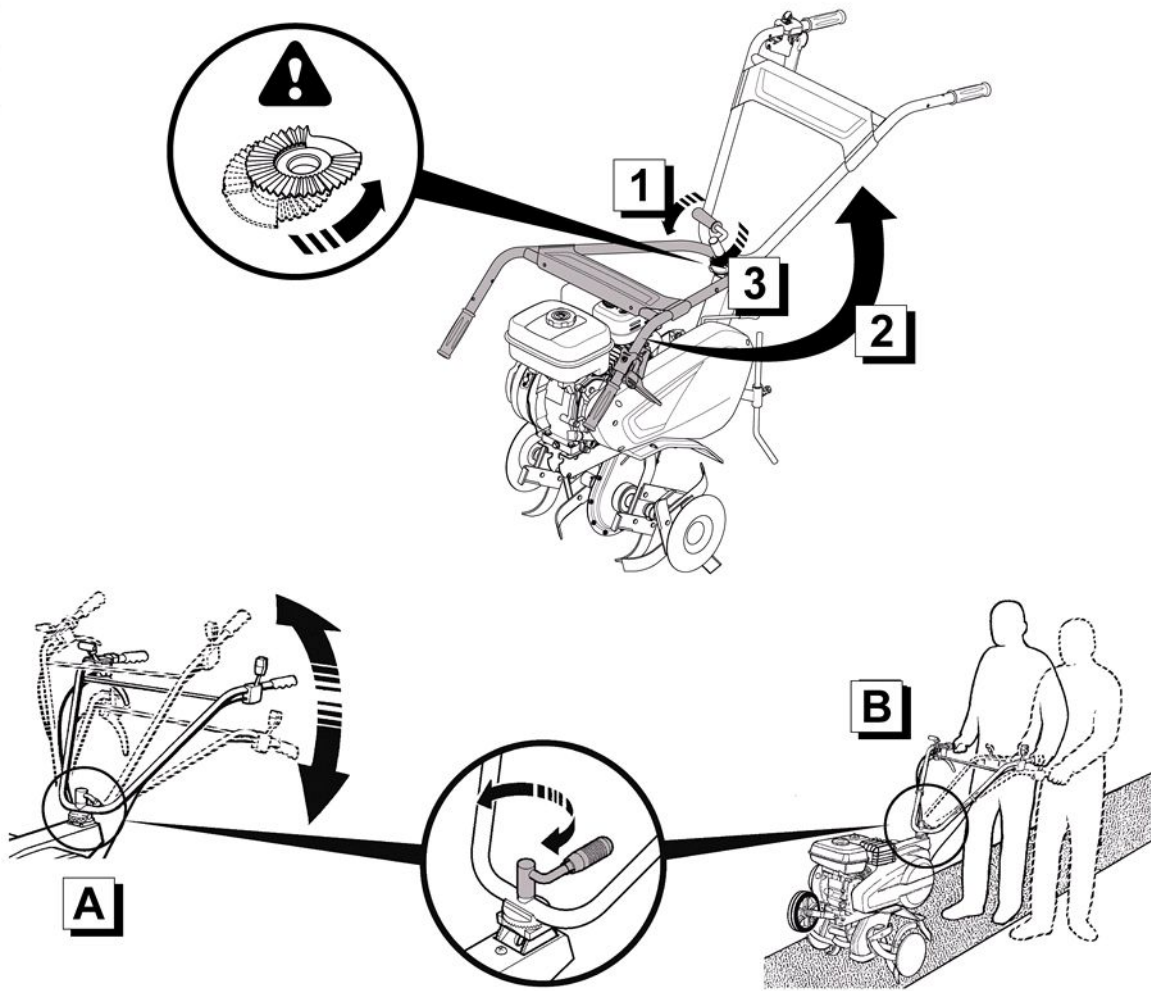


1.4

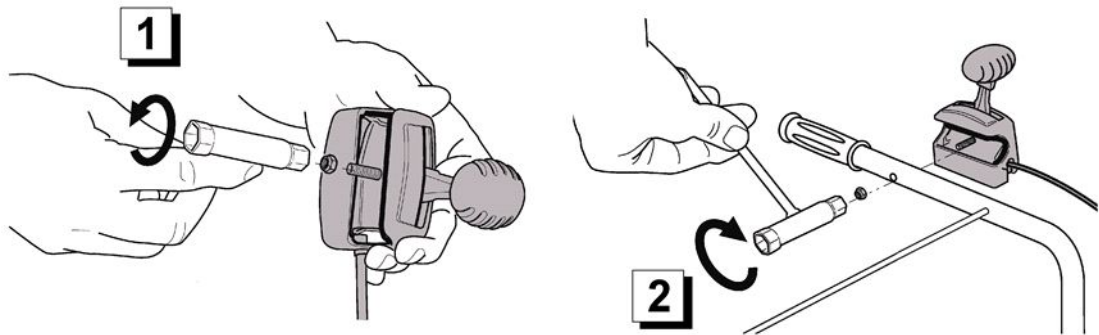




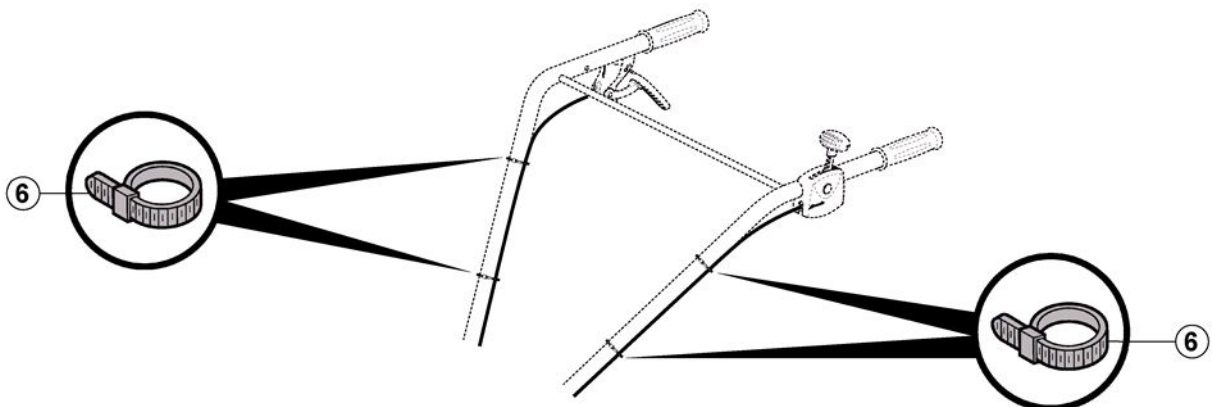
1.5



1.6

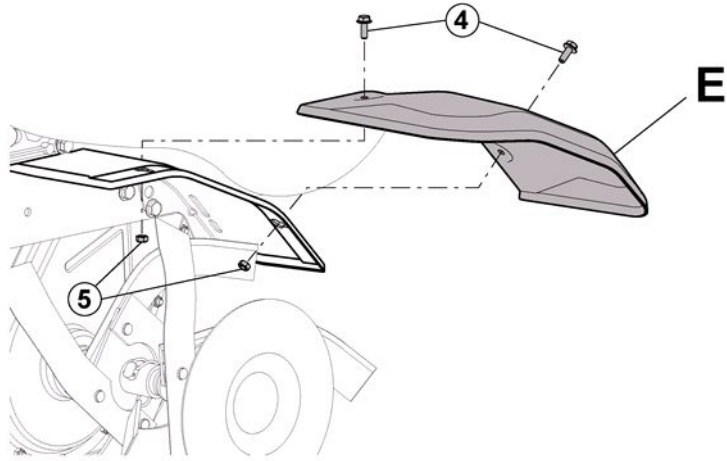


1.7

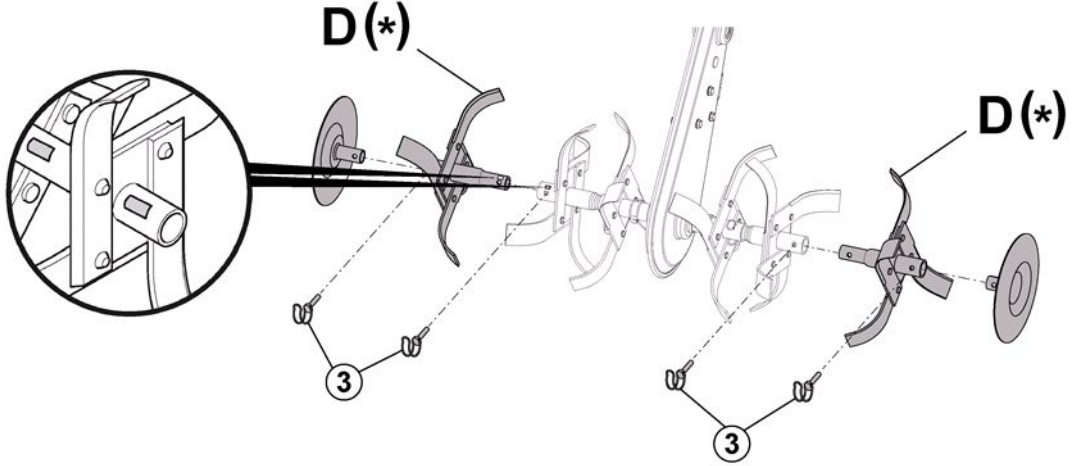




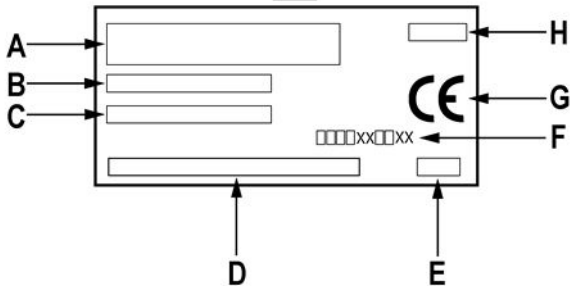
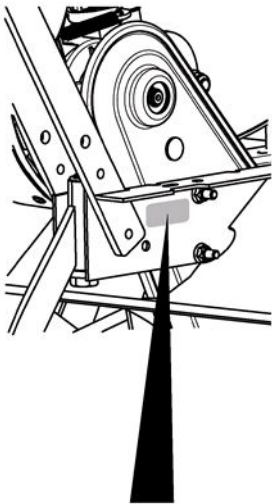
1.8



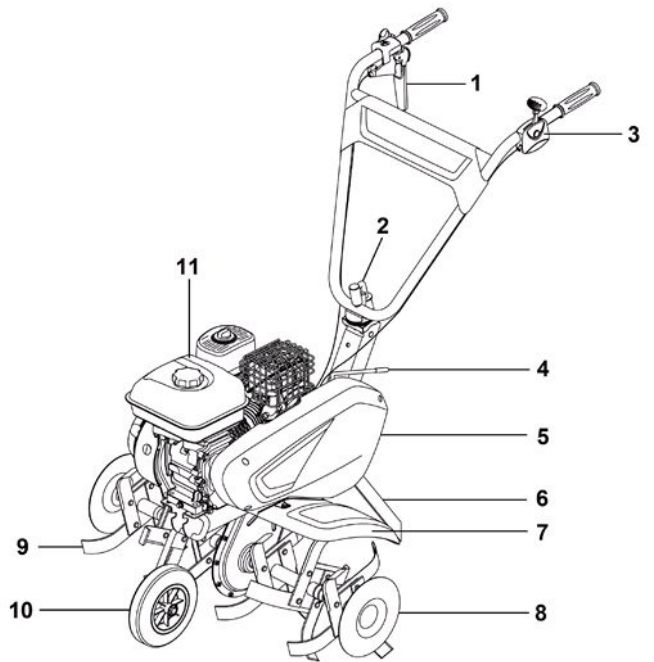
1.9



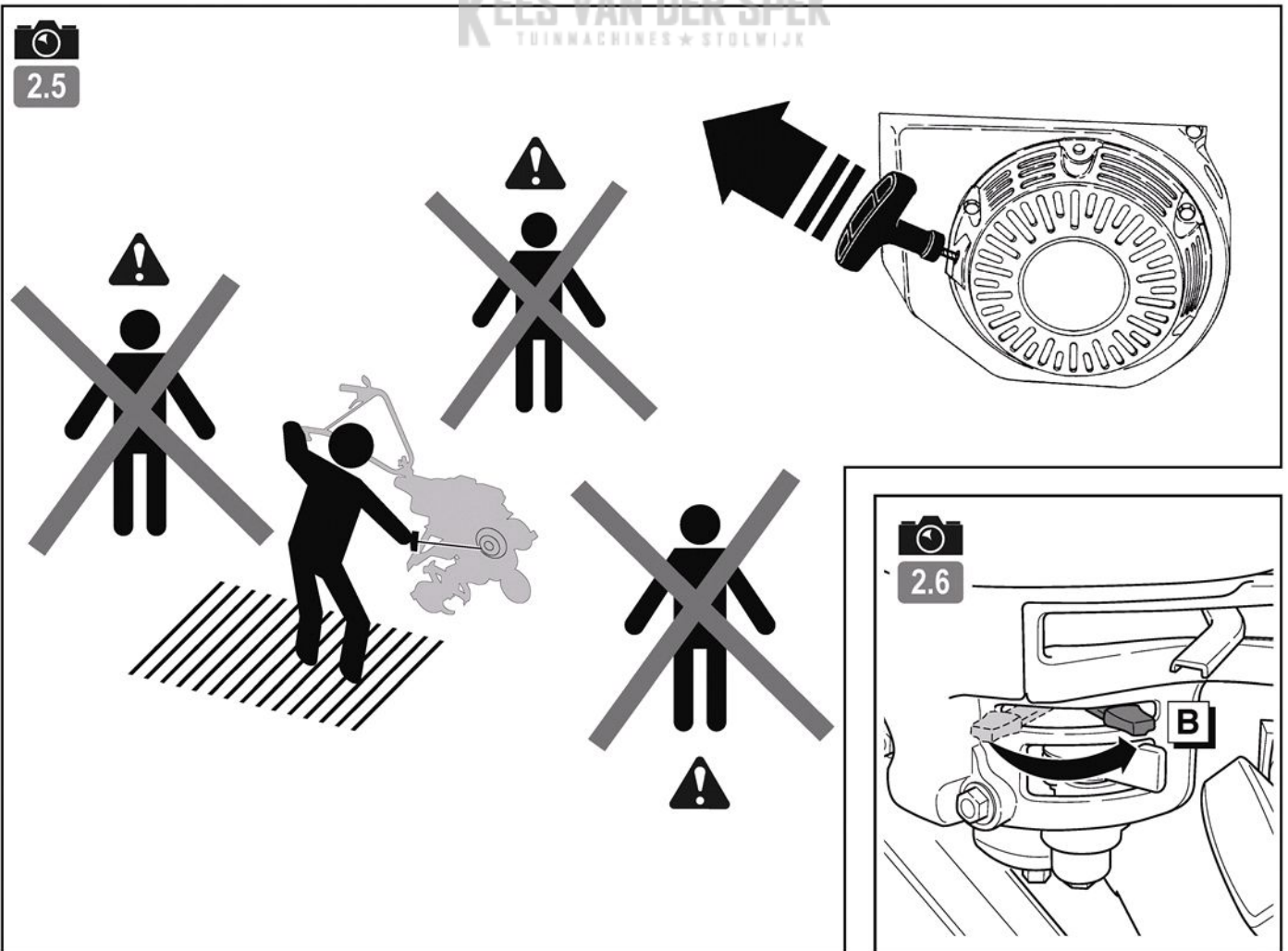
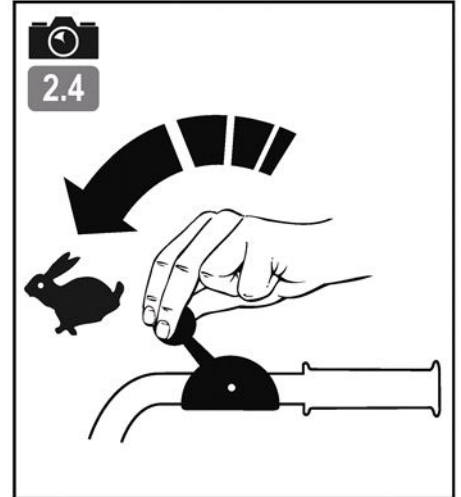
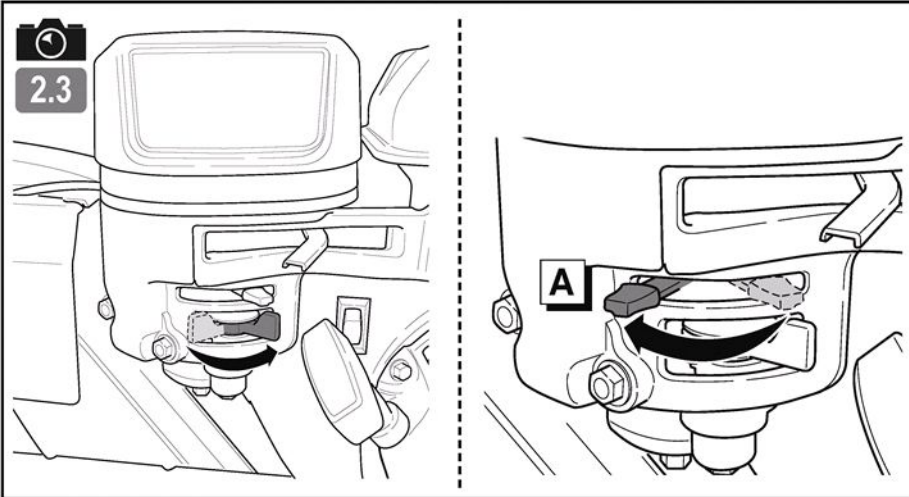
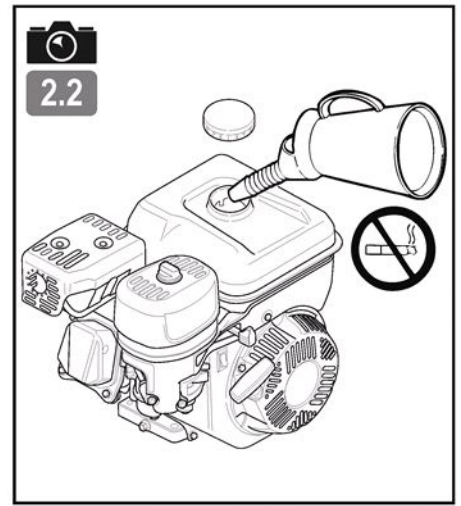
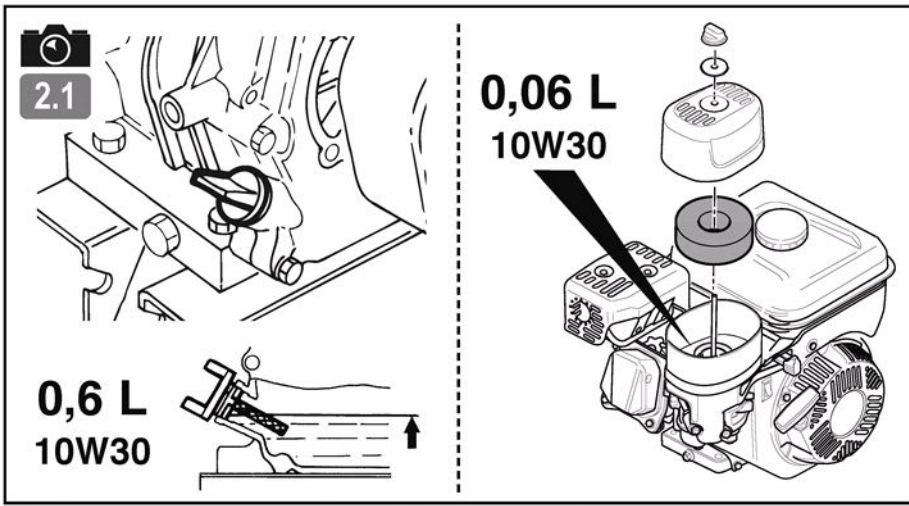
1.10



1.11



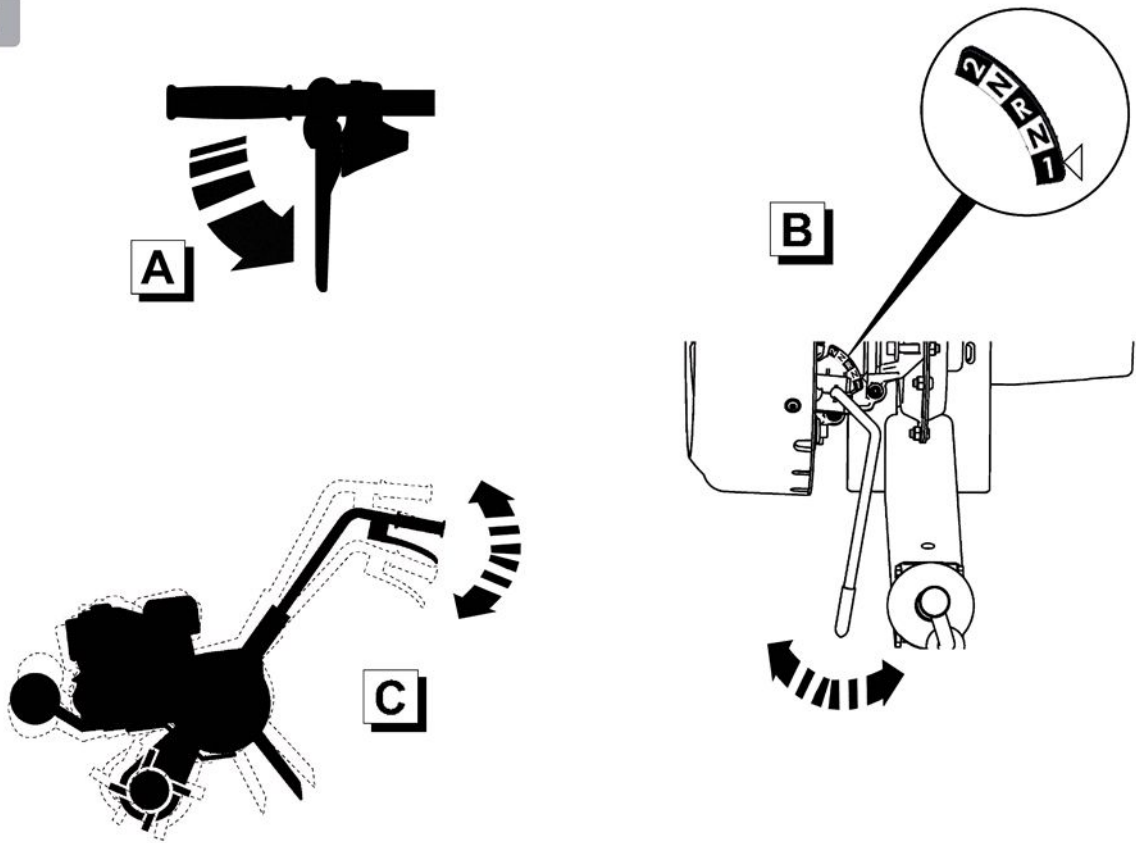
KEES VAN DER SPEK
TUINMACHINES B.V.



KEES VAN DER SPEK
TUINMACHINES * STOLWIJK

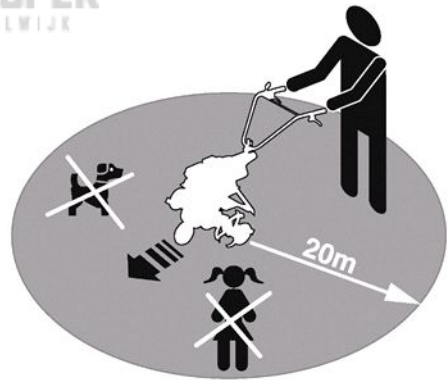
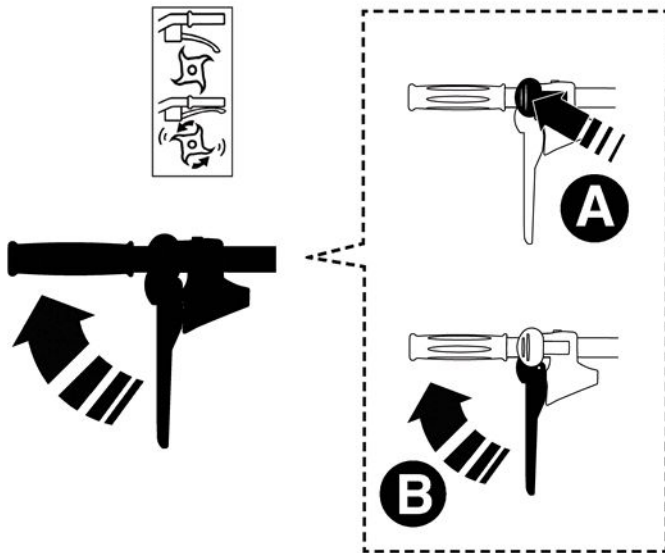


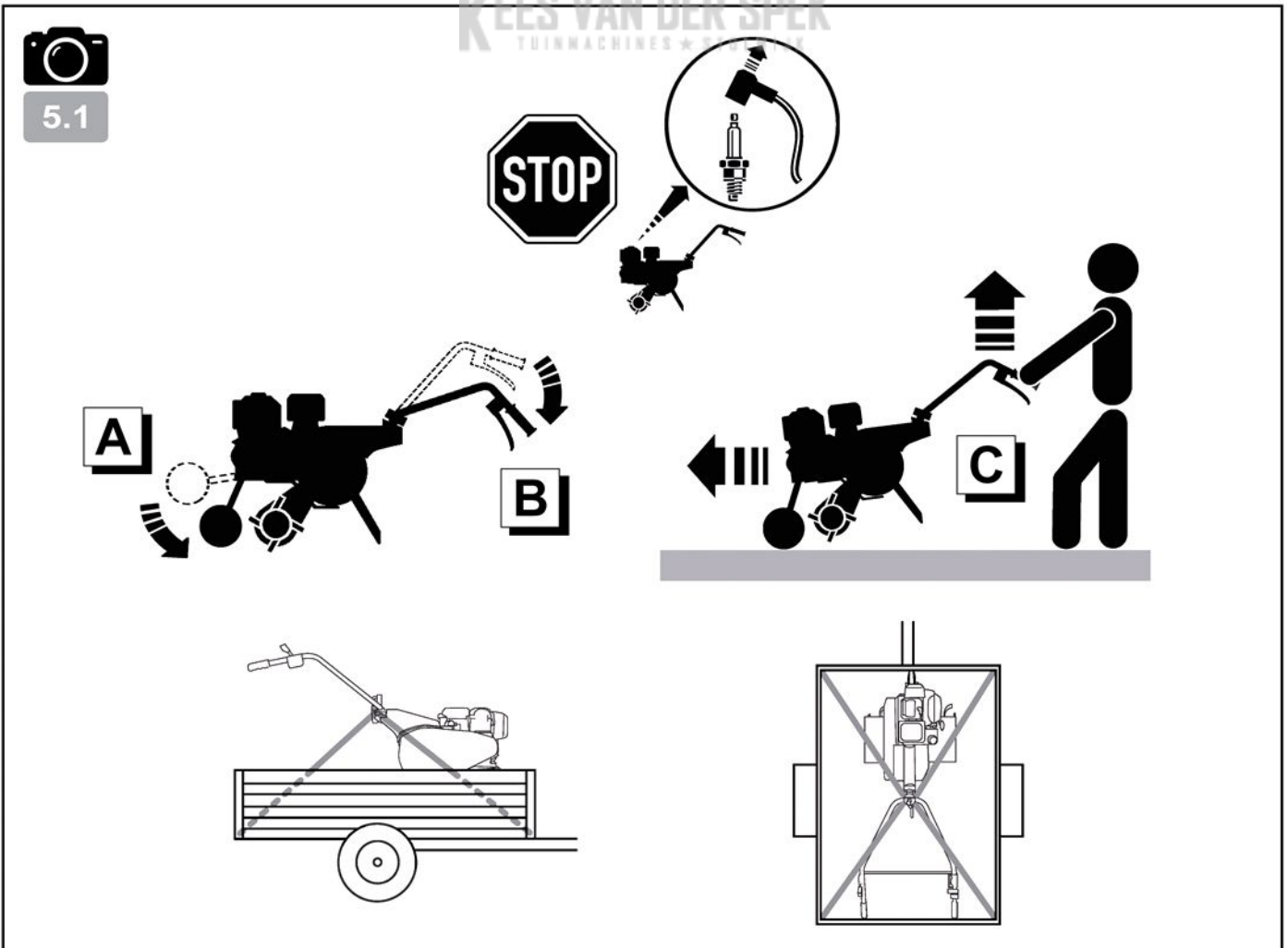
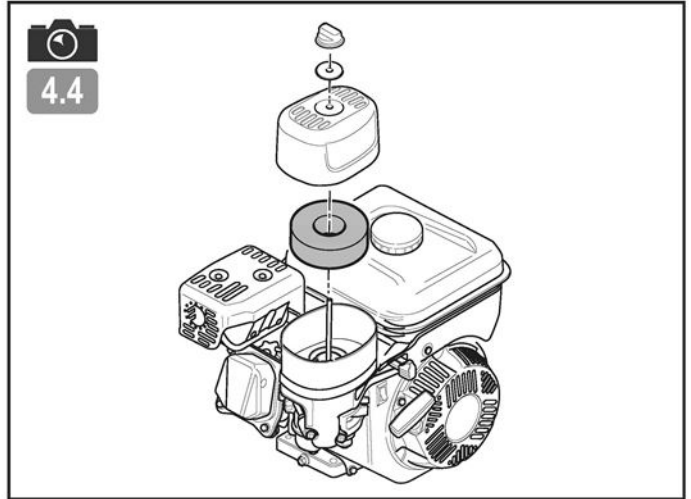
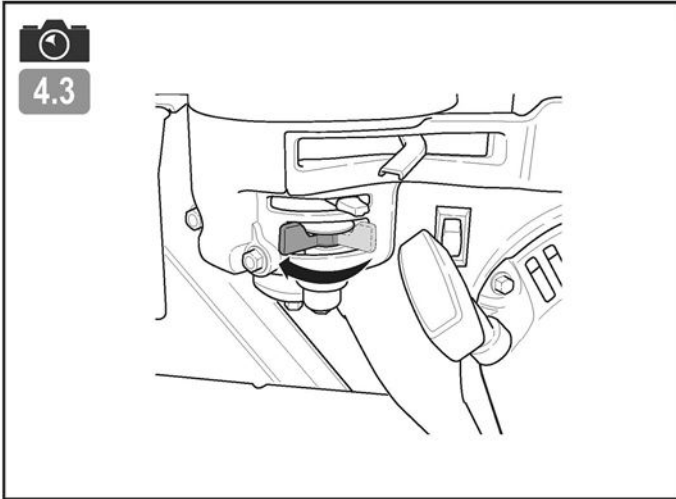
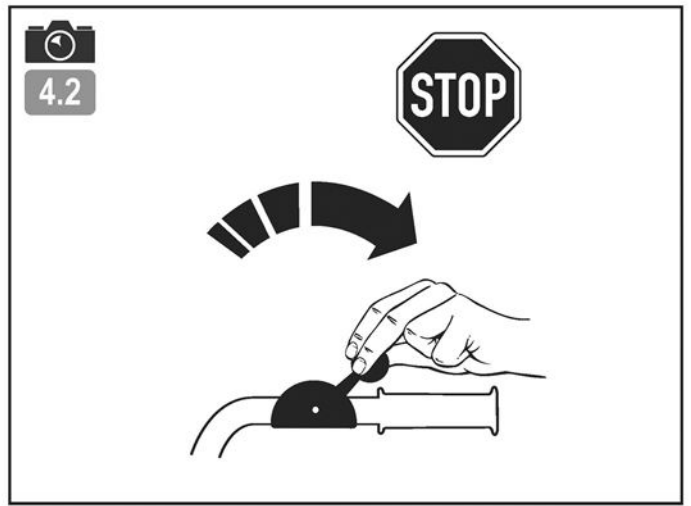
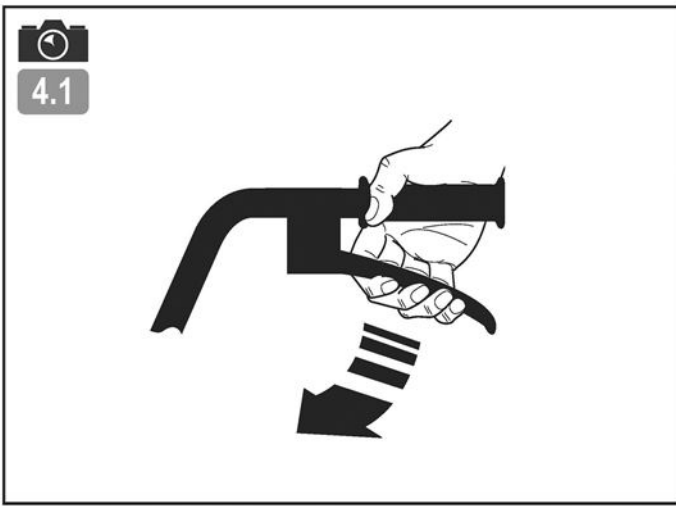
3.1



3.2

KEES VAN DER SPEK
TUINMACHINES * STOLWIJK





Pay close attention to indications preceded by the following statements:



CAUTION: Indicates a high probability of serious physical injury or danger of death if the instructions are not followed

PRECAUTION: Indicates a possibility of physical injury or damage to the equipment if the instructions are not followed

NOTE: Provides useful information



This symbol warns you to be careful during certain operations

If a problem occurs, or if you have any questions about the motor hoe, please contact an approved dealer



CAUTION: The machine is designed to provide safe and reliable service when used according to the Instructions. Please read and memorise the content of this manual before you use your machine. If you do not, you will risk injury and the equipment may be damaged

Training / Information:

- Familiarise yourself with the correct use and commands before you use the machine. Know how to shut the engine off quickly.
- The machine must always be used according to the recommendations indicated in the instruction manual.
- Do not forget that the user is responsible for any accidents or dangerous phenomena that occurs to other people or their property. It is their responsibility to assess the potential risks in the land to be worked and to take all the necessary precautions to guarantee their safety, in particular on slopes or on rough, slippery or loose ground.
- Never let children or people who are unfamiliar with these instructions use the machine. A minimum user age may be set by local regulations.
- Never work if there is anyone, in particular children or animals, within a 20-metre radius around the machine; the user must stay at the commands on the handlebars.
- Do not use the machine after taking any medicines or substances considered as potentially harmful to your reflexes and vigilance.
- Pay closer attention on hard ground as the machine will tend to be much less stable than on cultivated land.
- While working, always wear hard, non-slip shoes and long, tight trousers. Do not use the machine if you are barefoot or wearing sandals. We recommend wearing hearing protection.
- Use the machine for the purpose for which it is intended, i.e. soil turning. Any other use may be dangerous or may damage the machine.

Preparation:

- Carefully inspect the area where the machine is to be used and remove all objects which may be projected by the machine (stones, wires, glass, metal objects, etc.).
- Before use, always perform a visual inspection of the machine to make sure that the tools and deflectors are not worn or damaged. Have the worn or damaged parts replaced.
- If the machine has an engine stop button, keep the engine stop electrical cables in good condition to ensure that the engine will stop.

- Check that there are no liquid leaks (petrol, oil, etc.)

- Do not use the machine without mudguard or protective covers and make sure that all the attachment mechanisms are fully tightened.

Use:

- Never transport any people on the machine
- Start the engine carefully, following the manufacturer's instructions and keeping your feet away from the tool(s).
- Shut down the engine when the machine is unsupervised.
- Walk, never run with the machine.
- Pull the machine towards you or reverse the movement direction (if possible) with a great deal of care.
- Keep the safe distance in relation to the rotating tools, given by the handlebar length.
- Never put your hands or feet near or under rotating elements.
- In the event of:
 - Abnormal rotation,
 - Blockage,
 - Clutching problem,
 - Impact with a foreign object,
 - Damage to the engine shutdown cable (depending on the model),

shut down the engine immediately (if the engine shutdown cable is cut, activate the starter command as described in the § "starting the engine" to shut down the engine), let the machine cool down, disconnect the spark plug wire, inspect the machine and have the necessary repairs carried out by an authorised repair technician before using the machine again.

- Only work in daylight or in good quality artificial light.
- Do not use the machine on slopes over 10° (17%).
- Work cross-wise on slopes, never ascending or descending.
- On steep land, be sure of your footing and take great care when changing direction.
- Using accessories other than those recommended may make the machine dangerous and cause damage to your machine, which will not be covered by your warranty.

Maintenance / Storage / Disposal:

- Shut down the engine and disconnect the spark plug before any cleaning, verification, tool change, adjustment or maintenance operations on the machine.
- Shut down the engine, disconnect the spark plug and wear thick gloves when changing the tool(s).
- Keep all nuts and screws tight to guarantee safe usage conditions.
- To reduce the fire risks, keep the engine, the silencer and the petrol storage area free of all vegetation, excess grease or any other materials likely to catch fire.
- Have the exhaust silencers replaced
- Do not repair the parts. Have the parts replaced with original parts.
- Replace the tools with complete batches to preserve the balance.
- For your safety, do not modify your machine's characteristics. Do not modify the engine speed regulation settings and do not use the engine in overspeed. Regular maintenance is essential to guarantee safety and maintain performance.
- Let the engine cool down before you store the machine inside premises.
- The device must be disposed of in accordance with the regulations in force in the country of use.

Caution – Danger: Petrol is highly flammable:

- Store the fuel in containers specially provided for the purpose. Fill up with fuel outdoors only and do not smoke during the operation.
- Never remove the cap from the petrol tank or add petrol when the engine is running or when it is hot.
- If petrol is spilled on the ground, do not try to start the engine but move the machine away from this area and avoid causing any fires until the petrol fumes have dissipated.
- Store the machine in a dry place. Never store the machine in premises where the petrol fumes may reach a flame, a spark or a high source of heat.
- Put the caps back in place correctly on the tank and the petrol feed.
- Limit the quantity of petrol in the tank to minimise splashing.
- Do not run the engine in a confined space where carbon monoxide fumes may build up.
- Carbon monoxide may be fatal. Make sure that the premises are well ventilated.

Movement / Handling / Transport:

- All actions on the machine apart from working the ground must be performed with the engine shut down and the spark plug disconnected.
- The machine must be moved (apart from working the ground) using the transport wheel as described in the § "movement".
- Handling: do not lift the machine on your own. The machine's weight is indicated on the manufacturer's plate and at the end of this manual. Use a handling method that is adapted to the machine's weight and the situation in order to guarantee safety.
- The machine must be loaded into and unloaded from a trailer using an adapted loading ramp. Stow the machine correctly for safe transport.
- The machine must be transported with the engine shut down and the spark plug disconnected using a trailer; do not use any other method of transport.

PICTOGRAM DEFINITION

DANGER
Danger

CAUTION
Rotating cutter blades

CAUTION
Read the user manual

CAUTION
Consult the user manual and remove the spark plug before any intervention

CAUTION
Do not use without protection (moving elements)

Wear ear protectors

Gas command
(depending on engine type)

1 - Quick
2 - Slow
3 - Stop

Starter
(depending on version)

Circuit breaker
(depending on engine type)

1 - Go
2 - Stop

Gear selection
(optional)

2: Forward quick speed
N: Neutral
R: Reverse
1: Forward slow speed

1 - Reverse
2 - Forward

Clutch handle

Clutch disengaged
Clutch engaged

Do not touch hot surfaces

The exhaust gases are dangerous
Do not use in a poorly-ventilated area

Switch the engine off before filling up



Starter

Battery charge
8 HOURS MAXIMUM




Pictograms that may or may not be present depending on the machine model


TECHNICAL INFORMATION


Machine model	TF 335	Acoustic pressure level at operator's ears	dB(A)	84.5
Weight	kg 58	Measurement uncertainty	dB(A)	1
Engine model	CR950BH	Measured sound power level	dB(A)	N/A
Net power * for an engine rate	KW 4.7 rpm 3600	Measurement uncertainty	dB(A)	1
Nominal power Nominal engine rate	KW 4.5 rpm 3300	Level of vibrations on the operator's hands	m/s ²	4.7
Guaranteed sound power level	dB(A) N/A	Measurement uncertainty	m/s ²	2

* The engine power indicated in this document is a net power obtained by the test on a series engine according to standard SAE J 1349 at a given rotation speed. The power of another production engine may be different from this indicated value. The actual power of an engine installed on a machine will depend on different factors, such as the rotation speed, the temperature, humidity, atmospheric pressure, maintenance and other conditions.

NOTE: with permanent improvement in mind, the manufacturer specifies that all of this manual is not contractually-binding and reserves the right to modify the specifications of their machines without notice.

 ← **Unpacking**
1.1

 **CAUTION:** Incorrect assembly of this motor hoe may cause serious injury. Make sure that you follow all the instructions carefully

 **CAUTION:** Make sure that you do not cut the cables or scratch the machine's paintwork when cutting sharp edges from the body

Item	Case content
A	Transport wheel
B	Motor hoe
C	Stand
D	Additional cutters *
E	Cover plates
F	Documents + nuts and bolts pouch


* Depending on version

 ← **Mounting the stand**
1.2

Depending on version:

A = Hard ground

B = Soft ground

 ← **Remove the attachment points from the bottom of the body**
1.3

 ← **Mounting the transport wheel**
1.4

A = Movement position


B = Working position

 ← **Mounting the handlebar**
1.5


A = Height adjustment


B = Swing adjustment


 ← **Mounting the gas lever**
1.6

 ← **Mounting the cable tighteners**
1.7

 ← **Mounting the cover plates**
1.8

 ← **Mounting the additional cutters**
1.9

 Pay attention to the direction in which the cutters and pins are mounted

 **Machine identification plate**
1.10

- A – Manufacturer's name and address
- B – Type of machine
- C – Serial number
- D – Nominal power
- E – Weight in kilograms
- F – Machine model
- G – EC identification
- H – Year of manufacture

 ← **Description of the elements**
1.11

- 1 – Clutch lever
- 2 – Handlebar adjustment handle
- 3 – Gas lever
- 4 – Gear lever
- 5 – Belt cover
- 6 – Stand
- 7 – Cover plates
- 8 – Plant protector disks
- 9 – Rotating tools
- 10 – Transport wheel
- 11 – Engine

KEES VAN DER SPEK
TUINMACHINES * STOLWIJK



2.1

← Oil full and level



2.2

← Petrol full

Super or unleaded or SP95 E 10




2.3

← Open the fuel tap and set the starter to position A




2.4

← Accelerator

Set the lever to: 

2.5

← Pull the launcher handle

 Always remain inside the safety zone when the machine is starting up

2.6

← Set the starter to position B

KEES VAN DER SPEK TUINMACHINES & TOEWIJZ USE

This machine is intended for:

- Preparation of the soil for planting
- Maintenance of plantations and flower beds

This machine is not intended for professional use



After you start the machine, do not let the engine idle: start working as soon as possible by activating the tool clutching command

There is no need to warm up the engine: letting it idle for over 2 minutes without engaging the tools may cause serious damage to the clutching system and its belt



3.1

← Gear selection



Do not activate the gear change lever without releasing the clutch handle

- A** Release the clutch command
- B** Activate the gear selector
- C** To make it easier to change gear, swing the handlebar from top to bottom

N = Neutral
1 = Slow speed
2 = Quick speed
R = Reverse



3.2

← Clutching



Keep a safe area with a radius of 20 m around the machine

Activate the dual action clutch command to turn the cutters



Reversing with this machine is dangerous

Make sure that there are no obstacles behind you and reduce the engine rate before you engage the clutch

STOPPING

EN


Cutting tool shutdown

4.1

Release the clutch handle

Engine shutdown

4.2

Set the accelerator command to: 

Close the petrol tap

4.3

DAILY CHECKS

Check the following points before you start the engine: - No loose or broken nuts and bolts
- No fuel or engine oil leaks
- Safety of the environment

Clean engine oil level

2.1

Fuel level ok

2.2

Air filter element cleanliness and oil level (Depending on engine type)

4.4



Do not use any flammable solvents to clean the air filter's foam element

MAINTENANCE PROGRAMME (to be carried out by an authorised workshop)

After the first 5 hours

- Change the engine oil

Every 8 hours or each day

- Clean the air filter *
- Clean the areas around the silencer and the commands
- Clean the launcher casing

Every 25 hours or once per year

- Clean the air filter *
- Clean the pre-filter *

Every 50 hours or once per year

- Change the engine oil
- Inspect the silencer and the spark guard

Every year or 300 hours

- Change the air filter
- Change the pre-filter
- Change the spark plug
- Change the fuel filter
- Clean the air cooling system *
- Check the valve play **

* Clean more often if the machine is used in a dusty atmosphere or one full of airborne debris

** Not vital unless there are performance problems (to be carried out by an authorised workshop)

**Movement**

5.1

**Shut down the engine****Wait until the engine cools down (10 minutes)****A**

Set the wheel to movement position

B

Adjust the handlebar to low position to make it easier to move the machine

C

Using the handlebar, raise the cutters from the ground and move forward

- **Handling:** do not lift the machine on your own. The machine's weight is indicated on the manufacturer's plate and at the end of this manual. Use a handling method that is adapted to the machine's weight and the situation in order to guarantee safety

- The machine must be loaded into and unloaded from a trailer using an adapted loading ramp

- Stow the machine correctly for safe transport



Wait until the engine cools down (10 minutes)



Disconnect the spark plug before all operations

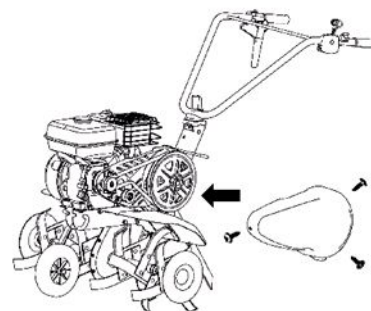
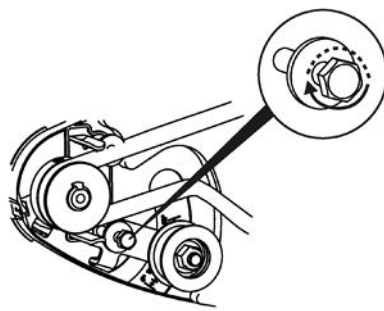
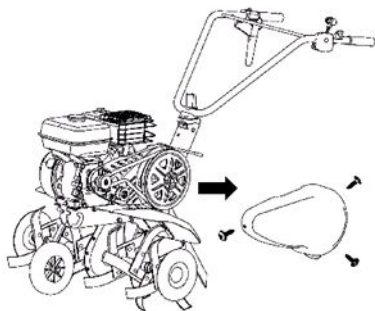


CLUTCHING LEVER AXIS GREASING

Period: 50 h maximum or 1/year before wintering



Do not contaminate the pulley or the belt when greasing the clutching lever axis



1- Remove the 3 belt cover holding screws

2- Remove the belt cover

3- Loosen the clutching lever axis holding screw (2 turns)

4- Clean and remove the grease from the clutching lever axis

5- Grease the clutching lever axis with high temperature lithium grease

6- Tighten the clutching lever axis again with a torque wrench (15 Nm)

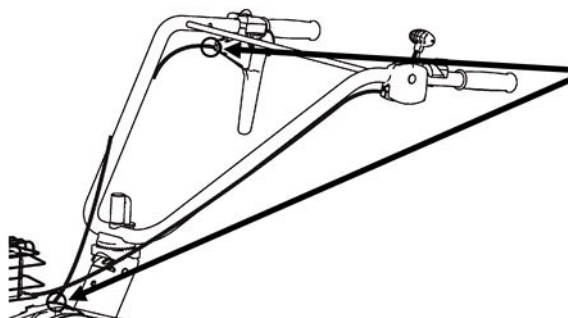
7- Check that the clutching lever recall system is operating correctly (no jerking)

8- Put back the belt cover and the 3 holding screws



CLUTCHING CABLE GREASING

Period: 50 h maximum or 1/year before wintering

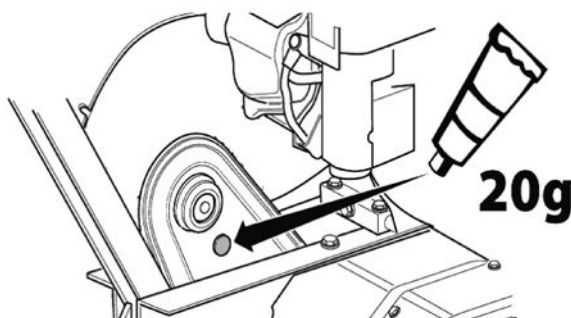


1- Lubricate the clutching cable with a PTFE cable lubricant

2- Check that the clutching lever spring recall system is operating correctly (no jerking)

TRANSMISSION GREASING

Period: 50 h maximum or 1/year before wintering



1- Remove the cap from the upper part of the transmission

2- Add 20 g of lithium grease from a tube

3- Put the cap back

4- Turn the cutters for 30 seconds

Achten Sie besonders auf folgende Warnhinweise:



ACHTUNG:
Weist auf die Gefahr schwerer Körperverletzung oder Lebensgefahr hin, wenn die Anweisungen nicht befolgt werden

VORSICHT: Weist auf die Möglichkeit einer Körperverletzung oder Materialbeschädigung hin, wenn die Anweisungen nicht befolgt werden

HINWEIS: Liefert nützliche Informationen



Dieses Symbol weist darauf hin, dass bei bestimmten Arbeiten Vorsicht geboten ist

Bei Problemen oder Fragen zur Maschine wenden Sie sich bitte an einen zugelassenen Fachhändler



ACHTUNG:
Die Maschine arbeitet sicher und zuverlässig, wenn sie unter normalen Bedingungen und gemäß den Anweisungen benutzt wird. Vor Inbetriebnahme dieser Maschine müssen Sie diese Anleitung gelesen und verstanden haben. Andernfalls laufen Sie Gefahr, verletzt zu werden und das Material zu beschädigen

Schulung / Informationen:

- Machen Sie sich vor der Verwendung der Maschine mit ihrer Funktionsweise und Bedienung vertraut. Lernen Sie, wie man den Motor schnell ausschaltet.
- Die Maschine muss immer gemäß den in dieser Anleitung enthaltenen Empfehlungen und Vorschriften verwendet werden.
- Vergessen Sie nicht, dass der Bediener für Unfälle oder gefährliche Vorfälle haftet, bei denen anderen Personen oder Gegenständen Schaden zugefügt wird. Aus diesem Grund ist er dafür verantwortlich, die potentiellen, mit dem zu bearbeitenden Gelände zusammenhängenden Gefahren zu beurteilen und die erforderlichen Sicherheitsmaßnahmen – vor allem bei Gefälle, unebenem, glattem oder lockerem Boden – zu treffen.
- Diese Maschine darf niemals von Kindern oder Personen verwendet werden, die mit ihrer Bedienung nicht vertraut sind. Gemäß den jeweiligen Landesvorschriften kann ein Mindestalter für den Benutzer vorgegeben sein.
- Arbeiten Sie niemals in unmittelbarer Anwesenheit von Personen, insbesondere von Kindern und Tieren: Ein Mindestabstand von 20 Metern sollte rund um die Maschine gegeben sein; der Benutzer muss unbedingt jederzeit eingriffsbereit am Lenker bleiben.
- Nehmen Sie die Maschine nicht in Gebrauch, wenn Sie Medikamente oder Substanzen, die das Reaktionsvermögen und die Konzentration bekannterweise mindern, eingenommen haben.
- Auf hartem Gelände ist besondere Aufmerksamkeit geboten, denn die Maschine ist weniger standfest als auf einem Kulturland.
- Tragen Sie bei der Arbeit stets festes, rutschfestes Schuhwerk und eine lange, anliegende Hose. Die Maschine nicht barfußig oder mit Sandalen bedienen. Wir empfehlen das Tragen von Gehörschutz.
- Verwenden Sie die Maschine ausschließlich für den vorgesehenen Verwendungszweck, in diesem Fall die Bodenbewirtschaftung. Jegliche andere Verwendung kann gefährlich sein und zur Beschädigung der Maschine führen.

Vorbereitung:

- Überprüfen Sie sorgfältig den Arbeitsbereich und entfernen sämtliche Gegenstände, die von der Maschine mitgerissen und geschleudert werden

könnten (Steine, Drähte, Glas, Metallgegenstände usw.).

- Führen Sie vor jeglicher Verwendung stets eine Sichtprüfung an der Maschine auf abgenutzte oder beschädigte Werkzeuge und Deflektoren durch. Lassen Sie abgenutzte oder beschädigte Teile auswechseln.
- Besitzt die Maschine einen Motorabschaltknopf, halten Sie die elektrischen Motorabschaltkabel in einwandfreiem Zustand, damit das Abschaltssystem funktionstüchtig bleibt.
- Kontrollieren Sie, dass kein Leck vorliegt (Benzin, Öl usw.).
- Benutzen Sie die Maschine nicht ohne Kotflügel oder Schutzbleche und vergewissern sich, dass alle Befestigungen fest sitzen.

Gebrauch:

- Es ist untersagt, die Maschine zum Befördern von Personen zu verwenden.
- Starten Sie den Motor behutsam gemäß den Anweisungen des Herstellers und halten die Füße fern von den Arbeitswerkzeugen.
- Stellen Sie den Motor ab, wenn die Maschine unbeaufsichtigt bleibt.
- Laufen Sie niemals, sondern gehen Sie mit der Maschine.
- Ziehen Sie die Maschine zu sich oder führen den Richtungswechsel immer mit größter Vorsicht durch (bei vorhandener Option).
- Halten Sie stets einen Sicherheitsabstand zu den rotierenden Werkzeugen: Der Abstand ist durch die Länge des Lenkers vorgegeben.
- Bringen Sie Ihre Hände und Füße niemals in die Nähe oder unter die rotierenden Maschinenelemente.
- Bei:
 - ungewöhnlicher Vibration,
 - Feststecken,
 - Problemen mit der Kupplung,
 - Aufprall auf einen Fremdkörper,
 - Beschädigung des Motorabschaltkabels (je nach Modell),

- schalten Sie den Motor sofort ab (ist das Motorabschaltkabel gerissen, betätigen Sie den Starterhebel wie im Abschnitt "Starten des Motors" beschrieben, um den Motor auszuschalten). Lassen Sie die Maschine abkühlen, klemmen Sie den Kerzendraht ab, inspizieren Sie die Maschine und lassen Sie vor einem erneuten Gebrauch die notwendigen Reparaturen von einem zugelassenen Reparaturdienst durchführen.
- Arbeiten Sie nur bei Tageslicht oder bei ausreichender Beleuchtung.
- Nehmen Sie die Maschine nicht auf Gefällen über 10° (17%) in Gebrauch.
- Arbeiten Sie stets quer zum Hang, niemals auf- oder abwärts.
- Bei Gefälle achten Sie auf sicheren Gang und führen Sie Richtungswechsel mit größter Vorsicht durch.
- Das Verwenden von anderem als dem empfohlenen Zubehör kann gefährlich sein und zu Maschinenschäden führen, die von der Garantie ausgeschlossen sind.

Wartung / Aufbewahrung / Verschrottung:

- Vor Reinigung, Kontrolle, Werkzeugwechsel, Einstellung und Wartung der Maschine den Motor ausschalten und die Kerze abziehen.
- Stellen Sie den Motor ab, trennen die Kerze und tragen zum Werkzeugwechsel dicke Schutzhandschuhe.
- Für einen sicheren Betrieb achten Sie darauf, dass alle Müttern und Schrauben fest sitzen.
- Zur Verringerung der Brandgefahr halten Sie den Motor, den Schalldämpfer und den Treibstoff-Speicherbereich frei von Pflanzen, Fettrückständen und sonstigen entzündlichen Stoffen.
- Lassen Sie beschädigte Schalldämpfer auswechseln.
- Nehmen Sie keine Reparaturen an gebrauchten Maschinenteilen vor. Lassen Sie die Teile nur gegen Originalersatzteile austauschen.

- Wechseln Sie die Werkzeuge durch komplette Bausätze aus, damit die Auswuchtung erhalten bleibt.
- Nehmen Sie zu Ihrer Sicherheit keine Umbauten vor, welche die Merkmale Ihrer Maschine verändern. Verstellen Sie nicht die Drehzahlregelung des Motors und lassen Sie den Motor nicht bei Überdrehzahl laufen. Nur die regelmäßige Instandhaltung kann die Sicherheit und die Erhaltung der Maschinenleistung gewährleisten. Lassen Sie den Motor abkühlen, bevor Sie die Maschine in einem Raum abstellen.
- Die Verschrottung des Geräts muss gemäß den geltenden Vorschriften im Verwendungsland erfolgen.

Achtung - Gefahr: Benzin ist hochentzündlich:

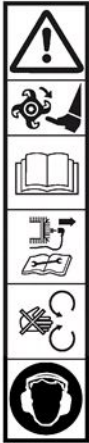
- Bewahren Sie Kraftstoff stets in speziell dafür vorgesehenen Behältern auf. Der Kraftstoff ist ausschließlich im Freien einzufüllen. Rauchen ist während des Einfüllens verboten.
- Entfernen Sie niemals den Tankverschluss, und füllen Sie Benzin in keinem Fall bei laufendem oder warmem Motor ein.
- Ist Benzin auf den Boden ausgelaufen, versuchen Sie nicht, den Motor einzuschalten, sondern entfernen die Maschine aus dem betroffenen Bereich, bis die Benzindämpfe sich aufgelöst haben, um einer Entzündung vorzubeugen.
- Stellen Sie die Maschine an einem trockenen Ort ab. Stellen Sie die Maschine niemals in einem Raum ab, in dem Benzindämpfe durch eine Flamme, einen Funken oder eine starke Hitzequelle entzündet werden könnten.
- Setzen Sie den Tankverschluss und den Verschluss des Benzinvorratsbehälters richtig ein.
- Füllen Sie nicht zu viel Benzin ein, um Spritzer zu vermeiden.
- Lassen Sie den Motor nicht in einem geschlossenen Raum laufen, in dem sich Kohlenmonoxid ansammeln kann.
- Kohlenmonoxid ist lebensgefährlich. Sorgen Sie für eine gute Lüftung.

Heben / Bewegen / Transportieren:

- Mit Ausnahme des Arbeitsbetriebs müssen sämtliche Arbeiten an der Maschine bei abgeschaltetem Motor und getrennter Kerze durchgeführt werden.
- Die Maschine muss (außer im Arbeitsbetrieb) mit dem Transportrad – wie im Abschnitt "Heben und Bewegen" beschrieben – bewegt werden.
- Handhabung: Die Maschine nicht alleine anheben. Das Maschinengewicht ist auf dem Typenschild und am Ende dieser Anleitung angegeben. Aus Sicherheitsgründen verwenden Sie bitte ein Verfahren zur Handhabung, das für das Maschinengewicht und die gegebene Situation geeignet ist.
- Zum Auf- bzw. Entladen der Maschine von einem Anhänger ist unbedingt eine geeignete Laderampe zu benutzen. Für den sicheren Transport darauf achten, dass die Maschine ordentlich befestigt ist.
- Die Maschine muss mit abgeschaltetem Motor und getrennter Kerze auf einem Anhänger transportiert werden - bitte kein anderes Transportmittel verwenden.

BESCHREIBUNG DER PIKTOGRAMME

DE



ACHTUNG
Gefahr

ACHTUNG
Drehende Werkzeuge

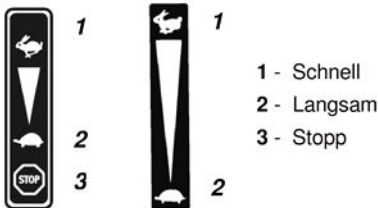
ACHTUNG
Die Bedienungsanleitung lesen

ACHTUNG
Befolgen Sie die Anweisungen der Betriebsanleitung und bauen Sie vor jedem Eingriff die Zündkerze aus

ACHTUNG
Nicht ohne Schutz verwenden (Drehwerkzeuge)

Tragen Sie einen Lärmschutzhelm

Gashebel (je nach Antriebsart)

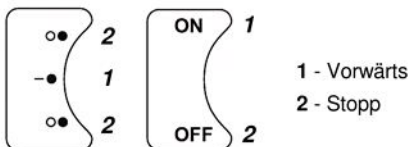


1 - Schnell
2 - Langsam
3 - Stopp

Starter (je nach Ausführungsvariante)



Ausschalterhebel (je nach Antriebsart)



1 - Vorwärts
2 - Stopp

Wahl der Geschwindigkeit (optional)

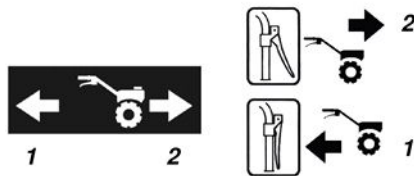


2 : Vorwärtsgang Hohe Drehzahl

N : Nullpunkt

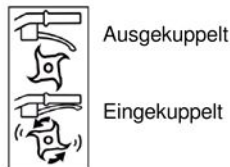
R : Rückwärtsgang

1 : Vorwärtsgang niedrige Drehzahl



1 - Rückwärtsgang
2 - Vorwärtsgang

Kupplungshebel



Die heißen Oberflächen niemals berühren



Abgase sind gefährlich für die Gesundheit
Niemaß an einem schlecht durchlüfteten
Ort laufen lassen



Den Motor vor dem Volltanken ausschalten



Starter



Aufladen der Batterie
8 H 00 MAXIMUM



Je nach Maschinenmodell vorhandene oder nicht vorhandene Piktogramme

TECHNISCHE INFORMATIONEN

Maschinenmodell	TF 335	Schallleistungspegel am Fahrerstand	dB(A)	84.5	
Gewicht	kg	58	Messunsicherheit	dB(A)	1
Modell/Motor	CR950BH	Gemessener Schallleistungspegel	dB(A)	N/A	
Nutzleistung * für eine Motorleistung	KW U/min	4.7 3600	Messunsicherheit	dB(A)	1
Nutzleistung	KW	4.5	Vibrationspegel an den Händen des Maschinenführers	m/s ²	4.7
Nenn Drehzahl des Motors	U/min	3300	Messunsicherheit	m/s ²	2
Garantierter Schallleistungspegel	dB(A)	N/A			

* Die in diesem Dokument angegebene Motorleistung ist eine Nutzleistung, die im Versuch mit einem Serienmotor gemäß der Norm SAE J 1349 mit einer gegebenen Drehzahl erhalten wurde. Die Leistung eines anderen Motors kann von diesem Wert abweichen. Die tatsächliche Leistung eines in eine Maschine eingebauten Motors ist von unterschiedlichen Faktoren abhängig, etwa der Umdrehungsgeschwindigkeit, den Temperaturbedingungen, der Feuchtigkeit, dem atmosphärischen Druck, der Instandhaltung, usw.

HINWEIS: Im ständigen Bestreben nach Verbesserungen erklärt der Hersteller, dass das gesamte Handbuch nicht verbindlich ist, und behält sich das Recht vor, die Spezifikationen seiner Maschinen ohne vorherige Ankündigung zu ändern.

1.1 Auspacken

ACHTUNG: Eine unsachgemäße Montage dieser Motorhacke kann schwere Verletzungen hervorrufen. Vergewissern Sie sich, dass Sie alle Anweisungen sorgfältig befolgen.

ACHTUNG: Achten Sie beim Aufschneiden der Kanten der Kiste darauf, die Kabel nicht durchzuschneiden oder den Lack der Maschine nicht zu beschädigen.

Mark.	Inhalt der Kiste
A	Transportrad
B	Motorhacke
C	Abstützung
D	Zusatzfräsen *
E	Schutzbleche
F	Hülle mit Anleitungen + Schrauben

* Je nach Ausführungsvariante

1.2 Montage der Abstützung

Je nach Ausführungsvariante:

A = Hartes Gelände

B = Weiches Gelände

1.3 Die Befestigungspunkte am Kistenboden entfernen

1.4 Montage des Transportrades

A = Transportstellung

B = Arbeitsstellung

1.5 Montage des Lenkers

A = Höheneinstellung

B = Versatzeinstellung

1.6 Montage des Gashebels

1.7 Montage der Kabelklemmen

1.8 Montage der Schutzbleche

1.9 Montage der zusätzliche Fräsen

ACHTUNG: Achten Sie auf die Einbaurichtung der Fräsen und Stifte.

1.10 Kennzeichnungsschild der Maschine

- A – Name und Adresse des Herstellers
- B – Maschinentyp
- C – Seriennummer
- D – Nennleistung
- E – Masse in Kilogramm
- F – Maschinenmodell
- G – CE-Kennzeichnung
- H – Herstellungsjahr

1.11 Beschreibung der Elemente


- 1 – Kupplungshebel
- 2 – Griff für Lenkereinstellung
- 3 – Gashebel
- 4 – Schalthebel
- 5 – Keilriemenhaube
- 6 – Abstützung
- 7 – Schutzbleche
- 8 – Schutzscheiben für Setzlinge
- 9 – Drehwerkzeuge
- 10 – Transportrad
- 11 – Motor

STARTEN DER MASCHINE

DE


 ← Ölnachfüllung und Füllstand
2.1

 ← Gashebel
2.4

Setzen Sie den Hebel in Richtung: 

 ← Benzinnachfüllung
2.2
Super oder Bleifrei oder SP95 E 10

 ← Ziehen Sie am Griff des Starters
2.5
 Bleiben Sie beim Starten der Maschine stets innerhalb des Sicherheitsbereichs

 ← Öffnen Sie den Bezinhhahn und setzen Sie den Starter auf die Position A
2.3

 ← Stellen Sie den Starter auf die Position B
2.6

GEBRAUCH

Diese Maschine ist für Folgendes vorgesehen:

- Bodenvorbereitung für Pflanzungen
- Pflege von Pflanzungen und Blumenbeeten

Diese Maschine ist nicht für einen professionellen Einsatz vorgesehen



Nach dem Start den Motor nicht leer laufen lassen, sobald wie möglich mit der Arbeit beginnen, indem die Kupplung der Werkzeuge betätigt wird

Der Motor braucht nicht angewärmt zu werden: ein Leerlaufen von länger als 2 Minuten ohne Einkuppeln der Werkzeuge kann erhebliche Schäden am Kupplungssystem und dem Keilriemen verursachen


 ← Auswahl der Geschwindigkeit
3.1



Den Schalthebel erst betätigen, nachdem der Kupplungsgriff losgelassen wurde

- A**) Die Kupplungssteuerung loslassen
- B**) Den Gangwahlhebel betätigen
- C**) Um das Schalten zu erleichtern, den Lenker oszillierend von oben nach

N = Neutral
1 = Niedrige Geschwindigkeit
2 = Hohe Geschwindigkeit
R = Rückwärtsgang

 ← Kupplung
3.2



Einen Sicherheitsbereich mit einem Radius von 20 m rund um die Maschine einhalten

Die Doppelkupplungssteuerung betätigen um die Fräsen zu drehen



Die Verwendung des Rückwärtsganges ist gefährlich

Versichern Sie sich, dass sich kein Hindernis hinter Ihnen befindet, und verringern Sie die Motordrehzahl, bevor die Kupplung geschaltet wird

ABSCHALTEN

DE



4.1

← Fräsenwerkzeuge abschalten

Den Kupplungsgriff loslassen



4.3

← Benzinhahn schließen



4.2

← Motor abschalten

Stellen Sie die Gashebelsteuerung

auf die Position:

TÄGLICHE KONTROLLEN

Bevor Sie den Motor ingangsetzen, überprüfen Sie folgende Punkte:

- Keine lockeren oder abgebrochenen Bolzen und Muttern
- Keine Benzin- und Motoröllecks
- Sicherheit der Umgebung



2.1

← Motorölstand



4.4

← Sauberkeit des Luftfilterelements und Ölstand

(Je nach Antriebsart)



2.2

← Ausreichender Benzinstand



Zur Reinigung des Schaumstoffteils im Luftfilter keine entzündlichen Lösungsmittel verwenden

WARTUNGSPROGRAMM (in einer zugelassenen Werkstatt durchzuführen)

Nach den ersten 5 Stunden

- Motoröl auswechseln

Alle 8 Stunden oder täglich

- Luftfilter reinigen *
- Die Bereiche rund um den Schalldämpfer und die Steuerelemente reinigen
- Das Gehäuse des Starters reinigen

Alle 25 Stunden oder einmal pro Jahr

- Luftfilter reinigen *
- Vorfilter reinigen *

Alle 50 Stunden oder einmal pro Jahr

- Motoröl auswechseln
- Den Schalldämpfer und Funkenflugschutz überprüfen

Jedes Jahr oder alle 300 h

- Luftfilter auswechseln
- Den Vorfilter auswechseln
- Die Zündkerze auswechseln
- Den Treibstofffilter auswechseln *
- Das Luftkühlsystem reinigen *
- Das Ventilspiel überprüfen **

* Bei einer Verwendung in staubiger oder partikelhaltiger Atmosphäre häufiger reinigen

** Nicht unbedingt notwendig außer bei Leistungsproblemen (in einer zugelassenen Werkstatt durchzuführen)



← Bewegung

5.1



Den Motor abstellen



Die Abkühlung des Motors abwarten (10 Minuten)

Motors

A

Das Rad in die Position Bewegen setzen

B

Die Lenkstange in niedriger Position einstellen, um die Fortbewegung der Maschine zu erleichtern

C

Mithilfe der Lenkstange die Fräsen vom Boden anheben und die Maschine nach vorne bewegen

- **Handhabung**: Die Maschine niemals manuell anheben. Das Maschinengewicht ist auf dem Typenschild und am Ende dieser Anleitung angegeben. Aus Sicherheitsgründen verwenden Sie bitte ein Verfahren zur Handhabung, das für das Maschinengewicht und die gegebene Situation geeignet ist
- Zum Auf- bzw. Abladen der Maschine von einem Anhänger ist unbedingt eine geeignete Laderampe zu benutzen
- Für den sicheren Transport darauf achten, dass die Maschine ordentlich befestigt ist



Die Abkühlung des Motors abwarten (10 Minuten)



Die Zündkerze vor jedem Eingriff herausziehen

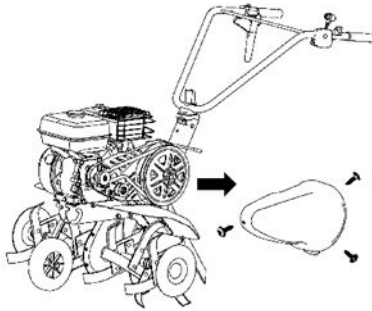


SCHMIEREN DER ACHSE DES KUPPLUNGSEBELS

Zeitabstand : Max. 50 h oder 1/Jahr vor Überwinterung

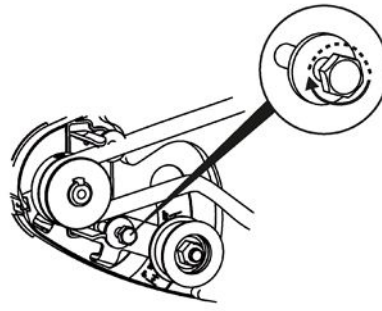


Weder die Riemenscheibe noch den Keilriemen beim Schmieren der Achse des Kupplungshebels verunreinigen



1- Die 3 Befestigungsschrauben von der Keilriemenhaube abnehmen

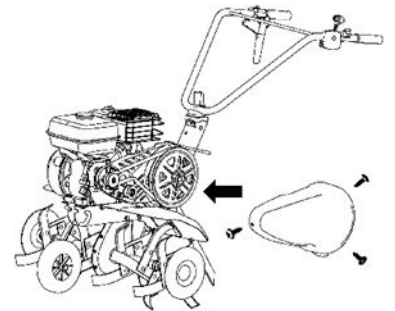
2- Die Keilriemenhaube abnehmen



3- Die Befestigungsschraube der Achse des Kupplungshebels lockern (2 Umdrehungen)

4- Die Achse des Kupplungshebels reinigen und entfetten

5- Die Achse des Kupplungshebels mit Hochtemperatur-Lithium-Fett



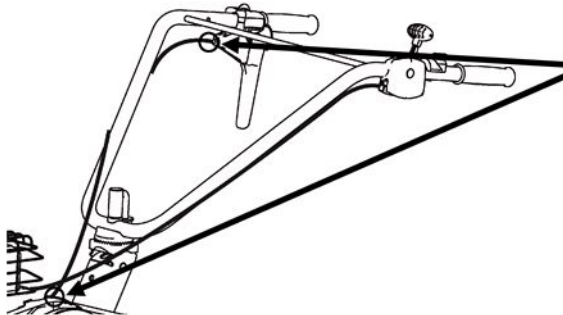
6- Die Achse des Kupplungshebels mithilfe eines Drehmomentschlüssels (15 Nm) anziehen

7- Die richtige Funktionsweise des Rückstellsystems des Kupplungshebels (ruckfrei) überprüfen

8- Die Keilriemenhaube und die 3 Befestigungsschrauben wieder anbringen

SCHMIEREN DES KUPPLUNGSKABELS

Zeitabstand : Max. 50 h oder 1/Jahr vor Überwinterung

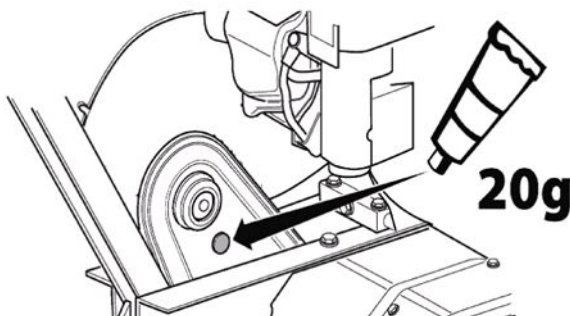


1- Das Kupplungskabel mithilfe eines Schmiermittels für PTFE-Kabel schmieren

2- Die richtige Funktionsweise des Rückstellsystems des Kupplungshebels (ruckfrei) überprüfen

SCHMIEREN DES GETRIEBES

Zeitabstand: Max. 50 h oder 1/Jahr vor Überwinterung



1- Den Verschluss vom oberen Teil des Getriebes abnehmen

2- 20 g Lithium-Fett aus der Tube hinzufügen

3- Den Verschluss wieder anbringen

4- Die Fräsen 30 Sekunden lang drehen lassen

CONSIGNES DE SÉCURITÉ

Attacher une attention particulière aux indications précédées des mentions suivantes :



ATTENTION : Signale une forte probabilité de blessures corporelles graves, voir un danger mortel si les instructions ne sont pas suivies

PRÉCAUTION : Signale une possibilité de blessures corporelles ou de détérioration de l'équipement si les instructions ne sont pas suivies

NOTE : Fournit des informations utiles



Ce signe vous appelle à la prudence lors de certaines opérations

En cas de problème, ou pour toutes questions concernant la motobineuse, veuillez vous adresser à un concessionnaire agréé



ATTENTION : La machine est conçue pour assurer un service sûr et fiable dans des conditions d'utilisation conformes aux Instructions. Avant d'utiliser votre machine, veuillez lire et assimiler le contenu de ce manuel. A défaut, vous vous exposeriez à des blessures et l'équipement pourrait être endommagé

Formation / Informations :

- Se familiariser avec l'utilisation correcte et les commandes avant d'utiliser la machine. Savoir arrêter le moteur rapidement.
- La machine doit toujours être utilisée suivant les recommandations indiquées dans la notice d'instructions.
- Ne pas oublier que l'utilisateur est responsable des accidents ou des phénomènes dangereux survenant aux autres personnes ou à leurs biens. Il est de sa responsabilité d'évaluer les risques potentiels du terrain à travailler et de prendre toutes les précautions nécessaires pour assurer sa sécurité, en particulier dans les pentes, les sols accidentés, glissants ou meubles.
- Ne jamais laisser les enfants, ou des personnes non familières avec ces instructions, utiliser la machine. Les réglementations locales peuvent fixer un âge minimal pour l'utilisateur.
- Ne jamais travailler en présence de personnes, en particulier d'enfants, ou d'animaux dans un rayon de 20 mètres autour de la machine; l'utilisateur devant rester impérativement aux commandes des mancherons.
- Ne pas utiliser la machine après avoir absorbé des médicaments ou des substances, réputées comme pouvant nuire à sa capacité de réflexe et de vigilance.
- Dans un terrain dur, avoir une attention plus particulière car la machine aura tendance à être beaucoup moins stable qu'en terrain cultivé.
- Pendant le travail, porter toujours des chaussures résistantes, non dérapantes et des pantalons longs et serrés. Ne pas utiliser la machine lorsque l'on est pieds nus ou en sandales. Nous recommandons le port de protections auditives.
- Utiliser la machine pour l'usage auquel elle est destinée, à savoir la culture du sol. Toute autre utilisation peut s'avérer dangereuse ou entraîner une détérioration de la machine.

Préparation :

- Inspecter minutieusement la zone sur laquelle la machine doit être utilisée et éliminer tous les objets qui pourraient être projetés par la machine (pierres, fils, verre, objets en métal...).
- Avant utilisation, toujours procéder à un contrôle visuel de la machine pour s'assurer que

les outils et les déflecteurs ne sont ni usés ni endommagés. Faire remplacer les pièces usées ou endommagées.

- Si la machine est équipée d'un bouton d'arrêt moteur, maintenir les câbles électriques d'arrêt moteur en bon état de façon à garantir l'arrêt moteur.
- Vérifier l'absence de fuite de liquide (essence, huile ...).
- Ne pas utiliser la machine sans garde-boue ou capots de protection et s'assurer que tous les dispositifs de fixation sont bien serrés.

Utilisation :

- Ne jamais transporter de personnes sur la machine.
- Démarrer le moteur avec précaution en respectant les instructions du fabricant et en maintenant les pieds éloignés de l'(des) outil(s).
- Arrêter le moteur quand la machine est sans surveillance.
- Marcher, ne jamais courir avec la machine.
- Tirer la machine vers soi ou inverser le sens de marche (si disponible) avec beaucoup de précautions.
- Conserver la distance de sécurité par rapport aux outils rotatifs, donnée par la longueur du guidon.
- Ne pas placer les mains ou les pieds près ou sous des éléments en rotation.
- En cas de :

- vibration anormale,
- blocage,
- problème d'embrayage,
- choc avec un objet étranger,
- détérioration du câble d'arrêt moteur (suivant modèle),

arrêter le moteur immédiatement (si le câble d'arrêt moteur est coupé, actionner la commande du starter comme décrit au § "démarrage moteur" pour arrêter le moteur), laisser la machine refroidir, débrancher le fil de bougie, inspecter la machine et faire effectuer les réparations nécessaires par un réparateur agréé avant toute nouvelle utilisation.

- Travailler uniquement à la lumière du jour ou dans une lumière artificielle de bonne qualité.
- Ne pas utiliser la machine dans des pentes supérieures à 10° (17%).
- Travailler les pentes dans le sens transversal, jamais en montant ou en descendant.
- Sur les terrains pentus, bien assurer ses pas, changer de direction avec beaucoup de précautions.
- L'utilisation d'accessoires autres que ceux recommandés peut rendre la machine dangereuse, et occasionner des dommages sur votre machine qui ne seront pas couverts par votre garantie.

Maintenance / Stockage / Mise au rebut :

- Arrêter le moteur et débrancher la bougie avant toute opération de nettoyage, de vérification, de changement d'outil(s), de réglage ou d'entretien de la machine.
- Arrêter le moteur, débranchez la bougie et utiliser des gants épais pour changer l(es) outil(s).
- Maintenir tous les écrous et vis serrés afin d'assurer des conditions d'utilisation sûres.
- Pour réduire les risques d'incendie, maintenir le moteur, le silencieux, et la zone de stockage de l'essence dégagés de végétaux, d'excès de graisse, ou de toute autre matière susceptible de s'enflammer.
- Faire remplacer les silencieux d'échappement.
- Ne pas réparer les pièces. Faire remplacer les pièces par des pièces d'origine.

- Remplacer les outils par des lots complets afin de préserver l'équilibre.

- Pour votre sécurité ne pas modifier les caractéristiques de votre machine. Ne pas modifier les réglages de régulation de vitesse du moteur et ne pas utiliser le moteur en survitesse. Un entretien régulier est essentiel pour la sécurité et le maintien du niveau de performances.
- Laisser le moteur refroidir avant de ranger la machine dans un local.
- Si la machine est équipée d'une batterie, débrancher la avant toute opération de nettoyage, de vérification ou de remisage hivernal.
- Toute mise au rebut de l'appareil doit être réalisée conformément à la réglementation en vigueur dans le pays d'utilisation.

Attention – Danger : l'essence est hautement inflammable :

- Stocker le carburant dans des récipients spécialement prévus à cet effet. Faire le plein à l'extérieur uniquement et ne pas fumer pendant cette opération.
- Ne jamais enlever le bouchon du réservoir d'essence ou ajouter de l'essence pendant que le moteur tourne ou tant qu'il est chaud.
- Si de l'essence a été répandue sur le sol, ne pas tenter de démarrer le moteur mais éloigner la machine de cette zone et éviter de provoquer toute inflammation tant que les vapeurs d'essence ne sont pas dissipées.
- Entreposer la machine dans un endroit sec. Ne jamais entreposer la machine dans un local où les vapeurs d'essence pourraient atteindre une flamme, une étincelle ou une forte source de chaleur.
- Remettre correctement en place les bouchons du réservoir et de la nourrice d'essence.
- Limiter la quantité d'essence dans le réservoir pour minimiser les éclaboussures.
- Ne pas faire tourner le moteur dans un endroit confiné où les vapeurs de monoxyde de carbone peuvent s'accumuler.
- Le monoxyde de carbone peut être mortel. Assurer une bonne ventilation.

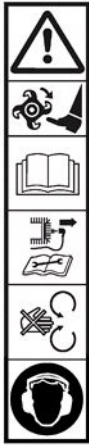
Déplacement / Manutention / Transport :

- Toute action sur la machine hors du travail du sol doit s'effectuer moteur arrêté et bougie débranchée.
- Le déplacement (hors travail du sol) doit s'effectuer en utilisant la roue de transport comme décrit au § "déplacement".
- Manutention : ne pas soulever la machine seul. Le poids de la machine est indiqué sur la plaque constructeur et à la fin de ce manuel. Utiliser une méthode de manutention adaptée au poids de la machine et à la situation afin de garantir la sécurité.
- Le chargement et le déchargement de la machine dans une remorque doit s'effectuer à l'aide d'une rampe de chargement adaptée. Arrimer correctement la machine pour un transport en toute sécurité.
- Le transport doit s'effectuer moteur arrêté et bougie débranchée à l'aide d'une remorque, n'utiliser aucun autre moyen de transport.

FR

DÉFINITION DES PICTOGRAMMES

FR



ATTENTION
Danger

ATTENTION
Outils rotatifs

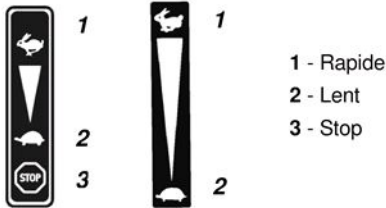
ATTENTION
Lire le manuel d'utilisation

ATTENTION
Consulter le manuel d'utilisation et déposer la bougie avant toute intervention

ATTENTION
Ne pas utiliser sans protecteur (éléments tournants)

Portez un casque anti-bruit

Commande de gaz
(suivant motorisation)

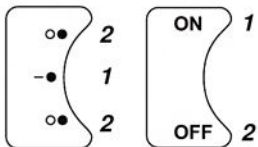


1 - Rapide
2 - Lent
3 - Stop

Démarreur
(suivant version)

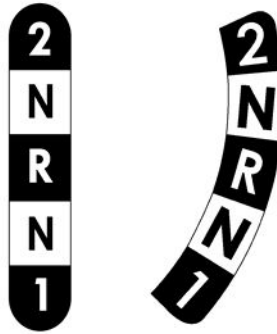


Coupe-circuit
(suivant motorisation)

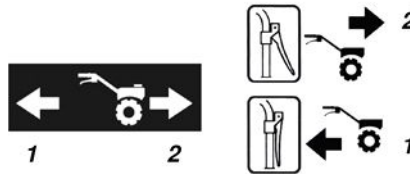


1 - Marche
2 - Stop

Sélection de vitesse
(optionnel)

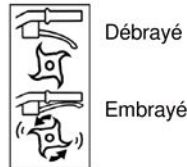


2 : Marche avant vitesse rapide
N : Neutre
R : Marche arrière
1 : Marche avant vitesse lente



1 - Marche arrière
2 - Marche avant

Manette embrayage



Débrayé

Embrayé



Ne pas toucher aux surfaces chaudes



Les gaz d'échappement sont dangereux
Ne pas utiliser dans un endroit mal aéré



Couper le moteur avant de refaire le plein



Starter



Charge de la batterie
8 H 00 MAXIMUM



Pictogrammes présents ou non suivant le modèle de machine


INFORMATIONS TECHNIQUES


Modèle machine	TF 335	Niveau de pression acoustique au poste de conduite	dB(A)	84.5	
Poids	kg	58	Incertitude de mesure	dB(A)	1
Modèle moteur	CR950BH	Niveau de puissance acoustique mesurée	dB(A)	N/A	
Puissance nette * pour un régime moteur	KW tr/min	4.7 3600	Incertitude de mesure	dB(A)	1
Puissance nominale Régime moteur nominal	KW tr/min	4.5 3300	Niveau de vibrations aux mains de l'opérateur	m/s ²	4.7
Niveau de puissance acoustique garantie	dB(A)	N/A	Incertitude de mesure	m/s ²	2

* La puissance du moteur indiquée dans ce document est une puissance nette obtenue par l'essai d'un moteur de série selon la norme SAE J 1349 à une vitesse de rotation donnée. La puissance d'un autre moteur de production peut être différente de cette valeur indiquée. La puissance réelle d'un moteur installé sur une machine dépendra de différents facteurs comme la vitesse de rotation, les conditions de température, d'humidité, de pression atmosphérique, de maintenance et autres.

NOTA : dans un souci permanent d'amélioration, le constructeur précise que l'intégralité de ce manuel n'est pas contractuelle, et se réserve le droit de modifier sans prévenir, les spécifications de ses machines

← Déballage 1.1

 **ATTENTION :**
Un assemblage inapproprié de cette motobineuse peut provoquer des blessures graves. Assurez-vous de suivre toutes les instructions soigneusement

 **ATTENTION :**
Prendre garde à ne pas couper les câbles ou à rayer la peinture de la machine en coupant les arêtes de la caisse

Rep.	Contenu de la caisse
A	Roue de transport
B	Motobineuse
C	Béquille
D	Fraises additionnelles *
E	Tôles de protection
F	Pochette documents + visserie

* Suivant version

← Montage de la béquille 1.2

Suivant version :

A = Terrain dur

B = Terrain souple

← Retirer les points d'accroche du fond de caisse 1.3

← Montage de la roue de transport 1.4

A = Position déplacement

B = Position travail

← Montage du guidon 1.5

A = Réglage en hauteur


B = Réglage en déport

← Montage de la manette de gaz 1.6

← Montage des serres-câbles 1.7

← Montage des tôles de protection 1.8

← Montage des fraises additionnelles 1.9

 Prendre garde au sens de montage des fraises et des goupilles

← Plaque d'identification de la machine 1.10

A – Nom et adresse du constructeur

B – Type de la machine

C – Numéro de série

D – Puissance nominale

E – Masse en kilogrammes

F – Modèle de la machine

G – Identification CE

H – Année de fabrication

← Description des éléments 1.11

1 – Levier d'embrayage

2 – Poignée réglage guidon

3 – Manette de gaz

4 – Levier de vitesse

5 – Capot de courroie

6 – Béquille

7 – Tôles de protection

8 – Disques protège-plants

9 – Outils rotatifs

10 – Roue de transport

11 – Moteur

DÉMARRAGE MACHINE

FR



2.1

← Plein d'huile et niveau



2.2

← Plein d'essence

Super ou sans plomb ou SP95 E 10



2.3

← Ouvrir le robinet d'essence et mettre le starter sur la position A



2.4

← Accélérateur

Mettre le levier vers :



2.5

← Tirer sur la poignée du lanceur

Lors du démarrage de la machine, toujours rester dans la zone de sécurité



2.6

← Mettre le starter sur la position B

UTILISATION

Cette machine est destinée à :

- La préparation de la terre pour les plantations
- L'entretien des plantations et parterre de fleurs

Cette machine n'est pas destinée à une utilisation professionnelle



Après démarrage, ne pas laisser tourner le moteur à vide : commencer à travailler dès que possible en actionnant la commande d'embrayage des outils

Il est inutile de faire chauffer le moteur : le faire tourner à vide plus de 2 minutes sans embrayer les outils peut causer d'importants dégâts au système d'embrayage et sa courroie



3.1

← Sélection de la vitesse



Ne pas actionner le levier de changement de vitesse sans avoir lâché la manette d'embrayage

A Lâcher la commande d'embrayage

B Actionner le sélecteur de vitesse

C Pour faciliter le passage des vitesses, faire osciller le guidon de haut en bas

N = Neutre
1 = Vitesse lente
2 = Vitesse rapide
R = Marche arrière



3.2

← Embrayage



Respecter une zone de sécurité de 20 m de rayon autour de la machine

Actionner la commande d'embrayage à double action pour faire tourner les fraises



L'utilisation de la marche arrière est dangereuse

Assurez-vous qu'aucun obstacle ne se trouve derrière vous et réduisez le régime moteur avant d'embrayer

ARRÊT

 ← **Arrêt outils fraise**
4.1 Relâcher la poignée d'embrayage

 ← **Arrêt moteur**
4.2 Mettre la commande d'accélérateur sur : 


 ← **Fermer le robinet d'essence**
4.3

FR

CONTRÔLES QUOTIDIENS

Avant de mettre le moteur en marche, vérifier les points suivants : - Absence de boulons et écrous desserrés ou cassés
- Absence de fuite d'essence et d'huile moteur
- Sécurité de l'environnement

 ← **Niveau d'huile moteur propre**
2.1

 ← **Niveau d'essence suffisant**
2.2

 ← **Propreté de l'élément du filtre à air et niveau d'huile**
(Suivant motorisation)
4.4

 Ne pas utiliser de solvant inflammable pour nettoyer l'élément mousse du filtre à air

PROGRAMME D'ENTRETIEN (à faire réaliser par un atelier agréé)

Après les 5 premières heures

- Vidanger l'huile moteur

Toutes les 8 heures ou chaque jour

- Nettoyer le filtre à air *
- Nettoyer les zones autour du silencieux et des commandes
- Nettoyer le carter du lanceur

Toutes les 25 heures ou une fois par an

- Nettoyer le filtre à air *
- Nettoyer le pré-filtre *

Toutes les 50 heures ou une fois par an

- Vidanger l'huile moteur
- Inspecter le silencieux et le pare-étincelles

Tous les ans ou 300 heures

- Remplacer le filtre à air
- Remplacer le pré-filtre
- Remplacer la bougie
- Remplacer le filtre à carburant
- Nettoyer le système de refroidissement par air *
- Contrôler le jeu des soupapes **

* Nettoyer plus souvent dans des conditions d'utilisation en atmosphère poussiéreuse ou chargée de débris aériens

** Pas indispensable sauf en cas de problèmes de performances (à faire réaliser par un atelier agréé)

DÉPLACEMENT ET MANUTENTION



Déplacement

5.1



Arrêter le moteur



Attendre le refroidissement du moteur (10 minutes)

A

Mettre la roue en position déplacement

B

Régler le guidon en position basse pour faciliter le déplacement de la machine

C

A l'aide du guidon, soulever les fraises du sol et avancer

- **Manutention** : ne pas soulever la machine seul. Le poids de la machine est indiqué sur la plaque constructeur et à la fin de ce manuel. Utiliser une méthode de manutention adaptée au poids de la machine et à la situation afin de garantir la sécurité

- Le chargement et le déchargement de la machine dans une remorque doit s'effectuer à l'aide d'une rampe de chargement adaptée

- Arrimer correctement la machine pour un transport en toute sécurité

ENTRETIEN PÉRIODIQUE (à réaliser par un atelier agréé)



Attendre le refroidissement du moteur (10 minutes)



Débrancher la bougie avant toute intervention



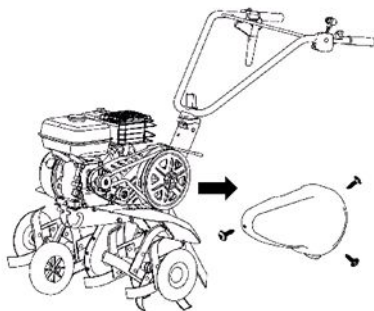
FR

GRAISSAGE AXE LEVIER D'EMBRAYAGE

Période : 50 h maximum ou 1/an avant l'hivernage

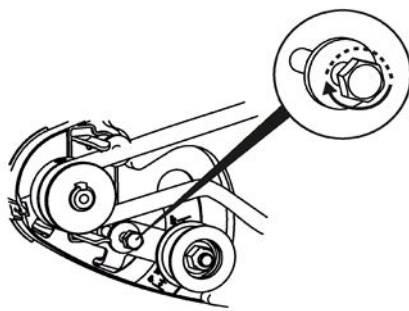


Ne contaminer ni la poulie, ni la courroie lors du graissage de l'axe du levier d'embrayage



1- Enlever les 3 vis de fixation du capot courroie

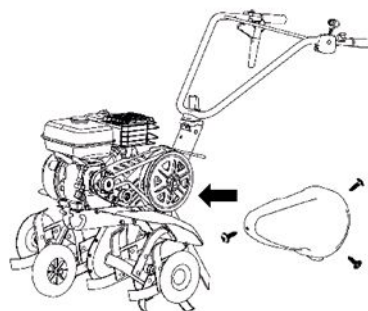
2- Retirer le capot courroie



3- Desserrer la vis de fixation de l'axe du levier d'embrayage (2 tours)

4- Nettoyer et dégraisser l'axe du levier d'embrayage

5- Graisser l'axe du levier d'embrayage avec de la graisse haute température au lithium



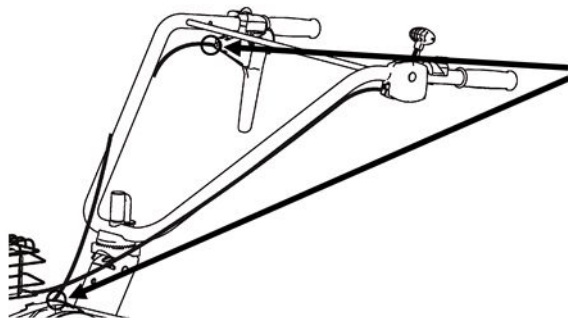
6- Resserrer l'axe du levier d'embrayage à l'aide d'une clé dynamométrique (15 N.m)

7- Vérifier le bon fonctionnement du système de rappel du levier d'embrayage (sans saccade)

8- Remonter le capot courroie et les 3 vis de fixation

GRAISSAGE CÂBLE D'EMBRAYAGE

Période : 50 h maximum ou 1/an avant l'hivernage

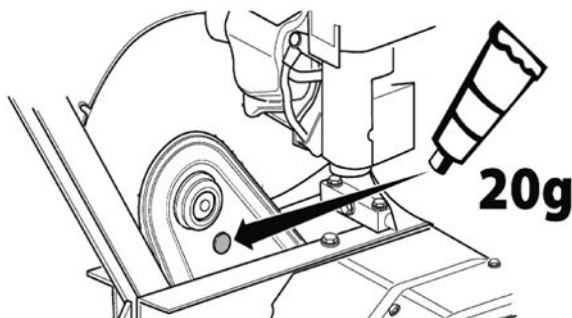


1- Lubrifier le câble d'embrayage à l'aide d'un lubrifiant pour câble au PTFE

2- Vérifier le bon fonctionnement du système de rappel ressort du levier d'embrayage (sans saccade)

GRAISSAGE TRANSMISSION

Période : 50 h maximum ou 1/an avant l'hivernage



1- Retirer le bouchon en partie supérieure de la transmission

2- Ajouter 20 g de graisse au lithium en tube

3- Remettre le bouchon

4- Faire tourner les fraises pendant 30 secondes

CONSIGNAS DE SEGURIDAD

Prestar especial atención a las indicaciones precedidas de las menciones siguientes:



ATENCIÓN:

Indica una alta probabilidad de lesiones corporales graves, e incluso riesgo de muerte si no se siguen las instrucciones

PRECAUCIÓN: Indica una posibilidad de lesiones corporales o de deterioro del equipo si no se siguen las instrucciones

NOTA: Proporciona información útil



Este símbolo apela a la prudencia al realizar algunas operaciones

En caso de problemas o para cualquier pregunta relativa a la máquina, diríjase a un concesionario autorizado



ATENCIÓN:

Esta máquina se ha concebido para garantizar un servicio seguro y fiable en condiciones de uso conformes con las instrucciones. Antes de utilizar la máquina, lea y asimile el contenido de este manual. En su defecto, podría verse expuesto a lesiones y el equipo podría resultar dañado

Formación / Informaciones:

- Familiarizarse con el uso correcto y los mandos antes de utilizar la máquina.

Es conveniente saber detener el motor rápidamente.

- La máquina debe utilizarse siempre de acuerdo con las recomendaciones indicadas en el manual de instrucciones.

- No olvidar que el usuario es responsable de los accidentes o fenómenos peligrosos que ocurran a las demás personas o a sus bienes. Es su responsabilidad evaluar los riesgos potenciales del terreno a trabajar y tomar todas las precauciones necesarias para garantizar su seguridad, en particular en las pendientes, los suelos accidentados, resbaladizos o blandos.

- No permitir en ningún caso que los niños o las personas no familiarizadas con estas instrucciones utilicen la máquina. Las normativas locales pueden establecer una edad mínima del usuario de la máquina.

- No trabajar en ningún caso en presencia de personas, en particular niños o animales, que se encuentren en un radio de 20 metros en torno a la máquina; el usuario debe permanecer imperativamente al mando de los manillares.

- No utilizar la máquina tras haber ingerido medicamentos o sustancias que se considere que pueden perjudicar la capacidad de reflejos y de vigilancia.

- Prestar especial atención en terrenos duros, ya que la máquina tendrá tendencia a ser mucho menos estable que en terrenos cultivados.

- Durante el trabajo, llevar siempre calzado resistente y antideslizante, y pantalones largos y ceñidos. No utilizar la máquina cuando se esté descalzo o se lleven sandalias. Recomendamos el uso de protectores auditivos.

- Utilizar la máquina para su uso previsto, es decir, el cultivo del suelo. Cualquier otro uso puede resultar peligroso o provocar el deterioro de la máquina.

Preparación:

- Inspeccionar minuciosamente la zona en la que vaya a utilizarse la máquina y eliminar todos los objetos que puedan ser proyectados por la

misma (piedras, cables, cristales, objetos de metal...)

- Antes de utilizar la máquina, realizar siempre un control visual de la misma para garantizar que las herramientas y los deflectores no estén usados ni estropeados. Reemplazar las piezas usadas o estropeadas.

- Si la máquina está provista de un botón de parada del motor, mantener los cables eléctricos de parada del motor en buen estado de manera que se garantice la parada del motor.

- Verificar la ausencia de fugas de líquido (gasolina, aceite...).

- No utilizar la máquina sin guardabarros o tapas de protección y asegurarse de que todos los dispositivos de fijación estén bien apretados.

Uso:

- Está prohibido transportar una persona con la máquina

- Arrancar el motor con precaución, respetando las instrucciones del fabricante y manteniendo los pies alejados de la(s) herramienta(s).

- Detener el motor cuando la máquina no esté bajo vigilancia.

- Caminar con la máquina, pero no correr con ella en ningún caso.

- Tirar de la máquina hacia uno mismo o invertir el sentido de la marcha (en caso de que esta opción esté disponible) con mucha precaución.

- Conservar la distancia de seguridad en relación con las herramientas rotativas, en función de la longitud del manillar.

- No colocar las manos ni los pies cerca de los elementos en rotación o debajo de ellos.

- En caso de:

- vibración anómala,

- bloqueo,

- problema de embrague,

- choque con un objeto extraño,

- deterioro del cable de parada del motor (según modelo),

detener el motor inmediatamente (si el cable de parada del motor está cortado, accionar el mando del estérter, tal y como se describe en el capítulo "arranque del motor" para detener el motor), dejar que la máquina se enfríe, desenchufar el cable de bujía, inspeccionar la máquina y ponerse en contacto con un reparador autorizado para que efectúe las reparaciones necesarias antes de volver a utilizar la máquina.

- Trabajar únicamente con la luz del día o con una luz artificial de buena calidad.

- No utilizar la máquina en pendientes superiores a 10° (17 %).

- Trabajar las pendientes en sentido transversal, nunca en ascenso o en descenso.

- En terrenos inclinados, asegurar correctamente los pasos, cambiar de dirección con mucha precaución.

- El uso de accesorios distintos de los recomendados puede hacer que la máquina sea peligrosa y ocasionar daños en la misma que no estarán cubiertos por la garantía.

Mantenimiento / Almacenamiento / Desecho de materiales:

Detener el motor y desconectar la bujía antes de realizar cualquier operación de limpieza, verificación, cambio de herramienta(s), ajuste o mantenimiento de la máquina.

- Detener el motor, desenchufar la bujía y utilizar guantes gruesos para cambiar la(s) herramienta(s).

- Mantener todas las tuercas y los tornillos apretados con el fin de garantizar unas condiciones de uso seguras.

- Para reducir los riesgos de incendio, mantener el motor, el silenciador y la zona de

almacenamiento de gasolina libres de vegetación, de excesos de

grasa o cualquier otra materia susceptible de inflamarse.

- Reemplazar los silenciadores de escape

- No reparar las piezas. Reemplazar las piezas por piezas originales.

- Reemplazar las herramientas por lotes completos con el fin de preservar el equilibrio.

- Por su seguridad, no modificar las características de la máquina. No modificar los ajustes de regulación de velocidad del motor ni utilizar el motor a una velocidad excesiva. Es esencial realizar un mantenimiento regular para garantizar la seguridad y el mantenimiento del nivel de rendimiento.

- Dejar que el motor se enfríe antes de guardar la máquina en un local.

- Todo desecho del aparato debe realizarse según la reglamentación en vigor en el país de uso.

Atención – Peligro: La gasolina es sumamente inflamable:

- Almacenar el carburante en recipientes especialmente previstos a este efecto. Llenar el depósito en el exterior únicamente y no fumar al realizar esta operación.

- No retirar en ningún caso el tapón del depósito de gasolina ni añadir gasolina mientras que el motor esté funcionando o esté caliente.

- Si se derrama gasolina por el suelo, no intentar arrancar el motor, sino alejar la máquina de esta zona y evitar provocar inflamaciones hasta que se hayan disipado los vapores de gasolina.

- Depositar la máquina en un lugar seco. No depositar la máquina en ningún caso en un local donde los vapores de gasolina puedan alcanzar una llama, una chispa o una fuente fuerte de calor.

- Colocar correctamente en su sitio los tapones del depósito y del alimentador de gasolina.

- Limitar la cantidad de gasolina en el depósito para reducir al mínimo las salpicaduras.

- No poner en funcionamiento el motor en un lugar viciado donde puedan acumularse los vapores de monóxido de carbono.

- El monóxido de carbono puede ser mortal. Asegurar una buena ventilación.

Desplazamiento / Manipulación / Transporte:

- Cualquier acción que se efectúe en la máquina, al margen del trabajo del suelo, debe realizarse con el motor parado y la bujía desenchufada.

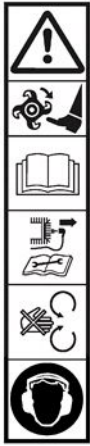
- Cualquier desplazamiento (al margen del trabajo del suelo) debe efectuarse utilizando la rueda de transporte, tal y como se describe en el capítulo dedicado al desplazamiento de la máquina.

- Manipulación: no levantar la máquina solo. El peso de la máquina se indica en la placa de fabricante y al final de este manual. Utilizar un método de manutención adaptado al peso de la máquina y a la situación con el fin de garantizar la seguridad.

- La carga y la descarga de la máquina en un remolque debe efectuarse utilizando una rampa de carga adaptada. Estibar correctamente la máquina para un transporte con total seguridad.

- El transporte debe efectuarse con el motor parado y la bujía desenchufada, utilizando un remolque, no utilizar ningún otro medio de transporte.

DEFINICIÓN DE LOS PICTOGRAMAS



ATENCIÓN
Peligro

ATENCIÓN
Herramientas rotativas

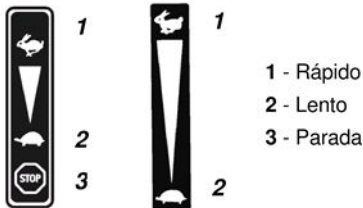
ATENCIÓN
Leer el manual de uso

ATENCIÓN
Consultar el manual de uso y sacar la buja antes de realizar cualquier intervención

ATENCIÓN
No utilizar sin protector (elementos giratorios)

Llevar un casco antirruído

Control de gas
(según motorización)

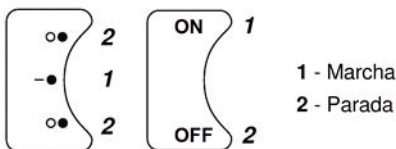


1 - Rápido
2 - Lento
3 - Parada

Motor de arranque
(según versión)



Sistema de fusibles
(según motorización)



1 - Marcha
2 - Parada

Selección de velocidad
(opcional)

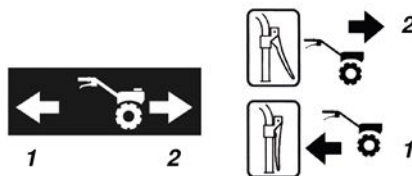


2: Marcha adelante velocidad rápida

N: Punto muerto

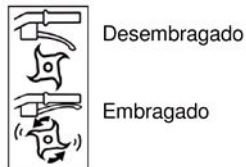
R: Marcha atrás

1: Marcha adelante velocidad lenta



1 - Marcha atrás
2 - Marcha hacia adelante

Palanca de embrague



Desembragado

Embragado



No tocar las partes calientes



Los gases de escape son peligrosos
No utilizar la máquina en un lugar mal ventilado



Apagar el motor antes de rellenar el depósito



Estárter



Carga de la batería
8 HORAS MÁXIMO



Pictogramas presentes o no en función del modelo de la máquina

INFORMACIÓN TÉCNICA

Modelo de máquina	TF 335	Nivel de presión acústica en el puesto de conducción	dB(A)	84.5	
Peso	kg	58	Incertidumbre de la medida	dB(A)	1
Modelo de motor	CR950BH	Nivel de potencia acústica medida	dB(A)	N/A	
Potencia neta *	KW	4.7	Incertidumbre de la medida	dB(A)	1
para un régimen motor	tr/min	3600	Nivel de vibración en las manos del operador	m/s ²	4.7
Potencia neta	KW	4.5	Incertidumbre de la medida	m/s ²	2
Régimen motor nominal	tr/min	3300			
Nivel de potencia acústica garantizado	dB(A)	N/A			

* La potencia del motor indicada en este documento es una potencia neta obtenida mediante pruebas de un motor de serie según la norma SAE J 1349 a una velocidad de rotación determinada. La potencia de otro motor de producción puede ser diferente a la de este valor indicado. La potencia real de un motor instalado en una máquina dependerá de diferentes factores: la velocidad de rotación, las condiciones de temperatura, la humedad, la presión atmosférica, el mantenimiento, y otros.

ES

NOTA: de acuerdo con su política de mejora continua, el constructor no garantiza contractualmente la integridad de este manual y se reserva el derecho de modificar, sin previo aviso, las especificaciones de sus máquinas

ES

Desembalaje 1.1



ATENCIÓN:
Un montaje inadecuado de esta motozadora puede provocar graves lesiones. Asegúrese de seguir al pie de la letra todas las instrucciones



ATENCIÓN:
Vigilar de no cortar los cables y de no rayar la pintura de la máquina al cortar las aristas de la caja.

Rep.	Contenido de la caja
A	Rueda de transporte
B	Motozadora
C	Caballote
D	Fresas adicionales *
E	Chapas de protección
F	Carpeta de documentos + tornillos

* Según versión

Montaje del caballote 1.2

Según la versión:

A = Terreno duro

B = Terreno blando

Retirar los puntos de anclaje del fondo de la caja 1.3

Montaje de la rueda de transporte 1.4

A = Posición de transporte

B = Posición de trabajo

Montaje del manillar 1.5

A = Regulación de altura

B = Regulación de desviación

Montaje de la palanca del gas 1.6

Colocación de abrazaderas 1.7

Montaje de las chapas de protección 1.8

Montaje de fresas adicionales 1.9



Fijarse bien en el sentido de montaje de las fresas y las chavetas


Placa de identificación de la máquina 1.10


A – Nombre y dirección del fabricante
B – Tipología de la máquina
C – Número de serie
D – Potencia nominal
E – Masa en kilogramos
F – Modelo de la máquina
G – Identificación CE
H – Año de fabricación


Descripción de los elementos 1.11

1 – Palanca de embrague
2 – Asa de regulación del manillar
3 – Palanca del gas
4 – Palanca de cambio de marchas
5 – Cubierta de la correa
6 – Caballote
7 – Chapas de protección
8 – Discos protectores de plantas
9 – Herramientas rotativas
10 – Rueda de transporte
11 – Motor

PUESTA EN MARCHA DE LA MÁQUINA

 ← **Llenado de aceite y comprobación de nivel**
2.1

 ← **Llenado de gasolina**
2.2 Super, o sin plomo, o SP95 E 10

 ← **Abrir la llave de carburante y poner el estérter en la posición A**
2.3

 ← **Acelerador**
2.4 Mover la palanca hacia: 

 ← **Tirar del asa del lanzador**
2.5  Una vez puesta en marcha la máquina, no moverse de la zona de seguridad

 ← **Poner el estérter en la posición B**
2.6

ES

UTILIZACIÓN

Esta máquina está pensada para:

- Preparar la tierra para plantar
- Cuidar plantaciones y parterres de flores

Esta máquina no está destinada a usos profesionales



Una vez puesta en marcha la máquina, no hay que dejar girar el motor en vacío. Empiece a trabajar lo antes posible accionando el embrague de las herramientas

Calentar el motor no sirve de nada. Hacerlo girar en vacío durante más de 2 minutos sin embragar las herramientas puede desgastar considerablemente el sistema de embrague y su correa.


 ← **Selección de la velocidad**
3.1



No accionar la palanca de cambio de marchas sin haber soltado la palanca de embrague

- A** Accionar el embrague
- B** Accionar el selector de marchas
- C** Para facilitar el cambio de marchas, hacer oscilar el manillar de arriba hacia abajo

N = Punto neutro
1 = Velocidad lenta
2 = Velocidad rápida
R = Marcha atrás

 ← **Embrague**
3.2



Respete una zona de seguridad de 20 m de radio alrededor de la máquina

Accionar el mando de embrague de doble acción para hacer girar las fresas



El uso de la marcha atrás es peligroso

Asegúrese que ningún obstáculo se encuentra detrás suyo y reduzca las revoluciones del motor antes de embragar

PARADA



4.1

Parada herramientas fresas

Soltar la manija de embrague




4.3

Abrir la llave del carburante



4.2

Parada motor

Poner el mecanismo del acelerador en: 

ES

CONTROLES HABITUALES

Antes de poner en marcha el motor, verifique los siguientes puntos:

- Que no haya tornillos ni pernos flojos o rotos
- Que no haya escapes de carburante y de aceite del motor
- La seguridad del entorno



2.1

Nivel de aceite motor limpio



4.4

Comprobar la limpieza del filtro de aire y el nivel de aceite (Según motorización)



2.2

Nivel de carburante suficiente



No utilice disolventes inflamables para limpiar el elemento espumoso del filtro de aire

PROGRAMA DE MANTENIMIENTO (a cargo de un taller autorizado)

Tras las 5 primeras horas

- Vaciar el aceite del motor

Cada 8 horas o cada día

- Limpiar el filtro de aire *
- Limpiar la zonas alrededor del silenciador y los mandos
- Limpiar el cárter del lanzador

Cada 25 horas o una vez al año

- Limpiar el filtro de aire *
- Limpiar el prefiltro *

Cada 50 horas o una vez al año

- Vaciar el aceite del motor
- Inspeccionar el silenciador y el parachispas

Todos los años o 300 horas

- Limpiar el filtro de aire *
- Limpiar el prefiltro *
- Cambiar la bujía
- Reemplazar el filtro de carburant
- Limpiar el sistema de enfriamiento por aire *
- Comprobar el juego de válvulas **

* Limpiar más seguido si se utiliza la máquina en espacios polvorientos o con exceso de partículas aéreas

** No es indispensable, salvo en caso de problemas de rendimiento (debe realizarse en un taller autorizado)



← Transporte

5.1



Parar el motor



Esperar a que el motor se enfríe
(10 minutos)

A

Poner la rueda en posición de transporte

B

Colocar el manillar en posición baja para facilitar el desplazamiento de la máquina

C

Con ayuda del manillar, levantar las fresas del suelo y avanzar

- **Manipulación:** no levantar la máquina solo. El peso de la máquina se indica en la placa de fabricante y al final de este manual. Utilizar un método de manutención adaptado al peso de la máquina y a la situación con el fin de garantizar la seguridad

- La carga y la descarga de la máquina en un remolque debe efectuarse utilizando una rampa de carga adaptada

- Estibar correctamente la máquina para un transporte con total seguridad

ES

CONTROLES HABITUALES (a cargo de un taller autorizado)



Esperar a que el motor se enfríe (10 minutos)



Desenchufar la bujía antes de realizar cualquier operación



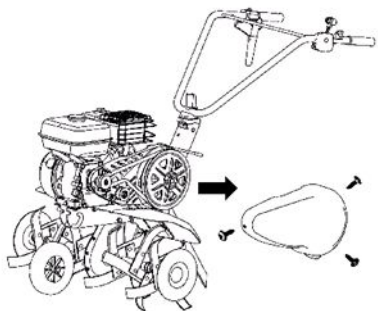
ES

ENGRASADO DEL EJE DE LA PALANCA DE EMBRAGUE

Período: 50 h máximo o 1 año antes de la invernada

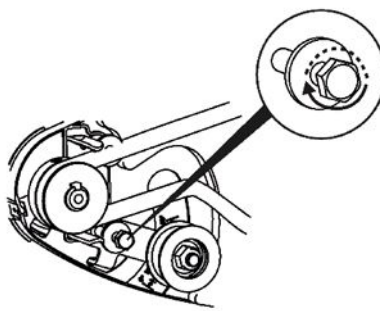


No contaminar la polea, ni la correa durante el engrasado del eje de la palanca de embrague



1- Retirar los 3 tornillos de fijación de la cubierta de correa

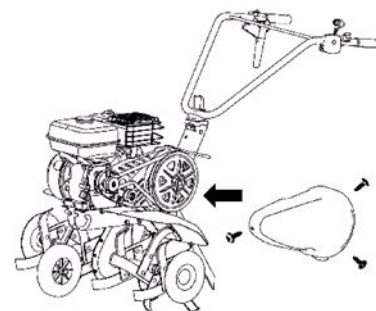
2- Retirar la cubierta de correa



3- Aflojar el tornillo de fijación del eje de la palanca de embrague (2 vueltas)

4- Limpiar y desengrasar el eje de la palanca de embrague

5- Engrasar el eje de la palanca de embrague con grasa de alta temperatura con base de litio



6- Apretar el eje de la palanca de embrague con una llave dinamométrica (15 N.m)

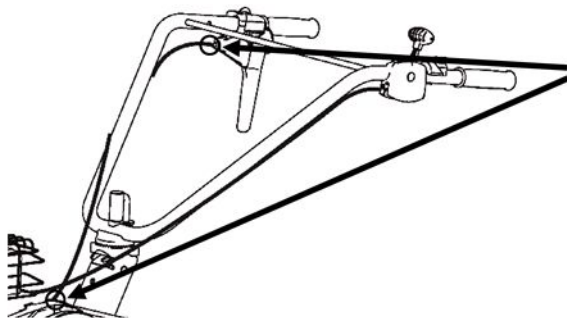
7- Verificar el buen funcionamiento del sistema de retroceso de la palanca de embrague (sin saltos)

8- Volver a levantar la cubierta de correa y los 3 tornillos de fijación

KEES VAN DER SPEK
MACHINES * STOLWIJK

ENGRASADO DEL CABLE DE EMBRAGUE

Período: 50 h máximo o 1 año antes de la invernada

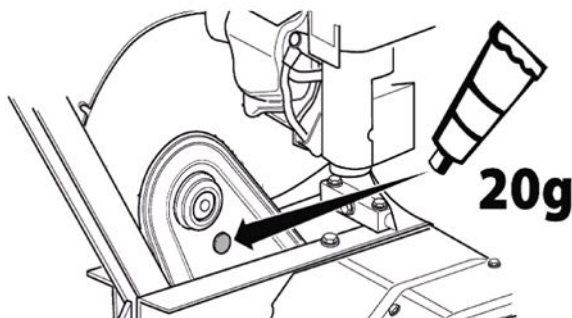


1- Lubrificar el cable de embrague con ayuda de un lubricante para cable PTFE

2- Verificar el buen funcionamiento del sistema de retroceso de la palanca de embrague (sin saltos)

ENGRASADO DE LA TRANSMISIÓN

Período: 50 h máximo o 1 año antes de la invernada



1- Retirar el tapón de la parte superior de la transmisión

2- Agregar 20 g de grasa con base de litio en tubo

3- Volver a poner el tapón

4- Hacer girar las fresas durante 30 segundos

DISPOSIZIONI DI SICUREZZA

Prestare particolare attenzione alle indicazioni precedute dalle parole seguenti:



ATTENZIONE:

Segnala una forte probabilità di lesioni personali gravi o un pericolo mortale in caso di mancata osservanza delle istruzioni

PRECAUZIONE: segnala una possibilità di lesioni personali o deterioramento dell'apparecchiatura in caso di mancata osservanza delle istruzioni

NOTA: fornisce informazioni utili



Questo simbolo richiama alla prudenza durante determinate operazioni

In caso di problemi o per qualsiasi domanda relativa alla macchina, rivolgersi a un concessionario autorizzato



ATTENZIONE:

La macchina è ideata per garantire un servizio sicuro e affidabile in condizioni di utilizzo conformi alle istruzioni. Prima di utilizzare la macchina, leggere e comprendere il contenuto di questo manuale. In caso contrario, esiste il rischio di lesioni e di danni all'apparecchiatura

Formazione / Informazioni:

- Informarsi sull'utilizzo corretto e sui comandi prima di utilizzare la macchina.

- Imparare ad arrestare il motore rapidamente.

- La macchina deve essere sempre utilizzata conformemente alle raccomandazioni indicate nel manuale di istruzioni.

- Non dimenticare che l'utente è responsabile di incidenti o eventi pericolosi che potrebbero interessare altre persone o i loro beni. È responsabilità dell'utente valutare i rischi potenziali del terreno da lavorare e prendere tutte le precauzioni necessarie per garantire la sicurezza, in particolare su terreni in pendenza, accidentati, scivolosi o mobili.

- Evitare sempre che bambini o persone che non conoscono queste istruzioni utilizzino la macchina. Le normative locali possono stabilire un'età minima per l'utente.

- Non lavorare mai in presenza di persone, in particolare bambini, o animali in un raggio di 20 metri dalla macchina; l'utente deve restare obbligatoriamente ai comandi delle stegole.

- Non utilizzare la macchina dopo aver assunto farmaci o sostanze che potrebbero compromettere la capacità di riflesso e vigilanza.

- Su un terreno duro, prestare maggiore attenzione perché la macchina tenderà a essere molto meno stabile rispetto a un terreno coltivato.

- Durante il lavoro, indossare sempre calzature resistenti, antiscivolo e pantaloni lunghi e stretti. Non utilizzare la macchina a piedi scalzi o con i sandali. Si consiglia di indossare protezioni acustiche.

- Utilizzare la macchina per l'impiego per il quale è stata concepita, vale a dire la coltura del suolo. Qualsiasi altro utilizzo può rivelarsi pericoloso o comportare un deterioramento della macchina.

Preparazione:

- Ispezionare minuziosamente l'area sulla quale verrà utilizzata la macchina ed eliminare tutti gli oggetti che potrebbero essere lanciati dalla macchina (pietre, fili, vetro, oggetti di metallo...)

- Prima dell'uso, procedere sempre a un controllo visivo della macchina per accertarsi che gli attrezzi e i deflettori non siano usurati né

danneggiati. Sostituire i componenti usurati o danneggiati.

- Se la macchina è dotata di un pulsante di spegnimento motore, mantenere i cavi elettrici del comando di spegnimento in buono stato in modo da garantire che il motore si spenga.

- Verificare l'assenza di perdite di liquidi (benzina, olio...).

- Non utilizzare la macchina senza parafango o calotte protettive e accertarsi che tutti i dispositivi di fissaggio siano correttamente serrati.

Uso:

- Non trasportare persone sulla macchina

- Avviare il motore con cautela, rispettando le istruzioni del costruttore e tenendo i piedi lontani dagli attrezzi

- Spegnerne il motore quando la macchina è senza sorveglianza

- Procedere lentamente, non correre con la macchina.

- Tirare la macchina verso di sé o invertire il senso di marcia (se possibile) con molta cautela.

- Mantenere la distanza di sicurezza rispetto agli attrezzi rotanti, fornita dalla lunghezza del manubrio.

- Non posizionare le mani o i piedi vicino o sotto gli elementi in rotazione.

- In caso di:

- Vibrazione anomala,
- Blocco,
- Problema di frizione,
- Urto con un oggetto estraneo,
- Deterioramento del cavo di spegnimento motore (secondo il modello),

spegnerne immediatamente il motore (se il cavo di arresto motore è tagliato, azionare il comando dello starete come descritto nel paragrafo "Avvio motore" per spegnere il motore), lasciare raffreddare la macchina, scollegare il cavo della candela, ispezionare la macchina e far eseguire le riparazioni necessarie da un riparatore convenzionato prima di qualsiasi nuovo utilizzo.

- Lavorare unicamente alla luce del giorno o con una luce artificiale di buona qualità.

- Non utilizzare la macchina su pendenze superiori a 10° (17%).

- Lavorare sulle pendenze in senso trasversale, mai in salita o in discesa.

- Sui terreni in pendenza procedere con cautela e cambiare direzione con la massima attenzione.

- L'uso di accessori diversi da quelli raccomandati può rendere pericolosa la macchina, e provocare danni alla macchina che non saranno coperti dalla garanzia.

Manutenzione / Stoccaggio / Smaltimento:

- Spegnerne il motore e scollegare la candela prima di ogni operazione di pulizia, di controllo, di cambio degli attrezzi, di regolazione o di manutenzione della macchina.

- Spegnerne il motore, scollegare la candela e sostituire gli attrezzi utilizzando guanti spessi.

- Lasciare serrati tutti i dati e le viti per garantire condizioni di utilizzo sicure.

- Per ridurre il rischio d'incendio, accertarsi che il motore, il silenziatore e la zona di stoccaggio della benzina siano privi di vegetali, grasso in eccesso o qualsiasi altro materiale infiammabile.

- Far sostituire il silenziatore di scappamento

- Non riparare i componenti. Far sostituire i componenti con pezzi originali.

- Sostituire gli attrezzi con lotti completi per mantenere l'equilibrio.

- Per motivi di sicurezza non modificare le caratteristiche della macchina. Non modificare i valori di regolazione della velocità del motore e non utilizzare il motore a una velocità eccessiva.

Una manutenzione regolare è fondamentale per la sicurezza e il mantenimento del livello di prestazioni.

- Lasciar raffreddare il motore prima di riporre la macchina in un locale.

- Lo smaltimento dell'apparecchio deve essere realizzato conformemente alla regolamentazione vigente nel Paese di utilizzo.

Attenzione - Pericolo: La benzina è altamente infiammabile:

- Conservare il carburante in appositi recipienti. Fare il pieno esclusivamente all'aperto e non fumare durante tale operazione.

- Non rimuovere il tappo del serbatoio di benzina né aggiungere benzina mentre il motore è in funzione o quando è ancora caldo.

- In caso di versamento di benzina al suolo, non tentare di avviare il motore, ma allontanare la macchina da questa zona ed evitare di provocare combustioni fino a quando i vapori della benzina non si sono dissipati.

- Riporre la macchina in un luogo asciutto. Non riporre la macchina in un locale in cui i vapori della benzina potrebbero raggiungere una fiamma, una scintilla o una forte fonte di calore.

- Riposizionare correttamente i tappi del serbatoio e della tanica di benzina.

- Limitare la quantità di benzina presente nel serbatoio per ridurre al minimo gli schizzi.

- Non lasciare in funzione il motore in un ambiente confinato in cui possono accumularsi vapori di monossido di carbonio.

- Il monossido di carbonio può essere letale. Garantire una buona aerazione.

Spostamento / Movimentazione / Trasporto:

- Qualsiasi azione sulla macchina, eccetto la lavorazione del terreno, deve essere eseguita a motore spento e candela scollegata.

- Lo spostamento (fuori dal lavoro del terreno) deve essere realizzato utilizzando la ruota di trasporto come descritto nel paragrafo "spostamento".

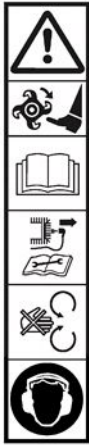
- Movimentazione: non sollevare la macchina da soli. Il peso della macchina è indicato sulla targa del costruttore alla fine del presente manuale. Utilizzare un metodo di movimentazione adatto al peso della macchina e alla situazione al fine di garantire la sicurezza.

- Il carico e lo scarico della macchina in un rimorchio devono essere eseguiti con l'ausilio di una rampa di carico adeguata. Sistemare correttamente la macchina per un trasporto in assoluta sicurezza.

- Il trasporto deve essere eseguito con il motore spento e la candela scollegata, con l'ausilio di un rimorchio; non utilizzare alcun altro mezzo di trasporto.

DEFINIZIONE DEI PITTOGRAMMI

IT



ATTENZIONE
Pericolo

ATTENZIONE
Attrezzi rotanti

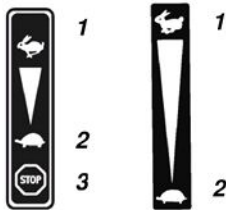
ATTENZIONE
Leggere il manuale di istruzioni

ATTENZIONE
Consultare il manuale d'uso e posare la candela prima di qualsiasi intervento

ATTENZIONE
Non utilizzare senza dispositivi di protezione (elementi rotanti)

Indossare cuffie antirumore

Comando acceleratore (secondo la motorizzazione)

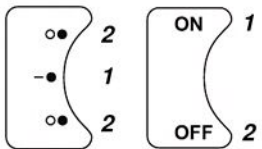


1 - Veloce
2 - Lento
3 - Arresto

Sistema di avviamento (secondo la versione)



Isolamento del circuito (secondo la motorizzazione)



1 - Marcia
2 - Arresto

Selezione della velocità di marcia (opzionale)



2: Marcia avanti marcia veloce
N: Folle
R: Retromarcia
1: Marcia avanti marcia lenta



1 - Marcia indietro
2 - Marcia avanti

Leva di innesto



Disinnestato
Innestato



Non toccare superfici calde



I gas di scarico sono pericolosi
Non utilizzare in un luogo non areato correttamente



Spegnere il motore prima di rifare il pieno



Starter



Ricarica della batteria
MASSIMO 8 ORE



Pittogrammi presenti o assenti a seconda del modello della macchina

INFORMAZIONI TECNICHE

Modello macchina	TF 335	Livello di pressione sonora al posto di guida	dB(A)	84.5
Peso	kg 58	Incertezza di misura	dB(A)	1
Modello motore	CR950BH	Livello di potenza sonora misurata	dB(A)	N/A
Potenza netta* per un regime motore di	KW 4.7 iri/min 3600	Incertezza di misura	dB(A)	1
Potenza nominale Regime motore nominale	KW 4.5 giri/min 3300	Livello delle vibrazioni alle mani dell'operatore	m/s ²	4.7
Livello di potenza sonora garantita	dB(A) N/A	Incertezza di misura	m/s ²	2

* La potenza del motore indicata in questo documento è una potenza netta ottenuta mediante test di un motore della serie secondo la norma SAE J 1349 a una data velocità di rotazione. La potenza di un altro motore della produzione può essere diversa dal valore qui indicato. La potenza reale di un motore installato su una macchina dipende da vari fattori come la velocità di rotazione, le condizioni di temperatura, di umidità, di pressione atmosferica, di manutenzione e altre.

NOTA: al fine di un miglioramento permanente, il costruttore precisa che l'intero manuale non è contrattuale e si riserva il diritto di modificare senza preavviso le specifiche delle proprie macchine

Disimballaggio

1.1

ATTENZIONE: un montaggio inadeguato della motozappa può causare gravi ferite. Assicurarsi di seguire attentamente tutte le istruzioni

ATTENZIONE: prestare attenzione a non tranciare i cavi o a rigare la vernice della macchina tagliando i bordi della cassa

Rif.	Contenuto della cassa
A	Ruota di trasporto
B	Motozappa
C	Cavalletto
D	Frese aggiuntive *
E	Elementi di protezione
F	Busta con istruzioni + viti

* Secondo la versione

Montaggio del cavalletto

1.2

Secondo la versione:

A = Terreno duro

B = Terreno morbido

Togliere i punti di fissaggio dal fondo della cassa

1.3

Montaggio della ruota di trasporto

1.4

A = Posizione di spostamento

B = Posizione di lavoro

Montaggio del manubrio

1.5

A = Regolazione dell'altezza

B = Regolazione dell'inclinazione

Montaggio della leva gas

1.6

Montaggio dei serracavi

1.7

Montaggio degli elementi di protezione

1.8

Montaggio delle frese aggiuntive

1.9

ATTENZIONE: Prestare attenzione al senso di montaggio delle frese e delle copiglie

Piastrina di identificazione della macchina

1.10

A - Nome e indirizzo del costruttore

B - Tipo di macchina

C - Numero di serie

D - Potenza nominale

E - Massa in kg

F - Modello della macchina

G - Identificativo CE

H - Anno di produzione

Descrizione degli elementi

1.11

1 - Leva frizione

2 - Leva di regolazione manubrio

3 - Leva gas

4 - Invertitore di marcia

5 - Copertura della cinghia

6 - Cavalletto

7 - Elementi di protezione

8 - Dischi proteggi piante

9 - Attrezzi rotanti

10 - Ruota di trasporto

11 - Motore

AVVIO DELLA MACCHINA



2.1

← Pieno d'olio e livello



2.4

← Acceleratore

Posizionare la leva verso:



2.2

← Pieno di benzina

Super o senza piombo o SP95 E 10



2.5

← Tirare la leva di avviamento

Durante l'avvio della macchina, restare sempre nella zona di sicurezza



2.3

← Aprire il rubinetto della benzina e posizionare lo starter su A



2.6

← Posizionare lo starter su B

IT

USO

Questa macchina è destinata:

- Alla preparazione del terreno per le attività di piantatura
- Alla cura delle piantagioni e delle aiuole

Questa macchina non è destinata all'uso professionale



Dopo l'avvio, non far girare il motore a vuoto: iniziare il lavoro non appena possibile azionando il comando di innesto degli attrezzi

È inutile far riscaldare il motore: farlo girare a vuoto per più di 2 minuti senza innestare gli attrezzi può provocare danni gravi al sistema di innesto e alla cinghia



3.1

← Selezione della velocità di marcia



Non azionare la leva del cambio senza aver lasciato la leva della frizione

- A** Liberare il comando di innesto
- B** Azionare il selettore di velocità
- C** Per facilitare il cambio delle marce, far oscillare il manubrio dall'alto verso il basso

N = Folle
1 = Marcia lenta
2 = Marcia veloce
R = Retromarcia



3.2

← Innesto



Mantenere un'area di sicurezza di 20 m di raggio attorno alla macchina

Azionare il comando di innesto a doppia azione per far girare le frese





L'uso della retromarcia è pericoloso

Assicurarsi di non avere ostacoli dietro di sé e ridurre il regime del motore prima di ingranare

ARRESTO

 ← **Arresto attrezzi fresa**
4.1 Rilasciare la maniglia della frizione

 ← **Arresto motore**
4.2 Posizionare il comando dell'acceleratore su: 

 ← **Chiudere il rubinetto della benzina**
4.3


IT


CONTROLLI QUOTIDIANI

Prima di avviare il motore, verificare i punti seguenti:

- Assenza di bulloni e dadi svitati o rotti
- Assenza di perdite di benzina e olio motore
- Sicurezza dell'ambiente

 ← **Livello dell'olio motore pulito**
2.1

 ← **Livello di benzina sufficiente**
2.2

 ← **Pulizia della cartuccia del filtro dell'aria e livello dell'olio**
(Secondo la motorizzazione)
4.4



Non utilizzare solventi infiammabili per pulire l'elemento in espanso del filtro dell'aria

PROGRAMMA DI MANUTENZIONE (da far eseguire a un'officina autorizzata)

Dopo le prime 5 ore

- Scaricare l'olio motore

Ogni 8 ore oppure ogni giorno

- Pulire il filtro dell'aria*
- Pulire le zone attorno al silenziatore e ai comandi
- Pulire il carter di avviamento

Ogni 25 ore o una volta l'anno

- Pulire il filtro dell'aria*
- Pulire il prefiltra*

Ogni 50 ore o una volta l'anno

- Scaricare l'olio motore
- Ispezionare il silenziatore e il parascintille

Tutti gli anni o ogni 300 ore

- Sostituire il filtro dell'aria
- Sostituire il prefiltra
- Sostituire la candela
- Sostituire il filtro del carburante
- Pulire il sistema di raffreddamento ad aria*
- Controllare il gioco delle valvole**

* Pulire più spesso in condizioni di impiego in atmosfere polverose o cariche di residui aerei

** Non indispensabile tranne in caso di problemi di prestazioni (da far eseguire a un'officina autorizzata)



Spostamento

5.1



Spegnere il motore



Aspettare che il motore si raffreddi (10 minuti)

A

Mettere la ruota in posizione di spostamento

B

Regolare il manubrio in posizione bassa per facilitare lo spostamento della macchina

C

Con l'ausilio del manubrio, sollevare le frese da terra e avanzare

- **Manutenzione:** non sollevare la macchina da soli. Il peso della macchina è indicato sulla targa del costruttore alla fine del presente manuale. Utilizzare un metodo di movimentazione adatto al peso della macchina e alla situazione al fine di garantire la sicurezza

- Il carico e lo scarico della macchina in un rimorchio devono essere eseguiti con l'ausilio di una rampe di carico adeguata

- Sistemare correttamente la macchina per un trasporto in assoluta sicurezza

IT

MANUTENZIONE PERIODICA (da far eseguire a un'officina autorizzata)



Aspettare che il motore si raffreddi (10 minuti)



Scollegare la candela prima di ogni intervento

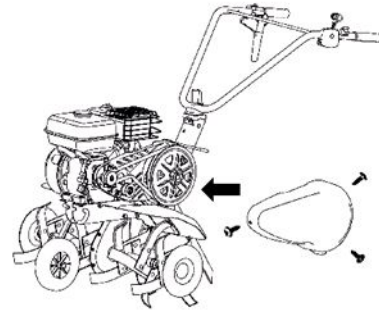
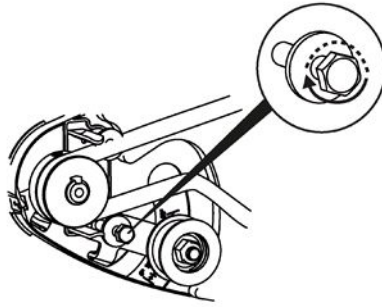
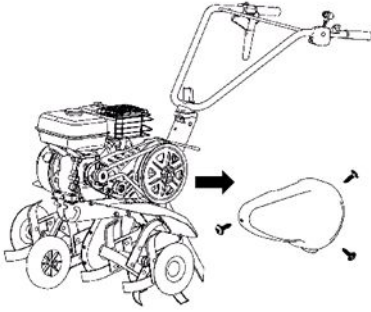


LUBRIFICAZIONE ASSE LEVA FRIZIONE

Periodo: 50 h al massimo o 1 anno prima dello svernamento



Durante la lubrificazione dell'asse della leva della frizione non contaminare né la puleggia né la cinghia



1- Togliere le 3 viti di fissaggio della copertura della cinghia

2- Rimuovere la copertura della cinghia

3- Svitare le viti di fissaggio dell'asse della leva della frizione (2 giri)

4- Pulire e sgrassare l'asse della leva della frizione

5- Lubrificare l'asse della leva della frizione con del grasso per alte temperature al litio

6- Riserrare l'asse della leva della frizione con una chiave torsiometrica (15 N.m)

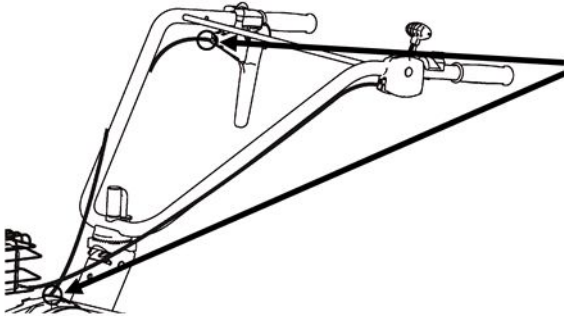
7- Verificare il corretto funzionamento del sistema di richiamo della leva della frizione (senza scatti)

8- Rimontare la copertura della cinghia e le 3 viti di fissaggio

IT

LUBRIFICAZIONE CAVO DI INNESTO

Periodo: 50 h al massimo o 1 anno prima dello svernamento

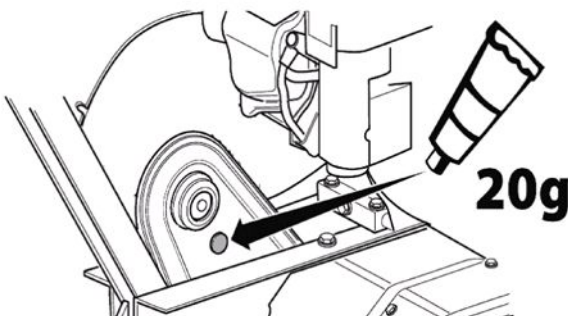


1- Lubrificare il cavo di innesto con un lubrificante per cavi al PTFE

2- Verificare il corretto funzionamento del sistema di richiamo della molla della leva della frizione (senza scatti)

LUBRIFICAZIONE TRASMISSIONE

Periodo: 50 h al massimo o 1 anno prima dello svernamento



1- Togliere il tappo dalla parte superiore della trasmissione

2- Aggiungere 20 g di grasso al litio in tubetto

3- Rimettere il tappo

4- Far funzionare le frese per 30 secondi

VEILIGHEIDSINSTRUCTIES

Schenk bijzondere aandacht aan de aanwijzingen die worden voorafgegaan door de volgende vermeldingen:



OPGELET:
Geeft aan dat de kans op ernstige lichamelijke letsels groot is, en zelfs dat er sprake is van gevaar voor overlijden, als de instructies niet in acht worden genomen

WAARSCHUWING: geeft aan dat er een kans op lichamelijke letsels of beschadiging van de uitrusting bestaat, als de instructies niet in acht worden genomen

OPMERKING: verstrekt nuttige informatie



Dit teken maant u aan om voorzichtig te zijn tijdens bepaalde werkzaamheden

Neem bij problemen of voor vragen over de motorhakkrees contact op met een erkende dealer



OPGELET:
De machine werd ontworpen om veilig en betrouwbaar te werken in gebruiksomstandigheden die in overeenstemming zijn met de instructies. Voordat u uw machine gebruikt, moet u de inhoud van deze handleiding lezen en opnemen. Doet u dat niet, dan kunt u gewond raken en kan de uitrusting schade oplopen

Opleiding / Voorlichting:

- Maak u vertrouwd met het juiste gebruik en de bedieningselementen, voordat u de machine gebruikt.

Leer de motor snel stilleggen.

- De machine moet altijd worden gebruikt overeenkomstig de aanbevelingen in de instructiehandleiding.

- Denk eraan dat de gebruiker verantwoordelijk is voor ongevallen of gevaarlijke fenomenen waarbij andere personen of hun goederen betrokken zijn. Het is zijn verantwoordelijkheid om de potentiële risico's van het te bewerken stuk grond te evalueren, en alle noodzakelijke voorzorgsmaatregelen te nemen om zijn veiligheid te garanderen, in het bijzonder op hellingen, onregelmatige grond, glibberige grond of losse grond.

- Laat kinderen of personen die deze instructies niet kennen, de machine nooit gebruiken. In de plaatselijke voorschriften kan een minimumleeftijd voor de gebruiker bepaald zijn.

- Werk nooit als er personen, in het bijzonder kinderen, of dieren aanwezig zijn in een straat van 20 meter rond de machine; het is immers absoluut noodzakelijk dat de gebruiker aan de stuurbomen blijft staan.

- Gebruik de machine niet na het innemen van geneesmiddelen of stoffen die ervoor bekendstaan het reactievermogen en de oplettendheid te doen afnemen.

- Wees op een hard stuk grond extra aandachtig, want de machine zal geneigd zijn om veel minder stabiel te zijn dan op een bebouwd stuk grond.

- Draag tijdens het werk altijd sterke antislipschoenen en een lange, nauwsluitende broek. Gebruik de machine niet op blote voeten of op sandalen. Wij raden aan om gehoorbeschermingen te dragen.

- Gebruik de machine waarvoor ze is bestemd, namelijk bewerking van de bodem. Elk ander gebruik kan gevaarlijk blijken te zijn of de machine beschadigen.

Vorbereiding:

- Bekijk uiterst aandachtig de zone waarop de machine moet worden gebruikt, en verwijder alle voorwerpen die door de machine kunnen worden weggeslingerd (stenen, draden, metalen voorwerpen, ...)

- Voer vóór gebruik altijd een visuele controle van de machine uit, om er zeker van te zijn dat de gereedschappen en de deflectoren niet versleten of beschadigd zijn. Zorg voor de vervanging van de versleten of beschadigde onderdelen.

- Is de machine uitgerust met een motorstopknop, houd de elektrische kabels voor het stilleggen van de motor dan in goede staat, zodat de motor gegarandeerd kan worden stilgelegd.

- Ga na of er geen vloeistof lekt (benzine, olie ...).

- Gebruik de machine niet zonder spatborden of beschermkappen en vergewis u ervan dat alle vastzetinrichtingen goed vastzitten.

Gebruik:

- Vervoer nooit personen op de machine

- Start de motor voorzichtig volgens de instructies van de fabrikant, terwijl u uw voeten uit de buurt van (het) (de) gereedschap(pen) houdt.

- Leg de motor stil wanneer de machine onbewaakt is.

- Stap met de machine, loop nooit.

- Trek de machine heel voorzichtig naar u toe of draai heel voorzichtig de bewegingsrichting om (indien beschikbaar).

- Respecteer de veiligheidsafstand ten opzichte van de draaiende gereedschappen, die word aangegeven door de lengte van het stuur.

- Plaats uw handen of uw voeten niet vlak bij of onder draaiende elementen.

- In geval van:

- abnormale trillingen,

- blokkering,

- probleem met de koppeling,

- botsing met een vreemd voorwerp,

- beschadiging van de kabel voor het

stilleggen van de motor (volgens model),

leg de motor onmiddellijk stil (als de kabel voor het stilleggen van de motor doorgesneden is, kan de motor worden stilgelegd door de bediening van de starter in te schakelen, zoals wordt beschreven in § "motor starten"), laat de machine afkoelen, koppel de bougie draad los, bekijk de machine aandachtig en gebruik de machine pas opnieuw nadat de noodzakelijke reparaties door een erkende reparateur uitgevoerd zijn.

- Werk uitsluitend bij daglicht of in kunstlicht van goede kwaliteit.

- Gebruik de machine niet op hellingen die steiler zijn dan 10° (17 %).

- Werk dwars op de hellingen, nooit naar boven of naar beneden.

- Op een hellend stuk grond moet u voor voldoende steunpunten zorgen en heel voorzichtig van richting veranderen.

- Accessoires gebruiken die niet zijn aanbevolen, kan de machine gevaarlijk maken en aan uw machine schade toebrengen die niet zal worden gedekt door uw garantie.

Onderhoud / Opslag / Afdanking:

- Leg de motor stil en koppel de bougie los alvorens de machine te reinigen, te controleren, (een) gereedschap(pen) te vervangen, de machine in te stellen of te onderhouden.

- Leg de motor stil, koppel de bougie los en gebruik dikke handschoenen om (het) (de) gereedschap(pen) te vervangen.

- Zorg ervoor dat alle moeren en schroeven altijd goed vastzitten, om veilige gebruiksomstandigheden te garanderen.

- Om het brandgevaar te beperken, moet u de motor, de geluiddemper en de opslagzone voor de benzine vrijhouden van planten, overtollig smeervet of alle andere materialen die kunnen ontbranden.

- Zorg voor de vervanging van de uitlaatdempers

- Repareer de onderdelen niet. Laat ze vervangen door originele onderdelen.

- Vervang de werktuigen door complete kits, om het evenwicht te bewaren.

- Wijzig de kenmerken van uw machine niet voor uw eigen veiligheid. Wijzig de instellingen van het motortoerental niet en laat de motor niet draaien met een te hoog toerental. Het is van fundamenteel belang voor de veiligheid en het behoud van het prestatieniveau om de machine regelmatig te onderhouden.

- Laat de motor afkoelen voordat u de machine in een ruimte opbergt.

- Het apparaat moet in elk geval worden afgedankt in overeenstemming met de regelgeving die van kracht is in het land van gebruik.

Opgelet-Gevaar: Benzine is licht ontvlambaar:

- Sla de brandstof op in speciaal daartoe voorziene reservoirs. Vul de machine alleen buiten met brandstof en rook niet terwijl u dat doet.

- Verwijder nooit de dop van de benzinetank of voeg nooit benzine toe terwijl de motor draait of zolang de motor warm is.

- Is er benzine gemorst op de grond, probeer de motor dan niet te starten maar haal de machine weg uit die zone en probeer geen ontbranding te veroorzaken zolang de benzinedampen niet zijn opgetrokken.

- Sla de machine op een droge plaats op. Sla de machine nooit op in een ruimte waar de benzinedampen een vlam, een vonk of een sterke warmtebron zouden kunnen bereiken.

- Plaats de doppen van de brandstoftank en de brandstofkan op een correcte manier terug.

- Beperk de hoeveelheid benzine in de tank om spatten tot een minimum te beperken.

- Laat de motor niet draaien in een afgesloten plaats waar de koolstofmonoxidedampen zich kunnen opstapelen.

- Koolstofmonoxide kan dodelijk zijn. Zorg voor een goede ventilatie.

Verplaatsing / Behandeling / Transport:

- Elke behandeling van de machine die niets te maken heeft met de bewerking van de grond, dient te gebeuren met een stilgelegde motor en een losgekoppelde bougie.

- De verplaatsing (die niets te maken heeft met de bewerking van de grond) dient te gebeuren met behulp van het transportwiel, zoals wordt beschreven in de § "verplaatsing".

- Behandeling: hef de machine niet alleen. Het gewicht van de machine is aangegeven op het kenplaatje en op het einde van deze handleiding. Gebruik een behandelingsmethode die is afgestemd op het gewicht van de machine en de situatie, om de veiligheid te garanderen.

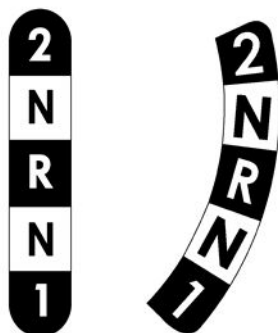
- Het laden en lossen van de machine in een aanhangwagen moet gebeuren aan de hand van een aangepaste laadbrug. Zet de machine correct vast voor een transport in alle veiligheid.

- Het transport dient met een stilgelegde motor en een losgekoppelde bougie met behulp van een aanhangwagen te gebeuren. Gebruik geen andere vervoermiddelen.

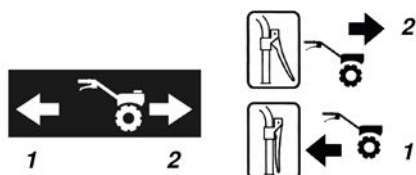
DEFINITIE VAN DE PICTOGRAMMEN



Selectie snelheid (optie)

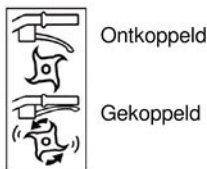


2: Vooruitrijden grote snelheid
 N: Neutraal
 R: Achteruitrijden
 1: Vooruitrijden trage snelheid



1 - Achteruitrijden
 2 - Vooruitrijden

Schakelhendel



Raak de hete oppervlakken niet aan



De uitlaatgassen zijn gevaarlijk
 Niet gebruiken in een onvoldoende geventileerde ruimte



De motor stilleggen vooraleer vol te tanken



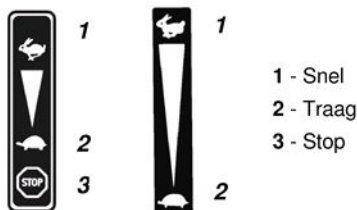
Starter



Opladen van de accu
 MAXIMAAL 8 UUR

NL

Gasbediening (volgens motoruitvoering)

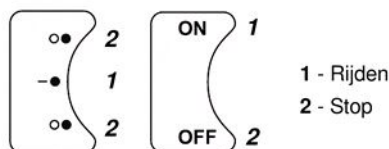


1 - Snel
 2 - Traag
 3 - Stop

Startmotor (volgens uitvoering)



Hoofdschakelaar (volgens motoruitvoering)



1 - Rijden
 2 - Stop



Pictogrammen al dan niet aanwezig volgens het machinemodel


TECHNISCHE GEGEVENS

Machinemodel	TF 335	Geluidsdruk niveau in de bestuursruimte	dB(A)	84.5
Gewicht	kg 58	Meetonzekerheid	dB(A)	1
Motormodel	CR950BH	Gemeten geluidsvermogensniveau	dB(A)	N/A
Nettovermogen * voor een motortoerental	kW 4.7 tpm 3600	Meetonzekerheid	dB(A)	1
Nominaal vermogen Nominaal motortoerental	kW 4.5 tpm 3300	Sterkte van de trillingen aan de handen van de bestuurder	m/s ²	4.7
Gegarandeerd geluidsvermogensniveau	dB(A) N/A	Meetonzekerheid	m/s ²	2

* Het in dit document vermelde vermogen van de motor is een nettovermogen dat wordt verkregen door een seriemotor te testen volgens de norm SAE J 1349 bij een bepaalde draaisnelheid. Het vermogen van een andere productiemotor kan verschillen van die vermelde waarde. Het reële vermogen van een motor die is geïnstalleerd op een machine, zal afhangen van verschillende factoren zoals de draaisnelheid, de temperaturomstandigheden, de vochtigheidsomstandigheden, de luchtdruk omstandigheden, de onderhoudsomstandigheden en andere.

OPMERKING: in een voortdurend streven naar verbetering benadrukt de fabrikant dat deze handleiding in haar geheel niet contractueel is, en behoudt de fabrikant zich het recht voor om de specificaties van de machines onaangekondigd te wijzigen

← **Uitpakken** 1.1

 **LET OP:** deze motorhakfrees verkeerd assembleren kan ernstige verwondingen tot gevolg hebben. Zorg ervoor dat u alle instructies zorgvuldig in acht neemt

 **OPGELET:** Zorg ervoor dat u de kabels niet doorsnijdt of de verf van de machine niet beschadigt wanneer u de doos opensnijdt.

Ref.	Inhoud van de doos
A	Transportwiel
B	Motorhakfrees
C	Standaard
D	Extra frezen *
E	Beschermplaten
F	Etui documenten + schroeven

* Volgens uitvoering

← **Montage van de standaard** 1.2

Volgens uitvoering:

A = Harde bodem

B = Zachte bodem

← **De verankeringspunt en van de carrosseriebodemp verwiideren** 1.3

← **Montage van het transportwiel** 1.4

A = Verplaatsingsstand

B = Werkstand

← **Montage van het stuur** 1.5

A = Verstelling in de hoogte


B = Zijwaartse verstelling

← **Montage van de gashendel** 1.6

← **Montage van de kabelklemmen** 1.7

← **Montage van de beschermplaten** 1.8

← **Montage van de extra frezen** 1.9

 Let op de montagerichting van de frezen en de pennen

← **Kenplaatje van de machine** 1.10

A – Naam en adres van de constructeur
B – Type van de machine
C – Serienummer
D – Nominaal vermogen
E – Massa in kilogram
F – Model van de machine
G – CE-identificatie
H – Bouwjaar


← **Beschrijving van de elementen** 1:1

1 – Koppelingshendel
2 – Verstelhendel stuurstang
3 – Gashendel
4 – Versnellingshendel
5 – Drijfriemkap
6 – Standaard
7 – Beschermplaten
8 – Plantbeschermingsschijven
9 – Draaiende gereedschappen
10 – Transportwiel
11 – Motor

MACHINE STARTEN

 ← **Vullen met olie en het peil controleren**
2.1

 ← **Vullen met benzine**
2.2 Super of loodvrij of SP95 E 10

 ← **Open de benzinekraan en zet de starter op de stand A**
2.3

 ← **Versnelling**
2.4 Zet de hendel op: 

 ← **Trek aan de handgreep van de trekstarter**
2.5  Blijf altijd in de veilige zone tijdens het starten van de machine

 ← **Zet de starter op de stand B**
2.6

NL

GEBRUIK

Deze machine is bestemd voor:


- De voorbereiding van de grond voor de beplantingen
- Het onderhoud van de beplantingen en de bloembedden

Deze machine is niet bestemd voor professioneel gebruik



Na het starten mag de motor niet bij nullast blijven draaien. Vat het werk zo snel mogelijk aan door de koppeling van de gereedschappen te bedienen

Het heeft geen zin de motor te laten opwarmen en langer dan 2 minuten bij nullast te laten draaien zonder de gereedschappen te koppelen, want dit kan het koppelingssysteem en de drijfriem ernstig beschadigen

 ← **Keuze van de snelheid**
3.1



Bedien de versnellingshendel niet voordat de koppelingsbedieningshendel eerst werd losgelaten

- A** Los de koppelingsbediening
- B** Bedien de snelheidsschakelaar
- C** Om makkelijker te schakelen, wordt het stuur van boven naar onder

N = Neutraal
1 = Lage snelheid
2 = Hoge snelheid
R = Achteruitrijden

 ← **Koppeling**
3.2



Neem een veiligheidszone met een straal van 20 m rond de machine in acht

Schakel de koppelingsbediening met dubbele werking in om de frezen te laten draaien



Het gebruik van de achteruitversnelling is gevaarlijk

Vergewis u ervan dat er zich geen obstakels achter u bevinden, en verlaag het motortoerental alvorens te koppelen

UITSCHAKELEN



4.1

← Freesgereedschappen uitschakelen

Laat de koppelingshendel los



4.2

← Motor stilleggen

Zet de versnellingsbediening op: 



4.3

← Sluit de benzinekraan

NL

DAGELIJKSE CONTROLES

Controleer de volgende punten, voordat u de motor start: - Afwezigheid van loszittende of kapotte bouten en moeren
- Afwezigheid van benzine- en motorolielekken
- Veiligheid van de omgeving



2.1

← Geschikt motoroliepeil



2.2

← Toereikend benzinepeil



4.4

← Netheid van het luchtfilterelement en oliepeil (*Volgens aandrijving*)



Gebruik geen ontvlambaar oplosmiddel om het element in schuimplastic van de luchtfilter te reinigen

ONDERHOUDSPROGRAMMA (moet worden uitgevoerd door een erkende werkplaats)

Na de eerste 5 uur
<ul style="list-style-type: none">• De motorolie aftappen
Om de 8 uur of elke dag
<ul style="list-style-type: none">• De luchtfilter reinigen *• De zones rond de geluiddemper en de bedieningselementen reinigen• Het carter van de trekstarter reinigen
Om de 25 uur of één keer per jaar
<ul style="list-style-type: none">• De luchtfilter reinigen *• De voorfilter reinigen *
Om de 50 uur of één keer per jaar
<ul style="list-style-type: none">• De motorolie aftappen• De geluiddemper en het vonkenscherm inspecteren
Elk jaar of om de 300 uur
<ul style="list-style-type: none">• De luchtfilter vervangen• De voorfilter vervangen• De bougie vervangen• De brandstoffilter vervangen• Het luchtkoelsysteem reinigen *• De speling van de kleppen controleren **
<p>* Voer vaker een reiniging uit wanneer de machine wordt gebruikt in een stoffige atmosfeer of in een atmosfeer met luchtafvaldeeltjes</p> <p>** Niet noodzakelijk, behalve bij prestatieproblemen (moet worden uitgevoerd door een erkende werkplaats)</p>



← Verplaatsing

5.1



Leg de motor stil



Wacht tot de motor is afgekoeld
(10 minuten)

A

Zet het wiel in de verplaatsingsstand

B

Zet de stuurstang in de lage stand om de verplaatsing van de machine te vergemakkelijken

C

Hef de frezen met behulp van het stuur van de grond en ga vooruit

- **Behandeling:** hef de machine niet alleen. Het gewicht van de machine is aangegeven op het kenplaatje en op het einde van deze handleiding. Gebruik een behandelingsmethode die is afgestemd op het gewicht van de machine en de situatie, om de veiligheid te garanderen
- Het laden en lossen van de machine in een aanhangwagen moet gebeuren aan de hand van een aangepaste laadbrug
- Zet de machine correct vast voor een transport in alle veiligheid

PERIODIEK ONDERHOUD (uit te voeren door een erkende werkplaats)



Wacht tot de motor is afgekoeld (10 minuten)



Koppel vóór om het even welke werkzaamheden de bougie los

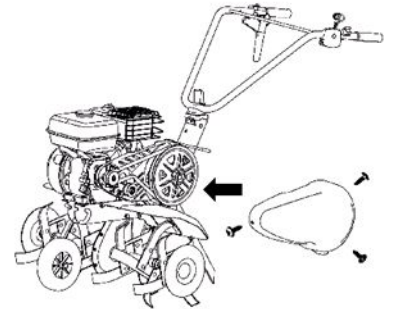
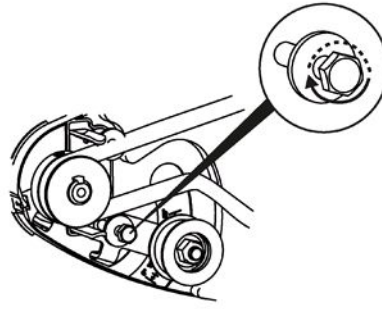
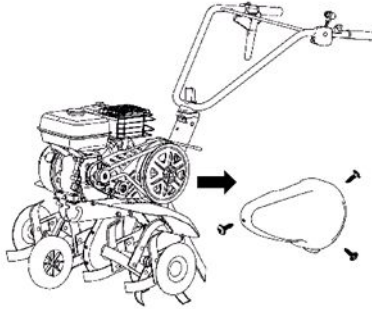


SMERING AS KOPPELINGSHENDEL

Periode: maximaal 50 u of 1/jaar vóór de winteropslag



Verontreinig de riemschijf of de drijfriem niet tijdens de smering van de as van de koppelingshendel



1- Verwijder de 3 bevestigingsschroeven van de drijfriemkap

2- Verwijder de drijfriemkap

3- Draai de bevestigingsschroef van de as van de koppelingshendel los (2 slagen)

4- Reinig en ontvet de as van de koppelingshendel

5- Smeer de as van de koppelingshendel met lithiümsmeervet voor hoge

6- Draai de as van de koppelingshendel opnieuw vast met behulp van een momentsleutel (15 N.m)

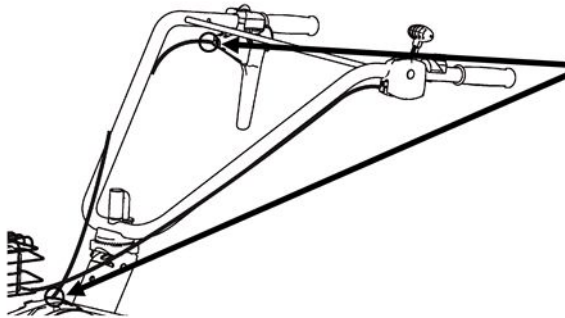
7- Ga na of het terugslagsysteem van de koppelingshendel goed werkt (zonder schokken)

8- Plaats de drijfriemkap en de 3 bevestigingsschroeven terug

KEES VAN DER SPEK
TUINMACHINES * STOLWIJK

SMERING KOPPELINGSKABEL

Periode: maximaal 50 u of 1/jaar vóór de winteropslag

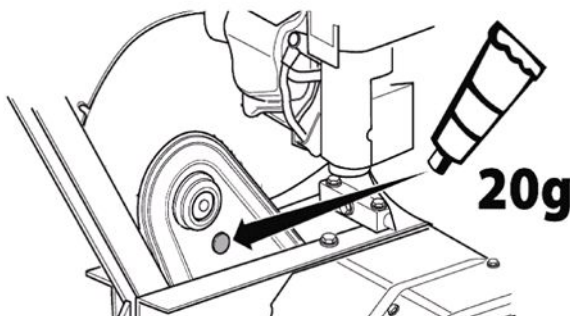


1- Smeer de koppelingkabel met behulp van een smeermiddel voor kabels met PTFE

2- Ga na of het veerterugslagsysteem van de koppelingshendel goed werkt (zonder schokken)

SMERING TRANSMISSIE

Periode: maximaal 50 u of 1/jaar vóór de winteropslag



1- Verwijder de dop aan de bovenzijde van de transmissie

2- Voeg 20 g lithiümsmeervet uit een tube toe

3- Plaats de dop terug

4- Laat de frezen gedurende 30 seconden draaien

EC declaration of conformity

I, the undersigned (13) (2) hereby declare that the machine described below conforms to the provisions of the Directives (7)
Description: Petrol engine motor hoe; Manufacturer (1); Model (4)
Type (5); Commercial name (6); Serial number (15)
Person authorised to constitute the technical file (3)
References to harmonised standards (8)
Guaranteed acoustic power level (9)
Measured acoustic power level (10)
Signed in (11); Date (12); Signatory (13); Signature (14)
See serial No. (15) on last page

Déclaration CE de conformité

Je, soussigné (13) (2) déclare par la présente que la machine décrite ci-dessous est conforme aux dispositions des Directives (7)
Description : Motobineuse à moteur thermique ; Fabricant (1) ; Modèle (4)
Type (5) ; Nom commercial (6) ; Numéro de série (15)
Représentant autorisé à valider la documentation technique (3)
Références aux normes harmonisées (8)
Niveau de puissance acoustique garantie (9)
Niveau de puissance acoustique mesurée (10)
Fait à (11) ; Date (12) ; Signataire (13) ; Signature (14)
Voir n° de série (15) en dernière page

Dichiarazione di conformità CE

Io sottoscritto (13) (2) dichiaro con la presente che la macchina descritta qui sotto è conforme alle disposizioni delle Direttive (7).
Descrizione: Motozappa a motore termico; Produttore (1); Modello (4)
Tipo (5); Nome commerciale (6); Numero di serie (15)
Persona autorizzata a redigere il fascicolo tecnico (3)
Riferimento alle norme armonizzate (8)
Livello di potenza sonora garantita (9)
Livello di potenza sonora misurata (10)
Redatto a (11); Data (12); Firmatario (13); Firma (14)
Vedere n. di serie (15) all'ultima pagina

EG-Konformitätserklärung

Ich, der Unterzeichner (13) (2), erkläre hiermit, dass die nachstehend beschriebene Maschine den Anforderungen der Maschinenrichtlinien (7) entspricht.
Beschreibung: Motorhacke mit thermischem Motor; Hersteller (1); Modell (4); Typ (5); Handelsname (6); Seriennummer (15).
Für die Erstellung der technischen Unterlagen berechnete Person (3)
Bezugnahme auf die harmonisierten Normen (8).
Garantierter Schallleistungspegel (9).
Gemessener Schallleistungspegel (10).
Ausgestellt am (11), Datum (12), Unterzeichner (13), Unterschrift (14)
Siehe Seriennummer (15) auf der letzten Seite

Declaración CE de conformidad

Yo, el abajo firmante (13) (2), declaro por la presente que la máquina aquí descrita cumple con las disposiciones de la Directiva de Máquinas (7)
Descripción: Motoazada con motor térmico; Fabricante (1); Modelo (4)
Tipo (5); Nombre comercial (6); Número de serie (15)
Persona autorizada a constituir el expediente técnico (3)
Referencias a las normas armonizadas (8).
Nivel de potencia acústica garantizado (9).
Nivel de potencia acústica medida (10)
Hecho en (11); Fecha (12); Firmante (13); Firma (14)
El n° de serie (15) se encuentra en la última página.

EG-verklaring van overeenstemming

Ik ondergetekende (13) (2) verklaar hierbij dat de hieronder beschreven machine in overeenstemming is met de bepalingen van de richtlijnen (7).
Beschrijving: Motorhakkfrees met warmtemotor; fabrikant (1); model (4)
Type (5); handelsnaam (6); serienummer (15)
Persoon die bevoegd is om het technische dossier samen te stellen (3)
Verwijzingen naar de geharmoniseerde normen (8)
Gegarandeerd geluidsvermogensniveau (9)
Gemeten geluidsvermogensniveau (10)
Opgemaakt te (11); datum (12); ondertekenaar (13); handtekening (14)
Zie serienr. (15) op de laatste pagina



1. Husqvarna AB

2. Husqvarna AB
Drottninggatan
56182 HUSKVARNA - SWEDEN

3. Husqvarna AB
Drottninggatan
56182 HUSKVARNA - SWEDEN

4. 30-32

5. 950SERIES

6. TF 335

7.

2006/42/CE : 17 mai 2006
2014/30/CE : 26 février 2014

8.

NF EN 709+A4 : Janvier 2010
NF EN ISO 14982 : Mai 2009

9.N/A

10.N/A

11. HUSKVARNA - SWEDEN

12. 2018-01-03

13. Claes LOSDAL

14.

(15)

