

# EGO™

## POWER<sup>+</sup> LINE TRIMMER

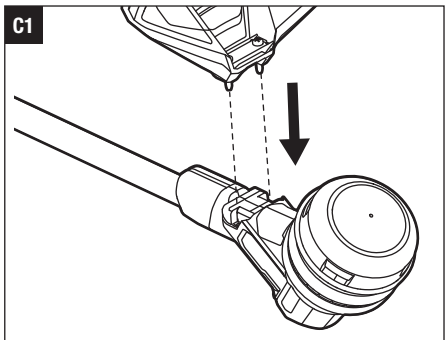
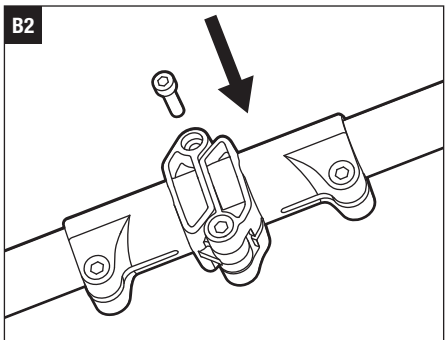
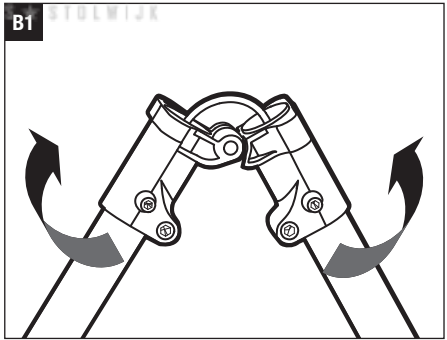
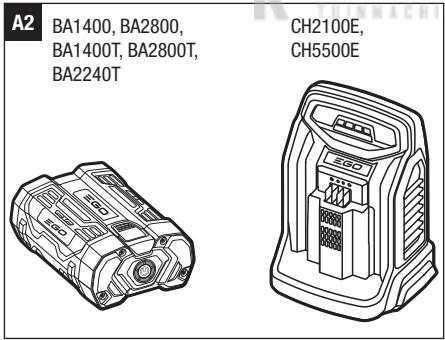
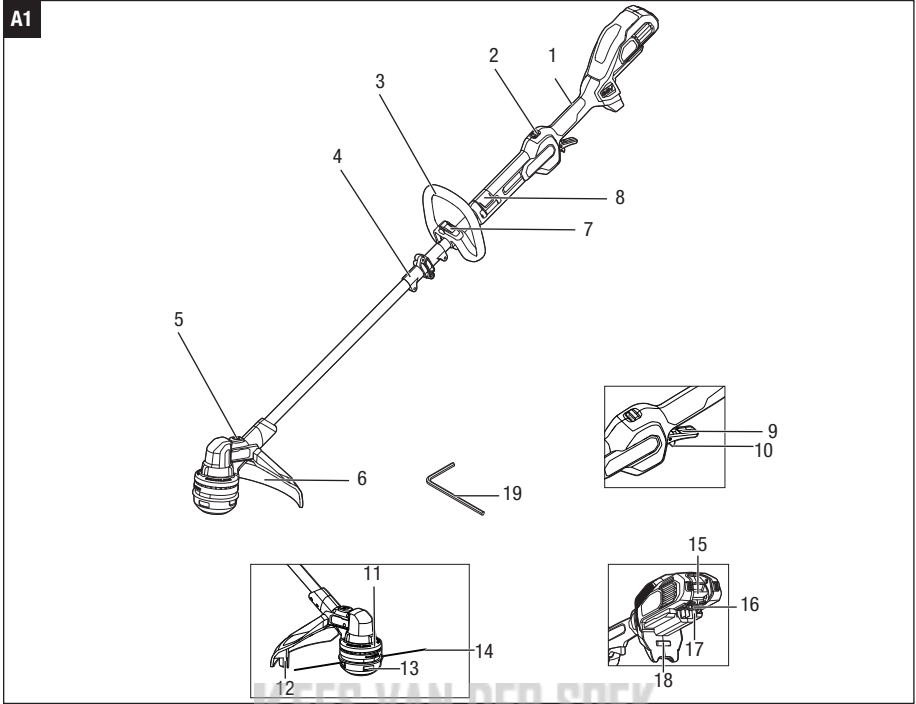


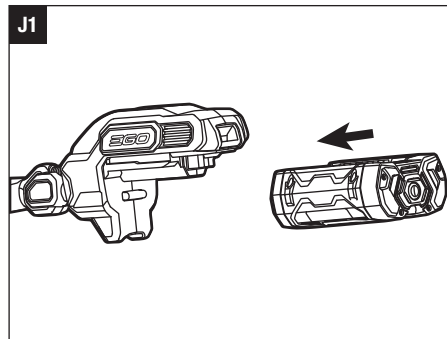
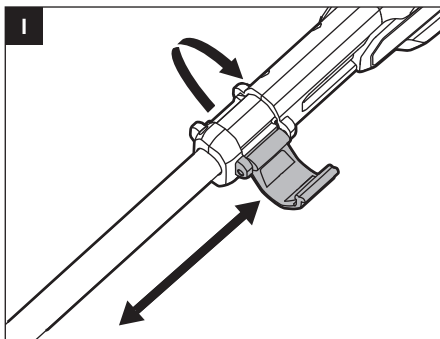
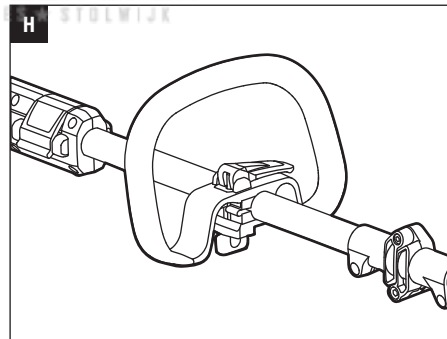
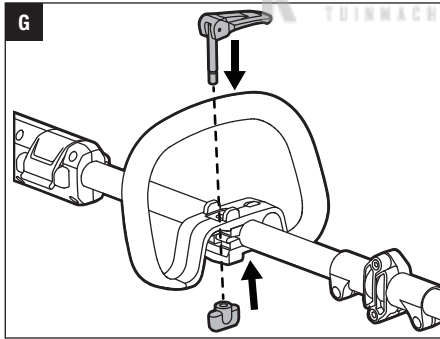
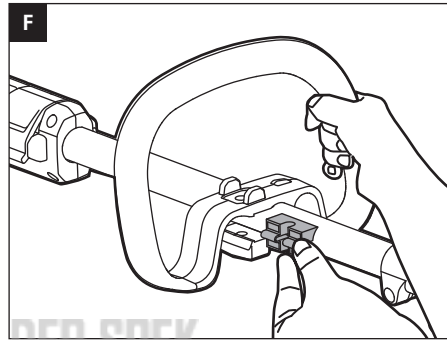
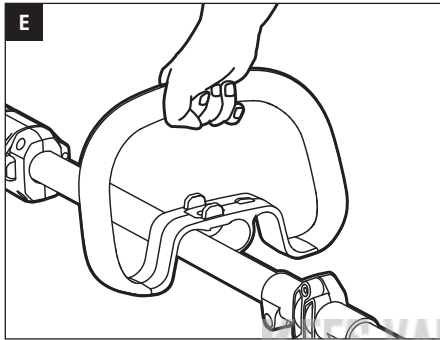
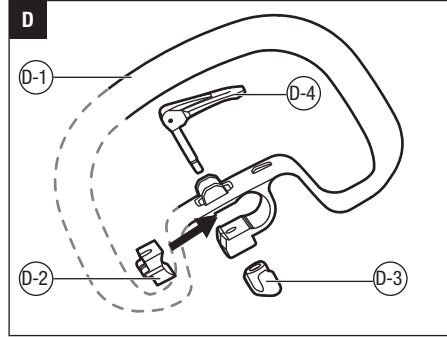
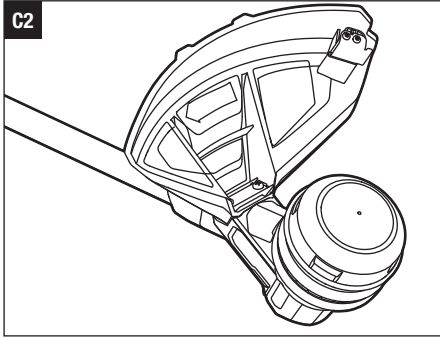
OPERATOR'S MANUAL

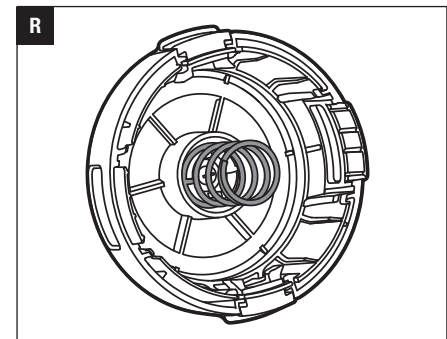
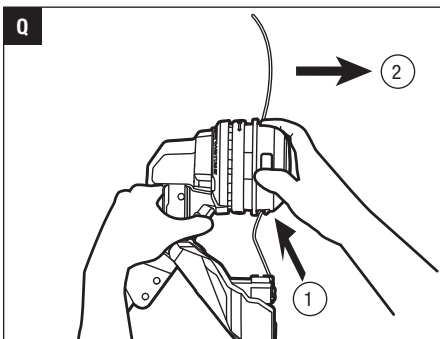
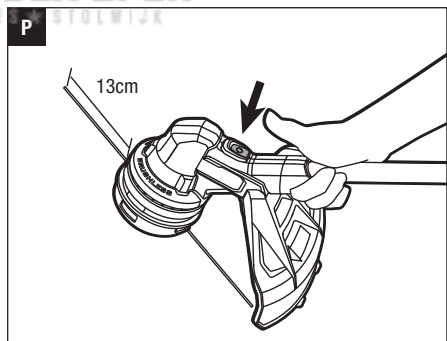
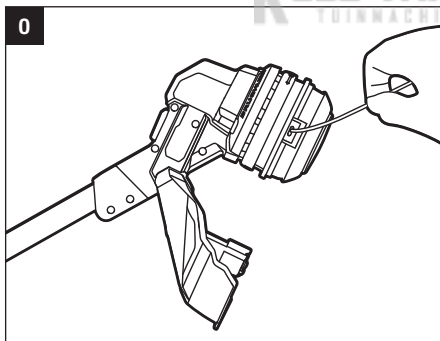
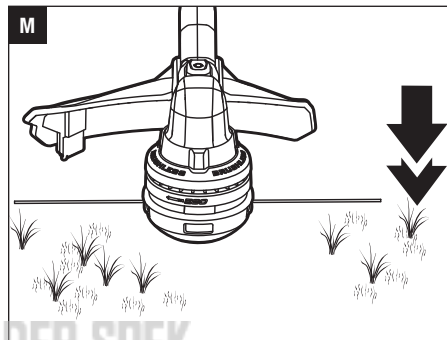
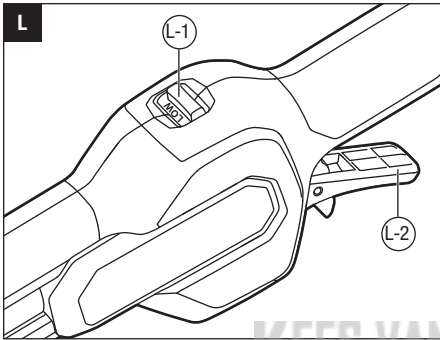
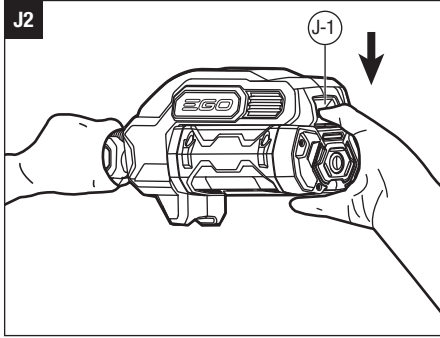
### 56 VOLT LITHIUM-ION CORDLESS LINE TRIMMER

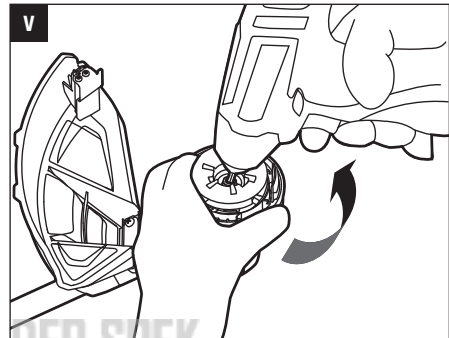
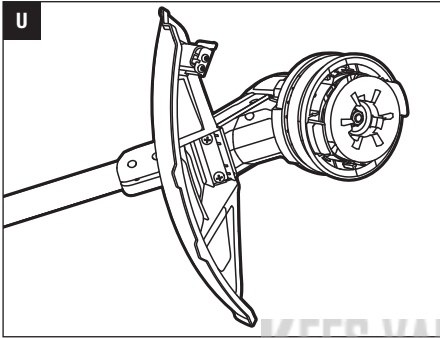
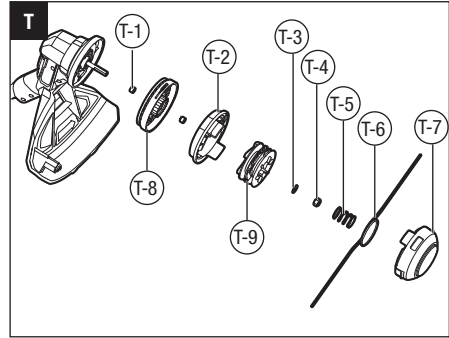
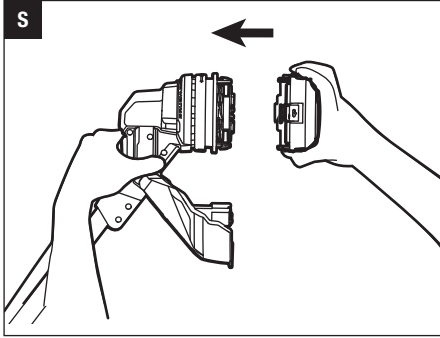
MODEL NUMBER ST1400E-ST

EN	56 Volt lithium-ion cordless line trimmer	6	HU	56 Voltos lítium-ion vezeték nélküli fűkasza	113
DE	56 Volt lithium-ionen akku-rasentrimmer	13	RO	Cositoare cu fir și cu acumulator litiu-ion de 56 voltj	120
FR	Taille-bordure sans fil lithium-ion 56 v	20	SL	56-Voltna litij-ionska brezžična kosilnica z nitko	127
ES	Cortabordes inalámbrico con cabezal de hilo y acumulador de ion de litio de 56 voltios	27	LT	Akumuliatorinė žoliapjovė su 56 voltų litio jonų akumuliatoriumi	134
PT	Roçadora de fio sem fios de ião de lítio de 56 volts	35	LV	56 Voltu litija jonu akumulatora bezvadu auklas trimmeris	141
IT	Decespugliatore a filo cordless li-ion 56 volt	42	GR	Ασπυροτο χλοοκοπτικό ιοντων λιθιου 56 volt με μεσινεζα	148
NL	56 Volt lithium-ion accu grastrimmer	49	TR	56 Volt lityum-iyon kablosuz misinali çim biçme makinesi	156
DK	Ledningsfri græstrimmer med 56 volts lithium-ion-batteri	56	ET	56-Voldise liitiumioonakuga juhtmeta jõhvtrimmer	163
SE	56 volts litium-jon sladdlös trådtrimmer	63	UK	Лісовий тример із живленням від 56-вольтового літій-іонного акумулятора	170
FI	Akkukäyttöinen 56 voltin litium-ionisiemaleikkuri	70	BG	56 Волта литиево-йонен безкабелен кордов тример	177
NO	56 Volts lithium-ion ledningsfri kantklipper	77	HR	56-Voltni litij-ionski baterijski šišač s reznom nit	184
RU	Беспроводной триммер с леской и литий-ионным аккумулятором 56 в	84	KA	56 ვოლტანი ლითიუმ-იონის აკუმულატორიანი უსადენო ელექტრო სათიბი	191
PL	Podkaszarka bezprzewodowa z akumulatorem litowo-jonowym 56 woltów	92	SR	Akumulatorski trimer sa strunom i litijum-jonskom baterijom od 56 v	201
CZ	56 Voltová lithiium-iontová akumulátorová strunová sekačka	99	BS	Akumulatorski trimer s reznom nit i litij-ionskom baterijom od 56 v	208
SK	56-Voltová lítiovo-iónová bezdrôtová strunová kosačka	106	HE	גוזם חוט אלחוטי עם סוללת ליתיום-יון 56 וולט	215
			AR	جزا ة عاملة بالخيط لاسلكية ببطارية ليثيوم-أيون 56 فولت	222









## EN READ ALL INSTRUCTIONS!



### READ OPERATOR'S MANUAL

**⚠ Residual risk!** People with electronic devices, such as pacemakers, should consult their physician(s) before using this product. Operation of electrical equipment in close proximity to a heart pacemaker could cause interference or failure of the pacemaker.

### SAFETY SYMBOL

The operation of any power tools can result in foreign objects being thrown into your eyes, which can result in severe eye damage. Before beginning power tool operation, always wear safety goggles or safety glasses with side shields and a full face shield when needed. We recommend a Wide Vision Safety Mask for use over eyeglasses or standard safety glasses with side shields.



Safety Alert



To reduce the risk of injury, user must read the operator's manual.



**Wear Eye Protection-**Always wear safety goggles or safety glasses with side shields and a full face shield when operating this product.



**Wear Safety Footwear-**Wear non-slip safety footwear when using this equipment.



**Wear Ear Protection-**Always wear ear protection when operating this product.



**Wear Protective Gloves-**Protect your hands with gloves when handling blade or blade guard.



**Wear Head Protection-**Wear an approved safety hard hat to protect your head.



**Beware of blade thrust-**Warn the operator of the danger of blade thrust.



Do not install round cutting blades.



**Line diameter-**The Diameter of the nylon cutting line



**Cutting width-**The Max. cutting width of line trimmer



**Thrown objects can ricochet and result in personal injury or property damage.** Ensure that other people and pets remain away from the brush cutter when it is in use.



Ensure that other people and pets remain at least 15m away from the line trimmer when it is in use.



Do not use in the rain or leave outdoors while it is raining.



**Guaranteed sound power level.** Noise emission to the environment according to the European community's Directive.



This product is in accordance with applicable EC directives.



Waste electrical products should not be disposed of with household waste. Take to an authorized recycler.

V Voltage

$n_0$  No Load Speed-Rotational speed, at no load

.../min Per Minute

☰ Direct Current

kg Kilogram

## SPECIFICATIONS

Voltage	56 V ---	
No-load Speed	Low speed set: 3000-4500 RPM High speed set: 4000-5800RPM	
Cutting Mechanism	Bump Head	
Cutting Line Type	2.4mmnylon twist line	
Cutting Width	35 cm	
Recommended Operating Temperature	0°C-40°C	
Recommended Storage Temperature	-20°C-70°C	
Optimum Charging Temperature	5°C-40°C	
Weight (without battery pack)	5.8 kg	
Measured sound power level $L_{WA}$	88.98 dB(A) K=2 dB(A)	
Sound pressure level at operator's ear $L_{PA}$	68.96 dB(A) K=2 dB(A)	
Guaranteed sound power level $L_{WA}$ (measured according to 2000/14/EC)	91 dB(A)	
Valuation of vibration $a_{rh}$	Front-assist handle	3.2 m/s <sup>2</sup> K=1.5 m/s <sup>2</sup>
	Rear handle	2.3 m/s <sup>2</sup> K=1.5 m/s <sup>2</sup>

- The declared vibration total value has been measured in accordance with a standard test method and may be used for comparing one tool with another;
- The declared vibration total value may also be used in a preliminary assessment of exposure.

**NOTICE:** The vibration emission during actual use of the power tool can differ from the declared value in which the tool is used; In order to protect the operator, user should wear gloves and ear protectors in the actual conditions of use.

## DESCRIPTION

### KNOW YOUR LINE TRIMMER (Fig. A1)

1. Rear Handle
2. High/Low Speed Switch
3. Adjustable Front-Assist Handle
4. Hinge
5. Line-Loading Button

6. Guard
7. Lock Pole
8. Height Locking Collar
9. Switch Trigger
10. Locking Tongue
11. Trimmer Head (Bump Head)
12. Line Cutting Blade
13. Release Tab
14. Cutting Line
15. Battery Release Button
16. Latch
17. Electric Contacts
18. Ejection Mechanism
19. Hex Wrench

## PACKING LIST (FIG.A1)

## ASSEMBLY

### UNFOLDING THE SHAFT

**▲ WARNING:** Do not hold the shaft at the joints in order to avoid pinching your hands or fingers.

**▲ WARNING:** Do not attempt to start the trimmer until the shaft has been locked.

Unfold the shaft gently, ensuring the cable inside the shaft, and lock it with two screws by the supplied wrench (Fig. B1 & B2).

### MOUNTING THE GUARD

Position your trimmer so that the trimmer head faces up (Fig. C1). Align the guard mounting holes with the assembly holes and then lock the guard onto the shaft base with the two screws (Fig. C2).

**NOTICE:** Make sure the guard is fixed according to Fig. C1 & C2, any reverse fixing will cause great danger!

### MOUNTING AND ADJUSTING THE FRONT-ASSIST HANDLE

1. Loosen the locking pole in the front-assist handle and remove the locking pole and wing nut from the front-assist handle (Fig. D).

D-1	Front-assist handle	D-3	Wing nut
D-2	Clamping block	D-4	Locking pole

2. Push the front assist-handle onto the shaft between the Height Locking Collar and hinge (Fig. E).
3. Insert the clamping block into the handle slot (Fig. F).
4. Mount the locking pole lever and pre-tighten the wing nut. Make sure that the front-assist handle is positioned upwards and points toward the top of the rear handle (Fig. J).

- Pull up the level of the lock pole so that you can easily move/rotate the loop handle to where you feel comfortable. then lock the lever of the locking pole. (Fig. H).

**⚠ WARNING:** The tool cannot be used without the front handle securely fixed.

### ADJUSTING THE REAR HANDLE

If the length of the shaft is not suitable for operation, you can adjust the length of the shaft through this Height Locking clamp.

- Remove the battery pack from the trimmer.
- To adjust the trimmer height, open the height locking clamp, and then slide the shaft up or down to desired height, securing it in place by depressing the locking clamp (Fig. I).

**NOTICE:** The front assist-handle may require to be readjusted after the trimmer height is changed.

## OPERATION

**⚠ WARNING:** Always wear safety goggles or safety glasses with side shield, along with hearing protection. Failure to do so could result in objects being thrown into your eyes and other possible serious injuries.

You may use this product for the purposes listed below:

**Trimming:** Used for removing grass and weeds up against walls, fences, trees and borders.

**Cutting:** Used for cutting the grass that is difficult to reach using a normal mower.

### ATTACHING/DETACHING THE BATTERY PACK

Use only with EGO's battery packs and chargers listed in Fig. A2.

**Fully charge before first use.**

#### To Attach

Align the battery ribs with the mounting slots and press the battery pack down until you hear a "click" (Fig. J1).

#### To Detach

Depress the battery-release button and pull the battery pack out as Fig. J2 shown.

J-1	Battery- Release button
-----	-------------------------

### HOLDING THE LINE TRIMMER

Hold the line trimmer with both hands: One hand on the rear handle and the other hand on the front-assist handle.

**NOTICE:** The trimmer head is parallel to the ground at a proper cutting distance without the operator bending over (Fig. K).

### STARTING/STOPPING THE LINE TRIMMER

#### To Start

Move the locking tongue forwards then depress the switch trigger.

The trigger is stepless speed adjusting. The more you pull up the trigger, the higher speed it is (Fig. L).

#### To Stop

Release the switch trigger.

### SPEED ADJUSTMENT FUNCTION (FIG. L)

The line trimmer has two speeds. Position "LOW" is for low speed while Position "HIGH" for high speed.

Fig. L parts description see below:

L-1	High/low-Speed Switch	L-2	Switch Trigger
-----	-----------------------	-----	----------------

### USING THE LINE TRIMMER

Clear the area to be cut before each use. Remove all objects, such as rocks, broken glass, nails, wire, or line that can be thrown or become entangled in the cutting attachment. Clear the area of children, bystanders, and pets. At a minimum, keep all children, bystanders and pets at least 15m away; there still may be risk to bystanders from thrown objects. Bystanders should be encouraged to wear eye protection. If you are approached, stop the motor and cutting attachment immediately.

#### Before each use, check for damage/worn parts

Check the bump head, guard and front-assist handle and replace the parts that are cracked, warped, bent, or damaged in any way.

The line-cutting blade on the edge of the guard can dull over time. It is recommended that you periodically sharpen it with a file or replace it with a new blade.

#### After each use, clean the trimmer.

### ADJUSTING CUTTING LINE LENGTH

The trimmer head allows the operator to release more cutting line without stopping the motor. As line becomes frayed or worn, additional line can be released by lightly tapping the trimmer head on the ground while operating the trimmer (Fig. M).



**NOTICE:** Line release will require multiple tapping as the cutting line becomes shorter.

**⚠ WARNING:** Do not remove or alter the line cutting blade assembly. Excessive line length will cause the motor to overheat and may result in serious personal injury.

### LINE REPLACEMENT

**NOTICE:** Always use the recommended nylon cutting line with a diameter that does not exceed 2.4 mm. Using line other than that specified may cause the line trimmer to overheat or become damaged.

**⚠ WARNING:** Never use metal-reinforced line, wire, or rope, etc. These can break off and become dangerous projectiles.

1. Remove the battery pack.
2. Remove the remaining cutting line, if necessary.
3. Cut 4 m of cutting line. Insert the line into the mounting hole inside the eyelet (Fig. O). Push and pull the line from the other side until equal amounts of line appear on both sides of the spool.
4. Install the battery pack onto the string trimmer.
5. Press and hold the line-loading button to start the line-winding motor. The line will be wound into the trimmer head continuously (Fig. P).
6. Watch the remaining line length carefully. Briefly press the line loading button to adjust the length until 13 cm of the line is showing on each side.
7. Push down on the trimmer head while pulling on the lines to manually advance the line in order to check for proper assembly of the cutting line.

When the cutting line breaks from the line outlet or the cutting line is not released when the trimmer head is tapped, follow the steps below

1. Remove the battery pack from the trimmer.
2. Press the release tabs on the trimmer head and remove the lower cover assembly by pulling it straight out (Fig. Q).
3. Remove the cutting line from the spool.
4. Insert the spring into the slot in the lower cover assembly (Fig. R).
5. With one hand holding the trimmer, use another hand to grasp the lower cover assembly and align the slots in the lower cover assembly with the release tabs. Press the lower cover assembly until it snaps into place, at which time you will hear a distinct click sound (Fig. S).

6. Follow the instructions in the “**LINE REPLACEMENT**” section to reload the cutting line.

### TRIMMER HEAD REPLACEMENT

**⚠ WARNING:** If the head loosens after it is fixed in position, replace it immediately. Never use a trimmer with a loose cutting attachment. Replace a cracked, damaged or worn out cutting head immediately, even if damage is limited to superficial cracks. Such attachments may shatter at high speed and cause serious injury.

### REMOVE THE TRIMMER HEAD

1. Remove the battery pack from the trimmer.
2. Press the release tabs on the trimmer head and remove the lower cover assembly of the trimmer head by pulling it straight out.
3. Remove the cutting line from the trimmer head (Fig. S).
4. Take the spring out of the spool assembly, if necessary. Save it for reassembly.
5. Wear gloves. Use one hand to grasp the spool assembly to stabilize it, and use the other hand to hold an impact wrench (not included) to loosen the nut in a counterclockwise direction (Fig. X).
6. Remove the nut, spool retainer, upper cover, upper base cover, from the motor shaft (Fig. T).

**NOTICE:** Two bushings easily fall off the motor shaft, please save them carefully for reassembly.

7. Replace with a new trimmer head and mount it in following steps.

T-1	Bushing	T-6	Trimmer Line
T-2	Upper Cover	T-7	Lower Cover
T-3	Nut	T-8	Upper base cover
T-4	Washer	T-9	Assembly Spool Assembly
T-5	Spring		

### INSTALL THE NEW TRIMMER HEAD

1. Mount the bushings in motor shaft and mount the upper base cover assembly into place (Fig. T).
2. Mount the upper cover, spool assembly, washer and nut in that order. Use an impact wrench on the nut to tighten it (Fig. U & V).
3. Mount the lower cover assembly.
4. Reload the cutting line.
5. Start the tool to see whether the string trimmer will work normally. If it does not, reassemble as described above.

## EN MAINTENANCE

**⚠ WARNING:** When servicing, use only identical replacement parts. Inspect and maintain the machine regularly. To ensure safety and reliability, all repairs should be performed by a qualified service technician.

**⚠ WARNING:** To prevent serious personal injury, remove the battery pack from the tool before servicing, cleaning, changing add-on attachments or removing material from the unit.

**⚠ CAUTION:** Obstructions in the vents will prevent the air from flowing into the motor housing and result in overheating or damaged of the motor.

### CLEANING THE UNIT

- Clean the unit using a damp cloth with a mild detergent. Never let any liquid get inside the tool; never immerse any part of the tool into a liquid.
- Do not use any strong detergents on the plastic housing or the handle. They can be damaged by certain aromatic oils, such as pine and lemon, and by solvents such as kerosene. Moisture can also cause a shock hazard. Wipe off any moisture with a soft dry cloth.
- Use a small brush or the air discharge of a small vacuum cleaner brush to clean the air vents on the rear housing.
- Keep air vents in the motor housing from debris at all times.

### SHARPEN THE LINE-CUTTING BLADE

**⚠ WARNING:** Always protect your hands by wearing heavy gloves when performing any maintenance on the line-cutting blade.

1. Remove the line-cutting blade from the guard accessory.
2. Secure the blade in a vise.
3. Carefully file the cutting edges of the blade with a fine-tooth file or sharpening stone, being careful to maintain the original cutting-edge angle.
4. Replace the blade onto the guard and secure it in place with the two screws.

### STORING THE UNIT

- Remove the battery pack from the line trimmer when it is not in use.
- Clean the tool thoroughly before storing it.
- Store the unit in a dry, well-ventilated area, locked-up or up high, out of the reach of children. Do not store the unit on or adjacent to fertilisers, petrol, or other chemicals.

### Protecting the environment



Do not dispose of electrical equipment, used battery and charger into household waste! Take this product to an authorized recycler and make it available for separate collection. Electric tools must be returned to an environmentally compatible recycling facility.

## TROUBLESHOOTING

PROBLEM	CAUSE	SOLUTION
String trimmer fails to start.	<ul style="list-style-type: none"> <li>■ The battery pack is not attached to the line trimmer.</li> <li>■ No electrical contact between the trimmer and battery.</li> <li>■ The battery pack is depleted.</li> <li>■ The lock off trigger is not being moved forward before depressing the switch trigger</li> </ul>	<ul style="list-style-type: none"> <li>■ Attach the battery pack to the line trimmer.</li> <li>■ Remove battery, check contacts and reinstall the battery pack.</li> <li>■ Charge the battery pack.</li> <li>■ Move the locking tongue forwards and then press the switch trigger.</li> </ul>
String trimmer stops while cutting.	<ul style="list-style-type: none"> <li>■ The guard is not mounted on the trimmer, resulting in an overly long cutting line and motor overload.</li> <li>■ Heavy cutting line is used.</li> <li>■ The motor shaft or trimmer head is bound with grass.</li> <li>■ The motor is overloaded.</li> <li>■ The battery pack or string trimmer is too hot.</li> <li>■ The battery pack is disconnected from the tool.</li> <li>■ The battery pack is depleted.</li> <li>■ Unbalanced after installation of cutting line.</li> </ul>	<ul style="list-style-type: none"> <li>■ Remove the battery pack and mount the guard on the trimmer.</li> <li>■ Use recommended nylon cutting line with diameter no greater than 2.4 mm.</li> <li>■ Stop the trimmer, remove the battery, and remove the grass from the motor shaft and trimmer head.</li> <li>■ Remove the trimmer head from the grass. The motor will recover to work as soon as the load is removed. When cutting, move the trimmer head in and out of the grass to be cut and remove no more than 20 cm of length in a single cut.</li> <li>■ Cool the battery or string trimmer.</li> <li>■ Re-install the battery pack.</li> <li>■ Charge the battery pack.</li> <li>■ Tap the trimmer head to make the rope length symmetrical.</li> </ul>
Trimmer head will not advance line.	<ul style="list-style-type: none"> <li>■ The motor shaft or trimmer head is bound with grass.</li> <li>■ There is not enough line on the spool or the line breaks from the eyelet.</li> <li>■ The line is tangled.</li> <li>■ The line is too short.</li> </ul>	<ul style="list-style-type: none"> <li>■ Stop the trimmer, remove the battery, and clean the motor shaft and trimmer head.</li> <li>■ Remove the battery and replace the cutting line follow “<b>LINE REPLACEMENT</b>” section in this manual.</li> <li>■ Remove the battery and replace the cutting line follow “<b>LINE REPLACEMENT</b>” section in this manual.</li> <li>■ Remove the battery and replace the cutting line follow “<b>LINE REPLACEMENT</b>” section in this manual.</li> </ul>
Grass is wrapped around trimmer head and motor housing.	Cutting tall grass at ground level	Cut tall grass from the top down, removing no more than 20 cm in each pass to prevent wrapping.

PROBLEM	CAUSE	SOLUTION
Cracks on the trimmer head or the spool retainer comes loose from spool base.	<ul style="list-style-type: none"> <li>■ The trimmer head is worn out.</li> <li>■ The nut that locks the trimmer head is loose.</li> </ul>	<ul style="list-style-type: none"> <li>■ Replace the trimmer head immediately; follow the section “<b>TRIMMER HEAD REPLACEMENT</b>” in this manual.</li> <li>■ Open the trimmer head and use an impact wrench to tighten the nut.</li> </ul>
The cutting line cannot be wound into the trimmer head properly.	<ul style="list-style-type: none"> <li>■ The cutting line is too long.</li> <li>■ Grass debris or dirt has accumulated in the trimmer head and blocked the movement of line spool.</li> <li>■ Motor is overheated due to repeatedly operating the line winding system.</li> <li>■ Low battery</li> </ul>	<ul style="list-style-type: none"> <li>■ Cut the line so that about 13 cm long is showing on each side.</li> <li>■ Remove the battery, open the trimmer head and clean it thoroughly.</li> <li>■ Let the string trimmer work under no load for a few minutes to cool the motor, then try to reload the line.</li> <li>■ Charge the battery.</li> </ul>
The cutting line cannot be passed through the trimmer head when inserting the line.	<ul style="list-style-type: none"> <li>■ The cutting line is split or bent at the end.</li> <li>■ The lower cover is not released to position after reinstalling.</li> </ul>	<ul style="list-style-type: none"> <li>■ Cut the worn end of line and reinsert.</li> <li>■ Attach the battery pack onto the trimmer; press the line loading button to briefly start the power loading to release the lower cover.</li> </ul>

## WARRANTY



### EGO WARRANTY POLICY

Please visit the website [egopowerplus.com](http://egopowerplus.com) for full terms and conditions of the EGO Warranty policy.

## LESEN SIE ALLE ANWEISUNGEN!

DE



### LESEN SIE DIE BETRIEBSANLEITUNG

**⚠ Restrisiko!** Menschen mit elektronischen Geräten, wie z.B. Herzschrittmachern, sollten ihren Arzt konsultieren, bevor sie dieses Gerät verwenden. Die Bedienung von Elektrogeräten in unmittelbarer Nähe zu Herzschrittmachern kann zu Interferenzen und Störungen des Schrittmachers führen.

## WARNSYMBOL

Beim Betrieb von Elektrowerkzeugen besteht die Gefahr, dass Fremdkörper in Ihre Augen geschleudert werden und Sie dadurch schwerwiegende Augenschäden davontragen. Tragen Sie immer eine Schutzbrille, wenn möglich mit Seitenschutz, oder, falls nötig, einen vollen Gesichtsschutz, bevor Sie Arbeiten mit dem Elektrowerkzeug verrichten. Wir empfehlen Ihnen, einen Gesichtsschutz über Ihrer eigenen Brille oder eine herkömmliche Schutzbrille mit Seitenschutz zu tragen.



Sicherheitswarnung



Um das Verletzungsrisiko zu verringern, muss der Benutzer die Bedienungsanleitung lesen.



Augenschutz tragen - Tragen Sie bei Einsatz dieses Geräts immer eine Schutzbrille, möglichst mit Seitenschutz, und einen Vollgesichtsschutz.



Sicherheitsschuhe tragen - Tragen Sie beim Gebrauch dieses Gerätes rutschfeste Sicherheitsschuhe.



Gehörschutz tragen - Tragen Sie beim Einsatz des Geräts immer einen Gehörschutz.



Schutzhandschuhe tragen - Schützen Sie Ihre Hände beim Umgang mit dem Messer oder dem Schneidschutz.



Schutzhelm tragen - Tragen Sie einen zugelassenen Schutzhelm zum Schutz Ihres Kopfs.



Vorsicht vor hervorschnellendem Messer - Warnen Sie den Benutzer davor, dass das Messer vorschnellen und Gefahren verursachen kann.



Keine runden Messer montieren.



Fadendurchmesser - Der Durchmesser des Nylon-Mähfadens



Schnittbreite - Die maximale Schnittbreite des Rasentrimmers



Weggeschleuderte Gegenstände können abprallen und Personen- oder Sachschäden verursachen. Stellen Sie bei Betrieb sicher, dass andere Personen und Haustiere dem Rasentrimmer fernbleiben.



Bei Einsatz des Rasentrimmers müssen andere Personen und Haustiere einen Mindestabstand von 15 m zum Rasentrimmer einhalten.



Nicht im Regen verwenden oder bei Regen im Freien lassen.



Garantierter Schalleistungspegel. Geräuschemission an die Umgebung gemäß Richtlinie der Europäischen Gemeinschaft



Dieses Produkt erfüllt die einschlägigen CE-Richtlinien.



Elektrische Altgeräte dürfen nicht im Hausmüll entsorgt werden. Geben Sie das Gerät bei einer zugelassenen Recycling-Annahmestelle ab.

V Spannung

$n_0$

Leerlaufdrehzahl - Die Drehzahl des Motors im Leerlauf

.../min pro Minute



Gleichstrom

kg Kilogramm

## TECHNISCHE DATEN

DE

Spannung	56 V $\overline{\text{---}}$	
Leertlaufdrehzahl	Untere Solldrehzahl: 3000 - 4500 MIN-1 Obere Solldrehzahl: 4000 - 5800 MIN-1	
Schneidmechanismus	Fadenkopf	
Mähfadentyp	2,4 mm Nylon-Mähfaden	
Schnittbreite	35 cm	
Empfohlene Betriebstemperatur	0°C-40°C	
Empfohlene Lagertemperatur	-20°C-70°C	
Optimale Ladetemperatur	5°C-40°C	
Gewicht (ohne Akku)	5.8 kg	
Gemessener Schalleistungspegel $L_{wa}$	88,98 dB(A) K=2 dB(A)	
Schalldruckpegel am Ohr des Bedieners $L_{pa}$	68,96 dB(A) K=2 dB(A)	
Garantierter Schalleistungspegel $L_{wa}$ (gemäß Messung nach 2000/14/CE)	91 dB(A)	
Vibrationswert $a_{h,v}$ :	Vorderer Haltegriff	3,2 m/s <sup>2</sup> K=1,5 m/s <sup>2</sup>
	Hinterer Griff	2,3 m/s <sup>2</sup> K=1,5 m/s <sup>2</sup>

- Der angegebene Vibrationsgesamtwert wurde nach einem Standard-Prüfverfahren gemessen und kann zum Vergleich mit einem anderen Werkzeug herangezogen werden.
- Der angegebene Vibrationsgesamtwert kann auch zur vorläufigen Risikobewertung herangezogen werden.

**HINWEIS:** Die beim Einsatz des Elektrowerkzeugs entstehenden Istvibrationen können von dem angegebenen Wert abweichen. Zum Schutz des Benutzers sollten Handschuhe und ein Gehörschutz während des Geräteeinsatzes getragen werden.

## BESCHREIBUNG

### AUFBAU (Abb. A1)

- Hinterer Griffbügel
- Drehzahlsschalter Hoch/Niedrig
- Verstellbarer vorderer Haltegriff

- Scharnier
- Fadenwickelschalter
- Fadenschutz
- Arretierungsstift
- Anschlagring
- Schalterabzug
- Sicherheitsverriegelung
- Mähkopf (Fadenkopf)
- Fadenabschneider
- Freigabelasche
- Mähfaden
- Akku-Entriegelungstaste
- Verschluss
- Elektrische Kontakte
- Auswurfmechanismus
- Innensechskantschlüssel

## MONTAGE

### AUSKLAPPEN DES SCHAFTS

**⚠️ WARNUNG:** Um ein Einquetschen der Hände oder Finger zu vermeiden, den Schaft nicht an den Verbindungsstücken festhalten.

**⚠️ WARNUNG:** Den Rasentrimmer erst einschalten, nachdem der Schaft sicher verriegelt wurde.

Den Schaft behutsam ausklappen und auf das im Schaft verlegte Kabel aufpassen. Anschließend den Schaft mit zwei Schrauben und dem mitgelieferten Schraubenschlüssel sichern (Abb. B1 & B2).

### FADENSCHUTZ MONTIEREN

Den Rasentrimmer so festhalten, dass der Mähkopf nach oben zeigt (Abb. C1). Die Fadenschutzlöcher mit den Montagebohrungen fluchten lassen. Anschließend den Fadenschutz mit den beiden Schrauben am Schaftende anschrauben (Abb. C2).

**HINWEIS:** Vergewissern Sie sich, dass der Schutz wie in Abb. C1 und C2 dargestellt montiert ist. Eine falsche Montage ist sehr gefährlich!

### MONTIEREN UND EINSTELLEN DES VORDEREN HALTEGRIFFS

- Den Arretierungsstift am vorderen Haltegriff lösen und den Arretierungsstift und die Flügelmutter vom vorderen Haltegriff abnehmen (Abb. D).

D-1	Vorderer Haltegriff	D-3	Flügelmutter
D-2	Klemmstück	D-4	Arretierungsstift

- Den vorderen Haltegriff zwischen dem Anschlagring und dem Scharnier auf den Schaft schieben (Abb. E).

3. Das Klemmstück in die Aufnahme am Griff einführen (Abb. F).
4. Den Arretierungsstift montieren und die Flügelmutter vorspannen. Der vordere Haltegriff muss sich in aufrechter Position befinden und zur Oberseite des hinteren Griffs zeigen (Abb. J).
5. Den Hebel des Arretierungsstifts hochklappen. Der Bügelgriff kann nun leicht versetzt bzw. auf eine bequeme Arbeitsposition gedreht werden. Anschließend den Arretierungsstift mit dem Hebel wieder verriegeln. (Abb. H).

**⚠️ WARNUNG:** Ohne fest montierten vorderen Haltegriff darf das Werkzeug nicht benutzt werden.

### EINSTELLEN DES HINTEREN GRIFFS

Wenn die Länge des Schafts für die jeweilige Arbeit nicht geeignet ist, kann der Schaft mit Hilfe der Höhenverstellklemme längenmäßig eingestellt werden.

1. Den Akku vom Rasentrimmer abnehmen.
2. Zum Einstellen der Trimmerhöhe die Höhenverstellklemme öffnen. Anschließend den Schaft nach oben oder unten auf die gewünschte Höhe einstellen und die Verstellklemme zudrücken, um den Schaft zu arretieren (Abb. I).

**HINWEIS:** Nach dem Ändern der Trimmerhöhe muss der vordere Haltegriff wahrscheinlich neu eingestellt werden.

## BEDIENUNG

**⚠️ WARNUNG:** Tragen Sie immer eine Schutzbrille, möglichst mit Seitenschutz, sowie einen Gehörschutz. Andernfalls besteht die Gefahr, dass Gegenstände in Ihre Augen geschleudert werden oder andere schwere Verletzungen auftreten.

Sie können dieses Produkt für die unten aufgeführten Zwecke einsetzen:

**Rasentrimmen:** Entfernen von Gras und Unkraut an Wänden, Zäunen, Bäumen und Umrandungen.

**Schneiden:** Schneiden von Gras, das sich mit einem normalen Rasenmäher schlecht erreichen lässt.

### ANBRINGEN/ABNEHMEN DES AKKUS

Nur die in Abb. A2 aufgeführten EGO Akkus und Ladegeräte verwenden.

### Vor dem ersten Gebrauch voll aufladen.

### Anbringen

Die Rippen am Akkugehäuse mit den Öffnungen am Gerät fluchten lassen und den Akku bis zum hörbaren Einrasten in das Gerät einführen (Abb. J1).

### Abnehmen

Die Entriegelung drücken und den Akku herausziehen (siehe Abb. J2).

J-1	Entriegelung
-----	--------------

### HALTEN DES RASENTRIMMERS

Den Rasentrimmer mit beiden Händen festhalten: Eine Hand am hinteren Griff und die andere am vorderen Haltegriff.

**HINWEIS:** Der Mähkopf ist parallel zum Boden und hat den richtigen Schneideabstand, ohne dass sich der Bediener nach vorn beugen muss (Abb. K).

### STARTEN/STOPPEN DES RASENTRIMMERS

#### STARTEN

Die Sicherheitsverriegelung nach vorn schieben und den Schalterabzug betätigen.

Mit dem Schalterabzug lässt sich die Drehzahl stufenlos verstellen. Je weiter der Schalterabzug betätigt wird, desto schneller dreht sich der Motor (Abb. L).

#### STOPPEN

Den Schalterabzug loslassen.

### DREHZAHLVERSTELLUNG (ABB. L)

Der Rasentrimmer hat zwei Drehzahlen. Position „LOW“ entspricht der niedrigen Drehzahl und Position „HIGH“ der hohen Drehzahl.

Teilebezeichnung der Abb. L:

L-1	Drehzahlschalter Hoch/Niedrig	L-2	Schalterabzug
-----	-------------------------------	-----	---------------

### VERWENDUNG DES RASENTRIMMERS

Räumen Sie den Arbeitsbereich vor jedem Einsatz auf. Entfernen Sie alle Gegenstände, wie z.B. Steine, zerbrochenes Glas, Nägel, Drähte oder Fäden, die vom Gerät umhergeschleudert werden oder sich in der Schneidvorrichtung verfangen könnten. Halten Sie Kinder, Passanten und Haustiere von dem Bereich fern. Halten Sie einen Mindestabstand von 15 m zu Kindern, Passanten und Haustieren ein; auch dann besteht noch Gefahr durch umhergeschleuderte Gegenstände. Schaulustige sollten gebeten werden, Schutzbrillen aufzusetzen. Wenn jemand auf Sie zukommt, stellen Sie den Motor und das Schneidwerkzeug sofort ab.

### Prüfen Sie vor jedem Gebrauch auf Schäden/abgenutzte Teile

Mähkopf, Fadenschutz und den vorderen Haltegriff überprüfen. Alle gerissenen, verzogenen, verbogenen oder auf andere Weise beschädigte Teile auswechseln.

Das Fadenmesser wird am Fadenschutzrand im Laufe der Zeit stumpf. Es sollte daher regelmäßig mit einer Feile nachgeschliffen oder durch ein neues Messer ersetzt werden.

### Den Rasentrimmer nach jedem Gebrauch reinigen.

#### EINSTELLEN DER FADENLÄNGE

Am Mähkopf kann vom Benutzer mehr Mähfaden ausgegeben werden, ohne dass der Motor dazu angehalten werden muss. Wenn der Faden ausgefranst oder abgenutzt ist, kann mehr Faden ausgegeben werden. Dazu mit dem Mähkopf während des Betriebs leicht auf den Boden klopfen (Abb. M).

**HINWEIS:** Die Fadenausgabe wird umso schwerer, je kürzer der Faden wird.

**⚠️ WARNUNG:** Der Fadentrennmechanismus darf weder verändert noch entfernt werden. Zu viel Fadenlänge führt zu einer Überhitzung des Motors und kann schwere Verletzungen nach sich ziehen.

#### AUSWECHSELN DES FADENS

**HINWEIS:** Verwenden Sie immer den empfohlenen Nylon-Mähfaden mit höchstens 2,4 mm Durchmesser. Bei Verwendung eines anderen Fadens kann der Rasentrimmer überhitzen oder beschädigt werden.

**⚠️ WARNUNG:** Verwenden Sie niemals metallverstärkte Mähfäden, Drähte oder Seile o. ä. Diese können abbrechen und zu gefährlichen Geschossen werden.

1. Den Akku abnehmen.
2. Mähfadenreste ggf. entfernen.
3. Schneiden Sie 4 m Mähfaden ab. Führen Sie den Faden in die Montageöffnung in der Öse ein (Abb. O). Schieben Sie den Faden durch und ziehen Sie ihn auf der anderen Seite heraus, bis die Fäden auf beiden Seiten der Spule gleich lang sind.
4. Setzen Sie den Akku in den Rasentrimmer ein.
5. Halten Sie den Fadenwickelschalter gedrückt, um den Fadenwickelmotor zu starten. Der Faden wird im Mähkopf kontinuierlich aufgewickelt (Abb. P).
6. Achten Sie genau auf die restliche Fadenlänge. Drücken Sie kurz den Fadenwickelschalter zum Einstellen der Länge, wenn 13 cm Faden auf beiden Seiten zu sehen sind.
7. Halten Sie den Mähkopf nach unten gedrückt fest und ziehen Sie an den Fäden, um sie weiter herauszubefördern und sie auf korrekten Sitz zu prüfen.

Gehen Sie wie folgt vor, wenn der Mähfaden vom Fadenauslass abreißt oder wenn kein Mähfaden mehr beim Klopfen mit dem Mähkopf ausgegeben wird:

1. Den Akku vom Rasentrimmer abnehmen.
2. Drücken Sie die Freigabelaschen am Mähkopf und entfernen Sie die untere Abdeckung, indem Sie diese gerade herausziehen (Abb. Q).
3. Entfernen Sie den Mähfaden aus der Spule.
4. Führen Sie die Feder in die Öffnung an der unteren Abdeckung ein (Abb. R).
5. Halten Sie den Trimmer mit einer Hand fest. Mit der anderen Hand führen Sie die untere Spulenabdeckung und lassen die Öffnungen in der Spulenabdeckung mit den Freigabelaschen fluchten. Drücken Sie die untere Spulenabdeckung an, bis sie fest einrastet. Dies macht sich durch ein hörbares Klickgeräusch bemerkbar (Abb. S).
6. Zum erneuten Einsetzen des Mähfadens beachten Sie die Anweisungen im Abschnitt **“AUSWECHSELN DES FADENS”**.

#### TRIMMER HEAD REPLACEMENT

**⚠️ WARNUNG:** If the head loosens after it is fixed in position, replace it immediately. Never use a trimmer with a loose cutting attachment. Replace a cracked, damaged or worn out cutting head immediately, even if damage is limited to superficial cracks. Such attachments may shatter at high speed and cause serious injury.

#### ABNEHMEN DES MÄHKOPFS

1. Den Akku vom Rasentrimmer abnehmen.
2. Die beiden Freigabelaschen am Mähkopf drücken und die untere Spulenabdeckung geradlinig vom Mähkopf abziehen.
3. Den Mähfaden vom Mähkopf abnehmen (Abb. S).
4. Die Feder ggf. aus der Spule nehmen. Zur späteren Montage aufbewahren.
5. Handschuhe anziehen. Die Spule mit einer Hand gegenhalten und mit der anderen Hand die Mutter gegen den Uhrzeigersinn mit einem Schlagschraubere lösen (Abb. X).
6. Die Mutter, Spulenhalterung, die obere Spulenabdeckung und die untere Abdeckung von der Motorwelle abnehmen (Abb. T).

**HINWEIS:** Zwei Lagerbuchsen lösen sich sehr schnell von der Motorwelle; bitte diese Teile für die spätere Montage aufbewahren.

7. Als Ersatz einen neuen Mähkopf einsetzen und wie folgt montieren.



T-1	Lagerbuchse	T-6	Mähfaden
T-2	Obere Spulenabdeckung	T-7	Untere Spulenabdeckung
T-3	Mutter	T-8	Obere Spulenabdeckung
T-4	Unterlegscheibe	T-9	Montieren der Spule
T-5	Feder		

### INSTALL THE NEW TRIMMER HEAD

1. Die Lagerbuchsen auf der Motorwelle montieren und die obere Spulenabdeckung anbringen (Abb. T).
2. In der folgenden Reihenfolge die obere Spulenabdeckung, die Spule, die Unterlegscheibe und die Mutter montieren. Die Mutter mit einem Schlagschrauber festziehen (Abb. U & V).
3. Die Untere Spulenabdeckung anbringen.
4. Mähfaden neu einfädeln.
5. Das Gerät einschalten und prüfen, ob der Rasentrimmer regulär funktioniert. Falls nicht, die oben genannten Montageschritte wiederholen.

### WARTUNG

**⚠️ WARNUNG:** Verwenden Sie für die Wartung nur baugleiche Ersatzteile. Prüfen und warten Sie das Werkzeug regelmäßig. Um die Sicherheit und Zuverlässigkeit zu gewährleisten, sollten alle Reparaturen nur von qualifizierten Servicetechnikern durchgeführt werden.

**⚠️ WARNUNG:** Um schwere Verletzungen zu verhindern, entfernen Sie den Akku aus dem Werkzeug, bevor Sie das Gerät warten, reinigen, Aufsätze auswechseln oder Schnittgut aus dem Gerät entfernen.

**⚠️ VORSICHT:** Verstopfte Lüftungsschlitze verhindern, dass die Luft in das Motorgehäuse strömen kann. Das führt zu einer Überhitzung oder zu Motorschäden.

### REINIGEN DES GERÄTES

- Reinigen Sie das Gerät mithilfe eines feuchten Tuchs und eines milden Reinigungsmittels. Das Gerät vor Flüssigkeiten schützen. Das Werkzeug darf auf keinen Fall in Flüssigkeit getaucht werden.
- Benutzen Sie keine starken Reiniger am Kunststoffgehäuse oder am Griff. Die Teile können von bestimmten ätherischen Ölen, wie z. B. Kiefern- oder Zitronenöl und von Lösungsmitteln wie Petroleum angegriffen werden. Feuchtigkeit stellt zudem eine Stromschlaggefahr dar. Wischen Sie feuchte Stellen mit einem weichen trockenen Tuch ab.
- Reinigen Sie die Lüftungsschlitze auf der Gehäuserückseite mit einer kleinen Bürste oder mit der Abluft einer kleinen Staubsaugerbürste.

- Die Lüftungsschlitze im Motorgehäuse müssen immer von Ablagerungen befreit werden.

### FADENABSCHNEIDER NACHSCHLEIFEN

**⚠️ WARNUNG:** Bei Wartungsarbeiten am Fadenabschneider immer die Hände durch schnittfeste Handschuhe schützen.

1. Den Fadenabschneider vom Schneidschutz abbauen.
2. Den Abschneider in einen Schraubstock einspannen.
3. Die Schneidkanten des Abschneiders vorsichtig mit einer feinen Feile oder einem Schleifstein anschleifen, ohne den ursprünglichen Schnittwinkel zu verändern.
4. Den Abschneider wieder am Fadenschutz anbringen und mit den beiden Schrauben festziehen.

### AUFBEWAHREN DES GERÄTES

- Nehmen Sie den Akku aus dem Rasentrimmer, wenn er nicht benutzt wird.
- Reinigen Sie das Werkzeug gründlich, bevor Sie es verstauen.
- Lagern Sie das Gerät an einem trockenen, gut belüfteten Ort, der sich abschließen lässt oder hoch gelegen und für Kinder unerschwinglich ist. Lagern Sie das Gerät nicht auf oder neben Düngemitteln, Benzin oder anderen Chemikalien.

### Schutz der Umwelt



Elektrogeräte, alte Akkus und Ladegeräte dürfen nicht im Hausmüll entsorgt werden! Das Gerät muss einer offiziellen Recycling-Sammelstelle zur getrennten Entsorgung zugeführt werden. Elektrowerkzeuge müssen bei einer umweltfreundlichen Recycling-Einrichtung abgegeben werden.

## STÖRUNGSBEHEBUNG

DE

PROBLEM	URSACHE	LÖSUNG
Rasentrimmer lässt sich nicht starten.	<ul style="list-style-type: none"> <li>■ Der Akku ist nicht am Rasentrimmer angebracht.</li> <li>■ Kein elektrischer Kontakt zwischen Rasentrimmer und Akku.</li> <li>■ Der Akku ist leer.</li> <li>■ Die Sicherheitsverriegelung wurde vor dem Betätigen des Schalterabzugs nicht nach vorn geschoben</li> </ul>	<ul style="list-style-type: none"> <li>■ Akku an den Rasentrimmer anschließen.</li> <li>■ Akku herausnehmen, Kontakte überprüfen und wieder anschließen.</li> <li>■ Akku aufladen.</li> <li>■ Die Sicherheitsverriegelung nach vorn schieben und erst dann den Schalterabzug betätigen.</li> </ul>
Rasentrimmer hält während des Trimmens an.	<ul style="list-style-type: none"> <li>■ Der Fadenschutz ist nicht am Rasentrimmer montiert. Dadurch wird der Faden zu lang und der Motor wird überlastet.</li> <li>■ Der eingesetzte Mähfaden ist zu stark.</li> <li>■ Die Motorwelle oder der Mähkopf werden durch Gras blockiert.</li> <li>■ Der Motor ist überlastet.</li> </ul>	<ul style="list-style-type: none"> <li>■ Den Akku herausnehmen und den Fadenschutz am Trimmer anbringen.</li> <li>■ Den empfohlenen Mähfadendurchmesser von höchstens 2,4 mm verwenden.</li> <li>■ Rasentrimmer anhalten, Akku herausnehmen und das Gras von der Motorwelle und vom Mähkopf beseitigen.</li> <li>■ Den Mähkopf vom Rasen abheben. Der Motor läuft wieder hoch, sobald sich die Belastung verringert. Den Mähkopf beim Schneiden in das Gras hinein und herausbewegen. Dabei nicht mehr als 20 cm Länge in einem Durchgang mähen.</li> <li>■ Den Akku oder Rasentrimmer abkühlen lassen.</li> </ul>
Mähkopf führt keinen Faden nach.	<ul style="list-style-type: none"> <li>■ Die Motorwelle oder der Mähkopf werden durch Gras blockiert.</li> <li>■ Es ist nicht mehr genügend Faden in der Spule oder der Faden reißt an der Öse ab.</li> <li>■ Der Faden hat sich verheddert.</li> </ul>	<ul style="list-style-type: none"> <li>■ Den Rasentrimmer anhalten, den Akku herausnehmen und die Motorwelle und den Mähkopf reinigen.</li> <li>■ Den Akku entnehmen und den Mähfaden gemäß Anweisungen unter „<b>AUSWECHSELN DES FADENS</b>“ in dieser Bedienungsanleitung auswechseln.</li> <li>■ Den Akku entnehmen und den Mähfaden gemäß Anweisungen unter „<b>AUSWECHSELN DES FADENS</b>“ in dieser Bedienungsanleitung auswechseln.</li> <li>■ Den Akku entnehmen und den Mähfaden gemäß Anweisungen unter „<b>AUSWECHSELN DES FADENS</b>“ in dieser Bedienungsanleitung auswechseln.</li> </ul>

PROBLEM	URSACHE	LÖSUNG
Gras wickelt sich um den Mähkopf und das Motorgehäuse.	<ul style="list-style-type: none"> <li>■ Schneiden von hohem Gras auf Bodenhöhe</li> </ul>	<ul style="list-style-type: none"> <li>■ Beim Mähen von hohem Gras ist zu beachten, dass in einem Durchgang nicht mehr als 20 cm gekürzt werden sollten, um ein Herumwickeln von Gras zu vermeiden.</li> </ul>
Risse auf dem Mähkopf oder die Spulenhalterung löst sich von der Spulenunterseite.	<ul style="list-style-type: none"> <li>■ Der Mähkopf ist abgenutzt.</li> <li>■ Die Mutter zum Sichern des Mähkopfs hat sich gelöst.</li> </ul>	<ul style="list-style-type: none"> <li>■ Ersetzen Sie den Mähkopf sofort. Beachten Sie dazu die Anweisungen im Abschnitt „<b>MÄHKOPF AUSWECHSELN</b>“ in dieser Bedienungsanleitung.</li> <li>■ Öffnen Sie den Mähkopf und ziehen Sie die Mutter mit einem Schlagschrauber fest.</li> </ul>
Der Mähfaden wickelt sich nicht richtig um den Mähkopf herum.	<ul style="list-style-type: none"> <li>■ Der eingesetzte Mähfaden ist zu lang.</li> <li>■ Rasenreste oder Schmutz haben sich im Mähkopf angesammelt und blockieren die Fadenspule.</li> <li>■ Durch wiederholtes Betätigen der Fadenaufwicklung ist der Motor zu heiß geworden.</li> <li>■ Schwacher Akku</li> </ul>	<ul style="list-style-type: none"> <li>■ Schneiden Sie den Mähfaden auf eine Länge von 13 cm auf jeder Seite ab.</li> <li>■ Den Akku abnehmen, den Mähkopf öffnen und gründlich reinigen.</li> <li>■ Zum Abkühlen des Motors den Rasentrimmer im Leerlauf mehrere Minuten laufen lassen, damit sich der Motor abkühlen kann. Anschließend versuchen, erneut Faden nachzuführen.</li> <li>■ Akku aufladen.</li> </ul>
Beim Einfädeln des Mähfadens lässt sich der Faden nicht durch den Mähkopf führen.	<ul style="list-style-type: none"> <li>■ Der Mähfaden ist am Ende gespalten oder verbogen.</li> <li>■ Nach dem Wiedereinbau erreicht die untere Spulenabdeckung ihre Einbaulage nicht.</li> </ul>	<ul style="list-style-type: none"> <li>■ Das abgenutzte Fadenendstück abtrennen und erneut einfädeln.</li> <li>■ Den Akku am Rasentrimmer anbringen, den Fadenwickelschalter drücken, um die motorisierte Aufwicklung kurz zu starten und um die untere Spulenabdeckung freizugeben.</li> </ul>

## GARANTIE

### EGO-GARANTIEBEDINGUNGEN

Sämtliche EGO Garantiebedingungen finden Sie auf der Website [egopowerplus.com](http://egopowerplus.com).

## LISEZ TOUTES LES INSTRUCTIONS !

FR



### LISEZ LE MANUEL D'UTILISATION

**⚠ Risques résiduels!** Les personnes portant des appareils électroniques, par exemple des stimulateurs cardiaques, doivent consulter leur(s) médecin(s) avant d'utiliser ce produit. L'utilisation d'un équipement électrique près d'un stimulateur cardiaque peut provoquer des interférences ou la panne du stimulateur cardiaque.

## SYMBOLE DE SECURITE

L'utilisation d'un outil électrique peut provoquer la projection d'objets étrangers dans vos yeux, ce qui peut entraîner des lésions oculaires graves. Avant de commencer à utiliser l'outil électrique, portez toujours un masque de sécurité ou des lunettes de sécurité avec des protections latérales et une visière complète si nécessaire. Nous vous recommandons de porter un Masque de Sécurité à Vision Panoramique par-dessus des lunettes de vue ou des lunettes de sécurité standards avec des protections latérales.



Alerte de sécurité



Protection oculaire : portez un masque de sécurité ou des lunettes de sécurité avec boucliers latéraux et un masque facial intégral lors de l'utilisation de ce produit.



Protection auditive : portez une protection auditive pendant l'utilisation de ce produit.



Protection de la tête : portez un casque de sécurité homologué pour protéger votre tête.



Ne pas installer de lame de coupe ronde.



Largeur de coupe : la largeur de coupe maximale du taille-bordure



Veillez à ce que les autres personnes et les animaux restent éloignés d'au moins 15 m du taille-bordure pendant son utilisation.



Niveau de puissance acoustique garanti. Émission de bruit dans l'environnement conformément à la directive CE.



Les produits électriques usagés ne doivent pas être jetés avec les ordures ménagères. Apportez-les dans un centre de recyclage agréé.

$n_0$

Régime à vide : vitesse de rotation à vide



Courant continu



Pour réduire le risque de blessures, l'utilisateur doit lire la notice d'utilisation.



Chaussures : portez des chaussures de sécurité antidérapantes pendant l'utilisation de cet équipement.



Gants : protégez vos mains avec des gants pendant la manipulation des lames ou des carters de lames.



Rebond : mettez en garde l'opérateur contre le danger de rebond de lame.



Diamètre de fil : le diamètre du fil de coupe en nylon



Les objets projetés peuvent ricocher et causer des blessures ou des dommages matériels. Veillez toujours à ce que les autres personnes et les animaux restent éloignés du taille-bordure pendant son utilisation.



N'utilisez pas ce produit sous la pluie et ne le laissez pas à l'extérieur quand il pleut.



Ce produit est conforme aux directives CE applicables.

V

Tension

.../min

Par minute

kg

Kilogramme

## SPÉCIFICATIONS

Tension	56 V ---	
Régime à vide	Réglage basse vitesse : 3000-4500 RPM Réglage haute vitesse : 4000-5800 RPM	
Mécanisme de coupe	Tête à avancement par frappe	
Type de fil de coupe	Fil torsadé en nylon 2,4 mm	
Largeur de coupe	35 cm	
Température d'utilisation recommandée	0°C-40°C	
Température de stockage recommandée	-20°C-70°C	
Température de recharge optimale	5°C-40°C	
Poids (sans batterie)	5,8 kg	
Niveau de puissance acoustique mesuré $L_{WA}$	88,98 dB(A) K=2 dB(A)	
Niveau de pression acoustique au niveau des oreilles de l'opérateur $L_{PA}$	68,96 dB(A) K=2 dB(A)	
Niveau de puissance acoustique garanti $L_{WA}$ (conformément à la norme 2000/14/CE)	91 dB(A)	
Niveau de vibration $a_{hv}$ :	Poignée auxiliaire avant	3,2 m/s <sup>2</sup> K=1,5 m/s <sup>2</sup>
	Poignée arrière	2,3 m/s <sup>2</sup> K=1,5 m/s <sup>2</sup>

- La valeur totale des vibrations indiquée a été mesurée selon une procédure conforme à une méthode de test standardisée et peut servir pour comparer différents outils.
- La valeur totale des vibrations déclarée peut également servir pour effectuer une évaluation préliminaire de l'exposition.

**REMARQUE:** Le niveau de vibrations lors de l'utilisation réelle de l'outil peut être différent de la valeur déclarée totale en fonction de la manière dont l'outil est utilisé ; Afin de protéger l'opérateur, l'utilisateur doit porter des gants et des protecteurs d'oreilles en conditions réelles d'utilisation.

## DESCRIPTION

### DESCRIPTION DE VOTRE TAILLE-BORDURE (Image A1)

- Poignée arrière
- Sélecteur de vitesse haute/basse
- Poignée auxiliaire avant réglable
- Charnière
- Bouton de charge de fil
- Carter
- Levier de verrouillage
- Bague de blocage de la hauteur
- Interrupteur à gâchette
- Languette de verrouillage
- Tête de coupe (tête de frappe)
- Lame de coupe du fil
- Languette de déblocage
- Fil de coupe
- Bouton de déblocage de la batterie
- Verrou
- Contacts électriques
- Mécanisme d'éjection
- Clé à six pans

FR

## CONTENU DE L'EMBALLAGE (IMAGE A1)

### ASSEMBLAGE

#### DEPLIER LE MANCHE

**AVERTISSEMENT:** Ne maintenez pas le manche au niveau des articulations afin d'éviter de vous pincer les mains ou les doigts.

**AVERTISSEMENT:** N'essayez pas de démarrer le taille-bordure avant d'avoir fixé le manche.

Dépliez le manche avec précaution en veillant à ce que le câble soit à l'intérieur du manche puis fixez-le avec les deux vis à l'aide de la clé fournie (images B1 et B2).

#### MONTAGE DU CARTER

Placez le taille-bordure en orientant sa tête vers le haut (image C1). Alignez les trous de fixation du carter sur les trous du manche, puis fixez le carter sur la base du manche avec les deux vis (image C2).

**REMARQUE:** Vérifiez que le carter est fixé comme montré sur les images C1 et C2, un montage dans le mauvais sens est très dangereux !

#### INSTALLATION ET RÉGLAGE DE LA POIGNÉE DE MANŒUVRE AVANT

- Desserrez le levier de verrouillage sur la poignée de manœuvre avant et retirez-le, ainsi que l'écrou papillon (Image D).

D-1	Poignée de manœuvre avant	D-3	Écrou papillon
D-2	Bloc de fixation	D-4	Lévier de verrouillage

FR

2. Poussez la poignée de manœuvre avant sur le manche entre la bague de blocage de la hauteur et la charnière (image E).
3. Glissez le bloc de fixation sur la fente située sur le manche (Image F).
4. Installez le levier de verrouillage et pré-serrez l'écrou papillon. Veillez à ce que la poignée de manœuvre avant soit tournée vers le haut et dirigée vers le haut de la poignée arrière (Image J).
5. Relevez le niveau du levier de verrouillage afin de déplacer/turner facilement la poignée en boucle à votre convenance. Puis abaissez le levier de verrouillage pour le bloquer. (Image H).

**⚠ AVERTISSEMENT:** L'outil ne peut pas être utilisé sans que la poignée avant ne soit solidement fixée.

### RÉGLER LA POIGNÉE ARRIÈRE

Si la longueur du manche ne convient pas, vous pouvez l'ajuster à l'aide de la bague de blocage de la hauteur.

1. Retirez la batterie de l'outil.
2. Afin d'ajuster la hauteur du taille-bordure, ouvrez la bague de blocage de la hauteur puis glissez le manche vers le haut ou le bas à la hauteur souhaitée et fixez-le en refermant la bague de blocage (image I).

**REMARQUE:** La poignée de manœuvre avant devra peut-être être réajustée après avoir changé la hauteur du taille-bordure.

## FUNCTIONNEMENT

**⚠ AVERTISSEMENT:** Veuillez toujours porter des lunettes de protection ou des lunettes de sécurité avec protections latérales, ainsi qu'une protection auditive. Sans protection, des objets peuvent être projetés dans vos yeux et d'autres blessures graves peuvent se produire.

Vous pouvez utiliser cet outil pour les usages listés ci-dessous:

**Tailler :** Couper le gazon et les mauvaises herbes des murs, des barrières, des arbres et des bordures.

**Couper :** Couper le gazon difficile à atteindre avec une tondeuse classique.

### INSÉRER/RETIRER LA BATTERIE

Utilisez exclusivement les batteries et les chargeurs EGO listés au schéma A2.

### Rechargez complètement la batterie avant la première utilisation.

#### Insertion

Alignez les arêtes de la batterie sur les rainures d'assemblage et poussez la batterie vers le bas jusqu'à entendre un déclic (Image J1).

#### Retrait

Appuyez sur le bouton d'éjection de la batterie et retirez la batterie comme indiqué sur l'image J2.

J-1 Bouton d'éjection de la batterie

### TENIR LE TAILLE-BORDURES

Tenez le taille-bordures à deux mains : Une main sur la poignée arrière et l'autre main sur la poignée de manœuvre avant.

**REMARQUE:** La tête de coupe est parallèle au sol à une distance de coupe appropriée sans que l'opérateur ne soit penché (Image K).

### DÉMARRER ET ÉTEINDRE LE TAILLE-BORDURES

#### Allumer l'outil

Poussez la languette de verrouillage en avant puis appuyez sur l'interrupteur à gâchette.

La gâchette permet d'ajuster la vitesse en continu. Plus vous enfoncez la gâchette, plus la vitesse augmente (image L).

#### Arrêter l'outil

Relâchez l'interrupteur-gâchette.

### FUNCTION DE RÉGLAGE DE LA VITESSE (IMAGE L)

Le taille-bordures dispose de deux vitesses. La position « LOW » correspond à la vitesse basse et la position « HIGH » à la vitesse élevée.

Image L Description des pièces, voir ci-dessous :

L-1	Sélecteur de vitesse haute/basse	L-2	Interrupteur à gâchette
-----	----------------------------------	-----	-------------------------

### UTILISER LE TAILLE-BORDURES

Nettoyez la zone à couper avant chaque utilisation. Retirez tous les objets pouvant s'emmêler dans les accessoires de coupe ou être projetés, par exemple les pierres, les morceaux de verre, les clous, les fils métalliques, les ficelles. Veillez à ce qu'il n'y ait aucune autre personne, aucun enfant, ni aucun animal dans l'aire de travail. Veillez à ce que les enfants, les animaux ainsi que toute autre personne se tiennent toujours à au moins 15 m de l'outil en fonctionnement ; le risque de projection d'objets reste présent. Insistez à ce que les autres personnes présentes à proximité portent une protection

oculaire. Si une personne s'approche de vous, éteignez immédiatement le moteur et l'accessoire de coupe.

**Avant chaque utilisation, inspectez l'outil pour vérifier qu'aucune de ses pièces n'est endommagée/usée.**

Inspectez la tête de frappe, le carter de protection, la poignée de manœuvre avant et remplacez les pièces fissurées, voilées, tordues ou présentant une autre détérioration.

La lame de coupe du fil sur le bord du carter de protection s'use avec le temps. Il est recommandé de l'affûter régulièrement avec une lime ou de la remplacer par une lame neuve.

**Après chaque utilisation, nettoyez l'outil.**

**RÉGLER LA LONGUEUR DU FIL DE COUPE**

La tête de coupe permet à l'opérateur d'allonger le fil de coupe sans éteindre le moteur. Quand le fil de coupe est usé ou effiloché, vous pouvez l'allonger en frappant légèrement la tête de coupe sur le sol pendant que l'outil est en marche (Image M).

**REMARQUE:** Au fur et à mesure que le fil de coupe se raccourcit, vous devrez frapper la tête de coupe plusieurs fois pour l'allonger.

**⚠ AVERTISSEMENT:** Ne retirez pas et ne modifiez pas l'assemblage de la lame de coupe du fil. Un fil de coupe trop long peut provoquer la surchauffe du moteur et entraîner des blessures corporelles graves.

**CHANGER LE FIL DE COUPE**

**REMARQUE:** Utilisez toujours le fil de coupe en nylon recommandé d'un diamètre ne dépassant pas 2,4 mm. Utiliser un autre fil que celui spécifié peut provoquer la surchauffe et la détérioration du taille-bordures.

**⚠ AVERTISSEMENT:** N'utilisez jamais de corde, de fil métallique, de fil à renfort métallique, etc. Ces derniers peuvent se rompre et devenir des projectiles dangereux.

1. Retirez la batterie.
2. Retirez le fil de coupe restant, si nécessaire.
3. Coupez 4 m de fil de coupe. Insérez le fil dans le trou d'assemblage à l'intérieur de l'œillet (Image O). Poussez le fil et tirez-le de l'autre côté jusqu'à ce qu'il y ait une longueur de fil identique de chaque côté de la bobine.
4. Insérez la batterie dans le taille-bordures.
5. Maintenez le bouton de charge de fil enfoncé pour démarrer le moteur d'enroulement du fil. Le fil s'enroule dans la tête de coupe de façon continue (image P).

6. Faites bien attention à la longueur de fil restant. Appuyez brièvement sur le bouton de charge de fil pour ajuster la longueur jusqu'à ce que 13 cm de fil dépasse de chaque côté.
7. Appuyez sur la tête du taille-bordures tout en tirant les extrémités du fil pour les faire sortir manuellement afin de contrôler le bon assemblage du fil de coupe.

Si le fil de coupe casse au niveau du trou de sortie ou s'il ne sort pas quand vous tapez sur la tête de coupe, procédez comme suit :

1. Retirez la batterie de l'outil.
2. Appuyez sur les languettes de déblocage de la tête de coupe et retirez le capot inférieur en le tirant vers l'extérieur (Image Q).
3. Retirez le fil de coupe de la bobine.
4. Insérez le ressort dans la fente dans le capot inférieur (image R).
5. Tenez l'outil à une main et utilisez l'autre main pour maintenir le capot inférieur et alignez les fentes du capot inférieur avec les languettes de déblocage. Enfoncez le capot inférieur jusqu'à ce qu'il se mette en place en émettant un « clic » audible (image S).
6. Pour recharger le fil de coupe, suivez la procédure « **REMPLACEMENT DU FIL DE COUPE** ».

**REMPLACEMENT DE LA TÊTE DE COUPE**

**⚠ AVERTISSEMENT:** Si la tête se desserre après avoir été fixée, remplacez-la immédiatement. N'utilisez jamais l'outil avec un accessoire de coupe desserré. Remplacez immédiatement la tête de coupe si elle est fissurée, endommagée ou usée, même si la détérioration se limite à des fissures superficielles. De tels accessoires peuvent éclater à haute vitesse et provoquer des blessures graves.

**RETIRER LA TÊTE DE COUPE**

1. Retirez la batterie de l'outil.
2. Appuyez sur les languettes de déblocage de la tête de coupe et retirez le capot inférieur de la tête en le tirant vers l'extérieur.
3. Retirez le fil de coupe de la tête de coupe (image S).
4. Retirez le ressort hors de la bobine si nécessaire. Conservez-le pour le réassemblage.
5. Portez des gants. Stabilisez la bobine à une main et utilisez l'autre main pour maintenir une clé à chocs (non fournie) et desserrer l'écrou dans le sens inverse des aiguilles d'une montre (image X).
6. Retirez l'écrou, le boîtier de bobine, le capot supérieur et le capot de base supérieur de l'arbre moteur (image T).

**REMARQUE:** Deux bagues tomberont facilement de l'arbre moteur, faites attention à bien les conserver pour le réassemblage.

FR

7. Placez une nouvelle tête de coupe et montez-la comme décrit dans les étapes suivantes.

T-1	Bague	T-6	Fil de coupe
T-2	Capot supérieur	T-7	Capot inférieur
T-3	Écrou	T-8	Capot de base supérieur
T-4	Rondelle	T-9	Assemblage bobine
T-5	Ressort		

## INSTALLER LA NOUVELLE TÊTE DE COUPE

1. Montez les bagues sur l'arbre moteur et mettez le capot de base supérieur en place (image T).
2. Montez le capot supérieur, la bobine, la rondelle et l'écrou dans cet ordre. Utilisez une clé à chocs sur l'écrou pour le serrage (images U et V).
3. Montez le capot inférieur.
4. Rechargez le fil de coupe.
5. Démarrez l'outil pour voir si la taille-bordures fonctionne normalement. Si tel n'est pas le cas, réassemblez l'outil comme décrit ci-dessus.

## ENTRETIEN

**⚠ AVERTISSEMENT:** L'outil ne doit être réparé qu'avec des pièces de rechange identiques. Inspectez et entretenez l'outil régulièrement. Pour garantir la sécurité et la fiabilité, toutes les réparations doivent être effectuées par un réparateur qualifié.

**⚠ AVERTISSEMENT:** Pour éviter les blessures corporelles graves, retirez la batterie de l'outil avant de le réparer, de le nettoyer, de changer un accessoire ou d'enlever des matières de l'outil.

**⚠ ATTENTION:** Si les ouïes de ventilation sont bouchées, cela empêchera l'air de circuler dans le boîtier du moteur, ce qui peut provoquer la surchauffe et la détérioration du moteur.

## NETTOYER L'OUTIL

- Nettoyez l'outil avec un chiffon humide et un détergent doux. Veillez à ce qu'aucun liquide ne pénètre jamais dans l'outil. N'immergez jamais aucune partie de l'outil dans un liquide.
- N'utilisez pas de détergent puissant sur le boîtier en plastique ou sur la poignée, car ils peuvent être endommagés par certaines huiles aromatiques, par exemple de pin et de citron, et par les solvants, par exemple l'essence. L'humidité peut également générer

un risque de choc électrique. Essayez les traces d'humidité avec un chiffon doux et sec.

- Avec une petite brosse ou un petit aspirateur, nettoyez les ouïes de ventilation du boîtier arrière.
- Veillez à ce que les ouïes de ventilation du boîtier du moteur soient toujours exemptes de débris.

## AFFUTER LA LAME DE COUPE

**⚠ AVERTISSEMENT:** Protégez toujours vos mains en portant des gants pour travaux lourds pendant toutes les opérations d'entretien de la lame de coupe.

1. Retirez la lame de coupe du carter.
2. Fixez la lame dans un étau.
3. Limez soigneusement les bords coupants de la lame à l'aide d'une lime fine ou d'une pierre à aiguiser, en veillant à bien suivre l'angle du bord de coupe d'origine.
4. Remplacez la lame sur le carter et fixez-la avec les deux vis.

## STOCKAGE DE L'UNITÉ

- Retirez la batterie du taille-bordures quand vous ne l'utilisez pas.
- Nettoyez soigneusement et intégralement l'outil avant de le ranger.
- Rangez l'outil dans un endroit sec, bien aéré, fermé à clé ou en hauteur, et hors de portée des enfants. Ne rangez pas l'outil sur ou à côté d'engrais, d'essence ou d'autres substances chimiques.

## Protection de l'environnement



Ne jetez pas les équipements électriques, les batteries usées et les chargeurs avec les ordures ménagères ! Apportez ce produit chez un recycleur agréé et rendez-le disponible pour une collecte séparée. Les outils électriques doivent être amenés dans un centre de recyclage pour assurer un respect de l'environnement.



## DÉPANNAGE

**FR**

PROBLÈME	CAUSE	SOLUTION
Le taille-bordure ne s'allume pas.	<ul style="list-style-type: none"> <li>■ La batterie n'est pas raccordée au taille-bordure.</li> <li>■ Il n'y a pas de contact électrique entre l'outil et la batterie.</li> <li>■ La batterie est déchargée.</li> <li>■ La languette de verrouillage n'a pas été déplacée vers l'avant avant d'appuyer sur l'interrupteur à gâchette.</li> </ul>	<ul style="list-style-type: none"> <li>■ Raccordez la batterie au taille-bordure.</li> <li>■ Retirez la batterie, inspectez les contacts, puis réinsérez la batterie.</li> <li>■ Rechargez la batterie.</li> <li>■ Poussez la languette de verrouillage en avant puis appuyez sur l'interrupteur à gâchette.</li> </ul>
Le taille-bordure s'arrête pendant la coupe.	<ul style="list-style-type: none"> <li>■ Le carter n'est pas monté sur l'outil, ce qui provoque une longueur excessive du fil de coupe et la surcharge du moteur.</li> <li>■ Un fil de coupe trop épais est utilisé.</li> <li>■ L'arbre du moteur ou la tête de coupe est bloquée par de l'herbe.</li> <li>■ Le moteur est en surcharge.</li> <li>■ La batterie ou le taille-bordure est trop chaud.</li> <li>■ La batterie est déconnectée de l'outil.</li> <li>■ La batterie est déchargée.</li> <li>■ Le fil de coupe n'a pas la même longueur des deux côtés.</li> </ul>	<ul style="list-style-type: none"> <li>■ Retirez la batterie, puis montez le carter sur l'outil.</li> <li>■ Utilisez le fil de coupe en nylon recommandé d'un diamètre ne dépassant pas 2,4 mm.</li> <li>■ Éteignez l'outil, retirez la batterie, puis retirez l'herbe de l'arbre du moteur et de la tête de coupe.</li> <li>■ Retirez la tête de coupe de l'herbe. Le moteur retrouve un fonctionnement normal dès qu'il n'est plus en surcharge. Pendant la coupe, déplacez la tête de coupe en un mouvement de va-et-vient dans l'herbe à couper et ne coupez pas une longueur supérieure à 20 cm en un seul passage.</li> <li>■ Laissez la batterie ou le taille-bordure refroidir.</li> <li>■ Réinstallez la batterie.</li> <li>■ Rechargez la batterie.</li> <li>■ Frappez la tête de coupe jusqu'à ce que la longueur du fil de coupe soit identique des deux côtés.</li> </ul>
La tête de coupe ne fait pas avancer le fil de coupe.	<ul style="list-style-type: none"> <li>■ L'arbre du moteur ou la tête de coupe est bloquée par de l'herbe.</li> <li>■ Il n'y a pas assez de fil sur la bobine ou le fil s'est rompu de l'œillet.</li> <li>■ Le fil de coupe est emmêlé.</li> <li>■ Le fil de coupe est trop court.</li> </ul>	<ul style="list-style-type: none"> <li>■ Éteignez l'outil, retirez la batterie puis nettoyez l'arbre du moteur et de la tête de coupe.</li> <li>■ Retirez la batterie et changez le fil de coupe en vous référant à la partie « <b>CHANGER LE FIL DE COUPE</b> » de ce manuel.</li> <li>■ Retirez la batterie et changez le fil de coupe en vous référant à la partie « <b>CHANGER LE FIL DE COUPE</b> » de ce manuel.</li> <li>■ Retirez la batterie et changez le fil de coupe en vous référant à la partie « <b>CHANGER LE FIL DE COUPE</b> » de ce manuel.</li> </ul>

PROBLÈME	CAUSE	SOLUTION
De l'herbe s'enroule autour de la tête de coupe et du boîtier du moteur.	Vous coupez de l'herbe haute au ras du sol.	Coupez les herbes hautes de haut en bas en coupant 20 cm au maximum à chaque passage pour éviter que l'herbe ne s'enroule.
La tête de coupe est fissurée ou le boîtier de bobine se détache de la base.	<ul style="list-style-type: none"> <li>■ La tête de coupe est usée.</li> <li>■ L'écrou qui maintient la tête de coupe est desserré.</li> </ul>	<ul style="list-style-type: none"> <li>■ Remplacez la tête de coupe immédiatement. Consultez la partie « <b>REMPLACEMENT DE LA TÊTE DE COUPE</b> » de ce manuel.</li> <li>■ Ouvrez la tête de coupe et utilisez une clé à chocs pour serrer l'écrou.</li> </ul>
Le fil ne s'enroule pas correctement dans la tête de coupe.	<ul style="list-style-type: none"> <li>■ Le fil de coupe est trop long.</li> <li>■ Des résidus d'herbes ou de la saleté s'est accumulée dans la tête de coupe et a bloqué le mouvement de la bobine.</li> <li>■ Le moteur est en surchauffe en raison de l'utilisation répétée du système d'enroulement du fil.</li> <li>■ Batterie faible</li> </ul>	<ul style="list-style-type: none"> <li>■ Coupez le fil de façon à ce qu'environ 13 cm dépasse de chaque côté.</li> <li>■ Retirez la batterie, ouvrez la tête de coupe et nettoyez-la soigneusement.</li> <li>■ Faites fonctionner le taille-bordure à vide pendant quelques minutes pour refroidir le moteur puis essayez de recharger le fil.</li> <li>■ Rechargez la batterie.</li> </ul>
Le fil ne parvient pas à passer à travers la tête de coupe lorsqu'on l'y insère.	<ul style="list-style-type: none"> <li>■ Le fil est fendu ou courbé à son extrémité.</li> <li>■ Le capot inférieur n'est pas dans une position ouverte.</li> </ul>	<ul style="list-style-type: none"> <li>■ Coupez l'extrémité usagée du fil et réinsérez-le.</li> <li>■ Insérez la batterie dans le taille-bordure. Appuyez sur le bouton de charge de fil pour démarrer brièvement la charge et libérer le capot inférieur.</li> </ul>

## GARANTIE

### POLITIQUE DE GARANTIE EGO

Visitez le site Web [egopowerplus.com](http://egopowerplus.com) pour consulter les conditions complètes de la politique de garantie EGO.

## ¡LEA TODAS LAS INSTRUCCIONES!



### LEA EL MANUAL DEL USUARIO

**⚠ ¡Riesgo residual!** Las personas con implantes electrónicos, como marcapasos, deberán consultar a su médico antes de utilizar este producto. La utilización de equipos eléctricos en las proximidades inmediatas de un marcapasos podría causar en este interferencias o averías.

ES

## SÍMBOLO DE SEGURIDAD

Quando se utilizan herramientas eléctricas, es posible que salgan despedidos objetos que podrían causar lesiones oculares graves. Antes de empezar a usar herramientas eléctricas, póngase siempre gafas de seguridad, gafas con cristales anti-impacto que cuenten con pantallas de protección lateral y una máscara facial completa. Recomendamos usar una máscara de seguridad de amplia visión que pueda utilizarse encima de gafas graduadas, o bien gafas normales de seguridad equipadas con pantallas laterales.



Aviso de seguridad

Lleve protección ocular: utilice siempre utilice gafas de seguridad, gafas con cristales anti-impacto que cuenten con pantallas de protección lateral, o bien una máscara facial que proteja completamente la cara.



Lleve protección auditiva: utilice siempre protección auditiva cuando use este producto.



Lleve protección en la cabeza: póngase un casco de seguridad para protegerse la cabeza.



No instale cuchillas redondas.



Anchura de corte: la anchura de corte máxima del cortabordes con cabezal de hilo



Asegúrese de que las personas y los animales domésticos se mantengan a una distancia mínima de 15 m cuando se esté usando el cortabordes con cabezal de hilo.



Nivel de potencia acústica garantizado. La emisión de ruido al medio ambiente cumple la directiva de la Comunidad Europea.



Los productos eléctricos no deben eliminarse con la basura doméstica. Lívelos a un centro de reciclaje autorizado.

$n_0$

Velocidad sin carga: velocidad de giro, sin carga



Corriente continua



Para reducir el riesgo de lesiones, el usuario debe leer el manual de instrucciones.



Lleve calzado de seguridad: utilice calzado de seguridad antideslizante siempre que use este equipo.



Lleve gantes de protección: utilice guantes para protegerse las manos cuando manipule cuchillas o el protector de las cuchillas.



Tenga cuidado con el contragolpe de las cuchillas: advierta al usuario del peligro de contragolpe de las cuchillas.



Diámetro del hilo: tenga en cuenta el diámetro del hilo de corte indicado.



Los objetos lanzados pueden rebotar y provocar lesiones personales o daños materiales. Asegúrese de que las personas y los animales domésticos se mantengan alejados de la desbrozadora cuando se esté usando.



No utilice la herramienta bajo la lluvia ni la deje a la intemperie cuando esté lloviendo.



Este producto está en conformidad con las directivas de la CE aplicables.

V Tensión

.../min Por minuto

kg Kilogramo

## ESPECIFICACIONES

Tensión	56 V ~	
Velocidad sin carga	Ajuste de velocidad baja: 3000-4500 rpm Ajuste de velocidad alta: 4000-5800 rpm	
Mecanismo de corte	Cabezal con extracción de hilo por impacto	
Tipo de hilo de corte	Hilo retorcido de nailon de 2,4 mm	
Anchura de corte	35 cm	
Temperatura de funcionamiento recomendada	de 0°C a 40°C	
Temperatura de almacenamiento recomendada	de -20°C a 70°C	
Temperatura óptima de carga	de 5°C a 40°C	
Peso (sin batería)	5,8 kg	
Nivel de potencia acústica medido $L_{WA}$	88,98 dB(A) K=2 dB(A)	
Nivel de presión acústica medido a la altura del oído del usuario $L_{PA}$	68,96 dB(A) K=2 dB(A)	
Nivel de potencia acústica garantizado $L_{WA}$ (medido según 2000/14/CE)	91 dB(A)	
Evaluación de la vibración $a_v$ :	Empuñadura auxiliar delantera	3,2 m/s <sup>2</sup> K=1,5 m/s <sup>2</sup>
	Empuñadura trasera	2,3 m/s <sup>2</sup> K=1,5 m/s <sup>2</sup>

- El valor de vibración total ha sido medido de acuerdo con el método de prueba estándar y se puede utilizar para comparar herramientas.
- El valor total de vibración declarado se puede usar además en una evaluación preliminar del grado de exposición.

**AVISO:** Las vibraciones generadas durante el uso real de la herramienta eléctrica pueden diferir del valor declarado en función de la manera en que se utilice. Como protección, el usuario debería utilizar guantes y protectores auditivos en condiciones reales de uso.

## DESCRIPCIÓN

### FAMILIARÍCESE CON EL CORTABORDES CON CABEZAL DE HILO (Fig. A1)

- Empuñadura trasera
- Conmutador de velocidad alta/baja
- Empuñadura auxiliar delantera ajustable
- Bisagra
- Botón de carga de hilo
- Protección
- Tornillo de palanca
- Collarín de bloqueo de altura
- Gatillo interruptor
- Lengüeta de bloqueo
- Cabezal del cortabordes (cabezal de impacto)
- Cuchilla de recorte del hilo
- Lengüeta de liberación
- Hilo de corte
- Botón de liberación de la batería
- Seguro
- Contactos eléctricos
- Mecanismo de expulsión
- Llave hexagonal

### LISTA DE CONTENIDO (FIG. A1)

## MONTAJE

### DESPLEGAR EL TUBO

**ADVERTENCIA:** No sujete el tubo por las uniones para evitar el pinzamiento de las manos o los dedos.

**ADVERTENCIA:** No ponga en marcha el cortabordes hasta que el tubo esté bloqueado.

Despliegue el tubo con cuidado, asegurándose de que el cable esté dentro del tubo, y bloquéelo con los dos tornillos utilizando la llave incluida (fig. B1 y B2).

### MONTAJE DE LA PROTECCIÓN

Coloque el cortabordes de manera que el cabezal quede orientado hacia arriba (fig. C1). Alinee los orificios de montaje de la protección con los orificios de instalación y, a continuación, bloquee la protección sobre la base del tubo utilizando los dos tornillos (fig. C2).

**AVISO:** Asegúrese de que la protección esté fijada tal como se muestra en las fig. C1 y C2. ¡Si se fija de forma inversa provocará una situación de peligro grave!

### MONTAJE Y AJUSTE DE LA EMPUÑADURA AUXILIAR DELANTERA

1. Afloje la espiga de bloqueo en la empuñadura auxiliar delantera y quite la espiga de bloqueo y la tuerca de mariposa de la empuñadura auxiliar delantera (fig. D).

D-1	Empuñadura auxiliar delantera	D-3	Tuerca de mariposa
D-2	Bloque de fijación	D-4	Espiga de bloqueo

2. Empuje la empuñadura auxiliar delantera sobre el eje entre el collarín de bloqueo de la altura y la bisagra (fig. D).
3. Inserte el bloque de fijación en la ranura de la empuñadura (fig. F).
4. Monte la palanca de espiga de bloqueo y apriete ligeramente la tuerca de mariposa. Asegúrese de que la empuñadura auxiliar delantera quede posicionada hacia arriba y apunte hacia la parte superior de la empuñadura trasera (fig. J).
5. Levante la palanca de la espiga de bloqueo para poder mover/girar fácilmente la empuñadura a la posición que le resulte cómoda. A continuación, cierre la palanca de la espiga de bloqueo. (Fig. H).

**⚠ ADVERTENCIA:** La herramienta no se puede usar si la empuñadura delantera no está sujeta de forma segura.

#### AJUSTE DE LA EMPUÑADURA TRASERA

Si la longitud del tubo no es adecuada para la aplicación que va a realizar, puede ajustarla con la pinza de bloqueo de la altura.

1. Quite la batería del cortabordes.
2. Para ajustar la altura del cortabordes, abra la pinza de bloqueo de la altura y, a continuación, deslice el tubo hacia arriba o hacia abajo hasta la altura que desee, y sujételo en esa posición apretando la pinza de bloqueo (fig. I).

**AVISO:** Puede que tenga que volver a ajustar la empuñadura auxiliar delantera después de cambiar la altura del cortabordes.

## FUNCIONAMIENTO

**⚠ ADVERTENCIA:** Lleve siempre gafas de seguridad o gafas con pantallas de protección lateral, además de protección auditiva. De lo contrario, de la herramienta pueden salir objetos despedidos y alcanzar los ojos, provocando lesiones graves.

Este producto puede utilizarse para los fines indicados a continuación:

**Recorte:** se usa para quitar hierba y malas hierbas junto a paredes, vallas, árboles y bordes.

**Corte:** se usa para cortar la hierba difícil de alcanzar con un cortacésped normal.

#### INSTALAR/QUITAR LA BATERÍA

Utilice únicamente los modelos de baterías y cargadores de EGO indicados en la fig. A2.

**Cargue totalmente la batería antes de usarla por primera vez.**

#### Instalación

Alinee las nervaduras de la batería con las ranuras de montaje, e introduzca la batería presionándola hacia abajo hasta oír un «clic» (fig. J1).

#### Retirada

Pulse el botón de liberación de la batería y saque la batería como se muestra en la fig. J2.

J-1	Botón de liberación de la batería
-----	-----------------------------------

#### SUJECIÓN DEL CORTABORDES DE HILO

Sujete firmemente el cortabordes de hilo utilizando las dos manos: una mano deberá sujetar la empuñadura trasera y la otra la empuñadura auxiliar delantera.

**AVISO:** El cabezal del cortabordes está paralelo al suelo a una distancia de corte adecuada, sin que el usuario tenga que inclinarse (fig. K).

#### PUESTA EN MARCHA/PARADA DEL CORTABORDES DE HILO

##### Puesta en marcha

Mueva hacia delante la lengüeta de bloqueo y, a continuación, presione el gatillo interruptor.

El gatillo ajusta la velocidad de forma continua. Cuanto más se levanta el gatillo, mayor es la velocidad (fig. L).

##### Parada

Suelte el gatillo interruptor.

#### FUNCIÓN DE AJUSTE DE LA VELOCIDAD (FIG. L)

El cortabordes de hilo tiene dos velocidades. La posición «LOW» es para baja velocidad mientras que la posición «HIGH» es para alta velocidad.

Fig. L, ver abajo la descripción de las piezas:

L-1	Conmutador de velocidad alta/baja	L-2	Gatillo interruptor
-----	-----------------------------------	-----	---------------------

## USO DEL CORTABORDES DE HILO

ES

Antes de cada uso, despeje la zona de corte. Quite todos los objetos como piedras, vidrios rotos, clavos, alambres, cables o cuerdas, ya que podrían salir despedidos por la acción de la herramienta o enredarse en el elemento de corte. Mantenga a los niños, las mascotas y otras personas fuera de la zona de trabajo. Mantenga a niños, mascotas y otras personas a una distancia mínima de 15 m; existe riesgo de que salgan objetos despedidos. Se recomienda que cualquier persona presente en la zona de trabajo utilice protección ocular. Apague inmediatamente el motor o desactive el dispositivo de corte si se acerca alguna persona.

### Antes de cada uso, examine la herramienta por si hubiera piezas dañadas o desgastadas.

Examine el cabezal de impacto, la protección y la empuñadura auxiliar delantera. Sustituya cualquier pieza que esté agrietada, deformada, doblada o presente cualquier tipo de daño.

Con el tiempo, el filo de la cuchilla de recorte de hilo situada en la protección puede llegar a embotarse. Se recomienda afilarla con una lima a intervalos periódicos o sustituirla por otra nueva.

### Limpie el cortabordes después de cada uso.

### AJUSTE DE LA LONGITUD DEL HILO DE CORTE

El cabezal del cortabordes permite al usuario ir extrayendo más hilo de corte del carrete sin tener que detener el motor. A medida que el hilo se deshilacha o se desgasta, se puede extraer hilo adicional golpeando levemente el cabezal del cortabordes sobre el suelo mientras se utiliza el cortabordes (fig. M).

**AVISO:** Para extraer hilo de corte será necesario golpear varias veces a medida que el hilo se hace más corto.

**⚠ ADVERTENCIA:** No retire ni modifique el conjunto de la cuchilla de recorte del hilo. Una longitud excesiva de hilo de corte hará que el motor se sobrecaliente y podría provocar lesiones graves.

### SUSTITUCIÓN DEL HILO DE CORTE

**AVISO:** Utilice siempre el hilo de corte de nailon recomendado, cuyo diámetro no sea mayor que 2,4 mm. Si se utiliza otro hilo de corte distinto al especificado, el cortabordes de hilo podría calentarse excesivamente y sufrir daños.

**⚠ ADVERTENCIA:** No utilice nunca hilo con refuerzo

de metal, alambre, cuerda, etc. Podrían romperse y sus trozos convertirse en proyectiles peligrosos.

1. Quite la batería.
2. En caso necesario, quite el hilo de corte que quede.
3. Corte 4 m de hilo. Introduzca el hilo por el orificio de inserción en el interior de la anilla (fig. O). Empuje y tire del hilo desde el otro lado, hasta que aparezca la misma cantidad de hilo por ambos lados del carrete.
4. Instale la batería en el cortabordes de hilo.
5. Mantenga pulsado el botón de carga de hilo para poner en marcha el motor de bobinado de hilo. El hilo se enrollará en el cabezal del cortabordes continuamente (fig. P).
6. Vigile atentamente la longitud de hilo restante. Pulse brevemente el botón de carga de hilo para ajustar la longitud hasta que se vean 13 cm de hilo a cada lado.
7. Empuje hacia abajo el cabezal del cortabordes mientras tira de los hilos para hacer que el hilo avance manualmente y para comprobar el montaje correcto del hilo de corte.

Si el hilo de corte se rompe de la salida del hilo o si no se libera hilo de corte cuando se golpea el cabezal del cortabordes, realice los pasos siguientes:

1. Quite la batería del cortabordes.
2. Presione las lengüetas de liberación situadas en el cabezal del cortabordes, y retire el conjunto de la cubierta inferior tirando de él hacia fuera (fig. Q).
3. Quite el hilo de corte del carrete.
4. Inserte el resorte en la ranura en el conjunto de la cubierta inferior (fig. R).
5. Sujetando el cortabordes con una mano, use la otra mano para agarrar el conjunto de la cubierta inferior y alinear las ranuras en el conjunto de la cubierta inferior con las lengüetas de liberación. Presione el conjunto de la cubierta inferior hasta que enganche en su lugar y se oiga un «clic» (fig. S).
6. Siga las instrucciones del apartado «SUSTITUCIÓN DEL HILO DE CORTE» para volver a cargar el hilo de corte.

### SUSTITUCIÓN DEL CABEZAL DEL CORTABORDES

**⚠ ADVERTENCIA:** Si el cabezal se suelta tras haberlo fijado en su sitio, sustitúyalo inmediatamente. Nunca utilice un cortabordes con un accesorio de corte suelto. Sustituya inmediatamente cualquier cabezal de corte que esté agrietado, dañado o desgastado, incluso si el daño observado se limita a grietas superficiales. Un elemento de corte en esas condiciones podría romperse en pedazos al funcionar a altas revoluciones y provocar lesiones graves.

### QUITAR EL CABEZAL DEL CORTABORDES

1. Quite la batería del cortabordes.
2. Presione las lengüetas de liberación situadas en el cabezal del cortabordes y retire el conjunto de la cubierta inferior del cabezal del cortabordes tirando de él hacia fuera.
3. Quite el hilo de corte del cabezal del cortabordes (fig. S).
4. Saque el resorte del conjunto de la bobina en caso necesario. Guárdelo para volver a instalarlo después.
5. Utilice guantes. Sujete con una mano el conjunto de la bobina para estabilizarlo y, con la otra mano, sujete una llave de impacto (no incluida) para aflojar la tuerca en sentido antihorario (fig. X).
6. Quite la tuerca, el cartucho del carrete, la cubierta superior y la cubierta de la base superior del eje del motor (fig. T).

**AVISO:** Hay dos casquillos que se caen fácilmente del eje del motor. Guárdelos con cuidado para volver a montarlos.

7. Sustitúyalo por un nuevo cabezal del cortabordes y móntelo en los pasos siguientes.

T-1	Casquillo	T-6	Hilo de corte
T-2	Cubierta superior	T-7	Cubierta inferior
T-3	Tuerca	T-8	Cubierta de la base superior
T-4	Arandela	T-9	Conjunto de la bobina
T-5	Resorte		

### INSTALAR EL NUEVO CABEZAL DEL CORTABORDES

1. Monte los casquillos en el eje del motor e instale en su lugar el conjunto de la cubierta de la base superior (fig. T).
2. Instale la cubierta superior, el conjunto de la bobina, la arandela y la rosca, por ese orden. Use una llave de impacto en la tuerca para apretarla (fig. U y V).
3. Monte el conjunto de la cubierta inferior.
4. Recargue el hilo de corte.
5. Ponga en marcha la herramienta para comprobar si el cortabordes con cabezal de hilo funciona normalmente. De lo contrario, vuelva a montarlo como se ha descrito arriba.

### MANTENIMIENTO

**⚠ ADVERTENCIA:** Cuando repare la herramienta, utilice solo piezas idénticas a las originales. Examine la herramienta regularmente y lleve a cabo las operaciones de mantenimiento. Para garantizar la seguridad y fiabilidad de la herramienta, las reparaciones debe realizarlas únicamente un técnico cualificado.

**⚠ ADVERTENCIA:** Para evitar lesiones graves, quite la batería de la herramienta antes de efectuar cualquier reparación, limpieza, sustitución de accesorios o retirar acumulaciones de material cortado.

**⚠ PRECAUCIÓN:** Cualquier obstrucción de los orificios de ventilación impedirá la correcta circulación de aire por el interior de la carcasa del motor, pudiendo hacer que este se sobrecaliente o sufra daños.

### LIMPIEZA DE LA UNIDAD

- Limpie la herramienta utilizando un paño húmedo y detergente suave. No deje nunca que entre líquido en la herramienta ni sumerja ninguna parte de la herramienta en ningún líquido.
- No utilice detergentes fuertes en la carcasa de plástico o la empuñadura. Algunos aceites aromáticos, como aquellos a base de limón o pino, y disolventes como el queroseno, podrían dañar estas piezas. La humedad también puede provocar descargas eléctricas. Utilice un paño suave y seco para eliminar cualquier resto de humedad.
- Utilice un cepillo pequeño o el accesorio tipo cepillo de una aspiradora para limpiar los orificios de ventilación de la carcasa trasera.
- Mantenga en todo momento los orificios de ventilación de la carcasa del motor libres de residuos.

### AFILAR LA CUCHILLA DE RECORTE DEL HILO

**⚠ ADVERTENCIA:** Proteja siempre sus manos utilizando guantes gruesos cuando realice el mantenimiento de la cuchilla de recorte del hilo.

1. Quite del accesorio de protección la cuchilla de recorte del hilo.
2. Sujete la cuchilla en un tornillo de banco.
3. Lime con cuidado los filos de la cuchilla utilizando una lima de dientes finos o piedra de afilar, teniendo cuidado de mantener el ángulo original del filo.
4. Vuelva a colocar la cuchilla en la protección y sujétela en su lugar con los dos tornillos.

### ALMACENAMIENTO DE LA HERRAMIENTA

- Quite la batería del cortabordes con cabezal de hilo cuando no lo utilice.
- Limpie a fondo la herramienta antes de guardarla.
- Almacene la herramienta en un lugar seco y bien ventilado, ya sea cerrado o a una altura suficiente que impida que los niños puedan alcanzarla. No la guarde encima ni cerca de fertilizantes, gasolina u otros productos químicos.



### Protección del medio ambiente



ES

¡No elimine aparatos eléctricos, baterías usadas ni cargadores de baterías junto con los desperdicios domésticos! Lleve este producto a un punto de reciclaje autorizado y deposítelo por separado según corresponda. Las herramientas eléctricas se deben llevar a un punto de reciclaje con fin de proteger el medio ambiente.

**KEES VAN DER SPEK**  
TUINMACHINES ★ STOLWIJK



## SOLUCIÓN DE PROBLEMAS

PROBLEMA	CAUSA	SOLUCIÓN
El cortabordes con cabezal de hilo no se pone en marcha	<ul style="list-style-type: none"> <li>■ La batería no está correctamente insertada en el cortabordes con cabezal de hilo.</li> <li>■ No hay contacto eléctrico entre la batería y el cortabordes.</li> <li>■ La batería está agotada.</li> <li>■ No se está moviendo hacia delante el bloqueo del gatillo antes de apretar el gatillo interruptor.</li> </ul>	<ul style="list-style-type: none"> <li>■ Inserte correctamente la batería en el cabezal del cortabordes.</li> <li>■ Quite la batería, compruebe los contactos eléctricos y vuelva a instalarla.</li> <li>■ Cargue la batería.</li> <li>■ Mueva hacia delante la lengüeta de bloqueo y, a continuación, apriete el gatillo interruptor.</li> </ul>
El cortabordes con cabezal de hilo se para durante el uso.	<ul style="list-style-type: none"> <li>■ La protección no está instalada en el cortabordes, haciendo que el hilo de corte quede extraído a una longitud excesiva y el motor se sobrecargue.</li> <li>■ Se está utilizando un hilo de corte demasiado grueso.</li> <li>■ Hay una acumulación de hierba en el eje del motor o el cabezal del cortabordes.</li> <li>■ El motor se ha sobrecargado.</li> <li>■ La batería o el cortabordes están demasiado calientes.</li> <li>■ La batería se ha desconectado de la herramienta.</li> <li>■ La batería está agotada.</li> <li>■ Desequilibrio después de instalar el hilo de corte.</li> </ul>	<ul style="list-style-type: none"> <li>■ Quite la batería e instale la protección en el cortabordes.</li> <li>■ Utilice hilo de corte de nailon recomendado, con un diámetro no superior a 2,4 mm.</li> <li>■ Apague el cortabordes, quite la batería y retire la hierba del eje del motor y cabezal del cortabordes.</li> <li>■ Aparte el cabezal del cortabordes de la hierba. El motor se recuperará en cuanto se retire la carga. Al cortar la hierba, desplace el cabezal del cortabordes por esta siguiendo un movimiento de vaivén y procurando cortar una longitud máxima de 20 cm en cada pasada.</li> <li>■ Deje enfriar la batería o el cortabordes con cabezal de hilo.</li> <li>■ Vuelva a instalar la batería.</li> <li>■ Cargue la batería.</li> <li>■ Golpee el cabezal del cortabordes para que la longitud del hilo sea simétrica.</li> </ul>

ES

PROBLEMA	CAUSA	SOLUCIÓN
El hilo de corte no se extrae automáticamente del cabezal del cortabordes.	<ul style="list-style-type: none"> <li>■ Hay una acumulación de hierba en el eje del motor o el cabezal del cortabordes.</li> <li>■ No queda suficiente hilo de corte en el carrete o el hilo se rompe de la anilla.</li> <li>■ El hilo de corte está enredado.</li> <li>■ El hilo es demasiado corto.</li> </ul>	<ul style="list-style-type: none"> <li>■ Apague el cortabordes, quite la batería y limpie el eje del motor y cabezal del cortabordes.</li> <li>■ Quite la batería y sustituya el hilo de corte. Consulte el apartado «<b>SUSTITUCIÓN DEL HILO DE CORTE</b>» en este manual.</li> <li>■ Quite la batería y sustituya el hilo de corte. Consulte el apartado «<b>SUSTITUCIÓN DEL HILO DE CORTE</b>» en este manual.</li> <li>■ Quite la batería y sustituya el hilo de corte. Consulte el apartado «<b>SUSTITUCIÓN DEL HILO DE CORTE</b>» en este manual.</li> </ul>
Hay hierba enredada alrededor del cabezal y de la carcasa del motor.	Está cortando a nivel del suelo hierba demasiado alta.	Corte la hierba alta de arriba hacia abajo, cortando un máximo de 20 cm en cada pasada para evitar que se enrede.
Grietas en el cabezal del cortabordes o el cartucho del carrete se suelta de la base del carrete.	<ul style="list-style-type: none"> <li>■ El cabezal del cortabordes está desgastado.</li> <li>■ La tuerca que bloquea el cabezal del cortabordes está suelta.</li> </ul>	<ul style="list-style-type: none"> <li>■ Sustituya inmediatamente el cabezal del cortabordes. Consulte el apartado «<b>SUSTITUCIÓN DEL CABEZAL DEL CORTABORDES</b>» en este manual.</li> <li>■ Abra el cabezal del cortabordes y utilice una llave de impacto para apretar la tuerca.</li> </ul>
El hilo de corte no se puede enrollar correctamente en el cabezal del cortabordes.	<ul style="list-style-type: none"> <li>■ El hilo de corte es demasiado largo.</li> <li>■ Se han acumulado restos de hierba o suciedad en el cabezal del cortabordes y se ha bloqueado el movimiento de la bobina de hilo.</li> <li>■ El motor se ha sobrecalentado debido al funcionamiento del sistema de bobinado de hilo repetidamente.</li> <li>■ Batería baja.</li> </ul>	<ul style="list-style-type: none"> <li>■ Corte el hilo de modo que se vean aproximadamente a 13 cm por cada lado.</li> <li>■ Quite la batería, abra el cabezal del cortabordes y límpielo a fondo.</li> <li>■ Deje que el cortabordes con cabezal de hilo funcione sin carga durante unos minutos para enfriar el motor y, a continuación, intente volver a cargar el hilo.</li> <li>■ Cargue la batería.</li> </ul>
El hilo de corte no se puede pasar a través del cabezal del cortabordes cuando se inserta el hilo.	<ul style="list-style-type: none"> <li>■ El hilo de corte está partido o doblado en el extremo.</li> <li>■ No se ha libreado la cubierta inferior para colocarla en su posición después de volver a instalarla.</li> </ul>	<ul style="list-style-type: none"> <li>■ Corte el extremo desgastado del hilo y vuelva a insertarlo.</li> <li>■ Instale la batería en el cortabordes; pulse el botón de carga de hilo para iniciar brevemente la carga de potencia para liberar la cubierta inferior.</li> </ul>

## GARANTÍA

### POLÍTICA DE GARANTÍA DE EGO

Visite la página web [egopowerplus.com](http://egopowerplus.com) para conocer los términos y condiciones completos de la política de garantía de EGO.

## LEIA TODAS AS INSTRUÇÕES!



### LEIA O MANUAL DE INSTRUÇÕES

**⚠ Risco residual!** As pessoas com dispositivos eletrônicos, como pacemakers, deverão consultar o seu médico antes de utilizarem este produto. A utilização de equipamento elétrico perto de um pacemaker pode causar interferências ou falhas no pacemaker.

PT

## SÍMBOLO DE SEGURANÇA

O funcionamento de qualquer ferramenta elétrica pode dar origem ao ressaltado de quaisquer objetos estranhos que podem atingir os olhos, podendo dar origem a sérias lesões oculares. Antes de começar a utilizar a ferramenta elétrica, utilize sempre óculos de segurança com proteções laterais e uma proteção completa para o rosto, quando necessário. Recomendamos a utilização de máscaras de segurança com visão panorâmica por cima dos óculos ou óculos de segurança padrão com proteção lateral.



Alerta de segurança



De modo a reduzir os riscos de ferimentos, o utilizador tem de ler o manual de utilização.



Utilize sempre óculos de segurança com proteção lateral e, se necessário, uma proteção completa do rosto, quando utilizar este produto.



Use calçado de segurança antiderrapante quando usar este equipamento.



Utilize sempre proteção auditiva ao utilizar este produto.



Proteja as suas mãos com luvas quando manusear a lâmina ou a proteção da lâmina.



Use um chapéu de proteção aprovado para proteger a cabeça.



Avise o operador do perigo de impulso da lâmina.



Não instale lâminas de corte redondas.



Diâmetro do fio: O diâmetro do fio de corte de nylon



Largura de corte: A largura máx. de corte da roçadora



Objetos podem ressaltar e causar ferimentos ou danos materiais. Certifique-se de que outras pessoas e animais permanecem afastados da moto-roçadora durante a utilização.



Certifique-se de que outras pessoas e animais permanecem a, pelo menos, 15 metros da roçadora durante a utilização.



Não use este produto à chuva nem o deixe no exterior quando chover.



Nível de potência do som garantido. Emissão de ruído para o ambiente de acordo com a diretiva da Comunidade Europeia.



Este produto encontra-se em conformidade com as diretivas CE aplicáveis.



Os resíduos elétricos não deverão ser eliminados juntamente com o lixo doméstico comum. Entregue-os num centro de reciclagem autorizado.



V Voltagem

$n_0$

Velocidade de rotação, sem carga

.../min Por minuto



Corrente direta

kg Quilograma

## CARACTERÍSTICAS TÉCNICAS

Voltagem	56 V ---	
Velocidade sem carga	Baixa velocidade: 3000-4500 RPM Alta velocidade: 4000-5800 RPM	
Mecanismo de corte	Cabeça de choque	
Tipo de fio de corte	Fio torcido de nylon de 2,4 mm	
Largura de corte	35 cm	
Temperatura de funcionamento recomendada	0°C a 40°C	
Temperatura de armazenamento recomendada	-20°C a 70°C	
Temperatura de carregamento ótima	5°C a 40°C	
Peso (sem a bateria)	5,8 kg	
Nível de potência do som medido $L_{WA}$	88,98 dB(A) K=2 dB(A)	
Nível da pressão do som no ouvido do operador $L_{PA}$	68,96 dB(A) K=2 dB(A)	
Nível de potência do som garantido $L_{WA}$ (medido de acordo com a 2000/14/CE)	91 dB(A)	
Avaliação da vibração $a_h$ :	Pega auxiliar dianteira	3,2 m/s <sup>2</sup> K=1,5 m/s <sup>2</sup>
	Pega traseira	2,3 m/s <sup>2</sup> K=1,5 m/s <sup>2</sup>

- O valor total declarado da vibração foi medido de acordo com um método de teste padrão e pode ser usado para comparar duas ferramentas;
- O valor total declarado da vibração também pode ser usado numa avaliação preliminar da exposição.

**AVISO:** A emissão de vibrações durante a utilização da ferramenta elétrica pode diferir do valor declarado em que a ferramenta é usada. De modo a proteger o utilizador, este deverá usar luvas e proteção auditiva nas condições atuais de utilização.

## DESCRIÇÃO

### CONHEÇA A SUA ROÇADORA (Imagem A1)

1. Pega traseira
2. Interruptor de velocidade alta/baixa

# 36

3. Pega dianteira ajustável
4. Articulação
5. Botão de carregamento do fio
6. Proteção
7. Haste de fixação
8. Manga de fixação da altura
9. Gatilho do interruptor
10. Trinco de fixação
11. Cabeça da roçadora (cabeça de choque)
12. Lâmina de corte do fio
13. Aba de libertação
14. Fio de corte
15. Botão de libertação da bateria
16. Aba
17. Contactos elétricos
18. Mecanismo de ejeção
19. Chave sextavada

## LISTA DE PEÇAS (IMAGEM A1)

### MONTAGEM

#### DESDOBRAR O EIXO

**AVISO:** Não segure o eixo pelas juntas, para evitar ficar com as mãos ou dedos presos.

**AVISO:** Não tente ligar a roçadora até que o eixo tenha sido bloqueado.

Desdobre gentilmente o eixo, certificando-se de que o cabo fica dentro do eixo, e fixe com os dois parafusos, usando a chave fornecida (Imagem B1 e B2).

#### MONTAR A PROTEÇÃO

Coloque a roçadora de modo a que a cabeça da roçadora fique virada para cima (Imagem C1). Alinhe os orifícios de montagem da proteção com os orifícios de montagem, e fixe a proteção na base do eixo com dois parafusos (Imagem C2).

**AVISO:** Certifique-se de que a proteção está fixada de acordo com a Imagem C1 e C2. Qualquer fixação inversa irá provocar um grande perigo!

#### MONTAR E AJUSTAR A PEGA DIANTEIRA

1. Desaperte a haste de fixação na pega dianteira e retire a haste de fixação e a porca de asas da pega dianteira (Imagem D).

D-1	Pega auxiliar dianteira	D-3	Porca de asas
D-2	Bloco de fixação	D-4	Haste de fixação

2. Pressione a pega dianteira para o eixo entre a manga de fixação da altura e a articulação (Imagem E).

3. Insira o bloco de fixação na ranhura da pega (Imagem F).
4. Monte a alavanca da haste de fixação e pré-aperte com a porca de asas. Certifique-se de que a pega dianteira fica para cima e virada para o topo da pega traseira (Imagem J).
5. Puxe para cima o nível da haste de fixação, de modo a poder mover/rodar facilmente a pega de arco para a posição em que se sinta confortável, depois fixe a alavanca da haste de fixação. (Imagem H)

**⚠ AVISO:** A ferramenta não pode ser utilizada sem a pega dianteira bem fixada.

### AJUSTAR A PEGA TRASEIRA

Se o comprimento do eixo não for o adequado para a operação, pode ajustar o comprimento do eixo através da braçadeira de fixação da altura.

1. Retire a bateria da roçadora.
2. Para ajustar a altura da roçadora, abra a braçadeira de fixação da altura e faça deslizar o eixo para cima ou para baixo para a altura desejada, e pressione a braçadeira de fixação para fixar no respetivo lugar (Imagem I).

**⚠ AVISO:** A pega dianteira pode ter de ser reajustada após alterar a altura da roçadora.

## FUNCIONAMENTO

**⚠ AVISO:** Utilize sempre óculos de segurança com proteções laterais e proteção auditiva. Se não o fizer, pode apanhar com objetos nos olhos, dando origem a possíveis ferimentos sérios.

Pode utilizar este produto para os objetivos abaixo listados:

**Aparar:** Usado para retirar relva e ervas encostadas a paredes, vedações, árvores e canteiros.

**Cortar:** Usado para cortar relva difícil de alcançar usando uma máquina de cortar relva normal.

### FIXAR/RETIRAR A BATERIA

Utilize apenas com baterias e carregadores da EGO listados na Imagem A2.

**Carregue por completo antes da primeira utilização.**

### Para fixar

Alinhe as abas da bateria com as ranhuras de fixação e empurre a bateria para baixo até ouvir um “clique” (Imagem J1).

### Para retirar

Pressione o botão de libertação da bateria e puxe a bateria para fora, conforme apresentado na Imagem J2.

J-1	Botão de libertação da bateria
-----	--------------------------------

### SEGURAR A ROÇADORA

Segure a roçadora com ambas as mãos: Uma mão na pega traseira e a outra na pega dianteira.

**AVISO:** A cabeça da roçadora deve estar paralela ao chão com a distância de corte apropriada sem que o operador se curve (Imagem K).

### LIGAR/DESLIGAR A ROÇADORA

#### Para ligar

Prima o trinco de fixação para a frente e prima o gatilho do interruptor.

O gatilho ajusta a velocidade continuamente. Quanto mais pressionar o gatilho, maior será a velocidade (Imagem L).

#### Para parar

Liberte o gatilho.

### FUNÇÃO DE AJUSTE DA VELOCIDADE (IMAGEM L)

A roçadora tem duas velocidades. A posição “LOW” é a de baixa velocidade, e a posição “HIGH” é a de alta velocidade.

Imagem L descrição das peças apresentada abaixo:

L-1	Interruptor de velocidade alta/baixa	L-2	Gatilho do interruptor
-----	--------------------------------------	-----	------------------------

### USAR A ROÇADORA

Limpe a área a cortar antes de cada utilização. Retire todos os objetos, como pedras, vidro partido, pregos, arames ou fios que possam ser atirados ou ficar presos no acessório de corte. Afaste as crianças, terceiros e animais. No mínimo, mantenha as crianças, terceiros e animais a um raio de 15 metros. Poderá continuar a haver um risco para as pessoas devido aos objetos que possam ser atirados. As outras pessoas deverão ser encorajadas a usar proteção ocular. Se alguém se aproximar, desligue imediatamente o motor e o acessório de corte.

### Antes de cada utilização, verifique se existem peças gastas/danificadas.

Verifique a cabeça de choque, proteção, pega dianteira e substitua as peças rachadas, torcidas, dobradas ou danificadas de algum modo.

Esta lâmina para cortar o fio na extremidade da proteção pode deixar de ficar afiada com o passar do tempo. Recomendamos que afie periodicamente com uma lima ou que a substitua por uma lâmina nova.

**Após cada utilização, limpe a roçadora.**

## AJUSTAR O COMPRIMENTO DO FIO DE CORTE

A cabeça da roçadora permite ao operador libertar mais fio de corte sem parar o motor. À medida que o fio fica gasto, pode libertar mais fio, batendo ligeiramente a cabeça da bobina no chão enquanto utiliza a roçadora (Imagem M).

**AVISO:** A libertação do fio requer várias batidas, pois o fio começa a ficar mais curto.

**AVISO:** Não retire nem altere o conjunto da lâmina de corte do fio. Um fio com um comprimento excessivo faz o motor sobreaquecer e pode dar origem a ferimentos sérios.

## SUBSTITUIÇÃO DO FIO

**AVISO:** Use o fio de corte de nylon recomendado com um diâmetro nunca superior a 2,4 mm. Usar outro fio para além do especificado pode fazer com que a roçadora sobreaqueça ou fique danificada.

**AVISO:** Nunca utilize fio reforçado com metal, arame, corda, etc. Estes podem partir e tornar-se projéteis perigosos.

1. Retire a bateria.
2. Retire o fio de corte restante, se necessário.
3. Corte 4 metros de fio de corte. Insira o fio no orifício de fixação no interior do ilhó (Imagem O). Pressione e puxe o fio a partir do outro lado, até que apareçam quantidades iguais de fio em ambos os lados da bobina.
4. Instale a bateria na roçadora.
5. Prima e mantenha premido o botão de carregamento do fio para ligar o motor de enrolar o fio. O fio é enrolado continuamente na cabeça da roçadora (Imagem P).
6. Observe cuidadosamente o comprimento do fio restante. Prima brevemente o botão de carregamento do fio para ajustar o comprimento, até que apareçam 13 cm de fio de cada lado.
7. Pressione a cabeça da roçadora enquanto puxa os fios para avançar manualmente o fio e verificar a montagem correta do fio de corte.

Quando o fio de corte se partir na saída do fio, ou não for libertado quando bater com a cabeça do aparador, siga os passos apresentados abaixo:

1. Retire a bateria da roçadora.

2. Prima as abas de libertação na cabeça da roçadora e retire o conjunto da cobertura inferior puxando a direita (Imagem Q).
3. Retire o fio de corte da bobina.
4. Insira a mola na ranhura no conjunto da cobertura inferior (Imagem R).
5. Com uma mão a segurar a roçadora, use a outra mão para segurar o conjunto da cobertura inferior e alinhe as ranhuras no conjunto da cobertura inferior com as abas de libertação. Pressione o conjunto da cobertura inferior até encaixar no respetivo lugar, altura em que ouvirá um clique distinto (Imagem S).
6. Siga as instruções em “**SUBSTITUIÇÃO DO FIO**” para recarregar o fio de corte.

## SUBSTITUIÇÃO DA CABEÇA DA ROÇADORA

**AVISO:** Se a cabeça se soltar após fixá-la, substitua-a imediatamente. Nunca utilize uma roçadora com um acessório de corte solto. Substitua imediatamente uma cabeça de corte rachada, danificada ou gasta, mesmo que o dano esteja limitado a rachas superficiais. Tais acessórios podem despedaçar-se a alta velocidade e causar ferimentos sérios.

## RETIRAR A CABEÇA DA ROÇADORA

1. Retire a bateria da roçadora.
2. Prima as abas de libertação na cabeça da roçadora e retire o conjunto da cobertura inferior puxando a direita.
3. Retire o fio de corte da cabeça da roçadora (Imagem S).
4. Se necessário, retire a mola do conjunto da bobina. Guarde-a para a voltar a montar.
5. Use luvas. Use uma mão para segurar o conjunto da bobina para estabilizar, e use a outra mão para segurar uma chave de impacto (não incluída) para libertar a porca num sentido inverso ao dos ponteiros do relógio (Imagem X).
6. Retire a porca, fixador da bobina, cobertura superior e cobertura da base superior do eixo do motor (Imagem T).

**AVISO:** Dois casquilhos caem facilmente do eixo do motor. Guarde-os cuidadosamente para os voltar a montar.

7. Substitua por uma nova cabeça da roçadora e monte seguindo os passos.

T-1	Casquilho	T-6	Fio de corte
T-2	Cobertura superior	T-7	Cobertura inferior
T-3	Porca	T-8	Cobertura da base superior
T-4	Anilha	T-9	Conjunto da bobina
T-5	Mola		

### INSTALAR A NOVA CABEÇA DA ROÇADORA

1. Monte os casquilhos no eixo do motor, e monte o conjunto da cobertura da base superior (Imagem T).
2. Monte a cobertura superior, conjunto da bobina, anilha e porca por esta ordem. Use uma chave de impacto na porca para a apertar (Imagem U e V).
3. Monte o conjunto da cobertura inferior.
4. Recarregue o fio de corte.
5. Ligue a ferramenta para ver se funciona normalmente. Se não for o caso, volte a montar conforme descrito acima.

### MANUTENÇÃO

**⚠ AVISO:** Quando fizer reparações, utilize apenas peças de substituição idênticas. Inspeção e efetue a manutenção da ferramenta com regularidade. Para assegurar a segurança e bom funcionamento, todas as reparações deverão ser efetuadas por um técnico de reparação qualificado.

**⚠ AVISO:** Para evitar ferimentos sérios, retire a bateria do aparelho antes da reparação, limpeza, mudança de acessórios ou remoção de material da unidade.

**⚠ CUIDADO:** As obstruções nas aberturas de ventilação impedem que o ar flua para a estrutura do motor, dando origem a um sobreaquecimento ou danos no motor.

### LIMPEZA DA UNIDADE

- Limpe a unidade usando um pano humedecido com detergente suave. Nunca permita que entrem líquidos no aparelho e nunca coloque qualquer parte da ferramenta dentro de qualquer líquido.
- Não utilize detergentes fortes na estrutura de plástico ou na pega. Estes podem ser danificados por determinados óleos aromáticos, como pinho e limão e por solventes como querosene. A humidade também pode causar um perigo de choque. Retire qualquer vestígio de humidade com um pano macio e seco.
- Use uma pequena escova ou a descarga de ar de uma pequena escova aspiradora para limpar as entradas de ar na estrutura traseira.
- Mantenha sempre as aberturas de ventilação da estrutura do motor sem lixo.

### AFIAR A LÂMINA DE CORTE DO FIO

**⚠ AVISO:** Proteja sempre as mãos usando luvas resistentes quando efetuar qualquer manutenção na lâmina de corte do fio.

1. Retire a lâmina de corte do fio do acessório de proteção.
2. Fixe a lâmina num torno.
3. Lime cuidadosamente as extremidades de corte da lâmina com uma lima fina ou pedra de afiar, tendo o cuidado de manter o ângulo original da extremidade de corte.
4. Volte a colocar a lâmina na proteção e fixe no respetivo lugar com dois parafusos.

### GUARDAR A UNIDADE

- Retire a bateria da roçadora quando não a utilizar.
- Limpe bem a ferramenta antes de a guardar.
- Guarde a unidade num local seco, bem ventilado, trancado ou elevado, fora do alcance das crianças. Não armazene a unidade em cima ou perto de fertilizantes, gasolina ou outros químicos.

### Proteja o ambiente



Não elimine equipamento elétrico, bateria gasta nem carregador juntamente com o lixo doméstico comum! Leve este produto a um centro de reciclagem autorizado para que possa haver uma separação das peças. As ferramentas elétricas têm de ser devolvidas em instalações de reciclagem ambientalmente compatíveis.

## RESOLUÇÃO DE PROBLEMAS

PT

PROBLEMA	CAUSA	SOLUÇÃO
A roçadora de fio não liga.	<ul style="list-style-type: none"> <li>■ A bateria não foi colocada na roçadora.</li> <li>■ Não existe contacto elétrico entre a roçadora e a bateria.</li> <li>■ A bateria está gasta.</li> <li>■ O gatilho de desbloqueio não foi movido para a frente antes de pressionar o gatilho do interruptor.</li> </ul>	<ul style="list-style-type: none"> <li>■ Fixe a bateria na roçadora.</li> <li>■ Retire a bateria, verifique os contactos e volte a instalar a bateria.</li> <li>■ Carregue a bateria.</li> <li>■ Prima o trinco de fixação para a frente e prima o gatilho do interruptor.</li> </ul>
A roçadora pára durante o corte.	<ul style="list-style-type: none"> <li>■ A proteção não está montada na roçadora, fazendo com que haja um fio excessivamente comprido e o sobreaquecimento do motor.</li> <li>■ Está a utilizar um fio de corte muito pesado.</li> <li>■ O eixo do motor ou a cabeça da roçadora estão cheios de relva.</li> <li>■ O motor está sobrecarregado.</li> <li>■ A bateria ou roçadora de fio estão muito quentes.</li> <li>■ A bateria foi retirada da ferramenta.</li> <li>■ A bateria está gasta.</li> <li>■ Desequilíbrio após a instalação do fio de corte.</li> </ul>	<ul style="list-style-type: none"> <li>■ Retire a bateria e monte a proteção na roçadora.</li> <li>■ Use o fio de corte de nylon recomendado com um diâmetro nunca superior a 2,4 mm .</li> <li>■ Pare a roçadora, retire a bateria e retire a relva do eixo do motor e da cabeça da roçadora.</li> <li>■ Retire a cabeça da roçadora da relva. O motor volta a funcionar mal a carga seja retirada. Quando cortar, mova a cabeça da roçadora para um lado e para o outro na relva a ser cortada e nunca retire mais de 20 cm num único corte.</li> <li>■ Deixe a bateria ou roçadora arrefecer.</li> <li>■ Volte a colocar a bateria.</li> <li>■ Carregue a bateria.</li> <li>■ Bata com a cabeça da roçadora para tornar o comprimento do fio simétrico.</li> </ul>
A cabeça da roçadora não faz o fio avançar.	<ul style="list-style-type: none"> <li>■ O eixo do motor ou a cabeça da roçadora estão cheios de relva.</li> <li>■ Não tem fio suficiente na bobina, ou o fio parte-se no ilhó.</li> <li>■ O fio ficou enrodilhado.</li> <li>■ O fio é demasiado curto.</li> </ul>	<ul style="list-style-type: none"> <li>■ Pare a roçadora, retire a bateria e retire a relva do eixo do motor e da cabeça da roçadora.</li> <li>■ Retire a bateria e substitua o fio de corte seguindo a secção <b>"SUBSTITUIÇÃO DO FIO"</b> neste manual.</li> <li>■ Retire a bateria e substitua o fio de corte seguindo a secção <b>"SUBSTITUIÇÃO DO FIO"</b> neste manual.</li> <li>■ Retire a bateria e substitua o fio de corte seguindo a secção <b>"SUBSTITUIÇÃO DO FIO"</b> neste manual.</li> </ul>
A relva enrola-se à volta da cabeça da roçadora e da estrutura do motor.	Cortar relva alta ao nível do solo.	Corte relva alta do topo até baixo, nunca retirando mais de 20 cm em cada passo para evitar que a erva se enrole.



PROBLEMA	CAUSA	SOLUÇÃO
Existem rachas na cabeça da roçadora ou o fixador da bobina solta-se da base da bobina.	<ul style="list-style-type: none"> <li>■ A cabeça da roçadora está gasta.</li> <li>■ A porca que fixa a cabeça da roçadora está solta.</li> </ul>	<ul style="list-style-type: none"> <li>■ Volte a colocar imediatamente a cabeça da roçadora seguindo a secção <b>“SUBSTITUIÇÃO DA CABEÇA DA ROÇADORA”</b> neste manual.</li> <li>■ Abra a cabeça da roçadora e use uma chave de impacto para apertar a porca.</li> </ul>
O fio de corte não pode ser enrolado corretamente na cabeça da roçadora.	<ul style="list-style-type: none"> <li>■ Fio de corte muito comprido.</li> <li>■ Acumulou-se erva ou detritos na cabeça da roçadora que bloqueou o movimento da bobina do fio.</li> <li>■ O motor sobreaqueceu devido ao funcionamento repetido do sistema de enrolar o fio.</li> <li>■ Bateria fraca</li> </ul>	<ul style="list-style-type: none"> <li>■ Corte o fio, de modo a ficar com cerca de 13 cm em cada lado.</li> <li>■ Retire a bateria, abra a cabeça da roçadora e limpe-a bem.</li> <li>■ Permita à roçadora funcionar sem carga durante alguns minutos para arrefecer o motor, depois tente recarregar o fio.</li> <li>■ Carregue a bateria.</li> </ul>
O fio de corte não passa através da cabeça da roçadora quando é inserido.	<ul style="list-style-type: none"> <li>■ O fio de corte está dividido ou dobrado na extremidade.</li> <li>■ A cobertura inferior não é libertada para a respetiva posição após a reinstalação.</li> </ul>	<ul style="list-style-type: none"> <li>■ Corte a extremidade gasta do fio e volte a inserir.</li> <li>■ Fixe a bateria na roçadora, prima o botão de carregamento do fio para ligar brevemente a energia e libertar a cobertura inferior.</li> </ul>

## GARANTIA

### POLÍTICA DE GARANTIA EGO

Visite o website [egopowerplus.com](http://egopowerplus.com) para os termos e condições completos da política de garantia da EGO.

## LEGGERE TUTTE LE ISTRUZIONI!



### LEGGERE IL MANUALE DI ISTRUZIONI

**⚠️ Rischi residui!** Le persone portatrici di dispositivi elettronici, ad esempio pacemaker, devono consultare il proprio medico prima di usare questo prodotto. L'uso di apparecchi elettrici in prossimità di pacemaker cardiaci comporta il rischio di interferenze o malfunzionamento del pacemaker.

## IT SIMBOLI DI SICUREZZA

L'uso di apparecchi elettrici può causare il lancio di oggetti estranei verso l'operatore, con il rischio di lesioni gravi agli occhi. Durante l'uso dell'apparecchio, indossare sempre occhiali protettivi o occhiali di sicurezza con protezioni laterali e, se necessario, una maschera facciale. Si consiglia di indossare una maschera di sicurezza con ampio campo visivo sopra gli occhiali o occhiali di sicurezza standard con protezioni laterali.



Avvertenza di sicurezza



Indossare protezioni per gli occhi - Durante l'uso del prodotto, indossare sempre occhiali protettivi o occhiali di sicurezza con protezioni laterali e una maschera facciale.



Indossare protezioni per le orecchie - Durante l'uso del prodotto, indossare sempre protezioni per le orecchie.



Indossare protezioni per la testa - Indossare un casco di sicurezza omologato per proteggere la testa.



Non installare lame rotode.



Ampiezza di taglio - Ampiezza di taglio max. del decespugliatore



Assicurarsi che eventuali altre persone e animali rimangano ad almeno 15 metri di distanza dall'apparecchio quando è in funzione.



Livello di potenza sonora garantito Emissioni acustiche ambientali ai sensi della direttiva dell'Unione europea.



I prodotti elettrici non devono essere smaltiti insieme ai rifiuti domestici. Portarli presso un centro di riciclaggio autorizzato.

$n_0$

Velocità a vuoto - Velocità di rotazione, senza carico



Corrente continua



Per ridurre il rischio di infortuni, leggere il manuale di istruzioni.



Indossare calzature di sicurezza - Indossare calzature di sicurezza antiscivolo durante l'uso di questo apparecchio.



Indossare guanti protettivi - Proteggere le mani con i guanti durante la manipolazione della lama o della cuffia di protezione.



Attenzione al rischio di contraccolpo - Avverte l'operatore del pericolo di contraccolpo della lama.



Diametro del filo - Diametro del filo di taglio in nylon



Gli oggetti lanciati possono rimbalzare e causare danni o lesioni. Assicurarsi che eventuali altre persone e animali rimangano a distanza dall'apparecchio quando è in funzione.



Non usare l'apparecchio in caso di pioggia e non lasciarlo all'aperto quando piove.



Questo prodotto è conforme alle direttive europee applicabili.

V Tensione

.../min Al minuto

kg Chilogrammo

## SPECIFICHE TECNICHE

Tensione	56 V $\overline{\text{---}}$	
Velocità a vuoto	Bassa velocità: 3000-4500 RPM Alta velocità: 4000-5800 RPM	
Meccanismo di taglio	Testa con rilascio del filo mediante pressione	
Tipo di filo di taglio	Filo in nylon attorcigliato 2,4 mm	
Ampiezza di taglio	35 cm	
Temperatura di funzionamento raccomandata	Da 0°C a 40°C	
Temperatura di conservazione raccomandata	Da -20°C a 70°C	
Temperatura di ricarica ottimale	Da 5°C a 40°C	
Peso (senza gruppo batteria)	5,8 kg	
Livello di potenza sonora misurato $L_{WA}$	88,98 dB(A) K=2 dB(A)	
Livello di pressione sonora a livello dell'orecchio dell'operatore $L_{PA}$	68,96 dB(A) K=2 dB(A)	
Livello di potenza sonora garantito $L_{WA}$ (misurato conformemente a 2000/14/EC)	91 dB(A)	
Valore di emissione delle vibrazioni $a_h$	Impugnatura anteriore ausiliaria	3,2 m/s <sup>2</sup> K=1,5 m/s <sup>2</sup>
	Impugnatura posteriore	2,3 m/s <sup>2</sup> K=1,5 m/s <sup>2</sup>

- Il valore totale dichiarato delle vibrazioni è stato misurato con un metodo di valutazione standard e può essere utilizzato per confrontare l'apparecchio con altri prodotti analoghi.
- Il valore totale di vibrazioni indicato può essere utilizzato anche per una valutazione preliminare dei livelli di esposizione.

**NOTA:** l'emissione di vibrazioni durante l'uso effettivo dell'apparecchio può variare rispetto al valore indicato in base a come viene utilizzato l'utensile. Per proteggersi, l'operatore deve indossare guanti e dispositivi di protezione per le orecchie in base alle reali condizioni d'uso.

## DESCRIZIONE

### DESCRIZIONE DEL DECESPUGLIATORE (Fig. A1)

1. Impugnatura posteriore
2. Selettore di velocità (alta/bassa)
3. Impugnatura anteriore regolabile
4. Raccordo
5. Pulsante di avvolgimento del filo
6. Cuffia di protezione
7. Leva di bloccaggio
8. Anello di bloccaggio dell'altezza
9. Interruttore a grilletto
10. Linguetta di bloccaggio
11. Testa di taglio con filo (rilascio mediante pressione)
12. Lama tagliafilo
13. Linguetta di rilascio
14. Filo di taglio
15. Pulsante di rilascio della batteria
16. Dispositivo di chiusura
17. Contatti elettrici
18. Meccanismo di espulsione
19. Chiave esagonale

### CONTENUTO DELL'IMBALLAGGIO (Fig. A1)

## ASSEMBLAGGIO

### ASSEMBLAGGIO DELL'ASTA

**⚠ AVVERTENZA!** Non afferrare l'asta in prossimità dei raccordi per evitare lesioni a mani o dita.

**⚠ AVVERTENZA!** Non tentare di avviare l'apparecchio finché l'asta non è stata bloccata.

Chiudere l'asta delicatamente, assicurandosi che il cavo sia all'interno dell'asta, e bloccarla con due viti usando la chiave fornita (Fig. B1 e B2).

### INSTALLAZIONE DELLA CUFFIA DI PROTEZIONE

Posizionare il decespugliatore in modo tale che la testa dell'apparecchio sia rivolta verso l'alto (Fig. C1). Allineare i fori di montaggio della cuffia con i fori di assemblaggio, quindi bloccare la cuffia sulla base dell'albero con le due viti (Fig. C2).

**NOTA:** accertarsi che la cuffia sia fissata come illustrato in Fig. C1 e C2; il fissaggio invertito comporta gravi rischi!

### INSTALLAZIONE E REGOLAZIONE DELL'IMPUGNATURA ANTERIORE

1. Allentare il perno di bloccaggio nell'impugnatura anteriore e rimuoverlo insieme al dado a farfalla (Fig. D).

D-1	Impugnatura anteriore	D-3	Dado a farfalla
D-2	Morsetto	D-4	Leva di bloccaggio

2. Spingere l'impugnatura anteriore sull'asta, tra l'anello di bloccaggio dell'altezza e il raccordo (Fig. E).
3. Inserire il morsetto nella fessura dell'impugnatura (Fig. F).
4. Inserire la leva di bloccaggio e serrarlo leggermente con il dado a farfalla. Accertarsi che l'impugnatura anteriore sia posizionata verso l'alto e rivolta verso la parte superiore dell'impugnatura posteriore (Fig. J).
5. Sollevare la leva di bloccaggio per muovere/ruotare facilmente l'impugnatura nella posizione più confortevole, quindi abbassarla (Fig. H).

**AVVERTENZA!** L'apparecchio non può essere usato senza l'impugnatura anteriore fissata saldamente.

## REGOLAZIONE DELL'IMPUGNATURA POSTERIORE

Se la lunghezza dell'asta non è adatta all'operazione da svolgere, è possibile regolarla tramite il morsetto di bloccaggio dell'altezza.

1. Rimuovere il gruppo batteria dal decespugliatore.
2. Per regolare l'altezza del decespugliatore, aprire il morsetto di bloccaggio dell'altezza, quindi far scorrere l'asta verso l'alto o verso il basso, quindi bloccarla abbassando il morsetto di bloccaggio (Fig. I).

**NOTA:** dopo aver modificato l'altezza del decespugliatore potrebbe essere necessario regolare nuovamente la posizione dell'impugnatura anteriore.

## UTILIZZO

**AVVERTENZA!** Durante l'uso di utensili elettrici, indossare sempre occhiali protettivi o occhiali di sicurezza con protezioni laterali e protezioni per le orecchie per evitare il rischio di oggetti proiettati verso gli occhi dell'operatore e altre lesioni gravi.

Questo prodotto può essere usato per gli scopi elencati di seguito.

**Rifinitura:** per rimuovere erba e erbacce contro muri, steccati, alberi e bordi.

**Taglio:** per tagliare erba difficile da raggiungere con un normale tosaerba.

## INSTALLAZIONE/RIMOZIONE DEL GRUPPO BATTERIA

Usare l'apparecchio esclusivamente con i gruppi batteria e caricabatteria EGO elencati in Fig A2.

**Ricaricare completamente la batteria prima del primo utilizzo.**

## Installazione

Allineare i rilievi sul gruppo batteria con le scanalature di assemblaggio e premere il gruppo batteria fino al "clic" (Fig. J1).

## Rimozione

Premere il pulsante di rilascio della batteria ed estrarre il gruppo batteria come illustrato in Fig. J2.

J-1	Pulsante di rilascio della batteria
-----	-------------------------------------

## COME IMPUGNARE IL DECESPUGLIATORE

Impugnare il decespugliatore con entrambe le mani: una mano sull'impugnatura posteriore e una mano sull'impugnatura anteriore.

**NOTA:** la testa del decespugliatore deve essere parallela al terreno a una corretta distanza di taglio, senza che l'operatore debba piegarsi in avanti (Fig. K).

## AVVIO/ARRESTO DEL DECESPUGLIATORE

### Avvio

Portare la linguetta di bloccaggio in avanti, quindi premere l'interruttore a grilletto.

L'interruttore a grilletto integra un regolatore di velocità: maggiore è la pressione sul grilletto, maggiore è la velocità dell'apparecchio (Fig. L).

### Arresto

Rilasciare l'interruttore a grilletto.

## REGOLAZIONE DELLA VELOCITÀ (FIG. L)

L'apparecchio dispone di due velocità: la posizione "LOW" corrisponde alla bassa velocità mentre la posizione "HIGH" corrisponde all'alta velocità.

Descrizione delle parti in Fig. L:

L-1	Selettore di velocità (alta/bassa)	L-2	Interruttore a grilletto
-----	------------------------------------	-----	--------------------------

## UTILIZZO DEL DECESPUGLIATORE

Sgombrare l'area da tagliare prima di ogni utilizzo. Rimuovere oggetti come pietre, vetri rotti, chiodi, cavi o corde perché potrebbero venire lanciati o impigliarsi nell'accessorio di taglio. Tenere lontani dall'area di lavoro bambini, altre persone e animali. Tenere eventuali bambini, altre persone e animali ad almeno 15 m di distanza; permane tuttavia il rischio di lesioni alle altre persone dovute al lancio di oggetti. Si raccomanda di

far indossare dei dispositivi di protezione per gli occhi a eventuali persone presenti. Se un'altra persona si avvicina, arrestare immediatamente il motore e l'accessorio di taglio.

### Prima di ogni utilizzo, verificare l'assenza di componenti danneggiati/usurati.

Ispezionare la testa di taglio, la cuffia di protezione e l'impugnatura anteriore e sostituire i componenti incrinati, deformati, piegati o danneggiati in qualsiasi modo.

La lama tagliafilo sul bordo della cuffia di protezione può smussarsi col tempo. Si consiglia di affilarla periodicamente con una lima o di sostituirla con una lama nuova.

### Pulire il decespugliatore dopo ogni utilizzo.

#### REGOLAZIONE DELLA LUNGHEZZA DEL FILO DI TAGLIO

La testa di taglio permette all'operatore di allungare il filo di taglio senza arrestare il motore. Quando il filo si sfilaccia o si usura, allungarlo premendo leggermente la testa di taglio sul terreno mentre il decespugliatore è in funzione (Fig. M).

**NOTA:** minore è la lunghezza del filo di taglio, maggiore sarà il numero di pressioni necessarie.

**⚠ AVVERTENZA!** Non rimuovere o alterare la lama tagliafilo. Una lunghezza eccessiva del filo causerà il surriscaldamento del motore, con il rischio di lesioni gravi.

#### SOSTITUZIONE DEL FILO

**NOTA:** utilizzare esclusivamente il filo di taglio in nylon raccomandato con diametro non superiore a 2,4 mm. L'uso di fili diversi da quello specificato comporta il rischio di surriscaldamento o danneggiamento del decespugliatore.

**⚠ AVVERTENZA!** Non usare filo metallico o rinforzato in metallo, corda, ecc. perché possono rompersi e diventare proiettili pericolosi.

1. Rimuovere il gruppo batteria.
2. Rimuovere il filo di taglio rimanente, se necessario.
3. Tagliare 4 metri di filo di taglio. Inserire il filo nel foro di montaggio all'interno dell'occhiello (Fig. O). Spingere e tirare il filo dall'altro lato finché da entrambi i lati della bobina non fuoriescono quantità uguali.
4. Installare il gruppo batteria sul decespugliatore.
5. Tenere premuto il pulsante di avvolgimento del filo per attivare il motore avvolgi-filo. Il filo si avvolgerà automaticamente sulla bobina (Fig. P).
6. Prestare attenzione alla lunghezza del filo rimanente. Premere brevemente il pulsante di avvolgimento del filo per regolare la lunghezza del filo finché da ogni lato non fuoriescono 13 cm di filo.

7. Premere la testa di taglio e contemporaneamente tirare i fili per farli avanzare manualmente e controllare il corretto assemblaggio della testa di taglio.

Se il filo di taglio si rompe a livello dell'uscita del filo o se il filo di taglio non viene rilasciato alla pressione della testa di taglio, seguire i passaggi descritti di seguito.

1. Rimuovere il gruppo batteria dal decespugliatore.
2. Premere le linguette di rilascio sulla testa di taglio e rimuovere il gruppo coperchio inferiore estraendolo in linea retta (Fig. Q).
3. Rimuovere il filo di taglio dalla bobina.
4. Inserire la molla nella fessura sul gruppo coperchio inferiore (Fig. R).
5. Tenendo il decespugliatore con una mano, affettare il gruppo coperchio inferiore con l'altra mano e allineare le fessure sul gruppo coperchio inferiore con le linguette di rilascio. Premere il gruppo coperchio inferiore finché non si fissa in posizione emettendo un clic (Fig. S).
6. Seguire le istruzioni alla sezione **"SOSTITUZIONE DEL FILO"** per ricaricare il filo di taglio.

#### SOSTITUZIONE DELLA TESTA DI TAGLIO

**⚠ AVVERTENZA!** Se la testa di taglio si allenta dopo averla fissata, sostituirla immediatamente. Non usare mai il decespugliatore se l'accessorio di taglio è allentato. Sostituire immediatamente la testa di taglio se è incrinata, danneggiata o usurata, anche se il danno è limitato a incrinature superficiali. Ad alta velocità, gli accessori di taglio possono frantumarsi e causare lesioni gravi.

#### RIMOZIONE DELLA TESTA DI TAGLIO

1. Rimuovere il gruppo batteria dal decespugliatore.
2. Premere le linguette di rilascio sulla testa di taglio e rimuovere il gruppo coperchio inferiore estraendolo in linea retta.
3. Rimuovere il filo di taglio dalla testa di taglio (Fig. S).
4. Se necessario, rimuovere la molla dal gruppo bobina. Conservarla per il riassetto.
5. Indossare guanti. Afferrare il gruppo bobina con una mano per stabilizzarlo, quindi usare l'altra mano per allentare il dado in senso antiorario con una chiave a impuls (non fornita) (Fig. X).
6. Rimuovere il dado, il fermo della bobina, il coperchio superiore e il coperchio della base superiore dall'albero motore (Fig. T).

**NOTA:** durante l'operazione, dall'albero motore potrebbero cadere due boccole; conservarli per il riassetto.

IT

7. Per installare la nuova testa di taglio, procedere come descritto di seguito.

T-1	Boccola	T-6	Filo di taglio
T-2	Coperchio superiore	T-7	Coperchio inferiore
T-3	Dado	T-8	Coperchio della base superiore
T-4	Rondella	T-9	Gruppo bobina
T-5	Molla		

**IT**

## INSTALLAZIONE DELLA TESTA DI TAGLIO

1. Fissare le boccole sull'albero motore e inserire il gruppo coperchio della base superiore (Fig. T).
2. Fissare il coperchio superiore, il gruppo bobina, la rondella e il dado, in quest'ordine. Usare una chiave a impulsi per serrare il dado (Fig. U e V).
3. Fissare il gruppo coperchio inferiore.
4. Ricaricare il filo di taglio.
5. Avviare l'apparecchio per assicurarsi che funzioni correttamente. In caso contrario, riassemblarlo come descritto in precedenza.

## MANUTENZIONE

**AVVERTENZA!** Per la riparazione dell'apparecchio, usare esclusivamente parti di ricambio identiche. Ispezionare l'accessorio ed effettuare la manutenzione regolarmente. Per garantire sicurezza e affidabilità, tutte le riparazioni e sostituzioni devono essere eseguite da un tecnico qualificato.

**AVVERTENZA!** Per evitare lesioni gravi, rimuovere il gruppo batteria dall'apparecchio prima di pulirlo o ripararlo e prima di sostituire gli accessori o rimuovere del materiale dall'apparecchio.

**ATTENZIONE!** L'ostruzione delle aperture di ventilazione impedirà il flusso d'aria all'interno del vano motore, causando il surriscaldamento o il danneggiamento del motore.

## PULIZIA DELL'APPARECCHIO

- Pulire l'apparecchio usando un panno inumidito con del detergente neutro. Evitare l'infiltrazione di liquidi all'interno dell'apparecchio. Non immergere mai alcuna parte dell'apparecchio in liquidi.
- Non usare detersivi aggressivi sulle superfici esterne in plastica o sull'impugnatura perché possono essere danneggiate da alcuni oli aromatici, come pino e limone, e da solventi come il cherosene. L'umidità comporta il rischio di scossa elettrica. Rimuovere eventuali segni di umidità con un panno asciutto e morbido.

- Usare una piccola spazzola o un piccolo aspirapolvere per pulire le aperture di ventilazione sulla parte posteriore dell'apparecchio.
- Mantenere le aperture di ventilazione sul vano motore prive di detriti.

## AFFILATURA DELLA LAMA TAGLIAFILO

**AVVERTENZA!** Proteggere sempre le mani indossando guanti robusti durante qualsiasi operazione di manutenzione sulla lama tagliafilo.

1. Rimuovere la lama tagliafilo dalla cuffia di protezione.
2. Fissare la lama in una morsa.
3. Affilare con attenzione i bordi di taglio della lama con una lima a denti fini o una pietra cote, assicurandosi di mantenere l'angolo di taglio originale.
4. Riposizionare la lama sulla cuffia di protezione e fissarla con le due viti.

## CONSERVAZIONE DELL'APPARECCHIO

- Rimuovere il gruppo batteria dal decespugliatore quando non è in uso.
- Pulire accuratamente l'apparecchio prima di riporlo.
- Conservare l'apparecchio in un luogo asciutto, ben ventilato, elevato o chiuso a chiave, e fuori dalla portata dei bambini. Non conservare l'apparecchio sopra o in prossimità di fertilizzanti, benzina o altre sostanze chimiche.

## Protezione dell'ambiente



Non smaltire apparecchi elettrici, caricabatteria e batterie insieme ai rifiuti domestici. Portare il prodotto presso un centro di riciclaggio autorizzato affinché venga raccolto separatamente. Gli apparecchi elettrici devono essere portati presso un centro di riciclaggio ecocompatibile.

## RISOLUZIONE DEI PROBLEMI

PROBLEMA	CAUSA	SOLUZIONE
Il decespugliatore non si avvia.	<ul style="list-style-type: none"> <li>■ Il gruppo batteria non è installato sul decespugliatore.</li> <li>■ Nessun contatto elettrico tra il decespugliatore e la batteria.</li> <li>■ Il gruppo batteria è scarico.</li> <li>■ La linguetta di bloccaggio non è stata portata in avanti prima di premere l'interruttore a grilletto.</li> </ul>	<ul style="list-style-type: none"> <li>■ Installare il gruppo batteria sul decespugliatore.</li> <li>■ Rimuovere la batteria, ispezionare i contatti e reinstallare il gruppo batteria.</li> <li>■ Ricaricare il gruppo batteria.</li> <li>■ Portare la linguetta di bloccaggio in avanti, quindi premere l'interruttore a grilletto.</li> </ul>
Il decespugliatore si arresta durante il taglio.	<ul style="list-style-type: none"> <li>■ La cuffia di protezione non è installata sul decespugliatore, causando l'eccessiva lunghezza del filo di taglio e il sovraccarico del motore.</li> <li>■ È in uso un filo di taglio troppo spesso.</li> <li>■ L'albero motore o la testa di taglio sono bloccati dall'erba.</li> <li>■ Il motore è sovraccarico.</li> <li>■ Il gruppo batteria o il decespugliatore sono troppo caldi.</li> <li>■ Il gruppo batteria non è installato sul decespugliatore.</li> <li>■ Il gruppo batteria è scarico.</li> <li>■ Sbilanciamento dopo l'installazione del filo di taglio.</li> </ul>	<ul style="list-style-type: none"> <li>■ Rimuovere il gruppo batteria e installare la cuffia di protezione sul decespugliatore.</li> <li>■ Utilizzare filo di taglio in nylon raccomandato con diametro non superiore a 2,4 mm.</li> <li>■ Arrestare il decespugliatore, rimuovere la batteria e rimuovere l'erba dall'albero motore e dalla testa di taglio.</li> <li>■ Rimuovere la testa di taglio dall'erba. Il motore si riavvierà alla rimozione del carico. Durante il taglio, spostare la testa di taglio dentro e fuori dall'erba da tagliare e rimuovere non più di 20 cm di lunghezza a ogni passata.</li> <li>■ Lasciare che la batteria o il decespugliatore si raffreddino.</li> <li>■ Reinstallare il gruppo batteria.</li> <li>■ Ricaricare il gruppo batteria.</li> <li>■ Premere la testa di taglio per rendere simmetrica la lunghezza del filo.</li> </ul>
Non è possibile allungare il filo di taglio.	<ul style="list-style-type: none"> <li>■ L'albero motore o la testa di taglio sono bloccati dall'erba.</li> <li>■ Sulla bobina non è presente abbastanza filo, o il filo si rompe a livello dell'occhiello.</li> <li>■ Il filo è aggrovigliato.</li> <li>■ Il filo è troppo corto.</li> </ul>	<ul style="list-style-type: none"> <li>■ Arrestare il decespugliatore, rimuovere la batteria e pulire l'albero motore e la testa di taglio.</li> <li>■ Rimuovere la batteria e sostituire il filo di taglio. Seguire le istruzioni alla sezione <b>"SOSTITUZIONE DEL FILO"</b> in questo manuale.</li> <li>■ Rimuovere la batteria e sostituire il filo di taglio. Seguire le istruzioni alla sezione <b>"SOSTITUZIONE DEL FILO"</b> in questo manuale.</li> <li>■ Rimuovere la batteria e sostituire il filo di taglio. Seguire le istruzioni alla sezione <b>"SOSTITUZIONE DEL FILO"</b> in questo manuale.</li> </ul>

PROBLEMA	CAUSA	SOLUZIONE
L'erba si avvolge intorno alla testa di taglio e al vano motore.	Tagliare l'erba a livello del terreno.	Tagliare l'erba dall'alto verso il basso, rimuovendo non più di 20 cm a ogni passata per evitare il problema.
Incrinature sulla testa di taglio, o il fermo della bobina è allentato dalla base della bobina.	<ul style="list-style-type: none"> <li>■ La testa di taglio è usurata.</li> <li>■ Il dado che blocca la testa di taglio è allentato.</li> </ul>	<ul style="list-style-type: none"> <li>■ Sostituire immediatamente la testa di taglio come indicato alla sezione <b>"SOSTITUZIONE DELLA TESTA DI TAGLIO"</b> in questo manuale.</li> <li>■ Aprire la testa di taglio e serrare il dado con una chiave a impulsu.</li> </ul>
Il filo di taglio non si avvolge correttamente intorno alla bobina.	<ul style="list-style-type: none"> <li>■ Il filo di taglio è troppo lungo.</li> <li>■ Erba o sporcizia si sono accumulate nella testa di taglio, bloccando il movimento della bobina.</li> <li>■ Il motore si è surriscaldato a seguito della ripetuta attivazione del sistema di avvolgimento del filo.</li> <li>■ Batteria quasi scarica.</li> </ul>	<ul style="list-style-type: none"> <li>■ Tagliare il filo in modo tale che da ogni lato fuoriescano circa 13 cm.</li> <li>■ Rimuovere la batteria, aprire la testa di taglio e pulirla accuratamente.</li> <li>■ Avviare il decespugliatore a vuoto per qualche minuto per raffreddare il motore, quindi ricaricare il filo.</li> <li>■ Ricaricare la batteria.</li> </ul>
Il filo di taglio non fuoriesce dalla testa di taglio durante l'inserimento.	<ul style="list-style-type: none"> <li>■ L'estremità del filo di taglio è spaccata o piegata.</li> <li>■ Il coperchio inferiore non è stato riposizionato correttamente.</li> </ul>	<ul style="list-style-type: none"> <li>■ Tagliare l'estremità di filo usurata e reinserirlo.</li> <li>■ Installare il gruppo batteria sul decespugliatore. Premere brevemente il pulsante di avvolgimento del filo per posizionare correttamente il coperchio inferiore.</li> </ul>

## GARANZIA

### CONDIZIONI DELLA GARANZIA EGO

Visitare il sito web [egopowerplus.com](http://egopowerplus.com) per consultare le condizioni complete della garanzia EGO.



## LEES ALLE INSTRUCTIES!



### LEES DE GEBRUIKSAANWIJZING

**⚠ Restrisico!** Personen met elektronische apparaten, zoals pacemakers, moeten eerst hun arts(en) raadplegen voordat ze dit product gebruiken. De werking van een elektrisch apparaat in de nabijheid van een pacemaker kan een storing of defect van de pacemaker veroorzaken.

## VEILIGHEIDSSYMBOL

NL

De werking van het apparaat kan leiden tot het rondslingeren van (vreemde) objecten die in uw ogen kunnen terechtkomen. Dit kan leiden tot ernstig oogletsel. Wanneer u elektrisch gereedschap gebruikt, zorg er dan voor dat u altijd een veiligheidsbril (met zijschermen) of een gelaatsscherm draagt. We bevelen aan om een gelaatsscherm over uw bril of standaard veiligheidsbril met zijschermen te gebruiken.



Veiligheidswaarschuwing



De gebruiker moet de gebruiksaanwijzing lezen om het risico op letsel te beperken.



Draag oogbescherming - Draag altijd een veiligheidsbril met zijschermen en een gelaatsscherm als u dit product gebruikt.



Draag veiligheidsschoeisel - Draag slipvrije veiligheidsschoenen als u dit apparaat gebruikt.



Draag gehoorbescherming - Draag altijd gehoorbescherming wanneer u dit product gebruikt.



Draag veiligheidshandschoenen - Bescherm uw handen met handschoenen bij de omgang met de messen of de mesbeschermer.



Draag hoofdbescherming - Draag een goedgekeurde veiligheidshelm om uw hoofd te beschermen.



Pas op voor de stuwkracht van het mes - Waarschuw de bediener voor de gevaren van de stuwkracht van het mes.



Installeer geen ronde snijmesses.



Zwaartekracht  
Draaddiameter - De diameter van de nylon snijdraad



35cm  
Maaibreedte - De max. maaibreedte van de grastrimmer



Wegslingerende voorwerpen kunnen afketsen en leiden tot persoonlijk letsel of schade aan eigendommen. Zorg dat andere personen en huisdieren zich uit de buurt van de bosmaaier bevinden wanneer in gebruik.



Zorg dat andere personen en huisdieren zich op minstens 15m van de trimmer bevinden wanneer deze in gebruik is.



Gebruik het apparaat niet in de regen en laat het tevens niet buiten achter als het regent.



Gewaarborgd geluidsvermogensniveau. Geluidsemisatie voor de omgeving in overeenstemming met de richtlijnen van de Europese Unie.



Dit product is in overeenstemming met de EG-richtlijnen.



Gooi elektrisch afval niet via het huishoudelijk afval weg. Breng het naar een geautoriseerd recyclingbedrijf.

V Spanning

$n_0$

Snelheid zonder belasting - Draaisnelheid, zonder belasting

.../min Per minuut



Gelijkstroom

kg Kilogram

## SPECIFICATIES

Spanning	56 V $\text{---}$	
Snelheid zonder belasting	Lage snelheidsinstelling: 3000-4500 TPM Hoge snelheidsinstelling: 4000-5800 TPM	
Snijmechanisme	Aantikkop	
Type snijdraad	2,4 mm gedraaide nylondraad	
Maaibreedte	35 cm	
Aanbevolen bedrijfstemperatuur	0°C-40°C	
Aanbevolen opslagtemperatuur	-20°C-70°C	
Optimale laadtemperatuur	5°C-40°C	
Gewicht (zonder accupack)	5,8 kg	
Gemeten geluidsvermogensniveau $L_{WA}$	88,98 dB(A) K=2 dB(A)	
Geluidsdruk niveau bij het oor van de bediener $L_{PA}$	68,96 dB(A) K=2 dB(A)	
Gegarandeerd geluidsvermogensniveau $L_{WA}$ (gemeten volgens 2000/14/EG)	91 dB(A)	
Inschatting van de vibratie $a_{hv}$	Voorste handgreep	3,2 m/s <sup>2</sup> K=1,5 m/s <sup>2</sup>
	Achterste handgreep	2,3 m/s <sup>2</sup> K=1,5 m/s <sup>2</sup>

- De opgegeven totale vibratiewaarde is gemeten volgens de standaard testmethode en kan worden gebruikt om het apparaat met een ander apparaat te vergelijken;
- De opgegeven totale vibratiewaarde kan tevens worden gebruikt in een voorafgaande beoordeling op blootstelling.

**OPMERKING:** De vibratie-afgifte tijdens het werkelijk gebruik van het elektrisch gereedschap kan verschillen van de opgegeven totale waarde; Om de bediener te beschermen dient de gebruiker tijdens het gebruik handschoenen en gehoorbescherming te dragen.

## BESCHRIJVING

### KEN UW GRASTRIMMER (afb. A1)

# 50

56 VOLT LITHIUM-ION ACCU GRASTRIMMER — ST1400E-ST

- Achterste handgreep
- Hoge-/lage snelheidsschakelaar
- Aanpasbare voorste handgreep
- Scharnier
- Draad-laad knop
- Scherm
- Vergrendelingsstang
- Hoogtevergrendelingsrand
- Trekkerschakelaar
- Sluittip
- Trimmerkop (aantikkop)
- Mes voor het snijden van de draad
- Ontgrendelingsknop
- Snijdraad
- Accu-ontgrendelingsknop
- Vergrendeling
- Elektrische contacten
- Uitwerpmechanisme
- Binnenzeskantsleutel

## INHOUD VAN DE VERPAKKING (AFB. A1)

## MONTAGE

### DE AS UITKLAPPEN

**WAARSCHUWING:** Houd de as niet vast aan de scharnieren om het inklemmen van handen of vingers te voorkomen.

**WAARSCHUWING:** Tracht de trimmer niet te starten totdat de as is vergrendeld.

Klap de as voorzichtig uit, zorg ervoor dat de kabel in de as zit en vergrendel hem met de twee schroeven met behulp van de meegeleverde sleutel (afb. B1 & B2).

### HET SCHERM MONTEREN

Positioneer uw trimmer zo, dat de trimmerkop naar boven is gericht (afb. C1). Breng het scherm boven de montagegaten en bevestig het scherm vervolgens met de twee schroeven aan de asbasis (afb. C2).

**OPMERKING:** Zorg ervoor dat het scherm volgens afb. C1 & C2 is bevestigd; een andere bevestiging kan groot gevaar veroorzaken!

### DE VOORSTE HANDGREEP MONTEREN EN AANPASSEN

- Draai de vergrendelingstang in de voorste handgreep los en verwijder de vergrendelingstang en vleugelmoer van de voorste handgreep (afb. D).

D-1	Voorste handgreep	D-3	Vleugelmoer
D-2	Klemblok	D-4	Vergrendelingsstang

2. Druk de voorste handgreep op de as tussen de hoogtevergrendelingsrand en het scharnier (afb. E).
3. Steek het klemblok in de handgreepsleuf (afb. F).
4. Bevestig de hendel van de vergrendelingsstang en maak hem vast met de vleugelmoer. Zorg ervoor dat de voorste handgreep naar boven is gericht zodat het in richting van de achterste handgreep wijst (afb. J).
5. Trek de hendel van de vergrendelingsstang omhoog zodat u de lusgreep eenvoudig kunt bewegen/draaien totdat hij makkelijk in de hand licht. Vergrendel vervolgens de hendel van de vergrendelingsstang. (Afb. H).

**⚠ WAARSCHUWING:** Het gereedschap kan niet worden gebruikt als de voorste handgreep niet veilig bevestigd is.

#### AANPASSEN VAN DE ACHTERSTE HANDGREEP

Als de lengte van de as niet geschikt is voor het gebruik, kunt u de lengte van de as aanpassen met behulp van de vergrendelingsklem voor de hoogte.

1. Haal het accupack uit de grastrimmer.
2. Om de hoogte van de trimmer aan te passen, maakt u de vergrendelingsklem voor de hoogte los, en schuift u de as omhoog of omlaag op de gewenste hoogte, waarna u hem weer bevestigd door de vergrendelingsklem naar beneden te drukken (afb. I).

**OPMERKING:** De voorste handgreep moet eventueel worden aangepast nadat de hoogte van de trimmer is veranderd.

## GEBRUIK

**⚠ WAARSCHUWING:** Draag altijd een afsluitende veiligheidsbril of een veiligheidsbril met zijschermen in combinatie met gehoorbescherming. Het niet dragen van deze beschermingsuitrusting kan ertoe leiden dat voorwerpen in uw ogen terechtkomen of kan een ander ernstig letsel veroorzaken.

U kunt dit product gebruiken voor onderstaand vermelde doeleinden:

**Trimmen:** Wordt gebruikt voor het verwijderen van gras en onkruid langs muren, hekken, bomen en perken.

**Snijden:** Wordt gebruikt voor het maaien van gras dat moeilijk te bereiken is met een normale grasmaaier.

#### HET ACCUPACK INSTALLEREN/VERWIJDEREN

Gebruik het gereedschap alleen met de in afb. A2 vermelde accupacks en opladers van EGO.

**Voor de eerste ingebruikname volledig opladen.**

#### Installeren

Breng de geleiders van de accu overeen met de montagesleuven en druk het accupack naar beneden totdat u "klik" hoort (afb. J1).

#### Verwijderen

Druk de accuvrijgaveknop naar beneden en trek het accupack eruit zoals weergegeven in afb. J2.

J-1	Accuvrijgaveknop
-----	------------------

#### DE GRASTRIMMER VASTHOUDEN

Houd de grastrimmer met beide handen vast: Één hand op de achterste handgreep en de andere op de voorste handgreep.

**OPMERKING:** De snijkop bevindt zich parallel tot de grond op een geschikte snijafstand zonder dat de bediener naar voren moet bukken (afb. K).

#### DE GRASTRIMMER STARTEN/STOPPEN

##### Starten

Beweeg de sluitlip naar voren en druk vervolgens de trekkerschakelaar.

De schakelaar is een traploze snelheidsregeling. Hoe verder u aan de schakelaar trekt, hoe hoger de snelheid (afb. L).

##### Stoppen

Laat de trekkerschakelaar los.

#### FUNCTIE VOOR HET INSTELLEN VAN DE SNELHEID (AFB. L)

De grastrimmer bezit twee snelheden. Positie "LAAG" is de lage snelheid terwijl positie "HOOG" de hoge snelheid is.

Afb. L beschrijving van de onderdelen zie beneden:

L-1	Hoog-/laag snelheidsschakelaar	L-2	Trekkerschakelaar
-----	--------------------------------	-----	-------------------

#### DE GRASTRIMMER GEBRUIKEN

Voor gebruik, verwijder alle mogelijke obstakels uit de te maaien zone. Verwijder voorwerpen zoals stenen, gebroken glas, spijkers, draad of koorden, die opgegooid kunnen worden of in het snijelement terecht kunnen komen. Zorg dat er zich geen kinderen, omstanders of huisdieren in de omgeving bevinden. Houd kinderen, omstanders en huisdieren op een afstand van minstens 15 m; er is nog altijd risico op het wegslingeren van voorwerpen richting omstanders. Omstanders worden aangespoord om oogbescherming te dragen. Als iemand in de buurt komt, stop de motor en het snijelement dan onmiddellijk.

## Controleer voor elk gebruik op beschadigde/versleten onderdelen

Controleer de aantikkip, scherm en voorste handgreep en vervang de onderdelen die gebarsten, scheef getrokken, gebogen of beschadigd zijn.

Het mes voor het snijden van de draad op de rand van het scherm kan na verloop van tijd bot worden. Het wordt aanbevolen om het mes regelmatig met een vijl te slijpen of door een nieuw mes te vervangen.

NL

## Maak de trimmer na elk gebruik schoon.

### DE LENGTE VAN DE SNIJDRAAD AANPASSEN

De snijkop stelt de bediener in staat om meer snijdraad vrij te geven zonder de motor te moeten stoppen. Als de draad uitgerafeld of versleten raakt, geef extra draad vrij door de snijkop tijdens gebruik van de trimmer voorzichtig tegen de grond te tikken (afb. M).

**OPMERKING:** Het vrijgeven van draad geschiedt al naar gelang hoe kort de draad is door meerdere keren te tikken.

**⚠ WAARSCHUWING:** Verwijder of pas de draadsnijder niet aan. Door een te lange snijdraad zal de motor oververhitten wat tot ernstig persoonlijk letsel kan leiden.

### DE DRAAD VERVANGEN

**OPMERKING:** Gebruik de geadviseerde nylon snijdraad met een diameter van niet meer dan 2,4 mm. Het gebruik van een andere dan de aanbevolen draad kan leiden tot oververhitting of schade aan de grastrimmer.

**⚠ WAARSCHUWING:** Gebruik nooit een met metaal versterkte draad, kabel of koord etc. Deze kunnen afbreken en een gevaarlijk projectiel worden.

1. Het accupack verwijderen.
2. Verwijder indien nodig de overgebleven snijdraad.
3. Knip 4 m snijdraad af. Steek de draad in het bevestigingsgat in het oogje (afb. O). Druk en trek de draad van de andere kant totdat aan beide zijden van de spoel evenveel draad is.
4. Plaats het accupack op de grastrimmer.
5. Houd de draad-laad knop ingedrukt om de draad opwikkelmotor te starten. De draad wordt doorlopend op de trimmerkop opgewonden (afb. P).
6. Houd de resterende draadlengte aandachtig in de gaten. Druk eventjes op de draad-laad knop om de lengte aan te passen totdat 13 cm van de draad aan elke kant uitsteekt.

7. Druk de trimmerkop naar beneden terwijl u met de hand aan de draden trekt om de draden naar voren te halen en om te kijken of de snijdraad goed zit.

Als de draad aan de uitgang breekt of als de draad niet verder loopt of vast zit in de trimmerkop, dient u de volgende stappen uit te voeren

1. Haal het accupack uit de grastrimmer.
2. Druk op de ontgrendelingsknoppen op de trimmerkop en verwijder de gemonteerde onderste afdekking door deze recht eruit te trekken (afb. Q).
3. Verwijder de snijdraad van de spoel.
4. Plaats de veer in de sleuf in de onderste afdekking (afb. R).
5. Met een hand aan de trimmer, gebruikt u de andere hand om de onderste afdekking vast te pakken en de sleuven in de onderste afdekking in een lijn te brengen met de ontgrendelingsknoppen. Druk de onderste afdekking totdat deze op zijn plek vergrendeld. U hoort op dat moment een duidelijke klik (afb. S).
6. Volg de instructies in de alinea “**DE DRAAD VERVANGEN**” om een nieuwe snijdraad te plaatsen.

### TRIMMERKOP VERVANGEN

**⚠ WAARSCHUWING:** Als de kop na bevestiging op de juiste positie loskomt, vervang hem onmiddellijk. Gebruik nooit een trimmer met een los snijelement. Vervang een gebarsten, beschadigde of versleten snijkop onmiddellijk, zelfs al is de schade beperkt tot oppervlaktige barstjes. Dergelijk toebehoor kan op een hoge snelheid uiteen spatten en ernstig letsel veroorzaken.

### VERWIJDER DE TRIMMERKOP

1. Haal het accupack uit de grastrimmer.
2. Druk op de ontgrendelingsknoppen op de trimmerkop en verwijder de onderste afdekking van de trimmerkop door deze recht eruit te trekken.
3. Verwijder de snijdraad van de trimmerkop (afb. S).
4. Haal indien nodig de veer uit de gemonteerde spoel. Bewaar het voor de hernieuwde montage.
5. Draag handschoenen. Gebruik een hand om de gemonteerde spoel te stabiliseren en gebruik de andere hand om de binnenzeskantsleutel (niet inbegrepen) los te draaien tegen de klok in (afb. X).
6. Verwijder de moer, spoelhouder, bovenste afdekking, bovenste afdekking van de basis, van de motoras (afb. T).

**OPMERKING:** Twee hulzen vallen eenvoudig van de motoras, bewaar ze goed voor de hernieuwde montage.

- Vervang door een nieuwe trimmerkop en monteer hem met de volgende stappen.

T-1	Huls	T-6	Snijdraad
T-2	Bovenste afdekking	T-7	Onderste afdekking
T-3	Moer	T-8	Bovenste afdekking van de basis
T-4	Sluistring	T-9	Spoelmontage
T-5	Veer		

### PLAATS DE NIEUWE TRIMMERKOP

- Bevestig de hulzen in de motoras en bevestig de bovenste afdekking op zijn plek (afb. T).
- Bevestig de bovenste afdekking, spoelmontage, sluitring en moer in deze volgorde. Gebruik een moersleutel op de moer om hem vast te maken (afb. U & V).
- Bevestig de onderste afdekking.
- Plaats de snijdraad terug.
- Start het gereedschap om te zien of de grastrimmer normaal werkt. Als dat niet het geval is, monteer dan zoals boven beschreven.

### ONDERHOUD

**⚠ WAARSCHUWING:** Gebruik tijdens reparaties uitsluitend identieke reserve-onderdelen. Controleer en onderhoud het gereedschap regelmatig. Laat alle reparaties uitvoeren door een vakbekwame reparateur om een continue veiligheid en betrouwbaarheid te waarborgen.

**⚠ WAARSCHUWING:** Om ernstig persoonlijk letsel te voorkomen, haal het accupack uit het gereedschap voor onderhoud, reiniging, het wijzigen van accessoires of het verwijderen van materiaal.

**⚠ OPGELET:** Belemmeringen in de ventilatieopeningen beletten de aanvoer van lucht in de motorbehuizing. Dit kan oververhitting of schade aan de motor veroorzaken.

### HET APPARAAT SCHOONMAKEN

- Maak het apparaat schoon met een vochtige doek en mild schoonmaakmiddel. Zorg dat er geen vloeistof het gereedschap binnendringt. Dompel nooit een deel van het gereedschap in een vloeistof.
- Maak de kunststof behuizing of handgreep niet schoon met een agressief schoonmaakmiddel. Deze kunnen door bepaalde aromatische oliën, zoals pijnboom en citroen, en oplosmiddelen, zoals kerosine, worden beschadigd. Vocht kan risico op elektrische schokken met zich meebrengen. Veeg eventueel vocht weg met een zachte en droge doek.

- Maak de ventilatieopeningen van het achterste gedeelte van de behuizing schoon met een kleine borstel of een stofzuiger met een kleine borstel.
- Houd de luchtopeningen in de motorbehuizing op elk moment vrij van vuil.

### HET MES VOOR HET SNIJDEN VAN DE DRAAD SLIJPEN

**⚠ WAARSCHUWING:** Bescherm altijd uw handen door zware handschoenen te dragen als u onderhoud aan het mes voor het snijden van de draad uitvoert.

- Verwijder het mes voor het snijden van de draad van het schermaccessoire.
- Bevestig het mes in een bankschroef.
- Vijl de randen van het mes voorzichtig met een fijne vijl of een slijpsteen. Let hierbij op dat de originele slijphoek van het mes behouden blijft.
- Plaats het mes op het scherm en zet het vast met twee schroeven.

### HET APPARAAT OPBERGEN

- Verwijder het accupack van de grastrimmer wanneer u hem niet gebruikt.
- Maak het gereedschap grondig schoon voordat u het opbergt.
- Berg het apparaat op in een droge, goed geventileerde en afsluitbare ruimte of op een hoge hoogte en buiten het bereik van kinderen. Berg het apparaat niet op in de buurt van meststoffen, benzine of andere chemicaliën.

### Het milieu beschermen



Gooi geen elektrische apparatuur, gebruikte batterijen en laders weg via het huishoudelijk afval! Geef dit product af bij een geautoriseerd recyclingbedrijf en zorg dat het apart kan worden ingezameld. Elektrisch gereedschap moet worden afgegeven voor een milieuvriendelijke recycling.

## PROBLEEMOPLOSSING

NL

PROBLEEM	OORZAAK	OPLOSSING
De grastrimmer start niet.	<ul style="list-style-type: none"> <li>■ Het accupack is niet met de grastrimmer verbonden.</li> <li>■ Er is geen elektrisch contact tussen de grastrimmer en accu.</li> <li>■ Het accupack is uitgeput.</li> <li>■ De vergrendeling van de trekker beweegt niet naar voren voordat de trekkerschakelaar wordt gedrukt</li> </ul>	<ul style="list-style-type: none"> <li>■ Verbind het accupack met de grastrimmer.</li> <li>■ Verwijder de accu, controleer de contacten en bevestig het accupack weer.</li> <li>■ Laad het accupack op.</li> <li>■ Beweeg de sluitlip naar voren en druk de trekkerschakelaar.</li> </ul>
De grastrimmer stopt tijdens het maaien.	<ul style="list-style-type: none"> <li>■ Het scherm is niet op de grastrimmer gemonteerd waardoor de snijdraad te lang is en de motor oververhit raakt.</li> <li>■ Er wordt zware snijdraad gebruikt.</li> <li>■ De motoras of trimmerkop zit vol met gras.</li> <li>■ De motor is overbelast.</li> </ul>	<ul style="list-style-type: none"> <li>■ Verwijder het accupack en monteer de bescherming op de trimmer.</li> <li>■ Gebruik de geadviseerde nylon snijdraad met een diameter van niet meer dan 2,4 mm.</li> <li>■ Stop de grastrimmer, haal het accupack uit en verwijder het gras van de motoras en snijkop.</li> <li>■ Verwijder het gras van de snijkop. De motor werkt opnieuw zodra het gras is verwijderd. Beweeg de snijkop tijdens het maaien in en uit het gras en verwijder niet meer dan 20 cm gras in één maibeurt.</li> <li>■ Koel de accu of de grastrimmer af.</li> </ul>
De draad wordt niet door de snijkop vrijgegeven.	<ul style="list-style-type: none"> <li>■ Het accupack of de grastrimmer is te warm.</li> <li>■ Het accupack is niet met het gereedschap verbonden.</li> <li>■ Het accupack is uitgeput.</li> <li>■ Niet in balans na het installeren van de snijdraad.</li> </ul>	<ul style="list-style-type: none"> <li>■ Stop de grastrimmer, verwijder de accu en reinig de motoras en snijkop.</li> <li>■ Verwijder de accu en vervang de snijdraad volgens de sectie <b>“DE DRAAD VERVANGEN”</b> in deze handleiding.</li> <li>■ Verwijder de accu en vervang de snijdraad volgens de sectie <b>“DE DRAAD VERVANGEN”</b> in deze handleiding.</li> <li>■ Verwijder de accu en vervang de snijdraad volgens de sectie <b>“DE DRAAD VERVANGEN”</b> in deze handleiding.</li> </ul>
Het gras wordt om de trimmerkop en motorbehuizing gewikkeld.	Lang gras wordt op grondniveau gemaaid	Maai lang gras van boven naar onder en verwijder niet meer dan 20 cm per maibeurt om omwikkeling te voorkomen.

PROBLEEM	OORZAAK	OPLOSSING
Scheuren op de trimmerkop of de speelhouder raken los van de speelbasis.	<ul style="list-style-type: none"> <li>■ De snijkop is versleten.</li> <li>■ De moer die de trimmerkop op zijn plek houdt is los.</li> </ul>	<ul style="list-style-type: none"> <li>■ Vervang de trimmerkop direct; volg het gedeelte <b>“TRIMMERKOP VERVANGEN”</b> in deze handleiding.</li> <li>■ Open de trimmerkop en gebruik een moersleutel om de moer vast te draaien.</li> </ul>
De snijdraad kan niet naar behoren op de trimmerkop worden opgewonden.	<ul style="list-style-type: none"> <li>■ De snijdraad is te lang.</li> <li>■ Grasresten of vuil hebben zich opgehoopt in de trimmerkop en blokkeren de beweging van de draadspoel.</li> <li>■ De motor is oververhit als gevolg van herhaaldelijk gebruik van het opwindsysteem voor de draad.</li> <li>■ Accustand is laag</li> </ul>	<ul style="list-style-type: none"> <li>■ Snijd de draad zodat hij ongeveer 13 cm lang is aan beide zijden.</li> <li>■ Verwijder de accu, op de trimmerkop en reinig hem grondig.</li> <li>■ Laat de grastrimmer enkele minuten onbelast lopen om de motor af te koelen, probeer vervolgens nogmaals de snijdraad te laden.</li> <li>■ Laad de accu op.</li> </ul>
De snijdraad wordt niet goed doorgegeven door de trimmerkop als de snijdraad wordt geplaatst.	<ul style="list-style-type: none"> <li>■ De snijdraad is gespleten of aan het uiteinde gebogen.</li> <li>■ De onderste afdekking wordt na de hernieuwde montage niet losgelaten in zijn positie.</li> </ul>	<ul style="list-style-type: none"> <li>■ Snijd het versleten uiteinde van de draad af en plaats hem terug.</li> <li>■ Bevestig het accupack op de trimmer; druk de laadknop voor de draad eventjes om het laadproces te starten en de onderste afdekking te ontgrendelen.</li> </ul>

**NL**

## GARANTIE

### EGO GARANTIEBELEID

Bezoek alstublieft de website [egopowerplus.com](http://egopowerplus.com) voor de volledige voorwaarden van het EGO garantiebeleid.

## LÆS ALLE ANVISNINGER!



### LÆS BRUGERVEJLEDNINGEN

**⚠ Resterende risiko!** Folk med elektroniske anordninger, såsom pacemakere, bør spørge deres læge(r) til råds, før de bruger dette produkt. Betjening af elektrisk udstyr i umiddelbar nærhed af et hjerte pacemaker kan forårsage forstyrrelser eller svigt af pacemakeren.

## SIKKERHEDSSYMBOL

**DK**

Når elværktøjer bruges, er der altid en risiko for at genstande slynges ind i øjnene, som kan føre til alvorlige øjenskader. Inden du begynder elværktøj drift, altid bære beskyttelsesbriller eller sikkerhedsbriller med side skjolde og en fuld ansigtsmaske når det er nødvendigt. Vi anbefaler en Wide Vision Safety Maske til brug over briller eller standard sikkerhedsbriller med sideskærme.



Sikkerhedsadvarsel



For at mindske risikoen for skader skal brugeren læse brugsanvisningen.



Brug øjenbeskyttelse - brug altid beskyttelsesbriller eller sikkerhedsbriller med sideskærm og en fuld ansigtsskærm, når du bruger dette produkt.



Brug sikkerhedssko - brug skridsikkert sikkerhedsfodtøj, når du bruger dette udstyr.



Brug høreværn - brug altid høreværn, når du bruger dette produkt.



Brug beskyttelseshandsker - beskyt dine hænder med handsker, når du håndterer kniven eller skærmen til kniven.



Brug hovedbeskyttelse - brug en godkendt sikkerhedshjelm til, at beskytte dit hoved.



Vær opmærksom på ryk fra kniven - advar brugeren om faren for ryk i kniven.



Montér ikke runde skæreknive



Snordiameter - diameteren af nylontrimmersnoren



Klippebredde - græstrimmerens maks. klippebredde



Smågenstande kan slynges ud og føre til personskader eller materielle skader. Sørg for, at andre mennesker og kæledyr er væk fra buskrydderen, når den er i brug.



Sørg for, at andre mennesker og kæledyr står mindst 15 m væk fra græstrimmeren, når den er i brug.



Må ikke bruges i regn og må ikke efterlades udenfor i regnvej.



Garanteret lydniveau. Støjemission til miljøet opfylder EF-direktivet.



Dette produkt er i overensstemmelse med gældende EU-direktiver.



Elektriske affaldsprodukter må ikke bortskaffes sammen med husholdningsaffald. Tag det til en godkendt genbrugsplads.

V Spænding

 $n_0$ 

Hastighed uden belastning - Drejehastighed, uden belastning

.../min Per minut



Jævnstrøm (DC)

kg Kg

# 56

LEDNINGSFRI GRÆSTRIMMER MED 56 VOLTS LITHIUM-ION-BATTERI — ST1400E-ST



## SPECIFIKATIONER

Spænding	56 V ---	
Hastighed ubelastet	Lav hastighed: 3000-4500 o/m Høj hastighed: 4000-5800 o/m	
Trimmemekanisme	Fjederhoved	
Type trimmersnor	2,4 mm snoet nylonsnor	
Klippebredde	35 cm	
Anbefalet driftstemperatur	0°C-40°C	
Anbefalet opbevaringstemperatur	-20°C-70°C	
Optimal opladningstemperatur	5°C-40°C	
Vægt (uden batteri)	5,8 kg	
Målt lydeffektniveau $L_{WA}$	88,98 dB(A) K=2 dB(A)	
Lydtryk ved brugerens øre $L_{PA}$	68,96 dB(A) K=2 dB(A)	
Garanteret lydeffektniveau $L_{WA}$ (målt i henhold til 2000/14 / EF)	91 dB(A)	
Vibrationsværdi $a_{h,v}$ :	Forreste støtkehåndtag	3,2 m/s <sup>2</sup> K=1,5 m/s <sup>2</sup>
	Baghåndtag	2,3 m/s <sup>2</sup> K=1,5 m/s <sup>2</sup>

- Den deklarerede vibrationer samlede værdi er målt i overensstemmelse med en standard testmetode og kan anvendes til at sammenligne et værktøj med et andet;
- Den samlede angivne værdi for vibrationer kan også anvendes ved en foreløbig vurdering af eksponeringen.

**BEMÆRK:** vibrationer emission ved faktisk brug af elværktøjet kan afvige fra den angivne værdi, hvor værktøjet anvendes; For at beskytte operatøren, bør brugeren bære handsker og høreværn i de faktiske brugsforhold.

## BESKRIVELSE

### KEND DIN GRÆSTRIMMER (fig. A1)

- Bageste håndtag
- Knap til høj/lav hastighed
- Justerbart støtkehåndtag foran
- Hængsel
- Knap til opvikling af trimmersnor

- Skærm
- Låsepal
- Højdelåsering
- Gashåndtag
- Låsegreb
- Trimmerhoved (fjederhoved)
- Kniv til afskæring af snor
- Udløsertap
- Trimmersnor
- Udløserknap til batteri
- Lås
- Elektriske kontakter
- Udløsermekanisme
- Unbrakonøgle

## LISTE OVER DELE I PAKKEN (FIG. A1)

## SAMLING

### UDFOLDNING AF SKAFTET

**⚠ ADVARSEL:** Hold ikke akslen ved samlingerne, så du ikke får hænderne eller fingrene i klemme.

**⚠ ADVARSEL:** Forsøg ikke at starte trimmeren, før akslen er låst.

Fold akslen forsigtigt ud. Sørg for, at kablet er i akslen, og lås den med to skruer og den medfølgende skruenøgle (fig. B1 & B2).

### MONTERING AF SKÆRMEN

Placer din trimmer, så trimmerhovedet vender opad (fig. C1). Flugt skærmens monteringshuller med enhedens huller; sæt derefter skærmen fast på skaftets nederkant med de to skruer (fig. C2).

**BEMÆRK:** Sørg for, at skærmen sidder som på fig. C1 og C2. Hvis monteringen gøres omvendt kan det forårsage stor fare!

### MONTERING OG JUSTERING AF FORRESTE STØTTEHÅNDTAG

- Løsn låsepalen i det forreste støtkehåndtag, og fjern låsepalen og vingemøtrikken fra det forreste støtkehåndtag (fig. D).

D-1	Forreste støtkehåndtag	D-3	Vingemøtrik
D-2	Klemmeklods	D-4	Låsepal

- Skub det forreste støtkehåndtag på skaftet mellem højdelåseringen og hængslet (fig. E).
- Indsæt klemmeklods i noten i håndtaget (fig. F).
- Monter låsehåndtaget på stangen, og spænd let til med vingemøtrikken. Sørg for at støtkehåndtaget foran vender opad og peger mod toppen af det bageste håndtag (fig. J).

DK

5. Træk låsehåndtaget på stangen op, så du let kan flytte/dreje løkkehåndtaget til det ønskede sted. Lås derefter låsehåndtaget på stangen. (Fig. H).

**⚠ ADVARSEL:** Værktøjet kan ikke bruges, uden at støttehåndtaget foran sidder godt fast.

## JUSTERING AF BAGESTE HÅNDTAG

Hvis skaffets længde ikke er egnet til drift, kan du justere skaffets længde med denne højdelåseklemme.

1. Fjern batteripakken fra trimmeren.
2. For at justere trimmerhøjden, skal du åbne højdelåseklemmen og derefter trykke akslen op eller ned til den ønskede højde. Fastgør den ved at trykke på låseklemmen (fig. I).

**BEMÆRK:** Støttehåndtaget foran skal muligvis justeres, hvis trimmehøjden ændres.

## BETJENING

**ADVARSEL:** Bær altid beskyttelsesbriller eller sikkerhedsbriller med sidebeskyttelse samt høreværn. Hvis disse ikke bruges, kan du få genstande slynget i øjnene, og der kan også opstå andre alvorlige skader.

Du kan bruge dette produkt til de formål, der er nævnt nedenfor:

**Trimning:** Bruges til at fjerne græs og ukrudt op mod vægge, hegn, træer og langs kanter.

**Klipning:** Bruges til at klippe græs, der er svært at nå med en almindelig plæneklipper.

## PÅSÆTNING / AFTAGNING BATTERIPAKKEN

Produktet må kun bruges med EGO's batteripakker og opladere, der er anført i fig A2

Lad batteriet helt op inden første brug.

### På sætning

Flugt batteriets ribber med monteringsnoterne, og tryk batteriet ned, indtil du hører et "klik" (fig. J1).

### Aftagning

Tryk på knappen til batteriudløseren, og træk batteriet ud som vist på fig J2.

J-1 Knap til frigørelse af batteri

## SÅDAN HOLDES GRÆSTRIMMEREN

Hold trimmeren med begge hænder: Den ene hånd på det bageste håndtag og den anden på støttehåndtaget foran.

**BEMÆRK:** Trimmerens hoved skal være parallelt med jorden i korrekt trimmeafstand, uden at operatøren læner sig fremover (fig. K).

## START/STOP AF GRÆSTRIMMEREN

### Sådan startes produktet

Tryk låsegrebet fremad. Tryk derefter på gashåndtaget.

Udløseren har trinløs hastighedsjustering. Jo mere du trækker i udløseren, jo højere er maskinens hastighed (fig. L).

### Sådan stoppes produktet

Slip gashåndtaget.

## HASTIGHEDSJUSTERING (FIG. L)

Græstrimmeren har to hastigheder. Indstilling "LAV" er lav hastighed, og "HØJ" er høj hastighed.

Beskrivelse af dele i fig. L, se nedenfor:

L-1	Vælger for høj/lav hastighed	L-2	Gashåndtag
-----	------------------------------	-----	------------

## BRUG AF GRÆSTRIMMEREN

Ryd op i området, hvor der skal klippes, før hver brug. Fjern alle genstande, såsom sten, glasskår, søm, tråd, eller linje, der kan slynges eller blive viklet ind i trimmerdelen. Få børn, tilskuere og kæledyr væk fra området. Hold alle børn, omkringstående og kæledyr mindst 15 m væk. Tilskuere kan stadig være i fare for at blive ramt af genstande, der slynges ud. Omkringstående bør opfordres til at bære øjenbeskyttelse. Hvis nogen nærmer sig, så stop straks motoren og trimmerdelen.

### Før hver anvendelse undersøges for skader / slidte dele

Tjek fjederhoved, skærmen og støttehåndtaget foran, og udskift de dele, der er revnede, skæve, bøjedede eller beskadigede på nogen måde.

Snorkniven på kanten af skærmen bliver med tiden sløv. Det anbefales regelmæssigt at slibe den med en fil eller udskifte den med en ny kniv.

### Efter hver brug rengøres trimmeren.

## JUSTERING AF TRIMMERSNORENS LÆNGDE

Trimmeren giver brugeren mulighed for at frigive mere trimmersnor uden at stoppe motoren. Efterhånden som snoren bliver flosset eller slidt, kan man frigive ekstra snor ved at trykke fjederhovedet let mod jorden, mens trimmeren kører (fig. M).

**BEMÆRK:** Når trimmersnoren bliver kortere, skal du trykke flere gange, for at frigive snoren.

**⚠ ADVARSEL:** Du må ikke fjerne snorkniven eller ændre på den enhed, hvor den sidder. For lang snor vil få motoren til at overophede, og kan føre til alvorlige personskader.

### UDSKIFTNING AF SNOREN

**BEMÆRK:** Brug standard anbefalet trimmersnor af nylon med en diameter på højst 2,4 mm. Brug af snor med anden diameter kan medføre, at græstrimmeren bliver overophedet eller beskadiget.

**⚠ ADVARSEL:** Brug aldrig metalforstærket snor, ståltråd eller reb osv. Disse kan brække af og blive farlige projektiler.

1. Fjern batteripakken.
2. Fjern resterende klippesnor, hvis nødvendigt.
3. Klip et stykke trimmersnor af i en længde på 4 m. Sæt snoren i monteringshullet i øjet (fig. O). Tryk og træk snoren fra den anden side, indtil der sidder lige meget snor på begge sider af spolen.
4. Sæt batteriet på græstrimmeren.
5. Tryk på knappen til opviklingsmekanismen for at starte opviklingsmotoren. Snoren vikles løbende ind i trimmeren (fig. P).
6. Hold godt øje med længden på resten af snoren. Tryk derefter kortvarigt på knappen til opviklingsmekanismen, indtil der stikker ca. 13 cm snor ud til hver side.
7. Skub trimmerhovedet nedad, mens der trækkes i snorene, for manuelt at trække snor ud og kontrollere om trimmersnoren er korrekt sat i.

Hvis klippesnoren springer ved udgangsojet, eller hvis snoren ikke frigives, når klippehovedet trykkes mod jorden, følges trinene nedenfor.

1. Fjern batteripakken fra trimmeren.
2. Tryk på løsnetapperne på trimmerhovedet, og fjern det nederste dæksel ved at trække det lige ud (fig. Q).
3. Fjern klippesnoren fra spolen.
4. Sæt fjederen i rillen i den nederste dækselenhed (fig. R).
5. Hold trimmeren med den ene hånd, og brug den anden hånd til at gribe om den nederste dækselenhed. Flugt indhakkene i den nederste dækselenhed med udløsertappene. Tryk på den nederste dækselenhed, indtil den klikker på plads med en tydelig kliklyd (fig. S).
6. Følg vejledningen i afsnittet "UDSKIFTNING AF SNOREN", når der skal fyldes mere trimmersnor i.

### UDSKIFTNING AF TRIMMERHOVEDET

**⚠ ADVARSEL:** Hvis hovedet løsner sig, efter at det er monteret, skal det straks spændes fast igen. Brug aldrig en trimmer med en løs trimmerdel. Udskift straks et revnet, beskadiget eller slidt trimmerhoved, selv om skaden er begrænset til overfladiske revner. Sådanne påmonteringer kan splintre ved høj hastighed og forårsage alvorlige skader.

### AFTAGNING AF TRIMMERHOVEDET

1. Fjern batteripakken fra trimmeren.
2. Tryk på udløsertappene på trimmerhovedet, og tag den nederste dækselenhed på trimmerhovedet ved at trække den lige ud.
3. Tag trimmersnoren af trimmerhovedet (fig. S).
4. Tag om nødvendigt fjederen ud af spoleenheden. Gem den, til det hele skal samles igen.
5. Brug handsker. Brug den ene hånd til at gribe om spoleenheden for at stabilisere den, og brug den anden hånd til at holde en slag nøgle (medfølger ikke) til at løsne møtrikken mod uret (fig. X).
6. Tag møtrikken, spoleenheden, det øverste dæksel, øvre bunddæksel af motorakslen (fig. T).

**BEMÆRK:** De to bøsninger falder nemt af motorakslen. Gem dem venligst forsigtigt til, når det skal bruges igen.

7. Sæt et nyt trimmerhoved på, og monter det på følgende måde.

T-1	Bøsning	T-6	Trimmersnor
T-2	Øvre dæksel	T-7	Nedre dæksel
T-3	Møtrik	T-8	Øvre bunddæksel
T-4	Spændeskive	T-9	Samling af spoleenhed
T-5	Fjeder		

### MONTERING AF DET NYE TRIMMERHOVED

1. Sæt bøsningerne på motorakslen og sæt øvre bunddæksel på plads (fig. T).
2. Monter det øverste dæksel, spoleenhed, skive og møtrik i den nævnte rækkefølge. Sæt en slag nøgle på møtrikken for at spænde den (fig. U og V).
3. Monter den nederste dækselenhed
4. Sæt trimmersnoren i igen.
5. Start værktøjet for at se om græstrimmeren fungerer normalt. I modsat fald kontrolleres, at samlingen er sket som beskrevet ovenfor.

DK

## VEDLIGEHOLDELSE

**⚠ ADVARSEL:** Ved service må der kun bruges originale reservedele. Efterse og vedligehold værktøjet regelmæssigt. For at sikre sikkerhed og pålidelighed, bør alle reparationer udføres af en kvalificeret servicetekniker.

**⚠ ADVARSEL:** For at undgå alvorlig personskade fjernes batteripakken fra værktøjet før service, rengøring, udskiftning af påmonteringer, eller før der fjernes materiale fra apparatet.

**⚠ FORSIGTIG:** Forhindringer i ventilationsåbningerne forhindrer luften i at komme ind i motorhuset og forårsager overophedning eller beskadigelse af motoren.

DK

### RENGØRING AF APPARATET

- Rengør apparatet med en fugtig klud med et mildt rengøringsmiddel. Lad aldrig væsker komme ind i værktøjet, nedsenk det aldrig i nogen form for væske.
- Brug ikke stærke rengøringsmidler på plastkabinettet eller -håndtaget. De kan tage skade af visse aromatiske olier, såsom fyr og citron, og opløsningsmidler såsom petroleum. Fugt kan også give elektrisk stød. Tør al fugt af med en blød tør klud.
- Brug en lille børste eller luftaftrækket på en lille støvsugerbørste til at rengøre lufthullerne for forhindringer på det bageste hus.
- Hold altid lufthuller i motorhuset fri for snavs og skidt.

### SLIB KNIVEN TIL AFSKÆRING AF SNOR

**⚠ ADVARSEL:** Beskyt altid dine hænder ved at bruge kraftige handsker, når du udfører vedligeholdelsesarbejde på kniven til afskæring af snor.

1. Tag kniven til afskæring af snor af skærmen.
2. Sæt bladet i en skruestik.
3. Fil forsigtigt skærefladerne på kniven med en fintandet fil eller slibesten. Sørg for, at bevare den oprindelige skærevinkel.
4. Sæt kniven fast på skærmen igen med de to skruer.

### OPBEVARING AF APPARATET

- Fjern batteripakken fra græstrimmeren, når den ikke er i brug.
- Rengør værktøjet grundigt, før det lægges væk.
- Opbevar apparatet på et tørt og godt ventileret sted, der er låst og utilgængeligt for børn. Opbevar ikke apparatet på eller ved siden af gødning, benzin eller andre kemikalier.

### Beskyttelse af miljøet



Elektrisk udstyr, batterioplader og batterier må ikke smides ud sammen med almindelig husholdningsaffald! Tag dette produkt til en autoriseret genbrugsplads, og sørg for at det sendes til genbrug. Elektriske værktøjer skal returneres til et miljøkompatibelt genvindingsanlæg.

## FEJLFINDING

PROBLEM	ÅRSAG	LØSNING
Græstrimmer starter ikke.	<ul style="list-style-type: none"> <li>■ Batteripakken er ikke sat på græstrimmeren.</li> <li>■ Ingen elektrisk kontakt mellem trimmer og batteri.</li> <li>■ Batteriet er afladet.</li> <li>■ Låsegrebet til gashåndtaget trykkes ikke fremad, før der trykkes på gashåndtaget.</li> </ul>	<ul style="list-style-type: none"> <li>■ Sæt batteripakken på græstrimmeren.</li> <li>■ Fjern batteriet, kontrollér kontakter, og sæt batteriet på igen.</li> <li>■ Oplad batteripakken.</li> <li>■ Tryk låsegrebet fremad, og tryk derefter på gashåndtaget.</li> </ul>
Græstrimmer stopper, mens der trimmes.	<ul style="list-style-type: none"> <li>■ Skærmen er ikke monteret på trimmeren, hvilket resulterer i en alt for lang trimmersnor og overbelastning af motoren.</li> <li>■ Der anvendes kraftig trimmersnor.</li> <li>■ Motoraksel eller trimmerhoved er fyldt med græs.</li> <li>■ Motoren er overbelastet.</li> </ul>	<ul style="list-style-type: none"> <li>■ Fjern batteripakken, og sæt skærmen på trimmeren.</li> <li>■ Brug standard trimmersnor af nylon med en diameter på højst 2,4 mm.</li> <li>■ Stop trimmeren, fjern batteriet, og fjern græs fra motoraksel og trimmerhoved.</li> <li>■ Løft trimmerhovedet op fra græsset. Motoren vil begynde at arbejde igen, så snart belastningen er fjernet. Når der trimmes, flyttes trimmerhovedet ind og ud af græsset, der skal trimmes. Der bør højst fjernes omkring 20 cm. ad gangen i et enkelt snit.</li> <li>■ Nedkøl batteriet eller græstrimmeren.</li> </ul>
Trimmerhoved rykker ikke snoren frem.	<ul style="list-style-type: none"> <li>■ Batteripakke eller græstrimmer er for varm.</li> <li>■ Batteripakken er taget af værktøjet.</li> <li>■ Batteriet er afladet.</li> <li>■ Ubalanceret efter isætning af trimmersnoren.</li> </ul>	<ul style="list-style-type: none"> <li>■ Motoraksel eller trimmerhoved er fyldt med græs.</li> <li>■ Der er ikke nok snor på spolen eller snoren knækker i øjet.</li> <li>■ Snoren er indviklet.</li> <li>■ Snoren er for kort.</li> </ul>
Græs er viklet omkring trimmerhoved og motorhus.	Trimning af højt græs i jordhøjde	Klip højt græs oppefra og ned, og tag ikke mere end ca. 20 cm. hver gang for at forhindre, at græsset snor sig fast.
Revner på trimmerens hoved eller spoleholderen løsner sig fra spolebunden.	<ul style="list-style-type: none"> <li>■ Trimmerhovedet er slidt.</li> <li>■ Møtrikken, der låser trimmerhovedet, er løs.</li> </ul>	<ul style="list-style-type: none"> <li>■ Fjern batteriet, og udskift snoren. Se afsnittet <b>"UDSKIFTNING AF SNOREN"</b> i denne vejledning.</li> <li>■ Åbn trimmerhovedet, og brug en slag nøgle til at stramme møtrikken.</li> </ul>

DK

PROBLEM	ÅRSAG	LØSNING
Trimmersnoren kan ikke vikles ordentligt ind i trimmerhovedet.	<ul style="list-style-type: none"><li>■ Trimmersnoren er for lang.</li><li>■ Græsrester eller snavs har samlet sig i trimmerhovedet, så snorspolen ikke kan bevæge sig.</li><li>■ Motoren er overophedet, da den har kørt gentagne gange med en indviklet snor.</li><li>■ Lavt batteriniveau</li></ul>	<ul style="list-style-type: none"><li>■ Klip snoren, så den er ca. 13 cm lang på hver side.</li><li>■ Tag batteriet af, åbn trimmerhovedet og rengør det ordentligt.</li><li>■ Lad trimmeren køre uden belastning i et par minutter for at afkøle motoren, og prøv derefter at sætte snoren i igen.</li><li>■ Oplad batteriet.</li></ul>
Trimmersnoren kan ikke sættes gennem trimmerhovedet, når den sættes i.	<ul style="list-style-type: none"><li>■ Trimmersnoren er revnet eller bøjet for enden.</li><li>■ Det nedre dæksel sidder ikke ordentligt efter det er sat på igen.</li></ul>	<ul style="list-style-type: none"><li>■ Skær den slidte ende af snoren, og sæt den i igen.</li><li>■ Sæt batteripakken på trimmeren. Tryk på knappen til isætning af snoren for kort at starte maskinen, så det nederste dæksel frigøres.</li></ul>

**DK**

## GARANTI

### EGO GARANTI POLITIK

Besøg venligst hjemmesiden [egopowerplus.com](http://egopowerplus.com) for fuldstændige vilkår og betingelser for EGO's garantipolitik.

**KEES VAN DER SPEK**  
TUINMACHINES ★ STOLWIJK

## LÄS IGENOM ALLA INSTRUKTIONER!



### LÄS IGENOM BRUKSANVISNINGEN

**⚠ Dolda risker!** Personer med elektroniska enheter såsom pacemaker skall rådfråga sin läkare innan denna produkt används. Användning av elektronisk utrustning i närheten av en pacemaker kan orsaka störningar eller fel på pacemakern.

## SÄKERHETSSYMBOL

Användning av något elverktyg kan resultera i att främmande föremål kastas in i dina ögon vilket kan resultera i allvarliga ögonskador. Innan elverktyget börjar användas skall alltid skyddsglasögon eller skyddsglasögon med sidoskydd och full ansiktsskydd användas när så behövs. Vi rekommenderar att en ansiktsmask med brett synfält används ovanpå glasögonen eller standard skyddsglasögon med sidoskydd.

SE



Säkerhetslarm



För att minska risken för skador måste användaren läsa bruksanvisningen.



Använd ögonskydd - Använd alltid skyddsglasögon eller säkerhetsglasögon med sidoskydd och hel ansiktsmask när denna produkt används.



Använd skyddsskor - Använd halkfria skyddsskor vid användning av denna utrustning.



Använd hörselskydd - Använd alltid hörselskydd när denna produkt används.



Använd skyddshandskar - Skydda dina händer med handskar när bladen eller bladsyddet hanteras.



Använd huvudskydd - Använd en godkänd skyddshjälm för att skydda huvudet.



Var medveten om kastbenägenheten - Varna användaren för faran med maskinens kastbenägenhet.



Montera inte runda skärblad.



Tråddiameter - Diametern för skärtråden av nylon



Skärbredd - Max. skärbredd för trädtrimmer



Föremål som slungas ut kan studsas och orsaka skador på person eller egendom. Se till att övriga personer och husdjur hålls på avstånd från buskskäraren när den används.



Se till att andra personer och husdjur befinner sig minst 15 m från trädtrimmen när den används.



Använd den inte vid regn och lämna den inte utomhus om det regnar.



Garanterad ljudeffektnivå. Bulleremissioner för omgivningen enligt EU-direktivet.



Denna produkt är i enlighet med gällande EG-direktiv.



Förbrukade elektriska produkter får inte kastas i hushållsoporna. Lämna in dem till en auktoriserad återvinningsstation.



Spänning

$n_0$

Ingen belastningshastighet - Rotationshastighet utan belastning

.../min Per minut



Likström

kg Kilogram

## SPECIFIKATIONER

Spänning	56 V ---	
Ingen belastningshastighet	Låg hastighetsinställning: 3000-4500 RPM Hög hastighetsinställning: 4000-5800 RPM	
Skärmekanism	Stöthuvud	
Skärträdens typ	2,4 mm tvinnad nylontråd	
Klippbredd	35 cm	
Rekommenderad drifttemperatur	0°C-40°C	
Rekommenderad förvaringstemperatur	-20°C-70°C	
Optimal laddningstemperatur	5°C-40°C	
Vikt (utan batteripaket)	5,8 kg	
Uppmätt ljudeffektnivå $L_{WA}$	88,98 dB(A) K=2 dB(A)	
Ljudtrycksnivå vid operatörens öra $L_{PA}$	68,96 dB(A) K=2 dB(A)	
Garanterad ljudtrycksnivå $L_{WA}$ (uppmätt enligt 2000/14/EG)	91 dB(A)	
Värdering av vibration $a_h$ :	Främre hjälphandtag	3,2 m/s <sup>2</sup> K=1,5 m/s <sup>2</sup>
	Bakre handtag	2,3 m/s <sup>2</sup> K=1,5 m/s <sup>2</sup>

- Det deklarerade totala vibrationsvärdet har uppmätts i enlighet med en standardtestmetod och kan användas för att jämföra ett verktyg med ett annat.
- Det deklarerade totala vibrationsvärdet kan också användas i en preliminär utvärdering av exponeringen.

**OBS!** Vibrationsutstrålningen under verklig användning av elverktyg kan skilja sig från det deklarerade värdet i vilken verktyget används. För att skydda användaren skall skyddshandskar och hörselskydd användas under faktisk användningsförhållandet.

## BESKRIVNING

### LÄRA KÄNNA DIN TRÅDTRIMMER (bild A1)

1. Bakre handtag
2. Hastighetsreglage hög/låg

# 64

56 VOLTS LITIUM-JON SLADDLÖS TRÅDTRIMMER — ST1400E-ST

3. Justerbart främre handtag
4. Gångjärn
5. Trådladdningsknapp
6. Skydd
7. Låsstång
8. Höjdlåshylsa
9. Gasreglage
10. Låstunga
11. Trimmerhuvud (stöthuvud)
12. Trådsjärnblad
13. Frikopplingsflik
14. Skärtråd
15. Låsknapp för batteriet
16. Spårhake
17. Elektriska kontakter
18. Utmatningsmekanism
19. Insexnyckel

## PACKLISTA (BILD A1)

## MONTERING

### Vika ut skaffet

**⚠ VARNING:** Håll inte skaffet i skarven för att undvika att händerna eller fingrarna kläms.

**⚠ VARNING:** Försök inte att starta trimmern innan skaffet har låsts.

Vik ut skaffet försiktigt för att skydda kabeln på insidan och lås med de två skruvarna med den medföljande skiftnyckeln (bild B1 och B2).

### MONTERA SKYDDET

Placera trimmern så att trimmerhuvudet är riktat uppåt (bild C1). Rikta in skyddets fästhål med monteringshålen och lås sedan fast skyddet på axelns bas med de två skruvarna (bild C2).

**NOTERA:** Se till att skyddet är korrekt fastsatt enligt bild C1 och C2, en omvänd fastsättning är mycket farligt!

### MONTERA OCH JUSTERA DET FRÄME HANDTAGET

1. Lossa låsstången i främre handtaget och ta bort låsstången och vingmuttern från det främre handtaget (bild D).

D-1	Främre hjälphandtag	D-3	Vingmutter
D-2	Klämblock	D-4	Låsstång

2. Tryck in det främre hjälphandtaget mot skaffet mellan höjdlåshylsan och gångjärnet (bild E).
3. Sätt in fästblocket i handtagsöppningen (bild F).



- Montera låsstångspaken och dra åt vingmuttern. Se till att det främre hjälphandtaget är riktat uppåt och pekar mot den övre delen på det bakre handtaget (bild J).
- Dra upp spaken till låsstången så att du enkelt kan flytta/vrida öglehandtaget dit där det känns bekvämt. lås sedan spaken för låsstången. (Bild H).

**⚠ VARNING:** Verktyget kan inte användas utan att det främre handtaget är korrekt festsatt.

#### INSTÄLLNING AV DET BAKRE HANDTAGET

Om längden på skafvet inte är tillräckligt för arbetet kan du justera längden på skafvet genom denna höjdlåsklämma.

- Ta bort batteripaket från trimmern.
- För att justera trimmerhöjden, öppna höjdlåsklämman och skjut skafvet uppåt eller nedåt önskad höjd, fäst den på plats genom att trycka på låsklämman (bild I).

**NOTERA:** Det främre hjälphandtaget kan behövas justeras igen efter att trimmerhöjden ändrats.

#### DRIFT

**⚠ VARNING:** Använd alltid skyddsglasögon eller säkerhetsglasögon med sidoskydd tillsammans med hörselskydd. Om inte så görs kan det resultera i att föremål kastas in i ögonen och andra möjliga allvarliga skador.

Du kan använda denna produkt för de tillämpningar som listas nedan:

**Trimning:** Används för att ta bort gräs och ogräs mot väggar, staket, träd och kanter.

**Kapning:** Används för att kapa gräs som är svårt att komma åt med en vanliga gräsklippare.

#### FÄST/TA LOSS BATTERIPAKETET

Använd endast EGO:s batteripaket och laddare som listas i bild A2.

#### Ladda fullt innan första användning.

#### Fästa

Rikta in listerna på batteriet med monteringsspåren och tryck sedan ner batteripaketet tills du hör ett "klik" (bild J1).

#### Ta bort

Tryck in batterilåsknappen och dra sedan ur batteripaketet enligt bild J2.

J-1	Batterilåsknapp
-----	-----------------

#### HÅLLA TRÅDTRIMMERN

Håll trådtrimmern med båda händerna: En hand på det bakre handtaget och den andra handen på det främre handtaget.

**NOTERA:** Trimmerhuvudet är parallellt med marken vid ett lämpligt skäravstånd utan att operatören behöver böja sig (bild K).

#### STARTA/STOPPA TRÅDTRIMMERN

##### Starta

Flytta låstungan framåt och tryck sedan in gasreglaget

Gasreglaget har en steglös hastighetsjustering. Ju mer du trycker in gasreglaget, desto högre blir hastigheten (bild L).

##### Stoppa

Släpp gasreglaget.

#### HASTIGHETSJUSTERING (BILD L)

Trådtrimmern har två olika hastigheter. Läget "LOW" är för låg hastighet och läget "HIGH" är för hög hastighet.

Bild L se nedan för beskrivning av delar:

L-1	Hastighetsreglage hög/låg	L-2	Gasreglage
-----	---------------------------	-----	------------

#### ANVÄNDA TRÅDTRIMMERN

Rensa området som ska beskäras före varje användning. Ta bort alla objekt som t.ex. stenar, krossat glas, spikar, trådar eller ledningar som kan slungas ut eller traslas in i skärenheten. Se till att inga barn, åskådare eller husdjur är inom området. Håll alla barn, åskådare och husdjur minst 15 meter bort. Det kan fortfarande finnas en risk att föremål slungas mot åskådare. Uppmana åskådare att använda skyddsglasögon. Om någon närmar sig dig, stoppa omedelbart motorn och skärenheten.

#### Kontrollera efter skadade/slitna delar före varje användning.

Kontrollera trådhuvidet, skyddet och det främre handtaget och byt ut delar som är spruckna, skeva, böjda eller skadade på något sätt.

Skärbladet för trådkapning kan bli slött efter en tid. Det rekommenderas att vässa det regelbundet med en fil eller byta ut det mot ett nytt skärblad.

#### Rengör trimmern efter varje användning.

#### JUSTERA SKÄRTRÅDENS LÅNGD

Trimmerhuvudet låter operatören dra ut mer skärtråd utan att motorn behöver stoppas. När tråden blir fransig eller sliten kan mer tråd frigöras genom att knacka trimmerhuvudet lätt mot marken när trimmern är igång (bild M).

**NOTERA:** Tråden kommer att kräva flera tryckningar i takt med att skärtråden blir kortare.

**⚠ VARNING:** Ta inte bort eller modifiera skärbladet för tråden. En för lång tråd får motorn att överhettas och kan resultera i allvarliga personskador.

## BYTA UT TRÅDEN

**NOTERA:** Använd alltid rekommenderad nylontråd med en diameter som inte överstiger 2,4 mm. Om en annan skärtråd än den som anges används kan trädtrimmern överhettas eller skadas.

**⚠ VARNING:** Använd aldrig metallförstärkt tråd, kablar eller rep etc. Dessa kan gå av och bli farliga projektiler.

SE

1. Ta ut batteripaketet.
2. Ta bort den återstående skärtråden om så krävs.
3. Skär av 4 m skärtråd. För in tråden i monteringshålet på insidan av hålet (bild O). Tryck in och dra tråden från den andra sidan tills en likvärdig längd visas på spolens båda sidor.
4. Installera batteripaketet i trädtrimmern.
5. Tryck på och håll kvar trådladdningsknappen för att starta trådladdningsmotorn. Tråden kommer att lindas på trimmerhuvudet kontinuerligt (bild P).
6. Titta noga på den kvarvarande tråden. Tryck kort på trådladdningsknappen för att justera längden tills 13 cm av tråden visas på varje sida.
7. Tryck ner trimmerhuvudet medan tråden dras ut manuellt för att förlänga den och för att kontrollera att skärtråden monterats korrekt.

När skärtråden bryts från trådutgången eller om skärtråden inte frigörs när trimmerhuvudet knackas lätt, följ stegen nedan

1. Ta bort batteripaket från trimmern.
2. Tryck in flikarna på trimmerhuvudet och ta bort nedre höljet genom att dra den rakt ut (bild Q).
3. Ta bort skärtråden från spolen.
4. Sätt in fjädern i öppningen på den nedre höljet (bild R).
5. Håll trimmern i ena handen, använd den andra handen för att ta tag i den nedre höljet och rikta in öppningen i den nedre höljet mot låsflikarna. Tryck på nedre höljet tills det snäpper på plats, du kommer att höra ett distinkt klickljud (bild S).
6. Följ instruktionerna i sektionen **"BYTA TRÅD"** för att ladda skärtråden igen.

## BYTE TRIMMERHUVUD

**⚠ VARNING:** Om huvudet lossnar efter att det satts fast i dess läge, byt det omedelbart. Använd aldrig en trimmer med löst skärtillbehör. Byt omedelbart ut ett sprucket, skadat eller slitet skärhuvud, även om skadad är begränsad till ytliga sprickor. Dessa tillbehör kan splittras i hög hastighet och orsaka allvarliga personskador.

## TA BORT TRIMMERHUVUDET ÅR

1. Ta bort batteripaket från trimmern.
2. Tryck in flikarna på övre locket och ta bort nedre lockmontaget på trimmerhuvudet genom att dra den rakt ut.
3. Ta bort skärtråden från trimmerhuvudet (bild S).
4. Ta ut fjädern från spolenheten, om så behövs. Spara den för återmontering.
5. Använd handskar. Ta tag med ena handen i spolenheten för att stabilisera det och använd andra handen för att hålla en skiftnyckel (medföljer inte) för att lossa muttern i riktning moturs (bild X).
6. Ta bort muttern, spohlållaren, övre höljet, övre bashöljet från motoraxeln (bild T).

**NOTERA:** Två bussningar faller lätt bort från motoraxeln, spara dem noga för återmontering.

7. Byt till ett nytt trimmerhuvud och montera enligt följande steg.

T-1	Bussning	T-6	Trimmertråd
T-2	Övre hölje	T-7	Nedre hölje
T-3	Mutter	T-8	Övre baslock
T-4	Bricka	T-9	Montera spolenheten
T-5	Fjäder		

## INSTALLERA DET NYA TRIMMERHUVUDET

1. Montera bussningarna på motoraxeln och montera övre bashöljet på plats (bild >T).
2. Montera det över höljet, spolen, brickan och muttern i den ordningen. Använd en slagskruvnyckel för att dra åt den (bild U och V).
3. Montera höljet.
4. Ladda skärtråden.
5. Starta verktyget för att se att trädtrimmer fungerar normalt. Om den inte gör det, återmontera såsom beskrivs ovan.

## UNDERHÅLL

**⚠ VARNING:** Vid service ska enbart identiska utbyteskomponenter användas. Inspektera och underhåll verktyget regelbundet. För att garantera en säker och pålitlig användning måste alla reparationer utföras av en kvalificerad servicetekniker.

**⚠ VARNING:** För att förhindra allvarliga personskador, ta ut batteripaketet vid service, rengöring, ändring av extratillbehör eller borttagning av material från enheten.

**⚠ FÖRSIKTIGHET:** Om ventilerna blockeras förhindras luften från att flöda in i motorhöljet, vilket kan resultera i överhettning eller skada på motorn.

## RENGÖRA ENHETEN

- Rengör enheten med en fuktad trasa och ett mildt rengöringsmedel. Låt aldrig någon vätska komma in i verktyget; sänk aldrig ner någon del av verktyget i en vätska.
- Använd inte starka rengöringsmedel på plasthöljet eller handtaget. De kan skadas av vissa aromatiska oljor som t.ex. tall och citron, samt av lösningsmedel som t.ex. fotogen. Fukttorker kan även utgöra en risk för elektriska stötar. Torka bort fukt med en mjuk och torr trasa.
- Använd en liten borste eller rengöringsborsten på en liten dammsugare för att rengöra luftventilerna på det bakre höljet.
- Håll alltid luftventilerna på motorhöljet fria från skräp.

## VÄSSA TRÅDSKÄRBLADET

**⚠ VARNING:** Skydda alltid dina händer genom att använda kraftiga handskar när underhåll utförs på trådsjärbladet.

1. Ta bort trådsjärbladet från skyddstillbehören.
2. Fäst bladet i ett skruvstöd.
3. Fila försiktigt kanterna på bladet med en fintandad fil eller slipsten, var försiktigt så att kanten på originalskärets vinkel bibehålls.
4. Sätt tillbaka bladet på skyddet och fäst det på plats med de två skruvarna.

## FÖRVARA ENHETEN

- Ta ut batteripaketet från trådtrimmern när den inte används.
- Rengör verktyget noga innan förvaring.
- Förvara enheten på en torr, välventilerad plats, inlåst eller högt upp, utom räckhåll för barn. Förvara inte enheten på eller i anslutning till gödningsmedel, bensin eller andra kemikalier.

## Skydda miljön



Kasta inte elektrisk utrustning, använt batteri och laddare i hushållssoporna! Ta denna produkt till en auktoriserad återvinnare och gör den tillgänglig för separat insamling. Elektriska verktyg måste returneras till en miljöanpassad återvinningsanläggning.

SE

## FELSÖKNING

PROBLEM	ORSAK	LÖSNING
Trädtrimmer startar inte.	<ul style="list-style-type: none"> <li>■ Batteripaketet är inte monterat på trädtrimmern.</li> <li>■ Ingen elektrisk kontakt mellan trimmern och batteriet.</li> <li>■ Batteripaketet är helt tomt.</li> <li>■ Låset på gasreglaget har inte flyttats framåt innan gasreglaget trycks in.</li> </ul>	<ul style="list-style-type: none"> <li>■ Montera batteripaketet på trädtrimmern.</li> <li>■ Ta ut batteriet, kontrollera kontaktarna och sätt sedan tillbaka batteripaketet.</li> <li>■ Ladda batteripaketet.</li> <li>■ Flytta låstungen framåt och tryck sedan in gasreglaget.</li> </ul>
Trädtrimmern stoppas under användning.	<ul style="list-style-type: none"> <li>■ Skyddet är inte monterat på trimmern, vilket resulterar i en för lång skärtråd och överbelastning av motorn.</li> <li>■ Kraftig skärtråd används.</li> <li>■ Motoraxeln eller trimmerhuvudet är intrasslat i gräs.</li> <li>■ Motorn är överbelastad.</li> <li>■ Batteripaketet eller trädtrimmern är för varm.</li> <li>■ Batteripaketet är inte anslutet till verktyget.</li> <li>■ Batteripaketet är helt tomt.</li> <li>■ Obalans efter installation av skärtråden.</li> </ul>	<ul style="list-style-type: none"> <li>■ Ta ut batteripaketet och montera skyddet på trimmern.</li> <li>■ Använd rekommenderas nylontråd med en diameter som inte överstiger 2,4 mm.</li> <li>■ Stoppa trimmern, ta ut batteriet och ta bort gräset från motoraxeln och trimmerhuvudet.</li> <li>■ Ta bort trimmerhuvudet från gräset. Motorn fungerar som vanligt när belastningen är borttagen. Vid skärning, för trimmerhuvudet in och ut från gräset som ska klippas och kapa inte mer än 20 cm långd med ett enskilt skär.</li> <li>■ Kyl batteriet eller trädtrimmern.</li> <li>■ Montera batteripaketet igen.</li> <li>■ Ladda batteripaketet.</li> <li>■ Knacka med trimmerhuvudet för att göra trådlängden symmetrisk.</li> </ul>
Trimmerhuvudet matar inte ut mer tråd.	<ul style="list-style-type: none"> <li>■ Motoraxeln eller trimmerhuvudet är intrasslat i gräs.</li> <li>■ Det finns inte tillräckligt med tråd på spolen eller tråden bryts från hålet.</li> <li>■ Tråden är trasslad.</li> <li>■ Tråden är alltför kort.</li> </ul>	<ul style="list-style-type: none"> <li>■ Stoppa trimmern, ta ut batteriet och rengör motoraxeln och trimmerhuvudet.</li> <li>■ Ta ut batteriet och byt ut skärtråden; följ instruktionerna i avsnittet "BYTA UT TRÅDEN" i denna bruksanvisning.</li> <li>■ Ta ut batteriet och byt ut skärtråden; följ instruktionerna i avsnittet "BYTA UT TRÅDEN" i denna bruksanvisning.</li> <li>■ Ta ut batteriet och byt ut skärtråden; följ instruktionerna i avsnittet "BYTA UT TRÅDEN" i denna bruksanvisning.</li> </ul>
Gräs lindrar sig runt trimmerhuvudet och motorhöljat.	Skära högt gräs i marknivå	Klipp högt gräs nerifrån och upp, kapa inte mer än 20 cm per svep för att undvika grästrassel.

SE

PROBLEM	ORSAK	LÖSNING
Sprickor på trimmerhuvudet eller spolhållaren lossnar från spolbasen.	<ul style="list-style-type: none"> <li>■ Trimmerhuvudet är slitet.</li> <li>■ Muttern som låser trimmerhuvudet har lossnat.</li> </ul>	<ul style="list-style-type: none"> <li>■ Byt trimmerhuvudet omedelbart, följ sektionen ; följ instruktionerna i sektionen <b>"BYTA TRIMMERHUVUD"</b> i denna bruksanvisning.</li> <li>■ Öppna trimmerhuvudet och använd en slagskruvnyckel för att dra åt muttern.</li> </ul>
Skärtråden kan inte lindas korrekt runt trimmerhuvudet.	<ul style="list-style-type: none"> <li>■ Skärtråden är alltför lång.</li> <li>■ Gräskräp eller smuts har ackumulerats i trimmerhuvudet och blockerar trådspolens rörelser.</li> <li>■ Motorn är överhettad på grund av upprepade hantering av trådledningssystemet.</li> <li>■ Svagt batteri</li> </ul>	<ul style="list-style-type: none"> <li>■ Skär tråden så att ungefär 13 cm längd visas på var sida.</li> <li>■ Ta bort batteripaketet, öppna trimmerhuvudet och rengör det nogga.</li> <li>■ Låt trådtrimmern arbeta utan belastning i några minuter för att kyla motorn, försök sedan att ladda tråden igen.</li> <li>■ Ladda batteriet.</li> </ul>
Skärtråden kan inte passera genom trimmerhuvudet när tråden sätts i.	<ul style="list-style-type: none"> <li>■ Skärtråden är splittrad eller böjd i änden.</li> <li>■ Det nedre höljet är inte lossat för att positioneras efter återinstallation.</li> </ul>	<ul style="list-style-type: none"> <li>■ Skär bort den slitna änden av tråden och sätt in den igen.</li> <li>■ Sätt fast batteripaketet på trimmern, tryck på trådladdningknappen för att kort starta strömladdningen för att lossa den nedre höljet.</li> </ul>

**SE**

## GARANTI



### EGO GARANTIPOLICY

Besök webbsidan [egopowerplus.com](http://egopowerplus.com) för fullständiga villkor för EGO garantipolicy.

## LUE KAIKKI OHJEET!



### LUE KÄYTTÖOPAS

**⚠ Jäännösriski!** Henkilöiden, joilla on sydämentahdistin tai muu vastaava elektroninen laite, tulisi keskustella lääkärin kanssa ennen tämän tuotteen käyttöä. Sähkölaitteiden käyttö sydämentahdistimen lähetyillä saattaa häiritä tahdistimen toimintaa tai aiheuttaa vakavan toimintahäiriön.

## TURVALLISUUSYMBOLIT

Minkä tahansa sähkötyökalun käyttö saattaa aiheuttaa vierasesineiden sinkoutumisen silmiin, mikä voi aiheuttaa vakavia silmävammoja. Käytä aina suojalaseja, joissa on sivusuojat, ja tarvittaessa koko kasvat peittävää suojaa, kun käytät sähkötyökaluja. Silmälasien päällä suosittelemme käytettäväksi suojamaskia, jossa on laaja näkökenttä, tai tavallisia suojalaseja, joissa on sivusuojat.

FI



Turvallisuushälytys



Käytä silmiensuojainta – Käytä aina suojalaseja, joissa on sivusuojat, ja koko kasvat peittävää suojaa, kun käytät laitetta.



Käytä kuulosuojaimia – Käytä aina kuulosuojaimia, kun käytät laitetta.



Käytä suojakypärää – Käytä hyväksyttyä suojakypärää suojataksesi pääsi.



Älä asenna siihen pyöreitä teriä.



Leikkuuleveys – Siimaleikkurin maks. leikkuuleveys



Varmista, että muut ihmiset ja lemmikkieläimet ovat vähintään 15 m päässä siimaleikkurista, kun se on käytössä.



Taattu äänitehotaso. Melupäästöt ympäristöön Euroopan yhteisön direktiivin mukaiset.



Vanhoja sähkölaitteita ei saa hävittää kotitalousjätteen mukana. Vie laite valtuutettuun kierrätyslaitokseen.

$n_0$

Tyhjäkäyntinopeus – Pyörimisnopeus ilman kuormaa



Tasavirta



Käyttäjän on luettava käyttöopas loukkaantumiskehityksen vähentämiseksi.



Käytä turvajalkineita – Käytä luistamattomia turvajalkineita varusteen käytön aikana.



Käytä suojakäsineitä – Käytä suojakäsineitä, kun käsittelet terää tai terän suojusta.



Varo terän työntövoimaa – Varoita käyttäjää terän työntövoiman vaarallisuudesta.



Siiman läpimitta – Nailonleikkuusiiman läpimitta



Sinkoutuvat esineet voivat kimmota ja aiheuttaa henkilö- tai omaisuusvahingon. Varmista, että muut ihmiset ja lemmikit ovat etäällä pensasleikkurista, kun se on käytössä.



Älä käytä sateella tai jätä ulos sateeseen.



Tämä tuote vastaa sovellettavia EU-direktiivejä.

V Jännite

.../min per minuutti

kg Kilogramma

## TEKNISET TIEDOT

Jännite	56 V ---
Tyhjäkäyntinopeus	Alhaisen nopeuden asetus: 3000–4500 RPM Korkean nopeuden asetus: 4000–5800 RPM
Leikkuumeکانیسمi	Kupupää
Leikkuusiiman tyyppi	2,4 mm:n kierresiima nailonista
Leikkuuleveys	35 cm
Suosittelut käyttölämpötila	0°C-40°C
Suosittelut säilytyslämpötila	-20°C-70°C
Ihanteellinen latauslämpötila	5°C-40°C
Paino (ilman akkua)	5,8 kg
Mitattu äänitehotaso $L_{WA}$	88,98 dB(A) K=2 dB(A)
Äänenpaineen taso käyttäjän korvien tasolla $L_{PA}$	68,96 dB(A) K=2 dB(A)
Taattu äänentehotaso $L_{WA}$ (mitattu 2000/14/EY mukaisesti)	91 dB(A)
Tärinäarvo $a_n$ :	Etuapukahva 3,2 m/s <sup>2</sup> K=1,5 m/s <sup>2</sup>
	Takakahva 2,3 m/s <sup>2</sup> K=1,5 m/s <sup>2</sup>

- Ilmoitettu tärinän kokonaispäästöarvo on mitattu standarditestausten mukaisesti, ja sen avulla voidaan vertailla työkaluja keskenään;
- Ilmoitettua tärinän kokonaispäästöarvoa voidaan käyttää myös altistumisen alustavaan arviointiin.

**HUOMAA:** Työkalun käytön aikana mitattu todellinen tärinäpäästöarvo voi poiketa ilmoitetusta kokonaispäästöarvosta työkalun käyttötavasta johtuen; käyttäjän suojaamiseksi tulee käyttää käsinettä ja kuulosuojaimia varsinaisissa käyttöolosuhteissa.

## KUVAUS

### TUNNE SIIMALEIKKURISI (kuva A1)

- Takakahva
- Korkean/alhaisen nopeuden kytkin
- Säädettävä etuapukahva
- Sarana

- Siiman latauspainike
- Suojus
- Lukitusvarsi
- Korkeuden lukituskaulus
- Liipaisinkytkin
- Lukituskieli
- Leikkuupää (kupupää)
- Siiman leikkuuterä
- Vapautusuloke
- Leikkuusiima
- Akun vapautuspainike
- Salpa
- Sähköliittännät
- Poistomeکانیسمi
- Kuusiokoloavain

## PAKKAUSLUETTELO (KUVA A1)

### KOKOAMINEN

#### VARREN AVAAMINEN

**VAROITUS:** Älä pidä vartta nivelkohdista, jotta vältät käsien ja sormien jäämisen puristuksiin.

**VAROITUS:** Älä käynnistä leikkuria ennen kuin varsi on lukittu.

Taita varsi varovasti auki varmistaen, että kaapeli on varren sisällä ja lukitse varsi kahdella ruuvilla ja mukana tulevalla avaimella (kuva B1 ja B2).

#### SUOJUKSEN KIINNITTÄMINEN

Aseta leikkuri siten, että leikkuupää on ylöspäin (kuva C1). Linjaa suojuksen kiinnitysaukot kokoonpanoaukkojen kanssa ja lukitse suojus sitten varren tyveen kahdella ruuvilla (kuva C2).

**HUOMAA:** Varmista, että suojus on paikallaan kuvien C1 ja C2 mukaisesti, käänteinen kiinnitys aiheuttaa suuren vaaran!

#### ETUAPUKAHVAN KIINNITYS JA SÄÄTTÄMINEN

- Löysää etuapukahvan lukitusvarsi ja poista lukitusvarsi ja siipimutteri etuapukahvasta (kuva D).

D-1	Etuapukahva	D-3	Siipimutteri
D-2	Puristuskappale	D-4	Lukitusvarsi

- Työnnä etuapukahva varteen korkeuden lukituskaulusen ja saranan väliin (kuva E).
- Aseta puristuskappale kahvan koloon (kuva F).
- Asenna lukitusvarren vipu ja esikivistä se siipimutterilla. Varmista, että etuapukahva on ylöspäin ja osoittaa kohti takakahvan yläosaa (kuva J).
- Vedä lukitusvartta ylöspäin tasolle, joka sallii kaarikahvan helpon liikuttamisen/kääntämisen. Lukitse sitten lukitusvarren vipu. (Kuva H).

**VAROITUS:** Työkalua ei voi käyttää ilman, että etukahva on kiinnitetty turvallisesti.

## TAKAKAHVAN SÄÄTÄMINEN

Jos varren pituus ei ole käyttöön sopiva, voit säätää varren pituutta korkeuden lukituskierimellä.

1. Irrota akku siimaleikkurista.
2. Säädä siimaleikkurin korkeutta avaamalla korkeuden lukituskieristin ja vetämällä varrtä ylöspäin tai alaspäin haluamaasi korkeuteen. Kiinnitä se paikalleen painamalla lukituskieristin kiinni (kuva I).

**HUOMAA:** Etuapukahva säätää vaatia uuden säätämisen, jos siimaleikkurin korkeutta on muutettu.

## FI KÄYTTÖ

**VAROITUS:** Käytä aina tavanomaisia tai sivusuojilla varustettuja suojalaseja sekä kuulosuojaimia. Tämän ohjeen laiminlyöminen saattaa aiheuttaa esineiden sinkoutumisen silmiin ja mahdollisen vakavan henkilövahingon.

Tätä laitetta voi käyttää seuraavassa mainittuihin tarkoituksiin:

**Reunojen tasaaminen:** käytetään ruohon ja rikkaruohojen poistamiseen seinien, aitojen, puiden ja rajojen lähellä.

**Leikkaaminen:** käytetään sellaisen ruohon leikkaamiseen, johon on vaikea päästä käsiksi perinteisellä ruohonleikkurilla.

## AKUN LIITTÄMINEN/POISTAMINEN

Käytä vain EGO:n akkuja ja latureita, jotka on lueteltu alla kuvassa A2:

**Lataa täyteen ennen ensimmäistä käyttökertaa.**

### Liittäminen

Aseta akun ulokkeet kiinnitysaukoihin ja paina akkua alaspäin, kunnes kuulet naksahduksen (kuva J1).

### Poistaminen

Paina akun vapautuspainiketta ja vedä akku ulos kuvan J2 osoittamalla tavalla.

J-1 Akun vapautuspainike

## OTE SIIMALEIKKURISTA

Pidä siimaleikkurista kiinni molemmiin käsiin: toinen kätesi on takakahvalla ja toinen edessä olevalla apukahvalla.

**HUOMAA:** Leikkuupää on suorassa linjassa maan kanssa sopivalla leikkuuetäisyydellä ilman käyttäjän kumartumista (kuva K).

## SIIMALEIKKURIN KÄYNNISTÄMINEN/ SAMMUTTAMINEN

### KÄYNNISTÄMINEN

Siirrä lukituskieli eteenpäin ja paina sitten liipaisukytkintä. Liipaisin säätää nopeuden portaattomasti. Mitä enemmän vedät liipaisinta, sitä kovempi nopeus on (kuva L).

### SAMMUTTAMINEN

Vapauta liipaisinkytkin.

### NOPEUDEN SÄÄTÖTOIMINTO (KUVA L)

Siimaleikkurissa on kaksi eri nopeutta. Asento "LOW" on alhainen nopeus, asento "HIGH" on korkea nopeus.

Kuvan L osien kuvaus alla:

L-1	Korkean/alhaisen nopeuden kytkin	L-2	Liipaisinkytkin
-----	----------------------------------	-----	-----------------

## SIIMALEIKKURIN KÄYTTÖ

Tyhjennä leikattava alue ennen jokaista käyttökertaa. Poista kaikki esineet, kuten kivet, rikkiäinen lasi, naulat, rautalanka tai narut, jotka saattavat lentää tai soikeutua leikkurin osiin. Tyhjennä alue lapsista, sivullisista ja lemmikkieläimistä. Pidä lapset, sivulliset ja lemmikkieläimet vähintään 15 metrin päässä. Sinkoutuvat esineet voivat silti vielä aiheuttaa vaaraa sivullisille. Sivullisia tulee kannustaa pitämään suojalaseja. Jos joku lähestyy sinua, sammuta moottori ja leikkuulaite välittömästi.

## Tarkasta tuote ennen jokaista käyttökertaa vaurioituneiden/kuluneiden osien varalta

Tarkista kupupää, suojus ja etuapukahva. Vaihda kaikki osat, jotka ovat murtuneet, vääntyneet, taipuneet tai muulla tavoin vaurioituneet.

Suojuksen reunassa oleva siimaleikkurin terä voi tylsyä ajan myötä. Suosittelemme, että teroitat sen määräajoin viilalla tai vaihdat sen uuteen terään.

## Puhdista leikkuri jokaisen käyttökerran jälkeen.

## LEIKKUUSIIMAN PITUUDEN SÄÄTÄMINEN

Leikkuupää mahdollistaa leikkuusiiman vapauttamisen ilman moottorin sammuttamista. Kun siima hankautuu tai kuluu, siimaa voidaan vapauttaa lisää kopauttamalla leikkuupäätä kevyesti maahan leikkurin käytön aikana (kuva M).



**HUOMAA:** Siiman vapauttaminen vaatii useamman kopauttamisen, kun leikkuusiima lyhenee.

**VAROITUS:** Älä poista tai muuta siiman leikkuuterän kokoonpanoa. Ylimääräinen siiman pituus aiheuttaa moottorin ylikuumentumisen ja voi aiheuttaa vakavan henkilövahingon.

### SIIMAN VAIHTAMINEN

**HUOMAA:** Käytä aina suositeltua nailonleikkuusiimaa, jonka halkaisija on korkeintaan 2,4 mm. Muunlaisen siiman käyttäminen saattaa aiheuttaa siimaleikkurin kuumentumisen tai vaurioitumisen.

**VAROITUS:** Älä ikinä käytä metallilla vahvistettua siimaa, rautalankaa tai narua yms. Ne saattavat katketa ja muodostaa vaarallisia ammuksia.

- Poista akku.
- Poista jäljellä oleva siima, mikäli tarpeen.
- Katkaise 4 metriä leikkuusiimaa. Työnnä siima pujotusreiän sisäpuolella olevaan kiinnitysreikään (kuva O). Työnnä ja vedä siimaa toiselta puolelta, kunnes kummallakin puolella kelaa on yhtä paljon siimaa.
- Asenna akku siimaleikkuriin.
- Pidä siiman latauspainiketta painettuna siimankelausmoottorin käynnistämiseksi. Siima kelataan trimmeripäähän yhtäjaksoisesti (kuva P).
- Tarkkaile jäljellä olevan siiman pituutta huolellisesti. Paina siiman latauspainiketta lyhyesti ja säädä pituutta, kunnes kummallakin puolella näkyy 13 cm siimaa.
- Paina trimmeripäätä alas ja vedä samalla siimoja käsin siiman liikuttamiseksi eteenpäin. Tarkista leikkuusiiman oikea kiinnitys.

Kun leikkuusiima katkeaa siiman ulostulosta tai leikkuusiimaa ei vapaudu leikkuupäätä kopautettaessa, noudata seuraavia ohjeita:

- Irrota akku siimaleikkurista.
- Paina leikkuupään vapautusulokkeita ja poista alempi suojuus vetämällä sitä suoraan ulospäin (kuva Q).
- Irrota leikkuusiima kelasta.
- Työnnä jousi alemman suojuksen koloon (kuva R).
- Pidä toisella kädellä siimaleikkurista ja toisella kädellä alemmasta suojuksesta, kohdistamalla alemman suojuksen kolot vapautusulokkeisiin. Paina alemmaa suojusta, kunnes se asettuu paikalleen, jolloin kuulet napsahdavan äänen (kuva S).
- Noudata leikkuusiiman uudelleen lataamisessa kohdan ”SIIMAN VAIHTAMINEN” ohjeita.

### LEIKKUUPÄÄN VAIHTAMINEN

**VAROITUS:** Jos pää löystyy sen jälkeen, kun se on kiinnitetty paikalleen, vaihda se välittömästi. Älä ikinä käytä leikkuria, jonka leikkaava osa on löystynyt. Vaihda murtunut, vahingoittunut tai kulunut leikkuupää välittömästi, vaikka vahinko rajoittuisikin vain pinnallisiin murtumiin. Vaurioituneet osat saattavat särkyä kovissa nopeuksissa ja aiheuttaa vakavan henkilövahingon.

### LEIKKUUPÄÄN IRROTTAMINEN

- Irrota akku siimaleikkurista.
- Paina leikkuupään vapautusulokkeita ja poista alempi suojuus leikkuupäädä vetämällä sitä suoraan ulospäin.
- Poista leikkuusiima leikkuupäädä (kuva S).
- Poista jousi kelakokoonpanosta, mikäli tarpeen. Laita se talteen takaisin asentamista varten.
- Käytä käsineitä. Tartu toisella kädellä kelaan ja vakauta se ja pidä toisella kädellä iskuväännintä (ei tule mukana), jonka avulla irrotat mutterin kääntämällä vastapäivään (kuva X).
- Poista mutteri, kelan pidike, ylempi suojuus, ylempi pohjakansi moottorin akselistä (kuva T).

**HUOMAA:** Kaksi holkkia putoaa helposti moottorin akselistä. Säilytä ne huolellisesti takaisin kiinnittämistä varten.

- Asenna uusi leikkuupää seuraavien ohjeiden mukaisesti.

T-1	Holkki	T-6	Leikkuusiima
T-2	Ylempi suojuus	T-7	Alempi suojuus
T-3	Mutteri	T-8	Ylempi pohjasuojuus
T-4	Aluslevy	T-9	Kelakokoonpanon asentaminen
T-5	Jousi		

### UUDEN LEIKKUUPÄÄN ASENTAMINEN

- Kiinnitä holkit moottorin akseliin ja kiinnitä ylempi pohjasuojuuskokoonpano paikalleen (kuva T).
- Kiinnitä ylempi suojuus, kelakokoonpano, aluslevy ja mutteri tässä järjestyksessä. Kiristä mutteri iskuväännintellä (kuvat U ja V).
- Kiinnitä alemman suojuksen kokoonpano
- Lataa leikkuusiima uudelleen.
- Käynnistä työkalu ja tarkista toimiiko siimaleikkuri oikein. Jos ei, kokoa uudelleen kuten edellä on kuvattu.

### KUNNOSSAPITO

**VAROITUS:** Käytä huollon yhteydessä vain identtisiä varaosia. Tarkasta työkalu ja huolla sitä säännöllisesti. Pätevän huoltoteknikon tulee suorittaa kaikki korjaukset,

jotta voidaan taata tuotteen turvallinen ja luotettava käyttö.

**VAROITUS:** Vakavan henkilövamman välttämiseksi poista akku työkalusta ennen kuin huollat tai puhdistat työkalua tai vaihdat siihen lisäosia tai poistat materiaalia laitteesta.

**HUOMIO:** Tukokset ilma-aukoissa estävät ilman virtaamisen moottorikehikkoon ja aiheuttavat ylikuumentumista tai moottorin vahingoittumisen.

## LAITTEEN PUHDISTAMINEN

- Puhdista laite kostealla liinalla ja miedolla puhdistusaineella. Älä ikinä päästä vettä työkalun sisälle; äläkä koskaan upota mitään työkalun osaa nesteeseen.
- Älä käytä voimakkaita puhdistusaineita muoviseen kuoreen tai kahvaan. Ne saattavat vahingoittaa tietyistä aromaattisista öljyistä, kuten männystä ja sitruunasta, ja liuottamista, kuten kerosiinista. Kosteus voi myös aiheuttaa sähköiskun vaaran. Pyyhi kosteus pois pehmeällä ja kuivalla liinalla.
- Käytä pientä harjaa tai pienen imuriharjan puhallusilmaa, kun puhdistat ilma-aukot kehikon takaosassa.
- Pidä moottorikehikon ilma-aukot aina puhtaana irtaaineksesta.

## SIIMAN LEIKKUUTERÄN TEROTTAMINEN

**VAROITUS:** Suojaa aina kätesi paksuilla käsineillä silloin, kun teet huoltotoimenpiteitä siiman leikkuuterälle.

1. Irrota siiman leikkuuterä suojuksisäosasta.
2. Kiinnitä terä ruuvipenkkiin.
3. Viilaa terän leikkuureunoja hienohampaisella viilalla tai hiomakivellä. Säilytä leikkuureunan alkuperäinen kulma huolellisesti.
4. Aseta terä takaisin suojukseen ja kiinnitä se paikalleen kahdella ruuvilla.

## LAITTEEN VARASTOINTI

- Poista akku siimaleikkurista aina, kun se ei ole käytössä.
- Puhdista työkalu perusteellisesti ennen varastoon laittamista.
- Säilytä laite kuivassa, hyvin ilmastoidussa, lukitussa paikassa tai korkealla, poissa lasten ulottuvilta Älä säilytä laitetta lannoitteiden, bensiinin tai muiden kemikaalien vieressä tai päällä.

## Ympäristönsuojelu



Älä hävitä sähkölaitteita, akkulaturia tai akku/ladattavia paristoja kotitalousjätteen seassa! Vie tämä tuote hyväksytyyn kierrätyspaikkaan tai anna se erilliseen keräilyyn. Sähkötyökalut tulee palauttaa asianmukaiseen ympäristöystävälliseen kierrätyslaitokseen.

## VIANMÄÄRITYS

ONGELMA	SYY	RATKAISU
Siimaleikkuri ei käynnisty.	<ul style="list-style-type: none"> <li>■ Akkua ei ole liitetty siimaleikkuriin.</li> <li>■ Leikkurin ja akun välillä ei ole sähköliitäntää.</li> <li>■ Akku on tyhjä.</li> <li>■ Lukitusliipaisinta ei ole siirretty eteenpäin ennen liipaisinkytkimen painamista</li> </ul>	<ul style="list-style-type: none"> <li>■ Liitä akku siimaleikkuriin.</li> <li>■ Poista akku, tarkista kosketuskohdat ja asenna akku uudelleen paikalleen.</li> <li>■ Lataa akku.</li> <li>■ Siirrä lukituskieli eteenpäin ja paina sitten liipaisukytkintä.</li> </ul>
Siimaleikkuri pysähtyy kesken leikkauksen.	<ul style="list-style-type: none"> <li>■ Suojusta ei ole kiinnitetty leikkuriin, mikä aiheuttaa liian pitkän leikkuusiiman ja moottorin ylikuormittumisen.</li> <li>■ Leikkuusiima on liian paksu.</li> <li>■ Moottorin varsi tai leikkuupää on täynnä ruohoa.</li> <li>■ Moottori on ylikuormittunut.</li> <li>■ Akku tai siimaleikkuri on liian kuuma.</li> <li>■ Akku on irronnut työkalusta.</li> <li>■ Akku on tyhjä.</li> <li>■ Epätasapainossa leikkuusiiman kiinnittämisen jälkeen.</li> </ul>	<ul style="list-style-type: none"> <li>■ Poista akku ja kiinnitä suojus leikkuriin.</li> <li>■ Käytä suositeltua nailonleikkuusiimaa, jonka halkaisija on korkeintaan 2,4 mm.</li> <li>■ Pysäytä leikkuri, poista akku ja poista ruoho moottorin akselista ja leikkuupäästä.</li> <li>■ Irrota leikkuupää ruohosta. Moottori palautuu toimintaan, kun kuormitus poistetaan. Kun leikkaat, liikuta leikkuupäätä edestakaisin leikattavassa ruohossa ja leikkaa korkeintaan 20 cm yhdellä kerralla.</li> <li>■ Jäähdytä akku tai siimaleikkuri.</li> <li>■ Aseta akku uudelleen paikalleen.</li> <li>■ Lataa akku.</li> <li>■ Kopauta leikkuupäätä, jotta siiman pituus on symmetrinen.</li> </ul>
Leikkuupää ei anna lisää siimaa.	<ul style="list-style-type: none"> <li>■ Moottorin varsi tai leikkuupää on täynnä ruohoa.</li> <li>■ Kelassa ei ole riittävästi siimaa tai siima katkeaa pujotusreiän kohdalla.</li> <li>■ Siima on solmussa rullassa.</li> <li>■ Siima on liian lyhyt.</li> </ul>	<ul style="list-style-type: none"> <li>■ Pysäytä leikkuri, poista akku ja puhdista moottorin akseli ja leikkuupää.</li> <li>■ Poista akku ja vaihda leikkuusiima; noudata tämän käyttöoppaan kohdan ”SIIMAN VAIHTAMINEN” ohjeita.</li> <li>■ Poista akku ja vaihda leikkuusiima; noudata tämän käyttöoppaan kohdan ”SIIMAN VAIHTAMINEN” ohjeita.</li> <li>■ Poista akku ja vaihda leikkuusiima; noudata tämän käyttöoppaan kohdan ”SIIMAN VAIHTAMINEN” ohjeita.</li> </ul>
Ruoho kietoutuu leikkuupäähän ja moottorin kehiköön.	Pitkän ruohon leikkaaminen maan tasalle	Leikkaa pitkä ruohikko ylhäältä alas niin, että leikkaat kerralla korkeintaan 20 cm ruohon pituudesta, jotta estät ruohon kiertymisen.

ONGELMA	SYY	RATKAISU
Leikkuupää on vaurioitunut tai kelan pidike on irronnut kelan pohjasta.	<ul style="list-style-type: none"> <li>Leikkuupää on kulunut.</li> <li>Leikkuupään kiinnitysmutteri on irronnut.</li> </ul>	<ul style="list-style-type: none"> <li>Poista leikkuupää välittömästi, noudata käyttöoppaan kohdan <b>"SIIMAN VAIHTAMINEN"</b> ohjeita.</li> <li>Avaa leikkuupää ja kiristä mutteri iskuvääntimellä.</li> </ul>
Leikkuusiiman kelaaminen leikkuupäähän ei onnistu kunnolla.	<ul style="list-style-type: none"> <li>Leikkuusiima on liian pitkä.</li> <li>Ruohojämiä tai likaa on kerääntynyt leikkuupäähän ja estää siimakelan liikkumisen.</li> <li>Moottori on ylikuumentunut toistuvasti käytetyn siiman kiertöjärjestelmän takia.</li> <li>Akku vähissä</li> </ul>	<ul style="list-style-type: none"> <li>Katkaise siima siten, että kummaltakin puolelta näkyy noin 13 cm siimaa.</li> <li>Poista akku, avaa leikkuupää ja puhdista se huolellisesti.</li> <li>Anna siimaleikkurin toimia ilman kuormaa muutaman minuutin ajan moottorin jäähdyttämiseksi. Lataa siima sitten uudestaan.</li> <li>Lataa akku.</li> </ul>
Leikkuusiimaa ei saada kulkemaan leikkuupään läpi, kun siimaa kiinnitetään.	<ul style="list-style-type: none"> <li>Leikkuusiima on katkennut tai taipuu lopussa.</li> <li>Alempi suojuus ei ole asettunut paikalleen uudelleen kiinnittämisen jälkeen.</li> </ul>	<ul style="list-style-type: none"> <li>Katkaise siiman kulunut pää ja aseta siima uudelleen.</li> <li>Liitä akku siimaleikkuriin, paina siiman latauspainiketta lyhyesti moottorin käynnistämiseksi ja alempi suojuus voidaan vapauttaa.</li> </ul>

FI

## TAKUU

### EGON TAKUUEHDOT

Verkkosivustolta [egopowerplus.com](http://egopowerplus.com) löydät EGO:n takuuehtojen täydelliset ehdot kokonaisuudessaan.

KEES VAN DER SPEK  
TUINMACHINES \* STOLWIJK

## LES GJENNOM ALLE INSTRUKSJONENE!



### LES BRUKERHÅNDBOKEN

**⚠ Restrisiko!** Personer med elektroniske enheter, for eksempel pacemakere, må rådføre seg med lege før de bruker dette produktet. Drift av elektrisk utstyr i umiddelbar nærhet av en pacemaker kan føre til at pacemakeren forstyrres eller svikter.

## SIKKERHETSSYMBOL

Bruk av hvilke som helst elektroverktøy kan føre til at fremmedlegemer blir kastet mot øynene, noe som kan gi alvorlige øyeskader. Før du begynner å bruke elektroverktøyet, skal du alltid ta på vernebriller eller vernebriller med sidebeskyttelse, og en full ansiktsskjerm der det trengs. Vi anbefaler en sikkerhetsmaske med bred visjon til bruk over briller, eller standard vernebriller med sidebeskyttelse.



Sikkerhetsadvarsel



For å redusere risikoen for skader må brukeren lese bruksanvisningen.



Bruk øyevern - Bruk alltid vernebriller eller vernebriller med sideskjerm og hel ansiktsskjerm når du bruker dette produktet.



Bruk sikkerhetsfottøy - Bruk sklisikre fottøy når du bruker dette utstyret.



Bruk hørselsvern - Bruk alltid hørselsvern når du bruker dette produktet.



Bruk vernehansker - Beskytt hendene dine med hansker når du håndterer kniv eller knivbeskyttelse.



Bruk hodebeskyttelse - Bruk en godkjent vernehjelm for å beskytte hodet.



Vær forsiktig med knivkraft - varsle brukeren om faren for knivkraft.



Ikke installer runde skjærebled.



Tråddiameter - Diameteren på nylon-skjæretråden



Skjærebredde - Maks. skjærebredde på trådtrimmer



Objekter kan rikosjettere og forårsake skader på person eller eiendom. Forsikre deg om at andre mennesker og kjæledyr holder seg borte fra børstekutteren når den er i bruk.



Sørg for at andre mennesker og kjæledyr er minst 15 m unna kantklipperen når den er i bruk.



Må ikke brukes i regnvær eller etterlates utendørs når det regner.



Garantert lydeffektnivå. Støy i omgivelsene er i henhold til EUs direktiv.



CE Dette produktet er i samsvar med gjeldende EF-direktiver.



Elektrisk avfall skal ikke kastes sammen med husholdningsavfall. Innlever ved en godkjent gjenvinningsstasjon.

V

Spenning

$n_0$

Ingen lasthastighet-rotasjonshastighet, uten belastning

.../min

Per minutt



Likestrøm

kg

Kilogram

NO

## SPESIFIKASJONER

Spenning	56 V	
Hastighet uten belastning	Lav hastighet satt: 3000-4500 RPM Høy hastighet satt: 4000-5800RPM	
Kuttemekanisme	Trimmerhode	
Trådtype	2,4 mm tvunnet nylontråd	
Kuttebredde	35 cm	
Anbefalt driftstemperatur	0°C-40°C	
Anbefalt lagringstemperatur	-20°C-70°C	
Optimal ladetemperatur	5°C-40°C	
Vekt (uten batteripakke)	5,8 kg	
Målt lydeffektnivå $L_{WA}$	88,98 dB(A) K=2 dB(A)	
Lydtrykknivå ved brukerens øre $L_{PA}$	68,96 dB(A) K=2 dB(A)	
Garantert lydeffektnivå $L_{WA}$ (målt i henhold til 2000/14/EF)	91 dB(A)	
Verdivurdering av vibrasjoner $a_{h,v}$	Fremre hjelpehåndtak	3,2 m/s <sup>2</sup> K=1,5 m/s <sup>2</sup>
	Bakre håndtak	2,3 m/s <sup>2</sup> K=1,5 m/s <sup>2</sup>

- Erklært total vibrasjonsverdi er målt i overensstemmelse med en standard testmetode og kan brukes til å sammenligne ett verktøy med et annet;
- Erklært total vibrasjonsverdi kan også brukes i en foreløpig vurdering av eksponering.

**MERK:** Vibrasjoner under faktisk bruk av elektroverktøyet kan variere fra den opplyste verdien der verktøyet brukes; For å beskytte brukeren skal det alltid benyttes hansker og hørselsvern under faktiske bruksforhold.

## BESKRIVELSE

### GJØR DEG KJENT MED KANTKLIPPEREN (Fig. A1)

1. Bakre håndtak
2. Høy/lav hastighetsbryter
3. Regulerbart hjelpehåndtak på forsiden
4. Hengsel
5. Spoleknapp
6. Vern
7. Låsepåle

8. Høyde låsekrage
9. Bytt utløser
10. Låsetunge
11. Trimmerhode (stiffhode)
12. Trådkuttingsblad
13. Utløserflik
14. Tråd
15. Utløserknapp til batteri
16. Lås
17. Elektriske kontakter
18. Utkastingsmekanisme
19. Unbraconøkkel

## PAKKELISTE (FIG.A1)

## MONTERING

### UTSLIPPING AV AKSELEN

**⚠ ADVARSEL:** Ikke hold akselen ved skjøtene for å unngå å klemme i hendene eller fingrene.

**⚠ ADVARSEL:** Ikke prøv å starte trimmeren før akselen er låst.

Brett skafet forsiktig ut, sørg for at kabelen er inne i skafet, og lås den med to skruer i den medfølgende skiffenøkkel (fig. B1 og B2).

### MONTERING AV VERNET

Plasser trimmeren slik at trimmerhodet vender opp (fig. C1). Juster beskyttelseshullene mot monteringshullene, og lås deretter beskyttelsen på akselbunnen med de to skruene (fig. C2).

**MERK:** Forsikre deg om at beskyttelsen er festet i henhold til fig. C1 og C2. Omvendt feste vil forårsake stor fare!

### MONTERING OG JUSTERING AV FREMRE HJELPEHÅNDTAK

1. Løsne låsestangen i fronthjelpshåndtaket og fjern låsestangen og vingemutteren fra fronthjelpshåndtaket (fig. D).

D-1	Fremre hjelpehåndtak	D-3	Vingemutter
D-2	Klemblokk	D-4	Låsehendel

2. Skyv det fremre assistansehåndtaket på akselen mellom høydelåsen og hengslet (fig. E).
3. Sett tvingen inn i spalten på håndtaket (Fig. F).
4. Monter låsestangspaken og stram vingemutteren. Forsikre deg om at fronthjelpshåndtaket er plassert oppover og peker mot toppen av det bakre håndtaket (fig. J).

5. Trekk opp nivået på låsestangen slik at du enkelt kan flytte / rotere løkkehåndtaket dit du føler deg komfortabel. Lås deretter spaken til låsestangen. (Fig. H).

**⚠ ADVARSEL:** Verktøyet kan ikke brukes uten at fronthåndtaket er ordentlig festet.

### JUSTERE BAKHÅNDTAKET

Hvis lengden på akselen ikke er egnet for drift, kan du justere akselens lengde gjennom denne høyde-låseklemmen.

1. Fjern batteripakken fra kantklipperen.
2. For å justere trimmerhøyden, åpne høydelåseklemmen, og skyv akselen opp eller ned til ønsket høyde, og fest den på plass ved å trykke på låseklemmen (fig. I).

**MERK:** Det kan hende at fronthjelpen må justeres på nytt etter at trimmerhøyden er endret.

## OPERASJON

**⚠ ADVARSEL:** Bruk alltid vernebriller eller vernebriller med sidebeskyttelse, i tillegg til hørselsvern. Dersom dette ikke blir gjort, kan du få fremmedlegemer inn i øynene eller pådra deg andre alvorlige skader.

Du kan bruke dette produktet til formålene som er listet opp under:

**Trimming:** Brukes til å fjerne gress og ugress mot vegger, gjerder, trær og grenser.

**Skjæring:** Brukes til å klippe gresset som er vanskelig å nå med en vanlig gressklipper.

### FESTE/FJERNE BATTERIPAKKEN

Bruk bare med EGOs batteripakker og ladere oppført i fig. A2.

### Lad batteriet helt opp før første bruk.

#### Slik setter du den på

Juster batteriribben etter monteringssporene og trykk batteripakken ned til du hører et "klikk" (fig. J1).

#### Slik tar du den av

Trykk på batteriutløserknappen og trekk batteripakken ut som vist på figur J2.

J-1	Batteri - utløserknapp
-----	------------------------

### HOLDE KANTKLIPPEREN

Hold kantklipperen med begge hender: En hånd på det bakre håndtaket og den andre hånden på det fremre hjelpelhåndtaket.

**MERK:** Trimmerhodet skal være parallelt med bakken i riktig klippeavstand uten at operatøren må bøye seg (Fig. K).

### START / STOPP AV LINJETRIMMEREN

#### For å starte opp

Flytt låsetungen fremover og trykk deretter på bryteren.

På/av-bryteren har trinnløs hastighetsregulering. Jo mer du trekker opp avtrekkeren, jo høyere hastighet er den (fig. L).

#### For å stanse

Slipp bryteren.

### HURTIGJUSTERINGSFUNKSJON (FIG. L)

Kantklipperen har to hastigheter. Posisjon "LAV" er for lav hastighet mens posisjon "HØY" for høy hastighet.

Se Fig. L under for beskrivelse av delene:

L-1	Hastighetsbryter høy/lav	L-2	Bytt utløser
-----	--------------------------	-----	--------------

### Bruk av kantklipperen

Rydd arbeidsområdet før du bruker verktøyet. Fjern alle gjenstander som steiner, glasskår, spikre, ståltråd eller snorer som kan slynges bort eller vikle seg inn i skjæretilbehøret. Hold barn, tilskuere og kjæledyr unna området. Som et minimum må alle barn, tilskuere og kjæledyr holdes på minst 15 meters avstand. Vær obs på at gjenstander som slynges ut, fremdeles kan representere en fare for tilskuere. Tilskuere bør oppfordres til å bruke øyebeskyttelse. Hvis noen nærmer seg deg, så stopp motoren og skjæretilbehøret umiddelbart.

### Før hver bruk må du se etter skadede/slitte deler

Sjekk støthodet, skjermen og det fremre hjelpelhåndtaket, og bytt de delene som har sprekker, er vridd, bøyd eller skadet på noen måte.

Trådskjærebildet langs kanten av bladvernet kan sløves over tid. Det anbefales å skjerpe den jevnlig med en fil, eller bytte den ut med et nytt blad.

### Kantklipperen skal rengjøres etter hver bruk.

### USTERING AV TRÅDLENGDE

Trimmerhodet gjør at brukeren kan utløse mer skjæretråd uten å stoppe motoren. Etter hvert som tråden blir frynset eller slitt, kan ekstra tråd utløses med et lett trykk på trimmerhodet mot bakken mens kantklipperen er i gang (Fig. M).

**MERK:** Trådagviselse vil kreve flere tapper etter hvert som kuttetråden blir kortere.

NO

**⚠ ADVARSEL:** Unngå å ta av eller gjøre endringer på knivbladet. For lang tråd vil medføre at motoren blir overopphetet og kan resultere i alvorlig personskade.

## BYTTE TRÅD

**MERK:** Bruk alltid den anbefalte nylontråden med en diameter som ikke overskrider 2,4 mm. Hvis du bruker en annen tråd enn den som er anbefalt, kan kantklipperen bli overopphetet eller skadet.

**⚠ ADVARSEL:** Det må aldri benyttes metallforsterket tråd, wire, tau e.l. Disse kan bryte og bli farlige prosjektiler.

1. Ta ut batteripakken.
2. Fjern gjenværende skjæretråd hvis nødvendig.
3. Skjær 4m skjæretråd. Sett tråden inn i monteringshullet inne i øyet (fig. O). Skyv og dra tråden fra den andre siden til det er like mye tråd på begge sider av spolen.
4. Installer batteripakken på strengtrimmeren.
5. Trykk og hold nede trådspolingsknappen for å starte spolingsmotoren. Tråden blir viklet kontinuerlig inn i trimmerhodet (fig. P).
6. Se på gjenværende trådlengde nøye. Trykk kort på trådlastingsknappen for å justere lengden til 13 cm av tråden vises på hver side.
7. Trykk ned på trimmerhodet mens du trekker i trådene for å føre tråden manuelt for å kontrollere om kappetråden er riktig montert.

Når skjæretråden bryter fra trådutløpet eller hvis ikke kappetråden frigjøres når du klikker på trimmerhodet, følg trinnene nedenfor

1. Fjern batteripakken fra kantklipperen.
2. Trykk på utløsertappene på trimmerhodet og fjern det nedre dekselet ved å trekke det rett ut (fig. Q).
3. Fjern skjæretråden fra spoleholderen.
4. Sett fjæren inn i sporet i det nedre dekselet (fig. R).
5. Med en hånd som holder trimmeren, bruker du en annen hånd til å gripe tak i det nedre dekselet og rette sporene i det nedre dekselet etter utløsertappene. Trykk det nedre dekselet til det klikker på plass, og du vil da høre en tydelig klikkelyd (fig. S).
6. Følg instruksjonene i avsnittet "UTSKIFTNING AV TRÅDEN" for å laste inn kuttetråden.

## UTSKIFTNING AV TRIMMERHODE

**⚠ ADVARSEL:** Hvis trimmerhodet løsner etter at du har

festet det, må det byttes umiddelbart. Ikke bruk en kantklipper med skjæretilbehør som sitter løst. Bytt et sprukket, skadet eller slitt trimmerhode umiddelbart, selv om skaden begrenser seg til overfladiske sprekker. Slikt tilbehør kan knuses i høy hastighet og medføre alvorlige skader.

## FJERN TRIMMERHODET

1. Fjern batteripakken fra kantklipperen.
2. Trykk på utløsertappene på trimmerhodet, og fjern det nedre dekselet på trimmerhodet ved å trekke det rett ut.
3. Fjern skjæretråden fra trimmerhodet (Fig. S).
4. Ta ut springfjæren fra spolen hvis nødvendig. Ta vare på den til den skal settes på igjen.
5. Bruk hansker. Bruk den ene hånden til å gripe spolenheten for å stabilisere den, og bruk den andre hånden til å holde en slagnøkkel (ikke inkludert) for å løsne mutteren mot urviseren (fig. X).
6. Fjern mutteren, spoleholderen, øvre deksel, øvre bunndeksel, fra motorakselen (fig. T).

**MERK:** To foringer faller lett av motorakselen, vær så snill å lagre dem nøye for montering.

7. Bytt den ut med et nytt trimmerhode som monteres i følgende trinn.

T-1	Foring	T-6	Trimmerline
T-2	Øvre deksel	T-7	Nedre deksel
T-3	Mutter	T-8	Øvre bunndeksel
T-4	Vasker	T-9	Spolemontering
T-5	Fjær		

## INSTALLERE DET NYE TRIMMERHODET

1. Monter foringene i motorakselen og monter den øvre bunndekseldelen på plass (fig. T).
2. Monter øvre deksel, spoleenhet, skive og mutter i den rekkefølgen. Bruk en slagnøkkel på mutteren for å stramme den (fig. U & V).
3. Monter det nedre dekselet.
4. Last på skjæretråden.
5. Start verktøyet for å se om strengtrimmeren fungerer som den skal. Hvis den ikke gjør det, må du sette den sammen på nytt som beskrevet over.

## VEDLIKEHOLD

**⚠ ADVARSEL:** Når verktøyet trenger service, må bare identiske reservedeler benyttes. Maskinen må etterses og vedlikeholdes regelmessig. For å sikre trygg og pålitelig bruk må alle reparasjoner utføres av en kvalifisert fagperson.



**⚠ ADVARSEL:** For å unngå alvorlig personskade, tas batteriet ut av verktøyet før service, rengjøring, bytte av tilbehør eller fjerning av materiale fra enheten.

**⚠ FORSIKTIG:** Dersom ventilasjonsåpningene blokkeres, vil dette hindre luft fra å komme inn i motorhuset og resultere i overoppheting av eller skade på motoren.

### RENGJØRING AV ENHETEN

- Rengjør apparatet med en fuktig klut og et mildt rengjøringsmiddel. La aldri væske trenge inn i verktøyet, og nedsenk aldri noen del av verktøyet i væske.
- Ikke bruk sterke vaskemidler på plastdeksel eller håndtak. Disse delene kan bli skadet av enkelte aromatiske oljer, som furu og sitron, og av løsemidler som parafin. Fuktighet kan også medføre fare for elektrisk støt. Tørk av eventuell fuktighet med en myk og tørr klut.
- Bruk en liten børste eller støvsugerbørste til å rengjøre luftventiler på bakre deksel.
- Hold ventilasjonsåpningene i motorhuset fri for rusk til enhver tid.

### SKJERPING AV TRÅDSKJÆREBLAD

**⚠ ADVARSEL:** Beskytt alltid hendene med solide hansker når du utfører vedlikehold på trådskjærebladet.

1. Fjern trådskjærebladet fra beskyttelsestilbehøret.
2. Fest bladet i en skrustikke.
3. Legg forsiktig på skjærekantene på bladet med en tynn fil eller spissstein, og vær forsiktig med å opprettholde den opprinnelige skjærvinkelen.
4. Sett bladet på beskyttelsen og fest det på plass med de to skruene.

### OPPBEVARING AV VERKTØYET

- Ta batteripakken ut av kantklipperen når den ikke er i bruk.
- Rengjør verktøyet grundig før du setter det til oppbevaring.
- Oppbevar verktøyet på et tørt og godt ventilt sted, innelåst eller høyt plassert, og utilgjengelig for barn. Ikke oppbevar enheten på eller like ved gjødsel, bensin eller andre kjemikalier.

### Beskytt miljøet



Elektrisk utstyr, batteriladere og batterier / oppladbare batterier må ikke kastes i husholdningsavfallet! Ta med dette produktet til autorisert gjenvinning, og gjør det tilgjengelig for separat innsamling. Elektriske verktøy må returneres til et egnet resirkuleringsanlegg.

NO

## FEILSØKING

PROBLEM	ÅRSAK	LØSNING
Kanttrimmeren vil ikke starte.	<ul style="list-style-type: none"> <li>■ Batteripakken er ikke festet til kantklipperen.</li> <li>■ Ingen elektrisk kontakt mellom kantklipperen og batteriet.</li> <li>■ Batteripakken er utladet.</li> <li>■ Låsen av utløseren flyttes ikke fremover før du trykker på bryteren</li> </ul>	<ul style="list-style-type: none"> <li>■ Fest batteripakken til kantklipperen.</li> <li>■ Fjern batteriet, sjekk kontakter og installer batteripakken.</li> <li>■ Lad opp batteripakken.</li> <li>■ Flytt låsetungen fremover og trykk deretter på bryteren.</li> </ul>
Gresstrimmeren stopper under trimmingen.	<ul style="list-style-type: none"> <li>■ Skjermen er ikke montert på kantklipperen, noe som resulterer i at tråden blir for lang, og at motoren blir overbelastet.</li> <li>■ Tråden som brukes, er for tung.</li> <li>■ Gress har festet seg rundt trimmerhodet.</li> <li>■ Motoren er overbelastet.</li> <li>■ Batteripakken eller gresstrimmeren er for varm.</li> <li>■ Batteripakken er fjernet fra verktøyet.</li> <li>■ Batteripakken er utladet.</li> <li>■ Ubalansert etter installasjon av skjærebånd.</li> </ul>	<ul style="list-style-type: none"> <li>■ Ta ut batteripakken og monter bladvernet på kantklipperen.</li> <li>■ Bruk anbefalt nylon-skjæretråd med en diameter som ikke er større enn 2.4 mm.</li> <li>■ Stopp kantklipperen, ta ut batteriet og fjern gresset fra drivakselen og trimmerhodet.</li> <li>■ Ta trimmerhodet bort fra gresset. Motoren vil fungere igjen når belastningen er fjernet. Når du klipper gresset, skal du bevege trimmerhodet inn og ut av gresset og bare fjerne ca. 20 cm i én omgang.</li> <li>■ Avkjøl batteriet eller strengstrimmeren.</li> <li>■ Installer batteripakken på nytt.</li> <li>■ Lad opp batteripakken.</li> <li>■ Trykk på trimmerhodet for å gjøre taulengden symmetrisk.</li> </ul>
Trimmerhodet trekker ikke frem tråden.	<ul style="list-style-type: none"> <li>■ Gress har festet seg rundt trimmerhodet.</li> <li>■ Det er ikke nok tråd på spolen eller tråden går i stykker fra øyehullet.</li> <li>■ Tråden er sammenfiltret.</li> <li>■ Tråden er for kort.</li> </ul>	<ul style="list-style-type: none"> <li>■ Stopp kantklipperen, ta ut batteriet og rengjør drivakselen og trimmerhodet.</li> <li>■ Ta ut batteriet og erstatt skjæretråden som i <b>"TRÅDSKIFTE"</b> i denne håndboken.</li> <li>■ Ta ut batteriet og erstatt skjæretråden som i <b>"TRÅDSKIFTE"</b> i denne håndboken.</li> <li>■ Ta ut batteriet og erstatt skjæretråden som i <b>"TRÅDSKIFTE"</b> i denne håndboken.</li> </ul>
Gress er viklet rundt trimmerhode og motorhus.	Klipping av høyt gress på bakkenivå	Klipp høyt gress ovenfra og ned, og fjern ikke mer enn 20 cm i hvert pass for å forhindre innpakning.

NO

PROBLEM	ÅRSAK	LØSNING
Sprekker på trimmerhodet eller spoleholderen løsner fra spolebunnen.	<ul style="list-style-type: none"> <li>■ Trimmerhodet er utslitt.</li> <li>■ Mutteren som låser trimmerhodet er løs.</li> </ul>	<ul style="list-style-type: none"> <li>■ Bytt trimmerhodet med en gang; følg avsnittet <b>"UTSKIFTING AV TRIMMERHODE"</b> i denne håndboken.</li> <li>■ Åpne trimmerhodet og bruk en slagnøkkel for å stramme mutteren.</li> </ul>
Klippetråden kan ikke vikles riktig inn i trimmerhodet.	<ul style="list-style-type: none"> <li>■ Klippetråden er for lang.</li> <li>■ Gressrester eller smuss har samlet seg i trimmerhodet og blokkerte bevegelsen til trådspolen.</li> <li>■ Motoren er overopphetet på grunn av betjening av trådviklingsystemet gjentatte ganger.</li> <li>■ Lavt batterinivå</li> </ul>	<ul style="list-style-type: none"> <li>■ Klipp tråden slik at den vises omtrent 13 cm lang på hver side.</li> <li>■ Ta ut batteriet, åpne trimmerhodet og rengjør det grundig.</li> <li>■ La strengetrimmeren arbeide uten belastning i noen minutter for å kjøle ned motoren, og prøv å laste tråden på nytt.</li> <li>■ Lade batteriet.</li> </ul>
Klippetråden kan ikke føres gjennom trimmerhodet når tråden settes inn.	<ul style="list-style-type: none"> <li>■ Skjæretråden er delt eller bøyd i enden.</li> <li>■ Det nedre dekselet frigjøres ikke på plass etter installering på nytt.</li> </ul>	<ul style="list-style-type: none"> <li>■ Klipp den slitte enden av tråden og sett den inn igjen.</li> <li>■ Fest batteripakken på trimmeren; trykk på trådinlastningsknappen for å starte strømbelastningen for å frigjøre det nedre dekselet.</li> </ul>

**NO**

## GARANTI

### EGOs GARANTIREGLER

Besøk nettsiden [egopowerplus.com](http://egopowerplus.com) for å se fullstendige vilkår og betingelser for EGO-garantireglene.

## ПРОЧИТАЙТЕ ВСЕ ИНСТРУКЦИИ!



### ПРОЧИТАЙТЕ РУКОВОДСТВО ПОЛЬЗОВАТЕЛЯ

**⚠️ Остаточный риск!** Если вы используете такие электронные устройства, как кардиостимулятор, перед эксплуатацией данного устройства проконсультируйтесь с врачом. Использование электрооборудования в непосредственной близости от кардиостимулятора может привести к образованию помех и повреждению кардиостимулятора.

## СИМВОЛЫ БЕЗОПАСНОСТИ

В результате работы электроинструмента в глаза могут попасть посторонние предметы, что приведет к серьезному повреждению глаз. Перед началом использования электроинструмента всегда надевайте защитную маску или защитные очки с боковыми щитками и полнопрофильную защитную маску (при необходимости). Повернув очки или стандартных защитных очков рекомендуется надевать безопасную маску с широким обзором.



Предупреждение об опасности



Прочитайте руководство по эксплуатации, чтобы уменьшить риск получения травм.

RU



При работе с данным устройством всегда используйте защиту для глаз или защитные очки с боковыми щитками и полнопрофильную защитную маску.



При использовании устройства надевайте надежную нескользящую обувь.



При использовании устройства всегда надевайте средства защиты органов слуха.



При работе с режущим элементом и щитком надевайте защитные перчатки.



Используйте надежную каску для защиты головы.



Предупредите оператора об опасности отдачи режущего элемента.



Не используйте круглые режущие элементы.



Диаметр нейлоновой режущей лески.



Макс. ширина резания триммера с леской



Отброшенные предметы могут отскочить и привести к травмам или повреждению имущества. Убедитесь, что другие люди и животные находятся на расстоянии от работающего устройства.



Убедитесь, что другие люди и животные находятся на расстоянии не менее 15 м от работающего устройства.



Во время дождя не используйте устройство и не оставляйте его вне помещения.



Гарантированный уровень звуковой мощности. Уровень шума в окружающей среде в соответствии с директивой ЕС.



Соответствует основным требованиям стандартов безопасности Европейских директив.



Неисправные электрические устройства нельзя выбрасывать вместе с бытовым мусором. Сдавайте их в авторизованные пункты сбора и утилизации.

V

Напряжение

$n_0$

Скорость вращения без нагрузки

.../min В минуту



Постоянный ток

kg Килограмм

## ТЕХНИЧЕСКИЕ ХАРАКТЕРИСТИКИ

Напряжение	56 В ---	
Скорость вращения без нагрузки	Низкая скорость: 3000–4500 об/мин Высокая скорость: 4000–5800 об/мин	
Режущий механизм	Головка катушки	
Тип режущей лески	Нейлоновая крученая леска 2,4 мм	
Ширина резания	35 мм	
Рекомендуемая рабочая температура	0...40°C	
Рекомендуемая температура хранения	-20...70°C	
Оптимальная температура зарядки	5...40°C	
Масса (без аккумулятора)	5,8 кг	
Измеренный уровень звуковой мощности, $L_{WA}$	88,98 дБ (А) K=2 дБ (А)	
Уровень звукового давления на уши оператора, $L_{PA}$	68,96 дБ (А) K=2 дБ (А)	
Гарантированный уровень звуковой мощности $L_{WA}$ (измерен в соответствии с 2000/14/ЕС)	91 дБ (А)	
Значение вибрации $a_n$ :	Передняя вспомогательная рукоятка	3,2 м/с <sup>2</sup> K=1,5 м/с <sup>2</sup>
	Задняя рукоятка	2,3 м/с <sup>2</sup> K=1,5 м/с <sup>2</sup>

- Указанное общее значение вибрации было определено с помощью стандартного теста и может быть использовано для сравнения разных инструментов.
- Указанное общее значение вибрации также может использоваться для предварительной оценки уровня воздействия.

**ПРИМЕЧАНИЕ.** Реальное вибрационное воздействие электроинструмента может отличаться от указанного в зависимости от способа использования. В целях безопасности оператор должен надевать перчатки и средства защиты органов слуха во время использования устройства.

## ОПИСАНИЕ

### ЧАСТИ ТРИММЕРА (Рис. А1)

1. Задняя рукоятка
2. Переключатель высокой/низкой скорости
3. Регулируемая передняя вспомогательная рукоятка
4. Шарнир
5. Кнопка загрузки лески
6. Щиток
7. Фиксатор
8. Муфта фиксации высоты
9. Курковый переключатель (курок)
10. Запорный язычок
11. Головка триммера (катушки)
12. Лезвие для обрезки лески
13. Фиксатор
14. Режущая леска
15. Кнопка извлечения аккумулятора
16. Защелка
17. Электрические контакты
18. Выталкивающий механизм
19. Шестигранный ключ

### КОМПЛЕКТ ПОСТАВКИ (РИС. А1)

## СБОРКА

### РАСКЛАДЫВАНИЕ ВАЛА

**⚠ ПРЕДУПРЕЖДЕНИЕ.** Во избежание защемления пальцев не держите вал за шарниры.

**⚠ ПРЕДУПРЕЖДЕНИЕ.** Не пытайтесь запустить триммер до тех пор, пока вал не будет зафиксирован.

Осторожно разложите вал и убедитесь, что кабель находится внутри вала. Зафиксируйте вал двумя винтами с помощью прилагаемого гаечного ключа (Рис. В1 и В2).

### УСТАНОВКА ЩИТКА

Расположите триммер головкой вверх (Рис. С1). Совместите крепежные отверстия щитка с отверстиями для установки, а затем зафиксируйте щиток на основании вала при помощи двух винтов (Рис. С2).

**ПРИМЕЧАНИЕ.** Убедитесь, что щиток установлен так, как показано на Рис. С1 и С2. Любое другое положение может быть очень опасным!

### УСТАНОВКА И РЕГУЛИРОВКА ПЕРЕДНЕЙ ВОСПОМОГАТЕЛЬНОЙ РУКОЯТКИ

1. Ослабьте стопор передней вспомогательной рукоятки, затем снимите стопор и барашковую гайку с передней вспомогательной рукоятки (Рис. D).

RU

D-1	Передняя вспомогательная рукоятка	D-3	Барашковая гайка
D-2	Зажимной блок	D-4	Стопор

- Установите переднюю вспомогательную рукоятку на вал между муфтой фиксации высоты и шарниром (Рис. E).
- Вставьте зажимной блок в отверстие рукоятки (Рис. F).
- Установите рычаг стопора и предварительно затяните барашковую гайку. Убедитесь, что передняя вспомогательная рукоятка расположена вертикально и направлена к верхней части задней рукоятки (Рис. J).
- Потяните рычаг стопора вверх, чтобы можно было легко переместить или повернуть рукоятку-скобу в удобное положение. Затем зафиксируйте рычаг стопора (Рис. H).

**⚠ ПРЕДУПРЕЖДЕНИЕ.** Устройство нельзя использовать без надежно зафиксированной передней рукоятки.

RU

## РЕГУЛИРОВКА ЗАДНЕЙ РУКОЯТКИ

Если длина вала не подходит для выполняемой работы, ее можно отрегулировать с помощью зажима фиксации высоты.

- Извлеките аккумулятор из триммера.
- Чтобы отрегулировать высоту триммера, откройте зажим фиксатора высоты и сдвиньте вал вверх или вниз на нужную высоту. Затем зафиксируйте его на месте (Рис. I).

**ПРИМЕЧАНИЕ.** Возможно, после регулировки высоты триммера потребуется изменить положение передней вспомогательной рукоятки.

## ЭКСПЛУАТАЦИЯ

**⚠ ПРЕДУПРЕЖДЕНИЕ.** При работе с данным устройством всегда используйте защитные очки или защитные очки с боковыми щитками, а также средства защиты органов слуха. В противном случае выбрасываемые предметы могут попасть в глаза, что приведет к получению серьезной травмы.

Данное устройство можно использовать в следующих целях.

**Скашивание:** используется для удаления травы и сорняков рядом со стенами, заборами, деревьями и бордюрами.

**Резка:** используется для скашивания травы, которую трудно удалить при помощи обычной газонокосилки.

## УСТАНОВКА И ДЕМОНТАЖ АККУМУЛЯТОРА

Используйте только аккумуляторы и зарядные устройства EGO, указанные на Рис. A2.

## ПЕРЕД ПЕРВЫМ ИСПОЛЬЗОВАНИЕМ ПОЛНОСТЬЮ ЗАРЯДИТЕ АККУМУЛЯТОР.

### УСТАНОВКА

Совместите ребра аккумулятора с крепежными отверстиями и вставьте аккумулятор до щелчка (Рис. J1).

### ДЕМОНТАЖ

Нажмите кнопку фиксации аккумулятора и извлеките аккумулятор, как показано на Рис. J2.

J-1	Кнопка извлечения аккумулятора
-----	--------------------------------

## ОБРАЩЕНИЕ С ТРИММЕРОМ С ЛЕСКОЙ

Крепко держите триммер двумя руками. Одна рука должна удерживать заднюю рукоятку, а другая — переднюю вспомогательную рукоятку.

**ПРИМЕЧАНИЕ.** Головка триммера должна располагаться параллельно земле на таком расстоянии, при котором оператору не нужно тянуться и перегибаться (Рис. K).

## ВКЛЮЧЕНИЕ И ВЫКЛЮЧЕНИЕ ТРИММЕРА С ЛЕСКОЙ

### ВКЛЮЧЕНИЕ

Сдвиньте запорный язычок вперед и нажмите на курок.

Курок позволяет плавно регулировать скорость. Чем сильнее нажатие на курок, тем выше скорость (Рис. L).

### ВЫКЛЮЧЕНИЕ

Отпустите пусковой рычаг.

### ФУНКЦИЯ РЕГУЛИРОВКИ СКОРОСТИ (РИС. L)

Триммер имеет два скоростных режима. Положение «LOW» соответствует низкой скорости, а положение «HIGH» — высокой.

Описание частей на Рис. L

L-1	Переключатель высокой/низкой скорости	L-2	Курковый переключатель (курок)
-----	---------------------------------------	-----	--------------------------------

## ИСПОЛЬЗОВАНИЕ ТРИММЕРА С ЛЕСКОЙ

Очищайте обрабатываемый участок перед каждым использованием инструмента. Удалите такие предметы, как камни, осколки стекла, гвозди, проволоку или веревки, которые могут запутаться в режущем приспособлении или которые оно может отбросить. На участке не должны находиться дети, прохожие и животные. Дети, прохожие и животные должны находиться на расстоянии не менее 15 м, так как во время работы могут отлетать предметы. Посторонние лица должны надевать защитные очки. В случае приближения посторонних лиц немедленно остановите двигатель и режущее приспособление.

### Перед каждым использованием проверяйте устройство на наличие поврежденных и изношенных частей.

Проверьте головку катушки, щиток и переднюю вспомогательную рукоятку и замените треснувшие, деформированные, изогнутые или поврежденные части.

Лезвие для обрезки лески на краю щитка может время от времени затупляться. Рекомендуется периодически затачивать его напильником или заменять новым.

### Очищайте триммер после каждого использования.

### РЕГУЛИРОВКА ДЛИНЫ РЕЖУЩЕЙ ЛЕСКИ

Режущая головка позволяет оператору вытянуть дополнительное количество лески, не выключая двигатель. Если леска износилась во время использования триммера, слегка прижмите головку триммера к земле, чтобы вытянуть дополнительную леску (Рис. М).

**ПРИМЕЧАНИЕ.** По мере укорачивания лески для ее вытягивания потребуется прижать головку триммера к земле несколько раз.

**⚠ ПРЕДУПРЕЖДЕНИЕ.** Не демонтируйте и не изменяйте узел лезвия для обрезки лески. Слишком длинная леска может стать причиной перегрева двигателя и серьезных травм.

### ЗАМЕНА ЛЕСКИ

**ПРИМЕЧАНИЕ.** Используйте рекомендуемую нейлоновую режущую леску диаметром не более 2,4 мм. Использование другой лески может привести к перегреву или повреждению триммера.

**⚠ ПРЕДУПРЕЖДЕНИЕ.** Никогда не используйте усиленную металлом леску, проволоку, веревку и т. д. Части этих материалов могут отделяться и опасно разлетаться в стороны.

1. Извлеките аккумулятор.
2. При необходимости извлеките оставшуюся леску.
3. Отрежьте 4 м лески. Вставьте леску в крепежное отверстие внутри ушка (Рис. О). Проденьте и вытяните леску с другой стороны таким образом, чтобы с обеих сторон катушки леска была одинаковой длины.
4. Установите аккумулятор в триммер.
5. Нажмите и удерживайте кнопку загрузки лески, чтобы запустить мотор. Леска будет смотана в головку триммера (Рис. Р).
6. Внимательно следите за длиной лески. После этого отрегулируйте длину лески краткими нажатиями на кнопку загрузки, чтобы с каждого конца осталось по 13 см лески.
7. Прижмите головку триммера и одновременно вытяните обе лески, чтобы вручную отрегулировать длину и проверить правильность установки.

Если режущая леска выскочила из отверстия или не вытягивается при нажатии на головку триммера, следуйте инструкциям ниже.

1. Извлеките аккумулятор из триммера.
2. Нажмите на фиксаторы на головке триммера и потяните нижнюю крышку, чтобы снять (Рис. Q).
3. Извлеките режущую леску из катушки.
4. Вставьте пружину в паз в нижней крышке (Рис. R).
5. Удерживая триммер одной рукой, другой рукой возьмитесь за нижнюю крышку и совместите пазы в нижней крышке с фиксаторами. Прижмите нижнюю крышку таким образом, чтобы она зафиксировалась на месте с характерным щелчком (Рис. S).
6. Инструкции по установке режущей лески см. в разделе «ЗАМЕНА ЛЕСКИ» данного руководства.

### ЗАМЕНА ГОЛОВКИ ТРИММЕРА

**⚠ ПРЕДУПРЕЖДЕНИЕ.** Если головка шатается после установки на место, немедленно замените ее. Никогда не используйте триммер, если какие-либо его части плохо закреплены. Немедленно замените головку, если она треснула, повреждена или изношена, даже если повреждение находится только на поверхности. Поврежденные элементы могут разрушиться на высокой скорости и нанести серьезные травмы.

RU

## СНЯТИЕ ГОЛОВКИ ТРИММЕРА

1. Извлеките аккумулятор из триммера.
2. Нажмите на фиксаторы на головке триммера и потяните нижнюю крышку, чтобы снять.
3. Извлеките режущую леску из головки триммера (Рис. S).
4. При необходимости извлеките из катушки пружину. Сохраните ее для дальнейшей сборки.
5. Наденьте перчатки. Одной рукой крепко удерживайте катушку, а другой рукой открутите гайку против часовой стрелки при помощи ударного гайковерта (не входит в комплект) (Рис. X).
6. Снимите с вала двигателя гайку, фиксатор катушки, верхнюю крышку и верхнюю крышку основания (Рис. T).

**ПРИМЕЧАНИЕ.** С вала двигателя легко снимаются две втулки, сохраните их для последующей сборки.

RU

7. Установите новую головку триммера с помощью следующих инструкций.

T-1	Подшипник	T-6	Режущая леска
T-2	Верхняя крышка	T-7	Нижняя крышка
T-3	Гайка	T-8	Верхняя крышка основания
T-4	Шайба	T-9	Катушка в сборе
T-5	Пружина		

## УСТАНОВКА НОВОЙ ГОЛОВКИ ТРИММЕРА

1. Установите втулки на вал двигателя, затем установите на место верхнюю крышку основания (Рис. T).
2. Установите верхнюю крышку, катушку, шайбу и гайку в указанном порядке. Затяните гайку с помощью ударного гайковерта (Рис. U и V).
3. Установите нижнюю крышку в сборе.
4. Вытяните леску.
5. Включите триммер и убедитесь, что он работает нормально. В противном случае выполните сборку повторно в соответствии с приведенными выше инструкциями.

## ОБСЛУЖИВАНИЕ

**⚠ ПРЕДУПРЕЖДЕНИЕ.** При ремонте используйте только идентичные запасные части. Регулярно проверяйте устройство и выполняйте его обслуживание. Для обеспечения безопасности и надежности устройства его ремонт должен выполнять квалифицированный специалист.

**⚠ ПРЕДУПРЕЖДЕНИЕ.** Чтобы предотвратить получение серьезных травм, извлеките аккумулятор перед выполнением сервисного обслуживания, очистки, замены принадлежностей или удаления материала из устройства.

**⚠ ВНИМАНИЕ!** Загрязнения в вентиляционных отверстиях могут помешать попаданию воздуха в корпус двигателя и привести к перегреву и повреждению двигателя.

## ОЧИСТКА УСТРОЙСТВА

- Очистите устройство с помощью влажной ткани и мягкого моющего средства. Никогда не допускайте попадания какой-либо жидкости внутрь инструмента и никогда не погружайте никакие части инструмента в жидкость.
- Не используйте активные моющие средства для очистки пластикового корпуса или рукоятки. Они могут быть повреждены определенными ароматическими маслами, такими как хвойное и лимонное масла, а также растворителями, например керосином. Кроме того, наличие влаги может привести к поражению электрическим током. Протрите влажное место мягкой сухой тканью.
- С помощью маленькой щетки или небольшого пылесоса очистите вентиляционные отверстия на задней стороне корпуса.
- Следите за тем, чтобы вентиляционные отверстия на корпусе двигателя всегда были чистыми.

## ЗАТОЧКА ЛЕЗВИЯ ДЛЯ ОБРЕЗКИ ЛЕСКИ

**⚠ ПРЕДУПРЕЖДЕНИЕ.** При выполнении любых работ по обслуживанию лезвия для обрезки лески всегда надевайте прочные перчатки.

1. Снимите с щитка лезвие для обрезки лески.
2. Зафиксируйте лезвие в тисках.
3. Аккуратно заточите лезвие при помощи мелкозубчатого напильника или точильного камня, сохраняя оригинальный угол режущей кромки.
4. Установите лезвие на щиток и закрепите на месте двумя винтами.

## ХРАНЕНИЕ УСТРОЙСТВА

- Если триммер не используется, извлеките из него аккумулятор.
- Тщательно очистите устройство перед хранением.



- Храните устройство в сухом, хорошо проветриваемом, закрытом или высоком месте, недоступном для детей. Не храните устройство рядом с удобрениями, бензином или другими химическими веществами.

#### Защита окружающей среды



Не выбрасывайте электроприборы, зарядные устройства и аккумуляторные батареи вместе с бытовыми отходами!

Отправьте данное изделие на переработку в специализированное предприятие или сдайте его для отдельного сбора.

Электроинструменты должны быть возвращены на перерабатывающее предприятие, не наносящее ущерба окружающей среде.

RU

KEES VAN DER SPEK  
TUINMACHINES ★ STOLWIJK

## УСТРАНЕНИЕ НЕПОЛАДКОВ

ПРОБЛЕМА	ПРИЧИНА	РЕШЕНИЕ
Триммер с леской не запускается.	<ul style="list-style-type: none"> <li>■ Аккумулятор не подключен к триммеру.</li> <li>■ Нет электрического контакта между триммером и аккумулятором.</li> <li>■ Аккумулятор разряжен.</li> <li>■ Запорный язычок не был сдвинут вперед перед нажатием на курок.</li> </ul>	<ul style="list-style-type: none"> <li>■ Подключите аккумулятор к триммеру.</li> <li>■ Извлеките аккумулятор, проверьте контакты и установите его снова.</li> <li>■ Зарядите аккумулятор.</li> <li>■ Сдвиньте запорный язычок вперед и нажмите на курок.</li> </ul>
<div style="background-color: black; color: white; padding: 2px 5px; font-weight: bold;">RU</div> <p>Устройство остановилось во время работы.</p>	<ul style="list-style-type: none"> <li>■ Щиток не установлен на триммер, в результате чего леска стала очень длинной, и двигатель перегрелся.</li> <li>■ Используется слишком толстая режущая леска.</li> <li>■ Вал двигателя и головка триммера забились травой.</li> <li>■ Двигатель перегружен.</li> <li>■ Аккумулятор или триммер перегрелись.</li> <li>■ Аккумулятор не подключен к устройству.</li> <li>■ Аккумулятор разряжен.</li> <li>■ После установки лески нарушена балансировка.</li> </ul>	<ul style="list-style-type: none"> <li>■ Извлеките аккумулятор и установите щиток на триммер.</li> <li>■ Используйте рекомендуемую нейлоновую режущую леску диаметром не более 2,4 мм.</li> <li>■ Выключите триммер, извлеките аккумулятор и удалите траву из вала двигателя и головки триммера.</li> <li>■ Поднимите режущую головку над травой. Двигатель начнет работать снова, как только нагрузка уменьшится. Во время скашивания перемещайте головку триммера в траву и из нее, срезая не более 20 см длины за раз.</li> <li>■ Дайте аккумулятору и триммеру остыть.</li> <li>■ Установите аккумулятор.</li> <li>■ Зарядите аккумулятор.</li> <li>■ Прижмите головку триммера к земле, чтобы концы лески стали симметричны.</li> </ul>

ПРОБЛЕМА	ПРИЧИНА	РЕШЕНИЕ
Из головки триммера не вытягивается леска.	<ul style="list-style-type: none"> <li>■ Вал двигателя и головка триммера забились травой.</li> <li>■ Недостаточно лески в катушке либо леска выскочила из отверстия.</li> <li>■ Леска запуталась в катушке.</li> <li>■ Леска слишком короткая.</li> </ul>	<ul style="list-style-type: none"> <li>■ Выключите триммер, извлеките аккумулятор и очистите вал двигателя и головку триммера.</li> <li>■ Извлеките аккумулятор и замените режущую леску в соответствии с инструкциями в разделе «ЗАМЕНА ЛЕСКИ» данного руководства.</li> <li>■ Извлеките аккумулятор и замените режущую леску в соответствии с инструкциями в разделе «ЗАМЕНА ЛЕСКИ» данного руководства.</li> <li>■ Извлеките аккумулятор и замените режущую леску в соответствии с инструкциями в разделе «ЗАМЕНА ЛЕСКИ» данного руководства.</li> </ul>
Трава наматалась на головку триммера и корпус двигателя.	Стрижка высокой травы на уровне земли.	Скашивайте высокую траву сверху вниз и срезайте не более 20 см за один раз, чтобы предотвратить подобные ситуации.
Трещины на головке триммера или фиксаторе катушки привели к ослаблению основания катушки.	<ul style="list-style-type: none"> <li>■ Головка триммера изношена.</li> <li>■ Ослаблена гайка фиксации головки триммера.</li> </ul>	<ul style="list-style-type: none"> <li>■ Немедленно замените головку триммера в соответствии с инструкциями в разделе «ЗАМЕНА ГОЛОВКИ ТРИММЕРА» данного руководства.</li> <li>■ Откройте головку триммера и затяните гайку с помощью гаечного ключа.</li> </ul>
Леска не сматывается в головку триммера.	<ul style="list-style-type: none"> <li>■ Используется слишком длинная режущая леска.</li> <li>■ Скопление травы или грязи в головке триммера блокирует движение катушки.</li> <li>■ Двигатель перегрелся из-за многократного включения системы автоматического сматывания лески.</li> <li>■ Низкий уровень заряда аккумулятора.</li> </ul>	<ul style="list-style-type: none"> <li>■ Обрежьте леску таким образом, чтобы ее длина составляла около 13 см с каждой стороны.</li> <li>■ Извлеките аккумулятор, откройте головку триммера и тщательно очистите ее.</li> <li>■ Дайте триммеру поработать без нагрузки в течение нескольких минут, чтобы двигатель остыл, затем попробуйте еще раз установить леску.</li> <li>■ Зарядите аккумулятор.</li> </ul>
Леска не может быть пропущена через головку триммера при установке лески.	<ul style="list-style-type: none"> <li>■ Леска разделена или согнута на конце.</li> <li>■ Нижняя крышка не установлена на место.</li> </ul>	<ul style="list-style-type: none"> <li>■ Обрежьте изношенный конец лески и установите ее снова.</li> <li>■ Установите аккумулятор в триммер. После этого отрегулируйте длину лески краткими нажатиями на кнопку загрузки.</li> </ul>

## ГАРАНТИЯ

ГАРАНТИЙНАЯ ПОЛИТИКА EGO

Посетите веб-сайт [egopowerplus.com](http://egopowerplus.com), чтобы ознакомиться со всеми условиями и сроками гарантийной политики EGO.

## PRZECZYTAJ WSZYSTKIE INSTRUKCJE!



### PRZECZYTAJ INSTRUKCJĘ OBSŁUGI

**⚠ Ryzyko resztkowe!** Osoby z urządzeniami elektronicznymi, takimi jak rozruszniki serca, powinny przed użyciem produktu skonsultować się ze swoim(i) lekarzem/-ami. Używanie urządzeń elektrycznych blisko rozrusznika serca może spowodować zakłócenia lub uszkodzić rozrusznik.

## SYMBOL BEZPIECZEŃSTWA

Praca elektronarzędziami może spowodować wyrzucenie ciał obcych w oczy użytkownika, co może doprowadzić do poważnych urazów oczu. Przed rozpoczęciem pracy elektronarzędziem należy zawsze założyć gogle ochronne lub okulary z osłonami bocznymi, a w stosownych przypadkach także pełną osłonę na twarz. Zalecamy nakładanie na zwykłe okulary maski zabezpieczającej o szerokim polu widzenia lub stosowanie standardowych okularów zabezpieczających z osłonami bocznymi.



Ostrzeżenie dotyczące bezpieczeństwa



Aby ograniczyć ryzyko urazów, użytkownik musi przeczytać instrukcję operatora.



Noś środki ochrony oczu – Podczas używania produktu należy zawsze nosić gogle ochronne lub okulary ochronne z osłonami bocznymi, a także pełną osłonę na twarz.



Noś obuwie ochronne – Podczas używania urządzenia należy nosić obuwie ochronne z podeszwami antypoślizgowymi.



Noś środki ochrony słuchu – Podczas pracy urządzeniem należy zawsze nosić ochronniki słuchu.



Noś rękawice ochronne – Na czas prac przy ostrzu i osłonie ostrza należy zabezpieczyć ręce rękawicami.



Noś środki ochrony głowy – Aby chronić głowę, należy nosić atestowany kask ochronny.



Uwaga na szarpnięcia ostrza – Operatora należy ostrzec o ryzyku związanym z szarpnięciem ostrza.



Nie należy montować okrągłych tarcz tnących.



Średnica żyłki – Średnica nylonowej żyłki tnącej



Szerokość koszenia – Maks. szerokość koszenia podkaszarką



Przedmioty wyrzucone w powietrze mogą odbić się rykoszetem i doprowadzić do urazów lub strat materialnych. Należy zawsze pilnować, aby inni ludzie oraz zwierzęta domowe pozostawali z dala od pracującej kosi do zarośli.



Należy zawsze pilnować, aby inni ludzie i zwierzęta domowe pozostawali w odległości co najmniej 15 m od pracującej podkaszarki.



Nie używać w deszczu i nie zostawiać na dworze podczas deszczu.



Gwarantowany poziom mocy akustycznej. Emisja hałasu do środowiska zgodnie z dyrektywą Wspólnoty Europejskiej.



Ten produkt jest zgodny z obowiązującymi dyrektywami WE.



Zużytych wyrobów elektrycznych nie należy wyrzucać razem ze zwykłymi odpadami domowymi. Należy je oddać do autoryzowanego punktu recyklingu.

V Napięcie

$n_0$

Prędkość bez obciążenia – Prędkość obrotowa bez obciążenia

.../min Na minutę



Prąd stały

kg Kilogram

## SPECYFIKACJA

Napięcie	56 V $\overline{\text{---}}$	
Prędkość bez obciążenia	Mala prędkość: 3000-4500 OBR./MIN Duża prędkość: 4000-5800 OBR./MIN	
Mechanizm tnący	Głowica-uderzak	
Typ żyłki do koszenia	Żyłka nylonowa 2,4 mm	
Szerokość koszenia	35 cm	
Zalecana temperatura użytkowania	0°C-40°C	
Zalecana temperatura przechowywania	-20°C-70°C	
Optymalna temperatura ładowania	5°C-40°C	
Ciężar (bez akumulatora)	5,8 kg	
Zmierzony poziom mocy akustycznej $L_{WA}$	88,98 dB(A) K=2 dB(A)	
Poziom ciśnienia akustycznego na wysokości ucha operatora $L_{PA}$	68,96 dB(A) K=2 dB(A)	
Gwarantowany poziom mocy akustycznej $L_{WA}$ (zmierzony zgodnie z dyrektywą 2000/14/WE)	91 dB(A)	
Szacunkowe drgania $a_{H1}$ :	Przedni uchwyt pomocniczy	3,2 m/s <sup>2</sup> K=1,5 m/s <sup>2</sup>
	Uchwyt tylny	2,3 m/s <sup>2</sup> K=1,5 m/s <sup>2</sup>

- Deklarowana całkowita wartość drgań została zmierzona zgodnie ze standardowymi metodami testowania i może służyć do porównywania różnych narzędzi.
- Deklarowana całkowita wartość drgań może również służyć do wstępnej oceny narażenia na drgania.

**UWAGA:** Emisja dźwięku podczas rzeczywistego stosowania elektronarzędzia może różnić się od deklarowanej wartości, w której narzędzie jest używane; aby się zabezpieczyć, użytkownik powinien nosić rękawice i ochronniki na uszy w rzeczywistych warunkach użytkowania.

## OPIS

### ZAPOZNANIE SIĘ Z PODKASZARKĄ (Rys. A1)

1. Uchwyt tylny
2. Przełącznik prędkości duża/mala
3. Regulowany przedni uchwyt pomocniczy
4. Zawias
5. Przycisk ładowania żyłki
6. Osłona
7. Drażek
8. Obejma blokady wysokości
9. Przełącznik spustowy
10. Blokada
11. Głowica podkaszarki (głowica-uderzak)
12. Ostrze do przycinania żyłki
13. Zaczep odblokowujący
14. Żyłka tnąca
15. Przycisk odblokowujący akumulator
16. Zatrask
17. Styki elektryczne
18. Mechanizm odłączania
19. Klucz imbusowy

### LISTA ELEMENTÓW W OPAKOWANIU (RYS. A1)

## MONTAŻ

### WYPAKOWANIE TRZONKA

**⚠ OSTRZEŻENIE:** Aby nie dopuścić do przytraśnięcia dłoni lub palców, nie należy trzymać trzonka na połączeniach.

**⚠ OSTRZEŻENIE:** Do momentu zablokowania trzonka nie należy próbować włączać urządzenia.

Delikatnie rozsunąć trzonek, a jednocześnie pilnować, aby przewód wewnątrz trzonka nie został uszkodzony. Dokręcić dwie śruby dostarczonym kluczem, aby zablokować trzonek (Rys. B1 i B2).

### MONTAŻ OSŁONY

Ustawić podkaszarkę głowicą do góry (Rys. C1). Wyrównać otwory mocujące względem otworów montażowych i przykręcić osłonę na trzonku dwiema śrubami (Rys. C2).

**UWAGA:** Osłona musi być zamocowana zgodnie z rys. C1 i C2, montaż odwrotną stroną stanowi poważne zagrożenie!

### MOCOWANIE I REGULACJA PRZEDNIEGO UCHWYTU POMOOCNICZEGO

1. Poluzować bolec blokujący w przednim uchwycie pomocniczym, zdjąć go wraz z nakrętką motylkową z przedniego uchwytu pomocniczego (Rys. D).

PL

D-1	Przedni uchwyt pomocniczy	D-3	Nakrętka motylkowa
D-2	Blok zaciskowy	D-4	Bolec blokujący

2. Wcisnąć przedni uchwyt pomocniczy na trzonek między obejmą blokady wysokości a zawiasem (Rys. E).
3. Włożyć blok zaciskowy w szczelinę uchwytu (Rys. F).
4. Zamontować dźwignię bolca blokującego i wstępnie dokręcić nakrętkę motylkową. Dopilnować, aby przedni uchwyt pomocniczy był skierowany do góry i w stronę górnej części uchwytu tylnego (Rys. J).
5. Podnieść bolec blokujący tak, aby można było łatwo przesunąć/obrócić uchwyt-pętlę w pozycję, w której będzie on ustawiony wygodnie. Następnie zablokować dźwignię bolca blokującego. (Rys. H).

**⚠ OSTRZEŻENIE:** Narzędzia nie można używać bez prawidłowo zamocowanego uchwytu przedniego.

## REGULACJA UCHWYTU TYLNEGO

Jeżeli długość trzonka jest nieodpowiednia do wykonywanej pracy, można ją regulować zaciskiem blokady wysokości.

1. Wyjąć akumulator z podkaszarki.
2. Aby wyregulować wysokość podkaszarki, otworzyć zacisk blokady wysokości i przesunąć trzonek w górę lub w dół na żądaną wysokość, zablokować go pierścieniem blokującym (Rys. I).

**UWAGA:** Po zmianie wysokości podkaszarki może się okazać, że przedni uchwyt pomocniczy także wymaga przestawienia.

## UŻYTKOWANIE

**⚠ OSTRZEŻENIE:** Należy zawsze nosić gogle lub okulary ochronne z osłoną boczną, wraz z osłoną narządu słuchu. Nieprzestrzeżenie tego zalecenia może doprowadzić do poważnych obrażeń oczu odłamkiem lub skrawkiem materiału wyrzuconym przez pracujące narzędzie, a także grozi innymi możliwymi urazami.

Urządzenia można używać wyłącznie do celów podanych poniżej:

**Podkaszanie:** Usuwanie trawy i chwastów przy ścianach, płotach, drzewach i na brzegach.

**Koszenie:** Koszenie trawy w miejscach trudno dostępnych dla zwykłej kosiarki.

## ZAKŁADANIE/WYJMOWANIE AKUMULATORA

Do urządzenia należy używać wyłącznie ładowarek i akumulatorów marki EGO wymienionych na Rys. A2.

### Naladować przed pierwszym użyciem.

#### Zakładanie

Należy dopasować żeberka akumulatora do szczelin mocujących i wsunąć akumulator do ładowarki aż da się słyszeć kliknięcie (Rys. J1).

#### Wyjmowanie

Wcisnąć przycisk wyjmowania akumulatora i wysunąć akumulator tak jak na Rys. J2.

J-1	Przycisk odblokowywania akumulatora
-----	-------------------------------------

### TRZYMANIE PODKASZARKI

Narzędzie należy trzymać obydwiema rękoma: jedną ręką na uchwycie tylnym, a drugą na przednim uchwycie pomocniczym.

**UWAGA:** Głowica podkaszarki jest ustawiona równolegle do ziemi i na odpowiedniej wysokości cięcia, tak że operator nie musi się nachylać (Rys. K).

### WŁĄCZANIE/WYŁĄCZANIE PODKASZARKI (RYS. M)

#### Włączanie

Należy przestawić dźwignię odblokowującą w pozycję „WŁ.” i nacisnąć tylną dźwignię przełączającą.

Przełącznik spustowy ma bezstopniową regulację prędkości. Im mocniej naciska się spust, tym wyższa jest prędkość (Rys. L).

#### Wyłączanie

Puścić przełącznik spustowy.

### FUNKCJA REGULACJI PRĘDKOŚCI (RYS. L)

Podkaszarka ma dwa ustawienia prędkości. Pozycja „1” oznacza małą prędkość, pozycja „2” – dużą prędkość.

Rys. L – opis części patrz poniżej:

L-1	Przełącznik prędkości duża/miała	L-2	Przełącznik spustowy
-----	----------------------------------	-----	----------------------

### UŻYWANIE PODKASZARKI

Przed każdym użyciem narzędzia należy uprzątnąć teren pracy. Usunąć wszystkie przedmioty takie jak kamienie, potłuczone szkło, gwoździe, kawałki drutu lub sznurka itp., które mogą zostać wyrzucone w powietrze lub mogą zaplać się w końcówkę tnącą. Z terenu, który ma zostać

skoszony wyprosić dzieci i osoby postronne oraz wygonić zwierzęta. Jako minimum dzieci i osoby postronne oraz zwierzęta muszą znajdować się w odległości 15 m, jednak taka odległość nadal nie eliminuje całkowicie ryzyka trafienia wyrzucenymi w powietrze przedmiotami. Osoby postronne należy zachęcać do noszenia okularów ochronnych. Jeśli do użytkownika zbliży się jakaś osoba, należy natychmiast wyłączyć silnik i zatrzymać końcówkę tnącą.

### PRZED KAŻDYM UŻYCIEM NALEŻY SPRAWDZIĆ, CZY JAKIEŚ CZĘŚCI NIE SĄ USZKODZONE LUB ZUŻYTE.

Należy skontrolować głowicę-uderzak, osłonę i przedni uchwyt pomocniczy oraz wymienić części pęknięte, wypaczone, skrzywione lub uszkodzone w jakikolwiek sposób.

Ostrze do żyłki tnącej na krawędzi osłony może się z czasem stępić. Zaleca się je okresowo ostrzyć pilnikiem lub wymieniać na nowe.

### PO KAŻDYM UŻYCIU NALEŻY WYCZYŚCIĆ PODKASZARKĘ.

#### REGULACJA DŁUGOŚCI ŻYŁKI TNĄCEJ

Głowica-uderzak pozwala operatorowi wysuwać więcej żyłki tnącej bez wyłączania silnika. W miarę jak żyłka strzępi się i zużywa, dodatkową żyłkę można wysunąć lekkim uderzeniem głowicą podkaszarki w ziemię w czasie, gdy podkaszarka pracuje (Rys. M).

**UWAGA:** Ponieważ żyłka tnąca staje się coraz krótsza, wysuwanie żyłki wymaga kilkukrotnego uderzenia w podłoże.

**⚠ OSTRZEŻENIE:** Nie należy demontować lub przerabiać ostrza do żyłki. Zbyt długa żyłka prowadzi do przegrzewania się silnika i może spowodować poważne urazy ciała.

#### WYMIANA ŻYŁKI

**UWAGA:** Należy zawsze używać zalecanej nylonowej żyłki tnącej o średnicy nie większej niż 2,4 mm. Używanie żyłki innego typu może prowadzić do przegrzewania się podkaszarki i spowodować jej uszkodzenie.

**⚠ OSTRZEŻENIE:** Nigdy nie należy używać żyłek wzmocnionych metalem, drutów, sznurków itp. Mogą się one ułamać i zmienić w niebezpieczne pociski.

1. Wyjąć akumulator.
2. Jeśli jest to konieczne, wyjąć pozostałą żyłkę tnącą.
3. Odciąć 4 m żyłki tnącej. Włożyć żyłkę do otworu mocującego w środku przelotki (Rys. O). Wcisnąć żyłkę i wyciągnąć ją z drugiej strony, tak aby po obu

stronach szpulki znajdowało się tyle samo żyłki.

4. Włożyć akumulator do podkaszarki.
5. Wcisnąć i przytrzymać przycisk ładowania żyłki, aby uruchomić silnik nawijania. Żyłka będzie nawijana na głowicę w sposób ciągły (Rys. P).
6. Uważnie obserwować pozostałą długość żyłki. Krótko wcisnąć przycisk ładowania żyłki, aby wyregulować długość, aż po 13 cm żyłki będzie wystawać po każdej stronie.
7. Nacisnąć głowicę podkaszarki i pociągnąć żyłki, aby je ręcznie wysunąć, sprawdzić prawidłowe złożenie głowicy podkaszarki.

Gdy żyłka tnąca urwie się na wylocie żyłki lub gdy żyłka tnąca nie wysuwa się z głowicy podkaszarki pod wpływem uderzenia głowicą o ziemię, należy wówczas wykonać następujące kroki:

1. Wyjąć akumulator z podkaszarki.
2. Wcisnąć zaczepy odblokowujące w głowicy podkaszarki; zdjąć i wysunąć osłonę (Rys. Q).
3. Wyjąć żyłkę tnącą ze szpulki.
4. Włożyć żyłkę w szczelinę w zespole pokrywy dolnej (Rys. R).
5. Przytrzymując jedną ręką podkaszarkę drugą chwycić zespół dolnej pokrywy i wyregulować szczeliny w zespole pokrywy dolnej zaczepami zwalniającymi. Wcisnąć zespół osłony dolnej, aż zaskoczy na miejscu, przy czym słyszalne będzie wyraźne kliknięcie (Rys. S).
6. Aby ponownie założyć żyłkę tnącą, wykonaj instrukcje podane w części „WYMIANA ŻYŁKI”.

#### WYMIANA GŁOWICY TNĄCEJ

**⚠ OSTRZEŻENIE:** Jeżeli po zamocowaniu głowica obluźuje się, należy ją natychmiast wymienić. Nigdy nie należy używać podkaszarki z poluzowaną głowicą tnącą. Pękniętą, uszkodzoną i zużytą głowicę tnącą należy natychmiast wymienić, nawet jeśli uszkodzenie polega tylko na spękaniu powierzchni elementu. Tego typu końcówki mogą rozpaść się przy dużej prędkości i spowodować poważne obrażenia.

#### WYJMOWANIE GŁOWICY TNĄCEJ

1. Wyjąć akumulator z podkaszarki.
2. Wcisnąć i zwolnić zaczepy odblokowujące na głowicy tnącej i wyjąć zespół pokrywy dolnej głowicy wyciągając ją prosto na zewnątrz.
3. Zdjąć żyłkę tnącą z głowicy (Rys. S).
4. W razie potrzeby wyjąć zespół szpulki. Zachować go do ponownego montażu.

- Należy nosić rękawice. Jedną ręką chwycić zespół szpuli, aby go ustabilizować, a drugiej ręki użyć do przytrzymania klucza udarowego (do dokupienia osobno), aby poluzować nakrętkę w lewo (Rys. X).
- Zdjąć nakrętkę, podkładkę, zespół szpuli i pokrywę górną z wału silnika (Rys. T).

**UWAGA:** Z wału silnika łatwo spadają dwie tuleje, prosimy zachować je w celu ponownego założenia.

- Wymienić głowicę na nową i zamontować ją w kolejnych czynnościach.

T-1	Tuleja	T-6	Żyłka tnąca
T-2	Oslona górna	T-7	Oslona dolna
T-3	Nakrętka	T-8	Górna osłona podstawy
T-4	Podkładka	T-9	Szpula (zespół)
T-5	Sprężyna		

## INSTALOWANIE NOWEJ GŁOWICY TNĄCEJ

- Zamocować tuleję na wałku silnika i zamocować górną osłonę podstawy (Rys. T).
- Zamocować osłonę górną, zespół szpuli, podkładkę i nakrętkę w podanej kolejności. Kluczem udarowym dokręć nakrętkę (Rys. U i V).
- Zamontować zespół osłony dolnej.
- Ponownie założyć żyłkę tnącą.
- Włączyć narzędzie, aby sprawdzić, czy podkaszarka działa normalnie. Jeżeli tak nie jest, należy złożyć ją ponownie, tak jak opisano wyżej.

## KONSERWACJA

**⚠ OSTRZEŻENIE:** Podczas serwisowania należy używać wyłącznie części zamiennych identycznych z oryginalnymi. Narzędzie należy regularnie kontrolować i konserwować. Aby zagwarantować bezpieczeństwo i niezawodność, wszystkie naprawy powinny być wykonywane przez wykwalifikowanych techników serwisu.

**⚠ OSTRZEŻENIE:** Aby uniknąć poważnych obrażeń ciała, przed serwisowaniem, czyszczeniem, wymianą osprzętu dodatkowego i należy zawsze wyjmować z narzędzia akumulator.

**⚠ OSTROŻNIE:** Zanieczyszczenia w otworach wentylacyjnych uniemożliwiają dopływ powietrza do obudowy silnika i w efekcie prowadzą do przegrzania się i uszkodzenia silnika.

## CZYSZCZENIE URZĄDZENIA

- Wyrób należy czyścić wilgotną ściereczką i łagodnym

detergentem. Do środka urządzenia nie mogą się dostać żadne płyny, nie wolno też zanurzać części urządzenia w jakiegokolwiek cieczy.

- Do czyszczenia części plastikowych lub uchwytu nie należy używać jakichkolwiek silnych detergentów. Mogą one zostać uszkodzone przez niektóre oleje aromatyczne, takie jak olejek sosnowy i cytrynowy oraz przez rozpuszczalniki takie jak nafta. Wilgoć może także spowodować porażenie prądem. Wszelką wilgoć należy wycierać miękką suchą ściereczką.
- Do czyszczenia otworów wentylacyjnych w tylnej części obudowy należy używać małej szczoteczki lub małego odkurzacza.
- Otwory wentylacyjne w obudowie silnika nie mogą być nigdy zabrudzone.

## OSTRZENIE OSTRZA DO PRZYCINANIA ŻYŁKI TNĄCEJ

**⚠ OSTRZEŻENIE:** Należy zawsze chronić swoje dłonie i na czas wykonywania prac serwisowych przy ostrzu do przycinania żyłki zakładać grube rękawice.

- Wyjąć ostrze do przycinania żyłki z osłony.
- Zamocować ostrze w imadle.
- Ostrożnie pilować krawędzie tnące ostrza drobnym pilnikiem lub osetką zachowując oryginalny kąt krawędzi tnącej.
- Ponownie włożyć ostrze w osłonę i zamocować je dwiema śrubami.

## PRZECHOWYWANIE URZĄDZENIA

- Gdy podkaszarka nie będzie używana, należy wyjąć z niej akumulator.
- Przed schowaniem dokładnie wyczyścić narzędzie.
- Urządzenie należy przechowywać w suchym i przewiewnym miejscu niedostępnym dla dzieci: albo pod kluczem, albo wystarczająco wysoko. Urządzenia nie należy przechowywać na nawozach lub w ich pobliżu, to samo dotyczy podłoży zanieczyszczonych benzyną i substancjami chemicznymi.

## Ochrona środowiska



Urządzeń elektrycznych, zużytych akumulatorów i ładowarki nie należy wyrzucać do zwykłych zmieszanych śmieci domowych! Produkt należy oddać do zbiórki selektywnej w autoryzowanym punkcie recyklingu. Narzędzia elektryczne należy oddawać do zakładów recykling przyjaznych dla środowiska.



## ROZWIĄZYWANIE PROBLEMÓW

PROBLEM	PRZYCZYNA	ROZWIĄZANIE
Podkaszarka nie włącza się.	<ul style="list-style-type: none"> <li>■ Do podkaszarki nie włożono akumulatora.</li> <li>■ Podkaszarka i akumulator nie kontaktują.</li> <li>■ Akumulator jest rozładowany.</li> <li>■ Przed wciśnięciem przełącznika spustowego spust odblokowujący nie przesuwają się do przodu.</li> </ul>	<ul style="list-style-type: none"> <li>■ Zamocować akumulator do podkaszarki.</li> <li>■ Wyjąć akumulator, sprawdzić styki i założyć akumulator z powrotem.</li> <li>■ Naładować akumulator.</li> <li>■ Przetawić dźwignię odblokowującą do przodu i nacisnąć przełącznik spustowy.</li> </ul>
Podkaszarka wyłącza się podczas koszenia.	<ul style="list-style-type: none"> <li>■ Na podkaszarce nie ma zamontowanej osłony, przez co żyłka jest za długa i dochodzi do przecięcia silnika.</li> <li>■ Używana jest ciężka żyłka.</li> <li>■ Walek silnika lub głowica podkaszarki są zapchane trawą.</li> <li>■ Silnik jest przeciążony.</li> <li>■ Akumulator lub podkaszarka jest zbyt gorący/-a.</li> <li>■ Akumulator jest odłączony od narzędzia.</li> <li>■ Akumulator jest rozładowany.</li> <li>■ Po zainstalowaniu żyłki tnącej urządzenie jest niewyważone.</li> </ul>	<ul style="list-style-type: none"> <li>■ Wyjąć akumulator i zamocować osłonę w podkaszarce.</li> <li>■ Używać zalecanej nylonowej żyłki tnącej o średnicy nie większej niż 2,4 mm.</li> <li>■ Zatrzymać podkaszarkę, wyjąć akumulator i usunąć trawę z walca silnika i głowicy podkaszarki.</li> <li>■ Wyjąć głowicę podkaszarki z trawy. Gdy tylko obciążenie zostanie usunięte, silnik wznowi pracę. Podczas koszenia przesuwaj głowicę podkaszarki w koszoną trawę i wysuwać ją z niej, nie więcej niż o 20 cm długości w jednym cięciu.</li> <li>■ Schłodzić akumulator lub podkaszarkę.</li> <li>■ Ponownie założyć akumulator.</li> <li>■ Naładować akumulator.</li> <li>■ Stuknąć głowicą podkaszarki, aby wyrównać długość żyłki.</li> </ul>
Głowica podkaszarki nie wysuwa żyłki.	<ul style="list-style-type: none"> <li>■ Walek silnika lub głowica podkaszarki są zapchane trawą.</li> <li>■ W szpuli jest za mało żyłki lub żyłka przerywa się w otworze.</li> <li>■ Żyłka zaplątała się.</li> <li>■ Żyłka jest za krótka.</li> </ul>	<ul style="list-style-type: none"> <li>■ Zatrzymać podkaszarkę, wyjąć akumulator i wyczyścić walek silnika i głowicę podkaszarki.</li> <li>■ Wyjąć akumulator i wymienić żyłkę tnącą; patrz część „WYMIANA ŻYŁKI” w niniejszej instrukcji.</li> <li>■ Wyjąć akumulator i wymienić żyłkę tnącą; patrz część „WYMIANA ŻYŁKI” w niniejszej instrukcji.</li> <li>■ Wyjąć akumulator i wymienić żyłkę tnącą; patrz część „WYMIANA ŻYŁKI” w niniejszej instrukcji.</li> </ul>

PROBLEM	PRZYCZYNA	ROZWIĄZANIE
Trawa owija się wokół głowicy podkaszarki i obudowy silnika.	Koszenie wysokiej trawy tuż przy ziemi	Wysoką trawę kosić od góry ku dołowi, za jednym razem skracać źdźbła nie więcej niż o 20 cm, aby nie dopuścić do owijania się trawy wokół głowicy.
Pęknięcia na głowicy podkaszarki lub osłona mocująca szpuli odczepia się od podstawy szpuli.	<ul style="list-style-type: none"> <li>■ Głowica podkaszarki jest zużyta.</li> <li>■ Połuzowała się nakrętka blokująca głowicę podkaszarki,</li> </ul>	<ul style="list-style-type: none"> <li>■ Natychmiast wymienić głowicę podkaszarki; patrz część „WYMIANA GŁOWICY TNAČEJ” w niniejszej instrukcji.</li> <li>■ Otworzyć głowicę podkaszarki i dokręcić ją kluczem udarowym.</li> </ul>
Żyłka tnąca nie nawija się prawidłowo na głowicę podkaszarki.	<ul style="list-style-type: none"> <li>■ Żyłka tnąca jest za długa.</li> <li>■ W głowicy podkaszarki zebrały się ścinki trawy lub i blokują poruszanie się szpuli.</li> <li>■ Z powodu wielokrotnego używania systemu zwijania żyłki przegrzał się silnik.</li> <li>■ Słaby akumulator</li> </ul>	<ul style="list-style-type: none"> <li>■ Dociąć żyłkę na długość około 13 cm z każdej strony.</li> <li>■ Wyjąć akumulator, otworzyć głowicę podkaszarki i dokładnie ją wyczyścić.</li> <li>■ Pozwolić, aby podkaszarka przez kilka minut popracowała bez obciążenia, aby schłodzić silnik, następnie spróbować założyć żyłkę ponownie.</li> <li>■ Naładować akumulator.</li> </ul>
Podczas wkładania żyłki, żyłka tnąca nie przechodzi przez głowicę podkaszarki.	<ul style="list-style-type: none"> <li>■ Żyłka tnąca jest rozszczępiona lub zagięta na końcu.</li> <li>■ Po ponownym zainstalowaniu osłona dolna nie wróciła na swoje miejsce.</li> </ul>	<ul style="list-style-type: none"> <li>■ Przyciąć zużyty koniec żyłki i założyć żyłkę z powrotem.</li> <li>■ Założyć akumulator w podkaszarce; nacisnąć przycisk ładowania żyłki, aby na krótko włączyć ładowanie mechaniczne i zwolnić osłonę dolną.</li> </ul>

PL

## GWARANCJA

### POLITYKA GWARANCYJNA EGOY

W celu zapoznania się z wszystkimi warunkami polityki gwarancyjnej EGO prosimy odwiedzić stronę [egopowerplus.com](http://egopowerplus.com).

## PŘEČTĚTE SI VŠECHNY POKYNY!



### PŘEČTĚTE SI NÁVOD K OBSLUZE

**⚠ Zbytkové riziko!** Lidé s elektronickými přístroji, jako jsou např. kardiostimulátory, by se měli před použitím toho výrobku poradit se svým lékařem. Použití elektrického zařízení v těsné blízkosti kardiostimulátoru může způsobit narušení činnosti nebo poruchu kardiostimulátoru.

## SYMBOL IP

Při použití elektrického nářadí může dojít k vymrštění cizích těles do očí, což může způsobit jejich závažné poškození. Před použitím elektrického nářadí si vždy nasadte ochranné brýle, ochranné brýle s bočními kryty nebo v případě potřeby obličejový štít. Na brýle nebo standardní ochranné brýle s bočními kryty doporučujeme použít ochrannou masku.



Bezpečnostní upozornění



Z důvodu snížení rizika úrazu si musí uživatel přečíst návod k obsluze.



Ochrana zraku - Při používání tohoto výrobku vždy noste ochranné brýle, ochranné brýle s bočními kryty nebo obličejový štít.



Bezpečnostní obuv - Při použití tohoto výrobku noste protiskluzovou bezpečnostní obuv.



Ochrana sluchu - Při práci s tímto výrobkem vždy používejte chrániče sluchu.



Ochranné rukavice - Chraňte své ruce rukavicemi při manipulaci s čepelí nebo chráničem čepele.



Ochrana hlavy - K ochraně hlavy používejte schválenou pevnou ochrannou přilbu.



Nebezpečí zpětného rázu - Upozorněte obsluhu na nebezpečí zpětného rázu.



Neinstalujte kulaté řezací čepele.



Průměr žací struny - Průměr nylonové žací struny



Šířka sekání - Max. šířka sekání strunové sekačky



Odhozené objekty se mohou odrazit a mít za následek zranění osob nebo poškození majetku. Při použití křovinořezu udržujte od ostatních osob a domácích zvířat bezpečnou vzdálenost



Při použití strunové sekačky udržujte od ostatních osob a domácích zvířat bezpečnou vzdálenost aspoň 15 m.



Nepoužívejte ani nenechávejte venku na dešti.



Zaručená hladina akustického výkonu. Emise hluku do prostředí dle směrnice Evropského společenství.



Tento výrobek je v souladu s platnými směrnici ES.



Odpadní elektrické výrobky se nesmí likvidovat s domovním odpadem. Odevzdejte je do autorizovaného recyklačního střediska.

V Napětí

$n_0$

Rychlost v chodu naprázdno - Otáčky při chodu naprázdno

.../min Za minutu



Stejnoseměrný proud

kg Kilogram

CZ

## TECHNICKÉ ÚDAJE

Napětí	56 V ---	
Otáčky naprázdno	Nastavení nízké rychlosti: 3000-4500 ot/min Nastavení vysoké rychlosti: 4000-5800 ot/min	
Žací mechanismus	Strunová hlava	
Typ žací struny	2,4 mm nylonová zkroucená struna	
Šířka sekání	35 cm	
Doporučená provozní teplota	0°C-40°C	
Doporučená teplota skladování	-20°C-70°C	
Optimální teplota nabíjení	5°C-40°C	
Hmotnost (bez akumulátoru)	5,8 kg	
Měřená hladina akustického výkonu $L_{WA}$	88,98 dB(A) K=2 dB(A)	
Hladina akustického tlaku na sluch obsluhy $L_{PA}$	68,96 dB(A) K=2 dB(A)	
Zaručená úroveň akustického výkonu $L_{WA}$ (měřeno podle směrnice 2000/14/ES)	91 dB(A)	
Hodnota vibrací $a_{h,i}$	Přední pomocná rukojeť	3,2 m/s <sup>2</sup> K=1,5 m/s <sup>2</sup>
	Zadní rukojeť	2,3 m/s <sup>2</sup> K=1,5 m/s <sup>2</sup>

- Celková deklarovaná hodnota vibrací byla naměřena podle standardní zkušební metody a lze ji použít ke srovnání s jiným nářadím;
- Celkovou deklarovanou hodnotu vibrací lze použít také k předběžnému stanovení expozičních limitů.

**POZNÁMKA:** Emise vibrací při konkrétním použití elektrického nářadí se mohou lišit od deklarované hodnoty, při které se nářadí používá; z důvodu ochrany provozovatele by měl uživatel ve skutečných pracovních podmínkách nosit rukavice a chrániče sluchu.

## POPIS

### SEZNAMTE SE S NAŠÍ STRUNOVOU SEKAČKOU (obr. A1)

1. Zadní rukojeť
2. Přepínač vysoké/nízké rychlosti
3. Stavitelná přední pomocná rukojeť

4. Závěs
5. Tlačítko podávání struny
6. Kryt
7. Pojistná tyč
8. Objímka na zajištění výšky
9. Spínač
10. Zajišťovací jazýček
11. Strunová hlava (Bump Head)
12. Ořezávací čepel pro strunu
13. Uvolňovací západka
14. Žací struna
15. Tlačítko pro uvolnění akumulátoru
16. Západka
17. Elektrické kontakty
18. Vysunovací mechanismus
19. Imbusový klíč

## OBSAH BALENÍ (OBR. A1)

### MONTÁŽ

#### ROZLOŽENÍ HŘÍDELE

**VAROVÁNÍ:** Nedržte hřídel za klouby, v opačném případě hrozí skřípnutí rukou nebo prstů.

**VAROVÁNÍ:** Nepokoušejte se sekačku spustit, dokud není hřídel zajištěna.

Hřídel opatrně rozložte a zároveň zajištěte kabel uvnitř hřídele pomocí dvou šroubů. K tomu použijte daný klíč (obr. B1 a B2).

#### MONTÁŽ CHRÁNIČE

Umístěte sekačku tak, aby její hlava směřovala nahoru (obr. C1). Srovnajte upevňovací otvory krytu s montážními otvory a upevněte kryt ke spodní části hřídele s pomocí dvou šroubů (obr. C2).

**POZNÁMKA:** Zkontrolujte, zda je kryt upevněn podle obr. C1 a C2, obrácené upevnění představuje vysoké riziko!

#### MONTÁŽ A NASTAVENÍ PŘEDNÍ POMOČNÉ RUKOJETI

1. Uvolněte zajišťovací tyčku v přední pomocné rukojeti z přední pomocné rukojeti vyjměte zajišťovací tyčku a křídlovou matici (obr. D).

D-1	Přední pomocná rukojeť	D-3	Křídlová matice
D-2	Upínací blok	D-4	Zajišťovací tyčka

2. Natlačte přední pomocnou rukojeť na hřídel mezi objímku na zajištění výšky a kloub (obr. E).
3. Vložte upínací blok do slotu rukojeti (obr. F).

- Namontujte zajišťovací tyčku a přitáhněte křídlovou matici. Ujistěte se, že přední pomocná rukojeť je vzhůru a směřuje k horní části zadní rukojeti (obr. J).
- Vytáhněte páčku zajišťovací tyčky, abyste mohli snadno přesunout / otočit rukojeť do pohodlné polohy. Poté zajistěte páčku zajišťovací tyčky. (Obr. H).

**VAROVÁNÍ:** Nářadí nelze používat bez bezpečně upevněné přední pomocné rukojeti.

### NASTAVENÍ ZADNÍ RUKOJETI

Pokud délka hřídele není vhodně nastavená pro obsluhu, lze ji upravit pomocí svorky pro zajištění výšky.

- Vyjmíte akumulátor ze sekačky.
- Chcete-li upravit výšku sekačky, otevřete zajišťovací svorku výšky a poté posuňte hřídel nahoru nebo dolů do požadované výšky a zajistěte ji zatlačením zajišťovací svorky dolů (obr. I).

**POZNÁMKA:** Po změně výšky sekačky bude možná nutné znovu nastavit přední pomocnou rukojeť.

### OBSLUHA

**VAROVÁNÍ:** Při práci s elektrickým nářadím vždy noste ochranné brýle nebo ochranné brýle s bočními kryty a používejte ochranu sluchu. Pokud tak neučiníte, může dojít k vyvrstění předmětu do očí, nebo případně jiným vážným úrazům.

Výrobek lze použít k následujícím účelům:

**Ořezávání:** Slouží k odstranění trávy a plevele u zdí, plotů, stromů a obručků.

**Sekání:** Slouží k sekání trávy, která je pro běžnou sekačku obtížně dostupná.

### INSTALACE/VYJMUTÍ AKUMULÁTORU

Používejte pouze EGO akumulátory a nabíječky uvedené na obr. A2.

**Před prvním použitím akumulátor plně nabijte.**

#### Instalace

Srovnejte žebrování akumulátoru s instalačními drážkami a zatlačte na akumulátor, dokud neuslyšíte „cvaknutí“ (obr. J1).

#### Vyjmutí

Stiskněte tlačítko pro uvolnění akumulátoru a vytáhněte jej, jak je to znázorněno na obr. J2.

J-1	Tlačítko pro uvolnění akumulátoru
-----	-----------------------------------

### JAK DRŽET STRUNOVOU SEKAČKU

Držte strunovou sekačku oběma rukama: Jednu ruku na zadní rukojeť a druhou ruku na přední pomocné rukojeť.

**POZNÁMKA:** Strunová hlava je rovnoběžná se zemí ve správné žací vzdálenosti, aniž by se musela obsluha překlontit (obr. K).

### SPUŠTĚNÍ/VYPNUTÍ STRUNOVÉ SEKAČKY

#### Spuštění

Posuňte zajišťovací jazýček dopředu a poté stiskněte spouštěč.

Spouštěč plyne nastavuje rychlost. Čím více mačkáte spouštěč, tím vyšší je rychlost (obr. L).

#### Zastavení

Uvolněte spouštěč.

### FUNKCE NASTAVENÍ RYCHLOSTI (OBR. L)

Strunová sekačka má dvě rychlosti. Poloha „NÍZKÁ“ je určena pro nízké rychlosti, zatímco poloha „VYSOKÁ“ pro vysoké rychlosti.

Obr. L s popisem dílů:

L-1	Přepínač vysoké/nízké rychlosti	L-2	Spínač
-----	---------------------------------	-----	--------

### POUŽITÍ STRUNOVÉ SEKAČKY

Před každým použitím vyčistěte prostor, kde budete zařízení používat. Odstraňte veškeré předměty, jako jsou např. kameny, rozbíté sklo, hřebíky, dráty nebo provazy, které mohou být odhozeny, nebo se mohou do žacího nástavce zaplést. Z prostoru vyžeňte děti, ostatní osoby a domácí zvířata. Minimální bezpečná vzdálenost pro děti, ostatní osoby a domácí zvířata je 15 m; stále však hrozí riziko zasažení ostatních osob vymrštěnými předměty. Ostatním osobám doporučte použití ochrany očí. Pokud se k vám někdo blíží, okamžitě vypněte motor a žací příslušenství.

### PŘED KAŽDÝM POUŽITÍM ZKONTROLUJTE POŠKOZENÉ/OPOTŘEBENÉ DÍLY

Zkontrolujte strunovou hlavu, kryt, přední pomocnou rukojeť a vyměňte díly, které jsou prasklé, zdeformované, ohnuté nebo jinak poškozené.

Ořezávací čepel pro strunu na okraji chrániče se může v průběhu času otupit. Doporučujeme ji pravidelně brousit pilníkem, nebo vyměnit za novou.

## PO KAŽDÉM POUŽITÍ SEKAČKU VYČISTĚTE.

### NASTAVENÍ DÉLKY ŽACÍ STRUNY

Strunová hlava umožňuje obsluhu více vysunout žací strunu bez zastavení motoru. Když se struna rozštěpí nebo rozedře, lze během práce se sekačkou vysunout další část struny lehkým poklepáním hlavy sekačky o zem (obr. M).

**POZNÁMKA:** Vysouvání struny vyžaduje opakované poklepání se zkracováním žací struny.

**VAROVÁNÍ:** Nevyjímejte ani neupravujte sestavu vyžínacího kotouče. Nadměrná délka struny způsobí přehřátí motoru, což může vést k vážnému úrazu.

### VÝMĚNA STRUNY

**POZNÁMKA:** Vždy používejte doporučenou nylonovou žací strunu o průměru nepřesahujícím 2,4 mm. Použitím jiné než specifikované struny může dojít k přehřátí nebo poškození strunové sekačky.

**VAROVÁNÍ:** Nikdy nepoužívejte kovem vyztužené struny, dráty, šňůry atd. Mohou se odломit a stát se nebezpečnými projektily.

1. Vyjměte akumulátor.
2. Vyjměte zbývající strunu, pokud je to nutné.
3. Uřízněte strunu o délce 4 metry. Vložte strunu do otvoru uvnitř očka (obr. O). Zatlačte a vytáhněte strunu z druhé strany, dokud se na obou stranách cívký neobjeví stejná délka struny.
4. Namontujte akumulátor do strunové sekačky.
5. Stiskněte a podržte tlačítko navijení, čímž spustíte motor navijení struny. Struna bude průběžně navijena do strunové hlavy (obr. P).
6. Pečlivě pozorujte zbývající délku struny. Krátkým stisknutím tlačítka pro navijení struny upravujte délku, dokud na každé straně nebude 13 cm struny.
7. Zatlačte na strunovou hlavu při současném vytahování strun, abyste ručně vysunuli strunu a zkontrolovali tak její správné navinutí.

Když se žací struna utrhne ve výstupu struny nebo není žací struna uvolněna, když ťuknete na strunovou hlavu, postupujte podle následujících kroků.

1. Vyjměte akumulátor ze sekačky.
2. Stiskněte uvolňovací západky na hlavě sekačky a vytáhněte sestavu spodního krytu tahem směrem ven (obr. Q).
3. Vytáhněte strunu z cívký.

4. Vložte pružinu do štěrbin v sestavě spodního krytu (obr. R).
5. Jednou rukou přidržíte sekačku a druhou rukou použijte k uchopení sestavy spodního krytu a vyrovnejte drážky v sestavě spodního krytu s uvolňovacími západkami. Zatlačte na sestavu spodního krytu, dokud nezapadne na místo (uslyšíte zřetelné cvaknutí) (obr. S).
6. Postupujte podle pokynů v části „VÝMĚNA STRUNY“ pro opětovné natažení žací struny.

### VÝMĚNA STRUNOVÉ HLAVY

**VAROVÁNÍ:** Pokud se hlava uvolní po upevnění v dané pozici, okamžitě ji vyměňte. Nikdy nepoužívejte sekačku s uvolněným žacím nástavcem. Prasklou, poškozenou nebo opotřebovanou strunovou hlavu okamžitě vyměňte, i kdyby se jednalo pouze o povrchové praskliny. Tyto nástavce se mohou rozříznout ve vysoké rychlosti a způsobit vážné zranění.

### DEMONTÁŽ STRUNOVÉ HLAVY

1. Vyjměte akumulátor ze sekačky.
2. Stiskněte uvolňovací západky na strunové hlavě a demontujte sestavu spodního krytu strunové hlavy tahem směrem ven.
3. Demontujte žací strunu ze strunové hlavy (obr. S).
4. Pokud je to nutné, vyjměte pružinu ze sestavy cívký. Uložte ji pro opětovné sestavení.
5. Používejte rukavice. Pomocí jedné ruky uchopte sestavu cívký a stabilizujte ji a druhou rukou držte rázový klíč (není součástí balení), abyste uvolnili matku proti směru hodinových ručiček (obr. X).
6. Z hřídele motoru vyjměte matici, držák cívký, horní kryt a horní spodní kryt (obr. T).

**POZNÁMKA:** Obě pouzdra mohou z hřídele motoru snadno spadnout, prosíme je pečlivě je uschovejte pro opětovnou montáž.

7. Vyměňte za novou strunovou hlavu a namontujte ji v následujících krocích.

T-1	Pouzdro	T-6	Struna do sekačky
T-2	Horní kryt	T-7	Spodní kryt
T-3	Matice	T-8	Horní spodní kryt
T-4	Podložka	T-9	Sestava cívký
T-5	Pružina		

### INSTALACE NOVÉ STRUNOVÉ HLAVY

1. Namontujte pouzdra na hřídel motoru a nasadte sestavu horního spodního krytu na místo (obr. T).

2. V tomto pořadí namontujte horní kryt, sestavu cívký, matici a podložku. Pro utažení matice použijte rázový klíč (obr. U a V).
3. Namontujte sestavu spodního krytu.
4. Znovu naviňte žací strunu.
5. Spusťte sekačku, abyste zjistili, zda bude fungovat normálně. Pokud tomu tak není, znovu ji sestavte podle výše uvedeného popisu.

## ÚDRŽBA

**VAROVÁNÍ:** Při opravách používejte pouze originální náhradní díly. Pravidelně stroj kontrolujte a udržujte. Z důvodu bezpečnosti by měl všechny opravy provádět kvalifikovaný servisní technik.

**VAROVÁNÍ:** Aby nedošlo k vážnému úrazu, akumulátor před servisem, čištěním, výměnou nástavců nebo odstraněním materiálu nářadí vyjměte.

**UPOZORNĚNÍ:** Překážky ve větracích otvorech zabrání proudění vzduchu do krytu motoru, což povede k přehřátí nebo poškození motoru.

## ČIŠTĚNÍ NÁŘADÍ

- Nářadí čistěte vlhkým hadrem s neagresivním čisticím prostředkem. Dbejte na to, aby do nářadí nepronikla žádná kapalina; žádný díl tohoto nářadí nikdy neponožte do kapaliny.
- Na plastový kryt nebo rukojeť nepoužívejte žádné silné čisticí prostředky. Mohou být poškozeny některými aromatickými oleji, jako např. borovicovým nebo citronovým, a rozpouštědly, jako např. petrolejem. Vlhkost může rovněž způsobit riziko úrazu elektrickým proudem. Veškerou vlhkost setřete suchým měkkým hadrem.
- K čištění větracích otvorů od nečistot na zadní části krytu použijte malý kartáč nebo proud vzduchu z malého vysavače.
- Udržujte větrací otvory krytu motoru vždy v čistotě.

## BROUŠENÍ ŽACÍHO KOTOUČE

**VAROVÁNÍ:** Při údržbě žacího kotouče vždy chraňte ruce s pomocí pevných rukavic.

1. Demontujte žací kotouč z ochranného krytu.
2. Zabezpečte kotouč ve svěráku.
3. Opatrně přepilujte žací hrany kotouče jemným pilníkem nebo brusným kamenem a zároveň udržujte původní úhel břitů.
4. Kotouč nasadte do krytu a zajistěte jej pomocí šroubů.

## SKLADOVÁNÍ NÁŘADÍ

- Pokud strunovou sekačku nepoužíváte, vyjměte z ní akumulátor.
- Nářadí před uskladněním řádně vyčistěte.
- Nářadí skladujte na suchém, dobře větraném, uzamčeném nebo vyvýšeném místě mimo dosah dětí. Nářadí neskladujte v blízkosti hnojiv, benzínu nebo jiných chemických látek.

## Ochrana životního prostředí



Elektrické zařízení, nabíječku a baterie / nabíjecí baterie nevhazujte do domovního odpadu! Předějte tento výrobek autorizované recyklační společnosti ke tříděnému sběru. Elektrické nářadí musí být vráceno do zařízení k ekologické recyklaci.

## ODSTRAŇOVÁNÍ PROBLÉMŮ

PROBLÉM	PŘÍČINA	ŘEŠENÍ
Strunová sekačka se nespustí.	<ul style="list-style-type: none"> <li>■ K strunové sekačce není připojen akumulátor.</li> <li>■ Žádný elektrický kontakt mezi sekačkou a akumulátorem.</li> <li>■ Akumulátor je vybitý.</li> <li>■ Zajišťovací spouštěč jste před stisknutím spínače neposunuli vpřed.</li> </ul>	<ul style="list-style-type: none"> <li>■ Připojte akumulátor na strunovou sekačku.</li> <li>■ Vyměňte akumulátor, zkontrolujte póly a znovu jej nainstalujte.</li> <li>■ Nabijte akumulátor.</li> <li>■ Posuňte zajišťovací jazýček dopředu a stiskněte spouštěč.</li> </ul>
Při sekání se strunová sekačka zastaví.	<ul style="list-style-type: none"> <li>■ Na sekačce není namontovaný chránič, což má za následek příliš dlouhou žací strunu a přetížení motoru.</li> <li>■ Je použita těžká žací struna.</li> <li>■ Hřídel motoru nebo strunová hlava jsou zablokované trávou.</li> <li>■ Motor je přetížený.</li> <li>■ Akumulátor strunové sekačky je příliš horký.</li> <li>■ Akumulátor je odpojený od náradí.</li> <li>■ Akumulátor je vybitý.</li> <li>■ Po instalaci žací struny je sekačka nevyvážená.</li> </ul>	<ul style="list-style-type: none"> <li>■ Vyměňte ze sekačky akumulátor a namontujte kryt.</li> <li>■ Používejte standardní nylonovou žací strunu s průměrem nejvíce 2,4 mm.</li> <li>■ Zastavte sekačku, vyjměte akumulátor a odstraňte trávu z hřídele motoru a strunové hlavy.</li> <li>■ Vytáhněte strunovou hlavu z trávy. Motor začne pracovat, jakmile odstraníte zatížení. Při sekání pohybujte strunovou hlavou v sekané trávě tam a zpět, délka pohybu by neměla přesáhnout délku 20 cm v jednom tahu.</li> <li>■ Nechte akumulátor nebo strunovou sekačku vychladnout.</li> <li>■ Znovu nainstalujte akumulátor.</li> <li>■ Nabijte akumulátor.</li> <li>■ Poklepáním na strunovou hlavu dosáhnete symetrické délky struny.</li> </ul>
Ze strunové hlavy se nevysouvá struna.	<ul style="list-style-type: none"> <li>■ Hřídel motoru nebo strunová hlava jsou zablokované trávou.</li> <li>■ Na cívice není dostatek struny nebo se struna u oka přetrhla.</li> <li>■ Struna se zamotala.</li> <li>■ Struna je příliš krátká.</li> </ul>	<ul style="list-style-type: none"> <li>■ Zastavte sekačku, vyjměte akumulátor a očistěte hřídel motoru a strunovou hlavu.</li> <li>■ Vyměňte akumulátor a vyměňte strunu; dodržujte pokyny uvedené v části „VÝMĚNA STRUNY“ v tomto návodu.</li> <li>■ Vyměňte akumulátor a vyměňte strunu; dodržujte pokyny uvedené v části „VÝMĚNA STRUNY“ v tomto návodu.</li> <li>■ Vyměňte akumulátor a vyměňte strunu; dodržujte pokyny uvedené v části „VÝMĚNA STRUNY“ v tomto návodu.</li> </ul>

CZ



PROBLÉM	PŘÍČINA	ŘEŠENÍ
Kolem strunové hlavy a krytu motoru se namotala tráva.	Sekání vysoké trávy na úrovni terénu.	Vysokou trávu sekejte shora dolů, pokaždé ne více než 20 cm, aby nedocházelo k zamotání.
Praskliny na strunové hlavě nebo uvolněný držák cívký na základně.	<ul style="list-style-type: none"> <li>■ Strunová hlava je opotřebovaná.</li> <li>■ Došlo k uvolnění matice, která zajišťuje hlavu sekačky.</li> </ul>	<ul style="list-style-type: none"> <li>■ Ihned vyměňte strunovou hlavu. Postupujte dle pokynů pro „VÝMĚNU STRUNOVÉ HLAVY“ v tomto návodu.</li> <li>■ Otevřete strunovou hlavu a matici utáhněte rázovým klíčem.</li> </ul>
Žací strunu nelze řádně navinout do strunové hlavy.	<ul style="list-style-type: none"> <li>■ Žací struna je příliš dlouhá.</li> <li>■ Ve strunové hlavě se nahromadily zbytky trávy nebo nečistoty a zablokovaly pohyb struny.</li> <li>■ Motor se přehřívá kvůli opakovanému použití systému navíjení struny.</li> <li>■ Nízká úroveň nabití akumulátoru</li> </ul>	<ul style="list-style-type: none"> <li>■ Uřízněte strunu do délky přibližně 13 cm na každé straně.</li> <li>■ Vyměňte baterii, otevřete strunovou hlavu a důkladně ji vyčistěte.</li> <li>■ Nechte strunovou sekačku několik minut běžet naprázdno, aby se motor ochladil, a poté zkuste znovu strunu navinout.</li> <li>■ Nabijte akumulátor.</li> </ul>
Při vkládání struny nelze nechat žací strunu projít strunovou hlavou.	<ul style="list-style-type: none"> <li>■ Žací struna je na konci rozdělená nebo ohnutá.</li> <li>■ Po opětovné instalaci není spodní kryt uvolněn do správné polohy.</li> </ul>	<ul style="list-style-type: none"> <li>■ Ořízněte opotřebovaný konec struny a znovu ji zaveďte do sekačky.</li> <li>■ Připojte akumulátor k sekačce; stisknutím tlačítka navinutí struny krátce spustíte navíjení, čímž se uvolní spodní kryt.</li> </ul>

**CZ**

## ZÁRUKA

### ZÁRUKA SPOLEČNOSTI EGO

Úplné záruční podmínky společnosti EGO naleznete na webové stránce [egopowerplus.com](http://egopowerplus.com).

## PREČÍTAJTE SI VŠETKY POKYNY!



### PREČÍTAJTE SI NÁVOD NA OBSLUHU

**⚠ Zvyškové riziko!** Ľudia s elektronickými zariadeniami, napríklad kardiostimulátorom, musia používanie tohto výrobku konzultovať so svojim lekárom. Použitie elektrických zariadení v tesnej blízkosti kardiostimulátora by mohlo spôsobiť rušenie alebo zlyhanie kardiostimulátora.

## BEZPEČNOSTNÝ SYMBOL

Prevádzka akéhokoľvek elektrického náradia môže viesť k vymršteniu cudzích predmetov do vašich očí, čo môže spôsobiť vážne poškodenie zraku. Predtým, než začnete používať elektrické náradie, si vždy nasadte ochranné okuliare alebo ochranné okuliare s postrannými krytmi a prípadne celotvárový štít. Odporúčame použiť bezpečnostnú masku so širokým prizorom na okuliare alebo štandardné bezpečnostné okuliare s postrannými krytmi.



Bezpečnostné upozornenie



Používajte ochranu zraku - Pri práci s týmto výrobkom vždy noste ochranné okuliare alebo ochranné okuliare s postrannými krytmi a celotvárový štít.



Používajte ochranu sluchu - Pri práci s týmto výrobkom vždy používajte ochranu sluchu.



Používajte ochranu hlavy - Používajte schválenú bezpečnostnú prilbu na ochranu hlavy.



Neinštalujte okrúhle rezacie čepele.



Rezná šírka - Max. rezná šírka strunovej kosačky



Zabezpečte, aby ostatní ľudia a domáce zvieratá zostali vo vzdialenosti aspoň 15 m od strunovej kosačky, keď sa používa.



Garantovaná hladina akustického výkonu. Emisie hluku do prostredia sú podľa smernice Európskeho spoločenstva.



Odpadové elektrické výrobky sa nesmú likvidovať spolu s domovým odpadom. Odovzdajte do autorizovaného recyklačného strediska.

$n_0$

Otáčky naprázdno - Rýchlosť otáčania, bez záťaže



Jednosmerný prúd



Používateľ si musí prečítať návod na obsluhu, aby znížil riziko úrazu.



Používajte ochrannú obuv - Pri používaní tohto zariadenia noste protišmykovú bezpečnostnú obuv.



Používajte ochranné rukavice - Pri manipulácii s čepeľou alebo chráničom čepele si ruky chráňte rukavicami.



Pozor na spätný ráz - Upozornite obsluhu na nebezpečenstvo spätného rázu.



Priemer struny - Priemer nylonovej rezacej struny



Vymrštené objekty sa môžu odraziť a mať za následok zranenie osôb alebo poškodenie majetku. Keď krovinorez používate, udržujte od ostatných osôb a domácich zvierat bezpečnú vzdialenosť.



Nepoužívajte ani nenechávajte vonku na daždi.



Tento výrobok je v súlade s platnými smernicami ES.

V Napätie

.../min Za minútu

kg Kilogram

## TECHNICKÉ ÚDAJE

Napätie	56 V $\text{---}$	
Rýchlosť naprázdno	Nastavenie nízkej rýchlosti 3000 - 4500 OT./MIN Nastavenie vysokej rýchlosti 4000 - 5800 OT./MIN	
Rezací mechanizmus	Rezací hlava	
Typ rezacej struny	2,4 mm nylonová stočená struna	
Rezná šírka	35 cm	
Odporúčaná prevádzková teplota	0°C-40°C	
Odporúčaná skladovacia teplota	-20°C-70°C	
Optimálna teplota nabíjania	5°C-40°C	
Hmotnosť (bez akumulátora)	5,8 kg	
Nameraná hladina akustického výkonu $L_{WA}$	88,98 dB(A) K=2 dB(A)	
Hladina akustického tlaku na uši obsluhy $L_{PA}$	68,96 dB(A) K=2 dB(A)	
Garantovaná hladina akustického výkonu $L_{WA}$ (merané podľa 2000/14/ES)	91 dB(A)	
Ohodnotenie vibrácií $a_{Hv}$ :	Predná pomocná rukoväť	3,2 m/s <sup>2</sup> K=1,5 m/s <sup>2</sup>
	Zadná rukoväť	2,3 m/s <sup>2</sup> K=1,5 m/s <sup>2</sup>

- Deklarovaná celková hodnota vibrácií bola meraná v súlade so štandardnou skúšobnou metódou a môže sa použiť na vzájomné porovnanie jednotlivých náradí;
- Uvádzaná celková hodnota vibrácie sa môže použiť aj na predbežný odhad expozície.

**POZNÁMKA:** Emisia vibrácií pri skutočnom používaní náradia sa môže odlišovať od deklarovanej hodnoty, pri akej sa nástroj používa; Za účelom ochrany obsluhy má používateľ v skutočných podmienkach použitia nosiť rukavice a ochranu sluchu.

## POPIS

### SPOZNAJTE VAŠU STRUNOVÚ KOSAČKU (obr. A1)

1. Zadná rukoväť

2. Prepínač vysokej/nízkej rýchlosti
3. Nastaviteľná predná pomocná rukoväť
4. Čap
5. Tlačidlo pre natiahnutie struny
6. Chránič
7. Uzamykacia tyč
8. Uzamykacia manžeta pre nastavenie výšky
9. Spínač
10. Uzamykací jazýček
11. Hlava kosačky (strunová hlava)
12. Strunová rezacia čepeľ
13. Uvoľňovacia zarážka
14. Rezacia struna
15. Tlačidlo na uvoľnenie akumulátora
16. Západka
17. Elektrické kontakty
18. Vyhadzovací mechanizmus
19. Imbusový kľúč

## OBSAH BALENIA (OBR. A1)

## MONTÁŽ

### ROZLOŽENIE HRIADEĽA

**VAROVANIE:** Nedržte hriadeľ za kĺby, aby ste si nezovreli ruky alebo prsty.

**VAROVANIE:** Nepokúšajte sa spustiť kosačku, kým nie je zaistený hriadeľ.

Opatrne rozložte hriadeľ tak, aby kábel zostal vo vnútri hriadeľa a zaistíte ho dvomi skrutkami pomocou dodávaného kľúča (obr. B1 a B2).

### MONTÁŽ CHRÁNIČA

Kosačku umiestnite tak, aby hlava jej smerovala nahor (obr. C1). Zarovnajtie montážne otvory chrániča s montážnymi otvormi a pripevnite chránič na základňu hriadeľa s dvoma skrutkami (obr. C2).

**POZNÁMKA:** Zabezpečte, aby bol chránič pripevnený podľa obr. C1 a C2. Akékoľvek opačné upevnenie spôsobí veľké nebezpečenstvo!

### MONTÁŽ A NASTAVENIE PREDNEJ POMOČNEJ RUKOVÄTI

1. Uvoľnite uzamykaciu tyč v prednej pomocnej rukoväti a odstráňte ju z tejto rukoväti spolu s krídlovou maticou (obr. D).

D-1	Predná pomocná rukoväť	D-3	Krídlová matica
D-2	Upínací blok	D-4	Uzamykacia tyč

2. Natlačte prednú pomocnú rukoväť na hriadeľ medzi uzamykaciu manžetu pre nastavenie výšky a čap (obr. E).
3. Vložte upínací blok do otvoru rukoväti (obr. F).
4. Namontujte uzamykaciu tyč a priťahnite krídlovú maticu. Uistite sa, že predná pomocná rukoväť je otočená dohora a smeruje k hornej časti zadnej rukoväti (obr. G).
5. Vytiahnite vhodnú výšku uzamykacej tyče nahor, aby ste mohli ľahko posunúť/otočiť rukoväť tam, kde sa budete cítiť pohodlne. Potom zaistíte páčku uzamykacej tyče. (Obr. H).

**VAROVANIE:** Toto náradie nie je možné používať bez spoľahlivo upevnenej prednej rukoväti.

## NASTAVENIE ZADNEJ RUKOVÄTE

Ak dĺžka hriadeľa nie je vhodná na obsluhu, môžete dĺžku hriadeľa upraviť pomocou tejto svorky pre nastavenie výšky.

1. Vyberte akumulátor z kosačky.
2. Ak chcete upraviť výšku kosačky, otvorte svorku pre nastavenie výšky a potom posuňte hriadeľ nahor alebo nadol do požadovanej výšky a zaistíte ju stlačením zaistovacej svorky (obr. I).

**POZNÁMKA:** Po zmene výšky kosačky bude možno potrebné prestaviť prednú pomocnú rukoväť.

SK

## OBSLUHA

**VAROVANIE:** Pri práci s náradím vždy noste ochranné okuliare alebo bezpečnostné okuliare s bočnými ochrannými štítmí a chráničmi sluchu. Ak tak neurobíte, môže dôjsť k vymršteniu predmetov do očí a k ďalším možným vážnym zraneniam.

Tento výrobok môžete použiť na tieto uvedené účely:

**Orezávanie:** slúži na odstránenie trávy a buriny pri múroch, plotoch, stromoch a okrajoch.

**Kosenie:** slúži na kosenie trávy, ktorú je ťažké dosiahnuť za použitia normálnej kosačky.

## PRIPOJENIE/ODPOJENIE AKUMULÁTORA

Používajte iba EGO akumulátory a nabíjačky uvedené na obr. A2.

**Pred prvým použitím úplne nabite.**

### Prípojenie

Zarovnajte výčnelky na akumulátore s montážnymi drážkami a zatlačte akumulátor nadol, kým nebudete počuť „cvaknutie“ (obr. J1).

### Odpojenie

Stlačte tlačidlo na uvoľnenie akumulátora a vytiahnite akumulátor von tak, ako je znázornené na obr. J2.

J-1 Tlačidlo na uvoľnenie akumulátora

### DRŽANIE STRUNOVEJ KOSAČKY

Držte strunovú kosačku s oboma rukami: Jednu ruku na zadnej rukoväti a druhú na prednej pomocnej rukoväti.

**POZNÁMKA:** Strunová hlava je rovnobežná so zemou v správnej vzdialenosti na kosenie bez toho, aby sa osoba obsluhujúca kosačku nakláňala (obr. K).

### SPUSTENIE/ZASTAVENIE STRUNOVEJ KOSAČKY

#### Zapnutie

Zatlačte uzamykací jazyček dopredu a uvoľnite spínač.

Spínačom je možné plynulo nastavovať rýchlosť. Čím viac vytiahnete spínač, tým vyššia je rýchlosť.

#### Zastavenie

Uvoľnite spínač.

### FUNKCIA NASTAVENIA RÝCHLOSTI (OBR. L)

Strunová kosačka má dve rýchlosti. Poloha „LOW“ je určená pre nízke rýchlosti, pričom poloha „HIGH“ pre vysoké rýchlosti.

Obr. L s popisom dielov:

L-1 Prepínač vysokej/nízkej rýchlosti L-2 Spínač

### POUŽÍVANIE STRUNOVEJ KOSAČKY

Pred každým použitím vyčistite oblasť, ktorá má byť kosená. Odstráňte všetky predmety, ako sú kamene, rozbité sklo, klinec, drôty alebo šnúry, ktoré môžu byť vymrštené alebo môžu uviaznuť v stroji. Zabráňte prístupu deťom, prítomným osobám a domácim zvieratám. Všetky deti, prízerajúce sa osoby a zvieratá sa musia zdržiavať vo vzdialenosti najmenej 15 metrov; stále ešte môže existovať riziko vymrštenia predmetov na prízerajúce sa osoby. Okolo stojace osoby by mali mať ochranu očí. Ak sa približujú, okamžite zastavte motor a reznú príslušenstvo.

**Pred každým použitím skontrolujte, či nie sú poškodené/opotrebované diely.**

Skontrolujte strunovú hlavu, chránič a prednú pomocnú rukoväť a diely, ktoré sú prasknuté, zdeformované, ohnuté, alebo inak poškodené.

Strunová čepeľ na okraji chrániča sa postupne otupí. Odporúčame, aby ste ju pravidelne prebrúsili pilníkom, alebo ju nahradili za novú čepeľ.

### PO KAŽDOM POUŽITÍ VYČISTITE KOSAČKU.

#### NASTAVENIE DĹŽKY REZNEJ STRUNY

Strunová hlava umožňuje obsluhu predĺžiť rezáciu strunu bez zastavenia motora. Keď sa struna rozstrapká alebo opotrebuje, je možné vysunúť ďalšiu strunu ľahkým poklepaním hlavy kosačky o zem počas jej používania (obr. M).

**POZNÁMKA:** Vysúvanie struny si vyžaduje viacnásobné poklepanie, keď sa struna skracuje.

**VAROVANIE:** Neodstraňujte alebo nemeňte zostavu strunovej rezacej čepele. Nadmerná dĺžka struny môže spôsobiť prehriatie motora a môže dôjsť k vážnemu zraneniu.

#### VÝMENA STRUNY

**POZNÁMKA:** Vždy používajte odporúčanú štandardnú nylonovú strunu s priemerom najviac 2,4 mm. Použitie inej struny, než je uvedené, môže spôsobiť prehriatie alebo poškodenie strunovej kosačky.

**VAROVANIE:** Nikdy nepoužívajte kovom vystužené struny, dróty, šnúry atď. Môžu sa odtrhnúť a stať sa nebezpečnými projektíliami.

1. Vyberte akumulátor.
2. Odstráňte zvyšnú strunu, ak je to nutné.
3. Odrežte 4 m rezacej struny. Vložte strunu do očka v montážnom otvore (obr. O). Pretlačte a vytiahnite strunu z druhej strany, pokiaľ nebude rovnaká dĺžka struny na oboch stranách cievy.
4. Pripojte akumulátor do strunovej kosačky.
5. Stlačte a podržte tlačidlo pre natiahnutie struny, čím spustíte motor pre naviniutie struny. Struna sa postupne navinie do strunovej hlavy (obr. P).
6. Sledujte pozorne zvyšnú dĺžku struny. Krátko stlačte tlačidlo pre natiahnutie struny a nastavte dĺžku tak, aby na každej strane zostala 13 cm struna.
7. Zatláčte zostavu strunovej hlavy smerom nadol pri ťahaní struny, ak chcete manuálne vytiahnuť strunu a skontrolovať správnu montáž rezacej struny.

Keď sa rezacia struna odtrhne na výstupe struny alebo sa rezacia struna nevysunie pri poklepaní na strunovú hlavu, postupujte podľa nasledujúcich krokov:

1. Vyberte akumulátor z kosačky.

2. Stlačte uvoľňovacie jazýčky na strunovej hlave a odmontujte spodnú časť krytu tak, že ju rovno vytiahnete von (obr. Q).
3. Odstráňte rezáciu strunu z cievy.
4. Vložte pružinu do otvoru v zostave spodného krytu (obr. R).
5. Jednou rukou pridržte kosačku, druhou rukou uchopte zostavu spodného krytu a zarovnajete drážky v zostave spodného krytu s uvoľňovacími záračkami. Zatláčte zostavu spodného krytu, kým nezapadne na miesto s počuteľným a zreteľným zvukom kliknutia (obr. S).
6. Postupujte podľa pokynov v časti „**VÝMENA STRUNY**“ pre natiahnutie novej rezacej struny.

#### VÝMENA STRUNOVEJ HLAVY

**VAROVANIE:** V prípade, že sa hlava po upevnení uvoľní, ihneď ju vymeňte. Nikdy nepoužívajte kosačku s voľným rezacím príslušenstvom. Ihneď vymeňte prasknutú, poškodenú alebo opotrebovanú rezáciu hlavu, aj keď je poškodenie obmedzené na povrchové praskliny. Takéto príslušenstvo sa môže pri vysokej rýchlosti roztrieštiť a spôsobiť vážne zranenie.

#### ODSTRÁNENIE STRUNOVEJ HLAVY

1. Vyberte akumulátor z kosačky.
2. Stlačte uvoľňovacie záračky na strunovej hlave a demontujte zostavu spodného krytu strunovej hlavy vytiahnutím rovno von.
3. Odstráňte rezáciu strunu zo strunovej hlavy (obr. S).
4. Ak je to potrebné, vytiahnite strunu zo zostavy cievy. Odložte si ju na opätovnú montáž.
5. Používajte rukavice. Pomocou jednej ruky uchopte zostavu cievy, aby ste ju stabilizovali, a druhou rukou použite na uchopenie nárazového kľúča (nie je súčasťou dodávky) na uvoľnenie matice proti smeru hodinových ručičiek (obr. X).
6. Odmontujte maticu, držiak cievy, horný kryt, kryt hornej základne z hriadeľa motora (obr. X).

**POZNÁMKA:** Dve puzdrá ľahko vypadávajú z hriadeľa motora. Starostlivo si ich odložte pre opätovnú montáž.

7. Namontujte novú strunovú hlavu nasledovne.

T-1	Puzdro	T-6	Struna do kosačky
T-2	Horný kryt	T-7	Spodný kryt
T-3	Matica	T-8	Kryt hornej základne
T-4	Podložka	T-9	Montáž zostavy cievy
T-5	Pružina		

SK

## INŠTALÁCIA NOVEJ STRUNOVEJ HLAVY

1. Namontujte pozdrá na hriadeľ motora a namontujte zostavu krytu hornej základne na miesto (obr. T).
2. Namontujte horný kryt, zostavu cievky, podložku a maticu v tomto poradí. Pomocou nárazového kľúča dotiahnite maticu (obr. U a V).
3. Namontujte zostavu spodného krytu.
4. Natiahnite rezaciu strunu.
5. Spustíte nástroj, aby ste zistili, či strunová kosačka funguje normálne. Ak sa tak nestane, znova ju zostavte, ako je to popísané vyššie.

## ÚDRŽBA

**VAROVANIE:** Pri servise používajte iba identické náhradné diely. Pravidelne kontrolujte a udržiavajte nástroj. Pre zaistenie bezpečnosti a spoľahlivosti je nevyhnutné, aby všetky opravy vykonával len kvalifikovaný servisný technik.

**VAROVANIE:** Aby nedošlo k vážnemu zraneniu, tak pred vykonávaním údržby, čistením, výmenou príslušenstva alebo odstraňovaním materiálu vyberte akumulátor z náradia.

**UPOZORNENIE:** Prekážky vo vetracích otvoroch bránia prívodu vzduchu do krytu motora, čoho následkom je prehriatie alebo poškodenie motora.

## ČISTENIE PRÍSTROJA

- Výrobok čistíte vlhkou handričkou a jemným saponátom. Zabráňte preniknutiu akejkoľvek kvapaliny do vnútorných častí náradia. Nikdy neponárajte žiadnu časť náradia do kvapaliny.
- Nepoužívajte žiadne silné čistiace prostriedky na plastovom kryte alebo rukoväti. Môžu byť poškodené určitými aromatickými olejmi, ako je borovica a citrón, a rozpúšťadlami, ako je petrolej. Vlhkosť môže tiež spôsobiť nebezpečenstvo úrazu elektrickým prúdom. Akúkoľvek vlhkosť poutierajte mäkkou a suchou handrou.
- Použite malú kefu alebo vzduch z malého vysávača s kefkou na vyčistenie vetracích otvorov na zadnom kryte.
- Vždy udržiavajte vetracie otvory v kryte motora bez nečistôt.

## NAOSTRENIE REZACEJ ČEPELE

**VAROVANIE:** Vždy si chráňte ruky pomocou odolných rukavíc pri vykonávaní akejkoľvek údržby na rezacej čepele.

1. Demontujte rezaciu čepeľ z príslušenstva ochranného krytu.
2. Zaisťte čepeľ do zveráka.
3. Opatrne opilujte rezné hrany čepele s jemným pilníkom alebo brúsny kameňom, pričom zachovajte pôvodný uhol naostrenia.
4. Namontujte čepeľ späť na ochranný kryt a zaisťte ju pomocou dvoch skrutiek.

## USKLADNENIE PRÍSTROJA

- Keď strunovú kosačku nepoužívate, vyberte z nej akumulátor.
- Pred uložením prístroj dôkladne vyčistite.
- Prístroj skladujte na suchom a dobre vetranom uzamknutom alebo vyvýšenom mieste mimo dosahu detí. Prístroj neskladujte v blízkosti hnojív, benzínu alebo iných chemikálií.

## Ochrana životného prostredia



Nevyhadzujte elektrické zariadenia, nabíjačku batérií a použité batérie/akumulátory do domového odpadu! Tento výrobok odneste na autorizované recyklačné miesto a dajte ho k dispozícii na separovaný zber. Elektrické náradie sa musí vrátiť do recyklačného zariadenia, ktoré je zlučiteľné so životným prostredím.

## ODSTRAŇOVANIE PORÚCH

PROBLÉM	PRÍČINA	RIEŠENIE
Strunová kosačka sa nespustí.	<ul style="list-style-type: none"> <li>■ Akumulátor nie je pripojený k strunovej kosačke.</li> <li>■ Žiadny elektrický kontakt medzi kosačkou a akumulátorom.</li> <li>■ Akumulátor je vybitý.</li> <li>■ Po stlačení spínača sa aretačná spúšť neposúva dopredu.</li> </ul>	<ul style="list-style-type: none"> <li>■ Pripojte akumulátor ku kosačke.</li> <li>■ Vyberte akumulátor, skontrolujte kontakty a akumulátor nainštalujte naspäť.</li> <li>■ Nabite akumulátor.</li> <li>■ Zatlačte uzamykací jazýček dopredu a stlačte spínač.</li> </ul>
Strunová kosačka sa zastaví pri kosení.	<ul style="list-style-type: none"> <li>■ Chránič nie je namontovaný na kosačke, čo spôsobuje príliš dlhý rez a preťaženie motora.</li> <li>■ Je použitá príliš ťažká struna.</li> <li>■ Tráva sa namotala na hriadeľ motora alebo hlavu kosačky.</li> <li>■ Motor je preťažený.</li> <li>■ Akumulátor alebo strunová kosačka sú príliš horúce.</li> <li>■ Akumulátor je odpojený od nástroja.</li> <li>■ Akumulátor je vybitý.</li> <li>■ Nevyvážené po inštalácii rezacej struny.</li> </ul>	<ul style="list-style-type: none"> <li>■ Vyberte akumulátor a namontujte chránič na kosačku.</li> <li>■ Používajte odporúčanú štandardnú nylonovú strunu s priemerom najviac 2,4 mm.</li> <li>■ Zastavte kosačku, vyberte batériu a odstráňte trávu z hriadeľa motora a hlavy kosačky.</li> <li>■ Vytiahnite strunovú hlavu z trávy. Motor sa rozbehne, keď sa preťaženie odstráni. Pri kosení pohybujte strunovou hlavou smerom do trávy a z nej tak, aby sa pokosila, ale nie o viac než 20 cm dĺžka v jednom reze.</li> <li>■ Ochlaďte akumulátor alebo strunovú strunu.</li> <li>■ Znovu vložte akumulátor.</li> <li>■ Nabite akumulátor.</li> <li>■ Klepnite na strunovú hlavu, aby bola dĺžka struny symetrická.</li> </ul>
Strunová hlava nevysúva strunu.	<ul style="list-style-type: none"> <li>■ Tráva sa namotala na hriadeľ motora alebo hlavu kosačky.</li> <li>■ Na cievke nie je dostatok rezacej struny alebo sa struna olamuje pri výstupe z očka.</li> <li>■ Struna je zamoťaná.</li> <li>■ Struna je príliš krátka.</li> </ul>	<ul style="list-style-type: none"> <li>■ Zastavte kosačku, vyberte akumulátor a vyčistite hriadeľ motora a strunovú hlavu.</li> <li>■ Vyberte akumulátor a vymeňte rezaciu strunu; postupujte podľa časti „VÝMENA STRUNY“ v tomto návode na obsluhu.</li> <li>■ Vyberte akumulátor a vymeňte rezaciu strunu; postupujte podľa časti „VÝMENA STRUNY“ v tomto návode na obsluhu.</li> <li>■ Vyberte akumulátor a vymeňte rezaciu strunu; postupujte podľa časti „VÝMENA STRUNY“ v tomto návode na obsluhu.</li> </ul>

PROBLÉM	PRÍČINA	RIEŠENIE
Tráva sa namotala na hlavu kosačky a kryt motora.	Kosenie vysokej trávy na úrovni terénu.	Vysokú trávu koste zhora nadol, pričom pri každom reze odstráňte najviac 20 cm, aby nedošlo k namotaniu.
Praskliny na strunovej hlave alebo uvoľnený držiak cievky v základni.	<ul style="list-style-type: none"> <li>■ Strunová hlava je opotrebovaná.</li> <li>■ Matica, ktorá zaisťuje strunovú hlavu, je uvoľnená.</li> </ul>	<ul style="list-style-type: none"> <li>■ Vymeňte ihneď rezaciu hlavu; postupujte podľa časti „VÝMENA STRUNOVEJ HLAVY“ v tomto návode na obsluhu.</li> <li>■ Otvorte strunovú hlavu a maticu dotiahnite nárazovým kľúčom.</li> </ul>
Struna sa nedá správne navinúť do strunovej hlavy.	<ul style="list-style-type: none"> <li>■ Rezacia struna je príliš dlhá.</li> <li>■ V strunovej hlave sa nahromadili zvyšky trávy alebo nečistoty a zablokovali pohyb cievky so strunou.</li> <li>■ Motor sa prehrieva kvôli opakovanému zapínaniu systému navijania struny.</li> <li>■ Slabá batéria</li> </ul>	<ul style="list-style-type: none"> <li>■ Strunu odrežte tak, aby na každej strane zostala asi 13 cm dĺžka.</li> <li>■ Vyberte akumulátor, otvorte strunovú hlavu a dôkladne ju vyčistite.</li> <li>■ Nechajte strunovú kosačku niekoľko minút pracovať bez záťaže, aby sa motor ochladil, a potom vyskúšajte znova natiahnuť strunu.</li> <li>■ Nabite akumulátor.</li> </ul>
Pri vkladaní struny sa rezacia struna nedá viesť cez strunovú hlavu.	<ul style="list-style-type: none"> <li>■ Rezacia struna je na konci rozdelená alebo ohnutá.</li> <li>■ Po opätovnom namontovaní sa spodný kryt neuvolní do správnej polohy.</li> </ul>	<ul style="list-style-type: none"> <li>■ Opotrebovaný koniec struny odrežte a znova natiahnite.</li> <li>■ Pripojte akumulátor do kosačky; stlačte tlačidlo pre natiahnutie struny, aby sa krátko spustilo napájanie, čím sa uvoľní spodný kryt.</li> </ul>

**SK**

## ZÁRUKA

### ZÁRUČNÁ POLITIKA EGO

Navštívte webové stránky [egopowerplus.com](http://egopowerplus.com) pre úplné podmienky záručnej politiky spoločnosti EGO.



## OLVASSA EL AZ ÖSSZES UTASÍTÁST!



### OLVASSA EL A HASZNÁLATI ÚTMUTATÓT

**⚠ Fenmaradó kockázat!** Az elektronikus készülékekkel, például pacemakerrel élő emberek a termék használata előtt kérjék ki az orvos véleményét. Az elektromos felszerelésnek a pacemakerhez közel való működtetése interferenciát vagy meghibásodást okozhat a pacemakerben.

## BIZTONSÁGI SZIMBÓLUM

Bármely elektromos kéziszerszám működtetése azzal járhat, hogy idegen tárgyak szembe kerülnek, ami súlyos szemsérüléseket okozhat. Az elektromos kéziszerszám működtetése előtt mindig vegyen fel oldalsó védőlemezzel ellátott védőszemüveget és a teljes védőárlarcot, ha szükséges. Javasoljuk, hogy viseljen Wide Vision Safety Mask-ot (védőárlarc) a védőszemüveg fölött vagy standard védőszemüveget oldalsó védőlemezzel.



Biztonsági figyelmeztetés



Mindig viseljen védőszemüveget vagy oldalsó védőlemezzel ellátott védőszemüveget és teljes védőárlarcot a termék működtetése közben.



Mindig viseljen hallásvédőt a termék működtetése közben.



Viseljen hivatalos biztonsági kemény sisakot a feje védelme érdekében.



Ne szereljen fel kerek vágópengét.



Vágási szélesség – A fűkasza max. vágáshélessége



Ügyeljen arra, hogy más személyek és a háziállatok legalább 15 m távolságban legyenek a fűkasza használata közben.



Garantált hangteljesítményszint. Környezetre ható zajkibocsátás a Európai Közösség irányelve szerint.



Az elhasznált elektromos termékek nem helyezhetők a háztartási hulladékok közé. Vigye hivatalos újrahasznosító telephelyre.

$n_0$

Üresjárat fordulatszám - Forgási sebesség üresjáraton



Egyenáram



A sérülések kockázatának csökkentése érdekében a használónak el kell olvasnia a használati útmutatót.



Viseljen biztonsági lábbelit – Viseljen csúszásgátló lábbelit, amikor a készüléket használja.



Viseljen védőkesztyűt - Védje a kezét kesztyűvel, amikor a pengét vagy a pengevédőt kezeli.



Ügyeljen a penge lökörejére – Figyelmeztesse a kezelőt a penge lökörejének veszélyére.



Vágószál átmérője – A nylon vágószál átmérője



A visszapattanó tárgyak súlyos személyi sérülést vagy anyagi kárt okozhatnak. Ügyeljen arra, hogy más személyek és a háziállatok távol legyenek a fűkasza használata közben.



Ne használja esőben, és ne hagyja kültéren, ha esik az eső.



A termék megfelel az érvényes EK irányelveknek.

V

Feszültség

.../min

Percenként

kg

Kilogramm

HU

## JELLEMZŐK

Feszültség	56 V ---	
Üresjárat fordulatszám	Alacsony fordulatszám beállítás: 3000-4500 ford./perc Magas fordulatszám beállítás: 4000-5800 ford./perc	
Vágómechanizmus	Bump Head	
Vágószál típusa	2.4mmnylon twist line	
Vágásszélesség	35 cm	
Javasolt üzemi hőmérséklet	0°C-40°C	
Javasolt tárolási hőmérséklet	-20°C-70°C	
Optimális töltési hőmérséklet	5°C-40°C	
Súly (akkumulátoregység nélkül)	5,8 kg	
Mért hangteljesítményszint $L_{WA}$	88,98 dB(A) K=2 dB(A)	
Hangnyomásszint a kezelő fülénél $L_{PA}$	68,96 dB(A) K=2 dB(A)	
Garantált hangteljesítményszint $L_{WA}$ (a 2000/14/EK szerint mérve)	91 dB(A)	
Vibráció értéke $a_h$	Elülső segédfogantyú	3,2 m/s <sup>2</sup> K=1,5 m/s <sup>2</sup>
	Hátsó fogantyú	2,3 m/s <sup>2</sup> K=1,5 m/s <sup>2</sup>

- A névleges rezgési összérték mérése standard bevizsgálási módszerrel történt, és használatával a szerszámok egymással összehasonlíthatók.
- A névleges rezgési érték a kockázat előzetes felméréséhez is felhasználható.

**MEGJEGYZÉS:** A rezgés kibocsátás az elektromos szerszám aktuális használata közben eltérhet attól a névleges értéktől, amellyel a szerszámot használják: a kezelő védelme érdekében a használónak kesztyűt és hallásvédőt kell használnia működtetés közben.

## LEÍRÁS

### ISMERJE MEG A FŰKASZÁT (A1 ábra)

1. Hátsó fogantyú
2. Magas/alacsony sebesség kapcsoló
3. Beállítható elülső segédfogantyú

4. Pánt
5. Vágószál-adagoló gomb
6. Védőburkolat
7. Rögzítőrúd
8. Magasság rögzítő gallér
9. Kapcsoló ravasz
10. Rögzítőnyelv
11. Fűkasza fej (ütköző fej)
12. Damilvágó penge
13. Kioldógomb
14. Vágószál
15. Akkumulátor kioldógomb
16. Zár
17. Elektromos érintkezők
18. Kioldó mechanizmus
19. Imbuszkulcs

## A CSOMAG TARTALMA (A1 ÁBRA)

### ÖSSZESZERELÉS

#### A SZÁR KINYITÁSA

**▲ FIGYELMEZTETÉS:** Ne a csuklóknál fogva tartsa a szarát, nehogy becsípje a kezét vagy az ujjait.

**▲ FIGYELMEZTETÉS:** Ne próbálja meg elindítani a szegélyezőzt addig, amíg a szár nem rögzült.

Óvatosan nyissa ki a szarát, biztosítva a kábelt a szár belsejében és rögzítse két csavarral a mellékelt csavarkulccsal (B1 és B2 ábra).

#### A VÉDŐBURKOLAT FELSZERELÉSE

A fűkaszát úgy állítsa, hogy a fűkasza fej felfelé nézzen. (C1 ábra). Illessze a rögzítőfuratokat a szerelési lyukakba, majd rögzítse a védőburkolatot a tengely talpához a két csavarral (C2 ábra).

**MEGJEGYZÉS:** Ellenőrizze, hogy a védőburkolat a C1 és C2 ábrának megfelelően rögzítve van-e, a fordított rögzítés nagy veszélyt okozhat!

### AZ ELÜLSŐ SEGÉDFOGANTYÚ FELSZERELÉSE ÉS BEÁLLÍTÁSA

1. Lazítsa meg az elülső segédfogantyú rögzítőrúdját, és vegye le a rögzítőrudat az elülső segédfogantyúról (D ábra).

D-1	Elülső segédfogantyú	D-3	Szárnyas anya
D-2	Rögzítőkapocs	D-4	Rögzítő

2. Tolja az elülső segédfogantyút a magasság rögzítő gallér és a pánt közé (E ábra).
3. Helyezze a rögzítőkapcsot a fogantyú nyílásba (F ábra).

- Szerelje fel a rögzítőrúd kart, és húzza meg a szárnyas anyát. Ügyeljen arra, hogy az elülső segédfogantyú felfelé és a hátsó fogantyú felé nézzen (J ábra).
- Húzza felfelé a rögzítőrúd kart, hogy a kétkezes fogantyút könnyen kényelmes helyzetbe tudja mozgatni/forgatni, majd rögzítse a rögzítőrúd kart. (H ábra).

**▲ FIGYELMEZTETÉS:** A szerszám nem használható ha az elülső fogantyú nincs biztonságosan rögzítve.

### A HÁTSÓ FOGANTYÚ BEÁLLÍTÁSA

Ha a tengely hossza nem alkalmas a működtetéshez, a magasság rögzítő kapocs segítségével állíthatja a tengely hosszát.

- Vegye ki az akkumulátoregységet a fűkaszából.
- A fűkasza magasságának állításához nyissa ki a magasság állító kapcsot, majd csúsztassa a tengelyt felfelé vagy lefelé a kívánt magassáig, majd rögzítse a megfelelő helyen a rögzítő kapocs lenyomásával (I ábra).

**MEGJEGYZÉS:** Előfordulhat, hogy a fűkasza magasságának beállítása után az elülső segédfogantyút ismét be kell állítani.

### MŰKÖDTETÉS

**▲ FIGYELMEZTETÉS:** Mindig viseljen védőszemüveget vagy oldalsó védőlemezzel ellátott szemvédőt, illetve hallásvédőt. Amennyiben nem ezt teszi, tárgyak repülhetnek a szemébe, és más komoly sérülések keletkezhetnek.

A terméket az alábbi célokra használhatja:

**Szegélyezés:** A falak, kerítések, fák és szegélyek tövében lévő fű vágására használja.

**Vágás:** Olyan fű vágására használja, amelyet a normál fűnyíró nehezen érne el.

### AZ AKKUMULÁTOREGYSÉG BERAKÁSA/ KIVÉTELE

Csak az A2 ábrán felsorolt EGO akkumulátoregységeket és töltőket használja.

**Az első használat előtt teljesen töltsé fel.**

### Csatlakoztatás

Illesse az akkumulátor végét az akkumulátorban lévő szerelőnyíláshoz, és nyomja le az akkumulátoregységet, amíg kattánást nem hall (J1 ábra).

### Leválasztás

Oldja ki az akkumulátor kioldógombot, és húzza ki az akkumulátoregységet, ahogy a J2 ábrán látható.

J-1	Akkumulátor kioldógomb
-----	------------------------

### A FŰKASZA TARTÁSA

A fűkasztartsa megfelelően mindkét kezével: Az egyik keze legyen a hátsó fogantyún és a másik az első segédfogantyún.

**MEGJEGYZÉS:** A fűkasza fej legyen párhuzamos a talajjal megfelelő vágási távolságban, és a kezelő ne hajoljon fölé (K ábra).

### A FŰKASZA INDÍTÁSA/LEÁLLÍTÁSA

#### INDÍTÁS

Tolja előre a rögzítőnyelvet, utána engedje el a kapcsoló ravaszt.

A ravasz fokozatmentes sebességbeállításra alkalmas. Minél jobban húzza felfelé a ravaszt, annál nagyobb lesz a sebesség (L ábra).

#### LEÁLLÍTÁS

Engedje ki a kapcsoló ravaszt.

#### SEBESSÉGÁLLÍTÓ FUNKCIÓ (L ÁBRA)

A fűkasza két sebességgel működik. A „LOW” pozíció az alacsony sebességet, míg a „HIGH” pozíció a magas sebességet jelöli.

Az L ábra alkatrészeinek leírását lásd lent:

L-1	Alacsony/nagy sebesség kapcsoló	L-2	Kapcsoló ravasz
-----	---------------------------------	-----	-----------------

### A FŰKASZA HASZNÁLATA

Minden használat előtt tisztítsa meg a nyírandó területet. Távolítsa el minden tárgyat, pl. követ, törött üveget, tűt, vezetékét vagy zsinórt, amely beakadhat a vágóegységbe. A területen ne legyenek gyermekek, nézelődők vagy állatok. Minden nézelődő, gyermek és állat legalább 15 m távolságban legyen; még így fennáll a veszélye, hogy tárgyak repülnek a nézelődők felé. A nézelődők is viseljenek védőszemüveget. Amikor Ön felé közeledik valaki, azonnal állítsa le a motort és a vágóegységet.

## **minden használat előtt ellenőrizze a sérült/kopott alkatrészeket**

Ellenőrizze az ütköző fejet, védőburkolatot és első segédfogantyút, és cserélje ki a repedt, behajlott vagy sérült alkatrészeket.

A védőburkolat szélén lévő vágópenge egy idő után tompa lehet. Javasoljuk, hogy időnként élezze meg reszelővel, vagy cserélje ki új pengére.

## **Minden használat után tisztítsa meg a fűkaszát.**

### **A VÁGÁS HOSSZÁNAK BEÁLLÍTÁSA**

A fűkasza fej lehetővé teszi a kezelőnek, hogy a motor leállítása nélkül oldjon ki vágószálat. Ha a szál kopott vagy elhasználódott, akkor további szál oldható ki, ha enyhén megnyomja az orsó rögzítőelemét a fűkasza fej működése közben (M ábra).

**MEGJEGYZÉS:** A vágószál kioldásához egyre több nyomásra lesz szükség, ahogy a vágószál rövidebb lesz.

**▲ FIGYELMEZTETÉS:** Ne távolítsa el, és ne változtassa meg a vágóegységet. A felesleges hossz miatt a motor túlmelegszik, amely súlyos sérülést okozhat.

### **VÁGÓSZÁL CSERÉJE**

**MEGJEGYZÉS:** Mindig a javasolt nylon vágószálat használja, amelynek átmérője nem használja meg a 2,4 mm-t. Ha nem ilyen használna, akkor a fűkasza túlmelegedhet, vagy megsérülhet.

**▲ FIGYELMEZTETÉS:** Soha ne használjon fémmel merevített szálat, zsinórt, vezetékstb. Ezek eltörhetnek, és veszélyesek lehetnek a széttröppenő részek miatt.

1. Vegye le az akkumulátoregységet.
2. Vegye le a maradék vágószálat, ha szükséges.
3. Vágjon le 4 m hosszú vágószálat. Helyezze a vágószálat a fűzöldnyelű rögzítőlyukának belsejébe (O ábra). Húzza és tolja a vágószálat a másik oldalról, amíg egyenlő mennyiség nincs az orsó két oldalán.
4. Helyezze az akkumulátoregységet a fűkaszára.
5. Nyomja le és tartsa úgy a vágószál-adagoló gombot a vágószál-csévélő motor elindításához. A vágószál folyamatosan csévélődik a fűkasza fejébe (P ábra).
6. Ügyeljen a vágószál fennmaradó hosszára. Nyomja meg röviden a vágószál-adagoló gombot a hossz beállításához, amíg 13 cm vágószál marad mindegyik oldalon.
7. Nyomja le a fűkasza fejét, miközben húzza a vágószálat, hogy kézzel felemelje, és ellenőrizze a vágószál megfelelő összeszerelését.

Ha a vágószál kiszakad a vágószál kimenetből, vagy a vágószál nem oldódik ki, ha a vágófej beakadt, akkor kövesse az alábbi lépéseket:

1. Vegye ki az akkumulátoregységet a fűkaszából.
2. Nyomja meg a kioldógombot a fűkasza fején, és távolítsa el az alsó borítást úgy, hogy egyenesen kihúzza (Q ábra).
3. Távolítsa el a vágószálat az orsóból.
4. Helyezze a rugót az alsó borításon lévő nyílásba (R ábra).
5. Miközben egyik kezével tartja a fűkaszát, a másik kezével fogja az alsó borítást és igazítsa egymáshoz a nyílásokat az alsó borításon a kioldógombokkal. Nyomja az alsó borítást, amíg a helyére ugrik, ekkor tisztán hallható a kattánás (S ábra).
6. A vágószál újratöltéséhez kövesse a "VÁGÓSZÁL CSERÉJE" pontban található utasításokat.

### **A FŰKASZA FEJÉNEK CSERÉJE**

**▲ FIGYELMEZTETÉS:** Ha a fej rögzítés után kilazul, azonnal cserélje ki. Soha ne használja a fűkaszát laza vágóegységgel. Azonnal cserélje ki a repedt, sérült vagy kopott vágófejet, akkor is, ha a sérülés csak felületi repedéseket jelent. Az ilyen alkatrészek nagy sebességen darabokra törhetnek és súlyos sérülést okozhatnak.

### **TÁVOLÍTSA EL A FŰKASZA FEJÉT**

1. Vegye ki az akkumulátoregységet a fűkaszából.
2. Nyomja meg a kioldógombot a fűkasza fején, és távolítsa el az alsó borítást úgy, hogy egyenesen kihúzza.
3. Vegye ki a vágószálat a fűkasza fejéből (S ábra).
4. Vegye ki a rugót az orsó szerkezetből, ha szükséges. Tartsa meg az újra összeszereléshez.
5. Viseljen védőkesztyűt. Egyik kezével tartsa stabilan az orsót, a másikkal pedig fogjon egy ütvecsavarozót (nem tartozék) a csavar óramutató járásával ellentétes irányban történő kilazításához (X ábra).
6. Vegye ki az anyát, az orsó rögzítőelemet, a felső borítást, a felső alap borítást a motor tengelyről (T ábra).

**MEGJEGYZÉS:** Két tartóhüvely könnyen leesik a motor tengelyről, ezeket tegye félre az összeszereléshez.

7. Cserélje ki egy új fűkasza fejre és szerelje be a következő lépések szerint.

T-1	Tartóhüvely	T-6	Vágószál
T-2	Felső borítás	T-7	Alsó borítás
T-3	Anyá	T-8	Felső alap borítás
T-4	Alátét	T-9	Orsó szerkezet
T-5	Rugó		

### SZERELJE FEL AZ ÚJ FŰKASZA FEJET

1. Szerelje fel a tartóhüvelyeket a motor tengelyre, és tegye a helyére a felső alap borítást (T ábra).
2. Szerelje vissza a felső borítást, az orsó szerkezetet, az alátétet és az anyát, ezt a sorrendet követve. Használjon ütvecsavarozót a csavaranya megszorításához (U és V ábra).
3. Szerelje vissza az alsó borítást.
4. Töltse újra a vágószálat.
5. Indítsa el a szerszámot, hogy lássa, rendben működik-e a damilos fűkasza. Ha nem, szerelje össze ismét a fent leírt módon.

### KARBANTARTÁS

**▲ FIGYELMEZTETÉS:** Javításkor használjon azonos pótalkatrészeket. Rendszeresen ellenőrizze a szerszámot, és végezzen karbantartást. A biztonságosság és megbízhatóság biztosítása érdekében minden javítást szakképzett szerviztechnikus hajtson végre.

**▲ FIGYELMEZTETÉS:** A súlyos személyi sérülések elkerülése érdekében távolítsa el az akkumulátoregységet a szerszámból szervizelés, tisztítás, tartozékok cseréje vagy anyagok szerszámból való eltávolítása közben.

**▲ FIGYELEM:** A szellőzőnyílásokban lévő akadályok megakadályozzák, hogy levegő áramoljon a motorházba, így a motor megsérülhet vagy túlmelegedhet.

### AZ EGYSÉG TISZTÍTÁSA

- Nedves törölruhával és enyhe tisztítószerrel tisztítsa meg az egységet. Soha ne hagyja, hogy bármilyen folyadék a szerszámba kerüljön, soha ne merítse vízbe a szerszám egyetlen alkatrészét sem.
- Ne használjon erős tisztítószereket a műanyag burkolaton vagy a fogantyún. Ezek megsérülhetnek a különböző aromaolajaktól, pl. fenyő vagy citrom, és az olyan oldószerektől, mint a kerozin. A nedvesség szintén áramütés veszélyét okozhatja. A nedvességet egy puha, száraz törülkövel törölje le.
- Használjon kis kefét vagy egy kis porszívó levegőkimenetét a hátsó burkolaton lévő szellőzőnyílások megtisztításához.

- A motorházban lévő szellőzőnyílásokat mindig tartsa szennyeződésektől mentesen.

### A DAMILVÁGÓ PENGE ÉLEZÉSE

**▲ FIGYELMEZTETÉS:** Mindig védje a kezét védőkesztyűvel, amikor karbantartást végez a damilvágó pengén.

1. Távolítsa el a damilvágó pengét a védőburkolatról.
2. Rögzítse a pengét satuban.
3. Óvatosan reszelje a penge vágószéleit egy finomfogú reszelővel vagy élezőkővel, ügyelve arra, hogy megtartsa az eredeti vágási szögét.
4. Tegye vissza a pengét a védőburkolatra és rögzítse a helyére két csavarral.

### AZ EGYSÉG TÁROLÁSA

- Vegye ki az akkumulátoregységet a fűkaszából, amikor nem használja.
- Tárolás előtt alaposan tisztítsa meg a szerszámot.
- Az egységet száraz, jól szellőző, elzárt vagy magas helyen tárolja, ahol gyermekek nem érik el. Ne tárolja az egységet benzín vagy más vegyszerek mellett.

### Környezetvédelem



Ne dobja az elektromos felszerelést, az elhasznált akkumulátort és a töltőt a háztartási hulladékok közé! Vigye hivatalos újrahasznosító telephelyre, és tegye hozzáférhetővé a szelektív gyűjtéshez. Az elektromos szerszámokat környezetbarát újrahasznosító üzembe kell vinni.

HU

## HIBAELHÁRÍTÁS

PROBLÉMA	OK	MEGOLDÁS
A fűkasza nem indul.	<ul style="list-style-type: none"> <li>■ Az akkumulátoregység nincs csatlakoztatva a fűkaszához.</li> <li>■ Nincs elektromos kapcsolat a fűkasza és az akkumulátor között.</li> <li>■ Az akkumulátoregység lemerült.</li> <li>■ A zárkioldó ravaszt nem mozgatta előre a kapcsoló ravasz lenyomása előtt</li> </ul>	<ul style="list-style-type: none"> <li>■ Csatlakoztassa az akkumulátoregységet a fűkaszához.</li> <li>■ Vegye ki az akkumulátoregységet, ellenőrizze a csatlakozásokat, és helyezze vissza az akkumulátoregységet.</li> <li>■ Töltse fel az akkumulátoregységet.</li> <li>■ Tolja előre a rögzítőnyelvet, majd nyomja meg a kapcsoló ravaszt.</li> </ul>
A fűkasza vágás közben leáll.	<ul style="list-style-type: none"> <li>■ A védőburkolat nincs felszerelve a fűkaszára, amely révén a vágószál túl hosszú, és a motor túlterhelt.</li> <li>■ Nehéz vágószálat használ.</li> <li>■ A motor tengely vagy fűkasza fej beakadt a fűbe.</li> <li>■ A motor túlterhelt.</li> <li>■ Az akkumulátoregység vagy a fűkasza túl forró.</li> <li>■ Az akkumulátoregység ki van véve a szerszámból.</li> <li>■ Az akkumulátoregység lemerült.</li> <li>■ Nincs egyensúlyban a vágószál behelyezése után.</li> </ul>	<ul style="list-style-type: none"> <li>■ Vegye ki az akkumulátoregységet, és szerelje fel a védőburkolatot a fűkaszára.</li> <li>■ Használja a javasolt nylon vágószálat, melynek átmérője legfeljebb 2,4 mm.</li> <li>■ Állítsa le a fűkaszt, vegye ki az akkumulátort, és távolítsa el a fűvet a motor tengelyről és fűkasza fejről.</li> <li>■ Távolítsa el a fűvet a fűkasza fejről. A motor újra működőképes, ha a terhelést eltávolítja. Vágás közben a fűkasza fejet oda-vissza mozgassa a vágandó fűvön, és 20 cm-nél nagyobb fűvet ne vágjon egy vágással.</li> <li>■ Hűtse le az akkumulátort vagy a fűkaszt.</li> <li>■ Helyezze vissza az akkumulátoregységet.</li> <li>■ Töltse fel az akkumulátoregységet.</li> <li>■ Nyomja meg a fűkasza fejet ahhoz, hogy a szálhossz szimmetrikus legyen.</li> </ul>
A fűkasza fej nem enged ki a szálat.	<ul style="list-style-type: none"> <li>■ A motor tengely vagy fűkasza fej beakadt a fűbe.</li> <li>■ Nincs elég szál az orsón, vagy a szál kijön a rögzítőlyukból.</li> <li>■ A szál összegabalyodott.</li> <li>■ A szál túl rövid.</li> </ul>	<ul style="list-style-type: none"> <li>■ Állítsa le a fűkaszt, vegye ki az akkumulátort, és tisztítsa meg a motor tengelyt és fűkasza fejet.</li> <li>■ Vegye ki az akkumulátort, és cserélje ki a vágószálat; kövesse a jelen használati útmutató "VÁGÓSZÁL CSERÉJE" fejezetet.</li> <li>■ Vegye ki az akkumulátort, és cserélje ki a vágószálat; kövesse a jelen használati útmutató "VÁGÓSZÁL CSERÉJE" fejezetet.</li> <li>■ Vegye ki az akkumulátort, és cserélje ki a vágószálat; kövesse a jelen használati útmutató "VÁGÓSZÁL CSERÉJE" fejezetet.</li> </ul>

PROBLÉMA	OK	MEGOLDÁS
Fű tekeredett a fűkasza fejre és motorházra.	Magas fűvet vág a talajhoz közel	A magas fűvet felülről vágja, egyszerre 20 cm-nél többet ne vágjon, így elkerüli a feltekeredést.
A fűkasza fej vagy orsó rögzítőelem repedése miatt az orsó alap meglazult.	<ul style="list-style-type: none"> <li>■ A fűkasza fej elhasználódott.</li> <li>■ A fűkasza fejet rögzítő anya laza.</li> </ul>	<ul style="list-style-type: none"> <li>■ Azonnal cserélje ki a vágófejet; kövesse a jelen használati útmutató <b>“VÁGÓSZÁL CSERÉJE”</b> c. pontot.</li> <li>■ Nyissa ki a vágófejet és ütvecsavarozóval húzza meg az anyát.</li> </ul>
A vágószál nem megfelelően csévélődik a fűkasza fejébe.	<ul style="list-style-type: none"> <li>■ A vágószál túl hosszú.</li> <li>■ A fűkasza fejben fűmaradék vagy piszok gyűlt össze, ami akadályozza az orsó mozgását.</li> <li>■ A motor túlmelegedett a vágószál-csévélődés ismételt működtetésétől.</li> <li>■ Alacsony akkumulátor töltöttségi szint</li> </ul>	<ul style="list-style-type: none"> <li>■ Vágja a szálát úgy, hogy kb. 13 cm látsszon ki mindkét oldalon.</li> <li>■ Vegye ki az akkumulátort, nyissa ki a vágófejet és tisztítsa meg alaposan.</li> <li>■ Hagyja a fűkaszt néhány percig szál adagolása nélkül működni, hogy a motor lehűljön, ezután próbálja a szálát ismét adagolni.</li> <li>■ Töltse fel az akkumulátort.</li> </ul>
A vágószál nem vezethető át a fűkasza fején a vágószál behelyezésekor.	<ul style="list-style-type: none"> <li>■ A vágószál kettévált vagy meghajlott a vége.</li> <li>■ Az alsó borítás nem lett kioldva a helyén az ismételt beszerelés után.</li> </ul>	<ul style="list-style-type: none"> <li>■ Vágja le a szál elhasználódott végét, majd helyezze be újra.</li> <li>■ Tegye az akkumulátoregységet a fűkaszára; nyomja meg a vágószál-adagoló gombot, hogy az adagolás röviden elinduljon és az alsó borítás kioldódjon.</li> </ul>

## GARANCIA

### EGO GARANCIÁLIS FELTÉTELEK

Kérjük, látogasson el az [egopowerplus.com](http://egopowerplus.com) oldalra, ahol megtalálja a részletes EGO garanciális feltételeket.

## CITIȚI TOATE INSTRUCȚIUNILE!



### CITIȚI MANUALUL DE INSTRUCȚIUNI

**⚠ Riscuri reziduale!** Persoanele cu dispozitive electronice precum stimulatoare cardiace ar trebui să se consulte cu medicul (medicii) înainte de a utiliza acest produs. Funcționarea echipamentelor electrice în imediata apropiere a unui stimulator cardiac ar putea provoca interferențe sau defecțiuni ale stimulatorului cardiac.

## SIMBOL DEEE

Exploatarea oricăror scule electrice se poate solda cu ricoșarea de obiecte străine în ochii dumneavoastră, ceea ce se poate solda cu vătămarea gravă a ochilor. Înainte de a începe să utilizați scula electrică, echipați-vă întotdeauna cu ochelari de protecție sau ochelari de protecție cu apărători laterale și vizieră pentru față, atunci când este nevoie. Vă recomandăm să purtați o vizieră lată de protecție peste ochelarii de vedere sau ochelari de protecție standard cu apărători laterale.



Alertă privind siguranța



Purtați ochelari de protecție - Purtați întotdeauna ochelari de protecție sau ochelari de protecție cu apărători laterale și o vizieră facială completă când utilizați acest produs.



Purtați echipament de protecție auditivă - Purtați întotdeauna echipament de protecție auditivă când utilizați acest produs.



Purtați echipament de protecție a capului - Purtați o cască de protecție aprobată pentru a vă proteja capul.



Nu instalați lame de tăiere rotunde.



Lățime de tăiere - Lățimea maximă de tăiere a cositorii cu fir



Asigurați-vă că alte persoane și animalele de companie se află o distanță de cel puțin 15 m de cositoarea cu fir când aceasta este în funcțiune.



Nivel de putere acustică garantat. Emisii sonore în mediul înconjurător conform Directivei comunitare europene.



Deșeurile produselor electrice nu trebuie să fie eliminate împreună cu deșeurile menajere. Predați-le unui punct de reciclare autorizat.

$n_0$  Turație de mers în gol

≡ Curent continuu



Pentru a reduce riscul de accidentări, utilizatorul trebuie să citească manualul de instrucțiuni.



Purtați încălțăminte de protecție - Purtați încălțăminte antiderapantă când utilizați acest echipament.



Purtați mănuși de protecție - Protejați-vă mâinile cu mănuși când manevrați lama sau apărătoarea lamei.



Ferțiți-vă de propulsia lamei - Avertizați operatorul asupra pericolului de propulsie a lamei.



Diametrul firului - Diametrul firului de tăiere din nailon



Obiectele aruncate pot ricoșa și cauza vătămări corporale și pagube. Asigurați-vă că terții și animalele de companie se află la distanță de cositoarea pentru tușișuri când aceasta este în funcțiune.



Nu utilizați acest produs în ploaie și nu-l lăsați în exterior în timp ce plouă.



Acest produs este în conformitate cu directivele europene aplicabile.

V Tensiune

.../min Pe minut

kg Kilogram



## SPECIFICAȚII

Tensiune	56 V $\overline{\text{---}}$	
Turație de mers în gol	Setarea de viteză mică: 3000-4500 RPM Setarea de viteză mare: 4000-5800 RPM	
Mecanism de tăiere	Cap cu bobină	
Tipul firului de tăiere	Fir de nailon răsucit de 2,4 mm	
Lățime de tăiere	35 cm	
Temperatură de funcționare recomandată	0°C-40°C	
Temperatură de depozitare recomandată	-20°C-70°C	
Temperatură optimă de încărcare	5°C-40°C	
Greutate (fără set de acumulatori)	5,8 kg	
Nivel de putere sonoră măsurată $L_{WA}$	88,98 dB(A) K=2 dB(A)	
Nivel de presiune acustică la urechea operatorului $L_{PA}$	68,96 dB(A) K=2 dB(A)	
Nivel de putere sonoră garantat $L_{WA}$ (măsurat în conformitate cu 2000/14/CE)	91 dB(A)	
Valoarea vibrațiilor $a_{Hv}$ :	Mâner frontal de susținere	3,2 m/s <sup>2</sup> K=1,5 m/s <sup>2</sup>
	Mâner posterior	2,3 m/s <sup>2</sup> K=1,5 m/s <sup>2</sup>

- Valoarea totală declarată a vibrațiilor a fost măsurată în conformitate cu o metodă standard de testare și poate fi utilizată pentru compararea sculelor între ele;
- Valoarea totală declarată poate fi utilizată în evaluarea preliminară a expunerii.

**OBSERVAȚIE:** Vibrațiile emise în timpul utilizării efective a sculei electrice pot diferi față de valoarea celor declarate pentru scula utilizată; Pentru protejerea operatorului, utilizatorul trebuie să poarte mănuși și protecții auditive în timpul utilizării efective a produsului.

## DESCRIERE

### DESCRIEREA COSITORII CU FIR (Fig. A1)

1. Mâner posterior
2. Regulator de viteză ridicată/joasă

3. Mâner frontal ajustabil
4. Muchie de basculare
5. Buton de încărcare fir
6. Apărătoare
7. Dispozitiv de blocare tijă
8. Guler de blocare pe înălțime
9. Comutator de declanșare
10. Manetă de blocare
11. Cap de cositoare (Cap cu bobină)
12. Lamă de tăiere fir
13. Ureche de detașare
14. Fir de tăiere
15. Buton de detașare a acumulatorului
16. Zăvor
17. Contacte electrice
18. Mecanism de ejectare
19. Cheie hexagonală

## LISTA COMPONENTELOR (FIG. A1)

### ASAMBLARE

#### DEFĂȘURAREA AXULUI

**⚠️ AVERTISMENT:** Nu țineți axul de articulații pentru a evita ciupirea mâinilor sau a degetelor.

**⚠️ AVERTISMENT:** Nu încercați să porniți cositoarea până când nu a fost blocat axul.

Defășurați ușor axul, asigurând cablul din interiorul acestuia și blocați-l cu două șuruburi cu cheia furnizată (Fig. B1 și B2).

#### MONTAREA APĂRĂTORII

Poziționați cositoarea astfel încât capul acesteia să fie orientat în sus (Fig. C1). Aliniați orificiile de montare cu orificiile ansamblului, după care blocați apărațoarea pe baza tijei cu ajutorul celor două șuruburi (Fig. C2).

**OBSERVAȚIE:** Asigurați-vă că apărațoarea este fixată conform ilustrațiilor din Fig. C1 și C2, orice fixare inversată va cauza un mare pericol!

#### MONTAREA ȘI REGLAREA MÂNERULUI FRONTAL DE SUSȚINERE

1. Desfaceți tija de blocare din mânerul frontal de susținere și scoateți tija de blocare și piuliță fluture din mânerul frontal de susținere (Fig. D).

D-1	Mâner frontal de susținere	D-3	Piuliță fluture
D-2	Bloc de fixare	D-4	Tijă de blocare

RO

2. Împingeți mânerul frontal ajustabil în pe tija între gulerul de blocare pe înălțime și balama (Fig. E).
3. Introduceți blocul de fixare în fanta mânerului (Fig. F).
4. Instalați tija de blocare și pre-strângeți cu piulița fluture. Asigurați-vă că mânerul frontal de susținere este îndreptat în sus și este orientat spre partea superioară a mânerului posterior (Fig. J).
5. Trageți în sus maneta tijei de blocare, astfel încât să puteți mișca/roti cu ușurință mânerul buclei până unde vă simțiți confortabil, apoi blocați maneta tijei de blocare. (Fig. H).

**⚠️ AVERTISMENT:** Scula nu poate fi utilizată fără ca mânerul frontal de susținere să fie bine fixat.

## AJUSTAREA MÂNERULUI POSTERIOR

Dacă lungimea axului nu este adecvată pentru funcționare, puteți regla lungimea axului cu ajutorul acestei cleme de blocare pe înălțime.

1. Detașați setul de acumulatori de pe cositoare.
2. Pentru a regla înălțimea cositorii, deschideți clema de blocare pe înălțime, apoi glisați axul în sus sau în jos la înălțimea dorită, fixându-l în poziție prin apăsarea clemei de blocare (Fig. I).

**OBSERVAȚIE:** Mânerul frontal poate necesita reajustare după schimbarea înălțimii cositorii.

## FUNCȚIONARE

**⚠️ AVERTISMENT:** Purtați întotdeauna ochelari de protecție sau ochelari de protecție cu apărători laterale împreună cu protecții auditive. Nerespectarea acestei instrucțiuni ar putea avea ca rezultat proiectarea în ochi a obiectelor și alte posibile vătămări grave.

Puteți utiliza acest produs în scopurile menționate mai jos:

**Cosire:** utilizare pentru îndepărtarea ierbii și a buruienilor de lângă pereți, garduri, copaci și borduri.

**Tăiere:** utilizare pentru tăierea ierbii greu de accesat când folosiți o mașină de tuns iarba normală.

## ATAȘAREA/DETAȘAREA SETULUI DE ACUMULATORI

Utilizați numai seturile de acumulatori EGO și încărcătoarele prezentate în Fig. A2.

**Încărcați acumulatorul complet înainte de prima utilizare.**

### Pentru atașare

Aliniați nervurile de pe acumulator cu fantele de montare și apăsați în jos setul de acumulatori până la auzul unui clic (Fig. J1).

### Pentru detașare

Apăsați pe butonul de eliberare a acumulatorului și scoateți setul de acumulatori precum în Fig. J2.

J-1 Buton de eliberare a acumulatorului

## ȚINEREA COSITORII CU FIR

Țineți cositoarea cu fir cu ambele mâini: O mână pe mânerul posterior și o altă mână pe mânerul frontal de operare.

**OBSERVAȚIE:** Capul cositorii este paralel cu solul la o distanță corectă de tăiere, fără ca operatorul să fie nevoit să se aplece (Fig. K).

## PORNIREA/OPRIREA COSITORII CU FIR

### Pornirea

Deplasați maneta de blocare în direcția înainte și apoi apăsați pe comutatorul de declanșare.

Declanșatorul este reglarea vitezei fără trepte. Cu cât trageți mai mult de declanșator, cu atât este mai mare viteza (Fig. L).

### Oprirea

Eliberați comutatorul de declanșare.

## FUNCȚIA DE REGLARE A VITEZEI (FIG. L)

Cositoarea cu fir are două viteze. Poziția „SCĂZUTĂ” este pentru viteză scăzută, iar poziția „RIDICATĂ” este pentru viteză ridicată.

Fig. L pentru descrierea pieselor consultați tabelul de mai jos:

L-1	Regulator de viteză ridicată/joasă	L-2	Comutator de declanșare
-----	------------------------------------	-----	-------------------------

## UTILIZAREA COSITORII CU FIR

Curățați zona de tuns iarba înainte de fiecare utilizare. Îndepărtați toate obiectele, cum ar fi pietre, sticlă spartă, cuie, sârmă sau fire care pot fi aruncate sau se pot încurca în capul de tăiere. Îndepărtați din zonă copiii, trecătorii și animalele de companie. Țineți toți copiii, trecătorii și animalele la o distanță minimă de 15 m; poate exista totuși un risc pentru trecători datorită obiectelor ejectate. Trecătorii trebuie încurajați să poarte ochelari de protecție. Dacă cineva se apropie de dumneavoastră, opriți imediat motorul și capul de tăiere.

**Înainte de fiecare utilizare, verificați scula pentru depistarea pieselor deteriorate/uzate.**

Verificați capul cu bobina, apărătoarea și mânerul frontal de operare și înlocuiți piesele care sunt fisurate distorsionate, îndoite sau avariate în vreun fel.

Lama de tăiere a firului de pe muchia apărătorii se poate toci cu timpul. Se recomandă să o ascuțiți periodic cu o pilă sau să o înlocuiți cu una nouă.

#### După fiecare utilizare, curățați cositoarea.

#### REGLAREA LUNGIMII FIRULUI DE TĂIERE

Capul cositorii permite utilizatorului să elibereze mai mult fir fără să oprească motorul. Pe măsură ce firul devine fragil sau uzat, se poate elibera fir suplimentar prin lovirea ușoară a capului cositorii de sol în timpul funcționării cositorii (Fig. M).

**OBSERVAȚIE:** Eliberarea firului necesită atingeri multiple pe măsură ce firul devine mai scurt.

**⚠️ AVERTISMENT:** Nu îndepărtați și nu modificați ansamblul lamei de tăiere a firului. Lungimea excesivă a firului poate cauza supraîncălzirea motorului și poate duce la vătămări personale grave.

#### ÎNLOCUIREA FIRULUI

**OBSERVAȚIE:** Utilizați firul de nailon de tăiere recomandat cu diametrul de maxim de 2,4 mm. Utilizarea unui fir diferit de cel specificat poate duce la supraîncălzirea cositorii cu fir sau la deteriorarea acesteia.

**⚠️ AVERTISMENT:** Nu utilizați niciodată fir de metal ranforsat, sârmă sau frânghie etc. Acestea se pot rupe și pot deveni proiectile periculoase.

1. Îndepărtați setul de acumulatori.
2. Îndepărtați firul de tăiere rămas, dacă este nevoie.
3. Tăiați 4 m din firul de tăiere. Introduceți firul în gaura de montare din interiorul ochetului (Fig. O). Împingeți și trageți firul din partea opusă până când firele au aceeași lungime de ambele laturi ale bobinei.
4. Atașați setul de acumulatori de cositoarea cu fir.
5. Apăsăți și țineți apăsat butonul de înfășurare a firului pentru a demara motorul de înfășurare. Firul se va înfășura pe capul cositorii în mod continuu (Fig. P).
6. Priviți cu atenție firul rămas. Apăsăți scurt butonul de încărcare a firului pentru a regla lungimea până când 13 cm de fir se află în ambele părți.
7. Apăsăți în jos capul cositorii în timp ce trageți de fire pentru a derula manual firul și a vă asigura că asamblarea firului de tăiere este corectă.

Când firul de tăiere se rupe din orificiul de ieșire al acestuia sau dacă firul nu este eliberat când capul cositorii este lovit, urmați pașii de mai jos.

1. Detașați setul de acumulatori de pe cositoare.
2. Apăsăți pe cele două urechi de detașare de pe capul cositorii și scoateți ansamblul capacului inferior extrăgându-l spre exterior (Fig. Q).
3. Scoateți firul de tăiere din bobină.
4. Introduceți arcul în fanta din ansamblul capacului inferior (Fig. R).
5. Ținând cositoarea cu o mână, utilizați o altă mână pentru a apuca ansamblul capacului inferior și aliniați fantele din ansamblul capacului inferior cu clapetele de detașare. Apăsăți ansamblul capacului inferior până când acesta se anclanșează în poziție, moment în care veți auzi un clichet distinct (Fig. S).
6. Urmați instrucțiunile din secțiunea „ÎNLOCUIREA FIRULUI DE TĂIERE” pentru a reîncărca firul de tăiere.

#### ÎNLOCUIREA CAPULUI COSITORII

**⚠️ AVERTISMENT:** În cazul care capul se slăbește după fixarea sa în poziție, înlocuiți-l imediat. Nu utilizați niciodată o cositoare cu un cap de tăiere slăbit. Înlocuiți imediat un cap de tăiere fisurat, avariat sau uzat, chiar dacă defectul se limitează la fisuri superficiale. Astfel de accesorii se pot sparge la viteză mare și pot cauza răni grave.

#### ÎNDEPĂRTAREA CAPULUI COSITORII

1. Detașați setul de acumulatori de pe cositoare.
2. Apăsăți cele două clape de detașare de pe capul cositorii și scoateți ansamblul capacului inferior extrăgându-l direct.
3. Scoateți firul de tăiere de pe capul cositorii (Fig. S).
4. Dacă este nevoie, scoateți arcul din ansamblul bobinei. Păstrați-l pentru reasamblare.
5. Purtați mănuși. Cu o mână, apucați de ansamblul bobinei pentru a-l stabiliza și utilizați cealaltă mână pentru a slăbi piulița cu ajutorul unei chei cu impact (neincluse), în direcția opusă acelor de ceasornic (Fig. X).
6. Îndepărtați piulița, șaiba, suportul bobinei, capacul superior, capacul de bază superior de pe axul motorului (Fig. T).

**OBSERVAȚIE:** Două bucșe cad ușor de pe axul motorului, păstrați-le cu atenție pentru reasamblare.

7. Înlocuiți cu un cap nou de cositoare și montați-l în ordinea următoare.

RO

T-1	Bucșă	T-6	Fir de tăiere
T-2	Ansamblul apărătorii superioare	T-7	Capac inferior
T-3	Piuliță	T-8	Capac de bază superior
T-4	Șaibă	T-9	Ansamblu bobină
T-5	Arc		

## INSTALAREA NOULUI CAP DE COSITOARE

1. Montați bucșele pe axul motorului și montați ansamblul capacului de bază superior în poziție (Fig. T).
2. Instalați capacul superior, ansamblul bobinei, șaiba și piulița în această ordine. Utilizați o cheie cu impact pentru a strânge piulița (Fig. U și V).
3. Montați ansamblul capacului inferior.
4. Reîncărcați firul de tăiere.
5. Porniți cositoarea pentru a vă asigura că aceasta funcționează corect. În caz contrar, reasamblați-l conform descrierilor de mai sus.

## ÎNȚREȚINEREA

**⚠️ AVERTISMENT:** La depanare, utilizați numai piese de schimb identice. Inspectați și efectuați întreținerea sculei cu regularitate. Pentru siguranța și fiabilitatea produsului, toate reparațiile trebuie efectuate de către un tehnician de service autorizat.

**⚠️ AVERTISMENT:** Pentru prevenirea vătămarilor corporale grave, scoateți setul de acumulatori din sculă înainte de a depana, curăța, înlocui accesoriile detașabile sau de a îndepărta materialul din produs.

**⚠️ ATENȚIE:** Obturarea orificiilor de ventilație va împiedica pătrunderea aerului în carcasa motorului și va provoca supraîncălzirea sau deteriorarea motorului.

## CURĂȚAREA PRODUSULUI

- Curățați scula electrică cu o cârpă umedă, înmuiată în detergent cu acțiune moderată. Nu lăsați niciun lichid să pătrundă în interiorul sculei; nu scufundați niciodată vreoa parte a sculei în vreun lichid.
- Nu utilizați detergenți puternici pe carcasa de plastic sau pe mâner. Acestea pot fi deteriorate de anumite uleiuri parfumate precum brad și lămâie, și de către solvenți precum kerosenul. Umezeala poate cauza un risc de electrocutare. Ștergeți orice urmă de umezeală cu o cârpă uscată.
- Utilizați o perie mică sau o perie cu jet de aer de la un aspirator mic pentru a curăța orificiile de ventilație de pe carcasa posterioară.

- Păstrați în permanență curate orificiile de ventilație din carcasa motorului.

## ASCUȚIREA LAMEI DE TĂIERE A FIRULUI

**⚠️ AVERTISMENT:** Întotdeauna protejați-vă mâinile purtând mănuși super rezistente când efectuați orice operație de întreținere a lamei de tăiere a firului.

1. Detașați lama de tăiere a firului de apărătoare.
2. Prindeți lama într-o menghină.
3. Piliți cu grijă muchiile lamei cu o pilă fină sau cu o piatră de ascuțit, menținând cu atenție unghiul inițial de tăiere al muchiei.
4. Reamplasați lama pe apărătoare și prindeți-o cu cele două șuruburi.

## DEPOZITAREA PRODUSULUI

- Scoateți setul de acumulatori din cositoarea cu fir când aceasta nu este utilizată.
- Curățați scula bine înainte de a o depozita.
- Depozitați produsul într-un loc uscat, bine ventilat, închis cu cheia sau la înălțime, inaccesibil copiilor. Nu depozitați produsul peste sau lângă îngrășăminte, benzină sau alte substanțe chimice.

## Protejarea mediului înconjurător



Nu eliminați echipamentul electric, încărcătorul de acumulator și acumulatorul împreună cu deșeurile menajere! Predați acest produs unui punct de reciclare autorizat sau puneți-l la dispoziția colectării separate. Sculele electrice trebuie returnate unui centru de reciclare ecologic.

RO

## DEPANARE

PROBLEMĂ	CAUZĂ	SOLUȚIE
Cositoarea cu fir nu pornește.	<ul style="list-style-type: none"> <li>■ Setul de acumulatori nu este atașat la cositoarea cu fir.</li> <li>■ Nu există contact electric între cositoarea cu fir și acumulator.</li> <li>■ Setul de acumulatori este descărcat.</li> <li>■ Declanșatorul de blocare nu se deplasează în direcția înainte, înainte de a apăsa comutatorul de declanșare.</li> </ul>	<ul style="list-style-type: none"> <li>■ Atașați setul de acumulatori la cositoarea cu fir.</li> <li>■ Îndepărtați acumulatorul, verificați contactele și reinstalați setul de acumulatori.</li> <li>■ Încărcați setul de acumulatori.</li> <li>■ Deplasați maneta de blocare în direcția înainte și apoi apăsați pe comutatorul de declanșare.</li> </ul>
Cositoarea cu fir se oprește în timpul utilizării.	<ul style="list-style-type: none"> <li>■ Apărătoarea nu este montată pe cositoare, având ca rezultat un fir de tăiere prea lung și suprasolicitatea motorului.</li> <li>■ Este utilizat un fir de tăiere gros.</li> <li>■ Axul motorului sau capul cositorii este blocat cu iarbă.</li> <li>■ Motorul este suprasolicitat.</li> <li>■ Setul de acumulatori sau cositoarea sunt prea fierbinți.</li> <li>■ Setul de acumulatori este deconectat de la sculă.</li> <li>■ Setul de acumulatori este descărcat.</li> <li>■ Dezechilibrat după instalarea firului de tăiere.</li> </ul>	<ul style="list-style-type: none"> <li>■ Îndepărtați setul de acumulatori și montați apărătoarea pe cositoare.</li> <li>■ Utilizați firul de nailon de tăiere recomandat cu diametrul de maxim 2,4 mm.</li> <li>■ Opriți cositoarea, îndepărtați acumulatorul și curățați iarbă de pe axul motorului și capul cositorii.</li> <li>■ Scoateți capul cositorii din iarbă. Motorul își va reveni imediat ce sarcina este îndepărtată. Când tăiați iarbă, deplasați capul cositorii în iarbă și în afara ei pentru a o tăia și îndepărtați maxim 20 cm din lungimea ierbii dintr-o tăiere.</li> <li>■ Lăsați să se răcească setul de acumulatori sau cositoarea cu fir.</li> <li>■ Reinstalați setul de acumulatori.</li> <li>■ Încărcați setul de acumulatori.</li> <li>■ Atingeți capul cositorii pentru a face simetrică lungimea firului.</li> </ul>

RO

PROBLEMĂ	CAUZĂ	SOLUȚIE
Capul cositorii nu mai avansează fir.	<ul style="list-style-type: none"> <li>■ Axul motorului sau capul cositorii este blocat cu iarbă.</li> <li>■ Pe bobină nu mai este suficient fir sau firul se rupe din ochet.</li> <li>■ Firul este încurcat.</li> <li>■ Firul este prea scurt.</li> </ul>	<ul style="list-style-type: none"> <li>■ Opriți cositoarea, îndepărtați acumulatorul și curățați iarbă de pe axul motorului și capul cositorii.</li> <li>■ Îndepărtați acumulatorul și înlocuiți firul de tăiere; respectați instrucțiunile din secțiunea „<b>ÎNLOCUIREA FIRULUI</b>” din acest manual.</li> <li>■ Îndepărtați acumulatorul și înlocuiți firul de tăiere; respectați instrucțiunile din secțiunea „<b>ÎNLOCUIREA FIRULUI</b>” din acest manual.</li> <li>■ Îndepărtați acumulatorul și înlocuiți firul de tăiere; respectați instrucțiunile din secțiunea „<b>ÎNLOCUIREA FIRULUI</b>” din acest manual.</li> </ul>
Iarbă este înfășurată în jurul capului cositorii și al carcasi motorului.	Se taie iarbă înaltă la nivelul solului.	Tăiați iarbă înaltă de sus în jos, îndepărtând maxim 20 cm la fiecare trecere pentru a preveni înfășurarea.
Fisuri pe capul cositorii sau suportul bobinei se detașează ușor de baza bobinei.	<ul style="list-style-type: none"> <li>■ Capul cositorii este uzat.</li> <li>■ Piulița care blochează capul cositorii este slăbită.</li> </ul>	<ul style="list-style-type: none"> <li>■ Înlocuiți imediat capul cositorii; respectați instrucțiunile din secțiunea „<b>ÎNLOCUIREA CAPULUI COSITORII</b>” din acest manual.</li> <li>■ Deschideți capul cositorii și utilizați o cheie cu impact pentru a strânge piulița.</li> </ul>
Firul de tăiere nu se poate înfășura pe capul cositorii în mod adecvat.	<ul style="list-style-type: none"> <li>■ Firul de tăiere este prea lung.</li> <li>■ S-au acumulat resturi de iarbă sau murdărie în capul cositorii și au blocat mișcarea bobinei cu fir.</li> <li>■ Motorul este supraîncălzit din cauza funcționării repetate a sistemului de înfășurare a firului.</li> <li>■ Baterie descărcată</li> </ul>	<ul style="list-style-type: none"> <li>■ Tăiați firul astfel încât să se vadă o lungime de aproximativ 13 cm pe fiecare parte.</li> <li>■ Îndepărtați acumulatorul, deschideți capul cositorii și curățați-l temeinic.</li> <li>■ Lăsați cositoarea cu fir să funcționeze în gol timp de câteva minute pentru a se răci motorul, apoi încercați să reincărcați firul.</li> <li>■ Încărcați setul de acumulatori.</li> </ul>
Firul de tăiere nu poate fi trecut prin capul cositorii când se introduce firul.	<ul style="list-style-type: none"> <li>■ Firul de tăiere este divizat sau îndoit la capăt.</li> <li>■ Capacul inferior nu este eliberat în poziție după reinstalare.</li> </ul>	<ul style="list-style-type: none"> <li>■ Tăiați capătul uzat al firului și reintroduceți.</li> <li>■ Atașați acumulatorul pe cositoare; apăsați pe butonul de încărcare a firului pentru a porni scurt alimentarea pentru a elibera capacul inferior.</li> </ul>

RO

## GARANȚIE

### POLITICA PRIVIND GARAȚIA EGO

Vă rugăm să consultați site-ul [egopowerplus.com](http://egopowerplus.com) pentru termenii și condițiile complete ale politicii privind garanția EGO.

## PREBERITE VSA NAVODILA!



### PREBERITE PRIROČNIK Z NAVODILI ZA UPORABO

**⚠ Tveganje zaradi preostalega toka!** Pred uporabo izdelka se morajo osebe z elektronskimi napravami, kot je srčni spodbujevalnik, posvetovati s svojim zdravnikom. Delovanje električne opreme v bližini srčnega spodbujevalnika lahko povzroči motnje ali okvaro srčnega spodbujevalnika.

## VARNOSTNI SIMBOL

Delovanje katerega koli električnega orodja lahko povzroči metanje tujkov v vaše oči, kar lahko povzroči resne poškodbe očesa. Pred začetkom dela z električnim orodjem vedno nosite zaščitna ali varnostna očala s stranskimi zaščitami in po potrebi tudi zaščito za celoten obraz. Priporočamo vam uporabo varnostne maske Wide Vision Safety Mask za uporabo prek očal ali standardnih varnostnih očal s stransko zaščito.



Varnostno opozorilo



Uporaba zaščite za oči – pri upravljanju tega izdelka vedno nosite zaščitna očala ali varnostna očala s stransko zaščito in zaščito za celoten obraz.



Uporaba zaščite za ušesa – pri upravljanju tega izdelka vedno nosite zaščito za ušesa.



Uporaba zaščite za glavo – za zaščito glave nosite odobreno varnostno celado.



Ne nameščajte okroglih rezil.



Širina košnje – največja širina košnje kosilnice z nitko



Poskrbite, da bodo drugi ljudje in hišni ljubljenci vsaj 15 m stran od kosilnice z nitko, ko je ta v uporabi.



Zagotovljena raven zvočne moči Emisije hrupa v okolico so v skladu z direktivo Evropske skupnosti.



Odpadnih električnih izdelkov ne odlagajte med gospodinjne odpadke. Odnosite jih v pooblaščen obrat za recikliranje.

$n_0$

Hitrost brez obremenitve – vrtilna hitrost brez obremenitve



Enosmerni tok



Za zmanjšanje nevarnosti telesnih poškodb je pomembno, da uporabnik prebere priročnik z navodili za uporabo.



Uporaba zaščitne obutve – med uporabo te opreme nosite neдрešo zaščitno obutve.



Uporaba zaščitnih rokavic – pri rokovanju z rezilom ali varovalom rezila roke zaščitite z rokavicami.



Pazite na sunek rezila – upravljavca opozorite na nevarnost sunka rezila.



Premer nitke – premer najlonske nitke



Izvrženi predmeti se lahko odbijejo in povzročijo telesno poškodbo ali poškodbo lastnine. Poskrbite, da bodo drugi ljudje in hišni ljubljenci ustrezno oddaljeni od motorne kose, ko je ta v uporabi.



Naprave ne uporabljajte v dežju ali je puščajte zunaj, ko dežuje.



Ta izdelek je skladen z veljavnimi direktivami ES.

V

Napetost

.../min

Na minuto

kg

Kilogram

SL

## TEHNIČNI PODATKI

Napetost	56 V ---	
Hitrost brez obremenitve	Nastavitev nizke hitrosti: 3000–4500 VRT./MIN Nastavitev visoke hitrosti: 4000–5800 VRT./MIN	
Mehanizem za košnjo	Udarna glava	
Vrsta nitke za košnjo	2,4-mm najlonska zavita nitka	
Širina košnje	35 cm	
Priporočena obratovalna temperatura	Od 0°C do 40°C	
Priporočena temperatura za shranjevanje	Od -20°C do 70°C	
Optimalna temperatura polnjenja	Od 5°C do 40°C	
Teža (brez baterijskega sklopa)	5,8 kg	
Izmerjena raven zvočne moči $L_{WA}$	88,98 dB(A) K=2 dB(A)	
Raven zvočnega tlaka v ušesu upravljavca $L_{PA}$	68,96 dB(A) K=2 dB(A)	
Zagotovljena raven zvočnega tlaka $L_{WA}$ (izmerjena v skladu z Direktivo 2000/14/ES)	91 dB(A)	
Vrednotenje oddajanja vibracij $a_h$ :	Sprednji ročaj za prijem	3,2 m/s <sup>2</sup> K=1,5 m/s <sup>2</sup>
	Zadnji ročaj	2,3 m/s <sup>2</sup> K=1,5 m/s <sup>2</sup>

- Nazivna skupna vrednost tresljajev je bila izmerjena v skladu s standardno preskusno metodo in jo je mogoče uporabiti za primerjavo enega orodja z drugim.
- Nazivno skupno vrednost tresljajev je mogoče uporabiti tudi za predhodno oceno izpostavljenosti.

**OPOMBA:** oddajanje tresljajev med dejansko uporabo električnega orodja se lahko razlikuje od nazivne vrednosti, v kateri se uporablja orodje. Upravljavec se lahko zaščiti tako, da uporablja rokavice in naušnike, primerne dejanskim pogojem uporabe.

## OPIS

**SPOZNAJTE SVOJO KOSILNICO Z NITKO (slika A1)**

# 128

56-VOLTNA LITIJ-IONSKA BREŽIČNA KOSILNICA Z NITKO — ST1400E-ST

1. Zadnji ročaj
2. Stikalo za preklop hitrosti
3. Nastavljiv sprednji ročaj za prijem
4. Zgib
5. Gumb za nalaganje nitke
6. Varovalo
7. Zaklepna palica
8. Po višini nastavljiva zaklepna naramnica
9. Sprožilec stikala
10. Zaklepni jeziček
11. Glava kosilnice (udarna glava)
12. Reziło nitke za košnjo
13. Jeziček za sprostitve
14. Nitka za košnjo
15. Gumb za sprostitve baterije
16. Zapah
17. Električni kontakti
18. Mehanizem za izmet
19. Imbusni ključ

## VSEBINA PAKETA (SLIKA A1)

## SESTAVLJANJE

### RAZPIRANJE GREDI

**⚠ OPOZORILO:** gredi ne držite na stikih, da preprečite stiskanje rok ali prstov.

**⚠ OPOZORILO:** kosilnice ne zaženite, dokler gredi ne zaklenete.

Gred nežno razprite, tako da kabel ostane v gredi, nato pa gred zaklenite, tako da s priloženim ključem privijete dva vijaka (sliki B1 in B2).

### NAMEŠČANJE VAROVALA

Kosilnico namestite tako, da bo glava kosilnice usmerjena navzgor (slika C1). Odprtine za namestitev varovala poravnajte in nato varovalo zaklenite na podnožje gredi z dvema vijakoma (slika C2).

**OPOMBA:** prepričajte se, da je varovalo pritrjeno v skladu s slikama C1 in C2. Kakršna koli drugačna namestitev bo povzročila veliko nevarnost!

### NAMESTITEV IN PRILAGAJANJE SPREDNJEGA ROČAJA ZA PRIJEM

1. Sprostite pritrdilni drog na sprednjem ročaju za prijem ter s sprednjega ročaja za prijem odstranite pritrdilni drog in krilno matico (slika D).



D-1	Sprednji ročaj za prijem	D-3	Krilna matica
D-2	Pritrdilni blok	D-4	Pritrdilni drog

- Nastavljiv sprednji ročaj za prijem potisnite na gred med po višini nastavljivo zaklepno naramnico in zgib (slika E).
- Pritrdilni blok vstavite v režo ročaja (slika F).
- Namestite ročico pritrilnega droga in jo privijte s krilno matico. Preverite, ali je nastavljiv sprednji ročaj za prijem obrnjen navzgor v smeri zgornjega dela zadnjega ročaja (slika J).
- Ročico pritrilnega droga povlecite, tako da lahko enostavno premikate/vrtite krožni ročaj, dokler je to mogoče, nato zaklenite ročico pritrilnega droga (slika H).

**⚠ OPOZORILO:** orodja ni mogoče uporabljati, če sprednji ročaj za prijem ni dobro pritrjen.

### NASTAVITEV ZADNJEGA ROČAJA

Če dolžina gredi ni primerna za upravljanje, lahko dolžino gredi nastavite s pomočjo zaklepne sponke za višino.

- Iz kosilnice odstranite baterijski sklop.
- Če želite nastaviti višino kosilnice, odprite zaklepno sponko za višino in nato gred potisnite navzgor ali navzdol do zelene višine ter jo zaklenite na mesto, tako da pritisnete zaklepno sponko (slika I).

**OPOMBA:** po spremembi višine kosilnice bo morda treba ponovno nastaviti sprednji ročaj za prijem.

### UPRAVLJANJE

**⚠ OPOZORILO:** vedno uporabljajte zaščitna očala ali varnostna očala s stransko zaščito ter ustrezno zaščito za sluh. V nasprotnem primeru vam lahko v oči priletijo predmeti ali pride do drugih hudih telesnih poškodb.

Ta izdelek lahko uporabljate za naslednje namene:

**Obrezovanje:** uporablja se za odstranjevanje trave in plevela ob stenah, ograjah, drevesih in mejah.

**Košnja:** uporablja se za košnjo trave, ki jo je z običajno kosilnico težko doseči.

### PRIKLJUČITEV/ODKLOP BATERIJSKEGA SKLOPA

Napravo uporabljajte samo z baterijskimi sklopi in polnilniki EGO, navedenimi na sliki A2.

**Pred prvo uporabo baterijo popolnoma napolnite.**

**Napotki za priključitev**

Rebra baterije poravnajte z režami za namestitvev in baterijski sklop potisnite navzdol, da zaslišite klik (slika J1).

### Napotki za odklop

Pritisnite gumb za sprostitvev baterije in izvlecite baterijski sklop, kot prikazuje slika J2.

J-1	Gumb za sprostitvev baterije
-----	------------------------------

### DRŽANJE KOSILNICE Z NITKO

Kosilnico z nitko držite z obema rokama: z eno roko držite zadnji ročaj, z drugo pa sprednji ročaj za prijem.

**OPOMBA:** glava kosilnice je vzporedna s tlemi na primerni razdalji za košnjo, pri čemer se upravljaev ne sklanja preko kosilnice (slika K).

### ZAGON/ZAUSTAVITEV KOSILNICE Z NITKO

#### Zagon

Vzvod za odklepanje potisnite naprej, nato pritisnite sprožilec stikala.

Sprožilec omogoča brezstopenjsko nastavljanje hitrosti. Bolj kot povlečete sprožilec, višja je hitrost (slika L).

#### Zaustavitev

Sprostite sprožilec stikala.

### FUNKCIJA PRILAGODITVE HITROSTI (SLIKA L)

Kosilnica z nitko ima dve hitrosti. Položaj »LOW« je za nizko hitrost, položaj »HIGH« pa za visoko hitrost.

Slika L: za opis delov glejte spodaj:

L-1	Stikalo za preklp hitrosti	L-2	Sprožilec stikala
-----	----------------------------	-----	-------------------

### UPORABA KOSILNICE Z NITKO

Pred vsako uporabo počistite območje košnje. Odstranite vse predmete, kot so kamni, zdrobljeno steklo, žebliji, žica ali vrvi, ki jih lahko izvrže ali se zapletejo v priključek za košnjo. Otroci, prisotni in hišni ljubljenci naj se ne zadržujejo na območju. Otroci, prisotni in hišni ljubljenci naj bodo oddaljeni vsaj 15 m. Še vedno lahko obstaja nevarnost izvrženih predmetov za osebe, ki se nahajajo v bližini. Prisotni naj uporabljajo tudi zaščito za oči. Če se vam nekdo približa, takoj ustavite motor in priključek za košnjo.

**Pred vsako uporabo napravo pregledjte, ali ima morda poškodovane/obrabljene dele.**

Pregledjte udarno glavo, varovalo in sprednji ročaj za prijem ter zamenjajte dele, ki so razpokani, zviti, upognjeni ali kakor koli poškodovani.

SL

Rezilo z nitko na robu varovala lahko sčasoma postane topo. Priporočljivo je, da ga redno ostrite s pilo ali ga zamenjate z novim rezilom.

## Kosilnico po vsaki uporabi očistite.

### PRILAGAJANJE DOLŽINE NITKE

Glava kosilnice upravljavcu omogoča sprostitve več nitke za košnjo brez zaustavitve motorja. Ko se nitka secefra ali obrabi, lahko sprostite dodatno nitko tako, da narahlo potolčete z glavo kosilnice ob tla med delovanjem kosilnice (slika M).

**OPOMBA:** ko bo nitka postala krajša, boste za sproščanje nitke morali večkrat udariti.

**⚠ OPOZORILO:** sklopa rezila ne odstranjujte ali spreminjajte. Prevelika dolžina nitke bo povzročila pregrevanje motorja in lahko povzroči resno telesno poškodbo.

### ZAMENJAVA NITKE

**OPOMBA:** vedno uporabljajte priporočeno najlonsko nitko za košnjo s premerom, ki ni večji od 2,4 mm. Uporaba drugačne nitke lahko povzroči pregrete ali poškodbe kosilnice.

**⚠ OPOZORILO:** nikoli ne uporabljajte nitke s kovinsko ojačitvijo, žice ali vrvi itd. Lahko se odrgajo in postanejo nevarne.

1. Odstranite baterijski sklop.
2. Po potrebi odstranite preostalo nitko za košnjo.
3. Odrežite 4 m nitke za košnjo. Nitko vstavite v odprtino za namestitve v vstavitveni odprtini (slika O). Potisnite nitko in jo izvlecite na drugi strani tako, da bosta na obeh straneh vretena enaki dolžini nitke.
4. Baterijski sklop namestite v kosilnico z nitko.
5. Pritisnite gumb za odvijanje nitke in ga pridržite, da zažene motor za odvijanje nitke. Nitka se bo navila na glavo kosilnice (slika P).
6. Bodite pozorni na preostalo dolžino nitke. Na kratko pritisnite gumb za odvijanje nitke, da prilagodite dolžino na približno 13 cm na vsaki strani.
7. Glavo kosilnice potiskajte navzdol, medtem ko ročno vlečete nitko za ročno namestitve nitke, da preverite pravilno namestitve nitke.

Če se nitka za košnjo odlozi iz izhoda za nitko ali če se nitka ne sprosti, ko udarite glavo kosilnice, upoštevajte spodnja navodila.

1. Iz kosilnice odstranite baterijski sklop.

2. Pritisnite jezičke za sprostitve na glavi kosilnice in odstranite spodnji sklop pokrova tako, da ga izvlečete naravnost ven (slika Q).
3. Nitko za košnjo odstranite iz vretena.
4. Vzmet vstavite v režo v spodnjem sklopu pokrova (slika R).
5. Z eno roko pridržite kosilnico, z drugo pa primite sklop spodnjega pokrova in reže v sklopu spodnjega pokrova poravnajte s sprostitevima jezičkoma. Pritisnite sklop spodnjega pokrova, da se zaskoči na mesto. Ko se bo zaskočil, boste slišali značilen klik (slika S).
6. Upoštevajte navodila v razdelku »ZAMENJAVA NITKE« in navijte nitko za košnjo.

### ZAMENJAVA GLAVE KOSILNICE

**⚠ OPOZORILO:** če se glava zrahlja potem, ko ste jo pričvrstili na mesto, jo nemudoma zamenjajte. Nikoli ne uporabljajte kosilnice, ki ima zrahljan priključek za košnjo. Razpokano, poškodovano ali obrabljeno glavo za košnjo nemudoma zamenjajte, tudi če gre le za površinske razpoke. Takšni priključki se lahko pri visokih hitrostih razletijo in povzročijo resne telesne poškodbe.

### ODSTRANJEVANJE GLAVE KOSILNICE

1. Iz kosilnice odstranite baterijski sklop.
2. Pritisnite sprostitvena jezička na glavi kosilnice in odstranite sklop spodnjega pokrova glave kosilnice tako, da ga izvlečete.
3. Nitko za košnjo odstranite iz glave kosilnice (slika S).
4. Po potrebi vzmet odstranite iz sestava vretena. Shranite jo, saj jo boste potrebovali pri sestavljanju.
5. Nosite rokavice. Z eno dlanjjo primite sklop vretena, da ga stabilizirate, z drugo dlanjjo pa primite udarni vijačnik (ni priložen) in zrahljate matico v nasprotni smeri urinega kazalca (slika X).
6. Z gredi motorja odstranite matico, držalo vretena, zgornji pokrov, pokrov zgornjega podnožja (slika T).

**OPOMBA:** dve puši zlahka padeta z gredi motorja. Skrbno ju shranite za ponovno namestitve.

7. Zamenjajte z novo glavo kosilnice in jo vgradite ob upoštevanju naslednjih korakov.

T-1	Puša	T-6	Nitka za košnjo
T-2	Zgornji pokrov	T-7	Spodnji pokrov
T-3	Matica	T-8	Pokrov zgornjega podnožja
T-4	Podložka	T-9	Sklop vretena
T-5	Vzmet		

## NAMESTITEV NOVE GLAVE KOSILNICE

1. Puši namestitev v gred motorja in sklop pokrova zgornjega podnožja namestite na mesto (slika T).
2. Namestite zgornji pokrov, sklop vretena, objemko in matico v tem vrstnem redu. Z udarnim vijakom privijte matico (sliki U in V).
3. Namestite sklop spodnjega pokrova.
4. Vnovična namestitev nitke za košnjo.
5. Zaženite orodje in preverite, ali kosilnica z nitko deluje pravilno. Če ne deluje pravilno, jo sestavite ponovno po navodilih, opisanih v tem dokumentu.

3. Robove rezila za rezanje pazorno opilite z mehko pilo ali brusilnim kamnom, pri tem pa pazite, da boste ohranili prvotni kot roba za rezanje.
4. Rezilo namestite nazaj na varovalo in ga pritrдите z dvema vijakoma.

## SHRANJEVANJE ENOTE

- Ko kosilnice z nitko ne uporabljate, odstranite baterijski sklop.
- Orodje pred shranjevanjem temeljito očistite.
- Enoto shranjujte v suhem in dobro zračenem prostoru, ki ga je mogoče zakleniti ali je dvignjen, da je izven dosega otrok. Enote ne shranjujte na ali v bližino gnojil, bencina ali drugih kemikalij.

## VZDRŽEVANJE

**⚠ OPOZORILO:** Za popravila uporabljajte samo identične nadomestne dele. Orodje redno pregledujte in vzdržujte. Za zagotovitev varnosti in zanesljivosti mora vsa popravila izvesti usposobljen servisni tehnik.

**⚠ OPOZORILO:** da preprečite resno telesno poškodbo, pred servisiranjem, čiščenjem, zamenjavo priključkov ali odstranjevanjem materiala iz enote odstranite baterijski sklop iz orodja.

**⚠ POZOR:** če bodo na zračnih odprtinah ovire, bodo te ovirale tok zraka v ohišje motorja, kar bo privedlo do pregrevanja ali poškodbe motorja.



## Varovanje okolja

Električne opreme, iztrošene baterije in polnilnika ne odvrzite med gospodinjske odpadke. Izdelek odnesite na pooblaščen obrat za recikliranje in ga zavrzite ločeno. Električna orodja je treba odnesti na obrat za recikliranje in ga reciklirati na okolju prijazen način.

## ČIŠČENJE ENOTE

- Enoto očistite z vlažno krpo in blagim detergentom. Ne dovolite, da bi tekočina zašla v orodje. Nobenega dela orodja nikoli ne potopite v katero koli tekočino.
- Za čiščenje plastičnega ohišja ali ročaja ne uporabljajte močnih čistilnih sredstev. Poškodujejo jih lahko določena aromatična olja, kot sta olje bora in limone, ter topila, kot je kerozin. Vlaga prav tako lahko ustvari nevarnost električnega udara. Vlago obrišite z mehko in suho krpo.
- Zračne odprtine v zadnjem delu ohišja očistite z majhno krtačo ali s krtačo majhnega sesalnika.
- Poskrbite, da bodo zračne odprtine motorja vedno prosto prehodne.

## OSTRENJE REZILA NITKE ZA KOŠNJO

**⚠ OPOZORILO:** pri izvajanju vzdrževalnih del na rezilu nitke za košnjo vedno nosite zaščitne rokavice.

1. Rezilo nitke za košnjo odstranite iz sklopa varovala.
2. Rezilo postavite v primež.

SL

## ODPRAVLJANJE TEŽAV

TEŽAVA	VZROK	REŠITEV
Kosilnica z nitko se ne vključi.	<ul style="list-style-type: none"> <li>■ Baterijski sklop ni pritrjen na kosilnico z nitko.</li> <li>■ Med kosilnico in baterijo ni električnega stika.</li> <li>■ Baterijski sklop je izprazen.</li> <li>■ Sprožilec zaklepa se ne premakne naprej, preden pritisnete sprožilec stikala.</li> </ul>	<ul style="list-style-type: none"> <li>■ Baterijski sklop pritrдите na kosilnico z nitko.</li> <li>■ Odstranite baterijo, preverite kontakte in znova namestite baterijski sklop.</li> <li>■ Napolnite baterijski sklop.</li> <li>■ Zaklepni jeziček potisnite naprej, nato pritisnite sprožilec stikala.</li> </ul>
Kosilnica z nitko se med košnjo ustavi.	<ul style="list-style-type: none"> <li>■ Varovalo ni nameščeno na kosilnici, zato prihaja do predolge nitke za košnjo in do preobremenjenosti motorja.</li> <li>■ Uporabljena je debela nitka za košnjo.</li> <li>■ Okoli gredi motorja ali glave kosilnice je ovita trava.</li> <li>■ Motor je preobremenjen.</li> <li>■ Baterijski sklop ali kosilnica z nitko je prevroča.</li> <li>■ Baterijski sklop ni povezan z orodjem.</li> <li>■ Baterijski sklop je izprazen.</li> <li>■ Neravnovesje po namestitvi nitke za košnjo.</li> </ul>	<ul style="list-style-type: none"> <li>■ Odstranite baterijski sklop in varovalo pritrдите na kosilnico.</li> <li>■ Uporabljajte priporočeno najlonsko nitko za košnjo s premerom do 2,4 mm.</li> <li>■ Zaustavite kosilnico, odstranite baterijski sklop, nato pa odstranite travo z gredi motorja in glave kosilnice.</li> <li>■ Glavo kosilnice odstranite iz trave. Motor bo zopet deloval, ko boste odpravili obremenitev. Med vsakim premikom glave kosilnice med košenjem ne premikajte več kot 20 cm v travo in iz nje.</li> <li>■ Ohladite baterijo ali kosilnico z nitko.</li> <li>■ Ponovno namestite baterijski sklop.</li> <li>■ Napolnite baterijski sklop.</li> <li>■ Udarite glavo kosilnice, da bo dolžina nitke enaka.</li> </ul>
Glava kosilnice ne podaja nitke.	<ul style="list-style-type: none"> <li>■ Okoli gredi motorja ali glave kosilnice je ovita trava.</li> <li>■ Na vretenu ni dovolj nitke ali pa se nitka odlomi z obročka.</li> <li>■ Nitka je zapletena.</li> <li>■ Nitka je prekratka.</li> </ul>	<ul style="list-style-type: none"> <li>■ Zaustavite kosilnico, odstranite baterijo, nato pa očistite gred motorja in glavo kosilnice.</li> <li>■ Odstranite baterijo in zamenjajte nitko za košnjo, pri tem pa upoštevajte navodila v razdelku »ZAMENJAVA NITKE« v tem priročniku.</li> <li>■ Odstranite baterijo in zamenjajte nitko za košnjo, pri tem pa upoštevajte navodila v razdelku »ZAMENJAVA NITKE« v tem priročniku.</li> <li>■ Odstranite baterijo in zamenjajte nitko za košnjo, pri tem pa upoštevajte navodila v razdelku »ZAMENJAVA NITKE« v tem priročniku.</li> </ul>

TEŽAVA	VZROK	REŠITEV
Trava se ovija okoli glave kosilnice in ohišja motorja.	Košnja visoke trave pri tleh.	Visoko travo kosite z vrha navzdol in je naenkrat ne pokosite več kot 20 cm, da preprečite ovijanje.
Razpoke na glavi kosilnice ali pa se je držalo vretena zrahljalo s podnožja vretena.	<ul style="list-style-type: none"> <li>■ Glava kosilnice je izrabljena.</li> <li>■ Matica, ki zaklepa glavo kosilnice, je razrahljana.</li> </ul>	<ul style="list-style-type: none"> <li>■ Glavo kosilnice takoj zamenjajte, pri tem pa upoštevajte navodila v razdelku »ZAMENJAVA GLAVE KOSILNICE« v tem priročniku.</li> <li>■ Odprite glavo kosilnice in s pomočjo udarnega vijaka privijte matico.</li> </ul>
Nitka se ne navije ustrezno na glavo kosilnice.	<ul style="list-style-type: none"> <li>■ Nitka za košnjo je predolga.</li> <li>■ V glavi kosilnice so se nakopičili ostanki ali umazanija, ki blokira premikanje vretena z nitko.</li> <li>■ Motor se je pregrel zaradi ponavljajoče uporabe sistema za odvijanje nitke.</li> <li>■ Slaba napolnjenost baterije</li> </ul>	<ul style="list-style-type: none"> <li>■ Odrežite nitko, tako da je na vsaki strani dolga približno 13 cm.</li> <li>■ Odstranite baterijo, odprite glavo kosilnice in jo temeljito očistite.</li> <li>■ Nekaj minut naj kosilnica z nitko deluje brez obremenitve, da se motor ohladi, nato poskusite ponovno naložiti nitko.</li> <li>■ Napolnite baterijo.</li> </ul>
Nitke za košnjo pri vstavljanju ni mogoče speljati skozi glavo kosilnice.	<ul style="list-style-type: none"> <li>■ Nitka za košnjo je razcepljena ali ukrivljena na koncu.</li> <li>■ Spodnji pokrov po ponovni namestitvi ni sproščen na mesto.</li> </ul>	<ul style="list-style-type: none"> <li>■ Odrežite izrabljeni del nitke in jo ponovno vstavite.</li> <li>■ Baterijski sklop pritrdite na kosilnico in pritisnite gumb za nalaganje nitke za kratek zagon napajanja z namenom sprostitve spodnjega pokrova.</li> </ul>

## GARANCIJA

**SL**

### GARANCIJSKA POLITIKA DRUŽBE EGO

Za popolne pogoje garancijske politike družbe EGO obiščite spletno mesto [egopowerplus.com](http://egopowerplus.com).

## PERSKAITYKITE VISĄ INSTRUKCIJĄ!



### PERSKAITYKITE NAUDOJIMO INSTRUKCIJĄ

**⚠ Liekamasis pavojus!** Žmonėms, kuriems implantuoti elektroniniai prietaisai, pvz., širdies stimulatoriai, prieš pradėdami naudoti šį gaminį, reikia pasitarti su savo gydytoju (-ais). Arti širdies stimulatoriaus veikianti elektros įranga gali trikdyti širdies stimulatoriaus veikimą arba jį sugadinti.

## SAUGOS SIMBOLIS

bet koks elektrinis įrankis naudojimo metu gali išsviesti šiukšlės, kurios gali pataikyti į akis ir sunkiai jas sužaloti. Prieš pradėdami naudoti elektrinį įrankį, visada užsidėkite apsauginius akinius arba apsauginius akinius su šonine apsauga ir, jei reikia, visą veidą dengiantį skydelį. Rekomenduojame naudoti platų matymo lauką užtikrinančią apsauginę kaukę, dedamą ant akinių, arba standartinius apsauginius akinius su šonine apsauga.



Saugos įspėjimas



Norėdamas sumažinti susižalojimo pavojų, naudotojas privalo perskaityti naudojimo instrukciją.



Dėvėkite akių apsaugą: naudodami šį gaminį, visada užsidėkite apsauginius akinius arba apsauginius akinius su šonine apsauga ar visą veidą dengiantį skydelį.



Mūvėkite apsauginę avalynę: naudodami įrenginį mūvėkite neslidžią avalynę.



Dėvėkite ausų apsaugą: dirbdami su šiuo gaminiu visada užsidėkite apsaugines ausines.



Mūvėkite apsaugines pirštines: tvarkydami peilį ar jo apsaugą, apsaugokite rankas pirštinėmis.



Dėvėkite galvos apsaugą: galvai apsaugoti užsidėkite patvirtintą apsauginį šalną.



Saugokitės peilio atveiksio: įspėkite operatorių apie peilio atveiksio keliamą pavojų.



Nenaudokite apskritų pjovimo diskų.



Lynelio skersmuo: nailoninio pjovimo lynelio skersmuo.

LT



Pjovimo plotis: didžiausias žoliapjovės pjovimo plotis



Išsviestos šiukšlės gali atšokti ir sužaloti arba sugadinti turėtą. Kai dirbate su krūmapjove, neleiskite kitiems asmenims ar naminiams gyvūnams prisitarti.



Pjaudami žoliapjove su lyneliu, neleiskite kitiems žmonėms ir naminiams gyvūnams prisitarti arčiau nei per 15 metrų.



Nenaudokite lyjant ir nepalikite lauke per liūtį.



Garantuojamas garso galios lygis. Triukšmo sklaida į aplinką atitinka Europos Bendrijos direktyvą.



Šis gaminys atitinka taikomas EB direktyvas.



Netinkamas naudoti elektros prietaisus draudžiama išmesti kartu su buitinėmis atliekomis. Pristatyti įgaliotam perdirbėjui.

V |tampa

$n_0$

Sukimosi greitis tuščiaja eiga: sukimosi greitis be apkrovos

.../min Per minutę



Nuolatinė srovė

kg Kilogramai

## TECHNINIAI DUOMENYS

Įtampa	56 V ---	
Sūčiai be apkrovos	Nustatyti maži sūčiai: 3000–4500 RPM Nustatyti dideli sūčiai: 4000–5800 RPM	
Pjovimo mechanizmas	Pjovimo galvutė	
Pjovimo lynelio tipas	2,4 mm nailoninis susuktas valas	
Pjovimo plotis	35 cm	
Rekomenduojama darbinė temperatūra	Nuo 0°C iki 40°C	
Rekomenduojama sandėliavimo temperatūra	Nuo -20°C iki 70°C	
Optimali įkrovimo temperatūra	Nuo 5°C iki 40°C	
Svoris (be akumulatoriaus bloko)	5,8 kg	
Išmatuotas garso galios lygis $L_{WA}$	88,98 dB(A) K=2 dB(A)	
Garso slėgio lygis ties operatoriaus ausimi $L_{PA}$	68,96 dB(A) K=2 dB(A)	
Garantuojamas garso galios lygis $L_{WA}$ (išmatuotas pagal 2000/14/EB)	91 dB(A)	
Vibracijos vertė $a_n$	Priekinė pagalbinė rankena	3,2 m/s <sup>2</sup> K=1,5 m/s <sup>2</sup>
	Galinė rankena	2,3 m/s <sup>2</sup> K=1,5 m/s <sup>2</sup>

- Nurodyta bendroji vibracijos vertė išmatuota taikant standartinį bandomo metodą, todėl pagal ją galima palyginti skirtingus įrankius.
- Nurodytą bendrąją vibracijos vertę taip pat galima naudoti pirminiam poveikio vertinimui.

**PASTABA:** Naudojant įrenginį realiomis sąlygomis, sklaidžiamos vibracijos stiprumo vertė gali skirtis nuo nurodytos. Kad apsaugotų dirbdamas realiomis sąlygomis, naudotojas turi mūvėti pirštines ir naudoti klausos apsaugos priemones.

## APRAŠYMAS

### PAŽINKITE SAVO ŽOLIAPJOVĘ (A1 pav.)

1. Galinė rankena
2. Didelio ir mažo greičio jungiklis

3. Reguliuojamoji priekinė pagalbinė rankena
4. Lanksto funkciją atliekanti dalis
5. Lynelio pakrovimo mygtukas
6. Apsauga
7. Fiksavimo kaištis
8. Aukščio fiksavimo žiedas
9. Gaidukas
10. Fiksavimo liežuvis
11. Žoliapjovės galvutė (lynelis paduodamas stuktulėjus galvutę į žemę)
12. Pjovimo lynelio nukirtimo peilis
13. Atlaisvinimo auselė
14. Pjovimo lynelis
15. Baterijos atjungimo mygtukas
16. Fiksatorius
17. Elektros kontaktai
18. Išstūmimo mechanizmas
19. Šešiabriaunis raktas

## PAKUOTĖS TURINIO SĄRAŠAS (A1 PAV.)

### SURINKIMAS

#### VELENO IŠLANKSTYMAS

**⚠️ ĮSPĖJIMAS.** Nelaikykite veleno už jungčių, kad nesuspaustumėte rankų ar pirštų.

**⚠️ ĮSPĖJIMAS.** Nebandykite paleisti žoliapjovės, kol neužfiksavote veleno.

Švelniai išlankstykite veleną, saugodami viduje esantį kabelį, ir užfiksukite dviem varžtais pridėdamu veržliarakčiu (B1 ir B2 pav.).

#### APSAUGOS TVIRTINIMAS

Žoliapjovę pastatykite taip, kad žoliapjovės galvutė būtų nukreipta į viršų (C1 pav.). Sulyginkite apsaugos priemonės tvirtinimo skyles su bloko skylėmis, tada pritvirtinkite apsaugos priemonę ant veleno pagrindo dviem varžtais (C2 pav.).

**PASTABA.** Įsitikinkite, kad apsauga pritvirtinta, kaip parodyta C1 ir C2 paveiksluose. Sumontavus atvirkščiai kyla didelis pavojus!

#### PRIEKINĖS PAGALBINĖS RANKENOS MONTAVIMAS IR REGULIAVIMAS

1. Atsukite sparnuotąją veržlę nuo fiksavimo kaiščio ir ištraukite kaištį iš priekinės pagalbinės rankenos (D pav.).

D-1	Priekinė pagalbinė rankena	D-3	Sparnuotoji veržlė
D-2	Fiksavimo kaladėlė	D-4	Fiksavimo kaištis

LT

2. Užstumkite priekinę pagalbinę rankeną ant veleno tarp aukščio fiksavimo žiedo ir lanksto funkciją atliekančios dalis (E pav.).
3. Įstatykite fiksavimo kaladėlę į rankenos angą (F pav.).
4. Įstatykite fiksavimo kaiščio svirtį ir priveržkite ją sparnuotąja varžle. Priekinė pagalbinė rankena turi būti nukreipta į viršų ir atsukta į galinės rankenos viršutinę dalį (J pav.).
5. Patraukite fiksavimo kaiščio svirtį į viršų, kad galetumėte lengvai perkelti / pasukti kilpinę rankeną ten, kur ji jaučiasi patogiai. tada užfiksukite fiksavimo kaiščio svirtį. (H pav.).

**⚠ ĮSPĖJIMAS.** Šio įrankio negalima naudoti tinkamai nepritvirtintus priekines rankenas.

## GALINĖS RANKENOS REGULIAVIMAS

Jei veleno negalima naudoti dėl netinkamo ilgio, galite sureguliuoti veleno ilgį naudodami aukščio fiksavimo apkabą.

1. Iš žoliapjovės išimkite akumuliatorių.
2. Norėdami sureguliuoti žoliapjovės aukštį, atlaisvinkite aukščio fiksavimo apkabą, tada stumkite veleną aukštyn arba žemyn iki norimo aukščio ir pritvirtinkite užspausdami apkabą (I pav.).

**PASTABA.** Pakeitus žoliapjovės aukštį, gali reikėti sureguliuoti priekinę pagalbinę rankeną.

## VEIKIMAS

**⚠ ĮSPĖJIMAS.** Visada užsidėkite apsauginius akinius arba apsauginius akinius su šonine apsauga bei ausines. Nesilaikant šio nurodymo į akis gali pataikyti išsviestos šiukšlės arba galite kitaip sunkiai susižaloti.

Galite naudoti šį gaminį toliau išvardytais tikslais:

**Apkarpymas:** naudojamas pašalinti žolėms ir piktžolėms prie sienų, tvorų, medžių ir bordiūrų.

**Pjovimas:** naudojamas žolės pjovimui vietose, kurias sunku pasiekti naudojant įprastą vejapjovę.

## SUDĖTINĖS BATERIJOS ĮSTATYMAS IR IŠĖMIMAS

Naudokite tik A2 pav. pateiktais EGO akumulatoriais ir įkrovikliais:

**Prieš naudodami pirmą kartą, visiškai įkraukite bateriją.**

### Įstatymas

Įtaikykite baterijos briaunas į tvirtinimo griovelius ir spauskite bateriją žemyn, kol išgirsite spragtelėjimą (J1 pav.).

### Išėmimas

Paspauskite baterijos atkabinimo mygtuką ir išimkite sudėtinę bateriją, kaip parodyta J2 paveiksle.

J-1	Baterijos atkabinimo mygtukas
-----	-------------------------------

## ŽOLIAPJOVĖS SU LYNELIU LAIKYMAS

Žoliapjovę su lyneliu laikykite abiem rankomis: viena ranka laikykite galinę, o kita – priekinę pagalbinę rankeną.

**PASTABA.** Žoliapjovės galvutė atsiduria lygiagrečiai žemės paviršiui tinkamu pjovimo atstumu ir operatoriumi nereikia lenktis į priekį (K pav.).

## ŽOLIAPJOVĖS SU LYNELIU PALEIDIMAS IR SUSTABDYMAS

### Paleidimas

Paspauskite fiksavimo liežuvelį į priekį, tada paspauskite gaiduką.

Gaiduku galite pasirinkti norimą greitį. Kuo labiau spaudžiate gaiduką, tuo didesniu greičiu jis sukasi (L pav.).

### Sustabdymas

Atleiskite gaiduką.

## GREIČIO REGULIAVIMO FUNKCIJA (PAV. L)

Žoliapjovė su lyneliu dirba dviem greičiais. Padėtis „LOW“ – mažas greitis, padėtis „HIGH“ – didelis greitis.

Toliau pateiktas L pav. parodytų dalių aprašas:

L-1	Didelio ir mažo greičio jungiklis	L-2	Gaidukas
-----	-----------------------------------	-----	----------

## ŽOLIAPJOVĖS NAUDOJIMAS

Kaskart prieš naudodami išvalykite pjaunamą plotą nuo šiukšlių. Pašalinkite visas kliūtis, pavyzdžiui, akmenukus, stiklo duženas, vėnis, vielas ar laidus, t. y. šiukšles, kurias pjovimo įtaisas gali išsviesti į orą arba jose įspainioti. Darbo zonoje neturi būti vaikų, pašalinių asmenų ir naminių gyvūnų. Vaikai, pašaliniai asmenys bei naminiai gyvūnai turi būti atsitraukę ne mažesniu kaip 15 m atstumu; net ir tokiu atveju išlieka pavojus pašaliniams asmenims dėl išsviestų šiukšlių. Šalia esantys asmenys turi dėvėti akių apsaugą. Jeigu matote jūsų link artėjantį asmenį, nedelsdami išjunkite pjovimo įtaisą.

**Kaskart prieš naudodami prietaisą patikrinkite, ar nėra pažeistų ir (ar) sudilusių dalių.**

Apžiūrėkite pjovimo galvutę, apsaugą ir priekinę pagalbinę rankeną. Pakeiskite įtrūkusias, pakeitusias formą, sulinkusias arba bet kaip kitaip pažeistas dalis.

Lynelio nukirtimo peilis apsaugos pakraštyje laikui bėgant gali atšipti. Rekomenduojama reguliariai galąsti jį dilde arba pakeisti nauju.



## Po kiekvieno naudojimo žoliapjovę išvalykite.

### PJOVIMO LYNELIO ILGIO REGULIAVIMAS

Naudotojas gali pailginti žoliapjovės galvutės pjovimo lynelį nestabdydamas variklio. Pjovimo lyneliui atspurus ar sudilus, daugiau lynelio galima ištraukti nestipriai stuktelėjus žoliapjovės galvutę į žemės paviršių (M pav.).

**PASTABA.** Kuo pjovimo lynelis trumpesnis, tuo daugiau reikės stuktelėjimų.

**⚠️ ĮSPĖJIMAS.** Pjovimo lynelio nukirtimo peilio nenuimkite ir nekeiskite jo konstrukcijos. Jeigu lynelis per ilgas, gali perkaisti variklis ir galite sunkiai susižaloti.

### LYNELIO KEITIMAS

**PASTABA:** Visada naudokite rekomenduojamą pjovimo lynelį, kurio skersmuo neviršija 2,4 mm. Naudojant kitokį nei nurodyta pjovimą lynelį, žoliapjovė gali perkaisti arba sugesti.

**⚠️ ĮSPĖJIMAS:** Niekada nenaudokite metalinio lynelio, vielos, trosu, ir pan. Jie gali nutūrkėti ir tapti pavojingomis skriejančiomis šukšlėmis.

1. Išimkite sudėtinę bateriją.
2. Jei reikia, pašalinkite likusį pjovimo lynelį.
3. Nupjaukite 4 m pjovimo lynelio. Įkiškite lynelį į plyšelyje esančią montavimo angą (O pav.). Kiškite pjovimo lynelį ir ištraukite kitoje pusėje; traukite, kol abiejose ritės pusėse lynelio bus vienodo ilgio.
4. Įdėkite akumuliatorių į žoliapjovę su lyneliu.
5. Paspauskite lynelio pakrovimo mygtuką ir palaikykite kol įsijungs lynelio vyniojimo variklis. Lynelis bus nepertraukiamai vyniojamas į žoliapjovės galvutę (P pav.).
6. Atidžiai stebėkite likusį lynelio ilgį. Spustelėkite lynelio pakrovimo mygtuką ir sureguliuokite ilgį taip, kad kiekvienoje pusėje liktų 13 cm.
7. Norėdami ranka traukti lynelį, nuspauskite žoliapjovės galvutę žemyn ir traukite lynelio galus bei patikrinkite, ar tinkamai sumontuota žoliapjovės pjovimo lynelį.

Kai pjovimo lynelis nutrūksta ties lynelio išleidimo anga arba nepailgėja stuktelėjus žoliapjovės galvutę į žemę, atlikite šiuos veiksmus:

1. Iš žoliapjovės išimkite akumuliatorių.
2. Nuspauskite žoliapjovės galvutės atkabinimo auseles ir traukdami išimkite apatinę gaubto dalį (Q pav.).
3. Nuvyniokite pjovimo lynelį nuo ritės.
4. Įstatykite spyruoklę į apatinę gaubto dalies angą (R pav.).

5. Viena ranka laikydami žoliapjovę, kita ranka suimkite apatinę gaubto dalį ir sulygiuokite apatinę gaubto dalies angas su atkabinimo auselėmis. Spauskite apatinę gaubto dalį, kol išgirsite spragtelėjimą, kuris reiškia, kad dalis užsifiksavo (S pav.).
6. Kaip pakeisti pjovimo lynelį žiūrėkite skyriuje „LYNELIO KEITIMAS“.

### ŽOLIAPJOVĖS GALVUTĖS KEITIMAS

**⚠️ ĮSPĖJIMAS:** Jeigu galvutė atsipalaiduoja po to, kai ji pritvirtinama, ją iš karto pakeiskite. Niekada nenaudokite žoliapjovės su palaidu pjovimo įtaisu. Nedelsdami pakeiskite pjovimo galvutę, jei ji įtrūkusi, pažeista arba susidėvėjusi, net jei tai tik paviršiniai įtrūkimai. Tokie priedai sukdamiesi dideliu greičiu gali subyrėti ir sukelti sunkių sužalojimų.

### NUIMKITE ŽOLIAPJOVĖS GALVUTĘ.

1. Iš žoliapjovės išimkite akumuliatorių.
2. Nuspauskite žoliapjovės galvutės atkabinimo auseles ir traukdami išimkite apatinę gaubto dalį.
3. Nuvyniokite pjovimo lynelį nuo žoliapjovės galvutės (S pav.).
4. Jei reikia, ištraukite spyruoklę iš ritės įrenginio. Išsaugokite ją, nes jos prireiks surinkimo metu.
5. Mūvėkite pirštines. Viena ranka suimkite ritės įrenginį, kad jį stabilizuotumėte, o kita ranka laikydami smūginį veržliaraktį (nepriedamas) atlaisvinkite veržlę sukdami prieš laikrodžio rodyklę (X pav.).
6. Nuimkite veržlę, ritės laikiklį, viršutinį gaubtą, viršutinį pagrindo gaubtą nuo variklio veleno (T pav.).

**PASTABA:** Dvi įvoreris lengvai nukrenta nuo variklio veleno, todėl būkite atsargūs, kad jų nepamestumėte.

7. Pakeiskite naują žoliapjovės galvutę ir pritvirtinkite ją atlikdami toliau nurodytus veiksmus.

T-1	Ivorė	T-6	Žoliapjovės pjovimo valas
T-2	Viršutinis gaubtas	T-7	Apatinis gaubtas
T-3	Veržlė	T-8	Viršutinis pagrindo gaubtas
T-4	Poveržlė	T-9	Įrenginys Ritės įrenginys
T-5	Spyruoklė		

### UŽDĖKITE NAUJĄ ŽOLIAPJOVĖS GALVUTĘ

1. Įstatykite įvoreris į variklio veleną ir pritvirtinkite viršutinį pagrindo gaubtą (T pav.).
2. Pirmiausia pritvirtinkite viršutinį gaubtą, tada ritės įrenginį, poveržlę ir veržlę. Veržlę priveržkite smūginiu veržliaraktiu (U ir V pav.).
3. Uždėkite apatinį gaubtą.
4. Įdėkite pjovimo lynelį.

LT

5. Paleiskite įrankį ir patikrinkite, ar žoliapjovė su lyneliu veikia taip, kaip turėtų. Jei ne, pakartokite surinkimą kaip aprašyta aukščiau pirmiau.

## TECHNINĖ PRIEŽIŪRA

**⚠️ ĮSPĖJIMAS:** atlikdami techninės priežiūros darbus, naudokite tik identiškas atsargines dalis. Įrankį reguliariai tikrinkite ir techniškai prižiūrėkite. Norint užtikrinti saugumą ir patikimumą, visus remonto darbus turi atlikti kvalifikuotas techninės priežiūros specialistas.

**⚠️ ĮSPĖJIMAS:** Kad išvengtumėte sunkaus susižalojimo, prieš atlikdami techninę priežiūrą, valydami žoliapjovę, keisdami priedus arba valydami žolės likučius, iš įrankio išimkite sudėtinę bateriją.

**⚠️ DĖMESIO:** Ventilacinėse angose susikaupę šiukšlės trukdo orui patekti į variklio korpusą, dėl ko variklis gali perkaisti ar sugesti.

## ĮRANKIO VALYMAS

- Įrankį valykite mažos koncentracijos ploviklio tirpale suvilgyta šluoste. Niekada neleiskite jokiam skysčiui patekti į įrankio vidų; niekada nenardinkite jokios įrankio dalies į skystį.
- Plastikinėms korpuso arba rankenos dalims valyti nenaudokite jokių koncentruotų ploviklių. Aromatinės alyvos (pvz., pušies ar citrinų) ir tirpikliai, pvz., žibalas, gali jas sugadinti. Drėgmė taip pat gali kelti elektros smūgio pavojų. Bet kokią drėgmę nusauskite minkštu sausu audeklu.
- Naudokite mažą šepetėlį arba mažą dulkių siurblio šepetėlį, kad išvalytumėte variklio korpuso ventilacines angas.
- Variklio korpuso ventilacinės angos visada turi būti neužkimštos.

LT

## PAGALĄSKITE PJOVIMO LYNIJOS PEILĮ.

**⚠️ ĮSPĖJIMAS:** Kai atliekate pjovimo lynelio techninės priežiūros darbus, visada apsaugokite rankas užsimaudami tvirtas pirštines.

1. Nuimkite pjovimo lynelio peilį nuo apsauginio priedo.
2. Pritvirtinkite peilį spaustuke.
3. Peilio pjovimo kraštus atsargiai nušlifukite dilde smulkiais dantukais arba galandimo akmeniu, būkite atsargūs, kad išlaikytumėte pradinį pjovimo briaunos kampą.
4. Uždėkite peilį ant gaubto ir pritvirtinkite dviem varžtais.

## PRIETAISO LAIKYMAS

- Kai žoliapjovės nenaudojate, išimkite iš jos sudėtinę bateriją.
- Prieš sandėliavimą kruopščiai nuvalykite įrankį.
- Laikykite sausoje, gerai vėdinamoje, rakinamoje patalpoje arba aukštai, vaikams neprieinamoje vietoje. Nelaikykite įrankio ant arba šalia trašų, benzino arba kitų chemikalų.

## Aplinkos apsauga

Neišmeskite elektros įrangos, panaudotų baterijų ir įkroviklio kartu su buitinėmis atliekomis! Šias atliekas reikia pristatyti į jų surinkimo vietą ar įgaliotam perdirbėjui. Elektrinius įrankius reikia grąžinti į atitinkamą perdirbimo įmonę.



## TRIKČIŲ ŠALINIMAS

PROBLEMA	PRIEŽASTIS	SPRENDIMAS
Žoliapjovės nepavyksta paleisti.	<ul style="list-style-type: none"> <li>■ Akumuliatorius neprijungtas prie žoliapjovės.</li> <li>■ Nėra elektros kontakto tarp žoliapjovės ir baterijos.</li> <li>■ Sudėtinė baterija visiškai išsikrovusi.</li> <li>■ Prieš nuspaudžiant gaiduką, gaidukas nejuda į priekį</li> </ul>	<ul style="list-style-type: none"> <li>■ Prijunkite akumuliatorių prie žoliapjovės.</li> <li>■ Išimkite sudėtinę bateriją, patikrinkite kontaktus ir vėl įstatykite sudėtinę bateriją.</li> <li>■ Įkraukite sudėtinę bateriją.</li> <li>■ Paspauskite fiksavimo liežuvelį į priekį, tada paspauskite gaiduką.</li> </ul>
Žoliapjovė sustoja darbo metu.	<ul style="list-style-type: none"> <li>■ Nepritvirtinta žoliapjovės apsauga, todėl per ilgą pjovimo lynelis sukelia variklio perkrovą.</li> <li>■ Naudojamas per sunkus pjovimo lynelis.</li> <li>■ Ant variklio veleno arba žoliapjovės galvutės apsivyniojusi žolė.</li> <li>■ Variklio perkrova.</li> <li>■ Sudėtinė baterija arba žoliapjovė yra per daug įkaitusios.</li> <li>■ Sudėtinė baterija atjungta nuo įrankio.</li> <li>■ Sudėtinė baterija visiškai išsikrovusi.</li> <li>■ Nesubalansuota po pjovimo linijos montavimo.</li> </ul>	<ul style="list-style-type: none"> <li>■ Išimkite sudėtinę bateriją ir pritvirtinkite žoliapjovės apsaugą.</li> <li>■ Naudokite rekomenduojamą nailono pjovimo valą, kurio skersmuo ne didesnis kaip 2,4 mm.</li> <li>■ Sustabdykite žoliapjovę, išimkite sudėtinę bateriją ir tuomet nuvalykite žolę nuo variklio veleno arba žoliapjovės galvutės.</li> <li>■ Nuvalykite žolę nuo žoliapjovės galvutės. Pašalinus apkrovą variklis pradės veikti kaip įprasta. Pjaudami judinkite pjovimo galvutę link ir nuo pjaunamos žolės, bei vienu kartu nenujunkite daugiau kaip 20 cm.</li> <li>■ Atvėsinkite bateriją arba žoliapjovę su lyneliu.</li> <li>■ Vėl įdėkite sudėtinę bateriją.</li> <li>■ Įkraukite sudėtinę bateriją.</li> <li>■ Kad virvės ilgis būtų simetriškas, stuktelėkite žoliapjovės galvutę.</li> </ul>
Žoliapjovės galvutė nepadauda pjovimo lynelio.	<ul style="list-style-type: none"> <li>■ Ant variklio veleno arba žoliapjovės galvutės apsivyniojusi žolė.</li> <li>■ Ritėje nepakanka pjovimo lynelio arba lynelis nutrūko nuo kilpos.</li> <li>■ Lynelis susipainiojo.</li> <li>■ Pjovimo lynelis per trumpas.</li> </ul>	<ul style="list-style-type: none"> <li>■ Sustabdykite žoliapjovę, išimkite bateriją ir tuomet nuvalykite variklio veleną ir žoliapjovės galvutę.</li> <li>■ Išimkite bateriją ir pakeiskite pjovimo lynelį; vadovaukitės šio vadovo skyriumi „LYNELIO KEITIMAS“.</li> <li>■ Išimkite bateriją ir pakeiskite pjovimo lynelį; vadovaukitės šio vadovo skyriumi „LYNELIO KEITIMAS“.</li> <li>■ Išimkite bateriją ir pakeiskite pjovimo lynelį; vadovaukitės šio vadovo skyriumi „LYNELIO KEITIMAS“.</li> </ul>
Žolė apsivynioja aplink žoliapjovės galvutę ir variklio korpusą.	<ul style="list-style-type: none"> <li>■ Aukštą žolę pjaunate palei žemę</li> </ul>	<ul style="list-style-type: none"> <li>■ Kad ant žoliapjovės galvutės neapsivyniotų žolė, aukštą žolę pjaukite iš viršaus į apačią, vienu kartu pjaudami ne daugiau kaip 20 cm.</li> </ul>

LT

PROBLEMA	PRIEŽASTIS	SPRENDIMAS
Žoliapjovės galvutės įtrūkimai arba ritės pagrinde atsilaisvino ritės laikiklis.	<ul style="list-style-type: none"> <li>■ Susidėvėjo žoliapjovės galvutė.</li> <li>■ Atsilaisvino žoliapjovės galvutę laikanti veržlė.</li> </ul>	<ul style="list-style-type: none"> <li>■ Nedelsdami pakeiskite pjovimo lynelį; vadovaukitės šio vadovo skyriumi „LYNELIO KEITIMAS“.</li> <li>■ Atidarykite žoliapjovės galvutę ir priveržkite veržlę smūginiu veržliarakčiu.</li> </ul>
Nepavyksta tinkamai užvynioti pjovimo linijos ant žoliapjovės galvutės.	<ul style="list-style-type: none"> <li>■ Naudojamas per ilgas pjovimo lynelis.</li> <li>■ Žoliapjovės galvutėje susikaupė žolių atliekų ar nešvarumų, kurie blokuoja ritės judėjimą.</li> <li>■ Variklis perkaitęs dėl to, kad pakartotinai naudojama lynelio vyniojimo sistema.</li> <li>■ Akumulatorius beveik išsekęs</li> </ul>	<ul style="list-style-type: none"> <li>■ Nupjaukite valą taip, kad apie 13 cm matytųsi iš abiejų pusių.</li> <li>■ Išimkite bateriją, atidarykite žoliapjovės galvutę ir kruopščiai ją išvalykite.</li> <li>■ Palikite žoliapjovę padirbti kelias minutes be apkrovos, kad atvėsintumėte variklį, tada pabandykite iš naujo įdėti lynelį.</li> <li>■ Įkraukite bateriją.</li> </ul>
Kišant valą, pjovimo lynelio neina prakišti per trimerio galvutę.	<ul style="list-style-type: none"> <li>■ Pjovimo lynelis pertrūkęs arba sulenktas gale.</li> <li>■ Apatinis gaubtas neužsideda sumontavus.</li> </ul>	<ul style="list-style-type: none"> <li>■ Nupjaukite susidėvėjusį lynelio galą ir vėl įdėkite.</li> <li>■ Pritvirtinkite akumuliatorių prie žoliapjovės; spustelėkite lynelio pakrovimo mygtuką, kad pradėtumėte maitinimą ir atlaisvintumėte apatinį gaubtą.</li> </ul>

## GARANTIJA

### EGO GARANTINĖ POLITIKA

Norėdami sužinoti visas EGO garantinės politikos sąlygas, apsilankykite interneto svetainėje [egopowerplus.com](http://egopowerplus.com).

KEES VAN DER SPEK  
TUINMACHINES ★ STOLWIJK

LT

## IZLASIET VISUS NORĀDĪJUMUS!



### IZLASIET LIETOTĀJA ROKASGRĀMATU

**⚠ Citi riski!** Personām, kuras lieto elektroniskas ierīces, piemēram, elektrokardiostimulatorus, pirms šīs ierīces lietošanas jākonsultējas ar savu ārstu. Elektriskā aprīkojuma darbība sirds elektrokardiostimulatora tuvumā var radīt stimulatora darbības traucējumus vai kļūmes.

## DROŠĪBAS APZĪMĒJUMS

Jebkura elektroinstrumenta lietošanas laikā acis var iekļūt svešķermeņi, kas var radīt smagu acu traumu. Pirms elektroinstrumenta ieslēgšanas vienmēr uzvelciet aizsargbrilles vai aizsargbrilles ar sānu aizsargiem un, ja nepieciešams, pilnu sejas aizsargmasku. Iesakām izmantot aizsargmasku ar plašu skata leņķi, ko uzvelk virs parastajām brillēm, vai arī standarta aizsargbrilles ar sānu aizsargiem.



Drošības brīdinājums



Valkāt acu aizsarglīdzekļus. Lietojot šo izstrādājumu, vienmēr valkājiet aizsargbrilles vai aizsargbrilles ar sānu aizsargiem un pilnu sejas aizsargu.



Valkāt dzirdes aizsarglīdzekļus. Strādājot ar šo izstrādājumu, vienmēr izmantojiet dzirdes aizsarglīdzekļus.



Lietot galvas aizsarglīdzekļus. Valkājiet apstiprinātu cieto aizsargcepurī, lai pasargātu savu galvu.



Neuzstādiēt apaļās formas griešanas asmeņus.



Griešanas platums: maksimālais auklas trimmera griešanas platums



Lietojot auklas trimmeri, sekojiet, lai citi cilvēki un mājdzīvnieki atrastos vismaz 15 m attālumā no tā.



Garantētais skaņas intensitātes līmenis. Trokšņa emisija vidē atbilstoši Eiropas Kopienas direktīvai.



Elektrisko izstrādājumu atkritumus nedrīkst izmest kopā ar sadzīves atkritumiem. Nogādājiet uz pilnvarotu pārstrādes punktu.

$n_o$

Rotācijas ātrums bez slodzes brīvgaitā



Lai mazinātu traumu gūšanas bīstamību, lietotājam jāizlasa lietotāja rokasgrāmata.



Valkāt drošības apavus. Lietojot šo izstrādājumu, valkājiet drošības apavus ar neslidošu zoli.



Valkāt aizsargcimdus. Darbojoties ar asmeni vai asmens aizsargu, sargājiet savas rokas, valkājot cimdus.



Uzmanību, asmens atsitiena risks! Brīdiniet operatoru pār asmens atsitiena briesmām.



Auklas diametrs. Neilona griezējauklas diametrs



Lidojoši priekšmeti var atsieties un radīt miesas bojājumus vai kaitējumu īpašumam. Lietojot krūmgriezi, sekojiet, lai citi cilvēki un mājdzīvnieki neatrastos tā tuvumā.



Neizmantojiet lietū vai neatstājiet ārā, kamēr līst lietus.



Šis izstrādājums atbilst piemērojamām EK direktīvām.

V

Spriegums

.../min Minūtē

kg Kilograms

LV

## SPECIFIKĀCIJAS

Spriegums	56 V ---	
Apgriezienu skaits, strādājot bez slodzes	Iestatījums mazā ātrumā: 3000-4500 RPM Iestatījums lielā ātrumā: 4000-5800RPM	
Griešanas mehānisms	Piespiežamā galva	
Griezējaukļa veids	2,4 mm neilona griezējaukļa	
Pļaušanas platums	35 cm	
Ieteicamā darba temperatūra	0°C - 40°C	
Ieteicamā uzglabāšanas temperatūra	-20°C - 70°C	
Optimālā uzlādes temperatūra	5°C - 40°C	
Svars (bez akumulatoru bloka)	5,8 kg	
Izmērītais skaņas intensitātes līmenis $L_{WA}$	88,98 dB(A) K=2 dB(A)	
Trokšņa spiediena līmenis pie lietotāja auss $L_{PA}$	68,96 dB(A) K=2 dB(A)	
Garantētais skaņas intensitātes līmenis $L_{WA}$ (mērīts saskaņā ar 2000/14/EK)	91 dB(A)	
Vibrācijas ietekmes novērtējums $a_{h_v}$	Priekšējais palīgrokturis	3,2 m/s <sup>2</sup> K=1,5 m/s <sup>2</sup>
	Aizmugurējais rokturis	2,3 m/s <sup>2</sup> K=1,5 m/s <sup>2</sup>

LV

- Norādītā vibrāciju kopējā vērtība ir izmērīta saskaņā ar standarta pārbaudes metodi un var tikt izmantota, lai salīdzinātu vairākus instrumentus.
- Deklarēto vibrāciju emisijas vērtību var arī lietot iepriekšējai vibrāciju iedarbības novērtēšanai.

**PIEZĪME!** Vibrāciju emisijas faktiskajā elektroinstrumenta darbināšanas laikā var atšķirties no norādītās vērtības. Lai pasargātu operatoru, lietotājam jāvalkā cimdi un dzirdes aizsarglīdzekļi atbilstoši patiesajiem darba apstākļiem.

## APRAKSTS

### PĀRZINIET SAVU AUKLAS TRIMMERI (A1 att.)

1. Aizmugurējais rokturis
2. Augsta/zema ātruma pārslēgšanas slēdzis
3. Regulējams priekšējais palīgrokturis
4. Engē

5. Auklas uztīšanas poga
6. Aizsargs
7. Fiksācijas stienis
8. Augstuma bloķēšanas gredzens
9. Ieslēgšanas slēdzis
10. Fiksācijas mēlīte
11. Trimmera galva (piespiežamā galva)
12. Auklas griezējasmens
13. Atlaišanas izcilnis
14. Griezējaukļa
15. Akumulatora atbrīvošanas poga
16. Slēgmehānisms
17. Elektriskie kontakti
18. Izsviešanas mehānisms
19. Sešskaldņu uzgriežņu atslēga

## IEPAKOJUMA SATURA SARAKSTS (A1 ATT.)

### MONTĀŽA

#### VĀRPSTAS ATLOCĪŠANA

**▲ BRĪDINĀJUMS!** Neturiet vārpstu aiz savienojumvietām, lai tajās neiespiestu plaukstu vai pirkstus.

**▲ BRĪDINĀJUMS!** Nemēģiniet iedarbināt trimmeri, kamēr nav nobloķēta vārpsta.

Uzmanīgi atlokiet vārpstu, lai kabelis paliktu vārpstas iekšpusē, un pieskrūvējiet ar abām skrūvēm, izmantojot komplektācijā iekļauto uzgriežņatslēgu (B1 un B2 att.).

#### AIZSARGA MONTĀŽA

Novietojiet trimmeri tādā veidā, lai tā galva būtu vērsta uz augšu (C1 att.). Novietojiet aizsarga montāžas caurumus vienā līmenī ar caurumiem pamatnē, pēc tam nofiksējiet aizsargu vārpstas pamatnē, ieskrūvējot abas skrūves (C2 att.).

**PIEZĪME!** Pārlicinieties, vai aizsargs ir pietiprināts pareizi tā, kā norādīts C1 un C2 attēlos; nepareizi uzstādīts aizsargs ir ļoti bīstams!

#### PIEKŠĒJĀ PALĪGROKTURA UZSTĀDĪŠANA UN REGULĒŠANA

1. Atskrūvējiet fiksācijas stieni priekšējā palīgrokturī un izņemiet fiksācijas stieni un spārmuzgriezni no priekšējā palīgroktura (D att.).

D-1	Priekšējais palīgrokturis	D-3	Spārmuzgrieznis
D-2	Stiprinājuma bloks	D-4	Fiksācijas stienis

2. Nospiediet priekšējo palīgrokturī uz vārpstas starp augstuma bloķēšanas gredzenu un engi (E att.).
3. Ievietojiet stiprinājuma bloku roktura gropē (F att.)

- Uzstādiēt fiksācijas stieņa sviru un pievelciet ar spārnuzgriezni. Pārliecinieties, vai priekšējais palīgrokturis ir vērsts uz augšu un virzienā uz aizmugurējā roktura augšējo daļu (J att.).
- Pavelciet uz augšu fiksācijas stieņa sviru, lai varētu viegli pārvietot/pagriezt cilpveida formas rokturi pozīcijā, kurā jums ir ērti strādāt. Pēc tam nofiksējiet fiksācijas stieņa sviru. (H att.).

**▲ BRĪDINĀJUMS!** Neizmantojiet darbarīku bez pietiprināta priekšējā palīgroktura.

### AIZMUGURĒJĀ ROKTURA REGULĒŠANA

Ja vārpstas garums nav piemērots darbam, vārpstas garumu var noregulēt ar augstuma bloķēšanas gredzena palīdzību.

- Izņemiet no trimmera akumulatoru bloku.
- Lai noregulētu trimmera augstumu, atveriet augstuma bloķēšanas gredzenu un pēc tam noregulējiet vārpstu vēlamajā augstumā, pavirzot uz augšu vai uz leju, pēc tam nostipriniet, piespiežot bloķēšanas gredzenu (I att.).

**PIEZĪME!** Pēc trimmera augstuma nomaiņas, iespējams, būs jānoregulē priekšējais palīgrokturis.

### EKSPLUATĀCIJA

**▲ BRĪDINĀJUMS!** Vienmēr kopā ar dzirdes aizsarglīdzekļiem valkājiet arī aizsargbrilles vai drošības brilles ar sānu aizsargiem. Šo noteikumu neievērošanas rezultātā acis var nonākt svešķermeņi vai arī jūs varat gūt citas smagas traumas.

Šo izstrādājumu var lietot tālāk norādītajiem mērķiem:

**Apgriešana:** izmantojiet zāles un nezāļu nogriešanai pie sienām, žogiem, kokiem un apmalēm.

**Griešana:** lietojiet zāles nogriešanai vietās, kur ir grūti piekļūt ar parastu zāles pļāvēju jeb pļaujmašīnu.

### AKUMULATORU BLOKA IEVIETOŠANA/ IZNĒMŠANA

Izmantojiet kopā tikai ar A2 attēlā norādītajiem EGO akumulatoru blokiem un lādētājiem.

**Pirms pirmās lietošanas reizes akumulators ir pilnībā jāuzlādē.**

### Piestiprināšana

Salāgojiet akumulatora izciļņus ar stiprinājuma rievām un iespiediet akumulatoru bloku, līdz ir dzirdama „klikšķa” skaņa (J1 att.).

### Izņemšana

Nospiediet akumulatora atbrīvošanas pogu un izvelciet akumulatoru bloku tā, kā tas parādīts J2 attēlā.

J-1	Akumulatora atbrīvošanas poga
-----	-------------------------------

### AUKLAS TRIMMERA TURĒŠANA

Turiet auklas trimmeri ar abām rokām: vienai rokai jāatrodas uz aizmugurējā roktura un otrai rokai - uz priekšējā palīgroktura.

**PIEZĪME!** Trimmera galvai ir jāatrodas paralēli zemes virsmai atbilstošā griešanas augstumā un operatora augums nedrīkst būt saliekts (K att.).

### AUKLAS TRIMMERA IEDARBINĀŠANA/ APTURĒŠANA

#### Iedarbināšana

Pabīdiēt fiksācijas mēlīti uz priekšu, un tad nospiediet ieslēgšanas slēdzi.

Slēdzim ir bezpakāpiju ātruma regulēšanas funkcija. Jo stingrāk piespiežat slēdzi, jo lielāks ātrums (L att.).

#### Apturēšana

Atļaidiet ieslēgšanas slēdzi.

#### ĀTRUMA REGULĒŠANAS FUNKCIJA (L ATT.)

Auklas trimmerim ir divi ātrumi. „LOW” pozīcija ir zems ātrums, bet „HIGH” pozīcija — liels ātrums.

L attēla detaļu aprakstu skatiet tālāk.

L-1	Augsta/zema ātruma pārslēgšanas slēdzis	L-2	Ieslēgšanas slēdzis
-----	---	-----	---------------------

### AUKLAS TRIMMERA LIETOŠANA

Pirms katras lietošanas reizes attīrīet apstrādājamo vietu. Savāciet akmeņus, stikla lauskas, naglas, vadus vai auklas, kas var tikt izsviestas vai iekļūt griešanas piercē. Nepieļaujiet bērnu, citu personu un mājdzīvnieku atrašanos darba vietā. Sekojiet, lai bērni, citas personas un mājdzīvnieki atrastos vismaz 15 m attālumā, vēl arvien pastāv apdraudējums, ko rada izsviesti objekti. Sekojiet, lai apkārtējie izmantotu acu aizsarglīdzekļus. Ja strādājot kāds jums tuvojas, nekavējoties apturiet motoru un griešanas pierci.

**Pirms katras lietošanas reizes pārbaudiet, vai nav bojātu/nodilušu daļu**

Pārbaudiet ierīces piespiežamo galvu, aizsargu un priekšējo rokturi un nomainiet detaļas, ja tās ir saplaisājušas, savijušās, salocījušās vai bojātas.

Ar laiku auklas griešanas asmens uz aizsarga var kļūt truls. Ieteicams periodiski asināt asmeni ar vīli vai nomainīt to.

Trimmeris ir jānotīra pēc katras lietošanas reizes.

## TRIMMERA AUKLAS GARUMA REGULĒŠANA

Trimera galva ļauj operatoram izbīdīt vairāk griešanas auklas, neapsturot motoru. Ja aukla sadīst vai nolietojas, tad, nedaudz piesitot trimmera galvu pret zemi trimmera lietošanas laikā, var izbīdīt jaunu auklas garumu (M att.).

**PIEZĪME!** Trimmera auklai paliekot īsākai, auklas padošanai būs vairākkārt jāpiesiet galviņa.

**⚠ BRĪDINĀJUMS!** Nenoņemiet un nepārveidojiet auklas griešanas asmens mezglu. Pārmērīgi gara aukla izraisīs motora pārkaršanu, un var rasties smagi miesas bojājumi.

## AUKLAS NOMAIŅA

**PIEZĪME!** Vienmēr lietojiet ieteikto neilona griezējauklu, kuras diametrs nepārsniedz 2,4 mm. Cita veida auklas izmantošana var izraisīt auklas trimmera pārkaršanu vai var to sabojāt.

**⚠ BRĪDINĀJUMS!** Nekad neizmantojiet auklu ar metāla pastiprinājumiem, stiepli, virvi u.tml. Šāda veida auklas var salūst un kļūt par bīstamiem, lielā ātrumā izsviestiem objektiem.

1. Izņemiet akumulatoru bloku.
2. Nepieciešamības gadījumā izņemiet atlikušo griezējauklas daļu.
3. Nogrieziet 4 m griezējauklas. Ievelciet auklu montāžas caurumā actiņas iekšpusē (O att.). Iespiediet un izvelciet auklu no otras puses, līdz spolei abās pusēs var redzēt vienāda garuma auklu.
4. Ievietojiet auklas trimmerī akumulatoru bloku.
5. Lai palaiestu auklas uztīšanas motoru, turiet nospiestu auklas uztīšanas pogu. Aukla tiks nepārtraukti tīta trimmera galvā (P att.).
6. Uzmanīgi vērojiet, kad pienāk auklas atlikusī daļa. Īsi nospiediet auklas uztīšanas pogu, lai pielāgotu garumu, līdz abās pusēs ir redzama 13 cm gara aukla.
7. Lai pārbaudītu, vai griezējaukla ir pareizi uzstādīta, velkot auklu, piespiediet trimmera galvu — šādi to varēs izvilkt ar rokām.

Ja griešanas aukla pārtrūkst pie auklas izejas vai griešanas aukla netiek padota, piesitot ar trimera galvu, izpildiet tālāk norādītās darbības:

1. Izņemiet no trimmera akumulatoru bloku.
2. Nospiediet atbrīvošanas izciļņus uz trimmera galvas un noņemiet apakšējo daļu, izvelkot to uz āru (Q att.).
3. Izņemiet griezējauklu no spoles.

4. Ievietojiet atsperi apakšējās daļas rievā (R att.).
5. Ar vienu roku pieturiet trimmeri, un ar otru roku satveriet apakšējo daļu, lai salāgotu apakšējās daļas rievās ar atlaišanas izciļņiem. Piespiediet apakšējo daļu, līdz tā nofiksējas, un būs dzirdama „klikšķa” skaņa (S attēls).
6. Lai uztītu griezējauklu, ievērojiet sadaļā „**AUKLAS NOMAIŅA**” sniegtos norādījumus.

## TRIMMERA GALVAS NOMAIŅA

**⚠ BRĪDINĀJUMS!** Ja galva pēc tās nostiprināšanas kļūst vaļīga, nekavējoties nomainiet to. Nekādā gadījumā nelietojiet trimmeri ar vaļīgu griešanas pierci. Nekavējoties nomainiet saplaisājušu, bojātu vai nolietojušos griezējgalvu pat tad, ja konstatētas tikai nenozīmīgas plaisas. Šādas pierces var salūzt, griežoties lielā ātrumā, un radīt smagu traumu.

## TRIMMERA GALVAS NOŅĒMŠANA

1. Izņemiet no trimmera akumulatoru bloku.
2. Nospiediet atlaišanas izciļņus uz trimmera galvas un noņemiet trimmera galvas apakšējo daļu, izvelkot to uz āru.
3. Izņemiet griezējauklu no trimmera galvas (S att.).
4. Vajadzības gadījumā izņemiet no spoles atsperi. Saglabājiet atsperi, jo tā būs nepieciešama uzstādīšanai.
5. uzvelciet cimdus. Ar vienu roku satveriet spoli, lai to stabilizētu, un otrā rokā paņemiet trieciņa uzgriežņu atslēgu (komplektā nav iekļauta), lai atskrūvētu uzgriezni pretēji pulksteņrādītāja kustības virzienam (X att.).
6. Noņemiet no motora vārpstas uzgriezni, spoles aizturi, augšējo daļu un augšējo pamatnes vāku (T att.).

**PIEZĪME!** Abas bukses viegli nonāk no motora vārpstas, tādēļ rīkojieties uzmanīgi, lai tās nenozaudētu.

7. Nomainiet jaunu trimmera galvu un uzstādiet to tā, kā tas parādīts turpmākajos soļos.

T-1	Bukse	T-6	Trimmera aukla
T-2	Augšējā daļa	T-7	Apakšējā daļa
T-3	Uzgrieznis	T-8	Augšējais pamatnes vāks
T-4	Paplāksne	T-9	Uzstādīšana Spoles uzstādīšana
T-5	Atspere		

## JAUNAS TRIMMERA GALVAS UZSTĀDĪŠANA

1. Uzstādiet bukses uz motora vārpstas un uzlieciet augšējo pamatnes vāku (T att.).
2. Uzstādiet augšējo vāku, spoli, paplāksni un uzgriezni šādā secībā. Pievelciet uzgriezni ar trieciņa uzgriežņu atslēgu (U un V att.).



3. Uzlieciet apakšējo daļu.
4. Uztniniet griežējauklu.
5. Iedarbiniet darbarīku, lai redzētu, vai normāli darbojas auklas trimmeris. Ja tas tā nav, uzstādiēt vēlreiz, kā aprakstīts iepriekš.

## APKOPE

**⚠ BRĪDINĀJUMS!** Veicot ierīces apkopi, izmantojiet tikai identiskas rezerves daļas. Regulāri pārbaudiet instrumentu un veiciet tam apkopi. Lai garantētu drošību un uzticamību, visi remontdarbi jāveic kvalificētam apkopes tehnikam.

**⚠ BRĪDINĀJUMS!** Lai nepieļautu smagas traumas, pirms trimera apkopes, tīrīšanas, papildierīču maiņas vai zāles izņemšanas izņemiet akumulatora bloku.

**⚠ UZMANĪBU.** Ja ventilācijas atveres būs aizsērējušas, gaiss nevarēs iekļūt motora korpusā un motors pārkarstīs vai tiks sabojāts.

## INSTRUMENTA TĪRĪŠANA

- Tīriet ierīci ar mitru drānu un maigu mazgāšanas līdzekli. Nekādā gadījumā nepieļaujiet šķidruma iekļūšanu instrumentā; nekad neiegremdējiet šķidrumā nevienu no instrumenta daļām.
- Nefīriet plastmasas korpusu un rokturi ar kodīgiem tīrīšanas līdzekļiem. Plastmasas daļas var sabojāt ar zināmām aromatizētām eļļām, piemēram, priežu un citrona, un šķīdinātājiem, piemēram, petroleju. Elektrotraumu var radīt arī mitrums. Kārtīgi noslaukiet mitrumu ar mikstu, tīru drānu.
- Ventilācijas atveru tīrīšanai korpusa aizmugurē izmantojiet nelielu suku vai nelielu putekļsūcēja suku ar gaisa izplūdi.
- Turiet motora korpusa atveres tīras no gružiem.

## AUKLAS GRIEZĒJASMENS UZASINĀŠANA

**⚠ BRĪDINĀJUMS!** Vienmēr aizsargājiet savas rokas, valkājot biezus cimdus auklas griežējasmens apkopes darbu veikšanas laikā.

1. Izņemiet no aizsarga piederuma auklas griežējasmeni.
2. Nostipriniet asmeni skrūvspīlē.
3. Rūpīgi novīlējiet asmens griežējmalas ar smalku zobu asināšanas vīli vai asināšanas akmeni, un rīkojieties uzmanīgi, lai saglabātu oriģinālo griešanas leņķi.
4. Nomainiet aizsargam asmeni un nostipriniet to ar divām skrūvēm.

## IERĪCES UZGLABĀŠANA

- Ja auklas trimmeri neizmantojat, izņemiet no tā akumulatoru bloku.
- Pirms uzglabāšanas instruments ir kārtīgi jānotīra.
- Uzglabājiet ierīci sausā, labi vēdināmā, aizsaldzamā vai augstā — bērniem nepieejamā — vietā. Neuzglabājiet instrumentu blakus mēslojumam, degvielai vai citām ķīmikālijām.

## Apkārtējās vides aizsardzība

Neutilizējiet elektrisko aprīkojumu, izlietoto akumulatoru un lādētāju sadzīves atkritumos! Nogādājiet šo produktu uz pilnvarotu pārstrādes punktu un sagatavojiet atkritumu šķirošanai. Elektriskos instrumentus jānogādā videi nekaitīgā pārstrādes rūpnīcā.



## KĻŪDU NOVĒRŠANA

PROBLĒMA	CĒLONIS	RISINĀJUMS
Auklas trimmeris neieslēdzas.	<ul style="list-style-type: none"> <li>■ Auklas trimmerī nav ievietots akumulatoru bloks.</li> <li>■ Starp trimmeri un akumulatoru nav elektriskā savienojuma.</li> <li>■ Akumulatoru bloks ir izlādējies.</li> <li>■ Bloķēšanas sprūds nevirzās uz priekšu pirms ieslēgšanas slēdža nospiešanas</li> </ul>	<ul style="list-style-type: none"> <li>■ Ievietojiet auklas trimmerī akumulatoru bloku.</li> <li>■ Izņemiet akumulatoru, pārbaudiet kontaktus un ievietojiet atpakaļ.</li> <li>■ Uzlādējiet akumulatoru bloku.</li> <li>■ Pabīdīet fiksācijas mēlīti uz priekšu, un tad nospiediet ieslēgšanas slēdzi.</li> </ul>
Auklas trimmeris apstājas griešanas laikā.	<ul style="list-style-type: none"> <li>■ Uz trimmera nav uzstādīts aizsargs, kā rezultātā griezējaukļa ir par garu un rodas motora pārslodze.</li> <li>■ Izmantota smaga griezējaukļa.</li> <li>■ Motora vārpstu vai trimmera galvu nosprostojuši zāle.</li> <li>■ Motora pārslodze.</li> <li>■ Akumulatora bloks vai auklas trimmeris ir pārkarsis.</li> <li>■ Akumulatoru bloks ir atvienots no darbarīka.</li> <li>■ Akumulatoru bloks ir izlādējies.</li> <li>■ Pēc griezējaukļas uzstādīšanas trimmeris kļuvis nelīdzsvarots.</li> </ul>	<ul style="list-style-type: none"> <li>■ Izņemiet akumulatoru bloku un uzstādiet trimmerim aizsargu.</li> <li>■ Izmantojiet ieteikto neilona griezējaukļu, kuras diametrs nepārsniedz 2,4 mm.</li> <li>■ Apturiet trimmeri, izņemiet akumulatoru un iztīriet zāli no motora vārpstas un trimmera galvas.</li> <li>■ Paceliet no zāles trimmera galvu. Motors uzreiz pēc noslogojuma atbrīvošanas atsāks darboties. Pļaušanas laikā pārvietojiet trimmera galvu zālē uz augšu un leju, un neplaujiet vairāk par 20 cm ar vienu piegājieni.</li> <li>■ Atdzesējiet akumulatoru vai auklas trimmeri.</li> <li>■ Ielieciet atpakaļ akumulatoru bloku.</li> <li>■ Uzlādējiet akumulatoru bloku.</li> <li>■ Pieskarieties trimmera galvai, lai izveidotu simetrisku auklas garumu.</li> </ul>
Trimmera galva nepadod auklu.	<ul style="list-style-type: none"> <li>■ Motora vārpstu vai trimmera galvu nosprostojuši zāle.</li> <li>■ Spolē nav pietiekami daudz auklas vai arī aukla pārtrūkst atveres actiņā.</li> <li>■ Aukla ir sapinusi.</li> <li>■ Aukla ir par īsu.</li> </ul>	<ul style="list-style-type: none"> <li>■ Apturiet trimmeri, izņemiet akumulatoru un iztīriet zāli no motora vārpstu un trimmera galvu.</li> <li>■ Izņemiet akumulatoru un nomainiet griezējaukļu; skatiet šīs rokasgrāmatas nodaļu „<b>AUKLAS MAIŅA</b>”.</li> <li>■ Izņemiet akumulatoru un nomainiet griezējaukļu; skatiet šīs rokasgrāmatas nodaļu „<b>AUKLAS MAIŅA</b>”.</li> <li>■ Izņemiet akumulatoru un nomainiet griezējaukļu; skatiet šīs rokasgrāmatas nodaļu „<b>AUKLAS MAIŅA</b>”.</li> </ul>
Ap trimmera galvu un motora korpusu ir aptinusi zāle.	Garas zāles griešana pie zemes	Grieziet garu zāli no augšas uz leju, katru reizi vienā gājienā nogriežot par 20 cm, lai nepieļautu zāles aptīšanos.

LV

PROBLĒMA	CĒLONIS	RISINĀJUMS
Plaisas uz trimmera galvas vai spoles aizturis atskrūvējies no spoles pamatnes.	<ul style="list-style-type: none"> <li>Trimera galva ir nodilusi.</li> <li>Uzgrieznis, kas nofiksē trimmera galvu, ir atskrūvējies.</li> </ul>	<ul style="list-style-type: none"> <li>Nekavējoties nomainiet trimmera galvu; sekojiet norādījumiem šīs rokasgrāmatas sadaļā „<b>TRIMMERA GALVAS NOMAIŅA</b>”.</li> <li>Atveriet trimmera galvu un ar triecienu uzgriezņu atslēgu pievelciet uzgriezni.</li> </ul>
Griezējauklu nevar pareizi uzlīt uz trimmera galvas.	<ul style="list-style-type: none"> <li>Griezējaukļa ir par garu.</li> <li>Trimmera galvā ir uzkrājušies zāles atgriezumi vai netīrumi, kas bloķē auklas spoles kustību.</li> <li>Motors ir pārkaris, jo vairākkārt tika darbināta auklas uzlīšanas sistēma.</li> <li>Zems uzlādes līmenis</li> </ul>	<ul style="list-style-type: none"> <li>Sagrieziet auklu tā, lai abās pusēs būtu redzama apmēram 13 cm gara aukla.</li> <li>Izņemiet akumulatoru, atveriet trimmera galvu un rūpīgi iztīriet.</li> <li>Ļaujiet auklas trimmerim dažas minūtes darboties bez slodzes, lai atdzesētu motoru, pēc tam mēģiniet atkārtoti uzlīt auklu.</li> <li>Uzlādējiet akumulatoru.</li> </ul>
Ievietojot auklu, griezējauklu nevar izvērt cauri trimmera galvai.	<ul style="list-style-type: none"> <li>Griezējaukļa ir galā sadalījusies vai saliekusies.</li> <li>Apakšējo vāku pēc atkārtotas uzstādīšanas nevar atbrīvot.</li> </ul>	<ul style="list-style-type: none"> <li>Nogrieziet auklas nodilušo galu un ievietojiet auklu atpakaļ.</li> <li>Piestipriniet akumulatoru bloku trimmerim; nospiediet auklas uzlīšanas pogu, lai ātrā veidā uzlītu auklu un lai atbrīvotu apakšējo vāku.</li> </ul>

## GARANTĪJA

### EGO GARANTIJAS POLITIKA

Lūdzu, apmeklējiet tīmekļa vietni [egopowerplus.com](http://egopowerplus.com), kur pieejama pilna EGO garantijas politikas noteikumu un nosacījumu versija.

KEES VAN DER SPEK  
TUINMACHINES \* STOLWIJK

LV

## ΔΙΑΒΑΣΤΕ ΟΛΕΣ ΤΙΣ ΟΔΗΓΙΕΣ!



### ΔΙΑΒΑΣΤΕ ΤΟ ΕΓΧΕΙΡΙΔΙΟ ΧΡΗΣΗΣ

**⚠ Υπολειπόμενοι κίνδυνοι!** Άνθρωποι που φέρουν ηλεκτρονικές συσκευές όπως βηματοδότες πρέπει να συμβουλευούνται τους γιατρούς τους, πριν τη χρήση αυτού του προϊόντος. Η λειτουργία ηλεκτρολογικού εξοπλισμού κοντά σε βηματοδότη μπορεί να προκαλέσει παρεμβολές ή βλάβη στο βηματοδότη.

## ΣΥΜΒΟΛΟ ΑΣΦΑΛΕΙΑΣ

Η λειτουργία ηλεκτρικών εργαλείων μπορεί να προκαλέσει την εκτόξευση ξένων αντικειμένων στα μάτια σας, με αποτέλεσμα σοβαρό τραυματισμό. Πρωτο ξεκινήστε τη χρήση του ηλεκτρικού εργαλείου, φοράτε πάντα προστατευτικά γυαλιά ή γυαλιά με πλευρική προστασία και, εφόσον απαιτείται, πλήρη προστατευτική προσωπίδα. Συνιστούμε μια προσωπίδα ασφαλείας ευρείας όρασης, για χρήση πάνω από γυαλιά ή τα συνήθη προστατευτικά γυαλιά με πλευρική προστασία.



Προειδοποίηση ασφαλείας



Προκειμένου να μειωθεί ο κίνδυνος τραυματισμού, ο χρήστης πρέπει να διαβάσει το εγχειρίδιο χρήσης.



Φοράτε προστατευτικά γυαλιά - Φοράτε πάντοτε προστατευτικά γυαλιά ή γυαλιά ασφαλείας με πλευρική προστασία και πλήρη προστατευτική προσωπίδα κατά τη λειτουργία αυτού του προϊόντος.



Φοράτε υποδήματα ασφαλείας - Φοράτε αντισlipθητικά υποδήματα ασφαλείας όταν χρησιμοποιείτε αυτό τον εξοπλισμό.



Φοράτε προστατευτικά ακοής - Φοράτε πάντα προστατευτικά ακοής όταν χρησιμοποιείτε αυτό το προϊόν.



Φοράτε προστατευτικά γάντια - Προστατεύετε τα χέρια σας με γάντια κατά το χειρισμό της λεπίδας ή της καλύπτρας της λεπίδας.



Φοράτε προστασία για το κεφάλι - Φοράτε ένα εγκεκριμένο για την ασφάλεια κράνος για την προστασία του κεφαλιού σας.



Προσέχετε την ανάκρουση της λεπίδας - Ο χειριστής πρέπει να λαμβάνει πάντα υπόψη τον κίνδυνο ανάκρουσης της λεπίδας.



Μην εγκαθιστάτε στρογγυλές λεπίδες κοπής.



Διάμετρος μεσινέζας - Διάμετρος της νάιλον μεσινέζας



Πλάτος κοπής - Μέγιστο πλάτος κοπής χλοοκοπτικού με μεσινέζα



Αντικείμενα που εκτοξεύονται μπορεί να εξοστρακιστούν, προκαλώντας τραυματισμό ή υλικές ζημιές. Διασφαλίζετε ότι άλλα άτομα ή κατοικίδια παραμένουν μακριά από το θαμνοκοπτικό, όταν αυτό χρησιμοποιείται.

GR



Εξασφαλίζετε ότι άλλα άτομα ή κατοικίδια παραμένουν σε απόσταση τουλάχιστον 15 m από το χλοοκοπτικό με μεσινέζα όταν αυτό χρησιμοποιείται.



Να μη χρησιμοποιείται στη βροχή και να μην παραμένει σε εξωτερικό χώρο όταν βρέχει.



Εγγυημένη στάθμη ηχητικής ισχύος. Εκπομπές θορύβου στο περιβάλλον σύμφωνα με την οδηγία της Ευρωπαϊκής Ένωσης.



Αυτό το προϊόν συμμορφώνεται με τις εφαρμοστέες οδηγίες της ΕΚ.



Τα απόβλητα ειδών ηλεκτρικού και ηλεκτρονικού εξοπλισμού δεν πρέπει να απορρίπτονται στα οικιακά απορρίμματα. Παραδώστε τα σε εξουσιοδοτημένη μονάδα ανακύκλωσης.

V Τάση



Ταχύτητα χωρίς φορτίο - Ταχύτητα περιστροφής, χωρίς φορτίο

.../min Ανά λεπτό



Συνεχές ρεύμα

kg Χιλιόγραμμα

## ΤΕΧΝΙΚΕΣ ΠΡΟΔΙΑΓΡΑΦΕΣ

Τάση	56 V $\overline{\text{---}}$	
Ταχύτητα χωρίς φορτίο	Ρύθμιση χαμηλής ταχύτητας: 3000-4500 RPM Ρύθμιση υψηλής ταχύτητας: 4000-5800 RPM	
Μηχανισμός κοπής	Κεφαλή πρόσκρουσης	
Τύπος μεσινέζας	νάιλον συστρεφόμενη μεσινέζα 2,4 mm	
Πλάτος κοπής	35 cm	
Συνιστώμενη θερμοκρασία λειτουργίας	0°C - 40°C	
Προτεινόμενη θερμοκρασία αποθήκευσης	-20°C - 70°C	
Βέλτιστη θερμοκρασία φόρτισης	5°C - 40°C	
Βάρος (χωρίς συστοιχία μπαταριών)	5,8 kg	
Μετρημένη στάθμη ηχητικής ισχύος $L_{WA}$	88,98 dB(A) K=2 dB(A)	
Στάθμη ηχητικής πίεσης στο αυτί του χειριστή $L_{PA}$	68,96 dB(A) K=2 dB(A)	
Εγγυημένο επίπεδο ισχύος ήχου $L_{WA}$ (μέτρηση κατά 2000/14/EK)	91 dB(A)	
Αξιολόγηση δονήσεων $a_n$ :	Χειρολαβή μπροστινής υποβοήθησης	3,2 m/s <sup>2</sup> K=1,5 m/s <sup>2</sup>
	Πίσω χειρολαβή	2,3 m/s <sup>2</sup> K=1,5 m/s <sup>2</sup>

- Η αναφερόμενη συνολική τιμή κραδασμών έχει μετρηθεί σύμφωνα με την πρότυπη μέθοδο ελέγχου και μπορεί να χρησιμοποιηθεί για τη σύγκριση ενός εργαλείου με κάποιο άλλο.
- Η αναφερόμενη συνολική τιμή κραδασμών μπορεί να χρησιμοποιηθεί, επίσης, για την προκαταρκτική αξιολόγηση της έκθεσης.

**ΣΗΜΕΙΩΣΗ:** Οι εκπομπές κραδασμών κατά τη διάρκεια της πραγματικής χρήσης του ηλεκτρικού εργαλείου μπορεί να διαφέρουν από τη δηλωμένη τιμή στην οποία χρησιμοποιείται το εργαλείο. Για την προστασία του χειριστή, πρέπει να χρησιμοποιούνται γάντια και προστασία της ακοής στις πραγματικές συνθήκες χρήσης.

## ΠΕΡΙΓΡΑΦΗ

### ΓΝΩΡΙΣΤΕ ΤΟ ΧΛΟΟΚΟΠΤΙΚΟ ΜΕ ΜΕΣΙΝΕΖΑ (Εικ. Α1)

1. Πίσω χειρολαβή
2. Διακόπτης υψηλής/χαμηλής ταχύτητας
3. Ρυθμιζόμενη χειρολαβή μπροστινής υποβοήθησης
4. Μεντεσές
5. Κουμπί τροφοδοσίας μεσινέζας
6. Καλύπτρα
7. Ράβδος ασφάλισης
8. Κολάρο κλειδώματος ύψους
9. Διακόπτης-σκανδάλη
10. Γλωπίδα ασφάλισης
11. Κεφαλή χλοοκοπτικού (κεφαλή πρόσκρουσης)
12. Λεπίδα κοπής μεσινέζας
13. Γλωπίδα αποδέσμευσης
14. Μεσινέζα
15. Κουμπί αποδέσμευσης της συστοιχίας μπαταριών
16. Μάνταλο
17. Ηλεκτρικές επαφές
18. Μηχανισμός εκτόξευσης
19. Εξάγωνο κλειδί

### ΚΑΤΑΛΟΓΟΣ ΕΞΑΡΤΗΜΑΤΩΝ ΣΥΣΚΕΥΑΣΙΑΣ (ΕΙΚ. Α1)

### ΣΥΝΑΡΜΟΛΟΓΗΣΗ

#### ΞΕΔΙΠΛΩΜΑ ΑΞΟΝΑ

**⚠️ ΠΡΟΕΙΔΟΠΟΙΗΣΗ:** Μην κρατάτε τον άξονα από τις αρθρώσεις, για να μην τρυπήσετε τα χέρια ή τα δάχτυλά σας.

**⚠️ ΠΡΟΕΙΔΟΠΟΙΗΣΗ:** Μην επιχειρήσετε να θέσετε το χλοοκοπτικό σε λειτουργία προτού να ασφαλίσει ο άξονας.

Ξεδιπλώστε προσεκτικά τον άξονα, διασφαλίζοντας ότι το καλώδιο βρίσκεται μέσα σε αυτόν, και ασφαλίστε τον με δύο βίδες χρησιμοποιώντας το μηχανικό κλειδί (Εικ. Β1 & Β2).

#### ΠΡΟΣΑΡΤΗΣΗ ΚΑΛΥΠΤΡΑΣ

Τοποθετήστε το χλοοκοπτικό με τέτοιο τρόπο, ώστε η κεφαλή χλοοκοπτικού να είναι στραμμένη προς τα επάνω (Εικ. C1). Ευθυγραμμίστε τις οπές τοποθέτησης της καλύπτρας με τις οπές συναρμολόγησης και, στη συνέχεια, κλειδώστε την καλύπτρα επάνω στη βάση άξονα με τις δύο βίδες (Εικ. C2).

**ΣΗΜΕΙΩΣΗ:** Διασφαλίστε ότι η καλύπτρα έχει προσαρτηθεί σύμφωνα με τις Εικ. C1 και C2, ενώ οποιαδήποτε αντίστροφη προσαρτήση είναι εξαιρετικά επικίνδυνη!

GR

## ΤΟΠΟΘΕΤΗΣΗ ΚΑΙ ΡΥΘΜΙΣΗ ΤΗΣ ΧΕΙΡΟΛΑΒΗΣ ΜΠΡΟΣΤΙΝΗΣ ΥΠΟΒΟΗΘΗΣΗΣ

- Ξεβιδώστε τη ράβδο ασφάλισης από τη χειρολαβή μπροστινής υποβοήθησης και μετά αφαιρέστε τη ράβδο ασφάλισης και την πεταλούδα από τη χειρολαβή μπροστινής υποβοήθησης (Εικ. D).

D-1	Χειρολαβή μπροστινής υποβοήθησης	D-3	Πεταλούδα
D-2	Μπλοκ σύσφιξης	D-4	Ράβδος ασφάλισης

- Ωθήστε τη χειρολαβή μπροστινής υποβοήθησης επάνω στον άξονα μεταξύ του κολάρου κλειδώματος ύψους και του μεντεσέ (Εικ. E).
- Εισαγάγετε το μπλοκ σύσφιξης μέσα στην εσοχή χειρολαβής (Εικ. F).
- Προσαρτήστε τη ράβδο ασφάλισης και προ-συσφίξτε την πεταλούδα. Βεβαιωθείτε ότι η χειρολαβή μπροστινής υποβοήθησης είναι τοποθετημένη προς τα επάνω με κατεύθυνση προς το επάνω μέρος της πίσω χειρολαβής (Εικ. J).
- Τραβήξτε το μοχλό της ράβδου ασφάλισης προς τα επάνω, ώστε να μπορείτε εύκολα να μετακινήσετε/περιστρέψετε τη στρόγγυλη χειρολαβή προς την κατεύθυνση που σας βολεύει, και μετά ασφαλίστε το μοχλό της ράβδου ασφάλισης (Εικ. H).

**⚠️ ΠΡΟΕΙΔΟΠΟΙΗΣΗ:** Το εργαλείο δεν μπορεί να χρησιμοποιηθεί χωρίς να έχει στερεωθεί με ασφάλεια η μπροστινή χειρολαβή.

## ΡΥΘΜΙΣΗ ΤΗΣ ΠΙΣΩ ΧΕΙΡΟΛΑΒΗΣ

Εάν το μήκος του άξονα δεν είναι κατάλληλο για την εργασία που θέλετε να εκτελέσετε, μπορείτε να το ρυθμίσετε με τη βοήθεια του βραχίονα κλειδώματος ύψους.

- Αφαιρέστε τη συστοιχία μπαταριών από το χλοοκοπτικό.
- Για να προσαρμόσετε το ύψος του χλοοκοπτικού, ανοίξτε το βραχίονα κλειδώματος ύψους και, στη συνέχεια, ωθήστε τον άξονα προς τα επάνω ή κάτω, ενώ για να τον ασφαλίσετε στην επιθυμητή θέση πιέστε προς τα κάτω το βραχίονα ασφάλισης (Εικ. I).

**ΣΗΜΕΙΩΣΗ:** Η χειρολαβή μπροστινής υποβοήθησης ενδέχεται να απαιτήσει εκ νέου ρύθμιση εάν μεταβληθεί το ύψος του χλοοκοπτικού.

## ΛΕΙΤΟΥΡΓΙΑ

**⚠️ ΠΡΟΕΙΔΟΠΟΙΗΣΗ:** Φοράτε πάντα προστατευτικά γυαλιά ή προστασία για τα μάτια με πλάγια προστατευτικά μαζί με προστασία ακοής. Στην αντίθετη περίπτωση, είναι

πιθανό να υπάρξει εκτόξευση αντικειμένων στα μάτια σας και άλλοι πιθανοί σοβαροί τραυματισμοί.

Μπορείτε να χρησιμοποιήσετε αυτό το προϊόν για τους ακόλουθους σκοπούς:

**Ξάκρισμα:** Χρησιμοποιείται για την απομάκρυνση γρασιδιού και αγριόχορτων σε τοίχους, φράχτες, δέντρα και όρια.

**Κοπή:** Χρησιμοποιείται για την κοπή γρασιδιού, στο οποίο η πρόσβαση είναι δύσκολη με κανονικό χορτοκοπτικό μηχάνημα.

## ΠΡΟΣΑΡΤΗΣΗ/ΑΠΟΜΑΚΡΥΝΣΗ ΤΗΣ ΣΥΣΤΟΙΧΙΑΣ ΜΠΑΤΑΡΙΩΝ

Χρησιμοποιείτε μόνο τις συστοιχίες μπαταριών και τους φορτιστές της EGO που αναφέρονται στην Εικ. A2.

**Φορτίστε πλήρως πριν από την πρώτη χρήση.**

### Προσάρτηση

Ευθυγραμμίστε τις πλευρές της μπαταρίας με τις δέσες τοποθέτησης και πιέστε τη συστοιχία μπαταριών προς τα κάτω, μέχρι να ακούσετε ένα «κλικ» (Εικ. J1).

### Αφαίρεση

Πιέστε το κουμπί αποδέσμευσης μπαταρίας και βγάλτε έξω τη συστοιχία μπαταριών, όπως φαίνεται στην Εικ. J2.

J-1 Κουμπί αποδέσμευσης συστοιχίας μπαταριών

## ΚΡΑΤΗΜΑ ΤΟΥ ΧΛΟΟΚΟΠΤΙΚΟΥ ΜΕ ΜΕΣΙΝΕΖΑ

Κρατάτε το χλοοκοπτικό με μεσινέζα και με τα δύο χέρια: Το ένα χέρι στην πίσω χειρολαβή και το άλλο χέρι στη χειρολαβή μπροστινής υποβοήθησης.

**ΣΗΜΕΙΩΣΗ:** Η κεφαλή χορτοκοπτικού πρέπει να είναι παράλληλη προς το έδαφος, σε κατάλληλη απόσταση κοπής, ώστε να μη χρειαστεί να σκύψει ο χειριστής (Εικ. K).

## ΕΝΕΡΓΟΠΟΙΗΣΗ/ΑΠΕΝΕΡΓΟΠΟΙΗΣΗ ΤΟΥ ΧΛΟΟΚΟΠΤΙΚΟΥ ΜΕ ΜΕΣΙΝΕΖΑ

### Ενεργοποίηση

Μετακινήστε τη γλωπίδα ασφάλισης προς τα εμπρός και, στη συνέχεια, πιέστε το διακόπτη-σκανδάλη προς τα κάτω.

Ο διακόπτης-σκανδάλη διαθέτει αβαθμίδωτη ρύθμιση ταχύτητας. Όσο πιο πολύ πιέζετε τη σκανδάλη, τόσο αυξάνεται η ταχύτητα (Εικ. L).

### Απενεργοποίηση

Απελευθερώστε το διακόπτη-σκανδάλη.

## ΛΕΙΤΟΥΡΓΙΑ ΡΥΘΜΙΣΗΣ ΤΑΧΥΤΗΤΑΣ (ΕΙΚ. L)

Το χλοοκοπτικό με μεσινέζα διαθέτει δύο ταχύτητες. Η θέση «LOW (ΧΑΜΗΛΗ)» προορίζεται για χαμηλή ταχύτητα, ενώ η θέση «HIGH (ΥΨΗΛΗ)» για υψηλή ταχύτητα.

Για την περιγραφή των εξαρτημάτων της Εικ. L, δείτε παρακάτω:

L-1	Διακόπτης υψηλής/χαμηλής ταχύτητας	L-2	Διακόπτης-σκανδάλη
-----	------------------------------------	-----	--------------------

## ΧΡΗΣΗ ΤΟΥ ΧΛΟΟΚΟΠΤΙΚΟΥ ΜΕ ΜΕΣΙΝΕΖΑ

Καθαρίζετε την περιοχή κοπής πριν από κάθε χρήση. Απομακρύνετε όλα τα αντικείμενα, όπως πέτρες, σπασμένα γυαλιά, καρφιά, σύρματα ή μεσινέζες, τα οποία μπορεί να πεταχτούν ή να μπερδευτούν στο προσάρτημα κοπής. Απομακρύνετε παιδιά, παρευρισκόμενους και κατοικίδια από το χώρο. Τα παιδιά, οι παρευρισκόμενοι και τα κατοικίδια πρέπει να βρίσκονται σε απόσταση τουλάχιστον 15 m. Ενδέχεται να εξακολουθεί να υπάρχει κίνδυνος για τους παρευρισκόμενους λόγω εκτοξευόμενων αντικειμένων. Ενθαρρύνετε τους παρευρισκόμενους να φορούν προστασία για τα μάτια. Εάν σας προσεγγίσει κάποιος, απενεργοποιήστε αμέσως τον κινητήρα και το προσάρτημα κοπής.

### Πριν από κάθε χρήση, ελέγχετε για τυχόν εξαρτήματα με ζημιές/φθορές

Ελέγχετε την κεφαλή πρόσκρουσης, την καλύπτρα και τη χειρολαβή μπροστινής υποβοήθησης και αντικαθιστάτε τα εξαρτήματα που έχουν ρωγμές, παραμόρφωση, λυγίσματα ή ζημιές οποιουδήποτε είδους.

Η λεπίδα κοπής μεσινέζας στην άκρη της καλύπτρας μπορεί να στομώσει με την πάροδο του χρόνου. Συνιστάται να την τροχίζετε ανά τακτά χρονικά διαστήματα με μια λίμα ή να την αντικαθιστάτε με νέα.

### Μετά από κάθε χρήση, καθαρίζετε το χλοοκοπτικό.

## ΡΥΘΜΙΣΗ ΜΗΚΟΥΣ ΤΗΣ ΜΕΣΙΝΕΖΑΣ

Η κεφαλή χλοοκοπτικού επιτρέπει στον χειριστή να αποδεσμεύσει περισσότερη μεσινέζα χωρίς να σβήσει τον κινητήρα. Καθώς η μεσινέζα ξεφτίζει ή φθείρεται, μπορεί να αποδεσμευτεί περισσότερη, πατώντας ελαφρά την κεφαλή χλοοκοπτικού στο έδαφος, ενώ λειτουργεί το χλοοκοπτικό (Εικ.Μ).

**ΣΗΜΕΙΩΣΗ:** Η αποδέσμευση μεσινέζας θα απαιτήσει περισσότερα χτυπήματα όσο κοντάνει.

**⚠ ΠΡΟΕΙΔΟΠΟΙΗΣΗ:** Μην απομακρύνετε ή τροποποιείτε τη μονάδα της λεπίδας κοπής μεσινέζας. Το υπερβολικά μεγάλο μήκος μεσινέζας θα προκαλέσει υπερθέρμανση στον κινητήρα και μπορεί να προκύψει σοβαρός τραυματισμός.

## ΑΝΤΙΚΑΤΑΣΤΑΣΗ ΜΕΣΙΝΕΖΑΣ

**ΣΗΜΕΙΩΣΗ:** Χρησιμοποιείτε την προτεινόμενη νάιλον μεσινέζα με διάμετρο που δεν υπερβαίνει τα 2,4 mm. Η χρήση διαφορετικής μεσινέζας μπορεί να προκαλέσει υπερθέρμανση ή ζημιά στο χλοοκοπτικό με μεσινέζα.

**⚠ ΠΡΟΕΙΔΟΠΟΙΗΣΗ:** Μη χρησιμοποιείτε ποτέ μεσινέζα ενισχυμένη με μέταλλο, καλώδιο ή σχοινί. Αυτές μπορεί να σπάσουν και να εκτοξευθούν.

1. Αφαιρέστε τη συστοιχία μπαταριών.
2. Απομακρύνετε την υπόλοιπη μεσινέζα, εφόσον απαιτηθεί.
3. Κόψτε μεσινέζα κοπής σε μήκος 4 m. Εισαγάγετε τη μεσινέζα στην οπή τοποθέτησης μέσα στο οφθαλμίδιο (Εικ. Ο). Ωθήστε και τραβήξτε τη μεσινέζα από την άλλη πλευρά, μέχρι να προκύψει το ίδιο μήκος μεσινέζας και στις δύο πλευρές του καρούλιου.
4. Εγκαταστήστε τη συστοιχία μπαταριών επάνω στο χλοοκοπτικό μεσινέζας.
5. Πιέστε και κρατήστε το κουμπί τροφοδοσίας μεσινέζας για να εκκινήσετε τον κινητήρα τύλιξης μεσινέζας. Η μεσινέζα θα τυλίγεται συνεχώς στην κεφαλή χλοοκοπτικού (Εικ. Ρ).
6. Παρακολουθείτε προσεκτικά το υπολειπόμενο μήκος της μεσινέζας. Πιέστε σύντομα το κουμπί τροφοδοσίας μεσινέζας για να προσαρμόσετε το μήκος σε 13 cm ορατής μεσινέζας σε κάθε πλευρά.
7. Πιέστε κάτω την κεφαλή χλοοκοπτικού ενώ τραβάτε τις μεσινέζες, ώστε να προωθήσετε χειροκίνητα τη μεσινέζα και να ελέγξετε τη σωστή συναρμολόγηση της μεσινέζας χλοοκοπτικού.

Εάν σπάσει η μεσινέζα στην έξοδο μεσινέζας ή η μεσινέζα δεν αποδεσμευτεί όταν χτυπηθεί η κεφαλή χλοοκοπτικού, ακολουθήστε τα παρακάτω βήματα:

1. Αφαιρέστε τη συστοιχία μπαταριών από το χλοοκοπτικό.
2. Πιέστε τις γλωττίδες αποδέσμευσης στην κεφαλή χλοοκοπτικού και απομακρύνετε το κάτω συγκρότημα καλύμματος, τραβώντας το ίσια προς τα έξω (Εικ. Q).
3. Αφαιρέστε τη μεσινέζα από το καρούλι.
4. Εισαγάγετε το ελατήριο στην υποδοχή που υπάρχει στο συγκρότημα κάτω καλύμματος (Εικ. R).
5. Κρατώντας με το ένα χέρι το χλοοκοπτικό χρησιμοποιήστε το άλλο χέρι για να πιάσετε το συγκρότημα κάτω καλύμματος και ευθυγραμμίστε τις υποδοχές στο συγκρότημα κάτω καλύμματος με τις γλωττίδες αποδέσμευσης. Πιέστε το συγκρότημα κάτω καλύμματος μέχρι να κουμπώσει στη θέση του, οπότε και θα ακούσετε το χαρακτηριστικό ήχο ασφάλισης (Εικ. S).

GR

6. Ακολουθήστε τις οδηγίες της ενότητας «**ΑΝΤΙΚΑΤΑΣΤΑΣΗ ΜΕΣΙΝΕΖΑΣ**» στο παρόν εγχειρίδιο για να επαναφορτώσετε τη μεσινέζα κοπής.

## ΑΝΤΙΚΑΤΑΣΤΑΣΗ ΚΕΦΑΛΗΣ ΧΛΟΟΚΟΠΤΙΚΟΥ

**⚠️ ΠΡΟΕΙΔΟΠΟΙΗΣΗ:** Εάν η κεφαλή λασκάρει μετά τη στερέωση της, αντικαταστήστε την αμέσως. Ποτέ μη χρησιμοποιείτε ένα χλοοκοπτικό με λασκαρισμένο προσάρτημα κοπής. Αντικαθιστάτε μια ραγισμένη, με ζημιές ή φθαρμένη κεφαλή κοπής αμέσως, ακόμα και εάν η ζημιά περιορίζεται μόνο επιφανειακές ρωγμές. Τέτοια προσάρτηματα μπορεί να σπάσουν σε υψηλή ταχύτητα και να προκαλέσουν σοβαρό τραυματισμό.

## ΑΠΟΜΑΚΡΥΝΣΗ ΚΕΦΑΛΗΣ ΧΛΟΟΚΟΠΤΙΚΟΥ

1. Αφαιρέστε τη συστοιχία μπαταριών από το χλοοκοπτικό.
2. Πιέστε τις γλωπίδες αποδέσμευσης στην κεφαλή χλοοκοπτικού και απομακρύνετε το κάτω συγκρότημα καλύμματος της κεφαλής χλοοκοπτικού τραβώντας το ίσια προς τα έξω.
3. Απομακρύνετε τη μεσινέζα κοπής από την κεφαλή χλοοκοπτικού (Εικ. S).
4. Απομακρύνετε το ελατήριο από το συγκρότημα καρουλίου, εάν απαιτείται. Αποθηκεύστε το για την επανασυναρμολόγηση.
5. Φοράτε γάντια. Χρησιμοποιήστε το ένα χέρι για να πιάσετε το συγκρότημα καρουλίου και να το σταθεροποιήσετε και το άλλο για να κρατήσετε ένα εργαλείο τοποθέτησης περικοχλίων (δεν περιλαμβάνεται) για το αριστερόστροφο λασκάρισμα του παξιμαδιού (Εικ. X).
6. Απομακρύνετε το παξιμάδι, το συγκρατητήρα καρουλίου, το επάνω κάλυμμα, και το επάνω κάλυμμα βάσης από τον άξονα κινητήρα (Εικ. T).

**ΣΗΜΕΙΩΣΗ:** Τα δύο χιτώνια μπορούν εύκολα να πέσουν από τον άξονα κινητήρα. Φυλάξτε τα προσεκτικά για την επανασυναρμολόγηση.

7. Αντικαταστήστε με μια νέα κεφαλή χλοοκοπτικού και τοποθετήστε την με τα εξής βήματα.

T-1	Χιτώνιο	T-6	Μεσινέζα χλοοκοπτικού
T-2	Επάνω κάλυμμα	T-7	Κάτω κάλυμμα
T-3	Παξιμάδι	T-8	Επάνω κάλυμμα βάσης
T-4	Ροδέλα	T-9	Συγκρότημα καρουλίου
T-5	Ελατήριο		

## ΕΓΚΑΤΑΣΤΑΣΗ ΝΕΑΣ ΚΕΦΑΛΗΣ ΧΛΟΟΚΟΠΤΙΚΟΥ

1. Τοποθετήστε τα χιτώνια στον άξονα κινητήρα και το επάνω κάλυμμα βάσης στη θέση του (Εικ. T).

2. Τοποθετήστε το επάνω κάλυμμα, το συγκρότημα καρουλίου, και τη ροδέλα, με αυτή τη σειρά. Χρησιμοποιήστε ένα κλειδί τοποθέτησης περικοχλίων επάνω στο περικόχλιο για να το συσφίξετε (Εικ. U & V).
3. Τοποθετήστε το συγκρότημα κάτω καλύμματος.
4. Επαναφορτώση της μεσινέζας κοπής.
5. Εκκινήστε το εργαλείο για να δείτε εάν το χλοοκοπτικό με μεσινέζα λειτουργεί φυσιολογικά. Στην αντίθετη περίπτωση, επανασυναρμολογήστε όπως περιγράφεται παραπάνω.

## ΣΥΝΤΗΡΗΣΗ

**⚠️ ΠΡΟΕΙΔΟΠΟΙΗΣΗ:** Κατά τη συντήρηση του εργαλείου, χρησιμοποιείτε μόνο όμοια ανταλλακτικά. Επιθεωρείτε και συντηρείτε τακτικά το εργαλείο. Για να διασφαλιστεί η ασφάλεια και η αξιοπιστία, όλες οι επισκευές πρέπει να διεξάγονται από εξειδικευμένο τεχνικό σέρβις.

**⚠️ ΠΡΟΕΙΔΟΠΟΙΗΣΗ:** Προκειμένου να αποφευχθεί σοβαρός τραυματισμός, αποσυνδέστε τη συστοιχία μπαταριών από το εργαλείο πριν από τη συντήρηση, τον καθαρισμό, την αλλαγή προσαρτημάτων ή την αφαίρεση υλικού από τη μονάδα.

**⚠️ ΠΡΟΣΟΧΗ:** Τα εμπόδια στις οπές εμποδίζουν ροή του αέρα στο περίβλημα κινητήρα και προκαλούν υπερθέρμανση ή τη ζημιά σε αυτόν.

## ΚΑΘΑΡΙΣΜΟΣ ΤΗΣ ΜΟΝΑΔΑΣ

- Καθαρίζετε τη μονάδα, χρησιμοποιώντας ένα νωπό πανί με ήπιο απορρυπαντικό. Δεν πρέπει να εισχωρήσουν υγρά στο εσωτερικό του εργαλείου. Μη βυθίζετε ποτέ οποιοδήποτε τμήμα του εργαλείου σε υγρά.
- Μη χρησιμοποιήσετε κανένα δραστικό απορρυπαντικό πάνω στο πλαστικό περίβλημα ή τη λαβή. Αυτά μπορούν να καταστραφούν από ορισμένα αρωματικά έλαια, όπως πεύκο και λεμόνι, καθώς και από διαλύτες, όπως η κηροζίνη. Η υγρασία μπορεί, επίσης, να προκαλέσει κίνδυνο ηλεκτροπληξίας. Σκουπίστε την ενδεχόμενη υγρασία με ένα μαλακό στεγνό πανί.
- Χρησιμοποιείτε μια μικρή βούρτσα ή την έξοδο αέρα μιας μικρής ηλεκτρικής αναρροφητικής βούρτσας για να καθαρίσετε τις οπές αερισμού και το πίσω περίβλημα.
- Διατηρείτε πάντοτε τις οπές αερισμού στο περίβλημα κινητήρα και τον άξονα ελεύθερα από ρύπους.



### ΤΡΟΧΙΣΜΑ ΛΕΠΙΔΑΣ ΚΟΠΗΣ ΜΕΣΙΝΕΖΑΣ

**⚠ ΠΡΟΕΙΔΟΠΟΙΗΣΗ:** Προσέχετε πάντα τα χέρια σας, φορώντας ανθεκτικά γάντια όταν πραγματοποιείτε συντήρηση στη λεπίδα κοπής μεσινέζας.

1. Απομακρύνετε τη λεπίδα κοπής μεσινέζας από την καλύπτρα.
2. Ασφαλίστε τη λεπίδα σε μια μέγγενη.
3. Λιμάρετε προσεκτικά τις ακμές κοπής της μεσινέζας με μια λίμα λεπτής οδόντωσης ή ακονόπετρα, διατηρώντας όμως σταθερή την αρχική γωνία της ακμής κοπής.
4. Αντικαταστήστε τη λεπίδα πάνω στην καλύπτρα και ασφαλίστε την στη θέση της με δύο βίδες.

### ΑΠΟΘΗΚΕΥΣΗ ΤΗΣ ΜΟΝΑΔΑΣ

- Απομακρύνετε τη συστοιχία μπαταριών από το χλοοκοπτικό με μεσινέζα, εφόσον αυτό δε χρησιμοποιείται.
- Καθαρίστε σχολαστικά το εργαλείο προτού το αποθηκεύσετε.
- Αποθηκεύετε τη μονάδα σε έναν στεγνό, καλά αεριζόμενο χώρο, κλειδωμένο ή σε ψηλό σημείο, εκτός εμβέλειας παιδιών. Μην αποθηκεύετε τη μονάδα επάνω ή δίπλα σε λιπάσματα, βενζίνη ή άλλες χημικές ουσίες.

### Προστασία του περιβάλλοντος



Μη απορρίπτετε ηλεκτρικό εξοπλισμό, παλιές μπαταρίες και φορτιστές στα οικιακά απορρίμματα! Μεταφέρετε αυτό το προϊόν σε εξουσιοδοτημένο κέντρο ανακύκλωσης και παραδώστε το για ξεχωριστή συλλογή. Τα ηλεκτρικά εργαλεία πρέπει να επιστρέφονται σε περιβαλλοντικά συμβατή μονάδα ανακύκλωσης.

**KEES VAN DER SPEK**  
TUINMACHINES ★ STOLWIJK

GR

## ΑΝΤΙΜΕΤΩΠΙΣΗ ΠΡΟΒΛΗΜΑΤΩΝ

ΠΡΟΒΛΗΜΑ	ΑΙΤΙΑ	ΑΝΤΙΜΕΤΩΠΙΣΗ
Το χλοοκοπτικό με μεσινέζα δεν εκκινείται.	<ul style="list-style-type: none"> <li>■ Το πακέτο συσσωρευτών δεν είναι συνδεδεμένο στο χλοοκοπτικό με μεσινέζα.</li> <li>■ Δεν υπάρχει ηλεκτρική επαφή μεταξύ του χλοοκοπτικού και της μπαταρίας.</li> <li>■ Η συστοιχία μπαταριών έχει αδειάσει.</li> <li>■ Η σκανδάλη απασφάλισης δεν έχει μετακινηθεί προς τα εμπρός πριν από την πίεση του διακόπτη-σκανδάλη.</li> </ul>	<ul style="list-style-type: none"> <li>■ Προσαρτήστε τη συστοιχία μπαταριών στο χλοοκοπτικό με μεσινέζα.</li> <li>■ Απομακρύνετε τη συστοιχία μπαταριών, ελέγξτε τις επαφές και εγκαταστήστε τη συστοιχία μπαταριών εκ νέου.</li> <li>■ Φορτίστε τη συστοιχία μπαταριών.</li> <li>■ Μετακινήστε τη γλωπίδα ασφάλισης προς τα εμπρός και μετά πιέστε το διακόπτη-σκανδάλη.</li> </ul>
Το χλοοκοπτικό με μεσινέζα σταματάει κατά την κοπή.	<ul style="list-style-type: none"> <li>■ Η καλύπτρα δεν έχει τοποθετηθεί στο χλοοκοπτικό με αποτέλεσμα μια υπερβολικά μακριά μεσινέζα και την υπερφόρτωση του κινητήρα.</li> <li>■ Χρησιμοποιείται μια βαριά μεσινέζα.</li> <li>■ Ο άξονας κινητήρα ή η κεφαλή χλοοκοπτικού έχουν μπλοκάρει με γρασίδι.</li> <li>■ Ο κινητήρας έχει υπερφορτωθεί.</li> <li>■ Η συστοιχία μπαταριών ή το χλοοκοπτικό με μεσινέζα είναι υπερβολικά ζεστά.</li> <li>■ Το πακέτο μπαταρίας έχει απουσιονδεθεί από το εργαλείο.</li> <li>■ Η συστοιχία μπαταριών έχει αδειάσει.</li> <li>■ Ανισορροπία κατόπιν τοποθέτησης της μεσινέζας κοπής.</li> </ul>	<ul style="list-style-type: none"> <li>■ Απομακρύνετε τη συστοιχία μπαταριών και τοποθετήστε την καλύπτρα στο χλοοκοπτικό.</li> <li>■ Χρησιμοποιείτε την προτεινόμενη νάilon μεσινέζα κοπής με διάμετρο που να μην υπερβαίνει τα 2,4 mm.</li> <li>■ Απενεργοποιήστε το χλοοκοπτικό, απομακρύνετε τη μπαταρία και απομακρύνετε το γρασίδι από τον άξονα κινητήρα και την κεφαλή χλοοκοπτικού.</li> <li>■ Απομακρύνετε την κεφαλή χλοοκοπτικού από το γρασίδι. Ο κινητήρας θα συνεχίσει να λειτουργεί μόλις αφαιρεθεί το φορτίο. Κατά την κοπή, μετακινείτε την κεφαλή χλοοκοπτικού μέσα και έξω από το γρασίδι που θα κοπεί και μην κόβετε σε μήκος πάνω από 20 cm με μια μόνο κοπή.</li> <li>■ Αφήστε τη συστοιχία μπαταριών ή το χλοοκοπτικό με μεσινέζα να κρυώσουν.</li> <li>■ Εγκαταστήστε εκ νέου τη συστοιχία μπαταριών.</li> <li>■ Φορτίστε τη συστοιχία μπαταριών.</li> <li>■ Χτυπήστε την κεφαλή χλοοκοπτικού για να κάνετε συμμετρικό το μήκος της μεσινέζας.</li> </ul>
<div style="background-color: black; color: white; padding: 2px; display: inline-block;">GR</div> <p>Η κεφαλή χλοοκοπτικού δεν προωθεί τη μεσινέζα.</p>	<ul style="list-style-type: none"> <li>■ Ο άξονας κινητήρα ή η κεφαλή χλοοκοπτικού έχουν μπλοκάρει με γρασίδι.</li> <li>■ Δεν υπάρχει επαρκής μεσινέζα στο καρούλι ή η μεσινέζα αποδεδεμεύεται από το σφθαλμίδιο.</li> <li>■ Η μεσινέζα έχει μπλεχτεί.</li> <li>■ Η μεσινέζα είναι υπερβολικά κοντή.</li> </ul>	<ul style="list-style-type: none"> <li>■ Απενεργοποιήστε το χλοοκοπτικό, απομακρύνετε τη μπαταρία και καθαρίστε τον άξονα κινητήρα και την κεφαλή χλοοκοπτικού.</li> <li>■ Αφαιρέστε την μπαταρία και αντικαταστήστε τη μεσινέζα κοπής, ακολουθώντας τις οδηγίες της ενότητας «<b>ΑΝΤΙΚΑΤΑΣΤΑΣΗ ΜΕΣΙΝΕΖΑΣ</b>» στο παρόν εγχειρίδιο.</li> <li>■ Αφαιρέστε την μπαταρία και αντικαταστήστε τη μεσινέζα κοπής, ακολουθώντας τις οδηγίες της ενότητας «<b>ΑΝΤΙΚΑΤΑΣΤΑΣΗ ΜΕΣΙΝΕΖΑΣ</b>» στο παρόν εγχειρίδιο.</li> <li>■ Αφαιρέστε την μπαταρία και αντικαταστήστε τη μεσινέζα κοπής, ακολουθώντας τις οδηγίες της ενότητας «<b>ΑΝΤΙΚΑΤΑΣΤΑΣΗ ΜΕΣΙΝΕΖΑΣ</b>» στο παρόν εγχειρίδιο.</li> </ul>
Υπάρχει γρασίδι γύρω από την κεφαλή χλοοκοπτικού και το περίβλημα κινητήρα.	Κοπή ψηλού γρασιδιού σε επίπεδο εδάφους	Κόβετε ψηλό γρασίδι από επάνω προς τα κάτω, απομακρύνοντας όχι περισσότερα από 20 cm σε κάθε διέλευση, ώστε να εμποδιστεί την τύλιξη.

ΠΡΟΒΛΗΜΑ	ΑΙΤΙΑ	ΑΝΤΙΜΕΤΩΠΙΣΗ
Ρωγμές στην κεφαλή χλοοκοπτικού ή ο συγκρατητήρας καρουλιού λασκάρει στη βάση καρουλιού.	<ul style="list-style-type: none"> <li>■ Η κεφαλή χλοοκοπτικού έχει φθαρεί.</li> <li>■ Το παξιμάδι που ασφαλίζει την κεφαλή χλοοκοπτικού έχει λασκάρει.</li> </ul>	<ul style="list-style-type: none"> <li>■ Αντικαταστήστε αμέσως την κεφαλή χλοοκοπτικού. Ακολουθήστε τις οδηγίες της ενότητας «<b>ΑΝΤΙΚΑΤΑΣΤΑΣΗ ΚΕΦΑΛΗΣ ΧΛΟΟΚΟΠΤΙΚΟΥ</b>» στο παρόν εγχειρίδιο.</li> <li>■ Ανοίξτε την κεφαλή χλοοκοπτικού και χρησιμοποιήστε το κλειδί τοποθέτησης περικοχλίων για να συσφίξετε το παξιμάδι.</li> </ul>
Η μεσινέζα δεν τυλίγεται σωστά στην κεφαλή χλοοκοπτικού.	<ul style="list-style-type: none"> <li>■ Χρησιμοποιείται υπερβολικά μακριά μεσινέζα.</li> <li>■ Στην κεφαλή χλοοκοπτικού έχει συσσωρευτεί γρασίδι ή βρωμιά, μπλοκάροντας την κίνηση του καρουλιού.</li> <li>■ Ο κινητήρας έχει υπερθερμανθεί λόγω επανειλημμένης χρήσης του συστήματος τύλιξης μεσινέζας.</li> <li>■ Χαμηλή φόρτιση συστοιχίας μπαταριών</li> </ul>	<ul style="list-style-type: none"> <li>■ Κόψτε τη μεσινέζα με τέτοιο τρόπο, ώστε να φαίνονται περίπου 13 cm σε κάθε πλευρά.</li> <li>■ Αφαιρέστε τη συστοιχία μπαταριών, ανοίξτε την κεφαλή χλοοκοπτικού και καθαρίστε την διεξοδικά.</li> <li>■ Αφήστε το χλοοκοπτικό με μεσινέζα να λειτουργήσει χωρίς φορτίο για μερικά λεπτά, ώστε να κρυώσει ο κινητήρας, και μετά τοποθετήστε εκ νέου τη μεσινέζα.</li> <li>■ Φορτίστε τη συστοιχία μπαταριών.</li> </ul>
Η μεσινέζα κοπής δεν μπορεί να περάσει μέσα από την κεφαλή χλοοκοπτικού κατά την τοποθέτηση μεσινέζας.	<ul style="list-style-type: none"> <li>■ Η μεσινέζα κοπής έχει ξεφτίσει ή λυγίσει στην άκρη.</li> <li>■ Το κάτω κάλυμμα δεν έχει μπει στη θέση του μετά την επανατοποθέτηση.</li> </ul>	<ul style="list-style-type: none"> <li>■ Κόψτε τη φθαρμένη άκρη της μεσινέζας και εισαγάγετέ την ξανά.</li> <li>■ Προσαρτήστε τη συστοιχία μπαταριών στο χλοοκοπτικό, πιέστε το κουμπί φόρτωσης μεσινέζας ώστε να ξεκινήσει σύντομα η φόρτιση, για την αποδέσμευση του κάτω καλύμματος.</li> </ul>

## ΕΓΓΥΗΣΗ

### ΠΟΛΙΤΙΚΗ ΕΓΓΥΗΣΗΣ EGO

Επισκεφθείτε την ιστοσελίδα [egopowerplus.com](http://egopowerplus.com) για όλους τους όρους και τις προϋποθέσεις της πολιτικής εγγύησης EGO.

GR

## TÜM TALİMATLARI OKUYUN!



### KULLANIM KILAVUZUNU OKUYUN

**⚠ Artık risk!** Kalp pili gibi elektronik cihaz kullanan kişiler bu ürünü kullanmadan önce hekimlerine danışmalıdır. Elektrikli cihazların, kalp pili yakınında çalıştırılması kalp pilinde parazite veya arızaya neden olabilir.

## GÜVENLİK SEMBOLÜ

Elektrikli aletlerin kullanımını yabancı nesnelerin gözlerinize fırlatılması sonucunu doğurabilir, bu da gözlerde ciddi hasara yol açabilir. Elektrikli aleti kullanmaya başlamadan önce, daima göz koruması veya yan siperleri olan koruyucu gözlük takın ve gerektiğinde tam yüz siperi kullanın. Gözlük üzerine kullanım için Wide Vision Koruyucu Maske ya da yan siperleri olan standart koruyucu gözlükleri tavsiye ederiz.



Güvenlik Uyarısı



Yaralanma riskini azaltmak için kullanıcı, kullanma kılavuzunu mutlaka okumalıdır.



Göz Koruması Takın - Bu ürünü kullanırken daima göz koruması, yan siperleri olan koruyucu gözlük ya da tam yüz maskesi takın.



Koruyucu Ayakkabı Giyin - Bu cihazı kullanırken kaymayan koruyucu ayakkabı giyin.



Kulak Koruması Takın - Bu ürünü kullanırken daima kulak koruması takın.



Koruyucu Eldiven Takın - Bıçağı veya bıçak siperini tutarken ellerinizi eldivenle koruyun.



Koruyucu Başlık Takın - Başınızı korumak için onaylı bir güvenlik kaskı takın.



Bıçak itmesine dikkat edin - Cihaz kullanıcıyı bıçak itmesi (geri tepme) tehlikesine karşı uyarır.



Yuvarlak kesme bıçakları takmayın.



Misina çapı - Naylon misininin çapıdır.



Kesme genişliği - Misinalı çim biçme makinesinin maksimum kesme genişliğidir.



Fırlayan nesnelere sekebilir ve yaralanmaya veya mala yönelik zarara yol açabilir. Çalı kesicisi kullanılırken diğer insanların ve evcil hayvanların uzakta olduklarından emin olun.



Misinalı çim biçme makinesi kullanılırken diğer insanların ve evcil hayvanların en az 15 m uzakta olduklarından emin olun.



Bu ürünü yağmur altında kullanmayın veya yağmur yağarken dışarıda bırakmayın.

TR



Garanti edilen ses gücü seviyesidir. Çevre gürültü emisyonu Avrupa Birliği Yönetmeliği'ne uygundur.



Bu ürün, yürürlükteki AB yönetmeliklerine uygundur.



Atık elektrikli ürünler, evsel atıklar ile birlikte bertaraf edilmemelidir. Yetkili bir geri dönüşüm merkezine teslim edin.

V Voltaj

$n_0$  Yüksüz Hız - Yüksüz dönüş hızı

.../min Dakika Başına

☰ Doğru Akım

kg Kilogram

## TİKNİK ÖZELLİKLER

Voltaj	56 V ---	
Yüksüz Hız	Düşük hız ayarı: 3000-4500 RPM Yüksek hız ayarı: 4000-5800 RPM	
Kesme Mekanizması	Misina Besleme Başlığı	
Kesme Misinası Türü	2,4 mm naylon sarılı misina	
Kesme Genişliği	35 cm	
Önerilen Çalışma Sıcaklığı	0°C-40°C	
Önerilen Depolama Sıcaklığı	-20°C-70°C	
Optimum Şarj Sıcaklığı	5°C-40°C	
Ağırlık (akü hariç)	5,8 kg	
Ölçülen ses gücü seviyesi $L_{WA}$	88,98 dB(A) K=2 dB(A)	
Kullanıcının kulağındaki ses gücü seviyesi $L_{PA}$	68,96 dB(A) K=2 dB(A)	
Garanti edilen ses gücü seviyesi $L_{WA}$ (2000/14/EC uyarınca ölçülen)	91 dB(A)	
Titreşim değerleri $a_h$ :	Ön destek kolu	3,2 m/s <sup>2</sup> K=1,5 m/s <sup>2</sup>
	Arka tutma kolu	2,3 m/s <sup>2</sup> K=1,5 m/s <sup>2</sup>

- Bildirilen toplam titreşim değeri standart test yöntemine uygun olarak ölçülmüştür ve bir cihazı diğer bir cihaz ile karşılaştırmak için kullanılabilir.
- Bildirilen toplam titreşim değeri ayrıca ön maruz kalma değerlendirmesinde de kullanılabilir.

**DİKKAT:** Elektrikli aletin gerçek kullanımı sırasında meydana gelen titreşim emisyonu aletin kullanım şekline bağlı olarak bildirilen değerden farklı olabilir; Operatörü korumak için, kullanıcı gerçek kullanım koşullarında eldiven ve kulak koruması takmalıdır.

## AÇIKLAMA

### MİSİNALI ÇİM BİÇME MAKİNENİZİ TANIYIN (Şek. A1)

1. Arka tutma Kolu
2. Yüksek/Düşük Hız Anahtarı
3. Ayarlanabilir Ön Destek Kolu
4. Mafsalsal

5. Misina Takma Düğmesi
6. Siper
7. Kilit Pimi
8. Boy Kilitleme Mandalı
9. Tetik Düğmesi
10. Kilitleme Dili
11. Keme Başlığı (Misina Besleme Başlığı)
12. Misina Kesme Bıçağı
13. Açma Tırnağı
14. Kesici Misina
15. Akü Çıkarma Düğmesi
16. Mandal
17. Elektrik Kontakları
18. Çıkarma Mekanizması
19. Alyan Anahtarı

## AMBALAJ İÇERİĞİ (ŞEK. A1)

### MONTAJ

#### MİLİN AÇILMASI

**⚠ UYARI:** Ellerinizin veya parmaklarınızın sıkışmaması için mili bağlantı yerlerinden tutmayın.

**⚠ UYARI:** Mil kilitlenmeden makineyi çalıştırmayın.

Kablunun içinde olduğundan emin olarak katlanmış mili yavaşça açın ve verilen anahtarı kullanarak iki vidayla mili kilitleyin (Şek. B1 ve B2).

#### SİPERİN TAKILMASI

Makinenizi kesme başlığı yukarı bakacak şekilde yerleştirin (Şek. C1). Siperin montaj delikleri ile milin montaj deliklerini hizalayın ve iki vida yardımıyla siperi mil tabanına sabitleyin (Şek. C2).

**DİKKAT:** Siperin C1 ve C2 şekillerindeki gibi takıldığından emin olun, siperin ters takılması çok büyük tehlike oluşturur!

#### ÖN DESTEK KOLONUN TAKILMASI VE AYARLANMASI

1. Ön destek kolundaki kilitleme pimini gevşetin ve kilitleme pimini ve kelebek somunu ön destek kolundan çıkarın (Şek. D).

D-1	Ön destek kolu	D-3	Kelebek somunu
D-2	Sıkıştırma bloğu	D-4	Kilitleme pimi

2. Ön destek kolunu, Boy Kilitleme Mandalı ile mafsalsal arasından mile takın (Şek. E).
3. Kol yuvasına sıkıştırma bloğunu sokun (Şek. F).
4. Kilitleme pimi mandalını takın ve kelebek somunu takın. Ön destek kolunun yukarı yönlü durduğundan ve arka tutma kolunun üstüne doğru baktığından emin olun (Şek. J).

TR

5. Halka tutma kolunu kolayca hareket ettirebilmeniz/döndürebilmeniz için kilit pimi mandalını açın, tutma kolunu kendinizi rahat hissettiğiniz yere getirin ve ardından kilitleme pimi mandalını kapatın. (Şek. H).

**⚠ UYARI:** Ön destek kolu sağlam bir şekilde takılmadan makine kullanılamaz.

## ARKA TUTMA KOLONUN AYARLANMASI

Mil uzunluğu kullanım için uygun değilse Boy Kilitleme mandalı aracılığıyla mil uzunluğunu ayarlayabilirsiniz.

1. Aküyü makineden çıkarın.
2. Makine boyunu ayarlamak için boy kilitleme mandalını açın, ardından mili aşağı veya yukarı kaydırarak istediğiniz boya getirin ve kilitleme mandalına basarak bulunduğu yere sabitleyin (Şek. I).

**DİKKAT:** Makinenin boyu değiştirildikten sonra ön destek kolunun yeniden ayarlanması gerekebilir.

## ÇALIŞTIRMA

**⚠ UYARI:** Her zaman koruyucu gözlüğünüzü veya yan siperliki gözlüğünüzü ve koruyucu kulaklığınızı takın. Aksi halde gözlerinize nesnelere fırlayabilir ve başka ciddi yaralanmalar oluşabilir.

Bu ürünü aşağıda belirtilen amaçlar için kullanabilirsiniz:

**Tırpanlama:** Duvar, çit, ağaç ve kenarlıklarda bulunan çim ve otların temizlenmesi için kullanılır.

**Kesme:** Normal çim biçme makinesi ile ulaşılması zor olan çimlerin kesilmesi için kullanılır.

## AKÜNÜN TAKILMASI/ÇIKARILMASI

Sadece Şek. A2'de listelenen EGO akü ve şarj cihazlarını kullanın.

TR

**İlk kullanımdan önce tamamen şarj edin.**

### Takmak İçin

Akünün çıkıntıları ile montaj yuvalarını hizalayın ve "tık" sesi duyuncaya kadar aküyü aşağıya bastırın (Şek. J1).

### Çıkarmak İçin

Şek. J2'de gösterildiği gibi akü çıkarma düğmesine basın ve aküyü çekip çıkarın.

J-1 Akü Çıkarma Düğmesi

## MİSİNALI ÇİM BİÇME MAKİNESİNİN TUTULMASI

Misinalı çim biçme makinesini her iki elinizle tutun: Bir eliniz arka tutma kolunda ve diğer eliniz ön destek kolunda olmalıdır.

**DİKKAT:** Kesim başlığı operatör eğilmeden uygun kesim mesafesinde yere paralel olacak şekilde tutulmalıdır (Şek. K).

## MİSİNALI ÇİM BİÇME MAKİNESİNİ ÇALIŞTIRMA/ DURDURMA

### Çalıştırmak için

Kilitleme dilini ileri doğru itin ve ardından tetik düğmesine basın.

Tetik, kademesiz hız ayarıdır. Tetiği ne kadar çok çekerseniz, hız da o kadar yüksek olur (Fig. L).

### Durdurmak için

Tetik düğmesini bırakın.

## HIZ AYARI İŞLEVİ (ŞEK. L)

Misinalı çim biçme makinesinde iki hız ayarı vardır. "DÜŞÜK" pozisyonu düşük hız, "YÜKSEK" pozisyonu ise yüksek hız içindir.

Şek. L'daki parçaların açıklaması aşağıdaki gibidir:

L-1	Yüksek/düşük Hız Anahtarı	L-2	Tetik Düğmesi
-----	---------------------------	-----	---------------

## MİSİNALI ÇİM BİÇME MAKİNESİNİN KULLANIMI

Her kullanımdan önce kesilecek alanı temizleyin. Kesim parçalarına takılabilecek veya fırlatılabilecek taş, kırık cam, çivi, tel veya sicim vb. tüm nesnelere temizleyin. Çocukları, üçüncü şahısları ve evcil hayvanları çalışma alanından uzak tutun. Çocukları, üçüncü şahısları ve evcil hayvanları çalışma alanından en az 15 metre uzak tutun; buna rağmen üçüncü şahısların fırlayan nesnelere yaralanma riski olabilir. Üçüncü şahısların göz koruması kullanmaları önerilir. Çalışırken yanınıza yaklaşan kimselerin olması durumunda derhal motoru ve kesici parçaları durdurun.

### Her kullanımdan önce hasarlı/aşınmış parça olup olmadığını kontrol edin

Misina besleme başlığını, siperi ve ön destek kolunu kontrol edin ve herhangi bir yeri çatlak, eğri, bükük veya hasarlı olan parçaları değiştirin.

Siper kenarındaki misina kesme bıçağı zamanla körelebilir. Bu bıçağı düzenli olarak bir eğe ile bilemeniz veya yenisiyle değiştirmeniz önerilir.

### Her kullanımdan ardından çim biçme makinesini temizleyin.

## KESİM MİSİNASI UZUNLUĞUNUN AYARLANMASI

Kesme başlığı operatörün motoru durdurmaya gerek kalmadan kesim ipini salmasına olanak sağlar. Misina aşınır veya yıpranırsa çim biçme makinesi çalışır dururdayken kesme başlığını hafifçe yere vurarak biraz daha misina salmak mümkündür (Şek. M).

**DİKKAT:** Kesim misinası kısaldıkça misinanın salmak için daha fazla yere varmak gerekir.

**UYARI:** Misina kesim bıçağı donanımını çıkarmayın veya değiştirmeyin. Aşırı uzun kesim ipi motorun aşırı ısınmasına neden olabilir ve ciddi yaralanmaya yol açabilir.

### MİSINANIN DEĞİŞTİRİLMESİ

**DİKKAT:** Daima 2,4 mm'yi aşmayan bir çapa sahip naylon kesim misinası kullanılması önerilir. Belirtilenin dışında kesim misinası kullanımı kesim makinesinin aşırı ısınmasına veya hasar görmesine neden olabilir.

**UYARI:** Asla metal takviyeli misina, tel, ip vb. malzeme kullanmayın. Bunlar koparak tehlikeli biçimde fırlatılabilir.

1. Aküyü çıkarın.
2. Gerekirse kalan kesim misinasını çıkarın.
3. 4 m'lik misina kesin. Misinayı halka içindeki montaj deliğine yerleştirin (Şek. O). Makaranın her iki tarafında eşit miktarda misina oluncaya kadar misinayı itin ve diğer taraftan çekin.
4. Aküyü misinalı çim biçme makinesine takın.
5. Misina sarma motorunu başlatmak için misina yüklemeye düğmesine basılı tutun. Misina, aralıksız olarak kesme başlığına sarılacaktır (Şek. R).
6. Kalan misina uzunluğunu dikkatlice izleyin. Her iki tarafta 13 cm'lik misina görünene kadar uzunluğu ayarlamak için misina yüklemeye düğmesine kısaca basın.
7. Kesme başlığını aşağı bastırarak misinaları çekin ve kesme misinasının düzgün monte edildiğini kontrol etmek için manuel olarak ilerletin.

Kesim misinası çıkış noktasından kırıldığında veya kesme başlığına dokunulduğunda kesim misinası salınmazsa aşağıdaki adımları izleyin

1. Aküyü makineden çıkarın.
2. Kesim başlığının üstündeki açma tırnaklarına bastırın ve alt kapak aksamını çekerek çıkarın (Şek. Q).
3. Makaradan misinayı çıkarın.
4. Yay alt kapak düzeneğinde yuvaya yerleştirin (Şek. R).
5. Bir elle çim biçme makinesini tutarken diğer elle alt kapak aksamını kavrayın ve alt kapak aksamındaki yuvalarla açma tırnaklarını hizalayın. Alt kapak aksamına yerine oturana kadar bastırın, bu sırada belirgin bir tıklama sesi duyacaksınız (Şek. S).
6. **"MİSINANIN DEĞİŞTİRİLMESİ"** bölümündeki talimatları izleyerek misinayı tekrar takın.

### KESME BAŞLIĞININ DEĞİŞTİRİLMESİ

**UYARI:** Başlık yerine takıldıktan sonra gevşiyorsa derhal değiştirin. Bir çim biçme makinesini asla gevşek bir kesim parçasıyla kullanmayın. Hasar yüzeysel çatlaklarla sınırlı olsa dahi, çatlamış, hasarlı veya aşınmış bir kesme başlığını derhal değiştirin. Bu tür parçalar yüksek hızda parçalanabilir ve ciddi yaralanmalara neden olabilir.

### KESME BAŞLIĞINI ÇIKARMA

1. Aküyü makineden çıkarın.
2. Kesme başlığının üzerindeki açma tırnaklarına bastırın ve kesme başlığının alt kapak aksamını çekerek çıkarın.
3. Kesme misinasını kesme başlığından çıkarın (Şek. S).
4. Gerekirse yayı makara tertibatından çıkarın. Yeniden montaj için saklayın.
5. Eldiven takın. Makara grubunu sabitlemek için bir elinizi kullanırken diğer elinizle bir darbeli anahtar kullanarak (ürüne dahil değildir) somunu saat yönünün tersine gevşetin (Şek. X).
6. Somunu, makara tutucuyu, üst kapağı ve üst taban kapağını motor milinden sökün (Şek. T).

**DİKKAT:** Motor milindeki iki burç kolayca düşecektir, yeniden monte etmek için bunları dikkatlice saklayın.

7. Yeni bir kesme başlığıyla değiştirin ve aşağıdaki adımları takip ederek takın.

T-1	Burç	T-6	Kesim Misinası
T-2	Üst kapak	T-7	Alt Kapak
T-3	Somun	T-8	Üst taban kapağı
T-4	Rondela	T-9	Makara Aksamı
T-5	Yay		

### YENİ KESME BAŞLIĞINI TAKMA

1. Burçları motor miline takın ve üst taban kapağını yerine yerleştirin (Şek. T).
2. Sırayla üst kapak, makara aksamı, rondela ve somunu takın. Sıkma için somun üzerinde bir darbeli anahtar kullanın (Şek. U ve V).
3. Alt kapak aksamını takın.
4. Kesim misinasını yeniden takın.
5. Misinalı çim biçme makinesinin düzgün çalışıp çalışmadığını görmek için makineyi başlatın. Düzgün çalışmıyorsa yukarıda açıklandığı gibi yeniden monte edin.

TR

## BAKIM

**⚠ UYARI:** Bakım yaparken sadece aynı olan yedek parçaları kullanın. Aleti düzenli olarak kontrol edin ve bakımını yapın. Emniyet ve güvenilirliği sağlamak için tüm tamir işleri uzman bir servis teknisyeni tarafından yapılmalıdır.

**⚠ UYARI:** Ciddi kişisel yaralanmaları önlemek için, eklenti parçalara bakım veya onarım, temizlik, değişim yapmadan veya makineden malzeme çıkarmadan önce pil takımını çıkarın.

**⚠ DİKKAT:** Hava deliklerindeki tıkanıklıklar motor gövdesindeki hava akımını engelleyerek aşırı ısınmaya ve motor hasarına neden olabilir.

## CİHAZIN TEMİZLENMESİ

- Cihazı nemli bir bez ve yumuşak deterjanla temizleyin. Asla cihaza su girmesine izin vermeyin; aletin herhangi bir parçasını sıvıya daldırmayın.
- Plastik gövde veya tutma sapı üzerinde güçlü deterjanlar kullanmayın. Çam ve limon gibi belirli aromatik yağlar ve kerosen gibi çözücü maddeler bu yüzeylere zarar verebilir. Nem nedeniyle elektrik çarpması tehlikesi oluşabilir. Yumuşak kuru bir bezle nemli yerleri silin.
- Arka gövdedeki hava deliklerini temizlemek için küçük bir fırça veya elektrikli süpürgeci hava çıkışı kullanın.
- Motor gövdesindeki hava deliklerinin her zaman temiz kalmasını sağlayın.

## MİSİNA KESME BİÇAĞINI KESKİNLEŞTİRME

**⚠ UYARI:** Misina kesme bıçağı üzerinde herhangi bir bakım işlemi gerçekleştirirken daima dayanıklı eldivenler takarak ellerinizi koruyun.

1. Misina kesme bıçağını siperden çıkarın.
2. Bıçağı bir mengene ile sabitleyin.
3. Orijinal kesici kenar açısını koruyarak, bıçağın kesici kenarlarını ince diş bileyici veya bileme taşıyla dikkatlice bileyin.
4. Bıçağı sipere takın ve iki vidayla yerine sabitleyin.

## CİHAZIN DEPOLANMASI

- Kullanılmadığı zamanlarda, aküyü misinalı çim biçme makinesinden çıkarın.
- Cihazı saklamadan önce tamamen temizleyin.
- Cihazı çocukların ulaşamayacağı kuru, iyi havalandırılmış, kilitli veya yüksek bir yerde muhafaza edin. Gübre, benzin veya diğer kimyasal maddelerin yanında saklamayın.

## Çevre koruması



Elektrikli cihazları, kullanılmış aküyü ve akü şarj cihazını evsel atıklarla birlikte atmayın! Bu ürünü yetkili bir geri dönüşümcüye götürün ve ayrı bir şekilde toplanmasını sağlayın. Elektrikli aletler çevreyle uyumlu bir geri dönüşüm tesisine götürülmelidir.



## SORUN GİDERME

SORUN	SEBEP	ÇÖZÜM
Misinalı çim biçme makinesi başlatılmıyor.	<ul style="list-style-type: none"> <li>■ Akü, misinalı çim biçme makinesine takılı değil.</li> <li>■ Çim biçme makinesi ile akü arasında elektrik bağlantısı yok.</li> <li>■ Akü boşalmış.</li> <li>■ Tetik düğmesine basmadan önce kilit ileri doğru hareket etmiyor.</li> </ul>	<ul style="list-style-type: none"> <li>■ Aküyü çim biçme makinesine takın.</li> <li>■ Aküyü çıkarın, temas noktalarını kontrol edin ve aküyü yeniden takın.</li> <li>■ Aküyü şarj edin.</li> <li>■ Kilitleme dilini ileri doğru itin ve ardından tetik düğmesine basın.</li> </ul>
Misinalı çim biçme makinesi kesim yaparken duruyor.	<ul style="list-style-type: none"> <li>■ Çim biçme makinesine siper takılmamış, sonuç olarak aşırı uzun kesme misinası ve motorun aşırı ısınması söz konusu.</li> <li>■ Ağır kesim misinası kullanılıyor.</li> <li>■ Motor mili veya kesme başlığı çimler nedeniyle tutukluk yapıyor.</li> <li>■ Motora aşırı yüklenilmiş.</li> <li>■ Akü veya misinalı çim biçme makinesi çok sıcak.</li> <li>■ Akü ile aletin bağlantısı kesilmiş.</li> <li>■ Akü boşalmış.</li> <li>■ Kesim misinası takıldıktan sonra dengelenmemiş.</li> </ul>	<ul style="list-style-type: none"> <li>■ Aküyü çıkarın ve siperi çim biçme makinesine monte edin.</li> <li>■ Çapı en fazla 2,4 mm olan naylon kesim misinası kullanmanız önerilir.</li> <li>■ Çim biçme makinesini durdurun, aküyü çıkarın ve motor mili ve kesme başlığındaki çimleri temizleyin.</li> <li>■ Kesme başlığını çimlerden kaldırın. Yük kalkar kalkmaz motor eskisi gibi çalışacaktır. Kesim yaparken, kesme başlığını kesilecek çimlerde ileri-geri hareket ettirin ve tek bir kesimde en fazla 20 cm uzunlukta kesim yapın.</li> <li>■ Akü veya misinalı çim biçme makinesini soğutun.</li> <li>■ Aküyü yeniden takın.</li> <li>■ Aküyü şarj edin.</li> <li>■ Misina uzunluğunu simetrik yapmak için kesme başlığına dokunun.</li> </ul>
Kesme başlığı misinayı ilerletmiyor.	<ul style="list-style-type: none"> <li>■ Motor mili veya kesme başlığı çimler nedeniyle tutukluk yapıyor.</li> <li>■ Makarada yeterli misina yok veya misina delikten kopuyor.</li> <li>■ Misina dolaşmış.</li> <li>■ Misina çok kısa.</li> </ul>	<ul style="list-style-type: none"> <li>■ Çim biçme makinesini durdurun, aküyü çıkarın ve motor mili ve kesme başlığını temizleyin.</li> <li>■ Aküyü çıkarın ve bu kılavuzdaki "<b>MİSİNANIN DEĞİŞTİRİLMESİ</b>" bölümünü izleyerek kesim misinasını değiştirin.</li> <li>■ Aküyü çıkarın ve bu kılavuzdaki "<b>MİSİNANIN DEĞİŞTİRİLMESİ</b>" bölümünü izleyerek kesim misinasını değiştirin.</li> <li>■ Aküyü çıkarın ve bu kılavuzdaki "<b>MİSİNANIN DEĞİŞTİRİLMESİ</b>" bölümünü izleyerek kesim misinasını değiştirin.</li> </ul>
Çimler, kesme başlığının etrafına ve motor gövdesine dolanıyor.	Uzun çimler zemin seviyesinde kesiliyor.	Uzun çimleri üstten alta doğru kesin, dolanmayı önlemek için her geçişte en fazla 20 cm kesin.

TR

SORUN	SEBEP	ÇÖZÜM
Kesme başlığında çatlaklar mevcut veya makara tutucu makara tabanından gevşemiş.	<ul style="list-style-type: none"><li>■ Kesme başlığı aşınmış.</li><li>■ Kesme başlığını kilitleyen somun gevşek.</li></ul>	<ul style="list-style-type: none"><li>■ Aküyü çıkarın ve bu kılavuzdaki "<b>KESME BAŞLIĞINI DEĞİŞTİRİLMESİ</b>" bölümünü izleyerek kesim misinasını değiştirin.</li><li>■ Kesme başlığını açın ve somunu sıkamak için bir darbeli anahtar kullanın.</li></ul>
Kesim misinası, kesme başlığına düzgünce sarılamıyor.	<ul style="list-style-type: none"><li>■ Kesim misinası çok uzun.</li><li>■ Kesme başlığında çimen artıkları veya kir birikmiş ve misina makarasının hareketini engelliyor.</li><li>■ Misina sarma sisteminin tekrar tekrar çalışması nedeniyle motor aşırı ısınmış.</li><li>■ Pil zayıf.</li></ul>	<ul style="list-style-type: none"><li>■ Misinayı her iki tarafta yaklaşık 13 cm kalacak şekilde kesin.</li><li>■ Aküyü çıkarın, kesme başlığını açın ve iyice temizleyin.</li><li>■ Motorun soğuması için misinalı çim biçme makinasını yüksüz olarak birkaç dakika çalıştırın ve ardından misinayı yeniden yükleyin.</li><li>■ Aküyü şarj edin.</li></ul>
Kesim misinası, misina takılırken kesme başlığından geçemiyor.	<ul style="list-style-type: none"><li>■ Kesim misinasının ucu bölünmüş veya bükülmüştür.</li><li>■ Alt kapak yeniden takıldıktan sonra yerine oturmamıştır.</li></ul>	<ul style="list-style-type: none"><li>■ Aşınmış misina ucunu kesin ve yeniden takın.</li><li>■ Aküyü çim biçme makinasına takın; alt kapağı oturtmak için misina yükleme düğmesine basarak yavaşça güç vermeye başlayın.</li></ul>

## GARANTİ

### EGO GARANTİ POLİTİKASI

EGO Garanti politikasına ilişkin tüm hüküm ve koşullar için, lütfen [egopowerplus.com](http://egopowerplus.com) adresindeki web sitemizi ziyaret edin.

**KEES VAN DER SPEK**  
TUINMACHINES \* STOLWIJK

## LUGEGE KÕIKI JUHISEID!



### LUGEGE KASUTUSJUHENDIT

**⚠ Kaasnev risk!** Inimesed, kes kasutavad elektroonilisi seadmeid, nt südamestimulaatorit, peaksid enne selle toote kasutamist konsulteerima oma arstiga. Elektriseadmete kasutamine südamestimulaatori läheduses võib põhjustada südamestimulaatori häireid või rikkeid.

## OHUTUSSÜMBOL

Mis tahes elektriliste tööriistade kasutamine võib põhjustada võõrkehade paiskumist silma, mis võib põhjustada raskeid silmakahjustusi. Kandke elektriliste tööriistade kasutamise ajal alati kaitseprille või külgakaitsetega kaitseprille ja vajadusel täielikku näokaitset. Soovitame kanda prillide peal laia vaatealaga kaitsemaski või tavalisi külgakaitsetega kaitseprille.



Ohutusteade



Kandke kaitseprille! Kandke selle toote kasutamise ajal alati kaitseprille või külgakaitsetega kaitseprille ja täielikku näokaitset.



Kasutage kuulmiskaitsevahendeid! Seadmega töötades kasutage alati kuulmiskaitset.



Kandke tugevat peakate! Pea kaitsmiseks kandke nõuetekohast tugevast materjalist peakatet.



Ärge paigaldage ümaraid löiketerasid.



Löikelaius - jõhvtrimmeri maksimaalne löikeulatus



Jõhvtrimmeriga töötamise ajal ei tohi vähemalt 15 m raadiuses olla loomi ega teisi inimesi.



Garanteeritud helivõimsuse tase. Seadme müra keskkonnas on Euroopa Ühenduse direktiiviga vastavuses.



Elektriseadmete jäätmeid ei tohi visata olmejäätmete hulka. Viige volitatud taaskäitleja juurde.

$n_0$

Tühikäigu pöörlemiskiirus, koormuseta



Vigastuste ohu vähendamiseks peab kasutaja enne toote kasutamist kasutusjuhendit lugema.



Kandke turvajalanõusid! Tööriista kasutamisel kandke libisemiskindlaid turvajalanõusid.



Kandke kaitsekindaid! Tera või tera kaitse käsitlemisel kandke kätte kaitsmiseks kindaid.



Ettevaatust tera tagasilöögiga! Hoiatage seadme operaatorit tera tagasilöögi ohu eest.



Jõhvi diameeter - nailonist löikejõhvi läbimõõt



Võõrkehad võivad rikošetiga eemale paiskuda ja selle tagajärjeks võivad olla isikuvigastused või vara kahjustumine. Võsalöikeuriga töötamise ajal ei tohi läheduses olla loomi ega teisi inimesi.



Mitte kasutada vihma käes ega jätta välistingimustesse vihmajuu ajal.



Toode vastab rakendatavatele EÜ direktiividele.

ET

V Pinge

.../min Minutis



Alalisvool

kg Kilogramm

## SPETSIFIKATSIOONID

Pinge	56 V $\overline{\text{---}}$	
Tühikäigu kiirus	Madala kiiruse seadistus: 3000-4500 P/MIN Suure kiiruse seadistus: 4000-5800 P/MIN	
Lõikemehhanism	Muhuga pea	
Lõikejõhvi tüüp	2,4 mm nailonist jõhv (keerumusega)	
Lõikelaius	35 cm	
Soovituslik töökeskkonna temperatuur	0°C-40°C	
Soovituslik hoiustamise temperatuur	-20°C-70°C	
Optimaalne laadimistemperatuur	5°C-40°C	
Kaal (ilma akuplokita)	5,8 kg	
Möödetud helivõimsuse tase $L_{WA}$	88,98 dB(A) K=2 dB(A)	
Helirõhk seadme operaatori kõrva juures $L_{PA}$	68,96 dB(A) K=2 dB(A)	
Garanteeritud helivõimsuse tase $L_{WA}$ (möödetud vastavalt standardile 2000/14/EÜ)	91 dB(A)	
Vibratsiooni $a_h$ mõõtmine	Eesmine abikäepide	3,2 m/s <sup>2</sup> K=1,5 m/s <sup>2</sup>
	Tagumine käepide	2,3 m/s <sup>2</sup> K=1,5 m/s <sup>2</sup>

- Esitatud vibratsioonitaseme näit on möödetud standardsete testmeetodite kohaselt ja seda võidakse kasutada erinevate tööriistade võrdlemiseks.
- Esitatud vibratsioonitaseme näitu võib kasutada ka algsel kokkupuutehinnangu andmiseks.

**MÄRKUS!** Tegelikul kasutamisel tekkiv vibratsioonitase võib esitatust erineda; turvalisuse eesmärgil peaks seadme kasutaja tegelikes kasutusolukordades kandma kindaid ja kuulmiskaitseid.

## KIRJELDUS

### TUNNE OMA JÕHVTRIMMERIT (joon. A1)

1. Tagumine käepide
2. Suure/madala kiiruse nupp
3. Reguleeritav eesmine abikäepide
4. Hing

5. Jõhvi laadimise nupp
6. Kaitsepiire
7. Lukustusdetail
8. Kõrguse lukustamise klamber
9. Päästiklüüti
10. Lukustuskeel
11. Trimmeripea (muhuga pea)
12. Jõhvi lõiketera
13. Vabastussakk
14. Lõikejõhv
15. Aku vabastamise nupp
16. Riiv
17. Klemmid
18. Väljutusmehhanism
19. Kuuskantvõti

## PAKENDI LOEND (JOON. A1)

### KOKKUPANEK

#### VARRE LAHTIVOLTIMINE (AVAMINE)

**⚠ HOIATUS!** Käte ja sõrmede muljumise vältimiseks ärge hoidke vart ühenduskohtadest.

**⚠ HOIATUS!** Ärge käivitage trimmerit enne, kui vars on lukustatud.

Voltige vars ettevaatlikult lahti ja jälgige, et juhe on varre sees, seejärel lukustage vars kahe kruvi ja komplektis oleva mutrivõtme abil (joon. B1 ja B2).

#### KAITSEPIIRDE PAIGALDAMINE

Seadke trimmer nii, et trimmeripea on ülespoole (joon. C1). Joondage kaitseparti paigaldusaugud aluse aukudega ja kinnitage kaitseparti nende kahe kruvi abil aluse külge (joon. C2).

**MÄRKUS!** Veenduge, et kaitsepiire on kinnitatud vastavalt joonistel C1 ja C2 antud juhiste. Juhiste eiramine tekitab väga ohtliku olukorra!

#### EESMISE ABIKÄEPIDEME PAIGALDAMINE JA REGULEERIMINE

1. Keerake eesmise abikäepideme lukustusdetaili lahti ning eemaldage see lukustusdetail ja tiibmutter eesmise abikäepideme küljest (joon. D).

D-1	Eesmine abikäepide	D-3	Liblikmutter
D-2	Kinnitusplokk	D-4	Lukustusdetail

2. Suruge eesmine abikäepide varrele kõrguse lukustamise klambri ja hinge vahele (joon. E).
3. Sisestage kinnitusplokk käepideme pesasse (joon. F).

- Lukustage lukustusdetaili hoob ja eelpingutage need libliknutriga. Veenduge, et eesmine abikäepide on suunatud ülespoole ja tagumise käepideme ülaosa suunas (joon. J).
- Tõmmake lukustusdetaili hooba ülespoole nii, et saate aaskäepidet kergelt mugavasse asendisse liigutada/keerata ning seejärel lukustusdetaili hoob. (joon. H).

**⚠ HOIATUS!** Seda tööriista ei tohi kasutada, kui eesmine käepide pole kindlalt kinnitatud.

### TAGUMISE KÄEPIDEME REGULEERIMINE

Kui varre pikkus ei ole töötamiseks sobilik, siis reguleerige varre pikkust kõrguse lukustamise klambriga.

- Ühendage akuplokk trimmerist lahti.
- Trimmeri kõrguse reguleerimiseks avage kõrguse lukustamise klamber, libistage vart üles- või allapoole soovitud kõrgusele ning kinnitage see lukustusklambril abil (joon. I).

**MÄRKUS!** Trimmeri kõrguse reguleerimise järel võib olla vaja reguleerida ka eesmist abikäepidet.

### SEADME KASUTAMINE

**⚠ HOIATUS!** Kasutage alati kaitseprille või küljekaitsetega kaitseprille ja kuulmiskaitseid. Vastasel korral võib teile midagi silma paiskuda ja võite saada ka muud laadi raskeid vigastusi.

Seda toodet võite kasutada allpool loetletud eesmärkidel.

**Trimmerdamine:** seinte, aedade, puude ja piirete ääres kasvava muru eemaldamiseks.

**Lõikamine:** sellise muru lõikamiseks, millele on tavalise niiduki abil keeruline ligi pääseda.

### AKUPLOKI PAIGALDAMINE/EEMALDAMINE

Kasutage ainult joonisel A2 esitatud EGO akuplokke ja laadureid.

**Laadige enne esimest kasutamist täielikult täis.**

#### Paigaldamine

Joondate aku sooned paigaldusavadega ja suruge akuplokki alla, kuni kuulete klõpsatust (joonis J1).

#### Eemaldamine

Vajutage akuvabastusnuppu ja tõmmake akuplokk välja, nagu on näidatud joonisel J2.

J-1	Akuvabastusnupp
-----	-----------------

### JÕHVTRIMMERI HOIDMINE

Hoidke jõhvtrimmerit kahe käega. Ühe käega hoidke tagumist käepidet ja teisega eesmist abikäepidet.

**MÄRKUS!** Trimmeri pea on korrektses löikekauguses korral maaga paralleelne, ilma et seadme kasutaja kummardama peaks (joon. K).

### JÕHVTRIMMERI KÄIVITAMINE/PEATAMINE

#### Käivitamiseks

Liigutage lukustuskeelt ettepoole ja seejärel vajutage päästiklüliti.

Päästiku abil saab reguleerida kiirust sujuvalt (mitteastmeliselt). Mida kaugemale päästikut tõmmata, seda suuremaks kiirus läheb (joon. L).

#### Peatamine

Vabastage päästiklüliti.

### KIIRUSE REGULEERIMISE FUNKTSIOON (JOON. L)

Jõhvtrimmeril on kaks kiirust. Asend „LOW“ tähistab madalat kiirust ja asend „HIGH“ suuremat kiirust.

Joonise L osade kirjeldus:

L-1	Suure/madala kiiruse nupp	L-2	Päästiklüliti
-----	---------------------------	-----	---------------

### JÕHVTRIMMERI KASUTAMINE

Enne töö alustamist puhastage tööpiirkond võõrkehadest. Eemaldage tööpinnalt kõik kivid, klaasikillud, naelad, juhtmed ja nõõrid, mis võivad seadme töö tõttu paiskuda või selle külge või sisse kinni jääda. Jälgige, et tööpiirkonnas poleks lapsi, kõrvalisi isikuid ega loomi. Lapsed, kõrvalised isikud ja loomad peavad olema vähemalt 15 meetri kaugusel; ka selle tingimuse täidetuse korral säilib mõningane paiskuvatest esemetest tingitud oht kõrvalistele isikutele. Soovitage kõrvalistel isikutel kasutada kaitseprille. Kui keegi teile läheneb, seisake mootor ja lõikeseade koheselt.

### Enne iga kasutuskorda kontrollige seadme kahjustumist / kulumist.

Kontrollige muhuga pead, kaitsepiiret ja eesmist abikäepidet ning vahetage välja mõranenud, vääändunud, paindunud või muul moel kahjustatud komponendid.

Jõhvi lõiketera kaitsepiirde serval võib aja jooksul kuluda. Soovitatav on seda aeg-ajalt viiliga teritada või nürinemise korral uue vastu vahetada.

**Puhastage trimmerit pärast iga kasutuskorda.**

ET

## LÕIKEJÕHVI PIKKUSE REGULEERIMINE

Trimmeripea abil saab kasutaja pikendada jõhvi seadet seiskamata. Kui jõhv läheb katki või kulub, puudutage jõhvi pikendamiseks lõikepeaga kergelt maad ilma trimmerit seiskamata (joon. M).

**MÄRKUS!** Lõikejõhvi lühenedes tuleb jõhvi vabastamiseks trimmeri pead mitu korda maad puudutada.

**⚠ HOIATUS!** Ärge eemaldage ega kohandage jõhvi lõiketera moodulit. Liiga pikk jõhv põhjustab mootori ülekuumenemist, mis omakorda suurendab raskete vigastuste ohtu.

## JÕHVI VAHETAMINE

**MÄRKUS!** Kasutage alati soovitatud nailonist lõikejõhvi, mille diameeter pole suurem kui 2,4 mm. Määratud jõhvist erineva jõhvi kasutamine võib kaasa tuua trimmeri ülekuumenemise või kahjustumise.

**⚠ HOIATUS!** Ärge kunagi kasutage metalliga tugevdatud jõhvi, traati või köit vms. Need võivad murduda ning õhku paiskudes ohtlikuks muutuda.

1. Eemaldage akuplokk.
2. Vajadusel eemaldage ülejäänud jõhv.
3. Lõigake 4m pikkune lõikejõhv. Sisestage jõhv läbi augukese paigaldusauku (joon. O). Lükake ja tõmmake jõhvi teiselt poolt kuni mõlemal pool pooli on sama palju jõhvi.
4. Paigaldage akuplokk jõhvtrimmeri külge.
5. Jõhvi kerimise mootori käivitamiseks vajutage ja hoidke all jõhvi laadimise nuppu. Jõhv keritakse katkestamatult trimmeripea sisse (joon. P).
6. Jälgige hoolikalt järelejäänud jõhvi pikkust. Vajutage lühidalt jõhvi laadimise nuppu, et reguleerida jõhvi pikkus nii, et mõlemalt poolelt jääb välja 13 cm jõhvi.
7. Vajutage trimmeripead alla, samal ajal jõhve tõmmates, et jõhvi käsitsi edasi liigutada ja kontrollida, kas lõikejõhv on korralikult kokku pandud.

**ET**

Kui jõhv läheb katki avadest, kust jõhv välja tuleb, või kui jõhv ei tule trimmeri pea vastu koputades välja, siis tehke järgmist.

1. Ühendage akuplokk trimmerist lahti.
2. Vajutage trimmeripea vabastussakkidele ja eemaldage alumise kate moodul, tõmmates selle otse välja (joon. Q).
3. Eemaldage lõikejõhv poolilt.
4. Paigaldage vedru alumise kate mooduli avasse (joon. R).
5. Hoides ühe käega trimmerist ja haarates teise käega alumise kate moodulist, joondage alumise kate mooduli avad vabastussakkidega. Suruge alumise kate moodulit alla, kuni see kinnitub selgelt kuuldava klõpsatusega (joon. S).

6. Jõhvi uuesti laadimiseks järgige juhiseid jaotises „**JÕHVI VAHETAMINE**“.

## TRIMMERIPEA VAHETAMINE

**⚠ HOIATUS!** Kui lõikepea tuleb pärast kohale fikseerimist lahti, vahetage see viivitamatult välja. Ärge kunagi kasutage lahtise lõikeseadmega trimmerit. Mõranenud, kahjustunud või kulunud lõikepea tuleb viivitamatult välja vahetada, isegi kui kahjustuseks on vaevumärgatav mõra. Niisugused lisaseadmed võivad suurel kiirusel puruneda ja põhjustada raskeid vigastusi.

## EEMALDAGE TRIMMERIPEA

1. Ühendage akuplokk trimmerist lahti.
2. Vajutage trimmeripea vabastussakkidele ja eemaldage trimmeripea alumise kate moodul, tõmmates selle otse välja.
3. Eemaldage lõikejõhv trimmeripeast (joon. S).
4. Vajadusel võtke vedru pooli moodulist välja. Hoidke see tagasipanemiseks alles.
5. Kandke kindaid. Haarake ühe käega pooli moodulist, et seda stabiliseerida ning hoidke teise käega lõõkvõtit (ei ole komplektis) ning keerake mutter selle abil vastupäeva lahti (joon. X).
6. Eemaldage mutter, pooli hoidik, ülemine kate ja ülemise aluse kate mootorivõlli küljest (joon. T).

**MÄRKUS!** Kaks tihendit kukuvad kergesti mootorivõlli küljest ära. Pange need hoolsalt kõrvale, et neid saaks hiljem uuesti paigaldada.

7. Vahetage trimmeripea uue vastu välja ja paigaldage see järgnevalt.

T-1	Tihend	T-6	Trimmeri jõhv
T-2	Ülemine kate	T-7	Alumine kate
T-3	Mutter	T-8	Ülemise aluse kate
T-4	Seib	T-9	Kokkupanek Pooli moodul
T-5	Vedru		

## PAIGALDAGE UUS TRIMMERIPEA

1. Paigaldage tihendid mootorivõlli ja pange ülemise aluse kate moodul paika (joon. T).
2. Paigaldage ülemine kate, pooli moodul, seib ja mutter just selles järjekorras. Pingutage mutrit lõõkvõtme abil (joon. U ja V).
3. Paigaldage alumise kate moodul.
4. Pange poolile uus lõikejõhv.
5. Käivitage tööriist, et näha, kas jõhvtrimmer töötab normaalselt. Kui töötab, siis pange see kokku nii, nagu on kirjeldatud järgnevalt.

## HOOLDUS

**⚠ HOIATUS!** Remontimisel kasutage vaid originaalvaruosi. Kontrollige ja hooldage tööriista regulaarselt. Turvalisuse ja vastupidavuse tagamiseks peab kõiki parandustöid läbi viima kvalifitseeritud hooldustehnik.

**⚠ HOIATUS!** Raskete vigastuste vältimiseks eemaldage alati aku enne, kui asute seadet hooldama, puhastama, lisatarvikuid kinnitama või kinni jäänud objekte eemaldama.

**⚠ ETTEVAATUST!** Õhusava ees olevad objektid takistavad õhu pääsemist mootori korpusesse ning selle tulemusena võib mootor üle kuumeneda või kahjustusi saada.

## SEADME PUHASTAMINE

- Seadme puhastamiseks kasutage leebetoimelise puhastusvahendiga immutatud niisket lappi. Ärge kunagi laske vedelikul tööriista sisse sattuda ja ärge kunagi pange tööriista vedeliku sisse.
- Ärge kasutage plastmasskomponentide või käepideme puhastamiseks tugevatoimelisi puhastusaineid. Seadme osi võivad kahjustada teatud aromaatsed õlid (nt männi- või sidruniõli) ja teatud ained (nt petrooleum). Niiskus võib tekitada elektrilöögi ohu. Eemaldage niiskus pehme kuiva lapiga.
- Tagumise korpuse õhusavade puhastamiseks kasutage väikest harja või tolmuimeja väikese harja õhuväljutusava.
- Jälgige alati, et mootori korpuse õhusavad oleksid puhtad.

## JÕHVI LÕIKETERA TERITAMINE

**⚠ HOIATUS!** Käte kaitsmiseks kandke jõhvi lõiketera hooldamisel alati tugevast materjalist kindaid.

1. Eemaldage jõhvi lõiketera piirdetarviku küljest.
2. Kinnitage tera kruustangide vahele.
3. Viilige tera lõikeservi hoolikalt peenehambalise viili või luisuga, säilitades lõikeservade algse lõikenurga.
4. Paigaldage tera piirdele tagasi ja kinnitage see kahe kruvi abil.

## SEADME HOIUSTAMINE

- Kui te jõhvtrimmerit ei kasuta, eemaldage selle akuplokk.
- Enne tööriista hoiustamist puhastage see hoolikalt.
- Hoidke tööriista kuivas, hästi ventileeritavas, lukustatud kohas ja kõrgel, lastele ligipääsmatus kohas. Ärge hoidke seadet väetiste, bensiini või muude kemikaalide läheduses.

## Keskonnakaitse



Ärge visake elektriseadmeid, akulaadurit ega patareisid/akusid olmeprügi hulka! Viige toode volitatud taaskäitleja juurde ja võimaldage selle komponendid sorteerituna kõrvaldada. Elektritööriistad viige keskkonnakaitsenõudeid järgivasse jäätme käitluskeskusesse.

## TÕRKEOTSING

PROBLEEM	PÕHJUS	LAHENDUS
Jõhvtrimmer ei käivitu.	<ul style="list-style-type: none"> <li>■ Akuplokk pole jõhvtrimmeriga ühendatud.</li> <li>■ Trimmeri ja aku vahel puudub elektriline ühendus.</li> <li>■ Akuplokk on tühi.</li> <li>■ Enne päästiklüüti vajutamist pole lukustusnuppu ettepoole lükatud.</li> </ul>	<ul style="list-style-type: none"> <li>■ Kinnitage akuplokk jõhvtrimmeri külge.</li> <li>■ Eemaldage aku, kontrollige ühendusi ja pange akuplokk tagasi.</li> <li>■ Laadige akuplokki.</li> <li>■ Liigutage lukustuskeelt ettepoole ja seejärel vajutage päästiklüütit.</li> </ul>
Jõhvtrimmer seiskub niitmise ajal.	<ul style="list-style-type: none"> <li>■ Kaitsepiire pole trimmeri külge kinnitatud, mistõttu on jõhv liiga pikaks läinud ja mootor üle koormatud.</li> <li>■ Kasutatakse rasket jõhvi.</li> <li>■ Rohi on ummistanud mootori võlli või trimmeri pea.</li> <li>■ Mootor on ülekoormatud.</li> <li>■ Akuplokk või jõhvtrimmer on liiga kuum.</li> <li>■ Akuplokk on tööriista küljest eemaldatud.</li> <li>■ Akuplokk on tühi.</li> <li>■ Seade on pärast lõikejõhvi paigaldamist tasakaalust väljas.</li> </ul>	<ul style="list-style-type: none"> <li>■ Eemaldage akuplokk ja kinnitage piire trimmeri külge.</li> <li>■ Kasutage soovitatud nailonist lõikejõhvi, mille diameeter pole suurem kui 2,4 mm.</li> <li>■ Seisake trimmer, ühendage aku lahti ja eemaldage mootori võlli ja trimmeripea ümber kogunenud rohi.</li> <li>■ Tõstke trimmeri pea rohu seest välja. Mootor hakkab uuesti tööle kohe, kui takistus on eemaldatud. Niitmise ajal liigutage trimmeri pead niidetava rohu sisse ja sealt välja ning ärge lõigake korraga rohkem kui 20 cm rohtu.</li> <li>■ Jahutage akut või jõhvtrimmerit.</li> <li>■ Paigaldage akuplokk tagasi.</li> <li>■ Laadige akuplokki.</li> <li>■ Jõhvi pikkuse sümmeetriliseks muutmiseks koputage trimmeripead.</li> </ul>
ET Trimmeri pea ei anna lisajõhvi välja.	<ul style="list-style-type: none"> <li>■ Rohi on ummistanud mootori võlli või trimmeri pea.</li> <li>■ Pooli ümber pole piisavalt jõhvi või jõhv puruneb augukese lähedalt.</li> <li>■ Jõhv on sõlme läinud.</li> <li>■ Jõhv on liiga lühike.</li> </ul>	<ul style="list-style-type: none"> <li>■ Seisake trimmer, ühendage aku lahti ja puhastage mootori võlli ja trimmeri pead.</li> <li>■ Eemaldage aku ja vahetage jõhv, järgides käesoleva juhendi jaotises „<b>JÕHVI VAHETAMINE</b>” antud juhiseid.</li> <li>■ Eemaldage aku ja vahetage jõhv, järgides käesoleva juhendi jaotises „<b>JÕHVI VAHETAMINE</b>” antud juhiseid.</li> <li>■ Eemaldage aku ja vahetage jõhv, järgides käesoleva juhendi jaotises „<b>JÕHVI VAHETAMINE</b>” antud juhiseid.</li> </ul>
Rohi on keerdunud ümber trimmeri pea ja mootori korpuse.	Kõrget rohtu lõigatakse maapinna lähedalt.	Alustage kõrge muru lõikamist ülevalt ja keerdumise vältimiseks eemaldage korraga kuni 20 cm.



PROBLEEM	PÕHJUS	LAHENDUS
Trimmeripea on mõranenud või poolihoidik tuleb pooli aluse küljest lahti.	<ul style="list-style-type: none"> <li>Trimmeripea on kulunud.</li> <li>Trimmeripead lukustav mutter on lahti tulnud.</li> </ul>	<ul style="list-style-type: none"> <li>Vahetage trimmeripea kohe välja, järgides käesoleva juhendi jaotises „<b>TRIMMERIPEA VAHETAMINE</b>” antud juhiseid.</li> <li>Avage trimmeripea ja keerake mutter löökvõtme abil kinni.</li> </ul>
Lõikejõhvi ei saa katkestamatult trimmeripea sisse kerida.	<ul style="list-style-type: none"> <li>Lõikejõhv on liiga pikk.</li> <li>Trimmeripeasse on kogunenud murujääke ja prahti ning see blokeerib jõhvi pooli liikumist.</li> <li>Jõhvi kerimise süsteemi korduva kasutamise tõttu on mootor üle kumenenud.</li> <li>Aku hakkab tühjaks saama</li> </ul>	<ul style="list-style-type: none"> <li>Lõigake jõhv nii, et umbes 13 cm jõhvi paistab mõlemalt küljelt.</li> <li>Eemaldage aku, avage trimmeripea ja puhastage seda põhjalikult.</li> <li>Laske jõhvtrimmeril mootori jahutamise eesmärgil mõne minuti jooksul tühikäigul töötada ning seejärel proovige jõhvi uuesti laadida.</li> <li>Laadige akut.</li> </ul>
Lõikejõhvi ei saa jõhvi pealepanekul trimmeripeast läbi suunata.	<ul style="list-style-type: none"> <li>Lõikejõhv on purunenud või selle ots on paindunud.</li> <li>Alumine kate ei ole pärast tagasi panemist õiges kohas.</li> </ul>	<ul style="list-style-type: none"> <li>Lõigake jõhvi kulunud ots ära ja paigaldage jõhv uuesti.</li> <li>Paigaldage akuplokk trimmerile, vajutage jõhvi laadimise nuppu ning käivitage korraks laadimine - nii vabastate alumise katte.</li> </ul>

## GARANTII

### EGO GARANTIIPÕHIMÕTTED

Täielikud EGO garantiitingimused leiate veebilehelt [egopowerplus.com](http://egopowerplus.com).

KEES VAN DER SPEK  
TUINMACHINES \* STOLWIJK

ET

## ПРОЧИТАЙТЕ ВСІ ІНСТРУКЦІЇ!



### ПРОЧИТАЙТЕ ПОСІБНИК З ЕКСПЛУАТАЦІЇ

**⚠ Залишковий ризик!** Люди з електронними пристроями, наприклад кардіостимуляторами, повинні проконсультуватися зі своїм лікарем (лікарями) перед використанням цього виробу. Експлуатація електрообладнання в безпосередній близькості від кардіостимулятора може спричинити перешкоди або несправність кардіостимулятора.

## СИМВОЛ БЕЗПЕКИ

Використання будь-яких електроінструментів може призвести до потрапляння сторонніх предметів в очі, що може спричинити серйозне пошкодження очей. Перед початком експлуатації електроінструмента завжди надягайте закриті захисні окуляри або відкриті захисні окуляри з бічними щитами та, якщо потрібно, повнопрофільну захисну маску. Ми рекомендуємо захисну маску широкого розміру для використання поверх окулярів або стандартні відкриті захисні окуляри з бічними щитами.



Попередження щодо безпеки



Носіть засоби захисту очей – працюючи з цим виробом, завжди носіть закриті захисні окуляри чи відкриті захисні окуляри з бічними щитами або повнопрофільну захисну маску.



Носіть засоби захисту органів слуху – під час роботи з цим виробом завжди використовуйте засоби захисту органів слуху.



Носіть засоби захисту голови – носіть схвалений захисний шолом для захисту голови.



Не встановлюйте кругові різальні леза.



Ширина різання – макс. ширина різання ліскового тримера



Переконайтеся, що інші люди та домашні тварини залишаються на відстані принаймні 15 м від ліскового тримера, коли він використовується.



Гарантований рівень звукової потужності. Розповсюдження шуму в навколишнє середовище згідно з директивою Європейського співтовариства.



Відходи електричних виробів не слід викидати разом із побутовим сміттям. Зверніться до авторизованого пункту переробки.

$n_0$

Швидкість без навантаження – обертова швидкість без навантаження



Постійний струм



З метою зменшення ризику отримання травм користувач повинен прочитати посібник з експлуатації.



Носіть захисне взуття – використовуючи таке обладнання, одягайте неслизьке захисне взуття.



Носіть захисні рукавиці – під час роботи з лезом і щитком леза одягайте рукавиці для захисту рук.



Остерігайтесь упору леза – попередьте оператора про небезпеку упору леза.



Діаметр ліски – діаметр нейлонової ріжучої ліски



Відкинуті предмети можуть відрикошетитись і призвести до травм або пошкоджень майна. Переконайтеся, що інші люди та домашні тварини залишаються на відстані від куцюріза, коли він використовується.



Не використовуйте цей пристрій у дощ і не залишайте його в дощ надворі.



Цей виріб відповідає чинним директивам ЄС.

V Напруга

.../min На хвилину

kg Кілограм

UK

# 170

## ТЕХНІЧНІ ХАРАКТЕРИСТИКИ

Напруга	56 В ---	
Швидкість холостого ходу	Установка низької швидкості: 3000–4500 ОБ./ХВ Установка високої швидкості: 4000–5800 ОБ./ХВ	
Ріжучий механізм	Ударна головка	
Тип ріжучої ліски	2,4-міліметрова нейлонова вита ліска	
Ширина різання	35 см	
Діапазон рекомендованих робочих температур	0°C-40°C	
Діапазон рекомендованих температур зберігання	-20°C-70°C	
Оптимальна температура заряджання	5°C-40°C	
Вага (без акумулятора)	5,8 кг	
Вимірний рівень звукової потужності $L_{WA}$	88,98 дБ(A) K=2 дБ(A)	
Рівень звукового тиску на місці вуха оператора $L_{PA}$	68,96 дБ(A) K=2 дБ(A)	
Гарантований рівень звукової потужності $L_{WA}$ (відповідно до стандарту 2000/14/ЕС)	91 дБ(A)	
Оцінка вібрації $a_r$ :	Передня допоміжна ручка	3,2 м/с <sup>2</sup> K=1,5 м/с <sup>2</sup>
	Задня ручка	2,3 м/с <sup>2</sup> K=1,5 м/с <sup>2</sup>

- Вказане загальне значення вібрації виміряне за стандартним методом тестування і може використовуватися для порівняння одного інструмента з іншим;
- Заявлене сумарне значення вібрації може також використовуватись для попередньої оцінки впливу.

**ПРИМІТКА.** Емісія вібрації під час фактичного використання електроінструмента може відрізнятись від заявленої величини, у якій використовується інструмент. Щоб захистити оператора, користувач повинен одягати рукавички та захисні навушники в реальних умовах використання.

## ОПИС

### ОЗНАЙОМЛЕННЯ З ЛІСКОВИМ ТРИМЕРОМ (рис. А1)

1. Задня ручка
2. Перемикач низької/високої швидкості
3. Регульована передня допоміжна ручка
4. Шарнір
5. Кнопка заправлення ліски
6. Щиток
7. Фіксувальна штанга
8. Комір із фіксацією висоти
9. Важіль перемикача
10. Запірний язичок
11. Головка тримера (ударна головка)
12. Лісковий ніж
13. Фіксатор
14. Ріжуча ліска
15. Кнопка звільнення батареї
16. Засувка
17. Електричні контакти
18. Механізм викидання
19. Шестигранний ключ

### ПАКУВАЛЬНИЙ СПИСОК (РИС. А1)

#### ЗБИРАННЯ

#### РОЗКЛАДАННЯ ВАЛА

**⚠ ПОПЕРЕДЖЕННЯ.** Не тримайте вал за з'єднання, щоб не затиснути руки або пальці.

**⚠ ПОПЕРЕДЖЕННЯ.** Не намагайтесь запустити тример, доки вал НЕ буде заблоковано.

Обережно розгорніть вал, переконавшись, що кабель перебуває всередині вала, і зафіксуйте його двома гвинтами за допомогою доданого гайкового ключа (рис. В1 і В2).

#### УСТАНОВЛЕННЯ ЩИТКА

Розмістіть тример так, щоб головка тримера була звернена вгору (рис. С1). Вирівняйте кріпильні отвори щитка з отворами для збірки, а потім зафіксуйте щиток на основі вала за допомогою двох гвинтів (рис. С2).

**ПРИМІТКА.** Переконайтесь, що захисний щиток закріплений відповідно до рисунків С1 і С2, і будь-яке зворотне кріплення може призвести до великої небезпеки!

UK

## УСТАНОВЛЕННЯ ТА РЕГУЛЮВАННЯ ПЕРЕДНЬОЇ ДОПОМІЖНОЇ РУЧКИ

1. Відкрутіть фіксувальну штангу в передній допоміжній ручці та зніміть фіксувальну штангу і гайку-баранець із передньої допоміжної ручки (рис. D).

D-1	Передня допоміжна ручка	D-3	Гайка-баранець
D-2	Затискний блок	D-4	Стопорний штифт

2. Насуньте передню допоміжну ручку на вал між коміром із фіксацією висоти і шарніром (рис. E).
3. Вставте затискний блок у гніздо для ручки (рис. F).
4. Закріпіть важіль стопорного штифта і злегка закрутіть гайкою-баранцем. Переконайтесь, що передня допоміжна ручка направлена на верхню частину задньої ручки (рис. G).
5. Підніміть рівень фіксатора, щоб ви могли легко переміщати / обертати ручку-петлю в зручне для вас місце. потім заблокуйте важіль фіксатора. (Рис. H).

**⚠ ПОПЕРЕДЖЕННЯ.** Інструмент не можна використовувати без надійної фіксації передньої ручки.

## РЕГУЛЮВАННЯ ЗАДНЬОЇ РУЧКИ

Якщо довжина вала не підходить для роботи, ви можете відрегулювати довжину вала за допомогою затискача для фіксації висоти.

1. Вийміть акумуляторну батарею з тримера.
2. Щоб відрегулювати висоту тримера, відкрийте фіксатор висоти, а потім посуňte вал вгору або вниз на бажану висоту, зафіксувавши його на місці, натиснувши затискач (рис. I).

**ПРИМІТКА.** Може знадобитися повторне регулювання передньої допоміжної ручки після зміни висоти тримера.

## ЕКСПЛУАТАЦІЯ

**⚠ ПОПЕРЕДЖЕННЯ.** Завжди носіть закриті або відкриті захисні окуляри з бічними щитками разом із захисними навушниками. Без окулярів ви ризикуєте травмами очей від викинутих предметів та іншими серйозними травмами.

Ви можете використовувати цей виріб для цілей, перелічених нижче:

**Підрізання:** використовується для видалення трави та бур'янів біля стін, парканів, дерев та бордюрів.

**Зрізання:** використовується для зрізання трави, яку важко дістати за допомогою звичайної косарки.

## УСТАНОВЛЕННЯ І ВИДАЛЕННЯ АКУМУЛЯТОРА

Використовуйте лише акумулятори та зарядні пристрої EGO, перелічені на рис. A2.

**Повністю зарядіть перед першим використанням.**

### Установлення

Вирівняйте виступи на акумуляторі з кріпильними отворами та натисніть на акумуляторну батарею, доки не почуєте «кляцання» (рис. J1).

### Видалення

Натисніть кнопку звільнення акумулятора та витягніть акумуляторну батарею, як показано на рис. J2.

J-1 Кнопка розблокування батареї

## ТРИМАННЯ ТРИМЕРА

Тримайте лісковий тример обома руками. Тримайте прилад однією рукою за задню ручку, а іншою рукою за передню допоміжну ручку.

**ПРИМІТКА.** Головка тримера має бути паралельною землі на достатній відстані для різання, оператор не повинен нагинатися (рис. K).

## ЗАПУСК/ЗУПИНКА ЛІСКОВОГО ТРИМЕРА

### Запуск

Перемістіть запірний язичок вперед, потім натисніть важіль перемикача.

Цей важіль слугує для плавного регулювання швидкості. Що більше ви піднімаєте важіль, то вище швидкість (рис. L).

### Зупинка

Відпустіть перемикач.

### ФУНКЦІЯ РЕГУЛЮВАННЯ ШВИДКОСТІ (РИС. L)

Лісковий тример має дві швидкості. Положення «LOW» для низької швидкості та положення «HIGH» для високої швидкості.

Рис. L – див. опис деталей нижче:

L-1	Перемикач низької/ високої швидкостей	L-2	Важіль перемикача
-----	---------------------------------------	-----	-------------------

## ВИКОРИСТАННЯ ЛІСКОВОГО ТРИМЕРА

Очищуйте ділянку підрізання перед кожним використанням. Видаліть усі предмети, такі як камені, бите скло, цвяхи, дроти або ліску, які можуть бути відкинуті або зтягнуті в ріжуче обладнання. Приберіть із робочої області дітей, сторонніх і домашніх тварин. Принаймні тримайте всіх дітей, сторонніх спостерігачів і домашніх тварин на відстані не менше 15 м; проте для сторонніх спостерігачів усе одно може бути ризик від відкинутих предметів. Стороннім спостерігачам слід рекомендувати носити засоби захисту очей. Перед наближенням зупиніть мотор і ріжучий пристрій негайно.

### Перед кожним використанням перевірте наявність пошкоджень/зношених деталей

Перевірте ударну головку, щиток і передню ручку, а також замініть частини, які тріснули, викривлені, зігнуті або будь-яким чином пошкоджені.

Ріжучий лісковий ніж на краю щитка може затупитися з часом. Рекомендується періодично заточувати його за допомогою напилка або замінити його на нове лезо.

### Після кожного використання очистьте тример.

### РЕГУЛЮВАННЯ ДОВЖИНИ РІЖУЧОЇ ЛІСКИ.

Тримерна головка дає оператору змогу випускати більше ріжучої ліски, не зупиняючи мотор. Коли ліска стирається або зношується, можна випустити додаткову ліску, злегка вдаривши головкою тримера об землю під час роботи з тримером (рис. М).

**ПРИМІТКА.** Для випуску ліски необхідно виконати кілька ударів, щоб ріжуча ліска стала коротшою.

**⚠ ПОПЕРЕДЖЕННЯ.** Не видаляйте та не змінюйте ріжуче лезо в зборі. Надмірна довжина ліски призведе до перегріву мотора та може спричинити серйозні травми.

### ЗАМІНА ЛІСКИ

**ПРИМІТКА.** Завжди використовуйте рекомендовану нейлонову ріжучу ліску з діаметром не більше 2,4 мм. Використання іншої ліски, відмінної від указаної, може спричинити перегрівання ліскового тримера або його пошкодження.

**⚠ ПОПЕРЕДЖЕННЯ.** Ніколи не використовуйте армовану металом ліску, дріт, мотузку тощо. Вони можуть зламатися і стати небезпечними снарядами.

1. Вийміть акумуляторну батарею.
2. Видаліть залишкову ріжучу ліску, якщо це необхідно.
3. Відріжте 4 м ріжучої ліски. Вставте ліску в кріпильний отвір усередині вушка (рис. О).

Натисніть і витягніть ліску з іншої сторони, доки не з'явиться рівна кількість ліски з обох боків котушки.

4. Установіть акумулятор на лісковий тример.
5. Натисніть і утримуйте кнопку завантаження ліски, щоб запустити мотор намотування. Ліска буде безперервно намотуватися на тримерну головку (рис. Р).
6. Уважно стежте за довжиною ліски, що залишається. Натисніть і відпустіть кнопку завантаження ліски, щоб відрегулювати довжину ліски до 13 см із кожного боку.
7. Натисніть на головку тримера, тягнучи за ліску, щоб просувати ліску вручну, і перевірте, чи ліску завантажено правильно.

Коли ріжуча ліска виривається з лінійного отвору або ріжуча ліска не випускається під час удару тримерної головки, виконайте такі дії:

1. Вийміть акумуляторну батарею з тримера.
2. Натисніть на фіксатори головки тримера та зніміть нижню кришку в зборі, витягнувши її (рис. Q).
3. Видаліть ріжучу ліску з котушки.
4. Вставте пружину в проріз у вузлі нижньої кришки (рис. R).
5. Тримайте однією рукою тример, іншою рукою візьміться за нижню кришку в зборі та сумістіть отвори в нижній кришці в зборі з фіксаторами. Натискайте на нижню кришку в зборі, доки вона не зафіксується на місці, і тоді ви почуєте виразний звук клацання (рис. S).
6. Дотримуйтесь інструкцій у розділі «**ЗАМІНА ЛІСКИ**», щоб заправити ріжучу ліску.

### ЗАМІНА ГОЛОВКИ ТРИМЕРА

**⚠ ПОПЕРЕДЖЕННЯ.** Якщо кріплення головки послаблюється після фіксації в її положенні, негайно замініть її. Ніколи не використовуйте тример із незакріпленим ріжучим пристроєм. Негайно замініть тріснуту, пошкоджену або зношену ріжучу головку, навіть якщо пошкодження являє собою лише поверхневі тріщини. Такі насадки можуть руйнуватися на високій швидкості і призвести до серйозних травм.

### ЗНЯТТЯ ГОЛОВКИ ТРИМЕРА

1. Вийміть акумуляторну батарею з тримера.
2. Натисніть на фіксатори на головці тримера та зніміть нижню кришку в зборі, витягнувши її.
3. Вийміть ріжучу ліску з головки тримера (рис. S).
4. За необхідності вийміть пружину з котушки. Збережіть її для подальшого збирання.

5. Вдягніть рукавички. Однією рукою візьміться за катушку в зборі, щоб стабілізувати її, а іншою рукою тримайте ударний гайковерт (не входить у комплект), щоб відкрити гайку проти годинникової стрілки (рис. X).
6. Зніміть гайку, тримач катушки, верхню кришку, верхню кришку основи з вала мотора (рис. T).

**ПРИМІТКА.** Дві втулки легко зісковзують із вала двигуна, будь ласка, збережіть їх для повторної збірки.

7. Замініть на нову головку тримера та встановіть її, виконавши перелічені нижче дії.

T-1	Втулка	T-6	Ліска тримера
T-2	Верхня кришка	T-7	Нижня кришка
T-3	Гайка	T-8	Верхня кришка основи
T-4	Шайба	T-9	Катушка в зборі
T-5	Пружина		

## УСТАНОВЛЕННЯ НОВОЇ ГОЛОВКИ ТРИМЕРА

1. Установіть втулки у вал двигуна і встановіть вузол верхньої кришки основи на місце (рис. T).
2. Установіть верхню кришку, катушки в зборі, шайбу і гайку в зазначеному порядку. Затягніть гайку ударним гайковертом (рис. U і V).
3. Установіть нижню кришку в зборі.
4. Заправте ріжучу ліску.
5. Запустіть інструмент, щоб перевірити, чи лісовий тример працює нормально. Якщо ні, повторно зберіть його, як описано вище.

## ОБСЛУГОВУВАННЯ

**⚠ ПОПЕРЕДЖЕННЯ.** Використовуйте для технічного обслуговування лише ідентичні запчастини. Регулярно оглядайте інструмент і виконуйте його обслуговування. Для гарантування безпеки та надійності всі ремонтні роботи повинен проводити кваліфікований технічний спеціаліст.

**⚠ ПОПЕРЕДЖЕННЯ.** Щоб запобігти серйозним травмам, вийміть акумуляторну батарею з інструмента перед обслуговуванням, очищенням, заміною додаткових насадок або видаленням матеріалу з пристрою.

**⚠ ЗАСТЕРЕЖЕННЯ.** Засмічення вентиляційних отворів перешкоджає проникненню повітря в корпус мотора і може призвести до перегріву або пошкодження мотора.

## ОЧИЩЕННЯ ПРИЛАДУ

- Очистьте прилад вологою ганчіркою з м'яким миючим засобом. Ніколи не допускайте потрапляння рідини всередину інструмента; ніколи не занурюйте будь-яку частину інструмента в рідину.
- Не використовуйте сильні миючі засоби на пластиковому корпусі або ручці. Вони можуть бути пошкоджені деякими ароматичними маслами, наприклад хвойним і лимонним, а також розчинниками, такими як гас. Вологість також може становити небезпеку удару. Обережно протріть вологу м'якою сухою тканиною.
- Використовуйте невелику щітку або невеликий пилосос із видувом повітря для очищення вентиляційних отворів ззаду на корпусі.
- Завжди оберегайте вентиляційні отвори в корпусі мотора від сміття.

## ЗАТОЧУВАННЯ ЛІСОВОГО НОЖА

**⚠ ПОПЕРЕДЖЕННЯ.** Завжди захищайте руки, одягаючи міцні рукавички під час виконання будь-якого технічного обслуговування лісового ножа.

1. Вийміть лісовий ніж із кожура.
2. Закріпіть ніж у лещатах.
3. Акуратно заточіть ріжучі кромки ножа дрібним напилком або точильним каменем, дбаючи про те, щоб зберегти вихідний кут ріжучої кромки.
4. Установіть ніж на захисний кожух та зафіксуйте його двома гвинтами.

## ЗБЕРІГАННЯ ПРИЛАДУ

- Витягніть акумуляторну батарею з тримера, коли він не використовується.
- Перед зберіганням інструмент необхідно ретельно очистити.
- Зберігайте пристрій у сухому, добре вентиляваному, закритому або високо розташованому недоступному для дітей місці. Не зберігайте пристрій біля мінеральних добрив, бензину та інших хімікатів.

## Захист довкілля



Не викидайте електричне обладнання, акумулятор і зарядний пристрій у побутові відходи! Віднесіть цей виріб авторизованому переробнику й надайте його для роздільного збирання. Електроінструменти необхідно повернути в підприємство, що займається екологічно безпечною переробкою.

## УСУНЕННЯ НЕСПРАВНОСТЕЙ

НЕСПРАВНІСТЬ	ПРИЧИНА	ВИРІШЕННЯ
Струнний тример не запускається.	<ul style="list-style-type: none"> <li>■ Акумуляторна батарея не приєднана до лісового тримера.</li> <li>■ Немає електричного контакту між тримером і батареєю.</li> <li>■ Акумуляторна батарея розряджена.</li> <li>■ Важіль вимкнення блокування не рухається вперед до натискання перемикача.</li> </ul>	<ul style="list-style-type: none"> <li>■ Під'єднайте акумулятор до лісового тримера.</li> <li>■ Вийміть акумулятор, перевірте контакти та знову встановіть акумулятор.</li> <li>■ Зарядіть акумуляторну батарею.</li> <li>■ Перемістіть запірний язичок вперед, потім натисніть важіль перемикача.</li> </ul>
Струнний тример зупиняється під час різання.	<ul style="list-style-type: none"> <li>■ Щиток не встановлено на тример, у результаті чого ріжуча ліска надмірно довга і мотор перевантажено.</li> <li>■ Використовується важка ріжуча ліска.</li> <li>■ У валі мотора або головці тримера застрягла трава.</li> <li>■ Мотор перевантажено.</li> <li>■ Акумулятор або струнний тример занадто гарячі.</li> <li>■ Акумулятор від'єднано від інструмента.</li> <li>■ Акумуляторна батарея розряджена.</li> <li>■ Незбалансованість після встановлення ріжучої ліски.</li> </ul>	<ul style="list-style-type: none"> <li>■ Вийміть акумуляторну батарею та встановіть щиток на тример.</li> <li>■ Використовуйте рекомендовану нейлонову ріжучу ліску з діаметром не більше 2,4 мм.</li> <li>■ Зупиніть тример, вийміть акумулятор і витягніть траву з вала мотора та головки тримера.</li> <li>■ Заберіть головку тримера з трави. Мотор відновить роботу, щойно навантаження буде усунуто. Під час різання переміщайте тримерну головку в траву і з неї, і прибирайте не більше 20 см довжини за одне різання.</li> <li>■ Остудіть акумулятор або струнний тример.</li> <li>■ Знову встановіть акумуляторну батарею.</li> <li>■ Зарядіть акумуляторну батарею.</li> <li>■ Постукайте по голівці кожух, щоб довжина мотузки була симетричною.</li> </ul>
Тримерна головка не просуває ліску.	<ul style="list-style-type: none"> <li>■ У валі мотора або головці тримера застрягла трава.</li> <li>■ На котушці недостатньо ліски або ліска виривається з вушка.</li> <li>■ Ліска заплуталася.</li> <li>■ Ліска занадто коротка.</li> </ul>	<ul style="list-style-type: none"> <li>■ Зупиніть тример, вийміть акумулятор і очистьте вал мотора та головку тримера.</li> <li>■ Вийміть акумулятор і замініть ріжучу ліску; дотримуйтеся вказівок у розділі «<b>ЗАМІНА ЛІСКИ</b>» в цьому посібнику.</li> <li>■ Вийміть акумулятор і замініть ріжучу ліску; дотримуйтеся вказівок у розділі «<b>ЗАМІНА ЛІСКИ</b>» в цьому посібнику.</li> <li>■ Вийміть акумулятор і замініть ріжучу ліску; дотримуйтеся вказівок у розділі «<b>ЗАМІНА ЛІСКИ</b>» в цьому посібнику.</li> </ul>

НЕСПРАВНІСТЬ	ПРИЧИНА	ВИРІШЕННЯ
Трава намоталася на головку тримера та корпус мотора.	Різання високої трави на рівні землі	Вирізайте високу траву згори вниз, видаляючи не більше 20 см за кожен прохід, щоб запобігти намотуванню.
Тріщини на тримерній головці або тримачі котушки поступово відкручуються на основі котушки.	<ul style="list-style-type: none"> <li>■ Головка тримера зношена.</li> <li>■ Ослаблена гайка, яка фіксує головку тримера.</li> </ul>	<ul style="list-style-type: none"> <li>■ Замініть тримерну головку негайно; дотримуйтеся вказівок у розділі «<b>ЗАМІНА ГОЛОВКИ ТРИМЕРА</b>» в цьому посібнику.</li> <li>■ Відкрийте головку тримера та за допомогою ударного ключа затягніть гайку.</li> </ul>
Ріжуча ліска не може бути намотана на головку тримера належним чином.	<ul style="list-style-type: none"> <li>■ Ріжуча ліска занадто довга.</li> <li>■ Трава або бруд скупчилися в головці тримера і заблокували рух котушки із ліскою.</li> <li>■ Мотор перегрітий через багаторазове спрацювання системи лінійної обмотки.</li> <li>■ Низький заряд батареї</li> </ul>	<ul style="list-style-type: none"> <li>■ Обріжте ліску так, щоб було видно довжину близько 13 см із кожного боку.</li> <li>■ Вийміть батарею, відкрийте та очистьте тримерну головку.</li> <li>■ Дайте струнному тримеру попрацювати без навантаження протягом декількох хвилин, щоб двигун охолов, потім спробуйте перезавантажити шнур.</li> <li>■ Зарядіть акумулятор.</li> </ul>
Під час вставлення ліски можна пропустити її через головку тримера.	<ul style="list-style-type: none"> <li>■ На кінці ріжуча ліска розщеплюється або загинається.</li> <li>■ Після перевстановлення нижня кришка не відкривається.</li> </ul>	<ul style="list-style-type: none"> <li>■ Обріжте зношений кінець ліски та знову вставте.</li> <li>■ Установіть акумулятор на тример; натисніть кнопку завантаження ліски, щоб на короткий час почати завантаження та звільнити нижню кришку.</li> </ul>

## ГАРАНТІЯ

### ПРАВИЛА ГАРАНТІЇ EGO

Відвідайте веб-сайт [egopowerplus.com](http://egopowerplus.com) для отримання повного тексту умов гарантійної політики EGO.

UK



## ПРОЧЕТЕТЕ ВСИЧКИ ИНСТРУКЦИИ!



### ПРОЧЕТЕТЕ РЪКОВОДСТВОТО НА ОПЕРАТОРА

**⚠ Остатъчен риск!** Хора с електронни устройства, като пейсмейкър трябва да се консултират с лекуващия(те) си лекар(и) преди употреба на този продукт. Работата с електрическо оборудване в непосредствена близост до сърдечен пейсмейкър може да предизвика смущение или неизправност на пейсмейкъра.

## СИМВОЛ ЗА БЕЗОПАСНОСТ

Експлоатацията на всички електрически инструменти, може да доведе до изхвърляне на чужди предмети към вашите очи, което може да доведе до сериозно нараняване на очите. Преди започване на работа с електрически инструмент, винаги носете предпазни очила със странична защита и визьор за цялото лице, когато е необходимо. Ние препоръчваме предпазна маска с широк визьор за употреба над очила или стандартни предпазни очила със странична защита.



Сигнал за безопасност

Носете защита на очите - Винаги носете предпазни очила със странична защита и предпазен екран за цялото лице, когато работите с този продукт.



Носете защита на слуха - Винаги носете защита за слуха, когато работите с този продукт



Носете защита на главата - Носете одобрена предпазна каска с твърдо бомбе за да предпазите главата.



Не монтирайте кръгли режещи ножове.



Ширина на рязане - Максималната режеща ширина на кордов тример



Уверете се, че други хора и домашни любимци спазват поне 15 м разстояние от тримера, когато го използвате.



Гарантирано ниво на мощност на звука. Звуковите емисии към околната среда са в съответствие с директивите на европейската общност.



Отпадъчните електрически продукти не трябва да бъдат изхвърляни заедно с домакинския отпадък. Отнесете го до упълномощено място за рециклиране.

$n_0$

Скорост без натоварване - Скорост на въртене без товар



Постоянен ток



За намаляване на опасността от нараняване, потребителят трябва да прочете ръководството на оператора.



Носете безопасни обувки - Носете неплъзгащи се обувки за безопасност, когато използвате това оборудване.



Носете защитни ръкавици - Защитете ръцете си с ръкавици, когато боравите с ножа или предпазителя на ножа.



Пазете се от откат на ножа - Предупредете оператора за опасност от откат на ножа.



Диаметър на кордата - Диаметър на найлоновата режеща корда



Изхвърлените обекти могат да рикошират и да доведат до нараняване или щети по собствеността. Уверете се, че други хора и домашни любимци спазват достатъчно разстояние от хростореза, когато го използвате.



Не използвайте в дръжд или не го оставяйте навън, когато вали.



Този продукт е в съответствие с приложимите директиви на ЕС.

V Напрежение

.../min В минута

kg Килограм

BG

## СПЕЦИФИКАЦИИ

Напрежение	56 V $\overline{\text{---}}$	
Скорост без натоварване	Настройка за ниска скорост: 3000-4500 ОБ/МИН Настройка за висока скорост: 4000-5800 ОБ/МИН	
Механизъм за рязане	Ударна глава	
Режеща корда тип	2,4 мм найлонова усукана корда	
Ширина на рязане	35 см	
Препоръчителна работна температура	0°C-40°C	
Препоръчителна температура на съхранение	-20°C-70°C	
Оптимална температура на зареждане	5°C-40°C	
Тегло (без акумулаторна батерия)	5,8 кг	
Измерено ниво на сила на звука $L_{WA}$	88,98 dB(A) K=2 dB(A)	
Ниво на звуково налягане при ухото на оператора $L_{PA}$	68,96 dB(A) K=2 dB(A)	
Гарантирано ниво на сила на звука $L_{WA}$ (измерено съгласно 2000/14/ЕС)	91 dB(A)	
Оценка на вибрации $a_{h,v}$ :	Предна спомагателна ръкохватка	3,2 m/s <sup>2</sup> K=1,5 m/s <sup>2</sup>
	Задна ръкохватка	2,3 m/s <sup>2</sup> K=1,5 m/s <sup>2</sup>

- Декларираният общ размер на вибрации е измерен в съответствие със стандартния метод за тест и може да бъде използван за сравнение между два инструмента;
- Декларираният общ размер на вибрации може също така да бъде използван за предварителна оценка на влиянието.

**БЕЛЕЖКА:** Вибрационните емисии по време на действителната употреба на електрическия инструмент може да се различава от деклариранията стойност. С цел да се защити оператора, потребителят трябва да носи ръкавици и антители в действителни условия на работа.

## ОПИСАНИЕ

ЗАПОЗНАЙТЕ СЕ С ВАШИЯ КОРДОВ ТРИМЕР (Фиг. А1)

# 178

56 ВОЛТА ЛИТИЕВО-ЙОНЕН БЕЗКАБЕЛЕН КОРДОВ ТРИМЕР — ST1400E-ST

1. Задна ръкохватка
2. Превключвател за скорост висока/ниска
3. Регулируема предна спомагателна ръкохватка
4. Шарнир
5. Бутон за зареждане на корда
6. Предпазител
7. Заклучване на пръта
8. Яка за заклучване на височината
9. Превключвателен спусък
10. Заклучващо езиче
11. Тримерна глава (ударна глава)
12. Режещ нож за кордата
13. Бутон за освобождаване
14. Режеща корда
15. Бутон за освобождаване на батерията
16. Резе
17. Електрически контакти
18. Механизъм за изваждане
19. Ключ шестограм

## ОПАКОВЪЧЕН ЛИСТ (ФИГ. А1) МОНТАЖ

### РАЗГЪВАНЕ НА ВАЛА

**▲ ПРЕДУПРЕЖДЕНИЕ:** Не хващайте вала в съединението, за да не прищипете ръцете или пръстите си.

**▲ ПРЕДУПРЕЖДЕНИЕ:** Не се опитвайте да стартирате тримера, докато валът е заклучен.

Разгънете вала внимателно, като осигурите кабела вътре във вала и го заклучете с два винта с доставения гаечен ключ (Фиг. В1 и В2).

### МОНТАЖ НА ПРЕДПАЗИТЕЛЯ

Позиционирайте тримера така, че главата на тримера да сочи нагоре (Фиг. С1). Подравнете монтажните отвори на предпазителя с отворите за монтажния механизъм и след това захванете предпазителя в основата на вала с двата винта (Фиг. С2).

**БЕЛЕЖКА:** Уверете се, че предпазителят е закрепен съгласно фиг. С1 и С2, всяко закрепване на обратно ще причини голяма опасност!

### МОНТИРАНЕ И РЕГУЛИРАНЕ НА ПРЕДНАТА СПОМАГАТЕЛНА РЪКОХВАТКА

1. Разхлабете фиксиращия прът в предната спомагателна ръкохватка и снемете фиксиращия прът и крилчатата гайка от предната спомагателна ръкохватка (Фиг. D).

D-1	Предна спомагателна ръкохватка	D-3	Крилчатата гайка
D-2	Затягащ блок	D-4	Фиксиращ прът

2. Бутнете предната спомагателна ръкохватка върху вала между яката за фиксиране на височината и съединителното устройство (Фиг. Е).
3. Поставете затягащия блок в отвора на ръкохватката (Фиг. F).
4. Монтирайте лоста за заключването на пръта и затегнете предварително крилчатата гайка. Уверете се, че предната спомагателна ръкохватка е позиционирана нагоре и сочи към върха на задната ръкохватка (Фиг. J).
5. Издърпайте лоста на заключването на пръта така, че да можете лесно да придвижвате/въртите ръкохватката, там където ще бъде удобна. След това фиксирайте лоста на заключването на пръта. (Фиг. H).

**▲ ПРЕДУПРЕЖДЕНИЕ:** Инструментът не може да бъде използван без сигурно затегната предна ръкохватка.

### РЕГУЛИРАНЕ НА ЗАДНАТА РЪКОХВАТКА

Ако дължината на вала не е подходяща за работа, можете да регулирате дължината на вала чрез скобата за заключване на височината.

1. Извадете акумулаторната батерия от тримера.
2. За да регулирате височината на тримера, отворете скобата за заключване на височината и плъзнете вала нагоре или надолу до желаната височина, закрепете го на място с натискане на заключващата скоба (Фиг. I).

**БЕЛЕЖКА:** Предната спомагателна ръкохватка може да се нуждае от ново регулиране след промяна на височината на тримера.

### ЕКСПЛОАТАЦИЯ

**▲ ПРЕДУПРЕЖДЕНИЕ:** Винаги носете стандартни предпазни очила или предпазни очила със странична защита, заедно със защита за слуха. Ако не го направите може да доведе до изхвърляне на предмети към очите ви и други възможни сериозни наранявания. Може да използвате този продукт за целите описани долу:

**Подкастриране:** Използва се за да се премахне тревата и плевелите до стени, огради, дървета и лехи.

**Рязане:** Използва се за рязане на трева, която е трудно достъпна използвайки нормална косачка.

### МОНТИРАНЕ/ИЗВАЖДАНЕ НА АКУМУЛАТОРНАТА БАТЕРИЯ

Използвайте единствено акумулаторни батерии EGO и зарядни устройства изброени във Фиг. A2.

**Заредете напълно преди първата употреба.**

### За да закрепите

Подравнете ребрата на акумулаторната батерия с монтажните жлебове и натиснете батерията надолу, докато чуете „щракване“ (Фиг. J1).

### За да извадите

Натиснете бутона за освобождаване на батерията и издърпайте акумулаторната батерия навън, както е показано на фиг. J2.

J-1	Бутон за освобождаване на батерията
-----	-------------------------------------

### ХВАЩАНЕ НА КОРДОВИЯ ТРИМЕР

Дръжте кордовия тример с двете ръце: Едната ръка трябва да бъде на задната ръкохватка, а другата на предната спомагателна ръкохватка.

**БЕЛЕЖКА:** Главата на тримера е успоредна на земята на правилно разстояние за рязане, без операторът да се превежда (Фиг. K).

### СТАРТИРАНЕ/СПИРАНЕ НА КОРДОВИЯ ТРИМЕР

#### За да стартирате

Избутайте заключващото езиче напред, след това натиснете превключвателния спусък.

Спусъкът регулира безстепенно скоростта. Колкото повече издърпвате спусъка, толкова по-висока е скоростта (Фиг. L).

#### За да спрете

Освободете превключвателния спусък.

### ФУНКЦИЯ ЗА РЕГУЛИРАНЕ НА СКОРОСТТА (ФИГ. L)

Кордовият тример има две скорости. Позиция „LOW“ е за ниска скорост, докато позицията „HIGH“ е за висока скорост.

Фиг. L описание на части виж долу:

L-1	Превключвател за скорост висока/ниска	L-2	Превключвателен спусък
-----	---------------------------------------	-----	------------------------

### ИЗПОЛЗВАНЕ НА КОРДОВИЯ ТРИМЕР

Почистете зоната, която трябва да бъде подрязана преди всяка употреба. Почистете всички обекти, като камъни, счупени стъкла, пирони, кабели или въжета, които могат да бъдат изхвърлени или да се оплетат в приставката за рязане. Изчистете зоната от деца, околни хора или домашни любимци. Като минимум дръжте всички деца, околни хора и домашни любимци минимум на 15 м разстояние, въпреки това пак може да съществува риск за околните от изхвърлени обекти. Околните наблюдатели трябва да бъдат насърчени да носят защита за очите. Ако бъдете приближен от човек спрете незабавно мотора и приставката за рязане.

## Преди всяка употреба проверявайте за повредени/износени части

Проверете ударната глава, предпазителя и предната спомагателна ръкохватка и подменете всички части, които са напукани, деформирани, изкривени или повредени по някакъв начин.

Режещият нож за кордата на ръба на предпазителя може да се изтъпи в течение на времето. Препоръчва се периодично да го заточвате с пила или да го подмените с нов нож.

## След всяка употреба почистете тримера.

### РЕГУЛИРАНЕ НА ДЪЛЖИНАТА НА РЕЖЕЩАТА КОРДА

Главата на тримера позволява на оператора да отпусне повече режеща корда без да спира мотора. Когато кордата стане разкъсана или износена, може да бъде отпусната допълнителна корда чрез леко потупване в земята на главата на тримера (Фиг. М).

**БЕЛЕЖКА:** Освобождаването на корда ще многократно почукване с намаляването на кордата.

**⚠ ПРЕДУПРЕЖДЕНИЕ:** Не премахвайте или променяйте устройството на режещия нож за кордата. Прекалената дължина на кордата ще причини прегревяване на мотора и може да доведе до сериозно нараняване.

### ПОДМЯНА НА КОРДАТА

**БЕЛЕЖКА:** Използвайте винаги препоръчителната найлонова режеща корда с диаметър не по-голям от 2,4 мм. Използване на корда различна от посочената може да причини прегревяване или повреда на тримера.

**⚠ ПРЕДУПРЕЖДЕНИЕ:** Не използвайте никога усилена с метал корда, тел или въже и т.н. Те могат да се счупят и да станат опасни летящи предмети.

1. Премахнете акумулаторната батерия.
2. Премахнете оставащата корда за рязане ако е необходимо.
3. Отрежете режеща корда с дължина 4 м. Вкарайте кордата в монтажния отвор вътре в ухото (Фиг. О). Избутайте и дръпнете кордата от другата страна, докато еднакво количество корда се появи от двете страни на макарата.
4. Инсталирайте акумулаторната батерия към кордовия тример.
5. Натиснете и задръжте бутона за зареждане на корда, за да стартирате двигателя за навиване на кордата. Кордата ще бъде навита в тримерната глава непрекъснато (Фиг. Р).

6. Наблюдавайте внимателно оставащата дължина на кордата. Бързо натиснете бутона за зареждане на корда, за да регулирате дължината, докато 13 см корда се покажат от всяка страна.
7. Натиснете тримерната глава, докато издърпвате кордата за да я придвижите ръчно напред и да проверите за правилно монтиране на режещата корда.

Когато кордата за рязане се откъсне от изхода за кордата или кордата за рязане не се освобождава, когато потупвате главата на тримера, следвайте долните стъпки:

1. Извадете акумулаторната батерия от тримера.
2. Натиснете пластината за освобождаване на тримерната глава и снемете долния капак, като го издърпате право навън (Фиг. Q).
3. Извадете кордата за рязане от макарата.
4. Вмъкнете пружината в прореза във възела на долния капак (Фиг. R).
5. С едната си ръка дръжте тримера, използвайте другата си ръка да хванете долния капак и подравнете прорезите и долния капак с пластините за освобождаване. Натиснете долния капак докато се фиксира на място, при което ще чуете характерен щракващ звук (Фиг. S).
6. Следвайте инструкциите в раздела „**ПОДМЯНА НА КОРДАТА**“ в това ръководство, за да презаредите режещата корда.

### ПОДМЯНА НА ТРИМЕРНАТА ГЛАВА

**⚠ ПРЕДУПРЕЖДЕНИЕ:** Подменете незабавно, ако главата се разхлаби след като сте я закрепили в позиция. Никога не използвайте тримера с разхлабени приставки за рязане. Подменете незабавно напукана, повредена или износена режеща глава, дори ако щетите са ограничени до повърхностни пукнатини. Подобни приставки могат да се пръснат при високи скорости и да причинят сериозно нараняване.

### ДЕМОНТИРАНЕ НА ТРИМЕРНАТА ГЛАВА

1. Извадете акумулаторната батерия от тримера.
2. Натиснете пластините за освобождаване на тримерната глава и снемете долния капак, като го издърпате право навън.
3. Отстранете режещата корда от тримерната глава (Фиг. S).
4. Извадете пружината от възела на макарата, ако е необходимо. Запазете я за повторния монтаж.
5. Носете ръкавици. Използвайте едната си ръка, за да хванете възела на макарата, за да я стабилизирате и използвайте другата си ръка, за да дръжите ударния ключ (не е включен), за да разхлабите гайката в посока обратна на часовниковата стрелка (Фиг. X).

- Отстранете гайката, фиксатора на макарата, горния капак, капака на горната основа от вала на двигателя (Фиг. Т).

**БЕЛЕЖКА:** Двете втулки лесно падат от вала на двигателя, моля, запазете ги внимателно за повторния монтаж.

- Заменете с нова тримерна глава и я монтирайте съгласно следните стъпки.

T-1	Втулка	T-6	Корда за тример
T-2	Горен капак	T-7	Долен капак
T-3	Гайка	T-8	Капак на горната основа
T-4	Шайба	T-9	Възел на макарата
T-5	Пружина		

### ИНСТАЛИРАНЕ НА НОВАТА ТРИМЕРНА ГЛАВА

- Монтирайте втулките във вала на двигателя и възела на капака на горната основа на място (Фиг. Т).
- Монтирайте горния капак, възела на макарата, шайбата и гайката в тази последователност. Използвайте ударен гаечен ключ, за да затегнете гайката (Фиг. U и V).
- Монтирайте възела на долния капак.
- Презаредете режещата корда.
- Стартирайте инструмента, за да видите дали кордовият тример работи нормално. Ако не, сглобете го отново по описания по-горе начин.

### ПОДДРЪЖКА

**▲ ПРЕДУПРЕЖДЕНИЕ:** Когато обслужвате, използвайте само идентични резервни части. Проверявайте и поддържайте инструмента редовно. За да осигурите безопасността и надеждността, всички поправки трябва да се извършват от квалифициран сервизен техник.

**▲ ПРЕДУПРЕЖДЕНИЕ:** За да предотвратите сериозно нараняване, извадете акумулаторната батерия от инструмента, преди обслужване, почистване, смяна на приставките или изваждане на материал от устройството.

**▲ ВНИМАНИЕ:** Запушвания на вентилационните отвори ще предотвратят навлизане на въздух във корпуса на мотора и ще доведат до прегряване или повреда на мотора.

### ПОЧИСТВАНЕ НА УРЕДА

- Почистете уреда използвайки влажна кърпа и мек

почистващ препарат. Никога не позволявайте каквато и да е течност да навлезе вътре в инструмента, когато не потапяйте някоя част от инструмента във вода.

- Не използвайте силен почистващ препарат по пластмасата на корпуса или ръкохватката. Те могат да бъдат повредени от определени ароматни масла като бор и лимон и от разтворители като керосин. Влагата също може да причини токов удар. Избършете всякаква влага със суха мека кърпа.
- Използвайте малка четка или изпусканата въздушна струя от малка четка на прахосмукачка за да почистите, вентилационните отвори в задната страна на корпуса.
- По всяко време пазете вентилационните отвори в корпуса на мотора от отпадъци.

### ЗАТОЧВАНЕ НА РЕЖЕЩИЯ НОЖ ЗА КОРДАТА

**▲ ПРЕДУПРЕЖДЕНИЕ:** Винаги защитавайте ръцете си, като носите ръкавици за тежка употреба, когато извършвате поддръжка на режещия нож за кордата.

- Демонтирайте режещия нож за кордата от възела на предпазителя.
- Затегнете ножа в менгеме.
- Внимателно заточете режещите ръбове на ножа с фина пила или точило като запазите първоначалния тъгъл на режещия ръб.
- Поставете отново ножа върху предпазителя и го затегнете на място с двата винта.

### СЪХРАНЯВАНЕ НА УРЕДА

- Извадете акумулаторната батерия от кордовия тример, когато не е в употреба.
- Почистете изцяло инструмента преди да го съхраните.
- Съхранете уреда в сухо място с добра вентилация, заключен или съхраняван на високо извън достъпа на деца. Не съхранявайте уреда в близост или върху тор, бензин или други химикали.

### Опазване на околната среда



Не изхвърляйте електрическо оборудване, използвана батерия или зарядно устройство в домакинския отпадък! Отнесете продукта до упълномощена фирма за рециклиране и го предоставете за разделно събиране. Електрическите инструменти трябва да бъдат връщани в съоръжения за рециклиране съвместими с околната среда.

BG

## ОТСТРАНЯВАНЕ НА ПРОБЛЕМИ

ПРОБЛЕМ	ПРИЧИНА	РЕШЕНИЕ
Кордовият тример не може да стартира.	<ul style="list-style-type: none"> <li>■ Аккумуляторната батерия не е прикрепена към кордовия тример.</li> <li>■ Няма електрически контакт между тримера и батерията.</li> <li>■ Аккумуляторната батерия е изтощена.</li> <li>■ Освобождаващият спусък не е преместен напред преди натискане на превключвателния спусък.</li> </ul>	<ul style="list-style-type: none"> <li>■ Закрепете аккумуляторната батерия към кордовия тример.</li> <li>■ Извадете батерията, проверете контактите и поставете ново аккумуляторната батерия.</li> <li>■ Заредете аккумуляторната батерия.</li> <li>■ Избутайте заключващото езиче напред и след това натиснете превключвателния спусък.</li> </ul>
Кордовият тример спира по време на рязане.	<ul style="list-style-type: none"> <li>■ Предпазителят не е монтиран на тримера, което води до прекалено дълга режеща корда и прегряване на мотора.</li> <li>■ Използвана е тежка корда за рязане.</li> <li>■ Валът на мотора и тримерната глава са обвити в трева.</li> <li>■ Двигателят е претоварен.</li> <li>■ Аккумуляторната батерия или кордовият тример са твърде горещи.</li> <li>■ Аккумуляторната батерия е разединена от инструмента.</li> <li>■ Аккумуляторната батерия е изтощена.</li> <li>■ Дебалансиране след инсталиране на режещата корда.</li> </ul>	<ul style="list-style-type: none"> <li>■ Извадете аккумуляторната батерия и монтирайте предпазителя на тримера.</li> <li>■ Използвайте препоръчана найлонова режеща корда с диаметър не по-голям от 2,4 мм.</li> <li>■ Спрете тримера, извадете батерията и извадете тревата от вала на мотора и тримерната глава.</li> <li>■ Извадете тримерната глава от тревата. Моторът ще се възстанови за работа веднага след като товарът бъде отстранен. Когато режете изваждайте и вкарвайте тримерната глава в тревата, която трябва да бъде отрязана и отстранявайте не повече от 20 см дължина на единично рязане.</li> <li>■ Охладете батерията или кордовия тример.</li> <li>■ Монтирайте отново аккумуляторната батерия.</li> <li>■ Заредете аккумуляторната батерия.</li> <li>■ Почукайте тримерната глава, за да направите дължината на кордата симетрична.</li> </ul>
Главата на тримера не издърпва кордата.	<ul style="list-style-type: none"> <li>■ Валът на мотора и тримерната глава са обвити в трева.</li> <li>■ Няма достатъчно корда на макарата или скъсване на кордата от ухото.</li> <li>■ Кордата е оплетена.</li> <li>■ Кордата е твърде къса.</li> </ul>	<ul style="list-style-type: none"> <li>■ Спрете тримера, извадете батерията и почистете вала на мотора и тримерната глава.</li> <li>■ Отстранете батерията и подменете кордата за рязане, следвайте раздел „ПОДМЯНА НА КОРДАТА“ в това ръководство.</li> <li>■ Отстранете батерията и подменете кордата за рязане, следвайте раздел „ПОДМЯНА НА КОРДАТА“ в това ръководство.</li> <li>■ Отстранете батерията и подменете кордата за рязане, следвайте раздел „ПОДМЯНА НА КОРДАТА“ в това ръководство.</li> </ul>

ПРОБЛЕМ	ПРИЧИНА	РЕШЕНИЕ
Тревата обгръща главата на тримера и корпуса на двигателя.	Рязане на висока трева при нивото на земята	Режете висока трева от горе на долу, като не отстранявате повече от 20 cm при всяко преминаване за да предотвратите увиване.
Пукнатини по главата на тримера или фиксаторът на макарата се е освободил от основата на макарата.	<ul style="list-style-type: none"> <li>■ Главата на тримера е износена.</li> <li>■ Гайката, която фиксира главата на тримера, е разхлабена.</li> </ul>	<ul style="list-style-type: none"> <li>■ Подменете незабавно главата на тримера следвайки раздел “<b>ПОДМЯНА НА ГЛАВАТА НА ТРИМЕРА</b>” в това ръководство.</li> <li>■ Отворете тримерната глава и използвайте ударния гаечен ключ, за да затегнете гайката.</li> </ul>
Кордата не може да бъде навита в тримерната глава правилно.	<ul style="list-style-type: none"> <li>■ Кордата за рязане е твърде дълга.</li> <li>■ Отлагания от трева или замърсявания са се натрупали в главата на тримера и блокират движението на макарата.</li> <li>■ Двигателят е прегрял поради повтарящо се действие на системата за навиване на кордата.</li> <li>■ Слаба батерия</li> </ul>	<ul style="list-style-type: none"> <li>■ Отрежете кордата, така че да е 13 cm дълга от всяка страна.</li> <li>■ Извадете батерия, отворете и почистете цялостно главата на тримера.</li> <li>■ Оставете кордовия тример да работи без натоварване за няколко минути, за да се охлади двигателят, след това се опитайте да заредите отново кордата.</li> <li>■ Заредете батерията.</li> </ul>
Кордата не може да премине през тримерната глава при вмъкването на кордата.	<ul style="list-style-type: none"> <li>■ Кордата за рязане е разцепена или огъната в края.</li> <li>■ Долният капак не е освободен до позицията след повторно инсталиране.</li> </ul>	<ul style="list-style-type: none"> <li>■ Отрежете износения край на кордата и я вмъкнете отново.</li> <li>■ Прикрепете акумулаторната батерия към тримера, натиснете бутона за зареждане на кордата за кратко, за да стартирате подаването на захранване за освобождаване на долния капак.</li> </ul>

## ГАРАНЦИЯ

### ГАРАНЦИОННА ПОЛИТИКА EGO

Моля, посетете уебсайта [egopowerplus.com](http://egopowerplus.com) за пълните срокове и условия по гаранционната политика на EGO.

## PROČITAJTE UPUTE U CIJELOSTI!



### PROČITAJTE PRIRUČNIK ZA RUKOVATELJE

**⚠ Preostale opasnosti!** Osobe s elektroničkim uređajima poput srčanih elektrostimulatora prije uporabe ovog proizvoda trebaju se posavjetovati sa svojim liječnikom. Rad električne opreme u neposrednoj blizini srčanog elektrostimulatora može prouzročiti smetnju ili kvar srčanog elektrostimulatora.

## SIGURNOSNI SIMBOL

Rukovanje električnim alatima može rezultirati odbacivanjem stranih predmeta u oči što opet može izazvati teška oštećenja očiju. Prije početka rukovanja električnim alatom nosite zatvorene zaštitne naočale ili zaštitne naočale s bočnim štitnicima, a prema potrebi i štitnik za cijelo lice. Preporučujemo nošenje sigurnosne maske proizvođača Wide Vision preko naočala, ili nošenje standardnih zaštitnih naočala s bočnim štitnicima.



Upozorenje u vezi sigurnosti



Pročitajte priručnik za rukovatelje radi smanjenja opasnosti od ozljeda.



Nosite zaštitu za oči - nosite zaštitne naočale ili zaštitne naočale s bočnim štitnicima i štitnik za cijelo lice kada rukujete ovim proizvodom.



Nosite sigurnosnu obuću - nosite protukliznu sigurnosnu obuću kada koristite ovu opremu.



Nosite zaštitu za sluh - nosite zaštitu za sluh kada koristite ovaj proizvod.



Nosite zaštitne rukavice - zaštitite ruke rukavicama kada rukujete nožem ili štitnikom noža.



Nosite zaštitu za glavu - radi zaštite glave nosite odobrenu sigurnosnu kacigu.



Pazite se povratnog udara - upozorite rukovatelja na opasnost od povratnog udara noža.



Ne postavljajte okrugle rezne noževe.



Promjer rezne niti - promjer najlonske rezne niti



Širina rezanja - maksimalna širina rezanja šišača s reznom niti



Odbačeni predmeti mogu odskočiti i rezultirati tjelesnim ozljedama ili materijalnom štetom.



Pobrinite se da druge osobe i kućni ljubimci ostanu podalje od obrezača grmlja kada je u uporabi.



Pobrinite se da druge osobe i kućni ljubimci ostanu najmanje 15 m udaljeni od šišača s reznom niti kada je u upotrebi.



Proizvod ne upotrebljavajte na kiši i ne ostavljajte ga na otvorenom kad pada kiša.



Zajamčena razina snage zvuka. Emisija buke u okruženju u skladu je sa smjernicama Europske unije.



Ovaj proizvod je u skladu s važećim direktivama EU.

HR



Otpadni električni proizvodi ne smiju se odlagati s otpadom iz kućanstva. Odnosite ih u ovlaštenu centar za reciklažu.

V Napon

$n_0$

Brzina vrtnje u praznom hodu - brza okretanja bez opterećenja

.../min U minuti



Istosmjerna struja

kg Kilogram



## TEHNIČKI PODACI

Napon	56 V	
Brzina bez opterećenja	Postavka niske brzine: 3000 - 4500 o/min Postavka visoke brzine: 4000 - 5800 o/min	
Rezni mehanizam	Rezna glava	
Tip rezne niti	Najlonska namotana rezna nit debljine 2,4 mm	
Širina otkosa	35 cm	
Preporučena radna temperatura	0°C-40°C	
Preporučena temperatura skladištenja	-20°C-70°C	
Optimalna temperatura punjenja	5°C-40°C	
Težina (bez baterijskog modula)	5,8 kg	
Izmjerena razina zvučne snage $L_{WA}$	88,98 dB(A) K=2 dB(A)	
Razina zvučnog tlaka kod uha rukovatelja $L_{PA}$	68,96 dB(A) K=2 dB(A)	
Zajamčena razina zvučne snage $L_{WA}$ (izmjereno u skladu s 2000/14/EZ)	91 dB(A)	
Procjena vibracija $a_h$ :	Prednji pomoćni rukohvat	3,2 m/s <sup>2</sup> K=1,5 m/s <sup>2</sup>
	Stražnji rukohvat	2,3 m/s <sup>2</sup> K=1,5 m/s <sup>2</sup>

- Deklarirane ukupne vrijednosti vibracija izmjerene su u skladu sa standardnom metodom ispitivanja i mogu se koristiti za usporedbu jednog alata s drugim.
- Deklarirane ukupne vrijednosti vibracija mogu se koristiti i u preliminarnoj procjeni izloženosti.

**NAPOMENA!** Emisija vibracija tijekom aktualnog korištenja električnog alata može se razlikovati od deklarirane vrijednosti u kojoj se alat upotrebljavao; Radi zaštite rukovatelja korisnik treba nositi rukavice i štitnike za uši u aktualnim uvjetima uporabe.

## OPIS

### UPOZNAJTE SVOJ ŠIŠAČ S REZKOM NITI (sl. A1)

1. Stražnji rukohvat

2. Sklopka za visoku/nisku brzinu
3. Podesivi prednji pomoćni rukohvat
4. Zglob
5. Gumb za namotavanje rezne niti
6. Štitnik
7. Štap za blokiranje
8. Obruč za fiksiranje visine
9. Uklopni okidač
10. Jezičak za fiksiranje
11. Glava šišača (rezna glava)
12. Nož za rezanje rezne niti
13. Jezičak za oslobađanje
14. Rezna nit
15. Gumb za oslobađanje baterije
16. Zapor
17. Električni kontakti
18. Mehanizam za izbacivanje
19. Imbus ključ

## POPIS ZA PAKIRANJE (SL. A1)

### SASTAVLJANJE

#### RASKLAPANJE VRATILA

**UPOZORENJE:** Vratilo nemojte pridržavati na spojevima kako ne bi došlo do priklještenja ruku ili prstiju.

**UPOZORENJE:** Nemojte pokretati šišač dok vratilo nije učvršćeno.

Pažljivo rasklopite vratilo, pazeci da je kabel u vratilu pa ga pričvrstite s dva vijka koristeći isporučeni ključ (sl. B1 i B2).

#### POSTAVLJANJE ŠTITNIKA

Postavite šišač tako da je njegova glava okrenuta prema gore (sl. C1). Poravnajte otvore za postavljanje štitnika s otvorima za postavljanje, a zatim pričvrstite štitnik na postolje drška pomoću dva vijka (sl. C2).

**OBAVIJEST:** Uvjerite se da je štitnik pričvršćen u skladu sa slikama C1 i C2, svako obrnuto pričvršćivanje izazvat će veliku opasnost!

#### POSTAVLJANJE I PODEŠAVANJE PREDNJEG POMOĆNOG RUKOHVATA

1. Otpustite štap za fiksiranje na prednjem pomoćnom rukohvatu i uklonite štap za fiksiranje i krilnu maticu iz prednjeg pomoćnog rukohvata (sl. D).

D-1	Prednji pomoćni rukohvat	D-3	Krilna matica
D-2	Stezni blok	D-4	Štap za fiksiranje

2. Gurnite prednji pomoćni rukohvat na držak između obruča za fiksiranje visine i zgloba (sl. E).
3. Umetnite stezni blok u utor za dršku (sl. F).
4. Montirajte ručicu štapa za fiksiranje i stegnite je krilnom maticom. Pazite da je prednji pomoćni rukohvat okrenut gore i prema gornjem dijelu stražnje drške (sl. J).
5. Povucite ručicu štapa za fiksiranje tako da lagano možete pomicati/okretati pomoćnu ručku do položaja koji vam odgovara. Zatim pričvrstite ručicu štapa za fiksiranje. (Sl. H).

**⚠ UPOZORENJE:** Alat se ne smije upotrebljavati ako prednji pomoćni rukohvat nije sigurno pričvršćen.

## PODEŠAVANJE STRAŽNJEG RUKOHVATA

Ako duljina drška nije prikladna za upotrebu, prilagodite je pomoću ove stezaljke za fiksiranje visine.

1. Izvadite baterijski modul iz šišača.
2. Za podešavanje visine šišača, otvorite stezaljku za fiksiranje visine pa gurnite držak gore ili dolje do željene visine te ga pričvrstite pritiskom stezaljke za fiksiranje (sl. I).

**OBAVIJEST:** Nakon promjene visine šišača možda ćete morati podesiti prednji pomoćni rukohvat.

## RAD

**⚠ UPOZORENJE:** Uvijek nosite zatvorene zaštitne naočale ili zaštitne naočale s bočnim štitnicima, zajedno sa zaštitom za sluh. Nepostupanje u skladu s tim može rezultirati odbacivanjem predmeta u oči i drugim mogućim teškim ozljedama.

Proizvod možete koristiti za svrhe navedene u nastavku:

**Šišanje:** koristi se za uklanjanje trave i korova oko zidova, ograda, stabala i pregrada.

**Rezanje:** Koristi se za košnju trave koju je teško dohvatiti pomoću normalne kosilice.

## POSTAVLJANJE I UKLANJANJE BATERIJSKOG MODULA

Upotrebljavajte samo s baterijskim modulima i punjačima tvrtke EGO navedenima na sl. A2.

**Napunite do kraja prije prve upotrebe.**

### Postavljanje

Poravnajte izbočenja baterije s montažnim utorima i utiskujte baterijski modul prema dolje dok ne začujete karakterističan zvuk (sl. J1).

## Uklanjanje

Pritisnite gumb za oslobađanje baterije i izvucite baterijski modul kako je prikazano na sl. J2.

J-1	Gumb za oslobađanje baterije
-----	------------------------------

## DRŽANJE ŠIŠAČA S REZKOM NITI

Čvrsto objema rukama Držite šišač s reznom niti: Jednu ruku držite na stražnjem rukohvatu, a drugu ruku na prednjem pomoćnom rukohvatu.

**OBAVIJEST:** Glava šišača treba biti paralelna s tlom na odgovarajućoj reznoj udaljenosti, a da se rukovatelj ne treba saginjati (sl. K).

## POKRETANJE/ZAUSTAVLJANJE RADA ŠIŠAČA S REZKOM NITI

### Pokretanje

Pomaknite jezičak za zaključavanje prema naprijed, a zatim pritisnite uklopni okidač.

Okidač kontinuirano podešava brzinu. Što više povučete okidač, to će brzina biti veća (sl. L).

### Zaustavljanje rada

Otpustite uklopni okidač.

## FUNKCIJA PODEŠAVANJA BRZINE (SL. L)

Šišač s reznom niti ima dvije brzine. Položaj "LOW" služi za nisku brzinu, dok položaj "HIGH" služi za visoku brzinu.

Sl. L opis dijelova pogledajte u nastavku:

L-1	Sklopka za visoku/nisku brzinu	L-2	Uklopni okidač
-----	--------------------------------	-----	----------------

## UPOTREBA ŠIŠAČA S REZKOM NITI

Prije svake uporabe očistite radno područje. Uklonite sve predmete poput kamenja, razbijenog stakla, čavala, žica ili niti koje stroj može odbaciti ili koji se mogu zaplesti u rezni priključak. Iz područja udaljite djecu, promatrače i kućne ljubimce. Djecu, promatrače i kućne ljubimce udaljite najmanje 15 m; čak i tada postoji opasnost od odbacanih predmeta za promatrače. Promatrače potaknite da nose zaštitu za oči. Ako Vam netko prilazi, odmah zaustavite motor i rezni priključak.

### Prije svake uporabe provjerite da nema oštećenih/istrošenih dijelova

Provjerite glavu šišača trave, štitnik i prednji pomoćni rukohvat i zamijenite dijelove koji su napukli, deformirani, svinuti ili oštećeni na bilo koji način.

Nož za rezanje rezne niti na rubu štitnika vremenom može otupjeti. Preporučujemo povremeno oštrenje noža turpijom ili zamjenu noža novim.

## Šišač s reznom niti očistite nakon svake uporabe.

### PODEŠAVANJE DULJINE REZNE NITI

Glava šišača trave rukovatelju omogućuje otpuštanje više rezne niti bez zaustavljanja motora. Ako se rezna nit pohaba ili istroši, laganim udarcem glave šišača trave o tlo tijekom rukovanja šišačem trave moguće je otpustiti više niti (sl. M).

**OBAVIJEST:** Pri otpuštanju niti trebat ćete nekoliko puta lagano udariti glavom šišača kada je rezna nit kratka.

**⚠ UPOZORENJE:** Ne uklanjajte sklop rezne oštrice i ne obavljajte preinake na njemu. Prekomjerna duljina niti prouzročit će pregrijavanje motora što može rezultirati teškim tjelesnim ozljedama.

### ZAMJENA REZNE NITI

**OBAVIJEST:** Koristite preporučenu najlonsku reznu nit promjera ne većeg od 2,4 mm. Upotreba nepreporučenih reznih niti može prouzročiti pregrijavanje ili oštećenje šišača trave.

**⚠ UPOZORENJE:** Nikada nemojte koristiti metalom ojačane niti, žice ili užad i sl. Mogu se odlomiti i postati opasni projektili.

1. Uklonite baterijski modul.
2. Ako je potrebno, uklonite preostalu reznu nit.
3. Odrežite 4 m rezne niti. Umetnite reznu nit u otvor za postavljanje u ušici (sl. O). Gurajte i vucite reznu nit s druge strane dok rezna nit ne bude jednake duljine s obje strane koluta.
4. Postavite komplet baterija na šišač trave s reznom niti.
5. Pritisnite gumb za namotavanje rezne niti i držite ga pritisnutim kako biste pokrenuli motor za namotavanje rezne niti. Rezna nit kontinuirano će se namotavati u glavu šišača (sl. P).
6. Pažljivo pazite na duljinu preostale rezne niti. Kratko pritisnite gumb za namotavanje rezne niti kako biste podesili duljinu tako da sa svake strane ostane 13 cm rezne niti.
7. Gurnite glavu šišača trave prema dolje pritom povlačeći reznu nit kako biste je ručno pomakli prema naprijed i provjerili je li ispravno postavljena.

Ako se rezna nit otkida od izlaza niti ili ako se rezna nit ne oslobađa lupkanjem glavom šišača, učinite sljedeće

1. Izvadite baterijski modul iz šišača.
2. Pritisnite jezičke za otpuštanje na glavi šišača i uklonite sklop donjeg poklopca povlačeći ga ravno van (sl. Q).

3. Uklonite reznu nit iz koluta.
4. Umetnite oprugu u utor u sklopu donjeg poklopca (sl. R).
5. Jednom rukom držite šišač trave, drugom rukom uzmite sklop donjeg poklopca i poravnajte ure u sklopu donjeg poklopca s jezičcima za otpuštanje. Pritisnite sklop donjeg poklopca dok ne ulegne u svoje ležište, pri čemu ćete čuti karakterističan zvuk (sl. S).
6. Za ponovno namotavanje rezne niti sljedite upute u odjeljku "ZAMJENA REZNE NITI".

### ZAMJENA GLAVE ŠIŠAČA

**⚠ UPOZORENJE:** Ako se glava nakon pričvršćivanja otpusti, odmah je zamijenite. Šišač trave nikad ne upotrebljavajte ako je rezni priključak otpušten. Puknutu, oštećenu ili istrošenu reznu glavu odmah zamijenite čak i ako je oštećenje ograničeno na površinske pukotine. Takvi priključci mogu se raspuknuti pri visokoj brzini i prouzročiti teške ozljede.

### UKLANJANJE GLAVE ŠIŠAČA

1. Izvadite baterijski modul iz šišača.
2. Pritisnite jezičke za otpuštanje na glavi šišača i uklonite sklop donjeg poklopca glave šišača povlačeći ga ravno van.
3. Izvadite reznu nit iz glave šišača (sl. S).
4. Ako je potrebno, izvadite oprugu iz sklopa kalema. Sačuvajte je za ponovno sastavljanje.
5. Nosite rukavice. Jednom rukom prihvatite sklop kalema kako biste ga stabilizirali, a drugom rukom držite udarni ključ (nije isporučen) kako biste otpustili maticu u smjeru suprotnom smjeru kretanja kazaljki na satu (sl. X).
6. S drška motora uklonite maticu, držač koluta, gornji poklopac, poklopac gornjeg postolja (sl. T).

**OBAVIJEST:** Dvije čahure lako mogu pasti s drška motora, pažljivo ih sačuvajte za ponovno sastavljanje.

7. Zamijenite glavu šišača trave i postavite je prema sljedećim koracima.

T-1	Čahura	T-6	Rezna nit šišača
T-2	Gornji poklopac	T-7	Donji poklopac
T-3	Matica	T-8	Poklopac gornjeg postolja
T-4	Podloška	T-9	Sklop koluta
T-5	Opruga		

### POSTAVLJANJE NOVE GLAVE ŠIŠAČA

1. Postavite čahure na držak motora i sklop poklopca gornjeg postolja na njegovo mjesto (sl. T).

2. Postavite gornji poklopac, sklop koluta, podlošku i maticu, tim redosljedom. Za pritezanje matice upotrijebite udarni ključ (sl. U i V).
3. Postavite sklop donjeg poklopca.
4. Ponovno namotajte reznu nit.
5. Pokrenite alat kako biste vidjeli hoće li šišač s reznom normalno raditi. Ako to nije slučaj, ponovno ga sastavite prema gornjim uputama.

## ODRŽAVANJE

**⚠ UPOZORENJE:** Pri servisiranju koristite samo identične zamjenske dijelove. Redovito obavljajte pregledje i održavajte stroj. Radi sigurnosti i pouzdanosti sve popravke treba obavljati kvalificirani servisni tehničar.

**⚠ UPOZORENJE:** Radi sprečavanja teških tjelesnih ozljeda, prije servisiranja, čišćenja, promjene priključaka ili uklanjanja materijala iz uređaja izvadite komplet baterija iz alata.

**⚠ OPREZ!** Prepreke u ventilacijskim otvorima sprječavaju da zrak struji u kućište motora što uzrokuje pregrijavanje ili oštećenje motora.

## ČIŠĆENJE UREĐAJA

- Jedinicu očistite vlažnom krpom i blagim deterdžentom. Nemojte dopustiti da tekućina uđe u alat; ne uranjajte nijedan dio alata u tekućinu.
- Za čišćenje plastičnog kućišta ili rukohvata ne koristite jake deterdžente. Mogu ih oštetiti neka aromatična ulja, kao što su borovo i limunovo ulje i otapala kao što je kerozin. Vлага može izazvati opasnost od strujnog udara. Vlažna mjesta obrišite mekanom suhom krpom.
- Za čišćenje ventilacijskih otvora na stražnjem kućištu koristite malu četku ili mali usisavač.
- Održavajte ventilacijske otvore kućišta motora u svakom trenutku bez nečistoća.

## OŠTRENJE OŠTRICE ZA REZANJE REZNE NITI

**⚠ UPOZORENJE:** Kad obavljate radove održavanja oštrice za rezanje rezne niti, uvijek zaštitite ruke nošenjem debelih rukavica.

1. Uklonite oštricu za rezanje rezne niti s dodatnog štitnika.
2. Osigurajte oštricu u škripcu.
3. Pažljivo obradite rezne bridove oštrice turpijom s finim zupcima ili kamenom za oštrenje, održavajući pritom originalni kut reznog brida.
4. Ponovno stavite nož na štitnik i pričvrstite ga dvama vijcima.

## SKLADIŠTENJE UREĐAJA

- Ako ga ne koristite, uklonite bateriju iz šišača.
- Prije skladištenja temeljito očistite alat.
- Uređaj skladištite na suhom, dobro prozračenom mjestu koje je moguće zaključati ili koje je na visini izvan dohvata djece. Uređaj nemojte pohranjivati na gnojivima, benzinu ili drugim kemikalijama ili u njihovoj blizini.

## Zaštita okoliša



Električnu opremu, iskorištenu bateriju i punjač ne odlažite u otpad iz kućanstva! Ovaj proizvod odnesite u ovlašteni centar za reciklažu i time omogućite odvojeno sakupljanje. Električne alate potrebno je vratiti u ekološki prihvatljiv pogon za reciklažu.

## OTKLANJANJE SMETNJI

PROBLEM	UZROK	RJEŠENJE
Šišač s reznom niti ne pokreće se.	<ul style="list-style-type: none"> <li>■ Baterijski modul nije pričvršćen na šišač s reznom niti.</li> <li>■ Nema električnog kontakta između šišača i baterije.</li> <li>■ Baterijski modul je ispražnjen.</li> <li>■ Gumb za otključavanje nije pomaknut prema naprijed prije pritiska uklopnog okidača</li> </ul>	<ul style="list-style-type: none"> <li>■ Pričvrstite baterijski modul na šišač s reznom niti.</li> <li>■ Izvadite bateriju, provjerite kontakte i ponovno stavite baterijski modul.</li> <li>■ Napunite baterijski modul.</li> <li>■ Pomaknite jezičak za zaključavanje prema naprijed, a zatim pritisnite uklopni okidač.</li> </ul>
Šišač s reznom niti zaustavlja se tijekom rezanja.	<ul style="list-style-type: none"> <li>■ Štitnik nije postavljen na šišač trave, što rezultira predugačkom reznom niti i preopterećenjem motora.</li> <li>■ Koristi se debela rezna nit.</li> <li>■ Vratilo motora ili glavu šišača trave blokira trava.</li> <li>■ Motor je preopterećen.</li> <li>■ Baterijski modul ili šišač s reznom niti je prevruć.</li> <li>■ Baterijski modul odspojen je od alata.</li> <li>■ Baterijski modul je ispražnjen.</li> <li>■ Narušena je ravnoteža nakon postavljanja rezne niti.</li> </ul>	<ul style="list-style-type: none"> <li>■ Uklonite baterijski modul i na šišač postavite štitnik.</li> <li>■ Koristite preporučenu najlonsku reznu nit promjera ne većeg od 2,4 mm.</li> <li>■ Zaustavite šišač trave, izvadite bateriju i očistite travu s vratila motora i glave šišača trave.</li> <li>■ Uklonite glavu šišača s trave. Motor će se oporaviti i biti spreman za rad čim se otkloni opterećenje. Glavu šišača trave prilikom rezanja pomičite u travu i iz trave i jednim rezom ne uklanjajte više od 20 cm duljine.</li> <li>■ Ohladite bateriju ili šišač s reznom niti.</li> <li>■ Ponovno umetnite baterijski modul.</li> <li>■ Napunite baterijski modul.</li> <li>■ Kucnite glavu šišača kako bi uže bilo simetrično diljem dužine.</li> </ul>
Glava šišača ne izvlači reznu nit.	<ul style="list-style-type: none"> <li>■ Vratilo motora ili glavu šišača trave blokira trava.</li> <li>■ Na kolutu nema dovoljno rezne niti ili je ista pukla na ušici.</li> <li>■ Rezna nit se zapetljala.</li> <li>■ Rezna nit je prekratka.</li> </ul>	<ul style="list-style-type: none"> <li>■ Zaustavite šišač trave, izvadite bateriju i očistite vratilo motora i glavu šišača trave.</li> <li>■ Izvadite bateriju i zamijenite reznu nit prema uputama u odjeljku "ZAMJENA REZNE NITI" u ovom priručniku.</li> <li>■ Izvadite bateriju i zamijenite reznu nit prema uputama u odjeljku "ZAMJENA REZNE NITI" u ovom priručniku.</li> <li>■ Izvadite bateriju i zamijenite reznu nit prema uputama u odjeljku "ZAMJENA REZNE NITI" u ovom priručniku.</li> </ul>
Trava se omotava oko glave šišača i kućišta motora.	Rezanje visoke trave na razini tla	Visoku travu režite odozgo prema dolje i pritom ne režite više od 20 cm u svakom prolazu kako biste izbjegli omotavanje.

PROBLEM	UZROK	RJEŠENJE
Opažene su pukotine na glavi šišača ili se držač koluta otpustio sa svog postolja.	<ul style="list-style-type: none"> <li>■ Glava šišača trave istrošena je.</li> <li>■ Otpuštena je matica koja pričvršćuje glavu šišača.</li> </ul>	<ul style="list-style-type: none"> <li>■ Odmah zamijenite glavu šišača; slijedite upute u odjeljku „<b>ZAMJENA GLAVE ŠIŠAČA TRAVE</b>“ u ovom priručniku.</li> <li>■ Otvorite glavu šišača i stegnite maticu koristeći udarni ključ.</li> </ul>
Rezna ne može se pravilno namotati na glavu šišača.	<ul style="list-style-type: none"> <li>■ Rezna nit je preduga.</li> <li>■ Na glavi šišača nakupili su se ostaci trave ili prljavština i blokirali su pomicanje koluta s reznom niti.</li> <li>■ Motor se pregrijao zbog opetovane upotrebe sustava za namotavanje rezne niti.</li> <li>■ Slaba baterija</li> </ul>	<ul style="list-style-type: none"> <li>■ Odrežite reznu nit tako da oko 13 cm viri na drugoj strani.</li> <li>■ Izvadite bateriju, otvorite glavu šišača i detaljno je očistite.</li> <li>■ Pustite šišač s reznom niti da nekoliko minuta radi bez opterećenja da se ohladi motor, zatim pokušajte ponovno namotati nit.</li> <li>■ Napunite bateriju.</li> </ul>
Rezna nit ne može se provući kroz glavu šišača prilikom njena umetanja.	<ul style="list-style-type: none"> <li>■ Rezna nit je pukla ili se savila na svom kraju.</li> <li>■ Donji poklopac nije otpušten u svoj položaj nakon ponovnog postavljanja.</li> </ul>	<ul style="list-style-type: none"> <li>■ Odrežite istrošeni kraj niti i ponovno je umetnite.</li> <li>■ Postavite baterijski modul na šišač; pritisnite gumb za namotavanje rezne niti da se nakratko pokrene ciklus napajanja kako bi se otpustio donji poklopac.</li> </ul>

## JAMSTVO

### JAMSTVENA POLITIKA PROIZVOĐAČA EGO

Za cjelokupne uvjete jamstvene politike proizvođača EGO posjetite internetsku stranicu [egopowerplus.com](http://egopowerplus.com).

## სრულად გაეცანით ინსტრუქციას!



### გაეცანით მომხმარებლის ინსტრუქციას

**▲ არსებული რისკი!** პიროვნებებმა ისეთი ელექტრული მოწყობილობებით, როგორცაა იმპლანტირებული დეფიბრილატორი, უნდა მიმართონ პირად ექიმს რჩევისთვის ამ პროდუქტის გამოყენებამდე. იმპლანტირებულ დეფიბრილატორთან უშუალო სიახლოვეს ელექტრული მოწყობილობის ოპერირებამ შესაძლოა დეფიბრილატორს ხელი შეუშალოს მუშაობაში ან გათიშოს იგი.

## უსაფრთხოების წესის სიმბოლოები

ელექტრული ხელსაწყო გამოყენებისას შესაძლოა უცხო სხეულის თვალების მიდამოში მოხვედრა, რამაც შესაძლოა გამოიწვიოს თვალის მნიშვნელოვანი დაზიანება. ელექტრული ხელსაწყო გამოყენებამდე აუცილებლად მორიგეთ უსაფრთხოების თვალსაფარი ან სათვალე მყარი თვალის დამცავებით და მთლიანი სახის ეკრანით. ჩვენ რეკომენდაციას ვუწევთ ფართო ხედვის არის მქონე უსაფრთხოების ნიღაბს სათვალეებთან ერთად ან სტანდარტულ გვერდითა ეკრანების მქონე უსაფრთხოების სათვალეებს.



უსაფრთხოების გაფრთხილება



დაზიანების რისკის შესამცირებლად მომხმარებელმა უნდა წაიკითხოს ხელსაწყო მუშაობის ინსტრუქცია.



გაიკეთეთ თვალის დამცავი - ყოველთვის მორიგეთ უსაფრთხოების თვალსაფარი ან გვერდითა ეკრანების მქონე უსაფრთხოების სათვალე და მთლიანი სახის ეკრანი ხელსაწყოთი სარგებლობისას.



ჩაიცვით დამცავი ფეხსაცმელი - ჩაიცვით მოცურების საწინააღმდეგო ფეხსაცმელი ხელსაწყო გამოყენებისას.



გაიკეთეთ სმენის დამცავი - ყოველთვის გაიკეთეთ ყურების დამცავი ხელსაწყოთი სარგებლობისას



ჩაიცვით დამცავი ხელთათმანები - დაიცავით თქვენი ხელები ხელთათმანებით, როდესაც ეხებით დანას ან დანის დამცავ ეკრანს.



გაიკეთეთ თავის დამცავი - გამოიყენეთ აპრობირებული მყარი ჩაფხუტი, რათა დაიცვათ თავის არე.



ფრთხილად დანის ბიძგთან - გააფრთხილეთ მომხმარებელი დანის ბიძგის საფრთხის შესახებ.



არ დაუყენოთ მრგვალი ფორმის საჭრელი დანები.



ბუის დიამეტრი - მთიბავი ნეილონის ბუის დიამეტრი



ჭრის სიგანე - ელექტრული სათიბის მაქსიმალური თიბვის სიგანე



შესაძლოა გამოტყორცნილი სხეულების რიკოშეტირება და ამით პირადი ან ქონებრივი ზიანის მიყენება. დარწმუნდით რომ სხვა ადამიანები ან შინაური ცხოველები იმყოფებიან ელექტრო სათიბისგან მოშორებით ხელსაწყოთი სარგებლობისას.



დარწმუნდით რომ სხვა ადამიანები ან შინაური ცხოველები იმყოფებიან მინიმუმ 15 მ მოშორებით ელექტრო მთიბავით სარგებლობისას.



არ გამოიყენოთ წვიმაში ან დატოვოთ გარეთ წვიმის დროს.



გარანტირებული ხმის სიმძლავრის დონე. გარემოში ხმაურის გავრცელების დონე ევროკავშირის რეგულაციების შესატყვისია.



CE ხელსაწყო შეესაბამება ევროკავშირის მიერ წამოყენებულ რეგულაციებს.

KA



ელექტრო ხელსაწყოების უტილიზაცია არ უნდა მოხდეს საყოფაცხოვრებო ნარჩენებთან ერთად. წაიღეთ ხელსაწყო ნარჩენების ავტორიზებულ გადამამუშავებელთან.

$n_0$

დაუტვირთავი ბრუნვის სიჩქარე - ბრუნვის სისწრაფე დატვირთვის გარეშე

$m$  მუდმივი დენი

V ძაბვა

.../min წუთში

kg კილოგრამი

## სპეციფიკაციები

ძაბვა	56 ვოლტი $\equiv$	
დაუტვირთავი ბრუნვის სიჩქარე	დაბალი სიჩქარის რეჟიმი: 3000-4500 ბრ/წთ მაღალი სიჩქარის რეჟიმი: 4000-5800 ბრ/წთ	
მთიბავი მექანიზმი	მთიბავის თავაკვი	
მთიბავი ძუის ტიპი	2.4 მმ სისქის ნეილონის დაგრებილი ძუა	
ჭრის სიგანე	35 სმ	
რეკომენდებული საექსპლუატაციო ტემპერატურა	0°C-40°C	
რეკომენდებული დასაწყოების ტემპერატურა:	-20°C-70°C	
ოპტიმალური დამუხტვის ტემპერატურა	5°C-40°C	
წონა (აკუმულატორის გარეშე)	5.8 კგ	
გაზომილი ხმის სიმძლავრის დონე $L_{WA}$	88,98 დბ(A) K=2 დბ(A)	
ბგერის წნევის დონე მომხმარებლის ყურზე $L_{PA}$	68,96 დბ(A) K=2 დბ(A)	
გარანტირებული ხმის სიმძლავრის დონე $L_{WA}$ (გაზომილი 2000/14/EC რეგულაციის მიხედვით)	91 დბ(A)	
ვიბრაციის შეფასება $a_{hv}$ :	რეგულირებადი წინა სახელური	3,2 მ/წმ <sup>2</sup> K=1,5 მ/წმ <sup>2</sup>
	უკანა სახელური	2,3 მ/წმ <sup>2</sup> K=1,5 მ/წმ <sup>2</sup>

■ მითითებული ვიბრაციის სრული მნიშვნელობა გაზომილია სტანდარტული ტესტირების მეთოდით და შესაძლოა გამოყენებულ იქნას ერთი ხელსაწყოს მეორესთან შედარებისას.

■ მითითებული ვიბრაციის სრული მნიშვნელობა ასევე შესაძლოა გამოყენებულ იქნას ზემოქმედების პირველადი შეფასებისას.

**შენიშვნა:** ელექტრული ხელსაწყოს ვიბრაციის ემისია გამოყენებისას შესაძლოა განსხვავდებოდეს მითითებული ოდენობისგან; მომხმარებელმა ხელსაწყოთი სარგებლობისას საჭიროა გამოიყენოს ხელთათმანები და ყურის დამცავი საშუალებები.

## აღწერა

### შეისწავლეთ თქვენი ელექტრო სათიბი (ნახ. A1)

1. უკანა სახელური
2. მაღალი/დაბალი სიჩქარის გადამრთველი
3. რეგულირებადი წინა სახელური
4. სახსარი
5. ძუის ჩატვირთვის დილაკი
6. დამცავი ეკრანი
7. ჩამკეტი ძელი
8. სიმაღლის მაფიქსირებელი რგოლი
9. ჩამრთველი ტრიგერი
10. ჩამკეტი ენაკი
11. სათიბის თავაკვი
12. ძუის საჭრელი დანა
13. გამშვები დილაკი
14. სათიბი ძუა
15. აკუმულატორის მოხსნის დილაკი
16. ჩამკეტი

KA



- 17. ელექტრო კონტაქტები
- 18. ამოღების მექანიზმი
- 19. ქანჩის გასაღები

## შეფუთვის ჩამონათვალი (სურ. A1)

### აწყობა

#### ტარის გაშლა

**▲ გაფრთხილება:** არ დაიჭიროთ ტარი შესასხრების ადგილებში, რათა თავიდან აიცილოთ ხელის ან თითების შემთხვევითი დაზიანება.

**▲ გაფრთხილება:** არ შეეცადოთ სათიბის ჩართვას, სანამ ტარი ბოლომდე არ დაფიქსირდება.

ფრთხილად გაშალეთ ტარი და მასში გამავალი კაბელი, დააფიქსირეთ ტარი შეფუთვაში არსებული ორი ხრახნითა და ქანჩის გასაღებით (ნახ. B1 და B2).

#### დამცავი ეკრანის დამონტაჟება

ისე დაიჭირეთ სათიბი, რომ მისი თავაკი ზედა მხარეს მოხვდეს (ნახ. C1). გაუსწორეთ დამცავი ეკრანის ნასვრეტები ხრახნების ბუდეებს და მჭიდროდ დაამაგრეთ ეკრანი ტარზე ორი ხრახნის საშუალებით (ნახ. C2).

**შენიშვნა:** დარწმუნდით რომ დამცავი ეკრანი დამაგრებულია, როგორც ნაჩვენებია ნახ. C1 და C2-ზე, ნებისმიერი სხვაგვარი დამაგრება არის სახიფათო!

#### წინა სახელურის დამაგრება და გასწორება

1. მოუშვით წინა სახელურზე მდებარე ჩამკეტი ძელი და მოხსენით ძელი და ფრთიანი ქანჩი სახელურს (ნახ. D).

D-1	რეგულირებადი წინა სახელური	D-3	ფრთიანი ქანჩი
D-2	დამკერი ბლოკი	D-4	ჩამკეტი

2. ჩასვით რეგულირებადი წინა სახელური ტარზე სიმაღლის დამაფიქსირებელ და გასამიჯნ რგოლს შორის (ნახ. E).
3. ჩასვით დამკერი ბლოკი სახელურის ნასვრეტში (ნახ. F).
4. დაამაგრეთ ჩამკეტი ძელი და ნაწილობრივ დაუჭირეთ ფრთიანი

ქანჩის საშუალებით. დარწმუნდით რომ წინა სახელური არის მოტრიალებული ზედა მხარეს და დამიზნებულია უკანა სახელურის ზევითა ნაწილისკენ (ნახ. J).

5. ამოწიეთ ჩამკეტი ძელის ბერკეტი ისე, რომ მარტივად ამოძრაოთ/ დაატრიალოთ სახელური თქვენთვის კომფორტულ მდებარეობაში. შემდეგ დაამაგრეთ ჩამკეტი ძელის ბერკეტი. (ნახ. H).

**▲ გაფრთხილება:** ხელსაწყოს გამოყენება დაუშვებელია რეგულირებადი წინა სახელურის მჭიდროდ დაამაგრების გარეშე.

#### უკანა სახელურის რეგულირება

თუ ტარის სიგრძე მუშაობისთვის არ არის მისაღები, შესაძლოა მისი რეგულირება სიმაღლის მაფიქსირებელი მომჭერის საშუალებით.

1. მოხსენით აკუმულატორი ელექტრო სათიბს.
2. სათიბის სიმაღლის დასარეგულირებლად გახსენით სიმაღლის მაფიქსირებელი მომჭერი და გაასრიალეთ ტარი მაღლა ან დაბლა სასურველ სიგრძემდე, შემდეგ დააფიქსირეთ იგი მომჭერის საშუალებით (ნახ. I).

**შენიშვნა:** რეგულირებადი წინა სახელურის პოზიციის ცვლილება შესაძლოა გახდეს საჭირო თუ სათიბის ტარის სიგრძე შეიცვალა.

### ექსპლუატაცია

**▲ გაფრთხილება:** ყოველთვის მოირგეთ უსაფრთხოების თვალსაფარი ან გვერდითა ეკრანების მქონე უსაფრთხოების სათვალე, სმენის დამცავი საშუალებასთან ერთად. ამ ინსტრუქციის უგულვებლყოფამ შესაძლოა გამოიწვიოს სხვადასხვა სხეულის თვალში მოხვედრა და სხვა შესაძლო სერიოზული ზიანი.

თქვენ შეგიძლიათ გამოიყენოთ ხელსაწყო ქვემოთ ჩამოთვლილი მიზნებისთვის:

**გაკრეჭა:** გამოიყენება ბალახის და სარეველას მოსაცილებლად კედლის, ღობის, ხის და საზღვრების გასწვრივ.

**მოთიბვა:** გამოიყენება ისეთი ბალახის

KA

მოსათიბად, რომელიც რთულადაა მისადგომი ჩვეულებრივი სათიბი მანქანისთვის.

### აკუმულატორის ჩამაგრება/მოხსნა

გამოიყენეთ მხოლოდ ნახ. A2-ში ჩამოთვლილი EGO-ს აკუმულატორის ნაკრებები და დამტენები:

### სრულად დატენით პირველ ჯერზე სარეგულაბამდე.

#### დამაგრებისთვის

გაუსწორეთ აკუმულატორის სამაგრები ბუდის ნასვრეტებს და დააწიეთ აკუმულატორს, სანამ არ გაიგებთ „წკაპ“ ხმას (ნახ. J1).

#### მოხსნისთვის

დააჭირეთ აკუმულატორის გამშვებ დილაკს და ამოიღეთ აკუმულატორი როგორც ნაჩვენებია ნახ. J2-ზე.

J-1 აკუმულატორის მოხსნის დილაკი

### ელექტრო სათიბის ჭერის წესი

მჭიდროდ დაიჭირეთ ელექტრო სათიბი ორივე ხელით. მოათავსეთ ერთი ხელი უკანა სახელურზე, ხოლო მეორე ხელი - წინა სახელურზე.

**შენიშვნა:** სათიბი თავაკი უნდა იყოს მიწის ზედაპირის პარალელური სათანადო მანძილზე დაშორებით, მომხმარებლის გადახრის გარეშე (ნახ. K).

### ელექტრო სათიბის ჩართვა/გამორთვა ჩასართავად

გადაიყვანეთ ჩამკეტი ენაკი წინა პოზიციაში, ხოლო შემდეგ კი დააწიეთ ჩამრთველ დილაკს.

ჩამრთველი დილაკი უსაფეხურა და განკუთვნილია სიჩქარის დარეგულირებისთვის. რაც მეტად დააწივით დილაკს, მეტად სწრაფად იმუშავებს ხელსაწყო (ნახ. L).

#### გამოსართველად

ხელი გაუშვით ჩამრთველ ტრიგერს.

#### სიჩქარის რეგულირების ფუნქცია (ნახ. L)

ელექტრო სათიბს აქვს ორი სიჩქარის რეჟიმი. პოზიცია „LOW“ არის დაბალი სიჩქარისთვის და პოზიცია „HIGH“ - მაღალი სიჩქარისთვის. ნახ. L ნაჩვენებია ნაწილების აღწერა მოცემულია ქვევით:

KA

L-1	მაღალი/დაბალი სიჩქარის გადამრთველი	L-2	ჩამრთველი ტრიგერი
-----	------------------------------------	-----	-------------------

### ელექტრო სათიბის გამოყენების წესი

გაასუფთავეთ გასათიბი არე მუშაობის დაწყებამდე. მოაცილეთ ყველა ობიექტი როგორცაა ქვები, დამტვრეული მინა, ლურსმანი, სადენი ან ზაწარი, რომელიც შესაძლოა ჩაყვებს ან დაეხვიოს ხელსაწყოს მთიბზე ნაწილს. მოარიდეთ სამუშაო ადგილს ბავშვები, სხვა პირები და შინაური ცხოველები. დარწმუნდით რომ ბავშვები, სხვა ადამიანები ან შინაური ცხოველები იმყოფებიან მინიმუმ 15 მ მოშორებით; არსებობს რისკი რომ უცხო სხეულები მაღალი სიჩქარით გვერდზე მდგომი პირებისკენ გაიტყორცნონ. გვერდზე მდგარი პირებისთვის რეკომენდირებულია თვალის დამცავი საშუალებების გამოყენება. თუ თქვენ სხვა პიროვნება მოგახლოვდათ, დაუყონებლივ გააჩერეთ მოტორი და სათიბი მოწყობილობა.

### ყოველი გამოყენების წინ შეამოწმეთ ნაწილები დაზიანებაზე/ცვლილება

შეამოწმეთ სათიბის თავაკი, დამცავი ეკრანი და რეგულირებადი წინა სახელური, შეცვალეთ ნაწილები, რომლებიც გაზარულია, გაღუნულია, აქვს შეცვლილი ფორმა ან დაზიანებულია სხვაგვარად.

დამცავ ეკრანის კიდესთან მდებარე მთიბავის დანა შესაძლოა დაჩლუნდეს დროთა განმავლობაში რეკომენდირებულია მისი გალესვა პერიოდულად ქლიბის საშუალებით ან ახალი დანის დამონტაჟება.

### ყოველი გამოყენების შემდეგ გაასუფთავეთ სათიბი.

#### სათიბი ძუის სიგრძის ცვლილება

სათიბის თავაკი აძლევს მომხმარებელს საშუალებას გაზარდოს სათიბის ძუის სიგრძე მოტორის გაუჩერებლად. როდესაც მუა იცვითება და წყდება, დამატებითი ძუის სიგრძის გამოშვება შესაძლებელია სათიბის თავაკის მიწაზე რბილი დარტყმით ხელსაწყოით სარეგულაციისას (ნახ. M).

**შენიშვნა:** ძუის გამოშვებას დასჭირდება რამდენჯერმე დაკაკუნება, რაც ხვიაზე ძუის სიგრძე მოკლდება.

**▲ გაფრთხილება:** არ მოხსნათ ან შეცვალოთ ძუის საჭრელი დანის კონსტრუქცია. საჭრელი ძუის დიდი სიგრძე

გამოიწვევს მოტორის გადახურებას, რამაც შესაძლოა მოგაყენოთ სერიოზული ზიანი.

### ბუის გამოცვლა

**შენიშვნა:** ყოველთვის გამოიყენეთ რეკომენდირებული ნეილონის სათიბი ძუა, რომლის დიამეტრი არ აღემატება 2.4 მმ-ს. მითითებულისგან განსხვავებული ტიპის ბუის გამოყენებამ შესაძლოა გამოიწვიოს სათიბის გადახურება და დაზიანება.

**▲ გაფრთხილება:** არასოდეს გამოიყენოთ მავთული, სხვა მეტალის ჩანართიანი ზონარი, თოკი და სხვ. ესენი შესაძლოა გაწყდეს და წარმოქმნას სახიფათო გამოტყორცნილი სხეულები.

1. მოხსენით აკუმულატორი
2. მოხსენით დარჩენილი ძუა საჭიროების შემთხვევაში.
3. მოჭერით 4 მ სიგრძის სათიბი ძუა. ჩასვით ძუა ხვრელში არსებულ სამაგრ სიდრუმში (ნახ. O). შეიყვანეთ და ამოქაჩეთ ძუა მეორე მხრიდან, სანამ კოჭის ორივე მხარეს თანაბარი რაოდენობის ძუა არ გამოიჩნდება.
4. დაამაგრეთ აკუმულატორი ელექტრო სათიბზე.
5. დააჭირეთ და დაიჭირეთ ბუის ჩატვირთვის დილაკს, რათა ჩართოთ ბუის დამხვევი მოტორი. ძუა დაეხვევა სათიბის თავაკს განუწყვეტლივ (ნახ. P).
6. დააკვირდით დარჩენილ ბუის სიგრძეს ყურადღებით. მცირე ხნით დააწეეთ ჩატვირთვის დილაკს, რათა დაარეგულით რომ დაახლოებით 13 სმ სიგრძის ძუა დარჩეს ორივე მხარეს.
7. დააჭირეთ სათიბის თავს, რათა მანუალურად გამოიწვიოთ ძუა და შემოაწმოდ სათიბის ბუის ჯეროვანი დახვევა.

როდესაც მჭრელი ძუა წყდება და სათიბის თავაკზე დაჭერით ძუა არ გამოდის, მიყევით შემდეგ ინსტრუქციებს:

1. მოხსენით აკუმულატორი ელექტრო სათიბს.
2. დააჭირეთ მთიბავის თავაკზე არსებულ გამშვებ დილაკებს და მოხსენით ქვედა

ხუფი ამოქაჩეთ (ნახ. Q).

3. მოხსენით ძუა კოჭას.
4. ჩასვით ზამბარა ქვედა ხუფში არსებულ ნასვრეტში (ნახ. R).
5. ერთი ხელით დაიჭირეთ სათიბი, მეორეთი - ქვედა ხუფი და გაუსწორეთ ქვედა ხუფის ნასვრეტები გამშვებ დილაკებს. ჩასვით ქვედა ხუფი, სანამ იგი არ ჩაიკეტება წკაპ ხმით (ნახ. S).
6. მიყევით ინსტრუქციებს სექციამო „ბუის გამოცვლა“, რათა ხელახლა დაახვიოთ ძუა.

### სათიბი თავაკის გამოცვლა

**▲ გაფრთხილება:** თუ თავი მოირყევა საკუთარ ადგილზე დამაგრების შემდეგ, დაუყოვნებლივ გამოცვალეთ ეს ნაწილი. არასოდეს გამოიყენოთ ხელსაწყო მორყეულად დამაგრებული მთიბავი ნაწილით. გამოცვალეთ გაზარდილი, დაზიანებული ან გაცვეთილი თავი დაუყოვნებლივ, მიუხედავად იმისა რამდენად ზედმეტად შეიძლება სჩანდეს ბზარები. მსგავსი ნაწილები შესაძლოა დაიმსხვრეს მაღალ ბრუნებზე და მოგაყენოთ სერიოზული ზიანი.

### სათიბის თავაკის მოხსნა

1. მოხსენით აკუმულატორი ელექტრო სათიბს.
2. დააჭირეთ სათიბის თავზე არსებულ გამშვებ დილაკებს და მოხსენით ქვედა ხუფი ამოქაჩეთ.
3. მოხსენით ძუა სათიბის თავს (ნახ. S).
4. საჭიროებისამებრ კოჭას მოხსენით ზამბარაც. შეინახეთ ის ხელახალი აწყობისთვის.
5. ჩაიკვით ხელთათმანები ერთი ხელით დაიჭირეთ კოჭა სტაბილიზაციისთვის და მეორეთი ქანჩის გასაღები (არ არის კომპლექტში), რათა მოხსნათ ქანჩი საათის ისრის საწინააღმდეგო მიმართულებით დატრიალებით (ნახ. X).
6. მოხსენით ქანჩი, კოჭის დამჭერი, ზედა ხუფი და ბაზის ზედა ხუფი მოტორის ლილვს (ნახ. T).

KA

**შენიშვნა:** ორი მილისი ადვილად სძვრება მოტორის ლილვს, გთხოვთ ფრთხილად შეინახოთ ისინი ხელახალ აწყობამდე.

7. შეცვალეთ ახალი სათიბი თავაკი და დაამაგრეთ ის შემდეგი ნაბიჯების მიდევნებით.

T-1	მილისი	T-6	საჭრელი ძუა
T-2	ზედა ხუფი	T-7	ქვედა ხუფი
T-3	ქანჩი	T-8	ბაზის ზედა ხუფი
T-4	შუსადები	T-9	კოჭა
T-5	ზამზარა		

### ახალი სათიბის თავაკის დამონტაჟება

1. მოარგეთ მილისები მოტორის ლილვს და დაამაგრეთ ბაზის ზედა ხუფი თავის ადგილას (ნახ. T).
2. დაამაგრეთ ზედა ხუფი, კოჭა, შუსადები და ქანჩი ამ მიმდევრობით. გამოიყენეთ დარტყმითი ქანჩსახრახნი ქანჩის მოსაჭერად (ნახ. U და V).
3. მოარგეთ ქვედა ხუფი.
4. ხელახლა დაახვიეთ სათიბი ძუა.
5. ჩართეთ ხელსაწყო რათა შეამოწმოთ სათიბის ძუის სწორი მუშაობა. თუ ეს ასე არაა, ხელახლა ააწყვეთ იგი ზევით მოცემული ინსტრუქციების მიდევნებით.

### ექსპლუატაცია

**▲ გაფრთხილება:** ტექნიკური სერვისისას გამოიყენეთ მხოლოდ იდენტური სათადარიგო ნაწილები. გაუკეთეთ ხელსაწყოს რეგულარული შემოწმება და ინსპექტირება. ხელსაწყოს უსაფრთხოდ და გამართულად მუშაობისთვის საჭიროა მისი ყველა შეკეთება და ნაწილის შეცვლა შესრულდეს კვალიფიციური სერვისის ტექნიკოსის მიერ.

**▲ გაფრთხილება:** სერიოზული პერსონალური ზიანისგან თავის არიდების მიზნით მოხსენით აკუმულატორი ხელსაწყოს ტექნიკური სერვისის, გაწმენდის, ნაწილების შეცვლის ან ნარჩენი ნივთიერების მოცილების დროს.

**▲ ყურადღება:** საპაერობის დახშობა ხელს უშლის ჰაერის შედინებას მოტორში

და გამოიწვევს მის გადახურებას და დაზიანებას.

### ხელსაწყოს გაწმენდის წესი

■ გაწმენდეთ ხელსაწყო ნოტიო ქსოვილით და რბილი სარეცხი საშუალებით. არასდროს დაუშვათ ხელსაწყოში სითხის შეღწევა; არასდროს მოათავსოთ ხელსაწყოს რაიმე ნაწილი სითხეში.

■ არ გამოიყენოთ ძლიერი გაწმენდი საშუალებები პლასტმასის ბუდეზე ან სახელურზე. ისინი შესაძლოა დაზიანდეს ისეთი არომატიზატორებით, როგორცაა ნაძვის ან ლიმნის ზეთი, ან ნავთის ტიპის გამხსნელი საშუალებებით. სინესტემ ასევე შეიძლება შექმნას ელექტრული შოკის საფრთხე. რბილი, მშრალი ქსოვილით მოწმინდეთ ხელსაწყოს ნებისმიერი ნესტი.

■ გამოიყენეთ მცირე ფუნჯი ან პატარა მტვერსასრუტის ჰაერის ჭავლი რათა გაწმინდოთ ხელსაწყოს საპაეროები ბუდის უკანა მხარეს.

■ ყოველთვის გაათავისუფლეთ მოტორის საპაეროები ნარჩენებისგან.

### ძუის საჭრელი დანის გაღვსვა

**▲ გაფრთხილება:** ყოველთვის დაიცავით თქვენი ხელები დამცავი ხელთათმანებით, როგა ძუის საჭრელ დანას უტარებთ ნებისმიერ სერვისს.

1. მოხსენით ძუის საჭრელი დანა დამცავ ეკრანს.
2. მჭიდროდ დაამაგრეთ დანა გირაგში.
3. ფრთხილად გაქლიბეთ დანის მჭრელი პირები ქლიბით ან სალეის ქვით, განსაკუთრებული ყურადღება მიაღწევით რომ პირველადი მჭრელი დანის დახრის კუთხე შეინარჩუნოთ.
4. მოათავსეთ დანა დამცავ ეკრანზე და დაამაგრეთ ორი ხრახნით.

### ხელსაწყოს შენახვის წესი

- მოხსენით აკუმულატორი ელექტრო სათიბს გამოყენების შემდეგ.
- საფუძვლიანად გაწმინდეთ ხელსაწყო შენახვამდე.

- შეინახეთ ხელსაწყო მშრალ, კარგად განიავებად ადგილას ჩაკეტილ და მაღალ სათავსოში, ბავშვებისთვის მიუწვდომელ ადგილას. არ შეინახოთ ხელსაწყო სასუქის, ბენზინის და სხვა ქიმიური ნივთიერებების სიახლოვეს.

## გარემოს დაცვა



არ მოახდინოთ ელექტრული მოწყობილობის, დამტენის და აკუმულატორის / მისი ბატარეების მოთავსება საყოფაცხოვრებო ნაგავში! მიუტანეთ ისინი ავტორიზირებულ ნარჩენების გადამამუშავებელს და მოახდინეთ ასეთი ნარჩენის განცალკევებულად შეგროვება. ელექტრული ხელსაწყოები უნდა ჩაბარდეს ნარჩენების გადამამუშავებელ ორგანოს გარემოს დაცვის ნორმების გათვალისწინებით.

KEES VAN DER SPEK  
TUINMACHINES ★ STOLWIJK

KA



## გაუმართაობის დიაგნოსტიკა

პრობლემა	მიზეზი	გადაჭრის გზა
სათიბი არ ირთვება.	<ul style="list-style-type: none"><li>■ აკუმულატორი არ არის შეერთებული სათიბზე.</li><li>■ სათიბსა და აკუმულატორს შორის არ არის ელექტრული კონტაქტი.</li><li>■ აკუმულატორის ბლოკი დაცლილია.</li><li>■ ჩამრთველი ბერკეტი არ არის გადაწეული წინა მდგომარეობაში ტრიგერზე თითის დაჭერამდე.</li></ul>	<ul style="list-style-type: none"><li>■ დაამაგრეთ აკუმულატორი სათიბ ხელსაწყოზე.</li><li>■ მოხსენით აკუმულატორი, შეამოწმეთ კონტაქტები და კვლავ მოათავსეთ იგი უკან.</li><li>■ დატენეთ აკუმულატორი.</li><li>■ გადაიყვანეთ ჩამკეტი ენაკი წინა პოზიციაში, ხოლო შემდეგ კი დააწეეთ ჩამრთველ ღილაკს.</li></ul>

KEES VAN DER SPEK  
TUINMACHINES ★ STOLWIJK

KA

პრობლემა	მიზეზი	გადაჭრის გზა
<p>სათიბი ითიმება მუშაობის პროცესში.</p>	<ul style="list-style-type: none"> <li>▪ დამცავი ეკრანი არაა დამონტაჟებული სათიბზე, რის გამოც სათიბი ძუა არის უზომოდ გრძელი და მორტორი იტვირთება.</li> <li>▪ მძიმე სათიბი ძუა არის გამოყენებული.</li> <li>▪ მორტორის ტარი ან სათიბის თავი ბალახშია გახლართული.</li> <li>▪ მორტორი არის გადატვირთული.</li> <li>▪ აკუმულატორი ან სათიბი ზედმეტად გაცხელებულია.</li> <li>▪ აკუმულატორი მოხსნილია ხელსაწყოდან.</li> <li>▪ აკუმულატორის ბლოკი დაცლილია.</li> <li>▪ სათიბი ძუის დამონტაჟების შემდეგ ხელსაწყო არაბალანსირებულია.</li> </ul>	<ul style="list-style-type: none"> <li>▪ მოხსენით აკუმულატორი და დაამონტაჟეთ დამცავი ეკრანი სათიბზე.</li> <li>▪ გამოიყენეთ სტანდარტული ნეილონის სათიბი ძუა, არაუმეტეს 2.4 მმ დიამეტრის სისქით.</li> <li>▪ გამორთეთ სათიბი, მოხსენით აკუმულატორი, მოაცილეთ ბალახი მორტორის სახელურს და სათიბის თავაკს.</li> <li>▪ მოაცილეთ სათიბის თავაკი ბალახს, მორტორი გააგრძელეს ჩვეულ მომზომბას როგორც კი დატვირთვა მოიხსნება. თიბვის პროცესში ჩაწიეთ და ამოწიეთ სათიბის თავაკი ბალახიდან და არ მოჭრათ 20 სმ-ზე მეტი სიგრძის ბალახი ერთ ჯერზე.</li> <li>▪ გააგრძელეთ აკუმულატორი ან ძუის სათიბი.</li> <li>▪ ხელახლა ჩასვით აკუმულატორი.</li> <li>▪ დატენეთ აკუმულატორი.</li> <li>▪ დააკაკუნეთ სათიბი თავაკით, რათა ძუის სიგრძე სიმეტრიული გახდეს.</li> </ul>
<p>სათიბის თავაკი არ უშვებს ძუას.</p>	<ul style="list-style-type: none"> <li>▪ მორტორის ტარი ან სათიბის თავი ბალახშია გახლართული.</li> <li>▪ კოჭაზე არასაკმარისი ოდენობის ძუა არის დარჩენილი ან ძუა წყდება ნასვრეტთან.</li> <li>▪ ძუა გადახლართულია.</li> <li>▪ ძუა საკმარისზე მოკლეა.</li> </ul>	<ul style="list-style-type: none"> <li>▪ გამორთეთ სათიბი, მოხსენით აკუმულატორი, გაწმინდეთ მორტორის ლილვი და სათიბის თავაკი.</li> <li>▪ მოხსენით აკუმულატორი და შეცვალეთ სათიბი ძუა; მიჰყევით ინსტრუქციაში მოცემულ სექციას „ძუის გამოცვლა“.</li> <li>▪ მოხსენით აკუმულატორი და შეცვალეთ სათიბი ძუა; მიჰყევით ინსტრუქციაში მოცემულ სექციას „ძუის გამოცვლა“.</li> <li>▪ მოხსენით აკუმულატორი და შეცვალეთ სათიბი ძუა; მიჰყევით ინსტრუქციაში მოცემულ სექციას „ძუის გამოცვლა“.</li> </ul>

**KA**

პრობლემა	მიზეზი	გადაჭრის გზა
ბალახი დაეხვია სათიბის თავაკს და მოტორის ბუდე.	მაღალი ბალახის ჭრა ძირში	მოჭერით მაღალი ბალახი წვეროდან დაბლა, არ მოჭრათ 20 სმ-ზე მეტი სიგრძის ბალახი ერთ ჯერზე, რათა აარიდოთ თავი ბალახის დახვევას.
ბზარები სათიბის თავაკზე ან კოჭის დამჭერზე, რომელიც ძვრება კოჭის ფუძესთან ერთად.	<ul style="list-style-type: none"> <li>სათიბის თავაკი გაცვეთილია.</li> <li>ქანჩი, რომელიც აფიქსირებს სათიბ თავაკს, მოშვებულია.</li> </ul>	<ul style="list-style-type: none"> <li>შეცვალეთ სათიბი თავაკი დაუყოვნებლივ; მიეცით ამ მომხმარებლის ინსტრუქციაში სექციის „სათიბი თავაკის შეცვლა“ მითითებებს.</li> <li>გახსენით სათიბის თავაკი და გამოიყენეთ დარტყმითი ქანჩგასაღები, რათა დააჭიროთ ქანჩი.</li> </ul>
სათიბი ძუა ვერ ეხვევა სათიბის თავაკს სათანადო წესით.	<ul style="list-style-type: none"> <li>სათიბი ძუა არის საჭიროზე გრძელია.</li> <li>გაკრეჭილი ბალახის ან ტალახის ნარჩენები დაგროვდა სათიბის თავაკში და კოჭის მოძრაობა შეფერხებულია.</li> <li>მოტორი გადახურებულია ძუის დახვევის სისტემის მუდმივი გამოყენების შედეგად.</li> <li>დაცლილი აკუმულატორი</li> </ul>	<ul style="list-style-type: none"> <li>მოჭერით ძუა ისე, რომ დაახლოებით 13 სმ სიგრძის ძუა სჩანს ორივე მხარეს.</li> <li>მოხსენით აკუმულატორი ელექტრო სათიბს, გახსენით სათიბის თავაკი და გაწმინდეთ იგი საგულდაგულოდ.</li> <li>მიეცით შესაძლებლობა სათიბმა იმუშაოს დატვირთვის გარეშე ორიოდ წუთით, რათა მოტორი გაგრილდეს, ხოლო შემდეგ ხელახლა ჩატვირთეთ ძუა.</li> <li>დატენეთ აკუმულატორი.</li> </ul>
სათიბი ძუა ვერ გადის სათიბის თავაკში, როცა ხდება ძუის დამონტაჟება.	<ul style="list-style-type: none"> <li>მთიბავი ძუა გაყოფილია ან მოღუნულია ბოლოში.</li> <li>ქვედა ხუფი არ არის მოთავსებული სათანადო ადგილას ხელახალი აწყობის შედეგად.</li> </ul>	<ul style="list-style-type: none"> <li>მოჭერით გაცვეთილი ძუის ბოლო და ხელახლა ჩატვირთეთ ძუა.</li> <li>მიამაგრეთ აკუმულატორი სათიბს; მცირე ხნით დააჭირეთ ძუის ჩავეირთვის დილაკს, რათა დაიწყოს ჩამტვირთავი სისტემის დატვირთვა და მოიხსნას ქვედა ხუფი.</li> </ul>

## გარანტია

### EGO-ს გარანტიის მომსახურების წესი

გთხოვთ ეწვიოთ ვებ-გვერდს [egopowerplus.com](http://egopowerplus.com), რათა მიიღოთ EGO-ს საგარანტიო მომსახურების სრული დადგენილებები და პირობები.

KA



## PROČITAJTE SVA UPUTSTVA!



### PROČITAJTE PRIRUČNIK ZA RUKOVAOCA

**⚠ Rezidualni rizik!** Osobe sa elektronskim uređajima, poput pejsmejкера, treba da konsultuju svog lekara (svoje lekare) pre upotrebe ovog proizvoda. Rukovanje električnom opremom u neposrednoj blizini srčanog pejsmejкера moglo bi da izazove smetnje ili otkazivanje pejsmejкера.

## SIGURNOSNI SIMBOL

Rukovanje svakim električnim alatom može da dovede do izbacivanja stranih tela ka očima, što može da dovede do ozbiljnog oštećenja očiju. Pre započinjanja rada sa električnim alatom, uvek stavite sigurnosne naočare sa bočnim štitnicima ili po potrebi masku za celo lice. Preporučujemo sigurnosnu masku Wide Vision za upotrebu preko naočara ili standardnih sigurnosnih naočara sa bočnim štitnicima.



Simbol upozorenja



Nosite zaštitu za oči. - Kada rukujete ovim proizvodom, uvek nosite zatvorene zaštitne naočare ili zaštitne naočare sa bočnim štitnicima i štitnik za celo lice.



Nosite zaštitu za sluh. - Kada rukujete ovim proizvodom, uvek nosite zaštitu za sluh.



Nosite zaštitu za glavu. - Radi zaštite glave, nosite odobreni zaštitni šlem.



Nemojte postavljati okrugle noževe za sečenje.



Širina sečenja - Maks. širina sečenja trimera sa strunom



Pobrinite se da druge osobe i kućni ljubimci ostanu na udaljenosti od najmanje 15 m od trimera sa strunom tokom upotrebe.



Zagarantovani nivo zvučne snage. Emisija buke u okruženju u skladu je sa Direktivom Evropske unije.



Otpadni električni proizvodi ne smeju da se odlažu sa otpadom iz domaćinstva. Odnosite ih u ovlašćeni centar za reciklažu.

$n_0$

Brzina bez opterećenja - Rotaciona brzina bez opterećenja



Jednosmerna struja



Radi smanjenja opasnosti od povreda, korisnik treba da pročita korisnički priručnik.



Nosite sigurnosnu obuću. - Kada upotrebljavate ovu opremu, nosite sigurnosnu obuću koja se ne kliže.



Nosite zaštitne rukavice. - Kada rukujete nožem i štitnikom noža, zaštitite ruke rukavicama.



Čuvajte se povratnog udara noža. - Upozorite rukovaoca na opasnost od povratnog udara noža.



Prečnik strune - Prečnik najlonske strune za sečenje



Odbačeni predmeti mogu da odskoče, što može da rezultira telesnim povredama ili materijalnim štetama. Pobrinite se da druge osobe i kućni ljubimci ostanu na udaljenosti od čistača šikare tokom upotrebe.



Nemojte da upotrebljavate proizvod na kiši ili nemojte da ga ostavljate na otvorenom kada pada kiša.



Ovaj proizvod je u skladu sa primenljivim Direktivama EU.

V

Napon

.../min

U minutu

kg

Kilogram

SR

## SPECIFIKACIJE

Napon	56 V $\overline{\text{---}}$	
Brzina bez opterećenja	Postavljena mala brzina: 3000 - 4500 o/min Postavljena velika brzina: 4000 - 5800 o/min	
Mehanizam sečenja	Rezna glava	
Tip strune za sečenje	Najlonska struna 2,4 mm	
Širina košenja	35 cm	
Preporučena radna temperatura	Od 0°C do 40°C	
Preporučena temperatura skladištenja	Od -20°C do 70°C	
Optimalna temperatura punjenja	Od 5°C - 40°C	
Masa (bez kompleta baterija)	5,8 kg	
Izmereni nivo zvučne snage $L_{WA}$	88,98 dB(A) K=2 dB(A)	
Nivo zvučnog pritiska na uhu rukovaoca $L_{PA}$	68,96 dB(A) K=2 dB(A)	
Zagarantovani nivo zvučne snage $L_{WA}$ (izmereno u skladu sa Direktivom 2000/14/EZ)	91 dB(A)	
Procena vibracija $a_{rh}$	Prednja pomoćna drška	3,2 m/s <sup>2</sup> K=1,5 m/s <sup>2</sup>
	Zadnja drška	2,3 m/s <sup>2</sup> K=1,5 m/s <sup>2</sup>

- Deklarisana ukupna vrednost vibracije je izmerena u skladu sa standardnim metodom testiranja i može se koristiti za upoređivanje jednog alata sa drugim;
- Deklarisana ukupna vrednost vibracije može se koristiti u preliminarnoj proceni izlaganja.

**NAPOMENA:** Emisija vibracija tokom stvarne upotrebe električnog alata može da se razlikuje od deklarisanе vrednosti u kojoj se alat koristi. Da bi se rukovalac zaštitio, korisnik bi trebalo da nosi rukavice i štitnike za uši u stvarnim uslovima korišćenja.

SR

## OPIS

### UPOZNAJTE SVOJ TRIMER SA STRUNOM (slika A1)

1. Zadnja drška
2. Prekidač za veliku/malu brzinu
3. Podesiva prednja pomoćna drška
4. Zglob
5. Dugme za namotavanje strune
6. Štitnik
7. Klin za blokadu
8. Obujmica za podešavanje visine
9. Okidač
10. Jezičak za blokadu
11. Glava trimera (reza glava)
12. Nož za sečenje strune
13. Jezičak za otpuštanje
14. Struna za sečenje
15. Dugme za oslobađanje baterije
16. Bravica
17. Električni kontakti
18. Mehanizam za izbacivanje
19. Inbus ključ

### SADRŽAJ PAKOVANJA (SL. A1)

#### SASTAVLJANJE

#### OTKLAPANJE DRŠKE

**⚠ UPOZORENJE!** Nemojte da držite dršku na spojevima da ne prikleštite ruke ili prste.

**⚠ UPOZORENJE!** Nemojte pokušavati da pokrenete trimmer dok ne završite dršku.

Nežno otklopite dršku vodeći računa da kabl bude u njoj i završite je sa dva zavrtnja pomoću priloženog ključa (sl. B1 i B2).

#### POSTAVLJANJE ŠTITNIKA

Poravnajte trimmer tako da glava trimera bude usmerena prema gore (sl. C1). Poravnajte montažne otvore na štitniku sa otvorima na sklopu i zatim pomoću dva zavrtnja pričvrstite štitnik na kucište drške (sl. C2).

**NAPOMENA!** Uverite se da je štitnik pričvršćen u skladu sa sl. C1 i C2. Svako obrnuto pričvršćivanje izazvaće veliku opasnost!

#### POSTAVLJANJE I PODEŠAVANJE PREDNJE POMOĆNE DRŠKE

1. Otpustite klin za blokadu u prednjoj pomoćnoj drški i izvadite ga zajedno sa leprir navrtkom iz prednje pomoćne drške (sl. D).

D-1	Prednja pomoćna drška	D-3	Leptir navrtka
D-2	Stezni blok	D-4	Klin za blokadu

- Gurnite prednju pomoćnu dršku na glavnu dršku između objumnice za podešavanje visine i zgloba (sl. E).
- Umetnite stezni blok u prorez drške (slika F).
- Postavite ručicu klina za blokadu i pritegnite leptir navrtku. Uverite se da je prednja pomoćna drška okrenuta prema gore i da je usmerena prema gornjem delu zadnje drške (sl. J).
- Povucite ručicu klina za blokadu tako da možete da lako pomerate/rotirate dršku sa petljom tamo gde vam je praktično, a zatim završite ručicu klina za blokadu. (sl. H)

**⚠ UPOZORENJE!** Alat ne sme da se upotrebljava ako prednja drška nije dobro pričvršćena.

### PODEŠAVANJE ZADNJE DRŠKE

Ako dužina glavne drške nije pogodna za rad, možete da je podešete pomoću objumnice za podešavanje visine.

- Izvadite komplet baterija iz trimera.
- Za podešavanje visine trimera otvorite objumnicu za podešavanje visine, a zatim gurnite glavnu dršku prema gore ili dole na željenu visinu i učvrstite je zatvaranjem objumnice za podešavanje visine (sl. I).

**NAPOMENA!** Posle promene visine trimera, možda bude potrebno obaviti ponovno podešavanje visine prednje pomoćne drške.

### RUKOVANJE

**⚠ UPOZORENJE!** Uvek nosite zatvorene zaštitne naočare ili zaštitne naočare sa bočnim štitnicima zajedno sa zaštitom za sluh. Nepostupanje u skladu sa tim može da rezultira odbacivanjem predmeta u oči i drugim mogućim teškim povredama.

Ovaj proizvod možete da upotrebljavate za svrhe navedene u nastavku:

**Trimovanje:** upotrebljava se za uklanjanje trave i korova uz zidove, ograde, drveće i međe.

**Sečenje:** upotrebljava se za sečenje trave koju je teško dosegnuti normalnom kosilicom.

### POSTAVLJANJE/SKIDANJE KOMPLETA BATERIJA

Upotrebljavajte samo kompletne baterija i punjače proizvođača EGO navedene na sl. A2.

**Komplet baterija potpuno napunite pre prve upotrebe.**

### Postavljanje

Poravnajte kontakte baterije sa montažnim prorezima i pritisakajte komplet baterija prema dole dok ne začujete zvuk klikanja (sl. J1).

### Skidanje

Pritisnite dugme za oslobađanje baterije i izvucite komplet baterija kako je prikazano na sl. J2.

J-1	Dugme za oslobađanje baterije
-----	-------------------------------

### DRŽANJE TRIMERA SA STRUNOM

Držite trimer sa strunom sa obe ruke. jednu ruku držite na zadnjoj drški, a drugu ruku na prednjoj pomoćnoj drški.

**NAPOMENA!** Glava trimera je u paralelnom položaju u odnosu na tlo na propisnoj udaljenosti za sečenje bez naginjanja rukovaoca prema napred (sl. K).

### POKRETANJE/ZAUSTAVLJANJE TRIMERA SA STRUNOM

#### Pokretanje

Pomerite jezičak za blokadu prema napred, a zatim pritisnite okidač.

Okidač je kontinuirani regulator brzine. Što više povlačite okidač, brzina je veća (sl. L).

#### Zaustavljanje

Otpustite okidač.

### FUNKCIJA PODEŠAVANJA BRZINE (SL. L)

Trimer sa strunom ima dve brzine. Položaj "LOW" je za malu brzinu, a položaj "HIGH" za veliku brzinu.

Opis delova na sl. L pogledajte u nastavku:

L-1	Prekidač za veliku/malu brzinu	L-2	Okidač
-----	--------------------------------	-----	--------

### UPOTREBA TRIMERA SA STRUNOM

Očistite područje na kojem ćete seći pre svake upotrebe. Uklonite sve predmete poput kamenja, razbijenog stakla, eksera, žica ili strune koji bi mogli biti izbačeni ili zakačeni dodatkom za sečenje. Uklonite decu, prolaznike i kućne ljubimce iz područja gde ćete raditi. U najmanju ruku, držite svu decu, prolaznike i ljubimce na udaljenosti od najmanje 15 m; i dalje može postojati rizik po posmatrača od izbačenih predmeta. Posmatrača bi trebalo podstaći da nose zaštitne naočare. Ako vam neko priđe, odmah zaustavite motor i dodatak za sečenje.

## Pre svake upotrebe proverite da li ima oštećenih/pohabanih delova.

Proverite reznu glavu, štitnik i prednju pomoćnu dršku i zamenite delove koji su napuknuti, deformisani, savijeni ili oštećeni na bilo koji način.

Nož za sečenje strune na ivici štitnika može vremenom da se istupi. Preporučujemo povremeno oštrenje noža turpijom ili zamenu noža.

## Nakon svake upotrebe, očistite trimer.

### PODEŠAVANJE DUŽINE STRUNE ZA SEČENJE

Glava trimera omogućava rukovaocu da otpusti još strune za sečenje bez zaustavljanja motora. Ako se struna za sečenje pohaba ili istroši, laganim lupkanjem glave trimera o tlo tokom rukovanja trimenom moguće je otpustiti više strune (sl. M).

**NAPOMENA!** Za otpuštanje strune biće potrebno višestruko lupkanje kako se struna za sečenje skraćuje.

**⚠ UPOZORENJE!** Nemojte da uklanjate sklop noža za sečenje strune za sečenje ili nemojte da ga modifikujete. Prevelika dužina strune prouzrokuje pregrevanje motora, što može da rezultira teškim telesnim povredama.

### ZAMENA STRUNE

**NAPOMENA!** Uvek upotrebljavajte preporučenu najlonsku strunu za sečenje prečnika ne većeg od 2,4 mm. Upotreba strune za sečenje koja je drugačija od navedene može da prouzrokuje pregrevanje ili oštećenje trimera.

**⚠ UPOZORENJE!** Nemojte nikada da upotrebljavate metalom ojačane niti, žicu ili uže i sl. jer mogu da se odlome i da postanu opasni projektili.

- Izvadite komplet baterija.
- Ako je potrebno, uklonite preostalu strunu za sečenje.
- Odsecite strunu za sečenje dužine od 4 m. Umetnite strunu u montažni otvor u ušici (sl. O). Provcite strunu i povlačite je sa druge strane dok ne bude iste dužine sa obe strane kalema.
- Postavite komplet baterija na trimer sa strunom.
- Pritisnite i držite pritisnuto dugme za namotavanje strune da pokrenete motor za namotavanje strune. Struna će se kontinuirano namotavati u glavu trimera (sl. P).
- Pažljivo vodite računa o dužini preostale strune. Kratko pritisnite dugme za namotavanje strune da podesite dužinu tako da sa svake strane ostane 13 cm strune.
- Gurnite glavu trimera prema dole pritom povlačeći strunu da je ručno pomerite prema napred i da proverite da li je pravilno postavljena.

Ako se struna za sečenje otkine na izlazu za strunu ili ako se ne otpusti lupkanjem po glavi trimera, pratite korake u nastavku.

- Izvadite komplet baterija iz trimera.
- Pritisnite jezičke za otpuštanje na glavi trimera i uklonite sklop donjeg poklopca povlačeći ga ravno van (sl. Q).
- Izvadite strunu za sečenje iz kalema.
- Umetnite oprugu u prorez u sklopu donjeg poklopca (sl. R).
- Jednom rukom držite trimer, drugom rukom uzmite sklop donjeg poklopca i poravnajte proreze u sklopu donjeg poklopca sa jezičcima za otpuštanje. Pritiskajte sklop donjeg poklopca dok ne ulegne u svoje ležište, pri čemu ćete čuti jasan zvuk klikanja (sl. S).
- Za ponovno namotavanje strune za sečenje pratite uputstva u odeljku "ZAMENA STRUNE".

### ZAMENA GLAVE TRIMERA

**⚠ UPOZORENJE!** Ako se glava nakon pričvršćivanja otpusti, odmah je zamenite. Nemojte nikada upotrebljavati trimer ako je priključak za sečenje otpušten. Puknutu, oštećenu ili istrošenu reznu glavu odmah zamenite čak i ako je oštećenje ograničeno na površinske pukotine. Takvi priključci mogu da se rasprsnu pri visokoj brzini i da prouzrokuju teške povrede.

### UKLANJANJE GLAVE TRIMERA

- Izvadite komplet baterija iz trimera.
- Pritisnite jezičke za otpuštanje na glavi trimera i uklonite sklop donjeg poklopca glave trimera povlačeći ga ravno van.
- Izvadite strunu za sečenje iz glave trimera (sl. S).
- Ako je potrebno, izvadite oprugu iz sklopa kalema. Sačuvajte je za ponovno sastavljanje.
- Nosite rukavice. Jednom rukom prihvatite sklop kalema da ga stabilizujete, a drugom rukom držite udarni ključ (nije u opsegu isporuke) da otpustite navrtku u smeru suprotnom smeru kretanja kazaljki na satu (sl. X).
- Sa vratila motora uklonite navrtku, držač kalema, gornji poklopac i donji poklopac kućišta (sl. T).

**NAPOMENA!** Dva umetka lako padaju sa vratila motora, pa ih pažljivo sačuvajte za ponovno sastavljanje.

- Zamenite glavu trimera i postavite je prema sledećim koracima.

T-1	Umetak	T-6	Struna trimera
T-2	Gornji poklopac	T-7	Donji poklopac
T-3	Navrtka	T-8	Gornji poklopac kućišta
T-4	Podloška	T-9	Sklop sklopa kalema
T-5	Opruga		

## POSTAVLJANJE NOVE GLAVE TRIMERA

1. Postavite umetke na vratilo motora i stavite sklop gornjeg poklopca kućišta na njegovo mesto (sl. T).
2. Postavite gornji poklopac, sklop kalema, podlošku i navrtku ovim redosledom. Za pritezanje navrtke upotrebite udarni ključ (sl. U i V).
3. Postavite sklop donjeg poklopca.
4. Ponovo namotajte strunu za sečenje.
5. Pokrenite alat da vidite da li trimer sa strunom pravilno radi. Ako to nije slučaj, rastavljanje obavite na prethodno opisani način.

## ODRŽAVANJE

**⚠ UPOZORENJE:** Tokom servisiranja, koristite samo identične rezervne delove. Redovno pregledajte i održavajte alat. Da bi se osigurala sigurnost i pouzdanost, sve popravke treba da radi kvalifikovani servisni tehničar.

**⚠ UPOZORENJE!** Radi sprečavanja teških telesnih povreda, pre servisiranja, čišćenja, promene priključaka ili uklanjanja materijala iz jedinice, izvadite komplet baterija iz alata.

**⚠ OPREZ!** Prepreke u ventilacionim otvorima sprečiće protok vazduha u kućište motora i prouzrokovati pregrevanje ili oštećenje motora.

## ČIŠĆENJE JEDINICE

- Jedinicu čistite vlažnom krpom i blagim deterdžentom. Nemojte nikada dozvoliti da tečnost uđe u alat i nemojte nikada da potapate delove alata u tečnost.
- Ne koristite jake deterdžente na plastičnom kućištu i drški. Mogu ih oštetiti određena aromatična ulja, poput bora i limuna, i rastvarači poput kerozina. Vлага može da izazove i opasnost od strujnog udara. Obrišite svu vlagu mekom suvom krpom.
- Za čišćenje ventilacionih otvora na zadnjem kućištu upotrebljavajte malu četku ili ispuštanje vazduha iz male četke usisivača.
- Ventilacione otvore u kućištu motora uvek održavajte očišćenim od naslaga.

## OŠTRENJE NOŽA ZA SEČENJE STRUNE

**⚠ UPOZORENJE!** Kada obavljate radove održavanja na noževima za sečenje strune, uvek zaštitite ruke nošenjem debelih rukavica.

1. Uklonite nož za sečenje strune sa štitnika.
2. Učvrstite nož u stegu.
3. Pažljivo obradite ivice za sečenje noža turpijom sa finim zupcima ili kamenom za oštrenje i pritom vodite računa da održavate originalni ugao ivice za sečenje.
4. Vratite nož na njegovo mesto na štitniku i pričvrstite ga pomoću dva zavrtnja.

## SKLADIŠTENJE JEDINICE

- Izvadite komplet baterija iz trimera sa strunom kada ga ne upotrebljavate.
- Temeljno očistite alat pre no što ga uskladištite.
- Skladištite jedinicu na suvom, dobro provetrenom mestu, zaključanu ili na visini, van domašaja dece. Ne skladištite jedinicu na ili pored đubriva, benzina ili drugih hemikalija.

## Zaštita životne sredine



Ne odlažite električnu opremu, potrošene baterije i punjače u kućni otpad! Odnosite ovaj proizvod u ovlašćeni pogon za reciklažu ili ga odvojite od ostalog smeća radi zasebnog prikupljanja. Električni alati moraju se odneti u ekološki prihvatljiv pogon za reciklažu.

## REŠAVANJE PROBLEMA

PROBLEM	UZROK	REŠENJE
Trimer sa strunom neće da se uključi.	<ul style="list-style-type: none"> <li>■ Komplet baterija nije pričvršćen na trimer sa strunom.</li> <li>■ Nema električnog kontakta između trimera i baterije.</li> <li>■ Komplet baterija je ispražnjen.</li> <li>■ Okidač za deblokadu nije pomaknut prema napred pre pritiska na okidač.</li> </ul>	<ul style="list-style-type: none"> <li>■ Pričvrstite komplet baterija na trimer sa strunom.</li> <li>■ Izvadite bateriju, proverite kontakte i ponovo stavite komplet baterija.</li> <li>■ Napunite komplet baterija.</li> <li>■ Pomerite jezičak za blokadu prema napred i zatim pritisnite okidač.</li> </ul>
Trimer sa strunom se zaustavlja tokom sečenja.	<ul style="list-style-type: none"> <li>■ Štitnik nije postavljen na trimer, što rezultira predugačkom strunom za sečenje i preopterećenjem motora.</li> <li>■ Upotrebljava se debela struna za sečenje.</li> <li>■ Vratilo motora ili glavu trimera blokira trava.</li> <li>■ Motor je preopterećen.</li> <li>■ Komplet baterija ili trimer sa strunom je previše vruć.</li> <li>■ Komplet baterija je odvojen od alata.</li> <li>■ Komplet baterija je ispražnjen.</li> <li>■ Neuravnoteženost nakon postavljanja strune za sečenje.</li> </ul>	<ul style="list-style-type: none"> <li>■ Izvadite komplet baterija i postavite štitnik na trimer.</li> <li>■ Upotrebljavajte preporučenu najlonsku strunu za sečenje prečnika ne većeg od 2,4 mm.</li> <li>■ Zaustavite trimer, izvadite bateriju i očistite travu sa vratila motora i glave trimera.</li> <li>■ Izvadite glavu trimera iz trave. Motor će se povratiti nakon uklanjanja opterećenja. Glavu trimera prilikom sečenja pomerajte u travu i iz trave i u jednom zamahu nemojte da uklanjate više od 20 cm dužine.</li> <li>■ Ohladite bateriju ili trimer sa strunom.</li> <li>■ Ponovo stavite komplet baterija.</li> <li>■ Napunite komplet baterija.</li> <li>■ Lupnite po glavi trimera da dužina strune bude simetrična.</li> </ul>
Glava trimera neće da izvlači strunu.	<ul style="list-style-type: none"> <li>■ Vratilo motora ili glavu trimera blokira trava.</li> <li>■ Na kalemu nema dovoljno strune ili se struna otkinula na ušici.</li> <li>■ Struna se zapetljala.</li> <li>■ Struna je prekratka.</li> </ul>	<ul style="list-style-type: none"> <li>■ Zaustavite trimer, izvadite bateriju i očistite vratilo motora i glavu trimera.</li> <li>■ Izvadite bateriju i zamenite strunu za sečenje; pratite uputstva u odeljku "ZAMENA STRUNE" u ovom priručniku.</li> <li>■ Izvadite bateriju i zamenite strunu za sečenje; pratite uputstva u odeljku "ZAMENA STRUNE" u ovom priručniku.</li> <li>■ Izvadite bateriju i zamenite strunu za sečenje; pratite uputstva u odeljku "ZAMENA STRUNE" u ovom priručniku.</li> </ul>
Trava se omotala oko glave trimera i kućišta motora.	Visoka trava seče se od nivoa tla.	Visoku travu secite odozgo prema dole i pritom nemojte da sečete više od 20 cm u svakom prolazu da izbegnete omotavanje.

PROBLEM	UZROK	REŠENJE
Pukotine na glavi trimera ili držač kalema se otpustio sa kućišta kalema.	<ul style="list-style-type: none"> <li>■ Glava trimera je pohabana.</li> <li>■ Navrtka koja zadržava glavu trimera je otpuštena.</li> </ul>	<ul style="list-style-type: none"> <li>■ Odmah zamenite glavu trimera; pratite uputstva u odeljku "ZAMENA GLAVE TRIMERA" u ovom priručniku.</li> <li>■ Otvorite glavu trimera i upotrebite udarni ključ za pritezanje navrtke.</li> </ul>
Strunu za sečenje nije moguće pravilno namotati u glavu trimera.	<ul style="list-style-type: none"> <li>■ Struna za sečenje je predugačka.</li> <li>■ U glavi trimera nakupile su se naslage trave ili nečistoće i blokiraju kretanje kalema za strunu.</li> <li>■ Motor se pregreva zbog ponavljano rada sistema namotavanja strune.</li> <li>■ Veoma nizak nivo napunjenosti baterije</li> </ul>	<ul style="list-style-type: none"> <li>■ Odsecite strunu tako da sa svake strane ostane 13 cm strune.</li> <li>■ Izvadite bateriju, otvorite glavu trimera i dobro je očistite.</li> <li>■ Neka trimer sa strunom nekoliko minuta radi bez opterećenja da se motor ohladi, a zatim pokušajte ponovo da namotate strunu.</li> <li>■ Napunite bateriju.</li> </ul>
Strunu za sečenje nije moguće provući kroz glavu trimera prilikom umetanja strune.	<ul style="list-style-type: none"> <li>■ Struna za sečenje se rascepila ili savila na kraju.</li> <li>■ Donji poklopac ne otpušta se u položaj nakon ponovnog postavljanja.</li> </ul>	<ul style="list-style-type: none"> <li>■ Odsecite istrošeni kraj strune i ponovo ga umetnite.</li> <li>■ Pričvrstite komplet baterija na trimer; pritisnite dugme za namotavanje strune da nakratko pokrenete napajanje radi otpuštanja donjeg poklopca.</li> </ul>

## GARANCIJA

### EGO POLITIKA GARANCIJE

Posetite veb-lokaciju [egopowerplus.com](http://egopowerplus.com) za potpune uslove i odredbe EGO politike garancije.

## PROČITAJTE UPUTSTVO U CIJELOSTI!



### PROČITAJTE KORISNIČKI PRIRUČNIK

**⚠ Preostale opasnosti!** Osobe s elektroničkim uređajima poput srčanih elektrostimulatora prije upotrebe ovog proizvoda trebaju se posavjetovati sa svojim ljekarom. Rad električne opreme u neposrednoj blizini srčanih elektrostimulatora može uzrokovati smetnju ili kvar srčanog elektrostimulatora.

## SIGURNOSNI SIMBOL

Rukovanje električnim alatima može rezultirati odbacivanjem stranih predmeta u oči, što opet može izazvati teška oštećenja očiju. Prije početka rukovanja električnim alatom, uvijek nosite zatvorene zaštitne naočale ili zaštitne naočale s bočnim štitnicima, a prema potrebi i štitnik za cijelo lice. Preporučujemo nošenje sigurnosne maske proizvođača Wide Vision preko naočala, ili nošenje standardnih zaštitnih naočala s bočnim štitnicima.



Simbol upozorenja



Radi smanjenja opasnosti od povreda, korisnik treba pročitati korisnički priručnik.



Nosite zaštitu za oči. - Kada upotrebljavate ovaj proizvod, uvijek nosite zatvorene zaštitne naočale ili zaštitne naočale s bočnim štitnicima i štitnik za cijelo lice.



Nosite sigurnosnu obuću. - Kada upotrebljavate ovu opremu, nosite neklizajuću sigurnosnu obuću.



Nosite zaštitu za sluh. - Kada upotrebljavate ovaj proizvod, uvijek nosite zaštitu za sluh.



Nosite zaštitne rukavice. - Kada rukujete nožem i štitnikom noža, zaštitite ruke rukavicama.



Nosite zaštitu za glavu. - Radi zaštite glave nosite odobrenu sigurnosnu kacigu.



Čuvajte se povratnog udara noža. - Upozorite rukovaoca na opasnost od povratnog udara noža.



Nemojte postavljati zaobljene rezne noževe.



Prečnik rezne niti - Prečnik najlonske rezne niti



Širina rezanja - Maks. širina rezanja trimera s reznom niti



Odbačeni predmeti mogu odskočiti i rezultirati tjelesnim povredama ili materijalnom štetom. Pobrinite se da druge osobe i kućni ljubimci ostanu podalje od čistača šikare tokom upotrebe.



Pobrinite se da druge osobe i kućni ljubimci ostanu na udaljenosti od najmanje 15 m od trimera s reznom niti tokom upotrebe.



Proizvod nemojte upotrebljavati na kiši ili nemojte ga ostavljati na otvorenom kada pada kiša.



Zagarantovani nivo zvučne snage. Emisija buke u okruženju u skladu je s Direktivom Evropske unije.



Ovaj proizvod je u skladu s primjenjivim Direktivama EU.



Otpadni električni proizvodi ne smiju se odlagati s otpadom iz domaćinstva. Onesite ih u ovlašteni centar za reciklažu.

V Napon

$n_0$

Brzina vrtnje bez opterećenja - Brzina vrtnje, bez opterećenja

.../min U minuti



Istosmjerna struja

kg Kilogram

BS



## TEHNIČKI PODACI

Napon	56 V $\overline{\text{---}}$	
Brzina vrtnje bez opterećenja	Postavljena niska brzina: 3.000 - 4.500 o/min Postavljena visoka brzina: 4.000 - 5.800 o/min	
Rezni mehanizam	Rezna glava	
Vrsta rezne niti	Najlonska rezna nit 2,4 mm	
Širina rezanja	35 cm	
Preporučena radna temperatura	0°C-40°C	
Preporučena temperatura skladištenja	-20°C-70°C	
Optimalna temperatura punjenja	5°C-40°C	
Masa (bez kompleta baterija)	5,8 kg	
Izmjereni nivo zvučne snage $L_{WA}$	88,98 dB(A) $K=2$ dB(A)	
Nivo zvučnog pritiska kod uha rukovaoca $L_{PA}$	68,96 dB(A) $K=2$ dB(A)	
Zagarantovani nivo zvučne snage $L_{WA}$ (izmjereno u skladu s Direktivom 2000/14/EZ)	91 dB(A)	
Procjena vibracija $a_{hc}$	Prednji pomoćni rukohvat	3,2 m/s <sup>2</sup> $K=1,5$ m/s <sup>2</sup>
	Stražnji rukohvat	2,3 m/s <sup>2</sup> $K=1,5$ m/s <sup>2</sup>

- Deklarisane ukupne vrijednosti vibracija izmjerene su u skladu sa standardnom metodom ispitivanja i mogu se primjenjivati za poređenje jednog alata s drugim.
- Deklarisane ukupne vrijednosti vibracija mogu se primjenjivati i u preliminarnoj procjeni izloženosti.

**NAPOMENA!** Emisija vibracija tokom aktualne upotrebe električnog alata može se razlikovati od deklarirane vrijednosti u kojoj se alat upotrebljavao; Korisnik radi zaštite treba nositi rukavice i štitnike za uši u aktualnim uslovima upotrebe.

## OPIS

### UPOZNAJTE SVOJ TRIMER S REZOM NITI (sl. A1)

1. Stražnji rukohvat
2. Prekidač za odabir visoke/niske brzine
3. Podesivi prednji pomoćni rukohvat
4. Zglob
5. Dugme za namotavanje rezne niti
6. Štitnik
7. Blokimi klin
8. Obujmica za podešavanje visine
9. Okidač
10. Jezičak za blokadu
11. Glava trimera (rezna glava)
12. Nož za rezanje rezne niti
13. Jezičak za otpuštanje
14. Rezna nit
15. Dugme za oslobađanje baterije
16. Bravica
17. Električni kontakti
18. Mehanizam za izbacivanje
19. Inbus ključ

### SADRŽAJ PAKOVANJA (SL. A1)

#### SASTAVLJANJE

#### OTKLAPANJE DRŠKE

**⚠ UPOZORENJE!** Dršku nemojte držati na spojevima da izbjegnute priklještenje ruku ili prstiju.

**⚠ UPOZORENJE!** Nemojte pokušavati pokretati trimer dok ne završite dršku.

Dršku otklopite nježno, vodeći računa da kabel bude u njoj i završite je dvama vijcima pomoću priloženog ključa (sl. B1 i B2).

#### POSTAVLJANJE ŠTITNIKA

Pozicionirajte trimer tako da glava trimera bude okrenuta prema gore (sl. C1). Poravnajte montažne provrte na štيتniku s montažnim provrtima i štيتnik zatim pričvrstite na kućište drške dvama vijcima (sl. C2).

**NAPOMENA!** Uvjerite se da je štيتnik pričvršćen u skladu sa sl. C1 i C2. Svako obrnuto pričvršćivanje izazvat će veliku opasnost!

#### POSTAVLJANJE I PODEŠAVANJE PREDNJEG POMOĆNOG RUKOHVATA

1. Otpustite blokimi klin u prednjem pomoćnom rukohvatu i izvadite ga zajedno s krilnom maticom iz prednjeg pomoćnog rukohvata (sl. D).

**BS**

D-1	Prednji pomoćni rukohvat	D-3	Krilna matica
D-2	Stezni blok	D-4	Blokirni klin

- Gurnite prednji pomoćni rukohvat na dršku između objumice za podešavanje visine i zgloba (sl. E).
- U utor rukohvata umetnite stezni blok (sl. F).
- Postavite ručicu blokirnog klina i pritegnite krilnu maticu. Uvjerite se da je prednji pomoćni rukohvat okrenut prema gore i da je usmjeren prema gornjem dijelu stražnjeg rukohvata (sl. J).
- Povucite ručicu blokirnog klina tako da možete lako pomjerati/rotirati rukohvat s omčom tamo gdje vam je praktično, a zatim završite ručicu blokirnog klina. (sl. H)

**⚠ UPOZORENJE!** Alat se ne smije upotrebljavati ako prednji rukohvat nije dobro pričvršćen.

## PODEŠAVANJE STRAŽNJEG RUKOHVATA

Ako dužina drške nije prikladna za rad, dužinu drške možete podesiti pomoću objumice za podešavanje visine.

- Izvadite komplet baterija iz trimera.
- Za podešavanje visine trimera otvorite objumicu za podešavanje visine, a zatim gurnite dršku prema gore ili dolje na željenu visinu i učvrstite je zatvaranjem objumice za podešavanje visine (sl. I).

**NAPOMENA!** Nakon promjene visine trimera, možda bude potrebno ponovo podesiti prednji pomoćni rukohvat.

## RAD

**⚠ UPOZORENJE!** Uvijek nosite zatvorene zaštitne naočale ili zaštitne naočale s bočnim štitnicima, zajedno sa zaštitom za sluh. Nepostupanje u skladu s tim može rezultirati odbacivanjem predmeta u oči i drugim mogućim teškim povredama.

Ovaj proizvod možete upotrebljavati za svrhe navedene u nastavku:

**Šišanje:** upotrebljava se za uklanjanje trave i korova uz zidove, ograde, drveće i granične elemente.

**Rezanje:** upotrebljava se za rezanje trave koju je teško dosegnuti normalnom kosilicom.

## POSTAVLJANJE/SKIDANJE KOMPLETA BATERIJA

Upotrebljavajte samo komplete baterija i punjače proizvođača EGO navedene na sl. A2.

**BS** Komplet baterija napunite prije prve upotrebe.

## Postavljanje

Poravnajte kontakte baterije s montažnim utorima i pritišćite komplet baterija prema dolje dok ne začujete zvuk klikanja (sl. J1).

## Skidanje

Pritisnite dugme za oslobađanje baterije i izvucite komplet baterija kako je prikazano na sl. J2.

J-1	Dugme za oslobađanje baterije
-----	-------------------------------

## DRŽANJE TRIMERA S REZNOM NITI

Trimer s reznom niti držite objema rukama: jednu ruku držite na stražnjem rukohvatu, a drugu ruku na prednjem pomoćnom rukohvatu.

**NAPOMENA!** Glava trimera je u paralelnom položaju u odnosu na tlo na propisnoj udaljenosti za rezanje bez naginjanja rukovaoca prema naprijed (sl. K).

## POKRETANJE/ZAUSTAVLJANJE TRIMERA S REZNOM NITI

### Pokretanje

Pomjerite jezičak za blokadu prema naprijed, a zatim pritisnite okidač.

Okidač je kontinuirani regulator brzine. Što više povlačite okidač, to je brzina viša (sl. L)

### Zaustavljanje

Otpustite okidač.

## FUNKCIJA PODEŠAVANJA BRZINE (SL. L)

Trimer s reznom niti ima dvije brzine. Položaj "LOW" je za nisku brzinu, a položaj "HIGH" za visoku brzinu.

Opis dijelova na sl. L pogledajte u nastavku:

L-1	Prekidač za odabir visoke/niske brzine	L-2	Okidač
-----	--	-----	--------

## UPOTREBA TRIMERA S REZNOM NITI

Očistite radno područje prije svake upotrebe. Uklonite sve predmete poput kamenja, razbijenog stakla, eksera, žica ili niti koje trimer može odbaciti ili koji se mogu zaplesti u rezni priključak. Iz područja udaljite djecu, druge prisutne osobe i kućne ljubimce. Držite djecu, druge prisutne osobe i kućne ljubimce udaljene najmanje 15 m; za posmatrača čak i tada postoji opasnost od odbačenih predmeta. Druge prisutne osobe potrebno je zamoliti da nose zaštitu za oči. Ako vam neko prilazi, odmah zaustavite motor i rezni priključak.

### Prije svake upotrebe provjerite ima li oštećenih/istrošenih dijelova.

Provjerite reznu glavu, štitnik i prednji pomoćni rukohvat i zamijenite dijelove koji su napukli, deformisani, savijeni ili oštećeni na bilo koji način.

Nož za rezanje rezne niti na rubu štitnika vremenom može postati tup. Preporučujemo povremeno oštrenje noža turpijom ili zamjenu noža.

### Očistite trimmer nakon svake upotrebe.

#### PODEŠAVANJE DUŽINE REZNE NITI

Glava trimera rukovaocu omogućuje otpuštanje više rezne niti bez zaustavljanja motora. Ako se rezna nit pohaba ili istroši, laganim dodirivanjem glave trimera o tlo tokom rukovanja trimrom moguće je otpustiti više niti (sl. M).

**NAPOMENA!** Za otpuštanje niti trebat će višestruko dodirivanje kako se rezna nit skraćuje.

**⚠ UPOZORENJE!** Nemojte uklanjati sklop noža za rezanje rezne niti ili ne obavljajte preinake na njemu. Prevelika dužina rezne niti uzrokovat će pregrijavanje motora, što može rezultirati teškim tjelesnim povredama.

#### ZAMJENA REZNE NITI

**NAPOMENA!** Uvijek upotrebljavajte preporučenu najlonsku reznu nit prečnika ne većeg od 2,4 mm. Upotreba rezne niti drukčije od navedene može uzrokovati pregrijavanje ili oštećenje trimera.

**⚠ UPOZORENJE!** Nemojte nikada upotrebljavati metalom ojačane niti, žicu ili uže i sl. jer mogu se odlomiti i postati opasni projektili.

- Izvadite komplet baterija.
- Ako je potrebno, uklonite preostalu reznu nit.
- Odrežite reznu nit dužine 4 m. Umetnite reznu nit u montažni provrt u ušici (sl. O). Provucite reznu nit i povlačite je s druge strane dok rezna nit ne bude iste dužine s obje strane kalema.
- Postavite komplet baterija na trimmer s reznom niti.
- Pritisnite dugme za namotavanje rezne niti i držite ga pritisnutim kako biste pokrenuli motor za namotavanje rezne niti. Rezna nit kontinuirano će se namotavati u glavu trimera (sl. P).
- Pažljivo vodite računa o dužini preostale rezne niti. Kratko pritisnite dugme za namotavanje rezne niti kako biste podesili dužinu tako da sa svake strane ostane 13 cm rezne niti.
- Gurnite glavu trimera prema dolje pritom povlačeći reznu nit kako biste je ručno pomakli prema naprijed i provjerili je li ispravno postavljena.

Ako se rezna nit otkine na izlazu niti ili ako se rezna nit ne otpusti lupkanjem po glavi trimera, slijedite korake u nastavku:

- Izvadite komplet baterija iz trimera.
- Pritisnite jezičke za otpuštanje na glavi trimera i uklonite sklop donjeg poklopca povlačeći ga ravno van (sl. Q).
- Izvadite reznu nit iz kalema.
- Umetnite oprugu u utor u sklopu donjeg poklopca (sl. R).
- Jednom rukom držite trimmer, drugom rukom uzmite sklop donjeg poklopca i poravnajte utore u sklopu donjeg poklopca s jezičkama za otpuštanje. Pritišćite sklop donjeg poklopca dok ne ulegne u svoje ležište, pri čemu ćete čuti jasan zvuk klikanja (sl. S).
- Za ponovno namotavanje rezne niti pratite uputstva u odjeljku **"ZAMJENA REZNE NITI"**.

#### ZAMJENA GLAVE TRIMERA

**⚠ UPOZORENJE!** Ako se glava nakon pričvršćivanja otpusti, odmah je zamijenite. Trimmer nemojte nikada upotrebljavati ako je rezni priključak otpušten. Puknutu, oštećenu ili istrošenu reznu glavu odmah zamijenite čak i ako je oštećenje ograničeno na površinske pukotine. Takvi priključci mogu se raspuknuti pri visokoj brzini i uzrokovati teške povrede.

#### UKLANJANJE GLAVE TRIMERA

- Izvadite komplet baterija iz trimera.
- Pritisnite jezičke za otpuštanje na glavi trimera i uklonite sklop donjeg poklopca glave trimera povlačeći ga ravno van.
- Izvadite reznu nit iz glave trimera (sl. S).
- Ako je potrebno, izvadite oprugu iz sklopa kalema. Sačuvajte je za ponovno sastavljanje.
- Nosite rukavice. Jednom rukom prihvatite sklop kalema kako biste ga stabilizovali, a drugom rukom držite udarni ključ (nije u sadržaju isporuke) kako biste otpustili maticu u smjeru suprotnom smjeru kretanja kazaljki na satu (sl. X).
- S vratila motora uklonite maticu, držač kalema, gornji poklopac i gornji poklopac kućišta (sl. T).

**NAPOMENA!** Dvije čahure lako padaju s vratila motora, pa ih pažljivo sačuvajte za ponovno sastavljanje.

- Zamijenite glavu trimera i postavite je prema sljedećim koracima.

T-1	Čahura	T-6	Rezna nit za trimmer
T-2	Gornji poklopac	T-7	Donji poklopac
T-3	Matica	T-8	Gornji poklopac kućišta
T-4	Podloška	T-9	Sklop sklopa kalema
T-5	Opruga		

## POSTAVLJANJE NOVE GLAVE TRIMERA

1. Postavite čahure na vratilo motora i stavite sklop gornjeg poklopca kućišta na njegovo mjesto (sl. T).
2. Postavite gornji poklopac, sklop kalema, podlošku i maticu ovim redoslijedom. Za pritezanje matice upotrijebite udarni ključ (sl. U i V).
3. Postavite sklop donjeg poklopca.
4. Ponovo namotajte reznu nit.
5. Pokrenite alat kako biste vidjeli da li trimer s reznom niti ispravno radi. Ako to nije slučaj, rastavljanje obavite na gore opisani način.

## ODRŽAVANJE

**⚠ UPOZORENJE!** Kada obavljate radove servisiranja, upotrebljavajte samo identične zamjenske dijelove. Redovno obavljajte pregled i održavanje alata. Radi osiguranja sigurnosti i pouzdanosti, sve popravke treba obavljati kvalifikovani servisni tehničar.

**⚠ UPOZORENJE!** Radi sprečavanja teških tjelesnih povreda, prije servisiranja, čišćenja, promjene priključaka ili uklanjanja materijala iz jedinice, izvadite komplet baterija iz alata.

**⚠ OPREZ!** Zapreke u ventilacijskim otvorima spriječit će protok zraka u kućište motora i rezultirati pregrijavanjem ili oštećenjem motora.

## ČIŠĆENJE JEDINICE

- Jedinicu čistite vlažnom krpom i blagim deterdžentom. Nemojte nikada dozvoliti da tekućina dospje u alat i nemojte nikada uranjati dijelove alata u tekućinu.
- Za čišćenje plastičnog kućišta ili rukohvata nemojte upotrebljavati jake deterdžente jer mogu ih oštetiti neka aromatična ulja, kao što su borovo i limunovo ulje i rastvori kao što je kerozin. Vлага može izazvati opasnost od strujnog udara. Vlažna mjesta obrišite mekanom suhom krpom.
- Za čišćenje zračnih ventilacijskih otvora na stražnjem kućištu upotrebljavajte malu četku ili ispuštanje zraka iz male četke usisivača.
- Zračne ventilacijske otvore u kućištu motora cijelo vrijeme održavajte očišćenim od naslaga.

## OŠTRENJE NOŽA ZA REZANJE REZNE NITI

**⚠ UPOZORENJE!** Kada obavljate radove održavanja na noževima za rezanje rezne niti, uvijek zaštitite ruke nošenjem debelih rukavica.

1. Uklonite nož za rezanje rezne niti sa štitnika.
2. Osigurajte nož u škripcu.
3. Pažljivo obradite rezne bridove noža turpijom s finim zupcima ili kamenom za oštrenje i pritom vodite računa da održavate originalni ugao reznog brida.
4. Ponovo stavite nož na štitnik i osigurajte ga s dva vijka.

## SKLADIŠTENJE JEDINICE

- Izvadite komplet baterija iz trimera s reznom niti kada ga ne upotrebljavate.
- Alat dobro očistite prije skladištenja.
- Jedinicu skladištite na suhom, dobro prozračenom mjestu koje je moguće zaključati ili koje je na visini izvan dohvata djece. Jedinicu nemojte skladištiti na gnojivima, benzinu ili drugim hemikalijama ili u njihovoj blizini.

## Zaštita životne sredine



Električnu opremu, iskorištenu bateriju i punjač ne odlažite u kućni otpad! Ovaj proizvod odnesite u ovlaštenu centar za reciklažu i time omogućite odvojeno sakupljanje. Električne alate potrebno je vratiti u ekološki prihvatljiv pogon za reciklažu.

## OTKLANJANJE PROBLEMA

PROBLEM	UZROK	RJEŠENJE
Trimer s reznom nije moguće pokrenuti.	<ul style="list-style-type: none"> <li>■ Komplet baterija nije pričvršćen na trimer s reznom niti.</li> <li>■ Nema električnog kontakta između trimera i baterije.</li> <li>■ Komplet baterija je ispražnjen.</li> <li>■ Okidač za deblokadu nije pomaknut prema naprijed prije pritiska na okidač.</li> </ul>	<ul style="list-style-type: none"> <li>■ Pričvrstite komplet baterija na trimer s reznom niti.</li> <li>■ Izvadite bateriju, provjerite kontakte i ponovo stavite komplet baterija.</li> <li>■ Napunite komplet baterija.</li> <li>■ Pomjerite jezičak za blokadu prema naprijed i zatim pritisnite okidač.</li> </ul>
Trimer s reznom niti zaustavlja se tokom rezanja.	<ul style="list-style-type: none"> <li>■ Štitnik nije postavljen na trimer, što rezultira predugačkom reznom niti i preopterećenjem motora.</li> <li>■ Upotrebljava se teška rezna nit.</li> <li>■ Vratilo motora ili glavu trimera blokira trava.</li> <li>■ Motor je preopterećen.</li> <li>■ Komplet baterija ili trimer s reznom niti je previše vruć.</li> <li>■ Komplet baterija je odspojen od alata.</li> <li>■ Komplet baterija je ispražnjen.</li> <li>■ Neuravnoteženost nakon postavljanja rezne niti.</li> </ul>	<ul style="list-style-type: none"> <li>■ Izvadite komplet baterija i postavite štitnik na trimer.</li> <li>■ Upotrebljavajte preporučenu najlonsku reznu nit prečnika ne većeg od 2,4 mm.</li> <li>■ Zaustavite trimer, izvadite bateriju i očistite travu s vratila motora i glave trimera.</li> <li>■ Očistite glavu trimera od trave. Motor će se povratiti po uklanjanju opterećenja. Glavu trimera prilikom rezanja pomjerajte u travu i iz trave i jednim rezom ne uklanjajte više od 20 cm dužine.</li> <li>■ Ohladite bateriju ili trimer s reznom niti.</li> <li>■ Ponovo stavite komplet baterija.</li> <li>■ Napunite komplet baterija.</li> <li>■ Lupnite po glavi trimera da dužina niti bude simetrična.</li> </ul>
Glava trimera ne izvlači reznu nit.	<ul style="list-style-type: none"> <li>■ Vratilo motora ili glavu trimera blokira trava.</li> <li>■ Na kalemu nema dovoljno rezne niti ili se nit otkinula na ušici.</li> <li>■ Rezna nit se zapetljala.</li> <li>■ Rezna nit je prekratka.</li> </ul>	<ul style="list-style-type: none"> <li>■ Zaustavite trimer, izvadite bateriju i očistite vratilo motora i glavu trimera.</li> <li>■ Izvadite bateriju i zamijenite reznu nit; pratite uputstva u poglavlju "<b>ZAMJENA REZNE NITI</b>" u ovom priručniku.</li> <li>■ Izvadite bateriju i zamijenite reznu nit; pratite uputstva u poglavlju "<b>ZAMJENA REZNE NITI</b>" u ovom priručniku.</li> <li>■ Izvadite bateriju i zamijenite reznu nit; pratite uputstva u poglavlju "<b>ZAMJENA REZNE NITI</b>" u ovom priručniku.</li> </ul>
Trava se omotava oko glave trimera i kućišta motora.	Visoka trava reže se od nivoa tla.	Visoku travu režite odozgo prema dolje i pritom ne režite više od 20 cm u svakom prolazu kako biste izbjegli omotavanje.

PROBLEM	UZROK	RJEŠENJE
Pukotine na glavi trimera ili držač kalema se otpustio s kućišta kalema.	<ul style="list-style-type: none"> <li>■ Glava trimera je istrošena.</li> <li>■ Matica koja zavravljuje glavu trimera je otpuštena.</li> </ul>	<ul style="list-style-type: none"> <li>■ Odmah zamijenite glavu trimera; pratite uputstva u poglavlju "ZAMJENA GLAVE TRIMERA" u ovom priručniku.</li> <li>■ Otvorite glavu trimera i upotrijebite udarni ključ za pritezanje matice.</li> </ul>
Reznu nit nije moguće pravilno namotati u glavu trimera.	<ul style="list-style-type: none"> <li>■ Rezna nit je predugačka.</li> <li>■ U glavi trimera nakupile su se naslage trave ili nečistoće i blokiraju kretanje kalema za nit.</li> <li>■ Motor se pregrijava zbog ponavljano rada sistema namotavanja niti.</li> <li>■ Vrlo nizak nivo napunjenosti baterije</li> </ul>	<ul style="list-style-type: none"> <li>■ Odrežite reznu nit tako da sa svake strane ostane 13 cm rezne niti.</li> <li>■ Izvadite bateriju, otvorite glavu trimera i dobro je očistite.</li> <li>■ Neka trimer s reznom niti nekoliko minuta radi bez opterećenja da se motor ohladi, a zatim pokušajte ponovno namotati reznu nit.</li> <li>■ Napunite bateriju.</li> </ul>
Reznu nit nije moguće provući kroz glavu trimera pri umetanju niti.	<ul style="list-style-type: none"> <li>■ Rezna nit se rascijepila ili savila na kraju.</li> <li>■ Donji poklopac ne otpušta se u položaj nakon ponovnog postavljanja.</li> </ul>	<ul style="list-style-type: none"> <li>■ Odrežite istrošeni kraj rezne niti i ponovno ga umetnite.</li> <li>■ Pričvrstite komplet baterija na trimer; pritisnite dugme za namotavanje rezne niti da nakratko pokrenete napajanje radi otpuštanja donjeg poklopca.</li> </ul>

## GARANCIJA

KEES VAN DER SPEK  
TUINMACHINES \* STOLWIJK

### POLITIKA GARANCIJE PROIZVOĐAČA EGO

Za sve odredbe i uslove politike garancije proizvođača EGO posjetite internetsku stranicu [egopowerplus.com](http://egopowerplus.com).

## קראו את כל ההוראות!



**⚠ סיכון שירי!** אנשים בעלי מכשירים חשמליים כגון קוצבי לב, צריכים להתייעץ עם הרופא(ים) המטפל(ים) בהם לפני השימוש במכשיר זה. הפעלה של ציוד חשמלי בקרבת קוצבי לב עלולה להפריע לפעולת הקוצב או אפילו להפסיק את פעולתו.

### מל בטיחות

הפעלה של כלי עבודה חשמליים עלולה לגרום לעצמים זרים להיזרק אל תוך העיניים, דבר העלול לגרום לנזק חמור לעיניים. לפני ההפעלה של כלי עבודה חשמלי, ענדו תמיד משקפי מגן או משקפי בטיחות עם הגנה צדדית, ובעת הצורך, הגנה עבור כל הפנים. אנו ממליצים על שימוש במסכת בטיחות רחבה מעל למשקפי המגן או על שימוש במשקפי בטיחות עם הגנה צדדית.

<p>על מנת להפחית את הסיכון לפציעות, על המשתמש לקרוא את המדריך למשתמש.</p>		<p>התראת בטיחות</p>	
<p>נעלו נעלים בטוחות שאינן מחליקות בעת השימוש בציוד.</p>		<p>חבשו תמיד משקפי מגן או משקפי בטיחות עם הגנה צדדית, ובעת הצורך, הגנה עבור כל הפנים, בעת הפעלת מוצר זה.</p>	
<p>הגנו על ידיכם עם כפפות בעת הטיפול בלהב או במגן הלהב.</p>		<p>השתמשו תמיד במגני אוזניים בעת הפעלת מוצר זה.</p>	
<p>היזהרו מנעיצת להב-הזהירו את המפעיל מפני סכנה של נעיצת להב.</p>		<p>חבשו קסדת בטיחות מאושרת על מנת להגן על ראשכם.</p>	
<p>קוטר חוט-קוטר חוט החיתוך מניילון</p>		<p>אין להתקין להבי חיתוך עגולים.</p>	
<p>עצמים עלולים להיות מותזים ולגרום לפגיעה אישית או לנזק לרכוש. וודאו שאנשים אחרים וחיות מחמד נמצאים רחוק ממסכת הדשא בעת השימוש בה.</p>		<p>רוחב חיתוך-רוחב החיתוך המקסימלי של חוט הגוזם</p>	
<p>אין להשתמש במזג אוויר גשום או להשאיר בחוץ בגשם.</p>		<p>וודאו שאנשים אחרים וחיות מחמד נמצאים במרחק של לפחות 15 מ' מגוזם החוט בעת השימוש בו.</p>	
<p>מוצר זה תואם לתקנות ה-EC הרלוונטיות.</p>		<p>רמת עוצמת קול מובטחת. פליטת רעש אל הסביבה בהתאם לתקנת הנציבות האירופית.</p>	
<p>מתח</p>	<p>V</p>	<p>אין לזרוק מוצרים חשמליים כחלק מאשפה ביתית. הביאו את המכשיר למרכז מחזור מוסמך.</p>	
<p>לדקה</p>	<p>.../min</p>	<p>מהירות סיבובית ללא עומס, במצב ללא עומס</p>	<p><math>n_0</math></p>
<p>קילוגרם</p>	<p>kg</p>	<p>זרם ישיר</p>	

## מפרטים

מתח	56 V	
מהירות ללא עומס	הגדרת מהירות נמוכה: 4500-3000 סיבובים לדקה הגדרת מהירות גבוהה: 5800-4000 סיבובים לדקה	
מנגנון חיתוך	ראש בליטה	
סוג חוט חיתוך	חוט ניילון מפותל של 2.4 מ"מ	
רוחב חיתוך	35 ס"מ	
טמפרטורת הפעלה מומלצת	0°C-40°C	
טמפרטורת אחסון מומלצת	-20°C-70°C	
טמפרטורת טעינה אופטימלית	5°C-40°C	
	משקל (ללא מארז סוללה) 5,8 ק"ג	
$L_{WA}$ רמת עוצמת קול נמדדת	88.98 dB(A) K=2 dB(A)	
$L_{PA}$ רמת לחץ קול באוזן המפעיל	68.96 dB(A) K=2 dB(A)	
רמת עוצמת קול מובטחת (נמדד בהתאם ל-2000/14/EC)	91 dB(A)	
$a_h$ הערכת רטט	ידיית עזר קדמית	3.2 מ' / שנייה <sup>2</sup> 1.5=K שנייה <sup>2</sup>
	ידיית אחורית	2.3 מ' / שנייה <sup>2</sup> 1.5=K שנייה <sup>2</sup>

■ ערך הרטט הכללי המוצהר נמדד בהתאם לשיטת בדיקה סטנדרטית וניתן להשתמש בו על מנת להשוות ציוד אחד עם ציוד אחר;

■ ניתן להשתמש בערך הרטט הכללי המוצהר בהערכה ראשונית של חשיפה.

**הודעה:** פליטת הרטט בעת השימוש המעשי בכלי יכולה להיות שונה מן הערך המוצהר כאשר הכלי נמצא בשימוש; על מנת להגן על המפעיל, על המשתמש ללבוש כפפות ומגני אוזניים בעת השימוש למעשה.

## תיאור

## הכירו את גוזם החוט שלכם (איור A1)

1. ידיית אחורית
2. מתג מהירות מהיר/איטי
3. ידיית עזר קדמית ניתנת לכוונן
4. ציר
5. כפתור העמסת חוט
6. מגן
7. מוט נעילה
8. טבעת נעילת גובה
9. מתג הדק
10. לשון נעילה
11. ראש גוזם (ראש בליטה)
12. להב לחיתוך חוט
13. לשונית שחרור
14. חוט חיתוך
15. כפתור שחרור הסוללה
16. בריח
17. חיבורים חשמליים
18. מנגנון פליטה
19. מפתח משושה

## רשימת אריזה (איור A1)

## הרכבה

### פירוק המוט

**⚠ אזהרה:** אין להחזיק את המוט במקומות החיבור על מנת למנוע צביטות של הידיים או האצבעות שלכם.

**⚠ אזהרה:** אין להפעיל את הגוזם עד אשר המוט איננו נעול במקומו.

יש לפרק את המוט בזהירות, כאשר שמים לב לכבל בתוך המוט ונעלו אותו עם שני ברגים באמצעות מפתח הברגים המצורף (איור B1 ו-B2).

### הרכבת המגן

העמידו את הגוזם שלכם כך שראש הגוזם יהיה כלפי מעלה (איור C1). יישרו את חורי ההרכבה של המגן עם חורי ההרכבה ולאחר מכן נעלו את המגן אל בסיס המוט בעזרת שני הברגים (איור C2).

**הודעה:** וודאו שהמגן נעול במקומו בהתאם לאיורים C1 ו-C2, כל נעילה הפוכה תגרום לסכנה גדולה!

### הרכבה וכוונן של ידיית העזר הקדמית

1. שחררו את מוט הנעילה בידיית העזר הקדמית והסירו את מוט הנעילה ואת אום הפרפר מידיית העזר הקדמית (איור D).

D-1	ידיית עזר קדמית	D-3	אום פרפר
D-2	בלוק הידוק	D-4	מוט נעילה

2. דחפו את ידיית העזר הקדמית על המוט בין טבעת



### החזקת גוזם החוט

החזיקו את חוט הגוזם עם שתי הידיים: יד אחת על הידית האחורית והיד השנייה על ידית העזר הקדמית.

**הודעה:** ראש הגוזם מקביל לקרקע במרחק חיתוך מתאים מבלי שהמפעיל יתכופף (איור K).

### הפעלה/כיבוי של גוזם הדשא

#### הפעלה

דחפו את לשון הנעילה קדימה ולאחר מכן שחררו את מתג ההדק.

להדק יש שלבים על מנת לכוון את המהירות. ככל שתמשכו את ההדק יותר, כך תגדל המהירות (איור L).

#### ליכוי

שחררו את מתג ההדק.

### פונקציית כונון מהירות (איור L)

לגוזם החוט יש שתי מהירויות. מצב „נמוך” הוא למהירות נמוכה ומצב „גבוה” למהירות גבוהה.

ראו למטה תיאור חלקים באיור L:

L-1	מתג מהירות-מהיר/איטי	L-2	מתג הדק
-----	----------------------	-----	---------

### השימוש בגוזם החוט

נקו את האזור שיש לגזום לפני כל שימוש. הסירו עצמים כגון סלעים, שברי זכוכית, מסמרים, חוטים או כבלים העלולים להיזרק או להיתפס באבזר החיתוך. וודאו שאין ילדים, עוברי אורח ובעלי חיים באזור. כמינימום, שימרו על כל הילדים, עוברי האורח ובעלי החיים במרחק של לפחות 15 מ'; עדיין יכול להיות סיכון לעוברי אורח מעצמים נזרקים. יש לעודד עוברי אורח לחבוש אמצעי הגנה על העיניים. אם אתם רואים מישהו מתקרב, עצרו את המנוע ואת אבזר החיתוך מיד.

### לפני כל שימוש, בדקו לאיתור חלקים בלויים/פגומים

בדקו את ראש הבליטה, את המגן ואת ידית העזר הקדמית והחליפו את החלקים הסדוקים, המלופפים, המעוקלים או הפגומים בכל צורה שהיא.

להב חוט החיתוך בקצה המגן הופך להיות קשה עם הזמן. מומלץ להשחזר את להב חוט החיתוך בעזרת פצירה או להחליפו בלהב חדש.

### לאחר כל שימוש, נקו את הגוזם.

### כונון אורך חוט החיתוך

ראש הגוזם מאפשר למפעיל לשחרר יותר חוט חיתוך ללא עצירת המנוע. כאשר חוט החיתוך הופך להיות משופשף או מראה סימני בלאי, ניתן לשחרר חוט חיתוך נוסף על ידי לחיצה קלה של ראש הגוזם על הקרקע בעת הפעלת הגוזם (איור M).

הנעילה והציר (איור E).

3. הכניסו את בלוק ההידוק אל חריץ הידית (איור F).

4. הרכיבו את ידית מוט הנעילה, והדקו קלות את בורג הפרפר. וודאו שידית העזר הקדמית פונה כלפי מעלה ומצביעה לכיוון החלק העליון של הידית האחורית (איור J).

5. משכו כלפי מעלה את רמת מוט הנעילה כך שניתן יהיה בקלות להיזיז/לסובב את הידית למקום בו תרגישו בנוח ולאחר מכן נעלו את ידית מוט הנעילה. (איור H).

**⚠ אזהרה:** לא ניתן יהיה להשתמש בכלי ללא הידית הקדמית קבועה במקומה בבטחה.

### כיוונון הידית האחורית

אם האורך של המוט איננה מתאימה להפעלה, ניתן לכוון את אורך המוט באמצעות מלחצי נעילת גובה אלו.

1. הסירו את מארז הסוללה מהגוזם.
2. על מנת לכוון את גובה הגוזם, פתחו את מלחצי נעילת הגובה ולאחר מכן החליקו את המוט למעלה או למטה אל הגובה הרצוי, כאשר אתם מקבעים אותו במקומו על ידי לחיצה על מלחצי הנעילה (איור I).

**הודעה:** ייתכן ויהיה צורך לכוון מחדש את ידית העזר הקדמית לאחר שגובה הגוזם השתנה.

### הפעלה

**⚠ אזהרה:** ענדו תמיד משקפי מגן או משקפי בטיחות עם הגנה צדדית, ביחד עם מגני שמיעה. אם לא תעשו זאת עצמים עלולים להיזרק אל תוך העיניים שלכם ועלולות להיגרם פציעות חמורות אחרות. אתם יכולים להשתמש במוצר רק עבור המטרות להלן:

**גיוזם:** משמש להסרת דשא ועשבים כנגד קירות, גדרות, עצים ושוליים.

**חיתוך:** משמש לחיתוך דשא אשר קשה להגיע אליו עם מכסחות דשא רגילות.

### הצמדה/הסרה של מארז הסוללה

השתמשו רק במארזי הסוללה והמטענים של EGO המפורטים באיור A2.

### הטעינו לגמרי לפני השימוש הראשון.

### על מנת להצמיד

יישרו את עורקי הסוללה עם חריצי ההרכבה ולחצו על מארז הסוללה כלפי מטה עד אשר ישמע „קליק” (תמונה J1).

### על מנת להסיר

לחצו על כפתור שחרור הסוללה ומשכו את מארז הסוללה החוצה כפי שניתן לראות באיור J2.

J-1	כפתור שחרור הסוללה
-----	--------------------

**הודעה:** שחרור החוט ידרוש כמות לחיצות גדולה יותר ככל שחוט החיתוך יהפוך להיות קצר יותר.

**⚠ אזהרה:** לעולם אל תסירו או תשנו את מערך להב חוט החיתוך. חוט חיתוך ארוך מדי יגרום לחימום יתר של המנוע והדבר עלול לגרום לפציעה אישית חמורה.

## החלפת חוט החיתוך

**הודעה:** השתמשו בחוט החיתוך המתאים מניילון עם היקף אשר לא יעלה על 2.4 מ"מ. שימוש בחוט חיתוך אחר מאשר חוט החיתוך המצוין עלול לגרום לחימום יתר של גוזם החוט או למזקים נוספים.

**⚠ אזהרה:** לעולם אל תשתמשו בחוט המחזק במתכת, תיל או חבל וכד'. דברים אלו עלולים להתנתק מן הגוזם ולהוות סכנה.

1. הסירו את מארז הסוללה.
  2. הסירו את חוט החיתוך הנוטר, אם יש צורך בכך.
  3. חתכו חוט חיתוך של 4 מטר. הכניסו את החוט אל חור ההרכבה בתוך העינית (איור O). דחפו ומשכו את החוט מן הצד השני עד אשר יופיעו אורכים זהים של חוט משני צדדי הסליל.
  4. הצמידו את מארז הסוללה אל גוזם החוט.
  5. לחצו והחזיקו את כפתור העמסת החוט על מנת להפעיל את מנוע הליפוף. החוט ילופף אל תוך ראש הגוזם ללא הפסקה (איור P).
  6. הביטו בזהירות באורך החוט הנוטר. לחצו בקצרה על כפתור ליפוף החוט על מנת לכוונו את האורך עד אשר בערך 13 ס"מ של חוט יישארו בכל צד.
  7. לחצו על ראש הגוזם כלפי מטה בעוד אתם מושכים את החוטים באופן ידני על מנת לקדם את החוט ולבדוק אם חוט החיתוך הורכב באופן נכון.
- כאשר חוט החיתוך יוצא מציאת החוט או כאשר חוט החיתוך איננו משתחרר בלחיצה על ראש הגוזם, בצעו את ההוראות בשלבים הבאים

1. הסירו את מארז הסוללה מהגוזם.
2. לחצו על לשוניות השחרור על ראש הגוזם והסירו את מכסה ההרכבה התחתון על ידי משיכתו החוצה בקו ישר (איור Q).
3. הסירו את חוט החיתוך מן הסליל.
4. הכניסו את הקפיץ אל חריץ מכסה ההרכבה התחתון (תמונה R).
5. כאשר יד אחת מחזיקה את הגוזם, השתמשו ביד השנייה על מנת לאחוז במכסה ההרכבה התחתון ויישרו את החריצים במכסה ההרכבה התחתון עם לשוניות השחרור. לחצו על מכסה ההרכבה התחתון עד אשר הוא נכנס למקומו, צליל "קליק" ברור יישמע (תמונה S).
6. עקבו אחר ההוראות בחלק "החלפת קו החיתוך" על מנת להטעין מחדש את חוט החיתוך.

## החלפת ראש הגוזם

**⚠ אזהרה:** אם הראש עדיין רופף לאחר קיבועו במקומו, החליפו אותו מיד. לעולם אל תשתמשו בגוזם כאשר אביזר החיתוך רופף. החליפו ראש חיתוך סדוק, ניזוק או בעל סימני בלאי מיד, אפילו אם הנזק מוגבל לסדקים שטחיים. חיבורים אלו עלולים להיהרס במהירויות גבוהות ולגרום לפציעה רצינית.

## הסרת את ראש הגוזם

1. הסירו את מארז הסוללה מהגוזם.
2. לחצו על לשוניות השחרור על ראש הגוזם והסירו את מכסה ההרכבה התחתון של הגוזם על ידי משיכתו החוצה בקו ישר.
3. הסירו את חוט החיתוך מראש הגוזם (איור S).
4. הוציאו את הקפיץ מחיבור הסליל, אם יש תורך בכך. שימרו אותו להרכבה מחדש.
5. לבשו כפפות. השתמשו ביד אחת על מנת לאחוז בחיבור הסליל על מנת לייבב אותו וביד השנייה על מנת לאחוז במפתח ברגים (לא כלול) על מנת לשחרר את הבורג נגד כיוון השעון (איור X).
6. הסירו את הבורג, את מאחז הסליל, את המכסה העליון ואת מכסה הבסיס העליון מתא המנוע (איור T).

**הודעה:** שני תותבי מסב יפלו בקלות ממוט המנוע, אנא שמרו עליהם להרכבה נוספת.

7. החליפו עם ראש גוזם חדש והרכיבו אותו על פי הצעדים הבאים:

T-1	תותב מסב	T-6	חוט גוזם
T-2	מכסה עליון	T-7	מכסה תחתון
T-3	אום	T-8	מכסה בסיס עליון
T-4	דסקית	T-9	הרכבת חיבור סליל
T-5	קפיץ		

## התקנת ראש הגוזם החדש

1. הרכיבו את תותבי המסב אל מוט המנוע והרכיבו את חיבור מכסה הבסיס אל מקומו (איור T).
2. הרכיבו את המכסה העליון, את חיבור הסליל, השוטף ואת הבורג בסדר זה. השתמשו במפתח ברגים על מנת להדק את הבורג (איורים U ו-V).
3. הרכיבו את מכסה ההרכבה התחתון.
4. העמיסו מחדש את חוט החיתוך.
5. הפעילו את המכשיר על מנת לראות האם קפיץ הגוזם פועל כהלכה. אם הוא לא, הרכיבו מחדש על פי הצעדים הקודמים.

## תחזוקה

**⚠ אזהרה:** במקרה של עבודות תיקון, השתמשו רק בחלקי חילוף זהים. בדקו ותחזקו את המכשיר באופן סדיר. על מנת להבטיח בטיחות ואמינות, יש לבצע את כל התיקונים וההחלפות בעזרת טכנאי שירות מוסמך.

**⚠ אזהרה:** על מנת למנוע פציעות אישיות חמורות, הסירו את מארז הסוללה מן הכלי לפני ביצוע כל עבודות שירות, ניקיון, החלפת צרופות או תוספות, או הסרה של חומרים מן היחידה.

**⚠ זהירות:** מחסומים בפתחי האוורור ימנעו מן האוויר לזרום אל תוך המנוע והתוצאה תהיה חימום יתר או נזקים למנוע.

## ניקיון היחידה

■ נקו את היחידה בעזרת מטלית לחה עם סבון עדין. לעולם אל תרשו לנזלים להיכנס אל תוך הכלי; לעולם אל תטבילו כל חלק של המכשיר בתוך נוזלים.

■ אל תעשו שימוש בחומרי ניקוי חזקים על תא הפלסטיק או על גבי הידית. עלול להיגרם להם נזק על ידי שמנים ארומטיים למיניהם, כגון אורן ולימון, ועל ידי ממסים כגון נפט. לחות עלולה גם לגרום לסכנת שוק חשמלי. נקו כל לחות בעזרת מטלית רכה ויבשה.

■ עשו שימוש במברשת קטנה או במברשת עם זרם האוויר של שאב אבק קטן על מנת לנקות את פתחי האוויר על התא האחורי.

■ שימרו על פתחי האוורור בתא המנוע נקיים מפני חלקי אשפה.

## חידוד של להב חותך החוט

**⚠ אזהרה:** הגנו תמיד על הידיים שלכם על ידי לבישת כפפות מוצקות בעת ביצוע כל פעולת תחזוקה בלהב חותך החוט.

1. הסירו את להב חותך החוט מאביזר המגן.
2. החזיקו את הלהב בעזרת מלחציים.
3. השתמשו בפצירה לשיני הלהב או באבן חידוד על מנת לחדד בזהירות את קצוות הלהב החיתוך, כאשר אתם שומרים על הזווית המקורית של קצה החיתוך.
4. הניחו מחדש את הלהב על גבי המגן והבטיחו אותו במקומו עם שני הברגים.

## אחסון היחידה

■ הסירו את מארז הסוללה מן הגוזם כאשר לא נעשה בו שימוש.

■ נקו את היחידה ביסודיות לפני אחסונה.

■ אחסנו את היחידה במקום יבש, מאוורר היטב, נעולה או במקום גבוה, הרחק מהישג ידם של ילדים. אל תאחסנו את היחידה קרוב לחומרי דשן, חומרי דלק או כימיקלים אחרים.

## הגנה על הסביבה

אל תיזרקו ציוד חשמלי, מטעני סוללות וסוללות ביחד עם אשפה ביתית! קחו מוצרים אלו למרכז מחזור מוסמך ו-וודאו שהם זמינים לאיסוף בנפרד. יש להחזיר כלים חשמליים אל מתקן מחזור המתאים לסביבה.



## איתור וטיפול בבעיות

בעיה	סיבה	פתרון
לא ניתן להפעיל את גוזם הקפיץ.	<ul style="list-style-type: none"> <li>מארז הסוללה איננו צמוד לחוט הגוזם.</li> <li>לא מתבצע חיבור חשמלי בין הגוזם לסוללה.</li> <li>קיבולת מארז הסוללה ריקה.</li> <li>הדק הנעילה לא הוזז קדימה לפני הלחיצה על מתג ההדק.</li> </ul>	<ul style="list-style-type: none"> <li>הצמידו את מארז הסוללה אל גוזם הדשא.</li> <li>הסירו את הסוללה, בדקו את החיבורים והתקינו מחדש את מארז הסוללה.</li> <li>הטעינו את מארז הסוללה.</li> <li>הזיזו את לשון הנעילה קדימה ולאחר מכן לחצו על מתג ההדק.</li> </ul>
גוזם הקפיץ מפסיק את פעולתו בעת החיתוך.	<ul style="list-style-type: none"> <li>המגן איננו מורכב על גבי הגוזם, כאשר התוצאה היא חוט חיתוך ארוך מדי ועומס יתר על המנוע.</li> <li>נעשה שימוש בחוט חיתוך כבד מדי.</li> <li>מוט המנוע או ראש הגוזם מלאים בדשא.</li> <li>ישנו עומס יתר של המנוע.</li> <li>מארז הסוללה או גוזם הקפיץ חמים מדי.</li> <li>מארז הסוללה מנותק מן המכשיר.</li> <li>קיבולת מארז הסוללה ריקה.</li> <li>חוסר איזון לאחר התקנת חוט החיתוך.</li> </ul>	<ul style="list-style-type: none"> <li>הסירו את מארז הסוללה והרכיבו את המגן על גבי גוזם הדשא.</li> <li>השתמשו בחוט חיתוך המומלץ מניילון עם קוטר חוט אשר לא יעלה על 2.4 מ"מ.</li> <li>הפסיקו את פעולת הגוזם, הסירו את הסוללה והסירו את הדשא ממוט המנוע ומראש הגוזם.</li> <li>הסירו את ראש הגוזם מן הדשא. המנוע יחזור לפעילות רגילה ברגע בו העומס יוסר.</li> <li>בעת החיתוך, הזיזו את ראש הגוזם אל הדשא וממנו על מנת לחתוך והסירו לא יותר מ-20 ס"מ אורך בחיתוך יחיד.</li> <li>קרו את הסוללה או את גוזם הקפיץ.</li> <li>התקינו מחדש את מארז הסוללה.</li> <li>הטעינו את מארז הסוללה.</li> <li>לחצו על ראש הגוזם על מנת להפוך את אורך החוט לסימטרי.</li> </ul>
ראש הגוזם איננו מקדם את החוט.	<ul style="list-style-type: none"> <li>מוט המנוע או ראש הגוזם מלאים בדשא.</li> <li>אין מספיק חוט על גבי הסליל או שהחוט יוצא מן העינית.</li> <li>החוט הסתברך.</li> <li>חוט החיתוך קצר מדי.</li> </ul>	<ul style="list-style-type: none"> <li>הפסיקו את פעולת הגוזם, הסירו את הסוללה ונקו את מוט המנוע ואת ראש הגוזם.</li> <li>הסירו את הסוללה והחליפו את חוט החיתוך, עקבו אחר ההוראות בחלק "החלפת קו החיתוך" הנמצא במדריך זה.</li> <li>הסירו את הסוללה והחליפו את חוט החיתוך, עקבו אחר ההוראות בחלק "החלפת קו החיתוך" הנמצא במדריך זה.</li> <li>הסירו את הסוללה והחליפו את חוט החיתוך, עקבו אחר ההוראות בחלק "החלפת קו החיתוך" הנמצא במדריך זה.</li> </ul>
הדשא מתלפף סביב ראש הגוזם ותא המנוע.	גזזום של דשא גבוה בגובה הקרקע	חתכו דשא גבוה מן החלק העליון כלפי מטה, כאשר אינכם מסירים יותר מ-20 ס"מ בכל מעבר על מנת למנוע ליפוף.

בעיה	סיבה	פתרון
<p>סדקים על ראש הגוזם או שמאחז הסליל משתחרר ביחד עם בסיס הסליל.</p>	<ul style="list-style-type: none"> <li>■ ישנם סימני בלאי על ראש הגוזם.</li> <li>■ הבורג אשר נועל את ראש הגוזם משוחרר.</li> </ul>	<ul style="list-style-type: none"> <li>■ החליפו את ראש הגוזם מיד, עקבו אחר ההוראות בחלק "החלפת ראש הגוזם" הנמצא במדריך זה.</li> <li>■ פתחו את ראש הגוזם והשתמשו במפתח ברגים על מנת להדק את הבורג.</li> </ul>
<p>לא ניתן להכניס את חוט החיתוך אל ראש הגוזם כהלכה.</p>	<ul style="list-style-type: none"> <li>■ חוט החיתוך ארוך מדי.</li> <li>■ אשפת דשא או אבק הצטברו בראש הגוזם וחסמו את תנועת סליל החוט.</li> <li>■ המנוע התחמם יתר על המידה בגלל הפעלה מתמדת של מערכת ליפוף החוט.</li> <li>■ קיבולת סוללה נמוכה</li> </ul>	<ul style="list-style-type: none"> <li>■ חתכו את החוט כך שבערך אורך של 13 ס"מ נשאר בכל צד.</li> <li>■ הסירו את הסוללה, פתחו את ראש הגוזם ונקו אותו כהלכה.</li> <li>■ תנו לגוזם הקפיץ לעבוד ללא עומס לכמה דקות על מנת לקרר את המנוע ולאחר מכן נסו להטעין מחדש את החוט.</li> <li>■ הטעינו את הסוללה.</li> </ul>
<p>לא ניתן להעביר את חוט החיתוך דרך ראש הגוזם בעת החדרת החוט.</p>	<ul style="list-style-type: none"> <li>■ חוט החיתוך התפצל או התקפל בקצהו.</li> <li>■ המכסה התחתון איננו משתחרר למקומו לאחר ההתקנה מחדש.</li> </ul>	<ul style="list-style-type: none"> <li>■ חתכו את הקצה בעל סימני הבלאי של החוט והכניסו מחדש.</li> <li>■ הצמידו את מארז הסוללה אל הגוזם; לחצו על כפתור טעינת החוט על מנת להתחיל בקצרה את עומס המתח על מנת לשחרר את המכסה התחתון.</li> </ul>

## אחריות

KEES VAN DER SPEK  
TUINMACHINES \* STOLWIJK

מדיניות האחריות של EGO

אנא בקרו באתר [egopowerplus.com](http://egopowerplus.com) עבור התנאים וההתניות השלמים של מדיניות האחריות של EGO.

## اقرأ جميع التعليمات!



**⚠ خطر زائد!** الأشخاص الذين تم تركيب أجهزة طبية إلكترونية لهم، مثل منظم ضربات القلب، يجب عليهم استشارة الطبيب قبل استخدام هذا المنتج. لأن تشغيل معدات كهربائية بالقرب من منظم ضربات القلب قد ينشأ عنه خلل أو فشل في أداء منظم ضربات القلب.

## رموز السلامة

قد يؤدي تشغيل أي آلة عاملة بالطاقة إلى دخول أي أشياء غريبة في عينيك، وهو ما قد يؤدي إلى إلحاق أضرار خطيرة بالعين. قبل بدء تشغيل الآلة العاملة بالطاقة، احرص دائمًا على ارتداء واقيات العينين

أو نظارات حماية العينين ذات دروع جانبية، ودرع واق لكامل الوجه عند اللزوم. نوصي بارتداء قناع السلامة واسع الرؤية لاستخدامه فوق نظارات العين أو نظارات السلامة العادية ذات الدروع الجانبية.

للحد من خطر التعرض للإصابة، ينبغي على المستخدم قراءة دليل التشغيل.



تنبيه سلامة



ارتد حذاء الحماية-احرص على ارتداء أحذية أمان مائعة للانزلاق عند استخدام هذه الآلة.



ارتد أدوات حماية العينين-ارتد دائمًا نظارات الحماية المزودة بواقبات على الجانبين، وينبغي ارتداء واقى لكامل الوجه أثناء تشغيل هذا المنتج.



ارتد قفازات الحماية-احرص على ارتداء قفازات لليدين عند التعامل مع الشفرة أو الواقي الخاص بها.



ارتد أدوات حماية الأذنين-احرص دائمًا على ارتداء أدوات حماية الأذنين عند تشغيل هذا المنتج.



احذر من قوة اندفاع الشفرة-حذر مشغل الآلة من خطر قوة اندفاع الشفرة.



ارتد أدوات حماية الرأس-احرص على ارتداء خوذة أمان صلبة معتمدة لحماية رأسك.



قطر الخيط-قطر خيط الجرّ المصنوع من النايلون



لا تقم بتركيب شفرات جرّ مستديرة.



فالأشياء المتطايرة من الآلة قد ترتد وتؤدي إلى إصابات شخصية أو تلف للممتلكات. احرص على بقاء الأشخاص الآخرين والحيوانات الأليفة بعيدًا عن قاطع الأغصان أثناء استخدامه.



عرض الجرّ-الحد الأقصى لعرض جرّ الجزّارة العاملة بالخيط



لا تستخدم المنتج تحت المطر أو أن تتركه في مكان مفتوح أثناء هطول المطر.



احرص على بقاء الأشخاص الآخرين والحيوانات الأليفة على مسافة لا تقل عن 15 مترًا بعيدًا عن الجزّارة العاملة بالخيط أثناء استخدامها.



هذا المنتج متوافق مع توجيهات شهادة الجودة الأوروبية (CE) المعمول بها.



مستوى قوة الصوت المضمون. انبعاثات الضوضاء في البيئة وفقًا لتوجيه الاتحاد الأوروبي.



الجهد الكهربائي V

لا تتخلص من الأجهزة الكهربائية المستهلكة في النفايات المنزلية. خذ الجهاز إلى مركز إعادة تدوير معتمد.



في الدقيقة .../min

السرعة بدون حمل-سرعة الدوران، بدون حمل  $n_0$

كيلو غرام kg

تيار مستمر



## المواصفات

الجهد الكهربائي	56 فولت ---
السرعة بدون حمل	إعدادات السرعة المنخفضة 4500-3000 دورة في الدقيقة إعدادات السرعة العالية 5800-4000 دورة في الدقيقة
آلية الجرز	رأس الصد
نوع خيط الجرز	خيط مجدول من النايلون بسبك 2.4 مم
عرض الجرز	35 سم
درجة حرارة التشغيل الموصى بها	0 - 40 درجة مئوية
درجة حرارة التخزين الموصى بها	20- - 70 درجة مئوية
درجة حرارة الشحن المثالية	5 - 40 درجة مئوية
الوزن (بدون وحدة البطارية)	5.8 كجم
مستوى قوة الصوت المُقَدَّر $L_{WA}$	88.98 ديسيبل (A) 2=K ديسيبل (A)
مستوى ضغط الصوت عند أذن مُشغَل الآلة $L_{PA}$	68.96 ديسيبل (A) 2=K ديسيبل (A)
مستوى قوة الصوت المضمون $L_{WA}$ (تم قياسه وفقاً للمعيار 2000/14/EC)	91 ديسيبل (A)
القيمة المقدرّة للاهتزاز $a_h$	مقبض المساعدة 3.2 م/ثانية <sup>2</sup> 1.5=K م/ثانية <sup>2</sup>
	المقبض الخلفي 2.3 م/ثانية <sup>2</sup> 1.5=K م/ثانية <sup>2</sup>

■ القيمة الكلية للاهتزاز الموضحة تم قياسها وفقاً لطريقة اختبار قياسية وقد تستخدم لمقارنة أداة بأخرى؛

■ كما يمكن استخدام القيمة الكلية للاهتزاز الموضحة في التقييم التمهيدي للتعرض.

**ملاحظة:** قد تختلف انبعاثات الاهتزاز أثناء الاستخدام الفعلي للألة العاملة بالطاقة عن القيمة المعلنة التي يتم استخدام الآلة فيها؛ ولحماية مشغل الآلة، ينبغي على المستخدم ارتداء قفازات وواقبات للأذن في ظروف الاستخدام الفعلية.

## الوصف

### تعرف على الجزارة العاملة بالخيط (الشكل A1)

1. المقبض الخلفي
2. مفتاح رفع / خفض لسرعة
3. مقبض المساعدة الأمامي القابل للضبط
4. مفصلة
5. زر تحميل الخيط
6. الواقي
7. قضيب القفل
8. طوق قفل الارتفاع
9. مفتاح التشغيل
10. لسان القفل
11. رأس الجزارة (رأس الصد)
12. شفرة قطع الخيط
13. لسان التحرير
14. خيط الجرز
15. زر تحرير البطارية
16. مزلاج
17. وصلات كهربائية
18. آلية الإخراج
19. مفتاح ربط سداسي

### قائمة التعبئة (الشكل A1)

## التجميع

### فك طبي عمود الإدارة

**⚠ تحذير:** لا تمسك عمود الإدارة من المفاصل كي تتجنب إصابة يديك أو أصابعك بالأذى.

**⚠ تحذير:** لا تحاول بدء تشغيل الجزارة إلا بعد التأكد من قفل عمود الإدارة في موضعه بإحكام.

فك طبي عمود الإدارة برفق، مع الانتباه للكابل الموجود بداخله، ثم تثبيت عمود الإدارة بمسمارين باستخدام مفتاح الربط المرفق (الشكل B1 و B2).

### تركيب الواقي

ضع الجزارة بحيث يكون رأس أداة التشذيب متجهاً لأعلى (الشكل C1). قم بمحاذاة فتحات تركيب الواقي مع فتحات التجميع، ثم ثبت الواقي على قاعدة العمود بالمسمارين (الشكل C2).

**ملاحظة:** احرص على تثبيت الواقي وفقاً للشكلين C1 و C2، لأن أي تثبيت يخالف ذلك قد يتسبب في مخاطر كبيرة!

### تركيب وضبط مقبض المساعدة الأمامي

1. فك قضيب القفل الموجود في مقبض المساعدة الأمامي، واخلع قضيب القفل و الصامولة المجنحة من المقبض الأمامي (الشكل D).

D-1	مقبض المساعدة الأمامي	D-3	صامولة مجنحة
D-2	كتلة المشبك	D-4	قضيب القفل

- ادفع مقبض المساعدة الأمامي على العمود بين طوق قفل الارتفاع والمفصلة (الشكل E).
- أدخل كتلة المشبك في فتحة المقبض (الشكل F).
- ركب قضيب القفل واربطه بالصامولة المجنحة. احرص على أن يكون مقبض المساعدة الأمامي متجهًا لأعلى ويشير إلى ناحية الجزء العلوي من المقبض الخلفي (الشكل J).
- اسحب مستوى عمود القفل لأعلى بحيث يمكنك بسهولة تحريك / تدوير المقبض الحلقي إلى حيث تشعر بالراحة. ثم اقلع ذراع عمود القفل. (الشكل H)

**⚠ تحذير:** لا يمكن استخدام الآلة دون إحكام تثبيت المقبض الأمامي.

### ضبط المقبض القابل للطي

إذا كان طول العمود غير مناسب للتشغيل، فيمكنك ضبط طول العمود من خلال مشبك قفل الارتفاع.

- افصل مجموعة البطارية من الجرّازة.
- لضبط ارتفاع الجرّازة، افتح مشبك قفل الارتفاع، ثم حرك العمود لأعلى أو لأسفل إلى الارتفاع المطلوب، وثبته في مكانه عن طريق الضغط على مشبك القفل (الشكل I).

**ملاحظة:** قد يتطلب مقبض المساعدة الأمامي إعادة ضبط بعد تغيير ارتفاع الجرّازة.

### التشغيل

**⚠ تحذير:** احرص دائمًا على ارتداء واقبات للعينين أو نظارات حماية مزودة بواقبات على الجانبين، بالإضافة إلى أدوات حماية الأذنين. قد ينجم عن عدم الامتثال لذلك دخول أشياء في عينيك، واحتمالية وقوع إصابات خطيرة.

يمكنك استخدام هذا المنتج للأغراض الموضحة أدناه:

**جز العشب:** تستخدم في إزالة العشب والحشائش الضارة الموجودة عند الجدران والأسوار والأشجار والأطراف.

**القص:** تستخدم في قص العشب الذي يصعب الوصول إليه باستخدام جرّازة عادية.

### تركيب/فصل مجموعة البطارية

لا تستخدم في الجرّازة إلا مجموعة بطاريات وشواحن EGO المدرجة في الشكل A2.

اشحن البطارية بالكامل قبل الاستخدام لأول مرة.

### للتثبيت

قم بمحاذاة أطراف البطارية مع فتحات التركيب، واضغط على مجموعة البطارية لأسفل إلى أن تسمع صوت «نقرة» (الشكل J1).

### للفصل

اضغط لأسفل على زر تحرير البطارية، واسحب مجموعة البطارية للخارج كما هو موضح في الشكل J2.

J-1 زر تحرير البطارية

### إمسك جرّازة العشب

امسك الجرّازة بكتلتا يديك: ضع إحدى يديك على المقبض الخلفي، واليد الأخرى على المقبض الأمامي.

**ملاحظة:** ينبغي أن يكون رأس الجرّازة موازيًا للأرض على مسافة جرّ ملائمة دون اضطرار مُشغّل الآلة للانحناء (الشكل K).

### تشغيل/إيقاف جرّازة العشب

#### لبد التشغيل

ادفع ذراع القفل إلى الأمام واسحب مفتاح التشغيل.

يستخدم مفتاح التشغيل لضبط السرعة. فكلما سحبت المفتاح زادت السرعة (الشكل L)

#### للإيقاف

اترك مفتاح التشغيل.

#### وظيفة ضبط السرعة (الشكل L)

للجرّازة سرعتين. الوضع «LOW» للسرعة المنخفضة، بينما الوضع «HIGH» للسرعة العالية.

انظر الشكل L أدناه للتعرف على الأجزاء:

L-1	مفتاح خفض/زيادة السرعة	L-2	مفتاح التشغيل
-----	------------------------	-----	---------------

### استخدام جرّازة العشب

نظف منطقة الجرّ قبل كل استخدام للآلة. تخالص من جميع الأشياء مثل الصخور أو الزجاج المكسور أو المسامير أو الأسلاك أو الخيوط التي قد تدخل في ملحق الجرّ أو تعيقه. أبق المنطقة خالية من الأطفال والمرافقين والحيوانات الأليفة. على الأقل، اجعل الأطفال والمرافقين والحيوانات الأليفة على مسافة لا تقل عن 15 مترًا؛ فقد يكون هناك خطر تعرض المرافقين للأشياء المتطايرة. يجب تشجيع المرافقين على ارتداء أدوات حماية العينين. عند اقتراب أي شخص، أوقف المحرك وملحق الجرّ على الفور.

#### قبل كل استخدام، افحص الأجزاء التالفة/المتآكلة

افحص رأس الصد والواقى والمقبض الأمامي، واستبدل الأجزاء المشققة أو الملتوية أو المثنية أو التالفة بأي شكل من الأشكال.

قد تصبح شفرة القطع على حافة الواقى غير حادة مع مرور الوقت. يوصى أن تقوم بشحذها من أن لآخر باستخدام مبرد أو استبدالها بشفرة جديدة.

#### نظف الجرّازة بعد كل استخدام.

#### تعديل طول خيط الجرّ

يتيح رأس الجرّازة للمشغل تحرير المزيد من خيط الجرّ دون إيقاف المحرك. بعد أن يصبح الخيط مستنلاً أو متهاكًا، يمكن تمرير خيط إضافي عن طريق نقر رأس الجرّازة بالأرض أثناء التشغيل (الشكل M).

**ملاحظة:** سيصبح تمرير الخيط أكثر صعوبة عندما يصبح خيط الجرّ أقصر.

**⚠ تحذير:** لا تلم بخلع أو تعديل مجموعة التركيب لشفرة الجرّ. قد يؤدي الطول الزائد في الخيط إلى السخونة المفرطة للمحرك، ما قد يتسبب في التعرض لإصابات جسدية خطيرة.



## استبدال الخيط

3. اخلع خيط الجز من رأس الجرّازة (الشكل S).
  4. أخرج الزنبرك من مجموعة ملف الخيوط عند اللزوم. واحفظه لتركيبه عند إعادة التجميع.
  5. احرص على ارتداء قفازات. استخدم إحدى يديك في الإمساك بمجموعة ملف الخيوط لتثبيتها، واستخدم اليد الأخرى في الإمساك بجهاز ربط بالصدمات لفك الصامولة عكس اتجاه عقارب الساعة (الشكل X).
  6. اخلع الصامولة ومجموعة ملف الخيوط والغطاء العلوي من عمود المحرك (الشكل T).
- ملاحظة:** ستسقط لبادتان عازلتان من فتحة المحرك، يرجى الاحتفاظ بهما بعناية لإعادة التركيب.
7. استبدل رأس الجرّازة بأخر جديد، ثم ركه وفقاً للخطوات التالية.
- |     |               |     |                     |
|-----|---------------|-----|---------------------|
| T-1 | عوازل         | T-6 | خيط الجز            |
| T-2 | الغطاء العلوي | T-7 | الغطاء السفلي       |
| T-3 | صامولة        | T-8 | غطاء القاعدة العلوي |
| T-4 | حلقة مطاطية   | T-9 | مجموعة تركيب الملف  |
| T-5 | الزنبرك       |     |                     |

## تركيب رأس جديد للجرّازة

1. أرجع اللبادات إلى منفذ المحرك وركب الغطاء العلوي في مكانه (الشكل T).
2. قم بتركيب الغطاء العلوي، ومجموعة ملف الخيوط، والحلقة المطاطية والصامولة بهذا الترتيب. استخدم مفتاح الربط لشد الصامولة بإحكام (الشكل U و V).
3. ركب الغطاء السفلي
4. أعد تحميل خيط الجز.
5. ابدأ تشغيل الجرّازة لترى ما إذا كانت ستعمل بشكل طبيعي. إن لم تعمل بشكل طبيعي، أعد تجميعها على النحو الموضح أعلاه.

## الصيانة

- تحذير:** استخدم فقط قطع غيار أصلية عند إجراء أعمال الصيانة. قم بفحص وصيانة الآلة بانتظام. لضمان السلامة والاعتمادية، يجب تنفيذ جميع أعمال الإصلاح من قبل فني خدمة مؤهل.
- تحذير:** لمنع التعرض لإصابات شخصية خطيرة، اخلع مجموعة البطارية من الآلة قبل إجراء أعمال الصيانة، أو التنظيف، أو تغيير الملحقات الإضافية، أو إزالة المواد من الوحدة.
- تنبيه:** العواقر الموجودة في الفتحات قد تمنع الهواء من التدفق في هيكل المحرك، وهو ما قد يؤدي إلى السخونة المفرطة أو تلف المحرك.

## تنظيف الوحدة

- نظف الوحدة باستخدام قطعة قماش مبللة مع منظف خفيف. لا تسمح أبداً بدخول أي سوائل إلى داخل الجرّازة؛ ولا تغمّر أي جزء منها في السوائل بأي حال من الأحوال.
1. افصل مجموعة البطارية من الجرّازة.
  2. اضغط على السنة التحرير الموجودة برأس الجرّازة، واخلع مجموعة الغطاء السفلي الموجودة برأس الجرّازة عن طريق سحبها للخارج بشكل مستقيم.

- لا تستخدم أي منظفات قوية على الهيكل البلاستيكي أو المقبض. لأنهم معرضون للتلف بفعل زيوت عطرية معينة، مثل الصنوبر والليمون، ويفعل محاليل مثل الكيروسين. كما قد تتسبب الرطوبة في التعرض لصدمة كهربائية. امسح أي بلل بقطعة قماش جافة ناعمة.
- استخدم فرشاة صغيرة أو مكنتة كهربائية صغيرة لشطف وتنظيف فتحات الهواء في الغلاف الخلفي.
- حافظ على خلو فتحات الهواء الموجودة في غلاف المحرك من العوالق في جميع الأوقات.

## شحن شفرة القطع

- ⚠ تحذير:** احرص دائماً على حماية يديك عن طريق ارتداء قفازات قوية عند إجراء أي أعمال صيانة على شفرة قطع الخيط.
1. اخلع شفرة القطع الخيط من غلافها الواقى.
  2. ثبت الشفرة في حامل.
  3. ابرد حواف القطع بالشفرة بحذر باستخدام مبرد ناعم أو حجر سن، مع المحافظة على زاوية حافة القطع الأصلية.
  4. أعد تركيب الشفرة في الواقى مع تأمينها في مكانها باستخدام المسمارين المخصصين.

## تخزين الوحدة

- اخلع مجموعة البطارية من الجِزَازة عند عدم استخدامها.
- نظف الآلة جيداً قبل تخزينها.
- خزن الوحدة في منطقة جافة جيدة التهوية، بحيث يكون في مكان مقفل أو عالٍ عن سطح الأرض بعيداً عن متناول أيدي الأطفال. لا تقم بتخزين الوحدة على الأسمدة أو البنزين أو المواد الكيميائية الأخرى، أو بجوارها.

## حماية البيئة

لا تتخلص من المعدات الكهربائية أو البطارية المستهلكة أو الشاحن في النفايات المنزلية! بل توجه بهذا المنتج إلى مركز إعادة تدوير معتمد ليكون متاحاً للفرز بشكل منفرد. تجنب إعادة الآلات الكهربائية إلى مرفق إعادة تدوير صديق للبيئة.



المشكلة	السبب	الحل
لا يمكن تشغيل الجرّازة.	<ul style="list-style-type: none"> <li>مجموعة البطارية غير مركبة في الجرّازة.</li> <li>لا يوجد اتصال كهربائي بين الجرّازة والبطارية.</li> <li>نقد شحن مجموعة البطارية.</li> <li>مفتاح تحرير القفل لا يتحرك للأمام قبل ضغط مفتاح التشغيل.</li> </ul>	<ul style="list-style-type: none"> <li>قم بتثبيت مجموعة البطارية في الجرّازة.</li> <li>اخلع البطارية، وافحص التوصيلات، ثم أعد تركيب مجموعة البطارية.</li> <li>اشحن مجموعة البطارية.</li> <li>حرك ذراع القفل إلى الأمام واضغط مفتاح التشغيل.</li> </ul>
تتوقف الجرّازة أثناء الجرّ.	<ul style="list-style-type: none"> <li>الواقى غير مركب على الجرّازة، وهو ما يؤدي إلى خيوط قطع طويل للغاية ووجود حمل زائد على المحرك.</li> <li>تم استخدام خيوط قطع ثقيل.</li> <li>هناك عشب ملتف حول عمود المحرك أو رأس الجرّازة.</li> <li>هناك حمل زائد على المحرك.</li> </ul>	<ul style="list-style-type: none"> <li>اخلع مجموعة البطارية وركّب الواقى على الجرّازة.</li> <li>استخدم خيوط الجرّ الموصى به من النايلون بحيث لا يزيد قطره عن 2.4 مم</li> <li>أوقف الجرّازة، واخلع البطارية، وتخلص من العشب الملتف على عمود المحرك ورأس الجرّازة.</li> <li>ارفع رأس الجرّازة عن الحشائش. سيعاود المحرك العمل بمجرد التخلص من الحمل الواقع عليه. أثناء الجرّ، حرك رأس الجرّازة داخل وخارج الحشائش المراد جرّها ولا تقم بإزالة طول يزيد عن 20 سم في كل مرة تقوم بها بالجرّ.</li> <li>قم بتثبيت البطارية أو الجرّازة.</li> <li>أعد تركيب مجموعة البطارية.</li> <li>اشحن مجموعة البطارية.</li> <li>أنقر رأس الجرّازة لجعل طول الخيوط متناسق.</li> </ul>
لا يقوم رأس الجرّازة بدفع الخيوط للأمام.	<ul style="list-style-type: none"> <li>هناك عشب ملتف حول عمود المحرك أو رأس الجرّازة.</li> <li>لا يوجد خيوط كافٍ على ملف الخيوط أو ينقطع الخيوط من المنفذ.</li> <li>الخيوط متشابك.</li> <li>الخيوط قصير للغاية.</li> </ul>	<ul style="list-style-type: none"> <li>أوقف الجرّازة، واخلع البطارية، ونظف عمود المحرك ورأس الجرّازة.</li> <li>اخلع البطارية واستبدل خيوط الجرّ حسب التعليمات في قسم «استبدال الخيوط» من هذا الدليل.</li> <li>اخلع البطارية واستبدل خيوط الجرّ حسب التعليمات في قسم «استبدال الخيوط» من هذا الدليل.</li> <li>اخلع البطارية واستبدل خيوط الجرّ حسب التعليمات في قسم «استبدال الخيوط» من هذا الدليل.</li> </ul>
تلتف الحشائش حول رأس الجرّازة وغلاف المحرك	جرّ الحشائش الطويلة على مستوى الأرض.	اقطع العشب الطويل من أعلى لأسفل، لا تقص ما يزيد عن 20 سم في كل مرة لمنع التقاف العشب على أجزاء الآلة.
هناك تشققات في رأس الجرّازة، أو حاوية ملف الخيوط تنفك من قاعدة ملف الخيوط.	<ul style="list-style-type: none"> <li>رأس الجرّازة متهاك.</li> <li>الصامولة التي تثبت رأس الجرّازة مرخية</li> </ul>	<ul style="list-style-type: none"> <li>استبدل رأس الجرّازة فوراً، حسب التعليمات الواردة في قسم «استبدال رأس الجرّازة» من هذا الدليل.</li> <li>افتح رأس الجرّازة واستخدم مفتاح الربط لتثبيت الصامولة.</li> </ul>

المشكلة	السبب	الحل
لا يمكن سحب الخيط إلى داخل رأس الجرّازة بشكل سليم.	<ul style="list-style-type: none"> <li>■ خيط الجرّازة طويل للغاية.</li> <li>■ مخلفات العشب والتراب تتجمع في رأس الجرّازة وتمنع حركة ملف الخيط.</li> <li>■ ترتفع درجة حرارة المحرك بسبب التشغيل المتكرر لنظام لف الخيط.</li> <li>■ شحن البطارية منخفض.</li> </ul>	<ul style="list-style-type: none"> <li>■ أقطع الخيط بحيث يظهر حوالي 13 سم من طول الخيط على كل جانب.</li> <li>■ انزع البطارية وافتح رأس الجرّازة ونظفه بعناية.</li> <li>■ اترك الجرّازة تعمل بدون حمل لعدة دقائق حتى يبرد المحرك، ومن ثم حاول إعادة تركيب الخيط.</li> <li>■ اشحن البطارية.</li> </ul>
لا يمكن تمرير خط القطع من خلال رأس الجرّازة عند إدخال الخيط.	<ul style="list-style-type: none"> <li>■ خط القطع منفصل أو مثني في آخره.</li> <li>■ الغطاء السفلي لا يركب في موقعه بعد إعادة التركيب.</li> </ul>	<ul style="list-style-type: none"> <li>■ قص طرف الخيط المستهلك وأعد إدخاله.</li> <li>■ ركب مجموعة البطارية في الجرّازة، اضغط على زر تحميل الخيط للبدء بتحميل الطاقة وذلك لتحرير الغطاء السفلي.</li> </ul>

## الضمان

### سياسة ضمان EGO

تفضل بزيارة الموقع الإلكتروني [egopowerplus.com](http://egopowerplus.com) للتعرف على الشروط والأحكام الكاملة الخاصة بسياسة ضمان EGO.

KEES VAN DER SPEK  
TUINMACHINES \* STOLWIJK