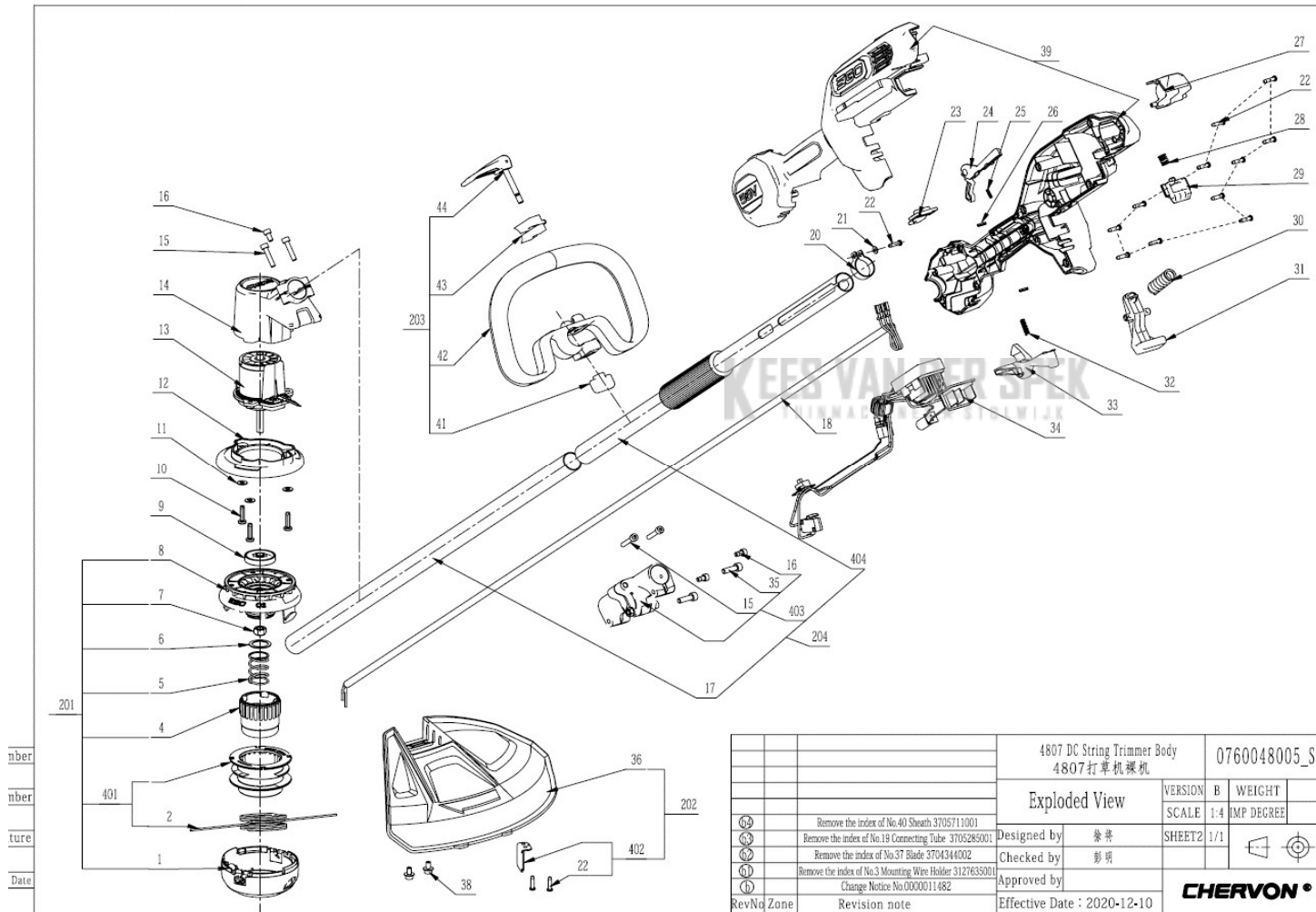




Repair Parts_Hedge Trimmer_4807(ST1300E-S)



number
number
figure
Date

KEEP VANDER SPEK
www.vandervspek.com



Index No.	Art. No.	Description	Technical Information	Tariff Code	QTY in machine	Weight (g)	Size LxWxH (mm)	MPQ
1	2824019002	Lower Housing ASSY		3926909790	1	56	Φ95x44	1
2		Trimmer Line	AL2015T(15MTR)-AL2050T(50MTR)	3926909790	1	0,025	5000X2.0x2.0	1
4	2824022001	Support Head ASSY		8467990000	1	50	Φ48x48	1
5	3660582001	Compression Spring		7320202090	1	7,5	25x25x35	10
6	5650349002	Washer		7318220098	1	1	Φ26x1	10
7	5630271001	Nut		7318169290	1	4,5	13x15x8.5	10
8	2824082003	Upper Housing ASSY		8467990000	1	88	Φ98x44	1
9	3520800001	Outer Flange		7307910090	1	36	Φ37x8.4	1
10	5610059007	Thread Forming Screw		7318149999	3	7	8.9x8.9x25	10
11	5650396003	Washer		7318220098	3	1	12x12x1	10
12	3127655001	Shield		8467990000	1	25	Φ105x18	1
13	2730228001	DC Motor		8501310099	1	4,60E+02	82x72.5x106.8	1
14	3421371001	Motor Housing		7616999099	1	184,6	130x72.8x91	1
15	5620216003	Hexagon Socket Screw		7318156898	4	5	M5x25	10
16	5620213003	Hexagon Socket Screw		7318156898	3	3,4	5x5x10	10
17	3705307001	Connecting Tube		7608208990	1	193	Φ25x775	1
18	4860300001	Internal Wire ASSY		8544429090	1	198	Φ9.5x1455	1
20	3705178001	Fixed Ring		7326909890	1	5	27x9.9x35.8	10
21	5650005002	Plain Washer		7318220098	1	1	Φ8.9x1	10
22	5610032004	Tapping Screw		7318149999	14	1,33	4x16	10
23	3128087001	Push Button		3926909790	1	3,8	35.2x32.8x10.6	1
24	3128088001	Lock-off Trigger		3926909790	1	8	121x32.5x28.0	1
25	3660453002	Compression Spring		7320202090	1	0,1	Φ25x35	10
26	5670011001	Spring Pin		7318240090	2	0,3	Φ2.5x12	1
27	3127201001	Release Button		3926909790	1	17	52x42x36	1
28	3660013003	Spring1		7320202090	1	1	9.9x9.9x25	10
29	3127202001	Power Pack Button		3926909790	1	4,7	37.5x31.5x13	1
30	3660129002	Spring		7320202090	1	10	Φ18x42.9	10
31	3127206001	Lever		3926909790	1	20	26.9x74.9x36	1
32	3660075001	Spring		7320202090	1	0,6	Φ5.5x18	10
33	3128086001	Switch Trigger		3926909790	1	16	104.7x43.2x32.5	1

34	2830117001	Electric Assembly		8537109899	1	147,8	-	1
35	5620334004	Hexagon Socket Screw		7318156890	2	7	10×11×26	10
36	3128077001	Guard		3926909790	1	129,7	305x185x80	1
38	5620526001	Screw with Washer		7318156898	2	3,5	M5x10	10
39	2824291001	Rear Housing Set		3926909790	1	615,2	480x120x165	1
41	3400010003	Wing Nut		7318169990	1	11	32×21×8	10
42	3127657001	Front Handle		3926909790	1	200	231.5×68×144	1
43	3127651001	Clamping Block		3926909790	1	1,5	37×21×20.5	1
44	2824142003	Handle Lever Set		8467990000	1	22	73×63×26	1
201	2824421001	Cutting Head Set		8467990000	1	257,8	Φ98x66	1
202	2824273001	Guard ASSY		8467990000	1	147,7	305x185x80	1
203	2824020003	Handle ASSY		3926909790	1	207	231.5×68×150.5	1
204	2824272002	Connector ASSY		7609000090	1	524	1480x45x35	1
401	AS1302	Mounting Wire Holder ASSY	Accessory: AS1302	8467990000	1	44	Φ76x43.9	1
402	2823713002	Blade Set		8208400000	1	15	31x13x32	1
403	2824116001	Connector ASSY		7609000090	1	165	122x45x35	1
404	2825217001	Connecting Tube Set		7608208990	1	180	Φ32x697	1

KEES VAN DER SPEK
TUINMACHINES ★ STOLWIJK