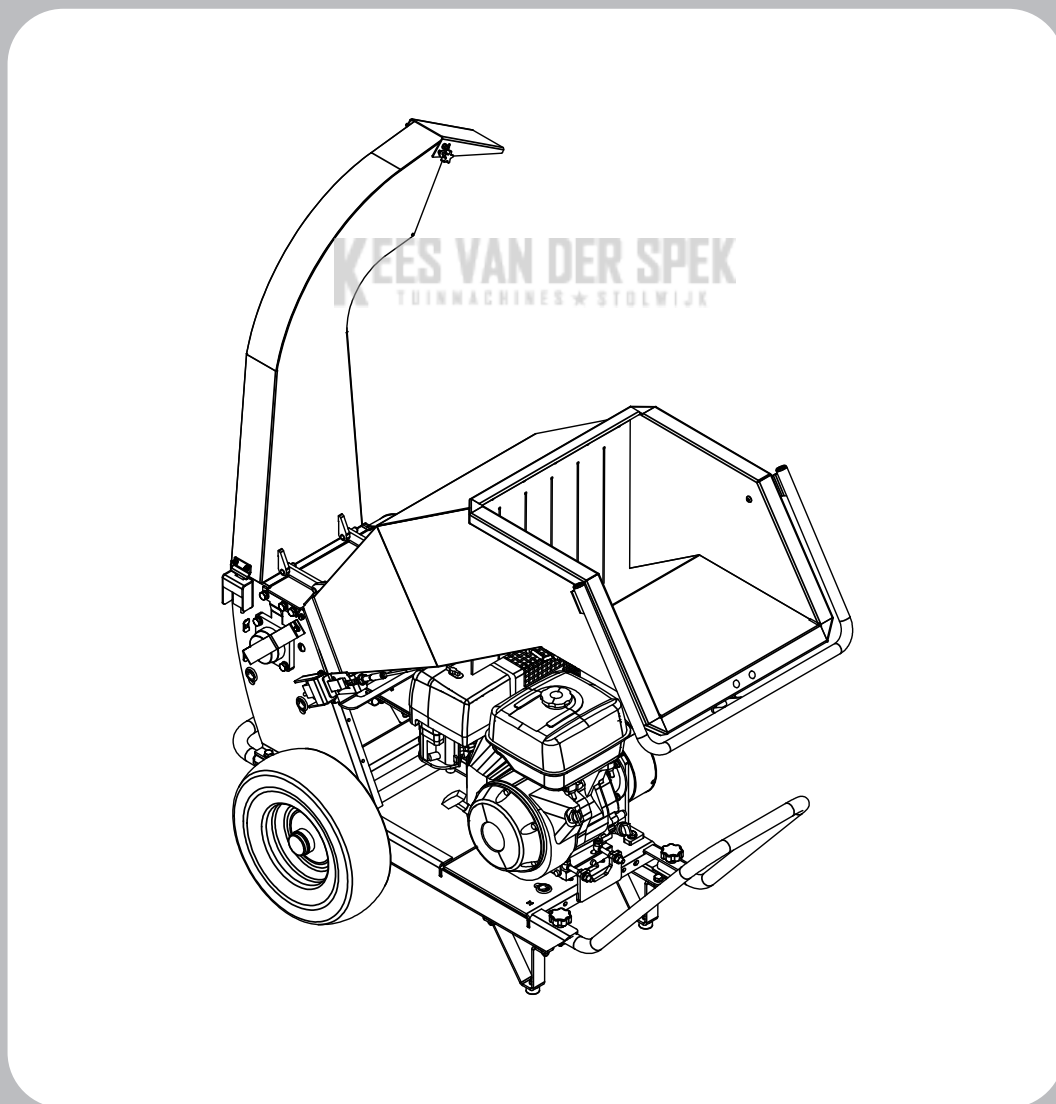


Houtversnipperaar - Broyeur Wood chipper - Häcksler GTS1300



www.gtmprofessional.com

Contents

| | | |
|----|-----------------------------------|----|
| A. | Parts list complete | 4 |
| B. | Frame & shredderbox parts..... | 8 |
| C. | Input & output parts | 10 |
| D. | Belt parts | 14 |
| E. | Engine, wheel & handle parts..... | 18 |
| F. | Accessoires | 22 |



A. Parts list complete

| PARTNR. | ARTICLE NUMBER | PART NAME | QTY |
|---------|--------------------|---|-----|
| 1 | MZSGTSM033163000 | GTS1300 V5 frame for gasoline | 1 |
| 2 | MZSGTSM023003000 | bumper | 1 |
| 3 | MZSGTSM030176000 | shredder box | 1 |
| 4 | MZSGTSS01M10035NFN | hex bolt M10x35 | 10 |
| 5 | MZSGTSS040M1020PIR | plain washer 10 | 55 |
| 6 | MZSGTSS03M10000L0N | tall self lock nut with nylon insert M10 | 18 |
| 7 | MZSGTSS180000006 | feedthrough coil 34-27x21.0 | 3 |
| 8 | MZSGTSS99M120800 | thread plug M12x1.5-8 | 1 |
| 9 | MZSGTSM053001000 | bearing cap | 1 |
| 10 | MZSGTSM033040000 | bearing cap support | 1 |
| 11 | MZSGTSS01M06010NFN | hex bolt M6x10 | 2 |
| 12 | MZSGTSS040M0615LIR | open spring washer 6 | 6 |
| 13 | MZSGTSS040M0612PIR | plain washer 6 | 26 |
| 14 | MZSGTSS01M10025NFN | hex bolt M10x25 | 8 |
| 15 | MZSGTSS040M1016LIR | open spring washer 10 | 21 |
| 16 | MZSGTSS12SSFY506NN | flanged bearing house FY506M | 2 |
| 17 | MZSGTSS01M10016NFN | hex bolt M10x16 | 5 |
| 18 | MZSGTSM033164000 | GTS1300V5 top of box | 1 |
| 19 | MZSGTSS01M10030XFN | special M10 bolt for blade | 10 |
| 20 | MZSGTSM03014300PX1 | X1 blade GTS1300 | 2 |
| 21 | MZSGTSM033020000 | rotor | 1 |
| 22 | MZSGTSS01M06016NFN | hex bolt M6x16 | 4 |
| 23 | MZSGTSM033012000 | rotor protector | 1 |
| 24 | MZSGTSM033017000 | counter blade GTS1300 | 1 |
| 25 | MZSGTSS01M10020JFN | inner hexagon socket head cap bolt M10x20 | 5 |
| 26 | MZSGTSM033160000 | GTS1300 low hopper | 1 |
| 27 | MZSGTSS01M06020NFN | hex bolt M6x20 | 5 |
| 28 | MZSGTSS03M06000L0N | tall self lock nut with nylon insert M6 | 12 |
| 29 | MZSGTSM053009000 | rubber curtain low hopper GTS1300 | 1 |
| 30 | MZSGTSM053008000 | steel strip for rubber curtain low hopper | 1 |
| 31 | MZSGTSS01M06016XPN | carriage bolt M6x16 | 4 |
| 32 | MZSGTSS240000008 | cable assembly panic bar | 1 |
| 33 | MZSGTSS160000000 | push pull cable connector | 1 |
| 34 | MZSGTSS180000007 | end cap tube 25x2 | 2 |
| 35 | MZSGTSS01M08016FFN | flange bolt with hexagon head M8x16 | 3 |
| 36 | MZSGTSM033161000 | panic bar GTS1300 low hopper | 1 |
| 37 | MZSGTSS120081200 | nylon slide bearing 12x14 | 1 |
| 38 | MZSGTSS040M1225PIR | plain washer 12 | 5 |
| 39 | MZSGTSS090110000 | circlips 11 | 1 |
| 40 | MZSGTSS210002000 | silent block panic bar | 2 |
| 41 | MZSGTSS01M08010BFN | hexagon socket button head screw M8x10 | 2 |
| 42 | MZSGTSS01M04016CFN | hexagon head bolt partial thread M4x16 | 2 |
| 43 | MZSGTSS14INDEXP1 | index plunger dia 6mm | 1 |
| 44 | MZSGTSM030207000 | index plunger distance plate | 1 |
| 45 | MZSGTSM033173000 | fork low hopper | 1 |
| 46 | MZSGTSM010098000 | fork shaft | 1 |
| 47 | MZSGTSM083003000 | torsion spring | 1 |
| 48 | MZSGTSS01M06050NFN | hex bolt M6x50 | 1 |

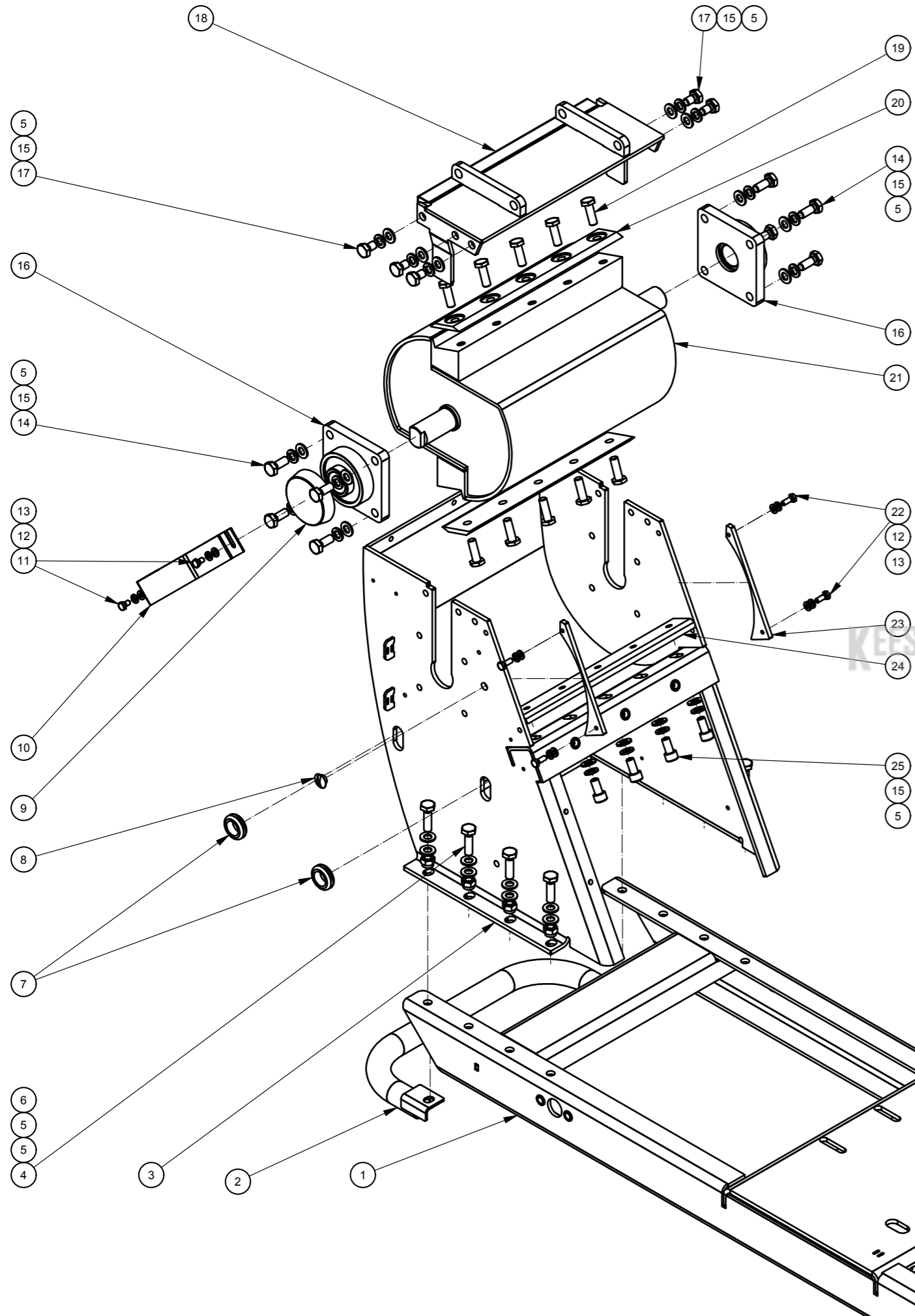
| PARTNR. | ARTICLE NUMBER | PART NAME | QTY |
|---------|--------------------|---|-----|
| 49 | MZSGTSS040M0618X | large special fender washer 6 | 1 |
| 50 | MZSGTSS14060020B | spring-type straight pin 6x20 | 1 |
| 51 | MZSGTSM030202000 | panic bar bracket low hopper | 1 |
| 52 | MZSGTSS03M06000N0N | hexagon standard nut M6 | 3 |
| 53 | MZSGTSS01M08025FFN | flange bolt with hexagon head M8x25 | 3 |
| 54 | MZSGTSS040M0820BIR | large washer 8 | 6 |
| 55 | MZSGTSM033162000 | push assembly safety switch hopper | 1 |
| 56 | MZSGTSS01M05016PFN | cross recessed pan head screw M5x16 | 2 |
| 57 | MZSGTSS03M05000L0N | tall self lock nut with nylon insert M5 | 4 |
| 58 | MZSGTSM033056000 | U-profile for safety switch | 2 |
| 59 | MZSGTSS01M05010RFN | cross recessed pan head screw M5x10 | 4 |
| 60 | MZSGTSS040M0510LIR | open spring washer 5 | 4 |
| 61 | MZSGTSS040M0510PIR | plain washer 5 | 6 |
| 62 | MZSGTSS01M04018PFN | cross recessed pan head screw M4x18 | 4 |
| 63 | MZSGTSS040M0409LIR | open spring washer 4 | 4 |
| 64 | MZSGTSS040M0408PIR | plain washer 4 | 4 |
| 65 | MZSGTSE023111BSP | limit switch | 2 |
| 66 | MZSGTSM033055001 | safety switch plate | 1 |
| 67 | MZSGTSS01M05016BFN | hexagon socket button head screw M5x16 | 2 |
| 68 | MZSGTSM033167000 | output | 1 |
| 69 | MZSGTSS01M06020BFN | hexagon socket button head screw M6x20 | 2 |
| 70 | MZSGTSS040M0618BIR | large washer 6 | 2 |
| 71 | MZSGTSM033047000 | deflector | 1 |
| 72 | MZSGTSM030450000 | deflector fix bracket | 1 |
| 73 | MZSGTSS03M06000X0N | star head nut M6 | 1 |
| 74 | | serial numberplate De Wild | 1 |
| 75 | MZSGTSS13AL32090 | rivet 3.2x12 | 4 |
| 76 | MZSGTSM030235000 | belt cover | 1 |
| 77 | MZSGTSM07314600T | taperlock V-belt rotor pulley 146mm | 1 |
| 78 | MZSGTSS14100828R | key 10x8-28 rotor | 1 |
| 79 | MZSGTSS01M08025NFN | hex bolt M8x25 | 2 |
| 80 | MZSGTSM033025000 | safety ring for rotor | 1 |
| 81 | MZSGTSS07A691780LP | V-belt GTS1300 | 2 |
| 82 | MZSGTSM030200000 | belt cover lid | 1 |
| 83 | MZSGTSS01M06025XPN | hex head bolt with reduced shank M6x25 | 2 |
| 84 | MZSGTSA070010000 | belt tensioner assembly | 1 |
| 85 | MZSGTSM033026000 | safety ring for engine | 1 |
| 86 | MZSGTSM013005000 | key for MHI engine | 1 |
| or | MZSGTSM013003000 | key for Loncin engine | 1 |
| 87 | MZSGTSM07002700T | taperlock pulley Loncin MHI engine | 1 |
| 88 | MZSGTSM013007000 | bush for engine shaft L 16mm | 1 |
| 89 | MZSGTSM033028000 | belt cover support weldment | 1 |
| 90 | MZSGTSM050014000 | protection cover for engine shaft | 1 |
| 91 | MZSGTSS01M08030XPN | carriage bolt M8x30 | 4 |
| 92 | MZSGTSS040M0816PIR | plain washer 8 | 6 |
| 93 | MZSGTSS03M08000L0N | tall self lock nut with nylon insert M8 | 6 |

| PARTNR. | ARTICLE NUMBER | PART NAME | QTY |
|---------|--------------------|--|-----|
| 95 | MZSGTSB050002001 | heat protector Loncin | 1 |
| or | MZSGTSM029004000 | heat protector MHI | 1 |
| 96 | MZSGTSM03301500H | muffler deflector Loncin | 1 |
| or | MZSGTSM033019000 | muffler deflector MHI | 1 |
| 97 | MZSGTSS01M04005TFN | cross recessed head tapping screw 4,2x9,5 | 4 |
| 98 | MZSGTSC01GGTE420 | engine loncin G420F | 1 |
| or | MZSGTSC01GGTE42E | engine loncin G420FD - electric start | 1 |
| or | MZSGTSC01GGTE390 | engine loncin G390F | 1 |
| or | MZSGTSC01GGTE39E | engine loncin G390FD - electric start | 1 |
| or | MZSGTSC01GB40GPN | engine MHI GB40 | 1 |
| 99 | MZSGTSM033166000 | weldassembly engine lockingplate | 1 |
| 100 | MZSGTSS01M10050NFN | hex bolt M10x50 | 2 |
| 101 | MZSGTSM023006007 | wheel axle GTS1300 V5 | 1 |
| 102 | MZSGTSS040M0203PIR | plain washer 20 | 4 |
| 103 | MZSGTSC05W164008 | wheel 16-6.5-R8 axle 20mm air tire white rim | 2 |
| 105 | MZSGTSS09O20000001 | circlips 20 | 2 |
| 106 | MZSGTSM053002000 | wheel cap | 2 |
| 107 | MZSGTSS01M08020FFN | flange bolt with hexagon head M8x20 | 2 |
| 108 | MZSGTSM033168000 | locking plate for axle GTS1300V5 | 1 |
| 109 | MZSGTSS01M10030NFN | hex bolt M10x30 | 4 |
| 110 | MZSGTSM033165000 | ground support frame GTS1300V5 | 2 |
| 111 | MZSGTSS210007000 | vibration damper 15mm with stud M8 | 2 |
| 112 | MZSGTSS040M0815LIR | open spring washer 8 | 4 |
| 113 | MZSGTSS03M08000N0N | hexagon standard nut M8 | 2 |
| 115 | MZSGTSM023002000 | handle | 1 |
| 116 | MZSGTSS01M08055SFN | star headed bolt M8x55 | 2 |
| 117 | MZSGTSS01M10060NFN | hex bolt M10x60 | 2 |
| 118 | MZSGTSS01M10080EPN | eyebolt | 2 |
| 119 | MZSGTSS03M10000N0N | hexagon standard nut M10 | 4 |
| 120 | MZSGTSS01M10020NFN | hex bolt M10x20 | 1 |
| 121 | MZSGTSS01M08016NFN | hex bolt M8x16 | 2 |
| 130 | MZSGTSA030024000 | turnable output chute GTS1300V5 | 1 |
| 130.1 | MZSGTSM030225000 | output chute top | 1 |
| 130.2 | MZSGTSS170000001 | retainer outputchute | 1 |
| 130.3 | MZSGTSS01M06012SFN | star headed bolt M6x12 | 2 |
| 130.4 | MZSGTSS040M0615LIR | open spring washer 6 | 4 |
| 130.5 | MZSGTSS040M0612PIR | plain washer 6 | 4 |
| 130.6 | MZSGTSM033169000 | output chute bottom GTS1300V5 | 1 |
| 130.7 | MZSGTSM030226000 | deflector new turnable output round shaped | 1 |
| 130.8 | MZSGTSS01M06012NFN | hex bolt M6x12 | 2 |
| 130.9 | MZSGTSS01M05006J1S | set screw with flat point M5x6 | 2 |
| 131 | MZSGTSA07GES1304 | GTS1300 electrical start assembly | 1 |
| 131.1 | MZSGTSM030216000 | battery fixation frame for 1300V4 | 1 |
| 131.2 | MZSGTSS03M08000W0N | wing nut with edged wings M8 | 2 |
| 131.3 | MZSGTSM030134000 | battery fixation plate | 1 |
| 131.4 | MZSGTSE01PB12001 | battery E-start 12V 20Ah | 1 |
| 131.5 | MZSGTSM030132000 | rubber plate | 1 |
| 131.6 | MZSGTSE05050A001 | fuse 50A | 1 |
| 131.7 | MZSGTSS01M10110NFN | hex bolt M10x110 | 2 |

| PARTNR. | ARTICLE NUMBER | PART NAME | QTY |
|---------|--------------------|--|-----|
| 131.8 | MZSGTSS040M1020PIR | plain washer 10 | 4 |
| 131.9 | MZSGTSS03M10000L0N | tall self lock nut with nylon insert M10 | 2 |
| 131.10 | MZSGTSE03R010000 | red cable 10mm2 L1320mm | 1 |
| 131.11 | MZSGTSE9900000024 | special resin tube 800mm | 1 |
| 131.12 | MZSGTSE9900000001 | guard cap red (+) | 2 |
| 131.13 | MZSGTSE05050A002 | fuse holder for 50A fuse | 1 |
| 131.14 | MZSGTSE9900000018 | copper rod 30mm | 1 |
| 131.15 | MZSGTSE03B010000 | black cable 10mm2 L1620mm | 1 |
| 131.16 | MZSGTSE9900000002 | guard cap black (-) | 1 |
| 131.17 | MZSGTSE0900000005 | OT terminal | 4 |
| 131.18 | GZTE271050002-0002 | electric box for engine | 1 |
| 131.19 | MZSGTS8120003 | fuse 5A | 1 |
| 132 | MZSGTSM023015000 | bumper support | 1 |
| 133 | MZSGTSA070003000 | tow bar assembly GTS1300V5 | 1 |
| 134 | MZSGTSC05W380A95 | wheel (H) 390x95mm air tire white | 2 |
| 136 | MZSGTSA07LPS13S5 | loose part set for GTS1300V5S | 1 |
| 136.1 | MZSGTSC130003000 | spare parts bag | 1 |
| 136.2 | MZSGTSM033014000 | rotor deblocking tool | 1 |
| 136.3 | MZSGTSS01M12030NFF | hexagon head fine thread bolt M12x1,5-30 | 1 |
| 136.4 | MZSGTSD09XXXXXXX | manual depending on machinetype, language | 1 |
| 136.5 | MZSGTSC01GGTE420 | sparkplug wrench and engine manual G420F | 2 |
| 136.6 | MZSGTSD03CED1305 | GTS1300V5 CE declaration | 1 |
| 136.7 | MZSGTSP030000001 | zip lock bag A4 for loose parts (bolts and nuts) | 1 |

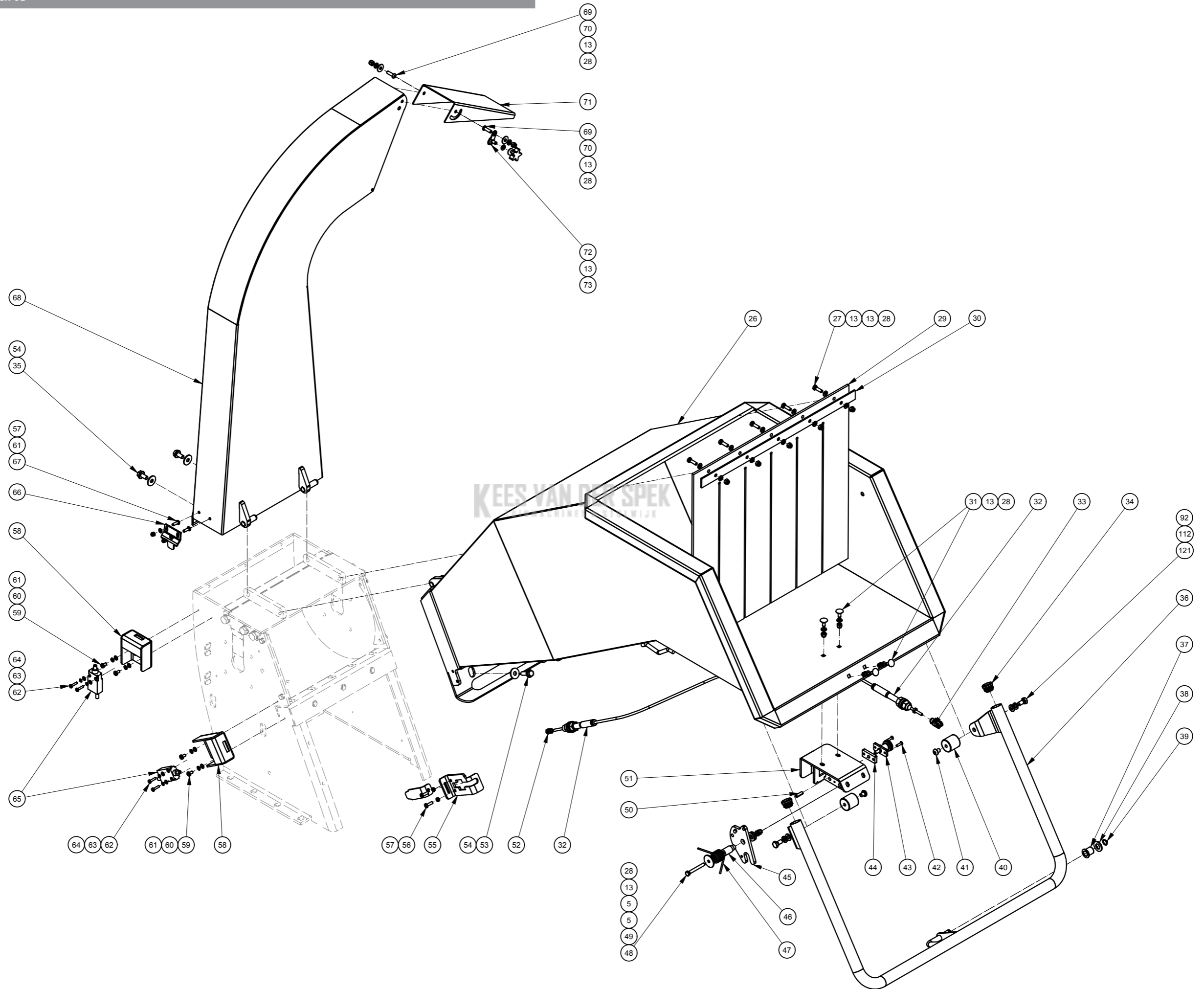
KIES VAN DER SPEK
TUINMACHINES * STOLWIJK

B. Frame & shredderbox parts



| PARTNR. | ARTICLE NUMBER | PART NAME | QTY |
|---------|--------------------|---|-----|
| 1 | MZSGTSM033163000 | GTS1300 V5 frame for gasoline | 1 |
| 2 | MZSGTSM023003000 | bumper | 1 |
| 3 | MZSGTSM030176000 | shredder box | 1 |
| 4 | MZSGTSS01M10035NFN | hex bolt M10x35 | 10 |
| 5 | MZSGTSS040M1020PIR | plain washer 10 | 55 |
| 6 | MZSGTSS03M10000LON | tall self lock nut with nylon insert M10 | 18 |
| 7 | MZSGTSS180000006 | feedthrough coil 34-27x21.0 | 3 |
| 8 | MZSGTSS99M120800 | thread plug M12x1.5-8 | 1 |
| 9 | MZSGTSM053001000 | bearing cap | 1 |
| 10 | MZSGTSM033040000 | bearing cap support | 1 |
| 11 | MZSGTSS01M06010NFN | hex bolt M6x10 | 2 |
| 12 | MZSGTSS040M0615LIR | open spring washer 6 | 6 |
| 13 | MZSGTSS040M0612PIR | plain washer 6 | 26 |
| 14 | MZSGTSS01M10025NFN | hex bolt M10x25 | 8 |
| 15 | MZSGTSS040M1016LIR | open spring washer 10 | 21 |
| 16 | MZSGTSS12SSFY506NN | flanged bearing house FY506M | 2 |
| 17 | MZSGTSS01M10016NFN | hex bolt M10x16 | 5 |
| 18 | MZSGTSM033164000 | GTS1300V5 top of box | 1 |
| 19 | MZSGTSS01M10030XFN | special M10 bolt for blade | 10 |
| 20 | MZSGTSM03014300PX1 | X1 blade GTS1300 | 2 |
| 21 | MZSGTSM033020000 | rotor | 1 |
| 22 | MZSGTSS01M06016NFN | hex bolt M6x16 | 4 |
| 23 | MZSGTSM033012000 | rotor protector | 2 |
| 24 | MZSGTSM033017000 | counter blade GTS1300 | 1 |
| 25 | MZSGTSS01M10020JFN | inner hexagon socket head cap bolt M10x20 | 5 |

C. Input & output parts

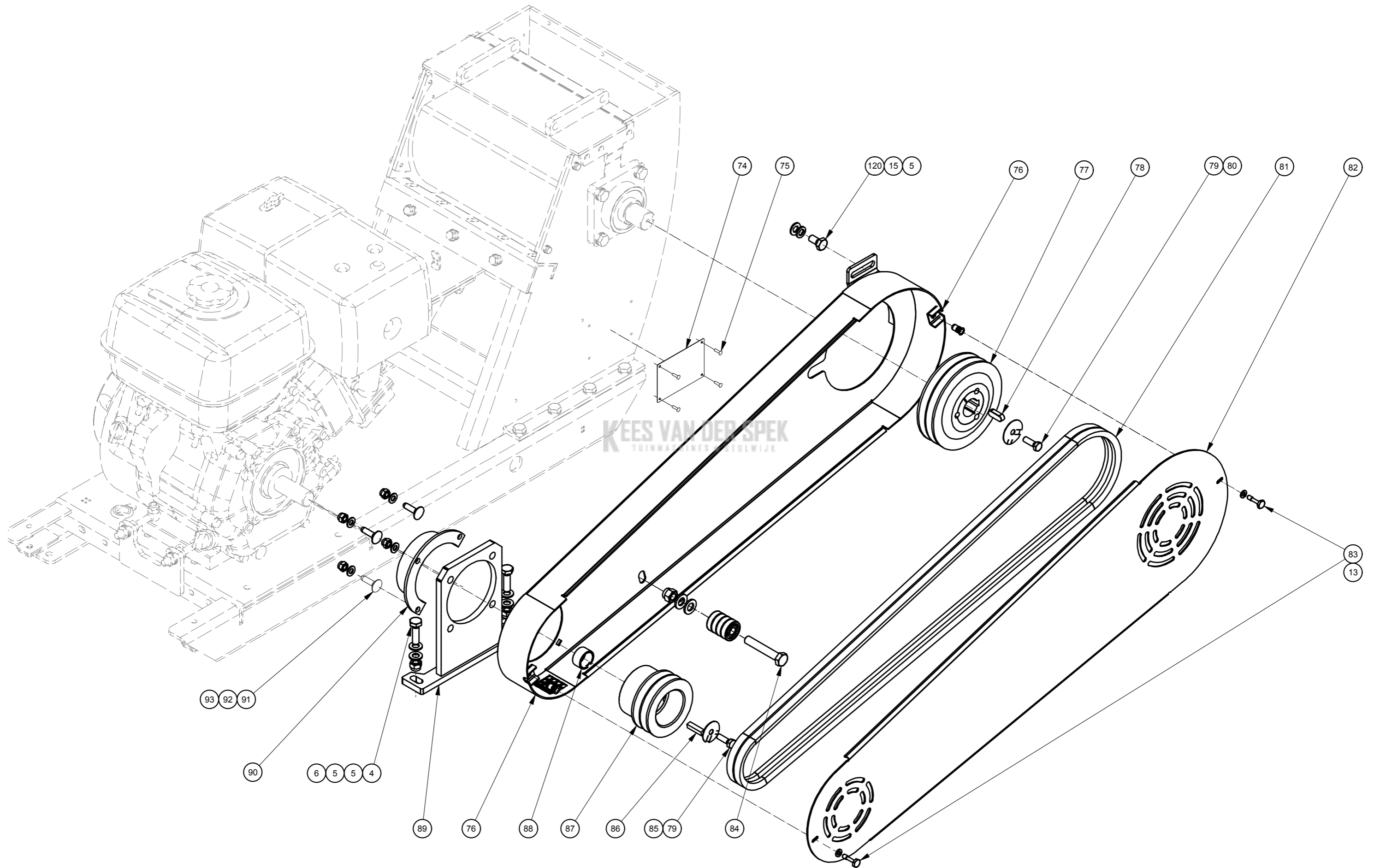


| PARTNR. | ARTICLE NUMBER | PART NAME | QTY |
|---------|--------------------|---|-----|
| 5 | MZSGTSS040M1020PIR | plain washer 10 | 55 |
| 13 | MZSGTSS040M0612PIR | plain washer 6 | 26 |
| 26 | MZSGTSM033160000 | GTS1300 low hopper | 1 |
| 27 | MZSGTSS01M06020NFN | hex bolt M6x20 | 5 |
| 28 | MZSGTSS03M06000L0N | tall self lock nut with nylon insert M6 | 12 |
| 29 | MZSGTSM053009000 | rubber curtain low hopper GTS1300 | 1 |
| 30 | MZSGTSM053008000 | steel strip for rubber curtain low hopper | 1 |
| 31 | MZSGTSS01M06016XPN | carriage bolt M6x16 | 4 |
| 32 | MZSGTSS240000008 | cable assembly panic bar | 1 |
| 33 | MZSGTSS160000000 | push pull cable connector | 1 |
| 34 | MZSGTSS180000007 | end cap tube 25x2 | 2 |
| 35 | MZSGTSS01M08016FFN | flange bolt with hexagon head M8x16 | 3 |
| 36 | MZSGTSM033161000 | panic bar GTS1300 low hopper | 1 |
| 37 | MZSGTSS120081200 | nylon slide bearing 12x14 | 1 |
| 38 | MZSGTSS040M1225PIR | plain washer 12 | 5 |
| 39 | MZSGTSS090110000 | circlips 11 | 1 |
| 40 | MZSGTSS210002000 | silent block panic bar | 2 |
| 41 | MZSGTSS01M08010BFN | hexagon socket button head screw M8x10 | 2 |
| 42 | MZSGTSS01M04016CFN | hexagon head bolt partial thread M4x16 | 2 |
| 43 | MZSGTSS14INDEXP1 | index plunger dia 6mm | 1 |
| 44 | MZSGTSM030207000 | index plunger distance plate | 1 |
| 45 | MZSGTSM033173000 | fork low hopper | 1 |
| 46 | MZSGTSM010098000 | fork shaft | 1 |
| 47 | MZSGTSM083003000 | torsion spring | 1 |
| 48 | MZSGTSS01M06050NFN | hex bolt M6x50 | 1 |
| 49 | MZSGTSS040M0618X | large special fender washer 6 | 1 |
| 50 | MZSGTSS14060020B | spring-type straight pin 6x20 | 1 |
| 51 | MZSGTSM030202000 | panic bar bracket low hopper | 1 |
| 52 | MZSGTSS03M06000N0N | hexagon standard nut M6 | 3 |
| 53 | MZSGTSS01M08025FFN | flange bolt with hexagon head M8x25 | 3 |
| 54 | MZSGTSS040M0820BIR | large washer 8 | 6 |
| 55 | MZSGTSM033162000 | push assembly safety switch hopper | 1 |
| 56 | MZSGTSS01M05016PFN | cross recessed pan head screw M5x16 | 2 |
| 57 | MZSGTSS03M05000L0N | tall self lock nut with nylon insert M5 | 4 |
| 58 | MZSGTSM033056000 | U-profile for safety switch | 2 |
| 59 | MZSGTSS01M05010RFN | cross recessed pan head screw M5x10 | 4 |
| 60 | MZSGTSS040M0510LIR | open spring washer 5 | 4 |
| 61 | MZSGTSS040M0510PIR | plain washer 5 | 6 |
| 62 | MZSGTSS01M04018PFN | cross recessed pan head screw M4x18 | 4 |
| 63 | MZSGTSS040M0409LIR | open spring washer 4 | 4 |
| 64 | MZSGTSS040M0408PIR | plain washer 4 | 4 |
| 65 | MZSGTSE023111BSP | limit switch | 2 |
| 66 | MZSGTSM033055001 | safety switch plate | 1 |
| 67 | MZSGTSS01M05016BFN | hexagon socket button head screw M5x16 | 2 |
| 68 | MZSGTSM033167000 | output | 1 |
| 69 | MZSGTSS01M06020BFN | hexagon socket button head screw M6x20 | 2 |
| 70 | MZSGTSS040M0618BIR | large washer 6 | 2 |
| 71 | MZSGTSM033047000 | deflector | 1 |
| 72 | MZSGTSM030450000 | deflector fix bracket | 1 |

| PARTNR. | ARTICLE NUMBER | PART NAME | QTY |
|---------|--------------------|----------------------|-----|
| 73 | MZSGTSS03M06000X0N | star head nut M6 | 1 |
| 92 | MZSGTSS040M0816PIR | plain washer 8 | 6 |
| 112 | MZSGTSS040M0815LIR | open spring washer 8 | 4 |
| 121 | MZSGTSS01M08016NFN | hex bolt M8x16 | 2 |

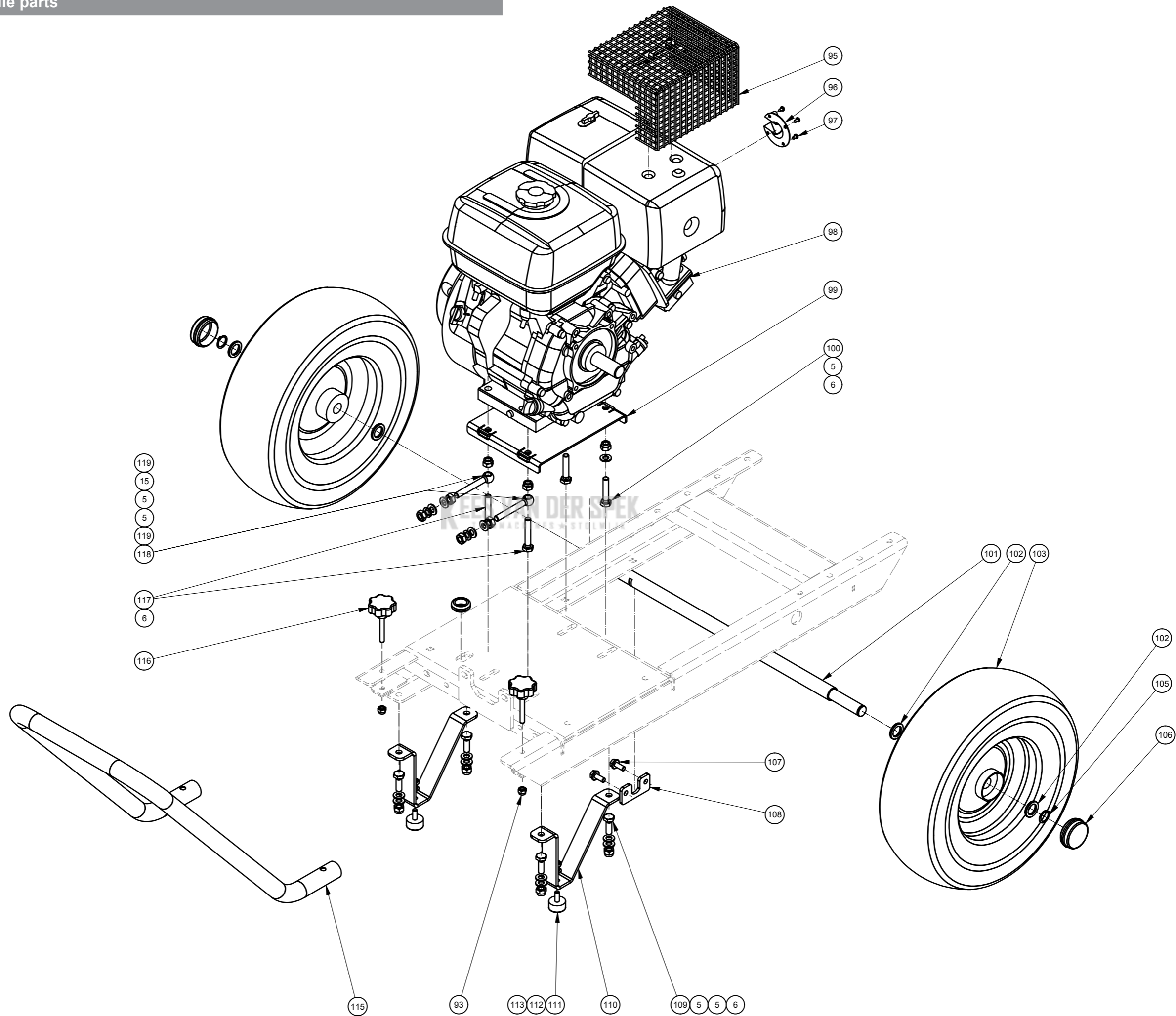
KIES VAN DER SPEK
TUINMACHINES * STOLWIJK

D. Belt parts



| PARTNR. | ARTICLE NUMBER | PART NAME | QTY |
|---------|--------------------|--|-----|
| 4 | MZSGTSS01M10035NFN | hex bolt M10x35 | 10 |
| 5 | MZSGTSS040M1020PIR | plain washer 10 | 55 |
| 6 | MZSGTSS03M10000LON | tall self lock nut with nylon insert M10 | 18 |
| 13 | MZSGTSS040M0612PIR | plain washer 6 | 26 |
| 15 | MZSGTSS040M1016LIR | open spring washer 10 | 21 |
| 74 | | serial numberplate De Wild | 1 |
| 75 | MZSGTSS13AL32090 | rivet 3.2x12 | 4 |
| 76 | MZSGTSM030235000 | belt cover | 1 |
| 77 | MZSGTSM07314600T | taperlock V-belt rotor pulley 146mm | 1 |
| 78 | MZSGTSS14100828R | key 10x8-28 rotor | 1 |
| 79 | MZSGTSS01M08025NFN | hex bolt M8x25 | 2 |
| 80 | MZSGTSM033025000 | safety ring for rotor | 1 |
| 81 | MZSGTSS07A691780LP | V-belt GTS1300 | 2 |
| 82 | MZSGTSM030200000 | belt cover lid | 1 |
| 83 | MZSGTSS01M06025XPN | hex head bolt with reduced shank M6x25 | 2 |
| 84 | MZSGTSA070010000 | belt tensioner assembly | 1 |
| 85 | MZSGTSM033026000 | safety ring for engine | 1 |
| 86 | MZSGTSM013005000 | key for MHI engine | 1 |
| or | MZSGTSM013003000 | key for Loncin engine | 1 |
| 87 | MZSGTSM07002700T | taperlock pulley Loncin MHI engine | 1 |
| 88 | MZSGTSM013007000 | bush for engine shaft L 16mm | 1 |
| 89 | MZSGTSM033028000 | belt cover support weldment | 1 |
| 90 | MZSGTSM050014000 | protection cover for engine shaft | 1 |
| 91 | MZSGTSS01M08030XPN | carriage bolt M8x30 | 4 |
| 92 | MZSGTSS040M0816PIR | plain washer 8 | 6 |
| 93 | MZSGTSS03M08000LON | tall self lock nut with nylon insert M8 | 6 |
| 120 | MZSGTSS01M10020NFN | hex bolt M10x20 | 1 |

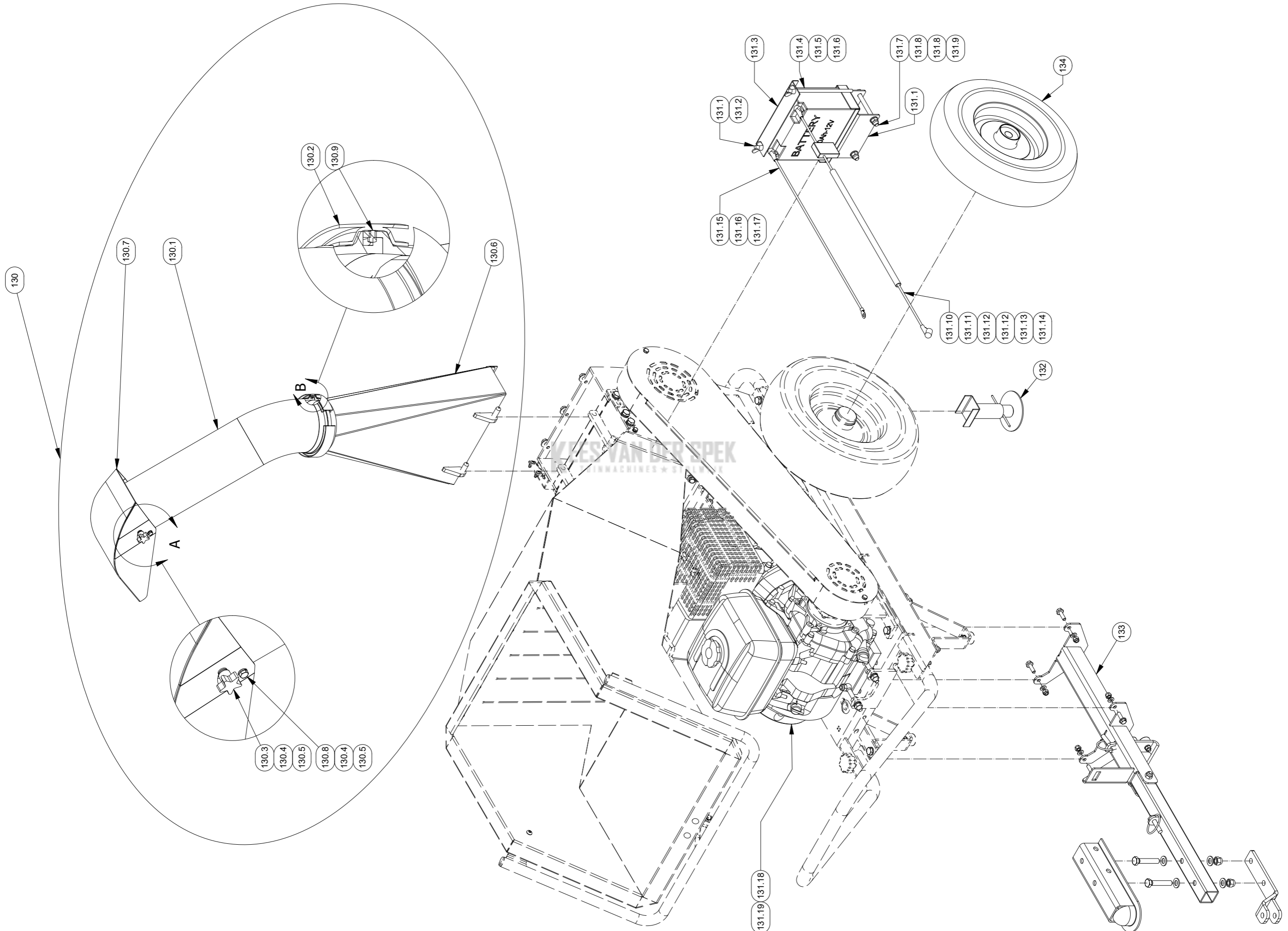
KIES VAN DER SPEK
DIJN MACHINES * STOLWIJK



| PARTNR. | ARTICLE NUMBER | PART NAME | QTY |
|---------|--------------------|--|-----|
| 5 | MZSGTSS040M1020PIR | plain washer 10 | 55 |
| 6 | MZSGTSS03M10000L0N | tall self lock nut with nylon insert M10 | 18 |
| 15 | MZSGTSS040M1016LIR | open spring washer 10 | 21 |
| 93 | MZSGTSS03M08000L0N | tall self lock nut with nylon insert M8 | 6 |
| 95 | MZSGTSB050002001 | heat protector Loncin | 1 |
| or | MZSGTSM029004000 | heat protector MHI | 1 |
| 96 | MZSGTSM03301500H | muffler deflector Loncin | 1 |
| or | MZSGTSM033019000 | muffler deflector MHI | 1 |
| 97 | MZSGTSS01M04005TFN | cross recessed head tapping screw 4,2x9,5 | 4 |
| 98 | MZSGTSC01GGTE420 | engine loncin G420F | 1 |
| or | MZSGTSC01GGTE42E | engine loncin G420FD - electric start | 1 |
| or | MZSGTSC01GGTE390 | engine loncin G390F | 1 |
| or | MZSGTSC01GGTE39E | engine loncin G390FD - electric start | 1 |
| or | MZSGTSC01GB40GPN | engine MHI GB40 | 1 |
| 99 | MZSGTSM033166000 | weldassembly engine lockingplate | 1 |
| 100 | MZSGTSS01M10050NFN | hex bolt M10x50 | 2 |
| 101 | MZSGTSM023006007 | wheel axle GTS1300 V5 | 1 |
| 102 | MZSGTSS040M0203PIR | plain washer 20 | 4 |
| 103 | MZSGTSC05W164008 | wheel 16-6.5-R8 axle 20mm air tire white rim | 2 |
| 105 | MZSGTSS09O20000001 | circlips 20 | 2 |
| 106 | MZSGTSM053002000 | wheel cap | 2 |
| 107 | MZSGTSS01M08020FFN | flange bolt with hexagon head M8x20 | 2 |
| 108 | MZSGTSM033168000 | locking plate for axle GTS1300V5 | 1 |
| 109 | MZSGTSS01M10030NFN | hex bolt M10x30 | 4 |
| 110 | MZSGTSM033165000 | ground support frame GTS1300V5 | 2 |
| 111 | MZSGTSS210007000 | vibration damper 15mm with stud M8 | 2 |
| 112 | MZSGTSS040M0815LIR | open spring washer 8 | 4 |
| 113 | MZSGTSS03M08000N0N | hexagon standard nut M8 | 2 |
| 115 | MZSGTSM023002000 | handle | 1 |
| 116 | MZSGTSS01M08055SFN | star headed bolt M8x55 | 2 |
| 117 | MZSGTSS01M10060NFN | hex bolt M10x60 | 2 |
| 118 | MZSGTSS01M10080EPN | eyebolt | 2 |
| 119 | MZSGTSS03M10000N0N | hexagon standard nut M10 | 4 |

KIES VAN DER SPEK
DIJN MACHINES * STOLWIJK

* Only for machines produced before 02/2016



| PARTNR. | ARTICLE NUMBER | PART NAME | QTY |
|---------|--------------------|--|-----|
| 130 | MZSGTSA030024000 | turnable output chute GTS1300V5 | 1 |
| 130.1 | MZSGTSM030225000 | output chute top | 1 |
| 130.2 | MZSGTSS170000001 | retainer outputchute | 1 |
| 130.3 | MZSGTSS01M06012SFN | star headed bolt M6x12 | 2 |
| 130.4 | MZSGTSS040M0615LIR | open spring washer 6 | 4 |
| 130.5 | MZSGTSS040M0612PIR | plain washer 6 | 4 |
| 130.6 | MZSGTSM033169000 | output chute bottom GTS1300V5 | 1 |
| 130.7 | MZSGTSM030226000 | deflector new turnable output round shaped | 1 |
| 130.8 | MZSGTSS01M06012NFN | hex bolt M6x12 | 2 |
| 130.9 | MZSGTSS01M05006J1S | set screw with flat point M5x6 | 2 |
| 131 | MZSGTSA07GES1304 | GTS1300 electrical start assembly | 1 |
| 131.1 | MZSGTSM030216000 | battery fixation frame for 1300V4 | 1 |
| 131.2 | MZSGTSS03M08000W0N | wing nut with edged wings M8 | 2 |
| 131.3 | MZSGTSM030134000 | battery fixation plate | 1 |
| 131.4 | MZSGTSE01PB12001 | battery E-start 12V 20Ah | 1 |
| 131.5 | MZSGTSM030132000 | rubber plate | 1 |
| 131.6 | MZSGTSE05050A001 | fuse 50A | 1 |
| 131.7 | MZSGTSS01M10110NFN | hex bolt M10x110 | 2 |
| 131.8 | MZSGTSS040M1020PIR | plain washer 10 | 4 |
| 131.9 | MZSGTSS03M10000L0N | tall self lock nut with nylon insert M10 | 2 |
| 131.10 | MZSGTSE03R010000 | red cable 10mm2 L1320mm | 1 |
| 131.11 | MZSGTSE990000024 | special resin tube 800mm | 1 |
| 131.12 | MZSGTSE990000001 | guard cap red (+) | 2 |
| 131.13 | MZSGTSE05050A002 | fuse holder for 50A fuse | 1 |
| 131.14 | MZSGTSE990000018 | copper rod 30mm | 1 |
| 131.15 | MZSGTSE03B010000 | black cable 10mm2 L1620mm | 1 |
| 131.16 | MZSGTSE990000002 | guard cap black (-) | 1 |
| 131.17 | MZSGTSE090000005 | OT terminal | 4 |
| 131.18 | GZTE271050002-0002 | electric box for engine | 1 |
| 131.19 | MZSGTS8120003 | fuse 5A | 1 |
| 132 | MZSGTSM023015000 | bumper support | 1 |
| 133 | MZSGTSA070003000 | tow bar assembly GTS1300V5 | 1 |
| 134 | MZSGTSC05W380A95 | wheel (H) 390x95mm air tire white | 2 |
| 136 | MZSGTSA07LPS13S5 | loose part set for GTS1300V5S | 1 |
| 136.1 | MZSGTSC130003000 | spare parts bag | 1 |
| 136.2 | MZSGTSM033014000 | rotor deblocking tool | 1 |
| 136.3 | MZSGTSS01M12030NFF | hexagon head fine thread bolt M12x1,5-30 | 1 |
| 136.4 | MZSGTSD09XXXXXXX | manual depending on machinetype, language | 1 |
| 136.5 | MZSGTSC01GGTE420 | sparkplug wrench and engine manual G420F | 2 |
| 136.6 | MZSGTSD03CED1305 | GTS1300V5 CE declaration | 1 |
| 136.7 | MZSGTSP030000001 | zip lock bag A4 for loose parts (bolts and nuts) | 1 |

KIES VAN DER SPEK
TUINMACHINES * STOLWIJK

KEES VAN DER SPEK
TUINMACHINES ★ STOLWIJK

GTM
PROFESSIONAL®

www.gtmprofessional.com