

## **HUSQVARNA - SPARE PARTS CATALOG**

### **CHAIN SAWS: HUSQVARNA 545**

**KEES VAN DER SPEK**  
TUINMACHINES ★ STOLWIJK

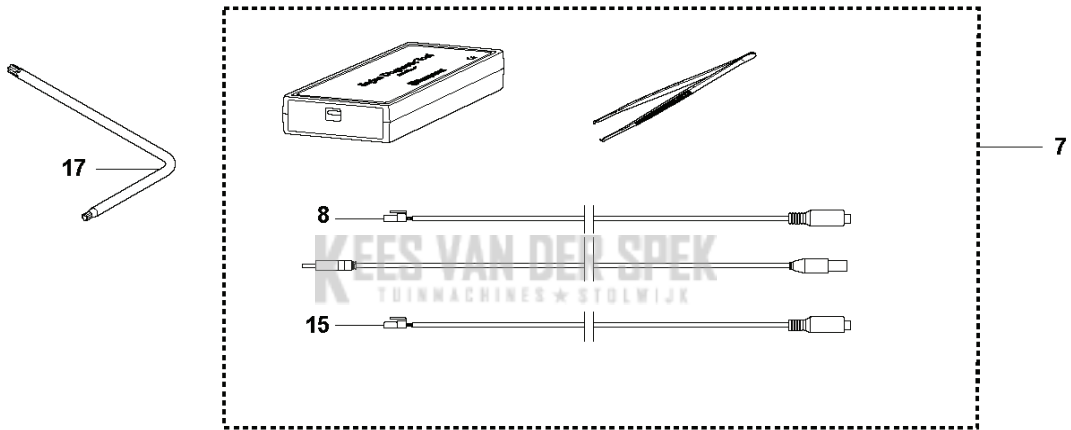
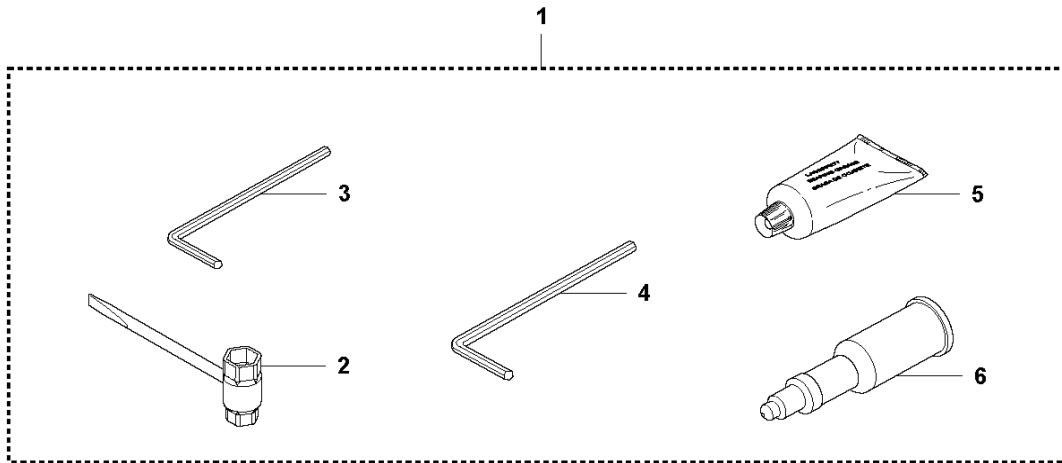
Sparepartslist

# **SPAREPARTSLIST**

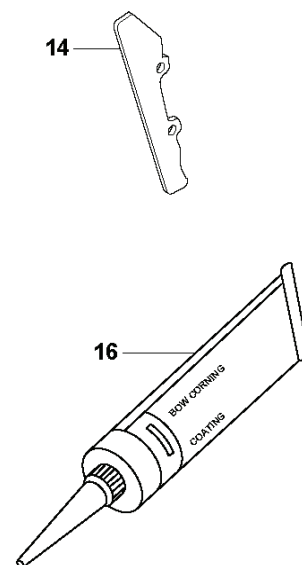
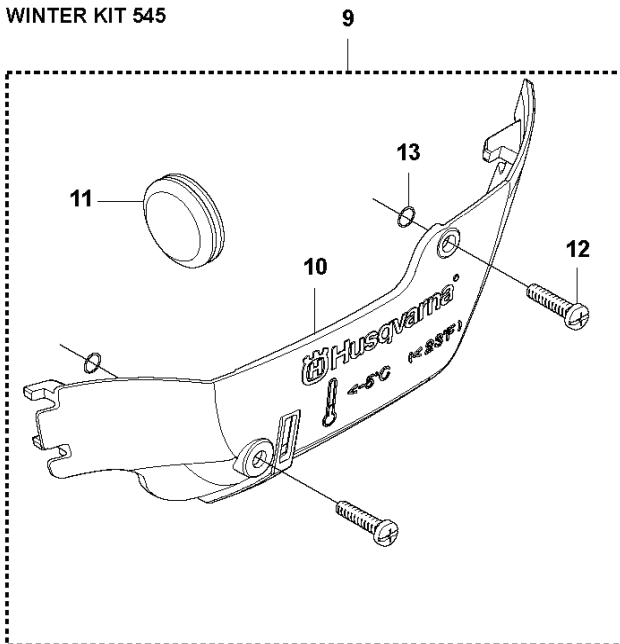
**CHAIN SAWS**  
TUINMACHINES \* STOLWIJK

**HUSQVARNA 545**

**P** 545  
ACCESSORIES



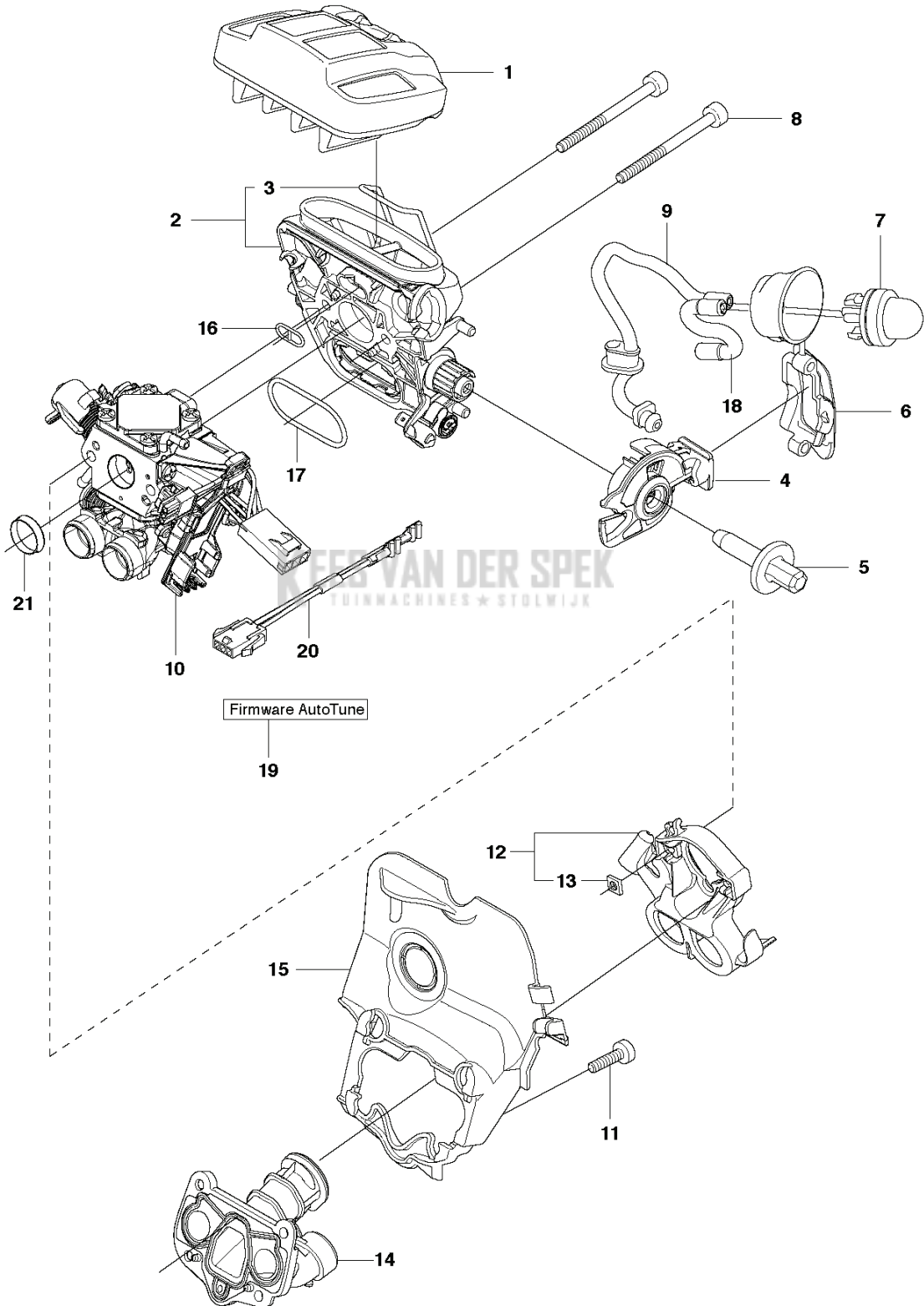
WINTER KIT 545



## CHAIN SAWS

| PXM_REF | PXM_PARTNO | DESCRIPTION         | PXM_REMARK             | QTY |
|---------|------------|---------------------|------------------------|-----|
| 1       | 575439201  | GEREEDSCHAP         |                        | 1   |
| 2       | 522521101  | COMBINATIESLEUTEL   |                        | 1 1 |
| 3       | 503558601  | SLEUTEL             |                        | 1 1 |
| 4       | 503558602  | SLEUTEL             |                        | 1 1 |
| 5       | 503621201  | VET                 |                        | 1 1 |
| 6       | 501911401  | VETPISTOOL          |                        | 1 1 |
| 7       | 583897101  | DIAGNOSTIC TOOL KIT | Engine diagnostic tool | 1   |
| 8       | 576183401  | KABEL COMPL.        | Diagnostics cable      | 1 7 |
| 9       | 522986601  | WINTER KIT          |                        | 1   |
| 10      | 525558002  | WINTERKAP           |                        | 1 9 |
| 11      | 578125501  | WINTERPLUG          |                        | 1 9 |
| 12      | 503217016  | SCHROEF CCRPANT     |                        | 2 9 |
| 13      | 740420100  | O-RING              |                        | 2 9 |
| 14      | 577887201  | ENCLOSED KIT        |                        | 1   |
| 15      | 576952201  | KABEL COMPL.        | Diagnostics cable 545  | 1 7 |
| 16      | 503267201  | LIJM                |                        | 1   |
| 17      | 575880701  | SLEUTEL             |                        | 1   |

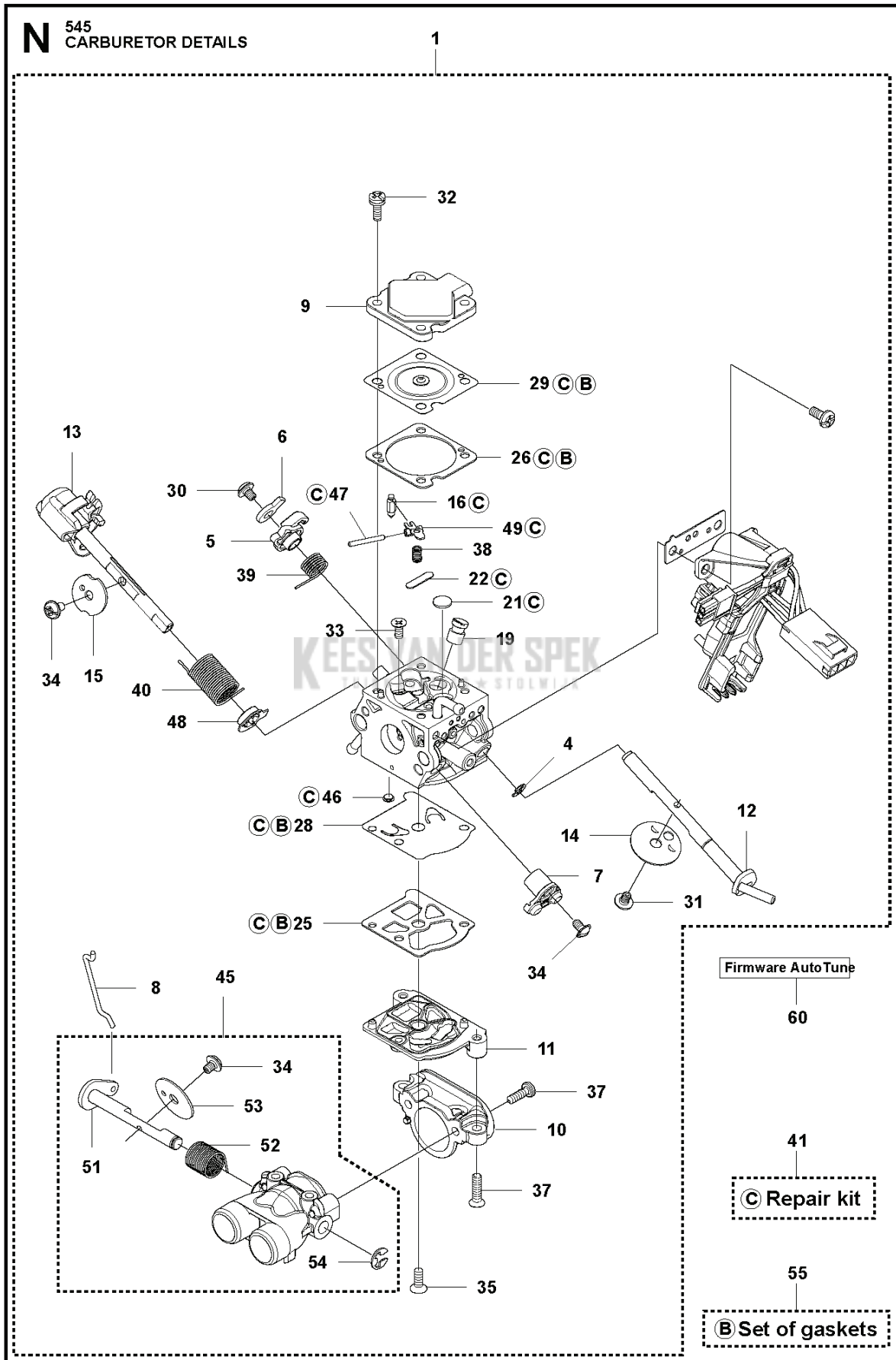
**G** 545  
CARBURETOR & AIR FILTER



## CHAIN SAWS

| PXM_REF | PXM_PARTNO | DESCRIPTION                  | PXM_REMARK                           | QTY  |
|---------|------------|------------------------------|--------------------------------------|------|
| 1       | 522675404  | LUCHTFILTERCONSTRUCTIE COMPL | NYLON 80 µm black                    | 1    |
| 1       | 522675405  | LUCHTFILTERCONSTRUCTIE COMPL | NYLON 44 µm yellow                   | 1    |
| 1       | 522675406  | LUCHTFILTERCONSTRUCTIE COMPL | FELT white                           | 1    |
| 2       | 574198903  | FILTERHOUDER COMPL           |                                      | 1    |
| 1       | 522675407  | LUCHTFILTERCONSTRUCTIE COMPL | NYLON 25 µm orange                   | 1    |
| 3       | 522907301  | SLUITING                     |                                      | 1 2  |
| 4       | 510017202  | CHOKEHENDEL COMPL            |                                      | 1    |
| 5       | 505156201  | SCREW                        |                                      | 1    |
| 6       | 525588101  | AFDICHTING                   |                                      | 1    |
| 7       | 503936601  | PURGE                        |                                      | 1    |
| 8       | 574353503  | SCHROEF ITXSCM               |                                      | 2    |
| 9       | 587645404  | ONTLUCHTINGSSLANG            | From s/n 20153900097                 | 1 9  |
| 9       | 589357101  | ONTLUCHTINGSSLANG            | Up to s/n 20153900096                | 1    |
| 10      | 587084807  | CARBURETTOR KIT              | AT-7C                                | 1    |
| 11      | 526818101  | SCHROEF ITXSCM               |                                      | 4    |
| 12      | 523064002  | FLENS                        |                                      | 1    |
| 13      | 503226503  | MOER 4-KANT                  |                                      | 2 12 |
| 14      | 525500003  | INLAATPIJP COMPL             |                                      | 1    |
| 15      | 522951001  | INTERMEDIATE WALL            |                                      | 1    |
| 16      | 525619201  | AFDICHTING                   |                                      | 1    |
| 17      | 525619001  | AFDICHTING                   |                                      | 1    |
| 18      | 523056801  | BRANDSTOFSLANG               |                                      | 1    |
| 19      | .          | TBD                          | Download from your local supportsite | 1    |
| 20      | 577536401  | BEKABELING COMPL             |                                      | 1    |
| 21      | 585195001  | STEUNHULS                    |                                      | 1    |

**N** 545  
CARBURETOR DETAILS



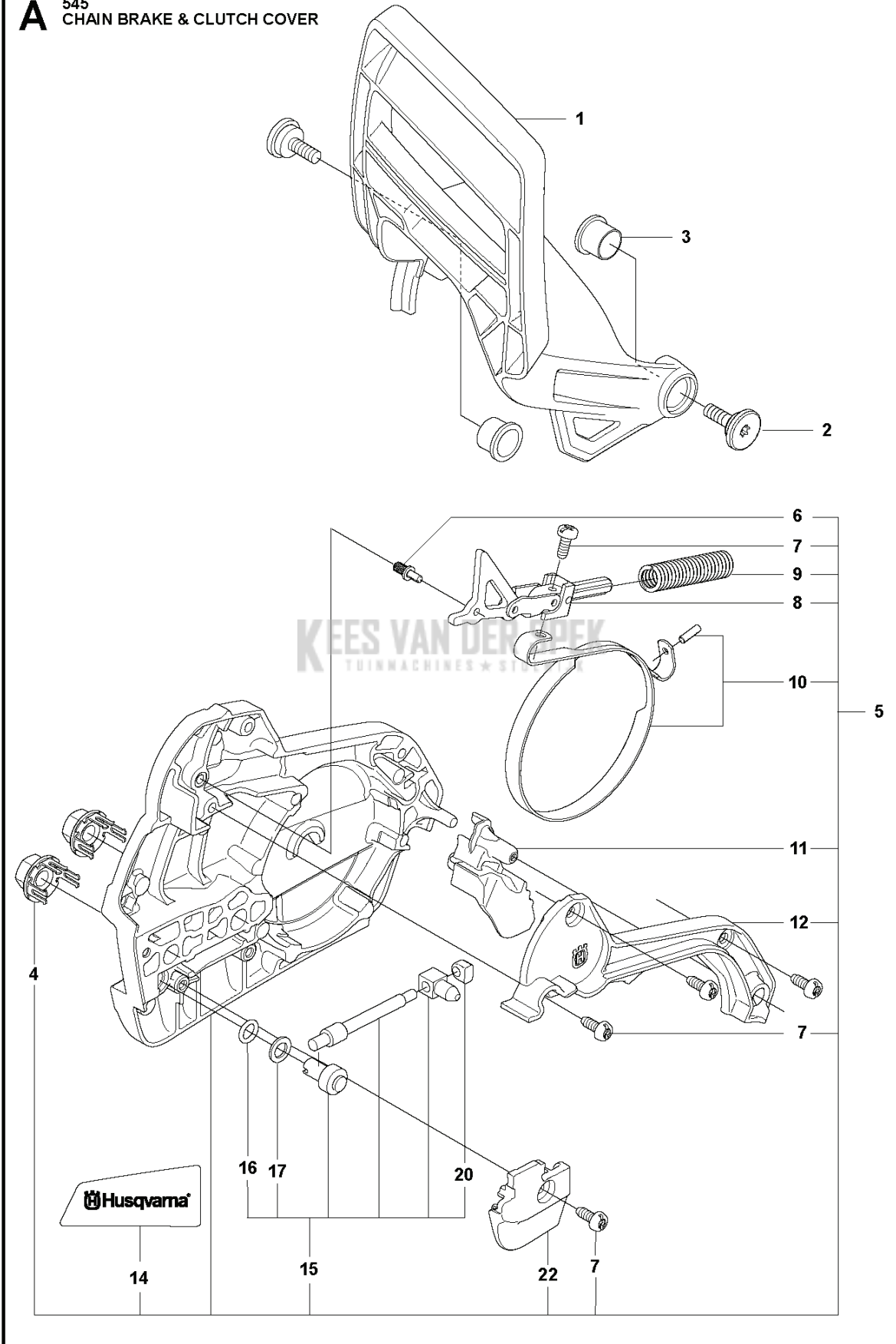
## CHAIN SAWS

| PXM_REF | PXM_PARTNO | DESCRIPTION       | PXM_REMARK                              | QTY |
|---------|------------|-------------------|---|-----|
| 1       | 587084807  | CARBURETTOR KIT   | AT-7C                                   | 1   |
| 4       | 577262901  | HOUDER            |   | 1 1 |
| 5       | 574357701  | HEFBOOM           |   | 1 1 |
| 6       | 576618501  | HEFBOOM           |   | 1 1 |
| 7       | 577219201  | GASHEFBOOM COMPL. |   | 1 1 |
| 8       | 574357901  | SCHAKEL           |   | 1 1 |
| 9       | 574358101  | DEKSEL            |   | 1 1 |
| 10      | 575794801  | INLAAT            |   | 1 1 |
| 11      | 575794701  | DEKSEL            |   | 1 1 |
| 12      | 574358401  | AS COMPL.         |   | 1 1 |
| 13      | 574358201  | AS                |   | 1 1 |
| 14      | 574358501  | VENTIEL           |   | 1 1 |
| 15      | 574357501  | VENTIEL           |   | 1 1 |
| 16      | 503563401  | NAALDVENTIEL      |   | 1 1 |
| 19      | 576618801  | MONDSTUK          |   | 1   |
| 21      | 504790801  | PLUG              |   | 1 1 |
| 22      | 502846901  | PLUG              |   | 1 1 |
| 25      | 504130906  | PAKKING           |   | 1 1 |
| 26      | 574358601  | PAKKING           |   | 1 1 |
| 28      | 577016601  | MEMBRAAN          |   | 1 1 |
| 29      | 587071601  | MEMBRAAN          |   | 1 1 |
| 30      | 501468701  | SCREW             |   | 1 1 |
| 31      | 537003401  | SCREW             |   | 1 1 |
| 32      | 537003101  | SCREW             |   | 4 1 |
| 33      | 502847101  | SCREW             |   | 1 1 |
| 34      | 544111501  | SCREW             |   | 2 1 |
| 35      | 574359001  | SCREW             |   | 1 1 |
| 37      | 576618901  | SCREW             |   | 4 1 |
| 38      | 503562401  | VEER              |   | 1 1 |
| 39      | 574359301  | VEER              |   | 1 1 |
| 40      | 574359401  | VEER              |   | 1 1 |
| 41      | 577666101  | REPARATIESET      | - Up to s/n 20182399999                 | 1   |
| 45      | 579323101  | GASKLEP COMPL.    |   | 1 1 |
| 46      | 501666101  | VIZIER            |   | 1 1 |
| 47      | 505520125  | PEN               |   | 1 1 |
| 48      | 574359601  | BUSHING           |   | 1 1 |
| 49      | 502847401  | HEFBOOM           |   | 1 1 |
| 51      | 586767401  | AS COMPL.         |   | 1 1 |
| 52      | 574357601  | VEER              |   | 1 1 |
| 53      | 576619001  | VENTIEL           |   | 1 1 |
| 54      | 503799501  | RETAINER RING     |   | 1 1 |
| 55      | 576666501  | PAKKINGSET        | - Up to s/n 20182399999                 | 1   |
| 55      | 596570801  | DIAPHRAGM ASSY    | From s/n 20182400001-<br>For AT-7C.     | 1   |
| 60      | .          | TBD               | Download from your local<br>supportsite | 1   |

KEES VAN DER SPEK  
EIJENMAGASIJN 2018 W.J.K.



**A** 545  
CHAIN BRAKE & CLUTCH COVER



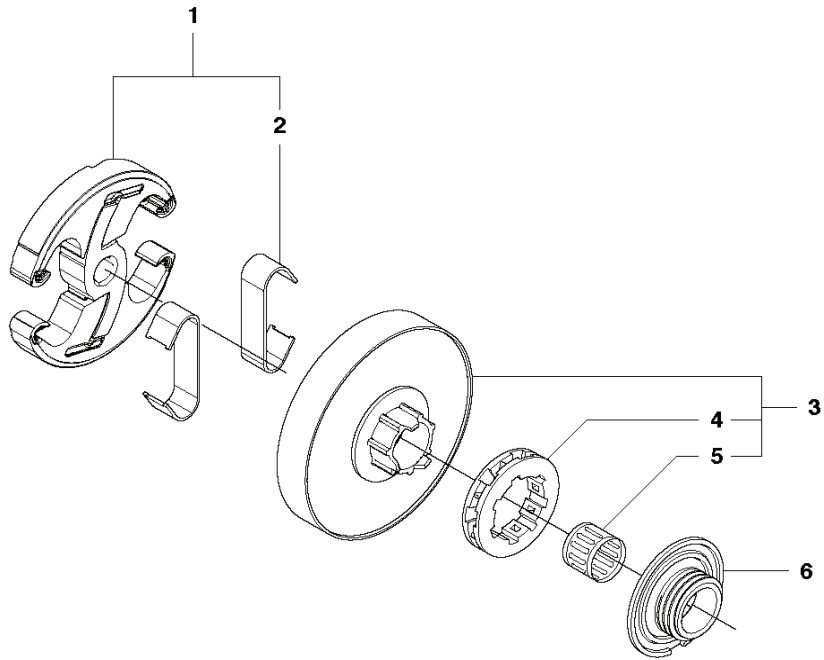
## CHAIN SAWS

---

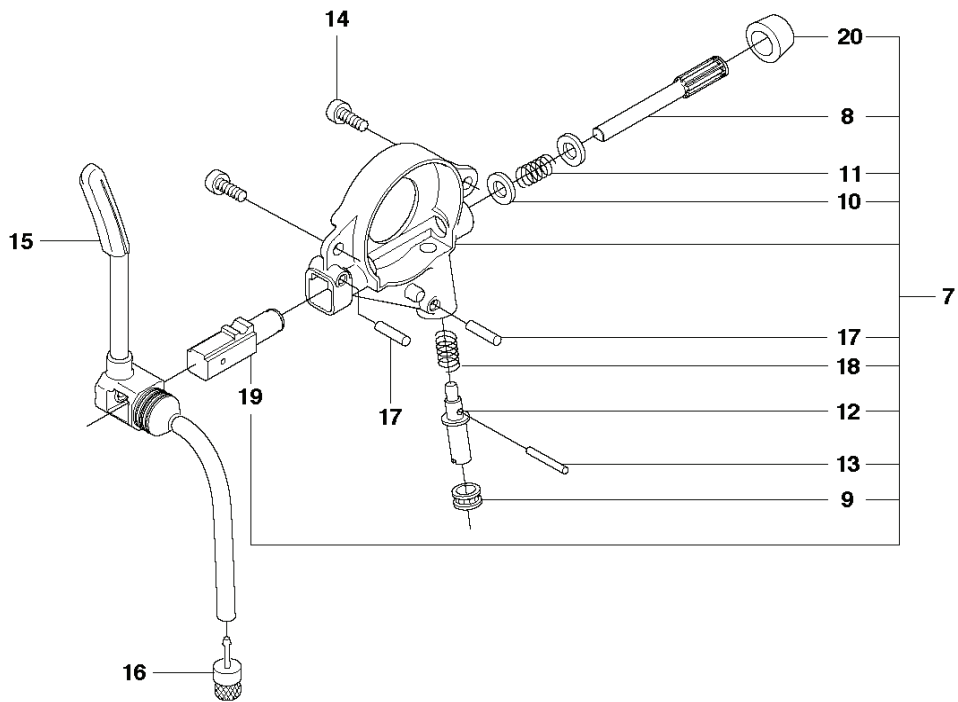
| PXM_REF | PXM_PARTNO | DESCRIPTION          | PXM_REMARK | QTY    |
|---------|------------|----------------------|------------|--------|
| 1       | 522677501  | HANDBESCHERMING      |            | 1      |
| 2       | 526834501  | SCREW                |            | 2      |
| 3       | 577780201  | BUSHING              |            | 2      |
| 4       | 505197301  | MOER                 |            | 2      |
| 5       | 505199006  | KOPPELINGSKAP COMPL. |            | 1      |
| 6       | 503751801  | PEN                  |            | 1 5    |
| 7       | 526221801  | SCREW CITXPANT       |            | 5 5    |
| 8       | 505199301  | KNIEGEWRICHT COMPL.  |            | 1 5    |
| 9       | 503908301  | REMVVEER             |            | 1 5    |
| 10      | 505199502  | REMBAND COMPL.       |            | 1 5    |
| 11      | 505201601  | BESCHERMEN           |            | 1 5    |
| 12      | 505199701  | DEKSEL               |            | 1 5    |
| 14      | 523058001  | PLAATJE              |            | 1 5    |
| 15      | 575260403  | KETTINGSPANSET       |            | 1 5    |
| 16      | 740480702  | O-RING               |            | 1 15,5 |
| 17      | 503230063  | RING                 |            | 1 15,5 |
| 20      | 537017401  | LAGERHULS            |            | 1 15,5 |
| 22      | 505199801  | KETTINGGELEIDER      |            | 1 5    |

**KEES VAN DER SPEK**  
TUINMACHINES ★ STOLWIJK

**B** 545  
CLUTCH & OIL PUMP



**KEES VAN DER SPEK**  
TUINMACHINES \* STOLWIJK

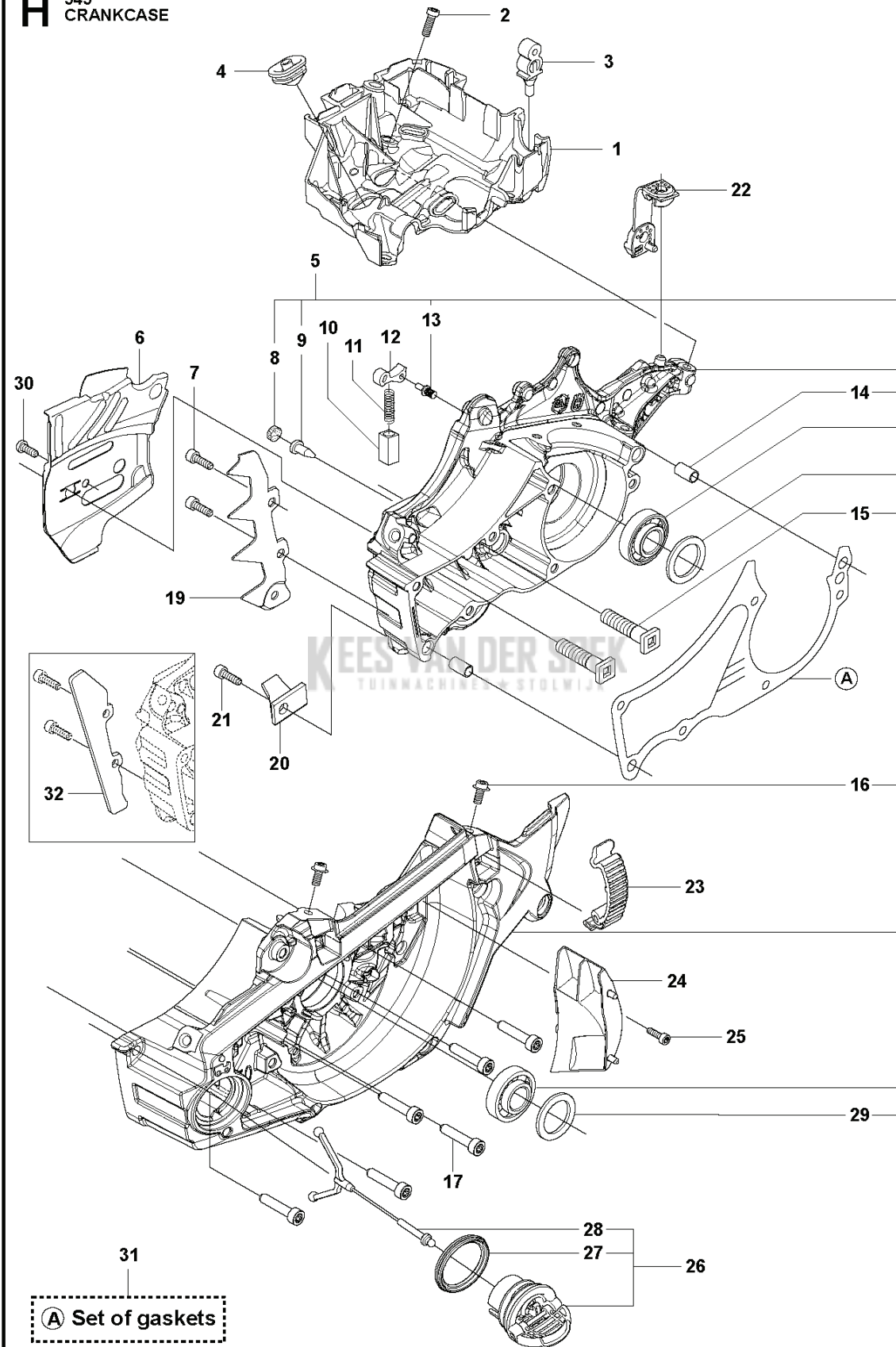


## CHAIN SAWS

| PXM_REF | PXM_PARTNO | DESCRIPTION              | PXM_REMARK | QTY     |
|---------|------------|--------------------------|------------|---------|
| 1       | 577518201  | KOPPELING COMPL.         |            | 1       |
| 2       | 537359101  | KOPPELINGSVEER           |            | 3 1     |
| 3       | 575261005  | KOPPELINGSTROMMEL COMPL. | ".325"x7"  | 1       |
| 4       | 501457402  | RIM                      | ".325"x7"  | 1 3     |
| 5       | 503253401  | NAALDLAGER               |            | 1 3     |
| 6       | 505200801  | WORMWIEL                 |            | 1       |
| 7       | 505199904  | OLIEPOMP COMPL.          |            | 1       |
| 8       | 505200201  | POMPZUIGER               |            | 1 7     |
| 9       | 505200301  | OMHULSEL                 |            | 1 7     |
| 10      | 503230060  | RING                     |            | 2 7     |
| 11      | 503891601  | VEER                     |            | 1 7     |
| 12      | 505157001  | REGELSCHROEF             |            | 1 7     |
| 13      | 721116430  | KERFSTIFT                |            | 1 7, 12 |
| 14      | 526818101  | SCHROEF ITXSCM           |            | 2       |
| 15      | 505200401  | OLIESLANG                |            | 1       |
| 16      | 504710003  | OLIELOOD                 |            | 1       |
| 17      | 720123300  | CILINDRISCHE PEN         |            | 2 7     |
| 18      | 503891501  | VEER                     |            | 1 7     |
| 19      | 505200101  | POMPCILINDER             |            | 1 7     |
| 20      | 503624901  | AFDICHTINGSPLUG          |            | 1 7     |

**KEES VAN DER SPEK**  
TUINMACHINES ★ STOLWIJK

**H** 545  
CRANKCASE



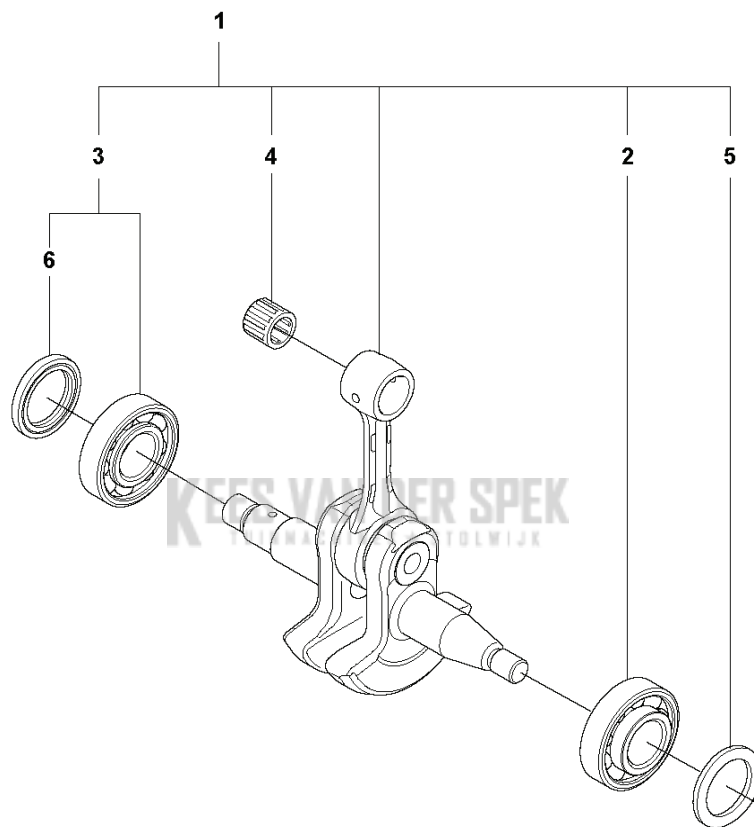
**A** Set of gaskets

# CHAIN SAWS

| PXM_REF | PXM_PARTNO | DESCRIPTION          | PXM_REMARK                                | QTY  |
|---------|------------|----------------------|---|------|
| 1       | 525403201  | CARBURATEUR          |   | 1    |
| 2       | 525755202  | SCHROEF ITXSCFM      |   | 4    |
| 3       | 503869301  | STEUN                |   | 2    |
| 4       | 581559201  | BALG                 |   | 1    |
| 5       | 577834714  | CARTER COMPL.        |   | 1    |
| 6       | 522742801  | KETTINGGELEIDERPLAAT |   | 1    |
| 7       | 575793501  | SCHROEF ITXPANM      |   | 2    |
| 8       | 537403501  | FILTER               |   | 1 5  |
| 9       | 530026119  | CONTROLEKLEP         |   | 1 5  |
| 10      | 537210701  | VEERGELEIDING        |   | 1    |
| 11      | 503436501  | POSITIEVEER          |   | 1    |
| 12      | 505201201  | VERGRENDELING        |   | 1    |
| 13      | 503751801  | PEN                  |   | 1 5  |
| 14      | 501270801  | GELEIDEHULS          |   | 2 5  |
| 15      | 505217301  | ZAAGBLADBOUT         |   | 2 5  |
| 16      | 525824401  | SCHROEF ITXSCM       |   | 2 5  |
| 17      | 575841104  | SCHROEF ITXSCM       |   | 6    |
| 19      | 578400501  | SPIKE                |   | 1    |
| 20      | 537377902  | KETTINGVANGER        |   | 1    |
| 21      | 525798103  | SCREW ITXSCFT        |   | 1    |
| 22      | 505125801  | BEGRENZINGS LIMITER  |   | 1    |
| 23      | 503894701  | SNAPSLUITING         |   | 3    |
| 24      | 588059201  | LUCHTMONDSTUK        |   | 1    |
| 25      | 526818101  | SCHROEF ITXSCM       |   | 1    |
| 26      | 577878603  | TANKDEKSEL COMPL.    |   | 1    |
| 27      | 589241301  | PAKKING              |   | 1 26 |
| 28      | 503578901  | HOLDER               |   | 1 26 |
| 29      | 525391201  | RADIAAL AFDICHTING   |   | 1 5  |
| 30      | 525887401  | SCREW CITXPANT       |   | 1    |
| 31      | 577766603  | PAKKINGSET           | A=Set of gaskets - Up to s/n 20182000120. | 1    |
| 31      | 577766604  | PAKKINGSET           | A=Set of gaskets From s/n 20182000121 -   | 1    |
| 32      | 577887201  | ENCLOSED KIT         |   | 1    |

**KEES VAN DER SPEK**  
TUINMACHINES ★ STOLWIJK

**E** 545  
CRANKSHAFT



## CHAIN SAWS

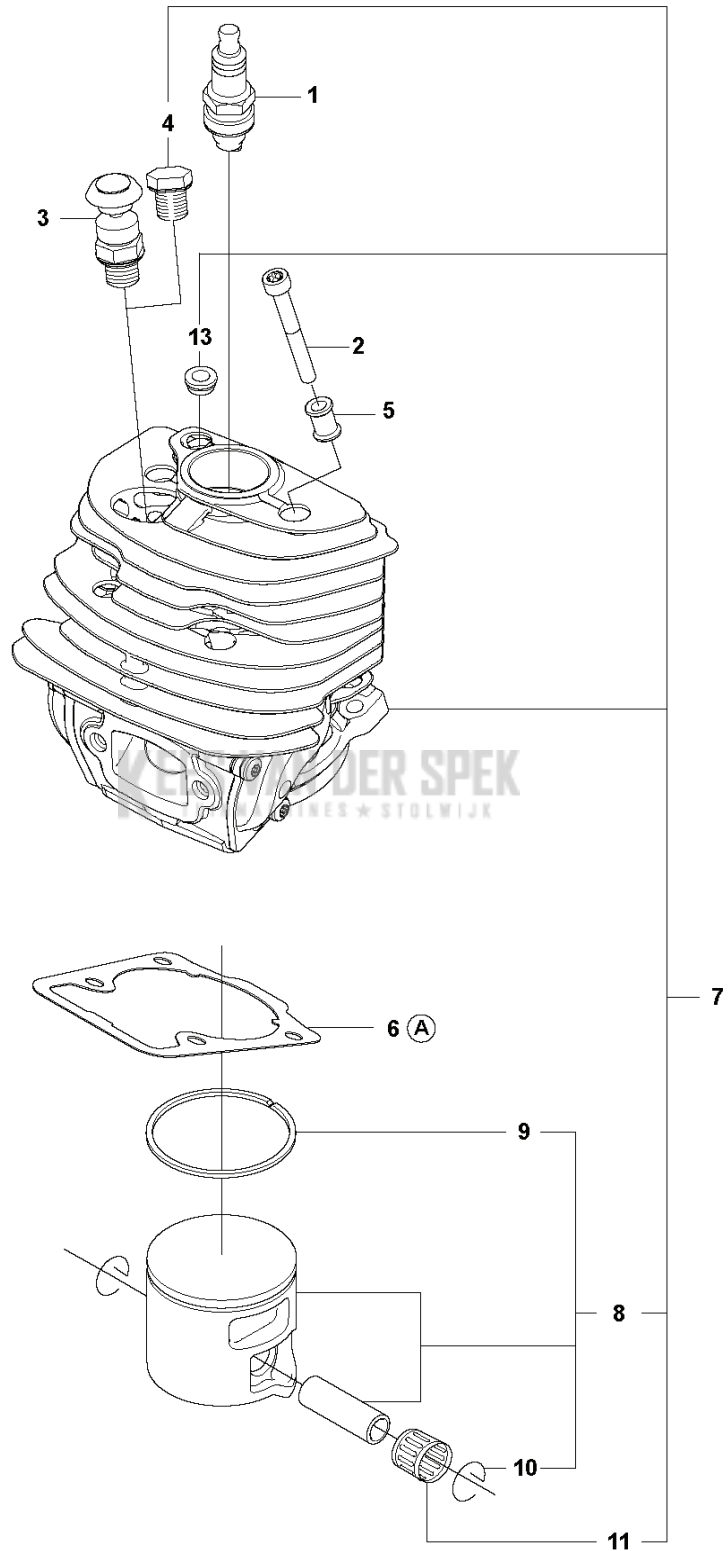
---

| PXM_REF | PXM_PARTNO | DESCRIPTION        | PXM_REMARK | QTY   |
|---------|------------|--------------------|------------|-------|
| 1       | 577767310  | KRUKAS COMPL.      |            | 1     |
| 2       | 505133503  | KOGELLAGER         |            | 2 1   |
| 3       | 525434203  | KOGELLAGER         |            | 1 1   |
| 4       | 503256302  | NAALDLAGER         |            | 1 1   |
| 5       | 525391201  | RADIAAL AFDICHTING |            | 2 1   |
| 6       | 505416101  | RADIAAL AFDICHTING |            | 1 1.3 |

**KEES VAN DER SPEK**  
TUINMACHINES ★ STOLWIJK



**D** 545  
CYLINDER PISTON



**(A)** Set of gaskets

## CHAIN SAWS

| PXM_REF | PXM_PARTNO | DESCRIPTION      | PXM_REMARK                                | QTY   |
|---------|------------|------------------|---|-------|
| 1       | 574519601  | BOUGIE           |   | 1     |
| 2       | 582392701  | SCREW            |   | 4     |
| 3       | 575276901  | DECOMPRESSIEKLEP |   | 1     |
| 4       | 503552201  | PLUG             |   | 1     |
| 5       | 576717602  | HULS             |   | 4     |
| 6       | 525315801  | PAKKING          |   | 1 12  |
| 7       | 577764708  | CILINDER COMPL.  |   | 1     |
| 8       | 577047008  | ZUIGER COMPL.    |   | 1 7   |
| 9       | 577958301  | ZUIGERVEER       |   | 1 8.7 |
| 10      | 737441000  | BORGRING         |   | 2 8.7 |
| 11      | 503256302  | NAALDLAGER       |   | 1 7   |
| 12      | 577766604  | PAKKINGSET       | A=Set of gaskets From s/n 20182000121 -   | 1     |
| 12      | 577766603  | PAKKINGSET       | A=Set of gaskets - Up to s/n 20182000120. | 1     |
| 13      | 520291101  | BUSHING          |   | 0 7   |

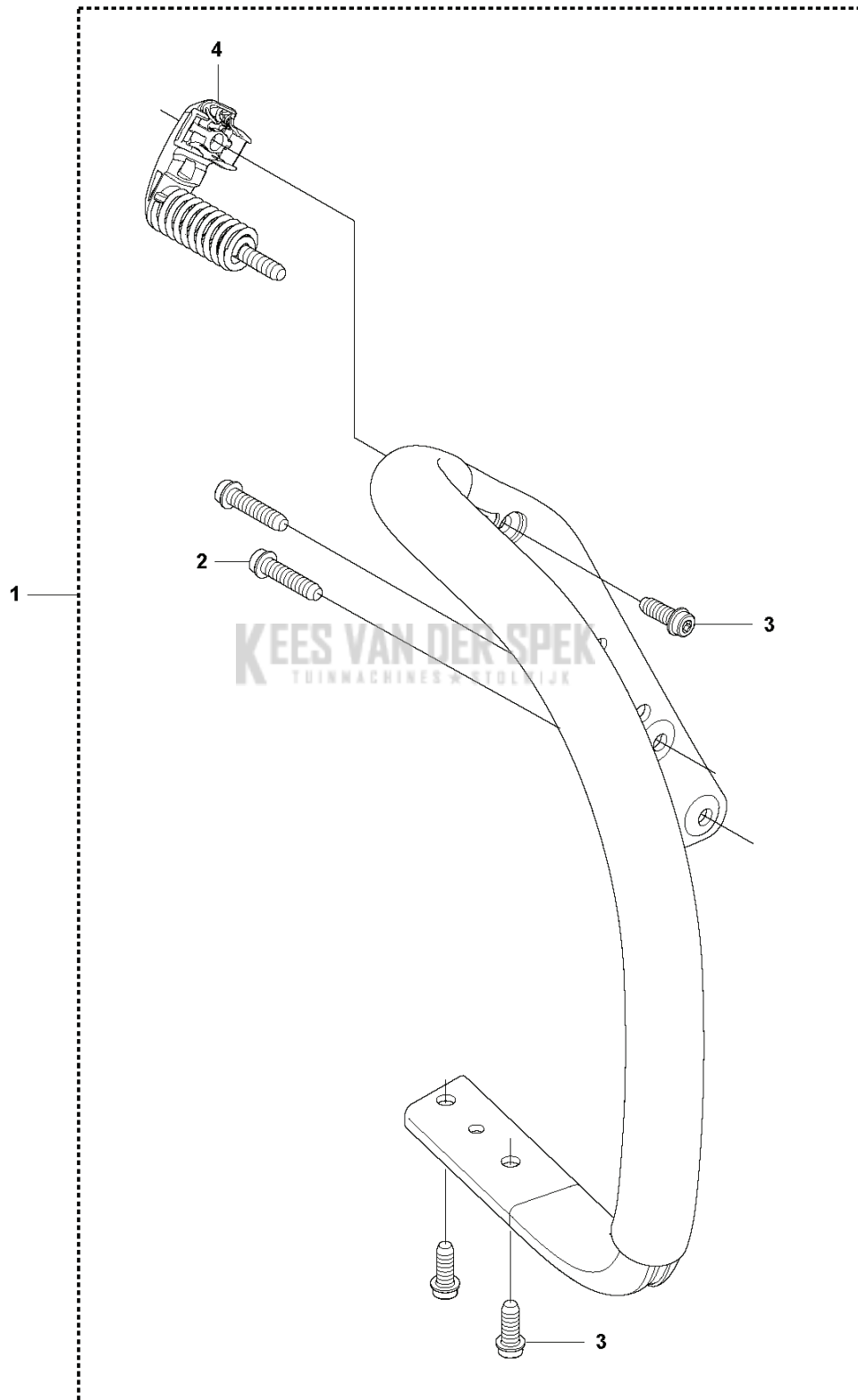


## CHAIN SAWS

| PXM_REF | PXM_PARTNO | DESCRIPTION            | PXM_REMARK  | QTY  |
|---------|------------|------------------------|-------------|------|
| 1       | 525887401  | SCREW CITXPANT         |             | 1 4  |
| 2       | 504106301  | HANDGREEPINZETSTUK     |             | 1 4  |
| 4       | 577790203  | BRANDSTOFTANK COMPL.   |             | 1    |
| 5       | 501152901  | TANKONTLUCHTING COMPL. |             | 1 4  |
| 6       | 544099801  | GASVERGREDELING        |             | 1 4  |
| 7       | 544099901  | VEER                   |             | 1 4  |
| 8       | 505157701  | GAS                    |             | 1 4  |
| 9       | 720182520  | CILINDRISCHE PEN       |             | 1 4  |
| 10      | 579482401  | GASKABEL COMPL.        |             | 1 4  |
| 11      | 525798102  | SCREW ITXSCFT          |             | 1    |
| 12      | 573993503  | BRANDSTOFLANG          | Up to AT-7A | 1    |
| 13      | 503443201  | BRANDSTOFFILTER        |             | 1    |
| 15      | 578227403  | AV ELEMENT             |             | 1    |
| 16      | 505128702  | AV ELEMENT             |             | 1    |
| 17      | 523085501  | BEGRENZINGS LIMITER    |             | 1    |
| 18      | 501007601  | STEUN                  |             | 1    |
| 19      | 522620003  | TANKDEKSEL COMPL.      |             | 1    |
| 20      | 589241101  | PAKKING                |             | 1 19 |
| 21      | 503578901  | HOLDER                 |             | 1 19 |
| 22      | 525798103  | SCREW ITXSCFT          |             | 1    |
| 23      | 577844301  | STICKER                |             | 1 4  |
| 24      | 577504101  | BRANDSTOFLANG          | From AT-7B  | 1    |

**KEES VAN DER SPEK**  
TUINMACHINES ★ STOLWIJK

**K** 545  
HANDLE

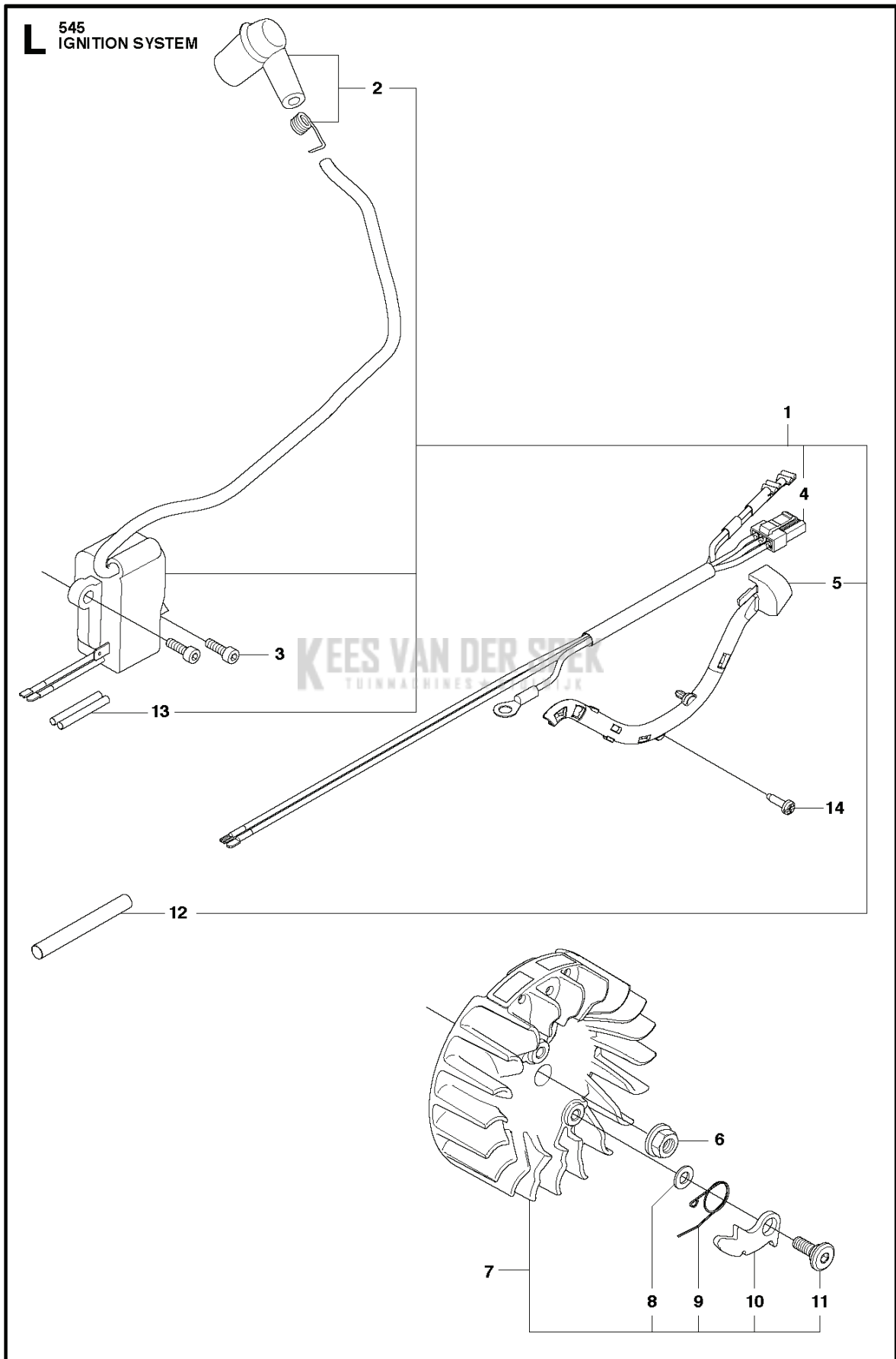


## CHAIN SAWS

---

| PXM_REF | PXM_PARTNO | DESCRIPTION    | PXM_REMARK | QTY |   |
|---------|------------|----------------|------------|-----|---|
| 1       | 577798203  | VOORSTE BEUGEL |            | 1   |   |
| 2       | 525798103  | SCREW ITXSCFT  |            | 2   | 1 |
| 3       | 525798101  | SCREW ITXSCFT  |            | 4   | 1 |
| 4       | 522951507  | AV ELEMENT     |            | 1   | 1 |

**KEES VAN DER SPEK**  
TUINMACHINES ★ STOLWIJK



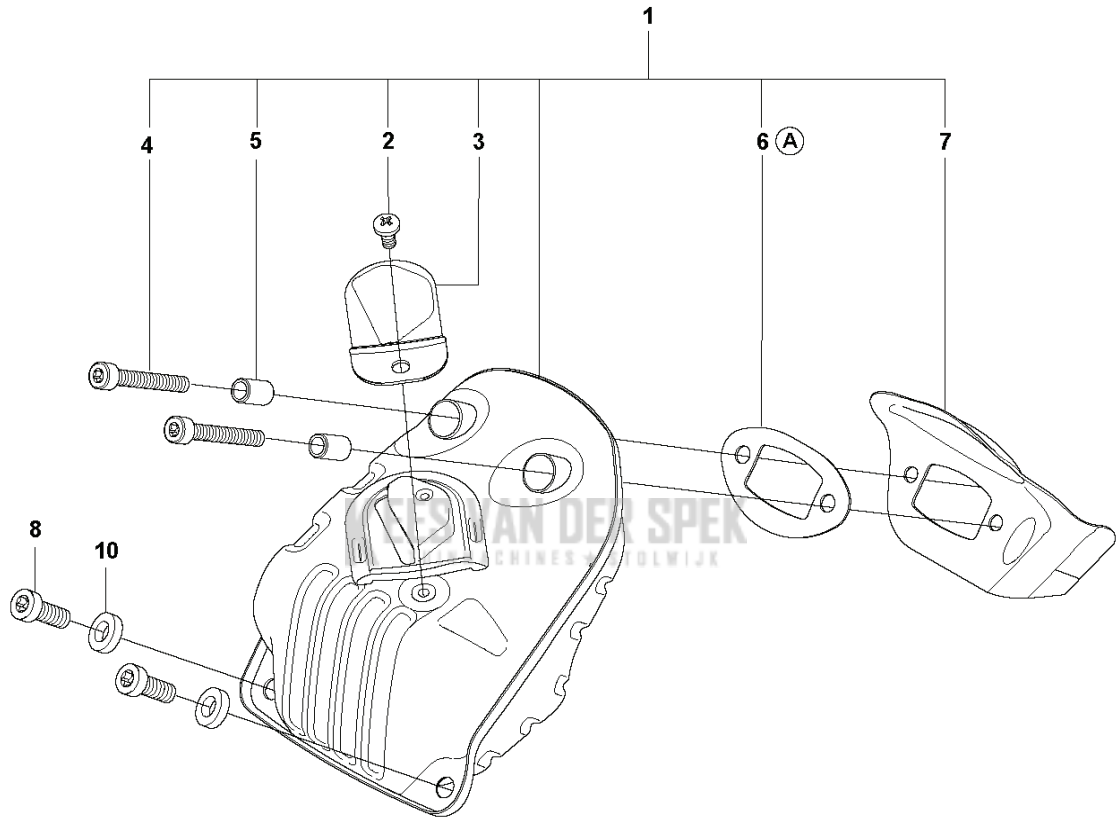
## CHAIN SAWS

---

| PXM_REF | PXM_PARTNO | DESCRIPTION             | PXM_REMARK | QTY |
|---------|------------|-------------------------|------------|-----|
| 1       | 581723702  | ONTSTEKING MODULE COMPL |            | 1   |
| 2       | 501485404  | SPARK PLUG CAP ASSY     |            | 1 1 |
| 3       | 525755203  | SCHROEF ITXSCFM         |            | 2   |
| 4       | 577967602  | BEKABELING COMPL.       |            | 1 1 |
| 5       | 529292601  | KABELHOUDER             |            | 1 1 |
| 6       | 503220401  | MOER                    |            | 1   |
| 7       | 522937803  | VLIEGWIEL COMPL.        |            | 1   |
| 8       | 503230042  | RING                    |            | 2 7 |
| 9       | 501673501  | VEER                    |            | 2 7 |
| 10      | 501673201  | PAL                     |            | 2 7 |
| 11      | 506006901  | SCREW                   |            | 2 7 |
| 12      | 504043505  | KABELBESCHERMING        |            | 1 1 |
| 13      | 503238501  | SHRINKAGE HOSE          |            | 2 1 |
| 14      | 525887401  | SCREW CITXPANT          |            | 1   |



**F** 545  
MUFFLER



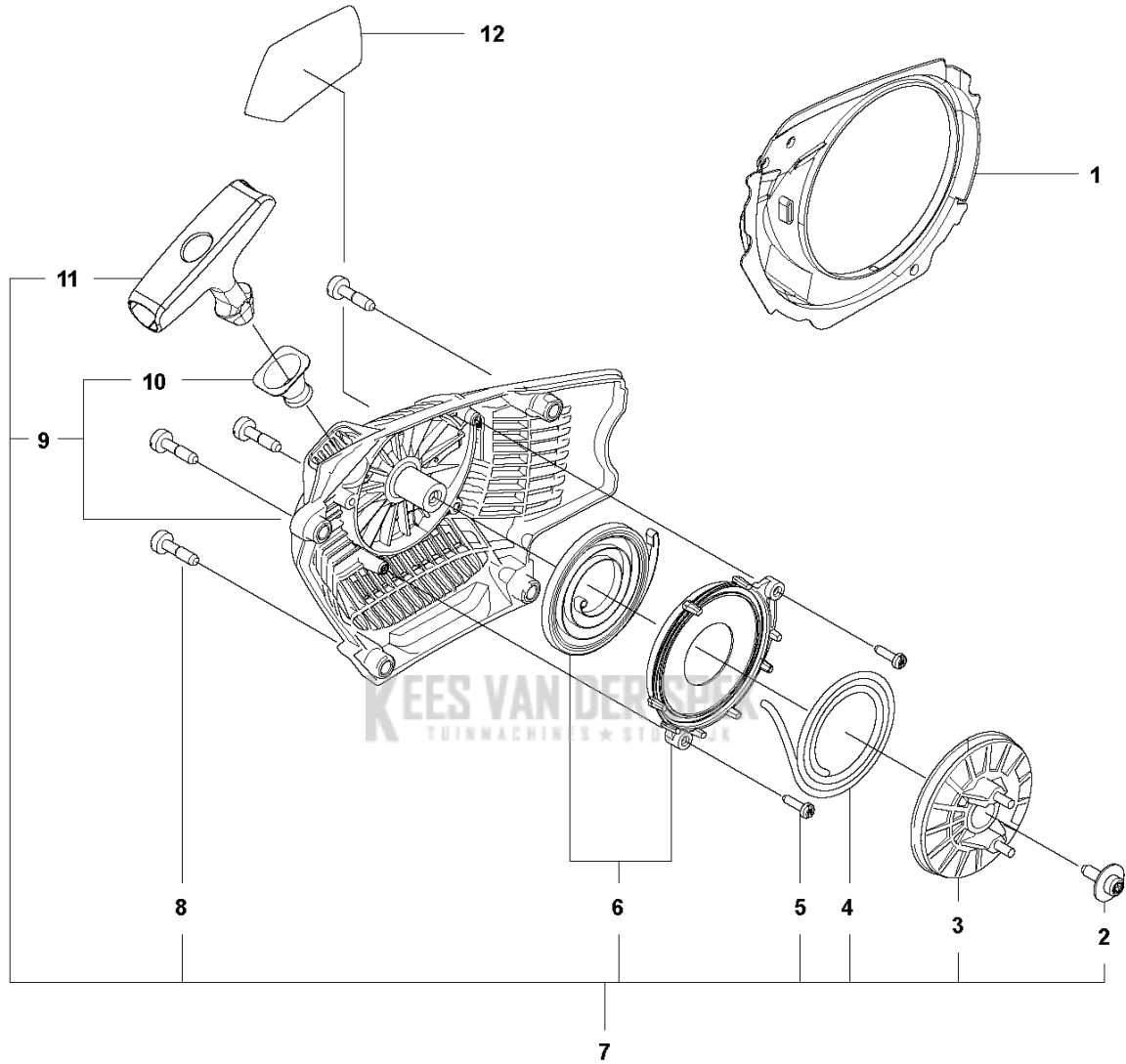
9

(A) Set of gaskets

## CHAIN SAWS

| PXM_REF | PXM_PARTNO | DESCRIPTION     | PXM_REMARK                                | QTY   |
|---------|------------|-----------------|---|-------|
| 1       | 523052604  | GELUIDDEMPERSET |   | 1     |
| 2       | 724128759  | SCHROEF CRPANM  |   | 1 1   |
| 3       | 576890201  | VONKENVANGER    |   | 1 1   |
| 4       | 525825104  | SCHROEF ITXSCM  |   | 2 1   |
| 5       | 577656301  | HULS            |   | 2 1   |
| 6       | 523052401  | PAKKING         |   | 1 1,9 |
| 7       | 523052501  | WARMTEDEFLECTOR |   | 1 1   |
| 8       | 525762501  | SCHROEF ITXSCM  |   | 2     |
| 9       | 577766603  | PAKKINGSET      | A=Set of gaskets - Up to s/n 20182000120. | 1     |
| 9       | 577766604  | PAKKINGSET      | A=Set of gaskets From s/n 20182000121 -   | 1     |
| 10      | 577902201  | RING            |   | 1     |

**M** 545  
STARTER



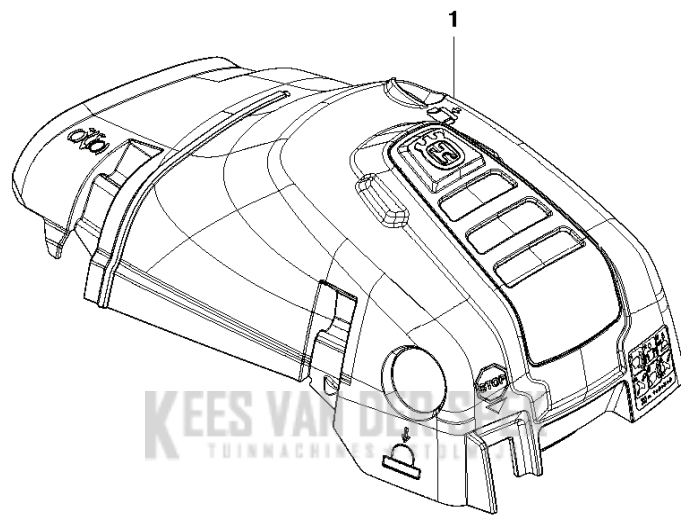
## CHAIN SAWS

---

| PXM_REF | PXM_PARTNO | DESCRIPTION         | PXM_REMARK | QTY   |
|---------|------------|---------------------|------------|-------|
| 1       | 522796201  | LUCHTLEIDING        |            | 1     |
| 2       | 576356601  | SCREW ITXSCT        |            | 1 7   |
| 3       | 505158101  | KOORDSCHIJF COMPL.  |            | 1 7   |
| 4       | 505305125  | STARTER CORD        |            | 1 7   |
| 5       | 525887401  | SCREW CITXPANT      |            | 2 7   |
| 6       | 505157902  | VEERCASSETTE COMPL. |            | 1 7   |
| 7       | 588415103  | STARTER COMPL.      |            | 1     |
| 8       | 525824501  | SCHROEF CITXPANMO   |            | 4 7   |
| 9       | 588415002  | STARTERHUIS         |            | 1 7   |
| 10      | 537283201  | HULS                |            | 1 7,9 |
| 11      | 537232501  | STARHANDVAT         |            | 1 7   |
| 12      | 523083201  | PLAATJE             |            | 1     |

**KEES VAN DER SPEK**  
TUINMACHINES ★ STOLWIJK

**C** 545  
CYLINDER COVER



KES VAN DER  
TUINWACHERS



## CHAIN SAWS

---

| PXM_REF | PXM_PARTNO | DESCRIPTION           | PXM_REMARK | QTY |
|---------|------------|-----------------------|------------|-----|
| 1       | 587248604  | CILINDERDEKSEL COMPL. |            | 1   |
| 2       | 587149501  | PLAATJE               |            | 1 1 |

**KEES VAN DER SPEK**  
TUINMACHINES ★ STOLWIJK