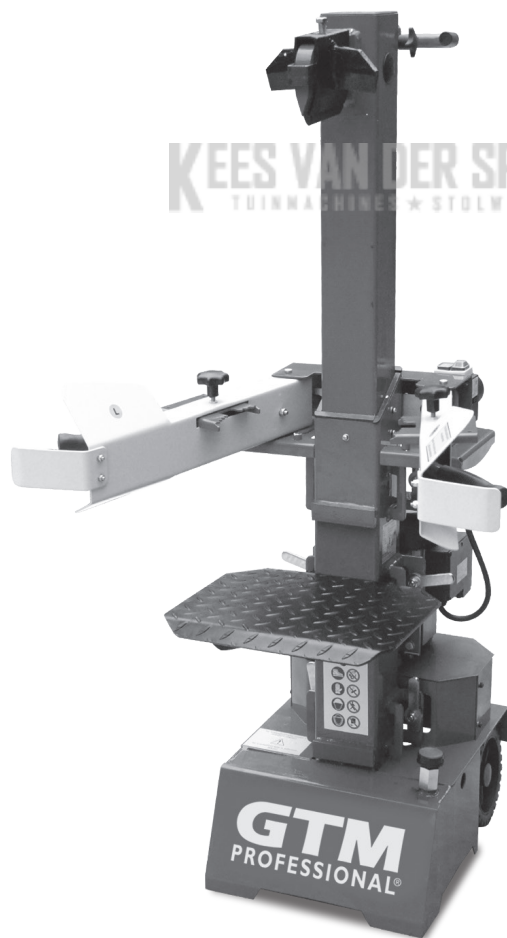
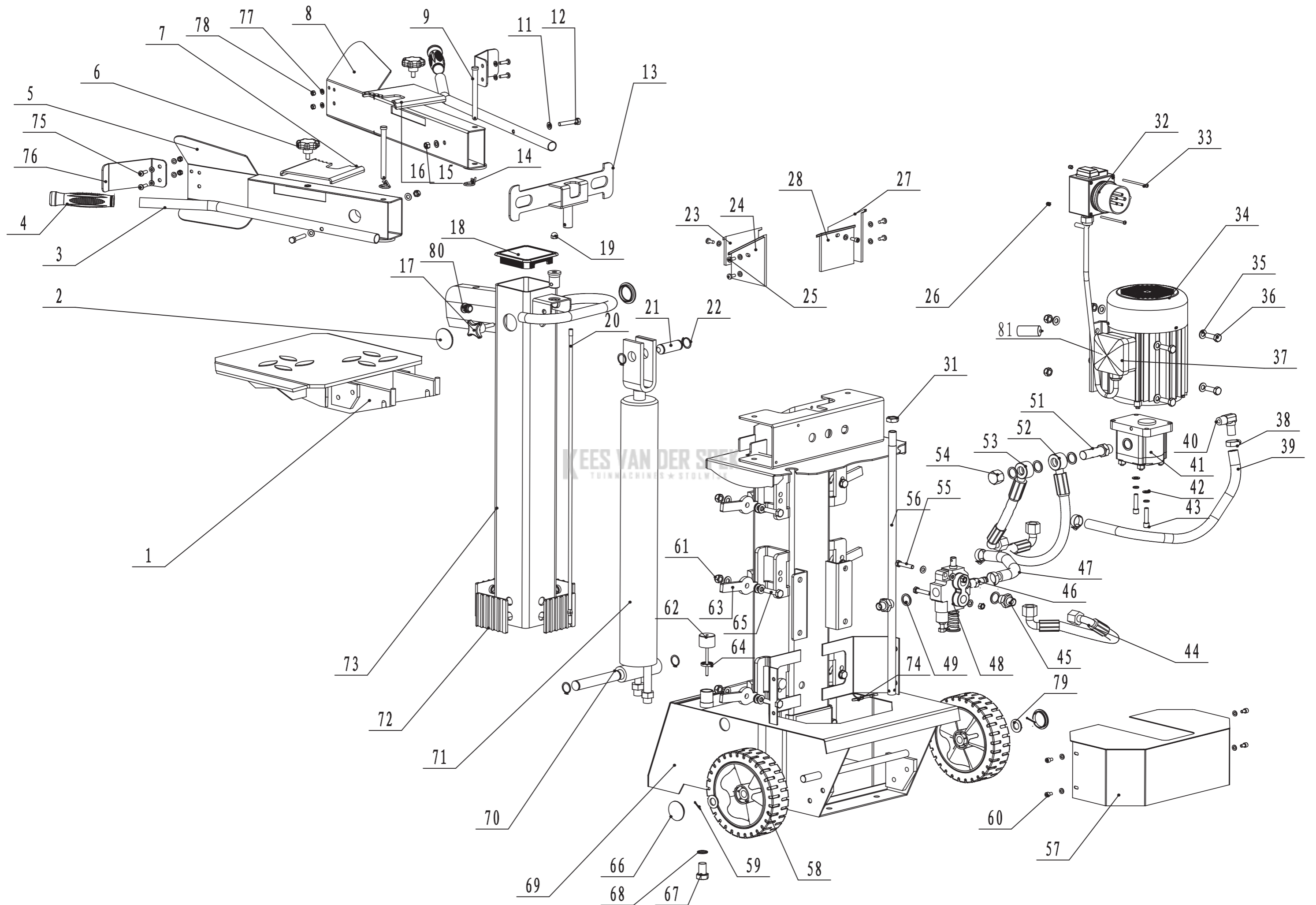


## **GTL7000 7 230 Volt**



[www.gtmprofessional.com](http://www.gtmprofessional.com)



PARTNR.	ARTICLE NUMBER	PART NAME	QTY
1	MZLS070023001	work table	1
2	MZLS070023002	round cover	2
3	MZLS070023003	operate handle	2
4	MZLS070023004	lever handle	2
5	MZLS070023005	right guard assy	1
6	MZLS070023006	knob M8x20	2
7	MZLS070023007	clamping fork 2 (right)	1
8	MZLS070023008	left guard assy	1
9	MZLS070023009	control lever shaft	2
11	MZLS070023011	washer 8	12
12	MZLS070023012	hex bolt M8x45	2
13	MZLS070023013	control link plate	1
14	MZLS070023014	fork	2
15	MZLS070023015	locknut M8	2
16	MZLS070023016	clamping fork 1 (left)	1
17	MZLS070023017	knob M8x35	1
18	MZLS070023018	square cover	1
19	MZLS070023019	nut M8	1
20	MZLS070023020	draw rod	1
21	MZLS070023021	pin	1
22	MZLS070023022	circlip 22	4
23	MZLS070023023	plastic insert 1	1
24	MZLS070023024	plastic insert 4	1
25	MZLS070023025	inner hexangular screw M6x12	6
26	MZLS070023026	locknut M4	2
27	MZLS070023027	plastic insert 2	1
28	MZLS070023028	plastic insert 3	1
31	MZLS070023031	thin nut M16	1
32	MZLS070023032	switch	1
33	MZLS070023033	screw M4x6	2
34	MZLS070023034	motor	1
35	MZLS070023035	washer 10	44
36	MZLS070023036	bolt M10x30	4
37	MZLS070023037	junction box	1
38	MZLS070023038	hose clamp	4
39	MZLS070023039	intake hose 0,52M	1
40	MZLS070023040	pump intake nozzle	1
41	MZLS070023041	oil pump	1
42	MZLS070023042	spring washer 8	4
43	MZLS070023043	inner hexangular screw M8x35	2
44	MZLS070023044	high pressure oil hose 3	1
45	MZLS070023045	valve tube nozzle	2
46	MZLS070023046	valve injection nozzle	1
47	MZLS070023047	oil return pipe 0,23M	1

PARTNR.	ARTICLE NUMBER	PART NAME	QTY
48	MZLS070023048	CA valve	1
49	MZLS070023049	washer groupware 20	6
51	MZLS070023051	T-connector, tape	1
52	MZLS070023052	high pressure oil hose 1	1
53	MZLS070023053	high pressure oil hose 2	1
54	MZLS070023054	T-plug, nut	1
55	MZLS070023055	bolt M8x25	2
56	MZLS070023056	draw sleeve	1
57	MZLS070023057	pump guard	1
58	MZLS070023058	wheel	2
59	MZLS070023059	forelock splint pin cotter pin 2x20	2
60	MZLS070023060	screw M6x10	4
61	MZLS070023061	locknut M10	10
62	MZLS070023062	cap	1
63	MZLS070023063	lock-out lever	6
64	MZLS070023064	O-ring 32x3.55	1
65	MZLS070023065	bolt M10x35	6
66	MZLS070023066	wheel Cover	2
67	MZLS070023067	bolt M16x25	1
68	MZLS070023068	washer groupware 16	1
69	MZLS070023069	upright tube weldment	1
70	MZLS070023070	lock shaft	1
71	MZLS070023071	C2 cylinder	1
72	MZLS070023072	sliding plate	4
73	MZLS070023073	wedge bracket weldment	1
74	MZLS070023074	clip	1
75	MZLS070023075	screw M6x20	4
76	MZLS070023076	armguard plate	2
77	MZLS070023077	washer 6	19
78	MZLS070023078	locknut M6	4
79	MZLS070023079	washer 16	2
80	MZLS070023080	circular blocking	1
81	MZLS0700230341	capacitor 60 µ Farad	1

**KEES VAN DER SPEK**  
TUINMACHINES ★ STOLWIJK

**GTM**  
**PROFESSIONAL®**

**[www.gtmprofessional.com](http://www.gtmprofessional.com)**