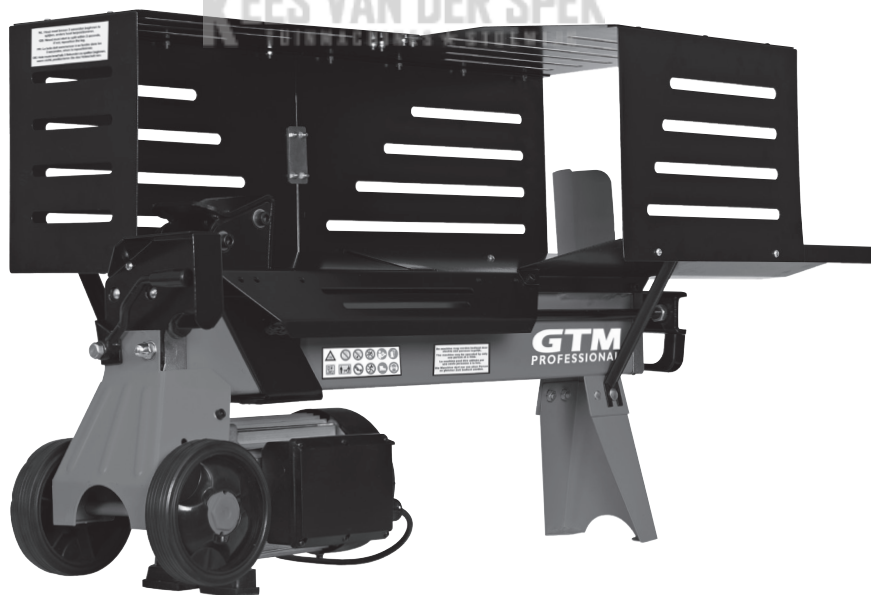
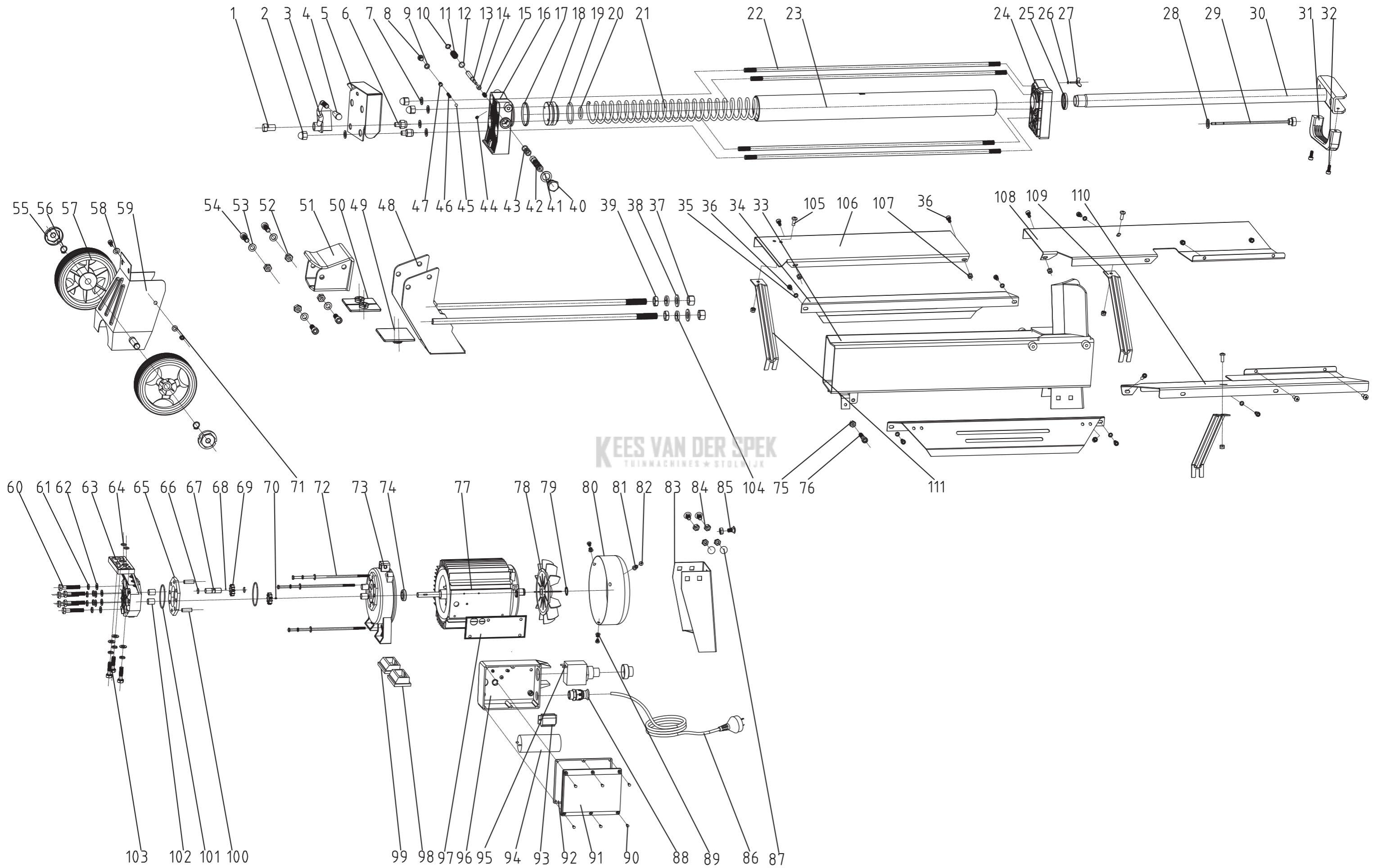


GTL5000H 230V



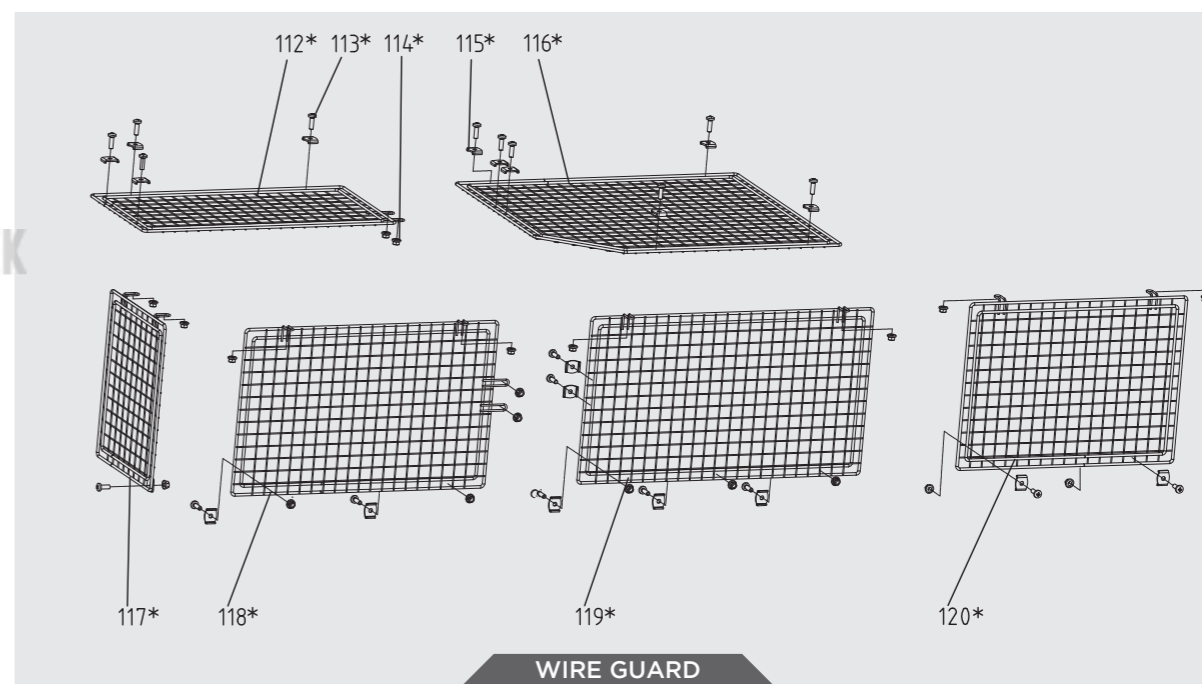
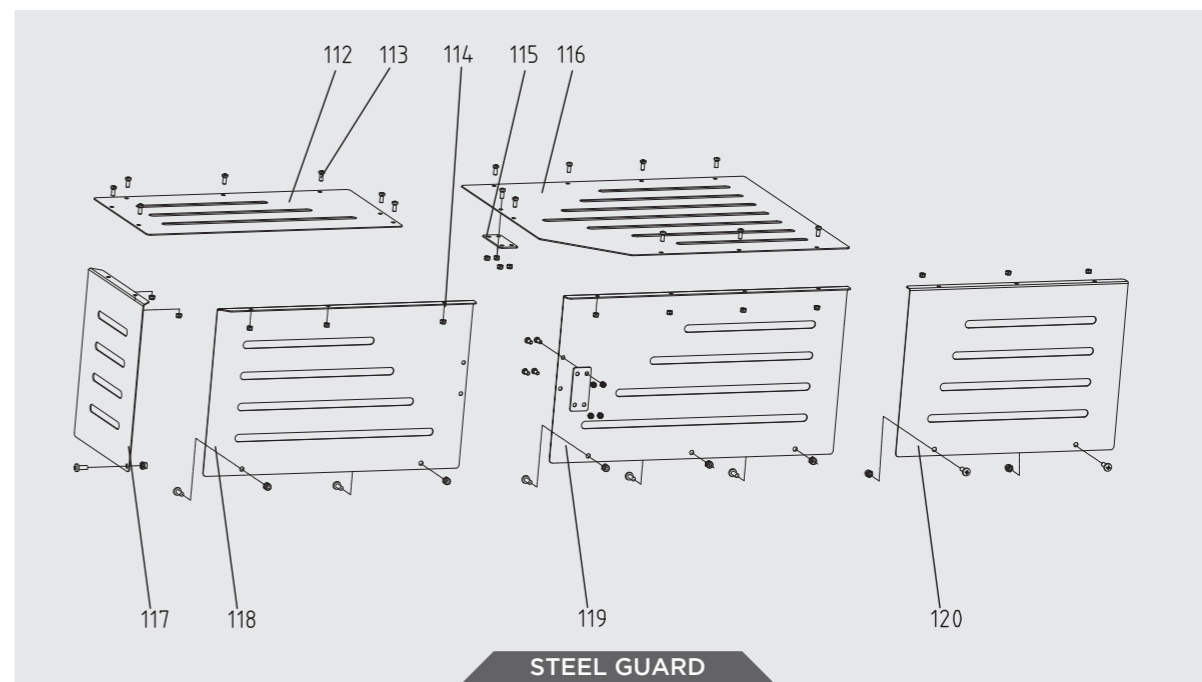
www.gtmprofessional.com



PARTNR.	ARTICLE NUMBER	PART NAME	QTY
1	MZLS050023001	lever mount nut	1
2	MZLS050023002	cap nut M10	3
3	MZLS050023003N	lever	1
4	MZLS050023004	lever knob	1
5	MZLS050023005N	lever guard	1
6	MZLS050023006	customized nut	2
7	MZLS050023007	copper gasket 10	4
8	MZLS050023008	safety valve bolt M8	1
9	MZLS050023009	O-ring 5.5x2	1
10	MZLS050023010	snap washer 6	1
11	MZLS050023011	valve retract spring	1
12	MZLS050023012	O-ring 6x1.5	1
13, 14, 42	MZLS0500230131442	valve assembly	1
15	MZLS050023015	sliding sleeve spring	1
16	MZLS050023016	aluminium cover (rear)	1
17	MZLS050023017	O-ring 50x2.65	1
18	MZLS050023018	piston	1
19	MZLS050023019	piston ring 55	1
20	MZLS050023020	O-ring 32x3.5	1
21	MZLS050023021	spring	1
22	MZLS050023022	stud bolt	4
23	MZLS050023023	hydraulic cylinder	1
24	MZLS050023024	aluminium cover (front)	1
25	MZLS050023025	piston rod seal 30	1
26	MZLS050023026	O-ring 7x1.9	1
27	MZLS050023027	wing bolt M5X12	1
28	MZLS050023028	washer groupware 14	1
29	MZLS050023029	dipstick	1
30	MZLS050023030N	piston rod	1
31	MZLS050023031	lift handle	1
32	MZLS050023032	screw M6X16	2
33	MZLS050023033N	frame tube	1
34	MZLS050023034N	lead plank	2
35	MZLS050023035	spring washer 6	6
36	MZLS050023036	screw M6x12	12
37	MZLS050023037	nut M14	2
38	MZLS050023038	flat washer 14	2
39	MZLS050023039	hexagon thin nut M14	2
40	MZLS050023040	drain plug	1
41	MZLS050023041	washer groupware 16	1
43	MZLS050023043	O-ring 10x2	5
44	MZLS050023044	adjusting screw M5x8	1
45	MZLS050023045	steel ball 6	1

PARTNR.	ARTICLE NUMBER	PART NAME	QTY
46	MZLS050023046	valve spring	1
47	MZLS050023047	adjusting screw M8x8	1
48	MZLS050023048N	log pusher connection weldment	1
49	MZLS050023049	plastic insert 1	1
50	MZLS050023050	plastic insert 2	1
51	MZLS050023051	log pusher	1
52	MZLS050023052	nut M10	4
53	MZLS050023053	flat washer 10	5
54	MZLS050023054	screw M10x25	4
55	MZLS050023055	wheel cap	2
56	MZLS050023056	shaft circlip A14	2
57	MZLS050023057	wheel	2
58	MZLS050023058N	washer 6	1
59	MZLS050023059	wheel bracket	1
60	MZLS050023060	bolt M8x55	6
61	MZLS050023061	spring washer 8	9
62	MZLS050023062	washer 8	9
63	MZLS050023063	gear pump cover	1
64	MZLS050023064	O-ring 10.6x2.65	2
65	MZLS050023065	gear housing plate	1
66	MZLS050023066	circlip 10	2
67	MZLS050023067	gear shaft	1
68	MZLS050023068	steel ball 2.5	1
69	MZLS050023069	pump gear	2
70	MZLS050023070	pin 2.5x4	1
71	MZLS050023071	washer 6	1
72	MZLS050023072	bolt M5x180	3
73	MZLS050023073	motor front cover	1
74	MZLS050023074	seal FB11x26x7	1
75	MZLS050023075	nut M8	1
76	MZLS050023076	screw M8x35	1
77	MZLS050023077	motor	1
78	MZLS050023078	motor fan	1
79	MZLS050023079	shaft circlip A17	1
80	MZLS050023080	motor cover	1
81	MZLS050023081	spring washer 5	6
82	MZLS050023082	screw M5X10	3
83	MZLS050023083N	leg	1
84	MZLS050023084	nut M8	5
85	MZLS050023085	bolt M8x12	3
86	MZLS050023086	cable & plug	1
87	MZLS050023087	bolt M8x16	2
88	MZLS050023088	cable gland	1

PARTNR.	ARTICLE NUMBER	PART NAME	QTY
89	MZLS050023089	washer 5	6
90	MZLS050023090	screw M4X10	11
91	MZLS050023091	switch box cover	1
92	MZLS050023092	airproof gasket	1
93	MZLS050023093	connection terminal	1
94	MZLS050023094	capacitor	1
95	MZLS050023095	switch	1
96	MZLS050023096	switch box	1
97	MZLS050023097	waterproof gasket	1
98	MZLS050023098	motor support left shoe	1
99	MZLS050023099	motor support right shoe	1
100	MZLS0500230100	pin 8X24	2
101	MZLS0500230101	O-ring 46.2x1.8	2
102	MZLS0500230102	sliding sleeve	4
103	MZLS0500230103	bolt M8x30	3
104-111	MZLS0500230104-111N	log tray assembly	1
112-120	MZLS0500230112-120N	steel guard assembly	1



Kees van der Spek
TUINMACHINES * STOLWIJK

KEES VAN DER SPEK
TUINMACHINES ★ STOLWIJK

GTM
PROFESSIONAL®

www.gtmprofessional.com