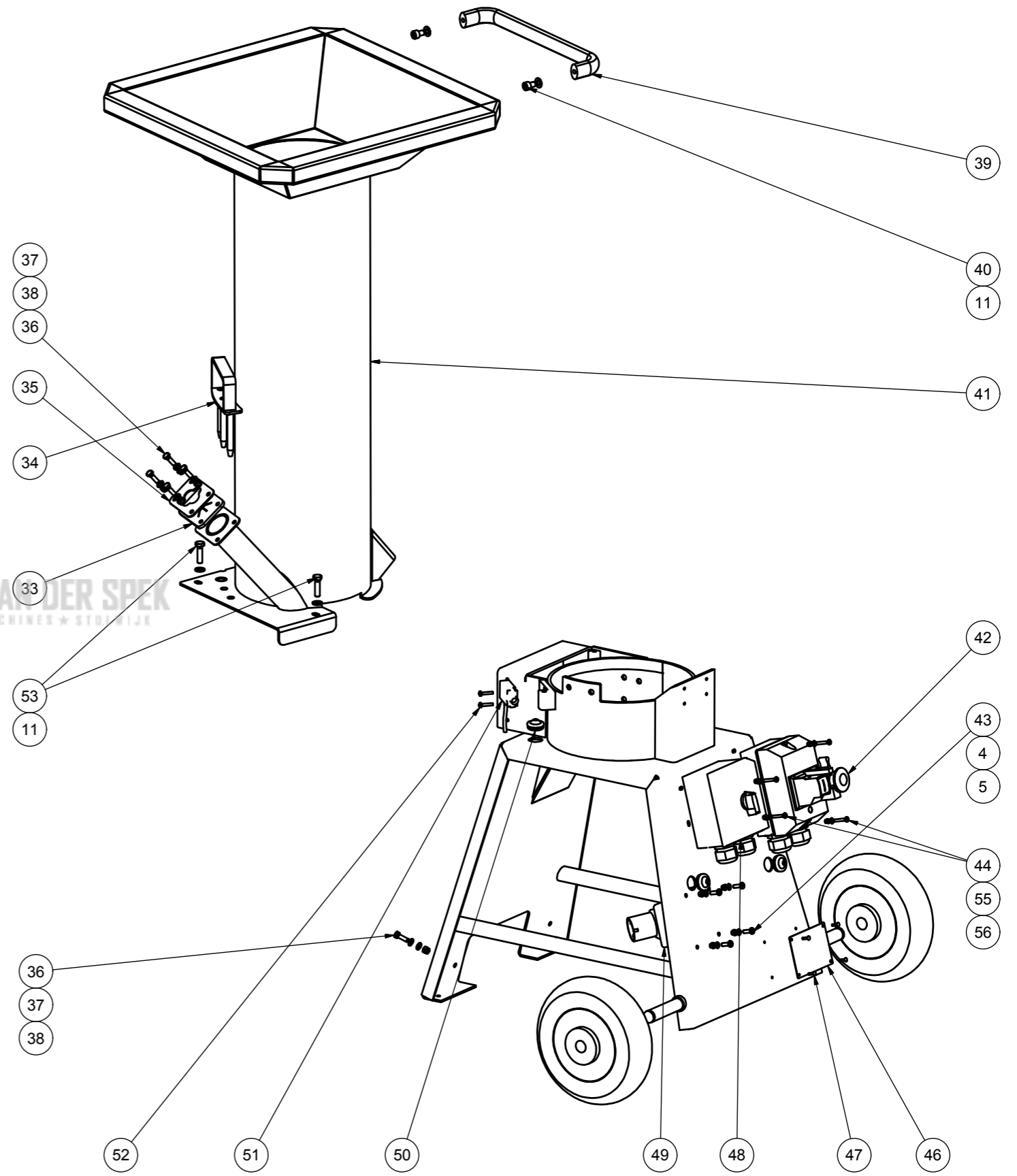
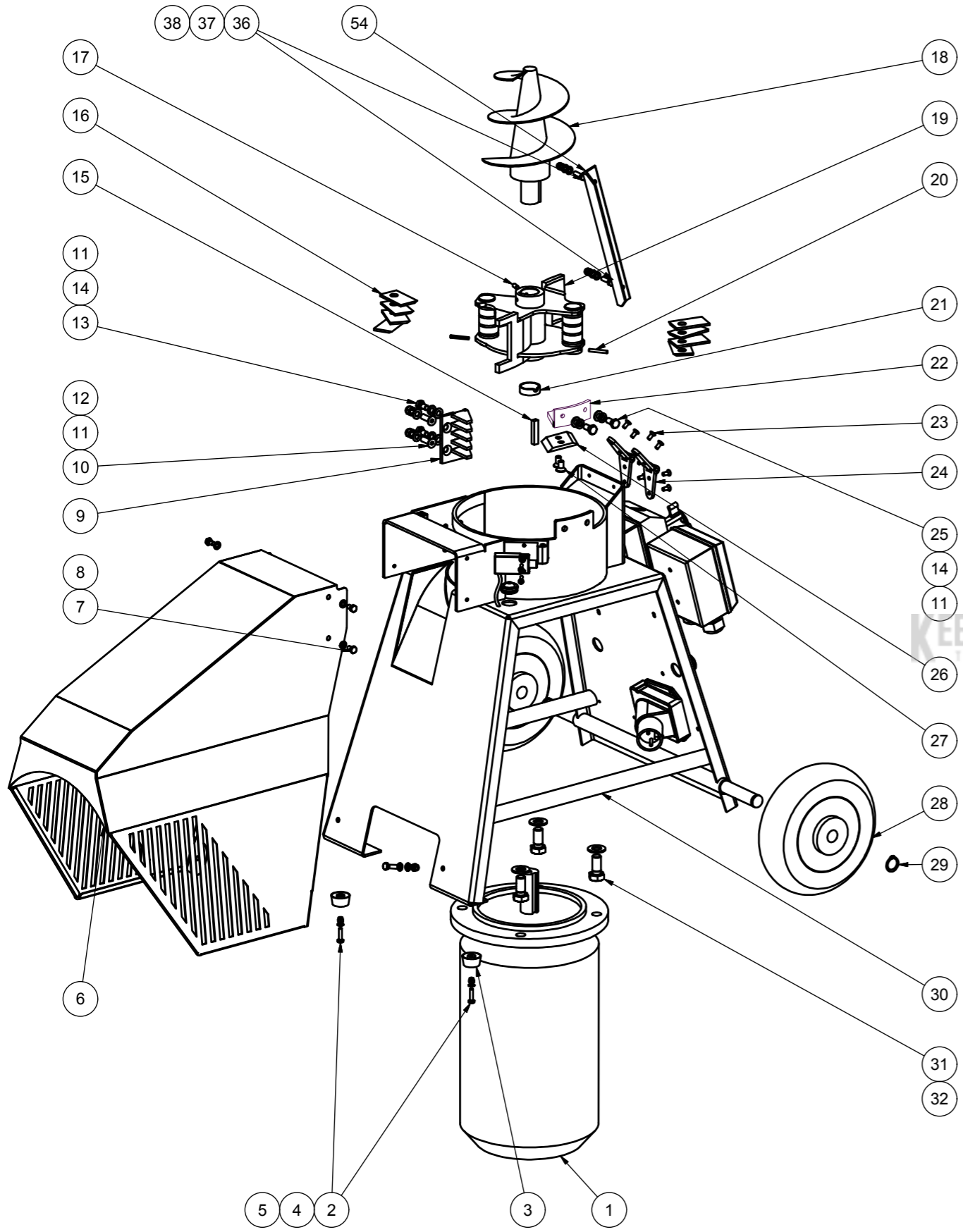


GTS300C



www.gtmprofessional.com



PARTNR.	ARTICLE NUMBER	PART NAME	QTY
1	MZSGTSE10ML10034	electric motor 2,2kw 1500rpm	1
2	MZSGTSS01M05020PFN	cross recessed pan head screw M5x20	2
3	MZSGTSM050048000	vibration damper	2
4	MZSGTSS040M0510PIR	plain washer 5	6
5	MZSGTSS03M05000LON	tall self lock nut with nylon insert M5	6
6	MZSGTSM034009000	output chute	1
7	MZSGTSS01M06010NFN	hex bolt M6x10	4
8	MZSGTSS040M0615LIR	open spring washer 6	4
9	MZSGTSM034004000	counterblade assembly	1
10	MZSGTSS01M08025CFN	hexagon head bolt partial thread M8x25	2
11	MZSGTSS040M0816PIR	plain washer 8	10
12	MZSGTSS03M08000LON	lock nut M8	2
13	MZSGTSS01M08014NFN	hex bolt M8x14	2
14	MZSGTSS040M0815LIR	open spring washer 8	4
15	MZSGTSS14080740R	key 8x7-40 electrical motor	2
16	MZSGTSM034015000	beaters	8
17	MZSGTSS01M06012J1S	set screw with flat point M6x12	4
18	MZSGTSM034006000	spiral assembly	1
19	MZSGTSM034012000	beaterbox assembly	1
20	MZSGTSS09P043000	roll pin 4x30	2
21	MZSGTSM024002000	rotor spacer	1
22	MZSGTSM034013000	top blade support	1
23	MZSGTSS01M05012CFN	hexagon head bolt partial thread M5x12	8
24	MZSGTSS14L103B27	but hinge 103x27	4
25	MZSGTSS01M08016NFN	hex bolt M8x16	2
26	MZSGTSM034010000	blade 300C	1
27	MZSGTSS01M08016CFN	hexagon head bolt partial thread M8x16	2
28	MZSGTSC05R082006	2.5-R4 axle 20mm foam tire white rim	2
29	MZSGTSS09O200000	circlips 20	2
30	MZSGTSM034001000	frame	1
31	MZSGTSS01M14030NFN	hex bolt M14x30	4
32	MZSGTSS040M1430PIR	plain washer 14	4
33	MZSGTSM054001000	rubber curtain side infeed GTS300C	1
34	MZSGTSM034014000	screen	1
35	MZSGTSM034016000	rubber holder plate	1
36	MZSGTSS01M06020NFN	hex bolt M6x20	8
37	MZSGTSS040M0612PIR	plain washer 6	12
38	MZSGTSS03M06000LON	lock nut M6	8
39	MZSGTSS05MB00300	hand grip	1
40	MZSGTSS01M08012JFN	inner hexagon socket head cap bolt M8x12	2

41	MZSGTSM034011000	hopper assembly	1
42	MZSGTSA09EC300CE	motor safety box	1
43	MZSGTSS01M05016PFN	screw M5x16	4
44	MZSGTSS01M04025PFN	screw M4x25	4
46		serial numberplate De Wild	1
47	MZSGTSS13AL32090	rivet 3.2x12	4
48	MZSGTSE02LW263M2	reversing switch	1
49	MZSGTSE093PM0001	wall mounted socket	1
50	MZSGTSS180000004	feed through coil cable 13mm	3
51	MZSGTSE023111ASP	limit switch	1
52	MZSGTSS01M04020PFN	cross recessed pan head screw M4x20	2
53	MZSGTSS01M08030NFN	hex bolt M8x30	2
54	MZSGTSM024004000	L shaped profile 25x25x3 L250 for hopper	1
56	MZSGTSS03M04000LON	hex nut M4	4
55	MZSGTSS040M0408PIR	washer 4	4

KIES VAN DER SPEK
DIJN MACHINES * STOLWIJK

KEES VAN DER SPEK
TUINMACHINES ★ STOLWIJK

GTM
PROFESSIONAL®

www.gtmprofessional.com