

4908 DC Mower SPD
(4908 直流割草机售后爆炸图)

1000013002_S

Exploded View

VERSION	A	WEIGHT	g
SCALE	1:10	IMP DESG23	B

Designed by

戴成

Checked by

许海深

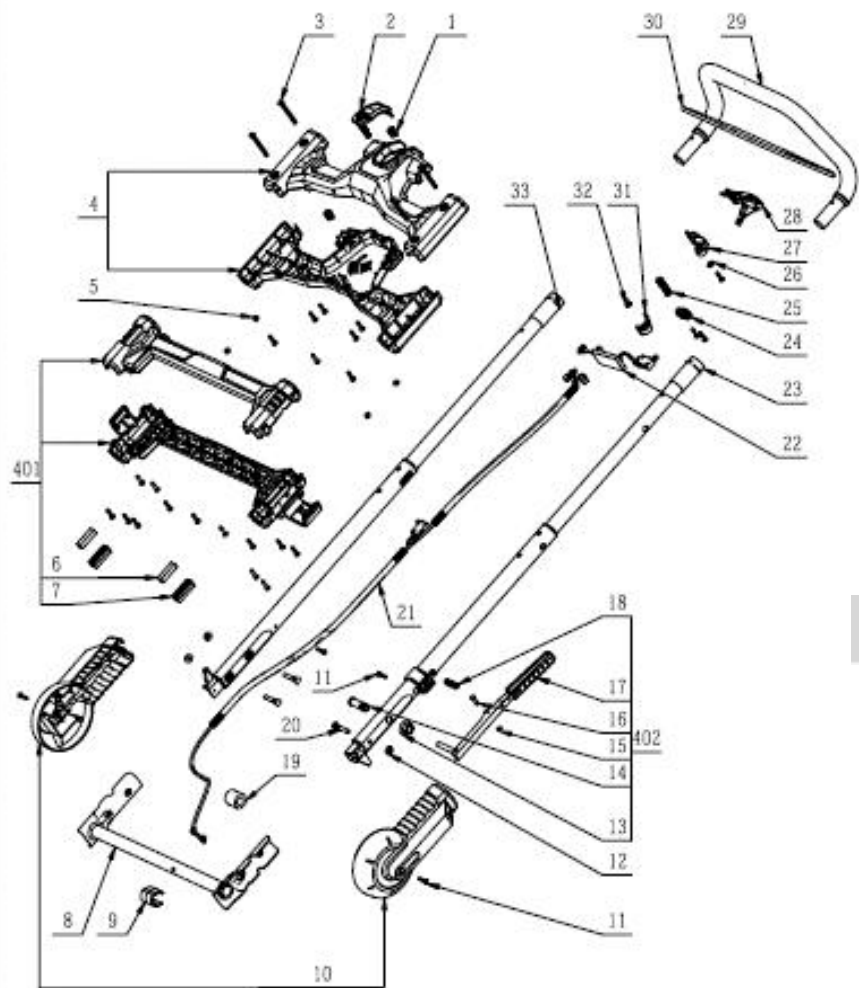
Approved by

Effective Date : 2018-11-16

CHERVON

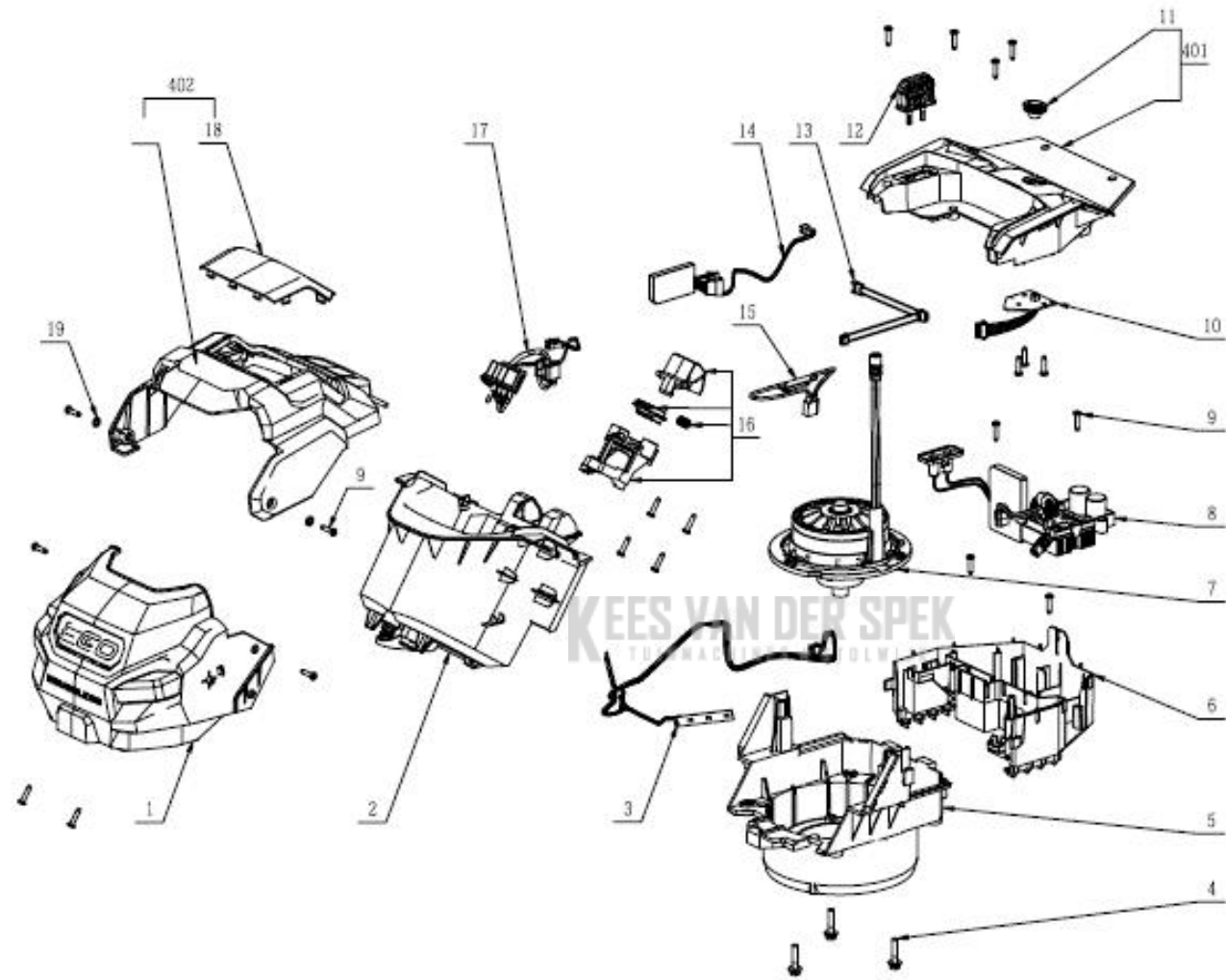
RevNo	Zone	Revision note

202



Kees van der Spek
TUINMACHINES * STOLWIJK

		Handle ASSY (4908把手组件)		2825947002_S	
		Exploded View		VERSION	A
				SCALE	1:1.3
		Designed by 戴成		WEIGHT	g
		Checked by 许海深		IMP DEGREE	B
		Approved by		SHEET	1/1
		Effective Date : 2018-11-16			
RevNo	Date	Revision note			
CHERVON					



			Power Unit (单包动力头)		2826467002_S
			Exploded View	VERSION	A
				SCALE	1:5
			Designed by	戴成	
			Checked by	许海深	
			Approved by		
RevNo	Zone	Revision note	Effective Date : 2018-11-16		



Repair Parts_42cm Push mower_4908(LM1700E)

Model No.	LM1701E
Art. No.	0500016002

Index No.	Service Part No.	Description		QTY in machine
1	5640010003	Hexagon Flange Bolt		4
2	5650453001	Wave Washer		4
3	3705216001	Mounting Plate		2
4	2825708001	Front Axle Set		1
5	5620157006	Hexagon Socket Screw		41
6	2826614001	Wheel Assembly		2
7	5640226001	Flange Bolt		1
8	5650510001	Washer		1
9		Blade	Acessory	1
10	2826616001	Fan Assembly		1
11	3129300001	Rear Enclosure		1
12	3129304001	Cover		1
13	5660152002	Circlips For Shaft		2
14	3422293901	Bearing Support		2
15	5620480002	Screw		4
16	5630013003	Prevailing Torque Hexagon Nut		2
17	2825931001	Connecting Rod ASSY		1
18	3128692001	Height Adjusting Lever		1
19	2825933001	Handle Lever Set		1
20	5620033010	Screw		1
21	5670184002	Pin		1
22	3660723001	Torsion Spring		1
23	2825707001	Rear Axle Set		1
24	2826615001	Wheel Assembly		2
25	3800146001	Grass Catcher Assembly		1
26	2826309001	Cover Assembly		1
27	3900087001	Pothook Assembly		1
28	3706590001	Bag Frame		1
29	3129298001	Rear Cover		1
30	3706717001	Support Plate		1
31	3706726001	Spring Seat		1
32	3660720001	Tension Spring		1
33	5670487001	Shaft		1
34	2825932001	Service Cover Assembly		1
35	3706719001	Mounting Plate		1
36	5660139002	E Ring		1
37	3660559001	Torsion Spring		1
38	3706864001	Mounting Plate		1
39	2825957001	Support ASSY		1
40	2826165001	Switch Assembly		1
41	5640217001	Bolt and Washer Set		4
42	3900085001	Decorative Cover ASSY		1
201	2826467002	Power Unit		1
202		Handle ASSY	not available	1
201		Power Unit	not available	
1	2826307001	Top Cover ASSY		1
2	2826306001	Battery Box ASSY		1
3	2830412001	4908 LED Electric Assembly		1
4	5640217001	Bolt and Washer Set		3

5	3403069001	Bottom Support			1
6	3129434001	Mounting Plate			1
7	2730281001	DC Motor			1
8	2826492001	4908 Electric Assembly			1
9	5620157006	Hexagon Socket Screw			21
10	2830413001	4908 Push Button Panel PCBA			1
11	3322491001	Button			1
12	5680196001	Key			1
13	4860616001	Internal Wire ASSY			1
14	2830414001	4908 LED Control Electric Assembly			1
15	2830216002	4908 Fuse PCBA			1
16	2826617001	Button Unit			1
17	4860586001	Wiring Harness			1
18	3129442001	Transparent Guard			1
19	5650013004	Plain Washer			2
401	2826308001	Rear Cover ASSY			1
402	2826310001	Battery Cover ASSY			1
202		Handle ASSY		not available	
1	3660011002	Spring			2
2	3129665001	Button			1
3	5620161005	Hexagon Socket Screw			4
4	3900081001	Switch Box ASSY			1
5	5630006002	Prevailing Torque Hexagon Nut			4
6	3126832001	Rubber Block			2
7	3129506001	Clamp Block			2
8	2826588001	Spindle ASSY			1
9	3129714001	Switch Actuator			1
10	3900177001	Decorative Cover ASSY			1
11	5620157006	Hexagon Socket Screw			27
12	5630013003	Prevailing Torque Hexagon Nut			3
13	5630268001	Nut			1
14	3551952001	Sleeve			1
15	5660003003	E Ring			1
16	3550048003	Pin			1
17	2824250001	Handle Lever Set			1
18	3660565001	Compression Spring			1
19	3680282001	Magnet Ring			1
20	5640168001	Square Neck Bolt			3
21	2826080001	Internal Wire ASSY			1
22	2830411001	4908 Switch Electric Assembly			1
23	2825948001	Telescope Tube			1
24	3126763001	Clamp			1
25	3660562001	Compression Spring			1
26	5650004001	Plain Washer			1
27	3127905001	Switch Actuator			1
28	3127908001	Switch Lever			1
29	2825955001	Handle Set			1
30	3650222001	Control Handle			1
31	3129632001	Switch Actuator			1
32	3660724001	Torsion Spring			1
33	2825949001	Telescope Tube			1
401	2826544001	Beam Assembly			1
402	2826613001	Handle Lever Set			1