

SPARE PARTS CATALOGUE
ZERO TURN: COMMERCIAL: HUSQVARNA Z454X



Spare Parts List

SPARE PARTS LIST

ZERO TURN: COMMERCIAL

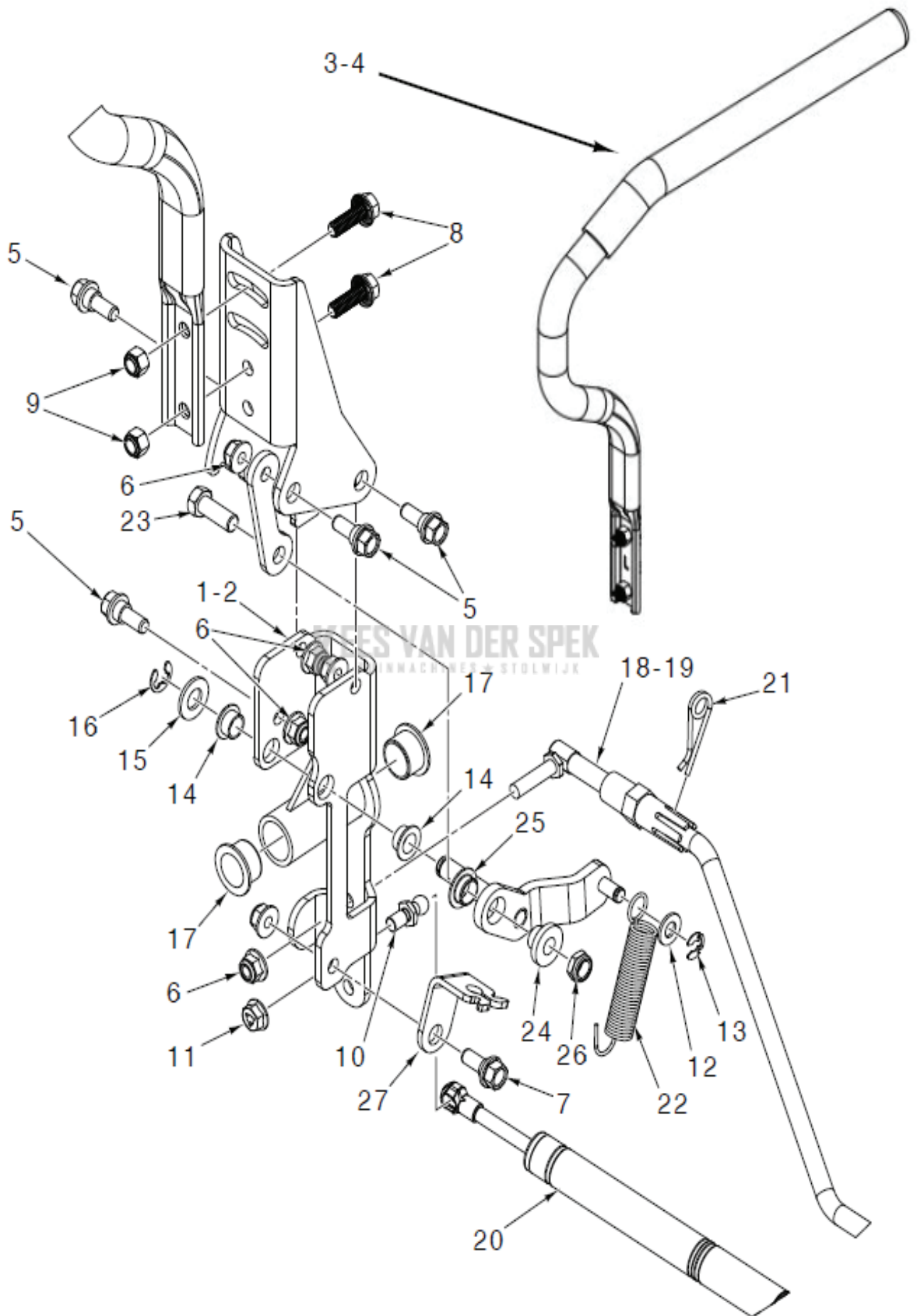
HUSQVARNA Z454X

KEES VAN DER SPEK
TUINMACHINES ★ STOLWIJK

ZERO TURN: COMMERCIAL

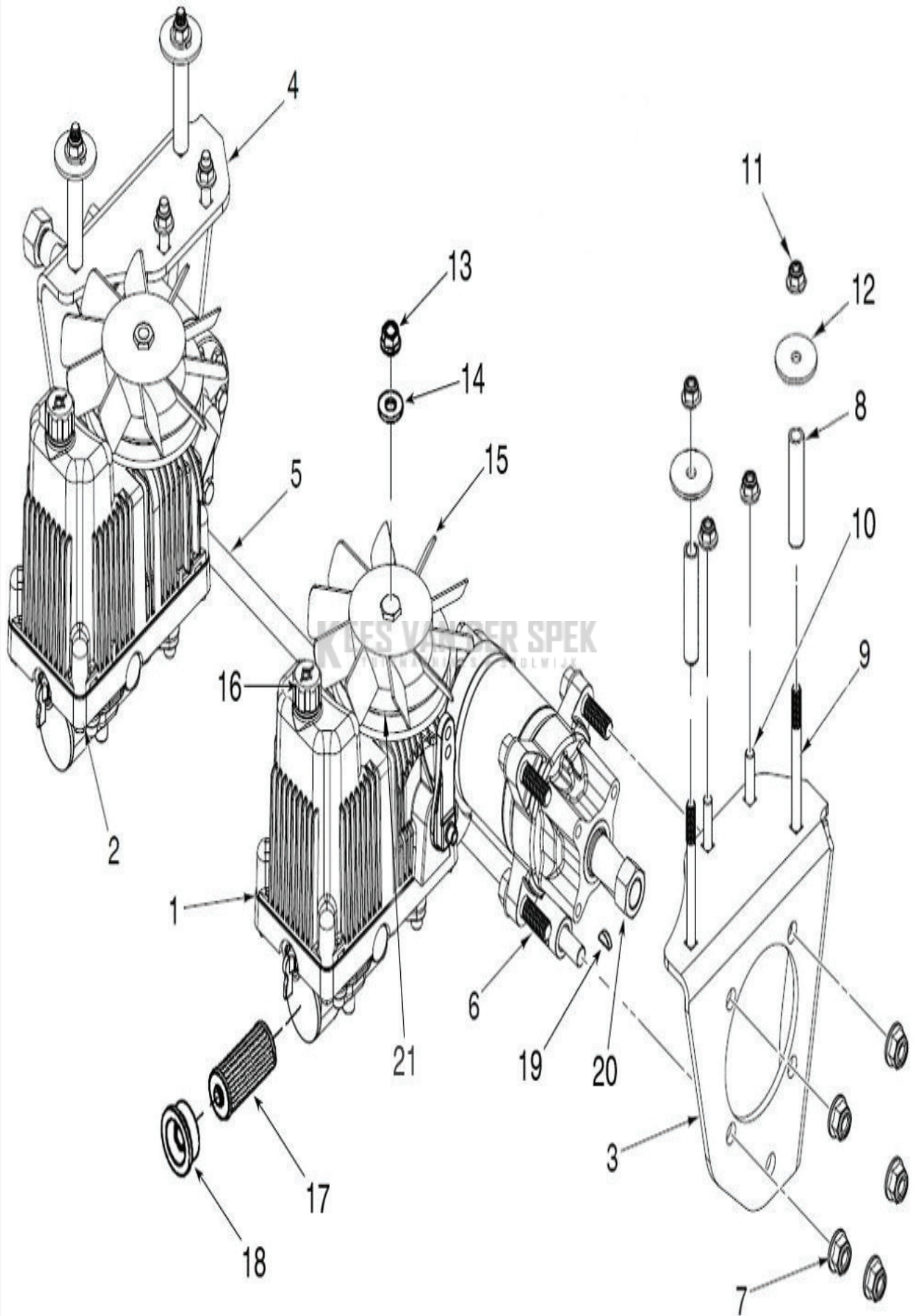
PXM_REF	PXM_PARTNO	DESCRIPTION	PXM_REMARK	QTY.
1	590700001	KAP		2
2	591457301	SCREW		2
3	591425101	KAP		2
4	590681601	VEER		2
5	539102543	LAGER		4
6	596623501	VENTIEL		2
7	539102851	AFDICHTING		2
8	590674602	VORK		2
9	539105517	BOUT		2
10	819182212	RING		2
11	521991101	MOER		2
12	575334901	AFSTANDRING		2
13	539103300	NIPPEL		2
14	581199501	WIEL COMPL.		2
15	539102484	LAGER		4
15	539105307	ROLLAGER		4
16	539912234	VENTIEL		4
17	539105522	BAND		2
18	599152301	WIEL COMPL.		2
19	587653903	MOER		8
	593145201	BAND		1

KEES VAN DER SPEK
TUINMACHINES ★ STOLWIJK



ZERO TURN: COMMERCIAL

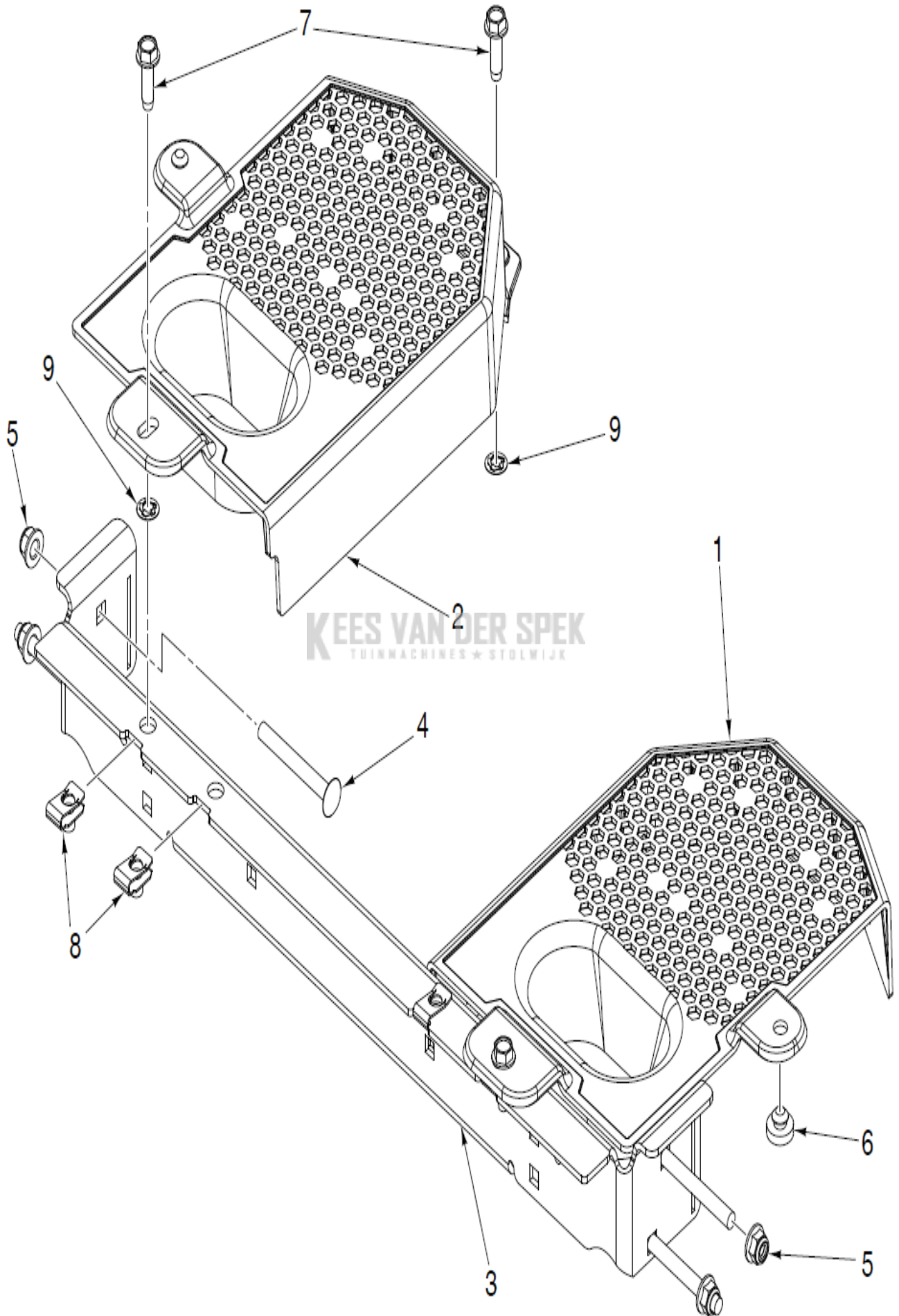
PXM_REF	PXM_PARTNO	DESCRIPTION	PXM_REMARK	QTY.
1	598486402	SERVICE KIT	CONTROLS SYSTEM RH	1
2	598486401	SERVICE KIT	CONTROLS SYSTEM LH	1
3	596985304	HEFBOOM	CONTROL LEVER RH	1
4	596985303	HEFBOOM	CONTROL LEVER LH	1
5	597001301	BOUT	BOLT HEX HD 5/16 x 7/8	8
6	594944401	MOER	NUT 5/16-18	1
7	596240701	BOUT	BOLT HEX HD 5/16-18 x 5	1
8	597001101	BOUT	BOLT HEX HD 5/16 x 1	4
9	596583702	MOER	NUT 5/16-18 x 1	1
10	594056301	TAPEIND	STUD	1
11	596135701	LOCK NUT	LOCK NUT 5/16-18	1
12	596204101	RING	WASHER	1
13	812000035	KLEM	CLIP	1
14	501603709	LAGER	BEARING FLANGED	4
15	597001201	RING	WASHER	1
16	522705201	RING	RING 7/16	1
17	539131518	BEARING. FLANGE	BEARING FLANGED	2
18	596862302	STANG	CONTROL ROD ASSEMBLY RH	1
19	596862301	STANG	CONTROL ROD ASSEMBLY LH	1
20	588775401	DEMPER	DAMPER	1
21	582551901	KLEM	RETAINING CLIP	1
22	597906801	VEER	SPRING	1
23	596564401	BOUT	BOLT HEX HD 3/8-16 x 1	1
24	596291101	BUSHING	BUSHING	1
25	501603710	LAGER	BEARING FLANGED	1
26	596230801	MOER	NUT	1
27	593061302	BEVESTIGING		2



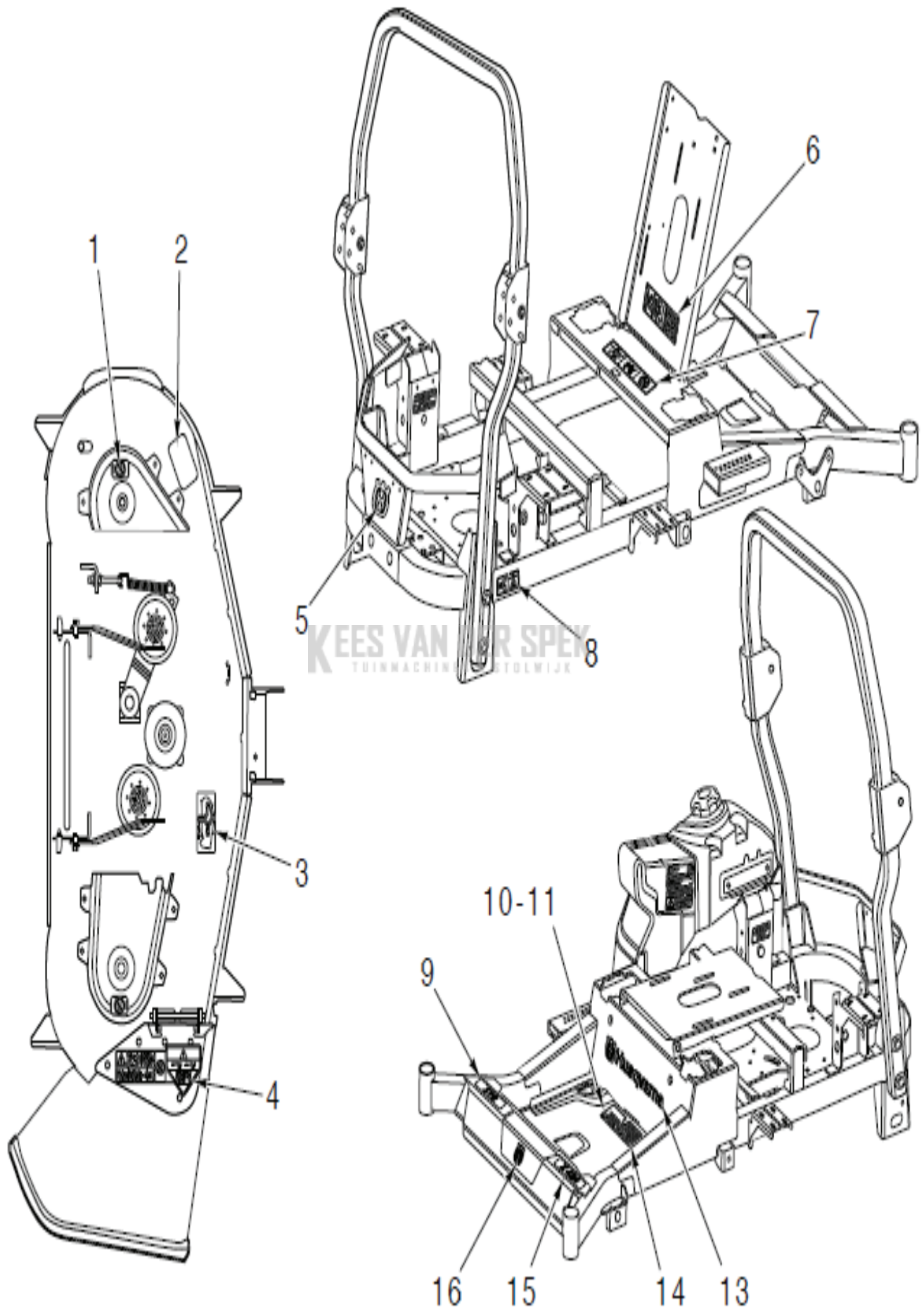
ZERO TURN: COMMERCIAL

PXM_REF	PXM_PARTNO	DESCRIPTION	PXM_REMARK	QTY.
1	594090501	TRANSMISSIE	HTE, 12CC PUMP	1
2	594090502	TRANSMISSIE	HTE, 12CC PUMP	1
3	596691903	BEVESTIGING		1
4	596691904	BEVESTIGING		1
5	594091101	CROSSBAR		1
6	597002001	SCREW	1/2-13 X 2	8
7	521991102	MOER	1/2-13	10
8	594090801	AFSTANDRING		4
9	525848601	RHSNB	3/8-16 X 4	4
10	596136101	BOUT	UNC 3/8-16 X 1.5	4
11	521996502	MOER	3/8-16	8
12	596917301	RING		4
13	599371501	HOUDER	Nut	2
14	599371401	HOUDER	WASHER	2
15	599371301	VENTILATOR		2
16	596487901	PIJLSTOK		2
17	599370101	FILTER		2
18	599370201	CAP ASSY		2
19	599371201	SLEUTEL		2
20	599370301	AS	Nut	2
21	529358401	POELIE		2
22	598437801	HOUDER		4
	536768801	SEAL KIT	NOT SHOWN: TOP HOUSING CHARGE PUMPSEALS	1
	536768901	SERVICE KIT	NOT SHOWN: 1 GAL OIL & 1 FILTER	2
	536769201	PLUG	NOT SHOWN: POPPET VALVE PLUG	1
	536769301	SEAL KIT	NOT SHOWN: SEAL KIT	1

KEES VAN DER SPEK
TUINMACHINES ★ STOLWIJK

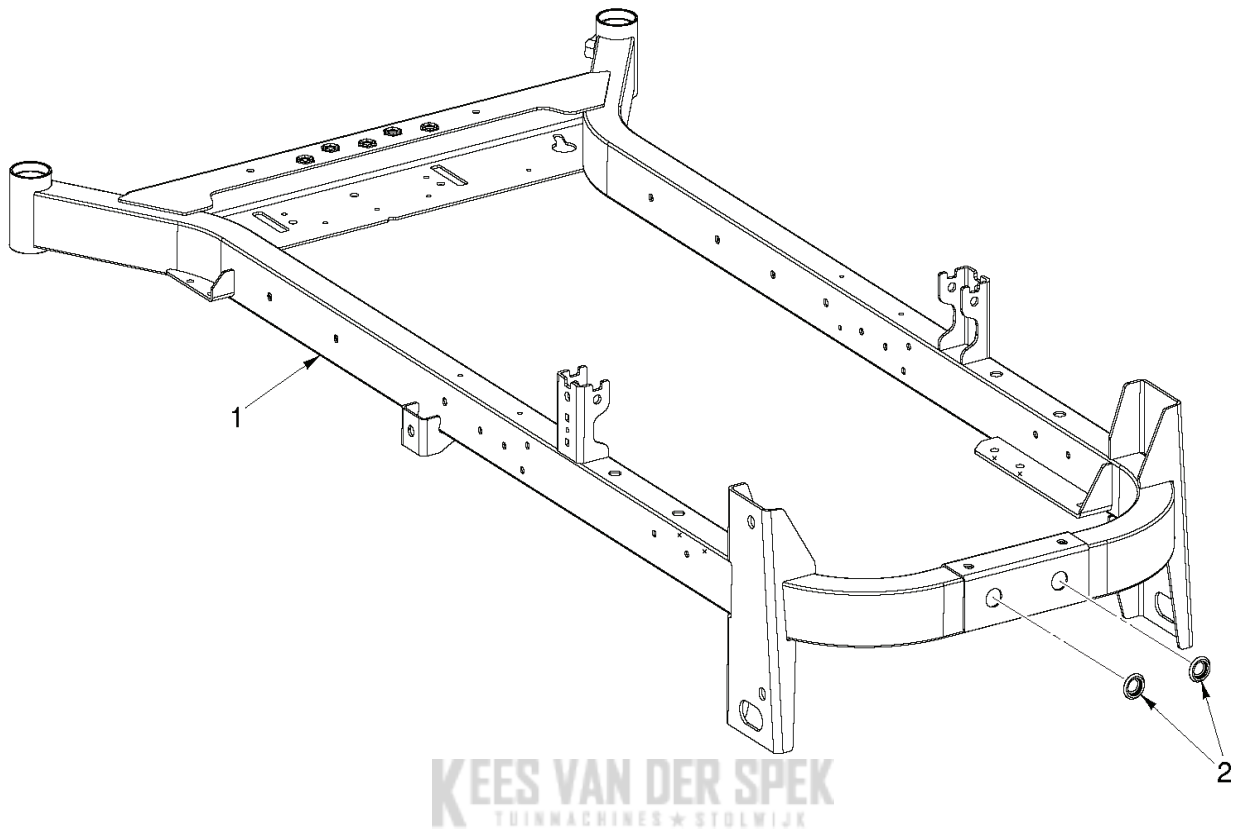


PXM_REF	PXM_PARTNO	DESCRIPTION	PXM_REMARK	QTY.
1	598468402	MODULE	KIT LH FAN SHIELD	1
2	598468401	MODULE	KIT RH FAN SHIELD	1
3	596972702	BEVESTIGING	CROSS MEMBER	1
4	874490548	BOUT	BOLT HEX 5/16-18X3	4
5	594944401	MOER	NUT HEXAGON FLANGE 5/16-18	4
6	539102587	SCHOKDEMPER	ABSORBER VIBRATION GROMMET	2
7	596433801	SCREW	BOLT HHFS 5/16-18 X 1	4
8	539104763	KLEM	U-CLIP 5/16-18 NUT RETAINER	4
9	532423063	RING	"WASHER 5/16"	4



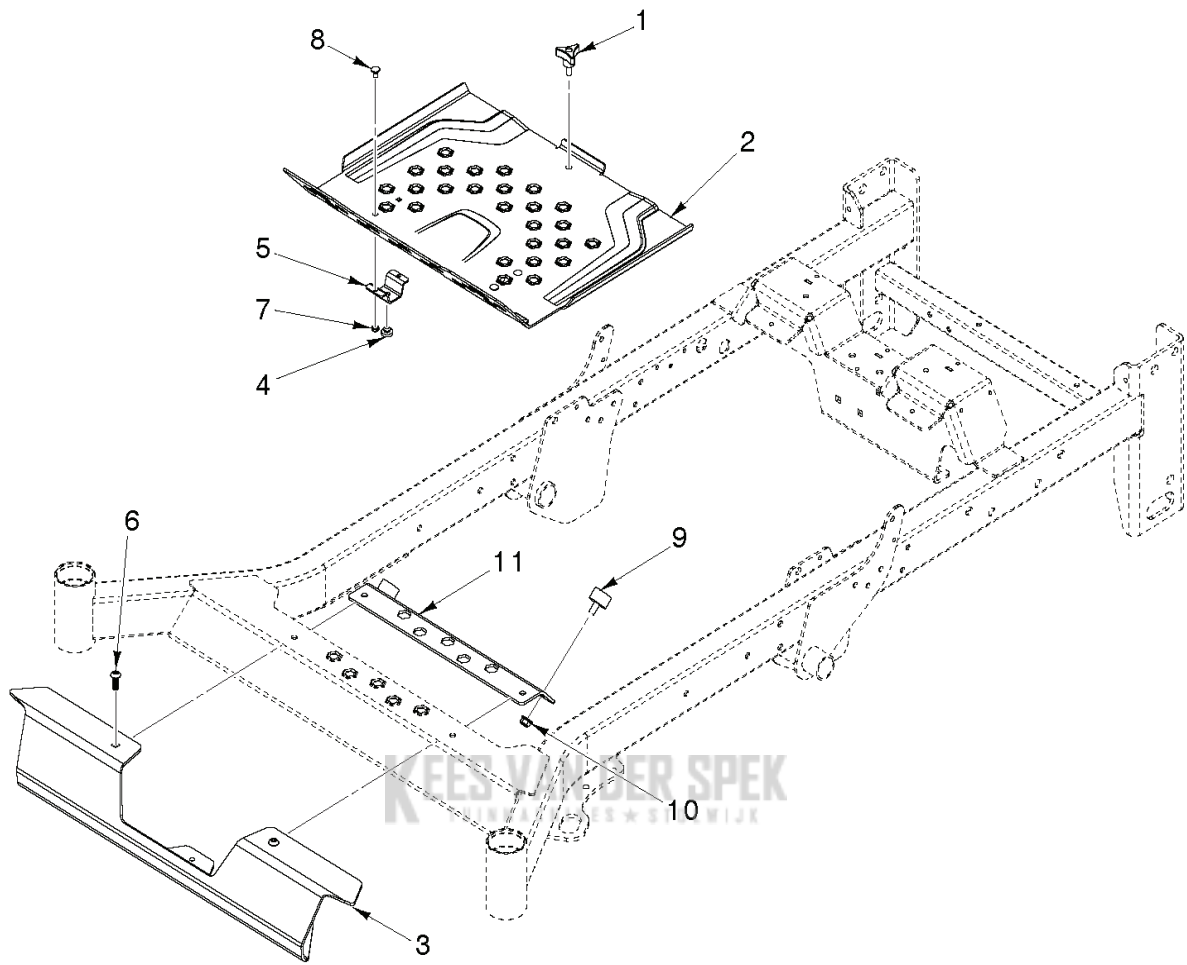
ZERO TURN: COMMERCIAL

PXM_REF	PXM_PARTNO	DESCRIPTION	PXM_REMARK	QTY.
1	589357901	STICKER		1
2	539121322	FOOT PAD		1
3	591163901	STICKER		1
4	586978801	STICKER		1
5	574455001	STICKER		1
6	590846801	STICKER		1
7	539105745	STICKER		1
8	539105744	STICKER		1
9	597878401	STICKER		1
10	590209401	STICKER		1
11	590209501	STICKER		1
13	591357401	STICKER		1
14	590209202	STICKER		1
15	597743501	STICKER		1
16	532428677	STICKER		1
	588049801	STICKER	For 970497101-00, 967985001-00	1



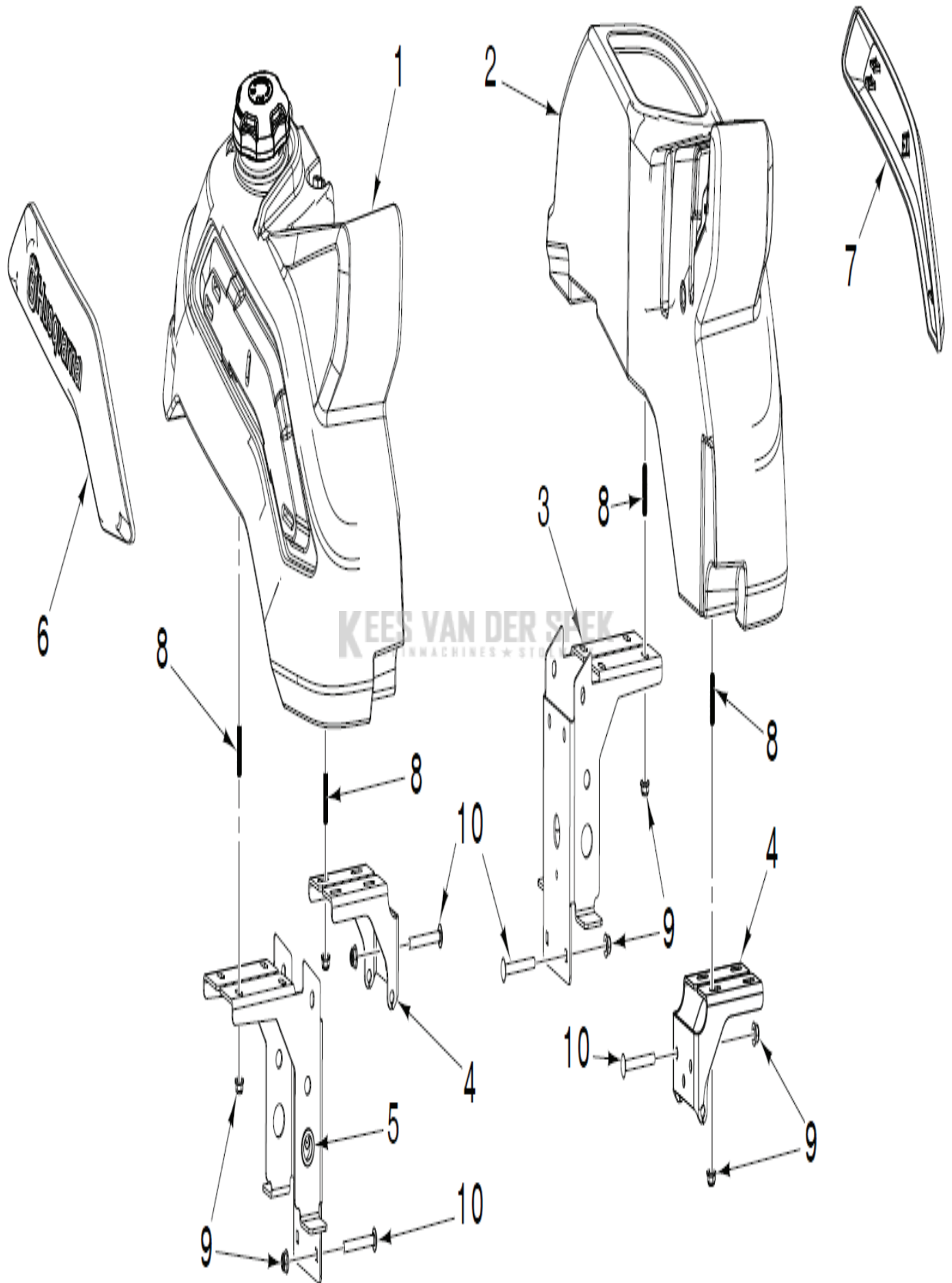
KEES VAN DER SPEK
TUINMACHINES ★ STOLWIJK

PXM_REF	PXM_PARTNO	DESCRIPTION	PXM_REMARK	QTY.
1	501656006	FRAME	KIT FRAME WITH DECALS	1
2	587990501	KAP	CAP PLUG BP-1 BLACK	2

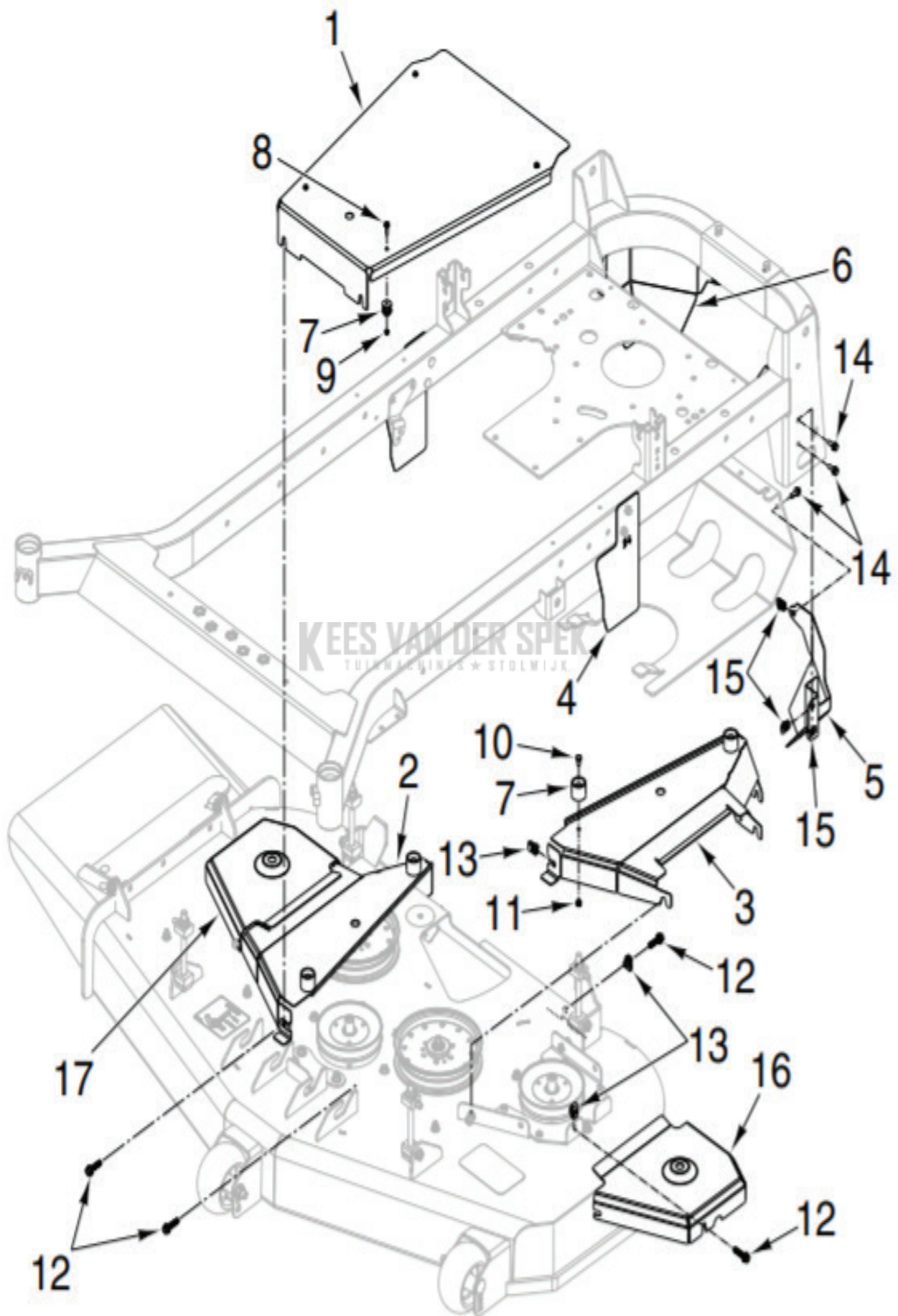


ZERO TURN: COMMERCIAL

PXM_REF	PXM_PARTNO	DESCRIPTION	PXM_REMARK	QTY.
1	539104411	KNOP	KNOB W/STUD	1
2	589304602	PLAAT	PLATE FLOOR PAN ORANGE	1
3	589745202	DEKSEL	COVER VALANCE PZ GREY	1
4	539102587	SCHOKDEMPER	ABSORBER VIBRATION GROMMET	2
5	589808802	BEVESTIGING	BRACKET FLOOR PAN BUMPER	2
6	589797201	SCREW	SCREW BUTTON HEAD 3/8-16 X 1	2
7	539108120	MOER	NUT 1/4-20 HEX THIN NYLOC ZY	4
8	872140404	BOUT	BOLT	4
9	589744001	ISOLATOR	ISOLATOR PZ FOOTREST	2
10	521996501	MOER	NUT 3/8-16 HEX FLANGE NYLOC ZY	2
11	589807202	BEVESTIGING	BRACKET ISOLATOR SUPPORT	1

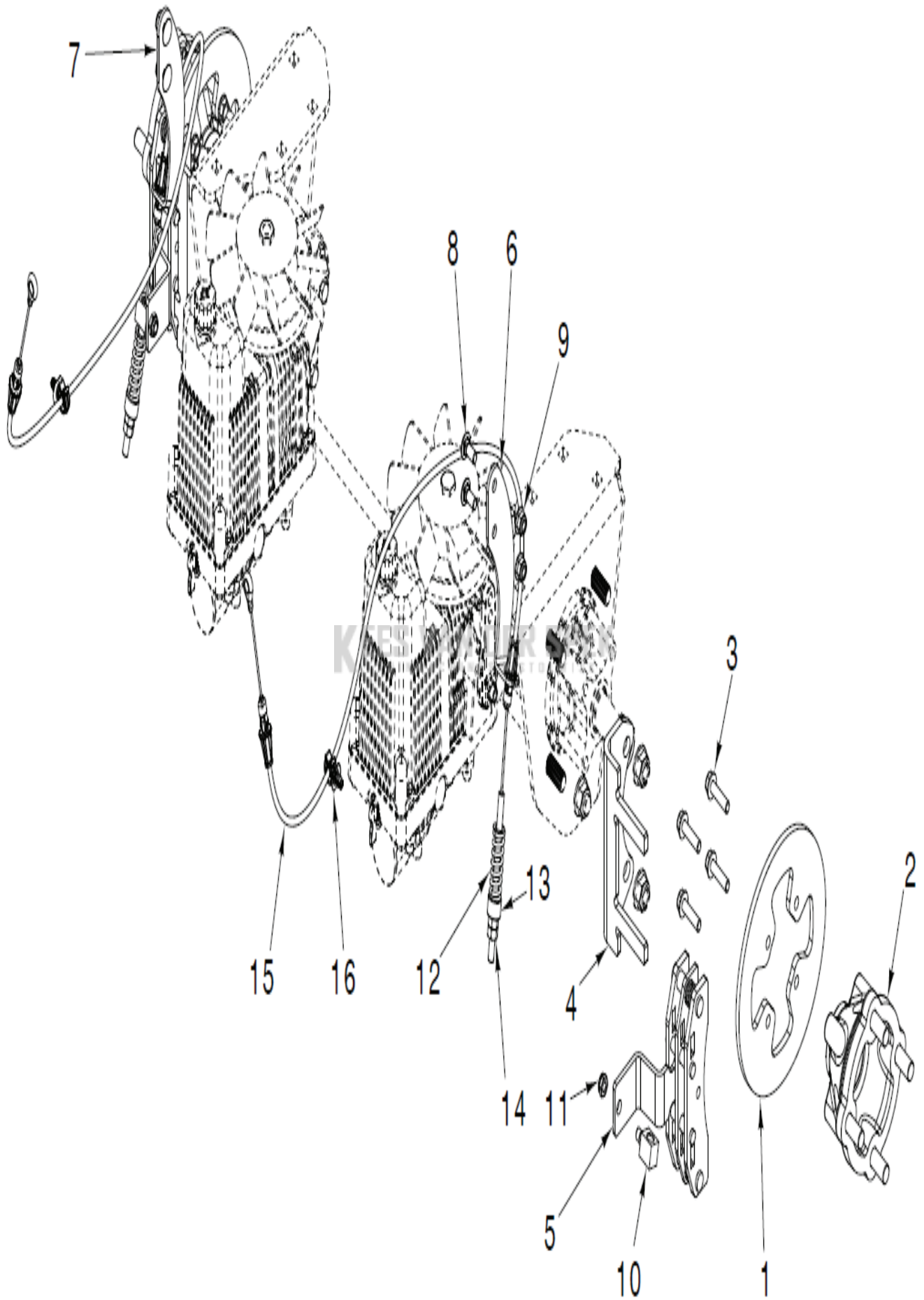


PXM_REF	PXM_PARTNO	DESCRIPTION	PXM_REMARK	QTY.
1	593807902	BRANDSTOFTANK COMPL.	FUEL TANK ASSY Z300/ Z400 RH	1
2	593808301	TOETSENBORD	CONSOLE Z300/Z400 LH	1
3	593981402	BEVESTIGING	BRACKET FUEL TANK REAR	2
4	596910702	BEVESTIGING	BRACKET FUEL TANK FRONT	2
5	596773901	BUSHING	BUSHING SNAP	1
6	582482401	DEKSEL	COVER RH FUEL TANK	1
7	582483401	DEKSEL	COVER LH FUEL TANK	1
8	582484201	SCREW	SCREW 5/16-18 X 1.5IN	1
9	594944401	MOER	NUT HEXAGON FLANGE 5/16-18	1
10	872110522	BOUT	BOLT 5/16-18 X 2.75	12



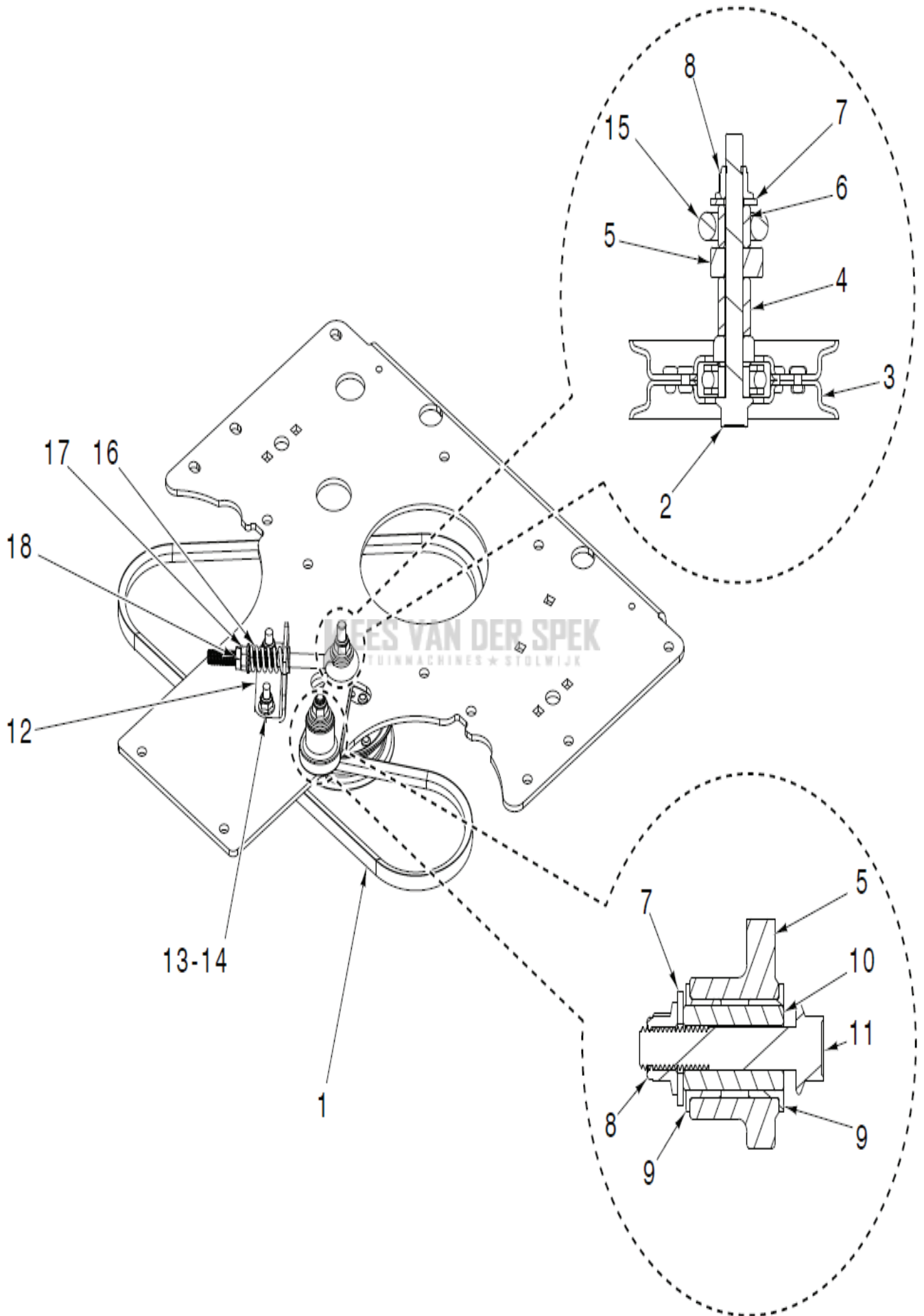
ZERO TURN: COMMERCIAL

PXM_REF	PXM_PARTNO	DESCRIPTION	PXM_REMARK	QTY.
1	596833802	BESCHERMEN	454X MID	1
2	596833503	BESCHERMEN	454X ASSEMBLY RH	1
3	596833504	BESCHERMEN	454X ASSEMBLY LH	1
4	597353202	BESCHERMEN	SIDE TRANSMISSION	2
5	597353702	BESCHERMEN	454X MUFFLER LEFT	1
6	597353802	BESCHERMEN	454X MUFFLER RIGHT	1
7	582461701	HOUDER COMPL	STEM / BASE	4
8	503200001	SCHROEF EHHFM	M5 X 20/20 10.9 TBO	4
9	593167301	MOER	M5 .8 TBO	4
10	596437001	SCREW	HCS 1/4-20 X 1/2 IN GR 5	4
11	596031501	LOCK NUT	1/4-20 HEX THIN NYLOC	4
12	585986101	BOUT	SHKPROOF.5/16-18X1.25	6
13	539104763	KLEM	U-CLIP 5/16-18 NUT RETAINER	6
14	589028502	SCREW	FLG LOCKING 1/4-20X.75	6
15	532174814	MOER	PALNUT LUG	6
16	597452503	DEKSEL	Z460/454X/460X DECK PULLEY LH	1
17	597452504	DEKSEL	Z460/454X/460X DECK PULLEY RH	1



ZERO TURN: COMMERCIAL

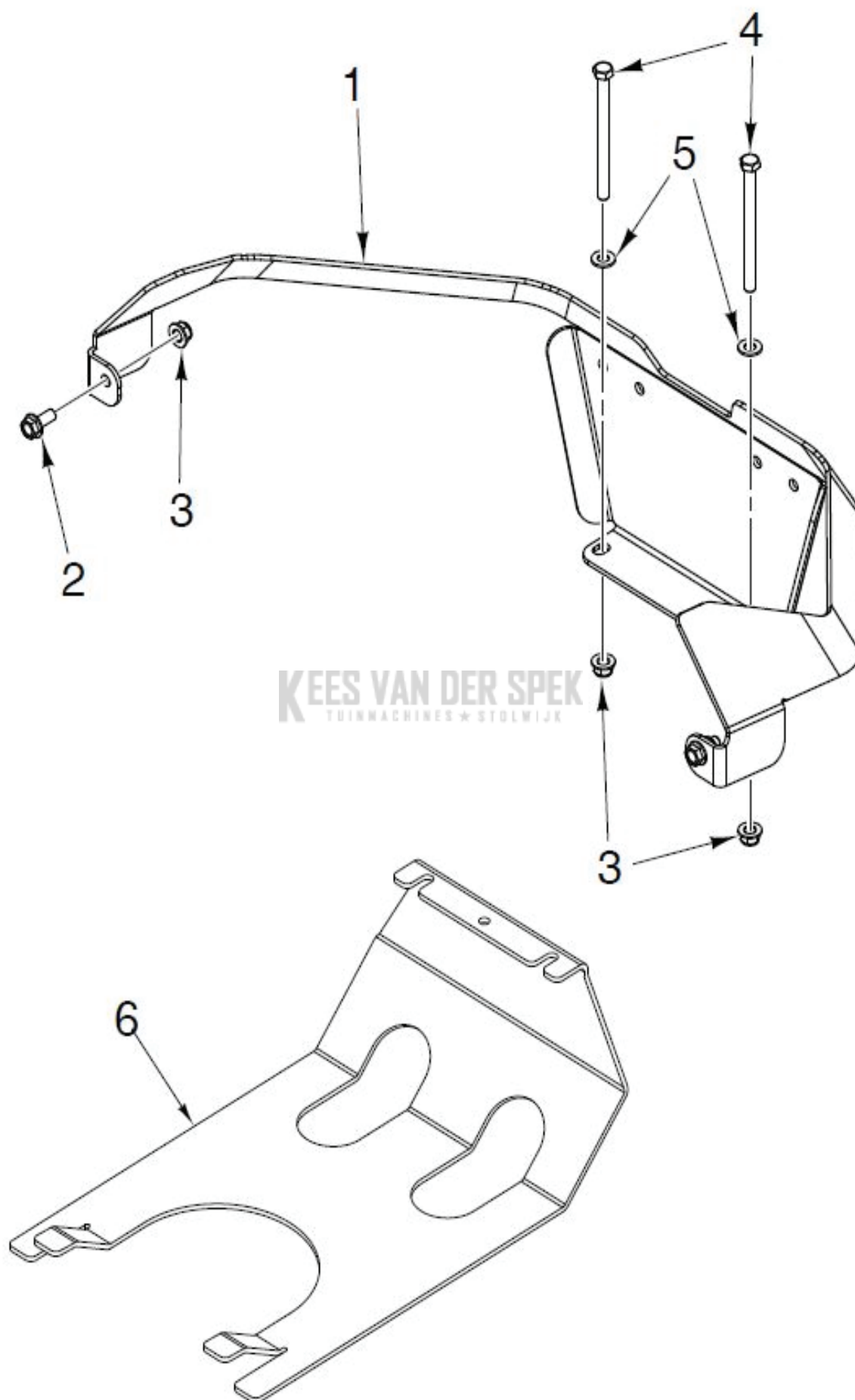
PXM_REF	PXM_PARTNO	DESCRIPTION	PXM_REMARK	QTY.
1	597537201	ROTOR	ROTOR BRAKE	2
2	595967702	NAAF	HUB CASTING W/ STUDS	1
3	525544002	BOUT	"BOLT 5/16-18UNC X 1.25 "Grade 5"	1
4	597537001	BEVESTIGING	"BRACKET MTG. CALIPER HTE10"	2
5	597536901	SCHUIFMAAT	"CALIPER BRAKE, PARK"	2
6	597537101	BEVESTIGING	"BRACKET, CABLE, BRAKE LH"	1
7	597537102	BEVESTIGING	"BRACKET, CABLE, BRAKE RH"	1
8	595901601	BOUT	"BOLT 5/16-18UNC X 0.75 "Grade 5"	1
9	594944401	MOER	NUT HEXAGON FLANGE 5/16-18	1
10	525851402	DRAAIEN	SWIVEL BRAKE CLEAR ZINC	2
11	596433601	MOER	NUT 5/16-18 INSERT 5/16-18 X 1/4	1
12	597826901	VEER	SPRING 2.00L X .50ID; 150LB_IN	1
13	539923515	AFSTANDRING	SPACER	1
14	596040901	ZESKANT MOER	HEX NUT 5/16-24 IN GRF	1
15	597773501	KABEL	"CABLE BRAKE, PARKING DISC"	2
16	592857401	KLEM	"CLIP CABLE, 1/4 BLACK FIR TREE"	1



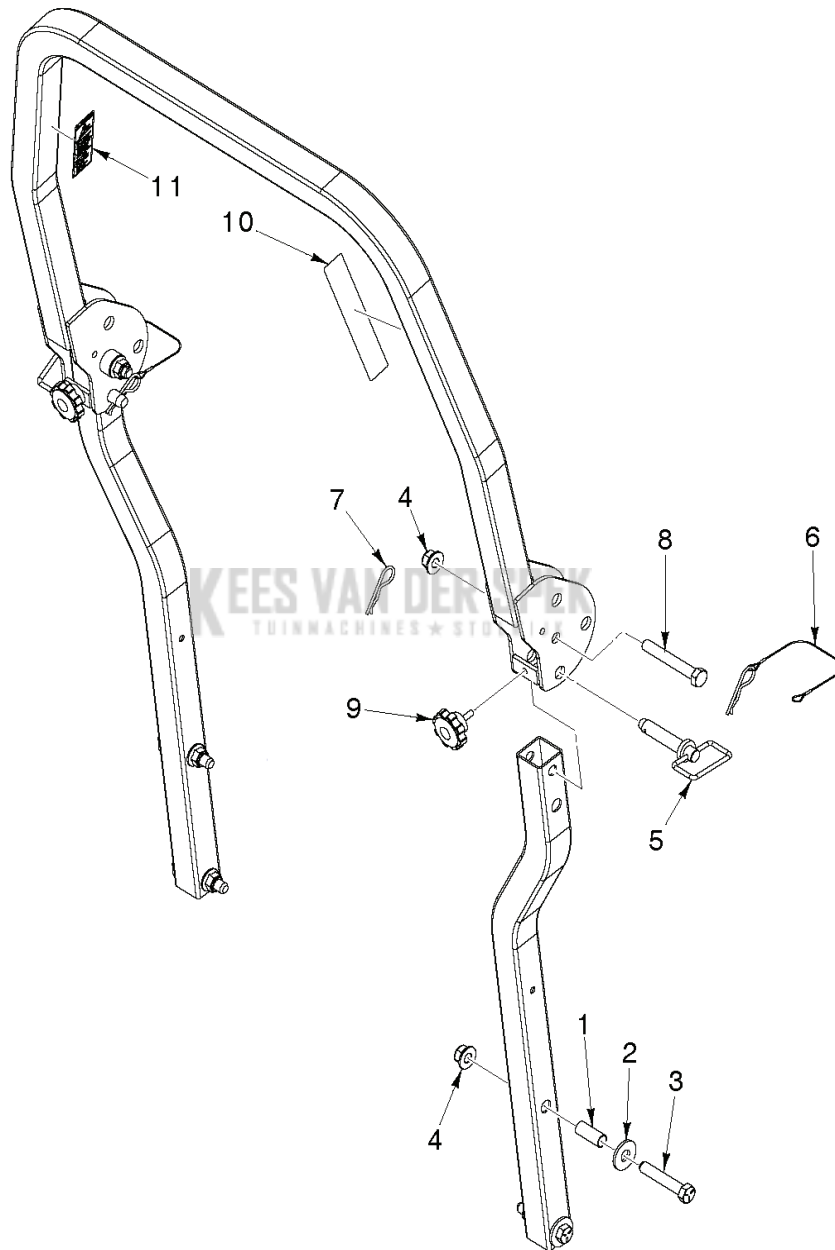
ZERO TURN: COMMERCIAL

PXM_REF	PXM_PARTNO	DESCRIPTION	PXM_REMARK	QTY.
1	594098801	RIEM	"BELT GROUND DRIVE, HA 60.75"	1
2	525822101	BOUT	BOLT 3/8-16 X 3.5 HHFS GD 5	1
3	596481401	POELIE	PULLEY PULLEY.IDLER. FLAT.3	1
4	594099902	AFSTANDRING	SPACER HG.781	1
5	594099101	ARM	ARM IDLER Z400_300	1
6	594099901	AFSTANDRING	SPACER PRKR .557	1
7	596433701	RING	WASHER 3/8 FLAT STD ZD 0.453 X 1.030 X 0.104 IN ST	1
8	521996502	MOER	NUT HEX LOCK FLANGE 3/8-16 St	4
9	501603701	LAGER	"BEARING FLANGED 3/4"ID X 1/2"L"	2
10	594100201	AFSTANDRING	"SPACER PIVOT, TENSION ARM"	1
11	577098301	BOUT	HHFS 3/8-16 X 2.25 GD 8	1
12	594100301	BEVESTIGING	"BRACKET ANCHOR, TENSIONER"	1
13	595901501	BOUT	BOLT CUP HEAD 5/16-18 x 1.02 IN	1
14	594944401	MOER	NUT HEX FLANGE 5/16-18 St ZPB	1
15	594100401	VERBINDING	LINKAGE TENSIONER	1
16	532151332	VEER	SPRING	1
17	596583501	RING	WASHER HEX LOCK NUT WITH FLANGE 3/8-16 X 0.765 IN ST	1
18	596433501	MOER	NUT 3/8-16 HEX JAM 3/8-16 X .562 IN	1

KEES VAN DER SPEK
TUINMACHINES ★ STOLWIJK

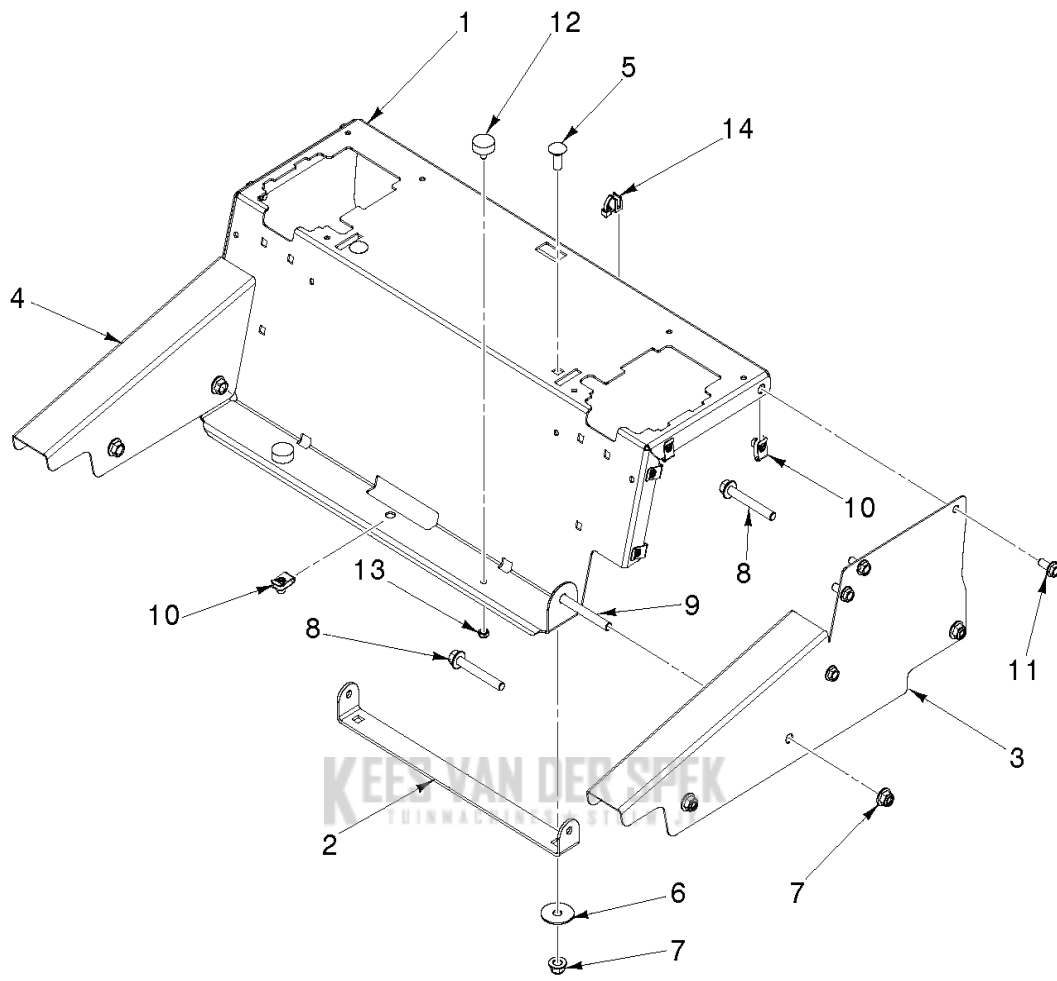


PXM_REF	PXM_PARTNO	DESCRIPTION	PXM_REMARK	QTY.
1	582693702	BESCHERMEN	GUARD REAR, MZ GRAY X498	1
2	592858702	BOUT	BOLT 5/16-18 X .75 HEX FLANGE	2
3	594944401	MOER	NUT HEXAGON FLANGE 5/16-18	4
4	596435501	BOUT	BOLT HEX HD 5/16-18UNC X 4"	2
5	596204101	RING	WASHER 11/32 X 11/16 X 14	2
6	593795505	BESCHERMEN		1



ZERO TURN: COMMERCIAL

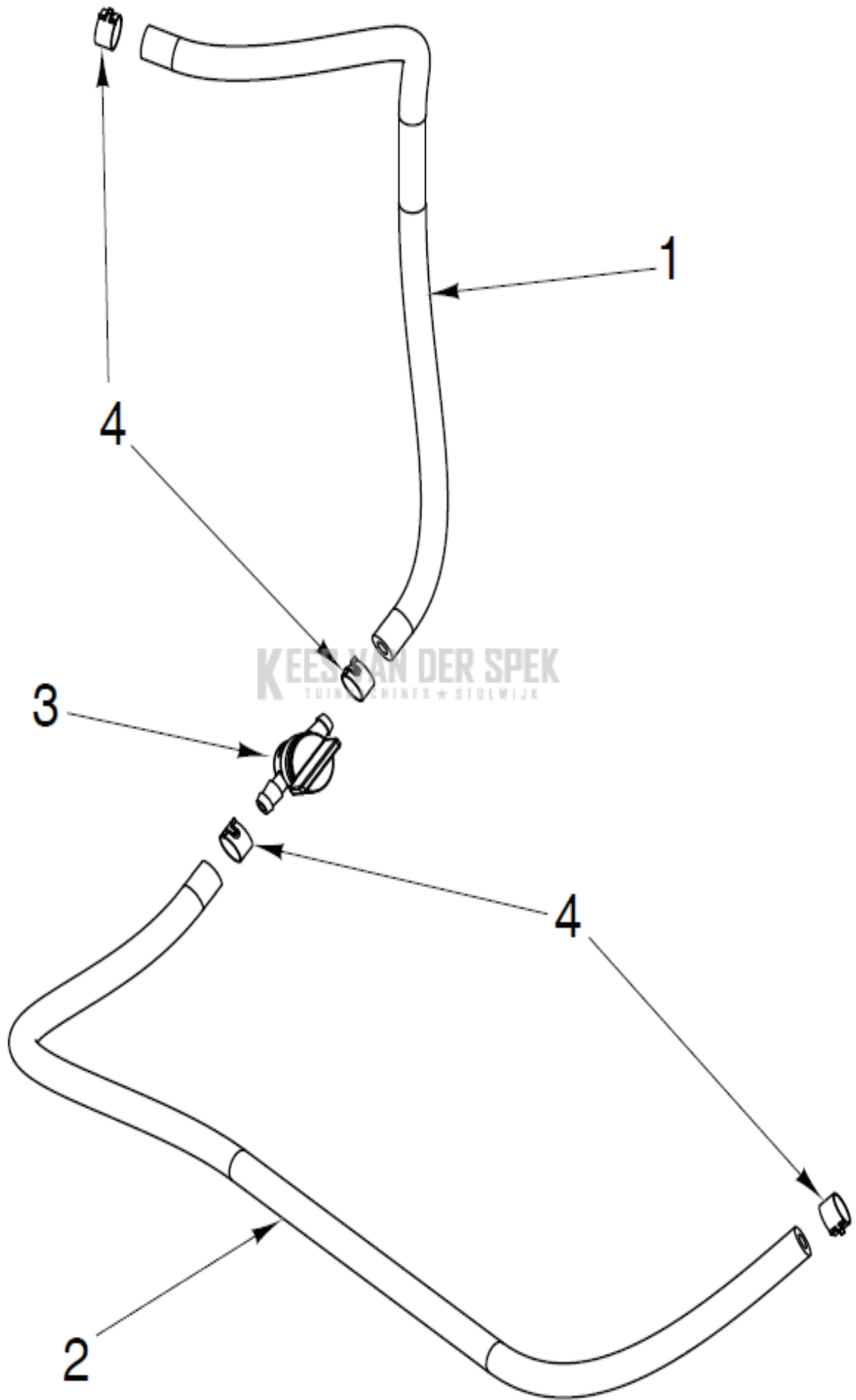
PXM_REF	PXM_PARTNO	DESCRIPTION	PXM_REMARK	QTY.
1	597070601	AFSTANDRING	SPACER	4
2	594946401	RING	WASHER PLAIN .688X1.75X.138	4
3	580754602	BOUT	BOLT HEX HD 5/8-11UNC X 3.5"	4
4	525829102	MOER	NUT 5/8-11 FLANGE NYLOC	6
5	591101602	PEN	PIN W/ HANDLE CLEAR ZINC	2
6	591101702	PEN	WIRE LANYARD DOUBLE LOOPED	2
7	596918001	PEN	PIN COTTER 0.148 X 2-15/16 IN ST	2
8	591176602	BOUT	BOLT HEX 5/8-11 x 4-1/4 IN	1
9	591344501	KNOP	KNOB 5/16-18 X 1"	2
10	597758701	STICKER	DECAL	1
11	574569002	STICKER	DECAL WARNING	1
	598429101	ROPS	COMPLETE KIT W/ SEAT BELT / for 967985002-00	1



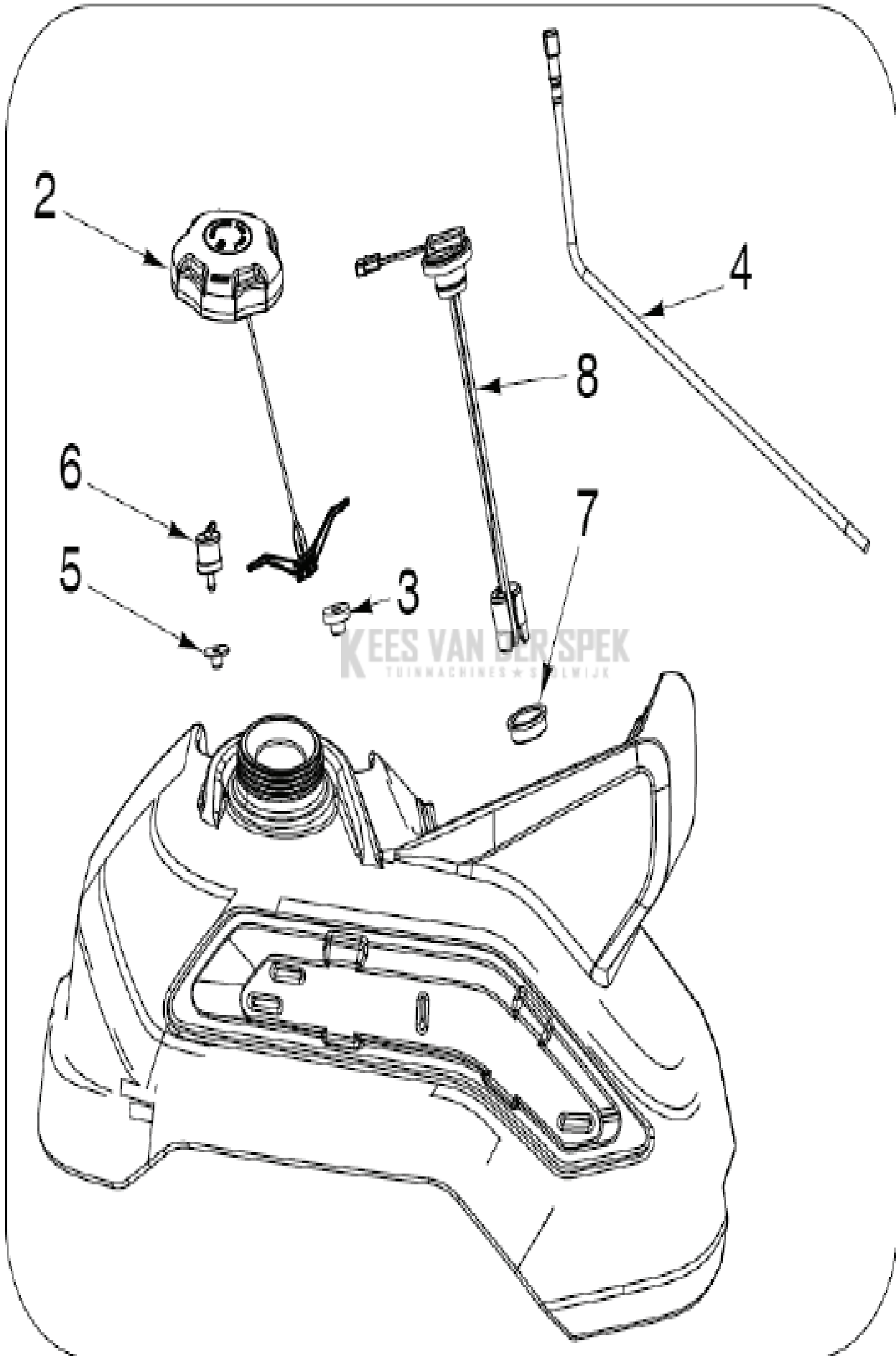
ZERO TURN: COMMERCIAL

PXM_REF	PXM_PARTNO	DESCRIPTION	PXM_REMARK	QTY.
1	595306602	STEUN	SEAT DECK Z300/Z400 ORANGE	1
2	595306702	BEVESTIGING	SEAT MOUNT Z300/Z400 BLACK	1
3	595311003	PLAAT	PLATE WEDGE, Z300/Z400 ORANGE	1
4	595311004	PLAAT	PLATE WEDGE, Z300/Z400 ORANGE	1
5	595316801	BOUT	BOLT 3/8-16UNC X 1" Grade 5 ZPB	2
6	596133301	RING	WASHER 13/32 x 1 1/2 IN ST	2
7	521996502	MOER	NUT HEX LOCK FLANGE 3/8-16 St	9
8	596436901	SCREW	SCREW W/ COLLAR 3/8-16 X 2-3/4	5
9	577117702	BOUT	BOLT 3/8-16 x 3	2
10	539104763	KLEM	U-CLIP 5/16-18 NUT RETAINER	9
11	592858702	BOUT	BOLT 5/16-18 X .75 HEX FLANGE	8
12	575811501	BUMPER	BUMPER 1/4-20 STUD 1/4	2
13	596031501	LOCK NUT	LOCK NUT NYLOC 0.188 x 0.218 IN	2
14	595306201	ZIP TIRE	ZIP TIRE PANEL EDGE CLIP BLACK	2
	595306605	STEUN	Fits 967985002-00	1

KEES VAN DER SPEK
TUINMACHINES ★ STOLWIJK

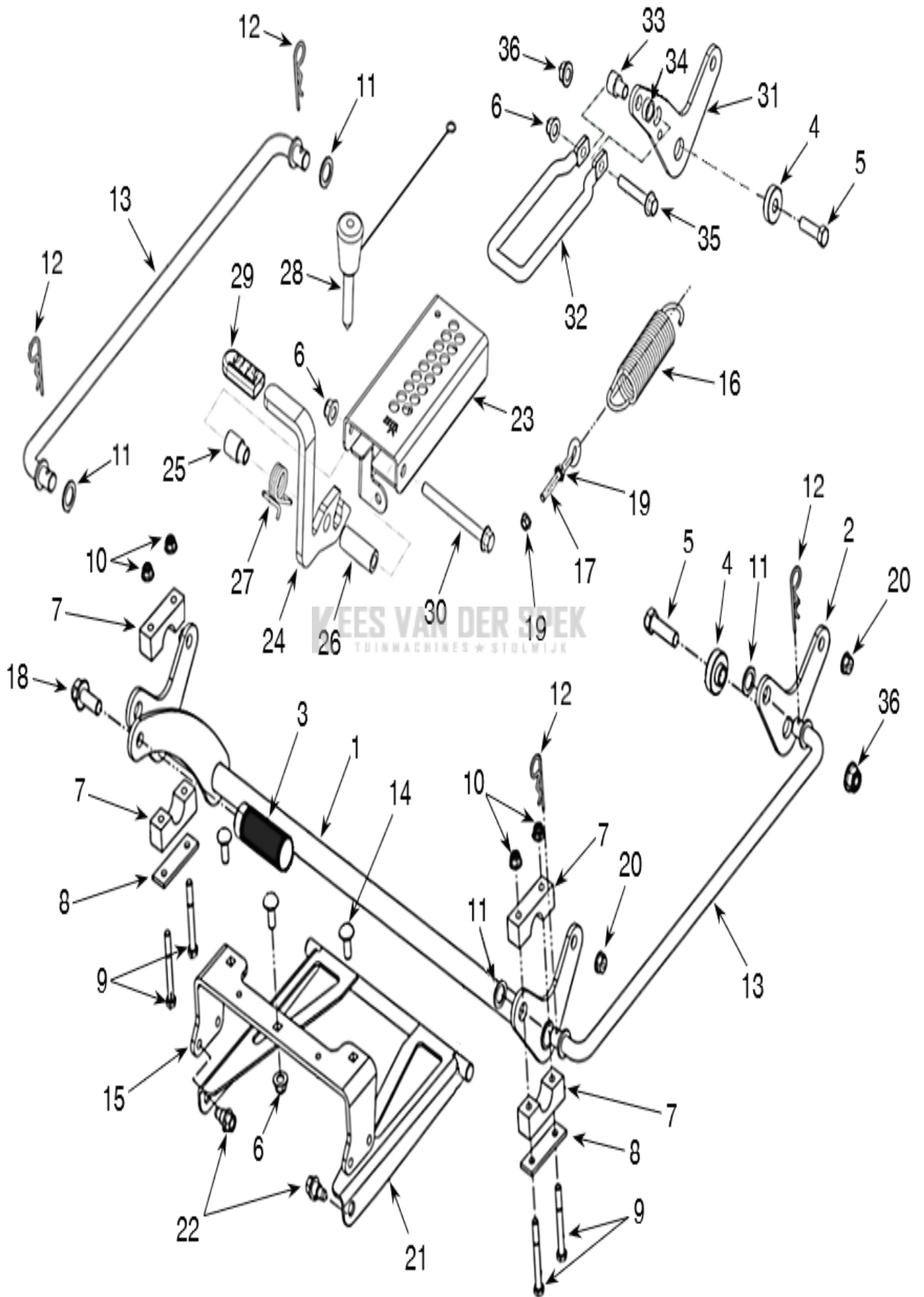


PXM_REF	PXM_PARTNO	DESCRIPTION	PXM_REMARK	QTY.
1	587044818	SLANG	"HOSE 1/4" FUEL LINE 18""	1
2	587044823	SLANG	"HOSE 1/4" FUEL LINE 23" LENGTH"	1
3	539916325	VENTIEL	FUEL VALVE	1
4	539912222	KLEM	HOSE CLAMP	1



← 1

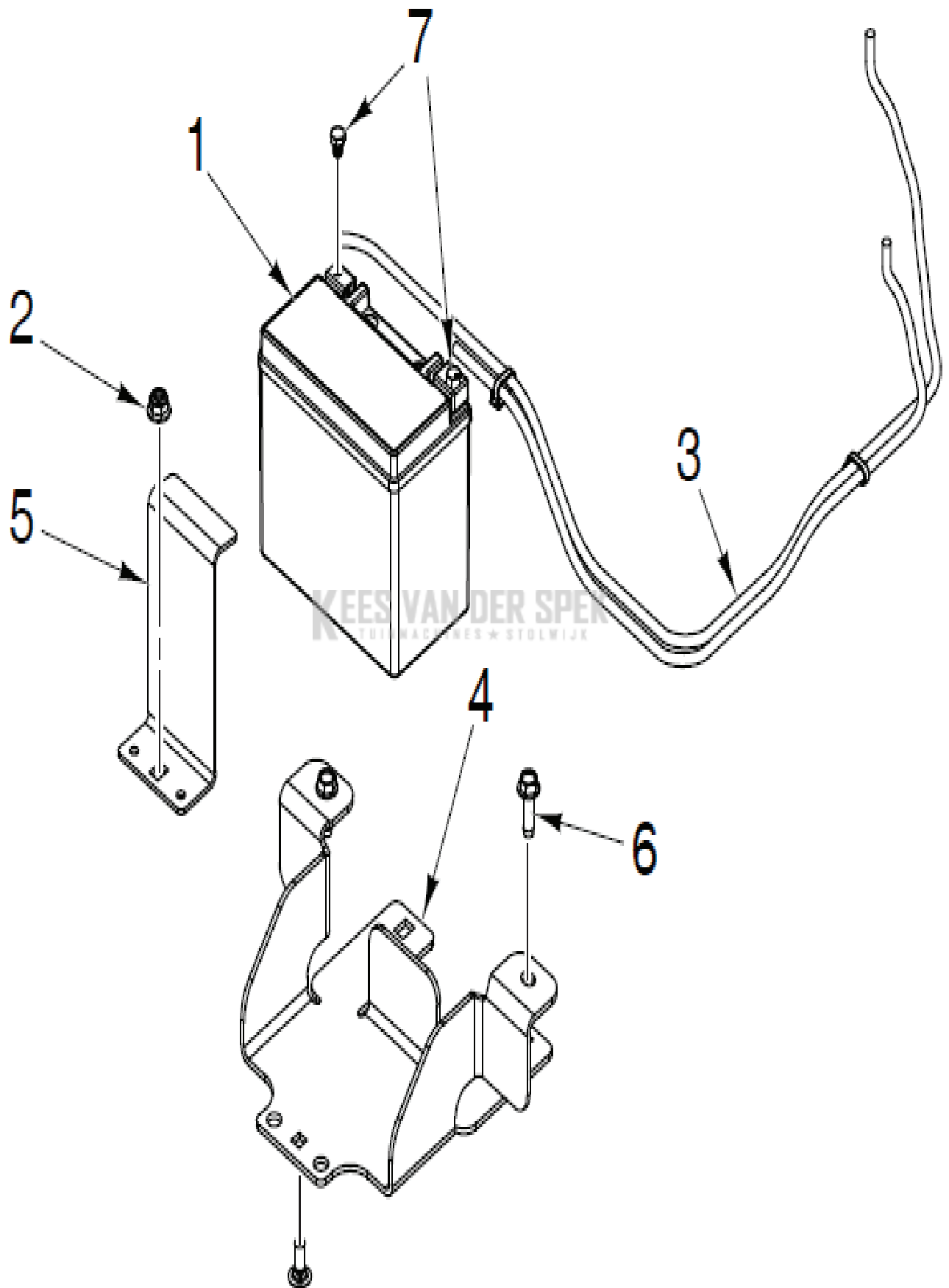
PXM_REF	PXM_PARTNO	DESCRIPTION	PXM_REMARK	QTY.
1	593807902	BRANDSTOFTANK COMPL.	FUEL TANK RH	1
2	575018103	KAP	FUEL CAP	1
3	532003645	BUSHING	GROMMET	1
4	525865403	TUBE ASSY	FUEL TANK PICK-UP TUBE	1
5	584648201	DOORVOER	GROMMET	1
6	576618101	TANKONTLUCHTING	ROLL OVER VALVE	1
7	590209101	DOORVOER	GROMMET	1
8	593644401	SENSOR	FLOAT FUEL LEVEL SENSOR	1



ZERO TURN: COMMERCIAL

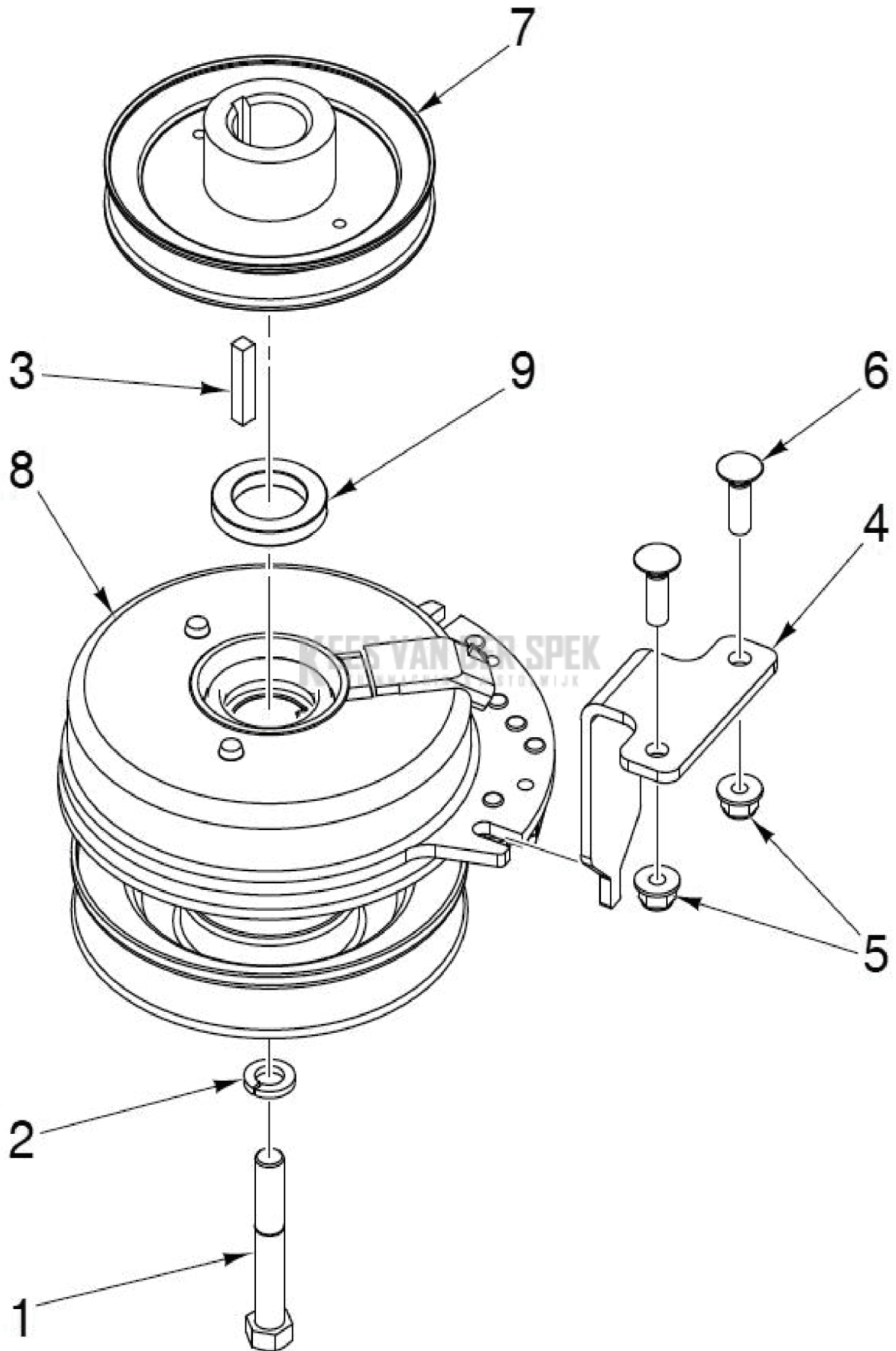
PXM_REF	PXM_PARTNO	DESCRIPTION	PXM_REMARK	QTY.
1	592809002	AS	"SHAFT DECK LIFT. WELDMENT"	1
2	593077704	ARM	"ARM BELL CRANK, REAR LH"	1
3	510408302	PEDAAL	PEDAL DECK HEIGHT	1
4	586701702	AFSTANDRING	SPACER IDLER METAL POWDER	2
5	596435801	BOUT	"BOLT E 1/2-13UNC X 1.75 ""	2
6	521996502	MOER	NUT HEXAGON LOCK 3/8-16	3
7	539104808	STEUN	SUPPORT PILLOW BLOCK	4
8	584392702	PLAAT	PLATE REINFORCEMENT	2
9	596218601	BOUT	"BOLT 5/16-18UNC X 2.75 "" Grade 5"	4
10	594944401	MOER	NUT HEXAGON FLANGE 5/16-18	4
11	596933401	RING	WASHER PLAIN 21/32 X 1 X 16GA IN	4
12	596273101	PEN	PIN HAIRPIN COTTER #4	4
13	591066901	STANG	ROD BELL CRANK CONNECTOR	2
14	595316801	BOUT	BOLT 3/8-16UNC X 1 "" Grade 5	3
15	582519402	BEVESTIGING	BRACKET DECK DRAWBAR MOUNT	1
16	596848001	VEER	SPRING EXTENSION	1
17	596240801	BOUT	BOLT EYELET BOLT 5/16-18 X 3-1/2	1
18	593903401	BOUT	"BOLT 1/2-13UNC X 1.25 ""	1
19	596039201	LOCK NUT	LOCK NUT HEX 5/16-18 IN	2
20	873900600	MOER	NUT LOCK FLG 3/8-16	4
21	591067402	DRAWBAR		1
22	532196539	BOUT		1
23	590934302	HOOGTE INSTELLING		1
24	589454201	HEFBOOM		1
25	594037301	AS		1
26	510408402	AFSTANDRING		1
27	590937501	VEER		1
28	592914203	PEN		1
29	539132851	GRIP TRANSPORT-RELEASE		1
30	521996602	SCREW		1
31	593077703	ARM		1
32	590934701	VERBINDINGSSTANG		1
33	594037201	AS		1
34	596515201	AFSTANDRING		1
35	596438301	BOUT		1
36	521991102	MOER		1

KEES VAN DER SPEK
TUINMACHINES * STOLWIJK



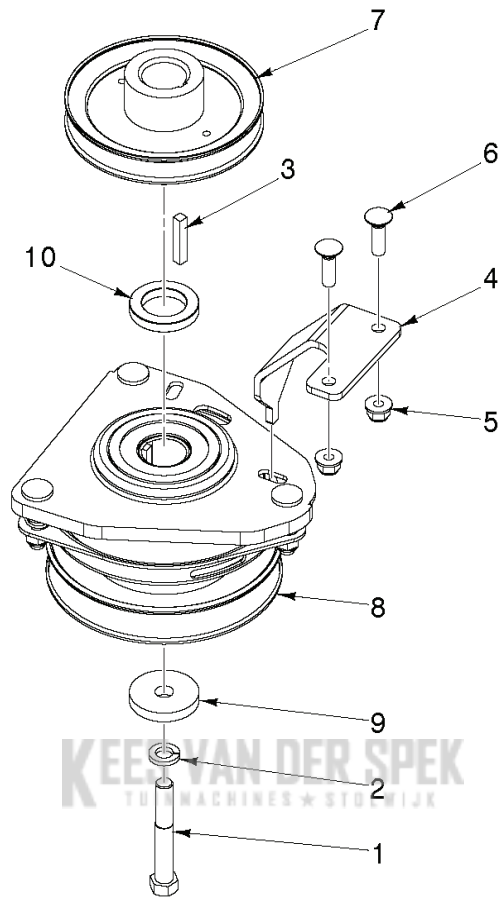
PXM_REF	PXM_PARTNO	DESCRIPTION	PXM_REMARK	QTY.
1	589819502	ACCU	"BATTERY STARTER 10AH,180CCA"	1
2	594944401	MOER	NUT HEXAGON FLANGE 5/16-18	1
3	590632102	KABEL	"CABLE BATTERY ASSY, 6GA"	1
4	595313602	BEVESTIGING	BRACKET BATTERY BLACK	1
5	595313504	BEVESTIGING	BRACKET BATTERY MOUNT	1
6	596433801	SCREW	SCREW HEX HEAD 5/16-18 X 1 IN	2
7	582460802	SCREW	SCREW M6 x 8MM HEX CAP	1

For 967985002-00, 967985001-00

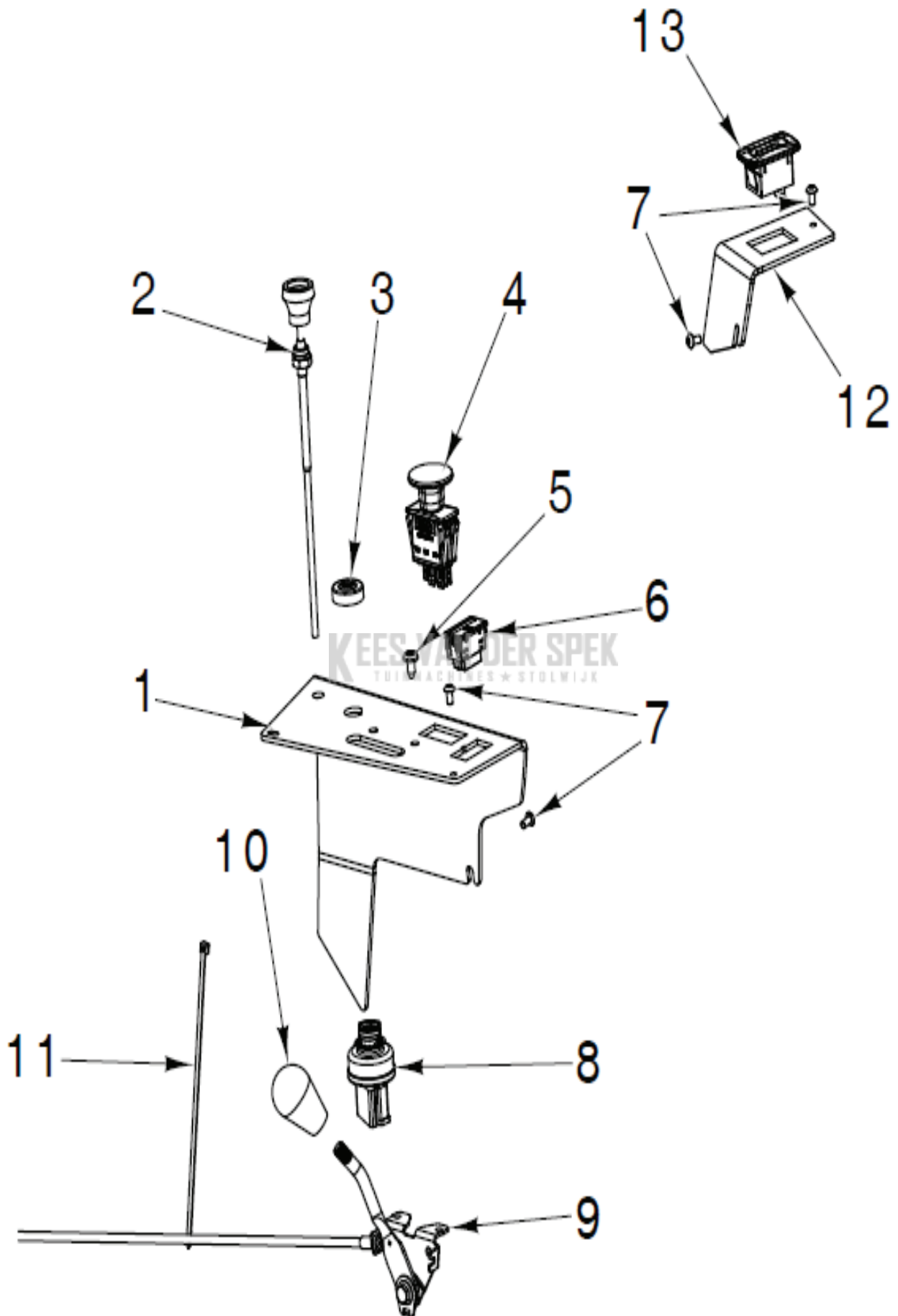


PXM_REF	PXM_PARTNO	DESCRIPTION	PXM_REMARK	QTY.
1	581332807	BOUT		1
2	596238901	RING		1
3	539912757	SLEUTEL		1
4	594082301	BEVESTIGING		1
5	594944401	MOER		2
6	595901501	BOUT		2
7	574811001	POELIE		1
8	574607001	KOPPELING		1
9	525313902	AFSTANDRING		1

For 970497101-00

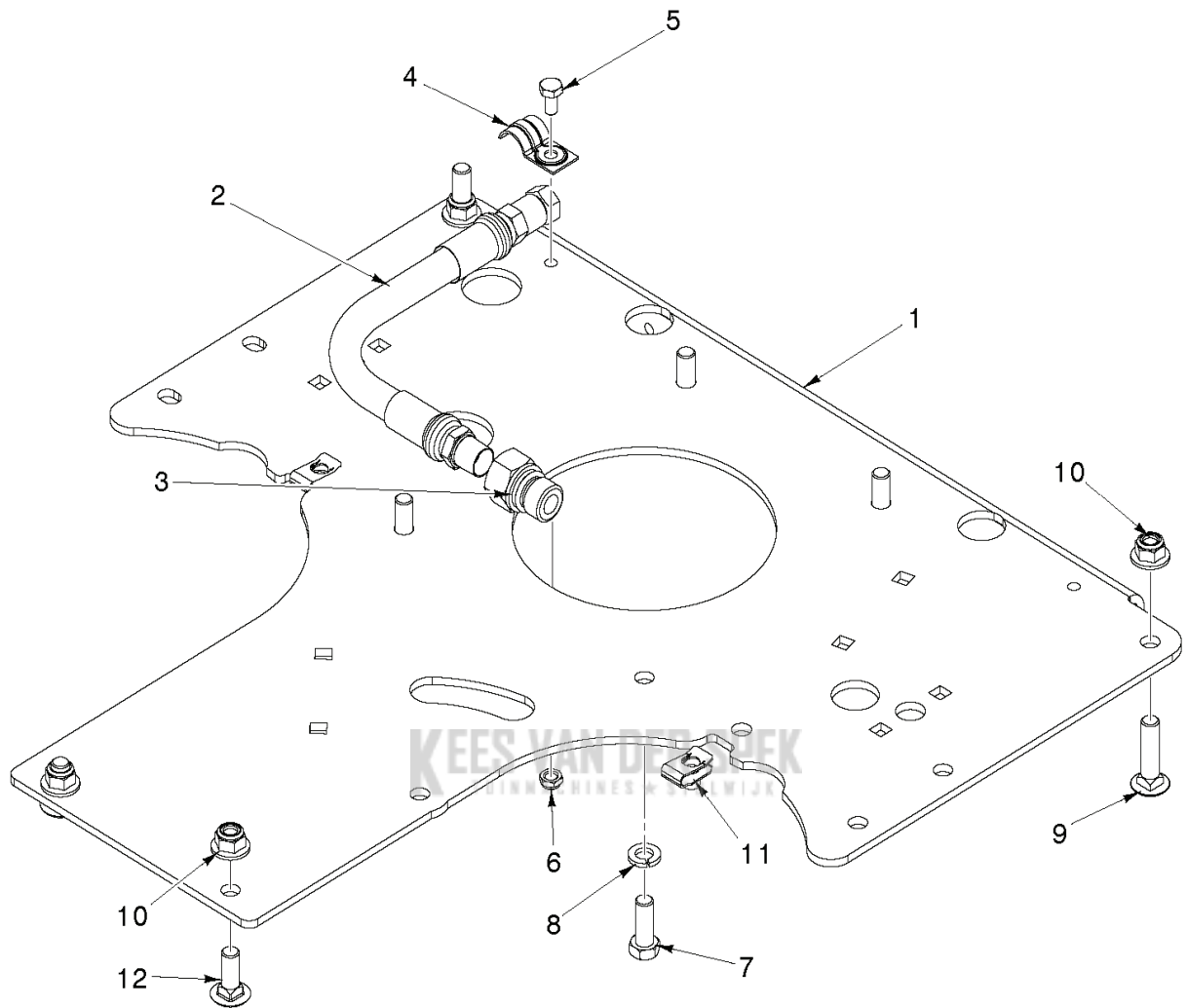


PXM_REF	PXM_PARTNO	DESCRIPTION	PXM_REMARK	QTY.
1	581332807	BOUT	BOLT 2-3/4 INCH	1
2	596238901	RING	LOCK WASHER .455 X .776 X 7/16 IN	1
3	539912757	SLEUTEL	KEY, 1/4 SQ X 1-1/4	1
4	594082401	BEVESTIGING	BRACKET CLUTCH STOP	1
5	594944401	MOER	NUT HEXAGON FLANGE 5/16-18	2
6	595901501	BOUT	BOLT CUP HEAD 5/16-18 x 1.02 IN	2
7	585813701	POELIE	PULLEY DRIVE	1
8	532179335	KOPPELING	CLUTCH ELECTRIC	1
9	596770301	RING	WASHER 0.469X1.75 IN	1
10	525313902	AFSTANDRING	SPACER 1/4 X 1.135	1

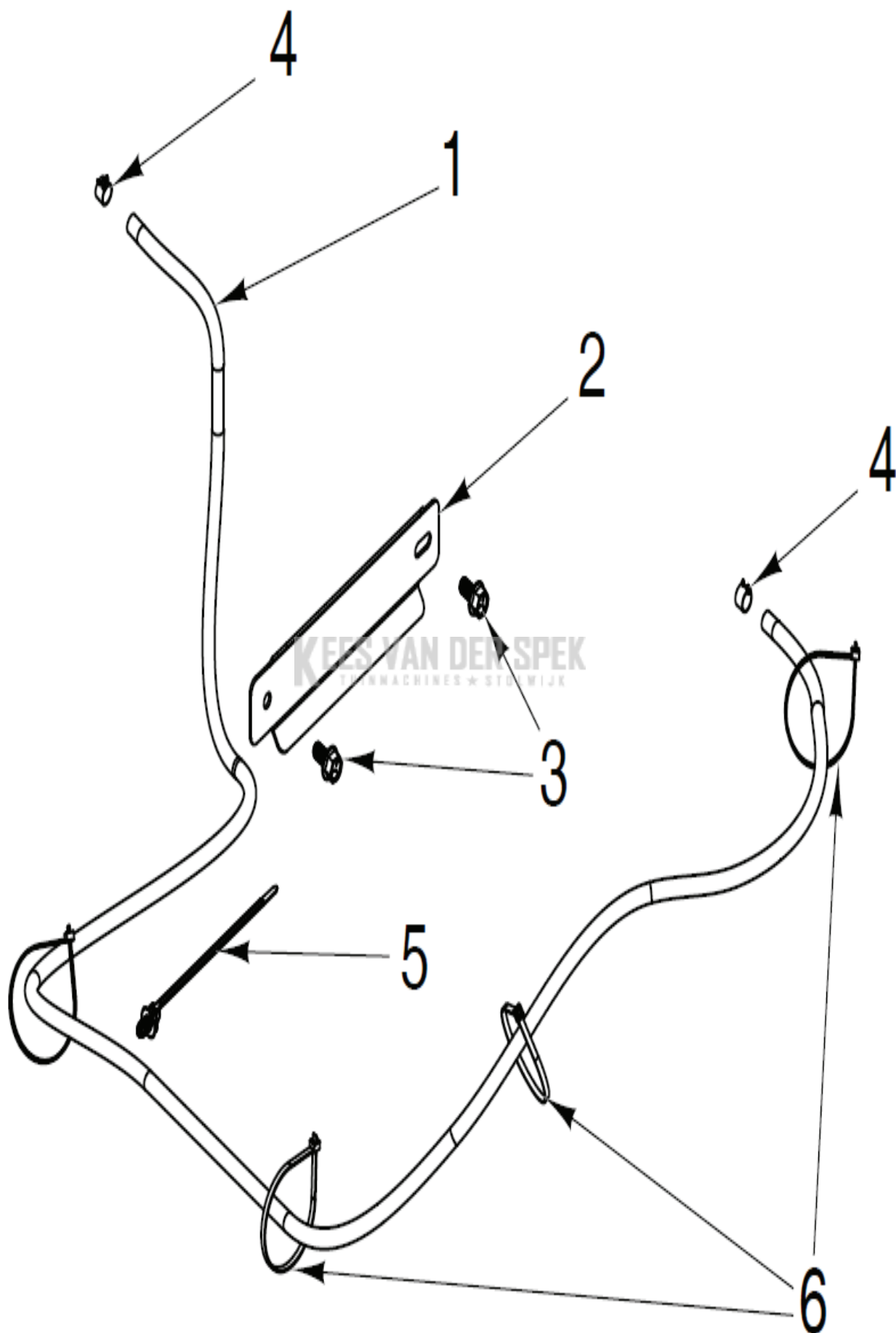


ZERO TURN: COMMERCIAL

PXM_REF	PXM_PARTNO	DESCRIPTION	PXM_REMARK	QTY.
1	590210301	STICKER	Decal only for Control Panel	1
1	593982402	CONTROLE PANEEL	CONTROL PANEL	1
2	574206907	KABEL	CABLE CHOKE T	1
3	539103178	MOERKAP	NUT CAP COVER	1
4	589887201	SCHAKELAAR	"SWITCH PTO, 10 AMP."	1
5	532199855	SCREW	SCREW 1/4-20 X 1/2 IN PAN HEAD	2
6	592872703	BENZINE METER	"FUEL GAUGE LED, SMALL LOW"	1
7	539114341	SCREW	SCREW #10-24 X 3/8 SOCKET HEAD	5
8	574455401	SCHAKELAAR	SWITCH IGNITION	1
9	597523906	GAS	THROTTLE MZ/PZ	1
10	539132624	KNOB - SHIFT	SHIFT KNOB	1
11	539976856	BINDBAND	TIE WRAP	1
12	593981602	CONTROLE PANEEL	CONTROL PANEL LH	1
13	594919101	URENTELLER	HOUR METER	1
	595840603	DRAAGSTEL	Not Shown (Main Harness)	1
	597759301	DRAAGSTEL	Not Shown (Park Brake Harness)	1
	595840701	DRAAGSTEL	Not Shown (Harness)	1
	582042802	SOLENOID	Not Shown (Solenoid)	1
	574455501	SLEUTEL	Not Shown (Key)	1

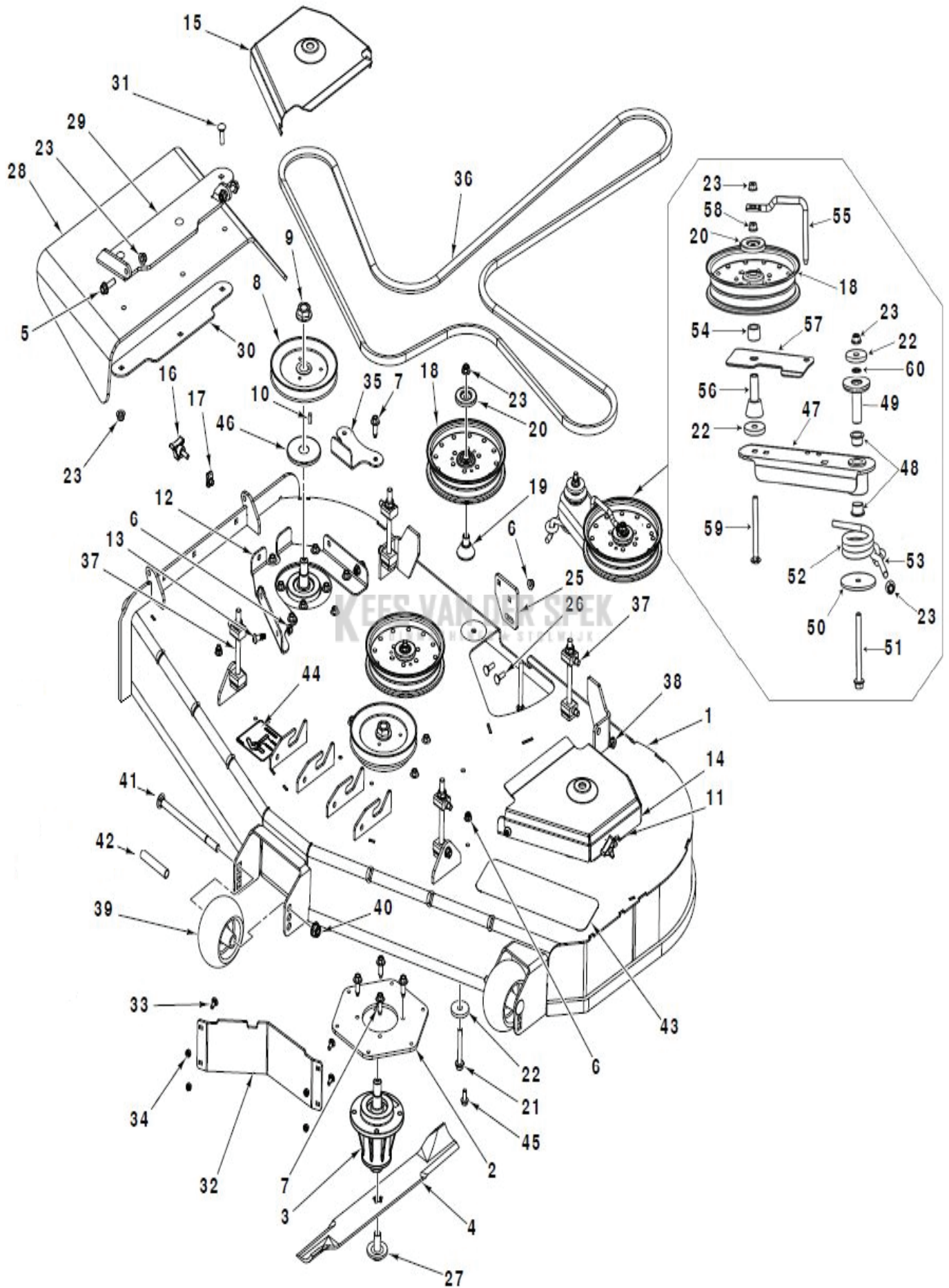


PXM_REF	PXM_PARTNO	DESCRIPTION	PXM_REMARK	QTY.
1	598496301	MODULE	Engine Plate Kit. w/ clips & decal	1
2	584825501	SLANG COMPL.		1
3	522599002	ADAPTER		1
4	539101363	KLEM		1
5	596437001	SCREW		1
6	596031501	LOCK NUT		1
7	596564401	BOUT		4
8	596238701	RING		4
9	596136101	BOUT		2
10	521996502	MOER		4
11	539104763	KLEM		2
12	595316801	BOUT		2



ZERO TURN: COMMERCIAL

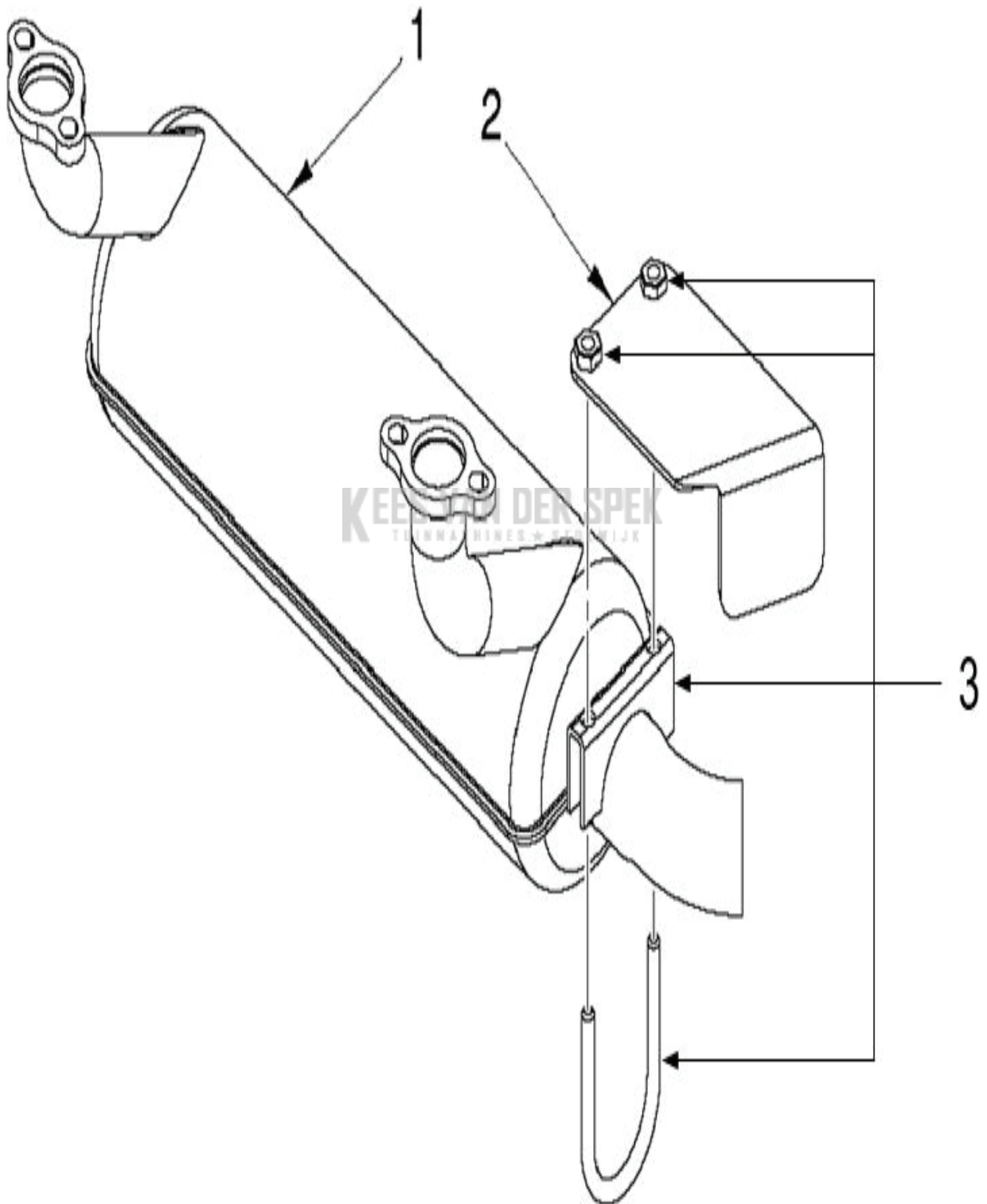
PXM_REF	PXM_PARTNO	DESCRIPTION	PXM_REMARK	QTY.
1	587044569	SLANG	"HOSE 3/16" VAPOR LINE 69"	1
2	593938202	PLAAT	PLATE HOSE RETENTION)	1
3	596584601	SCREW	SCREW 5/16-18 X 0.625 HEX FLANGE W/ LOCTITE	1
4	575436501	KLEM	CLAMP HOSE	1
5	591367101	KABEL	"CABLE, 1/4 INCH HOLE, BLK 6 INCH"	1
6	539976856	BINDBAND	TIE WRAP	1



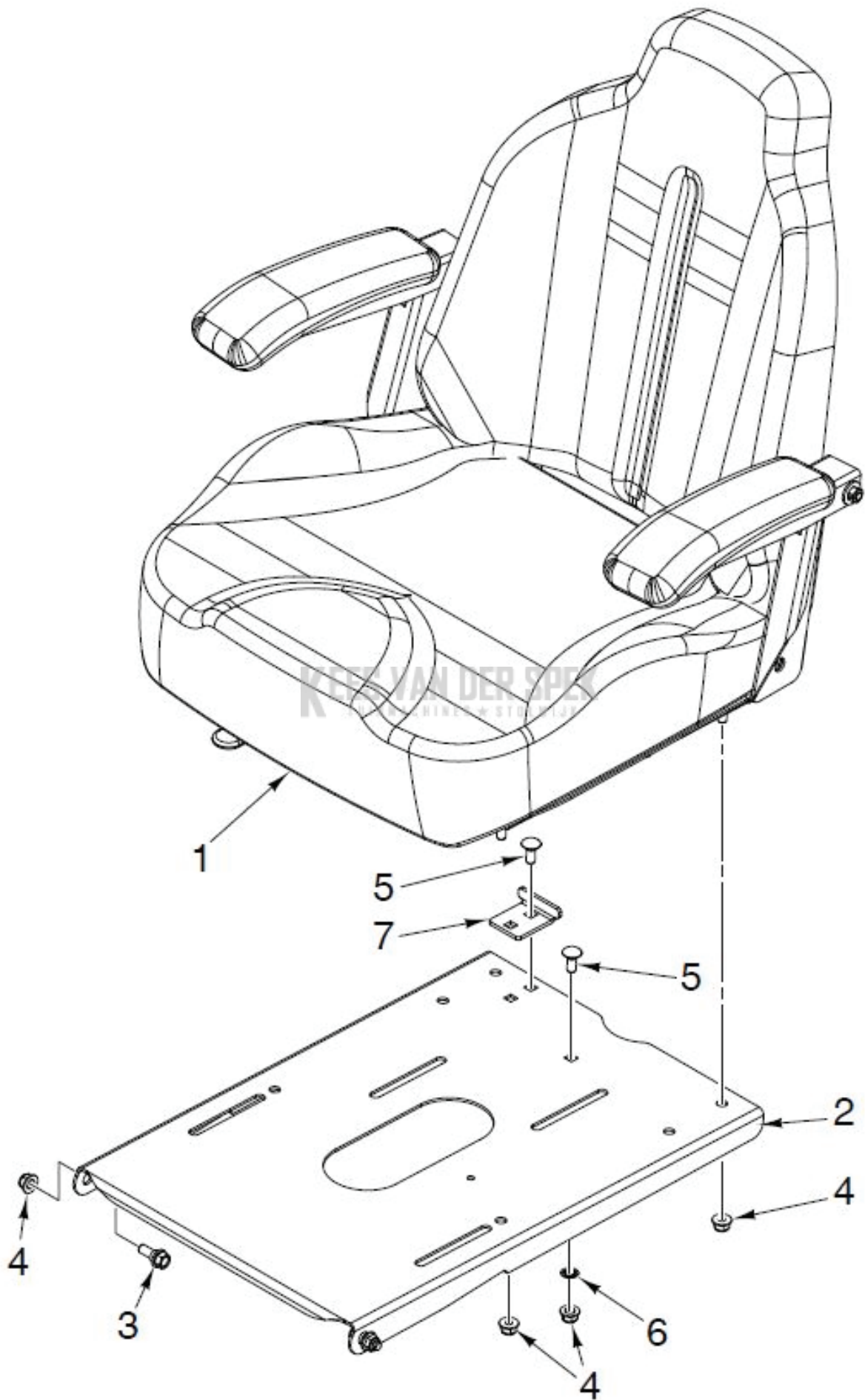
ZERO TURN: COMMERCIAL

PXM_REF	PXM_PARTNO	DESCRIPTION	PXM_REMARK	QTY.
1	598852801	SERVICE KIT		1
2	593643402	PLAAT		3
3	596794501	SPIJL		3
4	581055502	MES	High Lift Blade	3
4	581055504	MES	Laser Edge High Lift Blade	3
5	525834202	SCREW		2
6	594944401	MOER		26
7	584953901	BOUT		12
8	590805101	POELIE		3
9	539130653	MOER		3
10	539105308	SLEUTEL		3
11	597450803	BEVESTIGING		1
12	597450804	BEVESTIGING		1
13	582476402	SCREW		6
14	597452503	DEKSEL		1
15	597452504	DEKSEL		1
16	539104411	KNOP		2
17	539104763	KLEM		2
18	510015102	POELIE		3
19	510263701	LAGER		2
20	510254502	SCHERM		3
21	596436901	SCREW		2
22	596770301	RING		4
23	521996502	MOER		10
25	595026402	BEVESTIGING		1
26	595901501	BOUT		2
27	539119007	SCREW		3
28	582468801	UITWERPPIJP		1
29	582467302	BEVESTIGING		1
30	590523702	PLAAT		1
31	595901101	BOUT		3
32	510437502	SCHERM		1
33	596238401	BOUT		4
34	595086601	MOER		4
35	596506302	BEVESTIGING		1
36	588264807	RIEM		1
37	595315901	SCHAKEL COMPL		4
38	873900600	MOER		8
39	574169601	ROL		2
40	521991102	MOER		2
41	510022302	SCREW		2
42	574196402	PIJP		2
43	539121322	FOOT PAD		1
44	574437301	STICKER		1
45	592858702	BOUT		18
46	598440001	KAP		3
47	582462702	ARM		1
48	539131518	BEARING. FLANGE		1
49	582468102	AS		1
50	582466402	PLAAT		1
51	521996602	SCREW		1
52	582468002	VEER		1
53	574202002	EYEBOLT		1
54	589455202	AFSTANDRING		1
55	582470202	HOUDER		1
56	582468302	AFSTANDRING		1
57	594913302	RIEMGELEIDER		1
58	596230801	MOER		1
59	596584303	SCREW		1
60	539913847	BOUT		1

KEES VAN DER SPEK
 TUINMACHINEBETRIJF B.V.

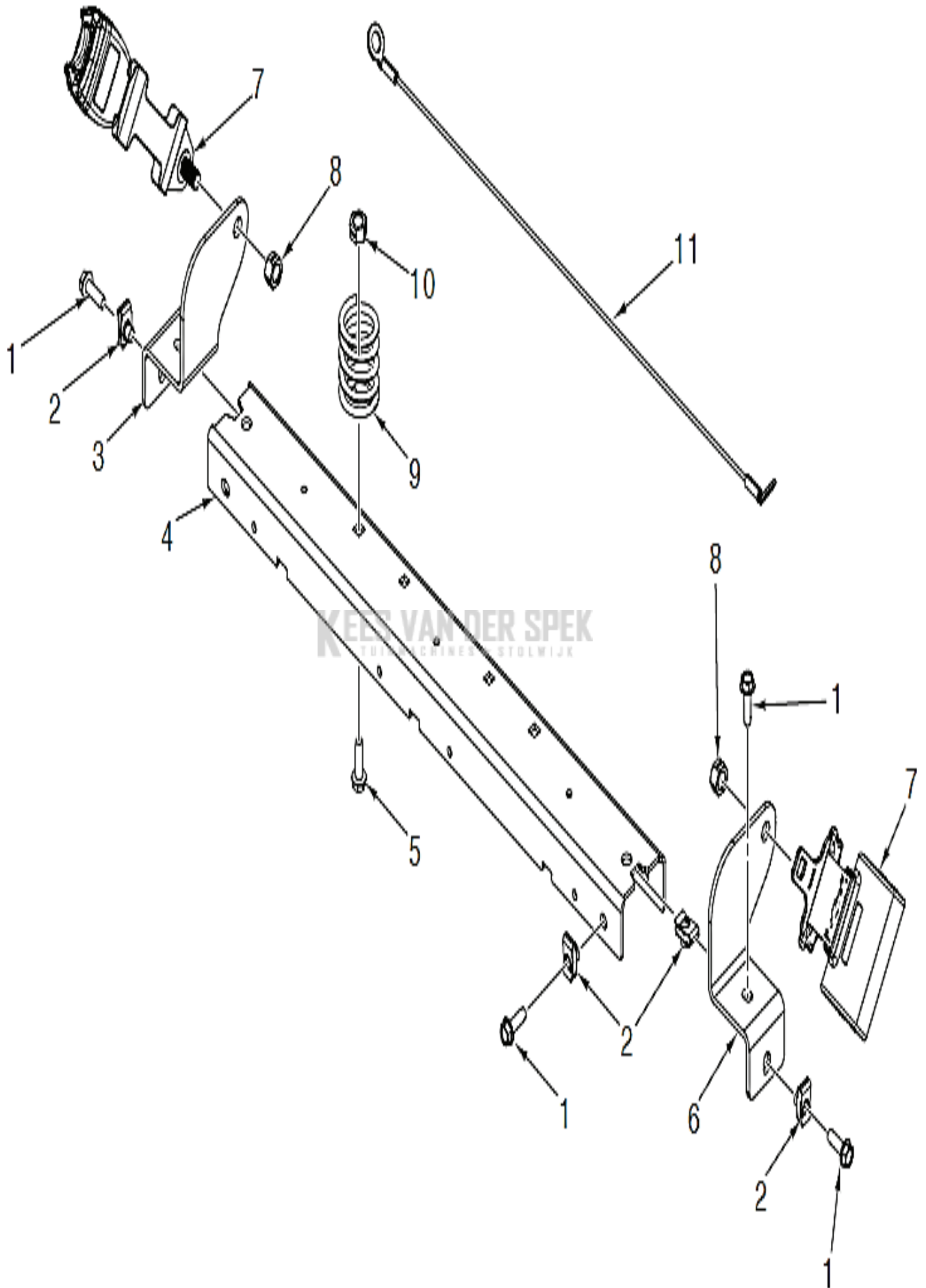


PXM_REF	PXM_PARTNO	DESCRIPTION	PXM_REMARK	QTY.
1	525750201	GELUIDDEMPER	MUFFLER	1
2	579150901	SCHERM	SHIELD MUFFLER	1
3	529359601	SERVICE KIT	U-BOLT, CLAMP, & HEX NUTS	1

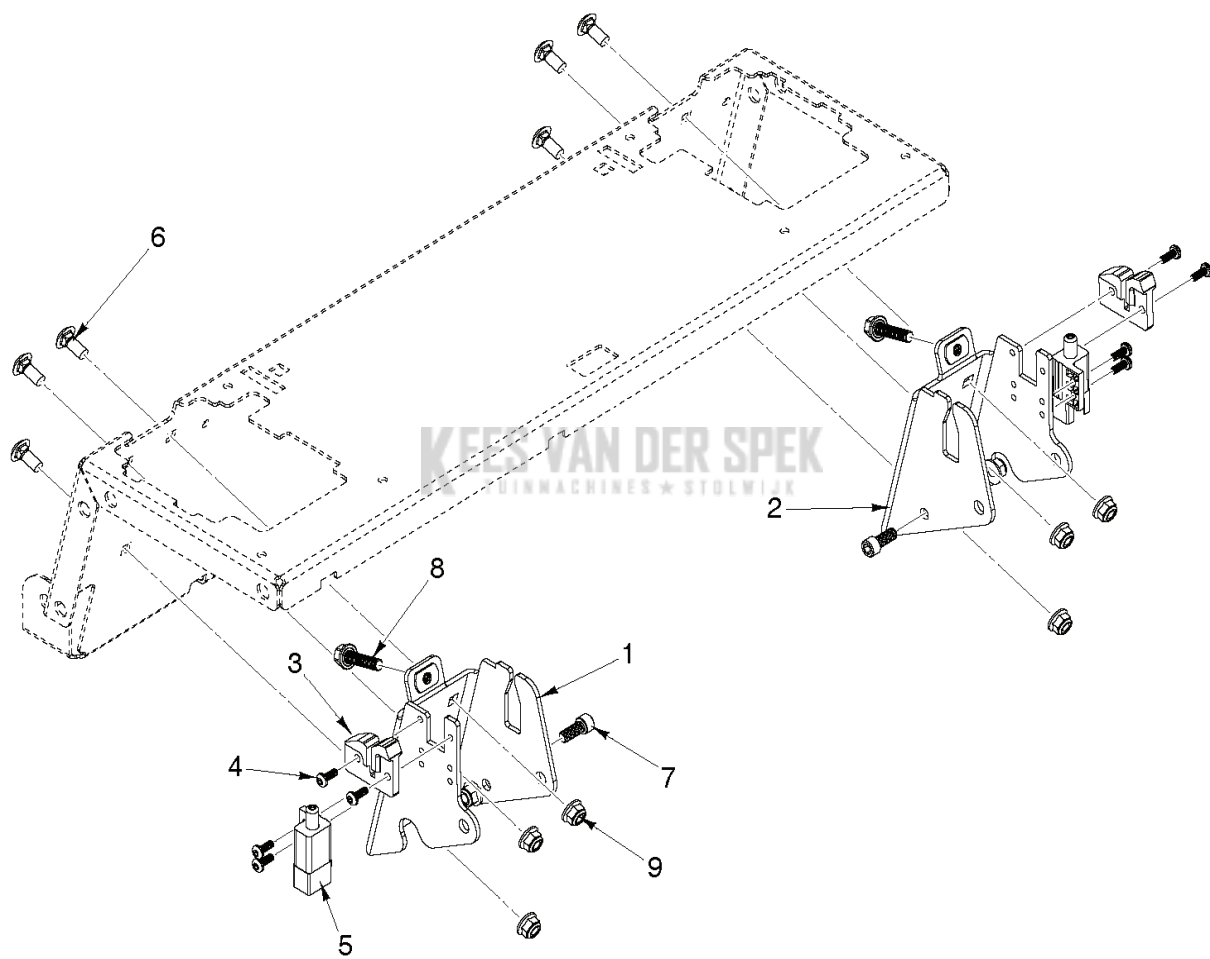


ZERO TURN: COMMERCIAL

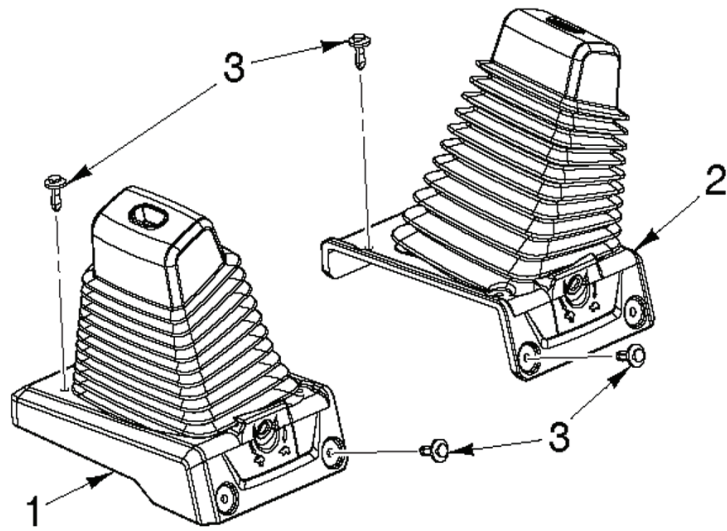
PXM_REF	PXM_PARTNO	DESCRIPTION	PXM_REMARK	QTY.
1	579866107	ZITTING COMPL.	All except 970576401	1
1	531451401	ZITTING	For 970576401	1
2	595080602	STEUN	All except 970576401	1
2	535687502	PAN	For 970576401	1
3	539130896	BOUT		2
4	594944401	MOER		8
5	595901601	BOUT		2
6	532423063	RING		1
7	539130793	STOP	All except 970576401	1
	579866108	ZITTING COMPL.	Arm rest kit accessory	1
	532192749	SWITCH.SEAT.DP W/RAMPS	For 970497101-00	1



PXM_REF	PXM_PARTNO	DESCRIPTION	PXM_REMARK	QTY.
1	596433801	SCREW	SCREW HEX HEAD 5/16-18 X 1 IN	1
2	539104763	KLEM	U-CLIP 5/16-18 NUT RETAINER	6
3	595529502	BEVESTIGING	BRACKET SEAT BELT RH	1
4	595529302	BEVESTIGING	BRACKET REAR SEAT	1
5	595316801	BOUT	BOLT 3/8-16UNC X 1"	1
6	595529402	BEVESTIGING	BRACKET SEAT BELT LH	1
7	596322702	ZITTING	SEAT BELT Z400	1
8	539990394	MOER	LOCKING NUT HEX 7/16F	1
9	587613302	VEER	SPRING COMPRESSION	1
10	521996502	MOER	NUT HEX LOCK 3/8-16 St	4
11	595313301	KABEL	CABLE LANYARD BLACK	1

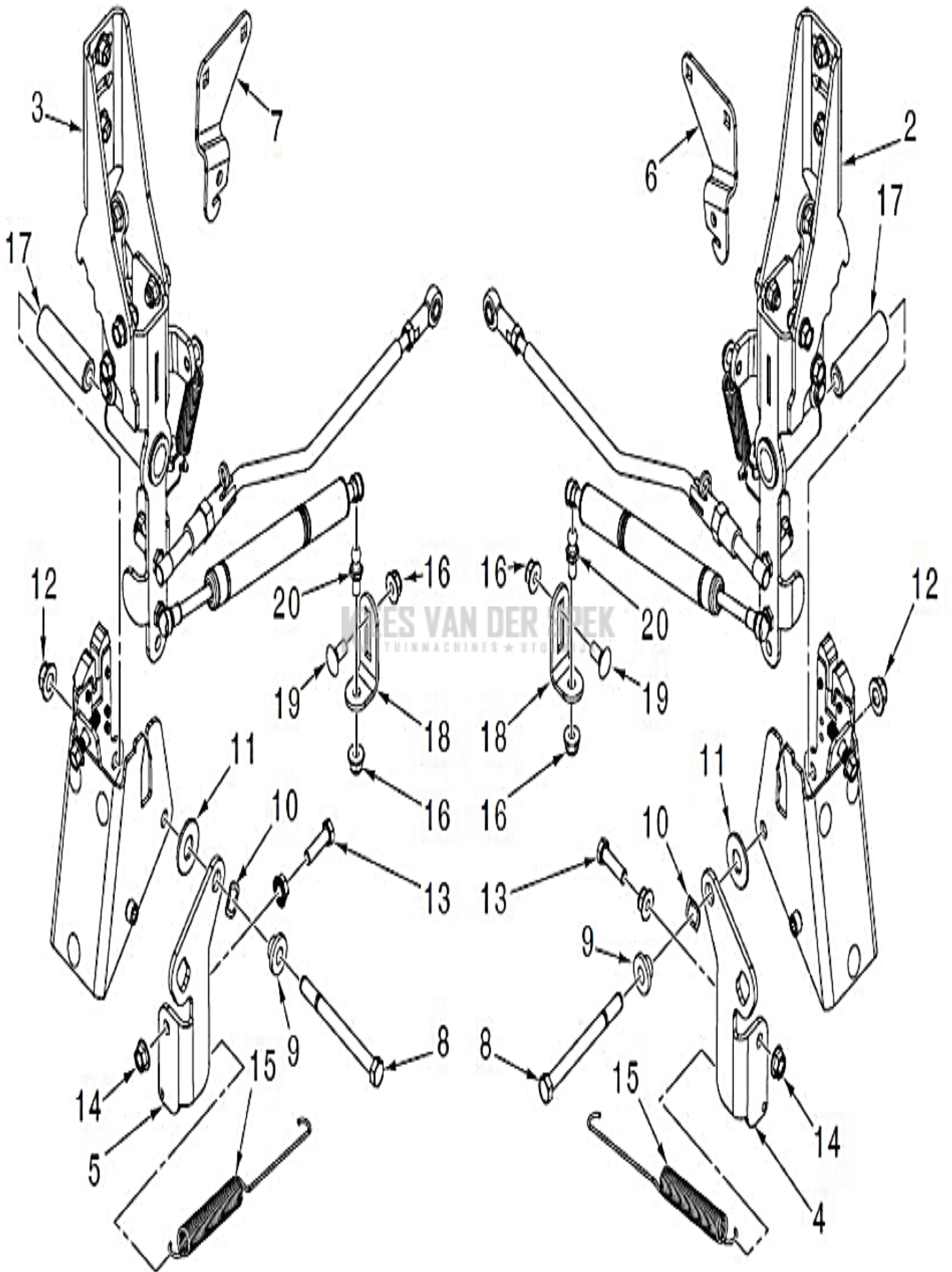


PXM_REF	PXM_PARTNO	DESCRIPTION	PXM_REMARK	QTY.
1	596885401	BEVESTIGING	PIVOT BRACKET LH	1
2	596885402	BEVESTIGING	PIVOT BRACKET RH	1
3	596290901	GELEIDER	CONTROL GUIDE	1
4	597856201	SCREW	SCREW PAN HD 10-24	8
5	587601501	SCHAKELAAR	SWITCH INTERLOCK	1
6	595901601	BOUT	BOLT 5/16 x 3/4	1
7	596917101	SCREW	SCREW HEX HD 5/16-18 x 3/4	1
8	585986101	BOUT	BOLT 5/16-18 x 1-1/4	1
9	594944401	MOER	NUT 5/16-18	1



KEES VAN DER SPEK
TUINMACHINES ★ STOLWIJK

PXM_REF	PXM_PARTNO	DESCRIPTION	PXM_REMARK	QTY.
1	596246801	BALG	BELLOWS RH DRIVE LEVER	1
2	596246701	BALG	BELLOWS LH DRIVE LEVER	1
3	582482901	KLINKNAGEL	RIVET PUSH PIN 0.25IN HOLE	1



ZERO TURN: COMMERCIAL

PXM_REF	PXM_PARTNO	DESCRIPTION	PXM_REMARK	QTY.
2	598486401	SERVICE KIT	CONTROLS SYSTEM LH	1
3	598486402	SERVICE KIT	CONTROLS SYSTEM RH	1
4	596291201	ARM	ARM RTN: CONTROLS: MZ LH	1
5	596291202	ARM	ARM RTN: CONTROLS: MZ RH	1
6	593061603	BEVESTIGING	BRACKET CONTROLS LH	1
7	593061604	BEVESTIGING	BRACKET CONTROLS RH	1
8	874760672	BOUT	"BOLT E. 3/8-16UNC X 4,5 " Grade 2"	2
9	596291101	BUSHING	BUSHING RTN: CONTROLS: MZ	1
10	532444749	RING	WASHER	2
11	585072001	RING	WASHER	1
12	521996502	MOER	NUT HEXAGON LOCK 3/8- 16	4
13	595305701	SCREW	SCREW 5/16-18UNC X 31	1
14	596039201	LOCK NUT	LOCK NUT 5/16-18 IN	1
15	593106701	VEER	SPRING CONTROLS	1
16	594944401	MOER	NUT HEXAGON FLANGE 5/16-18 St	1
17	593061501	AFSTANDRING	SPACER CONTROLS	1
18	598475902	BEVESTIGING	BRACKET DAMPER	2
19	595901601	BOUT	"BOLT 5/16-18UNC X 0.75 ..."	1
20	594056301	TAPEIND	STUD 10MM BALL	1

KEES VAN DER SPEK
TUINMACHINES ★ STOLWIJK