

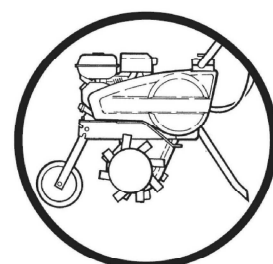
KEES VAN DER SPEK
TUINMACHINES ★ STOLWIJK



EN Operating manual
DE Benutzerhandbuch
FR Manuel d'utilisation

M6000060601-20


ES Manual de uso
IT Istruzioni per l'uso
NL Gebruikshandleiding



TF120

KEES VAN DER SPEK
TUINMACHINES ★ STOLWIJK

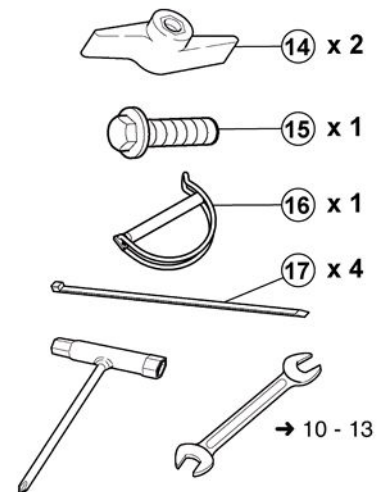
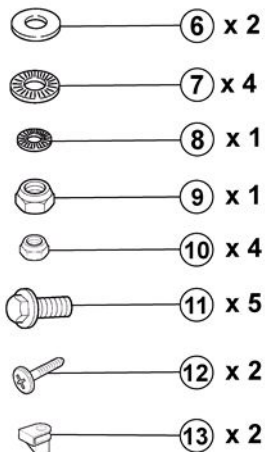
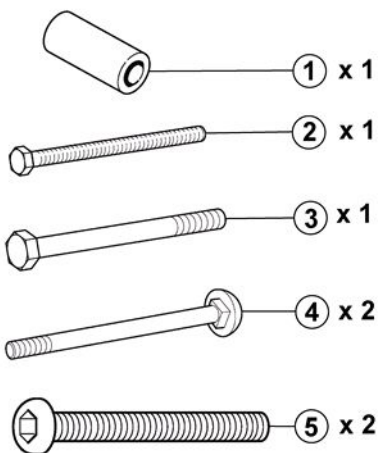
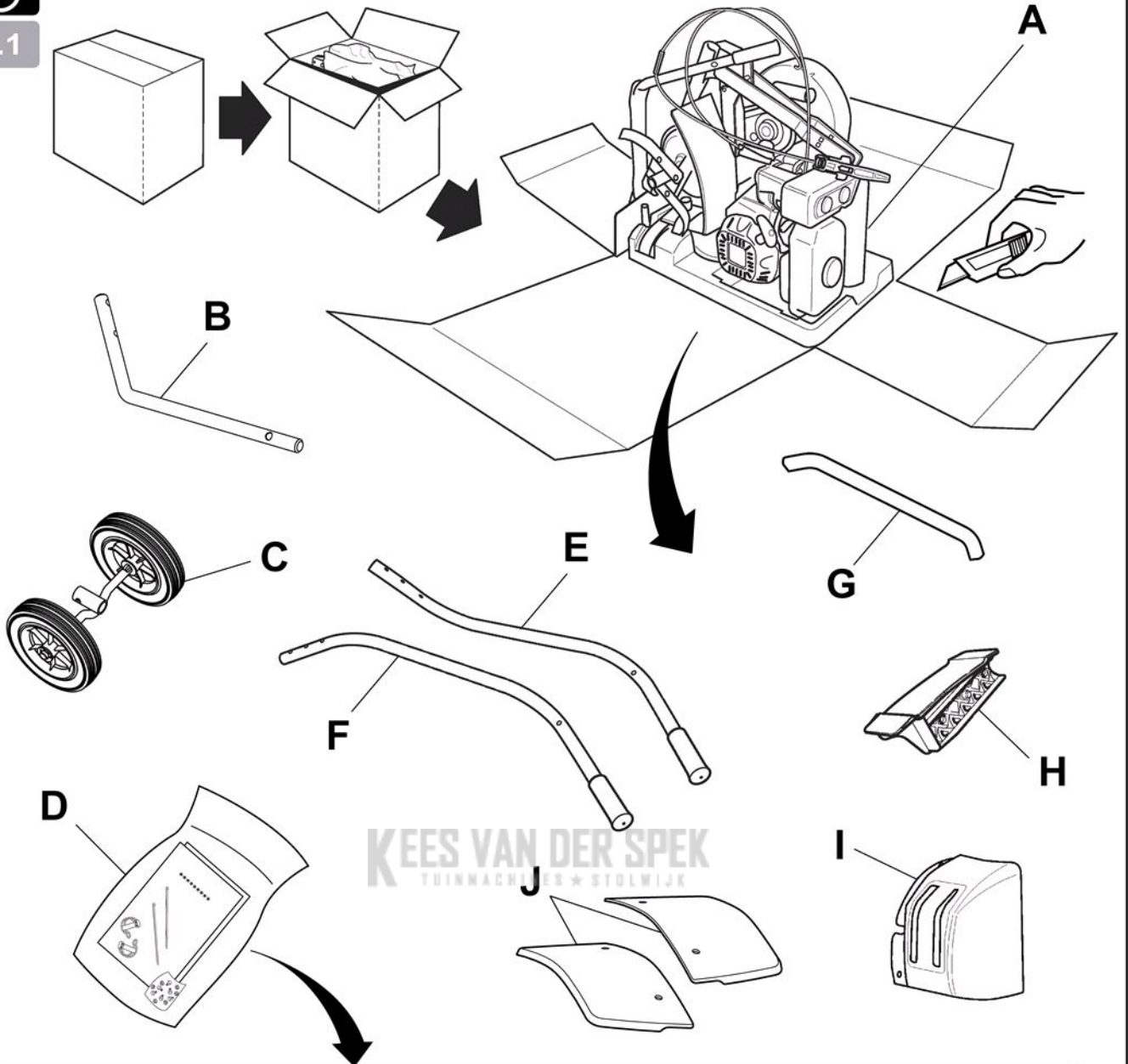
TF120

	User manual <i>(Translation of the original manual)</i>
EN	MOTOR HOE  Read the instructions in the user manual. Become familiar with the operation and controls of the machine.
	Benutzerhandbuch <i>(Übersetzung der Originalbetriebsanleitung)</i>
DE	MOTORHÄCKE  Die Anweisungen im Benutzerhandbuch durchlesen. Sich mit den Funktionen und Bedienelementen der Maschine vertraut machen.
	Manuel d'utilisation <i>(Notice originale)</i>
FR	MOTOBINEUSE  Lire les instructions du manuel utilisateur. Se familiariser avec le fonctionnement et les commandes de la machine.

	Manual de uso <i>(Traducción del manual original)</i>
ES	MOTOAZADA  Leer las instrucciones del manual del usuario. Familiarizarse con el funcionamiento y los mandos de la máquina.
	Manuale di istruzioni <i>(Traduzione delle istruzioni originali)</i>
IT	MOTOZAPPA  Leggere le istruzioni contenute nel manuale per l'utente. Informarsi sul funzionamento e sui comandi della macchina.
	Gebruikshandleiding <i>(Vertaling van de originele handleiding)</i>
NL	MOTORHAKFREES  Lees de instructies van de gebruikershandleiding. Maak u vertrouwd met de werking en de bedieningselementen van de machine.



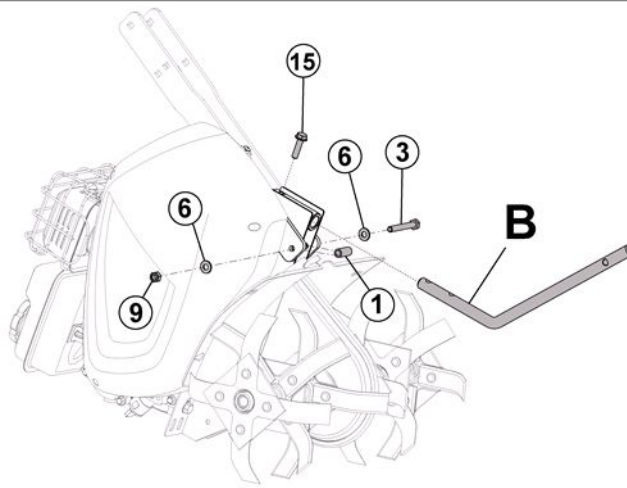
1.1



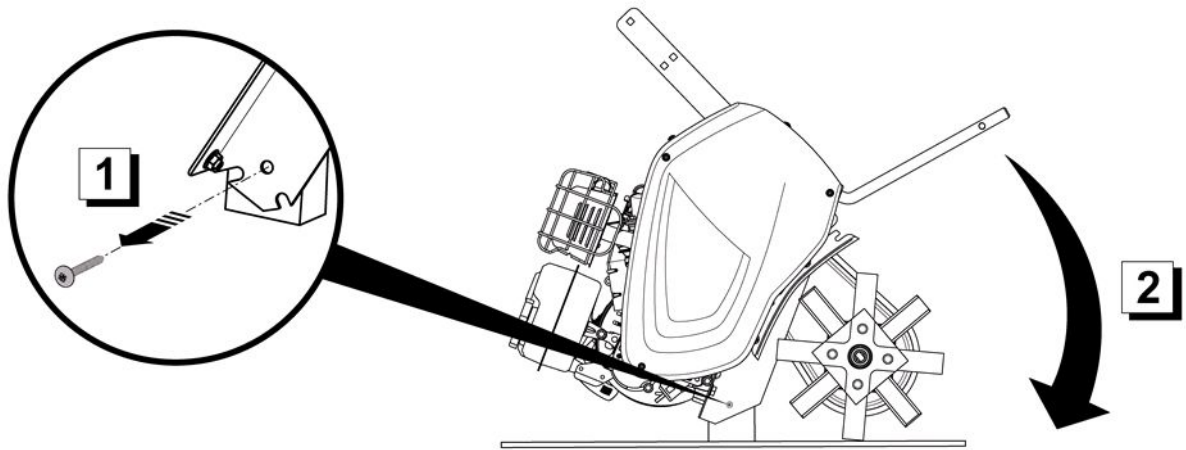
(*): FR : (suivant version) - EN : (depending on the version) - DE : (je nach Ausführungsvariante) - BG : (според варианта)
 HR : (ovisno o verziji) - DA : (Afhængigt af version) - ES : (Según versión) - ET : (järgmine versioon) - FI : (mallista riippuen)
 EL : (ανάλογα με το μοντέλο) - HU : (verziótól függően) - IT : (A seconda del modello) - LV : (atkarībā no versijas)
 LT : (priklausomai nuo versijos) - NL : (Naar gelang model) - NO : (Avhengig av versjon) - PL : (Zależnie od wersji)
 PT : (Consoante versão) - RO : (În funcție de versiune) - TR : (versiyona göre) - SK : (v závislosti od verzie) - SL : (odvisno od verzije)
 SV : (beroende på version) - CZ : (v závislosti na provedení) - UK : (в залежності від версії) - RU : (В зависимости от модификации)



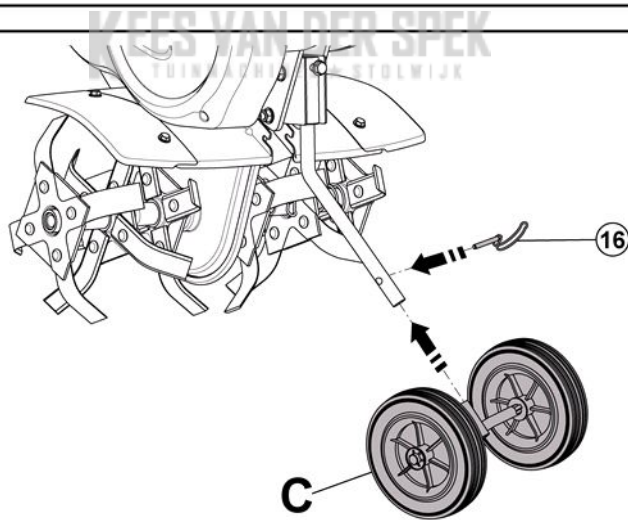
1.2



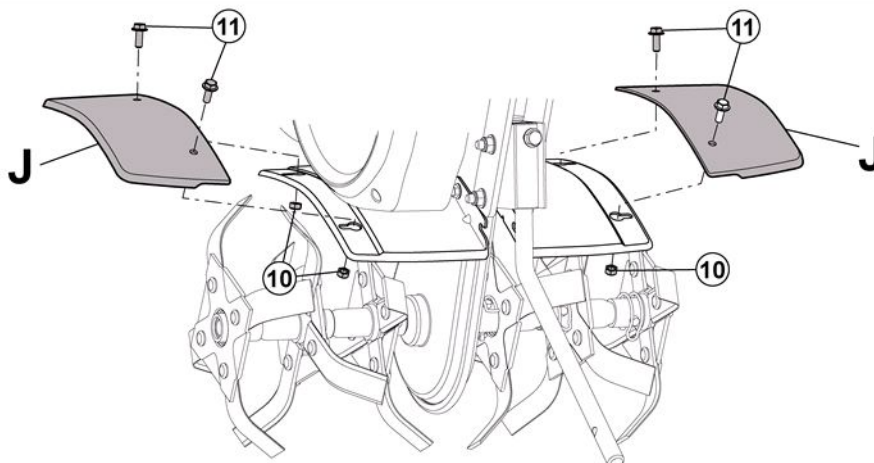
1.3

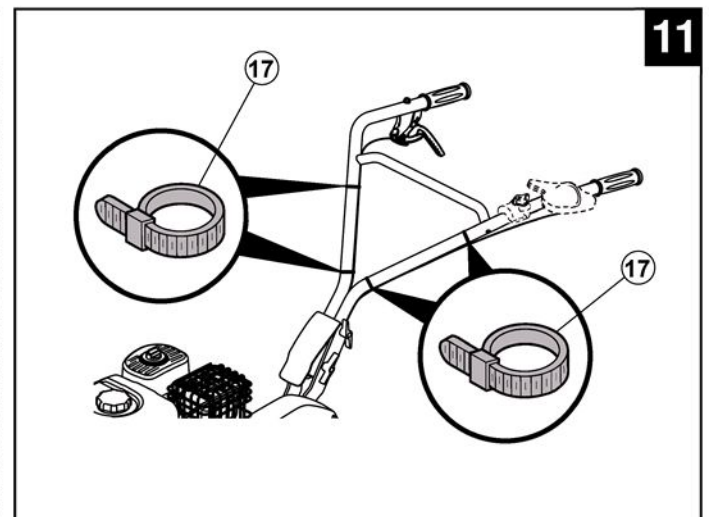
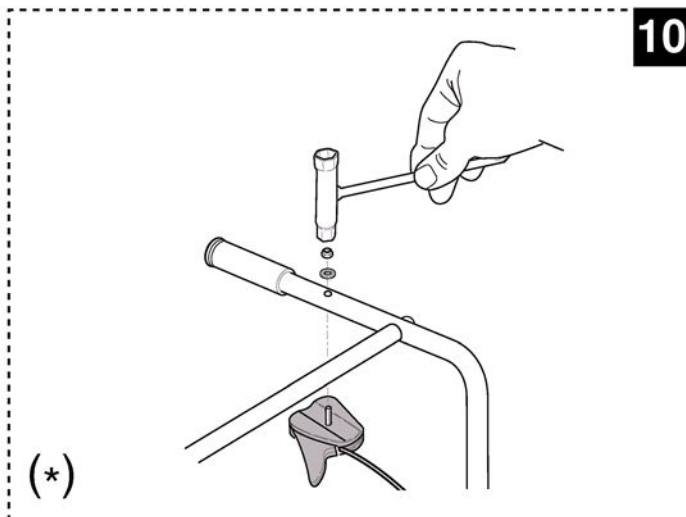
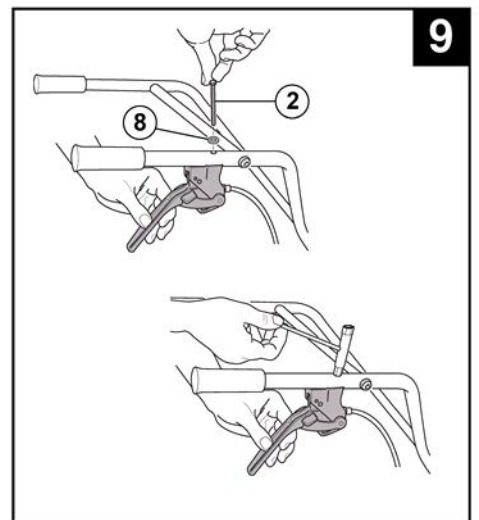
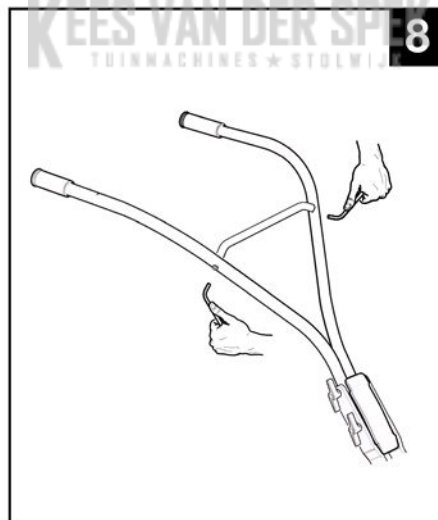
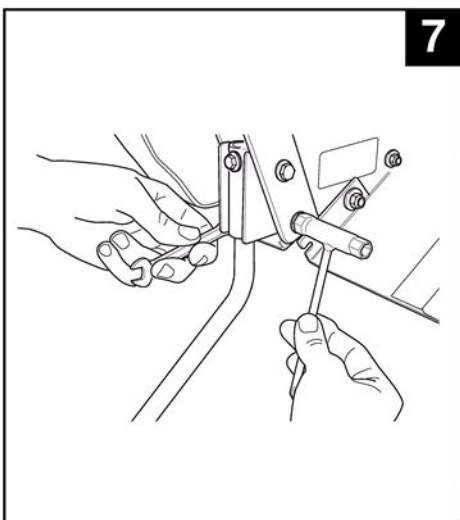
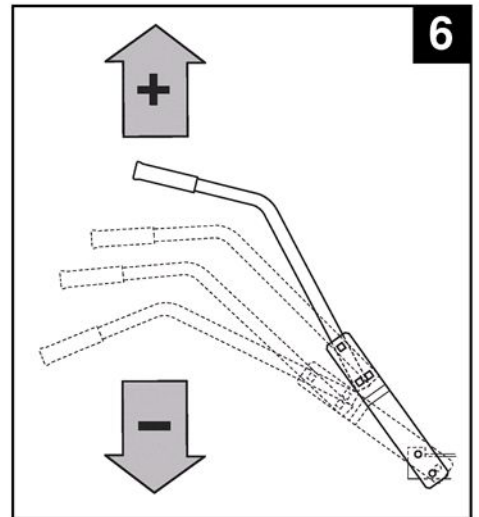
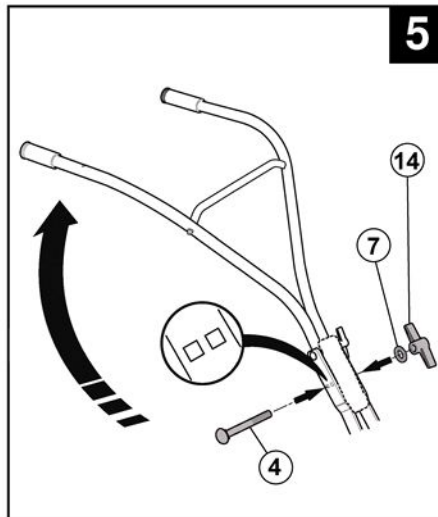
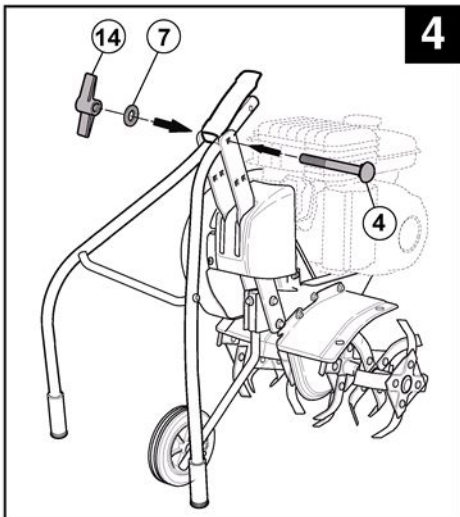
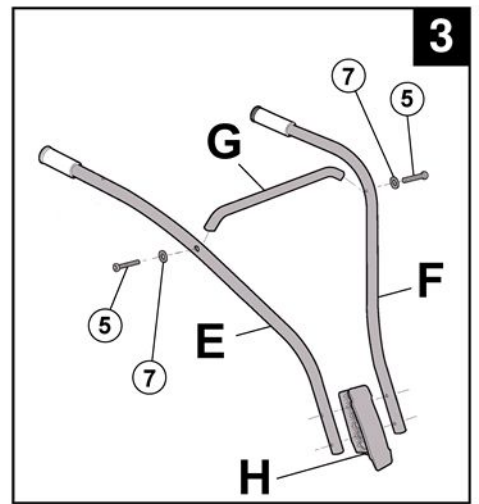
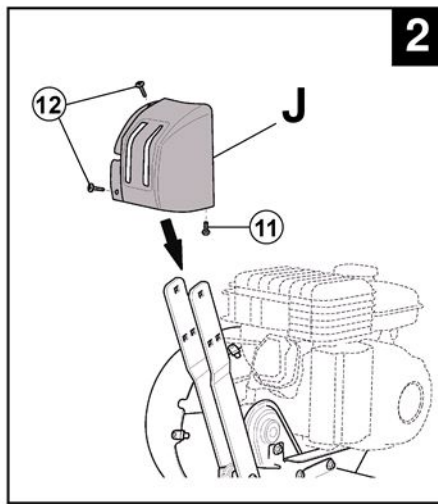
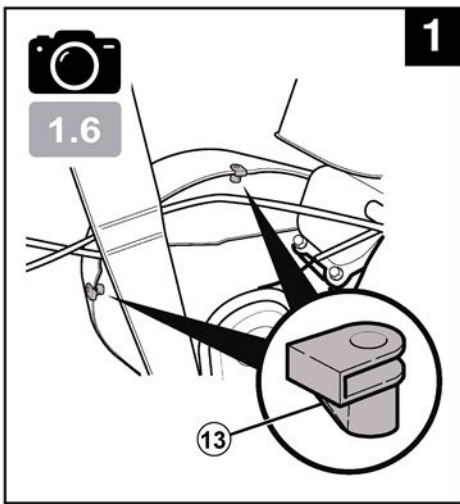


1.4



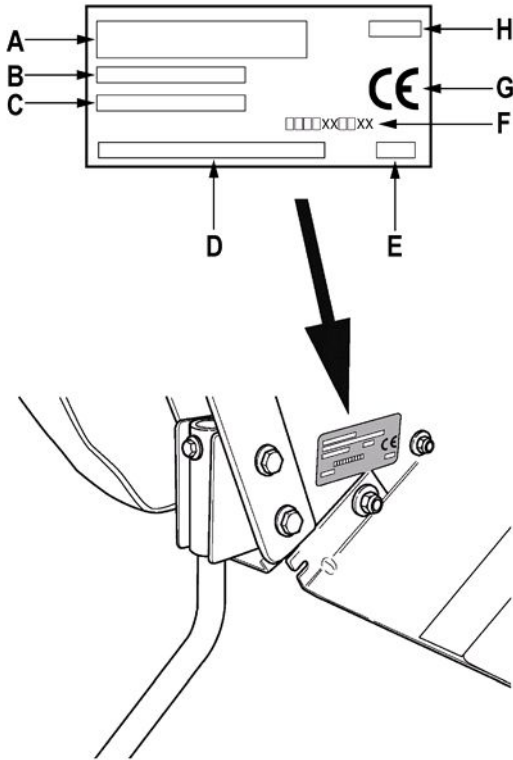
1.5



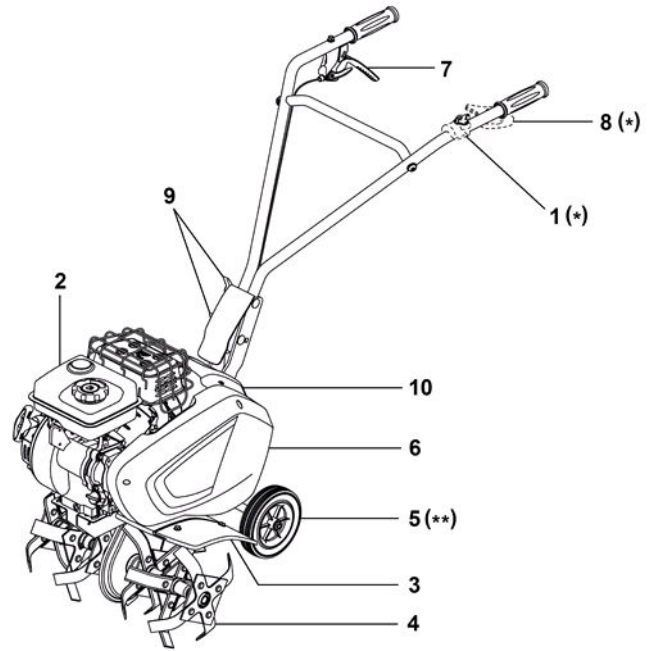


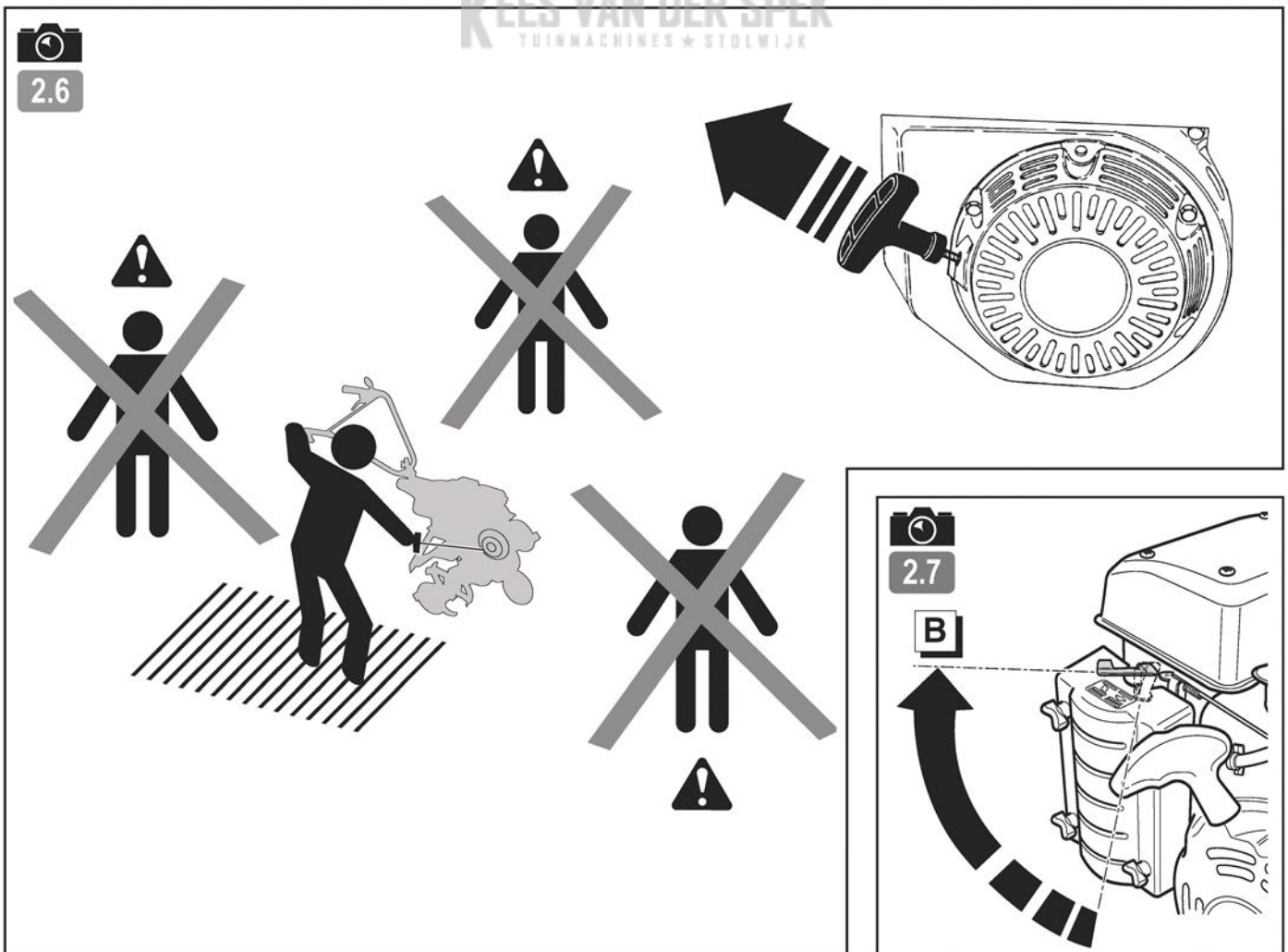
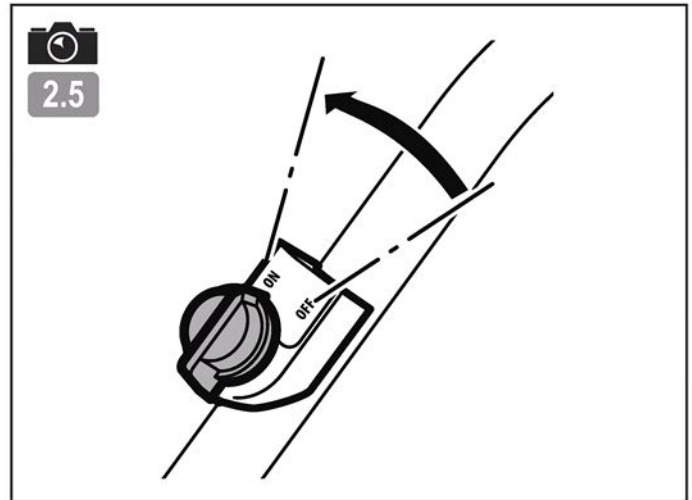
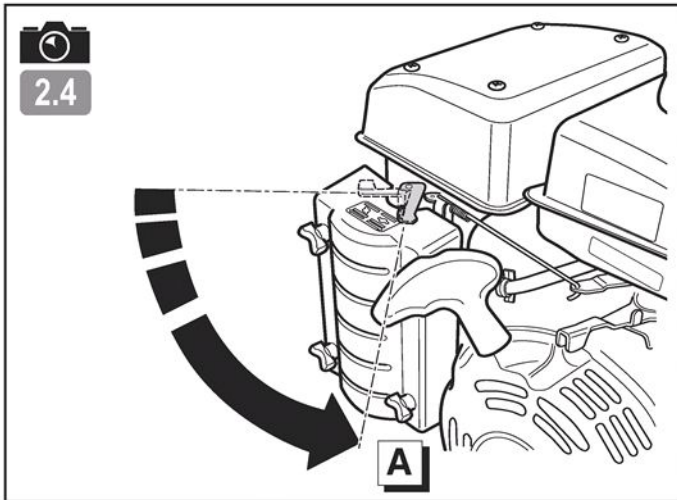
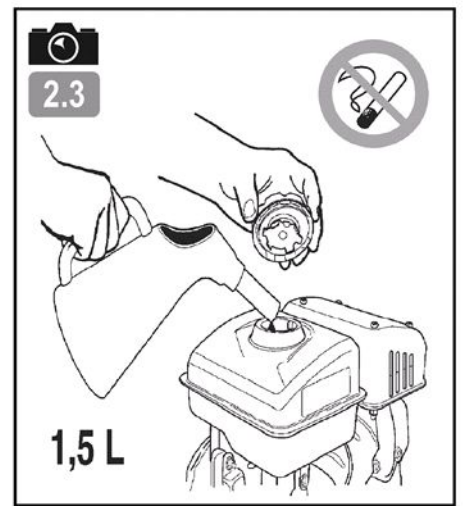
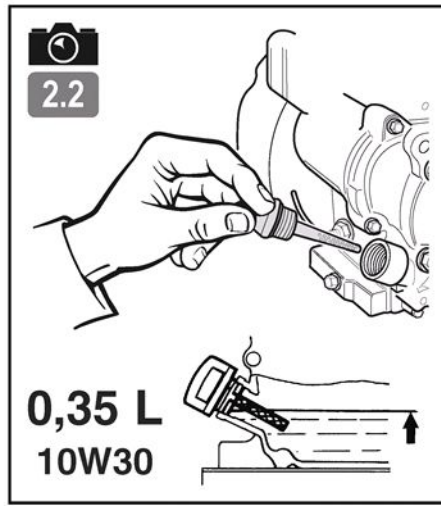
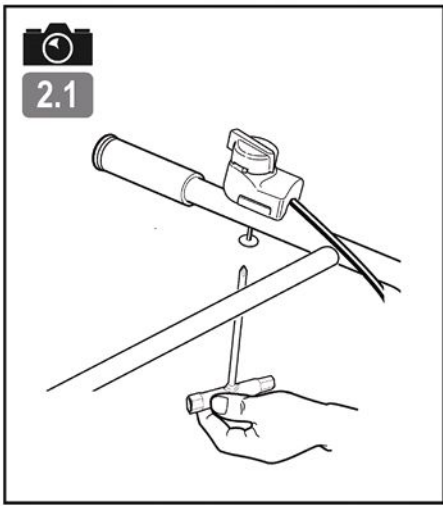


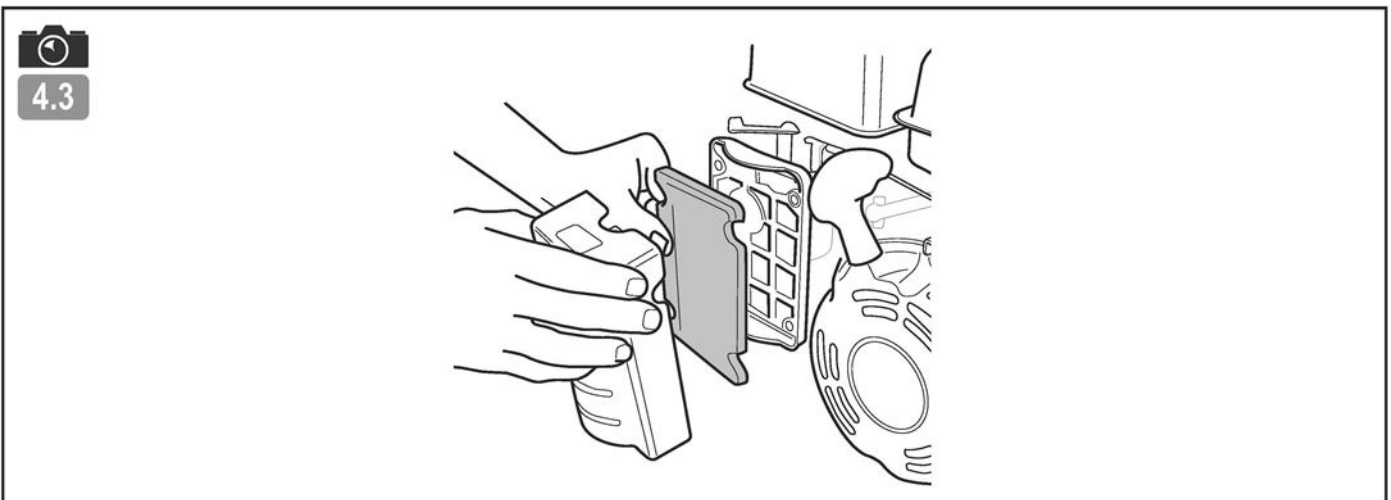
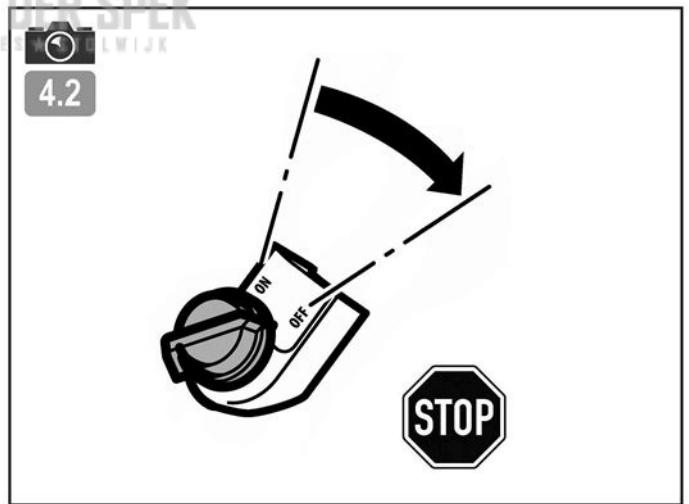
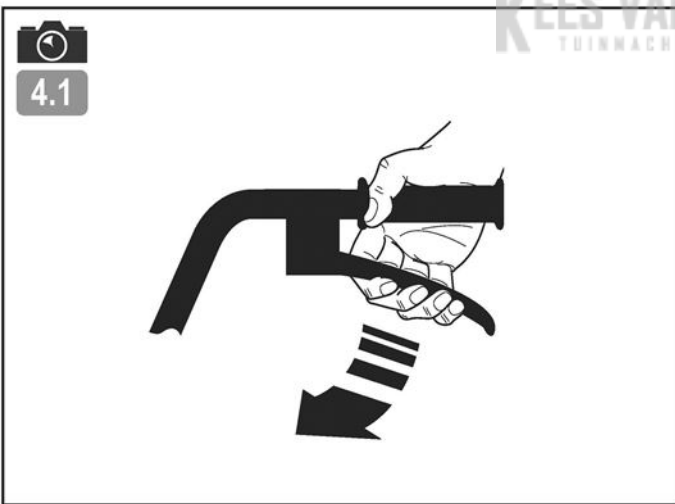
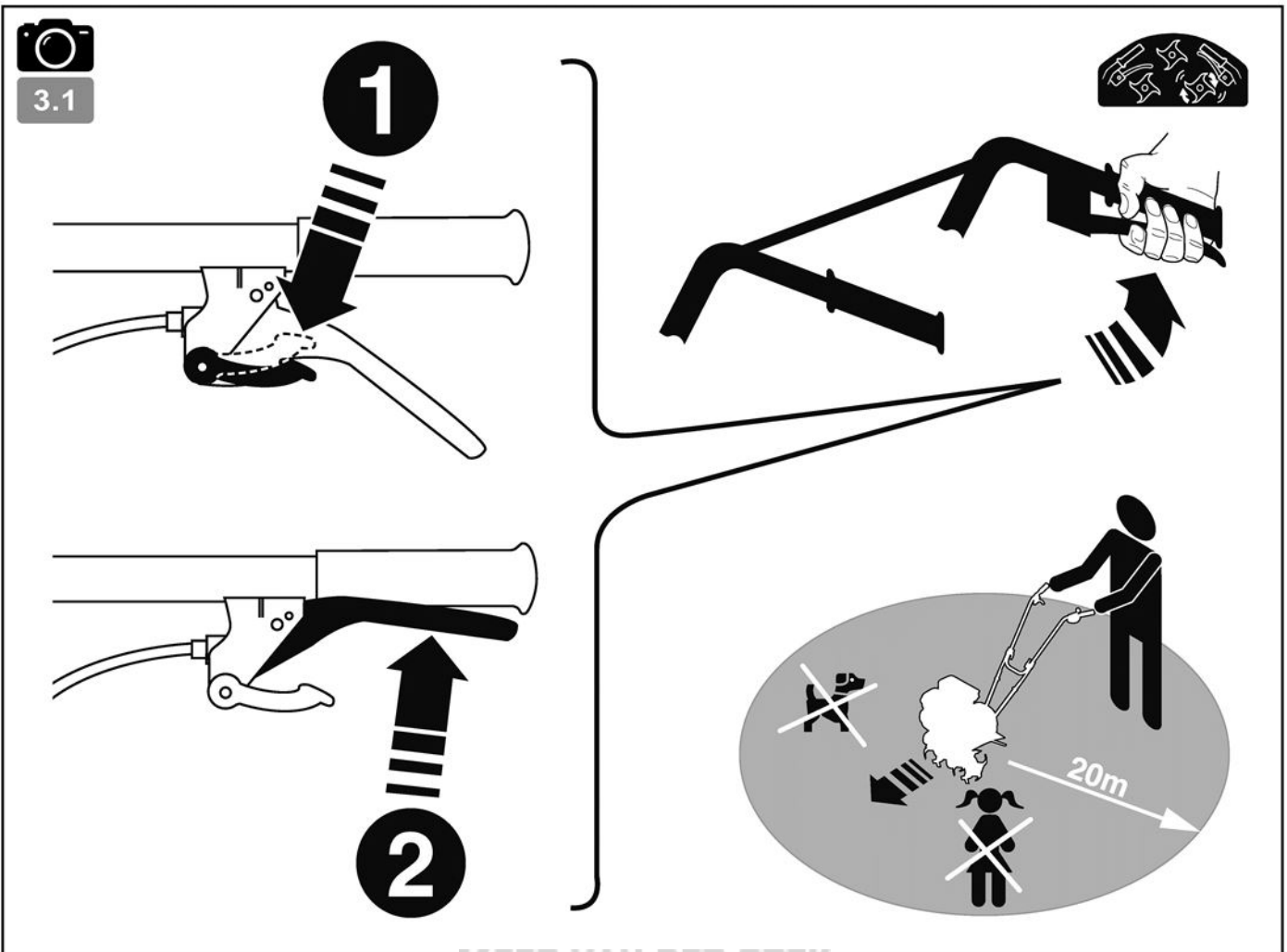
1.7



1.8

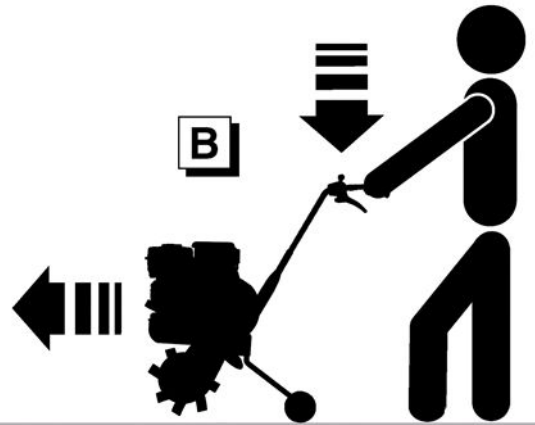
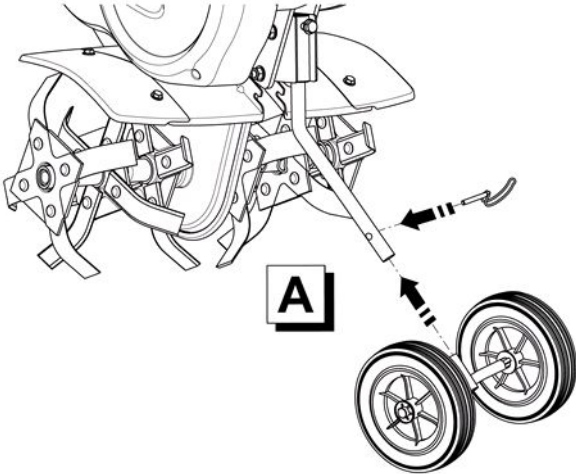
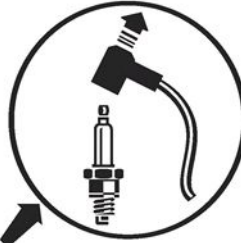








5.1



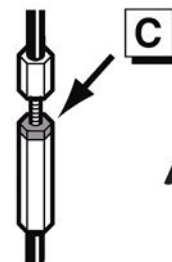
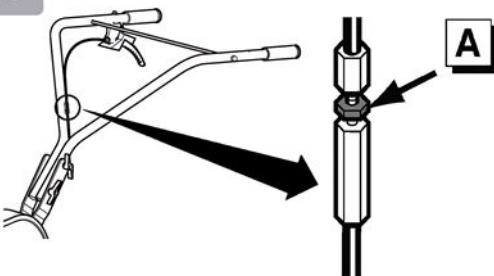
6.1



6.2



6.3



Pay close attention to indications preceded by the following statements:



CAUTION: Indicates a high probability of serious physical injury or danger of death if the instructions are not followed

PRECAUTION: Indicates a possibility of physical injury or damage to the equipment if the instructions are not followed

NOTE: Provides useful information



This symbol warns you to be careful during certain operations

If a problem occurs, or if you have any questions about the motor hoe, please contact an approved dealer



CAUTION: The machine is designed to provide safe and reliable service when used according to the Instructions. Please read and memorise the content of this manual before you use your machine. If you do not, you will risk injury and the equipment may be damaged

Training / Information:

- Familiarise yourself with the correct use and commands before you use the machine. Know how to shut the engine off quickly.
- The machine must always be used according to the recommendations indicated in the instruction manual.
- Do not forget that the user is responsible for any accidents or dangerous phenomena that occurs to other people or their property. It is their responsibility to assess the potential risks in the land to be worked and to take all the necessary precautions to guarantee their safety, in particular on slopes or on rough, slippery or loose ground.
- Never let children or people who are unfamiliar with these instructions use the machine. A minimum user age may be set by local regulations.
- Never work if there is anyone, in particular children or animals, within a 20-metre radius around the machine; the user must stay at the commands on the handlebars.
- Do not use the machine after taking any medicines or substances considered as potentially harmful to your reflexes and vigilance.
- Pay closer attention on hard ground as the machine will tend to be much less stable than on cultivated land.
- While working, always wear hard, non-slip shoes and long, tight trousers. Do not use the machine if you are barefoot or wearing sandals. We recommend wearing hearing protection.
- Use the machine for the purpose for which it is intended, i.e. soil turning. Any other use may be dangerous or may damage the machine.

Preparation:

- Carefully inspect the area where the machine is to be used and remove all objects which may be projected by the machine (stones, wires, glass, metal objects, etc.).
- Before use, always perform a visual inspection of the machine to make sure that the tools and deflectors are not worn or damaged. Have the worn or damaged parts replaced.
- If the machine has an engine stop button, keep the engine stop electrical cables in good condition to ensure that the engine will stop.

- Check that there are no liquid leaks (petrol, oil, etc.)

- Do not use the machine without mudguard or protective covers and make sure that all the attachment mechanisms are fully tightened.

Use:

- Never transport any people on the machine
- Start the engine carefully, following the manufacturer's instructions and keeping your feet away from the tool(s).
- Shut down the engine when the machine is unsupervised.
- Walk, never run with the machine.
- Pull the machine towards you or reverse the movement direction (if possible) with a great deal of care.
- Keep the safe distance in relation to the rotating tools, given by the handlebar length.
- Never put your hands or feet near or under rotating elements.
- In the event of:
 - Abnormal rotation,
 - Blockage,
 - Clutching problem,
 - Impact with a foreign object,
 - Damage to the engine shutdown cable (depending on the model),

shut down the engine immediately (if the engine shutdown cable is cut, activate the starter command as described in the § "starting the engine" to shut down the engine), let the machine cool down, disconnect the spark plug wire, inspect the machine and have the necessary repairs carried out by an authorised repair technician before using the machine again.

- Only work in daylight or in good quality artificial light.
- Do not use the machine on slopes over 10° (17%).
- Work cross-wise on slopes, never ascending or descending.
- On steep land, be sure of your footing and take great care when changing direction.
- Using accessories other than those recommended may make the machine dangerous and cause damage to your machine, which will not be covered by your warranty.

Maintenance / Storage / Disposal:

- Shut down the engine and disconnect the spark plug before any cleaning, verification, tool change, adjustment or maintenance operations on the machine.
- Shut down the engine, disconnect the spark plug and wear thick gloves when changing the tool(s).
- Keep all nuts and screws tight to guarantee safe usage conditions.
- To reduce the fire risks, keep the engine, the silencer and the petrol storage area free of all vegetation, excess grease or any other materials likely to catch fire.
- Have the exhaust silencers replaced
- Do not repair the parts. Have the parts replaced with original parts.
- Replace the tools with complete batches to preserve the balance.
- For your safety, do not modify your machine's characteristics. Do not modify the engine speed regulation settings and do not use the engine in overspeed. Regular maintenance is essential to guarantee safety and maintain performance.
- Let the engine cool down before you store the machine inside premises.
- The device must be disposed of in accordance with the regulations in force in the country of use.

Caution – Danger: Petrol is highly flammable:


- Store the fuel in containers specially provided for the purpose. Fill up with fuel outdoors only and do not smoke during the operation.
- Never remove the cap from the petrol tank or add petrol when the engine is running or when it is hot.
- If petrol is spilled on the ground, do not try to start the engine but move the machine away from this area and avoid causing any fires until the petrol fumes have dissipated.
- Store the machine in a dry place. Never store the machine in premises where the petrol fumes may reach a flame, a spark or a high source of heat.
- Put the caps back in place correctly on the tank and the petrol feed.
- Limit the quantity of petrol in the tank to minimise splashing.
- Do not run the engine in a confined space where carbon monoxide fumes may build up.
- Carbon monoxide may be fatal. Make sure that the premises are well ventilated.

Movement / Handling / Transport:

- All actions on the machine apart from working the ground must be performed with the engine shut down and the spark plug disconnected.
- The machine must be moved (apart from working the ground) using the transport wheel as described in the § "movement".
- Handling: to lift the machine respect the instructions in "Handling" chapter. The machine's weight is indicated on the manufacturer's plate, at the end of this manual. Use a method of handling adapted to the weight of the machine and to the situation to guarantee the safety
- Lash the machine down correctly for safe transport.
- The machine should be transported in a trailer; do not use any other method of transport.

PICTOGRAM DEFINITION

-  **DANGER**
Danger
-  **CAUTION**
Rotating cutter blades
-  **CAUTION**
Read the user manual
-  **CAUTION**
Consult the user manual and remove the spark plug before any intervention
-  **CAUTION**
Do not use without protection (moving elements)
-  Wear ear protectors



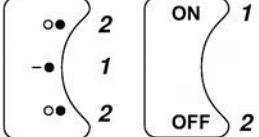
Guaranteed acoustic power

Gas command (depending on engine type)




1 - Quick
2 - Slow
3 - Stop

Circuit breaker (depending on engine type)



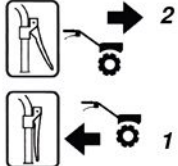
1 - Go
2 - Stop

Clutch handle



Clutch disengaged
Clutch engaged

Gear selection (optional)



1 - Reverse
2 - Forward



Do not touch hot surfaces



The exhaust gases are dangerous
Do not use in a poorly-ventilated area



Switch the engine off before filling up



Pictograms that may or may not be present depending on the machine model

TECHNICAL INFORMATION


Machine model	TF120	Acoustic pressure level at operator's ears	dB(A)	84
Weight	kg 27	Measurement uncertainty	dB(A)	1
Engine model	R100	Measured sound power level	dB(A)	92.05
Net power * for an engine rate	KW 1.8 rpm 3600	Measurement uncertainty	dB(A)	0.25
Nominal power Nominal engine rate	KW 1.5 rpm 3200	Level of vibrations on the operator's hands	m/s ²	3.2
Guaranteed sound power level	dB(A) 93	Measurement uncertainty	m/s ²	2


* The engine power indicated in this document is a net power obtained by the test on a series engine according to standard SAE J 1349 at a given rotation speed. The power of another production engine may be different from this indicated value. The actual power of an engine installed on a machine will depend on different factors, such as the rotation speed, the temperature, humidity, atmospheric pressure, maintenance and other conditions.

NOTE: with permanent improvement in mind, the manufacturer specifies that all of this manual is not contractually-binding and reserves the right to modify the specifications of their machines without notice

 ← Unpacking

1.1


 **DANGER:**
Incorrect assembly of this motor hoe may cause serious injury. Make sure that you follow all the instructions carefully

 **CAUTION:**
Make sure that you do not cut the cables or scratch the machine's paintwork when cutting sharp edges from the body

Marker	Case content
A	Engine block
B	Stand
C	Transport wheel
D	Documents + nuts and bolts pouch
E	Right steering column
F	Left steering column
G	Steering column spacer
H	Jib cover
I	Steering column guard (Depending on version)
J	Cover plates

 ← Assembling the stand

1.2

 ← Remove the attachment points from the bottom of the body

1.3

 ← Assembling the transport wheel

1.4

 ← Mounting the cover plates

1.5

 ← Assembling the handlebar

1.6

 ← Machine identification plate

1.7

- A – Manufacturer's name and address
- B – Type of machine
- C – Serial number
- D – Nominal power
- E – Weight in kilograms
- F – Machine model
- G – EC identification
- H – Year of manufacture

 ← Description of the elements

1.8

- 1 - On off switch *
- 2 - Motor
- 3 - Protective metal plate
- 4 - Rotating tools
- 5 - Transport wheel **
- 6 - Belt guard
- 7 - Clutch lever
- 8 - Gas command *
- 9 - Steering column adjustment handle
- 10 - Steering column guard **

*(depending on motor type)

**depending on version



← Cable tightener handlebar on the circuit breaker



← Oil full and level



← Petrol full

Super or unleaded or SP95 E 10



← Set the starter to position A




← Circuit breaker

Set the circuit breaker to: **ON** / — ●
(Depending on engine type)



← Pull the launcher handle

 Always remain inside the safety zone when the machine is starting up



← Set the starter to position B

KEES VAN DER SPEK TUINMACHINES & TOEWIJZ USE

This machine is intended for:

- Preparation of the soil for planting
- Maintenance of plantations and flower beds

This machine is not intended for professional use



← Forward movement



It is essential to release the clutch before switching to reverse gear



Maintain a safety radius of 20 m around the machine



After you start the machine, do not let the engine idle: start working as soon as possible by activating the tool clutching command

There is no need to warm up the engine: letting it idle for over 2 minutes without engaging the tools may cause serious damage to the clutching system and its belt

STOPPING

EN



Cutting tool shutdown

4.1

Release the clutch handle



Engine shutdown

4.2

Set the circuit breaker to: **OFF** / ○●
(Depending on engine type)

DAILY CHECKS

Check the following points before you start the engine:

- No loose or broken nuts and bolts
- No fuel or engine oil leaks
- Safety of the environment



Clean engine oil level

2.2



Fuel level ok

2.3



Air filter element cleanliness and oil level

4.3

(Depending on engine type)



Do not use any flammable solvents to clean the air filter's foam element

MAINTENANCE PROGRAMME (to be carried out by an authorised workshop)

First month or 20 hours

- Change the engine oil
- Clean the air filter (1)

Every 3 months or 50 hours

- Change the engine oil

Every 6 months or 100 hours

- Clean the decanting bowl
- Clean the spark guard
- Clean the spark plug

Every year or 300 hours

- Change the spark plug
- Clean the fuel tank and the fuel filter
- Check – adjust the idling rate (2)
- Check – adjust the valve play (2)

After every 500 hours

- Clean the combustion chamber (2)

Every 2 years

- Check the fuel pipe (change if necessary) (2)

NOTE:

- (1) Maintain the air filter more frequently when it is used in dusty areas
- (2) These operations must be carried out by an authorised workshop, unless the user has the necessary tools and is mechanically qualified

MOVEMENT AND HANDLING



← Movement

5.1



Shut down the engine

Wait until the engine cools down
(10 minutes)**A**

Set the wheel to movement position

BUsing the handlebar, raise the cutters
from the ground and move forward

ADJUSTING THE CLUTCH CABLE



6.1

When advancing jerkily or when the blades are not
turning in the "Clutch engaged" position, adjust
the clutch cable.

6.2

Stop the machine and disconnect the spark plug.



6.3

A

Release the cable tensioning nut on the clutch cable.

BSet the tensioning nut to provide 20mm play at the
end of the lever.**C**

Relock the nut.

Reconnect the sparkplug.

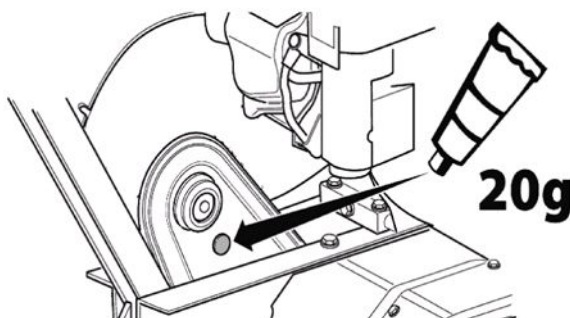
Start the machine and try again.

If the problem persists, contact your retailer.

PERIODIC MAINTENANCE (to be carried out by an authorised workshop)

TRANSMISSION GREASING

Period: 50 h maximum or 1/year before wintering



- 1- Remove the cap from the upper part of the transmission
- 2- Add 20 g of lithium grease from a tube
- 3- Put the cap back
- 4- Turn the cutters for 30 seconds

Achten Sie besonders auf folgende Warnhinweise:



ACHTUNG:
Weist auf die Gefahr schwerer Körperverletzung oder Lebensgefahr hin, wenn die Anweisungen nicht befolgt werden

VORSICHT: Weist auf die Möglichkeit einer Körperverletzung oder Materialbeschädigung hin, wenn die Anweisungen nicht befolgt werden

HINWEIS: Liefert nützliche Informationen



Dieses Symbol weist darauf hin, dass bei bestimmten Arbeiten Vorsicht geboten ist

Bei Problemen oder Fragen zur Maschine wenden Sie sich bitte an einen zugelassenen Fachhändler



ACHTUNG:
Die Maschine arbeitet sicher und zuverlässig, wenn sie unter normalen Bedingungen und gemäß den Anweisungen benutzt wird. Vor Inbetriebnahme dieser Maschine müssen Sie diese Anleitung gelesen und verstanden haben. Andernfalls laufen Sie Gefahr, verletzt zu werden und das Material zu beschädigen

Schulung / Informationen:

- Machen Sie sich vor der Verwendung der Maschine mit ihrer Funktionsweise und Bedienung vertraut. Lernen Sie, wie man den Motor schnell ausschaltet.
- Die Maschine muss immer gemäß den in dieser Anleitung enthaltenen Empfehlungen und Vorschriften verwendet werden.
- Vergessen Sie nicht, dass der Bediener für Unfälle oder gefährliche Vorfälle haftet, bei denen anderen Personen oder Gegenständen Schaden zugefügt wird. Aus diesem Grund ist er dafür verantwortlich, die potentiellen, mit dem zu bearbeitenden Gelände zusammenhängenden Gefahren zu beurteilen und die erforderlichen Sicherheitsmaßnahmen – vor allem bei Gefälle, unebenem, glattem oder lockerem Boden – zu treffen.
- Diese Maschine darf niemals von Kindern oder Personen verwendet werden, die mit ihrer Bedienung nicht vertraut sind. Gemäß den jeweiligen Landesvorschriften kann ein Mindestalter für den Benutzer vorgegeben sein.
- Arbeiten Sie niemals in unmittelbarer Anwesenheit von Personen, insbesondere von Kindern und Tieren: Ein Mindestabstand von 20 Metern sollte rund um die Maschine gegeben sein; der Benutzer muss unbedingt jederzeit eingriffsbereit am Lenker bleiben.
- Nehmen Sie die Maschine nicht in Gebrauch, wenn Sie Medikamente oder Substanzen, die das Reaktionsvermögen und die Konzentration bekannterweise mindern, eingenommen haben.
- Auf hartem Gelände ist besondere Aufmerksamkeit geboten, denn die Maschine ist weniger standfest als auf einem Kulturland.
- Tragen Sie bei der Arbeit stets festes, rutschfestes Schuhwerk und eine lange, anliegende Hose. Die Maschine nicht barfußig oder mit Sandalen bedienen. Wir empfehlen das Tragen von Gehörschutz.
- Verwenden Sie die Maschine ausschließlich für den vorgesehenen Verwendungszweck, in diesem Fall die Bodenbewirtschaftung. Jegliche andere Verwendung kann gefährlich sein und zur Beschädigung der Maschine führen.

Vorbereitung:

- Überprüfen Sie sorgfältig den Arbeitsbereich und entfernen sämtliche Gegenstände, die von der Maschine mitgerissen und geschleudert werden

könnten (Steine, Drähte, Glas, Metallgegenstände usw.).

- Führen Sie vor jeglicher Verwendung stets eine Sichtprüfung an der Maschine auf abgenutzte oder beschädigte Werkzeuge und Deflektoren durch. Lassen Sie abgenutzte oder beschädigte Teile auswechseln.
- Besitzt die Maschine einen Motorabschaltknopf, halten Sie die elektrischen Motorabschaltkabel in einwandfreiem Zustand, damit das Abschaltssystem funktionstüchtig bleibt.
- Kontrollieren Sie, dass kein Leck vorliegt (Benzin, Öl usw.).
- Benutzen Sie die Maschine nicht ohne Kotflügel oder Schutzbleche und vergewissern sich, dass alle Befestigungen fest sitzen.

Gebrauch:

- Es ist untersagt, die Maschine zum Befördern von Personen zu verwenden.
- Starten Sie den Motor behutsam gemäß den Anweisungen des Herstellers und halten die Füße fern von den Arbeitswerkzeugen.
- Stellen Sie den Motor ab, wenn die Maschine unbeaufsichtigt bleibt.
- Laufen Sie niemals, sondern gehen Sie mit der Maschine.
- Ziehen Sie die Maschine zu sich oder führen den Richtungswechsel immer mit größter Vorsicht durch (bei vorhandener Option).
- Halten Sie stets einen Sicherheitsabstand zu den rotierenden Werkzeugen: Der Abstand ist durch die Länge des Lenkers vorgegeben.
- Bringen Sie Ihre Hände und Füße niemals in die Nähe oder unter die rotierenden Maschinenelemente.

- Bei:

- ungewöhnlicher Vibration,
- Feststecken,
- Problemen mit der Kupplung,
- Aufprall auf einen Fremdkörper,
- Beschädigung des Motorabschaltkabels (je nach Modell),

schalten Sie den Motor sofort ab (ist das Motorabschaltkabel gerissen, betätigen Sie den Starterhebel wie im Abschnitt "Starten des Motors" beschrieben, um den Motor auszuschalten). Lassen Sie die Maschine abkühlen, klemmen Sie den Kerzendraht ab, inspizieren Sie die Maschine und lassen Sie vor einem erneuten Gebrauch die notwendigen Reparaturen von einem zugelassenen Reparaturdienst durchführen.

- Arbeiten Sie nur bei Tageslicht oder bei ausreichender Beleuchtung.
- Nehmen Sie die Maschine nicht auf Gefällen über 10° (17%) in Gebrauch.
- Arbeiten Sie stets quer zum Hang, niemals auf- oder abwärts.
- Bei Gefälle achten Sie auf sicheren Gang und führen Sie Richtungswechsel mit größter Vorsicht durch.
- Das Verwenden von anderem als dem empfohlenen Zubehör kann gefährlich sein und zu Maschinenschäden führen, die von der Garantie ausgeschlossen sind.

Wartung / Aufbewahrung / Verschrottung:

- Vor Reinigung, Kontrolle, Werkzeugwechsel, Einstellung und Wartung der Maschine den Motor ausschalten und die Kerze abziehen.
- Stellen Sie den Motor ab, trennen die Kerze und tragen zum Werkzeugwechsel dicke Schutzhandschuhe.
- Für einen sicheren Betrieb achten Sie darauf, dass alle Muttern und Schrauben fest sitzen.
- Zur Verringerung der Brandgefahr halten Sie den Motor, den Schalldämpfer und den Treibstoff-Speicherbereich frei von Pflanzen, Fettrückständen und sonstigen entzündlichen Stoffen.
- Lassen Sie beschädigte Schalldämpfer auswechseln.
- Nehmen Sie keine Reparaturen an gebrauchten Maschinenteilen vor. Lassen Sie die Teile nur gegen Originalersatzteile austauschen.

- Wechseln Sie die Werkzeuge durch komplette Bausätze aus, damit die Auswuchtung erhalten bleibt.

- Nehmen Sie zu Ihrer Sicherheit keine Umbauten vor, welche die Merkmale Ihrer Maschine verändern. Verstellen Sie nicht die Drehzahlregelung des Motors und lassen Sie den Motor nicht bei Überdrehzahl laufen. Nur die regelmäßige Instandhaltung kann die Sicherheit und die Erhaltung der Maschinenleistung gewährleisten. Lassen Sie den Motor abkühlen, bevor Sie die Maschine in einem Raum abstellen.
- Die Verschrottung des Geräts muss gemäß den geltenden Vorschriften im Verwendungsland erfolgen.

Achtung - Gefahr: Benzin ist hochentzündlich:

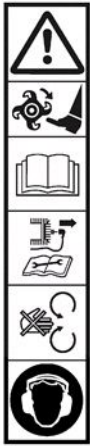
- Bewahren Sie Kraftstoff stets in speziell dafür vorgesehenen Behältern auf. Der Kraftstoff ist ausschließlich im Freien einzufüllen. Rauchen ist während des Einfüllens verboten.
- Entfernen Sie niemals den Tankverschluss, und füllen Sie Benzin in keinem Fall bei laufendem oder warmem Motor ein.
- Ist Benzin auf den Boden ausgelaufen, versuchen Sie nicht, den Motor einzuschalten, sondern entfernen die Maschine aus dem betroffenen Bereich, bis die Benzindämpfe sich aufgelöst haben, um einer Entzündung vorzubeugen.
- Stellen Sie die Maschine an einem trockenen Ort ab. Stellen Sie die Maschine niemals in einem Raum ab, in dem Benzindämpfe durch eine Flamme, einen Funken oder eine starke Hitzequelle entzündet werden könnten.
- Setzen Sie den Tankverschluss und den Verschluss des Benzinvorratsbehälters richtig ein.
- Füllen Sie nicht zu viel Benzin ein, um Spritzer zu vermeiden.
- Lassen Sie den Motor nicht in einem geschlossenen Raum laufen, in dem sich Kohlenmonoxid ansammeln kann.
- Kohlenmonoxid ist lebensgefährlich. Sorgen Sie für eine gute Lüftung.

Heben / Bewegen / Transportieren:

- Mit Ausnahme des Arbeitsbetriebs müssen sämtliche Arbeiten an der Maschine bei abgeschaltetem Motor und getrennter Kerze durchgeführt werden.
- Die Maschine muss (außer im Arbeitsbetrieb) mit dem Transportrad – wie im Abschnitt "Heben und Bewegen" beschrieben – bewegt werden.
- Handhabung: Zum Heben der Maschine die Anweisungen des Abschnitts Heben beachten. Das Gewicht der Maschine ist auf dem Typenschild und am Ende dieser Anleitung angegeben. Zu Ihrer Sicherheit benutzen Sie eine Hebemethode, die für das Maschinengewicht und die gegebene Situation geeignet ist.
- Zum Auf- bzw. Entladen der Motorhacke von einem Anhänger ist unbedingt eine geeignete Laderampe zu benutzen. Für einen sicheren Transport achten Sie darauf, dass die Maschine ordentlich verzurt ist.
- Die Motorhacke muss mit abgeschaltetem Motor und getrennter Kerze auf einem Anhänger transportiert werden. Verwenden Sie keine anderen Transportmittel.

BESCHREIBUNG DER PIKTOGRAMME

DE



ACHTUNG
Gefahr

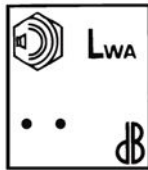
ACHTUNG
Drehende Werkzeuge

ACHTUNG
Die Bedienungsanleitung lesen

ACHTUNG
Befolgen Sie die Anweisungen der Betriebsanleitung und bauen Sie vor jedem Eingriff die Zündkerze aus

ACHTUNG
Nicht ohne Schutz verwenden (Drehwerkzeuge)

Tragen Sie einen Lärmschutzhelm



Garantierte akustische Leistung

Gashebel
(je nach Antriebsart)



1

2

3



1

2

1 - Schnell
2 - Langsam
3 - Stopp

Ausschalterhebel
(je nach Antriebsart)



2

1

2



1

2

1 - Vorwärts
2 - Stopp

Kupplungshebel



Ausgekuppelt

Eingekuppelt

Wahl der Geschwindigkeit
(optional)



2

1

1 - Rückwärtsgang
2 - Vorwärtsgang



Die heißen Oberflächen niemals berühren



Abgase sind gefährlich für die Gesundheit
Niemals an einem schlecht durchlüfteten Ort
laufen lassen



Den Motor vor dem Volltanken ausschalten



Je nach Maschinenmodell vorhandene oder nicht vorhandene Piktogramme

TECHNISCHE INFORMATIONEN

Maschinenmodell	TF120	Schalleistungspegel am Fahrerstand	dB(A)	84	
Gewicht	kg	27	Messunsicherheit	dB(A)	1
Modell/Motor	R100	Gemessener Schalleistungspegel	dB(A)	92.05	
Nutzleistung * für eine Motorleistung	KW	1.8	Messunsicherheit	dB(A)	0.25
	U/min	3600	Vibrationspegel an den Händen des Maschinenführers	m/s ²	3.2
Nutzleistung	KW	1.5	Messunsicherheit	m/s ²	2
Nenn Drehzahl des Motors	U/min	3200			
Garantierter Schalleistungspegel	dB(A)	93			

* Die in diesem Dokument angegebene Motorleistung ist eine Nutzleistung, die im Versuch mit einem Serienmotor gemäß der Norm SAE J 1349 mit einer gegebenen Drehzahl erhalten wurde. Die Leistung eines anderen Motors kann von diesem Wert abweichen. Die tatsächliche Leistung eines in eine Maschine eingebauten Motors ist von unterschiedlichen Faktoren abhängig, etwa der Umdrehungsgeschwindigkeit, den Temperaturbedingungen, der Feuchtigkeit, dem atmosphärischen Druck, der Instandhaltung, usw.

HINWEIS: Im ständigen Bestreben nach Verbesserungen erklärt der Hersteller, dass das gesamte Handbuch nicht verbindlich ist, und behält sich das Recht vor, die Spezifikationen seiner Maschinen ohne vorherige Ankündigung zu ändern

Auspacken

1.1



ACHTUNG:

Eine unsachgemäße Montage dieser Motorhacke kann schwere Verletzungen hervorrufen. Vergewissern Sie sich, dass Sie alle Anweisungen sorgfältig befolgen



ACHTUNG:

Achten Sie beim Aufschneiden der Kanten der Kiste darauf, die Kabel nicht durchzuschneiden oder den Lack der Maschine nicht zu beschädigen

Mark.	Inhalt der Kiste
A	Motoraggregat
B	Abstützung
C	Transportrad
D	Hülle mit Anleitungen + Schrauben
E	Rechte Lenkstange
F	Linke Lenkstange
G	Lenkstangenverbindung
H	Vorbauabdeckung
I	Lenkstangenabdeckung (Je nach Ausführungsvariante)
J	Schutzbleche

Montage der Abstützung

1.2

Die Befestigungspunkte am Kistenboden entfernen

1.3

Montage des Transportrades

1.4



← Montage der Schutzbleche

1.5



← Montage des Lenkers

1.6



← Kennzeichnungsschild der Maschine

1.7

- A – Name und Adresse des Herstellers
- B – Maschinentyp
- C – Seriennummer
- D – Nennleistung
- E – Masse in Kilogramm
- F – Maschinenmodell
- G – CE-Kennzeichnung
- H – Herstellungsjahr



← Beschreibung der Elemente

1.8

- 1 - Ein/Aus-Schalterschütz *
- 2 - Motor
- 3 - Schutzblech
- 4 - Rotierende Werkzeuge
- 5 - Transportrad **
- 6 - Riemenhaube
- 7 - Kupplungshebel
- 8 - Gashebel *
- 9 - Griff für Lenkstangeneinstellung
- 10 - Lenkstangenabdeckung **

*je nach Antriebsart

**je nach Ausführungsvariante

STARTEN DER MASCHINE

DE



← Montage des Ausschalters am Lenker



← Ölnachfüllung und Füllstand



← Benzinnachfüllung

Super oder Bleifrei oder SP95 E 10



← Stellen Sie den Starter auf die Position A



← Ausschalterhebel

Stellen Sie den Ausschalter auf die Position: **ON** / - ●
(Je nach Antriebsart)



← Ziehen Sie am Griff des Starters

 Bleiben Sie beim Starten der Maschine stets innerhalb des Sicherheitsbereichs



← Stellen Sie den Starter auf die Position B

GEBRAUCH

Diese Maschine ist für Folgendes vorgesehen:

- Bodenvorbereitung für Pflanzungen
- Pflege von Pflanzungen und Blumenbeeten

Diese Maschine ist nicht für einen professionellen Einsatz vorgesehen



← Vorwärtsgang



Es ist unbedingt erforderlich, vor Verwendung des Fahrrichtungsumschalters die Kupplung loszulassen



Einen Sicherheitsbereich mit einem Radius von 20 m um die Maschine herum einhalten



Nach dem Start den Motor nicht leer laufen lassen, sobald wie möglich mit der Arbeit beginnen, indem die Kupplung der Werkzeuge betätigt wird

Der Motor braucht nicht angewärmt zu werden: ein Leerlaufen von länger als 2 Minuten ohne Einkuppeln der Werkzeuge kann erhebliche Schäden am Kupplungssystem und dem Keilriemen verursachen

ABSCHALTEN



Fräsenwerkzeuge abschalten

4.1

Den Kupplungsgriff loslassen



Motor abschalten

4.2

Stellen Sie den Ausschalter auf die Position: **OFF** / ○ ●
(Je nach Antriebsart)

DE

TÄGLICHE KONTROLLEN

Bevor Sie den Motor ingangsetzen, überprüfen Sie folgende Punkte:

- Keine lockeren oder abgebrochenen Bolzen und Muttern
- Keine Benzin- und Motoröllecks
- Sicherheit der Umgebung



Motorölstand

2.2



Sauberkeit des Luftfilterelements und Ölstand (Je nach Antriebsart)

4.3



Ausreichender Benzinstand

2.3



Zur Reinigung des Schaumstoffteils im Luftfilter keine entzündlichen Lösungsmittel verwenden

WARTUNGSPROGRAMM (in einer zugelassenen Werkstatt durchzuführen)

Nach 1 Monat oder 20 Stunden

- Motoröl auswechseln
- Luftfilter reinigen (1)

Nach 3 Monaten oder 50 h

- Motoröl auswechseln

Nach 6 Monaten oder 100 h

- Dekantierschale reinigen
- Funkenflugschutz reinigen
- Zündkerze reinigen

Jedes Jahr oder alle 300 h

- Zündkerze auswechseln
- Leerlauf überprüfen - einstellen (2)
- Treibstofftank und Treibstofffilter reinigen
- Ventilspiel überprüfen - einstellen (2)

Nach 500 Stunden

- Verbrennungskammer reinigen (2)

Alle zwei Jahre

- Die Treibstoffleitung überprüfen (2)

HINWEIS:

- (1) Das Luftfilterelement muss bei einer Verwendung in staubigen Umgebungen häufiger gereinigt werden
- (2) Diese Arbeiten müssen von einer zugelassenen Werkstatt ausgeführt werden, außer der Anwender verfügt über die erforderlichen Werkzeuge oder ist ausgebildeter Mechaniker

BEWEGUNG UND HANDHABUNG

DE



Bewegung

5.1



Den Motor abstellen



Die Abkühlung des Motors abwarten
(10 Minuten)

A

Das Rad in die Position Bewegen setzen

B

Mithilfe der Lenkstange die Fräsen vom Boden anheben und die Maschine nach vorne bewegen

JUSTIERUNG DES KUPPLUNGSKABELS



6.1

Bewegt sich die Maschine in Position "Eingekuppelt" ruckartig oder drehen sich die Hackmesser nicht, das Kupplungskabel justieren.



6.2

Maschine abschalten und Kerze trennen.



6.3

A

Mutter der Kupplungskabel-Spannvorrichtung freigeben.

B

Spannvorrichtung justieren, bis am Ende des Kupplungshebels ein 20 mm Spiel erreicht wird.

C

Mutter wieder festziehen.

Kerze anschließen.

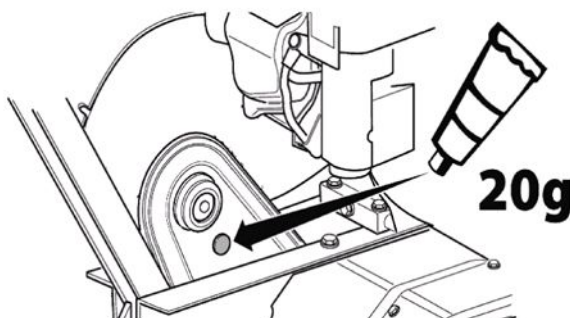
Maschine starten und erneut versuchen.

Hält das Problem an, wenden Sie sich an Ihren Händler.

WARTUNG (in einer zugelassenen Werkstatt durchzuführen)

SCHMIEREN DES ANTRIEBS


Zeitabstand: Nach max. 50 h oder 1/Jahr vor Überwinterung



- 1- Den Verschluss vom oberen Teil des Getriebes abnehmen
- 2- 20 g Lithium-Fett aus der Tube hinzufügen
- 3- Den Verschluss wieder anbringen
- 4- Die Fräsen 30 Sekunden lang drehen lassen


CONSIGNES DE SÉCURITÉ

Attacher une attention particulière aux indications précédées des mentions suivantes :


 **ATTENTION : Signale une forte probabilité de blessures corporelles graves, voir un danger mortel si les instructions ne sont pas suivies**

PRÉCAUTION : Signale une possibilité de blessures corporelles ou de détérioration de l'équipement si les instructions ne sont pas suivies

NOTE : Fournit des informations utiles

 Ce signe vous appelle à la prudence lors de certaines opérations

En cas de problème, ou pour toutes questions concernant la motobineuse, veuillez vous adresser à un concessionnaire agréé

 **ATTENTION : La machine est conçue pour assurer un service sûr et fiable dans des conditions d'utilisation conformes aux Instructions. Avant d'utiliser votre machine, veuillez lire et assimiler le contenu de ce manuel. A défaut, vous vous exposeriez à des blessures et l'équipement pourrait être endommagé**

Formation / Informations :

- Se familiariser avec l'utilisation correcte et les commandes avant d'utiliser la machine. Savoir arrêter le moteur rapidement.
- La machine doit toujours être utilisée suivant les recommandations indiquées dans la notice d'instructions.
- Ne pas oublier que l'utilisateur est responsable des accidents ou des phénomènes dangereux survenant aux autres personnes ou à leurs biens. Il est de sa responsabilité d'évaluer les risques potentiels du terrain à travailler et de prendre toutes les précautions nécessaires pour assurer sa sécurité, en particulier dans les pentes, les sols accidentés, glissants ou meubles.
- Ne jamais laisser les enfants, ou des personnes non familières avec ces instructions, utiliser la machine. Les réglementations locales peuvent fixer un âge minimal pour l'utilisateur.
- Ne jamais travailler en présence de personnes, en particulier d'enfants, ou d'animaux dans un rayon de 20 mètres autour de la machine; l'utilisateur devant rester impérativement aux commandes des mancherons.
- Ne pas utiliser la machine après avoir absorbé des médicaments ou des substances, réputées comme pouvant nuire à sa capacité de réflexe et de vigilance.
- Dans un terrain dur, avoir une attention plus particulière car la machine aura tendance à être beaucoup moins stable qu'en terrain cultivé.
- Pendant le travail, porter toujours des chaussures résistantes, non dérapantes et des pantalons longs et serrés. Ne pas utiliser la machine lorsque l'on est pieds nus ou en sandales. Nous recommandons le port de protections auditives.
- Utiliser la machine pour l'usage auquel elle est destinée, à savoir la culture du sol. Toute autre utilisation peut s'avérer dangereuse ou entraîner une détérioration de la machine.

Préparation :

- Inspecter minutieusement la zone sur laquelle la machine doit être utilisée et éliminer tous les objets qui pourraient être projetés par la machine (pierres, fils, verre, objets en métal...).
- Avant utilisation, toujours procéder à un contrôle visuel de la machine pour s'assurer que

les outils et les déflecteurs ne sont ni usés ni endommagés. Faire remplacer les pièces usées ou endommagées.

- Si la machine est équipée d'un bouton d'arrêt moteur, maintenir les câbles électriques d'arrêt moteur en bon état de façon à garantir l'arrêt moteur.
- Vérifier l'absence de fuite de liquide (essence, huile...).
- Ne pas utiliser la machine sans garde-boue ou capots de protection et s'assurer que tous les dispositifs de fixation sont bien serrés.

Utilisation :

- Ne jamais transporter de personnes sur la machine.
- Démarrer le moteur avec précaution en respectant les instructions du fabricant et en maintenant les pieds éloignés de l'(des) outil(s).
- Arrêter le moteur quand la machine est sans surveillance.
- Marcher, ne jamais courir avec la machine.
- Tirer la machine vers soi ou inverser le sens de marche (si disponible) avec beaucoup de précautions.
- Conserver la distance de sécurité par rapport aux outils rotatifs, donnée par la longueur du guidon.
- Ne pas placer les mains ou les pieds près ou sous des éléments en rotation.
- En cas de :

- vibration anormale,
- blocage,
- problème d'embrayage,
- choc avec un objet étranger,
- détérioration du câble d'arrêt moteur (suivant modèle),

arrêter le moteur immédiatement (si le câble d'arrêt moteur est coupé, actionner la commande du starter comme décrit au § "démarrage moteur" pour arrêter le moteur), laisser la machine refroidir, débrancher le fil de bougie, inspecter la machine et faire effectuer les réparations nécessaires par un réparateur agréé avant toute nouvelle utilisation.

- Travailler uniquement à la lumière du jour ou dans une lumière artificielle de bonne qualité.
- Ne pas utiliser la machine dans des pentes supérieures à 10° (17%).
- Travailler les pentes dans le sens transversal, jamais en montant ou en descendant.
- Sur les terrains pentus, bien assurer ses pas, changer de direction avec beaucoup de précautions.
- L'utilisation d'accessoires autres que ceux recommandés peut rendre la machine dangereuse, et occasionner des dommages sur votre machine qui ne seront pas couverts par votre garantie.

Maintenance / Stockage / Mise au rebut :

- Arrêter le moteur et débrancher la bougie avant toute opération de nettoyage, de vérification, de changement d'outil(s), de réglage ou d'entretien de la machine.
- Arrêter le moteur, débranchez la bougie et utiliser des gants épais pour changer l(es) outil(s).
- Maintenir tous les écrous et vis serrés afin d'assurer des conditions d'utilisation sûres.
- Pour réduire les risques d'incendie, maintenir le moteur, le silencieux, et la zone de stockage de l'essence dégagés de végétaux, d'excès de graisse, ou de toute autre matière susceptible de s'enflammer.
- Faire remplacer les silencieux d'échappement.
- Ne pas réparer les pièces. Faire remplacer les pièces par des pièces d'origine.

- Remplacer les outils par des lots complets afin de préserver l'équilibre.

- Pour votre sécurité ne pas modifier les caractéristiques de votre machine. Ne pas modifier les réglages de régulation de vitesse du moteur et ne pas utiliser le moteur en survitesse. Un entretien régulier est essentiel pour la sécurité et le maintien du niveau de performances.
- Laisser le moteur refroidir avant de ranger la machine dans un local.
- Toute mise au rebut de l'appareil doit être réalisée conformément à la réglementation en vigueur dans le pays.

Attention – Danger : l'essence est hautement inflammable :

- Stocker le carburant dans des récipients spécialement prévus à cet effet. Faire le plein à l'extérieur uniquement et ne pas fumer pendant cette opération.
- Ne jamais enlever le bouchon du réservoir d'essence ou ajouter de l'essence pendant que le moteur tourne ou tant qu'il est chaud.
- Si de l'essence a été répandue sur le sol, ne pas tenter de démarrer le moteur mais éloigner la machine de cette zone et éviter de provoquer toute inflammation tant que les vapeurs d'essence ne sont pas dissipées.
- Entreposer la machine dans un endroit sec. Ne jamais entreposer la machine dans un local où les vapeurs d'essence pourraient atteindre une flamme, une étincelle ou une forte source de chaleur.
- Remettre correctement en place les bouchons du réservoir et de la nourrice d'essence.
- Limiter la quantité d'essence dans le réservoir pour minimiser les éclaboussures.
- Ne pas faire tourner le moteur dans un endroit confiné où les vapeurs de monoxyde de carbone peuvent s'accumuler.
- Le monoxyde de carbone peut être mortel. Assurer une bonne ventilation.

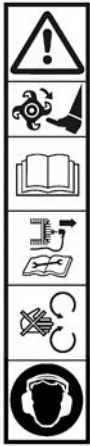
Déplacement / Manutention / Transport :

- Toute action sur la machine hors du travail du sol doit s'effectuer moteur arrêté et bougie débranchée.
- Le déplacement (hors travail du sol) doit s'effectuer en utilisant la roue de transport comme décrit au § "déplacement".
- Manutention : pour soulever la machine respecter les instructions du § "Manutention". Le poids de la machine est indiqué sur la plaque constructeur et à la fin de ce manuel. Utiliser une méthode de manutention adaptée au poids de la machine et à la situation afin de garantir la sécurité.
- Arrimer correctement la machine pour un transport en toute sécurité.
- Le transport doit s'effectuer moteur arrêté et bougie débranchée à l'aide d'une remorque, n'utiliser aucun autre moyen de transport.

FR

DÉFINITION DES PICTOGRAMMES

FR



ATTENTION
Danger

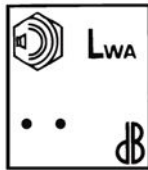
ATTENTION
Outils rotatifs

ATTENTION
Lire le manuel d'utilisation

ATTENTION
Consulter le manuel d'utilisation et déposer la bougie avant toute intervention

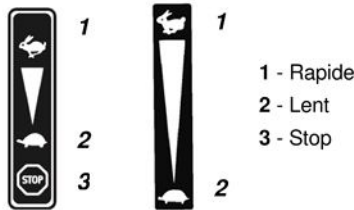
ATTENTION
Ne pas utiliser sans protecteur (éléments tournants)

Portez un casque anti-bruit



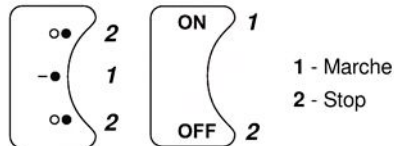
Puissance acoustique garantie

Commande de gaz (suivant motorisation)



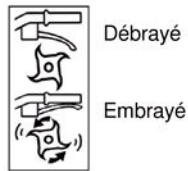
1 - Rapide
2 - Lent
3 - Stop

Coupe-circuit (suivant motorisation)



1 - Marche
2 - Stop

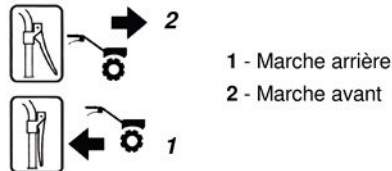
Manette embrayage



Débrayé

Embrayé

Sélection de vitesse (optionnel)



1 - Marche arrière
2 - Marche avant



Ne pas toucher aux surfaces chaudes



Les gaz d'échappement sont dangereux
Ne pas utiliser dans un endroit mal aéré



Couper le moteur avant de refaire le plein



Pictogrammes présents ou non suivant le modèle de machine

INFORMATIONS TECHNIQUES

Modèle machine	TF120	Niveau de pression acoustique au poste de conduite	dB(A)	84	
Poids	kg	27	Incertitude de mesure	dB(A)	1
Modèle moteur	R100	Niveau de puissance acoustique mesurée	dB(A)	92.05	
Puissance nette * pour un régime moteur	KW tr/min	1.8 3600	Incertitude de mesure	dB(A)	0.25
Puissance nominale Régime moteur nominal	KW tr/min	1.5 3200	Niveau de vibrations aux mains de l'opérateur	m/s ²	3.2
Niveau de puissance acoustique garantie	dB(A)	93	Incertitude de mesure	m/s ²	2

* La puissance du moteur indiquée dans ce document est une puissance nette obtenue par l'essai d'un moteur de série selon la norme SAE J 1349 à une vitesse de rotation donnée. La puissance d'un autre moteur de production peut être différente de cette valeur indiquée. La puissance réelle d'un moteur installé sur une machine dépendra de différents facteurs comme la vitesse de rotation, les conditions de température, d'humidité, de pression atmosphérique, de maintenance et autres.

NOTA : dans un souci permanent d'amélioration, le constructeur précise que l'intégralité de ce manuel n'est pas contractuelle, et se réserve le droit de modifier sans prévenir, les spécifications de ses machines

Déballage

1.1



ATTENTION :

Un assemblage inapproprié de cette motobineuse peut provoquer des blessures graves. Assurez-vous de suivre toutes les instructions soigneusement



ATTENTION :

Prendre garde à ne pas couper les câbles ou à rayer la peinture de la machine en coupant les arêtes de la caisse

Rep.	Contenu de la caisse
A	Bloc moteur
B	Béquille
C	Roue de transport
D	Pochette documents + visserie
E	Guidon droit
F	Guidon gauche
G	Entretoise guidon
H	Cache potence
I	Capot de guidon (suivant version)
J	Ailes de protection

Montage de la béquille

1.2



Retirer les points d'accroche du fond de caisse

1.3



Montage de la roue de transport

1.4



Montage des tôles de protection

1.5



Montage du guidon

1.6



Plaque d'identification de la machine

1.7

- A** – Nom et adresse du constructeur
B – Type de la machine
C – Numéro de série
D – Puissance nominale
E – Masse en kilogrammes
F – Modèle de la machine
G – Identification CE
H – Année de fabrication



Description des éléments

1.8

- 1 - Contacteur marche arrêt *
- 2 - Moteur
- 3 - Tôle de protection
- 4 - Outils rotatifs
- 5 - Roue de transport **
- 6 - Capot de courroie
- 7 - Levier d'embrayage
- 8 - Commande de gaz *
- 9 - Poignée réglage guidon
- 10 - Capot de guidon **

*suivant motorisation

**suivant version

DÉMARRAGE MACHINE

FR



← Montage du coupe-circuit sur le guidon



← Plein d'huile et niveau



← Plein d'essence

Super ou sans plomb ou SP95 E 10



← Mettre le starter sur la position A



← Coupe-circuit

Mettre le coupe-circuit sur : ON / – ●
(Suivant motorisation)



← Tirer sur la poignée du lanceur

⚠ Lors du démarrage de la machine, toujours rester dans la zone de sécurité



← Mettre le starter sur la position B

UTILISATION

Cette machine est destinée à :

- La préparation de la terre pour les plantations
- L'entretien des plantations et parterre de fleurs

Cette machine n'est pas destinée à une utilisation professionnelle



← Marche avant



Il est impératif de lâcher l'embrayage avant d'utiliser l'inverseur de marche.



Respecter une zone de sécurité de 20 m de rayon autour de la machine.



Après démarrage, ne pas laisser tourner le moteur à vide, commencer à travailler dès que possible en actionnant la commande d'embrayage des outils.

Il est inutile de faire chauffer le moteur, le faire tourner à vide plus de 2 minutes sans embrayer les outils peut causer d'importants dégâts au système d'embrayage et sa courroie.

ARRÊT



Arrêt outils fraise

4.1

Relâcher la poignée d'embrayage



Arrêt moteur

4.2

Mettre le coupe-circuit sur : OFF / ○●
(Suivant motorisation)

FR

CONTRÔLES QUOTIDIENS

Avant de mettre le moteur en marche, vérifier les points suivants :

- Absence de boulons et écrous desserrés ou cassés
- Absence de fuite d'essence et d'huile moteur
- Sécurité de l'environnement



Niveau d'huile moteur propre

2.2



Propreté de l'élément du filtre à air et niveau d'huile (Suivant motorisation)

4.3



Niveau d'essence suffisant

2.3



Ne pas utiliser de solvant inflammable pour nettoyer l'élément mousse du filtre à air

PROGRAMME D'ENTRETIEN (à faire réaliser par un atelier agréé)

Premier mois ou 20 heures

- Renouveler l'huile moteur
- Nettoyer le filtre à air (1)

Tous les 3 mois ou 50 heures

- Renouveler l'huile moteur

Tous les 6 mois ou 100 heures

- Nettoyer la coupelle de décantation
- Nettoyer le pare-étincelles
- Nettoyer la bougie d'allumage

Tous les ans ou 300 heures

- Remplacer la bougie d'allumage
- Nettoyer le réservoir de carburant et le filtre à carburant
- Vérifier – ajuster le régime de ralenti (2)
- Vérifier – ajuster le jeu des soupapes (2)

Après toutes les 500 heures

- Nettoyer la chambre de combustion (2)

Tous les 2 ans

- Vérifier le tuyau de carburant (remplacer si nécessaire) (2)

NOTE :

(1) Entretien le filtre à air plus fréquemment lors de l'utilisation dans des endroits poussiéreux

(2) Ces opérations doivent être confiées à un atelier agréé, à moins que l'utilisateur ne possède les outils nécessaires et ne soit mécaniquement qualifié

DÉPLACEMENT ET MANUTENTION

FR



Déplacement

5.1



Arrêter le moteur



Attendre le refroidissement du moteur
(10 minutes)



Mettre la roue en position déplacement



A l'aide du guidon, soulever les fraises
du sol et avancer

RÉGLAGE CÂBLE D'EMBRAYAGE



6.1

En position « embrayé », lorsque l'avancement se fait par saccades ou lorsque les fraises ne tournent pas, régler le câble d'embrayage



6.2

Arrêter la machine et débrancher la bougie



6.3



Débloquer l'écrou du tendeur de câble d'embrayage



Régler le tendeur jusqu'à obtenir un jeu de 20 mm à l'extrémité
du levier d'embrayage



Rebloquer l'écrou

Rebrancher la bougie

Démarrer la machine et essayer de nouveau

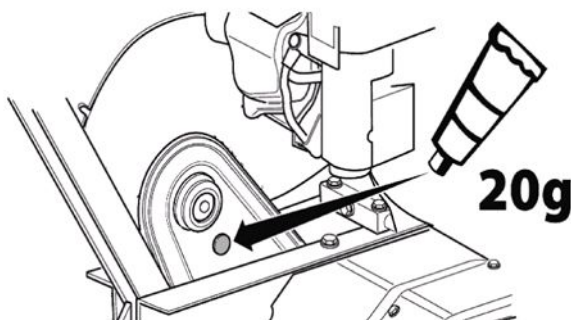
Si le problème persiste, contacter votre revendeur

KEES VAN DER SPEK
TUINMACHINES * TOOLS * K

ENTRETIEN PÉRIODIQUE (à faire réaliser par un atelier agréé)

GRAISSAGE TRANSMISSION

Période : 50 h maximum ou 1/an avant l'hivernage



- 1- Retirer le bouchon en partie supérieure de la transmission
- 2- Ajouter 20 g de graisse au lithium en tube
- 3- Remettre le bouchon
- 4- Faire tourner les fraises pendant 30 secondes

CONSIGNAS DE SEGURIDAD

Prestar especial atención a las indicaciones precedidas de las menciones siguientes:



ATENCIÓN:

Indica una alta probabilidad de lesiones corporales graves, e incluso riesgo de muerte si no se siguen las instrucciones

PRECAUCIÓN: Indica una posibilidad de lesiones corporales o de deterioro del equipo si no se siguen las instrucciones

NOTA: Proporciona información útil



Este símbolo apela a la prudencia al realizar algunas operaciones

En caso de problemas o para cualquier pregunta relativa a la máquina, dirijase a un concesionario autorizado



ATENCIÓN:

Esta máquina se ha concebido para garantizar un servicio seguro y fiable en condiciones de uso conformes con las instrucciones. Antes de utilizar la máquina, lea y asimile el contenido de este manual. En su defecto, podría verse expuesto a lesiones y el equipo podría resultar dañado

Formación / Informaciones:

- Familiarizarse con el uso correcto y los mandos antes de utilizar la máquina.

Es conveniente saber detener el motor rápidamente.

- La máquina debe utilizarse siempre de acuerdo con las recomendaciones indicadas en el manual de instrucciones.

- No olvidar que el usuario es responsable de los accidentes o fenómenos peligrosos que ocurran a las demás personas o a sus bienes. Es su responsabilidad evaluar los riesgos potenciales del terreno a trabajar y tomar todas las precauciones necesarias para garantizar su seguridad, en particular en las pendientes, los suelos accidentados, resbaladizos o blandos.

- No permitir en ningún caso que los niños o las personas no familiarizadas con estas instrucciones utilicen la máquina. Las normativas locales pueden establecer una edad mínima del usuario de la máquina.

- No trabajar en ningún caso en presencia de personas, en particular niños o animales, que se encuentren en un radio de 20 metros en torno a la máquina; el usuario debe permanecer imperativamente al mando de los manillares.

- No utilizar la máquina tras haber ingerido medicamentos o sustancias que se considere que pueden perjudicar la capacidad de reflejos y de vigilancia.

- Prestar especial atención en terrenos duros, ya que la máquina tendrá tendencia a ser mucho menos estable que en terrenos cultivados.

- Durante el trabajo, llevar siempre calzado resistente y antideslizante, y pantalones largos y ceñidos. No utilizar la máquina cuando se esté descalzo o se lleven sandalias. Recomendamos el uso de protectores auditivos.

- Utilizar la máquina para su uso previsto, es decir, el cultivo del suelo. Cualquier otro uso puede resultar peligroso o provocar el deterioro de la máquina.

Preparación:

- Inspeccionar minuciosamente la zona en la que vaya a utilizarse la máquina y eliminar todos los objetos que puedan ser proyectados por la

misma (piedras, cables, cristales, objetos de metal...)

- Antes de utilizar la máquina, realizar siempre un control visual de la misma para garantizar que las herramientas y los deflectores no estén usados ni estropeados. Reemplazar las piezas usadas o estropeadas.

- Si la máquina está provista de un botón de parada del motor, mantener los cables eléctricos de parada del motor en buen estado de manera que se garantice la parada del motor.

- Verificar la ausencia de fugas de líquido (gasolina, aceite...).

- No utilizar la máquina sin guardabarros o tapas de protección y asegurarse de que todos los dispositivos de fijación estén bien apretados.

Uso:

- Está prohibido transportar una persona con la máquina

- Arrancar el motor con precaución, respetando las instrucciones del fabricante y manteniendo los pies alejados de la(s) herramienta(s).

- Detener el motor cuando la máquina no esté bajo vigilancia.

- Caminar con la máquina, pero no correr con ella en ningún caso.

- Tirar de la máquina hacia uno mismo o invertir el sentido de la marcha (en caso de que esta opción esté disponible) con mucha precaución.

- Conservar la distancia de seguridad en relación con las herramientas rotativas, en función de la longitud del manillar.

- No colocar las manos ni los pies cerca de los elementos en rotación o debajo de ellos.

- En caso de:

- vibración anómala,

- bloqueo,

- problema de embrague,

- choque con un objeto extraño,

- deterioro del cable de parada del motor (según modelo),

detener el motor inmediatamente (si el cable de parada del motor está cortado, accionar el mando del estérter, tal y como se describe en el capítulo "arranque del motor" para detener el motor), dejar que la máquina se enfríe, desenchufar el cable de bujía, inspeccionar la máquina y ponerse en contacto con un reparador autorizado para que efectúe las reparaciones necesarias antes de volver a utilizar la máquina.

- Trabajar únicamente con la luz del día o con una luz artificial de buena calidad.

- No utilizar la máquina en pendientes superiores a 10° (17 %).

- Trabajar las pendientes en sentido transversal, nunca en ascenso o en descenso.

- En terrenos inclinados, asegurar correctamente los pasos, cambiar de dirección con mucha precaución.

- El uso de accesorios distintos de los recomendados puede hacer que la máquina sea peligrosa y ocasionar daños en la misma que no estarán cubiertos por la garantía.

Mantenimiento / Almacenamiento / Desecho de materiales:

Detener el motor y desconectar la bujía antes de realizar cualquier operación de limpieza, verificación, cambio de herramienta(s), ajuste o mantenimiento de la máquina.

- Detener el motor, desenchufar la bujía y utilizar guantes gruesos para cambiar la(s) herramienta(s).

- Mantener todas las tuercas y los tornillos apretados con el fin de garantizar unas condiciones de uso seguras.

- Para reducir los riesgos de incendio, mantener el motor, el silenciador y la zona de

almacenamiento de gasolina libres de vegetación, de excesos de

grasa o cualquier otra materia susceptible de inflamarse.

- Reemplazar los silenciadores de escape

- No reparar las piezas. Reemplazar las piezas por piezas originales.

- Reemplazar las herramientas por lotes completos con el fin de preservar el equilibrio.

- Por su seguridad, no modificar las características de la máquina. No modificar los ajustes de regulación de velocidad del motor ni utilizar el motor a una velocidad excesiva. Es esencial realizar un mantenimiento regular para garantizar la seguridad y el mantenimiento del nivel de rendimiento.

- Dejar que el motor se enfríe antes de guardar la máquina en un local.

- Todo desecho del aparato debe realizarse según la reglamentación en vigor en el país de uso.

Atención – Peligro: La gasolina es sumamente inflamable:

- Almacenar el carburante en recipientes especialmente previstos a este efecto. Llenar el depósito en el exterior únicamente y no fumar al realizar esta operación.

- No retirar en ningún caso el tapón del depósito de gasolina ni añadir gasolina mientras que el motor esté funcionando o esté caliente.

- Si se derrama gasolina por el suelo, no intentar arrancar el motor, sino alejar la máquina de esta zona y evitar provocar inflamaciones hasta que se hayan disipado los vapores de gasolina.

- Depositar la máquina en un lugar seco. No depositar la máquina en ningún caso en un local donde los vapores de gasolina puedan alcanzar una llama, una chispa o una fuente fuerte de calor.

- Colocar correctamente en su sitio los tapones del depósito y del alimentador de gasolina.

- Limitar la cantidad de gasolina en el depósito para reducir al mínimo las salpicaduras.

- No poner en funcionamiento el motor en un lugar viciado donde puedan acumularse los vapores de monóxido de carbono.

- El monóxido de carbono puede ser mortal. Asegurar una buena ventilación.

Desplazamiento / Manipulación / Transporte:

- Cualquier acción que se efectúe en la máquina, al margen del trabajo del suelo, debe realizarse con el motor parado y la bujía desenchufada.

- Cualquier desplazamiento (al margen del trabajo del suelo) debe efectuarse utilizando la rueda de transporte, tal y como se describe en el capítulo dedicado al desplazamiento de la máquina.

- Manipulación: para levantar la máquina respetar las instrucciones del capítulo mantenimiento. El peso de la máquina se indica en la placa de fabricante y al final de este manual. Utilizar un método de manutención adaptado al peso de la máquina y a la situación con el fin de garantizar la seguridad.

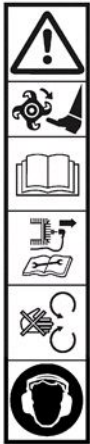
- Estibar correctamente la máquina para un transporte con total seguridad.

- El transporte debe efectuarse con el motor parado y la bujía desenchufada, utilizando un remolque, no utilizar ningún otro medio de transporte.

ES

DEFINICIÓN DE LOS PICTOGRAMAS

ES



ATENCIÓN
Peligro

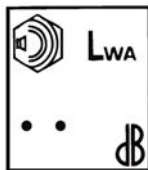
ATENCIÓN
Herramientas rotativas

ATENCIÓN
Leer el manual de uso

ATENCIÓN
Consultar el manual de uso y sacar la bujía antes de realizar cualquier intervención

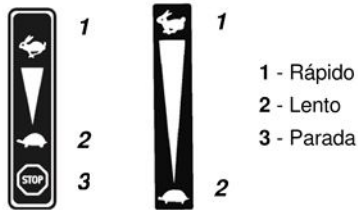
ATENCIÓN
No utilizar sin protector (elementos giratorios)

Llevar un casco antirruído



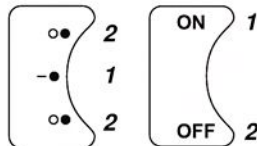
Potencia acústica garantizada

Control de gas (según motorización)



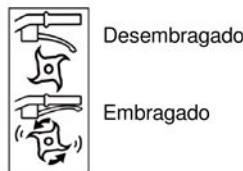
1 - Rápido
2 - Lento
3 - Parada

Sistema de fusibles (según motorización)

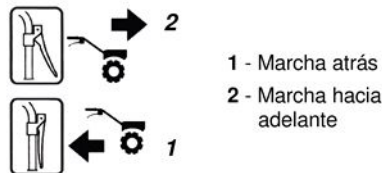


1 - Marcha
2 - Parada

Palanca de embrague



Selección de velocidad (opcional)



1 - Marcha atrás
2 - Marcha hacia adelante



No tocar las partes calientes



Los gases de escape son peligrosos
No utilizar la máquina en un lugar mal ventilado



Apagar el motor antes de rellenar el depósito



Pictogramas presentes o no en función del modelo de la máquina

INFORMACIÓN TÉCNICA


Modelo de máquina	TF120	Nivel de presión acústica en el puesto de conducción	dB(A)	84	
Peso	kg	27	Incertidumbre de la medida	dB(A)	1
Modelo de motor	R100	Nivel de potencia acústica medida	dB(A)	92.05	
Potencia neta *	KW	1.8	Incertidumbre de la medida	dB(A)	0.25
para un régimen motor	tr/min	3600	Nivel de vibración en las manos del operador	m/s ²	3.2
Potencia neta	KW	1.5	Incertidumbre de la medida	m/s ²	2
Régimen motor nominal	tr/min	3200			
Nivel de potencia acústica garantizado	dB(A)	93			


* La potencia del motor indicada en este documento es una potencia neta obtenida mediante pruebas de un motor de serie según la norma SAE J 1349 a una velocidad de rotación determinada. La potencia de otro motor de producción puede ser diferente a la de este valor indicado. La potencia real de un motor instalado en una máquina dependerá de diferentes factores: la velocidad de rotación, las condiciones de temperatura, la humedad, la presión atmosférica, el mantenimiento, y otros.

NOTA: de acuerdo con su política de mejora continua, el constructor no garantiza contractualmente la integridad de este manual y se reserva el derecho de modificar, sin previo aviso, las especificaciones de sus máquinas

Desembalaje

1.1

 **ATENCIÓN:**
Un montaje inadecuado de esta motoazada puede provocar graves lesiones. Asegúrese de seguir al pie de la letra todas las instrucciones

 **ATENCIÓN:**
Vigilar de no cortar los cables y de no rayar la pintura de la máquina al cortar las aristas de la caja

Rep.	Contenido de la caja
A	Bloque motor
B	Caballete
C	Rueda de transporte
D	Carpeta de documentos + tornillos
E	Manillar derecho
F	Manillar izquierdo
G	Separador del manillar
H	Revestimiento del brazo
I	Cubierta del manillar (Según versión)
J	Chapas de protección

Montaje del caballete

1.2

Retirar los puntos de anclaje del fondo de la caja

1.3

Montaje de la rueda de transporte

1.4

Montaje de las chapas de protección

1.5

Montaje del manillar

1.6

Placa de identificación de la máquina

1.7

- A** – Nombre y dirección del fabricante
B – Tipología de la máquina
C – Número de serie
D – Potencia nominal
E – Masa en kilogramos
F – Modelo de la máquina
G – Identificación CE
H – Año de fabricación

Descripción de los elementos

1.8

- 1 - Contactor de encendido/parada*
- 2 - Motor
- 3 - Lámina de protección
- 4 - Herramientas rotativas
- 5 - Rueda de transporte**
- 6 - Cubierta de la correa
- 7 - Palanca de embrague
- 8 - Mando de gas*
- 9 - Manija de regulación del manillar
- 10 - Cubierta del manillar**

*según motorización

**según versión

PUESTA EN MARCHA DE LA MÁQUINA

ES



← Montaje del sistema de cortocircuito en el manillar



← Llenado de aceite y comprobación de nivel



← Llenado de gasolina

Super, o sin plomo, o SP95 E 10



← Poner el estérter en la posición A




← Sistema de fusibles

Poner el sistema de fusibles en: **ON** / - ●
(Según motorización)



← Tirar del asa del lanzador

 Una vez puesta en marcha la máquina, no moverse de la zona de seguridad



← Poner el estérter en la posición B

UTILIZACIÓN

Esta máquina está pensada para:

- Preparar la tierra para plantar
- Cuidar plantaciones y parterres de flores

Esta máquina no está destinada a usos profesionales



← Marcha adelante



Es imperativo soltar el embrague antes de utilizar el cambio de marchas



Respete una zona de seguridad de 20 m de radio alrededor de la máquina



Una vez puesta en marcha la máquina, no hay que dejar girar el motor en vacío. Empiece a trabajar lo antes posible accionando el embrague de las herramientas

Calentar el motor no sirve de nada. Hacerlo girar en vacío durante más de 2 minutos sin embragar las herramientas puede desgastar considerablemente el sistema de embrague y su correa.

PARADA



Parada herramientas fresas

4.1

Soltar la manija de embrague



Parada motor

4.2

Poner el sistema de fusibles en: **OFF** / ○ ●
(Según motorización)

ES

CONTROLES HABITUALES

Antes de poner en marcha el motor, verifique los siguientes puntos:

- Que no haya tornillos ni pernos flojos o rotos
- Que no haya escapes de carburante y de aceite del motor
- La seguridad del entorno



Nivel de aceite motor limpio

2.2



Nivel de carburante suficiente

2.3



Comprobar la limpieza del filtro de aire y el nivel de aceite

4.3

(Según motorización)



No utilice disolventes inflamables para limpiar el elemento espumoso del filtro de aire

PROGRAMA DE MANTENIMIENTO (a cargo de un taller autorizado)

Primer mes o 20 horas

- Cambiar el aceite del motor
- Limpiar el filtro de aire(1)

Cada 3 meses o 50 horas

- Cambiar el aceite del motor

Cada 6 meses o 100 horas

- Limpiar la cubeta de decantación
- Limpiar el parachispas
- Limpiar la bujía de encendido

Todos los años o 300 horas

- Reemplazar la bujía de encendido
- Limpiar el depósito de carburante y el filtro de carburante
- Verificar – ajustar el régimen de frenado (2)
- Verificar - ajustar el juego de válvulas (2)

Cada 500 horas

- Limpiar la cámara de combustión (2)

Cada 2 años

- Verificar el tubo de combustible (reemplazar si es necesario) (2)

NOTA:

- (1) Realizar el mantenimiento del filtro de aire con mayor frecuencia si se utiliza el equipo en lugares polvorientos
- (2) Estas operaciones deben realizarse en un taller autorizado, a menos que el usuario posea las herramientas necesarias y sea mecánicamente calificado

TRANSPORTE Y MANIPULACIÓN



← Transporte

5.1



Parar el motor



Esperar a que el motor se enfríe
(10 minutos)

A

Poner la rueda en posición de transporte

B

Con ayuda del manillar, levantar las fresas del suelo y avanzar

ES

AJUSTE DEL CABLE DE EMBRAGUE



6.1

En posición "embragado", cuando el avance se realice por sacudidas o cuando las fresas no funcionen, ajustar el cable de embrague.



6.2

Detener la máquina y desenchufar la bujía.



6.3

A

Desbloquear la tuerca del tensor de cable de embrague.

B

Ajustar el tensor hasta obtener un juego de 20 mm en el extremo de la palanca de embrague.

C

Volver a bloquear la tuerca.

Volver a enchufar la bujía.

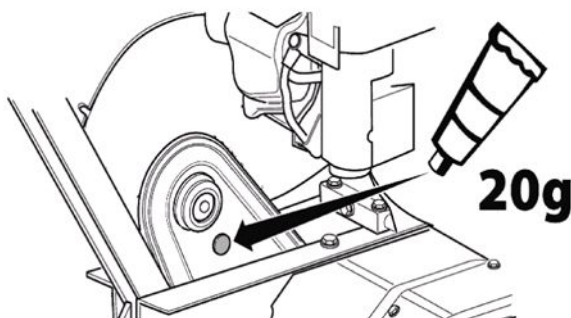
Arrancar la máquina e intentarlo de nuevo.

Si el problema persiste, contactar a su distribuidor.

MANTENIMIENTO PERIÓDICO (a cargo de un taller autorizado)

ENGRASADO DE LA TRANSMISIÓN

Período: 50 h máximo o 1 año antes de la invernada



- 1- Retirar el tapón de la parte superior de la transmisión
- 2- Agregar 20 g de grasa con base de litio en tubo
- 3- Volver a poner el tapón
- 4- Hacer girar las fresas durante 30 segundos

DISPOSIZIONI DI SICUREZZA

Prestare particolare attenzione alle indicazioni precedute dalle parole seguenti:



ATTENZIONE:

Segnala una forte probabilità di lesioni personali gravi o un pericolo mortale in caso di mancata osservanza delle istruzioni

PRECAUZIONE: segnala una possibilità di lesioni personali o deterioramento dell'apparecchiatura in caso di mancata osservanza delle istruzioni

NOTA: fornisce informazioni utili



Questo simbolo richiama alla prudenza durante determinate operazioni

In caso di problemi o per qualsiasi domanda relativa alla macchina, rivolgersi a un concessionario autorizzato



ATTENZIONE:

La macchina è ideata per garantire un servizio sicuro e affidabile in condizioni di utilizzo conformi alle istruzioni. Prima di utilizzare la macchina, leggere e comprendere il contenuto di questo manuale. In caso contrario, esiste il rischio di lesioni e di danni all'apparecchiatura

Formazione / Informazioni:

- Informarsi sull'utilizzo corretto e sui comandi prima di utilizzare la macchina.

- Imparare ad arrestare il motore rapidamente.

- La macchina deve essere sempre utilizzata conformemente alle raccomandazioni indicate nel manuale di istruzioni.

- Non dimenticare che l'utente è responsabile di incidenti o eventi pericolosi che potrebbero interessare altre persone o i loro beni. È responsabilità dell'utente valutare i rischi potenziali del terreno da lavorare e prendere tutte le precauzioni necessarie per garantire la sicurezza, in particolare su terreni in pendenza, accidentati, scivolosi o mobili.

- Evitare sempre che bambini o persone che non conoscono queste istruzioni utilizzino la macchina. Le normative locali possono stabilire un'età minima per l'utente.

- Non lavorare mai in presenza di persone, in particolare bambini, o animali in un raggio di 20 metri dalla macchina; l'utente deve restare obbligatoriamente ai comandi delle stegole.

- Non utilizzare la macchina dopo aver assunto farmaci o sostanze che potrebbero compromettere la capacità di riflesso e vigilanza.

- Su un terreno duro, prestare maggiore attenzione perché la macchina tenderà a essere molto meno stabile rispetto a un terreno coltivato.

- Durante il lavoro, indossare sempre calzature resistenti, antiscivolo e pantaloni lunghi e stretti. Non utilizzare la macchina a piedi scalzi o con i sandali. Si consiglia di indossare protezioni acustiche.

- Utilizzare la macchina per l'impiego per il quale è stata concepita, vale a dire la coltura del suolo. Qualsiasi altro utilizzo può rivelarsi pericoloso o comportare un deterioramento della macchina.

Preparazione:

- Ispezionare minuziosamente l'area sulla quale verrà utilizzata la macchina ed eliminare tutti gli oggetti che potrebbero essere lanciati dalla macchina (pietre, fili, vetro, oggetti di metallo...)

- Prima dell'uso, procedere sempre a un controllo visivo della macchina per accertarsi che gli attrezzi e i deflettori non siano usurati né

danneggiati. Sostituire i componenti usurati o danneggiati.

- Se la macchina è dotata di un pulsante di spegnimento motore, mantenere i cavi elettrici del comando di spegnimento in buono stato in modo da garantire che il motore si spenga.

- Verificare l'assenza di perdite di liquidi (benzina, olio...).

- Non utilizzare la macchina senza parafango o calotte protettive e accertarsi che tutti i dispositivi di fissaggio siano correttamente serrati.

Uso:

- Non trasportare persone sulla macchina

- Avviare il motore con cautela, rispettando le istruzioni del costruttore e tenendo i piedi lontani dagli attrezzi

- Spegnerne il motore quando la macchina è senza sorveglianza

- Procedere lentamente, non correre con la macchina.

- Tirare la macchina verso di sé o invertire il senso di marcia (se possibile) con molta cautela.

- Mantenere la distanza di sicurezza rispetto agli attrezzi rotanti, fornita dalla lunghezza del manubrio.

- Non posizionare le mani o i piedi vicino o sotto gli elementi in rotazione.

- In caso di:

- Vibrazione anomala,
- Blocco,
- Problema di frizione,
- Urto con un oggetto estraneo,
- Deterioramento del cavo di spegnimento motore (secondo il modello),

spegnerne immediatamente il motore (se il cavo di arresto motore è tagliato, azionare il comando dello starete come descritto nel paragrafo "Avvio motore" per spegnere il motore), lasciare raffreddare la macchina, scollegare il cavo della candela, ispezionare la macchina e far eseguire le riparazioni necessarie da un riparatore convenzionato prima di qualsiasi nuovo utilizzo.

- Lavorare unicamente alla luce del giorno o con una luce artificiale di buona qualità.

- Non utilizzare la macchina su pendenze superiori a 10° (17%).

- Lavorare sulle pendenze in senso trasversale, mai in salita o in discesa.

- Sui terreni in pendenza procedere con cautela e cambiare direzione con la massima attenzione.

- L'uso di accessori diversi da quelli raccomandati può rendere pericolosa la macchina, e provocare danni alla macchina che non saranno coperti dalla garanzia.

Manutenzione / Stoccaggio / Smaltimento:

- Spegnerne il motore e scollegare la candela prima di ogni operazione di pulizia, di controllo, di cambio degli attrezzi, di regolazione o di manutenzione della macchina.

- Spegnerne il motore, scollegare la candela e sostituire gli attrezzi utilizzando guanti spessi.

- Lasciare serrati tutti i dati e le viti per garantire condizioni di utilizzo sicure.

- Per ridurre il rischio d'incendio, accertarsi che il motore, il silenziatore e la zona di stoccaggio della benzina siano privi di vegetali, grasso in eccesso o qualsiasi altro materiale infiammabile.

- Far sostituire il silenziatore di scappamento

- Non riparare i componenti. Far sostituire i componenti con pezzi originali.

- Sostituire gli attrezzi con lotti completi per mantenere l'equilibrio.

- Per motivi di sicurezza non modificare le caratteristiche della macchina. Non modificare i valori di regolazione della velocità del motore e non utilizzare il motore a una velocità eccessiva.

Una manutenzione regolare è fondamentale per la sicurezza e il mantenimento del livello di prestazioni.

- Lasciar raffreddare il motore prima di riporre la macchina in un locale.

- Lo smaltimento dell'apparecchio deve essere realizzato conformemente alla regolamentazione vigente nel Paese di utilizzo.

Attenzione - Pericolo: La benzina è altamente infiammabile:

- Conservare il carburante in appositi recipienti. Fare il pieno esclusivamente all'aperto e non fumare durante tale operazione.

- Non rimuovere il tappo del serbatoio di benzina né aggiungere benzina mentre il motore è in funzione o quando è ancora caldo.

- In caso di versamento di benzina al suolo, non tentare di avviare il motore, ma allontanare la macchina da questa zona ed evitare di provocare combustioni fino a quando i vapori della benzina non si sono dissipati.

- Riporre la macchina in un luogo asciutto. Non riporre la macchina in un locale in cui i vapori della benzina potrebbero raggiungere una fiamma, una scintilla o una forte fonte di calore.

- Riposizionare correttamente i tappi del serbatoio e della tanica di benzina.

- Limitare la quantità di benzina presente nel serbatoio per ridurre al minimo gli schizzi.

- Non lasciare in funzione il motore in un ambiente confinato in cui possono accumularsi vapori di monossido di carbonio.

- Il monossido di carbonio può essere letale. Garantire una buona aerazione.

Spostamento / Movimentazione / Trasporto:

- Qualsiasi azione sulla macchina, eccetto la lavorazione del terreno, deve essere eseguita a motore spento e candela scollegata.

- Lo spostamento (fuori dal lavoro del terreno) deve essere realizzato utilizzando la ruota di trasporto come descritto nel paragrafo "spostamento".

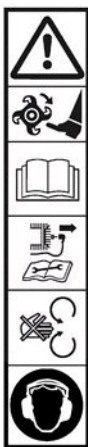
- Movimentazione: per sollevare la macchina rispettare le istruzioni del § movimentazione. Il peso della macchina è indicato sulla targhetta del costruttore e in calce al presente manuale. Per operare in totale sicurezza, il metodo utilizzato per la movimentazione deve essere adeguato al peso della macchina e ad ogni situazione.

- Bloccare la macchina per garantire un trasporto in totale sicurezza.

- Il trasporto si effettua su un rimorchio, con il motore spento e il cavo della candela scollegato. È vietato adoperare un qualsiasi altro mezzo di trasporto.

DEFINIZIONE DEI PITTOGRAMMI

IT



ATTENZIONE
Pericolo

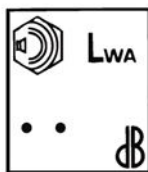
ATTENZIONE
Attrezzi rotanti

ATTENZIONE
Leggere il manuale di istruzioni

ATTENZIONE
Consultare il manuale d'uso e posare la candela prima di qualsiasi intervento

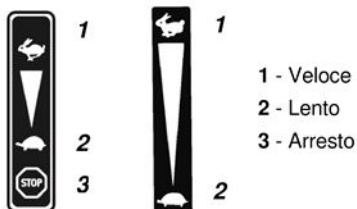
ATTENZIONE
Non utilizzare senza dispositivi di protezione (elementi rotanti)

Indossare cuffie antirumore



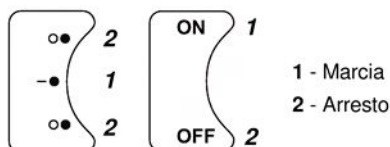
Potenza acustica garantita

Comando acceleratore
(secondo la motorizzazione)



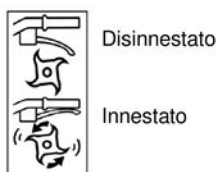
1 - Veloce
2 - Lento
3 - Arresto

Isolamento del circuito
(secondo la motorizzazione)



1 - Marcia
2 - Arresto

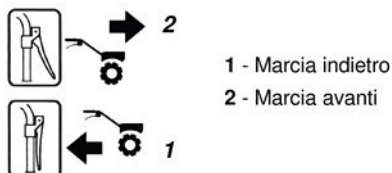
Leva di innesto



Disinnestato

Innestato

Selezione della velocità di marcia
(opzionale)



1 - Marcia indietro
2 - Marcia avanti



Non toccare superfici calde



I gas di scarico sono pericolosi
Non utilizzare in un luogo non areato correttamente



Spegnere il motore prima di rifare il pieno



Pittogrammi presenti o assenti a seconda del modello della macchina

INFORMAZIONI TECNICHE

Modello macchina	TF120	Livello di pressione sonora al posto di guida	dB(A)	84
Peso	kg 27	Incertezza di misura	dB(A)	1
Modello motore	R100	Livello di potenza sonora misurata	dB(A)	92.05
Potenza netta* per un regime motore di	KW 1.8 iri/min 3600	Incertezza di misura	dB(A)	0.25
Potenza nominale Regime motore nominale	KW 1.5 giri/min 3200	Livello delle vibrazioni alle mani dell'operatore	m/s ²	3.2
Livello di potenza sonora garantita	dB(A) 93	Incertezza di misura	m/s ²	2

* La potenza del motore indicata in questo documento è una potenza netta ottenuta mediante test di un motore della serie secondo la norma SAE J 1349 a una data velocità di rotazione. La potenza di un altro motore della produzione può essere diversa dal valore qui indicato. La potenza reale di un motore installato su una macchina dipende da vari fattori come la velocità di rotazione, le condizioni di temperatura, di umidità, di pressione atmosferica, di manutenzione e altre.

NOTA: al fine di un miglioramento permanente, il costruttore precisa che l'intero manuale non è contrattuale e si riserva il diritto di modificare senza preavviso le specifiche delle proprie macchine

Disimballaggio

1.1



ATTENZIONE:

un montaggio inadeguato della motozappa può causare gravi ferite. Assicurarsi di seguire attentamente tutte le istruzioni



ATTENZIONE:

prestare attenzione a non tranciare i cavi o a rigare la vernice della macchina tagliando i bordi della cassa

Rif.	Contenuto della cassa
A	Blocco motore
B	Cavalletto
C	Ruota di trasporto
D	Busta con istruzioni + viti
E	Manubrio destro
F	Manubrio sinistro
G	Distanziale manubrio
H	Rivestimento del braccio di sostegno
I	Copertura del manubrio (Secondo la versione)
J	Elementi di protezione

Montaggio del cavalletto

1.2

Togliere i punti di fissaggio dal fondo della cassa

1.3

Montaggio della ruota di trasporto

1.4



1.5

← Montaggio degli elementi di protezione



1.6

← Montaggio del manubrio



1.7

Piastrina di identificazione della macchina

- A** – Nome e indirizzo del costruttore
B – Tipo di macchina
C – Numero di serie
D – Potenza nominale
E – Massa in kg
F – Modello della macchina
G – Identificativo CE
H – Anno di produzione



1.8

← Descrizione degli elementi

- 1 - Contattore avvio/arresto *
- 2 - Motore
- 3 - Lamiera di protezione
- 4 - Attrezzi rotanti
- 5 - Ruota di trasporto **
- 6 - Copertura della cinghia
- 7 - Leva frizione
- 8 - Comando gas *
- 9 - Leva di regolazione manubrio
- 10 - Copertura del manubrio **

*secondo la motorizzazione

**secondo la versione

AVVIO DELLA MACCHINA



← **Montaggio dell'isolamento del circuito sul manubrio**



← **Pieno d'olio e livello**



← **Pieno di benzina**

Super o senza piombo o SP95 E 10



← **Posizionare lo starter su A**




← **Isolamento del circuito**

Posizionare l'isolamento del circuito su: **ON / - ●**
(Secondo la motorizzazione)



← **Tirare la leva di avviamento**

 Durante l'avvio della macchina, restare sempre nella zona di sicurezza



← **Posizionare lo starter su B**

KEES VAN DER SPEK TUINMACHINES & TOEWIJZ USO

Questa macchina è destinata:

- Alla preparazione del terreno per le attività di piantatura
- Alla cura delle piantagioni e delle aiuole

Questa macchina non è destinata all'uso professionale



← **Marcia avanti**



È imperativo rilasciare la frizione prima di usare l'invertitore di marcia



Mantenere un'area di sicurezza di 20 m di raggio attorno alla macchina



Dopo l'avvio, non far girare il motore a vuoto: iniziare il lavoro non appena possibile azionando il comando di innesto degli attrezzi

È inutile far riscaldare il motore: farlo girare a vuoto per più di 2 minuti senza innestare gli attrezzi può provocare danni gravi al sistema di innesto e alla cinghia

ARRESTO



Arresto attrezzi fresa

4.1

Rilasciare la maniglia della frizione



Arresto motore

4.2

Posizionare l'isolamento del circuito su: **OFF** / ○●
(Secondo la motorizzazione)

IT

CONTROLLI QUOTIDIANI

Prima di avviare il motore, verificare i punti seguenti:

- Assenza di bulloni e dadi svitati o rotti
- Assenza di perdite di benzina e olio motore
- Sicurezza dell'ambiente



Livello dell'olio motore pulito

2.2



Livello di benzina sufficiente

2.3



Pulizia della cartuccia del filtro dell'aria e livello dell'olio

4.3

(Secondo la motorizzazione)



Non utilizzare solventi infiammabili per pulire l'elemento in espanso del filtro dell'aria

PROGRAMMA DI MANUTENZIONE (da far eseguire a un'officina autorizzata)

Primo mese o prime 20 ore

- Cambiare l'olio motore
- Pulire il filtro dell'aria (1)

Ogni 3 mesi o ogni 50 ore

- Cambiare l'olio motore

Ogni 6 mesi o ogni 100 ore

- Pulire la vaschetta di decantazione
- Pulire il parascintille
- Pulire la candela di accensione

Tutti gli anni o ogni 300 ore

- Sostituire la candela di accensione
- Pulire il serbatoio del carburante e il filtro del carburante
- Controllare – regolare il minimo (2)
- Controllare – regolare il gioco delle valvole (2)

Ogni 500 ore

- Pulire la camera di combustione (2)

Ogni 2 anni

- Controllare il tubo del carburante (sostituirlo se necessario) (2)

NOTA:

(1) Pulire il filtro dell'aria più frequentemente in caso di utilizzo in ambienti polverosi

(2) Queste operazioni devono essere affidate a un'officina autorizzata, a meno che l'utilizzatore non disponga degli strumenti necessari e non sia un meccanico qualificato

SPOSTAMENTO E MOVIMENTAZIONE



← Spostamento

5.1



Spegnere il motore



Aspettare che il motore si raffreddi
(10 minuti)

A

Mettere la ruota in posizione di spostamento

B

Con l'ausilio del manubrio, sollevare le frese da terra e avanzare

IT

REGOLAZIONE DEL CAVO FRIZIONE



6.1

In posizione "innestato", quando la macchina avanza a scatti o quando le frese non girano, regolare il cavo frizione.



6.2

Arrestare la macchina e scollegare il cavo candela.



6.3

A

Allentare il dado del tendicavo della frizione.

B

Regolare il tenditore fino ad ottenere un gioco di 20 mm all'estremità della leva frizione.

C

Stringere di nuovo il dado.

Ricollegare il cavo candela.

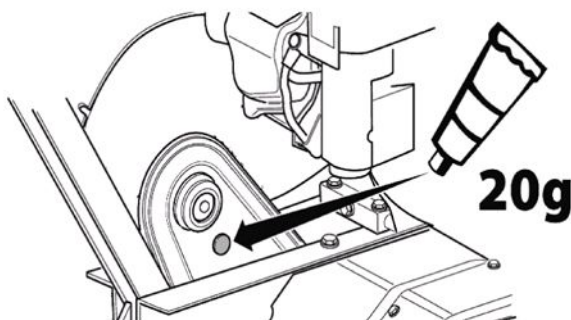
Avviare la macchina e provare di nuovo.

Qualora il problema non fosse risolto, contattare il rivenditore.

MANUTENZIONE PERIODICA (da far eseguire a un'officina autorizzata)

LUBRIFICAZIONE TRASMISSIONE

Periodo: 50 h al massimo o 1 anno prima dello svernamento



- 1- Togliere il tappo dalla parte superiore della trasmissione
- 2- Aggiungere 20 g di grasso al litio in tubetto
- 3- Rimettere il tappo
- 4- Far funzionare le frese per 30 secondi

VEILIGHEIDSINSTRUCTIES

Schenk bijzondere aandacht aan de aanwijzingen die worden voorafgegaan door de volgende vermeldingen:



OPGELET:

Geef aan dat de kans op ernstige lichamelijke letsels groot is, en zelfs dat er sprake is van gevaar voor overlijden, als de instructies niet in acht worden genomen

WAARSCHUWING: geeft aan dat er een kans op lichamelijke letsels of beschadiging van de uitrusting bestaat, als de instructies niet in acht worden genomen

OPMERKING: verstrekt nuttige informatie



Dit teken maant u aan om voorzichtig te zijn tijdens bepaalde werkzaamheden

Neem bij problemen of voor vragen over de motorhakkrees contact op met een erkende dealer



OPGELET:

De machine werd ontworpen om veilig en betrouwbaar te werken in gebruiksomstandigheden die in overeenstemming zijn met de instructies. Voordat u uw machine gebruikt, moet u de inhoud van deze handleiding lezen en opnemen. Doet u dat niet, dan kunt u gewond raken en kan de uitrusting schade oplopen

Opleiding / Voorlichting:

- Maak u vertrouwd met het juiste gebruik en de bedieningselementen, voordat u de machine gebruikt.

Leer de motor snel stilleggen.

- De machine moet altijd worden gebruikt overeenkomstig de aanbevelingen in de instructiehandleiding.

- Denk eraan dat de gebruiker verantwoordelijk is voor ongevallen of gevaarlijke fenomenen waarbij andere personen of hun goederen betrokken zijn. Het is zijn verantwoordelijkheid om de potentiële risico's van het te bewerken stuk grond te evalueren, en alle noodzakelijke voorzorgsmaatregelen te nemen om zijn veiligheid te garanderen, in het bijzonder op hellingen, onregelmatige grond, glibberige grond of losse grond.

- Laat kinderen of personen die deze instructies niet kennen, de machine nooit gebruiken. In de plaatselijke voorschriften kan een minimumleeftijd voor de gebruiker bepaald zijn.

- Werk nooit als er personen, in het bijzonder kinderen, of dieren aanwezig zijn in een straal van 20 meter rond de machine; het is immers absoluut noodzakelijk dat de gebruiker aan de stuurbomen blijft staan.

- Gebruik de machine niet na het innemen van geneesmiddelen of stoffen die ervoor bekendstaan het reactievermogen en de oplettendheid te doen afnemen.

- Wees op een hard stuk grond extra aandachtig, want de machine zal geneigd zijn om veel minder stabiel te zijn dan op een bebouwd stuk grond.

- Draag tijdens het werk altijd sterke antislipschoenen en een lange, nauwsluitende broek. Gebruik de machine niet op blote voeten of op sandalen. Wij raden aan om gehoorbeschermingen te dragen.

- Gebruik de machine waarvoor ze is bestemd, namelijk bewerking van de bodem. Elk ander gebruik kan gevaarlijk blijken te zijn of de machine beschadigen.

Vorbereiding:

- Bekijk uiterst aandachtig de zone waarop de machine moet worden gebruikt, en verwijder alle voorwerpen die door de machine kunnen worden weggeslingerd (stenen, draden, metalen voorwerpen, ...)

- Voer vóór gebruik altijd een visuele controle van de machine uit, om er zeker van te zijn dat de gereedschappen en de deflectoren niet versleten of beschadigd zijn. Zorg voor de vervanging van de versleten of beschadigde onderdelen.

- Is de machine uitgerust met een motorstopknop, houd de elektrische kabels voor het stilleggen van de motor dan in goede staat, zodat de motor gegarandeerd kan worden stilgelegd.

- Ga na of er geen vloeistof lekt (benzine, olie ...).

- Gebruik de machine niet zonder spatborden of beschermkappen en vergewis u ervan dat alle vastzetinrichtingen goed vastzitten.

Gebruik:

- Vervoer nooit personen op de machine

- Start de motor voorzichtig volgens de instructies van de fabrikant, terwijl u uw voeten uit de buurt van (het) (de) gereedschap(en) houdt.

- Leg de motor stil wanneer de machine onbewaakt is.

- Stap met de machine, loop nooit.

- Trek de machine heel voorzichtig naar u toe of draai heel voorzichtig de bewegingsrichting om (indien beschikbaar).

- Respecteer de veiligheidsafstand ten opzichte van de draaiende gereedschappen, die worden aangegeven door de lengte van het stuur.

- Plaats uw handen of uw voeten niet vlak bij of onder draaiende elementen.

- In geval van:

- abnormale trillingen,

- blokkering,

- probleem met de koppeling,

- botsing met een vreemd voorwerp,

- beschadiging van de kabel voor het

stilleggen van de motor (volgens model),

leg de motor onmiddellijk stil (als de kabel voor het stilleggen van de motor doorgesneden is, kan de motor worden stilgelegd door de bediening van de starter in te schakelen, zoals wordt beschreven in § "motor starten"), laat de machine afkoelen, koppel de bougie los, bekijk de machine aandachtig en gebruik de machine pas opnieuw nadat de noodzakelijke reparaties door een erkende reparateur uitgevoerd zijn.

- Werk uitsluitend bij daglicht of in kunstlicht van goede kwaliteit.

- Gebruik de machine niet op hellingen die steiler zijn dan 10° (17 %).

- Werk dwars op de hellingen, nooit naar boven of naar beneden.

- Op een hellend stuk grond moet u voor voldoende steunpunten zorgen en heel voorzichtig van richting veranderen.

- Accessoires gebruiken die niet zijn aanbevolen, kan de machine gevaarlijk maken en aan uw machine schade toebrengen die niet zal worden gedekt door uw garantie.

Onderhoud / Opslag / Afdanking:

- Leg de motor stil en koppel de bougie los alvorens de machine te reinigen, te controleren, (een) gereedschap(en) te vervangen, de machine in te stellen of te onderhouden.

- Leg de motor stil, koppel de bougie los en gebruik dikke handschoenen om (het) (de) gereedschap(en) te vervangen.

- Zorg ervoor dat alle moeren en schroeven altijd goed vastzitten, om veilige gebruiksomstandigheden te garanderen.

- Om het brandgevaar te beperken, moet u de motor, de geluiddemper en de opslagzone voor de benzine vrijhouden van planten, overtollig smeervet of alle andere materialen die kunnen ontbranden.

- Zorg voor de vervanging van de uitlaattempers

- Repareer de onderdelen niet. Laat ze vervangen door originele onderdelen.

- Vervang de werktuigen door complete kits, om het evenwicht te bewaren.

- Wijzig de kenmerken van uw machine niet voor uw eigen veiligheid. Wijzig de instellingen van het motoroerental niet en laat de motor niet draaien met een te hoog toerental. Het is van fundamenteel belang voor de veiligheid en het behoud van het prestatieniveau om de machine regelmatig te onderhouden.

- Laat de motor afkoelen voordat u de machine in een ruimte opbergt.

- Het apparaat moet in elk geval worden afgedankt in overeenstemming met de regelgeving die van kracht is in het land van gebruik.

Opgelet-Gevaar: Benzine is licht ontvlambaar:

- Sla de brandstof op in speciaal daartoe voorziene reservoirs. Vul de machine alleen buiten met brandstof en rook niet terwijl u dat doet.

- Verwijder nooit de dop van de benzinetank of voeg nooit benzine toe terwijl de motor draait of zolang de motor warm is.

- Is er benzine gemorst op de grond, probeer de motor dan niet te starten maar haal de machine weg uit die zone en probeer geen ontbranding te veroorzaken zolang de benzinedampen niet zijn opgetrokken.

- Sla de machine op een droge plaats op. Sla de machine nooit op in een ruimte waar de benzinedampen een vlam, een vonk of een sterke warmtebron zouden kunnen bereiken.

- Plaats de doppen van de brandstoftank en de brandstoftank op een correcte manier terug.

- Beperk de hoeveelheid benzine in de tank om spatten tot een minimum te beperken.

- Laat de motor niet draaien in een afgesloten plaats waar de koolstofmonoxidetampen zich kunnen opstapelen.

- Koolstofmonoxide kan dodelijk zijn. Zorg voor een goede ventilatie.

Verplaatsing / Behandeling / Transport:

- Elke behandeling van de machine die niets te maken heeft met de bewerking van de grond, dient te gebeuren met een stilgelegde motor en een losgekoppelde bougie.

- De verplaatsing (die niets te maken heeft met de bewerking van de grond) dient te gebeuren met behulp van het transportwiel, zoals wordt beschreven in de § "verplaatsing".

- Behandeling: bij het optillen van de machine moet men de instructies gegeven in het hoofdstuk « hanteren » in acht nemen. Het gewicht van de machine staat vermeld op het plaatje van de constructeur aan het eind van deze handleiding. Gebruik een hanteerme- thode aangepast aan het gewicht van de machine en de omstandigheden met het oog op de veiligheid.

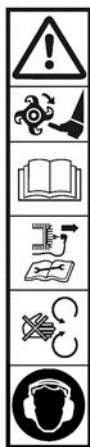
- De machine moet op en van een aanhangwagen af gereden worden met behulp van adequate laadbanen. De machine naar behoren vastzetten met het oog op de veiligheid tijdens het vervoer.

- Tijdens het transport, moet de motor van de machine zijn uitgezet en de bougie losge- haald zijn, de machine mag alleen op een aanhangwagen vervoerd worden, gebruik geen ander transportmiddel hiervoor.

NL

DEFINITIE VAN DE PICTOGRAMMEN

NL



LET OP
Gevaar

OPGELET
Draaiende gereedschappen

LET OP
Lees de gebruikshandleiding

OPGELET
Raadpleeg de gebruikshandleiding en leg de bougie neer vooraleer interventies uit te voeren

OPGELET
Niet gebruiken zonder bescherming (draaiende elementen)

Draag een helm die het lawaai weert



Gegarandeerd geluidsvermogen

Gasbediening (volgens motoruitvoering)



1

2

3

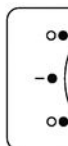


1

2

1 - Snel
2 - Traag
3 - Stop

Hoofdschakelaar (volgens motoruitvoering)



2

1

2



1

2

1 - Rijden
2 - Stop

Schakelhendel



Ontkoppeld



Gekoppeld

Selectie snelheid (optie)



2



1

1 - Achteruitrijden
2 - Vooruitrijden



Raak de hete oppervlakken niet aan



De uitlaatgassen zijn gevaarlijk
Niet gebruiken in een onvoldoende
geventileerde ruimte



De motor stilleggen vooraleer
vol te tanken



Pictogrammen al dan niet aanwezig volgens het machinemodel

TECHNISCHE GEGEVENS

Machinemodel	TF120	Geluidsrukniveau in de bestuursruimte	dB(A)	84	
Gewicht	kg	27	Meetonzekerheid	dB(A)	1
Motormodel	R100	Gemeten geluidsvermogensniveau	dB(A)	92.05	
Nettovermogen * voor een motortoerental	kW tpm	1.8 3600	Meetonzekerheid	dB(A)	0.25
Nominaal vermogen Nominaal motortoerental	kW tpm	1.5 3200	Sterkte van de trillingen aan de handen van de bestuurder	m/s ²	3.2
Gegarandeerd geluidsvermogensniveau	dB(A)	93	Meetonzekerheid	m/s ²	2

* Het in dit document vermelde vermogen van de motor is een nettovermogen dat wordt verkregen door een seriemotor te testen volgens de norm SAE J 1349 bij een bepaalde draaisnelheid. Het vermogen van een andere productiemotor kan verschillen van die vermelde waarde. Het reële vermogen van een motor die is geïnstalleerd op een machine, zal afhangen van verschillende factoren zoals de draaisnelheid, de temperaturomstandigheden, de vochtigheidsomstandigheden, de luchtdrukstandigheden, de onderhoudsomstandigheden en andere.

OPMERKING: in een voortdurend streven naar verbetering benadrukt de fabrikant dat deze handleiding in haar geheel niet contractueel is, en behoudt de fabrikant zich het recht voor om de specificaties van de machines onaangekondigd te wijzigen

Uitpakken

1.1



OPGELET: deze motorhakkrees verkeerd assembleren kan ernstige verwondingen tot gevolg hebben. Zorg ervoor dat u alle instructies zorgvuldig in acht neemt



OPGELET: Zorg ervoor dat u de kabels niet doorsnijdt of de verf van de machine niet beschadigt wanneer u de doos opensnijdt

Ref.	Inhoud van de doos
A	Motorblok
B	Standaard
C	Transportwiel
D	Etui documenten + schroeven
E	Stuurstang rechts
F	Stuurstang links
G	Dwarsstuk stuurstang
H	Stangbescherming
I	Stuurstangbeschermkap (Overeenkomstig uitvoering)
J	Beschermplaten

Montage van de standaard

1.2

De verankering-spunten van de carrosseriebodemplaat verwijderen

1.3

Montage van het transportwiel

1.4



Montage van de beschermplaten

1.5



Montage van het stuur

1.6



Identificatieplaatje van de machine

1.7

A – Naam en adres van de constructeur
 B – Type van de machine
 C – Serienummer
 D – Nominaal vermogen
 E – Massa in kilogram
 F – Model van de machine
 G – CE-identificatie
 H – Bouwjaar



Beschrijving van de elementen

1.8

- 1 - Aan-uitschakelaar *
 - 2 - Motor
 - 3 - Beschermplaat
 - 4 - Draaiende werktuigen
 - 5 - Transportwiel **
 - 6 - Drijfriemkap
 - 7 - Aankoppelingshendel
 - 8 - Gasbediening *
 - 9 - Verstelhendel stuurstang
 - 10 - Stuurstangbeschermkap **
- *overeenkomstig motoruitvoering
 **overeenkomstig uitvoering

MACHINE STARTEN



← Montage van de hoofdschakelaar op het stuur



← Vullen met olie en het peil controleren



← Vullen met benzine
Super of loodvrij of SP95 E 10



← Zet de starter op de stand A




← Hoofdschakelaar

Zet de hoofdschakelaar op: ON / - ●
(Volgens aandrijving)



← Trek aan de handgreep van de trekstarter

 Blijf altijd in de veilige zone tijdens het starten van de machine



← Zet de starter op de stand B

NL

KEES VAN DER SPOEK TUINMACHINES GEBRUIK

Deze machine is bestemd voor:

- De voorbereiding van de grond voor de beplantingen
- Het onderhoud van de beplantingen en de bloembedden

Deze machine is niet bestemd voor professioneel gebruik



← Voorwaartse beweging



Het is absoluut noodzakelijk om de koppeling los te laten, alvorens gebruik te maken van de omkeerschakelaar



Een veiligheidszone met een straal van 20 m rond de machine in acht nemen



Na het starten mag de motor niet bij nullast blijven draaien. Vat het werk zo snel mogelijk aan door de koppeling van de gereedschappen te bedienen

Het heeft geen zin de motor te laten opwarmen en langer dan 2 minuten bij nullast te laten draaien zonder de gereedschappen te koppelen, want dit kan het koppelingssysteem en de drijfriem ernstig beschadigen

UITSCHAKELLEN



4.1

← Freesgereedschappen uitschakelen

Laat de koppelingshendel los



4.2

← Motor stilleggen

Zet de hoofdschakelaar op: **OFF** / ○ ●
(Volgens aandrijving)

DAGELIJKSE CONTROLES

NL

Controleer de volgende punten, voordat u de motor start:

- Afwezigheid van loszittende of kapotte bouten en moeren
- Afwezigheid van benzine- en motorolielekken
- Veiligheid van de omgeving



2.2

← Geschikt motoroliepeil



2.3

← Toereikend benzinepeil



4.3

← Netheid van het luchtfilterelement en oliepeil (Volgens aandrijving)



Gebruik geen ontvlambaar oplosmiddel om het element in schuimplastic van de luchtfilter te reinigen

ONDERHOUDSPROGRAMMA (moet worden uitgevoerd door een erkende werkplaats)

Eerste maand of 20 uur

- De motorolie verversen
- De luchtfilter reinigen (1)

Om de 3 maanden of 50 uur

- De motorolie verversen

Om de 6 maanden of 100 uur

- De bezinselbak reinigen
- Het vonkenscherm reinigen
- De ontstekingsbougie reinigen

Elk jaar of om de 300 uur

- De ontstekingsbougie vervangen
- De brandstoftank en de brandstoffilter reinigen
- Het nullasttoerental controleren – regelen (2)
- De speling van de kleppen controleren – regelen (2)

Nadien om de 500 uur

- De verbrandingskamer reinigen (2)

Om de 2 jaar

- De brandstofleiding controleren (indien nodig vervangen) (2)

OPMERKING:

(1) Reinig de luchtfilter vaker bij gebruik op stoffige plaatsen

(2) Die werkzaamheden moeten worden toevertrouwd aan een erkende werkplaats, tenzij de gebruiker over het noodzakelijke gereedschap beschikt en mechanisch bekwaam is

VERPLAATSING EN BEHANDELING



← Verplaatsing

5.1



Leg de motor stil



Wacht tot de motor is afgekoeld
(10 minuten)



Zet het wiel in de verplaatsingsstand



Hef de frezen met behulp van het
stuur van de grond en ga vooruit

NL

INSTELLEN KABEL KOPPELING



6.1

In de « ingekoppelde » stand, als men met horten en stoten naar voren gaat of als de frezen niet draaien, moet de kabel van de koppeling bijgesteld worden.



6.2

De machine uitzetten en de bougie loshalen.



6.3



De moer van de spaninrichting van de kabel van de koppeling deblokkeren.



De spaninrichting bijstellen totdat men een speling van 20 mm heeft verkregen op het uiteinde van de hendel van de koppeling.



De moer opnieuw blokkeren.

De bougie weer aansluiten.

De machine opstarten en opnieuw proberen.

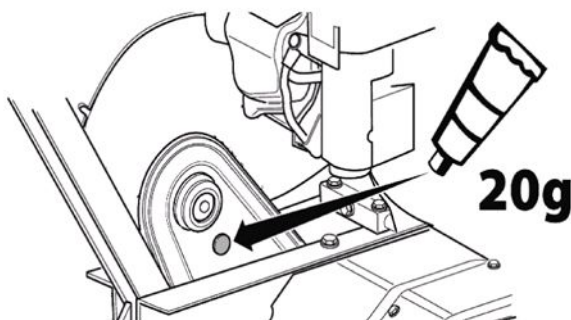
Als het probleem niet verdwijnt, contact opnemen met de verkoper.

KEES VAN DER BEEK
TUINMACHINES ★ TOEGELIJK

PERIODIEK ONDERHOUD (moet worden uitgevoerd door een erkende werkplaats)

SMERING TRANSMISSIE

Periode: maximaal 50 u of 1/jaar vóór de winteropslag



- 1- Verwijder de dop aan de bovenzijde van de transmissie
- 2- Voeg 20 g lithiümsmeervet uit een tube toe
- 3- Plaats de dop terug
- 4- Laat de frezen gedurende 30 seconden draaien

EC declaration of conformity

I, the undersigned (13) (2) hereby declare that the machine described below conforms to the provisions of the Directives (7)
Description: Petrol engine motor hoe; Manufacturer (1); Model (4)
Type (5); Commercial name (6); Serial number (15)
Person authorised to constitute the technical file (3)
References to harmonised standards (8); Notified body (16)
Conformity procedure (2000/14/EC) (17)
Guaranteed acoustic power level (9)
Measured acoustic power level (10)
Signed in (11); Date (12); Signatory (13); Signature (14)
See serial No. (15) on last page

Déclaration CE de conformité

Je, soussigné (13) (2) déclare par la présente que la machine décrite ci-dessous est conforme aux dispositions des Directives (7)
Description : Motobineuse à moteur thermique ; Fabricant (1) ; Modèle (4)
Type (5) ; Nom commercial (6) ; Numéro de série (15)
Représentant autorisé à valider la documentation technique (3)
Références aux normes harmonisées (8) ; Organisme notifié (16)
Procédure de mise en conformité (2000/14/CE) (17)
Niveau de puissance acoustique garantie (9)
Niveau de puissance acoustique mesurée (10)
Fait à (11) ; Date (12) ; Signataire (13) ; Signature (14)
Voir n° de série (15) en dernière page

Dichiarazione di conformità CE

Io sottoscritto (13) (2) dichiaro con la presente che la macchina descritta qui sotto è conforme alle disposizioni delle Direttive (7).
Descrizione: Motozappa a motore termico; Produttore (1); Modello (4)
Tipo (5); Nome commerciale (6); Numero di serie (15)
Persona autorizzata a redigere il fascicolo tecnico (3)
Riferimenti alle norme armonizzate (8); Ente notificato (16)
Procedura di messa in conformità (2000/14/CE) (17)
Livello di potenza sonora garantita (9)
Livello di potenza sonora misurata (10)
Redatto a (11); Data (12); Firmatario (13); Firma (14)
Vedere n. di serie (15) all'ultima pagina

EG-Konformitätserklärung

Ich, der Unterzeichner (13) (2), erkläre hiermit, dass die nachstehend beschriebene Maschine den Anforderungen der Maschinenrichtlinien (7) entspricht.
Beschreibung: Motorhacke mit thermischem Motor; Hersteller (1); Modell(4); Typ (5); Handelsname (6); Seriennummer (15).
Für die Erstellung der technischen Unterlagen berechnete Person (3)
Bezeichnung auf die harmonisierten Normen (8); Benannte Stelle (16)
Konformitätsverfahren (2000/14/CE) (17)
Garantierter Schallleistungspegel (9).
Gemessener Schallleistungspegel (10).
Ausgestellt am (11), Datum (12), Unterzeichner (13), Unterschrift (14)
Siehe Seriennummer (15) auf der letzten Seite

Declaración CE de conformidad

Yo, el abajo firmante (13) (2), declaro por la presente que la máquina aquí descrita cumple con las disposiciones de la Directiva de Máquinas (7)
Descripción: Motoazada con motor térmico; Fabricante (1); Modelo (4)
Tipo (5); Nombre comercial (6); Número de serie (15)
Persona autorizada a constituir el expediente técnico (3)
Referencias a la normas armonizadas (8); Organismo notificado (16)
Procedimiento de cumplimiento (2000/14/CE) (17)
Nivel de potencia acústica garantizado (9).
Nivel de potencia acústica medida (10)
Hecho en (11); Fecha (12); Firmante (13); Firma (14)
El n° de serie (15) se encuentra en la última página.

EG-verklaring van overeenstemming

Ik ondergetekende (13) (2) verklaar hierbij dat de hieronder beschreven machine in overeenstemming is met de bepalingen van de richtlijnen (7).
Beschrijving: Motorhakkfrees met warmtemotor; fabrikant (1); model (4)
Type (5); handelsnaam (6); serienummer (15)
Persoon die bevoegd is om het technische dossier samen te stellen (3)
Verwijzingen naar de geharmoniseerde normen (8) ; aangemelde instantie (16)
Conformeringsprocedure (2000/14/EG) (17)
Gegarandeerd geluidsvermogensniveau (9)
Gemeten geluidsvermogensniveau (10)
Opgemaakt te (11); datum (12) ; ondertekenaar (13) ; handtekening (14)
Zie serienr. (15) op de laatste pagina

KEES VAN DER SPEK
TUINMACHINES * STOLWIJK

1. Husqvarna AB

2. Husqvarna AB
Drottninggatan
56182 HUSKVARNA - SWEDEN

3. Husqvarna AB
Drottninggatan
56182 HUSKVARNA - SWEDEN

4. 60-06

5. R100

6. TF120

7.
2006/42/CE : 17 mai 2006
2000/14/CE : 8 mai 2000
2014/30/CE : 26 février 2014

8.
NF EN 709+A4 : Janvier 2010
NF EN ISO 3744 : Février 2012
NF EN ISO 14982 : Mai 2009

9. 93 dB(A)

10. 92.05 dB(A)

11. HUSKVARNA - SWEDEN

12. 2018-01-03

13. Claes LOSDAL

14. 

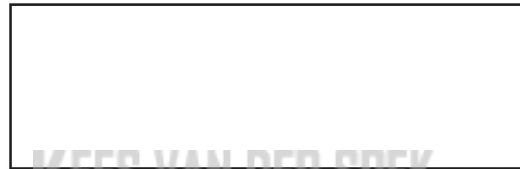
16. CETIM
52 avenue Félix Louat - BP 80067
60304 SENLIS CEDEX
FRANCE

17. Annexe VI

KEES VAN DER SPEK
TUINMACHINES ★ STOLWIJK

KEES VAN DER SPEK
TUINMACHINES ★ STOLWIJK

(15)



KEES VAN DER SPEK
TUINMACHINES ★ STOLWIJK