

HUSQVARNA - SPARE PARTS CATALOG
BRUSHCUTTERS/CLEARING SAWS: HUSQVARNA 535IRXT

KEES VAN DER SPEK
TUINMACHINES ★ STOLWIJK

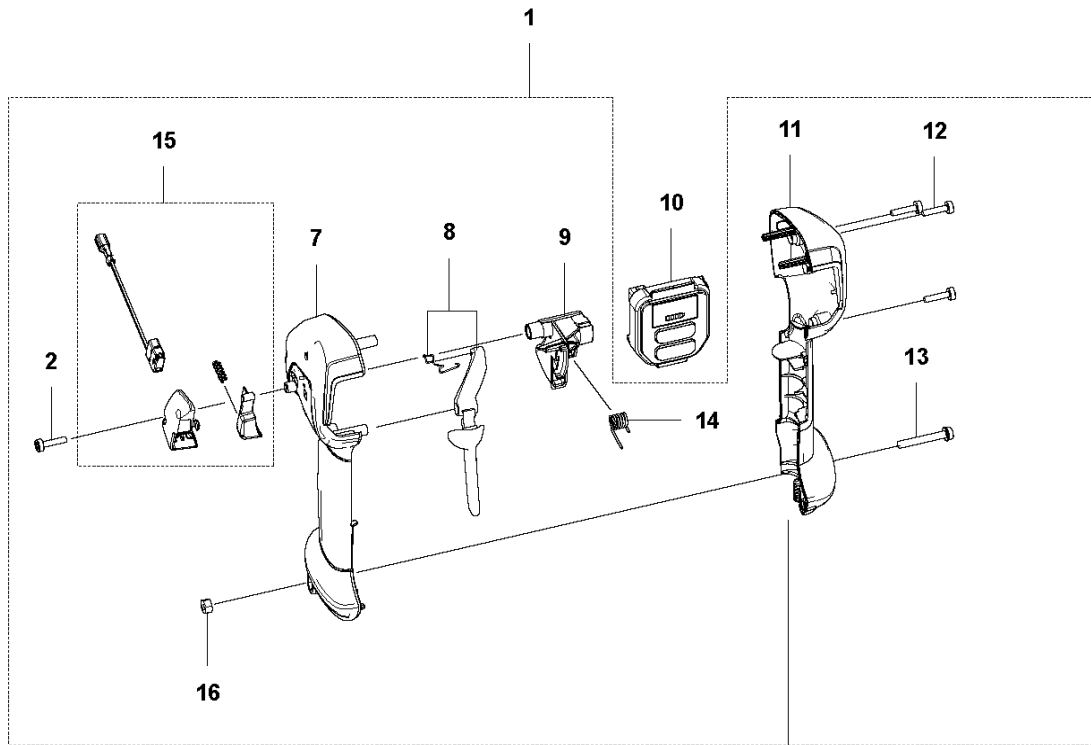
Sparepartslist

SPAREPARTSLIST

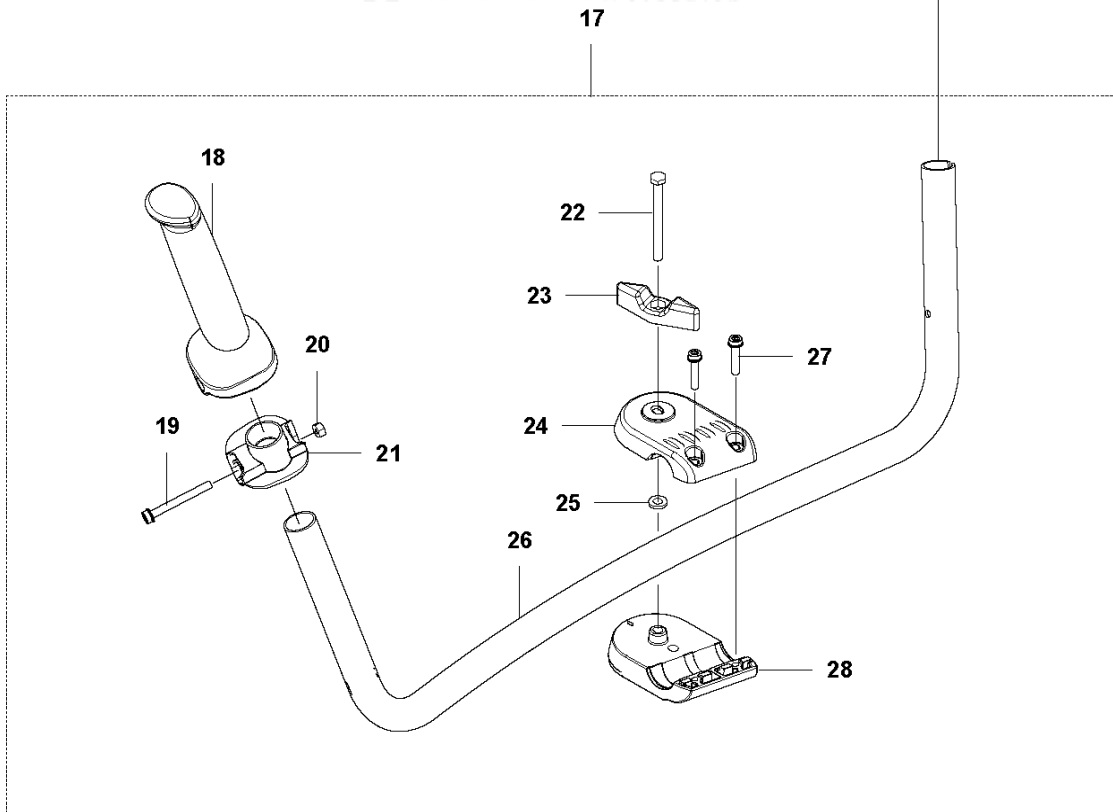
BRUSHCUTTERS/CLEARING SAWS

HUSQVARNA 535IRXT

D 535iRXT / 535iRX
HANDLE



KEES VAN DER SPEK
TUINMACHINES * STOLWIJK

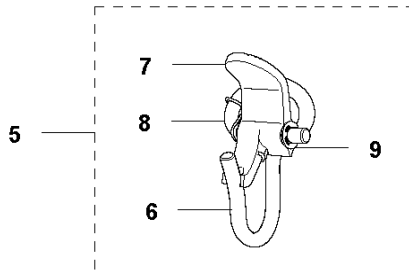
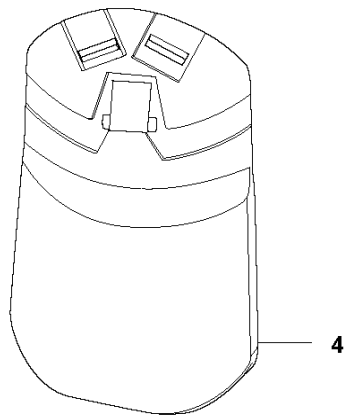
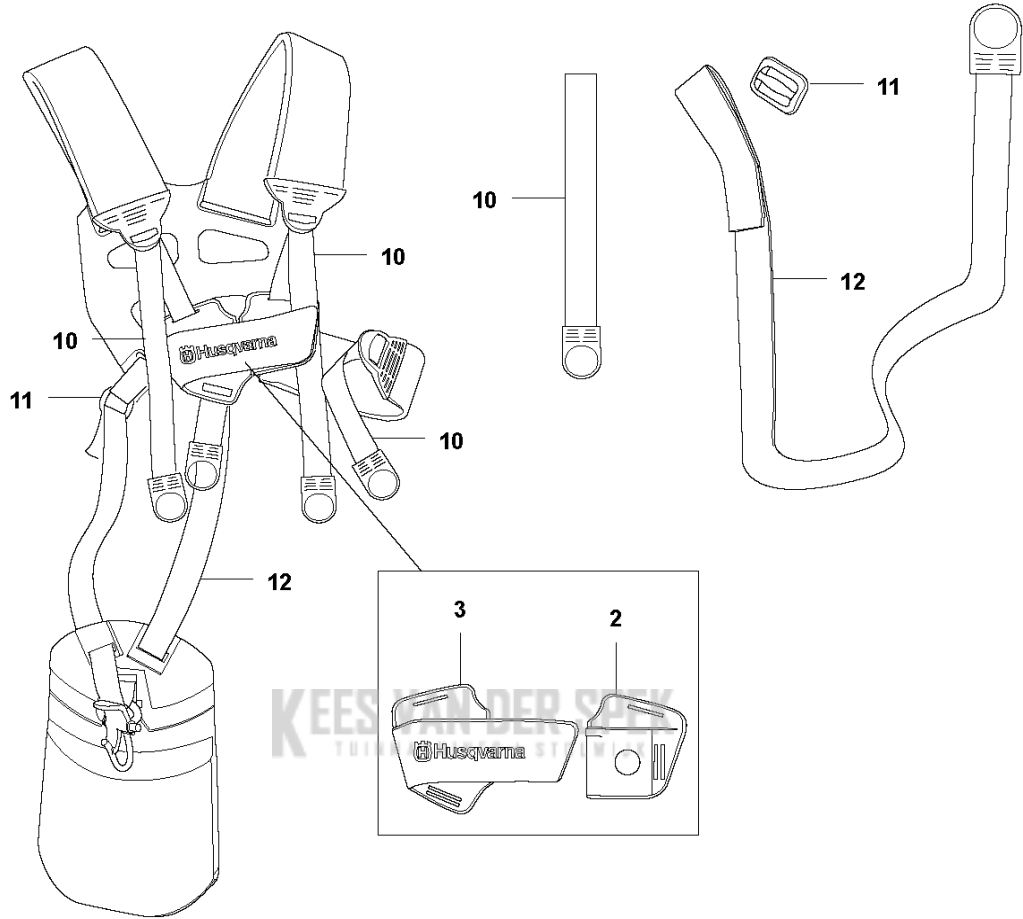


BRUSHCUTTERS/CLEARING SAWS

| PXM_REF | PXM_PARTNO | DESCRIPTION | PXM_REMARK | QTY | |
|---------|------------|-----------------------|---------------------------------------|-----|----|
| 1 | 596901601 | HENDEL | iRX | 1 | |
| 1 | 596914401 | HENDEL | iRXT | 1 | |
| 2 | 580292901 | SCREW ITXSCT | | 1 | 1 |
| 7 | 593165401 | HANDGREEPELFT | iRX | 1 | 1 |
| 7 | 593165402 | HANDGREEPELFT | iRXT | 1 | 1 |
| 8 | 598721501 | GASVERGREDELING | | 1 | 1 |
| 9 | 593044301 | THROTTLE CONTROL ASSY | | 1 | 1 |
| 10 | 593841201 | CONTROLE PANEEL | PNC 967 85 06-02&-03 w/o Bluetooth | 1 | |
| 10 | 593841101 | CONTROLE PANEEL | PNC 967 85 06-01 | 1 | |
| 11 | 593165501 | HANDGREEPELFT | | 1 | 1 |
| 12 | 580292901 | SCREW ITXSCT | | 3 | 1 |
| 13 | 525755109 | SCHROEF ITXSCFM | | 1 | 1 |
| 14 | 593838601 | VEER | | 1 | 1 |
| 15 | 593841302 | BUTTON ASSY | iRXT only | 1 | 1 |
| 16 | 503221012 | ZESKANT MOER | | 1 | 1 |
| 17 | 593624001 | STUUR COMPL. | | 1 | |
| 18 | 537172803 | HENDEL | | 1 | 17 |
| 19 | 525755106 | SCHROEF ITXSCFM | | 1 | 17 |
| 20 | 731231401 | ZESKANT MOER | | 1 | 17 |
| 21 | 537172902 | BEVESTIGING | | 1 | 17 |
| 22 | 725238381 | SCHROEF EHHM | | 1 | 17 |
| 23 | 502203801 | KNOP | | 1 | 17 |
| 24 | 582761203 | STUURHOUDER | | 1 | 17 |
| 25 | 502282101 | RING | | 1 | 17 |
| 26 | 593054301 | STUUR | | 1 | 17 |
| 27 | 525755202 | SCHROEF ITXSCFM | | 2 | 17 |
| 28 | 582762303 | STUURHOUDER | | 1 | 17 |

K 535iRXT / 535iRX
BALANCE 55 & 35 HARNESS

1

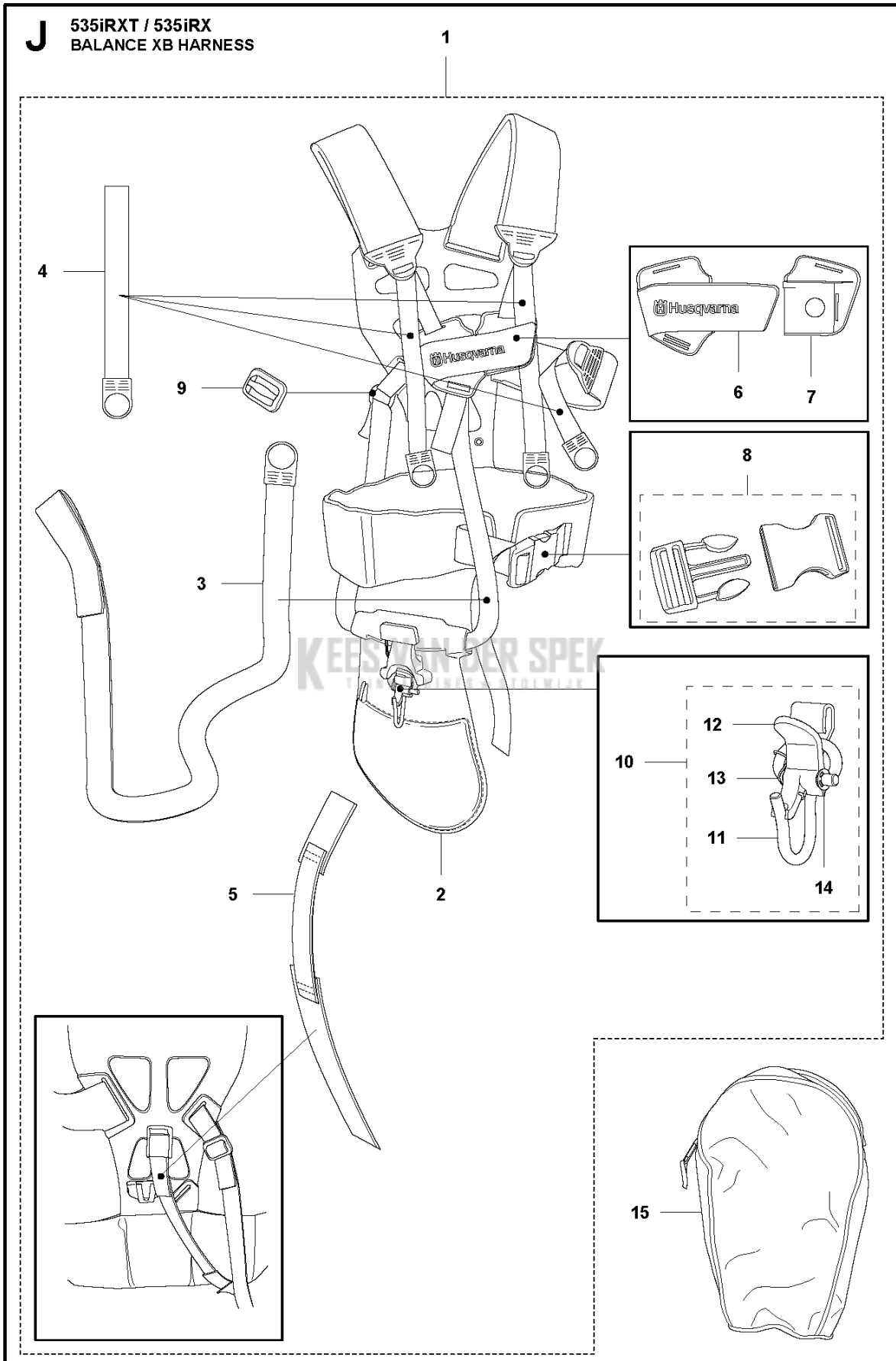


BRUSHCUTTERS/CLEARING SAWS

| PXM_REF | PXM_PARTNO | DESCRIPTION | PXM_REMARK | QTY |
|---------|------------|-------------|----------------------|-------|
| 1 | 537275701 | DRAAGSTEL | PNC 967 85 06-03 | 0 |
| 1 | 537275704 | DRAAGSTEL | PNC 967 85 06-02, US | 0 |
| 2 | 537288301 | GESP | | 0 1 |
| 3 | 537288401 | GESP | | 0 1 |
| 4 | 537275901 | HEUPKUSSEN | | 0 1 |
| 5 | 502022801 | HAAK | | 0 1 |
| 6 | 502022902 | HAAK | | 0 1.5 |
| 7 | 502023002 | SLOT | | 0 1.5 |
| 8 | 502023801 | VEER | | 0 1.5 |
| 9 | 735310920 | E-CLIP | | 0 1.5 |
| 10 | 503996101 | BAND | | 0 1 |
| 11 | 537287001 | GESP | | 0 1 |
| 12 | 503996103 | BAND | | 0 1 |

KEES VAN DER SPEK
TUINMACHINES ★ STOLWIJK

J 535iRXT / 535iRX
BALANCE XB HARNESS

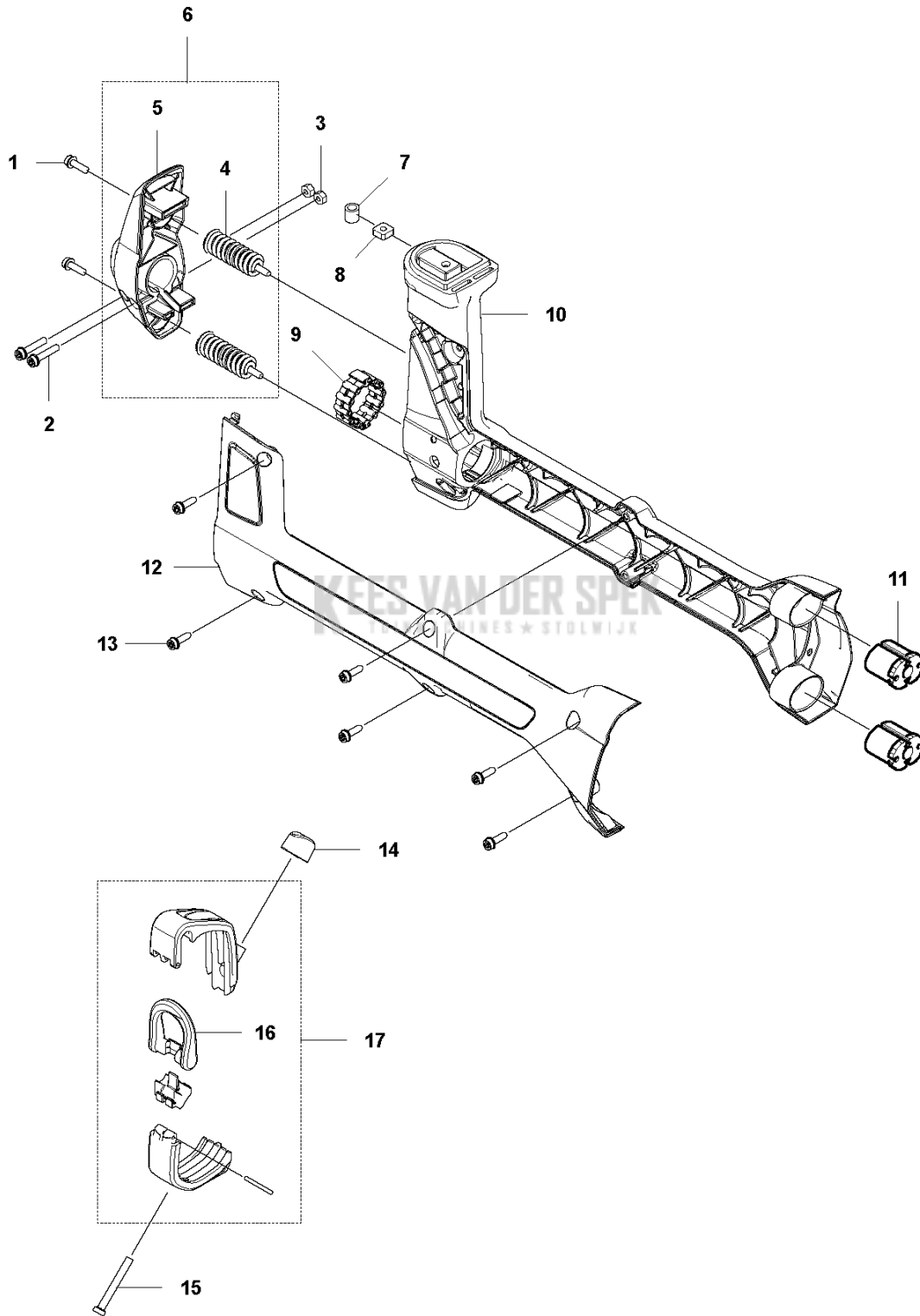


BRUSHCUTTERS/CLEARING SAWS

| PXM_REF | PXM_PARTNO | DESCRIPTION | PXM_REMARK | QTY | |
|---------|------------|-------------|----------------------|-----|------|
| 1 | 597469301 | DRAAGSTEL | | 1 | |
| 1 | 505406201 | DRAAGSTEL | US | 1 | |
| 2 | 544901701 | HEUPKUSSEN | | 1 | 1 |
| 3 | 503996103 | BAND | | 1 | 1 |
| 4 | 503996101 | BAND | | 3 | 1 |
| 5 | 537153501 | SPANBAND | | 1 | 1 |
| 6 | 537288401 | GESP | | 1 | 1 |
| 7 | 537288301 | GESP | | 1 | 1 |
| 8 | 537331501 | GESP | | 1 | 1 |
| 9 | 537287001 | GESP | | 1 | 1 |
| 10 | 544960702 | OPHANGHAAK | | 1 | 1 |
| 11 | 502022902 | HAAK | | 1 | 1,10 |
| 12 | 502023002 | SLOT | | 1 | 1,10 |
| 13 | 586341001 | VEER | | 1 | 1,10 |
| 14 | 735310920 | E-CLIP | | 1 | 1,10 |
| 15 | 537306601 | TAS | Triobalance Tool bag | 1 | |

KEES VAN DER SPEK
TUINMACHINES ★ STOLWIJK

C 535iRXT / 535iRX
SUSPENSION

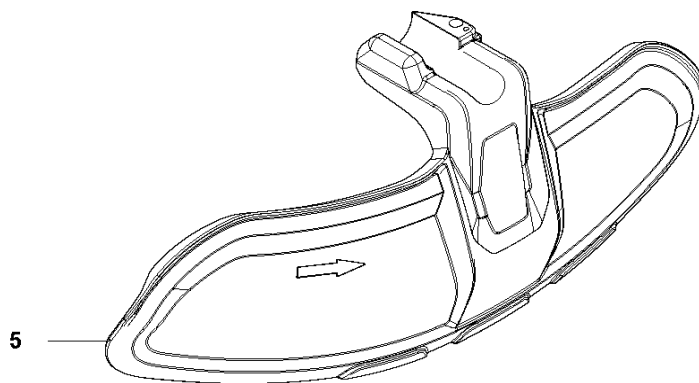
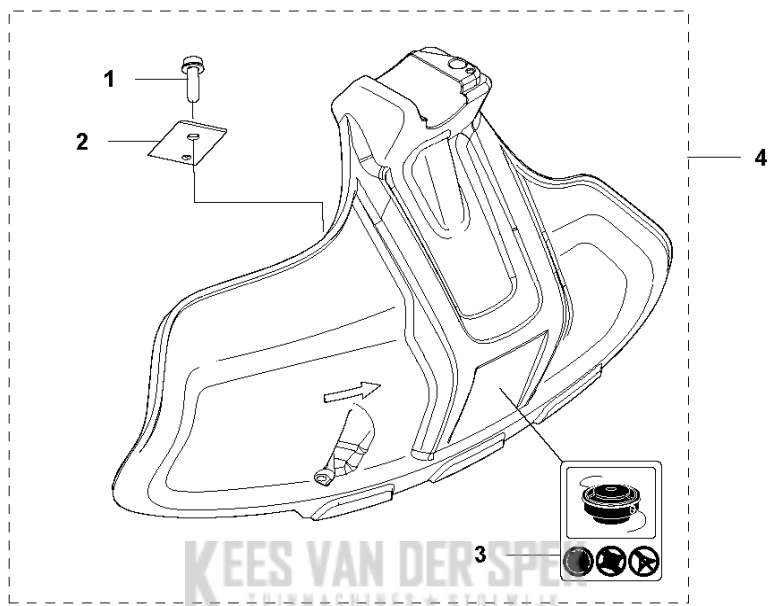


BRUSHCUTTERS/CLEARING SAWS

| PXM_REF | PXM_PARTNO | DESCRIPTION | PXM_REMARK | QTY | |
|---------|------------|---------------------|------------|-----|----|
| 1 | 525755101 | SCHROEF ITXSCFM | | 2 | |
| 2 | 525755104 | SCHROEF ITXSCFM | | 2 | |
| 3 | 503221012 | ZESKANT MOER | | 2 | |
| 4 | 588829901 | AV ELEMENT | | 2 | 6 |
| 5 | 591373501 | HOUDER | | 1 | 6 |
| 6 | 596902101 | HOLDER KIT | | 1 | |
| 7 | 503857301 | DEKSEL | | 1 | |
| 8 | 502197101 | MOER 4-KANT | | 1 | |
| 9 | 591365901 | BEGRENZINGS LIMITER | | 1 | |
| 10 | 591190801 | OPHANGING | | 1 | |
| 11 | 510208701 | AV ELEMENT | | 2 | |
| 12 | 591359601 | SLUTBESCHERMING | | 1 | |
| 13 | 573925801 | SCREW ITXSCFT | | 6 | |
| 14 | 537130402 | KNOP | | 1 | |
| 15 | 725234051 | SCHROEF EHIHM | | 1 | |
| 16 | 537350101 | LUS | | 1 | 17 |
| 17 | 591457801 | LUS | | 1 | |

KEES VAN DER SPEK
TUINMACHINES ★ STOLWIJK

H 535iRXT / 535iRX
ACCESSORIES

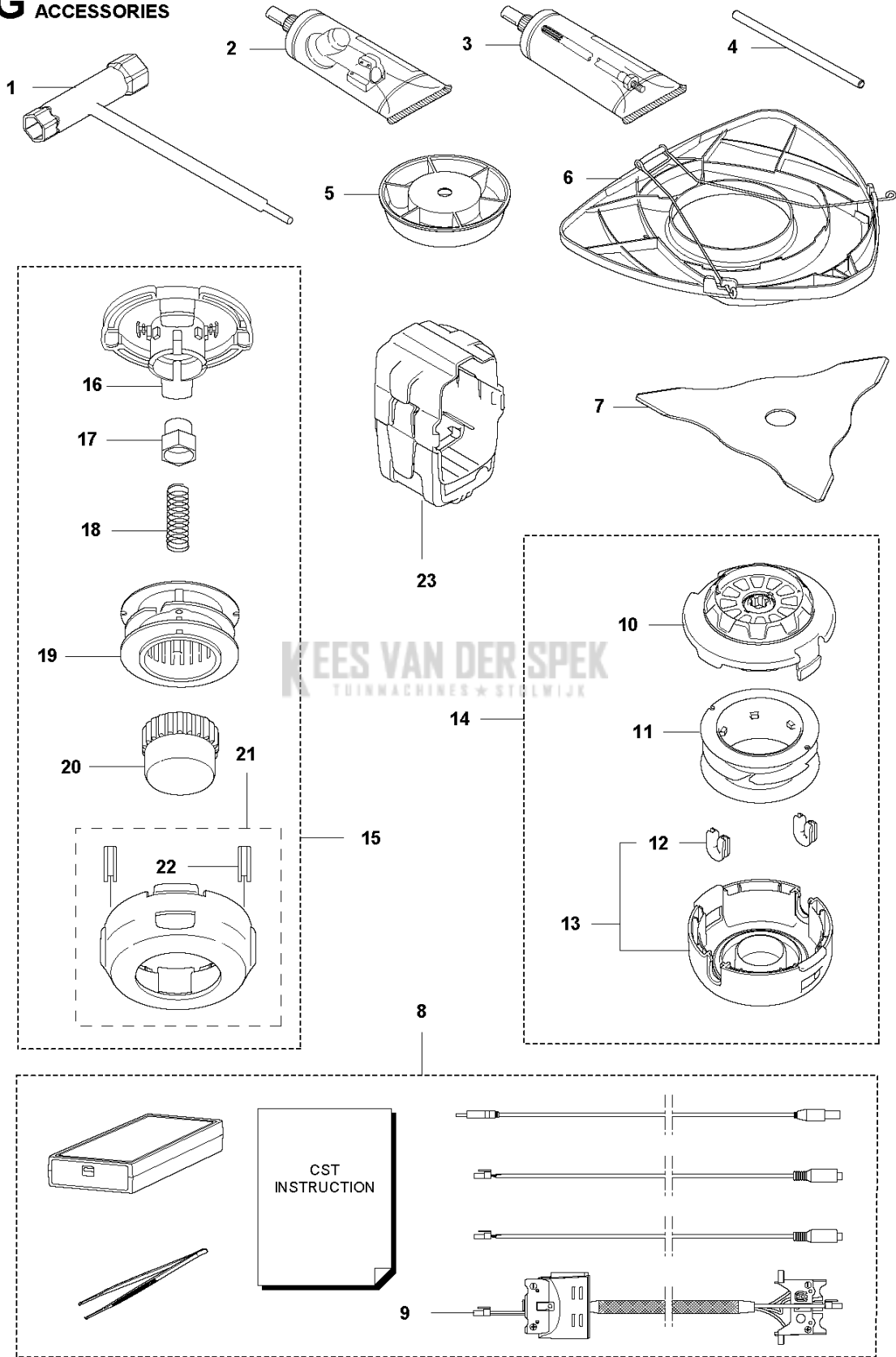


BRUSHCUTTERS/CLEARING SAWS

| PXM_REF | PXM_PARTNO | DESCRIPTION | PXM_REMARK | QTY | |
|---------|------------|---------------------|------------|-----|---|
| 1 | 576275601 | SCREW ITXSCFT | | 1 | 4 |
| 2 | 503798801 | MES | | 1 | 4 |
| 3 | 503742901 | STICKER | | 1 | 4 |
| 4 | 590880101 | TRIMMER BESCHERMER | | 1 | |
| 5 | 590880001 | ZAAGBLADBESCHERMING | | 1 | |

KEES VAN DER SPEK
TUINMACHINES ★ STOLWIJK

G 535iRXT / 535iRX
ACCESSORIES

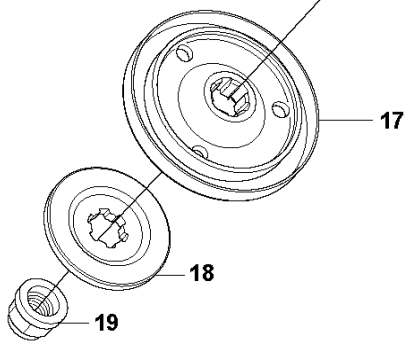
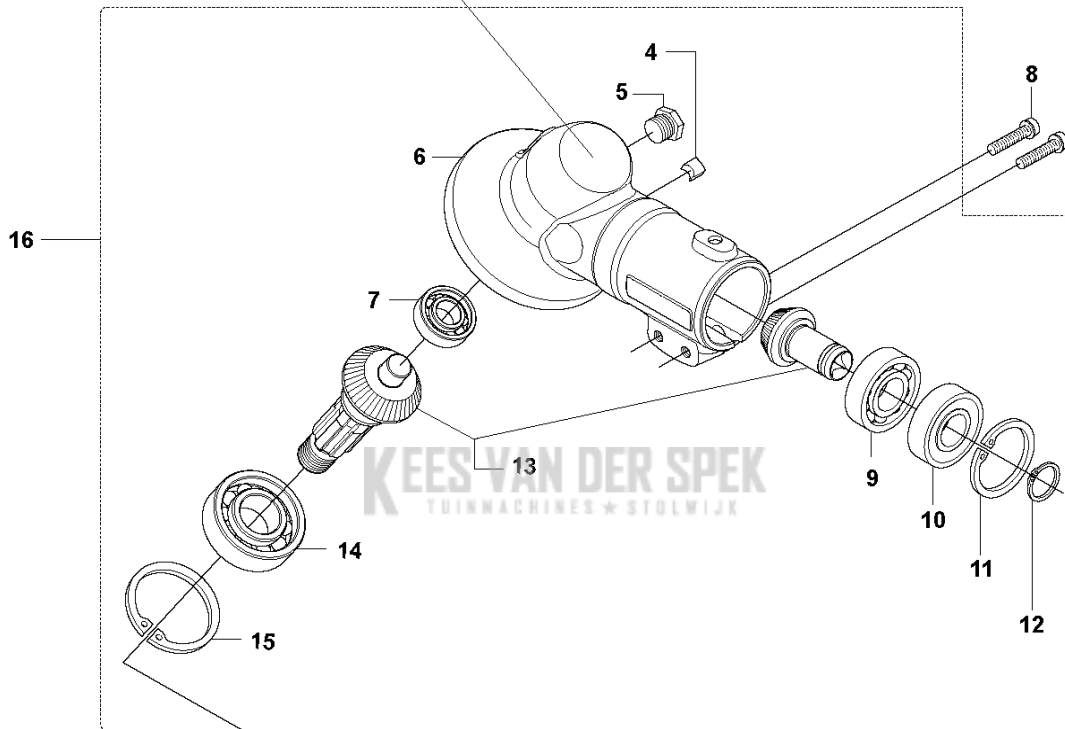
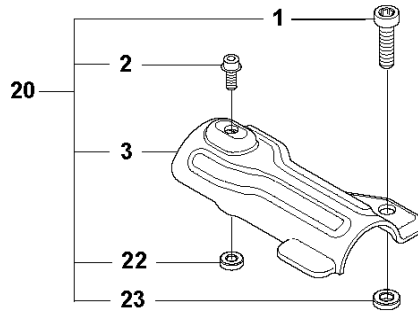


BRUSHCUTTERS/CLEARING SAWS

| PXM_REF | PXM_PARTNO | DESCRIPTION | PXM_REMARK | QTY |
|---------|------------|----------------------|-------------|------|
| 1 | 575738202 | COMBINATIESLEUTEL | | 1 |
| 2 | 503976401 | VET | | 1 |
| 3 | 503801701 | VET | | 1 |
| 4 | 502285901 | STOP | | 1 |
| 5 | 503890102 | DRAAISCHOTEL | | 1 |
| 6 | 544359101 | TRANSPORTBESCHERMING | | 1 |
| 7 | 537149404 | MAAIBLAD | "300 3T 1"" | 1 |
| 8 | 583897101 | DIAGNOSTIC TOOL KIT | | 1 |
| 9 | 579621301 | BEKABELING COMPL. | | 1 8 |
| 10 | 592758801 | HUIS COMPL. | | 1 14 |
| 11 | 592759601 | SPOEL | | 1 14 |
| 12 | 595015101 | OPHANGRING | | 2 14 |
| 13 | 592759701 | COVER ASSY | | 1 14 |
| 14 | 594727001 | TRIMMERKOP | E35B iRXT | 1 |
| 15 | 578446401 | TRIMMERKOP | T35 | 1 |
| 16 | 537185501 | HUIS | | 1 15 |
| 17 | 537186102 | ADAPTER | | 1 15 |
| 18 | 537186001 | VEER | | 1 15 |
| 19 | 537185701 | HASPEL | | 1 15 |
| 20 | 537185801 | KNOP | | 1 15 |
| 21 | 544044402 | DEKSEL | | 1 15 |
| 22 | 501330401 | DOORVOER | | 2 15 |

KEES VAN DER SPEK
TUINMACHINES ★ STOLWIJK

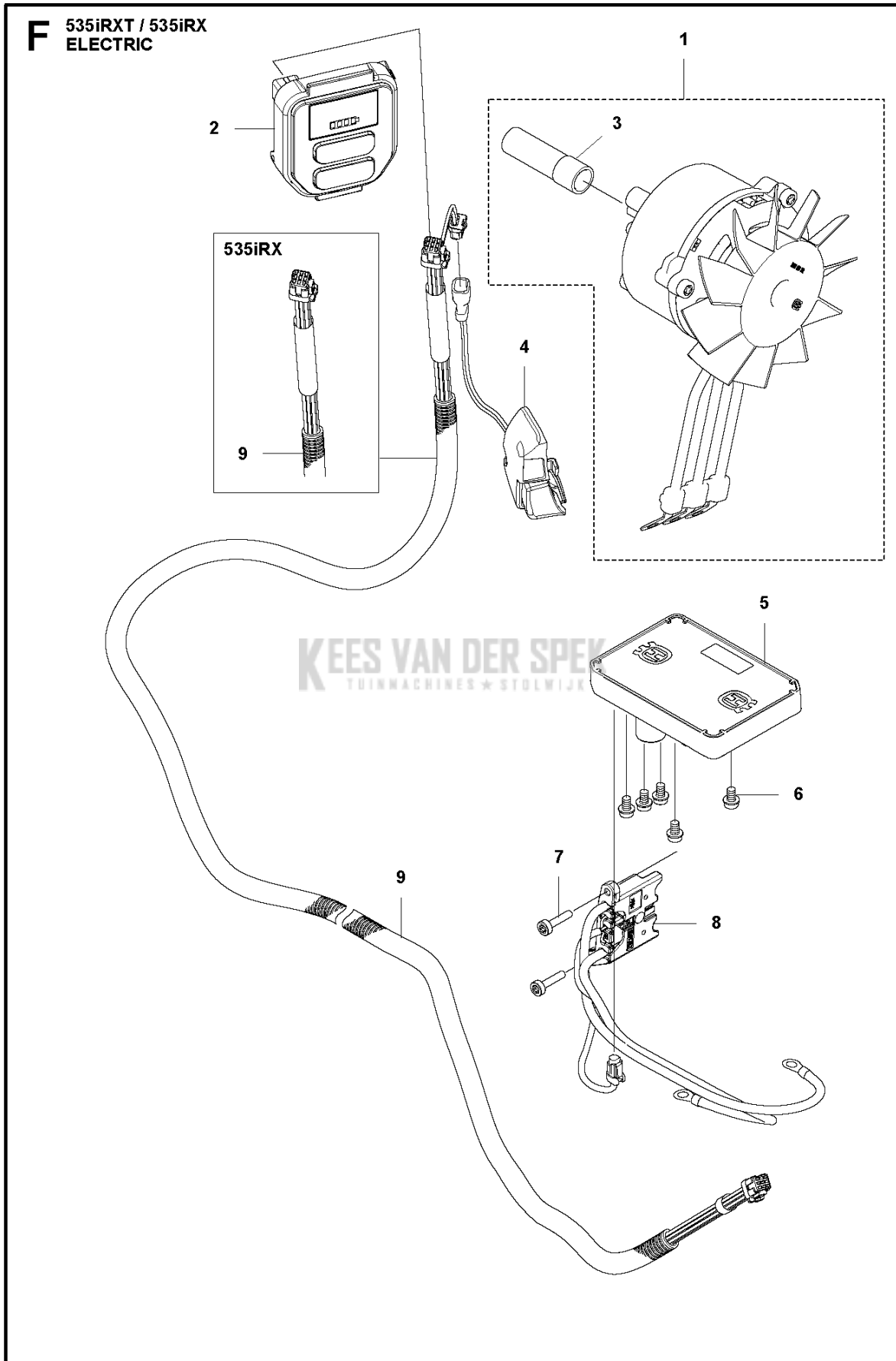
A 535iRXT / 535iRX
BEVEL GEAR



KEES VAN DER SPEK
TUINMACHINES * STOLWIJK

BRUSHCUTTERS/CLEARING SAWS

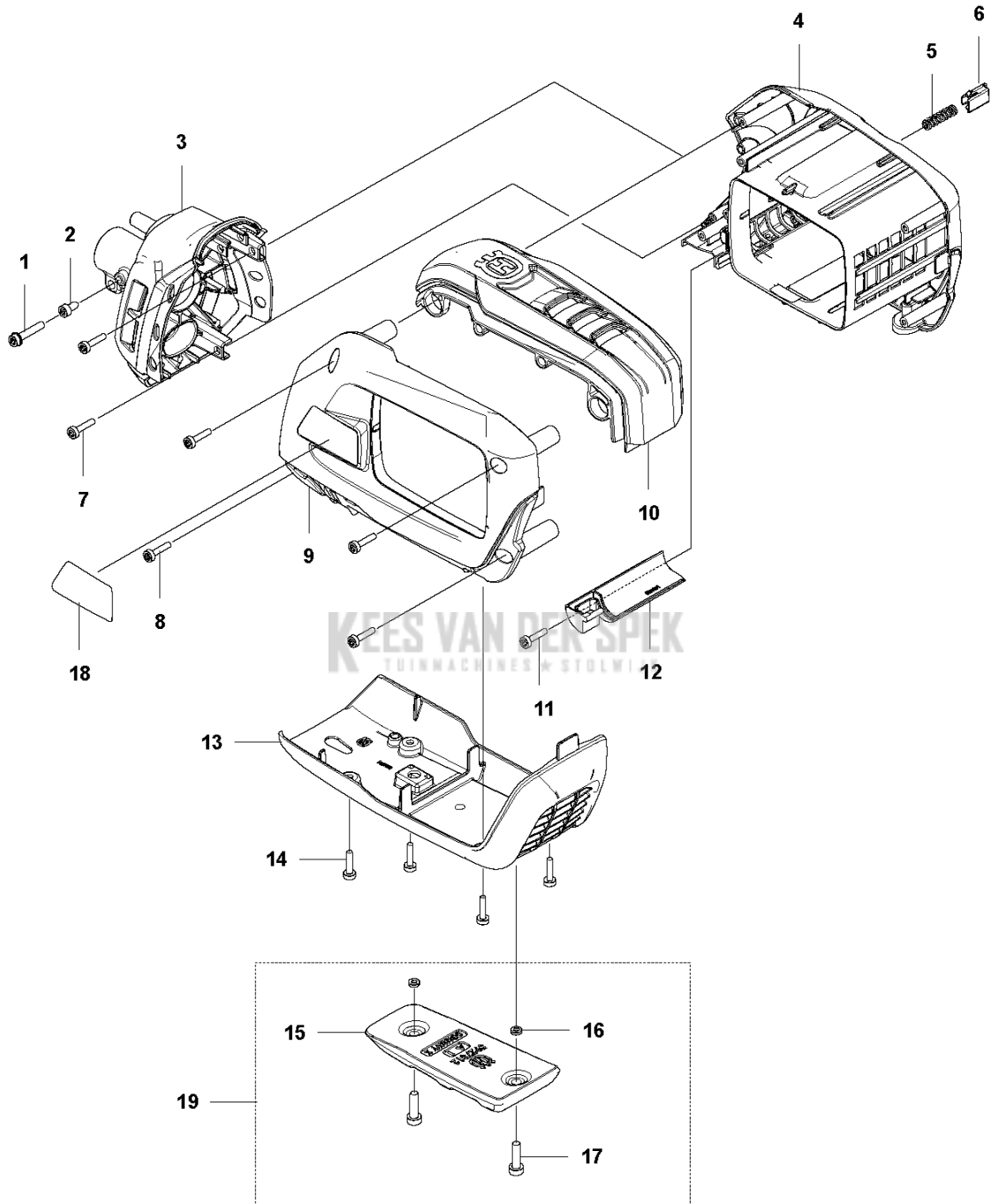
| PXM_REF | PXM_PARTNO | DESCRIPTION | PXM_REMARK | QTY |
|---------|------------|---------------------|------------|------|
| 1 | 544218422 | SCHROEF ITXSCM | | 1 20 |
| 2 | 525755111 | SCHROEF ITXSCFM | | 1 20 |
| 3 | 544087601 | KLEM | | 1 20 |
| 4 | 537147401 | MAGNEET | | 1 16 |
| 5 | 503201501 | SCREW | | 1 16 |
| 6 | 537295902 | VERSNELINGSBAK HUIS | | 1 16 |
| 7 | 738219900 | KOGELLAGER | | 1 16 |
| 8 | 525755104 | SCHROEF ITXSCFM | | 2 |
| 9 | 738210110 | KOGELLAGER | | 1 16 |
| 10 | 738210112 | KOGELLAGER | | 1 16 |
| 11 | 735312810 | BORGCLIP | | 1 16 |
| 12 | 735311400 | BORGCLIP | | 1 16 |
| 13 | 505133301 | SPARE PARTS KIT | | 1 16 |
| 14 | 503252801 | KOGELLAGER | | 1 16 |
| 15 | 735313110 | BORGCLIP | | 1 16 |
| 16 | 537295803 | TANDWIELKOP | | 1 16 |
| 17 | 537351402 | MEENEMER | "(1")" | 1 |
| 18 | 537343502 | FLENSSTEUN | | 1 |
| 19 | 502291101 | MOER ZAAGBLAD | | 1 |
| 20 | 574306804 | KLEM | | 1 |
| 21 | 544843301 | PLAATJE | | 1 |
| 22 | 574039501 | LOCK NUT | | 1 20 |
| 23 | 574404401 | LOCK NUT | | 1 20 |



BRUSHCUTTERS/CLEARING SAWS

| PXM_REF | PXM_PARTNO | DESCRIPTION | PXM_REMARK | QTY |
|---------|------------|--------------------|------------------|-----|
| 1 | 597117501 | MOTOR COMPL. | | 1 |
| 2 | 593841101 | CONTROLE PANEEL | PNC 967 85 06-01 | 1 |
| 3 | 591355901 | ADAPTER | | 1 1 |
| 4 | 593841302 | BUTTON ASSY | iRXT | 1 |
| 5 | 597669501 | BESTURINGSSEENHEID | | 1 |
| 6 | 525755107 | SCHROEF ITXSCFM | | 5 |
| 7 | 580292901 | SCREW ITXSCT | | 2 |
| 8 | 593083901 | BEKABELING COMPL. | | 1 |
| 9 | 593589901 | BEKABELING COMPL. | iRXT | 1 |
| 9 | 597437201 | BEKABELING COMPL. | iRX | 1 |

E 535iRXT / 535iRX
HOUSING

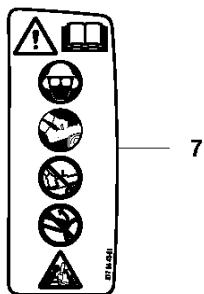
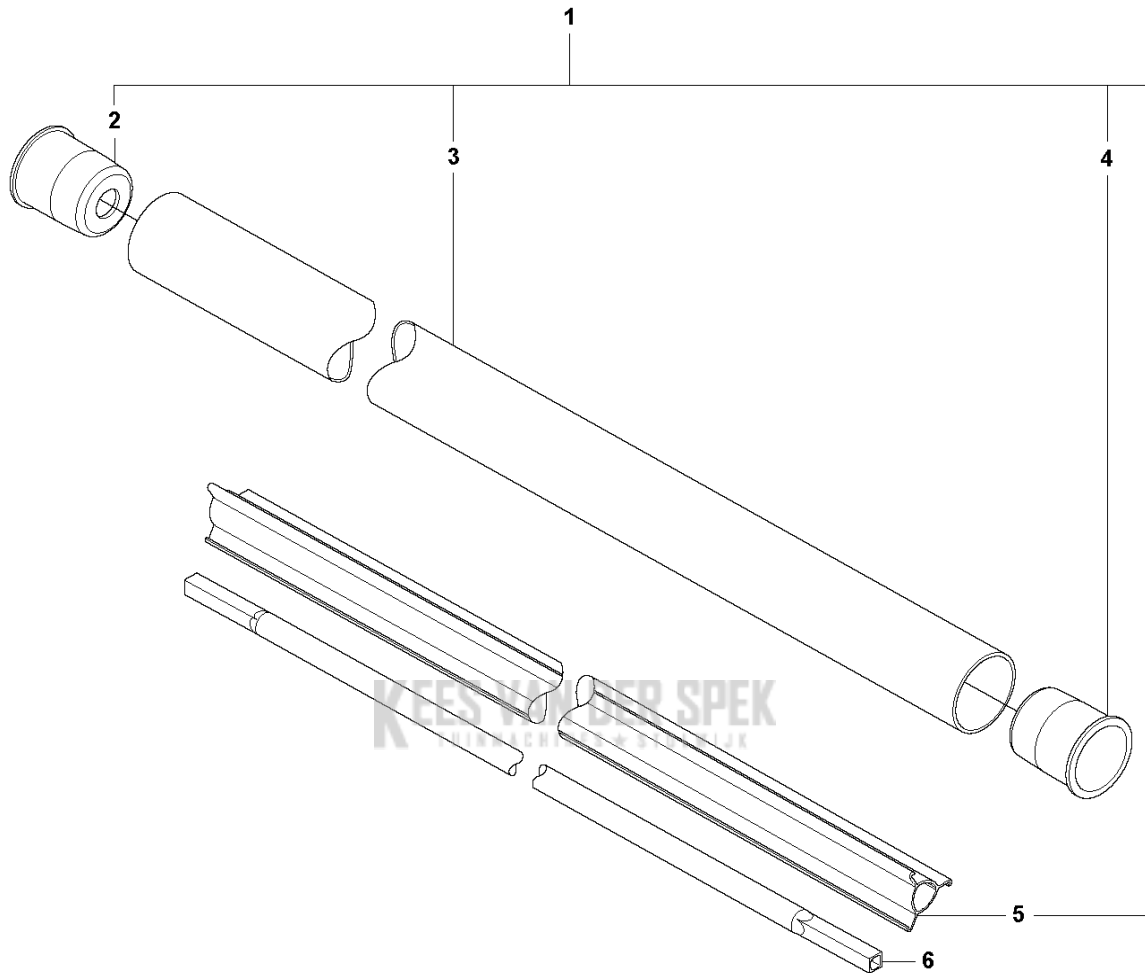


BRUSHCUTTERS/CLEARING SAWS

| PXM_REF | PXM_PARTNO | DESCRIPTION | PXM_REMARK | QTY |
|---------|------------|-----------------|---------------------------------------|------|
| 1 | 525755104 | SCHROEF ITXSCFM | | 1 |
| 2 | 525764605 | SCREW ITXSCT | | 1 |
| 3 | 590780901 | MOTORKAP | | 1 |
| 4 | 590772501 | DEKSEL | | 1 |
| 5 | 585480001 | VEER | | 1 |
| 6 | 577996601 | DRUKKNOP | | 1 |
| 7 | 580292901 | SCREW ITXSCT | | 2 |
| 8 | 580292901 | SCREW ITXSCT | | 4 |
| 9 | 590772401 | DEKSEL | | 1 |
| 10 | 590770601 | DEKSEL | | 1 |
| 11 | 580292901 | SCREW ITXSCT | | 1 |
| 12 | 593108901 | LUCHTLEIDING | | 1 |
| 13 | 590771101 | GLIJ PLAAT | | 1 |
| 14 | 580292901 | SCREW ITXSCT | | 4 |
| 15 | 592731201 | GEWICHT | | 1 19 |
| 16 | 574404401 | LOCK NUT | | 2 19 |
| 17 | 544218420 | SCHROEF ITXSCM | | 2 19 |
| 18 | 593349801 | STICKER | PNC 967 85 06-01 | 1 |
| 18 | 593349803 | STICKER | PNC 967 85 06-02&-03 w/o Bluetooth | 1 |
| 19 | 593349101 | GEWICHT | | 1 |

KEES VAN DER SPEK
TUINMACHINES ★ STOLWIJK

B 535iRXT / 535iRX
SHAFT



BRUSHCUTTERS/CLEARING SAWS

| PXM_REF | PXM_PARTNO | DESCRIPTION | PXM_REMARK | QTY |
|---------|------------|-------------|------------|-----|
| 1 | 501919703 | TUBE ASSY | | 1 |
| 2 | 537360201 | AFSTANDRING | | 1 1 |
| 4 | 537360201 | AFSTANDRING | | 1 1 |
| 6 | 537355203 | AANDRIJFAS | | 1 |
| 7 | 577844301 | STICKER | | 1 |

KEES VAN DER SPEK
TUINMACHINES ★ STOLWIJK