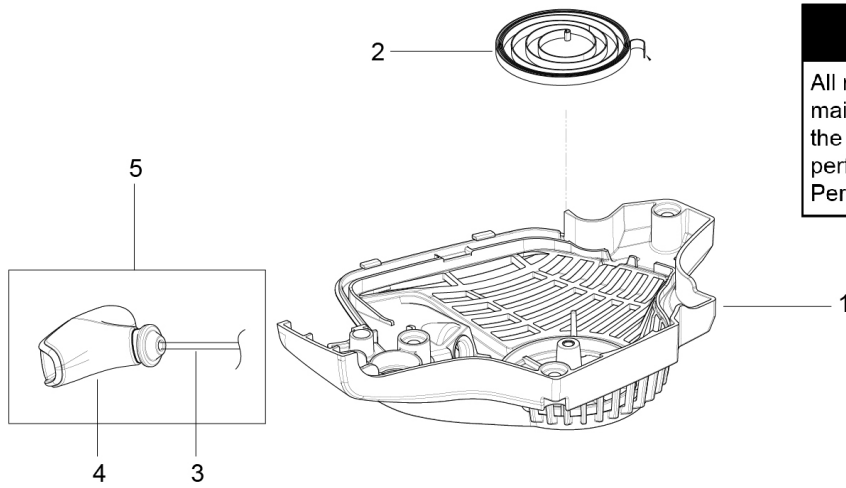
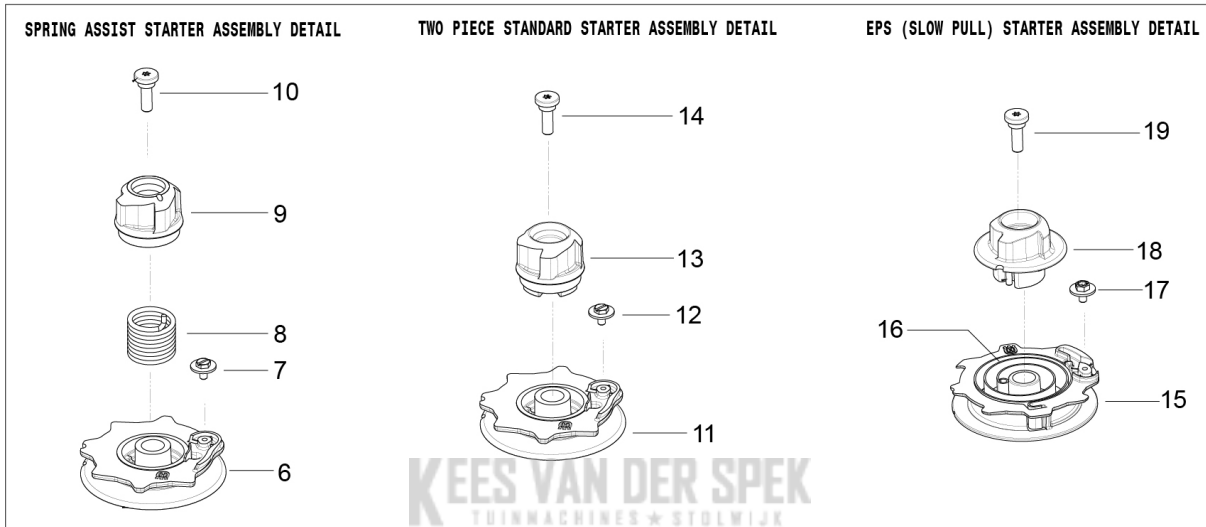


# SPARE PARTS LIST

## CHAIN SAWS

CS42STE, 967320801, 967320802,  
2018-11

**NOTE:** The product will be equipped with one of the starter assembly types shown. Select the correct part(s) for your particular product.

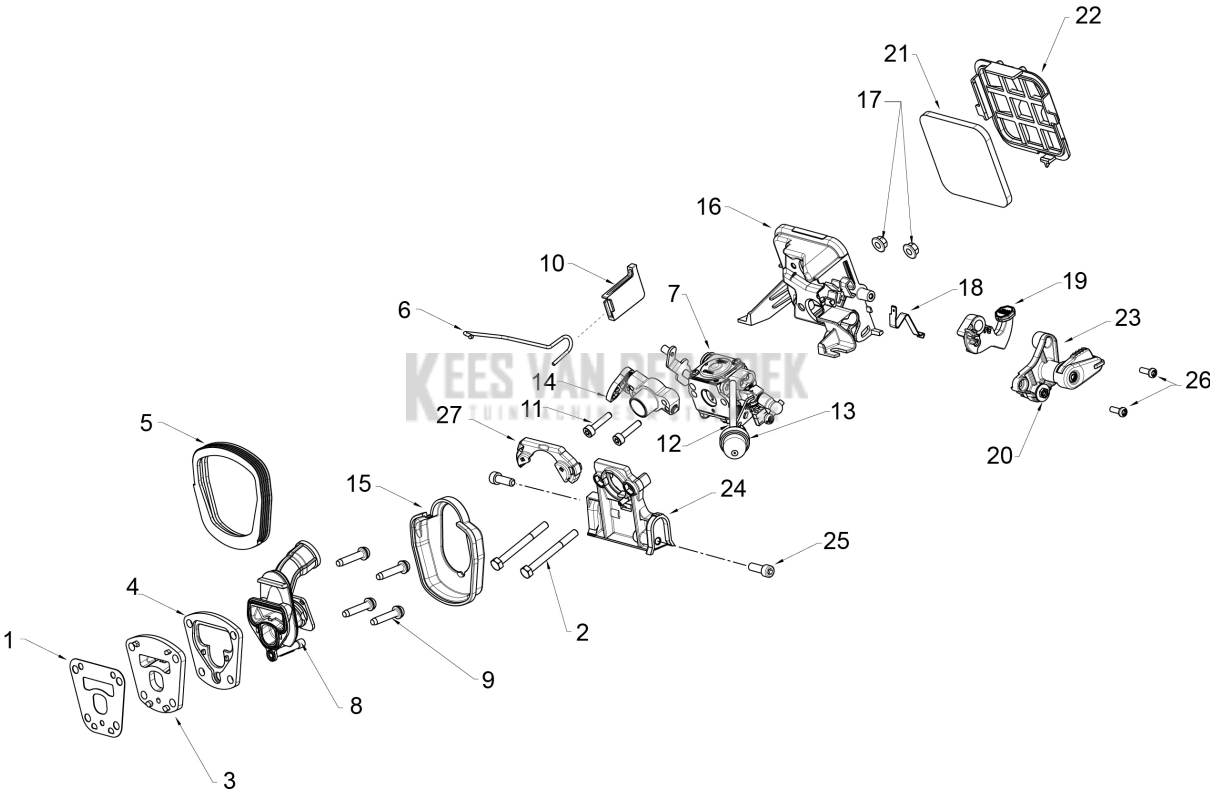


**⚠ WARNING**  
All repairs, adjustments and maintenance not described in the Operator's Manual must be performed by Qualified Service Personnel.

## STARTER

CS42STE, 967320801, 967320802, 2018-11

Ref	Part No	Description	Remark	QTY	KIT
1	585 94 52-02	FAN HOUSING	FAN HOUSING (POULAN)	1	
1	585 94 52-01	FAN HOUSING	FAN HOUSING (POULAN PRO)	1	
1	586 86 72-01	FAN HOUSING	FAN HOUSING (MCCULLOCH)	1	
2	576 65 78-01	SPRING	STARTER SPRING	1	
3	530 02 11-61	ROPE	STARTER ROPE	1	
4	545 00 61-08	HANDLE	STARTER HANDLE	1	
5	545 01 00-09	HANDLE	HANDLE AND ROPE ASSY	1	3.4
6	580 97 36-01	STARTER PULLEY	PULLEY (SPRING-ASSIST STARTER)	1	
7	530 01 60-80	SCREW	PLASTITE SCREW	1	
8	530 02 11-80	SPRING	TORSION SPRING (SPRING ASSIST STARTER)	1	
9	530 05 96-77	SLEEVE	HUB (SPRING ASSIST STARTER)	1	
10	530 02 11-79	SCREW	SHOULDER SCREW	1	
11	580 97 36-01	STARTER PULLEY	PULLEY (TWO-PIECE STARTER)	1	
12	530 01 60-80	SCREW	PLASTITE SCREW	1	
13	581 59 47-01	HUB	HUB (TWO-PIECE STARTER)	1	
14	530 02 11-79	SCREW	SHOULDER SCREW	1	
15	584 40 01-03	PULLEY, SLOW-PULL STARTER	PULLEY (SLOW-PULL STARTER)	1	
16	586 10 71-01	SPRING	POWER SPRING (SLOW-PULL STARTER)	1	
17	530 01 60-80	SCREW	PLASTITE SCREW	1	
18	586 10 97-01	HUB	HUB (SLOW-PULL STARTER)	1	
19	530 02 11-79	SCREW	SHOULDER SCREW	1	
-	594 09 04-01	SERVICE KIT	SLOW-PULL STARTER PULLEY ASSY	1	2.15.16. 17.18.19



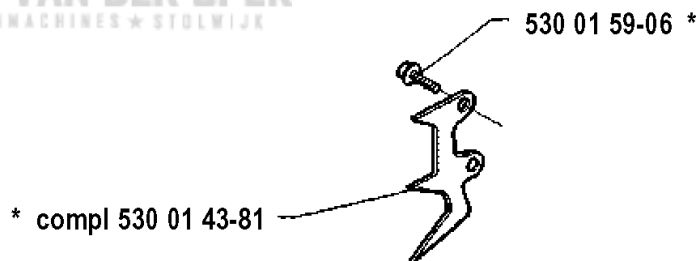
## CARBURETOR

CS42STE, 967320801, 967320802, 2018-11

Ref	Part No	Description	Remark	QTY KIT
1	585 30 91-01	GASKET	CYLINDER GASKET	1
2	587 36 04-01	SCREW	SCREW M5 0.8 X 50MM HEX	2
3	587 00 73-01	PLATE	ADAPTOR PLATE	1
4	587 01 22-01	PLATE	ALUMINUM ADAPTOR PLATE	1
5	585 31 74-01	SEAL	CARBURETOR ADAPTER SEAL	1
6	585 43 62-01	THROTTLE WIRE ASSY	THROTTLE WIRE ASSY	1
7	590 80 08-01	CARBURETTOR	RUIXING FE CARBURETOR ASSEMBLY	1
8	587 12 04-01	BOOT	RUBBER BOOT	1
9	587 12 74-01	SCREW	SCREW M5-0.8 X 23.5MM TT	4
10	585 43 61-01	CAP	THROTTLE WIRE CAP	1
11	545 00 35-11	SCREW	SCREW M4 X 1.41 X 20MM	2
12	580 72 71-02	FUEL HOSE	FUEL LINE KIT	1
13	587 02 24-02	PURGE BULB	RUIXING PURGE BULB	1
14	586 39 35-01	VALVE	RUIXING AIR VALVE ASSY	1
15	586 47 10-01	SHIELD	HEAT SHIELD	1
16	585 31 54-01	HOUSING	AIR FILTER HSG	1
17	530 01 61-01	NUT	NUT	1
18	530 05 79-08	SPRING	IGNITION SWITCH SPRING	1
19	585 47 15-01	LEVER	FE IGNITION SWITCH LEVER	1
20	530 01 60-80	SCREW	SCREW	1
21	585 31 57-01	FILTER	FILTER ELEMENT	1
22	586 50 19-01	COVER	FILTER COVER	1
23	585 49 14-01	KNOB	CHOKE KNOB ASSY	1
24	586 47 05-01	PLATE	CARBURETOR PLATE	1
25	530 01 62-69	SCREW	SCREW	1
26	545 22 71-01	SCREW	SCREW	1
27	595 95 29-01	BRACKET	CLIP LOCK BRACKET	1
-	596 78 66-04	SERVICE KIT	GASKETS AND SEALS SERVICE KIT	1
-	596 78 66-03	SERVICE KIT	CARBURETOR SERVICE KIT	1

**N** Accessories  
Zubehöre  
Accessoires  
Acessorios  
Tillbehör

**KES VAN DER SPEK**  
TUINMACHINES \* STOLWIJK

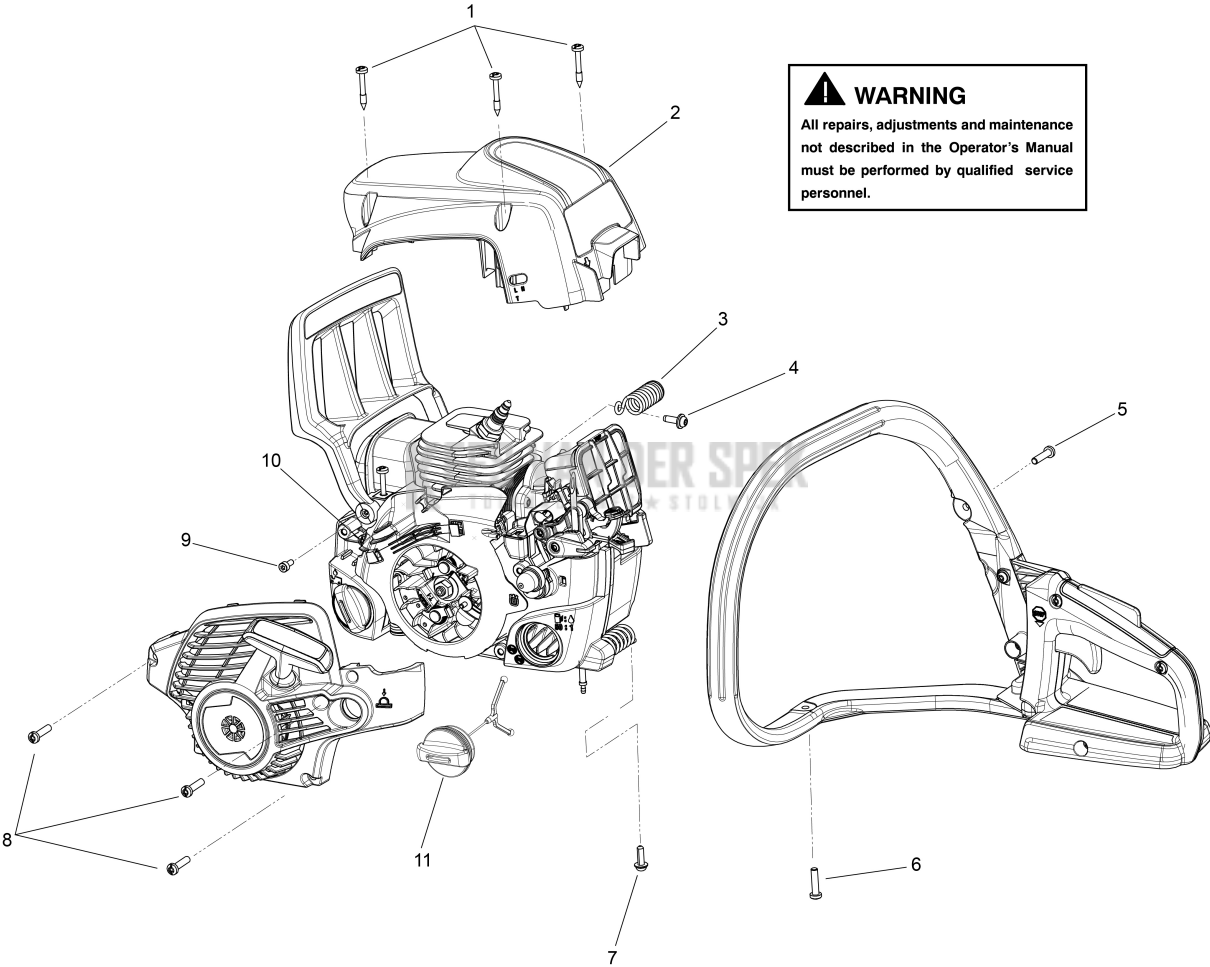


## ACCESSORIES

CS42STE, 967320801, 967320802, 2018-11

Part No	Description	Remark	QTY KIT
530 01 43-81	FELLING DOG		1
530 01 59-06	SCREW		1

**KEES VAN DER SPEK**  
TUINMACHINES ★ STOLWIJK

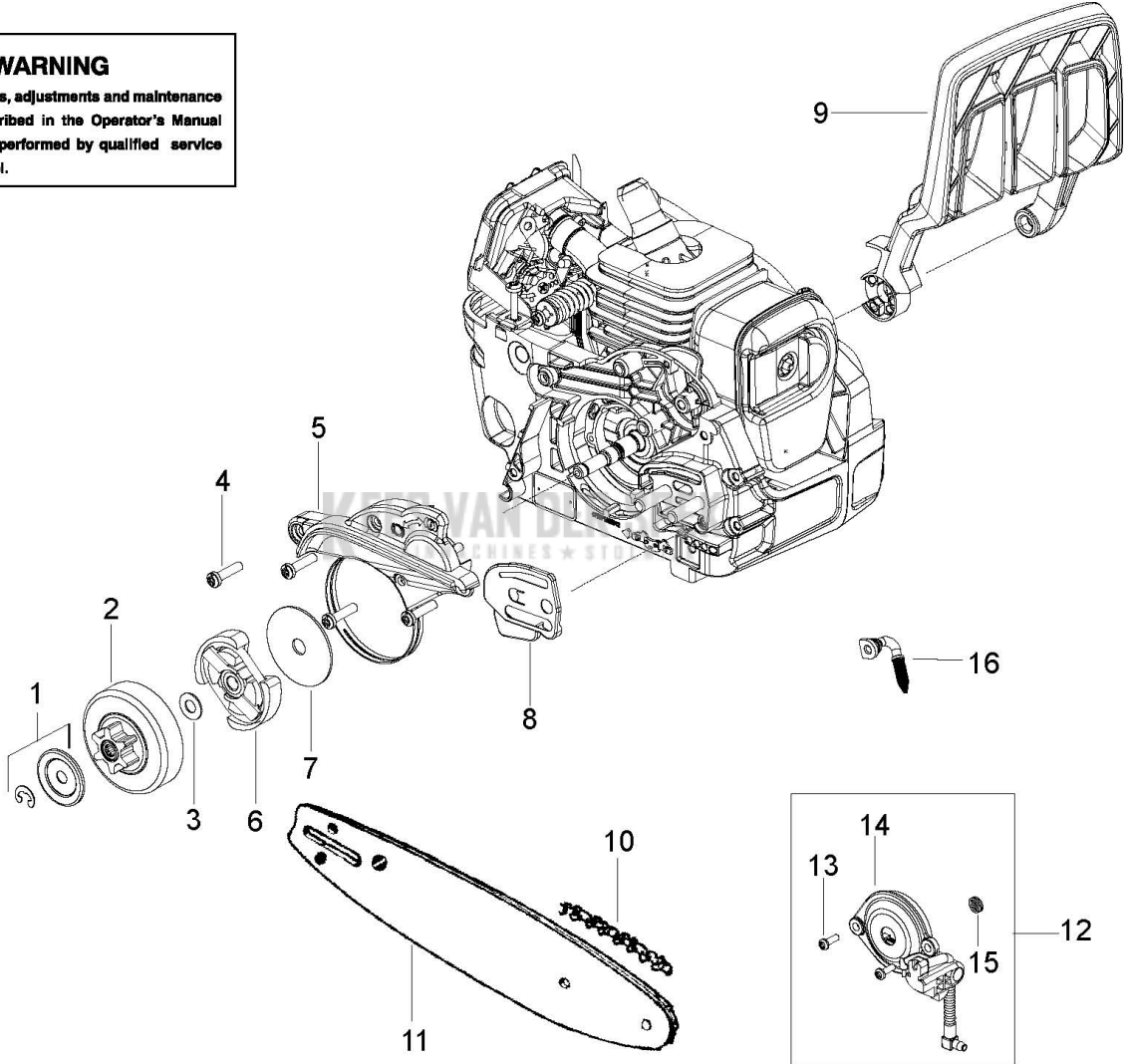


**WARNING**  
All repairs, adjustments and maintenance not described in the Operator's Manual must be performed by qualified service personnel.



Ref	Part No	Description	Remark	QTY KIT
1	530 01 61-53	SCREW	CAPTIVE SCREW	3
2	586 56 14-02	SHIELD	CYLINDER SHIELD (MCC/PP) FE CARB	1
3	585 00 57-01	SPRING	REAR ISOLATOR SPRING	1
4	530 01 64-43	SCREW	SCREW	1
5	530 01 64-32	SCREW	SCREW M5.38- 14X22.225MM	2
6	530 01 64-32	SCREW	SCREW M5.38- 14X22.225MM	2
7	530 01 59-06	SCREW	SCREW	2
8	530 01 64-32	SCREW	SCREW M5.38- 14X22.225MM	3
9	588 27 46-01	SPRING	HANDGUARD SPRING	1
10	530 01 64-32	SCREW	SCREW M5.38- 14X22.225MM	4
11	544 11 12-04	TANK CAP ASSY	TANK CAP ASSY	2

**WARNING**  
All repairs, adjustments and maintenance not described in the Operator's Manual must be performed by qualified service personnel.



## CLUTCH

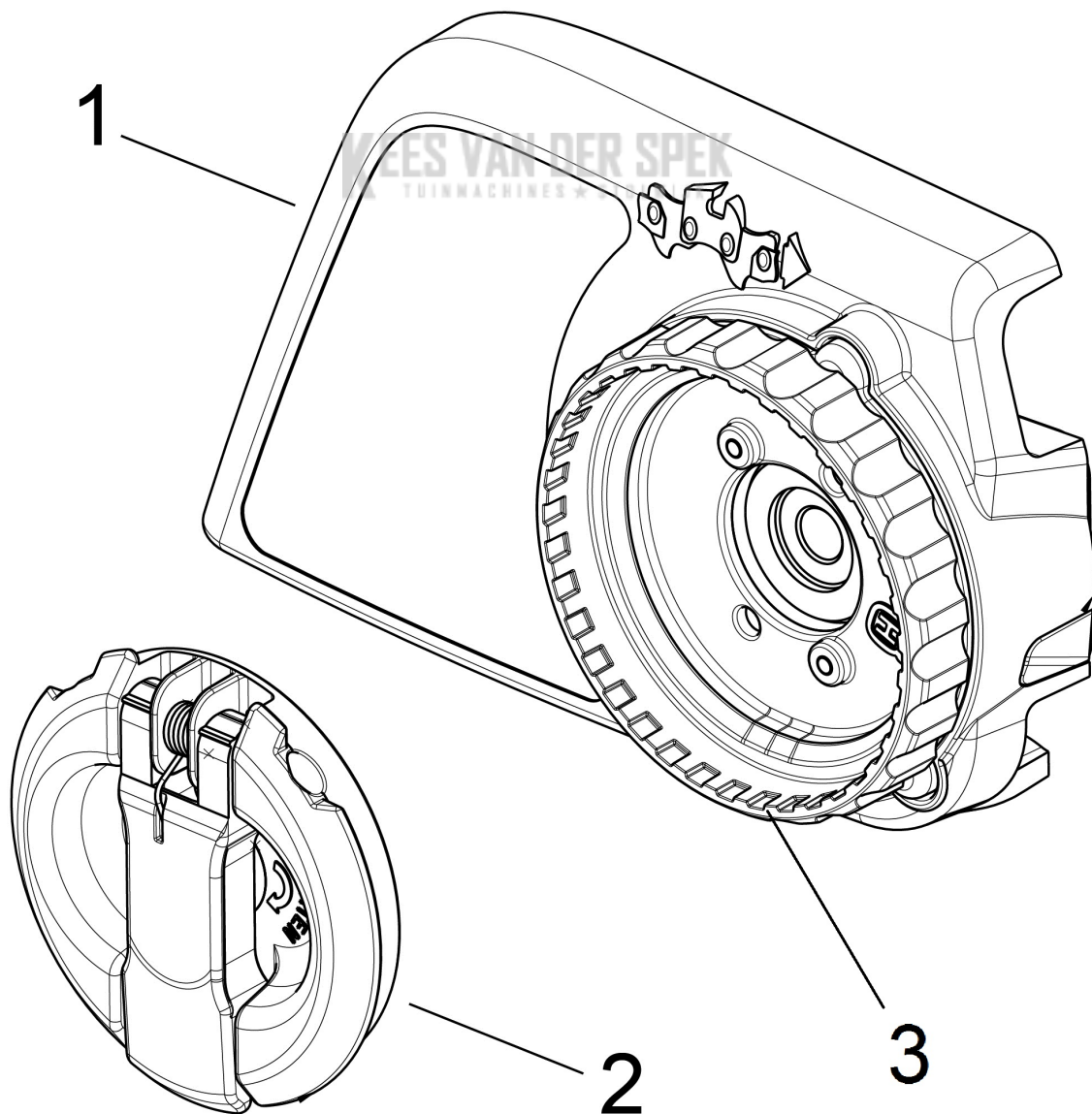
CS42STE, 967320801, 967320802, 2018-11

Ref	Part No	Description	Remark	QTY KIT
1	530 07 19-45	KIT	CLUTCH WASHER KIT (INCL. 3)	1
2	501 62 83-01	CLUTCH DRUM ASSY	CLUTCH DRUM ASSEMBLY	1
3	530 07 19-45	KIT	CLUTCH WASHER KIT (INCL. 1)	1
4	530 01 64-32	SCREW	SCREW	4
5	530 07 18-93	KIT	CHAIN BRAKE KIT	1
6	530 05 79-07	CLUTCH ASSY	CLUTCH ASSY	1
7	530 01 64-19	WASHER	LARGE CLUTCH WASHER	1
8	530 05 79-10	PLATE BAR MOUNTING	BAR MOUNTING PLATE	1
9	586 56 12-01	GUARD	HANDGUARD	1
10	579 57 95-01	SAW CHAIN	CHAIN 91PX 14 IN 3/8 52DL (MCCULLOCH)	1
10	579 57 99-01	SAW CHAIN	CHAIN 91PX 16 IN 3/8 56DL (MCCULLOCH)	1
11	582 28 01-01	BAR	BAR MCCULLOCH 14 IN (36 CM)	1
11	582 28 01-02	BAR	BAR MCCULLOCH 16 IN (40 CM)	1
12	530 07 18-91	KIT	OIL PUMP KIT	1
13	545 22 71-01	SCREW	SCREW	2
14	530 05 79-31	OIL PUMP ASSY	OIL PUMP ASSEMBLY	1
15	530 03 78-20	WORM GEAR	WORM GEAR	1
16	530 05 79-24	ASSEMBLY	OIL PICK-UP ASSEMBLY	1



# WARNING

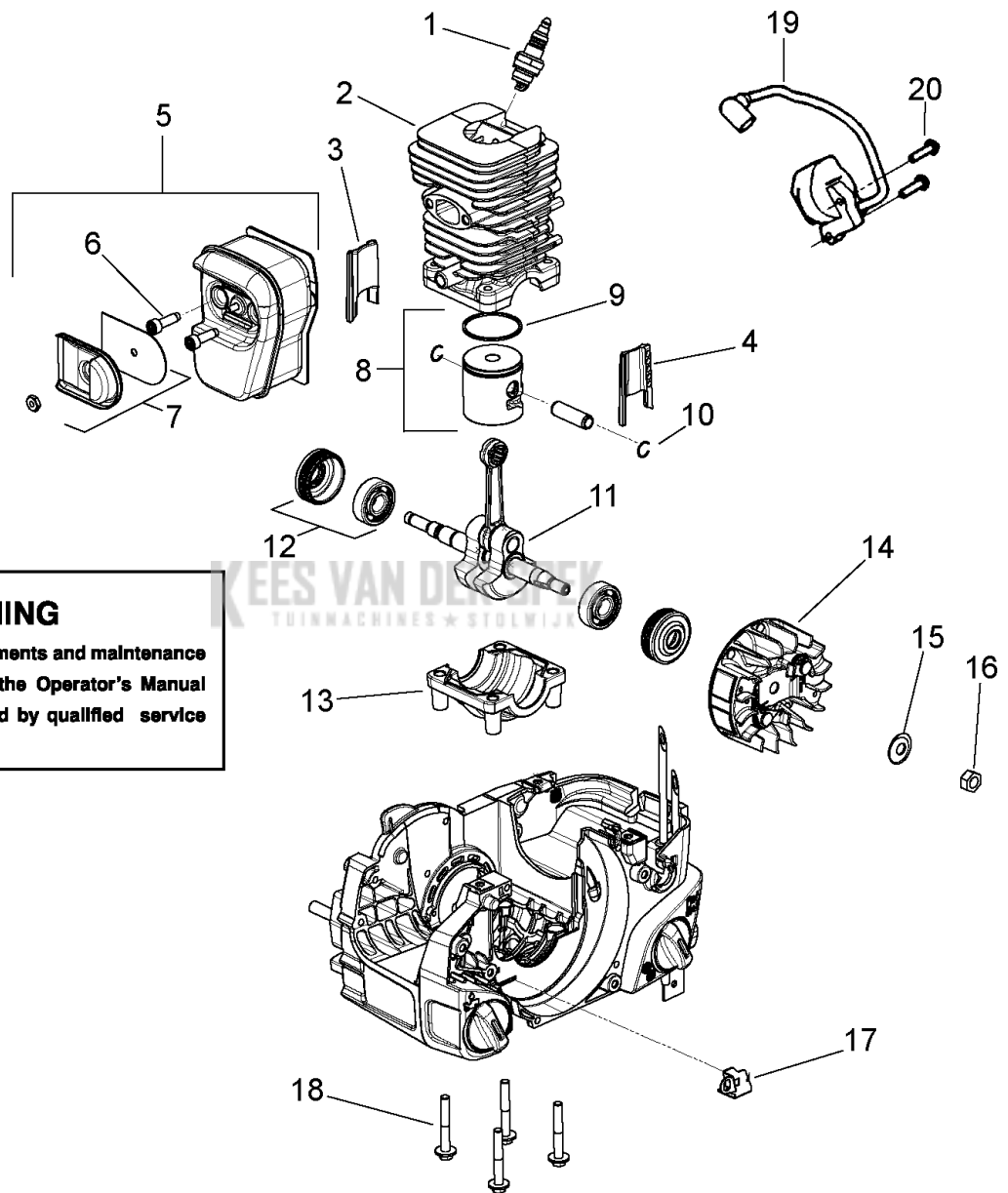
*All repairs, adjustments and maintenance not described in the Operator's Manual must be performed by Qualified Service Personnel.*



## CLUTCH COVER

CS42STE, 967320801, 967320802, 2018-11

Ref	Part No	Description	Remark	QTY	KIT
1	525 50 15-01	CLUTCH COVER		1	3
2	577 31 44-01	ASSEMBLY	KNOB LEVER	1	
3	525 50 18-03	WHEEL		1	
	577 31 50-02	CLUTCH COVER		1	1,3

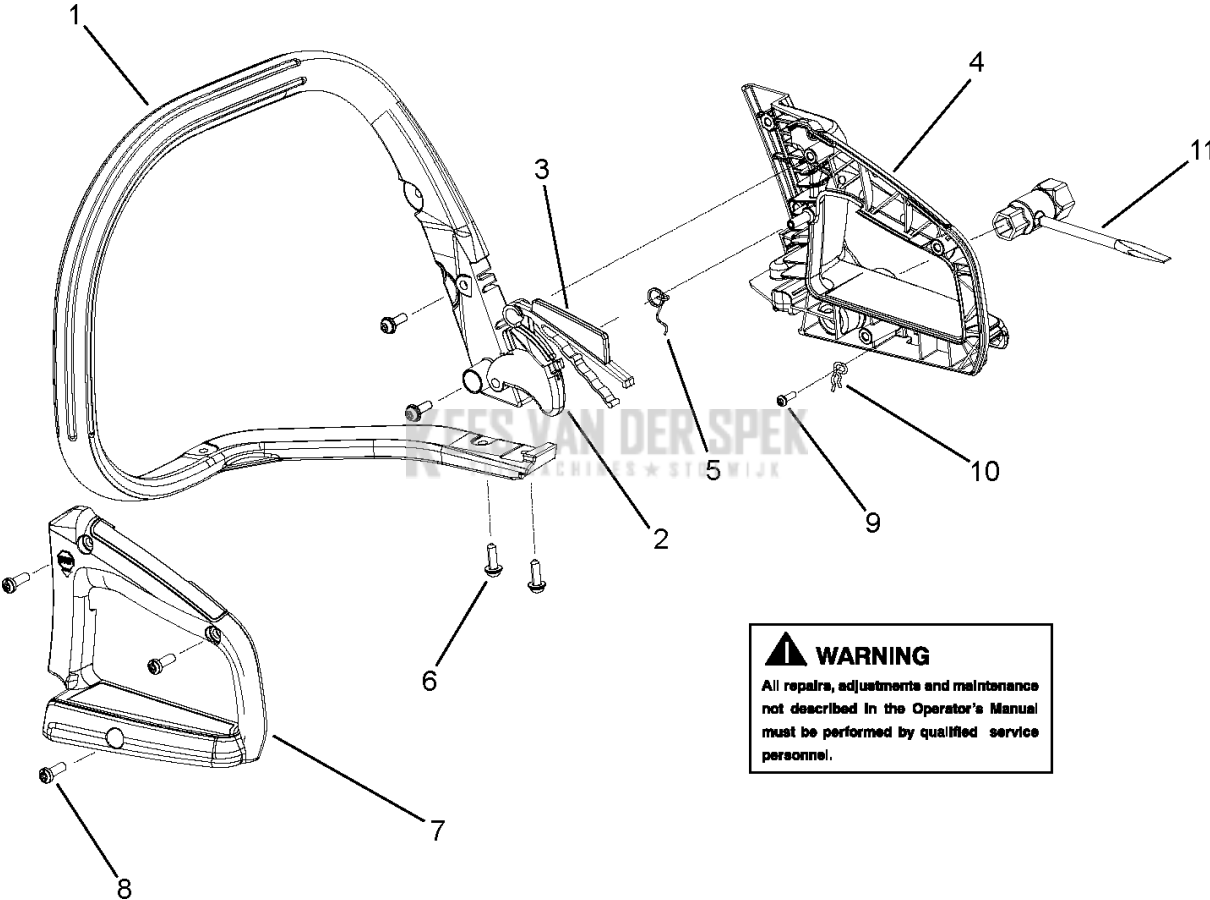


**⚠ WARNING**  
 All repairs, adjustments and maintenance not described in the Operator's Manual must be performed by qualified service personnel.

## CYLINDER

CS42STE, 967320801, 967320802, 2018-11

Ref	Part No	Description	Remark	QTY KIT
1	585 35 82-01	SPARK PLUG	"SPARK PLUG BRISK M14x1,25 HQT-1"	1
2	530 07 18-84	KIT	"CYLINDER KIT (INCL. CYLINDER, 3, 4)"	1
3	545 01 54-01	INSERT	RIGHT INSERT (GRAY)	1
4	545 01 53-01	INSERT	LEFT INSERT (BLACK)	1
5	501 80 90-01	MUFFLER ASSY	MUFFLER ASSY	1
6	530 01 63-38	BOLT	MUFFLER BOLT	2
7	545 08 17-01	SPARK ARRESTER	SPARK ARRESTER ASSY	1
8	582 02 31-01	SERVICE KIT	"PISTON KIT (INCL. PISTON, PIN, 9, 10)"	1
9	545 16 04-01	PISTON RING	PISTON RING	1
10	530 01 56-97	LOCKING RING	PISTON PIN RETAINER	2
11	587 60 25-01	CRANKSHAFT	CRANKSHAFT & CON ROD ASSY	1
12	530 05 63-63	BEARING	CRANKSHAFT BEARING & SEAL ASSY	2
13	586 12 05-01	CRANKCASE	CRANKCASE CAP	1
14	545 01 63-08	FLYWHEEL ASSY	FLYWHEEL ASSY	1
15	530 01 51-27	WASHER	FLYWHEEL WASHER	1
16	530 01 61-34	NUT	FLYWHEEL NUT	1
17	585 36 56-01	STRAP	GROUND STRAP	1
18	545 08 15-01	BOLT	CYLINDER BOLT	4
19	583 94 49-03	MODULE	IGNITION MODULE	1
20	530 01 64-32	SCREW	SCREW M5.38-14X22.225MM	1



**WARNING**  
All repairs, adjustments and maintenance not described in the Operator's Manual must be performed by qualified service personnel.



## HANDLE

CS42STE, 967320801, 967320802, 2018-11

Ref	Part No	Description	Remark	QTY KIT
1	585 43 54-01	HANDLE	FRONT HANDLE	1
2	585 43 59-02	TRIGGER	TRIGGER (BLACK)	1
3	585 43 60-02	THROTTLE LOCKOUT	LOCKOUT (BLACK)	1
4	585 40 94-01	HANDLE	REAR HANDLE	1
5	585 18 73-01	SPRING	TRIGGER SPRING	1
6	530 01 59-06	SCREW	SCREW	4
7	585 43 57-01	HANDLE	REAR HANDLE COVER	1
8	530 01 63-49	SCREW	SCREW	3
9	545 22 71-01	SCREW	SCREW	1
10	545 20 46-01	CLIP	CLIP	1
11	545 20 45-01	SCRENCH	COMBINATION TOOL	1