

**SPARE PARTS CATALOGUE**  
**BRUSHCUTTERS/CLEARING SAWS: HUSQVARNA 545FXT**



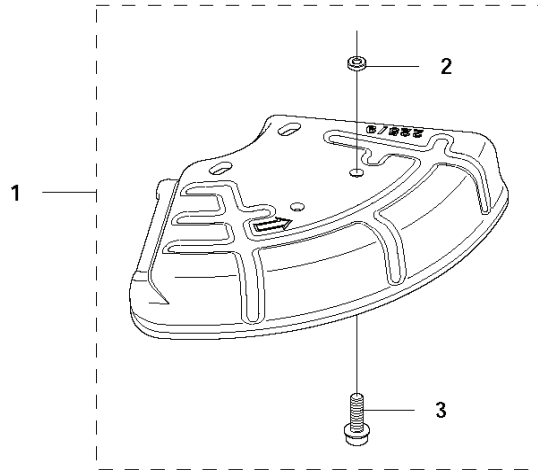
Spare Parts List

# **SPARE PARTS LIST**

BRUSHCUTTERS/CLEARING SAWS

HUSQVARNA 545FXT

**R6** 545 FX, 545 FXT  
ACCESSORIES



**KEES VAN DER SPEK**  
TUINMACHINES ★ STOLWIJK

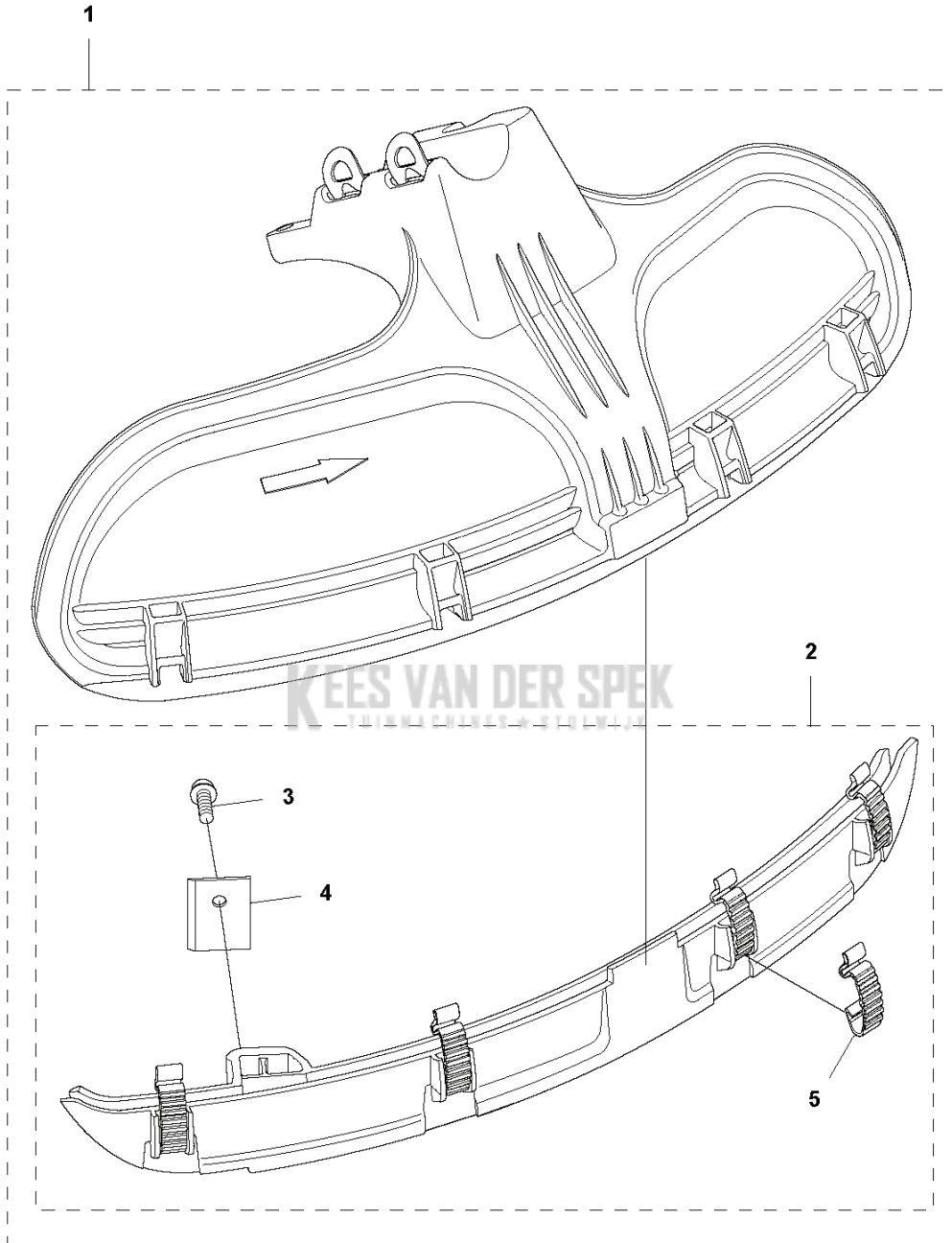
## BRUSHCUTTERS/CLEARING SAWS

---

| PXM_REF | PXM_PARTNO | DESCRIPTION         | PXM_REMARK            | QTY. |   |
|---------|------------|---------------------|-----------------------|------|---|
| 1       | 574506702  | SAW BLADE GUARD     | 225 mm Sawblade guard | 1    |   |
| 1       | 574532601  | ZAAGBLADBESCHERMING | 200 mm Sawblade guard | 1    |   |
| 2       | 574039501  | LOCK NUT            |                       | 1    | 1 |
| 3       | 503200316  | SCHROEF IHSCFM      |                       | 1    | 1 |

**KEES VAN DER SPEK**  
TUINMACHINES ★ STOLWIJK

**R3** 545FX, 545FXT  
ACCESSORIES



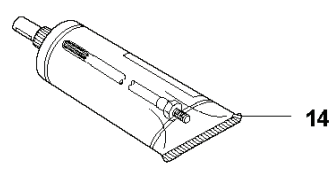
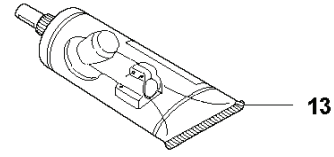
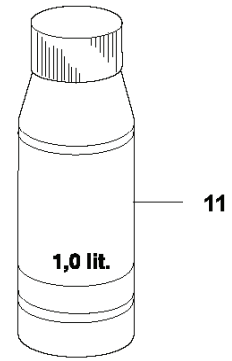
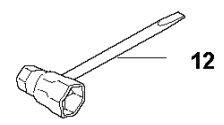
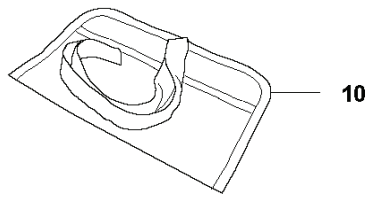
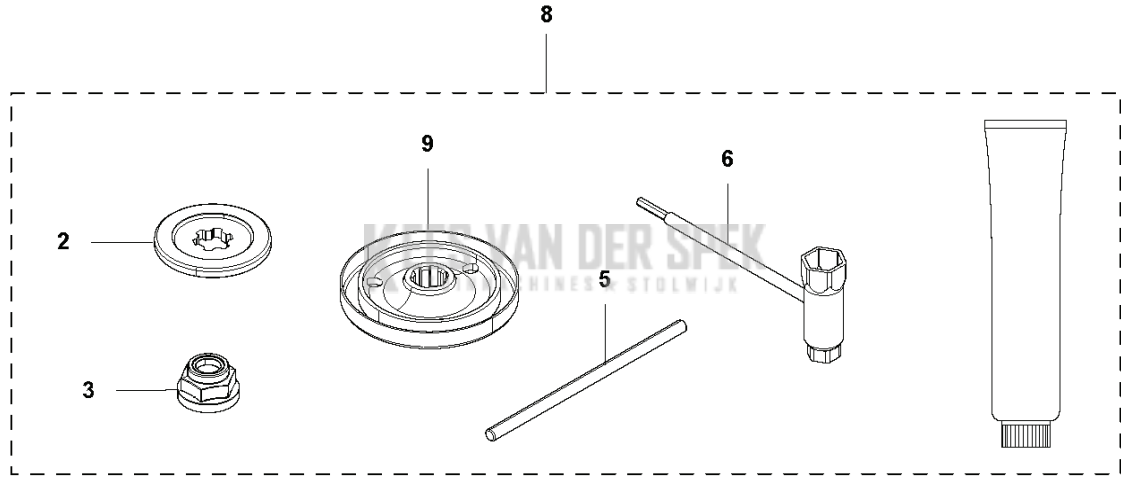
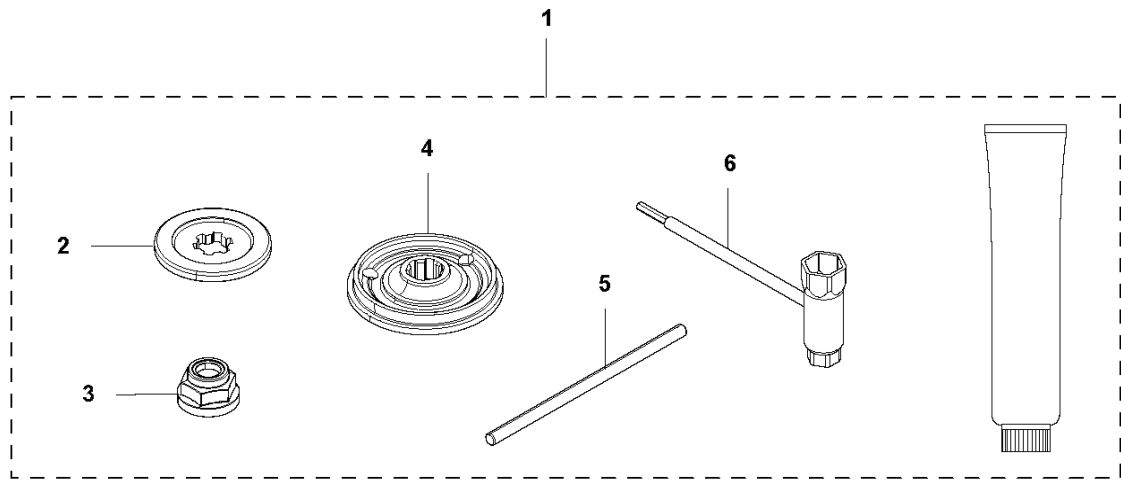
## BRUSHCUTTERS/CLEARING SAWS

---

| PXM_REF | PXM_PARTNO | DESCRIPTION      | PXM_REMARK | QTY.  |
|---------|------------|------------------|------------|-------|
| 1       | 544464301  | COMBIBESCHERMKAP |            | 1     |
| 2       | 544464401  | COMBIBESCHERMKAP |            | 1 1   |
| 3       | 503217572  | SCHROEF IHSCFT   |            | 1 1.2 |
| 4       | 503798802  | MES              |            | 1 1.2 |
| 5       | 537387201  | SNAPSLUITING     |            | 1 1.2 |

**KEES VAN DER SPEK**  
TUINMACHINES ★ STOLWIJK

**R1** 545 FX, 545 FXT, 545 RX, 545 RXT, 345 FR  
ACCESSORIES

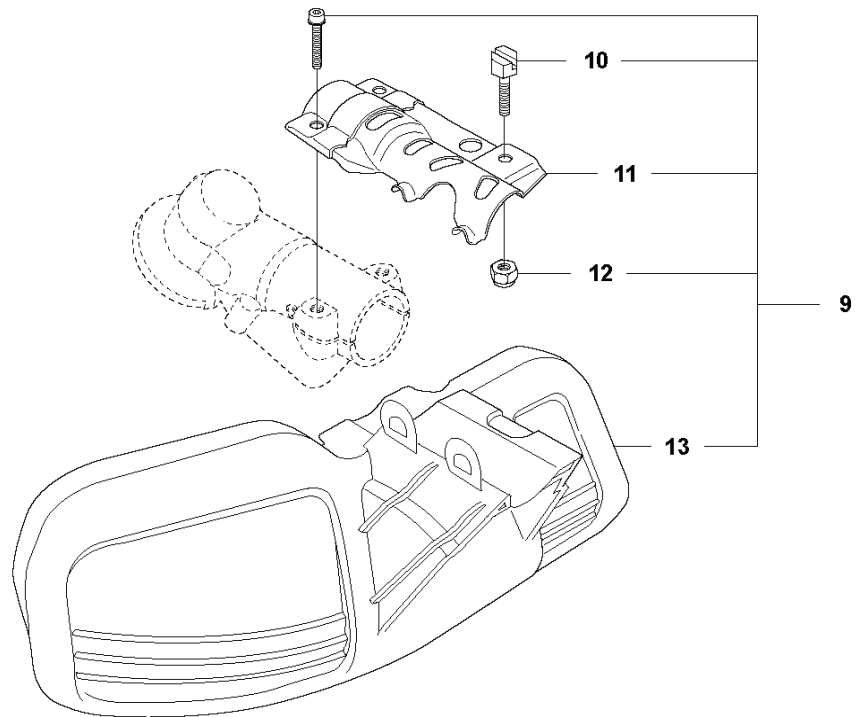
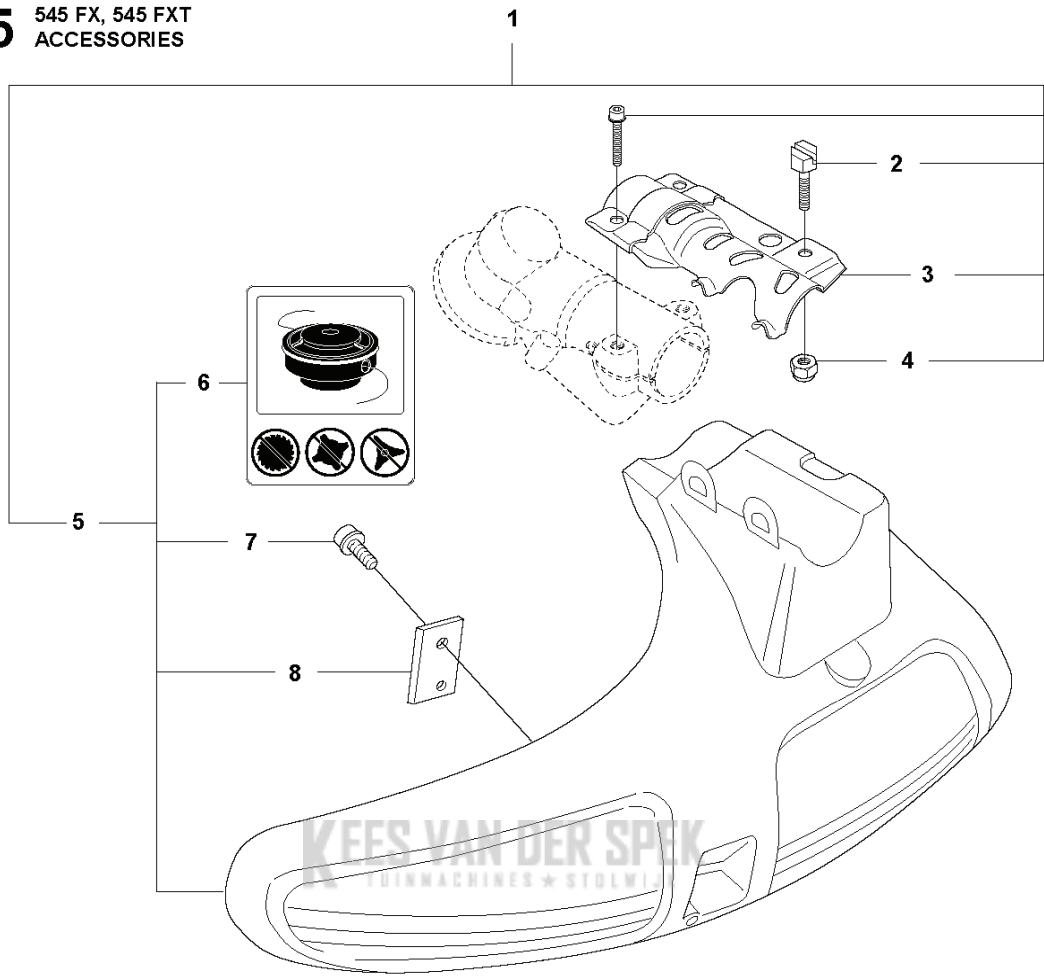


## BRUSHCUTTERS/CLEARING SAWS

| PXM_REF | PXM_PARTNO | DESCRIPTION       | PXM_REMARK           | QTY.  |
|---------|------------|-------------------|----------------------|-------|
| 1       | 502216024  | ACCESSOIRE TAS    | 545FX 545FXT         | 1     |
| 2       | 537343502  | FLENSSTEUN        |                      | 1 1.8 |
| 3       | 502291101  | MOER ZAAGBLAD     |                      | 1 1.8 |
| 4       | 544197801  | MEENEMER          |                      | 1 1   |
| 5       | 502285901  | STOP              |                      | 1 1.8 |
| 6       | 537362102  | COMBINATIESLEUTEL |                      | 1 1.8 |
| 8       | 502216027  | ACCESSOIRE TAS    | 545RX, 545RXT, 345FR | 1     |
| 9       | 537351402  | MEENEMER          |                      | 1 8   |
| 10      | 501192201  | GEREEDSCHAP       |                      | 1     |
| 11      | 531009248  | FILTER OLIE       |                      | 1     |
| 12      | 501691702  | COMBINATIESLEUTEL |                      | 1     |
| 13      | 503976401  | VET               |                      | 1     |
| 14      | 503801701  | VET               |                      | 1     |



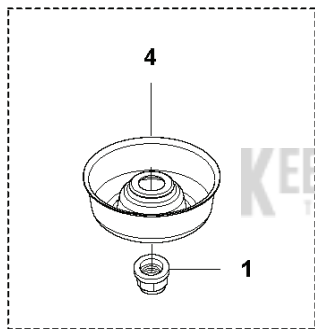
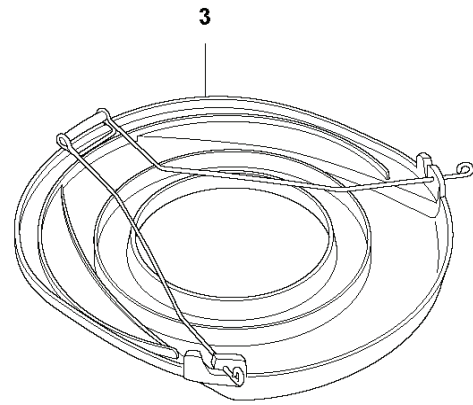
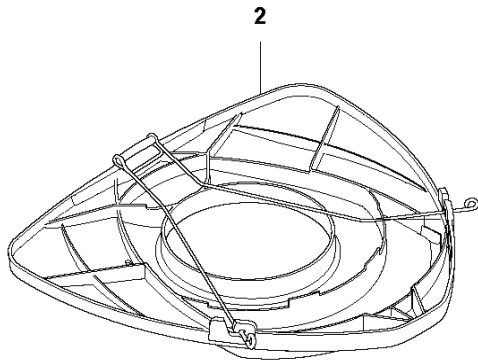
**R5** 545 FX, 545 FXT  
ACCESSORIES



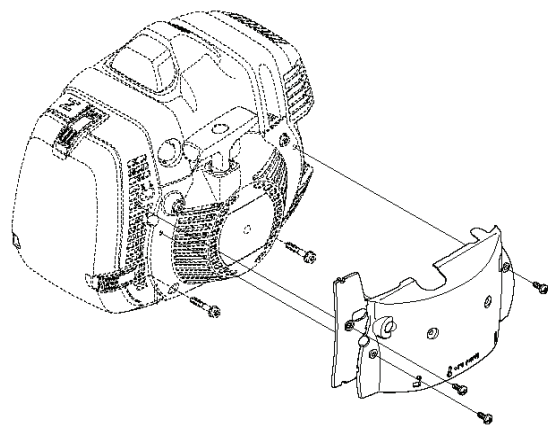
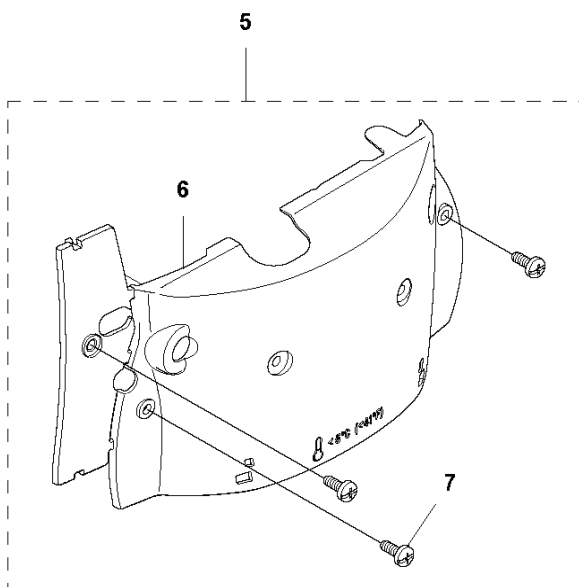
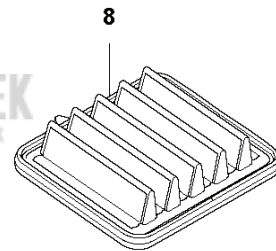
## BRUSHCUTTERS/CLEARING SAWS

| PXM_REF | PXM_PARTNO | DESCRIPTION               | PXM_REMARK | QTY.  |
|---------|------------|---------------------------|------------|-------|
| 1       | 537297301  | TRIMMER BESCHERMER        |            | 1     |
| 2       | 537189501  | SCREW                     |            | 1 1   |
| 3       | 537230301  | AANBOUW PLAAT             |            | 1 1   |
| 4       | 732211601  | LOCK NUT                  |            | 1 1   |
| 5       | 503954302  | GRASKANTMAAIERBESCHERMING |            | 1 1   |
| 6       | 503742901  | STICKER                   |            | 1 1.5 |
| 7       | 503210716  | SCHROEF IHSCT             |            | 1 1.5 |
| 8       | 537285301  | MES                       |            | 1 1.5 |
| 9       | 537297401  | ZAAGBLADBESCHERMING       |            | 1     |
| 10      | 537189501  | SCREW                     |            | 1 9   |
| 11      | 537230301  | AANBOUW PLAAT             |            | 1 9   |
| 12      | 732211601  | LOCK NUT                  |            | 1 9   |
| 13      | 537288501  | ZAAGBLADBESCHERMING       |            | 1 9   |

**R4** 545 F, 545 FX, 545 FXT, 545 RX, 545 RXT, 545 FR, 345 FR  
ACCESSORIES



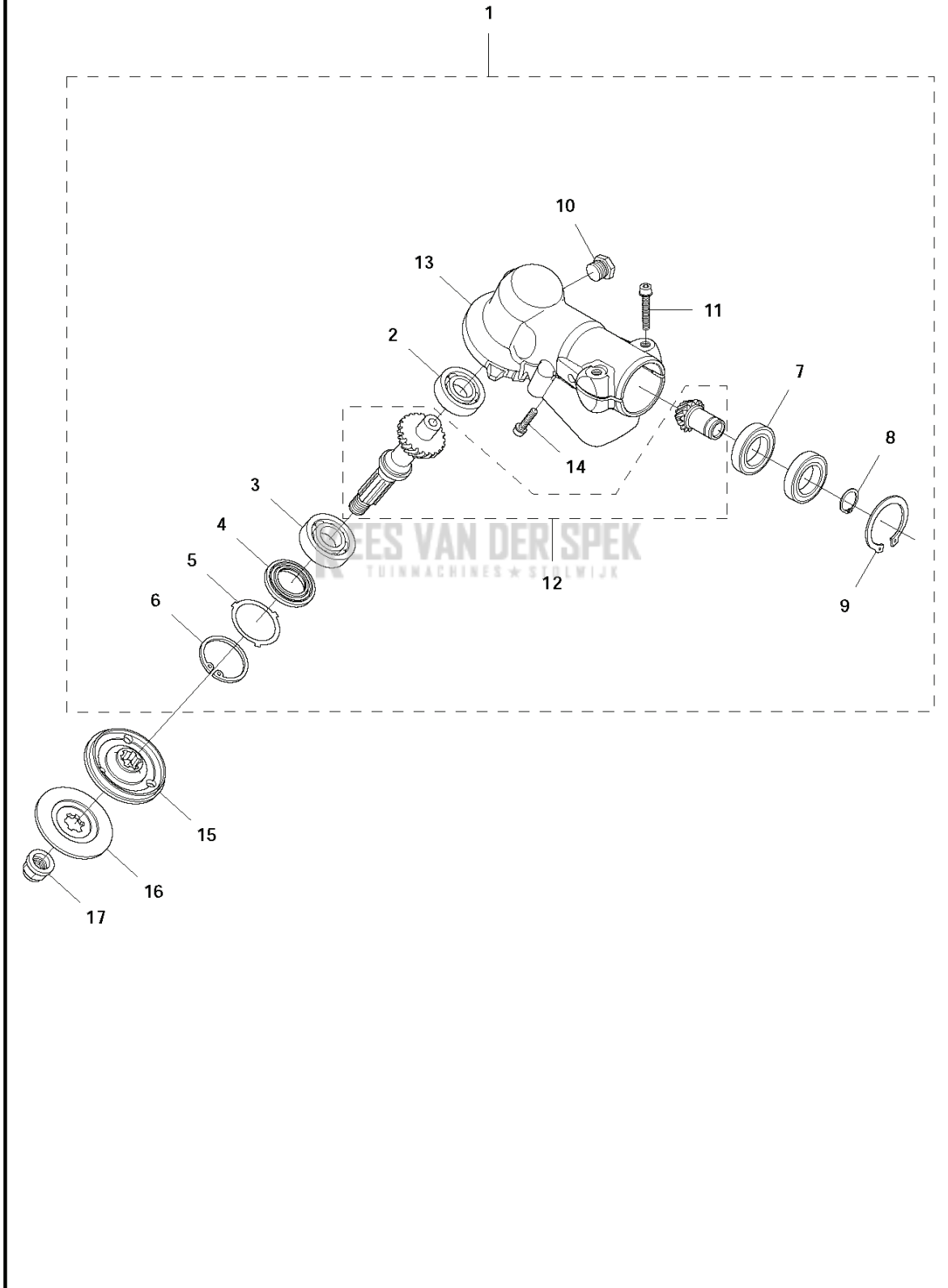
KEES VAN DER SPEK  
TUINMACHINES \* STOLWIJK



## BRUSHCUTTERS/CLEARING SAWS

| PXM_REF | PXM_PARTNO | DESCRIPTION          | PXM_REMARK                  | QTY. |
|---------|------------|----------------------|-----------------------------|------|
| 1       | 502291101  | MOER ZAAGBLAD        |                             | 1    |
| 2       | 544359101  | TRANSPORTBESCHERMING | 300-350 mm, Transport guard | 1    |
| 3       | 537312901  | TRANSPORTBESCHERMING | 200-275 mm, Transport guard | 1    |
| 4       | 544380201  | DRAAISCHOTEL         |                             | 1    |
| 5       | 577043901  | WINTER KIT           |                             | 1    |
| 6       | 522550901  | WINTERKAP            |                             | 1 4  |
| 7       | 503217010  | SCHROEF CCRPANT      |                             | 3 4  |
| 8       | 537410804  | LUCHTFILTER          | Nylon 25µ, Winter           | 1    |
| 9       | 535334401  | DRAAISCHOTEL         |                             | 1    |

**A2** 545 FX, 545 FXT  
BEVEL GEAR

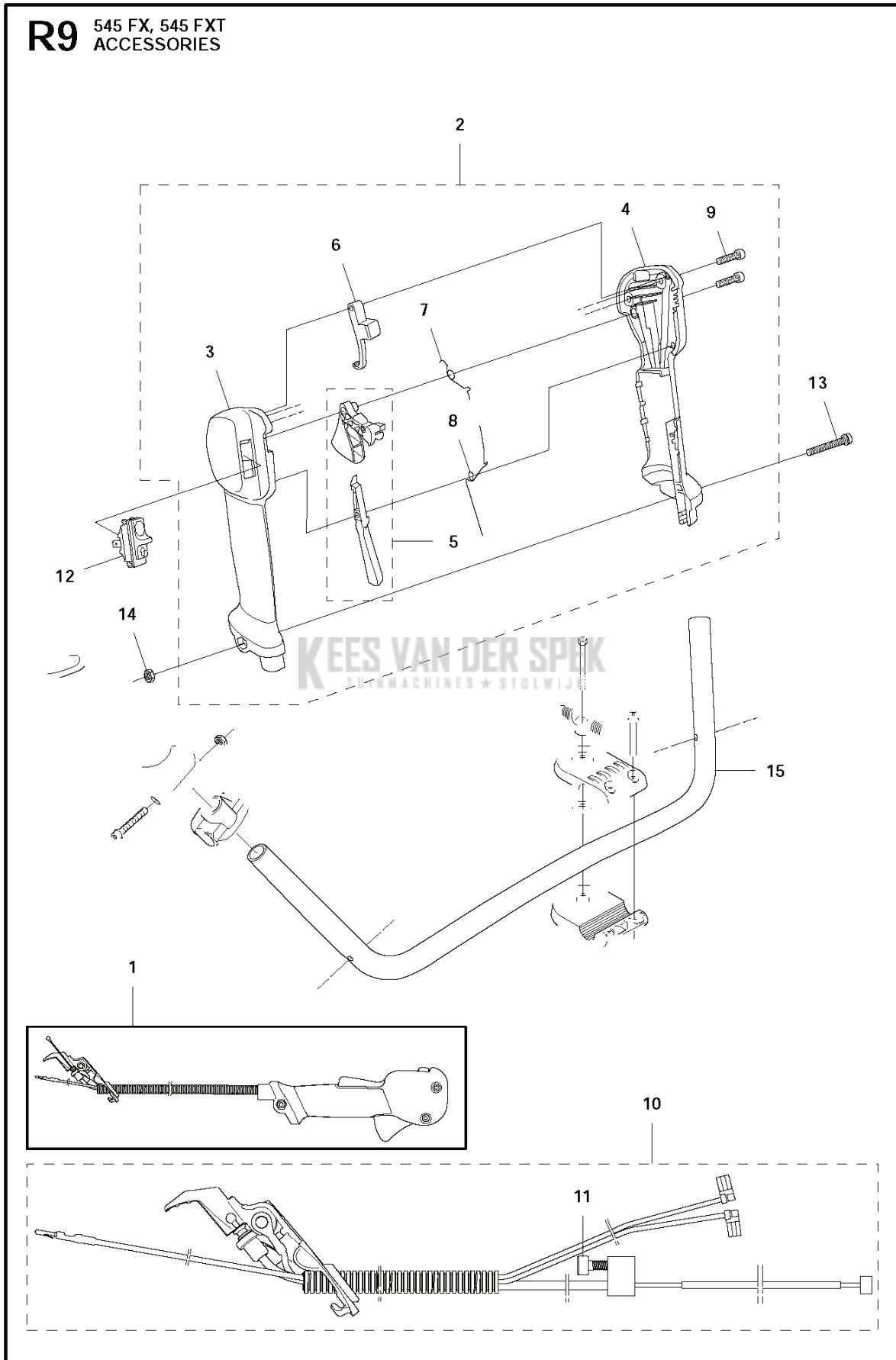


## BRUSHCUTTERS/CLEARING SAWS

| PXM_REF | PXM_PARTNO | DESCRIPTION          | PXM_REMARK | QTY. |
|---------|------------|----------------------|------------|------|
| 1       | 588163301  | VERSNELLING COMPL.   |            | 1    |
| 2       | 738210110  | KOGELLAGER           |            | 1 1  |
| 3       | 503250801  | LAGER                |            | 1 1  |
| 4       | 503261701  | AFDICHTING           |            | 1 1  |
| 5       | 503758901  | AFDEKRING            |            | 1 1  |
| 6       | 735313310  | BORGCLIP             |            | 1 1  |
| 7       | 738218712  | KOGELLAGER           |            | 2 1  |
| 8       | 735311700  | BORGCLIP             |            | 1 1  |
| 9       | 735313110  | BORGCLIP             |            | 1 1  |
| 10      | 503201501  | SCREW                |            | 1 1  |
| 11      | 503200225  | SCHROEF IHSCFM       |            | 2 1  |
| 12      | 587977601  | VERSNELLING          |            | 1 1  |
| 13      | 502297901  | VERSNELLINGSBAK HUIS |            | 1 1  |
| 14      | 503200316  | SCHROEF IHSCFM       |            | 4 1  |
| 15      | 544197801  | MEENEMER             |            | 1    |
| 16      | 537343502  | FLENSSTEUN           |            | 1    |
| 17      | 502291101  | MOER ZAAGBLAD        |            | 1    |

**KEES VAN DER SPEK**  
TUINMACHINES ★ STOLWIJK

**R9** 545 FX, 545 FXT  
ACCESSORIES

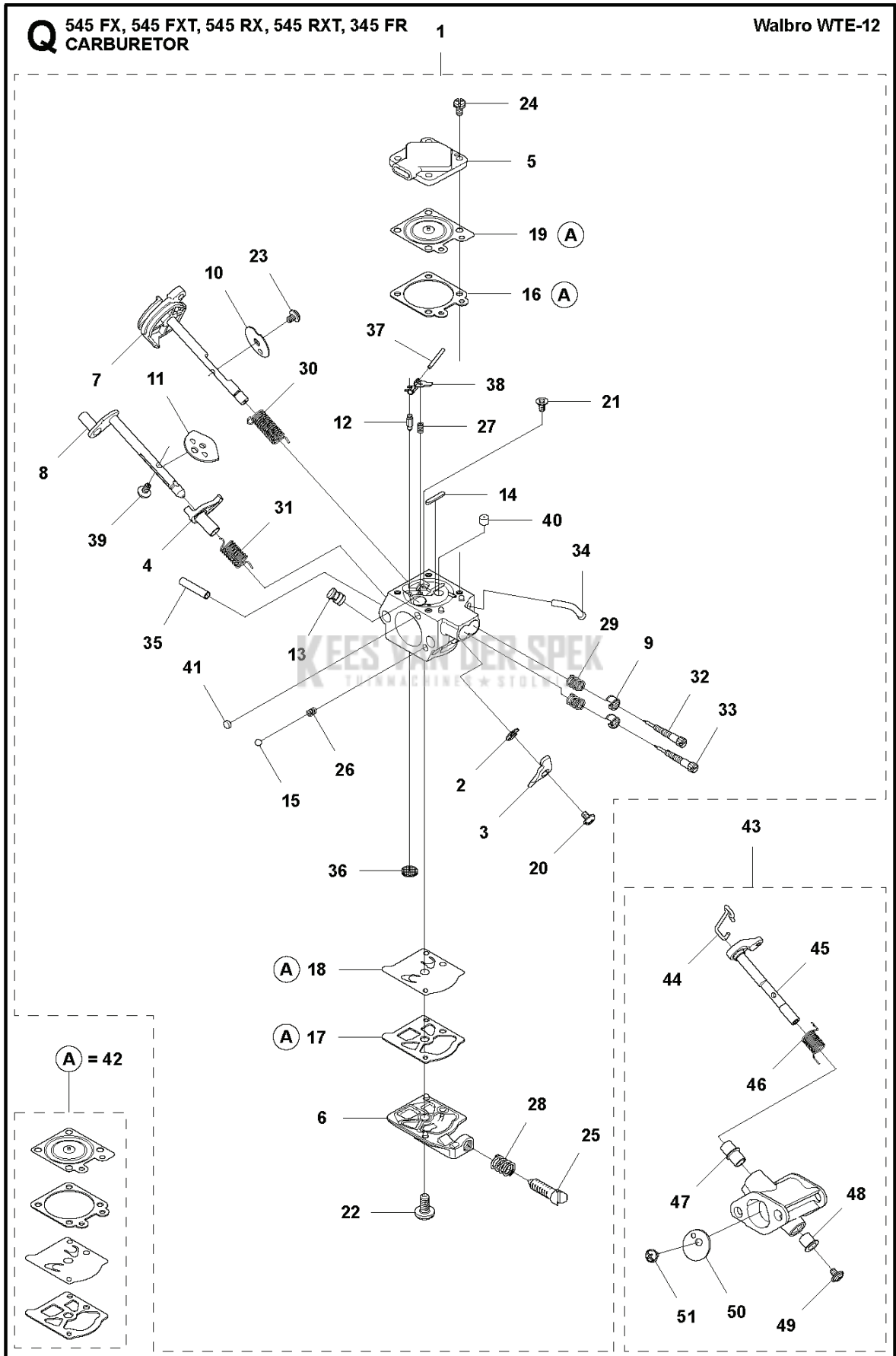


## BRUSHCUTTERS/CLEARING SAWS

| PXM_REF | PXM_PARTNO | DESCRIPTION          | PXM_REMARK                     | QTY.   |
|---------|------------|----------------------|--------------------------------|--------|
| 1       | 577071902  | GASHANDGREEP COMPL.  | Index finger-operated throttle | 1      |
| 2       | 504209804  | GASHANDGREEP COMPL.  | Index finger-operated throttle | 1 1    |
| 3       | 537180711  | HANDGREEPHELFT       |                                | 1 1,2  |
| 4       | 537180811  | HANDGREEPHELFT       |                                | 1 1,2  |
| 5       | 506497701  | GASHEVEL             |                                | 1 1,2  |
| 6       | 537160701  | GASVERGREDELING      |                                | 1 1,2  |
| 7       | 537174201  | SPRING THROTTLE TRIG |                                | 1 1,2  |
| 8       | 537174301  | VEER                 |                                | 1 1,2  |
| 9       | 503216674  | SCHROEF IHSCT        |                                | 2 1,2  |
| 10      | 525419802  | BEKABELING COMPL.    |                                | 1 1,10 |
| 11      | 503216616  | SCHROEF IHSCT        |                                | 1      |
| 12      | 537419001  | SCHAKELAAR           |                                | 1      |
| 13      | 503200782  | SCHROEF IHSCFM       |                                | 1      |
| 14      | 503221013  | ZESKANT MOER         |                                | 1      |
| 15      | 505433303  | HANDLEBAR            |                                | 1      |

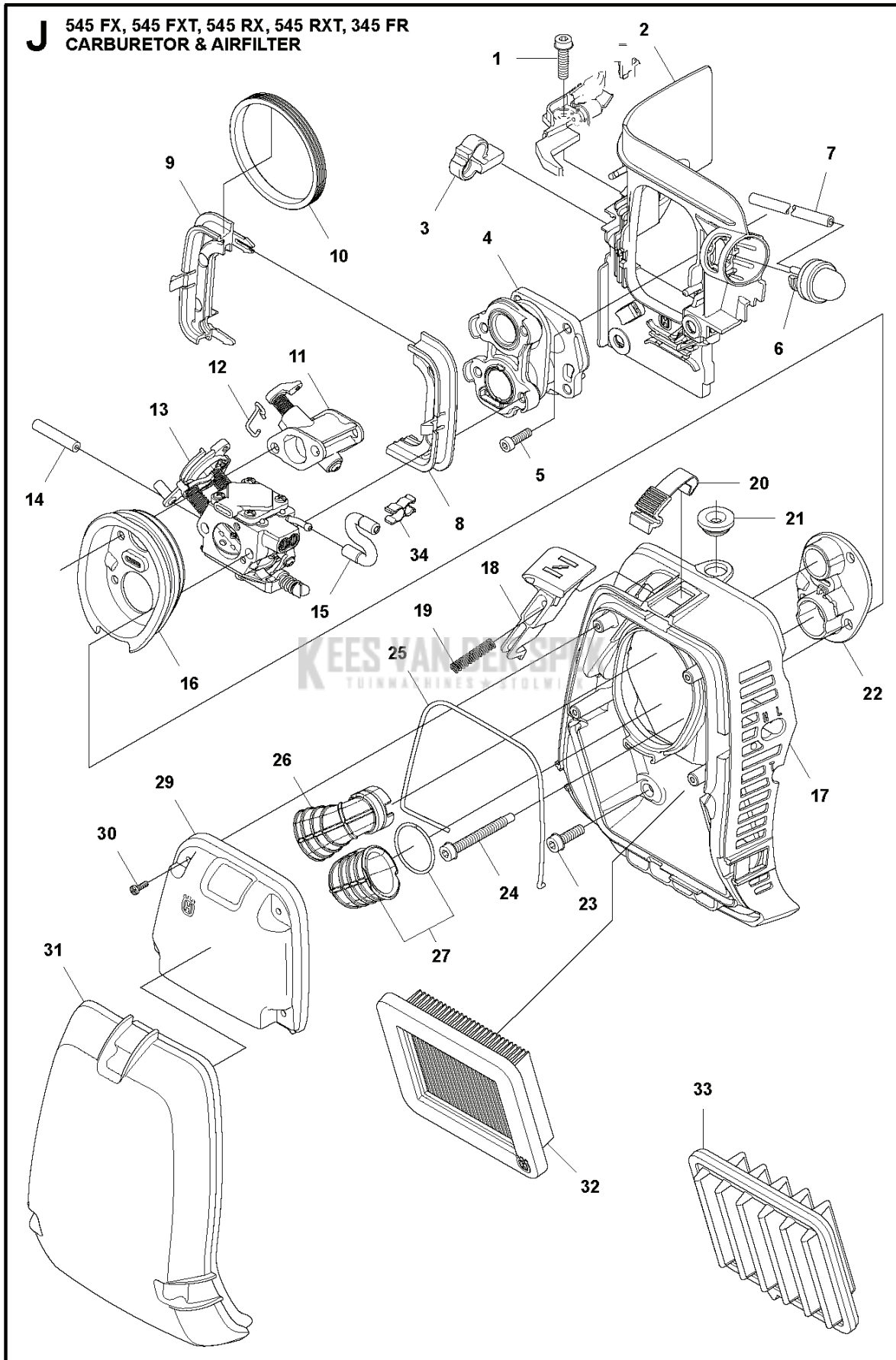
**KEES VAN DER SPEK**  
TUINMACHINES ★ STOLWIJK







**J** 545 FX, 545 FXT, 545 RX, 545 RXT, 345 FR  
CARBURETOR & AIRFILTER

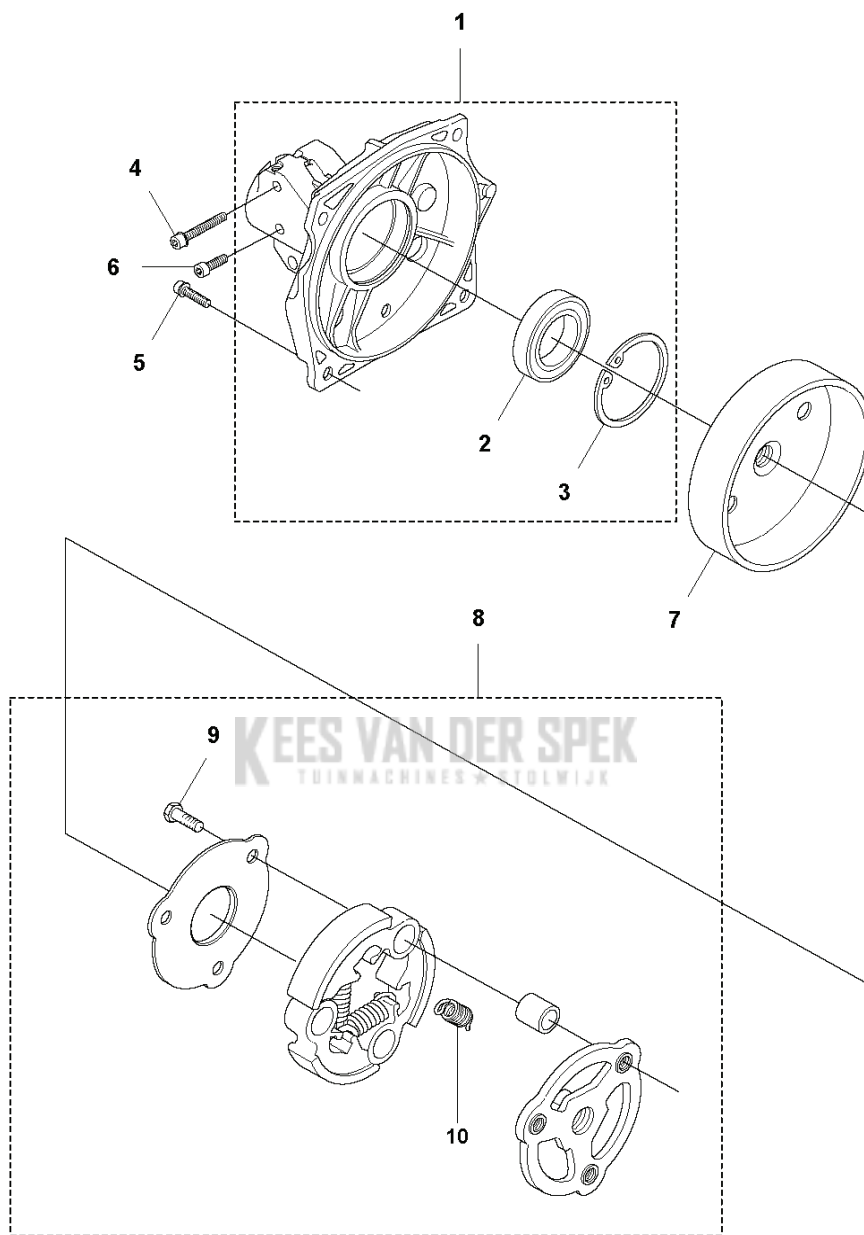


## BRUSHCUTTERS/CLEARING SAWS

| PXM_REF | PXM_PARTNO | DESCRIPTION         | PXM_REMARK        | QTY. |
|---------|------------|---------------------|-------------------|------|
| 1       | 503200776  | SCHROEF IHSCFM      |                   | 1    |
| 2       | 525289201  | ISOLATIE WAND       |                   | 1    |
| 3       | 575239501  | DOORVOER            |                   | 1    |
| 4       | 574440301  | INLAATPIJP          |                   | 1    |
| 5       | 503202516  | SCHROEF IHSCM       |                   | 4    |
| 6       | 503936601  | PURGE               |                   | 1    |
| 7       | 537042407  | BRANDSTOFSLANG      |                   | 1    |
| 8       | 576122701  | FRAME               |                   | 1    |
| 9       | 576123701  | FRAME               |                   | 1    |
| 10      | 576223701  | SEALING RING        |                   | 1    |
| 11      | 574297901  | HUIS                |                   | 1    |
| 12      | 522543301  | SCHAKEL             |                   | 1    |
| 13      | 580803901  | CARBURATEUR         |                   | 1    |
| 14      | 581756143  | BRANDSTOFSLANG      |                   | 1    |
| 15      | 523056801  | BRANDSTOFSLANG      |                   | 1    |
| 16      | 574851201  | AFDICHTING          |                   | 1    |
| 17      | 523044801  | FILTERHOUDER COMPL. |                   | 1    |
| 18      | 522449901  | CHOKEHENDEL         |                   | 1    |
| 19      | 524853001  | VEER                |                   | 1    |
| 20      | 503740102  | SNAPSLUITING        |                   | 3    |
| 21      | 537016501  | STEUN               |                   | 1    |
| 22      | 577479701  | DEKPLAAT            |                   | 1    |
| 23      | 503200774  | SCHROEF IHSCFM      |                   | 2    |
| 24      | 537316001  | SCHROEF IHSCFM      |                   | 4    |
| 25      | 503263204  | O-RING              |                   | 1    |
| 26      | 586946901  | INLAATPIJP          |                   | 1    |
| 27      | 594028001  | INLAATPIJP COMPL.   |                   | 1    |
| 29      | 575268401  | DEKSEL              |                   | 1    |
| 30      | 503212910  | SCHROEF CCRPANT     |                   | 4    |
| 31      | 510189701  | FILTERDEKSEL        |                   | 1    |
| 32      | 574668003  | LUCHTFILTER         | Paper             | 1    |
| 33      | 537410804  | LUCHTFILTER         | Nylon 25µ, Winter | 1    |
| 34      | 580451701  | KLEM                |                   | 1    |

**KEES VAN DER SPEK**  
TUINMACHINES ★ STOLWIJK

**F** 545 FX, 545 FXT, 545 RX, 545 RXT, 345 FR  
CLUTCH

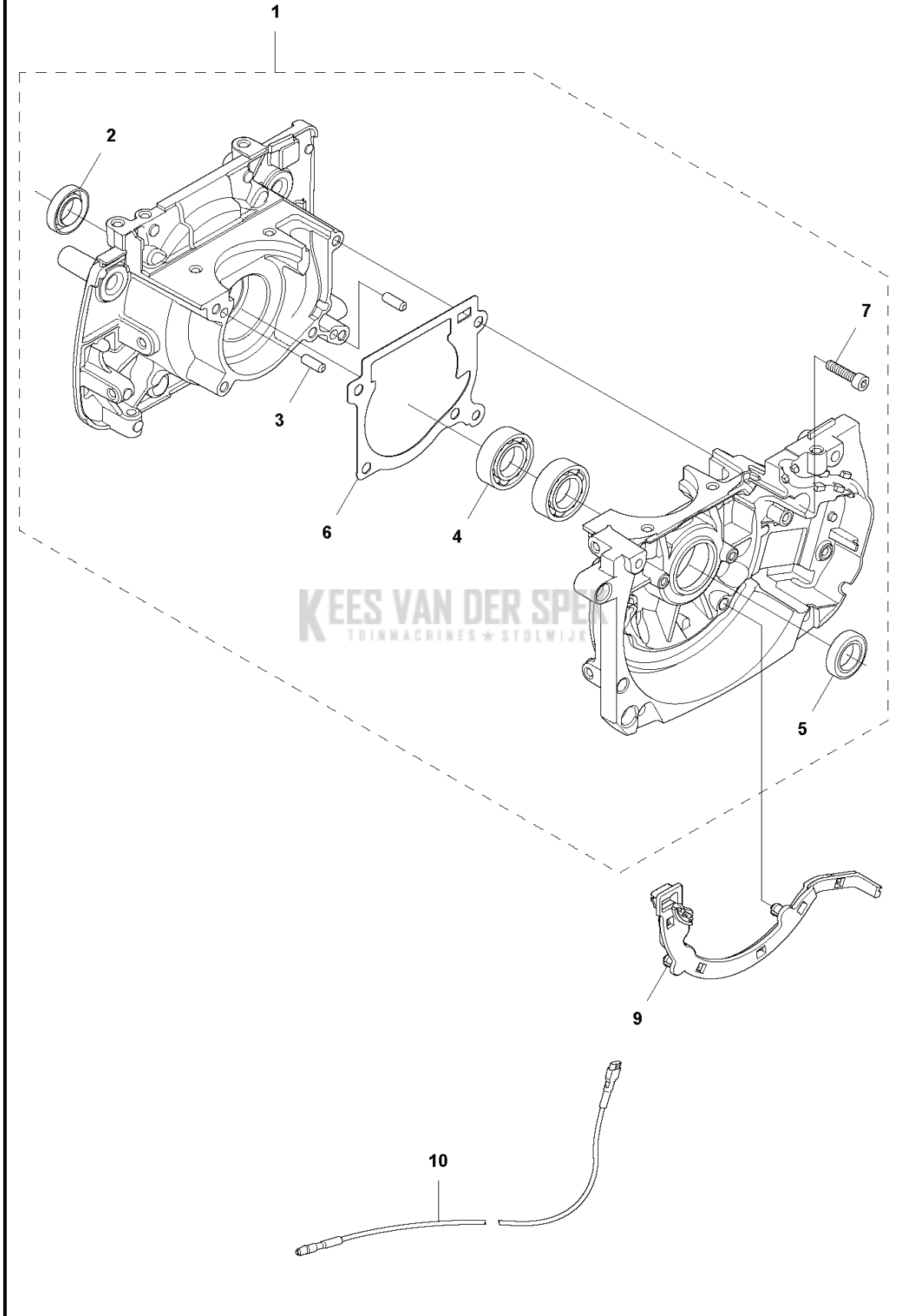


## BRUSHCUTTERS/CLEARING SAWS

| PXM_REF | PXM_PARTNO | DESCRIPTION              | PXM_REMARK   | QTY. |   |
|---------|------------|--------------------------|--|------|---|
| 1       | 503954105  | KOPPELINGSKAP            | from s/n 20194300361 - .<br>For older products use kit<br>5978421-03 | 1    |   |
| 2       | 738220219  | KOGELLAGER               |  | 1    | 1 |
| 3       | 735313310  | BORGCLIP                 |  | 1    | 1 |
| 4       | 503200230  | SCHROEF IHSCFM           |  | 2    |   |
| 5       | 503200220  | SCHROEF IHSCFM           |  | 4    |   |
| 6       | 503200770  | SCHROEF IHSCFM           | from s/n 20194300361 -   | 1    |   |
| 6       | 503202001  | SCHROEF IHSCM            | up to s/n - 20194300360.   | 1    |   |
| 7       | 544900701  | KOPPELINGSTROMMEL COMPL. |  | 1    |   |
| 8       | 594512301  | KOPPELING COMPL.         |  | 1    |   |
| 9       | 503201802  | SCHROEF EHHM             |  | 3    | 8 |
| 10      | 505435302  | KOPPELINGSVEER           |  | 3    | 8 |

**KEES VAN DER SPEK**  
TUINMACHINES ★ STOLWIJK

**P1** 545 FX, 545 FXT  
CRANKCASE

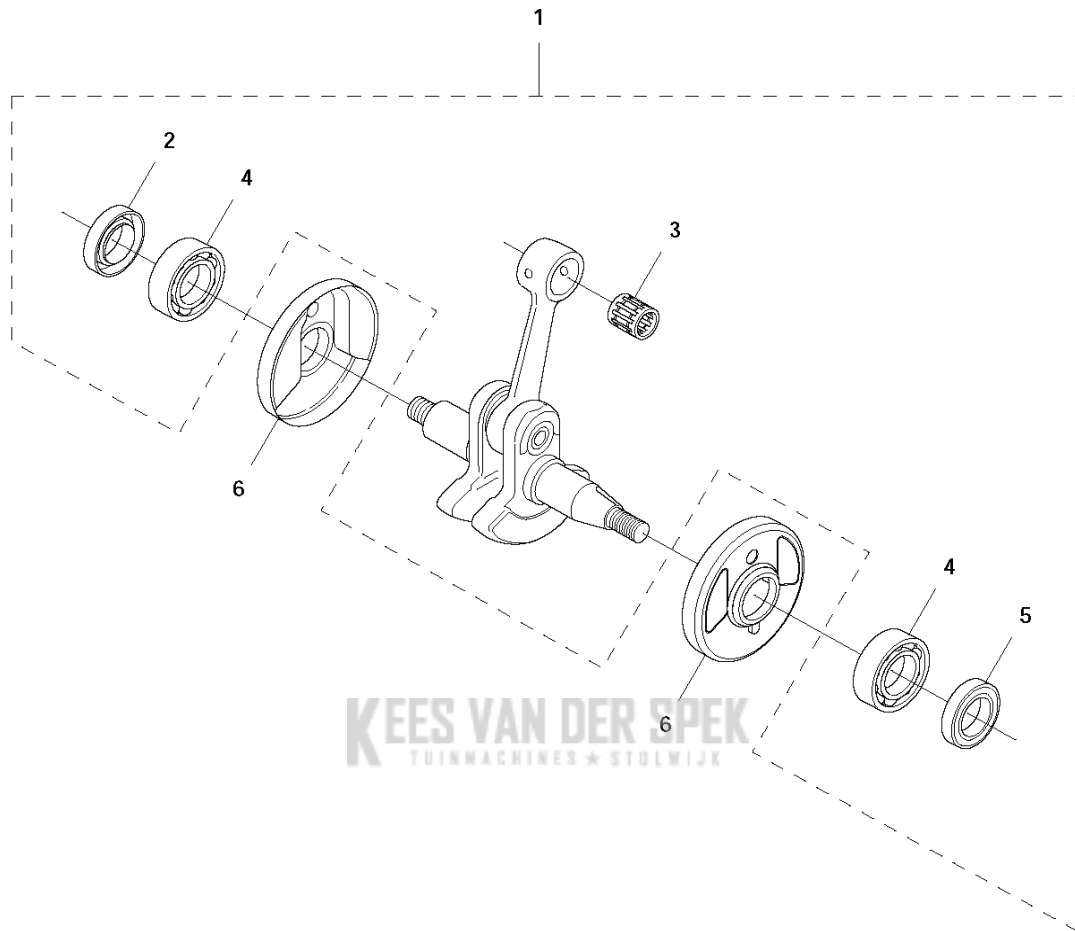


## BRUSHCUTTERS/CLEARING SAWS

| PXM_REF | PXM_PARTNO | DESCRIPTION        | PXM_REMARK                       | QTY. |
|---------|------------|--------------------|----------------------------------|------|
| 1       | 588676301  | CARTER COMPL.      |                                  | 1    |
| 2       | 577324901  | RADIAAL AFDICHTING |                                  | 1 1  |
| 3       | 720130710  | CILINDRISCHE PEN   | s/n up to - 20132699999          | 2 1  |
| 3       | 593806001  | GELEIDEHULS        | s/n from 20132700001 -           | 2 1  |
| 4       | 503250801  | LAGER              |                                  | 2 1  |
| 5       | 505275719  | SEALING RING       |                                  | 1 1  |
| 6       | 510241101  | PAKKING            | s/n up to - 20132699999          | 1 1  |
| 6       | 593777501  | PAKKING            | s/n from 20151601101 -           | 1 1  |
| 6       | 584469601  | PAKKING            | s/n 20132700001 -<br>20151601100 | 1 1  |
| 7       | 503200230  | SCHROEF IHSCFM     |                                  | 5 1  |
| 9       | 510179901  | KABELHOUDER        |                                  | 1    |
| 10      | 525858401  | KORTSLUITKABEL     |                                  | 1    |



**N** 545 FX, 545 FXT, 545 RX, 545 RXT, 345 FR  
CRANK SHAFT



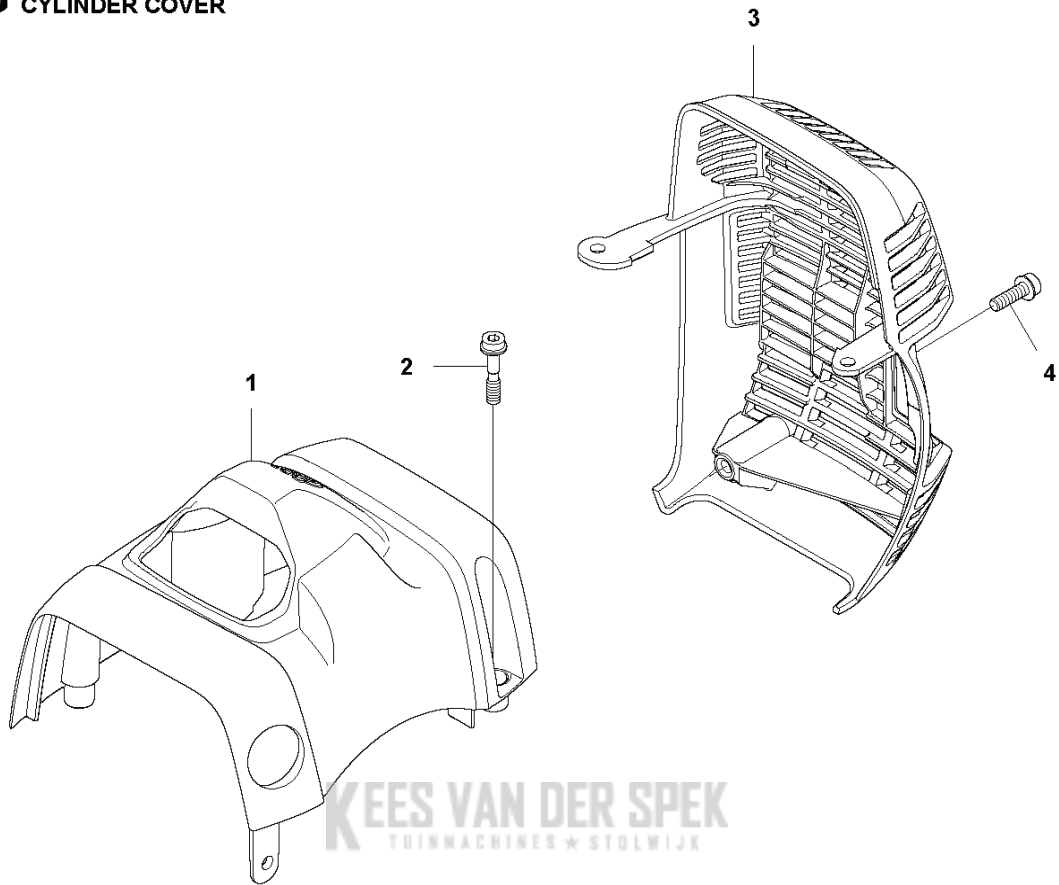
## BRUSHCUTTERS/CLEARING SAWS

---

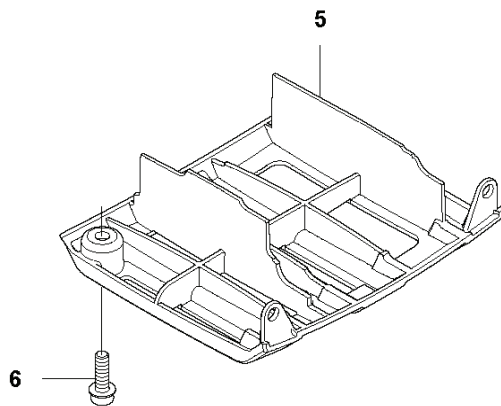
| PXM_REF | PXM_PARTNO | DESCRIPTION        | PXM_REMARK | QTY. |
|---------|------------|--------------------|------------|------|
| 1       | 577274801  | CRANKSHAFT KIT     |            | 1    |
| 2       | 577324901  | RADIAAL AFDICHTING |            | 1 1  |
| 3       | 503256301  | NAALDLAGER         |            | 1 1  |
| 4       | 503250801  | LAGER              |            | 2 1  |
| 5       | 505275719  | SEALING RING       |            | 1 1  |
| 6       | 537158501  | KOP                |            | 2    |

**KEES VAN DER SPEK**  
TUINMACHINES ★ STOLWIJK

**G** 545 FX, 545 FXT, 545 RX, 545 RXT, 345 FR  
CYLINDER COVER



KEES VAN DER SPEK  
TUINMACHINES \* STOLWIJK

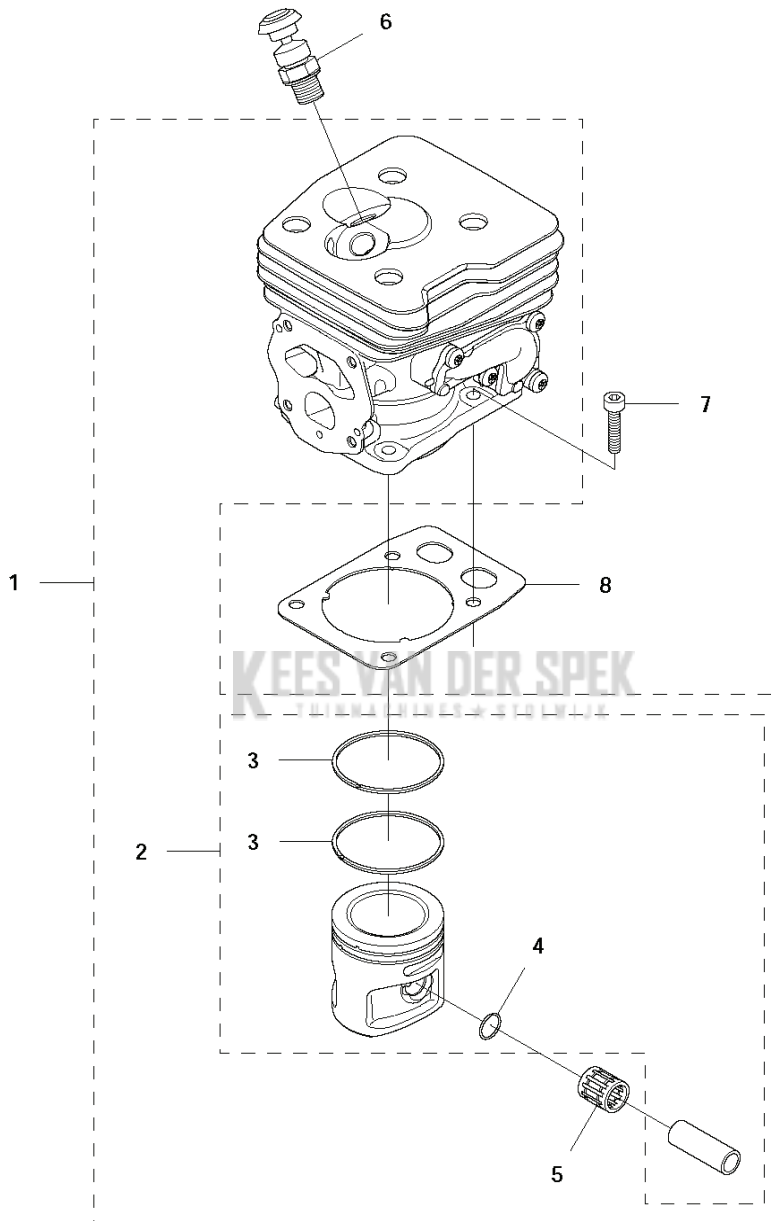


- 7 —
- 8 —
- 9 —
- 10 —
- 11 —

## BRUSHCUTTERS/CLEARING SAWS

| PXM_REF | PXM_PARTNO | DESCRIPTION      | PXM_REMARK    | QTY. |
|---------|------------|------------------|---------------|------|
| 1       | 510047501  | CILINDERDEKSEL   |               | 1    |
| 2       | 574477004  | SCHROEF IHSCFMO  | Captive Screw | 3    |
| 3       | 576920001  | HITTEBESCHERMING |               | 1    |
| 4       | 503200774  | SCHROEF IHSCFM   |               | 1    |
| 5       | 579330001  | BESCHERMDEKSEL   |               | 1    |
| 6       | 503200774  | SCHROEF IHSCFM   |               | 2    |
| 7       | 576998601  | PLAATJE          | FX            | 1    |
| 8       | 576998602  | PLAATJE          | FXT           | 1    |
| 9       | 576998603  | PLAATJE          | RXT           | 1    |
| 10      | 576998604  | PLAATJE          | RX            | 1    |
| 11      | 576998605  | PLAATJE          | FR            | 1    |

**M** 545 FX, 545 FXT, 545 RX, 545 RXT, 345 FR  
CYLINDER & PISTON

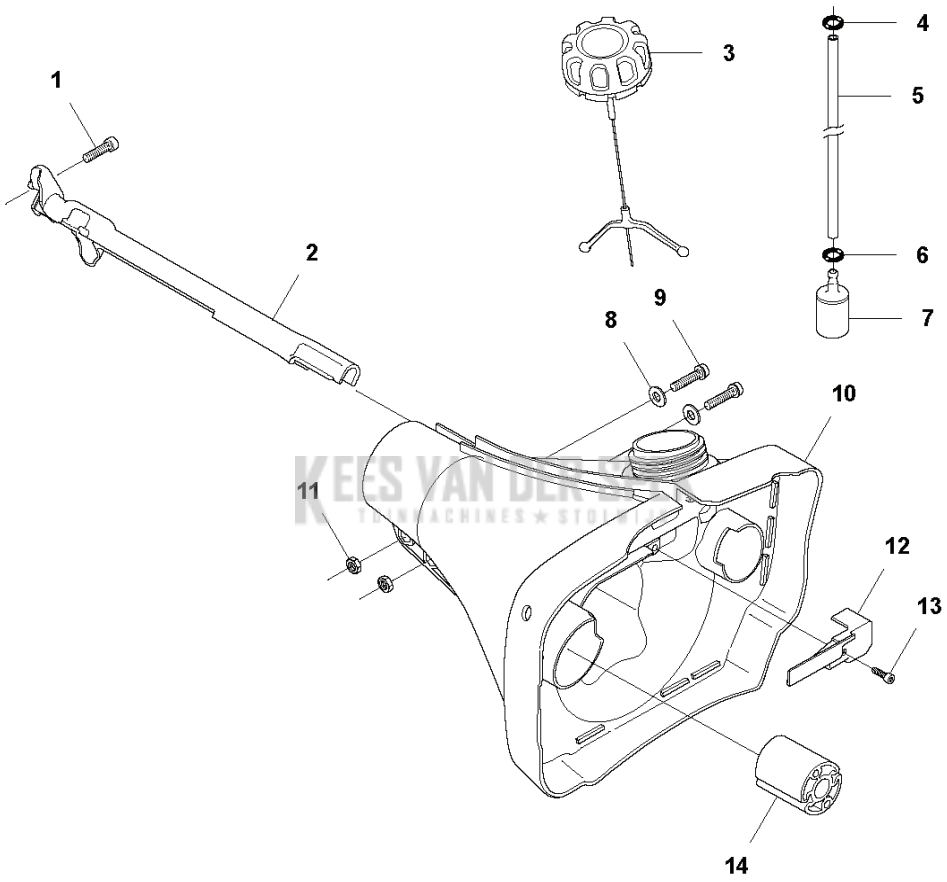


## BRUSHCUTTERS/CLEARING SAWS

| PXM_REF | PXM_PARTNO | DESCRIPTION      | PXM_REMARK                               | QTY. |     |
|---------|------------|------------------|--|------|-----|
| 1       | 577274901  | CYLINDER KIT     | s/n up to - 20122300180                  | 1    |     |
| 1       | 577274902  | CYLINDER KIT     | s/n from 20122300181 -                   | 1    |     |
| 2       | 576282702  | ZUIGER COMPL.    | s/n from 20163900236 -                   | 1    |     |
| 2       | 522626302  | ZUIGER COMPL.    | s/n up to - 20122300180                  | 1    | 1   |
| 2       | 576282704  | ZUIGER COMPL.    | s/n from 20122300181 up to - 20163900235 | 1    |     |
| 3       | 576283001  | ZUIGERVEER       | s/n from 20122300181 -                   | 2    |     |
| 3       | 522626501  | ZUIGERVEER       | s/n up to - 20122300180                  | 2    | 1,2 |
| 4       | 737441000  | BORGRING         |  | 2    | 1,2 |
| 5       | 503256301  | NAALDLAGER       |  | 1    | 1   |
| 6       | 544200001  | DECOMPRESSIEKLEP |  | 1    |     |
| 7       | 725533155  | SCHROEF IHSCM    |  | 4    |     |
| 8       | 587153401  | PAKKING          |  | 1    |     |

**KEES VAN DER SPEK**  
TUINMACHINES ★ STOLWIJK

# E2 545FXT FUEL TANK

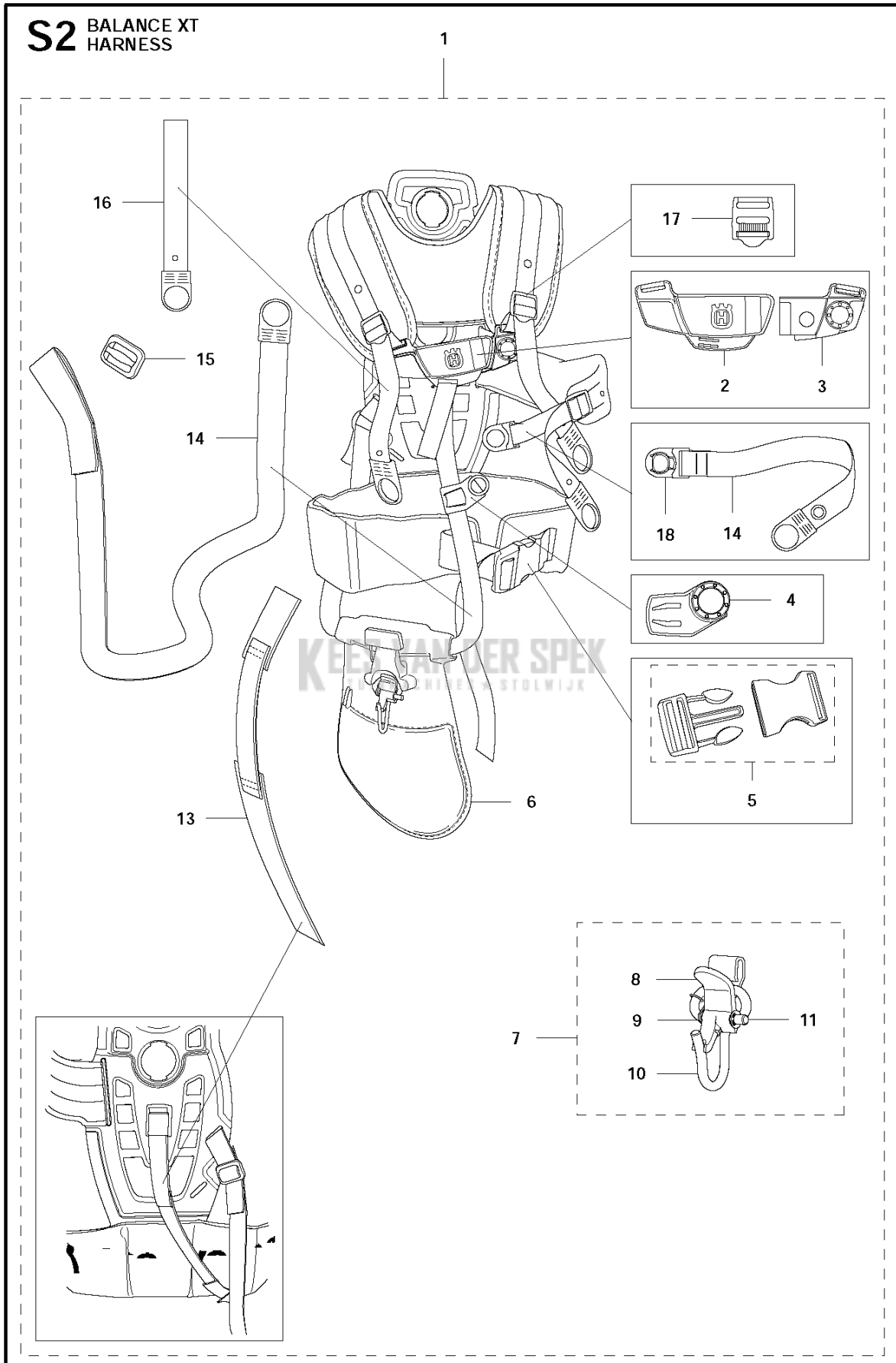


## BRUSHCUTTERS/CLEARING SAWS

| PXM_REF | PXM_PARTNO | DESCRIPTION            | PXM_REMARK             | QTY. |
|---------|------------|------------------------|------------------------|------|
| 1       | 503200216  | SCHROEF IHSCFM         |                        | 1    |
| 2       | 584148101  | BEKABELINGSBESCHERMING | from s/n 20152500060 - | 1    |
| 3       | 590324601  | TANKDEKSEL COMPL.      |                        | 1    |
| 4       | 537184901  | O-RING                 |                        | 1    |
| 5       | 581756116  | BRANDSTOFSLANG         |                        | 1    |
| 6       | 537184901  | O-RING                 |                        | 1    |
| 7       | 503443201  | BRANDSTOFFILTER        |                        | 1    |
| 8       | 503230011  | RING                   |                        | 2    |
| 9       | 503200316  | SCHROEF IHSCFM         |                        | 2    |
| 10      | 503949301  | BRANDSTOFTANK          |                        | 1    |
| 11      | 503221012  | ZESKANT MOER           |                        | 2    |
| 12      | 537219901  | SLANGBESCHERMING       |                        | 1    |
| 13      | 503217116  | SCHROEF IHSCFM         |                        | 1    |
| 14      | 510208701  | AV ELEMENT             |                        | 2    |



**S2** BALANCE XT  
HARNES

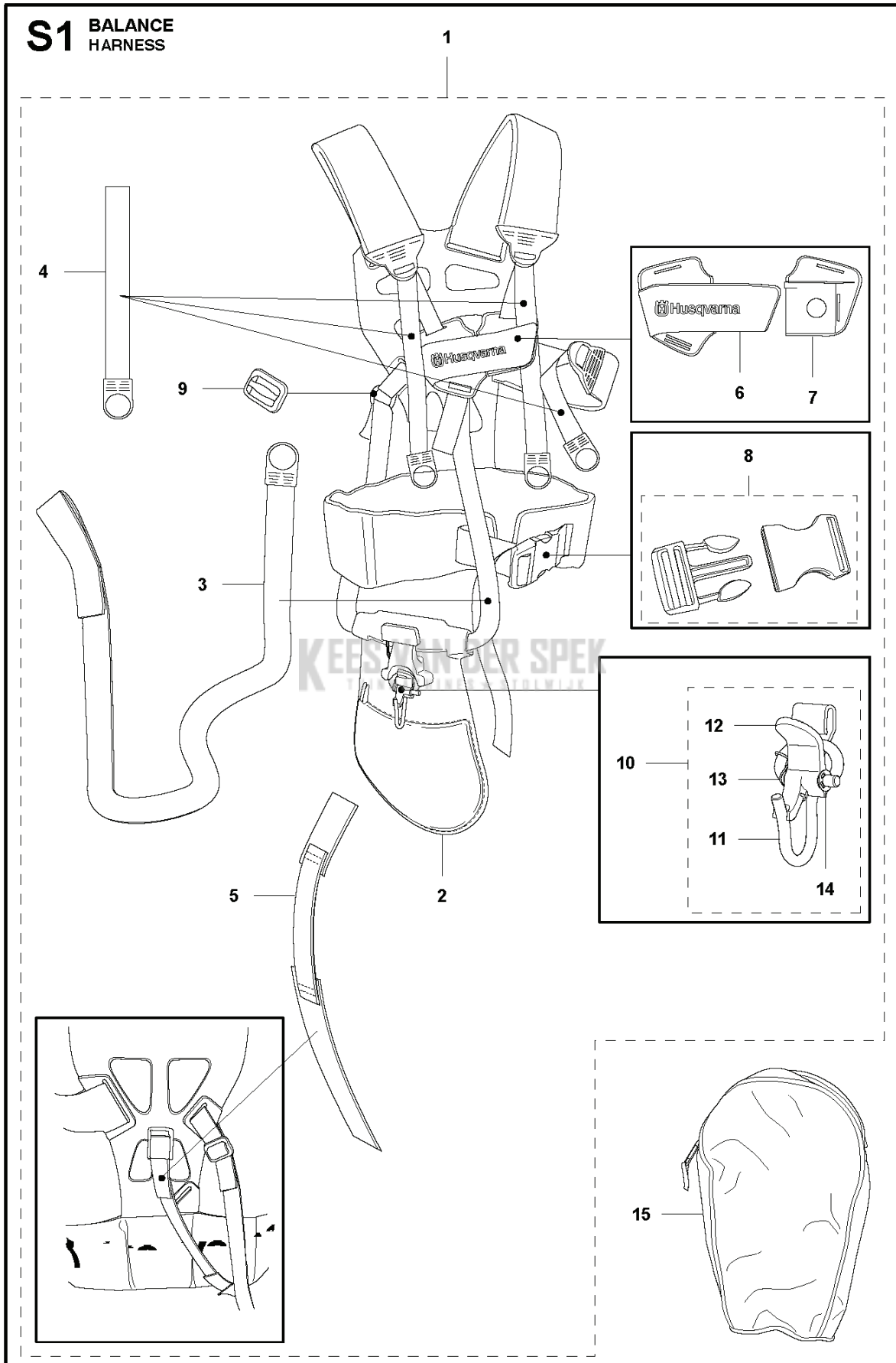


## BRUSHCUTTERS/CLEARING SAWS

| PXM_REF | PXM_PARTNO | DESCRIPTION  | PXM_REMARK | QTY.  |
|---------|------------|--------------|------------|-------|
| 1       | 505204201  | DRAAGSTEL    |            | 1     |
| 2       | 504545201  | GESP         | US         | 1 1   |
| 3       | 504545101  | GESP         |            | 3 1   |
| 4       | 504637501  | SNAPSLUITING |            | 1 1   |
| 5       | 537331501  | GESP         |            | 1 1   |
| 6       | 544901701  | HEUPKUSSEN   |            | 1 1   |
| 7       | 544960702  | OPHANGHAAK   |            | 1 1   |
| 8       | 502023002  | SLOT         |            | 1 1,7 |
| 9       | 586341001  | VEER         |            | 1 1,7 |
| 10      | 502022902  | HAAK         |            | 1 1,7 |
| 11      | 735310920  | E-CLIP       |            | 1 1,7 |
| 13      | 537153501  | SPANBAND     |            | 1 1   |
| 14      | 503996104  | BAND         |            | 1 1   |
| 15      | 537113501  | HOUDER       |            | 1 1   |
| 16      | 503996107  | BAND         |            | 1     |
| 17      | 505444601  | GESP         |            | 1     |
| 18      | 504637401  | SNAPSLUITING |            | 1     |

**KEES VAN DER SPEK**  
TUINMACHINES ★ STOLWIJK

**S1** BALANCE HARNESS

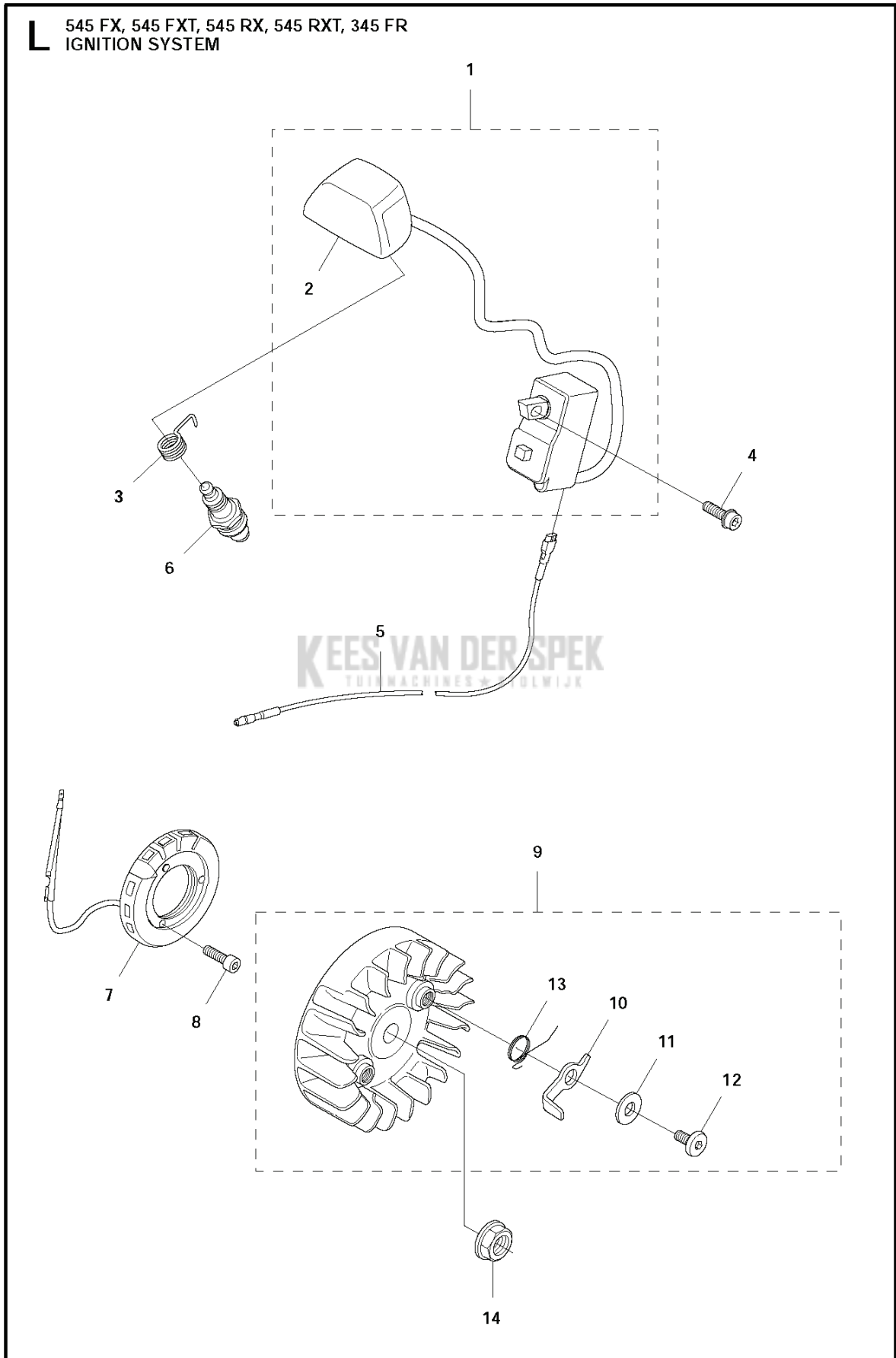


## BRUSHCUTTERS/CLEARING SAWS

| PXM_REF | PXM_PARTNO | DESCRIPTION | PXM_REMARK           | QTY.   |
|---------|------------|-------------|----------------------|--------|
| 1       | 504045201  | DRAAGSTEL   |                      | 1      |
| 1       | 505406201  | DRAAGSTEL   | US                   | 1 1    |
| 2       | 544901701  | HEUPKUSSEN  |                      | 1 1    |
| 3       | 503996103  | BAND        |                      | 1 1    |
| 4       | 503996101  | BAND        |                      | 3 1    |
| 5       | 537153501  | SPANBAND    |                      | 1 1    |
| 6       | 537288401  | GESP        |                      | 1 1    |
| 7       | 537288301  | GESP        |                      | 1 1    |
| 8       | 537331501  | GESP        |                      | 1 1    |
| 9       | 537113501  | HOUDER      |                      | 1 1    |
| 10      | 544960702  | OPHANGHAAK  |                      | 1 1    |
| 11      | 502022902  | HAAK        |                      | 1 1.10 |
| 12      | 502023002  | SLOT        |                      | 1 1.10 |
| 13      | 586341001  | VEER        |                      | 1 1.10 |
| 14      | 735310920  | E-CLIP      |                      | 1 1.10 |
| 15      | 537306601  | TAS         | Triobalance Tool bag | 1      |

**KEES VAN DER SPEK**  
TUINMACHINES ★ STOLWIJK

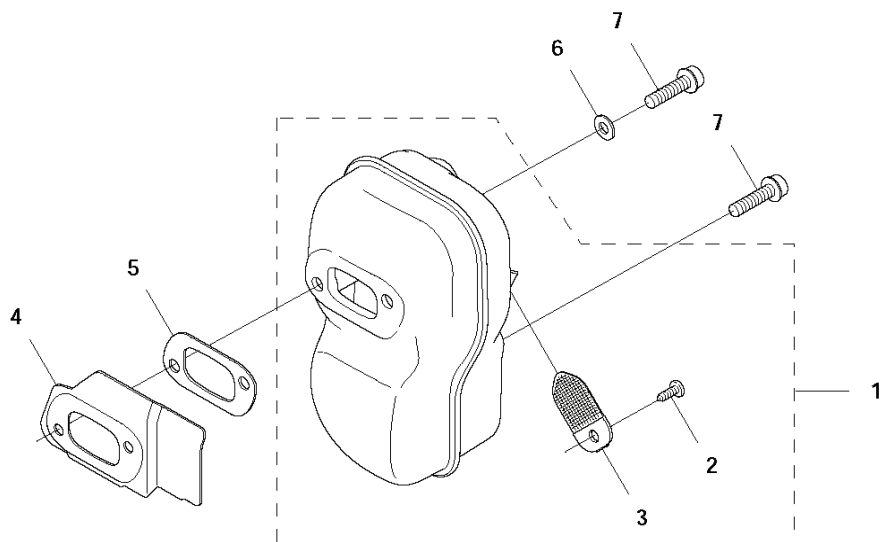
**L** 545 FX, 545 FXT, 545 RX, 545 RXT, 345 FR  
IGNITION SYSTEM



## BRUSHCUTTERS/CLEARING SAWS

| PXM_REF | PXM_PARTNO | DESCRIPTION        | PXM_REMARK   | QTY. |   |
|---------|------------|--------------------|--|------|---|
| 1       | 525850003  | ONTSTEKING MODULE  | FX. FXT. s/n from<br>20122300181 - to<br>20143400090 | 1    |   |
| 1       | 585073904  | ONTSTEKINGSSYSTEEM | FX. FXT. s/n from<br>20143400091 -                   | 1    |   |
| 1       | 525850002  | ONTSTEKING MODULE  | FX. FXT. s/n up to -<br>20122300180                  | 1    |   |
| 2       | 576889501  | BOUGIEDOP          |  | 1    | 1 |
| 3       | 537323801  | CONTACTVEER        |  | 1    |   |
| 4       | 503200774  | SCHROEF IHSCFM     |  | 2    |   |
| 5       | 525858401  | KORTSLUITKABEL     |  | 1    |   |
| 6       | 574519601  | BOUGIE             | NGK CMR6H  | 1    |   |
| 7       | 587059701  | STATOR COMPL.      | FXT  | 1    |   |
| 8       | 503216618  | SCHROEF IHSCF      |  | 2    |   |
| 9       | 503953303  | VLIEGWIEL          |  | 1    |   |
| 10      | 503812401  | STARTPAL           |  | 2    | 9 |
| 11      | 503230042  | RING               |  | 2    | 9 |
| 12      | 501819903  | SCREW              |  | 2    | 9 |
| 13      | 503812902  | VEER               |  | 2    | 9 |
| 14      | 503220401  | MOER               |  | 1    |   |

**H1** 545 FX, 545 FXT, 545 RX, 545 RXT, 345 FR  
MUFFLER, FF



**KEES VAN DER SPEK**  
TUINMACHINES ★ STOLWIJK

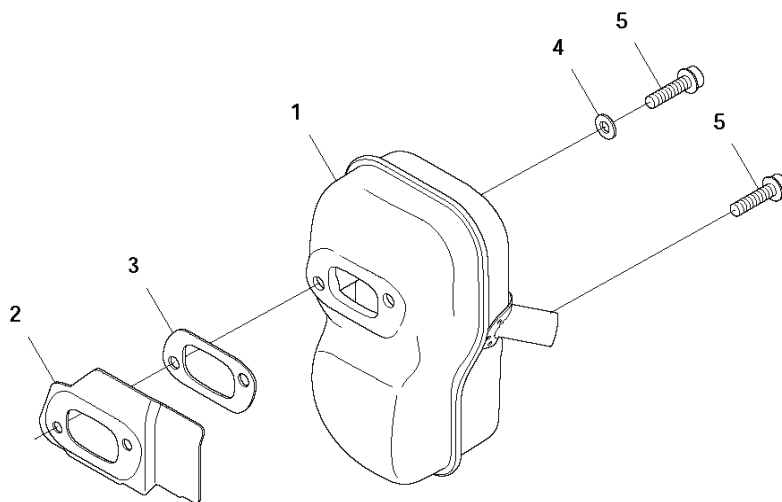
## BRUSHCUTTERS/CLEARING SAWS

---

| PXM_REF | PXM_PARTNO | DESCRIPTION        | PXM_REMARK | QTY. |
|---------|------------|--------------------|------------|------|
| 1       | 574381106  | GELUIDDEMPERSET    |            | 1    |
| 2       | 724128759  | SCHROEF CRPANM     |            | 1 1  |
| 3       | 522609501  | VONKENVANGER SHERM |            | 1 1  |
| 4       | 522938701  | WARMTEDEFLECTOR    |            | 1    |
| 5       | 522954401  | PAKKING            |            | 1    |
| 6       | 503230402  | RING               |            | 1    |
| 7       | 503200776  | SCHROEF IHSCFM     |            | 3    |



**H2** 545 FX, 545 FXT, 545 RX, 545 RXT, 345 FR  
MUFFLER, PIPE



**KEES VAN DER SPEK**  
TUINMACHINES ★ STOLWIJK

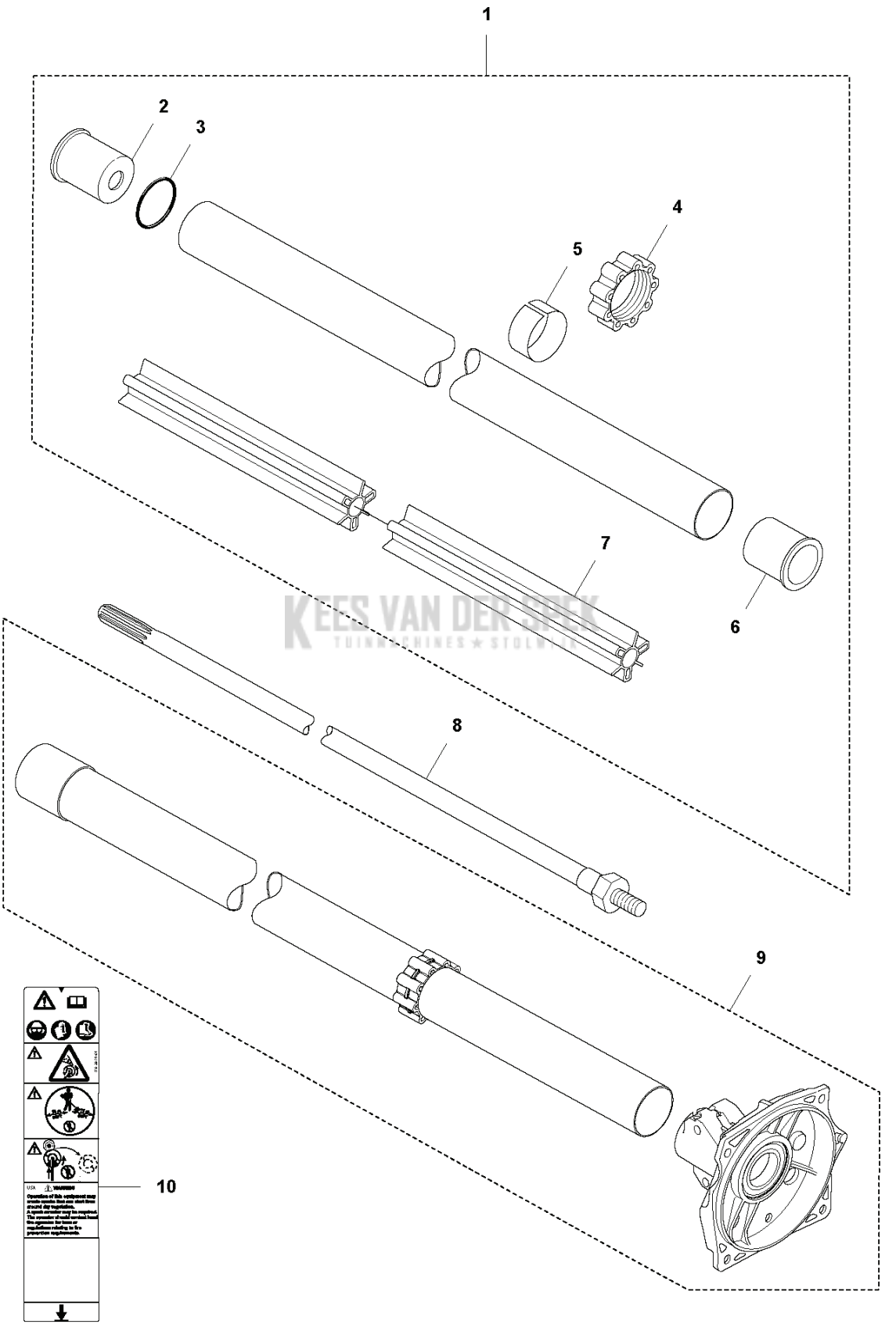
## BRUSHCUTTERS/CLEARING SAWS

---

| PXM_REF | PXM_PARTNO | DESCRIPTION     | PXM_REMARK | QTY. |
|---------|------------|-----------------|------------|------|
| 1       | 574381105  | GELUIDDEMPERSET |            | 1    |
| 2       | 522938701  | WARMTEDEFLECTOR |            | 1 1  |
| 3       | 522954401  | PAKKING         |            | 1 1  |
| 4       | 503230402  | RING            |            | 1    |
| 5       | 503200776  | SCHROEF IHSCFM  |            | 3    |

**KEES VAN DER SPEK**  
TUINMACHINES ★ STOLWIJK

**B** 545 FX, 545 FXT, 545 RX, 545 RXT, 345FR  
SHAFT

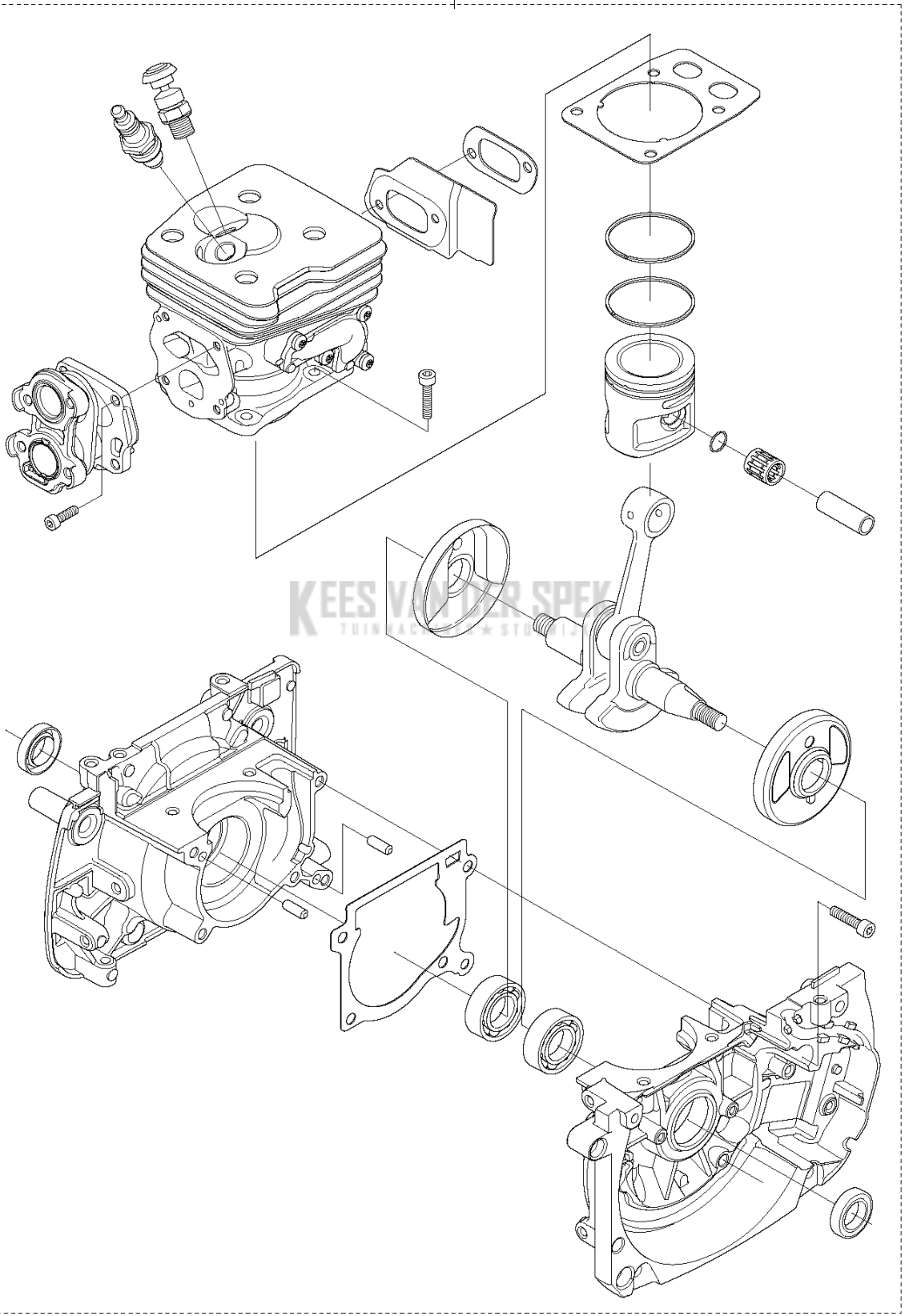


## BRUSHCUTTERS/CLEARING SAWS

| PXM_REF | PXM_PARTNO | DESCRIPTION          | PXM_REMARK   | QTY. |   |
|---------|------------|----------------------|--|------|---|
| 1       | 586262614  | TUBE ASSY            | from s/n 20194300361 - .<br>For older products use kit<br>5978421-03 | 1    |   |
| 2       | 544029401  | AFSTANDRING          | FR, FX, FXT  | 1    | 1 |
| 3       | 506110301  | O-RING               |  | 1    | 1 |
| 4       | 537309801  | AV ELEMENT           |  | 1    | 1 |
| 5       | 537309702  | TAPE                 |  | 1    | 1 |
| 6       | 544029401  | AFSTANDRING          | FR, FX, FXT  | 1    | 1 |
| 7       | 523018801  | LAGERAS              | FX, FXT, RX  | 1    | 1 |
| 8       | 503955401  | AANDRIJFAS           | FX, FXT  | 1    |   |
| 9       | 597842103  | KOPPELINGSKAP COMPL. | up to s/n - 20194300360.   | 1    |   |
| 10      | 589295101  | PLAATJE              |  | 1    |   |

**T** 545 FX, 545 FXT, 545 RX, 545 RXT, 345FR  
SHORT BLOCK

1



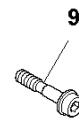
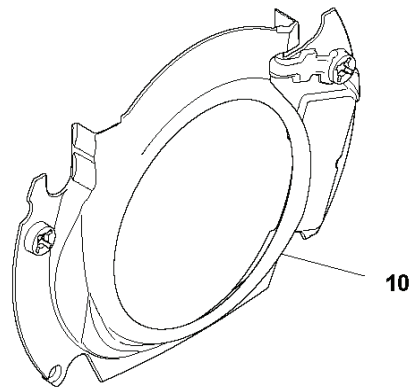
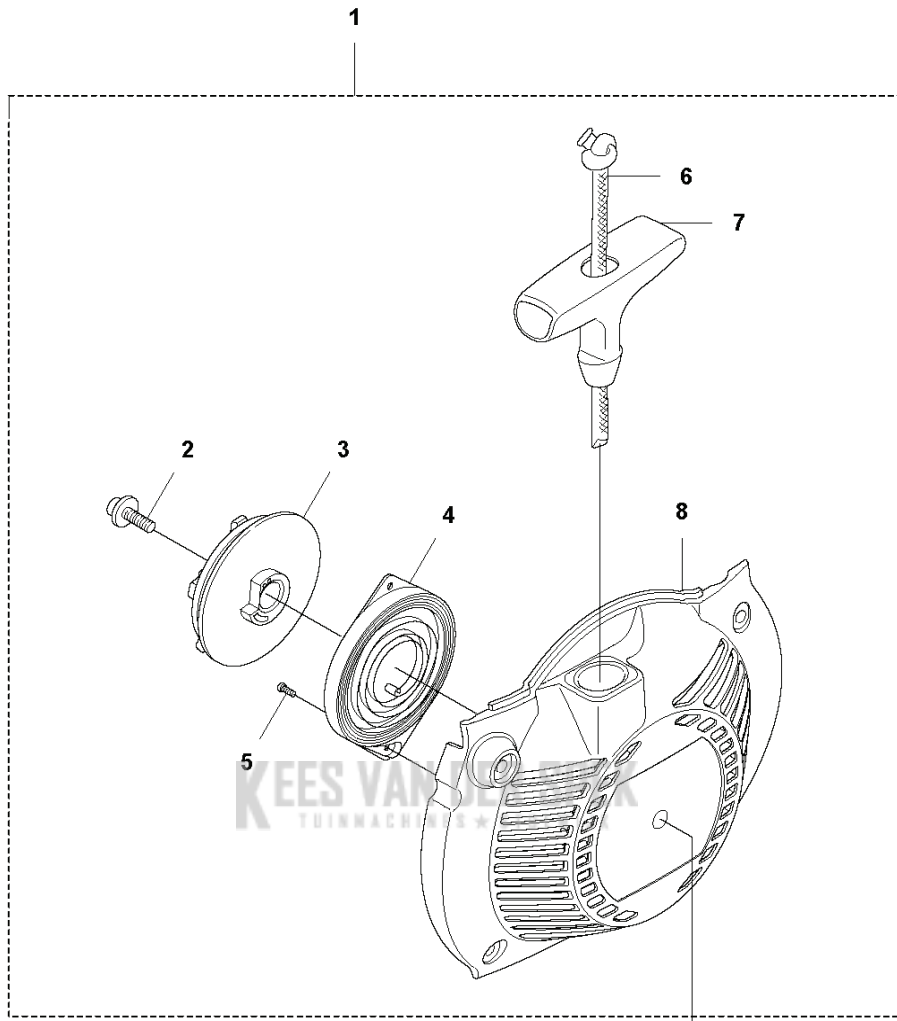
BRUSHCUTTERS/CLEARING SAWS

---

| PXM_REF | PXM_PARTNO | DESCRIPTION    | PXM_REMARK | QTY. |
|---------|------------|----------------|------------|------|
| 1       | 585451501  | CARTER SYSTEEM |            | 1    |

**KEES VAN DER SPEK**  
TUINMACHINES ★ STOLWIJK

**K** 545 FX, 545 FXT, 545 RX, 545 RXT, 345 FR  
STARTER

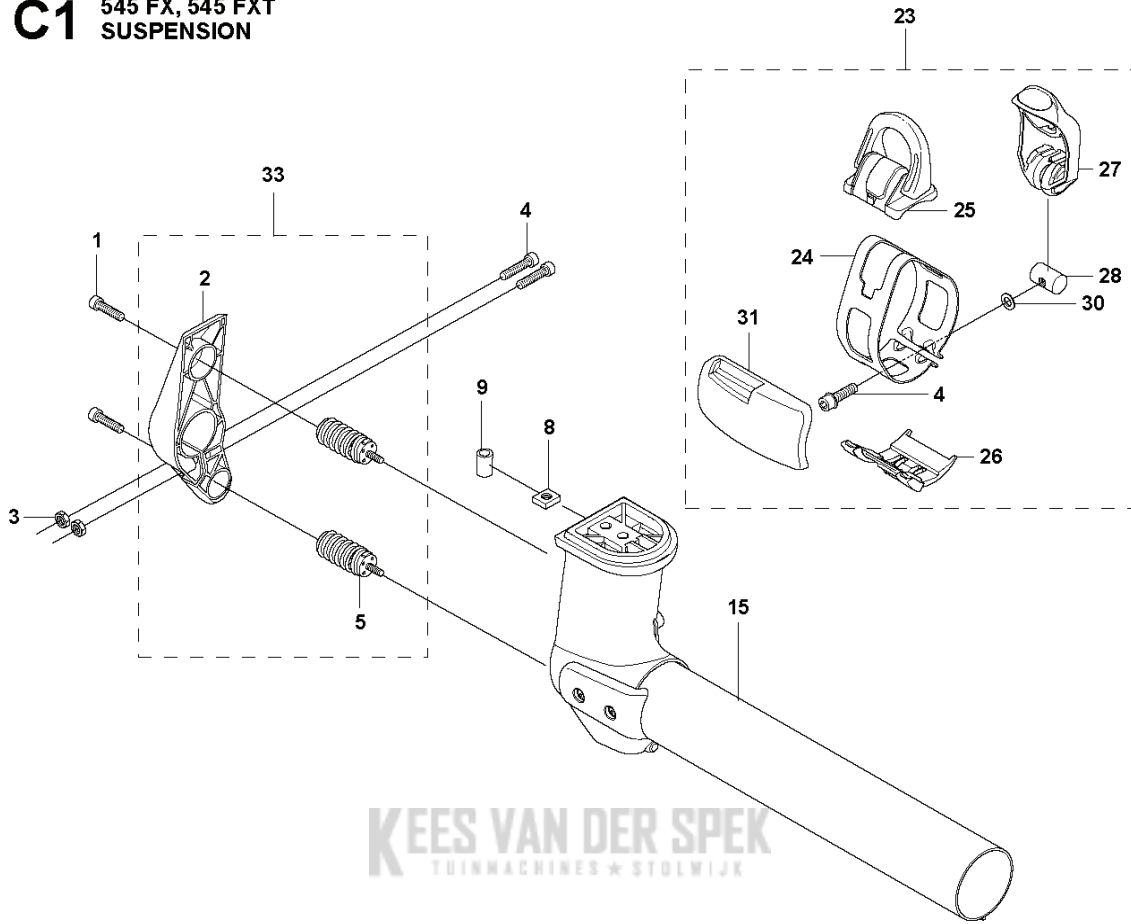


## BRUSHCUTTERS/CLEARING SAWS

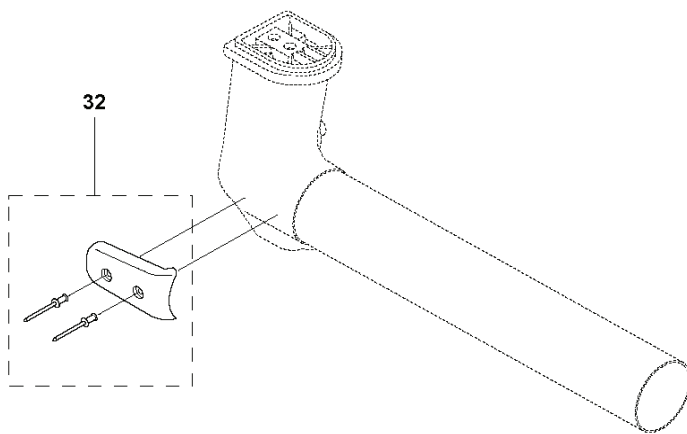
| PXM_REF | PXM_PARTNO | DESCRIPTION         | PXM_REMARK | QTY. |
|---------|------------|---------------------|------------|------|
| 1       | 573960801  | STARTER             |            | 1    |
| 2       | 503216916  | SCHROEF IHST        |            | 1 1  |
| 3       | 503957301  | KOORDSCHIJF         |            | 1 1  |
| 4       | 502200601  | VEERCASSETTE COMPL. |            | 1 1  |
| 5       | 503212910  | SCHROEF CCRPANT     |            | 2 1  |
| 6       | 505305125  | STARTKOORD          |            | 1 1  |
| 7       | 537232501  | STARTHANDVAT        |            | 1 1  |
| 8       | 502157701  | STARTER COMPL.      |            | 1 1  |
| 9       | 574477004  | SCHROEF IHSCFMO     |            | 4    |
| 10      | 510205001  | LUCHTLEIDING        |            | 1    |
| 11      | 576468102  | PLAATJE             |            | 1    |



**C1** 545 FX, 545 FXT  
SUSPENSION



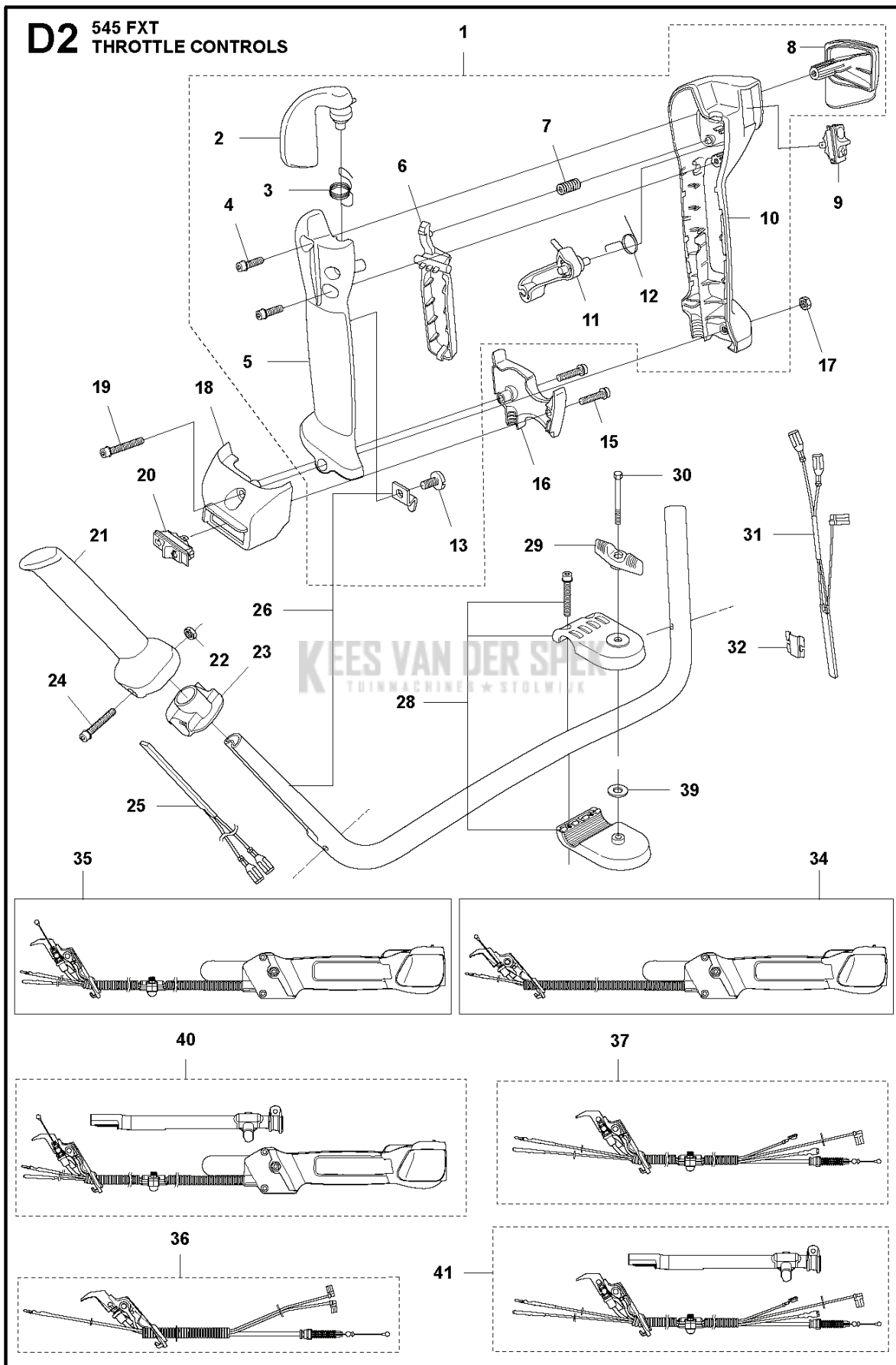
**KEES VAN DER SPEK**  
TUINMACHINES \* STOLWIJK



## BRUSHCUTTERS/CLEARING SAWS

| PXM_REF | PXM_PARTNO | DESCRIPTION     | PXM_REMARK  | QTY. |    |
|---------|------------|-----------------|---|------|----|
| 1       | 503200216  | SCHROEF IHSCFM  |   | 2    |    |
| 2       | 589015801  | HOUDER          | s/n before 174200147.<br>Holder kit 591 18 60-01<br>needs to be used. | 1    | 33 |
| 3       | 503221012  | ZESKANT MOER    |   | 2    |    |
| 4       | 503200225  | SCHROEF IHSCFM  |   | 2    |    |
| 5       | 537299701  | AV ELEMENT      | s/n up to - 174200146   | 2    |    |
| 5       | 588829901  | AV ELEMENT      | s/n from 174200147 -  | 2    | 33 |
| 8       | 502197101  | MOER 4-KANT     |   | 1    |    |
| 9       | 503857302  | DEKSEL          |   | 1    |    |
| 15      | 581978901  | OPHANGING       | F, Fx, FxT, FR, Magnesium   | 1    |    |
| 23      | 577375701  | LUS             |   | 1    |    |
| 24      | 537197901  | BAND            |   | 1    | 23 |
| 25      | 537201803  | LUS             |   | 1    | 23 |
| 26      | 577299301  | GELEIDERAIL     |   | 1    | 23 |
| 27      | 577208301  | HEFBOOM         |   | 1    | 23 |
| 28      | 537427301  | MOER            |   | 1    | 23 |
| 29      | 503200725  | SCHROEF IHSCFM  |   | 1    | 23 |
| 30      | 503230011  | RING            |   | 1    | 23 |
| 31      | 544250701  | SLUTBESCHERMING |   | 1    | 23 |
| 32      | 586202701  | SLUTBESCHERMING |   | 1    |    |
| 33      | 591186001  | HOLDER KIT      |   | 1    |    |

**KEES VAN DER SPEK**  
TUINMACHINES ★ STOLWIJK



## BRUSHCUTTERS/CLEARING SAWS

| PXM_REF | PXM_PARTNO | DESCRIPTION          | PXM_REMARK                             | QTY. |
|---------|------------|----------------------|--|------|
| 1       | 537197213  | GASHANDGREEP         | Thumb-operated throttle                | 1    |
| 2       | 537263401  | THROTTLE TRIGGER     |  | 1 1  |
| 3       | 537283701  | SPRING THROTTLE TRIG |  | 1 1  |
| 4       | 503217520  | SCHROEF IHSCFT       |  | 2 1  |
| 5       | 537155301  | HANDGREEPHELFT       |  | 1 1  |
| 6       | 537155601  | GASVERGREDELING      |  | 1 1  |
| 7       | 537199701  | VEER                 |  | 1 1  |
| 8       | 537182401  | DEKSEL               |  | 1 1  |
| 9       | 537419001  | SCHAKELAAR           |  | 1    |
| 10      | 537155201  | HANDGREEPHELFT       |  | 1 1  |
| 11      | 537263501  | GASHEFBOOM           |  | 1 1  |
| 12      | 537342701  | VEER                 |  | 1 1  |
| 13      | 503217010  | SCHROEF CCRPANT      |  | 1 1  |
| 15      | 503216674  | SCHROEF IHSCFT       | FXT                                    | 2    |
| 16      | 537201601  | HOUDER               | FXT                                    | 1    |
| 17      | 731231405  | ZESKANT MOER         |  | 1    |
| 18      | 537201501  | HOUDER               | FXT                                    | 1    |
| 19      | 503200235  | SCHROEF IHSCFM       |  | 1    |
| 19      | 503200245  | SCHROEF IHSCFM       | FXT                                    | 1    |
| 20      | 503718202  | SCHAKELAAR           | FXT                                    | 1    |
| 21      | 537172805  | HENDEL               |  | 1    |
| 22      | 731231405  | ZESKANT MOER         |  | 1    |
| 23      | 537172902  | BEVESTIGING          |  | 1    |
| 24      | 503200245  | SCHROEF IHSCFM       | FXT                                    | 1    |
| 25      | 537227201  | ELEMENT              | FXT                                    | 1    |
| 26      | 525882002  | STUUR                | FXT                                    | 1    |
| 28      | 595303601  | STUURHOUDER          | s/n from 20173300001 up to 20181100180 | 1    |
| 28      | 596283301  | STUURHOUDER          |  | 1    |
| 29      | 502203801  | KNOP                 |  | 1    |
| 30      | 725238381  | SCHROEF EHHM         |  | 1    |
| 31      | 537227101  | ELEMENT              | FXT                                    | 1    |
| 32      | 537265101  | BORGPLAAT            | FXT                                    | 2    |
| 34      | 577000301  | GASHANDGREEP COMPL.  | FX, Thumb-operated throttle            | 1    |
| 35      | 577000305  | GASHANDGREEP COMPL.  | FXT, from s/n 20152500060 -            | 1    |
| 36      | 525437501  | BEKABELING COMPL.    | FX                                     | 1    |
| 37      | 581927902  | BEKABELING COMPL.    | FXT, from s/n 20152500060 -            | 1    |
| 39      | 502282101  | RING                 |  | 1    |
| 40      | 588585701  | GASHANDGREEP COMPL.  | FXT, up to s/n - 20152500059           | 1    |
| 41      | 588585901  | BEKABELING COMPL.    | FXT, up to s/n - 20152500059           | 1    |

KIES VAN DER SPEK  
CHINESE \* STOLWIJK