

SPARE PARTS CATALOGUE
BRUSHCUTTERS/CLEARING SAWS: HUSQVARNA 545RX

KEES VAN DER SPEK
TUINMACHINES ★ STOLWIJK

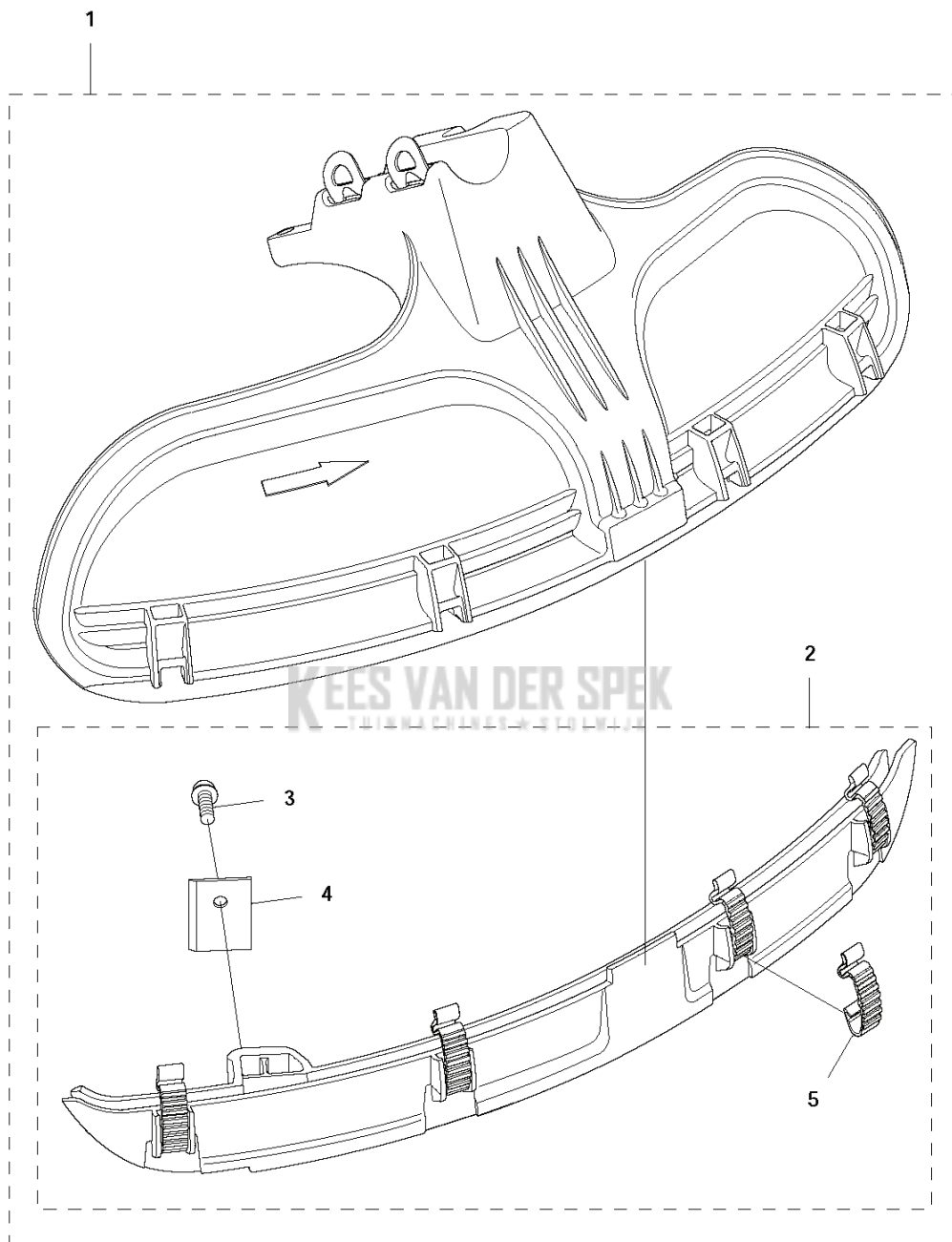
Spare Parts List

SPARE PARTS LIST

BRUSHCUTTERS/CLEARING SAWS

HUSQVARNA 545RX

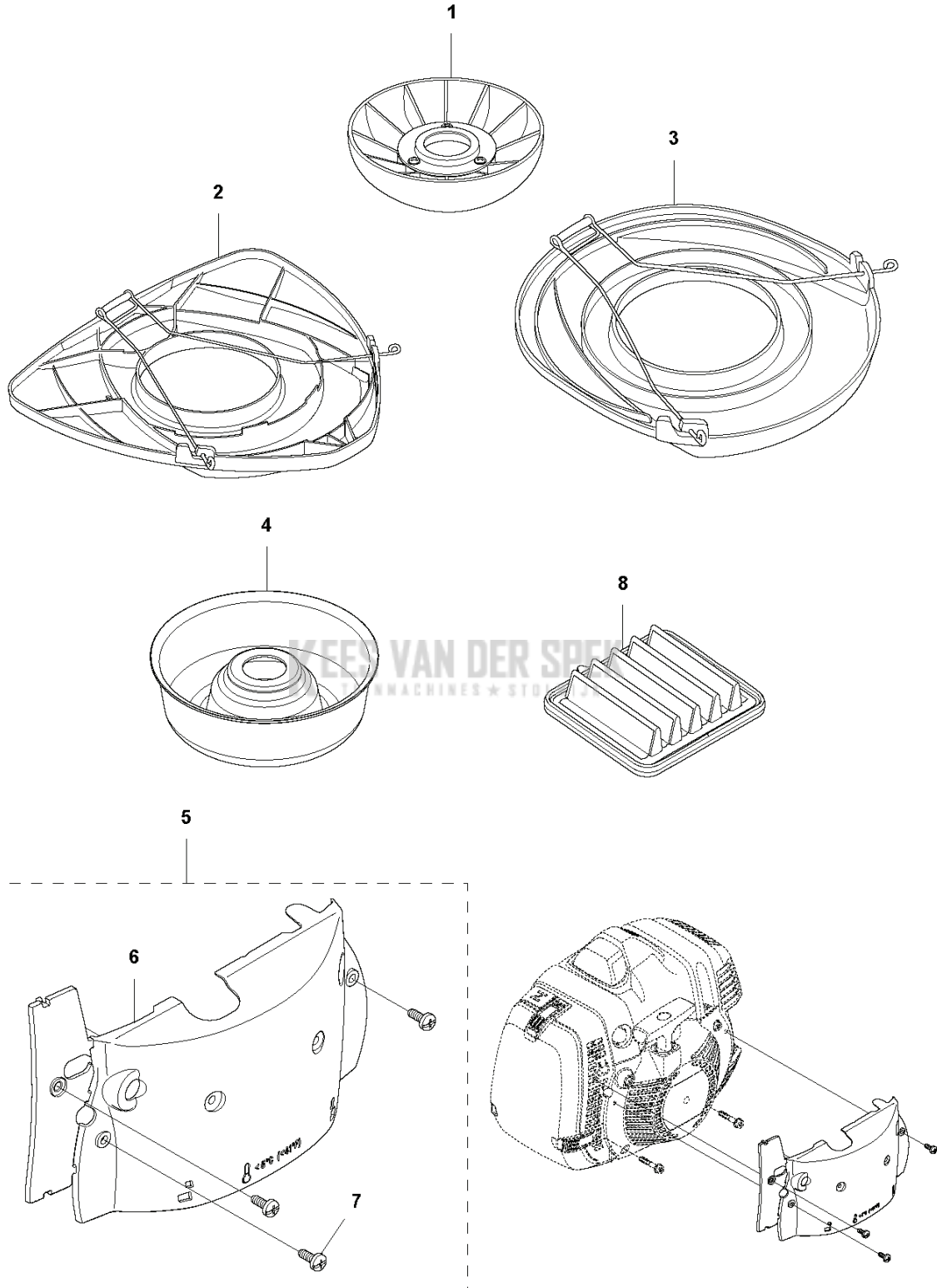
R3 545 RX, 545 RXT, 345 FR
ACCESSORIES



BRUSHCUTTERS/CLEARING SAWS

PXM_REF	PXM_PARTNO	DESCRIPTION	PXM_REMARK	QTY.
1	544464301	COMBIBESCHERMKAP		1
2	544464401	COMBIBESCHERMKAP		1 1
3	503217572	SCHROEF IHSCFT		1 1.2
4	503798802	MES		1 1.2
5	537387201	SNAPSLUITING		1 1.2

R4 545 F, 545 FX, 545 FXT, 545 RX, 545 RXT, 545 FR, 345 FR
ACCESSORIES

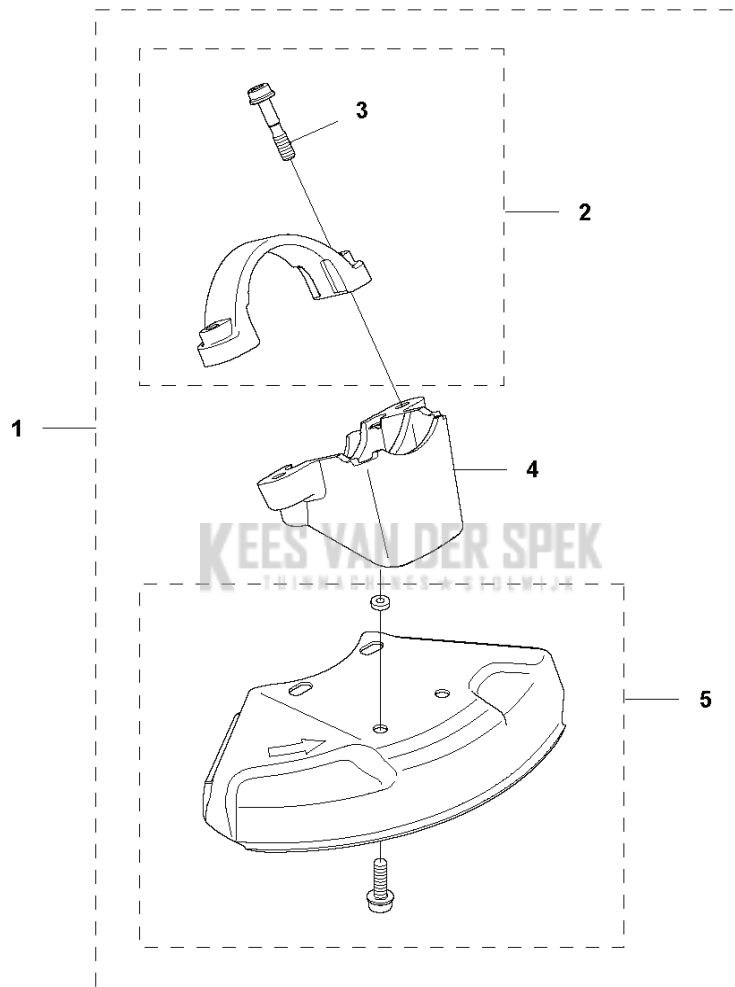


BRUSHCUTTERS/CLEARING SAWS

PXM_REF	PXM_PARTNO	DESCRIPTION	PXM_REMARK	QTY.
1	502157002	DRAAISCHOTEL		1
2	544359101	TRANSPORTBESCHERMING		1
3	537312901	TRANSPORTBESCHERMING		1
4	544380201	DRAAISCHOTEL		1
5	577043901	WINTER KIT		1
6	522550901	WINTERKAP		1 4
7	503217010	SCHROEF CCRPANT		3 4
8	537410804	FILTER	Nylon 25µ, Winter	1

KEES VAN DER SPEK
TUINMACHINES ★ STOLWIJK

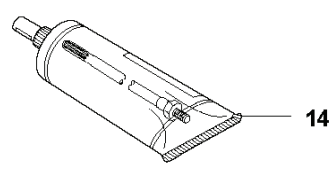
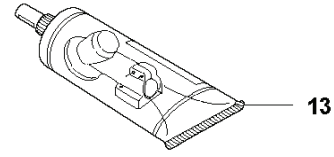
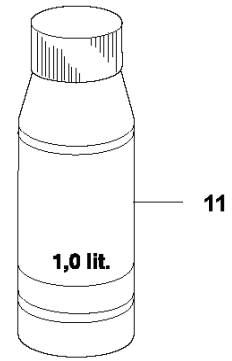
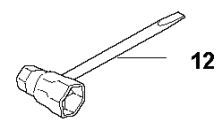
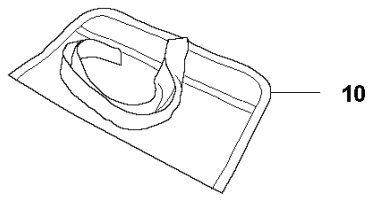
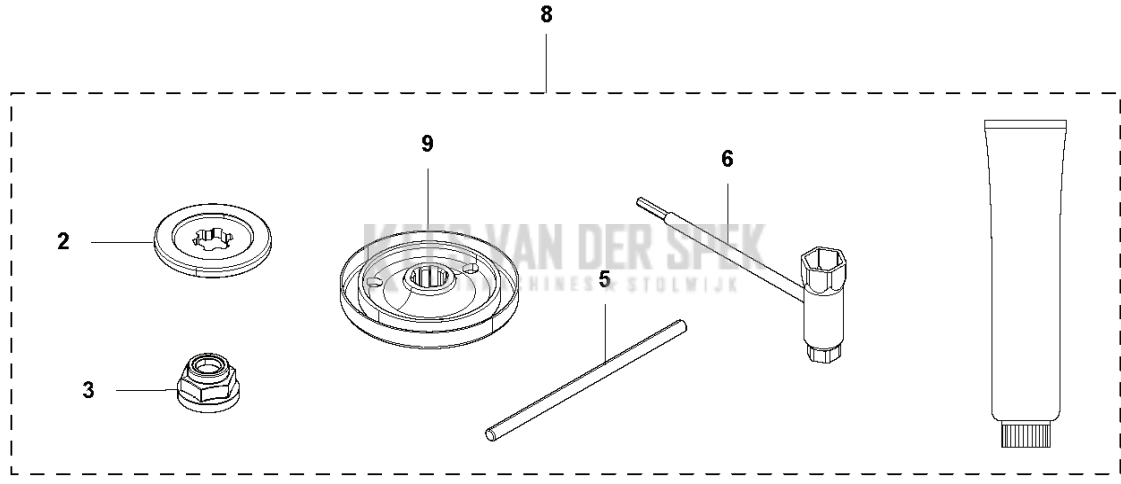
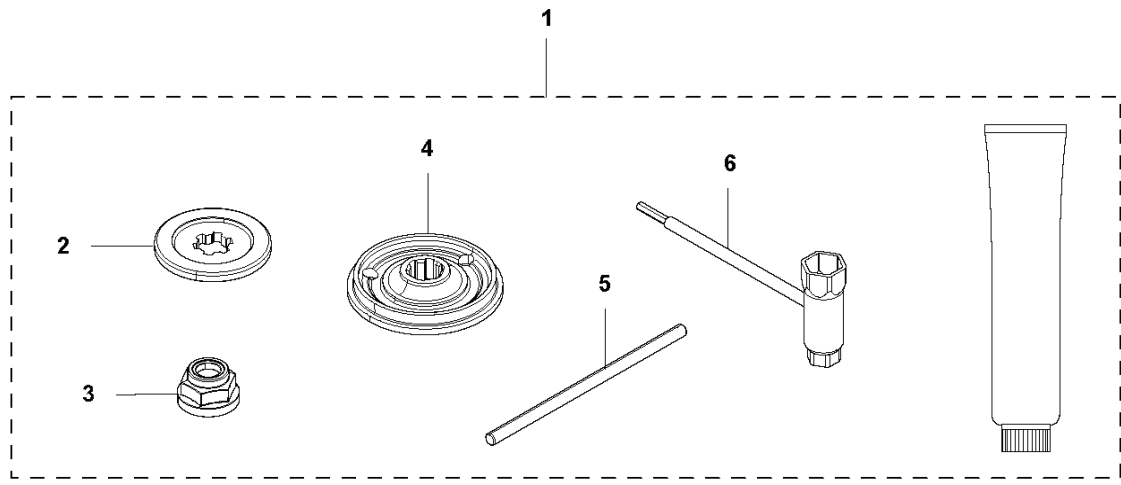
R12 545 RXT
ACCESSORIES



BRUSHCUTTERS/CLEARING SAWS

PXM_REF	PXM_PARTNO	DESCRIPTION	PXM_REMARK	QTY.	
1	537310902	SAW BLADE GUARD		1	
2	574555401	KLEM	Spare part with Captive Screw	1	1
3	573994304	SCHROEF IHSCFMO	Captive Screw	2	1,2
4	504003301	ADAPTER		1	1
5	574532601	ZAAGBLADBESCHERMING		1	

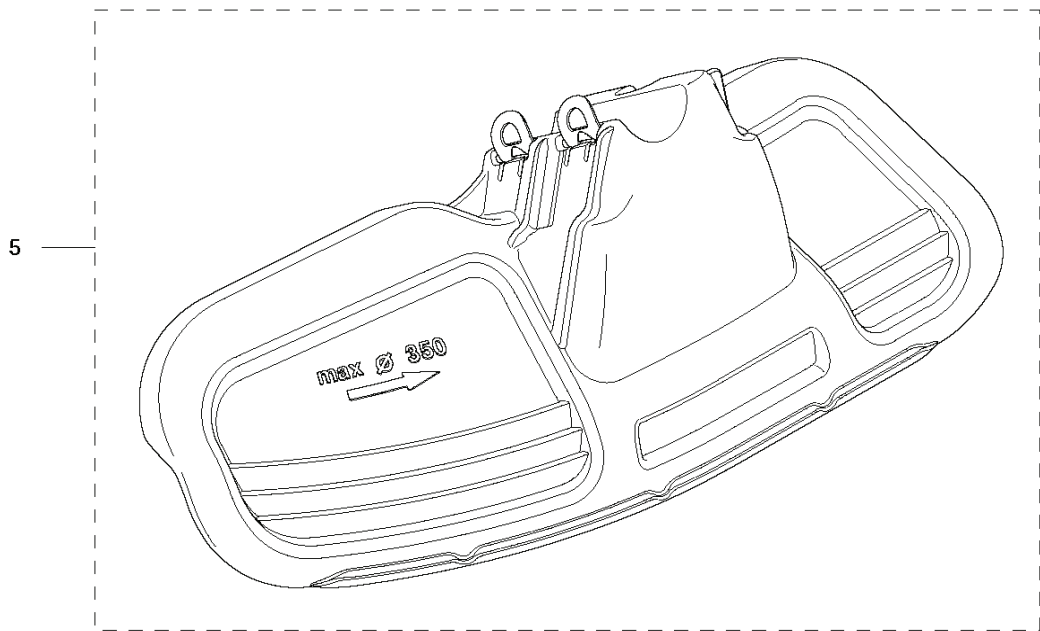
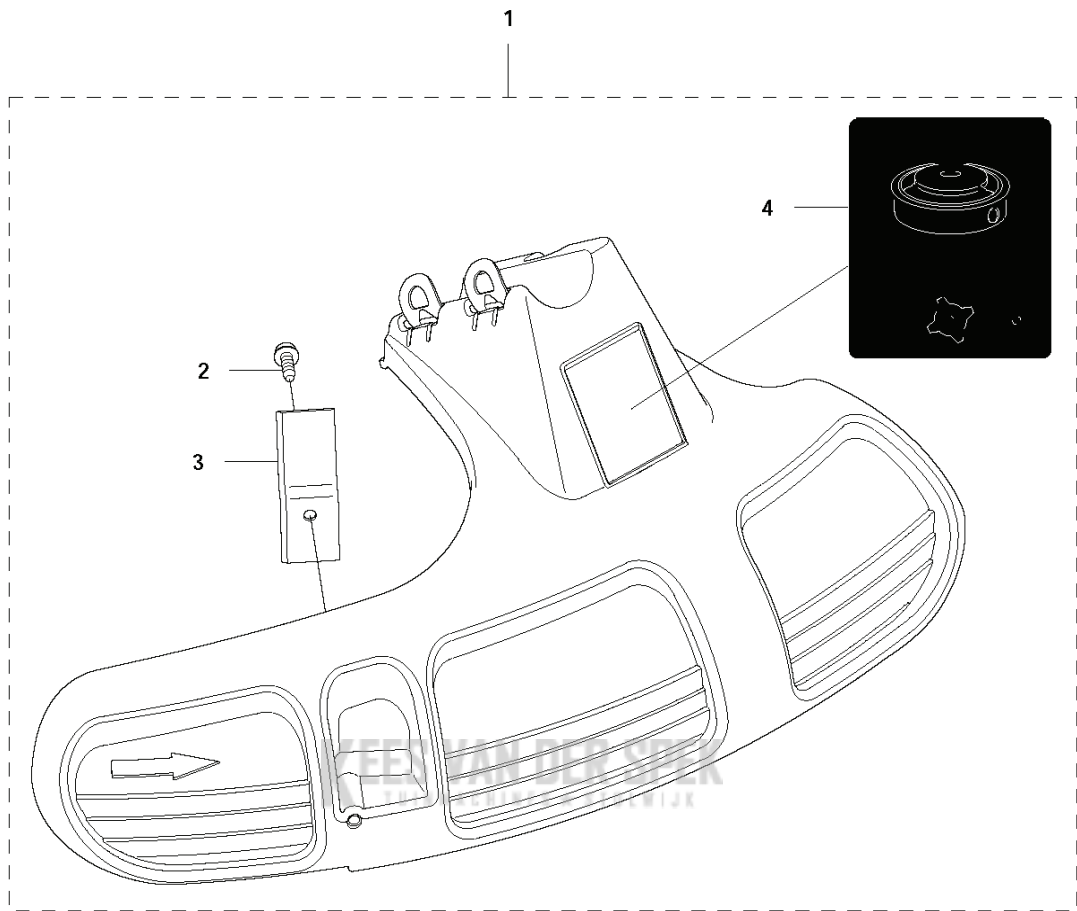
R1 545 FX, 545 FXT, 545 RX, 545 RXT, 345 FR
ACCESSORIES



BRUSHCUTTERS/CLEARING SAWS

PXM_REF	PXM_PARTNO	DESCRIPTION	PXM_REMARK	QTY.
1	502216024	ACCESSOIRE TAS	545FX 545FXT	1
2	537343502	FLENSSTEUN		1 1.8
3	502291101	MOER ZAAGBLAD		1 1.8
4	544197801	MEENEMER		1 1
5	502285901	STOP		1 1.8
6	537362102	COMBINATIESLEUTEL		1 1.8
8	502216027	ACCESSOIRE TAS	545RX, 545RXT, 345FR	1
9	537351402	MEENEMER		1 8
10	501192201	GEREEDSCHAP		1
11	531009248	FILTER OLIE		1
12	501691702	COMBINATIESLEUTEL		1
13	503976401	VET		1
14	503801701	VET		1

R2 545 RX, 545 RXT, 345 FR
ACCESSORIES

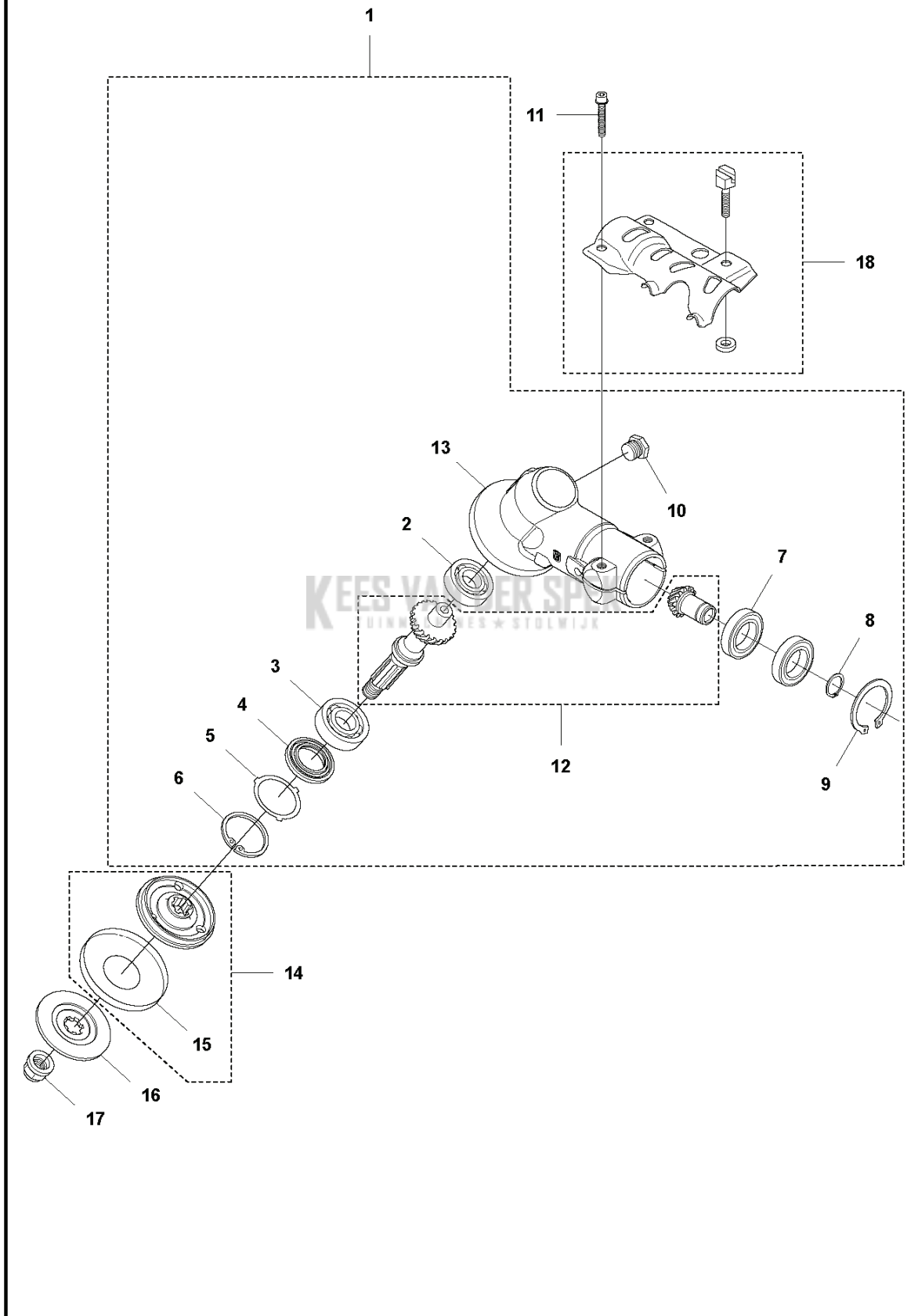


BRUSHCUTTERS/CLEARING SAWS

PXM_REF	PXM_PARTNO	DESCRIPTION	PXM_REMARK	QTY.
1	503954301	TRIMMER BESCHERMER		1
2	503210716	SCHROEF IHSCT		1 1
3	503798802	MES		1 1
4	503742901	STICKER		1 1
5	537288501	ZAAGBLADBESCHERMING		1

KEES VAN DER SPEK
TUINMACHINES ★ STOLWIJK

A1 545 RX, 545 RXT, 345 FR
BEVEL GEAR

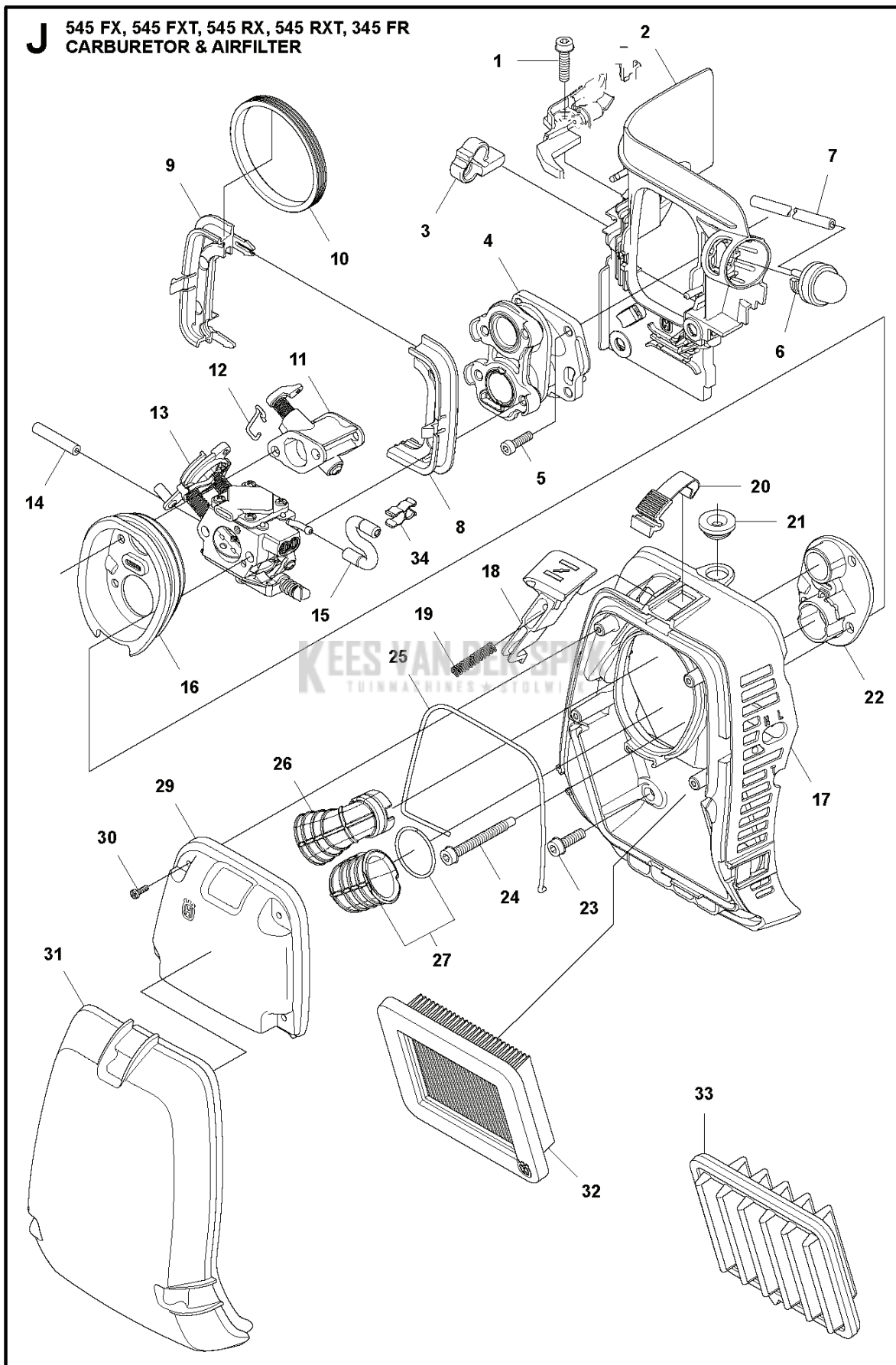


BRUSHCUTTERS/CLEARING SAWS

PXM_REF	PXM_PARTNO	DESCRIPTION	PXM_REMARK	QTY.
1	502235201	VERSNELLING COMPL.		1
2	738210110	KOGELLAGER		1 1
3	503250801	LAGER		1 1
4	503261701	AFDICHTING		1 1
5	503758901	AFDEKRING		1 1
6	735313310	BORGCLIP		1 1
7	738218712	KOGELLAGER		2 1
8	735311700	BORGCLIP		1 1
9	735313110	BORGCLIP		1 1
10	503201501	SCREW		1 1
11	503200225	SCHROEF IHSCFM		2
12	537290701	VERSNELLING		1 1
13	502235101	VERSNELLINGSBAK HUIS		1 1
14	537351402	MEENEMER		1
15	537292401	KOP		1 14
16	537343502	FLENSSTEUN		1
17	502291101	MOER ZAAGBLAD		1
18	583972401	AANBOUW PLAAT		1

KEES VAN DER SPEK
TUINMACHINES ★ STOLWIJK

J 545 FX, 545 FXT, 545 RX, 545 RXT, 345 FR
CARBURETOR & AIRFILTER

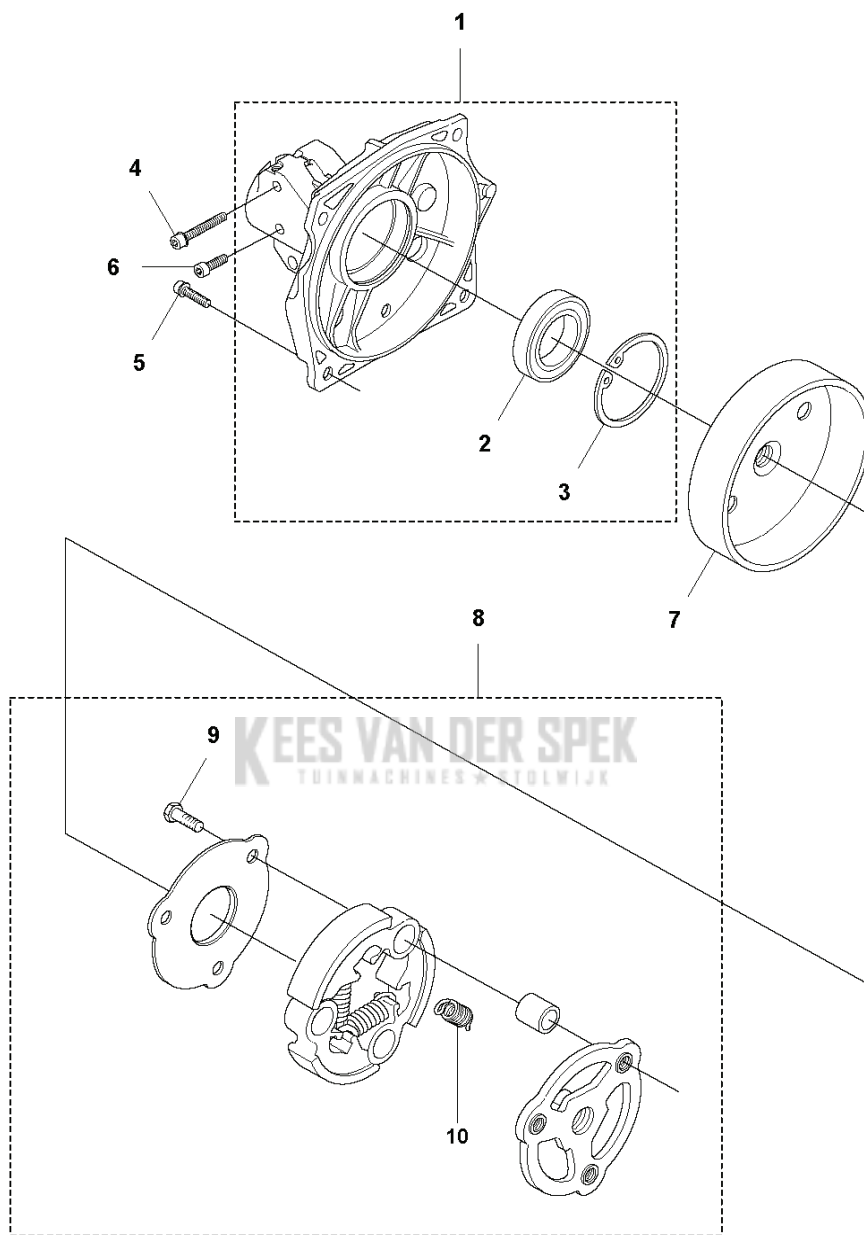


BRUSHCUTTERS/CLEARING SAWS

PXM_REF	PXM_PARTNO	DESCRIPTION	PXM_REMARK	QTY.
1	503200776	SCHROEF IHSCFM		1
2	525289201	ISOLATIE WAND		1
3	575239501	DOORVOER		1
4	574440301	INLAATPIJP		1
5	503202516	SCHROEF IHSCM		4
6	503936601	PURGE		1
7	537042407	BRANDSTOFSLANG		1
8	576122701	FRAME		1
9	576123701	FRAME		1
10	576223701	SEALING RING		1
11	574297901	HUIS		1
12	522543301	SCHAKEL		1
13	580803901	CARBURATEUR		1
14	581756143	BRANDSTOFSLANG		1
15	523056801	BRANDSTOFSLANG		1
16	574851201	AFDICHTING		1
17	523044801	FILTERHOUDER COMPL.		1
18	522449901	CHOKEHENDEL		1
19	524853001	VEER		1
20	503740102	SNAPSLUITING		3
21	537016501	STEUN		1
22	574851301	DEKPLAAT		1
23	503200774	SCHROEF IHSCFM		2
24	537316001	SCHROEF IHSCFM		4
25	503263204	O-RING		1
26	586946901	INLAATPIJP		1
27	594028001	INLAATPIJP COMPL.		1
29	575268401	DEKSEL		1
30	503212910	SCHROEF CCRPANT		4
31	510189701	FILTERDEKSEL		1
32	574668003	FILTER	Paper	1
33	537410804	FILTER	Nylon 25µ. Winter	1
34	580451701	KLEM		1

KEES VAN DER SPEK
TUINMACHINES ★ STOLWIJK

F 545 FX, 545 FXT, 545 RX, 545 RXT, 345 FR
CLUTCH

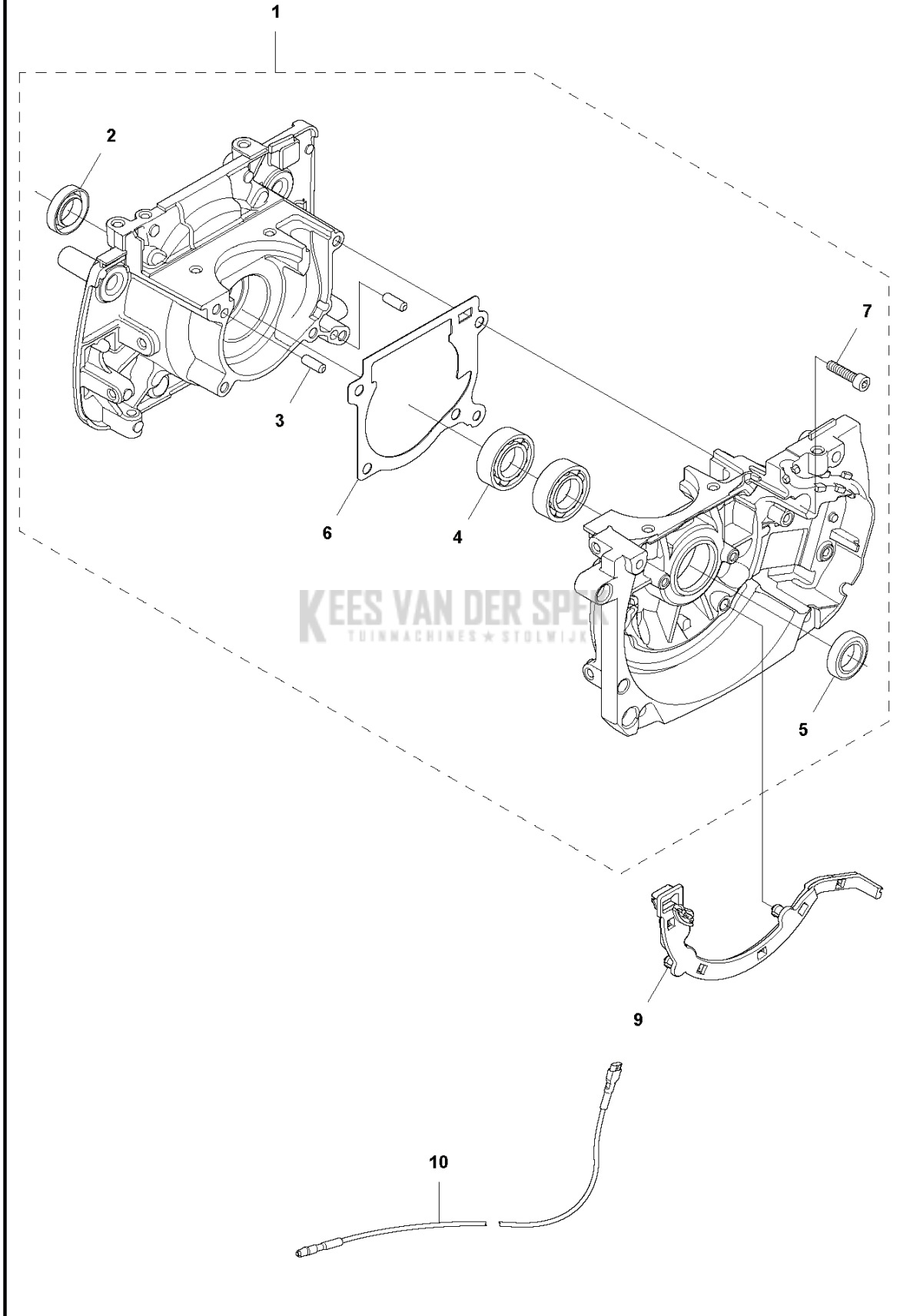


BRUSHCUTTERS/CLEARING SAWS

PXM_REF	PXM_PARTNO	DESCRIPTION	PXM_REMARK	QTY.	
1	503954105	KOPPELINGSKAP	from s/n 20194300361 - . For older products use kit 5978421-01	1	
2	738220219	KOGELLAGER		1	1
3	735313310	BORGCLIP		1	1
4	503200230	SCHROEF IHSCFM		2	
5	503200220	SCHROEF IHSCFM		4	
6	503200770	SCHROEF IHSCFM	from s/n 20194300361 -	1	
6	503202001	SCHROEF IHSCM	up to s/n - 20194300360.	1	
7	544900701	KOPPELINGSTROMMEL COMPL.		1	
8	594512301	KOPPELING COMPL.		1	
9	503201802	SCHROEF EHHM		3	8
10	505435302	KOPPELINGSVEER		3	8

KEES VAN DER SPEK
TUINMACHINES ★ STOLWIJK

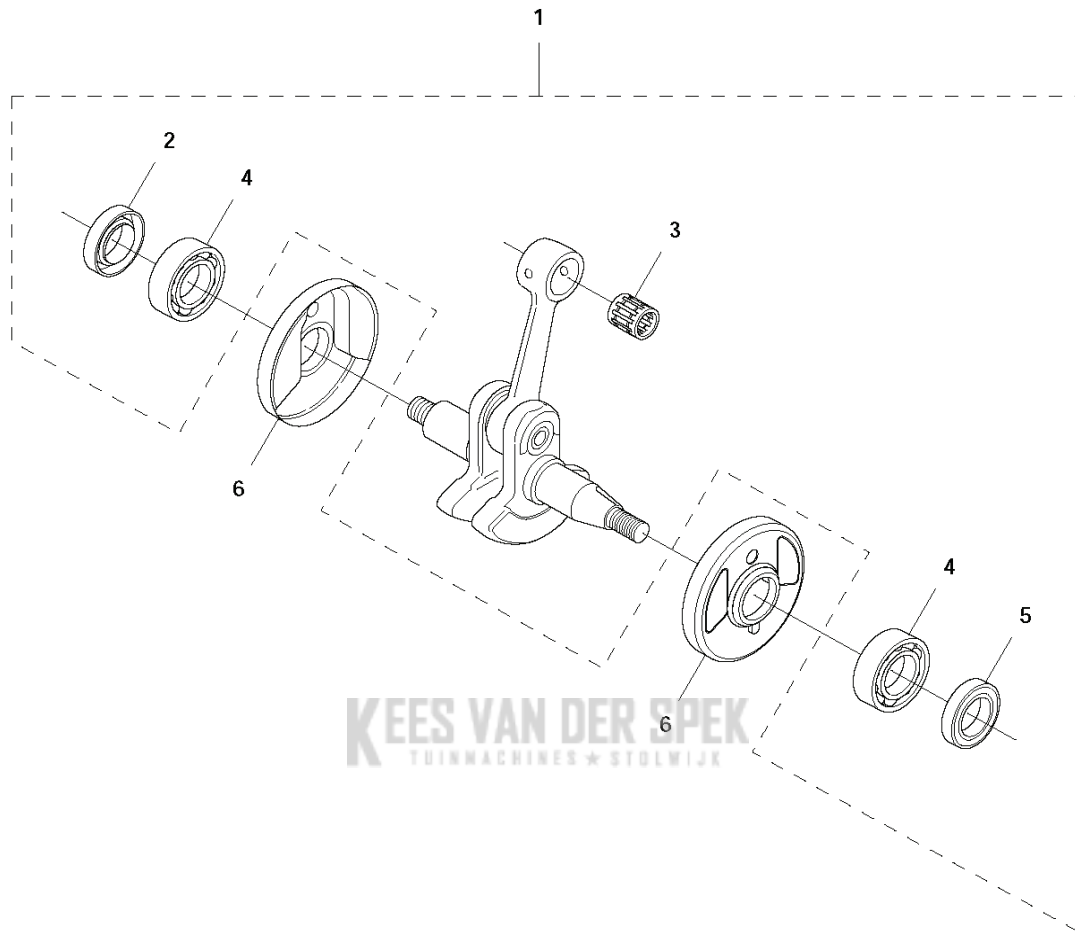
P2 545 RX, 545 RXT, 345 FR
CRANKCASE



BRUSHCUTTERS/CLEARING SAWS

PXM_REF	PXM_PARTNO	DESCRIPTION	PXM_REMARK	QTY.
1	588676301	CARTER COMPL.		1
2	577324901	RADIAAL AFDICHTING		1 1
3	593806001	GELEIDEHULS	s/n from 20132700001 -	2 1
3	720130710	CILINDRISCHE PEN	s/n up to - 20132699999	2 1
4	503250801	LAGER		2 1
5	505275719	SEALING RING		1 1
6	593777501	PAKKING	s/n from 20151601101 -	1 1
6	584469601	PAKKING	s/n 20132700001 - 20151601100	1 1
6	510241101	PAKKING	s/n up to - 20132699999	1 1
7	503200230	SCHROEF IHSCFM		5 1
9	510179901	KABELHOUDER		1
10	525858401	KORTSLUITKABEL		1

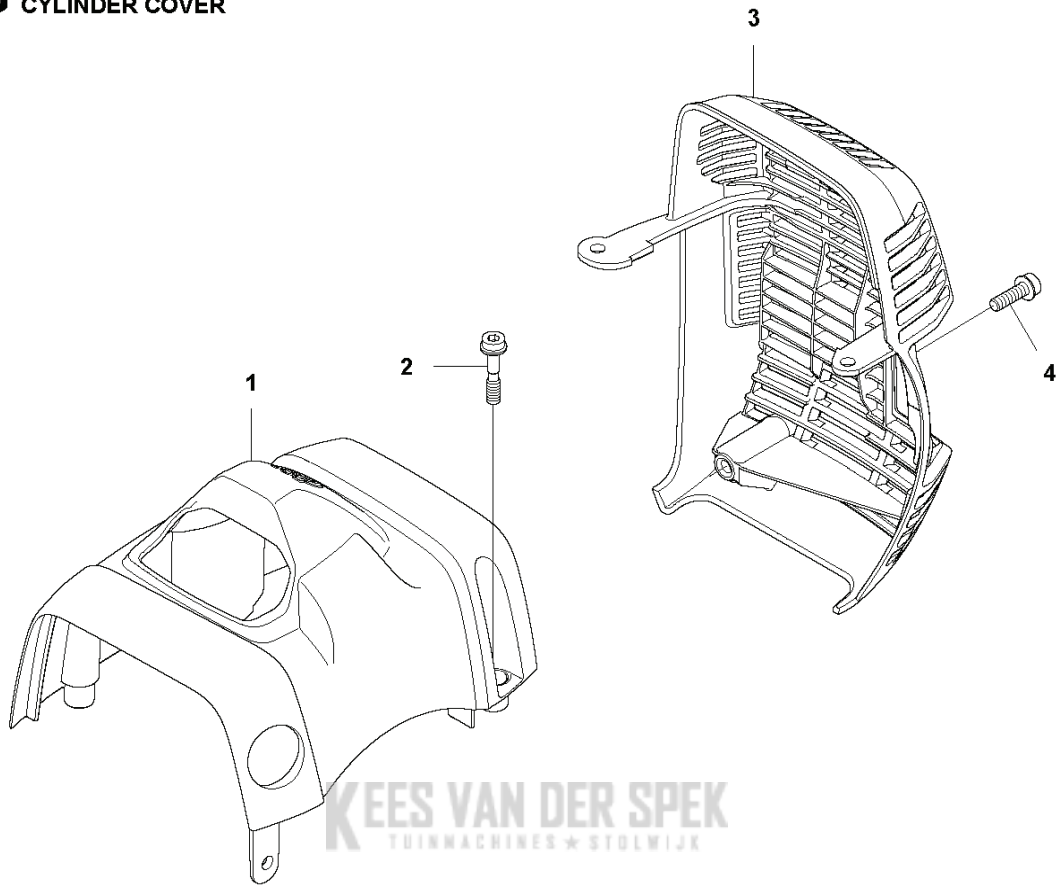
N 545 FX, 545 FXT, 545 RX, 545 RXT, 345 FR
CRANK SHAFT



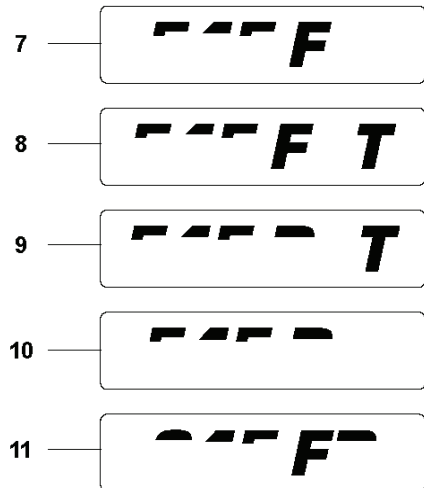
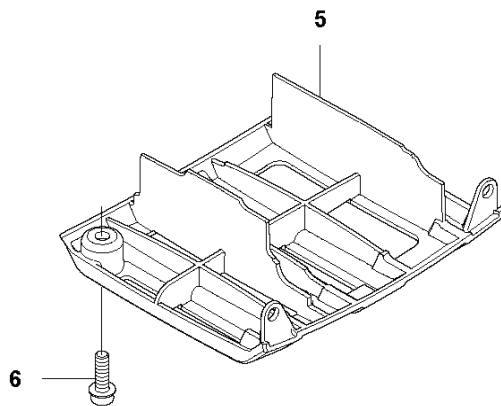
BRUSHCUTTERS/CLEARING SAWS

PXM_REF	PXM_PARTNO	DESCRIPTION	PXM_REMARK	QTY.
1	577274801	CRANKSHAFT KIT		1
2	577324901	RADIAAL AFDICHTING		1 1
3	503256301	NAALDLAGER		1 1
4	503250801	LAGER		2 1
5	505275719	SEALING RING		1 1
6	537158501	KOP		2

G 545 FX, 545 FXT, 545 RX, 545 RXT, 345 FR
CYLINDER COVER



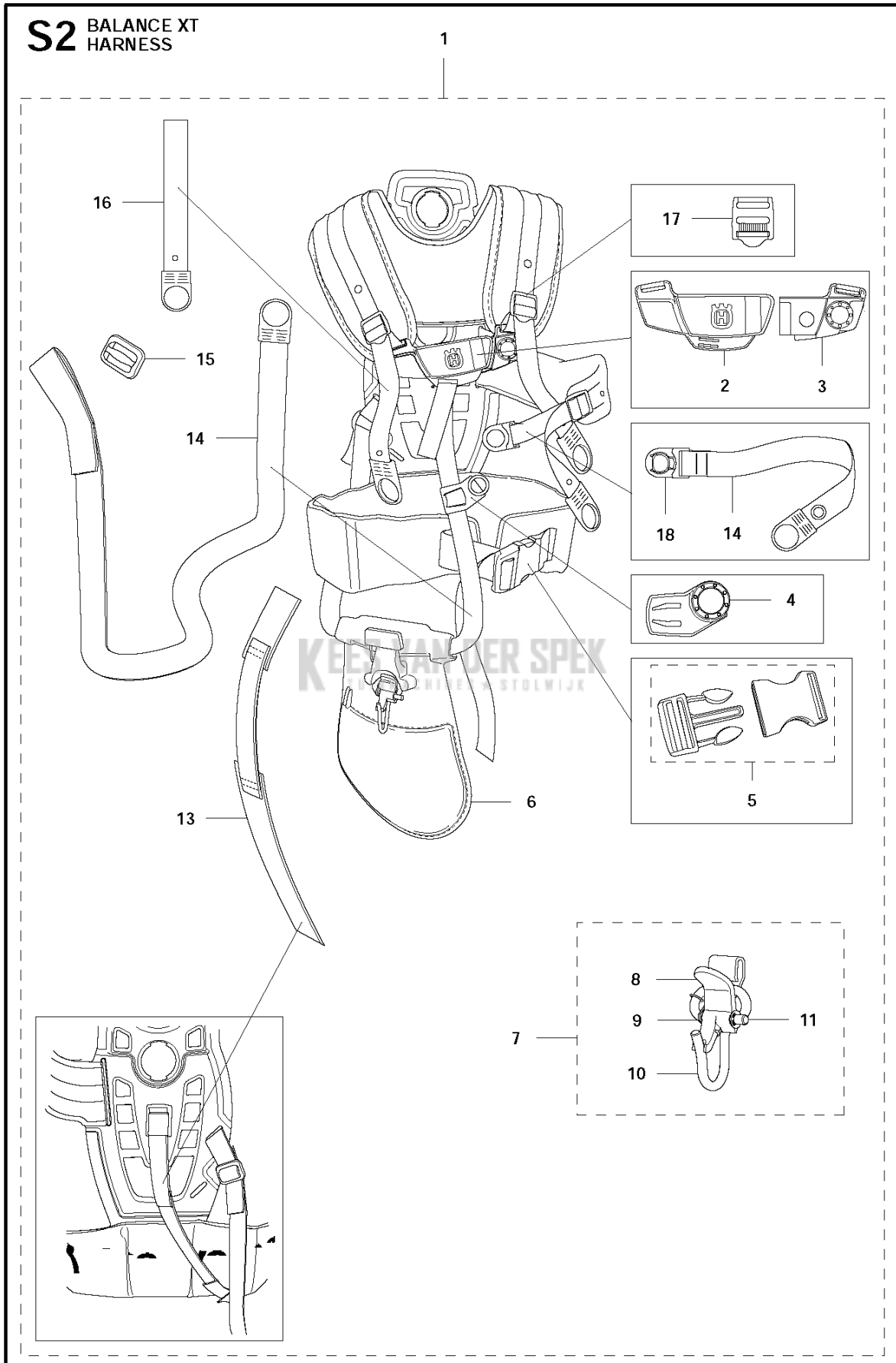
KEES VAN DER SPEK
TUINMACHINES * STOLWIJK



BRUSHCUTTERS/CLEARING SAWS

PXM_REF	PXM_PARTNO	DESCRIPTION	PXM_REMARK	QTY.
1	510047501	CILINDERDEKSEL		1
2	574477004	SCHROEF IHSCFMO	Captive Screw	3
3	576920001	HITTEBESCHERMING		1
4	503200774	SCHROEF IHSCFM		1
5	510422201	BESCHERMDEKSEL		1
6	503200774	SCHROEF IHSCFM		2
7	576998601	PLAATJE	FX	1
8	576998602	PLAATJE	FXT	1
9	576998603	PLAATJE	RXT	1
10	576998604	PLAATJE	RX	1
11	576998605	PLAATJE	FR	1

S2 BALANCE XT
HARNESS

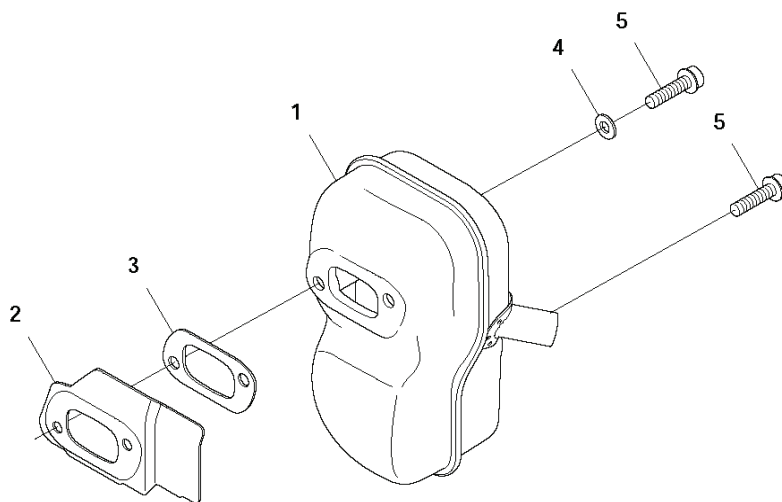


BRUSHCUTTERS/CLEARING SAWS

PXM_REF	PXM_PARTNO	DESCRIPTION	PXM_REMARK	QTY.
1	505204201	DRAAGSTEL		1
2	504545201	GESP	US	1 1
3	504545101	GESP		3 1
4	504637501	SNAPSLUITING		1 1
5	537331501	GESP		1 1
6	544901701	HEUPKUSSEN		1 1
7	544960702	OPHANGHAAK		1 1
8	502023002	SLOT		1 1,7
9	586341001	VEER		1 1,7
10	502022902	HAAK		1 1,7
11	735310920	E-CLIP		1 1,7
13	537153501	SPANBAND		1 1
14	503996104	BAND		1 1
15	537113501	HOUDER		1 1
16	503996107	BAND		1
17	505444601	GESP		1
18	504637401	SNAPSLUITING		1

KEES VAN DER SPEK
TUINMACHINES ★ STOLWIJK

H2 545 FX, 545 FXT, 545 RX, 545 RXT, 345 FR
MUFFLER, PIPE



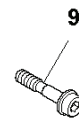
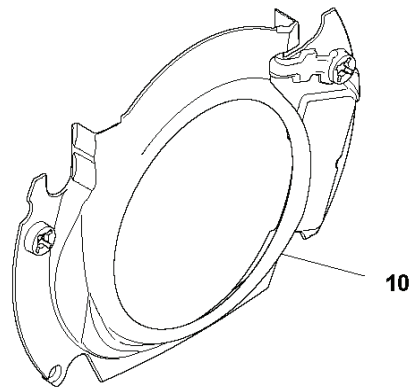
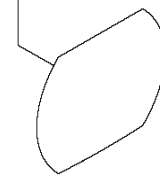
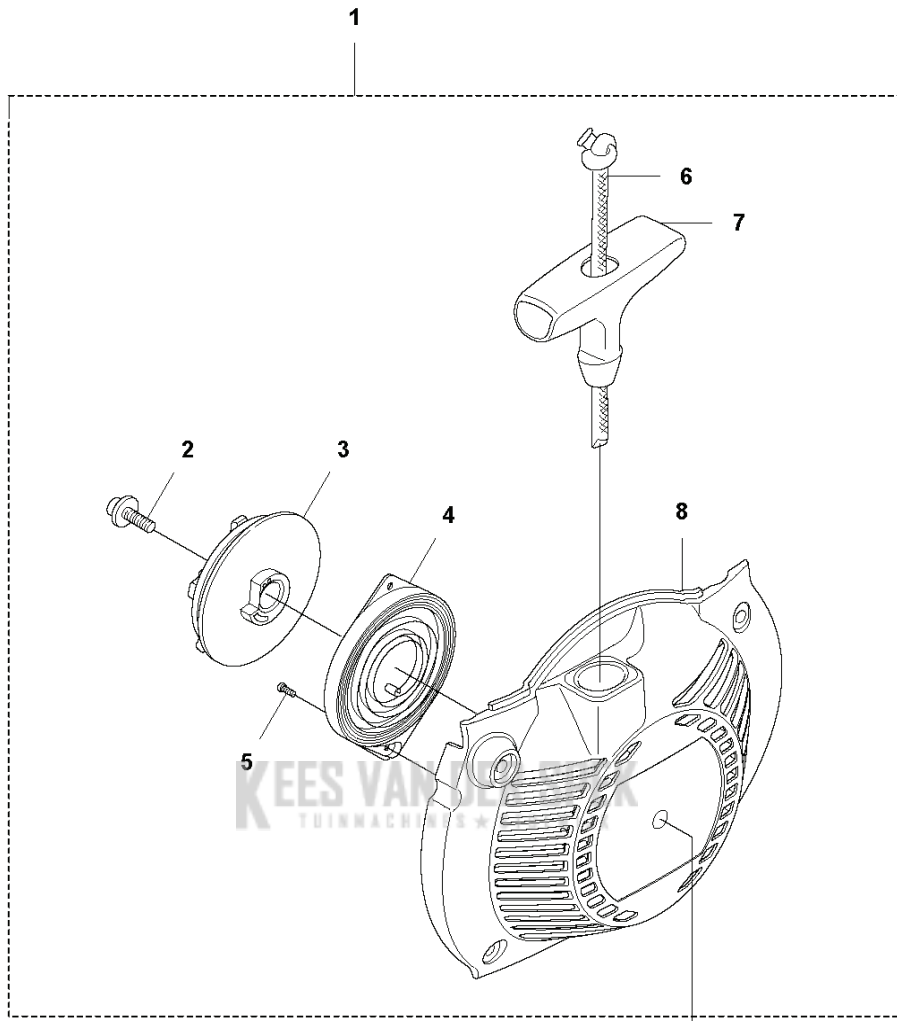
KEES VAN DER SPEK
TUINMACHINES ★ STOLWIJK

BRUSHCUTTERS/CLEARING SAWS

PXM_REF	PXM_PARTNO	DESCRIPTION	PXM_REMARK	QTY.
1	574381105	GELUIDDEMPERSET		1
2	522938701	WARMTEDEFLECTOR		1 1
3	522954401	PAKKING		1 1
4	503230402	RING		1
5	503200776	SCHROEF IHSCFM		3

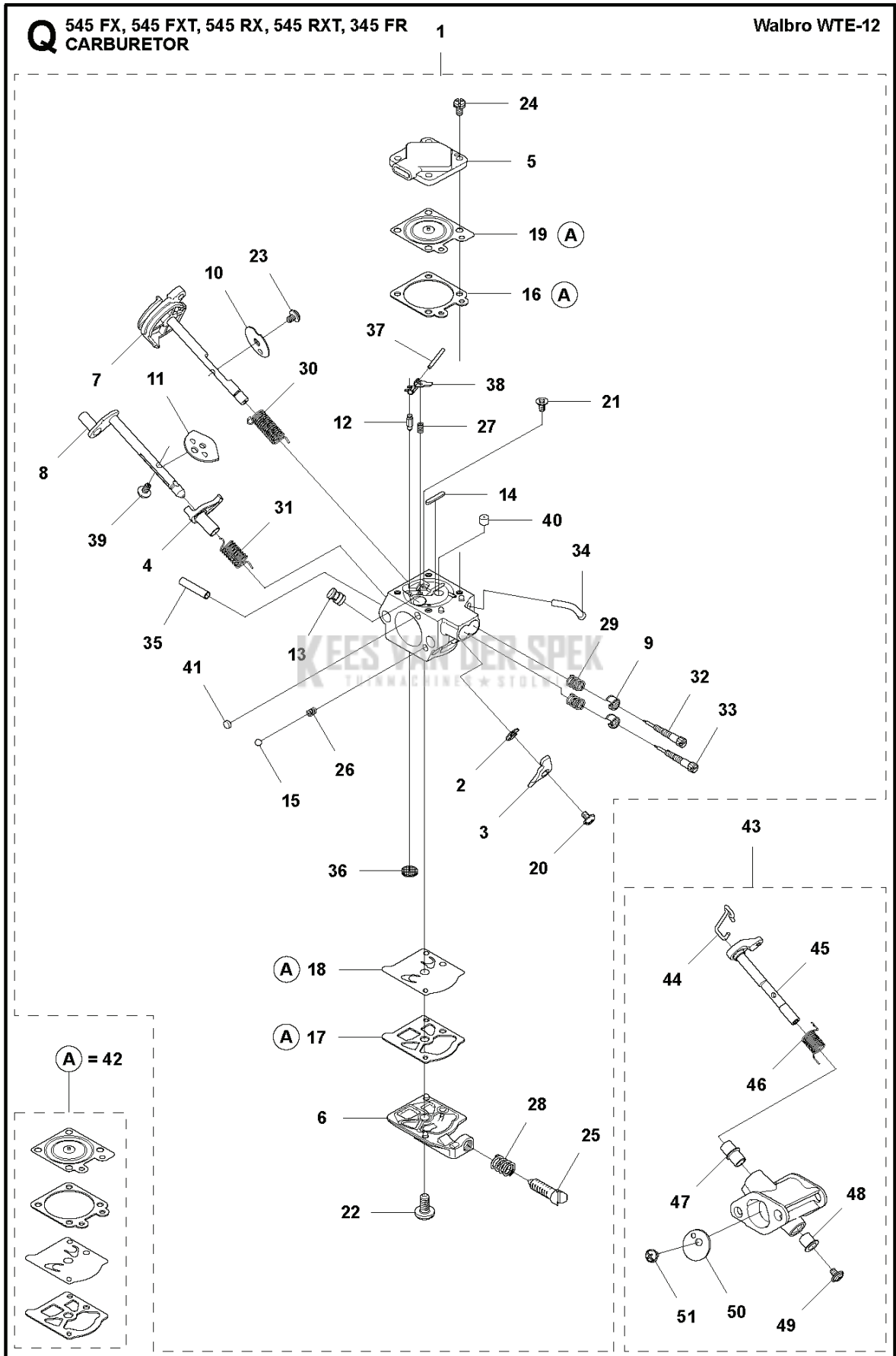
KEES VAN DER SPEK
TUINMACHINES ★ STOLWIJK

K 545 FX, 545 FXT, 545 RX, 545 RXT, 345 FR
STARTER



BRUSHCUTTERS/CLEARING SAWS

PXM_REF	PXM_PARTNO	DESCRIPTION	PXM_REMARK	QTY.
1	573960801	STARTER		1
2	503216916	SCHROEF IHST		1 1
3	503957301	KOORDSCHIJF		1 1
4	502200601	VEERCASSETTE COMPL.		1 1
5	503212910	SCHROEF CCRPANT		2 1
6	505305125	STARTER CORD		1 1
7	537232501	STARTHANDVAT		1 1
8	502157701	STARTER COMPL.		1 1
9	574477004	SCHROEF IHSCFMO	Captive Screw	4
10	510205001	LUCHTLEIDING		1
11	576468102	PLAATJE		1

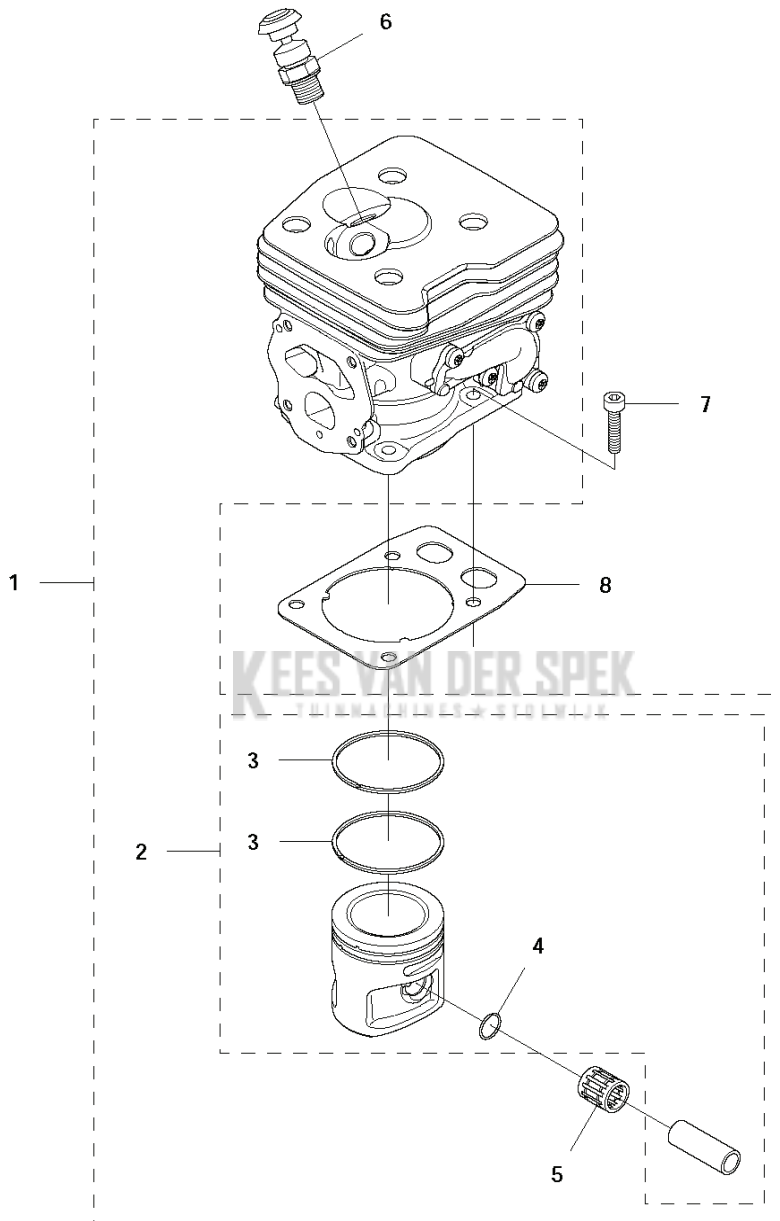


BRUSHCUTTERS/CLEARING SAWS

PXM_REF	PXM_PARTNO	DESCRIPTION	PXM_REMARK	QTY.
1	574329101	CARBURATEUR	Walbro WTE 12	1
2	505316736	RING		1 1
3	575463701	HEFBOOM		1 1
4	544177701	HEFBOOM		1 1
5	574358101	DEKSEL		1 1
6	503584301	DEKSEL		1 1
7	577016701	AS COMPL.		1 1
8	544044001	AS		1 1
9	544970801	BEGRENZERDOP		2 1
10	503935101	VENTIEL		1 1
11	537109601	VENTIEL		1 1
12	503563401	NAALDVENTIEL		1 1
13	502846801	MONDSTUK		1 1
14	502846901	PLUG		1 1
15	501468501	KOGEL		1 1
16	504350906	PAKKING		1 1.42
17	504130906	PAKKING		1 1.42
18	577016601	MEMBRAAN		1 1.42
19	576684501	DIAPHRAGM ASSY		1 1.42
20	501468701	SCREW		1 1
21	502847101	SCREW		1 1
22	501466901	SCREW		1 1
23	537003401	SCREW		1 1
24	537003101	SCREW		4 1
25	537408201	SCREW		1 1
26	501468401	VEER		1 1
27	501795901	VEER		1 1
28	501667801	VEER		1 1
29	525755401	VEER		2 1
30	544177601	VEER		1 1
31	544971101	VEER		1 1
32	502847201	NAALD		1 1
33	502847301	NAALD		1 1
34	577016801	FITTING		1 1
35	544971601	FITTING		1 1
36	501666101	VIZIER		1 1
37	505520125	PEN		1 1
38	502847401	HEFBOOM		1 1
39	544111501	SCREW		1 1
40	505426901	SPROEIER		1 1
41	503574301	PLUG		1 1
42	515999601	PAKKINGSET		1
43	574297901	HUIS		1
44	522543301	SCHAKEL		1 43
45	574323901	AS		1 43
46	544971801	VEER		1 43
47	501021901	BUSHING		1 43
48	501022001	BUSHING		1 43
49	503515501	SCREW		1 43
50	522543501	VENTIEL		1 43
51	537003401	SCREW		1 43

Kees van der Spek
 015-7545111
 www.keesvanderpek.nl

M 545 FX, 545 FXT, 545 RX, 545 RXT, 345 FR
CYLINDER & PISTON

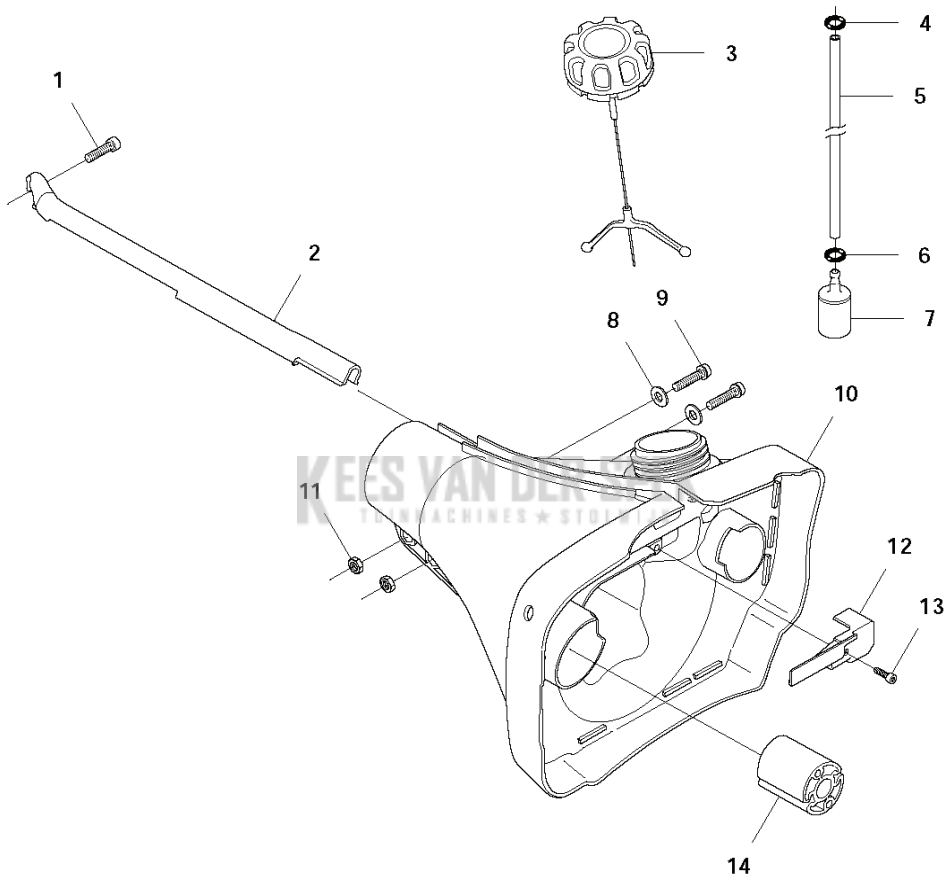


BRUSHCUTTERS/CLEARING SAWS

PXM_REF	PXM_PARTNO	DESCRIPTION	PXM_REMARK	QTY.
1	577274901	CYLINDER KIT		1
2	576282702	ZUIGER COMPL.		1 1
3	576283001	ZUIGERVEER		2 1,2
4	737441000	BORGRING		2 1,2
5	503256301	NAALDLAGER		1 1
6	544200001	DECOMPRESSIEKLEP		1
7	725533155	SCHROEF IHSCM		4
8	587153401	PAKKING		1

KEES VAN DER SPEK
TUINMACHINES ★ STOLWIJK

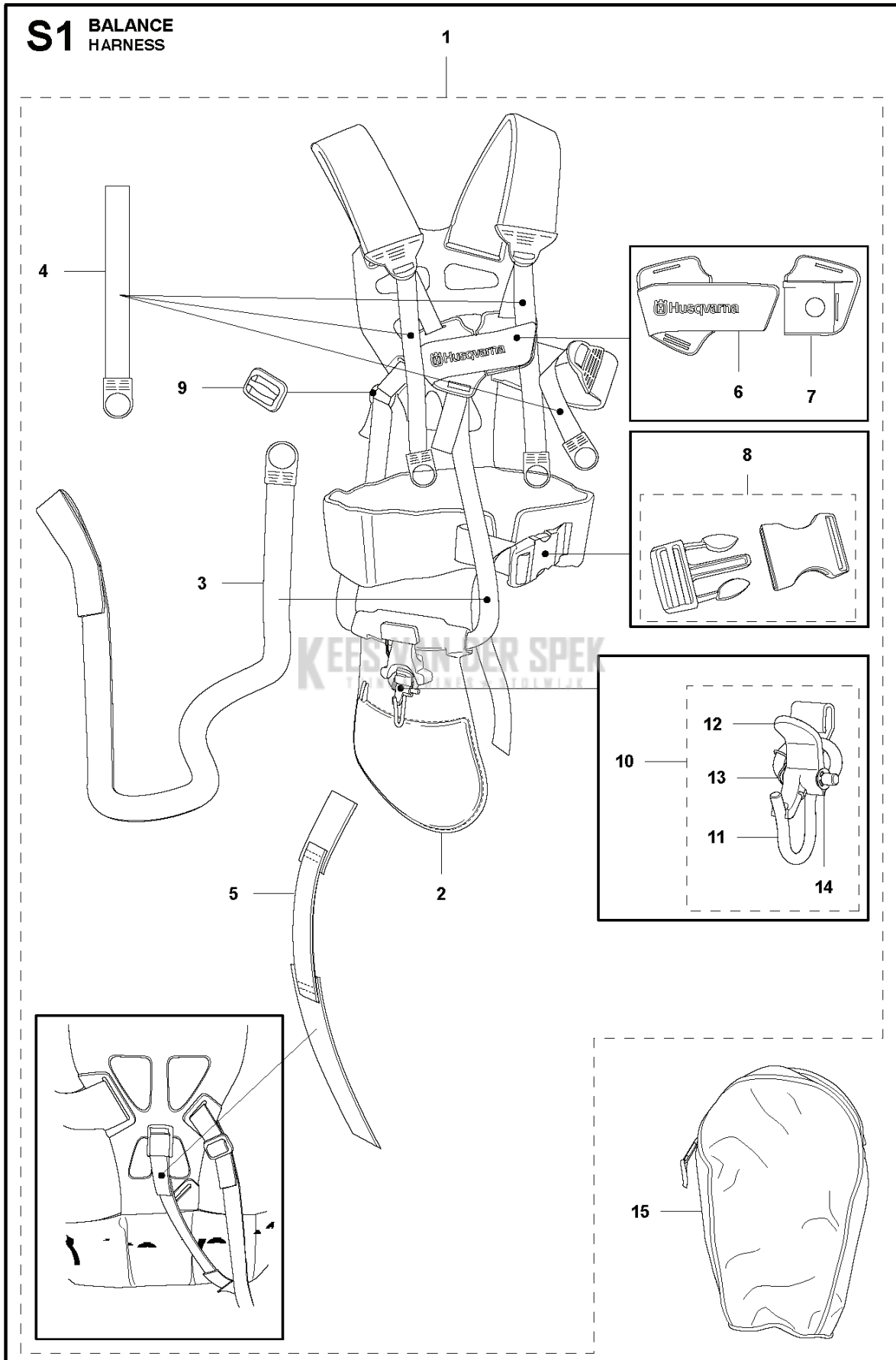
E 545FX, 545 FXT, 545 RX, 545 RXT, 345 FR
FUEL TANK



BRUSHCUTTERS/CLEARING SAWS

PXM_REF	PXM_PARTNO	DESCRIPTION	PXM_REMARK	QTY.
1	503200216	SCHROEF IHSCFM		1
2	537172502	DEKSEL		1
2	537172501	DEKSEL		1
3	590324601	TANKDEKSEL COMPL.		1
4	537184901	O-RING		1
5	581756116	BRANDSTOFSLANG		1
6	537184901	O-RING		1
7	503443201	BRANDSTOFFILTER		1
8	503230011	RING		2
9	503200316	SCHROEF IHSCFM		2
10	503949301	BRANDSTOFTANK		1
11	503221012	ZESKANT MOER		2
12	537219901	SLANGBESCHERMING		1
13	503217116	SCHROEF IHSCT		1
14	510208701	AV ELEMENT		2

S1 BALANCE HARNESS

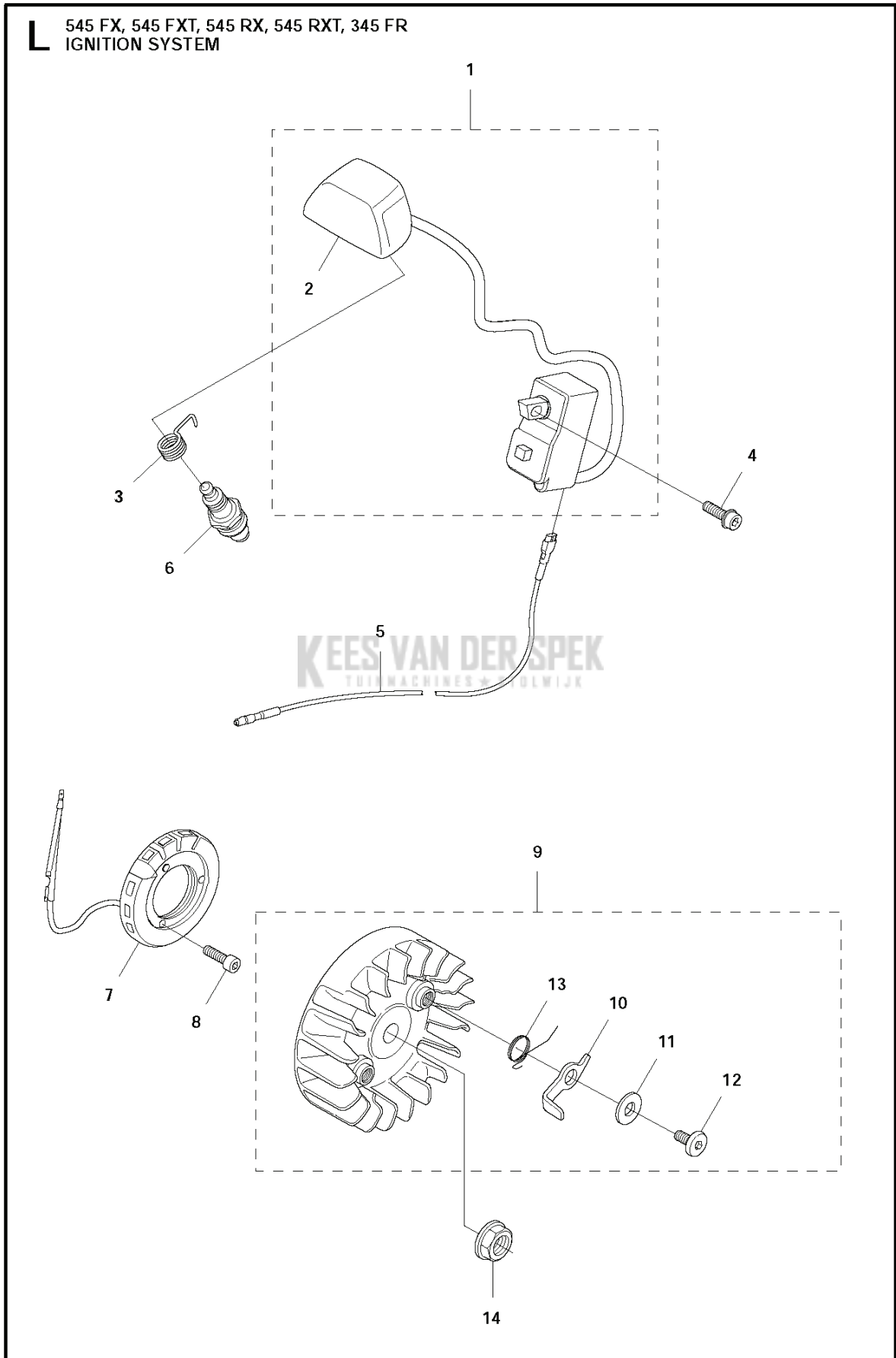


BRUSHCUTTERS/CLEARING SAWS

PXM_REF	PXM_PARTNO	DESCRIPTION	PXM_REMARK	QTY.
1	504045201	DRAAGSTEL		1
1	505406201	DRAAGSTEL	US	1 1
2	544901701	HEUPKUSSEN		1 1
3	503996103	BAND		1 1
4	503996101	BAND		3 1
5	537153501	SPANBAND		1 1
6	537288401	GESP		1 1
7	537288301	GESP		1 1
8	537331501	GESP		1 1
9	537113501	HOUDER		1 1
10	544960702	OPHANGHAAK		1 1
11	502022902	HAAK		1 1.10
12	502023002	SLOT		1 1.10
13	586341001	VEER		1 1.10
14	735310920	E-CLIP		1 1.10
15	537306601	TAS	Triobalance Tool bag	1

KEES VAN DER SPEK
TUINMACHINES ★ STOLWIJK

L 545 FX, 545 FXT, 545 RX, 545 RXT, 345 FR
IGNITION SYSTEM

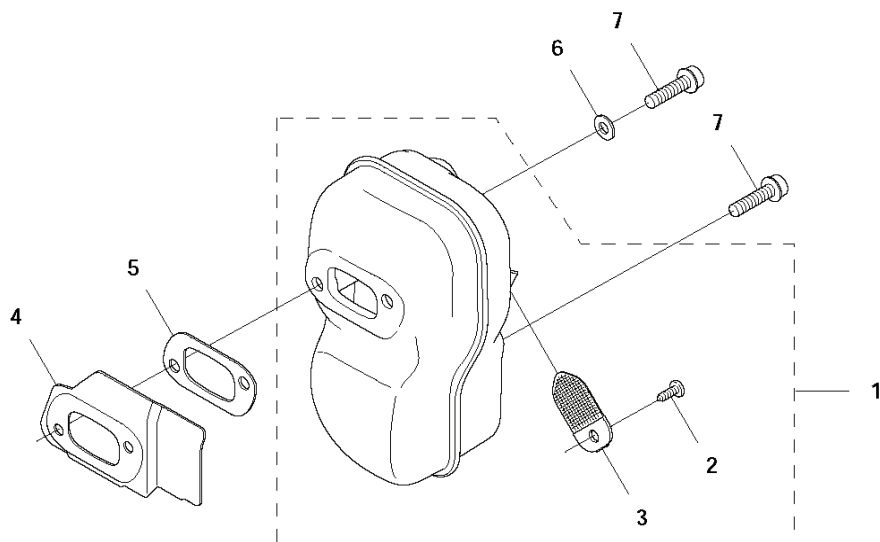


BRUSHCUTTERS/CLEARING SAWS

PXM_REF	PXM_PARTNO	DESCRIPTION	PXM_REMARK	QTY.
1	585073904	ONTSTEKINGSSYSTEEM	FR. RX. RXT	1
2	576889501	BOUGIEDOP		1 1
3	537323801	CONTACTVEER		1
4	503200774	SCHROEF IHSCFM		2
5	525858401	KORTSLUITKABEL		1
6	574519601	BOUGIE	NGK CMR6H	1
7	587059701	STATOR COMPL.	FXT	1
8	503216618	SCHROEF IHSCF		2
9	503953301	VLEGGWIEL		1
10	503812401	STARTPAL		2 9
11	503230042	RING		2 9
12	501819903	SCREW		2 9
13	503812902	VEER		2 9
14	503220401	MOER		1

KEES VAN DER SPEK
TUINMACHINES ★ STOLWIJK

H1 545 FX, 545 FXT, 545 RX, 545 RXT, 345 FR
MUFFLER, FF



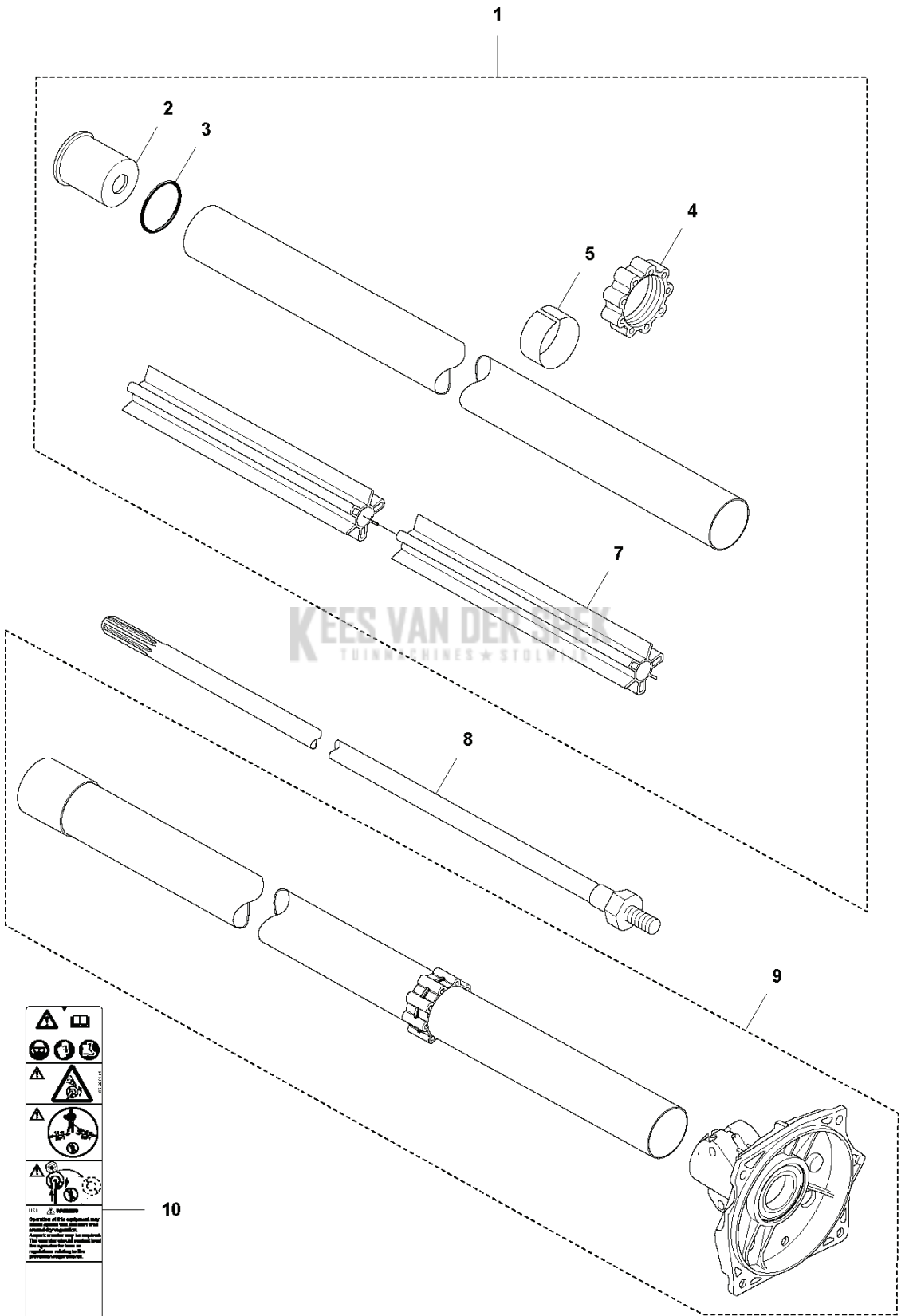
KEES VAN DER SPEK
TUINMACHINES ★ STOLWIJK

BRUSHCUTTERS/CLEARING SAWS

PXM_REF	PXM_PARTNO	DESCRIPTION	PXM_REMARK	QTY.
1	574381106	GELUIDDEMPERSET		1
2	724128759	SCHROEF CRPANM		1 1
3	522609501	VONKENVANGER SHERM		1 1
4	522938701	WARMTDEFLECTOR		1
5	522954401	PAKKING		1
6	503230402	RING		1
7	503200776	SCHROEF IHSCFM		3

KEES VAN DER SPEK
TUINMACHINES ★ STOLWIJK

B 545 FX, 545 FXT, 545 RX, 545 RXT, 345FR
SHAFT



WZ 23-1000000
 Operation of this equipment may
 present a risk to your safety.
 Read the instructions carefully.
 Do not operate this equipment until
 you are familiar with the use of
 the equipment and the
 instructions.

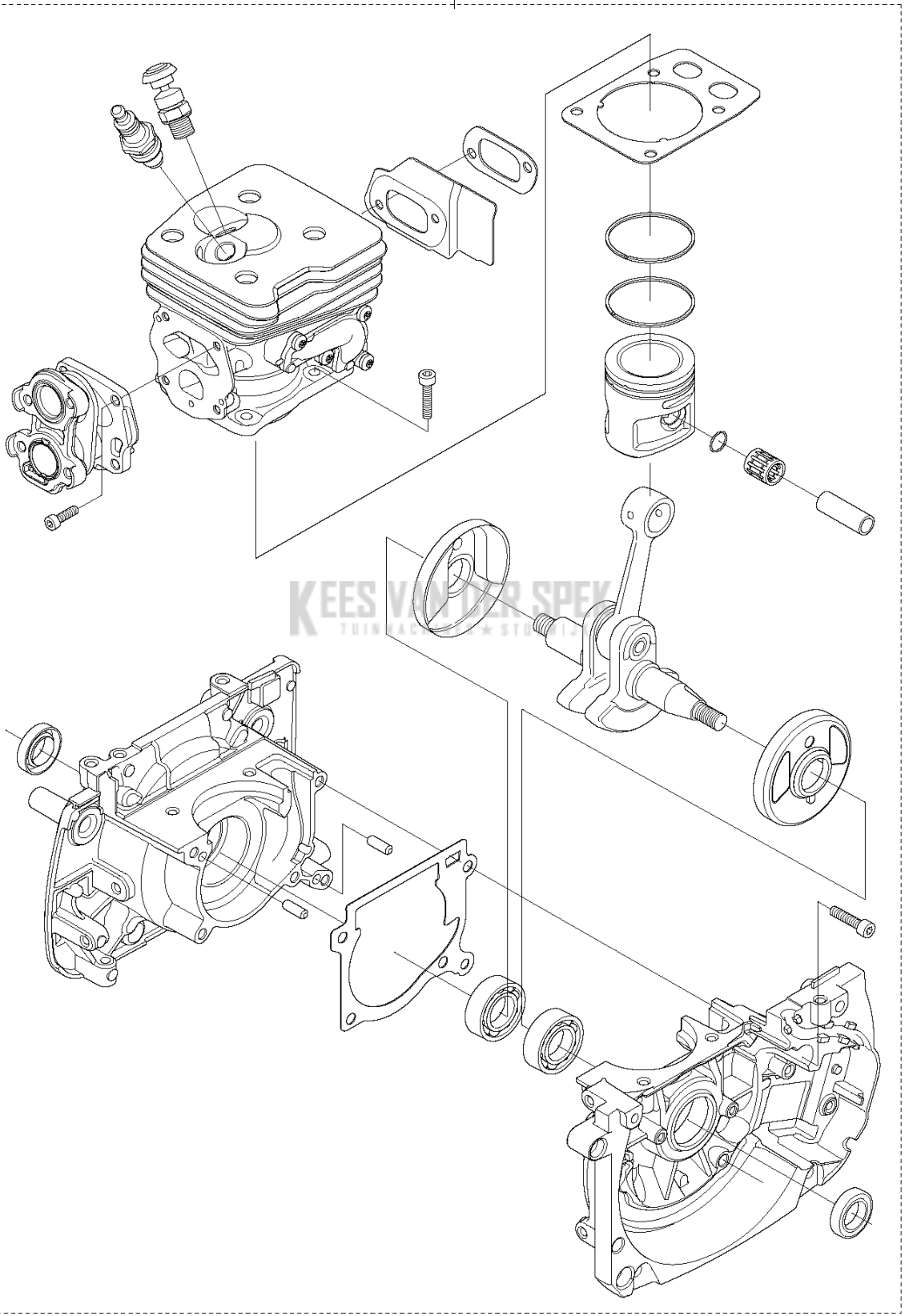
10

BRUSHCUTTERS/CLEARING SAWS

PXM_REF	PXM_PARTNO	DESCRIPTION	PXM_REMARK	QTY.	
1	586262609	TUBE ASSY	from s/n 20194300361 - . For older products use kit 5978421-01	1	
2	544029401	AFSTANDRING		1	1
3	506110301	O-RING		1	1
4	537309801	AV ELEMENT		1	1
5	537309701	TAPE		1	1
7	523018801	LAGERAS	FX, FXT, RX	1	1
8	503924402	AANDRIJFAS	RX	1	
9	597842101	KOPPELINGSKAP COMPL.	up to s/n - 20194300360.	1	
10	589295101	PLAATJE		1	

T 545 FX, 545 FXT, 545 RX, 545 RXT, 345FR
SHORT BLOCK

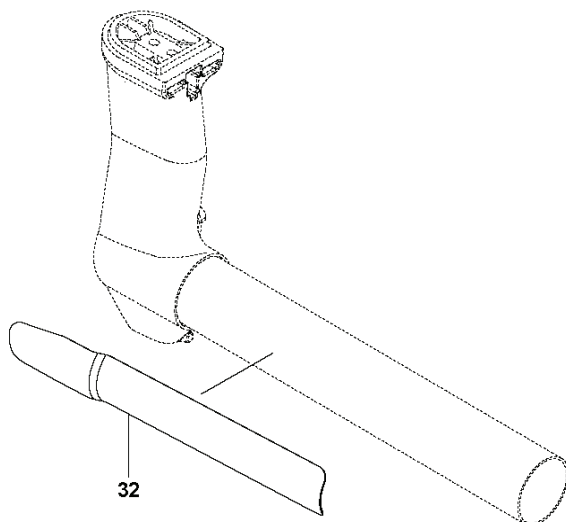
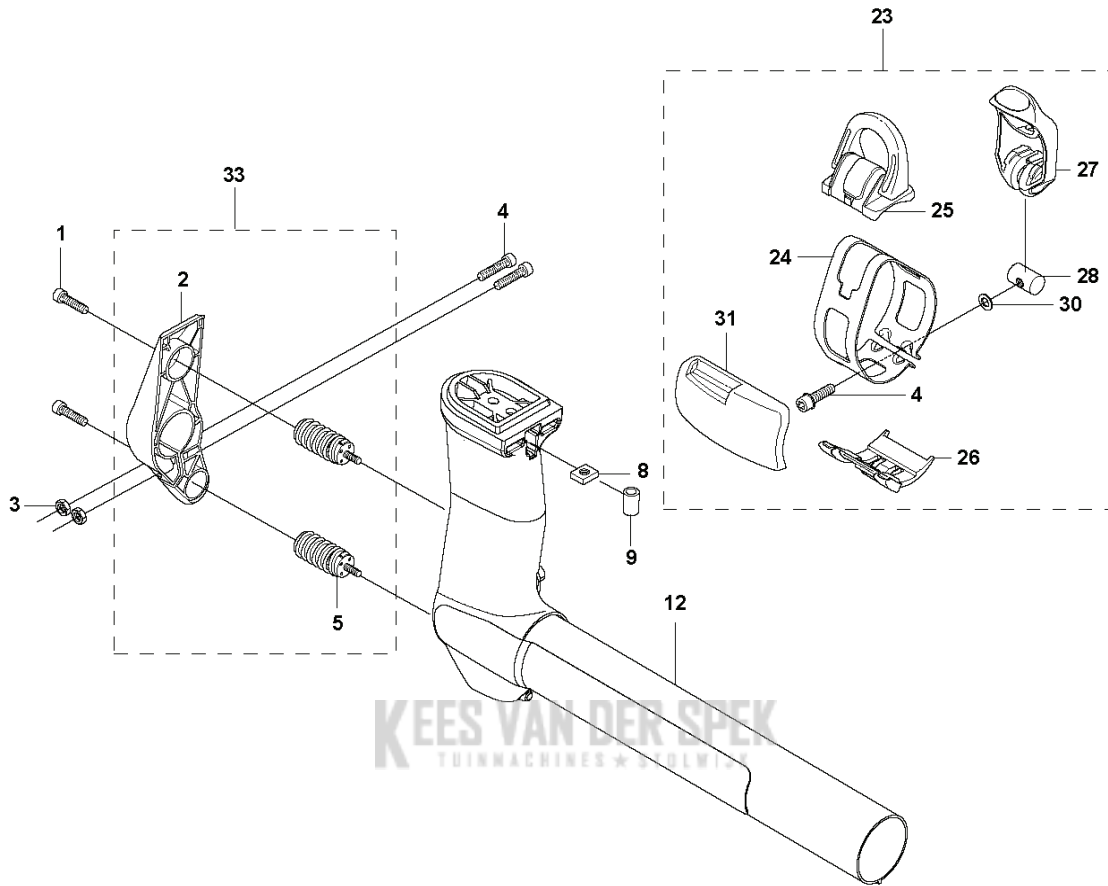
1



BRUSHCUTTERS/CLEARING SAWS

PXM_REF	PXM_PARTNO	DESCRIPTION	PXM_REMARK	QTY.
1	585451501	CARTER SYSTEEM		1

C2 545 RX, 545 RXT
SUSPENSION

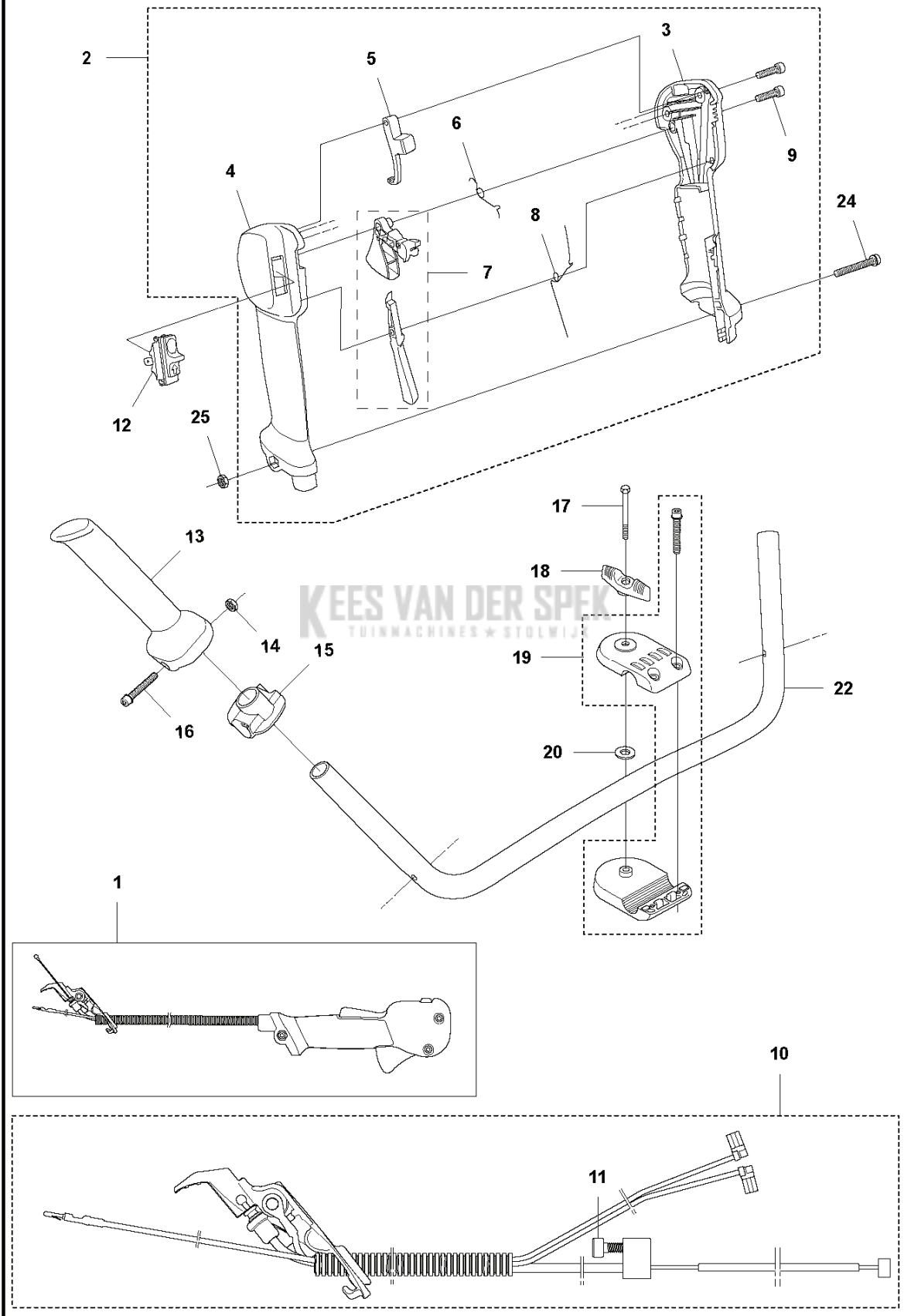


BRUSHCUTTERS/CLEARING SAWS

PXM_REF	PXM_PARTNO	DESCRIPTION	PXM_REMARK	QTY.	
1	503200216	SCHROEF IHSCFM		2	
2	589015801	HOUDER	s/n before 174200147. Holder kit 591 18 60-01 needs to be used.	1	33
3	503221012	ZESKANT MOER		2	
4	503200225	SCHROEF IHSCFM		2	
5	537299701	AV ELEMENT	s/n up to - 174200146	2	
5	588829901	AV ELEMENT	s/n from 174200147 -	2	33
8	502197101	MOER 4-KANT		1	
9	503857302	DEKSEL		1	
12	581979003	OPHANGING	RX, RXT, Magnesium	1	
23	577375701	LUS		1	
24	537197901	BAND		1	23
25	537201803	LUS		1	23
26	577299301	GELEIDERAIL		1	23
27	577208301	HEFBOOM		1	23
28	537427301	MOER		1	23
30	503230011	RING		1	23
31	544250701	SLUITBESCHERMING		1	
32	501015501	SLUITPLAAT	RXT, RX, FR	1	
33	591186001	HOLDER KIT		1	

KEES VAN DER SPEK
TUINMACHINES ★ STOLWIJK

D1 545 RX, 545 RXT, 345 FR
THROTTLE CONTROLS



BRUSHCUTTERS/CLEARING SAWS

PXM_REF	PXM_PARTNO	DESCRIPTION	PXM_REMARK	QTY.
1	577071901	GASHANDGREEP COMPL.	RX.RXT	1
2	504209804	GASHANDGREEP COMPL.		1 1
3	537180811	HANDGREEPHELFT		1 1.2
4	537180711	HANDGREEPHELFT		1 1.2
5	537160701	GASVERGREDELING		1 1.2
6	537174201	SPRING THROTTLE TRIG		1 1.2
7	506497701	GASHEVEL		1 1.2
8	537174301	VEER		1 1.2
9	503216618	SCHROEF IH SCT		2 1.2
10	525419801	BEKABELING COMPL.		1 1
11	503216616	SCHROEF IH SCT		1 1.10
12	537419001	SCHAKELAAR		1
13	537172803	HENDEL		1
14	731231405	ZESKANT MOER		1
15	537172902	BEVESTIGING		1
16	503200245	SCHROEF IH SCFM		1
17	725238381	SCHROEF EHHM		1
18	502203801	KNOP		1
19	595303601	STUURHOUDER	s/n from 20173300001 up to 20181100180	1
19	596283301	STUURHOUDER		1
20	502282101	RING		1
22	505433304	HANDLEBAR		1
24	503200735	SCHROEF IH SCFM		1
25	503221013	ZESKANT MOER		1

KEES VAN DER SPEK
TUINMACHINES ★ STOLWIJK