

SPARE PARTS CATALOGUE
BRUSHCUTTERS/CLEARING SAWS: HUSQVARNA 535RXT



Spare Parts List

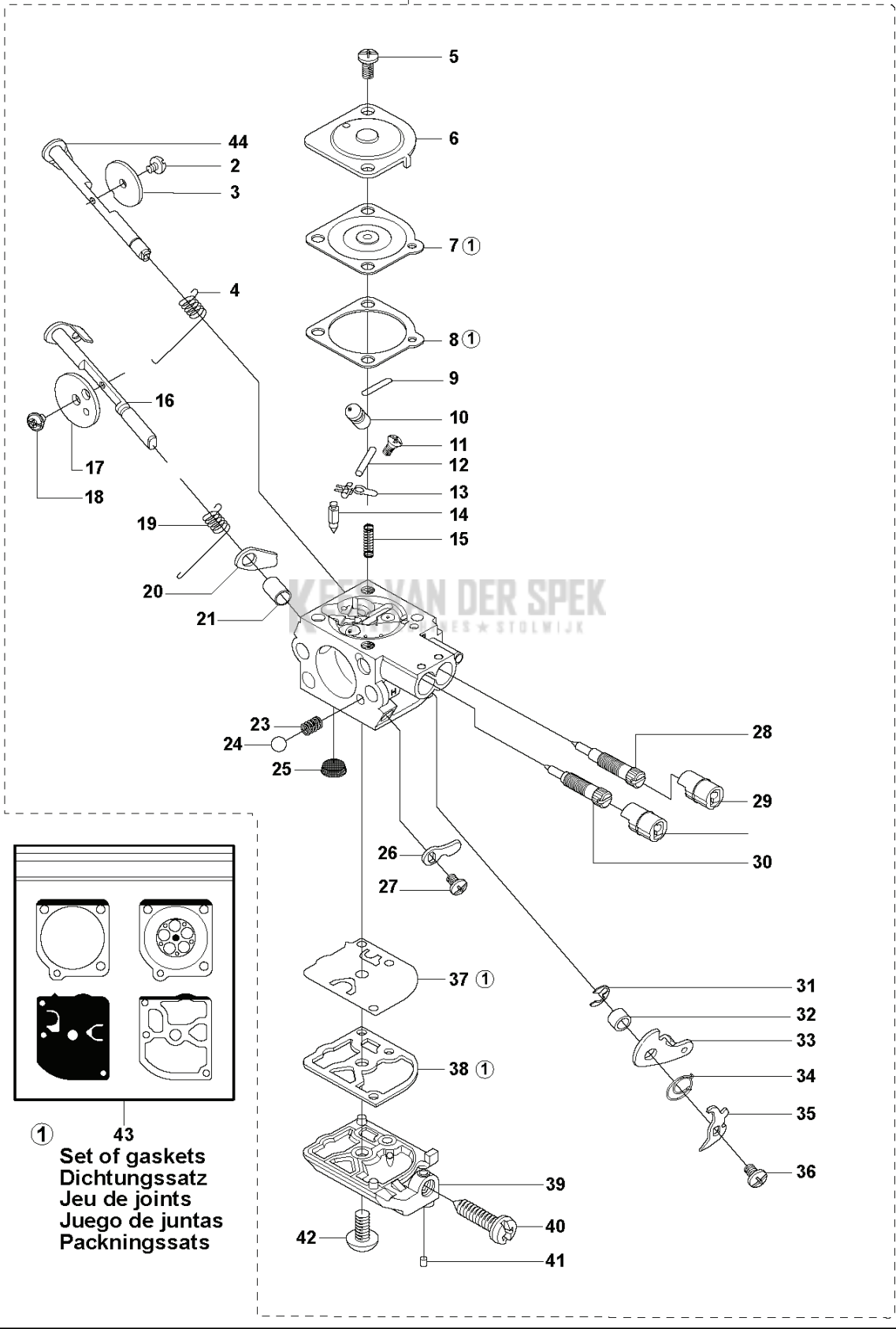
SPARE PARTS LIST

BRUSHCUTTERS/CLEARING SAWS

HUSQVARNA 535RXT

Q 535 RX, 535 RJ, 535 RXT, 535 LS
CARBURETOR

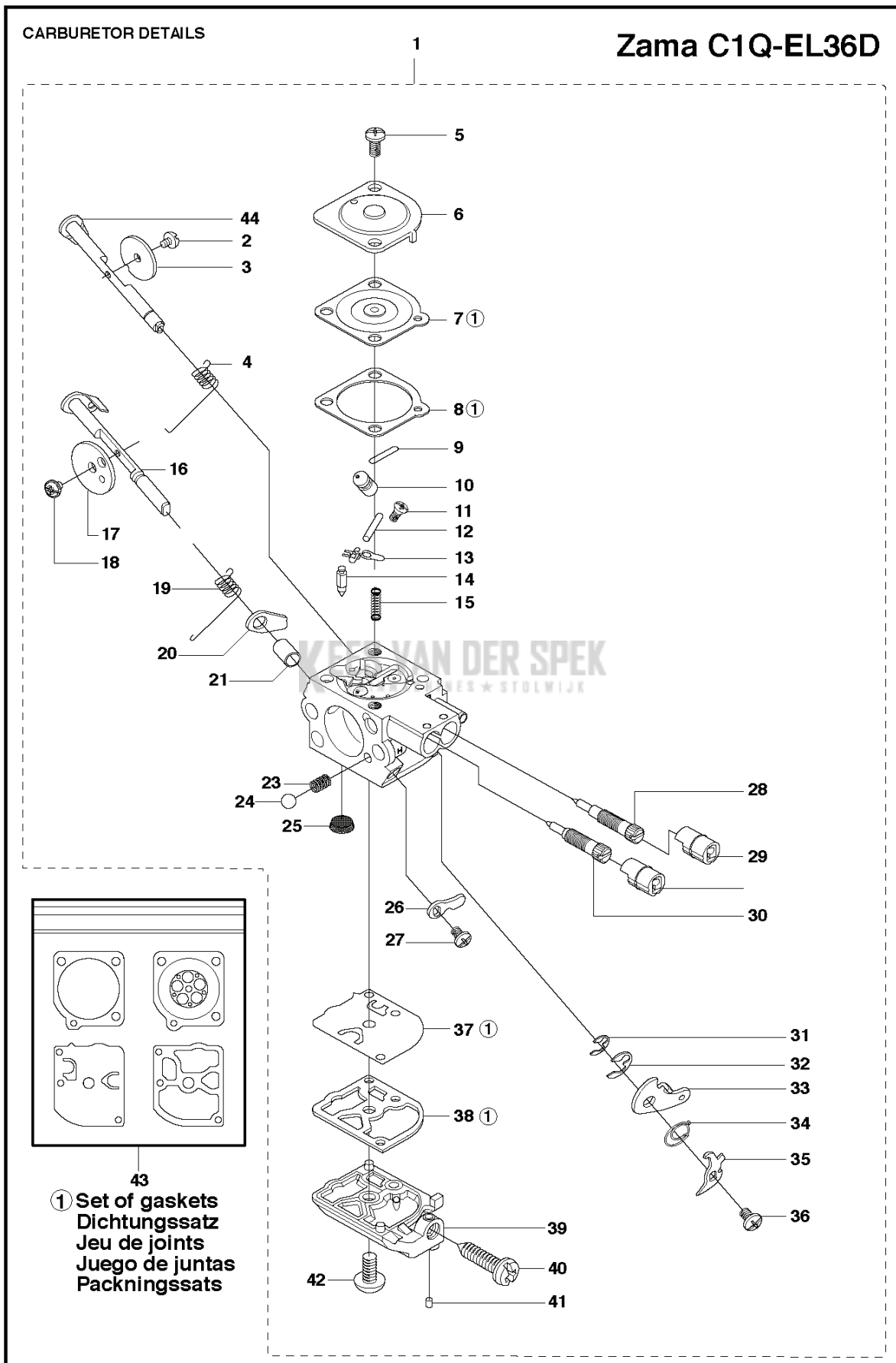
Zama C1Q-EL36



BRUSHCUTTERS/CLEARING SAWS

PXM_REF	PXM_PARTNO	DESCRIPTION	PXM_REMARK	QTY.
1	544325601	CARBURATEUR		1
2	503479201	SCREW		1 1
3	537417201	VENTIEL		1 1
4	544372401	VEER		1 1
5	503480501	SCREW		2 1
6	503974301	DEKSEL		1 1
7	537048901	MEMBRAAN		1 1.43
8	537020401	PAKKING		1 1.43
9	503535601	PLUG WELCH		1 1
10	537387301	MONDSTUK		1 1
11	503480101	SCREW		1 1
12	503480001	PIN RETAINING SCREW		1 1
13	503665901	HEFBOOM		1 1
14	503479701	VENTIEL		1 1
15	537020301	VEER		1 1
16	544372201	AS COMPL.		1 1
17	537021101	VENTIEL		1 1
18	503481801	SCREW		1 1
19	544372601	VEER		1 1
20	544372501	HEFBOOM		1 1
21	544427001	KRAAG		1 1
23	537012601	VEER		1 1
24	537012501	KOGEL		1 1
25	503481301	ZEEF		1 1
26	544372301	HEFBOOM		1 1
27	503479001	SCREW		1 1
28	537416901	SCREW		1 1
29	537417001	BEGRENZERDOP		2 1
30	537387501	SCREW		1 1
31	537385201	KLEM		1 1
32	537417701	KRAAG		1 1
33	537417301	HEFBOOM		1 1
34	537417801	SPRING THROTT.RETURN		1 1
35	537417401	HEFBOOM		1 1
36	503479001	SCREW		1 1
37	537020001	MEMBRAAN POMP		1 1.43
38	537020101	PAKKING		1 1.43
39	537416801	DEKSEL		1 1
40	537020701	SCREW		1 1
41	503481101	PIECE		1 1
42	503479601	SCREW		1 1
43	531004552	PAKKINGSET		1
44	537387401	AS COMPL.		1 1

KEES VAN DER SPEK
 TUINMACHINES 0615 21 11 21

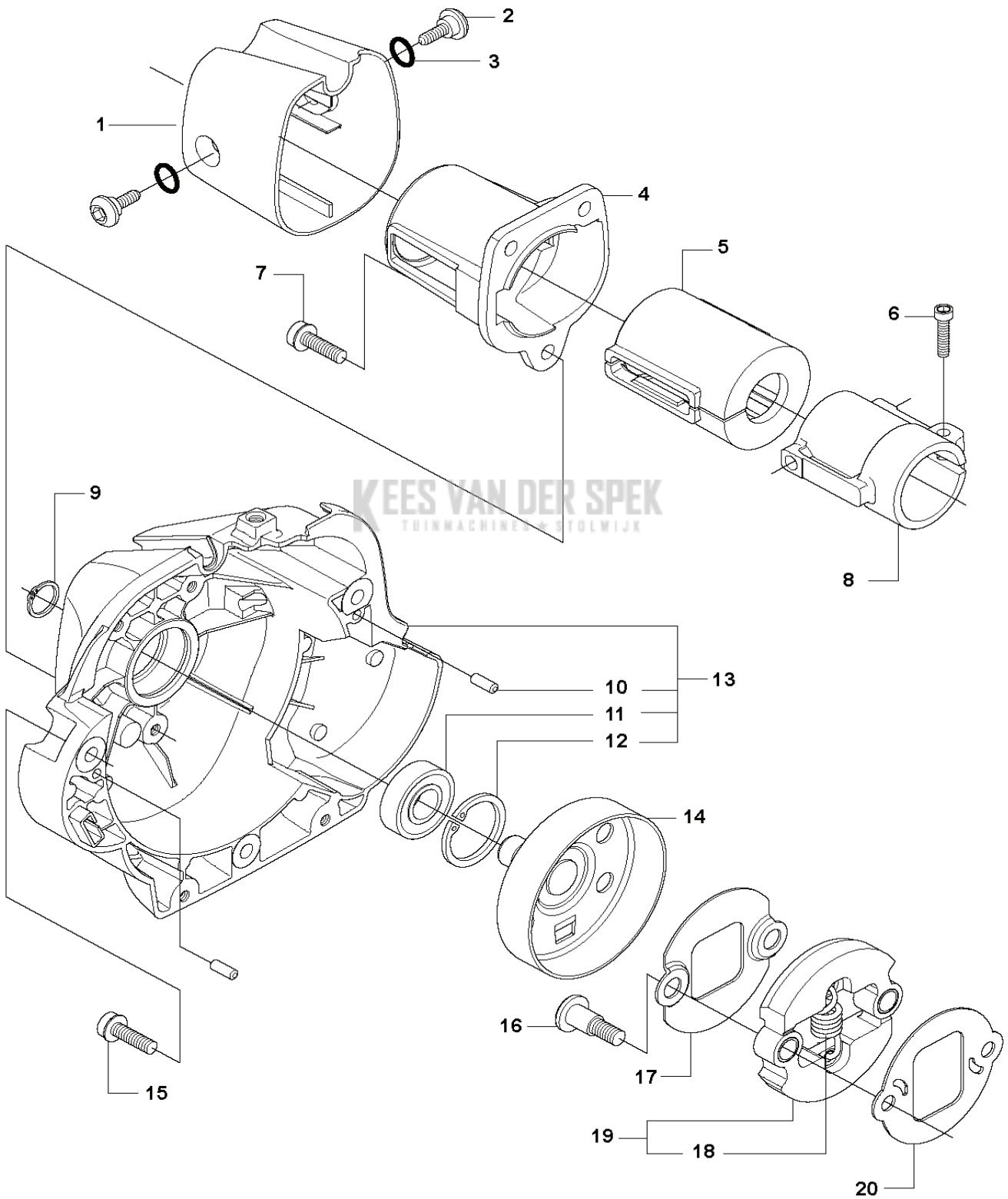


BRUSHCUTTERS/CLEARING SAWS

PXM_REF	PXM_PARTNO	DESCRIPTION	PXM_REMARK	QTY.
1	537371202	ISOLATIE WAND		1
2	537371101	HULS		1 1
3	544019101	BUISVORMIGE KLINKNAGEL		1 1
4	537334301	INLAATPIJP		1
5	537373803	BUISVORMIGE KLINKNAGEL		2 1
6	503200316	SCHROEF IHSCFM		2
7	503497101	PAKKING		1
8	581167501	CARBURATEUR	(ZAMA C1Q-EL36)	1
9	503231006	RING		1
10	503200320	SCHROEF IHSCFM		1
11	544025801	ZAAGBLAD		1 16
12	537337101	CHOKEHENDEL		1 16
13	503212906	SCHROEF CCRPANT		1 16
14	537355801	HEFBOOM		1 16
15	544372701	SCHAKELARM		1
16	537314101	FILTERHOUDER		1
17	503217550	SCHROEF IHSCFT		2
18	537337201	FILTER		1
19	537314201	FRAME		1
20	537314401	FILTERDEKSEL		1
21	537387201	SNAPSLUITING		2
22	544014701	BALG		1 16
23	544014601	HEFBOOM		1 16
24	503212906	SCHROEF CCRPANT		1 16
25	537349001	HEFBOOM		1
26	537341301	LUCHTKANAAL		1

KEES VAN DER SPEK
TUINMACHINES ★ STOLWIJK

F 535 RX, 535 RJ, 535 RXT, 535 LS
CLUTCH

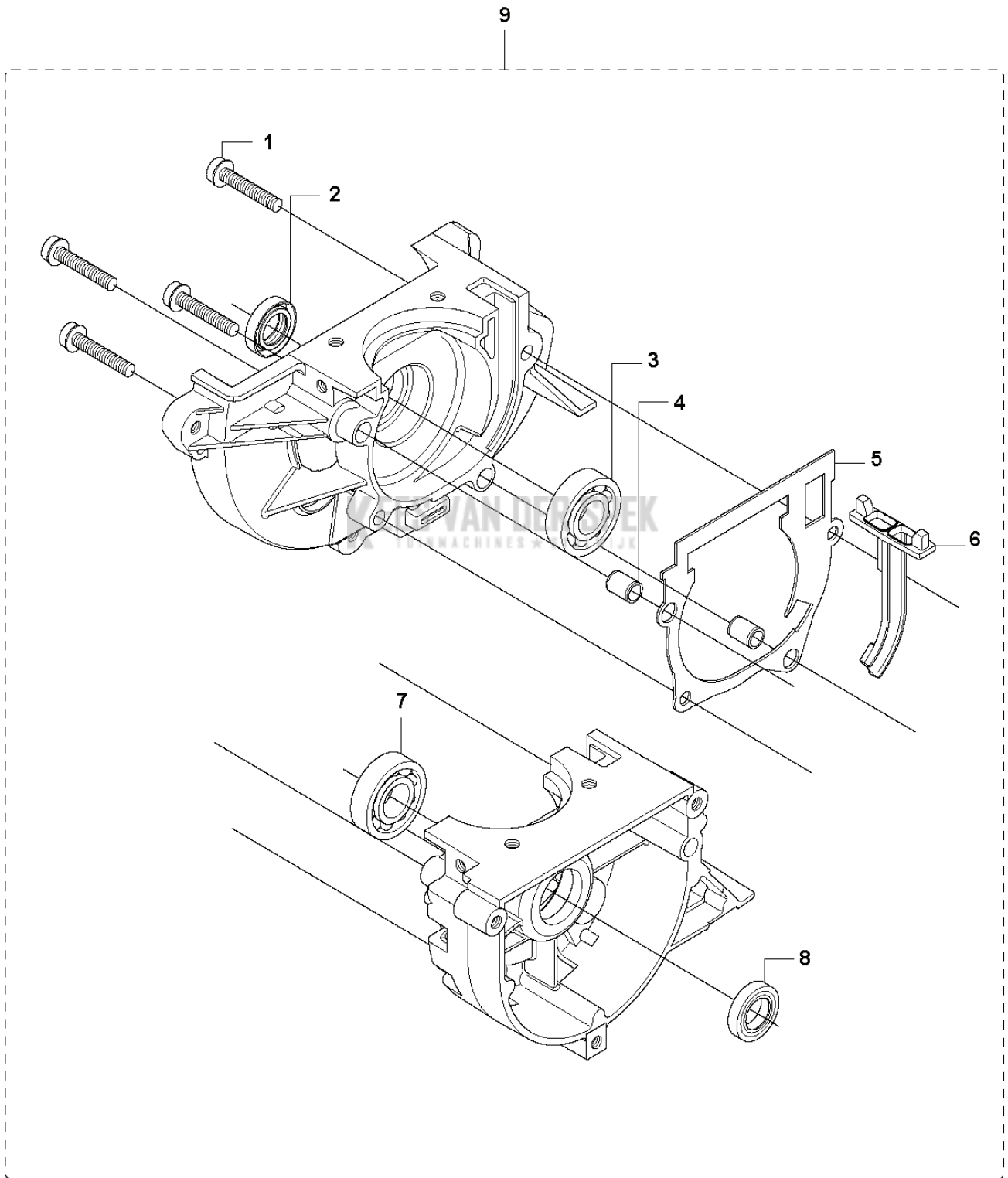


BRUSHCUTTERS/CLEARING SAWS

PXM_REF	PXM_PARTNO	DESCRIPTION	PXM_REMARK	QTY.
1	544119701	DEKSEL	535 RJ. 535 LS	1
1	537326101	DEKSEL	535RX	1
2	503961301	SCREW		2
3	740420600	O-RING		2
4	537310001	DEKSEL		1
5	537322701	AV ELEMENT		1
6	725533355	SCHROEF IHSCM		1
7	503200320	SCHROEF IHSCFM		3
8	537310101	COMPRESSION SLEEVE	535 RX. 535 RXT	1
9	735311400	BORGCLIP		1
10	503240702	CILINDRISCHE PEN		2 13
11	738210104	KOGELLAGER		1 13
12	735312810	BORGCLIP		1 13
13	537302901	KOPPELINGSKAP		1
14	537352901	KOPPELINGSTROMMEL		1
15	503200320	SCHROEF IHSCFM		3
16	537418101	SCREW		2
17	537415701	RING		1
18	537427201	VEER		1 19
19	537340401	KOPPELING		1
20	537046801	RING		1

KEES VAN DER SPEK
TUINMACHINES ★ STOLWIJK

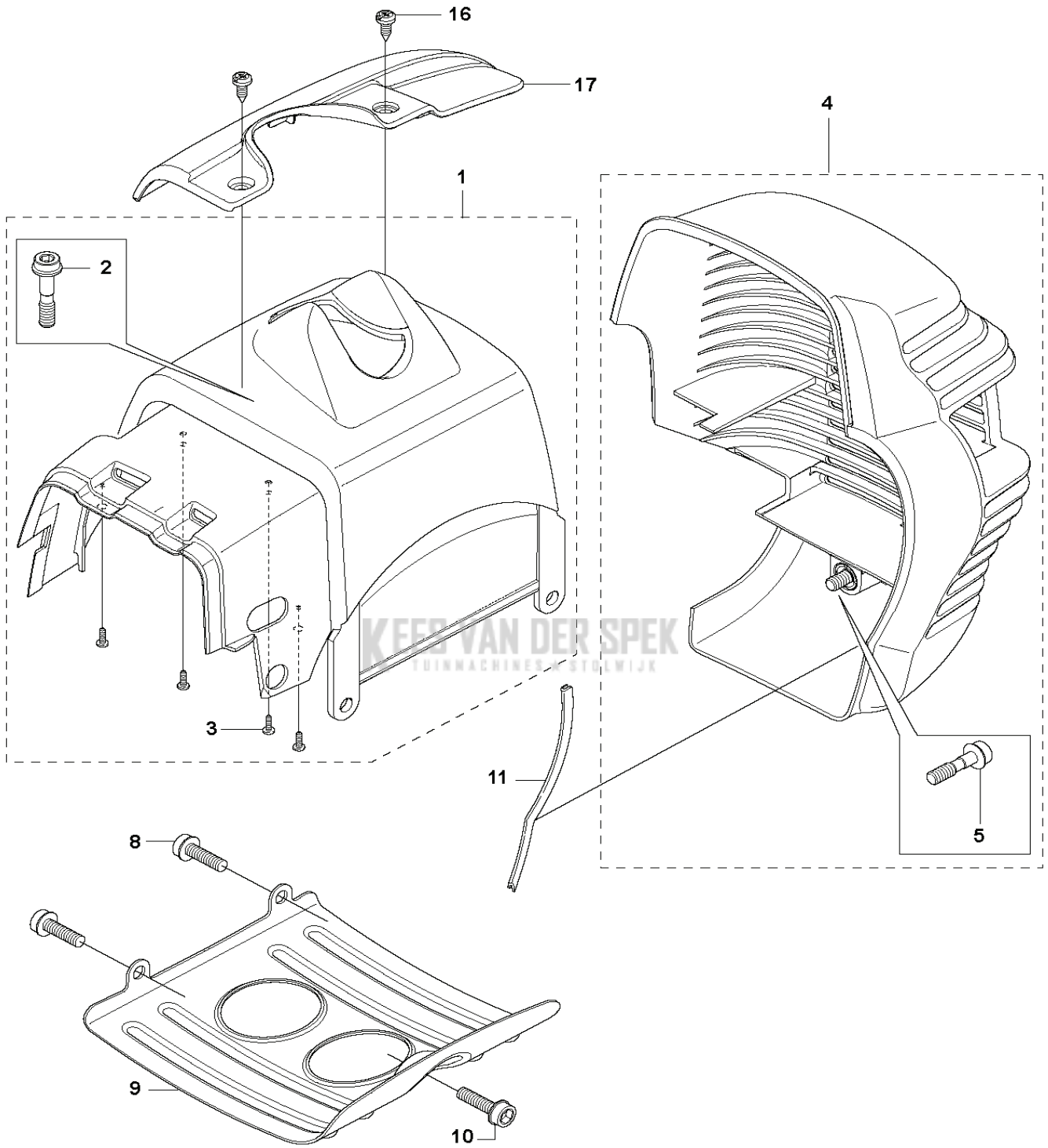
P 535 RX, 535 RJ, 535 RXT, 535 LS
CRANKCASE




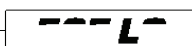


BRUSHCUTTERS/CLEARING SAWS

PXM_REF	PXM_PARTNO	DESCRIPTION	PXM_REMARK	QTY.	
1	503200230	SCHROEF IHSCFM		4	9
2	503260202	SEALING RING		1	9
3	738210110	KOGELLAGER		1	9
4	593806001	GELEIDEHULS		2	9
5	593777601	PAKKING		1	9
6	537324201	INVOEGEN		1	9
7	738210110	KOGELLAGER		1	9
8	503260202	SEALING RING		1	9
9	544038901	CARTER COMPL.		1	

G 535 RX, 535 RJ, 535 RXT, 535 LS
CYLINDER COVER



- 12 — 
- 13 — 
- 14 — 
- 15 — 

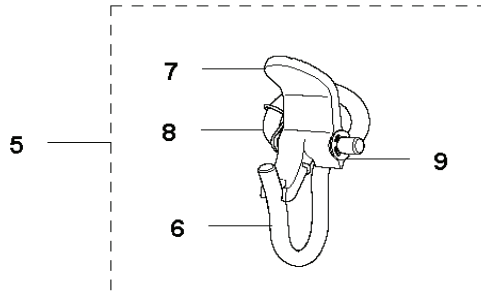
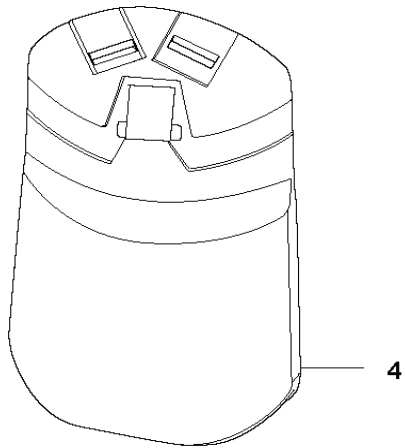
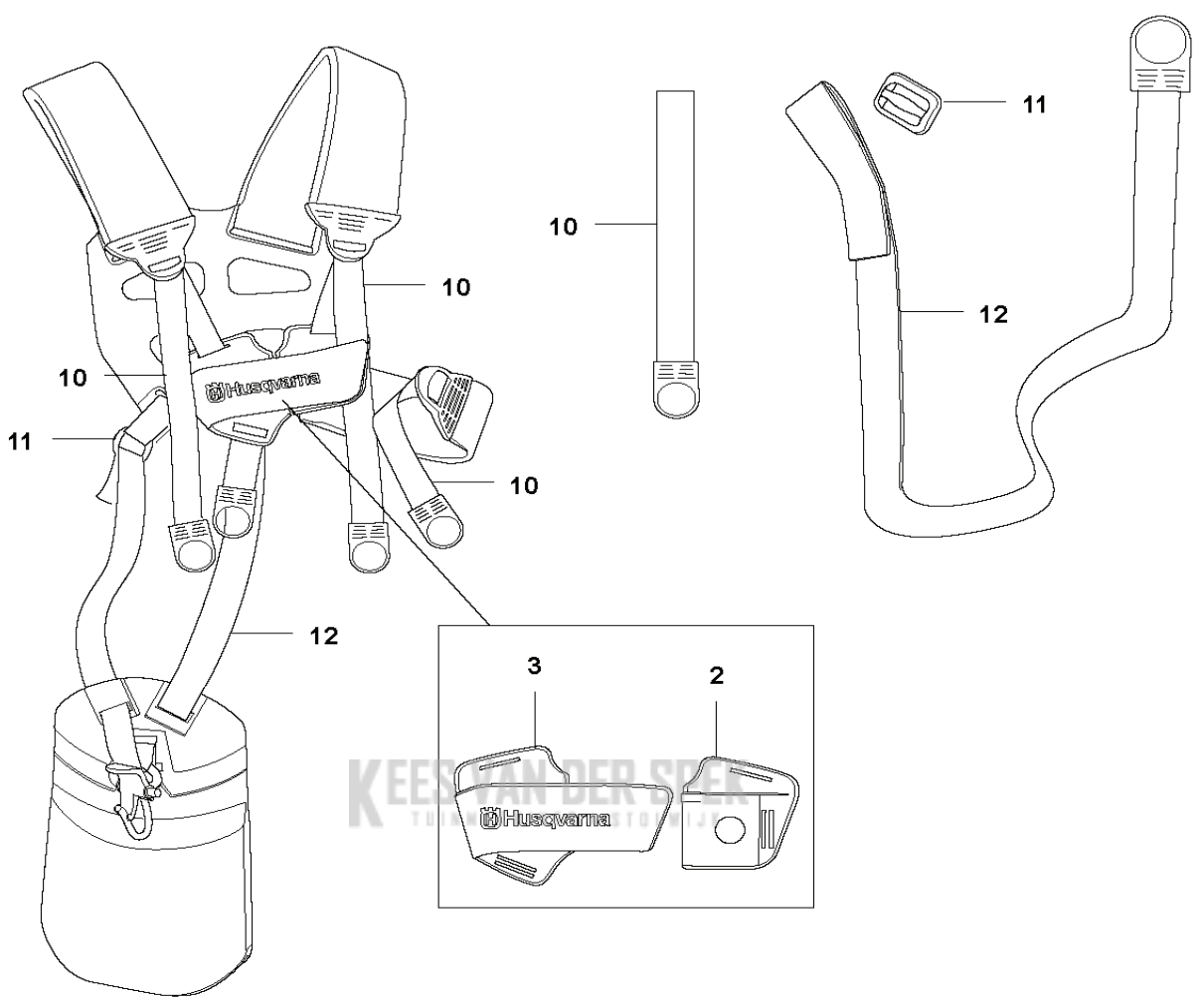
BRUSHCUTTERS/CLEARING SAWS

PXM_REF	PXM_PARTNO	DESCRIPTION	PXM_REMARK	QTY.
1	544160103	CILINDERDEKSEL	Spare part incl. Screws Pos. 2	1
2	573994304	SCHROEF IHSCFMO	Captive screws	1 1
3	503212910	SCHROEF CCRPANT		4 1
4	537425102	HITTEBESCHERMING	Spare part incl. Screws Pos. 5	1
5	574477003	SCHROEF IHSCFMO	Captive screws	1 4
8	503217516	SCHROEF IHSCFT		2
9	537357201	BESCHERMINGSPLAAT		1
10	503217516	SCHROEF IHSCFT		1
11	544029801	ZAAGBLAD		1
12	576998610	PLAATJE	535 RXT	1
13	576998611	PLAATJE	535 RX	1
14	576998612	PLAATJE	535 RJ	1
15	576998613	PLAATJE	535 LS	1
16	503213502	SCREW	535 RJ, 535 LS	2
17	502433901	ARMBESCHERMING	535 RJ, 535 LS	1

KEES VAN DER SPEK
TUINMACHINES ★ STOLWIJK

S DUO BALANCE 35
HARNESS

1

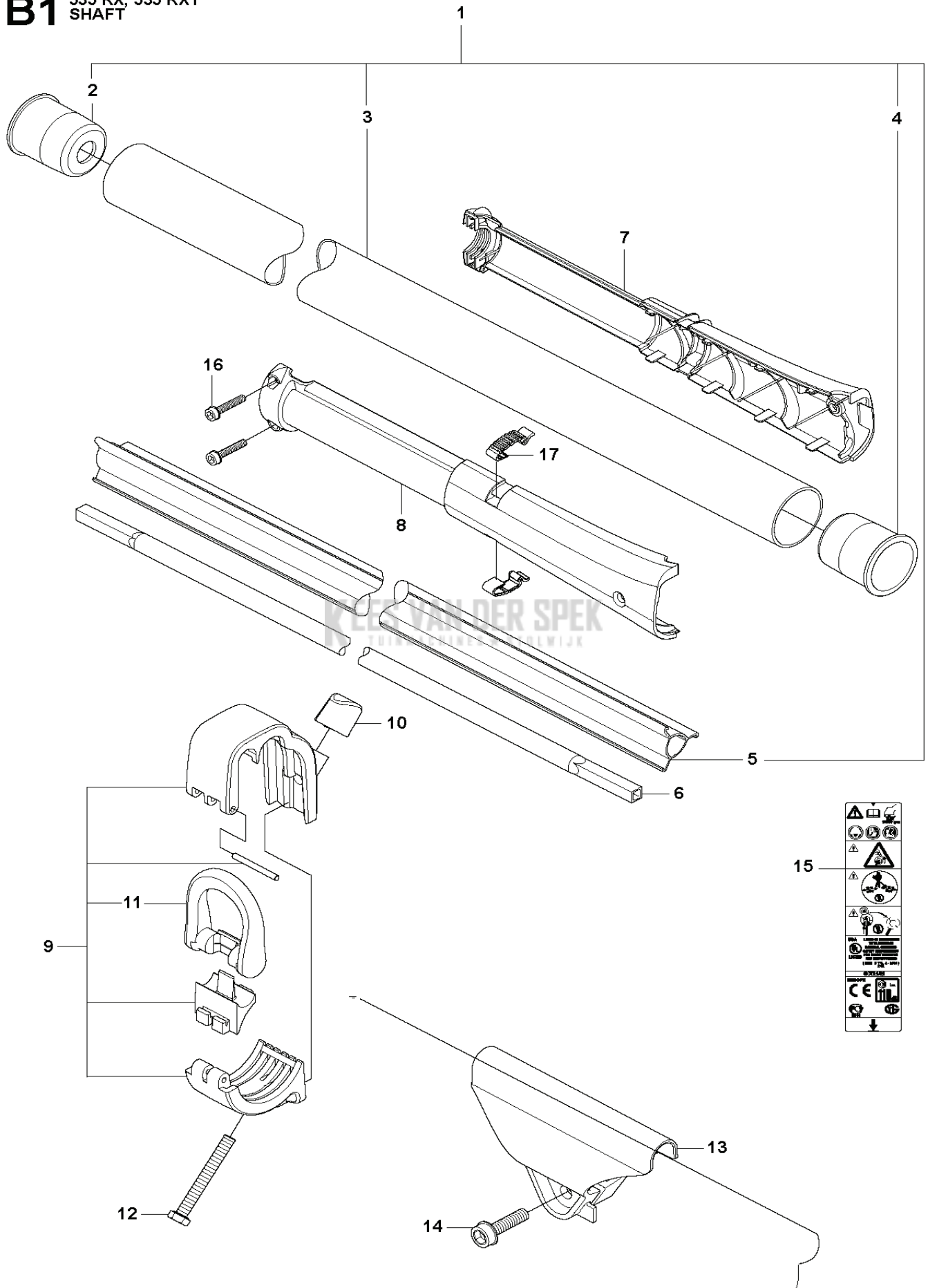


BRUSHCUTTERS/CLEARING SAWS

PXM_REF	PXM_PARTNO	DESCRIPTION	PXM_REMARK	QTY.
1	537275702	DRAAGSTEL		1
1	537275704	DRAAGSTEL	US	1
2	537288301	GESP		1 1
3	537288401	GESP		1 1
4	537275901	HEUPKUSSEN		1 1
5	502022801	HAAK		1 1
6	502022902	HAAK		1 1.5
7	502023002	SLOT		1 1.5
8	502023801	VEER		1 1.5
9	735310920	E-CLIP		1 1.5
10	503996101	BAND		3 1
11	537113501	HOUDER		1 1
12	503996103	BAND		1 1

KEES VAN DER SPEK
TUINMACHINES ★ STOLWIJK

B1 535 RX, 535 RXT
SHAFT



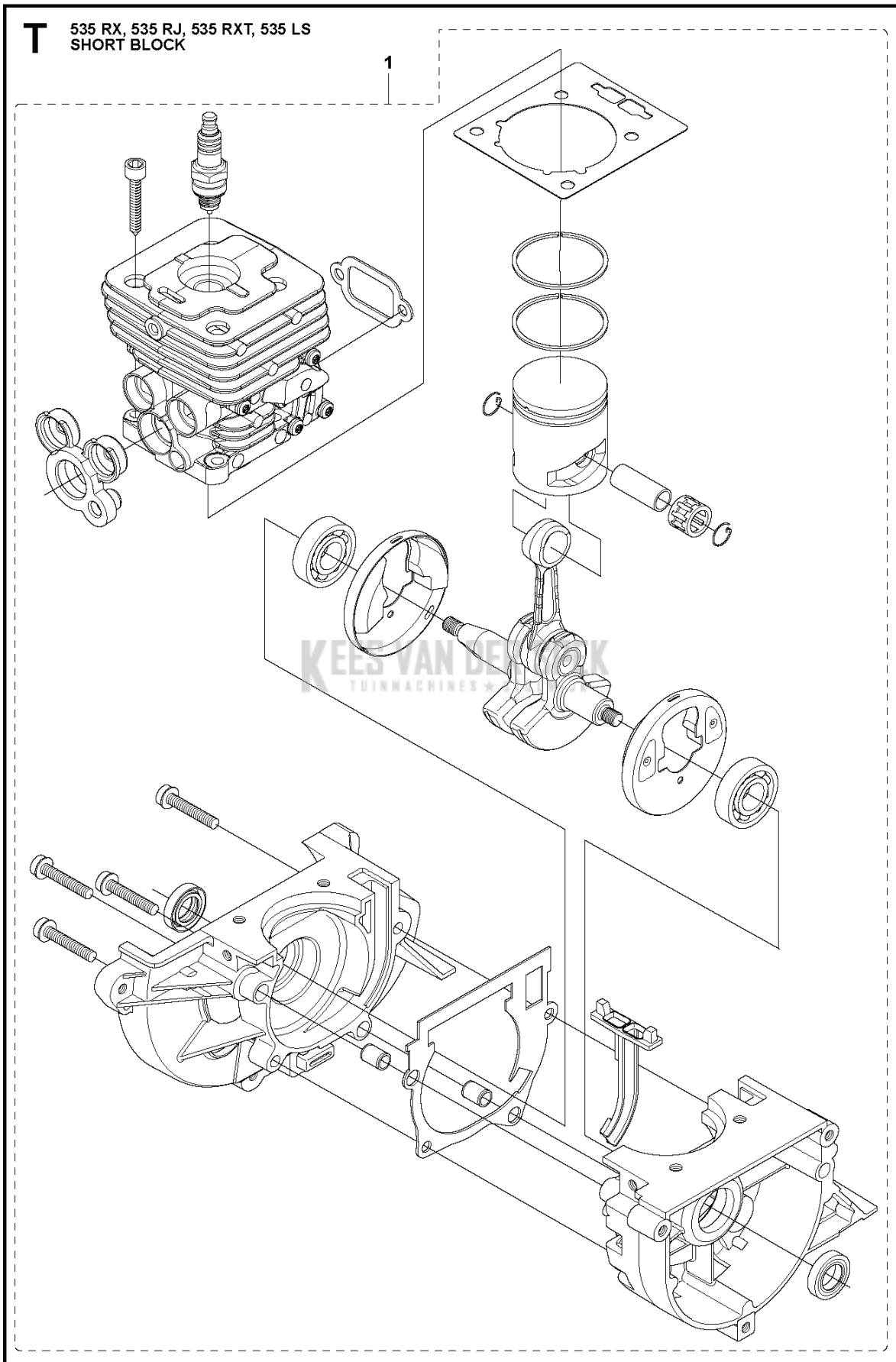
KEE VAN DER SPEK
TOOL & EQUIPMENT



BRUSHCUTTERS/CLEARING SAWS

PXM_REF	PXM_PARTNO	DESCRIPTION	PXM_REMARK	QTY.	
1	501919701	TUBE ASSY	535 RX, 535 RXT	1	
2	537360202	AFSTANDRING		1	1
3	537214101	PIJP	Ø = 28mm, L = 1483mm	1	1
4	537360201	AFSTANDRING		1	1
5	537313901	GELEIDER	Ø = 9mm, L = 1400mm	1	1
6	537355201	AANDRIJFAS	Ø = 8mm, L = 1527mm	1	
7	505137101	SLUTBESCHERMING	535RXT	1	
8	505137201	SLUTBESCHERMING	535RXT	1	
9	505160901	LUS	535 RXT	1	
9	537349801	LUS	535 RX	1	
10	537130402	KNOP		1	
11	537350101	LUS		1	9
12	725233951	SCHROEF EHHM	535 RXT	1	
12	725233151	SCREW	535 RX	1	
13	537376101	BEKABELING	535 RX	1	
14	503217516	SCHROEF IHSCFT		1	
15	589295101	PLAATJE		1	
16	503200778	SCHROEF IHSCFM		2	
17	537387201	SNAPSLUITING		2	

KEES VAN DER SPEK
TUINMACHINES ★ STOLWIJK

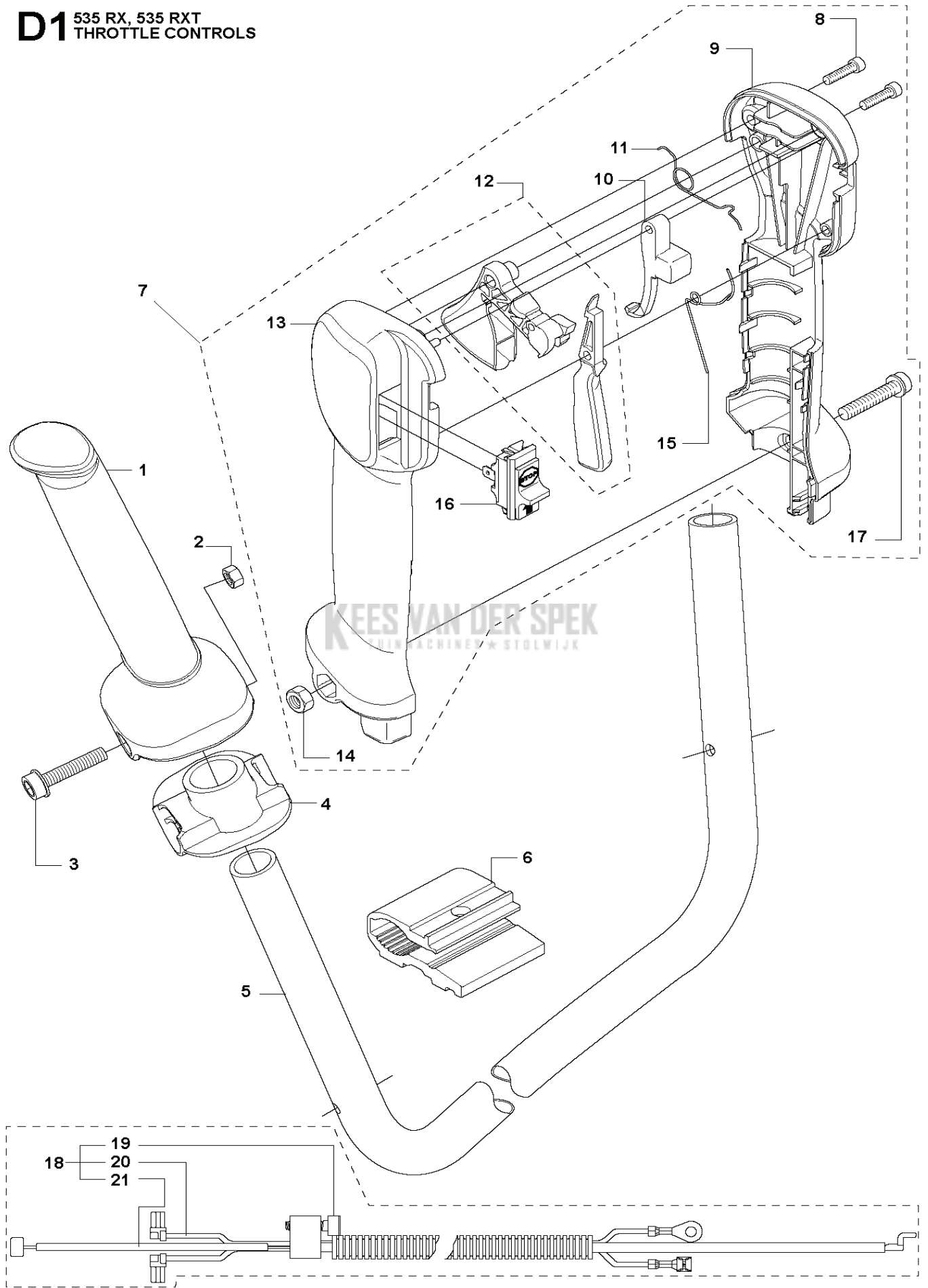


BRUSHCUTTERS/CLEARING SAWS

PXM_REF	PXM_PARTNO	DESCRIPTION	PXM_REMARK	QTY.
1	576796801	SHORT BLOCK	Assembled	1

KEES VAN DER SPEK
TUINMACHINES ★ STOLWIJK

D1 535 RX, 535 RXT THROTTLE CONTROLS

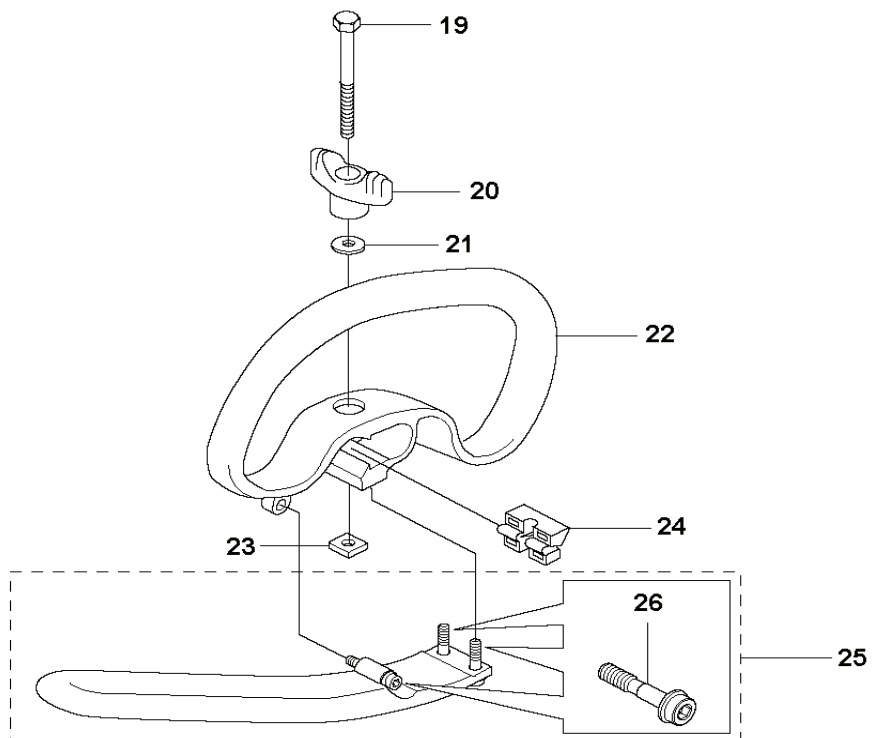
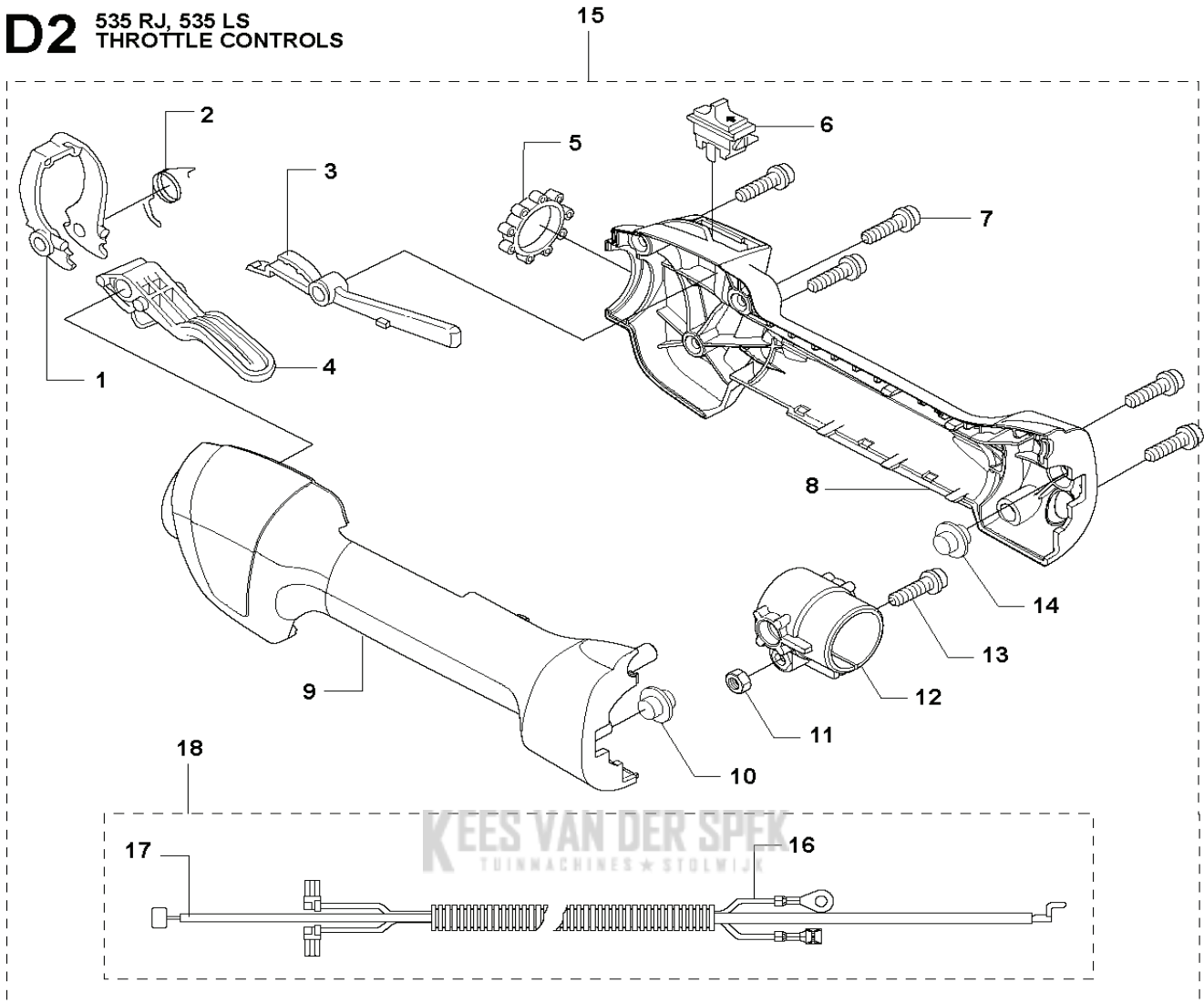


BRUSHCUTTERS/CLEARING SAWS

PXM_REF	PXM_PARTNO	DESCRIPTION	PXM_REMARK	QTY.
1	537172801	HENDEL		1
2	731231401	ZESKANT MOER		1
3	503200245	SCHROEF IHSCFM		1
4	537172901	DEKSEL		1
5	537360001	STUUR		1
6	503750002	STUURHOUDER		1
7	537424513	HANDGREEP COMPL.		1
8	503216618	SCHROEF IHST		2 7
9	537160302	HANDGREEPELFT	535 RXT	1 7
9	537160301	HANDGREEPELFT	535 RX	1 7
10	537160701	GASVERGREDELING		1 7
11	537174201	SPRING THROTTLE TRIG		1 7
12	506497701	GASHEVEL		1 7
13	537160209	HANDGREEPELFT	535 RXT	1 7
13	537160202	HANDGREEPELFT	535 RX	1 7
14	503221013	ZESKANT MOER		1 7
15	537174301	VEER		1 7
16	537419001	SCHAKELAAR		1 7
17	503200735	SCHROEF IHSCFM		1 7
18	537359602	BEKABELING COMPL.		1
19	503216618	SCHROEF IHST		1 18
20	503878507	KORTSLUITKABEL		1 18
21	537377801	GASKABEL COMPL.		1 18

KEES VAN DER SPEK
TUINMACHINES ★ STOLWIJK

D2 535 RJ, 535 LS
THROTTLE CONTROLS

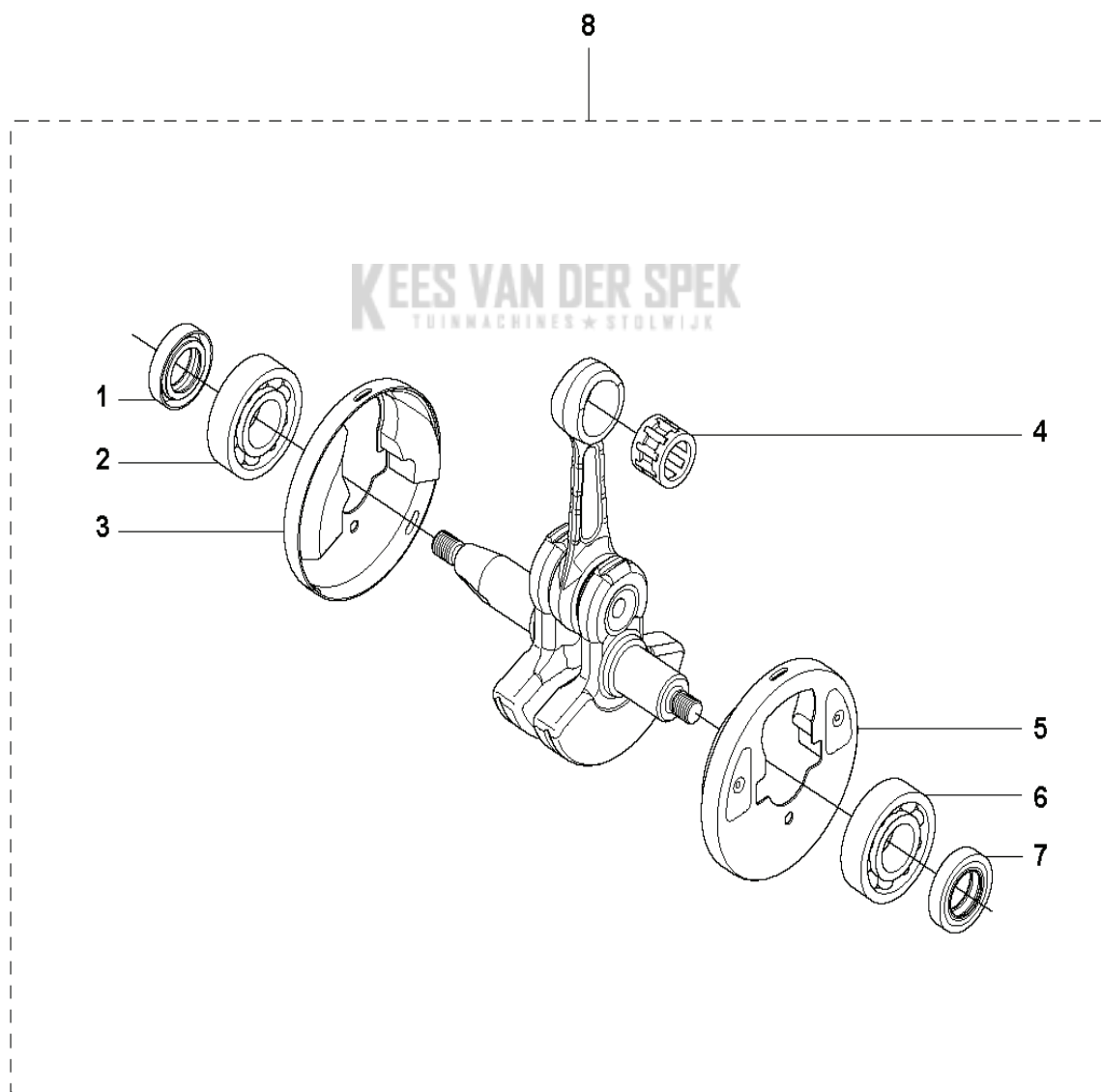


BRUSHCUTTERS/CLEARING SAWS

PXM_REF	PXM_PARTNO	DESCRIPTION	PXM_REMARK	QTY.	
1	503918101	GASHEFBOOM		1	15
2	544100801	RETOURVEER		1	15
3	503878001	GASVERGREDELING		1	15
4	503877903	THROTTLE TRIGGER		1	15
5	503961401	SCHOKDEMPER		1	15
6	537419001	SCHAKELAAR		1	15
7	503216618	SCHROEF IH SCT		5	15
8	544238401	HANDGREEPHELFT	Hard grip	1	15
8	544100202	HANDGREEPHELFT	Soft grip	1	15
9	544238501	HANDGREEPHELFT	Hard grip	1	15
9	544100302	HANDGREEPHELFT	Soft grip	1	15
10	544101702	DEMPER		1	15
11	731231401	ZESKANT MOER		1	15
12	544112101	HOUDER		1	15
13	503200320	SCHROEF IH SCFM		1	15
14	544101702	DEMPER		1	15
15	544143602	BEDIENING		1	
16	503878506	KORTSLUITKABEL		1	15, 18
17	544171702	GASKABEL COMPL.		1	15, 18
18	544144901	BEKABELING COMPL.		1	15
19	725238051	SCHROEF EHHM		1	
20	503879001	KNOP		1	
21	503230061	RING		1	
22	544101004	HANDLE LOOP		1	
23	502197101	MOER 4-KANT		1	
24	544101101	BLOCK.SPACING		1	
25	503997801	HENDEL	Spare part incl. Screws Pos. 26	1	
26	574181501	SCHROEF IH SCFT	Captive screws	3	25

KEES VAN DER SPEK
TUINMACHINES ★ STOLWIJK

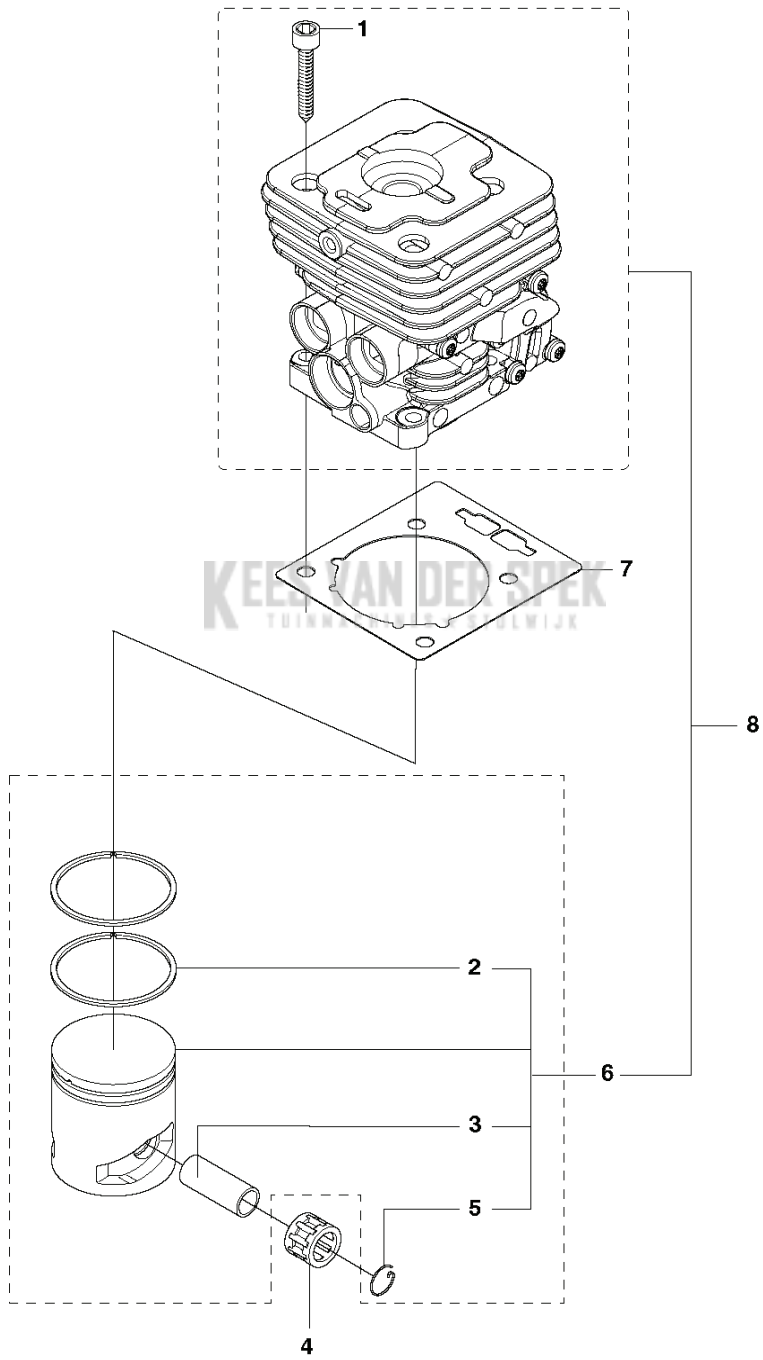
N 535 RX, 535 RJ, 535 RXT, 535 LS
CRANK SHAFT



BRUSHCUTTERS/CLEARING SAWS

PXM_REF	PXM_PARTNO	DESCRIPTION	PXM_REMARK	QTY.
1	503260202	SEALING RING		1 8
2	738210110	KOGELLAGER		1 8
3	537297601	KOP		1 8
4	503414101	NAALDLAGER		1 8
5	537297601	KOP		1 8
6	738210110	KOGELLAGER		1 8
7	503260202	SEALING RING		1 8
8	544039001	KRUKAS COMPL.		1

M 535 RX, 535 RJ, 535 RXT, 535 LS
CYLINDER PISTON

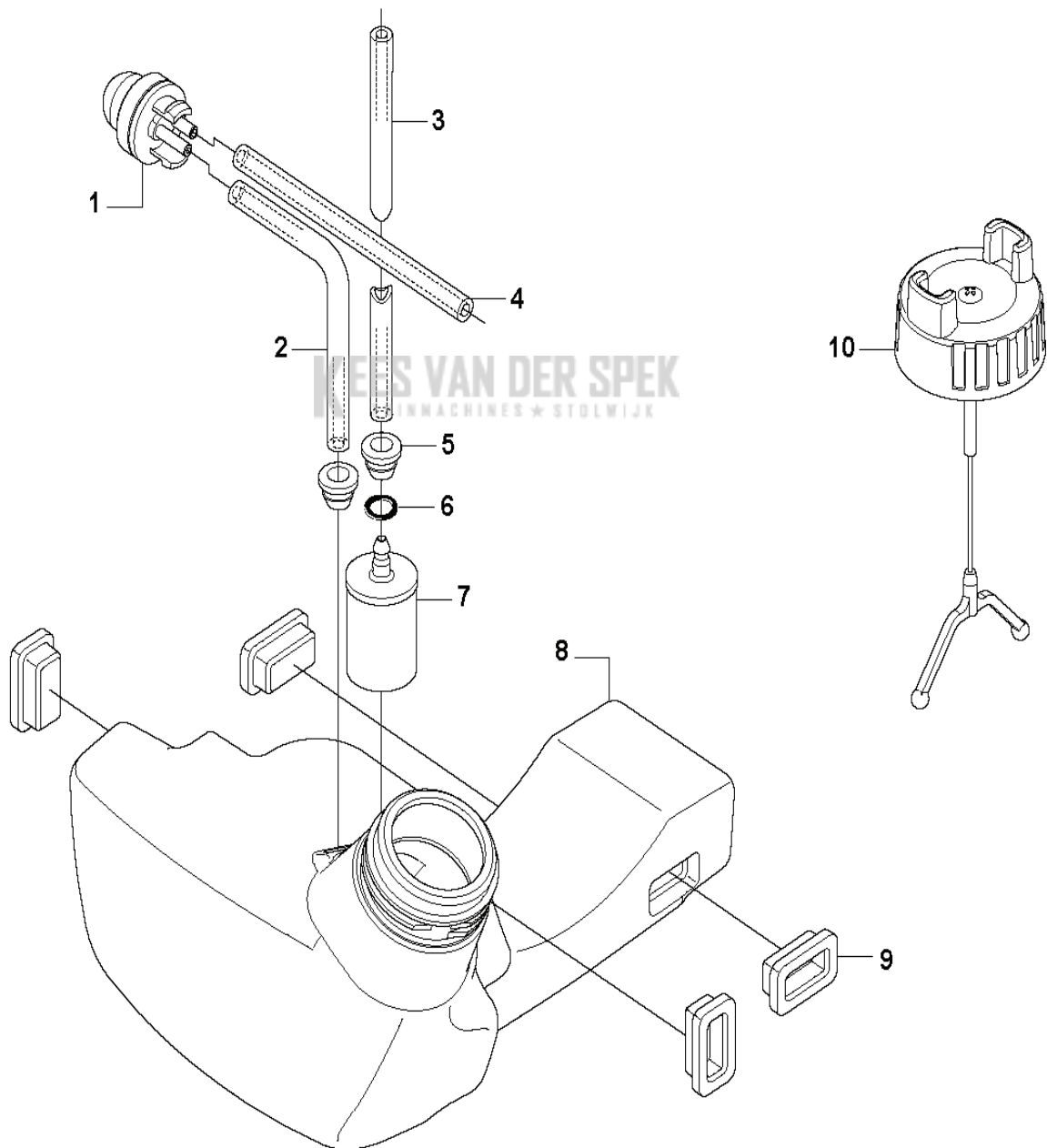


BRUSHCUTTERS/CLEARING SAWS

PXM_REF	PXM_PARTNO	DESCRIPTION	PXM_REMARK	QTY.	
1	725533355	SCHROEF IHSCM		4	8
2	503289054	ZUIGERVEER		2	6.8
3	503289119	ZUIGERPEN		1	6.8
4	503414101	NAALDLAGER		1	6.8
5	737441000	BORGRING		2	6.8
6	585998302	ZUIGER COMPL.		1	8
7	537333002	PAKKING		1	
8	544400601	CILINDER COMPL.	Ø = 38mm.574 36 43-01	1	

KEES VAN DER SPEK
TUINMACHINES ★ STOLWIJK

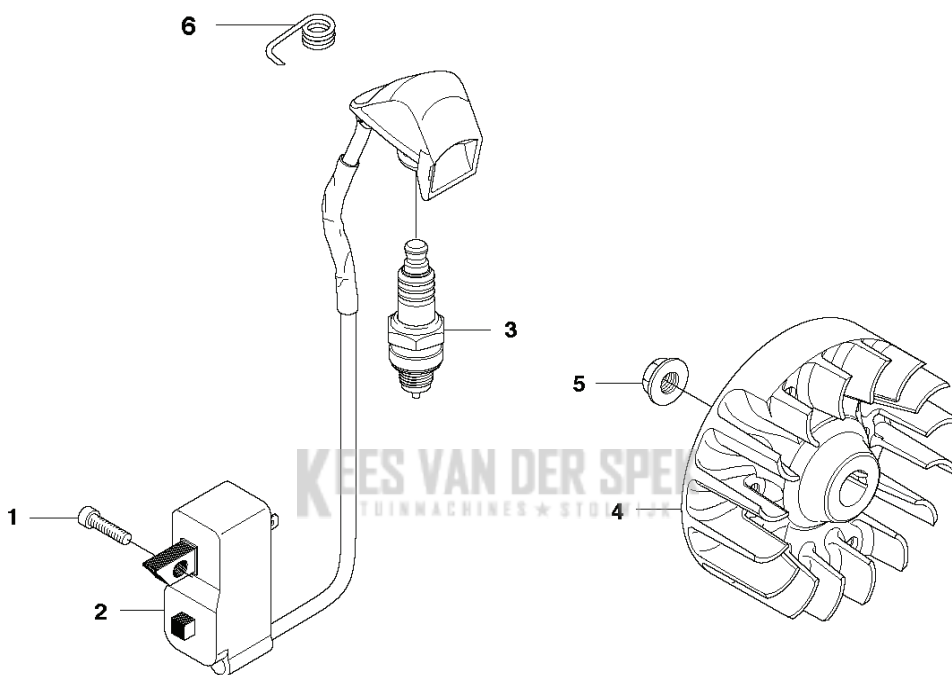
E 535 RX, 535 RJ, 535 RXT, 535 LS
FUEL TANK



BRUSHCUTTERS/CLEARING SAWS

PXM_REF	PXM_PARTNO	DESCRIPTION	PXM_REMARK	QTY.
1	503936601	PURGE		1
2	537042412	BRANDSTOFSLANG		1
3	537052301	BRANDSTOFSLANG		1
4	537042412	BRANDSTOFSLANG		1
5	503735801	BUSHING		2
6	537184901	O-RING		1
7	503443201	BRANDSTOFFILTER		1
8	544328801	TANK COMPL.		1
9	503911001	OPHANGING		4
10	590324801	TANKDEKSEL COMPL.		1

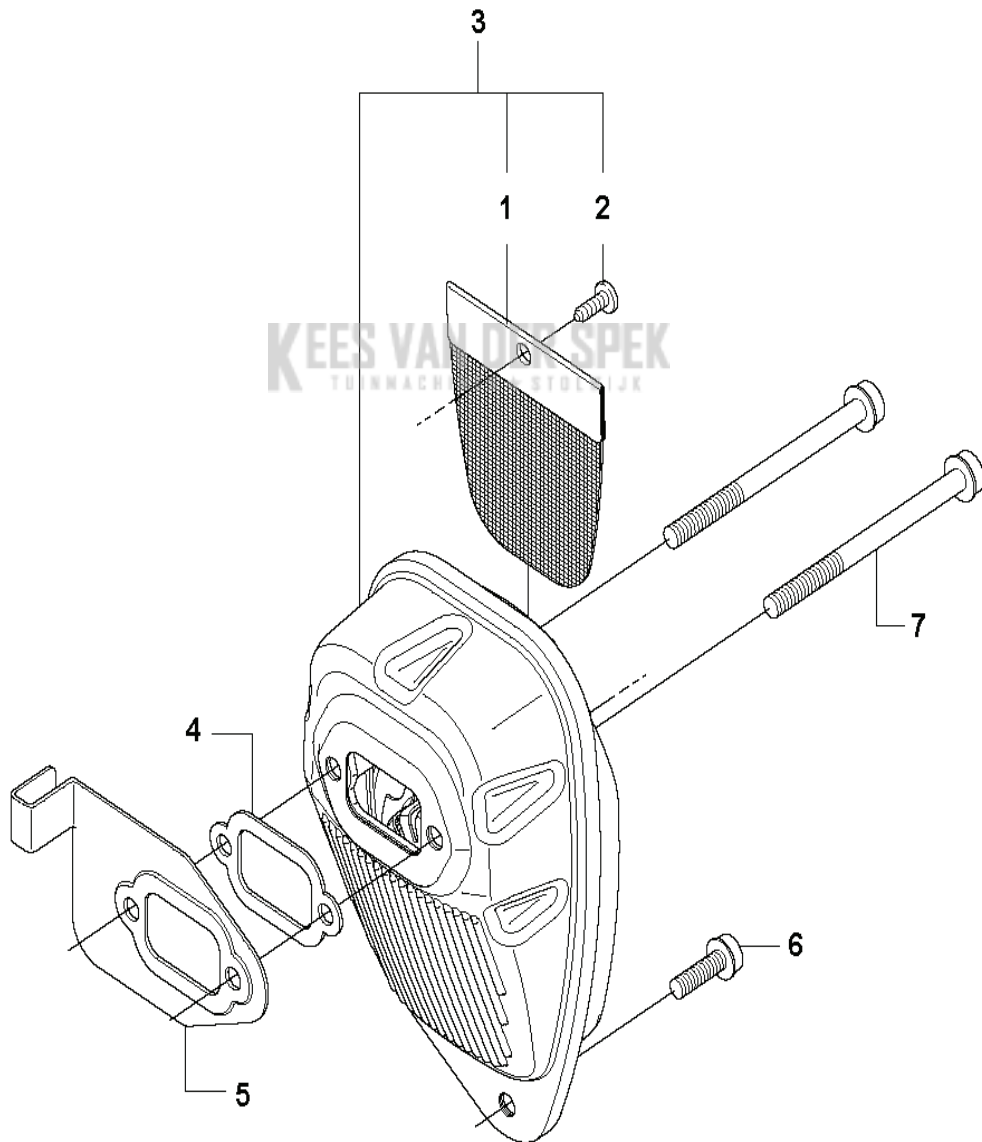
L 535 RX, 535 RJ, 535 RXT, 535 LS
IGNITION



BRUSHCUTTERS/CLEARING SAWS

PXM_REF	PXM_PARTNO	DESCRIPTION	PXM_REMARK	QTY.
1	503216618	SCHROEF IHSCT		2
2	544127002	ONTSTEKING MODULE		1
3	503235109	BOUGIE	CH RCJ6Y (Ø=14 mm)	1
4	537249601	VLIEGWIEL		1
5	731711651	HEXAGON NUT FLANGE		1
6	537239301	CONTACTVEER		1

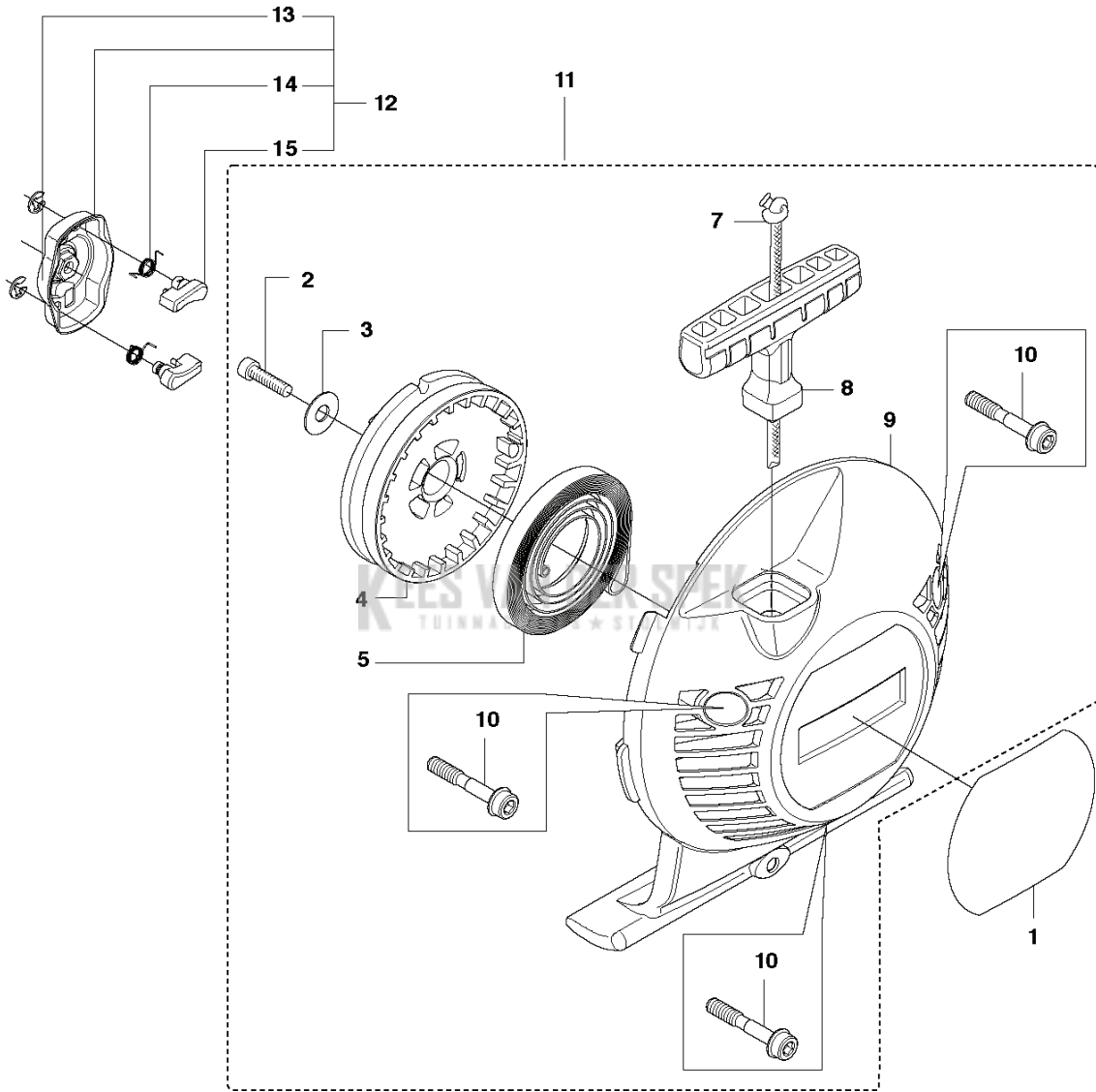
H 535 RX, 535 RJ, 535 RXT, 535 LS
MUFFLER



BRUSHCUTTERS/CLEARING SAWS

PXM_REF	PXM_PARTNO	DESCRIPTION	PXM_REMARK	QTY.	
1	544116801	VONKENVANGER SHERM		1	3
2	724128759	SCHROEF CRPANM		1	3
3	505408601	GELUIDDEMPER COMPL.	Cat	1	
4	537333101	PAKKING		1	
5	537340801	LUCHTLEIDING		1	
6	503200320	SCHROEF IHSCFM		1	
7	503202963	SCHROEF IHSCFM		2	

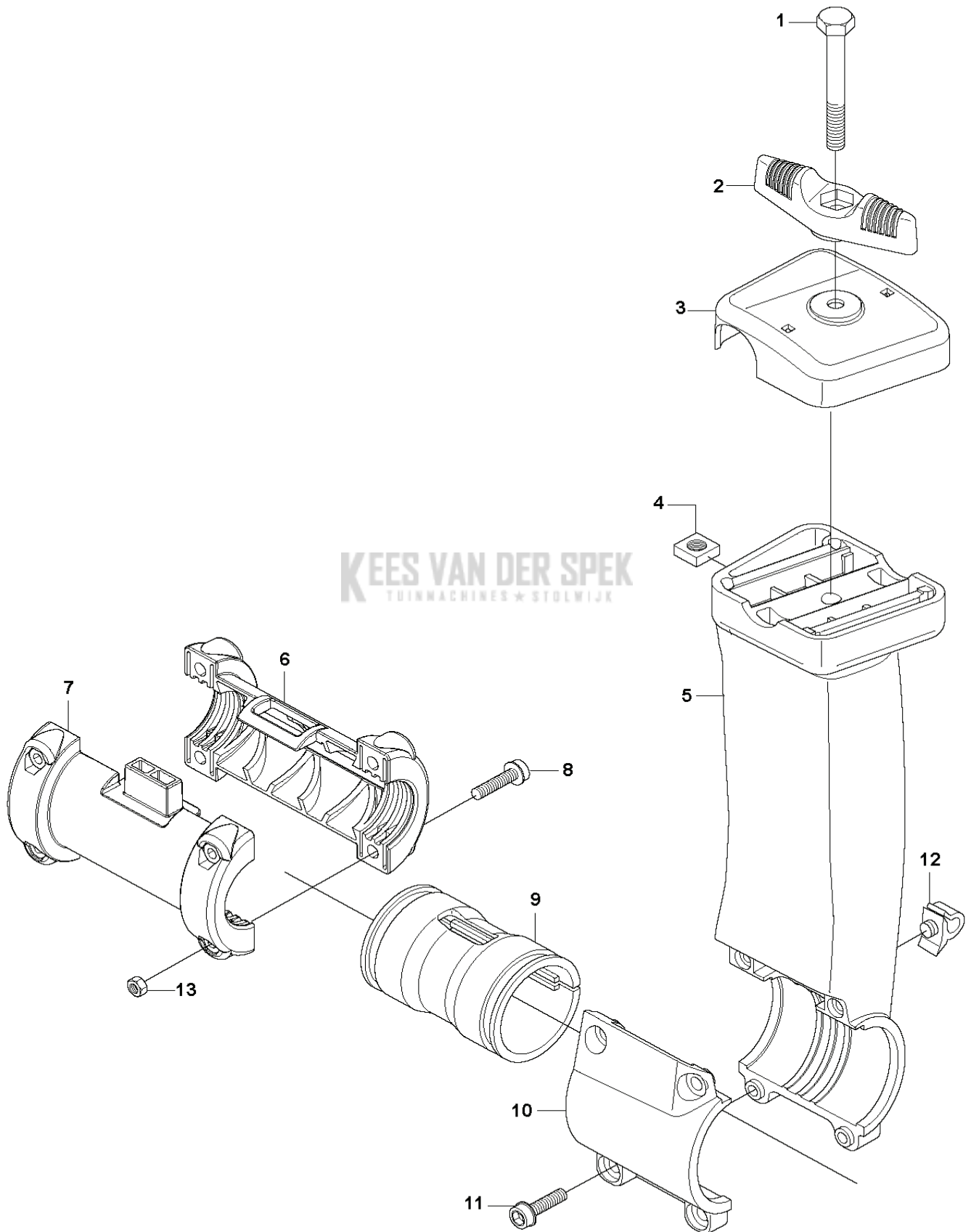
K 535 RX, 535 RJ, 535 RXT, 535 LS
STARTER



BRUSHCUTTERS/CLEARING SAWS

PXM_REF	PXM_PARTNO	DESCRIPTION	PXM_REMARK	QTY.
1	577223602	STICKER		1
2	503217920	SCHROEF IH SCT		1 11
3	535072301	RING		1 11
4	537325002	KOORDSCHIJF		1 11
5	503859901	RETOURVEER		1 11
7	505305125	STARTKOORD		1 11
8	503543901	STARTHANDVAT		1 11
9	544102502	STARTER	Spare part adapted for captive screws	1 11
10	573994305	SCHROEF IH SCFMO	Captive screws	3
11	537214707	STARTER COMPL.		1
12	503873305	STARTPAL		1
13	735310820	E-CLIP		2 12
14	503873601	VEER		1 12
15	503873502	STARTPAL		2 12

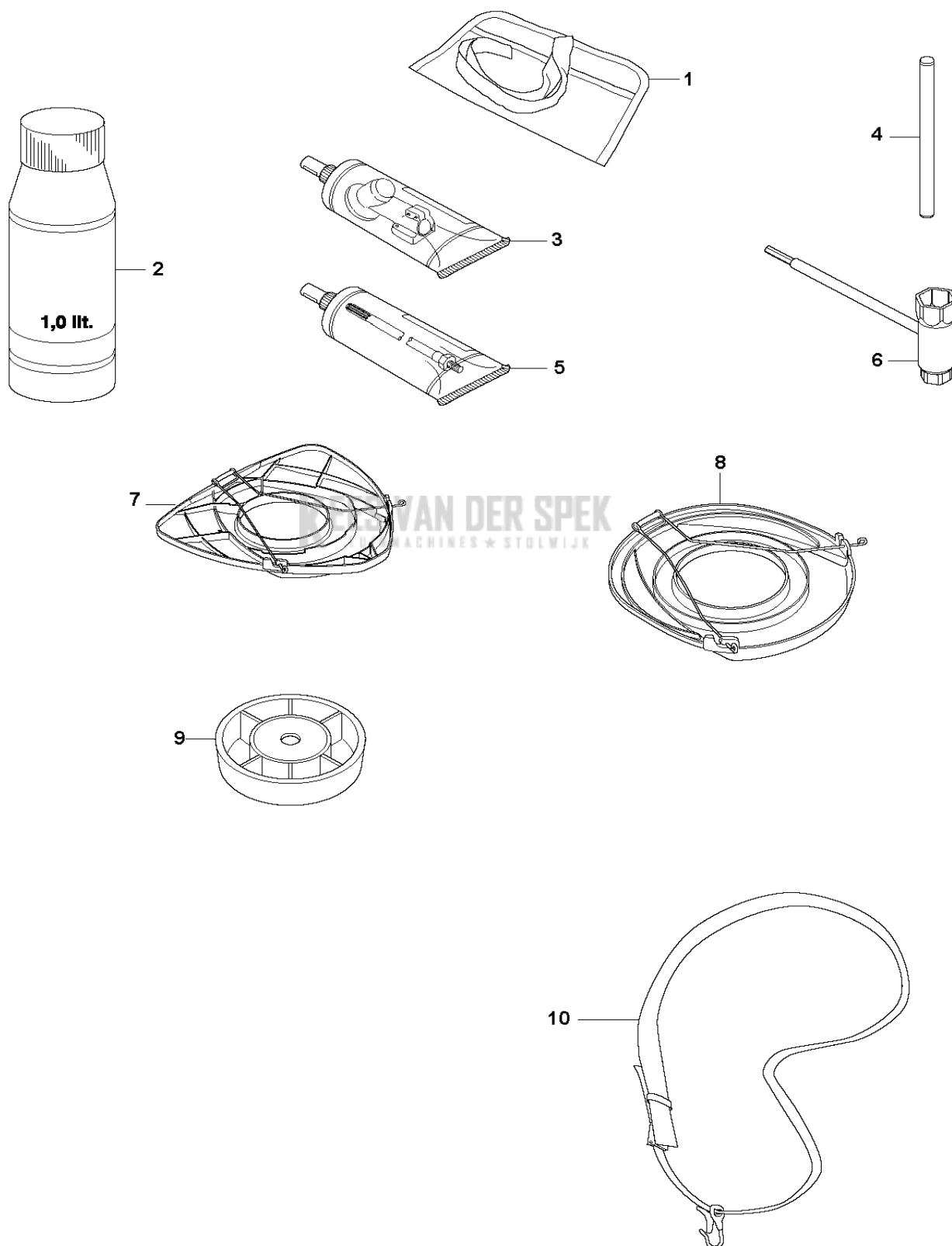
C2 535 RXT
TOWER



BRUSHCUTTERS/CLEARING SAWS

PXM_REF	PXM_PARTNO	DESCRIPTION	PXM_REMARK	QTY.
1	725238285	SCHROEF EHHM		1
2	502203801	KNOP		1
3	537376301	DEKSEL		1
4	502197101	MOER 4-KANT		1
5	537348601	BEVESTIGING		1
6	501380301	KLEMHULS		1
7	505220401	KLEMHULS COMPL.		1
8	503200778	SCHROEF IHSCFM		4
9	537348903	AV ELEMENT		1
10	537348701	NAAFDOP		1
11	503210619	SCHROEF IHSCCT		4
12	502286101	KLEM		1
13	731231401	ZESKANT MOER		2

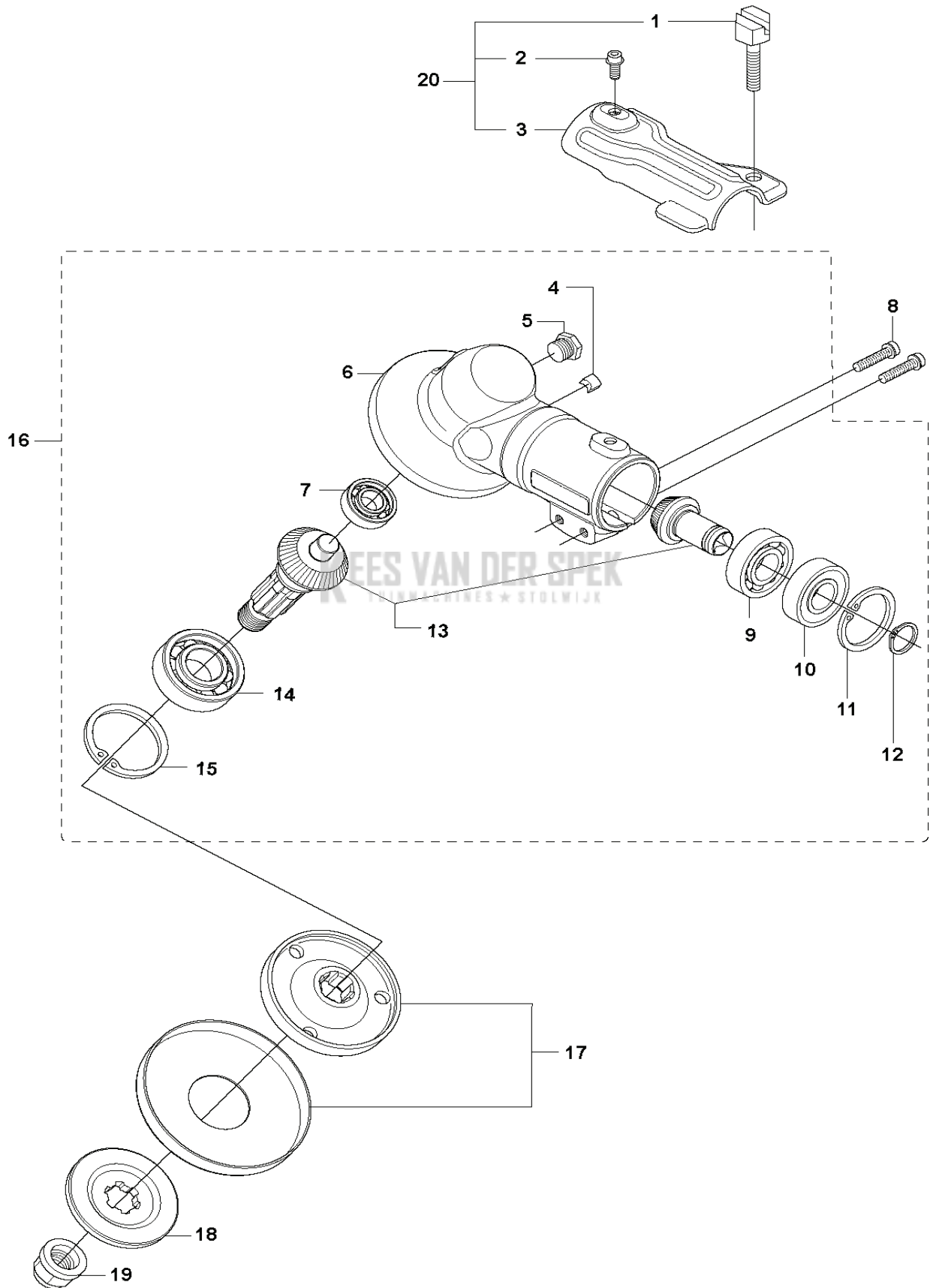
R2 535 RX, 535 RJ, 535 RXT, 535 LS
ACCESSORIES



BRUSHCUTTERS/CLEARING SAWS

PXM_REF	PXM_PARTNO	DESCRIPTION	PXM_REMARK	QTY.
1	501192201	GEREEDSCHAP		1
2	531009248	FILTER OLIE	Oil Airfilter	1
3	503976401	VET		1
4	502285901	STOP		1
5	503801701	VET		1
6	537362101	COMBINATIESLEUTEL		1
7	544359101	TRANSPORTBESCHERMING		1
8	537312901	TRANSPORTBESCHERMING	200-275 mm	1
9	503890102	DRAAISCHOTEL		1
10	537216201	DRAAGSTEL		1
10	537216202	DRAAGSTEL	USA	1

A 535 RX, 535 RJ, 535 RXT, 535 LS
BEVEL GEAR

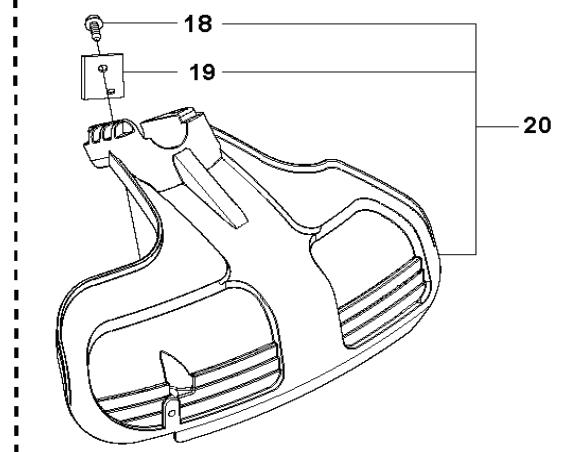
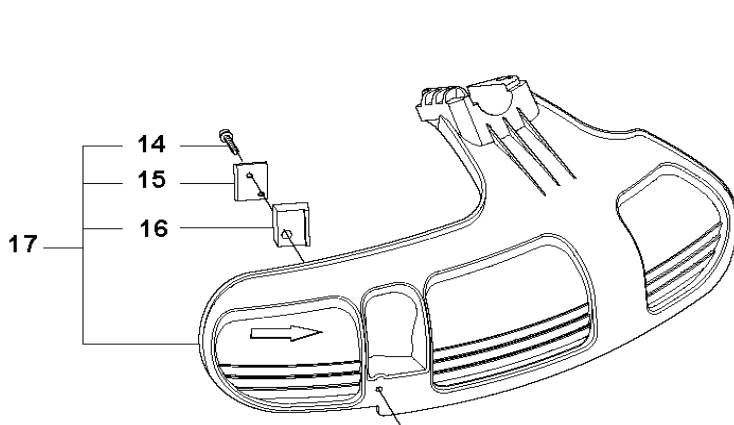
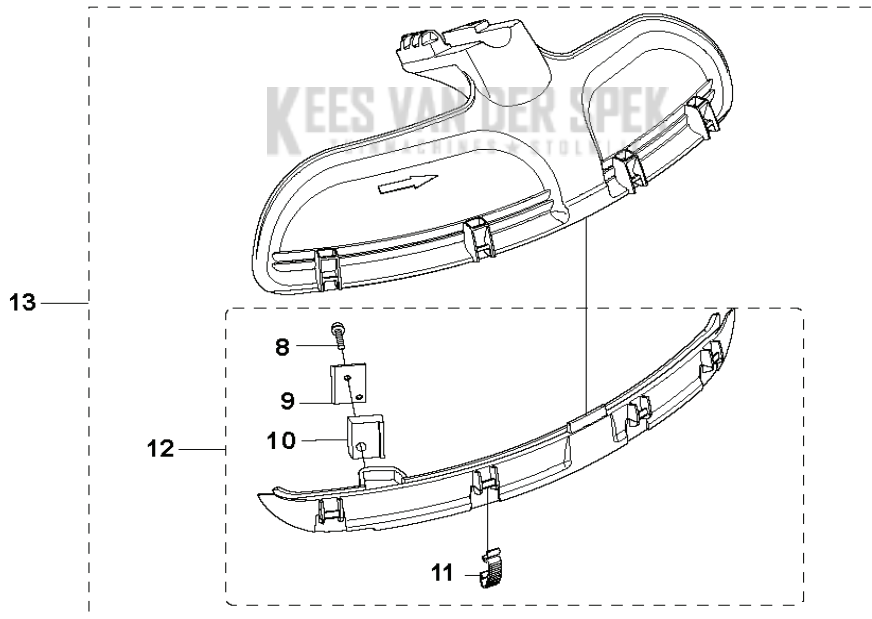
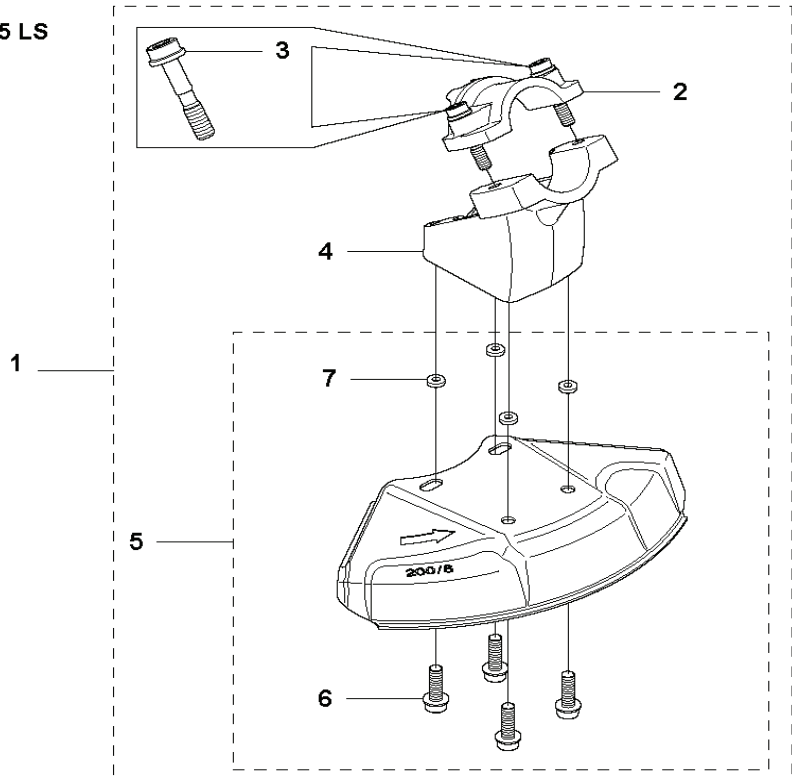


BRUSHCUTTERS/CLEARING SAWS

PXM_REF	PXM_PARTNO	DESCRIPTION	PXM_REMARK	QTY.
1	537189501	SCREW		1
2	503200210	SCHROEF IHSCFM		1 20
3	544087601	KLEM		1 20
4	537147401	MAGNEET		1 20
5	503201501	SCREW		1 16
6	537295902	VERSHELLINGSBAK HUIS		1 16
7	738219900	KOGELLAGER		1 16
8	503200325	SCHROEF IHSCFM		2 16
9	738210110	KOGELLAGER		1
10	738210112	KOGELLAGER		1 16
11	735312810	BORGCLIP		1 16
12	735311400	BORGCLIP		1 16
13	505133301	SPARE PARTS KIT	535 RX. 535 RXT	1 16
13	505133401	TANDWIELSET	535 RJ. 535 LS	1 16
14	503252801	KOGELLAGER		1 16
15	735313110	BORGCLIP		1 16
16	544216401	VERSHELLING	535 RX. 535 RXT	1 16
16	537295802	TANDWIELKOP	535 RJ. 535 LS	1
17	537351402	MEENEMER	"(1")"	1
18	537343501	FLENSSTEUN		1
19	502291101	MOER ZAAGBLAD		1
20	574306801	KLEM		1

KEES VAN DER SPEK
TUINMACHINES ★ STOLWIJK

R1 535 RX, 535 RJ, 535 RXT, 535 LS
ACCESSORIES



BRUSHCUTTERS/CLEARING SAWS

PXM_REF	PXM_PARTNO	DESCRIPTION	PXM_REMARK	QTY.	
1	501320402	SAW BLADE GUARD	Incl. Pos. 2-7	1	
2	574530601	KLEM	Spare part incl. Screws Pos. 3	1	1
3	573994304	SCHROEF IHSCFMO	Captive Screw M5	2	1,2
4	501320801	ADAPTER		1	1
5	574532601	ZAAGBLADBESCHERMING	Incl. Pos. 6-7	1	1
6	503200216	SCHROEF IHSCFM		4	1,5
7	574039501	LOCK NUT		4	1,5
8	503210716	SCHROEF IHSCFT	535 RX, 535 RXT	1	13
8	503216825	SCHROEF IHSCFT	535 LS, 535 RJ	1	13
9	503798802	MES		1	13
10	544124501	HOUDER	535 LS, 535 RJ	1	13
11	537387201	SNAPSLUITING		4	13
12	537396301	SPATSCHERM	535 RX, 535 RXT	1	13
12	537396303	SPATSCHERM	535 LS, 535 RJ	1	
13	537331601	COMBIBESCHERMKAP	535 RX, 535 RXT	1	
13	537331603	SPATSCHERM	535 LS, 535 RJ	1	
14	503216825	SCHROEF IHSCFT	535 LS, 535 RJ	1	17
15	503798802	MES		1	17
16	544124501	HOUDER	535 LS, 535 RJ	1	17
17	537349403	TRIMMER BESCHERMER	535 LS, 535 RJ	1	
18	503216825	SCHROEF IHSCFT	535 LS, 535 RJ	1	20
19	503798802	MES		1	20
20	502448101	TRIMMER BESCHERMER		1	