



Husqvarna®

DT600

EN	Operator's manual	2-11
BG	Ръководство за експлоатация	12-21
CS	Návod k použití	22-31
DA	Brugsanvisning	32-41
DE	Bedienungsanweisung	42-51
EL	Οδηγίες χρήσης	52-61
ES	Manual de usuario	62-71
ET	Kasutusjuhend	72-80
FI	Käyttöohje	81-90
FR	Manuel d'utilisation	91-100
HU	Használati utasítás	101-110
LT	Operatoriaus vadovas	111-120
LV	Lietošanas pamācība	121-130
NL	Gebbruiksaanwijzing	131-140
NO	Bruksanvisning	141-149
PL	Instrukcja obsługi	150-159
PT	Manual do utilizador	160-169
RO	Instrucțiuni de utilizare	170-179
RU	Руководство по эксплуатации	180-190
SK	Návod na obsluhu	191-200
SL	Navodila za uporabo	201-210
SV	Bruksanvisning	211-220
TR	Kullanım kılavuzu	221-230
IT	Manuale dell'operatore	231-240
ZH	操作手册	241-248

EAC

DEES VAN DER BEEK
TUINMACHINES * STROOIJERS

Contents

Introduction.....	2	Maintenance.....	8
Safety.....	3	Transportation, storage and disposal.....	8
Assembly.....	7	Technical data.....	9
Operation.....	8	EC Declaration of Conformity.....	11

Introduction

Product description

We have a policy of continuous product development and therefore reserve the right to modify the design and appearance of the products without prior notice.

Note: This manual cover both gasoline operated and battery operated power units.

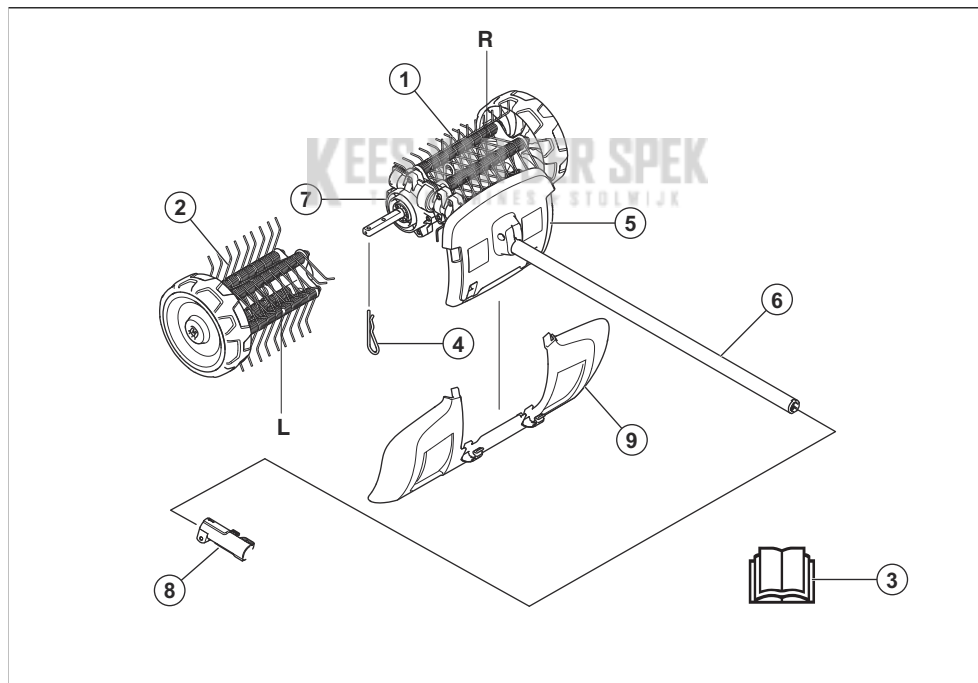
Intended use



WARNING: This attachment may only be used together with the intended product, see the accessory chapter in the Operator's Manual of the product.

The attachment is designed only to dethatch lawns from moss.

Attachment overview



- | | |
|--------------------------------|---|
| 1. Moss dethatcher right | 7. Gear housing |
| 2. Moss dethatcher left | 8. Shaft coupling (Included with the product) |
| 3. Operator's manual | 9. Splash guard |
| 4. Split pin | |
| 5. Guard (Protection on shaft) | |
| 6. Shaft | |

Symbols on the attachment and on the power unit



Careless or incorrect use of this attachment can result in serious or fatal injury to the operator or others.



Read the operator's manual carefully and make sure you understand the instructions before you use the attachment.



Use approved hearing protection. Use approved eye protection. Use a breathing mask when there is a risk of dust.



This attachment is in accordance with applicable EC directives.



Rotating parts. Keep hands and feet clear. The arrow indicates the direction of rotation.



Always wear approved protective gloves.



Wear sturdy, non-slip boots.



Watch out for thrown objects and ricochets.



The operator must ensure that no people or animals come closer than 15 m. When several operators are working at the same site a safety distance of at least 15 m must be in effect. The attachment can forcibly throw objects that can bounce back. This can result in serious eye injuries if the recommended safety equipment is not used.



Keep a minimum of 15 m / 50 ft distance to persons and animals during operation of the product.



Keep all parts of your body away from the hot surfaces.



Noise emission to the environment according to the European Community's Directive. The attachment's emission is specified in the Technical data chapter and on the label.

Note: Other symbols/decals on the attachment refer to special certification requirements for certain markets.

Safety

Safety definitions

Warnings, cautions and notes are used to point out specially important parts of the operator's manual.



WARNING: Used if there is a risk of injury or death for the operator or bystanders if the instructions in the manual are not obeyed.



CAUTION: Used if there is a risk of damage to the product and/or the attachment, other materials or the adjacent area if the instructions in the manual are not obeyed.

Note: Used to give more information that is necessary in a given situation.

General safety instructions



WARNING: Read the safety instructions that follow before you use the attachment.

- Please read the operator's manual carefully and make sure you understand the instructions before using the attachment.
- These instructions supplement the instructions that were included with the product. For other

procedures, please refer to the operating instructions for the product.

- Under no circumstances may the design of the attachment be modified without the permission of the manufacturer. Do not use an attachment that appears to have been modified by others and always use original accessories. Non-authorized modifications and/or accessories can result in serious personal injury or the death of the operator or others.

Read all instructions



WARNING: When using electric gardening appliances, basic safety precautions should always be followed to reduce the risk of fire, electric shock, and personal injury, including the following:

Detacher safety instructions

- Never allow children, persons with reduced physical, sensory or mental capabilities or lack of experience and knowledge or people unfamiliar with these instructions to use the product. Local regulations may restrict the age of the operator.
- Never operate the product while people, especially children, or pets are nearby.
- Do not overreach and keep the balance at all times. To always be sure of the footing on slopes, walk, never run.
- Do not touch moving hazardous parts before the machine is disconnected from the mains and the moving hazardous parts have come to a complete stop.
- Always wear substantial footwear and long trousers while operating the machine.
- Remove the battery from the product whenever the product is unattended, before clearing a blockage and before cleaning or working on the product.
- Remove the battery from the product before an examination for damages on the product is done when, for example, a foreign object is hit or if the product starts to vibrate abnormally.
- Do not connect a damaged cord to the supply and do not touch a damaged cord before it is disconnected from the power supply. A damaged cord can lead to contact with live parts and can result in injury or death.
- Never operate the product with defective guards/shields, without safety devices, or if the cord is damaged or worn.
- Keep extension cords away from moving hazardous parts to avoid damages to the cords which can lead to contact with live parts.
- Only connect the product to a power supply circuit protected by a residual current device (RCD) with a tripping current of not more than 30 mA.

- Avoid using the product in bad weather conditions especially when there is a risk of lightning.

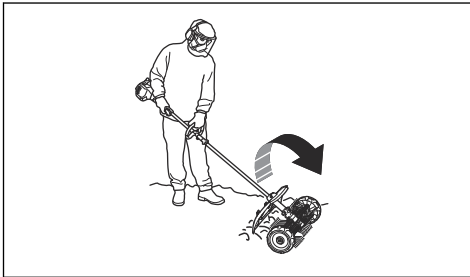
Safety instructions for operation



WARNING: Read the warning instructions that follow before you use the product.

- The stop switch automatically returns to the start position. Make sure to prevent unintentional starting when assembling, checking and/or performing maintenance. If you have a gasoline operated product, disconnect the spark plug cap from the spark plug. If you have a battery operated product, remove the battery.
- Watch out for thrown objects. Always wear eye protection. Never lean over the moss dethatcher. Stones, rubbish, etc. can be thrown up into the eyes causing blindness or serious injury.
- The gear can get hot during use and may remain so for a while afterwards. You could get burnt if you touch it.
- Although the brush drums do not have the same force as lawn mower blades, for example, you should avoid working with materials that can cause personal injury or damage to property if thrown out.
- Do not use the machine unless you are able to call for help in the event of an accident.
- Only use the machine for the purpose it was intended for.
- Never use the machine if you are tired, if you have drunk alcohol, or if you are taking medication that could affect your vision, your judgement or your co-ordination.
- Never use the machine in extreme weather conditions such as severe cold, very hot and/or humid climates.
- Never use a machine that is faulty. Carry out the safety checks, maintenance and service instructions described in this manual. Some maintenance and service measures must be carried out by trained and qualified specialists. See instructions under the Maintenance heading.
- Never allow children to use the machine.
- Never allow anyone else to use the machine without first ensuring that they have read and understood the contents of the operator's manual.
- Keep unauthorised persons at a distance. Children, animals, onlookers and helpers should be kept outside the safety zone of 15 m while you work. Stop the machine immediately if anyone approaches.
- If you encounter a situation where you are uncertain how to proceed you should ask an expert. Contact your dealer or your service workshop.
- Avoid all usage which you consider to be beyond your capability.

- Observe your surroundings and make sure that there is no risk of people or animals coming in contact with or affect your control of the product.
- Listen out for warning signals or shouts when you are wearing hearing protection. Always remove your hearing protection as soon as the engine/motor stops.
- Do not use the machine in bad weather, such as dense fog, heavy rain, strong wind, intense cold, etc. Working in bad weather is tiring and often brings added risks, such as icy ground.
- Make sure you can move and stand safely. Check the area around you for possible obstacles (roots, rocks, branches, ditches, etc.) in case you have to move suddenly. Take great care when working on sloping ground.



- The engine/motor must be switched off before moving.
- Never put the machine down with the engine/motor running unless you have it in clear sight.
- Always use both hands to hold the machine. Hold the machine at the side of your body.
- Make sure hands and feet do not come near the moss dethatcher when it is running.
- When the engine/motor is switched off, keep your hands and feet away from the moss dethatcher until it has stopped completely.
- If heavy vibration occurs, stop the machine. If you have a gasoline operated product, disconnect the HT lead from the spark plug. If you have a battery operated product, remove the battery from the product. Make sure that the machine is not damaged. Repair any damage.

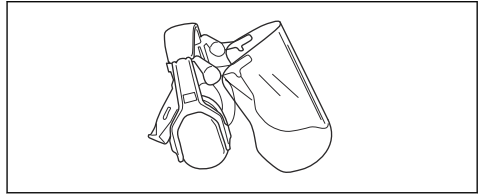
Personal protective equipment



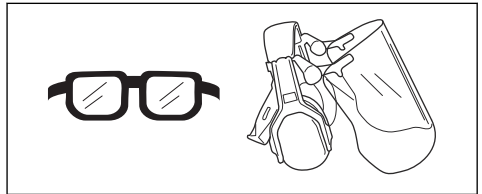
WARNING: Read the warning instructions that follow before you use the product.

- Always use approved personal protective equipment when you use the product. Personal protective equipment cannot fully prevent injury but it decreases the degree of injury if an accident does occur. Let your dealer help you select the right equipment.

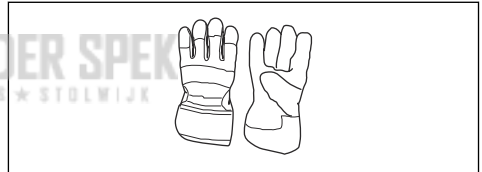
- Use approved hearing protection that provides adequate noise reduction. Long-term exposure to noise can result in permanent hearing impairment.



- Use approved eye protection. If you use a visor, you must also use approved protective goggles. Approved protective goggles must comply with the ANSI Z87.1 standard in the USAs or EN 166 in EU countries.



- Use gloves when necessary, for example when you attach, examine or clean the cutting equipment.

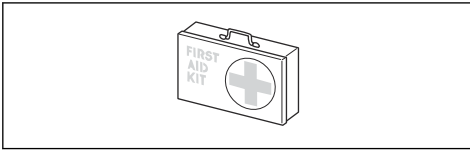


- Use protective boots with steel toes and non-slip soles.



- Use clothing made of a strong fabric. Always use heavy, long pants and long sleeves. Do not use loose clothing that can catch on twigs and branches. Do not wear jewelry, short pants, sandals or go with bare feet. Put your hair up safely above shoulder level.

- Keep first aid equipment close at hand.



Safety devices on the attachment



WARNING: Read the warning instructions that follow before you use the attachment.

This section contains the attachment's safety features, its purpose and how checks and maintenance should be carried out to ensure that it operates correctly. See instructions under the heading *Attachment overview on page 2* to find where these parts are located on your attachment.

The life span of the attachment can be reduced and the risk of accidents can increase if attachment maintenance is not carried out correctly and if service and/or repairs are not carried out professionally. If you need further information please contact your nearest servicing dealer.



WARNING: Never use an attachment with defective safety components. The attachment's safety equipment must be inspected and maintained as described in this section. If your attachment fails any of these checks, contact your service agent to get it repaired.



WARNING: All servicing and repair work on the product requires special training. This is especially true of the product's safety equipment. If your product fails any of the checks described below you must contact your service agent. When you buy any of our products we guarantee the

availability of professional repairs and service. If the retailer who sells your product is not a servicing dealer, ask him for the address of your nearest service agent.

Safety instructions for maintenance



WARNING: Read the warning instructions that follow before you do maintenance.

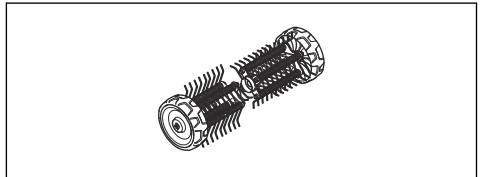


WARNING: Always stop the product before you do maintenance on the attachment. Be careful, the attachment can continue to move after the power/throttle trigger is released. Make sure that the attachment has stopped fully. If you have a gasoline operated product, disconnect the HT lead from the spark plug. If you have a battery operated product, remove the battery.



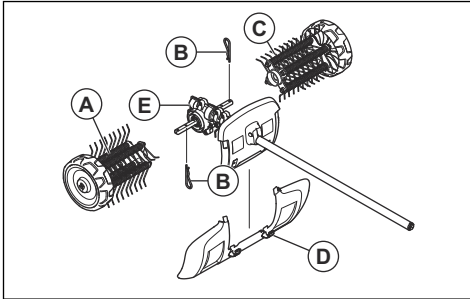
WARNING: Always use protective gloves.

- Check the entire product before starting. Check that all guards and covers are complete and fastened securely. Check all nuts and screws.
- If you have a gasoline operated product, check that there are no fuel leaks.
- Replace damaged parts.



Assembly

To assemble the attachment

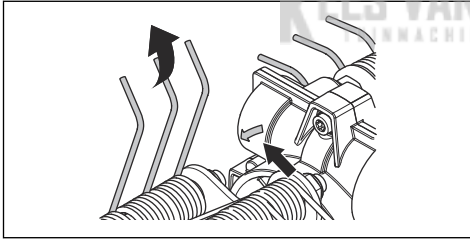


The arrow on the gear housing indicates the direction of rotation. The gear housing is to be placed as illustrated.

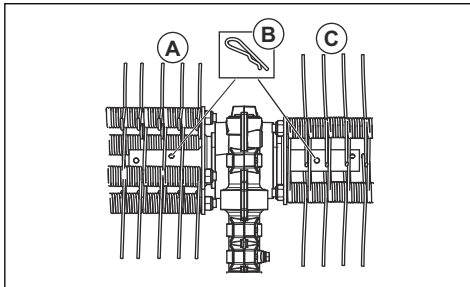
IMPORTANT:

The moss dethatcher rollers are marked with arrows showing the direction of the rotation. Make sure the moss dethatcher rollers are fitted correctly.

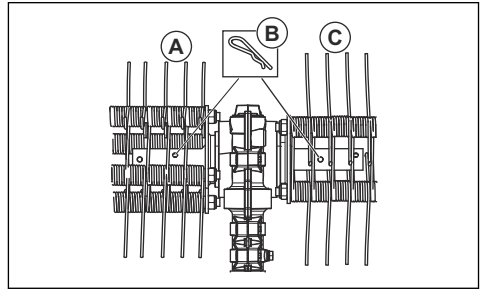
The moss dethatcher rollers must be fitted slightly displaced in relation to each other. The moss dethatcher springs should point in the same direction as the rotation direction arrow shown on the gear housing.



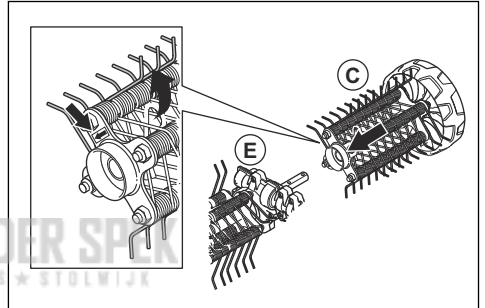
1. Press the left moss dethatcher (A) onto the left drive shaft from the gear housing (E).



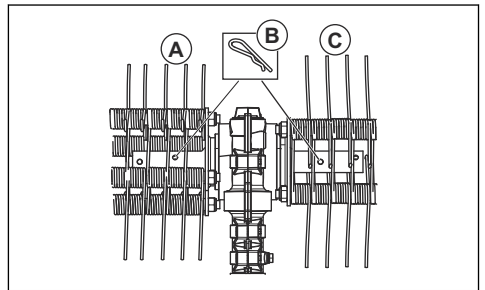
2. Fasten the moss dethatcher roller with split pin (B) into the inner hole in the shaft.



3. Press the right moss dethatcher (C) onto the right drive shaft from the gear housing (E).



4. Fasten the moss dethatcher roller with split pin (B) into the inner hole in the shaft.



5. Mount the splash guard with the snap-on fasteners (D).

Note: For assembling accessories on basic product, refer to the manual of the basic product.

Operation

To start the product with a cold engine

If you have a gasoline operated product, obey these instructions to start the product with a cold engine.

1. Run the basic product warm and then shut down the product.
2. Mount the attachment as per the assembly instructions.
3. When adjusting the carburettor, make sure that the dethatcher is held against the ground and that no one else is in the vicinity.
4. Keep the moss dethatcher idling.
5. Make sure that the handle and safety features are in good working order. Never use a product that lacks a part or has been modified outside its specifications.

Note: It is both tiring and unnecessary to lift or hold the moss dethatcher above the surface when working.

2. Keep an acute working angle to the surface. With a large working angle, the moss dethatcher tends to move towards you and you risk losing control of the product.



To use the attachment

1. Run the moss dethatcher at full gas (or nearly full gas) with the wheels resting on the surface.

Maintenance

Introduction

Below you will find some general maintenance instructions. If you need further information please contact your service workshop.



WARNING: The gear housing gets hot when the product has been in use. To avoid burning yourself do not touch the gear housing.

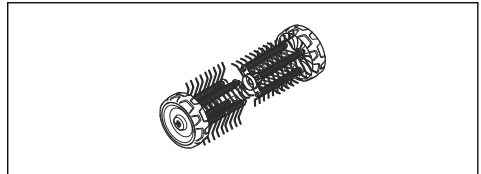
To perform maintenance on the attachment



CAUTION: Much work on the moss dethatcher is often done in dusty conditions. If you have a gasoline operated product, it is extremely important that the air filter is inspected regularly, often daily, and oiled in order to work satisfactorily.

Refer to the operator's manual of the power unit for maintenance instructions.

1. Make sure that the moss dethatcher does not rotate when the power/throttle trigger is released.



2. Clean the wheels if they are not rotating freely.



WARNING: Always wear protective gloves when you perform maintenance on the attachment.

Transportation, storage and disposal

Transport and storage

If transporting the attachment on another vehicle always use approved securing devices and make sure that the attachment is securely held.

Ensure the attachment is cleaned and that a complete service is carried out before long-term storage.

Technical data

Technical data for gasoline operated products

Moss dethatcher	DT600
Width, mm	556
Weight	
Weight, kg	6.5
Noise emissions¹	
Sound power level, measured dB (A)	105
Sound power level, guaranteed L_{WA} dB (A)	109
Sound levels²	
Equivalent sound pressure level at the operator's ear, measured according to EN ISO 22868 , dB (A):	95
Vibrations³	
Equivalent vibration levels ($a_{hv,eq}$) at handles, measured according to EN ISO 22867, m/s^2	
Front/rear handles	6.2/4.3

KEES VAN DER SPEK
STOLWIJK

Technical data for battery operated products

325iLK + Dethatcher attachment DT600	
Width, mm	556
Weight	
Weight, kg	2.3+6.5
Noise emissions⁴	
Sound power level, measured dB (A)	89
Sound levels⁵	

- ¹ Measured together with Husqvarna approved accessories. Noise emissions in the environment measured as sound power (L_{WA}) in conformity with EC directive 2000/14/EC. Reported sound power level for the machine has been measured with the original cutting attachment that gives the highest level. The difference between guaranteed and measured sound power is that the guaranteed sound power also includes dispersion in the measurement result and the variations between different machines of the same model according to Directive 2000/14/EC.
- ² Measured together with Husqvarna approved accessories. Reported data for equivalent sound pressure level for the machine has a typical statistical dispersion (standard deviation) of 1 dB (A).
- ³ Measured together with Husqvarna approved accessories. Reported data for equivalent vibration level has a typical statistical dispersion (standard deviation) of 1 m/s^2 .
- ⁴ Reported data for sound power level for the machine has a typical statistical dispersion (stand-ard deviation) of 3 dB (A) and has been measured with the original attachment that gives the highest level.
- ⁵ Reported data for sound pressure level for the machine has a typical statistical dispersion (stand-ard deviation) of 3 dB (A) and has been measured with the original attachment that gives the highest level.

325iLK + Dethatcher attachment DT600	
Sound pressure level at the operator's ear, measured according to EN ISO 22868 , dB (A):	77
Vibrations⁶	
Vibration levels at handles, measured according to EN 62841-1, m/s ²	
Front/rear handles	1.9/2.6
Equipped with approved accessory (original), left/right	1.9/2.6

KEES VAN DER SPEK
TUINMACHINES ★ STOLWIJK

⁶ Reported data for vibration level has a typical statistical dispersion (standard deviation) of 2 m/s². For comparison of vibrations levels, battery and combustion products use vibration calculator. <https://www.husqvarna.com/uk/services-solutions/vibration-calculator/>.

EC Declaration of Conformity

EC Declaration of Conformity - for gasoline operated products

Husqvarna AB, SE-561 82 Huskvarna, Sweden, tel: +46-36-146500, declares that the moss dethatcher **Husqvarna DT600** with serial numbers dating from 2019 onwards (the year is clearly stated on the rating plate, followed by the serial number), comply with the requirements of the COUNCIL'S DIRECTIVE:

- of May 17, 2006 "relating to machinery" **2006/42/EC**
- of June 8, 2011 "restriction of use of certain hazardous substances in electrical and electronic equipment" **2011/65/EU**
- of May 8, 2000 "relating to the noise emissions in the environment" **2000/14/EC**.

The following standards have been applied for Gasoline products:

SS-EN ISO 12100:2010, EN IEC 63000:2018

RISE SMP Svenska Maskinprovning AB, Box 7035, SE-750 07 Uppsala, Sweden has performed voluntary type examination on behalf of Husqvarna AB. The certificate is numbered: **SEC/15/2411 - Husqvarna DT600**

Huskvarna , 2021-02-12



Pär Martinsson, Development Manager (Authorized representative for Husqvarna AB and responsible for technical documentation.)

EC Declaration of Conformity - for battery operated products

Husqvarna AB, SE-561 82 Huskvarna, Sweden, tel: +46-36-146500, declares that the moss dethatcher, **Husqvarna DT600 attachment with power unit Husqvarna 325iLK** with serial numbers dating from 2019 and onwards (the year is clearly stated on the rating plate, followed by the serial number), comply with the requirements of the COUNCIL'S DIRECTIVE:

- of May 17, 2006 "relating to machinery" **2006/42/EC**
- of June 8, 2011 "restriction of use of certain hazardous substances in electrical and electronic equipment" **2011/65/EU**

The following standards have been applied for Battery products:

EN 62841-1:2015, EN 50636-2-92:2014, EN IEC 63000:2018

RISE SMP Svenska Maskinprovning AB, Box 7035, SE-750 07 Uppsala, Sweden has performed voluntary type examination on behalf of Husqvarna AB. The certificate is numbered: **SEC/15/2411 - Husqvarna DT600**

For information relating to noise emissions, refer to *Technical data on page 9*.

Huskvarna , 2021-02-12



Pär Martinsson, Development Manager (Authorized representative for Husqvarna AB and responsible for technical documentation.)

KEES VAN DER SPEK
TUINMACHINES * STOLWIJK

Съдържание

Въведение.....	12	Поддръжка.....	19
Безопасност.....	13	Транспортиране, съхранение и изхвърляне.....	19
Монтаж.....	17	Технически данни.....	19
Операция.....	18	Декларация за съответствие на ЕО.....	21

Въведение

Описание на продукта

Ние имаме политика на непрекъснато развитие на своите продукти и затова запазваме правото си да променяме тяхната конструкция и външен вид без предизвестие.

Забележка: Това ръководство обхваща както бензинови, така и захранвани с акумулаторни батерии захранващи блокове.

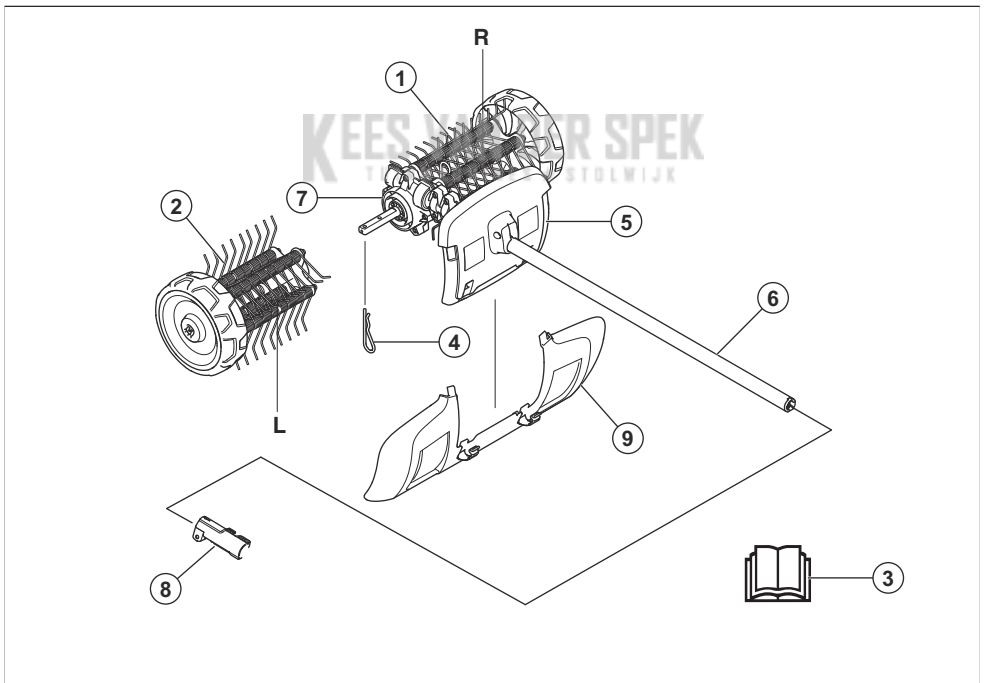
Предназначение



ПРЕДУПРЕЖДЕНИЕ: Тази приставка може да се използва единствено заедно с предназначения продукт, вижте главата за аксесоари в ръководството за оператора на продукта.

Приставката е предназначена единствено за премахване на мъх от морави.

Общ преглед на приставка



1. Десен вертикутир за премахване на мъх
2. Ляв вертикутир за премахване на мъх
3. Ръководство за оператора
4. Шплинт
5. Предпазител (защита на двусекционния вал)
6. Вал
7. Корпус на предавката
8. Съединение на вала (включено с продукта)
9. Предпазител срещу разплискване

Символи върху оборудването и хранявания блок



Невнимателното или неправилното използване на тази приставка може да доведе до сериозно или смъртоносно нараняване на оператора или други лица.



Прочетете внимателно ръководството за оператора и се уверете, че разбирате инструкциите, преди да използвате оборудването.



Използвайте одобрени антифони. Използвайте одобрени защитни средства за очите. Използвайте предпазната маска, когато има опасност от прах.



Това оборудване отговаря на изискванията на приложимите директиви на ЕО.



Въртящи се части. Осигурете пространство около ръцете и краката си. Стрелката сочи посоката на въртене.



Винаги носете одобрени защитни ръкавици.



Носете устойчиви и нехлъзгащи се ботуши.



Пазете се от изхвърлени и рикоширащи предмети.



Операторът трябва да внимава да не се приближават хора или животни в радиус от 15 m. Когато няколко оператора работят на един и същ обект, трябва да се спазва безопасно разстояние от поне 15 m. Оборудването може да изхвърли предмети с голяма сила, които да отскочат обратно. Това може да доведе до сериозни наранявания на очите, ако не се използват препоръчителните предпазни средства.



Поддържайте минимална дистанция от 15 m/50 ft спрямо хора и животни по време на работа с продукта.



Пазете всички части на тялото си далеч от горещите повърхности.



Шумови емисии в околната среда в съответствие с Директивата на Европейската общност. Емисиите на приставката са посочени в раздела за технически характеристики и на етикета.

Забележка: Останалите символи/лепенки със символи върху приставката се отнасят за специфични изисквания по отношение на сертификати за определени пазари.

Безопасност

Дефиниции за безопасност

Предупреждения, знаци за внимание и бележки се използват за указване на особено важни части на инструкцията за експлоатация.



ПРЕДУПРЕЖДЕНИЕ: Използва се, ако има опасност от нараняване или смърт за оператора или за околните, ако не се спазват инструкциите в ръководството.



ВНИМАНИЕ: Използва се, ако има опасност от повреждане на продукта и/или приставката, други материали или съседната зона, ако не се спазват инструкциите в ръководството.

Забележка: Използва се за предоставяне на повече информация, която е необходимо в дадена ситуация.

Общи инструкции за безопасност



ПРЕДУПРЕЖДЕНИЕ: Прочетете следващите инструкции за безопасност, преди да използвате приставката.

- Прочетете внимателно ръководството за оператора и се уверете, че разбирате инструкциите, преди да използвате приставката.
- Тези инструкции допълват инструкциите, приложени към продукта. За други процедури, моля, направете справка с инструкциите за работа за продукта.
- При никакви обстоятелства не бива да се нанасят модификации в първоначалната конструкция на приставката без разрешение от производителя. Не използвайте дадена приставка, когато се вижда, че е модифицирана от други лица, и винаги използвайте оригинални принадлежности. Неразрешени изменения и/или приспособления може да предизвикат сериозни телесни повреди или смъртта на оператора или други лица.

Прочетете всички инструкции



ПРЕДУПРЕЖДЕНИЕ: Когато използвате електрически градинарски инструменти, основните инструкции по техника за безопасност трябва винаги да се спазват, за да се намали опасността от пожар, електрически удар и телесна повреда, включително следното:

Инструкции за безопасност на вертикутир

- Никога не позволявайте на деца, хора с намалени физически, сетивни или умствени способности или без знания и опит или хора, които не са запознати с тези инструкции, да използват продукта. Местните разпоредби може да поставят възрастови ограничения за оператора.
- Никога не работете с уреда, когато наблизо има други хора, деца или домашни животни.
- Не се пресягайте и пазете равновесие по всяко време. По наклони винаги трябва да имате солидна опора под краката си; вървете, никога не бягайте.
- Не докосвайте движещи се опасни части, преди хранването на машината да бъде прекъснато от мрежата и движещите се опасни части да са напълно спрени.
- Винаги носете подходящи обувки и дълги панталони, докато работите с машината.
- Извадете акумулаторната батерия от продукта, когато той е без надзор, преди почистване на задръстване и преди почистване или работа върху продукта.

- Извадете акумулаторната батерия от продукта преди извършване на преглед за повреди на продукта, например при удар на чужд предмет или ако продуктът започне да вибрира по необичаен начин.
- Не свързвайте повреден шнур към захранването и не докосвайте повреден шнур, преди да бъде прекъснат от захранването. Повреден шнур може да доведе до контакт с части под напрежение и може да доведе до нараняване или смърт.
- Никога не работете с продукт, който е с дефектни предпазители/щитове, без приспособления за безопасност или ако шнурът е повреден или износен.
- Дръжте разклонителите далеч от движещи се опасни части, за да избегнете повреди на шнуровете, което може да доведе до контакт с части под напрежение.
- Свързвайте продукта само към електрозахранваща верига, защитена от устройство с остатъчен ток (RCD) с ток на изключване, не повече от 30 mA.
- Избягвайте използването на продукта в лоши метеорологични условия, особено когато има опасност от мълнии.

Инструкции за безопасност за работа

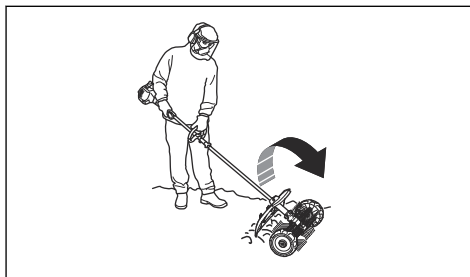


ПРЕДУПРЕЖДЕНИЕ: Прочетете следващите предупредителни указания, преди да използвате машината.

- Изключателят автоматично се връща в първоначалното си положение. Не забравяйте да не допускате нежелано стартиране, когато сглобявате, проверявате и/или извършвате техническо обслужване. Ако имате продукт, който работи с бензин, разкачете лулата на запалителната свещ от запалителната свещ. Ако имате продукт, работещ с акумулатор, извадете акумулатора.
- Опасност от хвърчащи предмети. Винаги носете защитни средства за очите. Никога не се навеждайте над приспособлението за премахване на мъх. В очите ви могат да попаднат камъни и отпадъци, които могат да доведат до слепота или сериозно наранявания.
- По време на работа и доста време след това, предавката може да е нагорещена. При допир съществува риск от изгаряне.
- Барабанът с четки няма такава сила като ножовете на косачката например, но все пак избягвайте да работите с материали, които могат да изхвъркнат и да причинят наранявания или щети.
- Не работете никога с машината, когато нямате възможност да повикате помощ в случай на злополука.

- Използвайте машината единствено по предназначение.
- Никога не използвайте машината, ако сте уморени, употребили сте алкохол или приемате лекарства, които могат да повлияят върху зрението, преценката или координацията Ви.
- Никога не използвайте машината при екстремни атмосферни условия, например много студен, много горещ и/или влажен климат.
- Никога не използвайте машина, която е неизправна. Извършвайте описаните в това ръководство за експлоатация редовни проверки за безопасност, поддръжка и сервис. Определени операции по поддръжката и сервиса се извършват единствено от квалифицирани специалисти. Вижте указанията в раздел "Поддръжка".
- Никога не позволявайте на деца да използват машината.
- Не позволявайте никой друг да използва машината, без първо да сте се уверили, че е прочел и разбрал съдържанието на инструкцията за експлоатация.
- Дръжте неупълномощени лица на разстояние. Деца, животни, странични наблюдатели и помощници трябва да стоят извън зоната на безопасност от 15 m, докато работите. Спрете незабавно машината, ако някой се приближи.
- Ако се окажете в ситуация, в която сте неуверени как да постъпите, се посъветвайте със специалист. Свържете се с дистрибутора или със сервиса.
- Избягвайте всяка употреба, за която се чувствате недостатъчно квалифицирани.
- Наблюдавайте околната среда и се уверете, че няма риск за хора или животни да влязат в съприкосновение или да попречат да управлявате продукта.
- Бъдете винаги нащрек за предупредителни сигнали или подвиквания, когато използвате антифони. Винаги сваляйте антифоните незабавно след спиране на двигателя/мотора.
- Не използвайте машината при лоши атмосферни условия, като например при гъста мъгла, силен дъжд, силен вятър, много ниски температури и т.н. Работата при лоши атмосферни условия е изморителна и често води със себе си допълнителни рискове, като например заледена повърхност.
- Уверете се, че можете да ходите и да стоите безопасно. Проверете за евентуални препятствия (корени, камъни, храсти, канавки и т.н.), в случай че се наложи да се преместите внезапно. Бъдете

много предпазливи при работа по наклонен терен.



- Преди преместване двигателят/моторът трябва да е изключен.
- Никога не оставяйте машината без надзор, докато двигателят/моторът работи.
- Винаги дръжте машината с две ръце. Дръжте машината встрани от тялото си.
- Уверете се, че ръцете и краката Ви не са твърде близко до вертикутира за премахване на мъх, когато работи.
- Когато двигателят/моторът е изключен, пазете ръцете и краката си от вертикутира за премахване на мъх, докато той не спре окончателно.
- Ако възникнат интензивни вибрации, спрете машината. Ако имате продукт, работещ с бензин, разкачете НТ проводника от запалителната свещ. Ако имате продукт, работещ с акумулатор, извадете акумулатора от продукта. Уверете се, че машината не е повредена. Поправете всяка повреда.

Лични предпазни средства

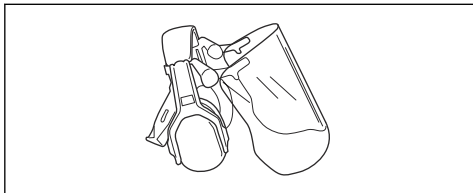


ПРЕДУПРЕЖДЕНИЕ: Прочетете следващите предупредителни указания, преди да използвате машината.

- При работа с продукта винаги използвайте одобрени лични предпазни средства. Личните предпазни средства не изключват изцяло риска от нараняване, но намаляват степента на нараняването при злополука. Нека вашият дилър Ви помогне да изберете подходящото оборудване.
- Използвайте одобрени антифони, осигуряващи подходящо намаляване на шума. Дълготрайното

излагане на шум може да доведе до постоянно влошаване на слуха.

- Дръжте в близост комплект за първа помощ.

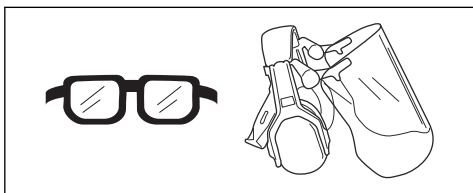


Приспособления за безопасност по приставката

- Използвайте одобрени защитни средства за очите. Ако използвате маска, използвайте също и одобрени защитни очила. С одобрени защитни очила се има предвид такива, които отговарят на стандарт ANSI Z87.1 за САЩ или EN 166 за страните от ЕС.



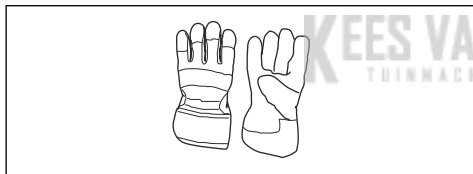
ПРЕДУПРЕЖДЕНИЕ: Прочетете следващите предупредителни инструкции, преди да използвате приставката.



В този раздел се описват функциите за безопасност на приставката, нейното предназначение и как трябва да се извършват проверки и техническо обслужване, за да се гарантира правилната работа. Вижте инструкциите под заглавието *Общ преглед на приставка на страница 12*, за да откриете къде се намират тези части по приставката Ви.

- Когато е необходимо, носете ръкавици, например, когато закрепвате, проверявате или почиствате режещото оборудване.

Срокът на експлоатация на приставката може да се намали, а рискът от злополуки да се повиши, ако не се извършва правилно техническо обслужване на приставката и ако сервизът и/или ремонтите не се извършват професионално. Ако Ви е необходима допълнителна информация, обърнете се към сервизния дистрибутор, разположен най-близко до Вас.



ПРЕДУПРЕЖДЕНИЕ: Никога не използвайте приставка с дефектни обезопасителни компоненти. Предпазните средства на приставката трябва да бъдат прегледани и технически обслужвани така, както е описано в този раздел. Ако приставката Ви не премине успешно някоя от изброените проверки, свържете се със сервиза си за извършване на ремонт.

- Използвайте защитни ботуши със стоманени бомбета и противоплъзгаща подметка.



ПРЕДУПРЕЖДЕНИЕ: Всяко извършване на сервиз и ремонт на продукта изисква специално обучение. Това важи в особена степен за предпазните средства на продукта. Обърнете към Вашия сервиз, ако продуктът не премине успешно изброените по-долу проверки. При покупката на наш продукт ние гарантираме предоставянето на квалифицирани ремонтни услуги и сервиз. Ако мястото, от което сте закупили продукта, не е сервизен дистрибутор, попитайте за адреса на най-близкия сервиз.

- Използвайте дрехи, направени от здрава тъкан. Винаги използвайте здрави, дълги панталони и дълги ръкави. Не носете използвайте дрехи, които могат да се захванат за храсти и клони. Не носете бижута, къси панталони, сандали и не работете боси. Носете косата си безопасно над нивото на рамената.

Инструкции за безопасност при техническо обслужване

работещ с акумулатор, извадете акумулатора.



ПРЕДУПРЕЖДЕНИЕ: Прочетете следващите предупредителни указания, преди да извършвате техническо обслужване.

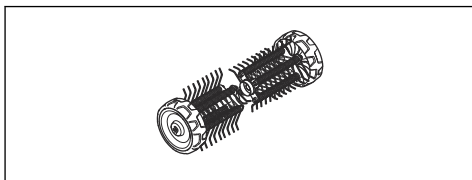


ПРЕДУПРЕЖДЕНИЕ: Винаги спирайте продукта, преди да извършвате техническо обслужване на приставката. Внимавайте, приставката може да продължи да се движи дори и след като газта/регулаторът за газта е отпуснат/а. Уверете се, че приставката е спряла напълно. Ако имате продукт, работещ с бензин, разкачете НТ проводника от запалителната свещ. Ако имате продукт,



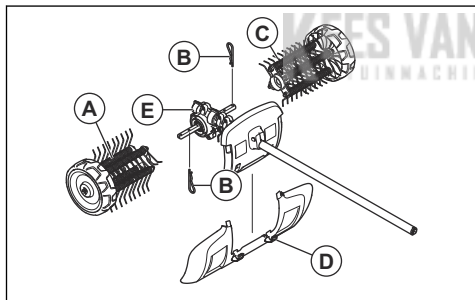
ПРЕДУПРЕЖДЕНИЕ: Винаги използвайте защитни ръкавици.

- Проверявайте целия продукт, преди да започнете. Проверете дали всички предпазни щитове и капаци са с изправна цялост и дали са фиксирани надеждно. Проверете всички гайки и винтове.
- Ако имате продукт, който работи с бензин, проверете дали няма течове на гориво.
- Заменете повредените части.



Монтаж

За сглобяване на приставката

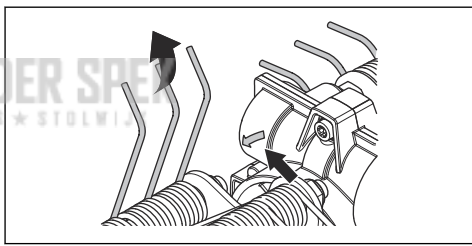


Стрелката на предавателната кутия сочи посоката на въртене. Предавателната кутия се поставя, както е показано.

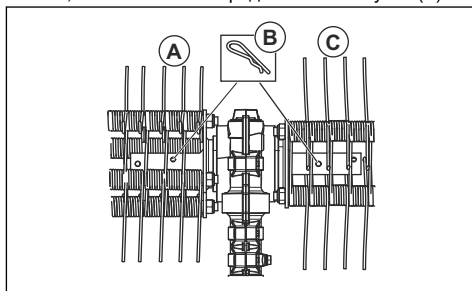
ВАЖНО:

Ролките на приспособлението за премахване на мъх са маркирани със стрелки, които показват посоката на въртене. Уверете се, че ролките на приспособлението за премахване на мъх са монтирани правилно.

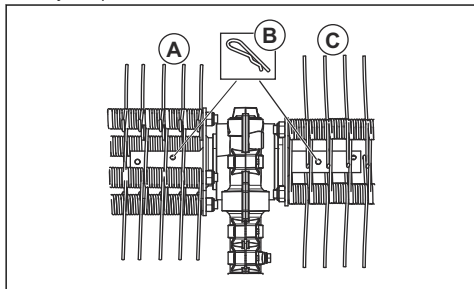
Ролките на приспособлението за премахване на мъх се монтират леко изместени една спрямо друга. Пружините на приспособлението за премахване на мъх трябва да са насочени в посоката на въртене, означена със стрелката на предавателната кутия.



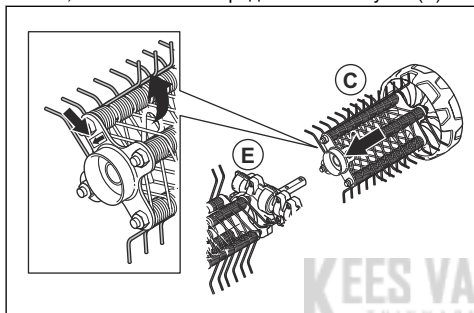
1. Натиснете лявото приспособление за премахване на мъх (А) върху левия задвижващ вал, който излиза от предавателната кутия (Е).



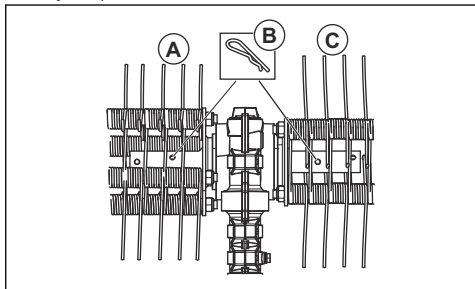
2. Закрепете ролката на вертикутира за премахване на мъх с шплинта (B) във вътрешния отвор на двусекционния вал.



3. Натиснете дясното приспособление за премахване на мъх (C) върху десния задвижващ вал, който излиза от предавателната кутия (E).



4. Закрепете ролката на вертикутира за премахване на мъх с шплинта (B) във вътрешния отвор на двусекционния вал.



5. Закрепете предпазителя с щипките (D).

Забележка: За монтирането на принадлежности на основния продукт направете справка с ръководството за основния продукт.

Операция

За да стартирате продукта при студен двигател

Ако разполагате с продукт, който работи с бензин, спазвайте следните инструкции, за да стартирате продукта при студен двигател

1. Стартирайте основния продукт, оставете го да загрее и го изключете.
2. Монтирайте приспособлението съгласно инструкциите за монтаж.
3. Когато регулирате карбуратора, се уверете, че вертикутирът е опрян на земята и в непосредствена близост няма никого.
4. Оставете приспособлението за премахване на мъх да се върти на празен ход.
5. Уверете се, че дръжката и съоръженията за безопасност са в добро работно състояние. Никога не използвайте продукт, на който липсва част, или е била променена без спазване на спецификациите.

За използване на приставката

1. Работете с приспособлението за премахване на мъх на пълна газ (или почти пълна газ), като колелата са опрени на земята.

Забележка: Уморително и ненужно е да вдигате или да държите приспособлението за премахване на мъх над земята, когато работите.

2. Поддържайте остър работен ъгъл спрямо повърхността. Когато работният ъгъл е много широк, вертикутирът за премахване на мъх ще тръгне към Вас и може да изгубите контрол над продукта.



Поддръжка

Въведение

По-долу са изложени някои общи инструкции за поддръжка. Ако ви е необходима допълнителна информация, се свържете с вашия сервиз.

За извършване на техническа поддръжка на приставката



ВНИМАНИЕ: Голяма част от работата с приспособлението за премахване на мъх се извършва на прашни места. Ако разполагате с продукт, който работи на бензин, е изключително важно въздушният филтър да се преглежда редовно, често ежедневно, и да се смазва, за да работи добре.

Направете справка с ръководството за оператора на захранващия блок за инструкции за техническо обслужване.



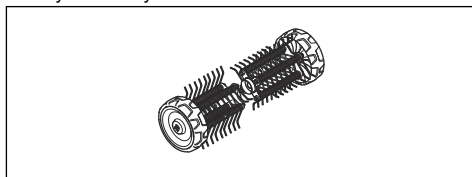
ПРЕДУПРЕЖДЕНИЕ: Винаги носете защитни ръкавици, когато

извършвате техническа поддръжка на приставката.



ПРЕДУПРЕЖДЕНИЕ: Корпусът на скоростната кутия се нагорещява, когато продуктът е в употреба. За да избегнете изгаряния не докосвайте корпуса на предавката.

1. Уверете се, че вертикутирът за премахване на мъх не се върти, когато газта/захранващият спусък е отпуснат/а.



2. Почистете колелата, ако не се въртят свободно.

Транспортиране, съхранение и изхвърляне

Транспортиране и съхранение

Ако транспортирате оборудването върху друго превозно средство, винаги използвайте одобрени осигуряващи устройства и се уверявайте, че оборудването е надеждно закрепено.

Уверете се, че оборудването е почистено и че преди съхранението за продължителни периоди е извършено пълно сервизно обслужване.

Технически данни

Технически данни за продукти, които работят с бензин

Вертикутир за премахване на мъх	DT600
Ширина, mm	556
Тегло	
Тегло, kg	6,5
Шумови емисии ⁷	

⁷ Измерени заедно с одобрени приспособления на Husqvarna. Шумови емисии в околната среда, измерени като звукова мощност (L_{WA}) в съответствие с директива на ЕО 2000/14/ЕО. Отчетените нива на шума за машината са измерени с оригиналното режещо оборудване, което дава най-високото ниво. Разликата между гарантираното и измереното ниво на шума е в това, че гарантираното ниво на шума включва също и дисперсията в резултатите от измерването, както и вариациите между различните машини от един и същи модел в съответствие с Директива 2000/14/ЕО.

Вертикутир за премахване на мъх	DT600
Ниво на звуковата мощност, измерена dB(A)	105
Ниво на звуковата мощност, гарантирана [L _{WA} dB(A)]	109
Нива на звука⁸	
Еквивалентно ниво на звуковото налягане при ухото на оператора, измерено по EN ISO 22868, dB (A):	95
Вибрации⁹	
Еквивалентни нива на вибрации (a _{hv,eq}) в ръкохватките, измерени съгласно EN ISO 22867, m/s ²	
Предна/задна ръкохватка	6,2/4,3

Технически характеристики за продукти, които работят с акумулаторна батерия

325iLK + приставка вертикутир DT600	
Ширина, mm	556
Тегло	
Тегло, kg	2,3+6,5
Шумови емисии¹⁰	
Ниво на звуковата мощност, измерена dB(A)	89
Нива на звука¹¹	
Ниво на звуковото налягане при ухото на оператора, измерено съгласно EN ISO 22868, dB (A):	77
Вибрации¹²	
Нива на вибрациите в ръкохватките, измерени съгласно EN 62841-1, m/s ²	
Предна/задна ръкохватка	1,9/2,6
Оборудван с одобрено приспособление (оригинално), ляво/дясно	1,9/2,6

⁸ Измерени заедно с одобрени приспособления на Husqvarna. Отчетените данни за еквивалентното ниво на звуковото налягане за машината имат типична статистическа дисперсия (стандартно отклонение) от 1 dB (A).

⁹ Измерени заедно с одобрени приспособления на Husqvarna. Отчетените данни за еквивалентното ниво на вибрациите имат типична статистическа дисперсия (стандартно отклонение) от 1 m/s².

¹⁰ Отчетените данни за нивото на звуковата мощност за машината имат типична статистическа дисперсия (стандартно отклонение) от 3 dB (A) и са измерени с оригиналната приставка, която осигурява най-високото ниво.

¹¹ Отчетените данни за нивото на звуково налягане за машината имат типична статистическа дисперсия (стандартно отклонение) от 3 dB (A) и са измерени с оригиналната приставка, която осигурява най-високото ниво.

¹² Отчетените данни за равнището на вибрации имат типична статистическа дисперсия (стандартно отклонение) от 2 m/s². За сравняване на нивата на вибрациите, акумулаторната батерия и продуктите с вътрешно горене използвайте калкулатора за вибрации. <https://www.husqvarna.com/uk/services-solutions/vibration-calculator/>.

Декларация за съответствие на ЕО

Декларация за съответствие на ЕО – за продукти, които работят с бензин

Husqvarna AB, SE-561 82 Huskvarna, Швеция, тел.: +46-36-146500 удостоверява, че вертикутирът за премахване на мъх **Husqvarna DT600** със серийния номера от 2019 и нататък (годината е ясно обозначена върху типовата табелка, следвана от серийния номер) отговаря на изискванията на ДИРЕКТИВАТА НА СЪВЕТА:

- от 17 май 2006 г., "относно машините" **2006/42/ЕО**
- от 08 юни 2011 г., "ограничаването на употребата на някои опасни вещества в електрическо и електронно оборудване" **2011/65/ЕС**
- от 8 май 2000 г., "относно шумовите емисии в околната среда" **2000/14/ЕО**.

Следните стандарти са приложени за бензинови продукти:

SS-EN ISO 12100:2010, EN IEC 63000:2018

RISE SMP Svenska Maskinprovning AB, Box 7035, SE-750 07 Uppsala, Швеция, извърши доброволно изследване на моделите от името на Husqvarna AB. Сертификатът е номериран: **SEC/15/2411 - Husqvarna DT600**

Huskvarna , 2021-02-12



Pär Martinsson, мениджър "Разработки и Развитие"
(Оторизиран представител на Husqvarna AB и отговорник за техническата документация)

ЕО декларация за съответствие – за продукти, които работят с акумулатор

Husqvarna AB, SE-561 82 Huskvarna, Швеция, тел.: +46-36-146500, удостоверява, че приставката вертикутир за премахване на мъх **Husqvarna DT600 със захранващ блок Husqvarna 325iLK** със серийния номера от 2019 и нататък (годината е ясно обозначена върху типовата табелка, следвана от серийния номер) отговаря на изискванията на ДИРЕКТИВАТА НА СЪВЕТА:

- от 17 май 2006 г., "относно машините" **2006/42/ЕО**

- от 08 юни 2011 г., "ограничаването на употребата на някои опасни вещества в електрическо и електронно оборудване" **2011/65/ЕС**

Следните стандарти са приложени за продукти с акумулатор:

EN 62841-1:2015, EN 50636-2-92:2014, EN IEC 63000:2018

RISE SMP Svenska Maskinprovning AB, Box 7035, SE-750 07 Uppsala, Швеция, извърши доброволно изследване на моделите от името на Husqvarna AB. Сертификатът е номериран: **SEC/15/2411 - Husqvarna DT600**

За информация относно шумови емисии, вижте *Технически данни на страница 19.*

Huskvarna , 2021-02-12



Pär Martinsson, мениджър "Разработки и Развитие"
(Оторизиран представител на Husqvarna AB и отговорник за техническата документация)

KEES VAN DER
TUINMACHINES * STOLWIJK

Obsah

Úvod.....	22	Údržba.....	28
Bezpečnost.....	23	Přeprava, skladování a likvidace.....	28
Montáž.....	27	Technické údaje.....	29
Provoz.....	28	ES Prohlášení o shodě.....	31

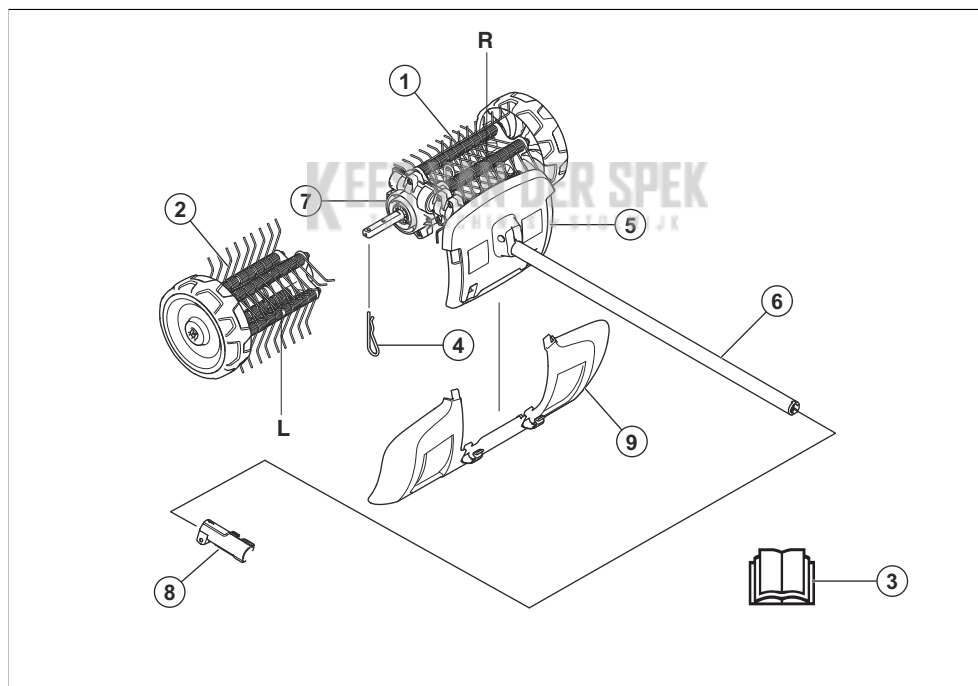
Úvod

Popis výrobku

Řídíme se strategií neustálého vývoje výrobku, a proto si vyhrazujeme právo měnit konstrukci a vzhled výrobků bez předchozího upozornění.

Povšimněte si: Tento návod pokrývá pohonné jednotky poháněné benzínem i baterií.

Přehled nástavce



1. Pravý odmechovač
2. Levý odmechovač
3. Návod k použití
4. Závlačka
5. Kryt (ochrana na hřídeli)
6. Hřídel

7. Skříň převodovky
8. Objímka hřídele (součástí výrobku)
9. Ochranný kryt

Zamýšlené použití



VÝSTRAHA: Tento nástavec lze používat pouze společně se zamýšleným výrobkem, viz kapitola Příslušenství v návodu k používání výrobku.

Nástavec je navržen pouze pro odmechování trávníků.

Symbyly na nástavci a pohonné jednotce



Nepozorné nebo nesprávné používání nástavce může vést k vážnému nebo smrtelnému zranění uživatele nebo dalších osob.



Pozorně si přečtěte tento návod k používání a předtím, než nástavec začnete používat, se přesvědčte o tom, že pokynům rozumíte.



Vždy používejte schválenou ochranu sluchu. Vždy používejte schválenou ochranu očí. Pokud hrozí nebezpečí vdechování prachu, použijte dýchací masku.



Tento nástavec vyhovuje platným směrnicím ES.



Rotující části. Udržujte ruce a nohy mimo dosah. Šipka označuje směr otáčení.



Vždy používejte schválené ochranné rukavice.



Používejte pevnou neklouzavou obuv.



Dávejte pozor na odvržené a odražené předměty.



Obsluha musí zajistit, aby se v okruhu 15 m nevyskytovaly žádné osoby ani zvířata. Pokud na stejné ploše pracuje několik pracovníků, musí být dodržována bezpečná vzdálenost rozestupů minimálně 15 metrů. Nástavec může velkou silou odmrštit předměty, které se mohou odrazit zpět. Pokud nepoužíváte doporučené ochranné prostředky, může dojít k vážnému poranění očí.



Během používání výrobku udržuje minimální vzdálenost 15 m (50 stop) od osob a zvířat.



Všechny části těla udržujte mimo dosah horkých povrchů.



Emise hluku do okolí dle směrnice Evropského společenství. Emise nástavce jsou uvedeny v kapitole Technické údaje a na štítku.

Povšimněte si: Další symboly/štítky na nástavci se týkají zvláštních certifikačních požadavků pro určité obchodní trhy.

Bezpečnost

Definice týkající se bezpečnosti

Varování, upozornění a poznámky slouží jako upozornění na specifické důležité části návodu k používání.



VÝSTRAHA: Používá se v případě nebezpečí úrazu nebo usmrcení obsluhy nebo okolních osob, pokud nejsou dodrženy pokyny uvedené v této příručce.



VAROVÁNÍ: Používá se v případě nebezpečí poškození výrobku nebo nástavce, dalších materiálů či škod na

majetku v blízkém okolí, pokud nejsou dodrženy pokyny uvedené v této příručce.

Povšimněte si: Používá se k poskytnutí dalších informací, které jsou nezbytné v dané situaci.

Obecné bezpečnostní pokyny



VÝSTRAHA: Před použitím nástavce si přečtěte následující bezpečnostní pokyny.

- Přečtěte si pozorně tento návod k používání a nepoužívejte nástavec, pokud mu zcela nerozumíte.
- Tyto pokyny jsou dodatkem k pokynům dodaným společně s výrobkem. U ostatních postupů se řiďte návodem k použití výrobku.
- Konstrukce nástavce nesmí být za žádných okolností upravována bez svolení výrobce. Nepoužívejte nástavec, pokud se vám zdá, že jej někdo upravil, a vždy používejte originální příslušenství. Nepovolené úpravy a/nebo příslušenství může vést k vážnému nebo smrtelnému zranění obsluhy nebo jiných osob.
- Výrobek připojujte pouze ke zdroji napájení chráněnému proudovým chráničem s vypinacím proudem nepřesahujícím 30 mA.
- Výrobek nepoužívejte při špatném počasí, zvláště pokud existuje rizikoblesku.

Bezpečnostní pokyny pro provoz



VÝSTRAHA: Před použitím výrobku si přečtěte následující varování.

- Vypínač se automaticky vrátí do výchozí polohy. Při montáži, kontrole nebo údržbě zabraňte neúmyslnému spuštění. Používáte-li výrobek poháněný benzínem, odpojte koncovku kabelu zapalovací svíčky od zapalovací svíčky. Pokud máte výrobek poháněný baterií, vyjměte baterii.
- Dejte pozor na odmrštěné předměty. Vždy používejte ochranu zraku. Nikdy se nenaklánějte nad odmechovač. Odlétávající kamení, smetí apod. může zasáhnout zrak a způsobit slepotu nebo jiná vážná poranění.
- Převodovka se může během použití zahrát a může zůstat horká i po vypnutí stroje. Při doteku je nebezpečí úrazu popálením.
- Přestože nemají válce kartáče stejnou sílu jako například žací nože sekačky, měli byste se vyhnout práci s materiály, které mohou v případě odmrštění způsobit zranění osob nebo škody na majetku.
- Nikdy nepracujte se strojem, nemáte-li možnost přivolat pomoc v případě nehody.
- Stroj používejte pouze k tomu účelu, ke kterému je určen.
- Nikdy nepoužívejte stroj, jste-li unaveni, jestliže jste požili alkohol nebo jestliže užíváte léky, které by mohly ovlivnit váš zrak, úsudek nebo pohybovou koordinaci.
- Nepoužívejte nikdy stroj za zvláště nepříznivých podnebních podmínek, jako např. za velkého mrazu nebo v horkém a/nebo vlhkém podnebí.
- Nikdy nepoužívejte stroj, který není zcela v pořádku. Dodržujte pokyny pro kontroly, údržbu a servis popsané v této příručce. Některé úkony údržby a opravy mohou provádět pouze vyškolení a kvalifikovaní odborníci. Viz pokyny v části Údržba.
- Nedovolte dětem používat stroj.
- Nedovolte pracovat se strojem nikomu, kdo si předem nepřčetl a neporozuměl obsahu návodu k použití.
- Držte nepovolané osoby mimo pracovní plochu. Děti, zvířata, přihlížející a pomáhající osoby se během práce nesmí pohybovat v okruhu 15 m bezpečnostní zóny. Jestliže se někdo přiblíží, okamžitě stroj vypněte.
- Dostanete-li se do situace, kdy pocítíte jakoukoliv pochybnost co do práce s vybavením, požádejte o radu odborníka. Spojte se s vaším prodejcem nebo servisem.

Přečtěte si všechny pokyny

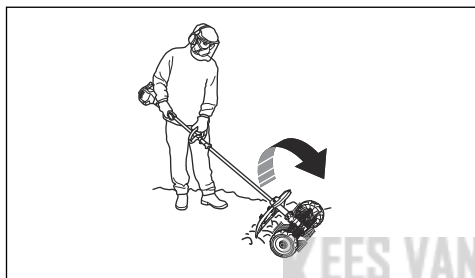


VÝSTRAHA: Abyste snížili riziko úrazu elektrickým proudem, nebezpečí požáru nebo zranění osob, je při používání elektrického zahradního nářadí třeba vždy dodržovat základní bezpečnostní opatření včetně následujících:

Bezpečnostní pokyny k odmechovači

- Výrobek nikdy nedovolte používat dětem, osobám s omezenými fyzickými, smyslovými nebo mentálními schopnostmi nebo s nedostatkem zkušeností a znalostí nebo osobám, které nejsou seznámeny s pokyny k používání výrobku. Věk obsluhy může být omezen místními předpisy.
- Nikdy neprovozujte výrobek, pokud jsou v blízkosti další osoby, zejména děti nebo domácí zvířata.
- Nenatahujte se příliš daleko a vždy udržujte rovnováhu. Abyste na svahu vždy stáli pevně, volte chůzi, nikdy neběhejte.
- Nedotýkejte se pohyblivých nebezpečných součástí, dokud nebude stroj odpojen od sítě a tyto součásti se zcela nezastaví.
- Při práci se strojem vždy noste pevnou obuv a dlouhé kalhoty.
- Z výrobku vždy vyjměte baterii, když je výrobek bez dozoru, před odstraňováním ucpání a před čištěním výrobku nebo prací na něm.
- Z výrobku vyjměte baterii před kontrolou kvůli poškození, pokud například dojde k nárazu do cizího předmětu nebo když výrobek začne neobvykle vibrovat.
- Nepřipojujte ke zdroji napájení poškozený kabel a nedotýkejte se poškozeného kabelu, dokud jej neodpojíte od zdroje napájení. Poškozený kabel může vést ke kontaktu s částmi pod napětím, což může vést k následkům zranění nebo smrti.
- Výrobek nikdy nepoužívejte s vadnými kryty, bez bezpečnostních zařízení nebo s poškozeným či opotřebeným kabelem.
- Udržujte prodlužovací kabely mimo dosah pohyblivých nebezpečných částí, aby nedošlo k poškození kabelů, které by mohlo vést ke kontaktu s částmi pod napětím.

- Nepoužívejte vybavení, necítíte-li se dostatečně kvalifikováni.
- Sledujte své okolí a přesvědčte se, že nehrozí žádné nebezpečí, že by mohly nějaké osoby nebo zvířata přijít do styku s výrobkem nebo ovlivnit vaši kontrolu nad výrobkem.
- Používáte-li ochranu sluchu, vždy je nutné dávat pozor na výstražné signály nebo volání. Ochranu sluchu sejměte vždy ihned po zastavení motoru.
- Nepoužívejte stroj za špatného počasí, jako např. v husté mlze, prudkém dešti, silném větru, silném mrazu apod. Práce za špatného počasí je namáhavá a často s sebou přináší rizika, jakým je např. náledí.
- Ujistěte se, že se můžete volně pohybovat a bezpečně stát. Zkontrolujte, zda ve vašem bezprostředním okolí nejsou nějaké překážky (kořeny, kameny, větve, jámy, příkopy apod.), pro případ, že by bylo nutné se rychle přesunout. Zvláštní pozornost věnujte práci ve svažitém terénu.



- Před přemístěním musí být motor vypnutý.
- Nikdy neodkládejte stroj, který je v chodu, pokud jej nemáte plně pod dohledem.
- K přidržování stroje vždy používejte obě ruce. Stroj držte po straně svého těla.
- Vaše ruce ani nohy se nesmí přiblížit k odmechovači, když je v chodu.
- Po vypnutí motoru se nepřibližujte rukama ani nohama k odmechovači, dokud se zcela nezastaví.
- Pokud se objeví silné vibrace, stroj zastavte. Pokud máte výrobek poháněný benzínem, odpojte vysokonapěťový kabel od zapalovací svíčky. Pokud máte výrobek poháněný baterií, vyjměte z výrobku baterii. Zkontrolujte, zda není stroj poškozený. Opravte veškerá poškození.

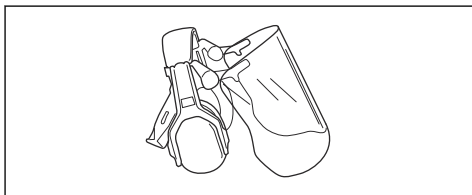
Osobní ochranné prostředky



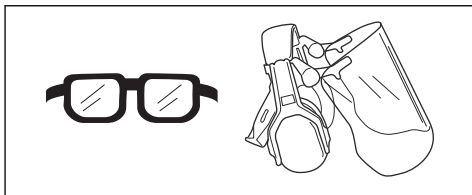
VÝSTRAHA: Před použitím výrobku si přečtěte následující varování.

- Při použití výrobku je nutné vždy používat schválené osobní ochranné prostředky. Osobní ochranné prostředky nemohou zcela eliminovat nebezpečí úrazu, ale v případě nehody pomáhají snížit míru poranění. Požádejte prodejce, aby vám pomohl vybrat správné vybavení.

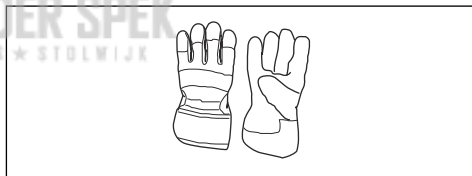
- Použijte schválenou ochranu sluchu s dostatečným tlumícím účinkem. Dlouhodobé vystavování působení hluku může vést k trvalému poškození sluchu.



- Vždy používejte schválenou ochranu očí. Použijete-li štít, je nutno použít i schválené ochranné brýle. Schválené ochranné brýle musí být v souladu s normou ANSI Z87.1 v USA nebo EN 166 v zemích EU.



- Při určitých činnostech použijte rukavice, například při nasazování, prohlídce nebo čištění řezacího zařízení.

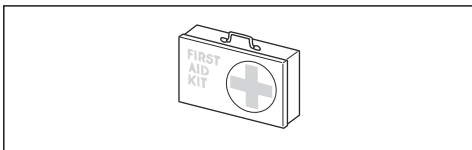


- Použijte ochrannou obuv s ocelovou špičkou a protiskluzovými podrážkami.



- Noste oblečení vyrobené z pevné tkaniny. Vždy používejte silné, dlouhé kalhoty a dlouhé rukávy. Nepoužívejte volné oblečení, které se může zachytit o keře nebo větve. Nepoužívejte šperky, krátké kalhoty nebo sandály a nepracujte bosí. Stáhněte si vlasy bezpečně nahoru nad úroveň ramen.

- Mějte při ruce lékárníčku.



Bezpečnostní zařízení na nástavci



VÝSTRAHA: Před použitím nástavce si přečtěte následující varování.

V této části jsou popsány bezpečnostní funkce nástavce, jeho účel a způsob provádění kontroly a údržby k zajištění správného provozu. Umístění těchto součástí na nástavci naleznete v pokynech v části *Přehled nástavce na strani 22*.

Životnost nástavce se může zkracovat a nebezpečí nehod zvyšovat, jestliže se údržba nástavce neprovádí správně nebo se opravy neprovádějí odborně. Pokud potřebujete další informace, obraťte se na nejbližšího servisního prodejce.



VÝSTRAHA: Nástavec nikdy nepoužívejte s vadnými bezpečnostními součástmi. Kontrolu a údržbu bezpečnostního vybavení nástavce je nutno provádět podle postupů uvedených v této části. V případě, že by nástavec nevyhověl při jakékoli z těchto kontrol, je nutno vyhledat autorizované servisní středisko a nechat závadu odstranit.



VÝSTRAHA: Veškerý servis a opravy produktu vyžadují speciální odborné školení. To se týká především servisu a oprav bezpečnostního vybavení produktu. V případě, že by produkt nevyhověl při některé z níže popsaných kontrol, je nutno vyhledat servisní opravnu. Každému

zákazníkovi, který zakoupí kterýkoli z našich výrobků, zaručíme dostupnost profesionálních oprav a servisních prací. Pokud prodejce, který vám produkt prodal, neposkytuje servis, požádejte jej o adresu naší nejbližší servisní opravny.

Bezpečnostní pokyny pro údržbu



VÝSTRAHA: Před prováděním údržby si přečtěte následující varování.

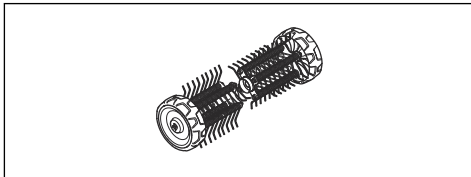


VÝSTRAHA: Před zahájením údržby nástavce výrobek vždy vypněte. Buďte opatrní, nástavec se může pohybovat i po uvolnění plynu/páčky spínače. Ujistěte se, že se nástavec zcela zastavil. Pokud máte výrobek poháněný benzínem, odpojte vysokonapěťový kabel od zapalovací svíčky. Pokud máte výrobek poháněný baterií, vyjměte baterii.



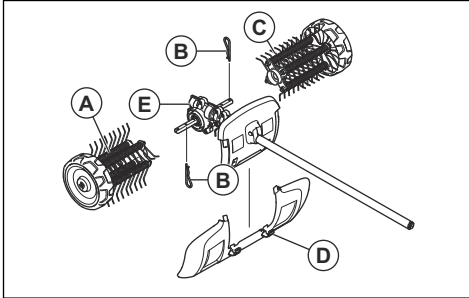
VÝSTRAHA: Vždy používejte ochranné rukavice.

- Než zahájíte práci, zkontrolujte celý výrobek. Zkontrolujte, že jsou všechny kryty na místě a řádně připevněny. Zkontrolujte všechny matice a šrouby.
- Pokud máte výrobek poháněný benzínem, zkontrolujte, že nedochází k úniku paliva.
- Poškozené díly vyměňte.



Montáž

Montáž nástavce

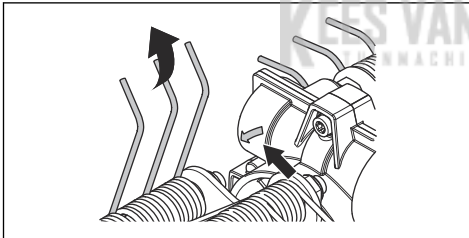


Šipka na skříň převodovky označuje směr otáčení. Skříň převodovky je nutné umístit podle vyobrazení.

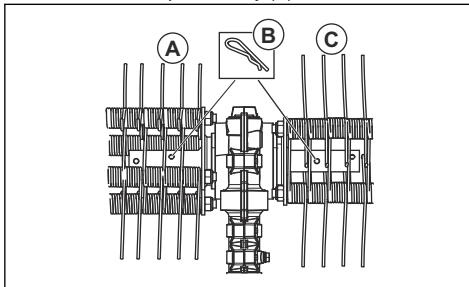
UPOZORNĚNÍ:

Na válcích odmechovače se nacházejí šipky označující směr otáčení. Zkontrolujte, zda jsou válce odmechovače správně nasazeny.

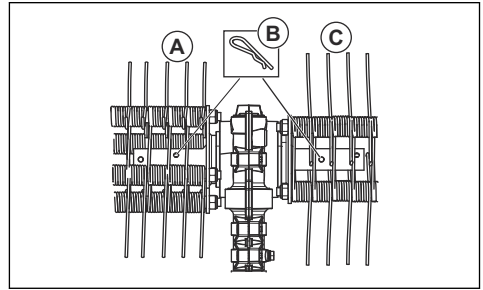
Válce odmechovače je nutné vzájemně mírně posunout. Pružiny odmechovače musí mířit stejným směrem, jak naznačuje šipka směru otáčení na skříň převodovky.



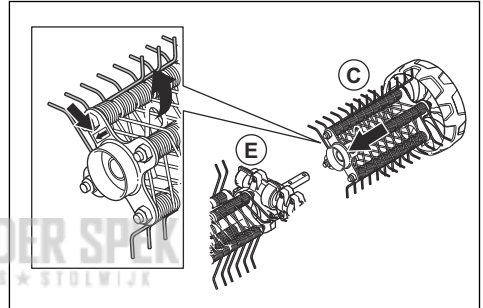
1. Zatlačte levý válec odmechovače (A) na levou hnací hřídel od skříň převodovky (E).



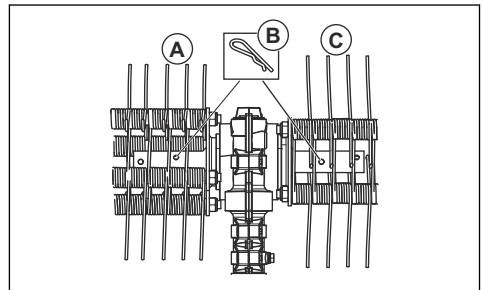
2. Upevněte válec odmechovače vložení závlačky (B) do vnitřního otvoru v hřídeli.



3. Zatlačte pravý válec odmechovače (C) na pravou hnací hřídel od skříň převodovky (E).



4. Upevněte válec odmechovače vložení závlačky (B) do vnitřního otvoru v hřídeli.



5. Namontujte lapač nečistot pomocí zacvakávacích úchytů (D).

Povšimněte si: Pokyny pro montáž příslušenství na základní výrobek naleznete v návodu pro základní výrobek.

Provoz

Spouštění výrobku se studeným motorem

Pokud máte výrobek poháněný benzínem, držte se při startování výrobku se studeným motorem následujících pokynů.

1. Nechte základní výrobek zahřát a vypněte jej.
2. Namontujte nástavec podle montážních pokynů.
3. Při nastavování karburátoru je nutné přitlačit odmechovač k zemi. V těsné blízkosti se nesmí vyskytovat žádné další osoby.
4. Udržujte odmechovač v chodu na volnoběžné otáčky.
5. Zkontrolujte, zda je držadlo a bezpečnostní díly stroje v dobrém provozním stavu. Nikdy nepoužívejte výrobek, kterému chybí díly nebo byl upraven a neodpovídá původním specifikacím.

Použití nástavce

1. Nechte stroj běžet na plný plyn (nebo téměř plný plyn) s odmechovačem položeným na zemi.

Povšimněte si: Je zbytečné a navíc unavující zdvihat nebo držet při práci odmechovač nad zemí.

2. Udržujte ostrý pracovní úhel k povrchu. Příliš velký pracovní úhel může způsobit, že odmechovač bude mít tendenci pohybovat se směrem k vám a můžete ztratit kontrolu nad výrobkem.



Údržba

Úvod

V následujících odstavcích najdete některé pokyny k provádění obecné údržby. Pokud potřebujete další informace, spojte se se servisem.

Údržba nástavce



VAROVÁNÍ: Práce s odmechovačem se často provádí v prašných podmínkách. Pokud proto používáte výrobek poháněný benzínem, je mimořádně důležité provádět pravidelně údržbu vzduchového filtru, často i denně, a napustit jej olejem.

Pokyny k údržbě naleznete v návodu k používání pohonné jednotky.

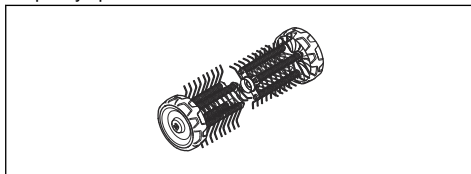


VÝSTRAHA: Při provádění údržby nástavce vždy používejte ochranné rukavice.



VÝSTRAHA: Skříň převodovky se za provozu výrobku zahřívá. Skříň převodovky se nedotýkejte, abyste se nepopálili.

1. Zkontrolujte, zda se odmechovač po uvolnění plynu/páčky spínače neotáčí.



2. Vyčistěte kola, pokud se neotáčejí volně.

Přeprava, skladování a likvidace

Přeprava a přechovávání

Pokud přepravujete nástavec na jiném vozidle, vždy použijte schválené upevňovací prostředky a ujistěte se, že je nástavec řádně zajištěn.

Před odstavením na delší dobu se ujistěte, že je nástavec čistý a je zajištěn kompletním servisem.

Technické údaje

Technické údaje pro výrobky poháněné benzínem

Odmechovač	DT600
Šířka, mm	556
Hmotnost	
Hmotnost, kg	6,5
Emise hluku¹³	
Hladina akustického výkonu, změřená dB (A)	105
Hladina akustického výkonu, zaručená L _{WA} dB (A)	109
Hladiny hluku¹⁴	
Ekvivalentní hladina akustického tlaku v úrovni uší obsluhy, změřená podle normy EN ISO 22868, dB(A):	95
Vibrace¹⁵	
Ekvivalentní hladiny vibrací (a _{hv,eq}) v rukojetích, měřené podle norem EN ISO 22867, m/s ²	
Přední/zadní rukojeť	6,2/4,3

KEES VAN DER SPEK
TOLWIJK

Technické údaje pro výrobky poháněné baterií

325iLK + nástavec s odmechovačem DT600	
Šířka, mm	556
Hmotnost	
Hmotnost, kg	2,3 + 6,5
Emise hluku¹⁶	
Hladina akustického výkonu, změřená dB (A)	89
Hladiny hluku¹⁷	

¹³ Měřeno společně se schváleným příslušenstvím Husqvarna. Emise hluku v životním prostředí měřené jako akustický výkon (L_{WA}) v souladu se směrnicí 2000/14/ES. Uváděná hladina akustického výkonu pro stroj byla měřena s originálním řezacím nástavcem, který generuje nejvyšší hladinu. Rozdíl mezi garantovaným a měřeným akustickým výkonem je v tom, že garantovaný akustický výkon rovněž zahrnuje rozptyl výsledků měření a rozdíly mezi různými stroji téhož modelu podle Směrnice 2000/14/ES.

¹⁴ Měřeno společně se schváleným příslušenstvím Husqvarna. Uváděná data pro ekvivalentní hladinu akustického tlaku pro stroj mají typickou statistickou odchylku (standardní odchylku) 1 dB (A).

¹⁵ Měřeno společně se schváleným příslušenstvím Husqvarna. Uváděná data pro ekvivalentní hladinu vibrací mají typickou statistickou odchylku (standardní odchylku) 1 m/s².

¹⁶ Uváděná data pro hladinu akustického tlaku pro stroj mají typickou statistickou odchylku (standardní odchylku) 3 dB (A), která byla měřena s originálním řezacím nástavcem generujícím nejvyšší hladinu.

¹⁷ Uváděná data pro hladinu akustického tlaku pro stroj mají typickou statistickou odchylku (standardní odchylku) 3 dB (A), která byla měřena s originálním řezacím nástavcem generujícím nejvyšší hladinu.

325iLK + nástavec s odmechovačem DT600	
Hladina akustického tlaku v úrovni uší obsluhy, změřená podle normy EN ISO 22868, dB(A):	77
Vibrace¹⁸	
Hladiny vibrací v rukojetích, měřené podle normy EN 62841-1, m/s ²	
Přední/zadní rukojeť	1,9/2,6
Vybaven schváleným příslušenstvím (originální), levé/pravé	1,9/2,6

KEES VAN DER SPEK
TUINMACHINES ★ STOLWIJK

¹⁸ Uváděná data o úrovni vibrací mají typickou statistickou odchylku (standardní odchylku) 2 m/s². Pro srovnání hladiny vibrací akumulátorových výrobků a výrobků se spalovacím motorem použijte kalkulačku vibrací: <https://www.husqvarna.com/cz/sluzby-reseni/kalkulacka-vibraci/>.

ES Prohlášení o shodě

Prohlášení o shodě ES – pro výrobky poháněné benzínem

Husqvarna AB, SE-561 82 Huskvarna, Švédsko, tel: +46-36-146500, prohlašuje, že odmechovač **Husqvarna DT600** se sériovými čísly od roku 2019 a dále (rok je zřetelně vyznačen v textu na typovém štítku a za ním následuje sériové číslo) vyhovuje požadavkům následujících SMĚRNIC RADY EVROPSKÉ UNIE:

- ze 17. května 2006 „týkající se strojních zařízení“ **2006/42/ES**
- ze dne 8. června 2011 „o omezení používání některých nebezpečných látek v elektrických a elektronických zařízeních“ **2011/65/EU**
- z 8. května 2000 „týkající se emisí hluku v okolním prostředí“ **2000/14/ES**.

U benzínových výrobků byly uplatněny následující normy:

SS-EN ISO 12100:2010, EN IEC 63000:2018

Institut RISE SMP Svenska Maskinprovning AB, Box 7035, SE-750 07 Uppsala, Švédsko, provedl na žádost společnosti Husqvarna AB dobrovolnou typovou zkoušku. Číslo certifikátu: **SEC/15/2411 - Husqvarna DT600**

Huskvarna , 2021-02-12



Pär Martinsson, ředitel vývoje (Autorizovaný zástupce společnosti Husqvarna AB a osoba odpovědná za technickou dokumentaci)

Prohlášení o shodě ES – pro výrobky poháněné baterií

Husqvarna AB, SE-561 82 Huskvarna, Švédsko, tel: +46-36-146500, prohlašuje, že odmechovač, **nástavec Husqvarna DT600 s pohonnou jednotkou Husqvarna 325iLK** se sériovými čísly od roku 2019 a dále (rok je zřetelně vyznačen v textu na typovém štítku a za ním následuje sériové číslo) vyhovuje požadavkům následujících SMĚRNIC RADY EVROPSKÉ UNIE:

- ze 17. května 2006 „týkající se strojních zařízení“ **2006/42/ES**
- ze dne 8. června 2011 „o omezení používání některých nebezpečných látek v elektrických a elektronických zařízeních“ **2011/65/EU**

U akumulátorových výrobků byly uplatněny následující normy:

EN 62841-1:2015, EN 50636-2-92:2014, EN IEC 63000:2018

Institut RISE SMP Svenska Maskinprovning AB, Box 7035, SE-750 07 Uppsala, Švédsko, provedl na žádost společnosti Husqvarna AB dobrovolnou typovou zkoušku. Číslo certifikátu: **SEC/15/2411 - Husqvarna DT600**

Informace o emisích hluku najdete v části *Technické údaje na strani 29*.

Huskvarna , 2021-02-12



Pär Martinsson, ředitel vývoje (Autorizovaný zástupce společnosti Husqvarna AB a osoba odpovědná za technickou dokumentaci)

KEES VAN DER SPEK
TUINMACHINES * STOLWIJK

Indhold

Indledning.....	32	Vedligeholdelse.....	38
Sikkerhed.....	33	Transport, opbevaring og bortskaffelse.....	39
Montering.....	37	Tekniske data.....	39
Drift.....	38	EU-overensstemmelseserklæring.....	41

Indledning

Produktbeskrivelse

Vi forsøger hele tiden at videreudvikle vores produkter og forbeholder os derfor ret til ændringer af bl.a. form og udseende af produkterne uden forudgående varsel.

Bemærk: Brugsanvisningen omhandler både benzin- og batteridrevne strømenheder.

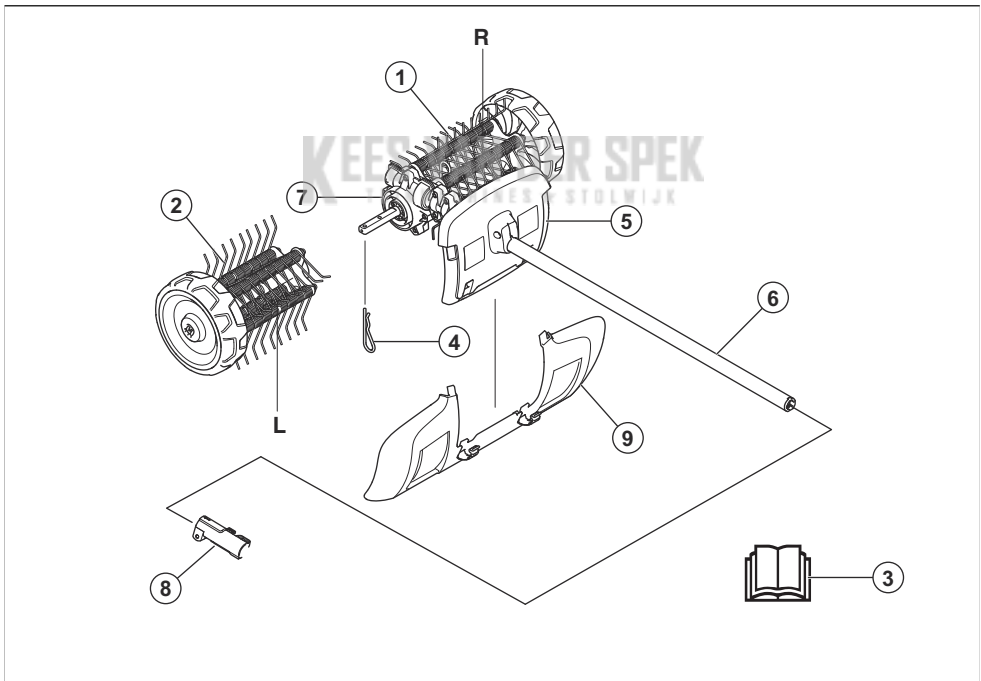
Anvendelsesformål



ADVARSEL: Dette tilbehør må kun bruges sammen med det produkt, det er beregnet til, se kapitlet Skæredstyr i brugsanvisningen til produktet.

Tilbehøret er kun beregnet til at løsne mos fra græsplæner.

Oversigt over tilbehør



1. Mosvertikalskærer, højre
2. Mosvertikalskærer, venstre
3. Brugsanvisning
4. Split
5. Afskærmning (beskyttelse på akslen)
6. Akse
7. Gearhus
8. Akselkobling (følger med produktet)
9. Stænbeskyttelse

Symboler på udstyret og strømenheden



Skødesløs eller forkert brug af dette produkt kan resultere i alvorlige skader eller medføre døden for brugeren eller andre.



Læs brugsanvisningen, og sørg for at have forstået indholdet, inden du bruger udstyret.



Brug godkendt høreværn. Brug godkendt øjenværn. Brug åndedrætsværn, når der er risiko for støv.



Dette udstyr er i overensstemmelse med gældende CE-direktiver.



Roterende dele. Hold hænder og fødder på sikker afstand. Pilen angiver rotationsretningen.



Brug altid godkendte beskyttelseshandsker.



<hr>Brug skridsikre og stabile støvler.



Pas på udslyngede genstande og rikolettering.



Operatøren skal sikre, at ingen mennesker eller dyr kommer nærmere end 15 meter. Når flere operatører arbejder på samme sted, skal der være en sikkerhedsafstand på mindst 15 meter. Udstyret kan kaste genstande af sted med voldsom kraft, og disse genstande kan slå tilbage. Dette kan medføre alvorlige øjenskader, hvis du ikke anvender det anbefalede beskyttelsesudstyr.



Hold en afstand på mindst 15 m/50 fod til personer og dyr under brug af produktet.



Hold alle dele af kroppen på sikker afstand af varme overflader.



Støjmissioner til omgivelserne i henhold til EF-direktiv. Tilbehørets emission fremgår af kapitlet Tekniske data og af mærkaten.

Bemærk: Andre symboler/etiketter på skæreudstyret refererer til specifikke krav for certificering på visse markeder.

Sikkerhed

Sikkerhedsdefinitioner

Advarsler, forholdsregler og bemærkninger bruges til at pege på særligt vigtige dele af brugsanvisningen.



ADVARSEL: Bruges, hvis føreren udsætter sig selv eller omkringstående personer for risiko for personskade eller dødsfald ved tilsidesættelse af instruktionerne i brugsanvisningen.



BEMÆRK: Bruges, hvis der er risiko for skader på produktet og/eller tilbehøret, andre materialer eller det omgivende område ved tilsidesættelse af instruktionerne i brugsanvisningen.

Bemærk: Bruges til at give yderligere oplysninger, der er nødvendige i en given situation.

Generelle sikkerhedsinstruktioner



ADVARSEL: Læs de medfølgende advarselsinstruktioner, inden du bruger skæreudstyret.

- Læs brugsanvisningen omhyggeligt igennem, og sørg for at have forstået indholdet, inden du bruger produktet.
- Denne vejledning supplerer den vejledning, der var inkluderet med produktet. Oplysninger om andre procedurer fås i betjeningsvejledningen til din plæneklipper.

- Produktets oprindelige udformning må under ingen omstændigheder ændres uden producentens samtykke. Brug ikke et produkt, der ser ud til at være blevet ændret af andre, og brug altid originalt tilbehør. Ikke-autoriserede ændringer og/eller ikke-godkendt tilbehør kan medføre alvorlige skader eller døden for brugeren eller andre.

Sikkerhedsinstruktioner for drift



ADVARSEL: Læs følgende advarselsinstruktioner, inden du bruger produktet.

Læs alle instruktioner

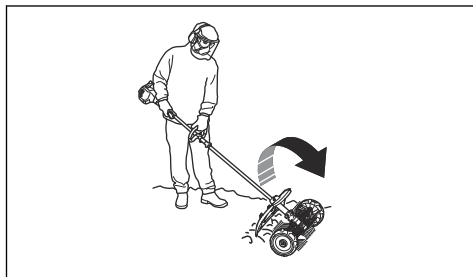


ADVARSEL: Ved brug af elektriske haveredskaber skal de grundlæggende sikkerhedsforanstaltninger følges for at nedsætte risikoen for brand, elektrisk stød og personskader, herunder følgende:

Sikkerhedsinstruktioner for vertikalskærer

- Lad aldrig børn, personer med nedsatte fysiske, sensoriske eller mentale evner eller manglende erfaring og viden, eller personer, der ikke er bekendt med disse instruktioner, bruge produktet. Der kan være lokale regler for, hvor gammel brugeren skal være.
- Betjen aldrig produktet, mens personer, især børn, eller kæledyr befinder sig i nærheden.
- Ræk ikke for langt, og hold hele tiden balancen. Sørg for altid at stå fast på skråninger, og husk, at du skal gå, aldrig løbe.
- Rør ikke ved bevægelige og farlige dele, før maskinen er taget ud af stikkontakten, og de bevægelige og farlige dele er standset helt.
- Bær altid passende fodtøj og lange bukser, mens du betjener maskinen.
- Fjern batteriet fra produktet, når produktet ikke er under opsyn, før du fjerner en blokering og før rengøring eller reparation af produktet.
- Fjern batteriet fra produktet, før produktet undersøges for skader, f.eks. i forbindelse med at et fremmedlegeme rammes, eller hvis produktet begynder at vibrere unormalt.
- Tilslut ikke en beskadiget ledning til strømforsyningen, og rør ikke en beskadiget ledning, før den kobles fra strømforsyningen. En beskadiget ledning kan medføre kontakt med strømførende dele og medføre personskade eller dødsfald.
- Betjen aldrig produktet med defekte afskærmninger/skjolde, uden sikkerhedsudstyr, eller hvis ledningen er beskadiget eller slidt.
- Hold forlængerledninger væk fra bevægelige og farlige dele for at undgå skader på ledninger, der kan føre til kontakt med strømførende dele.
- Tilslut kun produktet til en strømforsyning, der er beskyttet af en fejlstrømsafbryder (RCD) med en udløsningsstrøm på højst 30 mA.
- Brug ikke redskabet i dårligt vejr, især ikke, hvis der er risiko for lynnedslag.
- Stopkontakten skifter automatisk til startposition. Sørg for at forhindre utilsigtet start ved samling, kontrol og/eller vedligeholdelse. Hvis du har et benzindrevet produkt, skal du tage tændhætten af tændrøret. Hvis du har et batteridrevet produkt, skal du fjerne batteriet.
- Pas på udslyngede genstande. Brug altid beskyttelsesbriller. Du må aldrig læne dig ind over mosvertikalskæreren. Sten, skidt m.m. kan blive slynget op i øjnene og forårsage blindhed eller alvorlige skader.
- Under og et stykke tid efter anvendelse kan gearet være varmt. Der er derfor risiko for forbrændinger ved kontakt.
- Selv om børstetromlerne ikke har samme kraft som f.eks. plæneklipperknive, skal du undgå at arbejde med materialer, der kan medføre personskade eller skade på ejendom, hvis de slynges ud.
- Brug aldrig maskinen uden mulighed for at kunne tilkalde hjælp i tilfælde af en ulykke.
- Brug kun maskinen til det formål, den er beregnet til.
- Brug aldrig maskinen, hvis du er træt, hvis du har drukket alkohol, eller hvis du tager medicin, som kan påvirke dit syn, dit overblik eller din kropskontrol.
- Anvend aldrig maskinen ved ekstreme klimaforhold såsom streng kulde eller meget varmt og/eller fugtigt klima.
- Brug aldrig en maskine, som er behæftet med fejl. Følg instruktionerne for sikkerhedskontrol, vedligeholdelse og service i denne brugsanvisning. Visse vedligeholdelses- og serviceforanstaltninger må kun udføres af erfarne og kvalificerede specialister. Se anvisningerne under overskriften Vedligeholdelse.
- Tillad aldrig børn at bruge maskinen.
- Lad aldrig en anden bruge maskinen, uden at du har sikret dig, at vedkommende har forstået indholdet i brugervejledningen.
- Hold uvedkommende på afstand. Børn, dyr, omkringstående og hjælpere skal under arbejdet holdes uden for sikkerhedszonen på 15 meter. Stands øjeblikkeligt maskinen, hvis nogen nærmer sig.
- Når du kommer ud for en situation, som gør dig usikker med hensyn til fortsat brug, skal du spørge en ekspert til råds. Henvend dig til din forhandler eller dit serviceværksted.
- Undgå al brug, som du ikke synes, du er tilstrækkeligt kvalificeret for.
- Hold øje med omgivelserne, og kontrollér, at der ikke er nogen risiko for, at mennesker eller dyr kan komme i kontakt med eller påvirke din kontrol af produktet.

- Vær altid opmærksom på advarselssignaler eller tilråb, når høreværnet bruges. Tag altid høreværnet af, så snart motoren standser.
- Undgå at anvende produktet i dårligt vejr, f.eks. i tæt tåge, kraftig regn, hård vind, kraftig kulde osv. Arbejde i dårligt vejr er trættende og kan ofte skabe farlige situationer, f.eks. på isglat underlag.
- Sørg for, at du kan gå og stå sikkert. Kig efter eventuelle forhindringer ved en uventet retrætte (rødder, sten, grene, huller, grøfter osv.). Vær meget forsigtig ved arbejde i skrånende terræn.



- Motoren skal altid standses, før produktet flyttes.
- Stil aldrig maskinen ned på jorden med motoren i drift, uden at du har den under opsyn.
- Brug altid begge hænder til at holde maskinen. Hold maskinen på siden af kroppen.
- Sørg for, at hænder og fødder ikke kommer i nærheden af mosvertikalskæreren, når den er i drift.
- Når motoren slukkes, skal du holde hænder og fødder væk fra mosvertikalskæreren, indtil den er standset helt.
- Hvis kraftige vibrationer forekommer, skal du standse maskinen. Hvis du har et benzindrevet produkt, skal du fjerne tændrørskablet fra tændrøret. Hvis du har et batteridrevet produkt, skal du tage batteriet ud af produktet. Sørg for, at maskinen ikke er beskadiget. Reparer eventuelle skader.

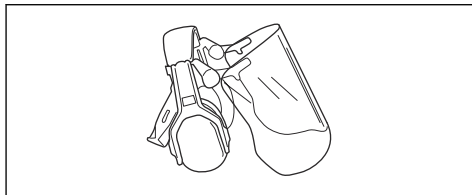
Personligt beskyttelsesudstyr



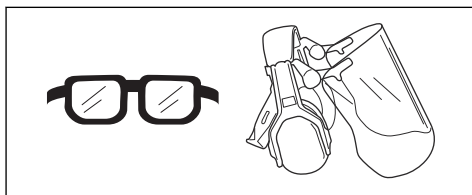
ADVARSEL: Læs følgende advarselsinstruktioner, inden du bruger produktet.

- Brug godkendt personligt beskyttelsesudstyr, når du bruger produktet. Personligt beskyttelsesudstyr udelukker ikke fuldstændigt risikoen for personskader, men det mindsker graden af skaderne i tilfælde af, at der skulle ske en ulykke. Lad forhandleren hjælpe dig med at vælge det rigtige udstyr.

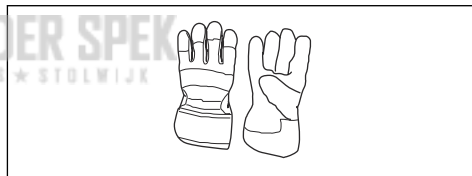
- Brug godkendt høreværn med tilstrækkelig dæmpning. Langvarig eksponering for støj kan medføre permanente høreskader.



- Brug godkendt øjenværn. Hvis du bruger et ansigtsværn, skal du også bruge godkendte beskyttelsesbriller. Godkendte beskyttelsesbriller skal overholde den amerikanske standard ANSI Z87.1 eller EU-standardEN EN 166.



- Brug om nødvendigt beskytteshandsker, f.eks. ved montering, eftersyn og rengøring af skæredestyret.

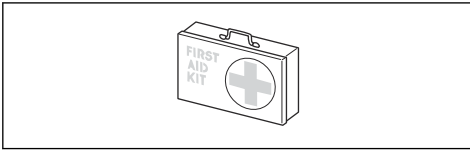


- Brug beskyttessko med stålsnude og skridsikre såler.



- Brug beklædning, der er lavet af et stærkt materiale. Brug altid kraftige lange bukser og lange ærmer. Brug ikke løstsiddende tøj, som kan sætte sig fast i buske og grene. Undgå smykker, shorts og sandaler, og gå ikke barfodet. Sæt håret op i en sikker højde, dvs. over skulderen.

- Sørg for at have førstehjælpsudstyr ved hånden.



Sikkerhedsanordninger på skæreudstyret.



ADVARSEL: Læs advarselsinstruktionerne, inden du bruger skæreudstyret.

I dette afsnit forklares mere om skæreudstyrets sikkerhedsfunktioner og formål, samt hvordan kontrol og vedligeholdelse skal udføres for at sikre, at det fungerer. Se anvisningerne i afsnittet *Oversigt over tilbehør på side 32* for at se, hvor disse dele sidder på skæreudstyret.

Maskinens levetid kan forkortes, og risikoen for ulykker kan øges, hvis vedligeholdelsen ikke udføres korrekt, og hvis service og/eller reparation ikke udføres fagligt korrekt. Kontakt det nærmeste serviceværksted for at få yderligere oplysninger.



ADVARSEL: Brug aldrig skæreudstyr med defekte komponenter. Skæreudstyrets sikkerhedsudstyr skal kontrolleres og vedligeholdes som beskrevet i dette afsnit. Klarer skæreudstyret ikke alle kontrollerne, skal du kontakte et serviceværksted for at få det repareret.



ADVARSEL: Al service og reparation af produktet kræver specialuddannelse. Dette gælder især produktets sikkerhedsudstyr. Hvis produktet ikke klarer nogen af de nedennævnte kontroller, skal du kontakte dit serviceværksted. Ved at købe nogle af vores produkter kan du være sikker på at få en faglig korrekt reparation og service. Hvis produktet er købt et sted, som

ikke er en af vores serviceydende forhandlere, skal du spørge dem efter det nærmeste serviceværksted.

Sikkerhedsinstruktioner for vedligeholdelse



ADVARSEL: Læs følgende advarselsinstruktioner, inden du udfører vedligeholdelsesarbejde.

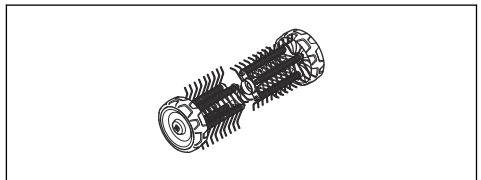


ADVARSEL: Stands altid produktet, inden du foretager arbejde på tilbehøret. Vær opmærksom på, at tilbehøret kan fortsætte med at bevæge sig, efter at gashåndtaget/strømdløseren slippes. Sørg for, at tilbehøret er standset helt. Hvis du har et benzindrevet produkt, skal du fjerne tændrørskablet fra tændrøret. Hvis du har et batteridrevet produkt, skal du fjerne batteriet.



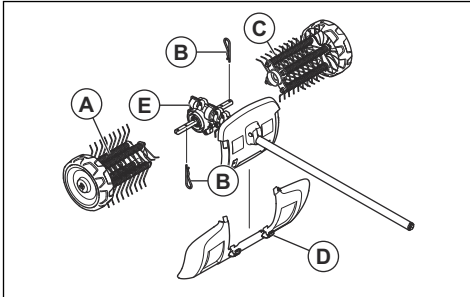
ADVARSEL: Brug altid beskyttelseshandsker.

- Kontrollér hele produktet, før arbejdet startes. Kontrollér, at alle afskærmninger og dæksler er på plads og korrekt fastgjort. Kontrollér alle møtrikker og skruer.
- Hvis du har et benzindrevet produkt, skal du sørge for, at der ikke forekommer brændstofækager.
- Udskift beskadigede dele.



Montering

Sådan monteres tilbehøret

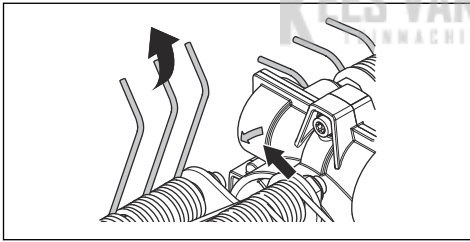


En pil på gearhuset angiver rotationsretningen. Gearhuset skal placeres som vist.

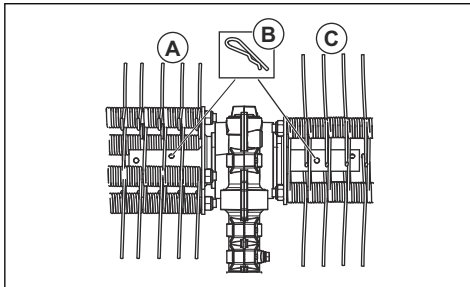
VIKTIGT:

Mosvertikalskærerenes ruller er markeret med pile, der viser rotationsretningen. Sørg for, at mosvertikalskærerenes ruller er monteret korrekt.

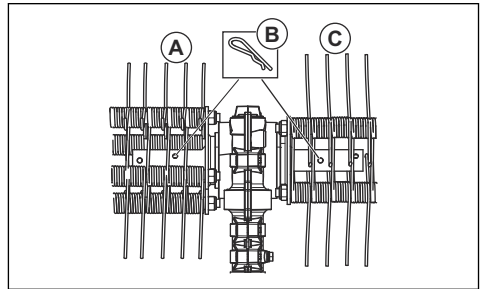
Mosvertikalskærerenes ruller skal monteres lidt forskudt i forhold til hinanden. Mosvertikalskærerenes fjedre skal pege i samme retning som rotationsretningsspil på gearhuset.



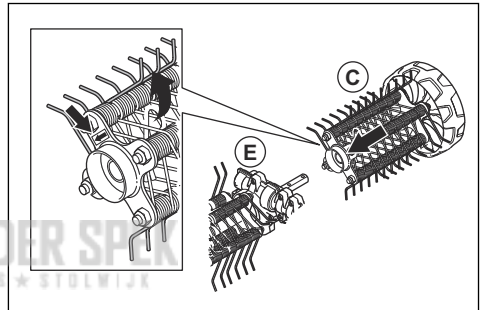
1. Tryk den venstre mosvertikalskærer (A) på venstre drivaksel fra gearhuset (E).



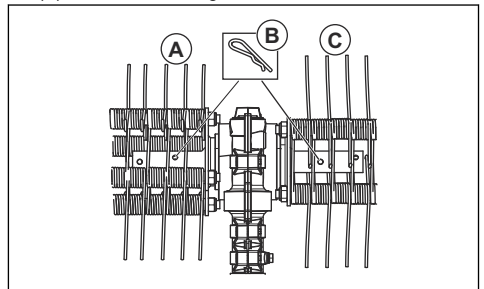
2. Fastgør mosvertikalskærerenes rulle med låsestiften (B) ind i det indvendige hul i akslen.



3. Tryk den højre mosvertikalskærer (C) på højre drivaksel fra gearhuset (E).



4. Fastgør mosvertikalskærerenes rulle med låsestiften (B) ind i det indvendige hul i akslen.



5. Monter stænkskærmen med snaplåsene (D).

Bemærk: Ved montering af tilbehør på et basisprodukt skal du se manualen for basisproduktet.

Drift

Sådan startes produktet med en kold motor

Hvis du har et benzindrevet produkt, skal du overholde disse instruktioner for at starte produktet med en kold motor.

1. Kør basisproduktet, indtil det er varmt, og sluk derefter produktet.
2. Monter tilbehøret som beskrevet i monteringsanvisningen.
3. Ved justering af karburatoren skal du sørge for, at vertikalskæreren holdes mod jorden, og at ingen andre personer er i nærheden.
4. Lad mosvertikalskæreren køre i tomgang.
5. Kontrollér, at håndtaget og sikkerhedsfunktioner er i orden. Brug aldrig et produkt, som mangler dele eller er ændret i strid med specifikationerne.

Sådan bruges tilbehøret

1. Kør mosvertikalskæreren med fuld gas (eller næsten fuld gas) med hjulene hvilende på underlaget.

Bemærk: Det er både trættende og unødvendigt at løfte eller holde mosvertikalskæreren over jorden under arbejdet.

2. Bibehold en lav arbejdsvinkel i forhold til underlaget. Med en stejl arbejdsvinkel vil mosvertikalskæreren have tendens til at bevæge sig mod dig, og du risikerer at miste kontrollen over produktet.



Vedligeholdelse

Indledning

Nedenfor følger nogle generelle vedligeholdelsesinstruktioner. Hvis du har brug for yderligere oplysninger, kan du kontakte serviceværkstedet.

Sådan vedligeholdes tilbehøret



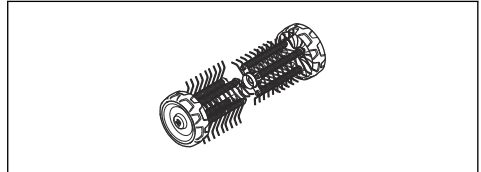
BEMÆRK: Meget af arbejdet med mosvertikalskæreren foregår ofte under støvede forhold. Hvis du har et benzindrevet produkt, er det ekstremt vigtigt, at luffilteret efterses jævnligt, ofte dagligt, og smøres med olie, for at det fungerer tilfredsstillende.

Se brugsanvisningen til strømheden for vedligeholdelsesinstruktioner.



ADVARSEL: Efter arbejde med produktet bliver gearhuset varmt. Rør ikke ved gearkassen for at undgå forbrændinger.

1. Sørg for, at mosvertikalskæreren ikke roterer, når gashåndtaget/strømdløseren slippes.



2. Rengør hjulene, hvis de ikke roterer frit.



ADVARSEL: Bær altid beskyttelseshandsker, når du udfører vedligeholdelse på tilbehøret.

Transport, opbevaring og bortskaffelse

Transport og opbevaring

Hvis skæreudstyret transporteres på et andet køretøj, skal du altid bruge godkendte fastgørelsesdele og sørge for, at skæreudstyret er sikkert fastgjort.

Sørg for, at skæreudstyret er ordentligt rengjort, og at der er udført fuldstændig service, inden langtidsopbevaring.

Tekniske data

Tekniske data for benzindrevne produkter

Mosvertikalskærer	DT600
Bredde, mm	556
Vægt	
Vægt, kg	6,5
Støjmissioner¹⁹	
Lydeffektniveau, målt dB (A)	105
Lydeffektniveau, garanteret L_{WA} dB (A)	109
Lydniveauer²⁰	
Ækvivalent lydtryksniveau ved brugerens ører målt i henhold til EN ISO 22868, dB(A):	95
Vibrationer²¹	
Ækvivalente vibrationsniveauer ($a_{hv,eq}$) i håndtag målt i henhold til EN ISO 22867, m/s^2	
Forreste/bageste håndtag	6,2/4,3

Tekniske data for batteridrevne produkter

325iLK + Vertikalskærertilbehør DT600	
Bredde, mm	556
Vægt	
Vægt, kg	2,3+6,5

¹⁹ Målt sammen med Husqvarna-godkendt ekstraudstyr. Emission af støj til omgivelserne målt som lydeffekt (L_{WA}) i henhold til EF-direktiv 2000/14/EF. Rapporteret lydeffektniveau for maskinen er målt med det originale skæreudstyr, der giver det højeste niveau. Forskellen mellem garanteret og målt lydeffekt er, at den garanterede lydeffekt også omfatter spredning i måleresultatet og variationerne mellem forskellige maskiner af samme model i henhold til direktivet 2000/14/EF.

²⁰ Målt sammen med Husqvarna-godkendt ekstraudstyr. Rapporterede data for ækvivalent lydtryksniveau for maskinen har en typisk statistisk spredning (standardafvigelse) på 1 dB(A).

²¹ Målt sammen med Husqvarna-godkendt ekstraudstyr. Rapporterede data for ækvivalent vibrationsniveau har en typisk statistisk spredning (standardafvigelse) på 1 m/s^2 .

325iLK + Vertikalskærertilbehør DT600	
Støjemissioner²²	
Lydeffektniveau, målt dB (A)	89
Lydniveauer²³	
Lydtryksniveau ved brugerens ører målt i henhold til ISO 22868, dB(A):	77
Vibrationer²⁴	
Vibrationsniveauer i håndtag målt i henhold til EN 62841-1, m/s ²	
Forreste/bageste håndtag	1,9/2,6
Udstyret med godkendt tilbehør (original), venstre/højre	1,9/2,6



²² Rapporterede data for maskinens støjniveau har en typisk statistisk spredning (standardafvigelse) på 3 dB (A) og er blevet målt med det originale udstyr, der giver det højeste niveau.

²³ Rapporterede data for maskinens lydtryksniveau har en typisk statistisk spredning (standardafvigelse) på 3 dB (A) og er blevet målt med det originale udstyr, der giver det højeste niveau.

²⁴ Rapporterede data for vibrationsniveau har en typisk statistisk spredning (standardafvigelse) på 2 m/s². Til sammenligning af vibrationsniveauer mellem batteri- og benzindrevne produkter skal du anvende vibrationsberegneren. <https://www.husqvarna.com/uk/services-solutions/vibration-calculator/>.

EU-overensstemmelseserklæring

EU-overensstemmelseserklæringen – til benzindrevne produkter

Husqvarna AB, SE-561 82 Huskvarna, Sverige, tlf.: +46-36-146500, erklærer, at mosvertikalskæreren **Husqvarna DT600** med serienumre fra 2019 og fremefter (året er tydeligt angivet på typeskiltet, efterfulgt af serienummeret), opfylder forskrifterne i RÅDETS DIREKTIV:

- af den 17. maj 2006 "angående maskiner" **2006/42/EF**
- af den 8. juni 2011 "om begrænsning af anvendelsen af visse farlige stoffer i elektrisk og elektronisk udstyr" **2011/65/EU**
- af den 8. maj 2000 "angående emission af støj til omgivelserne" **2000/14/EF**.

Følgende standarder er anvendt for benzindrevne produkter:

SS-EN ISO 12100:2010, EN IEC 63000:2018

RISE SMP Svensk Maskinprovning AB, Box 7035, SE-750 07 Uppsala, Sverige, har foretaget frivillig typegodkendelse for Husqvarna AB. Certifikatet er nummereret: **SEC/15/2411 - Husqvarna DT600**

Huskvarna , 2021-02-12



Pär Martinsson, udviklingschef (autoriseret repræsentant for Husqvarna AB og ansvarlig for teknisk dokumentation)

EU-overensstemmelseserklæringen – til batteridrevne produkter

Husqvarna AB, SE-561 82 Huskvarna, Sverige, tlf.: +46-36-146500 erklærer hermed, at mosvertikalskæreren, **Husqvarna DT600 med strømeheden Husqvarna 325iLK** med årgangsserienumre fra og med 2019 (året angives i klartekst på typeskiltet plus et efterfølgende serienummer), opfylder forskrifterne i RÅDETS DIREKTIV:

- af den 17. maj 2006 "angående maskiner" **2006/42/EF**
- af den 8. juni 2011 "om begrænsning af anvendelsen af visse farlige stoffer i elektrisk og elektronisk udstyr" **2011/65/EU**

Følgende standarder er anvendt for batteriprodukter:

EN 62841-1:2015, EN 50636-2-92:2014, EN IEC 63000:2018

RISE SMP Svensk Maskinprovning AB, Box 7035, SE-750 07 Uppsala, Sverige, har foretaget frivillig typegodkendelse for Husqvarna AB. Certifikatet er nummereret: **SEC/15/2411 - Husqvarna DT600**

Se *Tekniske data på side 39* vedr. oplysninger om støjemission.

Huskvarna , 2021-02-12



Pär Martinsson, udviklingschef (autoriseret repræsentant for Husqvarna AB og ansvarlig for teknisk dokumentation)

KEES VAN DER SPEK
TUINMACHINES * STOLWIJK

Inhalt

Einleitung.....	42	Wartung.....	48
Sicherheit.....	43	Transport, Lagerung und Entsorgung.....	49
Montage.....	47	Technische Angaben.....	49
Betrieb.....	48	EU-Konformitätserklärung.....	51

Einleitung

Produktbeschreibung

Wir arbeiten ständig an der Weiterentwicklung unserer Geräte und behalten uns daher das Recht auf Änderungen ohne vorherige Ankündigung, z. B. von Form und Aussehen, vor.

Hinweis: Dieses Handbuch bezieht sich sowohl auf benzin- als auch auf akkubetriebene Antriebsaggregate.

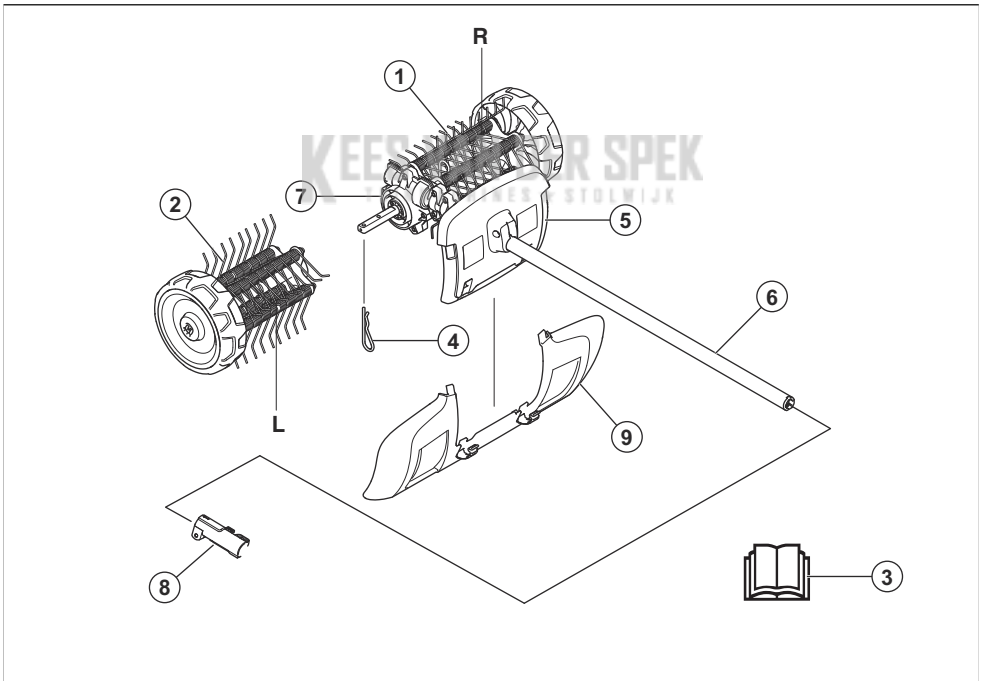
Verwendungszweck



WARNUNG: Dieses Anbaugerät darf nur zusammen mit dem vorgesehenen Gerät verwendet werden. Siehe Kapitel „Anbaugeräte“ der Bedienungsanleitung des Geräts.

Das Anbaugerät dient nur zum Vertikutieren von Rasen.

Übersicht über das Anbaugerät



- | | |
|------------------------------------|---|
| 1. Vertikutierer rechts | 7. Getriebegehäuse |
| 2. Vertikutierer links | 8. Führungsrohrkupplung (im Lieferumfang enthalten) |
| 3. Bedienungsanleitung | 9. Spritzschutz |
| 4. Spannstift | |
| 5. Schutz (Schutz am Führungsrohr) | |
| 6. Schaft | |

Symbole auf dem Anbaugerät und dem Antriebsaggregat



Durch unsachgemäße oder nachlässige Handhabung dieses Anbaugeräts können schwere Verletzungen oder sogar tödliche Unfälle von Anwendern oder anderen Personen verursacht werden.



Lesen Sie die Bedienungsanleitung aufmerksam durch und machen Sie sich mit den Anweisungen vertraut, bevor Sie das Anbaugerät verwenden.



Tragen Sie einen zugelassenen Gehörschutz. Tragen Sie einen zugelassenen Augenschutz. Verwenden Sie bei Staubgefahr einen Atemschutz.



Dieses Anbaugerät stimmt mit den geltenden CE-Richtlinien überein.



Rotierende Teile. Halten Sie Hände und Füße von der Gefahrenzone fern. Der Pfeil gibt die Rotationsrichtung an.



Tragen Sie stets zugelassene Schutzhandschuhe.



Tragen Sie rutschfeste und stabile Stiefel.



Achten Sie auf hochgeschleuderte und abprallende Gegenstände.



Der Bediener muss darauf achten, dass sich Personen oder Tiere bis auf höchstens 15 m nähern. Wenn mehrere Bediener am selben Einsatzort arbeiten, muss ein Sicherheitsabstand von mindestens 15 m eingehalten werden. Das Anbaugerät kann Gegenstände mit großer Kraft herausschleudern, die zurückprallen können. Dies kann zu schweren Augenverletzungen führen, wenn die empfohlene Schutzausrüstung nicht getragen wird.



Halten Sie während des Betriebs des Gerätes einen Mindestabstand von 15 m zu Personen oder Tieren ein.



Halten Sie alle Körperteile von heißen Oberflächen fern.



Umweltbelastende Geräuschemissionen gemäß der Richtlinie der Europäischen Gemeinschaft. Die Emission des Anbaugeräts ist im Abschnitt „Technische Daten“ und auf dem Geräteschild angegeben.

Hinweis: Sonstige Symbole/Aufkleber am Anbaugerät beziehen sich auf spezielle Zertifizierungsanforderungen, die in bestimmten Ländern gelten.

Sicherheit

Sicherheitsdefinitionen

Warnungen, Vorsichtsmaßnahmen und Hinweise werden verwendet, um auf besonders wichtige Teile der Bedienungsanleitung hinzuweisen.



WARNUNG: Wird verwendet, wenn bei Nichtbeachtung der Anweisungen in diesem Handbuch die Gefahr von Verletzung oder Tod des Bedieners oder anderer Personen besteht.



ACHTUNG: Wird verwendet, wenn bei Nichtbeachtung der Anweisungen in diesem Handbuch die Gefahr von Schäden am

Produkt und/oder am Anbaugerät, an anderen Materialien oder in der Umgebung besteht.

Hinweis: Für weitere Informationen, die in bestimmten Situationen nötig sind.

Allgemeine Sicherheitshinweise



WARNUNG: Lesen Sie die folgenden Sicherheitshinweise, bevor Sie das Anbaugerät benutzen.

- Lesen Sie die Betriebsanleitung sorgfältig durch und machen Sie sich mit dem Inhalt vertraut, bevor Sie das Anbaugerät benutzen.
- Diese Anweisungen ergänzen die Anweisungen, die im Lieferumfang des Geräts enthalten waren. Weitere Verfahren finden Sie in der Bedienungsanleitung des Geräts.
- Unter keinen Umständen darf die ursprüngliche Konstruktion des Anbaugerätes ohne Genehmigung des Herstellers geändert werden. Verwenden Sie keine Anbaugeräte, die modifiziert wurden, und verwenden Sie immer Originalzubehör. Unzulässige Änderungen und/oder unzulässiges Zubehör können zu schweren oder sogar tödlichen Verletzungen des Anwenders oder anderer Personen führen.
- Schließen Sie kein beschädigtes Kabel an und berühren Sie das beschädigte Elektrokabel erst, wenn es von der Stromversorgung getrennt wurde. Kontakt mit Strom durch ein beschädigtes Kabel kann zu Verletzungen oder zum Tod führen.
- Betreiben Sie das Gerät niemals mit defekten Schutzvorrichtungen und Schutzabdeckungen oder bei nicht befestigten Sicherheitsvorrichtungen bzw., wenn das Kabel beschädigt oder abgenutzt ist.
- Halten Sie Verlängerungskabel von den gefährlichen beweglichen Teilen fern, um Beschädigungen des Kabels zu vermeiden, die zu Stromschlägen führen können.
- Schließen Sie das Gerät nur an eine Stromversorgung mit einem FI-Schutzschalter (RCD) und einem Auslösestrom von höchstens 30 mA an.
- Verwenden Sie das Produkt nicht bei schlechten Wetterverhältnissen, insbesondere dann, wenn das Risiko eines Blitzschlags besteht.

Lesen Sie alle Anweisungen



WARNUNG: Beim Gebrauch von elektrischen Gartengeräten müssen immer einige grundlegende Sicherheitsvorschriften beachtet werden, um die Gefahr eines Brandes, vor elektrischen Schlägen und Verletzungen auszuschließen. Die Sicherheitsvorschriften umfassen folgende Vorschriften:



Sicherheitshinweise für den Betrieb

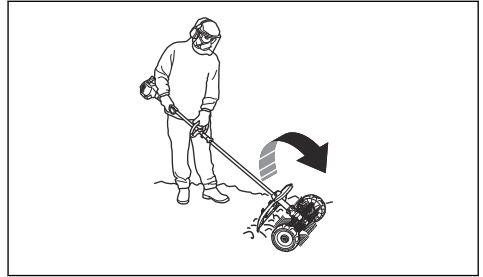
WARNUNG: Lesen Sie die folgenden Warnhinweise, bevor Sie das Gerät benutzen.

Sicherheitshinweise zum Vertikutierer

- Gestatten Sie niemals Personen (einschl. Kindern), die über eingeschränkte körperliche, sensorische oder geistige Fähigkeiten verfügen oder denen es an der erforderlichen Erfahrung und Kenntnissen mangelt bzw. die mit der Betriebsanleitung nicht vertraut sind, dieses Gerät zu bedienen. Unter Umständen gelten gesetzlich vorgeschriebene Altersbeschränkungen für den Bediener.
- Betreiben Sie das Produkt niemals, wenn sich Personen, insbesondere Kinder, oder Haustiere in der Nähe befinden.
- Arbeiten Sie nicht über die normale Reichweite hinaus und bewahren Sie zu jeder Zeit das Gleichgewicht. Achten Sie immer auf festen Untergrund an Hängen und laufen Sie nie mit dem Gerät.
- Berühren Sie niemals bewegliche gefährliche Bauteile, bevor das Gerät vom Stromnetz getrennt wurde und diese vollständig zum Stillstand gekommen sind.
- Tragen Sie beim Betrieb des Geräts stets festes Schuhwerk und lange Hosen.
- Entfernen Sie den Akku, wenn Sie das Gerät unbeaufsichtigt abstellen, eine Blockade entfernen und bevor Sie das Gerät reinigen oder daran arbeiten.
- Entfernen Sie den Akku, bevor Sie das Gerät auf Beschädigungen untersuchen, wenn z. B. ein Fremdkörper getroffen wurde oder Vibrationen aufgetreten sind.
- Der Stoppschalter geht automatisch in die Startstellung zurück. Achten Sie darauf, dass das Gerät bei Montage, Prüfung und/oder Wartung nicht unbeabsichtigt gestartet wird. Wenn Ihr Gerät mit Benzin betrieben wird, entfernen Sie die Zündkerze von der Zündkerze. Wenn Ihr Gerät mit einem Akku betrieben wird, nehmen Sie den Akku heraus.
- Achten Sie auf hochgeschleuderte Gegenstände. Tragen Sie immer einen Augenschutz. Beugen Sie sich niemals über den Vertikutierer. Hochgeschleuderte Steine, Unrat usw. können die Augen treffen und Blindheit oder schwere Verletzungen verursachen.
- Das Getriebe kann während des Betriebs heiß laufen und kühlt nur langsam ab. Beim Berühren besteht Verbrennungsgefahr.
- Obwohl die Bürstentrommeln nicht die gleiche Stärke haben wie zum Beispiel die Klingen eines Rasenmähers, sollten Sie es vermeiden, mit Material zu arbeiten, das Verletzungen oder Sachschäden verursachen kann, wenn es weggeschleudert wird.
- Sie dürfen das Gerät niemals benutzen, wenn nicht die Möglichkeit besteht, im Falle eines Unfalls Hilfe herbeizurufen.
- Benutzen Sie das Gerät nur für solche Arbeiten, für die es vorgesehen ist.
- Arbeiten Sie niemals mit dem Gerät, wenn Sie müde sind, Alkohol getrunken oder Medikamente eingenommen haben, da hierdurch Sehkraft, Urteilsvermögen oder Körperkontrolle beeinträchtigt werden können.

- Benutzen Sie das Gerät niemals bei extremen Klimaverhältnissen wie strenger Kälte oder sehr heißem und/oder feuchten Klima.
- Arbeiten Sie niemals mit einem defekten Gerät. Die Kontroll-, Wartungs- und Serviceanweisungen in dieser Bedienungsanweisung sind genau zu befolgen. Gewisse Wartungs- und Servicemaßnahmen sind von geschulten, qualifizierten Fachleuten auszuführen. Siehe Anweisungen unter dem Titel „Wartung“.
- Gestatten Sie auf keinen Fall Kindern, das Gerät zu benutzen.
- Lassen Sie niemals jemand anderen das Gerät benutzen, ohne sich zu vergewissern, dass die Person den Inhalt der Bedienungsanleitung gelesen und verstanden hat.
- Halten Sie Unbefugte auf Abstand. Kinder, Tiere, Zuschauer und Helfer sollten sich außerhalb einer Sicherheitszone von 15 m befinden, während Sie mit dem Gerät arbeiten. Stellen Sie das Gerät sofort ab, wenn sich jemand nähert.
- Wenn Sie in eine Situation kommen, die Sie in Bezug auf die weitere Anwendung des Geräts verunsichert, lassen Sie sich von einem Experten beraten. Wenden Sie sich an Ihren Fachhändler oder Ihre Servicewerkstatt.
- Vermeiden Sie, Arbeiten auszuführen, denen Sie sich nicht gewachsen fühlen.
- Achten Sie bei der Arbeit auf die Umgebung achten und stellen Sie sicher, dass weder Menschen noch Tiere mit der Schneidausrüstung in Berührung kommen können oder Ihre Kontrolle über das Gerät beeinträchtigen.
- Achten Sie immer genau auf Warnsignale oder Rufe, wenn Sie den Gehörschutz tragen. Nehmen Sie den Gehörschutz immer ab, sobald der Motor abgestellt ist.
- Benutzen Sie das Gerät nicht bei schlechtem Wetter, z. B. bei dichtem Nebel, starkem Regen oder Wind, großer Kälte usw. Bei schlechtem Wetter ist das Arbeiten nicht nur ermüdend, es können außerdem gefährliche Arbeitsbedingungen wie z. B. glatter, vereister Boden entstehen.
- Stellen Sie sicher, dass Sie sicher gehen und stehen können. Achten Sie auf evtl. Hindernisse (Wurzeln, Steine, Äste, Löcher, Gräben usw.), wenn Sie unvermittelt Ihren Standort wechseln. Beim Arbeiten

auf abschüssigem Boden müssen Sie immer sehr vorsichtig sein.



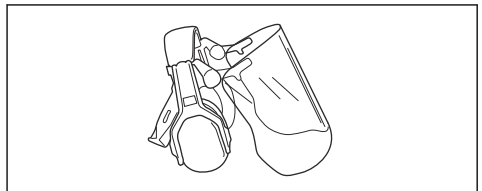
- Stellen Sie beim Bewegen den Motor ab.
- Stellen Sie das Gerät niemals mit laufendem Motor unbeaufsichtigt ab.
- Halten Sie das Gerät immer mit beiden Händen fest. Halten Sie das Gerät an der Seite des Körpers.
- Stellen Sie sicher, dass Hände und Füße nicht in die Nähe des Vertikutierers kommen, solange dieser läuft.
- Wenn der Motor abgestellt worden ist, halten Sie Hände und Füße vom Vertikutierer fern, bis dieser völlig stillsteht.
- Schalten Sie das Gerät bei starken Vibrationen ab. Wenn Ihr Gerät mit Benzin betrieben wird, ziehen Sie das Zündkerzenkabel von der Zündkerze ab. Wenn Ihr Gerät mit einem Akku betrieben wird, nehmen Sie den Akku aus dem Gerät. Vergewissern Sie sich, dass das Gerät nicht beschädigt ist. Reparieren Sie eventuelle Schäden.

Persönliche Schutzausrüstung

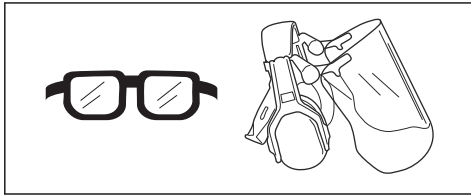


WARNUNG: Lesen Sie die folgenden Warnhinweise, bevor Sie das Gerät benutzen.

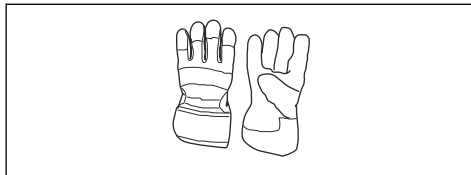
- Verwenden Sie stets die vorgeschriebene persönliche Schutzausrüstung bei der Benutzung des Geräts. Durch Tragen persönlicher Schutzausrüstung können Verletzungen nicht vollständig ausgeschlossen werden, aber im Ernstfall kann so die Verletzungsschwere reduziert werden. Lassen Sie sich von Ihrem Händler bei der Auswahl der richtigen Ausrüstung unterstützen.
- Tragen Sie einen Gehörschutz mit ausreichender Dämmwirkung. Eine längerfristige Beschallung mit Lärm kann zu bleibenden Gehörschäden führen.



- Tragen Sie einen zugelassenen Augenschutz. Bei der Benutzung eines Visiers ist auch eine zugelassene Schutzbrille zu tragen. Zugelassene Schutzbrillen sind in diesem Falle diejenigen, die die Normen ANSI Z87.1 für die USA bzw. EN 166 für EU-Länder erfüllen.



- Tragen Sie bei Bedarf Schutzhandschuhe, beispielsweise bei der Montage, der Untersuchung oder der Reinigung der Schneidausrüstung.



- Tragen Sie Schutzstiefel mit Stahlkappen und rutschfesten Sohlen.



- Tragen Sie Kleidung aus reißfestem Material. Tragen Sie stets lange Hosen aus schwerem Stoff und lange Ärmel. Tragen Sie keine weite Kleidung, die sich leicht an Ästen und Zweigen verfangen könnte. Vermeiden Sie das Tragen von Schmock, kurzen Hosen und Sandalen. Gehen Sie nicht barfuß. Binden Sie Ihre Haare sicherheitshalber zusammen, sodass sie nicht über Ihre Schultern fallen.
- Halten Sie eine Erste-Hilfe-Ausrüstung und einen Feuerlöscher griffbereit.



Sicherheitsvorrichtungen am Anbaugerät



WARNUNG: Lesen Sie die folgenden Warnhinweise, bevor Sie das Anbaugerät benutzen.

In diesem Abschnitt werden die Sicherheitsfunktionen des Anbaugeräts, ihr Zweck sowie die Kontrollen und Wartungsarbeiten beschrieben, die ausgeführt werden müssen, um die Funktionsfähigkeit des Geräts sicherzustellen. Die Einbaulage dieser Komponenten ist unter der Überschrift *Übersicht über das Anbaugerät auf Seite 42* gelistet.

Die Lebensdauer des Geräts kann verkürzt werden und die Unfallgefahr kann steigen, wenn die Wartung des Anbaugeräts nicht ordnungsgemäß und Service und/oder Reparaturen nicht fachmännisch ausgeführt werden. Wenden Sie sich für weitere Informationen an Ihre Vertragswerkstatt.



WARNUNG: Benutzen Sie kein Anbaugerät mit defekten Sicherheitsvorrichtungen. Die Sicherheitsausrüstung des Anbaugeräts muss so überprüft und gewartet werden, wie dies in diesem Abschnitt beschrieben wird. Wenn Ihr Anbaugerät diesen Anforderungen nicht entspricht, muss eine Servicewerkstatt aufgesucht werden.



WARNUNG: Service und Reparatur des Geräts erfordern eine Spezialausbildung. Dies gilt besonders für die Sicherheitsausrüstung des Geräts. Wenn Ihr Gerät den unten aufgeführten Kontrollanforderungen nicht entspricht, müssen Sie Ihre Servicewerkstatt aufsuchen. Beim Kauf eines unserer Geräte wird gewährleistet, dass Reparatur- oder Servicearbeiten fachmännisch ausgeführt werden. Sollte der Verkäufer Ihres Geräts nicht an unser Fachhändler-Service-Netz angeschlossen sein, fragen Sie nach unserer nächstgelegenen Servicewerkstatt.

Sicherheitshinweise für die Wartung



WARNUNG: Lesen Sie die folgenden Warnhinweise, bevor Sie Wartungsarbeiten am Gerät durchführen.



WARNUNG: Schalten Sie das Gerät vor der Durchführung von Wartungsarbeiten am Anbaugerät stets ab. Achtung! Das Anbaugerät kann nach dem Loslassen des Gashebels noch weiterlaufen. Vergewissern Sie sich, dass das Anbaugerät vollständig zum Stillstand gekommen ist. Wenn Ihr

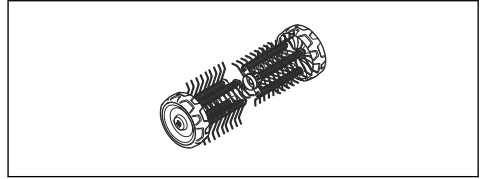
Gerät mit Benzin betrieben wird, ziehen Sie das Zündkerzenkabel von der Zündkerze ab. Wenn Ihr Gerät mit einem Akku betrieben wird, nehmen Sie den Akku raus.

- Wenn Ihr Gerät mit Benzin betrieben wird, prüfen Sie, dass kein Kraftstoff ausläuft.
- Ersetzen Sie die beschädigten Teile.



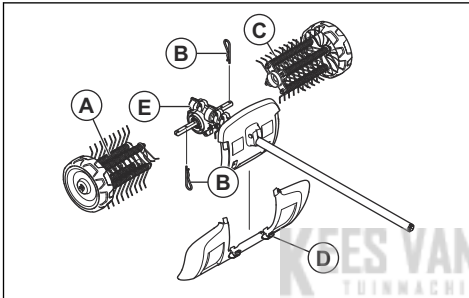
WARNUNG: Verwenden Sie stets Schutzhandschuhe.

- Kontrollieren Sie sorgfältig das Gerät, bevor Sie mit der Arbeit beginnen. Prüfen Sie, ob alle Sicherheits- und Schutzvorrichtungen montiert und richtig befestigt sind. Prüfen Sie alle Muttern und Schrauben.



Montage

So montieren Sie das Anbaugerät

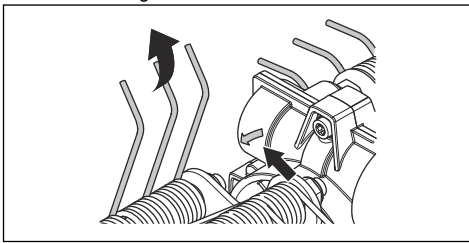


Der Pfeil auf dem Getriebegehäuse gibt die Rotationsrichtung an. Das Getriebegehäuse muss platziert werden, wie in der Abbildung dargestellt.

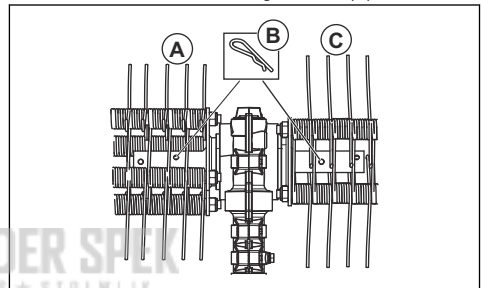
WICHTIG:

Auf den Rollen des Vertikutierers befinden sich Pfeile, die die Rotationsrichtung angeben. Stellen Sie sicher, dass die Rollen des Vertikutierers korrekt montiert sind.

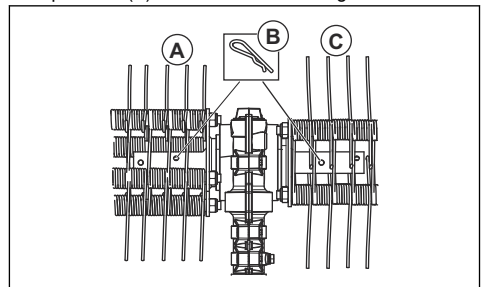
Die Rollen des Vertikutierers müssen leicht versetzt zueinander montiert werden. Die Federn des Vertikutierers sollten in die gleiche Richtung zeigen, wie die auf dem Getriebegehäuse angegebene Rotationsrichtung.



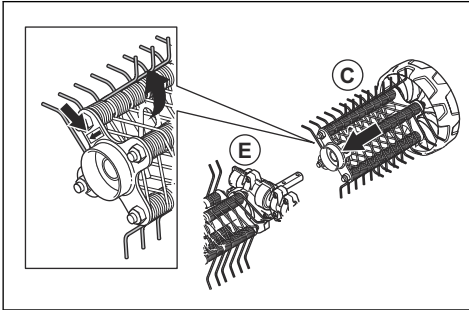
1. Drücken Sie den linken Vertikutierer (A) auf die linke Antriebswelle des Getriebegehäuses (E).



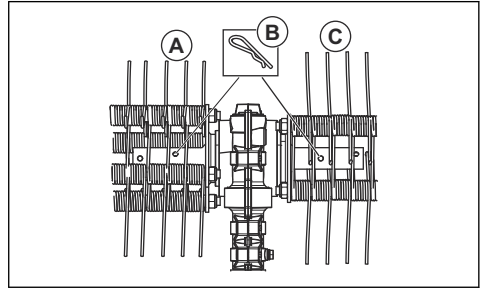
2. Befestigen Sie die Rolle des Vertikutierers mit dem Spannstift (B) in der inneren Bohrung in der Welle.



- Drücken Sie den rechten Vertikutierer (C) auf die rechte Antriebswelle des Getriebegehäuses (E).



- Befestigen Sie die Rolle des Vertikutierers mit dem Spannstift (B) in der inneren Bohrung in der Welle.



- Montieren Sie den Spritzschutz mit den Schnappbefestigungen (D).

Hinweis: Zur Montage des Zubehörs mit dem Basisgerät lesen Sie die Betriebsanleitung des Basisgeräts.

Betrieb

So starten Sie das Gerät bei kaltem Motor

Wenn Ihr Gerät benzinbetrieben ist, befolgen Sie diese Anweisungen, um Ihr Gerät bei kaltem Motor zu starten.

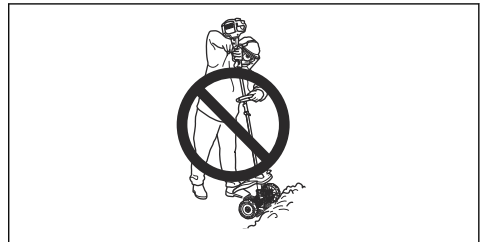
- Lassen Sie das Basisgerät warmlaufen und schalten Sie es dann aus.
- Montieren Sie das Zubehöerteil gemäß der Montageanleitung.
- Stellen Sie beim Anpassen des Vergasers sicher, dass die Bürstentrommeln gegen den Boden gehalten werden und dass sich niemand in der Nähe befindet.
- Stellen Sie den Vertikutierer in Leerlaufposition.
- Sorgen Sie dafür, dass der Handgriff in gutem Zustand ist und die Sicherheitseinrichtungen intakt sind. Verwenden Sie niemals ein Gerät, bei dem ein Teil fehlt oder das so modifiziert wurde, dass es nicht mehr den technischen Daten entspricht.

So verwenden Sie das Anbaugerät

- Lassen Sie den Vertikutierer mit Vollgas (oder fast Vollgas) laufen, während die Räder die Oberfläche berühren.

Hinweis: Es ist sowohl ermüdend als auch unnötig, den Vertikutierer während der Arbeit anzuheben oder ihn hochzuhalten.

- Halten Sie den Arbeitswinkel zur Oberfläche stets klein. Ein zu großer Arbeitswinkel führt dazu, dass der Vertikutierer sich eher in Ihre Richtung bewegt, und Sie riskieren, die Kontrolle über das Gerät zu verlieren.



Wartung

Einleitung

Nachstehend folgen einige allgemeine Wartungsanweisungen. Sollten Sie weitere Informationen brauchen, wenden Sie sich bitte an Ihre Servicewerkstatt.

Warten des Geräts



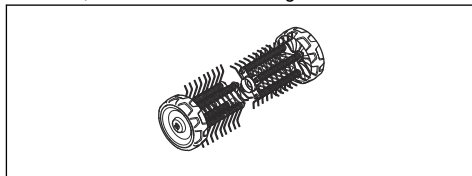
ACHTUNG: Die Arbeit mit dem Vertikutierer erfolgt oft unter staubigen Bedingungen. Wenn Sie ein

benzinbetriebenes Gerät besitzen, ist es äußerst wichtig, dass die Luftfilter regelmäßig, oft auch täglich inspiziert sowie geölt werden, um zufriedenstellende Ergebnisse liefern zu können.

Wartungsanweisungen finden Sie in der Betriebsanleitung des Antriebsaggregats.

Getriebegehäuse nicht berühren, um Verbrennungen zu vermeiden.

1. Stellen Sie sicher, dass der Vertikutierer nicht mehr rotiert, wenn der Gashebel losgelassen wird.



2. Reinigen Sie die Räder, wenn diese sich nicht einwandfrei drehen können.



WARNUNG: Tragen Sie immer Schutzhandschuhe, wenn Sie Wartungsarbeiten am Anbaugerät durchführen.



WARNUNG: Nach der Arbeit mit dem Gerät ist das Getriebegehäuse heiß. Das

Transport, Lagerung und Entsorgung

Transport und Aufbewahrung

Verwenden Sie beim Transport des Anbaugeräts mit einem anderen Fahrzeug stets eine zugelassene Sicherungsvorrichtung und stellen Sie sicher, dass das Anbaugerät gut gesichert wird.

Stellen Sie vor der Langzeitaufbewahrung sicher, dass das Anbaugerät gründlich gesäubert und komplett gewartet wurde.

Technische Angaben

Technische Daten für benzinbetriebene Geräte

Vertikutierer	DT600
Breite, mm	556
Gewicht	
Gewicht, kg	6,5
Geräuschemissionen²⁵	
Gemessener Schalleistungspegel dB (A)	105
Garantierter Schalleistungspegel L _{WA} dB (A)	109
Lautstärke²⁶	
Äquivalenter Schalldruckpegel am Ohr des Bedieners, gemessen nach EN ISO 22868, dB (A):	95

²⁵ Gemessen zusammen mit zugelassenem Zubehör von Husqvarna. Umweltbelastende Geräuschemissionen, gemessen als Schalleistung (L_{WA}) gemäß EG-Richtlinie 2000/14/EG Der aufgezeichnete Schalleistungspegel für das Gerät wurde unter Verwendung der originalen Schneidausrüstung mit dem höchsten Pegel gemessen. Der Unterschied zwischen garantiertem und gemessenem Schalleistungspegel besteht darin, dass beim garantierten Schalleistungspegel auch eine Streuung im Messergebnis und Variationen zwischen verschiedenen Geräten desselben Modells gemäß der Richtlinie 2000/14/EG berücksichtigt werden.

²⁶ Gemessen zusammen mit zugelassenem Zubehör von Husqvarna. Berichten zufolge liegt der Schalldruckpegel für dieses Gerät normalerweise bei einer Ausbreitungsklasse (Standardabweichung) von 1 dB(A).

Vertikutierer	DT600
Vibrationen²⁷	
Äquivalente Vibrationspegel ($a_{hv,eq}$) an den Griffen, gemessen nach EN ISO 22867, m/s^2	
Vorderer/hinterer Griff	6,2/4,3

Technische Daten für akkubetriebene Geräte

325iLK + Vertikutiereraufsatz DT600	
Breite, mm	556
Gewicht	
Gewicht, kg	2,3 + +6,5
Geräuschemissionen²⁸	
Schalleistungspegel, gemessen dB (A)	89
Schallpegel²⁹	
Schalldruckpegel am Ohr des Bedieners, gemessen gemäß EN ISO 22868, dB (A):	77
Vibrationen³⁰	
Vibrationspegel an den Griffen, gemessen nach EN 62841-1, m/s^2	
Vorderer/hinterer Griff	1,9/2,6
Ausgestattet mit zugelassenem Zubehör (Original), links/rechts	1,9/2,6

²⁷ Gemessen zusammen mit zugelassenem Zubehör von Husqvarna. Berichten zufolge liegt der äquivalente Vibrationspegel normalerweise bei einer Ausbreitungsklasse (Standardabweichung) von $1 m/s^2$.

²⁸ Berichten zufolge liegt der Schalldruckpegel für dieses Gerät normalerweise bei einer Ausbreitungsklasse (Standardabweichung) von 3 dB (A) und wurde mit dem Original-Anbaugerät, das den höchsten Pegel ergibt, geprüft.

²⁹ Berichten zufolge liegt der Schalldruckpegel für dieses Gerät normalerweise bei einer Ausbreitungsklasse (Standardabweichung) von 3 dB (A) und wurde mit dem Original-Anbaugerät, das den höchsten Pegel ergibt, geprüft.

³⁰ Berichten zufolge liegt der Vibrationspegel normalerweise bei einer Ausbreitungsklasse (Standardabweichung) von $2 m/s^2$. Verwenden Sie zum Vergleich von Vibrationspegeln, Akku- und Verbrennungsgeräten den Vibrationsrechner: <https://www.husqvarna.com/uk/services-solutions/vibration-calculator/>.

EU-Konformitätserklärung

EG-Konformitätserklärung für benzinbetriebene Geräte

Husqvarna AB, SE-561 82 Huskvarna, Schweden, Tel.: +46-36-146500, erklärt hiermit, dass die Vertikutierer-Anbaugeräte, **Husqvarna DT600**, mit Seriennummer ab 2019 (die Jahreszahl wird im Klartext auf dem Typenschild angegeben, mitsamt einer nachfolgenden Seriennummer) den Vorschriften der RICHTLINIE DES RATES entsprechen:

- „Maschinen-Richtlinie“ **2006/42/EG** vom 17. Mai 2006
- vom 8. Juni 2011 „zur Beschränkung der Verwendung bestimmter gefährlicher Stoffe in Elektro- und Elektronikgeräten“ **2011/65/EU**.
- Richtlinie „über umweltbelastende Geräuschemissionen von zur Verwendung im Freien vorgesehenen Geräten und Maschinen“ **2000/14/EG** vom 8. Mai 2000.

Von den benzinbetriebenen Geräten werden die folgenden Normen erfüllt:

SS-EN ISO 12100:2010, EN IEC 63000:2018

RISE SMP Svenska Maskinprovning AB, Box 7035, SE-750 07 Uppsala, Schweden, hat die freiwillige Typenprüfung für Husqvarna AB ausgeführt. Zertifikatsnummer: **SEC/15/2411 - Husqvarna DT600**

Huskvarna , 2021-02-12



Pär Martinsson, Entwicklungsleiter (bevollmächtigter Vertreter für Husqvarna AB, verantwortlich für die technische Dokumentation)

EU-Konformitätserklärung für akkubetriebene Geräte

Husqvarna AB, SE-561 82 Huskvarna, Schweden, Tel.: +46-36-146500, erklärt hiermit, dass der Vertikutierer, **Husqvarna DT600 Anbaugerät mit Antriebsaggregat Husqvarna 325ILK**, mit Seriennummer ab 2019 (die Jahreszahl wird im Klartext auf dem Typenschild angegeben, mitsamt einer nachfolgenden Seriennummer) den Vorschriften der RICHTLINIE DES RATES entspricht:

- „Maschinen-Richtlinie“ **2006/42/EG** vom 17. Mai 2006

- vom 8. Juni 2011 „zur Beschränkung der Verwendung bestimmter gefährlicher Stoffe in Elektro- und Elektronikgeräten“ **2011/65/EU**.

Von den akkubetriebenen Geräten werden die folgenden Normen erfüllt:

EN 62841-1:2015, EN 50636-2-92:2014, EN IEC 63000:2018

RISE SMP Svenska Maskinprovning AB, Box 7035, SE-750 07 Uppsala, Schweden, hat die freiwillige Typenprüfung für Husqvarna AB ausgeführt. Zertifikatsnummer: **SEC/15/2411 - Husqvarna DT600**

Informationen zu Geräuschemissionen finden Sie unter *Technische Angaben auf Seite 49*.

Huskvarna , 2021-02-12



Pär Martinsson, Entwicklungsleiter (bevollmächtigter Vertreter für Husqvarna AB, verantwortlich für die technische Dokumentation)

Περιεχόμενα

Εισαγωγή.....	52	Συντήρηση.....	59
Ασφάλεια.....	53	Μεταφορά, αποθήκευση και απόρριψη.....	59
Συναρμολόγηση.....	57	Τεχνικά στοιχεία.....	59
Λειτουργία.....	58	Δήλωση Συμμόρφωσης ΕΚ.....	61

Εισαγωγή

Περιγραφή προϊόντος

Εφαρμόζουμε μια πολιτική συνεχούς ανάπτυξης προϊόντων και, συνεπώς, διατηρούμε το δικαίωμα να προβούμε σε τροποποιήσεις στο σχεδιασμό και την εμφάνιση των προϊόντων χωρίς προειδοποίηση.

Περιεχόμενα Αυτό το εγχειρίδιο καλύπτει τις μονάδες παροχής ισχύος που λειτουργούν με βενζίνη και μπαταρία.

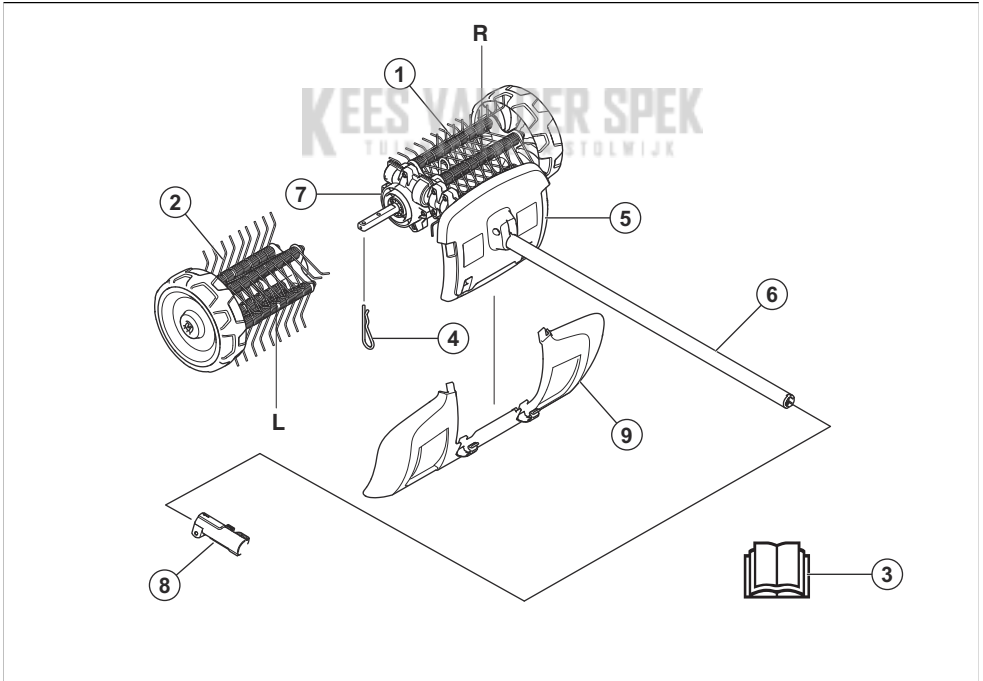
Προβλεπόμενη χρήση



ΠΡΟΕΙΔΟΠΟΙΗΣΗ: Αυτό το παρελκόμενο επιτρέπεται να χρησιμοποιείται μόνο σε συνδυασμό με το προβλεπόμενο προϊόν. Ανατρέξτε στο κεφάλαιο για τα αξεσουάρ στο Εγχειρίδιο χρήσης του προϊόντος.

Το παρελκόμενο είναι σχεδιασμένο μόνο για την απομάκρυνση των βρύων από το γρασίδι.

Επισκόπηση παρελκόμενου



1. Αραιωτήρας βρύων, δεξιά
2. Αραιωτήρας βρύων, αριστερά
3. Εγχειρίδιο χρήσης
4. Διχαλωτός πείρος
5. Προφυλακτήρας (προστασία στον άξονα)
6. Άξονας
7. Περιβλήμα γραναζιών
8. Σύνδεσμος άξονα (περιλαμβάνεται στο προϊόν)
9. Σύνδεσμος άξονα (περιλαμβάνεται στο προϊόν)

Σύμβολα στο παρελκόμενο και στη μονάδα παροχής ισχύος



Η απρόσεκτη ή λανθασμένη χρήση αυτού του παρελκόμενου μπορεί να προκαλέσει σοβαρό ή θανατηφόρο τραυματισμό στον χειριστή ή σε άλλα άτομα.



Διαβάστε το εγχειρίδιο χρήσης προσεκτικά και βεβαιωθείτε ότι έχετε κατανοήσει τις οδηγίες προτού χρησιμοποιήσετε το παρελκόμενο.



Χρησιμοποιείτε εγκεκριμένα προστατευτικά ακοής. Χρησιμοποιείτε εγκεκριμένη προστασία των ματιών. Πρέπει να χρησιμοποιείτε μάσκα αναπνοής όταν υπάρχει κίνδυνος λόγω σκόνης.



Αυτό το παρελκόμενο συμμορφώνεται με τις ισχύουσες οδηγίες ΕΚ.



Κινούμενα μέρη. Μην πλησιάζετε τα χέρια και τα πόδια σας. Το βέλος υποδεικνύει τη φορά περιστροφής.



Φοράτε πάντα εγκεκριμένα προστατευτικά γάντια.



Πρέπει να φοράτε ανθεκτικές, αντιολισθητικές μπότες.



Προσέχετε για αντικείμενα που μπορεί να εκτοξευθούν ή να εξοστρακιστούν.



Ο χειριστής πρέπει να εξασφαλίζει ότι δεν πλησιάζουν άνθρωποι ή ζώα σε απόσταση μικρότερη από 15 m. Όταν εργάζονται πολλοί χειριστές στην ίδια τοποθεσία, πρέπει να τηρούν απόσταση ασφαλείας τουλάχιστον 15 m. Το παρελκόμενο μπορεί να εκσφενδονίσει αντικείμενα με μεγάλη δύναμη, τα οποία μπορεί να αναπηδήσουν προς τα πίσω. Αυτό μπορεί να έχει ως αποτέλεσμα σοβαρό τραυματισμό των ματιών, αν δεν χρησιμοποιηθεί ο συνιστώμενος εξοπλισμός ασφαλείας.



Για όση ώρα λειτουργεί το προϊόν, να διατηρείτε ελάχιστη απόσταση 15 m/50 ft από ανθρώπους και ζώα.



Διατηρείτε όλα τα μέρη του σώματος σας μακριά από τις καυτές επιφάνειες.



Εκπομπές θορύβου στο περιβάλλον σύμφωνα με την Οδηγία της Ευρωπαϊκής Κοινότητας. Οι εκπομπές καυσαερίων του παρελκόμενου αναφέρονται στο κεφάλαιο "Τεχνικά στοιχεία" και στη σχετική πινακίδα του.

Περιεχόμενα Άλλα σύμβολα/σήματα που υπάρχουν στο παρελκόμενο αφορούν ειδικές απαιτήσεις πιστοποίησης για συγκεκριμένες αγορές.

Ασφάλεια

Ορισμοί για την ασφάλεια

Για την επίσημανση ειδικών σημαντικών τμημάτων του εγχειρίδιου χρήσης χρησιμοποιούνται προειδοποιήσεις, συστάσεις προσοχής και σημειώσεις.



ΠΡΟΕΙΔΟΠΟΙΗΣΗ: Χρησιμοποιείται όταν υπάρχει κίνδυνος τραυματισμού ή θανάτου του χειριστή ή άλλων παριστάμενων ατόμων, αν δεν τηρηθούν οι οδηγίες που παρέχονται στο εγχειρίδιο.



ΠΡΟΣΟΧΗ: Χρησιμοποιείται όταν υπάρχει κίνδυνος πρόκλησης ζημιάς στο προϊόν ή/και στο παρελκόμενο, σε άλλα υλικά ή στον παρακείμενο χώρο, αν δεν τηρηθούν οι οδηγίες που παρέχονται στο εγχειρίδιο.

Περιεχόμενα Χρησιμοποιείται για παροχή περισσότερων πληροφοριών, οι οποίες χρειάζονται σε μια δεδομένη κατάσταση.

Γενικές οδηγίες ασφαλείας



ΠΡΟΕΙΔΟΠΟΙΗΣΗ: Προτού χρησιμοποιήσετε το παρελκόμενο, διαβάστε τις παρακάτω οδηγίες ασφαλείας.

- Διαβάστε το εγχειρίδιο χρήσης προσεκτικά και βεβαιωθείτε ότι έχετε κατανοήσει τις οδηγίες προτού χρησιμοποιήσετε το παρελκόμενο.
- Αυτές οι οδηγίες συμπληρώνουν τις οδηγίες που συμπεριλαμβάνονταν στο προϊόν. Για άλλες διαδικασίες, ανατρέξτε στις οδηγίες λειτουργίας του προϊόντος.
- Δεν επιτρέπονται, σε καμία περίπτωση, τροποποιήσεις στη σχεδίαση του παρελκόμενου χωρίς την έγκριση του κατασκευαστή. Μην χρησιμοποιείτε παρελκόμενα που φαίνεται ότι έχουν τροποποιηθεί από άλλους. Φροντίστε να χρησιμοποιείτε πάντα γνήσια αξεσουάρ. Η μη εξουσιοδοτημένη εκτέλεση τροποποιήσεων ή/και η χρήση μη γνήσιων αξεσουάρ μπορεί να οδηγήσει σε σοβαρό προσωπικό τραυματισμό ή θάνατο του χειριστή ή άλλων ατόμων.

Διαβάστε όλες τις οδηγίες



ΠΡΟΕΙΔΟΠΟΙΗΣΗ: Κατά τη χρήση ηλεκτρικών συσκευών κηπουρικής, πρέπει πάντα να τηρούνται οι βασικές προφυλάξεις ασφαλείας προκειμένου να μειωθεί ο κίνδυνος πυρκαγιάς, ηλεκτροπληξίας και τραυματισμού, συμπεριλαμβανομένων των εξής περιπτώσεων:

Οδηγίες ασφαλείας για τον αραιωτήρα

- Μην επιτρέπετε ποτέ σε παιδιά, άτομα με μειωμένες κινητικές, αισθητήριες ή νοητικές ικανότητες ή έλλειψη εμπειρίας και γνώσεων ή άτομα που δεν είναι εξοικειωμένα με τις παρούσες οδηγίες να χρησιμοποιούν το προϊόν. Οι τοπικοί κανονισμοί μπορεί να θέτουν περιορισμούς για την ηλικία του χειριστή.
- Μην χρησιμοποιείτε ποτέ το προϊόν, εάν σε μικρή απόσταση υπάρχουν άτομα, ιδιαίτερα παιδιά, ή κατοικίδια.
- Φροντίστε να μην τεντώνετε το σώμα σας για να φτάσετε σε οποιοδήποτε σημείο και να διατηρείτε πάντα την ισορροπία σας. Για σταθερή στήριξη σε κεκλιμένες επιφάνειες, πρέπει να περπατάτε και όχι να τρέχετε.
- Δεν πρέπει να αγγίζετε τα επικίνδυνα εξαρτήματα προτού αποσυνδεθεί το μηχάνημα από την παροχή ρεύματος και προτού ακινητοποιηθούν εντελώς αυτά τα εξαρτήματα.
- Όταν χειρίζεστε το μηχάνημα πρέπει πάντα να φοράτε ανθεκτικά παπούτσια και μακρύ παντελόνι.
- Πρέπει να αφαιρείτε την μπαταρία όταν το προϊόν μένει χωρίς επίβλεψη, πριν από τον καθαρισμό

υλικών που το έχουν μπλοκάρει και πριν από την εκτέλεση εργασιών σε αυτό.

- Πρέπει να αφαιρείτε την μπαταρία από το προϊόν προτού το ελέγξετε για ζημιές, για παράδειγμα, αν χτυπήσει σε κάποιο ξένο αντικείμενο ή αν αρχίσει να δονείται με μη φυσιολογικό τρόπο.
- Αν το καλώδιο έχει ζημιά, μην το συνδέετε στην παροχή ρεύματος και μην το αγγίζετε προτού αποσυνδεθεί από την παροχή ρεύματος. Αν το καλώδιο έχει ζημιά, μπορεί να προκύψει επαφή με εξαρτήματα που βρίσκονται υπό τάση και να προκαληθεί τραυματισμός ή θάνατος.
- Δεν πρέπει ποτέ να χρησιμοποιείτε το προϊόν αν υπάρχει βλάβη στους προφυλακτικές/στα προστατευτικά καλύμματα, χωρίς τις συσκευές ασφαλείας ή αν το καλώδιο έχει ζημιά ή έχει φθαρεί.
- Φροντίστε να διατηρείτε τα καλώδια προέκτασης μακριά από επικίνδυνα κινούμενα εξαρτήματα, για να αποφεύγετε την πρόκληση ζημιών στα καλώδια, η οποία μπορεί να οδηγήσει σε επαφή με εξαρτήματα που βρίσκονται υπό τάση.
- Το προϊόν πρέπει να συνδέεται μόνο σε κύκλωμα παροχής ρεύματος που προστατεύεται με διάταξη προστασίας ρεύματος διαρροής (RCD) με ένταση ρεύματος ενεργοποίησης έως 30 mA.
- Μην χρησιμοποιείτε το προϊόν σε κακές καιρικές συνθήκες, ιδιαίτερα όταν υπάρχει κίνδυνος κεραυνού.

Οδηγίες ασφαλείας για τη λειτουργία

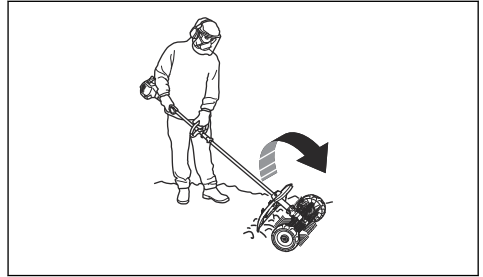


ΠΡΟΕΙΔΟΠΟΙΗΣΗ: Προτού χρησιμοποιήσετε το προϊόν, διαβάστε τις παρακάτω προειδοποιητικές οδηγίες.

- Ο διακόπτης διακοπής λειτουργίας επανέρχεται αυτόματα στη θέση εκκίνησης. Φροντίστε να λαμβάνετε μέτρα που εμποδίζουν την ακούσια εκκίνηση κατά τη συναρμολόγηση, τον έλεγχο ή/και την εκτέλεση της συντήρησης. Εάν διαθέτετε ένα βενζινοκίνητο προϊόν, αποσυνδέστε το καπάκι του μπουζι από το μπουζι. Εάν διαθέτετε ένα προϊόν που λειτουργεί με μπαταρία, αφαιρέστε την μπαταρία.
- Να προσέχετε τυχόν αντικείμενα που εκτοξεύονται. Φοράτε πάντοτε προστατευτικά γυαλιά. Μη σκύβετε ποτέ επάνω από τον αραιωτήρα βρύων. Υπάρχει κίνδυνος να εκτοξευθούν πέτρες, σκουπίδια, κλπ. στα μάτια σας προκαλώντας τύφλωση ή σοβαρό τραυματισμό.
- Τα γρανάζια μπορεί να ζεσταθούν πολύ κατά τη χρήση και ενδέχεται να παραμείνουν σε αυτήν την κατάσταση για σύντομο διάστημα μετά τη χρήση. Υπάρχει κίνδυνος εγκαυμάτων σε περίπτωση επαφής.
- Παρόλο που τα τύμπανα της βούρτσας δεν έχουν την ίδια δύναμη με τις λεπίδες ενός γλοσκοπτικού γκαζόν, για παράδειγμα, θα πρέπει να αποφεύγετε να εργάζεστε με υλικά που μπορούν να προκαλέσουν προσωπικό τραυματισμό ή υλικές ζημιές εάν εκτοξευθούν.

- Μην χρησιμοποιείτε το μηχάνημα παρά μόνο όταν έχετε τη δυνατότητα να καλέσετε σε βοήθεια σε περίπτωση ατυχήματος.
- Το μηχάνημα πρέπει να χρησιμοποιείται μόνο για το σκοπό για τον οποίο προορίζεται.
- Μην χρησιμοποιείτε ποτέ το μηχάνημα αν είστε κουρασμένοι, έχετε καταναλώσει αλκοόλ ή παίρνετε φάρμακα που μπορεί να επηρεάσουν την όραση, την κρίση ή τον συντονισμό σας.
- Μην χρησιμοποιείτε ποτέ το μηχάνημα σε ακραίες καιρικές συνθήκες, π.χ. σε δριμύ ψύχος ή σε πολύ θερμά ή/και υγρά κλίματα.
- Μην χρησιμοποιείτε ποτέ το μηχάνημα εάν παρουσιάζει πρόβλημα. Εκτελείτε όλους τους ελέγχους ασφαλείας και τηρείτε τις οδηγίες συντήρησης και επισκευής που αναφέρονται στο παρόν εγχειρίδιο. Μερικά μέτρα συντήρησης και επισκευής πρέπει να εκτελούνται από εκπαιδευμένο και ειδικευμένο προσωπικό. Δείτε τις οδηγίες στην ενότητα με τίτλο Συντήρηση.
- Μην επιτρέπετε ποτέ σε παιδιά να χρησιμοποιούν το μηχάνημα.
- Μην επιτρέπετε ποτέ σε άλλα άτομα να χρησιμοποιήσουν το μηχάνημα, αν δεν έχετε προηγουμένως βεβαιωθεί ότι έχουν κατανοήσει το περιεχόμενο του εγχειριδίου χρήσης.
- Μην αφήνετε να πλησιάσουν μη εξουσιοδοτημένα άτομα. Παιδιά, ζώα, παριστάμενα άτομα και βοηθοί θα πρέπει να παραμένουν εκτός της ζώνης ασφαλείας των 15 μέτρων κατά τη διάρκεια της εργασίας. Εάν κάποιο άτομο πλησιάσει, σταματήστε αμέσως το μηχάνημα.
- Εάν προκύψει μια κατάσταση όπου δεν είστε σίγουροι για το πώς πρέπει να προχωρήσετε, θα πρέπει να ζητήσετε τη συμβουλή ειδικού. Επικοινωνήστε με τον αντιπρόσωπο ή το συνεργείο σας.
- Αποφεύγετε τις καταστάσεις χρήσης, τις οποίες θεωρείτε πέραν των δυνατοτήτων σας.
- Πρέπει να παρακολουθείτε τον περιβάλλοντα χώρο και να βεβαιώνετε ότι δεν υπάρχουν άνθρωποι ή ζώα που μπορεί να έρθουν σε επαφή με το προϊόν ή να επηρεάσουν τον τρόπο που το ελέγχετε.
- Επιδείξτε προσοχή στην ακρόαση προειδοποιητικών σημάτων ή κραυγών κατά τη χρήση προστατευτικών ακοής. Αφαιρείτε πάντα τα προστατευτικά ακοής μόλις σβήσει ο κινητήρας/το μοτέρ.
- Μην χρησιμοποιείτε το μηχάνημα όταν ο καιρός δεν είναι καλός, π.χ. σε περίπτωση πυκνής ομίχλης, δυνατής βροχής, ισχυρών ανέμων, έντονου ψύχους κ.λπ. Η εργασία με άσχημες καιρικές συνθήκες είναι κουραστική και συχνά συνεπάγεται πρόσθετους κινδύνους, όπως παγωμένο έδαφος.
- Βεβαιωθείτε ότι μπορείτε να κινηθείτε και να σταθείτε όρθιοι με ασφάλεια. Ελέγξτε την περιοχή γύρω σας για πιθανά εμπόδια (ρίζες, βράχια, κλαδιά, χαντάκια κ.λπ.) σε περίπτωση που χρειαστεί να μετακινηθείτε

ξαφνικά. Να είστε ιδιαίτερα προσεκτικοί όταν εργάζεστε σε έδαφος με κλίση.



- Πρέπει να σβήνετε τον κινητήρα/το μοτέρ πριν από οποιαδήποτε μετακίνηση.
- Μην τοποθετείτε ποτέ το μηχάνημα κάτω όταν ο κινητήρας/το μοτέρ είναι σε λειτουργία, παρά μόνο αν είστε σε θέση να το παρακολουθείτε καλά.
- Πρέπει πάντα να κρατάτε το μηχάνημα και με τα δύο χέρια. Φροντίστε να κρατάτε το μηχάνημα πλάι στο σώμα σας.
- Βεβαιωθείτε ότι τα χέρια και τα πόδια σας δεν πλησιάζουν στον αραιωτήρα βρύων όταν βρίσκεται σε λειτουργία.
- Όταν σβήνετε τον κινητήρα/το μοτέρ, δεν πρέπει να πλησιάζετε τα χέρια και τα πόδια σας στον αραιωτήρα βρύων μέχρι να ακινητοποιηθεί πλήρως.
- Σε περίπτωση ισχυρών κραδασμών, διακόψτε τη λειτουργία του μηχανήματος. Εάν διαθέτετε ένα βενζινοκίνητο προϊόν, απασυνδέστε το καλώδιο ΥΤ από το μπουζί. Εάν διαθέτετε ένα προϊόν που λειτουργεί με μπαταρία, αφαιρέστε την μπαταρία από το προϊόν. Βεβαιωθείτε ότι το μηχάνημα δεν έχει υποστεί ζημιά. Επιδιορθώστε τυχόν ζημιές.

Προσωπικός εξοπλισμός προστασίας

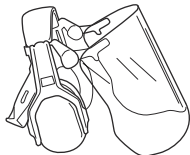


ΠΡΟΕΙΔΟΠΟΙΗΣΗ:

Προτού χρησιμοποιήσετε το προϊόν, διαβάστε τις παρακάτω προειδοποιητικές οδηγίες.

- Όταν χρησιμοποιείτε το προϊόν, να φοράτε πάντα εγκεκριμένο προσωπικό εξοπλισμό προστασίας. Ο προσωπικός εξοπλισμός προστασίας δεν μπορεί να εξαλείψει τον κίνδυνο τραυματισμών, ωστόσο μειώνει τη σοβαρότητά τους σε περίπτωση ατυχήματος. Ο αντιπρόσωπος θα σας βοηθήσει να επιλέξετε το σωστό εξοπλισμό.
- Να χρησιμοποιείτε εγκεκριμένα προστατευτικά ακοής που παρέχουν επαρκή μείωση θορύβου. Η

μακροχρόνια έκθεση στο θόρυβο μπορεί να προκαλέσει μόνιμη βλάβη στην ακοή.



- Να φροντίζετε να υπάρχει εξοπλισμός πρώτων βοηθειών σε κοντινή απόσταση.

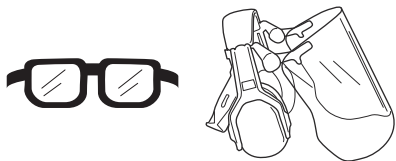


Συσκευές ασφαλείας στο παρελκόμενο



ΠΡΟΕΙΔΟΠΟΙΗΣΗ: Προτού χρησιμοποιήσετε το προϊόν, διαβάστε τις παρακάτω προειδοποιητικές οδηγίες.

- Χρησιμοποιείτε εγκεκριμένη προστασία των ματιών. Εάν χρησιμοποιείτε προστατευτικό γέισο, πρέπει επίσης να χρησιμοποιείτε πάντα εγκεκριμένα προστατευτικά γυαλιά. Τα εγκεκριμένα προστατευτικά γυαλιά πρέπει να συμμορφώνονται με το πρότυπο ANSI Z87.1 στις Η.Π.Α. ή το πρότυπο EN 166 στις χώρες της Ε.Ε.



Σε αυτήν την ενότητα περιγράφονται τα χαρακτηριστικά ασφαλείας του παρελκόμενου, ο σκοπός για τον οποίο προορίζεται και ο τρόπος διεξαγωγής των ελέγχων και της συντήρησης προκειμένου να εξασφαλιστεί η σωστή λειτουργία του. Διαβάστε τις οδηγίες κάτω από την επικεφαλίδα *Επισκόπηση παρελκόμενου στη σελίδα 52* για να μάθετε πού βρίσκονται αυτά τα εξαρτήματα στο παρελκόμενο.

Αν η συντήρηση δεν εκτελείται σωστά και αν το σέρβις ή/και οι επισκευές δεν εκτελούνται με επαγγελματικό τρόπο, μπορεί να μειωθεί η διάρκεια ζωής του παρελκόμενου και να αυξηθεί ο κίνδυνος ατυχημάτων. Εάν χρειαστείτε περισσότερες πληροφορίες, επικοινωνήστε με τον πλησιέστερο αντιπρόσωπο σέρβις.



ΠΡΟΕΙΔΟΠΟΙΗΣΗ: Μην χρησιμοποιείτε ποτέ ένα παρελκόμενο με ελαττωματικά εξαρτήματα ασφαλείας. Ο εξοπλισμός ασφαλείας του παρελκόμενου πρέπει να επιθεωρείται και να συντηρείται όπως περιγράφεται σε αυτήν την ενότητα. Εάν δεν εκτελεστεί με επιτυχία οποιοσδήποτε από αυτούς τους ελέγχους στο παρελκόμενο, επικοινωνήστε με τον αντιπρόσωπο σέρβις για επίσκεψη.

- Όταν χρειάζεται, να χρησιμοποιείτε γάντια, για παράδειγμα κατά την τοποθέτηση, την επιθεώρηση ή τον καθαρισμό του εξοπλισμού κοπής.



ΠΡΟΕΙΔΟΠΟΙΗΣΗ: Για όλες τις εργασίες σέρβις και επισκευής στο προϊόν απαιτείται ειδική εκπαίδευση. Αυτό ισχύει ιδιαίτερα για τον εξοπλισμό ασφαλείας του προϊόντος. Εάν το προϊόν δεν ολοκληρώσει επιτυχώς οποιονδήποτε από τους ελέγχους που περιγράφονται παρακάτω, πρέπει να επικοινωνήσετε με τον αντιπρόσωπο σέρβις. Όταν αγοράζετε οποιοδήποτε από τα προϊόντα μας, εγγυόμαστε τη διαθεσιμότητα επαγγελματικών επισκευών και σέρβις. Εάν το κατάστημα λιανικής πώλησης απ' όπου προμηθευτήκατε το προϊόν δεν είναι αντιπρόσωπος σέρβις, ζητήστε από το κατάστημα τη διεύθυνση του πλησιέστερου αντιπροσώπου σέρβις.

- Να χρησιμοποιείτε μπότες προστασίας με ενίσχυση στα δάχτυλα και αντολισθητικές σόλες.



- Να φοράτε ρούχα από ανθεκτικό ύφασμα. Να φοράτε πάντα ανθεκτικό μακρύ παντελόνι και μακριά μανίκια. Να μην φοράτε φαρδιά ρούχα που μπορεί να πιαστούν σε κλωνάρια και κλαδιά. Να μην φοράτε κοσμήματα, κοντά παντελόνια, σανδάλια και να μην είστε ξυπόλυτοι. Να δένετε τα μαλλιά σας με ασφάλεια πάνω από το ύψος των ώμων.

Οδηγίες ασφαλείας για τη συντήρηση



ΠΡΟΕΙΔΟΠΟΙΗΣΗ: Προτού εκτελέσετε εργασίες συντήρησης, διαβάστε τις παρακάτω προειδοποιητικές οδηγίες.

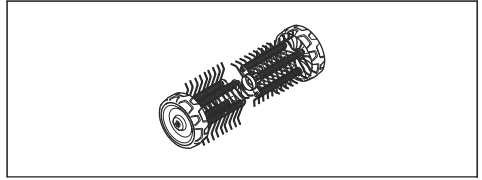


ΠΡΟΕΙΔΟΠΟΙΗΣΗ: Πρέπει πάντα να διακόπτετε τη λειτουργία του προϊόντος προτού εκτελέσετε εργασίες συντήρησης στο παρελκόμενο. Πρέπει να προσέχετε γιατί το παρελκόμενο μπορεί να συνεχίσει να κινείται ακόμα και αφού διακοπεί η παροχή ρεύματος/απελευθερωθεί η σκανδάλη γκαζιού. Βεβαιωθείτε ότι το παρελκόμενο έχει σταματήσει εντελώς. Εάν διαθέτετε ένα βενζινοκίνητο προϊόν, αποσυνδέστε το καλώδιο ΥΤ από το μπουζί. Εάν διαθέτετε ένα προϊόν που λειτουργεί με μπαταρία, αφαιρέστε την μπαταρία.



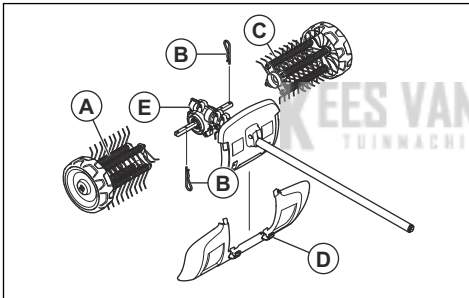
ΠΡΟΕΙΔΟΠΟΙΗΣΗ: Πρέπει πάντα να χρησιμοποιείτε προστατευτικά γάντια.

- Ελέγξτε ολόκληρο το προϊόν προτού ξεκινήσετε οποιαδήποτε εργασία. Ελέγξτε ότι όλα τα προστατευτικά και τα καλύμματα είναι ακεραία και καλά στερεωμένα. Ελέγξτε όλα τα παξιμάδια και τις βίδες.
- Εάν διαθέτετε ένα βενζινοκίνητο προϊόν, ελέγξτε ότι δεν υπάρχουν διαρροές καυσίμου.
- Αντικαταστήστε τα μέρη που έχουν υποστεί βλάβη.



Συναρμολόγηση

Συναρμολόγηση του παρελκόμενου

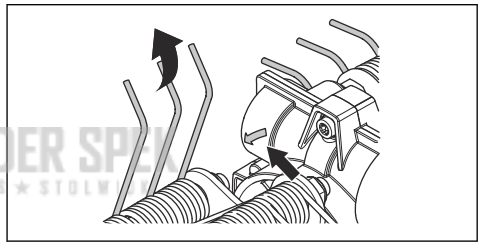


Το βέλος στο περίβλημα γραναζιών υποδεικνύει την κατεύθυνση περιστροφής. Το περίβλημα γραναζιών πρέπει να τοποθετείται όπως απεικονίζεται.

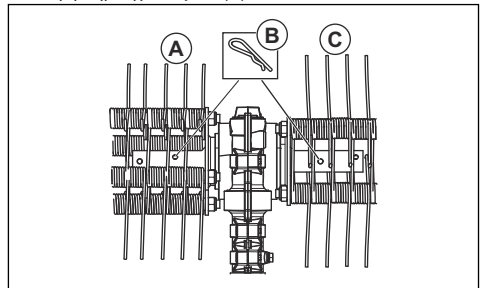
ΣΗΜΑΝΤΙΚΟ:

Οι κύλινδροι του αραιωτήρα βρύων φέρουν σήμανση με βέλη που δείχνουν την κατεύθυνση της περιστροφής. Βεβαιωθείτε ότι οι κύλινδροι του αραιωτήρα βρύων είναι σωστά τοποθετημένοι.

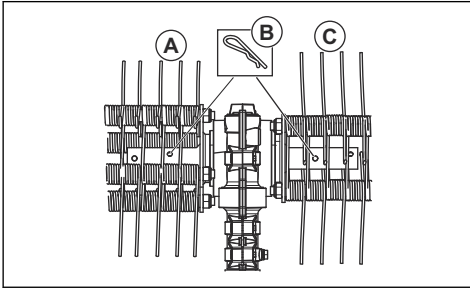
Οι κύλινδροι του αραιωτήρα βρύων πρέπει να είναι τοποθετημένοι με μικρή απόκλιση μεταξύ τους. Τα ελατήρια του αραιωτήρα βρύων θα πρέπει να δείχνουν στην ίδια κατεύθυνση με το βέλος κατεύθυνσης περιστροφής που υπάρχει στο περίβλημα γραναζιών.



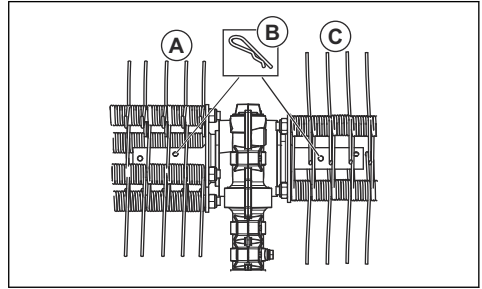
1. Πιέστε τον αριστερό αραιωτήρα βρύων (A) πάνω στον αριστερό άξονα μετάδοσης κίνησης από το περίβλημα γραναζιών (E).



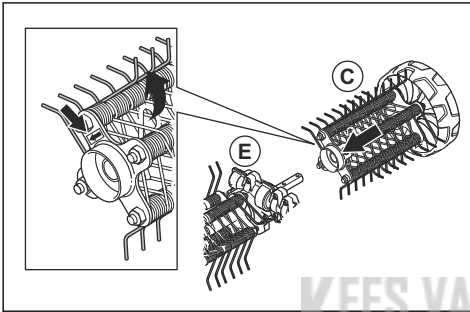
- Στερεώστε τον κύλινδρο του αραιωτήρα βρύων με το διχαλωτό πείρο (B) στην εσωτερική οπή του άξονα.



- Στερεώστε τον κύλινδρο του αραιωτήρα βρύων με το διχαλωτό πείρο (B) στην εσωτερική οπή του άξονα.



- Πιέστε το δεξιό αραιωτήρα βρύων (Γ) πάνω στο δεξιό άξονα μετάδοσης κίνησης από το περίβλημα γραναζιών (E).



- Τοποθετήστε το λασπωτήρα με τους σφικτικές ασφάλισης (Δ).

Περιεχόμενα Για τη συναρμολόγηση εξαρτημάτων στο βασικό προϊόν, ανατρέξτε στο εγχειρίδιο χρήσης του βασικού προϊόντος.

Λειτουργία

Για να ξεκινήσετε το προϊόν με κρύο κινητήρα

Αν το προϊόν που διαθέτετε είναι βενζινοκίνητο, ακολουθήστε τις παρακάτω οδηγίες για την εκκίνηση με κρύο κινητήρα.

- Αφήστε το βασικό προϊόν να λειτουργήσει για να ζεσταθεί και μετά απενεργοποιήστε το.
- Τοποθετήστε το παρελκόμενο σύμφωνα με τις οδηγίες συναρμολόγησης.
- Κατά τη ρύθμιση του καρμπυρατέρ, βεβαιωθείτε ότι ο αραιωτήρας ακουμπά στο έδαφος και ότι δεν βρίσκονται άλλα άτομα σε κοντινή απόσταση.
- Κρατήστε τον αραιωτήρα βρύων στο ρελαντί.
- Βεβαιωθείτε ότι η χειρολαβή και οι διατάξεις ασφαλείας είναι σε καλή κατάσταση λειτουργίας. Μην χρησιμοποιείτε ποτέ ένα προϊόν του οποίου λείπει κάποιο εξάρτημα ή το οποίο έχει τροποποιηθεί εκτός των προδιαγραφών του.

Χρήση του παρελκόμενου

- Θέστε σε λειτουργία τον αραιωτήρα βρύων με όλο το γκάζι (ή σχεδόν όλο) με τους τροχούς πάνω στην επιφάνεια.

Περιεχόμενα Είναι κουραστικό αλλά και άχρηστο να σηκώνετε ή να κρατάτε τον αραιωτήρα βρύων πάνω από την επιφάνεια κατά την εργασία.

- Διατηρήστε μικρή γωνία εργασίας με την επιφάνεια. Αν η γωνία εργασίας είναι πολύ μεγάλη, ο αραιωτήρας βρύων τείνει να κινείται προς το μέρος σας και υπάρχει κίνδυνος να χάσετε τον έλεγχο του προϊόντος.



Συντήρηση

Εισαγωγή

Παρακάτω θα βρείτε ορισμένες γενικές οδηγίες συντήρησης. Εάν χρειαστείτε περισσότερες πληροφορίες, μπορείτε να επικοινωνήσετε με το συνεργείο της περιοχής σας.

Συντήρηση του προσαρτήματος



ΠΡΟΣΟΧΗ: Η εργασία με τον αραιωτήρα βρύων γίνεται συχνά σε συνθήκες πολλής σκόνης. Εάν διαθέτετε ένα βενζινοκίνητο προϊόν, είναι πολύ σημαντικό να επιθεωρείτε τακτικά, ακόμα και καθημερινά, το φίλτρο αέρα και να το λαδώνετε προκειμένου να λειτουργεί σωστά.

Για οδηγίες συντήρησης, ανατρέξτε στο εγχειρίδιο χρήσης της μονάδας παροχής ισχύος.

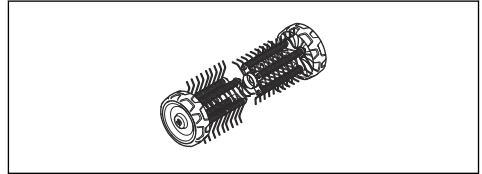


ΠΡΟΕΙΔΟΠΟΙΗΣΗ: Όταν εκτελείτε συντήρηση στο παρελκόμενο, πρέπει πάντα να φοράτε προστατευτικά γάντια.



ΠΡΟΕΙΔΟΠΟΙΗΣΗ: Το περίβλημα γραναζιών θερμαίνεται πολύ μετά τη χρήση του προϊόντος. Για να αποφύγετε τυχόν έγκαυμα, μην αγγίζετε το περίβλημα των γραναζιών.

1. Βεβαιωθείτε ότι ο αραιωτήρας βρύων δεν περιστρέφεται όταν διακόπτεται η παροχή ρεύματος/απελευθερώνεται η σκανδάλη γκαζιού.



2. Καθαρίστε τους τροχούς αν δεν περιστρέφονται ελεύθερα.

Μεταφορά, αποθήκευση και απόρριψη

Μεταφορά και αποθήκευση

Σε περίπτωση μεταφοράς του παρελκόμενου σε άλλο όχημα, χρησιμοποιείτε πάντα τις εγκεκριμένες συσκευές ασφαλείας και βεβαιωθείτε ότι το παρελκόμενο συγκρατείται με ασφάλεια.

Πριν να αποθηκεύσετε το παρελκόμενο για μεγάλο χρονικό διάστημα, βεβαιωθείτε ότι είναι καθαρό και ότι έχει συντηρηθεί πλήρως.

Τεχνικά στοιχεία

Τεχνικά στοιχεία για τα προϊόντα με βενζινοκίνητηρα

Αραιωτήρας βρύων	DT600
Πλάτος, mm	556
Βάρος	
Βάρος, κιλά	6,5
Εκπομπές θορύβου³¹	

³¹ Μέτρηση σε συνδυασμό με εγκεκριμένα αξεσουάρ της Husqvarna. Οι εκπομπές θορύβου στο περιβάλλον, οι οποίες μετρούνται ως ηχητική ισχύς (L_{WA}), σε συμμόρφωση με την Οδηγία 2000/14/ΕΚ. Η καταγεγραμμένη στάθμη ηχητικής ισχύος για το μηχάνημα έχει μετρηθεί με το αυθεντικό παρελκόμενο κοπής, που δίνει την υψηλότερη στάθμη. Η διαφορά μεταξύ της εγγυημένης και της μετρούμενης ηχητικής ισχύος είναι ότι η εγγυημένη ηχητική ισχύς περιλαμβάνει επίσης τη διασπορά στο αποτέλεσμα της μέτρησης και τις αποκλίσεις μεταξύ των διαφορετικών μηχανημάτων του ίδιου μοντέλου σύμφωνα με την Οδηγία 2000/14/ΕΚ.

Αραιωτήρας βρύων	DT600
Στάθμη ηχητικής ισχύος, μετρούμενη τιμή σε dB (A)	105
Στάθμη ηχητικής ισχύος, εγγυημένη, L_{WA} σε dB (A)	109
Επίπεδα θορύβου³²	
Ισοδύναμη στάθμη ηχητικής πίεσης στα αυτιά του χειριστή, μετρημένη κατά EN ISO 22868, dB (A):	95
Κραδασμοί³³	
Αντίστοιχα επίπεδα κραδασμών ($a_{hv,eq}$) στις χειρολαβές, μετρημένα κατά EN ISO 22867, m/s^2	
Μπροστινές/πίσω λαβές	6,2/4,3

Τεχνικά στοιχεία για τα προϊόντα που λειτουργούν με μπαταρία

325iLK + παρελκόμενος αραιωτήρας DT600	
Πλάτος, mm	556
Βάρος	
Βάρος, κιλά	2,3+6,5
Εκπομπές θορύβου³⁴	
Στάθμη ηχητικής ισχύος, μετρούμενη τιμή σε dB (A)	89
Επίπεδα θορύβου³⁵	
Στάθμη ηχητικής πίεσης στα αυτιά του χειριστή, μετρημένη κατά EN ISO 22868, dB (A):	77
Κραδασμοί³⁶	
Στάθμες κραδασμών στις λαβές, μετρημένες κατά EN 62841-1, σε m/s^2	
Εμπρόσθιες/οπίσθιες χειρολαβές	1,9/2,6
Εξοπλισμένο με εγκεκριμένο εξάρτημα (αυθεντικό), αριστερά/δεξιά	1,9/2,6

³² Μέτρηση σε συνδυασμό με εγκεκριμένα αξεσουάρ της Husqvarna. Τα καταγεγραμμένα στοιχεία για την αντίστοιχη στάθμη ηχητικής πίεσης για το μηχάνημα έχουν μια τυπική στατιστική διασπορά (τυπική απόκλιση) της τάξης του 1 dB (A).

³³ Μέτρηση σε συνδυασμό με εγκεκριμένα αξεσουάρ της Husqvarna. Τα καταγεγραμμένα στοιχεία για την ισοδύναμη στάθμη κραδασμών έχουν τυπική στατιστική διασπορά (τυπική απόκλιση) ίση με $1 m/s^2$.

³⁴ Τα καταγεγραμμένα στοιχεία για τη στάθμη ηχητικής ισχύος του μηχανήματος παρουσιάζουν τυπική στατιστική διασπορά (τυπική απόκλιση) 3 dB (A). Η μέτρηση έχει γίνει με το αρχικό παρελκόμενο, το οποίο παρέχει την υψηλότερη στάθμη.

³⁵ Τα καταγεγραμμένα στοιχεία για τη στάθμη ηχητικής πίεσης του μηχανήματος παρουσιάζουν τυπική στατιστική διασπορά (τυπική απόκλιση) 3 dB (A). Η μέτρηση έχει γίνει με το αρχικό παρελκόμενο, το οποίο παρέχει την υψηλότερη στάθμη.

³⁶ Τα καταγεγραμμένα στοιχεία για τη στάθμη κραδασμών έχουν μία τυπική στατιστική διασπορά (τυπική απόκλιση) της τάξης του $2 m/s^2$. Για σύγκριση της στάθμης κραδασμών στα προϊόντα με μπαταρία και με κινητήρα εσωτερικής καύσης, χρησιμοποιήστε τη σελίδα υπολογισμού κραδασμών στη διεύθυνση <https://www.husqvarna.com/uk/services-solutions/vibration-calculator/>.

Δήλωση Συμμόρφωσης EK

Δήλωση Συμμόρφωσης EK - για βενζινοκίνητα προϊόντα

H **Husqvarna AB**, SE-561 82 Huskvarna, Σουηδία, τηλ.: +46-36-146500, δηλώνει ότι ο αραιωτήρας βρύων **Husqvarna DT600** με αριθμούς σειράς έτους κατασκευής από 2019 και έπειτα (το έτος αναγράφεται ευκρινώς στην πινακίδα στοιχείων μαζί με τον αριθμό σειράς), συμμορφώνεται με τις απαιτήσεις της ΟΔΗΓΙΑΣ ΤΟΥ ΣΥΜΒΟΥΛΙΟΥ:

- της 17ης Μαΐου 2006 "περί μηχανημάτων" **2006/42/EK**
- της 8ης Ιουνίου 2011 "σχετικά με τον περιορισμό της χρήσης ορισμένων επικίνδυνων ουσιών σε είδη ηλεκτρικού και ηλεκτρονικού εξοπλισμού" **2015/65/EE**.
- της 8ης Μαΐου 2000 "περί εκπομπών θορύβου στο περιβάλλον" **2000/14/EK**.

Για τα βενζινοκίνητα προϊόντα εφαρμόστηκαν τα ακόλουθα πρότυπα:

SS-EN ISO 12100:2010, EN IEC 63000:2018

H RISE SMP Svenska Maskinprovning AB, Box 7035, SE-750 07 Uppsala, Σουηδία, διεξήγαγε εθελοντικά έλεγχο τύπου για λογαριασμό της Husqvarna AB. Το πιστοποιητικό έχει αριθμό: **SEC/15/2411 - Husqvarna DT600**

Huskvarna , 2021-02-12



Pär Martinsson, Διευθυντής Ανάπτυξης
(Εξουσιοδοτημένος αντιπρόσωπος της Husqvarna AB και υπεύθυνος για την τεχνική τεκμηρίωση)

Δήλωση Συμμόρφωσης EK - για προϊόντα που λειτουργούν με μπαταρία

H **Husqvarna AB**, SE-561 82 Huskvarna, Σουηδία, τηλ.: +46-36-146500, δηλώνει ότι ο παρελκόμενος αραιωτήρας βρύων **Husqvarna DT600 με μονάδα παροχής ισχύος Husqvarna 325iLK** και με αριθμούς σειράς έτους κατασκευής από 2019 και έπειτα (το έτος αναγράφεται ευκρινώς στην πινακίδα στοιχείων μαζί με τον αριθμό σειράς), συμμορφώνεται με τις απαιτήσεις της ΟΔΗΓΙΑΣ ΤΟΥ ΣΥΜΒΟΥΛΙΟΥ:

- της 17ης Μαΐου 2006 "περί μηχανημάτων" **2006/42/EK**
- της 8ης Ιουνίου 2011 "σχετικά με τον περιορισμό της χρήσης ορισμένων επικίνδυνων ουσιών σε είδη

ηλεκτρικού και ηλεκτρονικού εξοπλισμού"
2015/65/EE.

Για τα προϊόντα που λειτουργούν με μπαταρία εφαρμόστηκαν τα ακόλουθα πρότυπα:

EN 62841-1:2015, EN 50636-2-92:2014, EN IEC 63000:2018

H RISE SMP Svenska Maskinprovning AB, Box 7035, SE-750 07 Uppsala, Σουηδία, διεξήγαγε εθελοντικά έλεγχο τύπου για λογαριασμό της Husqvarna AB. Το πιστοποιητικό έχει αριθμό: **SEC/15/2411 - Husqvarna DT600**

Για πληροφορίες σχετικά με τις εκπομπές θορύβου, ανατρέξτε στην ενότητα *Τεχνικά στοιχεία στη σελίδα 59*.

Huskvarna , 2021-02-12



Pär Martinsson, Διευθυντής Ανάπτυξης
(Εξουσιοδοτημένος αντιπρόσωπος της Husqvarna AB και υπεύθυνος για την τεχνική τεκμηρίωση)

KEES VAN DER SPEK
TUINMACHINES * STOLWIJK

Contenido

Introducción.....	62	Mantenimiento.....	68
Seguridad.....	63	Transporte, almacenamiento y eliminación.....	69
Montaje.....	67	Datos técnicos.....	69
Funcionamiento.....	68	Declaración de conformidad CE.....	71

Introducción

Descripción del producto

Trabajamos constantemente para perfeccionar nuestros productos y nos reservamos, por lo tanto, el derecho a introducir modificaciones en la construcción y el diseño sin previo aviso.

Nota: El presente manual trata tanto las unidades de alimentación de gasolina como las de batería.

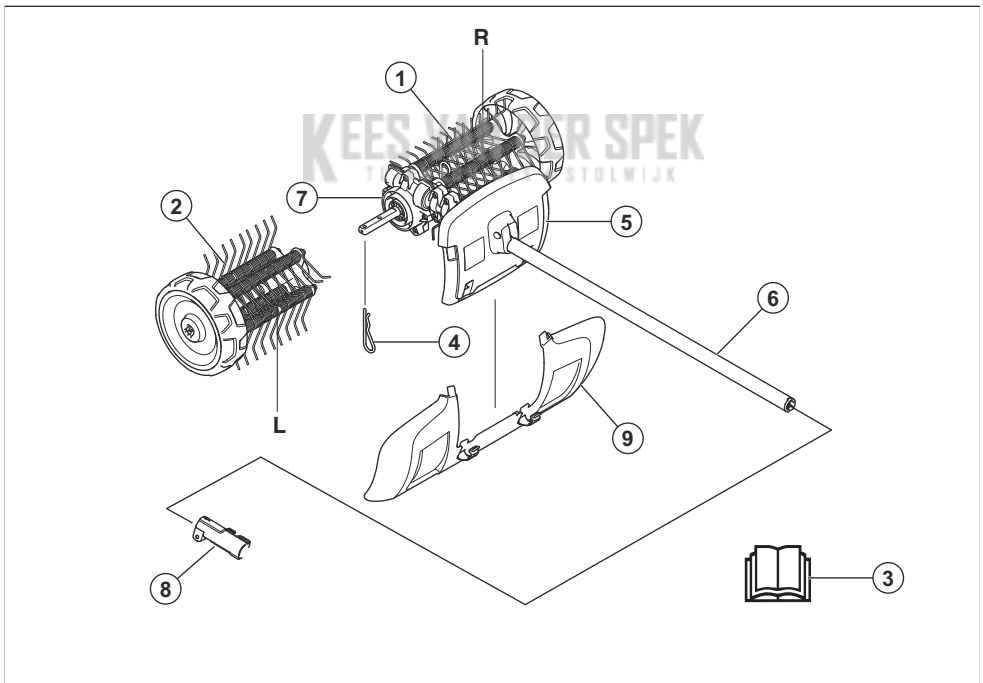
Uso previsto



ADVERTENCIA: Este accesorio solo puede utilizarse con el producto para el que está previsto; consulte el capítulo sobre accesorios del manual de usuario del producto.

El accesorio se ha diseñado únicamente para escarificar céspedes para eliminar el musgo.

Vista general del equipo



1. Sección derecha del escarificador de musgo
2. Sección izquierda del escarificador de musgo
3. Manual de usuario
4. Pasador partido
5. Protección (protección del tubo)
6. Tubo
7. Carcasa de la caja de engranajes
8. Acoplamiento del tubo (incluido con el producto)
9. Protección contra salpicaduras

Símbolos que aparecen en el equipo y la unidad de alimentación



El uso descuidado o incorrecto de este equipo puede provocar heridas graves o mortales al operador o a otras personas.



Lea atentamente el manual de usuario y asegúrese de que entiende las instrucciones antes de utilizar el equipo.



Utilice protección auditiva homologada. Utilice protección ocular homologada. Utilice una máscara protectora si existe riesgo de polvo.



Este equipo cumple con las directivas CE vigentes.



Piezas giratorias. Mantenga alejados las manos y los pies. La flecha indica el sentido de rotación.



Utilice siempre guantes protectores homologados.



Utilice botas antideslizantes y seguras.



Cuidado con los objetos lanzados o rebotados.



El usuario debe asegurarse de que no haya personas ni animales a menos de 15 m. Si hubiera varios usuarios trabajando en el mismo lugar, se debe guardar una distancia de seguridad de al menos 15 m. El equipo puede despedir objetos con mucha fuerza, y pueden rebotar. Si no se utiliza el equipo de seguridad recomendado, se pueden producir daños oculares graves.



Mantenga siempre a las personas y animales a una distancia mínima de 15 m/50 pies durante el funcionamiento del producto.



Mantenga todas las partes del cuerpo lejos de las superficies calientes.



Las emisiones sonoras en el entorno según la directiva de la Comunidad Europea. Las emisiones del accesorio se indican en el capítulo Datos técnicos y en la etiqueta.

Nota: Los demás símbolos o etiquetas que aparecen en el equipo corresponden a requisitos de homologación específicos en determinados mercados.

Seguridad

Definiciones de seguridad

Las advertencias, precauciones y notas se utilizan para destacar información especialmente importante del manual de usuario.



ADVERTENCIA: Indica un riesgo de lesiones o incluso de muerte del usuario o de las personas cercanas si no se respetan las instrucciones del manual.



PRECAUCIÓN: Indica un riesgo de daños en el producto o en el accesorio, otros materiales o el área adyacente si no se respetan las instrucciones del manual.

Nota: Se usa para proporcionar más información necesaria en una situación determinada.

Instrucciones generales de seguridad



ADVERTENCIA: Lea las siguientes instrucciones de seguridad antes de utilizar el equipo.

- Lea detenidamente el manual de instrucciones y asegúrese de entender su contenido antes de utilizar el equipo.
- Estas instrucciones complementan las instrucciones que se incluyen con el producto. Para otros

procedimientos, consulte las instrucciones de operación del producto.

- Bajo ninguna circunstancia debe modificarse la configuración original del equipo sin autorización del fabricante. No utilice un equipo que parezca haber sido modificado por otras personas y emplee siempre accesorios originales. Las modificaciones y/o la utilización de accesorios no autorizadas pueden ocasionar accidentes graves o incluso la muerte del operario o de terceros.

- Mantenga los cables de extensión alejados de piezas peligrosas en movimiento para evitar que puedan entrar en contacto con componentes con corriente.
- Conecte el producto únicamente a un circuito de alimentación protegido con un dispositivo de corriente residual (RCD) con una corriente de desconexión no superior a 30 mA.
- Evite utilizar el producto en malas condiciones meteorológicas, especialmente si hay riesgo de tormenta eléctrica.

Lea todas las instrucciones



ADVERTENCIA: Siempre que utilice máquinas eléctricas de jardinería, deberá adoptar precauciones básicas de seguridad para reducir el riesgo de incendio, descargas eléctricas, o lesiones personales, entre otras las siguientes:

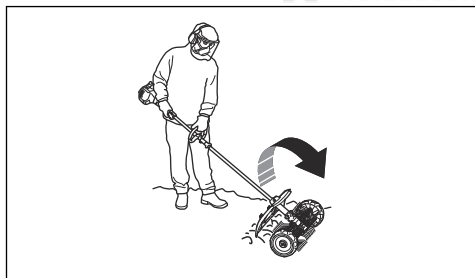


ADVERTENCIA: Lea las siguientes instrucciones de advertencia antes de utilizar el producto.

Instrucciones de seguridad del escarificador

- No permita jamás que los niños o personas con cualquier tipo de discapacidad física, sensorial o mental, sin experiencia o no familiarizadas con estas instrucciones utilicen este producto. La legislación local puede restringir la edad del operador.
- Nunca use el producto con personas, sobre todo niños, o mascotas cerca.
- No adopte posturas extrañas y mantenga el equilibrio en todo momento. Asegúrese siempre de afianzar bien los pies en pendientes y camine, nunca corra.
- No toque las piezas peligrosas en movimiento antes de haber desconectado la máquina de la red eléctrica y de que estas piezas se hayan detenido por completo.
- Lleve siempre calzado adecuado y pantalones largos mientras utiliza la máquina.
- Retire la batería del producto cuando lo deje desatendido, antes de despejar una obstrucción y antes de limpiar el producto o efectuar cualquier trabajo en él.
- Retire la batería del producto antes de examinar si presenta daños, por ejemplo, tras el impacto de un objeto extraño o si el producto empieza a vibrar de manera anómala.
- No conecte un cable dañado a la fuente de alimentación y no toque un cable que esté dañado hasta que no esté desconectado de la fuente de alimentación. Si algún cable estuviera dañado, podría exponer al contacto con componentes con corriente, lo que puede provocar lesiones o la muerte.
- No utilice nunca el producto si las protecciones están defectuosas, si carece de dispositivos de seguridad o si el cable está dañado o desgastado.
- El contacto de parada retorna automáticamente a la posición de arranque. Evite que el producto se encienda por accidente durante el montaje, la comprobación y las tareas de mantenimiento. Si posee un producto de gasolina, desconecte el sombrerete de bujía de la bujía. Si posee un producto con batería, extráigala.
- Cuidado con los objetos que salen despedidos. Protéjase siempre los ojos. No se incline nunca sobre el escarificador de musgo. La máquina puede despedir piedras, basura, etc. contra los ojos y causar ceguera o heridas graves.
- Durante el uso y poco después, el engranaje puede estar caliente. El contacto con el mismo puede ocasionar quemaduras.
- Aunque los cepillos de metal no tienen tanta fuerza como, por ejemplo, las cuchillas de un cortacésped, evite trabajar con materiales que puedan causar daños personales o en la propiedad si sales despedidos.
- No use nunca una máquina si no tiene posibilidad de pedir auxilio si se produce un accidente.
- Utilice la máquina solamente para el uso al que está destinada.
- Nunca utilice la máquina si está cansado, si ha ingerido alcohol o si toma medicamentos que puedan afectarle la vista, su capacidad de discernimiento o el control del cuerpo.
- Nunca utilice la máquina en condiciones atmosféricas extremas como frío intenso o clima muy caluroso y/o húmedo.
- No utilice nunca una máquina defectuosa. Lleve a cabo las comprobaciones de seguridad y siga las instrucciones de mantenimiento y servicio de este manual. Algunas medidas de mantenimiento y servicio deben ser efectuadas por especialistas formados y cualificados. Consulte las instrucciones del apartado Mantenimiento.
- No permita nunca que los niños utilicen la máquina.

- Nunca deje que otras personas utilicen la máquina sin asegurarse primero de que hayan leído y entendido el contenido de este manual de usuario.
- Mantenga alejados a los terceros. Los niños, animales, curiosos y ayudantes deben mantenerse fuera de la zona de seguridad de 15 metros durante el uso. Pare la máquina inmediatamente si alguien se acerca.
- Cuando se vea en una situación insegura para continuar el trabajo, debe consultar a un experto. Póngase en contacto con su distribuidor o taller de servicio.
- Evite todo uso para el cual no se sienta suficientemente calificado.
- Observe el entorno y asegúrese de que no haya personas o animales en riesgo de entrar en contacto con el equipo de corte o capaces de afectar a su control del producto.
- Cuando use protectores auriculares preste siempre atención a las señales o llamadas de advertencia. Quítese siempre los protectores auriculares en cuanto se detenga el motor.
- No trabaje en condiciones atmosféricas desfavorables como niebla densa, lluvia intensa, vientos fuertes, frío intenso, etc. Trabajar con mal tiempo es extenuante y puede crear situaciones peligrosas como, por ejemplo, terrenos resbaladizos.
- Compruebe que pueda caminar y mantenerse de pie con seguridad. Vea si hay eventuales impedimentos para desplazamientos imprevistos (raíces, piedras, ramas, fosos, zanjas, etc.). Proceda con sumo cuidado al trabajar en terreno inclinado.



- Debe parar el motor antes de desplazar la máquina.
- No baje nunca la máquina con el motor en marcha sin tenerla a la vista.
- Utilice siempre las dos manos para sostener la máquina. Mantenga la máquina al costado de su cuerpo.
- Cerciórese de mantener las manos y los pies alejados del escarificador de musgo mientras permanezca en marcha.
- Al apagar el motor, mantenga las manos y los pies alejados del escarificador de musgo hasta que se haya detenido por completo.
- Si se producen vibraciones intensas, detenga la máquina. Si posee un producto con gasolina, desconecte el cable HT de la bujía. Si posee un

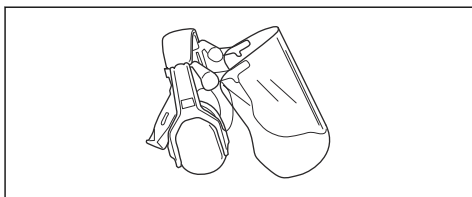
producto con batería, extráigala del producto. Asegúrese de que la máquina no esté dañada. Repare posibles averías.

Equipo de protección personal

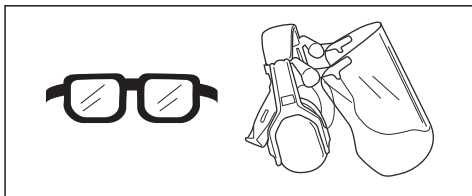


ADVERTENCIA: Lea las siguientes instrucciones de advertencia antes de utilizar el producto.

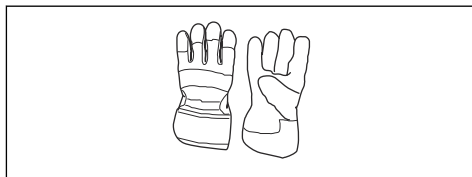
- Para trabajar con el producto, debe utilizar siempre un equipo de protección personal homologado. El equipo de protección personal no elimina completamente el riesgo de lesiones, pero reduce la gravedad de las lesiones en caso de accidente. Deje que el distribuidor le ayude a seleccionar el equipo adecuado.
- Use protectores auriculares homologados con suficiente capacidad de reducción sonora. La exposición prolongada al ruido puede causar daños crónicos en el oído.



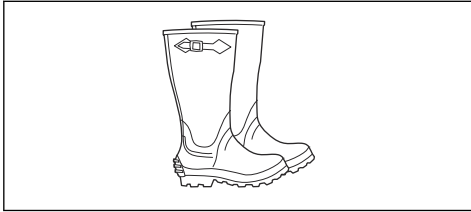
- Utilice protección ocular homologada. Si se utiliza visor, deben utilizarse también gafas protectoras homologadas. Por gafas protectoras homologadas se entienden las que cumplen con la norma ANSI Z87.1 para EE. UU. o EN 166 para países de la UE.



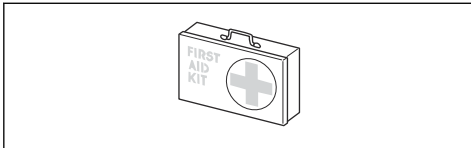
- Utilice guantes cuando sea necesario, por ejemplo, para el montaje, inspección o limpieza del equipo de corte.



- Use botas de protección con punteras de acero y suelas antideslizantes.



- Use indumentaria de material resistente. Use siempre pantalones largos y gruesos, y mangas largas. No lleve ropa suelta que pueda quedar atrapada en los arbustos y ramas. No trabaje con joyas, pantalones cortos, sandalias ni los pies descalzos. Recójase el pelo por encima de los hombros.
- Mantenga el equipo de primeros auxilios cerca.



Dispositivos de seguridad en el equipo



ADVERTENCIA: Lea las siguientes instrucciones de advertencia antes de utilizar el equipo.

En este capítulo, se describen los componentes de seguridad del equipo, su función y el modo de efectuar el control y el mantenimiento para garantizar un funcionamiento óptimo. Consulte las instrucciones bajo el título *Vista general del equipo en la página 62* para ver dónde están situados estos componentes en su equipo.

La vida útil del equipo puede acortarse y el riesgo de accidentes puede aumentar si el mantenimiento no se hace de forma adecuada y si los trabajos de servicio y reparación no se efectúan de forma profesional. Si necesita más información, solicítela al distribuidor de su zona



ADVERTENCIA: No emplee nunca un equipo con componentes de seguridad defectuosos. Efectúe la inspección y el mantenimiento de los componentes de seguridad del equipo tal como se describe en este apartado. Si el equipo no supera cualquiera de estas pruebas, póngase en

contacto con el taller de servicio para repararlo.



ADVERTENCIA: Todos los trabajos de servicio y reparación del producto requieren una formación especial. Esto es especialmente cierto en lo que respecta al equipo de seguridad del producto. Si el producto no pasa alguno de los controles indicados a continuación, acuda a su taller de servicio. La compra de alguno de nuestros productos le garantiza que puede recibir un mantenimiento y servicio profesional. Si no ha adquirido el producto en una de nuestras tiendas especializadas con servicio, solicite información sobre el taller de servicio más cercano.

Instrucciones de seguridad para el mantenimiento



ADVERTENCIA: Lea las instrucciones de advertencia siguientes antes de realizar el mantenimiento.

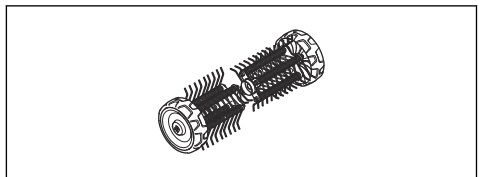


ADVERTENCIA: Detenga siempre el producto antes de realizar cualquier tarea de mantenimiento en el accesorio. Tenga cuidado, pues el accesorio puede seguir girando después de haber soltado el acelerador/gatillo de alimentación. Asegúrese de que el accesorio se haya detenido por completo. Si posee un producto con gasolina, desconecte el cable HT de la bujía. Si posee un producto con batería, extráigala.



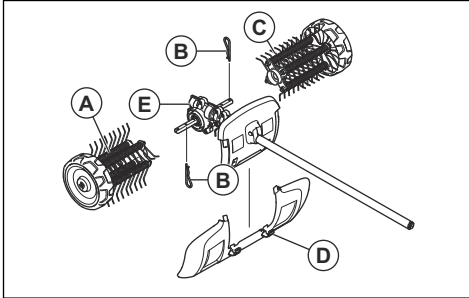
ADVERTENCIA: Utilice siempre guantes protectores.

- Inspeccione el producto en su totalidad antes de iniciar el trabajo. Compruebe que todas las protecciones y cubiertas están completas y bien fijadas. Compruebe todas las tuercas y tornillos.
- Si posee un producto de gasolina, compruebe que no haya fugas de combustible.
- Sustituya las piezas dañadas.



Montaje

Montaje del accesorio

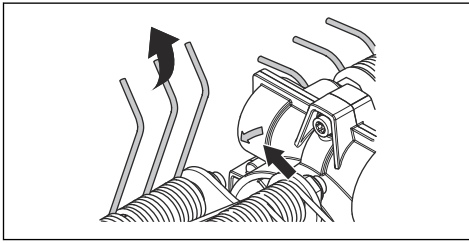


La flecha de la caja de engranajes indica el sentido de rotación. La caja de engranajes se debe colocar como se indica en la ilustración.

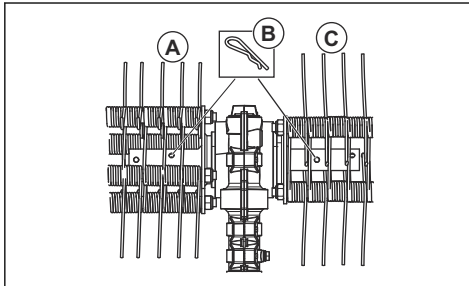
IMPORTANTE:

Los rodillos del escarificador están marcados con flechas que indican el sentido de rotación. Asegúrese de que los rodillos del escarificador están montados correctamente.

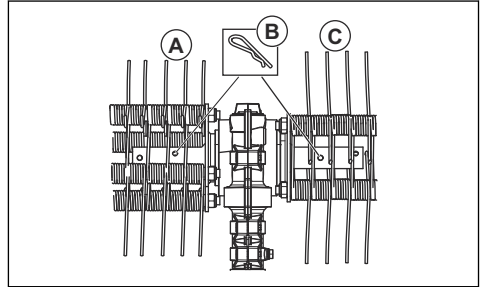
Los rodillos del escarificador de musgo deben montarse con una leve desviación entre ellos. Los muelles del escarificador de musgo deben estar orientados en el sentido que indica la flecha de sentido de rotación de la caja de engranajes.



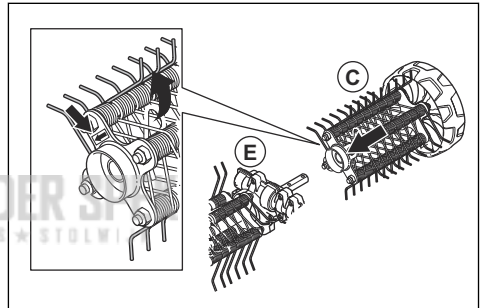
1. Empuje la sección izquierda del escarificador de musgo (A) para introducirla en el eje propulsor izquierdo de la caja de engranajes (E).



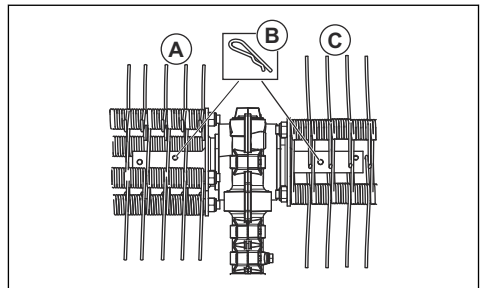
2. Fije el rodillo del escarificador de musgo colocando un pasador hendido (B) en el orificio interior del tubo.



3. Empuje la sección derecha del escarificador de musgo (C) para introducirla en el eje propulsor derecho de la caja de engranajes (E).



4. Fije el rodillo del escarificador de musgo colocando un pasador hendido (B) en el orificio interior del tubo.



5. Monte la protección contra salpicaduras con las fijaciones a presión (D).

Nota: Para montar los accesorios en el producto básico, consulte el manual del producto básico.

Funcionamiento

Arranque del producto con el motor frío

Si tiene un producto de gasolina, siga estas instrucciones para arrancar el producto si el motor está frío.

1. Ponga en marcha el producto básico para calentarlo y luego apáguelo.
2. Monte el accesorio según las instrucciones de montaje.
3. Al ajustar el carburador, asegúrese de que el escarificador esté apoyado en el suelo y de que no haya nadie más cerca.
4. Deje el escarificador de musgo a ralentí.
5. Controle que los mangos y las funciones de seguridad estén en buenas condiciones. No utilice nunca un producto al que le falte alguna pieza o que se haya modificado y no se ajuste a las especificaciones.

Nota: Resulta muy pesado e innecesario levantar o sostener el escarificador de musgo por encima de la superficie durante su uso.

2. Trabaje en un ángulo agudo con respecto a la superficie. Un ángulo de trabajo demasiado abierto hace que el escarificador de musgo tienda a moverse hacia el usuario, por lo que se corre el riesgo de perder el control del producto.



Uso del accesorio

1. Ponga en marcha el escarificador de musgo a aceleración máxima (o casi) con las ruedas apoyadas en el suelo.

Mantenimiento

Introducción

A continuación, se indican algunas instrucciones generales de mantenimiento. Si Ud. necesita mayor información póngase en contacto con el taller de servicio.

Mantenimiento del producto



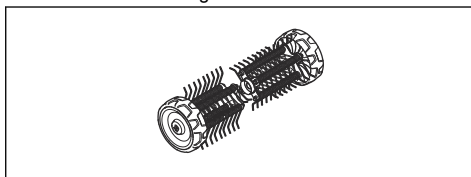
PRECAUCIÓN: El escarificador de musgo suele usarse principalmente en entornos polvorientos. Si tiene un producto de gasolina, es muy importante revisar el filtro de aire periódicamente, normalmente a diario, así como lubricarlo con aceite para que funcione correctamente.

Consulte el manual de usuario de la unidad de alimentación para conocer las instrucciones de mantenimiento.



ADVERTENCIA: Después de trabajar con el producto, la caja de engranajes está caliente. No toque el engranaje para evitar quemaduras.

1. Compruebe que el escarificador de musgo no gira al soltar el acelerador/gatillo de alimentación.



2. Limpie las ruedas si no giran libremente.



ADVERTENCIA: Utilice siempre guantes protectores cuando realice tareas de mantenimiento en el accesorio.

Transporte, almacenamiento y eliminación

Transporte y almacenamiento

Antes del almacenaje prolongado, limpie bien el equipo y haga el servicio completo.

Si se transporta el equipo en otro vehículo, utilice siempre dispositivos de sujeción homologados y compruebe que el equipo está bien sujeto.

Datos técnicos

Datos técnicos de los productos de gasolina

Escarificador de musgo	DT600
Anchura, mm	556
Peso	
Peso, kg	6,5
Emisiones de ruido³⁷	
Nivel de potencia acústica medida, dB(A)	105
Nivel de potencia acústica garantizado L _{WA} dB(A)	109
Niveles acústicos³⁸	
Nivel de presión sonora equivalente en el oído del usuario, medido según EN ISO 22868, dB(A):	95
Vibraciones³⁹	
Niveles de vibración equivalentes (a _{hv,eq}) en las empuñaduras según EN ISO 22867, m/s ²	
Mango delantero/trasero	6,2/4,3

Datos técnicos de los productos con batería

325ILK + accesorio escarificador DT600	
Anchura, mm	556
Peso	
Peso, kg	2,3 + 6,5

³⁷ Medido con los accesorios homologados de Husqvarna. Emisiones sonoras en el entorno medidas como potencia acústica (L_{WA}) según la directiva 2000/14/CE. El nivel referido de potencia sonora de la máquina se ha medido con el equipo de corte original que produce el nivel más elevado. La diferencia entre la potencia sonora garantizada y medida es que la potencia sonora garantizada también incluye la dispersión en el resultado de la medición y las variaciones entre diferentes máquinas del mismo modelo, según la directiva 2000/14/CE.

³⁸ Medido con los accesorios homologados de Husqvarna. Los datos referidos al nivel de presión sonora equivalente de la máquina tienen una dispersión estadística típica (desviación típica) de 1 dB(A).

³⁹ Medido con los accesorios homologados de Husqvarna. Los datos referidos al nivel de vibración tienen una dispersión estadística habitual (desviación típica) de 1 m/s².

325iLK + accesorio escafricador DT600	
Emisiones de ruido⁴⁰	
Nivel de potencia acústica, dB(A) medidos	89
Niveles acústicos⁴¹	
Nivel de presión sonora en el oído del usuario, medido conforme a EN ISO 22868, dB(A):	77
Vibraciones⁴²	
Niveles de vibración en los mangos, medidos conforme a EN 62841-1, m/s ²	
Mango delantero/trasero	1,9/2,6
Equipado con accesorio homologado (original), izquierda/derecha	1,9/2,6

KEES VAN DER SPEK
TUINMACHINES ★ STOLWIJK

⁴⁰ Los datos relativos al nivel de potencia sonora de la máquina tienen una dispersión estadística habitual (desviación típica) de 3 dB(A) y se han medido con el accesorio original que produce el nivel más elevado.

⁴¹ Los datos relativos al nivel de presión sonora de la máquina tienen una dispersión estadística habitual (desviación típica) de 3 dB(A) y se han medido con el accesorio original que produce el nivel más elevado.

⁴² Los datos referidos del nivel de vibración presentan una dispersión estadística habitual (desviación típica) de 2 m/s². Para comparar los niveles de vibraciones en los productos con batería y los productos de combustión, utilice la calculadora de vibraciones: <https://www.husqvarna.com/uk/services-solutions/vibration-calculator/>.

Declaración de conformidad CE

Declaración de conformidad CE para productos de gasolina

Husqvarna AB, SE-561 82 Huskvarna, Suecia, tel.: +46-36-146500, declara que el escarificador de musgo **Husqvarna DT600** con los números de serie a partir de 2019 (el año se indica claramente en la placa de características, seguido del número de serie) cumple con las disposiciones de la DIRECTIVA DEL CONSEJO:

- Del 17 de mayo de 2006 "relativa a máquinas", **2006/42/CE**.
- Del 8 de junio de 2011 "sobre restricciones de utilización de determinadas sustancias peligrosas en aparatos eléctricos y electrónicos" **2011/65/UE**.
- Del 8 de mayo de 2000 "relativa a emisiones sonoras en el entorno", **2000/14/CE**.

Se han aplicado las siguientes normas para los productos de gasolina:

SS-EN ISO 12100:2010, EN IEC 63000:2018

RISE SMP Svenska Maskinprovning AB, Box 7035, SE-750 07 Uppsala, Suecia, ha efectuado el examen de tipo voluntario para Husqvarna AB. El certificado tiene el número: **SEC/15/2411 - Husqvarna DT600**

Huskvarna , 2021-02-12



Pär Martinsson, director de desarrollo (representante autorizado de Husqvarna AB y responsable de la documentación técnica)

Declaración de conformidad CE para productos con batería

Husqvarna AB, SE-561 82 Huskvarna, Suecia, tel.: +46-36-146500, declara que el accesorio escarificador de musgo **Husqvarna DT600 con unidad de alimentación Husqvarna 325iLK** con los números de serie a partir de 2019 (el año se indica claramente en la placa de características, seguido del número de serie) cumple las disposiciones de la DIRECTIVA DEL CONSEJO:

- Del 17 de mayo de 2006 "relativa a máquinas", **2006/42/CE**.
- Del 8 de junio de 2011 "sobre restricciones de utilización de determinadas sustancias peligrosas en aparatos eléctricos y electrónicos" **2011/65/UE**.

Se han aplicado las siguientes normas para los productos con batería:

EN 62841-1:2015, EN 50636-2-92:2014, EN IEC 63000:2018

RISE SMP Svenska Maskinprovning AB, Box 7035, SE-750 07 Uppsala, Suecia, ha efectuado el examen de tipo voluntario para Husqvarna AB. El certificado tiene el número: **SEC/15/2411 - Husqvarna DT600**

Para obtener información respecto a las emisiones sonoras, consulte *Datos técnicos en la página 69*.

Huskvarna , 2021-02-12



Pär Martinsson, director de desarrollo (representante autorizado de Husqvarna AB y responsable de la documentación técnica)

KEES VAN DER SPEK
TUINMACHINES * STOLWIJK

Sisukord

Sissejuhatus.....	72	Hooldamine.....	78
Ohutus.....	73	Transportimine, hoiulepanek ja utiliseerimine.....	78
Kokkupanek.....	76	Tehnilised andmed.....	78
Töö.....	77	EÜ vastavusdeklaratsioon.....	80

Sissejuhatus

Toote kirjeldus

Tegeleme pidevalt oma toodete edasiarendamisega ning seetõttu jätame endale õiguse muuta toodete disaini ja välimust ilma sellest ette teatamata.

Märkus: Selles juhendis käsitletakse nii bensiini- kui ka akutoitega jõuseadmeid.

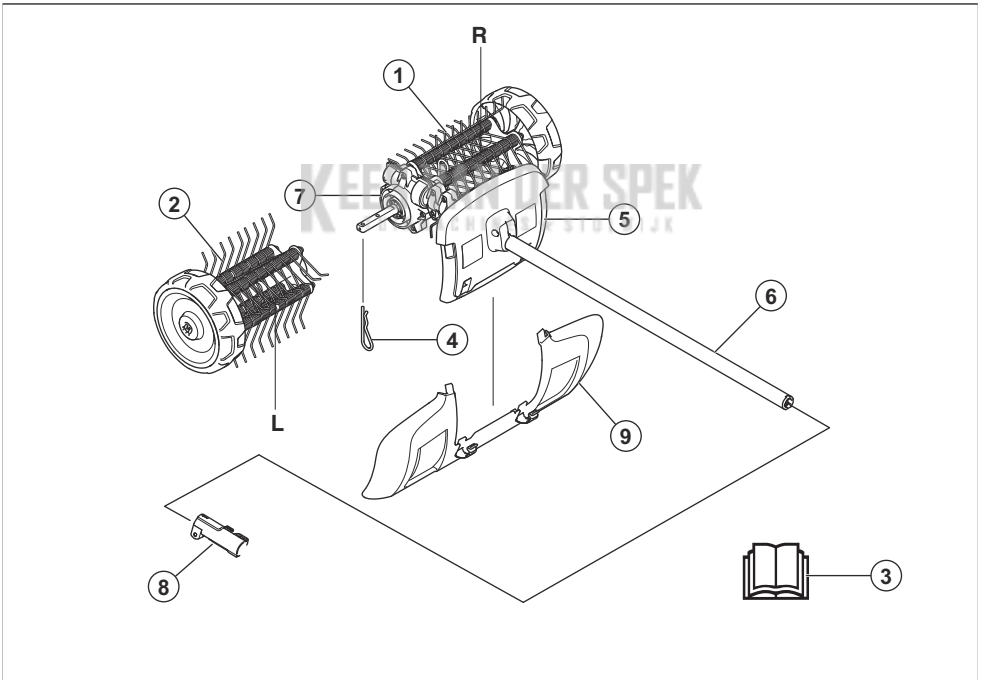
Kasutusotstarve



HOIATUS: Seda lisatarvikut võib kasutada ainult koos sellele sobiva tootega, vt lisatarviku peatükki toote kasutusjuhendis.

Lisatarvik on mõeldud murult sambla eemaldamiseks.

Lisatarviku ülevaade



1. Samblaeemaldi, parempoolne
2. Samblaeemaldi, vasakpoolne
3. Kasutusjuhend
4. Splint
5. Kaitse (kaitse varrel)
6. Vars
7. Ülekanne

8. Varre kinnitus
9. Pritsmekaitse

Lisatarvikul ja jõuseadmehel olevad sümbolid



Selle lõikeosa hooletu või väär käsitlemine võib põhjustada operaatoreid või teiste isikute vigastuse või hukkamise.



Lugege enne lõikeosa kasutamist kasutusjuhend tähelepanelikult läbi ja veenduge, et oleksite juhistest aru saanud.



Kandke heakskiidetud kõrvaklappe. Kandke heakskiidetud kaitseprille. Tolmu tekkimise ohu korral kasutage hingamismaski.



See lõikeosa vastab EL-i kehtivatele direktiividele.



Pöörlevad osad. Hoidke käed ja jalad eemal. Nool tähistab pöörlemissuunda.



Kasuta alati heakskiidetud kaitsekindaid.



Kandke tugevaid, mittelibisevaid saapaid.



Olge ettevaatlik - eemalpeaiskuvad esemed ning tagasipõrkumise oht.



Kasutaja peab veenduma, et ühtegi inimest ega looma poleks lähemal kui 15 m. Kui samas töökohas töötab mitu kasutajat, kehtib kõigile ohutu vahemaa 15 m. Lõikeosa võib jõuliselt liigutada objekte, mis võivad tagasi põrkuda. Soovitusliku ohutusvarustuse mittekasutamisel võib see põhjustada tõsisid silmavigastusi.



Hoidke seadme kasutamise ajal inimestest ja loomadest vähemalt 15 m kaugusele.



Hoidke kõik kehaosad kuumadest pindadest eemal.



Ümbrissevasse keskkonda leviv müra vastavalt Euroopa Ühenduse direktiivile. Lisatarviku müratase on näidatud tehniliste andmete peatükis ja etiketil.

Märkus: Ülejäänud lõikeosal esitatud sümbolid/tähised vastavad erinevates riikides kehtivatele sertifitseerimisnõuetele.

Ohutus

Ohutuse määratlused

Mõistetega „hoiatus“, „ettevaatus“ ja „märkus“ juhitakse tähelepanu eriti olulistele kohtadele kasutusjuhendis.



HOIATUS: Tähistab kasutusjuhendi juhiste eiramise korral kasutaja või kõrvalseisjate kehavigastuse või surmaga lõppeva õnnetuse ohtu.



ETTEVAATUST: Tähistab kasutusjuhendi juhiste eiramise korral toote ja/või tarviku, muude esemete või läheduses asuvate objektide kahjustamise ohtu.

Märkus: Tähistab antud olukorras vajalikku lisateavet.

Üldised ohutuseeskirjad



HOIATUS: Enne lisatarviku kasutamist lugege läbi järgmised ohutuseeskirjad.

- Lugege enne lõikeosa kasutamist kasutusjuhend tähelepanelikult läbi ja veenduge, et oleksite juhistest aru saanud.
- Need juhised täiendavad tootega kaasas olevaid juhiseid. Muude protseduuride osas kasutage palun toote kasutusjuhendeid.

- Lisatarviku algset konstruktsiooni ei tohi ilma tootja loata muuta. Ärge kasutage lisatarvikut, kui tundub, et teised on seda muutnud, ja kasutage alati originaalisavarustust. Lubamatud muudatused ja varuosad võivad põhjustada kasutaja ja teiste isikute raskeid või isegi eluohtlikke kehavigastusi.

Ohutusjuhised kasutamisel



HOIATUS: Enne toote kasutamist lugege läbi järgnevad hoiatused.

Lugege läbi kõik juhised



HOIATUS: Kui kasutate elektrilisi aiaseadmeid, tuleb järgida alati põhilisi ohutusabinõusid, et vähendada tule-, elektrilöögi- ja tõsiste vigastuste ohtu, sh järgmisi.

Samblaeemaldi üldised ohutuseeskirjad

- Ärge kunagi lubage toodet kasutada lastel ega isikutel, kellel on vähenenud füüsilised, sensoorsed või vaimsed võimed või puudulikud teadmised ja kogemused või kes pole tutvunud nende juhistega. Kohalikud kehtivad eeskirjad võivad piirata kasutaja lubatud vanust.
- Ärge kasutage seadet, kui selle läheduses on inimesed (eriti lapsed) või lemmikloomad.
- Ärge küünitage liiga kaugele ja säilitage alati tasakaal. Kallakutel alati kindlalt püsimiseks ainult kõndige ja ärge kunagi jookske.
- Ärge puudutage liikuvaid ohtlikke osi enne, kui seade on vooluvõrgust lahutatud ja liikuvad ohtlikud osad on täielikult seiskunud.
- Seadmega töötamisel kandke alati tugevaid jalatseid ja pikki pükse.
- Eemaldage tootelt aku alati, kui see on järelevalveta, enne ummistuste kõrvaldamist ja enne toote puhastamist või selle hooldamist.
- Eemaldage tootelt aku enne toote kahjustuste kontrollimist, näiteks puutudes mõne võõrobjekti vastu või kui toote hakkab tavaprattul vibreerima.
- Ärge ühendage kahjustatud juhet vooluvõrku ja ärge puudutage kahjustatud juhet enne, kui see on vooluvõrgust lahutatud. Kahjustatud juhtmete korral võite kokku puutuda pingestatud osadega aj see võib põhjustada kehavigastusi või surma.
- Ärge töötage tootega, millel on defektsed kaitsed/piirde, mille puuduvad ohutusseadmed või mille juhe on kahjustunud või kulunud.
- Hoidke pikendusjuhe eemal liikuvatest ohtlikest osadest, et vältida juhtme kahjustumist, mille tulemuse võite kokku puutuda pingestatud osadega.
- Ühendage toode ainult elektritoiteahelaga, mida kaitseb rikkevooluseade (RCD) rakendamise voolutugevusega kuni 30 mA.
- Ärge kasutage seadet halva ilmaga (eriti äikesetormi ajal).
- Seiskamisüliti läheb ise lähteasendisse. Kokkupaneku, kontrollimise ja/või hoolduse ajal vältige kindlasti soovimatut käivitumist. Kui teil on bensiniitoitega toode, võtke süüteküünla kate süüteküünla küljest lahti. Kui teil on akutoitega toode, eemaldage aku.
- Hoiduge lendu paisatud objektide eest. Kasutage alati kaitseprille. Ärge kummarduge kunagi samblaeemaldi kohale. Kivid ja muud esemed või osakesed võivad lennata silma ja põhjustada ohtlikke kahjustusi või isegi pimedaksjäämist.
- Reduktor võib kasutamisel kuumeneda ja püsida kuumana ka mõni aeg pärast kasutamist. Puudutamisel on oht saada põletada.
- Kuigi harjade trumlid ei pöörle sellise jõuga kui näiteks muruniiduki terad, tuleks vältida töötamist materjalidega, mis võivad tekitada paiskumise korral vigastusi või põhjustada varalist kahju.
- Ärge kasutage kunagi seadet olukordades, kus te ei saa kutsuda abi õnnetuse korral.
- Kasuta seadet ainult ettenähtud otstarbel.
- Ära kunagi tööta seadmega, kui oled väsinud, alkoholi tarvitanud või kui oled saanud ravimit, mis mõjub su nägemisele, otsustus- või keskendumisvõimele.
- Ärge kasutage seadet eriti rasketes ilmaoludes, väga külma, väga tuulise või niiske ilmaga.
- Ärge kunagi kasutage kahjustatud seadet. Teostage ohutuskontroll ja hooldage seadet korrapäraselt, nagu käsitlemisõpetuses nõutud. Teatud hooldustoiminguid tohib teha ainult vastava väljaõppe saanud spetsialist. Vt juhiseid lõigust „Hooldus“.
- Ära lase kunagi lastel seadet kasutada.
- Ärge lubage kellelgi masinat kasutada enne, kui olete kindel, et ta on kasutusjuhendi läbi lugenud ja selle sisust aru saanud.
- Ära lase ligi kõrvalisi isikuid. Lapsed, loomad, pealtvaatajad ja abistajad peavad teie töötamise ajal viibima väljaspool 15-meetrist ohutustsooni. Seisake masin kohe, kui keegi läheneb.
- Kui olukord on teile tundmatu, katkestage töö ja paluge spetsialistidelt abi ja nõu. Võta ühendust edasimüüja või hoolduspunktiiga.
- Ärge tehke tööd, milleks teil puudub väljaõpe või kogemused.
- Jälgige oma ümbrust tähelepanelikult ja veenduge, et läheduses poleks inimesi või loomi, kes võivad seadmega kokku puutuda või teie kontrolli seadme üle halvendada.
- Kui kasutate kuulmiskaitset, olge tähelepanelik hõigete ja hoiatussignaalide suhtes. Eemaldage kõrvaklapid kohe, kui mootor on seiskunud.

- Hoiduge seadme kasutamisest halva ilmaga. Ärge töötage paksu udu, kõva vihma, tuule või pakase korral. Halva ilmaga töötamine väsitab ja sellega kaasneb muid ohte, nagu libe maapind.
- Veenduge, et saate turvaliselt seista ja liikuda. Vaadake, et läheduses ei oleks tõkkeid, nagu juuri, kive, oksa, kraave jms, mis oleksid takistuseks juhul, kui tuleb kiiresti eemalduda. Olge eriti ettevaatlik mäeküljel töötades.



- Seadme teise kohta toimetamisel tuleb mootor välja lülitada.
- Ärge pange töötava mootoriga seadet maha, kui teil pole sellest head ülevaadet.
- Kasutage seadme hoidmiseks alati kahte kätt. Hoidke seadet keha lähedal.
- Vältige käte ja jalgade sattumist samblaemaldi lähedale, kui see töötab.
- Pärast mootori väljalülitamist hoidke käsi ja jalgu samblaemaldist eemal, kuni see on täielikult seiskunud.
- Tugeva vibratsiooni korral seisake seade. Kui teil on bensiinitoitega toode, võtke süütejuhe süüteküünla küljest lahti. Kui teil on akutoitega toode, eemaldage tootest aku. Veenduge, et seade ei oleks kahjustatud. Parandage vajadusel.

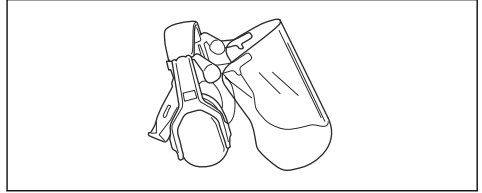
Isikukaitsevahendid



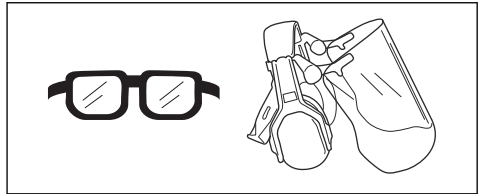
HOIATUS: Enne seadme kasutamist lugege läbi järgnevad hoiatused.

- Seadmega töötamisel tuleb kasutada ettenähtud isikukaitsevarustust. Isikukaitsevarustus ei välista täielikult kehavigastuste ohtu, kuid vähendab õnnetusjuhtumi korral kehavigastuse raskusastet. Õige varustuse valimiseks pöörduge edasimüüja poole.

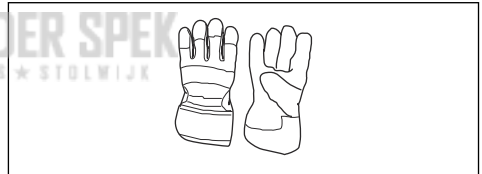
- Kandke alati sobiva summutusvõimega kuulmiskaitsemeid. Pikaajaline müra võib tekitada püsiva kuulmiskahjustuse.



- Kandke heakskiidetud kaitseprille. Näokaitsme kasutamisel tuleb lisaks kasutada heakskiidetud kaitseprille. Heakskiidetud kaitseprillide all mõeldakse selliseid prille, mis vastavad standardile ANSI Z87.1 USA-s või EN 166 Euroopa Liidu riikides.



- Vajaduse korral kandke kaitsekindaid, näiteks löikeosa kinnitades, kontrollides või puhastades.



- Kandke terasest varbakatete ja libisemist takistavate taldadega kaitsepaipaid.



- Kandke vastupidavast materjalist riideid. Kandke alati pikki raskeid pükse ja pikki varrukaid. Hoiduge liiga avaratest rõivastest, mis võivad okstesse takerduda. Ärge kandke etheid, lühikesi pükse, lahtiseid jalatseid ega käige paljajalu. Kinnitage juuksed ohutult õlgadest kõrgemale.

- Hoidke esmaabikomplekt käepärast.



Lisatarviku ohutusseadised



HOIATUS: Enne seadme kasutamist lugege läbi järgmised hoiatusjuhised.

Selles alalõigus kirjeldatakse lisatarviku ohutusfunktsioone, selle otstarvet ning seda, kuidas läbi viia kontrolle ja hooldust, et tagada toote nõuetekohane töö. Peatükist *Lisatarviku ülevaade lk 72* näete, kus need osad teie lisatarvikul paiknevad.

Kui lisatarvikut ei hooldata õigesti ja korrapäraselt ning seda ei paranda asjatundja, võib lüheneda seadme tööiga ja suureneda õnnetuste oht. Kui vajate täiendavat infot, pöörduge lähimasse teenindusse.



HOIATUS: Ärge kasutage lisatarvikut, kui selle turvavarustus pole täiesti korras. Ohutusvarustust tuleb käesolevas lõigus toodud eeskirjade kohaselt hooldada ja kontrollida. Kui lisatarvik ei vasta ohutusnõuetele, laske see parandada hooldustöökojas.



HOIATUS: Toote hooldus ja parandamine nõuab eraldi väljaõpet. Eriti oluline on see toote ohutusvarustuse puhul. Kui toode ei vasta allpool toodud nõuetele, võtke ühendust hooldustöökojaga. Meie toodetele on tagatud professionaalne

hooldus ja parandus. Kui toote müüja ei tegele hooldusega, paluge teda juhatada teid lähimasse hooldustöökotta.

Ohutusjuhised hooldamisel



HOIATUS: Enne hooldustööde tegemist lugege läbi järgmised hoiatused.

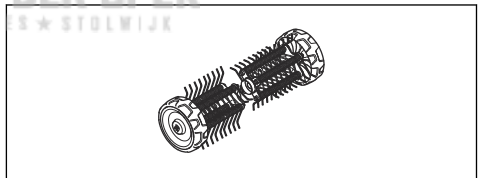


HOIATUS: Enne lisatarvikuga töötamist peatage alati toode. Olge ettevaatlik. Lisatarvik võib jätkata liikumist pärast toitelüliti/gaasihoovastiku nupu vabastamist. Veenduge, et lisatarvik on täielikult peatunud. Kui teil on bensiinitoitega toode, võtke süütejuhe süüteküünla küljest lahti. Kui teil on akutoitega toode, eemaldage aku.



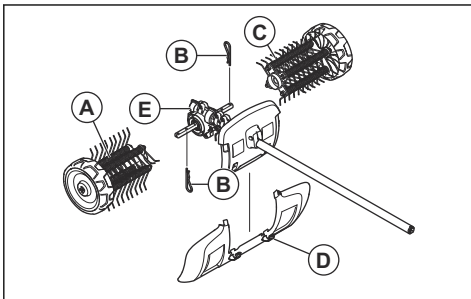
HOIATUS: Kasutage alati kaitsekindaid.

- Enne alustamist kontrollige kogu toodet. Veenduge, et kõik kaitsed ja katted on terved ja tugevasti kinnitatud. Kontrollige kõiki mutreid ja kruvisid.
- Kui teil on bensiinimootoriga toode, kontrollige, kas sellel pole kütuselekkideid.
- Vahetage välja kahjustatud osad.



Kokkupanek

Lisatarviku paigaldamine

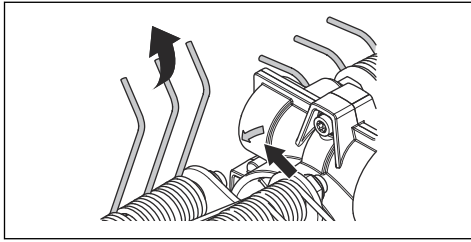


Reduktoril olev nool näitab pöörlemissuunda. Reduktor tuleb paigaldada vastavalt joonisel näidatule.

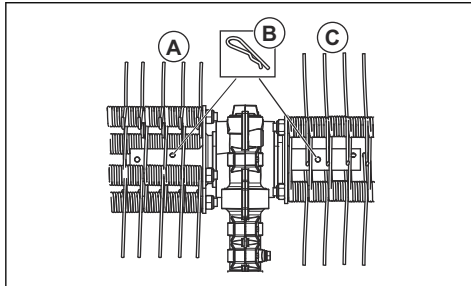
TÄHTIS:

Samblaemaldi rullid on tähistatud nooltega, mis näitavad pöörlemissuunda. Veenduge, et samblaemaldi rullid oleksid õigesti paigaldatud.

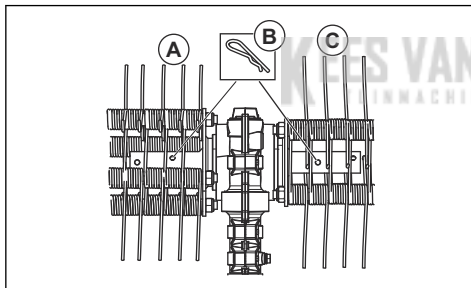
Samblaemaldi rullid tuleb paigaldada üksteise suhtes väikse nihkega. Samblaemaldi vedrud peavad osutama samas suunas kui reduktoril olev pöörlemissuunda tähistav nool.



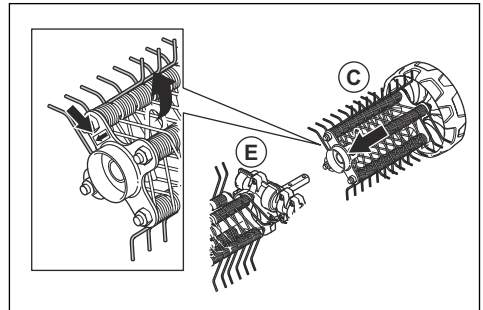
1. Suruge vasakpoolne samblaemaldi (A) reduktori (E) vasakpoolse veovõlli otsa.



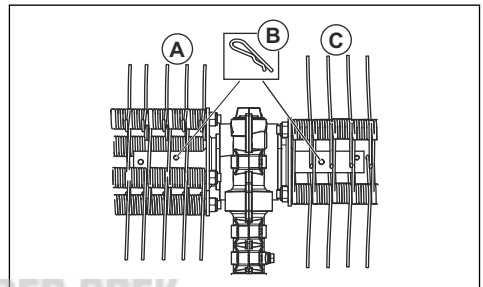
2. Kinnitage samblaemaldi rull splindi (B) abil võlli sisemisse avasse.



3. Suruge parempoolne samblaemaldi (C) reduktori (E) parempoolse veovõlli otsa.



4. Kinnitage samblaemaldi rull splindi (B) abil võlli sisemisse avasse.



5. Kinnitage pritsmekaitse klõpsklambrite (D) abil.

Märkus: Lisateabe saamiseks põhitoote paigalduse lisavarustuse kohta lugege põhitoote juhendit.

Töö

Külma mootoriga toote käivitamine

Kui teil on bensiiniga toote, järgige külma mootoriga toote käivitamise korral neid juhiseid.

1. Laske põhitootel soojeneda ja seejärel lülitage toode välja.
2. Paigaldage lisatarvik vastavalt paigaldussuunistele.
3. Karburaatori reguleerimisel veenduge, et samblaemaldi on vastu maad ja läheduses ei viibi kedagi.
4. Laske samblaemaldil töötada tühikäigul.
5. Kontrollige, et käepidemed ja turvadetailid oleksid korras. Ärge kasutage toodet, kui sellel puudub mõni osa või midagi on muudetud, nii et see ei vasta enam tehnilistele näitajatele.

Lisatarviku kasutamine

1. Laske samblaemaldil töötada täisgaasil (või peaaegu täisgaasil), nii et rattad toetuvad maha.

Märkus: Töötamise ajal on samblaemaldi ülestõstmine või maast kõrgemal hoidmine väsitav ja ebavajalik.

2. Säilitage pinnaga väike töötamisnurk. Laia töötamisnurga korral kipub samblaemaldi teie poole liikuma ja võib põhjustada toote juhitavuse kaotamist.



Hooldamine

Sissejuhatus

Allpool on toodud üldised hoolduseeskirjad. Täpsema teabe saamiseks pöörduge hooldustöökotta.

Lõikeosa hooldamine



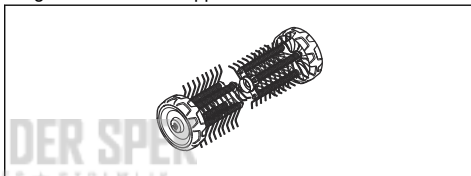
ETTEVAATUST: Samblaemaldiga tuleb töötada tihti tolmustes tingimustes. Kui teil on bensiinitoitel toode, on äärmiselt oluline õhufiltrit regulaarselt hooldada, sageli isegi iga päev, ning õlitada, et see töötaks korralikult.

Hooldusjuhiseid lugege toiteseadme kasutusjuhendist.



HOIATUS: Toote kasutamisel muutub ülekannet tuliseks. Ärge puudutage ülekannet, sest see võib tekitada põletust.

1. Veenduge, et samblaemaldi ei pöörle, kui toitelüliti/gaasihoovastiku nupp on vabastatud.



2. Kui rattad vabalt ei pöörle, puhastage neid.



HOIATUS: Lisatarviku hooldamisel kandke alati kaitsekindaid.

Transportimine, hoiulepanek ja utiliseerimine

Transport ja hoiustamine

Kui transportite lisatarvikut teises sõidukis, kasutage alati ettenähtud kinnitusseadmeid ja veenduge, et lisatarvik oleks kindlalt kinnitatud.

Enne pikemaajalist hoiustamist tuleb lisatarvik korralikult puhastada ja hooldada.

Tehnilised andmed

Tehnilised andmed bensiinitoitega toodete kohta

Samblaemaldi	DT600
Laius, mm	556
Mass	
Kaal, kg	6,5

Samblaeemaldi	DT600
Müraemissioon⁴³	
Helitugevuse tase, dB(A)	105
Helivõimsuse tase, garanteeritud L_{WA} dB(A)	109
Müratase⁴⁴	
Ekvivalentne mürarõhutase kasutaja kõrva juures, mõõdetud EN ISO 22868 järgi, dB(A):	95
Vibratsioonitasemed⁴⁵	
EN ISO 22867 järgi mõõdetud käepidemete ekvivalentsed vibratsioonitasemed ($a_{hv,eq}$), m/s^2	
Eesmisel/tagumisel käepidemed	6,2/4,3

Tehnilised andmed akutoitega toodete kohta

3251LK + samblaemaldi lisatarvik DT600	
Laius, mm	556
Mass	
Kaal, kg	2,3+6,5
Müraemissioon⁴⁶	
Helivõimsuse tase, mõõdetud dB(A)	89
Müratase⁴⁷	
Helirõhutase kasutaja kõrva juures, mõõdetud EN ISO 22868 järgi, dB(A)	77
Vibratsioonitasemed⁴⁸	
Käepidemete vibratsioonitasemed, mõõdetud EN 62841-1 järgi, m/s^2	
Eesmisel/tagumisel käepidemed	1,9/2,6
Originaalse vasak-/parempoolse heakskiidetud lisatarvikuga	1,9/2,6

⁴³ Mõõdetud koosHusqvarna kinnitatud lisavarustusega. Müraemissioon ümbritsevasse keskkonda, mõõdetud helivõimsuse tasemena (L_{WA}) vastavalt EÜ direktiivile 2000/14/EÜ. Seadme antud müratase mõõdeti enim müra tekitava originaalsaagimisseadme kasutamisel. Erinevus garanteeritud ja mõõdetud helivõimsustaseme vahel seisneb selles, et direktiivi 2000/14/EÜ alusel hõlmab garanteeritud helivõimsustase ka mõõtmistulemuste dispersiooni ja kõrvalekaldeid sama mudeli erinevate seadmete vahel.

⁴⁴ Mõõdetud koosHusqvarna kinnitatud lisavarustusega. Antud andmetel seadme helitugevuse taseme ekvivalendi kohta on statistiline tüüplevi 1 dB(A) (standardne kõrvalekalle).

⁴⁵ Mõõdetud koosHusqvarna kinnitatud lisavarustusega. Ekvivalentse vibratsioonitaseme kohta toodud andmete tüüpiline statistiline dispersioon (standardhälve) on 1 m/s^2 .

⁴⁶ Antud andmetel seadme helivõimsustaseme ekvivalendi kohta on statistiline tüüplevi 3 dB(A) (standardne kõrvalekalle) ja on mõõdetud originaalse löikeosaga, mis annab kõrgeima taseme.

⁴⁷ Antud andmetel seadme helirõhutase ekvivalendi kohta on statistiline tüüplevi 3 dB(A) (standardne kõrvalekalle) ja on mõõdetud originaalse löikeosaga, mis annab kõrgeima taseme.

⁴⁸ Vibratsioonitaseme kohta toodud andmete tüüpiline statistiline dispersioon (standardhälve) on 2 m/s^2 . Akuga ja põlemismootoriga seadmete vibratsioonitasemete võrdlemiseks kasutatakse vibratsioonikalkulaatorit. <https://www.husqvarna.com/uk/services-solutions/vibration-calculator/>.

EÜ vastavusdeklaratsioon

EÜ vastavusdeklaratsioon bensiinitoritega toodetele

Husqvarna AB, SE-561 82 Huskvarna, Rootsi, tel: +46 36 146500, kinnitab, et samblaemaldi **Husqvarna DT600** seerianumbritega alates 2019 ja edasi (aastaarv ja sellele järgnev seerianumber on selgelt märgitud mudeli andmesildile) vastavad järgmise NÕUKOGU DIREKTIIVI nõuetele:

- **2006/42/EÜ** (17. mai 2006), masinadirektiiv;
- 8. juuni 2011. a., „teatud ohtlike ainete kasutamise piiramise kohta elektri- ja elektroonikaseadmetes” **2011/65/EL**.
- **2000/14/EÜ** (8. mai 2000), müradirektiiv;

Bensiinitoritega seotud järgmised standardid.

SS-EN ISO 12100:2010, EN IEC 63000:2018

RISE SMP Svenska Maskinprovning AB, Box 7035, SE-750 07 Uppsala, Rootsi teostas vabatahtlikult Husqvarna AB nimel tüübikontrolli. Serdi number on **SEC/15/2411 - Husqvarna DT600**

Huskvarna, 2021-02-12



Pär Martinsson, arendusdirektor (Husqvarna AB volitatud esindaja ja tehnilise dokumentatsiooni vastutav juht)

EÜ vastavusdeklaratsioon akutoitega toodetele

Husqvarna AB, SE-561 82 Huskvarna, Rootsi, tel: +46 36 146500, kinnitab, et samblaemaldi **Husqvarna DT600 lõikeosa toiteseadmega Husqvarna 325iLK** seerianumbritega alates 2019 ja edasi (aastaarv ja sellele järgnev seerianumber on selgelt märgitud mudeli andmesildile) vastavad järgmise NÕUKOGU DIREKTIIVI nõuetele:

- **2006/42/EÜ** (17. mai 2006), masinadirektiiv;
- 8. juuni 2011. a., „teatud ohtlike ainete kasutamise piiramise kohta elektri- ja elektroonikaseadmetes” **2011/65/EL**.

Akutoodetele kehtivad järgmised standardid.

EN 62841-1:2015, EN 50636-2-92:2014, EN IEC 63000:2018

RISE SMP Svenska Maskinprovning AB, Box 7035, SE-750 07 Uppsala, Rootsi teostas vabatahtlikult

Husqvarna AB nimel tüübikontrolli. Serdi number on **SEC/15/2411 - Husqvarna DT600**

Lisateavet mürataseme kohta vt *Tehnilised andmed lk 78*.

Huskvarna, 2021-02-12



Pär Martinsson, arendusdirektor (Husqvarna AB volitatud esindaja ja tehnilise dokumentatsiooni vastutav juht)

Sisällys

Johdanto.....	81	Huolto.....	87
Turvallisuus.....	82	Kuljettaminen, säilyttäminen ja hävittäminen.....	87
Asentaminen.....	86	Tekniset tiedot.....	88
Käyttö.....	87	EY-vaatimustenmukaisuusvakuutus.....	90

Johdanto

Tuotekuvaus

Kehitämme jatkuvasti tuotteitamme ja pidätämme siksi itsellämme oikeuden muuttaa tuotteiden muotoa ja ulkonäköä ilman ennakoilmoitusta.

Huomautus: Tässä käyttöohjeessa käsitellään sekä bensiini- että akkukäyttöisiä laitteita.

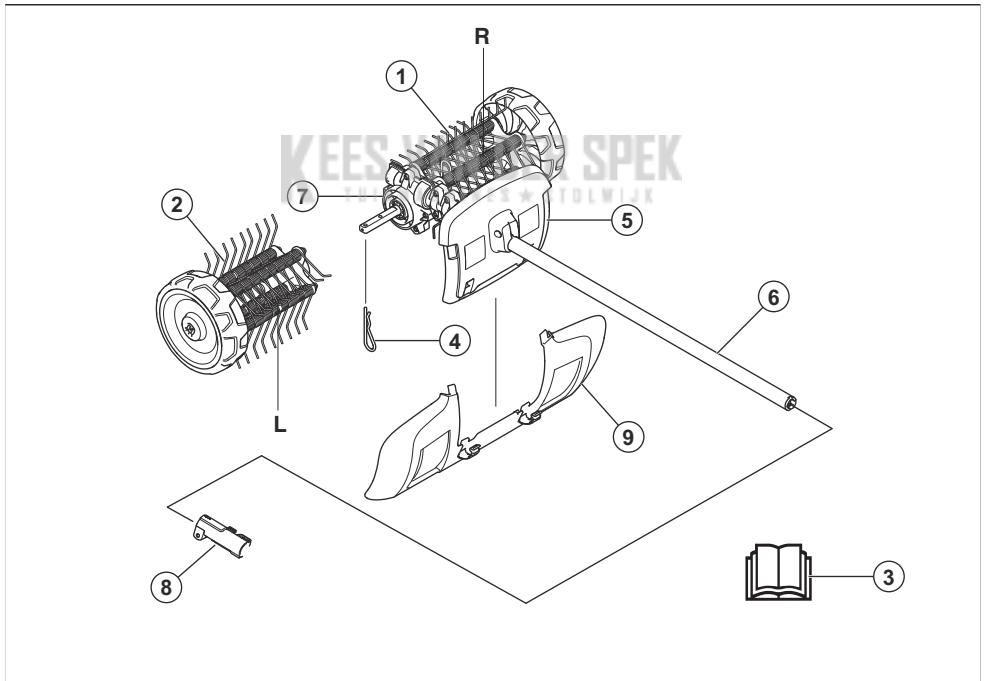
Käyttötarkoitus



VAROITUS: Tätä lisälaitetta saa käyttää vain sille tarkoitetussa laitteessa. Katso laitteen käyttöohjekirjan lisävarusteita käsittelevä luku.

Lisälaitte on tarkoitettu ainoastaan sammaleen poistamiseen nurmikosta.

Lisälaitteen yleiskatsaus



1. Sammaleenpoistaja oikea
2. Sammaleenpoistaja vasen
3. Käyttöohje
4. Saksisokka
5. Suojus (vetovarren suojaus)
6. Runkoputki
7. Vaihekotelo
8. Runkoputken liitin (toimitetaan tuotteen mukana)
9. Roiskesuojuus

Lisälaitteen ja käyttöagregaatin symbolit



Tämän lisälaitteen huolimaton käyttö tai väärinkäyttö voi aiheuttaa käyttäjälle tai sivullisille vakavan tai hengenvaarallisen tapaturman.



Lue käyttöohje huolellisesti ja varmista, että ymmärrät sen sisällön, ennen kuin alat käyttää lisälaitetta.



Käytä hyväksytyjä kuulonsuojaimia. Käytä hyväksytyjä silmäsuojaimia. Käytä hengityssuojainta, jos on olemassa pölyvaara.



Tämä lisälaite täyttää sovellettavien EY-direktiivien vaatimukset.



Pyöriviä osia. Pidä kädet ja jalat poissa niiden läheltä. Nuoli osoittaa pyörimissuunnan.



Käytä aina hyväksytyjä suojakäsineitä.



Käytä luistamattomia ja tukevia jalkineita.



Varo sinkoutuvia esineitä ja kimmokkeita.



Käyttäjän on varmistettava, että ihmiset ja eläimet ovat vähintään 15 metrin päässä laitteesta. Kun useita käyttäjiä työskentelee samalla työalueella, on käytettävä vähintään 15 metrin turvaetäisyyttä. Lisälaite voi singota rajulla voimalla esineitä, jotka voivat kimmota takaisin. Se voi johtaa vakaviin silmävammoihin, mikäli suositeltuja suojaimia ei käytetä.



Pysy vähintään 15 metrin etäisyydellä ihmisistä ja eläimistä laitteen käytön aikana.



Pidä kaikki kehon osat poissa kuumilta pinnoilta.



Melupäästöt ympäristöön Euroopan yhteisön direktiivin mukaisesti. Lisälaitteen päästöt ilmoitetaan luvussa Tekniset tiedot ja arvokilvessä.

Huomautus: Muita lisälaitteen tunnuksia/tarroja tarvitaan tietyillä markkina-alueilla ilmaisemaan erityisiä sertifiointivaatimuksia.

Turvallisuus

Turvallisuusmääritelmät

Varoituksia, huomioita ja huomautuksia käytetään, kun jotakin käyttöohjeen osaa halutaan erityisesti korostaa.



VAROITUS: Tätä käytetään, jos käyttöohjeen noudattamatta jättämisestä voi seurata käyttäjän tai sivullisen vamma tai kuolema.



HUOMAUTUS: Tätä käytetään, jos käyttöohjeen noudattamatta jättämisestä voi seurata tuotteen ja/tai lisälaitteen, muiden materiaalien tai ympäristön vaurioituminen.

Huomautus: Tätä käytetään tietyissä tilanteissa tarvittavien lisätietojen antamiseen.

Yleiset turvaohjeet



VAROITUS: Lue seuraavat turvaohjeet ennen lisälaitteen käyttämistä.

- Lue käyttöohje huolellisesti ja varmista, että ymmärrät sen sisällön, ennen kuin alat käyttää lisälaitetta.
- Nämä ohjeet täydentävät laitteen mukana toimitettuja ohjeita. Katso muita toimenpiteitä koskevat ohjeet laitteen käyttöohjeista.

- Lisälaitteen rakennetta ei missään tapauksessa saa muuttaa ilman valmistajan lupaa. Älä käytä lisälaitetta, mikäli epäilet jonkun muun tehneen siihen muutoksia. Käytä aina alkuperäisiä lisävarusteita. Hyväksymättömien muutosten ja/tai lisävarusteiden käyttö voi aiheuttaa käyttäjälle tai muille vakavia vahinkoja tai kuoleman.

Lue kaikki ohjeet



VAROITUS: Sähkökäyttöisiä puutarhayökaluja käytettäessä on aina noudatettava yleisiä turvaohjeita, jotka vähentävät tulipalon, sähköiskun ja henkilövahinkojen vaaraa ja joita ovat esimerkiksi seuraavat:

Lisälaitteen turvaohjeet

- Älä koskaan anna lasten tai henkilöiden, joiden fyysinen, aistinvarainen tai henkinen toimintakyky on alentunut, käyttää laitetta. Laitetta eivät saa myöskään käyttää henkilöt, joilla ei ole riittäviä taitoja tai kokemusta laitteesta tai henkilöt, jotka eivät ole tutustuneet tuotteeseen käyttöohjeisiin. Paikalliset määräykset saattavat rajoittaa käyttäjän ikää.
- Älä koskaan käytä laitetta, kun lähistöllä on ihmisiä, etenkin lapsia, tai lemmikkieläimiä.
- Älä kurota ja säilytä tasapaino aina. Älä koskaan juokse vaan kävele, jotta varmistat, että jalansijasi on tasainen.
- Älä koske liikkuviin vaarallisiin osiin, ennen kuin kone on irrotettu verkkovirrasta ja liikkuvat vaaralliset osat ovat täysin pysähtyneet.
- Käytä aina turvallisia jalkineita ja pitkiä housuja, kun käytät konetta.
- Irrota akku laitteesta, kun laite on valvomatta, ennen tukoksen selvittämistä ja ennen laitteen puhdistusta ja muita toimenpiteitä.
- Irrota akku laitteesta ennen kuin tarkastat vaurioita, esimerkiksi silloin, kun laitteeseen on osunut vieras esine tai mikäli laitteessa ilmenee epätavallista tärinää.
- Älä yhdistä vaurioitunutta virtajohtoa virtalähteeseen tai koske vaurioituneeseen virtajohtoon, ennen kuin se on irrotettu virtalähteestä. Vaurioitunut virtajohto saattaa olla yhteydessä jännitteisiin osiin ja voi aiheuttaa vamman tai kuoleman.
- Älä käytä laitetta, jossa on vialliset varolaitteet/ suojukset, ilman turvalaitteita tai jos virtajohto on vaurioitunut tai kulunut.
- Vältä virtajohdon vauriot pitämällä jatkojohdot poissa liikkuvista vaarallisista osista, jotka voivat yhteydessä jännitteisiin osiin.
- Yhdistä laite virtalähdepiiriin, joka on suojattu vikavirtasuojakytkimellä (RCD), jonka laukaisuvirta on enintään 30 mA.
- Älä käytä laitetta epäsuotuisissa sääolosuhteissa, etenkin jos salamointi on mahdollista.

Turvallisuusohjeet käyttöä varten



VAROITUS: Lue seuraavat varoitusohjeet ennen laitteen käyttämistä.

- Moottori sammutetaan viemällä pysäytyskosketin pysäytysasentoon. Pysäytyskosketin palautuu automaattisesti käynnistysasentoon. Estä tahaton käynnistyminen, kun kokoat tai tarkastat laitetta ja/tai teet huoltotyötä. Jos laite on bensinikäyttöinen, irrota sytytystulpan suojus sytytystulpasta. Jos laite on akkukäyttöinen, irrota akku.
- Varo sinkoutuvia esineitä. Pidä aina silmäsuojia. Älä kumarru sammaleenpoistajan ylle. Kivet, roskat yms. saattavat sinkoutua silmiin ja aiheuttaa sokeutumisen tai vakavia vahinkoja.
- Vaihte voi olla kuuma käytön aikana ja jonkin aikaa sen jälkeen. Koskettaminen voi aiheuttaa palovamman.
- Vaikka harjarumpujen voima ei ole yhtä suuri kuin esimerkiksi ruohonleikkurin terien, niillä ei kannata työstää materiaaleja, jotka voivat sinkoutuaan aiheuttaa henkilö- tai omaisuusvahinkoja.
- Älä koskaan käytä konetta niin, ettei sinulla onnettomuustapauksessa ole mahdollisuutta kutsua apua.
- Käytä konetta vain sille tarkoitettuihin töihin.
- Älä koskaan käytä konetta, jos olet väsynyt, nauttinut alkoholia tai lääkkeitä, jotka voivat vaikuttaa näkökykyysi, harkintakykyysi tai kehosi hallintaan.
- Älä koskaan käytä konetta äärimmäisissä ilmastolosuhteissa, kuten kovassa pakkasessa tai erittäin lämpimässä ja/tai kosteassa ilmastossa.
- Älä koskaan käytä viallista konetta. Noudata tässä käyttöohjeessa annettuja turvallisuustarkastuksia, kunnossapitoa ja huoltoa koskevia ohjeita. Tietyt kunnossapito- ja huoltotyöt on annettava koulutettujen ja pätevien asiantuntijoiden tehtäviksi. Katso ohjeet kohdasta Kunnossapito.
- Älä koskaan anna lasten käyttää konetta.
- Älä koskaan anna kenenkään käyttää konetta varmistamatta ensin, että käyttäjä on lukenut ja ymmärtänyt käyttöohjeen sisällön.
- Pidä asiaankuulumattomat etäällä. Lasten, eläinten, sivullisten ja apulaisten on pysytteltävä 15 metrin turvaetäisyydellä työskentelyn aikana. Sammuta laite välittömästi, jos joku tulee lähemmäs.
- Jos käytön jatkaminen tuntuu epävarmalta, kysy neuvoa asiantuntijalta. Käännä jälleenmyyjäsi tai huoltoliikkeesi puoleen.
- Älä tee mitään sellaista, mihin et katso taitosi riittävän.
- Tarkkaile ympäristöä ja varmista, ettei laite pääse osumaan ihmisiin tai eläimiin. Varmista myös, etteivät ihmiset tai eläimet pääse vaikuttamaan laitteen hallintaan.

- Tarkkaile aina varoitussignaaleja ja -huutoja kuulonsuojaimia käyttäessäsi. Riisu kuulonsuojaimet välittömästi moottorin pysäytyksen jälkeen.
- Älä käytä konetta epäsuotuisissa sääolosuhteissa, kuten tiheässä sumussa, rankkasateessa, kovassa tuulussa tai ankarassa pakkasessa. Huonossa säässä työskentely on väsyttävää, ja siihen liittyy usein riskitekijöitä, kuten jäinen alusta.
- Varmista, että voit siirtyä ja seisoa turvallisesti. Katso, onko äkilliselle siirtymiselle esteitä (juuria, kiviä, oksia, kuoppia, oja jne.). Noudata suurta varovaisuutta viettäessä maastossa työskennellessäsi.



- Siirtymisen ajaksi on moottori sammutettava.
- Älä koskaan laske konetta maahan moottorin käydessä, jos et pysty valvomaan sitä koko ajan.
- Pidä koneesta aina molemmin käsin kiinni. Pidä koneesta aina molemmin käsin.
- Pidä kädet ja jalat etäällä sammaleenpoistajasta, kun se on käynnissä.
- Kun moottori on sammutettu, pidä kädet ja jalat etäällä sammaleenpoistajasta, kunnes se on täysin pysähtynyt.
- Jos laite alkaa tärästä voimakkaasti, pysäytä kone. Jos laite on bensiinikäyttöinen, irrota sytytysjohto sytytystulpasta. Jos laite on akkukäyttöinen, irrota akku. Varmista, ettei kone ole vaurioitunut. Korjaa mahdolliset vauriot.

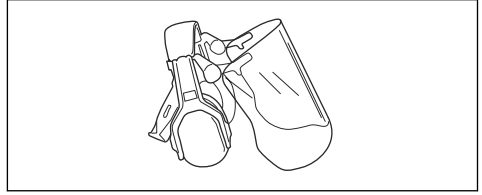
Henkilökohtainen suojavarustus



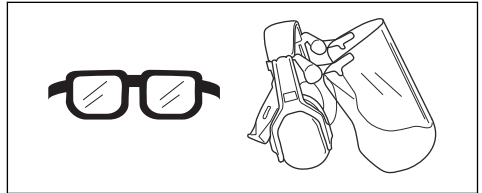
VAROITUS: Lue seuraavat varoitusohjeet ennen laitteen käyttämistä.

- Käytä aina hyväksytyjä henkilökohtaisia suojavarusteita, kun käytät laitetta. Henkilökohtaiset suojavarusteet eivät poista tapaturmien vaaraa, mutta ne lieventävät vammoja onnettomuustilanteessa. Anna jälleenmyyjän auttaa oikeiden varusteiden valinnassa.

- Käytä riittävän tehokkaasti vaimentavia hyväksytyjä kuulonsuojaimia. Pitkäaikainen altistuminen melulle saattaa aiheuttaa pysyviä kuulovammoja.



- Käytä hyväksytyjä silmäsuojaimia. Visiiriä käytettäessä on käytettävä myös hyväksytyjä suojalaseja. Hyväksytyillä suojalaseilla tarkoitetaan laseja, jotka täyttävät standardin ANSI Z87.1 (Yhdysvallat) tai EN 166 (EU-maat) vaatimukset.



- Käytä käsineitä tarvittaessa esimerkiksi terävarustuksen asennuksen, tarkastuksen ja puhdistuksen aikana.

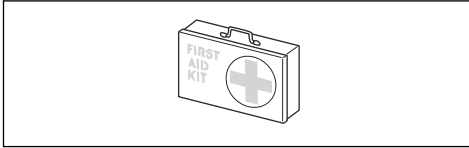


- Käytä turvajalkineita, joissa on teräskärjet ja luistamattomat pohjat.



- Käytä lujasta materiaalista valmistettuja vaatteita. Käytä aina vahvakankaisia pitkiä housuja ja pitkähaihaista takkia. Vältä liian löysiä vaatteita, jotka tarttuvat helposti rusuihin ja oksiin. Älä pidä koruja, shortseja tai sandaaleja. Älä myöskään kulje paljain jaloin. Sido hiukset turvallisesti olkapäiden yläpuolelle.

- Pidä ensiaputarvikkeet helposti saatavilla.



Lisälaitteen turvalaitteet



VAROITUS: Lue seuraavat varoitusohjeet ennen lisälaitteen käyttämistä.

Tässä osassa kerrotaan lisälaitteen turvaominaisuuksista ja niiden toiminnasta sekä annetaan tarkastus- ja kunnossapito-ohjeet, joilla varmistetaan laitteen toimivuus. Katso kohdasta *Lisälaitteen yleiskatsaus sivulla 81*, missä nämä osat sijaitsevat lisälaitteessasi.

Lisälaitteen käyttöikä voi lyhentyä ja onnettomuusvaara kasvaa, jos lisälaitteen kunnossapitoa ei suoriteta oikein ja jos huoltoa ja/tai korjauksia ei tehdä ammattitaitoisesti. Saat lisätietoja lähimmästä huoltoliikkeestä.



VAROITUS: Älä koskaan käytä lisälaitetta, jos sen turvalaitteet ovat viallisia. Lisälaitteen turvavarustus on tarkastettava ja pidettävä kunnossa tässä osassa esitetyllä tavalla. Jos lisälaitteessasi ilmenee tarkastettaessa puutteita, se on toimitettava huoltoliikkeeseen korjattavaksi.



VAROITUS: Kaikki tuotteen huolto- ja korjaustyöt vaativat erikoiskoulutusta. Tämä koskee erityisesti tuotteen turvavarustusta. Jos tuotteessa havaitaan puutteita alla luetelluissa tarkastuksissa, ota yhteyttä huoltoliikkeeseen. Hankkimalla tuotteen meiltä varmistat, että saat sille

ammattimaisen korjauksen ja huollon. Jos ostat tuotteen muusta kuin huollot suorittavasta ammattiliikkeestä, pyydä myyjää neuvomaan lähin huoltoliike.

Turvaohjeet huoltoon varten



VAROITUS: Lue seuraavat varoitusohjeet ennen huoltoa.

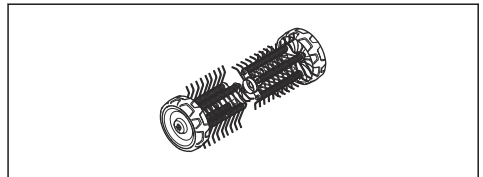


VAROITUS: Pysäytä laite aina, ennen kuin alat käsitellä lisälaitetta. Ole varovainen, sillä lisälaitte voi jatkaa liikkumista käyttö-/turvaliipaisimen vapauttamisen jälkeen. Varmista, että lisälaitte on täysin pysähtynyt. Jos laite on bensiinikäyttöinen, irrota sytytysjohto sytytystulpasta. Jos laite on akkukäyttöinen, irrota akku.



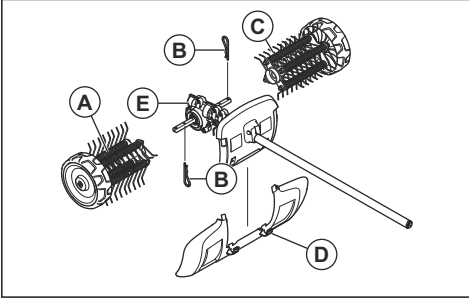
VAROITUS: Käytä aina suojakäsineitä.

- Tarkista laite kokonaisuudessaan ennen työn aloittamista. Tarkista, että kaikki suojukset ja kannet ovat ehjät ja kunnolla paikoillaan. Tarkista kaikki mutterit ja ruuvit.
- Jos laite on bensiinikäyttöinen, tarkista, ettei laitteesta vuoda polttoainetta.
- Vaihda vaurioituneet osat.



Asentaminen

Lisälaitteen asennus

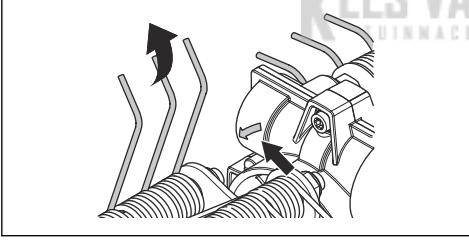


Vaihekotelossa oleva nuoli osoittaa pyörimissuunnan. Vaihekotelo on asetettava kuvan osoittamalla tavalla.

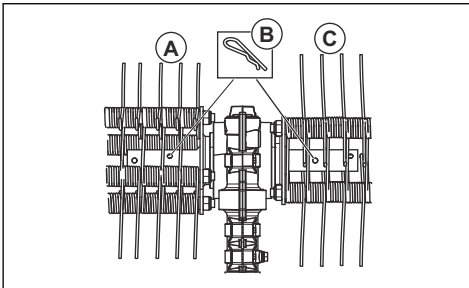
TÄRKEÄÄ:

Pyörimissuunta on merkitty sammaleenpoistajan rulliin nuolilla. Varmista, että sammaleenpoistajan rullat on asennettu oikein.

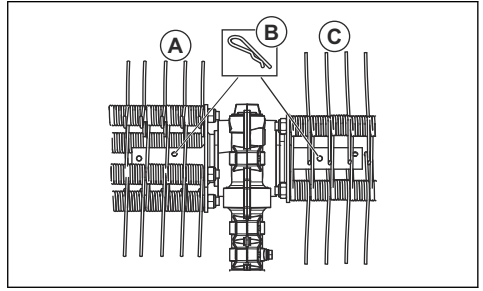
Sammaleenpoistajan rullat on asennettava toisiinsa nähden hieman eri kohtiin. Sammaleenpoistajan jousien on osoitettava samaan suuntaan kuin vaihekotelossa oleva pyörimissuunnan nuoli.



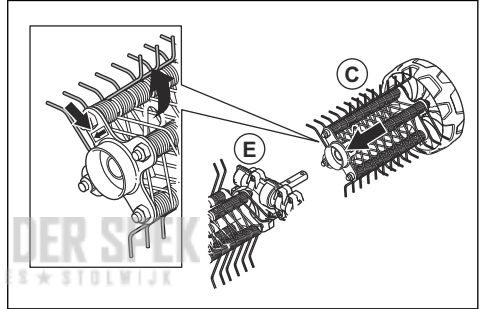
1. Paina vasemmanpuoleinen sammaleenpoistaja (A) vaihekotelon (E) vasempaan vetoakseliin.



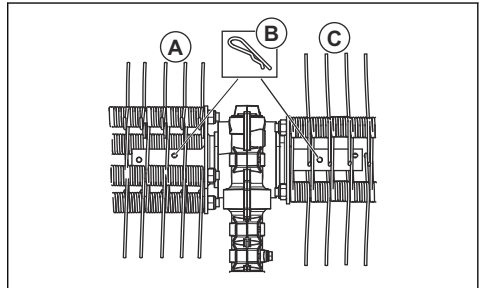
2. Kiinnitä sammaleenpoistajan rulla saksisokalla (B) vetovarren sisempään aukkoon.



3. Paina oikeanpuoleinen sammaleenpoistaja (C) vaihekotelon (E) oikeaan vetoakseliin.



4. Kiinnitä sammaleenpoistajan rulla saksisokalla (B) vetovarren sisempään aukkoon.



5. Kiinnitä roiskeuoja paikalleen napsauttavilla kiinnikkeillä (D).

Huomautus: Ohjeet lisävarusteiden asentamisesta laitteen vakiomalliin ovat vakiomallin käyttöoppaassa.

Käyttö

Laitteen käynnistäminen moottorin ollessa kylmä

Jos laite on bensiinikäyttöinen, noudata näytä ohjeita, kun käynnistä laitteen moottorin kylmänä.

1. Käytä laite lämpimäksi ja sammuta se.
2. Kiinnitä lisälaitte asennusohjeiden mukaisesti.
3. Kaasuttimen säädön yhteydessä on varmistettava, että poistolaitte on tuettu maata vasten ja että alueella ei ole muita henkilöitä.
4. Anna sammaleenpoistajan käydä joutokäynnillä.
5. Varmista, että kahvat ja turvatoiminnot ovat kunnossa. Älä koskaan käytä laitetta, jos siitä puuttuu jokin osa tai sitä on muutettu määräysten vastaisesti.

Lisälaitteen käyttäminen

1. Käytä sammaleenpoistajaa täydellä (tai lähes täydellä) kaasulla niin, että pyörät lepäävät pintaa vasten.

Huomautus: Sammaleenpoistajan nostaminen irti pinnasta työskentelyn aikana on käyttäjälle raskasta ja tuloksen kannalta tarpeetonta.

2. Pidä laite pienessä kulmassa työstettävään pintaan nähden. Jos työskentelykulma on suuri, sammaleenpoistaja liikkuu sinua kohti ja saatat menettää laitteen hallinnan.



Huolto

Johdanto

Alla on annettu joitakin yleisiä hoito-ohjeita. Jos tarvitset lisäohjeita, ota yhteys huoltoliikkeeseen.

Lisälaitteen kunnossapito



HUOMAUTUS: Sammaleenpoistajaa käytetään usein pölyisissä olosuhteissa. Jos laite on bensiinikäyttöinen, on erittäin tärkeää, että ilmansuodatin tarkastetaan säännöllisesti, usein päivittäin, ja öljytään, jotta se toimii tyydyttävästi.

Katso huolto-ohjeet käyttöaggregaatin käyttöoppaasta.

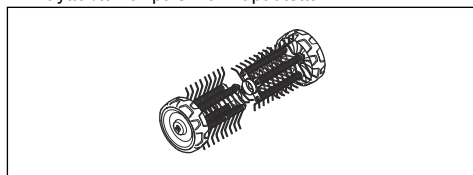


VAROITUS: Käytä aina suojakäsineitä, kun huollat lisälaitetta.



VAROITUS: Vaihte kuumenee laitetta käytettäessä. Älä koske vaihteeseen, sillä se aiheuttaa palovammoja.

1. Varmista, että sammaleenpoistaja ei pyöri, kun käyttö-/turvaliipaisin on vapautettu.



2. Puhdista pyörät, jos ne eivät pyöri vapaasti.

Kuljettaminen, säilyttäminen ja hävittäminen

Kuljetus ja säilytys

Kuljetettaessa lisälaitetta toisessa ajoneuvossa on aina käytettävä hyväksytyjä kiinnityslaitteita ja varmistettava, että lisälaitte on kiinnitetty kunnolla.

Varmista, että lisälaitte on puhdistettu hyvin ja että täydellinen huolto on tehty ennen pitkäaikais säilytystä.

Tekniset tiedot

Bensiinikäyttöisten laitteiden tekniset tiedot

Sammaleenpoistaja	DT600
Leveys, mm	556
Paino	
Paino, kg	6,5
Melupäästöt⁴⁹	
Äänen tehotaso, mitattu dB(A)	105
Äänen tehotaso, taattu L _{WA} dB(A)	109
Äänitasot⁵⁰	
Ekvivalentti äänenpainetaso käyttäjän korvan tasalla mitattuna standardien EN ISO 22868 mukaan, dB(A)	95
Tärinä⁵¹	
Kahvojen vastaavat tärinätasot (a _{h_v,eq}) mitattuna standardin EN ISO 22867 mukaan, m/s ²	
Etu-/takakahvat	6,2/4,3

KEES VAN DER SPEK
NES * STOLWIJK

Akkukäyttöisten laitteiden tekniset tiedot

325iLK + poistajalisälaite DT600	
Leveys, mm	556
Paino	
Paino, kg	2,3 + 6,5
Melupäästöt⁵²	
Äänen tehotaso, mitattu dB(A)	89
Äänitasot⁵³	

⁴⁹ Mitattu yhdessä lisävarusteiden kanssa, jotka Husqvarna on hyväksynyt. Melupäästö ympäristöön äänentehona (L_{WA}) EY-direktiivin 2000/14/EY mukaisesti mitattuna. Laitteen ilmoitettu äänentehotaso on mitattu käyttäen alkuperäistä terälaitetta, joka antaa suurimman äänentehotason. Taatun ja mitatun äänitehon erona on se, että taattu ääniteho sisältää myös mitatun tuloksen hajonnan ja vaihtelun saman mallin eri laitteiden välillä direktiivin 2000/14/EY mukaisesti.

⁵⁰ Mitattu yhdessä lisävarusteiden kanssa, jotka Husqvarna on hyväksynyt. Ilmoitetuilla tiedoilla vastaavasta koneen äänenpainetasosta tyypillinen tilastollinen hajonta (vakiopoikkeama) on 1 dB(A).

⁵¹ Mitattu yhdessä lisävarusteiden kanssa, jotka Husqvarna on hyväksynyt. Ilmoitetuilla tiedoilla vastaavasta tärinätasosta tyypillinen tilastollinen hajonta (vakiopoikkeama) on 1 m/s².

⁵² Ilmoitetuilla tiedoilla koneen äänentehotasosta tyypillinen tilastollinen hajonta (vakiopoikkeama) on 3 dB(A). Taso on mitattu käyttäen alkuperäistä lisälaitetta, joka antaa suurimman äänentehotason.

⁵³ Ilmoitetuilla tiedoilla koneen äänenpainetasosta tyypillinen tilastollinen hajonta (vakiopoikkeama) on 3 dB(A). Taso on mitattu käyttäen alkuperäistä lisälaitetta, joka antaa suurimman äänentehotason.

325ILK + poistajalisälaite DT600	
Äänenpainetaso käyttäjän korvan tasalla mitattuna standardin EN ISO 22868 mukaan, dB(A):	77
Tärinä⁵⁴	
Kahvojen tärinätasot standardin EN 62841-1 mukaan mitattuna, m/s ²	
Etu-/takakahvat	1,9/2,6
Varustettu hyväksytyllä lisävarusteella (alkuperäinen), vasen/oikea	1,9/2,6

KEES VAN DER SPEK
TUINMACHINES ★ STOLWIJK

⁵⁴ Tärinätasolle ilmoitetuissa tiedoissa tyypillinen tilastollinen hajonta (vakiopoikkeama) on 2 m/s². Käytä akku- ja polttomootorikäyttöisten laitteiden tärinätasojen vertailussa tärinälaskuria. <https://www.husqvarna.com/uk/services-solutions/vibration-calculator/>.

EY-vaatimustenmukaisuusvakuutus

EY-vaatimustenmukaisuusvakuutus – bensiniikäyttöiset tuotteet

Husqvarna AB, SE-561 82 Huskvarna, Ruotsi, puh.: +46-36-146500, vakuuttaa täten, että sammaleenpoistajalisälaite **Husqvarna DT600** alkaen vuoden 2019 sarjanumeroista (vuosi on ilmoitettu arvokilvessä ennen sarjanumeroa) on valmistettu noudattaen seuraavaa NEUVOSTON DIREKTIIVIÄ:

- 17. toukokuuta 2006 annettu konedirektiivi **2006/42/EY**
- 8. kesäkuuta 2011 annettu direktiivi tiettyjen vaarallisten aineiden käytön rajoittamisesta sähkö- ja elektroniikkalaitteissa, **2011/65/EU**.
- 8. toukokuuta 2000 annettu direktiivi **2000/14/EY**, joka koskee melupäästöjä ympäristöön.

Seuraavia standardeja on sovellettu bensiniikäyttöisiin tuotteisiin:

SS-EN ISO 12100:2010, EN IEC 63000:2018

RISE SMP Svensk Maskinprovning AB, Box 7035, SE-750 07 Uppsala, Ruotsi, on suorittanut Huskvarna AB:lle vapaaehtoisen tyyppitarkastuksen. Todistus on numeroitu: **SEC/15/2411 - Husqvarna DT600**

Huskvarna , 2021-02-12



Pär Martinsson, kehityspäällikkö (Huskvarna AB:n valtuutettu ja teknisestä dokumentaatiosta vastaava edustaja)

EY-vaatimustenmukaisuusvakuutus – akkukäyttöiset tuotteet

Husqvarna AB, SE-561 82 Huskvarna, Ruotsi, puh.: +46-36-146500, vakuuttaa täten, että sammaleenpoistajalisälaite **Husqvarna DT600 ja käyttöaggregaatti Husqvarna 325iLK** alkaen vuoden 2019 sarjanumeroista (vuosi on ilmoitettu arvokilvessä ennen sarjanumeroa) on valmistettu noudattaen seuraavaa NEUVOSTON DIREKTIIVIÄ:

- 17. toukokuuta 2006 annettu konedirektiivi **2006/42/EY**
- 8. kesäkuuta 2011 annettu direktiivi tiettyjen vaarallisten aineiden käytön rajoittamisesta sähkö- ja elektroniikkalaitteissa, **2011/65/EU**.

Seuraavia standardeja on sovellettu akkukäyttöisiin tuotteisiin:

EN 62841-1:2015, EN 50636-2-92:2014, EN IEC 63000:2018

RISE SMP Svensk Maskinprovning AB, Box 7035, SE-750 07 Uppsala, Ruotsi, on suorittanut Huskvarna AB:lle vapaaehtoisen tyyppitarkastuksen. Todistus on numeroitu: **SEC/15/2411 - Husqvarna DT600**

Katso lisätietoja melupäästöistä osiosta *Tekniset tiedot sivulla 88*.

Huskvarna , 2021-02-12



Pär Martinsson, kehityspäällikkö (Huskvarna AB:n valtuutettu ja teknisestä dokumentaatiosta vastaava edustaja)

KEES VAN DER SPEK
TUINMACHINES * STOLWIJK

Sommaire

Introduction.....	91	Entretien.....	97
Sécurité.....	92	Transport, entreposage et mise au rebut.....	98
Montage.....	96	Caractéristiques techniques.....	98
Utilisation.....	97	Déclaration de conformité CE.....	100

Introduction

Description du produit

Nous travaillons continuellement au développement de nos produits et nous réservons le droit d'en modifier, entre autres, la conception et l'aspect sans préavis.

Remarque: Le présent manuel concerne à la fois les blocs d'alimentation fonctionnant à l'essence et ceux alimentés par batterie.

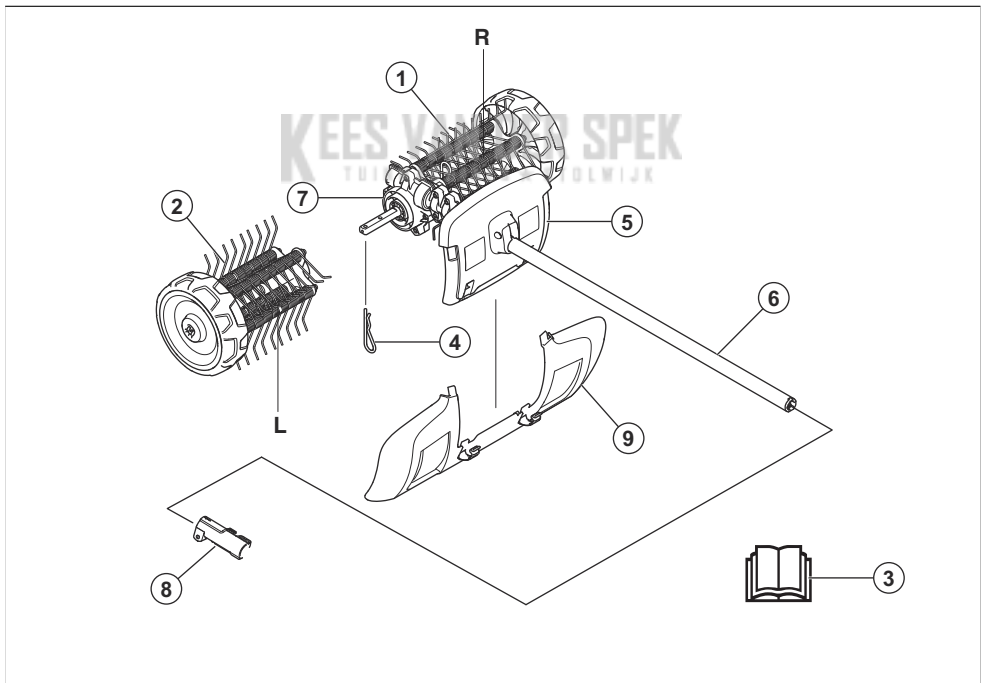
Utilisation prévue



AVERTISSEMENT: Cet accessoire ne peut être utilisé qu'avec le produit spécialement conçu à cet effet. Reportez-vous au chapitre sur l'accessoire du manuel d'utilisation du produit.

L'accessoire est conçu uniquement pour démailler les pelouses.

Présentation de l'accessoire



- | | |
|--|----------------------------------|
| 1. Démailler droit | 6. Arbre |
| 2. Démailler gauche | 7. Carter |
| 3. Manuel d'utilisation | 8. Accouplement d'arbre (inclus) |
| 4. Goupille fendue | 9. Protection anti-éclaboussures |
| 5. Protection (protection sur l'arbre) | |

Symboles sur l'accessoire et le bloc d'alimentation



Une utilisation erronée ou négligente de cet accessoire peut occasionner des blessures graves, voire mortelles, pour l'utilisateur ou d'autres personnes.



Avant d'utiliser l'accessoire, lisez attentivement le manuel de l'opérateur et assimilez les instructions qu'il contient.



Utilisez des protège-oreilles agréés. Utilisez des protections pour les yeux homologuées. Utilisez un masque respiratoire en cas de risque d'inhalation de poussière.



Cet accessoire est conforme aux directives CE en vigueur.



Pièces mobiles. Gardez les mains et les pieds éloignés. La flèche indique le sens de rotation.



Portez toujours des gants de protection homologués.



Utilisez des bottes antidérapantes et stables.



Attention : projections et ricochets.



L'opérateur doit s'assurer qu'aucune personne ni aucun animal ne se trouve à moins de 15 m de la machine. Lorsque plusieurs opérateurs travaillent sur le même site, une distance de sécurité d'au moins 15 m doit être respectée. L'accessoire peut projeter violemment des objets pouvant ricocher. Ceci peut provoquer des blessures graves aux yeux si l'équipement de protection personnelle recommandé n'est pas utilisé.



Restez à une distance minimale de 15 m (50 pi) des personnes et des animaux pendant l'utilisation du produit.



Maintenez toutes les parties de votre corps à distance des surfaces chaudes et brûlantes.



Émissions sonores dans l'environnement selon la directive de la Communauté européenne. Les émissions de l'accessoire sont indiquées au chapitre Caractéristiques techniques et sur l'étiquette.

Remarque: Les autres symboles/autocollants présents sur l'accessoire concernent des exigences de certification spécifiques à certains marchés.

Sécurité

Définitions de sécurité

Des avertissements, des recommandations et des remarques sont utilisés pour souligner des parties spécialement importantes du manuel d'utilisation.



AVERTISSEMENT: Symbole utilisé en cas de risque de blessures ou de mort pour l'opérateur ou les personnes à proximité si les instructions du manuel ne sont pas respectées.



REMARQUE: Symbole utilisé en cas de risque de dommages pour le produit et/ou l'accessoire, d'autres matériaux ou les

environs si les instructions du manuel ne sont pas respectées.

Remarque: Symbole utilisé pour donner des informations supplémentaires pour une situation donnée.

Instructions générales de sécurité



AVERTISSEMENT: Lisez les consignes de sécurité qui suivent avant d'utiliser l'accessoire.

- Lisez attentivement et assimilez le manuel d'utilisation avant d'utiliser l'accessoire.
- Ces consignes complètent les instructions fournies avec le produit. Pour d'autres procédures, veuillez vous reporter aux instructions d'utilisation du produit.
- Ne modifiez jamais l'accessoire sans l'autorisation du fabricant. N'utilisez pas un accessoire qui semble avoir été modifié par un tiers et utilisez toujours des accessoires d'origine. Des modifications non autorisées et l'emploi d'accessoires non homologués peuvent provoquer des accidents graves, voire mortels, à l'utilisateur ou d'autres personnes.

Lisez toutes les instructions



AVERTISSEMENT: Lors de l'utilisation d'appareils de jardinage, des précautions élémentaires de sécurité doivent toujours être observées afin de réduire les risques d'incendie, de décharge électrique et de blessures corporelles, y compris ce qui suit :

Consignes de sécurité du démousseur

- Ne laissez jamais des enfants, des personnes aux capacités physiques, motrices ou mentales réduites, des personnes sans expérience ni connaissance du produit ou des personnes n'ayant pas assimilé ces instructions utiliser ce produit. Les réglementations nationales peuvent limiter l'âge de l'utilisateur.
- Ne faites jamais fonctionner le produit lorsque des personnes, en particulier des enfants, ou des animaux domestiques se trouvent à proximité.
- Ne tendez pas les bras trop loin et gardez l'équilibre en permanence. En pente, veillez à marcher et à ne jamais courir pour être sûr de toujours garder l'équilibre.
- Ne touchez pas les pièces dangereuses en mouvement avant que la machine n'ait été débranchée du secteur et que les pièces dangereuses en mouvement ne se soient complètement arrêtées.
- Portez toujours des chaussures robustes et un pantalon long lorsque vous utilisez la machine.
- Retirez la batterie du produit lorsque ce dernier est laissé sans surveillance, avant de le désobstruer et avant de nettoyer le produit ou de travailler sur le produit.
- Retirez la batterie du produit avant de vérifier s'il est endommagé, par exemple après avoir heurté un corps étranger ou s'il commence à vibrer de manière anormale.
- Ne branchez pas un cordon endommagé sur l'alimentation et ne touchez pas un cordon endommagé avant de l'avoir débranché de l'alimentation électrique. Un cordon endommagé risque de provoquer un contact avec des pièces sous tension et peut entraîner des blessures graves, voire mortelles.

- N'utilisez jamais le produit si les protections sont défectueuses, s'il n'est pas équipé de dispositifs de sécurité ou si le cordon est endommagé ou usé.
- Tenez les rallonges à l'écart des pièces dangereuses en mouvement afin d'éviter d'endommager les cordons et ainsi prévenir tout contact avec des pièces sous tension.
- Connectez uniquement le produit à un circuit d'alimentation protégé par un disjoncteur différentiel (RCD) dont le courant de déclenchement est inférieur ou égal à 30 mA.
- N'utilisez pas le produit par mauvais temps, en particulier lorsqu'il y a un risque de foudre.

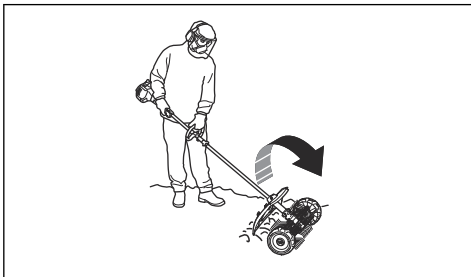
Instructions de sécurité pour le fonctionnement



AVERTISSEMENT: Lisez les instructions qui suivent avant d'utiliser le produit.

- L'interrupteur d'arrêt se remet automatiquement en position de démarrage. Veillez à éviter tout démarrage accidentel lors du montage, du contrôle et/ou de l'entretien. Si vous disposez d'un produit fonctionnant à l'essence, débranchez le capuchon de la bougie. Si vous disposez d'un produit alimenté par batterie, retirez la batterie.
- attention aux objets projetés. Travaillez toujours avec des lunettes de protection. Ne vous penchez jamais par-dessus le démousseur. Des cailloux, débris, etc. peuvent être projetés dans les yeux et causer des blessures très graves, voire la cécité.
- Après l'utilisation, l'engrenage peut être chaud pendant un moment. Risque de brûlures au contact.
- Bien que les brosses n'aient pas la même force que les lames d'une tondeuse, par exemple, vous devez éviter de travailler avec des matériaux qui peuvent causer des blessures personnelles ou des dégâts matériels en cas de projection.
- N'utilisez pas la machine s'il n'est pas possible d'appeler au secours en cas d'accident.
- Utiliser la machine uniquement pour les travaux auxquels elle est destinée.
- Éviter d'utiliser la machine en cas de fatigue, d'absorption d'alcool ou de prise de médicaments susceptibles d'affecter l'acuité visuelle, le jugement ou la maîtrise du corps.
- N'utilisez jamais la machine dans des conditions climatiques extrêmes telles que le froid intense ou climat très chaud et/ou humide.
- N'utilisez jamais une machine qui n'est pas en parfait état de marche. Appliquez les instructions de maintenance et d'entretien ainsi que les contrôles de sécurité indiqués dans ce manuel d'utilisation. Certaines opérations de maintenance et d'entretien doivent être réalisées par un spécialiste dûment formé et qualifié. Voir les instructions à la section Maintenance.

- Ne jamais laisser un enfant utiliser la machine.
- Ne laissez jamais d'autres personnes utiliser la machine sans vous être assuré au préalable que ces personnes ont bien compris le contenu du mode d'emploi.
- Maintenir à distance toutes les personnes non concernées par le travail. Les enfants, les animaux, les spectateurs et les collègues de travail devront se trouver en dehors de la zone de sécurité, soit à au moins 15 m lorsque vous travaillez. Arrêtez immédiatement la machine si une personne s'approche.
- Dans l'éventualité d'une situation rendant la suite du travail incertaine, consultez un expert. Adressez-vous au revendeur ou à l'atelier de réparation.
- Évitez les tâches pour lesquelles vous ne vous sentez pas suffisamment qualifié.
- Assurez-vous que la zone de travail est bien dégagée et qu'aucune personne et aucun animal ne risquent d'entrer en contact avec l'équipement de coupe, ou d'altérer le contrôle que vous avez du produit.
- Restez attentif aux signaux d'alerte ou aux appels lorsque vous portez des protecteurs d'oreille. Enlevez toujours vos protège-oreilles dès que le moteur s'arrête.
- N'utilisez pas la machine par mauvais temps : brouillard épais, forte pluie, vent violent, grand froid, etc. Le travail par mauvais temps est source de fatigue et s'accompagne souvent de risques supplémentaires, tels qu'un sol glissant.
- Assurez-vous de pouvoir vous tenir et vous déplacer en toute sécurité. Repérez les éventuels obstacles en cas de déplacement imprévu : souches, pierres, branchages, fondrières, etc. Observez la plus grande prudence lors de travail sur des terrains en pente.



- Arrêtez le moteur en cas de déplacement.
- Ne posez jamais le produit par terre lorsque le moteur est en marche, sauf si vous pouvez le surveiller.
- Toujours tenir la machine des deux mains. Porter la machine sur le côté du corps.
- Veillez à ce que ni les mains, ni les pieds ne soient en contact avec le démousseur lorsqu'il est en marche.

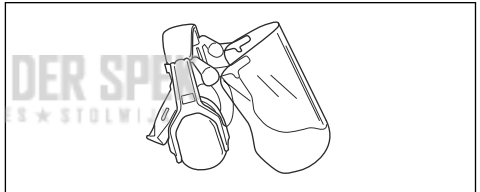
- Après l'arrêt du moteur, gardez vos mains et vos pieds à l'écart du démousseur jusqu'à son arrêt total.
- En cas d'importantes vibrations, arrêtez le produit. Si vous avez utilisé un produit fonctionnant à l'essence, débranchez le câble HT de la bougie. Si vous disposez d'un produit alimenté par batterie, retirez la batterie du produit. Assurez-vous que la machine n'est pas endommagée. Réparez tout éventuel dommage.

Équipement de protection individuel

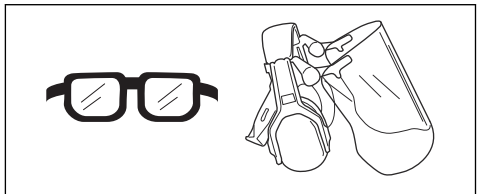


AVERTISSEMENT: Lisez les instructions qui suivent avant d'utiliser le produit.

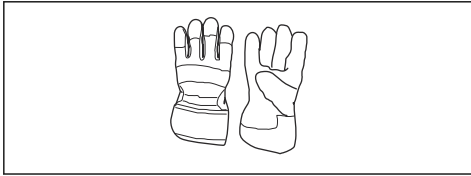
- Portez toujours un équipement de protection individuel homologué lorsque vous utilisez le produit. L'équipement de protection individuel ne protège pas complètement des blessures, mais il diminue la gravité des blessures en cas d'accident. Faites appel à votre revendeur pour vous aider à sélectionner l'équipement adéquat.
- Portez des protège-oreilles homologués ayant un effet atténuateur suffisant. Une exposition prolongée au bruit risque de causer des lésions auditives permanentes.



- Utilisez des protections pour les yeux homologuées. L'usage d'une visière doit toujours s'accompagner du port de lunettes de protection homologuées. Par lunettes de protection homologuées, on entend celles qui sont en conformité avec les normes ANSI Z87.1 (États-Unis) ou EN 166 (pays de l'UE).



- Portez des gants de protection en cas de besoin, par exemple lorsque vous fixez, examinez ou nettoyez l'équipement de coupe.



- Portez des bottes de protection avec coques de protection en acier et des semelles antidérapantes.



- Portez des vêtements fabriqués dans un matériau résistant. Portez toujours des pantalons longs, épais et des manches longues. Ne portez pas de vêtements amples qui risqueraient de se prendre dans les brindilles et les branches. Ne portez pas de bijoux, de shorts, de sandales et ne marchez pas pieds nus. Attachez vos cheveux de façon sécurisée au-dessus de vos épaules.
- Gardez toujours une trousse de premiers soins à portée de main.



Dispositifs de sécurité sur l'accessoire



AVERTISSEMENT: Lisez les instructions qui suivent avant d'utiliser l'accessoire.

Ce chapitre présente les fonctions de sécurité de l'accessoire, leur but et les instructions de contrôle et d'entretien afin de garantir son bon fonctionnement. Consultez les instructions à la section *Présentation de l'accessoire* à la page 91 pour savoir où se trouvent ces équipements sur votre accessoire.

La durée de vie de l'accessoire risque d'être écourtée et le risque d'accidents accru si l'entretien de l'accessoire n'est pas effectué correctement et si les mesures d'entretien et/ou de réparation ne sont pas effectuées de manière professionnelle. Pour plus d'informations, contactez l'atelier de réparation du revendeur le plus proche.



AVERTISSEMENT: N'utilisez jamais un accessoire dont les équipements de sécurité sont défectueux. Contrôlez et entretenez les équipements de sécurité de l'accessoire conformément aux instructions données dans ce chapitre. Si les contrôles de l'accessoire ne donnent pas de résultat positif, contactez votre agent d'entretien pour le faire réparer.



AVERTISSEMENT: L'entretien et la réparation du produit exigent une formation spéciale. Cela concerne particulièrement l'équipement de sécurité du produit. Si les contrôles suivants ne donnent pas un résultat positif, adressez-vous à un atelier spécialisé. L'achat de l'un de nos produits offre à l'acheteur la garantie d'un service et de réparations qualifiés. Si le point de vente n'assure pas ce service, adressez-vous à l'atelier spécialisé le plus proche.

Instructions de sécurité pour l'entretien



AVERTISSEMENT: Lisez les instructions qui suivent avant de procéder à l'entretien.



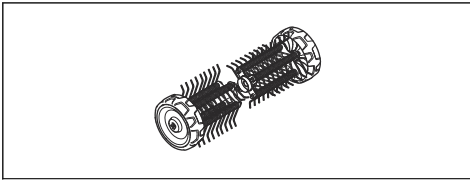
AVERTISSEMENT: Arrêtez toujours le produit avant tout entretien de l'accessoire. Attention, l'accessoire peut poursuivre son mouvement une fois la gâchette d'accélération/de puissance relâchée. Assurez-vous que l'accessoire est complètement immobilisé. Si vous avez utilisé un produit fonctionnant à l'essence, débranchez le câble HT de la bougie. Si vous disposez d'un produit alimenté par batterie, retirez la batterie.



AVERTISSEMENT: Portez toujours des gants de protection.

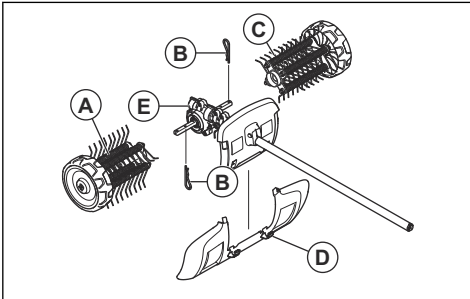
- Vérifiez intégralement l'appareil avant de commencer le travail. Vérifiez que tous les capots et caches de protection sont en place et solidement fixés. Contrôlez tous les écrous et boulons.
- Si votre produit fonctionne à l'essence, assurez-vous qu'il ne présente aucune fuite de carburant.

- Remplacez les pièces endommagées.



Montage

Montage de l'accessoire

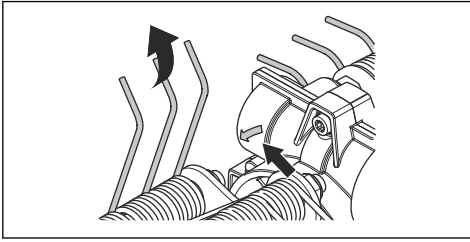


La flèche sur le carter indique le sens de rotation. Le carter doit être placé comme indiqué sur l'illustration.

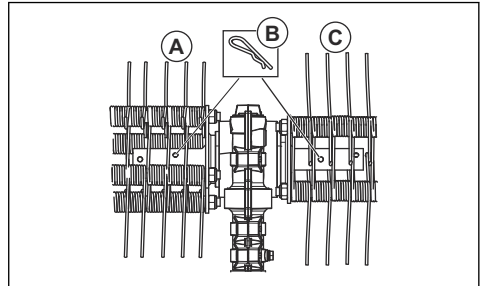
IMPORTANT:

Les rouleaux du démousseur sont marqués par des flèches indiquant le sens de rotation. Assurez-vous que les rouleaux du démousseur sont montés correctement.

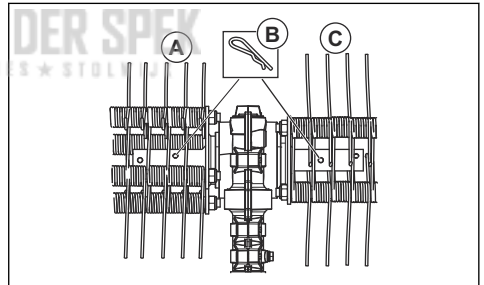
Les rouleaux du démousseur doivent être montés légèrement décalés l'un par rapport à l'autre. Les ressorts du démousseur doivent être orientés dans la même direction que la flèche indiquant le sens de rotation située sur le carter.



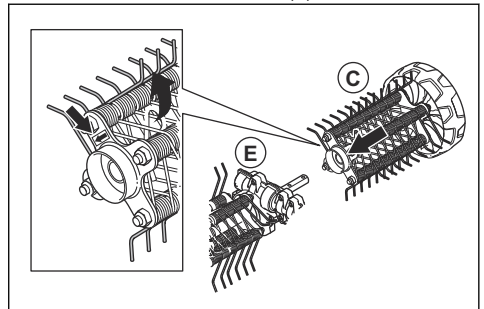
1. Poussez le démousseur gauche (A) sur l'arbre d'entraînement gauche du carter (E).



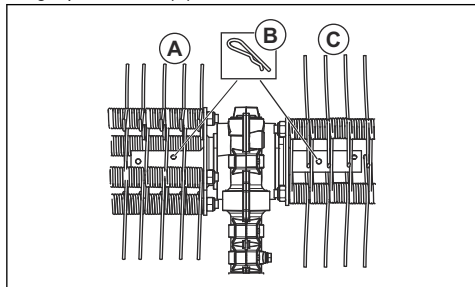
2. Fixez le rouleau du démousseur à l'aide d'une goupille fendue (B) dans l'orifice interne de l'arbre.



3. Poussez le démousseur droit (C) sur l'arbre d'entraînement droit du carter (E).



4. Fixez le rouleau du démousseur à l'aide d'une goupille fendue (B) dans l'orifice interne de l'arbre.



5. Montez le pare-boue avec les clips de fixation (D).

Remarque: Pour le montage des accessoires sur le produit de base, reportez-vous au manuel du produit de base.

Utilisation

Démarrage du produit lorsque le moteur est froid

Si votre produit fonctionne à l'essence, suivez ces instructions pour démarrer le produit lorsque le moteur est froid.

1. Faites chauffer le produit de base, puis arrêtez-le.
2. Montez l'accessoire conformément aux instructions de montage.
3. Lors du réglage du carburateur, assurez-vous que le démousseur est maintenu contre le sol et que personne ne se trouve à proximité.
4. Faites tourner le démousseur au ralenti.
5. Contrôlez que la poignée et les dispositifs de sécurité sont en bon état. N'utilisez jamais un produit dont une pièce est manquante ou ayant été modifié contrairement aux spécifications.

Utilisation de l'accessoire

1. Faites tourner le démousseur à plein régime (ou presque) en faisant reposer les roues sur la surface.

Remarque: Il est à la fois fatigant et inutile de lever ou maintenir le démousseur au-dessus de la surface lorsque vous l'utilisez.

2. Conservez un petit angle de travail par rapport à la surface. Avec un angle de travail trop grand, le démousseur a tendance à se déplacer vers vous, vous risqueriez alors de perdre le contrôle du produit.



Entretien

Introduction

Nous donnons ici quelques conseils d'entretien à caractère général. Pour plus d'informations, contacter l'atelier de réparation.

Entretien de l'accessoire



REMARQUE: Le démousseur est souvent utilisé dans des conditions poussiéreuses. Si votre produit fonctionne à l'essence, le filtre à air doit impérativement être contrôlé régulièrement, chaque jour en règle générale. Il doit également être lubrifié pour fonctionner correctement.

Reportez-vous au manuel de l'opérateur du bloc d'alimentation pour obtenir des instructions d'entretien.



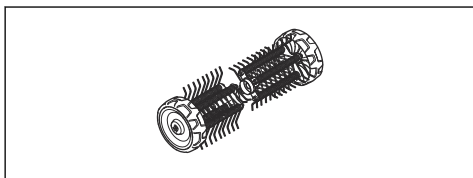
AVERTISSEMENT: Portez toujours des gants de protection pour effectuer l'entretien de l'accessoire.



AVERTISSEMENT: Après l'utilisation du produit, le carter d'engrenage est chaud. Ne pas toucher l'engrenage afin d'éviter les brûlures.

1. Assurez-vous que le démousseur ne tourne pas lorsque la gâchette d'accélération/de puissance est relâchée.

2. Nettoyez les roues si elles ne tournent pas librement.



Transport, entreposage et mise au rebut

Transport et rangement

En cas de transport de l'accessoire sur un autre véhicule, utilisez toujours des dispositifs d'arrimage approuvés et assurez-vous que l'accessoire est bien maintenu.

Avant de remiser l'accessoire pour une période prolongée, veillez à ce qu'il soit bien nettoyé et que toutes les mesures d'entretien aient été effectuées.

Caractéristiques techniques

Caractéristiques techniques pour produits fonctionnant à l'essence

Démousseur	DT600
Largeur, mm	556
Poids	
Poids, kg	6,5
Émissions sonores⁵⁵	
Niveau de puissance sonore, mesuré dB(A)	105
Niveau de puissance acoustique, garanti L_{WA} dB(A)	109
Niveaux sonores⁵⁶	
Pression sonore équivalente au niveau des oreilles de l'opérateur, mesurée selon la norme EN ISO 22868, dB(A) :	95
Vibrations⁵⁷	
Niveaux de vibrations équivalents ($a_{hv,eq}$) mesurés au niveau des poignées selon EN ISO 22867, en m/s^2	

⁵⁵ Mesure effectuée avec des accessoires homologués Husqvarna. Émissions sonores dans l'environnement mesurées comme puissance sonore (L_{WA}) selon la directive européenne CE 2000/14/CE. Le niveau de puissance sonore reporté pour la machine a été mesuré avec l'équipement de coupe d'origine qui donne le niveau le plus élevé. Le niveau de puissance sonore garanti diffère du niveau mesuré en cela qu'il prend également en compte la dispersion et les variations d'une machine à l'autre du même modèle, conformément à la directive 2000/14/CE.

⁵⁶ Mesure effectuée avec des accessoires homologués Husqvarna. Les données reportées pour le niveau de pression sonore équivalent pour la machine montrent une dispersion statistique typique (déviations standard) de 1 dB (A).

⁵⁷ Mesure effectuée avec des accessoires homologués Husqvarna. Les données reportées pour le niveau de vibrations équivalent montrent une dispersion statistique type (déviations standard) de 1 m/s^2 .

Démousseur	DT600
Poignées avant/arrière	6,2/4,3

Caractéristiques techniques pour produits alimentés par batterie

325ILK + Accessoire pour démousseur DT600	
Largeur, mm	556
Poids	
Poids, kg	2,3+6,5
Émissions sonores⁵⁸	
Niveau de puissance sonore, mesuré dB(A)	89
Niveaux sonores⁵⁹	
Pression sonore au niveau des oreilles de l'opérateur, mesurée selon la norme EN ISO 22868, dB (A) :	77
Vibrations⁶⁰	
Niveau de vibration au niveau des poignées mesuré selon la norme EN 62841-1 en m/s ²	
Poignées avant/arrière	1,9/2,6
Équipée d'un accessoire homologué (d'origine), gauche/droite	1,9/2,6

KEES VAN DER SPEK
TUINMACHINES ★ STOLWIJK

⁵⁸ Les données reportées concernant le niveau de puissance sonore de la machine montrent une dispersion statistique typique (déviations standard) de 3 dB(A) et ont été mesurées avec l'accessoire d'origine qui donne le niveau le plus élevé.

⁵⁹ Les données reportées concernant le niveau de pression sonore de la machine montrent une dispersion statistique typique (déviations standard) de 3 dB(A) et ont été mesurées avec l'accessoire d'origine qui donne le niveau le plus élevé.

⁶⁰ Les données reportées pour le niveau de vibrations montrent une dispersion statistique typique (déviations standard) de 2 m/s². Pour comparer les niveaux de vibrations, la batterie et les produits de combustion utilisent le calculateur de vibrations. <https://www.husqvarna.com/fr/services-solutions/calculateur-de-vibrations/>.

Déclaration de conformité CE

Déclaration de conformité CE - pour les produits fonctionnant à l'essence

Nous, **Husqvarna AB**, SE-561 82 Huskvarna, Suède, tél. : +46-36-146500, déclarons que le démousseur **Husqvarna DT600** à partir des numéros de série de l'année de fabrication 2019 (l'année est clairement indiquée sur la plaque signalétique, suivie du numéro de série), est conforme aux dispositions de la DIRECTIVE DU CONSEIL :

- du 17 mai 2006 « relative aux machines » **2006/42/CE**
- du jeudi 8 juin 2011 « limitation de l'utilisation de certaines substances dangereuses au sein d'équipements électriques et électroniques » **2011/65/UE**
- du 8 mai 2000 « émissions sonores dans l'environnement » **2000/14/CE**.

Les normes suivantes ont été appliquées aux produits fonctionnant à l'essence :

SS-EN ISO 12100:2010, EN IEC 63000:2018

RISE SMP Svenska Maskinprovning AB, Box 7035, SE-750 07 Uppsala, Suède, a procédé à des examens de type volontaire pour Husqvarna AB. Le certificat porte le numéro : **SEC/15/2411 - Husqvarna DT600**

Huskvarna , 2021-02-12



Pär Gustafsson, directeur du développement
(représentant autorisé d'Husqvarna AB et responsable de la documentation technique.)

Déclaration de conformité CE - pour les produits alimentés sur batterie

Nous, **Husqvarna AB**, SE-561 82 Huskvarna, Suède, tél. : +46-36-146500, déclarons que le démousseur, **accessoire Husqvarna DT600 avec bloc d'alimentation Husqvarna 325ILK** à partir des numéros de série de l'année de fabrication 2019 (l'année est clairement indiquée sur la plaque signalétique, suivie du numéro de série) est conforme aux dispositions de la DIRECTIVE DU CONSEIL :

- du 17 mai 2006 « relative aux machines » **2006/42/CE**
- du jeudi 8 juin 2011 « limitation de l'utilisation de certaines substances dangereuses au sein

d'équipements électriques et électroniques » **2011/65/UE**

Les normes suivantes ont été appliquées aux produits à batterie :

EN 62841-1:2015, EN 50636-2-92:2014, EN IEC 63000:2018

RISE SMP Svenska Maskinprovning AB, Box 7035, SE-750 07 Uppsala, Suède, a procédé à des examens de type volontaire pour Husqvarna AB. Le certificat porte le numéro : **SEC/15/2411 - Husqvarna DT600**

Pour toute information relative aux émissions sonores, veuillez consulter la section *Caractéristiques techniques à la page 98*.

Huskvarna , 2021-02-12



Pär Martinsson, directeur du développement
(représentant autorisé d'Husqvarna AB et responsable de la documentation technique.)

KEES VAN DER SPEK
TUINMACHINES * STOLWIJK

TARTALOMJEGYZÉK

Bevezető.....	101	Karbantartás.....	107
Biztonság.....	102	Szállítás, tárolás és ártalmatlanítás.....	108
Összeszerelés.....	106	Műszaki adatok.....	108
Üzemeltetés.....	107	EK megfelelőségi nyilatkozat.....	110

Bevezető

Termékleírás

Folyamatosan fejlesztjük termékeinket, ezért fenntartjuk a jogot a termékek kialakításának és megjelenésének előzetes figyelmeztetés nélküli megváltoztatására.

Megjegyzés: A jelen kézikönyv a benzines és az akkumulátoros tápegységekre egyaránt vonatkozik.

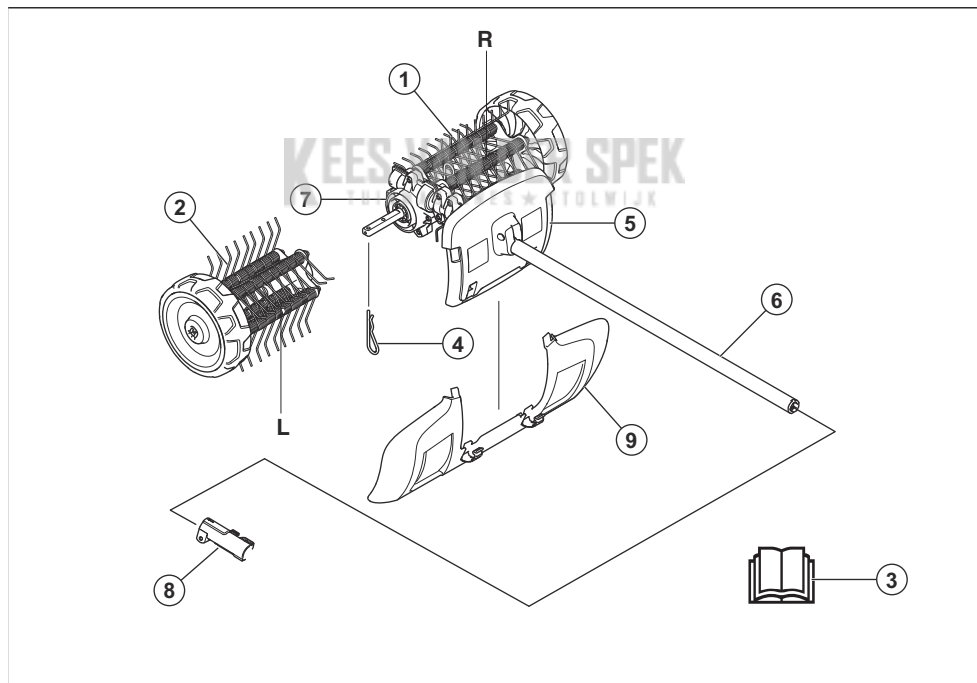
Rendeltetésszerű használat



FIGYELMEZTETÉS: Ez a tartozék csak a megadott termékkel együtt használható, lásd a tartozék fejezetet a termék használati utasításában.

A tartozék kizárólag arra szolgál, hogy a gyeppelületeket megtisztítsa a mohától.

A tartozék áttekintése



1. Mohagereblyéző, jobb
2. Mohagereblyéző, bal
3. Használati utasítás
4. Sasszeg
5. Védőburkolat (nyélen elhelyezett védelem)
6. Nyél
7. Sebváltóház
8. Nyélcsatlakozó (mellékelve a termékhez)
9. Freccsenésvédő

A tartozék és a tápegység szimbólumai



A tartozék nem körültekintő vagy helytelen használata a kezelő vagy más személyek súlyos vagy halálos sérülését okozhatja.



Olvassa el figyelmesen a használati utasítást, és győződjön meg róla, hogy megértette azt a tartozék használatba vétele előtt.



Használjon jóváhagyott fülvédőt. Használjon jóváhagyott védőszemüveget. Por veszélye esetén viseljen porvédő maszkot.



Ez a tartozék megfelel a vonatkozó EK irányelveknek.



Forgó alkatrészek. Tartsa kezét és lábát biztonságos távolságban. A nyíl a forgásirányt jelzi.



Használjon mindig megfelelő védőkesztyűt.



Használjon stabil, nem csúszós csizmát.



Legyen óvatos a kivetett és visszapattanó tárgyakkal.



A kezelő ügyeljen arra, hogy se ember, se állat ne jöjjön 15 m-nél közelebb. Ha ugyanazon a munkaterületen többen is dolgoznak, legalább 15 méteres biztonsági távolságot kell tartani. A tartozék nagy erővel fújhat ki tárgyakat, amelyek visszapattanhatnak. Ez a javasolt biztonsági felszerelés használatának mellőzése esetén súlyos szemsérülést okozhat.



A termék használata közben tartson legalább 15 méteres (50 láb) távolságot az emberektől és az állatoktól.



Minden testrészét tartsa távol a forró felületektől.



Az Európai Közösség irányelvének megfelelő környezeti zajkibocsátás. A tartozék kibocsátási adatai megtalálhatók a Műszaki adatok című fejezetben és a címkén.

Megjegyzés: A tartozékon szereplő többi jel/címke egyes piacok specifikus vizsgáztatási követelményeire vonatkozik.

Biztonság

Biztonsági meghatározások

A figyelmeztetések, óvintézkedések és megjegyzések a használati utasítás kiemelten fontos részeire hívják fel a figyelmet.



FIGYELMEZTETÉS: Akkor használatos, ha a kézikönyv utasításainak be nem tartása esetén fennáll a kezelő vagy a közelben tartózkodók sérülésének vagy halálának veszélye.



VIGYÁZAT: Akkor használatos, ha a kézikönyv utasításainak be nem tartása esetén fennáll a vagyoni kár, illetve a termék és/vagy a tartozék vagy a környező

területen lévő anyagok károsodásának veszélye.

Megjegyzés: További információt biztosít az adott helyzetben szükséges tennivalókról.

Általános biztonsági utasítások



FIGYELMEZTETÉS: A tartozék használata előtt olvassa el a biztonsági utasításokat.

- Olvassa el figyelmesen a használati utasítást, és győződjön meg róla, hogy megértette azt a tartozék használatba vétele előtt.

- Ezek az utasítások a termékkel kapott utasítások kiegészítéséül szolgálnak. A többi eljárást a termék használati utasításában találja meg.
- A tartozék kivételzésén a gyártó cég engedélye nélkül semmilyen módosítást sem szabad végezni. Ne használjon olyan tartozékokat, amelyet esetleg módosítottak, és mindig eredeti kiegészítőket használjon. Nem engedélyezett módosítások és/ vagy pótalkatrészek komoly sérülésekhez vagy halálos balesetekhez vezethetnek.

Minden utasítást olvasson el



FIGYELMEZTETÉS: Elektromos kerti készülékek használata esetén a tűz, az áramütés és a személyi sérülések kockázatának csökkentése érdekében mindig be kell tartani az alapvető biztonsági óvintézkedéseket, beleértve a következőket:

A gereblyézőre vonatkozó biztonsági utasítások

- Soha ne engedje, hogy a terméket gyermekek, csökkent fizikai, érzékelési vagy mentális képességekkel rendelkező, a szükséges tapasztalattal és tudással nem rendelkező, illetve a jelen utasításokat nem ismerő személyek használják. A helyi rendelkezések adott esetben kezelési korhatárt szabhatnak meg.
- Soha ne használja a terméket, ha más személyek – különösen gyermekek vagy háziállatok – vannak a közelben.
- Ne nyújtózkodjon a géppel, és ügyeljen az egyensúlyra megtartására. Ügyeljen a talajra, különösen a lejtőknel, valamint ne fusson, csak sétáljon.
- Ne érjen a veszélyes mozgó alkatrészekhez, amíg a gépet ki nem húzta a hálózatból, és a veszélyes mozgó alkatrészek teljesen le nem álltak.
- A gép használatához mindig húzzon zárt lábbelit és hosszú szárú nadrágot.
- Ha a terméket felügyelet nélkül hagyja, illetve az eltömődések elhárítása és a termék tisztítása vagy karbantartása előtt vegye ki az akkumulátort a termékből.
- Ha a termék például egy idegen tárgyba ütközik vagy rendellenes vibrálásba kezd, a termék esetleges sérüléseinek ellenőrzése előtt vegye ki az akkumulátort a termékből.
- Ne csatlakoztasson sérült kábelt a tápegységhez, és a leválasztás előtt ne érjen hozzá a tápegységhez csatlakozó, sérült kábelhez. A sérült kábelen keresztül a kezelő érintkezhet a feszültség alatt álló alkatrészekkel, ami akár halálos sérüléshez is vezethet.
- Soha ne működtesse a terméket hibás védőburkolatokkal, biztonsági eszközök nélkül, valamint sérült vagy kopott kábelekkel.

- Tartsa távol a hosszabbítókábeleket a veszélyes mozgó alkatrészekről, amelyek a kábelek sérülését okozhatják, ezáltal pedig a kezelő érintkezhet a feszültség alatt álló alkatrészekkel.
- A terméket kizárólag olyan tápegységhez csatlakoztassa, amely rendelkezik egy legfeljebb 30 mA kikapcsolóáramra szabályozott érintésvédelmi relével (RCD).
- Rossz időjárási körülmények esetén – főleg villámáskor – ne használja a terméket.

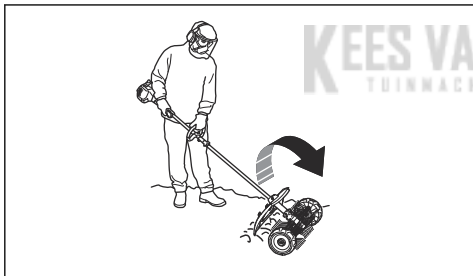
Biztonsági utasítások az üzemeltetéshez



FIGYELMEZTETÉS: A termék használata előtt olvassa el az alábbi figyelmeztetéseket.

- A leállító kapcsoló automatikusan visszaáll indító pozícióba. Ügyeljen arra, hogy az összeszereléskor, ellenőrzéskor vagy karbantáskor ne indítsa be véletlenül a terméket. Amennyiben benzines termékkel dolgozik, csatlakoztassa le a gyertyapipát a gyújtógyertyáról. Amennyiben a termék akkumulátoros, távolítsa el az akkumulátort.
- Vigyázzon a felcsapódó tárgyaktól. Mindig használjon szemvédőt. Soha ne hajoljon át a mohagerblyézőn. Kövek, szemét stb. kerülhetnek a szembe és vakságot illetve súlyos sérüléseket okozhatnak.
- A használat során és után a váltómű meleg lehet. Érintés esetén égési sérülés veszélye áll fenn.
- Bár a kefedobok teljesítménye nem azonos például egy fűnyíró pengéivel, ne dolgozzon olyan anyagokkal, amelyek kivetődésük esetén személyi sérülést vagy anyagi károkat okozhatnak.
- Ne használja a gépet olyan körülmények között, amelyeknél baleset esetén nem lenne lehetősége segítséget hívni.
- Kizárólag a rendeltetésének megfelelően használja a gépet.
- Soha ne használja a gépet, ha fáradt, ha szeszeseitelt fogyasztott, vagy ha olyan gyógyszer szed, amely befolyásolhatja a látását, az itélőképeségét vagy a koordinációs képességét.
- Ne használja a gépet szélsőséges időjárási körülmények között, például nagy hidegben illetve nagy melegben és/vagy párák éghajlaton.
- Soha ne használjon olyan gépet, amely hibás. Végezze el az ebben a használati utasításban előírt ellenőrzési, karbantartási és szervizmunkákat. Bizonyos karbantartási és szervizmunkákat szakembernek kell végrehajtania. Lásd a Karbantartás című fejezetben leírtakat.
- Soha ne engedje, hogy a gépet gyermek használja.
- Soha ne engedje meg senkinek a gép használatát, amíg nem győződött meg arról, hogy az illető elolvasta és megértette a kezelői kézikönyv tartalmát.

- Tartsa az illetéktelen személyeket biztonságos távolságban. A gyermekek, állatok, nézelődők és segítők maradjanak a 15 m-es biztonsági zónán kívül. Állítsa le a gépet azonnal, ha valaki közelít.
- Ha munka közben elbizonytalanodik a munka folytatását illetően, kérje szakember tanácsát. Forduljon kereskedőhöz vagy márkaszervizhez.
- Ne használja a gépet olyan feladatok elvégzésére, amelyekhez úgy véli, nem rendelkezik elegendő szakértelemmel.
- Vizsgálja meg környezetét és győződjön meg róla, hogy sem ember, sem állat nem kerülhet kapcsolatba Önnel, illetve nem befolyásolhatja a termék feletti uralmát.
- Amikor fülvédőt visel, mindig figyeljen a figyelmeztető jelzésekre és hangokra. A motor leállítása után azonnal vegye le a fülvédőket.
- Ne használja a gépet rossz időben, például sűrű ködben, erősen zuhogó esőben, erős szélben vagy nagy hidegben. A hideg időben végzett munka fárasztó, és gyakran kockázatokkal is jár (például jeges talaj).
- Gondoskodjon arról, hogy biztonságosan tudjon járni és állni. Nézzon körül és ellenőrizze lehetséges akadályok (például gyökerek, kövek, gödrök, árkok, stb.) jelenlétét, arra az esetre, ha hirtelen el kellene mozdulnia. Járjon el nagyon óvatosan, amikor lejtős talajon dolgozik.



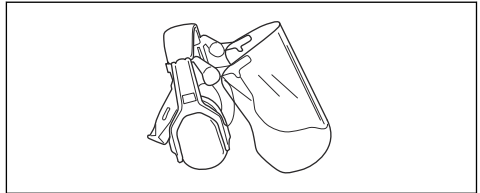
- Mielőtt a gépet másik helyre vinné át, állítsa le a motort.
- Járó motorral soha ne tegye le a gépet, hacsak nem tudja szemmel tartani azt.
- Mindig két kézzel tartsa a gépet. Tartsa a gépet az oldala mellett.
- Ügyeljen arra, hogy keze és lába ne érjen a mohagereblyézőhöz, amikor a motor jár.
- A motor kikapcsolása után se a kezével, se a lábával ne érjen a mohagereblyézőhöz, amíg az teljesen le nem áll.
- Ha erős rezgést érez, azonnal állítsa le a gépet. Amennyiben benzines termékkel dolgozik, távolítsa el a HT vezetékét a gyújtógyertyából. Amennyiben a termék akkumulátoros, távolítsa el az akkumulátort. Ellenőrizze, hogy a gép sértetlen-e. Javítson ki minden sérülést.

Személyi védőfelszerelés

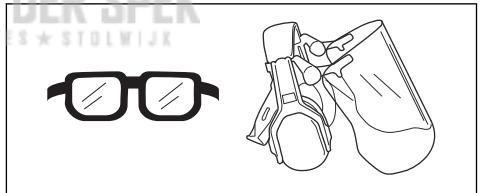


FIGYELMEZTETÉS: A termék használata előtt olvassa el az alábbi figyelmeztetéseket.

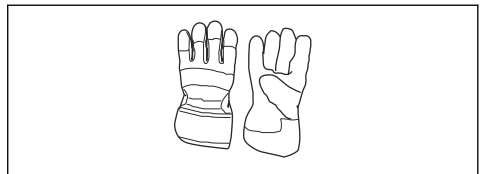
- A termék használata során viseljen jóváhagyott személyi védőfelszerelést. A személyi védőfelszerelés nem küszöböli ki teljes mértékben a sérülés kockázatát, de csökkenti a sérülés mértékét, ha bekövetkezik a baleset. A megfelelő felszerelés kiválasztásában kérje a kereskedő segítségét.
- Használjon elegendő hangtompító hatással rendelkező, jóváhagyott fülvédőt. Hosszú távon a tartós zajártalom maradandó halláskárosodást okozhat.



- Használjon jóváhagyott védőszemüveget. Ha arcvédőt használ, jóváhagyott védőszemüveget is kell viselnie. Jóváhagyott védőszemüvegek azok, amelyek megfelelnek az ANSI Z87.1 (USA) illetve EN 166 (EU-országok) szabványoknak.



- Ha szükséges, viseljen kesztyűt – például a vágóeszközök felhelyezésekor, ellenőrzésekor vagy tisztításakor.



- Használjon acéllemezes lábujjvédős és csúszásgátlós védőbakancsot.



- Viseljen sűrű szövésű anyagból készült ruházatot. Vastag, hosszú nadrágot és hosszú ujjú felsőrészt viseljen. Ne viseljen bő ruházatot, mert az beakadhat a gallyakba és a bokrok ágaiba. Ne viseljen ékszereket, rövidnadrágot, szandált, illetve ne legyen meztláb. Igazítsa haját vállmagasság fölé.
- Tartson elsősegélykészletet a közelben.



Biztonsági eszközök a tartozékon



FIGYELMEZTETÉS: A tartozék használata előtt olvassa el az alábbi figyelmeztetéseket.

Ez a fejezet a tartozék biztonsági funkciót és azok rendeltetését tartalmazza, valamint azt, hogy miként kell a megfelelő üzemelés biztosítása érdekében ellenőrzéseket és karbantartást végezni. A tartozék részegységeinek helyével kapcsolatban lásd a(z) *A tartozék áttekintése 101. oldalon* című fejezetben szereplő utasításokat.

A tartozék élettartama lecsökkenhet, a balesetveszély pedig megnövekedhet, ha a tartozék karbantartását nem megfelelően hajtják végre, illetve ha a szervizt és/vagy a javításokat nem szakszerűen végzik. Ha további információra van szüksége, vegye fel a kapcsolatot a legközelebbi szervizszolgáltatóval.



FIGYELMEZTETÉS: Soha ne használja a tartozékat hibás biztonsági felszerelésekkel. A tartozék biztonsági felszerelésének ellenőrzését és karbantartását a jelen fejezetben leírtak szerint kell elvégezni. Ha az Ön tartozéka

nem felel meg az alábbi vizsgálatok valamelyikén, forduljon szervizműhelyéhez.



FIGYELMEZTETÉS: A termék szervizeléséhez és javításához speciális szakmai képzésre van szükség. Ez különösen érvényes a termék biztonsági felszereléseire. Ha az Ön terméke nem felel meg az alábbi vizsgálatok valamelyikénél, akkor forduljon szervizműhelyéhez. Bármely termékünk megvásárlásakor garantáljuk a szakképzett javítást és szervizelést. Ha a termékét nem szervizműhellyel rendelkező szaktereskedőtől vásárolta, akkor kérje el tőle a legközelebbi szervizműhely címét.

Biztonsági utasítások a karbantartáshoz



FIGYELMEZTETÉS: A terméken végzett karbantartási műveletek előtt olvassa el az alábbi figyelmeztetéseket.

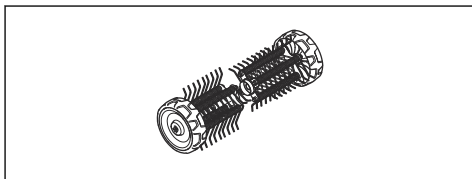


FIGYELMEZTETÉS: A tartozékon végzett munkálatok megkezdése előtt mindig állítsa le a terméket. Legyen óvatos: a tartozék a kapcsológomb/gázadagoló felengedése után még tovább járhat. Győződjön meg arról, hogy a tartozék teljesen leállt-e. Amennyiben benzines termékkel dolgozik, távolítsa el a HT vezetéket a gyújtógyertyából. Amennyiben a termék akkumulátoros, távolítsa el az akkumulátort.



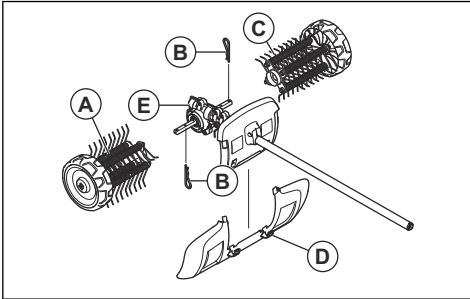
FIGYELMEZTETÉS: Mindig viseljen védőkesztyűt.

- A munka megkezdése előtt ellenőrizze a teljes terméket. Ellenőrizze, hogy minden védőburkolat és fedél a helyén van-e, és megfelelően van-e rögzítve. Húzza meg a csavarokat és az anyákat.
- Ha benzines terméket használ, ellenőrizze, hogy nem szivároog-e az üzemanyag.
- Cserélje a sérült alkatrészeket.



Összeszerelés

A vágófelszerelés összeszerelése

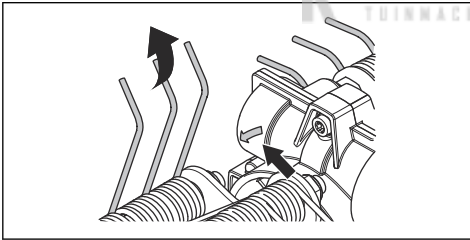


A váltóházon látható nyíl a forgásirányt jelzi. A váltóházat az ábrázolt módon kell elhelyezni.

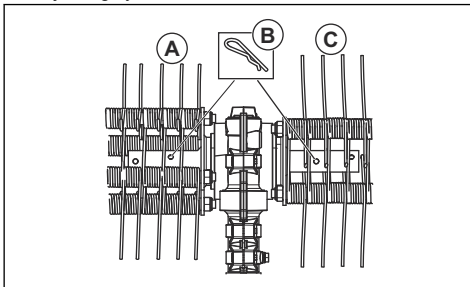
FONTOS:

A mohagereblyező görgői a forgásirányt jelző nyilakkal vannak megjelölve. Győződjön meg arról, hogy a mohagereblyező görgőinek felszerelése megfelelően történt.

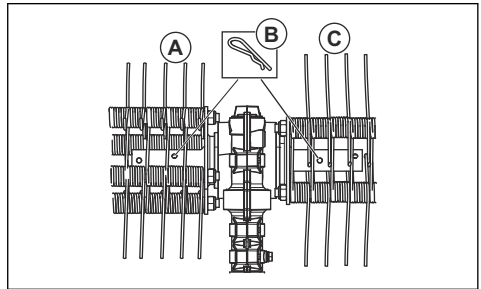
A mohagereblyező görgőit egymáshoz képest kissé eltolva kell felszerelni. A mohagereblyező rugóinak azonos irányba kell mutatniuk a váltóházon lévő, forgásirányt jelző nyilal.



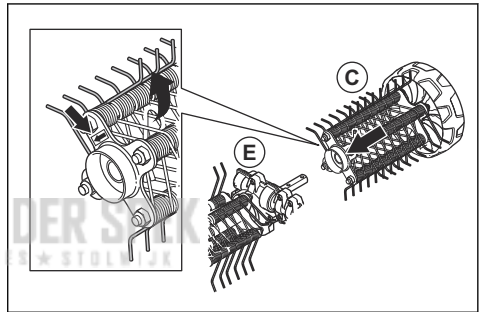
1. Nyomja a bal oldali mohagereblyézőt (A) a váltóházhoz (E) képest bal oldalon lévő hajtótengelyre.



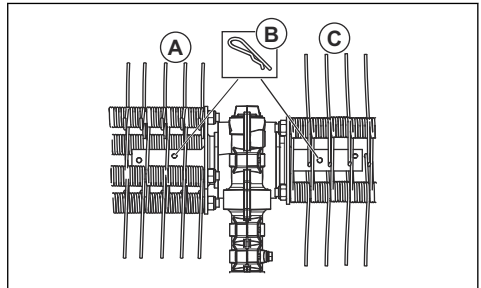
2. Rögzítse a mohagereblyézőt sasszeg (B) segítségével a tengely belső furatába.



3. Nyomja a jobb oldali mohagereblyézőt (C) a váltóházhoz (E) képest jobb oldalon lévő hajtótengelyre.



4. Rögzítse a mohagereblyézőt sasszeg (B) segítségével a tengely belső furatába.



5. Szerelje fel a freccsenésvédőt a gyorskapcsok segítségével (D).

Megjegyzés: Az alaptermék tartozékainak összeszereléséhez lásd az alaptermék kézikönyvét.

Üzemeltetés

A termék hideg motorral való elindítása

Benzines termék használata esetén a termék hideg motorral történő indításához kövesse az alábbi utasításokat.

1. Végezze el a termék alapvető bemelegítését, majd állítsa le a terméket.
2. A tartozékok az összeszerelési útmutatóban található utasítások szerint szerelje fel.
3. A karburátor beállításakor a gereblyézőt szorítsa a földre, és ügyeljen arra, hogy senki ne tartózkodjon a közelben.
4. Tartsa a mohagereblyézőt üresjárati fokozatban.
5. Győződjön meg róla, hogy a fogantyú és a biztonsági funkciók megfelelő üzemi állapotban vannak-e. Soha ne használja a gépet hiányzó, vagy a specifikációhoz képest módosított alkatrészekkel.

A tartozék használata

1. Járassa a mohagereblyézőt teljes gázon (vagy majdnem teljes gázon) úgy, hogy a kerekek a felületen maradnak.

Megjegyzés: Nemcsak fűaszító, de szükségtelen is a mohagereblyézőt elemelni vagy a felület felett tartani a gép működése közben.

2. Munka közben az eszközt a felülethez képest hegyes szögben tartsa. Nagy munkaszög esetén a mohagereblyéző hajlamos a kezelő irányába mozdulni, ami a termék feletti uralom elvesztésének veszélyével járhat.



Karbantartás

Bevezető

Alább néhány általános karbantartási utasítást talál. További információkért forduljon az illetékes szakszervizhez.

A tartozék karbantartása



VIGYÁZAT: A mohagereblyézőn végzett munkálatokra gyakran poros környezetben kerül sor. Benzines termék esetén rendkívül fontos a levegőszűrő rendszeres, gyakran naponta végzett ellenőrzése és olajozása a megfelelő működés érdekében.

A karbantartási utasításokért tekintse át a tápegység használati utasításait.

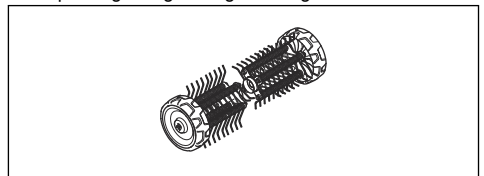


FIGYELMEZTETÉS: A tartozékon végzett karbantartáshoz mindig viseljen védőkesztyűt.



FIGYELMEZTETÉS: A sebváltóház a termék használata közben felforrósodik. Ne érjen a sebváltóházhoz, különben megégetheti magát.

1. Ellenőrizze, hogy nem forog-e a mohagereblyéző a kapcsológomb/gázadagoló elengedésekor.



2. Tisztítsa meg a kerekeket, ha nem forognak szabadon.

Szállítás, tárolás és ártalmatlanítás

Szállítás és tárolás

A vágófelszerelés szállítása esetén mindig jóváhagyott rögzítőberendezéseket használjon, és gondoskodjon a vágófelszerelés megfelelő rögzítéséről.

Mielőtt a vágófelszerelést hosszabb időre használaton kívül helyezné, tisztítsa meg alaposan, és végeztesse el teljes szervizét.

Műszaki adatok

A benzines termékekre vonatkozó műszaki adatok

Mohagereblyéző	DT600
Szélesség (mm)	556
Tömeg	
Tömeg, kg	6,5
Zajkibocsátás⁶¹	
Hangteljesítményszint, mért dB (A) érték	105
Hangteljesítményszint, garantált, L _{WA} dB (A)	109
Zajszintek⁶²	
A kezelő hallószervére gyakorolt, EN ISO 22868 szerint mért hangnyomásszint, dB(A):	95
Rezgés⁶³	
Az EN ISO 22867 szerint mért ekvivalens rezgésszintek (a _{hv,eq}) a fogantyún, m/s ²	
Első/hátsó fogantyú	6,2/4,3

Az akkumulátoros termékekre vonatkozó műszaki adatok

325ILK + DT600 gyeplazító tartozék	
Szélesség (mm)	556
Tömeg	
Tömeg, kg	2,3+6,5

⁶¹ Eredeti Husqvarna tartozékokkal együtt mérve. A környezetben a 2000/14/EK sz. EK irányelvvel összhangban hangteljesítményként mért zajkibocsátás (L_{WA}). A gép jelentősben szereplő hangteljesítményszintjét a legmagasabb szintet produkáló eredeti vágófelszereléssel mérték. A garantált és a mért hangteljesítmény közötti különbségnek az az oka, hogy a garantált hangteljesítmény tartalmazza a mérési eredményben lévő ingadozást és az azonos modellű gépek közötti eltéréseket is a 2000/14/EK jelű irányelv értelmében.

⁶² Eredeti Husqvarna tartozékokkal együtt mérve. A gép ekvivalens hangnyomásszintjére vonatkozó jelentési adatok az 1 dB (A) tipikus statisztikus ingadozásával (szórásával) rendelkeznek.

⁶³ Eredeti Husqvarna tartozékokkal együtt mérve. Az ekvivalens rezgésszintre vonatkozó jelentési adatok az 1 m/s² tipikus statisztikus ingadozásával (szórásával) rendelkeznek.

325iLK + DT600 gyeplazító tartozék	
Zajkibocsátás⁶⁴	
Hangteljesítményszint, mért dB (A) érték	89
Zajszintek⁶⁵	
A kezelő hallószervére gyakorolt, EN ISO 22868 szerint mért hangnyomásszint, dB (A):	77
Rezgés⁶⁶	
Az EN 62841-1 szerint mért rezgésszintek a fogantyúban, m/s ²	
Első/hátsó fogantyú	1,9/2,6
Jóváhagyott tartozékokkal ellátva (eredeti), bal/jobb	1,9/2,6

KEES VAN DER SPEK
TUINMACHINES ★ STOLWIJK

- ⁶⁴ A gép hangteljesítményszintjére vonatkozó jelentési adatok a 3 dB (A) tipikus statisztikus ingadozásával (szórásával) rendelkeznek. A hangteljesítményszint mérése a legmagasabb szintet produkáló eredeti felszereléssel történt.
- ⁶⁵ A gép hangnyomásszintjére vonatkozó jelentési adatok a 3 dB (A) tipikus statisztikus ingadozásával (szórásával) rendelkeznek. A hangnyomásszint mérése a legmagasabb szintet produkáló eredeti felszereléssel történt.
- ⁶⁶ A rezgésszintre vonatkozó jelentési adatok az 2 m/s² tipikus statisztikus ingadozásával (szórásával) rendelkeznek. A rezgésszintek, valamint az akkumulátorral, illetve az üzemanyaggal működő termékek összehasonlításához használja a rezgésterhelési kalkulátort. <https://www.husqvarna.com/uk/services-solutions/vibration-calculator/>.

EK megfeleléségi nyilatkozat

EK megfeleléségi nyilatkozat – benzines termékek

A **Husqvarna AB**, SE-561 82 Huskvarna, Svédország, tel: +46-36-146500, kijelenti, hogy azok a **Husqvarna DT600** mohagereblyező tartozékok, amelyek a 2019. évtől kezdve kaptak sorozatszámot (az év jól látható a típustáblán, a sorozatszám előtt), megfelelnek az EGK TANÁCSA következő IRÁNYELVEINEK:

- a 2006. május 17-i, „gépekre vonatkozó” **2006/42/EK** sz. irányelv
- a 2011. június 8-i, „az egyes veszélyes anyagok elektromos és elektronikus berendezésekben való alkalmazásának korlátozására” vonatkozó **2011/65/EU** sz. irányelv.
- a 2000. május 8-i, „környezeti zajkibocsátással kapcsolatos” irányelv **2000/14/EK**.

A benzines termékek esetében az alábbi szabványok kerültek alkalmazásra:

SS-EN ISO 12100:2010, EN IEC 63000:2018

A RISE SMP Svenska Maskinprovning AB, Box 7035, SE-750 07 Uppsala, Svédország végezte el az önkéntes típusbevizsgálást a Husqvarna AB megbízásából. A tanúsítvány száma: **SEC/15/2411 - Husqvarna DT600**

Huskvarna , 2021-02-12



Pär Martinsson, Fejlesztési Igazgató (A Husqvarna AB technikai dokumentációért felelős hivatalos képviselője.)

EK megfeleléségi nyilatkozat – akkumulátoros termékek

A **Husqvarna AB**, SE-561 82 Huskvarna, Svédország, tel: +46-36-146500, kijelenti, hogy azok a **Husqvarna 325iLK tápegységgel rendelkező Husqvarna DT600** mohagereblyező tartozékok, amelyek a 2019 évtől kezdve kaptak sorozatszámot (az év jól látható a típustáblán, a sorozatszám előtt), megfelelnek a következő TANÁCSI IRÁNYELVEKNEK:

- a 2006. május 17-i, „gépekre vonatkozó” **2006/42/EK** sz. irányelv
- a 2011. június 8-i, „az egyes veszélyes anyagok elektromos és elektronikus berendezésekben való alkalmazásának korlátozására” vonatkozó **2011/65/EU** sz. irányelv.

Az akkumulátoros termékek esetében az alábbi szabványok kerültek alkalmazásra:

EN 62841-1:2015, EN 50636-2-92:2014, EN IEC 63000:2018

A RISE SMP Svenska Maskinprovning AB, Box 7035, SE-750 07 Uppsala, Svédország végezte el az önkéntes típusbevizsgálást a Husqvarna AB megbízásából. A tanúsítvány száma: **SEC/15/2411 - Husqvarna DT600**

A zajkibocsátásra vonatkozó tájékoztatást illetően tekintse át a következőt: *Műszaki adatok 108. oldalon.*

Huskvarna , 2021-02-12



Pär Martinsson, Fejlesztési Igazgató (A Husqvarna AB technikai dokumentációért felelős hivatalos képviselője.)

KEES VAN DER SPEK
TUINMACHINES * STOLWIJK

TURINYS

Įvadas.....	111	Techninė priežiūra.....	117
Sauga.....	112	Transportavimas, saugojimas ir utilizavimas.....	117
Surinkimas.....	116	Techniniai duomenys.....	118
Naudojimas.....	117	EB atitikties deklaracija.....	120

Įvadas

Gaminio aprašas

Mes nuolat siekiame tobulinti savo gaminius, pasilikdami sau teisę keisti jų formą ir išvaizdą be išankstinio pranešimo.

Pasižymėkite: Šiame vadove apžvelgiami tiek benzininis, tiek akumuliatorinis gaminys.

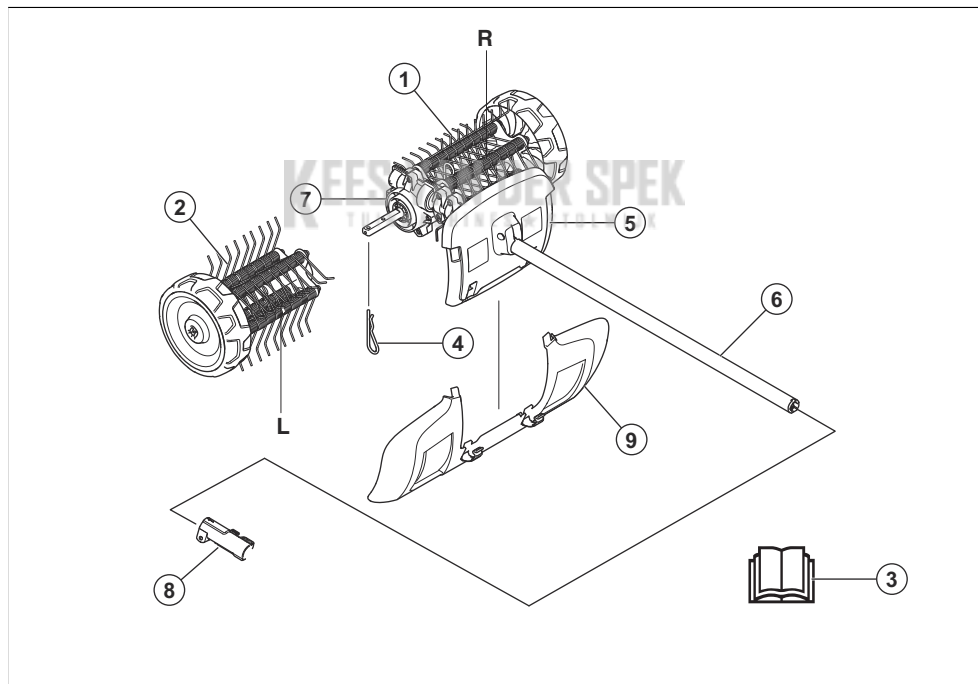
Naudojimas



PERSPĖJIMAS: Šį įtaisą galima naudoti tik su įrenginiu, kuriam jis yra skirtas. Žr. įrenginio naudojimo instrukcijos skyrių apie įtaisą.

Priedas skirtas tik vejos samanoms purenti.

Priedo apžvalga.



- | | |
|--------------------------------------|---------------------------------------|
| 1. Samanų skarifikatorius, dešinysis | 7. Pavaros korpusas |
| 2. Samanų purentuvas, kairysis | 8. Veleno mova (pateikiam su gaminiu) |
| 3. Operatoriaus vadovas | 9. Purvasaugis |
| 4. Išardomasis kaištis | |
| 5. Apsaugas (veleno apsauga) | |
| 6. Velenas | |

Simboliai ant įtaiso ir maitinimo bloko



Aplaidžiai ar netinkamai naudojant šį priedą gali būti sunkiai ar net mirtinai sužeistas naudotojas ar kiti žmonės.



Prieš naudodami priedą atidžiai perskaitykite naudojimo instrukciją ir įsitinkite, ar viską gerai supratote.



Naudokite patvirtintas apsaugines ausines. Naudokite patvirtintas akių apsaugos priemones. Jei kyla dulkių pavojus, naudokite respiratorių.



Šis įtaisas atitinka jam taikomas EB direktyvas.



Sukamosios dalys. Saugokite rankas ir kojas. Rodyklė nurodo sukimosi kryptį.



Visada mėvėkite patvirtintas apsaugines pirštines.



Avėkite tvirtus, neslystančius batus.



Saugokitės svaidomų ir rikošetu atšokusių daiktų.



Operatorius privalo įsitikinti, kad arčiau kaip 15 m nėra žmonių ar gyvūnų. Kai toje pačioje vietoje dirba keli operatoriai, turi būti užtikrintas ne mažesnis kaip 15 m saugus atstumas. Įtaisas gali stipriai išsviesti objektus, kurie gali atšokti atgal ir sunkiai sužaloti akis, jeigu nenaudojate rekomenduojamos saugos įrangos.



Naudodami įrenginį laikykitės ne mažesniu kaip 15 m / 50 pėd. atstumu nuo žmonių ir gyvūnų.



Jokia kūno dalimi nesilieskite prie įkaitusių paviršių.



Į aplinką skleidžiamas triukšmas atitinka Europos Bendrijos direktyvą. Priedo skleidžiamo triukšmo duomenys nurodyti techninių duomenų skyriuje ir ant etiketės.

Pasižymėkite: Kiti ant priedo pateikti simboliai (lipdukai) skirti specialiems kai kurių rinkų sertifikavimo reikalavimams.

Sauga

Saugos ženklų reikšmės

Įspėjimai, perspėjimai ir pastabos yra skirtos atkreipti dėmesį į ypač svarbias naudotojo instrukcijos dalis.



PERSPĖJIMAS: Naudojamas, kai naudotojui ar šalia esantiems asmenims kyla mirtino arba sunkaus sužeidimo pavojus arba, jei nesilaikoma naudotojo instrukcijoje pateiktų nurodymų.



PASTABA: Naudojamas, kai kyla pavojus sugadinti gaminį ir (arba) priedą, kitas medžiagas arba padaryti žalą aplinkai, jei nesilaikoma naudotojo instrukcijoje pateiktų nurodymų.

Pasižymėkite: Naudojama pateikti daugiau, nei būtina esamoje situacijoje, informacijos.

Bendrieji saugos nurodymai



PERSPĖJIMAS: Prieš naudodami priedą, perskaitykite toliau esančius saugos nurodymus.

- Prieš naudodami priedą atidžiai perskaitykite naudojimo instrukciją ir įsitinkite, ar viską gerai supratote.
- Šios instrukcijos papildo gaminio instrukcijas. Informacijos apie kitas procedūras rasite savo gaminio naudojimo instrukcijose.
- Be gamintojo leidimo jokių atveju negalima keisti originalios priedo konstrukcijos. Nenaudokite priedo,

kurį galėjo modifikuoti kiti asmenys ir naudokite tik originalius priedus. Nesuderinti konstrukcijos pakeitimai bei nepritaikytos detalės gali sukelti rimtus kūno sužalojimus ir net mirtį.

Perskaitykite visas instrukcijas



PERSPĖJIMAS: Naudojant elektrinius sodo prietaisus, visada reikia laikytis pagrindinių saugos priemonių, kad būtų sumažinta gaisro, elektros smūgio ir sužalojimų rizika, įskaitant šiuos nurodymus:

Samanų parentuvo saugos nurodymai

- Niekada neleiskite naudoti gaminio vaikams, asmenims, turintiems ribotų fizinių, jutimo ar psichinių galimybių, neturintiems patirties ir žinių, ar žmonėms, nepažįstamiems su šiomis instrukcijomis. Gali būti, kad pagal vietos teisės aktus ribojamas naudotojo amžius.
- Niekada nenaudokite gaminio, jei netoliese yra žmonių, ypač vaikų, arba naminių gyvūnų.
- Neperkraukite ir visada išlaikykite pusiausvyrą. Dirbdami ant šlaitų tvirtai remkitės į žemę, dirbkite eidami, niekada nebėkite.
- Nelleskite judančių pavojingų dalių, jei įrenginys neatjungtas nuo elektros tinklo, o pavojingos judančios dalys nevisiškai sustoję.
- Dirbdami įrenginiu, visada dėvėkite avalynę ir ilgas kelnes.
- Prieš pašalindami blokadą ir prieš valydami gaminį arba dirbdami su juo, iš gaminio išimkite akumuliatorių.
- Prieš atlikdami gaminio pažeidimų tyrimą, išimkite akumuliatorių iš gaminio, kai, pavyzdžiui, „pagaunamas“ pašalinis daiktas arba jei gaminys pradeda neįprastai vibruoti.
- Nejunkite pažeisto laido prie maitinimo šaltinio ir nelieskite pažeisto laido, kol jis nėra atjungtas nuo maitinimo šaltinio. Pažeistas laidas gali susisiekti su veikiančiomis dalimis ir tai gali būti sužeidimo ar net mirties priežastis.
- Niekada nenaudokite gaminio su pažeistais apsaugais / skydais, be apsauginių įtaisų arba jei laidas yra pažeistas ar susidėvėjęs.
- Laikykite prailginimo laidus atokiau nuo judančių pavojingų dalių, kad išvengtumėte laidų pažeidimų, kurie gali kontaktuoti su veikiančiomis dalimis.
- Prijunkite gaminį tik prie maitinimo grandinės, apsaugotos nuolatinės srovės įtaisais (RCD), kurio išjungimo srovė yra ne didesnė kaip 30 mA.
- Nenaudokite gaminio blogomis oro sąlygomis, ypač jei yra žaibo pavojus.

Naudojimo saugos instrukcijos



PERSPĖJIMAS: Prieš naudodami gaminį, perskaitykite toliau esančius įspėjimus.

- "Stop" rankenėlė automatiškai grįžta į "Start" padėtį. Įsitikinkite, kad montuojant, tikrinant ir (arba) atliekant techninę priežiūrą, gaminys netyčia neįsijungtų. Jei turite benzinu varomą gaminį, nuo uždegimo žvakės nuimkite uždegimo žvakės antgalį. Jei turite akumuliatoriumi varomą gaminį, išimkite akumuliatorių.
- Saugokitės į orą pakeliamų daiktų. Visada užsidėkite akių apsaugos priemones. Niekada nesilenkite virš samanų parentuvo. Akmenukai, šiukšlės ir pan. gali pataikyti į akis ir apakinti ar sunkiai jas sužaloti.
- Dirbant pavara įkaista ir paskui kurį laiką gali būti įkaitusi. Todėl nesilieskite, nes yra pavojus nusideginti.
- Nors šepetėlio būgnai neturi tokios jėgos, kaip veļapjovės peiliai, tačiau turėtumėte vengti daiktų, kurie išsviesti gali sužaloti ar apgadinti turtą.
- Niekada nenaudokite įrenginio, jei nelaimės atveju nebūtų kaip iškviešti pagalbą.
- Įrenginį naudokite tik tiems tikslams, kuriems jis yra skirtas.
- Niekada nenaudokite įrenginio, jei esate pavargę, jei vartojote alkoholį ar vaistus, kurie gali turėti įtakos jūsų regėjimui, nuovokai ar koordinacijai.
- Niekada įrenginio nenaudokite ekstremaliomis klimatinėmis sąlygomis, pvz., esant dideliam šalčiui ar labai karštam ir/arba drėgnam klimatui.
- Niekada nenaudokite techniškai netvarkingos mašinos. Vykdykite šioje instrukcijoje nurodytas tikrinimo, techninės priežiūros ir remonto procedūras. Kai kuriuos techninės priežiūros darbus gali atlikti tik apmokytai ir kvalifikuoti specialistai. Žiūrėkite nurodymus, pateikiamus skyriuje „Techninė priežiūra“.
- Niekada neleiskite vaikams naudotis įrenginiu.
- Niekada niekam neleiskite dirbti mašina prieš tai neįsitikinę, kad jie perskaitė ir suprato naudojimo instrukcijoje pateiktus nurodymus.
- Neprisileiskite artyn pašalinių. Kai dirbate, vaikai, gyvuliai, stebėtojai ir padėjėjai turi būti nutolę 15 metrų atstumu. Kam nors priartėjus, nedelsdami sustabdykite įrenginį.
- Jei tam tikroje situacijoje nežinosite kaip pasielgti, teiraukitės specialisto. Kreipkitės į pardavėją ar aptarnavimo dirbtuves.
- Nedirbkite darbu, kurio nemokate ar jaučiatės nepakankamai kvalifikuotas.
- Prieš užvesdami pjovimo įrangą, visada apsidairykite ir įsitikinkite, ar ji nepasiekia kitų netoliese esančių žmonių ar gyvūnų.
- Jeigu dėvėte apsaugines ausines, būkite atidūs, kad išgirstumėte galimus įspėjamuosius signalus ar

šūksnius. Išjungę variklį visada nusiimkite apsaugines ausines.

- Nenaudokite įrenginio blogu oru, pavyzdžiui, esant tirštam rūkui, smarkiai lyjant, pučiant stipriam vėjui, per didelius šalčius ir t. t. Darbas per šalčius vargina, be to, dažnai padidina rizikos faktorius, pvz., apledėjusi žemė, nenuspėjama medžio kritimo kryptis ir pan.
- Įsitinkite, kad galite laisvai stovėti ir judėti. Apžiūrėkite, ar jūsų darbo vietoje nėra kliūčių, pavyzdžiui, išsikūsiusių medžių šaknų, akmenų, šakų, griovių, jei kartais tektų greitai pasitraukti. Labai atsargiai dirbkite ant stačių šlaitų.



- Perkeltam įrenginį, būtina išjungti variklį.
- Neišjungę variklio niekada nedėkite įrenginio ant žemės, jei jo nematote.
- Įrenginį visada laikykite dviem rankom. Įrenginį laikykite prie kūno.
- Įsitinkite, ar veikiant varikliui, rankos ir kojos neliečia samanų purentuvo.
- Išjungus variklį, rankomis ir kojomis nelieskite samanų purentuvo, kol jis visiškai nesustos.
- Jei pradeda labai vibruoti, įrenginį sustabdykite. Jei turite benzinu varomą gaminį, nuo uždegimo žvakės atjunkite HT laidą. Jei turite akumuliatoriumi varomą gaminį, išimkite akumuliatorių iš gaminio. Įsitinkite, kad įrenginys nepažeistas. Suremontuokite pažeidimus.

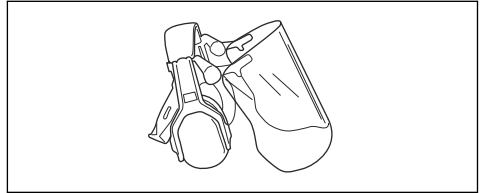
Asmeninės apsauginės priemonės



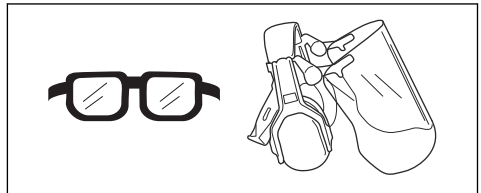
PERSPĖJIMAS: Prieš naudodami gaminį, perskaitykite toliau esančius išspėjimus.

- Naudodami įrenginį būtinai dėvėkite patvirtintas asmenines apsaugines priemones. Asmeninės apsauginės priemonės nepadės visiškai išvengti pavojaus susižeisti, tačiau nelaimingo atsitikimo atveju mažiau nukentėsite. Leiskite prekybos atstovui padėti pasirinkti tinkamą įrangą.
- Naudokite pakankamomis garso slopinimo savybėmis pasižyminčias patvirtintas apsaugines

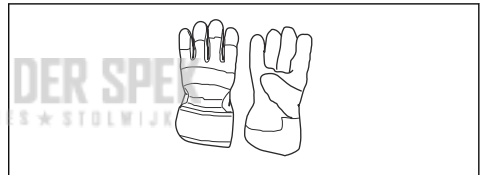
ausines. Ilgalais triukšmo poveikis gali nesugrąžinamai pakenkti klausai.



- Naudokite patvirtintas akių apsaugos priemones. Jei naudojamas apsauginis skydelis, turi būti nešiojami ir patvirtinti apsauginiai akiniai. Patvirtinti apsauginiai akiniai yra tie, kurie atitinka JAV ANSI Z87.1 standartą arba ES EN 166 standartą.



- Kai būtina, pvz., montuojant, apžiūrint arba valant pjovimo įrangą, užsimaukite pirštines.

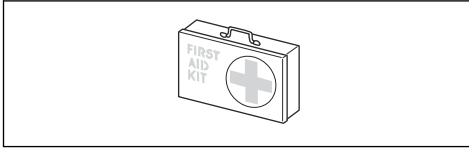


- Avėkite apsauginius batus su plieninėmis nosimis ir neslystančiais padais.



- Vilkėkite iš stiprios medžiagos pagamintus drabužius. Būtinai mūvėkite tvirtas, ilgas kelnes, vilkėkite aprangą ilgomis rankovėmis. Nevilkėkite laisvų drabužių, kurie gali užkibti už krūmokšnių ir šakų. Nenešiokite papuošalų, trumpų kelnų ar atvirų batų ir nevaikščiokite basomis. Saugiai susisiekite plaukus aukščiaučia pečiu.

- Netoliese turi būti pirmosios pagalbos vaistinė.



Priedo apsauginės priemonės



PERSPĖJIMAS: Prieš naudodami gaminį, perskaitykite toliau esančius įspėjamuosius nurodymus.

Šiame skyriuje pasakojama apie priedo saugos priemones, jų paskirtį ir patariama, kaip atlikti patikrą ir ją prižiūrėti siekiant, kad įrenginys veiktų tinkamai. Žr. instrukcijas prie antraštės *Priedo apžvalga. psl. 111* ir sužinokite, kokiaje vietoje tos dalys yra priede.

Priedo tarnavimo laikas gali sutrumpėti, o nelaimingų atsitikimų pavojus gali padidėti, jei priedas nebus tinkamai prižiūrimas, o aptarnavimas ir (arba) remonto darbai nebus atliekami profesionaliai. Prireikus daugiau informacijos, prašome kreiptis į artimiausią techninės priežiūros atstovą.



PERSPĖJIMAS: Niekada nenaudokite priedo, kurio apsauginės dalys yra pažeistos. Priedo saugos įranga turi būti tikrinama ir prižiūrima taip, kaip yra aprašyta šiame skyrelyje. Jei priedas neatitinka bet kurio iš šių kontrolinių reikalavimų, kreipkitės į savo techninės priežiūros atstovą dėl gaminio remonto.



PERSPĖJIMAS: Gaminio techninė priežiūra ir taisymas reikalauja specialaus pasirengimo. Tai ypač susiję su gaminio saugos įranga. Jei jūsų gaminys neatitiks nors vieno iš toliau pateiktų kontrolės reikalavimų, kreipkitės į sertifikuotą remonto dirbtuvę. Įsigijus mūsų gaminį, garantuojame

profesionalų aptarnavimą ir techninę priežiūrą. Jei gamino pardavėjas neatlieka aptarnavimo, paprašykite jo duoti artimiausios remonto dirbtuvės adresą.

Priežiūros saugos instrukcijos



PERSPĖJIMAS: Prieš atlikdami techninę priežiūrą, perskaitykite toliau esančius įspėjimus.

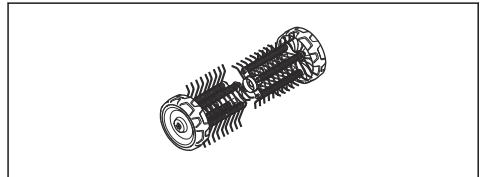


PERSPĖJIMAS: Prieš pradėdami priedo apžiūrą, visada išjunkite gaminį. Būkite atsargūs, atleidus galios / akceleratoriaus gaiduką, priedas gali judėti toliau. Įsitinkinkite, kad priedas visiškai sustojo. Jei turite benzinu varomą gaminį, nuo uždegimo žvakės atjunkite HT laidą. Jei turite akumuliatoriumi varomą gaminį, išimkite akumuliatorių.



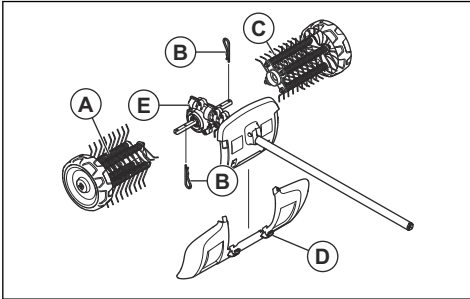
PERSPĖJIMAS: Visada mūvėkite apsaugines pirštines.

- Prieš pradėdami, patikrinkite visą gaminį. Patikrinkite, ar visi apsaugai ir gaubtai yra visi ir tvirtai pritvirtinti. Priveržkite visas varžles ir poveržles.
- Jei turite benzinu varomą gaminį, įsitinkinkite, kad nėra benzino nuotėkių.
- Pakeiskite pažeistas dalis.



Surinkimas

Priedo surinkimas

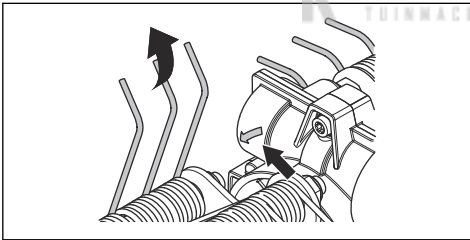


Rodyklė, esanti ant pavaros korpuso, rodo sukimosi kryptį. Pavaros korpusas turi būti pastatytas kaip parodyta.

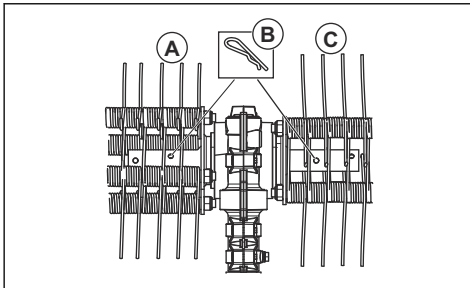
SVARBU:

Samanų purenimo ritiniai pažymėti rodyklėmis, rodančiomis sukimosi kryptį. Pasirūpinkite, kad samanų purenimo ritiniai būtų teisingai įstatyti.

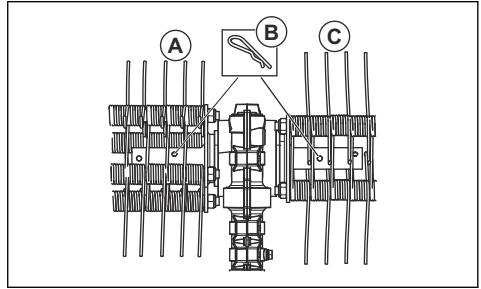
Samanų purenimo ritiniai turi būti šiek tiek paslinkti vienas kito atžvilgiu. Samanų purenimo spyruoklės turi būti nukreiptos ta pačia kryptimi, kaip ir sukimosi rodyklės, esančios ant pavaros korpuso.



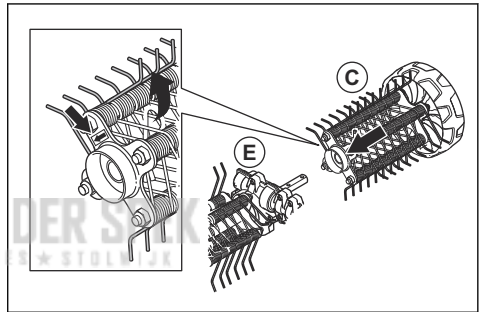
1. Užspauskite kairįjį samanų purenimą (A) ant kairiojo pavaros veleno, kyšančio iš pavaros korpuso (E).



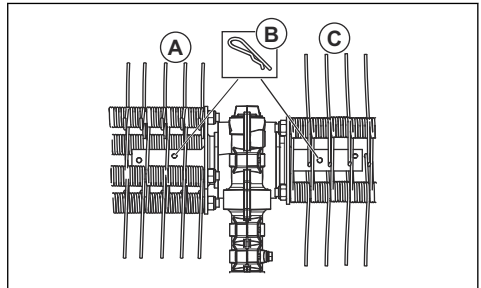
2. Pritvirtinkite samanų purenimo ritinį prie vidinės veleno kiaurymės išardomu kaiščiu (B).



3. Užspauskite dešinįjį samanų purenimą (C) ant kairiojo pavaros veleno, kyšančio iš pavaros korpuso (E).



4. Pritvirtinkite samanų purenimo ritinį prie vidinės veleno kiaurymės išardomu kaiščiu (B).



5. Spastukais (D) pritvirtinkite apsaugą.

Pasižymėkite: Norėdami sumontuoti priedus ant pagrindinio gaminio, skaitykite pagrindinio gaminio vadovą.

Naudojimas

Norėdami paleisti šaltą variklį

Jei naudojate benzininį gaminį, vykdykite šiuos nurodymus, kad gaminį paleistumėte šaltu varikliu.

1. Užveskite bazinį gaminį ir leiskite padirbti, kol sušils, tada išjunkite.
2. Prijunkite priedą, kaip nurodyta surinkimo nurodymuose.
3. Reguluodami karbiuratorių, pasirūpinkite kad samanų purentuvus būtų nuleistas ant žemės ir šalia nėra pašalinių asmenų.
4. Leiskite samanų purentuvui dirbti tuščiaja eiga.
5. Įsitinkite, ar rankena ir apsaugos funkcijos yra tvarkingos. Niekada nenaudokite gaminio, kuriam trūksta kokių nors dalių ar buvo pakeistos ne pagal specifikacijas.

Priedo naudojimas

1. Kai ratukai remiasi į paviršių, samanų purentuvą paleiskite visa galia (arba beveik visa).

Pasižymėkite: Dirbant laikyti samanų purentuvą, pakeltą virš paviršiaus, yra sunku ir nebūtina.

2. Smailus darbo kampas turi būti paviršiuje. Dideliu darbo kampu samanų purentuvus linkęs judėti link jūsų, todėl rizikuojate prarasti įrenginio valdymą.



Techninė priežiūra

Įvadas

Toliau pateikiamos bendros priežiūros instrukcijos. Jei reikia daugiau informacijos, prašome kreiptis į techninio aptarnavimo dirbtuves.

Priedo techninė priežiūra



PASTABA: Su samanų purentuvu dažnai dirbama dulkečiuje aplinkoje. Jei turite benzininį gaminį, norint, kad oro filtras veiktų patenkinamai, labai svarbu reguliariai, dažnai kasdien, tikrinti oro filtrą ir sutepti jį.

Techninės priežiūros instrukcijas skaitykite maitinimo bloko naudotojo vadove.

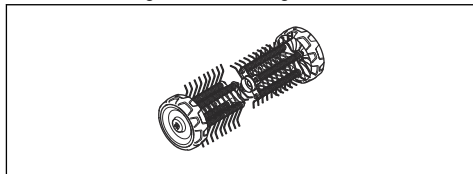


PERSPĖJIMAS: Atlikdami priedų techninę priežiūrą, visada mūvėkite apsaugines pirštines.



PERSPĖJIMAS: Naudojant gaminį įkaista pavaros korpusas. Nelieskite pavaros norėdami išvengti nudegimo žaizdų.

1. Įsitinkite, kad samanų skarifikatorius nesisuka, kai atleidžiamas galios / droselio gaidukas.



2. Jei jie nesisuka lengvai, ratus nuvalykite.

Transportavimas, saugojimas ir utilizavimas

Pervežimas ir laikymas

Jei padargas transportuojamas kita transporto priemone, visada naudokite tvirtinimo įtaisus ir įsitinkite, kad padargas saugiai pritvirtintas.

Jei padargu nesiruošiate naudotis ilgesnį laiko tarpą, užtikrinkite, kad jis būtų gerai išvalytas ir atlikti visi techninės priežiūros darbai.

Techniniai duomenys

Benzinu varomų produktų techniniai duomenys

Samanų skarifikatorius	DT600
Plotis, mm	556
Svoris	
Svoris, kg	6,5
Skleidžiamas triukšmas⁶⁷	
Garso stiprumo lygis, išmatuotas dB (A)	105
Garso galios lygis, garantuojamas L_{WA} dB (A)	109
Garso lygiai⁶⁸	
Tolygus garso spaudimo naudotojo ausiai lygis, matuojamas pagal EN ISO 22868, dB(A)	95
Vibracija⁶⁹	
Ekvivalentiški rankenų vibracijos lygiai ($a_{hv,eq}$), išmatuoti pagal EN ISO 22867 m/s^2	
Priekinės / galinės rankenos	6,2/4,3

Akumuliatoriumi varomų įrenginių techniniai duomenys

325iLK + Samanų purentuvo priedas DT600	
Plotis, mm	556
Svoris	
Svoris, kg	2,3/+6,5
Skleidžiamas triukšmas⁷⁰	
Garso galios lygis, išmatuotas dB (A)	89
Garso lygiai⁷¹	

⁶⁷ Matuojama kartu su Husqvarna patvirtintais priedais. Triukšmas, skleidžiamas į aplinką, išmatuotas kaip garso galia (L_{WA}) pagal EB direktyvą 2000/14/EB. Pateiktas įrenginio garso stiprumo lygis buvo išmatuotas naudojant didžiausią garšą sukeltantį originalų pjovimo įtaisą. Skirtumas tarp garantuojamojo ir matuojamojo garso stiprumo yra tas, kad pagal Direktyvą 2000/14/EB garantuojamasis garso stiprumas apima ir matavimo rezultatų sklaidą bei nukrypimus tarp skirtingų to pačio modelio įrenginių.

⁶⁸ Matuojama kartu su Husqvarna patvirtintais priedais. Pateiktuose duomenyse apie ekvivalentinį įrenginio garso slėgio lygį yra 1 dB (A) tipiška statistinė sklaida (standartinis nuokrypis).

⁶⁹ Matuojama kartu su Husqvarna patvirtintais priedais. Pateiktuose atitinkamo vibracijos lygio duomenyse yra 1 m/s^2 tipiška statistinė sklaida (standartinis nuokrypis).

⁷⁰ Pateiktuose duomenyse apie įrenginio garso slėgio lygį yra 3 dB (A) tipiška statistinė sklaida (standartinis nuokrypis). Ji buvo išmatuota naudojant originalų įtaisą, kuri generuoja aukščiausią lygį.

⁷¹ Pateiktuose duomenyse apie įrenginio garso slėgio lygį yra 3 dB (A) tipiška statistinė sklaida (standartinis nuokrypis). Ji buvo išmatuota naudojant originalų įtaisą, kuri generuoja aukščiausią lygį.

325iLK + Samanų purentuvo priedas DT600	
Garso spaudimo naudotojo ausiai lygis, matuojamas pagal EN ISO 22868, dB(A)	77
Vibracija⁷²	
Vibracijos lygis rankenose, išmatuotas pagal EN 62841-1, m/s ²	
Priekinės / galinės rankenos	1,9/2,6
Su patvirtintu naudoti originaliu (kairiuoju arba dešiniuoju) priedu	1,9/2,6

KES VAN DER SPEK
TUINMACHINES ★ STOLWIJK

⁷² Pateiktuose vibracijos lygio duomenyse yra 2 m/s² tipiška statistinė sklaida (standartinis nuokrypis). Siekiant palyginti vibracijos lygius, akumulatoriniams ir vidaus degimo gaminiams naudojamas vibracijos skaičiuotavas. <https://www.husqvarna.com/uk/services-solutions/vibration-calculator/>.

EB atitikties deklaracija

EB atitikties deklaracija – benzinu varomiems įrenginiams

Husqvarna AB, SE-561 82 Huskvarna, Švedija, tel. +46-36-146500, patvirtina, kad samanų purentuvų

Husqvarna DT600, kurių serijos numeriai yra 2019 ir vėlesni (metai aiškiai nurodyti ant vardinių parametru plokštelių, po jų – serijos numeris), atitinka šių TARYBOS DIREKTYVŲ reikalavimus:

- 2006 m. gegužės 17 d. Direktyvos **2006/42/EB** dėl mašinų;
- 2011 m. birželio 8 d. Direktyvos **2011/65/ES** dėl tam tikrų pavojingų medžiagų naudojimo elektros ir elektroninėje įrangoje apribojimo.
- 2000 m. gegužės 8 d. Direktyvos **2000/14/EB** dėl į aplinką sklaidžiamo triukšmo.

Benzinu varomiems įrenginiams taikomi šie standartai:

SS-EN ISO 12100:2010, EN IEC 63000:2018

RISE SMP Svensk Maskinprovning AB, Box 7035, SE-750 07 Uppsala, Švedija, atliko savanorišką tipo kontrolę „Husqvarna AB“ prašymu. Sertifikatui suteiktas numeris: **SEC/15/2411 - Husqvarna DT600**

Huskvarna, 2021-02-12



Pär Martinsson, plėtros vadovas (įgaliotasis „Husqvarna AB“ atstovas, atsakingas už techninę dokumentaciją).

EB atitikties deklaracija – akumuliatoriumi varomiems įrenginiams

Husqvarna AB, SE-561 82 Huskvarna, Švedija, tel. +46-36-146500, patvirtina, kad samanų purentuvus

(„Husqvarna PA100“ įtaisas su maitinimo bloku „Husqvarna 325ILK“), kurių serijos numeriai yra 2019 ir vėlesni (metai aiškiai nurodyti ant vardinių parametru plokštelių, po jų – serijos numeris) atitinka šių TARYBOS DIREKTYVŲ reikalavimus:

- 2006 m. gegužės 17 d. Direktyvos **2006/42/EB** dėl mašinų;
- 2011 m. birželio 8 d. Direktyvos **2011/65/ES** dėl tam tikrų pavojingų medžiagų naudojimo elektros ir elektroninėje įrangoje apribojimo.

Akumuliatoriumi varomiems įrenginiams taikomi šie standartai:

EN 62841-1:2015, EN 50636-2-92:2014, EN IEC 63000:2018

RISE SMP Svensk Maskinprovning AB, Box 7035, SE-750 07 Uppsala, Švedija, atliko savanorišką tipo kontrolę „Husqvarna AB“ prašymu. Sertifikatui suteiktas numeris: **SEC/15/2411 - Husqvarna DT600**

Daugiau informacijos apie triukšmo emisiją žr. *Techniniai duomenys psl. 118.*

Huskvarna, 2021-02-12



Pär Martinsson, plėtros vadovas (įgaliotasis „Husqvarna AB“ atstovas, atsakingas už techninę dokumentaciją).

KEES VAN DER SPEK
TUINMACHINES * STOLWIJK

Saturs

Ievads.....	121	Apkope.....	127
Drošība.....	122	Pārvadāšana, glabāšana un utilizēšana.....	128
Montāža.....	126	Tehniskie dati.....	128
Lietošana.....	127	EK atbilstības deklarācija.....	130

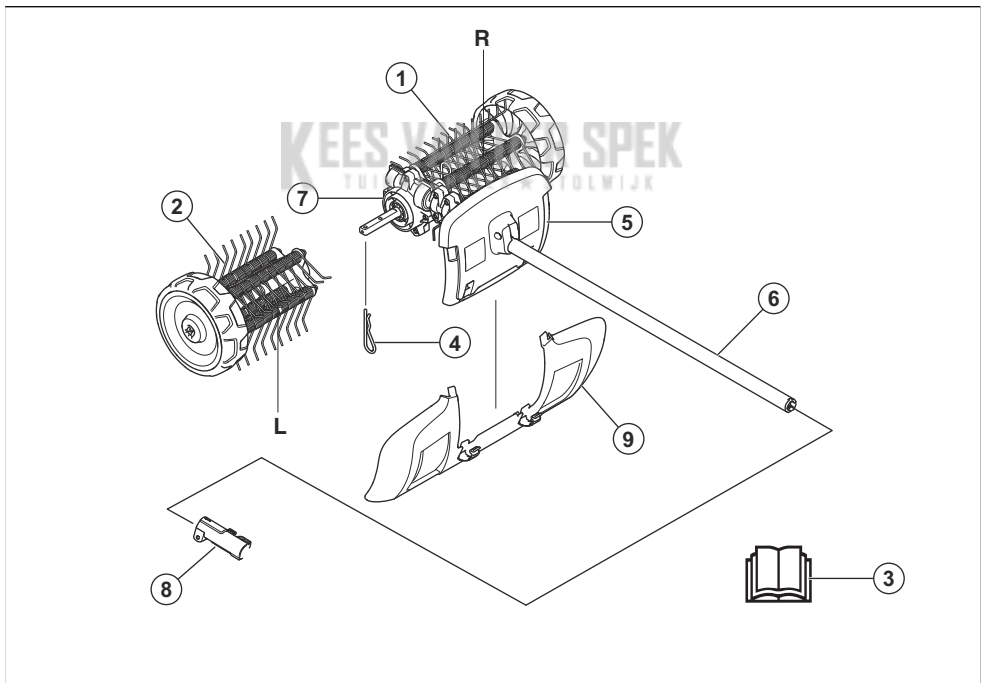
Ievads

Izstrādājuma apraksts

Mēs pastāvīgi strādājam, lai pilnveidotu savus izstrādājumus, un tāpēc paturam tiesības izdarīt izmaiņas, piemēram, izstrādājumu formai un izskatam bez iepriekšēja paziņojuma.

Piezīme: Šī rokasgrāmata attiecas gan uz instrumentiem, kas darbojas ar benzīnu, gan tiem, kas darbojas ar akumulatoru.

Pārskats par ierīci



1. Sūnu atdalītājs (labā puse)
2. Sūnu atdalītājs (kreisā puse)
3. Lietotāja rokasgrāmata
4. Sazarojuma tapa
5. Aizsargs (aizsardzība uz kāta)
6. Kāts
7. Pārnesumkārbas (reduktora) karteris
8. Vārpstas sakabe (iekļauta komplektācijā)
9. Šļakatu aizsargs

Paredzētā lietošana



BRĪDINĀJUMS: Šo ierīci drīkst izmantot tikai kopā ar paredzēto izstrādājumu, skatiet sadaļu par piederumiem izstrādājuma lietotāja rokasgrāmata.

Ierīce ir paredzēta tikai sūnu atdalīšanai no zālāja.

Apzīmējumi uz piederuma un instrumenta



Pavirša vai nepareiza šīs ierīces lietošana var radīt bīstamas vai nāvējošas traumas lietotājam vai citām personām.



Rūpīgi izlasiet šo lietotāja rokasgrāmatu un pirms ierīces lietošanas pārlicinieties, vai izprotat norādījumus.



Izmantojiet apstiprinātus dzirdes aizsarglīdzekļus. Izmantojiet apstiprinātus acu aizsarglīdzekļus. Ja pastāv putekļu risks, izmantojiet elpošanas aizsargmasku.



Šī ierīce atbilst spēkā esošajām EK direktīvām.



Rotējošas daļas. Turiet rokas un kājas drošā attālumā. Bultiņa norāda rotēšanas virzienu.



Vienmēr lietojiet apstiprinātus aizsargcimdus.



Izmantojiet neslīdošus un stabilus zābakus.



Sargieties no mestiem un rikošetā atlecošiem priekšmetiem.



Lietotājam jānodrošina, lai citi cilvēki vai dzīvnieki nebūtu darba vietai tuvāk par 15 metriem. Ja vairāki ierīces lietotāji strādā vienā darba vietā, drošības attālumam ir jābūt ne mazākam par 15 metriem. Piederums ar lielu spēku var izmest priekšmetus, kas, atsitoties, var atlēkt atpakaļ. Nelietojot atbilstošu drošības aprikojumu, tas var radīt smagas acu traumas.



Izstrādājuma lietošanas laikā ievērojiet minimālo attālumu — 15 m/50 pēdas — no cilvēkiem un dzīvniekiem.



Raugieties, lai ķermeņa daļas neatrastos karstu virsmu tuvumā.



Troksņa emisijas līmenis atbilst Eiropas Kopienas direktīvai. Iekārtas emisiju līmenis ir norādīts sadaļā "Tehniskie dati" un uz uzlīmes.

Piezīme: Pārējie uz ierīces norādītie simboli/norādes atbilst noteiktu valstu sertifikācijas prasībām.

Drošība

Drošības definīcijas

Brīdinājumi, norādes "Uzmanību!" un piezīmes tiek izmantotas, lai izceltu īpaši svarīgas lietotāja rokasgrāmatas daļas.



BRĪDINĀJUMS: Tiek izmantota tad, ja rokasgrāmatā sniegto instrukciju neievērošanas dēļ operatoram vai blakus esošajām personām draud traumu vai nāves risks.



IEVĒROJIET: Tiek izmantota tad, ja rokasgrāmatā sniegto instrukciju neievērošanas dēļ rodas izstrādājuma un/vai

papildaprīkojuma, citu materiālu vai blakus esošās teritorijas bojājuma risks.

Piezīme: Tiek izmantota, lai sniegtu plašāku informāciju, kas nepieciešama attiecīgajā situācijā.

Vispārīgi norādījumi par drošību



BRĪDINĀJUMS: Pirms sākat lietot šo ierīci, izlasiet zemāk izklāstītās drošības instrukcijas.

- Rūpīgi izlasiet šo lietotāja rokasgrāmatu un pirms ierīces lietošanas pārliecinieties, vai izprotat norādījumus.
- Šīs instrukcijas ir izstrādājuma komplektācijā iekļauto instrukciju papildinājums. Sīkāku lietošanas informāciju skatiet ekspluatācijas instrukcijās.
- Nekādā gadījumā bez ražotāja atļaujas nedrīkst mainīt šīs ierīces konstrukciju. Nelietojiet ierīci, ko varētu būt pārveidojušas trešās puses, un obligāti izmantojiet oriģinālos piederumus. Neatļautas izmaiņas un/vai neatļauti piederumi var radīt smagas vai nāvējošas traumas izstrādājuma lietotājam un citiem.

Izlasiet visus norādījumus



BRĪDINĀJUMS: Lietojot elektriskās dārza kopšanas ierīces, obligāti jāievēro pamata drošības pasākumi, lai samazinātu aizdegšanās, strāvas trieciena un traumu risku, tostarp jāievēro tālāk norādītais.

Ar atdalītāju saistīti drošības norādījumi

- Nekādā gadījumā neļaujiet lietot šo izstrādājumu bērniem, personām ar samazinātām fiziskajām, sensorajām vai mentālajām spējām, kā arī nepieredzējušām un neinformētām personām vai personām, kas nav iepazinušās ar šiem norādījumiem. Lietotāja vecums var būt norādīts vietējos noteikumos.
- Nekādā gadījumā nelietojiet ierīci, ja tuvumā atrodas citi cilvēki, jo īpaši bērni, vai dzīvnieki.
- Nesniedzieties pārāk tālu un vienmēr saglabājiet līdzsvaru. Slīpās virsmās stāviet stabili un ejiet, nevis skrieniet.
- Nepieskarieties kustīgām daļām, kas var būt bīstamas, pirms iekārta ir atslēgta no strāvas un kustīgās daļas ir pilnībā apstājušās.
- Strādājot ar iekārtu, vienmēr valkājiet izturīgus apavus un garās bikses.
- Izņemiet akumulatoru no izstrādājuma, kad tas netiek izmantots, pirms aizsprostojumu tīrīšanas un pirms izstrādājuma tīrīšanas un labošanas.
- Izņemiet akumulatoru no izstrādājuma, pirms pārbaudāt vai izstrādājums nav bojāts, piemēram, kad pret izstrādājumu ir atsities svešķermenis vai izstrādājums sāk vibrēt citādi nekā parasti.
- Nepievienojiet barošanas avotam bojātu vadu un nepieskarieties bojātajam vadam, pirms tas nav atvienots no barošanas avota. Ja vads ir bojāts, jūs varat pieskarties uzlādētām daļām, tas var izraisīt traumas vai nāvi.
- Nekad neizmantojiet izstrādājumu, ja ir bojāta aizsardzība/aizsargi, ja nav drošības ierīču vai ja vads ir bojāts vai nolietojies.
- Lai nepieļautu vadu bojājumus, kuru dēļ varat pieskarties uzlādētām daļām, gādājiet, lai pagarinātāju vadi nebūtu tuvumā kustīgām daļām, kas var būt bīstamas.

- Pievienojiet izstrādājumu tikai tādām elektroapgādes tīklam, kuram ir paliekošās strāvas ķēdes aizsardzība (residual current device — RCD) ar nostrādes strāvu, kas nav lielāka par 30 mA.
- Nelietojiet ierīci sliktos laika apstākļos, jo īpaši tad, ja ir iespējams pārķona negaiss.

Norādījumi par drošu darbu

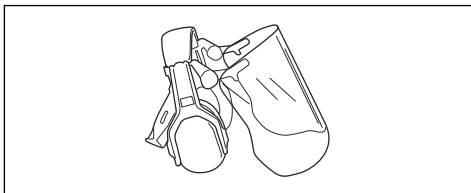


BRĪDINĀJUMS: Pirms sākat lietot izstrādājumu, izlasiet tālāk izklāstītās brīdinājuma instrukcijas.

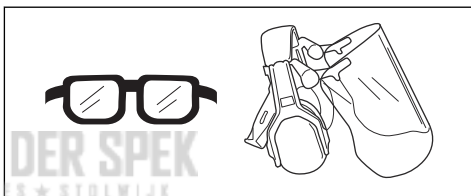
- Apturēšanas (Stop) slēdzis automātiski atgriežas iedarbināšanas pozīcijā. Veicot montāžu, pārbaudi un/vai apkopi, gādājiet, lai nenotiktu nejauša iedarbināšana. Ja izmantojat ar benzīnu darbināmu izstrādājumu, atvienojiet aizdedzes sveces uzgali no aizdedzes sveces. Ja izmantojat ar akumulatoru darbināmu izstrādājumu, noņemiet akumulatoru.
- Uzmanieties no izvsiestiem objektiem. Vienmēr lietojiet acu aizsargus. Nekad neliecieties pāri sūnu atdalītājam. Akmeņi, neīrūmi u.c. var tikt izsviesti un trāpīt acīs un tādējādi izraisīt aklumu vai citas nopietnas traumas.
- Reduktors var sakarst darba laikā un neatdzist vēl kādu laiku arī pēc iekārtas izslēgšanas. Tam pieskaroties, var apdedzināties.
- Lai gan birstu veltņiem nav tāda spēka kā plāvēja asmeņiem, ir jāizvairās no darba ar materiāliem, kas var tikt izsviesti un radīt traumas vai bojājumus īpašumam.
- Nelietojiet iekārtu, ja nav iespējams pasaukt palīdzību nelaimes gadījumā.
- Izmantojiet mašīnu vienīgi tam, kam Tā paredzēta.
- Nekad nelietojiet mašīnu, ja esat noguris, ja esat dzēris alkoholiskus dzērienus, vai, ja lietojiet medikamentus, kas var ietekmēt redzi, prāta spējas, vai koordināciju.
- Nekad nelietojiet šo ierīci ekstremālos laika apstākļos, tādos kā liels sals vai ļoti karstā un/vai mitrā klimatā.
- Nekad nelietojiet bojātu ierīci. Ievērojiet šajā rokasgrāmatā aprakstītās drošības pārbaudes, tehniskās apkopes un remonta instrukcijas. Dažus apkopes un remonta darbus drīkst veikt tikai apmācīti un kvalificēti speciālisti. Skatiet instrukcijas nodaļā Apkope.
- Nekad neļaujiet bērniem izmantot mašīnu.
- Nekad neļaujiet citām personām izmantot plaujmašīnu, ja šīs personas nav izlasījušas un izpratušas lietotāja rokasgrāmatā sniegto informāciju.
- Nepiederošus turiet pa gabalu. Kamēr lietojat izstrādājumu, bērniem, dzīvniekiem, blakusstāvētājiem un palīgiem jāatrodas drošā attālumā — ne tuvāk par 15 m. Ja kāds tuvojas, nekavējoties apturiet iekārtu.

- Ja nonākat situācijā, kurā jums nav skaidrs, kā rīkoties, lūdziet speciālista padomu. Sazinieties ar izplatītāju vai apkopes darbnīcu.
- Izvairieties no tādiem lietošanas paņēmieniem, kuri jums nav pa spēkam.
- Pievērsiet uzmanību apkārtējai videi un pārliecinieties, vai cilvēki vai dzīvnieki nevar nokļūt izstrādājuma tuvumā vai ietekmēt jūsu kontroli pār izstrādājumu.
- Lietojot dzirdes aizsarglīdzekļus, vienmēr uzmanīgi klausieties, lai sadzirdētu brīdinājumu signālus vai saucienus. Kad dzinējs/motors apstājas, vienmēr noņemiet dzirdes aizsarglīdzekļus.
- Nelietojiet iekārtu nelabvēlīgos laika apstākļos, piemēram, biežā miglā, stiprā lietū, stiprā vējā, lielā aukstumā utt. Darbs sliktos laika apstākļos ir nogurdinošs un bieži vien ir saistīts ar palielinātu risku, piemēram, slīdenas zemes dēļ.
- Pārliecinieties, vai varat droši staigāt un stāvēt. Pārbaudiet, vai jums apkārt nav kādu šķēršļu, kas varētu traucēt pēkšņu nepieciešamību pārvietoties (saknes, akmens, zari, bedres utt.). Ievērojiet īpašu piesardzību, strādājot uz slīpas virsmas.

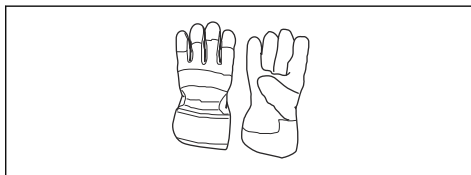
- Izmantojot izstrādājumu, vienmēr lietojiet apstiprinātus individuālos aizsarglīdzekļus. Šādi līdzekļi nevar pilnībā novērst traumu gūšanas risku, taču samazina traumu smaguma pakāpi, ja negadījums tomēr notiek. Ļaujiet izplatītājam palīdzēt jums izvēlēties pareizo aprīkojumu.
- Lietojiet tādus dzirdes aizsarglīdzekļus, kas nodrošina pietiekamu trokšņa slāpēšanu. Ilgstoša uzturēšanās troksnī var radīt būtiskus dzirdes bojājumus.



- Izmantojiet apstiprinātus acu aizsarglīdzekļus. Apstiprinātas aizsargbrilles ir jālieto arī tad, ja tiek izmantots sejsēgs. Apstiprinātas aizsargbrilles ir tādas, kas atbilst ASV standarta ANSI Z87.1 ASV vai standarta EN 166 prasībām ES valstīs.



- Vajadzības gadījumā izmantojiet cimdus, piemēram, piestiprinot, pārbaudot vai tīrot griešanas ierīci.



- Lietojiet aizsargapavus ar tērauda purngaliem un neslīdošām zolēm.



- Lietojiet izturīga auduma apģērbu. Vienmēr valkājiet biezas, garas bikses un apģērbu ar garām piedurknēm. Nevalkājiet vaļīgu apģērbu, kas viegli var iekerties krūmos un zaros. Nenēsājiet rotaslietas,



- Pārvietojot izstrādājumu, dzinējs/motors ir jāizslēdz.
- Nekad nelieciet zemē iekārtu ar ieslēgtu dzinēju/motoru, ja nevarat to uzraudzīt.
- Vienmēr turiet iekārtu ar abām rokām. Turiet mašīnu sev sānu pusē.
- Nodrošiniet, lai iekārtas darbības laikā rokas un kāju pēdas nesaskartos ar sūnu atdalītāju.
- Kad dzinējs/motors ir izslēgts, turiet rokas un kāju pēdas attālak no sūnu atdalītāja, kamēr tas pilnībā apstājas.
- Ja sajūtat spēcīgu vibrāciju, izslēdziet iekārtu. Ja izmantojat ar benzīnu darbināmu izstrādājumu, atvienojiet HT vadu no aizdedzes sveces. Ja izmantojat ar akumulatoru darbināmu izstrādājumu, noņemiet akumulatoru no izstrādājuma. Pārliecinieties, vai iekārta nav bojāta. Salabojiet iespējamos bojājumus.

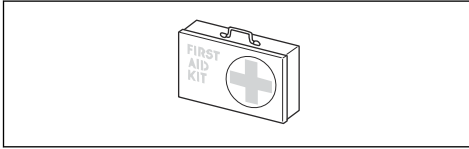
Individuālie aizsarglīdzekļi



BRĪDINĀJUMS: Pirms sākat lietot izstrādājumu, izlasiet tālāk izklāstītās brīdinājuma instrukcijas.

nevelciet šortus, sandales un nestrādāiet basām kājām. Sakārtojiet matus droši virs pleciem.

- Gādājiet, lai tuvumā būtu pirmās palīdzības piederumi.



Izstrādājuma drošības ierīces



BRĪDINĀJUMS: Pirms sākat lietot šo ierīci, izlasiet zemāk izklāstītos brīdinājumus.

Šajā sadaļā ir izskaidrota ierīces drošības funkciju nozīme, to mērķis un veidi, kā tiek veikta pārbaude un apkope, lai garantētu ierīces pareizu darbību. Lai noskaidrotu, kurā ierīces vietā atrodas šīs daļas, skatiet norādījumus sadaļā *Pārskats par ierīci lpp. 121*.

Ja ierīces apkope netiek veikta pareizi un ja apkopi un/vai remontu neveic profesionāli, ierīces darbmūžs var būt īsāks un var palielināties nelaimes gadījumu risks. Ja nepieciešama papildu informācija, sazinieties ar tuvāko izplatītāju, kas nodrošina apkopi.



BRĪDINĀJUMS: Nekādā gadījumā nelietojiet ierīci ar bojātu drošības aprīkojumu. Ierīces drošības aprīkojums ir jāpārbauda un jāuztur, pamatojoties uz šajā nodaļā izklāstīto informāciju. Ja ierīce neatbilst iepriekš aprakstīto pārbaudžu prasībām, sazinieties ar vietējo remontdarbnieku, lai ierīci saremontētu.



BRĪDINĀJUMS: Izstrādājuma apkopi un remontu drīkst veikt tikai īpaši apmācīti tehniķi. Tas jo īpaši attiecas uz izstrādājuma drošības aprīkojumu. Ja jūsu izstrādājums neatbilst zemāk aprakstīto pārbaudžu prasībām, sazinieties ar apkopes pakalpojumu nodrošinātāju. Jebkura mūsu

izstrādājuma iegāde garantē profesionāla remonta un apkopes pieejamību. Ja mazumtirgotājs, pie kura iegādājāties izstrādājumu, nav apkopi veicošs izplatītājs, uzziņiet no viņa tuvākā apkopes veicēja adresi.

Norādījumi par drošu apkopi



BRĪDINĀJUMS: Pirms apkopes darbiem, izlasiet brīdinājuma norādījumus.

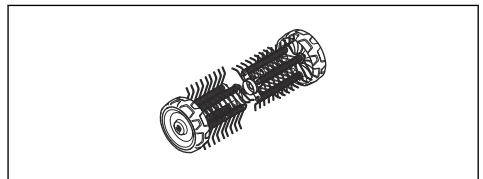


BRĪDINĀJUMS: Pirms ierīces apkopes vienmēr apturiet izstrādājumu. Rīkojieties uzmanīgi, ierīce var turpināt kustēties pēc tam, kad ir atlaists spēka sprūds/drosele. Pārliecinieties, vai ierīce ir pilnībā apstājusies. Ja izmantojat ar benzīnu darbināmu izstrādājumu, atvienojiet HT vadu no aizdedzes sveces. Ja izmantojat ar akumulatoru darbināmu izstrādājumu, noņemiet akumulatoru.



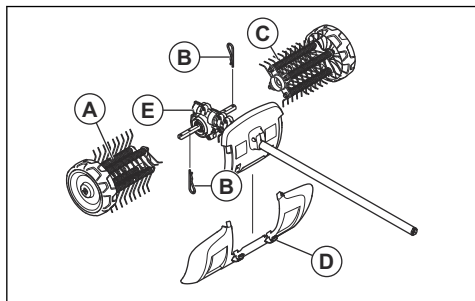
BRĪDINĀJUMS: Vienmēr lietojiet aizsargcimdus.

- Pirms uzsākat darbu, pārbaudiet izstrādājumu kopumā. Pārbaudiet, vai visi aizsargi un pārsegi ir uzlikti un droši piestiprināti. Pārbaudiet visus uzgriežņus un skrūves.
- Ja izmantojat ar benzīnu darbināmu izstrādājumu, pārbaudiet, vai tajā nav benzīna noplūžu.
- Nomainiet bojātās daļas.



Montāža

Ierīces montāža

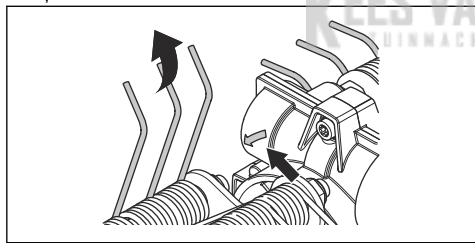


Bultiņa uz reduktora kartera norāda griešanās virzienu. Reduktora karteris ir jānovieto, kā parādīts attēlā.

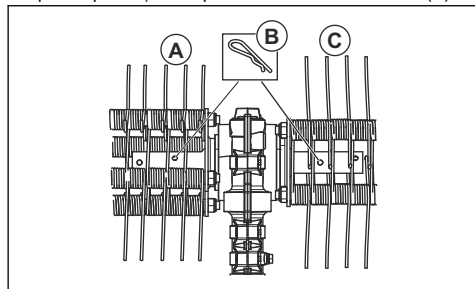
SVARĪGI:

Sūnu skarifikatora ruļļi ir atzīmēti ar bultiņām, norādot griešanās virzienu. Pārļiecinieties, vai sūnu skarifikatora ruļļi ir pareizi uzstādīti.

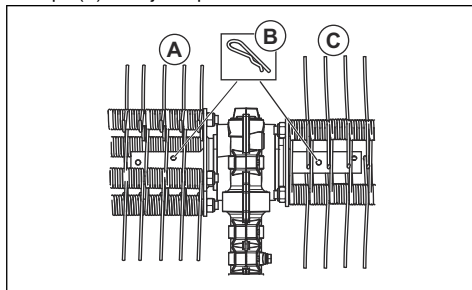
Sūnu atdalītāja ruļļi ir jāuzstāda nedaudz sāņus vienu no otra. Sūnu atdalītāja atsperēm ir jābūt tajā pašā virzienā, kāds ir norādīts uz reduktora kartera griešanās virziena bultiņas.



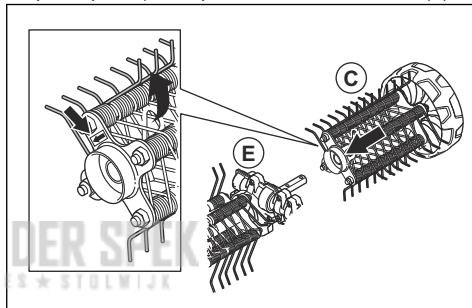
1. Spiediet kreisās puses sūnu atdalītāju (A) uz kreisās puses piedziņas vārpstas no reduktora kartera (E).



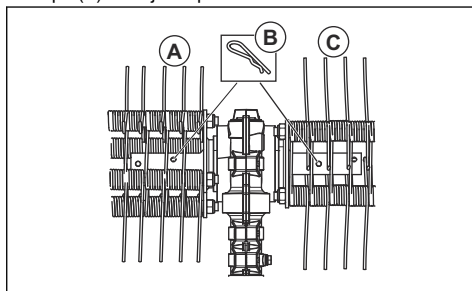
2. Nostipriniet sūnu atdalītāja ruļļi ar sazarojuma tapu (B) iekšējā vārpstas atverē.



3. Spiediet labās puses sūnu atdalītāju (C) uz labās puses piedziņas vārpstas no reduktora kartera (E).



4. Nostipriniet sūnu atdalītāja ruļļi ar sazarojuma tapu (B) iekšējā vārpstas atverē.



5. Uzstādiet dubļusargu ar fiksējošiem stiprinājumiem (D).

Piezīme: Lai uzzinātu, kā uzstādīt piederumus pamatizstrādājumam, skatiet pamatizstrādājuma lietotāja rokasgrāmatu.

Lietošana

Izstrādājuma iedarbināšana, ja dzinējs ir auksts

Ja izmantojat ar benzīnu darbināmu izstrādājumu, ievērojiet šos norādījumus, lai iedarbinātu izstrādājumu, ja dzinējs ir auksts.

1. Sāciet izstrādājuma pamata uzsildīšanu un pēc tam izslēdziet izstrādājumu.
2. Uzstādiet ierīci, kā norādīts montāžas instrukcijās.
3. Regulējot karburatoru, nodrošiniet, lai atdalītājs būtu novietots uz zemes un neviens neatrastos iekārtas tuvumā.
4. Darbiniet sūnu atdalītāju tukšgaitā.
5. Raugiet, lai kārtībā ir rokturis un drošības aprīkojums. Nekad neizmantojiet izstrādājumu, kam trūkst kādas detaļas vai kas ir izmainīts pretrunā ar specifikāciju.

Ierīces lietošana

1. Darbiniet sūnu atdalītāju ar maksimālajiem apgriezieniem (vai tuvu tiem), riteņus balstot uz virsmas.

Piezīme: Darba laikā ir nogurdinoši un lieki pacelt sūnu atdalītāju no virsmas vai turēt to virs virsmas.

2. Uzturiet asu darba leņķi pret virsmu. Pārāk liels darba leņķis var likt sūnu atdalītājam pārvietoties lietotāja virzienā, un pastāv risks zaudēt kontroli pār izstrādājumu.



Apkope

Ievads

TĀĪĀk tekstā iepazīsimies ar daĀĀm vispĀrĀjam apkopes instrukcijām. Ja jums nepieciešama papildinformācija, lūdzu, sazinieties ar tehniskās apkopes centru.



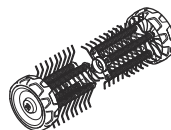
BRĪDINĀJUMS: Izstrādājuma lietošanas laikā pārnesumkārbas (reduktora) karteris uzkarst. Lai neapdedzinātos nepieskarieties pārnesumkārbas (reduktora) karterim.

Griešanas ierīces apkopes veikšana



IEVĒROJIET: Darbs ar sūnu atdalītāju bieži notiek putekļainos apstākļos. Ja izmantojat ar benzīnu darbināmu izstrādājumu, ir ļoti svarīgi regulāri pārbaudīt gaisa filtru (bieži vien tas ir jādara reizi dienā) un ieeļļot to, lai tas darbotos apmierinoši.

Barošanas bloka apkopes norādījumus skatiet lietotāja rokasgrāmatā.



1. Pārļecinieties, vai sūnu atdalītājs nekustas pēc spēka sprūda/droseles atlaišanas.

2. Notīriet riteņus, ja tie negriežas brīvi.



BRĪDINĀJUMS: Veicot ierīces apkopi, vienmēr lietojiet aizsargcimdus.

Pārvadāšana, glabāšana un utilizēšana

Transportēšana un uzglabāšana

Pirms ierīces ilgstošas uzglabāšanas noīriet to un pārļiecinieties, vai tai ir veikta pilna apkope.

Ja ierīci transportējat ar transportlīdzekli, noteikti izmantojiet apstiprinātas stiprinājuma ierīces un gādājiet, lai ierīce būtu droši nostiprināta.

Tehniskie dati

Ar benzīnu darbināmu izstrādājumu tehniskie dati

Sūnu atdalītājs	DT600
Platums, mm	556
Svars	
Svars, kg	6,5
Trokšņa emisija⁷³	
Skaņas jaudas līmenis, izmērītais dB(A)	105
Skaņas jaudas līmenis, garantētais L _{WA} dB (A)	109
Skaņas līmeņi⁷⁴	
Ekvivalents skaņas spiediena līmenis pie lietotāja auss, mērīts saskaņā ar EN ISO 22868, dB(A)	95
Vibrācija⁷⁵	
Ekvivalenti vibrācijas līmeņi (a _{nv,eq}) pie rokturiem, mērīti atbilstoši standartam EN ISO 22867, m/s ²	
Priekšējie/aizmugurējie rokturi	6,2/4,3

Ar akumulatoru darbināmu izstrādājumu tehniskie dati

325iLK + atdalītāja ierīce DT600	
Platums, mm	556
Svars	
Svars, kg	2,3+6,5

⁷³ Mērīts kopā ar Husqvarna apstiprinātajiem piederumiem. Atbilstoši EK direktīvai 2000/14/EK trokšņa emisija apkārtne ir mērīta kā trokšņa jauda (L_{WA}). Novērotais ierīces skaņas jaudas līmenis ir izmērīts ar pievienotu oriģinālo griešanas ierīci, kas rada augstāko līmeni. Atšķirība starp garantēto un izmērīto skaņas jaudas līmeni ir tāda, ka garantētā skaņas intensitātes līmeņa mērījumu rezultāts ietver arī izkliedi mērījuma rezultātā un atšķirības dažādām tā paša modeļa ierīcēm atbilstoši direktīvai 2000/14/EK.

⁷⁴ Mērīts kopā ar Husqvarna apstiprinātajiem piederumiem. Sniegtajos datos par ekvivalenta skaņas spiediena līmeni ierīcei ir tipiska statistiskā 1 dB (A) izkliede (standartnovirze).

⁷⁵ Mērīts kopā ar Husqvarna apstiprinātajiem piederumiem. Sniegtajos datos par ekvivalentu vibrācijas līmeni ir tipiska 1 m/s² statistiskā izkliede (standarta novirze).

325iLK + atdalītāja ierīce DT600	
Trokšņa emisija⁷⁶	
Skaņas jaudas līmenis, izmērītais dB(A)	89
Skaņas līmeņi⁷⁷	
Skaņas spiediena līmenis pie lietotāja auss, mērīts saskaņā ar standartu EN ISO 22868, dB (A):	77
Vibrācija⁷⁸	
Vibrācijas līmeņi pie rokturiem, mērīti atbilstoši standartam EN 62841-1, m/s ²	
Priekšējie/aizmugurējie rokturi	1,9/2,6
Aprīkots ar apstiprinātu piederumu (oriģināls), pa kreisi/pa labi	1,9/2,6

KEES VAN DER SPEK
TUINMACHINES ★ STOLWIJK

⁷⁶ Sniegtajos datos par skaņas jaudas līmeni ierīcei ir tipiska 3 dB (A) statistiskā izkliede (standarta novirze), mērīts ar piestiprinātu oriģinālo ierīci, kas veic darbu augstākajā līmenī.

⁷⁷ Sniegtajos datos par skaņas jaudas līmeni ierīcei ir tipiska 3 dB (A) statistiskā izkliede (standarta novirze), mērīts ar piestiprinātu oriģinālo ierīci, kas veic darbu augstākajā līmenī.

⁷⁸ Sniegtajos datos par vibrācijas līmeni ir tipiska 2 m/s² statistiskā izkliede (standarta novirze). Vibrācijas līmeņu, akumulatora un sadegšanas produktu salīdzinājumam izmantojiet vibrācijas kalkulatoru. <https://www.husqvarna.com/uk/services-solutions/vibration-calculator/>.

EK atbilstības deklarācija

EK atbilstības deklarācija ar benzīnu darbināmiem izstrādājumiem

Husqvarna AB, SE-561 82 Huskvarna, Zviedrija, tālr. nr.: +46-36-146500 apliecina, ka sūnu atdalītājs **Husqvarna DT600** ar sērijas numuriem, sākot no 2019. gada (gada skaitlis, kam seko sērijas numurs, ir skaidri norādīts uz datu plāksnītes), atbilst prasībām, kas noteiktas šajā PADOMES DIREKTĪVĀ:

- 2006. gada 17 maijs, Direktīva **2006/42/EK**, "par mašīnu tehniku";
- 2011. gada 8. jūnija Direktīva **2015/65/ES** par dažu bīstamu vielu izmantošanas ierobežošanu elektriskās un elektroniskās iekārtās.
- 2000. gada 8. maija Direktīva **2000/14/EK** "par trokšņa emisiju vidē".

Ar benzīnu darbināmiem izstrādājumiem ir piemēroti šādi standarti:

SS-EN ISO 12100:2010, EN IEC 63000:2018

Brīvprātīgu tipa kontroli Husqvarna AB uzdevumā ir veicis uzņēmums RISE SMP Svenska Maskinprovning AB, Box 7035, SE-750 07 Uppsala, Zviedrija. Sertifikāta numurs: **SEC/15/2411 - Husqvarna DT600**

Huskvarna , 2021-02-12



Pērs Martinsons (Pär Martinsson), izstrādes nodaļas vadītājs (pilnvarotais Husqvarna AB pārstāvis, kas atbild par tehnisko dokumentāciju)

EK atbilstības deklarācija ar akumulatoru darbināmiem produktiem

Husqvarna AB, SE-561 82 Huskvarna, Zviedrija, tālr. nr.: +46-36-146500 apliecina, ka sūnu atdalītājs, **Husqvarna DT600 ierīce ar barošanas bloku Husqvarna 325iLK** ar sērijas numuriem, sākot no 2019. gada (gada skaitlis, kam seko sērijas numurs, ir skaidri norādīts uz datu plāksnītes), atbilst prasībām, kas noteiktas šajā PADOMES DIREKTĪVĀ:

- 2006. gada 17 maijs, Direktīva **2006/42/EK**, "par mašīnu tehniku";
- 2011. gada 8. jūnija Direktīva **2015/65/ES** par dažu bīstamu vielu izmantošanas ierobežošanu elektriskās un elektroniskās iekārtās.

Izstrādājumiem ar akumulatoru ir piemēroti šādi standarti:

EN 62841-1:2015, EN 50636-2-92:2014, EN IEC 63000:2018

Brīvprātīgu tipa kontroli Husqvarna AB uzdevumā ir veicis uzņēmums RISE SMP Svenska Maskinprovning AB, Box 7035, SE-750 07 Uppsala, Zviedrija. Sertifikāta numurs: **SEC/15/2411 - Husqvarna DT600**

Lai iegūtu informāciju par trokšņa izplūdi, skatiet sadaļu *Tehniskie dati lpp. 128*.

Huskvarna , 2021-02-12



Pērs Martinsons (Pär Martinsson), izstrādes nodaļas vadītājs (pilnvarotais Husqvarna AB pārstāvis, kas atbild par tehnisko dokumentāciju)

KEES VAN DER SPEK
TUINMACHINES * STOLWIJK

Inhoud

Inleiding.....	131	Onderhoud.....	137
Veiligheid.....	132	Vervoer, opslag en verwerking.....	138
Montage.....	136	Technische gegevens.....	138
Werking.....	137	EG verklaring van overeenstemming.....	140

Inleiding

Productbeschrijving

Husqvarna AB werkt voortdurend aan het verder ontwikkelen van haar producten en behoudt zich dan ook het recht voor om zonder aankondiging vooraf wijzigingen in o.a. vorm en uiterlijk door te voeren.

Let op: Deze handleiding heeft betrekking op zowel benzine- als accu-aangedreven voedingseenheden.

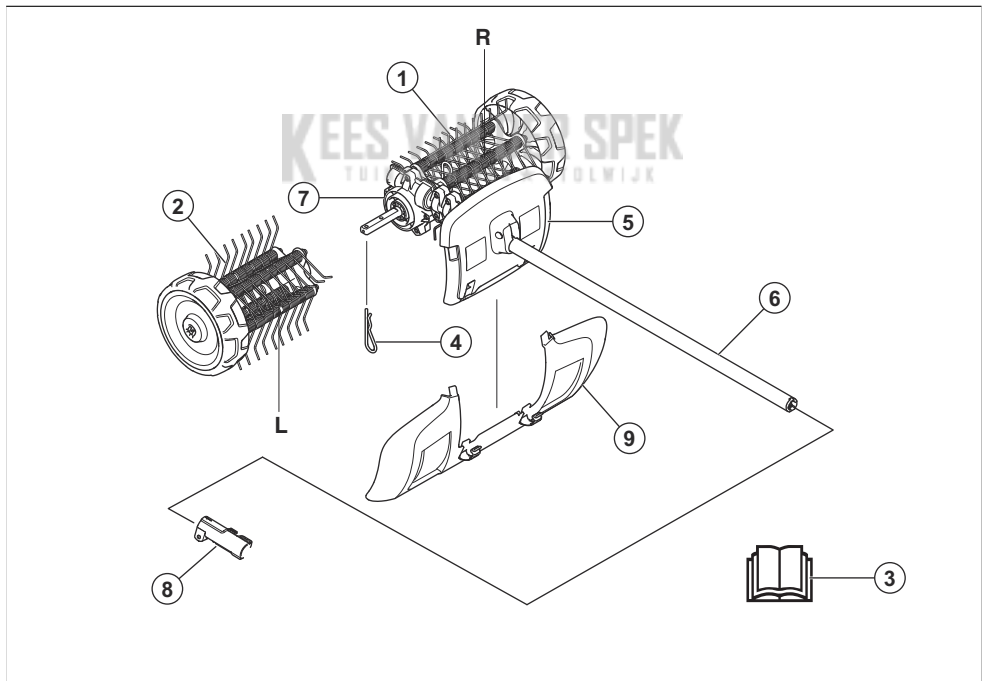
Gebruik



WAARSCHUWING: Dit opzetstuk mag alleen samen met het beoogde product worden gebruikt. Zie het hoofdstuk over accessoires in de bedieningshandleiding van het product.

Het opzetstuk is uitsluitend geschikt voor het ontmossen van gazons.

Overzicht opzetstukken



1. Ontmossen rechts
2. Ontmossen links
3. Gebruikershandleiding
4. Splitpen
5. Beschermkap (bescherming op steel)
6. Steel
7. Tandwielhuis
8. Askoppeling (meegeleverd met het product)
9. Spatbescherming

Symbolen op het opzetstuk en de voedingseenheid



Onachtzaam of onjuist gebruik van dit opzetstuk kan ernstig of dodelijk letsel aan de gebruiker of anderen toebrengen.



Lees de bedieningshandleiding zorgvuldig door en zorg dat u de instructies hebt begrepen voordat u het opzetstuk gaat gebruiken.



Gebruik goedgekeurde gehoorbescherming. Gebruik goedgekeurde oogbescherming. Gebruik een stofmasker wanneer het risico van het vrijkomen van stof bestaat.



Dit opzetstuk voldoet aan de geldende EG-richtlijnen.



Draaiende delen. Houd de handen en voeten uit de buurt. De pijl geeft de rotatierichting aan.



Gebruik altijd goedgekeurde veiligheidshandschoenen.



Gebruik stevige antisliplaarzen.



Waarschuwing voor weggeslingerde en afgeketste voorwerpen.



De gebruiker moet erop toezien dat er geen personen of dieren dichterbij 15 m bij de machine komen. Indien meerdere gebruikers in hetzelfde gebied werken, moet de veiligheidsafstand minimaal 15 m bedragen. Het opzetstuk kan voorwerpen met geweld wegslingeren, die terug kunnen kaatsen. Dit kan leiden tot ernstig oogletsel, als de aanbevolen veiligheidsuitrusting niet wordt gebruikt.



Houd personen en dieren op een minimale afstand van 15 m (50 ft) tijdens het gebruik van dit product.



Houd alle lichaamsdelen uit de buurt van de hete oppervlakken.



Geluidsemissie naar de omgeving volgens de richtlijn van de Europese Gemeenschap. De emissie van het opzetstuk staat vermeld in het hoofdstuk "Technische gegevens" en op het label.

Let op: Overige op het opzetstuk aangegeven symbolen/plaatjes verwijzen naar specifieke eisen aan certificering voor bepaalde markten.

Veiligheid

Veiligheidsdefinities

Waarschuwingen, voorzorgsmaatregelen en opmerkingen worden gebruikt om te wijzen op belangrijke delen van de gebruikershandleiding.



WAARSCHUWING: Wordt gebruikt om te wijzen op de kans op ernstig of fataal letsel voor de gebruiker of omstanders wanneer de instructies in de handleiding niet worden gevolgd.



OPGELET: Wordt gebruikt indien er een risico bestaat op schade aan het product en/of het hulpstuk, andere

materialen of aan de omgeving wanneer de instructies in de handleiding niet worden gevolgd.

Let op: Geven verdere informatie die nodig is in een bepaalde situatie.

Algemene veiligheidsinstructies



WAARSCHUWING: Lees de volgende veiligheidsinstructies voordat u het opzetstuk gebruikt.

- Lees de gebruikershandleiding zorgvuldig door en zorg dat u de instructies hebt begrepen voordat u het opzetstuk gebruikt.
- Deze instructies vormen een aanvulling op de instructies die bij het product zijn geleverd. Raadpleeg de bedieningsinstructies van het product voor andere procedures.
- De oorspronkelijke vormgeving van het opzetstuk mag in geen enkel geval gewijzigd worden zonder toestemming van de fabrikant. Gebruik nooit een opzetstuk dat gewijzigd lijkt te zijn door anderen, en gebruik altijd originele accessoires. Niet goedgekeurde wijzigingen en/of niet-originele onderdelen kunnen tot ernstig persoonlijk letsel of de dood van zowel gebruiker als omstanders leiden.
- Gebruik het product nooit met defecte beschermkappen/afschermingen, zonder veiligheidsvoorzieningen of als het snoer beschadigd of versleten is.
- Houd verlengsnoeren uit de buurt van gevaarlijke bewegende onderdelen om schade aan de snoeren te voorkomen die kunnen leiden tot contact met onder spanning staande onderdelen.
- Sluit het product alleen aan op een voedingscircuit dat is beveiligd door een aardlekschakelaar met een uitschakelstroom van maximaal 30 mA.
- Gebruik het product niet bij slechte weersomstandigheden, vooral wanneer er een risico op bliksem bestaat.

Lees alle instructies



WAARSCHUWING: Bij het gebruik van elektrisch tuingereedschap dienen de basisveiligheidsinstructies altijd te worden opgevolgd om het risico op brand, elektrische schokken en persoonlijk letsel te beperken:

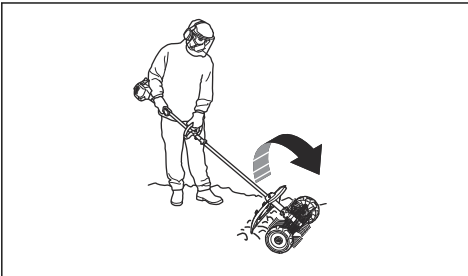
Veiligheidsinstructies voor de verticuteermachine

- Laat kinderen, personen met lichamelijke, zintuiglijke of geestelijke beperkingen of gebrek aan ervaring en kennis of mensen die niet bekend zijn met deze instructies het product nooit gebruiken. Er kunnen plaatselijke regels zijn met betrekking tot de minimumleeftijd voor het bedienen van dit apparaat.
- Bedien het product nooit terwijl er mensen, in het bijzonder kinderen, of huisdieren in de buurt zijn.
- Reik niet te ver en zorg altijd voor een goed evenwicht. Wees altijd voorzichtig op hellingen. U dient uitsluitend te lopen, nooit te rennen.
- Raak geen gevaarlijke bewegende onderdelen aan voordat de machine is losgekoppeld van de netspanning en de gevaarlijke bewegende onderdelen volledig tot stilstand zijn gekomen.
- Draag tijdens gebruik van de machine altijd stevig schoeisel en een lange broek.
- Verwijder de accu uit het product wanneer u het product onbeheerd achterlaat, voordat u een verstopping verwijdert en voordat u het product reinigt of er werkzaamheden aan uitvoert.
- Verwijder de accu uit het product voordat u het product onderzoekt op schade wanneer bijvoorbeeld een vreemd voorwerp is geraakt of wanneer het product abnormaal begint te trillen.
- Sluit geen beschadigd snoer aan op het stopcontact en raak een beschadigd snoer niet aan voordat het is losgekoppeld van het stopcontact. Een beschadigd snoer kan leiden tot contact met onder spanning staande onderdelen en kan ernstig of dodelijk letsel tot gevolg hebben.
- De stopschakelaar gaat automatisch terug naar startstand. Voorkom onbedoeld starten bij het monteren, controleren en/of uitvoeren van onderhoud. Als u een product hebt dat op benzine werkt, koppelt u de bougiekap los van de bougie. Als u een product hebt dat op een accu werkt, verwijdert u de accu.
- Kijk uit voor wegschietende objecten. Draag altijd oogbescherming. Leun nooit over de ontmosser. Stenen, afval, enzovoort kunnen omhoog schieten in uw ogen en blindheid of ernstig letsel veroorzaken.
- Het tandwiel kan tijdens gebruik heet worden en enige tijd heet blijven. Bij contact bestaat risico van brandwonden.
- De borstelrommels hebben niet dezelfde kracht als bijvoorbeeld de bladen van een gazonmaaier, maar u kunt beter voorkomen dat materiaal bij het uitwerpen persoonlijk letsel of schade aan eigendommen veroorzaakt.
- Gebruik de machine nooit zonder de mogelijkheid hulp in te roepen in geval van nood.
- Gebruik de machine alleen voor het beoogde doel.
- Gebruik de machine nooit als u moe bent, alcohol heeft gedronken of medicijnen heeft ingenomen die uw gezichtsvermogen, beoordelingsvermogen of coördinatievermogen negatief beïnvloeden.
- Gebruik de machine nooit bij extreme klimaatomstandigheden zoals strenge kou of een zeer warm en/of vochtig klimaat.
- Gebruik nooit een machine die defect is. Voer de in deze handleiding beschreven veiligheidscontroles en de onderhouds- en service-instructies uit. Bepaalde onderhouds- en servicemaatregelen moeten door opgeleide en gekwalificeerde specialisten worden uitgevoerd. Zie de instructies in het hoofdstuk Onderhoud.
- Laat nooit kinderen de machine gebruiken.



WAARSCHUWING: Lees de volgende waarschuwingen voordat u het product gaat gebruiken.

- Laat nooit iemand anders de machine gebruiken zonder dat u zeker weet dat hij of zij de gebruikershandleiding heeft gelezen en begrepen.
- Houd onbevoegden op afstand. Kinderen, dieren, toeschouwers en helpers moeten zich buiten de veiligheidszone van 15 m bevinden terwijl u werkt. Schakel de machine onmiddellijk uit indien iemand dichterbij komt.
- Wanneer u in een situatie belandt waarin u niet goed weet hoe u verder te werk moet gaan, moet u een expert raadplegen. Wend u tot uw dealer of uw servicewerkplaats.
- Gebruik de machine nooit voor taken waarvoor u niet voldoende gekwalificeerd bent.
- Controleer de omgeving en vergewis u ervan dat er geen risico bestaat dat mensen of dieren in contact komen met het product of uw controle over het product belemmeren.
- Let als u gehoorbescherming draagt op waarschuwingssignalen of geschreeuw. Doe uw gehoorbescherming altijd af zodra de motor is gestopt.
- Gebruik de machine niet in ongunstige weersomstandigheden, bijv. bij dichte mist, hevige regen, harde wind, hevige koude enz. Werken in slechte weersomstandigheden is vermoeiend en kan tot extra gevaarlijke situaties leiden, zoals een gladde grond.
- Zorg ervoor dat u veilig kunt gaan en staan. Controleer of er eventuele hindernissen zijn als u onverwacht snel moet kunnen weggelopen (wortels, stenen, takken, kuilen, greppels enz.). Wees extra voorzichtig wanneer u op hellend terrein werkt.



- Bij verplaatsen moet de motor uitgezet worden.
- Leg de machine nooit neer terwijl de motor draait, tenzij u er goed zicht op hebt.
- Gebruik altijd beide handen om de machine vast te houden. Houd de machine altijd met beide handen vast.
- Zorg dat uw handen en voeten niet vlak bij de ontmosser komen wanneer deze is ingeschakeld.
- Houd na het uitschakelen van de motor uw handen en voeten uit de buurt van de ontmosser totdat deze volledig tot stilstand is gekomen.
- Stop de machine als er zware trillingen optreden. Als u een product hebt dat op benzine werkt, koppelt u de HS-kabel los van de bougie. Als u een product

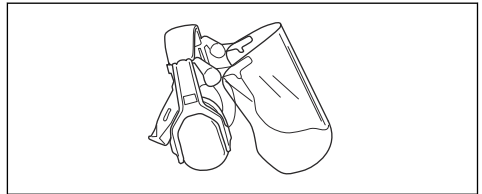
hebt dat op een accu werkt, verwijdert u de accu uit het product. Controleer of de machine niet beschadigd is. Repareer eventuele beschadigingen.

Persoonlijke beschermingsuitrusting

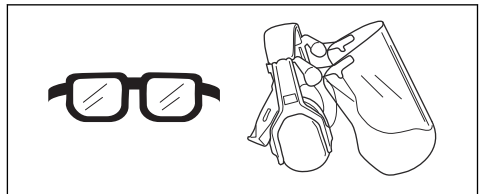


WAARSCHUWING: Lees de volgende waarschuwingen voordat u het product gaat gebruiken.

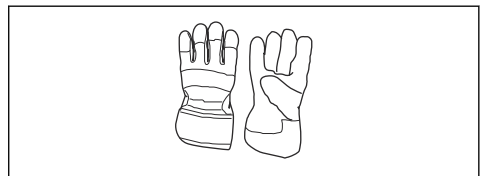
- Draag tijdens het gebruik van het product altijd goedgekeurde persoonlijke beschermingsuitrusting. Persoonlijke beschermingsuitrusting kunnen niet alle risico's uitsluiten maar kunnen de ernst van eventueel letsel helpen beperken. Vraag uw dealer u te helpen bij het kiezen van de juiste beschermingsmiddelen.
- Gebruik goedgekeurde gehoorbescherming met voldoende dempvermogen. Langdurige blootstelling aan lawaai kan leiden tot permanente gehoorschadiging.



- Gebruik goedgekeurde oogbescherming. Als u een vizier gebruikt, moet u ook een goedgekeurde veiligheidsbril gebruiken. Een goedgekeurde veiligheidsbril moet voldoen aan de norm ANSI Z87.1 voor de VS of EN 166 voor de EU-landen.



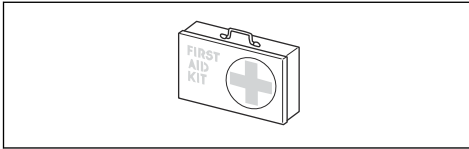
- Draag zo nodig handschoenen, bijvoorbeeld bij het monteren, inspecteren of reinigen van de snijuitrusting.



- Gebruik beschermende laarzen met stalen neuzen en antislipzolen.



- Gebruik kleding van stevige stof. Gebruik altijd een zware lange broek en lange mouwen. Gebruik geen loszittende kleding die gemakkelijk kan blijven haken aan takjes en struikgewas. Draag geen sieraden, korte broek of sandalen of loop niet op blote voeten. Bind voor de veiligheid lang haar samen tot boven schouderhoogte.
- Houd een EHBO-does binnen handbereik.



Veiligheidsvoorzieningen op het opzetstuk



WAARSCHUWING: Lees de volgende waarschuwingen voordat u het opzetstuk gebruikt.

In dit hoofdstuk worden de veiligheidsfuncties van het opzetstuk beschreven, welke functie ze hebben en hoe controles en onderhoud moeten worden uitgevoerd om hun goede werking te waarborgen. Zie de instructies onder het kopje *Overzicht opzetstukken op pagina 131* om te zien waar deze onderdelen zich bevinden op uw opzetstuk.

De levensduur van het opzetstuk kan worden verkort en het risico op ongevallen kan toenemen wanneer het onderhoud van het opzetstuk niet op de juiste manier plaatsvindt, en wanneer service en/of reparaties niet vakkundig worden uitgevoerd. Indien u meer informatie nodig hebt, verzoeken wij u contact op te nemen met de dichtstbijzijnde onderhoudsdealer.



WAARSCHUWING: Gebruik een opzetstuk nooit wanneer de veiligheidsvoorzieningen defect zijn. De veiligheidsuitrusting van het opzetstuk moet geïnspecteerd en onderhouden worden zoals beschreven in dit hoofdstuk. Als uw opzetstuk een van deze controles niet doorstaat, moet u contact opnemen met uw

servicewerkplaats om uw unit te laten repareren.



WAARSCHUWING: Om service en reparaties aan het product uit te voeren, moet u een speciale opleiding hebben. Dit geldt met name voor de veiligheidsuitrusting van het product. Als uw product een van de volgende controles niet goed doorstaat, moet u ermee naar uw servicewerkplaats gaan. Als u één van onze producten koopt, garandeert dit dat de reparaties en service door een vakman kunnen worden uitgevoerd. Als u uw product hebt gekocht bij één van onze dealers die geen servicewerkplaats heeft, vraag dan waar de dichtstbijzijnde erkende werkplaats is.

Veiligheidsinstructies voor onderhoud



WAARSCHUWING: Lees de volgende waarschuwingen voordat u onderhoud uitvoert.

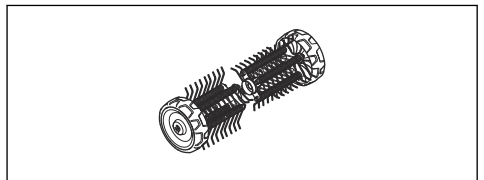


WAARSCHUWING: Schakel altijd het product uit voordat u onderhoud aan het opzetstuk uitvoert. Wees voorzichtig, het opzetstuk kan blijven draaien, zelfs nadat de gashendel/voedingschakelaar is losgelaten. Zorg ervoor dat het opzetstuk volledig is gestopt. Als u een product hebt dat op benzine werkt, koppelt u de HS-kabel los van de bougie. Als u een product hebt dat op een accu werkt, verwijdert u de accu.



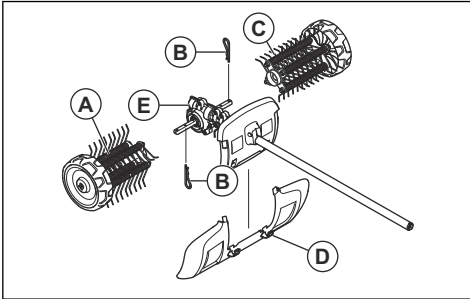
WAARSCHUWING: Gebruik altijd veiligheidshandschoenen.

- Controleer het gehele product voordat u begint. Controleer of alle beschermkappen en afdekkingen compleet zijn en goed vastzitten. Controleer alle moeren en schroeven.
- Als u een product hebt dat op benzine werkt, controleer dan of er geen brandstoflekage is.
- Vervang beschadigde onderdelen.



Montage

Het opzetstuk monteren

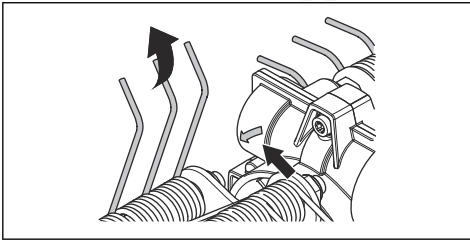


De pijl op het tandwielhuis geeft de draairichting aan. Het tandwielhuis moet worden geplaatst zoals op de afbeelding wordt weergegeven.

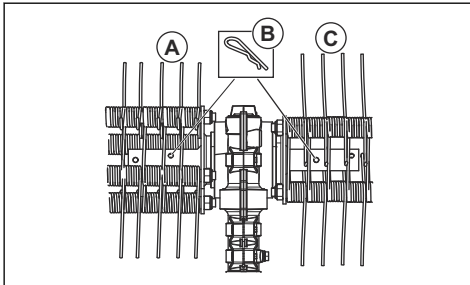
BELANGRIJK:

De rollen van de ontmosser zijn voorzien van pijlen die de rotatierichting aangeven. Zorg ervoor dat de rollen van de ontmosser correct worden gemonteerd.

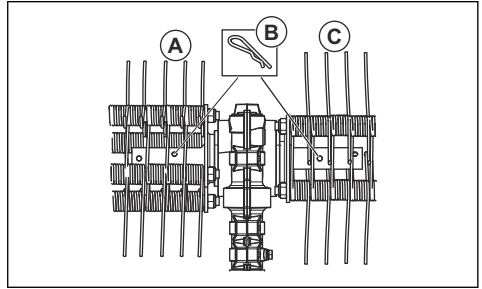
De rollen van de ontmosser moeten enigszins versprongen ten opzichte van elkaar worden gemonteerd. De veren van de ontmosser moeten in dezelfde richting wijzen als de draairichtingpijl op het tandwielhuis.



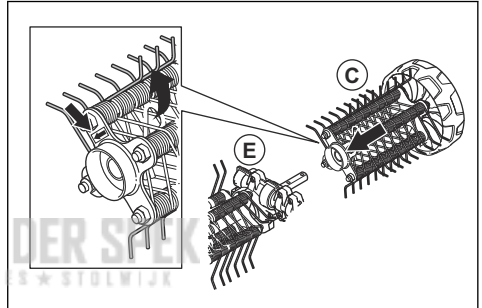
1. Druk de linker ontmosser (A) op de linker aandrijfas van het tandwielhuis (E).



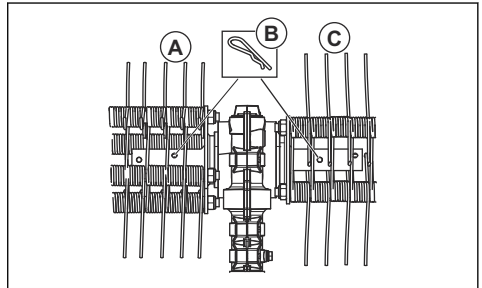
2. Zet de rol van de ontmosser vast met de splitpen (B) in de binnenste opening in de as.



3. Druk de rechter ontmosser (C) op de rechter aandrijfas van het tandwielhuis (E).



4. Zet de rol van de ontmosser vast met de splitpen (B) in de binnenste opening in de as.



5. Monteer de spatbeschermkap met de snelkoppelingen (D).

Let op: Voor montage van accessoires op een basisproduct, raadpleegt u de handleiding voor het basisproduct.

Werking

Het product starten met een koude motor

Als u een product hebt dat op benzine werkt, volg dan deze instructies om het product te starten met een koude motor.

1. Laat het basisproduct warmlopen en schakel het vervolgens uit.
2. Monteer het opzetstuk volgens de montage-instructies.
3. Als u de carburateur afstelt, moet u zorgen dat de verticale machine tegen de grond worden gehouden en dat er niemand in de buurt is.
4. Laat de ontmosser stationair draaien.
5. Controleer of de handvat- en veiligheidsfuncties in orde zijn. Gebruik nooit een product waarvan een onderdeel ontbreekt of dat, buiten de specificatie om, gewijzigd is.

Het opzetstuk gebruiken

1. Laat de ontmosser met vol (of bijna vol) gas draaien terwijl de wielen op het oppervlak rusten.

Let op: Het is vermoeiend en niet nodig om de ontmosser boven het oppervlak te tillen of te houden tijdens het werken.

2. Houd een kleine werkhoeek aan ten opzichte van het oppervlak. Bij een grote werkhoeek kan de ontmosser naar u toe bewegen en riskeert u de controle over het product kwijt te raken.



Onderhoud

Inleiding

Hieronder worden algemene onderhoudsvorschriften opgesomd. Neem contact op met uw dealer indien u meer informatie heeft.

Onderhoud uitvoeren aan de bevestiging



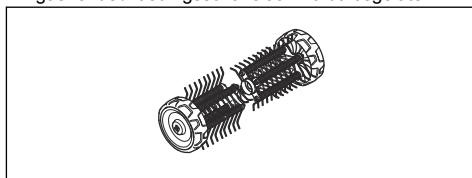
OPGELET: Het werken met de ontmosser vindt vaak plaats in stoffige omstandigheden. Als u een product hebt dat op benzine werkt, is het voor een goede werking uitermate belangrijk het luchtfilter regelmatig, vaak dagelijks, te controleren en te smeren.

Zie de bedieningshandleiding van de voedingseenheid voor onderhoudsinstructies.



WAARSCHUWING: Het tandwielhuis is warm wanneer het product is gebruikt. Raak de overbrenging niet aan om brandwonden te voorkomen.

1. Controleer of de ontmosser niet draait wanneer de gashendel/voedingsschakelaar wordt losgelaten.



2. Reinig de wielen als ze niet vrij ronddraaien.



WAARSCHUWING: Draag altijd veiligheidshandschoenen wanneer u onderhoud aan het opzetstuk uitvoert.

Vervoer, opslag en verwerking

Transport en opbergen

Als u het opzetstuk op een ander voertuig vervoert, moet u altijd goedgekeurde bevestigingen gebruiken en ervoor zorgen dat het hulpstuk stevig vastzit.

Zorg ervoor dat het opzetstuk goed is schoongemaakt en dat een volledige servicebeurt is uitgevoerd voor een langdurige opslag.

Technische gegevens

Technische gegevens voor producten die op benzine werken

Ontmosser	DT600
Breedte, mm	556
Gewicht	
Gewicht, kg	6,5
Geluidsemissies⁷⁹	
Geluidsvermogeniveau, gemeten dB(A)	105
Geluidsvermogeniveau, gegarandeerd L _{WA} dB (A)	109
Geluidsniveau⁸⁰	
Equivalent geluidsdruk niveau bij het oor van de gebruiker, gemeten volgens EN ISO 22868, dB (A):	95
Trillingen⁸¹	
Equivalent trillingsniveaus (a _{hν,eq}) in de handgrepen, gemeten volgens EN ISO 22867, m/s ²	
Voorste/achterste handgrepen	6,2/4,3

Technische gegevens voor producten die op een accu werken

325iLK + verticale opzetstuk DT600	
Breedte, mm	556
Gewicht	

⁷⁹ Gemeten met door Husqvarna goedgekeurde accessoires. Geluidsemissie naar de omgeving gemeten als geluidsvermogen (L_{WA}) volgens EG-richtlijn 2000/14/EG. Het gerapporteerde geluidsvermogeniveau voor de machine is gemeten met de originele snijuitrusting die het hoogste niveau geeft. Het verschil tussen gegarandeerd en gemeten geluidsvermogen is dat het gegarandeerde geluidsvermogen ook spreiding in het meetresultaat omvat en de verschillen tussen de verschillende machines van hetzelfde model conform Richtlijn 2000/14/EG.

⁸⁰ Gemeten met door Husqvarna goedgekeurde accessoires. De gerapporteerde gegevens voor een vergelijkbaar geluidsdruk niveau voor de machine vertonen een typische statistische spreiding (standaardafwijking) van 1 dB(A).

⁸¹ Gemeten met door Husqvarna goedgekeurde accessoires. De gerapporteerde gegevens voor een vergelijkbaar trillingsniveau vertonen een typische statistische spreiding (standaardafwijking) van 1 m/s².

325iLK + verticuteeropzetstuk DT600	
Gewicht, kg	2,3+6,5
Geluidsemissies⁸²	
Geluidsvermogensniveau, gemeten dB(A)	89
Geluidsniveau⁸³	
Geluidsdrukkniveau bij het oor van de gebruiker, gemeten volgens EN ISO 22868, dB (A):	77
Trillingen⁸⁴	
Trillingsniveaus in de handgrepen, gemeten volgens EN 62841-1, m/s ²	
Voorste/achterste handgrepen	1,9/2,6
Uitgerust met goedgekeurde accessoires (origineel), links/rechts	1,9/2,6



⁸² De gerapporteerde gegevens voor het geluidsvermogensniveau voor de machine vertonen een typische statistische spreiding (standaardafwijking) van 3 dB (A) en zijn gemeten met het originele opzetstuk dat het hoogste niveau geeft.

⁸³ De gerapporteerde gegevens voor het geluidsdrukkniveau van de machine vertonen een typische statistische spreiding (standaardafwijking) van 3 dB (A) en zijn gemeten met het originele opzetstuk dat het hoogste niveau geeft.

⁸⁴ De gerapporteerde gegevens voor een trillingsniveau vertonen een typische statistische spreiding (standaardafwijking) van 2 m/s². Gebruik voor vergelijking van trillingsniveaus, accu's en verbrandingsproducten de trillingscalculator. <https://www.husqvarna.com/uk/services-solutions/vibration-calculator/>.

EG verklaring van overeenstemming

EG-verklaring van overeenstemming - voor producten die op benzine werken

Husqvarna AB, SE-561 82 Huskvarna, Zweden, tel.: +46-36-146500, verklaart dat de ontmosser **Husqvarna DT600** met serienummers van 2019 en later (het jaar staat duidelijk op het productplaatje vermeld, gevolgd door het serienummer) voldoet aan de eisen die zijn opgenomen in de RICHTLIJNEN VAN DE RAAD:

- van 17 mei 2006 'met betrekking tot machines' **2006/42/EG**
- van 8 juni 2011 "inzake beperking van het gebruik van bepaalde gevaarlijke stoffen in elektrische en elektronische apparatuur" **2011/65/EU**
- van 8 mei 2000 "met betrekking tot geluidsemissies in het milieu" **2000/14/EG**.

De volgende normen zijn van toepassing op benzineproducten:

SS-EN ISO 12100:2010, EN IEC 63000:2018

RISE SMP Svensk Maskinprovning AB, Box 7035, SE-750 07 Uppsala, Zweden, heeft voor Husqvarna AB een niet-verplicht typeonderzoek uitgevoerd. Het certificaat heeft nummer: **SEC/15/2411 - Husqvarna DT600**

Huskvarna , 2021-02-12



Pär Martinsson, Hoofd Ontwikkeling (gemachtigde vertegenwoordiger voor Husqvarna AB en verantwoordelijk voor technische documentatie)

EG-verklaring van overeenstemming - voor producten die op een accu werken

Husqvarna AB, SE-561 82 Huskvarna, Zweden, tel.: +46-36-146500, verklaart dat de ontmosser **Husqvarna DT600 opzetstuk met voedingseenheid Husqvarna 325ILK** met serienummers van 2019 en later (het jaar staat duidelijk op het productplaatje vermeld, gevolgd door het serienummer) voldoet aan de eisen die zijn opgenomen in de RICHTLIJNEN VAN DE RAAD:

- van 17 mei 2006 'met betrekking tot machines' **2006/42/EG**
- van 8 juni 2011 "inzake beperking van het gebruik van bepaalde gevaarlijke stoffen in elektrische en elektronische apparatuur" **2011/65/EU**

De volgende normen zijn van toepassing op accuproducten:

EN 62841-1:2015, EN 50636-2-92:2014, EN IEC 63000:2018

RISE SMP Svensk Maskinprovning AB, Box 7035, SE-750 07 Uppsala, Zweden, heeft voor Husqvarna AB een niet-verplicht typeonderzoek uitgevoerd. Het certificaat heeft nummer: **SEC/15/2411 - Husqvarna DT600**

Voor informatie over geluidsemissies, zie *Technische gegevens op pagina 138*.

Huskvarna , 2021-02-12



Pär Martinsson, Hoofd Ontwikkeling (gemachtigde vertegenwoordiger voor Husqvarna AB en verantwoordelijk voor technische documentatie)

KEES VAN DER SPEK
TUINMACHINES * STOLWIJK

INNHold

Innledning.....	141	Vedlikehold.....	147
Sikkerhet.....	142	Transport, oppbevaring og avhending.....	147
Montering.....	145	Tekniske data.....	147
Drift.....	146	EF-samsvarserklæring.....	149

Innledning

Produktbeskrivelse

Vi arbeider løpende med å videreutvikle produktene våre og forbeholder oss derfor retten til endringer vedrørende bl.a. form og utseende uten varsel.

Merk: Denne bruksanvisningen dekker både bensindrevne og batteridrevne strømenheter.

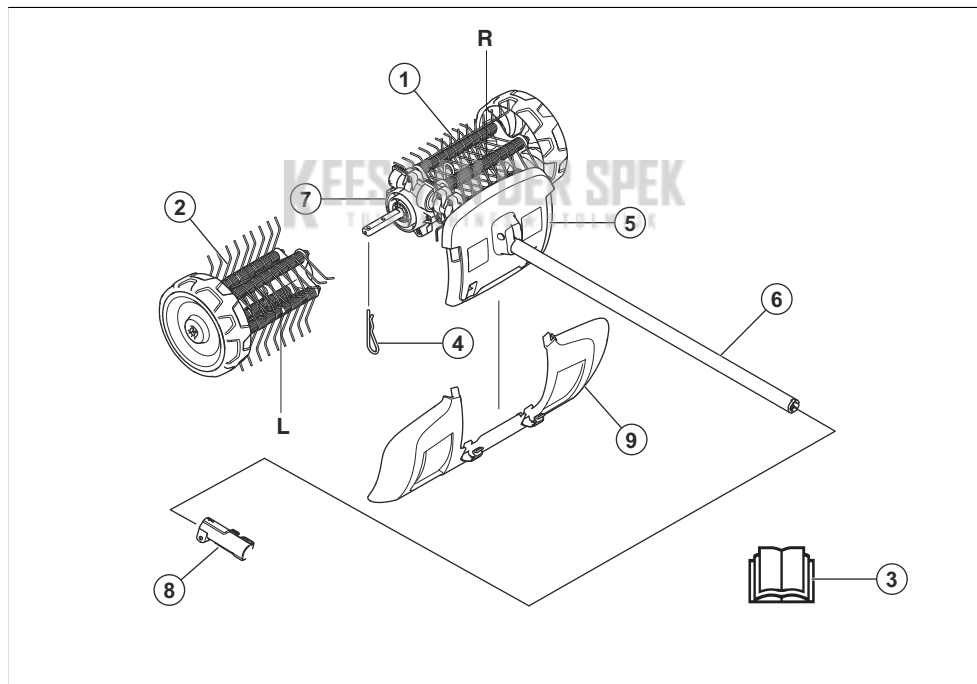
Bruksområder



ADVARSEL: Dette tilbehøret kan bare brukes sammen med det tiltenkte produktet. Se kapittelet om tilbehør i brukerhåndboken for produktet.

Tilbehøret er kun designet til å fjerne mose fra plen.

Oversikt over tilbehør



1. Vertikalskjærer for mose høyre
2. Vertikalskjærer for mose venstre
3. Bruksanvisning
4. Låsesplint
5. Beskyttelse (beskyttelse på riggrør)
6. Riggrør
7. Girhus
8. Riggørkobling (følger med produktet)
9. Sprutbeskyttelse

Symboler på utstyret og strømenheten



Uforsiktig eller feilaktig bruk av dette utstyret kan resultere i alvorlige skader eller dødsfall for brukeren eller andre.



Les bruksanvisningen nøye, og forsikre deg om at du forstår instruksjonene før du bruker utstyret.



Bruk godkjent hørselsvern. Bruk godkjent øyevern. Bruk åndedrettsvern når det er risiko for støv.



Dette utstyret er i overensstemmelse med gjeldende EU-direktiver.



Roterende deler. Hold hender og føtter unna. Pilen indikerer rotasjonsretningen.



Bruk alltid godkjente vernehansker.



Bruk sklisikre og solide støvler.



Se opp for gjenstander som slynges ut og rikosjetterer.



Brukeren må sørge for at ingen mennesker eller dyr kommer nærmere enn 15 meter. Når flere brukere arbeider på samme sted, skal sikkerhetsavstanden være på minst 15 meter. Produktet kan kaste gjenstander med stor kraft, og disse kan sprette tilbake. Dette kan føre til alvorlige øyeskader hvis ikke anbefalt verneutstyr brukes.



Hold produktet minst 15 meter unna personer og dyr når du bruker det.



Hold alle deler av kroppen borte fra varme overflater.



Støytuslipp til omgivelsene ifølge EFs direktiv. Utslippene fra tilbehøret er angitt i kapitlet Tekniske data og på klistremerket.

Merk: Øvrige symboler/klistremerker på tilbehøret gjelder spesifikke krav for sertifiseringer på visse markeder.

Sikkerhet

Sikkerhetsdefinisjoner

Advarsler, oppfordringer og merknader brukes for å understreke spesielt viktige deler av bruksanvisningen.



ADVARSEL: Brukes hvis det er fare for personskade eller død for føreren eller andre personer om instruksjonene i håndboken ikke følges.



OBS: Brukes hvis det er fare for skade på produktet og/eller tilbehør, annet materiell eller det nærliggende området hvis instruksjonene i bruksanvisningen ikke følges.

Merk: Brukes for å gi mer nødvendig informasjon for en spesifikk situasjon.

Generelle sikkerhetsinstruksjoner



ADVARSEL: Les de følgende sikkerhetsinstruksjonene før du bruker tilbehøret.

- Les nøye gjennom bruksanvisningen, og forstå innholdet før du bruker tilbehøret.
- Disse instruksjonene er et supplement til instruksjonene som ble levert med produktet. Se bruksanvisningen for produktet for informasjon om andre prosedyrer.
- Den opprinnelige konstruksjonen til tilbehøret må ikke under noen omstendigheter endres uten

tiltaltelse fra produsenten. Ikke bruk et tilbehør som ser ut til å ha blitt modifisert av andre, og bruk alltid originalt tilleggsutstyr. Uautoriserte endringer og/eller tilleggsutstyr kan medføre alvorlige skader eller dødsfall for brukeren eller andre.

Les alle instruksjonene.



ADVARSEL: Når du bruker elektriske hagemaskiner, må du alltid følge de grunnleggende sikkerhetsreglene for å redusere faren for brann, elektrisk støt og personskaade, blant annet følgende regler:

Sikkerhetsinstruksjoner for vertikalskjærer

- La aldri barn, personer med nedsatt fysisk, sanselig eller psykisk funksjonsevne eller manglende erfaring og kunnskap, eller personer som ikke er kjent med disse instruksjonene, bruke produktet. Brukerens lavalder kan være fastsatt i lokale forskrifter.
- Bruk aldri produktet i nærheten av andre personer, spesielt barn, eller kjæledyr.
- Ikke vær for ivrig, og behold alltid balansen. Pass alltid på at du står støtt i skråninger, og du skal gå og aldri løpe.
- Ikke berør bevegelige farlige deler før maskinen kobles fra strømmettet, og de bevegelige farlige delene har stanset helt.
- Bruk alltid kraftig fottøy og langbukser når du bruker maskinen.
- Fjern batteriet fra produktet når produktet er uten tilsyn, før du fjerner en tilstopping og før rengjøring eller arbeid på produktet.
- Fjern batteriet fra produktet før du ser etter skader på produktet, f.eks. når du treffer et fremmedlegeme eller hvis produktet begynner å vibrere unormalt.
- Ikke koble en skadet ledning til strømforsyningen, og ikke ta på en skadet ledning før den kobles fra strømforsyningen. En skadet ledning kan føre til kontakt med strømførende deler og kan føre til personskaade eller død.
- Bruk aldri produktet med defekte deksler, uten sikkerhetsinnretninger eller hvis ledningen er skadet eller slitt.
- Hold skjøteledningene unna farlige bevegelige deler for å unngå skader på ledningene som kan føre til kontakt med strømførende deler.
- Koble bare til produktet en strømtilførselskrets som er beskyttet av en reststrømmenhet (RCD) med en strømutføring på ikke mer enn 30 mA.
- Ikke bruk produktet i dårlig vær, spesielt når det er fare for tordenvær.

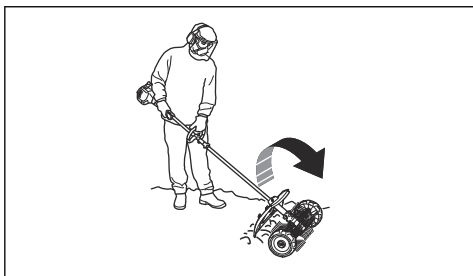
Sikkerhetsinstruksjoner for drift



ADVARSEL: Les de følgende advarselinstruksjonene før du bruker produktet.

- Stoppekontakten går automatisk tilbake til startstilling. Pass på å forhindre utilsikket oppstart ved montering, kontroll og/eller vedlikehold. Hvis du har et bensindrevet produkt, fjerner du tennpluggetten fra tennpluggen. Hvis du har et batteridrevet produkt, tar du ut batteriet.
- Se opp for gjenstander som slynges ut. Bruk alltid vernebriller. Ikke len deg over vertikalskjæreren for mose. Steiner, skrot o.l. kan kastes opp i øynene og forårsake blindhet eller alvorlige skader.
- Giret kan være varmt under og en stund etter bruk. Det er risiko for brannskade ved berøring.
- Selv om børstetromlene ikke har den samme kraften som gressklipperblader for eksempel har, bør du unngå å arbeide med materialer som kan forårsake personskaade eller skader på eiendeler hvis de slynges ut.
- Bruk aldri maskinen uten mulighet til å kunne påkalle hjelp ved en ulykke.
- Maskinen skal bare brukes til det den er beregnet på.
- Bruk aldri maskinen hvis du er trett, har drukket alkohol eller bruker medisiner som kan påvirke syn, vurderingsevne eller kroppskontroll.
- Bruk aldri maskinen i ekstreme klimaforhold som sterk kulde eller meget varmt og/eller fuktig klima.
- Bruk aldri en maskin som det er noe galt med. Utfør sikkerhetskontrollene og vedlikeholds- og serviceinstruksjonene i denne bruksanvisningen. Noen vedlikeholds- og servicetiltak må utføres av erfarne og kvalifiserte spesialister. Se instruksjonene under overskriften Vedlikehold.
- Tillat aldri barn å bruke maskinen.
- La aldri noen andre bruke maskinen før du har forsikret deg om at de har lest og forstått innholdet i bruksanvisningen.
- Hold utedkommende på avstand. Barn, dyr, tilskuere og hjelpere bør stå utenfor sikkerhetssonen på 15 meter mens du arbeider. Stopp maskinen øyeblikkelig hvis noen kommer nærmere.
- Når du kommer ut for en situasjon som gjør deg usikker på fortsatt bruk, skal du rådføre deg med en ekspert. Henvend deg til din forhandler eller ditt serviceverksted.
- Unngå all bruk som du ikke føler deg kvalifisert til.
- Observer omgivelsene, og forsikre deg om at det ikke er noen fare for at mennesker eller dyr kan komme i kontakt med eller påvirkes av din bruk av produktet.
- Vær alltid oppmerksom på varsel signaler eller tilrop ved bruk av hørselsvern. Ta alltid av hørselvernet så snart motoren er stanset.

- Unngå bruk i dårlig vær, for eksempel tett åke, kraftig regn, sterk vind, kraftig kulde osv. Arbeid i dårlig vær er slitsomt og kan medføre ekstra risiko, for eksempel glatt og isete underlag.
- Sørg for at du kan gå og stå sikkert. Se etter eventuelle hinder ved uventet forflytting (røtter, steiner, greiner, groper, forhøyninger osv.). Vær meget forsiktig ved arbeid i skrånende terreng.



- Ved flytting av produktet skal motoren være slått av.
- Sett aldri maskinen ned med motoren i gang uten at du har det under oppsikt.
- Bruk alltid begge hendene til å holde i maskinen. Hold maskinen ved siden av kroppen.
- Påse at hender og føtter ikke kommer for nær vertikalskjæreren for mose når den er i gang.
- Når motoren er slått av, må du holde hender og føtter unna vertikalskjæreren for mose til den har stanset helt.
- Hvis kraftige vibrasjoner oppstår, må du stoppe maskinen. Hvis du har et bensindrevet produkt, kobler du tennpluggkabelen fra tennpluggen. Hvis du har et batteridrevet produkt, tar du batteriet ut av produktet. Kontroller at maskinen ikke er skadet. Reparer eventuelle skader.

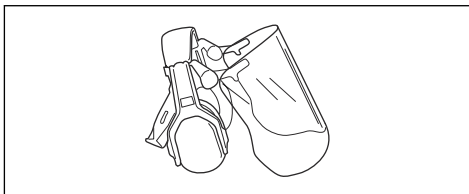
Personlig verneutstyr



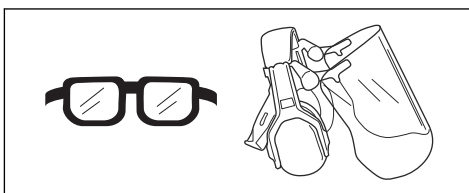
ADVARSEL: Les de følgende advarselinstruksjonene før du bruker produktet.

- Benytt alltid godkjent verneutstyr når du bruker produktet. Verneutstyr kan aldri fullstendig forhindre skade, men det reduserer skadeomfanget hvis ulykken inntreffer. Spør forhandleren din om hjelp til å velge riktig utstyr.

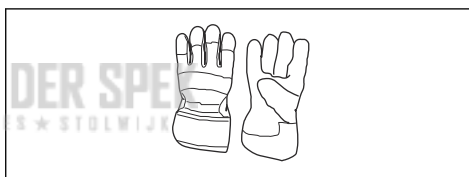
- Bruk godkjent hørselsvern med tilstrekkelig lyddempende virkning. Langvarig eksponering for støy kan gi varige hørselsskader.



- Bruk godkjent øyevern. Ved bruk av visir skal det også brukes godkjente vernebriller. Godkjente vernebriller er slike som tilfredsstiller standard ANSI Z87.1 for USA eller EN 166 for EU-land.



- Bruk hansker når det er nødvendig, for eksempel når du fester, undersøker eller rengjør skjæreutstyret.



- Bruk verne støvler med ståltå og sklisikre såler.



- Bruk klær av et slitesterkt materiale. Bruk alltid tykke langbukser og lange ermer. Unngå bruk av altfor vide klær som lett henger seg fast i kvister og grener. Ikke bruk smykker, kortbukser eller sandaler, og ikke gå barbert. Sett håret opp over skuldernivå.
- Ha førstehjelpsutstyr for hånden.



Sikkerhetsutstyr på tilbehøret



ADVARSEL: Les de følgende advarelinstruksjonene før du bruker tilbehøret.

I dette avsnittet forklares tilbehørets sikkerhetsfunksjoner, hvilken funksjon de har, og hvordan man utfører kontroll og vedlikehold for å være sikker på at de fungerer. Se bruksanvisningen under overskriften *Oversikt over tilbehør på side 141* for å se hvor disse delene er plassert på ditt tilbehør.

Levetiden til tilbehøret kan forkortes, og risikoen for ulykker kan øke, hvis vedlikeholdet av tilbehøret ikke utføres på riktig måte, og hvis service og/eller reparasjoner ikke utføres fagmessig. Hvis du trenger ytterligere informasjon, kan du kontakte nærmeste servicesenter.



ADVARSEL: Bruk aldri et tilbehør med defekt sikkerhetsutstyr. Tilbehørets sikkerhetsutstyr skal kontrolleres og vedlikeholdes som beskrevet i dette avsnittet. Hvis tilbehøret ikke består alle kontrollene, må serviceverksted oppsøkes for reparasjon.



ADVARSEL: All service og reparasjon av produktet krever spesialopplæring. Dette gjelder særlig produktets sikkerhetsutstyr. Hvis produktet ikke består alle kontrollene som er oppgitt nedenfor, må du oppsøke et serviceverksted. Kjøp av våre produkter garanterer at du kan få utført en fagmessig reparasjon og service. Hvis produktet ikke kjøpes hos en av våre servicefaghandlere,

kan du spørre om hvor nærmeste serviceverksted er.

Sikkerhetsinstruksjoner for vedlikehold



ADVARSEL: Les de følgende advarelinstruksjonene før du utfører vedlikehold.

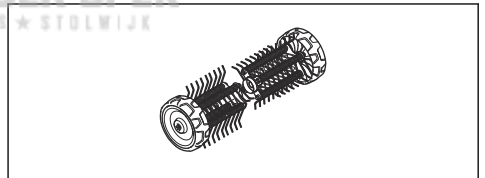


ADVARSEL: Stans alltid produktet før du utfører vedlikehold på tilbehøret. Vær forsiktig, tilbehøret kan fortsette å bevege seg også etter at gassen/kraftutløseren er sluppet. Kontroller at tilbehøret har stoppet helt. Hvis du har et bensindrevet produkt, kobler du tenpluggkabelen fra tenpluggen. Hvis du har et batteridrevet produkt, tar du ut batteriet.



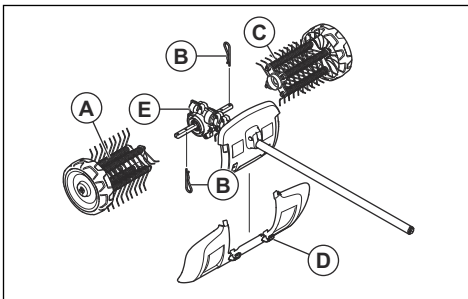
ADVARSEL: Bruk alltid vernehansker.

- Kontroller hele produktet før du starter. Kontroller at alle beskyttelser og deksler er hele og ordentlig festet. Kontroller alle muttere og skruer.
- Hvis du har et bensindrevet produkt, må du kontrollere at det ikke finnes drivstofflekkasjer.
- Skift skadede deler.



Montering

Slik monterer du tilbehøret

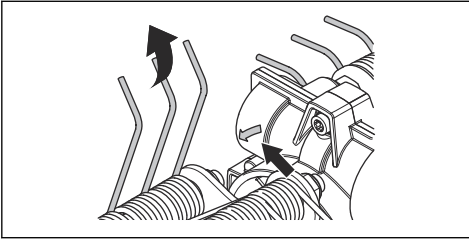


Pilen på girhuset indikerer rotasjonsretningen. Girhuset skal plasseres som på illustrasjonen.

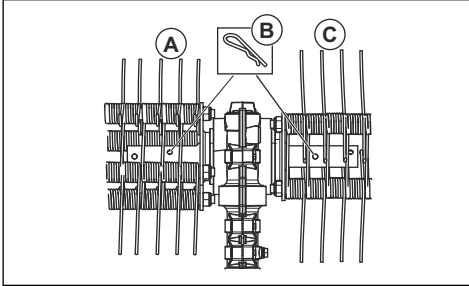
VIGTIG:

Rullene på vertikalskjæderen for mose er markert med piler som viser hvilken vei de ruller. Pass på at rullene på vertikalskjæderen for mose er riktig montert.

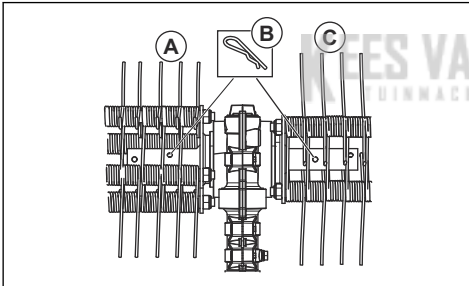
Rullene på vertikalskjæderen for mose skal monteres litt forskjøvet i forhold til hverandre. Fjærene til vertikalskjæderen for mose må peke i samme retning som pilen som viser rotasjonsretningen på girhuset.



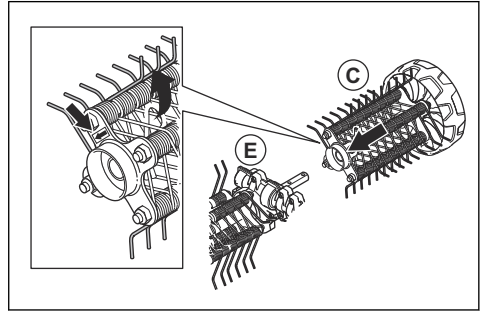
1. Trykk den venstre vertikalskjæreren for mose (A) inn på venstre aksel fra girhuset (E).



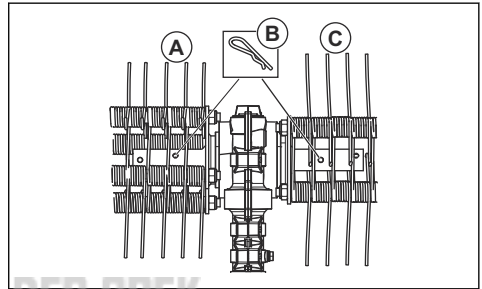
2. Fest rollen til vertikalskjæreren for mose med låsesplinten (B) i det indre hullet i akselen.



3. Trykk den høyre vertikalskjæreren for mose (C) inn på høyre aksel fra girhuset (E).



4. Fest rollen til vertikalskjæreren for mose med låsesplinten (B) i det indre hullet i akselen.



5. Monter sprutevernet med hurtigfestene (D).

Merk: Hvis du skal montere tilbehør på grunnleggende produkt, kan du se håndboken for det grunnleggende produktet.

Drift

Slik starter du produktet når motoren er kald

Hvis du har et bensindrevet produkt, må du følge disse instruksjonene for å starte produktet med kald motor.

1. Kjør det grunnleggende produktet varmt, og slå det deretter av.
2. Fest tilbehøret i henhold til instruksjonene.
3. Når du justerer forgasseren, må du sørge for at vertikalskjæreren holdes mot bakken, og at ingen andre er i nærheten.
4. Kjør vertikalskjæreren for mose på tomgang.

5. Sørg for at håndtak og sikkerhetsfunksjon er i orden. Bruk aldri et produkt som mangler deler eller er endret utover spesifikasjonene.

Slik bruker du tilbehøret

1. Kjør vertikalskjæreren for mose med full gass (eller nesten full gass) med hjulene hvilende på overflaten.

Merk: Det er både slitsomt og unødvendig å løfte eller holde vertikalskjæreren for mose over overflaten mens du arbeider.

2. Hold en spiss arbeidsvinkel mot overflaten. Hvis vinkelen er for stor, har vertikalskjæreren for mose en tendens til å bevege seg mot deg, og det er fare for at du mister kontroll over produktet.



Vedlikehold

Innledning

Nedenfor følger noen generelle vedlikeholdsinstruksjoner. Kontakt serviceverkstedet dersom du trenger ytterligere opplysninger.

Slik utfører du vedlikehold på tilbehøret



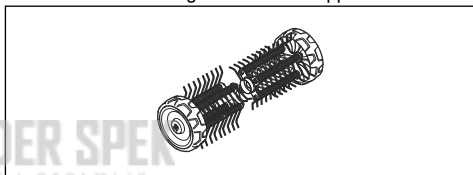
OBS: Vertikalskjæreren for mose brukes ofte under forhold med mye støv. Hvis du har et bensindrevet produkt, er det svært viktig å kontrollere luftfilteret jevnlig, ofte daglig, og smøre det slik at det fungerer optimalt.

Se vedlikeholdsinstruksjonene i brukerhåndboken for strømforsyningsenheten.



ADVARSEL: Girhuset blir varmt når produktet har vært i bruk. For å unngå brannskader må du ikke ta på giret.

1. Kontroller at vertikalskjæreren for mose ikke roterer når strøm-/gassutløseren slippes.



2. Rengjør hjulene hvis de ikke roterer fritt.



ADVARSEL: Bruk alltid vernehansker når du utfører vedlikehold på tilbehøret.

Transport, oppbevaring og avhending

Transport og oppbevaring

Hvis du transporterer tilbehøret på et annet kjøretøy må du alltid bruke godkjente festeenheter og forsikre deg om at tilbehøret er trygt festet.

Påse at tilbehøret er ordentlig rengjort og at fullstendig service er utført før langtids oppbevaring.

Tekniske data

Tekniske data for bensindrevne produkter

Vertikalskjærer for mose	DT600
Bredde, mm	556
Vekt	

Vertikalskjærer for mose	DT600
Vekt, kg	6,5
Støynivå⁸⁵	
Lydeffektnivå, målt dB (A)	105
Lydeffektnivå, garantert L _{WA} dB (A)	109
Lydnivåer⁸⁶	
Ekvivalent lydtrykksnivå ved brukerens øre, målt i henhold til EN ISO 22868, dB (A):	95
Vibrasjoner⁸⁷	
Ekvivalente vibrasjonsnivåer (a _{hv,eq}) i håndtak, målt i henhold til EN ISO 22867, m/sek ²	
Fremre/bakre håndtak	6,2/4,3

Tekniske data for batteridrevne produkter

325iLK + vertikalskjærertilbehør DT600	
Bredde, mm	556
Vekt	
Vekt, kg	2,3 + +6,5
Støynivå⁸⁸	
Lydeffektnivå, målt dB (A)	89
Lydnivåer⁸⁹	
Lydtrykksnivå ved brukerens øre, målt i henhold til EN ISO 22868, dB (A):	77
Vibrasjoner⁹⁰	
Vibrasjonsnivåer i håndtak, målt i henhold til EN 62841-1, m/s ²	
Fremre/bakre håndtak	1,9/2,6
Utstyrt med godkjent tilbehør (originalt), venstre/høyre	1,9/2,6

⁸⁵ Målt sammen med tilbehør godkjent av Husqvarna. Utslipp av støy til omgivelsene målt som lydeffekt (L_{WA}) samsvarer med EF-direktiv 2000/14/EF. Rapporterte lydeffektnivåer for maskinen er målt med det originale skjærestyret som gir høyest nivå. Forskjellen mellom garantert og målt lydeffekt er at garantert lydeffekt også omfatter spredning i måleresultatet og variasjoner mellom forskjellige maskiner av samme modell, i henhold til direktivet 2000/14/EF.

⁸⁶ Målt sammen med tilbehør godkjent av Husqvarna. Rapporterte data for ekvivalent lydtrykksnivå for maskinen har en typisk statistisk spredning (standard avvik) på 1 dB(A).

⁸⁷ Målt sammen med tilbehør godkjent av Husqvarna. Rapporterte data for ekvivalent vibrasjonsnivå har en typisk statistisk spredning (standardavvik) på 1 m/s².

⁸⁸ Rapporterte data for lydstrykenivå for maskinen har en typisk statistisk spredning (standardavvik) på 3 dB (A) og er målt med originaltilbehør som gir det høyeste nivået.

⁸⁹ Rapporterte data for lydstrykenivå for maskinen har en typisk statistisk spredning (standardavvik) på 3 dB (A) og er målt med originaltilbehør som gir det høyeste nivået.

⁹⁰ Rapporterte data for vibrasjonsnivå har en typisk statistisk spredning (standardavvik) på 2 m/s². Bruk vibrasjonskalkulatoren for å sammenligne vibrasjonsnivåer, batteri- og bensindrevne produkter. <https://www.husqvarna.com/uk/services-solutions/vibration-calculator/>.

EF-samsvarserklæring

EF-samsvarserklæring – for bensindrevne produkter

Husqvarna AB, SE-561 82 Huskvarna, Sverige, tlf.: +46-36-146500, erklærer at vertikalskjæreren for mose Husqvarna DT600 med serienummer fra 2019 og fremover (året er tydelig merket på typeskiltet, etterfulgt av serienummeret), samsvarer med kravene i RÅDSDIREKTIVET:

- fra 17. mai 2006, «angående maskiner» **2006/42/EF**
- fra 8. juni 2011 «om begrensning i bruk av visse farlige stoffer i elektrisk og elektronisk utstyr» **2011/65/EU**
- fra 8. mai 2000, «angående utslipp av støy til omgivelsene» **2000/14/EF**.

Følgende standarder er brukt for bensindrevne produkter:

SS-EN ISO 12100:2010, EN IEC 63000:2018

RISE SMP Svenska Maskinprovning AB, Box 7035, SE-750 07 Uppsala, Sverige, har utført frivillig typekontroll på vegne av Husqvarna AB. Sertifikatet er nummerert: **SEC/15/2411 - Husqvarna DT600**

Huskvarna , 2021-02-12



Pär Martinsson, utviklingssjef (autorisert representant for Husqvarna AB og ansvarlig for teknisk dokumentasjon)

EF-samsvarserklæring – for batteridrevne produkter

Husqvarna AB, SE-561 82 Huskvarna, Sverige, tlf.: +46-36-146500, erklærer at vertikalskjæreren for mose Husqvarna DT600 med strømforsyningsenheten Husqvarna 325ILK med serienummer fra 2019 og fremover (året er tydelig merket på typeskiltet, etterfulgt av serienummeret), samsvarer med kravene i RÅDSDIREKTIVET:

- fra 17. mai 2006, «angående maskiner» **2006/42/EF**
- fra 8. juni 2011 «om begrensning i bruk av visse farlige stoffer i elektrisk og elektronisk utstyr» **2011/65/EU**

Følgende standarder er brukt for batteridrevne produkter:

EN 62841-1:2015, EN 50636-2-92:2014, EN IEC 63000:2018

RISE SMP Svenska Maskinprovning AB, Box 7035, SE-750 07 Uppsala, Sverige, har utført frivillig typekontroll på vegne av Husqvarna AB. Sertifikatet er nummerert: **SEC/15/2411 - Husqvarna DT600**

For informasjon som gjelder støyutslipp, kan du se *Tekniske data på side 147*.

Huskvarna , 2021-02-12



Pär Martinsson, utviklingssjef (autorisert representant for Husqvarna AB og ansvarlig for teknisk dokumentasjon)

KEES VAN DER SPEK
TILBESLAGSMASKINER * STOLWIJK

SPIS TREŚCI

Wstęp.....	150	Przegląd.....	156
Bezpieczeństwo.....	151	Transport, przechowywanie i utylizacja.....	157
Montaż.....	155	Dane techniczne.....	157
Przeznaczenie.....	156	Deklaracja zgodności WE.....	159

Wstęp

Opis produktu

Nieustannie modernizujemy swoje wyroby, w związku z czym zastrzegamy sobie prawo do wprowadzania zmian dotyczących m.in. wyglądu produktów bez uprzedzenia.

Uwaga: Niniejsza instrukcja obejmuje zarówno zespoły napędowe zasilane benzyną, jak i akumulatorem.

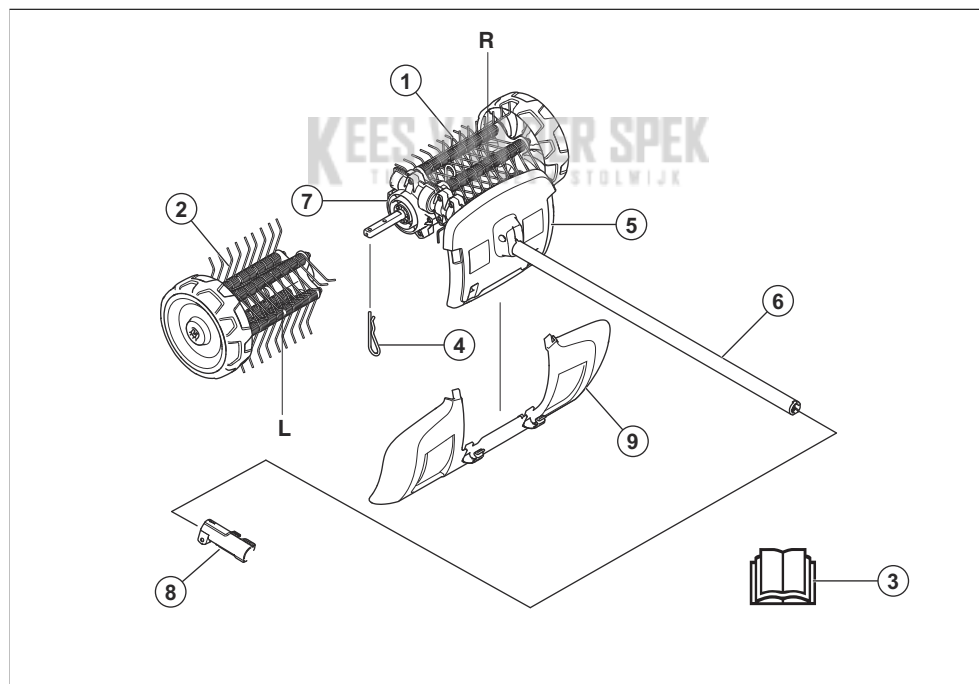
Przeznaczenie



OSTRZEŻENIE: Osprzętu można używać tylko łącznie z produktami, dla których jest ona przeznaczona; patrz rozdział dodatkowy w instrukcji obsługi produktu.

Osprzęt jest przeznaczony wyłącznie do usuwania mchu z trawników.

Przegląd osprzętu



1. Prawy skaryfikator
2. Lewy skaryfikator
3. Podręcznik użytkownika
4. Zawlecza
5. Osłona (zabezpieczenie na wałku)
6. Wysięgnik
7. Osłona przekładni
8. Łącznik wału (dołączony do produktu)
9. Osłona przeciwoodpryskowa

Symbole na osprzęcie i na zespole napędowym



Nieuważne lub nieprawidłowe posługiwanie się osprzętem może być przyczyną poważnych obrażeń lub śmierci obsługującego bądź innych osób.



Należy dokładnie przeczytać instrukcję obsługi i przed użyciem osprzętu upewnić się, że wszystkie wskazówki zostały zrozumiane.



Stosować atestowane ochronniki słuchu. Stosować atestowane środki ochrony oczu. Jeśli istnieje ryzyko powstawania pyłu, należy stosować maskę przeciwpyłową.



Niniejszy osprzęt jest zgodny z obowiązującymi dyrektywami wspólnoty europejskiej.



Części obrotowe. Nie zbliżać rąk ani stóp. Strzałka wskazuje kierunek obrotu.



Należy zawsze używać zatwierdzonych rękawic ochronnych.



Używać przeciwpoślizgowego, stabilnego obuwia wysokiego.



Ostrzeżenie przed odrzucanymi i rykoszetującymi przedmiotami.



Operator musi upewnić się, że żadne osoby ani zwierzęta nie znajdują się w odległości mniejszej niż 15 m. Jeśli kilku operatorów pracuje w tym samym miejscu, musi być zachowana odległość bezpieczeństwa wynosząca co najmniej 15 m. Osprzęt jest w stanie odrzucać z dużą siłą przedmioty, które mogą odbić się z powrotem. Jeżeli nie jest stosowane zalecane wyposażenie ochronne, może to doprowadzić do poważnych urazów oczu.



Podczas korzystania z produktu należy zachować minimalną odległość 15 m / 50 stóp od innych osób lub zwierząt.



Trzymaj wszystkie części ciała z dala od powierzchni gorących.



Emisja hałasu zgodna z Dyrektywą Wspólnoty Europejskiej. Hałas emitowany przez osprzęt jest określony w rozdziale „Dane techniczne” oraz na tabliczce znamionowej.

Uwaga: Pozostałe symbole/naklejki samoprzylepne umieszczone na osprzęcie ntącym dotyczą specjalnych wymogów, związanych z certyfikatami w poszczególnych krajach.

Bezpieczeństwo

Definicje dotyczące bezpieczeństwa

Ostrzeżenia, uwagi i informacje są używane do zwrócenia uwagi na szczególnie ważne sekcje instrukcji obsługi.



OSTRZEŻENIE: Stosuje się, gdy istnieje ryzyko poważnych obrażeń lub śmierci operatora albo osób postronnych w wyniku nieprzestrzegania instrukcji obsługi.



UWAGA: Stosuje się, gdy istnieje ryzyko uszkodzenia produktu i/lub przystawki,

innych materiałów lub otoczenia w wyniku nieprzestrzegania instrukcji obsługi.

Uwaga: Stosuje się, aby przekazać więcej informacji, które są przydatne w danej sytuacji.

Ogólne zasady bezpieczeństwa



OSTRZEŻENIE: Przed rozpoczęciem użytkowania osprzętu należy przeczytać następujące zasady bezpieczeństwa.

- Należy dokładnie przeczytać instrukcję obsługi i przed użyciem osprzętu upewnić się, że wszystkie wskazówki zostały zrozumiane.
- Niniejsza instrukcja jest uzupełnieniem instrukcji dostarczonej z urządzeniem. Informacje o innych procedurach znajdują się w instrukcji obsługi urządzenia.
- Pod żadnym pozorem nie wolno zmieniać ani modyfikować fabrycznej konstrukcji osprzętu bez zezwolenia wydanego przez producenta. Nie należy używać osprzętu, który wydaje się zmodyfikowany przez inne osoby, oraz należy zawsze stosować oryginalne akcesoria. Samowolne wprowadzanie zmian oraz/lub montowanie wyposażenia niezatwierdzonego przez producenta może stać się przyczyną groźnych obrażeń lub śmierci obsługującego urządzenie bądź innych osób.

Należy przeczytać wszystkie instrukcje



OSTRZEŻENIE: Aby ograniczyć ryzyko pożaru, porażenia prądem i/lub poważnych obrażeń podczas korzystania z elektrycznego sprzętu ogrodniczego, należy zawsze stosować następujące podstawowe środki bezpieczeństwa:

Zasady bezpieczeństwa dotyczące skaryfikatora

- Nigdy nie pozwalać dzieciom, osobom o ograniczonych zdolnościach fizycznych, sensorycznych lub umysłowych, bądź nieposiadającym doświadczenia i wiedzy lub zdolności, a także osobom, które nie znają niniejszej instrukcji obsługi produktu, na używanie produktu. Przepisy lokalne mogą narzucać ograniczenia dotyczące wieku operatora urządzenia.
- Nigdy nie używać produktu, gdy w pobliżu znajdują się inne osoby, w szczególności dzieci lub zwierzęta.
- Nie należy się nadmiernie wychylać i należy przez cały czas utrzymywać równowagę. Na zboczach należy stawiać stopy na stabilnym podłożu. Podczas korzystania z maszyny należy chodzić — nie biegać.
- Nie dotykać ruchomych niebezpiecznych części przed odłączeniem maszyny od sieci elektrycznej i całkowitym zatrzymaniem ruchomych części.
- Podczas obsługi maszyny należy zawsze nosić solidne obuwie i długie spodnie.
- Należy wyjmować akumulator z produktu zawsze, gdy jest on pozostawiany bez nadzoru, przed usunięciem zakleszczenia oraz przed rozpoczęciem czyszczenia lub pracy z produktem.
- Przed przystąpieniem do badania produktu pod kątem uszkodzeń należy wyjąć z niego akumulator, np. w przypadku uderzenia innym przedmiotem lub wystąpienia nienormalnych drgań.
- Nie należy podłączać uszkodzonego przewodu do źródła zasilania ani dotykać uszkodzonego

przewodu przed jego odłączeniem od źródła zasilania. Uszkodzony przewód może doprowadzić do kontaktu z częściami pod napięciem i spowodować obrażenia ciała lub śmierć.

- Nie wolno używać produktu z uszkodzonymi osłonami, bez urządzeń zabezpieczających ani z uszkodzonym lub zużyтым przewodem.
- Przedłużacze należy trzymać z dala od ruchomych niebezpiecznych części, aby uniknąć uszkodzenia przewodów, które mogą spowodować kontakt z częściami pod napięciem.
- Produkt należy podłączać wyłącznie do obwodu zasilania zabezpieczonego wyłącznikiem różnicowoprądowym (RCD) o prądzie wyzwalającym nie większym niż 30 mA.
- Nie używać produktu podczas złych warunków pogodowych, szczególnie jeśli istnieje ryzyko wystąpienia burzy.

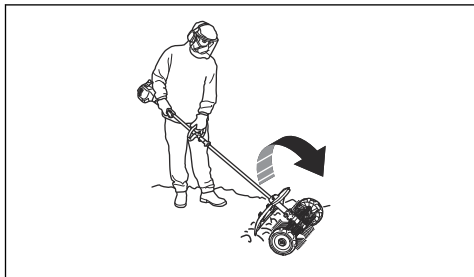
Instrukcje bezpieczeństwa dotyczące obsługi



OSTRZEŻENIE: Przed rozpoczęciem użytkowania produktu przeczytać następujące ostrzeżenia.

- Wyłącznik powraca samoczynnie w położenie „start”. Upewnić się, że podczas montażu i sprawdzania produktu lub wykonywania czynności konserwacyjnych nie dojdzie do niezamierzonego uruchomienia. W przypadku produktów napędzanych benzyną należy odłączyć fajkę świecy zapłonowej od świecy. W przypadku urządzeń z napędem akumulatorowym wyjąć akumulator.
- Należy uważać na odrzucane przedmioty. Należy zawsze stosować środki ochrony wzroku. Nigdy nie nachylać się nad skaryfikatorem. Odrzucane przez urządzenie kamienie lub odłamki mogą trafić w oczy, powodując utratę wzroku lub inne poważne obrażenia.
- W czasie pracy przekładnia może rozgrzewać się do wysokiej temperatury, która może utrzymywać się na takim poziomie przez jakiś czas. Dotknięcie jej grozi oparzeniem.
- Mimo że szczotki w kształcie walca nie mają takiej samej siły, jak na przykład noże kosiarki, należy unikać pracy przy materiałach, które mogą wywołać obrażenia ciała lub uszkodzenie mienia w przypadku ich odrzucenia.
- Nigdy nie używaj maszyny, jeśli nie masz możliwości wezwania pomocy w razie wypadku.
- Używaj maszyny tylko zgodnie z jej przeznaczeniem.
- Nie wolno pracować maszyną w stanie przemęczenia, po spożyciu alkoholu lub po przyjęciu leków osłabiających wzrok, zdolność oceny i koordynację.
- Nigdy nie używaj urządzenia w ekstremalnych warunkach pogodowych i klimatycznych, np. przy

- bardzo dużym mrozie lub w bardzo gorącym lub/oraz wilgotnym klimacie.
- Nie wolno używać maszyny, jeśli jest uszkodzona. Przeprowadzać kontrole bezpieczeństwa oraz czynności z zakresu konserwacji i obsługi technicznej podane w niniejszej instrukcji. Niektóre czynności konserwacyjne i obsługowe muszą być wykonane przez przeszkolonego i wykwalifikowanego specjalistę. Patrz wskazówki w części zatytułowanej „Konserwacja”.
 - Nigdy nie pozwalaj używać maszyny dzieciom.
 - Nigdy nie pozwalaj używać maszyny innej osobie nie upewniwszy się, że przyswoiła sobie ona treść instrukcji obsługi.
 - Nie pozwól osobom nieupoważnionym przebywać w pobliżu. Podczas obsługi urządzenia dzieci, zwierzęta, osoby postronne i pomocnicy powinni znajdować się w odległości co najmniej 15 m. W przypadku zbliżenia się osób trzecich natychmiast wyłącz maszynę.
 - Jeżeli znajdziesz się w sytuacji, w której nie jesteś pewny prawidłowości dalszego sposobu postępowania, zasięgnij porady eksperta. Zwróć się do swojego dealera lub warsztatu obsługi technicznej.
 - Nie podejmuj się pracy, gdy uważasz, że nie masz wystarczających kwalifikacji.
 - Należy obserwować, co dzieje się w otoczeniu i upewnić się, czy nie zachodzi ryzyko, że ludzie lub zwierzęta mogą zetknąć się z sprzętem tnącym lub wpłynąć na kontrolowanie go.
 - Mając założone ochronniki słuchu, należy zawsze być szczególnie uważnym na sygnały i zawołania ostrzegawcze. Ochronniki słuchu należy zdejmować zaraz po wyłączeniu silnika.
 - Praca przy złej pogodzie, np. w czasie gęstej mgły, dużych opadów, silnego wiatru, dużego mrozu itp., jest męcząca i niesie ze sobą dodatkowe zagrożenia np. śliski grunt itp.
 - Należy zapewnić sobie bezpieczne poruszanie i pozycję przy pracy. Przy poruszaniu się po powierzchni roboczej należy uważać na ewentualne przeszkody (korzenie, gałęzie, doły, rowy itp.). Szczególną ostrożność należy zachować podczas pracy na terenie pochyłym.



- Podczas przenoszenia silnik musi być wyłączony.

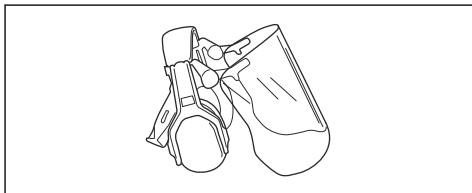
- Nigdy nie pozostawiać maszyny z włączonym silnikiem bez nadzoru.
- Maszynę należy zawsze trzymać obiema rękami. Trzymaj maszynę z boku tułowia.
- Należy uważać, aby podczas pracy skaryfikatora nie zbliżyć do niego rąk ani nóg.
- Po wyłączeniu silnika trzymać ręce i nogi z dala od skaryfikatora, dopóki całkowicie się nie zatrzyma.
- W przypadku wystąpienia silnych wibracji należy zatrzymać maszynę. W przypadku urządzeń napędzanych benzyną zdjąć przewód ze świecy zapłonowej. W przypadku urządzeń z napędem akumulatorowym należy wyjąć akumulator z produktu. Należy sprawdzić, czy maszyna nie jest uszkodzona. Naprawić maszynę, jeśli została uszkodzona.

Środki ochrony osobistej

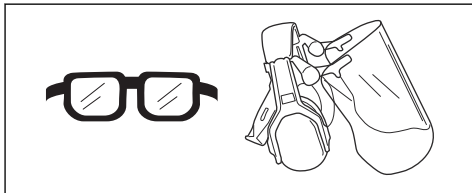


OSTRZEŻENIE: Przed rozpoczęciem użytkowania produktu przeczytać następujące ostrzeżenia.

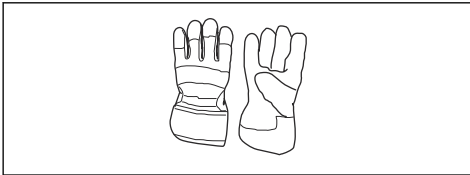
- Podczas używania produktu należy zawsze mieć na sobie zatwierdzone środki ochrony osobistej. Środki ochrony osobistej nie eliminują ryzyka odniesienia obrażeń, ograniczają natomiast ich rozmiar w razie zaistnienia wypadku. Skorzystać z pomocy dealera przy wyborze odpowiedniego sprzętu.
- Stosować atestowane ochronniki słuchu o wystarczających właściwościach tłumiących. Długotrwałe przebywanie w hałasie może doprowadzić do trwałej utraty słuchu.



- Stosować atestowane środki ochrony oczu. Podczas używania maski ochronnej twarzy należy mieć na sobie także zatwierdzone okulary ochronne. Za zatwierdzone okulary ochronne uważane są takie, które są zgodne z normami ANSI Z87.1 dla USA lub EN 166 dla krajów UE.



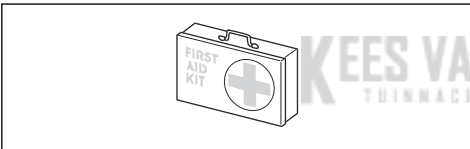
- W razie potrzeby, na przykład podczas mocowania, badania czy czyszczenia narzędzi tnących, stosować rękawice ochronne.



- Nosić buty ochronne ze stalowymi noskami i antypoślizgowymi podeszwami.



- Nosić odzież wykonaną z mocnego materiału. Nosić odzież z długimi nogawkami i długimi rękawami, wykonaną z mocnego materiału. Luźne części odzieży mogą zahaczyć o krzewy lub gałęzie. Nie nosić biżuterii, krótkich spodni ani sandałów i nie pracować z odsłoniętymi stopami. Utrzymywać włosy w sposób bezpieczny powyżej poziomu barków.
- Zawsze mieć pod ręką apteczkę pierwszej pomocy.



Zespoły zabezpieczające na osprzęcie



OSTRZEŻENIE: Przed rozpoczęciem użytkowania osprzętu należy przeczytać następujące ostrzeżenia.

Niniejszy rozdział określa zespoły zabezpieczające osprzętu, jego przeznaczenie oraz sposób, w jaki należy przeprowadzać sprawdzanie i konserwację, aby zapewnić jego poprawne działanie. Patrz wskazówki pod nagłówkiem *Przegląd osprzętu na stronie 150*, aby sprawdzić rozmieszczenie poszczególnych elementów w danym osprzęcie.

Jeżeli osprzęt nie jest prawidłowo konserwowany i poddawany profesjonalnie wykonywanym naprawom i/lub obsłudze technicznej, skraca się jego żywotność i zwiększa ryzyko wypadku. Aby uzyskać dodatkowe informacje, należy skontaktować się z najbliższym punktem serwisowym.



OSTRZEŻENIE: Nie wolno używać osprzętu, którego zespoły zabezpieczające są uszkodzone. Zespoły zabezpieczające osprzętu należy kontrolować i konserwować

zgodnie z opisem w niniejszym rozdziale. Jeżeli osprzęt nie spełnia któregokolwiek z warunków kontrolnych, skontaktować się z przedstawicielem serwisu w celu dokonania naprawy.



OSTRZEŻENIE: Wszelkie czynności obsługowe i naprawy produktu wymagają specjalnego przeszkolenia. Szczególnie dotyczy to elementów zabezpieczających produktu. Jeżeli produkt nie spełnia jakiegokolwiek z niżej wymienionych warunków kontrolnych, należy go oddać do warsztatu obsługi technicznej. Kupując nasze produkty, zyskujesz także gwarancję profesjonalnej obsługi i napraw. Jeżeli w miejscu zakupu nie jest prowadzona obsługa serwisowa, można zapytać o adres najbliższego warsztatu obsługi technicznej.

Instrukcje bezpieczeństwa dotyczące konserwacji



OSTRZEŻENIE: Przed rozpoczęciem prac konserwacyjnych należy przeczytać następujące ostrzeżenia.



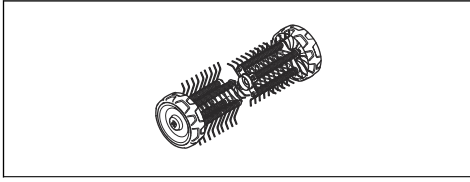
OSTRZEŻENIE: Przed przystąpieniem do konserwacji osprzętu należy zawsze wyłączyć produkt. Należy zachować ostrożność, ponieważ osprzęt może nadal się poruszać po zwolnieniu manetki gazu/mocy. Upewnij się, że osprzęt całkowicie się zatrzymał. W przypadku urządzeń napędzanych benzyną zdjąć przewód ze świecy zapłonowej. W przypadku urządzeń z napędem akumulatorowym wyjąć akumulator.



OSTRZEŻENIE: Zawsze należy używać zatwierdzonych rękawic ochronnych.

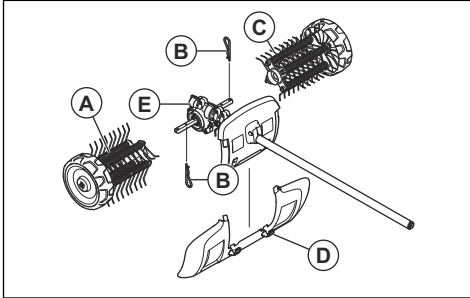
- Przed rozpoczęciem należy sprawdzić stan całego urządzenia. Sprawdzić, czy wszystkie osłony zostały nałożone i są prawidłowo zamocowane. Sprawdzić wszystkie nakrętki i śruby.
- W przypadku produktów napędzanych benzyną sprawdzić, czy nie ma wycieków paliwa.

- Wymienić zniszczone części na nowe.



Montaż

Montaż osprzętu

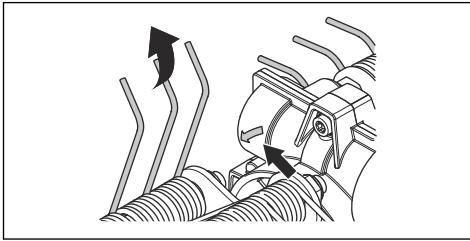


Strzałka na obudowie przekładni wskazuje kierunek obrotów. Obudowę przekładni należy ustawić w sposób przedstawiony na ilustracji.

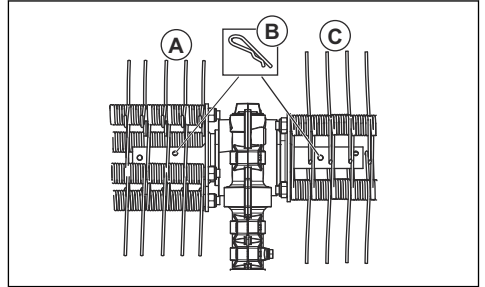
WAŻNE:

Wałki skaryfikatora są oznaczone strzałkami zgodnie z kierunkiem wirowania. Upewnić się, że wałki skaryfikatora są odpowiednio zamontowane.

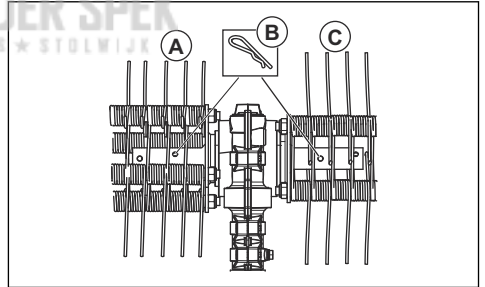
Wałki skaryfikatora muszą być zamocowane z niewielkim przemieszczeniem względem siebie. Sprężyny skaryfikatora powinny być skierowane w tę samą stronę, w którą wskazuje strzałka na obudowie przekładni.



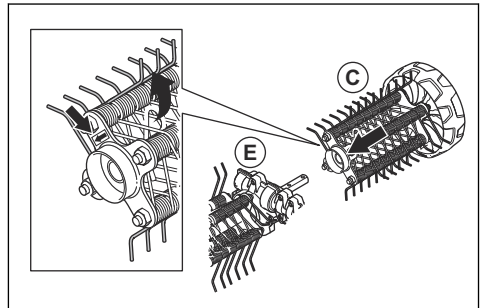
1. Wcisnąć lewy skaryfikator (A) na wałek napędowy, który znajduje się po lewej stronie obudowy przekładni (E).



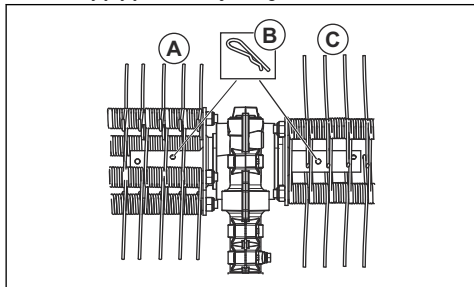
2. Zabezpieczyć skaryfikator za pomocą zawlecзки (B), wsuwając ją do wewnętrznego otworu w wałku.



3. Wcisnąć prawy skaryfikator (A) na wałek napędowy, który znajduje się po prawej stronie obudowy przekładni (E).



- Zabezpieczyć skaryfikator za pomocą zawlecзки (B), wsuwając ją do wewnętrznego otworu w wałku.



- Zamontować osłonę przeciwbryzgową za pomocą elementów łącznych na zatrask (D).

Uwaga: Informacje dotyczące montażu akcesoriów na produkcie bazowym znajdują się w instrukcji obsługi tego produktu.

Przeznaczenie

Informacje dotyczące uruchamiania produktu z ciepłym silnikiem, patrz

W przypadku produktów napędzanych benzyną należy przestrzegać poniższych instrukcji, aby uruchomić produkt przy zimnym silniku.

- Uruchomić produkt bazowy, aby się rozgrzał, a następnie wyłączyć je.
- Zamontować osprzęt zgodnie z instrukcją montażu.
- Podczas regulacji gaźnika należy upewnić się, że skaryfikator opiera się o podłoże oraz że w pobliżu nie przebywają żadne postronne osoby.
- Upewnić się, że skaryfikator pracuje na biegu jałowym.
- Dopilnuj, aby uchwyt i zespoły zabezpieczające maszyny były zawsze w porządku. Zabrania się używania produktu, które jest niekompletne lub zostało poddane modyfikacjom.

Uwaga: Podnoszenie lub utrzymywanie skaryfikatora ponad podłożem podczas pracy jest zarówno męczące, jak i niepotrzebne.

- Podczas pracy należy utrzymywać kąt ostry w stosunku do powierzchni. Zbyt duży kąt roboczy może powodować przesuwanie się skaryfikatora w stronę operatora oraz ryzyko utraty kontroli nad maszyną.



Użytkowanie osprzętu

- Uruchomić skaryfikator i ustawić pełne obroty ((lub niemal pełne obroty) z kołami spoczywającymi na podłożu.

Przegląd

Wstęp

Poniżej podano kilka ogólnych zasad konserwacji. Jeśli potrzebujesz dodatkowych informacji, skontaktuj się z warsztatem obsługi technicznej.

często codziennie, poddawany przeglądowi i smarowany olejem w celu zapewnienia zadowalającej pracy.

Instrukcje dotyczące konserwacji znajdują się w instrukcji obsługi jednostki napędowej.

Konserwacja osprzętu



UWAGA: Praca z wykorzystaniem skaryfikatora często odbywa się w warunkach dużego zapylenia. W przypadku produktów napędzanych benzyną bardzo ważne jest, aby filtr powietrza był regularnie,



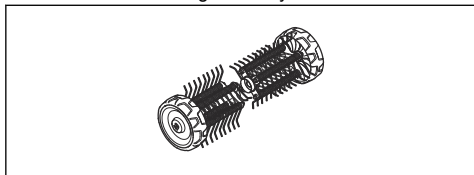
OSTRZEŻENIE: Podczas konserwacji osprzętu należy zawsze nosić rękawice ochronne.



OSTRZEŻENIE: Osłona przekładni nagrzewa się podczas pracy urządzenia. Nie dotykać obudowy przekładni, aby się nie oparzyć.

2. Wyczyścić koła, jeśli nie obracają się swobodnie.

1. Upewnić się, że skaryfikator nie obraca się po zwolnieniu manetki gazu/mocy.



Transport, przechowywanie i utylizacja

Transport i przechowywanie

W przypadku transportowania osprzętu innym pojazdem należy zawsze korzystać z zatwierdzonych urządzeń zabezpieczających i zadbać o to, by osprzęt był prawidłowo zamocowany.

Przed odstawieniem osprzętu na dłuższe przechowanie należy go dokładnie oczyścić i przeprowadzić kompletny serwis.

Dane techniczne

Dane techniczne dot. urządzeń napędzanych benzyną

Skaryfikator	DT600
Szerokość, mm	556
Waga	
Ciężar, kg	6,5
Emisje hałasu⁹¹	
Zmierzony poziom mocy akustycznej, w dB(A)	105
Poziomy głośności, gwarantowana moc akustyczna [L _{WA} dB(A)]	109
Poziomy głośności⁹²	
Równoważny poziom ciśnienia akustycznego przy uchu operatora zmierzony zgodnie z normą EN ISO 22868, w dB(A):	95

⁹¹ Zmierzone łącznie z użyciem zatwierdzonych akcesoriów Husqvarna. Emisję hałasu do otoczenia zmierzono jako moc akustyczną (L_{WA}), zgodnie z dyrektywą WE 2000/14/WE. Odnotowany poziom ciśnienia akustycznego dla maszyny został zmierzony z oryginalnym osprzętem tnącym, takim który daje najwyższy poziom hałasu. Różnica pomiędzy gwarantowanym a zmierzonym poziomem ciśnienia akustycznego wynika z tego, że poziom gwarantowany uwzględnia także rozproszenie w wynikach pomiaru oraz różnice pomiędzy różnymi urządzeniami o takim samym oznaczeniu modelowym zgodnie z dyrektywą 2000/14/WE.

⁹² Zmierzone łącznie z użyciem zatwierdzonych akcesoriów Husqvarna. Odnotowane dane dotyczące równoważnego ciśnienia akustycznego urządzenia wykazują typowe rozproszenie statystyczne (odchylenie standardowe) w wysokości 1 dB(A).

Skaryfikator	DT600
Wibracje⁹³	
Równoważne poziomy drgań uchwytów ($a_{hv,eq}$), zmierzone zgodnie z normami: PN-EN ISO 22867, m/s^2	
Uchwyt przedni/tylny	6,2/4,3

Dane techniczne dot. urządzeń akumulatorowych

325iLK + osprzęt skaryfikatora DT600	
Szerokość, mm	556
Waga	
Ciężar, kg	2,3+6,5
Poziom hałasu⁹⁴	
Zmierzony poziom mocy akustycznej, dB(A)	89
Poziomy głośności⁹⁵	
Poziom ciśnienia akustycznego przy uchu operatora zmierzony zgodnie z normą EN ISO 22868, w dB(A):	77
Wibracje⁹⁶	
Poziomy drgań uchwytów mierzone zgodnie z normą EN 62841-1, m/s^2	
Uchwyt przedni/tylny	1,9/2,6
W zestawie zatwierdzone akcesorium (oryginalne), lewa/prawa	1,9/2,6

⁹³ Zmierzone łącznie z użyciem zatwierdzonych akcesoriów Husqvarna. Odnotowane dane dotyczące równoważnego poziomu wibracji wykazują typowe rozproszenie statystyczne (odchylenie standardowe) w wysokości 1 m/s^2 .

⁹⁴ Odnotowane dane dotyczące poziomu mocy akustycznej urządzenia wykazują typowe rozproszenie statystyczne (odchylenie standardowe) w wysokości 3 dB(A) i zostały zmierzone z oryginalnym osprzętem, który daje najwyższy poziom hałasu.

⁹⁵ Odnotowane dane dotyczące poziomu ciśnienia akustycznego urządzenia wykazują typową dyspersję statystyczną (odchylenie standardowe) w wysokości 3 dB(A) i zostały zmierzone z oryginalnym osprzętem, który daje najwyższy poziom.

⁹⁶ Odnotowane dane dla poziomu wibracji mają typowe rozproszenie statystyczne (odchylenie standardowe) w wysokości 2 m/s^2 . Do porównywania poziomu drgań, akumulatorów i produktów spalania służy kalkulator drgań. <https://www.husqvarna.com/uk/services-solutions/vibration-calculator/>

Deklaracja zgodności WE

Deklaracja zgodności WE — urządzenia napędzane benzyną

Firma **Husqvarna AB**, SE-561 82 Huskvarna, Szwecja, tel.: +46-36-146500, niniejszym zapewnia, że skaryfikator **HusqvarnaDT600**, począwszy od maszyn wyprodukowanych w roku 2019 (rok produkcji jest podany przed numerem seryjnym na tabliczce znamionowej), jest zgodny z przepisami zawartymi w DYREKTYWACH RADY:

- dyrektywie maszynowej **2006/42/WE** z 17 maja 2006 r.
- dyrektywie **2011/65/UE** z 8 czerwca 2011 r. dotyczącej ograniczenia użycia niektórych substancji niebezpiecznych w sprzęcie elektrycznym i elektronicznym.
- dyrektywie **2000/14/WE** „dotyczącej emisji hałasu do otoczenia” z 8 maja 2000 r.

Zostały zastosowane następujące normy dla produktów napędzanych benzyną:

SS-EN ISO 12100:2010, EN IEC 63000:2018

RISE SMP Svenska Maskinprovning AB, Box 7035, SE-750 07 Uppsala, Szwecja, przeprowadził dobrowolną kontrolę homologacyjną na rzecz firmy Husqvarna AB. Numer certyfikatu: **SEC/15/2411 - Husqvarna DT600**

Huskvarna , 2021-02-12



Pär Martinsson, dyrektor ds. rozwoju (autoryzowany przedstawiciel Husqvarna AB oraz osoba odpowiedzialna za dokumentację techniczną.)

Deklaracja zgodności WE — urządzenia akumulatorowe

Firma **Husqvarna AB**, SE-561 82 Huskvarna, Szwecja, tel.: +46-36-146500, zapewnia niniejszym, że skaryfikator, osprzęt **Husqvarna DT600 z jednostką napędową Husqvarna 325iLK**, począwszy od maszyn wyprodukowanych w roku 2019 (rok produkcji jest podany przed numerem seryjnym na tabliczce znamionowej), są zgodne z przepisami zawartymi w DYREKTYWIE RADY:

- dyrektywie maszynowej **2006/42/WE** z 17 maja 2006 r.
- dyrektywie **2011/65/UE** z 8 czerwca 2011 r. dotyczącej ograniczenia użycia niektórych substancji

niebezpiecznych w sprzęcie elektrycznym i elektronicznym.

Zostały zastosowane następujące normy dla produktów akumulatorowych:

EN 62841-1:2015, EN 50636-2-92:2014, EN IEC 63000:2018

RISE SMP Svenska Maskinprovning AB, Box 7035, SE-750 07 Uppsala, Szwecja, przeprowadził dobrowolną kontrolę homologacyjną na rzecz firmy Husqvarna AB. Numer certyfikatu: **SEC/15/2411 - Husqvarna DT600**

Informacje dotyczące emisji hałasu podano w rozdziale *Dane techniczne na stronie 157.*

Huskvarna , 2021-02-12



Pär Martinsson, dyrektor ds. rozwoju (autoryzowany przedstawiciel Husqvarna AB oraz osoba odpowiedzialna za dokumentację techniczną.)

ÍNDICE

Introdução.....	160	Manutenção.....	166
Segurança.....	161	Transporte, armazenamento e eliminação.....	167
Montagem.....	165	Especificações técnicas.....	167
Funcionamento.....	166	Declaração CE de conformidade.....	169

Introdução

Descrição do produto

Seguimos uma política de desenvolvimento contínuo dos nossos produtos e, por conseguinte, reservamo-nos o direito de modificar o design e o aspeto dos mesmos, sem aviso prévio.

Nota: Este manual abrange ambas as unidades de potência, operadas a gasolina e a bateria.

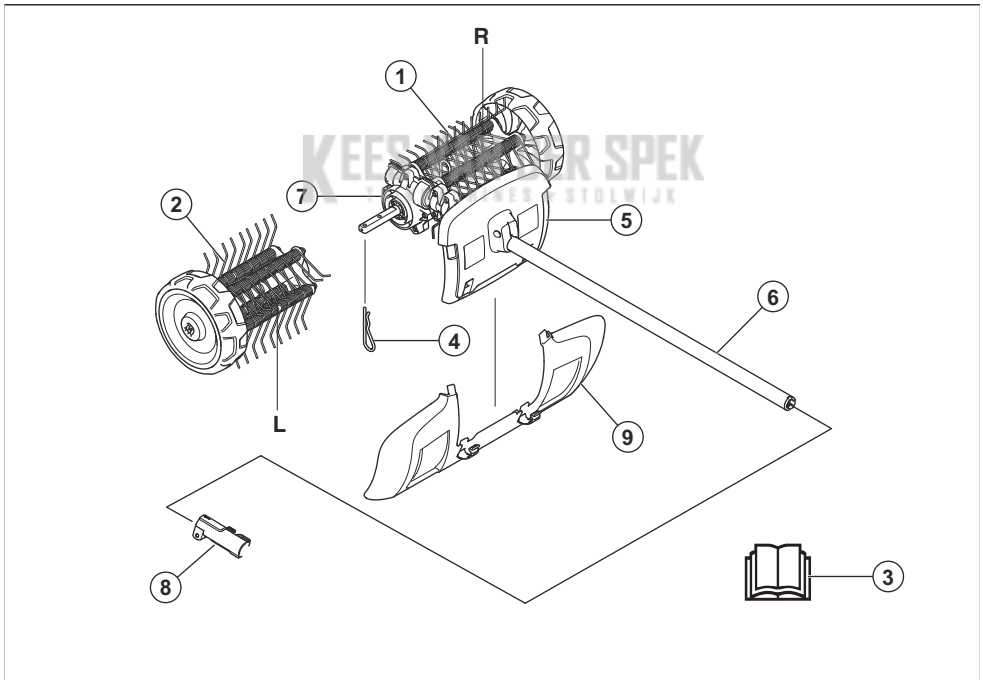
Finalidade



ATENÇÃO: Este acessório apenas pode ser utilizado juntamente com o produto pretendido; consulte o capítulo do acessório no manual do utilizador do produto.

O acessório foi concebido apenas para escarificar o musgo dos relvados.

Vista geral do acessório



1. Lado direito do escarificador de musgo
2. Lado esquerdo do escarificador de musgo
3. Manual do utilizador
4. Pino ranhurado
5. Proteção (proteção no eixo)
6. Eixo
7. Caixa de engrenagem
8. Acoplamento do eixo (incluído com o produto)
9. Proteção contra salpicos

Símbolos no acessório e na unidade de potência



A utilização indevida ou incorreta deste acessório pode provocar ferimentos graves ou fatais no utilizador ou noutras pessoas.



Leia o manual do utilizador com atenção e certifique-se de que compreende as instruções antes de utilizar o acessório.



Utilize protetores acústicos aprovados. Utilize proteção ocular aprovada. Utilize uma máscara respiratória quando existir risco de poeira.



Este acessório está em conformidade com as diretivas aplicáveis da CE.



Peças rotativas. Mantenha as mãos e os pés afastados. A seta indica o sentido de rotação.



Use sempre luvas de proteção aprovadas.



Use botas estáveis e antidesslizantes.



Este produto está conforme as diretivas em validade da CE.



O utilizador tem de garantir que não se encontram pessoas nem animais a menos de 15 m de distância. No caso de estarem vários utilizadores a trabalhar no mesmo local, tem de ser implementada uma distância de segurança de, pelo menos, 15 m. O acessório pode arremessar violentamente objetos que podem fazer ricochete. Isso pode levar a graves lesões nos olhos no caso do equipamento de segurança recomendado não ser usado.



Mantenha pessoas e animais a uma distância mínima de 15 m/50 pés durante o funcionamento do produto.



Mantenha todas as partes do seu corpo afastadas das superfícies quentes.



Emissões de ruído para o meio ambiente conforme diretiva da Comunidade Europeia. As emissões do acessório são indicadas no capítulo de Especificações técnicas e na etiqueta.

Nota: Os restantes símbolos/autocolantes existentes no acessório dizem respeito a exigências específicas para homologação em alguns países.

Segurança

Definições de segurança

Os avisos, as precauções e as notas são utilizados para indicar partes especialmente importantes do manual do utilizador.



ATENÇÃO: Utilizado no caso de existir risco de ferimento ou morte para o utilizador ou transeuntes, se não forem respeitadas as instruções do manual.



CUIDADO: Utilizado se existir risco de danos para o produto e/ou acessório, para outros materiais ou para a área adjacente,

se não forem respeitadas as instruções do manual.

Nota: Utilizado para disponibilizar informações adicionais necessárias numa determinada situação.

Instruções de segurança gerais



ATENÇÃO: Leia as instruções de segurança que se seguem antes de utilizar o acessório.

- Leia atentamente as instruções do manual do utilizador e certifique-se de que compreende o seu conteúdo antes de utilizar o acessório.

- Estas instruções complementam as instruções que foram incluídas com o produto. Para outros procedimentos, consulte as instruções de funcionamento do produto.
- Não é permitido modificar, em circunstância alguma, a configuração original do acessório sem a autorização expressa do fabricante. Não utilize um acessório que pareça ter sido modificado por outros e utilize sempre acessórios originais. A realização de modificações e/ou a utilização de acessórios não autorizados podem provocar ferimentos pessoais graves ou perigo de vida para o utilizador ou terceiros.
- Nunca utilize o produto com proteções com defeito, sem dispositivos de segurança ou se o cabo estiver danificado ou gasto.
- Mantenha os cabos de extensão afastados de peças perigosas em movimento para evitar danos nos cabos que possam provocar o contacto com peças sob tensão.
- Ligue o produto apenas a um circuito de alimentação protegido por um dispositivo de corrente residual (RCD) com uma corrente de disparo não superior a 30 mA.
- Evite utilizar o produto em más condições climáticas, principalmente quando existir risco de ocorrência de relâmpagos.

Leia todas as instruções



ATENÇÃO: Quando utilizar ferramentas elétricas de jardinagem, deve respeitar sempre as seguintes precauções de segurança básicas de forma a minimizar o risco de choque elétrico, incêndio e ferimentos graves:

Instruções de segurança do escarificador

- Nunca permita que crianças, pessoas com capacidades físicas, sensoriais ou mentais reduzidas ou falta de experiência e conhecimentos, ou que não estejam familiarizadas com estas instruções, utilizem o produto. As normas locais podem restringir a idade do utilizador.
- Nunca opere o produto enquanto houver pessoas, especialmente crianças, ou animais por perto.
- Não se debruce e mantenha sempre o equilíbrio. Nunca corra com a máquina, de modo a verificar sempre bem onde coloca os pés em terrenos inclinados.
- Não toque em peças perigosas em movimento antes de desligar a máquina da rede elétrica e de as peças perigosas em movimento pararem completamente.
- Utilize sempre calçado resistente e calças compridas quando utilizar a máquina.
- Retire a bateria do produto sempre que deixar o mesmo sem supervisão, antes de remover uma obstrução e antes de limpar ou realizar qualquer trabalho no produto.
- Retire a bateria do produto antes de verificar a existência de quaisquer danos no mesmo, por exemplo, quando o produto for atingido por qualquer objeto ou se começar a vibrar de forma anormal.
- Não ligue um cabo danificado à fonte de alimentação e não toque num cabo danificado antes de o desligar da fonte de alimentação. Um cabo danificado pode provocar o contacto com peças sob tensão e resultar em ferimentos ou morte.

Instruções de segurança para funcionamento

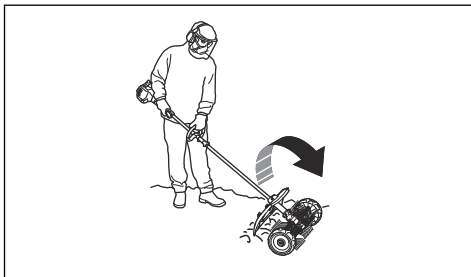


ATENÇÃO: Leia as instruções de aviso que se seguem antes de utilizar o produto.

- o interruptor de paragem retorna automaticamente à posição de arranque. Certifique-se de que evita o arranque acidental aquando da montagem, verificação e/ou realização da manutenção. Se possuir um produto alimentado a gasolina, desligue a cobertura da vela de ignição. Se possuir um produto alimentado a bateria, retire a bateria.
- atenção a objetos arremessados. Use sempre proteção ocular. Nunca se incline sobre o separador de musgo. Pedras, lixo, etc., podem ser arremessados contra os olhos e causar cegueira ou ferimentos graves nos olhos.
- A engrenagem pode ficar quente durante a utilização e manter-se assim durante algum tempo. Risco de queimaduras em caso de contacto directo. Cuidado com material arremessado.
- Apesar de os tambores da escova não terem a mesma força que as lâminas do cortador de relva deve evitar, por exemplo, trabalhar com materiais que possam provocar ferimentos pessoais ou danos de propriedade caso estes sejam arremessados.
- Nunca utilize uma máquina num local em que não seja possível pedir ajuda em caso de acidente.
- Use a máquina somente para as funções a que a mesma se destina.
- Nunca use a máquina se estiver cansado, se bebeu álcool ou se toma remédios que podem influir na sua visão, discernimento ou controlo sobre o corpo.
- Nunca utilize a máquina em condições climáticas extremas, tais como frio muito intenso ou tempo muito quente e/ou húmido.
- Nunca utilize uma máquina defeituosa. Efectue as verificações de segurança e cumpra as instruções de manutenção e assistência técnica contidas neste manual. Alguns serviços de manutenção e de assistência técnica têm de ser executados por

especialistas formados e qualificados. Consulte as instruções na secção Manutenção.

- Nunca permita que crianças utilizem a máquina.
- Nunca permita que outra pessoa utilize a máquina sem estar certo de que a mesma leu e entendeu o conteúdo do manual de instruções.
- Mantenha estranhos ao trabalho afastados. As crianças, animais, observadores e ajudantes devem ficar fora do perímetro de segurança de 15 m enquanto trabalha. Pare imediatamente a máquina se alguém se aproximar.
- Se tiver alguma dúvida relativa ao procedimento a seguir, entre em contacto com um técnico especialista. Dirija-se ao seu revendedor ou à sua oficina autorizada.
- Não utilize funções da máquina para as quais não está preparado.
- Observe o espaço à sua volta e certifique-se de que não há risco de pessoas ou animais entrarem em contacto com o produto ou afetarem o seu controlo sobre este.
- quando estiver a utilizar protectores acústicos, esteja atento a sinais de aviso ou gritos. Retire sempre os protetores acústicos assim que o motor parar.
- Não utilize a máquina em condições climáticas adversas, tais como nevoeiro denso, chuvas fortes, vento forte, frio intenso, etc. Trabalhar sob condições climáticas adversas é cansativo e muitas vezes acarreta riscos adicionais, como piso com gelo.
- Certifique-se de que pode andar e estar de pé com segurança. Tenha cuidado com eventuais obstáculos (raízes, pedras, ramos, valas, etc.) em caso de deslocamento inesperado. Tenha muito cuidado ao trabalhar em terreno inclinado.



- Desligue o motor antes de se deslocar.
- Nunca pouse a máquina com o motor em funcionamento sem que a tenha bem vigiada.
- Use sempre ambas as mãos para segurar a máquina. Mantenha a máquina ao lado do corpo.
- Tenha cuidado para que as mãos e os pés não se aproximem do escarificador de musgo quando este estiver em funcionamento.
- Ao desligar o motor, mantenha as mãos e os pés afastados do escarificador de musgo até que tenha parado totalmente.

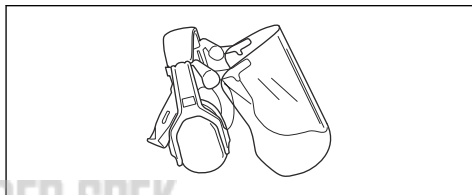
- Se ocorrerem fortes vibrações, pare a máquina. Se possuir um produto alimentado a gasolina, desligue o cabo de alta tensão da vela de ignição. Se utilizar um produto alimentado a bateria, retire a bateria do produto. Certifique-se de que a máquina não está danificada. Repare eventuais danos.

Equipamento de proteção pessoal

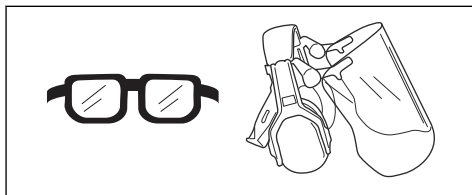


ATENÇÃO: Leia as instruções de aviso que se seguem antes de utilizar o produto.

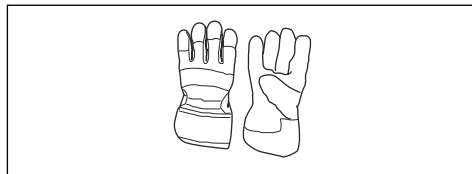
- Utilize sempre equipamento de proteção pessoal aprovado ao utilizar o produto. O equipamento de proteção pessoal não previne totalmente os ferimentos mas diminui a respetiva gravidade em caso de acidente. Obtenha ajuda junto do seu concessionário para selecionar o equipamento certo.
- Utilize protetores acústicos aprovados com suficiente insonorização. A exposição prolongada a ruídos pode provocar danos auditivos permanentes.



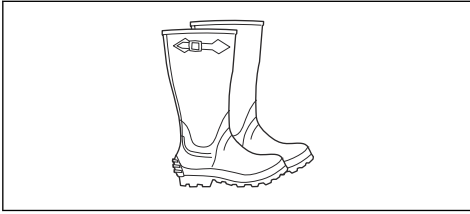
- Utilize proteção ocular aprovada. Mesmo com viseira, é necessário utilizar óculos de proteção aprovados. Consideram-se óculos de proteção aprovados os que estejam conformes com a norma ANSI Z87.1 nos EUA ou EN 166 nos países da UE.



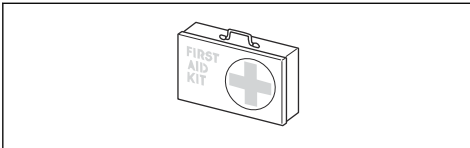
- Use luvas sempre que necessário, por exemplo, ao fixar, examinar ou limpar o acessório de corte.



- Use botas de proteção com biqueira de aço e solas antidescizantes.



- Utilize vestuário fabricado com um tecido resistente. Utilize sempre calças e mangas compridas grossas. Não utilize vestuário largo que possa ficar preso em galhos e ramos. Não utilize joias, calções, nem ande de sandálias ou descalço. Coloque o seu cabelo acima dos ombros para maior segurança.
- Mantenha equipamentos de primeiros socorros sempre à mão.



Dispositivos de segurança no acessório



ATENÇÃO: Leia as instruções de aviso que se seguem antes de utilizar o acessório.

Esta secção contém as funcionalidades de segurança do acessório, a respetiva função e ainda a forma de se efetuar verificações e manutenção para garantir o funcionamento correto do mesmo. Para localizar estes componentes no seu acessório, consulte as instruções na secção *Vista geral do acessório na página 160*.

Se a manutenção do acessório não for devidamente efetuada e se a assistência e/ou as reparações não forem realizadas por profissionais, a vida útil do produto pode ser afetada e o risco de acidentes pode aumentar. Para obter mais informações, contacte o seu revendedor local.



ATENÇÃO: Nunca utilize um acessório com componentes de segurança defeituosos. O equipamento de segurança do acessório tem de ser inspecionado e a respetiva manutenção efetuada conforme descrito nesta secção. Se o acessório falhar alguma destas verificações, contacte uma oficina autorizada para a respetiva reparação.



ATENÇÃO: Todos os trabalhos de manutenção e reparação do produto

requerem formação especializada. Isto aplica-se especialmente ao equipamento de segurança do produto. Se o produto falhar alguma das verificações que se seguem, é necessário contactar a sua oficina autorizada. A compra de qualquer um dos nossos produtos garante-lhe a obtenção de reparação e assistência profissionais. Se o local da compra do produto não for um dos nossos revendedores com assistência técnica, solicite a morada da oficina autorizada mais próxima.

Instruções de segurança para manutenção



ATENÇÃO: Leia as instruções de aviso que se seguem antes de efetuar a manutenção.

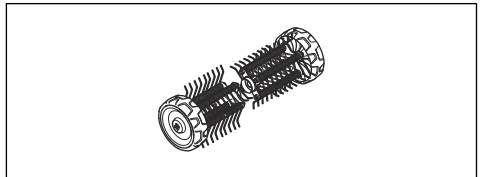


ATENÇÃO: Desligue sempre o produto antes de efetuar qualquer trabalho de manutenção no acessório. Tenha cuidado, o acessório pode continuar a mover-se depois de libertar o interruptor de alimentação/ aceleração. Certifique-se de que o acessório parou totalmente. Se possuir um produto alimentado a gasolina, desligue o cabo de alta tensão da vela de ignição. Se possuir um produto alimentado a bateria, retire a bateria.



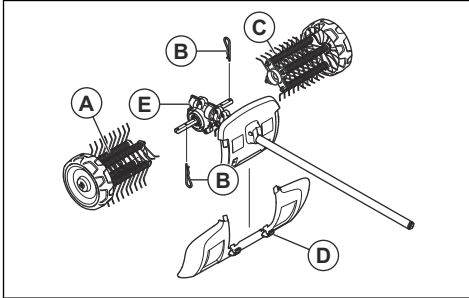
ATENÇÃO: Utilize sempre luvas de proteção.

- Verifique o produto por completo antes de o ligar. Verifique se todas as proteções e coberturas estão em boas condições e firmemente apertadas. Verifique todas as porcas e todos os parafusos.
- Se possuir um produto alimentado a gasolina, certifique-se de que não existem fugas de combustível.
- Substitua as peças danificadas.



Montagem

Montar o acessório

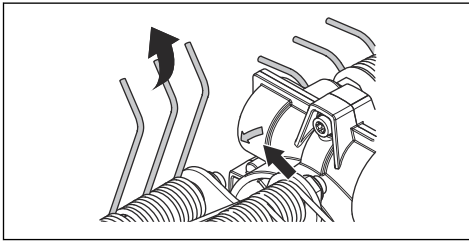


A seta na caixa de engrenagem indica o sentido de rotação. A caixa de engrenagem deve ser colocada conforme ilustrado.

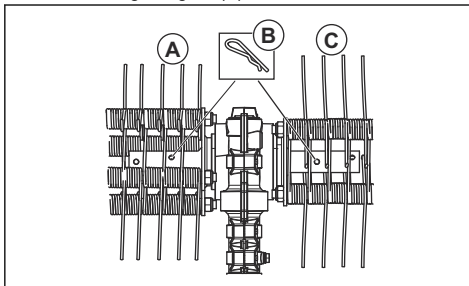
IMPORTANTE:

Os rolos do escarificador de musgo estão marcados com setas que indicam o sentido de rotação. Certifique-se de que os rolos do escarificador de musgo estão corretamente montados.

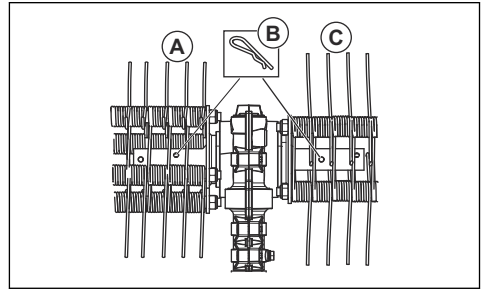
Os rolos do separador de musgo têm de ser montados ligeiramente desalinhados entre si. As molas do separador de musgo devem apontar na mesma direcção que a seta de sentido de rotação na caixa de engrenagem.



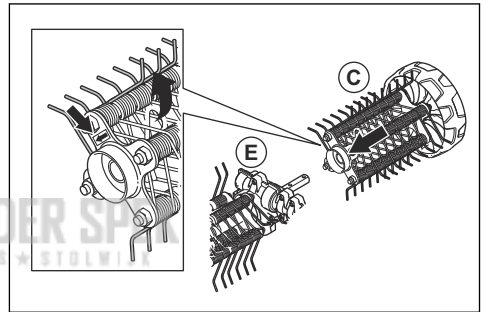
1. Pressione o separador de musgo do lado esquerdo (A) para dentro do eixo motriz do lado esquerdo da caixa de engrenagem (E).



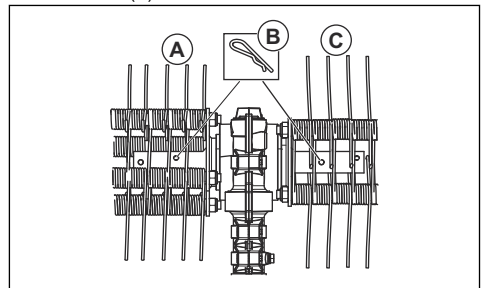
2. Aperte o rolo do escarificador de musgo com o pino ranhurado (B) no orifício interior do eixo.



3. Pressione o separador de musgo do lado direito (C) para dentro do eixo motriz do lado direito da caixa de engrenagem (E).



4. Aperte o rolo do escarificador de musgo com o pino ranhurado (B) no orifício interior do eixo.



5. Monte o resguardo com os fixadores (D).

Nota: Para montar acessórios num produto básico, consulte o manual do produto básico.

Funcionamento

Para ligar o produto com o motor frio

Se possuir um produto alimentado a gasolina, respeite estas instruções para ligar o produto com o motor frio.

1. Execute o aquecimento do produto básico e, em seguida, desligue o produto.
2. Monte o acessório de acordo com as instruções de montagem.
3. Quando ajustar o carburador, certifique-se de que o escafificador é mantido contra o solo e de que não existe ninguém na área circundante.
4. Mantenha o separador de musgo a funcionar em marcha em vazio
5. Certifique-se de que os punhos e as funções de segurança estão em ordem. Nunca utilize um produto em que faltem peças ou que tenha sido modificado de forma a ficar diferente das especificações.

Nota: Torna-se cansativo e desnecessário

levantar e manter o separador de musgo acima da superfície durante a sua utilização.

2. Mantenha um ângulo de trabalho reduzido relativamente à superfície. Com um ângulo de trabalho grande, o escafificador de musgo encaminha-se tendencialmente na sua direção e arrisca-se a perder o controlo do produto.



Utilizar o acessório

1. Accione o separador de musgo em aceleração total (ou quase) com as rodas apoiadas na superfície.

Manutenção

Introdução

Seguem abaixo algumas instruções gerais de manutenção. Se necessitar de maiores informações, consulte uma oficina autorizada.

Efetuar a manutenção do acessório



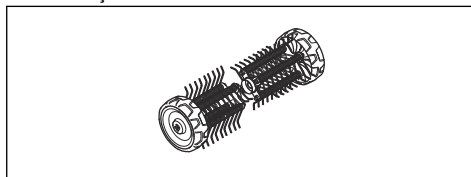
CUIDADO: A maioria dos trabalhos com o separador de musgo é normalmente realizada em ambientes poeirentos. Se possuir um produto alimentado a gasolina, é extremamente importante inspecionar o filtro de ar regularmente – em muitos casos, diariamente – e lubrificá-lo para um funcionamento satisfatório.

Consulte o manual do utilizador da unidade de potência para obter instruções relativas à manutenção.



ATENÇÃO: A caixa de engrenagem aquece durante a utilização do produto. Não tocar na engrenagem para evitar queimaduras.

1. Certifique-se de que o escafificador de musgo não roda quando o interruptor de alimentação/aceleração é libertado.



2. Limpe as rodas, caso estas não rodem livremente.



ATENÇÃO: Utilize sempre luvas de proteção quando efetuar a manutenção do acessório.

Transporte, armazenamento e eliminação

Transporte e armazenagem

Se transportar o acessório noutra veículo, utilize sempre dispositivos de fixação aprovados e certifique-se de que o acessório está bem seguro.

Certifique-se de que o acessório foi limpo e submetido a uma revisão completa antes de ser armazenado por um período de tempo prolongado.

Especificações técnicas

Especificações técnicas para produtos alimentados a gasolina

Escarificador de musgo	DT600
Largura, mm	556
Peso	
Peso, kg	6,5
Emissões de ruído⁹⁷	
Nível de potência sonora, dB(A) medidos	105
Nível de potência sonora, garantido L_{WA} dB (A)	109
Níveis acústicos⁹⁸	
Nível de pressão sonora equivalente ao nível do ouvido do utilizador, medido de acordo com a norma EN ISO 22868, dB(A):	95
Vibrações⁹⁹	
Níveis de vibração equivalentes ($a_{hv,eq}$) nos punhos, medidos de acordo com a EN ISO 22867, m/s^2	
Punhos dianteiros/traseiros	6,2/4,3

Especificações técnicas para produtos alimentados a bateria

325ILK + acessório de esarificador DT600	
Largura, mm	556
Peso	
Peso, kg	2,3 + 6,5

⁹⁷ Medidas em conjunto com os acessórios aprovados da Husqvarna. emissões de ruído para as imediações, medidas sob forma de potência sonora (L_{WA}) em conformidade com a diretiva da CE 2000/14/CE. O nível de potência sonora registado para a máquina foi medido com o equipamento de corte original que debita o nível mais alto. A diferença entre a potência sonora garantida e medida é que a potência sonora garantida inclui também a dispersão no resultado da medição e as variações entre diferentes máquinas do mesmo modelo, de acordo com a diretiva 2000/14/CE.

⁹⁸ Medidas em conjunto com os acessórios aprovados da Husqvarna. Os dados registados para o nível de pressão sonora equivalente para a máquina têm uma dispersão estatística típica (desvio padrão) de 1 dB (A).

⁹⁹ Medidas em conjunto com os acessórios aprovados da Husqvarna. os dados comunicados relativamente ao nível de vibração equivalente têm uma dispersão estatística típica (desvio padrão) de 1 m/s^2 .

325iLK + acessório de escafificador DT600	
Emissões de ruído¹⁰⁰	
Nível de potência sonora, dB(A) medidos	89
Níveis acústicos¹⁰¹	
Nível de pressão sonora, ao nível do ouvido do utilizador, medido de acordo com a norma EN ISO 22868, dB(A):	77
Vibrações¹⁰²	
Níveis de vibração nos punhos, medidos de acordo com a norma EN 62841-1, m/s ²	
Punhos dianteiros/traseiros	1,9/2,6
Equipado com acessório aprovado (original), esquerda/direita	1,9/2,6

KEES VAN DER SPEK
TUINMACHINES ★ STOLWIJK

¹⁰⁰ Os dados comunicados relativamente ao nível de potência sonora para a máquina têm uma dispersão estatística típica (desvio padrão) de 3 dB(A) e foram medidos com o acessório original que debita o nível mais alto.

¹⁰¹ Os dados comunicados relativamente ao nível de pressão sonora para a máquina têm uma dispersão estatística típica (desvio padrão) de 3 dB(A) e foram medidos com o acessório original que debita o nível mais alto.

¹⁰² Os dados comunicados relativamente ao nível de vibração têm uma dispersão estatística típica (desvio padrão) de 2 m/s². Para comparar os níveis de vibrações de produtos a bateria e de combustão, utilize a calculadora de vibrações. <https://www.husqvarna.com/pt/servicos-solucoes/calculadora-vibracoes/>.

Declaração CE de conformidade

Declaração CE de conformidade – para produtos alimentados a gasolina

A **Husqvarna AB**, SE-561 82 Huskvarna, Suécia, tel: +46-36-146500, declara que o escafificador de musgo **Husqvarna DT600** com números de série de 2019 e posteriores (o ano é claramente indicado na etiqueta de tipo, seguido do número de série), cumpre as disposições constantes na DIRETIVA DO CONSELHO:

- de 17 de maio de 2006 "referente a máquinas" **2006/42/CE**
- de 8 de junho de 2011, referente à "restrição do uso de determinadas substâncias perigosas em equipamento elétrico e eletrônico" **2011/65/UE**
- de 8 de maio de 2000, "referente a emissões de ruído para o ambiente" **2000/14/CE**.

As seguintes normas foram aplicadas para produtos alimentados a gasolina:

SS-EN ISO 12100:2010, EN IEC 63000:2018

A RISE SMP Svenska Maskinprovning AB, Box 7035, SE-750 07 Uppsala, Suécia, realizou o exame de tipo voluntário em nome da Husqvarna AB. O certificado tem o número: **SEC/15/2411 - Husqvarna DT600**

Huskvarna , 2021-02-12



Pär Martinsson, Chefe de Desenvolvimento
(representante autorizado da Husqvarna AB e responsável pela documentação técnica.)

Declaração CE de conformidade – para produtos alimentados a bateria

A **Husqvarna AB**, SE-561 82 Huskvarna, Suécia, tel: +46-36-146500, declara que o escafificador de musgo, **acessório Husqvarna DT600 com unidade de potência Husqvarna 325iLK** com números de série de 2019 e posteriores (o ano é claramente indicado na etiqueta de tipo, seguido do número de série), cumpre as disposições constantes na DIRETIVA DO CONSELHO:

- de 17 de maio de 2006 "referente a máquinas" **2006/42/CE**
- de 8 de junho de 2011, referente à "restrição do uso de determinadas substâncias perigosas em equipamento elétrico e eletrônico" **2011/65/UE**

As seguintes normas foram aplicadas para produtos alimentados a bateria:

EN 62841-1:2015, EN 50636-2-92:2014, EN IEC 63000:2018

A RISE SMP Svenska Maskinprovning AB, Box 7035, SE-750 07 Uppsala, Suécia, realizou o exame de tipo voluntário em nome da Husqvarna AB. O certificado tem o número: **SEC/15/2411 - Husqvarna DT600**

Para mais informações sobre as emissões sonoras, consulte *Especificações técnicas na página 167*.

Huskvarna , 2021-02-12



Pär Martinsson, Chefe de Desenvolvimento
(representante autorizado da Husqvarna AB e responsável pela documentação técnica.)

KEES VAN DER SPEK
TUINMACHINES * STOLWIJK

CUPRINS

Introducere.....	170	Întreținerea.....	176
Siguranță.....	171	Transportul, depozitarea și eliminarea.....	177
Asamblarea.....	175	Date tehnice.....	177
Funcționarea.....	176	Declarație de conformitate CE.....	179

Introducere

Descrierea produsului

Avem o politică de îmbunătățire continuă a produselor și, prin urmare, ne rezervăm dreptul de a modifica proiectul și aspectul produselor fără preaviz.

Nota: Acest manual acoperă atât sursele de alimentare care funcționează cu benzină, cât și cele care funcționează cu baterie.

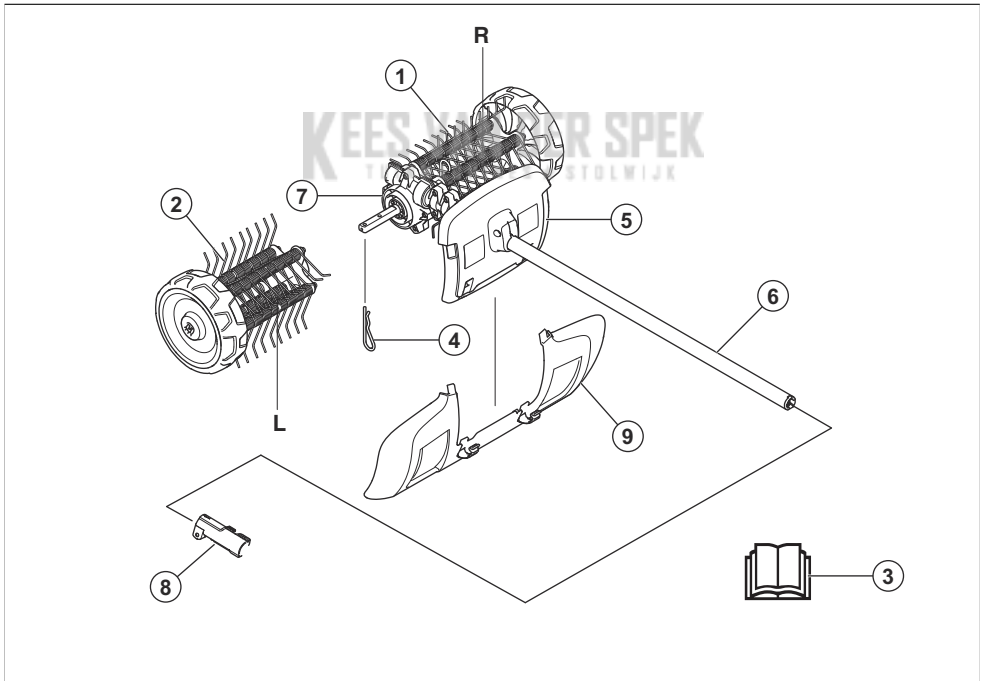
Domeniul de utilizare



AVERTISMENT: Acest accesoriu poate fi utilizat numai împreună cu produsul pentru care a fost conceput, consultați capitolul despre accesorii din Manualul operatorului pentru produs.

Accesoriul este conceput numai pentru curățarea gazonului de mușchi.

Prezentare generală a accesoriilor



1. Scarificator mușchi dreapta
2. Scarificator mușchi stânga
3. Manualul operatorului
4. Șplint
5. Apărătoare (Protecție pe arbore)
6. Arbore
7. Carcasă angrenaj
8. Cuplaj arbore (inclus cu produsul)
9. Apărătoare de noroi

Simbolurile de pe accesoriu și de pe sursa de alimentare



Utilizarea neatentă sau incorectă a acestui accesoriu poate cauza vătămări corporale grave sau mortale operatorului sau altor persoane.



Citiți cu atenție manualul operatorului și asigurați-vă că înțelegeți instrucțiunile înainte de a utiliza accesoriul.



Utilizați un sistem omologat de protecție a auzului. Utilizați ochelari de protecție omologați. Utilizați o mască de protecție când există pericolul de generare a prafului.



Acest accesoriu este conform cu directivele UE aplicabile.



Piese rotative. Feriți mâinile și picioarele. Săgeata indică direcția de rotație.



Purtați întotdeauna mănuși de protecție omologate.



Purtați ghete solide, cu talpă antiaderentă.



Feriți-vă de obiectele proiectate sau care ricoșează.



Operatorul trebuie să se asigure ca niciun om sau animal nu se apropie la mai puțin de 15 m. Dacă mai mulți operatori lucrează în același loc, trebuie să fie pusă în aplicare o distanță de siguranță de cel puțin 15 m. Accesoriul poate azvârli cu forță obiecte care pot ricoșa înapoi. Dacă nu se utilizează echipamentul de siguranță recomandat, acest lucru poate conduce la vătămări oculare grave.



Păstrați o distanță de minimum 15 m / 50 ft față de persoane și animale în timpul utilizării produsului.



Feriți-vă toate părțile corpului de suprafețele fierbinți.



Emisii de zgomot în mediu conform Directivei Comunității Europene. Nivelul de emisii al accesoriului este specificat în capitolul Date tehnice și pe etichetă.

Nota: Alte simboluri/etichete de pe accesoriu se referă la cerințe de certificare specifice pentru anumite piețe.

Siguranță

Definiții privind siguranța

Avertizările, atenționările și notele sunt utilizate pentru a desemna părți foarte importante din manualul operatorului.



AVERTISMENT: Se utilizează dacă există risc de vătămare sau de deces pentru operator sau pentru trecători, în cazul în care instrucțiunile din manual nu sunt respectate.



ATENȚIE: Se utilizează dacă există un risc de deteriorare a produsului și/sau a accesoriului, a altor materiale sau a zonelor

încecate, dacă instrucțiunile din manual nu sunt respectate.

Nota: Se utilizează pentru a furniza mai multe informații care sunt necesare într-o situație dată.

Instrucțiuni generale de siguranță



AVERTISMENT: Înainte de a utiliza accesoriul, citiți instrucțiunile de siguranță de mai jos.

- Vă rugăm să citiți cu atenție manualul operatorului și să vă asigurați că înțelegeți instrucțiunile înainte de a utiliza accesoriul.
- Aceste instrucțiuni completează instrucțiunile furnizate împreună cu produsul. Pentru alte proceduri, consultați instrucțiunile de utilizare ale produsului.
- Nu modificați sub nicio formă proiectul accesoriului fără permisiunea producătorului. Nu folosiți un accesoriu care pare să fi fost modificat de alte persoane și utilizați întotdeauna accesoriile originale. Modificările și/sau accesoriile neautorizate pot avea drept rezultat vătămări corporale grave sau decesul operatorului sau al altor persoane.
- Nu utilizați niciodată produsul cu apărători/scuturi defecte, fără dispozitive de siguranță sau dacă cablul este deteriorat sau uzat.
- Țineți prelungitoarele la distanță de piesele periculoase în mișcare pentru a evita deteriorarea cablurilor, ceea ce poate duce la contactul cu piesele sub tensiune.
- Conectați produsul numai la un circuit de alimentare protejat de un dispozitiv de curent rezidual (RCD) cu un curent de declanșare de maxim 30 mA.
- Nu utilizați produsul în condiții de vreme nefavorabilă, mai ales când există risc de descărcări electrice.

Citiți toate instrucțiunile



AVERTISMENT: Când utilizați motoutelne pentru grădină, trebuie să respectați întotdeauna măsurile de protecție elementare pentru a reduce riscul de producere a incendiilor, de electrocutare și vătămări corporale, inclusiv următoarele:

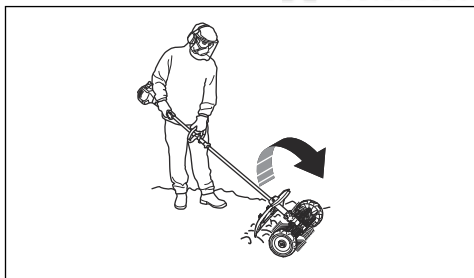


AVERTISMENT: Înainte de a utiliza produsul, citiți instrucțiunile de avertizare de mai jos.

Instrucțiuni de siguranță pentru scarificator

- Nu permiteți niciodată copiilor, persoanelor cu capacități fizice, senzoriale sau mentale reduse sau lipsă de experiență și cunoștințe sau persoane care nu sunt familiarizate cu aceste instrucțiuni să utilizeze produsul. Este posibil ca reglementările locale să limiteze vârsta operatorului.
- Nu utilizați niciodată produsul când în apropiere se află persoane, în special copii, sau animale de companie.
- Nu vă întindeți prea mult și mențineți permanent echilibrul. Pentru a vă asigura întotdeauna de sprijinul pentru picioare în pante, mergeți, nu alergați niciodată.
- Nu atingeți piesele periculoase în mișcare înainte ca utilajul să fie deconectat de la sursa de alimentare, iar piesele periculoase în mișcare să se oprească complet.
- Purtați întotdeauna încălțăminte solidă și pantaloni lungi în timpul operării utilajului.
- Scoateți bateria din produs de fiecare dată când produsul este nesupravegheat, înainte de a îndepărta un bloc și înainte de a curăța produsul sau lucrul la acesta.
- Scoateți bateria din produs înainte de efectuarea unei examinări pentru defecte pe produs, când, de exemplu, este lovit un obiect străin sau dacă produsul începe să vibreze anormal.
- Nu conectați un cablu deteriorat la sursă și nu atingeți un cablu deteriorat înainte de a-l deconecta de la sursa de alimentare. Un cablu deteriorat poate duce la contactul cu piesele sub tensiune și poate provoca vătămări sau duce la deces.
- Comutatorul de oprire revine automat la poziția de start. Asigurați-vă că preveniți pornirea neintenționată la asamblare, verificare și/sau efectuare a întreținerii. Dacă aveți un produs care funcționează cu benzină, scoateți pipa bujiei din bujie. Dacă aveți un produs care funcționează cu baterie, scoateți bateria.
- Fiți atenți la obiectele azvârlite. Purtați întotdeauna ochelari de protecție. Nu vă aplecați niciodată peste dispozitivul de curățare a mușchiului. Pietrele, gunoii etc. pot fi azvârlite în ochi, cauzând orbire sau vătămare gravă.
- Angrenajul se poate înfierbânta în timpul utilizării și poate rămâne fierbinte câteva timp după aceea. Dacă îl atingeți, vă poate provoca arsuri.
- Deși tamburii periei nu au aceeași forță ca și lamele mașinii de tuns iarba, de exemplu, trebuie să evitați să lucrați cu materiale care pot cauza răni grave sau pagube materiale, dacă sunt proiectate.
- Nu utilizați aparatul decât în situații în care puteți solicita ajutor în eventualitatea unui accident.
- Utilizați utilajul numai în scopul pentru care acesta a fost conceput.
- Nu utilizați niciodată utilajul dacă sunteți obosit, dacă ați consumat alcool sau dacă luați medicamente care v-ar putea afecta vederea, judecata sau coordonarea.
- Nu utilizați niciodată aparatul în condiții meteorologice extreme, precum climate cu temperaturi extrem de scăzute, foarte ridicate și/sau climate umede.
- Nu utilizați niciodată un aparat care este defect. Efectuați verificările de siguranță, operațiile de întreținere și de service descrise în acest manual. Anumite operații de întreținere și de service trebuie efectuate de specialiști instruiți și calificați. Consultați instrucțiunile din subcapitolul Întreținerea.
- Nu permiteți niciodată copiilor să folosească acest utilaj.

- Nu permiteți nimănui să folosească mașina înainte de a vă asigura că a înțeles conținutul manualului operatorului.
- Nu permiteți persoanelor neautorizate să se apropie. Copiii, animalele, spectatorii sau persoanele care vă ajută trebuie ținute în afara zonei de siguranță de 15 m în timp ce lucrați. Opriți aparatul imediat dacă se apropie cineva.
- Dacă întâlniți o situație în care nu știți sigur cum să procedați, trebuie să întrebați un specialist. Contactați distribuitorul sau atelierul de service.
- Evitați utilizările care, în opinia dvs., vă depășesc abilitățile.
- Respectați mediul înconjurător și asigurați-vă că nu există riscul ca alte persoane sau animale să vină în contact cu produsul sau să vă afecteze capacitatea de a-l controla.
- Ascultați semnalele de avertisment sau strigătele când purtați echipament pentru protecția auzului. Îndepărtați echipamentul pentru protecția auzului imediat ce se oprește motorul.
- Nu utilizați utilajul pe vreme nefavorabilă, precum ceață deasă, ploaie torențială, vânt puternic, frig intens etc. Lucrul pe vreme nefavorabilă este obositor și generează adesea riscuri adăugate, precum teren alunecos, direcție de deborfare imprevizibilă etc.
- Asigurați-vă că vă puteți deplasa și sta în picioare în siguranță. Verificați zona din jurul dvs. pentru posibile obstacole (rădăcini, pietre, crengi, șanuri etc.) în caz că trebuie să vă deplasați brusc. Aveți mare grijă când lucrați pe teren în pantă.



- Motorul trebuie oprit înainte de deplasare.
- Nu lăsați niciodată utilajul jos cu motorul pornit decât dacă aveți o bună vizibilitate asupra acestuia.
- Utilizați întotdeauna ambele mâini pentru a ține utilajul. Țineți utilajul pe lângă corp.
- Asigurați-vă că mâinile și picioarele nu se apropie de scarificatorul de mușchi atunci când motorul este pornit.
- Atunci când motorul este oprit, țineți mâinile și picioarele la distanță de scarificatorul de mușchi, până când acesta se oprește complet.
- Dacă apar vibrații puternice, opriți utilajul. Dacă aveți un produs care funcționează cu benzină, deconectați cablul de înaltă tensiune de la bujie. Dacă aveți un produs care funcționează cu baterie, scoateți bateria

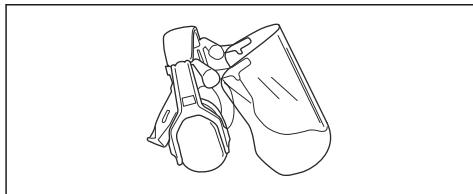
din produs. Asigurați-vă că utilajul nu este deteriorat. Remediați orice defecțiuni.

Echipment de protecție personală

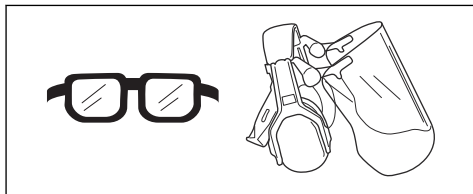


AVERTISMENT: Înainte de a utiliza produsul, citiți instrucțiunile de avertizare de mai jos.

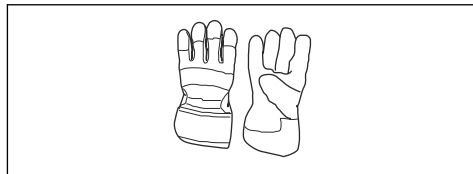
- Utilizați întotdeauna echipamente de protecție personală atunci când folosiți produsul. Echipamentele de protecție personală nu pot elimina complet riscul de rănire, însă pot reduce gravitatea rănilor în cazul unui accident. Distribuitorul vă poate ajuta să alegeți echipamentul corect.
- Purtați echipament de protecție pentru urechi aprobat pentru utilizare, care asigură reducerea adecvată a zgomotului. Expunerea pe termen lung la zgomot poate avea ca rezultat o afecțiune ireversibilă a auzului.



- Utilizați ochelari de protecție omologați. Dacă utilizați un vizor de protecție, trebuie să purtați și ochelari de protecție. Ochelarii de protecție trebuie să fie compatibili cu standardul ANSI Z87.1 în S.U.A. sau EN 166 în țările UE.



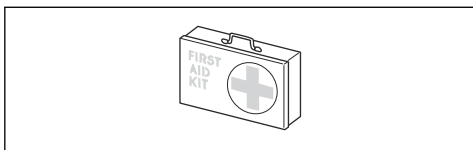
- Purtați mănuși atunci când este necesar, de exemplu atunci când conectați, inspectați sau curățați echipamentul de tăiere.



- Utilizați cizme de protecție cu bombeuri din oțel și tălpi antiderapante.



- Purtați haine din țesături rezistente. Purtați întotdeauna pantaloni lungi, din material gros, și îmbrăcăminte cu mâneci lungi. Nu purtați haine largi, care se pot prinde în smicele și ramuri. Nu purtați bijuterii, șort, sandale și nu lucrați în picioarele goale. Strângeți-vă părul în siguranță, deasupra nivelului umărului.
- Păstrați la îndemână echipament de prim ajutor.



Dispozitivele de siguranță de pe accesoriu



AVERTISMENT: Înainte de a utiliza accesoriul, citiți instrucțiunile de avertizare de mai jos.

În această secțiune sunt cuprinse caracteristicile de siguranță ale accesoriului, scopul său și modul în care trebuie efectuate verificările și întreținerea pentru a asigura funcționarea corectă. A se vedea instrucțiunile din capitolul *Prezentare generală a accesoriilor la pagina 170* pentru a găsi unde sunt amplasate aceste piese pe accesoriul dvs.

Durata de viață a accesoriului se poate reduce, iar pericolul de accidente se poate mări dacă întreținerea accesoriului nu este efectuată corect, iar reglarea și/sau reparațiile nu sunt executate în mod profesional. Dacă aveți nevoie de informații suplimentare, contactați cel mai apropiat furnizor de service.



AVERTISMENT: Nu utilizați niciodată un accesoriu cu componente de siguranță deteriorate. Echipamentul de siguranță al accesoriului trebuie inspectat și întreținut conform indicațiilor din acest capitol. Dacă accesoriul nu trece oricare dintre următoarele verificări, contactați agentul de service pentru reparații.



AVERTISMENT: Toate operațiunile de service și de reparații asupra produsului necesită instruire specială. Acest lucru se aplică în special cu privire la echipamentele de siguranță ale produsului. În cazul în care produsul dvs. nu are rezultat pozitiv la oricare dintre verificările descrise mai jos, trebuie să contactați agentul de service local. Atunci când achiziționați oricare dintre produsele noastre, garantăm disponibilitatea reparațiilor și service-ului profesionist. Dacă distribuitorul care comercializează produsul nu este dealer de service, solicitați-i adresa celui mai apropiat agent de service.

Instrucțiuni de siguranță pentru întreținere



AVERTISMENT: Înainte de a efectua lucrări de întreținere, citiți instrucțiunile de avertisment de mai jos.

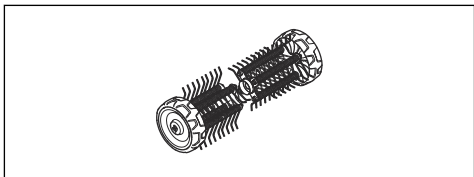


AVERTISMENT: Opiți întotdeauna produsul înainte de a efectua orice operațiune de întreținere ale accesoriului de tăiere. Aveți grijă, accesoriul se poate mișca și după eliberarea accelerației/întreprătorului. Asigurați-vă că accesoriul s-a oprit complet. Dacă aveți un produs care funcționează cu benzină, deconectați cablul de înaltă tensiune de la bujie. Dacă aveți un produs care funcționează cu baterie, scoateți bateria.



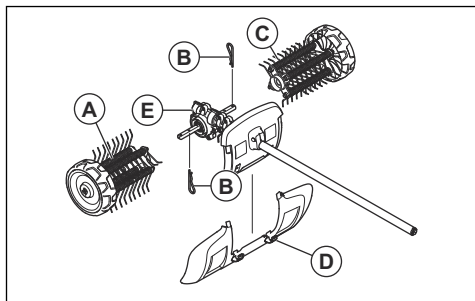
AVERTISMENT: Utilizați întotdeauna mănuși de protecție.

- Verificați întreg produsul înainte de a începe să lucrați. Verificați dacă toate apărătorii și capacele sunt complete și fixate bine. Verificați toate șuruburile și toate piulițele.
- Dacă aveți un produs care funcționează cu benzină, verificați să nu existe scurgeri de carburant.
- Înlocuiți componentele deteriorate.



Asamblarea

Asamblarea accesoriului

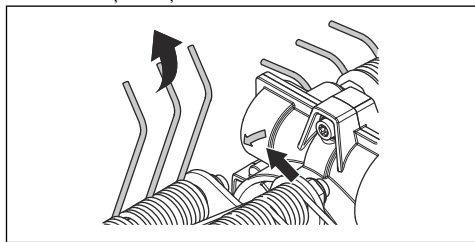


Săgeata de pe carcasa angrenajului indică direcția de rotire. Carcasa angrenajului va fi poziționată conform ilustrației.

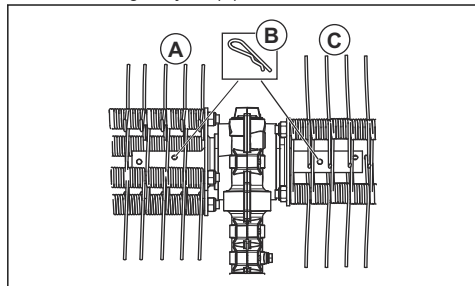
IMPORTANT:

Rolele scarificatorului de curățare a mușchiului sunt marcate cu săgeți care indică direcția de rotație. Asigurați-vă că rolele scarificatorului de curățare mușchiului sunt montate corect.

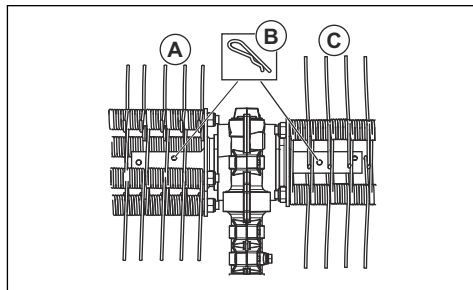
Rolele dispozitivului de curățare a mușchiului trebuie montate ușor decalate una față de cealaltă. Arcurile dispozitivului de curățare a mușchiului și săgeata direcției de rotire de pe carcasa angrenajului trebuie să indice aceeași direcție.



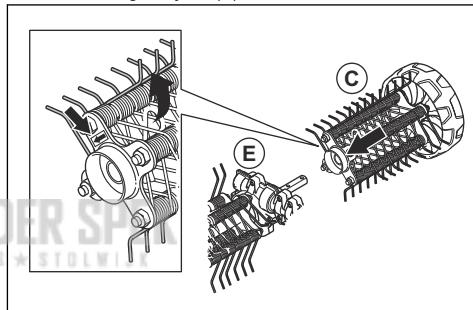
1. Apăsați dispozitivul de curățare a mușchiului din stânga (A) pe arborele conducător din stânga din carcasa angrenajului (E).



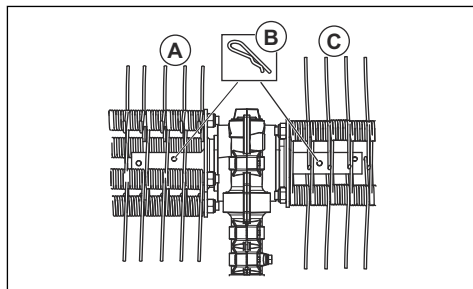
2. Fixați rola scarificatorului de mușchi cu șplint (B) în orificiul interior din arbore.



3. Apăsați dispozitivul de curățare a mușchiului din dreapta (C) pe arborele conducător din dreapta din carcasa angrenajului (E).



4. Fixați rola scarificatorului de mușchi cu șplint (B) în orificiul interior din arbore.



5. Montați apărătoarea de noroi cu ajutorul capselor (D).

Nota: Pentru asamblarea accesoriilor pe un produs de bază, consultați manualul produsului respectiv.

Funcționarea

Pentru a porni produsul cu motorul rece

Dacă aveți un produs care funcționează cu benzină, respectați aceste instrucțiuni pentru a porni produsul cu motorul rece.

1. Porniți produsul de bază pentru încălzire și apoi opriți-l.
2. Montați accesoriul conform instrucțiunilor de asamblare.
3. Atunci când reglați carburatorul, asigurați-vă că scarificatorul este fixat pe sol și că nu se află nimeni în apropiere.
4. Mențineți dispozitivul de curățare a mușchiului pornit la ralanti.
5. Asigurați-vă că mânerul și elementele de siguranță sunt în stare bună de funcționare. Nu utilizați niciodată un produs care nu are o piesă sau care a fost modificat în afara specificațiilor sale.

Nota: Este oboseitor și inutil să ridicați sau să mențineți dispozitivul de curățare a mușchiului deasupra suprafeței, atunci când lucrați.

2. Mențineți un unghi mic de lucru față de suprafață. Un unghi de lucru mare înseamnă că scarificatorul de mușchi tinde să se deplaseze spre dvs. și riscați să pierdeți controlul produsului.



Utilizarea accesoriului

1. Lăsați dispozitivul de curățare a mușchiului să funcționeze la putere maximă (sau aproape maximă) cu roțile sprijinite pe suprafață.

Întreținerea

Introducere

Mai jos veți găsi câteva instrucțiuni generale de întreținere. Dacă aveți nevoie de informații ulterioare, vă rugăm contactați atelierul de service.

Efectuarea operațiilor de întreținere a accesoriului



ATENȚIE: Lucrul cu dispozitivul de curățare a mușchiului are loc adesea în condiții de praf. Dacă aveți un produs care funcționează cu benzină, este foarte important ca filtrul de aer să fie verificat periodic, adesea zilnic, și uns pentru a funcționa satisfăcător.

Pentru instrucțiuni de întreținere, consultați manualul de utilizare al unității de alimentare.

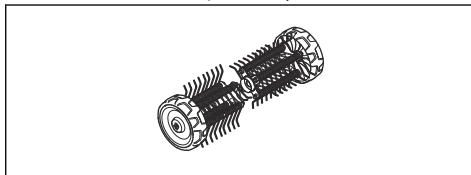


AVERTISMENT: Purtați întotdeauna mănuși de protecție când efectuați întreținerea accesoriului.



AVERTISMENT: Carcasa angrenajului devine fierbinte după utilizarea produsului. Pentru a evita să vă ardeți nu atingeți carcasa angrenajului.

1. Asigurați-vă că scarificatorul de mușchi nu se rotește atunci când accelerația/înterupătorul este eliberat.



2. Curățați roțile dacă nu se rotesc liber.

Transportul, depozitarea și eliminarea

Transport și depozitare

Dacă transportați accesoriul pe un alt vehicul, utilizați întotdeauna dispozitive de fixare aprobate și asigurați-vă că acesta este fixat bine.

Înainte de depozitarea pe termen lung, asigurați-vă că accesoriul este curat și că i s-a efectuat un service complet.

Date tehnice

Date tehnice pentru produse care funcționează pe benzină

Scarificator mușchi	DT600
Lățime, mm	556
Greutate	
Greutate, kg	6,5
Emisii de zgomot¹⁰³	
Nivel de putere acustică, măsurat în dB(A)	105
Nivel de putere acustică garantat L_{WA} dB (A)	109
Niveluri de zgomot¹⁰⁴	
Nivel de presiune a zgomotului echivalent pentru urechile operatorului, măsurat conform EN ISO 22868, dB(A):	95
Vibrații¹⁰⁵	
Nivelele echivalente de vibrații ($a_{hv,eq}$) la mână, măsurate în conformitate cu EN ISO 22867, m/s^2	
Mână față/spate	6,2/4,3

Date tehnice pentru produse care funcționează pe baterii

325ILK + Accesoriul de scarificator DT600	
Lățime, mm	556
Greutate	
Greutate, kg	2,3+6,5

¹⁰³ Măsurat împreună cu accesoriile aprobate Husqvarna. Emisiile de zgomot în mediu măsurate ca putere acustică (L_{WA}) în conformitate cu directiva CE 2000/14/CE. Nivelul de putere a sunetului raportat pentru aparat a fost măsurat cu accesoriul original de tăiere care emite cel mai ridicat nivel. Diferența dintre puterea garantată a sunetului și cea măsurată este aceea că puterea garantată a sunetului include, de asemenea, dispersia în rezultatul de măsurare și variațiile dintre diferitele aparate ale aceluiași model conform Directivei 2000/14/CE.

¹⁰⁴ Măsurat împreună cu accesoriile aprobate Husqvarna. Datele raportate pentru nivelul echivalent de presiune a sunetului pentru dispozitiv includ o dispersie statistică tipică (deviere standard) de 1 dB (A).

¹⁰⁵ Măsurat împreună cu accesoriile aprobate Husqvarna. Datele raportate pentru nivelul echivalent de vibrații includ o dispersie statistică tipică (abatere standard) de 1 m/s^2 .

325iLK + Accesorii de scarificator DT600	
Emisii de zgomot¹⁰⁶	
Nivel de putere acustică, măsurat în dB(A)	89
Niveluri de zgomot¹⁰⁷	
Nivel de presiune a zgomotului pentru urechile operatorului, măsurat conform EN 22868, dB (A):	77
Vibrații¹⁰⁸	
Nivelurile de vibrații la mâner, măsurate în conformitate cu EN 62841-1, m/s ²	
Mânere față/spate	1,9/2,6
Dotat cu accesoriu omologat (original), stânga/dreapta	1,9/2,6

KEES VAN DER SPEK
TUINMACHINES ★ STOLWIJK

¹⁰⁶ Datele raportate pentru nivelul de putere acustică pentru utilaj au o dispersie statistică tipică (deviație standard) de 3 dB (A) și au fost măsurate cu accesoriul original care oferă cel mai înalt nivel.

¹⁰⁷ Datele raportate pentru nivelul de presiune a zgomotului pentru utilaj au o dispersie statistică tipică (deviație standard) de 3 dB (A) și au fost măsurate cu accesoriul original care oferă cel mai înalt nivel.

¹⁰⁸ Datele raportate pentru nivelul de vibrații prezintă o dispersie statistică tipică (abatere standard) de 2 m/s². Pentru compararea nivelurilor de vibrații dintre produsele cu baterie și cele cu benzină folosiți calculatorul de vibrații. <https://www.husqvarna.com/uk/services-solutions/vibration-calculator/>.

Declarație de conformitate CE

Declarație de conformitate CE - pentru produse care funcționează cu benzină

Husqvarna AB, SE-561 82 Huskvarna, Suedia, tel.: +46-36-146500, declară că scarificatorul de mușchi

Husqvarna DT600 cu serii din 2019 și ulterioare (anul este specificat clar pe plăcuța de identificare, urmat de serie), respectă cerințele DIRECTIVEI CONSILIULUI:

- din 17 mai 2006 „referitoare la utilaje” **2006/42/CE**
- din 8 iunie 2011 „restricțiile de utilizare a anumitor substanțe periculoase cu echipamente electrice și electronice” **2011/65/UE**
- din 8 mai 2000 „referitoare la emisiile de zgomot în mediul înconjurător” **2000/14/CE**.

Următoarele standarde au fost aplicate pentru produsele pe benzină:

SS-EN ISO 12100:2010, EN IEC 63000:2018

RISE SMP Svenska Maskinprovning AB, Box 7035, SE-750 07 Uppsala, Suedia a efectuat examinări de tip voluntar în numele Husqvarna AB. Numărul prezentului certificat este: **SEC/15/2411 - Husqvarna DT600**

Huskvarna , 2021-02-12



Pär Martinsson, Director de Dezvoltare (Reprezentant autorizat pentru Husqvarna AB și responsabil cu documentația tehnică)

Declarație de conformitate CE - pentru produse care funcționează cu baterii

Husqvarna AB, SE-561 82 Huskvarna, Suedia, tel.:

+46-36-146500, declară că scarificatorul de mușchi **accesoriu Husqvarna DT600 cu unitate de alimentare Husqvarna 325ILK** cu serii din 2019 și ulterioare (anul este specificat clar pe plăcuța de identificare, urmat de serie), respectă cerințele DIRECTIVEI CONSILIULUI:

- din 17 mai 2006 „referitoare la utilaje” **2006/42/CE**
- din 8 iunie 2011 „restricțiile de utilizare a anumitor substanțe periculoase cu echipamente electrice și electronice” **2011/65/UE**

Următoarele standarde au fost aplicate pentru produsele pe baterie:

EN 62841-1:2015, EN 50636-2-92:2014, EN IEC 63000:2018

RISE SMP Svenska Maskinprovning AB, Box 7035, SE-750 07 Uppsala, Suedia a efectuat examinări de tip

voluntar în numele Husqvarna AB. Numărul prezentului certificat este: **SEC/15/2411 - Husqvarna DT600**

Pentru informații privind emisiile de zgomot, consultați *Date tehnice la pagina 177*.

Huskvarna , 2021-02-12



Pär Martinsson, Director de Dezvoltare (Reprezentant autorizat pentru Husqvarna AB și responsabil cu documentația tehnică)

Содержание

Введение.....	180	Техническое обслуживание.....	187
Безопасность.....	181	Транспортировка, хранение и утилизация.....	187
Сборка.....	185	Технические данные.....	188
Эксплуатация.....	186	Декларация соответствия ЕС.....	190

Введение

Описание изделия

Мы постоянно работаем над усовершенствованием и развитием своей продукции и поэтому оставляем за собой право на внесение изменений в конструкцию и внешний вид без предварительного предупреждения.

Примечание: Данное руководство распространяется как на бензиновые, так и на аккумуляторные блоки питания.

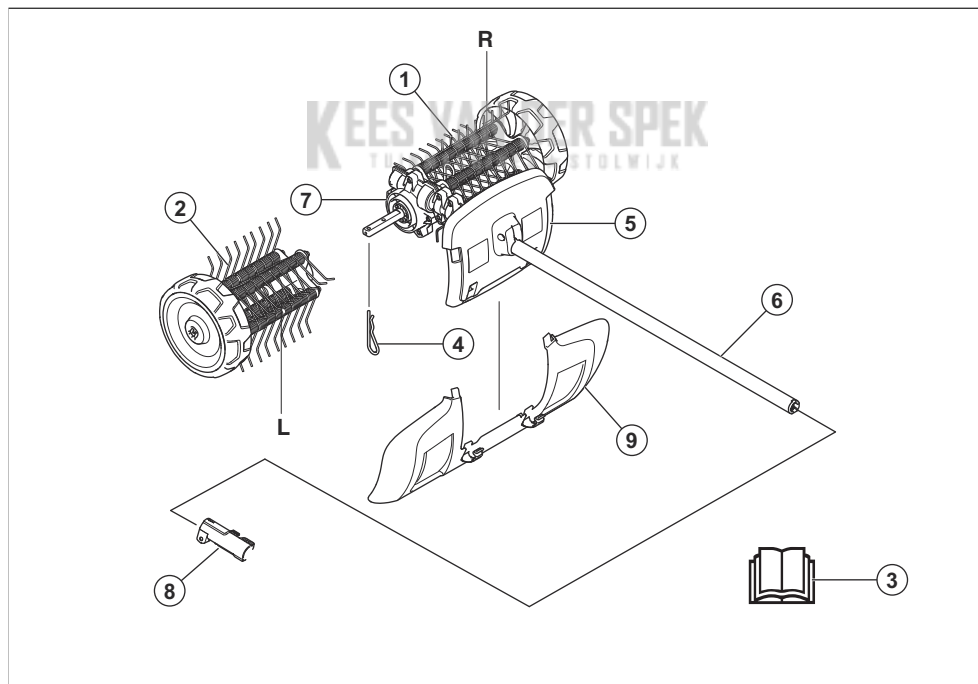
Обзор оборудования

Назначение



ПРЕДУПРЕЖДЕНИЕ: Данное оборудование можно использовать только вместе с соответствующим изделием, см. главу "Принадлежности" в руководстве по эксплуатации изделия.

Оборудование предназначено только для удаления мха с газонов.



1. Скарифikator, правый
2. Скарифikator, левый
3. Руководство по эксплуатации
4. Шплинт

5. Щиток (защита на штанге)
6. Штанга
7. Картер редуктора

8. Муфта штанги (входит в комплект поставки изделия)

9. Брызговики

Условные обозначения на насадке и блоке питания



Небрежная или неправильная эксплуатация данного оборудования может привести к тяжелой или смертельной травме пользователя или других лиц.



Перед началом работы с насадкой внимательно прочитайте руководство по эксплуатации и убедитесь, что понимаете приведенные здесь инструкции.



Всегда пользуйтесь защитными наушниками. Пользуйтесь проверенными средствами защиты глаз. При работе в условиях, которые могут привести к появлению пыли, используйте респиратор.



Данная насадка отвечает требованиям соответствующих директив ЕС.



Вращающиеся части. Держите руки и ноги на безопасном расстоянии. Стрелка указывает направление вращения.



Всегда пользуйтесь рекомендованными защитными перчатками.



Пользуйтесь не скользящими и устойчивыми сапогами.



Берегитесь отскакивающих предметов и рикошетов.



Пользователь должен следить за тем, чтобы во время работы в радиусе 15 м от изделия не было людей и животных. Если на одном участке работают несколько человек, необходимо обеспечить между ними безопасное расстояние не менее 15 м. Во время работы насадка может случайно отбрасывать предметы, которые могут отскочить обратно. Это может привести к серьезным повреждениям глаз, если не использовать рекомендованные средства защиты.



Посторонние лица и животные должны находиться на расстоянии не менее 15 м (50 футов) от работающего инструмента.



Держите части тела вдали от нагретых поверхностей изделия.



Эмиссия шума в окружающую среду согласно Директиве Европейского Сообщества. Уровень эмиссии шума данного оборудования указан в разделе "Технические данные" и на паспортной табличке.

Примечание: Другие символы/наклейки на оборудовании нанесены согласно специальным требованиям к сертификации, которые действуют в определенных странах.

Безопасность

Инструкции по технике безопасности

Предупреждения, предостережения и примечания используются для выделения особо важных пунктов руководства по эксплуатации.



ПРЕДУПРЕЖДЕНИЕ:

Используется, когда несоблюдение инструкций руководства может привести к

травмам или смерти оператора или находящихся рядом посторонних лиц.



ВНИМАНИЕ: Используется, когда несоблюдение инструкций руководства может привести к повреждению изделия и/или принадлежности, других

материалов или прилегающей территории.

Примечание: Используется для предоставления дополнительных сведений о конкретной ситуации.

Общие инструкции по технике безопасности



ПРЕДУПРЕЖДЕНИЕ: Прежде чем приступить к эксплуатации оборудования, обязательно прочитайте следующие инструкции по технике безопасности.

- Перед началом работы с оборудованием внимательно прочитайте руководство по эксплуатации и убедитесь, что понимаете приведенные здесь инструкции.
- Эти инструкции дополняют инструкции, поставляемые с самим изделием. В отношении прочих операций см. инструкцию по эксплуатации изделия.
- Ни при каких обстоятельствах не допускается внесение изменений в первоначальную конструкцию оборудования без разрешения производителя. Запрещается использовать оборудование, если существует вероятность, что в его конструкцию внесены изменения другими лицами; всегда используйте оригинальные принадлежности. Внесение неразрешенных изменений и/или использование неразрешенных принадлежностей может привести к тяжелой травме или смерти оператора или других лиц.

Прочитайте все инструкции



ПРЕДУПРЕЖДЕНИЕ: При использовании садовых инструментов с электрическим приводом необходимо всегда следовать основным мерам предосторожности в целях снижения риска возникновения пожара, поражения электрическим током и получения травмы, включая следующие правила:

Общие инструкции по технике безопасности

- Запрещается допускать к эксплуатации изделия детей, лиц с ограниченными физическими, сенсорными или умственными способностями, с недостаточным опытом и знаниями или лиц, не ознакомившихся с данными инструкциями по эксплуатации изделия. Допустимый возраст пользователя может быть ограничен местным законодательством.

- Ни в коем случае не используйте изделие в непосредственной близости от людей (особенно детей) или животных.
- Не вытягивайте руки с изделием слишком далеко и всегда сохраняйте равновесие. При работе на склонах всегда обращайтесь внимание на то, куда ставите ноги; передвигайтесь пешком, а не бегом.
- Не прикасайтесь к движущимся опасным частям, пока изделие не будет отключено от сети электропитания и движущиеся опасные детали не остановятся полностью.
- При эксплуатации изделия всегда надевайте прочную обувь и длинные брюки.
- Извлекайте аккумулятор из изделия, когда оно оставлено без присмотра, перед удалением засоров, чисткой или обслуживанием изделия.
- Извлекайте аккумулятор из изделия перед осмотром на наличие повреждений, например, при ударе о посторонний предмет или в случае нехарактерной вибрации изделия.
- Не подключайте поврежденный шнур к источнику питания и не прикасайтесь к поврежденному шнуру, пока он не будет отключен от источника питания. Поврежденный шнур может привести к контакту с деталями, находящимися под напряжением, и стать причиной травм или смерти.
- Никогда не используйте изделие с неисправными кожухами/щитками, без защитных устройств и с поврежденным или изношенным шнуром.
- Во избежание повреждения шнуров, которые могут привести к контакту с деталями под напряжением, не допускайте контакта удлинительных шнуров с движущимися опасными деталями.
- Подключайте изделие только к цепи питания, защищенной устройством защитного отключения (УЗО) с током отключения не более 30 мА.
- Не используйте изделие в плохих погодных условиях, особенно если существует риск удара молнии.

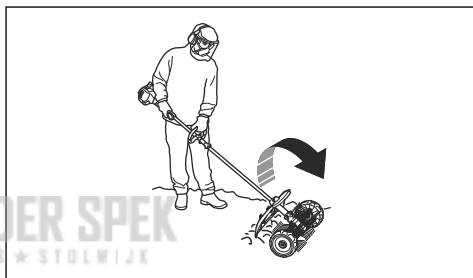
Инструкции по технике безопасности во время эксплуатации



ПРЕДУПРЕЖДЕНИЕ: В обязательном порядке прочитайте следующие инструкции по технике безопасности, прежде чем приступить к эксплуатации изделия.

- Выключатель автоматически возвращается в исходное положение. Примите меры по предотвращению самопроизвольного запуска при сборке, проверке и/или выполнении технического обслуживания. Если изделие работает на бензине, снимите колпачок свечи зажигания со

- свечи зажигания. Если изделие работает от аккумулятора, извлеките аккумулятор.
- Остерегайтесь отбрасываемых предметов. Всегда носите защитные очки. Никогда не наклоняйтесь над скарификатором. Камни, мусор и пр. могут попасть в глаза и привести к слепоте или к серьезным травмам.
 - Редуктор может нагреться во время работы и оставаться горячим некоторое время. Это создает риск получения ожога при контакте.
 - Несмотря на то что барабаны со щетками вращаются меньшим усилием, чем, например, ножи газонокосилки, следует избегать материалов, которые при отбрасывании могут стать причиной травмы или повреждения оборудования.
 - Запрещено использовать агрегат в ситуации, в которой вы не сможете позвать на помощь при несчастном случае.
 - Используйте изделие строго по назначению.
 - Работа с агрегатом лиц в состоянии усталости или алкогольного опьянения, а также лиц, принимающих лекарства, воздействующие на зрение, реакцию или координацию, не допускается.
 - Запрещается пользоваться устройством при неблагоприятных погодных условиях, таких как сильный холод, жара или влажность.
 - Запрещается пользоваться машиной, вызывающей признаки неисправности. Регулярно проверяйте состояние защитных приспособлений и проводите техобслуживание в соответствии с инструкциями настоящего руководства. Любые операции по ремонту и сервису, прямо не описанные в данном руководстве, выполняются только в мастерской квалифицированными специалистами. См. инструкции в разделе "Техническое обслуживание".
 - Ни в коем случае не разрешайте детям пользоваться изделием.
 - Ни в коем случае не позволяйте использовать инструмент посторонним лицам, не убедившись сначала в том, что они прочитали и поняли содержание руководства по эксплуатации.
 - В зоне работы не должны находиться посторонние. Дети, животные, наблюдатели и помощники должны находиться в безопасной зоне на расстоянии 15 м от места выполнения работ. Если кто-нибудь подойдет ближе, немедленно остановите инструмент.
 - В случае возникновения ситуации, в которой вы почувствуете неуверенность относительно дальнейшей работы с изделием, обратитесь за консультацией к специалисту. Свяжитесь со своим дилером или мастерской по обслуживанию.
 - Не пытайтесь решить какую-либо задачу, если считаете, что она находится за пределами ваших возможностей.
 - Следите за происходящим вокруг, чтобы посторонние люди или животные не могли оказаться в зоне действия режущего оборудования или повлиять на управление изделием.
 - При использовании защитных наушников обращайте внимание на предупреждающие сигналы или крики. Снимайте наушники сразу после остановки (электро-)двигателя.
 - Запрещается использовать изделие в плохих погодных условиях, таких как густой туман, сильный дождь, резкий ветер, низкие температуры и т. д. Работа в плохую погоду сильно утомляет и вызывает дополнительный риск, например, от скользкого грунта.
 - Убедитесь, что Вы можете двигаться и стоять безопасно. Проверьте, нет ли вокруг Вас возможных помех и препятствий (корней, камней, веток, ям и т.д.), если Вам вдруг будет нужно быстро переместиться. Будьте особенно внимательны при работе на склонах.



- При перемещении (электро-)двигатель должен быть выключен.
- Ни в коем случае не опускайте изделие на землю при работающем (электро-)двигателе, за исключением случаев, когда его хорошо видно.
- Всегда держите изделие обеими руками. Держите изделие сбоку.
- Убедитесь, что ваши руки и ноги находятся на безопасном расстоянии от работающего скарификатора.
- При отключении (электро-)двигателя держите руки и ноги на расстоянии от скарификатора до его полной остановки.
- В случае сильной вибрации остановите изделие. Если изделие работает на бензине, отсоедините провод высокого напряжения от свечи зажигания. Если изделие работает от аккумулятора, извлеките аккумулятор из изделия. Проверьте изделие на наличие повреждений. При наличии повреждений выполните необходимый ремонт.

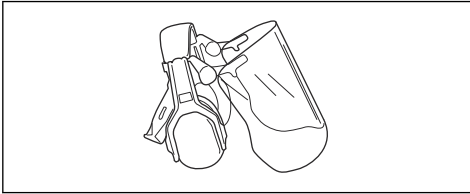
Средства индивидуальной защиты



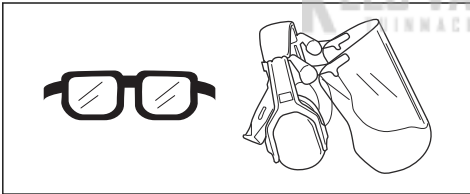
ПРЕДУПРЕЖДЕНИЕ: В обязательном порядке прочитайте следующие инструкции по технике

безопасности, прежде чем приступить к эксплуатации изделия.

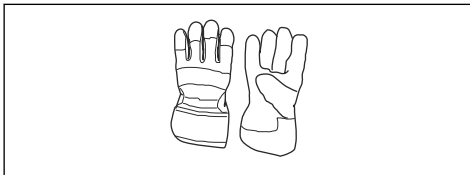
- Каждый раз при работе с изделием следует использовать одобренные средства индивидуальной защиты. Средства индивидуальной защиты не могут полностью исключить риск получения травмы, но при несчастном случае они снижают тяжесть травмы. За помощью по правильному выбору оборудования обращайтесь к дилеру.
- Следует пользоваться одобренными защитными наушниками с достаточным уровнем подавления шума. Продолжительное воздействие шума может повлечь неизлечимое ухудшение слуха.



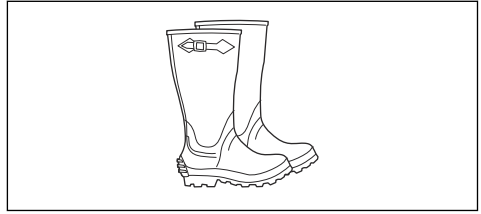
- Пользуйтесь проверенными средствами защиты глаз. При использовании защитной маски следует пользоваться также одобренными защитными очками. Под одобренными защитными очками подразумеваются очки, отвечающие требованиям стандарта ANSI Z87.1 для США или EN 166 для стран ЕС.



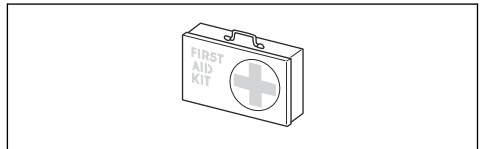
- При необходимости надевайте перчатки, например, при закреплении, проверке или очистке режущего оборудования.



- Пользуйтесь защитными ботинками со стальным носком и нескользкой подошвой.



- Надевайте одежду из прочного материала. Всегда надевайте длинные прочные брюки и верхнюю одежду с длинными рукавами. Запрещается надевать свободную одежду, которая может зацепиться за ветви или кустарник. Не надевайте ювелирные украшения, шорты, сандалии и не ходите босиком. Зафиксируйте волосы выше уровня плеч.
- Средства оказания первой помощи всегда должны быть под рукой.



Защитные устройства на оборудовании



ПРЕДУПРЕЖДЕНИЕ: Прежде чем приступить к эксплуатации оборудования, обязательно прочитайте следующие инструкции по технике безопасности.

Данный раздел содержит информацию о защитных приспособлениях оборудования, его назначении, а также проверках и техническом обслуживании, которое необходимо выполнять для обеспечения его правильной работы. См. указания в разделе *Обзор оборудования на стр. 180*, где приведено расположение этих деталей на оборудовании.

Срок службы оборудования может быть сокращен, а риск несчастных случаев увеличен, если техническое обслуживание оборудования не выполняется надлежащим образом, а обслуживание и/или ремонт выполнены непрофессионалом. Дополнительную информацию можно получить у ближайшего дилера по обслуживанию.



ПРЕДУПРЕЖДЕНИЕ: Ни в коем случае не пользуйтесь оборудованием с неисправными защитными приспособлениями. Техобслуживание и проверка защитных приспособлений должны выполняться так, как это описано в данном разделе. Если в результате этих проверок оборудования обнаружены

неисправности, немедленно обратитесь к специалисту для выполнения ремонта.



ПРЕДУПРЕЖДЕНИЕ: Для обслуживания и ремонта изделия требуется специальная подготовка. Это особенно относится к защитным приспособлениям изделия. При обнаружении одной или нескольких неисправностей (см. перечень проверок ниже) в обязательном порядке обратитесь в сервисный центр. При приобретении любой нашей продукции вы гарантированно получаете доступ к профессиональной помощи по ремонту и обслуживанию. Если изделие было приобретено у дилера, не имеющего сервисного центра, узнайте у него адрес ближайшего сервисного центра.

Инструкции по технике безопасности во время технического обслуживания



ПРЕДУПРЕЖДЕНИЕ: В обязательном порядке прочитайте следующие инструкции по технике безопасности, прежде чем приступать к техобслуживанию.



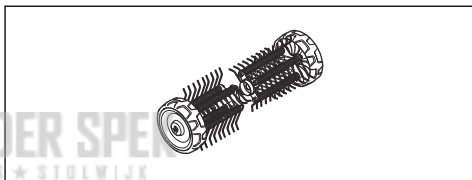
ПРЕДУПРЕЖДЕНИЕ: Всегда останавливайте изделие, прежде чем

приступить к техническому обслуживанию оборудования. Соблюдайте осторожность, поскольку оборудование может продолжать вращаться даже после отпущения рычага дросселя/ переключателя. Убедитесь, что оборудование полностью остановилось. Если изделие работает на бензине, отсоедините провод высокого напряжения от свечи зажигания. Если изделие работает от аккумулятора, извлеките аккумулятор.



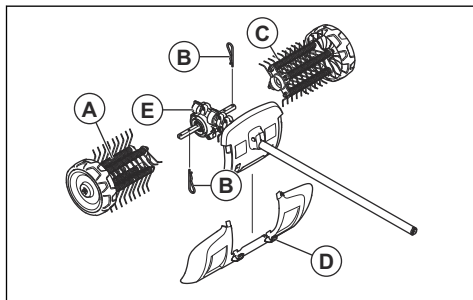
ПРЕДУПРЕЖДЕНИЕ: Всегда используйте защитные перчатки.

- Перед началом работы проверьте целостность изделия. Проверьте целостность и надежность крепления всех щитков и кожухов. Проверьте крепление гаек и винтов.
- Если изделие работает на бензине, убедитесь в отсутствии утечек топлива.
- Замените поврежденные детали.



Сборка

Установка оборудования

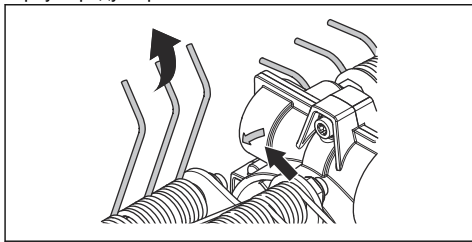


Стрелка на корпусе редуктора указывает направление вращения. При замене корпуса редуктора руководствуйтесь иллюстрацией.

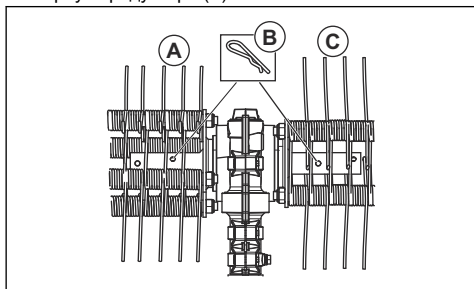
ВАЖНО:

На роликах скарификатора имеются стрелки, указывающие направление вращения. Убедитесь, что ролики скарификатора установлены правильно.

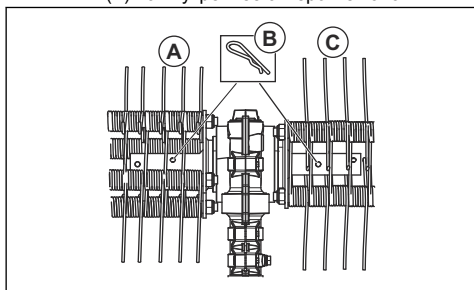
Ролики скарификатора следует устанавливать с небольшим смещением относительно друг друга. Пружины скарификатора должны быть обращены в направлении вращения, указанном стрелкой на корпусе редуктора.



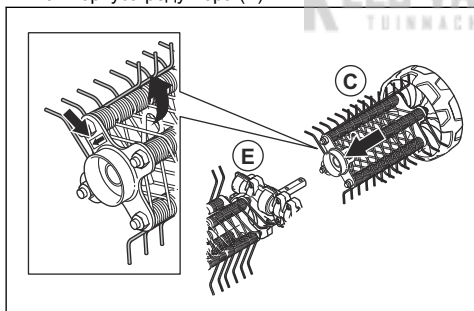
1. Насадите левый скарификатор (А) на левый вал корпуса редуктора (Е).



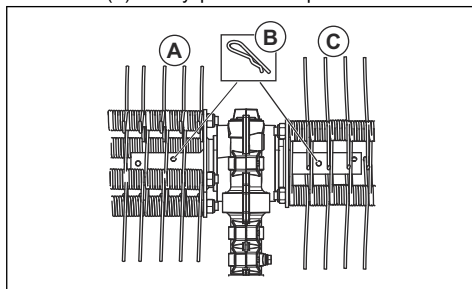
2. Зафиксируйте ролик скарификатора, вставив шплинт (В) во внутреннее отверстие вала.



3. Насадите правый скарификатор (С) на правый вал корпуса редуктора (Е).



4. Зафиксируйте ролик скарификатора, вставив шплинт (В) во внутреннее отверстие вала.



5. Установите брызговик с помощью пружинных фиксаторов (D).

Примечание: Инструкции по установке принадлежностей на основное изделие см. в руководстве по эксплуатации основного изделия.

Эксплуатация

Запуск изделия с холодным двигателем

Если изделие оснащено бензиновым двигателем, следуйте этим инструкциям, чтобы выполнить запуск изделия при холодном двигателе.

1. Прогрейте двигатель основного изделия, затем выключите его.
2. Установите оборудование в соответствии с инструкциями по сборке.

3. При настройке карбюратора убедитесь в том, что скарификаторы расположены на земле и рядом с изделием никого нет.
4. Запустите скарификатор на холостых оборотах.
5. Убедитесь в исправности ручки и защитных приспособлений. Ни в коем случае не пользуйтесь изделием, если в нем отсутствуют какие-либо детали или если его конструкция подверглась несанкционированным изменениям.

Эксплуатация оборудования

1. Запустите скарифikator на максимальных (или почти максимальных) оборотах, поставив колеса на поверхность.

Примечание: Поднимать скарифikator или удерживать его над землей во время работы очень тяжело, и в этом нет необходимости.

2. Во время работы сохраняйте небольшой угол между устройством и поверхностью. Слишком большой рабочий угол может означать, что скарифikator перемещается по направлению к вам и вы можете потерять контроль над изделием.



Техническое обслуживание

Введение

Ниже приведены некоторые общие инструкции по техническому обслуживанию. Для получения дополнительной информации обратитесь в сервисную мастерскую.

Техобслуживание насадки



ВНИМАНИЕ: Эксплуатация скарифikatorа часто происходит в условиях высокой запыленности. Для обеспечения надлежащей работы изделия с бензиновым двигателем очень важно регулярно осматривать воздушный фильтр (зачастую ежедневно) и смазывать его.

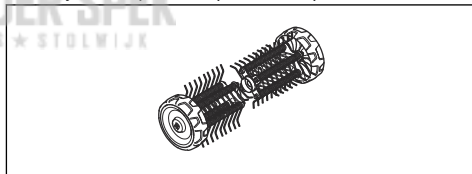
Инструкции по техническому обслуживанию см. в руководстве по эксплуатации силового блока.

оборудования всегда надевайте защитные перчатки.



ПРЕДУПРЕЖДЕНИЕ: Во время работы изделия картер редуктора нагревается. Во избежание ожогов не касайтесь картера редуктора.

1. Убедитесь, что скарифikator не вращается при отпускании рычага дросселя/переключателя.



2. Очистите колеса, если их вращение затруднено.



ПРЕДУПРЕЖДЕНИЕ: При выполнении технического обслуживания

Транспортировка, хранение и утилизация

Транспортировка и хранение

При транспортировке оборудования на другом транспортном средстве в обязательном порядке используйте одобренные защитные устройства и следите за тем, чтобы оборудование было надежно закреплено.

Следите за тем, чтобы оборудование регулярно очищалось и чтобы перед его продолжительным хранением было выполнено полное обслуживание.

Технические данные

Технические данные изделий, работающих на бензине

Скарификатор	DT600
Ширина, мм	556
Масса	
Масса, кг	6,5
Излучение шума¹⁰⁹	
Уровень мощности звука, измеренный, дБ(А)	105
Уровень мощности звука, гарантированный L_{WA} , дБ (А)	109
Уровни шума¹¹⁰	
Эквивалентный уровень давления звука на уровне уха пользователя, измеренный согласно EN ISO 22868, дБ(А):	95
Вибрация¹¹¹	
Эквивалентный уровень вибрации ($a_{hv,eq}$) на ручках, измеренный согласно EN ISO 22867, m/c^2	
Передняя/задняя ручки	6,2/4,3

Технические данные изделий, работающих от аккумулятора

325iLK + насадка-скарификатор DT600	
Ширина, мм	556
Масса	
Масса, кг	2,3+6,5
Излучение шума¹¹²	
Уровень мощности звука, измеренный, дБ (А)	89

¹⁰⁹ Измерения проводились с использованием одобренных принадлежностей Husqvarna. Излучение шума в окружающую среду измеряется как шумовой эффект (L_{WA}) согласно Директиве ЕС 2000/14/ЕС. Указанный уровень мощности звука для устройства измерен с оригинальным режущим оборудованием, дающим наивысший уровень. Разница между гарантированной и измеренной мощностью звука заключается в том, что гарантированная мощность звука включает результаты измерений как диапазон и их отклонение для устройств одной и той же модели согласно директиве 2000/14/ЕС.

¹¹⁰ Измерения проводились с использованием одобренных принадлежностей Husqvarna. Указанные данные об эквивалентном уровне давления звука для устройства имеют типичный статистический разброс (стандартное отклонение) 1 дБ(А).

¹¹¹ Измерения проводились с использованием одобренных принадлежностей Husqvarna. Указанные данные о среднем уровне вибраций имеют типичный статистический разброс (стандартное отклонение) 1 m/c^2 .

¹¹² Указанные данные об уровне мощности звука изделия имеют типичный статистический разброс (стандартное отклонение) 3 дБ (А) и были измерены с оригинальным оборудованием, дающим наивысший уровень.

325iLK + насадка-скарификатор DT600	
Уровни шума¹¹³	
Уровень звукового давления на уровне уха пользователя, измеренный согласно EN ISO 22868, дБ (A):	77
Вибрация¹¹⁴	
Уровни вибрации на ручках, измерены согласно EN 62841-1, м/с ²	
Передняя/задняя ручки	1,9/2,6
С соответствующим оборудованием (оригинальным), слева/справа	1,9/2,6

KEES VAN DER SPEK
TUINMACHINES ★ STOLWIJK

¹¹³ Указанные данные об уровне звукового давления изделия имеют типичный статистический разброс (стандартное отклонение) 3 дБ (A) и были измерены с оригинальным оборудованием, дающим наивысший уровень.

¹¹⁴ Указанные данные об уровне вибрации имеют типичный статистический разброс (стандартное отклонение) 2 м/с². Для сравнения уровней вибрации изделий с аккумулятором и ДВС используйте калькулятор вибрации: <https://www.husqvarna.com/uk/services-solutions/vibration-calculator/>.

Декларация соответствия ЕС

Декларация о соответствии ЕС для изделий, работающих на бензине

Husqvarna AB, SE-561 82 Huskvarna, Швеция, тел.: +46-36-146500, настоящим заявляет, что скарификаторы **Husqvarna DT600** с серийными номерами от 2019 года и далее (год производства четко указан на паспортной табличке рядом с серийным номером) соответствуют требованиям ДИРЕКТИВЫ СОВЕТА ЕС:

- от 17 мая 2006 года "о механическом оборудовании" **2006/42/ЕС**
- от 8 июня 2011 года "об ограничении использования определенных опасных веществ в электрическом и электронном оборудовании" **2011/65/EU**.
- от 8 мая 2000 года "относительно излучения шума в окружающую среду" **2000/14/ЕС**.

К оборудованию, работающему на бензине, применяются следующие стандарты:

SS-EN ISO 12100:2010, EN IEC 63000:2018

Компания RISE SMP Svenska Maskinprovning AB, Box 7035, SE-750 07 Uppsala, Швеция, по собственному желанию осуществила типовую проверку от имени компании Husqvarna AB. Номер сертификата: **SEC/15/2411 - Husqvarna DT600**

Huskvarna , 2021-02-12



Пер Мартинссон (Pär Martinsson), директор Отдела разработок (уполномоченный представитель компании Husqvarna AB и ответственный за техническую документацию.)

Декларация о соответствии ЕС для аккумуляторного оборудования

Husqvarna AB, SE-561 82 Huskvarna, Швеция, тел.: +46-36-146500, настоящим заявляет, что насадки-скарификаторы **Husqvarna DT600 с блоком питания Husqvarna 325iLK** с серийными номерами от 2019 года и далее (год производства четко указан на паспортной табличке рядом с серийным номером) соответствуют требованиям ДИРЕКТИВЫ СОВЕТА ЕС:

- от 17 мая 2006 года "о механическом оборудовании" **2006/42/ЕС**

- от 8 июня 2011 года "об ограничении использования определенных опасных веществ в электрическом и электронном оборудовании" **2011/65/EU**.

К аккумуляторному оборудованию применяются следующие стандарты:

EN 62841-1:2015, EN 50636-2-92:2014, EN IEC 63000:2018

Компания RISE SMP Svenska Maskinprovning AB, Box 7035, SE-750 07 Uppsala, Швеция, по собственному желанию осуществила типовую проверку от имени компании Husqvarna AB. Номер сертификата: **SEC/15/2411 - Husqvarna DT600**

Информацию по излучению шума см. в разделе *Технические данные на стр. 188*.

Huskvarna , 2021-02-12



Пер Мартинссон (Pär Martinsson), директор Отдела разработок (уполномоченный представитель компании Husqvarna AB и ответственный за техническую документацию.)

Obsah

Úvod.....	191	Údržba.....	197
Bezpečnosť.....	192	Preprava, skladovanie a likvidácia.....	198
Montáž.....	196	Technické údaje.....	198
Prevádzka.....	197	ES vyhlásenie o zhode.....	200

Úvod

Popis výrobku

Neustále ďalej vyvíjame svoje výrobky, a preto si vyhradzuje právo upravovať dizajn a vzhľad výrobkov bez toho, aby sme o tom vopred informovali.

Poznámka: Tento návod popisuje jednotky poháňané benzínom alebo batériou.

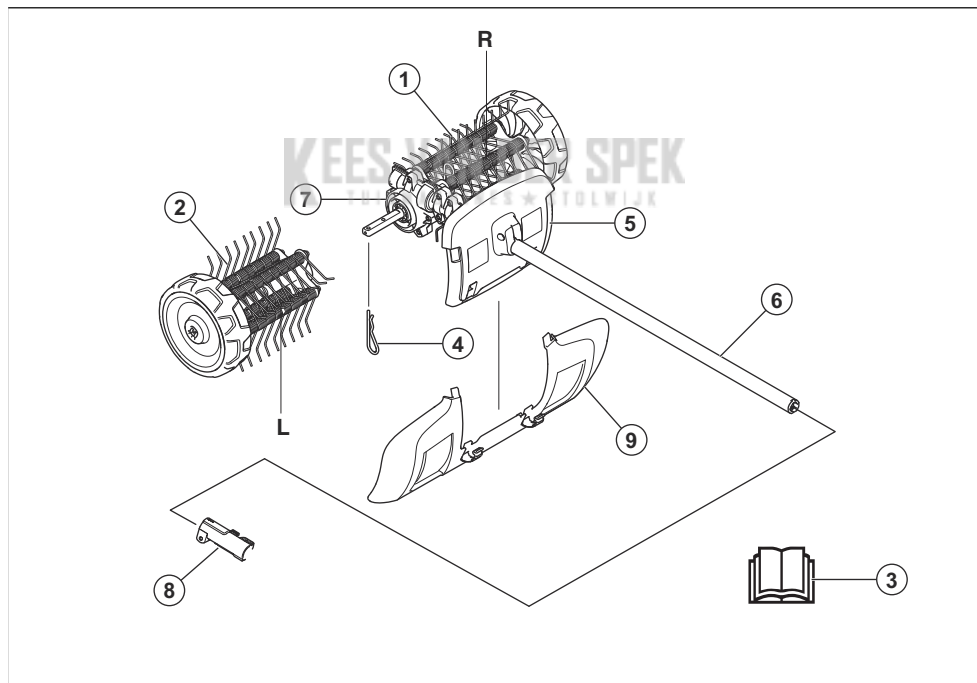
Plánované použitie



VÝSTRAHA: Tento nadstavec je možné použiť len s určeným výrobkom, pozrite si kapitolu o príslušenstve v Návede na obsluhu výrobku.

Nadstavec je určený výlučne na odmachovanie trávnikov.

Prehľad informácií o rezacom nástroji



1. Pravý odmachovač
2. Ľavý odmachovač
3. Návod na obsluhu
4. Závlačka
5. Kryt (ochrana na hriadeľ)
6. Hriadeľ
7. Skriňa prevodovky
8. Spojka hriadeľa (dodáva sa spolu s výrobkom)
9. Chránič proti postriekaniu

Symbyly na nastavci a na pohonnej jednotke



Neopatrné alebo nesprávne používanie tohto rezacieho nástroja môže spôsobiť vážne až smrteľné zranenie obsluhu a iným osobám.



Skôr než začnete nastaviec používať, pozorne si prečítajte návod na obsluhu, aby ste porozumeli pokynom.



Používajte schválené chrániče sluchu. Používajte schválené chrániče očí. V prašnom prostredí používajte dýchaciu masku.



Tento nastaviec je v súlade s príslušnými smernicami EÚ.



Rotujúce časti. Nepribližujte ruky a nohy. Šípka označuje smer otáčania.



Vždy používajte schválené ochranné rukavice.



Noste masívne nekzavé topánky.



Dávajte pozor na vymrštené objekty a spätné odrazy.



Používateľ musí zabezpečiť, aby sa žiadni ľudia alebo zvieratá nedostali bližšie ako 15 m od výrobku. Ak v rovnakom priestore pracuje niekoľko používateľov, bezpečná vzdialenosť medzi nimi musí byť minimálne 15 m. Príslušenstvo môže odhodiť predmety, ktoré sa môžu odraziť späť. Ak sa nepoužíva odporúčané bezpečnostné vybavenie, môže to spôsobiť vážne poranenia očí.



Počas používania výrobku zachovávajte minimálnu vzdialenosť 15 metrov od ľudí a zvierat.



Všetky časti tela udržiavajte mimo horúcich plôch.



Hlukové emisie do okolia sú v súlade so smernicou Európskeho spoločenstva. Emisie nastavca sú uvedené v kapitole s technickými údajmi tohto návodu a na štítku.

Poznámka: Ostatné symboly/štítky na rezacom nástroji obsahujú údaje v súlade so zvláštnymi požiadavkami certifikácie pre určité trhy.

Bezpečnosť

Bezpečnostné definície

Výstrahy, upozornenia a poznámky slúžia na zdôraznenie mimoriadne dôležitých častí návodu na obsluhu.



VÝSTRAHA: Používa sa, ak pre obsluhu alebo osoby v okolí existuje nebezpečenstvo poranenia alebo smrti v prípade nedodržania pokynov v návode.



VAROVANIE: Používa sa, ak hrozí nebezpečenstvo poškodenia produktu alebo nastavca, iných materiálov alebo okolitej

oblasti v prípade nedodržania pokynov v návode.

Poznámka: Používa sa na poskytnutie informácií nad rámec nevyhnutných informácií v danej situácii.

Všeobecné bezpečnostné pokyny



VÝSTRAHA: Skôr než budete nastaviec používať, prečítajte si nasledujúce bezpečnostné pokyny.

- Pred používaním nastavca si pozorne prečítajte návod na obsluhu a uistite sa, že rozumiete uvedeným pokynom.

- Tieto pokyny dopĺňajú pokyny dodávané spolu s výrobkom. Pri iných operáciách postupujte podľa návodu na obsluhu výrobku.
- Za žiadnych okolností nemeňte pôvodnú konštrukciu nadstavca bez schválenia od výrobcu. Nepoužívajte nadstavce, ktoré sa zdá byť upravený, a vždy používajte originálne príslušenstvo. Nepovolené zmeny alebo príslušenstvo môžu viesť k vážnemu zraneniu alebo smrti operátora alebo ostatných osôb.

Prečítajte si všetky pokyny



VÝSTRAHA: Pri použití elektrických záhradných zariadení je nevyhnutné vždy dodržiavať základné bezpečnostné opatrenia na zníženie nebezpečenstva požiaru, úrazu elektrickým prúdom, a vážneho poranenia vrátane nasledujúcich opatrení:

Bezpečnostné pokyny pre odmachovač

- Nikdy nedovoľte, aby zariadenie používali deti, osoby s obmedzenými fyzickými, zmyslovými alebo mentálnymi schopnosťami, alebo s nedostatkom skúseností a vedomostí, alebo osoby, ktoré sa neoboznámili s návodom na používanie. Miestne predpisy môžu obmedzovať vek používateľa.
- Výrobok nikdy nepoužívajte v prípade, ak sa v jeho blízkosti nachádzajú iné osoby (najmä deti a domáce zvieratá).
- Nepresilujte sa a vždy udržiavajte rovnováhu. Aby ste na svahoch vždy dávali pozor na nohy, pri práci so strojom choďte krokom, nebežte.
- Nedotýkajte sa pohyblivých nebezpečných súčastí pred odpojením zariadenie od prívodu elektrickej energie a úplným zastavením pohyblivých nebezpečných súčastí.
- Počas používania zariadenia vždy používajte vhodnú obuv a dlhé nohavice.
- Odstráňte batériu z výrobku zakaždým, keď je výrobok ponechaný bez dozoru, pred odstránením zablokovania a pred začatím čistenia alebo akejkoľvek práce na výrobku.
- Odstráňte batériu z výrobku pred každým vykonaním skúmania poškodení spôsobených na výrobku, napríklad keď výrobok zasiahne cudzí predmet alebo ak začne neobvykle vibrovať.
- Nezapájajte poškodený kábel do napájacieho zdroja ani sa nedotýkajte poškodeného kábla pred tým, ako je odpojený od napájacieho zdroja. Poškodený kábel môže spôsobiť kontakt s časťami pod napätím a spôsobiť vážne poranenie alebo usmrtenie.
- Nikdy výrobok nepoužívajte s poškodenými chráničmi/krytmi, bez nainštalovaných bezpečnostných zariadení alebo v prípade, ak je poškodený alebo opotrebovaný kábel.
- Nepribližujte sa predlžovacími káblami k pohyblivým nebezpečným súčastiam, aby ste predišli

poškodeniu káblov, ktoré by mohlo spôsobiť kontakt s časťami pod napätím.

- Výrobok zapájajte výlučne do napájacieho obvodu chráneného prúdovým chráničom (RCD) s vypínacím prúdom nie vyšším ako 30 mA.
- Výrobok nepoužívajte počas nepriaznivých poveternostných podmienok, najmä ak hrozí riziko bleskov.

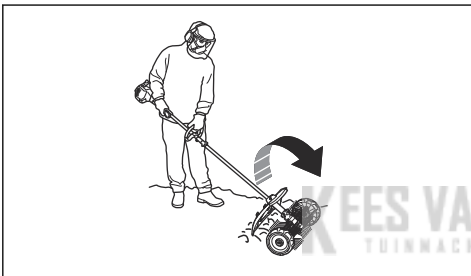
Bezpečnostné pokyny pre prevádzku



VÝSTRAHA: Skôr než budete produkt používať, prečítajte si nasledujúce výstrahy.

- Vypínač sa automaticky vráti do polohy štartovania. Overte si, či je zabránené náhodnému naštartovaniu počas vykonávania montáže, kontroly alebo údržby. Ak máte benzínové zariadenie, odpojte od sviečky kryt zapalovacej sviečky. Ak máte zariadenie na batériu, vyberte batériu.
- Dávajte pozor na odletujúce predmety. Vždy noste ochranné prostriedky očí. Nikdy sa nad odmachovač nenakláňajte. Kamene, úlomky, atď. môžu vyletieť do očí a zapríčiniť slepotu alebo vážne poranenie.
- Prevod sa počas prevádzky môže zahriať a môže aj po použití zostať ešte chvíľu horúci. V prípade dotyku by ste sa mohli popáliť.
- Aj keď zametacie valce nemajú takú silu ako napríklad nože kosačiek na trávu, nepracujte s materiálmi, ktoré môžu pri vymrštení spôsobiť poranenie alebo vecné škody.
- Stroj smiete používať len v takom prípade, že ste schopní privolať pomoc v prípade nehody.
- Stroj používajte len na účel, na ktorý je určený.
- Nikdy nepoužívajte stroj pri únave, po požití alkoholu alebo liekov, pretože to môže viesť k zníženiu zrakovej schopnosti, schopnosti usudzovania, alebo telesnej rovnováhy.
- Nikdy nepoužívajte stroj za nepriaznivého počasia, napríklad pri veľkom mraze, vo veľmi horúcom alebo vlhkom podnebí.
- Nikdy nepoužívajte poškodené zariadenie. Vykonávajte bezpečnostné kontroly, údržby a dodržiavajte servisné pokyny uvedené v tomto návode. Určité opatrenia týkajúce sa servisu a údržby zariadenia musia vykonávať iba odborníci. Pozrite si pokyny v časti Údržba.
- Nikdy nedovoľte, aby zariadenie používali deti.
- Nikdy nikomu nedovoľte, aby používal zariadenie bez toho, že by ste sa najprv ubezpečili, že sa oboznámil s návodom na obsluhu a správne pochopil jeho obsah.
- Nedovoľte neoprávneným osobám, aby sa priblížili k miestu práce. Počas práce musia deti, zvieratá, okolostojace osoby a pomocníci zostať za bezpečnou zónou 15 metrov. Ak by sa niekto viac priblížil, stroj okamžite zastavte.

- V prípade neistoty ohľadom ďalšieho postupu sa obráťte na odborníka. Kontaktujte svojho predajcu alebo servisnú dielňu.
- Vyvarujte sa každému použitiu výrobku, ktoré podľa vás presahuje vaše možnosti.
- Presvedčte sa, že v blízkosti nie sú ľudia ani zvieratá, ktoré by mohli prísť do kontaktu s produktom alebo ovplyvniť jeho používanie.
- Ak nosíte chrániče sluchu, dávajte pozor na varovné signály alebo výkriky. Chrániče sluchu si skladajte hneď, ako sa motor zastaví.
- Nepoužívajte stroj v nepriaznivých podmienkach, ako sú hustá hmla, silný dážď a vietor, silné mrazy a podobne. Práca v nepriaznivom počasí je únavná a často prináša zvýšené nebezpečenstvo, ako je napr. klzká zem.
- Skontrolujte, či sa môžete pohybovať a stáť bezpečne. Skontrolujte, či okolo vás nie sú prekážky (korene, skaly, vetvy, jamy a podobne) pre prípad, že by ste sa museli náhle pohnúť. Dávajte si pozor pri práci na svahu.



- Pred presunom na iné miesto je potrebné vypnúť motor.
- Stroj so spusteným motorom nikdy nepokladajte na zem, ak ho nemáte neustále pod dobrým dohľadom.
- Stroj vždy držte oboma rukami. Stroj držte vedľa tela.
- Dávajte pozor, aby sa ruky a nohy nedostali do blízkosti odmachovača, kým je v chode.
- Po vypnutí motora počkajte a nedotýkajte sa odmachovača rukami ani nohami, až kým sa úplne nezastaví.
- Ak dôjde k silným vibráciám, zastavte stroj. Ak máte benzínové zariadenie, odpojte vysokonapäťový kábel od zapalovacej sviečky. Ak máte zariadenie na batériu, vyberte batériu z výrobku. Skontrolujte, či stroj nie je poškodený. Akékoľvek poškodenie opravte.

Osobné ochranné prostriedky

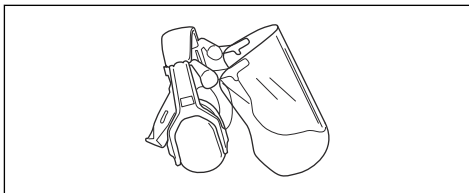


VÝSTRAHA: Skôr než budete výrobok používať, prečítajte si nasledujúce výstrahy.

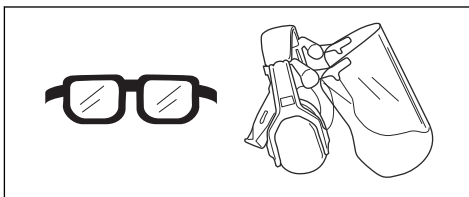
- Pri používaní produktu vždy používajte schválené osobné ochranné prostriedky. Osobné ochranné prostriedky nedokážu úplne vylúčiť riziko, ale môžu

znižit' vážnosť zranenia v prípade nehody. Váš predajca vám pomôže pri výbere správnych prostriedkov.

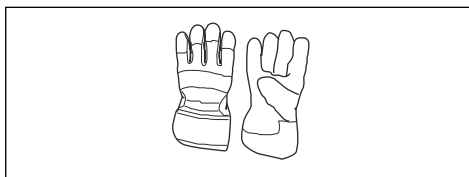
- Používajte schválené chrániče sluchu, ktoré zaručujú primeranú redukciu hluku. Dlhodobé vystavenie sa hluku môže spôsobiť trvalé poškodenie sluchu.



- Používajte schválené chrániče očí. Ak používate štít, musíte tiež používať schválené ochranné okuliare. Schválené ochranné okuliare musia zodpovedať norme ANSI Z87.1 platnej v USA alebo norme EN 166 platnej v krajinách EÚ.



- Keď je to potrebné, používajte rukavice, ako napríklad pri montáži, kontrole alebo čistení rezného zariadenia.

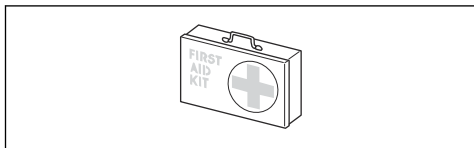


- Používajte ochrannú obuv s oceľovými špičkami a protišmykovými podrážkami.



- Používajte odev vyrobený z pevnej tkaniny. Vždy noste pevné, dlhé nohavice a dlhé rukávy. Nepoužívajte voľný odev, ktorý sa môže zachytiť v konároch a vetvách. Nenoste šperky, krátke nohavice, sandále a nebuďte bosí. Vlasy si bezpečne uchyťte nad úrovňou ramien.

- Majte poruke pomôcky na poskytnutie prvej pomoci.



Bezpečnostné zariadenia na nadstavci



VÝSTRAHA: Skôr než budete nadstavec používať, prečítajte si nasledujúce výstrahy.

V tejto časti sa uvádza popis bezpečnostných funkcií nadstavca, jeho účel a spôsob vykonávania kontrol a údržby, aby bola zabezpečená správna činnosť nadstavca. Pozrite si pokyny v časti *Prehľad informácií o rezacom nástroji na strane 191*, kde nájdete umiestnenie týchto súčastí na nadstavca.

Ak sa údržba nadstavca nebude vykonávať správne a ak sa servis alebo opravy nebudú vykonávať odborne, skráti sa tým jeho životnosť a zvýši sa nebezpečenstvo nehôd. Ak potrebujete podrobnejšie informácie, obráťte sa na najbližší servis.



VÝSTRAHA: Nikdy nepoužívajte nadstavec, ktorý má chybné bezpečnostné súčasti. Bezpečnostné vybavenie nadstavca sa musí kontrolovať a udržiavať tak, ako je to opísané v tejto časti. Ak nadstavec neprejde niektorou z kontrol, obráťte sa na servisného zástupcu a požiadajte ho o opravu.



VÝSTRAHA: Všetky servisné a opravné práce na výrobku si vyžadujú špeciálne školenie. Platí to najmä o bezpečnostnom vybavení výrobku. Ak výrobok neprejde niektorou z kontrol popísaných nižšie, obráťte sa na servisného zástupcu. Pri kúpe ktoréhokoľvek z našich

výrobkov vám zaručujeme dostupnosť odborných opráv a servis. Ak maloobchodný predajca, ktorý vám výrobok predáva, nie je servisný technik, požiadajte ho o adresu najbližšej servisnej dielne.

Bezpečnostné pokyny pre údržbu



VÝSTRAHA: Skôr než začnete s údržbou, prečítajte si nasledujúce výstrahy.

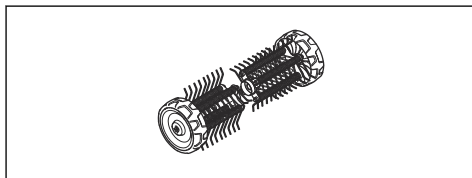


VÝSTRAHA: Pred údržbou nadstavca vždy vypnite výrobok. Postupujte opatrne. Aj po uvoľnení páčky vypínača/páčky plynu sa môže nadstavec ešte chvíľu pohybovať. Uistite sa, že sa nadstavec úplne zastavil. Ak máte benzínové zariadenie, odpojte vysokonapäťový kábel od zapalovacej sviečky. Ak máte zariadenie na batériu, vyberte batériu.



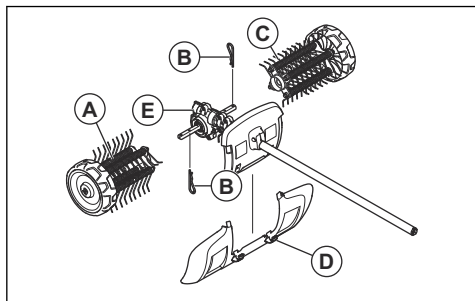
VÝSTRAHA: Vždy používajte ochranné rukavice.

- Skôr ako začnete, celý stroj skontrolujte. Skontrolujte, či sú všetky kryty a chrániče bezpečne pripevnené. Skontrolujte všetky matice a skrutky.
- Ak máte benzínové zariadenie, skontrolujte, či nedochádza k únikom paliva.
- Poškodené diely vymeňte.



Montáž

Montáž nadstavca

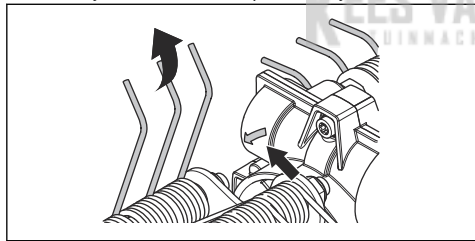


Šípka na skriní prevodovky označuje smer otáčania. Skriňa prevodovky musí byť umiestnená podľa obrázka.

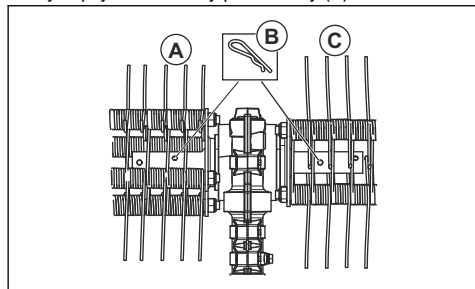
DÔLEŽITÉ:

Valec odmachovača sú označené šípkami, ktoré znázorňujú smer otáčania. Válec odmachovača musia byť nasadené správne.

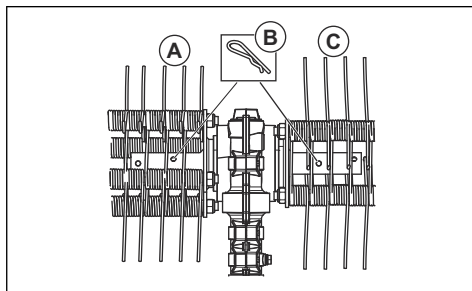
Válec odmachovača musia byť namontované tak, aby boli od seba mierne odsunuté. Pružiny odmachovača musia smerovať rovnakým smerom ako šípka smeru otáčania vyznačená na skriní prevodovky.



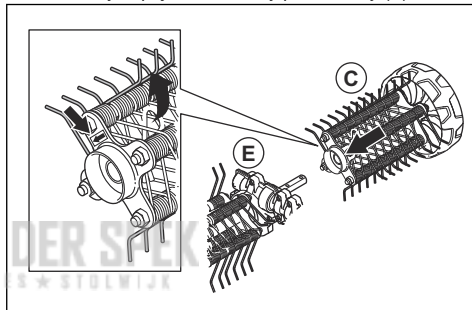
1. Natlačte ľavý odmachovač (A) na ľavý hnačí hriadeľ vystupujúci zo skrinky prevodovky (E).



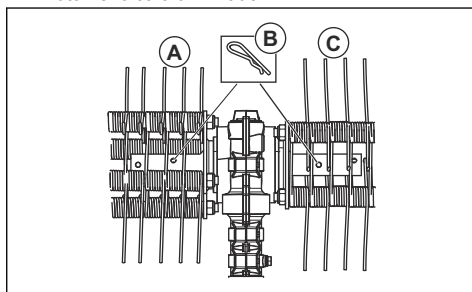
2. Upevnite valec odmachovača závlačkou (B) do vnútorného otvoru v hriadeľi.



3. Natlačte pravý odmachovač (C) na pravý hnačí hriadeľ vystupujúci zo skrinky prevodovky (E).



4. Upevnite valec odmachovača závlačkou (B) do vnútorného otvoru v hriadeľi.



5. Pomocou zacvakávacích príchytiek (D) nasadte chránič proti prskaniu.

Poznámka: Pri montáži príslušenstva na základný výrobok si pozrite návod základného výrobku.

Prevádzka

Spustenie výrobku so studeným motorom

Ak máte benzínové zariadenie, riadte sa týmito pokynmi na štartovanie výrobku so studeným motorom.

1. Zahrejte základný výrobok a potom ho vypnite.
2. Namontujte nadstavec podľa pokynov na montáž.
3. Pri nastavovaní karburátora musí byť odmachovač opretý o zem a v blízkosti nesmú byť žiadne iné osoby.
4. Nechajte odmachovač pracovať na voľnobehu.
5. Skontrolujte, či je rukoväť a bezpečnostné zariadenia v dobrom funkčnom stave. Nikdy nepoužívajte výrobok, ktorému chýba určitá časť alebo bol upravený inak, ako je uvedené v jeho špecifikáciách.

Používanie nadstavca

1. Odmachovač používajte pri plnom plyne (alebo takmer plnom plyne) a s kolesami položenými na danom povrchu.

Poznámka: Zdvíhať odmachovač pri práci nad povrch alebo ho držať zdvihnutý nad povrchom je únavné a zbytočné.

2. Udržujte ostrý pracovný uhol k povrchu. Pri veľkom pracovnom uhle má odmachovač tendenciu pohybovať sa smerom k vám a riskujete, že stratíte nad výrobkom kontrolu.



Údržba

Úvod

V nasledujúcom texte sú uvedené niektoré všeobecné pokyny na údržbu. Ak potrebujete podrobnejšie informácie, kontaktujte vášho predajcu.

Údržba nadstavca



VAROVANIE: Veľa práce s odmachovačom sa často vykonáva v prašných podmienkach. Ak máte benzínové zariadenie, je mimoriadne dôležité, aby sa vzduchový filter pravidelne, často aj každý deň, kontroloval a olejoval s cieľom zabezpečenia jeho dobrej funkčnosti.

Pozrite si pokyny na údržbu v návode na obsluhu pohonnej jednotky.

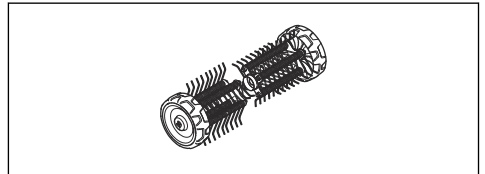


VÝSTRAHA: Pri vykonávaní údržby nadstavca vždy používajte ochranné rukavice.



VÝSTRAHA: Skriňa prevodovky sa počas používania výrobku zohreje. Nedotýkajte sa skrine prevodovky, aby ste predišli popáleniu.

1. Uistite sa, či sa po uvoľnení páčky vypínača/páčky plynu odmachovač neatáča.



2. Ak sa kolesá voľne neatáčajú, očistite ich.

Preprava, skladovanie a likvidácia

Preprava a uskladnenie

Ak rezací nástroj prepravujete na inom vozidle, vždy používajte schválené zabezpečovacie prvky a uistite sa, že nástroj je bezpečne upevnený.

Pred dlhodobým skladovaním vykonajte kompletný servis rezacieho nástroja a vyčistite ho.

Technické údaje

Technické údaje pre benzínové zariadenia

Odmachovač	DT600
Šírka, mm	556
Hmotnosť	
Hmotnosť, kg	6,5
Emisie hluku¹¹⁵	
Nameraná úroveň hlučnosti dB(A)	105
Zaručená úroveň hlučnosti L _{WA} dB(A)	109
Úrovne hlučnosti¹¹⁶	
Ekvivalentná hladina akustického tlaku pri uchu používateľa meraná podľa normy EN ISO 22868, dB(A):	95
Vibrácie¹¹⁷	
Ekvivalentné hladiny vibrácií (a _{hv,eq}) na rukovätiach merané podľa normy EN ISO 22867, m/s ²	
Predné/zadné rukoväti	6,2/4,3

Technické údaje pre zariadenia na batériu

325iLK + nastavac odmachovača DT600	
Šírka, mm	556
Hmotnosť	
Hmotnosť, kg	2,3 + 6,5

¹¹⁵ Merané spolu s príslušenstvom, ktoré schválila spoločnosť Husqvarna. Hladina hluku meraná ako akustický tlak (L_{WA}) v súlade s európskou smernicou 2000/14/ES. Uvádzaná hladina akustického výkonu pre stroj bola meraná s originálnym rezacím nastavcom, ktorý produkuje najvyššiu úroveň. Rozdiel medzi zaručeným a nameraným akustickým výkonom spočíva v tom, že zaručený akustický výkon zahŕňa aj rozptyl výsledkov merania a rozdiely medzi jednotlivými strojmi rovnakého modelu v súlade so smernicou 2000/14/ES.

¹¹⁶ Merané spolu s príslušenstvom, ktoré schválila spoločnosť Husqvarna. Uvádzané údaje pre ekvivalentnú hladinu akustického tlaku majú typický štatistický rozptyl (štandardnú odchýlku) 1 dB (A).

¹¹⁷ Merané spolu s príslušenstvom, ktoré schválila spoločnosť Husqvarna. Uvádzané údaje pre ekvivalentnú hladinu vibrácií majú typický štatistický rozptyl (štandardnú odchýlku) 1 m/s².

325iLK + nastavec odmachovača DT600	
Emisie hluku¹¹⁸	
Nameraná úroveň hlučnosti dB(A)	89
Úrovne hlučnosti¹¹⁹	
Hladina akustického tlaku pri uchu používateľa meraná podľa normy EN ISO 22868, dB(A):	77
Vibrácie¹²⁰	
Hladiny vibrácií na držadlách, merané podľa normy EN ISO 62841-1, m/s ²	
Predné/zadné rukoväti	1,9/2,6
Vybavený schváleným príslušenstvom (originál), vľavo/vpravo	1,9/2,6



¹¹⁸ Uvádzané údaje pre hladinu hlučnosti majú typický štatistický rozptyl (štandardnú odchýlku) 3 dB (A) a boli namerané s originálnym nastavcom, ktorý má najvyššiu úroveň.

¹¹⁹ Uvádzané údaje pre hladinu akustického tlaku majú typický štatistický rozptyl (štandardnú odchýlku) 3 dB (A) a boli namerané s originálnym nastavcom, ktorý má najvyššiu úroveň.

¹²⁰ Uvádzané údaje pre ekvivalentný stupeň vibrácií majú typický štatistický rozptyl (štandardnú odchýlku) 2 m/s². Ak chcete porovnať úrovne vibrácií pre výrobky s batériou a so spaľovacím motorom, použite kalkulačtor vibrácií. <https://www.husqvarna.com/uk/services-solutions/vibration-calculator/>.

ES vyhlásenie o zhode

Vyhlásenie o zhode EÚ – pre benzínové zariadenia

Husqvarna AB, SE-561 82 Huskvarna, Švédsko, tel.:

+46-36-146500, vyhlasuje, že odmachovač

HusqvarnaDT600 s výrobnými číslami od roku 2019 (rok je zreteľne uvedený na výkonovom štítku, za ním nasleduje výrobné číslo) vyhovujú požiadavkám SMERNICE RADY:

- zo 17. mája 2006, „Smernica o strojoch“ **2006/42/ES**
- **2011/65/EÚ** z streda, 8. júna 2011 „o obmedzení používania určitých nebezpečných látok v elektrických a elektronických zariadeniach“,
- z 8. mája 2000 týkajúca sa emisií hluku zariadení používaných vo vonkajšom priestore **2000/14/ES**.

Benzínové produkty vyhovujú nasledujúcim normám:

SS-EN ISO 12100:2010, EN IEC 63000:2018

Spoločnosť RISE SMP Svensk Maskinprovning AB, Box 7035, SE-750 07 Uppsala, Švédsko, vykonala skúšku dobrovoľného typu v mene spoločnosti Husqvarna AB. Číslo certifikátu: **SEC/15/2411 - Husqvarna DT600**

Huskvarna , 2021-02-12



Pär Martinsson, manažér pre oblasť vývoja
(autorizovaný zástupca spoločnosti Husqvarna AB a osoba zodpovedná za technickú dokumentáciu)

Vyhlásenie o zhode EÚ – pre zariadenia na batériu

Husqvarna AB, SE-561 82 Huskvarna, Švédsko, tel.:

+46-36-146500, vyhlasuje, že odmachovač, **nadstavec**

Husqvarna DT600 s pohonnou jednotkou Husqvarna

325iLK so sériovými číslami od roku 2019 (rok je

zreteľne uvedený na výkonovom štítku, za ním

nasleduje sériové číslo) vyhovuje požiadavkám

SMERNICE RADY:

- zo 17. mája 2006, „Smernica o strojoch“ **2006/42/ES**
- **2011/65/EÚ** z streda, 8. júna 2011 „o obmedzení používania určitých nebezpečných látok v elektrických a elektronických zariadeniach“,


Akumulátorové produkty vyhovujú nasledujúcim normám:

EN 62841-1:2015, EN 50636-2-92:2014, EN IEC 63000:2018

Spoločnosť RISE SMP Svensk Maskinprovning AB, Box 7035, SE-750 07 Uppsala, Švédsko, vykonala skúšku dobrovoľného typu v mene spoločnosti Husqvarna AB. Číslo certifikátu: **SEC/15/2411 - Husqvarna DT600**

Informácie týkajúce sa emisií hluku nájdete v časti *Technické údaje na strane 198*.

Huskvarna , 2021-02-12



Pär Martinsson, manažér pre oblasť vývoja
(autorizovaný zástupca spoločnosti Husqvarna AB a osoba zodpovedná za technickú dokumentáciu)

KIES VAN DER SPEK
TOOLMACHINES * STOLWIJK

VSEBINA

Uvod.....	201	Vzdrževanje.....	207
Varnost.....	202	Transport skladiščenje in odstranitev.....	207
Montaža.....	206	Tehnični podatki.....	208
Delovanje.....	207	Izjava ES o skladnosti.....	210

Uvod

Opis izdelka

Nenehno razvijamo in izpopolnjujemo svoje izdelke in si zato pridružujemo pravico do sprememb njihove oblike in videza brez predhodnega opozorila.

Opomba: Ta priročnik vsebuje navodila tako za električne naprave na bencin kot tudi za tiste na baterije.

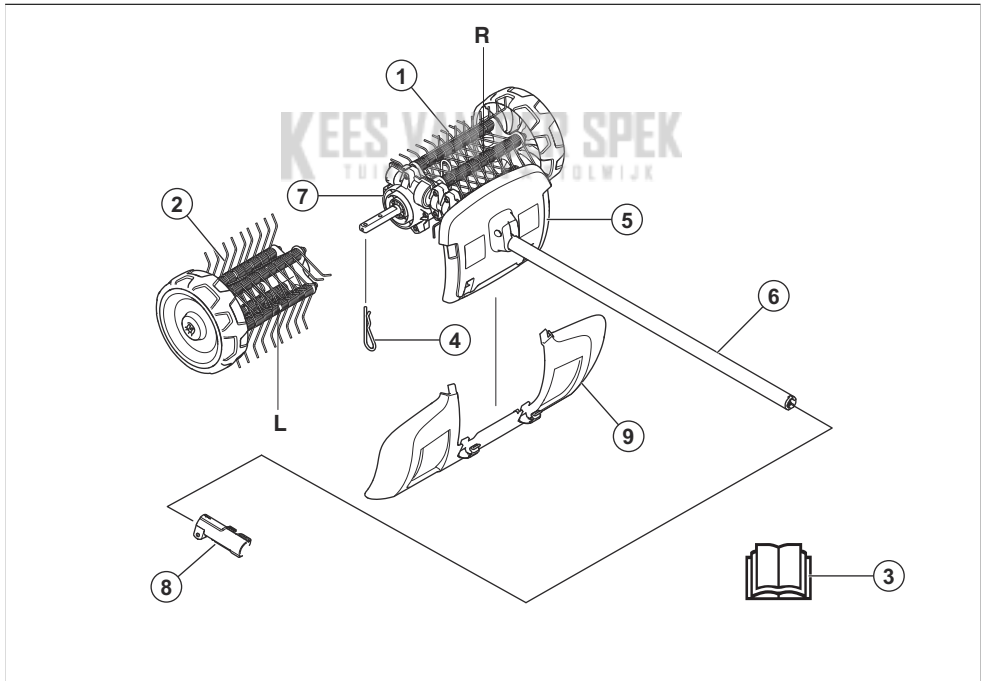
Namen uporabe



OPOZORILO: Priključek lahko uporabljate samo skupaj z izdelkom, za katerega je predviden. Glejte razdelek o dodatni opremljeni v navodilih za uporabo izdelka.

Priključek je zasnovan samo za ločevanje trave od mahu.

Pregled priključka



1. Desni rahljajnik za odstranjevanje mahu
2. Levi rahljajnik za odstranjevanje mahu
3. Navodila za uporabo
4. Raztezni zatič
5. Ščitnik (zaščita na gredi)
6. Gred
7. Ohišje menjalnika
8. Spojka gredi (priložena izdelku)
9. Ščitnik proti brizganju

Simboli na priključku in na električni napravi



Površna in napačna uporaba tega priključka lahko povzroči resne telesne poškodbe in celo smrt uporabnika ali drugih oseb.



Pred začetkom uporabe priključka natančno preberite navodila za uporabo in se prepričajte, da ste jih razumeli.



Uporabljajte odobreno zaščito za sluh. Uporabljajte odobreno zaščito oči. Če obstaja nevarnost prašenja, uporabljajte dihalno masko.



Priključek je v skladu z veljavnimi direktivami ES.



Rotirajoči deli. Držite roke in noge stran. Puščica označuje smer vrtenja.



Vedno uporabljajte atestirane zaščitne rokavice.



Uporabljajte vedno grobe škornje, v katerih ne drsi.



Pazite na leteče in odbite predmete.



Uporabnik mora poskrbeti, da v območju 15 m okrog naprave ni ljudi ali živali. Če več uporabnikov dela skupaj, morajo upoštevati medsebojno varnostno razdaljo najmanj 15 m. Priključek lahko izvrže predmete, ki se lahko odbijejo nazaj. Če ne uporabljate priporočene varnostne opreme, lahko pride do resnih poškodb oči.



Med uporabo izdelka bodite na varni razdalji 15 m/50 čevljev od drugih oseb in živali.



Delov telesa ne približajte vročim površinam.



Emisija hrupa v okolje v skladu z direktivo Evropske skupnosti. Podatki o emisijah priključka so navedeni v poglavju "Tehnični podatki" in na nalepki.

Opomba: Ostali znaki in nalepke na priključku se nanašajo na specifične certifikacijske zahteve, ki veljajo na nekaterih tržiščih.

Varnost

Varnostne definicije

Opozorila, previdnostni ukrepi in opombe se uporabljajo za izpostavljanje zlasti pomembnih delov navodil za uporabo.



OPOZORILO: Se uporabi, če obstaja nevarnost poškodbe ali življenjske ogroženosti operaterja ali opazovalcev ob neupoštevanju navodil v tem priročniku.



POZOR: Se aktivira, če obstaja nevarnost poškodbe izdelka in/ali nastavka, drugih materialov ali okolice ob neupoštevanju navodil v tem priročniku.

Opomba: Se uporabi za podajanje podrobnejših informacij, potrebnih v dani situaciji.

Splošna varnostna navodila



OPOZORILO: Rezilo se vrtilo celo po zaustavitvi motorja.

- Pred začetkom uporabe priključka natančno preberite navodila za uporabo in se prepričajte, da ste jih razumeli.
- Ta navodila so dopolnilo k navodilom, ki so priložena izdelku. Za druge postopke si oglejte navodila za uporabo izdelka.

- Nikoli ne smete spreminjati prvotne izvedbe priključka brez predhodnega dovoljenja proizvajalca. Ne uporabljajte priključka, če opazite, da ga je spreminjal nekdo drug, in vedno uporabljajte originalno dodatno opremo. Spremembe brez pooblastila in/ali neoriginalni deli lahko povzročijo resne poškodbe ali smrt uporabnika in drugih.

Preberite vsa navodila



OPOZORILO: Pri uporabi električnih vrtnih naprav morate vedno upoštevati in izvajati osnovne varnostne predpise, s čimer zmanjšate nevarnost požara, električnega udara in telesnih poškodb. Upoštevajte naslednje:

Varnostna navodila enote

- Otrokom, osebam z omejenimi telesnimi, senzoričnimi ali duševnimi sposobnostmi ali pomanjkanjem izkušnje in znanja ter ljudem, ki s temi navodili niso seznanjeni, nikoli ne dovolite, da uporabljajo izdelek. Lokalni predpisi lahko omejujejo starost delavca.
- Izdelka nikoli ne uporabljajte, ko so v bližini ljudje, še posebej otroci, ali domači ljubljenci.
- Ne segajte predaleč in ves čas pazite na ravnovesje. Na pobočjih bodite previdni in stopajte, ne tecite.
- Ne dotikajte se premikajočih se nevarnih delov, dokler stroj ni izključen iz električnega omrežja, nevarni deli pa se niso popolnoma zaustavili.
- Med upravljanjem stroja vedno nosite primerno obutev in dolge hlače.
- Iz izdelka vedno odstranite baterijo, če izdelek ni nadzorovan, preden odstranite blokado in pred čiščenjem ali delom.
- Preden pregledate izdelek, na primer zaradi udara v tujek ali neobičajnega tresenja izdelka, iz njega odstranite baterijo.
- Poškodovanega kabla ne priključite na napajanje in se ga ne dotikajte, dokler ga ne izključite iz napajanja. Poškodovan kabel lahko privede do stika z deli pod napetostjo in tako povzroči telesne poškodbe ali smrt.
- Nikoli ne uporabljajte izdelka z okvarjenimi ščitniki, brez varnostnih naprav ali če je kabel poškodovan ali obrabljen.
- Pazite, da kabelski podaljški niso v bližini premikajočih se nevarnih delov, saj bi lahko ti poškodovali kable in povzročili stik z deli pod napetostjo.
- Izdelek priključite samo na napajalni tokokrog, zaščiten z napravo za rezidualni tok (RCD) z izklopnim tokom največ 30 mA.
- Izdelka ne uporabljajte v slabem vremenu, še posebej, ko obstaja nevarnost bliskanja.

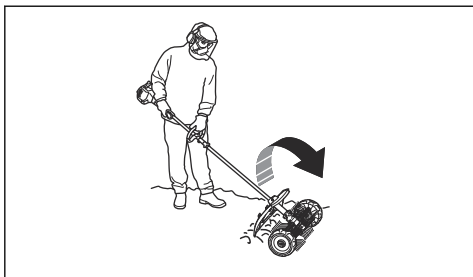
Varnostna navodila za uporabo



OPOZORILO: Pred uporabo izdelka preberite navodila v povezavi z opozorili v nadaljevanju.

- Stikalo za zaustavitev se samodejno vrne v začetni položaj. Prepričajte se, da med sestavljanjem, pregledovanjem in/ali vzdrževanjem ne more priti do nenamernega zagona. Če imate izdelek, ki deluje na bencin, snemite pokrov svečke s svečke. Če imate izdelek, ki deluje na baterijo, jo odstranite.
- Opazujte pred izmetom predmetov. Vedno nosite zaščito za oči. Nikoli se ne nagibajte prek rahljalnika za odstranjevanje mahu Kamenje, odpadke ipd. lahko stroj vrže v oči, to pa lahko povzroči slepoto ali resne poškodbe.
- Menjalnik se lahko med uporabo segreje in lahko ostane vroč tudi po uporabi. Ob dotiku se lahko opečete.
- Čepav bobna za pometanje ne delujeta z enako močjo kot, na primer, noži kosilnice, se izogibajte delu z materiali, ki lahko ob izmetu povzročajo osebne poškodbe ali materialno škodo.
- Nikoli ne uporabljajte stroja, če v primeru nesreče ne morete priklicati pomoči.
- Stroj uporabljajte samo v skladu z namenom uporabe.
- Stroja ne uporabljajte, če ste utrujeni, pod vplivom alkohola ali če jemljete zdravila, ki lahko vplivajo na vid, presojo ali koordinacijo.
- Stroja nikoli ne uporabljajte v izrednih vremenskih pogojih, kot so izredno mrzli, izredno vroči in/ali vlažni pogoji.
- Ne uporabljajte pokvarjenega stroja. Sledite navodilom za varnostni pregled, vzdrževanje in servis v skladu z napotki v teh navodilih. Nekatere vrste vzdrževalnih del in popravil lahko opravi samo za to usposobljeno strokovno osebje. Glejte navodila v poglavju Vzdrževanje.
- Otrokom ne dovolite uporabljati stroja.
- Preden stroj uporablja druga oseba, se prepričajte, da je prebrala in razumela vsebino navodil za uporabo.
- Nepooblaščen osebe naj bodo na varni razdalji. Otroci, živali, opazovalci in pomočniki morajo med delom ostati zunaj varnostnega območja, ki meri 15 metrov. Če se kdo približa, stroj takoj ustavite.
- V primeru dvoma, ali je nadaljnja uporaba še primerna, se posvetujte s strokovnjakom. Obrnite se na svojega zastopnika ali servisno delavnico.
- Izogibajte se situacijam, ki se vam zdijo prezahtevne.
- Opazujte okolico in se prepričajte, da ne obstaja nevarnost, da nobena oseba ali žival ne more priti v stik z izdelkom ali vplivati na vaš nadzor nad izdelkom.

- Bodite vedno pozorni na svarilne znake in klice, kadar uporabljate zaščito za sluh. Vedno odstranite zaščito za sluh takoj, ko stroj/motor preneha delovati.
- Stroja ne uporabljajte v slabem vremenu, na primer v gosti megli, močnem dežju, ob močnem vetru ali v hudem mrazu ipd. Delo v slabem vremenu izčrpava in je povezano z dodatnimi tveganji, na primer zaradi spolzkih površin.
- Prepričajte se, da se lahko varno gibljete in stojite. Če se morate nepričakovano premakniti, preverite okolico za morebitne ovire (korenine, kamenje, veje, jarke, itd.). Pri delu na nagnjenih tleh bodite še posebej previdni.



- Pred premikanjem morate izklopiti stroj/motor.
- Stroja ne odlagajte z delujočim motorjem, razen če ga imate neprekinjeno pod nadzorom.
- Napravo vedno držite z obema rokama. Napravo držite ob telesu.
- Med delovanjem rahljalnika za odstranjevanje mahu z rokami ali nogami ne segajte v območje delovanja.
- Po izklopu motorja z rokami in nogami ne segajte v območje delovanja rahljalnika za odstranjevanje mahu, dokler se ta ne zaustavi popolnoma.
- Če se pojavijo močnejše vibracije, izklopite stroj. Če imate izdelek, ki deluje na bencin, odklopite kabel z vžigalne svečke. Če imate izdelek, ki deluje na baterijo, jo odstranite iz izdelka. Prepričajte se, da stroj ni poškodovan. Popravite poškodbe.

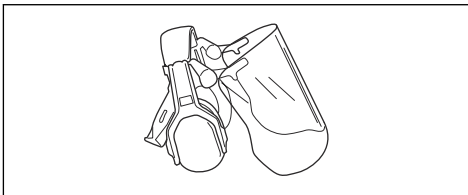
Osebnna zaščitna oprema



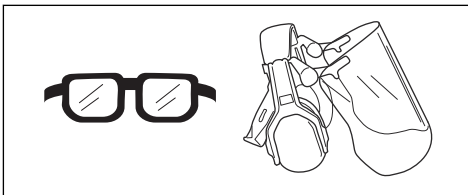
OPOZORILO: Pred uporabo izdelka preberite navodila v povezavi z opozorili v nadaljevanju.

- Pri uporabi izdelka vedno uporabljajte odobreno osebno zaščitno opremo. Osebna zaščitna oprema ne more popolnoma preprečiti poškodb, vendar v primeru nesreče omili posledice. Prodajalec naj vam pomaga izbrati ustrezno opremo.

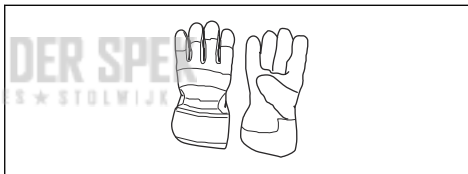
- Nosite homologirano zaščito za sluh, ki ustrezno zmanjšuje hrup. Dolgotrajna izpostavljenost hrupu lahko povzroči trajne okvare sluha.



- Uporabljajte odobreno zaščito oči. Tudi če uporabljate vizir, morate vedno uporabljati tudi homologirana zaščitna očala. Homologirana zaščitna očala morajo biti skladna s standardom ANSI Z87.1 za ZDA ali s standardom EN 166 za države EU.



- Po potrebi uporabite rokavice, npr. kadar pritrdjete, pregledujete ali čistite rezalno opremo.

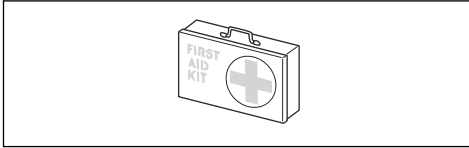


- Uporabljajte zaščitne škornje z ojačano konico in nedrsečim podplatom.



- Uporabljajte oblačila iz trpežnih materialov. Vedno uporabljajte trpežne dolge hlače in dolge rokave. Ne uporabljajte ohlapnih oblačil, ki se lahko zataknejo za vejce ali veje. Ne nosite nakita, kratkih hlač in sandalov in ne hodite bosi. Lase si varno spnite nad rameni.

- Paket prve pomoči hranite na dosegu roke.



pooblaščen servisno delavnico. Pri nakupu vseh naših izdelkov vam jamčimo dostop do strokovnih popravil in servisa. Če izdelka niste kupili v kateri od naših pooblaščenih servisnih prodajaln, prodajalca vprašajte o najbližji pooblaščen servisni delavnici.

Varnostne naprave na priključku



OPOZORILO: Pred uporabo priključka preberite navodila v povezavi z opozorili v nadaljevanju.

V tem poglavju je opisana zaščitna oprema priključkov, namen zaščitnih funkcij ter priporočeni načini preverjanja in vzdrževanja za zagotavljanje pravilnega delovanja. Za mesta delov na priključku si oglejte navodila pod naslovom *Pregled priključka na strani 201*.

Življenjska doba priključka se lahko zaradi nepravilnega vzdrževanja oziroma zaradi nestrokovnih popravil ali servisiranja skrajša, poveča pa se tudi nevarnost nesreč. Če potrebujete več informacij, se obrnite na najbližjega pooblaščenega servisnega trgovca.



OPOZORILO: Nikoli ne uporabljajte priključka s poškodovanimi varnostnimi deli. Varnostno opremo priključka je treba pregledovati in vzdrževati v skladu z navodili, ki so podana v tem poglavju. Če priključek ob pregledu ne izpolnjuje vseh opisanih pogojev, se nemudoma obrnite na pooblaščenega serviserja za popravilo.



OPOZORILO: Za vsa servisna dela in popravila na izdelku je treba opraviti posebno usposabljanje. To še posebej velja za varnostno opremo izdelka. Če pri spodaj opisanem pregledu ugotovite, da kateri koli del izdelka ne deluje tako, kot je opisano spodaj, se nemudoma obrnite na

Varnostna navodila za vzdrževanje



OPOZORILO: Pred vzdrževanjem preberite naslednja opozorilna navodila.

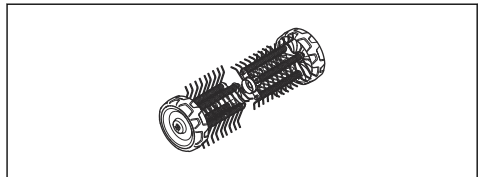


OPOZORILO: Pred vzdrževanjem priključka izdelek izklopite. Pazite, priključek se lahko premika, tudi ko sprostite plin/ sprožilec plina. Prepričajte se, da se je priključek popolnoma zaustavil. Če izdelek uporabljate z bencinom, odklopite kabel z vžigalne svečke. Če izdelek deluje na baterije, jo odstranite.



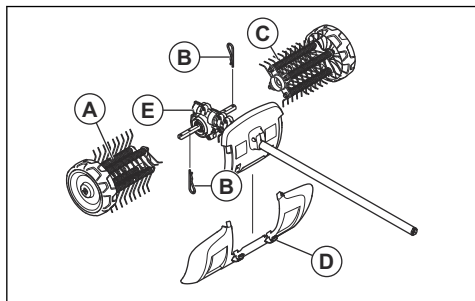
OPOZORILO: Vedno uporabljajte rokavice.

- Pred začetkom pregledajte celoten izdelek. Prepričajte se, da so vsi ščitniki in pokrovi nepoškodovani in pravilno pritrjeni. Preverite vse matice in vijake.
- Če imate izdelek, ki deluje na bencin, se prepričajte, da gorivo ne izteka.
- Zamenjajte poškodovane dele.



Montaža

Montaža priključka

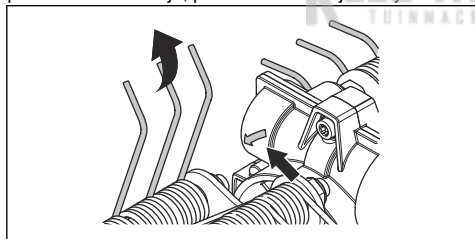


Puščica na ohišju menjalnika označuje smer vrtenja. Ohišje menjalnika je treba namestiti v skladu s sliko.

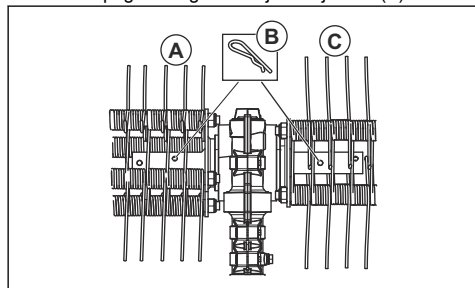
POMEMBNO:

Na kolesih rahljalnika za odstranjevanje mahu so puščice za označevanje smeri vrtenja. Prepričajte se, da sta kolesci rahljalnika za odstranjevanje mahu nameščeni pravilno.

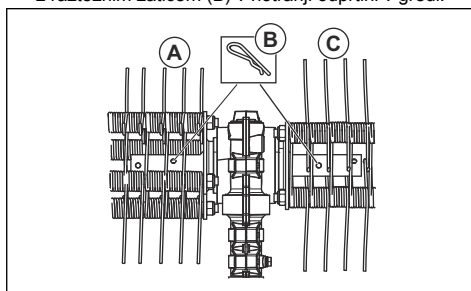
Kolesci rahljalnika za odstranjevanje mahu morata biti nameščeni rahlo zamaknjeni eno na drugo. Vzmeti rahljalnika za odstranjevanje mahu morata kazati v smer puščice smeri vrtenja, prikazane na ohišju menjalnika.



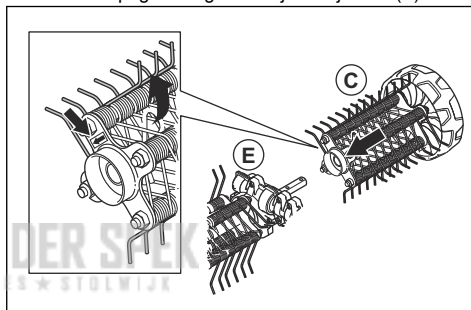
1. Levi rahljalnika za odstranjevanje mahu (A) potisnite na levo pogonsko gred ohišja menjalnika (E).



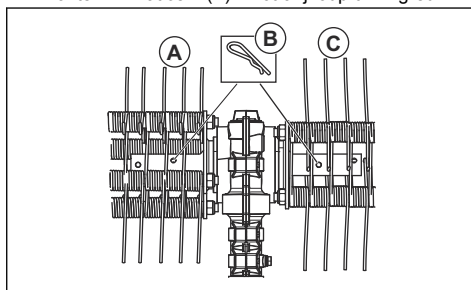
2. Kolesce rahljalnika za odstranjevanje mahu pritrdite z razteznim zatičem (B) v notranji odprtini v gredi.



3. Desni rahljalnika za odstranjevanje mahu (C) potisnite na desno pogonsko gred ohišja menjalnika (E).



4. Kolesce rahljalnika za odstranjevanje mahu pritrdite z razteznim zatičem (B) v notranji odprtini v gredi.



5. Z natičnimi sponkami (D) pritrdite ščitnik pred pršenjem.

Opomba: Navodila za nameščanje dodatne opreme na osnovni izdelek najdete v priročniku osnovnega izdelka.

Delovanje

Zagon izdelka s hladnim motorjem

Če imate izdelek, ki deluje na bencin, upoštevajte ta navodila za zagon izdelka s hladnim motorjem.

1. Osnovni del izdelka naj deluje, da se bo segrel, nato pa ga izklopite.
2. Priključek namestite v skladu z navodili za montažo.
3. Pri nastavitvi uplinjača se prepričajte, da je rahljalik za odstranjevanje mahu pritisnjen ob tla in da v bližini ni nikogar.
4. Rahljalik za odstranjevanje mahu naj deluje v prostem teku.
5. Prepričajte se, da so ročaj in varnostne funkcije v brezhibnem stanju. Nikoli ne uporabljajte izdelka z manjkajočim delom ali predelanega izdelka (izven specifikacij).

Uporaba priključka

1. Rahljalik za odstranjevanje mahu uporabljajte pri polnem plinu (ali skoraj polnem plinu), pri tem pa se mora kolesce za pometanje dotikati tal.

Opomba: Držanje rahljalnika za odstranjevanje mahu nad tlemi je tako naporno kot tudi nepotrebno.

2. Ohranajte natančen delovni kot do površine. Prevelik delovni kot lahko povzroča premikanje rahljalnika za odstranjevanje mahu proti uporabniku in posledično nevarnost izgube nadzora nad izdelkom.



Vzdrževanje

Uvod

V nadaljevanju je zapisanih nekaj splošnih navodil za vzdrževanje. Če potrebujete več informacij, se obrnite na svojo servisno delavnico.

Vzdrževanje priključka



POZOR: Dela na rahljalniku za odstranjevanje mahu pogosto potekajo v prašni okolici. Če imate izdelek, ki deluje na bencin, je izjemno pomembno redno pregledovanje zračnega filtra, pogosto vsakodnevno. Za pravilno delovanje ga je treba naoljiti v rednih intervalih.

Navodila za vzdrževanje najdete v uporabniškem priročniku električne naprave.

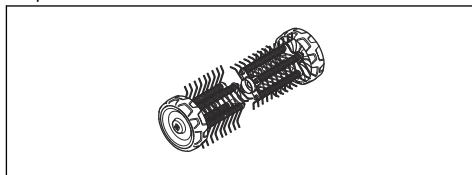


OPOZORILO: Med vzdrževanjem priključka vedno uporabljajte zaščitne rokavice.



OPOZORILO: Med uporabo izdelka se ohišje menjalnika močno segreje. Da bi se izognili opeklinam se ne dotikajte ohišja naprave.

1. Prepričajte se, da se rahljalik za odstranjevanje mahu ne premika, tudi ko sprostite plin/sprožilec plina.



2. Če se kolesa ne vrtijo nemoteno, jih očistite.

Transport skladiščenje in odstranitev

Prevoz in skladiščenje

Pri transportu priključka na drugem vozilu vedno uporabite odobrene varnostne naprave in poskrbite, da je priključek varno pritrjen.

Pred dolgotrajnim skladiščenjem poskrbite, da bo priključek čist in da bo na njem opravljen popoln servis.

Tehnični podatki

Tehnični podatki za izdelke, ki delujejo na bencin

Rahljalnik za odstranjevanje mahu	DT600
Širina, mm	556
Teža	
Teža, kg	6,5
Emisije hrupa¹²¹	
Izmerjen nivo zvočne moči dB (A)	105
Raven zvočne moči, zajamčena L_{WA} v dB(A)	109
Nivoji hrupa¹²²	
Ekvivalentna raven zvočnega tlaka na uporabnikovem ušesu, merjena po EN ISO 22868, dB (A):	95
Tresljaji¹²³	
Ekvivalentne ravni vibracij ($a_{hv,eq}$) v ročajih, izmerjene v skladu z EN ISO 22867, m/s^2	
Sprednji/zadnji ročaj	6,2/4,3

Tehnični podatki za izdelke, ki delujejo na baterijo

325iLK + rahljalnik DT600	
Širina, mm	556
Teža	
Teža, kg	2,3 + 6,5
Emisije hrupa¹²⁴	
Raven zvočne moči, izmerjena v dB (A)	89
Nivoji hrupa¹²⁵	

¹²¹ Merjeno z Husqvarna odobreno dodatno opremo. Emisije hrupa v okolju, merjene kot moč zvoka (L_{WA}), v skladu z direktivo ES 2000/14/ES. Navedena raven zvočne moči naprave je bila izmerjena z originalnim rezalnim priključkom, ki dosega najvišjo raven. Razlika med zajamčeno in izmerjeno ravno zvočne moči je v tem, da zajamčena raven zvočne moči, v skladu z direktivo 2000/14/ES, vključuje tudi razpršitev izmerjenih vrednosti in razlike med različnimi napravami istega modela.

¹²² Merjeno z Husqvarna odobreno dodatno opremo. Podatki za ekvivalentno raven zvočnega tlaka za napravo imajo tipično statistično razpršitev (standardni odklon) v vrednosti 1 dB (A).

¹²³ Merjeno z Husqvarna odobreno dodatno opremo. Zabeleženi podatki za ekvivalentno raven vibracij imajo tipično statistično razpršitev (standardni odklon) 1 m/s^2 .

¹²⁴ Podatki za raven zvočne moči za napravo imajo tipično statistično razpršitev (standardni odklon) v vrednosti 3 dB (A) in so bili izmerjeni z originalnim nastavkom, ki dosega najvišjo raven hrupa.

¹²⁵ Podatki za raven zvočnega tlaka za napravo imajo tipično statistično razpršitev (standardni odklon) v vrednosti 3 dB (A) in so bili izmerjeni z originalnim nastavkom, ki dosega najvišjo raven hrupa.

325iLK + rahljajnik DT600	
Raven zvočnega tlaka na uporabnikovem ušesu, merjeno po EN ISO 22868, dB (A):	77
Tresljaji¹²⁶	
Ravni vibracij pri ročajih, izmerjene v skladu s standardom EN 62841-1, m/s ²	
Sprednji/zadnji ročaj	1,9/2,6
Opremljeno z odobreno dodatno opremo (originalno), levo/desno	1,9/2,6


KES VAN DER SPEK
 TUINMACHINES ★ STOLWIJK

¹²⁶ Zabeleženi podatki za raven vibracij imajo tipično statistično razpršitev (standardni odklon) v višini 2 m/s². Za primerjavo ravni tresljajev pri izdelkih, ki delujejo na baterije in različna goriva, uporabite računalnik za izračun tresljajev. <https://www.husqvarna.com/uk/services-solutions/vibration-calculator/>.

Izjava ES o skladnosti

Izjava o skladnosti ES – za izdelke, ki delujejo na bencin

Husqvarna AB, SE-561 82 Huskvarna, Švedska, tel: +46-36-146500, izjavlja, da je rahljalniki za odstranjevanje mahu **Husqvarna DT600** s serijskimi številkami od leta 2019 dalje (leto izdelave, ki mu sledi serijska številka, je jasno navedeno na tipski plošči), skladen z zahtevami DIREKTIVE SVETA:

- Direktive **2006/42/ES** z dne 17. maja 2006 o strojih in
- z dne 8. junij 2011 o omejevanju uporabe nekaterih nevarnih snovi v električni in elektronski opremi **2011/65/EU**.
- **2000/14/ES** z dne 8. maja 2000 "o emisijah hrupa v okolje".

Za izdelke, ki delujejo na bencin, veljajo naslednji standardi:

SS-EN ISO 12100:2010, EN IEC 63000:2018

RISE SMP Svenska Maskinprovning AB, Box 7035, SE-750 07 Uppsala, Švedska, je izvedel neodvisen tipski preizkus v imenu podjetja Husqvarna AB. Številka certifikata je: **SEC/15/2411 - Husqvarna DT600**

Huskvarna , 2021-02-12



Pär Martinsson, vodja razvoja (pooblaščen zastopnik družbe Husqvarna AB in odgovorna oseba za tehnično dokumentacijo)

Izjava o skladnosti ES – za izdelke, ki delujejo na baterijo

Husqvarna AB, SE-561 82 Huskvarna, Švedska, tel: +46-36-146500, izjavlja, da je rahljalniki za odstranjevanje mahu **Husqvarna DT600 z električno napravo Husqvarna 325ILK** s serijskimi številkami od 2019 dalje (leto izdelave, ki mu sledi serijska številka, je jasno navedeno na tipski plošči), skladen z zahtevami naslednje DIREKTIVE SVETA:

- Direktive **2006/42/ES** z dne 17. maja 2006 o strojih in
- z dne 8. junij 2011 o omejevanju uporabe nekaterih nevarnih snovi v električni in elektronski opremi **2011/65/EU**.

Za izdelke, ki delujejo na baterijo, veljajo naslednji standardi:

EN 62841-1:2015, EN 50636-2-92:2014, EN IEC 63000:2018

RISE SMP Svenska Maskinprovning AB, Box 7035, SE-750 07 Uppsala, Švedska, je izvedel neodvisen tipski preizkus v imenu podjetja Husqvarna AB. Številka certifikata je: **SEC/15/2411 - Husqvarna DT600**

Za informacije v zvezi z emisijami hrupa glejte poglavje *Tehnični podatki na strani 208*.

Huskvarna , 2021-02-12



Pär Martinsson, vodja razvoja (pooblaščen zastopnik družbe Husqvarna AB in odgovorna oseba za tehnično dokumentacijo)

KEES VAN DER SPEK
TUINMACHINES * STOLWIJK

Innehåll

Introduktion.....	211	Underhåll.....	217
Säkerhet.....	212	Transport, förvaring och kassering.....	217
Montering.....	216	Tekniska data.....	218
Drift.....	217	EG-försäkran om överensstämmelse.....	220

Introduktion

Produktbeskrivning

Vi arbetar ständigt med att vidareutveckla våra produkter och förbehåller oss därför rätten till ändringar beträffande bl.a. produkternas form och utseende utan föregående meddelande.

Notera: Den här bruksanvisningen omfattar både bensin- och batteridrivna kraftaggregat.

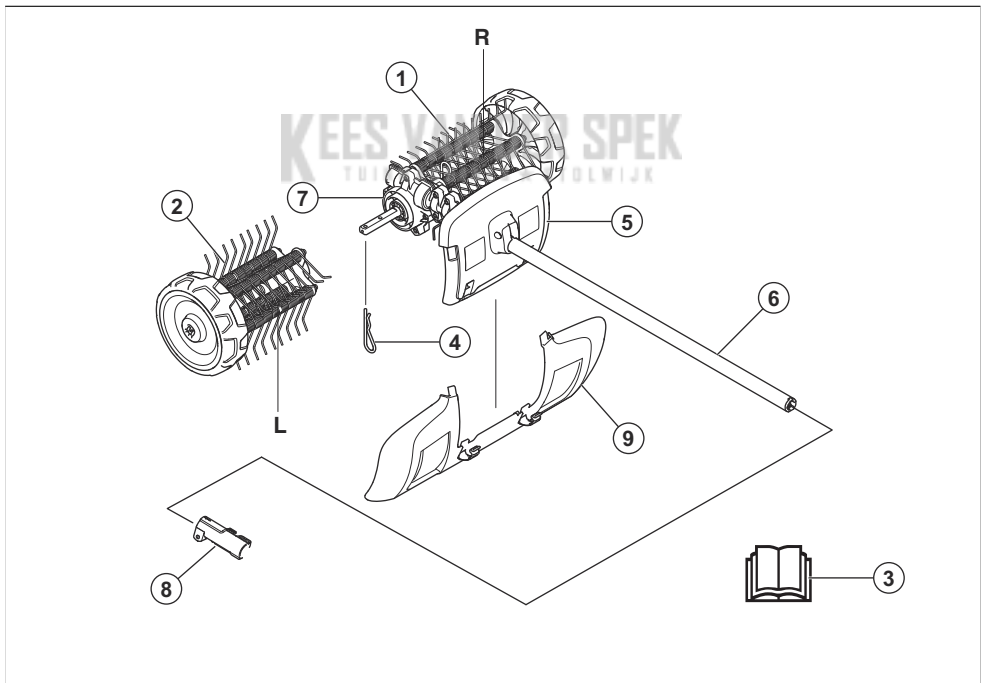
Avsedd användning



VARNING: Det här tillbehöret får endast användas tillsammans med den produkt det är avsett för. Mer information finns i avsnittet om tillbehör i användarhandboken för produkten.

Tillbehöret är endast avsett för vertikalskäring av mossa på gräsmattor.

Tillbehörsöversikt



1. Höger mossrivare
2. Vänster mossrivare
3. Bruksanvisning
4. Saxsprint
5. Skydd (skydd på riggröret)
6. Riggrör
7. Växelhus
8. Riggrörskoppling (medföljer produkten)
9. Stänkskydd

Symboler på utrustningen och på kraftaggregatet



Vårdslös eller felaktig användning av tillbehöret kan resultera i allvarliga eller livshotande skador på användaren eller andra.



Läs igenom bruksanvisningen noggrant och se till att du förstår instruktionerna innan du använder tillbehöret.



Använd godkända hörselskydd. Använd godkänt ögonskydd. Använd en andningsmask när det finns risk för damm.



Utrustningen överensstämmer med gällande EG-direktiv.



Roterande delar. Akta händer och fötter. Pilen anger rotationsriktningen.



Använd alltid godkända skyddshandskar.



Använd halkfria och stadiga stövlar.



Varning för utslagnade föremål och rikoschetter.



Operatören måste se till att inga människor eller djur kommer närmare än 15 m. När flera operatörer arbetar på samma plats måste ett säkerhetsavstånd på minst 15 m hållas. Utrustningen kan våldsamt kasta iväg föremål som kan studsas tillbaka. Om inte rekommenderad säkerhetsutrustning används kan det leda till allvarliga ögonskador.



Håll ett avstånd på minst 15 m till personer och djur när du använder produkten.



Håll alla delar av din kropp borta från de heta ytorna.



Bulleremissioner till omgivningen enligt Europeiska Gemenskapens direktiv. Emissionen för tillbehöret är angiven i avsnittet Tekniska data och på etiketten.

Notera: Övriga symboler/dekaler på tillbehöret avser specifika krav för certifieringar på vissa marknader.

Säkerhet

Säkerhetsdefinitioner

Varningar, försiktighetsåtgärder och anmärkningar används för att betona speciellt viktiga delar i bruksanvisningen.



WARNING: Används om det finns risk för skador eller dödsfall för föraren eller kringstående om anvisningarna i bruksanvisningen inte följs.



OBSERVERA: Används om det finns risk för skada på produkten och/eller tillbehör, annat material eller det

angränsande området om anvisningarna i bruksanvisningen inte följs.

Notera: Används för att ge mer information som är nödvändig i en viss situation.

Allmänna säkerhetsinstruktioner



WARNING: Läs varningsinstruktionerna nedan innan du använder tillbehöret.

- Läs igenom bruksanvisningen noggrant och se till att du förstår instruktionerna innan du använder tillbehöret.

- De här instruktionerna kompletterar de instruktioner som medföljde produkten. Övriga instruktioner finns i driftinstruktionerna för produkten.
- Tillbehörets ursprungliga utformning får inte under några omständigheter ändras utan tillstånd från tillverkaren. Använd inte ett tillbehör som verkar ha blivit ändrat av någon annan och använd alltid originaltillbehör. Icke auktoriserade ändringar och/eller tillbehör kan medföra allvarliga personskador eller dödsfall för föraren eller andra.

Läs alla instruktioner



VARNING: När eldrivna trädgårdsmaskiner används ska säkerhetsreglerna alltid följas för att minska risken för eld, elektriska stötar och personskada. Detta innefattar följande:

Allmänna säkerhetsinstruktioner för mossrivaren

- Låt aldrig barn, personer med nedsatt fysisk, sensorisk eller mental förmåga eller brist på erfarenhet och kunskap eller personer som inte känner till de här instruktionerna använda produkten. Lokala föreskrifter kan ange en åldersgräns för användning.
- Använd aldrig produkten om personer, speciellt barn, eller husdjur finns i närheten.
- Sträck dig inte för långt och se till att hålla balansen. För att se till att inte halka i slutningar ska du alltid gå, inte springa.
- Rör inte rörliga farliga delar innan du har kopplat bort maskinen från elnätet och de rörliga farliga delarna har stannat.
- Använd alltid kraftiga skor och långbyxor när du använder maskinen.
- Ta ut batteriet ur produkten när den är obevakad, innan du åtgärdar något som har fastnat och innan du rengör eller utför arbete på den.
- Ta ut batteriet ur produkten innan du kontrollerar om den är skadad, t.ex. när du har kört på ett främmande föremål eller om den börjar vibrera onormalt.
- Anslut inte skadade sladdar till strömförsörjningen och vidrör inte skadade sladdar innan du har kopplat bort dem från strömförsörjningen. Skadade sladdar som kommer i kontakt med strömförande delar kan leda till personskador och dödsfall.
- Använd aldrig produkten med trasiga skydd, utan säkerhetsanordningar eller om sladden är skadad eller sliten.
- Håll förlängningssladdar borta från rörliga farliga delar för att undvika att de skadas och kommer i kontakt med strömförande delar.
- Anslut endast produkten till strömförsörjningskretsar som skyddas av jordfelsbrytare med utlösningsström på högst 30 mA.

- Undvik att använda produkten i dåligt väder, i synnerhet vid risk för blixtnedslag.

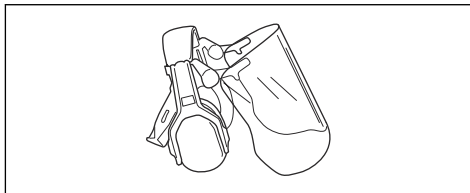
Säkerhetsinstruktioner för drift



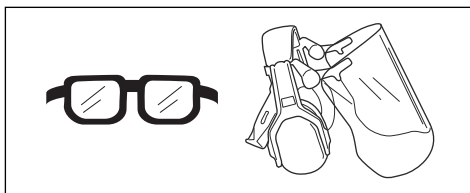
VARNING: Läs varningsinstruktionerna nedan innan du använder produkten.

- Stoppkontakten återgår automatiskt till startläge. Se till att förhindra att produkten startas av misstag när du monterar, kontrollerar eller underhåller den. Om du har en bensindriven produkt drar du bort tändhatten från tändstiftet. Om du har en batteridrivna produkt tar du bort batteriet.
- Varning för utslungade föremål. Bär alltid skyddsglasögon. Luta dig aldrig över mossrivaren. Stenar, skräp m.m. kan kastas upp i ögonen och vålla blindhet eller allvarliga skador.
- Under samt en stund efter användning kan växeln vara varm. Det finns risk för brännskada vid kontakt.
- Även om borstvalsarna inte har samma kraft som t ex en gräsklipparkniv bör du undvika att arbeta med material som kan skada person eller egendom när det slungas ut.
- Använd aldrig maskinen utan möjlighet att kunna påkalla hjälp i händelse av olycka.
- Använd endast maskinen för det den är avsedd för.
- Använd inte maskinen om du är trött, om du har druckit alkohol eller om du tar mediciner som kan påverka din syn, ditt omdöme eller din kroppskontroll.
- Använd aldrig maskinen vid extrema klimatförhållanden såsom sträng kyla eller mycket varmt och/eller fuktigt klimat.
- Använd aldrig en maskin som är defekt. Följ säkerhets-, underhålls- och serviceinstruktioner i denna bruksanvisning. Vissa underhålls- och serviceåtgärder ska utföras av utbildade och kvalificerade specialister. Se anvisningar under rubriken Underhåll.
- Tillåt aldrig barn att använda maskinen.
- Låt aldrig någon annan använda maskinen utan att försäkra dig om att de har läst igenom och förstått innehållet i bruksanvisningen.
- Håll obehöriga på avstånd. Barn, djur, åskådare och medhjälpare ska befinna sig utanför säkerhetszonen på 15 meter när du arbetar. Stäng omedelbart av maskinen om någon närmar sig arbetsplatsen.
- När du råkar ut för en situation som gör dig osäker angående fortsatt användning ska du rådfråga en expert. Kontakta din återförsäljare eller serviceverkstad.
- Undvik all användning du anser dig otillräckligt kvalificerad för.
- Iaktta omgivningen och var säker på att det inte finns risk att människor eller djur kan komma i kontakt med eller påverka din kontroll av skärutrustning.

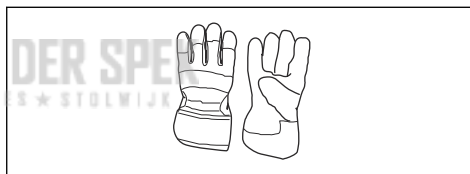
- Var alltid uppmärksam på varningssignaler eller tillrop när hörselskydd används. Ta alltid av hörselskydden så snart motorn stannar.
- Undvik användning vid ogynnsamma väderleksförhållanden. Exempelvis tät dimma, kraftigt regn, hård vind, stark kyla, osv. Att arbeta i dåligt väder är tröttsamt och kan skapa farliga omständigheter, exempelvis halt underlag.
- Se till att du kan gå och stå säkert. Titta efter eventuella hinder vid en oväntad förflyttning (rötter, stenar, grenar, gropar, diken, osv.). Lakta stor försiktighet vid arbete i sluttande terräng.
- Använd godkända hörselskydd med tillräcklig dämpeffekt. Långvarig exponering för buller kan ge bestående hörselskador.



- Använd godkänt ögonskydd. Används visir måste även godkända skyddsglasögon användas. Godkända skyddsglasögon måste uppfylla standarden ANSI Z87.1 i USA eller SS-EN 166 i EU-länder.



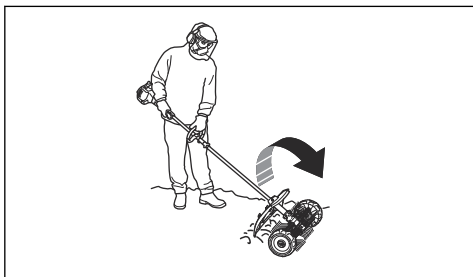
- Använd handskar vid behov, till exempel när du ansluter, undersöker eller rengör skärutrustningen.



- Använd skyddsstövlar med stålhätta och halkfri sula.



- Ha på dig kläder i slitstarkt material. Bär alltid kraftiga långbyxor och överdel med långa ärmar. Använd inte löst sittande kläder som kan fastna i kvistar och grenar. Bär inte smycken, kortbyxor eller sandaler och gå inte barfota. Sätt upp håret ordentligt så att det inte hänger nedanför axlarna.



- Vid förflyttning ska motorn stängas av.
- Ställ aldrig ned maskinen med motorn igång utan att du har uppsikt över den.
- Håll alltid maskinen med båda händerna. Håll maskinen vid sidan av kroppen.
- Se till att du inte kommer åt mossrivaren med händerna eller fötterna när motorn är i gång.
- När du har stängt av motorn håller du händer och fötter borta från mossrivaren tills den har stannat helt.
- Stoppa maskinen om den börjar vibrera kraftigt. Om du har en bensindriven produkt ska du koppla bort tändkabeln från tändstiftet. Om du har en batteridriven produkt tar du bort batteriet från produkten. Se till att maskinen inte är skadad. Reparera eventuella skador.

Personlig skyddsutrustning



VARNING: Läs varningsinstruktionerna nedan innan du använder produkten.

- Använd alltid godkänd personlig skyddsutrustning när du använder produkten. Personlig skyddsutrustning kan inte eliminera skaderisken helt, men den reducerar effekten av en skada vid ett eventuellt olyckstillbud. Be din återförsäljare om hjälp med att välja rätt utrustning.

- Ha första förband nära till hands.



Säkerhetsanordningar på tillbehöret



WARNING: Läs varningsinstruktionerna nedan innan du använder tillbehöret.

I det här avsnittet beskrivs säkerhetsutrustningen för tillbehöret, vilken funktion det har samt hur du utför kontroll och underhåll för att säkerställa att det fungerar. Se anvisningarna under rubriken *Tillbehörsöversikt på sida 211* för information om var de här delarna är placerade på tillbehöret.

Tillbehörets livslängd kan förkortas och risken för olyckor kan öka om underhåll av tillbehöret inte utförs på rätt sätt och om service och reparationer inte utförs av specialutbildade tekniker. Kontakta din serviceverkstad om du behöver ytterligare information.



WARNING: Använd aldrig ett tillbehör med defekta säkerhetskomponenter. Tillbehörets säkerhetsutrustning ska kontrolleras och underhållas som beskrivs i detta avsnitt. Om tillbehöret inte klarar alla kontroller ska serviceverkstad uppsökas för reparation.



WARNING: All service och reparation av produkten kräver specialutbildning. Detta gäller särskilt produktens säkerhetsutrustning. Om produkten inte klarar någon av nedan listade kontroller ska du uppsöka en serviceverkstad. Ett köp av någon av våra produkter garanterar att du

kan få en fackmannamässig reparation och service utförd. Om återförsäljaren som säljer produkten inte är en serviceverkstad kan du fråga dem om närmaste serviceverkstad.

Säkerhetsinstruktioner för underhåll



WARNING: Läs varningsinstruktionerna nedan innan du utför underhåll.

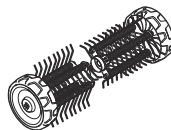


WARNING: Stanna alltid motorn innan du utför underhåll på tillbehöret. Var försiktig eftersom tillbehöret kan fortsätta röra sig när du har släppt gasreglaget/-trycket. Se till att tillbehöret har stannat. Om du har en bensindriven produkt ska du koppla bort tändkabeln från tändstiftet. Om du har en batteridriven produkt tar du bort batteriet.



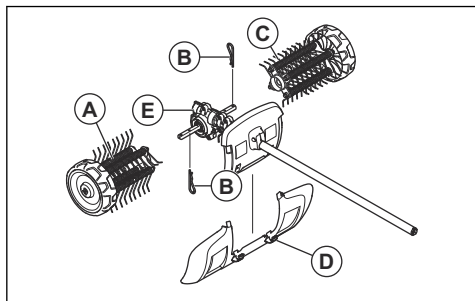
WARNING: Använd skyddshandskar.

- Inspektera hela produkten innan du påbörjar arbetet. Kontrollera att alla skydd och kåpor är hela och ordentligt fastsatta. Inspektera alla muttrar och skruvar.
- Om du har en bensindriven produkt kontrollera du att det inte finns något bränsleläckage.
- Byt ut skadade delar.



Montering

Montera tillbehöret

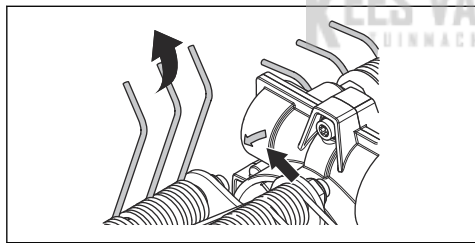


Pilen på växelhuset visar rotationsriktningen. Växelhuset ska placeras enligt bild.

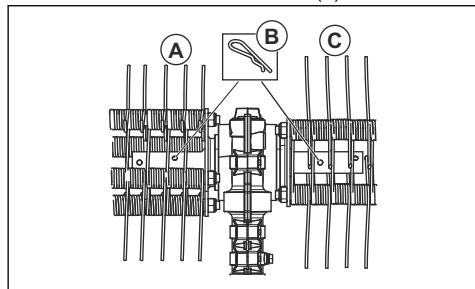
VIKTIGT:

Mossrivarvalsarna är märkta med pilar som anger rotationsriktningen. Se till att mossrivarvalsarna är rätt monterade.

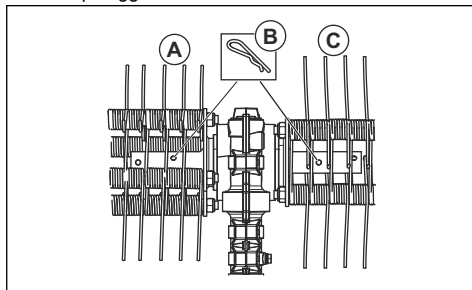
Mossrivarvalsarna ska monteras något förskjutna i förhållande till varandra. Mossrivarens fjädrar ska peka i samma riktning som rotationsriktningspilen på växeln visar.



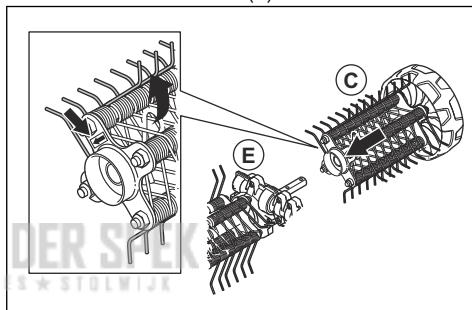
1. Tryck på den vänstra mossrivaren (A) på den vänstra drivaxeln från växelhuset (E).



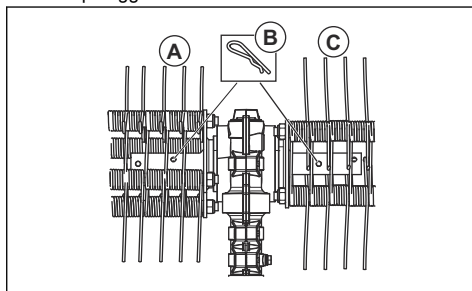
2. Fäst mossrivarvalsens med saxpinnen (B) i innersta hålet på riggröret.



3. Tryck på den högra mossrivaren (C) på den högra drivaxeln från växelhuset (E).



4. Fäst mossrivarvalsens med saxsprinten (B) i innersta hålet på riggröret.



5. Montera stänkskyddet med hjälp av snäppfästena (D).

Notera: Information om hur du monterar tillbehör på basprodukten finns i handboken för basprodukten.

Drift

Starta produkten med kall motor

Om du har en bensindriven produkt följer du dessa instruktioner för att starta produkten med kall motor.

1. Kör basprodukten varm och stäng sedan av produkten.
2. Montera tillbehöret enligt monteringsanvisningen.
3. När du justerar förgasaren måste du hålla mossrivaren mot marken och se till att det inte finns någon i närheten.
4. Se till att mossrivaren stannar på tomgång.
5. Se till att handtag och säkerhetsfunktioner är i ordning. Använd aldrig produkter som saknar någon del eller som har ändrats så att de inte längre uppfyller specifikationerna.

Använda tillbehöret

1. Kör mossrivaren på full (eller nästa full) gas med hjulen vilande på underlaget.

Notera: Det är både tröttsamt och onödigt att lyfta upp eller hålla mossrivaren ovanför underlaget när du arbetar.

2. Håll en liten arbetsvinkel mot underlaget. Med stor arbetsvinkel kommer mossrivaren att röra sig mot dig och vilket gör att du riskerar att tappa kontrollen över den.



Underhåll

Introduktion

Nedan följer några allmänna underhållsinstruktioner. Kontakta en serviceverkstad om du behöver ytterligare information.

Underhålla tillbehöret



OBSERVERA: Arbetet med mossrivare sker ofta under dammiga förhållanden. Om du har en bensindriven produkt är det mycket viktigt att du underhåller luftfiltret regelbundet, oftast varje dag, och att du oljar in det för att det ska fungera på rätt sätt.

Se kraftaggregatets användarhandbok för underhållsinstruktioner.

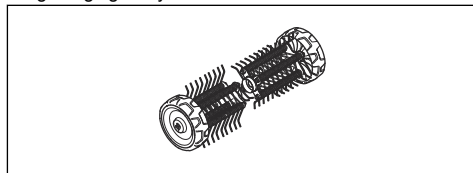


VARNING: Använd alltid skyddshandskar när du utför underhåll på tillbehöret.



VARNING: Efter arbete med produkten blir växelhuset varmt. Ta ej på växeln för att undvika brännskador.

1. Se till att mossrivaren inte roterar när du släpper gasreglaget/-trycket.



2. Rengör hjulen om de inte roterar fritt.

Transport, förvaring och kassering

Transport och förvaring

Om du transporterar tillbehöret på ett annat fordon ska du alltid använda godkända fästanordningar och se till att tillbehöret sitter fast ordentligt.

Se till att tillbehöret är väl rengjort och att fullständig service är utförd före långtidförvaring.

Tekniska data

Tekniska data för bensindrivna produkter

Mossrivare	DT600
Bredd, mm	556
Vikt	
Vikt, kg	6,5
Bulleremissioner ¹²⁷	
Ljudeffektnivå, uppmätt dB(A)	105
Ljudeffektnivå, garanterad L _{WA} dB(A)	109
Ljudnivåer ¹²⁸	
Ekvivalent ljudtrycksnivå vid användarens öra, mätt enligt EN ISO 22868, dB(A)	95
Vibrationer ¹²⁹	
Vibrationsnivåer (a _{h_v,eq}) i handtag, uppmätt enligt EN ISO 22867, m/s ²	
Främre/bakre handtag	6,2/4,3

Tekniska data för batteridrivna produkter

325ILK + mossrivartillbehöret DT600	
Bredd, mm	556
Vikt	
Vikt, kg	2,3 + 6,5
Emission av buller ¹³⁰	
Ljudeffektnivå, uppmätt dB(A)	89
Ljudnivåer ¹³¹	
Ljudtrycksnivå vid användarens öra mätt enligt EN ISO 22868, dB(A):	77

¹²⁷ Mätt med Husqvarna-godkända tillbehör. Emission av buller till omgivningen uppmätt som ljudeffekt (L_{WA}) enligt EG-direktiv 2000/14/EG. Rapporterad ljudeffektnivå för maskinen har uppmätts med den originalsärutrustning som ger den högsta nivån. Skillnaden mellan garanterad och uppmätt ljudeffekt är att den garanterade ljudeffekten också inkluderar spridning i mätresultatet och variationen mellan olika maskiner av samma modell enligt direktiv 2000/14/EG.

¹²⁸ Mätt med Husqvarna-godkända tillbehör. Rapporterade data för ekvivalent ljudtrycksnivå för maskinen har en typisk statistisk spridning (standardavvikelse) på 1 dB (A).

¹²⁹ Mätt med Husqvarna-godkända tillbehör. Rapporterade data för ekvivalent vibrationsnivå har en typisk statistisk spridning (standardavvikelse) på 1 m/s².

¹³⁰ Rapporterade data för ljudtrycksnivå för maskinen har en typisk statistisk spridning (standardavvikelse) på 3 dB(A) och har mätts med det originaltillbehör som ger den högsta nivån.

¹³¹ Rapporterade data för ljudtrycksnivå för maskinen har en typisk statistisk spridning (standardavvikelse) på 3 dB(A) och har mätts med det originaltillbehör som ger den högsta nivån.

325iLK + mossrivartillbehöret DT600	
Vibrationer¹³²	
Vibrationsnivåer i handtagen mätt enligt EN 62841-1, m/s ²	
Främre/bakre handtag	1,9/2,6
Utrustad med godkänt tillbehör (original), vänster/höger	1,9/2,6

KEES VAN DER SPEK
TUINMACHINES ★ STOLWIJK

¹³² Rapporterade data för vibrationsnivå har en typisk statistisk spridning (standardavvikelse) på 2 m/s². Vid jämförelse av vibrationsnivåer mellan batteri- och förbränningsdrivna produkter används vibrationsberäknaren på <https://www.husqvarna.com/uk/services-solutions/vibration-calculator/>.

EG-försäkran om överensstämmelse

EG-försäkran om överensstämmelse för bensindrivna produkter

Husqvarna AB, 561 82 Huskvarna, Sverige, tel: +46-36-146500, försäkrar härmed att mossrivaren **Husqvarna DT600** med serienummer från 2019 och framåt (året anges tydligt på typskylten, följt av serienumret) motsvarar föreskrifterna i RÅDETS DIREKTIV:

- av den 17 maj 2006 "angående maskiner" **2006/42/EG**
- av den 8 juni 2011 "begränsning av användning av vissa farliga ämnen i elektrisk och elektronisk utrustning" **2011/65/EU**
- av den 8 maj 2000 "angående emission av buller i miljö" **2000/14/EU**

Följande standarder gäller för bensindrivna produkter:

SS-EN ISO 12100:2010, EN IEC 63000:2018

RISE SMP Svensk Maskinprovning AB, Box 7035, 750 07 Uppsala, Sverige, har utfört frivillig typkontroll på uppdrag av Husqvarna AB. Certifikatet har nummer **SEC/15/2411 - Husqvarna DT600**

Huskvarna , 2021-02-12



Pär Martinsson, utvecklingschef (auktoriserad representant för Husqvarna AB och ansvarig för tekniskt underlag).

EG-försäkran om överensstämmelse för batteridrivna produkter

Husqvarna AB, 561 82 Huskvarna, Sverige, tel: +46-36-146500, försäkrar härmed att mossrivaren **Husqvarna DT600 med kraftaggregatet Husqvarna 325iLK** med serienummer från 2019 och framåt (året anges tydligt på typskylten, följt av serienumret) motsvarar föreskrifterna i Rådets direktiv:

- av den 17 maj 2006 "angående maskiner" **2006/42/EG**
- av den 8 juni 2011 "begränsning av användning av vissa farliga ämnen i elektrisk och elektronisk utrustning" **2011/65/EU**

Följande standarder gäller för batteridrivna produkter:

EN 62841-1:2015, EN 50636-2-92:2014, EN IEC 63000:2018

RISE SMP Svensk Maskinprovning AB, Box 7035, 750 07 Uppsala, Sverige, har utfört frivillig typkontroll på uppdrag av Husqvarna AB. Certifikatet har nummer **SEC/15/2411 - Husqvarna DT600**

För information om emission av buller, se *Tekniska data på sida 218*.

Huskvarna , 2021-02-12



Pär Martinsson, utvecklingschef (auktoriserad representant för Husqvarna AB och ansvarig för tekniskt underlag).

KEES VAN DER SPEK
TUINMACHINES * STOLWIJK

İçindekiler

Giriş.....	221	Bakım.....	227
Güvenlik.....	222	Taşıma, depolama ve atma.....	227
Montaj.....	226	Teknik veriler.....	228
Çalışma.....	227	AT Uyumluluk Bildirimi.....	230

Giriş

Ürün açıklaması

Sahip olduğumuz sürekli ürün geliştirme politikamız nedeniyle önceden bildirimde bulunmaksızın ürünlerin tasarımı ve görünümü ile ilgili değişiklikler yapma hakkını saklı tutarız.

Not: Bu kılavuzda, hem benzinle hem de aküyle çalışan güç üniteleri ele alınmaktadır.

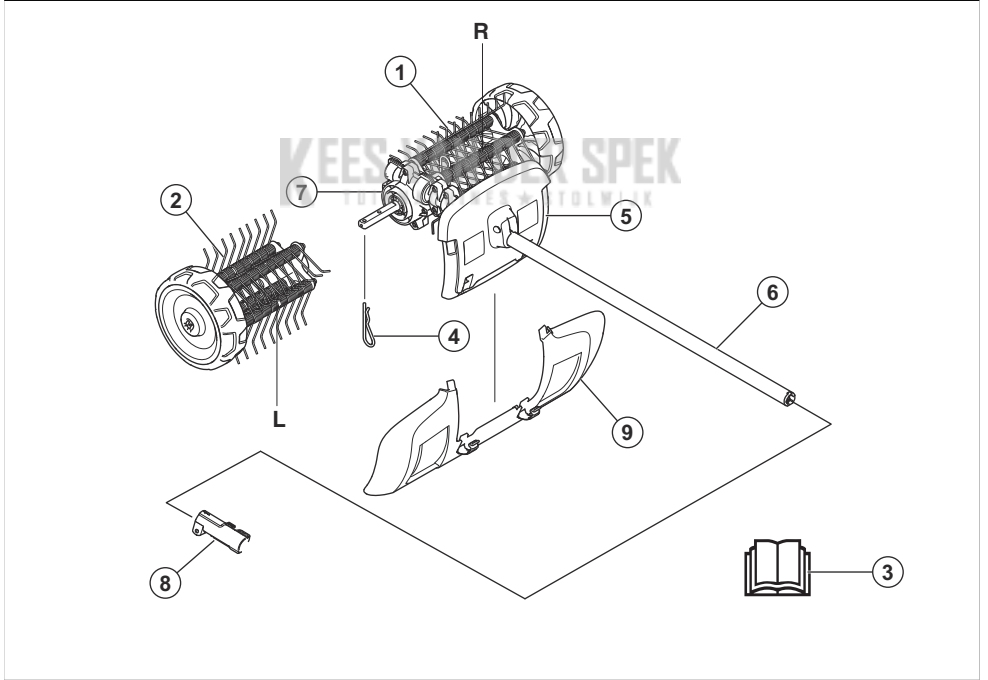
Kullanım amacı



UYARI: Bu ataşman yalnızca ilgili ürünle birlikte kullanılabilir, ürünün Kullanım Kılavuzu'ndaki aksesuar bölümüne bakın.

Ataşman yalnızca çimenlik alanlardaki yosunları ayırıştırmak için tasarlanmıştır.

Ataşmana genel bakış



1. Yosun ayırıştırıcı, sağ
2. Yosun ayırıştırıcı, sol
3. Kullanım kılavuzu
4. Kopilya
5. Siperlik (Mil koruması)
6. Mil
7. Dişli yuvası
8. Mil bağlantısı (Ürünle birlikte verilir)
9. Sıçrama siperliği

Ataşman ve güç ünitesindeki semboller



Bu ataşmanın dikkatsiz veya hatalı kullanımı operatörde ya da başka kişilerde ciddi veya ölümcül yaralanmalara neden olabilir.



Kullanım kılavuzunu dikkatle okuyun ve ataşmanı kullanmadan önce talimatları anladığınızdan emin olun.



Onaylanmış kulak koruma ekipmanı kullanın. Onaylı koruyucu gözlük kullanın. Toz riski varsa bir solunum maskesi kullanın.



Bu ataşman geçerli AT direktiflerine uygundur.



Döner parçalar. Ellerinizi ve ayaklarınızı uzak tutun. Ok, dönme yönünü gösterir.



Her zaman onaylı koruyucu eldivenler giyin.



Sağlam, kaymaz botlar giyin.



Atılan nesnelere ve seken cisimlere dikkat edin.



Operatör hiçbir insan veya hayvanın 15 m'den fazla yaklaşmadığından emin olmalıdır. Aynı sahada birden fazla operatör çalışıyorsa en az 15 m güvenlik mesafesi uygulanmalıdır. Ataşman, geriye sıçrayabilecek nesnelere güçlü bir şekilde fırlatabilir. Bu, önerilen güvenlik donanımı kullanılmazsa ciddi göz yaralanmalarına neden olabilir.



Ürünü kullanırken başka kişilerle ve hayvanlarla aranızda en az 15 m/50 ft mesafe bırakın.



Vücudunuzun tüm parçalarını sıcak yüzeylerden uzak tutun.



Avrupa Topluluğu Direktifi uyarınca çevreye yayılan gürültü emisyonu. Ataşmanın emisyonu Teknik veriler bölümünde ve etiketin üstünde belirtilmektedir.

Not: Ataşmanın üzerindeki diğer semboller/etiketler, belirli pazarların sertifikalandırma gereklilikleri ile ilgilidir.

Güvenlik

Güvenlik tanımları

Kullanım kılavuzundaki önemli kısımları vurgulamak için uyarılar ve notlar kullanılmıştır.



UYARI: Kılavuzdaki talimatlara uyulmadığı takdirde operatör veya çevredeki kişiler için ciddi yaralanma veya ölüm tehlikesi varsa kullanılır.



DİKKAT: Kılavuzdaki talimatlara uyulmadığı takdirde ürünün ve/veya ataşmanın, diğer malzemelerin ya da çevrenin zarar görme riski olduğunda kullanılır.

Not: Belirli bir durumda bilgi verilmesi gerektiğinde kullanılır.

Genel güvenlik talimatları



UYARI: Ataşmanı kullanmadan önce aşağıdaki güvenlik talimatlarını okuyun.

- Lütfen kullanım kılavuzunu dikkatle okuyun ve ataşmanı kullanmadan önce talimatları anladığınızdan emin olun.
- Bu talimatlar ürünle birlikte verilen talimatları tamamlar. Diğer işlemler için lütfen ürün çalıştırma talimatlarına bakın.

- Üreticinin izni alınmadan ataşman tasarımında hiçbir şekilde değişiklik yapılamaz. Başkaları tarafından üzerinde değişiklik yapılmış gibi görünen bir ataşmanı kullanmayın ve her zaman orijinal aksesuarları kullanın. Onaylanmayan değişiklikler ve/veya aksesuarlar operatörler veya diğerleri için ciddi kişisel yaralanmalara veya ölüme yol açabilir.

Tüm talimatları okuyun



UYARI: Yangın, elektrik şoku ve/veya kişisel yaralanma riskini azaltmak için elektrikli bahçe cihazlarını kullanırken aşağıdakiler dahil olmak üzere temel güvenlik önlemlerine daima uyulmalıdır:

Ayrırcı güvenlik talimatları

- Çocukların, fiziksel, duyuşsal veya zihinsel becerileri kısıtlı kişilerin, yeterli deneyime ve birikime sahip olmayan ya da bu talimatlar hakkında bilgisi olmayan kişilerin ürünü kullanmasına kesinlikle izin vermeyin. Yerel yönetmeliklerde operatör yaşı konusunda bir sınırlama olabilir.
- Başta çocuklar olmak üzere yakınınızda başka kişiler veya hayvanlar varken ürünü asla çalıştırmayın.
- Erişim alanınızın dışındaki yerlere uzanmaya çalışmayın ve her zaman denginizi koruyun. Eğimli alanlarda daima yere sağlam bastığınızdan emin olun. Yürüyün, asla koşmayın.
- Makinenin şebeke bağlantısı kesilmeden ve hareketli tehlikeli parçalar tamamen durmadan tehlikeli ve hareketli parçalara dokunmayın.
- Makineyi kullanırken daima uygun ayakkabı ve uzun pantolon giyin.
- Ürün gözetimsiz bırakıldığında, tıkanıklığı gidermeden ve ürünü temizlemeden önce ya da ürün üzerinde çalışmadan önce aküyü üründen çıkarın.
- Örneğin yabancı bir cisme çarpıldığında veya ürün anormal şekilde titremeye başladığında hasar kontrolü yapmadan önce aküyü üründen çıkarın.
- Hasarlı bir kabloyu güç kaynağına bağlamayın ve güç kaynağı ile bağlantısı kesilmeden hasarlı bir kabloya dokunmayın. Hasarlı bir kablo, elektrikli parçalarla temas ve yaralanma ya da ölüme neden olabilir.
- Ürünü; siperlikleri/koruyucuları kusurlu haldeyken, güvenlik cihazları olmadan veya kabloları hasarlı ya da aşınmış şekildedeyken asla çalıştırmayın.
- Kabloların elektrikli parçalarla temas etmesine yol açabilecek şekilde hasar görmesini önlemek için uzatma kablolarını hareketli ve tehlikeli parçalardan uzak tutun.
- Ürünü yalnızca en fazla 30 mA kesme akımına sahip bir artık akım cihazı (RCD) tarafından korunan bir güç kaynağı devresine bağlayın.
- Ürünü kötü hava koşullarında; özellikle de yıldırım düşmesi riski olduğu durumlarda kullanmayın.

Kullanım için güvenlik talimatları



UYARI: Ürünü kullanmadan önce aşağıdaki uyarı talimatlarını okuyun.

- Durdurma anahtarı otomatik olarak çalıştırma konumuna döner. Montaj, kontrol ve/veya bakım sırasında istenmeyen çalışmayı önlediğinizden emin olun. Benzinle çalışan bir ürününüz varsa buji kapağının buji ile bağlantısını kesin. Aküyle çalışan bir ürününüz varsa aküyü çıkarın.
- Savrulan nesnelere dikkat edin. Daima koruyucu gözlük takın. Asla yosun ayırıştırıcının üzerine eğilmeyin. Taşlar, çöpler vs. gözlere fırlatabilir ve körlüğe veya ciddi yaralanmalara neden olabilir.
- Kullanım sırasında dişli ısınabilir ve kullanımdan sonra bir süre sıcak kalabilir. Dokunursanız yanabilirsiniz.
- Tambur fırçalar çim biçme makineleriyle aynı güçte olmasa da, örneğin, fırladığında yaralanmaya veya mal zararına neden olabilecek maddelerle çalışmamalısınız.
- Bir kaza durumunda yardım istemeyecekseniz makineyi kullanmayın.
- Makineyi yalnızca hedeflenen amaç için kullanın.
- Yorgunsanız, alkol aldıysanız veya görüşünüzü, karar verme yetinizi ya da koordinasyonunuzu etkileyebilecek ilaç alıyorsanız makineyi asla kullanmayın.
- Makineyi aşırı soğuk, aşırı sıcak ve/veya nemli iklimler gibi ağır hava koşullarında asla kullanmayın.
- Hiçbir zaman arızalı bir makineyi kullanmayın. Bu kılavuzda belirtilen güvenlik kontrolleri ile bakım ve servis talimatlarına uyun. Bazı bakım ve servis işlerinin sadece yetkili ve kalifiye teknisyenler tarafından yapılması gerekir. Bakım başlığı altındaki talimatlara bakın.
- Çocukların makineyi kullanmasına asla izin vermeyin.
- Kullanım kılavuzunun içindeki bilgileri tam olarak okuyup anladığınızdan emin olmadığınız kişilerin makineyi kullanmasına kesinlikle izin vermeyin.
- Yetkisiz kişileri yaklaştırmayın. Çalışırken çocuklar, hayvanlar, izleyenler ve yardımcı olan kişiler 15 m'lik güvenlik bölgesinin dışında tutulmalıdır. Herhangi bir kimse yaklaşırsa makineyi derhal durdurun.
- Nasıl devam etmeniz gerektiği konusunda emin olmadığınız bir durumla karşılaşırsanız bir uzmana danışmalısınız. Bayınız veya servis atölyenizle iletişime geçin.
- Yapabileceğinizin ötesinde olduğunu düşündüğünüz hiçbir çalışmayı yapmayın.
- Çevrenize dikkat edin ve insanların veya hayvanların ürüne temas etme ya da ürün üzerindeki kontrolünüzü etkileme riski olmadığınızdan emin olun.
- Kulak koruma aygıtı taktığınızda, uyarı sinyalleri veya bağırma seslerini dinleyiniz. Motor durur durmaz kulak koruma ekipmanınızı hemen çıkarın.

- Yoğun sis, sağanak yağış, şiddetli rüzgar, aşırı soğuk gibi kötü hava koşullarında makineyi kullanmayın. Kötü hava koşullarında çalışmak yorucudur ve beraberinde buzlu zemin gibi ilave riskler getirir.
- Güvenli bir şekilde hareket edebildiğinizden ve ayakta durabildiğinizden emin olun. Ani hareket etmeniz gerekebileceğini göz önünde bulundurarak çevrenizdeki olası engelleri (kökler, taşlar, dallar, hendekler vs.) kontrol edin. Meyilli yüzeyde çalışırken daha dikkatli olun.



- Hareket etmeden önce motorun kapatılması gerekir.
- Görüş alanınızda değilken makineyi motor çalışır halde asla yere koymayın.
- Makineyi tutmak için mutlaka iki elinizi birlikte kullanın. Makineyi vücudunuzun yan tarafında tutun.
- Makine çalışır durumdayken ellerinizi ve ayaklarınızı yosun ayırıştırıcıya yaklaştırmayın.
- Motor kapatıldığında tamamen durana kadar ellerinizi ve ayaklarınızı yosun ayırıcıdan uzak tutun.
- Şiddetli titreşim olursa makineyi durdurun. Benzinle çalışan bir ürününüz varsa HT kablosunu bujiden çıkarın. Aküyle çalışan bir ürününüz varsa aküyü üründen çıkarın. Makinenin zarar görmemiş olduğundan emin olun. Hasarları tamir edin.

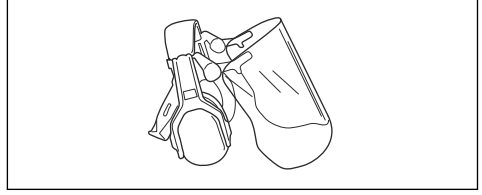
Kişisel koruyucu ekipman



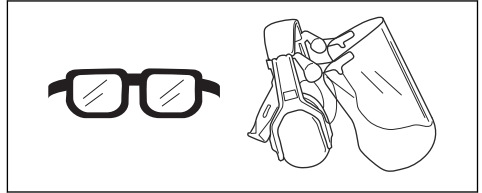
UYARI: Ürünü kullanmadan önce aşağıdaki uyarı talimatlarını okuyun.

- Ürünü kullanırken daima onaylı kişisel koruyucu ekipmanları kullanın. Kişisel koruyucu ekipmanlar yaralanma riskini tamamen engelleyemez ancak bir kaza durumunda yaralanmanın derecesini azaltır. Bayinizin doğru ekipmanı seçmenize yardımcı olmasını sağlayın.
- Yeterli gürültü azaltması sağlayan onaylı kulak koruma ekipmanını kullanın. Uzun süre gürültüye

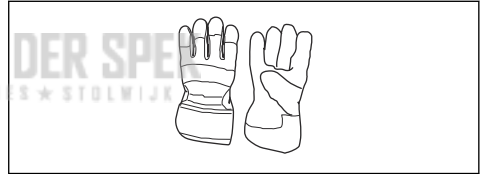
maruz kalınması sürekli işitme bozukluğuna yol açabilir.



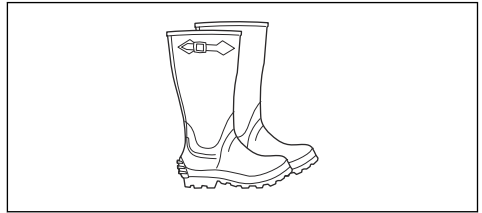
- Onaylı koruyucu gözlük kullanın. Vizör kullanıyorsanız onaylı koruma gözlüğü de kullanmanız gerekir. Onaylı koruma gözlükleri ABD'de ANSI Z87.1, AB ülkelerinde EN 166 standardıyla uyumlu olmalıdır.



- Kesme donanımını takma, kontrol etme veya temizleme gibi eldiven gerektiren durumlarda eldiven kullanın.

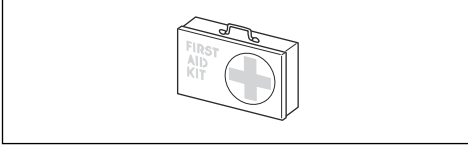


- Çelik burunlu ve kaymaz tabanlı koruyucu botlar kullanın.



- Sağlam kumaştan yapılmış kıyafetler kullanın. Daima kalın ve uzun pantolonlarla uzun kollu kıyafetler kullanın. Çalırla ve dallara takılabilecek bol kıyafetler kullanmayın. Takı takmayın; şort, sandalet giymeyin veya çıplak ayakla dolaşmayın. Saçınızı güvenli bir şekilde omuz hizasının üzerinde toplayın.

- İlk yardım ekipmanını yakında bulundurun.



Ataşman üzerindeki güvenlik araçları



UYARI: Ataşmanı kullanmadan önce aşağıdaki uyarı talimatlarını okuyun.

Bu bölümde ataşmanın güvenlik özellikleri, amacı ve ataşmanın düzgün çalışması için bakım ve kontrollerin nasıl yürütülmesi gerektiği açıklanmaktadır. Bu parçaların ataşmanızın neresinde bulunduğunu görmek için *Ataşmana genel bakış sayfa: 221* başlığı altındaki talimatları okuyun.

Ataşman bakımı doğru şekilde yapılmazsa ve servis ve/veya onarım işlemleri profesyonel olarak gerçekleştirilmezse ataşmanın kullanım ömrü azalabilir ve kaza riski artabilir. Daha fazla bilgiye ihtiyacınız olursa lütfen en yakın servis bayisiyle iletişime geçin.



UYARI: Güvenlik bileşenleri kusurlu olan bir ataşmanı asla kullanmayın. Ataşmanın güvenlik ekipmanı bu bölümde açıklandığı gibi kontrol edilmeli ve bakıma alınmalıdır. Ataşmanızın bu kontrollerden herhangi birini geçemezse onarım için servis nokتانızla iletişime geçin.



UYARI: Ürünün servis ve onarım işlemlerinin tümü özel eğitim gerektirir. Bu durum özellikle ürünün güvenlik donanımı için geçerlidir. Ürününüz aşağıda açıklanan kontrollerin herhangi birinden başarıyla geçemezse servis nokتانızla iletişime geçmeniz gerekir. Herhangi bir ürünümüzü satın aldığınızda profesyonel tamir ve servis

hizmetlerinin mevcut bulunduğunu garanti etmekteyiz. Ürününüzü satan bayi bir servis bayisi değilse size en yakın servis nokتانının adresini sorun.

Bakım için güvenlik talimatları



UYARI: Bakım yapmadan önce aşağıdaki uyarı talimatlarını okuyun.

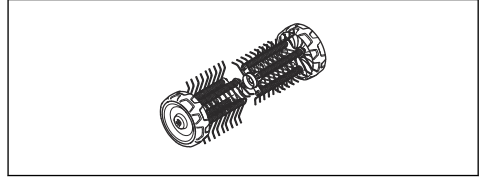


UYARI: Ataşman üzerinde bakım yapmadan önce daima ürünü durdurun. Ataşman, gaz/güç tetiği serbest bırakıldıktan sonra bile hareket etmeye devam edebileceğinden dikkatli olun. Ataşmanın tamamen durdurulduğundan emin olun. Benzinle çalışan bir ürününüz varsa HT kablosunu bujiden çıkarın. Aküyle çalışan bir ürününüz varsa aküyü çıkarın.



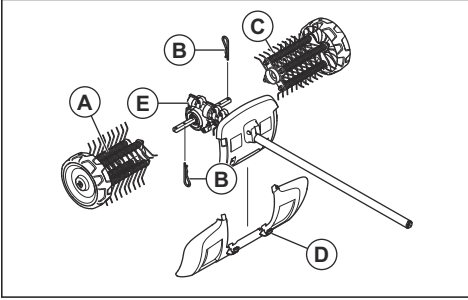
UYARI: Daima koruyucu eldivenler kullanın.

- Başlamadan önce ürünü tamamen kontrol edin. Siperliklerin ve kapakların tamamının yerinde olup olmadığını ve güvenli şekilde sabitlenip sabitlenmediğini kontrol edin. Tüm somunları ve vidaları kontrol edin.
- Benzinle çalışan bir ürününüz varsa yakıt sızıntısı olup olmadığını kontrol edin.
- Hasarlı parçaları değiştirin.



Montaj

Ataşmanın monte edilmesi

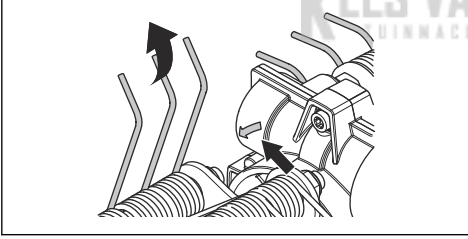


Dişli kovanının üzerindeki ok, dönme yönünü gösterir. Dişli kovana gösterilen şekilde yerleştirilmelidir.

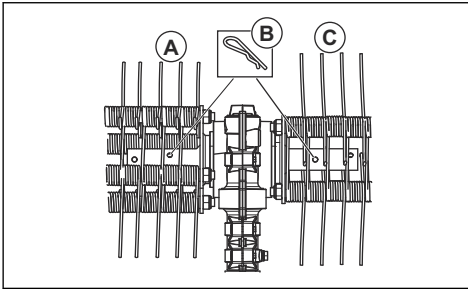
ÖNEMLİ:

Yosun ayrıştırıcı silindirleri dönme yönünü gösteren oklarla işaretlenmiştir. Yosun ayrıştırıcı silindirlerinin düzgün şekilde takıldığından emin olun.

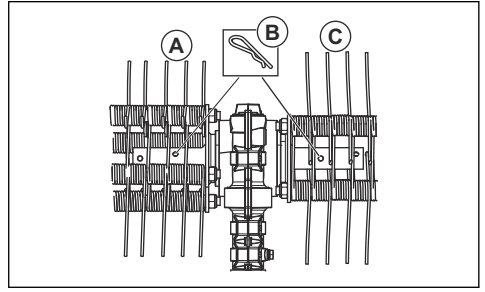
Yosun ayrıştırıcı silindirleri, birbirlerine göre yerleri hafifçe farklı olacak şekilde takılmalıdır. Yosun ayrıştırıcı yayları, dişli kovana üzerinde gösterilen dönme yönü okuyla aynı yöne bakmalıdır.



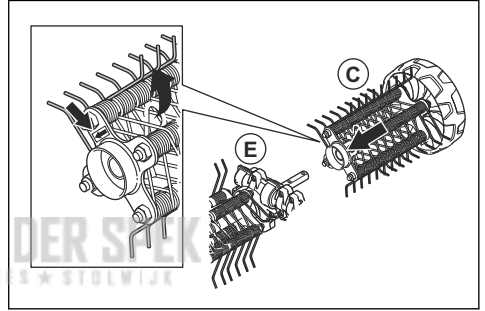
1. Sol yosun ayrıştırıcıyı (A), dişli kovanına (E) göre sol hareket miline doğru bastırın.



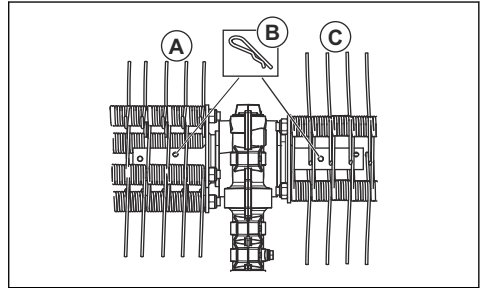
2. Yosun ayrıştırıcıyı çatal pimle (B) milin iç deliğine sabitleyin.



3. Sağ yosun ayrıştırıcıyı (C), dişli kovanına (E) göre sağ hareket miline doğru bastırın.



4. Yosun ayrıştırıcıyı çatal pimle (B) milin iç deliğine sabitleyin.



5. Sıçrama korumasını çitçitlerle (D) monte edin.

Not: Temel üründeki aksesuarların montajı için temel ürünün kılavuzuna bakın.

Çalışma

Ürünü motor soğukken çalıştırma

Benzinle çalışan bir ürününüz varsa ürünü motor soğukken çalıştırmak için bu talimatlara uyun.

1. Temel ürün ısıtma işlemini gerçekleştirin, ardından ürünü kapatın.
2. Atışmanı montaj talimatlarına uygun şekilde monte edin.
3. Karbüratörü ayarlarken çim havalandırıcının yere doğru tutulduğundan ve etrafta kimsenin olmadığından emin olun.
4. Yosun ayırıştırıcıyı boшта çalışır durumda tutun.
5. Tutma yerinin ve güvenlik öğelerinin iyi çalışır durumda olduklarından emin olun. Asla bir parçası eksik veya teknik özelliklerinin dışına çıkacak şekilde değiştirilmiş bir ürün kullanmayın.

Atışmanı kullanma

1. Tekerlekler yüzeye dayanmış durumdayken yosun ayırıştırıcıyı tam gaz (veya tam gaza yakın) çalıştırın.

Not: Çalışırken yosun ayırıştırıcıyı kaldırmak veya zeminin yukarısında tutmak, hem yorucu hem de gereksizdir.

2. Yüzeye yapılan çalışma açısını dar tutun. Çalışma açısı çok büyük olursa yosun ayırıştırıcı size doğru hareket edebilir ve ürünün kontrolünü kaybedebilirsiniz.



Bakım

Giriş

Aşağıda bazı genel bakım talimatlarını bulabilirsiniz. Daha fazla bilgiye ihtiyaç duyarsanız lütfen servisle irtibata geçin.

Atışmada bakım yapma



DİKKAT: Yosun ayırıştırıcı genellikle tozlu ortamlarda kullanılır. Benzinle çalışan bir ürününüz varsa iyi çalışması için hava filtresinin düzenli olarak, genellikle her gün incelenmesi ve yağlanması çok önemlidir.

Bakım talimatları için güç ünitesinin kullanım kılavuzuna bakın.

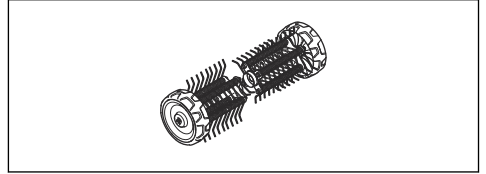


UYARI: Atışman üzerinde bakım yaparken her zaman koruyucu eldivenler takın.



UYARI: Ürün kullanılırken dişli kovani ısınır. Kendinizi yakmaktan sakınmak için dişli kovana dokunmayın.

1. Gaz/güç tetiği serbest bırakıldığında yosun ayırıştırıcının hareket etmediğinden emin olun.



2. Serbestçe dönmüyorsa tekerlekleri temizleyin.

Taşıma, depolama ve atma

Taşıma ve depolama

Atışmanı başka bir araç üzerinde taşıyorsanız daima onaylı sabitleme cihazlarını kullanın ve atışmanın güvenli şekilde tutulduğundan emin olun.

Uzun süreli depolama öncesinde atışmanın temizlendiğinden ve tam bir servis işleminin gerçekleştirildiğinden emin olun.

Teknik veriler

Benzinle çalışan ürünler için teknik veriler

Yosun ayırıcısı	DT600
Genişlik, mm	556
Ağırlık	
Ağırlık, kg	6,5
Gürültü yayma¹³³	
Ses gücü seviyesi, ölçülmüş dB (A)	105
Ses gücü seviyesi, L _{WA} dB (A) garantili	109
Ses seviyeleri¹³⁴	
EN ISO 22868 uyarınca ölçülen operatörün kulağında oluşan eşdeğer ses basınç düzeyi, dB(A):	95
Titreşimler¹³⁵	
EN ISO 22867 uyarınca ölçülen tutma yerlerindeki eşdeğer titreşim düzeyleri (a _{hv,eq}), m/sn ²	
Ön/arka tutma yerleri	6,2/4,3

KES VAN DER SPEK
INES * STOLWIJK

Aküyle çalışan ürünler için teknik veriler

325iLK + Çim havalandırıcı ataşmanı DT600	
Genişlik, mm	556
Ağırlık	
Ağırlık, kg	2,3+6,5
Gürültü yayma¹³⁶	
Ses gücü seviyesi, ölçülen dB (A)	89
Ses seviyeleri¹³⁷	

¹³³ Husqvarna onaylı aksesuarlarla birlikte ölçülmüştür. Ortamda ölçülen gürültü emisyonu, 2000/14/AT sayılı AT direktifi uyarınca ses gücü (L_{WA}) olarak ölçülmüştür. Makine için bildirilen ses seviyesi, en yüksek seviyeyi veren orijinal kesme donanımıyla ölçülmüştür. Garanti edilen ve ölçülen ses düzeyi arasındaki fark, garantili ses gücünün 2000/14/AT Sayılı Direktif doğrultusunda ölçüm sonucundaki dağılımı ve aynı modelden farklı makineler arasındaki değişimleri de içermesidir.

¹³⁴ Husqvarna onaylı aksesuarlarla birlikte ölçülmüştür. Makinenin eşdeğer ses basıncı düzeyi için bildirilen verilerdeki tipik istatistik dağılımı (standart sapma) 1 dB (A) şeklindedir.

¹³⁵ Husqvarna onaylı aksesuarlarla birlikte ölçülmüştür. Eş değer titreşim seviyesi için bildirilen verilerin tipik istatistik dağılımı (standart sapması) 1 m/sn² şeklindedir.

¹³⁶ Makinenin ses gücü seviyesi için bildirilen verilerdeki tipik istatistik dağılımı (standart sapma) 3 dB (A) şeklindedir ve en yüksek seviyeyi veren orijinal ataşmanla ölçülmüştür.

¹³⁷ Makinenin ses basıncı seviyesi için bildirilen verilerdeki tipik istatistik dağılımı (standart sapma) 3 dB (A) şeklindedir ve en yüksek seviyeyi veren orijinal ataşmanla ölçülmüştür.

325ILK + Çim havalandırıcı ataşmanı DT600	
EN ISO 22868 uyarınca ölçülen operatörün kulağında oluşan ses basıncı seviyesi, dB(A):	77
Titreşimler¹³⁸	
EN 62841-1 uyarınca ölçülen tutma yerlerindeki titreşim düzeyleri, m/sn ²	
Ön/arka tutma yerleri	1,9/2,6
Onaylı aksesuarla (orijinal) donatılmış, sol/sağ	1,9/2,6

KEES VAN DER SPEK
TUINMACHINES ★ STOLWIJK

¹³⁸ Titreşim düzeyi için bildirilen verilerin tipik istatistik dağılımı (standart sapması) 2 m/sn² şeklindedir. Akü ve yakıtla çalışan ürünlerin titreşim seviyelerini karşılaştırmak için titreşim hesaplayıcıyı kullanın: <https://www.husqvarna.com/tr/servisler-ve-cozumler/titresim-hesaplayici/>.

AT Uyumluluk Bildirimi

AT Uyumluluk Bildirimi - benzinle çalışan ürünler için

Husqvarna AB, SE-561 82 Huskvarna, İsveç, tel.: +46-36-146500; seri numaraları 2019 veya sonraki tarihli (yıl, seri numarasıyla birlikte nominal değerler plakasında açıkça belirtilmiştir) **Husqvarna DT600** yosun ayırıştırıcının aşağıdaki KONSEY DİREKTİFİ gereksinimleriyle uyumlu olduğunu belirtir:

- 17 Mayıs 2006 tarihli ve **2006/42/AT** sayılı "makinelere ilgili" direktif
- 8 Haziran 2011 tarihli ve **2011/65/AB** sayılı "elektrikli ve elektronik ekipmanlarda belirli tehlikeli maddelerin kullanımının kısıtlanmasına ilişkin" direktif
- 8 Mayıs 2000 tarihli ve **2000/14/AT** sayılı "çevreye gürültü yayma ile ilgili" direktif.

Benzinle çalışan ürünler için aşağıdaki standartlar uygulanmıştır:

SS-EN ISO 12100:2010, EN IEC 63000:2018

RISE SMP Svenska Maskinprovning AB, Box 7035, SE-750 07 Uppsala, İsveç; Husqvarna AB adına gönüllü tip incelemesi gerçekleştirmiştir. Sertifika numarası: **SEC/15/2411 - Husqvarna DT600**

Huskvarna , 2021-02-12



Pär Martinsson, Geliştirme Müdürü (Husqvarna AB yetkili temsilcisi ve teknik dokümantasyon sorumlusu.)

AT Uyumluluk Bildirimi - aküyle çalışan ürünler için

Husqvarna AB, SE-561 82 Huskvarna, İsveç, tel.: +46-36-146500; seri numaraları 2019 veya sonraki tarihli (yıl, seri numarasıyla birlikte nominal değerler plakasında açıkça belirtilmiştir) **Husqvarna 325iLK güç ünitesine sahip Husqvarna DT600 yosun ayırıştırıcı ataşmanınin** aşağıdaki KONSEY DİREKTİFİ gereksinimleriyle uyumlu olduğunu belirtir:

- 17 Mayıs 2006 tarihli ve **2006/42/AT** sayılı "makinelere ilgili" direktif
- 8 Haziran 2011 tarihli ve **2011/65/AB** sayılı "elektrikli ve elektronik ekipmanlarda belirli tehlikeli maddelerin kullanımının kısıtlanmasına ilişkin" direktif

Akülü ürünler için aşağıdaki standartlar uygulanmıştır:

EN 62841-1:2015, EN 50636-2-92:2014, EN IEC 63000:2018

RISE SMP Svenska Maskinprovning AB, Box 7035, SE-750 07 Uppsala, İsveç; Husqvarna AB adına gönüllü tip incelemesi gerçekleştirmiştir. Sertifika numarası: **SEC/15/2411 - Husqvarna DT600**

Gürültü emisyonları ile ilgili bilgi için bkz. *Teknik veriler sayfa: 228.*

Huskvarna , 2021-02-12



Pär Martinsson, Geliştirme Müdürü (Husqvarna AB yetkili temsilcisi ve teknik dokümantasyon sorumlusu.)

KEES VAN DER SPEK
TUINMACHINES * STOLWIJK

Sommario

Introduzione.....	231	Manutenzione.....	237
Sicurezza.....	232	Trasporto, stoccaggio e smaltimento.....	238
Montaggio.....	236	Dati tecnici.....	238
Utilizzo.....	237	Dichiarazione di conformità CE.....	240

Introduzione

Descrizione del prodotto

Procediamo costantemente allo sviluppo dei nostri prodotti e ci riserviamo quindi il diritto di apportare, senza alcun preavviso, modifiche riguardanti fra l'altro la forma e l'aspetto esteriore.

Nota: Questo manuale tratta unità a benzina e a batteria.

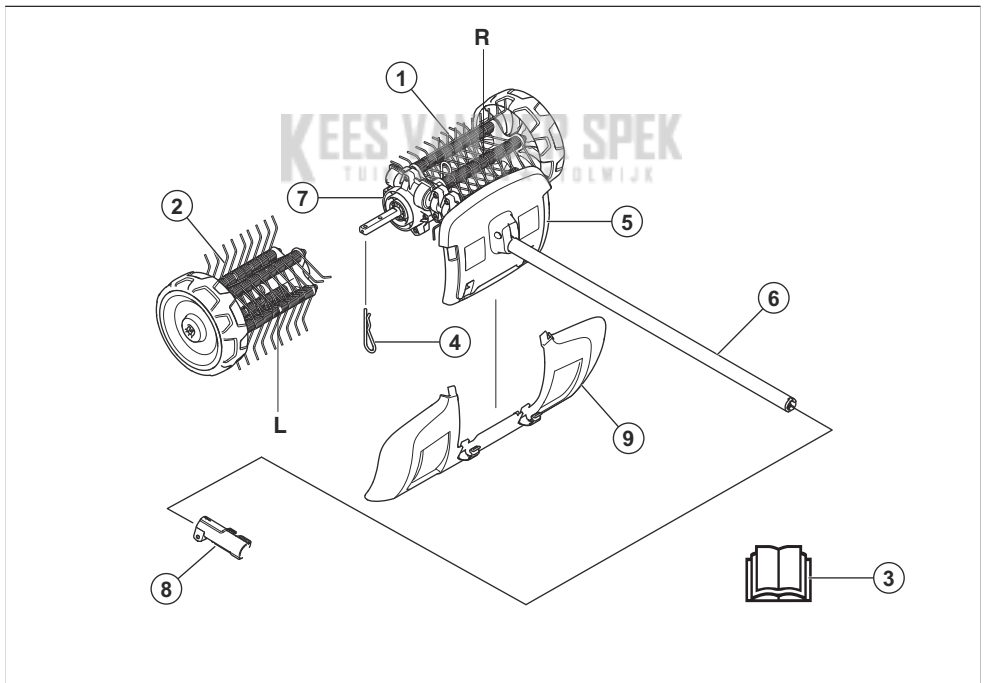
Uso previsto



AVVERTENZA: Questo accessorio può essere usato solo insieme al prodotto per cui è stato progettato, vedere il capitolo sugli accessori nel manuale dell'operatore del prodotto.

L'accessorio è concepito esclusivamente per eliminare il muschio dai prati.

Panoramica dell'accessorio



1. Arieggiatore muschio destro
2. Arieggiatore muschio sinistro
3. Manuale dell'operatore
4. Spina
5. Protezione (sull'albero)
6. Albero
7. Scatola ingranaggi
8. Raccordo dell'albero (in dotazione con il prodotto)
9. Paraspruzzi

Simboli su accessorio e unità:



L'uso negligente o improprio di questo accessorio può provocare lesioni gravi o mortali all'operatore o a terzi.



Prima di usare l'accessorio, leggere attentamente il manuale dell'operatore e accertarsi di averne compreso il contenuto.



Usare cuffie protettive omologate. Utilizzare protezioni per gli occhi omologate. Utilizzare una mascherina se esiste il rischio di inalare la polvere.



Il presente accessorio è conforme alle vigenti direttive CE.



Parti rotanti. Tenere lontani mani e piedi. La freccia indica la direzione di rotazione.



Utilizzare sempre guanti protettivi omologati.



Usare stivali robusti e antistrucchio.



Pericolo di proiezione di oggetti e particelle.



L'operatore deve assicurarsi che non vi siano persone o animali a una distanza inferiore a 15 m. Quando più operatori lavorano nello stesso luogo, mantenere una distanza di sicurezza di almeno 15 m. L'accessorio può urtare violentemente oggetti che possono rimbalzare, causando seri danni agli occhi se non vengono usati i dispositivi di sicurezza consigliati.



Tenersi a una distanza minima di 15 m / 50 ft da persone e animali quando il prodotto è in funzione.



Tenere le parti del corpo lontano dalle superfici roventi.



Emissioni di rumore nell'ambiente in base alla direttiva della Comunità Europea. Le emissioni dell'accessorio sono specificate nel capitolo Dati tecnici e sull'etichetta.

Nota: I restanti simboli/decalcomanie applicati sull'accessorio riguardano particolari requisiti necessari per ottenere la certificazione in alcuni mercati.

Sicurezza

Definizioni di sicurezza

I simboli di avvertenza e cautela e le note vengono utilizzati per evidenziare le parti importanti del manuale dell'operatore.



AVVERTENZA: Utilizzato se è presente un rischio di lesioni o morte dell'operatore o di passanti nel caso in cui le istruzioni del manuale non vengano rispettate.



ATTENZIONE: Utilizzato se è presente un rischio di danni al prodotto e/p all'accessorio, ad altri materiali oppure alla zona adiacente nel caso in cui le istruzioni del manuale non vengano rispettate.

Nota: Utilizzato per fornire ulteriori informazioni necessarie in una determinata situazione.

Istruzioni di sicurezza generali



AVVERTENZA: Leggere le seguenti istruzioni di sicurezza prima di utilizzare l'accessorio.

- Prima di usare l'accessorio, leggere attentamente il manuale dell'operatore e accertarsi di averne compreso il contenuto.
- Queste istruzioni integrano le istruzioni fornite con il prodotto. Per altre procedure, fare riferimento alle istruzioni di funzionamento per il prodotto.
- Evitare assolutamente di modificare la versione originale dell'accessorio senza l'autorizzazione del

fabbricante. Non utilizzare un accessorio che sembra essere stato modificato da altri e utilizzare sempre gli accessori originali. Modifiche e/o accessori non autorizzati possono causare gravi lesioni personali o mortali all'operatore o a terzi.

Leggere tutte le istruzioni



AVVERTENZA: Quando si utilizzano attrezzature elettriche da giardino, occorre sempre seguire le istruzioni di sicurezza di base indicate di seguito per ridurre il rischio di incendio, scossa elettrica e lesioni personali:

Istruzioni di sicurezza dell'arieggiatore

- Non consentire mai l'uso del prodotto a bambini, persone con ridotte capacità fisiche, sensoriali o mentali, o mancanza di esperienza e conoscenza o a persone che non conoscono queste istruzioni. Alcune normative locali possono limitare l'età dell'operatore.
- Non azionare mai il prodotto in prossimità di persone, in particolar modo bambini, o animali.
- Non allungarsi eccessivamente e mantenere sempre l'equilibrio. Accertarsi sempre di avere una posizione stabile su terreni in pendenza, camminare, non correre mai.
- Non toccare parti in movimento pericolose prima che la macchina venga scollegata dalla rete elettrica e che le parti in movimento pericolose si siano arrestate completamente.
- Durante l'uso della macchina, indossare sempre calzature resistenti e pantaloni lunghi.
- Rimuovere la batteria dal prodotto ogni volta che il prodotto non è sorvegliato, prima di eliminare un'ostruzione e prima di pulire il prodotto o lavorare su di esso.
- Rimuovere la batteria dal prodotto prima di verificare la presenza di danni al prodotto quando, ad esempio, viene colpito un oggetto estraneo o se il prodotto inizia a vibrare in modo anomalo.
- Non collegare un cavo danneggiato all'alimentazione e non toccare un cavo danneggiato prima di scollegarlo dall'alimentazione. Un cavo danneggiato può causare il contatto con parti sotto tensione e causare lesioni gravi o mortali.
- Non utilizzare mai il prodotto con protezioni difettose, senza dispositivi di sicurezza o se il cavo è danneggiato o usurato.
- Tenere le prolunghie lontane da parti in movimento pericolose per evitare danni ai cavi che possono causare il contatto con le parti sotto tensione.
- Collegare il prodotto solo a un circuito di alimentazione protetto da un dispositivo di corrente residua (RCD) con una corrente di intervento non superiore a 30 mA.

- Evitare di utilizzare il prodotto in condizioni climatiche sfavorevoli, soprattutto quando vi è il rischio di fulmini.

Istruzioni di sicurezza per l'utilizzo



AVVERTENZA: Leggere le seguenti avvertenze prima di utilizzare il prodotto.

- L'interruttore di arresto torna automaticamente in posizione di avviamento. Assicurarsi di evitare l'avviamento accidentale durante l'assemblaggio, il controllo e/o gli interventi di manutenzione. Se si dispone di un prodotto a benzina, scollegare il cappuccio dalla candela. Se si dispone di un prodotto azionato a batteria, rimuovere la batteria.
- rischio di oggetti volanti. Usare sempre protezione per gli occhi. Non inchinarsi sopra all'arieggiatore di muschio. C'è la possibilità di essere colpiti a un occhio da un sasso, un ramo o altri oggetti sollevatisi dal terreno, con conseguenze anche molto gravi, quali cecità o altre lesioni.
- L'ingranaggio può riscaldarsi molto durante l'uso e può restare caldo per qualche minuto dopo lo spegnimento della macchina. Il contatto può implicare il rischio di ustioni.
- Sebbene i tamburi della spazzola non abbiano la stessa forza delle lame di un rasoerba, si dovrebbe evitare ad esempio di lavorare con materiali che possono causare lesioni personali o danni durante l'espulsione.
- Non utilizzare il macchinario se non si è certi di poter chiedere aiuto in caso d'infortunio.
- Non utilizzare la macchina per scopi diversi da quelli previsti.
- Non usare la macchina in condizioni di stanchezza o sotto l'effetto di alcool o medicinali in grado di compromettere il vostro stato psichico e il controllo dei vostri atti.
- Non usare mai la macchina in condizioni climatiche estreme come temperature molto basse o clima estremamente caldo e/o umido.
- Non usare mai una macchina difettosa. Eseguire i controlli di sicurezza e attenersi alle istruzioni di manutenzione e riparazione riportate nel presente manuale. Alcuni interventi devono essere eseguiti da personale specializzato. Vedere le istruzioni alla sezione Manutenzione.
- Non permettere che la macchina sia utilizzata da bambini.
- Non consentire mai ad altri l'utilizzo della macchina senza prima accertarsi che abbiano letto e compreso il contenuto del manuale operatore.
- Mantenere sempre distanti i non addetti ai lavori. Bambini, animali, assistenti e anche eventuali spettatori devono sempre essere tenuti ad una distanza di sicurezza di 15 metri durante il lavoro. Arrestare immediatamente il macchinario nel caso qualcuno si avvicini.

- Se si è incerti riguardo a come procedere, rivolgersi a un esperto. Contattare il proprio rivenditore o l'officina di assistenza.
- Evitare qualsiasi lavoro per il quale non ci si sente sufficientemente qualificati.
- Osservare l'ambiente circostante per escludere il rischio che persone o animali vengano a contatto con la macchina o ne compromettano il controllo da parte vostra.
- Far sempre attenzione a segnali di allarme o chiamate quando si utilizzano le cuffie protettive. Togliere sempre le cuffie protettive immediatamente all'arresto del motore/motorino.
- Non utilizzare il prodotto in condizioni di tempo sfavorevoli, ad esempio nebbia, pioggia intensa, vento forte, freddo intenso, ecc. Lavorare con tempo cattivo è spesso stancante e comporta situazioni di rischio, come ad esempio il terreno scivoloso, direzione di caduta dell'albero imprevedibile, ecc.
- Accertarsi di poter camminare e lavorare in posizione sicura. In caso di spostamenti, controllare che non vi siano ostacoli (ceppi, radici, rami, fossati ecc.) Fare particolare attenzione quando si lavora su terreni in pendenza.



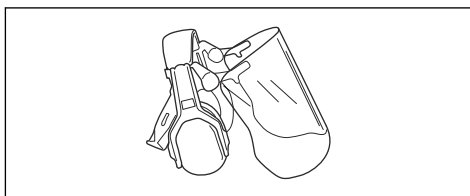
- Durante gli spostamenti spegnere il motore/motorino.
- Non poggiare mai la macchina a motore/motorino acceso se non la si può tenere d'occhio.
- Tenere sempre la macchina con entrambe le mani. Tenere la macchina lateralmente rispetto al corpo.
- Accertarsi che mani e piedi non tocchino l'arieggiatore di muschio quando è in funzione.
- Una volta spento il motore/motorino, tenere mani e piedi lontani dall'arieggiatore di muschio fino al suo completo arresto.
- Se si verificano forti vibrazioni, spegnere la macchina. Se si dispone di un prodotto azionato a benzina, togliere il cavo HT dalla candela. Se si dispone di un prodotto azionato a batteria, rimuovere la batteria dal prodotto. Accertarsi che la macchina non sia danneggiata. Riparare eventuali guasti riscontrati.

Abbigliamento protettivo personale

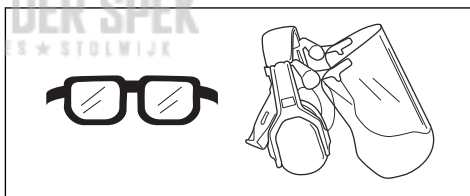


AVVERTENZA: Leggere le seguenti avvertenze prima di utilizzare il prodotto.

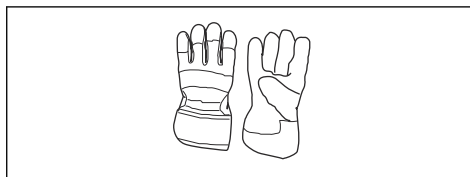
- Usare sempre abbigliamento protettivo personale omologato quando si utilizza il prodotto. L'uso di abbigliamento protettivo personale non elimina il rischio di lesioni, ma ne riduce la gravità in caso di incidente. Farsi consigliare dal rivenditore per la scelta dell'attrezzatura adatta.
- Usare cuffie protettive con effetto insonorizzante adeguato. Una lunga esposizione al rumore può comportare lesioni permanenti all'udito.



- Utilizzare protezioni per gli occhi omologate. Con l'uso della visiera è necessario anche l'uso di occhiali protettivi omologati. Con il termine occhiali protettivi omologati si intendono occhiali che siano conformi alle norme ANSI Z87.1 per gli USA o EN 166 per i paesi EU.



- Indossare guanti ove necessario, ad esempio per montare, ispezionare o pulire l'attrezzatura di taglio.



- Usare stivali protettivi con calotta in acciaio e suole antiscivolo.



- Indossare indumenti di tessuto resistente. Indossare sempre pantaloni lunghi e pesanti e maniche lunghe. Non indossare indumenti larghi che potrebbero impigliarsi nei ramoscelli e nei rami. Non indossare gioielli, pantaloni corti o sandali e non lavorare a piedi nudi. Raccogliere i capelli in modo sicuro sopra le spalle.
- Tenere a portata di mano il kit di primo soccorso.



Dispositivi di sicurezza sull'accessorio



AVVERTENZA: Leggere le seguenti avvertenze prima di utilizzare l'accessorio.

In questa sezione vengono presentati i dispositivi di sicurezza dell'accessorio, la loro funzione, il controllo e la manutenzione necessari per assicurarne un funzionamento ottimale. Vedere le istruzioni alla sezione *Panoramica dell'accessorio alla pagina 231* per localizzare questi dispositivi sull'accessorio.

La durata dell'accessorio può ridursi e il rischio di incidenti aumentare se la manutenzione non viene eseguita correttamente e se l'assistenza e/o le riparazioni non vengono effettuate da personale qualificato. Per ulteriori informazioni, contattare il rivenditore con assistenza più vicino.



AVVERTENZA: Non utilizzare mai un accessorio con dispositivi di sicurezza difettosi. I dispositivi di sicurezza di sicurezza dell'accessorio vanno controllati e sottoposti a manutenzione secondo quanto descritto in questo capitolo. Se l'accessorio

non supera tutti i controlli, contattare un'officina per le necessarie riparazioni.



AVVERTENZA: Tutte le riparazioni e l'assistenza del prodotto vanno eseguite da personale specializzato. Quanto detto vale in particolare per i dispositivi di sicurezza del prodotto. Se il prodotto non supera tutti i controlli sottoelencati, contattare l'officina autorizzata. L'acquisto di uno dei nostri prodotti garantisce l'assistenza di personale qualificato. Se non avete acquistato il prodotto presso un rivenditore con centro di assistenza, informatevi sull'ubicazione della più vicina officina autorizzata.

Istruzioni di sicurezza per la manutenzione



AVVERTENZA: Leggere le seguenti avvertenze prima di effettuare la manutenzione.

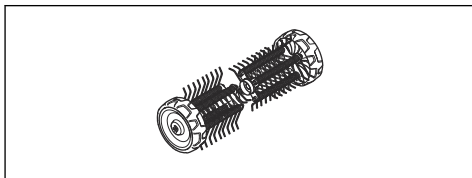


AVVERTENZA: Arrestare sempre il prodotto prima di effettuare la manutenzione dell'accessorio. Attenzione, l'accessorio può continuare a muoversi anche quando l'acceleratore o la leva di comando viene rilasciata. Assicurarsi che l'accessorio si sia arrestato completamente. Se si dispone di un prodotto azionato a benzina, togliere il cavo HT dalla candela. Se si dispone di un prodotto azionato a batteria, rimuovere la batteria.



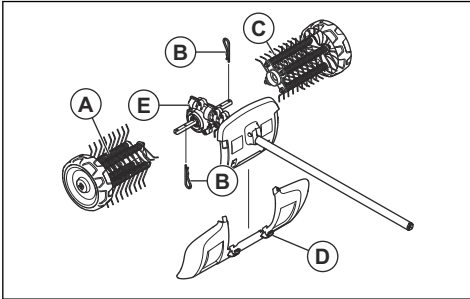
AVVERTENZA: Usare sempre guanti di protezione.

- Controllare l'intero prodotto prima di iniziare il lavoro. Controllare che tutte le protezioni e i coperchi siano in sede e ben fissati. Serrare tutti i dadi e le viti.
- Se si dispone di un prodotto azionato a benzina, controllare che non vi siano perdite di carburante.
- Sostituire le parti danneggiate.



Montaggio

Montaggio dell'accessorio

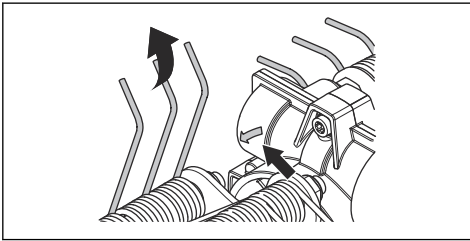


La freccia sulla scatola degli ingranaggi indica il senso di rotazione. La scatola degli ingranaggi deve essere posizionata come mostrato in figura.

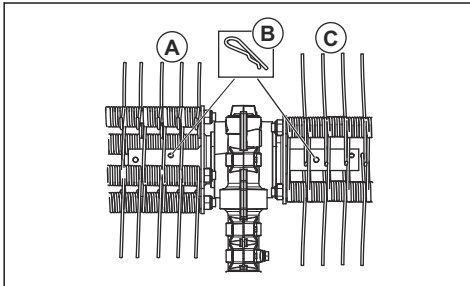
IMPORTANTE:

I rulli dell'arieggiatore di muschio sono contrassegnati con le frecce che indicano la direzione della rotazione. Accertarsi che i rulli dell'arieggiatore di muschio siano montati correttamente.

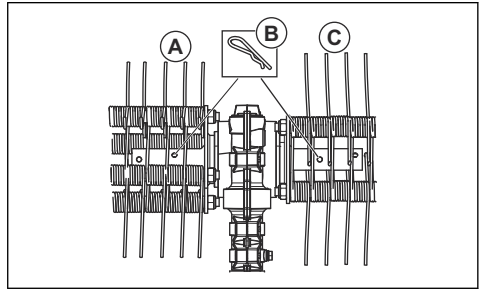
I rulli dell'arieggiatore di muschio devono essere montati leggermente spostati l'uno rispetto all'altro. Le molle dell'arieggiatore di muschio devono essere rivolte nella stessa direzione di rotazione indicata dalla freccia presente sulla scatola degli ingranaggi.



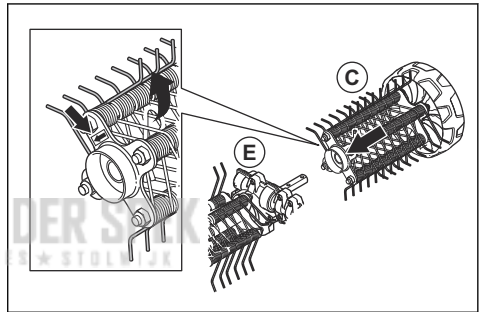
1. Premere l'arieggiatore di muschio lato sinistro (A) sull'albero di trasmissione sinistro della scatola degli ingranaggi (E).



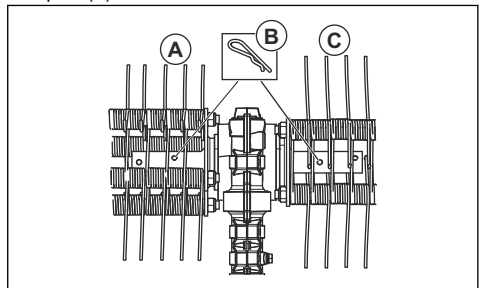
2. Fissare il rullo dell'arieggiatore di muschio con la spina (B) nel foro interno dell'albero.



3. Premere l'arieggiatore di muschio lato destro (A) sull'albero di trasmissione destro della scatola degli ingranaggi (E).



4. Fissare il rullo dell'arieggiatore di muschio con la spina (B) nel foro interno dell'albero.



5. Montare il paraspruzzi con i bottoni a pressione (D).

Nota: Per il montaggio degli accessori sul prodotto base, fare riferimento al relativo manuale.

Utilizzo

Avviamento del prodotto con il motore freddo

Se si dispone di un prodotto a benzina, attenersi a queste istruzioni per avviare il prodotto a motore freddo.

1. Far riscaldare il prodotto base, quindi spegnerlo.
2. Montare l'accessorio attenendosi alle istruzioni di montaggio.
3. Durante la regolazione del carburatore, assicurarsi che l'arieggiatore sia tenuto a terra e che nessuno si trovi nelle vicinanze.
4. Mantenere l'arieggiatore di muschio al minimo.
5. Controllare che impugnature e dispositivi di sicurezza funzionino a dovere. Non usare mai un prodotto che manchi di qualche componente o modificato rispetto alle specifiche.

Utilizzo dell'accessorio

1. Far funzionare l'arieggiatore di muschio a pieno gas (o quasi) con le ruote appoggiate alla superficie.

Nota: È faticoso e inutile sollevare o tenere l'arieggiatore di muschio sopra la superficie durante il lavoro.

2. Mantenere un angolo di lavoro acuto rispetto alla superficie. Con un angolo di lavoro ampio la spazzatrice tende a spostarsi verso l'utente e si rischia di perdere il controllo del prodotto.



Manutenzione

Introduzione

Seguono alcuni consigli di manutenzione. Se avete bisogno di ulteriori informazioni contattate il servizio di assistenza.



AVVERTENZA: Lavorando con il prodotto la scatola ingranaggi si riscalda. Evitare di toccare la scatola ingranaggi per evitare ustioni.

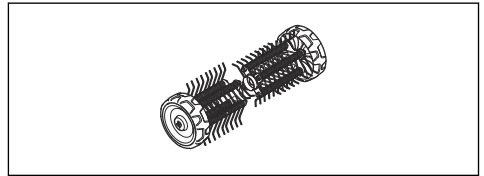
Manutenzione sull'accessorio



ATTENZIONE: L'arieggiatore di muschio viene spesso utilizzato in ambienti polverosi. Se si dispone di un prodotto a benzina, è estremamente importante che il filtro dell'aria venga controllato periodicamente, anche quotidianamente, e lubrificato per poter funzionare in modo soddisfacente.

Per le istruzioni di manutenzione, fare riferimento al manuale operatore del gruppo di potenza.

1. Assicurarsi che l'arieggiatore di muschio non ruoti quando l'acceleratore o la leva di comando viene rilasciata.



2. Pulire le ruote se non ruotano liberamente.



AVVERTENZA: Indossare sempre guanti protettivi quando si esegue la manutenzione dell'accessorio.

Trasporto, stoccaggio e smaltimento

Trasporto e rimessaggio

Se il trasporto dell'accessorio su un altro veicolo utilizzare sempre dei dispositivi di fissaggio e assicurarsi che l'accessorio sia fissato saldamente.

Accertarsi che l'accessorio sia ben pulito e che sia stato sottoposto a tutte le operazioni di assistenza prima di ogni rimessaggio a lungo termine.

Dati tecnici

Dati tecnici dei prodotti a benzina

Arieggiatore muschio	DT600
Larghezza, mm	556
Peso	
Peso, kg	6,5
Emissioni di rumore¹³⁹	
Livello acustico, misurato dB (A)	105
Livello acustico, garantito L_{WA} dB(A)	109
Livelli di rumorosità¹⁴⁰	
Livello di pressione acustica equivalente rispetto all'udito dell'operatore, misurato in base alle norme EN ISO 22868, dB(A)	95
Vibrazioni¹⁴¹	
Livelli di vibrazione equivalenti ($a_{hv,eq}$) sulle impugnature, misurati in base alle norme EN ISO 22867 in m/s^2	
Impugnature anteriori/posteriori	6,2/4,3

Dati tecnici dei prodotti a batteria

325iLK + Accessorio arieggiatore DT600	
Larghezza, mm	556
Peso	
Peso, kg	2,3+6,5

¹³⁹ Misurazione effettuata con accessori omologati Husqvarna. emissioni di rumore nell'ambiente misurate come potenza sonora (L_{WA}) in base alla direttiva CE 2000/14/CE. Il livello di potenza acustica riportato per il macchinario è stato misurato con il gruppo di taglio originale che emette il livello massimo. La differenza tra potenza acustica misurata e garantita è che la potenza acustica garantita comprende anche la dispersione nel risultato di misurazione e le variazioni tra le diverse macchine dello stesso modello come da Direttiva 2000/14/CE.

¹⁴⁰ Misurazione effettuata con accessori omologati Husqvarna. I dati riportati per il livello di pressione acustica equivalente del macchinario hanno una dispersione statistica tipica (deviazione standard) di 1 dB (A).

¹⁴¹ Misurazione effettuata con accessori omologati Husqvarna. I dati riportati per il livello di vibrazioni equivalente hanno una dispersione statistica tipica (deviazione standard) di 1 m/s^2 .

325iLK + Accessorio arieggiatore DT600	
Emissioni di rumore ¹⁴²	
Livello acustico, misurato dB (A)	89
Livelli di rumorosità ¹⁴³	
Livello di pressione acustica rispetto all'udito dell'operatore, misurato a norma EN ISO 22868, dB(A):	77
Vibrazioni ¹⁴⁴	
Livelli di vibrazioni delle impugnature, misurati in base alla norma EN 62841-1, m/s ²	
Impugnature anteriori/posteriori	1,9/2,6
Accessorio approvato (originale) in dotazione, sinistra/destra	1,9/2,6

KEES VAN DER SPEK
TUINMACHINES ★ STOLWIJK

¹⁴² I dati riportati relativi al livello di potenza acustica della macchina hanno una tipica dispersione statistica (deviazione standard) di 3 dB (A) e sono stati misurati con il gruppo di taglio originale che fornisce il massimo livello.

¹⁴³ I dati riportati relativi al livello di pressione acustica della macchina hanno una tipica dispersione statistica (deviazione standard) di 3 dB (A) e sono stati misurati con il gruppo di taglio originale che fornisce il massimo livello.

¹⁴⁴ I dati riportati per il livello di vibrazioni presentano una dispersione statistica tipica (deviazione standard) di 2 m/s². Per il confronto dei livelli di vibrazioni, della batteria e dei prodotti a combustione, utilizzare il calcolatore delle vibrazioni. <https://www.husqvarna.com/uk/services-solutions/vibration-calculator/>.

Dichiarazione di conformità CE

Dichiarazione di conformità CE - per prodotti a benzina

Husqvarna AB, SE-561 82 Huskvarna, Svezia, tel.: +46-36-146500, dichiara con la presente che l'arieggiatore di muschio **Husqvarna DT600**, a partire dai numeri di serie del 2019 (l'anno viene evidenziato nella targhetta dati di funzionamento seguita dal numero di serie), è conforme alle disposizioni della DIRETTIVA DEL CONSIGLIO:

- del 17 maggio 2006 "sulle macchine" **2006/42/CE**
- Delibera dell'8 giugno 2011 "per quanto riguarda l'elenco delle sostanze con restrizioni d'uso nelle apparecchiature elettriche ed elettroniche" **2011/65/UE**
- dell'8 maggio 2000 "sulle emissioni di rumore nell'ambiente" **2000/14/EC**.

Per i prodotti a benzina sono stati applicati i seguenti standard:

SS-EN ISO 12100:2010, EN IEC 63000:2018

RISE SMP Svenska Maskinprovning AB, Box 7035, SE-750 07 Uppsala, Svezia, ha eseguito il controllo-tipo facoltativo per conto di Husqvarna AB. Numero del certificato: **SEC/15/2411 - Husqvarna DT600**

Huskvarna , 2021-02-12



Pär Martinsson, Responsabile sviluppo (rappresentante autorizzato per Husqvarna AB e responsabile della documentazione tecnica).

Dichiarazione di conformità CE - per prodotti a batteria

Husqvarna AB, SE-561 82 Huskvarna, Svezia, tel.: +46-36-146500, dichiara con la presente che l'accessorio dell'arieggiatore di muschio, **Husqvarna DT600 con gruppo di potenza Husqvarna 325iLK** a partire dai numeri di serie del 2019 (l'anno viene evidenziato nella targhetta dati di funzionamento seguita dal numero di serie), è conforme alle disposizioni della DIRETTIVA DEL CONSIGLIO:

- del 17 maggio 2006 "sulle macchine" **2006/42/CE**
- Delibera dell'8 giugno 2011 "per quanto riguarda l'elenco delle sostanze con restrizioni d'uso nelle apparecchiature elettriche ed elettroniche" **2011/65/UE**

Per i prodotti a batteria sono stati applicati i seguenti standard:

EN 62841-1:2015, EN 50636-2-92:2014, EN IEC 63000:2018

RISE SMP Svenska Maskinprovning AB, Box 7035, SE-750 07 Uppsala, Svezia, ha eseguito il controllo-tipo facoltativo per conto di Husqvarna AB. Numero del certificato: **SEC/15/2411 - Husqvarna DT600**

Per informazioni sulle emissioni di rumore, fare riferimento a *Dati tecnici alla pagina 238*.

Huskvarna , 2021-02-12



Pär Martinsson, Responsabile sviluppo (rappresentante autorizzato per Husqvarna AB e responsabile della documentazione tecnica).

KEES VAN DER SPEK
TUINMACHINES * STOLWIJK

内容

引言.....	241	维护.....	246
安全性.....	242	运输、存放和废弃处理.....	246
安装.....	245	技术参数.....	246
操作.....	245	欧盟一致性声明.....	248

引言

产品说明

连续开发产品是我们的政策，因此我们保留修改产品设计和外观的权利，恕不事先通知。

注意： 本手册涵盖了汽油驱动型和电池驱动型动力装置。

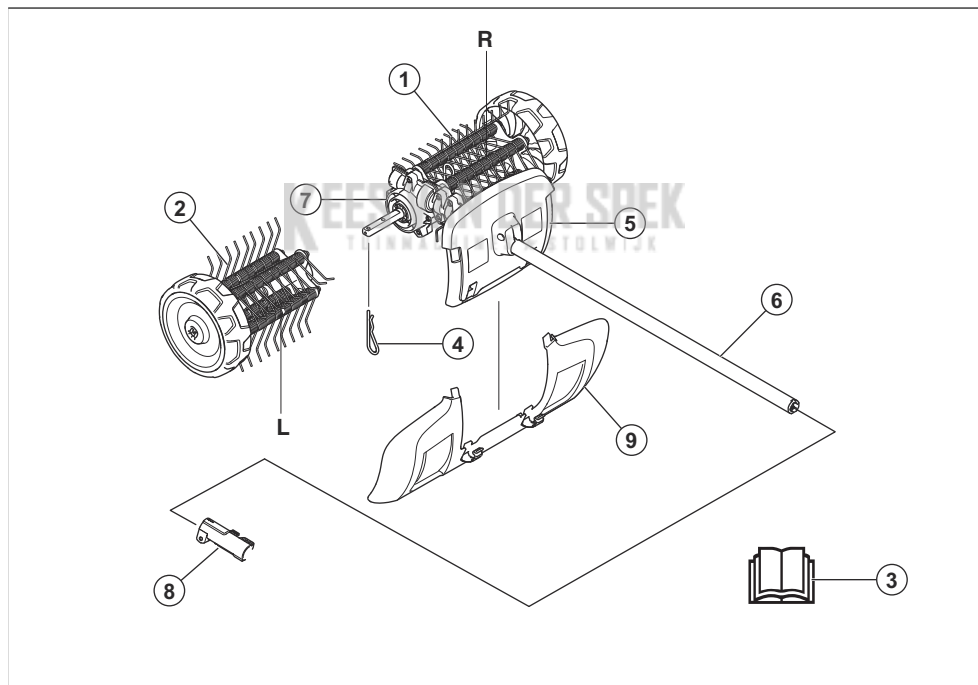
预期用途



警告： 本附件仅可与指定产品配套使用，详情请参阅产品《操作手册》中的“附件”一章。

本附件仅设计用于清除草坪中的苔藓。

产品概览



1. 清苔器（右）
2. 清苔器（左）
3. 操作手册
4. 开口销
5. 防护罩（保护驱动轴）
6. 刀轴
7. 齿轮箱

8. 联轴节（随产品提供）
9. 防溅罩

附件和动力装置上的符号



使用本产品时疏忽大意或使用不当有可能导致操作人员或其他人员受到严重或致命伤害。



请认真阅读操作手册，确保在充分理解各项说明之后再使用附件。



请使用获得批准的听觉保护设备。请使用获得批准的眼部保护装备。如果可能产生扬尘，请佩戴通气口罩。



本附件符合适用的 EC 指令的要求。



回转部件。确保四肢远离机器。箭头指示了旋转方向。



务必戴上检验合格的保护手套。



穿上坚固的防滑靴。



注意抛掷物和反弹物。



操作员必须确保 15 米范围内无任何人员或动物。多名操作员在同一现场工作时，彼此之间必须保持至少 15 米的安全距离。本附件可能会以很大的力量抛出物体，这些物体可能反弹回来。如果未使用建议的安全设备则可能会导致眼部严重受伤。



本产品运行期间，应与人员和动物保持至少 15 m/50 ft 的距离。



使您的身体各部位远离高温表面。



在环境中的噪音排放符合欧盟指令。本附件的噪音排放符合“技术资料”一章和标签上有详细说明。

注意： 有关本产品上的其他符号/标识，请参阅适用于特定市场的特殊认证要求。

安全性

安全定义

本操作手册使用了“警告”、“小心”和“注释”来指出特别重要的内容。



警告： 当不遵守手册中的说明可能会给操作员或周围人员带来伤害或死亡风险时，会使用此标志。



小心： 当不遵守手册中的说明可能会对产品和/或附件、其他材料或附近区域造成损坏时，会使用此标志。

注意： 用于提供特定状况下所需的更多信息。

一般安全须知



警告： 请在使用本产品前阅读下面的安全须知。

- 请认真阅读操作手册，确保在充分理解各项说明之后再使用本产品。

- 这些说明是对本产品随附说明文件的补充。如需了解其他步骤，请参考本产品的操作说明。
- 任何情况下，未经制造厂的许可，不得修改本产品的的设计。请勿使用似乎已被他人改动过的附件，并且一定要使用原厂附件。未经许可擅自修改，或使用未经认可的附件，可能会对操作员或其他人员造成严重的伤害或死亡。

请阅读所有说明



警告： 使用电动园艺设备时，务必遵循基本的安全注意事项以降低失火、电击和人身伤害危险，包括以下注意事项：

清苔器安全须知

- 切勿让儿童、身体机能、感知能力或精神机能减退的人或缺乏经验和知识或不熟悉这些说明的人使用本产品。当地法律可能会对操作员的年龄加以限制。
- 请勿在附近有人，尤其是有儿童或宠物时操作本产品。
- 请勿距离过远，请始终保持平衡。在斜坡上时，注意站稳，步行作业，不宜奔跑。

- 在机器与主电源断开连接且正在移动的危险部件完全停止之前，请勿触摸正在移动的危险部件。
- 操作机器时，务必穿上厚实的鞋子和长裤。
- 在清除阻塞物之前以及在清洁或处理产品之前，只要产品无人看管，就应从产品中取出电池。
- 在检查产品是否损坏之前，请先从产品中取出电池，例如，在有异物碰撞或产品开始异常振动时。
- 请勿将损坏的电源线连接到电源，并且在断开电源之前不要触碰损坏的电源线。损坏的电源线可能会与带电部件接触，并可能导致人身伤害或死亡。
- 如果防护装置/护罩有缺陷，或者没有安全装置，或者电线损坏或磨损，切勿操作本产品。
- 延长线应远离移动的危险部件，以免损坏电源线，否则会导致与带电部件接触。
- 只能将产品连接到受漏电保护器(RCD)保护的电源电路(跳闸电流不超过 30 mA)。
- 避免在恶劣的天气状况下使用本产品，尤其是在有闪电危险的情况下。

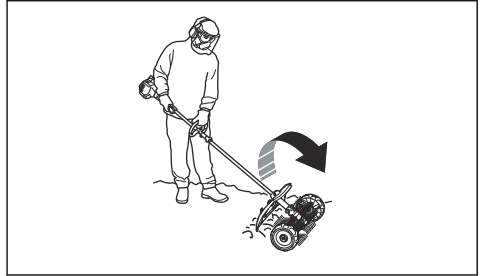
操作安全须知



警告： 请在使用本产品前阅读下面的警告说明。

- 停止开关自动返回至启动位置。确保在组装、检查和/或执行维护时防止意外启动。如为汽油驱动型产品，请断开火花塞上的火花塞线帽。如为电池供电型产品，请取下电池。
- 注意抛掷物。始终佩戴眼部保护设备。切勿俯身到清苔器上。石头、垃圾等会抛入眼中，导致失明或严重伤害。
- 使用过程中，齿轮可能会发热，并在之后一段时间仍有余热。触摸可能会烧伤。
- 例如，尽管刷鼓没有草坪机锯片的作用力厉害，您也应当避免接触被抛出的材料，以免造成人身伤害或财物损坏。
- 如果发生事故时无法求救，请勿使用本机。
- 仅将机器用于指定的用途。
- 感到疲劳、曾经饮酒，或曾服用影响视力、判断力或协调能力的药物时，请勿操作本机。
- 切勿在极端天气条件下使用本机，如严寒、酷热和/或潮湿气候条件下。
- 禁止使用有故障的机器。按照本手册中的说明进行安全检查、维修和保养。部分维修和保养措施必须由受过培训并有相应资质的专家进行。请参阅“维修和保养”一节的说明。
- 严禁儿童使用机器。
- 在事先未确定其他人是否阅读和了解了本操作手册的内容之前，禁止其使用本机。
- 未经授权的人员不得靠近。在您工作时，应保持儿童、动物、旁观者和助手在 15 米的安全区以外。如有人靠近，立即停止机器。
- 当您遇到任何情况，不知如何继续时，请咨询专家。与您的经销商或保养厂联系。
- 避免任何超出您能力范围的使用。
- 观察您的周围，确保不存在人或动物接触或影响您控制本产品的风险。

- 戴有听觉保护设备时，请留意警告信号或呼喊声。一旦引擎/马达停机，便取下听觉保护设备。
- 避免在不良的天气情况下使用本机。例如：浓雾、暴雨、强风、严寒等。在天气不佳的情况下工作容易让人疲倦，往往会带来额外风险，例如湿滑的地面。
- 确保您可以安全地移动与站立。检查您的周围区域是否存在障碍物(树根、岩石、树枝、沟渠等)，以免您突然移动。在倾斜地面上工作时，要特别小心。



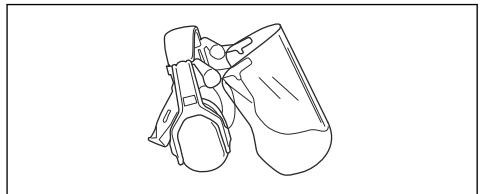
- 移动设备前，必须先关闭引擎/马达。
- 切勿在引擎/马达运转的情况下放下机器，除非是放在您可以清楚看到的位置。
- 务必用双手握住机器。从与身体同一侧的方向握住机器。
- 确保在其运转期间，四肢不要靠近清苔器。
- 在关闭引擎/马达之后，直至其完全停止之前，四肢都不要靠近清苔器。
- 如果发生剧烈振动，请停止运行机器。如为汽油驱动型产品，请断开 HT 导线与火花塞的连接。如为电池供电型产品，请从产品上取下电池。确保机器未损坏。维修所有受损部分。

个人防护装备



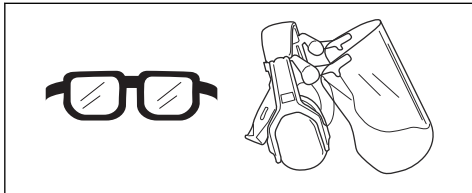
警告： 请在使用本产品前阅读下面的警告说明。

- 操作产品时务必使用获得批准的个人防护装备。个人防护装备不能完全避免受伤，但当意外发生时，可降低伤害程度。请经销商协助您选择正确的防护装备。
- 使用获得批准的听觉保护设备，尽量降低噪音。长期使用降噪音可能会导致永久性听力损伤。

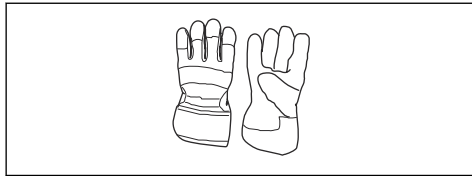


- 请使用获得批准的眼部保护装备。如果佩戴面罩，必须同时佩戴获得批准的护目镜。在美国，经批准的护

目镜必须符合 ANSI Z87.1 标准；在欧盟国家/地区，必须符合 EN 166 标准。



- 必要时戴上手套，例如在安装、检查或清洁切割设备时。



- 穿上带有钢鞋头和防滑鞋底的防护靴。



- 穿着高强度纤维制成的衣物。务必穿着结实的长裤和长袖衣服。切勿穿着容易钩住小树枝和分枝的衣物。切勿佩戴珠宝、穿着短裤、凉鞋或光脚。确保头发安全地挽在肩部以上。
- 确保急救箱触手可及。



本产品上的安全装置



警告： 请在使用本产品前阅读下面的警告说明。

本节介绍本产品的安全特性及用途，并说明如何进行检查和维修，以确保它正常运转。有关这些零件在本产品上的位置，请参阅产品概览在第 241 页上一节中的说明。

如果本产品维护不当或由非专业人员进行保养和/或维修，附件的使用寿命会缩短，发生意外的风险会增加。欲知更多详情请联系距您最近的保养代理商。



警告： 不得使用安全部件有缺陷的附件。本产品的安全装备必须按照本节说明进行检查和维护。如果在检查附件时发现故障，请联系保养厂进行维修。



警告： 本产品的保养和维修工作必须由经过专门培训的人员执行。对于本产品的安全装备来说尤其如此。如果您购买的产品在检修过程中出现下述故障，您必须与保养厂联络。如果您购买我们的产品，我们承诺提供专业的修理和保养。如果出售本产品的零售商不是保养代理商，应向他咨询离您最近的保养厂的地址。

维护安全须知



警告： 请在维护前阅读下面的警告说明。

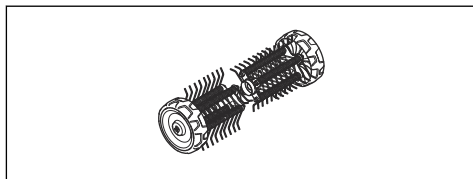


警告： 在维护附件前，务必先停止运行本产品。请注意，松开开关扳机/油门扳机后，附件可能会继续运动。确保附件已完全停止。如为汽油驱动型产品，请断开 HT 导线与火花塞的连接。如为电池供电型产品，请取下电池。



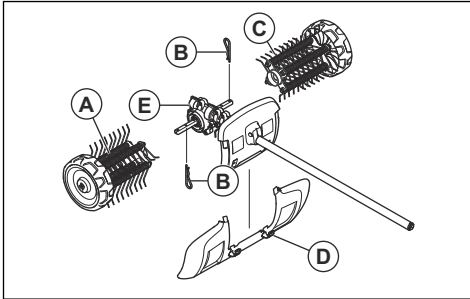
警告： 务必戴上保护手套。

- 开始工作前，请先检查整个产品。检查并确保所有防护装置和盖子完好且已牢固固定。检查所有螺母和螺丝。
- 如为汽油驱动型产品，请检查并确保没有燃油泄漏。
- 更换损坏的部件。



安装

装配附件

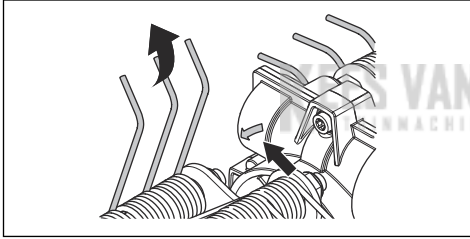


齿轮箱上的箭头提示了旋转方向。齿轮箱按图示放置。

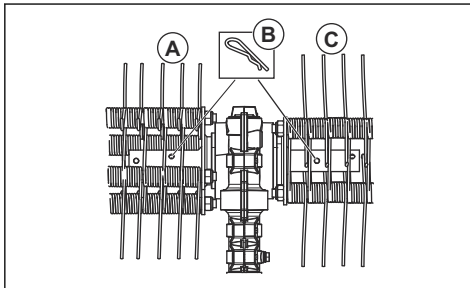
重要事项：

清苔器滚筒上标有显示旋转方向的箭头。确保正确安装清苔器滚筒。

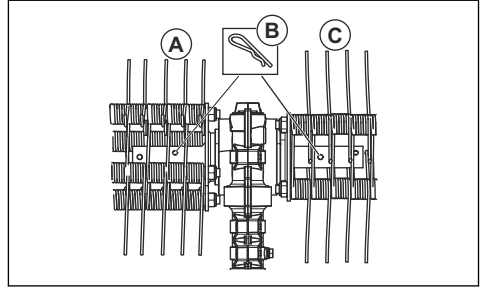
安装清苔器滚筒时，安装位置必须相对于彼此略微偏移。清苔器弹簧应与齿轮箱上显示旋转方向箭头的指向相同。



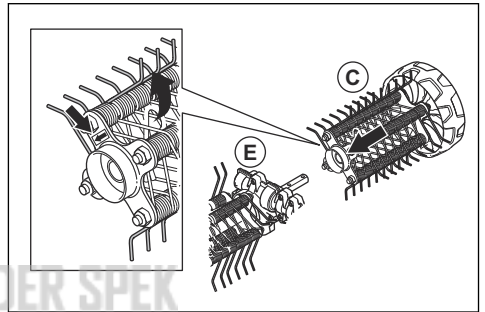
1. 将左清苔器 (A) 按压在齿轮箱 (E) 处的左驱动轴上。



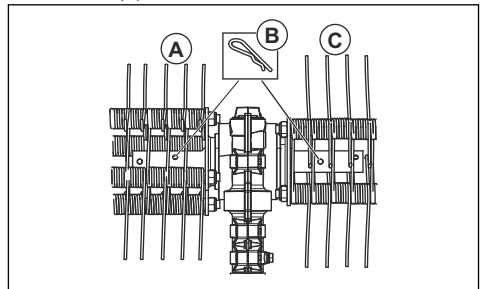
2. 用开口销 (B) 将清苔器滚筒固定在驱动轴的内孔中。



3. 将右清苔器 (C) 按压在齿轮箱 (E) 处的右驱动轴上。



4. 用开口销 (B) 将清苔器滚筒固定在驱动轴的内孔中。



5. 用扣合式紧固件 (D) 安装防溅罩。

注意： 有关在主机上安装配件的信息，请参阅主机手册。

操作

在冷引擎情况下启动产品

如为汽油驱动型产品，请按以下说明在冷引擎情况下启动产品。

1. 运行主机使之预热，然后关闭本产品。

2. 按照安装指导安装附件。

3. 调节化油器时，确保将除草机抵靠在地上且附近没有其他人。

4. 保持清苔器怠速运行。

5. 确保手柄和安全功能正常工作。切勿使用缺少零件或者超规格改动的产品。

2. 作业时与地面保持锐角。如果作业角度较大，清苔器容易朝您移动，可能会导致您无法控制本产品。

使用附件

1. 将轮子放在地面上，以全油门（或接近全油门）运行清苔器。

注意：作业时提起清苔器或将其保持在地面上方，既会使人疲劳又没有必要。



维护

简介

以下是部分一般维修说明。欲知更多详情，请与保养厂联络。

对锯片进行维护



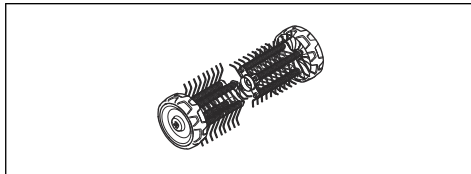
小心：清苔器经常是在多灰尘的环境下完成大量作业。如为汽油驱动型产品，为了获得满意的作业效果，对空气滤清器执行定期检查（通常是每天检查）和润滑极为重要。

有关维护说明，请参阅动力装置的操作手册。



警告：在使用本产品过程中，齿轮箱的温度会非常高。切勿触摸齿轮箱，以防烫伤。

1. 松开开关扳机/油门扳机时，确保清苔器不旋转。



2. 如果轮子无法自由旋转，则进行清洁。



警告：对附件进行维护时，请始终戴上保护手套。

运输、存放和废弃处理

运输及存放

在长时间存放之前，确保清洁附件并且进行全面保养。

如果用其他车辆运输附件，务必使用经认可的固定装置并确保牢牢固定附件。

技术参数

汽油驱动产品的技术数据

清苔器	DT600
宽度 (mm)	556
重量	
重量 (kg)	6.5

清苔器	DT600
噪音排放 ¹⁴⁵	
声功率级 (测量值) , dB (A)	105
声能级, 保证值 L _{WA} dB (A)	109
声级 ¹⁴⁶	
操作员耳旁的等效声压级根据 EN ISO 22868 测量得出, dB(A) :	95
振动 ¹⁴⁷	
手柄的振动水平 (a _{hv,eq}) 根据 EN ISO 22867 测量得出, 单位为 m/s ²	
前/后手柄	6.2/4.3

电池供电产品的技术数据

325iLK + 清苔器附件 DT600	
宽度 (mm)	556
重量	
重量 (kg)	2.3+6.5
噪音排放 ¹⁴⁸	
声功率级 (测量值) , dB (A)	89
声级 ¹⁴⁹	
操作员耳旁的声压级, 根据 EN ISO 22868 测量得出, dB(A) :	77
振动 ¹⁵⁰	
手柄振动水平, 根据 EN 62841-1 测量得出, 单位为 m/s ²	
前/后手柄	1.9/2.6
配有经过批准认证的附件 (原装) , 左/右	1.9/2.6

¹⁴⁵ 与 Husqvarna 认可附件一起测量。环境噪音释放按照欧盟指令 2000/14/EC 规定的声能 (L_{WA}) 进行测量。报告给出的机器声功率级是按照原装切割锯片的最高噪声级别测量得出的。保证声功率与测定声功率之间存在差异, 在于保证声功率按照指令 2000/14/EC 的要求还包含了测量结果中的公差以及相同型号不同机器之间的偏差。

¹⁴⁶ 与 Husqvarna 认可附件一起测量。本机的等效声压级的报告数据中具有一个 1 dB (A) 的典型统计公差 (标准偏差) 。

¹⁴⁷ 与 Husqvarna 认可附件一起测量。等效振动级的报告数据中具有一个 1 米/秒² 的典型统计公差 (标准偏差) 。

¹⁴⁸ 本机的声功率级报告数据中具有 3 dB (A) 的典型统计公差 (标准偏差) , 并且是按照原装切割锯片的最高噪声级别测量得出的。

¹⁴⁹ 本机的声压级报告数据中具有 3 dB (A) 的典型统计公差 (标准偏差) , 并且是按照原装附件的最高噪声级别测量得出的。

¹⁵⁰ 等效振动水平的报告数据中具有 2 m/s² 的典型统计公差 (标准偏差) 。要比较振动水平、电池和燃烧产物, 请使用振动计算器。 <https://www.husqvarna.com/uk/services-solutions/vibration-calculator/>。

欧盟一致性声明

欧盟一致性声明 - 适用于汽油驱动产品

Husqvarna AB, SE-561 82 Huskvarna, Sweden, 电话 : +46-36-146500, 谨此声明, 序列号自 2019 (年份同随后的序列号一起清楚地标注在标牌上) 开始的清苔器 Husqvarna DT600, 符合以下欧洲理事会指令的要求 :

- 2006 年 5 月 17 日“关于机械”的指导文件 **2006/42/EC**
- 2011 年 6 月 8 日“关于在电气和电子设备中限制使用某些有害物质的令”**2011/65/EU**。
- 2000 年 5 月 8 日“关于环境噪音释放”的指导文件 **2000/14/EC**。

汽油型产品应用了以下标准 :

SS-EN ISO 12100:2010, EN IEC 63000:2018

RISE SMP Svenska Maskinprovning AB (地址 : Box 7035, SE-750 07 Uppsala, Sweden) 已代表 Husqvarna AB 进行了自愿性类型检验。证书编号为 : **SEC/15/2411 - Husqvarna DT600**

Huskvarna, 2021-02-12



Pär Martinsson, 开发经理 (Husqvarna AB 授权代表, 负责技术文档编制事务。)

欧盟一致性声明 - 适用于电池供电产品

Husqvarna AB, SE-561 82 Huskvarna, Sweden, 电话 : +46-36-146500, 谨此声明, 序列号自 2019 (年份同随后的序列号一起清楚地标注在标牌上) 开始的清苔器 Husqvarna DT600 附件和动力装置 Husqvarna 325iLK, 符合以下欧洲理事会指令的要求 :

- 2006 年 5 月 17 日“关于机械”的指导文件 **2006/42/EC**
- 2011 年 6 月 8 日“关于在电气和电子设备中限制使用某些有害物质的令”**2011/65/EU**。

电池型产品适用标准如下 :

EN 62841-1:2015, EN 50636-2-92:2014, EN IEC 63000:2018

RISE SMP Svenska Maskinprovning AB (地址 : Box 7035, SE-750 07 Uppsala, Sweden) 已代表 Husqvarna

AB 进行了自愿性类型检验。证书编号为 : **SEC/15/2411 - Husqvarna DT600**

有关噪音释放的信息, 请参阅 *技术参数* 在第 246 页上。

Huskvarna, 2021-02-12



Pär Martinsson, 开发经理 (Husqvarna AB 授权代表, 负责技术文档编制事务。)

KEES VAN DER SPEK
TUINMACHINES * STOLWIJK

KEES VAN DER SPEK
TUINMACHINES ★ STOLWIJK

KEES VAN DER SPEK
TUINMACHINES ★ STOLWIJK

KEES VAN DER SPEK
TUINMACHINES ★ STOLWIJK



www.husqvarna.com

KEES VAN DER SPEK
TUINMACHINES ★ STOLWIJK

Original instructions
Оригинални инструкции
Původní pokyny
Originale instruktioner
Originalanweisungen
Αρχικές οδηγίες
Instrucciones originales
Originaaljuhend
Alkuperäiset ohjeet
Instructions d'origine
Eredeti útmutatás
Originalios instrukcijos
Lietošanas pamācība

Originale instructies
Originale instruksjoner
Oryginalne instrukcje
Instruções originais
Instrucțiuni inițiale
Оригинальные инструкции
Pôvodné pokyny
Izvirna navodila
Bruksanvisning i original
Orijinal talimatlar
Istruzioni originali
原始说明

1140964-38



2021-04-14