

SPARE PARTS CATALOGUE
ACCESSORIES AND TOOLS: HUSQVARNA EDGER ATTACHMENT
ECA850



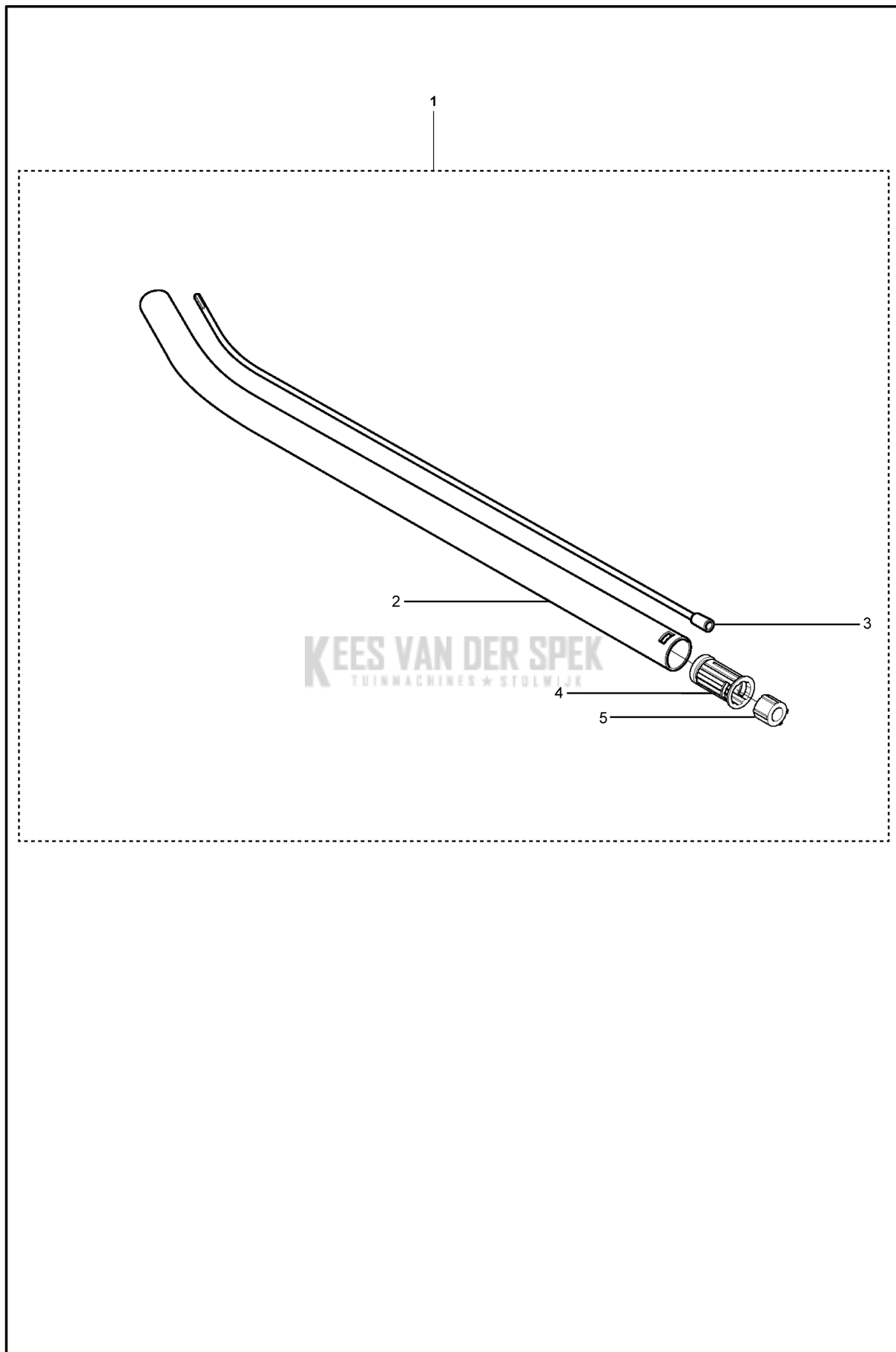
Spare Parts List

SPARE PARTS LIST

ACCESSORIES AND TOOLS

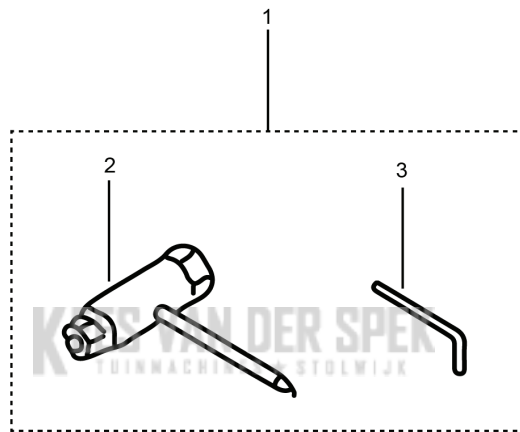
KEES VAN DER SPEK
TUINMACHINES * STOLWIJK

**HUSQVARNA EDGER ATTACHMENT
ECA850**



ACCESSORIES AND TOOLS

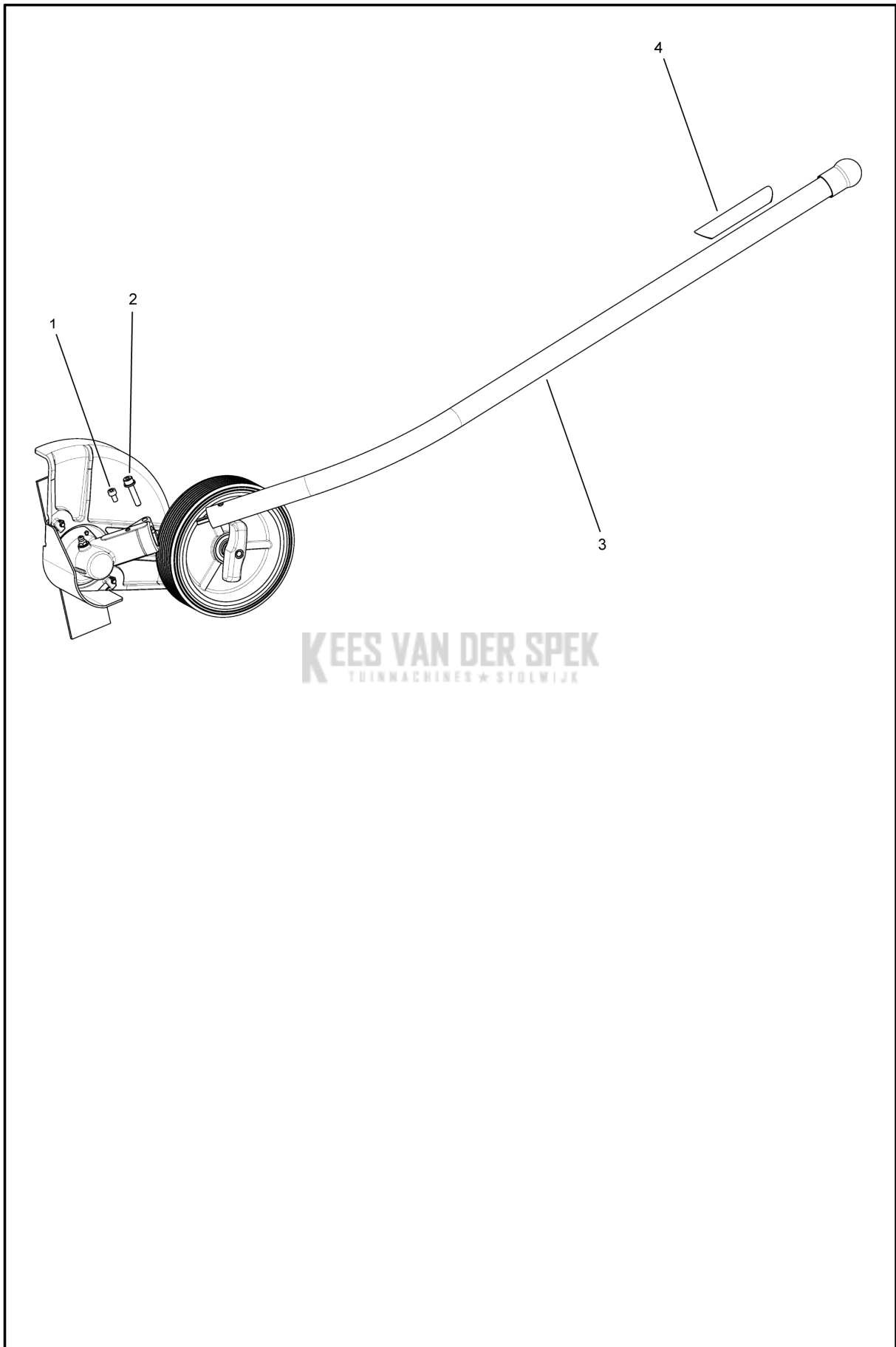
PXM_REF	PXM_PARTNO	DESCRIPTION	PXM_REMARK	QTY.
1	595279601	TUBE ASSY	SHAFT ASSEMBLY	1
3	574407501	AANDRIJFAS	FLEX SHAFT	1 1
4	503785202	STEUNLAGER	BUSHING	1 1
5	587414601	PLUG		1



ACCESSORIES AND TOOLS

PXM_REF	PXM_PARTNO	DESCRIPTION	PXM_REMARK	QTY.
1	510958901	GEREEDSCHAP		1
2	529265401	DOP		1
3	505312001	GEREEDSCHAP		1

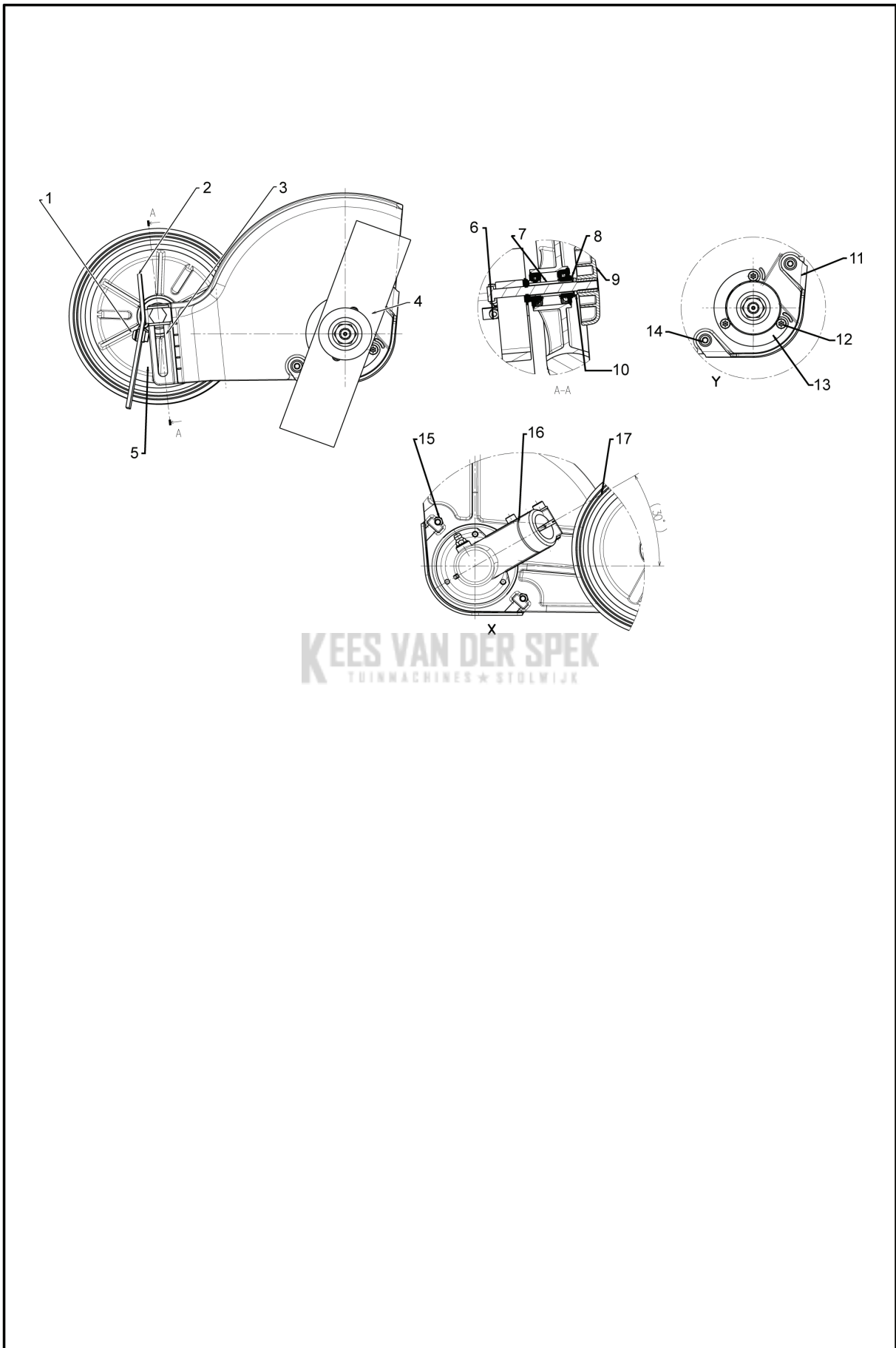
KEES VAN DER SPEK
TUINMACHINES ★ STOLWIJK



KEES VAN DER SPEK
TUINMACHINES ★ STOLWIJK

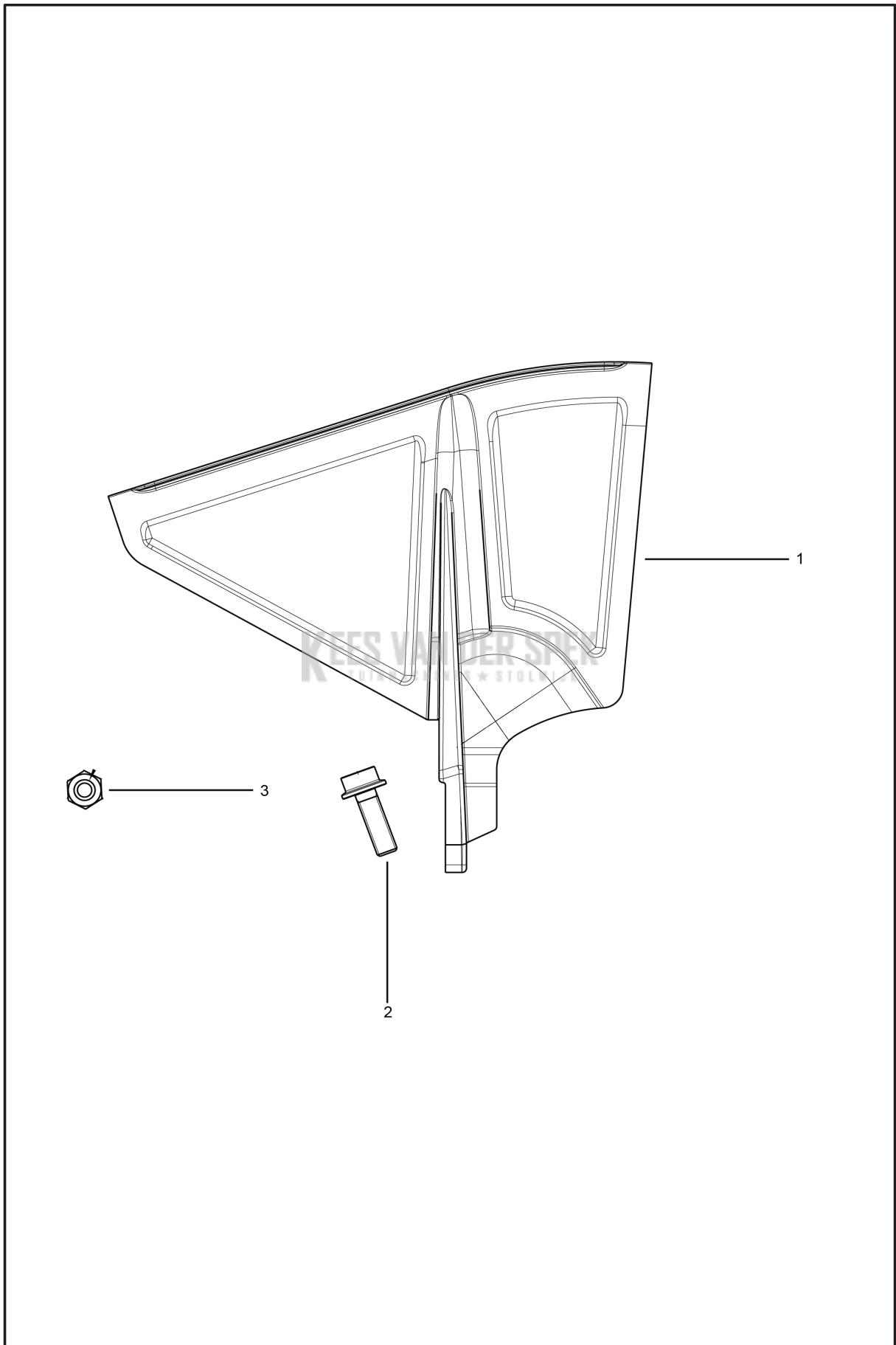
ACCESSORIES AND TOOLS

PXM_REF	PXM_PARTNO	DESCRIPTION	PXM_REMARK	QTY.
1	529268101	BOUT	SCREW	1
2	576590701	BOUT	SCREW	1
3	595279601	TUBE ASSY	TUBE ASSY	1
4	503709701	PLAATJE	WARNING	1



ACCESSORIES AND TOOLS

PXM_REF	PXM_PARTNO	DESCRIPTION	PXM_REMARK	QTY.
1	578473501	SCREW	SCREW	2
2	505173701	RUBBER	MUD FLAP	1
3	526059501	BEVESTIGING	BRACKET	1
4	531300233	EDGER BLADE	BLADE	1
5	505173601	PLAAT	PLATE	1
6	526059601	BOUT	BOLT	1
7	505173301	HULS	SLEEVE	1
8	505173001	RING	WASHER	2
9	527068601	MOER	NUT	1
10	505172901	VEERRING	SPRING WASHER	1
11	505172001	BESCHERMINGSPLAAT	PROTECTIVE PLATE	1
12	596876101	SCREW	SCREW	3
13	505171901	PLAAT	PLATE	1
14	506745601	BOUT	BOLT	2
15	505172301	MOER	NUT	2
16	588221401	GEAR CASE	GEAR CASE ASSY	1
17	505172501	WIEL	WHEEL	1



ACCESSORIES AND TOOLS

PXM_REF	PXM_PARTNO	DESCRIPTION	PXM_REMARK	QTY.
1	597000101	BESCHERMING		1
2	506745601	BOUT		1
3	505172301	MOER		1

KEES VAN DER SPEK
TUINMACHINES ★ STOLWIJK