

**SPARE PARTS CATALOGUE**  
**ACCESSORIES AND TOOLS: HUSQVARNA POLE SAW**  
**ATTACHMENT PAX730**



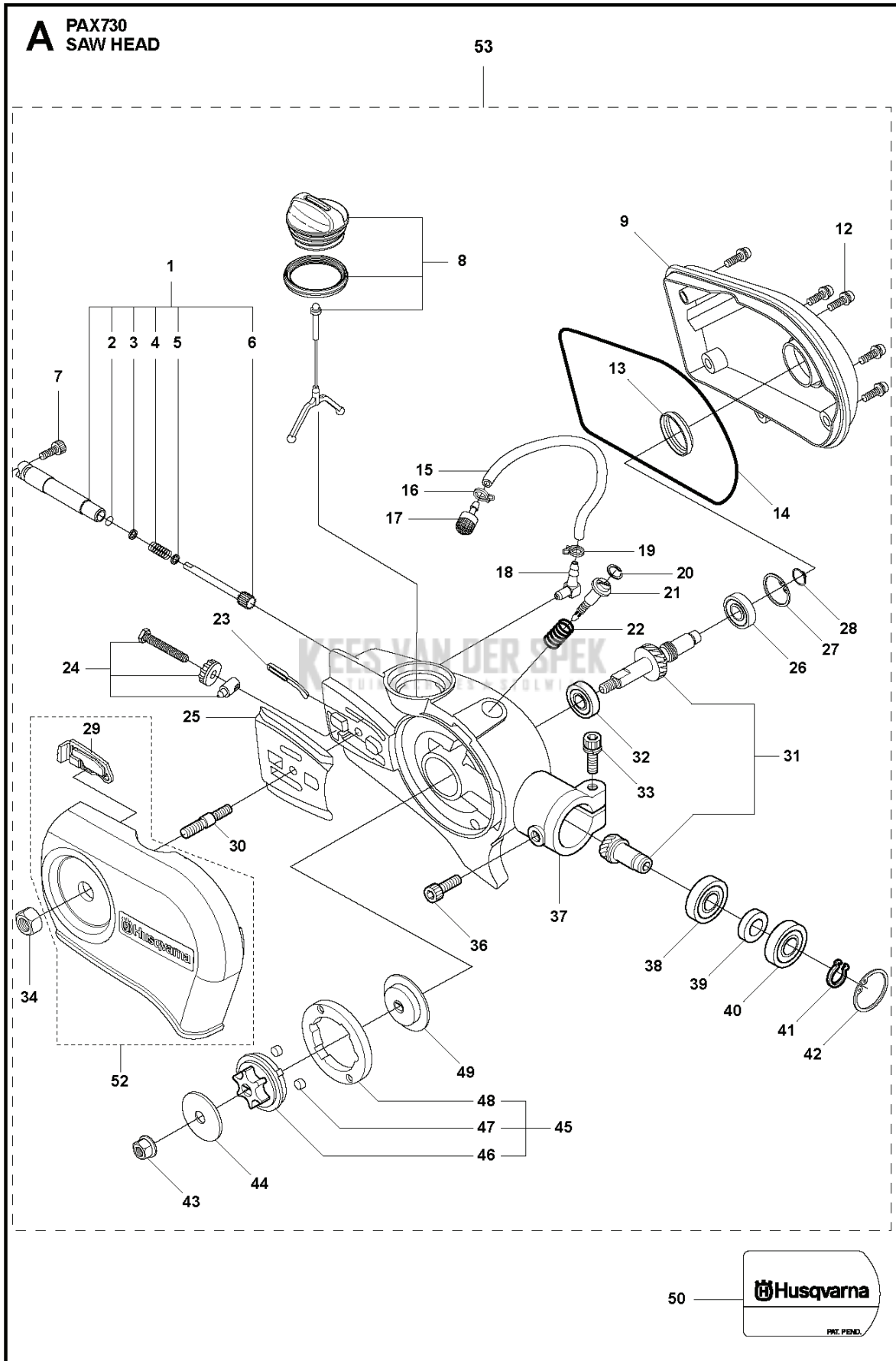
Spare Parts List

# **SPARE PARTS LIST**

ACCESSORIES AND TOOLS

**KEES VAN DER SPEK**  
TUINMACHINES \* STOLWIJK

**HUSQVARNA POLE SAW ATTACHMENT  
PAX730**

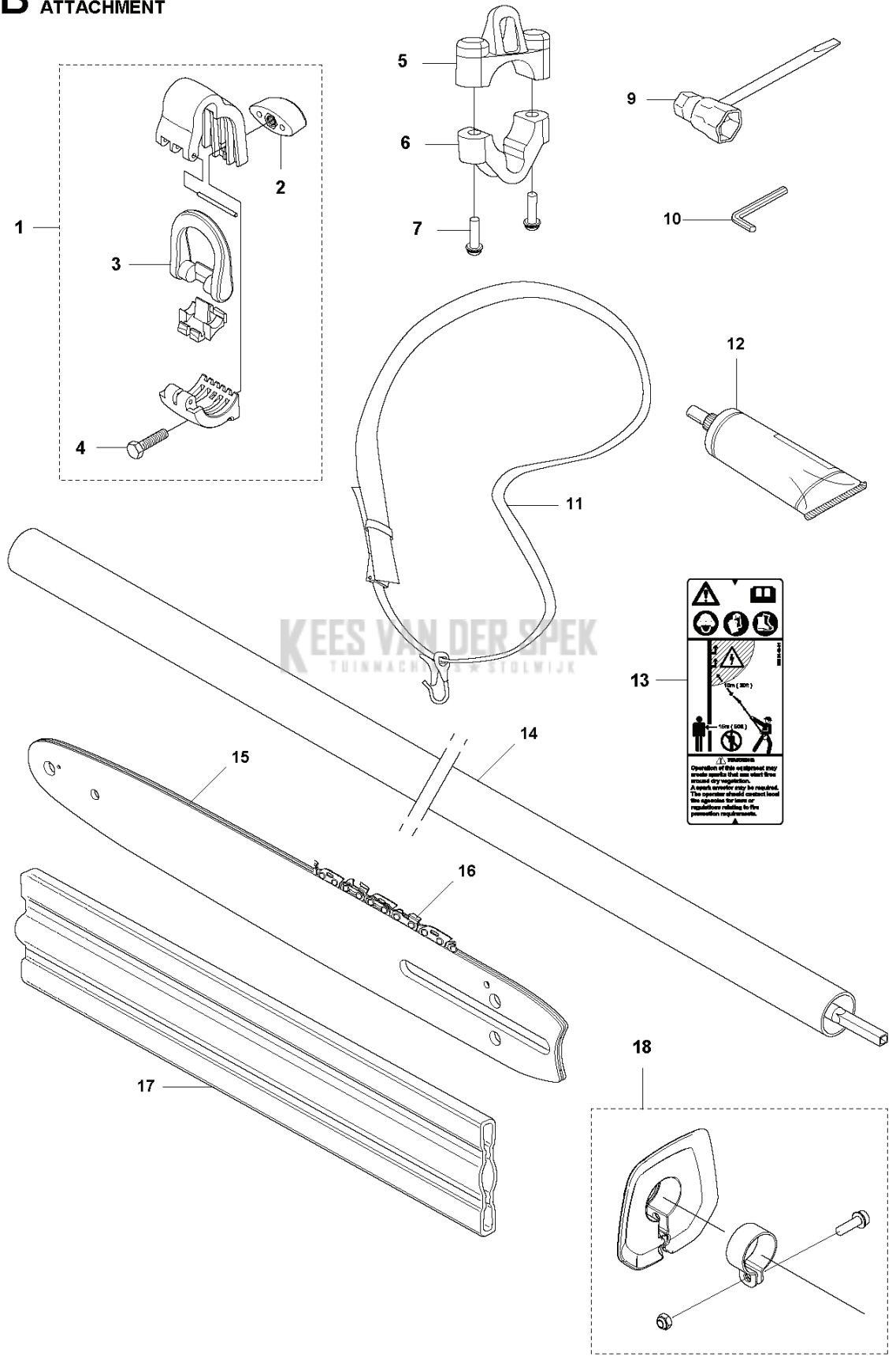


ACCESSORIES AND TOOLS

PXM_REF	PXM_PARTNO	DESCRIPTION	PXM_REMARK	QTY.	
1	537299201	OLIEPOMP COMPL.		1	53
2	740420300	O-RING		1	53
3	503230016	RING		1	53
4	503184901	VEER		1	53
5	503230016	RING		1	53
6	503808302	POMPZUIGER		1	53
7	725532755	SCHROEF IHSCM		1	53
8	537281502	TANKDEKSEL COMPL.		1	53
9	593620401	CAP ASSY		1	53
12	725532955	SCHROEF IHSCM		5	53
13	537330101	AFDICHTING		1	53
14	537291001	O-RING		1	53
15	537291101	SLANG		1	53
16	537371501	SLANGKLEM		1	53
17	504710003	OLIELOOD		1	53
18	504340004	FITTING		1	53
19	537371501	SLANGKLEM		1	53
20	537290901	BORGCLIP		1	53
21	537056801	STELSCHROEF		1	53
22	503978201	VEER		1	53
23	537331701	OLIELEIDING		1	53
24	537228201	KETTINGSPANNER		1	53
25	537194201	KETTINGGELEIDERPLAAT		1	53
26	738210004	KOGELLAGER		1	53
27	735312710	BORGCLIP		1	53
28	735311200	BORGCLIP		1	53
29	575553701	AFDICHTINGSPLAAT		1	53
30	576293001	ZAAGBLADBOUT	M7-M8	1	53
31	537299001	TANDWIELSET		1	53
32	738219904	KOGELLAGER		1	53
33	725533355	SCHROEF IHSCM		1	53
34	731231801	ZESKANT MOER		1	53
36	725532755	SCHROEF IHSCM		1	53
37	537227401	HUIS		1	53
38	738219904	KOGELLAGER		1	53
39	537247701	AFSTANDRING		1	53
40	738219904	KOGELLAGER		1	53
41	735311100	BORGCLIP		1	53
42	735312510	BORGCLIP		1	53
43	731711651	HEXAGON NUT FLANGE		1	53
44	503230068	RING		1	53
45	537271801	VLIEGWIEL		1	53
46	537271501	NAAF		1	53
47	537271701	BUSHING		2	53
48	537271401	RING		1	53
49	537271601	NAAFDOP		1	53
50	537230001	PLAATJE		1	
52	575541801	KETTINGBESCHERMING		1	53
53	537247103	CUTTING HEAD ASSY		1	

Kees van der Spek  
TECHNISCHE BIJLAGE 1

**B PAX730 ATTACHMENT**



## ACCESSORIES AND TOOLS

---

PXM_REF	PXM_PARTNO	DESCRIPTION	PXM_REMARK	QTY.
1	537353601	LUS		1
2	537130402	KNOP		1
3	537350101	LUS		1
4	725233151	SCREW		1
5	545113301	KLEM		1
6	545056601	KLEM		1
7	530015940	SCREW		1
9	501691701	COMBINATIESLEUTEL		1 7
10	503558601	SLEUTEL		1 7
11	537216201	DRAAGSTEL		1
12	579064901	VET		1
13	585944001	STICKER		1
14	587988102	TUBE ASSY		1
15	501959245	ZAAGBLAD	12"	1
15	501959240	ZAAGBLAD	10"	1
16	576936545	SAW CHAIN	12"	1
16	576936540	SAW CHAIN	10"	1
17	537129901	BAR COVER		1
18	579488601	HANDBESCHERMER COMPL.		1

**KEES VAN DER SPEK**  
 TUINMACHINES ★ STOLWIJK