

# **HUSQVARNA - SPARE PARTS CATALOG**

**RIDERS: HUSQVARNA R 316TSX AWD**

**KEES VAN DER SPEK**  
TUINMACHINES ★ STOLWIJK

Sparepartslist

# SPAREPARTSLIST

KEEP RIDERS SPEK  
TUINMACHINES \* STOLWIJK

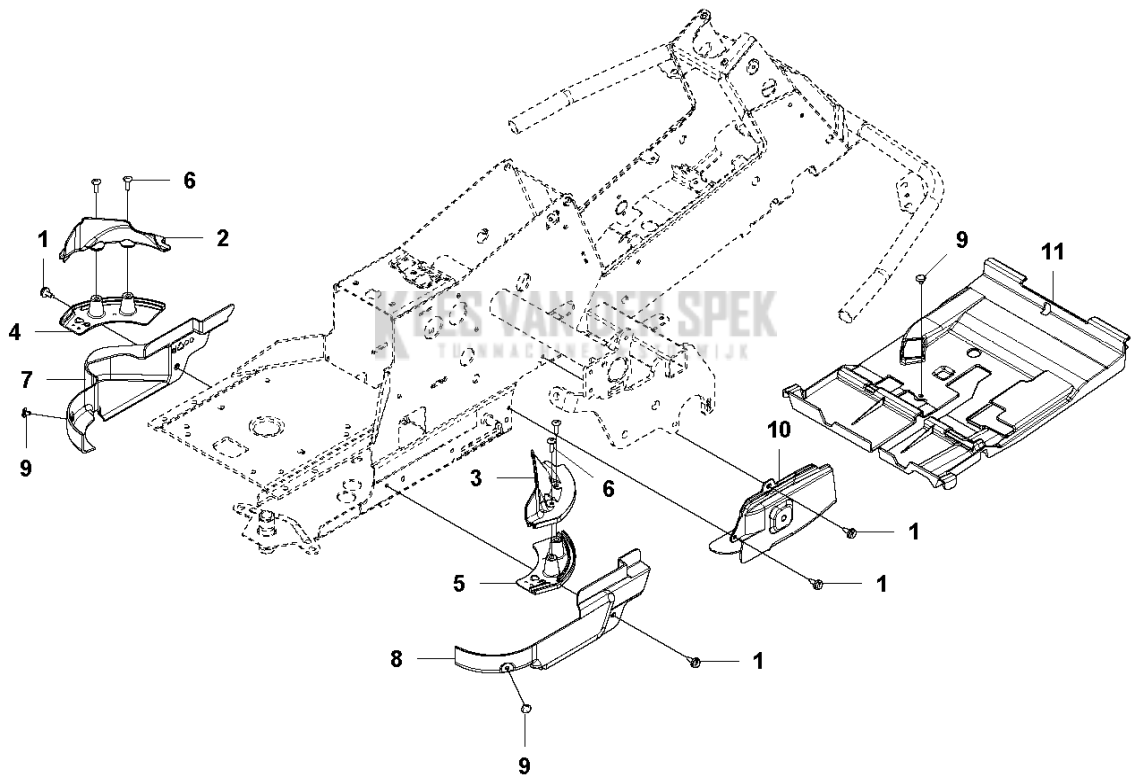
## HUSQVARNA R 316TSX AWD



## RIDERS

PXM_REF	PXM_PARTNO	DESCRIPTION	PXM_REMARK	QTY
1	523064201	GEREEDSCHAPSFRAAME		1
2	525475901	HAAK		1
5	506597401	SCHROEF EHHFM		2
7	523116602	HEFBOOM		1
8	506918701	RING		1
9	725644801	SCHROEF IHCSFM		1
10	506535603	TREKVEER		1
11	525486701	RIEMGELEIDER		1
12	506974801	POELJE		1
13	506826802	BUSHING		1
14	725245951	SCHROEF EHHM		1
15	734116441	RING		1
16	577228701	VEL		1
17	505153901	SNAARSPANWIEL COMPL.		1
18	738210404	KOGELLAGER		1
19	735313810	BORGCLIP		1
20	734116441	RING		1
21	725245951	SCHROEF EHHM		1
22	504622401	VEER		1
23	504622102	HANDGREEP COMPL.		1
24	505451701	RING		1
25	725645301	SCHROEF IHCSFM		1
26	535484801	BUSHING		1
27	732211801	LOCK NUT		1
30	506895801	COLLAR SCREW		2
31	732252201	ZESKANTIGE BORGMOER		2
32	506966601	HAIR PIN COTTER		1
33	506837601	VEER		2
34	506837701	RING BOLT		2
35	734117201	RING		2
36	731232001	ZESKANT MOER		4

COVER - 3

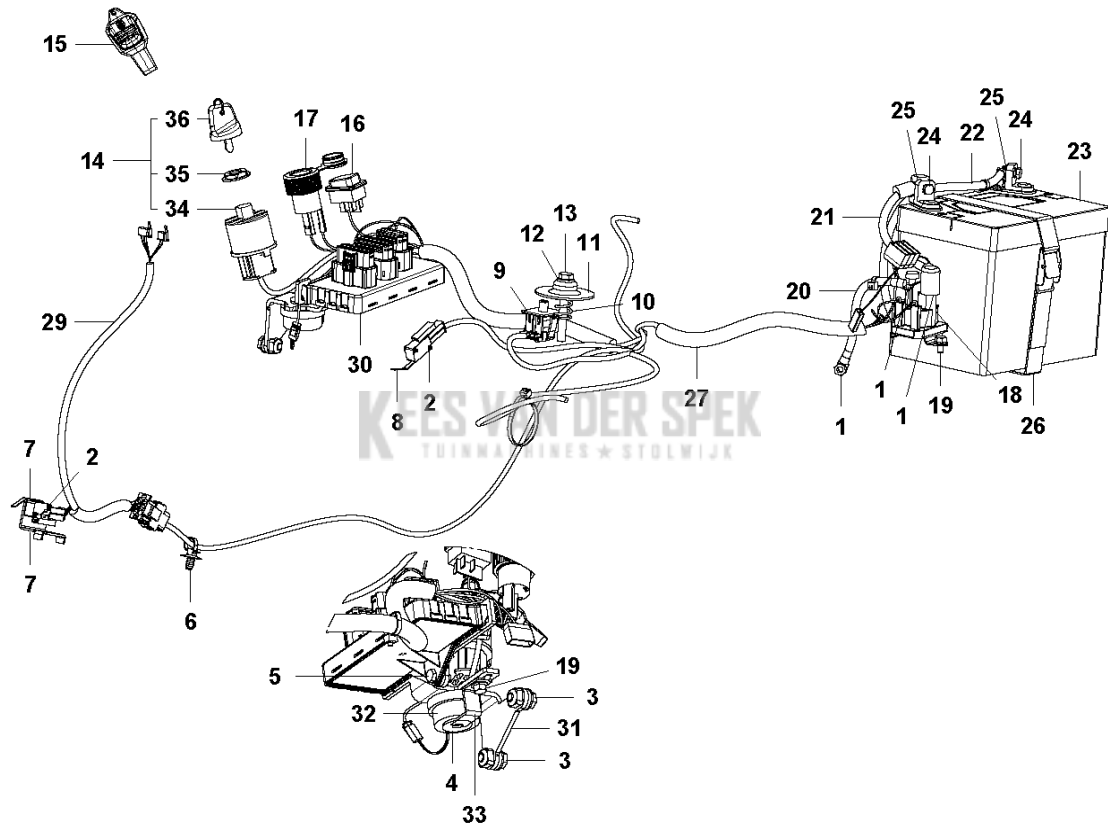


## RIDERS

---

PXM_REF	PXM_PARTNO	DESCRIPTION	PXM_REMARK	QTY
1	544400501	SCREW		4
2	510222501	RIEMKAP		1
3	510222502	RIEMKAP		1
4	510222701	RIEMKAP		1
5	510222702	RIEMKAP		1
6	535425802	SCHROEF IHANM		4
7	510222303	RIEMKAP		1
8	510222401	RIEMKAP		1
9	522557301	SCREW		3
10	516018801	RIEMKAP		1
11	525563303	RIEMKAP		1

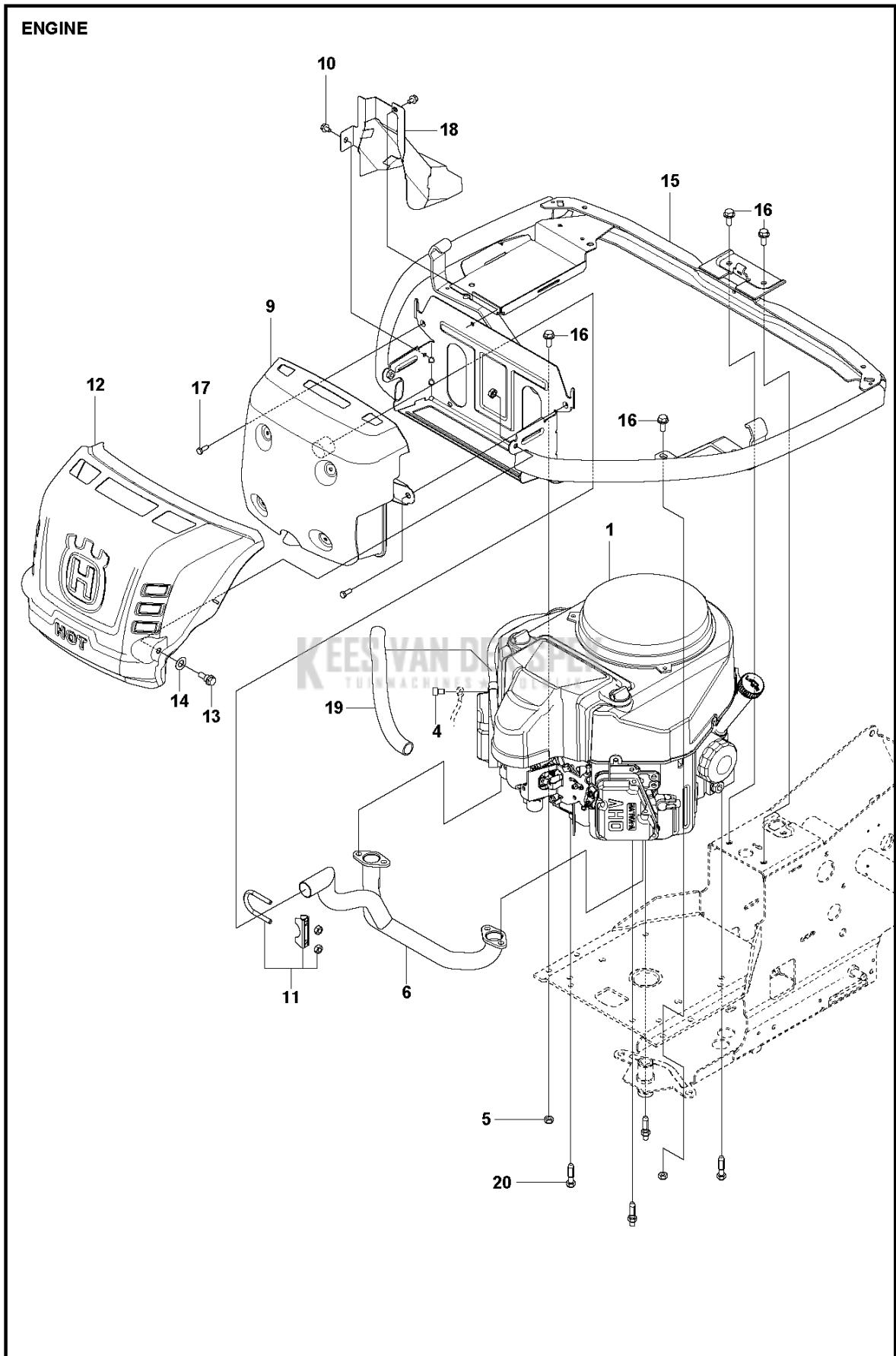
ELECTRICAL



# RIDERS

PXM_REF	PXM_PARTNO	DESCRIPTION	PXM_REMARK	QTY
1	506899801	MOER		3
2	544440701	KLINKNAGEL		4
3	506570103	SCHROEF EHHFM		2
4	734116441	RING		1
5	725236861	SCHROEF EHHFT		1
6	579317401	SPANBAND		1
7	544415701	BEVESTIGING		1
8	574316101	SCHAKELAAR		2
9	587648401	SCHAKELAAR		1
10	544441201	VEER		1
11	506909701	VEERRING		1
12	734116401	RING		1
13	725246451	SCHROEF EHHM		1
14	579434301	ONTSTEKING SCHAKELAAR		1
15	586379401	HEFBOOM		1
16	502655701	SCHAKELAAR		1
17	535474801	POWER SOCKET		1
18	544439801	RELAIS		1
19	725236461	SCHROEF EHHFT		2
20	576183901	KABEL		1
21	586223902	KABEL		1
22	576183801	KABEL		1
23	577041601	ACCU		1
24	522622101	SCHROEF EHHM		2
25	522624301	MOER		2
26	506836802	RIEM		1
27	594017702	BEKABELING COMPL.		1
29	593181101	BEKABELING COMPL.		1
30	590568001	BESTURINGSEENHEID		1
31	593820601	BEVESTIGING		1
32	501182101	BUZZER		1
33	589411701	BEVESTIGING		1
34	578261701	ONTSTEKING SCHAKELAAR		1 14
35	544442301	MOER		1 14
36	544442401	ONTSTEKINGS SLEUTEL		1 14



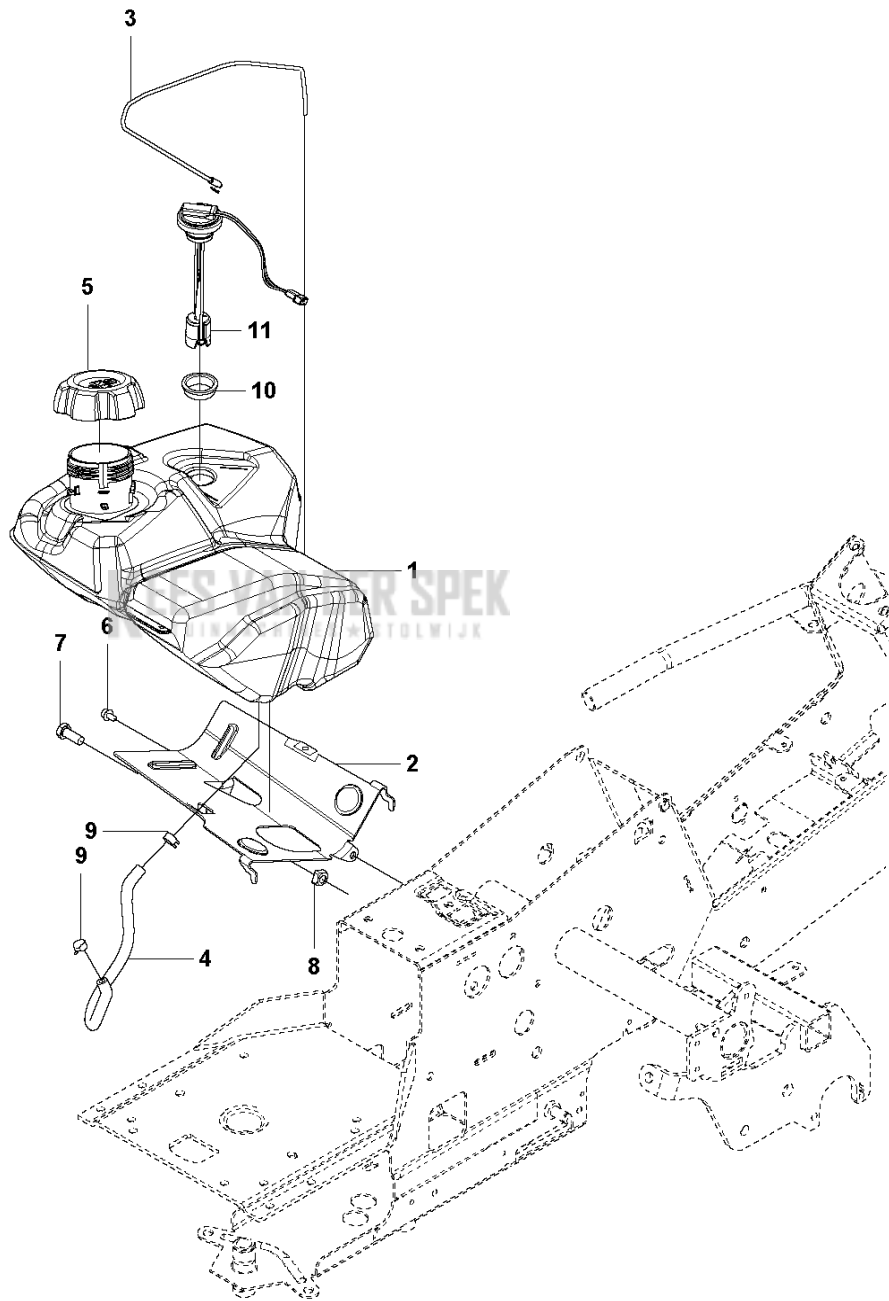


## RIDERS

---

PXM_REF	PXM_PARTNO	DESCRIPTION	PXM_REMARK	QTY
1	578768002	MOTOR		1
4	725544701	SCHROEF IHSCM		1
5	732211801	LOCK NUT		6
6	578118801	VERDEELSTUK		1
9	577813601	GELUIDDEMPER		1
10	725236461	SCHROEF EHHFT		2
11	501152201	CLAMP ASSY		1
12	577818502	HITTE SCHILD		1
13	506597401	SCHROEF EHHFM		2
14	506839401	VEERRING		2
15	577849104	MOTOR FRAME		1
16	506570104	SCHROEF EHHFM		4
17	535475212	SCHROEF EHHFM		2
18	579314901	WARMTEDEFLECTOR		1
19	579396401	SLANGBESCHERMING		1
20	578207501	TAPEIND SCHROEF		4

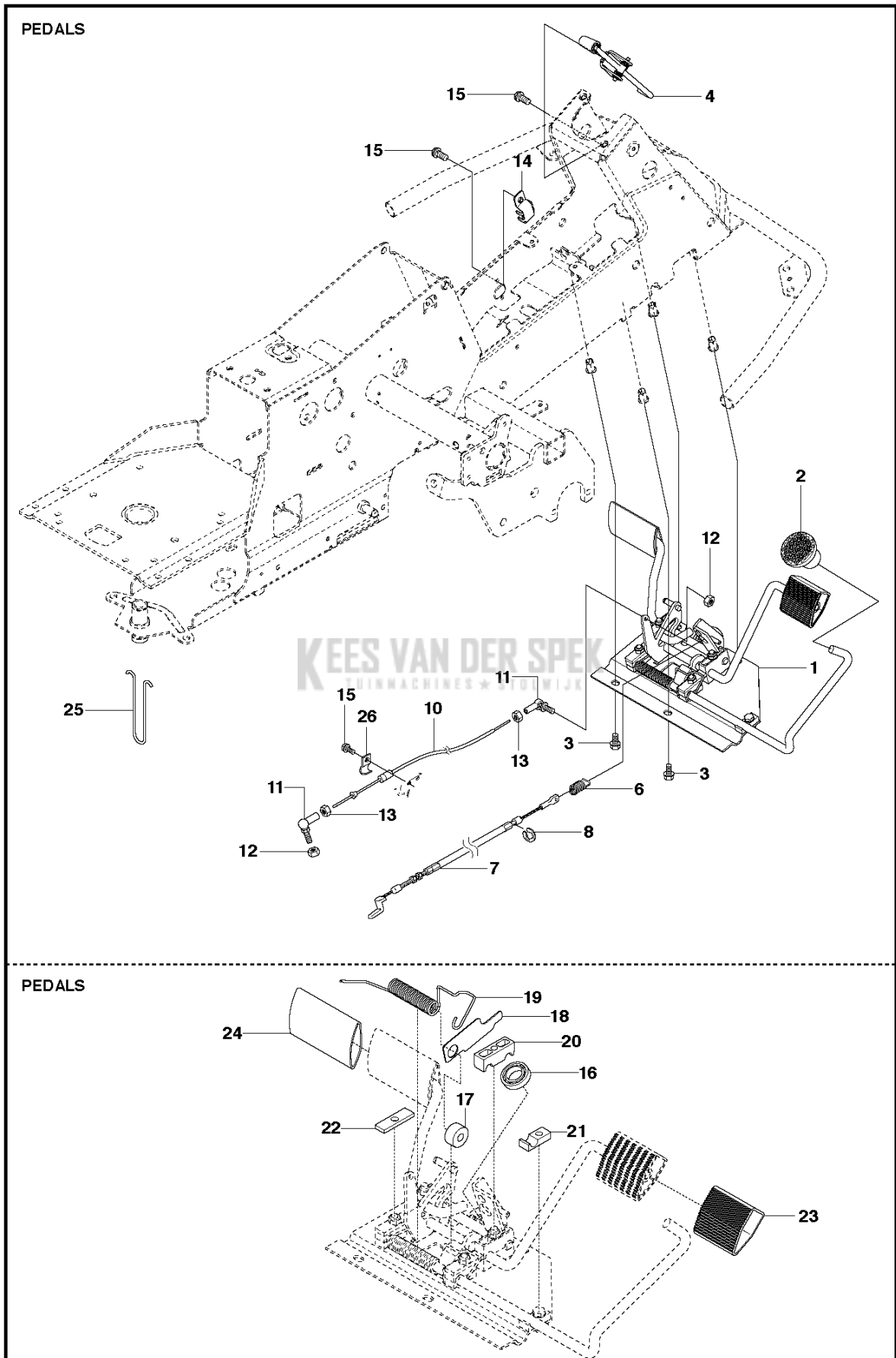
FUEL SYSTEM



## RIDERS

---

PXM_REF	PXM_PARTNO	DESCRIPTION	PXM_REMARK	QTY
1	595102901	BRANDSTOFTANK COMPL.		1
2	578053801	BEVESTIGING		1
3	578261501	KABEL		1
4	504800010	BRANDSTOFSLANG		1
5	584248702	FUEL CAP		1
6	725236461	SCHROEF EHHFT		1
7	725249371	SCHROEF EHHM		1
8	732211601	LOCK NUT		1
9	535469701	HOSE BRACE		2
10	594059501	DOORVOER		1
11	594059701	SENSOR		1

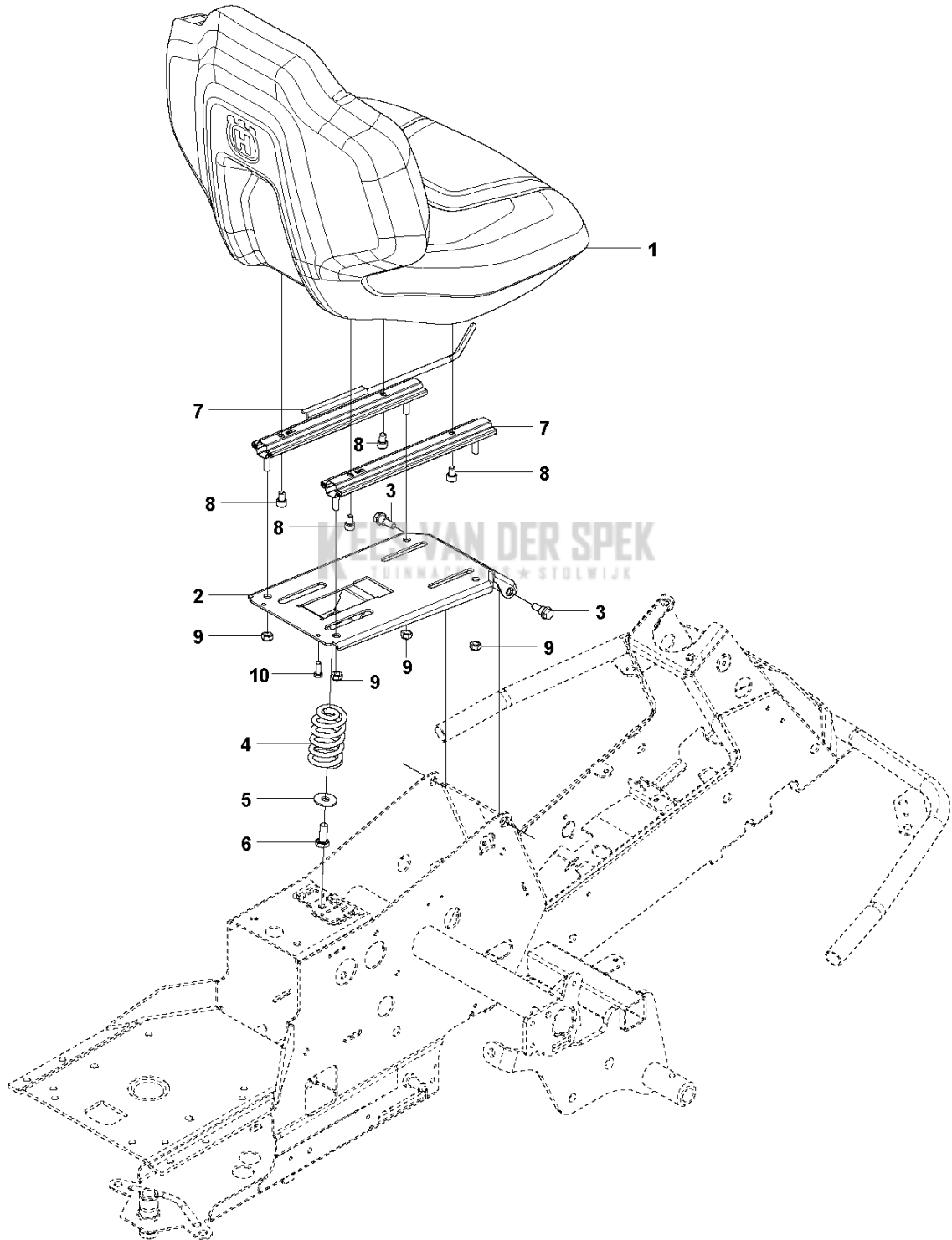


## RIDERS

---

PXM_REF	PXM_PARTNO	DESCRIPTION	PXM_REMARK	QTY
1	586969301	PEDAALPLAAT COMPL.		1
2	586727401	KNOP		1
3	506570104	SCHROEF EHI-FM		4
4	544403101	REMHEFBOOM COMPL.		1
6	506946301	REMVEER		1
7	576712101	REM KABEL		1
8	735310920	E-CLIP		1
10	574411202	BEDIENINGS KABEL		1
11	578776801	KOGELGEWRICHT		2
12	732211601	LOCK NUT		2
13	731231401	ZESKANT MOER		2
14	522430801	BEVESTIGING		1
15	725236461	SCHROEF EHI-FT		4
16	738210204	KOGELLAGER		1
17	535480201	ROL		1
18	535480601	BESCHERMINGSPLAAT		1
19	535480701	VEER		1
20	535480801	LAGERBLOK		4
21	535480901	LAGERBLOK		5
22	535481001	VERSTEVIINGSPLAAT		3
23	586966401	PEDAAL		1
24	586966402	PEDAAL		1
25	506576402	KABELHOUDER		1
26	506566501	KLEM		1

SEAT

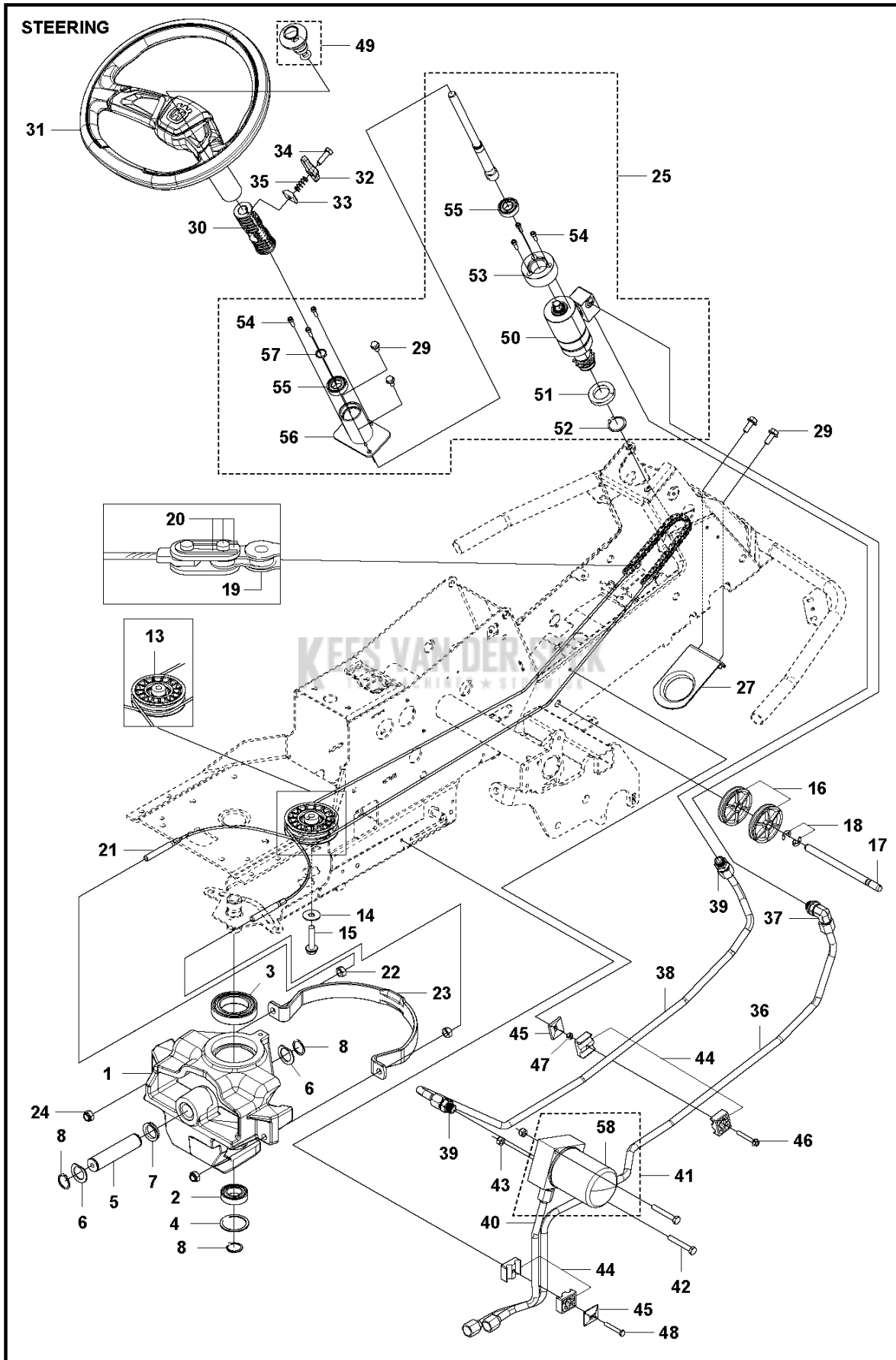


## RIDERS

---

PXM_REF	PXM_PARTNO	DESCRIPTION	PXM_REMARK	QTY
1	593189401	ZITTING		1
2	501131501	ZITTINGBEVESTIGING COMPL.		1
3	506597401	SCHROEF EHHFM		2
4	506915301	DRUKVEER		1
5	734117441	RING		1
6	725249371	SCHROEF EHHM		1
7	587290401	ZITTING VERSTELLER		1
8	725544701	SCHROEF IHSCM		4
9	732211801	LOCK NUT		4
10	725236861	SCHROEF EHHFT		1



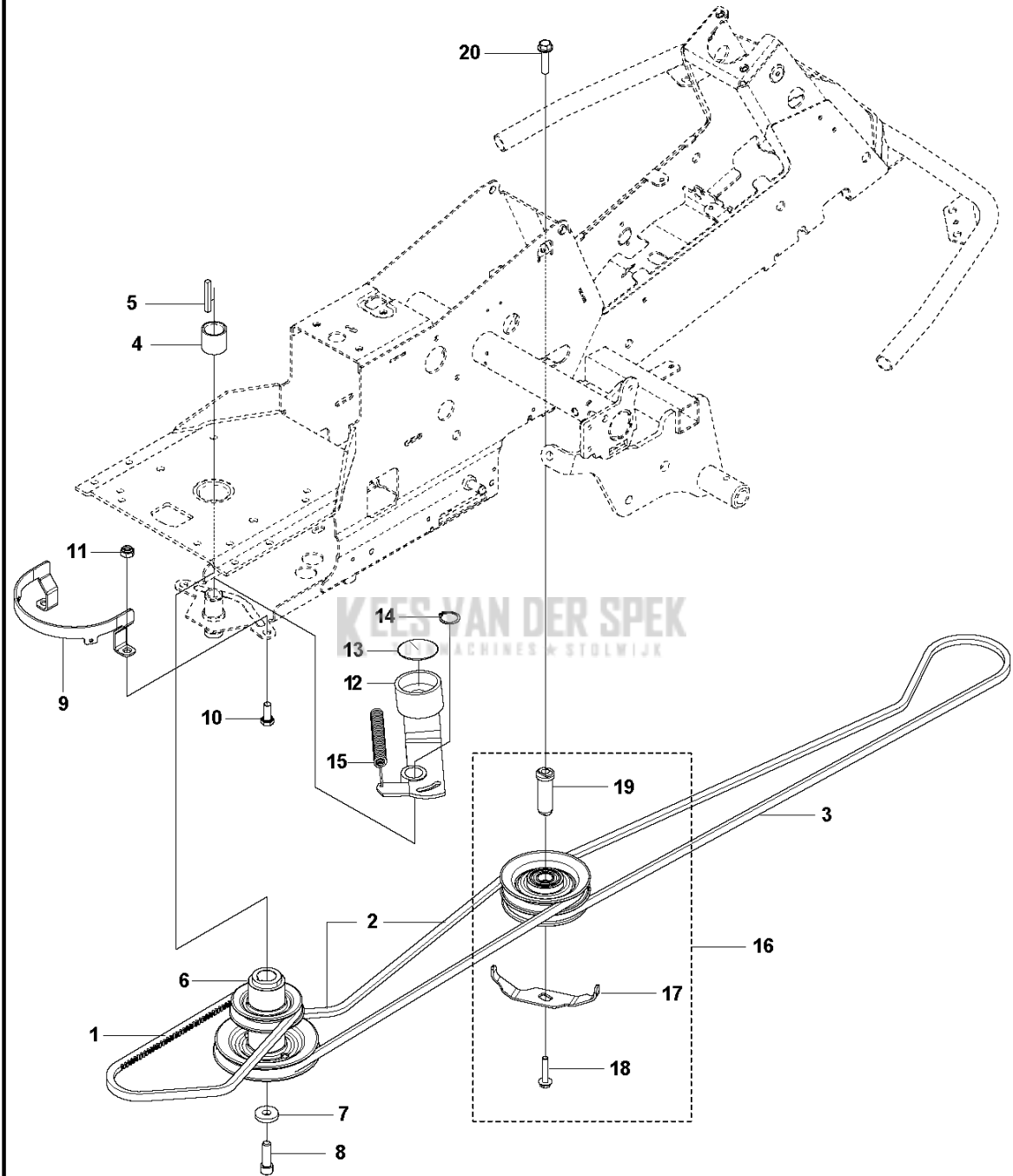


## RIDERS

PXM_REF	PXM_PARTNO	DESCRIPTION	PXM_REMARK	QTY
1	577659301	SPINDEL		1
2	738210504	KOGELLAGER		1
3	738211004	KOGELLAGER		1
4	735314010	BORGCLIP		1
5	506985901	SCHOMMELAS		1
6	506773401	RING		2
7	740681421	V-RING		1
8	735312600	BORGCLIP		3
13	576492501	POELIE		1
14	734117441	RING		1
15	506675403	SCHROEF EHIHF		1
16	506522401	KOORDSCHUIF		2
17	506539404	AS		1
18	735311420	E-CLIP		2
19	506554610	KETTING		1
20	506554701	VERBINDING		2
21	501604804	KABEL COMPL.		2
22	731232001	ZESKANT MOER		2
23	544427301	KABELGELEIDER		1
24	732212051	MOER		2
25	578370602	STUURBEKRACHTING		1
27	578126701	BEVESTIGING		1
29	506570104	SCHROEF EHIHF		4
30	587080901	MEENEMER		1
31	593166106	STUURWIEL		1
32	593149501	HENDEL		1
33	593605201	VASTZETPLAAT		1
34	593149401	PEN		1
35	593868801	VEER		1
36	502854401	HYDROLISCHE PIJP		1
37	535437301	PIJKOPPELING		1
38	575959601	HYDROLISCHE PIJP		1
39	535426801	PIJKOPPELING		3
40	502854601	HYDROLISCHE PIJP		1
41	580653301	FILTEERENHEID		1
42	725246251	SCHROEF EHIHM		2
43	732211801	LOCK NUT		2
44	544373303	PIJPHOUDER		2
45	535438501	AFDEKRING		2
46	535475245	SCHROEF EHIHF		1
47	732211601	LOCK NUT		1
48	725237861	SCHROEF EHIHF		1
49	593676701	KNOB ASSY		1
50	535457103	STUURBEKRACHTIGING		1 25
51	535427801	KOGELLAGER		1 25
52	735313300	BORGCLIP		1 25
53	578150501	LAGERHUIS		1 25
54	725537001	SCHROEF IHSCM		6 25
55	738210404	KOGELLAGER		1 25
56	578150901	LAGERBLOK		1 25
57	735312200	BORGCLIP		1 25
58	575645401	OLIEFILTER		1

KEES VAN DER SPEK  
LIJNMAASCHIJN B.V.

TRANSMISSION

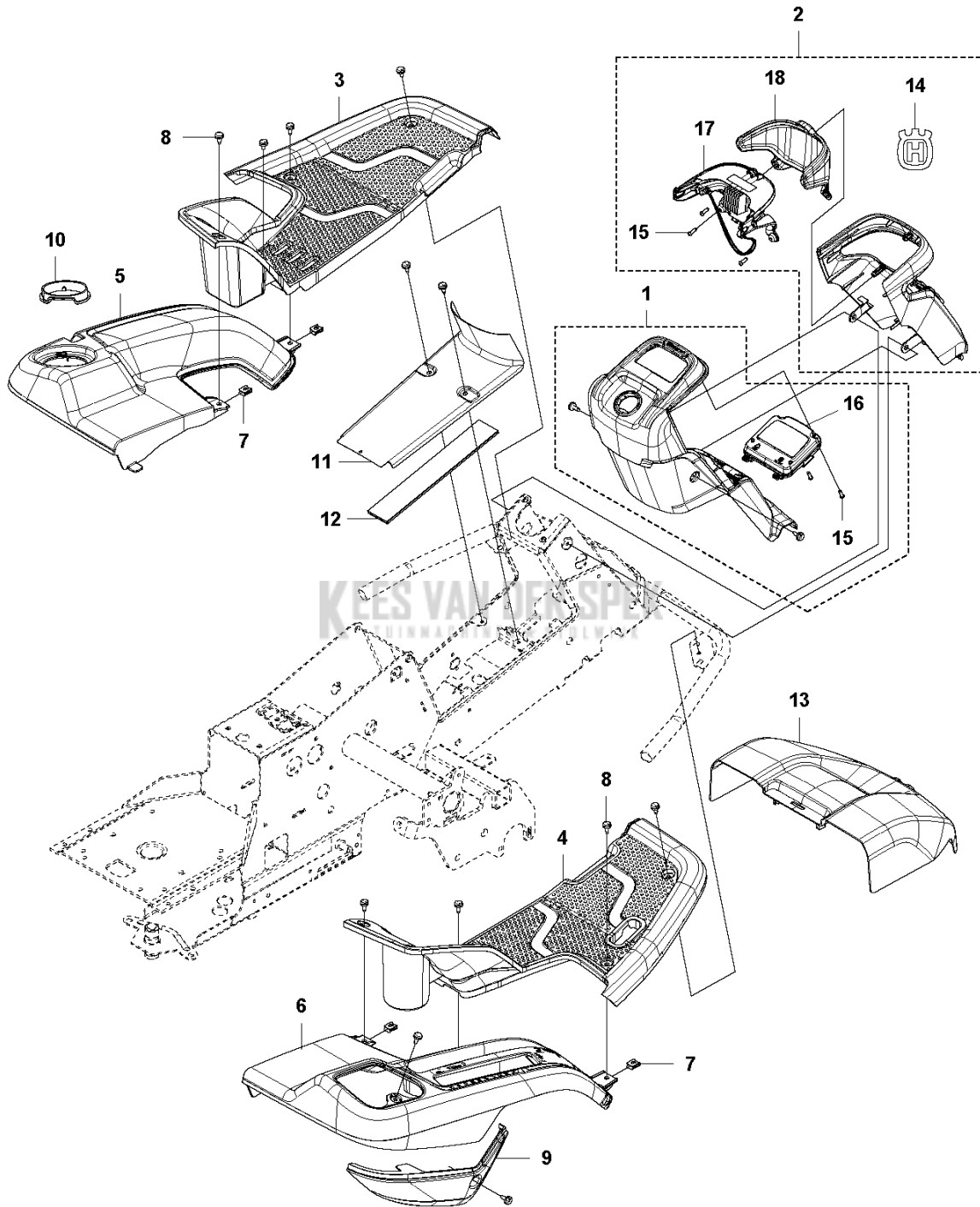


## RIDERS

---

PXM_REF	PXM_PARTNO	DESCRIPTION	PXM_REMARK	QTY
1	589531201	RIEM		1
2	589530401	RIEM		1
3	594978001	RIEM		1
4	506509201	AFSTANDHULS		1
5	506555901	KEG		1
6	535482401	POELIE		1
7	506597501	RING		1
8	506556002	SCREW UNC		1
9	587425201	RIEMGELEIDER		1
10	725249371	SCHROEF EHHM		2
11	732212051	MOER		2
12	535484401	RIEMSPANNER COMPL.		1
13	535485001	AFDICHTING		1
14	735312600	BORGCLIP		1
15	506665601	VEER		1
16	581916301	POELIE		1
17	544405301	RIEMGELEIDER		1
18	586320401	SCREW		1
19	581916401	AS		1
20	506675402	SCHROEF EHHFM		1

COVER - 2

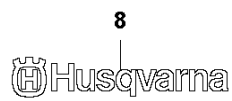
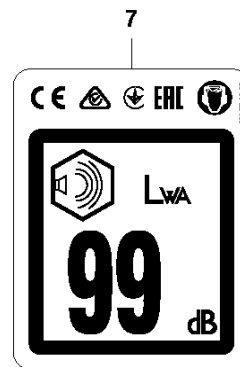
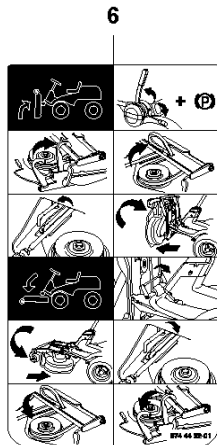
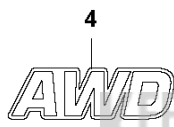
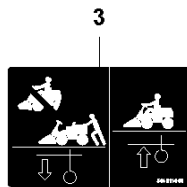
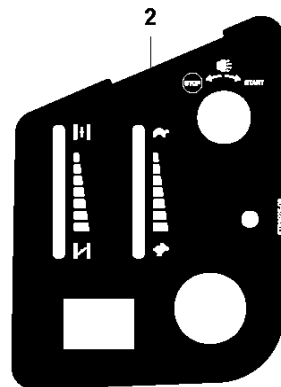
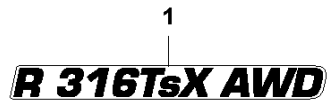


## RIDERS

---

PXM_REF	PXM_PARTNO	DESCRIPTION	PXM_REMARK	QTY
1	596567201	COVER ASSY		1
2	594706401	COVER ASSY		1
3	577729301	FOOT PLATE		1
4	577729401	FOOT PLATE		1
5	577729501	SPATBORD		1
6	577729601	SPATBORD		1
7	535429101	MOER MET VEER		4
8	544400501	SCREW		14
9	577737501	BEDIENINGS KAP		1
10	577764501	LOCK NUT		1
11	544239201	DEKSEL		1
12	584260101	MAT		1
13	525562401	UNIT DEKSEL		1
14	576973401	STICKER		1 2
15	502435301	SCHROEF ITXPANT		5 1.2
16	593739202	DISPLAY		1 1
17	593728501	KOPLAMP		1 2
18	589495701	DEKSEL		1 2

DECALS

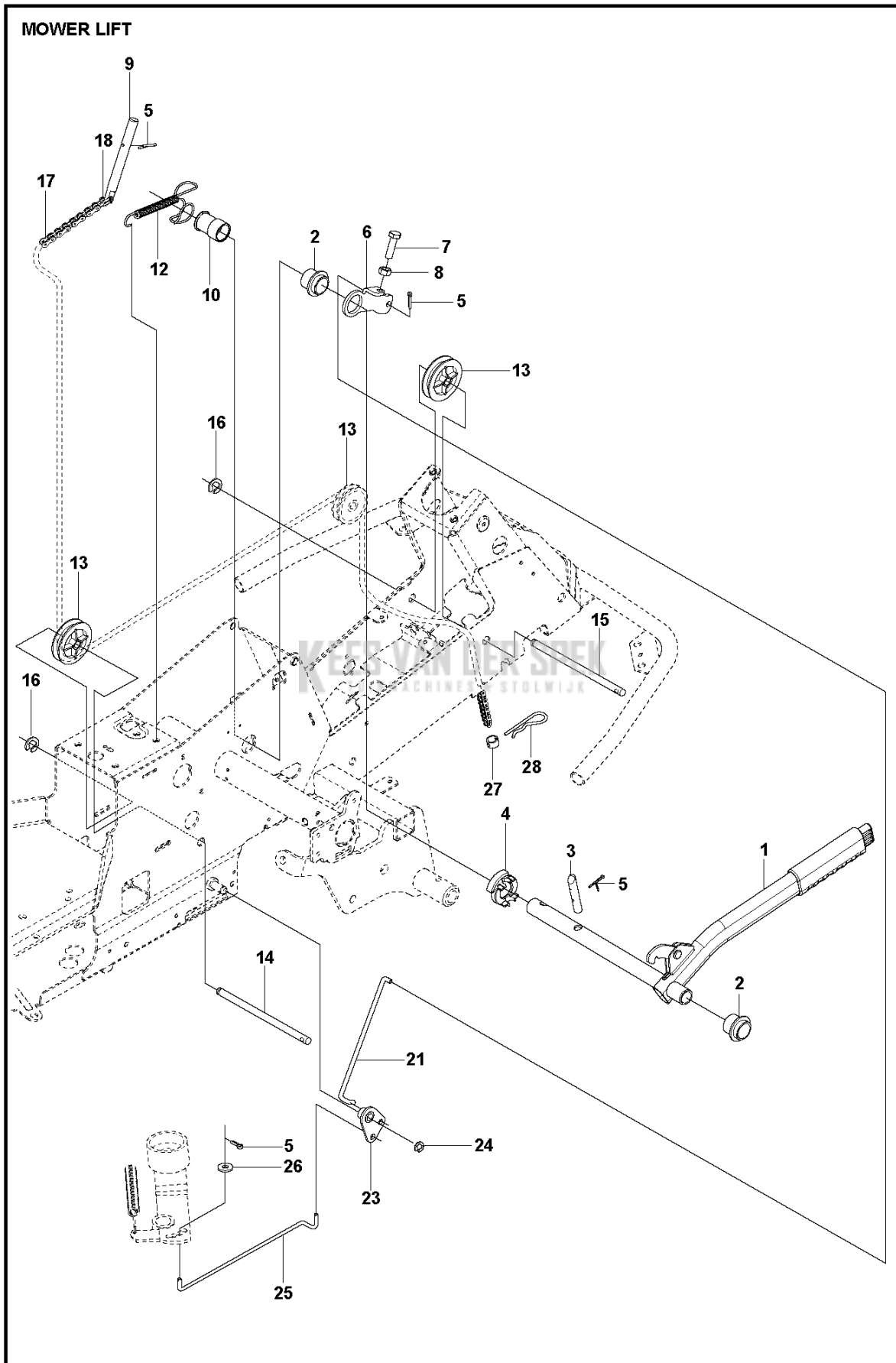


## RIDERS

---

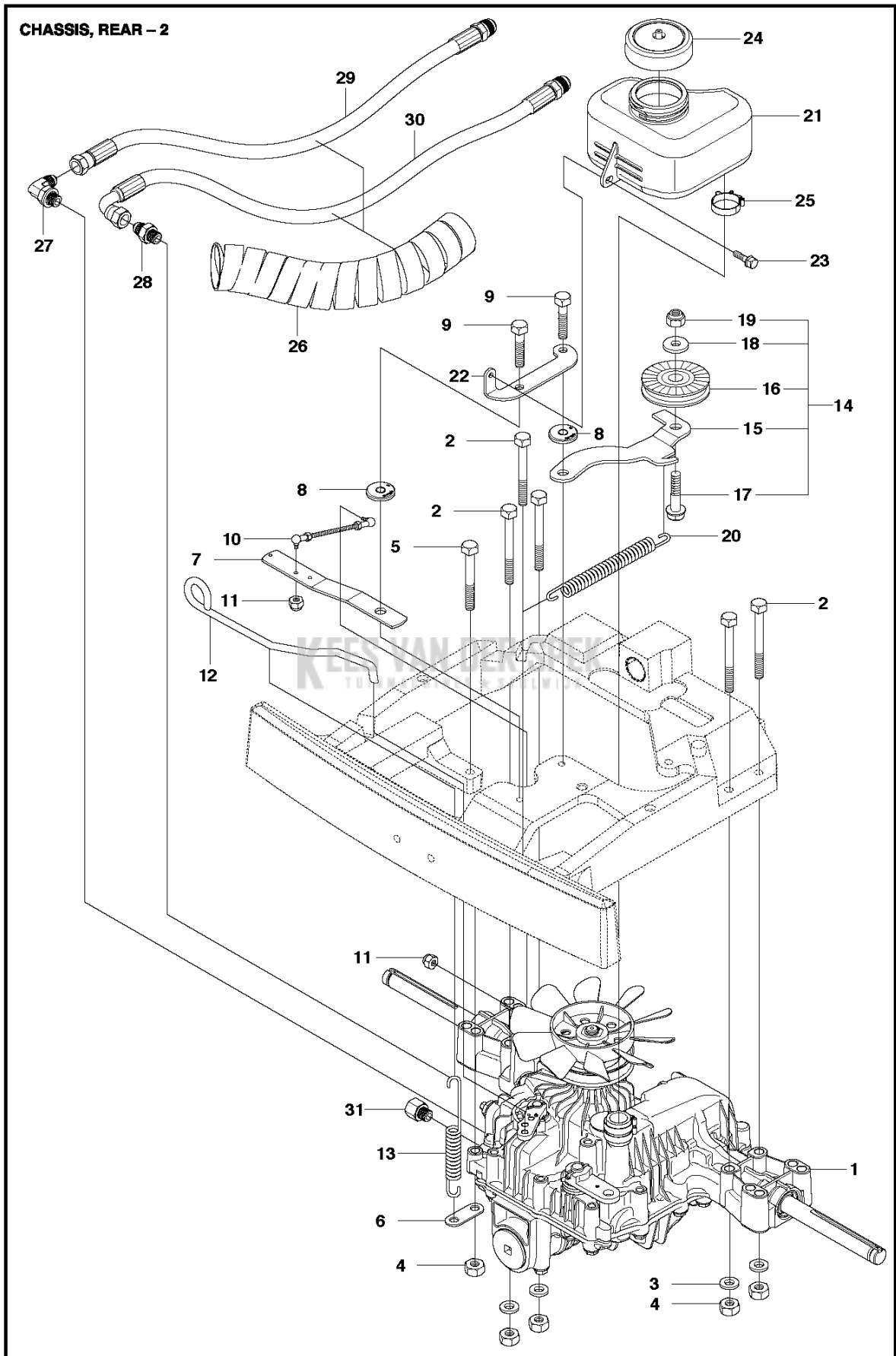
PXM_REF	PXM_PARTNO	DESCRIPTION	PXM_REMARK	QTY
1	595274905	STICKER		2
2	578392508	STICKER		1
3	544211401	PLAATJE		2
4	579091501	STICKER		2
5	582570001	PLAATJE		1
6	574443201	PLAATJE		1
7	581784005	PLAATJE		1
8	577062001	STICKER		2
9	576973401	STICKER		1





## RIDERS

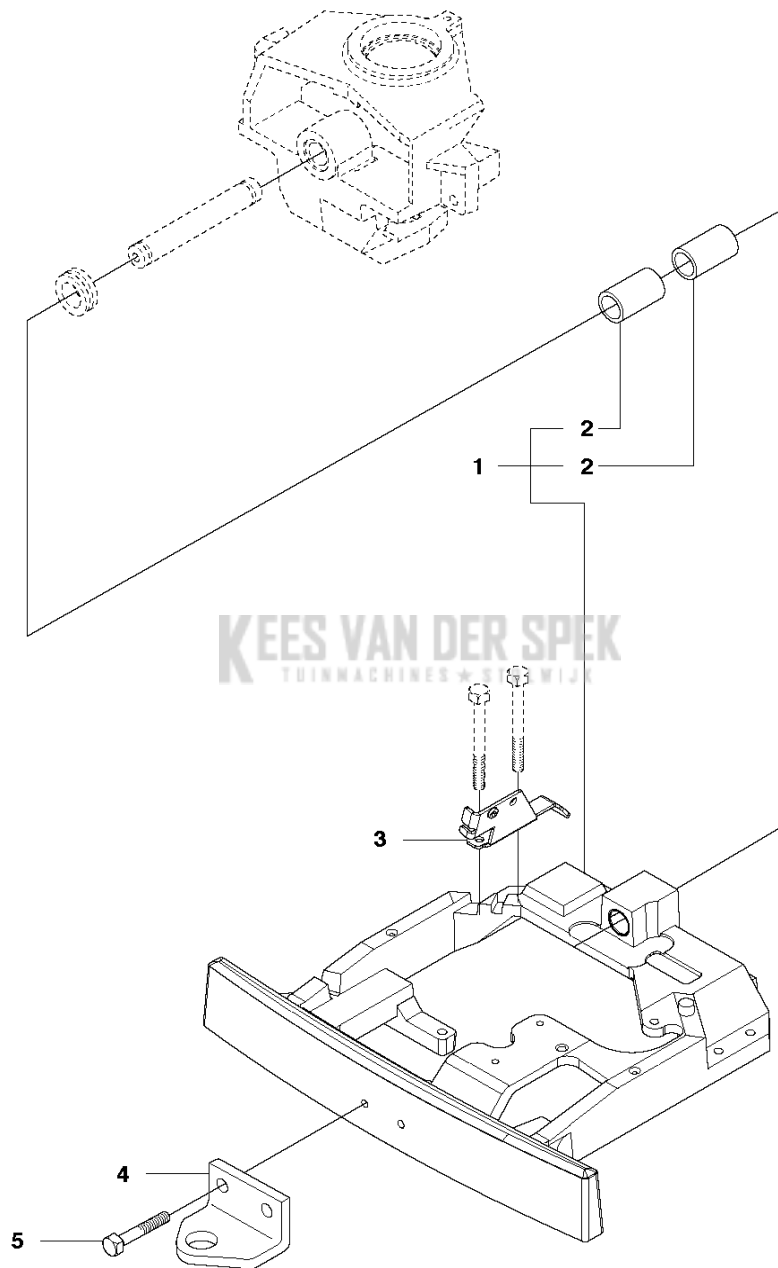
PXM_REF	PXM_PARTNO	DESCRIPTION	PXM_REMARK	QTY
1	590880601	HEFSTANG COMPL.		1
2	588926901	LAGER		1
3	525406601	PENNEN		1
4	588927101	AAMBEELD		1
5	721618301	SPLIT PIN		4
6	588927001	HEFARM		1
7	725249751	SCREW		1
8	731232001	ZESKANT MOER		1
9	588927401	STANG		1
10	588927301	AAMBEELD		1
12	588927501	VEER		1
13	506905601	EXCENTRISCHE POELIE		2
14	582871901	AS		1
15	582871902	AS		1
16	735311820	E-CLIP		2
17	506554607	KETTING		1
18	506554701	VERBINDING		1
21	544456901	KOPPELINGSTANG		1
23	544378601	SCHAKEL		1
24	735311420	E-CLIP		1
25	544448801	KOPPELINGSTANG		1
26	734116441	RING		1
27	544934201	KETTINGSTOP		1
28	506966601	HAIR PIN COTTER		1



# RIDERS

PXM_REF	PXM_PARTNO	DESCRIPTION	PXM_REMARK	QTY
1	590716901	TRANSMISSIE		1
2	725246751	SCHROEF EHHM		5
3	734116401	RING		4
4	731231801	ZESKANT MOER		5
5	725246251	SCHROEF EHHM		1
6	506599301	SCHAKEL		1
7	579596801	HEFBOOM		1
8	584288604	RING		2
9	725245171	SCHROEF EHHM		2
10	506987501	REGELBARE STANG		1
11	732211401	LOCK NUT		2
12	506988201	FRIKOPPLINGSSTANG		1
13	506834301	VEER		1
14	506988401	RIEMSPANNER COMPL.		1
15	588740401	RIEMSPANNER		1 14
16	506946901	POELIE		1 14
17	725245571	SCHROEF EHHM		1 14
18	734116441	RING		1 14
19	732211801	LOCK NUT		1 14
20	506988601	VEER		1
21	544100101	EXPANSIEVAT		1
22	544121701	BEVESTIGING		1
23	725236461	SCHROEF EHHFT		1
24	506673301	TANKDEKSEL COMPL.		1
25	505131102	SLANGKLEM		1
26	544026603	SLANGBESCHERMING		1
27	535437304	PIJKOPPELING		1
28	535426805	PIJKOPPELING		1
29	535450402	HYDRAULIEKSLANG		1
30	535450302	HYDRAULIEKSLANG		1
31	504567401	PIJKOPPELING		1

**CHASSIS, REAR - 1**



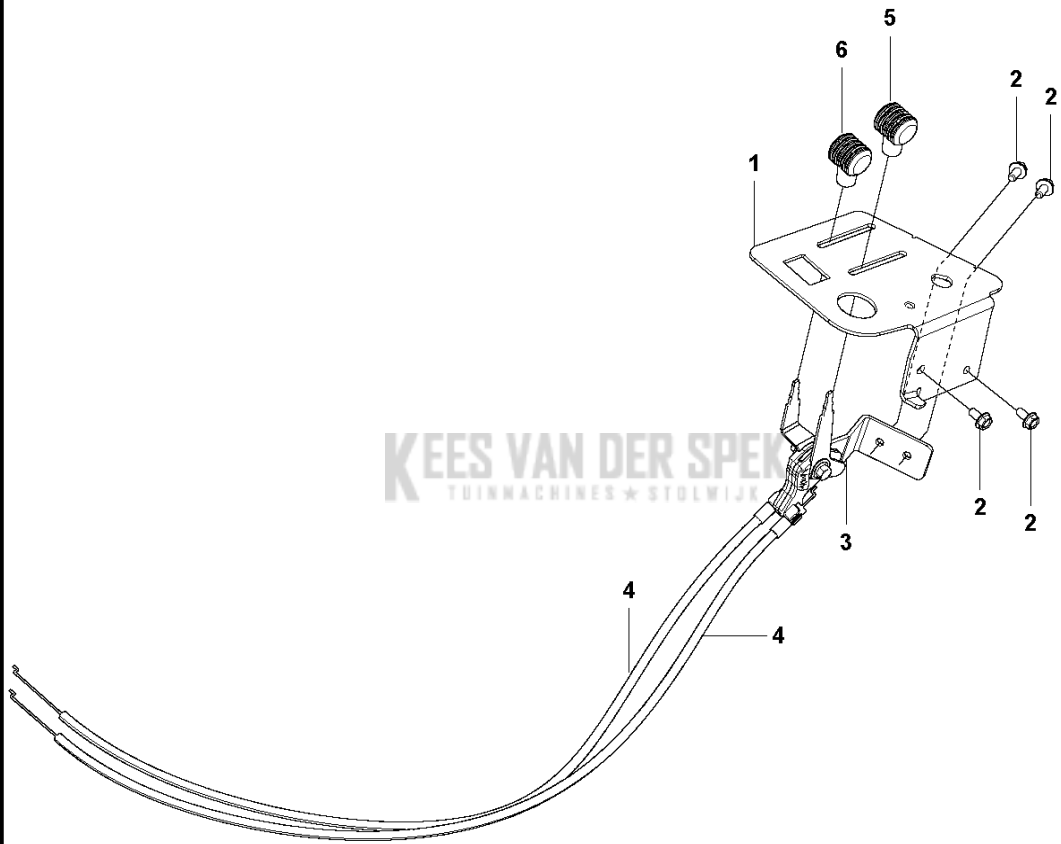
## RIDERS

---

PXM_REF	PXM_PARTNO	DESCRIPTION	PXM_REMARK	QTY
1	582244601	BEVESTIGING		1
2	506986102	GLIDLAGER		2
3	544262101	BEVESTIGING		1
4	506889901	HAAK		1
5	725249371	SCHROEF EHHM		2

**KEES VAN DER SPEK**  
TUINMACHINES ★ STOLWIJK

CONTROL UNIT



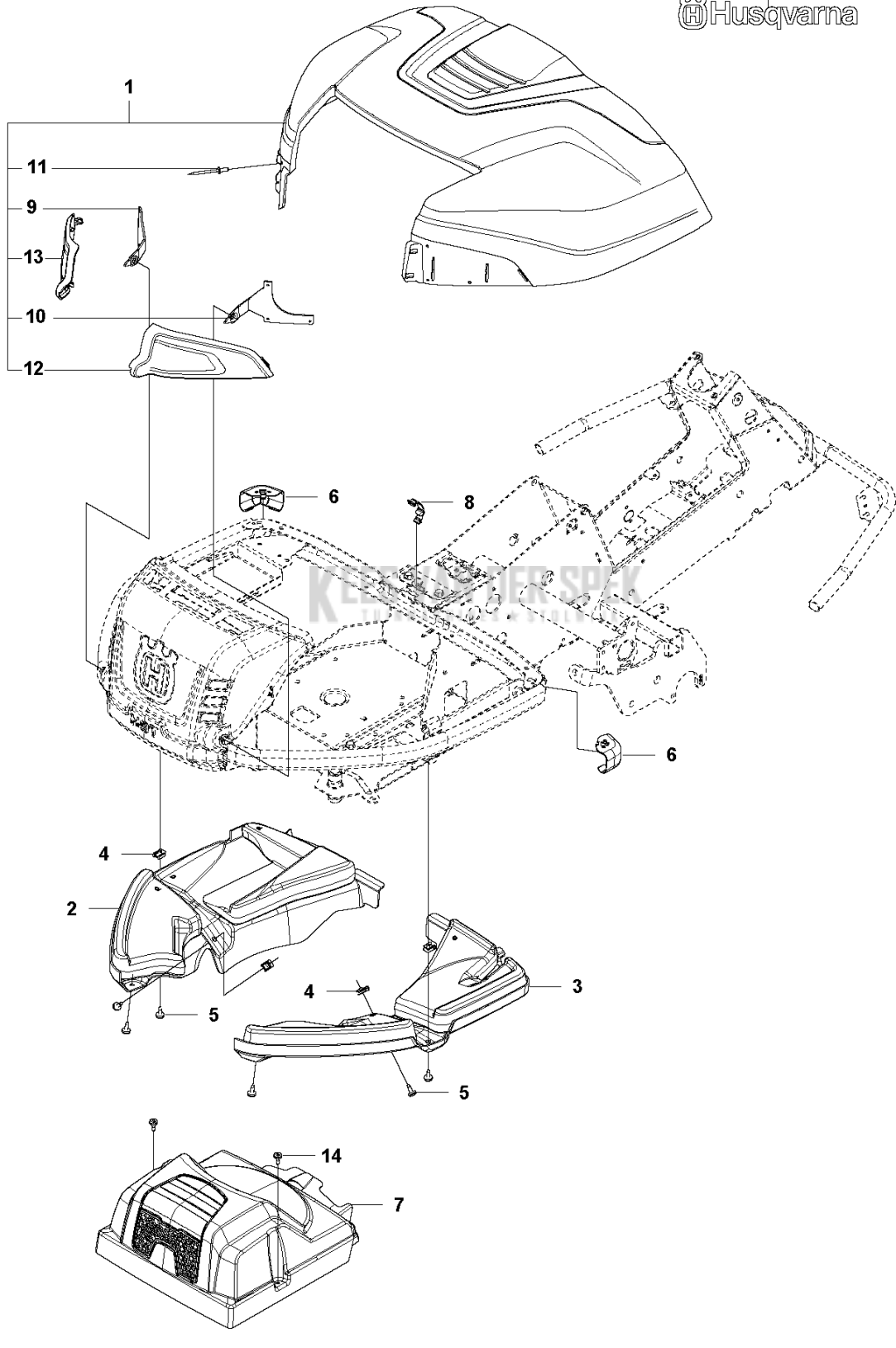
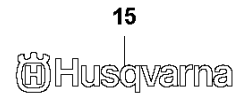
## RIDERS

---

PXM_REF	PXM_PARTNO	DESCRIPTION	PXM_REMARK	QTY
1	578033102	STEUN		1
2	535475212	SCHROEF EHHFM		4
3	578023401	GASHEVEL		1
4	544301706	KABEL		2
5	506889101	KNOP		1
6	506889102	KNOP		1



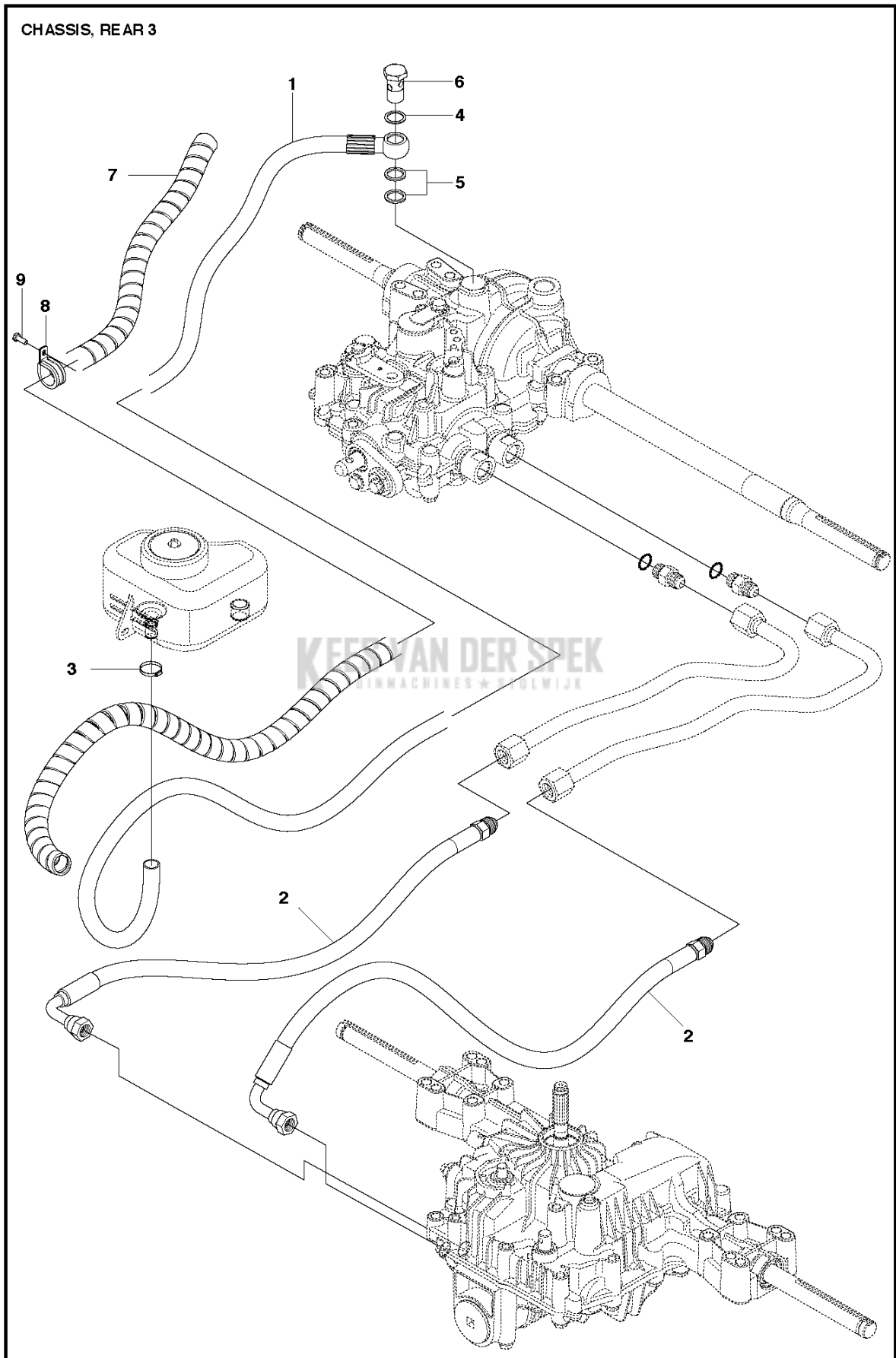
COVER - 1



## RIDERS

---

PXM_REF	PXM_PARTNO	DESCRIPTION	PXM_REMARK	QTY
1	577614704	MOTORKAP COMPL.		1
2	578362001	ISOLATIE		1
3	578362101	ISOLATIE		1
4	535429101	MOER MET VEER		4
5	544400501	SCREW		6
6	577903301	PLUG		2
7	578261304	TRANSMISSIE KAP		1
8	588462803	SNAPSLUITING		1
9	578113701	SCHARNIER		1 1
10	578113702	SCHARNIER		1 1
11	722795402	KLINKNAGEL		6 1
12	577612602	DEKSEL		1 1
13	577612601	DEKSEL		1 1
14	574856201	SCREW		2
15	577062001	STICKER		2 1

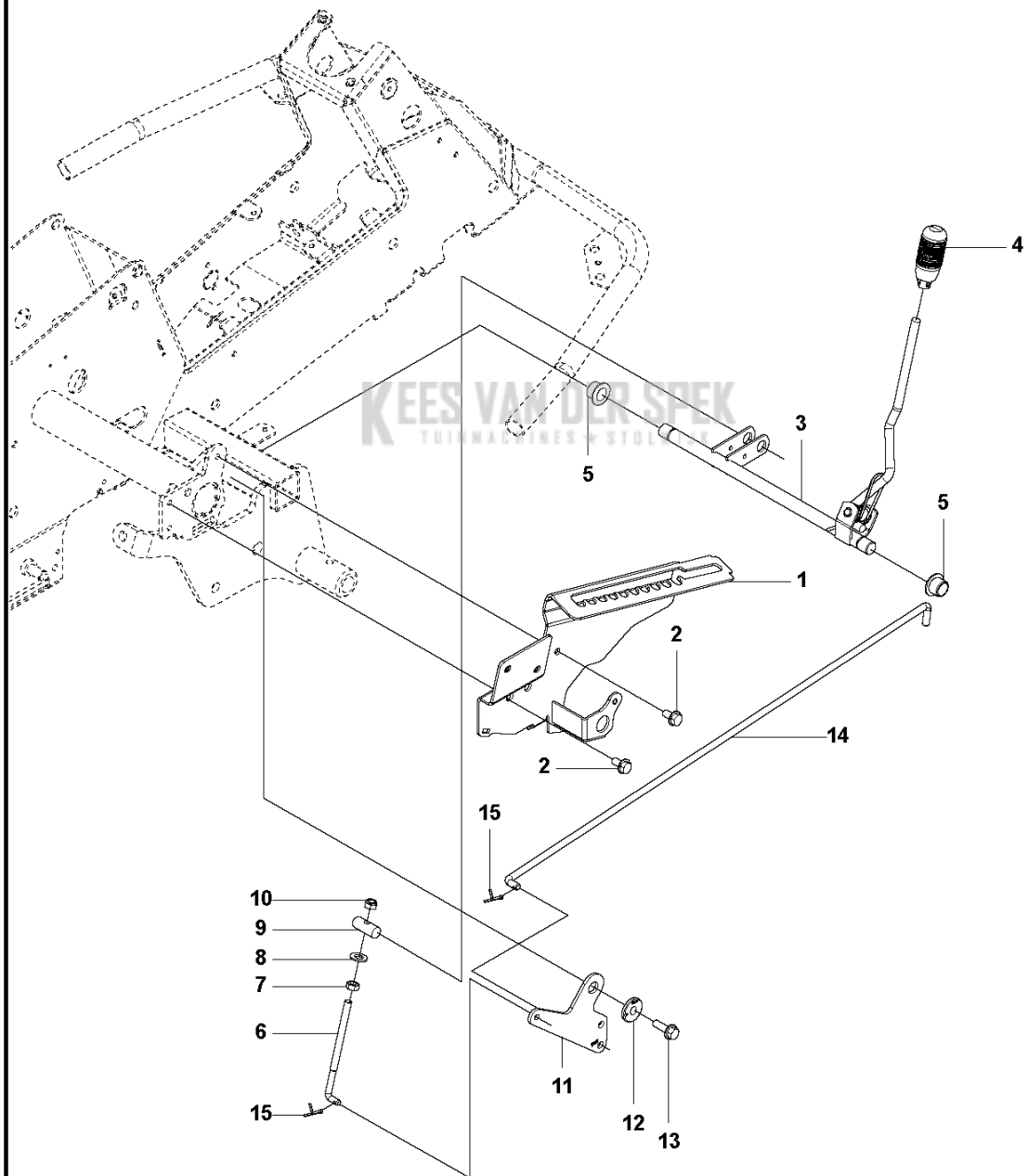


## RIDERS

---

PXM_REF	PXM_PARTNO	DESCRIPTION	PXM_REMARK	QTY
1	578295003	HYDRAULIEKSLANG		1
2	544456403	HYDRAULIEKSLANG		2
3	505131101	SLANGKLEM		1
4	544010001	PAKKING		1
5	544010003	PAKKING		2
6	544020501	PIJPKOPPELING		1
7	544026607	SLANGBESCHERMING		1
8	574531201	SLANGKLEM		1
9	725236861	SCHROEF EHHFT		1

ADJUSTER HEIGHT

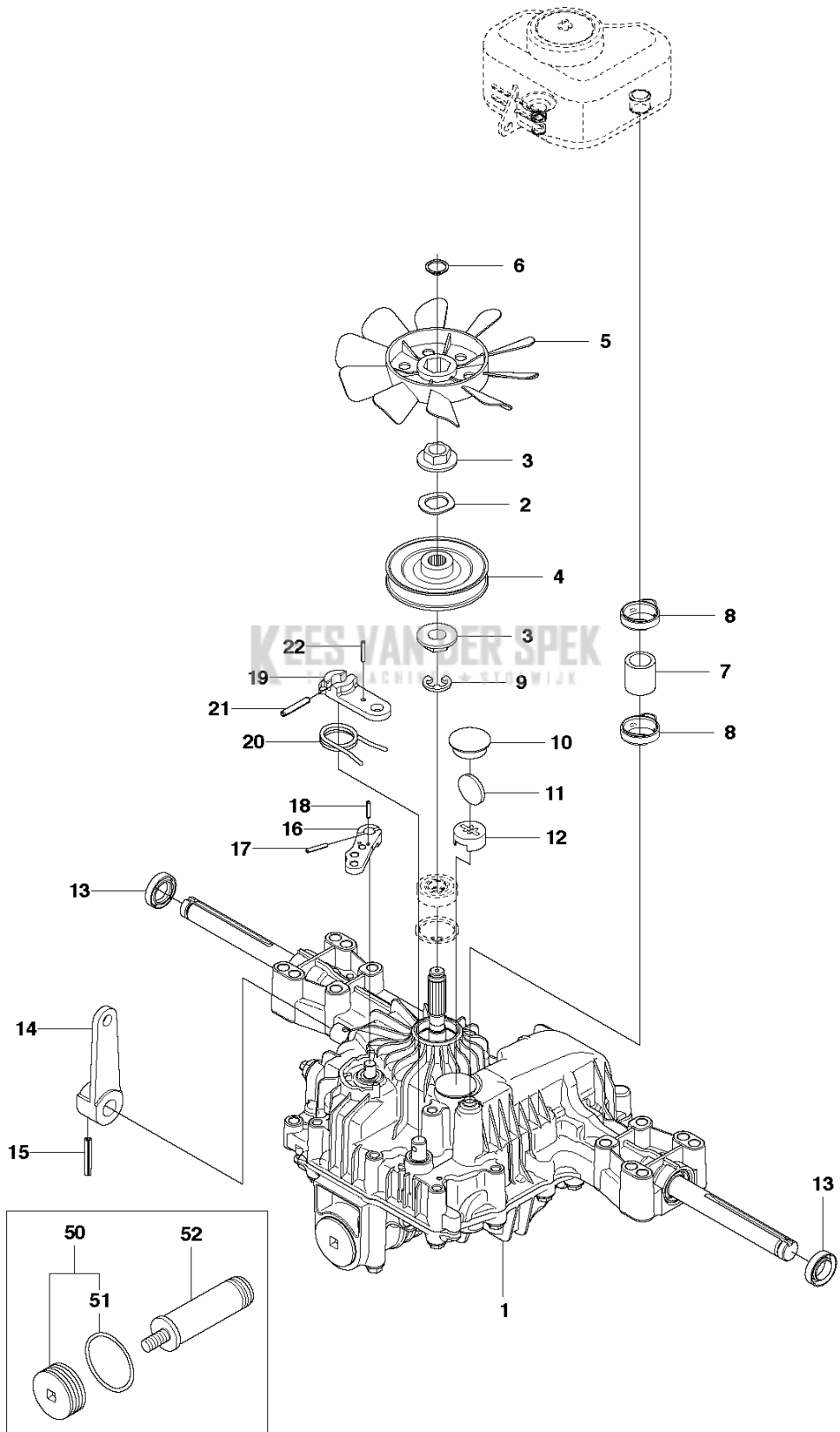


## RIDERS

---

PXM_REF	PXM_PARTNO	DESCRIPTION	PXM_REMARK	QTY
1	594701302	BEVESTIGING		1
2	506570103	SCHROEF EHHFM		2
3	577999901	STELSCHROEF		1
4	588164101	HENDEL		1
5	584871302	LAGER		2
6	506908201	HEIGHT ROD		1
7	731231801	ZESKANT MOER		1
8	734117201	RING		1
9	506784601	PENNEN		1
10	732211801	LOCK NUT		1
11	578040701	SCHAKEL		1
12	584288604	RING		1
13	506570105	SCHROEF EHHFM		1
14	523114501	KOPPELINGSTANG		1
15	721618301	SPLIT PIN		2

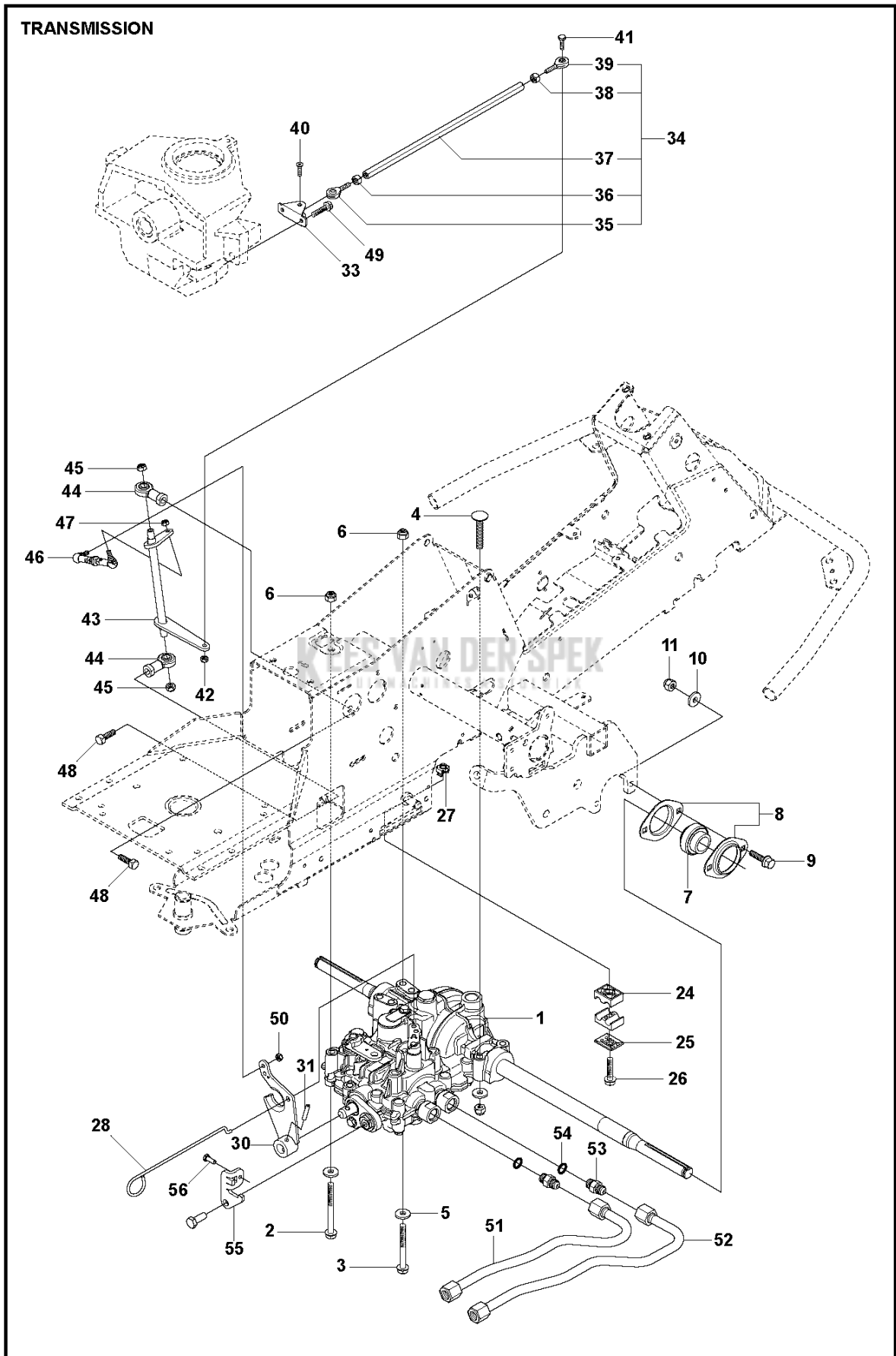
K574



## RIDERS

PXM_REF	PXM_PARTNO	DESCRIPTION	PXM_REMARK	QTY
1	590716901	TRANSMISSIE		1
2	506986501	VEERING		1
3	506986601	AFSTAND		2
4	502451901	POELIE		1
5	506986801	VENTILATOR		1
6	735311500	BORGCLIP		1
7	502451601	PIJP		1
8	506987001	SLANGKLEM		2
9	535402807	KLEM		1 1
10	535402832	PLUG		1 1
11	535402829	MAGNEET		1 1
12	502452001	MAGNET HOLDER		1 1
13	535402837	AFDICHTING		2 1
14	502453201	CONTROLE HEFBOOM		1 1
15	535402809	PIN RETAINING SCREW		1 1
16	535402817	HEFBOOM		1 1
17	535402816	PIN RETAINING SCREW		1 1
18	535402833	PIN RETAINING SCREW		1 1
19	535402838	HEFBOOM		1 1
20	535402839	RETURN SPRING		1 1
21	535402840	PIN RETAINING SCREW		1 1
22	535402841	PIN RETAINING SCREW		1 1
50	574515101	KIT		1
51	574515201	O-RING		1 50
52	535402819	FILTER		1



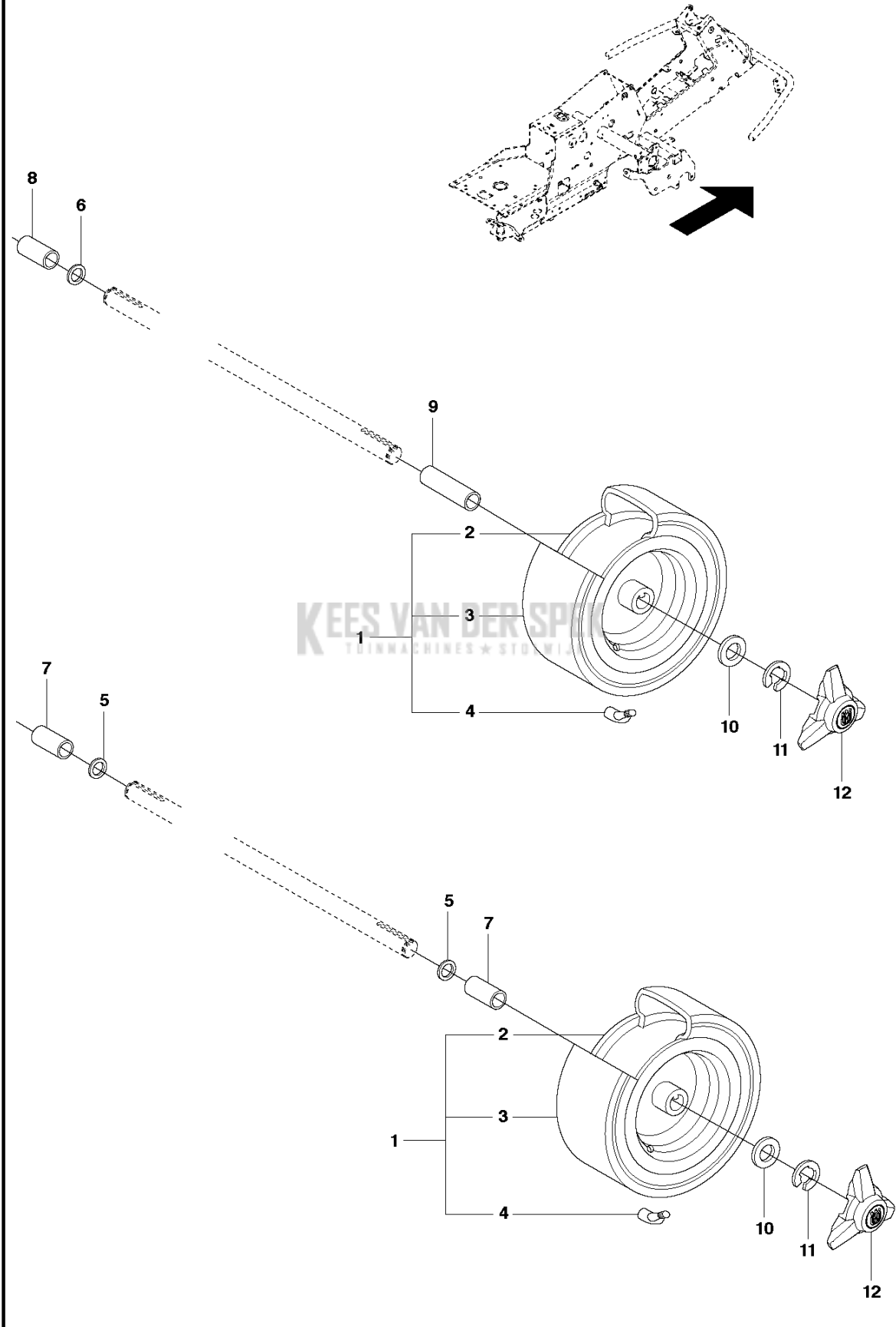


## RIDERS

PXM_REF	PXM_PARTNO	DESCRIPTION	PXM_REMARK	QTY
1	575484301	TRANSMISSIE		1
2	725246751	SCHROEF EHHM		1
3	725246451	SCHROEF EHHM		1
4	535423803	SCHROEF RSQM		1
5	734116401	RING		3
6	732211801	LOCK NUT		3
7	544008902	LAGER		1
8	544009002	LAGERHUIS		2
9	506570105	SCHROEF EHHFM		2
10	734116401	RING		2
11	732211801	LOCK NUT		2
24	544373302	PIJPHOUDER		1
25	544373802	DEKPLAAT		1
26	506570107	SCHROEF EHHFM		1
27	544811701	MOER IN KOOI		1
28	535499701	ARM		1
30	578291901	HEFBOOM		1
31	721434701	SPANSTIFT		1
33	535492802	BEVESTIGING		1
34	544456703	STANG		1
35	535486602	STANGEINDE		1 34
36	503221018	ZESKANT MOER		1 34
37	535486503	STANG		1 34
38	731231601	ZESKANT MOER		1 34
39	535486601	STANGEINDE		1 34
40	544841701	SCREW		1
41	725237071	SCHROEF EHHM		1 34
42	732211601	LOCK NUT		1
43	592910901	HEFBOOM		1
44	506951701	STANGEINDE		2
45	732211801	LOCK NUT		2
46	544441901	REGELBARE STANG		1
47	732211601	LOCK NUT		1
48	725249371	SCHROEF EHHM		2
49	725236651	HEXAGONAL SCREW M6X12		2
50	732211601	LOCK NUT		3
51	544808001	HYDROLISCHE PIJ		2
52	544807901	HYDROLISCHE PIJ		2
53	535426806	PIJPKOPPELING		2
54	592954301	PAKKING		2
55	578047801	BEVESTIGING		1
56	725236861	SCHROEF EHHFT		1

KEES VAN DER SPEK  
TUINMACHINEBETRIJF B.V.

WHEELS & TIRES

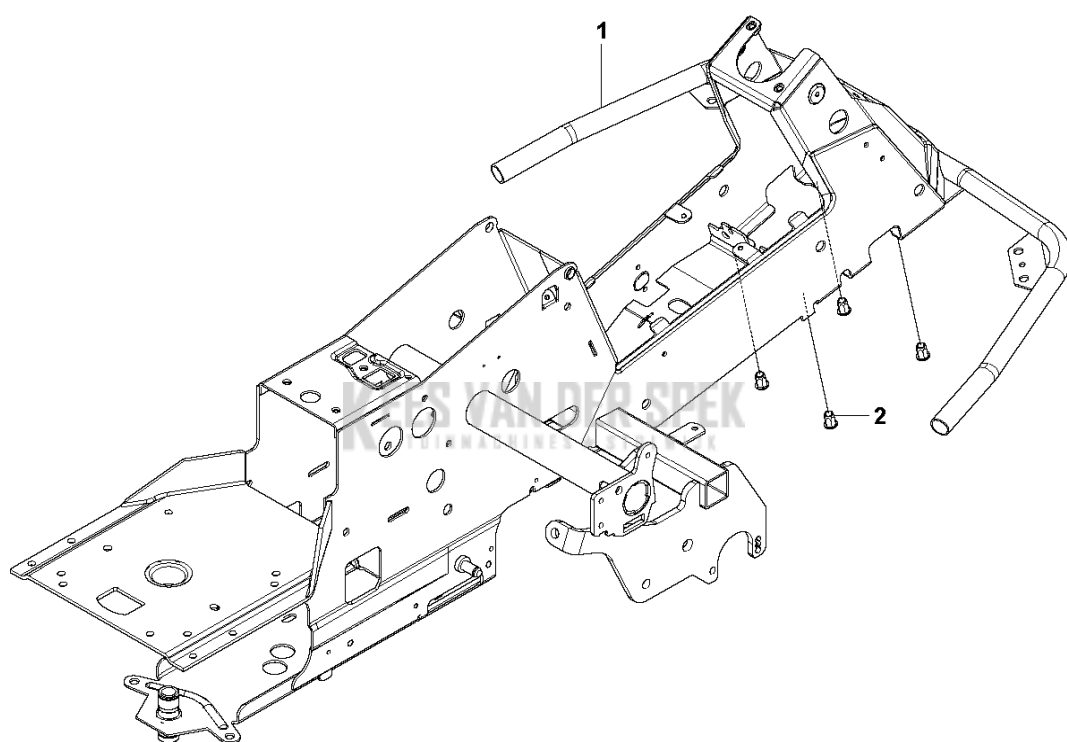


## RIDERS

---

PXM_REF	PXM_PARTNO	DESCRIPTION	PXM_REMARK	QTY
1	523012602	WIEL		4
2	523034801	VELG		1 1
3	523034602	BAND		1 1
4	523034701	VENTIEL		1 1
5	506504803	RING		2
6	506945801	RING		1
7	506596203	AFSTANDHULS		2
8	544132601	HULS		1
9	544132602	HULS		1
10	506504805	RING		4
11	506899001	E-CLIP		4
12	544353501	NAAFDOP		4

CHASSIS



## RIDERS

---

PXM_REF	PXM_PARTNO	DESCRIPTION	PXM_REMARK	QTY
1	594700702	CHASSIS		1
2	506916201	MOER		4

**KEES VAN DER SPEK**  
TUINMACHINES ★ STOLWIJK