



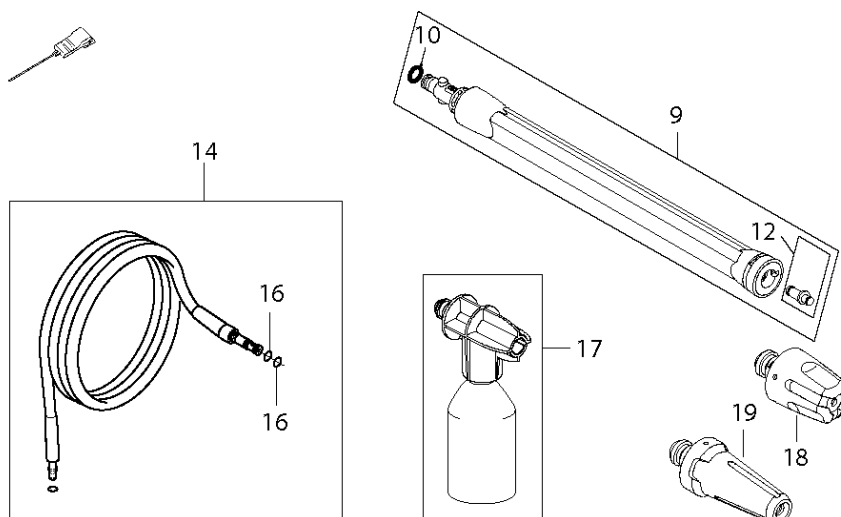
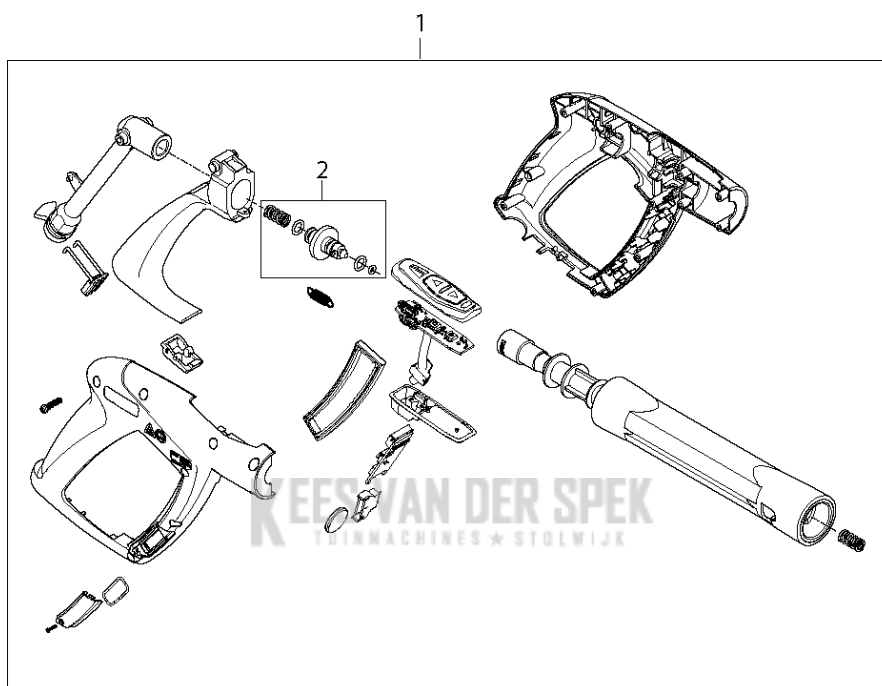
# SPARE PARTS LIST

PRESSURE WASHERS

PW 235R, 2017-10

ACCESSORIES  
PW 235R

2017.04.21  
2017.08.03



## ACCESSORIES

PW 235R, 2017-10

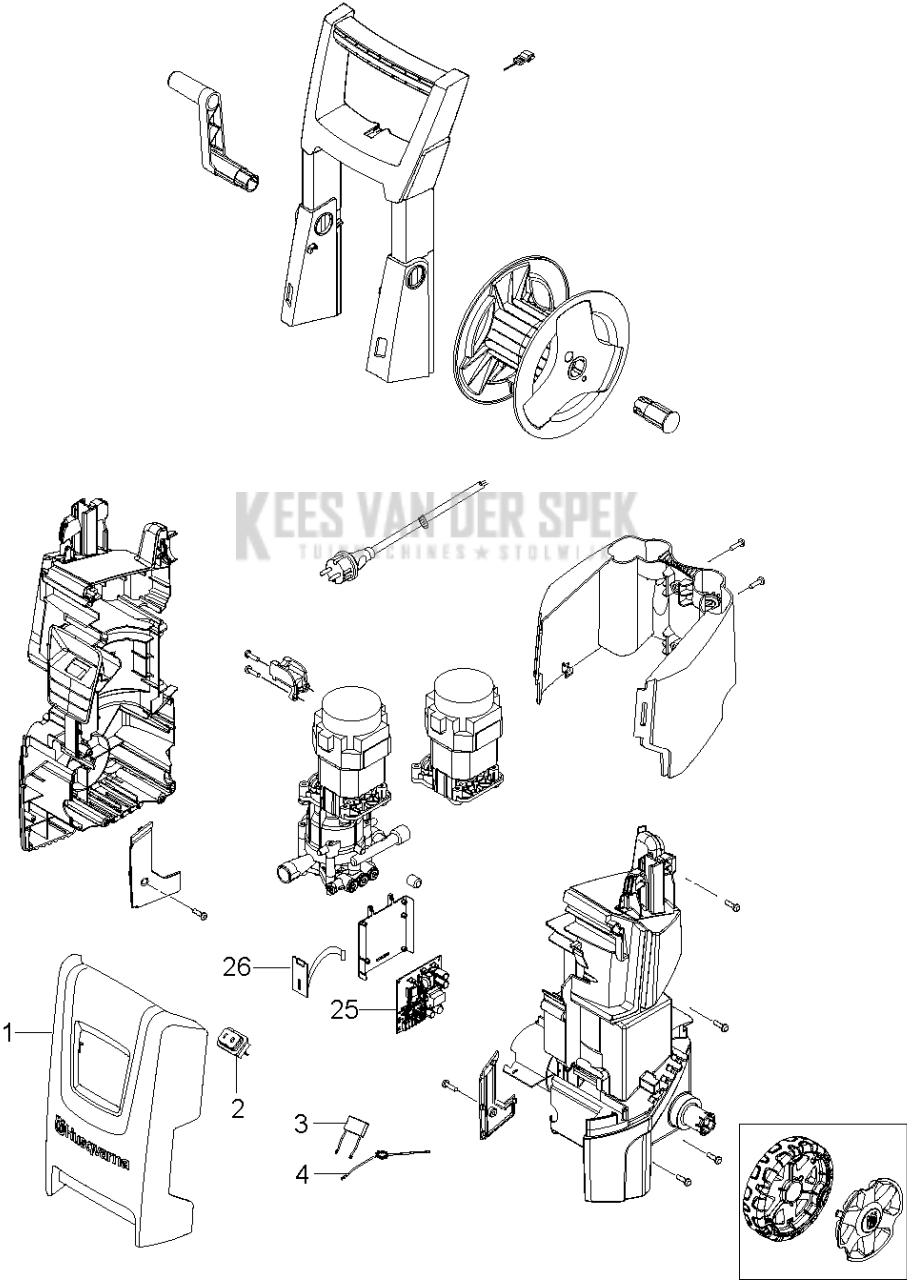
Ref	Part No	Description	Remark	QTY KIT
1	592 61 76-31	GUN	G3 GUN WIRELESS DARK GREY	1
2	592 61 76-55	SERVICE KIT	KIT F. G3 GUN SPRING & VALVE	1
9	592 61 76-35	TUBE	G4 NOZZLE TUBE SHORT	1
10	592 61 76-73	O-RING	O-RING 9.0X2.6 SH90 NBR	1
12	592 61 76-57	NOZZLE	LOW PRESSURE NOZZLE W.O-RINGS	1
14	592 61 76-42	HOSE	HOSE SOFT DN6 8M WITH THREAD	1
16	740 42 03-00	O-RING	O-RING 5.1X1.6 VITON SH 90	2
17	592 61 76-06	NOZZLE	C&C FOAMSPRAYER WITH BOTTLE	1
18	593 13 08-01	NOZZLE	PR TORNADO TURQUOISE (AU)	1
18	592 61 76-83	NOZZLE	PR TORNADO YELLOW (EU)	1
19	592 61 76-07	NOZZLE	C&C POWERSPEED	1

OVERVIEW

PW 235R

2017.03.22

2017.08.02



## OVERVIEW

PW 235R, 2017-10

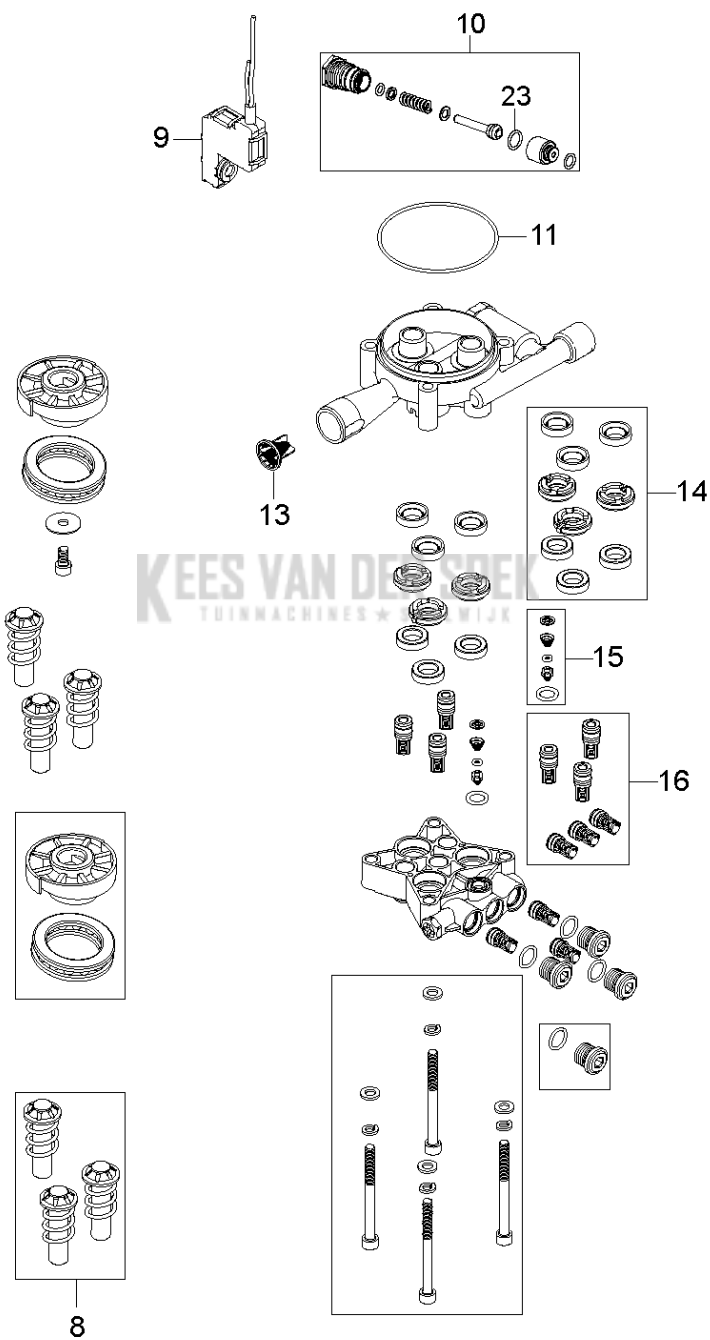
Ref	Part No	Description	Remark	QTY KIT
1	593 09 55-01	FRONT COVER	FRONT COVER PW235R	1
2	592 61 76-58	SWITCH	MAIN SWITCH	1
3	592 61 76-12	CAPACITOR	CAPACITOR UNIVERSAL MPX	1
4	592 61 76-26	COIL	EMC COIL UNIVERSAL	1
25	592 61 76-77	PRINTED CIRCUIT BOARD	PCBA WIRELESS GUN MOTOR	1
26	592 61 76-76	PRINTED CIRCUIT BOARD	PCBA MACHINE RF MODULE	1

MOTOR PUMP

PW 235R

2015.08.20

2017.08.02



## PUMP

PW 235R, 2017-10

Ref	Part No	Description	Remark	QTY KIT
8	592 61 76-22	PISTON ASSY	DIA.12 PUMP PISTON KIT	1
9	592 61 76-59	SWITCHBOX KIT	MICRO SWITCH BOX KIT	1
10	592 61 76-95	SWITCH	START STOP SYSTEM KIT	1
11	592 61 76-72	O-RING	O-RING 72X2 SH90	1
13	592 61 77-13	FILTER	ATER FILTER COMPLETE	1
14	592 61 77-06	COLLAR	THRUST COLLAR WATER KIT	1
15	592 61 76-63	NON RETURN VALVE	NON RETURN VALVE KIT	1
16	592 61 76-99	VALVE	SUCTION AND PRESSURE VALVE KIT	1
23	592 61 76-74	O-RING	O-RING START/STOP VALVE NA0	1