

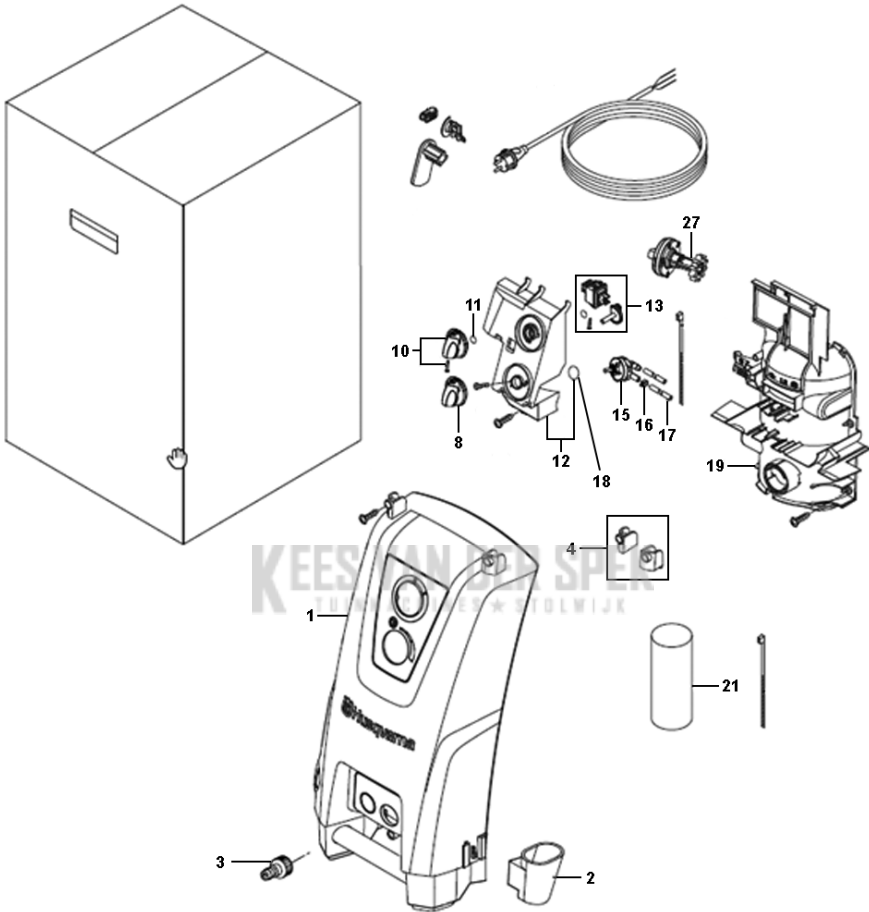


SPARE PARTS LIST

PRESSURE WASHERS

PW 490, 970468401, 970468402, 2021-01

A PW 490
OVERVIEW

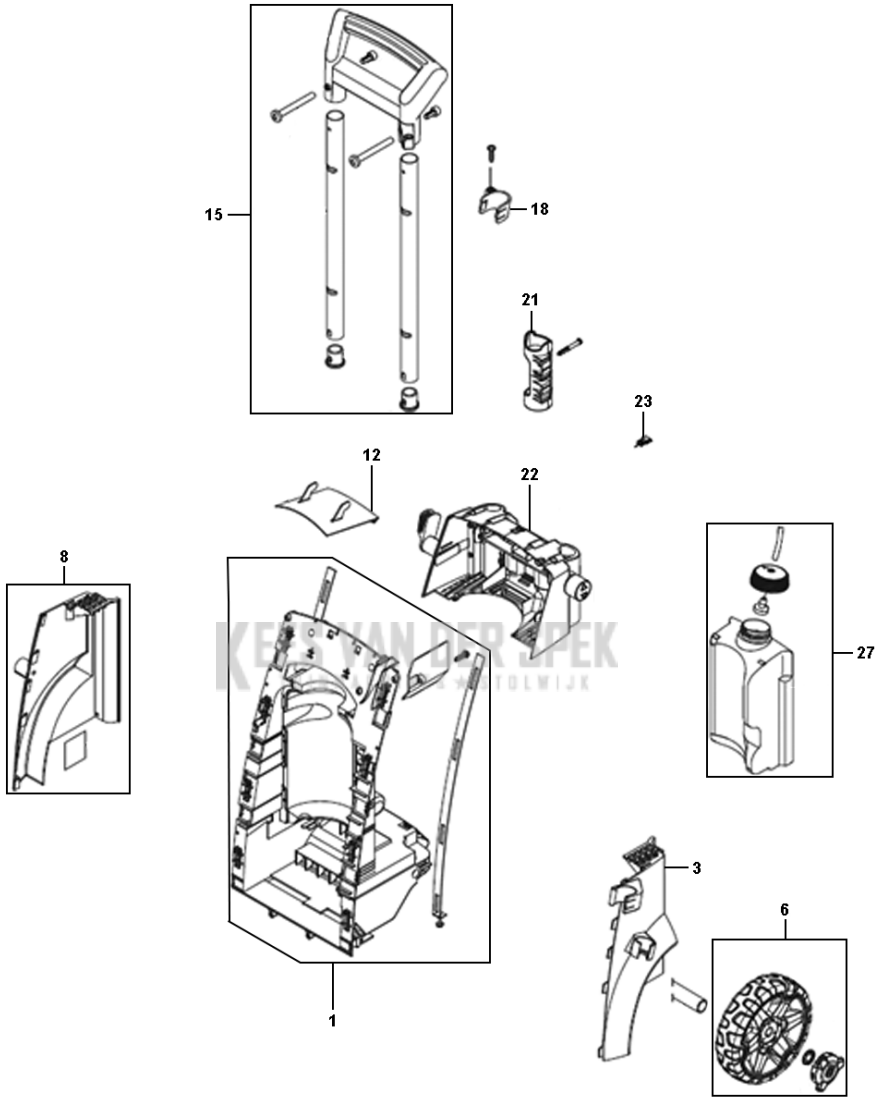


OVERVIEW

PW 490, 970468401, 970468402, 2021-01

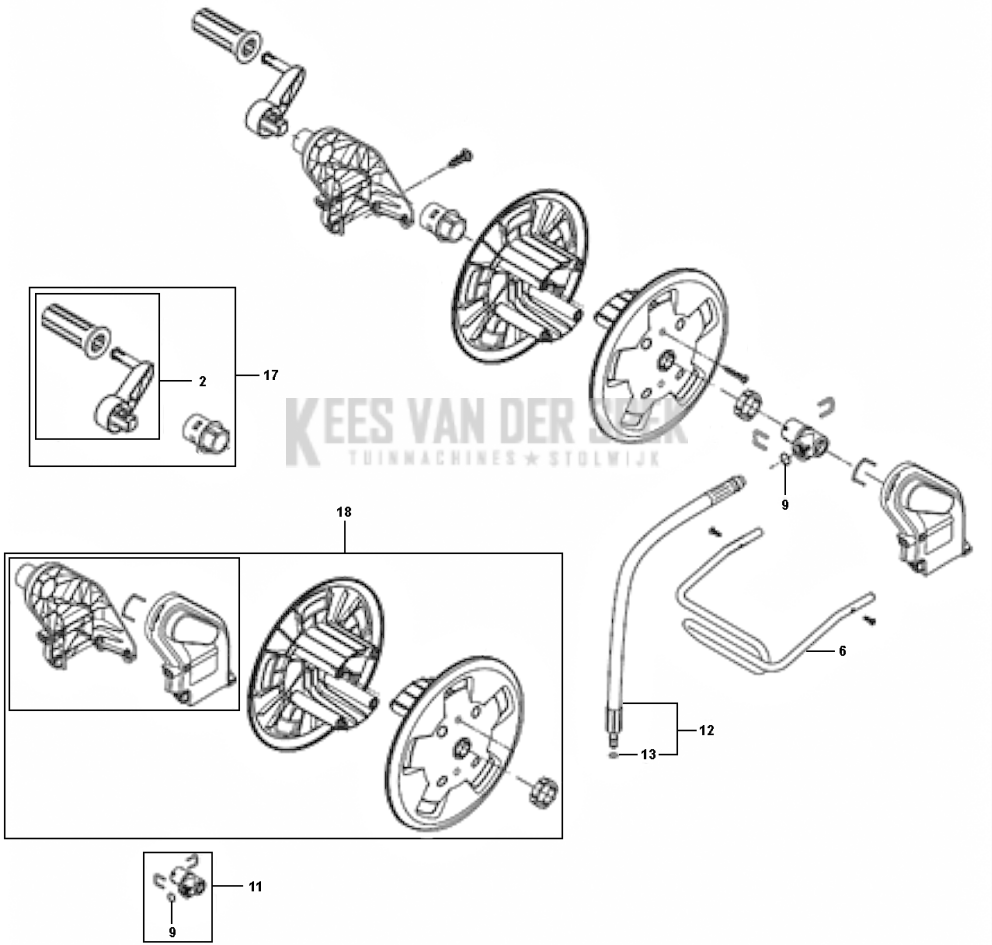
| Referentie | Onderdeel nr | Omschrijving | Opmerking | Aant KIT al |
|------------|--------------|---------------|---|-------------|
| 1 | 531 24 10-01 | VOOR HOES | | 1 |
| 2 | 531 24 12-01 | HOUDER | | 1 |
| 3 | 592 61 76-89 | SNELKOPPELING | QUICK COUPLING MALE W. INTERNAL THREAD | 1 |
| 4 | 596 28 86-01 | BEVESTIGING | | 1 |
| 8 | 592 61 77-08 | KNOP | TURNING KNOB DARK GREY | 1 |
| 10 | 592 61 77-09 | KNOP | TURNING KNOB D6X5 DARK GREY | 1 |
| 11 | 592 61 76-68 | O-RING | O-RING 10.2X2.5 NBR 70 | 1 |
| 12 | 531 24 13-01 | SCHAKELAAR | | 1 |
| 13 | 592 61 76-65 | SCHAKELAAR | ON/OFF SWITCH K2-12- 2115C SP | 1 |
| 15 | 592 61 76-23 | VENTIEL | DOSING VALVE ANGLED SP | 1 |
| 16 | 592 61 76-41 | SLANG | HOSE CLIP R12 | 1 |
| 17 | 592 61 76-39 | SLANG | HOSE diam. 6X3 | 1 |
| 18 | 534 97 84-01 | O-RING | O-RING 16.1 X 1.6 70SH | 1 |
| 19 | 531 23 81-01 | SCHERM | | 1 |
| 21 | 592 61 76-11 | CONDENSATOR | CAPACITOR 50UF 450V DI. SP | 1 |
| 27 | 597 32 60-01 | KNOP | | 1 |

B PW 490
OVERVIEW BACK



| Referentie | Onderdeel nr | Omschrijving | Opmerking | Aant KIT al |
|------------|--------------|------------------|-----------------------------|-------------|
| 1 | 596 02 48-01 | CHASSIS | CHASSIS BACK DARK GREY | 1 |
| 3 | 599 98 88-01 | BUMPER | SIDEBUMPER LEFT DARK GREY | 1 |
| 6 | 596 02 78-01 | WHEEL KIT | | 1 |
| 8 | 599 98 89-01 | BUMPER | SIDE BUMPER RIGHT DARK GREY | 1 |
| 12 | 531 24 16-02 | CHASSIS | UMBRELLA SP | 1 |
| 15 | 596 02 60-01 | HANDGREEPCONSOLE | | 1 |
| 18 | 596 02 64-01 | HOUDER | | 1 |
| 21 | 531 24 20-01 | PISTOOL | GUN HOLDER DARK GREY | 1 |
| 22 | 531 24 16-03 | CHASSIS | ACCESSORY STORAGE DARK GREY | 1 |
| 23 | 596 02 49-01 | CLEANER | | 1 |
| 27 | 596 02 75-01 | TANK | | 1 |

C PW 490
HOSE REEL

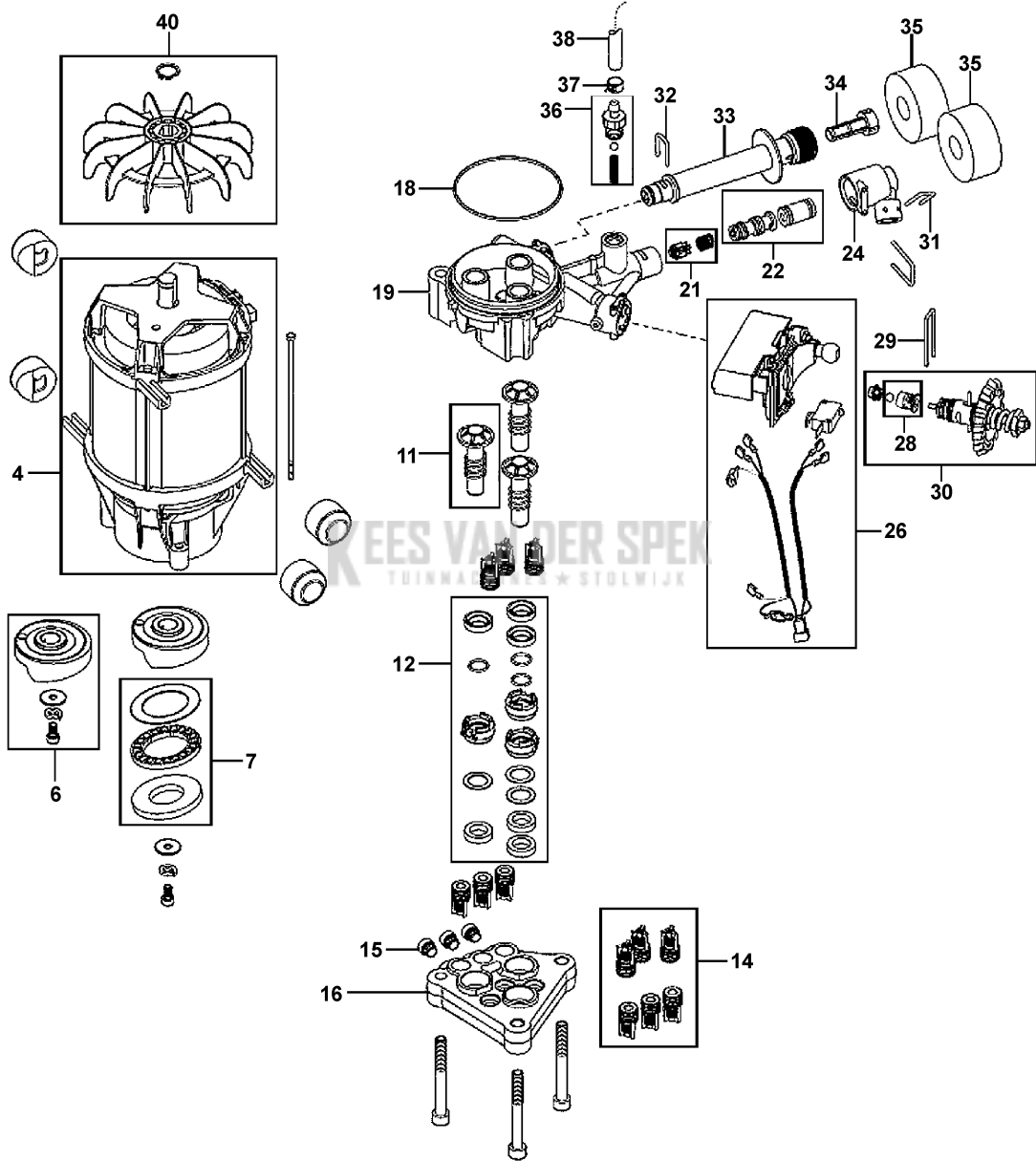


HOSE REEL

PW 490, 970468401, 970468402, 2021-01

| Referentie | Onderdeel nr | Omschrijving | Opmerking | Aant KIT al |
|------------|--------------|-----------------|-------------------------------|-------------|
| 2 | 593 09 57-01 | HENDEL | HANDLE OF HOSE REEL PRO | 1 |
| 6 | 531 27 76-01 | HASPEL | HOSE GUIDE | 1 |
| 9 | 592 61 76-70 | O-RING | O-RING 14.3X2.4 NITRIL 70 SH | 1 |
| 11 | 592 80 75-01 | ADAPTER | ADAPTOR SYSTEM ALTO | 1 |
| 12 | 531 24 14-01 | SLANG VERBINDER | CONNECTION HOSE | 1 |
| 13 | 592 61 76-71 | O-RING | O-RING 5.28X1.78 NITRIL 90 SH | 1 |
| 17 | 596 02 68-01 | HASPEL | | 1 |
| 18 | 531 24 05-01 | HASPEL | | 1 |

D PW 490
PUMP

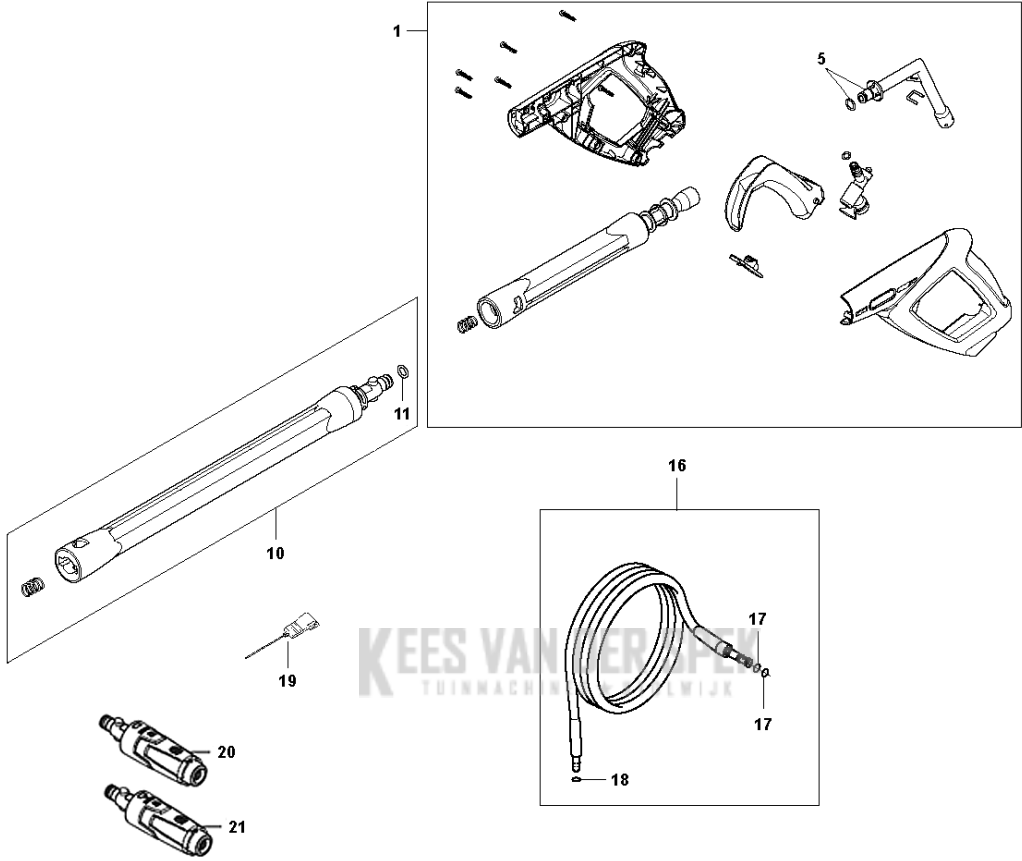


PUMP

PW 490, 970468401, 970468402, 2021-01

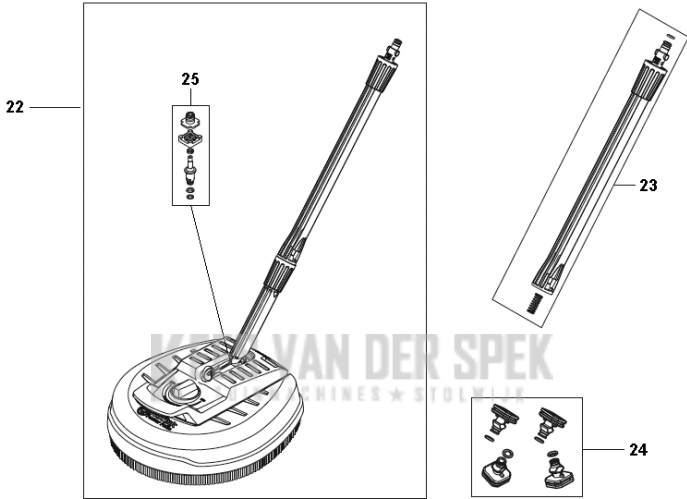
| Referentie | Onderdeel nr | Omschrijving | Opmerking | Aant KIT al |
|------------|--------------|------------------|--------------------------------|-------------|
| 4 | 596 67 89-01 | MOTOR | | 1 |
| 6 | 593 13 09-01 | SCHIJF | WOBBLE DISC 10 DEGREE SP (EU) | 1 |
| 6 | 592 61 77-17 | SCHIJF | WOBBLE DISC 8.4 DEGREE SP (AU) | 1 |
| 7 | 592 61 76-04 | LAGER | BEARING REPAIR KIT | 1 |
| 11 | 592 61 76-80 | ZUIGER | PISTON.CERAMIC REP.KIT | 3 |
| 12 | 592 61 76-90 | SEAL KIT | REP SEALING SYS CERAMIC SP | 1 |
| 14 | 592 61 77-12 | SERVICE KIT | VALVE SYSTEM REPAIR KIT | 1 |
| 15 | 592 61 76-81 | PLUG | PLUG WITH O-RING | 3 |
| 16 | 592 61 76-20 | CILINDERKOP | CYLINDERHEAD | 1 |
| 18 | 592 61 76-66 | O-RING | O-RING 80X2 NITRIL 70 SHORE | 1 |
| 19 | 596 67 91-01 | CYLINDER KIT | | 1 |
| 21 | 592 61 76-64 | SPERKLEP | NON RETURN VALVE SP | 1 |
| 22 | 592 61 76-50 | INJECTOR | INJECTOR 1.64MM SP | 1 |
| 24 | 596 02 67-01 | UITLAATPIJP | | 1 |
| 26 | 592 61 76-60 | MICRO SCHAKELAAR | MICRO SWITCH BOX SYSTEM SP | 1 |
| 28 | 592 61 76-25 | SERVICE KIT | EASY START SP | 1 |
| 29 | 596 28 91-01 | BEVESTIGING | | 1 |
| 30 | 592 61 77-11 | VENTIEL | | 1 |
| 31 | 596 02 47-01 | BEVESTIGING | | 1 |
| 32 | 596 02 46-01 | BEVESTIGING | | 1 |
| 33 | 592 61 77-16 | INLAAT | WATER INLET SP | 1 |
| 34 | 592 61 76-51 | FILTER | INLET FILTER MESH SP | 1 |
| 35 | 592 61 76-27 | AFDICHTING | FOAM SEAL FOR OUTLET & INLET | 2 |
| 36 | 592 61 76-46 | SLANG | HOSE TAIL | 1 |
| 37 | 592 61 76-41 | SLANG | HOSE CLIP R12 | 1 |
| 38 | 592 61 76-39 | SLANG | HOSE diam. 6X3 | 1 |
| 40 | 596 02 53-01 | VENTILATOR | | 1 |

E PW 490
TUBE



| Referentie | Onderdeel nr | Omschrijving | Opmerking | Aant KIT al |
|------------|--------------|--------------|-----------------------------|-------------|
| 1 | 592 61 76-36 | PISTOOL | G5 GUN DARK GREY | 1 |
| 5 | 592 61 76-87 | PIJP | PRESSURE TUBE W. O-RING | 1 |
| 10 | 592 61 76-37 | PIJP | G5 NOZZLE TUBE | 1 |
| 11 | 740 43 07-00 | O-RING | O-RING 9.3X2.4 NITRIL 90 SH | 1 |
| 16 | 592 61 76-01 | SLANG | HOSE SUPERFLEX 15M | 1 |
| 17 | 592 61 76-69 | O-RING | O-RING 10X2 ULTRATHIN 2 | 1 |
| 18 | 740 42 03-00 | O-RING | O-RING 5.1X1.6 VITON SH 90 | 1 |
| 19 | 596 02 49-01 | CLEANER | | 1 |
| 20 | 531 40 13-01 | MONDSTUK | ROUGH NOZZLE | 1 |
| 21 | 531 40 16-01 | MONDSTUK | GENTLE NOZZLE | 1 |

F PW 490
ACCESSORIES



ACCESSOIRES

PW 490, 970468401, 970468402, 2021-01

| Referentie | Onderdeel nr | Omschrijving | Opmerking | Aant KIT al |
|------------|--------------|---------------|---|-------------|
| 22 | 590 65 78-01 | PATIO CLEANER | SC 400 | 1 |
| 23 | 596 45 40-01 | LANS | SC 400 | 1 |
| 24 | 596 45 41-01 | MONDSTUK | SC 400. Two(2) standard nozzles plus two(2) high intensity nozzles. | 1 |
| 25 | 596 67 84-01 | SERVICE KIT | SC 400. AXLE BEARING KIT. | 1 |