

PELENC

Catalogus van vervangonderdelen

57235 - PAAL PRUNION P150
57235 - PAAL PRUNION P150 - 2021
Bouwjaar V



PELENC

84122 Pertuis

Tel: +33 (0)490 094 700

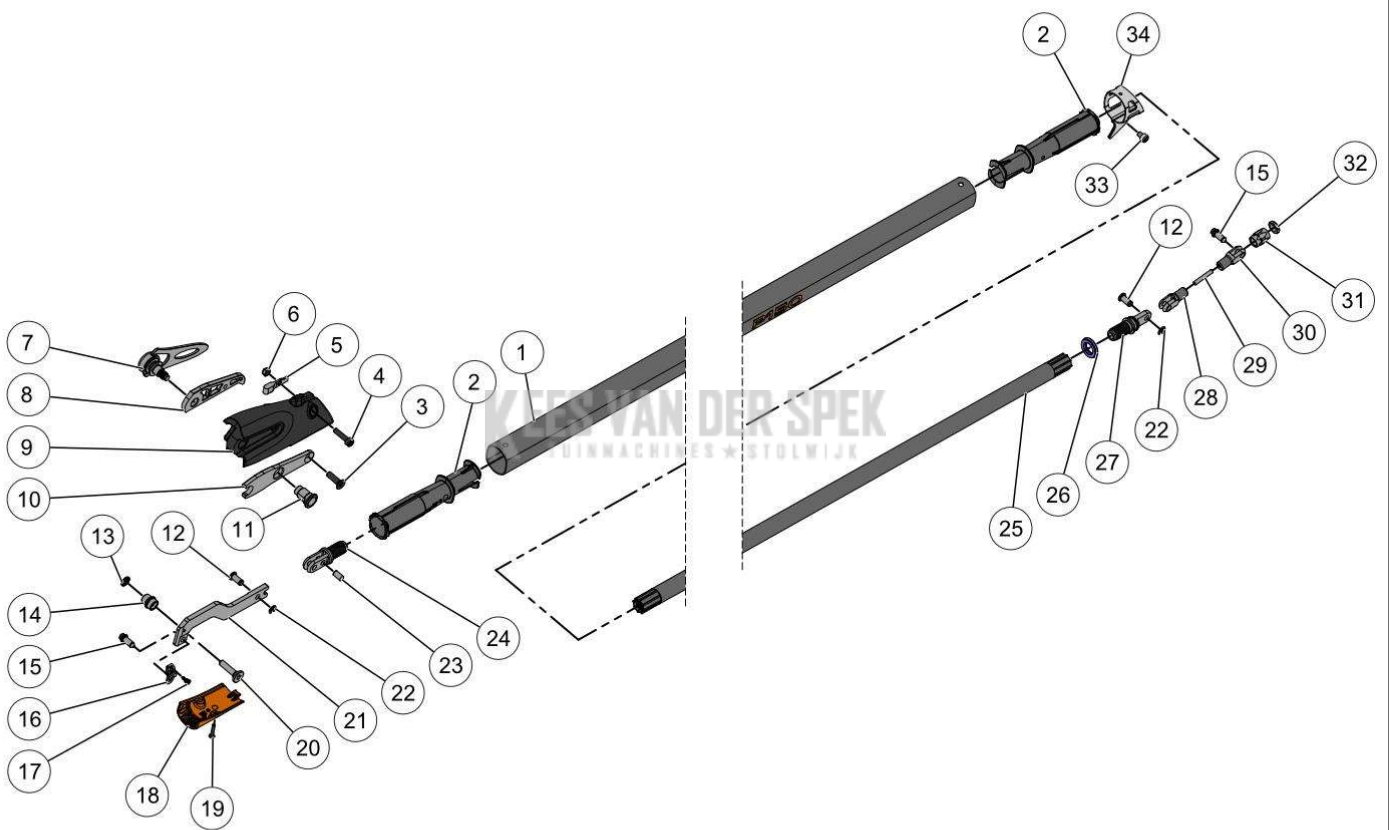
Fax: +33 (0)490 096 409

Email: hotline.pellenc-catalog@pellenc.com

Website www.pellenc.com

PELENC 57235 - PAAL PRUNION P150 / 57235 - PAAL PRUNION P150 - 2021 /
PERCHE PRUNION*

Vervangonderdelen *Mechanisch*

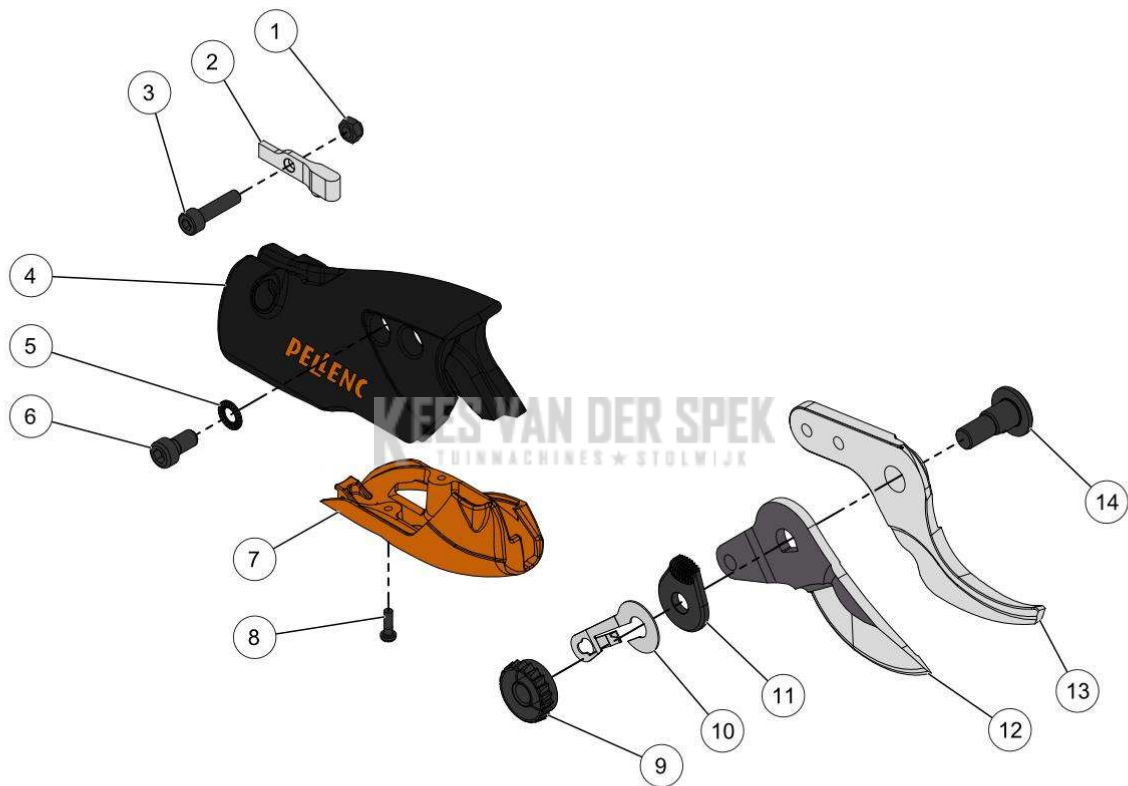


32_19_001B

| nr. | Artikelnumme | Beschrijving | Hoe | Opmerkingen |
|-----|--------------|----------------------------------|-----|-------------|
| 1 | 145367 | ALU BUIS VERLENGSTEEL 1500 | 1 | |
| 2 | 147615 | GELEIDER STANG | 2 | |
| 3 | 02568 | | 1 | KIT C* |
| 4 | 152788 | SCHROEF CHC M5-20 ZWART CL10.9 | 1 | |
| 5 | 152187 | ANTISLIP STOP BASIS | 1 | |
| 6 | 73693 | MOER OV.TT METAAL M5 CL8 (AANT. | 1 | |
| 7 | 147644 | GEMONTEERDE SPANHENDEL | 1 | |
| 8 | 147611 | | 1 | KIT C* |
| 9 | 147645 | | 1 | KIT C* |
| 10 | 147638 | | 1 | KIT C* |
| 11 | 150867 | | 1 | KIT C* |
| 12 | 68667 | SCHOUDERAS TREELION | 2 | |
| 13 | 01017 | RING SCHNORR 6 (AANT. 50) | 1 | |
| 14 | 152397 | VERBINDINGSSTUK AANP. | 1 | |
| 15 | 124816 | AS SCHOUDER TDC MANUELE KLEM | 2 | |
| 16 | 147627 | BORGVEREN SNELAANSLUITING | 1 | KIT A* |
| 17 | 150623 | PEN PLAAT BORGVEER | 1 | KIT A* |
| 18 | 147614 | KAP BASISSTUK | 1 | KIT E* |
| 19 | 150643 | SCHR.WUPLAST W1451 30-16 Z ZWART | 2 | KIT C* |
| 20 | 152398 | AANPASSINGSAS VERLENGSTEEL | 1 | |
| 21 | 145366 | | 1 | KIT A* |
| 22 | 20003 | CLIPS DIAM. 5 (AANT. 100) | 2 | |
| 23 | 150636 | | 1 | KIT D* |
| 24 | 148762 | | 1 | KIT D* |
| 25 | 147624 | | 1 | KIT D* |
| 26 | 150667 | KOPPELING VAN ZUIGER PU 90SHA - | 1 | |
| 27 | 148761 | | 1 | KIT D* |
| 28 | 148759 | | 1 | KIT B* |
| 29 | 150637 | | 1 | KIT B* |
| 30 | 148758 | | 1 | KIT B* |
| 31 | 148756 | | 1 | KIT B* |
| 32 | 148760 | | 1 | KIT B* |
| 33 | 151439 | VIS CHC M5-6 Z | 1 | |
| 34 | 147613 | TAKHAAK | 1 | |
| A | 147647 | SCHAKEL GEMONTEERDE | 1 | |
| B | 150698 | SCHAKEL INSTELLING KRUISING | 1 | |
| C | 150868 | VOORGEMONTEERD BASISPLAAT MET | 1 | |
| D | 151796 | STANG SET P150 MET PIN | 1 | |

PELENC 57235 - PAAL PRUNION P150 / 57235 - PAAL PRUNION P150 - 2021 / CUTTING HEAD

Vervangonderdelen *Mechanisch*



32_19_002B

PELENC 57235 - PAAL PRUNION P150 / 57235 - PAAL PRUNION P150 - 2021 / CUTTING HEAD

| nr. | Artikelnumme | Beschrijving | Hoe | Opmerkingen |
|-----|--------------|---------------------------------|-----|-------------|
| 1 | 73693 | MOER OV.TT METAAL M5 CL8 (AANT. | 1 | |
| 2 | 152188 | ANTISLIP STOP TDC | 1 | |
| 3 | 152788 | SCHROEF CHC M5-20 ZWART CL10.9 | 1 | |
| 4 | 147496 | HOUDER TDC PRUNION | 1 | |
| 5 | 01017 | RING SCHNORR 6 (AANT. 50) | 2 | |
| 6 | 136877 | SCHROEF VAN HAAK SNOEISCHAAR | 2 | |
| 7 | 147640 | DEKSEL MAAIKOP | 1 | |
| 8 | 130656 | SCHROEF CBX M3-10 ZWART | 2 | |
| 9 | 124812 | 'KLEMROL MANUELE AFST AS MES | 1 | KIT B* |
| 10 | 131629 | BLOKKERINGSPLAAT WIEL PRUNION | 1 | KIT B* |
| 11 | 118362 | RING VERIF SET VINION PRUNION | 1 | KIT B* |
| 12 | 156887 | | 1 | KIT A* |
| 13 | 117617 | HAAK PRUNION | 1 | |
| 14 | 118361 | MESSENKIT PRUNION | 1 | KIT B* |
| A | 122991 | PRUNION MESSENSET | 1 | |
| B | 122688 | PRUNION ONDERHOUDSKIT | 1 | |

KEES VAN DER SPEK
TUINMACHINES ★ STOLWIJK

Vervangonderdelen Gereedschap & vetten



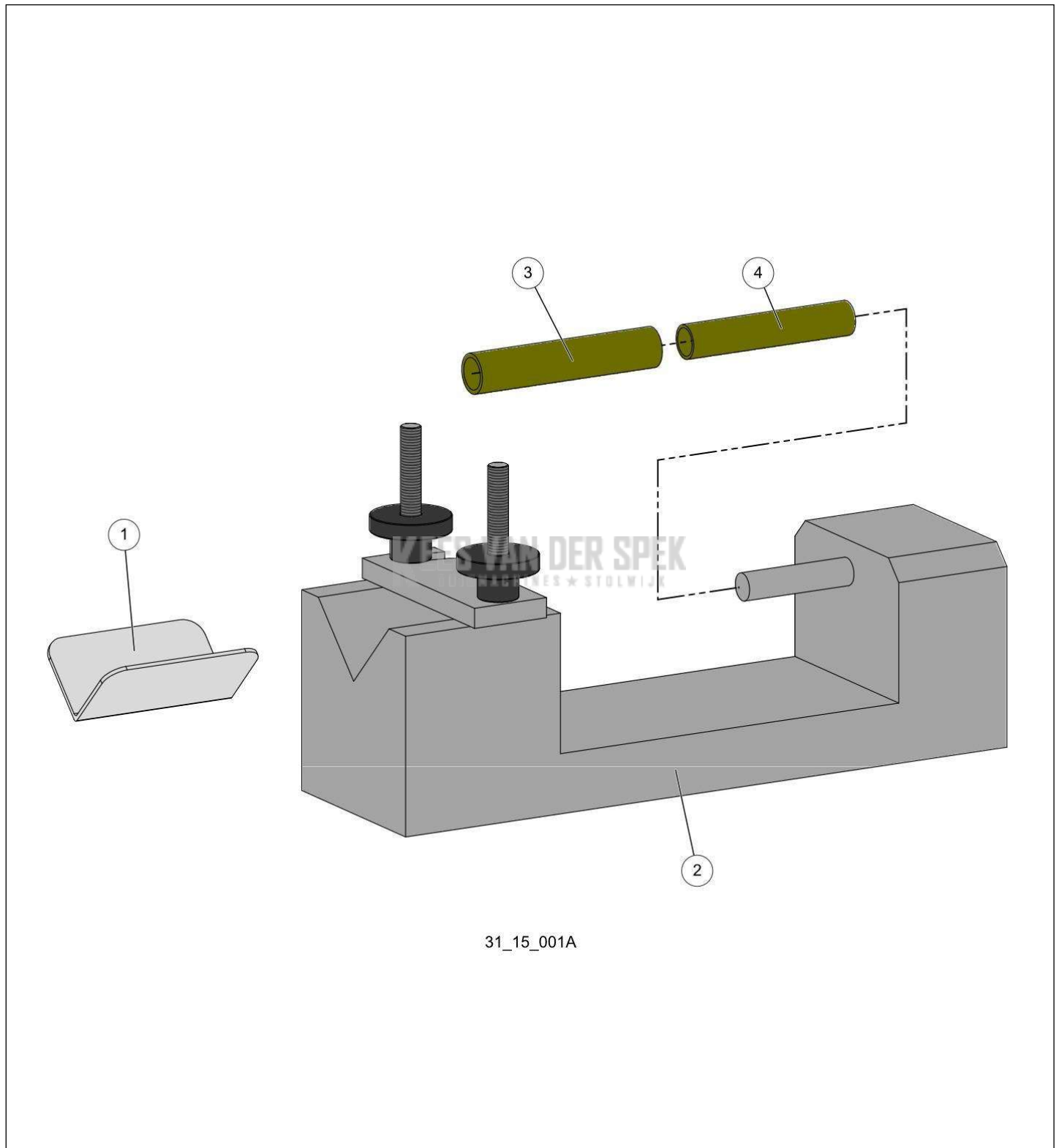
PELENC 57235 - PAAL PRUNION P150 / 57235 - PAAL PRUNION P150 - 2021 /
GEREEDSCHAP LI-ION ACCU

| nr. | Artikelnumme | Beschrijving | Hoe | Opmerkingen |
|-----|--------------|--------------|-----|-------------|
| 1 | 65511 | | 1 | KIT A* |
| 2 | 158338 | | 1 | KIT A* |
| 3 | 21883 | | 1 | KIT A* |
| 4 | 39832 | | 1 | KIT A* |
| 5 | 122399 | | 1 | KIT A* |
| 6 | 127267 | | 1 | KIT A* |
| A | 61276 | | 1 | |

KEES VAN DER SPEK
TUINMACHINES ★ STOLWIJK

PELENC 57235 - PAAL PRUNION P150 / 57235 - PAAL PRUNION P150 - 2021 /
GEREEDSCHAP - DEMONTAGE KOGELOMLOOPSPINDEL -
VINION/PRUNION

Vervangonderdelen *Gereedschap & vetten*



PELENC 57235 - PAAL PRUNION P150 / 57235 - PAAL PRUNION P150 - 2021 /
GEREEDSCHAP - DEMONTAGE KOGELOMLOOPSPINDEL -
VINION/PRUNION

| nr. | Artikelnumme | Beschrijving | Hoe | Opmerkingen |
|-----|--------------|------------------------------|-----|-------------|
| 2 | 02118 | | 1 | KIT B |
| 3 | 120143 | | 1 | KIT A, B |
| 4 | 02241 | HULS VOOR KOGELMOEREN LIXION | 1 | KIT B |
| A | 123752 | | 1 | |
| B | 123753 | | 1 | |
| 1 | 1 | | 1 | |

KEES VAN DER SPEK
TUINMACHINES ★ STOLWIJK

Vervangonderdelen Gereedschap & vetten

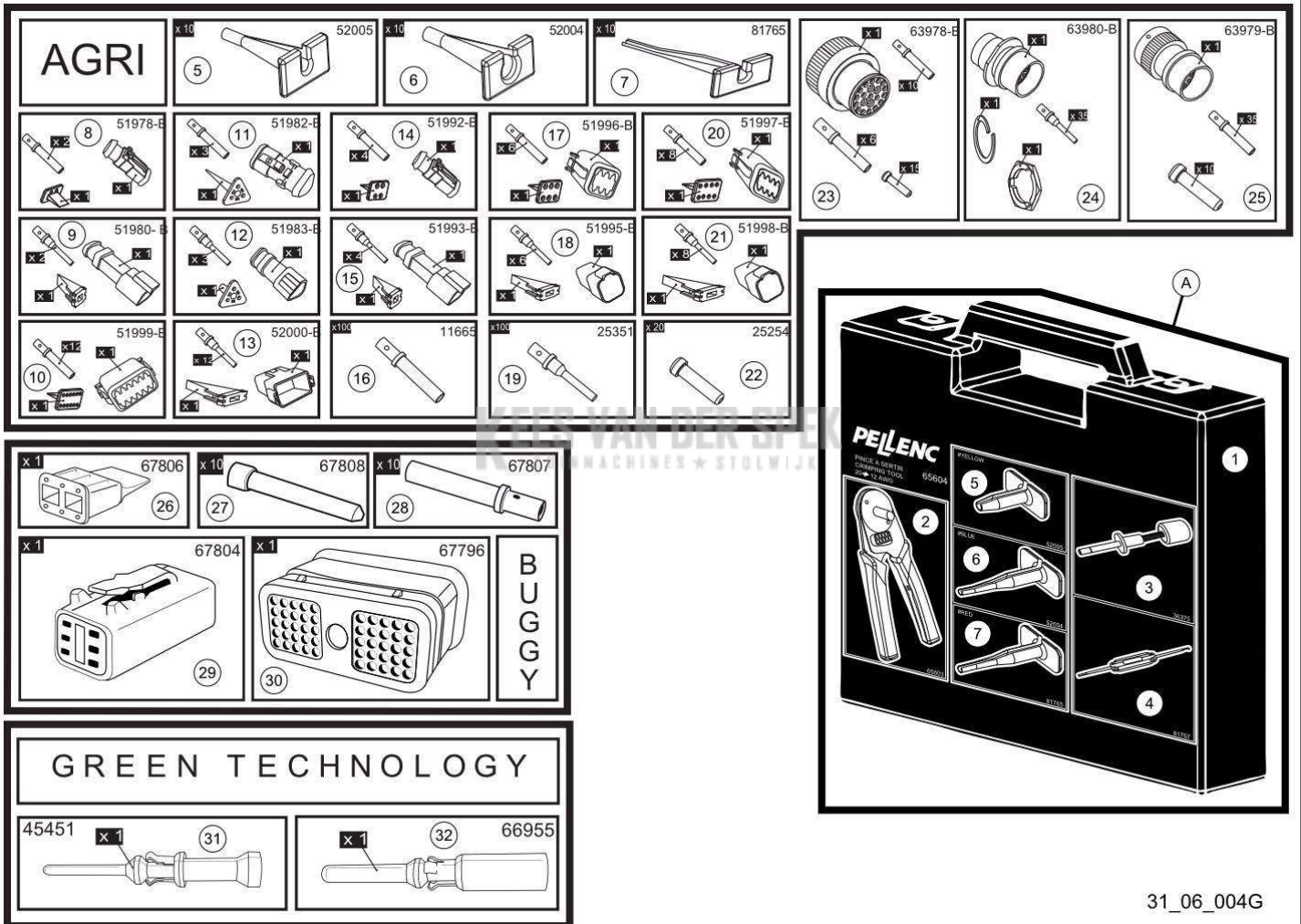
| | | | | | | | |
|---|----------------------------|-------------|-----------|---|---------------------------|---------------------------|--------------------------|
| 26-VINION 32-PRUNION | 26-LIXION | 32-TREELION | 48-OLIVUM | 26-VINION 26-LIXION | 29-FIXION 2 29-FIXION | 32-PRUNION 32-TREELION | |
| 1 | 2 | | | | | 3 | 4 |
| 48-OLIVION | 58-CULTIVION | 48-OLIVUM | | 26-VINION | 32-PRUNION | | 26-LIXION 32-TREELION |
| 5 | | 6 | | | | 3 | 7 |
| 53-EXCELION 2000 | | | | 48-OLIVION | 58-CULTIVION | | |
| 8 | | | | | | 9 | |
| 4 | | | | | | | |
| 51-SELION PERCHE 51-SELION M12 51-SELION C20 / C21 HD | | | | 54-HELION 54-HELION 2 54-HELION ALPHA | | | |
| 10 | | | | | | 12 | 13 |
| 8 | | 11 | | | | 14 | 11 |
| 59-RASION SMART 59-RASION EASY 59-RASION BASIC | 54-HELION 1 54-HELION 2 | | | 26-VINION | 32-PRUNION | | |
| 15 | | | | | | 3 | |
| OEP | | | | 26-VINION 26-LIXION | 32-PRUNION 32-TREELION | | |
| 16 | 17 | 18 | | | | 22 | |
| 19 | 20 | 21 | | | | | |

31_13_003F

PELENC 57235 - PAAL PRUNION P150 / 57235 - PAAL PRUNION P150 - 2021 / VETTEN OEP - 1

| nr. | Artikelnumme | Beschrijving | Hoe | Opmerkingen |
|-----|--------------|------------------------------------|-----|--|
| 1 | 149789 | VET FUCHS ECO NAVULLING 400 G | 1 | REDUCTEUR SECATEURS / OLIVIUM* |
| 2 | 84401 | VET REDUCTOR GR190 | 1 | REDUCTEUR SECATEURS / OLIVIUM* |
| 3 | 140484 | VET FUCHS HLT-2 NAVULLING 400 G | 1 | VIS A BILLES / ECROU A BILLES* |
| 4 | 35749 | SKIN PACK TUBE SMEERVET | 1 | VIS A BILLES / TETE DE COUPE / RENVOI D'ANGLE* |
| 5 | 85125 | VETPATROON G0102 400 G | 1 | REDUCTEUR BIELLE OLIVION / CULTIVION* |
| 6 | 52649 | SMEER BR2+ (400GR) | 1 | TETE OLIVIUM* |
| 7 | 02168 | LAGERVET (200 g) | 1 | ROULEMENTS A AIGUILLES* |
| 8 | 02170 | VET KOGELBOUTEN (400 g) | 1 | TETE DE COUPE* |
| 9 | 80326 | VETPATROON G2001 375 G | 1 | BIELLE OLIVION / CULTIVION* |
| 10 | 116688 | BLIK 5L BIOLOGISCHE OLIE | 1 | |
| 11 | 68518 | VETPOMP VOOR KETTINGGELEIDER | 1 | |
| 12 | 115174 | VETPATROON HELION 400G | 1 | |
| 13 | 121633 | SMEERMIDDEL / OPLOSMIDDEL BIO | 1 | |
| 14 | 36649 | | 1 | |
| 15 | 121596 | CONTACTVET PLASTIC - METAAL (1 kg) | 1 | |
| 16 | 146528 | THERM. SMEER HY880 (1G) | 1 | |
| 17 | 01223 | | 1 | |
| 18 | 64635 | SILICONENVRIJE THERMISCHE PASTA | 1 | CARTES ELECTRONIQUES* |
| 19 | 05944 | | 1 | |
| 20 | 02167 | | 1 | |
| 21 | 111539 | | 1 | CONTACTS ELECTRIQUES* |
| 22 | 140486 | VET FUCHS ECO-402 NAVULLING 400 G | 1 | ROULEMENTS A AIGUILLES* |
| 23 | 52649 | SMEER BR2+ (400GR) | 1 | |
| 24 | 02171 | CONTACTSPRAY ELECTR. KF | 1 | |

Vervangonderdelen Gereedschap & vetten

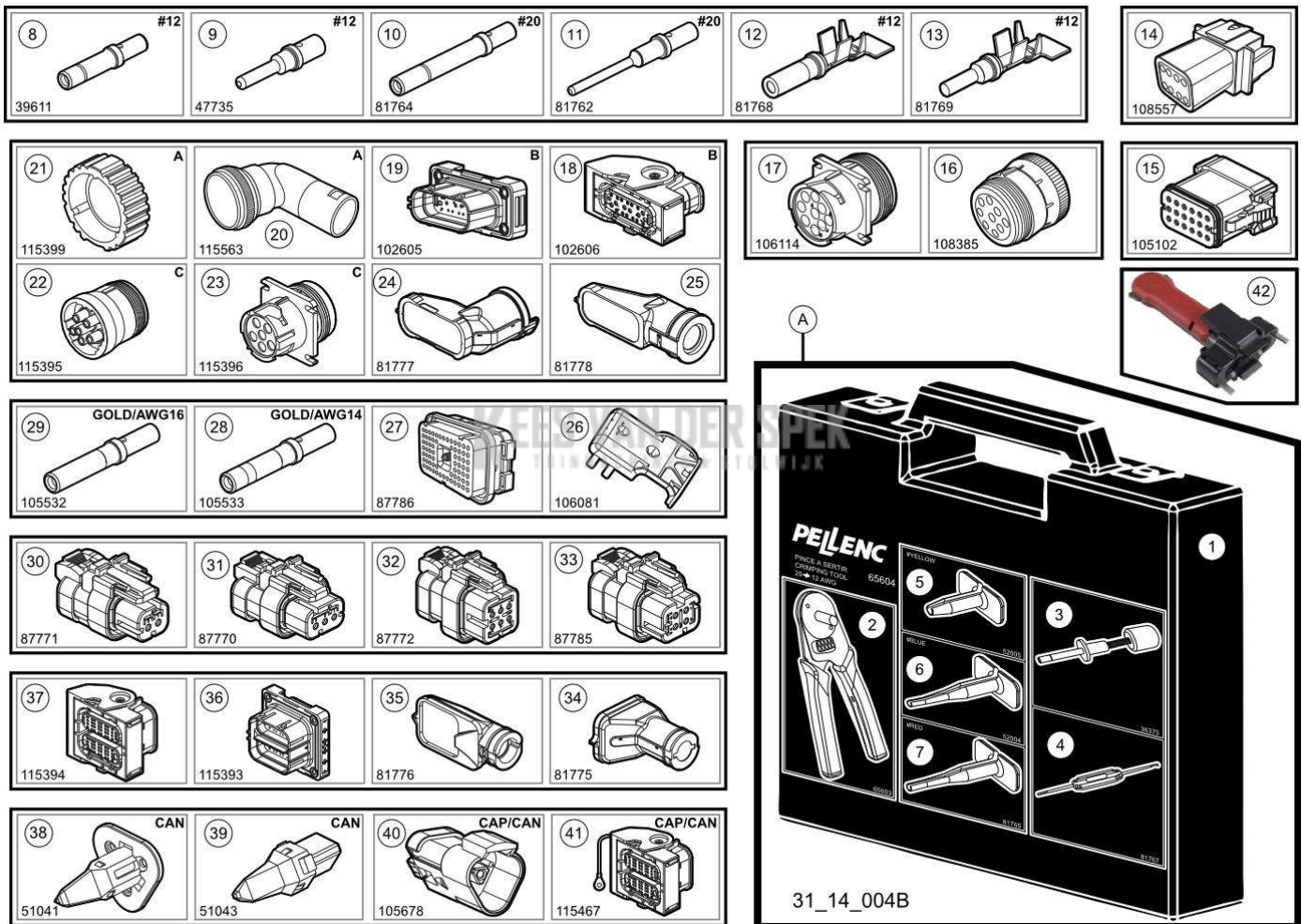


31_06_004G

| nr. | Artikelnumme | Beschrijving | Hoe | Opmerkingen |
|-----|--------------|----------------------------------|-----|-------------|
| 1 | 65602 | | 1 | KIT A |
| 2 | 65603 | | 1 | KIT A |
| 3 | 36375 | | 1 | KIT A |
| 4 | 81767 | | 1 | KIT A |
| 5 | 52005 | | 1 | KIT A |
| 6 | 52004 | | 2 | KIT A |
| 7 | 81765 | | 2 | KIT A |
| 8 | 51978 | | 1 | |
| 9 | 51980 | | 1 | |
| 10 | 51999 | | 1 | |
| 11 | 51982 | | 1 | |
| 12 | 51983 | | 1 | |
| 13 | 52000 | | 1 | |
| 14 | 51992 | | 1 | |
| 15 | 51993 | | 1 | |
| 16 | 11665 | | 100 | |
| 17 | 51996 | | 1 | |
| 18 | 51995 | | 1 | |
| 19 | 25351 | | 1 | |
| 20 | 51997 | | 1 | |
| 21 | 51998 | | 1 | |
| 22 | 25254 | | 20 | |
| 23 | 63978 | | 1 | |
| 24 | 63980 | | 1 | |
| 25 | 63979 | | 1 | |
| 26 | 67806 | | 1 | |
| 27 | 67808 | | 10 | |
| 28 | 67807 | | 10 | |
| 29 | 67804 | | 1 | |
| 30 | 67796 | | 1 | |
| 31 | 45451 | MANNELIJKE FICHE 1.03 (0.34 MM2) | 1 | |
| 32 | 66955 | F-RUNNERM POSITTRONIC | 1 | |
| A | 65604 | | 1 | |
| 33 | 40752 | | 1 | |
| 34 | 75685 | | 1 | |

Kees van der Spek

Vervangonderdelen Gereedschap & vetten



| nr. | Artikelnumme | Beschrijving | Hoe | Opmerkingen |
|-----|--------------|--------------|-----|-------------|
| 1 | 65602 | | 1 | KIT A |
| 2 | 65603 | | 1 | KIT A |
| 3 | 36375 | | 1 | KIT A |
| 4 | 81767 | | 1 | |
| 5 | 52005 | | 1 | KIT A |
| 6 | 52004 | | 2 | KIT A |
| 7 | 81765 | | 2 | KIT A |
| 8 | 39611 | | 1 | |
| 9 | 47735 | | 1 | |
| 10 | 81764 | | 1 | |
| 11 | 81762 | | 1 | |
| 12 | 81768 | | 1 | |
| 13 | 81769 | | 1 | |
| 14 | 108557 | | 1 | |
| 15 | 105102 | | 1 | |
| 16 | 108385 | | 1 | |
| 17 | 106114 | | 1 | |
| 18 | 102606 | | 1 | |
| 19 | 102605 | | 1 | |
| 20 | 115563 | | 1 | |
| 21 | 115399 | | 1 | |
| 22 | 115395 | | 1 | |
| 23 | 115396 | | 1 | |
| 24 | 81777 | | 1 | |
| 25 | 81778 | | 1 | |
| 26 | 106081 | | 1 | |
| 27 | 87786 | | 1 | |
| 28 | 105533 | | 1 | |
| 29 | 105532 | | 1 | |
| 30 | 87771 | | 1 | |
| 31 | 87770 | | 1 | |
| 32 | 87772 | | 1 | |
| 33 | 87785 | | 1 | |
| 34 | 81775 | | 1 | |
| 35 | 81776 | | 1 | |
| 36 | 115393 | | 1 | |
| 37 | 115394 | | 1 | |
| 38 | 51041 | | 1 | |
| 39 | 51043 | | 1 | |
| 40 | 105678 | | 1 | |
| 41 | 115467 | | 1 | |
| 42 | 115709 | | 1 | |
| A | 65604 | | 1 | |

KEES VAN DER SPEK

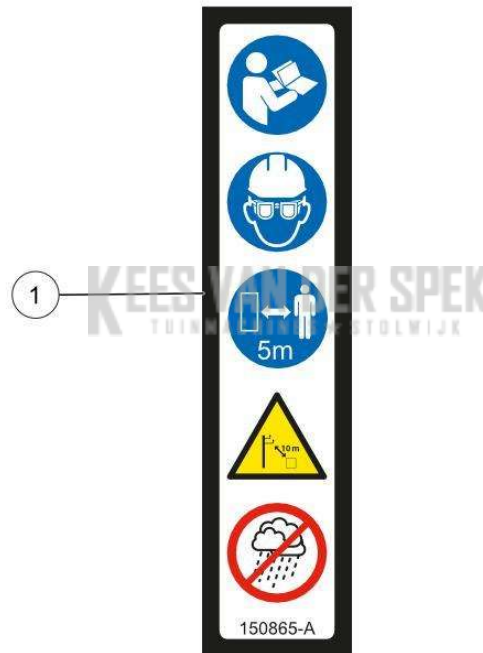


31_11_002A



56

| nr. | Artikelnumme | Beschrijving | Hoe | Opmerkingen |
|-----|--------------|--------------|-----|-------------|
| 1 | 101600 | | 1 | |
| 2 | 125795 | | 1 | |
| 3 | 137684 | | 1 | |

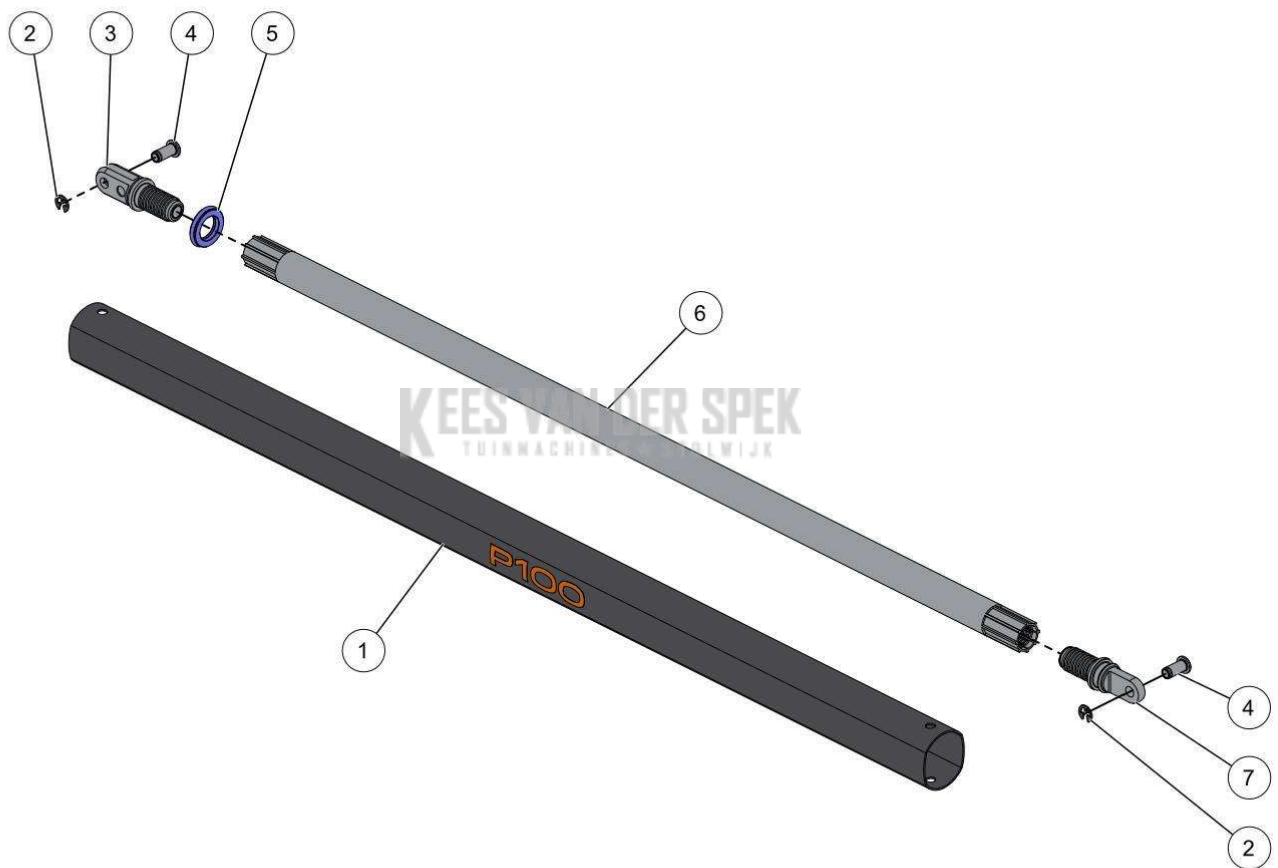


32_19_003A

PELENC 57235 - PAAL PRUNION P150 / 57235 - PAAL PRUNION P150 - 2021 /
STICKER

| nr. | Artikelnumme | Beschrijving | Hoe | Opmerkingen |
|-----|--------------|--------------------------------|-----|-------------|
| 1 | 150865 | VEILIGHEIDSTICKER VERLENGSTEEL | 1 | |

KEES VAN DER SPEK
TUINMACHINES ★ STOLWIJK



32_20_005A

PELENC 57235 - PAAL PRUNION P150 / 57235 - PAAL PRUNION P150 - 2021 / POLE P100

| nr. | Artikelnumme | Beschrijving | Hoe | Opmerkingen |
|-----|--------------|----------------------------------|-----|-------------|
| 1 | 152833 | TUBE PERCHE P100 | 1 | KIT A* |
| 2 | 20003 | CLIPS DIAM. 5 (AANT. 100) | 2 | KIT A* |
| 3 | 148762 | | 1 | KIT A, B* |
| 3 | 150636 | | 1 | KIT A, B* |
| 4 | 68667 | SCHOUDERAS TREELION | 2 | KIT A* |
| 5 | 150667 | KOPPELING VAN ZUIGER PU 90SHA - | 1 | KIT A* |
| 6 | 152834 | TUBE TRINGLE PERCHE PRUNION P100 | 1 | KIT A, B* |
| 7 | 148761 | | 1 | KIT A, B* |
| A | 152837 | | 1 | |
| B | 152836 | STANG SET P100 MET PIN | 1 | |

KEES VAN DER SPEK
TUINMACHINES ★ STOLWIJK