

HUSQVARNA - SPARE PARTS CATALOG
CHAIN SAWS: HUSQVARNA 550 XP[®] MARK II

KEES VAN DER SPEK
TUINMACHINES ★ STOLWIJK

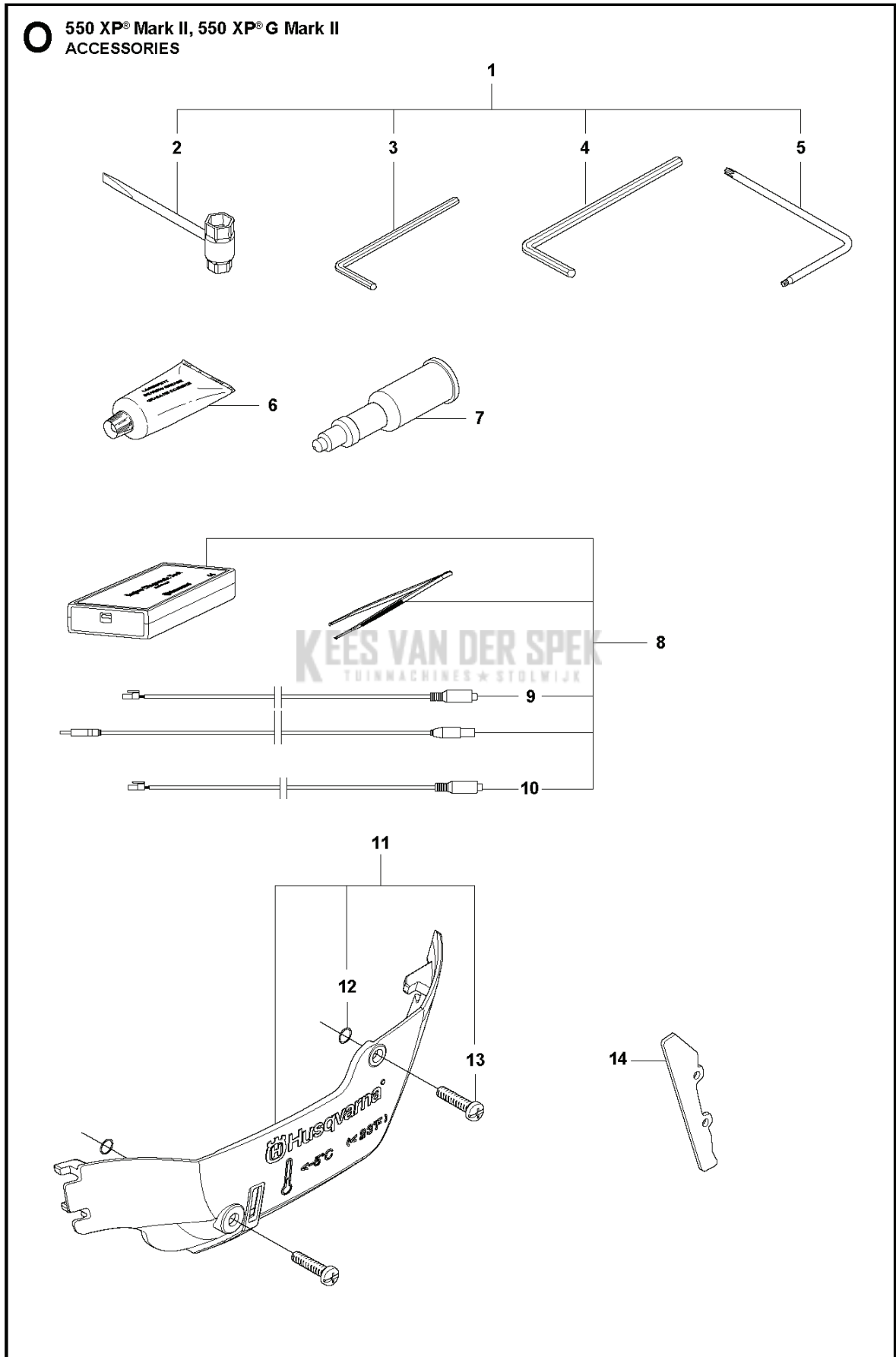
Sparepartslist

SPAREPARTSLIST

CHAIN SAWS
TUINMACHINES * STOLWIJK

HUSQVARNA 550 XP[®] MARK II

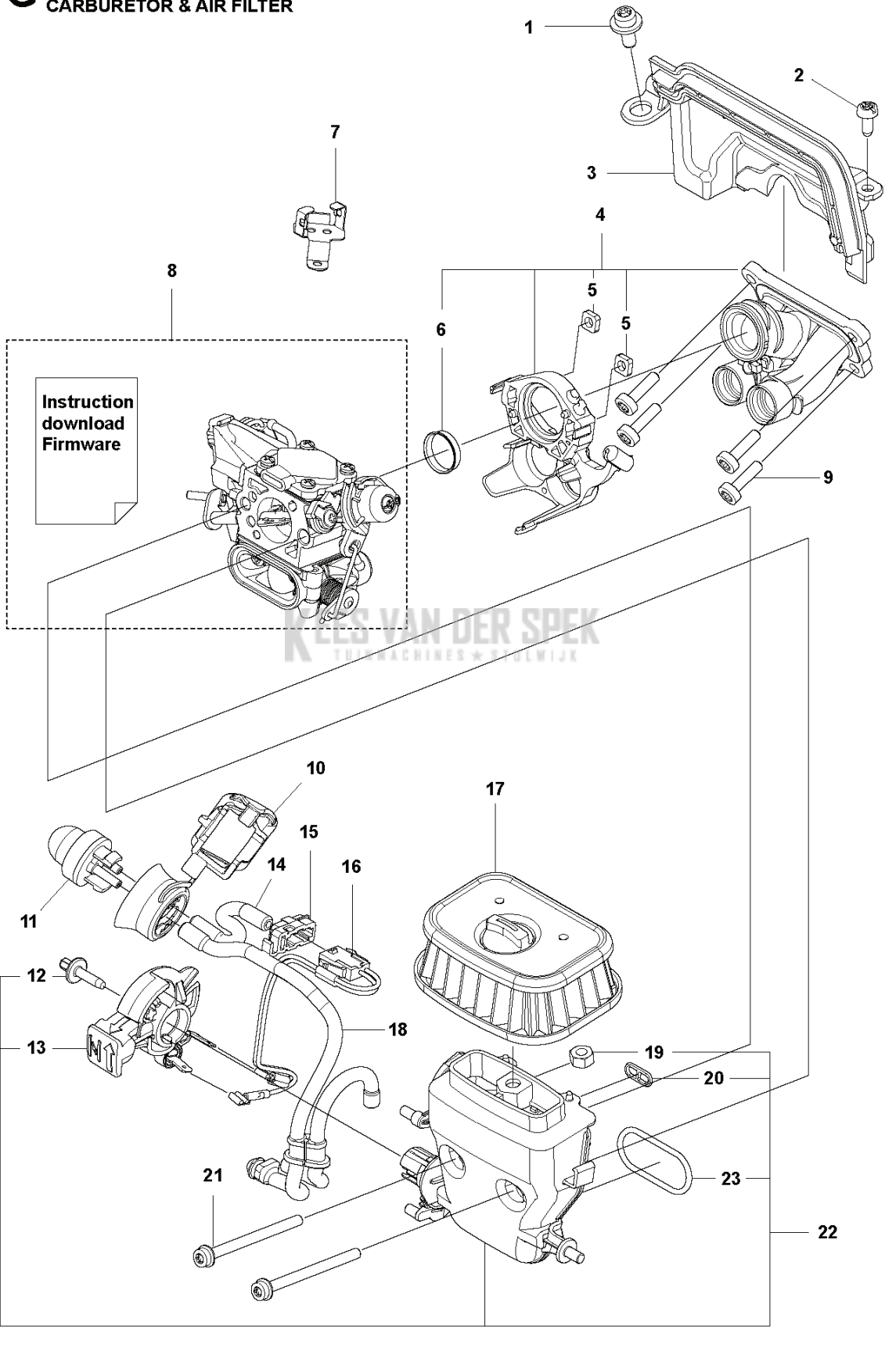
**○ 550 XP® Mark II, 550 XP® G Mark II
ACCESSORIES**



CHAIN SAWS

PXM_REF	PXM_PARTNO	DESCRIPTION	PXM_REMARK	QTY
1	503558511	GEREEDSCHAP		1
2	522521101	COMBINATIESLEUTEL		1 1
3	502215801	SLEUTEL		1 1
4	503558602	SLEUTEL		1 1
5	575880701	SLEUTEL		1 1
6	503621201	VET		1
7	501911401	VETPISTOOL		1
8	583897101	DIAGNOSTIC TOOL KIT		1
9	576183401	KABEL COMPL.		1 8
10	576952201	KABEL COMPL.		1 8
11	595967601	WINTER KIT		1
12	740420100	O-RING		2 11
13	503217016	SCHROEF CCRPANT		1 11
14	594745301	BUMPER		1

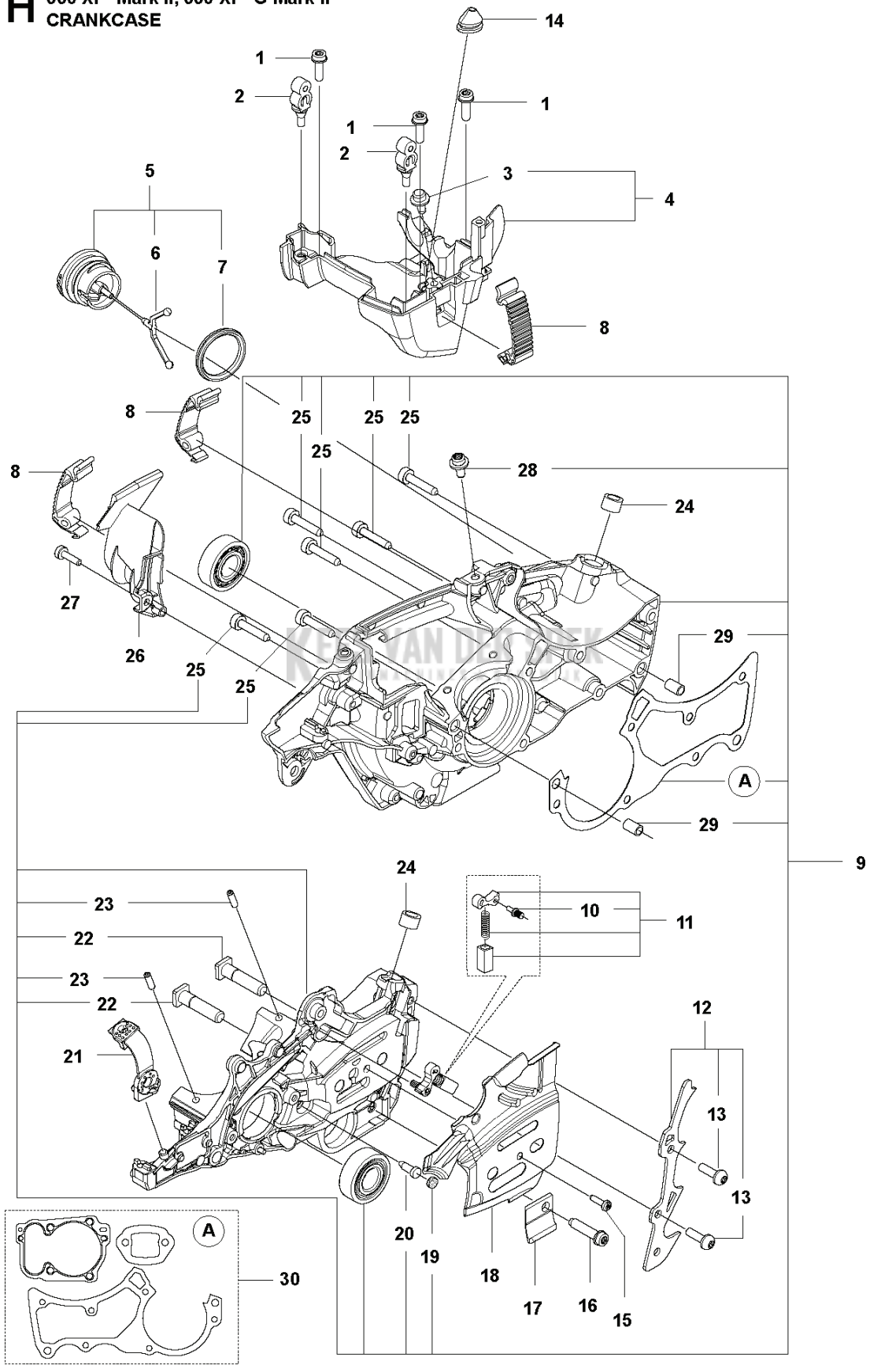
G 550 XP® Mark II, 550 XP® G Mark II
CARBURETOR & AIR FILTER



CHAIN SAWS

PXM_REF	PXM_PARTNO	DESCRIPTION	PXM_REMARK	QTY
1	525824401	SCHROEF ITXSCM		1
2	526221801	SCREW CITXPANT		1
3	589584501	ISOLATIE WAND		1
4	593784901	INLAATPIJP COMPL.		1
5	503226503	MOER 4-KANT		2 4
6	585195001	STEUNHULS		1 4
7	589340601	HOUDER		1
8	596219201	CARBURETTOR KIT		1
9	526818101	SCHROEF ITXSCM		4
10	525588101	AFDICHTING		1
11	503936601	PURGE		1
12	505156201	SCREW		1 22
13	510017202	CHOKEHENDEL COMPL.		1 22
14	523056801	BRANDSTOFSLANG		1
15	589340701	CONTACTBEUGEL		1
16	577536402	BEKABELING COMPL.		1
17	590458802	LUCHTFILTERCONSTRUCTIE COMPL.	Yellow, Mesh 25 microns	1
17	590458801	LUCHTFILTERCONSTRUCTIE COMPL.	Black, Mesh 64 microns	1
17	590458803	LUCHTFILTERCONSTRUCTIE COMPL.	Nature, Non woven	1
18	525344303	BRANDSTOFSLANG		1
19	731231401	ZESKANT MOER		1 22
20	525619201	AFDICHTING		1 22
21	581143101	SCHROEF ITXSFCM		2
22	589550701	FILTERHOUDER COMPL.	Black	1
23	525619001	AFDICHTING		1 22

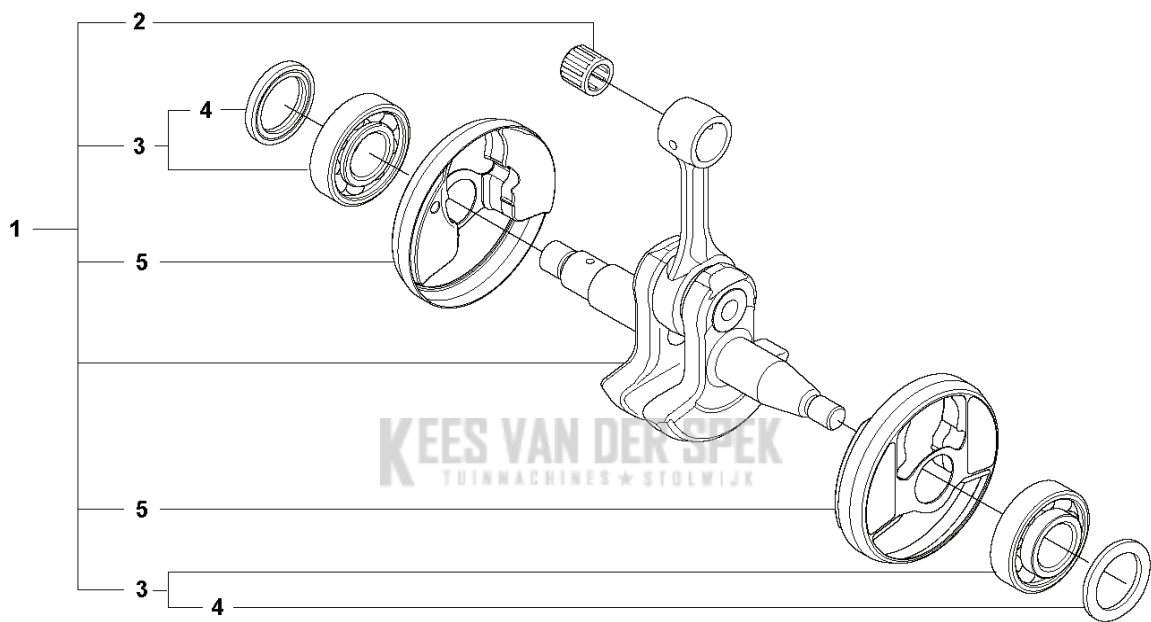
H 550 XP® Mark II, 550 XP® G Mark II
CRANKCASE



CHAIN SAWS

PXM_REF	PXM_PARTNO	DESCRIPTION	PXM_REMARK	QTY
1	575885703	SCHROEF ITXSCFM		3
2	503869301	STEUN		2
3	544331601	GELEIDEPEN		1 4
4	582285201	CARBURETTOR AREA BASE		1
5	522620003	TANKDEKSEL COMPL		1
6	503578901	HOLDER		1 5
7	589241101	PAKKING		1 5
8	503894703	SNAPSLUITING		3
9	595897701	CRANKCASE KIT		1
10	503751801	PEN		1 9, 11
11	596351401	VERGRENDELING		1
12	596351301	SPIKE		1
13	575793501	SCHROEF ITXPANM		2 12
14	581559201	BALG		1
15	525887401	SCREW CITXPANT		1
16	525798103	SCREW ITXSCFT		1
17	537377902	KETTINGVANGER		1
18	589721901	KETTINGGELEIDERPLAAT		1
19	537403501	FILTER		1 9
20	530026119	CONTROLEKLEP		1 9
21	505125801	BEGRENZINGS LIMITER		1
22	505217301	ZAAGBLADBOUT		2 9
23	720126952	CILINDRISCHE PEN		2 9
24	589331301	HULS		2
25	503215325	SCHROEF ITXSCHM		6 9
26	582285901	LUCHTMONDSTUK		1
27	526818101	SCHROEF ITXSCHM		1
28	525824401	SCHROEF ITXSCHM		1 9
29	501270802	GELEIDEHULS		2 9
30	595897601	PAKKINGSET		1

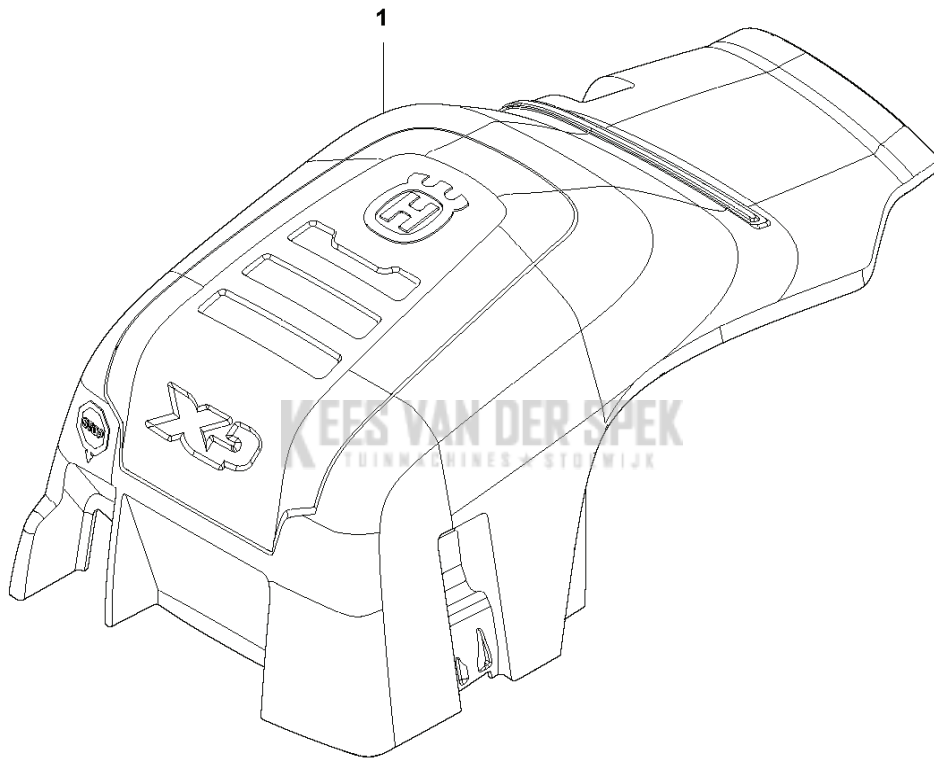
E 550 XP® Mark II, 550 XP® G Mark II
CRANKSHAFT



CHAIN SAWS

PXM_REF	PXM_PARTNO	DESCRIPTION	PXM_REMARK	QTY
1	596218401	CRANKSHAFT KIT		1
2	501103101	NAALDLAGER		1 1
3	525434203	KOGELLAGER		2 1
4	505416101	RADIAAL AFDICHTING		2 1,4
5	522737701	KOP		2 1

C 550 XP® Mark II, 550 XP® G Mark II
CYLINDER COVER

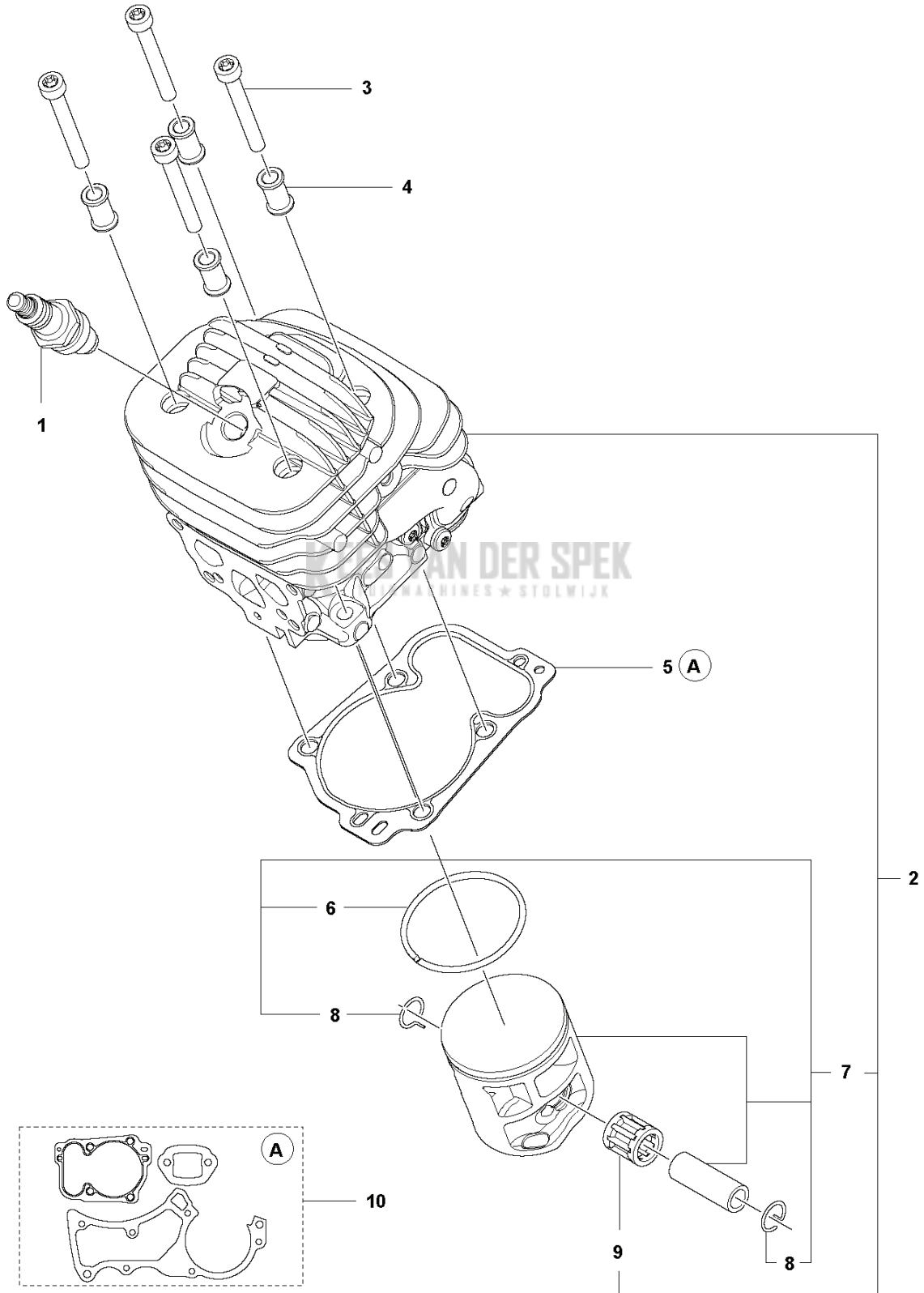


CHAIN SAWS

PXM_REF	PXM_PARTNO	DESCRIPTION	PXM_REMARK	QTY
1	589549601	CILINDERDEKSEL		1

KEES VAN DER SPEK
TUINMACHINES ★ STOLWIJK

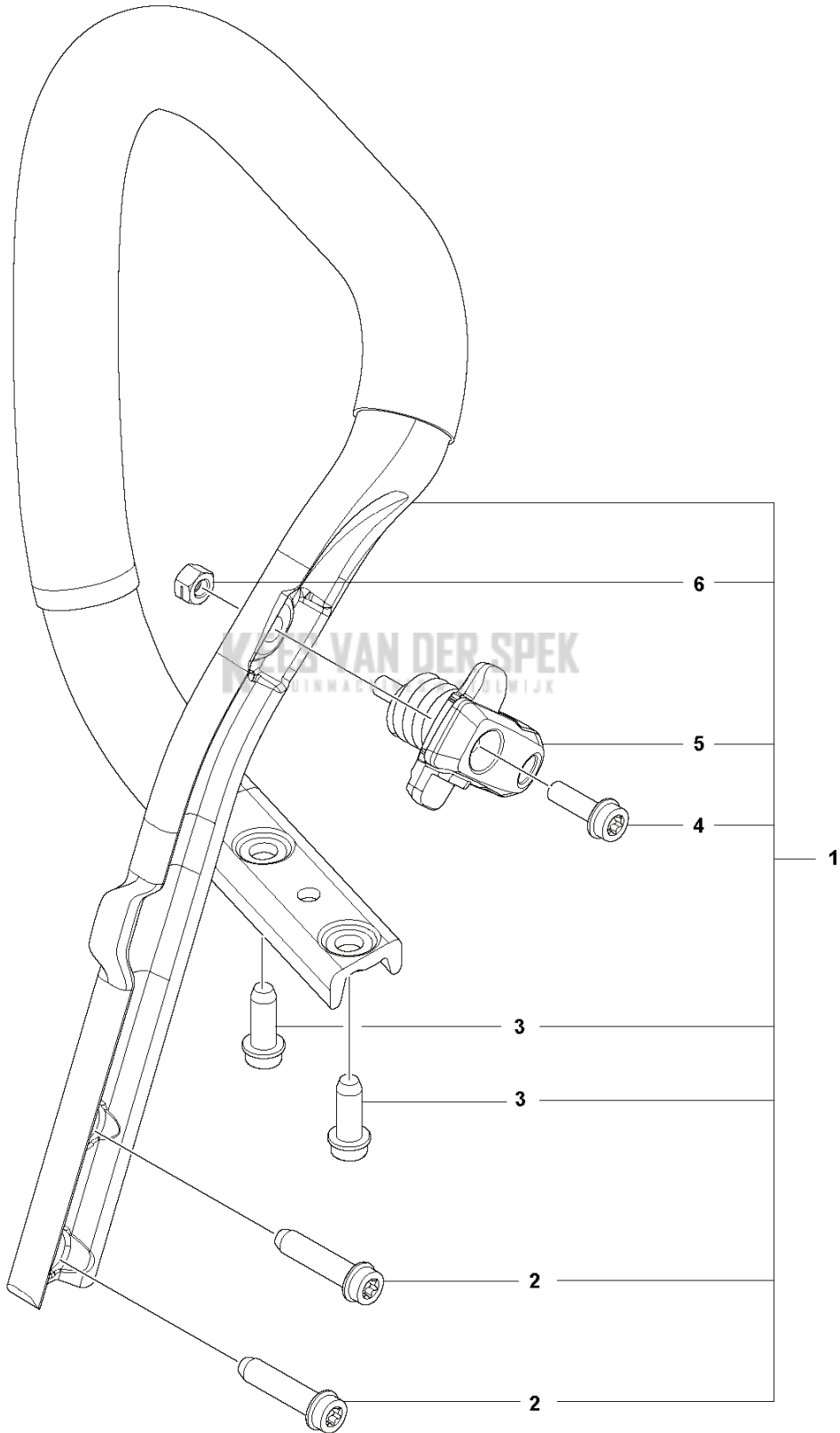
D 550 XP® Mark II, 550 XP® G Mark II
CYLINDER AND PISTON



CHAIN SAWS

PXM_REF	PXM_PARTNO	DESCRIPTION	PXM_REMARK	QTY
1	574519601	BOUGIE		1
2	590330502	CYLINDER KIT		1
3	525824907	SCHROEF ITXSCM		4
4	576717602	HULS		4
5	591177401	PAKKING		1
6	582702801	ZUIGERVEER		1 2,7
7	582645602	ZUIGER COMPL.		1
8	737441000	BORGRING		2 2,7
9	501103101	NAALDLAGER		1 2,7
10	595897601	PAKKINGSET		1

K1 550 XP® Mark II
HANDLE

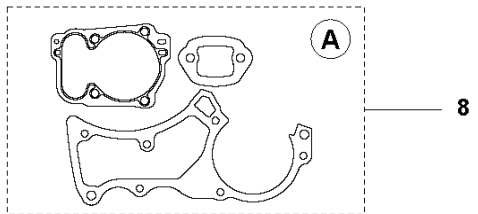
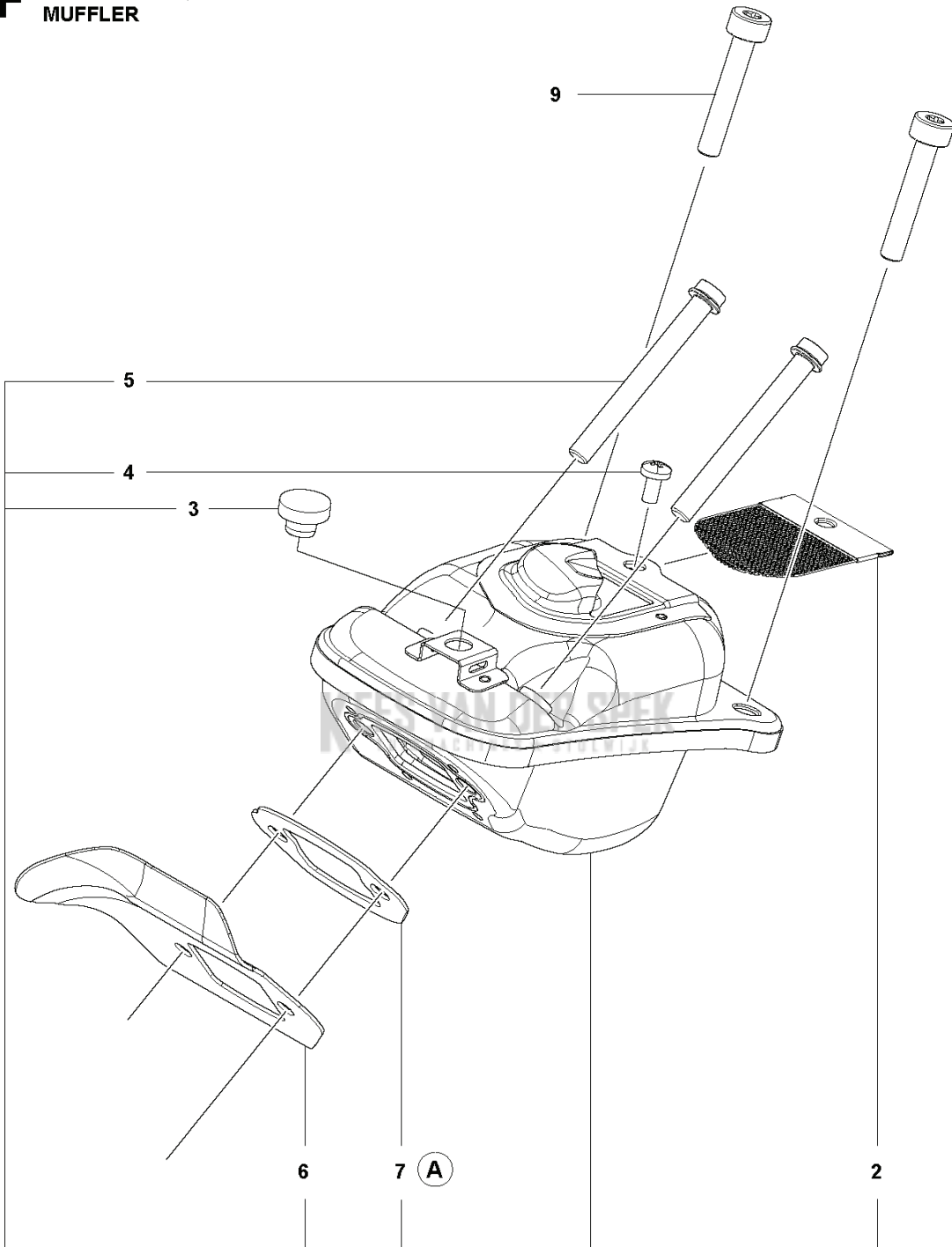


CHAIN SAWS

PXM_REF	PXM_PARTNO	DESCRIPTION	PXM_REMARK	QTY
1	582014901	HENDEL SYSTEEM		1
2	525798103	SCREW ITXSCFT		2
3	525798101	SCREW ITXSCFT		2
4	525755101	SCHROEF ITXSCFM		1
5	595303401	AV ELEMENT		1
6	503222401	LOCK NUT		1

KEES VAN DER SPEK
TUINMACHINES ★ STOLWIJK

F 550 XP[®] Mark II, 550 XP[®]G Mark II
MUFFLER

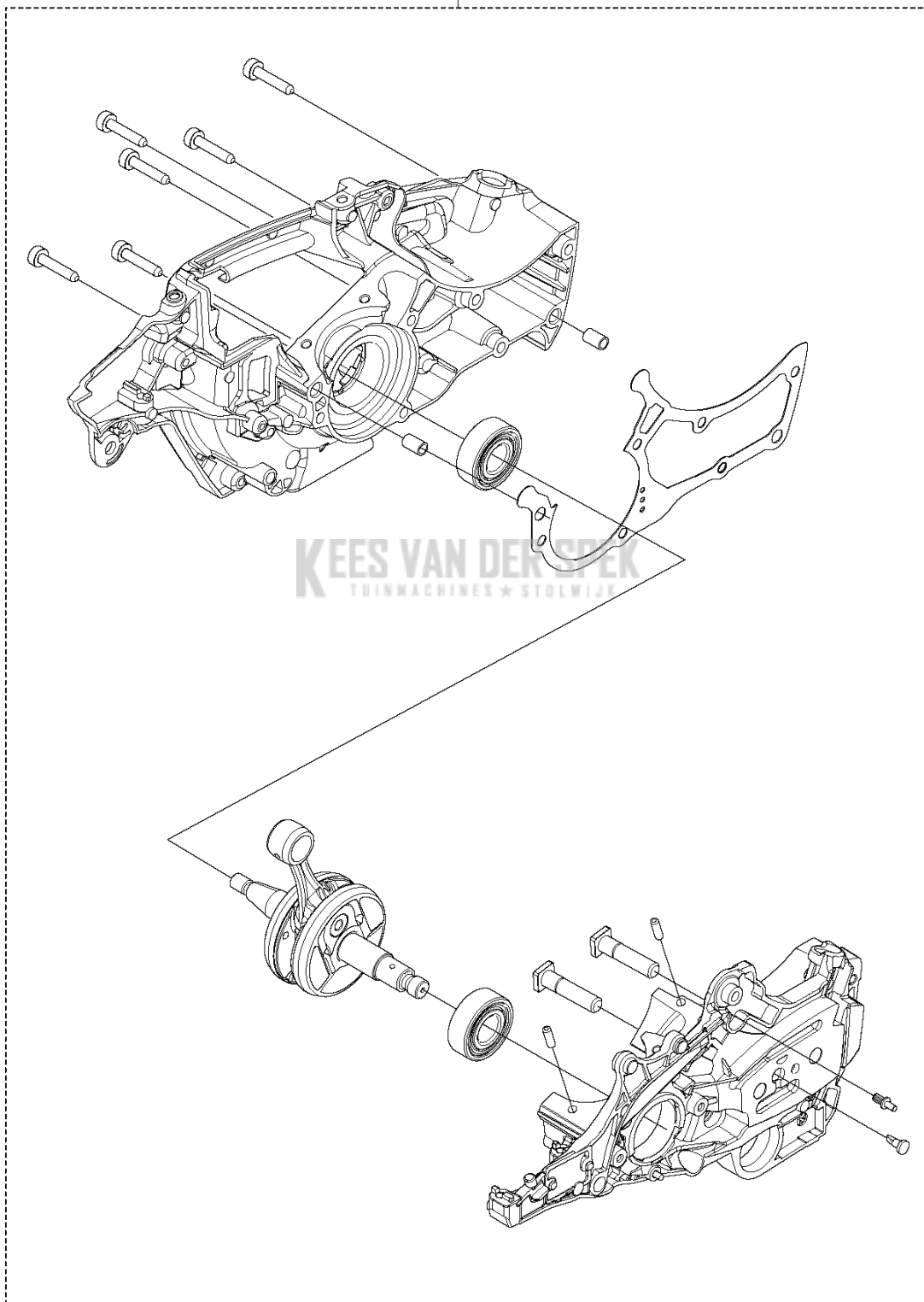


CHAIN SAWS

PXM_REF	PXM_PARTNO	DESCRIPTION	PXM_REMARK	QTY
1	583798701	GELUIDDEMPERSET		1
2	583799301	VONKENVANGER		1 1
3	501515402	STEUN		1
4	724128759	SCHROEF CRPANM		1 1
5	525825107	SCHROEF ITXSCM		2 1
6	583799001	WARMTEDEFLECTOR		1 1
7	583798801	MUFFLER GASKET		1 1
8	595897601	PAKKINGSET		1
9	582885501	SCREW		2

H2 550 XP® Mark II, 550 XP® G Mark II CRANKCASE SHORT BLOCK

1

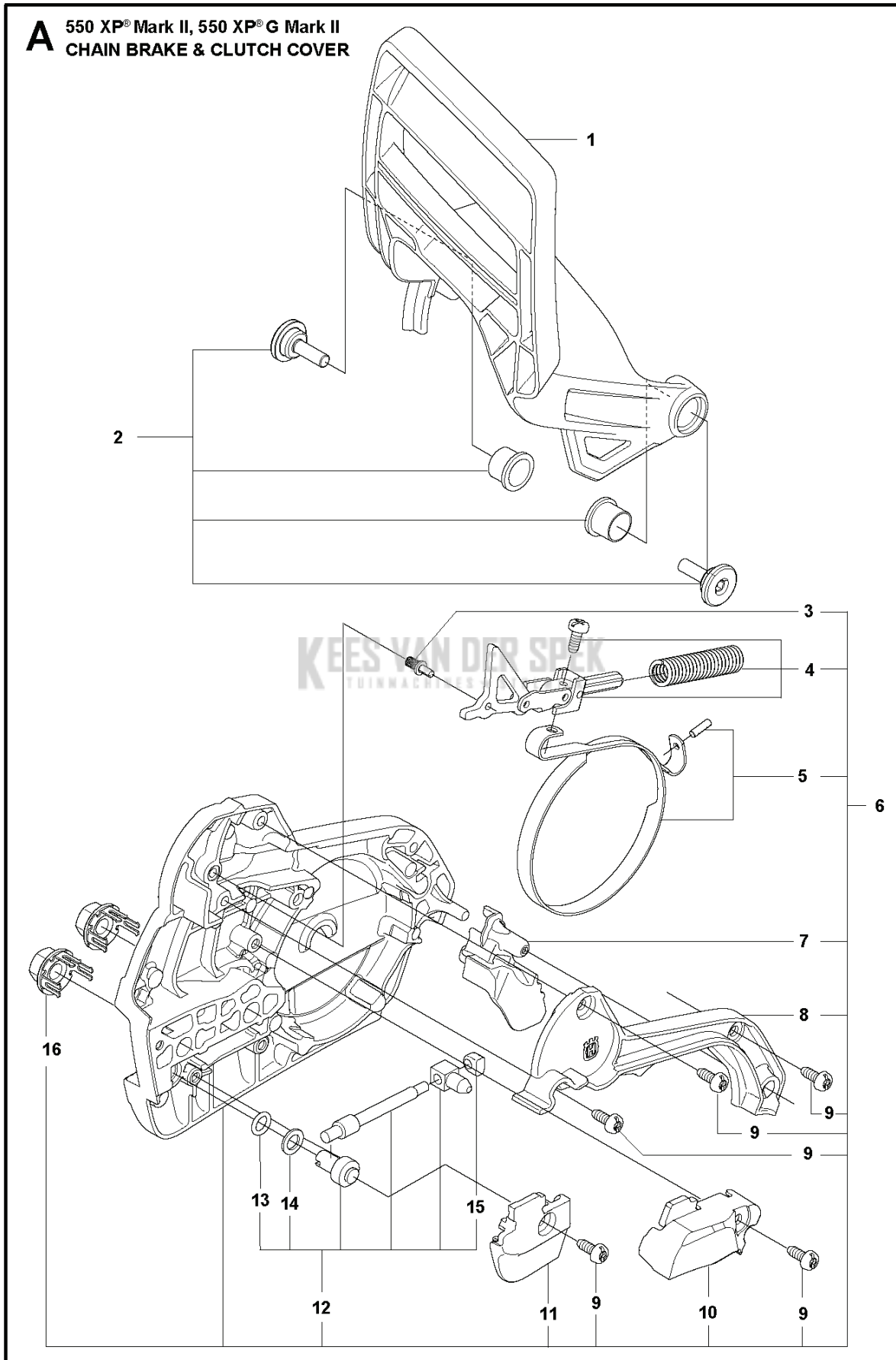


CHAIN SAWS

PXM_REF	PXM_PARTNO	DESCRIPTION	PXM_REMARK	QTY
1	595945001	CARTER COMPL.		1

KEES VAN DER SPEK
TUINMACHINES ★ STOLWIJK

A 550 XP® Mark II, 550 XP® G Mark II
CHAIN BRAKE & CLUTCH COVER

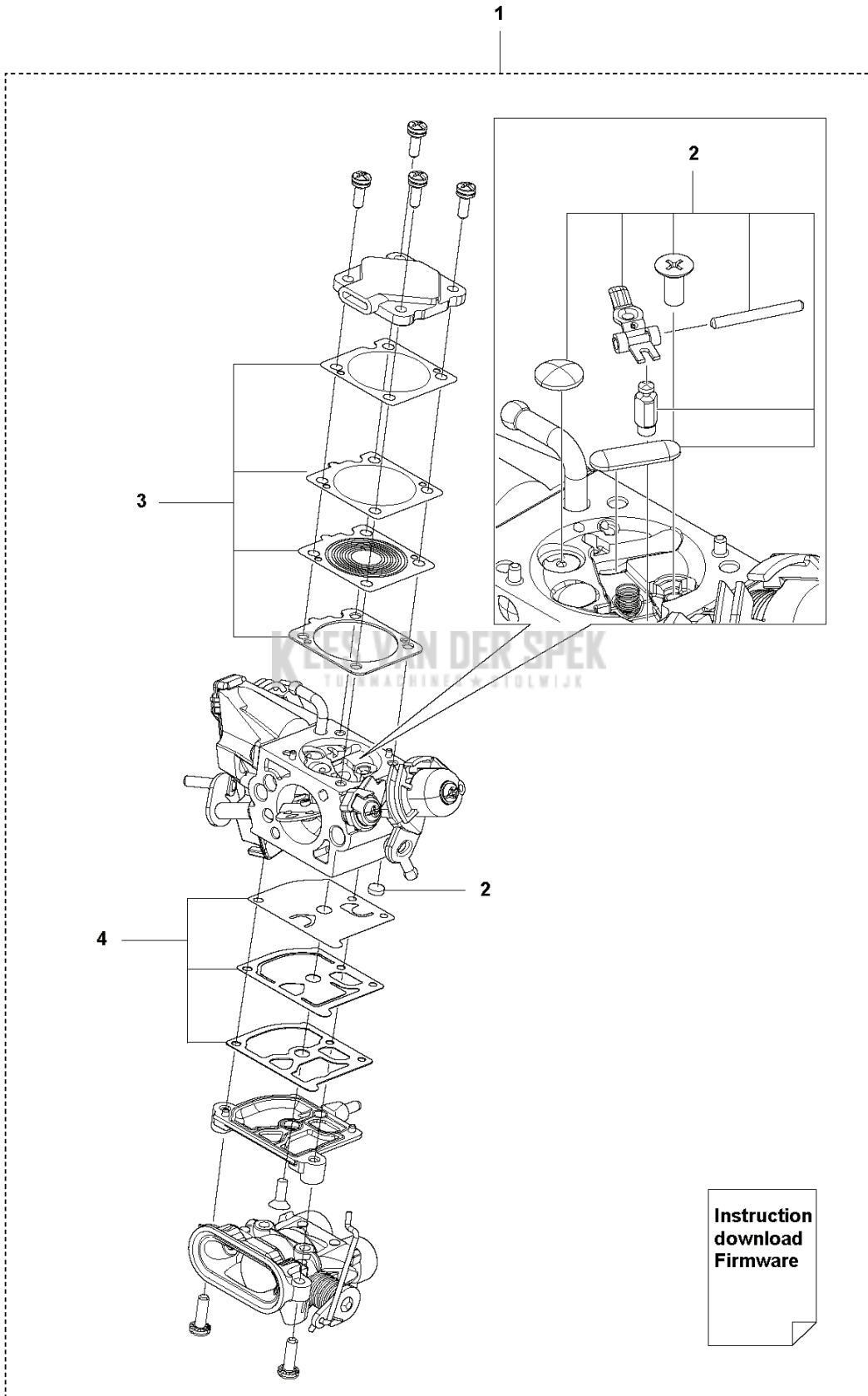


CHAIN SAWS

PXM_REF	PXM_PARTNO	DESCRIPTION	PXM_REMARK	QTY
1	591083601	HANDBESCHERMING		1
2	596218201	SCREW KIT		1
3	503751801	PEN		1 6
4	596218101	KNIEGEWRICHT COMPL.		1 6
5	505199502	REMBAND COMPL.		1 6
6	501846101	KOPPELINGSKAP COMPL.		1
7	505201601	BESCHERMEN		1 6
8	505199703	DEKSEL		1 6
9	526221801	SCREW CITXPANT		5 6
10	592975201	KETTINGGELEIDER		1 6
11	505199801	KETTINGGELEIDER		1 6
12	575260403	KETTINGSPANSET		1 6
13	740480702	O-RING		1 6.12
14	503230063	RING		1 6.12
15	537017401	LAGERHULS		1 6.12
16	505197301	MOER		2 6

N 550 XP® Mark II, 550 XP® G Mark II
CARBURETOR DETAILS

AT-16

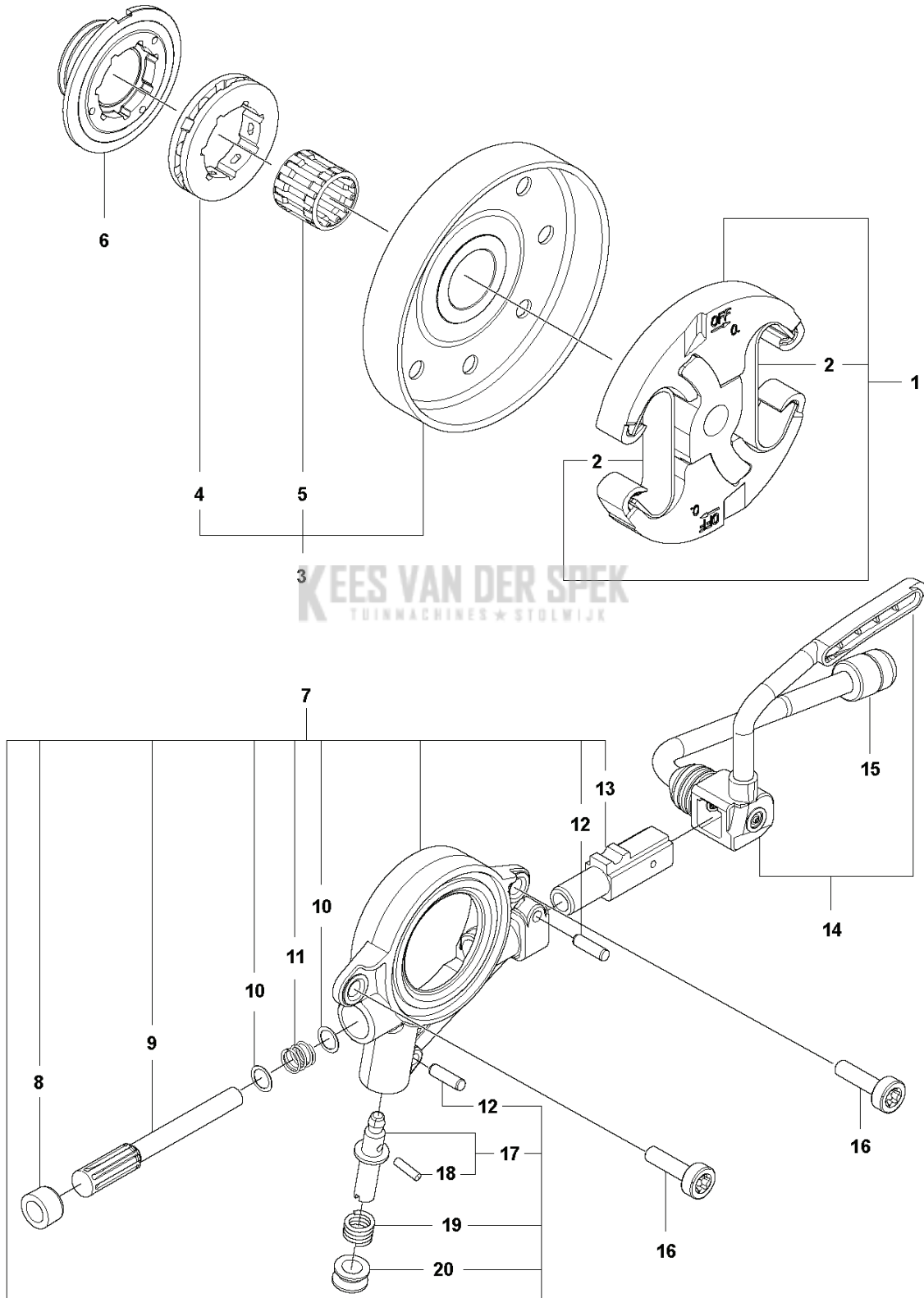


Instruction
download
Firmware

CHAIN SAWS

PXM_REF	PXM_PARTNO	DESCRIPTION	PXM_REMARK	QTY
1	596219201	CARBURETTOR KIT	AT-16	1
2	582366201	REPARATIESET		1 1
3	582366401	DIAPHRAGM & GASKET KIT		1 1
4	596969201	PAKKINGSET		1 1
.	TBD		Download firmware from CST	0

B 550 XP® Mark II, 550 XP® G Mark II
CLUTCH & OIL PUMP

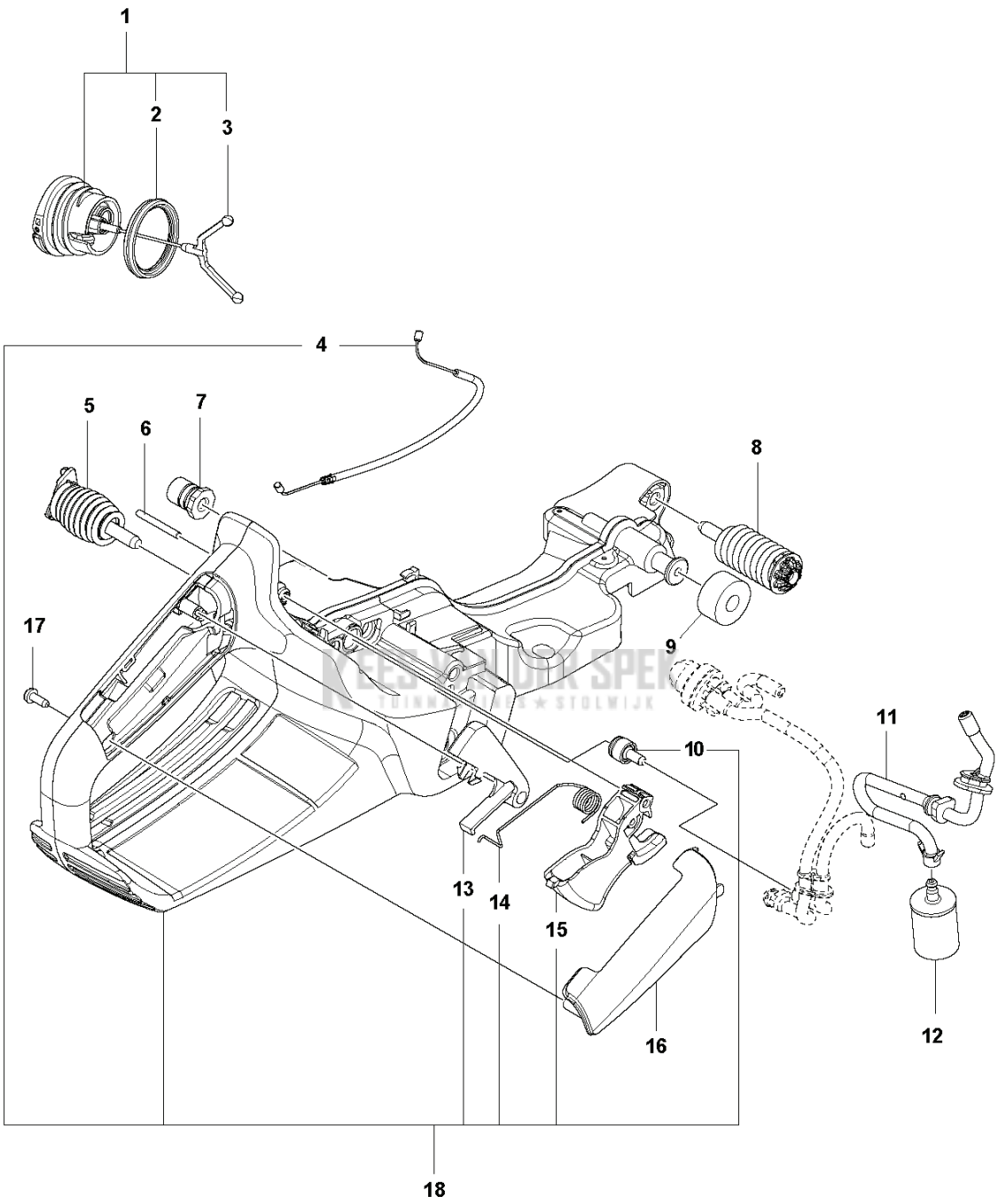


CHAIN SAWS

PXM_REF	PXM_PARTNO	DESCRIPTION	PXM_REMARK	QTY
1	577518201	KOPPELING COMPL.		1
2	537359101	KOPPELINGSVEER		2 1
3	596218301	KOPPELINGSTROMMEL COMPL.		1
4	501457402	RIM		1 3
5	503255201	NAALDLAGER		1 3
6	582814001	WORMWIEL		1
7	505199911	OLIEPOMP COMPL.		1
8	503624901	AFDICHTINGSPLUG		1 7
9	505200204	POMPZUIGER		1 7
10	503230060	RING		1 7
11	503891601	VEER		1 7
12	720123300	CILINDRISCHE PEN		2 7
13	505200101	POMPCILINDER		1 7
14	505200401	OLIESLANG		1
15	504710003	OLIELOOD		1 14
16	526818101	SCHROEF ITXSCM		2
17	505157001	REGELSCHROEF		1 7
18	721116430	KERFSTIFT		1 17,7
19	503891501	VEER		1 7
20	505200301	OMHULSEL		1 7

KEES VAN DER SPEK
 TUINMACHINES ★ STOLWIJK

J 550 XP[®] Mark II, 550 XP[®] G Mark II
FUEL TANK

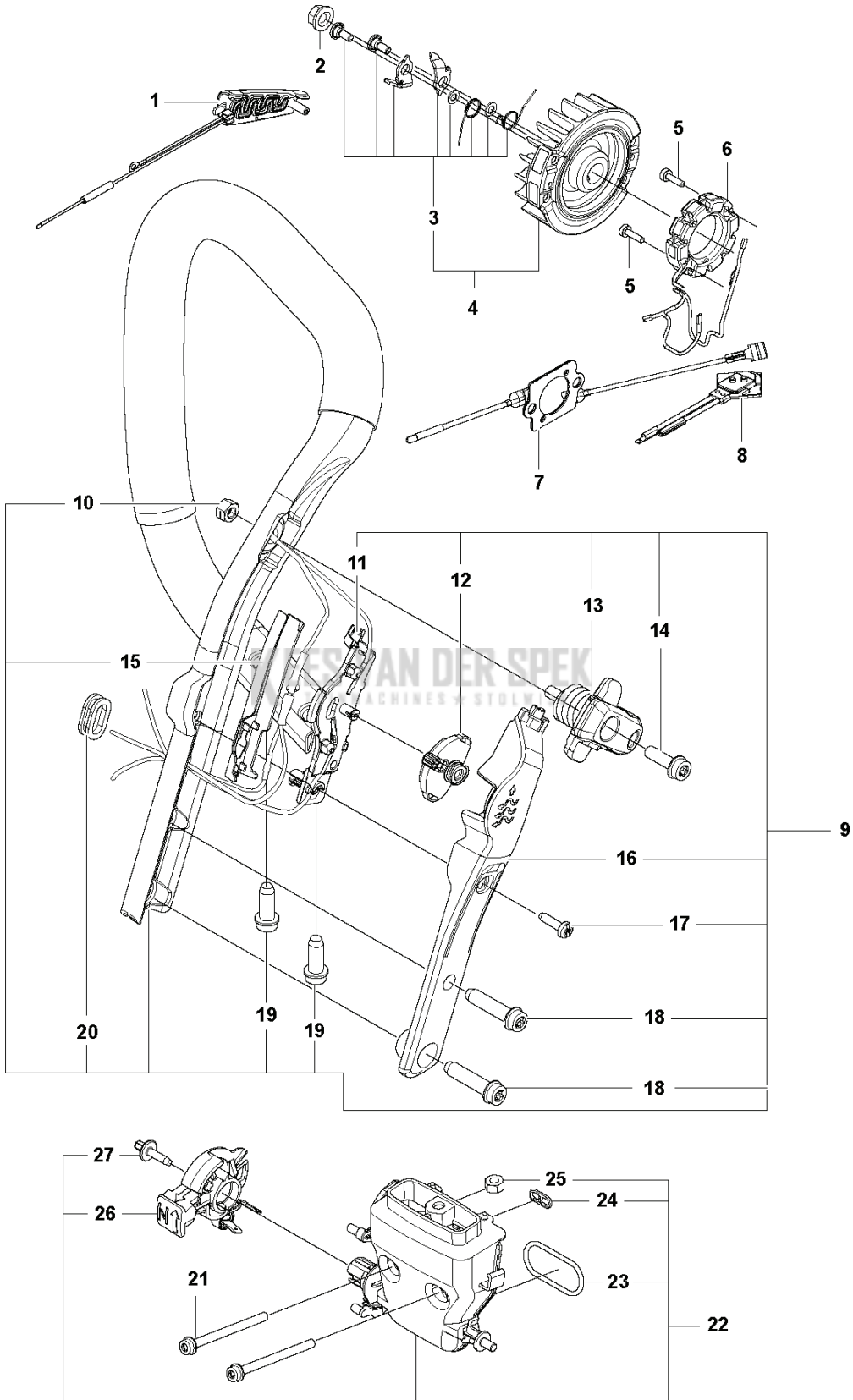


CHAIN SAWS

PXM_REF	PXM_PARTNO	DESCRIPTION	PXM_REMARK	QTY
1	522620003	TANKDEKSEL COMPL.		1
2	589241101	PAKKING		1 1
3	503578901	HOLDER		1 1
4	596550001	GASKABEL COMPL.		1
5	596882001	AV ELEMENT		1
6	720182520	CILINDRISCHE PEN		1
7	501007601	STEUN		1
8	590377401	AV ELEMENT		1
9	523085501	BEGRENZINGS LIMITER		1
10	501152901	TANKONTLUCHTING COMPL.		1
11	577504101	BRANDSTOFSLANG		1
12	503443201	BRANDSTOFFILTER		1
12	503443202	BRANDSTOFFILTER	Mega pack (100 pcs)	1
13	544099801	GASVERGRENDELING		1 19
14	544099901	VEER		1 19
15	505157701	GAS		1 19
16	504106301	HANDGREEPINZETSTUK		1
17	525887402	SCREW CITXPANT		1
18	596554002	FUEL TANK KIT		1

KEES VAN DER SPEK
TUINMACHINES ★ STOLWIJK

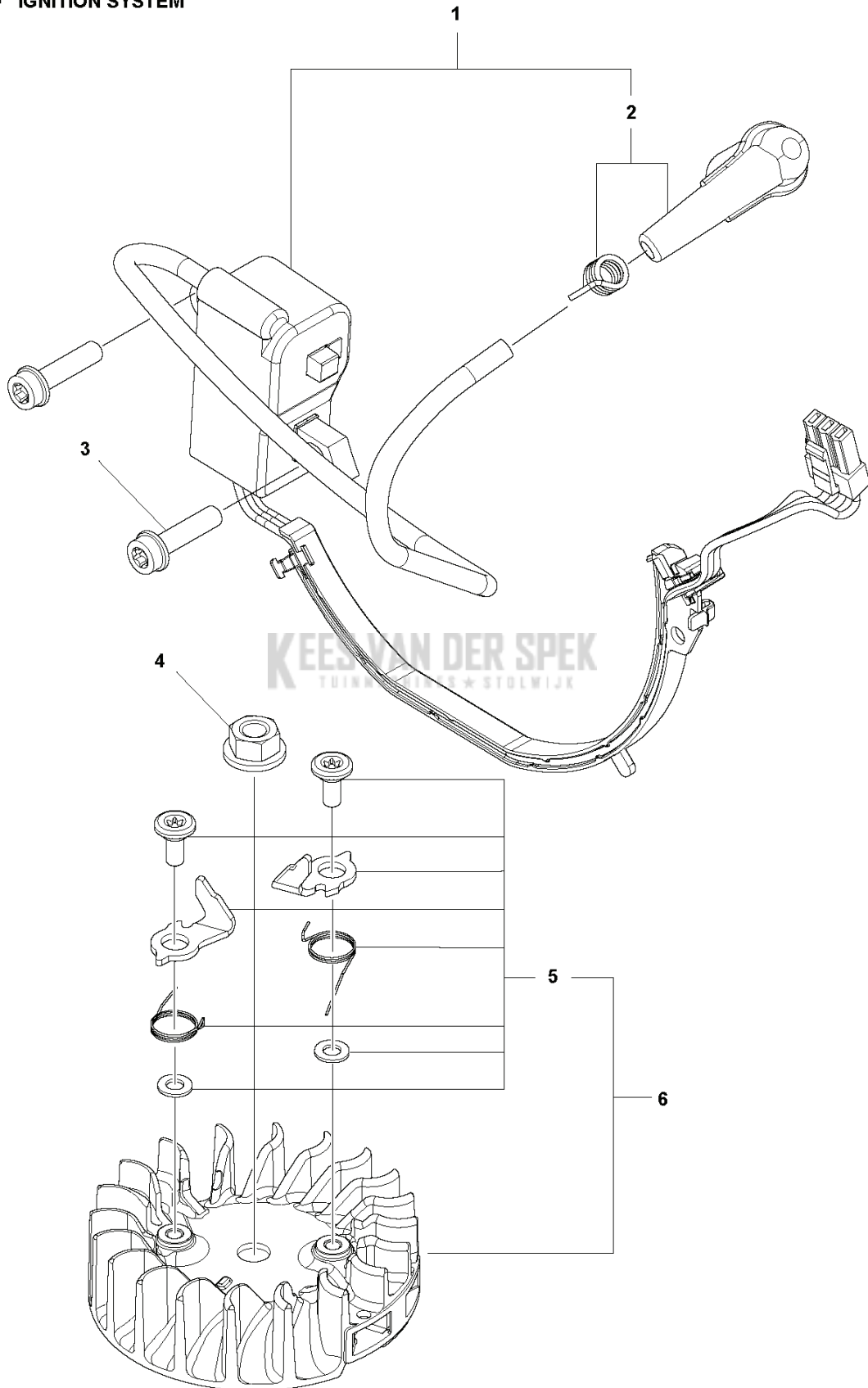
K2 550 XP® G Mark II
HEATED HANDLE



CHAIN SAWS

PXM_REF	PXM_PARTNO	DESCRIPTION	PXM_REMARK	QTY
1	590260901	HANDGREEPINZETSTUK		1
2	503220401	MOER		1
3	596230601	SCREW KIT		1 4
4	522937806	VLIEGWIEL COMPL.		1
5	526818102	SCHROEF ITXSCM		2
6	590260301	STATOR COMPL.		1
7	588168603	FOLIE-ELEMENT		1
8	590688301	THERMOSTAAT COMPL.		1
9	582014902	HENDEL SYSTEEM		1
10	503222401	LOCK NUT		1 9
11	590201901	CONTACTPLAAT		1 9
12	537252501	CONTACTPLAAT		1 9
13	595303401	AV ELEMENT		1 9
14	525755101	SCHROEF ITXSCFM		1 9
15	596201401	BESCHERMING		1 9
16	590201801	DEKSEL		1 9
17	578776102	SCHROEF ITXPANT		1 9
18	525798103	SCREW ITXSCFT		2 9
19	525798101	SCREW ITXSCFT		2 9
20	537088301	DOORVOER		1 9
21	581143101	SCHROEF ITXSCFM		2
22	589550702	FILTERHOUDER COMPL.	Blue	1
23	525619001	AFDICHTING		1 22
24	525619201	AFDICHTING		1 22
25	731231401	ZESKANT MOER		1 22
26	510017202	CHOKEHENDEL COMPL.		1 22
27	505156201	SCREW		1 22

L 550 XP® Mark II, 550 XP® G Mark II
IGNITION SYSTEM

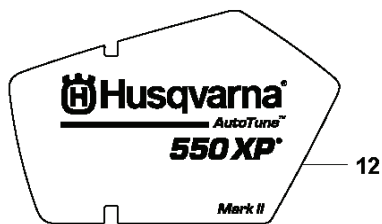
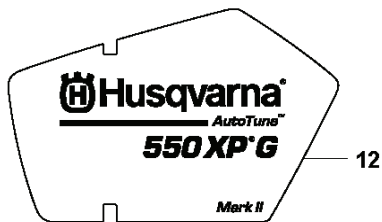
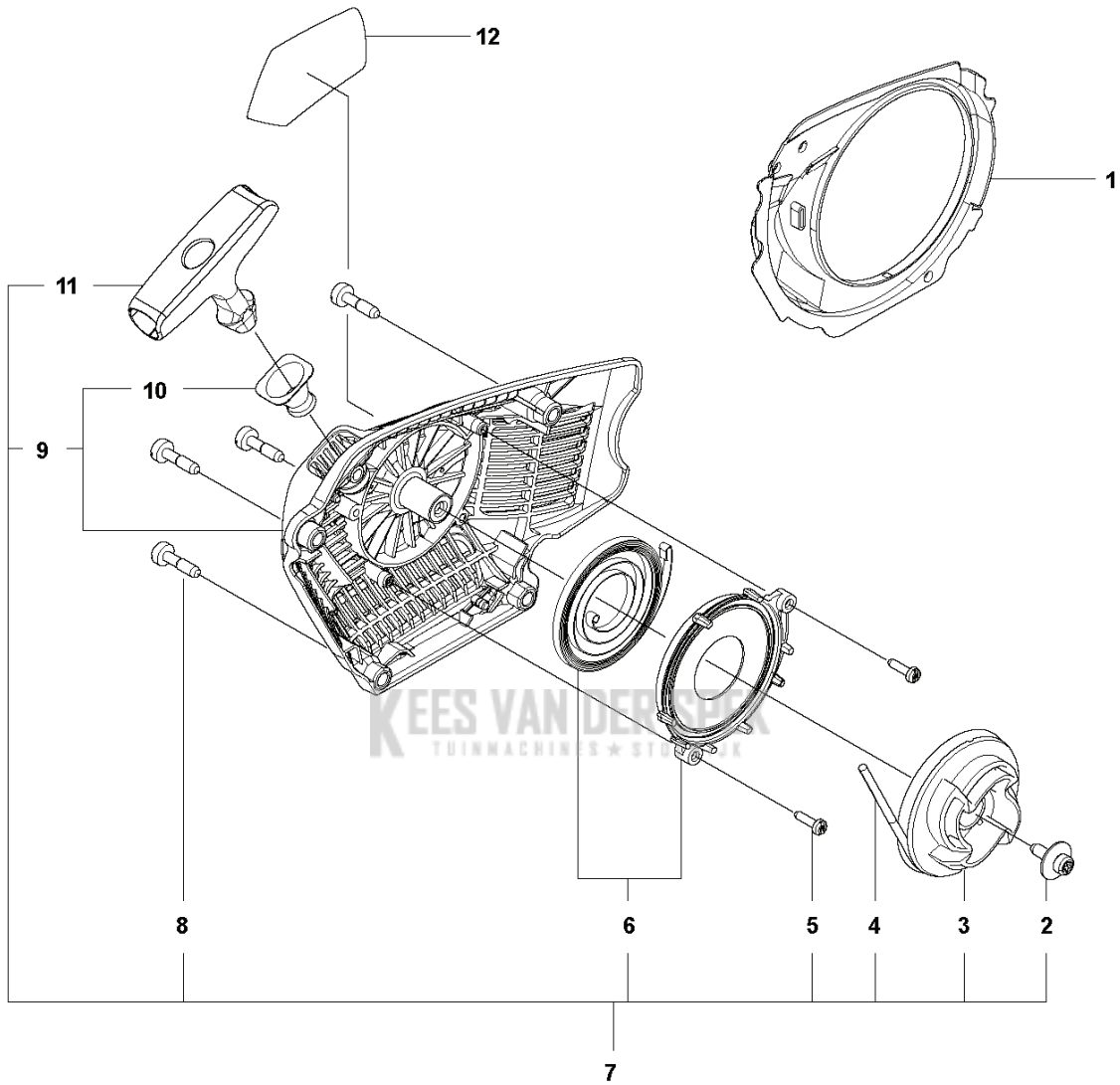


CHAIN SAWS

PXM_REF	PXM_PARTNO	DESCRIPTION	PXM_REMARK	QTY
1	582777401	ONTSTEKING MODULE COMPL		1
2	596352901	CAP ASSY		1 1
3	525755102	SCHROEF ITXSCFM		2
4	503220401	MOER		1
5	596230601	SCREW KIT		1 6
6	522937805	VLIEGWIEL COMPL		1

KEES VAN DER SPEK
TUINMACHINES ★ STOLWIJK

M 550 XP[®] Mark II, 550 XP[®] G Mark II
STARTER



CHAIN SAWS

PXM_REF	PXM_PARTNO	DESCRIPTION	PXM_REMARK	QTY
1	582866901	KOELLUCHTGELEIDER		1
2	576356601	SCREW ITXSCT		1 7
3	582650701	KOORDSCHIJF		1 7
4	505305125	STARTER CORD		1 7
5	525887401	SCREW CITXPANT		2 7
6	505157902	VEERCASSETTE COMPL.		1 7
7	596230301	STARTER COMPL.		1
8	525824501	SCHROEF CITXPANMO		4 7
9	582503401	STARTERHUIS		1 7
10	537283201	HULS		1 7
11	537232501	STARHANDVAT		1 7
12	590613401	PLAATJE	550XP	1
12	590613402	PLAATJE	550XPG	1

KEES VAN DER SPEK
 TUINMACHINES ★ STOLWIJK