

# PELLENC

## Catalogus van vervangonderdelen

57226 - EXCELION 2 DH\*  
57226 - EXCELION 2 DH - 2021  
Bouwjaar V



PELLENC

84122      Pertuis

Tel:      +33 (0)490 094 700

Fax:      +33 (0)490 096 409

Email:      [hotline.pellenc-catalog@pellenc.com](mailto:hotline.pellenc-catalog@pellenc.com)

Website      [www.pellenc.com](http://www.pellenc.com)

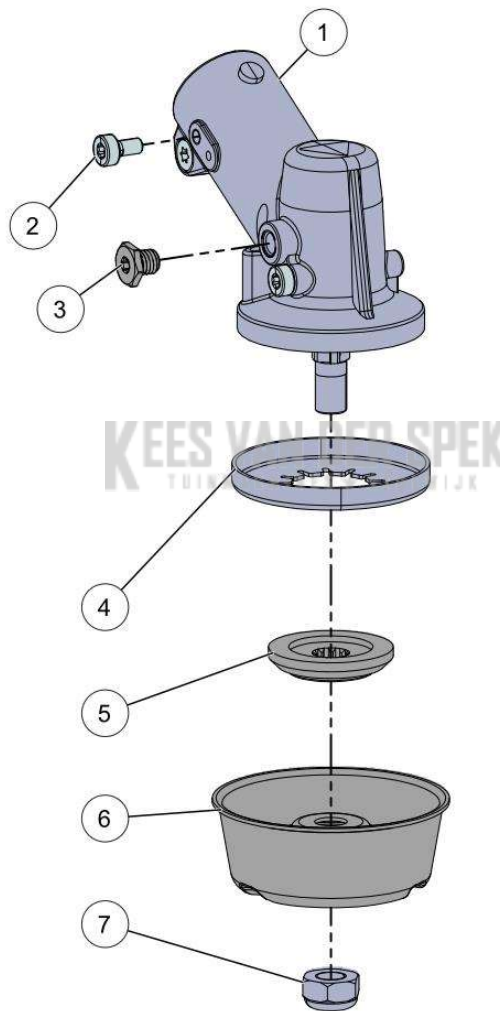


53\_21\_004C

**PELLENC** 57226 - EXCELION 2 DH\* / 57226 - EXCELION 2 DH - 2021 / TAP CUT  
3\*

| nr. | Artikelnumme | Beschrijving | Hoe | Opmerkingen |
|-----|--------------|--------------|-----|-------------|
| 1   | 159708       |              | 1   |             |
| 2   | 159709       |              | 1   |             |
| 3   | 159707       |              | 1   |             |
| 4   | 159206       |              | 1   |             |
| 5   | 159710       |              | 2   |             |

**KEES VAN DER SPEK**  
TUINMACHINES ★ STOLWIJK

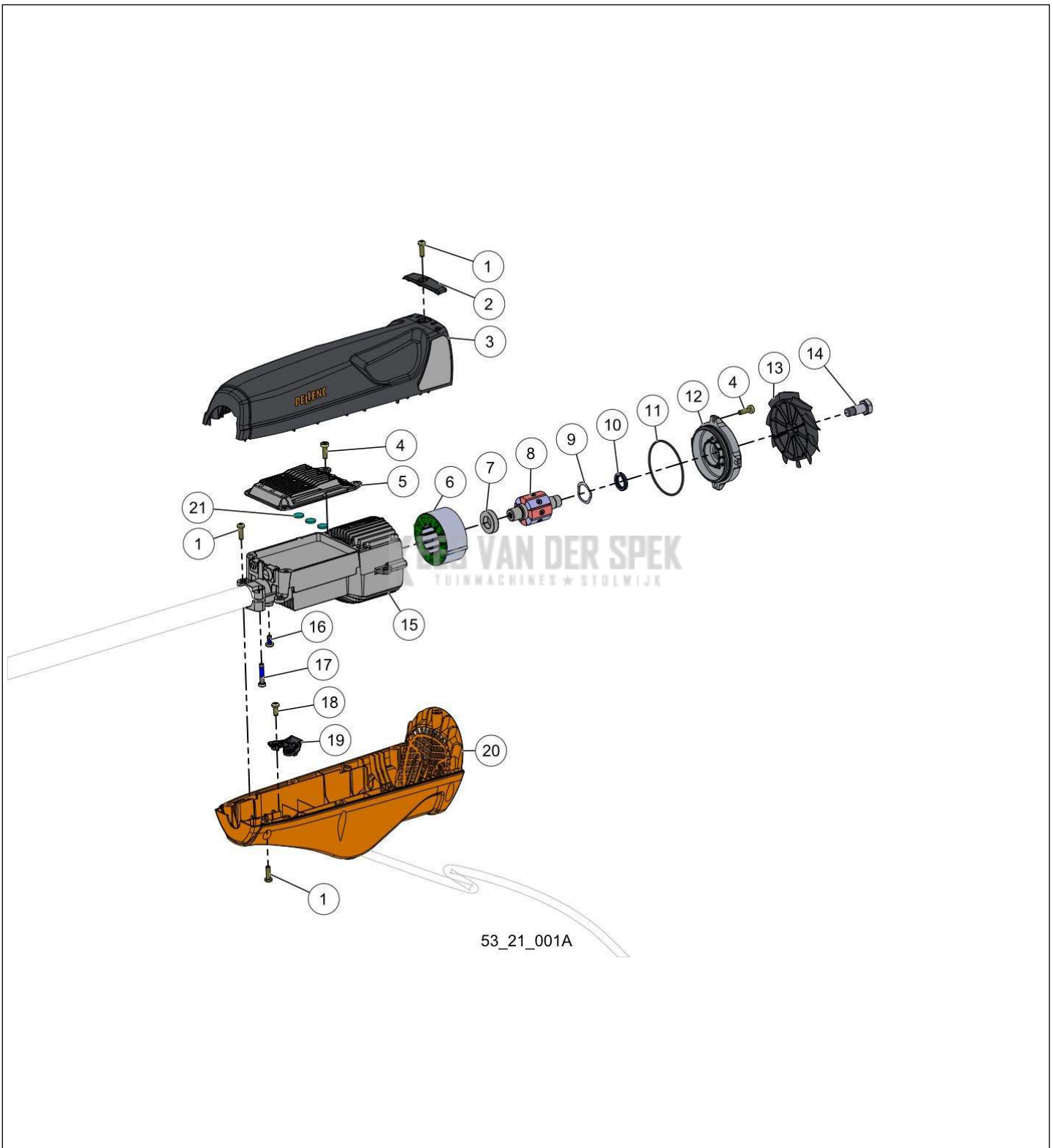


53\_21\_013B

**PELENC** 57226 - EXCELION 2 DH\* / 57226 - EXCELION 2 DH - 2021 / RENVOI D'ANGLE\*

| nr. | Artikelnumme | Beschrijving                     | Hoe | Opmerkingen |
|-----|--------------|----------------------------------|-----|-------------|
| 1   | 158518       | HOEKOVERBRENGING EXD2            | 1   | KIT A*      |
| 2   | 107704       | SCHROEF CBX M5-10 Z              | 1   | KIT A*      |
| 3   | 158513       | SCHROEF SMERING EXD2             | 1   | KIT A*      |
| 4   | 158514       | BESCHERMING EXD2                 | 1   | KIT A*      |
| 5   | 139501       | BLOKKAGERING MES UNIVERSEEL      | 1   | KIT A*      |
| 6   | 139502       | BESCHERMINGBOL MOER UNIV EXC 2 - | 1   | KIT A*      |
| 7   | 158517       | MOERKOP EXD2                     | 1   | KIT A*      |

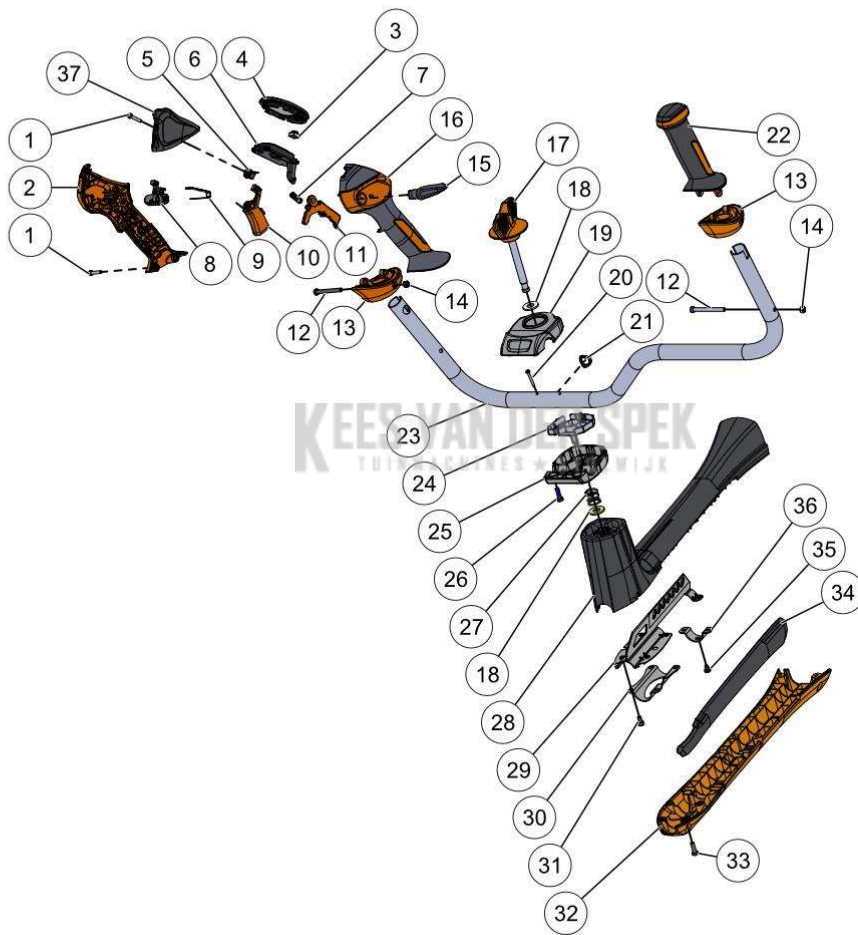
**KEES VAN DER SPEK**  
TUINMACHINES ★ STOLWIJK



| nr. | Artikelnumme | Beschrijving                    | Hoe | Opmerkingen |
|-----|--------------|---------------------------------|-----|-------------|
| 1   | 73842        | SCHROEF DELTA PT WN5452 50X16   | 7   |             |
| 2   | 150773       |                                 | 1   |             |
| 3   | 150772       |                                 | 1   |             |
| 3   | 158364       |                                 | 1   |             |
| 4   | 73850        | SCHROEF CBTC M5-16 Z (AANT. 20) | 12  | KIT A*      |
| 5   | 151375       |                                 | 1   | KIT A*      |
| 6   | 150755       |                                 | 1   | KIT A*      |
| 7   | 108052       | LAGER                           | 1   | KIT A*      |
| 8   | 150757       |                                 | 1   | KIT A*      |
| 9   | 106816       | ELASTISCHE RING EXD             | 1   | KIT A*      |
| 10  | 150798       |                                 | 1   | KIT A*      |
| 11  | 143941       | KOPPELING GOUD 65*2             | 1   | KIT A*      |
| 12  | 150784       |                                 | 1   | KIT A*      |
| 13  | 150779       |                                 | 1   | KIT A*      |
| 14  | 150780       |                                 | 1   | KIT A*      |
| 15  | 150778       |                                 | 1   | KIT A*      |
| 16  | 158373       |                                 | 1   | KIT A*      |
| 17  | 158372       |                                 | 2   | KIT A*      |
| 18  | 73849        | SCHROEF DELTA PT WN5452 50X12   | 1   |             |
| 19  | 150775       |                                 | 1   |             |
| 20  | 150774       |                                 | 3   | KIT A*      |
| 21  | 150789       | GAPPAD Ø12                      | 1   |             |
| A   | 160349       |                                 | 1   |             |

KEES VAN DER SPEK

Vervangonderdelen *Mechanisch*



53\_21\_002B

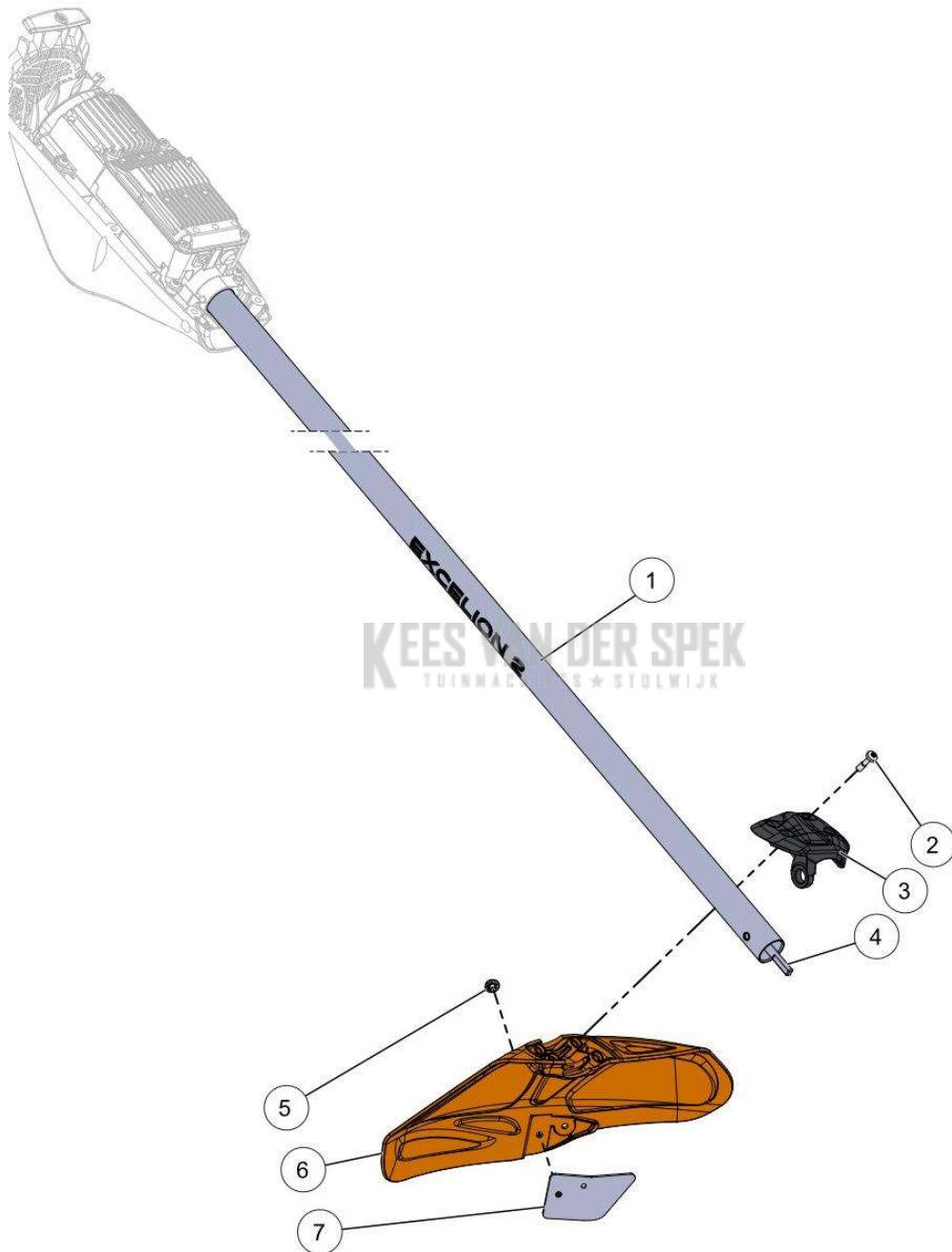


**PELENC** 57226 - EXCELION 2 DH\* / 57226 - EXCELION 2 DH - 2021 / GUIDON DH\*

| nr. | Artikelnumme | Beschrijving                       | Hoe | Opmerkingen     |
|-----|--------------|------------------------------------|-----|-----------------|
| 1   | 131837       | LOT VAN 20 DELTA PT SCHROEVEN      | 1   |                 |
| 2   | 148586       |                                    | 1   |                 |
| 3   | 148591       |                                    | 1   |                 |
| 4   | 148589       |                                    | 1   |                 |
| 5   | 151044       |                                    | 1   |                 |
| 6   | 149887       |                                    | 2   |                 |
| 7   | 151043       |                                    | 1   |                 |
| 8   | 148593       |                                    | 2   |                 |
| 9   | 148595       |                                    | 1   |                 |
| 10  | 156933       |                                    | 1   |                 |
| 11  | 151042       |                                    | 1   |                 |
| 12  | 153217       |                                    | 1   | KIT A*          |
| 13  | 150914       |                                    | 2   | KIT A*          |
| 14  | 06113        | BORGMOER H M5 (AANT. 10)           | 1   | KIT A*          |
| 15  | 148592       |                                    | 1   |                 |
| 16  | 148585       |                                    | 1   |                 |
| 17  | 150915       |                                    | 1   |                 |
| 18  | 06011        | RONDELLE MU 10 Z                   | 1   | KIT B* ; KIT C* |
| 19  | 150916       |                                    | 1   | KIT B*          |
| 20  | 138175       | SCHROEF CX M3-25 CL8.8 (AANT. 100) | 6   |                 |
| 21  | 150912       |                                    | 1   |                 |
| 22  | 150913       |                                    | 1   | KIT A*          |
| 23  | 150911       |                                    | 8   | KIT A*          |
| 24  | 152930       |                                    | 1   |                 |
| 25  | 150917       |                                    | 1   | KIT C*          |
| 26  | 158382       |                                    | 1   |                 |
| 27  | 150918       |                                    | 1   |                 |
| 28  | 158443       |                                    | 1   |                 |
| 29  | 150920       |                                    | 1   |                 |
| 30  | 150922       |                                    | 1   |                 |
| 31  | 117375       | SCHROEF CXC M5-8 DTN (AANT. 10)    | 1   |                 |
| 32  | 150925       |                                    | 1   |                 |
| 33  | 73842        | SCHROEF DELTA PT WN5452 50X16      | 1   |                 |
| 34  | 150926       |                                    | 1   |                 |
| 35  | 158374       |                                    | 1   |                 |
| 36  | 150921       |                                    | 1   |                 |
| 37  | 151045       |                                    | 1   |                 |
| A   | 158496       |                                    | 1   |                 |
| B   | 158462       |                                    | 1   |                 |
| C   | 158461       |                                    | 1   |                 |

**PELENC** 57226 - EXCELION 2 DH\* / 57226 - EXCELION 2 DH - 2021 /  
TRANSMISSION + CARTER DE PROTECTION\*

Vervangonderdelen *Mechanisch*



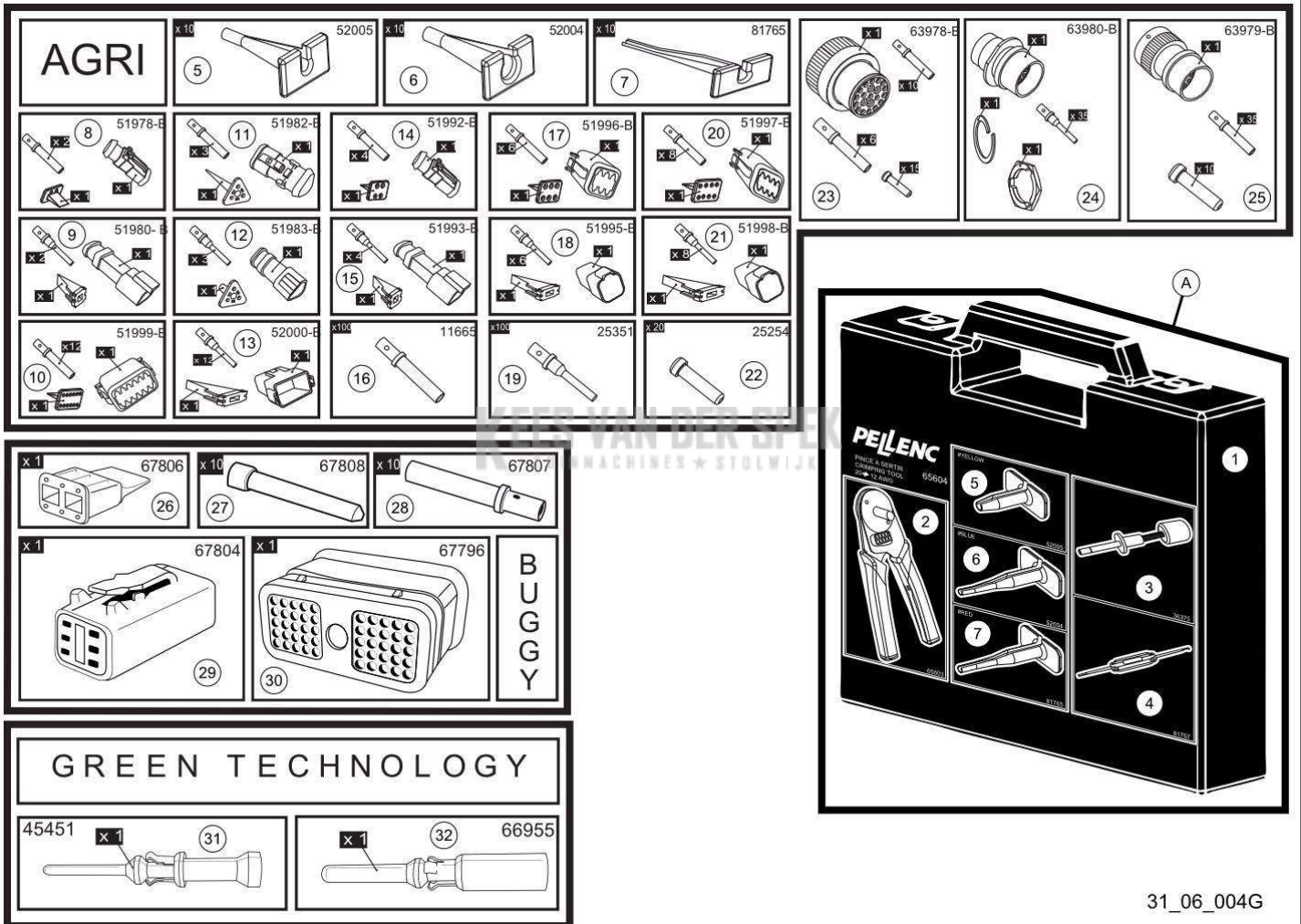
53\_21\_003D

**PELLENC** 57226 - EXCELION 2 DH\* / 57226 - EXCELION 2 DH - 2021 /  
TRANSMISSION + CARTER DE PROTECTION\*

| nr. | Artikelnumme | Beschrijving                   | Hoe | Opmerkingen |
|-----|--------------|--------------------------------|-----|-------------|
| 1   | 159033       |                                | 1   |             |
| 2   | 106659       | ONVERLIESBARE SCHROEF CARTER   | 4   | KIT A*      |
| 3   | 151099       |                                | 1   | KIT A*      |
| 4   | 160358       |                                | 1   |             |
| 5   | 117530       | SCHROEF CBX MET BASISBUIS M5-6 | 2   | KIT A*      |
| 6   | 151098       |                                | 1   | KIT A*      |
| 7   | 158427       |                                | 1   | KIT A*      |
| A   | 152042       |                                | 1   |             |

**KEES VAN DER SPEK**  
TUINMACHINES ★ STOLWIJK

Vervangonderdelen Gereedschap & vetten



31\_06\_004G

| nr. | Artikelnumme | Beschrijving                     | Hoe | Opmerkingen |
|-----|--------------|----------------------------------|-----|-------------|
| 1   | 65602        |                                  | 1   | KIT A       |
| 2   | 65603        |                                  | 1   | KIT A       |
| 3   | 36375        |                                  | 1   | KIT A       |
| 4   | 81767        |                                  | 1   | KIT A       |
| 5   | 52005        |                                  | 1   | KIT A       |
| 6   | 52004        |                                  | 2   | KIT A       |
| 7   | 81765        |                                  | 2   | KIT A       |
| 8   | 51978        |                                  | 1   |             |
| 9   | 51980        |                                  | 1   |             |
| 10  | 51999        |                                  | 1   |             |
| 11  | 51982        |                                  | 1   |             |
| 12  | 51983        |                                  | 1   |             |
| 13  | 52000        |                                  | 1   |             |
| 14  | 51992        |                                  | 1   |             |
| 15  | 51993        |                                  | 1   |             |
| 16  | 11665        |                                  | 100 |             |
| 17  | 51996        |                                  | 1   |             |
| 18  | 51995        |                                  | 1   |             |
| 19  | 25351        |                                  | 1   |             |
| 20  | 51997        |                                  | 1   |             |
| 21  | 51998        |                                  | 1   |             |
| 22  | 25254        |                                  | 20  |             |
| 23  | 63978        |                                  | 1   |             |
| 24  | 63980        |                                  | 1   |             |
| 25  | 63979        |                                  | 1   |             |
| 26  | 67806        |                                  | 1   |             |
| 27  | 67808        |                                  | 10  |             |
| 28  | 67807        |                                  | 10  |             |
| 29  | 67804        |                                  | 1   |             |
| 30  | 67796        |                                  | 1   |             |
| 31  | 45451        | MANNELIJKE FICHE 1.03 (0.34 MM2) | 1   |             |
| 32  | 66955        | F-RUNNERM POSITTRONIC            | 1   |             |
| A   | 65604        |                                  | 1   |             |
| 33  | 40752        |                                  | 1   |             |
| 34  | 75685        |                                  | 1   |             |

KEES VAN DER SPEK

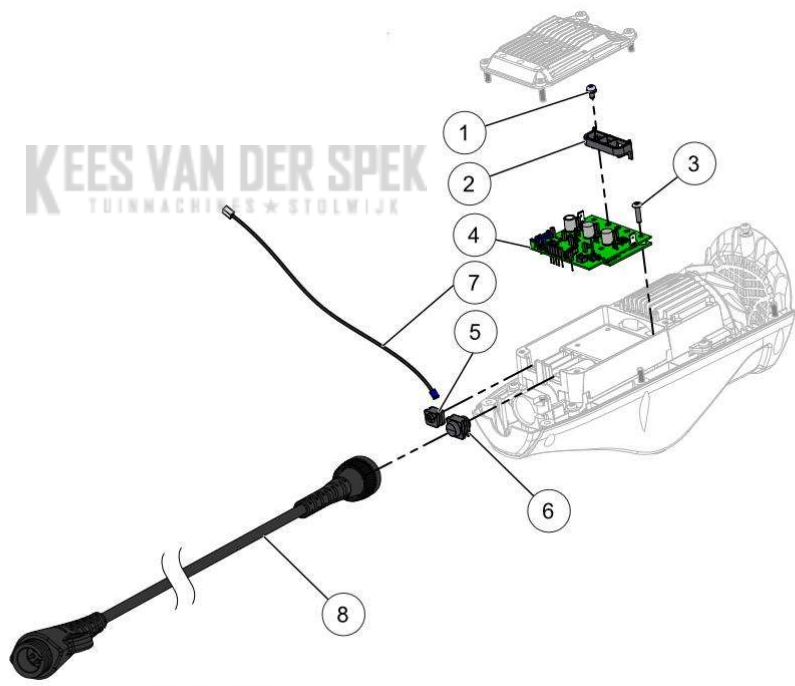
Vervangonderdelen Gereedschap & vetten

|   |                            |             |           |   |                           |                           |                          |
|---|----------------------------|-------------|-----------|---|---------------------------|---------------------------|--------------------------|
| 26-VINION<br>32-PRUNION                                     | 26-LIXION                  | 32-TREELION | 48-OLIVUM | 26-VINION<br>26-LIXION                      | 29-FIXION 2<br>29-FIXION  | 32-PRUNION<br>32-TREELION |                          |
| 1   | 2                          |             |           |   |                           | 3                         | 4                        |
| 48-OLIVION  | 58-CULTIVION               | 48-OLIVUM   |           | 26-VINION                                   | 32-PRUNION                |                           | 26-LIXION<br>32-TREELION |
| 5   |                            | 6           |           |   |                           | 3                         | 7                        |
| 53-EXCELION 2000  |                            |             |           | 48-OLIVION                                  | 58-CULTIVION              |                           |                          |
| 8   |                            |             |           |   |                           | 9                         |                          |
| 4   |                            |             |           |   |                           |                           |                          |
| 51-SELION PERCHE<br>51-SELION M12<br>51-SELION C20 / C21 HD |                            |             |           | 54-HELION<br>54-HELION 2<br>54-HELION ALPHA |                           |                           |                          |
| 10  |                            |             |           |   |                           | 12                        |                          |
| 8   |                            | 11          |           |   |                           | 13                        |                          |
|   |                            |             |           |   |                           | 14                        | 11                       |
| 59-RASION SMART<br>59-RASION EASY<br>59-RASION BASIC        | 54-HELION 1<br>54-HELION 2 |             |           | 26-VINION                                   | 32-PRUNION                |                           |                          |
| 15  |                            |             |           |   |                           | 3                         |                          |
| OEP   |                            |             |           | 26-VINION<br>26-LIXION                      | 32-PRUNION<br>32-TREELION |                           |                          |
| 16  | 17                         | 18          |           |   |                           | 22                        |                          |
| 19  | 20                         | 21          |           |   |                           |                           |                          |

31\_13\_003F

| nr. | Artikelnumme | Beschrijving                       | Hoe | Opmerkingen                                    |
|-----|--------------|------------------------------------|-----|--|
| 1   | 149789       | VET FUCHS ECO NAVULLING 400 G      | 1   | REDUCTEUR SECATEURS / OLIVIUM*                 |
| 2   | 84401        | VET REDUCTOR GR190                 | 1   | REDUCTEUR SECATEURS / OLIVIUM*                 |
| 3   | 140484       | VET FUCHS HLT-2 NAVULLING 400 G    | 1   | VIS A BILLES / ECROU A BILLES*                 |
| 4   | 35749        | SKIN PACK TUBE SMEERVET            | 1   | VIS A BILLES / TETE DE COUPE / RENVOI D'ANGLE* |
| 5   | 85125        | VETPATROON G0102 400 G             | 1   | REDUCTEUR BIELLE OLIVION / CULTIVION*          |
| 6   | 52649        | SMEER BR2+ (400GR)                 | 1   | TETE OLIVIUM*                                  |
| 7   | 02168        | LAGERVET (200 g)                   | 1   | ROULEMENTS A AIGUILLES*                        |
| 8   | 02170        | VET KOGELBOUTEN (400 g)            | 1   | TETE DE COUPE*                                 |
| 9   | 80326        | VETPATROON G2001 375 G             | 1   | BIELLE OLIVION / CULTIVION*                    |
| 10  | 116688       | BLIK 5L BIOLOGISCHE OLIE           | 1   |  |
| 11  | 68518        | VETPOMP VOOR KETTINGGELEIDER       | 1   |  |
| 12  | 115174       | VETPATROON HELION 400G             | 1   |  |
| 13  | 121633       | SMEERMIDDEL / OPLOSMIDDEL BIO      | 1   |  |
| 14  | 36649        |                                    | 1   |  |
| 15  | 121596       | CONTACTVET PLASTIC - METAAL (1 kg) | 1   |  |
| 16  | 146528       | THERM. SMEER HY880 (1G)            | 1   |  |
| 17  | 01223        |                                    | 1   |  |
| 18  | 64635        | SILICONENVRIJE THERMISCHE PASTA    | 1   | CARTES ELECTRONIQUES*                          |
| 19  | 05944        |                                    | 1   |  |
| 20  | 02167        |                                    | 1   |  |
| 21  | 111539       |                                    | 1   | CONTACTS ELECTRIQUES*                          |
| 22  | 140486       | VET FUCHS ECO-402 NAVULLING 400 G  | 1   | ROULEMENTS A AIGUILLES*                        |
| 23  | 52649        | SMEER BR2+ (400GR)                 | 1   |  |
| 24  | 02171        | CONTACTSPRAY ELECTR. KF            | 1   |  |

Vervangonderdelen *Elektrisch*



53\_21\_005A



| nr. | Artikelnumme | Beschrijving                  | Hoe | Opmerkingen |
|-----|--------------|-------------------------------|-----|-------------|
| 1   | 153211       |                               | 3   |             |
| 2   | 157190       |                               | 1   | KIT A       |
| 3   | 82821        | SCHROEF CBX M4-16 TORX CL 8.8 | 4   |             |
| 4   | 147134       |                               | 1   | KIT A       |
| 5   | 150788       |                               | 1   |             |
| 6   | 150787       |                               | 1   |             |
| 7   | 149767       |                               | 1   |             |
| 8   | 150781       |                               | 1   |             |
| A   | 158937       |                               | 1   |             |



**WARNING**

To reduce the risk of injury,  
user must read instruction manual.

For use only with  
ULIB 750 / Alpha 520 battery  
(battery pack, etc.).  
See instruction manual for  
additional battery packs.

53\_21\_011A

---

**PELENC** 57226 - EXCELION 2 DH\* / 57226 - EXCELION 2 DH - 2021 /  
STICKERS - SAFETY

| nr. | Artikelnumme | Beschrijving | Hoe | Opmerkingen |
|-----|--------------|--------------|-----|-------------|
| 1   | 160661       |              | 1   |             |

**KEES VAN DER SPEK**  
TUINMACHINES ★ STOLWIJK



**KEES VAN DER SPEK**  
TUINMACHINES ★ STOLWIJK

53\_21\_009A

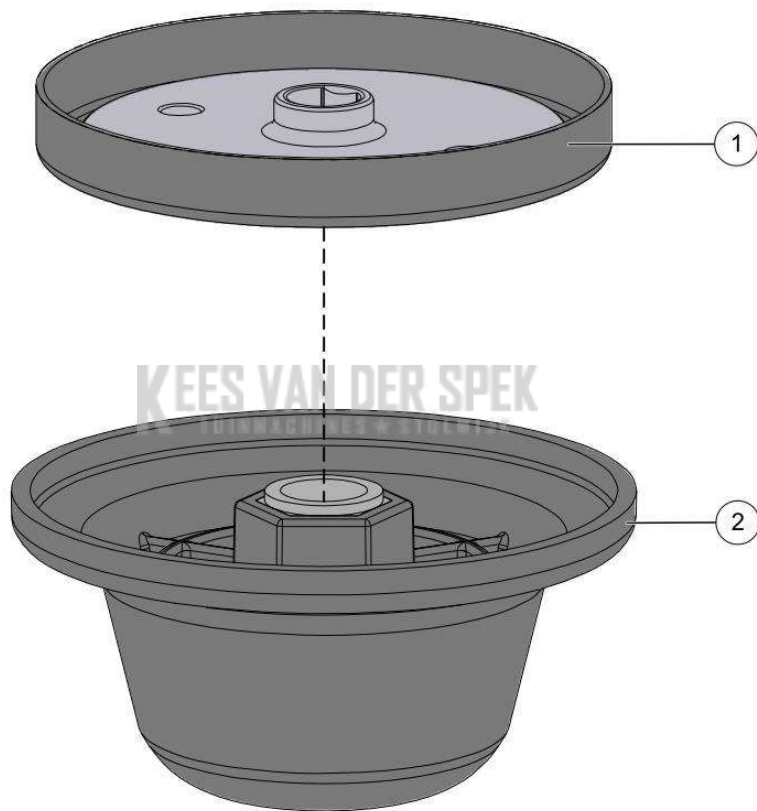
---

**PELLENC** 57226 - EXCELION 2 DH\* / 57226 - EXCELION 2 DH - 2021 /  
STICKERS - DESIGN

| nr. | Artikelnumme | Beschrijving | Hoe | Opmerkingen |
|-----|--------------|--------------|-----|-------------|
| 1   | 158899       |              | 2   |             |

**KEES VAN DER SPEK**  
TUINMACHINES ★ STOLWIJK

Vervangonderdelen *Medeplichtig*



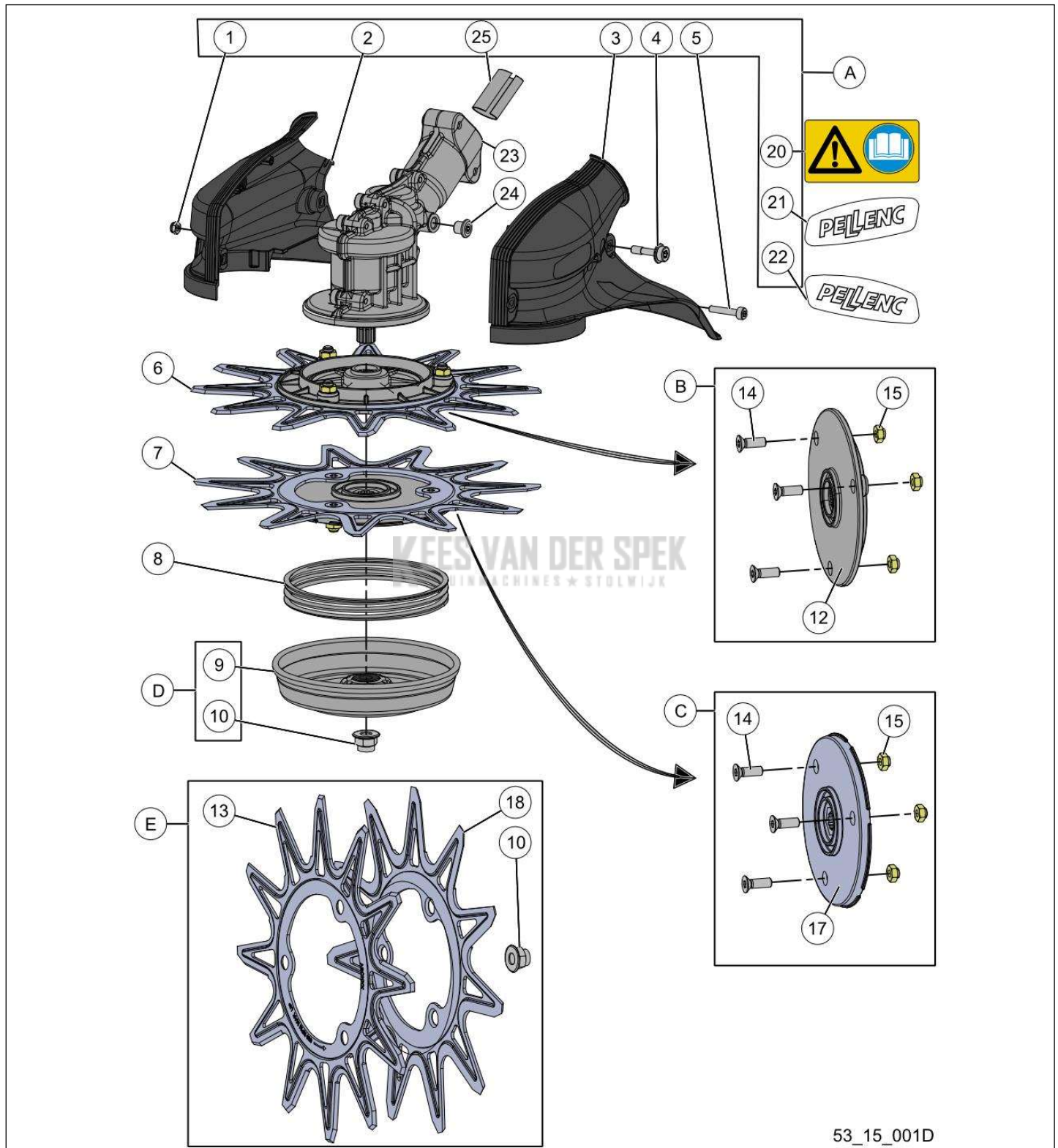
53\_15\_007A

**PELLENC** 57226 - EXCELION 2 DH\* / 57226 - EXCELION 2 DH - 2021 /  
MAAIKOP: BLADE CUT

| nr. | Artikelnumme | Beschrijving            | Hoe | Opmerkingen |
|-----|--------------|-------------------------|-----|-------------|
| 1   | 107700       | MESHOUDER TDC-MES EXD14 | 1   |             |
| 2   | 106645       | BOL TDC MES EXD         | 1   |             |

**KEES VAN DER SPEK**  
TUINMACHINES ★ STOLWIJK

Vervangonderdelen Medeplichtig



53\_15\_001D



| nr. | Artikelnumme | Beschrijving                      | Hoe | Opmerkingen |
|-----|--------------|-----------------------------------|-----|-------------|
| 1   | 128095       |                                   | 1   | KIT A       |
| 2   | 118030       |                                   | 1   | KIT A       |
| 3   | 118029       |                                   | 1   | KIT A       |
| 4   | 117505       |                                   | 2   | KIT A       |
| 5   | 128094       |                                   | 1   | KIT A       |
| 6   | 117490       |                                   | 1   |             |
| 7   | 117496       |                                   | 1   |             |
| 8   | 118027       | VEER CITYCUT                      | 1   |             |
| 9   | 118020       |                                   | 1   | KIT D       |
| 10  | 117504       | CITYCUT FLENSMOEREN M8            | 1   | KIT D, E    |
| 12  | 117461       |                                   | 1   | KIT B       |
| 13  | 117495       |                                   | 1   | KIT E       |
| 14  | 117494       |                                   | 3   | KIT B, C    |
| 15  | 03208        | ECROU FREIN H M6 Z                | 3   |             |
| 17  | 117502       |                                   | 1   | KIT C       |
| 18  | 117497       |                                   | 1   | KIT E       |
| 20  | 117512       |                                   | 1   | KIT A       |
| 21  | 118022       |                                   | 1   | KIT A       |
| 22  | 117510       |                                   | 1   | KIT A       |
| 23  | 118031       |                                   | 1   |             |
| 24  | 71307        | SMEERDOP                          | 1   |             |
| A   | 118267       | KIT VEILIGHEIDSBEHUIZING HOES A & | 1   |             |
| B   | 118268       | KIT SCHIJF BOVENKANT CITYCUT      | 1   |             |
| C   | 118269       | KIT SCHIJF ONDERKANT CITYCUT      | 1   |             |
| D   | 118271       | KIT ONDERSTEL CITYCUT             | 1   |             |
| E   | 118270       | MESSENKIT CITYCUT                 | 1   |             |
| 25  | 150872       | ADAPTATIERING 26-28 CITYCUT       | 1   |             |

Vervangonderdelen *Medeplichtig*



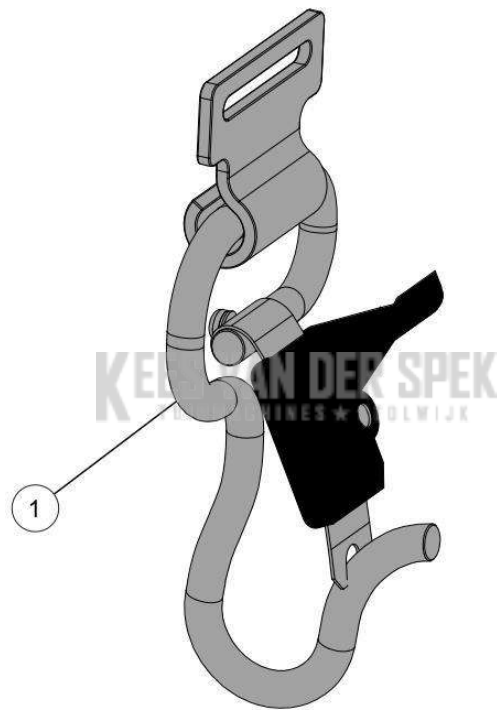
59\_19\_011A

**PELENC** 57226 - EXCELION 2 DH\* / 57226 - EXCELION 2 DH - 2021 /  
AANPASSINGSKIT VOOR COMFORTHARNAS

| nr. | Artikelnumme | Beschrijving                | Hoe | Opmerkingen |
|-----|--------------|-----------------------------|-----|-------------|
| 1   | 135500       | ADAPT EX2000 PR HARNAS CONF | 1   |             |

**KEES VAN DER SPEK**  
TUINMACHINES ★ STOLWIJK

Vervangonderdelen *Medeplichtig*



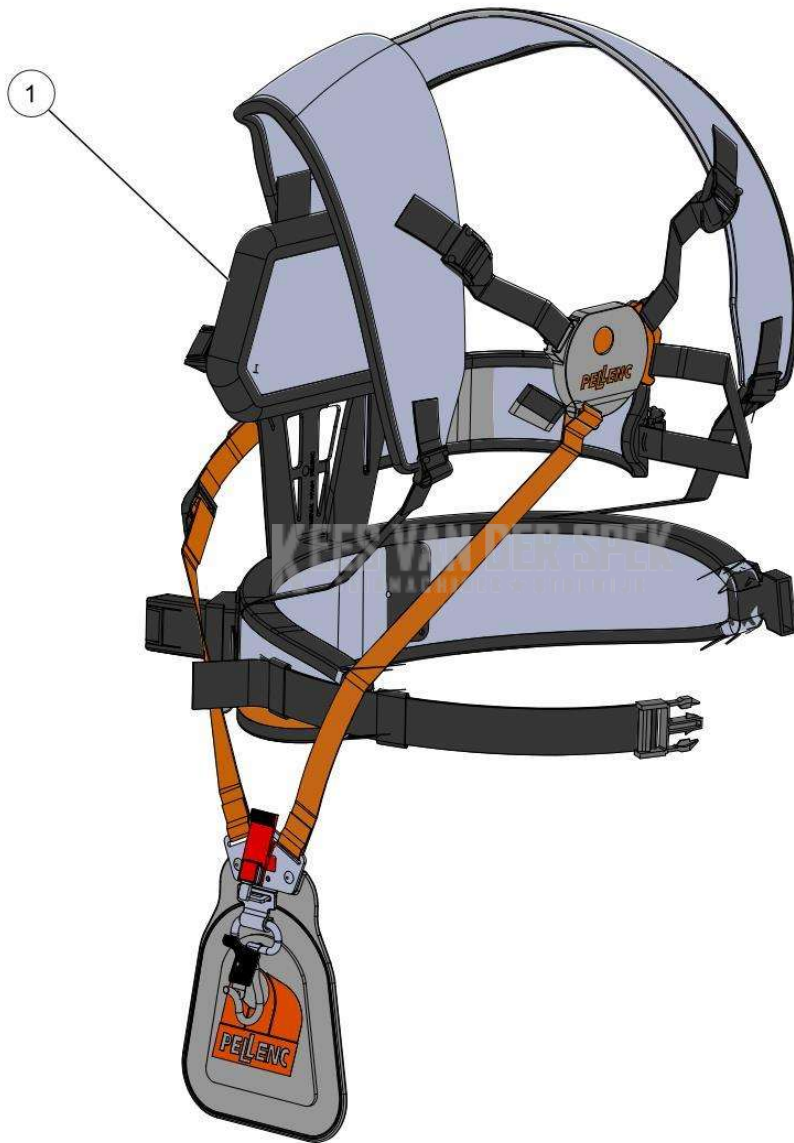
59\_19\_012A

**PELENC** 57226 - EXCELION 2 DH\* / 57226 - EXCELION 2 DH - 2021 /  
DRAAGHAAK HARNAS EXD

| nr. | Artikelnumme | Beschrijving         | Hoe | Opmerkingen |
|-----|--------------|----------------------|-----|-------------|
| 1   | 119569       | DRAAGHAAK HARNAS EXD | 1   |             |

**KEES VAN DER SPEK**  
TUINMACHINES ★ STOLWIJK

Vervangonderdelen *Medeplichtig*



53\_19\_013A

**PELENC** 57226 - EXCELION 2 DH\* / 57226 - EXCELION 2 DH - 2021 /  
ACCUHARNAS COMPLEET IN VERPAKKING EXD

| nr. | Artikelnumme | Beschrijving            | Hoe | Opmerkingen |
|-----|--------------|-------------------------|-----|-------------|
| 1   | 110283       | ACCUHARNAS COMPLEET EXD | 1   |             |

**KEES VAN DER SPEK**  
TUINMACHINES ★ STOLWIJK

**PELENC** 57226 - EXCELION 2 DH\* / 57226 - EXCELION 2 DH - 2021 /  
HARNAIS CONFORT + PLATINE D'ADAPTATION\*

Vervangonderdelen Medeplichtig



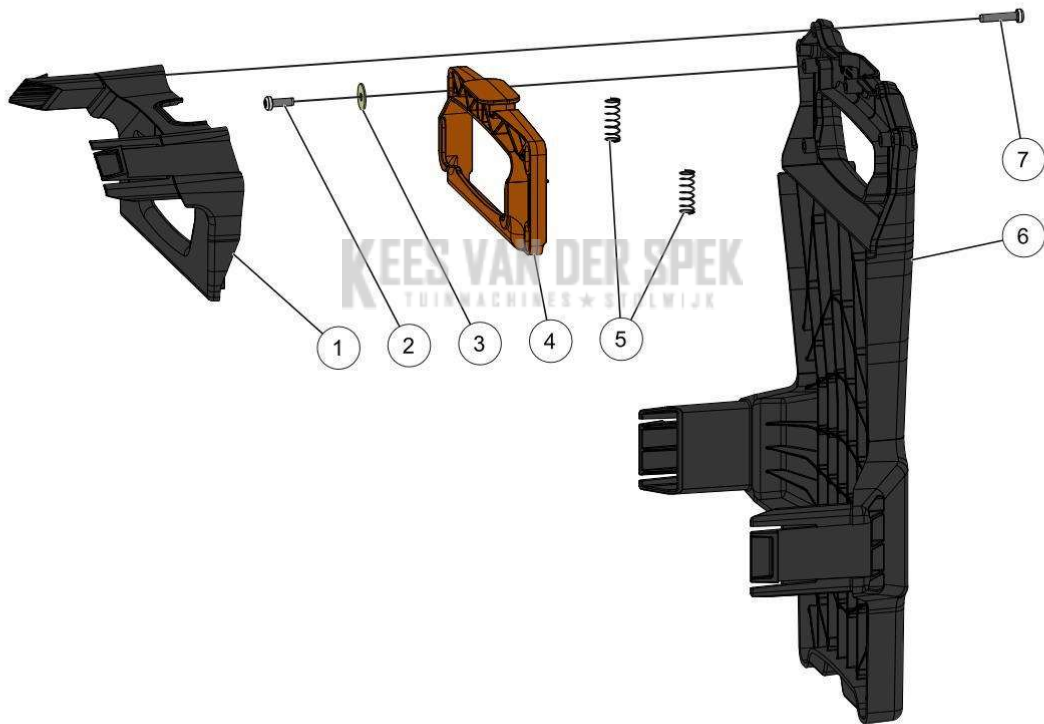


**PELENC** 57226 - EXCELION 2 DH\* / 57226 - EXCELION 2 DH - 2021 /  
HARNAIS CONFORT + PLATINE D'ADAPTATION\*

| nr. | Artikelnumme | Beschrijving                     | Hoe | Opmerkingen |
|-----|--------------|----------------------------------|-----|-------------|
| 1   | 133879       | KIT GESP BORSTBAND               | 1   |             |
| 2   | 132293       |                                  | 1   |             |
| 3   | 84446        | RING FLENS WIEL 11DTS            | 1   |             |
| 4   | 133660       |                                  | 1   |             |
| 5   | 133878       |                                  | 1   |             |
| 6   | 133880       | UITGERUSTE RIEM COMFORTHARNAS    | 1   |             |
| 7   | 139091       | ADAPTERPLAAT ACCU 700-1100       | 1   |             |
| 8   | 157965       | RIEMGESP ITW NEXUS DWSR-40       | 1   |             |
| 9   | 138603       | CLIP SNOER ARMBAND RIEM ACCU 150 | 1   |             |
| 10  | 132278       |                                  | 1   |             |
| 11  | 152769       | ENSEMBLE SANGLE PECTORALE DRTE   | 1   |             |
| 11  | 152770       | ENSEMBLE SANGLE PECTORALE        | 1   |             |
| 12  | 152768       | RALLONGE CEINTURE VENTRALE       | 1   |             |
| 13  | 152778       | KIT VERLENGKABELS                | 1   |             |
| A   | 133881       | KIT SCHOUDERBANDEN               | 1   |             |
| B   | 133882       | KIT PLATINA COMFORTHARNAS        | 1   |             |

**KEES VAN DER SPEK**  
TUINMACHINES ★ STOLWIJK

Vervangonderdelen *Medeplichtig*



53\_19\_015A

**PELENC** 57226 - EXCELION 2 DH\* / 57226 - EXCELION 2 DH - 2021 / PLAAT  
VOOR AANPASSING VAN ACCU'S 700 / 1100

| nr. | Artikelnumme | Beschrijving                  | Hoe | Opmerkingen |
|-----|--------------|-------------------------------|-----|-------------|
| 1   | 139092       |                               | 1   | KIT A       |
| 2   | 73848        | SCHROEF DELTA PT WN5452 40X12 | 2   | KIT A       |
| 3   | 17137        |                               | 2   | KIT A       |
| 4   | 131852       |                               | 1   | KIT A       |
| 5   | 131853       |                               | 2   | KIT A       |
| 6   | 139093       |                               | 1   | KIT A       |
| 7   | 131837       | LOT VAN 20 DELTA PT SCHROEVEN | 7   | KIT A       |
| A   | 139091       | ADAPTERPLAAT ACCU 700-1100    | 1   |             |

**KEES VAN DER SPEK**  
TUINMACHINES ★ STOLWIJK

**PELENC** 57226 - EXCELION 2 DH\* / 57226 - EXCELION 2 DH - 2021 / KABEL  
MET 9 PUNTS-SNELAANSLUITING + KWARTSLAG-DRAAIGESP

Vervangonderdelen *Medeplichtig*



53\_19\_007A

**PELENC** 57226 - EXCELION 2 DH\* / 57226 - EXCELION 2 DH - 2021 / KABEL  
MET 9 PUNTS-SNELAANSLUITING + KWARTSLAG-DRAAIGESP

| nr. | Artikelnumme | Beschrijving | Hoe | Opmerkingen |
|-----|--------------|--------------|-----|-------------|
| 1   | 133179       |              | 1   |             |
| 2   | 132242       |              | 2   |             |

**KEES VAN DER SPEK**  
TUINMACHINES ★ STOLWIJK

Vervangonderdelen *Medeplichtig*



56\_20\_009A

---

**PELENC** 57226 - EXCELION 2 DH\* / 57226 - EXCELION 2 DH - 2021 /  
CORDON RAPIDE 5/9 POINTS\*

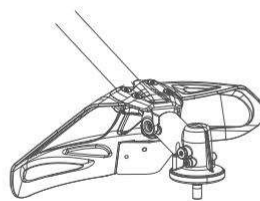
| nr. | Artikelnumme | Beschrijving | Hoe | Opmerkingen |
|-----|--------------|--------------|-----|-------------|
| 1   | 150858       |              | 1   |             |

**KEES VAN DER SPEK**  
TUINMACHINES ★ STOLWIJK

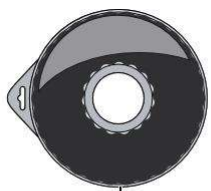
TAP CUT



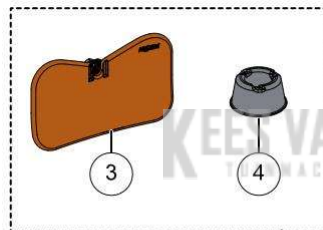
LAME



SCIE



1



3

4

A



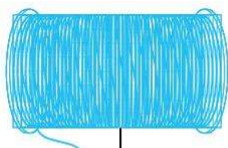
7



8



9



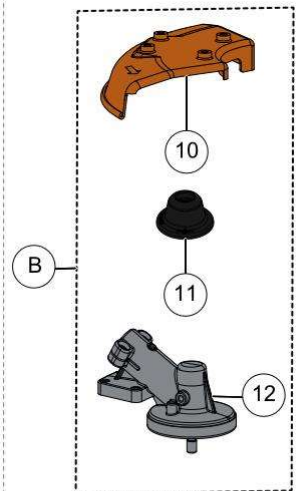
2



5



6



10

11

12

B



13

53\_21\_010D



**PELENC** 57226 - EXCELION 2 DH\* / 57226 - EXCELION 2 DH - 2021 /  
GEBRUIKSGOEDEREN

| nr. | Artikelnumme | Beschrijving                     | Hoe | Opmerkingen               |
|-----|--------------|----------------------------------|-----|---------------------------|
| 1   | 159894       | SCHAAL BLAUWE DRAAD 70m / 2,4mm  | 1   |                           |
| 1   | 159895       | SCHAAL BLAUWE DRAAD 63m / 2,7mm  | 1   |                           |
| 2   | 159893       | SPOEL BLAUWE DRAAD 347m / 2,4mm  | 1   |                           |
| 2   | 159892       | SPOEL BLAUWE DRAAD 280m / 2.7mm  | 1   |                           |
| 3   | 159735       |                                  | 1   | KIT A*                    |
| 4   | 157969       |                                  | 1   | KIT A*                    |
| 5   | 152042       |                                  | 1   |                           |
| 6   | 139502       | BESCHERMINGBOL MOER UNIV EXC 2 - | 1   |                           |
| 7   | 158491       | HAKSELMES EXD2 (SKIN)            | 1   |                           |
| 8   | 158489       |                                  | 1   |                           |
| 9   | 158490       |                                  | 1   |                           |
| 10  | 111500       | BEHUIZING ZAAGBLAD VAN HAKS. EXD | 1   | KIT B*                    |
| 11  | 106645       | BOL TDC MES EXD                  | 1   | KIT B*                    |
| 12  | 139494       | UNIVERSELE HOEKOVERBRENGING      | 1   | KIT B*                    |
| 13  | 111700       | ZAAGBLAD VAN HAKS. EXD VERPAKT   | 1   |                           |
| A   | 158492       |                                  | 1   | SOLD AS MACHINE ref 57277 |
| B   | 158947       |                                  | 1   | SOLD AS MACHINE ref 57275 |

**KEES VAN DER SPEK**  
TUINMACHINES ★ STOLWIJK